



Readjust Hood Latch

Classification	Campaign Bulletin	Section/Group	11 - Closures	Country/Region	United States, Canada
Year	2018	Model	Model 3	Version	All

Bulletin Classification: *This campaign bulletin addresses a known non-safety-related condition and provides recommended technical diagnosis and repair procedures. Apply this procedure to all vehicles in the affected VIN range listed. These instructions assume knowledge of motor vehicle and high voltage electrical component repairs, and should only be executed by trained professionals. Tesla assumes no liability for injury or property damage due to a failure to properly follow these instructions or repairs attempted by unqualified individuals.*

Condition

On certain Model 3 vehicles, the hood latch might be out of alignment, causing a possible interference with the underhood storage unit.

Correction

Install shims between hood latch and the front end carrier to increase the clearance between the hood latch and the underhood storage unit. If necessary, also modify the underhood storage unit to increase the hood latch striker clearance.

Correction Description	Correction	Time
SB-19-11-002 Not Applicable	S011911002	0.00
Inspect Underhood Storage Unit and Hood Latch Assembly; No Underhood Storage Unit Modification Or Hood Latch Assembly Shims Necessary	S021911002	0.05
Shim Hood Latch Assembly	S031911002	0.05
Modify Underhood Storage Unit	S041911002	0.05
Modify Underhood Storage Unit And Shim Hood Latch Assembly	S051911002	0.10

Required Part(s):	Part Number	Description	Quantity
	1016456-00-B	WSHR,6.0x18x1.6mm, Epoxy	4

Shop supplies:

Ruler
 Measuring Tape or Digital Caliper
 Black marker pen

These part numbers were current at the time of publication. Use the revisions listed or later, unless otherwise specified in the Parts Manual.

Procedure

1. Remove the hood latch cover (refer to Service Manual procedure 15241102).
2. Inspect the underhood storage unit near the hood latch:
 - If the underhood storage unit is damaged from contacting the hood latch striker (Figure 1), continue to the next step.
 - If no damage is found on the underhood storage unit (Figure 2), skip to step 5.



Figure 1 (Underhood storage unit damaged)

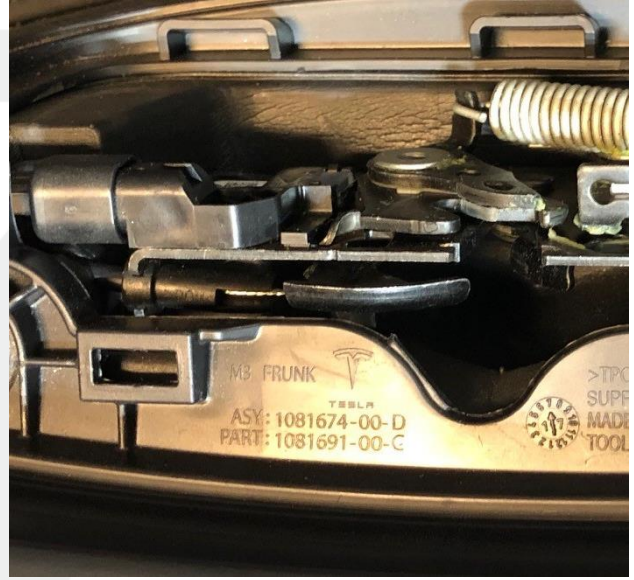


Figure 2

3. Draw a line on the underhood storage unit approximately 11.5 mm from the edge of the latch cutout (Figure 3), and then draw a line perpendicular right next to the curved feature (Figure 4)

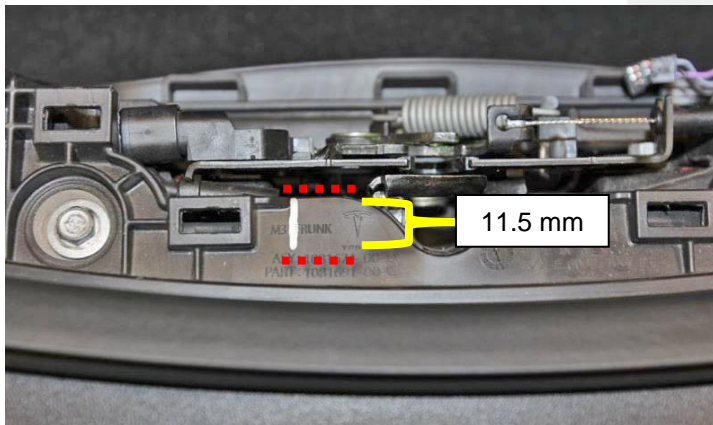


Figure 3

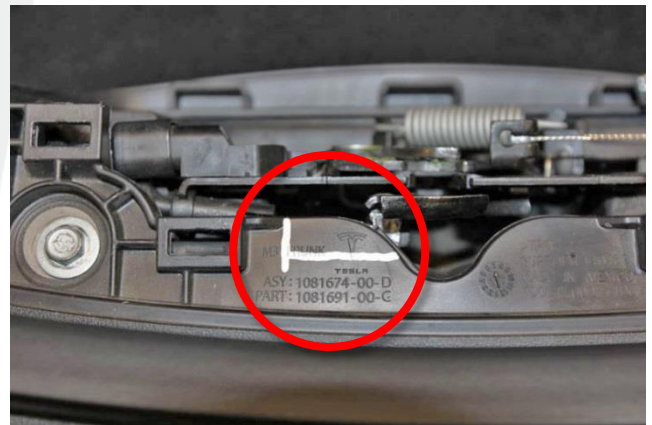


Figure 4

4. Cut out and discard the marked sections of the underhood storage unit between the lines using diagonal cutters or similar tool (Figure 5).

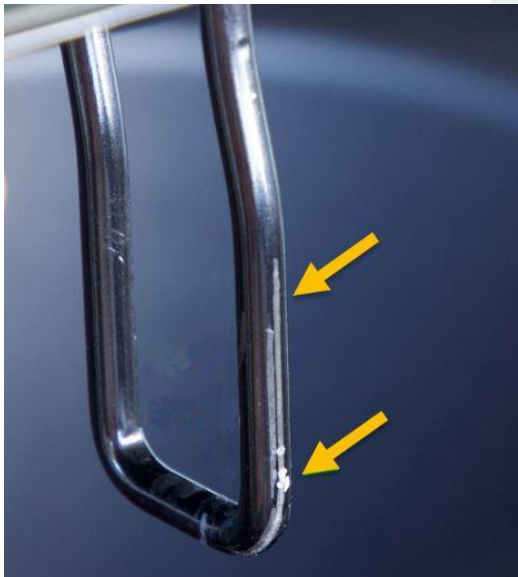
⚠ CAUTION: Do not allow the cut piece to drop into the hood latch area.



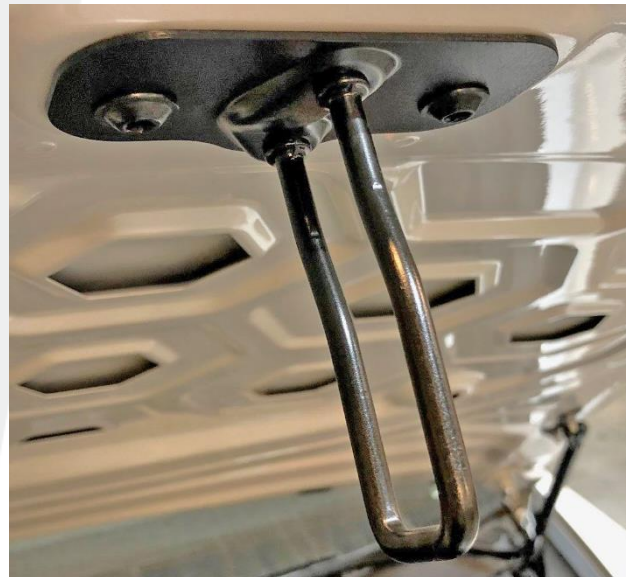
Figure 5

5. Inspect the hood latch striker:

- If scrape marks are found at the front of the hood latch striker (Figures 6), continue to step 14.
- If no scrape marks are found at the front of the hood latch striker (Figure 7), continue to the next step.



✘ Figure 6 (Visible scrape marks at the front of the hood latch striker)



✔ Figure 7 (No scrape marks at the front of the hood latch striker)

6. Wrap the bottom portion of the hood latch striker with a piece of masking tape where the hood hatch engages with the striker (Figure 8).



Figure 8

7. Manually rotate the hood latch to the secondary position, and not the primary position.
8. Generously paint the top portion of the hood latch with a black marker (Figure 9), and then promptly go to the next steps before the ink from the black marker dries.

NOTE: The black marker ink transfers to the masking tape during the next step.



Figure 9

9. Cut a long piece of string or thin rope approximately 6 feet long, and then wrap it around the hood latch (Figure 10).

NOTE: The string allows the release of the hood latch later in this procedure.

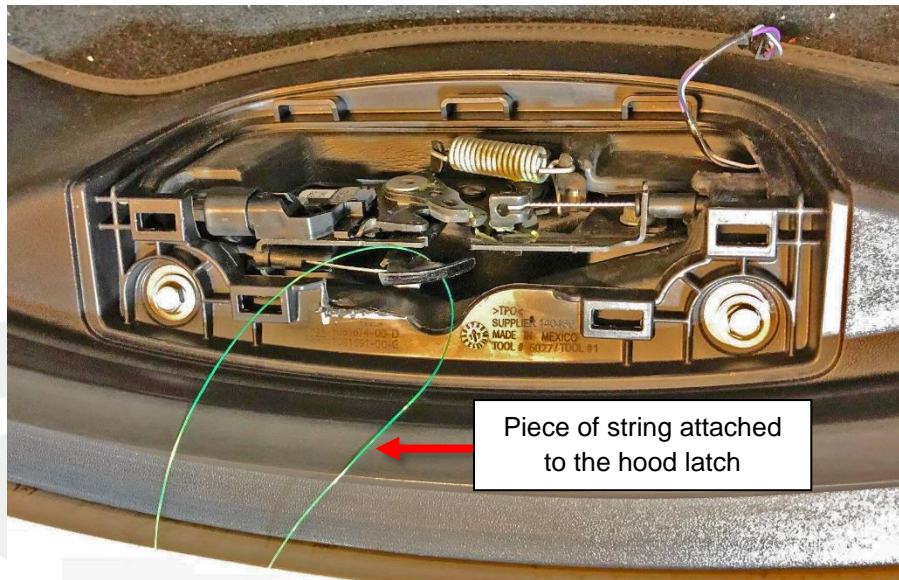


Figure 10

10. Carefully close the hood to the secondary hood latch only (Figure 11).

NOTE: Do not close the hood fully.



Figure 11

11. Pull the string to release the secondary hood latch, and then open the hood (Figure 12).

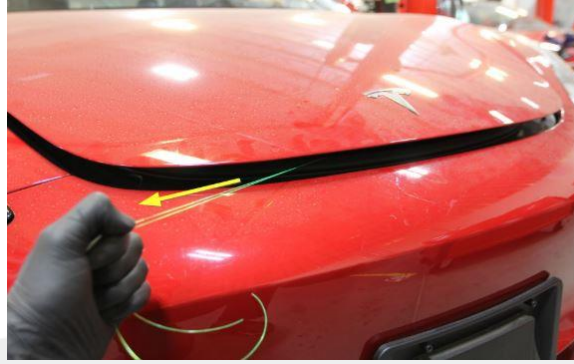


Figure 12

12. Remove the string from the hood latch.

13. Measure the distance between the front of the hood latch striker and the ink mark left by the latch point on the hood latch using a pocket ruler and a digital caliper or ruler (Figure 13):

- If the measured distance is between 10 and 15 mm, remove the masking tape from the hood latch striker, and then go to step 19.
- If the measure distance is less than 10 mm, continue to the next step.

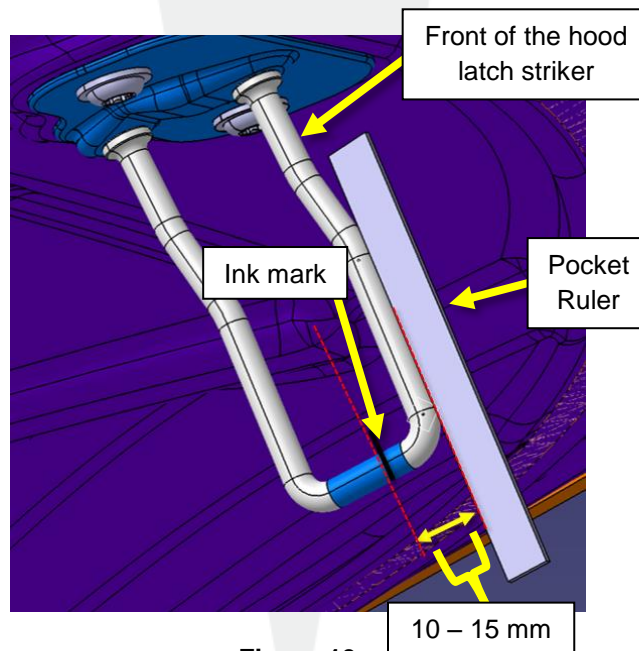


Figure 13

14. Remove the bolts (x2) that attach the hood latch to the front end carrier (Figure 14).

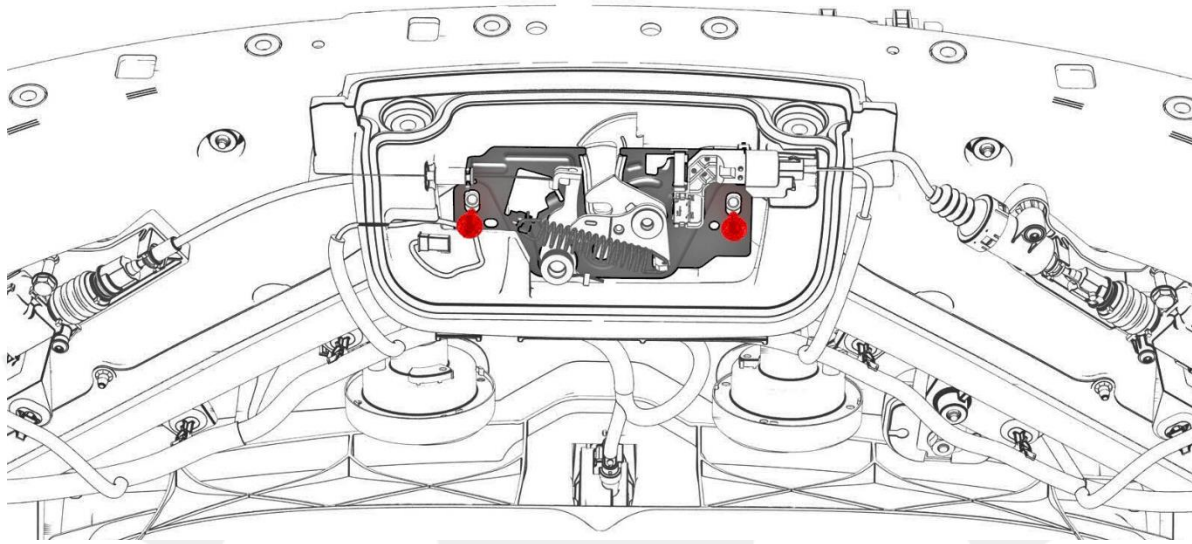


Figure 14

15. Position 2 shims between the hood latch and the front end carrier (Figure 15), and then hand-tighten the LH hood latch bolt to the front end carrier. Repeat this step on the RH hood latch bolt.

NOTE: Use needle-nose pliers to position the shims while installing the hood latch bolt.

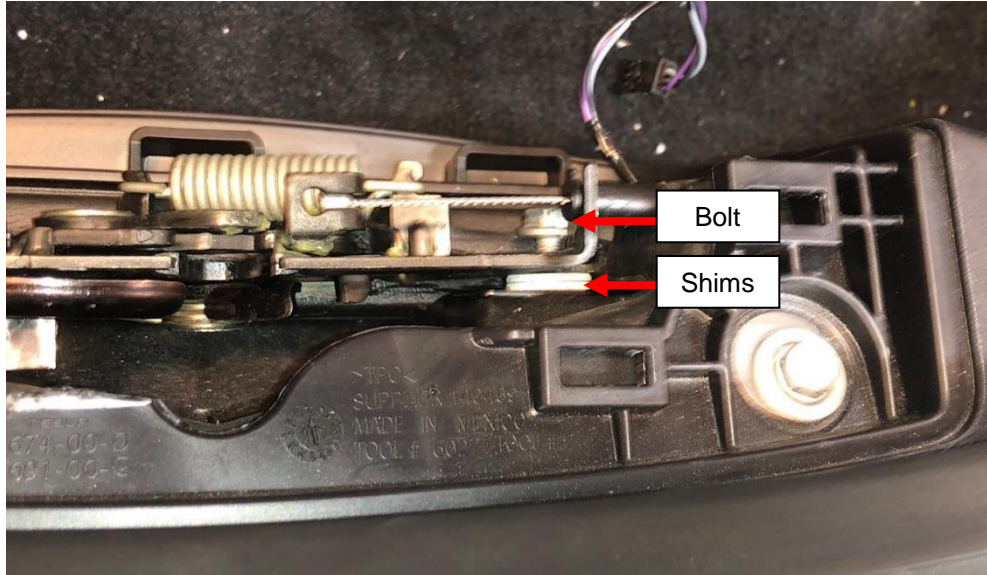


Figure 15 (LH hood latch bolt and shim, RH similar)

16. Push the hood latch assembly down fully, and then tighten the hood latch bolts (torque 8 Nm).

17. Carefully close the hood to the secondary hood latch only.

NOTE: Do not close the hood fully.

18. Attempt to open the hood, and then verify that the secondary hood latch securely holds the hood in place.

19. Install the hood latch cover (refer to Service Manual procedure 15241102).

Affected VIN(s) Affected Model 3 vehicles built between approximately May 26, 2018 and September 19, 2018.

NOTE: This is a simplified summary of the affected VIN list. Refer to the VIN/Bulletin Tracker or Customer/Vehicle profile to determine applicability of this bulletin for a particular vehicle.

For feedback on the accuracy of this document, email ServiceBulletinFeedback@tesla.com.

