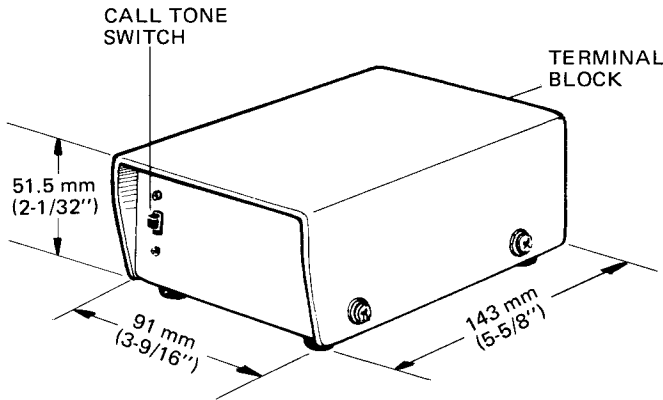


# DOOR STATION ADAPTOR

Model: **DS-B**

DS-B DOOR STATION ADAPTOR IS DESIGNED FOR USE WITH TS-K SPEAKER-PHONE INTERCOM SYSTEM.

## — INSTRUCTIONS —



- \* Power source: May be extended from PS-12S (PS-12C in North America) of TS-K system.
- \* Current consumption: 50 mA maximum.
- \* Wiring: 5 wires between DS-B and TS-K master (polarized)  
2 wires between DS-B and door station (non-polarized)
- \* Wiring distance: Select the proper wire gauge to meet your requirements from the chart below;

| MAXIMUM COMMUNICATION DISTANCE FROM TS-K TO DOOR STATION | DIAMETER | 0.5 mm | 0.65 mm | 0.8 mm |
|--|----------|--------|---------|--------|
|  | DISTANCE | 90 m   | 150 m   | 230 m  |
| AWG  | 24 AWG   | 22 AWG | 20 AWG  |        |
| DISTANCE   | 300'     | 500'   | 750'    |        |

\* PLEASE SELECT THE MOST SUITABLE DOOR STATION FOR YOUR APPLICATION;



IC-DC



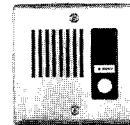
IC-NA



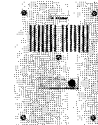
IC-RA



IC-KA



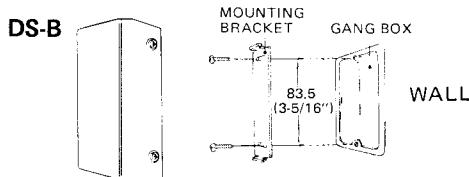
IC-JA



IC-FY

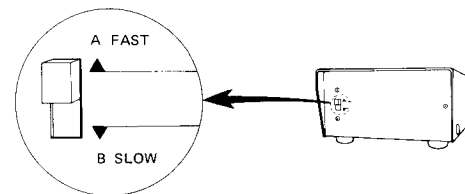
### WALL MOUNTING

Attach the mounting bracket to gang box or wall with the supplied screws. Insert the prongs of the bracket into the holes of the body and pull the body downward.



### CALL TONE SWITCH

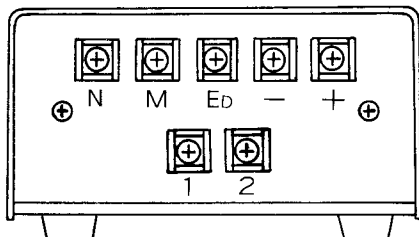
The call tone (tremolo sound) from door can be set either fast or slow by using the switch provided. TS-K speaker-phones can identify which door station called.



### TO PREVENT ELECTRIC SHOCK

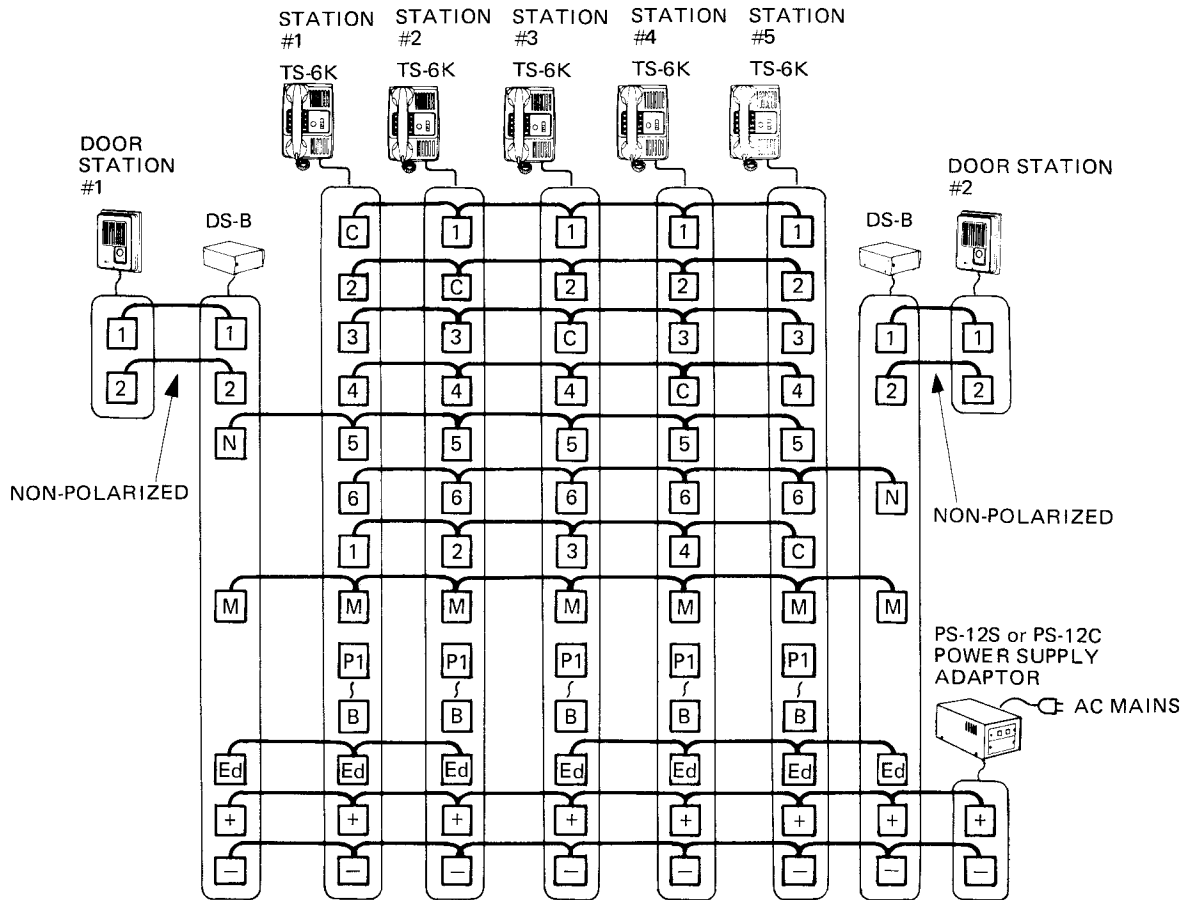
- \* DO NOT CONNECT ANY TERMINAL ON ANY UNIT TO AC POWER LINES.
- \* BE SURE TO REMOVE PLUG OF PS-12S OR PS-12A (OR PS-12C) FROM POWER OUTLET BEFORE YOU OPEN THE UNIT OR MAKE WIRING CONNECTIONS.
- \* Do not pinch connecting wires in windows, doors or desks.
- \* DS-B must be installed in as dry and dust-free environment as possible.

### ACTUAL TERMINAL LOCATION



DS-B BACK VIEW

- N** . . . for connecting to number terminal of TS-K master
- M** . . . for connecting to **M** terminal of TS-K master
- Ed** . . . for connecting to **Ed** terminal of TS-K master
- +** } for connecting **+** **-** terminals of PS-12S or
- } PS-12A (or PS-12C) power supply adaptor
- 1 2** . . . for connecting door station (non-polarized)



\* In the above example, door station #1 can call and communicate with TS-K masters #1 and 2. Door station #2 can call and communicate with TS-K masters #3, 4 and 5. In addition, door station #1 may communicate with master #3, 4 or 5, after call is transferred, and door station #2 with master #1 or 2 in the same way.

- NOTE: (1) Up to two door stations may be connected to up to 4 TS-K masters in a system.  
 (2) If the system is in use, a call from door does not sound at any TS-K station.  
 (3) Transfer of call from door to another TS-K station may be accomplished as follows;  
 1. Momentarily hang up handset to cancel communication with the door.  
 2. Select the TS-K station number desired and ask the station to select the number assigned for door station.  
 3. Hang up your handset.

We at Aiphone are proud of our products. Our designers and engineers strive to bring you the finest in communication equipment. Each item has been carefully tested and inspected before leaving our factory. Properly installed and used, your Aiphone intercom system should give years of trouble-free service.

We are pleased to offer the following warranty:

**WARRANTY**

Aiphone warrants its products to be free from defects of material and workmanship under normal use and service for a period of one year after delivery to the ultimate user and will repair free of charge or replace at no charge, should it become defective upon which examination shall disclose to be defective and under warranty. Aiphone reserves unto itself the sole right to make the final decision whether there is a defect in materials and/or workmanship; and whether or not the product is within the warranty.

This warranty shall not apply to any Aiphone product which has been subject to misuse, neglect, accident, or to use in violation of instructions furnished, nor extended to units which have been repaired or altered outside of the factory.

This warranty does not cover batteries or damage caused by batteries used in connection with the product.

This warranty covers bench repairs only, and any repairs must be made at the shop or place designated in writing by Aiphone. Aiphone will not be responsible for any costs incurred involving on site service calls.