

KA & KB Series 30° ANGLE BOX

Model: **KAW-D**

INSTALLATION MANUAL

Package Contents

- 30° Angle Box KAW-D
- Packet of screws
- Installation & Operation Manual

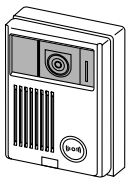
1 DESCRIPTION

KAW-D is a 30° Angle Box for mounting Aiphone color video door station at an entry requiring camera angle to be directed to view a standing point. KAW-D, as reversely mountable, can install door station on either side of the door.

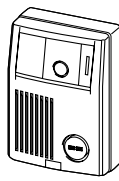
KA-DA for KA-1MD

KB-DAR for KB-3MRD

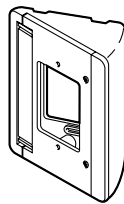
or fixed position camera door station of single-gang surface mounting.



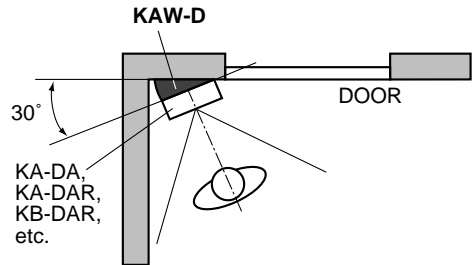
KA-DA
Color



KB-DAR
Tilt color



KAW-D

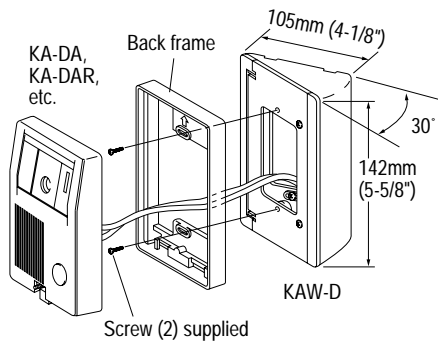


2 MOUNTING

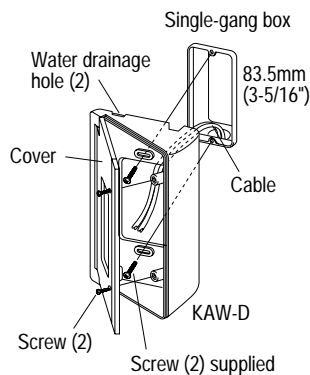
Single-gang mounting

1. Loosen 2 screws and open a cover.
2. Mount KAW-D box on single-gang box or on wall.
3. Reattach the cover to KAW-D.
4. Mount back frame of video door station.
5. Connect door station and mount it on back frame.

* See the Manual furnished with video door station.

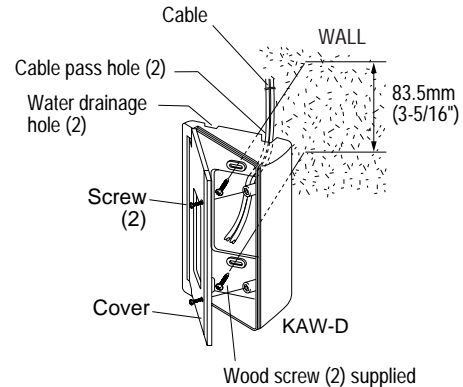


Connect wires, attach back frame to KAW-D and remount the video door station.



Surface-wall mounting

Pull out cable from cable pass hole from either top or bottom.



Do not make wiring connections while the inside station is powered on. It can cause unit trouble. On top or bottom of KAW-D, water drainage hole is provided. Do not apply caulking seal on bottom of KAW-D, so inside moisture could be dissipated through provided holes.

KAW-D: Made of ACS plastic in flannel black. Weighs approx. 120g (0.27 lbs.)