

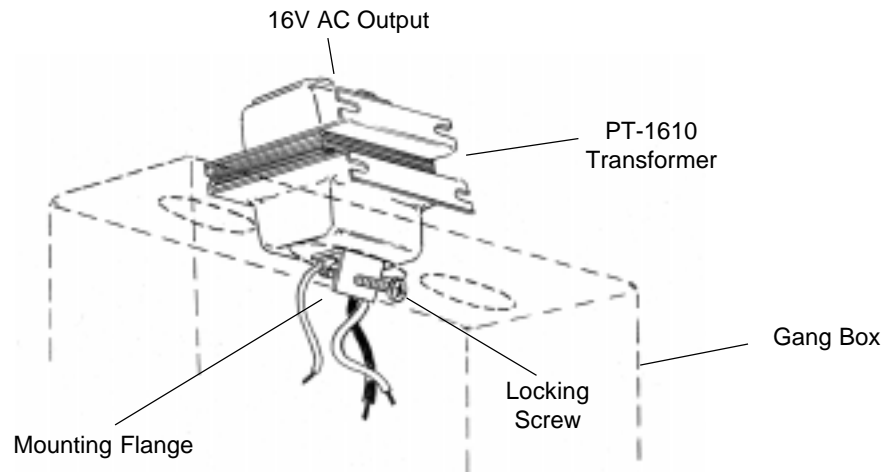
# PT-1610 Mounting Instructions

## 16V AC, 10VA Transformer

### INSTRUCTIONS

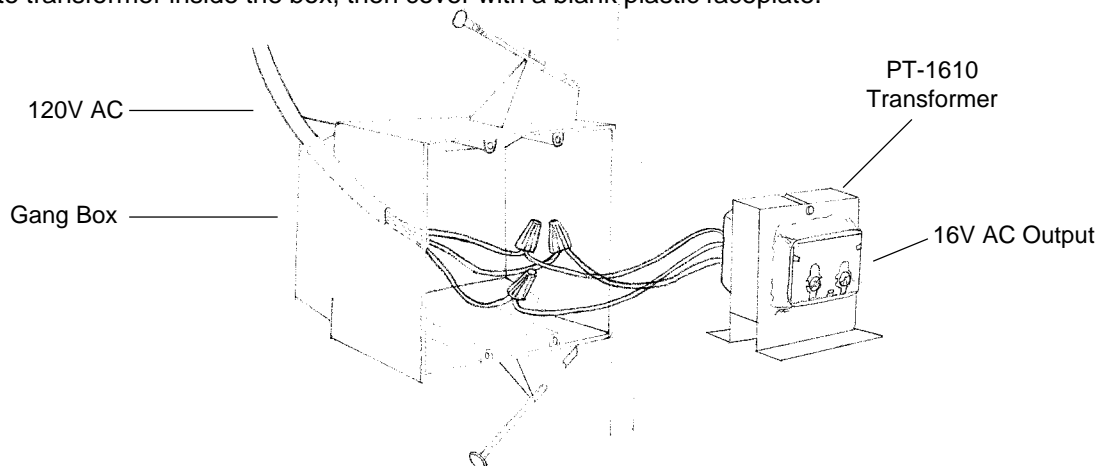
#### MOUNTING ON A METAL BOX:

1. Secure gang box to wall or ceiling stud.
2. Remove a conduit knockout from the gang box.
3. Pass transformer wires through knockout hole to inside of box.  
(Locking screw must be removed to pass flange through hole.)
4. Secure transformer to box with locking screw of appropriate length. Two screws are provided.
5. Connect incoming AC power to two BLACK wires. Connect GREEN wire to ground.
6. Ensure that all connections meet local and NEC 725 standards.

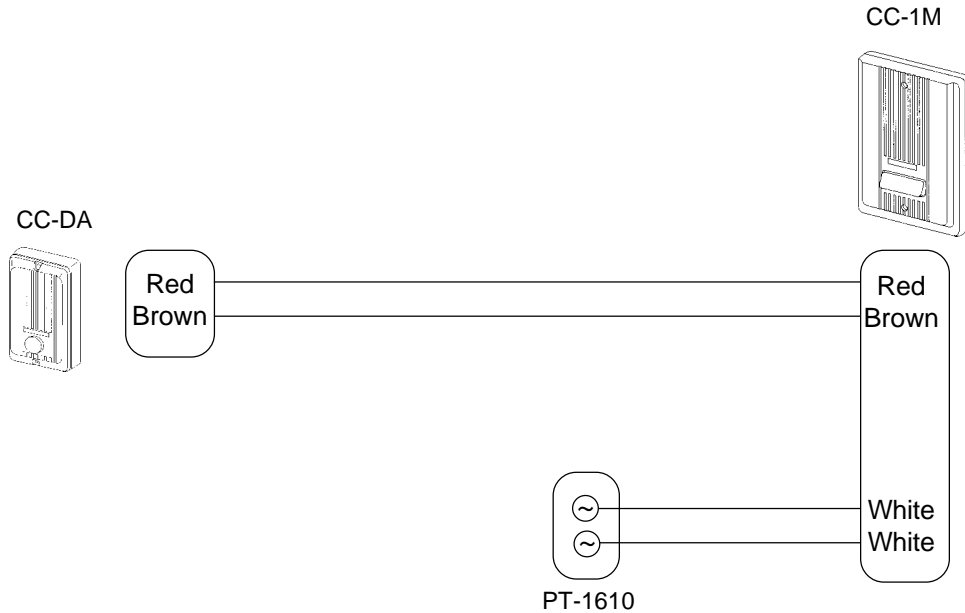


#### MOUNTING IN A PLASTIC TWO GANG BOX

1. Secure gang box to stud.
2. Open a plastic locking tab from the gang box.
3. Pass AC wires through hole to inside of box.
4. Connect incoming AC power to two BLACK wires. Connect GREEN wire to ground.
5. Connect low voltage AC power to the two screw terminals.
6. Run low voltage wire through a different locking tab then to the 110V AC wires.
7. Ensure that all connections meet local and NEC 725 standards.
8. Locate transformer inside the box, then cover with a blank plastic faceplate.



**SAMPLE WIRING DIAGRAM (1 Master 1 Door):**



**SAMPLE WIRING DIAGRAM (2 Masters, 1 door) :**

