

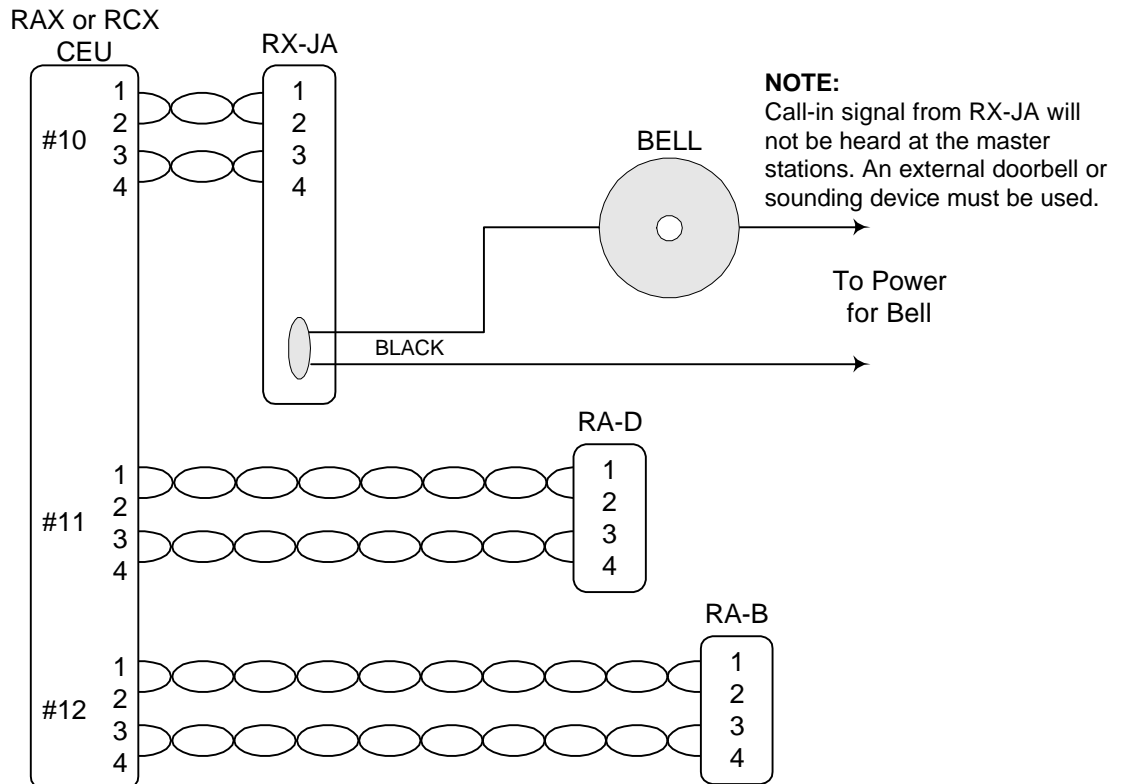
RX-JA

Flush Mounted Door Station for the RAX/RCX Systems

- INSTRUCTIONS -

The RX-JA is a weather resistant door station for use with the RAX or RCX Microprocessor-based intercom system.

WIRING DIAGRAM:



NOTE:
Call-in signal from RX-JA will not be heard at the master stations. An external doorbell or sounding device must be used.

SPECIFICATIONS:

Power Source: Supplied by master station
 Call Button: Single pole, single throw, normally open
 Call Annunciation: Pressing call button at sub activates external device
 Call Button Contacts: 24V DC, 1A (Max.)
 Mounting: 2-gang electrical box
 Wiring: 2 twisted pair homerun to RAX/RCX CEU, plus 2 wires to external signaling device. Use Aiphone #832204 for homerun wiring, #812202 for bell connection.
 Wiring Distance: RAX: 2,000' with 22AWG
 RCX: 6,500' with 22AWG
 Dimensions (H x W x D): 4-1/2" x 4-9/16" x 3/8" (outer depth)

NOTES:

1. In this example the RX-JA is shown connected to station 10. Any open station number can be used.
2. When the call button is pressed on the RX-JA the external bell will activate, alerting internal master stations that there is a call from the door.
3. Any master station can call the RX-JA.
4. Only wiring concerning the RX-JA is shown here. For complete installation and wiring information, please refer to the standard RAX/RCX instructions.