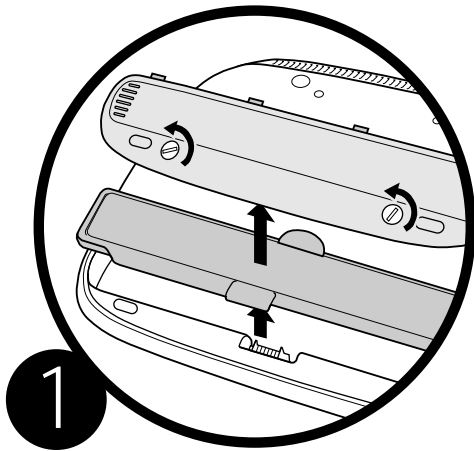


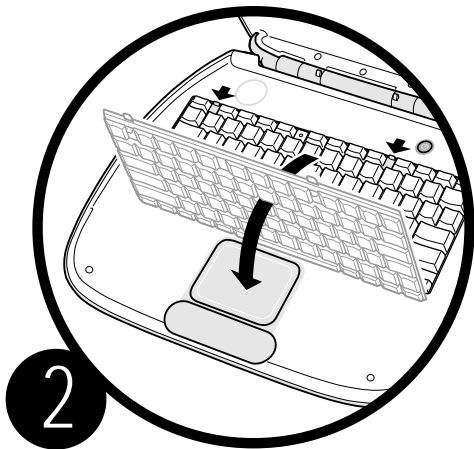


Installing the AirPort Card

Includes instructions for installing
the AirPort Card in an iBook computer

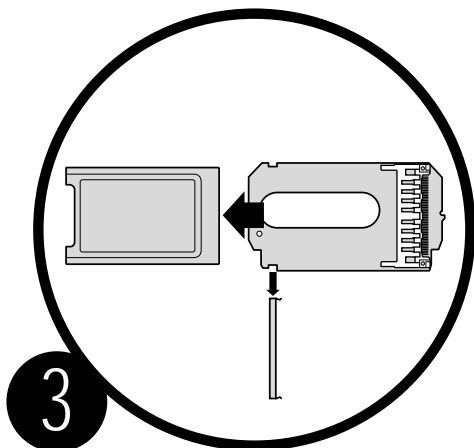


Shut down your computer, then disconnect the power adapter and phone cord. Turn the computer over and remove the battery.



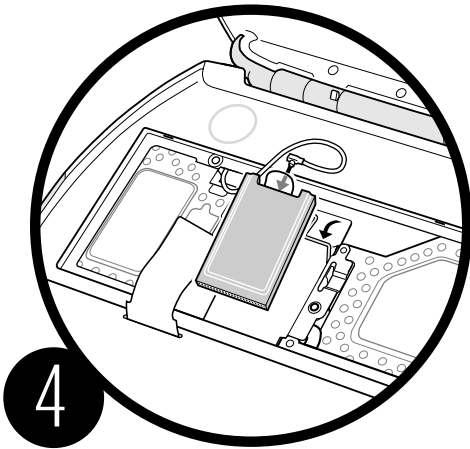
Release the keyboard by sliding the two plastic tabs away from the display. Then lift the keyboard, flip it over, and lay it on the palm rests.

Touch a metal surface inside the computer to discharge static electricity.

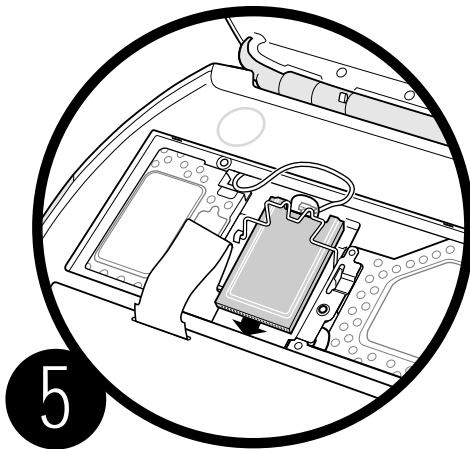


Remove the metal clip and pull the AirPort Card from the iMac AirPort Card adapter.

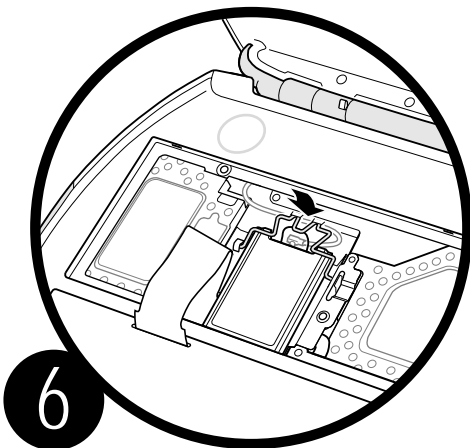
The adapter and clip are not used with the iBook.



Flip up the wire bracket and connect the end of the antenna to the AirPort Card. Make sure the antenna is securely connected to the card.



Slide the AirPort Card (with the AirPort ID number facing up) between the guides, under the wire bracket, and into the slot under the top edge of the trackpad.



Press the wire bracket down to secure the card, then replace the keyboard and battery.

