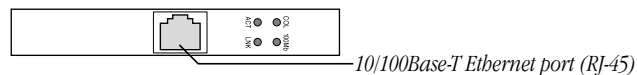


Your Power Macintosh G3 computer has been enhanced with one or more of the following options:

- 10/100Base-T Ethernet card
- Ultra Wide SCSI internal hard disk drive with PCI card
- One or more additional Ultra Wide SCSI internal hard disk drives
- RAID disk volume management software on a separate CD
- 128-bit 2D/3D graphics accelerator card with 8 megabytes (MB) of its own video memory (VRAM)
- 6 MB of video memory (SGRAM) on the main logic board

10/100Base-T Network Connection

If your computer came with the 10/100Base-T Ethernet option, a 10/100Base-T Ethernet card is installed in one of your computer's PCI slots. You can connect a cable for a 10Base-T or 100Base-T Ethernet network to this card.



Note: The type of twisted-pair cable you use depends on whether you connect to 10Base-T or 100Base-T Ethernet. Category 5 twisted-pair cable must be used to connect to 100Base-T if you want to get the maximum speed from this connection.

Checking the Status of a 10/100Base-T Network Connection

If you connect your computer to a network using the 10/100Base-T Ethernet card, you can check the card's LED indicators to monitor network activity. There are four indicators:

- *ACT (Activity)*: Blinks when the 10/100Base-T Ethernet card is active
- *COL (Collision)*: Glows when a network collision has occurred (a temporary condition that occurs when two computers on a network try to send data simultaneously)
- *LNK (Link)*: Glows when a reliable 10 megabit (Mbit) or 100 Mbit network connection has been established
- *100Mb*: Glows when a reliable 100 Mbit link is established

10/100Base-T Ethernet Card Specifications

- *Open Transport*: Mac OS 7.5.2 or later, AppleShare, AppleTalk, NetWare for Macintosh, TCP/IP
- *Connector*: RJ-45 (for 10Base-T and 100Base-T)
- *Media, 10Base-T*: Cat 3, 4, or 5 UTP on 2 pairs up to 100 meters (m)
- *Media, 100Base-T*: Cat 5 UTP on 2 pairs up to 100 m
- *Bus interface*: PCI revision 2.0 and 2.1, share interrupt A

- *Channel speeds:* IEEE Auto Negotiation of 10Base-T and 100Base-T
- *Communications:* IEEE 802.3u 100Base-T; IEEE 802.3i 10Base-T
- *Controllers:* DECchip 21140, 32-bit internal processor per channel
- *Power:* 1.2 amperes (A) @ 5 volts (V) typical

Ultra Wide SCSI Hard Disk Drive and PCI Card

If your computer came with an Ultra Wide SCSI hard disk drive, it includes some or all of the following components:

- an internal Ultra Wide SCSI hard disk drive
- in certain configurations, additional internal Ultra Wide SCSI hard disk drives
- an Ultra Wide SCSI card in one of your computer's PCI slots
- an internal Ultra Wide SCSI cable that supports up to three internal devices (including your preinstalled Ultra Wide hard disks)

Warning Do not connect any SCSI devices to the external 68-pin SCSI-3 connector or to the internal 50-pin SCSI-2 connector on the PCI card that supports the internal hard disk. Connecting even one external SCSI device to the external 68-pin connector extends the overall cable length of the SCSI bus beyond the limit for which error-free operation can be guaranteed; the combined length of the internal cable and the external cable reduces the reliability of all the devices connected to the Ultra Wide SCSI bus. Connecting a device to the internal 50-pin SCSI-2 connector will cause your Ultra Wide SCSI devices to transfer data at the slower, SCSI-2 rate.

About the Ultra Wide SCSI Bus

Up to three internal devices can be connected to the Ultra Wide SCSI bus on this card.

All devices on the same SCSI bus must have unique ID numbers, but devices on different SCSI buses may use the same SCSI ID number. (For example, you could have a removable media drive with ID number 3 connected to the computer's built-in regular SCSI-1 bus and a hard disk with ID number 3 connected to the Ultra Wide SCSI-3 bus.)

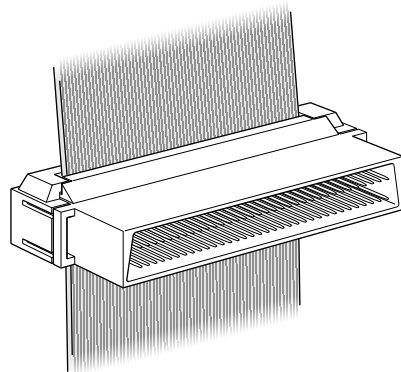
The hard disks installed in your computer at the factory and the SCSI card have reserved certain SCSI ID numbers on the Ultra Wide SCSI bus. Other ID numbers are available for assignment to SCSI devices that are added later, as described in the following table.

Ultra Wide SCSI ID Number	Device
0	Factory-installed hard disk drive (terminated)
1 through 6	Available ¹
7	SCSI PCI card (terminated)
8 through 15	Available

¹ If your computer came with two or more Ultra Wide SCSI hard disk drives, use the System Profiler program (available in the Apple menu) to find out the SCSI ID numbers of your drives.

Important The factory-installed internal hard disk and the SCSI card are both terminated. Other SCSI devices that you install and connect to the Ultra Wide SCSI bus must not be terminated. If you attach a terminated device to the internal SCSI interface, the computer will not work properly.

You use the internal ribbon cable with the 68-pin connector to connect an internal SCSI device to the Ultra Wide SCSI bus.



68-pin connector

Ultra Wide SCSI Card Specifications

- Automatic termination
- Advanced Data Streaming Technology (ADS)
- RAID-ready
- Embedded RISC I/P processor
- Ultra SCSI connector: Fine pitch 68-pin “P”
- Flash ROM BIOS
- PCI 2.1 compliant

- Large command FIFO
- Supports disconnect/reconnect
- Asynchronous I/O support
- Multiple initiator support
- SCSI-3 tagged command queuing
- SCSI Manager 4.3 compatible

RAID Disk Volume Management Software

Certain Power Macintosh G3 configurations are supplied with RAID disk volume management software. This software enables your hard disk drives to be striped or mirrored.

The *Power Macintosh G3 RAID Software* CD can be used as a startup disk. You can restart from it and use the RAID application to initialize and stripe or mirror your hard disks. You can also use the RAID Installer to place a copy of the RAID application on one of your hard disks.

To restart your computer from the *Power Macintosh G3 RAID Software* CD, insert the CD and hold down the C key while you restart.

Refer to the documentation supplied on the *Power Macintosh G3 RAID Software* CD for full instructions on how to set up and maintain RAID volumes.

Using Disk Utilities and Formats With RAID

Important Drive Setup, the disk utility from Apple Computer, should not be used with RAID volumes. You must manage your RAID volumes using the RAID application.

To set up your RAID volumes to take advantage of Mac OS Extended (HFS Plus) format:

- 1** Create and set up your RAID volumes using the RAID application.
- 2** Quit the RAID application and return to the Finder.
- 3** Select the new RAID volume and choose Erase Disk from the Special menu to reformat the volume in Extended format.

Warning This process will erase all the data on your RAID volume. Be sure you back up your files before reformatting RAID volumes.

128-Bit 2D/3D Graphics Accelerator Card

If your computer came with an additional graphics card, you have the following options for connecting an external monitor to your computer:

- Connect an external monitor to the built-in monitor port (shown in the manual that came with your computer)

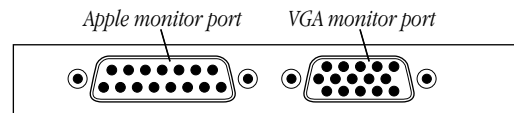
- Connect an external monitor to the graphics card installed in one of the PCI slots

There are two ports on the optional graphics card. One is the type found on the back of most Macintosh computers; the other is a VGA port so you don't need an adapter for a VGA monitor.

Note: You cannot use both ports on the optional graphics card at the same time.

- Connect two external monitors to your computer

You can connect one monitor to the built-in monitor port and the other monitor to one of the ports on the graphics card, which is installed in one of the PCI slots.



Important To capture video using the video input ports on the optional Power Macintosh Audio/Video card, a monitor needs to be connected to the built-in monitor port. If you have only one monitor connected to the optional 128-bit 2D/3D graphics accelerator card, you will not be able to capture video. If you want to capture video, switch your monitor to the built-in monitor port or connect a second monitor. When performing video capture with two monitors connected to your Power Macintosh, make sure that the video capture window is displayed on the monitor that is connected to the built-in monitor port.

Display Modes and Color Depths

Resolution	Color Depths	Vertical Refresh Rate (Hertz)
512 x 384	256, thousands, millions	60
640 x 480	256, thousands, millions	60, 67, 75, 85, 120
640 x 870	256, thousands, millions	75
800 x 600	256, thousands, millions	60, 72, 75, 85
832 x 624	256, thousands, millions	75
1024 x 768	256, thousands, millions	60, 70, 75, 85
1152 x 870	256, thousands, millions	75
1280 x 960	256, thousands, millions	60, 75, 85
1280 x 1024	256, thousands, millions	60, 75, 85
1600 x 1024	256, thousands, millions	76
1600 x 1200	256, thousands, millions	60, 65, 70, 75, 85
1920 x 1080	256, thousands, millions	60, 72
1920 x 1200	256, thousands	76

Graphics Card Specifications

- 260 MB per second sustained image scroll rate
- 4.2 gigabytes (GB) per second sustained color fill rate
- Up to 1.2 million Gouraud shaded polygons per second
- 240 megahertz (MHz) RAM digital-to-analog converter (RAMDAC)
- 8 MB VRAM (*Note:* Additional VRAM cannot be added.)
- Supports QuickDraw 3D
- QuickTime video playback (video scaling and color space conversion handled in software)

Video Memory (SGRAM)

The manual *Setting Up Your Power Macintosh* and the *Technical Information* booklet state that your computer only has 2 MB of video memory built into the computer's main logic board and that you can add video memory by installing a Small Outline Dual Inline Memory Module (SO-DIMM) in a slot on the logic board. However, if your computer came with 6 MB of video memory, a 4 MB SO-DIMM has already been installed in the expansion slot on the logic board. You will not be able to add any more video memory.



New Features and
Important Information