



DEVASTATORS™

INSTRUCTION MANUAL

DEVASTATORS™ is a registered trademark of Konami Inc. © 1988 Konami Inc.

 **KONAMI®** is a trademark of Konami Industry Co., Ltd.

PARTS LIST

Part Number	Item	Quantity Per U/R
890010	AC Harness	1
890011	DC Harness	1
30110	Button Red-L	2
30111	Button White-L	2
39112	Button Blue-L	2
40101	Coin Doors	1
890100	Control Panel Overlay	1
890700	CRT Bezel	1
890200	Marquee Styrene	1
890300	S-Decal Lt.	1
890302	S-Decal Rt.	1
890301	S-Decal Top	2
40605	FCC Cage	1
35102	Fuses #2 AMP	1
35104	Fuses #4 AMP	1
35105	Fuses #5 AMP	2
35201	ISO. Trans.	1
30305	J. Stix Blue	1
30304	J. Stix Red	1
40604	Lite Shlds.	1
35300	Line Filter	1
40801	Locks	1
40802	S. Washers	1
890400	Manuals	1
890401	Schematic X3	1
40203	Marq. Bracket	1
40701	Lite Fixture	1
40306	Marq. Plastic	1
40301	Tempered Glass	1
30202	Switch Holder	6
30250	Palnuts	6
35401	Power Supply	1
890500	Outer Sleeve (Box)	1
890504	Corner Post Front	2
890505	Corner Post Back	2
890506	Bottom Pad	1
890507	Bottom Tray	1
40509	Vertical Monitors	1

DEVASTATORS: WIRING HARNESS

WIRE COLOR KEY:		Solder Side ←		→ Parts Side	
BLACK	GND	A	1	GND	BLACK
BLACK	GND	B	2	GND	BLACK
RED	+5V DC	C	3	+5V DC	RED
RED	+5V DC	D	4	+5V DC	RED
	NOT USED	E	5	NOT USED	
ORANGE	+12V DC	F	6	+12V DC	ORANGE
	*KEY	H	7	*KEY	
BROWN/YELLOW	COIN COUNTER	J	8	COIN COUNTER	GREEN/GRAY
	(EMPTY)	K	9	(EMPTY)	
YELLOW	SPEAKER (-)	L	10	SPEAKER (+)	BLUE
	(EMPTY)	M	11	(EMPTY)	
WHITE/GREEN	VIDEO GREEN	N	12	VIDEO RED	RED/WHITE
WHITE	VIDEO SYNC	P	13	VIDEO BLUE	BLUE/WHITE
	(EMPTY)	R	14	VIDEO GROUND	BLACK
	(EMPTY)	S	15	(EMPTY)	
VIOLET/WHITE	COIN 2	T	16	COIN 1	BLUE/BROWN
RED/GREEN	2P START	U	17	1P START	RED/YELLOW
BLUE/YELLOW	2P UP	V	18	1P UP	ORANGE/WHITE
VIOLET/YELLOW	2P DOWN	W	19	1P DOWN	BLACK/WHITE
ORANGE/GREEN	2P LEFT	X	20	1P LEFT	RED/GRAY
ORANGE/YELLOW	2P RIGHT	Y	21	1P RIGHT	GRAY/WHITE
BLACK/YELLOW	2P SHOOT	Z	22	1P SHOOT	RED/WHITE
ORANGE/GRAY	2P GRENADE	a	23	1P GRENADE	GREEN/BROWN
	NOT USED	b	24	NOT USED	
	NOT USED	c	25	NOT USED	
	NOT USED	d	26	NOT USED	
BLACK	GND	e	27	GND	BLACK
BLACK	GND	f	28	GND	BLACK

(BASE COLOR/LINE COLOR)

DIP SWITCH SETTINGS

DIP SWITCH NO. 1 SETTINGS

1. COIN 1

SW	1	2	3	4	COIN	PLAY
•	OFF	OFF	OFF	OFF	1	1
	ON	OFF	OFF	OFF	1	2
	OFF	ON	OFF	OFF	1	3
	ON	ON	OFF	OFF	1	4
	OFF	OFF	ON	OFF	1	5
	ON	OFF	ON	OFF	1	6
	OFF	ON	ON	OFF	1	7
	ON	ON	ON	OFF	2	1
	OFF	OFF	OFF	ON	2	3
	ON	OFF	OFF	ON	2	5
	OFF	ON	OFF	ON	3	1
	ON	ON	OFF	ON	3	2
	OFF	OFF	ON	ON	3	4
	ON	OFF	ON	ON	4	1
	OFF	ON	ON	ON	4	3
	ON	ON	ON	ON	FREEPLAY	

FREEPLAY: You can play game without coins.

2. COIN 2

SW	5	6	7	8	COIN	PLAY
•	OFF	OFF	OFF	OFF	1	1
	ON	OFF	OFF	OFF	1	2
	OFF	ON	OFF	OFF	1	3
	ON	ON	OFF	OFF	1	4
	OFF	OFF	ON	OFF	1	5
	ON	OFF	ON	OFF	1	6
	OFF	ON	ON	OFF	1	7
	ON	ON	ON	OFF	2	1
	OFF	OFF	OFF	ON	2	3
	ON	OFF	OFF	ON	2	5
	OFF	ON	OFF	ON	3	1
	ON	ON	OFF	ON	3	2
	OFF	OFF	ON	ON	3	4
	ON	OFF	ON	ON	4	1
	OFF	ON	ON	ON	4	3
	ON	ON	ON	ON	VOID	

DIP SWITCH NO. 2 SETTINGS

1. THE NUMBER OF PLAYER'S LIFE

SW	1	2	NUMBER
•	OFF	OFF	2
	ON	OFF	3
	OFF	ON	5
	ON	ON	7

2. BONUS LIFE

SW	4	5	BONUS LIFE
•	OFF	OFF	At 150 pts. then every 200 pts.
	ON	OFF	At 150 pts. then every 250 pts.
	OFF	ON	At 150 pts. only
	ON	ON	At 200 pts. only

3. DIFFICULTY OF THE GAME

SW	6	7	DIFFICULTY
•	OFF	OFF	EASY
	ON	OFF	NORMAL
	OFF	ON	DIFFICULT
	ON	ON	VERY DIFFICULT

4. SOUND IN ATTRACTIVE MODE

SW	8	SOUND
•	OFF	OFF
	ON	ON

SW3 is not used.

DIP SWITCH NO.3 SETTINGS

1. VIDEO SCREEN FLIP

SW	1	
•	OFF	NORMAL
	ON	UPSIDE DOWN

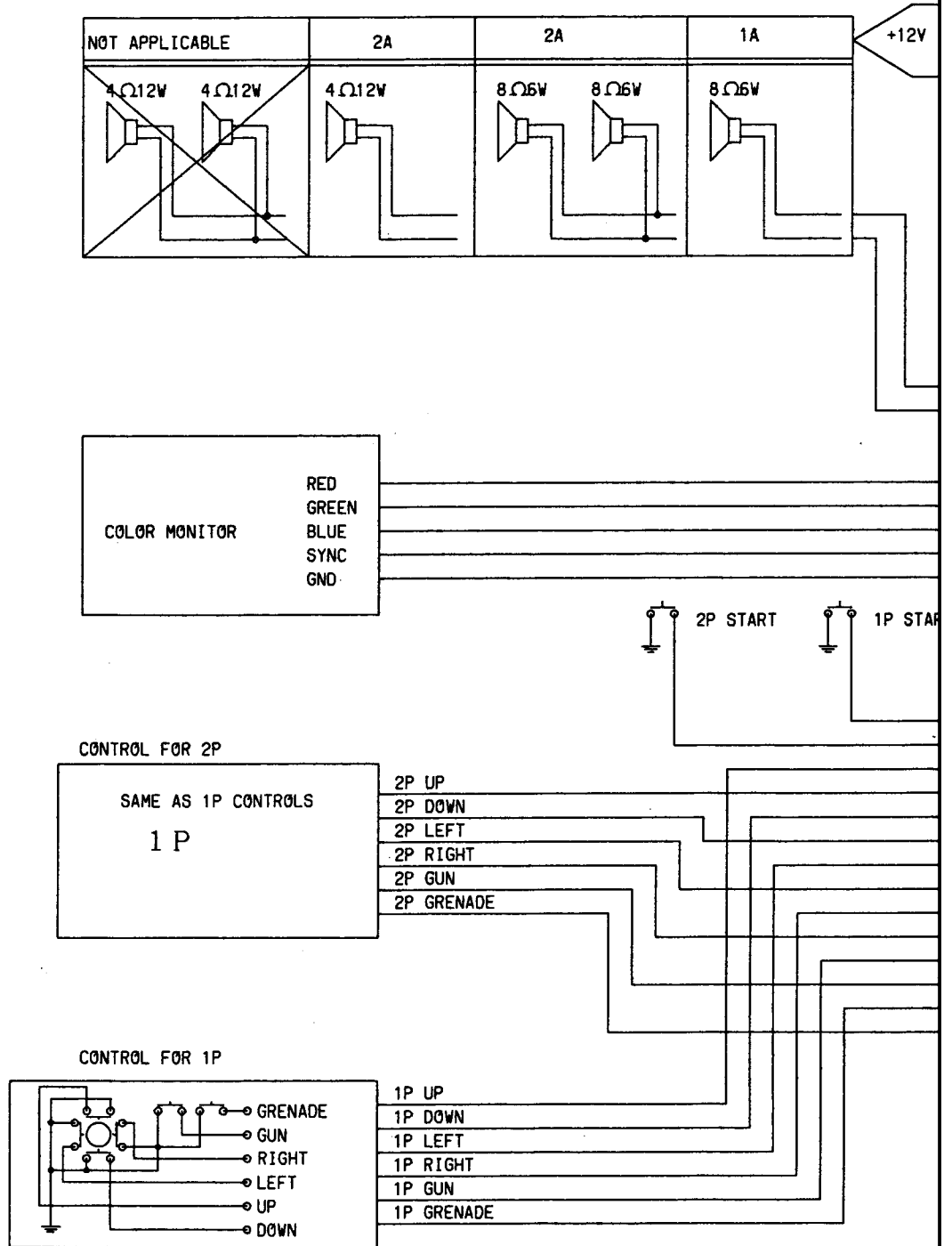
2. CHANGE OF MODE

SW	3	MODE
•	OFF	GAME
	ON	TEST

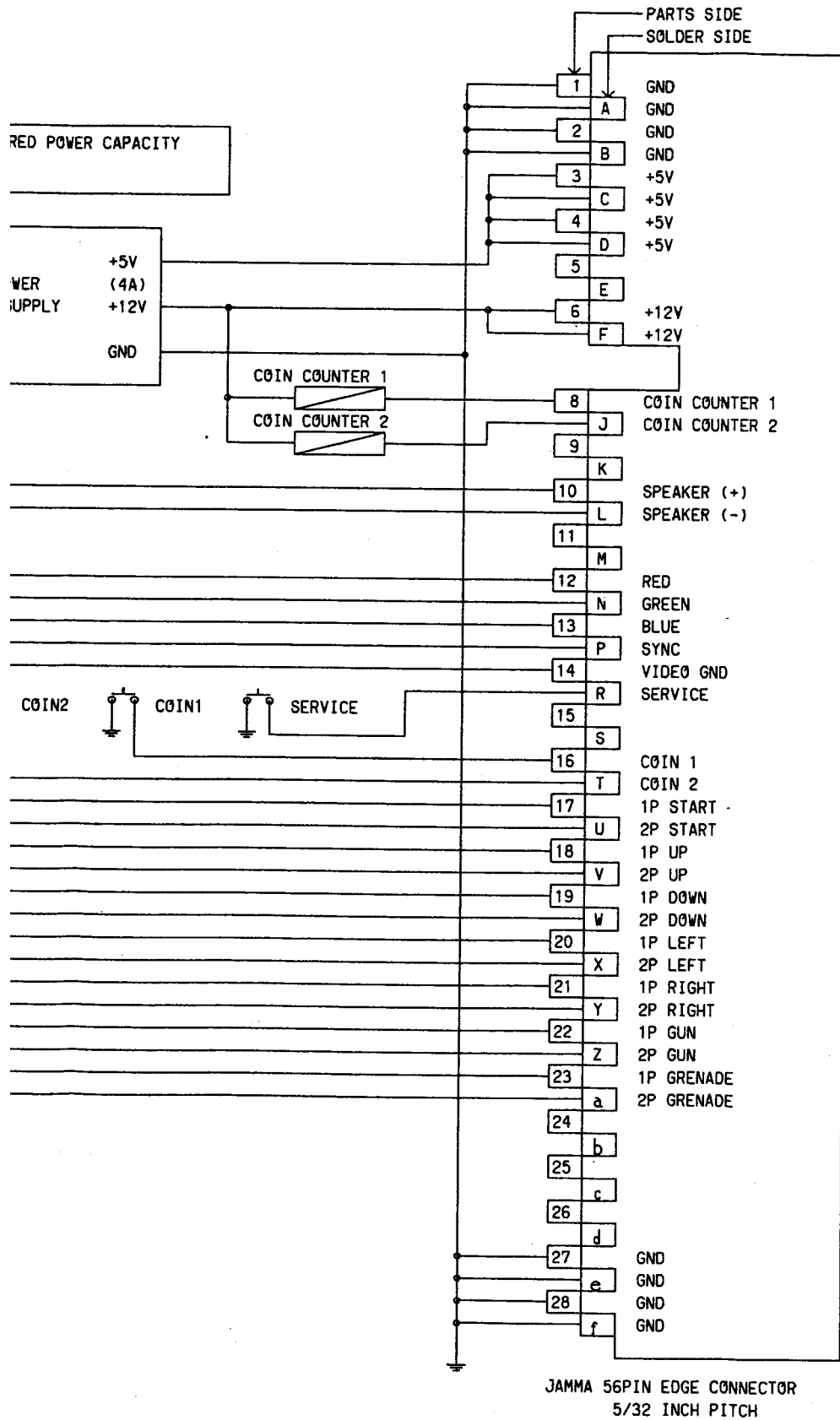
SW2 and SW4 are not used.

- Shows recommended settings

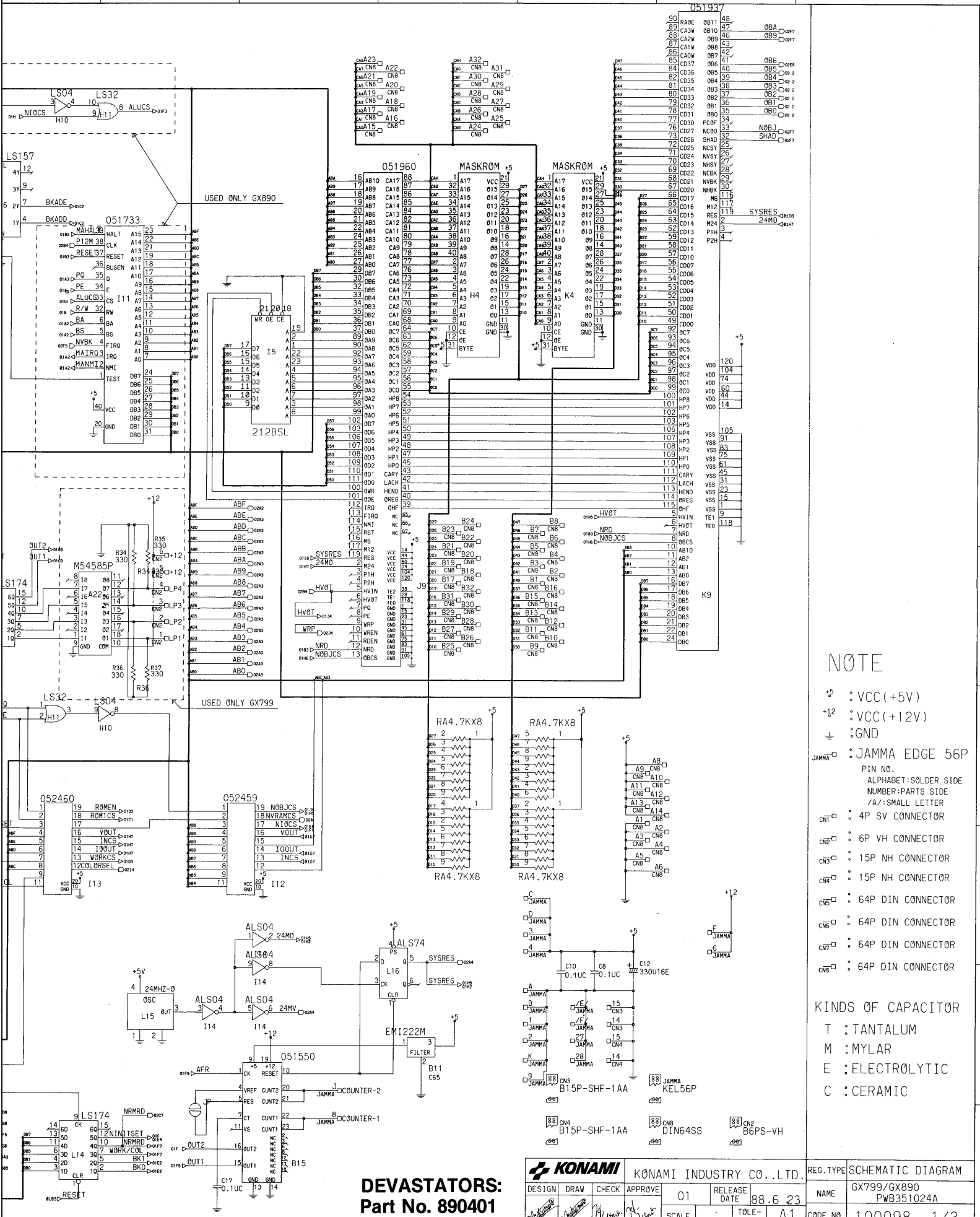
DEVASTATORS: WIRING DIAGRAM



- NOTES -
- 1 1P NO.1 PLAYE
 - 2P NO.2 PLAYE
 - 2 SURGE KILLER
 - COUNTER INST



FOR COIN
 THE P.C.B.



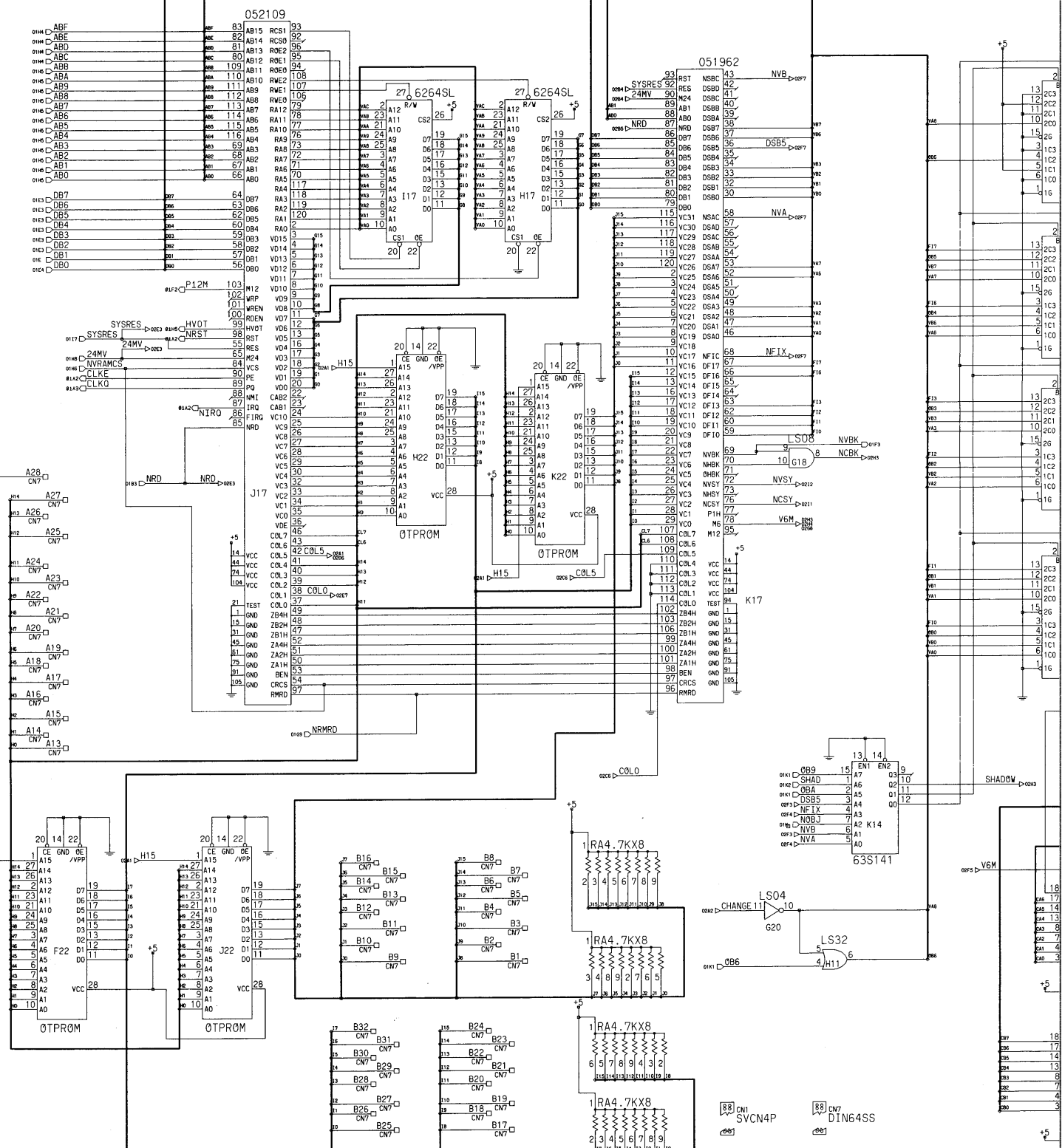
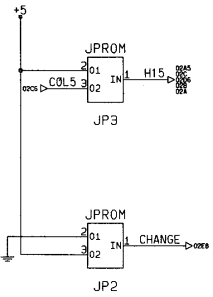
- NOTE**
- +5 : VCC(+5V)
 - +12 : VCC(+12V)
 - ⊥ : GND
- JAMMA □ : JAMMA EDGE 56P
- PIN NO.
ALPHABET: SOLDER SIDE
NUMBER: PARTS SIDE
/A/: SMALL LETTER
- CN1 □ : 4P SV CONNECTOR
 - CN2 □ : 6P VH CONNECTOR
 - CN3 □ : 15P NH CONNECTOR
 - CN4 □ : 15P NH CONNECTOR
 - CN5 □ : 64P DIN CONNECTOR
 - CN6 □ : 64P DIN CONNECTOR
 - CN7 □ : 64P DIN CONNECTOR
 - CN8 □ : 64P DIN CONNECTOR

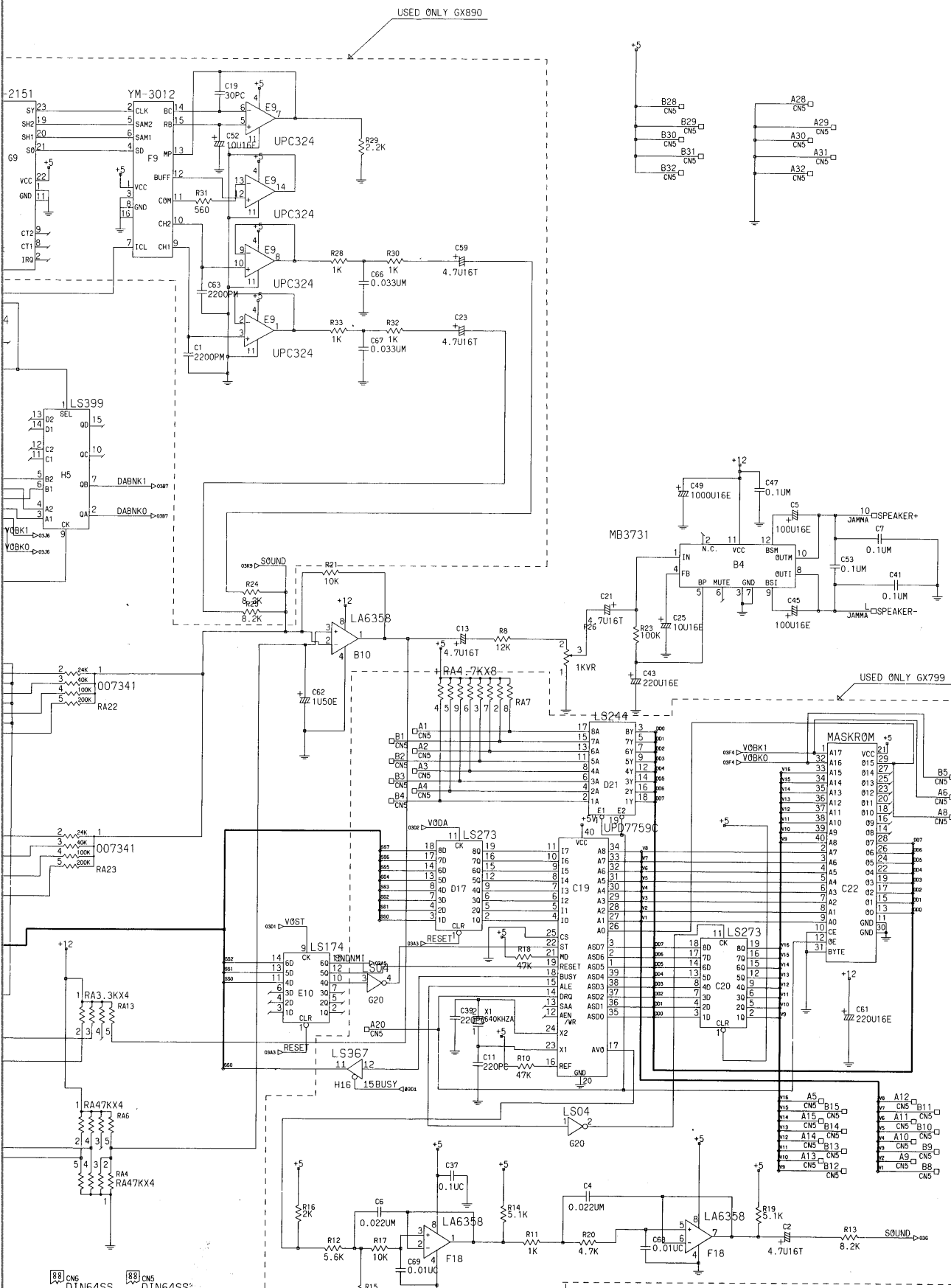
KINDS OF CAPACITOR

- T : TANTALUM
- M : MYLAR
- E : ELECTROLYTIC
- C : CERAMIC

**DEVASTATORS:
Part No. 890401**

KONAMI				KONAMI INDUSTRY CO., LTD.				REG. TYPE	SCHMATIC DIAGRAM
DESIGN	DRAW	CHECK	APPROVE	01	RELEASE DATE	88.6.23	NAME	GX799/GX890 PWB351024A	
SCALE	TOLE-RANCE	A1	CODE NO.	100098	1/3				





- NOTE**
- +5 : VCC(+5V)
 - +12 : VCC(+12V)
 - ⊥ : GND
 - JAMMA □ : JAMMA EDGE 56P
 - PIN NO. ALPHABET: SOLDER SIDE
 - NUMBER: PARTS SIDE
 - /A/: SMALL LETTER
 - CNT □ : 4P SV CONNECTOR
 - CN2 □ : 6P VH CONNECTOR
 - CN3 □ : 15P NH CONNECTOR
 - CN4 □ : 15P NH CONNECTOR
 - CN5 □ : 64P DIN CONNECTOR
 - CN6 □ : 64P DIN CONNECTOR
 - CN7 □ : 64P DIN CONNECTOR
 - CN8 □ : 64P DIN CONNECTOR

KINDS OF CAPACITOR

- T : TANTALUM
- M : MYLAR
- E : ELECTROLYTIC
- C : CERAMIC

KONAMI				KONAMI INDUSTRY CO., LTD.		REG. TYPE	SCHEMATIC DIAGRAM
DESIGN	DRAW	CHECK	APPROVE	03	RELEASE DATE	88.6.23	NAME
					SCALE	TOLE-RANCE	A1
						CODE NO.	100098 3/3