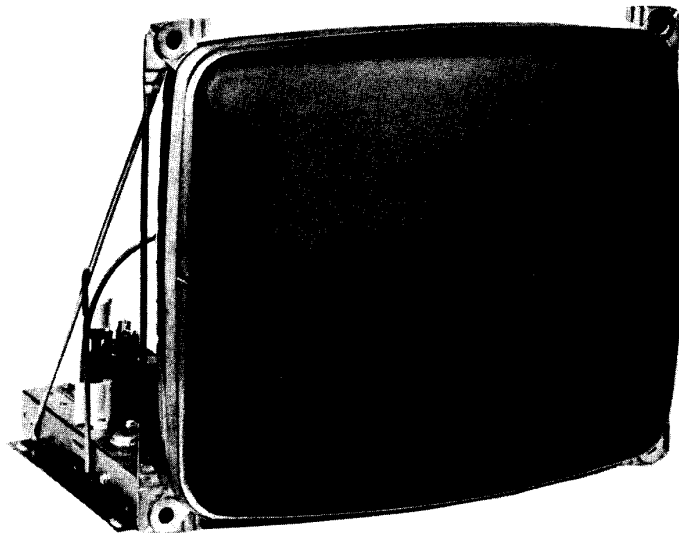




MOTOROLA service manual

FILE VP12

DISPLAY PRODUCTS



CHASSIS

19VP111
23VP111

MODELS

XM501-10
XM701-10

GENERAL INFORMATION

These models are transistorized monitors designed for the video game market. They are identical except for the CRT size. See V1 in Replacement Parts List.

Circuitry includes four stages of video amplification, a two stage audio amplifier, sync and deflection circuits and a regulated power supply. An additional 5 volt 3 amp supply is included to power external logic systems. The picture tube is a 114 degree deflection CRT with implosion protection. Composite video is fed to the monitor through a connector mounted on the rear of the chassis.

Rear panel controls include Horizontal Hold, Vertical Hold, Contrast, Brightness, Volume and width controls. Additional service controls are mounted on the plated circuit panel, and are accessible from the rear of the chassis.

The chassis utilizes plug-in etched panel construction with components mounted on the top side and plated wiring on the bottom. Component reference numbers and circuit legend are printed on the board to aid in servicing. Horizontal, vertical output and regulator transistors are mounted on the chassis base which also serves as a heat sink and CRT support.

CAUTION

NO WORK SHOULD BE ATTEMPTED ON ANY EXPOSED MONITOR CHASSIS BY ANYONE NOT FAMILIAR WITH SERVICING PROCEDURES AND PRECAUTIONS.

ELECTRICAL SPECIFICATIONS

Power Rating: 110 watts nominal;
50 watts without 5 volt supply.

Source: 120/240V AC at 50/60Hz
Switch selected.

Video Input: 0.5 to 2.5 volts composite
PP (sync negative).

Audio Output: 5 watts peak

TABLE OF CONTENTS

CHASSIS PARTS	
LOCATION	8-11
CHASSIS SCHEMATIC	
DIAGRAM	12
REPLACEMENT PARTS	
LIST	13, 14
SAFETY WARNING	2
SERVICE NOTES	7
THEORY OF	
OPERATION	3

SAFETY WARNING

CAUTION: NO WORK SHOULD BE ATTEMPTED ON AN EXPOSED MONITOR CHASSIS BY ANYONE NOT FAMILIAR WITH SERVICING PROCEDURES AND PRECAUTIONS.

1. **SAFETY PROCEDURES** should be developed by habit so that when the technician is rushed with repair work, he automatically takes precautions.

2. A **GOOD PRACTICE**, when working on any unit, is to first ground the chassis and to use only one hand when testing circuitry. This will avoid the possibility of carelessly putting one hand on chassis or ground and the other on an electrical connection which could cause a severe electrical shock.

3. Extreme care should be used in **HANDLING THE PICTURE TUBE** as rough handling may cause it to implode due to atmospheric pressure (14.7 lbs. per sq. in.). Do not nick or scratch glass or subject it to any undue pressure in removal or installation. When handling, safety goggles and heavy gloves should be worn for protection. Discharge picture tube by shorting the anode connection to chassis ground (not cabinet or other mounting parts). When discharging, go from ground to anode or use a well insulated piece of wire. When servicing or repairing the monitor, if the cathode ray tube is replaced by a type of tube other than that specified under the Motorola Part Number as original equipment in this Service Manual, then avoid prolonged exposure at close range to unshielded areas of the cathode ray tube. Possible danger of personal injury from unnecessary exposure to X-ray radiation may result.

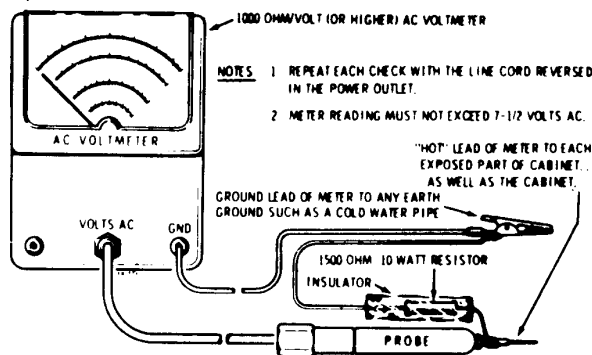
4. An **ISOLATION TRANSFORMER** should always be used during the servicing of a unit whose chassis is connected to one side of the power line. Use a transformer of adequate power rating as this protects the serviceman from accidents resulting in personal injury from electrical shocks. It will also protect the chassis and its components from being damaged by accidental shorts of the circuitry that may be inadvertently introduced during the service operation.

5. Always **REPLACE PROTECTIVE DEVICES**, such as fishpaper, isolation resistors and capacitors and shields after working on the unit.

6. If the **HIGH VOLTAGE** is adjustable, it should always be **ADJUSTED** to the level recommended by the manufacturer. If the voltage is increased above the normal setting, exposure to unnecessary X-ray radiation could result. High voltage can accurately be measured with a high voltage meter connected from the anode lead to chassis.

7. **BEFORE RETURNING A SERVICED UNIT**, the service technician must thoroughly test the unit to be certain that it is completely safe to operate without danger of electrical shock. **DO NOT USE A LINE ISOLATION TRANSFORMER WHEN MAKING THIS TEST.**

In addition to practicing the basic and fundamental electrical safety rules, the following test, which is related to the minimum safety requirements of the Underwriters Laboratories should be performed by the service technician before any unit which has been serviced is returned.



Voltmeter Hook-up for Safety Check.

A 1000 ohm per volt AC voltmeter is prepared by shunting it with a 1500 ohm, 10 watt resistor. The safety test is made by contacting one meter probe to any portion of the unit exposed to the operator such as the cabinet trim, hardware, controls, knobs, etc., while the other probe is held in contact with a good "earth" ground such as a cold water pipe.

The AC voltage indicated by the meter may not exceed 7½ volts. A reading exceeding 7½ volts indicates that a potentially dangerous leakage path exists between the exposed portion of the unit and "earth" ground. Such a unit represents a potentially serious shock hazard to the operator.

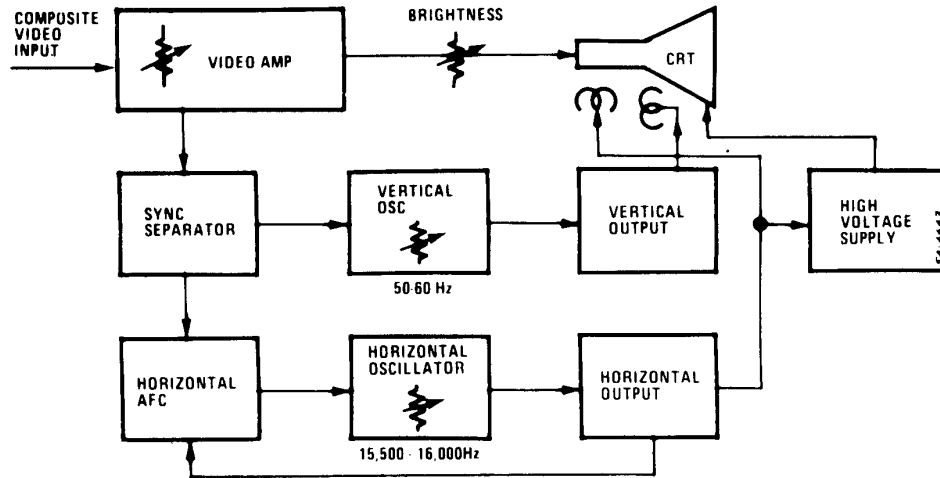
The above test should be repeated with the power plug reversed, when applicable.

NEVER RETURN A MONITOR which does not pass the safety test until the fault has been located and corrected.

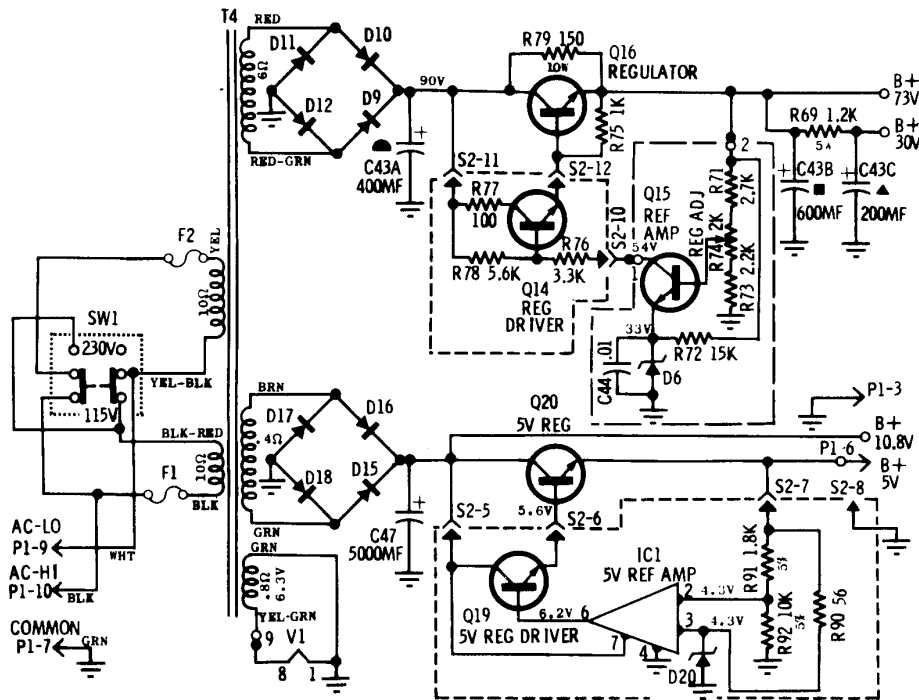
THEORY OF OPERATION

CRT DISPLAY MODULE COMPOSITE VIDEO SYSTEM

VP12



Block Diagram



POWER SUPPLY

The power supply is a transformer operated, full wave, regulated supply which maintains constant output voltage with input variations of $\pm 15\%$. A switch (SW1) is provided to allow operation from 115/230 volts, 50/60Hz. The regulator is a series pass circuit. Q16 is the series pass transistor, Q15 the reference amplifier and Q14 the output driver.

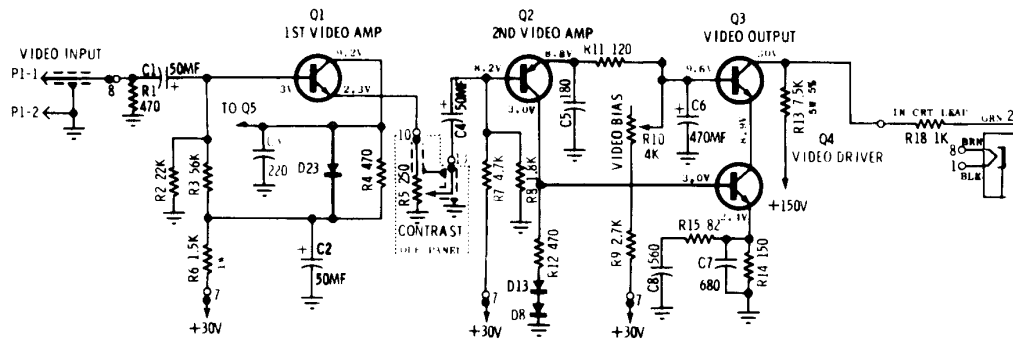
The output voltage of the regulator appears at the emitter of Q16. This voltage is divided between R71, R74 and R73. The voltage appearing on the arm of potentiometer R74 is a reference input to the base of Q15.

A temperature compensated zener diode (D6) is used to establish a fixed reference voltage at the emitter of Q15. R72 provides a bias current for D6, establishing its operating point.

An increase in output voltage will result in an increase of voltage at the base of Q15. Since the emitter of Q15 is held at a fixed reference voltage, the change in base voltage will turn Q15 on harder, reducing its collector voltage. This reduces forward bias for Q14 resulting in less emitter current and less base current for Q16. Q16 will conduct less, lowering the output voltage.

R79 provides a shunt current path for Q16 allowing it to run cooler, improving reliability. C44 is an RF noise filter.

A fixed, regulated 5V DC supply is used to power circuits external from the monitor. Its operation is similar to the 73V regulator except for the reference amplifier which is contained in the IC package.



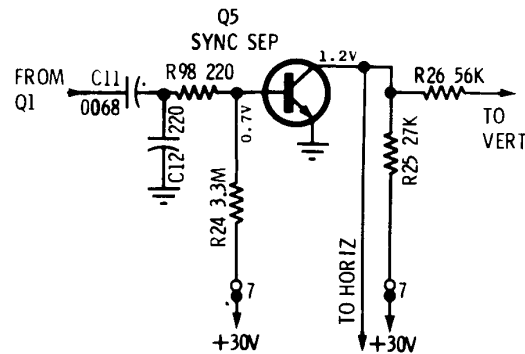
VIDEO AMPLIFIER

The video amplifier has four stages incorporating devices Q1, Q2, Q3 and Q4. The first stage, Q1, functions as an emitter follower. The low output impedance of the first stage permits use of a low resistance contrast control which furnishes flat video response over its entire range without the need for compensation. The collector output of Q1 is used to drive the sync separator. C3 provides high frequency roll off to limit the collector output to the bandwidth required to pass synchronization signals. Q2 is a common emitter stage and is directly coupled to Q4. Q3 and Q4 are connected in a cascode configuration. This common emitter-common base connection greatly reduces the effect of Miller capacity compared with a conventional single transistor video output stage. C6 provides a ground for video at the base of Q3, the grounded base transistor of the video output cascode pair. Diodes D13 and D8 provide temperature compensation for the video output stages, and diode D23 protects Q1 from transients.

The video bias control R10, is used to set the quiescent collector voltage of Q3. C5, C7, C8 and R15 are used for high frequency compensation. The video amplifier output is direct coupled to the control grid of the CRT through R18 which is used to isolate Q3 from transients that may occur as a result of CRT arcing.

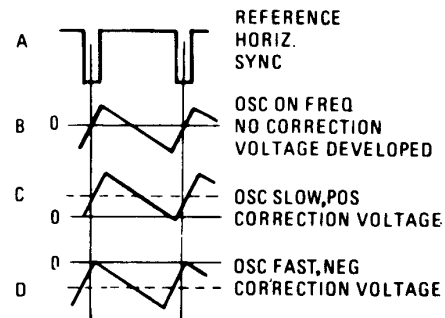
SYNC SEPARATOR

The sync separator employs a single stage, Q5, to recover sync from the composite video signal. A single stage sync separator is adequate due to the high impedance of the following stages. The video input to the sync separator is black positive. C11 is charged by the peak base current that flows when the positive peak of the input takes Q5 to saturation. This charge depends on the peak to peak input to Q5 and thus makes the bias for Q5 track the amplitude of the input signal. As a result Q5 amplifies only the positive peaks of the input signal. The initial bias current through R24 sets the clipping level. R98 is used for transient protection.



PHASE DETECTOR

The Phase Detector consists of two diodes in a keyed clamp circuit. Two inputs are required to generate the required output, one from the sync separator and one from the horizontal deflection system. The required output must be of the correct polarity and amplitude to correct phase differences between the input sync and the horizontal time base. The horizontal collector pulse is integrated into a sawtooth by R45 and C15. During sync time both diodes in D7 conduct, shorting C15 to ground.

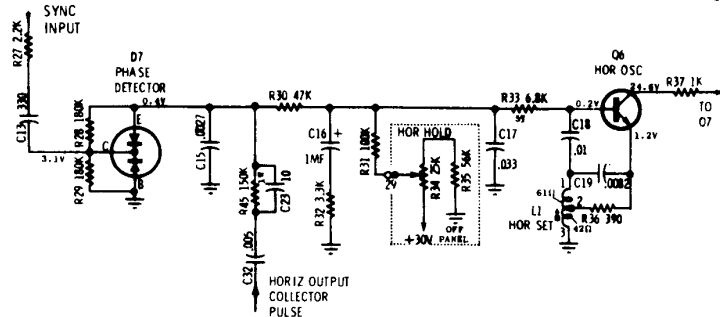


The sawtooth on C15 is thus clamped to ground at sync time. If the horizontal time base is in phase with the sync, the sync pulse will occur when the sawtooth is passing through its AC axis and the net charge on C15 will be zero. (Figure B). If the horizontal time base is lagging the sync, the sawtooth on C15 will be clamped to ground at a point negative from the AC axis. This will result in a positive DC charge on C15. (Figure C). This is the correct polarity to cause the horizontal oscillator to speed up to correct the phase lag.

Likewise, if the horizontal time base is leading the sync, the sawtooth on C15 will be clamped at a point positive from its AC axis, resulting in a net negative charge on C15 which is the required polarity to slow the horizontal oscillator (Figure D). R30, C17, C16 and R32 comprise the phase detector filter. The bandpass of this filter is chosen to provide correction of horizontal oscillator phase without ringing or hunting. Capacitor C23 times the phase detector for correct centering of the picture on the raster.

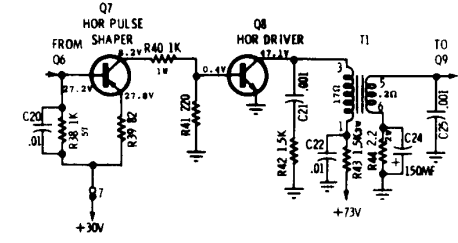
HORIZONTAL OSCILLATOR

Q6 is employed in a modified type of Hartley oscillator. The operating frequency of this oscillator is sensitive to its base input voltage. This permits control by the output of the phase detector and also by the setting of the horizontal hold control, R34. The horizontal hold range is set by adjustment of the core of L1.



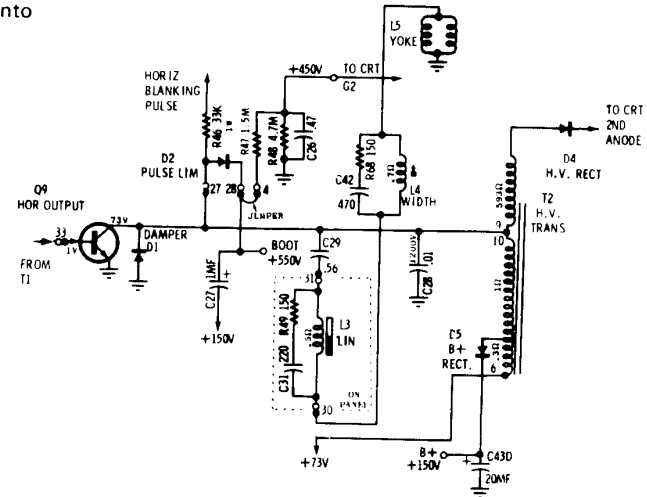
PULSE SHAPER & HORIZONTAL DRIVER

Q7 is used as a buffer stage between the horizontal oscillator and horizontal driver. It provides isolation for the horizontal oscillator as well as a low impedance drive for the horizontal driver. R38 and C20 form a time constant which shapes the oscillator output to the required duty cycle (approximately 50%), to drive the horizontal output circuitry. The horizontal driver stage, Q8 operates as a switch to drive the horizontal output transistor through T1. Because of the low impedance drive and fast switching times furnished by Q7, very little power is dissipated in Q8. C21 and R42 provide damping to suppress ringing of the primary of T2 when Q8 goes into cutoff.

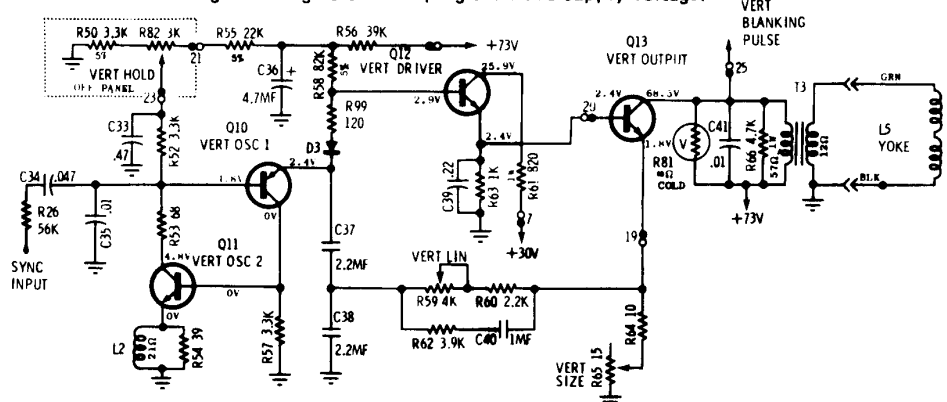


HORIZONTAL OUTPUT

The secondary of T1 provides the required low drive impedance for Q9. R44 and C24 form a time constant for fast turn-off of the base of Q9. Q9 operates as a switch which, once each horizontal period, connects the supply voltage across the parallel combination of the horizontal deflection yoke and the primary of T2. The required sawtooth of deflection current through the horizontal yoke is formed by the L-R time constant of the yoke and output transformer primary. The horizontal retrace pulse charges C27 through D2 to provide operating voltage for G2 of the CRT. Momentary transients at the collector of Q9, should they occur, are limited to the voltage on C27 since D2 will conduct if the collector voltage exceeds this value.



The damper diode, D1, conducts during the period between retrace and turn on of Q9. C28 is the retrace tuning capacitor. C29 blocks DC from the deflection yoke. L3 is a magnetically biased linearity coil which shapes deflection current for optimum trace linearity. L4 is a series width control. C31 and R49, C42 and R68 are damping network components for the linearity and width controls. C43D is charged through D5 developing the video supply voltage.



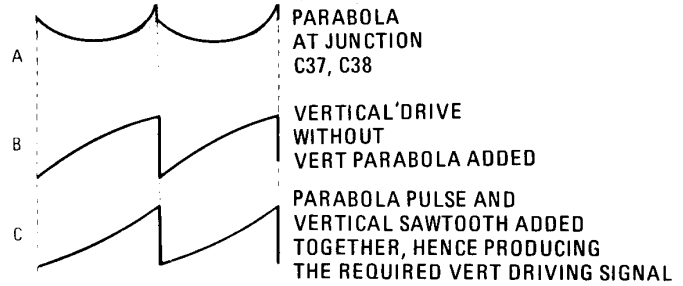
VERTICAL OSCILLATOR DRIVER AND OUTPUT

Sync from the collector of Q5 is integrated by R26 and C35. Q10 and Q11 are connected as a regenerative switch. The series combination of C37 and C38 charges through R58, R56 and D3 until Q10 turns on. This occurs when the emitter of Q10 exceeds its base voltage and causes current to flow into the base of Q11, turning that device on. When Q10 and Q11 conduct,

C37 and C38 are discharged to nearly zero. Q10 and Q11 then shut off and the cycle repeats. The setting of R82 determines the repetition rate of the charge and discharge of C37 and C38. The waveform generated is a positive going ramp or sawtooth with a fast retrace to zero. D3 provides a small incremental voltage above ground to overcome the forward sawtooth to a low impedance drive for Q13.

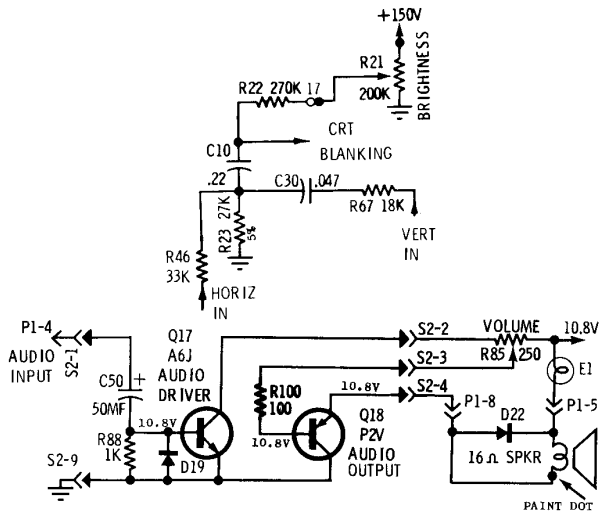
T3 matches the collector of Q13 to the vertical yoke. When Q13 is cut off during vertical retrace, a high voltage pulse is developed across the primary of T3. To limit this pulse to a safe value a varistor, R81, is connected across the primary. R66 and C41 provide damping to shape the collector pulse so it may be used for retrace blanking. Since the primary impedance of T3 decreases with current, the degree to which the primary shunts the reflected load impedance varies with collector current. This would result in severe vertical non-linearity unless some compensation is employed.

Resistors R59 and R60 couple the emitter voltage of Q13 to the junction of C37 and C38. Since this path is resistive, the waveform coupled back will be integrated into a parabola by C38. This results in a pre-distortion of the drive sawtooth as shown in Figure C. This is done to compensate for the non linear charging of C37 and C38 and the changing impedance of the primary of T3. An additional feedback path through R62 and C40 serves to optimize the drive waveshape for best linearity.



RETRACE BLANKING

Both vertical and horizontal retrace blanking are provided by positive pulses applied to the CRT cathode. The collector pulse from the horizontal output transistor is placed across R23 through R46. The vertical collector voltage is differentiated by C30 to remove the sawtooth portion of the waveform. The remaining pulse appears across R23. The mixed vertical and horizontal pulses on R23 are coupled to the CRT cathode by C10.

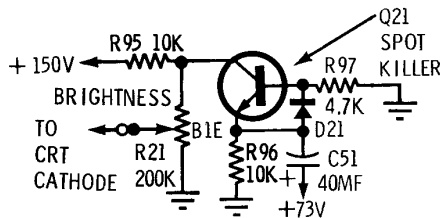


AUDIO AMPLIFIER

Q17 and Q18 form a DC coupled "switching tone burst amplifier". An input signal biases Q17 on, in turn driving Q18 into conduction. When the signal is removed both stages return to a quiescent mode. Coupling capacitor C50, diode D19 and resistor R88 establish a bias voltage which is signal dependent. Volume control R85 sets the peak to peak level for the output stage.

Lamp E1 serves to protect the speaker if the audio output transistor fails, it also protects the transistor should the speaker leads be shorted.

Diode D22 (on early models) polarizes the speaker insuring proper installation. If it is installed wrong, little or no audio will be developed.

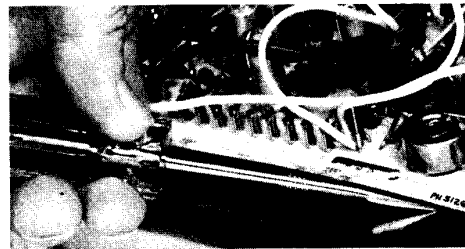
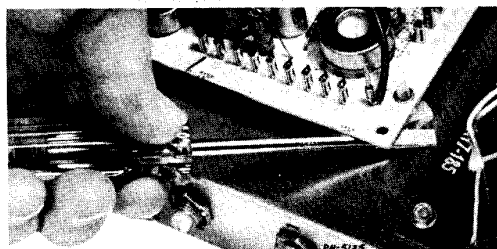


SPOT KILLER

Normally Q21 is not conducting and capacitor C51 is charged to the supply voltage. When the monitor is turned off, C51 discharges through R96 turning the transistor on. It in turn removes the positive potential from the brightness control connecting the CRT cathode to ground, causing the tube to conduct hard, discharging the high voltage.

SERVICE NOTES

PANEL REMOVAL/INSTALLATION



To prevent damage to the board or foil when removing the circuit panel it may be necessary to pry up slowly, IN STAGES around the edges as shown. Start at one corner and move all around the board keeping the screw driver tip against the chassis. When installing, apply pressure at the edges near the pins. Do not force down on the components.

CIRCUIT TRACING

Component reference numbers are printed on top and bottom of the plug-in circuit board to facilitate circuit tracing. In addition, control names and board terminal numbers are also shown and are referenced on the chassis schematic diagram in this manual.

Transistor elements are identified as follows:

E – emitter, B – base, and C – collector.

COMPONENT REMOVAL

Removing components from the etched board is facilitated by the fact that the circuitry (plating) appears on one side of the board only and the component leads are inserted straight through the holes and are not bent or crimped.

It is recommended that a solder extracting gun be used to aid in component removal. An iron with a temperature controlled heating element would be desirable since it would reduce the possibility of damaging the board due to over-heating.

The nozzle of the soldering gun is inserted directly over the component lead and when sufficiently heated, the solder is drawn away leaving the lead free from the copper plating. This method is particularly suitable in removing multi-terminal components.

REGULATOR ADJUSTMENT

NOTE: Misadjustment of the low voltage regulator, or the horizontal oscillator may result in damage to the Horizontal Output Transistor or pulse limiter diode. The following procedures are recommended to insure reliable operation.

1. Connect monitor to AC line supply. Adjust supply to 120 volts (240 on some models).
2. Apply test signal to proper input. Signal should be of same amplitude and sync rate as when monitor is in service.
3. Adjust vertical and horizontal oscillator controls until display is synced.
4. Connect a DC digital voltmeter or other precision accuracy voltmeter to the emitter of the regulator output transistor, (or any 73 volt test point).
5. Adjust the regulator control R74, on circuit board for an output of 73 volts. Do not "run" the regulator control through its range or damage to the monitor may result.
6. When adjustment is complete, the AC line supply can be varied between 105 and 130 volts to check for proper regulator operation. With regulator operating properly, changes in display size should be negligible.

HORIZONTAL OSCILLATOR ADJUSTMENT

1. Set the horizontal hold potentiometer to mid-range (R34).
2. Adjust core of horizontal hold coil L1 until the horizontal blanking lines are vertical.
3. Rotate potentiometer R34 through its full range. Display should go out of sync in each direction and hold in sync at the center of its range. Retouch L1 as necessary to center the hold range.

VIDEO AMPLIFIER BIAS ADJUSTMENT

Adjust video bias control R10 for 30 volts DC on collector of video output transistor Q3 with no signal input.

Disconnect cable from video input jack if necessary to eliminate noise.

POWER TRANSISTOR REPLACEMENT

When replacing any "plug-in" transistor, i.e., the horizontal or vertical output, please observe the following precautions:

1. The transistor sockets are not "Captive", that is, the transistor mounting screws also secure the socket. When installing the transistor, the socket must be held in its proper location. This location is indicated by flanges on the socket which fit into the heat sink.
2. When replacing the output transistors, silicone grease (Motorola Part No. 11M490487) should be

applied evenly to both sides of the mica insulator.

3. All transistor mounting screws must be tight before applying power to the receiver. This insures proper cooling and electrical connections.

NON-COMPLIANCE WITH THESE INSTRUCTIONS CAN RESULT IN FAILURE OF THE TRANSISTOR AND/OR ITS RELATED COMPONENTS.

NOTE: Use caution when tightening transistor mounting screws. If the screw threads are stripped by excessive pressure, a poor electrical and mechanical connection will result.

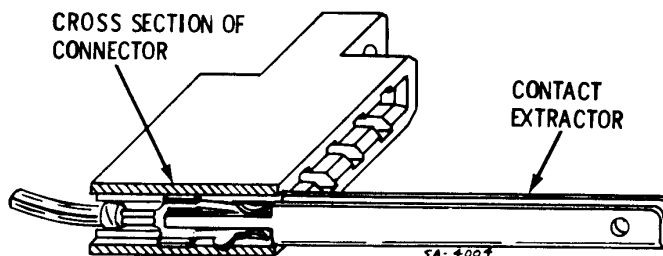
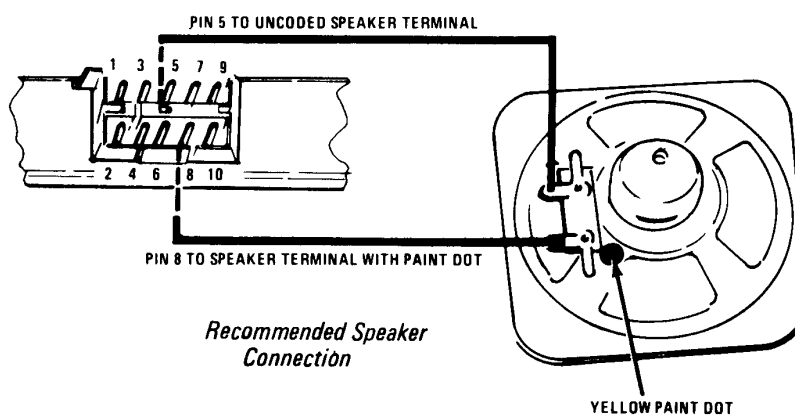
CRT REPLACEMENT

Use extreme care in handling the CRT as rough handling may cause it to implode due to atmospheric pressure. Do not nick or scratch glass or subject it to any undue pressure in removal or installation. Use goggles and heavy gloves for protection.

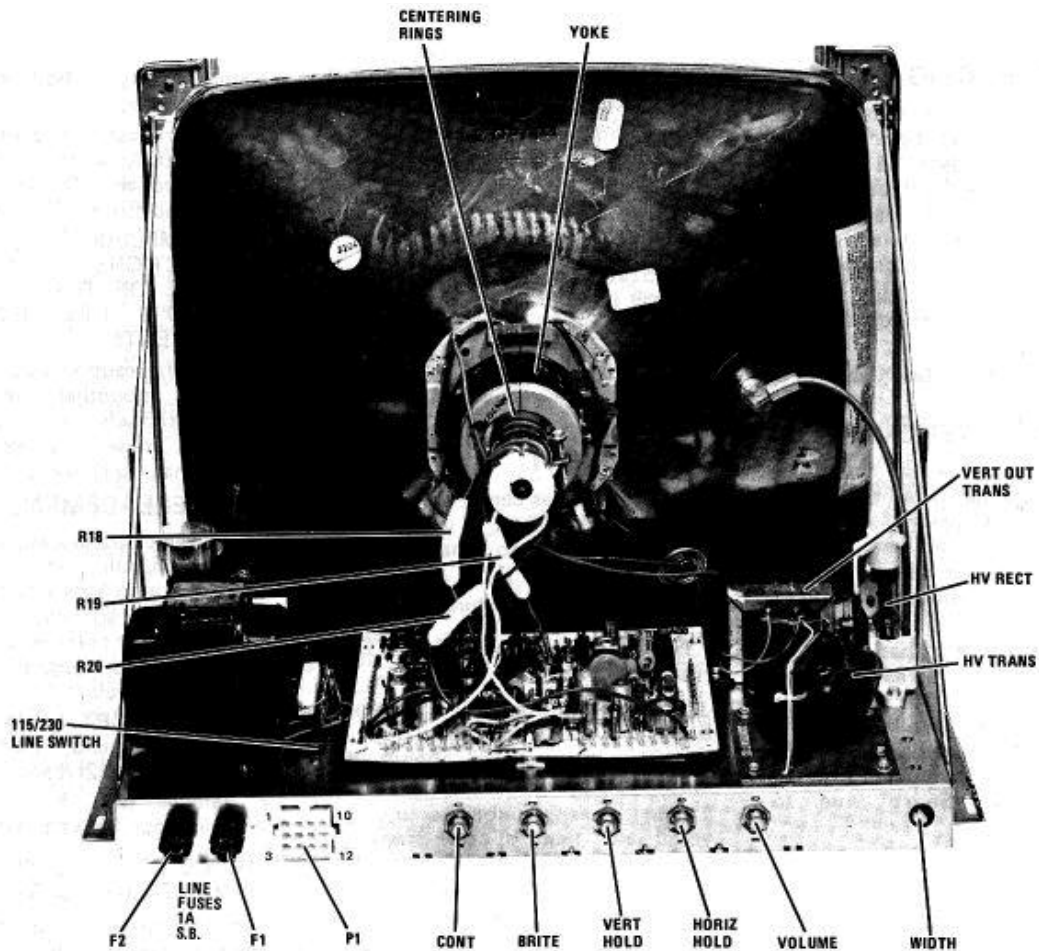
1. Discharge CRT by shorting 2nd anode to ground. Remove CRT socket, yoke and 2nd anode lead.
2. Remove CRT from chassis by removing four screws at corners.

PANEL CONNECTOR CONTACT REMOVAL

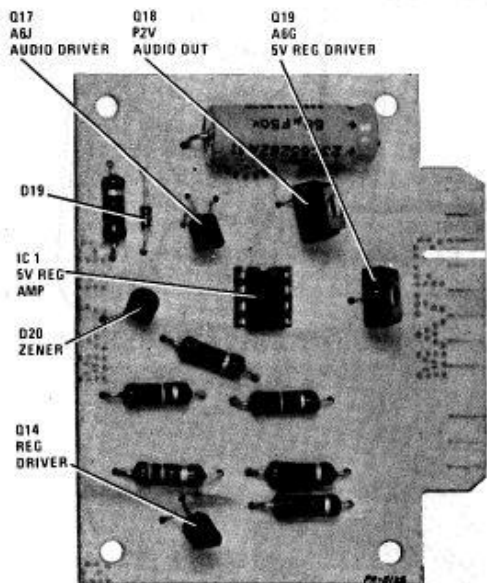
Contacts can be removed from the multpin panel connector by using extractor tool, Part No. 66P65173A47. Insert the tool over contact and seat fully. Tool will release contact. Pull contact out from wired side.



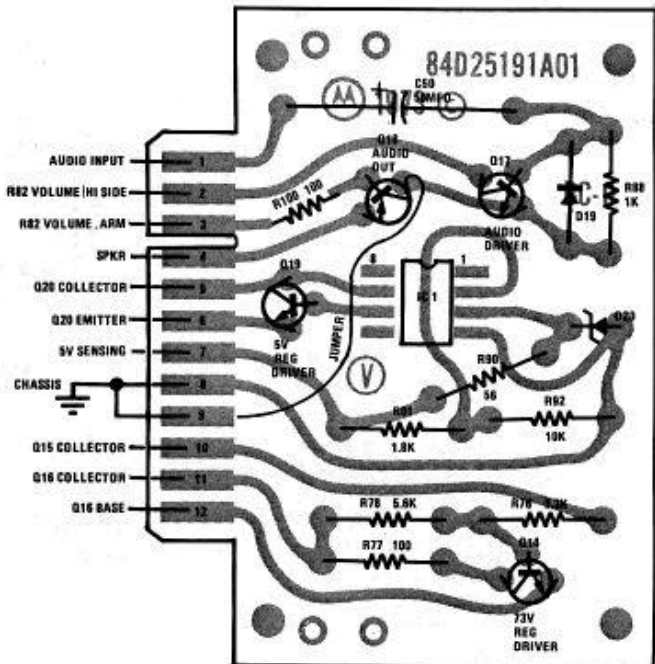
Edge Connector Contact Removal



Chassis Component Location Rear View

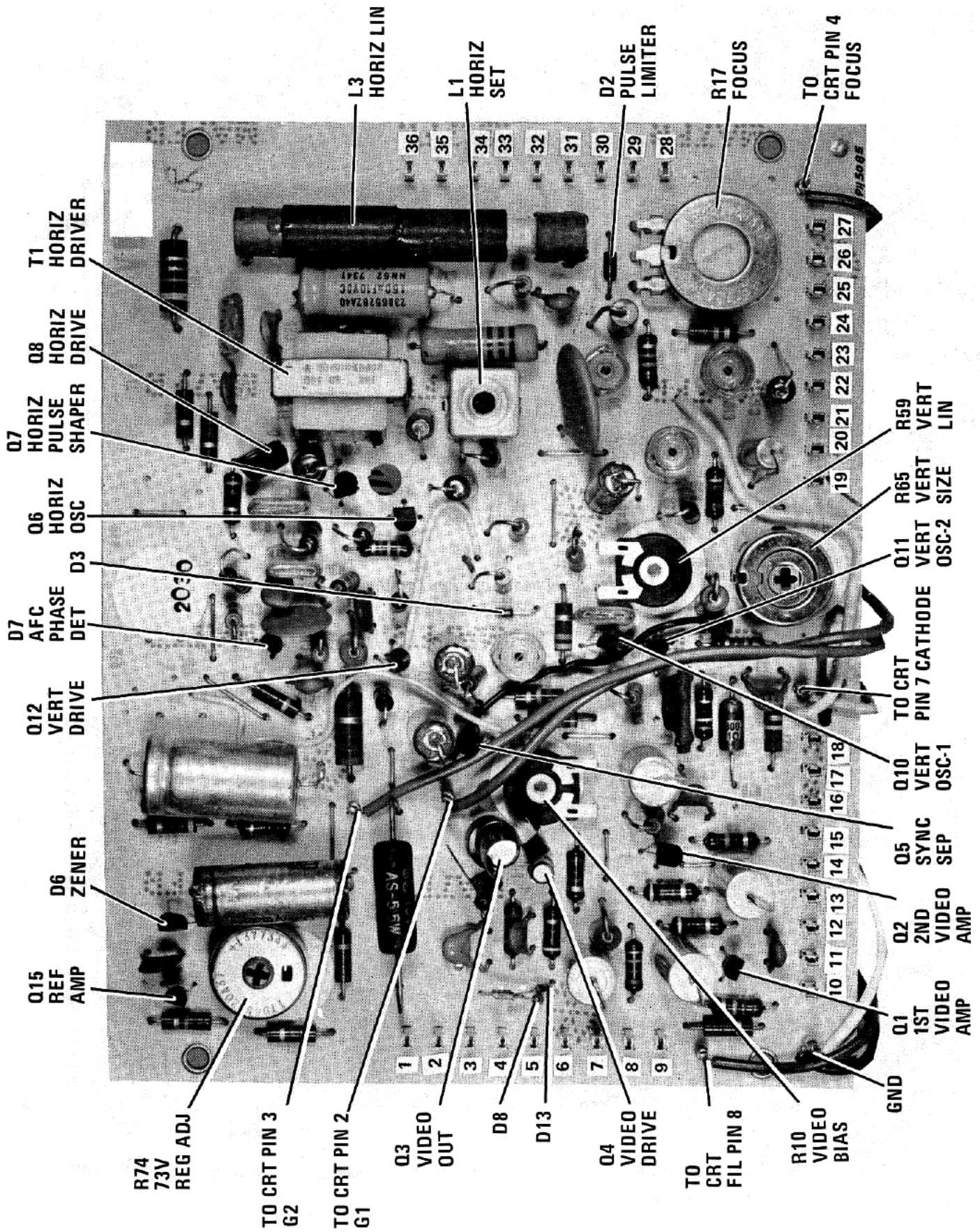


Top View



Circuit Side

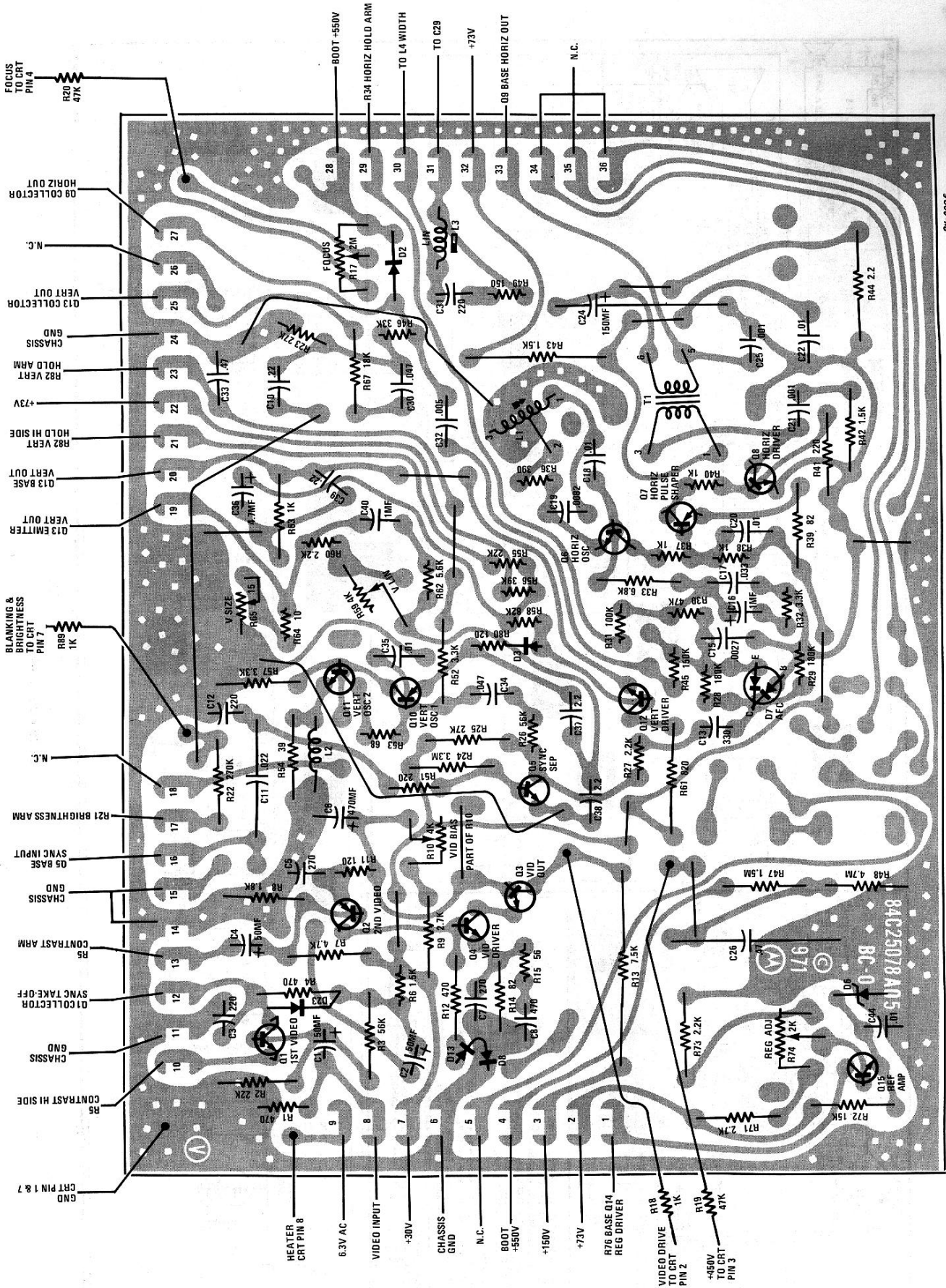
Power, Audio Panel Component Location

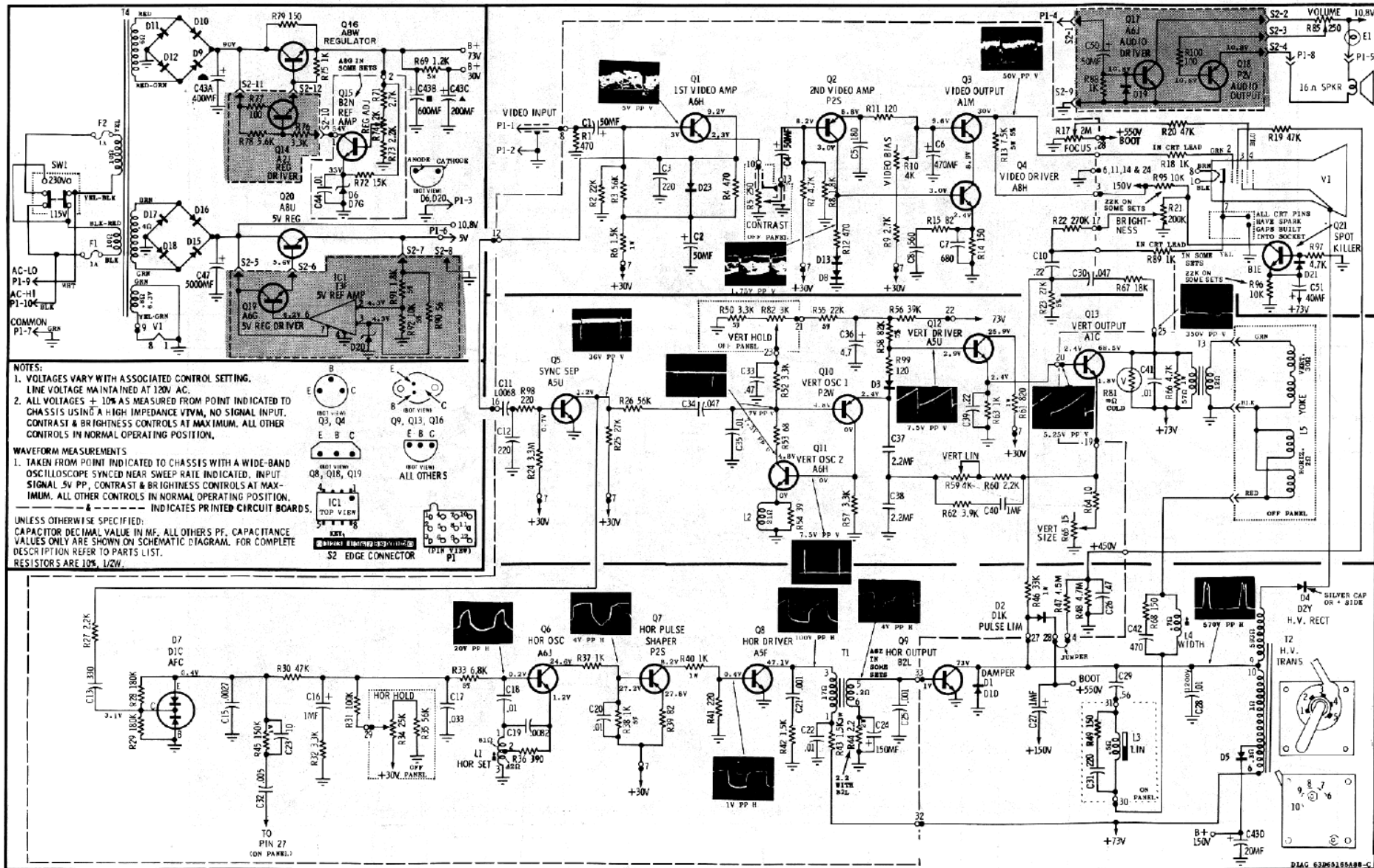


Monitor Panel - Component Side

PH-0006

Monitor Panel - Circuit Side





NOTES:
 1. VOLTAGES VARY WITH ASSOCIATED CONTROL SETTING.
 2. LINE VOLTAGE MAINTAINED AT 120V AC.
 3. ALL VOLTAGES + 10% AS MEASURED FROM POINT INDICATED TO CHASSIS USING A HIGH IMPEDANCE VVM, NO SIGNAL INPUT, CONTRAST & BRIGHTNESS CONTROLS AT MAXIMUM. ALL OTHER CONTROLS IN NORMAL OPERATING POSITION.

WAVEFORM MEASUREMENTS
 1. TAKEN FROM POINT INDICATED TO CHASSIS WITH A WIDE-BAND OSCILLOSCOPE SYNCED NEAR SWEEP RATE INDICATED. INPUT SIGNAL .5V PP, CONTRAST & BRIGHTNESS CONTROLS AT MAXIMUM. ALL OTHER CONTROLS IN NORMAL OPERATING POSITION.
 2. ——— INDICATES PRINTED CIRCUIT BOARDS.

UNLESS OTHERWISE SPECIFIED:
 CAPACITOR DECIMAL VALUE IN MF. ALL OTHERS PF. CAPACITANCE VALUES ONLY ARE SHOWN ON SCHEMATIC DIAGRAM. FOR COMPLETE DESCRIPTION REFER TO PARTS LIST.
 RESISTORS ARE 10% 1/2W.

Schematic Diagram

REPLACEMENT PARTS LIST

REF. NO.	PART NUMBER	DESCRIPTION	REF. NO.	PART NUMBER	DESCRIPTION
ELECTRICAL PARTS			COILS & CHOKES		
	1Y25017A01	MONITOR PANEL: complete; KT364LM	L-1	24D68822A08	HORIZ SET
	1Y25017A02	POWER, Audio Panel: complete; KT365LM	L-2	24D68801A67	COMPENSATING: 2000 uh
CAPACITORS			L-3	24D69163A18	HORIZ LINEARITY
C-1	23C65282A41	50 mf 50V Lytic	L-4	24V25000A74	HORIZ WIDTH: incl C42 & R68
C-2	23C65282A41	50 mf 50V Lytic	L-5	24D68523A15	DEFLECTION YOKE
C-3	21S180D10	220 pf 20% 100V X5F (Use 21R132503)	TRANSISTORS		
C-4	23C65282A41	50 mf 50V Lytic	Q-1	48S137171	1st VIDEO: A6H
C-5	21S180B98	180 pf 10% 500V X5F	Q-2	48S137127	2nd VIDEO: P2S
C-6	23S10255A78	470 mf 16V Lytic	Q-3	48S134919	VIDEO OUTPUT: A1M
C-7	21S180C01	680 pf 10% 500V X5F	Q-4	48S137317	VIDEO DRIVER: A8H
C-8	21S180B85	560 pf 10% 500V X5F	Q-5	48S137115	SYNC SEPERATOR: A5U
C-10	8S10191B67	.22 mf 10% 250V Polyester	Q-6	48S137172	HORIZ OSCILLATOR: A6J
C-11	8S10191A54	.0068 mf 10% 160V Polyester	Q-7	48S137127	HORIZ PULSE SHAPER: P2S
C-12	21S180D10	220 pf 20% 100V X5F (Use 21R132503)	Q-8	48S137093	HORIZ DRIVER: A5F
C-13	21S131625	330 pf 10% X5F	Q-9	48S137570	HORIZ OUTPUT: B2L
C-15	21S180C41	.0027 mf 10% 500V Z5F (Use 21K121699)	Q-10	48S137173	VERT OSCILLATOR (1): P2W
C-16	23S10229A07	1.0 mf +40-20% 15V Lytic (Use 23C43280A17)	Q-11	48S137171	VERT OSCILLATOR (2): A6H
C-17	8S10191B90	.033 mf 10% 160V Polyester	Q-12	48S137115	VERT DRIVER: A5U
C-18	8S10299A73	.01 mf 10% 100V Poly carb	Q-13	48S134900	VERT OUTPUT: A1C
C-19	8S10299A74	.0082 mf 10% 160V Poly carb	Q-14	48S134952	REGULATOR DRIVER: A2J
C-20	8S10191B98	.01 mf 10% 250V Polyester	Q-15	48S137574	REFERENCE AMP: B2N
C-21	21S180B51	.001 mf 10% 500V X5F	Q-16	48S137368	REGULATOR: A8W
C-22	8S10191B98	.01 mf 10% 160V Polyester	Q-17	48S137172	AUDIO DRIVER: A6J
C-23	21S180C02	10 pf 10% N150	Q-18	48S137168	AUDIO OUTPUT: P2V
C-24	23D65282A40	150 mf 10V Lytic	Q-19	48S137169	5V REGULATOR, Driver: A6G
C-25	21S180B51	.001 mf 10% 500V X5F	Q-20	48S137344	5V REGULATOR: A8U
C-26	8S10212B53	.47 mf 10% 630V Mtiz Poly	Q-21	48S137476	SPOT KILLER: B1E
C-27	8S10212A11	1.0 mf 10% 630V Mtiz Poly	CONTROLS		
C-28	8S10571A06	.01 mf 5% 1200V Poly Prop Foil	R-5	18D68222A34	CONTRAST: 250 Ohm
C-29	8S10571A23	.56 mf 10% 250V Prop Foil	R-10	18D66401A44	VIDEO BIAS: 4K
C-30	8S10191A32	.047 mf 10% 250V Polyester	R-17	18D67858A12	FOCUS: 2 meg
C-31	21S180B87	220 pf 10% 500V X5F	R-21	18D68222A35	BRIGHTNESS: 200K
C-32	21S180D34	.005 mf 20% 1KV Z5F (Use 21S180D31)	R-34	18D68222A37	HORIZ HOLD: 25K
C-33	8S10212A69	.47 mf 10% 100V Mtiz Poly	R-59	18D66401A44	VERT LINEARITY: 4K
C-34	8S10191A32	.047 10% 250V Polyester	R-65	18D67671A18	VERT SIZE: 15 Ohm
C-35	8S10191B98	.01 mf 10% 250V Polyester	R-74	17D65820A37	REGULATOR ADJUST: 2K
C-36	23S10255A69	4.7 mf 100V Lytic	R-82	18D68222A36	VERT HOLD: 3K
C-37	8S10212A20	2.2 mf 10% 100V Mtiz Poly	R-85	18D68222A34	VOLUME: 250 Ohm
C-38	8S10212A20	2.2 mf 10% 100V Mtiz Poly	RESISTORS		
C-39	8S10191B67	.22 mf 10% 250V Polyester	R-1	6S127633	470 10% 1/2W
C-40	8S10212A10	1.0 mf 10% 100V Mtiz Poly (Use 8S10191A46)	R-2	6S125568	22K 10% 1/2W
C-41	8S10064A06	.01 mf 10% 600V Mylar	R-3	6S127541	56K 10% 1/2W
C-42	21S180A71	470 pf 10% 500V X5F	R-4	6S127633	470 10% 1/2W
C-43	23C65807A47	400 mf/125V; 600 mf/50V; 20 mf/200V Lytic	R-6	6S128955	1500 10% 1W
C-44	21S180E60	.01 mf +80-20% 50V Z5V	R-7	6S121847	4700 10% 1/2W
C-47	*23C65807A52	5000 mf 20V Lytic	R-8	6S122445	1800 10% 1/2W
C-50	23D65282A41	50 mf 50V Lytic	R-9	6S119926	2700 10% 1/2W
C-51	23S10255B43	40 mf 100V Lytic	R-11	6S128226	120 10% 1/2W
DIODES & RECTIFIERS			R-12	6S127633	470 10% 1/2W
D-1	48S134921	DIODE, Silicon: D1D; Dampar	R-13	17S10731A02	7500 5% 5W WW
D-2	48S134978	DIODE, Silicon: D1K; Pulse Limiter	R-14	6S124797	150 10% 1/2W
D-3	48D67120A11	DIODE, Low Power	R-15	6S127516	82 10% 1/2W
D-4	48S137114	RECTIFIER, H. V.: Silicon: D2Y	R-18	---	Part of CRT socket assembly
D-5	48S191A05	RECTIFIER, Silicon: 91A05 (Use 48S191A07)	R-19	---	Part of CRT socket assembly
D-6	48S137469	DIODE, Silicon: zener; D7G	R-20	---	Part of CRT socket assembly
D-7	48S134917	DIODE, Dual: D1C; Detector	R-22	6S129296	270K 10% 1/2W
D-8	48S67120A11	DIODE, Low Power	R-23	6S10053C67	27K 5% 1/2W
D-9	*48S191A07	RECTIFIER, Silicon: 91A07	R-24	6S127538	3.3 meg 10% 1/2W
D-10	48S191A07	RECTIFIER, Silicon: 91A07	R-25	6S121300	27K 10% 1/2W
D-11	48S191A07	RECTIFIER, Silicon: 91A07	R-26	6S127541	56K 10% 1/2W
D-12	48S191A07	RECTIFIER, Silicon: 91A07	R-27	6S129875	2200 10% 1/2W
D-13	48D67120A11	DIODE, Low Power	R-28	6S125531	180K 10% 1/2W
D-15	48S191A10	RECTIFIER, Silicon: 91A10	R-29	6S125531	180K 10% 1/2W
D-16	48S191A10	RECTIFIER, Silicon: 91A10	R-30	6S125892	47K 10% 1/2W
D-17	48S191A10	RECTIFIER, Silicon: 91A10	R-31	6S125534	100K 10% 1/2W
D-18	48S191A10	RECTIFIER, Silicon: 91A10	R-32	6S124506	3300 10% 1/2W
D-19	48D67120A11	DIODE, Low Power	R-33	6S10053C53	6800 5% 1/2W
D-20	*48S10641D43	DIODE, Silicon, D4,3	R-35	6S127541	56K 10% 1/2W
D-21	48D67120A11	DIODE, Low Power	R-36	6S125545	390 10% 1/2W
D-23	48S191A05	RECTIFIER, Silicon: (Use 48S191A07)	R-37	6S121301	1000 10% 1/2W
FUSES			R-38	6S10053C33	1000 5% 1/2W
F-1	65S139424	FUSE: 1A-250V	R-39	6S127516	82 10% 1/2W
F-2	65S139424	FUSE: 1A-250V	R-40	6S127547	1000 10% 1W
INTEGRATED CIRCUITS			R-41	6S127099	220 10% 1/2W
IC-1	*51S10732A01	INTEGRATED CIRCUIT: T3F	R-42	6S127513	1500 10% 1/2W
			R-43	17S10130B07	1500 10% 3W fxd mtl film
			R-44	17S744356	2.2 10% 2W WW
			R-45	6S120141	150K 10% 1W
			R-46	6S127634	33K 10% 1W
			R-47	6S129417	1.5 MEG 10% 1/2W
			R-48	6S10053D21	4.7 meg 10% 1/2W
			R-49	6S124797	150 10% 1/2W
			R-50	6S10053C45	3300 5% 1/2W
			R-52	6S124506	3300 10% 1/2W
			R-53	6S129874	68 10% 1/2W
			R-54	6S131972	39 10% 1/2W
			R-55	6S10053C65	22K 5% 1/2W
			R-56	6S125535	39K 10% 1/2W
			R-57	6S124506	3300 10% 1/2W
			R-58	6S129793	82K 5% 1/2W
			R-60	6S129875	2200 10% 1/2W
			R-61	6S10053F29	820 10% 1W
			R-62	6S127515	3900 10% 1/2W

REPLACEMENT PARTS LIST

REF. NO.	PART NUMBER	DESCRIPTION	REF. NO.	PART NUMBER	DESCRIPTION
R-63	6S121301	1000 10% 1/2W			
R-64	17S10130C91	10 10% 1/2W (special)	E-1	50D68164A27 66S139451	SPEAKER: 4" PM LAMP: No. 1436
R-66	6S129064	4700 10% 1W			
R-67	6S122848	18K 10% 1/2W			
R-68	6S124797	150 10% 1/2W			
R-69	17S647132	1200 10% 5W WW (Use 17S136197)			
R-71	6S119926	2700 10% 1/2W			
R-72	6S124551	15K 10% 1/2W		9D66133A28	CAP, SS Rect (HV Transformer - PRI/SEC lead)
R-73	6S129875	2200 10% 1/2W		42B25158A01 31D70080B04	CLAMP, Metal: Defl Yoke Mtg CONNECTOR, PC panel: 9 contact; on chassis
R-75	6S121301	1000 10% 1/2W	S-2	*15S10390A06	CONNECTOR, PC panel: 12 contact; less key and contacts (power-audio panel)
R-76	6S124506	3300 10% 1/2W	P-1	*15S10183A69	CONNECTOR, Plug: 12 contact; less contacts (power)
R-77	6S129221	100 10% 1/2W			
R-78	6S127005	5600 10% 1/2W			
R-79	17S135589	150 10% 10W WW			
R-81	6C66263A08	VARISTOR (Use 6S66263A16)			
R-88	6S121301	1000 10% 1/2W			
R-89	---	Part of CRT Socket			
R-90	6S131412	56 10% 1/2W		*39S10184A63	CONTACT, Plug: for power connector 15S10183A69
R-91	6S10053C39	1800 5% 1/2W		39S10184A22 15S10630A01	CONTACT: for S2 connector COVER, nylon: slide switch; SW1
R-92	6S10053C57	10K 5% 1/2W		*7S10609A03 26C66745A05	GROMMET, Plastic: PC panel mtg HEAT SINK: Q3
R-95	6S119932	10K 10% 1/2W		*26C25198A01 9C66238A02 14A562353	HEAT SINK: Q20 HOLDER, Fuse: F1 & F2 INSULATOR, Mica: Transistor socket; Q9, Q13, Q16 & Q20 (Use 14A543810)
R-96	6S119932	10K 10% 1/2W		28S10733A01 2S7051	KEY, Plug: for S2 connector NUT, hex: 3/8-32; control mtg
R-97	6S121847	4700 10% 1/2W		5S10281A03 47C66082A03 3S136050	RIVET, drive pin: nylon; HV transf mtg ROD, Adjustment: width coil; L4 SCREW, tpg: 6-20 x 1/2 clu pan hd; Q9, Q13, Q16 & Q20
R-98	6S127099	220 10% 1/2W		9S10143A41 9D67555V27 *9D25201A01	SOCKET, lamp: E1 SOCKET, CRT: incl leads & resistors SOCKET, HV Rectifier (4): complete; incl 2nd anode lead & cup
R-99	6S128226	120 10% 1/2W		9C63825A01 9C63825A02 41D65987A01 66P65173A47	SOCKET, transistor: Q9, Q13, Q16 SOCKET, transistor: Q20 SPRING, special: CRT aquadag grnd TOOL, contact removal (S2 connector)
R-100	6S129221	100 10% 1/4W			
SWITCHES					
SW-1	40S10624A01	SWITCH, Slide: DPDT (115V--230V)			
TRANSFORMERS					
T-1	25D67440A03	HORIZ DRIVER			
T-2	24D25240A04	H.V. TRANSFORMER: complete			
T-3	25D25221A07	VERT OUTPUT			
T-4	*25D68164A31	POWER			
MISCELLANEOUS ELECTRICAL PARTS					
V-1	20WP4 23JEP4	CRT (XM501-10 19VP111) CRT (XM701-10 23VP111)			
* DENOTES NEW ITEM APPEARING ON ANY LIST FOR FIRST TIME.					
			MECHANICAL PARTS		