

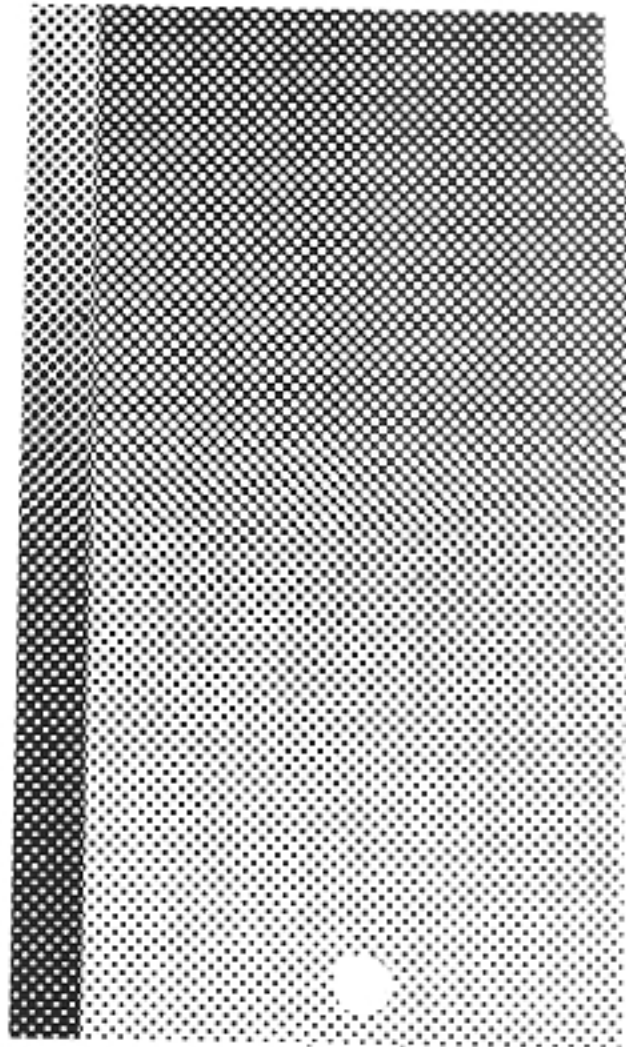


999-300-2591S

**AT&T UNIX™ PC**

**Model 3B/1**

Hardware Installation Guide



---

Contents

---

©1986 AT&T  
All Rights Reserved  
Printed in USA

**NOTICE**

The information in this document is subject to change without notice. AT&T assumes no responsibility for any errors that may appear in this document.

---

**Introduction** 1

---

Unpacking the UNIX PC	3
Before You Begin	3
Unpacking the Shipping Carton	4
Unpacking the Keyboard Box	6
Checking Your Equipment	7

---

Installing the UNIX PC Hardware	9
Installing the Mouse	9
Installing the Keyboard	10
Attaching the Power Cord	12
Attaching Your Telephone	13
Removing the Floppy Shipping Card	15
Adjusting the Screen Brightness	16
Positioning the Console Screen	17
What Next?	18

---

---

## Introduction

This AT&T UNIX™ PC Hardware Installation Guide shows you how to unpack and set up your AT&T UNIX PC Model 3B1 computer. You do not need any tools or any special computer experience to follow the instructions. You will be shown everything you need to know.

This Hardware Installation Guide is divided into the following sections:

- o **Unpacking the UNIX PC**  
This section shows you how to unpack the UNIX PC shipping carton and prepare the UNIX PC for installation.
- o **Installing the UNIX PC Hardware**  
This section shows you how to connect the parts of your UNIX PC together and prepare the UNIX PC for software installation.

### Note

Save your packing materials and this Hardware Installation Guide. You will find them very useful if you ever need to re-pack your system, or update your system software.

This section of the Hardware Installation Guide shows you how to unpack the UNIX PC shipping carton. You may find it easier if you have someone help you move the shipping carton and unpack the UNIX PC.

**Before You Begin**

Before you begin to unpack the shipping carton, you should position the shipping carton on the floor or on a large table near the work area or desk where you plan to place the UNIX PC. You should also make sure you have enough space to place the UNIX PC on your desktop or work area.

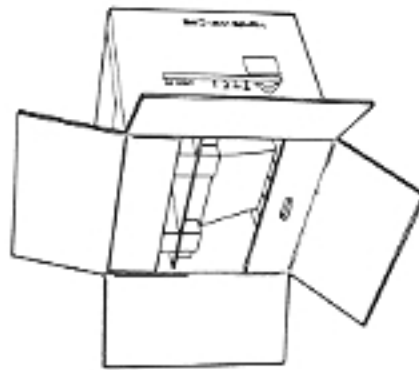
The UNIX PC is approximately 20 inches high by 18 inches deep by 18 inches wide. Make sure you:

- o Place the UNIX PC at least 2 inches from the nearest wall or shelf.
- o Place the UNIX PC near your telephone wall jack.
- o Place the UNIX PC near a three-hole grounded wall socket.

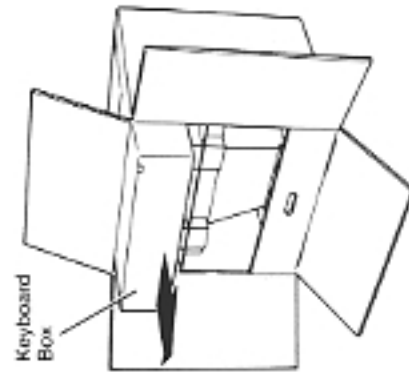
Unpacking the Shipping Carton

To unpack the UNIX PC shipping carton:

- 1 Place the shipping carton as shown in the following illustration:

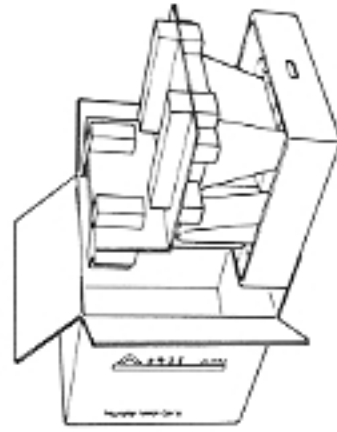


- 2 Pull out the cardboard box that contains the keyboard and accessories, and set it aside.

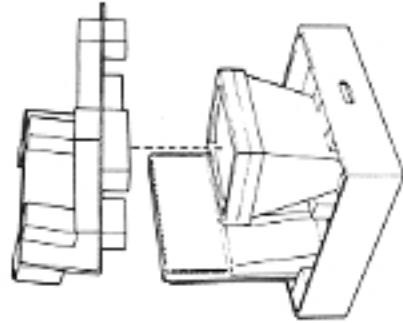


- 3 Slide the UNIX PC main unit out of the shipping carton as shown below.

You may find it easier if one person holds the box while the other pulls the UNIX PC main unit out of the shipping carton.



- 4 Remove the packing foam from the UNIX PC main unit.



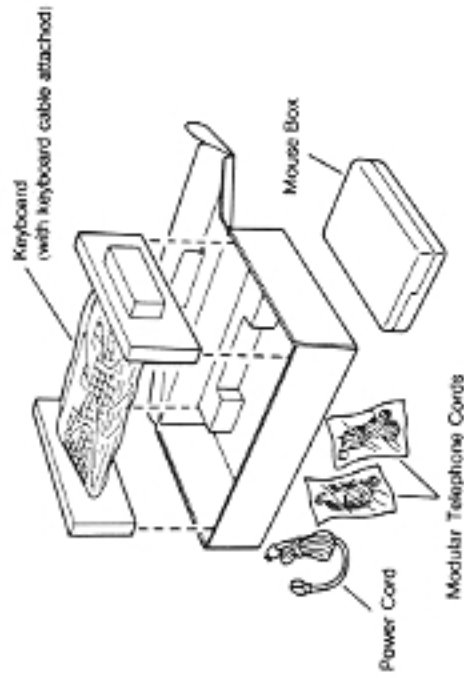
- 5 Lift the UNIX PC main unit off the cardboard and foam and set the unit on your desk or work area.

- 6 Place all the shipping foam back into the shipping carton.

### Unpacking the Keyboard Box

To unpack the keyboard box:

- 1 Open the cardboard box by placing your fingers into the finger tabs and lifting up.



- 2 Lift the keyboard out of the cardboard box.
- 3 Remove the packing from the sides of the keyboard and remove the plastic cover.
- 4 Remove the two modular telephone cords and the black power cord and set them aside.
- 5 Remove the styrofoam box that contains your mouse and set it aside.
- 6 Place the packing materials back in the cardboard box, and then place the cardboard box back inside the shipping carton.

### Checking Your Equipment

After replacing all of your shipping foam and packing back into the shipping carton, gather all your equipment and accessories in one location. Use the following checklist to make sure you have all the required equipment:

- UNIX PC Main Unit
- UNIX PC Keyboard and Attached Cord
- Styrofoam Mouse Box  
Open the styrofoam container to make sure it contains the mouse and a tracking ball.
- Black power cord
- Two modular telephone cords sealed in plastic.

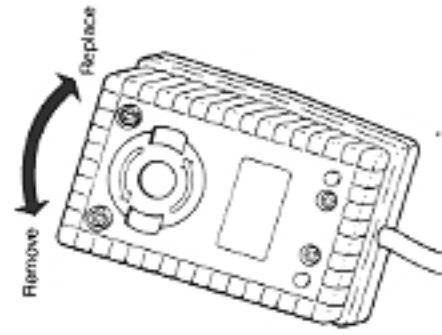
If you are missing any of the equipment, contact your authorized AT&T computer dealer or, if purchased directly from AT&T Information Systems, your AT&T Account Executive.

Installing the UNIX PC Hardware

This section of the Hardware Installation Guide shows you how to set up your UNIX PC hardware.

Installing the Mouse

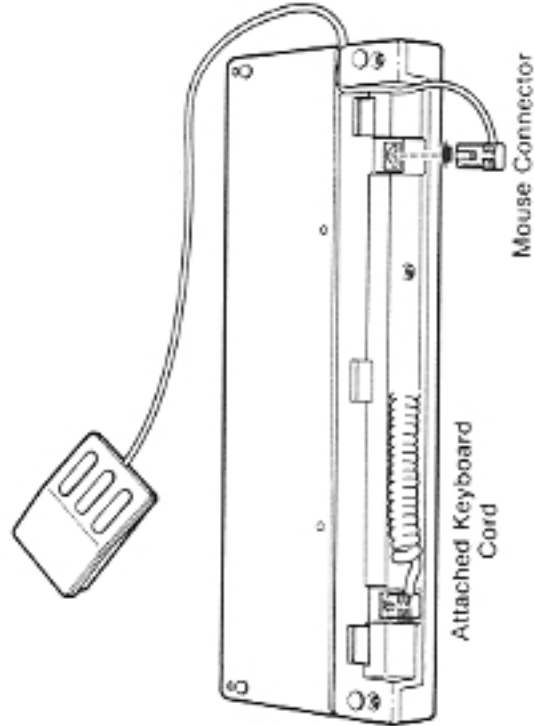
- 1 Take the mouse out of the styrofoam box.
- 2 Turn the mouse over and remove the ball cover latch as shown below:



- 3 Remove the black tracking ball from the styrofoam box and place it in the socket on the underside of the mouse.
- 4 Replace the ball cover latch as shown in the previous illustration.

## Installing the Keyboard

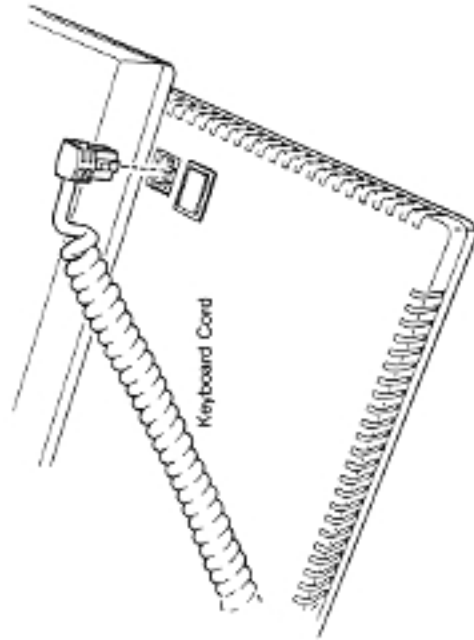
- 1 Locate your keyboard.
- 2 Look at the keyboard cord on the back of the keyboard. Notice that one end of the cord is attached to the keyboard.
- 3 Turn your keyboard upside-down and attach the mouse cord as shown in the following illustration:

**Note**

The previous illustration shows you how to route the mouse cord through the slot on the right side of the keyboard. You can also route the mouse cord through the slot across the bottom of the keyboard to the left. This may be more convenient for left-handed users.

- 4 Turn the keyboard over.

- 5 Plug the loose end of the keyboard cord into the socket located in the upper right-hand corner of the keyboard storage pad, as shown in the following illustration:

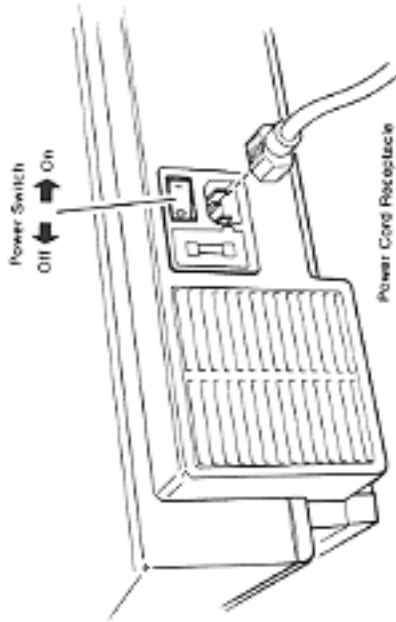
**Caution**

Do not unplug the keyboard or mouse cord when POWER IS ON. Doing so may cause an interruption in operation and require you to reset the system.



Attaching the Power Cord

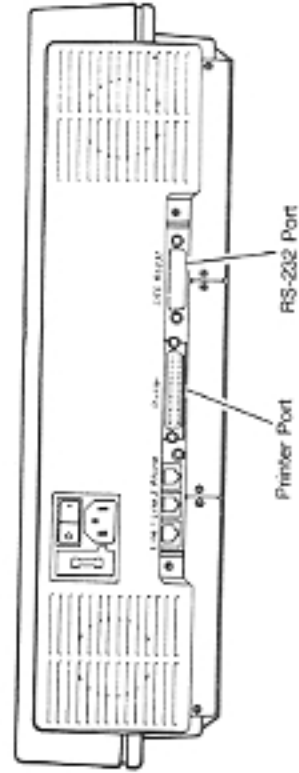
- 1 Turn the UNIX PC around enough so you can easily see the rear of the main unit.
- 2 Check to make sure the Power Switch is in the "0" (OFF) position.



- 3 Plug the black power cord firmly into its receptacle located in the back of the workstation.

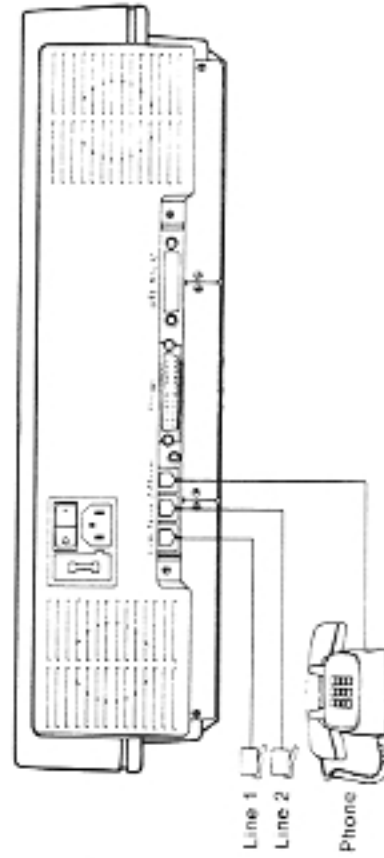
Plug the power cord directly into a three-hole grounded wall socket. Do not use adapters or extension cords over 6 feet long.

The following illustration shows the location of the Printer port and the RS-232 ports. Any cables attached to these ports must be shielded cables.



Attaching Your Telephone

- 1 Locate the two modular telephone cords supplied with your UNIX PC, and remove their plastic covers.
- 2 Locate your modular telephone jack.
- 3 Disconnect your telephone line from the modular jack.
- 4 Plug the loose end of the disconnected modular cord into the PHONE connector on the back of the UNIX PC, as shown in the following illustration.



- 5 Take one of the supplied modular telephone cords and plug it into the modular jack where your telephone was connected.
- 6 Plug the other end of the supplied modular telephone cord into the LINE 1 connector on the back of the UNIX PC.

- 7 If you have a second telephone line to be used for data communications, plug one end of the remaining supplied modular telephone cord into the second modular jack.
- 8 Plug the other end of the supplied modular telephone cord into the **LINE 2** connector on the back of the UNIX PC.

**Note**

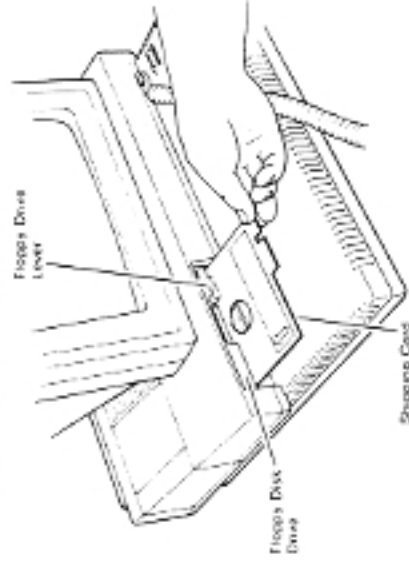
You can still use your telephone normally as you did before attaching it to the UNIX PC. If you want to use your telephone with the UNIX PC Telephone Manager software, you must follow the instructions in the **AT&T UNIX™ PC Telephone Manager User's Guide**.

**Removing the Floppy Shipping Card**

When your UNIX PC is shipped, it contains a shipping card in the floppy disk drive. This shipping card protects the floppy disk drive during shipment. Before you can proceed with the software installation you must remove the shipping card from the floppy disk drive.

To remove the shipping card from the floppy drive:

- 1 Locate the floppy disk drive shown in the following illustration:



- 2 Turn the floppy drive lever up and to the right (bending the shipping card) to open the floppy drive.
- 3 Pull the shipping card from the floppy drive and put it in the shipping carton.  
You will want to insert this into your floppy drive if you ever ship main unit to a new location.
- 4 Leave the floppy drive open.

You have now completed the "Installing the UNIX PC" section of this guide. Take the time to read the following pages that show you how to adjust the screen brightness and position the screen before you begin to install your software.

#### Adjusting the Screen Brightness

To adjust the screen brightness, turn the brightness dial toward the front or rear of the UNIX PC.

To adjust the screen brightness:

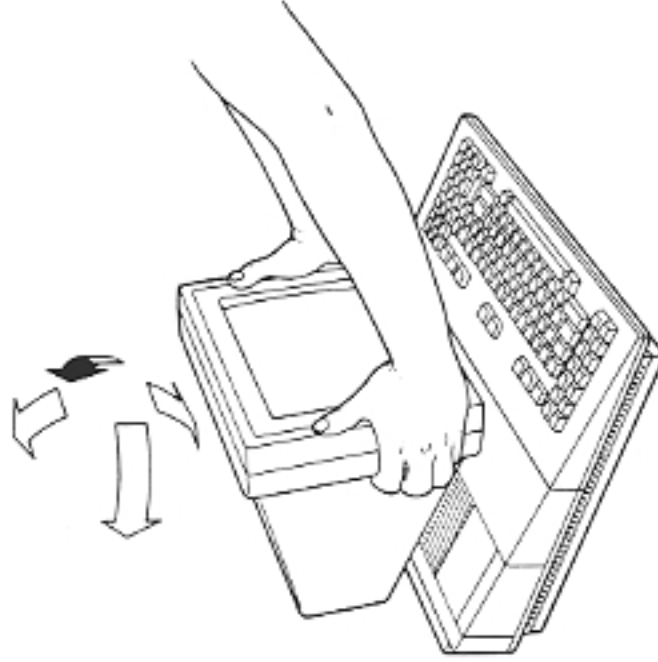
- 1 Locate the brightness dial under the left-hand side of the console screen, as shown in the following illustration:



- 2 To increase the brightness, turn the dial toward the front of the UNIX PC.
- 3 To decrease the brightness, turn the dial toward the rear of the UNIX PC.

#### Positioning the Console Screen

Your console screen tilts forward or back and swivels to the left or right. The following illustration shows you how to position the console screen.



---

What Next?

Now that you have installed all your UNIX PC hardware, you need to check that the software shipped with your system is the most current system software available.

For information on how to check your system software, refer to the System Software Installation Guide that is packaged with the System Software.

If you experience difficulty or failure while operating the UNIX PC, you can perform diagnostic tests to determine the problem. These tests and how to perform them are fully explained in the AI&T UNIX PC Service Manual.

The Service manual is purchased as a separate manual. If you do not have this manual, call the 800 service number: 800 922-0354.

Diagnostic tests check to ensure proper operation of the UNIX PC after installation or field replacement of a defective assembly. These tests are collectively called the acceptance test, and consist of the following:

- o Boot ROM diagnostics test the logic board and search for a loader.
- o Floppy disk diagnostics perform such tests as full system check and entering bad blocks, and subsystem tests such as keyboard and video checks.
- o Telephone tests for voice and data include such exercises as testing data calls using a modem, dialing numbers and putting lines on hold using Telephone Manager, and running diagnostics using UNIX.