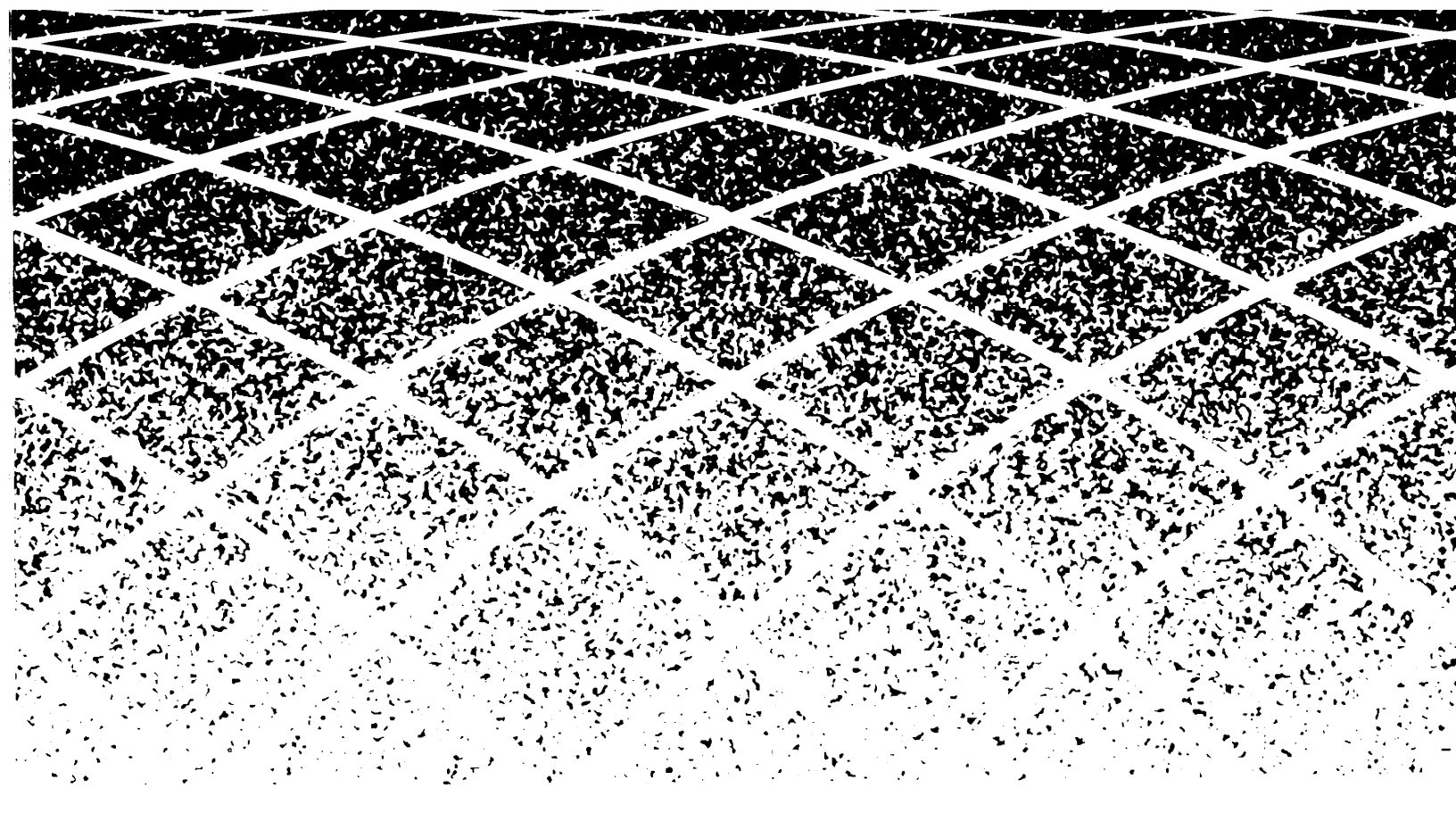




AT&T

PARTNER[®] **II**
Communications System
Release 3.1
Installation



Notice

Every effort was made to ensure that the information in this book was complete and accurate at the time of printing. However, information is subject to change.

Federal Communications Commission (FCC) Interference Notice

This equipment has been tested and found to comply with the limits of a Class A digital device, pursuant to Part 15 of FCC rules. For additional FCC information, see Appendix C of the *PARTNER II Communications System Programming and Use* guide.

Canadian Emissions Requirements

This digital apparatus does not exceed the Class A limits for radio noise emissions from digital apparatus set out in the Radio Interference Regulations of the Canadian Department of Communications. For additional DOC information, see Appendix C of the *PARTNER II Communications System Programming and Use* guide.

Le present appareil numerique n'emet pas de bruits radioelectriques depassant les limites applicable aux appareils numeriques de la classe A prescrites dans le Reglement sur le brouillage radioelectrique edicte par le ministere des Communications du Canada. Vous trouverez des renseignements complémentaires à la annexe C de *PARTNER II Communications System Programming and Use* manuel.

Security

As a customer of new telecommunications equipment, you should be aware of the significant and growing problem of theft of long distance services by third parties, known commonly as "toll fraud." It is particularly important that you understand and take appropriate steps to deal with this crime because under applicable tariffs, you will be responsible for payment of associated toll charges. AT&T cannot be responsible for such charges and will not make any allowance or give any credit resulting from toll fraud.

Toll fraud can occur despite the preventive efforts of network providers and equipment manufacturers. Toll fraud is a potential risk for every customer with telecommunications equipment having one or more of the following features: (1) remote access, (2) automated attendant, (3) voice mail, (4) remote administration and maintenance, and (5) call forwarding (remote). This is not a product or design defect, but a risk associated with equipment having one or more of the features described above. If your new telecommunications equipment possesses any of these features, please consult the relevant portion of your documentation for further details and specific procedures to reduce the risk of toll fraud or contact your AT&T dealer for further details.

Trademarks

Call Assistant, PARTNER MAIL, and PARTNER MAIL VS are trademarks of AT&T. Magic on Hold, MLS-34D, MLS-18D, MLS-12D, MLS-12, MLS-6, PagePac, PARTNER, and SYSTIMAX are registered trademarks of AT&T.

Warranty

AT&T provides a limited warranty to this product. See Appendix B of the *PARTNER II Communications System Programming and Use* guide.

Ordering Information

The order number for this book is 518-455-318. To order additional books, call 1 800 432-6600 in the continental U.S. and 1 800 255-1242 in Canada. For information about ordering other system reference materials, replacement parts, accessories, and other compatible equipment, see "Product Ordering Information" in Appendix B of the *PARTNER II Communications System Programming and Use* guide.

Support Telephone Number

In the continental U.S., AT&T provides a toll-free customer helpline 24 hours a day. Call the AT&T Helpline at **1 800 628-2888** if you need assistance when installing your system.

Outside the continental U.S., contact your local AT&T Authorized Dealer.

Installing the Hardware

Contents

Important Safety Instructions	ii
■ Additional Safety Instructions for Installation Personnel	ii
Overview	1
An Example System Setup	2
Required Parts	4
Installation Guidelines	5
■ Telephones and Devices	5
■ Combination Extensions	6
Using a Direct Connection	7
Using a Bridging Adapter	7
Installation Procedures	8
■ Installing the Control Unit and Modules	8
■ Connecting Lines and Extensions	10
■ Connecting Caller ID Display Devices	12
■ Assembling System Phones	13
Desk Mounting	13
Wall Mounting	14
■ Connecting and Testing Telephones	15
■ Connecting Paging, Music-On-Hold, and Call Reporting (SMDR) Devices	16
■ Connecting MLS-CA24 Intercom Autodialers	17
One Autodialer	17
Two Autodialers	18
Equipment Upgrades	19
■ Adding New Modules	19
■ Replacing System Modules	20
Specifications	22

Important Safety Instructions

The following list provides basic safety precautions that should always be followed when using your telephone equipment:

1. Read and understand all instructions.
2. Follow all warnings and instructions marked on the product.
3. Unplug all telephone connections before cleaning. **DO NOT** use liquid cleaners or aerosol cleaners. Use a damp cloth for cleaning.
4. This product should be serviced by (or taken to) a qualified repair center when service or repair work is required.
5. **DO NOT** use this product near water, for example, in a wet basement location
6. **DO NOT** place this product on an unstable cart, stand, or table.
7. Never push objects of any kind into slots or openings as they may touch dangerous voltage points or short out parts that could result in a risk of fire or electric shock. Never spill liquid of any kind on the product.
8. Avoid using this telephone during an electrical storm. There may be a remote risk of electric shock from lightning.
9. **DO NOT** use the telephone to report a gas leak in the vicinity of the leak.
10. The product is provided with a three-wire grounding type plug. This is a safety feature. **DO NOT** defeat the safety purpose of the grounding type plug. **DO NOT** staple or otherwise attach the AC power supply cord to building surfaces.



CAUTION:

DO NOT block or cover the ventilation slots and openings. They prevent the product from overheating. DO NOT place the product in a separate enclosure unless proper ventilation is provided.

Additional Safety Instructions for Installation Personnel

1. **DO NOT** install telephone wiring during a lightning storm.
2. **DO NOT** install telephone jacks in a wet location unless the jack is specifically designed for wet locations.
3. Never touch uninsulated telephone wires or terminals, unless the telephone line has been disconnected at the network interface.
4. Use caution when installing or modifying telephone lines.
5. The control unit must be securely wall mounted.



CAUTION:

If any wiring from the extension jacks leaves the building premises, you must install AT&T IROB protectors (see "Requirements for Out-of-Building Extensions" on page 23).



CAUTION:

Use only AT&T-manufactured PARTNER modules in the PARTNER II Communications System.



CAUTION:

Environmental and electrical conditions must meet the specifications as listed on pages 22 and 23.

SAVE THESE INSTRUCTIONS

Installing the Hardware

Overview

This guide explains how to install the PARTNER® II Communications System. It begins with an example system setup, then shows the components you need to install the system and gives general guidelines to consider before installation. Next, it provides step-by-step instructions for connecting and testing the components for initial installation and upgrades. Finally, it lists important system specifications. Make sure that your installation meets all electrical and environmental requirements.

If your company already has modular jacks for all outside lines and extensions, you may be able to use the existing wiring to install the system hardware and connect telephones to the system yourself. To have an AT&T service technician install and customize your system or change existing wiring, call 1 800 247-7000 (in the continental U.S. only) or call your AT&T Authorized Dealer.

After installation, refer to the *PARTNER II Communications System Programming and Use* guide for programming instructions.

An Example System Setup

The next page shows a control unit with two 206 modules and three 400 modules, giving the system a capacity of 16 outside lines and 12 extensions. Although your system may differ, this example will give you an idea of the types of equipment you can connect to it. System phones and standard devices are connected to ten extensions. The circled numbers in the figure refer to the following list, which gives a brief description of the system's hardware components.

Control Unit

The control unit shows both the primary and the expansion carriers, including these components:

- ① **Backplanes.** The backplanes channel power to the system and connect the system modules.
- ②A **206 Modules.** Each 206 module has jacks for two lines and six extensions.
- ②B **400 Modules.** Each 400 module provides four more line jacks but no extensions. *Notice that the 400 modules are installed to the right of the 206 modules.*
- ③ **Grounding Screw.** Attaches #12 AWG or #14 AWG solid copper wire to an approved earth ground.
- ④A **Primary Processor Module.** The primary processor module contains the software that provides the system's features. It also has PAGE, SMDR, and MUSIC ON HOLD jacks. (See 5 below.)
- ④B **Expansion Processor Module.** The expansion processor module extends the primary processor module's software intelligence to the modules in the expansion carrier.
- ⑤A **PAGE.** A loudspeaker paging system plugs directly into this modular jack. The system is compatible with any AT&T paging system, including the AT&T PagePac6® shown here.
- ⑤B **SMDR.** A call reporting (or SMDR—Station Message Detail Recording) device connects directly to this jack. AT&T's Call Accounting Terminal is shown here.
- ⑤C **MUSIC ON HOLD.** AT&T's Magic on Hold® is connected to this jack to provide customized music and messages for callers on hold. Other types of audio equipment* (including a CD player, cassette player, or stereo receiver) can be connected using an audio cord with an RCA phono plug (not supplied).
- ⑥ **Line Jacks.** The top two jacks on each 206 module, and all four jacks on each 400 module, connect to outside telephone lines.
- ⑦ **Extension Jacks.** The bottom six jacks on each 206 module connect inside wiring for telephones and other telecommunications equipment.
- ⑧ **Network Interface Jacks.** These jacks provide access to telephone lines from the local telephone company. Each outside line was connected to the system by plugging one end of the line cord into one of these jacks, and the other end into a line jack on a 206 or 400 module.
- ⑨ **Expansion Cable.** The expansion cable connects the primary processor module to the expansion processor module.

* If you use equipment that rebroadcasts music or other copyrighted materials, you may be required to obtain a license from a third party such as ASCAP or BMI. The Magic on Hold system does not require such a license.

Extensions

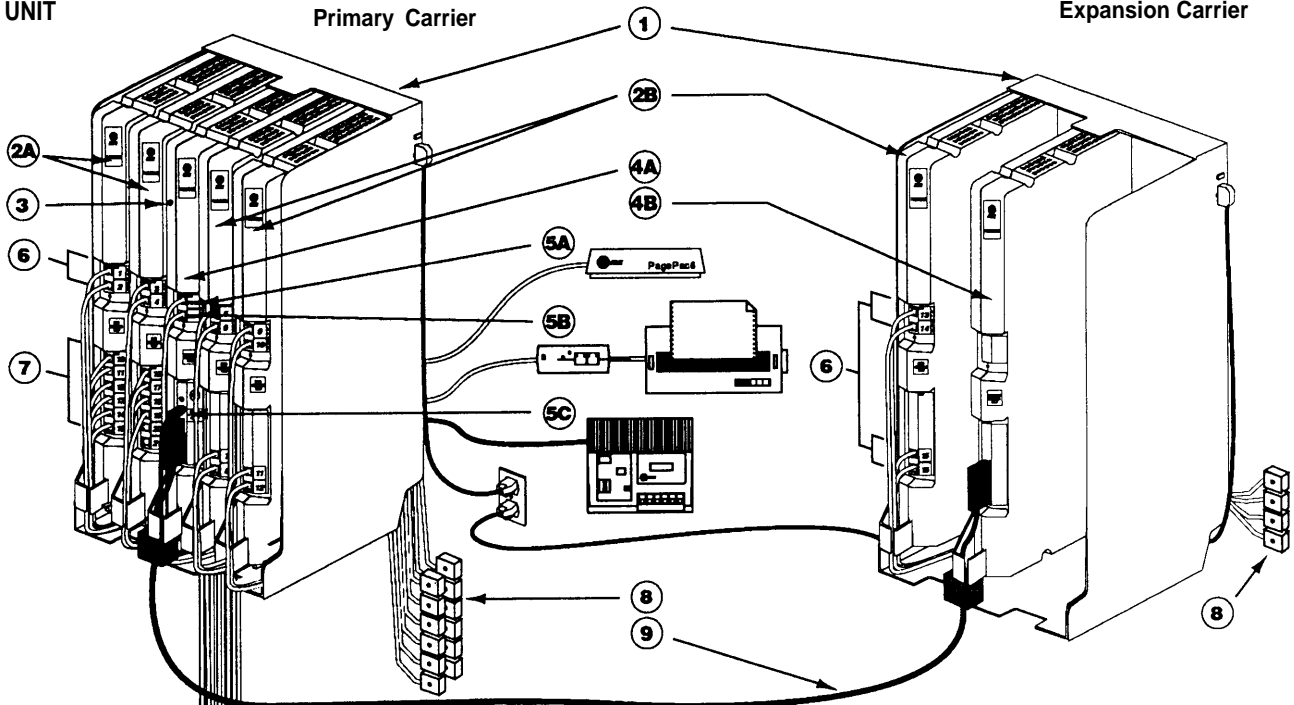
Various devices—including system phones and industry-standard devices—can be connected to the modular wall jacks. The modular wall jacks connect to the extension jacks in the control unit by way of the building's inside wiring.

- ⑩ **Extension 10:** These devices are connected:
 - **MLS-34D® Display Phone.** Typically, the receptionist on programming extension 10 has an MLS-34D display phone like the one shown here. The display shows the time, dialed numbers, the duration of calls, and programming messages.
An MLS-34D, MLS-18D®, or MLS-12D® is required for system programming at extension 10 or 11, or both. You can use an MLS-18D only if there are no MLS-34D phones in the system. Similarly, you can use an MLS-12D only if there are no MLS-34D or MLS-18D phones in the system.
 - **Call Assistant™ Intercom Autodialer.** An Intercom Autodialer is connected to the phone, for dialing extensions and transferring calls to them with one touch and for seeing which extensions are busy.
 - **Standard Touch-Tone Phone.** During a power failure, the MLS-34D phone on extension 10 will not work, but the receptionist can use the standard phone to place and receive calls on line 1.
- ⑪ **Extension 11: MLS-34D Display Phone.** Another MLS-34D is connected to programming extension 11. This means you can program the system from this extension while the receptionist at extension 10 is free to handle calls.
- ⑫ **Extension 12: MLS-12D Display Phone.** This display phone can handle 10 outside lines.
- ⑬ **Extension 13: Bell.** A loud bell is connected directly to this extension jack. Any line programmed to ring on extension 13 activates the loud bell—to alert users of an incoming call in a large area, such as a warehouse.
- ⑭ **Extension 14: MLS-12® Phone.** This phone is similar to the MLS-12D phone (see ext. 12), but it has no display.
- ⑮ **Extension 15: Doorphone.** A doorphone is installed at the building entrance. When someone at the entrance presses the button on the doorphone, the designated extensions in the office signal automatically. (Any number of extensions can be designated as doorphone alert extensions.)
- ⑯ **Extension 16: Standard Phone.** A standard touch-tone phone (such as you might have in your home) is connected directly to the extension jack.
- ⑰ **Extension 17: MLC-6 Cordless Phone.** An AT&T MLC-6 cordless phone is connected to this extension. It works like the corded MLS-6® system phone.
- ⑱ **Extension 18: Fax Machine and Standard Phone.** A fax machine and standard phone share this extension. This lets you have the use of another phone when the fax machine is idle. (You can use a system phone at another extension to monitor fax machine activity—see “Fax Management Feature” under “Using Fax Machines” in Chapter 4 of the *PARTNER II Communications System Programming and Use* guide.)
- ⑲ **Extension 19: MLS-18D Phone and Answering Machine.** An MLS-18D phone and an answering machine are connected to this extension.

CONTROL UNIT

Primary Carrier

Expansion Carrier



EXTENSIONS

10 Extension 10

17 Extension 17

11 Extension 11

14 Extension 14

18 Extension 18

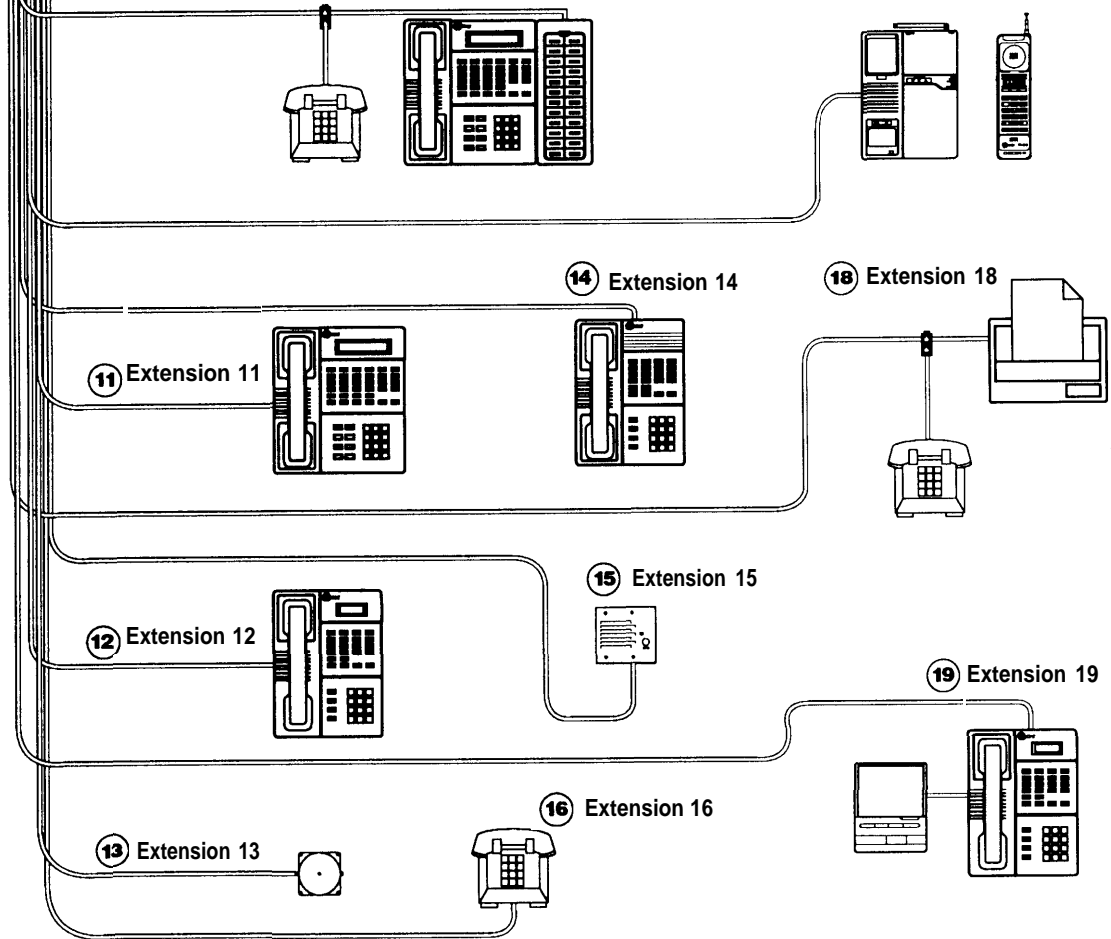
12 Extension 12

15 Extension 15

19 Extension 19

13 Extension 13

16 Extension 16



Required Parts

You will have up to four types of system component packages; Figure 1 shows the contents of each package in the area marked by a dashed line. Check your packages to be sure you have the parts shown here (if not, call for support as instructed on the inside front cover).

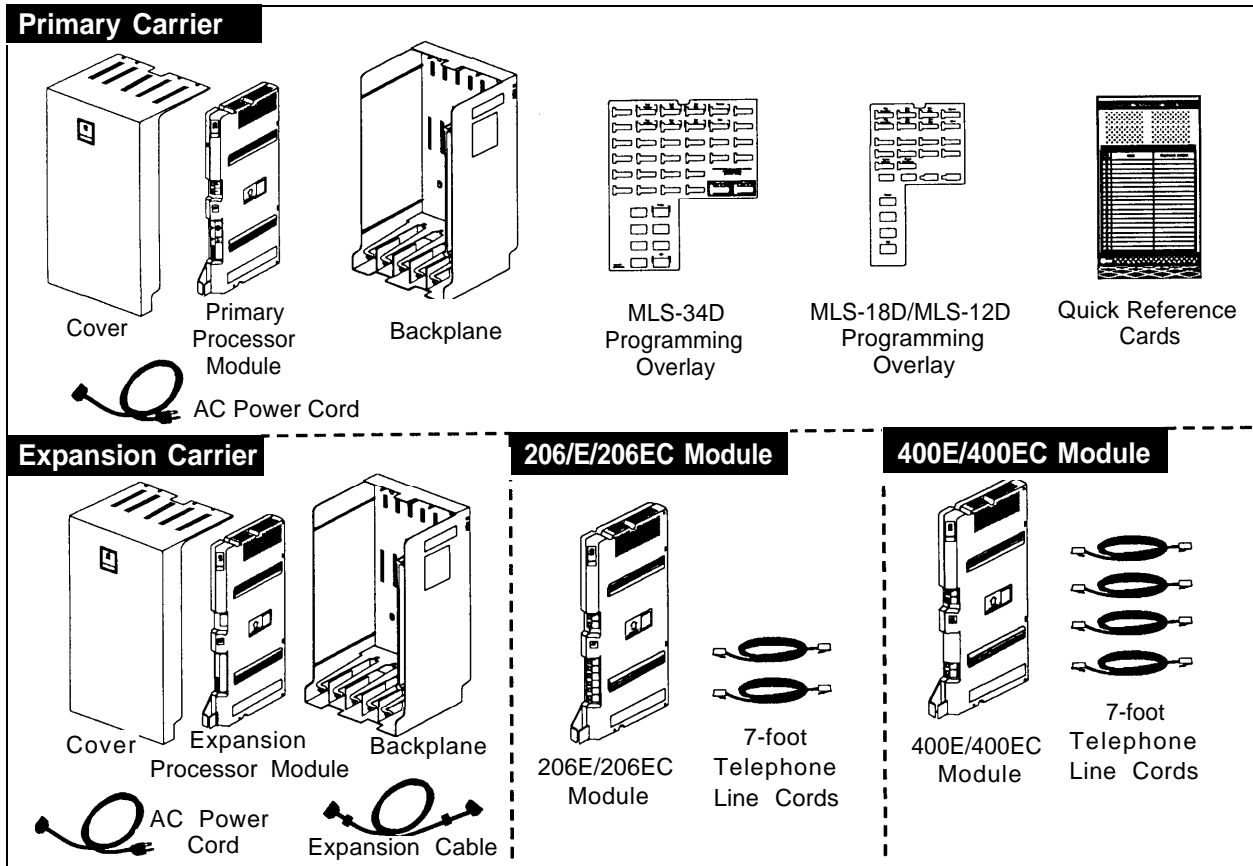


Figure 1. Required Parts

You will need to obtain four #12 screws of the appropriate type for the wall and weight of the carrier (a carrier with four 206 modules and a processor module weighs approximately 27.5 pounds or 12.3 kilograms.) You also need a length of #12 AWG or #14 AWG solid copper wire (not to exceed 25 feet) for grounding.

In addition, if you need modular telephone cords for connecting the extension jacks on the control unit to the modular connecting blocks for extensions in the equipment room, short telephone cords for wall mounting MLS-model phones, or a 355A/355AF adapter and D8W telephone cord for connecting a call reporting device, order them before installation. Refer to "Product Ordering Information" in Appendix B of the *PARTNER II Communications System Programming and Use* guide for ordering instructions.

The 206EC and 400EC modules support the Caller ID feature. These modules are required to provide Caller ID information on system display phones. You must subscribe to Caller ID service from your local telephone company (if it is available), and connect any lines associated with this service to the line jacks on the 206EC and/or 400EC modules. Hereafter, references to 206 modules include 206E, 206EC, and all 206 modules used with previous releases of the product. Similarly, references to 400 modules include 400E, 400EC, and all 400 modules used with previous releases of the product.

NOTE:

A system display phone—either an MLS-34D, MLS-18D, or MLS-12D—is *required* for system programming at extension 10 and/or 11. (Make sure that the programming phone is as large as the largest phone in the system, because an MLS-12D or MLS-18D *cannot* program an MLS-34D. Similarly, an MLS-12D *cannot* program an MLS-18D.)

Installation Guidelines

Telephones and Devices

You can connect the following telephones and devices to the system:

- **MLS- and MLC-Model System Phones.** System phones require at least two-pair wiring and are compatible with AT&T 4-pair SYSTIMAX® wiring.
- **Call Assistant Intercom Autodialers with Busy Indication (MLS-CA24).** You can connect up to two Intercom Autodialers to the system phone at extensions 10 and 11 (maximum four per system). The Intercom Autodialer has its own power supply, which must be plugged into an AC outlet.
- **Industry-Standard Devices.** Industry-standard devices (including standard phones) require one-pair mounting cords; AT&T D2R mounting cords are recommended.
 - **Standard Phones.** Connect standard touch-tone or rotary dial phones to the system for:
 - **Power Failure Operation.** During a power failure, system phones will not work because they require power to operate. However, if you connect standard phones to extensions 10, 16, 22, 28, 34, 40, 46, and 52, users can place and answer outside calls on lines 1, 3, 5, 7, 9, 11, 13, and 15, respectively. You can connect a standard phone either alone or combined with a system phone. (If you combine a standard phone and a system phone on one extension, you may want to turn off the standard phone's ringer during normal use.)
 - **Hotlines.** A hotline extension should have a standard phone, rather than a system phone, but can ring any type of phone. A hotline phone can also be set up to ring the paging system, so announcements can be made over the loudspeaker. Do not connect a Hotline phone to extension 10, 16, 22, 28, 34, 40, 46, or 52, to keep them available for power failure use.

NOTE:

For message waiting capability, you must connect standard phones with message waiting lights to Release 3.1 (R3.1) 206 modules, and equip the system with an R3.1 processor module. This message waiting capability does not apply to standard phones with *neon-type* message waiting lights.

- **Auxiliary Equipment.** There are a variety of ways to set up fax machines, modems, and answering machines to work with the system. To connect a telephone and a standard device on the same extension, see “Combination Extensions” below.
- **Doorphones.** You can connect up to two doorphones to the system. Do not connect doorphones to extension 10, 11, 16, 17, 22, 23, 28, 29, 34, 35, 40, 41, 46, 47, 52, or 53.
- **Voice Messaging Systems.** The system supports either of the following voice messaging systems:
 - The **PARTNER MAIL™ System.** You can connect either a 2-port system, which connects to two extension jacks and supports up to 20 subscribers, or a 4-port system, which connects to four extension jacks and supports up to 40 subscribers. Do not connect PARTNER MAIL to extension 10, 16, 22, 28, 34, 40, 46, or 52, to keep them available for power failure use.
 - The **PARTNER MAIL VS™ System.** This system, which resembles a 206 module, resides in the control unit and provides voice messaging capabilities for up to 10 subscribers. An optional Mailbox Expansion Card can extend service for up to 20 subscribers.
- **Call Reporting Devices.** You can connect either a serial printer or a call accounting device, such as AT&T’s Call Accounting Terminal, to the SMDR jack on the primary processor module for recording and/or analyzing call activity.
- **In-Range Out-of-Building Protectors.** Installing phones in a different building from the control unit requires AT&T In-Range Out-of-Building (IROB) protectors, to prevent damage due to lightning. (IROBS must be installed by a qualified technician.)

Combination Extensions

You can connect a standard device (such as a standard phone or an answering machine) on an extension by itself, or so that it shares an extension with another piece of equipment (either another standard device or a system phone). An extension with two devices connected to it is called a *combination extension*. You cannot install two system phones on the same extension, and the combined REN (Ringer Equivalence Number) of two devices on one extension cannot exceed 2.0. (The REN for a system phone is 0.0.)

If your system phone has a built-in auxiliary jack, you can connect a standard device directly to the phone, without using a bridging adapter—see “Using a Direct Connection” on the next page. If your system phone does not provide a built-in auxiliary jack or if you want to connect two standard devices together, you must use an AT&T 267F2 bridging adapter—see “Using a Bridging Adapter” on the next page.

NOTE:

The Call Assistant Intercom Autodialer is not regarded as a standard device. This means you *can* connect a standard device to a system phone that also has one or two autodialers installed.

Using a Direct Connection

Figure 2 shows how to connect a standard device directly to a system phone, using the phone's built-in auxiliary jack.

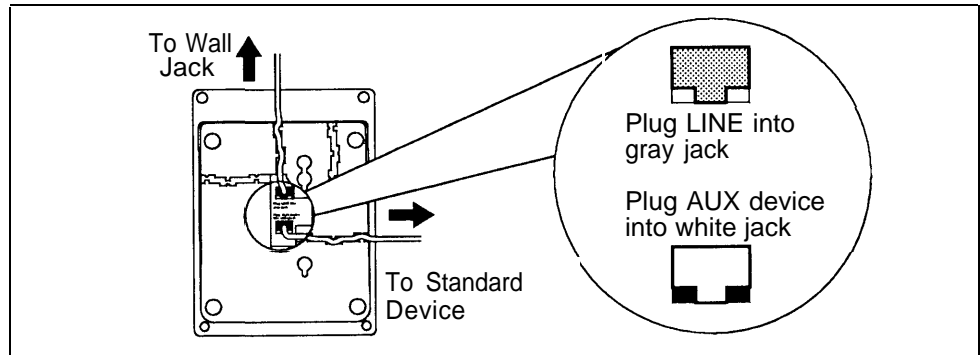


Figure 2. Combination Extension Using Direct Connection

Using a Bridging Adapter

Figure 3 shows how to connect a system phone and a standard device or two standard devices together using the 267F2 bridging adapter.

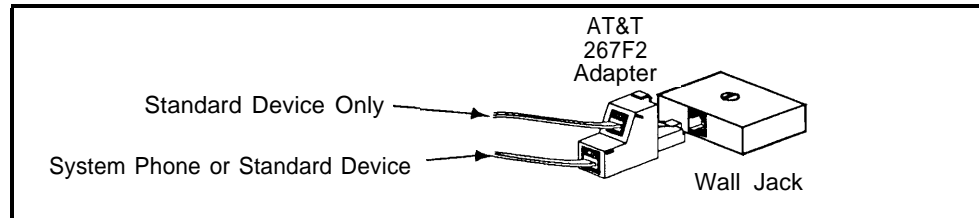


Figure 3. Combination Extension Using Bridging Adapter

Installation Procedures

Before installing the system, be sure you read the safety instructions on page ii.



WARNING:

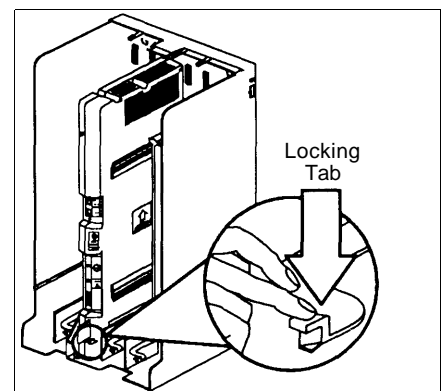
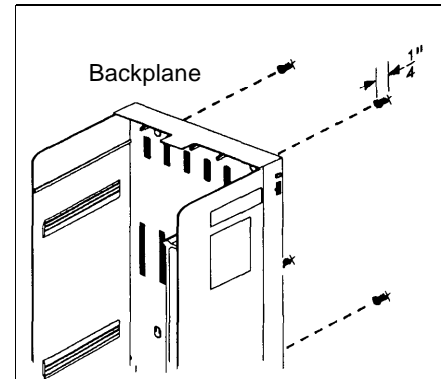
There are no customer-serviceable components inside the system modules or backplane. There are hazardous voltages within that can cause severe or fatal personal injury. DO NOT OPEN THE MODULES.

Installing the Control Unit and Modules

Install the control unit's backplane within five feet (1.5 meters) of a properly grounded AC electrical outlet (not controlled by a switch) and the network interface jacks. In addition, when you mount the backplane on the wall, leave at least six inches (15.2 cm) of clearance at the top and sides, and two feet (0.6 meters) at the front and bottom to ensure proper ventilation.

- 1**
 - A) Hold the backplane against the wall. (If you are also installing the expansion carrier, plan to install it to the right of the primary carrier, leaving 6" to 24" (15.2 to 61 cm) between the carriers.)
 - B) Using the four screw keyholes in the backplane as a template, mark screw locations on the wall.
 - C) Start four #12 screws, leaving the screw heads approximately 1/4" (.64 cm) away from the wall.
 - D) Slip the backplane onto the screws, then tighten them.
 - E) If you are mounting the expansion carrier, repeat this step.

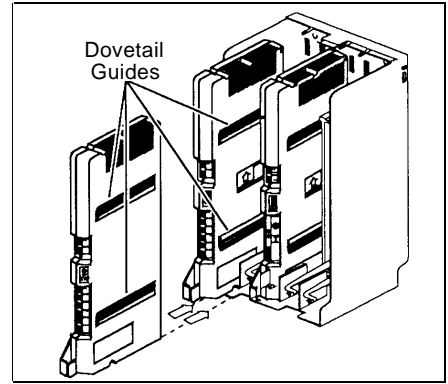
- 2**
 - A) Slide the primary processor module into the center slot of the primary carrier—holding down the locking tab on the bottom of the slot as you push in the module will make insertion easier.
 - B) Push slowly but firmly until the module locks into place with two snaps, and is attached to the rear of the backplane and held in place by the locking tab. Do not force the module. If it does not insert easily, remove the module, clear any obstruction, and reinsert it.
 - C) If you have an expansion carrier, slide the expansion processor module into its center slot until the module locks into place.



- 3** A) Slide the first 206 module into the *leftmost* slot of the primary carrier. (The system will not work if a 206 module is not installed in this slot.)

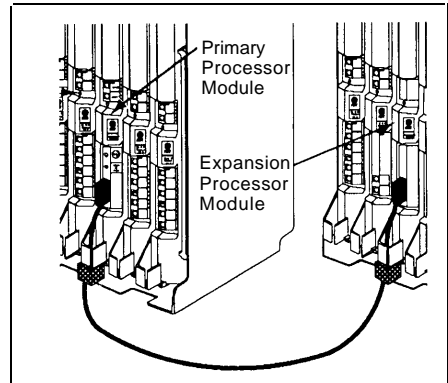
Also, you must install 206EC and/or 400EC modules for any lines with Caller ID service.

- B) Going from left to right, install 206 modules first, then any 400 (or 200) modules. The 400 modules *should always* be to the right of all 206 modules, so the extensions will be numbered consecutively. Hold down the locking tab and align the dovetail guides on the sides of the module with the guides on any previously inserted modules. Do not force the module. If it does not insert easily, remove the module, clear any obstruction, and reinsert it.



- 4** A) If you have installed both carriers, plug the ends of the expansion cable into the two processor modules and tighten the screws.

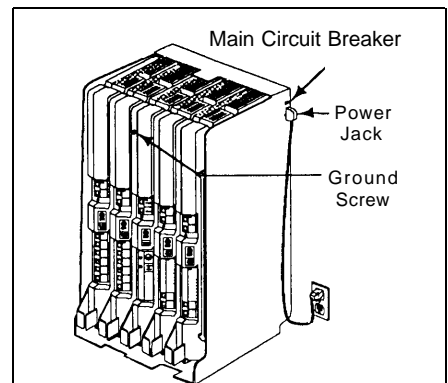
- B) Route both ends of the cable through the hooks on the fronts of the modules. The colored plastic filters on the expansion cable should rest just below the hooks.



- 5** A) To power down the system, pull out the main circuit breakers on both carriers.

On a PARTNER II 220V system, move the on/off switch to the "off" position ("O").

- B) Attach one end of a #12 AWG or #14 AWG solid copper wire to the ground screw on the primary processor module. Note that the length of the wire must not exceed 25 feet (7.6 meters).
- C) Route the wire through the hook on the front of the module, then push it through the space below the module and out through the back.
- D) Attach the other end of the wire to an approved earth ground, such as building steel or a cold water pipe.



- 6** A) Press the AC power cord firmly into the power jack on the top right side of the primary carrier's backplane until it locks into place.

- B) Plug the other end of the power cord into a properly grounded three-prong wall outlet not controlled by a switch.

- C) Repeat Steps 6A and 6B for the expansion carrier, plugging its cord into the same wall outlet as the primary carrier's cord.

- D) To power up the control unit, push in the main circuit breaker on the expansion carrier first, and then push in the main circuit breaker on the primary carrier.

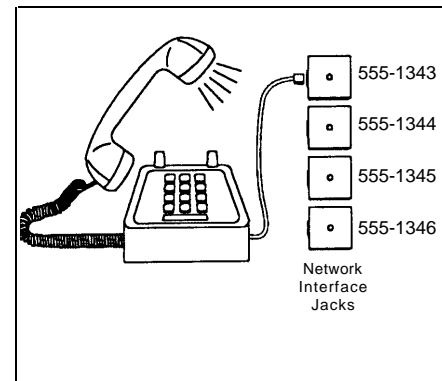
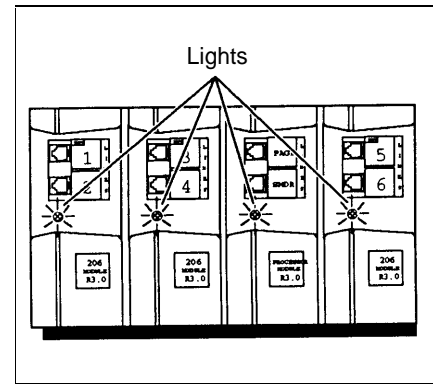
On a PARTNER II 220V system, move the on/off switch to the “on” position (“I”).

- 7** Check all green lights on the fronts of the modules. If all lights are lit, you can go to the next section; otherwise:

- A) *If a single light is out*, power down the control unit, reseal the module, then power up the control unit.

If multiple lights are out, power down the control unit, reseal the leftmost module that has a light out, then power up the control unit.

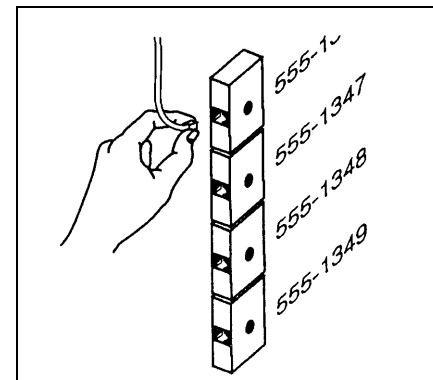
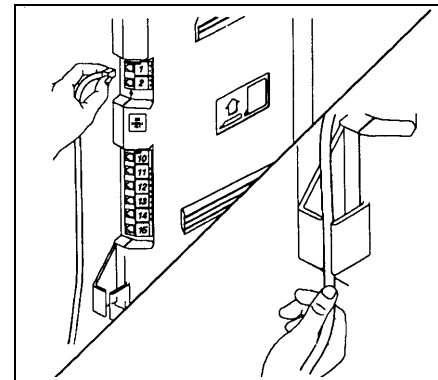
- B) *If the lights are still out*, call for support as instructed on the inside front cover.



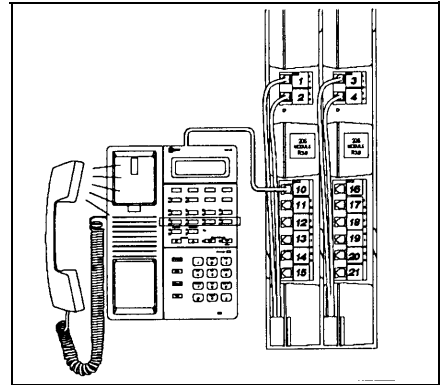
Connecting Lines and Extensions

If extensions are not wired to any modular jacks, call a qualified service technician.

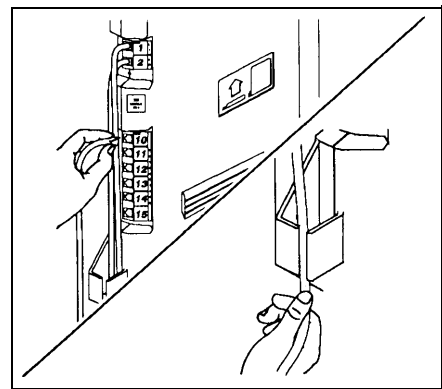
- 1**
- A) Test for dial tone at the network interface jacks before connecting outside lines to the control unit. For the test, connect a standard phone to the first network interface jack.
- B) Lift the handset and listen for dial tone. (If there is no dial tone, contact your local telephone company before continuing.)
- C) Repeat for each network interface jack.
- 2**
- A) Connect line cords to the line jacks on 206 and 400 modules, starting with the top line jack on the leftmost 206 module.
- B) Route each cord through the hook on the front of the module, then push the cords through the space below the module and out through the back.
- C) Pull the cords from behind the backplane, leaving at least two feet (0.6 meters) of slack in the cords (for future maintenance, so you can easily reconnect cords after replacing system modules).
- 3** Connect the free end of each line cord to the appropriate network interface jack.



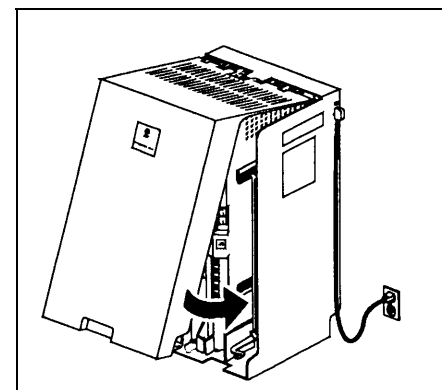
- 4**
- A) Test the lines—plug a system phone into extension jack 10. Press the line buttons for each outside line and listen for dial tone.
 - B) Repeat for extensions 16, 22, 28, 34, 40, and 52 (if available).



- 5**
- A) Connect modular telephone cords to 206 module extension jacks, starting at the top extension jack on the leftmost module.
 - B) Route each cord through the hook on the front of the module, then push the cords through the space below the module and out through the back.
 - C) Pull the cords from behind the backplane, leaving at least two feet (0.6 meters) of slack in the cords (for future maintenance, so you can easily reconnect cords after replacing system modules).
 - D) Connect the free end of each modular telephone cord to the modular connecting blocks for system extensions.



- 6**
- A) Place the cover on the control unit—this is especially important to keep the modules dust-free and the system working efficiently. To cover the control unit, while holding the cover at an angle, gently move the top rear edge of the cover over the top of the control unit.
 - B) Match up the grooves where the top edge of the cover meets the backplane, and gently push the edge into place.
 - C) Lower the bottom of the cover until it is secured in place.



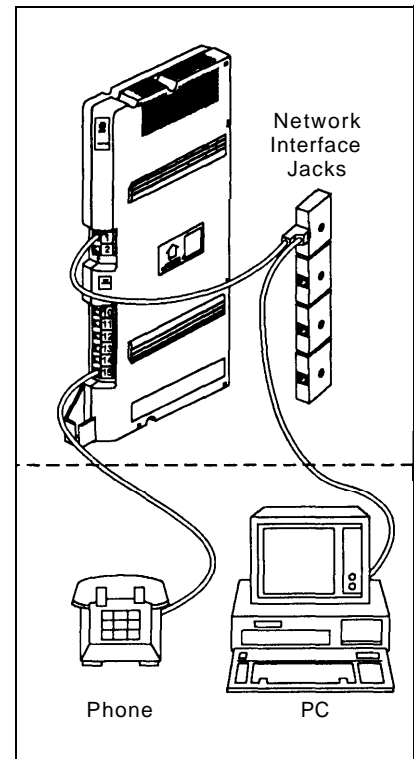
Connecting Caller ID Display Devices

The system provides multi-line Caller ID on system display phones *without* having to install additional devices. (See “Caller ID” in Chapter 5 of the *PARTNER II Communications System Programming and Use* guide for more information.) However, if you want to display or process Caller ID information for other applications—for example, on a PC that displays call records—you must connect the devices as described here. First, you must subscribe to Caller ID service from your local phone company, and then connect the Caller ID display device directly to the line that supports Caller ID at the network interface jack. Additionally, you must provide a separate wiring run for the device to the appropriate location. To process Caller ID information for multiple lines, you must provide a separate device and a separate wiring run for each line. To have additional wiring runs installed, call a qualified service technician.

- 1** Insert an AT&T 267F2 bridging adapter into the network interface jack associated with the line that has Caller ID service.

- 2**
 - A) Plug one end of a line cord into a jack in the bridging adapter.
 - B) Plug the free end of the line cord into the appropriate line jack in the control unit.
 - C) Route the cord as you did for other line and extension cords.

- 3**
 - A) Plug one end of a second line cord into the other jack in the bridging adapter.
 - B) Plug the free end of the cord into the appropriate modular connecting block in the equipment room.
 - C) Plug the Caller ID display device into the additional modular jack provided at the appropriate location.
 - D) Place the Caller ID display device next to a phone.
 - E) Make sure the Caller ID line is assigned to the extension where the Caller ID display device is located. Refer to “Line Assignment” in Chapter 5 of the *PARTNER II Communications System Programming and Use* guide for programming instructions.

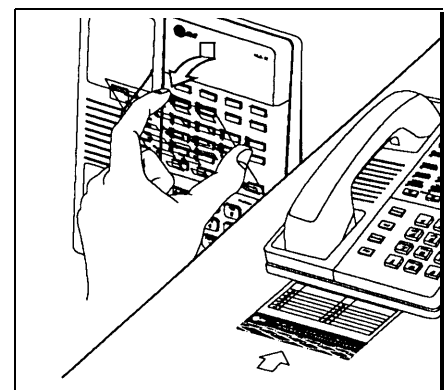
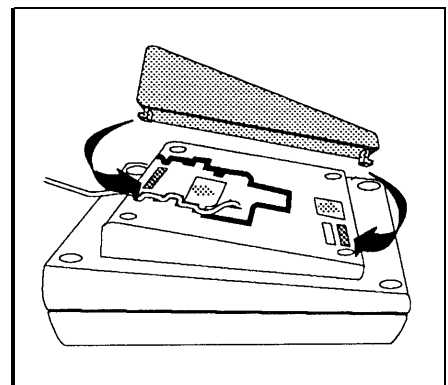
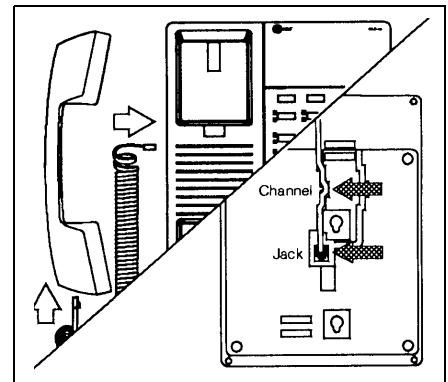


Assembling System Phones

You can either desk mount or wall mount a system phone. If the system phone is manufactured with a *separate* stand, you can use the stand to either wall mount the phone or raise the angle of the phone when desk mounting. (The stand is *required* for MLS-34D phones.) Alternatively, some system phones—such as the MLS-18D—are manufactured with a *fixed* stand. Any instructions below for installing the stand do not apply to this type of phone. (Note that wall mounting is not recommended for display phones.)

Desk Mounting

- 1**
 - A) Plug one end of the handset cord into the jack on the handset and the other end into the small jack on the left side of the base. For an MLS-34D phone, go directly to Step 2.
 - B) Plug one end of the phone cord into the jack on the bottom of the phone. If the phone has multiple jacks, plug the cord into the GRAY jack.
 - C) Push the cord into place along the channel on the bottom of the phone.
 - D) If you want to raise the angle of the phone, go to Step 2; if not—or if you have a phone with a fixed stand—go to Step 3.
- 2**
 - A) To install the telephone stand (required for the MLS-34D), gently place the phone upside down, with the low end of the phone to your right.
 - B) Insert the tab on the narrow end of the stand into the right slot on the bottom of the phone. (For an MLS-34D phone, feed the cord through the hole in the center of the stand and plug it in.)
 - C) Insert the other tab into the left slot, pushing the stand down and slightly inward until the tab locks into place.
- 3**
 - A) Turn the phone over so it is right side up.
 - B) Remove the plastic cover from the phone. Label the button sheet to show any programmed lines or button features, then place it on the phone so the holes on the sheet fit over the buttons. Carefully replace the plastic cover.
 - C) Slide the *Quick Reference* card under the telephone.

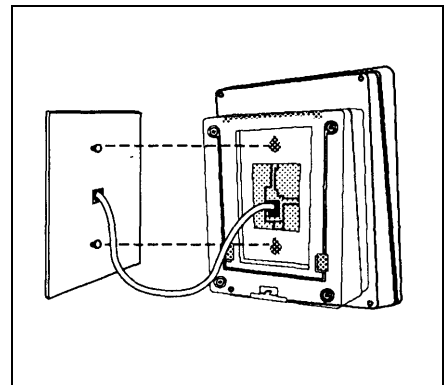
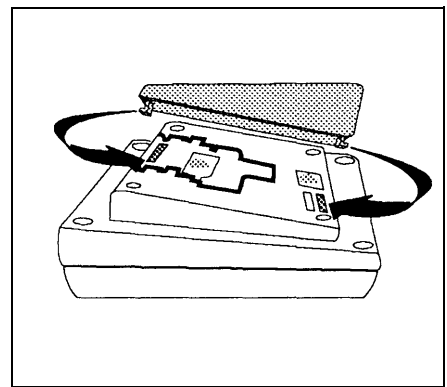
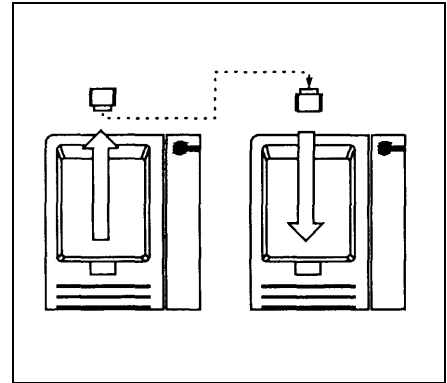


Wall Mounting

If you wall mount a display phone, the display may not be as easy to read, so desk mounting is recommended. (Wall mounting instructions apply to *corded* MLS-model phones only. To wall mount an MLC-6 cordless phone, follow the instructions in the booklet provided with the phone.)

Wall Mounting Phones with Separate Stands

- 1** Reverse the plastic hook that sits in the earpiece part of the handset cradle.
- 2**
 - A) To install the telephone stand, gently place the phone upside down with the low end of the phone to your right.
 - B) Insert the tab on the narrow end of the stand into the left slot on the base of the phone. (For an MLS-34D phone, feed the cord through the hole in the center of the stand and plug it in.)
 - C) Insert the other tab into the right slot, pushing the stand down and slightly inward until the tab locks into place.
- 3**
 - A) Insert the phone cord through the center of the stand and plug it into the jack on the base of the phone, then plug the other end into the modular wall jack.
 - B) Mount the phone on the wall plate using the screw keyholes on the base of the stand. For proper mounting, the wall plate must be an AT&T 630B connecting block.
 - C) Connect the handset cord as described in "Desk Mounting" Step 1A, and label the button sheet as in Steps 3A and 3B.



Wall Mounting Phones with Fixed Stands

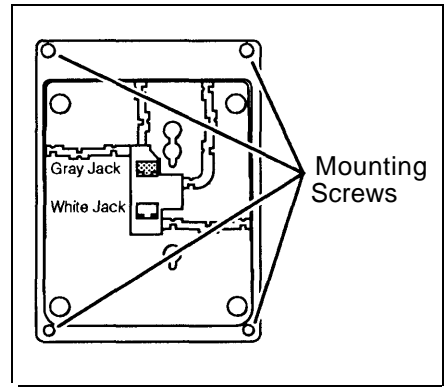
Make sure the telephone cord is unplugged from the bottom of the phone before proceeding.

- 1**
 - A) Reverse the plastic hook that sits in the earpiece part of the handset cradle.
 - B) Gently place the phone upside down.

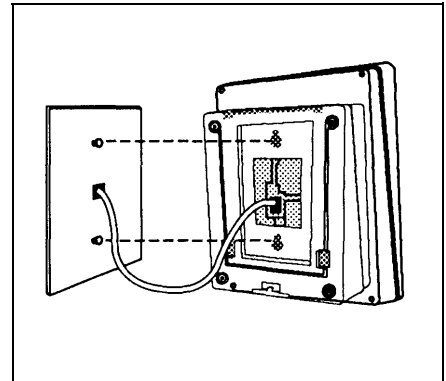
- 2** A) Unscrew the phone's four mounting screws and lift the base of the phone off the top.

⚠ CAUTION:
Do not touch electrical circuitry. To do so will expose you to a risk of electrical shock and possibly damage the equipment.

- B) Turn the base of the phone upside down so that the phone base can be mounted parallel to the wall—and then place it back on the base.
 C) Replace the four mounting screws.



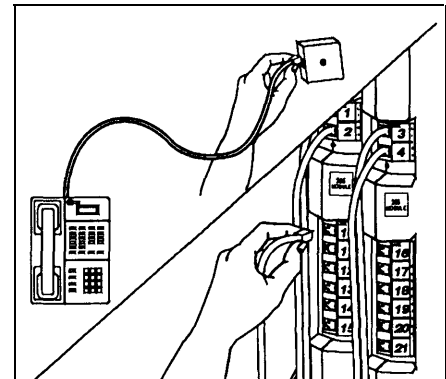
- 3** A) Insert the phone cord through the center of the stand and plug it into the WHITE jack on the bottom of the phone. Plug the other end into the modular wall jack.
 B) Mount the phone on the wall plate using the screw keyholes on the base of the stand. For proper mounting, the wall plate must be an AT&T 630B connecting block.
 C) Connect the handset cord as described in "Desk Mounting" Step 1A, and label the button sheet as in Steps 3A and 3B.



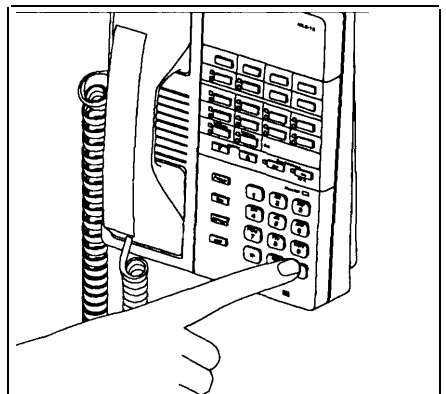
Connecting and Testing Telephones

- 1** To connect a phone, plug the modular telephone mounting cord into a modular wall jack or directly into a 206 module extension jack. (If you are connecting a standard phone and its mounting cord is loose, use an AT&T D2R mounting cord instead.)

To install two phones (or other devices) on a single extension jack, see "Combination Extensions" earlier in this guide.



- 2** A) Test the telephone for proper operation. To test the power and lights on a system phone: while the phone is idle, press and hold the [#] button for five seconds.
 B) Before releasing the [#] button, lift the handset. All lights should light, the ringer should sound, and (on the MLS-34D, MLS-18D, or MLS-12D phones only) a test pattern should appear on the display. (If not, call for support as instructed on the inside front cover of this guide.)
 C) Replace the handset; the phone is now in normal operating mode.

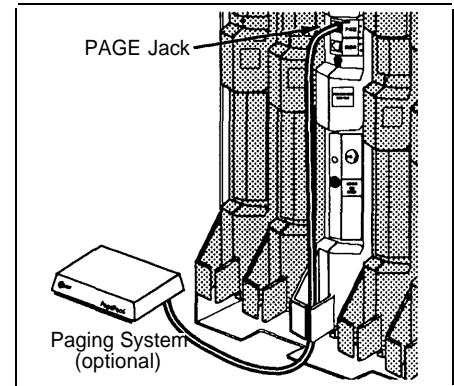


Connecting Paging, Music-On-Hold, and Call Reporting (SMDR) Devices

Only steps for connection to the processor module are provided here. Refer to the manufacturer's instructions for additional information on installing and using these devices.

Paging System

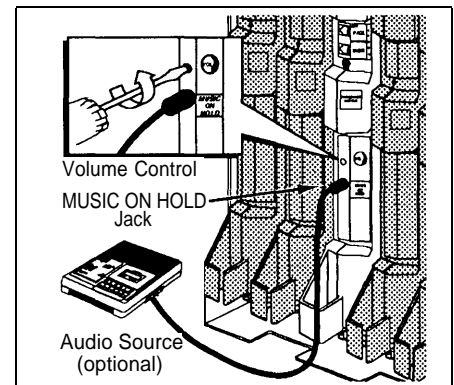
- 1 Insert the modular plug into the PAGE jack on the primary processor module.
- 2 Route the cord as you did for line and extension cords, then connect it to the paging system.



Music-on-Hold Audio Source

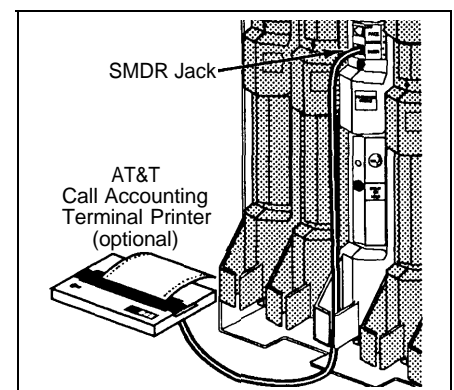
If you use equipment to broadcast certain copyrighted music or material, including songs or other material from radio broadcasts, you may be required to obtain the permission of the copyright owner. One way to obtain permission is to contact ASCAP, BMI, and/or similar performing rights organizations, to obtain a license. Or you can purchase a Magic On Hold system from AT&T, which does not require you to obtain such a license. AT&T disclaims any liability arising out of the failure to obtain such a license, if required.

- 1 First set the unit's volume to the lowest setting. Use a flathead screwdriver to turn the volume control on the processor module counterclockwise until it stops.
- 2 Insert an RCA phono plug into the MUSIC ON HOLD jack on the primary processor module.
- 3 Route the cord as you did for line and extension cords, then connect it to the audio source.
- 4 Place a call on hold and listen while adjusting the volume, clockwise. If you do not hear music at any setting, check "Music On Hold (#602)" in Chapter 5 of the *PARTNER II Communications System Programming and Use* guide.



Call Reporting (SMDR) Printer

- 1 Insert one end of a D8W modular cord into the SMDR jack on the primary processor module.
- 2 Plug the other end into a 355A adapter, then plug the adapter into the printer's RS-232C serial port.



Connecting MLS-CA24 Intercom Autodialers

Since the autodialer has a fixed stand, you may need to adjust the height of the system phone—by installing a stand—to match the height of the autodialer. Refer to Step 2 of “Desk Mounting” under “Assembling System Phones” for instructions.

You can wall mount an Intercom Autodialer to work next to a wall-mounted system phone; however, wall-mounting system display phones is not recommended. The following instructions are for desk mounting.

One Autodialer

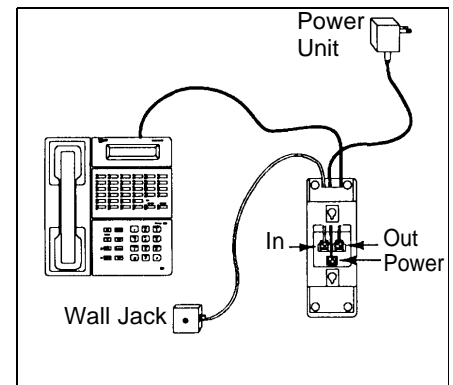
- 1**
 - A) Unplug the phone’s modular telephone cord from the jack on the bottom of the phone and the wall jack, and save the cord for Step 1D.
 - B) Plug one end of the D8W cord supplied with the autodialer into the jack on the bottom of the phone. (If the phone has multiple jacks, plug the cord into the GRAY jack.)
 - C) Route the other end through the groove at the back of the autodialer and plug it into the OUT jack.
 - D) Route one end of the modular telephone cord through the groove at the back of the autodialer and plug it into the IN jack; plug the other end into the wall jack for extension 10 or 11.

- 2**
 - A) Connect the keyed power cord supplied with the autodialer to the POWER jack on the bottom of the autodialer, routing it through the groove as you did in Step 1.
 - B) If the keyed power cord is not attached to the power unit, plug the free end of the cord into the modular jack on the power unit; otherwise, go to Step 2C.
 - C) Plug the power unit into an electrical outlet.

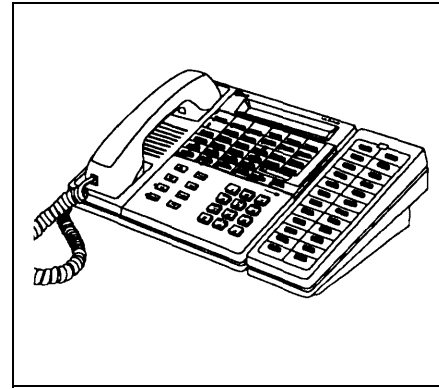


CAUTION:

Use only the power unit supplied by AT&T with the MLS-CA24 Intercom Autodialer.

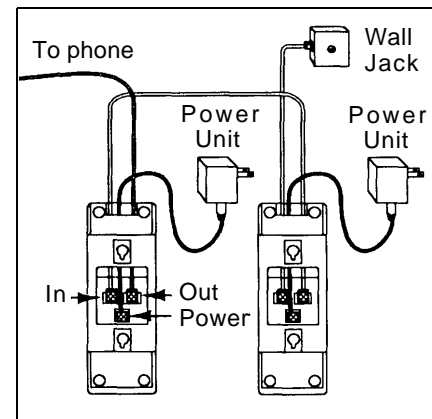


- 3
 - A) Arrange the autodialer on your desk next to the phone.
 - B) Remove the plastic cover from the autodialer and label the button sheet with employee names. Place the button sheet back on the autodialer, then carefully replace the plastic cover.



Two Autodialers

- 1
 - A) Unplug the phone's modular telephone cord from the jack on the bottom of the phone and the wall jack, and save the cord for Step 2B.
 - B) Plug one end of the D8W cord supplied with the autodialer into the jack on the bottom of the phone. (If the phone has multiple jacks, plug the cord into the GRAY jack.)
 - C) Route the other end through the groove at the back of the autodialer and plug it into the OUT jack.
- 2
 - A) Using the second D8W cord, connect the two autodialers together: plug one end of the cord into the IN jack on the first autodialer, and plug the other end into the OUT jack on the second autodialer.
 - B) Using the modular telephone cord from Step 1A, route one end through the groove at the back of the second autodialer and plug it into the IN jack; plug the other end into the wall jack for extension 10 or 11.
- 3
 - A) Connect the keyed power cord supplied with the autodialer to the POWER jack on the bottom of the autodialer, routing it through the groove as you did in Step 1.
 - B) If the keyed power cord is not attached to the power unit, plug the free end of the cord into the modular jack on the power unit; otherwise, go to Step 3C.
 - C) Plug each power unit into a separate electrical outlet (or both into a power strip).
- 4
 - A) Arrange the autodialer on your desk next to the phone.
 - B) Remove the plastic cover from the autodialer and label the button sheet with employee names. Place the button sheet back on the autodialer, then carefully replace the plastic cover.



Equipment Upgrades

Adding New Modules

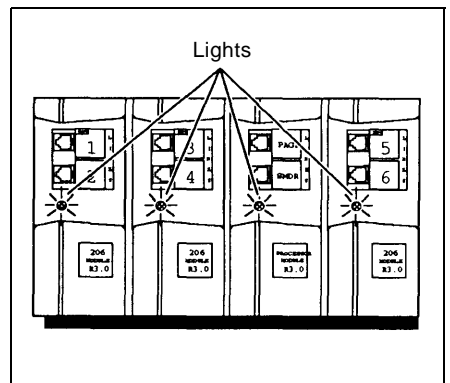
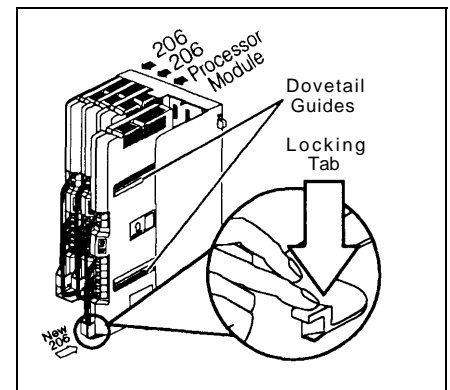
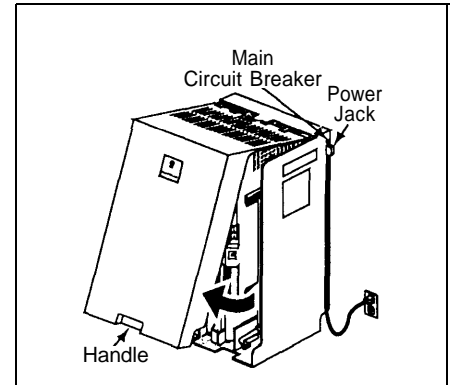
- 1**
 - A) To power down the control unit, pull out the main circuit breakers on both carriers.
On a PARTNER II 220V system, move the on/off switch to the “off” position (“O”).
 - B) To remove the cover, place one hand on the handle on the bottom front of the cover and place your other hand on the top of the cover.
 - C) Gently pull the cover up from the bottom and tilt it towards the top until it detaches from the backplane—be careful not to break the tabs that attach the cover to the backplane.

- 2**
 - A) Before you insert the new module, make sure that all 400 (or 200) modules are installed to the right of all 206 modules. Also, remember to hold down the locking tab and to align the dovetail guides on the sides of the modules as you insert the new module.
 - B) Push the module slowly but firmly until it locks into place with two snaps, and is attached to the rear of the backplane and held in place by the locking tab on the bottom of the slot. Do not force the module. If it does not insert easily, remove the module, clear any obstruction, and reinsert it.

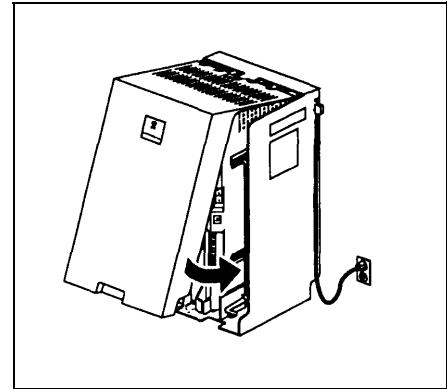
- 3**
 - A) See “Connecting Lines and Extensions” for instructions on connecting line and/or extension jack cords to the new module.
 - B) To power up the control unit, push in the main circuit breakers.
On a PARTNER II 220V system, move the on/off switch to the “on” position (“I”).

- 4** Check all green lights on the fronts of the modules. If all the lights are lit, installation is complete; otherwise:
 - A) *If a single light is out*, power down the control unit, reseal the module, then power up the control unit.

If multiple lights are out, power down the control unit, reseal the leftmost module that has a light out, then power up the control unit.
 - B) *If the lights are still out*, call for support as instructed on the inside front cover.

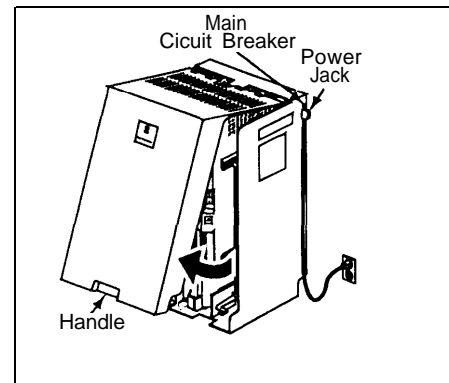


- 5**
- A) To replace the cover, while holding the cover at an angle, gently move the top rear edge of the cover over the top of the control unit and match up the grooves where the top edge of the cover meets the backplane. Gently push the edge into place.
 - B) Lower the bottom of the cover until it is secured in place.

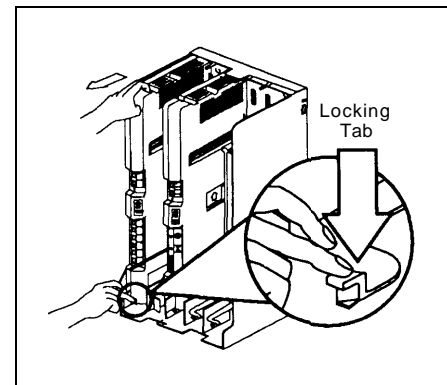


Replacing System Modules

- 1**
- A) To power down the control unit, pull out the main circuit breakers on both carriers.
On a PARTNER II 220V system, move the on/off switch to the "off" position ("O").
 - B) To remove the cover, place one hand on the handle on the bottom front of the cover and place your other hand on the top of the cover.
 - C) Gently pull the cover up from the bottom and tilt it towards the top until it detaches from the backplane.



- 2**
- A) Check the slack in the wires. If there is not enough slack to remove the module without pulling the line and extension cords free, label and disconnect the wires before continuing with Step 2B.
 - B) Place one hand on top of the module. With your other hand, grip the plastic bracket on the bottom front of the module, and use your middle finger to hold down the locking tab just below the bracket. Pull out the old module.
 - C) To insert the replacement, hold down the locking tab and align the dovetail guides on the sides of the modules. Push slowly but firmly until the module locks into place with two snaps, and is attached to the rear of the backplane and held in place by the locking tab. Do not force the module. If it does not insert easily, remove the module, clear any obstruction, and reinsert it.

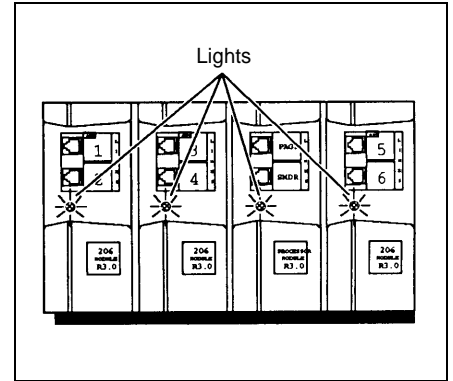


- 3**
- A) Connect the line and extension cords one at a time, making sure to place the correct cords into their corresponding jacks on the new module.
 - B) To power up the control unit, push in the main circuit breakers.

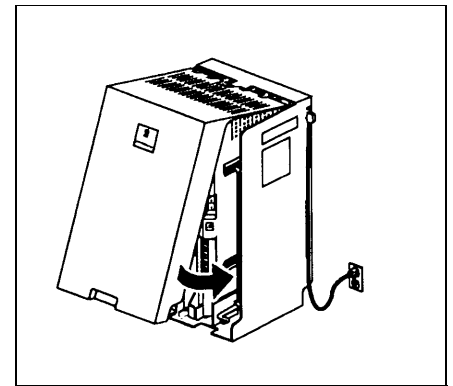
On a PARTNER II 220V system, move the on/off switch to the “on” position (“I”).

- 4**
- Check all green lights on the fronts of the modules. If all the lights are lit, installation is complete; otherwise:
- A) *If a single light is out*, power down the control unit, reseal the module, then power up the control unit.

If multiple lights are out, power down the control unit, reseal the leftmost module that has a light out, then power up the control unit.
 - B) *If the lights are still out*, call for support as instructed on the inside front cover.



- 5**
- A) To replace the cover, while holding the cover at an angle, gently move the top rear edge of the cover over the top of the control unit and match up the grooves where the top edge of the cover meets the backplane. Gently push the edge into place.
 - B) Lower the bottom of the cover until it is secured in place.



Specifications

Capacities	<p>System</p> <ul style="list-style-type: none"> ▪ 24 outside lines via line jacks on four 206 plus four 400 modules ▪ 48 extensions via extension jacks on eight 206 modules ▪ 1 loudspeaker paging system via PAGE jack on processor module ▪ 1 audio source via MUSIC ON HOLD jack on processor module (RCA phono plug required) ▪ 1 call reporting device via SMDR jack on processor module (355A/F adapter required) ▪ 2 doorphones, using 2 extension jacks ▪ 1 voice messaging system—PARTNER MAIL, which connects to either 2 or 4 extension jacks or PARTNER MAIL VS, which occupies a slot in the control unit 	<p>206 Module</p> <ul style="list-style-type: none"> ▪ 2 outside lines ▪ 6 extensions <p>400 Module</p> <p>4 outside lines</p>	<p>Extension Jack</p> <ul style="list-style-type: none"> ▪ Maximum 2 devices per extension jack, total REN on jack not to exceed 2.0* (System phone REN is 0.0 (zero)) ▪ No more than one system phone per jack <p><i>For programming, a system display phone must be connected to extension 10 or 11.</i></p>			
Dimensions and Weights (approx.)	<table border="0" style="width: 100%; border-collapse: collapse;"> <tr> <td style="width: 15%; vertical-align: top;"> <ul style="list-style-type: none"> ▪ Primary Proc. Mod. ▪ Exp. Proc. Module ▪ 206 module ▪ 400 module ▪ Backplane & cover ▪ MLS-34D phone ▪ MLS-18D phone ▪ MLS-12D phone ▪ MLS-12 phone ▪ MLS-6 phone ▪ MLC-6 phone ▪ MLS-CA24 Autodialer </td> <td style="width: 45%; vertical-align: top;"> <ul style="list-style-type: none"> 11"(D) x 17"(H) x 1.5"(W) or 27.9 x 43.2 x 3.8 cm 11"(D) x 17"(H) x 1.5"(W) or 27.9 x 43.2 x 3.8 cm 11"(D) x 17"(H) x 1.5"(W) or 27.9 x 43.2 x 3.8 cm 11"(D) x 17"(H) x 1.5"(W) or 27.9 x 43.2 x 3.8 cm 12"(D) x 19"(H) x 11"(W) or 30.5 x 48.3 x 27.9 cm 9.7"(D) x 5.3"(H) x 10"(W) or 24.6 x 13.5 x 25.4 cm 9.5"(D) x 5"(H) x 6.75"(W) or 24.1 x 12.7 x 17.1 cm 9.5"(D) x 5"(H) x 6.75"(W) or 24.1 x 12.7 x 17.1 cm 9.5"(D) x 5"(H) x 6.75"(W) or 24.1 x 12.7 x 17.1 cm 9.5"(D) x 5"(H) x 6.75"(W) or 24.1 x 12.7 x 17.1 cm 9.4"(D) x 3.4"(H) x 7"(W) or 23.9 x 8.6 x 17.8 cm 9.7"(D) x 5.3"(H) x 3.4"(W) or 24.6 x 13.5 x 8.6 cm </td> <td style="width: 40%; vertical-align: top;"> <ul style="list-style-type: none"> 4.0 lbs or 1.8 kgs 4.0 lbs or 1.8 kgs 4.5 lbs or 2.0 kgs 4.0 lbs or 1.8 kgs 5.5 lbs or 2.5 kgs 3.1 lbs or 1.4 kgs 2.8 lbs or 1.3 kgs 2.8 lbs or 1.3 kgs 2.7 lbs or 1.2 kgs 2.7 lbs or 1.2 kgs 2.8 lbs or 1.3 kgs 1.3 lbs or 0.6 kgs </td> </tr> </table>			<ul style="list-style-type: none"> ▪ Primary Proc. Mod. ▪ Exp. Proc. Module ▪ 206 module ▪ 400 module ▪ Backplane & cover ▪ MLS-34D phone ▪ MLS-18D phone ▪ MLS-12D phone ▪ MLS-12 phone ▪ MLS-6 phone ▪ MLC-6 phone ▪ MLS-CA24 Autodialer 	<ul style="list-style-type: none"> 11"(D) x 17"(H) x 1.5"(W) or 27.9 x 43.2 x 3.8 cm 11"(D) x 17"(H) x 1.5"(W) or 27.9 x 43.2 x 3.8 cm 11"(D) x 17"(H) x 1.5"(W) or 27.9 x 43.2 x 3.8 cm 11"(D) x 17"(H) x 1.5"(W) or 27.9 x 43.2 x 3.8 cm 12"(D) x 19"(H) x 11"(W) or 30.5 x 48.3 x 27.9 cm 9.7"(D) x 5.3"(H) x 10"(W) or 24.6 x 13.5 x 25.4 cm 9.5"(D) x 5"(H) x 6.75"(W) or 24.1 x 12.7 x 17.1 cm 9.5"(D) x 5"(H) x 6.75"(W) or 24.1 x 12.7 x 17.1 cm 9.5"(D) x 5"(H) x 6.75"(W) or 24.1 x 12.7 x 17.1 cm 9.5"(D) x 5"(H) x 6.75"(W) or 24.1 x 12.7 x 17.1 cm 9.4"(D) x 3.4"(H) x 7"(W) or 23.9 x 8.6 x 17.8 cm 9.7"(D) x 5.3"(H) x 3.4"(W) or 24.6 x 13.5 x 8.6 cm 	<ul style="list-style-type: none"> 4.0 lbs or 1.8 kgs 4.0 lbs or 1.8 kgs 4.5 lbs or 2.0 kgs 4.0 lbs or 1.8 kgs 5.5 lbs or 2.5 kgs 3.1 lbs or 1.4 kgs 2.8 lbs or 1.3 kgs 2.8 lbs or 1.3 kgs 2.7 lbs or 1.2 kgs 2.7 lbs or 1.2 kgs 2.8 lbs or 1.3 kgs 1.3 lbs or 0.6 kgs
<ul style="list-style-type: none"> ▪ Primary Proc. Mod. ▪ Exp. Proc. Module ▪ 206 module ▪ 400 module ▪ Backplane & cover ▪ MLS-34D phone ▪ MLS-18D phone ▪ MLS-12D phone ▪ MLS-12 phone ▪ MLS-6 phone ▪ MLC-6 phone ▪ MLS-CA24 Autodialer 	<ul style="list-style-type: none"> 11"(D) x 17"(H) x 1.5"(W) or 27.9 x 43.2 x 3.8 cm 11"(D) x 17"(H) x 1.5"(W) or 27.9 x 43.2 x 3.8 cm 11"(D) x 17"(H) x 1.5"(W) or 27.9 x 43.2 x 3.8 cm 11"(D) x 17"(H) x 1.5"(W) or 27.9 x 43.2 x 3.8 cm 12"(D) x 19"(H) x 11"(W) or 30.5 x 48.3 x 27.9 cm 9.7"(D) x 5.3"(H) x 10"(W) or 24.6 x 13.5 x 25.4 cm 9.5"(D) x 5"(H) x 6.75"(W) or 24.1 x 12.7 x 17.1 cm 9.5"(D) x 5"(H) x 6.75"(W) or 24.1 x 12.7 x 17.1 cm 9.5"(D) x 5"(H) x 6.75"(W) or 24.1 x 12.7 x 17.1 cm 9.5"(D) x 5"(H) x 6.75"(W) or 24.1 x 12.7 x 17.1 cm 9.4"(D) x 3.4"(H) x 7"(W) or 23.9 x 8.6 x 17.8 cm 9.7"(D) x 5.3"(H) x 3.4"(W) or 24.6 x 13.5 x 8.6 cm 	<ul style="list-style-type: none"> 4.0 lbs or 1.8 kgs 4.0 lbs or 1.8 kgs 4.5 lbs or 2.0 kgs 4.0 lbs or 1.8 kgs 5.5 lbs or 2.5 kgs 3.1 lbs or 1.4 kgs 2.8 lbs or 1.3 kgs 2.8 lbs or 1.3 kgs 2.7 lbs or 1.2 kgs 2.7 lbs or 1.2 kgs 2.8 lbs or 1.3 kgs 1.3 lbs or 0.6 kgs 				
Switch Fabric	<ul style="list-style-type: none"> ▪ Full digital, nonblocking 					
Electrical Specifications	<ul style="list-style-type: none"> ▪ 10 Watts (35 BTU/hour) per 400 module, normal and maximum power consumption ▪ 65 Watts (225 BTU/hour) per 206 module during normal operation ▪ 100 Watts (350 BTU/hour) per 206 module during maximum power consumption ▪ 8 Amps maximum current at full system capacity (two carriers with processor module and four 206 modules each) <li style="padding-left: 20px;">On a PARTNER II 220V System: 4.4 Amps maximum current ▪ 4-day memory backup (96 hours) 					

* The two devices combined on an extension jack can be a system phone with a standard device, or two standard devices; DO NOT connect two system phones to the same extension jack. If a device lists two RENs, use the higher number when adding up RENs.

Primary Processor Module Specifications	<ul style="list-style-type: none"> ▪ 68000 microprocessor, 256Kbytes RAM, 512Kbytes ROM
Expansion Processor Module Specifications	<ul style="list-style-type: none"> ▪ 8051 microprocessor, 12 MHz, 8Kbytes ROM
Extension Jack Specifications	<ul style="list-style-type: none"> ▪ Ringing voltage: +5VDC, -140 VDC peak to peak; trapezoidal wave shaping On a PARTNER II 220V System: +5VDC, -150 VDC peak to peak ▪ 35- to 38-Volt talk battery ▪ Ringing frequency: 20 Hz
PAGE Jack Specifications	<ul style="list-style-type: none"> ▪ Draws current on inner wire pair ▪ Provides contact closure on outer wire pair ▪ 600 Ohm impedance
SMDR Output Format	<ul style="list-style-type: none"> ▪ 1200 baud ▪ No parity ▪ 8 data bits ▪ 2 stop bits
Environmental Requirements—Control Unit	<ul style="list-style-type: none"> ▪ Mount on a wall at least 2 feet (0.6 meters) from the floor (wall mounting required) ▪ Locate within 5 feet (1.5 meters) of the network interface jacks and a properly grounded electrical outlet not controlled by a switch, using supplied 7-foot (2.1-meter) cords ▪ Mount the Expansion Carrier at least 6" and not more than 24" away from the Primary Carrier ▪ Operating temperature 32° to + 104°F (0° to +40°C), not in direct sunlight ▪ Humidity 15%–90%, noncondensing ▪ For proper ventilation and easy replacement of modules, provide at least 6" (15.2 cm) clearance at the top and sides and 2 feet (0.6 meters) at the front and bottom of the control unit. ▪ Locate in an area free of excess moisture, corrosive gases, dust, and chemicals
Electrical Requirements	<ul style="list-style-type: none"> ▪ 90–130 VAC, 50–60 Hz, 3-prong outlet separate ground, separately fused at 15 Amps On a PARTNER II 220V System: 180–264 VAC, fused at 10 Amps ▪ Outlet must not be controlled by an on/off switch ▪ Grounding to comply with Underwriters Laboratories (UL) 1459: <ul style="list-style-type: none"> A. An insulated grounding conductor (solid copper wire) that is not smaller in size and equivalent in insulation material and thickness to the grounded and ungrounded branch circuit supply conductors, except that it is green with or without one or more yellow stripes, is to be installed as part of the circuit that supplies the product or system. B. The grounding conductor mentioned in item A is to be connected to ground at the service equipment. C. The attachment-plug receptacles in the vicinity of the product or system are all to be of a grounding type, and the grounding conductors serving these receptacles are to be connected to earth ground at the service equipment.
Requirements for Out-of-Building Extensions	<p>Installation of a telephone or other standard (tip/ring) device in another building requires the following In-Range Out-of-Building (IROB) protectors to protect the control unit and device from electrical surges:</p> <ul style="list-style-type: none"> ▪ System phone: two AT&T IROB protectors ▪ Standard device: one AT&T IROB protector plus carbon block protection

Wiring	<ul style="list-style-type: none"> ▪ System phones: AT&T SYSTIMAX® Bulk Nonplenum (DIW) cable, AT&T SYSTIMAX Bulk Plenum (HALAR/HALAR) cable, or at least 2-pair (4-wire) star (“home run” not “loop”) ▪ Other standard telecommunications equipment (single-line phones, fax machines, answering machines, etc.): 1-pair (2-wire) mounting cords (AT&T D2R mounting cords recommended) ▪ Bridging adapter: AT&T 267F2 ▪ Range: 1,000 feet (305 meters) for system phones; 3,000 feet (915 meters) for standard devices
Safety Requirements	<ul style="list-style-type: none"> ▪ US: Meets UL 1459 Issue 2 ▪ Canada: Meets CSA C22.2, 225
Government Approvals and Local Phone Company Information	<ul style="list-style-type: none"> ▪ US: <ul style="list-style-type: none"> FCC Part 68 FCC registration number (U.S.): AS5 USA-61630-KF-E FCC Part 15 Class A REN (outside line jack): 0.9A per line jack Jack type: RJ11C Loop start lines ▪ Canada: <ul style="list-style-type: none"> DOC CP01, Issue 7 DOC registration number (Canada): 230 3756A DOC CS03, Issues 6 & 7 Load Number = 7 Loop start lines

518-455-318
Issue 1

October 1993

Graphics © AT&T 1988

