



PARTNER[®] Plus
Communications System
Release 4.1
Programming and Use

**Copyright © 1995 AT&T
All Rights Reserved
Printed in U.S.A.**

**AT&T 518-455-228
Issue 1
July 1995**

Notice

Every effort was made to ensure that the information in this book was complete and accurate at the time of printing. However, information is subject to change.

Federal Communications Commission (FCC) Interference Notice

This equipment has been tested and found to comply with the limits of a Class A digital device, pursuant to Part 15 of FCC rules. For additional FCC information, see Appendix C of this book.

Canadian Emissions Requirements

This digital apparatus does not exceed the Class A limits for radio noise emissions from digital apparatus set out in the Radio Interference Regulations of the Industry Canada (IC). For additional IC information, see Appendix C of this book.

Le present appareil numerique n'emet pas de bruits radioelectriques depassant les limites applicable aux appareils numeriques de la classe A prescrites dans le Reglement sur le brouillage radioelectrique edicte par le ministere des Industrie Canada. Vous trouverez des renseignements complémitaires à la annexe C de ce manuel.

Security

Toll fraud, the unauthorized use of your telecommunications system by an unauthorized party (for example, persons other than your company's employees, agents, subcontractors, or persons working on your company's behalf) can result in substantial additional charges for your telecommunications services. You are responsible for the security of your system. There may be a risk of toll fraud associated with your telecommunications system. You are responsible for programming and configuring your equipment to prevent unauthorized use. Your system manager should read all documents provided with this product to fully understand the features that can introduce the risk of toll fraud and the steps that can be taken to reduce that risk. AT&T does not warrant that this product is immune from or will prevent unauthorized use of common-carrier telecommunication services or facilities accessed through or connected to it. AT&T will not be responsible for any charges that result from such unauthorized use.

Trademarks

Call Assistant, PARTNER MAIL, PARTNER MAIL VS, and PassageWay are trademarks of AT&T. Magic on Hold, MERLIN, MLS-34D, MLS-18D, MLS-12D, MLS-12, MLS-6, PagePac, PARTNER, and SYSTIMAX are registered trademarks of AT&T. Microsoft is a registered trademark and Windows is a trademark of Microsoft Corporation.

Warranty

AT&T provides a limited warranty to this product. Refer to "AT&T Limited Warranty and Limitation of Liability" in Appendix B of this book.

Ordering Information

The order number for this book is 518-455-228. To order additional books, call 1 800 457-1235 or 1 317 361-5353. For Information about ordering other system reference materials, replacement parts, accessories, and other compatible equipment, refer to "Product Ordering Information" in Appendix B.

Support Telephone Number

In the continental U.S., AT&T provides a toll-free hotline 24 hours a day. Call the hotline at **1 800 628-2888** if you need assistance when programming or using your system.

Outside the continental U.S., contact your AT&T Representative or local Authorized Dealer.

Contents

About This Guide

v

1	Overview	1-i
	■ Important Safety Instructions	1-ii
	■ Features and Capabilities	1-1
	■ System Components	1-2
	■ Auxiliary Equipment	1-7

2	Programming	2-i
	■ Overview	2-1
	■ Hardware Considerations	2-2
	■ Initial System Setup	2-3
	■ Changing Settings After Installation	2-5
	■ Changing Settings to Support PBX or Centrex Services	2-6
	■ System Programming Options	2-7
	■ Using System Programming	2-12
	■ Telephone Programming Options	2-17
	■ Using Telephone Programming	2-20

3	Learning About Telephones	3-i
	■ System Telephones	3-1
	■ Standard Telephones	3-8
	■ Combination Extensions	3-11
	■ Using Telephones	3-13

Contents

4	Using Auxiliary Equipment	4-i
	■ Overview	4-1
	■ Answering Machines	4-4
	■ Call Reporting Devices (SMDR)	4-8
	■ Credit Card Scanners	4-11
	■ Fax Machines	4-12
	■ Modems	4-19
	■ Night Service with Auxiliary Equipment	4-21
	■ PARTNER Attendant	4-23
	■ Voice Messaging Systems	4-24

5	Feature Reference	5-i
----------	--------------------------	-----

6	Troubleshooting	6-i
	■ When You Need Help	6-1
	■ Power Failure Operation	6-1
	■ Problems with System Phones	6-2
	■ Problems with Standard Phones	6-5
	■ Other Problems with Phones	6-7
	■ Problems with Combination Extensions	6-10
	■ Problems with Standard Devices	6-11
	■ System Problems	6-11

A	Specifications	A-1
----------	-----------------------	-----

B	Maintenance, Repair, and Ordering Information	B-1
----------	--	-----

Contents

C	FCC and IC Information	C-1
----------	-------------------------------	-----

D	Speed Dial Form	D-1
----------	------------------------	-----

E	Programming Mixed Telephone Types	E-1
----------	--	-----

GL	Glossary	GL-1
-----------	-----------------	------

IN	Index	IN-1
-----------	--------------	------

Programming Quick References

About This Guide

Purpose

This guide is intended for the System Manager. It explains what the PARTNER® Plus Communications System can do, provides instructions for programming and using the system, and tells how to get the most out of its many features and capabilities.

Terminology

Throughout this guide, the PARTNER Plus Communications System is referred to simply as the *system* and AT&T telephones specifically designed to work with the system are called *system phones*. You can also use industry-standard telephones with the system, which are referred to as *standard phones* in this guide. Finally, the PARTNER MAIL VS™ or PARTNER MAIL™ Voice Messaging System, which you may have connected to the system, is referred to as the *voice messaging system*.

How to Use This Guide

For information on the following topics, refer to the appropriate chapter:


- **Getting Acquainted.** Chapter 1 provides an overview of system features and hardware components.
- **Programming the System.** You can change your system's settings easily to accommodate new or expanding needs. Chapter 2 provides general programming information, while Chapter 5 provides detailed instructions for programming specific system features.
- **Training Co-Workers.** Chapter 3 explains how system and standard phones work with the system. To help train co-workers on telephone basics, you can share this information with them.

-
- **Using Auxiliary Equipment.** The system supports a wide variety of auxiliary equipment, including fax machines, modems, voice messaging systems, and call reporting devices. Chapter 4 provides advice on setting up these devices to work effectively with the system.
 - **Daily Operation.** Depending on how your system is set up, you may need to oversee some of the system's daily operations. For example, you may need to turn on Night Service at the end of each day before leaving the office. Reference information on all features, including descriptions and instructions for using each feature, is provided in Chapter 5.
 - **Solving Problems.** Chapter 6 provides information on solving problems if your system or telephones malfunction.

Once you are experienced with the system, use the Table of Contents or Index to locate the information you need.

Throughout this guide, feature names are printed in **bold** so you can easily look up the name in Chapter 5, "Feature Reference," for additional information on the feature. For example, if you see a reference to **System Date (#101)**, you can look it up in Chapter 5 for details.

Product Safety Statements

Product safety statements are identified in this guide by a .



CAUTION:

Indicates the presence of a hazard that will or can cause minor personal injury or property damage if the hazard is not avoided.



WARNING:

Indicates the presence of a hazard that can cause severe or fatal personal injury if the hazard is not avoided.

How to Comment on This Guide

A feedback form is located at the end of this guide, after the appendixes. If the form is missing, send your comments and recommendations for changes to Publications Manager, AT&T, 211 Mount Airy Road (Room 2W-226), Basking Ridge, NJ 07920 (FAX 1 908 953-6912).

Overview

1

Contents

Important Safety Instructions	1-ii
Features and Capabilities	1-1
System Components	1-2
■ Control Unit	1-2
System Modules	1-4
System Capacity	1-4
■ Telephones	1-5
System Telephones	1-5
Intercom Autodialers	1-6
Standard Telephones	1-6
Auxiliary Equipment	1-7
■ Requirements	1-7
■ Connecting Standard Devices	1-7

Important Safety Instructions



WARNING:

The following list provides basic safety precautions that should always be followed when using your telephone equipment:

1. Read and understand all instructions.
2. Follow all warnings and instructions marked on the product.
3. Unplug all telephone connections before cleaning. **DO NOT** use liquid cleaners or aerosol cleaners. Use a damp cloth for cleaning.
4. This product should be serviced by (or taken to) a qualified repair center when service or repair work is required.
5. **DO NOT** use this product near water, for example, in a wet basement location.
6. **DO NOT** place this product on an unstable cart, stand, or table.
7. Never push objects of any kind into slots or openings as they may touch dangerous voltage points or short out parts that could result in a risk of fire or electric shock. Never spill liquid of any kind on the product.
8. Avoid using the telephone during an electrical storm. There may be a remote risk of electric shock from lightning.
9. **DO NOT** use the telephone to report a gas leak in the vicinity of the leak.
10. The product is provided with a three-wire grounding type plug. This is a safety feature. **DO NOT** defeat the safety purpose of the grounding type plug. **DO NOT** staple or otherwise attach the power supply cord to building surfaces.



CAUTION:

***DO NOT** block or cover the ventilation slots and openings. They prevent the product from overheating. **DO NOT** place the product in a separate enclosure unless proper ventilation is provided.*

SAVE THESE INSTRUCTIONS

Features and Capabilities

The following list provides an overview of the system's features:

- Full line of system phones, some with displays showing date, time, and programming and feedback messages. All system phones provide access to multiple outside lines and system features.
- Programmable buttons on system phones, providing one-touch access to system features simply by pressing the button.
- Intuitive operation of basic call handling capabilities including transfer, conference, and hold.
- Intercom (inside) calling to other system extensions using an Intercom button and the two-digit number assigned to the extension. Users can either ring or voice signal an idle system phone, or use Voice Interrupt On Busy to signal another user who is active on a call.
- Grouping of extensions for flexibility in directing and answering calls.
- Integrated voice messaging support with the PARTNER MAIL VS system or PARTNER MAIL system, so callers can reach a desired extension or group without operator assistance and leave messages at unanswered or busy extensions.
- Power failure operation with standard phones, allowing you to make and receive calls during a power failure while retaining programmed equipment settings for up to four days. (An optional Uninterruptible Power Supply, or UPS, is also available to allow full equipment operation during a power failure.)
- Centrex or PBX operation support—including one-touch dialing of feature access codes on system phones.
- Flexible dialing restrictions and permissions so you can control telephone activity and phone bills.

-
- Special hospitality features that let Bed and Breakfast proprietors, for example, regulate phone use in guest rooms and schedule wake up calls for guests.
 - Easy-to-use programming procedures, making it simple for you to manage your system and telephones. System display phones provide messages and prompts during programming.
 - Two system programming extensions, allowing you to program the system from one extension without interrupting call activity at the other programming extension—usually the receptionist's extension.
 - Modular connections to the control unit, making it easy to reconfigure your system or to add lines and/or extensions as your business grows.
 - Direct connections for industry-standard devices—including most standard phones, fax machines, answering machines, modems, and credit card scanners.
 - Optional equipment support, including doorphones, loudspeaker paging systems, music on hold*, call reporting (often referred to as Station Message Detail Recording or SMDR) devices, PARTNER Attendant, and extra alerts.

System Components

Modular hardware design makes the system easy to install and expand. Figure 1-1 shows an example of system components.

Control Unit

The *control unit* is the heart of the system; it includes a *backplane* and a *cover*, and it houses the *system modules*. All system modules slide into the backplane, which channels power to the system. The cover slides onto the front of the backplane after all the system modules have been installed.



WARNING:

There are no customer-serviceable components inside the system modules or backplane. There are hazardous voltages within that can cause severe or fatal personal injury. DO NOT OPEN THE MODULES.

* If you use music-on-hold to broadcast certain copyrighted music or material, including songs or other material from radio broadcasts, you may be required to obtain the permission of the copyright owner. One way to obtain permission is to contact ASCAP, BMI, and/or similar performing rights organizations, to obtain a license. Or, you can purchase a Magic on Hold® system from AT&T, which does not require you to obtain such a license. AT&T disclaims any liability arising out of the failure to obtain such a license, if required.

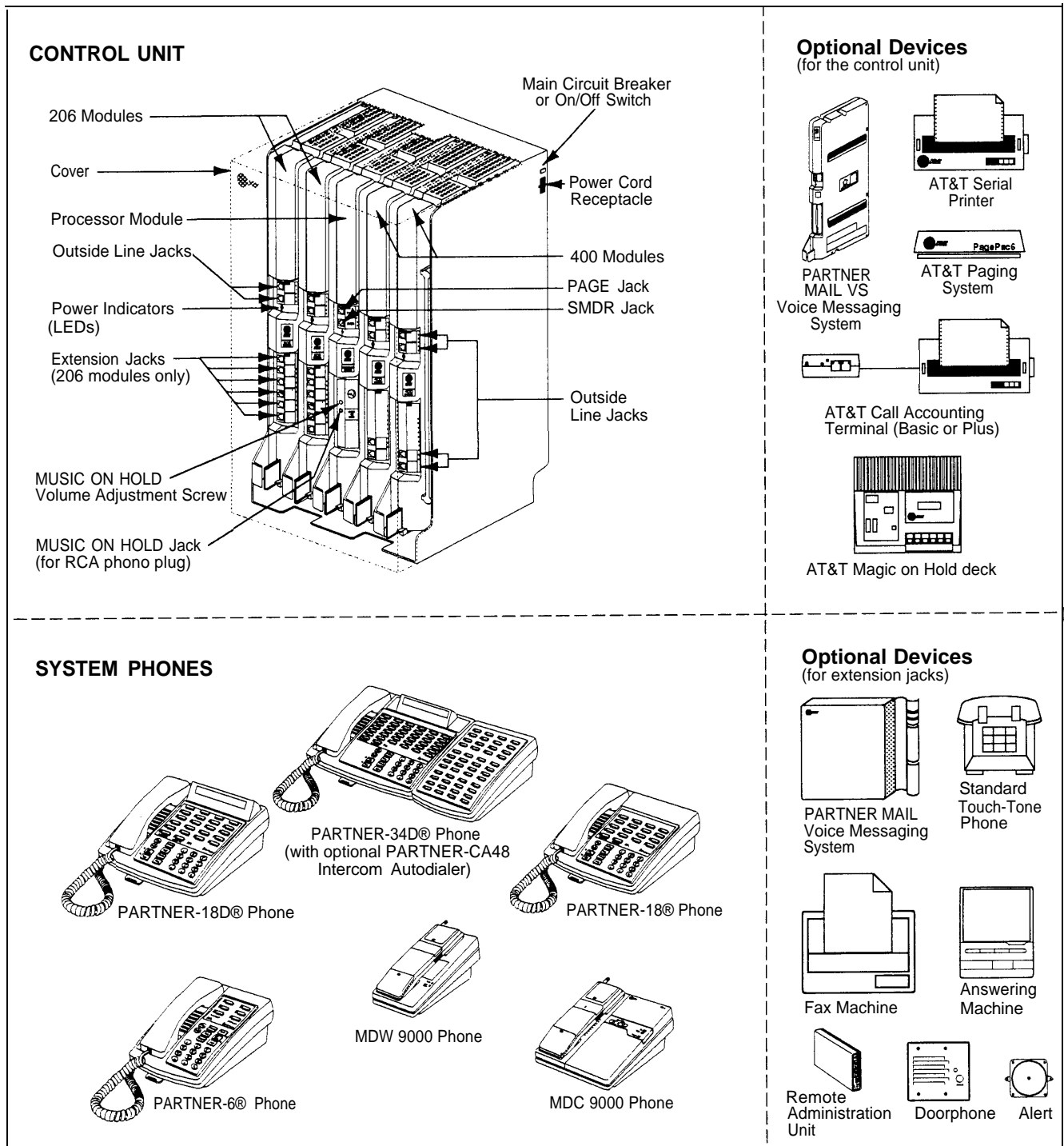


Figure 1-1. Sample System Components

System Modules

The following system modules can be installed in your system:

- **Processor Module** provides the software intelligence that controls the system's features. It has jacks for a music-on-hold audio source, a loudspeaker paging system, and a call reporting (SMDR) device, such as a printer.
- **206E Module** has jacks to connect a maximum of two outside telephone lines and six extensions to the system. You can connect telephones and other telecommunications devices (such as fax machines and modems) to the extension jacks (either directly or through your building's modular wall jacks). Each 206E module has a green power indicator that shows it is receiving power. *The system requires at least one 206E module.*
- **400E Module** is similar to the 206E module, but without extension jacks. It has four outside line jacks. This module is an inexpensive way to add lines when you do not need more extensions.

Hereafter, references to 206 modules include 206E and all 206 modules used with previous releases of the product. Similarly, references to 400 modules include 400E and all 400 modules used with previous releases of the product.

If you are upgrading from a PARTNER system or a previous release of a PARTNER Plus system, you can still use its 200E modules, each providing two line jacks.

If you want message waiting capability on standard phones that are equipped with message waiting lights, you must connect those phones to extension jacks on Release 3.1 (R3.1) or later 206 modules. Additionally, you need an R3.1 or later processor module.

System Capacity

The combination of 206 and 400 modules installed determines the number of available lines and extensions. The system allows up to 12 lines and up to 24 extensions; however, these maximums cannot be achieved simultaneously:

- For maximum *line* capacity (12 lines), install two 206 modules and two 400 modules. This arrangement allows up to 12 extensions.
- For maximum *extension* capacity (24 extensions), install four 206 modules. This arrangement allows up to 8 lines.

Telephones

System Telephones

This guide refers to AT&T telephones specifically designed to work with the system as *system phones*. These include the PARTNER-34D, PARTNER-18D, PARTNER-18, PARTNER-6, MDC 9000, and MDW 9000 telephones. You can also use MLS-34D, MLS-18D, MLS-12D, MLS-12, MLS-6, and MLC-6 system phones, although they are not discussed in this guide. If you use MLS-model phones with the system, refer to the documentation that shipped with those phones for information specific to the MLS-models.

System phones have several buttons in common: volume control buttons and the [*Feature*], [*Conf*], [*Transfr*], [*Hold*], [*Mic/HEAI*], and [*Spkr*] buttons. In addition, each phone has *programmable buttons* that can be used for outside lines, extension numbers, outside phone numbers, or system features. Outside lines, as well as some system features, *require* buttons with status lights. Programmable buttons without lines assigned to them can be programmed with numbers or features, so you can use the feature or dial the number with one touch. The number in each PARTNER-model name indicates the number of programmable buttons with status lights plus two [*Intercom*] buttons.

If the PARTNER-model phone has a display, indicated by a “D” in the model name, users receive messages and prompts when making calls and programming. (More information about the display is provided in Chapter 5.) A system display phone is *required* for system programming.

Table 1-1 summarizes system phone features.

Table 1-1. System Phones

	PARTNER-34D	PARTNER-18D	PARTNER-18	PARTNER-6	MDC 9000	MDW 9000
Total Number of Programmable Buttons	32	20	16	4	4	4
Line Capacity (Number of Programmable Buttons with Status Lights)	12*	12*	12*	4	4	4
Intercom Buttons	2	2	2	2	2	2
Display	✓	✓	—	—	—	—
Speaker	✓	✓	✓	✓	—	—
Microphone	✓	✓	✓	✓	—	—

* The PARTNER-34D has 32 programmable buttons with status lights and the PARTNER-18D and PARTNER-18 have 16 programmable buttons with status lights. Since the system supports a maximum of 12 lines, you can use up to 12 buttons on these phones for outside lines.

Intercom Autodialers

PARTNER-model system phones support the PARTNER-CA48 Call Assistant™ Intercom Autodialer at extensions 10 and 11. The autodialer provides Auto Dial buttons for all of the extensions in your system (up to 24). (The extra 24 buttons on the autodialer are not operational on your system.) The status lights next to each button also indicate calling activity at that extension. Users can program the Auto Dial buttons for either intercom ringing, voice signaling, or manual signaling. (Note that each user can have only one Auto Dial button—either on the system phone *or* on the autodialer—for another extension in the system.) The Auto Dial buttons allow the user to dial, signal, or transfer calls to system extensions with one touch. For more information about Auto Dial buttons, see “Auto Dialing” in Chapter 5.

Standard Telephones

You can also use industry-standard single-line rotary or touch-tone telephones, including feature phones with built-in feature buttons and lights, with the system. This guide refers to such telephones as *standard phones*. AT&T-certified standard phones are recommended.

The following AT&T phones can make use of the system’s message waiting capability:

- 2500 YMGL Single-Line Analog Telephone Set
- 2500 YMGK Single-Line Telephone with Message Waiting Light and Recall Button
- 8101 Analog Telephone
- 8102 Analog Telephone
- 8110 Analog Telephone
- 7102 Plus Analog Voice Terminal

Check with your local AT&T Representative or local Authorized Dealer to find out if other standard phones with message waiting lights will work.

NOTE:

For message waiting capability, you must connect standard phones with LED compatible message waiting lights to Release 3.1 (R3.1) or later 206 modules, and equip the system with an R3.1 or later processor module. This message waiting capability does not apply to standard phones with *neon-type* message waiting lights.

Auxiliary Equipment

You can connect many types of telecommunications devices to your system without expensive adapters or additional phone lines. Many industry-standard, single-line devices will work with the system regardless of the manufacturer:

- Touch-tone, rotary, and cordless telephones (such as those you might have in your home)
- Fax machines
- Answering machines
- Modems
- Credit card scanners

There are several other devices that may be compatible with the system. For more information, refer to the list in Chapter 4 or contact your AT&T Representative or local Authorized Dealer. Also, see Chapter 4 for advice on setting up auxiliary equipment to work effectively with the system.

Requirements

An industry-standard device must meet the following conditions:

- It must be non-proprietary. That is, it cannot be made specifically for use on a particular telephone system. (For example, you cannot connect an AT&T MERLIN® system phone because it is specifically designed for use on a MERLIN system.)
- Its Ringer Equivalence Number (REN*) cannot be greater than 2.0. (The REN is shown on a label on the device, usually on the bottom.)
- You can connect a standard two-line device to the system, but for best results it should be installed and used as if it were a single-line device.

Connecting Standard Devices

You can connect a standard device so that it is on an extension by itself, or so that it shares an extension with another piece of equipment (either another standard device or a system phone) as long as the REN of the two devices together does not exceed 2.0. (System phones have 0.0 REN.) For example, you can connect a standard phone and an answering machine to the same extension. An extension with two devices connected to it is called a *combination extension*. You cannot connect two system phones on one extension. The *PARTNER Plus Communications System Installation* guide provides installation instructions.

* REN is a measure of the power it takes to ring a phone. The typical home phone line handles 4.0-5.0 RENs; each extension jack in your system handles up to 2.0 RENs.

Contents

Overview	2-1
Hardware Considerations	2-2
Initial System Setup	2-3
■ Setting the System Clock	2-3
■ Assigning Lines	2-3
■ Customizing Extensions	2-4
■ Copy Settings	2-5
Changing Settings after Installation	2-5
■ Changing the System Clock	2-5
■ Adding New Lines	2-5
■ Adding New Extensions	2-5
■ Swapping Extensions	2-6
Changing Settings to Support PBX or Centrex Services	2-6
■ Recall Setting	2-6
■ Dialing Restrictions	2-6
■ Speed Dial and Auto Dial Numbers	2-7
System Programming Options	2-7
■ Speed Dialing	2-7
■ Dialing Restrictions and Permissions	2-7
Locking an Extension	2-7
Restricting Access to Outside Lines	2-8
Controlling Calls on Outside Lines	2-8
Overriding Dialing Restrictions	2-8
Summary	2-9
■ Setting Up Groups of Extensions	2-10
■ Setting Up Auxiliary Equipment	2-10
■ Hospitality Features	2-12

Contents

Using System Programming	2-12
■ The Programming Overlays	2-12
■ Button Locations	2-14
■ Programming Mode	2-16
■ Changing Programming Type	2-16
■ Remote Programming	2-17
Telephone Programming Options	2-17
■ Automatic Line Selection	2-17
■ Extension Name on Display	2-17
■ Line Ringing	2-17
■ Personal Speed Dialing	2-17
■ Programming Telephone Buttons	2-18
■ Programming a Receptionist's Extension	2-18
Call Handling Options	2-18
Button Programming	2-18
Using Telephone Programming	2-20
■ Telephone Models	2-20
■ Using Centralized Telephone Programming	2-20
■ Changing Programming Type	2-23
■ Using Extension Programming	2-23

Overview

After the system hardware is installed, you can customize the system and individual telephones. This chapter explains how to use *programming* to accomplish that.

There are two types of programming:

- **System Programming** allows you to customize the system to meet the needs of your business. When the system is first installed, it uses factory settings that reflect the most commonly used options. You can change system settings as needed.

You can perform System Programming from either extension 10 or 11. Because an extension cannot be in programming mode and handle calls at the same time, consider using extension 11 for programming. Doing so gives you the ability to program without disrupting call handling by the receptionist at extension 10.

- **Telephone Programming** allows telephones to be customized to meet individual users' needs. Individual telephones can be programmed either from extension 10 or 11 (*Centralized Telephone Programming*), or from a user's extension using a system phone (*Extension Programming*).

A system display phone is *required* for System and Centralized Telephone Programming. If you have any 34-button phones in the system, you must use a 34-button display phone to program since an 18-button phone *cannot* be used to program a 34-button phone. Also, if your system has both PARTNER-model and MLS-model phones, it is recommended that you use a PARTNER-model display phone at the programming extension.

The system permits programming from a remote location using a Remote Administration Unit—see “Remote Programming” later in this chapter.

This chapter provides general information on programming procedures. When a specific feature name is used, it is printed in **bold** type. For detailed descriptions and step-by-step instructions, refer to that name in Chapter 5. (Brief summaries of all programming procedures are at the end of this book.)

Hardware Considerations

Programming procedures use line and extension numbers. The line number represents the line jack on a 206 or 400 module to which the outside line is connected. Similarly, the extension number represents the extension jack on a 206 module to which the system phone or standard device is connected.

For each 206 module, the system assigns two lines and six extensions; for each 400 module, the system assigns four lines. The system numbers lines and extensions consecutively. Figure 2-1 shows the numbering scheme for a system with maximum lines. Figure 2-2 shows the numbering scheme for a system with maximum extensions. However, your system can have any number of lines or extensions up to the maximum.

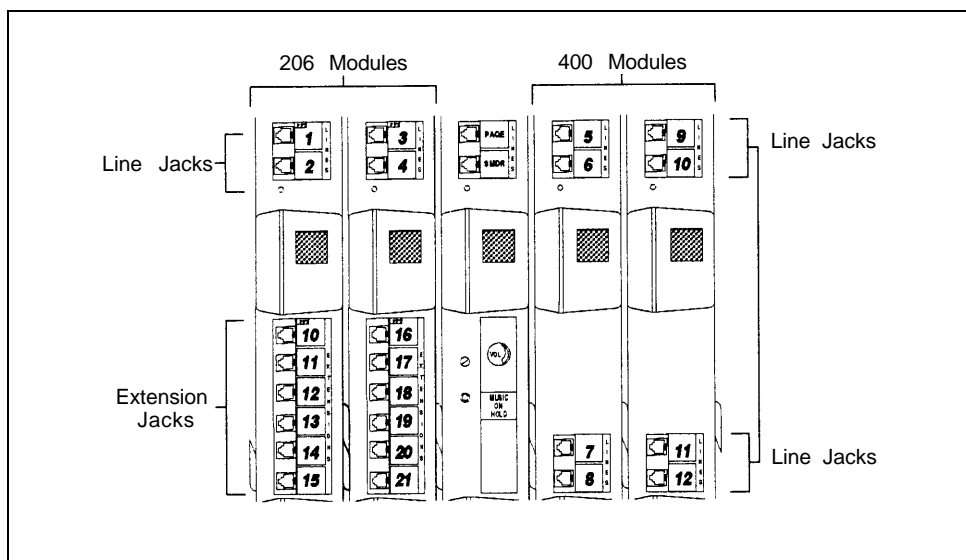


Figure 2-1. Maximum Lines (12)

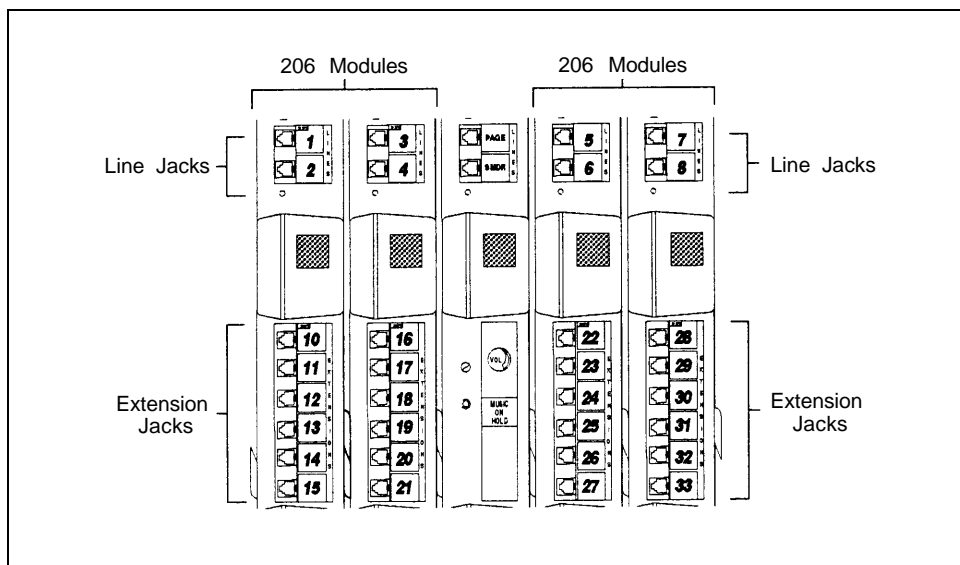


Figure 2-2. Maximum Extensions (24)

Initial System Setup

After the control unit is installed, you set up the system using a combination of system *and* telephone programming procedures. In this guide, System Programming procedures are identified by a code (# and three digits); Telephone Programming procedures are identified by the feature name only.

Use the *System Planner* as a guide when programming. The following sections provide an overview of the procedures you use for initial system setup. See Chapter 5 for more information on specific procedures. Other programming procedures are optional, but strongly recommended to make the most of your investment. (See “System Programming Options” and “Telephone Programming Options” later in this chapter for details.)

Setting the System Clock

After supplying power to the control unit, use the following procedures:

- **System Date (#101)** to set the month and day.
- **System Day (#102)** to set the day of the week.
- **System Time (#103)** to set the hour and minutes.

Assigning Lines

For initial setup *only*, use **Number of Lines (#104)** to specify the number of lines that will be assigned to all system extensions. Then use the following procedures as needed:

- **Dial Mode (#201)** to identify any rotary lines (the default for all lines is “touch-tone”).
- **Line Assignment (#301)** to assign lines to specific extensions (if the line was not assigned using the Number of Lines procedure), to remove lines from some extensions, or to change the button used to pick up a line at a specific extension.
- **Line Access Restriction (#302)** to prevent an extension from receiving and/or making outside calls on specific lines.
- **Line Ringing** (Centralized Telephone Programming) to specify when a line will start ringing at each extension that has the line. For additional information on line ringing options, see “Programming a Receptionist’s Extension” later in this chapter.
- **Automatic Line Selection** (Centralized Telephone Programming) to specify the order in which the system selects an available line (intercom or outside), when a user at the extension lifts the handset or presses [*Spkr*] to make a call without first selecting a specific line button.

For extensions with standard phones, set **Automatic Line Selection** to intercom first. This enables standard phones to access system features, including intercom calling. When users lift the handsets on standard phones, they hear intercom dial tone. To access an outside line, they must dial 9.

Customizing Extensions

In addition to line assignments, the following procedures can be used to customize an extension:

- **Display Language (#303)** to specify the language (English, French, or Spanish) for messages that appear on a system display phone.
- **Automatic Extension Privacy (#304)** to prevent other extensions with the same line from joining a call at the extension. This feature is also useful for extensions connected to a modem, fax, or any device whose function can be disrupted by someone trying to join it.
- **Forced Account Code Entry (#307)** to prevent the extension from making an outside call until a required account code is entered. You can also use **Forced Account Code List (#409)** to create a list of valid account codes; this ensures that only authorized users with valid account codes can make outside calls.
- **Call Waiting (#316)** to identify standard phone extensions that can receive system (not local telephone company) call waiting tone for a second incoming call when active on a call.
- **Outgoing Call Restriction (#401)** to prevent the extension from making certain types of outgoing calls (on *all* system lines).
- **Disallowed List Assignments (#405)** to assign one or more Disallowed Phone Number Lists to the extension. Use **Disallowed Phone Number Lists (#404)** to create the lists of outside numbers that extensions *cannot* dial.
- **Allowed List Assignments (#408)** to assign one or more Allowed Phone Number Lists to the extension. Use **Allowed Phone Number Lists (#407)** to create the lists of outside numbers that otherwise-restricted extensions *can* dial.
- **Pickup Group Extensions (#501), Calling Group Extensions (#502), Night Service Group Extensions (#504), and Hunt Group Extensions (#505)** to place the extension in any of these groups. See “Setting Up Groups of Extensions” later in this chapter for more information.
- **Fax Machine Extensions (#601), Doorphone Extension (#604 and #605), Doorphone Alert Extensions (#606), or AA Extensions (#607), External Hotline (#311), or Hotline (#603)** to identify the extension as one of these equipment types.

“Setting Up Auxiliary Equipment” later in this chapter provides an overview of the procedures you use for setting up devices, such as voice messaging systems and call reporting devices. Also, Chapter 4 provides detailed information and example applications for auxiliary equipment.

Copy Settings

The recommended way to set up your system is to program one extension for each *type* of phone in the system, then use **Copy Settings (#399)** to program other phones of the same type. For example, you can program one PARTNER-18D phone and then copy its settings to any other extensions that have PARTNER-18D or PARTNER-18 phones. See “Copy Settings” in Chapter 5 for a list of the programmed settings that are copied.

Changing Settings after Installation

As your business grows or changes, you will probably need to change the way your system was originally programmed. This section provides some examples and lists the procedures you would use to change settings after installation. For specific details on a procedure, refer to the procedure name in Chapter 5.

Changing the System Clock

You may need to change the system clock for daylight saving time, after a prolonged power failure, or after a system reset. Use **System Date (#101)**, **System Day (#102)**, and **System Time (#103)** to set the current date, day, and time.

Adding New Lines

If you add an outside line to your system, you may need to adjust some line settings. In particular, use **Dial Mode (#201)** if the new line is a rotary line, **Line Assignment (#301)** to assign the line to specific extensions, **Line Ringing** (Centralized Telephone Programming) to specify when the line will start ringing at each extension that has the line, and **Line Access Restriction (#302)** to limit an extension’s access to the line. Additionally, the system automatically assigns the new line as the last line in the Automatic Line Selection sequence. If you want to change the order, use **Automatic Line Selection** (Centralized Telephone Programming).

IMPORTANT:

Do *not* use **Number of Lines (#104)** if you add lines to the system *after* initial setup, because it changes **Line Assignment (#301)**, **Line Access Restriction (#302)**, **Automatic Line Selection**, and **Line Ringing** for existing lines back to factory settings. To change line assignments without affecting other settings, use **Line Assignment (#301)**.

Adding New Extensions

If you add an extension to your system, you can probably use **Copy Settings (#399)** to copy the settings of an existing extension. If you wish to further adjust a new extension’s settings, see “Customizing Extensions” earlier in this chapter.

Swapping Extensions

If a user changes location, but wants to keep the same extension number, you can make the change easily by changing the connection at the control unit.

For example, if the users at extensions 29 and 32 switch offices, you can disconnect the modular plug from extension jack 29 in the control unit, and reconnect it at extension jack 32. Likewise, reconnect the cord that was connected to extension jack 32 at its new location, extension jack 29. Then, the users can take their respective phones to their new locations, keep the same extension numbers, and retain the phones' programmed settings.

Changing Settings to Support PBX or Centrex Services

This section applies only if you use PBX or Centrex services with your system. If it does not apply, go to the next section, "System Programming Options."

- PBX services are provided by a private telephone switch.
- Centrex services are provided by your local telephone company from a Central Office (CO) outside your premises. These services include the Centrex lines connected to your control unit modules and some set of features—such as hold, conference, or transfer—that are available on those lines. Centrex services may be offered in your area under a different name. For specific Centrex features to be available to you, your company must subscribe to those features. For specific information on using Centrex, see the Centrex documentation provided by your local telephone company.

Some of the issues you should consider when setting up your system to work effectively behind a PBX or Centrex system are discussed below. Chapter 5 explains how to use the programming procedures discussed here.

Recall Setting

To set up your equipment to work properly with a PBX or Centrex system, first set **Recall Timer Duration (#107)** to match the setting used by your PBX or Centrex system (usually 800 msec., or "32"). This setting affects the length of a Recall signal sent by the control unit to access PBX or Centrex services.

Dialing Restrictions

Outgoing Call Restriction (#401) is an equipment restriction intended to limit an extension's dialing to "inside calls only" (using the [*Intercom*] buttons on system phones) or to "inside and local calls only" (allowing calls within the PBX or Centrex system and local calls outside the PBX or Centrex system). However, if users in your system use a dial-out code (9 on most PBX or Centrex systems) before dialing numbers outside the PBX or Centrex system, the equipment will not be able to prevent toll calls for extensions restricted to "inside and local calls only" (unless you use Disallowed Phone Number Lists to prevent dialing to specific classes of numbers).

If your PBX or Centrex system includes dialing restrictions, use those instead of the equipment restrictions. If you have PBX or Centrex dialing restrictions on a line and also program equipment restrictions, both the PBX or Centrex system and equipment restrictions apply. However, equipment dialing permissions will *not* override PBX or Centrex system restrictions.

Speed Dial and Auto Dial Numbers

When you program numbers outside the PBX or Centrex system as Speed Dial and Auto Dial numbers, include the PBX or Centrex system dial-out code (9 on most systems), followed by one or more pauses, in the stored number.

System Programming Options

This section discusses programming options that involve multiple procedures (such as dialing restrictions and auxiliary equipment settings), as well as features that can be used throughout your system (such as Speed Dialing). You can use a combination of programming procedures to set up your system to operate most efficiently, taking into account your company's telephone service, personnel, and equipment, as well as the special needs of particular departments. This section lists the procedures you can use; for details on using a particular procedure, refer to the procedure name in Chapter 5.

Speed Dialing

You can program up to 100 frequently dialed phone numbers—such as numbers for suppliers, repair services, customers—so that *all users in the system* can dial them by pressing *four* buttons: [*Feature*] (or [#] on a standard phone) plus a three-digit code. These are called **System Speed Dial Numbers**.

Dialing Restrictions and Permissions

The system has several procedures for restricting telephone use, and several for overriding those restrictions. You can use any combination of these procedures to design a system that meets your needs.

When a user makes a call, the system checks the number dialed against all of the dialing restrictions that apply to the extension making the call. When the number dialed passes a restriction, it goes to the next one, if necessary. When a number violates a restriction, the call is stopped and the user hears a *reorder tone* (fast busy signal).

IMPORTANT:

While procedures that restrict dialing are very effective, absolute protection against misuse cannot be guaranteed. System phones give more protection than standard phones. Therefore, we strongly recommend that you install system phones where restricting phone use is important.

Locking an Extension

The system offers a **Station Lock** feature that lets users enter a four-digit code on their telephone dialpad to lock their extensions. This helps prevent other users from making outside calls at those extensions.

Restricting Access to Outside Lines

A user can access a line either by lifting the handset, pressing the line button on the phone, or by dialing the Direct Line Pickup feature code. If you do not want a user to access a specific outside line, you can use **Line Access Restriction (#302)** to control an extension's access to a certain line (whether the line is assigned to the extension or not). Table 2-1 provides examples of settings that can be used to restrict an extension's access to a specific outside line.

NOTE:

If **Forced Account Code Entry (#307)** is programmed for an extension, that extension is required to enter an account code *before* dialing an outside number—even those on the **Emergency Phone Number List (#406)**—on *all* of the lines assigned to that extension. If **Forced Account Code List (#409)** contains entries, the system checks the account code against the list. If the account code is on the list, line access is allowed; if not, line access is denied.

Controlling Calls on Outside Lines

When an extension is allowed access to an outside line, you can use the following procedures to control calling:

- **Outgoing Call Restriction (#401)** defines the type of calls (inside only, local only, or inside, local, and long-distance) that users can make from *all* lines available at an extension. **Outgoing Call Restriction Button (#114)** allows the receptionist at extension 10 to quickly change an extension's current Outgoing Call Restriction setting.
- **Disallowed Phone Number Lists (#404)** creates up to four lists of numbers that cannot be dialed. After creating Disallowed Phone Number Lists, use **Disallowed List Assignments (#405)** to assign one or more lists to a specific extension.
- **Night Service with System Password (#403)** restricts users at extensions in the Night Service group from dialing outside phone numbers (except Emergency numbers and Marked System Speed Dial numbers) unless the password is entered first.

Table 2-2 provides examples of settings that can be used to restrict an extension's dialing once it gets an outside line.

Overriding Dialing Restrictions

The following programming procedures provide ways to override all dialing restrictions, provided the user has access to an outside line:

- **Emergency Phone Number List (#406)** defines a list of up to ten numbers that can be dialed from any extension. A typical number is 911.
- Marked **System Speed Dial Numbers** are specially identified System Speed Dial numbers, which a user can dial by pressing [*Feature*] (or [#] on a standard phone) followed by a three-digit code.
- **System Password (#403)** creates a password that can be entered at any system phone (except an MDC 9000 and MDW 9000) to override dialing restrictions for the duration of a call.

To override all dialing restrictions except **Line Access Restriction (#302)** and **Night Service with System Password (#403)**, use **Allowed Phone Number Lists (#407)** to create lists of outside numbers that otherwise-restricted extensions *can* dial. Then use **Allowed List Assignments (#408)** to assign one or more of the lists to an extension.

Summary

Tables 2-1 and 2-2 summarize the available dialing restrictions and permissions, showing how they can be combined in a variety of ways to customize an extension's dialing privileges.

Table 2-1. Settings that Restrict an Extension's Access to a Specific Line

Type of Restrictions or Permissions for the Extension	Setting for Line Assignment (#301)	Setting for Line Access Restriction (#302)
Can receive and place intercom (inside) calls only	All outside lines "not assigned"*	"No access" for all lines
Cannot use a specific outside line	Outside line "not assigned"*	"No access" for that line
Can only monitor call activity and pick up held calls on a specific line	Outside line "assigned"	"No access" for that line
Can only receive calls on a specific line	Outside line "assigned"	"Incoming only" for that line
Can only place outgoing calls on a specific line	Outside line may be "assigned"*	"Outgoing only" for that line

Table 2-2. Settings that Restrict an Extension's Dialing Once It Gets an Outside Line

Type of Restrictions or Permissions for the Extension	Setting for Line Assignment (#301)	Setting for Line Access Restriction (#302)	Setting for Outgoing Call Restriction (#401)	Setting for Disallowed Phone Number Lists (#404)**
Can place intercom and local calls only (and can answer any call)	Outside line* may be "assigned"	"No restriction"	"Local only"	Any local numbers the extension should not dial
Can place intercom, local and long-distance calls (and can answer any call)	Outside line* may be "assigned"	"No restriction"	"No restriction"	Any local and long-distance numbers the extension should not dial

* If a line is not assigned to the extension, a user can use Direct Line Pickup to access the line. Emergency numbers, Marked System Speed Dial numbers, Allowed Phone numbers, and numbers dialed using the System Password override all dialing restrictions if a user has access to an outside line to place the call. If Forced Account Code Entry is programmed for an extension, the user must enter an account code before accessing an outside line. If there are entries in the Forced Account Code List, the entered account code must match an entry on that list.

** The Disallowed List then must be assigned to the extension using **Disallowed List Assignment (#405)**.

Setting Up Groups of Extensions

You can set up four types of extension groups:

- **Pickup Group Extensions (#501)** assigns extensions to one of four Pickup Groups. A Pickup Group lets any user in the system answer outside calls for any extension in that group.
- **Calling Group Extensions (#502)** assigns extensions to one of four Calling Groups. A Calling Group lets users ring or page all extensions in that group simultaneously or transfer calls into the group. (Additionally, **Simultaneous Paging** lets users make announcements over the loudspeaker paging system *and* the speakers of idle system phones belonging to Calling Group 1.)
- **Night Service Group Extensions (#504)** assigns extensions to the Night Service Group. When Night Service is activated at extension 10, calls ring immediately at Night Service extensions regardless of how they ring at other times (only the lines assigned to an extension will ring).
- **Hunt Group Extensions (#505)** assigns extensions to one of seven Hunt Groups. (Hunt Group 7 is used exclusively for the voice messaging system.) A Hunt Group lets users ring or voice signal the first available (non-busy) extension in that group. If a ringing call is not answered, the system tries each available extension in turn until the call is answered. If a voice-signal call is not answered, the call does not keep hunting. Also use **Group Call Distribution (#206)** to assign outside lines to a Hunt Group if you want outside calls to ring directly into a group.

Setting Up Auxiliary Equipment

The following programming procedures help you manage auxiliary equipment. See Chapter 4 for more information on auxiliary equipment configurations or refer to Chapter 5 for details on using the procedure:

- **Fax Machine Extensions (#601)** identifies extensions to which fax machines are connected.
- **Music on Hold (#602)** activates or deactivates the MUSIC ON HOLD jack on the processor module. When this jack is activated, an audio source is connected, and **Ring on Transfer (#119)** is set to Not Active, callers hear recorded music or messages while on hold. Also, **Background Music** lets users with system phones (other than the MDC 9000 or MDW 9000) play the recorded material through their phone's speaker when the phone is not in use.
- **Hotline (#603)** identifies internal hotline extensions, so when a person lifts the handset of the hotline phone, a predetermined *extension number* automatically rings. **External Hotline (#311)** identifies external hotline extensions, so when a person lifts the handset of the hotline phone, a predetermined *outside phone number* is automatically dialed.
- **Doorphone Extension (#604 and #605)** identifies extensions to which doorphones are connected. **Doorphone Alert Extensions (#606)** identifies extensions that signal when the doorphone button is pressed.

-
- **AA Extensions (#607)** identifies extensions to which PARTNER Attendants are connected. This lets the system notify users with display phones when they are receiving a call that has been transferred from the PARTNER Attendant. Also, **Transfer Return Extension (#306)** lets you identify the extension to which a call transferred by the PARTNER Attendant should be routed if the destination extension does not answer.
 - The call reporting device uses the following procedures:
 - **SMDR Record Type (#608)** specifies the type of calls that you want to record for call reporting—either all calls or outgoing calls only.
 - **SMDR Top of Page (#609)** notifies the system that the printer has been aligned to the top of a new page.
 - **SMDR Output Format (#610)** identifies whether a maximum of 15 digits or 24 digits is printed for dialed numbers on the call report.
 - **Account Code Entry** lets users enter account codes for outside telephone calls (incoming or outgoing); if used, the account codes are included on the call report.
 - The voice messaging system uses the following procedures:
 - **Hunt Group Extensions (#505)** assigns the extensions associated with the voice messaging system hardware to Hunt Group 7—the VMS Hunt Group.
 - **Group Call Distribution (#206)** assigns lines to the VMS Hunt Group so calls can ring directly into the voice messaging system and receive Automated Attendant Service.
 - **Line Coverage Extension (#208)** identifies an extension as the owner of a specific outside line so calls on that line can ring directly into the owner's voice mailbox when either **Automatic VMS Cover (#310)** or **VMS Cover** is on at the owner's extension.
 - **VMS Hunt Delay (#506)** determines when outside calls should be answered by the Automated Attendant Service of the voice messaging system. You can set the system for either immediate call handling or delayed call handling. The setting you select is used for both day and night operation.
 - **VMS Hunt Schedule (#507)** determines when outside calls should ring the VMS Hunt Group (always, day only, or night only) depending on the status of the **Night Service Button (#503)** at extension 10.
 - **Automatic VMS Cover (#310)** determines whether or not an extension's unanswered intercom and transferred calls and outside calls on lines assigned ownership are automatically covered by the voice messaging system.
 - **VMS Cover Rings (#117)** specifies the number of times intercom and transferred calls or outside calls on lines assigned ownership ring at extensions before they are sent to the voice messaging system.
 - **Transfer Return Extension (#306)** identifies the extension to which a call transferred by the voice messaging system should be routed if the destination extension does not answer and does not have voice mail coverage active. (The transfer return extension for the voice messaging system is typically extension 10.)

Hospitality Features

The following hospitality features are for special applications, such as the Bed and Breakfast and Hotel/Motel industries. With both features, the receptionist at extension 10 optionally can use the Intercom Autodialer to specify an extension.

- **Outgoing Call Restriction Button (#114)** lets you program a button on the system phone at extension 10 to change an extension's current Outgoing Call Restriction setting *without* entering System Programming mode. For example, after a guest's departure, a hotel manager can change the No Restriction setting of the guest room phone to Inside Only so outside calls cannot be made from the phone after the guest checks out.
- **Wake Up Service Button (#115)** lets you program a button on the system phone at extension 10 to be used for scheduling wake-up or reminder calls for specified system extensions.

Using System Programming

System Programming changes settings for the system as a whole, or for individual lines or extensions. You can also use System Programming to set up dialing restrictions, define groups, or set up auxiliary equipment. Refer to the filled-out *System Planner* when you are changing system settings, and be sure that any changes in programming are recorded there.

The Programming Overlays

System Programming requires a Programming Overlay placed over the dialpad of the system display phone at extension 10 or 11. (Overlays are provided with the system documentation. Replacements can be ordered from the AT&T GBCS Publications Fulfillment Center. See "Reference Materials" under "Product Ordering Information" in Appendix B.) Figure 2-3 on page 2-13 illustrates the Programming Overlays for the PARTNER-34D and PARTNER-18D phones.

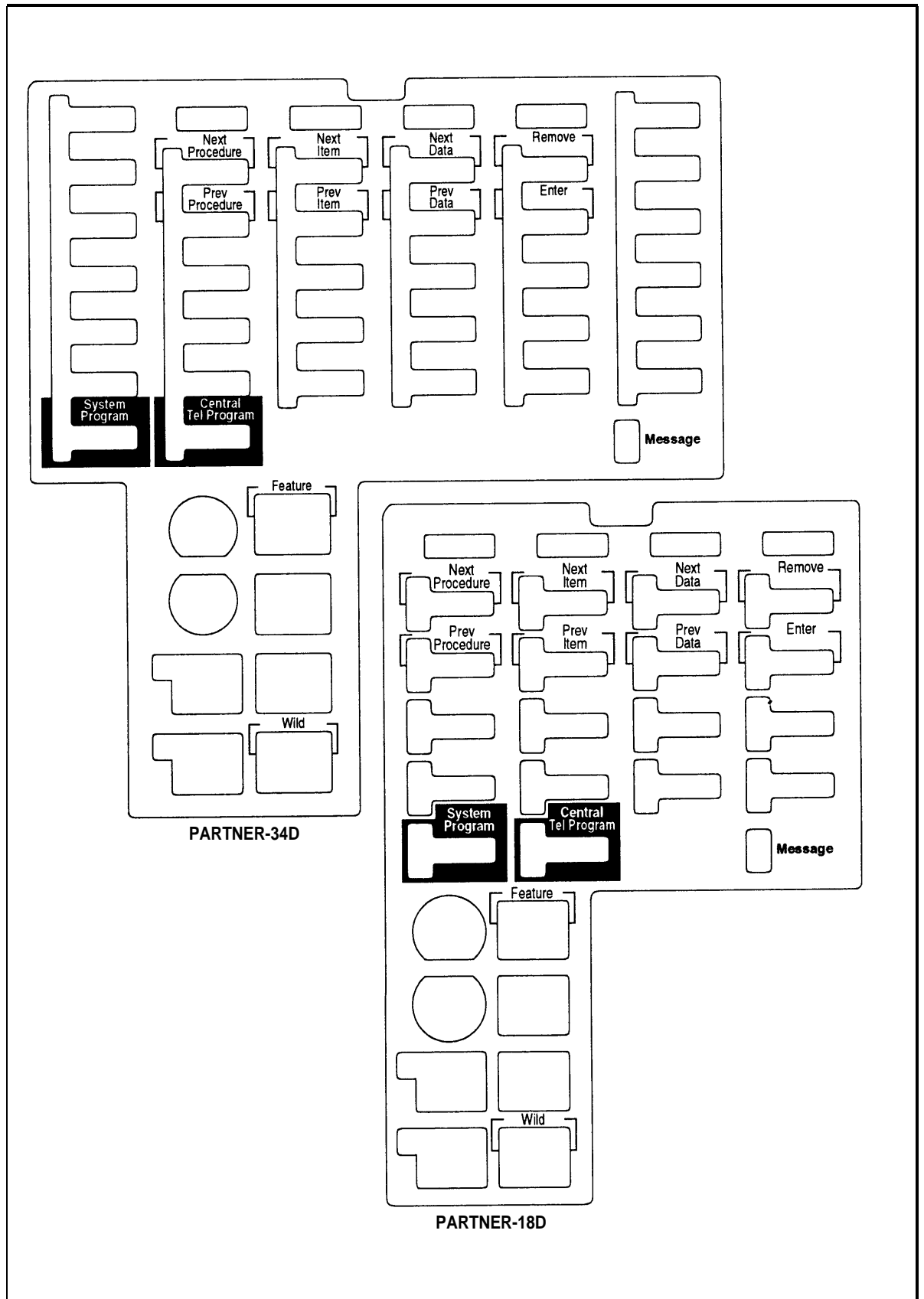


Figure 2-3. Programming Overlays for PARTNER-model Phones

During System Programming, the normal functions of several buttons on the display phone at extension 10 or 11 change. For example, the left [*Intercom*] button becomes [*System Program*] and the right [*Intercom*] button becomes [*Central Tel Program*]. The Programming Overlay identifies these buttons.

You use the following special buttons while programming:

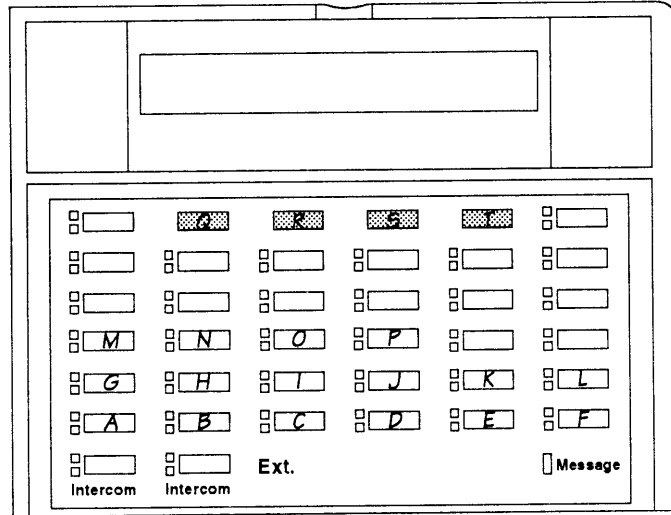
- [*Next Procedure*] and [*Prev Procedure*] cycle forward and backward through the programming procedures. You can use these buttons to select a procedure.
- [*Next Item*] and [*Prev Item*] cycle forward and backward through a procedure's parameters. A parameter is typically an outside line, an extension, or a telephone list entry.
- [*Next Data*] and [*Prev Data*] cycle forward and backward through the valid entries. These buttons work only for fixed data, such as a line or extension number. They do not work for variable data such as date, time, password, telephone numbers, or doorphone assignments.
- [*Remove*] returns the current setting to the factory setting—or when using **Line Assignment (#301)**, removes lines from an extension.
- [*Enter*] ends an entry of variable length, such as a telephone number in an Allowed Phone Number List.
- [*System Program*] starts the System Programming process.
- [*Central Tel Program*] starts the Centralized Telephone Programming process (to customize individual telephones centrally from extension 10 or 11).
- [*Feature*] when followed by [*∅*] [*∅*], enters or exits programming mode.
- [*Wild*] enters a “wildcard” (a character that matches any digit dialed) in telephone numbers in **Allowed Phone Number Lists (#407)**, **Disallowed Phone Number Lists (#404)**, and the **Forced Account Code List (#409)**.

Button Locations

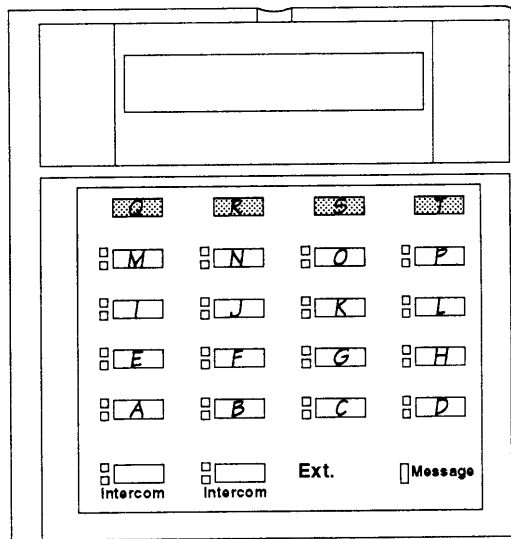
When programming from a PARTNER-model phone at extension 10 or 11, keep in mind that the button you press at the programming extension may be in a different location on the phone to which the programming applies. Figure 2-4 on page 2-15 shows the relative location of buttons on each PARTNER-model phone. For example, the button labeled E on the PARTNER-34D phone in Figure 2-4 is in the bottom row. The equivalent button on the PARTNER-18D phone is in the leftmost position of the second row from the bottom.

If your system has a mix of PARTNER- and MLS-model phones, refer to Appendix E for information about programming from a PARTNER-model phone to an MLS-model phone or from an MLS-model phone to a PARTNER-model phone.

PARTNER-34D Phone



PARTNER-18D/18 Phone



PARTNER-6 Phone

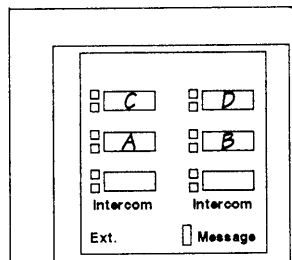


Figure 2-4. Button Locations

Programming Mode

1. Place the Programming Overlay over the dialpad of the system display phone at extension 10 or 11—see “The Programming Overlays” earlier in this chapter for more information.
2. To enter programming mode, press [*Feature*] [*0*] [*0*]. A display similar to the following appears:

```
PROGRAM EXTENSION 10
```

If you are programming from extension 11, “11” displays instead of “10.”
3. Press [*System Program*]. A display similar to the following appears:

```
10 Enter Extension Name
```

This display is for the **Extension Name Display** feature. When you are entering System Programming mode, skip it by moving on to Step 4.
4. Press [*System Program*] again. A display similar to the following appears:

```
SYSTEM PROGRAM
```
5. Specify a programming procedure in one of two ways:
 - **Direct Method** to dial the code for that procedure. System Programming procedures in this guide are identified by # and a three-digit code (for example, **System Date** is **#101**). This method is best when you are using only a few procedures during a programming session and you know the codes.
 - **Cycle Method** to cycle through the procedures in numerical order. Press [*Next Procedure*] and [*Prev Procedure*] to cycle forward and backward through the programming procedures. This method is best when you are using multiple procedures during a programming session, or if you do not know the codes.
6. To exit programming mode, you can press [*Feature*] [*0*] [*0*] or lift the handset off-hook, then place it back in the cradle.

NOTE:

You can talk on the phone while you program. This is useful if you need to call for support while programming. However, you must call before you enter programming mode, and you must use the handset to talk, not the speaker and microphone.

Changing Programming Type

When you are in programming mode, you can move between System Programming and Centralized Telephone Programming. To change to Centralized Telephone Programming when you are in System Programming, press [*Central Tel Program*]. To move back to System Programming when you are in Centralized Telephone Programming, press [*Central Tel Program*] then [*System Program*].

Remote Programming

The system permits programming from a remote location using an auxiliary device called the Remote Administration Unit (RAU). Remote programming requires the installation of two RAUs—one at your site and one at the location from which the programming is to be done. For more information on remote programming, see the *PARTNER Communications System Remote Administration Unit Installation and Use* guide.

Telephone Programming Options

System telephones are ready to use when they are installed, but they can be customized to meet the needs of your business and individual users. This customization is accomplished through *Telephone Programming*.

Automatic Line Selection

When a user lifts the telephone's handset or presses [*Spkr*], the system chooses an idle line automatically. **Automatic Line Selection** determines the order in which the system looks for an idle line. You can set the system to look for lines in any desired order. For standard phones or for any phone used mainly to call other extensions, select an inside (intercom) line first.

Extension Name on Display

With **Extension Name Display**, users can assign a name (up to 20 characters long) to their extension. Then, when those users make an intercom call, group call, or transfer a call, their name and extension number appears on the display phone receiving the call. Similarly, users receiving a transfer return call see the name and extension number of the person assigned to the extension that did not answer the transferred call.

Line Ringing

Line Ringing defines when each outside line rings at a phone. For each line at an extension, you can specify Immediate Ring, Delayed Ring (phone rings after a 20-second delay), or No Ring.

Personal Speed Dialing

Personal Speed Dial numbers are outside phone numbers that a user dials by pressing [*Feature*] (or [#] on a standard phone) plus a two-digit code. Unlike System Speed Dial numbers, which are available to all users in the system, Personal Speed Dial numbers are available *only* at the extension for which they are programmed. Users can store up to 20 Personal Speed Dial numbers.

Programming Telephone Buttons

Telephone buttons without lines assigned to them can be programmed for system features such as Exclusive Hold or Conference Drop or for telephone numbers, so you can use the feature or dial the phone number with one touch. Once programmed, these buttons are called *Auto Dial buttons*, because simply pressing the button automatically dials the feature code or telephone number.

A user who has a system phone with programmable buttons should consider programming them with a combination of frequently used features and outside and intercom telephone numbers.

Programming a Receptionist's Extension

Call Handling Options

If you set up a centralized telephone answering position at extension 10, use the following settings to customize it:

- **Immediate Call Answering.** If the receptionist should answer *all calls*, use **Line Assignment (#301)** to assign all lines to extension 10. Set **Line Ringing** for all lines at extension 10 to Immediate Ring; set the lines assigned at each user's extension to Delayed Ring or No Ring.
- **Backup Call Answering.** If the receptionist should answer some lines *only when a user does not pick up*, set **Line Ringing** for those lines at extension 10 to Delayed Ring; set the lines assigned at each user's extension to Immediate Ring.
- **No Answering.** If some lines should not be picked up by the receptionist at all, either set **Line Ringing** for those lines at extension 10 to No Ring or simply use **Line Assignment (#301)** to remove those lines from extension 10. In either case, set **Line Access Restriction (#302)** to No Access for those lines at extension 10 to prevent the receptionist from using Direct Line Pickup to access those lines.

Button Programming

The PARTNER-34D phone shown in Figure 2-5 illustrates the following programmed buttons in addition to some other system features:

- **Extension Numbers.** Auto Dial buttons are programmed for extensions 11 through 28. The receptionist can use these buttons to dial or transfer calls to the extensions with one touch. In addition, the lights of these Auto Dial buttons show the status of the extension, so the receptionist can tell whether the phone at the extension is idle (*no lights on*), busy (*red on*), calling the receptionist (*green flash*), manually signaling the receptionist (*green flutter*), or ringing back after the receptionist transferred a call (*green flutter*).

- Manual Signaling.** A Manual Signaling button (labeled MS-Bill) is programmed to signal the target extension. When the button is pressed, the user at the target extension will hear a tone for as long as the button is pressed. This feature is typically used by a receptionist to alert the boss of an important incoming call when the boss is already on a call. The lights of a Manual Signaling button work like an Auto Dial button to show the status of the target extension. Additionally, a Manual Signaling button can be used to place intercom calls. (Manual Signaling applies only to system phones.) See “Manual Signaling” in Chapter 5 for more information.

NOTE:

You can have only one button for a target extension per extension. The button can be programmed as a Manual Signaling button or as an Auto Dial button for intercom ringing or voice signaling.

- Fax Management.** A button (labeled Fax-30) is programmed as a Fax Management button for the fax machine connected to extension 30. The lights next to the button show what is happening at the fax machine (for example, *red broken flutter* indicates that the fax machine is not responding—for example when it is out of paper). (For more information, see “Fax Management Feature” in Chapter 4.)

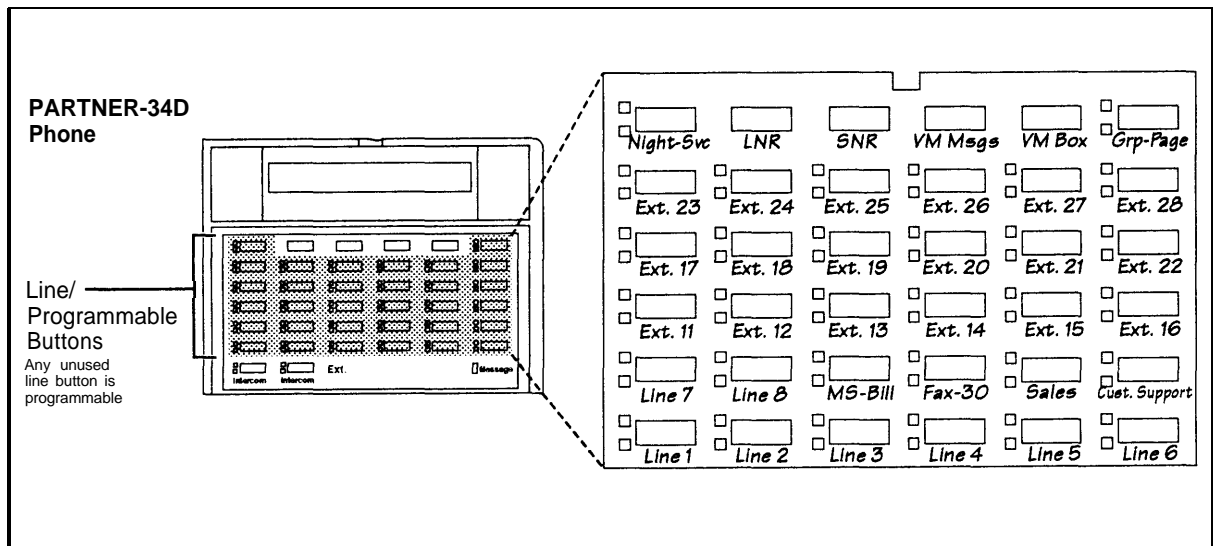


Figure 2-5. Button Programming for Receptionist’s Phone

Alternatively, the receptionist can use an Intercom Autodialer for the extensions the receptionist dials most frequently, This leaves buttons on the phone free for more features and phone numbers.

Using Telephone Programming

There are two ways to program a telephone: *Centralized Telephone Programming* from extension 10 or 11 (see below) and *Extension Programming* from a user's own extension (see page 2-23).

Telephone Models

Figure 2-6 illustrates a PARTNER-18D and Figure 2-7 illustrates a PARTNER-6 phone. As you program buttons, mark their functions on the phone's labeling sheet (see the examples in Figures 2-6 and 2-7).

NOTE:

A PARTNER-6 phone only has four buttons available for lines. If four lines are assigned, it has no programmable buttons. The MDC 9000 and MDW 9000 phones look just like a PARTNER-6 phone when you program them centrally.

Using Centralized Telephone Programming

Use Centralized Telephone Programming to program features or store telephone numbers for individual extensions from extension 10 or 11. Most features also can be programmed on a system phone at the user's extension. Keep in mind the following exceptions:

- **Automatic Line Selection** and **Line Ringing** always must be programmed using Centralized Telephone Programming.
- If a user has a standard phone, **Personal Speed Dial Numbers** for the extension can be programmed only by using Centralized Telephone Programming.
- If a user has a standard phone or a non-display system phone, **Extension Name Display** for the extension can be programmed only by using Centralized Telephone Programming.

During Centralized Telephone Programming, the display phone at extension 10 or 11 takes on the characteristics of the telephone being programmed, including any System Programming settings and lines assigned to the phone. If you have any 34-button phones in the system, you must use a 34-button display phone to program since an 18-button phone *cannot* be used to program a 34-button phone. Also, if your system has both PARTNER-model and MLS-model phones, it is recommended that you use a PARTNER-model display phone at the programming extension.

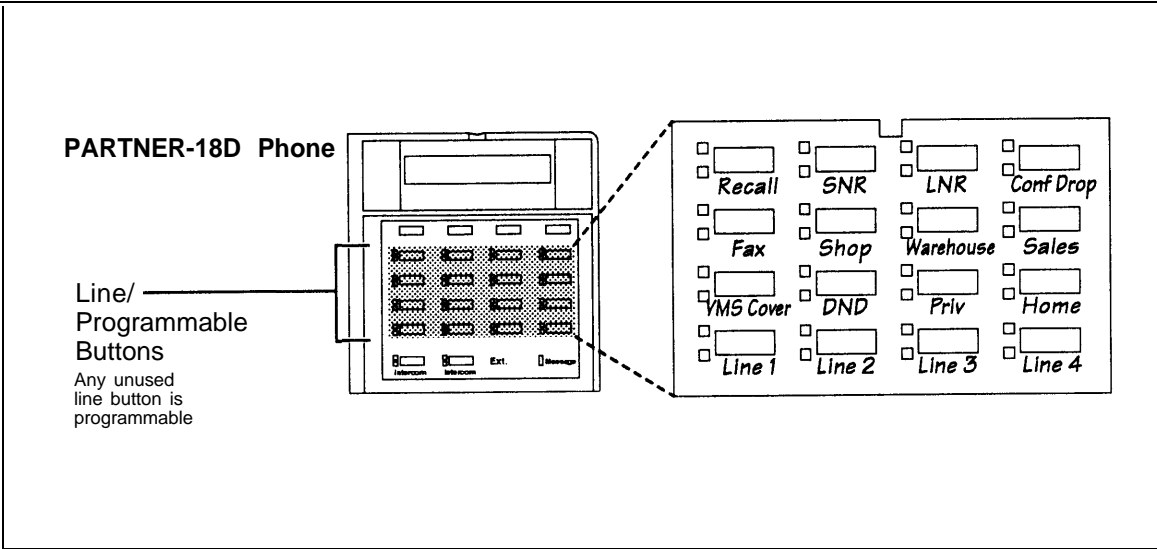


Figure 2-6. Example of PARTNER-18D phone

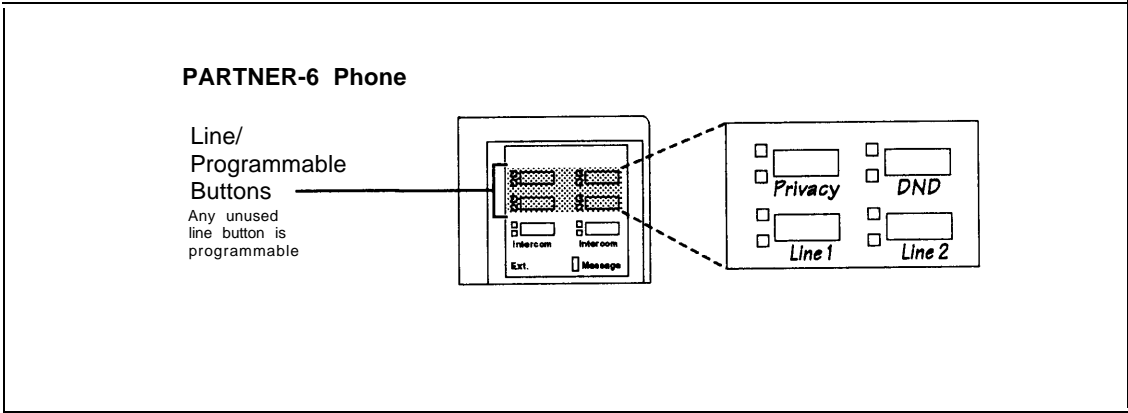


Figure 2-7. Example of PARTNER-6 phone

To program a phone from extension 10 or 11, use the following procedure:

1. Place the Programming Overlay over the dialpad of the system display phone at extension 10 or 11—see “The Programming Overlays” earlier in this chapter for more information.
2. To start programming:
 - a. Press [*Feature*] [0] [0]. A display similar to the following appears:
PROGRAM EXTENSION 10

If you are programming from extension 11, “11” displays instead of “10.”
 - b. Press [*System Program*]. A display similar to the following appears:
10 Enter Extension Name

This display is for the **Extension Name Display** feature. When you are entering Centralized Telephone Programming mode, skip it by moving on to Step 2c.
 - c. Press [*System Program*] again. The display reads:
SYSTEM PROGRAM
 - d. Press [*Central Tel Program*]. A display similar to the following appears:
CENTRAL TELEPHONE PROG
Extension:
3. Dial the extension number of the telephone to be programmed.
The green lights next to buttons on which lines are assigned show the current Line Ringing settings; remaining buttons can be programmed with telephone numbers, extension numbers, or system features.
4. At this point, you can:
 - Use **Automatic Line Selection** to change the order in which the telephone selects a line when the user picks up the handset. (If you want to change **Automatic Line Selection** for an extension, you must do so immediately after you enter programming mode and dial the extension number.)
 - Use **Extension Name Display** to assign a user’s name to the extension. See Chapter 5 for the character codes. (Like Automatic Line Selection, this procedure must be done immediately after you enter programming mode and dial the extension number. If you want to change both Automatic Line Selection and Extension Name Display, first change Automatic Line Selection, then press [*Central Tel Program*], redial the extension number, then use **Extension Name Display**.)
 - Use **Line Ringing** to change the ringing for an individual line.
5. Program **Personal Speed Dial Numbers**, **Auto Dial** numbers, or system features as described in Chapter 5.

To erase the current programming from a button, press the button, then press [*Mic/HEAT*].

-
6. To change the settings for another extension, press [*Central Tel Program*], then dial the new extension number.
 7. To exit programming mode, you can press [*Feature*] [0] [0], or lift the handset off-hook, then place it back in the cradle.

Changing Programming Type

When you are in programming mode, you can move between System Programming and Centralized Telephone Programming. To change to System Programming when you are in Centralized Telephone Programming, press [*Central Tel Program*] then [*System Program*]. To move back to Centralized Telephone Programming when you are in System Programming, press [*Central Tel Program*].

Using Extension Programming

Users can program features or store numbers on buttons from their own phones using Extension Programming. Keep in mind the following exceptions:

- **Automatic Line Selection** and **Line Ringing** always must be programmed using Centralized Telephone Programming.
- If a user has a standard phone, **Personal Speed Dial Numbers** for the extension can be programmed only by using Centralized Telephone Programming.
- If a user has a standard phone or a non-display system phone, **Extension Name Display** for the extension can be programmed only by using Centralized Telephone Programming.

To program at the extension, use the following procedure:

1. To start programming, dial [*Feature*] [0] [0].
The green lights next to buttons on which lines are assigned for the extension show the current Line Ringing settings. Remaining buttons can be programmed with telephone numbers, extension numbers, or system features.
2. To assign a name to the extension, press left [*Intercom*], then enter the character codes. See **Extension Name Display** in Chapter 5 for the codes.
3. Program **Personal Speed Dial Numbers**, **Auto Dial** numbers, or system features as described in Chapter 5.

To erase the current programming from a button, press the button, then press [*Mic/HEA*].
4. To exit programming mode, you can press [*Feature*] [0] [0], or lift the handset off-hook, then place it back in the cradle.

Learning About Telephones

3

Contents

System Telephones	3-1
■ Buttons and Indicators	3-2
■ Lights	3-4
■ Ringing Patterns	3-5
■ Dial Tones	3-5
■ Using the Handset, Speaker, and Microphone	3-5
Hands-Free Answer on Intercom (HFAI)	3-6
Voice Interrupt on Busy Calls	3-7
Speakerphone Performance Tips	3-7
Standard Telephones	3-8
■ Ringing Patterns	3-9
■ Dial Tones	3-9
■ Using the Switchhook	3-9
■ Limitations	3-10
■ Feature Phones	3-11
Combination Extensions	3-11
Using Telephones	3-13
■ Basic Call Handling Features	3-13
■ Dial-Code Features	3-13

Learning About Telephones

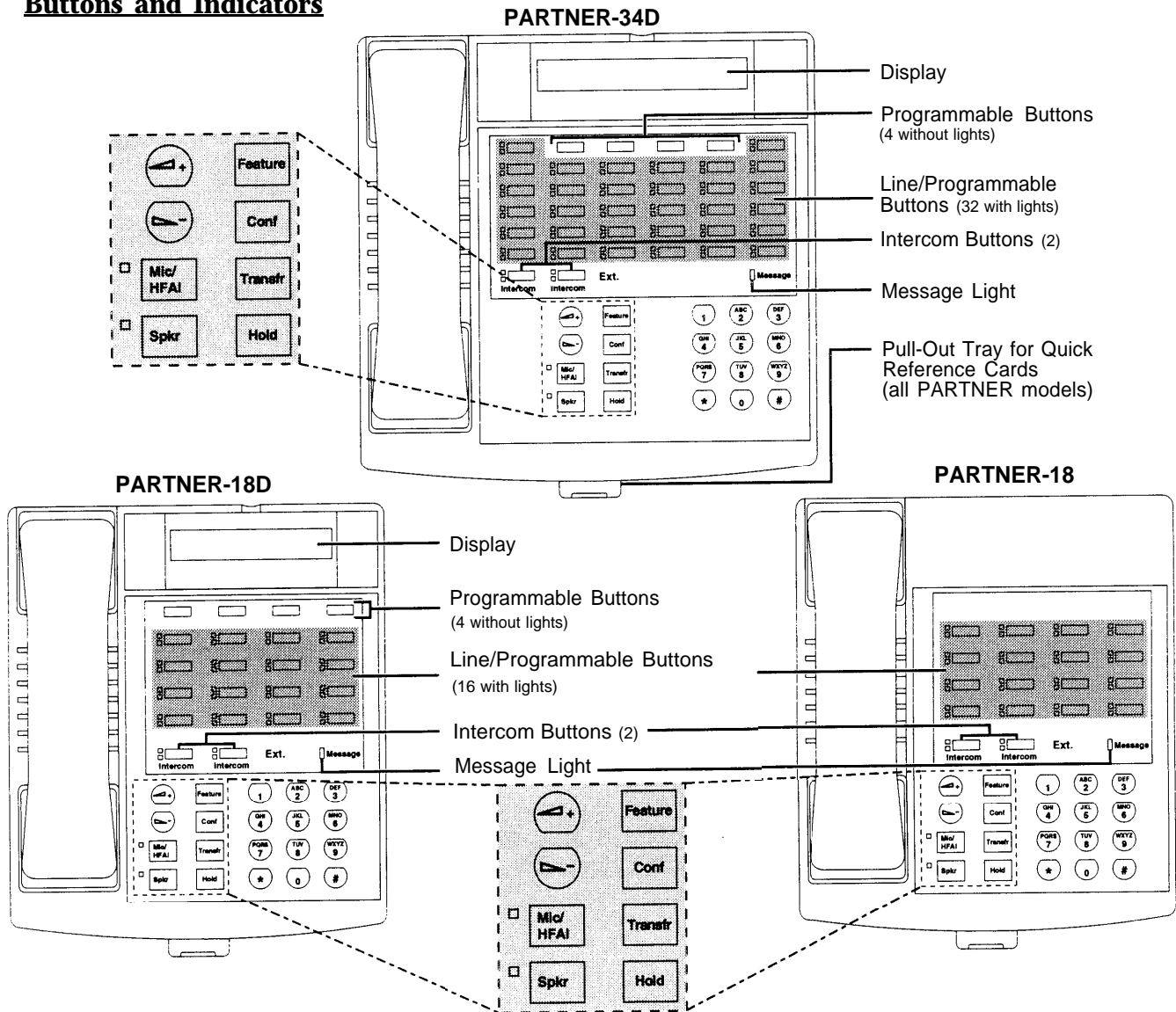
3

This chapter explains how system and standard phones work with the system, as well as combination extensions where more than one phone or standard device is installed. In addition, basic call handling features and dial-code features are listed at the end of this chapter. See the feature name in Chapter 5 for details on a specific feature.

System Telephones

System phones, which include the PARTNER-34D, PARTNER-18D, PARTNER-18, PARTNER-6, MDC-9000, and MDW-9000 models, have several buttons and indicators in common. The following pages explain where they are and how they work.

Buttons and Indicators



The following buttons and indicators appear on system phones:

Display. (PARTNER-34D and PARTNER-18D only) Shows date, day, and time when phone is idle, number dialed when placing a call, extension number (and name if programmed) calling you or transferring a call to you, and duration while a call is in progress. When programming, shows settings, options, and prompts. (To adjust the display contrast, see **Volume Control Buttons** on the next page.)

Line/Programmable Buttons. Used for individual outside lines or (if no line is assigned on a button) for programming telephone or extension numbers, or other system features (such as Last Number Redial). When a line is assigned, press the line button to make a call on that specific line (lights show status of line). When a number or feature is programmed, press the button to dial the number or use the feature. The PARTNER-34D has 36 programmable buttons (32 with lights and 4 without lights); the PARTNER-18D has 20 programmable buttons (16 with lights and 4 without lights); the PARTNER-18 has 16 programmable buttons (all with lights); the PARTNER-6, MDC 9000, and MDW 9000 have 4 programmable buttons (all with lights).

Intercom Buttons. Press to make (or answer) a call to (or from) another extension in the system.

Feature. Press to change programmed settings or use system features.

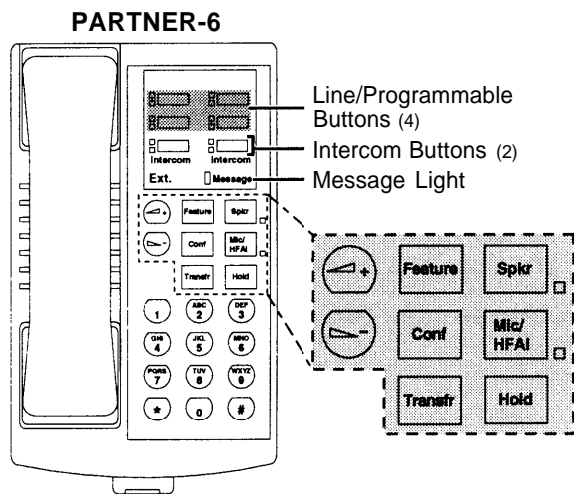
Conf. Press to add other parties to your call.

Transfr (labeled "Trans" on MDC 9000 and MDW 9000). Press to pass a call to another extension.

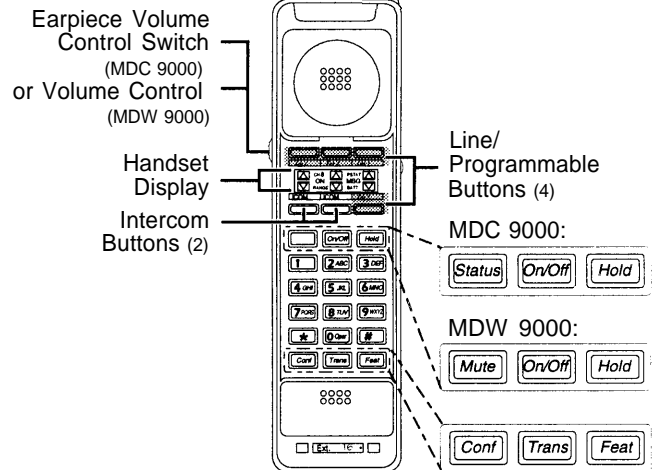
Hold. Press to put a call on hold.

Spkr (all models except MDC 9000 and MDW 9000). Press to turn on and off the speaker and microphone (if available), so you can dial and have a conversation without lifting the handset. The light next to this button shows when the speaker is turned on.

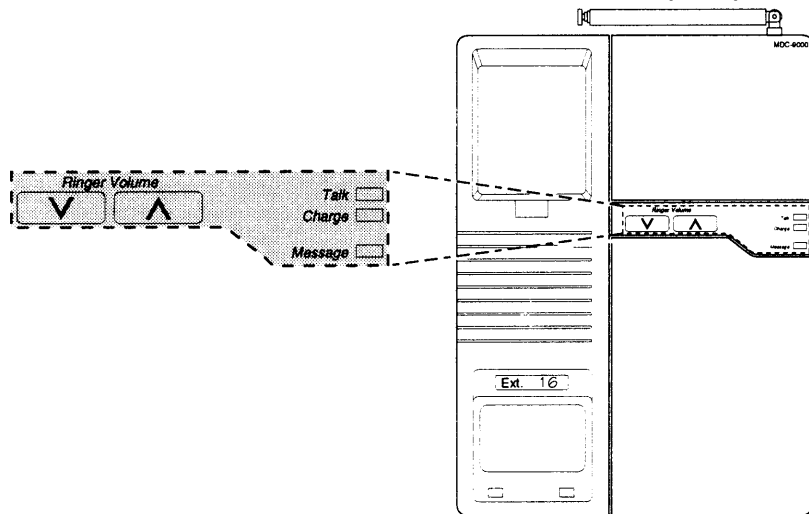
Mic/HFAI (all models except MDC 9000 and MDW 9000). Press to turn the microphone on and off. The light next to this button shows when the microphone is turned on. Leave on to use the Hands-Free Answer on Intercom (HFAI) feature.



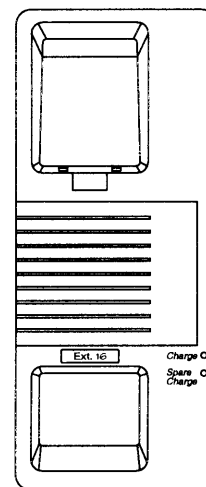
MDC 9000/MDW 9000 (Handset)



MDC 9000 (Base)



MDW 9000 (Base)



Message Indicator. Lights when someone signals you with the Message Light On feature, or if you have a voice messaging system, when you have a message in your mailbox. On the MDW 9000, **MSG** appears in the handset display.

Volume Control Buttons (all models except MDC 9000 and MDW 9000). Press to decrease or to increase the volume as follows:

- To adjust ringer volume, press while the phone is idle and the handset is in the cradle.
- To adjust speaker volume, press while listening to a call through the speaker.
- To adjust handset volume, press while listening through the handset.
- To adjust background music volume, press while listening to music through the phone's speaker.

To adjust the display contrast on the PARTNER-34D and PARTNER-18D phones, press [] then to decrease the brightness or to increase the brightness, while the phone is idle and the handset is in the cradle.

Earpiece Volume Control Switch (MDC 9000 Handset). To adjust handset volume, slide the switch up (high) or down (low).

Volume Control (MDW 9000 Handset). Press + to increase or - to decrease the volume of the earpiece or ringer.

Ringer Volume Control (MDC 9000 Base). To adjust the volume, press or while the phone is idle.

Status Button (MDC 9000 Handset). Press to quickly update the display on the handset.

On/Off Button (MDC-9000 and MDW-9000 Handset). Press to turn the handset on and off. (You must turn the handset on to make calls.)

Mute Button (MDW 9000 Handset). Press to have a private conversation with someone near you while on a call.

Talk Indicator (MDC 9000 Base). Lights when the handset is lifted and turned on.

Charge Indicator (MDC 9000 and MDW 9000 Base). Lights when the handset is placed on the base and the handset batteries are charging.


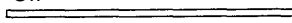





Spare Charge Indicator (MDW 9000 Base). Lights when the spare battery is charging.

Lights

Each line button has a green light and a red light. The meaning of these lights varies, depending on whether the button is used to access an outside line, is programmed with a system feature, or is programmed for Auto Dialing an extension number (Intercom Auto Dial button). (Auto Dial buttons for fax extensions show additional information; these “Fax Management” buttons are described in Chapter 4. When a phone is in programming mode, the lights show information about programmed settings; See Chapter 2 for details.)

Table 3-1 shows the meanings of the various light patterns for each possible button assignment.

Table 3-1. Light Patterns for System Phones

Light Pattern	Line Button	Feature Button	Intercom Auto Dial Button
Steady On 	Line is in use. Green means you are using the line; red means someone at another extension is using the line.	Green means feature* is on.	Red means the extension programmed on the button is busy (making or answering a call).
Off  (steady off)	Line is idle (not being used).	Feature* is off.	Extension programmed on the button is idle (not being used).
Flash  (long on, long off)	A call is ringing on the line. Green flash means a call is ringing at your extension. Red flash means a call is ringing on the line, but not at your extension.	A user is entering a four digit code to lock or unlock his or her extension.	Green flash means someone at the extension programmed on the button is calling you.
Alternating Red/Green Flash  (red on, green on, red on, green on)	Alternating green and red flash appears at both extensions in a joined call, and at any extension connected in a conference call.	—	—
Wink  (long on, short off)	A call on the line is either on hold or parked. Green wink means the call is on hold or parked at your extension. Red wink means the call is on hold or parked at another extension. (Anyone who has the line can retrieve the held call.)	—	—
Green Flutter  (short on, short off)	A call is on exclusive hold at your extension (and can only be retrieved from your extension).	A Wake Up Service call is being scheduled from extension 10.	A call transferred to the extension programmed on the button is now returning to your phone or you are being manually signaled by the extension.
Red Broken Flutter  (short on/off long off)	—	—	Fax Management only—the fax extension is not answering calls (may be out of paper).
* Applies to Do Not Disturb, Night Service, Outgoing Call Restriction Button, Privacy, Voice Interrupt on Busy Talk-Back, and VMS Cover, all of which require programming on a button with lights. Can also apply to Account Code Entry, Background Music, and Call Forwarding/Call Follow-Me, if any of them are programmed on a button with lights. (For more information about programming these features, see Chapter 5.)			

Ringling Patterns

System phones have these ringing patterns:

- An outside call will *ring . . . ring . . . ring*.
- An intercom call will *ring BEEP . . . ring BEEP . . . ring BEEP*. If you have a system display phone, the caller's extension number (and name if programmed) will show on the display.
- A transferred call, or an unanswered transferred or parked call that is ringing back at your extension, will *ring BEEP BEEP . . . ring BEEP BEEP . . . ring BEEP BEEP*.

NOTE:

If you use the system with PBX or Centrex lines, the PBX/Centrex distinctive ringing patterns are not passed to phones. Phones use the ringing patterns described here instead.

Dial Tones

You will encounter two different dial tones when calling with a system phone:

- **Outside dial tone** is generated by your local phone company to indicate that you are connected with an outside line.
- **Intercom dial tone** is generated by the system to indicate that you are connected with an inside line. You hear this dial tone when you are making an inside, or *intercom*, call.

To hear the difference between the two types of dial tones on a system phone, press a line button. The dial tone you hear is an outside dial tone. To hear an intercom dial tone, press [*Intercom*].

Using the Handset, Speaker, and Microphone

Every system phone (except the MDC 9000 and MDW 9000 phones) has a speaker and a microphone, which you can turn on by pressing [*Spkr*]. In addition, you can turn just the microphone on and off by pressing [*Mic/HFAI*]. When the green light next to [*Mic/HFAI*] is on, the microphone is on.

If you prefer to dial and conduct calls without lifting the handset, you can use the speaker and the microphone instead. Use these techniques to make calls with the speaker and the microphone:

- To make a call without lifting the handset, press [*Spkr*] to get a dial tone; then dial the number and you will hear the call ringing. When the other party answers, you can talk without lifting the handset.
- If you are already on a call, you can switch from the handset to the speaker and microphone by pressing [*Spkr*] and hanging up the handset. Conversely, if you are using the speaker and microphone and want to switch to the handset, lift the handset and the speaker and microphone will turn off.

-
- To turn off the microphone when you are using the speaker, press [*Mic/HFAI*]. This will *mute* your voice so the other party cannot hear you.
 - Use the Hands-Free Answer on Intercom (HFAI) feature to answer *voice-signaled* calls without lifting the handset (see below).

Hands-Free Answer on Intercom (HFAI)

When you receive a *voice-signaled* intercom call, your phone beeps once to indicate that your speaker has been turned on automatically, and you hear the caller's voice over your phone's speaker. If you leave your microphone on all the time, you can start talking when you hear the caller, without lifting the handset. This feature is called *Hands-Free Answer on Intercom*.

Any user in the system can make a voice-signaled call to an idle system phone by pressing [*Intercom*] [*] then dialing an extension number or pressing an Auto Dial button programmed for voice signaling. (You can make a voice-signaled call *from* either a system phone or a standard phone. However, if you try to make a voice-signaled call *to* a standard phone or an MDC 9000 or MDW 9000 phone, it will ring.)

NOTES:

1. The HFAI feature can be turned on or off only when your phone is idle. Muting your voice while you are on a call only turns off the microphone for the duration of the call.
2. If HFAI is on and you are already on a call, you will not receive any voice-signaled calls to your extension—they will ring instead.
3. If you make a voice-signaled intercom call to a *busy* extension, it may result in a voice interrupt on busy call to that extension. See "Voice Interrupt On Busy Calls" on the next page for more information.

Voice Interrupt on Busy Calls

A voice interrupt on busy call is a special intercom call that lets you interrupt and speak to another user who is busy on a call and who has the **Voice Interrupt On Busy (#312)** feature activated. When you use Voice Interrupt on Busy, the interrupted user hears two beeps before hearing your voice. Be aware that the third party to whom the interrupted user is speaking will probably hear the two beeps and the faint sound of your voice. Therefore, the message you deliver with the interruption should be brief and discreet. If the interrupted user wants to answer you, he or she can press a programmed Talk-Back button—the interrupted user's response cannot be heard by the third party in this case.

Speakerphone Performance Tips

The speaker on your system phone has a sensitive sound-activated switch. Room acoustics and background noise can affect the proper operation of the speakerphone. To ensure that your speakerphone works effectively, follow these guidelines:

- Avoid placing your phone in areas with high background noise caused by loud voices, radios, printers, copiers, typewriters, other noisy office equipment, and heater and air conditioning fans.
- Avoid talking before the other person is finished speaking. When you both talk at the same time, only one person's voice comes through.
- Do not use your speaker to make announcements over a loudspeaker paging system connected to your phone system.
- When talking, always face your phone and stay within two feet of it.
- Place your phone at least six inches away from the edge of your desk.
- If you have difficulty hearing the other party, try increasing the speaker volume. If you have background noise, try turning off the microphone when the party at the other end is speaking and turning it on when you speak. If the difficulty persists, lift your handset to continue the conversation.
- In conference rooms, a separate speakerphone (such as the AT&T S203 Speakerphone) is recommended, since the built-in speaker on a system phone is designed for individual use.

Standard Telephones

In addition to system phones, you can connect industry-standard touch-tone or rotary dial phones—and even some feature phones (which have built-in calling features)—directly to the system. You can also combine standard phones on the same extension with system phones or other devices, without using expensive adapters or connectors.

Standard phones can do many of the things that system phones can do, and you can save money by using them in certain situations when a system telephone is not needed. Follow these guidelines when using standard phones:

- Use standard phones as power failure backups. In the event of a power failure, standard phones at extensions 10, 16, 22, and 28 connect to lines 1, 3, 5, and 7, respectively, for continued operation; but system phones will not work. You can connect standard phones in combination with system phones at power failure extensions, or you can simply keep spare standard phones at those extensions to serve as replacements in case of a power failure.
- To use a system feature, press [#] (in place of [*Feature*] used on system phones) followed by its two-digit code when you hear intercom dial tone. For features that use [*Intercom*] on system phones, dial only the two-digit code when you hear intercom dial tone. (Instructions for using these features on standard phones are included in Chapter 5, “Feature Reference.”)
- To use a Speed Dial number, press [#] followed by its two-or three-digit code when you hear intercom dial tone. (For details, see “Personal Speed Dial Numbers” and “System Speed Dial Numbers” in Chapter 5.)
- If **Call Waiting (#316)** is assigned to an extension with a standard phone connected, users hear a call waiting tone (two beeps) when a second call comes in to the extension. The call waiting tone is not repeated.
- Use the switchhook on a standard phone to place calls on hold, park a call, transfer a call, answer a call waiting call, or set up a conference call. (For details, see “Using the Switchhook” on the next page, or “Hold,” “Transferring Calls,” “Answering Calls,” and “Conference Calls” in Chapter 5.)
- If the standard phone has a message waiting light, use it to notify users of messages. (For details, see “Message Light On” and “Message Light Off” in Chapter 5. For a list of supported phones, see “Standard Telephones” in Chapter 1.) Alternatively, if you have a voice messaging system, the light is used to indicate that a message has been left in your mailbox. On a standard phone, the message light flashes *when the phone is idle* to indicate that the extension has received a message.

Ringling Patterns

Standard phones have these ringing patterns:

- An outside call will *ring . . . ring . . . ring*.
- An intercom call will *ring-ring . . . ring-ring . . . ring-ring*.
- A transferred call, or an unanswered transferred or parked call that is ringing back, will *ring-ring-ring . . . ring-ring-ring . . . ring-ring-ring*.

NOTE:

If you use the system with PBX or Centrex lines, the PBX/Centrex distinctive ringing patterns are not passed to phones. Telephones use the ringing patterns described here instead.

Dial Tones

Standard phones have two different dial tones:

- **Outside dial tone** is generated by your local telephone company to indicate that you are connected with an outside line.
- **Intercom dial tone** is generated by the system to indicate that you are connected with an inside line. You hear this dial tone when you are making an inside, or *intercom*, call.

To hear the difference between the two dial tones, lift the handset. The dial tone you hear (assuming the phone is set to select intercom first, as recommended in this guide) is an intercom dial tone. To hear an outside dial tone, press [2].

Using the Switchhook

Some of the call handling instructions in this guide direct you to “rapidly press and release the switchhook.” Pressing the switchhook for 1/4 to 1 second sends a signal over the line called a *switchhook flash*. However, do not press the switchhook *too* quickly. If you press the switchhook and nothing happens, try again and press it a *little* longer.

NOTE:

If your feature phone has a button labeled “Recall” or “Flash,” use the button instead of pressing the switchhook. If you use the system with PBX or Centrex lines, your PBX or Centrex documentation may tell you to press the switchhook to access PBX or Centrex features. Use the Recall feature instead (see “Recall” in Chapter 5).

Limitations

Each standard device requires one touchtone receiver to be available in order to dial a call (intercom or outside). Each 206 module has one touchtone receiver; each 400 module has two touchtone receivers. The combination of modules in your system determines the number of standard devices that can *dial simultaneously*. For example, if you have two 206 modules and two 400 modules, six standard devices can dial out at the same time. If seven standard devices try to dial out simultaneously, the seventh device will not get dial tone until one of the other six finishes dialing.

Also, because standard phones do not have system line buttons, feature buttons, or dedicated function buttons, basic call handling procedures are sometimes different from those for system telephones. In addition, the following actions *cannot* be performed at a standard telephone:

- You cannot enter programming mode.
- Because there are no line buttons on standard phones, users must use **Direct Line Pickup—Idle Line** to select a specific line; otherwise, the system selects an idle line automatically when the user dials a 9 at intercom dial tone. (For information on **Automatic Line Selection**, see Chapter 5.)
- Unless **Call Waiting (#316)** is assigned to specific standard phone extensions, there is no indication of a second call and an inside caller will hear a busy tone if a standard phone is in use. If Call Waiting is assigned, the user hears a call waiting tone (two beeps) when a second call comes in for the extension. (The call waiting tone is not repeated.) The user can use the switchhook to put the first call on hold and speak to the party on the second call and to switch back and forth between the two parties.
- Users can make a voice-sigaled call *from* a standard phone, but if users try to make a voice-sigaled call *to* a standard phone, it will ring because the standard phone does not have a system speaker.
- Users cannot use the **System Password**.
- Users cannot access the following system features: **Account Code Entry, Background Music, Do Not Disturb, Exclusive Hold, Manual Signaling, Privacy, Save Number Redial, VMS Cover, Voice Interrupt on Busy, Voice Interrupt on Busy Talk-Back, or Voice Mailbox Transfer**.
- Do not use **Forced Account Code Entry** with a standard phone, because the phone will not be able to get dial tone and make calls.

Feature Phones

A *feature phone* is a standard telephone that has feature buttons in addition to the regular 12-key dial pad. For example, there are feature phones that have programmable auto dial buttons, last number redial buttons, hold buttons, and built-in speakers. You can use most of the system's dial-code features from a feature phone, and program them onto a feature phone button. However, there are some limitations to what these phones can do.

The capabilities of a feature phone are *in the phone itself*. For example, if you store a number on a feature phone's auto dial button, that number is stored *in* the feature phone. (This is different from storing a number on a system phone's Auto Dial button. When you program a button on a system phone, the number is actually stored in the control unit.) Similarly, when you press a hold button on a feature phone, the call is held at the phone itself. (Callers will not hear the system's Music On Hold. Other phones in the system cannot see that the call is on hold; it appears as a busy line.)

If you want to program an outside number on a feature phone's auto dial button, you must add a 9 and one or more pauses (if available) before each outside number. (The 9 gets an outside line, and each pause allows a few seconds to get an outside dial tone.)

Note that the feature phone's last number redial button may not work for an outside call. To redial the last number, use the system's Last Number Redial feature by pressing [#][][].

Combination Extensions

A *combination extension* is an extension with two devices connected to it—either two standard devices, or a system phone and a standard device (but *not* two system phones). (For instructions on how to install a combination extension, see the *PARTNER Plus Communications System Installation* guide.)

The following are examples of useful combination extensions:

- System phone plus standard telephone, for power failure backup on extensions 10, 16, 22, and 28
- System phone plus answering machine
- System phone plus fax machine
- System phone plus headset
- System phone plus an external alert (such as a bell or chime).

Using the telephones in a combination extension is fairly simple. The main thing to understand is that the two telephones share a single extension in the same way several home telephones share a single line. A system telephone works like it always does and a standard telephone works like it always does when connected to the system. *Only one phone or device can be used at a time*, unless you want to join the two on a single call (the same way two people can pick up the same call on different telephones at home). For example:

- Both phones share the same extension number.
- Both phones share the same *voice path*; that is, when either phone is busy, the extension is busy.
- Calls ring at both phones.
- A second call can ring at the system phone while the standard phone is busy, but do not use the system phone to answer the second call until the standard phone is idle or the first call will be disconnected.
- If you make a voice-signaled intercom call to a combination extension with a system phone, only the system phone signals.
- **Call Waiting (#316)** does not work on a standard phone in combination with a system phone.
- The lights on the system phone show what the standard telephone is doing as well as what the system phone is doing. For an explanation of light patterns, see “Lights” at the beginning of this chapter.
- If **Privacy** is active at a combination extension, no other extension can join a call in progress at either a system phone or a standard device. (However, a phone can interrupt a call on a standard device at the *same* extension. For example, if a system phone and modem are combined at an extension, picking up the handset of the system phone could interrupt a modem transmission, even if **Privacy** is active.)
- While on a call on a standard phone, you can use the system phone's dialpad and fixed-feature buttons to handle calls. For example, you can use the system phone to select a specific outside line, and conduct the call on the standard phone. Or, if someone is on a call using the standard phone, someone else can put that call on hold by pressing [*Hold*] on the system phone. To do this, it is not necessary to lift the handset of the system phone. Held calls do not ring back at a standard phone in a combination extension. To retrieve a held call from the standard phone, use **Direct Line Pickup—Active Line**.
- A standard phone's message waiting light will not light when **Background Music** is playing through the system phone's speaker.
- The ringer equivalence number (REN) of a standard device or the combined REN of two devices cannot be greater than 2.0. (The REN of a system phone is 0.0.)

Using Telephones

Your system provides intuitive operation of basic call handling features, plus dial-code features that make it easy for users to handle calls flexibly and efficiently from both system and standard phones. For more information on a specific feature, refer to the feature name in Chapter 5.

Basic Call Handling Features

The following features are available from both system and standard phones:

- Making Calls
- Answering Calls
- Hold
- Call Park
- Transferring Calls
- Conference Calls
- Joining Calls

Dial-Code Features

Dial-code features are features that you access by dialing a feature code at the telephone dialpad. From a system phone, you can dial [*Feature*] or [*Intercom*], followed by the two- or three-digit code (or press a programmed Auto Dial button); from a standard phone, you typically dial [#] followed by the two- or three-digit code when you have intercom dial tone. Some dial-code features are not available on standard phones, as noted by an asterisk (*) in the following list.

- Account Code Entry*
- Background Music*
- Call Forwarding/Call Follow-Me
- Call Pickup
- Conference Drop
- Direct Line Pickup—Active Line
- Direct Line Pickup—Idle Line
- Exclusive Hold*
- Group Calling—Ring/Page
- Group Hunting—Ring/Voice Signal
- Group Pickup

* Available only on system phones

-
- Last Number Redial
 - Loudspeaker Paging
 - Message Light Off
 - Message Light On
 - Personal Speed Dial Numbers
 - Recall
 - Save Number Redial*
 - Simultaneous Paging
 - Station Lock
 - Station Unlock†
 - System Speed Dial Numbers
 - Touch-Tone Enable
 - Voice Mailbox Transfer*

* Available only on system phones.

† Available only on system phones at extension 10 and 11.

Using Auxiliary Equipment

4

Contents

Overview	4-1
■ If a Device Has Trouble	4-3
Answering Machines	4-4
■ Single Answering Machine	4-5
■ Multiple Answering Machines	4-6
■ Personal Answering Machine	4-7
Call Reporting Devices (SMDR)	4-8
■ Programming	4-8
■ Call Reports	4-9
■ Considerations	4-10
■ Output Format	4-10
■ Serial Printers	4-10
■ Call Accounting Devices	4-10
Credit Card Scanners	4-11
Fax Machines	4-12
■ Using Fax Machines	4-12
Fax Management Feature	4-12
Transferring a Call to the Fax Machine	4-13
Using the Fax Machine's Notify Feature	4-13
■ Setting Up Fax Machines	4-14
Restricting Dialing from a Fax Machine	4-14
■ Single Fax Machine	4-15
■ Fax Line Saver	4-16
■ Send and Receive Fax Machines	4-17
Modems	4-19
■ Stand-Alone Modem for Placing Calls Only	4-19
■ Send and Receive Modem	4-20

Contents

Night Service with Auxiliary Equipment	4-21
PARTNER Attendant	4-23
■ Backup for Receptionist	4-23
Voice Messaging Systems	4-24
■ Delayed Call Handling	4-24

Using Auxiliary Equipment

4

Overview

There are many ways to set up auxiliary equipment—the setup you choose depends upon your needs and the number of devices you have. This chapter presents some common setups. (It does not cover how to physically connect the equipment, or how to program the features. See the *PARTNER Plus Communications System Installation* guide for installation instructions, Chapter 5 for programming instructions, and the equipment manufacturer's documentation for complete details on the device you connect.)

This chapter shows various applications for the following types of equipment:

- Answering Machines
- Call Reporting Devices
- Credit Card Scanners
- Fax Machines
- Modems
- PARTNER Attendant
- Voice Messaging Systems

In addition, you can connect the following devices to your system:

- **Doorphones** allow visitors to signal extensions by pressing a button on the doorphone; the person who answers a doorphone call can then speak with the visitor at the doorphone. A doorphone is especially useful for providing access to offices or departments after hours. For example, you can install a doorphone outside your building entrance to allow visitors to ring telephones inside the building when the receptionist is not there and the front door is locked.

The system supports up to two AT&T PARTNER Doorphones or any number of AT&T Universal Doorphones. Universal Doorphones offer a door unlock feature and can be installed in addition to PARTNER Doorphones.

- **Loudspeaker paging systems** allow you to broadcast a message over a large area, by connecting the paging system directly to the PAGE jack on the processor module. The system supports all AT&T paging systems including the entire PagePac® line, and most paging systems from other manufacturers. In addition to its numerous paging features, the PARTNER PagePac provides doorspeaker and door unlock capabilities. For information on how to use a loudspeaker paging system with the system, see Chapter 5.
- **PARTNER PassageWay™ Solution** allows you to combine your Personal Computer (PC) running Microsoft® Windows™ 3.1 with your phone. You can then use your PC for tasks such as dialing out from an electronic phone list, logging phone calls, and programming your phone.
- **Music-on-hold systems** allow you to play recorded music or messages to callers while they are on hold, by connecting the audio source to the processor module. The system supports the AT&T Magic on Hold system and most models from other manufacturers. (If you use equipment that rebroadcasts music or other copyrighted materials, you may be required to obtain a license from a third party such as ASCAP or BMI.)
- **Remote Administration Units (RAUs)** allow you to perform System and Centralized Telephone Programming from a remote location.
- **Extra alerts** help make users aware of incoming calls. For example, you can use an audible alert (chime, horn, or bell) to replace a phone ring in a noisy area, such as a factory. Similarly, you can use a visual alert (strobe or light) to replace a phone ring in a quiet area, such as a library. AT&T offers several compatible alerts.
- **Speakerphones** provide hands-free two-way operation of a phone without lifting the handset. Combining a speakerphone with a system phone or a standard phone in a conference room or office is an inexpensive way for several people at a meeting to conference in other parties. (System phone speakers are designed for individual use—not group use.) The system supports the AT&T S203 speakerphone and any industry-standard speakerphone.

-
- **Headsets** allow users to hold hands-free conversations. A headset is a combination earphone and microphone worn on the head, useful for receptionists, salespeople, or others who need to have their hands free while talking on the phone. AT&T offers several compatible headsets.
 - **Specialty Handsets** are designed for those individuals who need greater functionality than that provided by the handsets on system phones and standard phones. For example, an amplified handset is available for certain system phones for hard-of-hearing users.
 - **In-Range Out-of-Building (IROB) protectors** are required to prevent electrical surges from damaging your system when phones or other standard devices (such as a doorphone) are installed in a location other than the building where the control unit is installed. The system supports the AT&T IROB protector, which provides coverage for up to 3,000 feet (915 meters) for standard devices and 1,000 feet (305 meters) for system phones. (IROBs must be installed by a qualified technician.)
 - **Off-Premises Range Extender (OPRE)** allows you to connect a standard touch-tone phone beyond 3,000 feet (915 meters) in another building on the same continuous property. It also allows you to use a special circuit from your local phone company to provide off-premises station capability.
 - **Electromagnetic Interference (EMI) filters** allow you to block “noise” generated by a nearby radio station, as well as most electrical devices.
 - **Caller ID devices**, such as a PC with Caller ID software, support applications for storing or processing Caller ID information. You can connect these devices provided you subscribe to the service from your local phone company and connect the device *directly to the Caller ID line*. To install devices, refer to “Connecting Caller ID Devices” in the *PARTNER Plus Communications System Installation* guide for details.

Follow the manufacturer’s instructions packaged with the devices. To order auxiliary equipment, refer to “Product Ordering Information” in Appendix B.

If a Device Has Trouble

Two System Programming procedures can be used to adjust the system settings for auxiliary equipment installed at an extension, if a device has trouble answering calls or dialing out. If a device (such as an answering machine) does not pick up transferred or intercom calls, you can use **Distinctive Ring (#308)** to change the ringing, so that all calls ring like outside calls at that extension. If an autodialing device (such as a modem) has trouble autodialing, use **Intercom Dial Tone (#309)** to change the intercom dial tone for the extension to Machine (outside line) dial tone.

Answering Machines

You can use an answering machine to answer calls at night when no one is around, or during business hours when no one can get to the phone. If you have an AT&T answering machine with the Call Intercept feature, you can pick up a call that has been answered by the answering machine by joining the call from any system phone. When you do so, the system sends the answering machine a signal that makes it hang up.

The following are ways you can connect answering machines to your system:

- **Single answering machine.** This basic setup can cover all the lines in the system. Anyone on the system can call the machine to retrieve messages.
- **Multiple answering machines.** If you get too many calls for one machine to cover, connect two or more machines to cover all calls.
- **Personal answering machine.** An answering machine can share an extension with a phone to answer calls to the extension.

NOTE:

If you have an answering machine and a system phone on the same extension, the answering machine will be able to answer calls only when the phone is idle.

Single Answering Machine

The single answering machine setup (Figure 4-1) serves the entire system. The answering machine is connected to its own extension, and can cover all the lines in the system, or as many lines as you assign to it. You can install the answering machine on an extension by itself, or combine it with a system phone or a standard phone on the same extension (see “Combination Extensions” in the *PARTNER Plus Communications System Installation* guide).

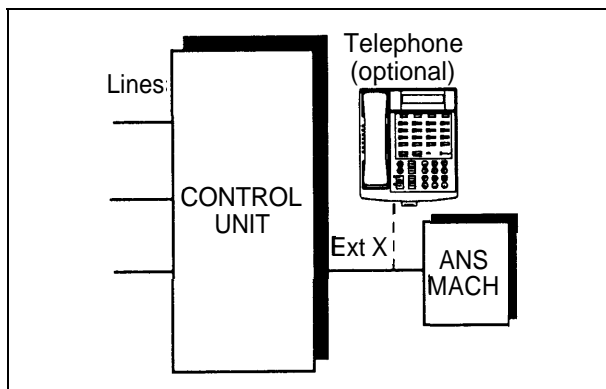


Figure 4-1. Single Answering Machine

To Use

- Go to the machine to manually play back messages.
- From any system extension, make an intercom call to the answering machine extension. When the machine answers, dial its message retrieval code.
- From outside the system, call in on any line assigned to the machine. When the machine answers, dial its message retrieval code.

To Program

1. Use **Line Assignment (#301)** to assign all the lines to extension X that you want the answering machine to cover.
2. Set **Line Ringing** for all lines assigned to extension X to Immediate Ring.
3. Make sure extension X is not assigned as a **Call Waiting (#316)** extension, **Pickup Group Extension (#501)**, **Calling Group Extension (#502)**, **Night Service Group Extension (#504)**, or **Hunt Group Extension (#505)**.
4. Adjust the answering machine to answer according to your needs. For example, set the machine to answer on the fourth ring during the day so someone has a chance to pick up the call.

Multiple Answering Machines

If a single answering machine cannot handle all your calls, you can set up two or more machines at different extensions (Figure 4-2) so that a call does not go unanswered. If one answering machine is busy, a second call will be answered by the second machine. A setup such as this might be used by a movie theater to announce movie times to people calling for information.

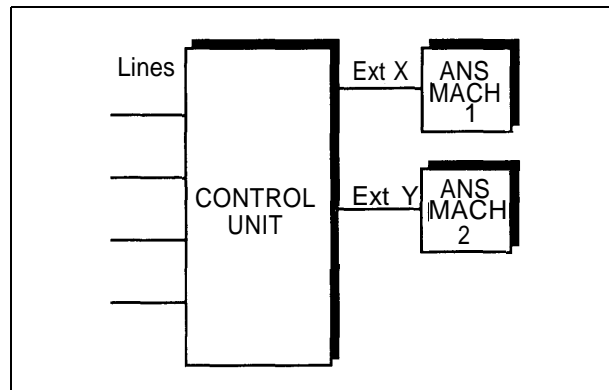


Figure 4-2. Multiple Answering Machines

To Use

- Go to the machines to manually play back messages.
- From any system extension, make an intercom call to an answering machine extension. When the machine answers, dial its message retrieval code.
- From outside the system, call in on any line assigned to the machine. When the machine answers, dial its message retrieval code. Note, however, when calling in from outside, you can retrieve messages only from the first machine that answers.

To Program

1. Use **Line Assignment (#301)** to assign all the lines to extensions X and Y that you want the machines to cover.
2. For extensions X and Y, set **Line Ringing** for all lines to Immediate Ring.
3. Make sure extensions X and Y are not assigned as a **Call Waiting (#316)** extension, **Pickup Group Extensions (#501)**, **Calling Group Extensions (#502)**, **Night Service Group Extensions (#504)**, or **Hunt Group Extensions (#505)**.
4. Adjust both answering machines to answer on a different number of rings (so they do not both try to pick up the same call). For example, set answering machine 1 to 4 rings and answering machine 2 to 6 rings. (If you cannot adjust the two answering machines to answer on a different number of rings, assign some lines to Immediate Ring at extension X and other lines to Immediate Ring at extension Y.)

Personal Answering Machine

A personal answering machine is used to answer all the calls that ring at a certain extension (Figure 4-3). It is useful for the following situations:

- When you do not want to dedicate an extension to an answering machine
- When the extension receives a lot of intercom calls
- When outside calls come through a receptionist and are transferred to the extension
- When an extension has a private line

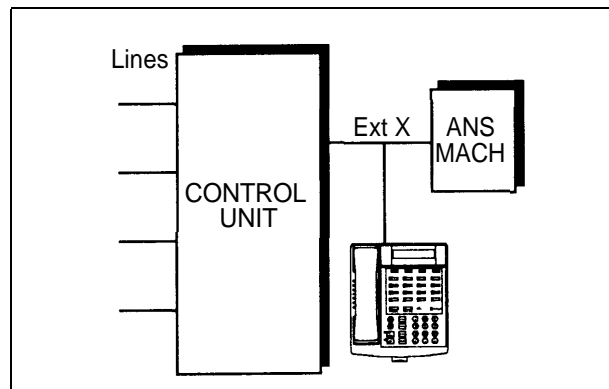


Figure 4-3. Personal Answering Machine

To Use

- Go to the machine to manually retrieve messages.
- From any system extension, make an intercom call to the extension. When the machine answers, dial the message retrieval code.
- From outside the system, call in and have someone transfer you to the extension. When the machine answers, dial the message retrieval code. Or, call in when no one will answer before the answering machine does.

To Program

1. Set **Line Ringing** for all lines assigned to extension X to the desired ring (Immediate, Delayed, or No Ring).
2. If the lines assigned to extension X are also assigned to other extensions, adjust the answering machine to answer on the third or fourth ring so that it does not answer calls before someone else can. (If the answering machine is to cover transferred calls, make sure the number of rings is less than the amount of transfer return rings set for the extension. This assures that the answering machine will pick up transferred calls *before* they return to the transfer return extension.)

If you intercept a call from the answering machine, you will hear a click to notify you that the answering machine has turned off.

Call Reporting Devices (SMDR)

SMDR (Station Message Detail Recording) is a *call reporting* feature that provides records of call activity. Call reporting information provides you with the ability to:

- Detect any unauthorized calls
- Bill clients or projects
- Bill back by department
- Reduce telephone costs by identifying the need to change telecommunications services (like adding a WATS line for calls to a particular area code)

Call reporting information is recorded after each call is completed. For outgoing calls, the system records information for each call that lasts more than 10 seconds. The timing begins when you lift the handset or press [*Spkr*] to access an outside line. For incoming calls, the timing begins when the call is answered. Timing stops when the call is disconnected.

The system sends the information through a 1200-baud serial interface to either a serial printer or a call accounting device. The device connects directly to the SMDR jack on the processor module.

Programming

Use the following programming procedures for call reporting:

- **SMDR Record Type (#608)** to specify the type of calls that you want to record for call reporting—either all calls or outgoing calls only.
- **SMDR Top of Page (#609)** to notify the system that the printer has been aligned to the top of a new page.
- **SMDR Output Format (#610)** to identify whether a maximum of 15 digits or 24 digits is printed for dialed numbers on the call report.
- **Forced Account Code Entry (#307)** to identify extensions that are required to enter an account code prior to making outside calls and **Forced Account Code List (#409)** to create a list of valid account codes.
- **Display Language (#303)** to specify the language to be used for display messages. The call report header is printed in the same language as is specified for extension 10.

Call Reports

A *call report* is a page of information that begins with a header. The header includes field names that describe the information in each *call record*. The call record is a line of information that includes the fields shown in Figure 4-4.

	DATE	TIME	NUMBER	DUR.	LINE	STN.	ACCOUNT
C	04/26/96	11:11	101028812015558014	00:01:40	08	18	
C	04/26/96	11:34	101028819085556036	00:04:28	02	32	1725
I	04/26/96	13:35	IN	00:02:12	01	10	

Figure 4-4. Sample Call Report

Each page includes 59 records. The report has the following fields:

- **Call Type.** “C” indicates outgoing calls; “I” indicates incoming calls. (**SMDR Record Type (#608)** defines if incoming calls are reported.)
- **Date.** The date of the call is shown in mm/dd/yy format, where *mm* is the month, *dd* is the day, and *yy* is the year. The system uses the date set with **System Date (#101)**.
- **Time.** The time of the connection is shown in hh:mm format, where *hh* is the hour and *mm* is the minute. The system uses the time set with **System Time (#103)** and is shown in 24-hour (military) time.
- **Number.** For an outgoing call, this is the dialed number or the speed dial code of a Marked System Speed Dial number (preceded by an “F”). This field holds a maximum of either 15 or 24 digits, depending on the setting of **SMDR Output Format (#610)**. (The Number field in Figure 4-4 is set to hold 24 digits.) For an incoming call, “IN” appears in this field.

A “*” character prints as the last digit of a dialed number if the called party hangs up before the system user; a “?” prints if the number of digits dialed exceeds the 15 or 24 digits that this field can hold. If both of these conditions occur, the “*” takes precedence.
- **Duration.** The duration of the call is shown in *hh:mm:ss* format, where *hh* is the hour, *mm* is the minutes, and *ss* is the seconds. This is the total time of the call, including any time the call is on hold. If an incoming call lasts less than one second, this field contains all zeroes.
- **Line Number.** This is the outside line used to make or receive the call.
- **Station (Extension).** This usually is the extension that answered or placed the call. For redirected incoming calls, the last extension on the call is shown on the report, as follows:
 - For transferred incoming calls: the destination extension.
 - For transferred outgoing calls: the originator extension.
 - For pickup calls: the extension picking up the call.
 - For forwarded calls: the extension answering the forwarded call.
- **Account Code.** This is the account code (up to 16 digits) assigned to the call. This code typically is used for charging calls to a specific client, project, or department.

Considerations

- The **System Date (#101)** and **System Time (#103)** must be set correctly to ensure accurate call reports.
- The call report header prints in the **Display Language (#303)** specified for extension 10.
- If a report cannot print because the printer is jammed or out of paper, the system will store up to 45 records in its memory until they can be printed. Additional calls will not be recorded.
- Before changing the output format to 24 digits, check the documentation for your call accounting device to verify that this operation is supported.
- In the event of a power failure, records of any calls in progress are lost.
- Inside (intercom) calls are not recorded.
- If you place a call on hold and the caller hangs up, the call is considered complete and the record is sent to the call reporting device.
- Conference calls appear as two outside calls. (This means two records are generated on the report.)

Output Format

The following RS-232 serial transmission protocol is used for SMDR records:

- 1200 baud
- no parity
- 8 data bits
- 2 stop bits

The call reporting feature also supports XON/XOFF protocol, carriage returns, and line feeds.

Serial Printers

Use a 355A adapter, which converts a modular jack interface to an RS-232 25-pin connector, to connect a serial printer to the processor module. If you connect a printer, make sure the printer can receive SMDR data in the format described above (refer to the printer's instructions or contact the printer's manufacturer if you need help).

Call Accounting Devices

You can send call information to a call accounting device (such as AT&T's Call Accounting Terminal—Basic or Plus) if you want to further analyze call activity. The device stores rate table information and processes the information it receives into meaningful reports that can help you optimize your communications system. The primary application for call accounting devices is "accounting," or pricing of the calls.

The call accounting device connects directly to the SMDR jack on the processor module and can also print out reports that include summaries by hour, line, and extension. Refer to the manual provided with the call accounting device for instructions on connecting it to your system.

Credit Card Scanners

Many retail businesses and restaurants use credit card scanners to get instant approval of credit card purchases. The system allows your credit card scanners to share the lines in your system (as shown in Figure 4-5). You can install the credit card scanner on an extension by itself, or combine it with a system phone or a standard phone on the same extension (see “Combination Extensions” in the *PARTNER Plus Communications System Installation* guide).

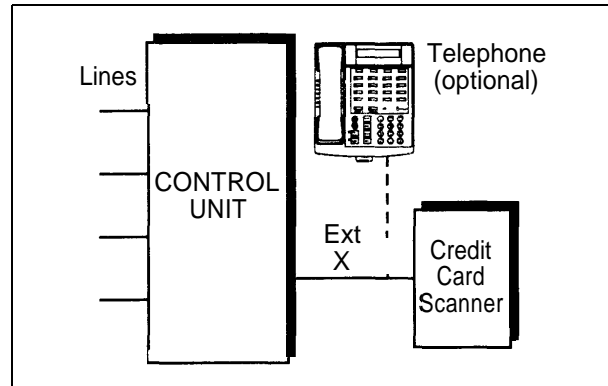


Figure 4-5. Credit Card Scanner

To Use

When you make a call on the credit card scanner, an outside line is automatically selected. If you combine the credit card scanner with a system phone or standard phone, you cannot use the phone while the credit card scanner is operating. You can use only one of the devices at a time.

To Program

1. Use **Line Assignment (#301)** to assign the lines you want the scanner to use to extension X.
2. Set **Automatic Line Selection** for extension X to select the outside lines that the scanner is to use.
3. Set **Automatic Extension Privacy (#304)** for extension X to Assigned.
4. Make sure extension X is not assigned as a **Call Waiting (#316)** extension.
5. If the scanner has an auto answer feature, turn it off.
6. For multiple scanners, repeat Steps 1–5 for each extension.

Fax Machines

This section suggests several ways you can set up fax machines to work with your system. It includes instructions for programming and using a Fax Management button on a system phone (in order to monitor the status of a fax machine and transfer calls to it with a single touch), transferring calls to the fax machine extension, and using an AT&T fax machine's Notify feature.

Using Fax Machines

Fax Management Feature

On any system phone, you can program a button with lights to serve as a Fax Management button. The lights next to this button tell you when the fax machine is in use, available, or not answering (for example, when it is out of paper). You can also use the button to transfer calls from your extension to the fax machine with a single touch.

Programming for Fax Management

To program a Fax Management button, first assign the fax machine extension using **Fax Machine Extensions (#601)**. (See Chapter 5 for details.) Then program the fax machine extension number on an Auto Dial button. For more information, see "Auto Dialing" in Chapter 5.

Using the Fax Management Button

The lights next to the Fax Management button show what is happening at the fax machine—see Table 4-1.

Table 4-1. Fax Management Button Light Patterns

Light Pattern	Indicates...
Red broken flutter	Fax trouble. The fax machine is not answering. If broken flutter occurs because the fax machine is out of paper, refill the paper. The light clears the next time the machine transmits or receives a call. If the machine takes longer than four rings to answer, the light shows fax trouble ; when the machine does answer, the light changes to fax busy (red steady).
Red steady	Fax busy. The fax machine is busy transmitting or receiving a call.
Green flash	Fax calling. The green flash indicates that the fax machine extension is calling you. An AT&T fax machine with the "Notify" feature can call you automatically after it receives a transmission. See "Using the Fax Machine's Notify Feature" on the next page.
Green flutter	Fax transfer return. A call you transferred to the fax machine was not answered and is returning to you.

Transferring a Call to the Fax Machine

There are two situations in which you would want to transfer a call to your fax machine:

- You answer an outside call and hear a fax machine signaling. (A fax signal is a single beep sequence — *beep . . . beep . . . beep*). If you hear this, you should transfer the call immediately to the fax machine extension.
- You are on a call with a person who wants to send you a fax using the fax machine that is connected to his or her phone. You can receive the fax by transferring the call to your fax extension. Tell the other party to wait until he or she hears the fax signal before pressing the Start button on their fax machine.

In addition, if you have a PARTNER MAIL system and a fax call comes in on a line covered by the PARTNER MAIL system, its Automated Attendant Service can be programmed to automatically transfer the call to a fax extension or (if you have multiple fax machines) to the extension Hunt Group for the fax machines.

There are four ways to transfer the call to the fax extension:

- If you have a Fax Management button, simply press the button. When the fax machine answers, hang up.
- If you do not have a Fax Management button, press [*Transfr*] plus the fax machine's extension number. When the fax machine answers, hang up.
- On a standard phone, rapidly press and release the switchhook to place the call on hold, then dial the fax extension number and hang up.
- If you have multiple fax machines in an extension Hunt Group, press [*Transfr*], then [*Intercom*] [*Z*] [*Z*] plus the fax extension Hunt Group number. When a fax machine answers, hang up.

Using the Fax Machine's Notify Feature

Some AT&T fax machines (for example, models 5300, 5350, 9025 Plus, and 9035 Plus) have a feature called *Notify*. After such a machine receives a fax call, it automatically dials a number and plays a recorded message, such as, "You have just received a fax." If you need to know exactly when a fax comes in, or if your fax machine is located in an isolated part of your building, you can use Notify in any of the following ways:

- Program the fax machine to make a ringing or voice-signaled intercom call to an individual extension or to a group. (Program the fax machine to dial [***] plus the extension number for a voice-signaled call; [*Z*] and a group number (1–4) for a call to a Calling Group; [*Z*] [*Z*] and a group number (1–6) for a call to a Hunt Group.)
- Program the fax machine to turn on the message light at someone's extension by dialing [*#*] [*Q*] [*Q*] plus the extension number.
- Program the fax machine to dial [*Z*] [*Q*] to make its recorded announcement over your loudspeaker paging system.

For all of these examples, program the fax machine extension's **Automatic Line Selection** to select intercom first, followed by whatever outside lines you want to assign to it. (If you set the fax extension to select intercom first and the machine has an auto dial feature, program a 9 and one or more pauses (if available) before each Auto Dial number. When manually making a call, dial [9] to get an outside line. (For instructions on how to set the **Automatic Line Selection**, see Chapter 5.)

Setting Up Fax Machines

There are many ways to set up fax machines. The following configurations are basic and easy to use:

- **Single fax machine.** Good for light or moderate fax traffic. This basic setup uses a published fax number.
- **Fax machine line saver.** Good for light fax traffic, with no need for a published fax number.
- **Send and receive fax machines.** Good for high-volume fax traffic. One machine sends, the other receives.

You can install both a telephone and a fax machine on the same extension—see “Combination Extensions” in the *PARTNER Plus Communications System Installation* guide. This lets you receive both voice and fax calls on the same line (but not at the same time). If you pick up the phone and hear a fax signal, push the Start button on your fax machine and then hang up.

If you are using the PARTNER MAIL system's Automated Attendant Service, you can program PARTNER MAIL to transfer fax calls to the fax extension or a group of fax extensions automatically. Use **Fax Machine Extensions (#601)** to identify fax extensions. If you have multiple fax machines, put all of the fax extensions into a single Hunt Group (any group 1–6) using **Hunt Group Extensions (#505)**.

Restricting Dialing from a Fax Machine

You can use dialing restrictions to restrict calling activity on a fax machine. For example, you can use **Outgoing Call Restriction (#401)** to restrict the fax machine to local calls only. For a more detailed discussion of dialing restrictions, see Chapter 2.

Single Fax Machine

The single fax machine setup (shown in Figure 4-6) is good for moderate traffic. The fax machine has its own line (line A), the number of which is published as the fax number. (The fax line can be used by other phones when all other lines are busy.) The fax machine is connected to its own extension (extension X).

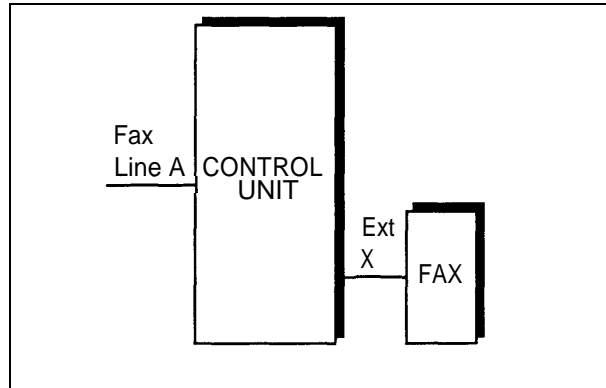


Figure 4-6. Single Fax Machine

To Use

The fax machine automatically answers all calls that come in on the fax line. If a call comes in on another line, you can transfer the call to the fax extension (see “Transferring a Call to the Fax Machine”). If you have programmed a Fax Management button, you can transfer a call to the fax machine with a single touch, as well as monitor the status of the fax machine (see “Fax Management Feature” earlier in this chapter).

When you send a fax, the system automatically selects the fax line.

To Program

1. Use **Line Assignment (#301)** to assign *only* line A to extension X.
2. Set **Automatic Line Selection** for extension X to select line A only. Set **Automatic Line Selection** to select line A last on all other extensions or remove line A if all other extensions should not use it to make outgoing calls.
3. Set **Line Ringing** for line A on extension X to Immediate Ring. On all other extensions, set line A to Delayed Ring or No Ring.
4. Set **Automatic Extension Privacy (#304)** for extension X to Assigned.
5. Make sure extension X is not assigned as a **Call Waiting (#316)** extension, **Pickup Group Extension (#501)**, **Calling Group Extension (#502)**, **Night Service Group Extension (#504)**, or **Hunt Group Extension (#505)**.
6. To monitor the fax machine, use **Fax Machine Extensions (#601)** to identify extension X as a fax extension and program a Fax Management button by programming the fax machine extension number on an Auto Dial button.

Fax Line Saver

If you do not use your fax machine enough to justify paying for its own outside line, you can put the machine on its own extension. With this setup, you must transfer calls to it manually. If you have programmed a Fax Management button, you can transfer a call to the fax machine with a single touch, as well as monitor the status of the fax machine (see “Fax Management Feature” earlier in this chapter). Figure 4-7 shows the setup.

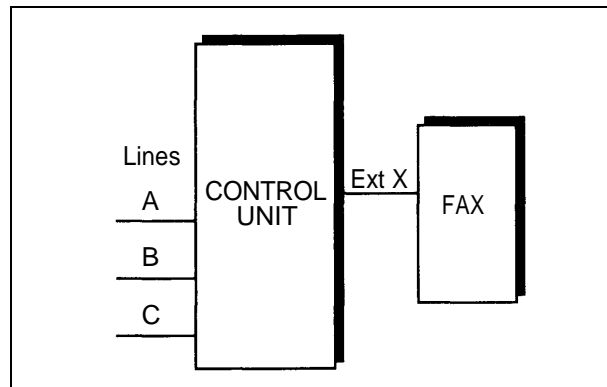


Figure 4-7. Fax Line Saver Setup

To Use

When a person answers a call and hears a fax machine signaling on the other end, the person can transfer the call to extension X—the fax machine extension. To send a fax transmission, simply lift the handset on the fax machine—an outside line will be automatically selected.

To Program

1. Use **Line Assignment (#301)** to assign all lines to extension X.
2. Set **Automatic Line Selection** for extension X to line A, B, C,
3. Set **Line Ringing** for all lines on extension X to No Ring.
4. Set **Automatic Extension Privacy (#304)** for extension X to Assigned.
5. Make sure extension X is not assigned as a **Call Waiting (#316)** extension, **Pickup Group Extension (#501)**, **Calling Group Extension (#502)**, **Night Service Group Extension (#504)**, or **Hunt Group Extension (#505)**.
6. To monitor the fax machine, use **Fax Machine Extensions (#601)** to identify extension X as a fax extension and program a Fax Management button by programming the fax machine extension number on an Auto Dial button.

Send and Receive Fax Machines

If your business has high-volume fax traffic, you can set up two fax machines, one that only sends and the other that only receives. For example, in Figure 4-8, fax 1 is the *send* machine, fax 2 is the *receive* machine. Line A is the fax line, the number of which is published as the fax number. If fax 2 doesn't answer line A, fax 1 will.

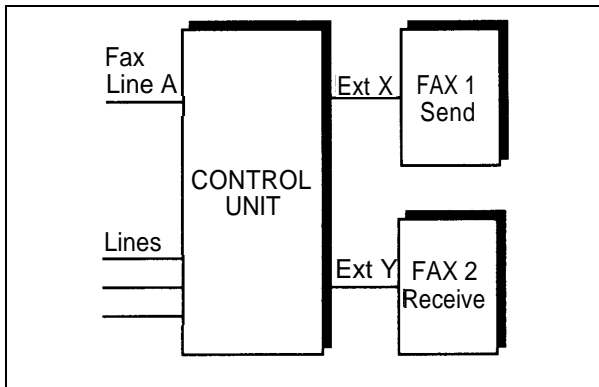


Figure 4-8. Send and Receive Fax Machines

To Use

When you send a fax, an outside line will be automatically selected. Incoming fax calls on the fax line are answered automatically by fax 2. If a fax comes in on a line other than line A, you can transfer the call to fax 2 (see “Transferring a Call to the Fax Machine” earlier in this chapter). If you have programmed a Fax Management button, you can transfer a call to the fax machine with a single touch, as well as monitor the status of the fax machine (see “Fax Management Feature” earlier in this chapter). If fax 1 is set for Delayed Ring on line A, fax 1 can pick up fax transmissions when fax 2 does not answer.

To Program Fax 1 (Send—Ext. X)

1. Use **Line Assignment (#301)** to assign one or more lines to extension X (including line A).
2. Set **Automatic Line Selection** for extension X to select outside lines first (line A selected last).
3. Set **Line Ringing** for line A at extension X to Delayed Ring; set all other lines to No Ring.
4. Set **Automatic Extension Privacy (#304)** for extension X to Assigned.
5. Make sure extension X is not assigned as a **Call Waiting (#316)** extension, **Pickup Group Extension (#501)**, **Calling Group Extension (#502)**, **Night Service Group Extension (#504)**, or **Hunt Group Extension (#505)**.
6. To monitor the fax machine at extension X, use **Fax Machine Extensions (#601)** to identify extension X as a fax extension and program a Fax Management button by programming the fax machine extension number on an Auto Dial button.

To Program Fax 2 (Receive—Ext. Y)

1. Use **Line Assignment (#301)** to assign *only* line A to extension Y.
2. If the fax machine has the Notify feature, set it to select intercom first. If the fax machine does not have the Notify feature and you want it to be able to dial out when fax 1 is unavailable, set **Automatic Line Selection** for extension Y to select outside lines first (line A selected last).
3. Set **Line Ringing** for line A at extension X to Immediate Ring; set all other lines at extension Y to No Ring. (For all other extensions, set line A to No Ring or Delayed Ring.)
4. Set **Automatic Extension Privacy (#304)** for extension Y to Assigned.
5. Make sure extension Y is not assigned as a **Call Waiting (#316)** extension, **Pickup Group Extension (#501)**, **Calling Group Extension (#502)**, **Night Service Group Extension (#504)**, or **Hunt Group Extension (#505)**.
6. To monitor the fax machine at extension Y, use **Fax Machine Extensions (#601)** to identify extension Y as a fax extension and program a Fax Management button by programming the fax machine extension number on an Auto Dial button.

Modems

There are several ways to use modems with your system, as described below.

NOTE:

Modems can connect directly to an extension jack without an adapter. However, if you connect a high-speed modem through the control unit, you may experience some degradation of efficiency and throughput, depending on the quality of the central office lines connected to the system. To solve the problem, either connect modems directly to the network interface jacks, or contact your local telephone company for information about upgrading line quality.

Stand-Alone Modem for Placing Calls Only

A modem and a terminal allow you to dial out and connect to computer bulletin boards and other data services. This setup, which lets you dial out but not receive calls, is shown in Figure 4-9. Note that the telephone is optional and can be used if you want the terminal to share an extension with a phone.

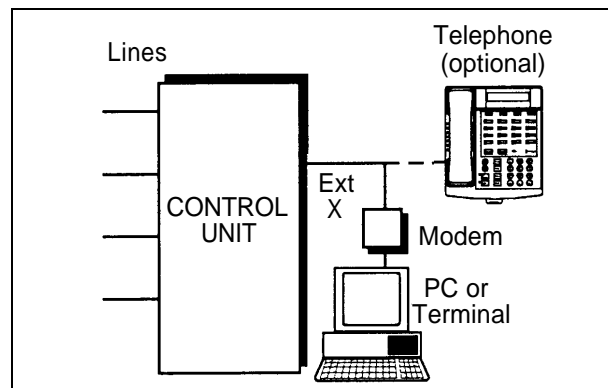


Figure 4-9. Stand-Alone Modem for Placing Calls Only

To Use

Follow the modem manufacturer's instructions.

To Program

1. Use **Line Assignment (#301)** to assign one or more lines to extension X.
2. If the modem will only dial outside the system, set **Automatic Line Selection** for extension X to select outside lines first. If you also use the modem for calls within the system, set **Automatic Line Selection** to select intercom first, and include a 9 and a couple of pauses in the modem's dialing sequence for outside calls.
3. Set **Line Ringing** for all lines assigned to extension X to No Ring.
4. Set **Automatic Extension Privacy (#304)** for extension X to Assigned.
5. Make sure extension Y is not assigned as a **Call Waiting (#316)** extension, **Pickup Group Extension (#501)**, **Calling Group Extension (#502)**, **Night Service Group Extension (#504)**, or **Hunt Group Extension (#505)**.
6. Set the auto answer feature of the modem to Off.

Send and Receive Modem

If you need to place *and* receive calls with the modem, use the setup shown in Figure 4-10. This setup makes line A the primary modem line, but keeps the line available for users at other extensions when all other lines are busy.

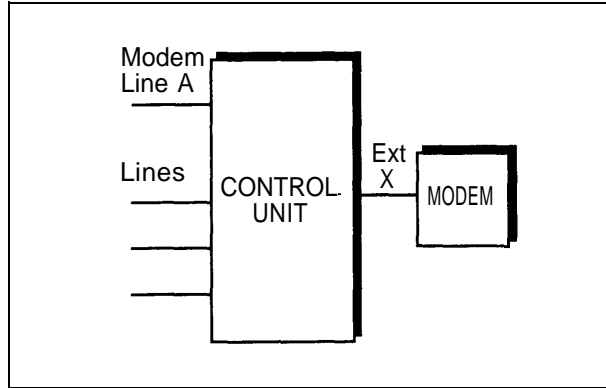


Figure 4-10. Send and Receive Modem

To Use

Calls on the modem line (line A) ring only at extension X. Also, line A is the *last* line selected by other extensions, so the modem line is unavailable for the modem *only when all other lines in the system are being used*.

To Program

1. Use **Line Assignment (#301)** to assign one or more lines to extension X (including line A).
2. For extension X, set **Automatic Line Selection** to select outside lines first (line A selected last).

For all other extensions, set **Automatic Line Selection** so that line A is the last line in the select sequence. That way, the modem line is used for outgoing voice calls only when all other lines are busy.

3. Set **Line Ringing** for line A at extension X to Immediate Ring. Set all other lines assigned to extension X to No Ring. (For all other extensions, set line A to No Ring.)
4. Set **Automatic Extension Privacy (#304)** for extension X to Assigned.
5. Make sure extension X is not assigned as a **Call Waiting (#316)** extension, **Pickup Group Extension (#501)**, **Calling Group Extension (#502)**, **Night Service Group Extension (#504)**, or **Hunt Group Extension (#505)**.

Night Service with Auxiliary Equipment

You can set up modems, fax machines, and answering machines to receive calls automatically after hours. When Night Service is on, calls ring immediately at the appropriate extensions, so that no human intervention is required to transfer calls to the fax, modem, or answering machine. When Night Service is off, you can use the auxiliary equipment lines for normal business purposes, so that lines are dedicated to auxiliary equipment *only* after hours.

By putting auxiliary equipment in the Night Service Group as described in this section, auxiliary equipment can start ringing and answering calls whenever you turn Night Service on. In other words, the Night Service button at extension 10 acts like a switch, turning auxiliary equipment on and off, as well as putting the system into Night Service.

NOTE:

If you have a voice messaging system, turning Night Service on *also* activates Night Service operation of the voice messaging system.

Figure 4-11 shows a system with a fax machine and a modem connected to separate extensions. Line A is published as the fax line, and line B is published as the modem line.

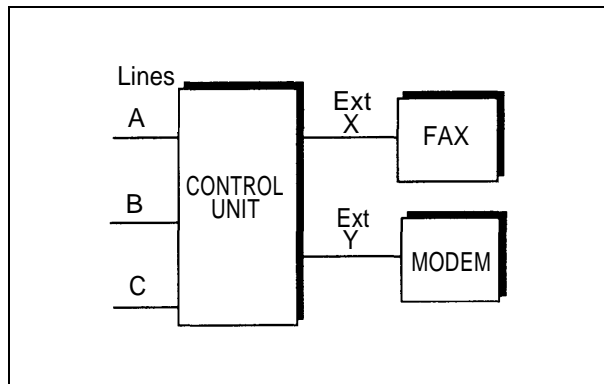


Figure 4-11. Night Service with Fax Machine and Modem

To Use

During the day, lines A and B do not ring at extensions X and Y. When you turn Night Service on, calls on line A ring immediately at the fax (extension X). Since that line is not assigned to any other extension in the Night Service Group, only extension X receives fax transmissions. Likewise, with Night Service on, calls on line B ring immediately at the modem (extension Y).

NOTE:

If answering machines are connected to Night Service extensions, you can join a call that was already answered by an answering machine from any system phone. If you have an AT&T answering machine with the Call Intercept feature, the answering machine drops off the call when you join it.

To Program

1. Use **Line Assignment (#301)** to assign only line A to extension X (for the fax machine to cover) and only line B to extension Y (for the modem to cover).
2. Set **Line Ringing** for line A at extension X and for line B at extension Y to No Ring.
3. Make sure extensions X and Y are not assigned as **Call Waiting (#316)** extensions, **Pickup Group Extensions (#501)**, **Calling Group Extensions (#502)**, or **Hunt Group Extensions (#505)**.
4. Assign a **Night Service Button (#503)** at extension 10.
5. Assign extensions X and Y to the **Night Service Group (#504)**.

PARTNER Attendant

The PARTNER Attendant answers calls and directs them to a specified extension, Calling Group, or Hunt Group (based on the digits a caller dials after listening to a list of choices in a recorded greeting). For example, the PARTNER Attendant could answer calls and tell callers to press 1 for Sales, 2 for Parts, 3 for Service, and so on. The PARTNER Attendant can be set up for immediate call handling or delayed call handling.

Backup for Receptionist

A common use of PARTNER Attendant is as a backup for the receptionist. If the receptionist cannot pick up a call within a specified number of rings, PARTNER Attendant handles it. This prevents calls from going unanswered. Figure 4-12 shows how the PARTNER Attendant would be connected to your system.

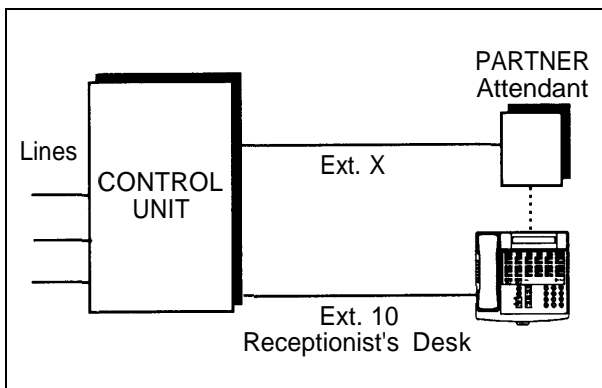


Figure 4-12. Backup for Receptionist

To Use

Follow the instructions packaged with the PARTNER Attendant. Make sure that the unit is in backup call answering mode.

When callers call the main number for your company, the receptionist normally picks up the call. If the receptionist is busy, the PARTNER Attendant answers and plays a recorded message, such as: "Please hold for the receptionist or dial an extension number now."

To Program

1. Use **Line Assignment (#301)** to assign all the lines to extension X that you want the PARTNER Attendant to cover.
2. Set **Line Ringing** for all lines assigned to extension X to Delayed Ring.
3. Make sure extension X is not assigned as a **Call Waiting (#316)** extension.
4. Set the PARTNER Attendant to pick up within a specific number of rings, so if the receptionist does not pick up a call, the PARTNER Attendant will.

Voice Messaging Systems

Two AT&T voice messaging systems are compatible with your system. You can install one or the other, depending on your business needs:

- The **PARTNER MAIL VS Voice Messaging System**, which physically resembles a 206 module, resides in the control unit.
- The **PARTNER MAIL Voice Messaging System** is an auxiliary device that connects to the system through extension jacks.

Both voice messaging systems offer your business *complete* call processing features. Specifically, they can:

- Insure that incoming calls are answered and directed to destination extensions correctly and efficiently, using immediate or delayed call handling. (Immediate call handling sends calls directly to the voice messaging system, while delayed call handling allows the receptionist to answer calls first.)
- Answer and route calls during the day and after normal business hours.
- Alleviate the problem of inaccurate or incomplete messages by allowing callers to leave detailed, confidential messages for subscribers.
- Allows subscribers to assign a password to their mailbox, change their personal greeting, and retrieve messages.

The PARTNER MAIL system also offers advanced voice mail features, such as outcalling, group lists, broadcast messages, and fax management. For complete details, contact your AT&T Representative or local Authorized Dealer, or refer to the documentation provided with the voice messaging system.

Delayed Call Handling

Figure 4-13 shows a PARTNER MAIL VS system that provides delayed call handling. This setup allows the receptionist at extension 10 to provide personalized service by answering calls during normal business hours. The PARTNER MAIL VS system (connected to extensions Z1 and Z2) handles calls when the receptionist is busy or not available, so calls do not go unanswered. The PARTNER MAIL VS system also answers calls received outside of business hours and prompts callers to leave a message in the receptionist's mailbox.

This example also includes two user extensions (X and Y), which are not automatically covered by the PARTNER MAIL VS system. This allows the receptionist to give the caller more personalized service; if the receptionist transfers a call to extension X or Y and that extension does not answer, the call returns to the receptionist. The receptionist can then take a message or send the call to the extension's mailbox if the caller prefers.

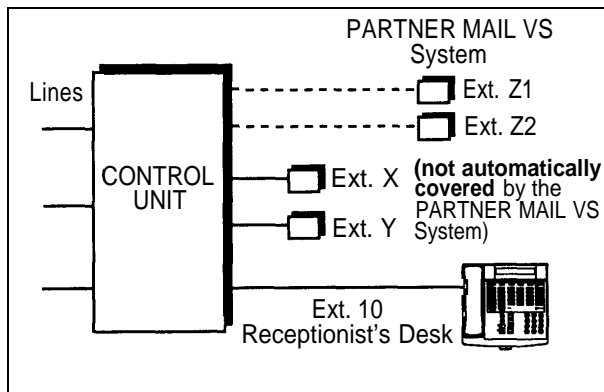


Figure 4-13. Delayed Call Handling

To Use

Follow the instructions packaged with the PARTNER MAIL VS system to install it.

During normal business hours, the PARTNER MAIL VS system uses delayed call handling; the receptionist picks up all calls at extension 10. If the receptionist cannot answer within four rings, the system routes the call to the PARTNER MAIL VS system where the day menu plays to the caller. Outside of business hours (when Night Service is activated at extension 10), outside calls are answered directly by the PARTNER MAIL VS system. Any user who is in the office can pick up calls before the PARTNER MAIL VS system answers.

To Program

The following list summarizes the PARTNER Plus system programming procedures you use to implement the previous example:

1. Use **Group Call Distribution (#206)** to assign all outside lines to Hunt Group 7 (the VMS hunt group) to provide Automated Attendant Service on these lines.
2. Use **Transfer Return Extension (#306)** for extensions Z1 and Z2 to ensure that calls transferred by the PARTNER MAIL VS system return to extension 10 if they are not answered.
3. Use **Hunt Group Extensions (#505)** to assign extensions Z1 and Z2 to Hunt Group 7 (the VMS hunt group).
4. Set the **VMS Hunt Delay (#506)** to Delayed.
5. Set the **VMS Hunt Schedule (#507)** to Always.
6. Make sure that a **Night Service Button (#503)** is assigned at extension 10—the receptionist's extension. When Night Service is on, callers hear the night menu when no one is available to answer their calls.
7. Program a **Voice Mailbox Transfer** button at extension 10 to enable the receptionist to transfer calls directly to extension X's and Y's mailboxes without first ringing their phones. (This is useful when the receptionist knows that the users at extensions X and Y are away from their desks.)
8. Program an Auto Dial button for the VMS hunt group (*[Intercom][z][z][z]*) at extensions X and Y to allow the subscribers to call in for their messages with one touch.

Feature Reference

5

Contents

Overview	5-1
AA Extensions (#607)	5-3
Abbreviated Ringing (#305)	5-4
Account Code Entry (F12)	5-5
Allowed List Assignments (#408)	5-8
Allowed Phone Number Lists (#407)	5-9
Answering Calls	5-11
Auto Dialing	5-14
Automatic Extension Privacy (#304)	5-17
Automatic Line Selection	5-18
Automatic VMS Cover (#310)	5-20
Background Music (F19)	5-22
Call Forwarding/Call Follow-Me (F11,XX,XX)	5-24
Call Park	5-27
Call Pickup (I6XX)	5-29
Call Waiting (#316)	5-30
Calling Group Extensions (#502)	5-31
Conference Calls	5-32
Conference Drop (F06)	5-34
Copy Settings (#399)	5-35
Dial Mode (#201)	5-36
Direct Line Pickup—Active Line (I68LL)	5-37
Direct Line Pickup—Idle Line (I8LL)	5-39
Disallowed List Assignments (#405)	5-40
Disallowed Phone Number Lists (#404)	5-41

Contents

Display	5-43
Display Language (#303)	5-45
Distinctive Ring (#308)	5-46
Do Not Disturb (F01)	5-47
Doorphone Alert Extensions (#606)	5-48
Doorphone Extension (#604 and #605)	5-49
Emergency Phone Number List (#406)	5-50
Exclusive Hold (F02)	5-52
Extension Name Display	5-53
External Hotline (#311)	5-55
Fax Machine Extensions (#601)	5-57
Forced Account Code Entry (#307)	5-58
Forced Account Code List (#409)	5-60
Group Call Distribution (#206)	5-62
Group Calling—Ring/Page (I7G/I*7G)	5-64
Group Hunting—Ring/Voice Signal (I77G/I*77G)	5-67
Group Pickup (I66G)	5-70
Hold	5-72
Hold Disconnect Time (#203)	5-74
Hotline (#603)	5-75
Hunt Group Extensions (#505)	5-77
Intercom Dial Tone (#309)	5-79
Joining Calls	5-80
Last Number Redial (F05)	5-82
Line Access Restriction (#302)	5-83
Line Assignment (#301)	5-85
Line Coverage Extension (#208)	5-88
Line Ringing	5-89
Loudspeaker Paging (I70)	5-91
Making Calls	5-93
Manual Signaling (F13XX or F13*XX)	5-97
Message Light Off (F10XX)	5-99
Message Light On (F09XX)	5-101
Music On Hold (#602)	5-103

Contents

Night Service Button (#503)	5-105
Night Service Group Extensions (#504)	5-107
Number of Lines (#104)	5-108
Outgoing Call Restriction (#401)	5-109
Outgoing Call Restriction Button (#114)	5-111
Outside Conference Denial (#109)	5-113
Personal Speed Dial Numbers	5-114
Pickup Group Extensions (#501)	5-116
Privacy (F07)	5-117
Recall (F03)	5-118
Recall Timer Duration (#107)	5-120
Ring on Transfer (#119)	5-121
Rotary Dialing Timeout (#108)	5-122
Save Number Redial (F04)	5-123
Send All Calls	5-124
Simultaneous Paging (I*70)	5-125
SMDR Output Format (#610)	5-127
SMDR Record Type (#608)	5-128
SMDR Top Of Page (#609)	5-129
Special Dialing Functions	5-130
Station Lock (F21)	5-132
Station Unlock (F22)	5-134
System Date (#101)	5-135
System Day (#102)	5-136
System Password (#403)	5-137
System Reset—Programming Saved (#728)	5-138
System Speed Dial Numbers	5-139
System Time (#103)	5-142
Toll Call Prefix (#402)	5-143
Touch-Tone Enable (F08)	5-144
Transferring Calls	5-145
Transfer Return Extension (#306)	5-149
Transfer Return Rings (#105)	5-150
VMS Cover (F15)	5-151

Contents

VMS Cover Rings (#117)	5-153
VMS Hunt Delay (#506)	5-154
VMS Hunt Schedule (#507)	5-155
Voice Interrupt On Busy (#312)	5-156
Voice Interrupt On Busy Talk-Back (F18)	5-158
Voice Mailbox Transfer (F14)	5-159
Wake Up Service Button (#115)	5-160

Overview

This chapter provides reference information for programming and using system features. Features are listed in alphabetical order. System Programming procedures include the procedure code (# and three-digit number) in the heading; dial-code features include the feature code (F for [*Feature*] or I for [*Intercom*], plus a two- or three-digit code). Some feature codes also include a variable: *XX* for a two-digit extension number from 10–33, *LL* for a two-digit line number from 01–12, or *G* for a single-digit group number. Headings without codes are general call-handling topics or Telephone Programming procedures.

If you have trouble finding a feature name in this chapter, consult the index. Perhaps you know the feature by a different name.

Each feature includes the following information, if applicable:

- Description
- Related Features
- Considerations
- Valid Entries (✓ = factory setting)
- Examples
- Programming
- Using

This chapter gives step-by-step instructions, using the following conventions:

- Programming instructions tell you to use the [*Next Data*] button to change values for specific settings. You can, however, enter a value using the dialpad if you prefer. Similarly, there are different ways to exit programming mode as described in Chapter 2—use the method with which you are most comfortable.
- For Telephone Programming, this chapter provides only the instructions for Centralized Telephone Programming. To program from individual extensions, users should refer to their *User Instruction* cards.
- Display prompts in the chapter are shown as they appear on PARTNER-model phones. If you are using an MLS-model phone, some of these prompts may be abbreviated.

All of the instructions in this chapter assume that system phones select outside lines first and standard phones select intercom first (as determined by each extension's setting for **Automatic Line Selection**).

See Chapter 2 for a review of the methods and buttons you can use while in programming mode.

AA Extensions (#607)

Description

This System Programming procedure lets you identify extensions where PARTNER Attendants are connected to the system. Doing so lets the system notify users with display phones when they are receiving a call that has been transferred from the PARTNER Attendant. (This procedure applies only to PARTNER Attendants—do not use it with the Automated Attendant Service of a voice messaging system.)

Related Features

- For each PARTNER Attendant extension, use **Transfer Return Extension (#306)** to identify the extension to which a call should be routed if the destination extension does not answer.
- Set **Automatic Extension Privacy (#304)** to Not Assigned for the PARTNER Attendant extension if you want to be able to intercept calls routed to the device.

Considerations

- Chapter 4 provides information on using PARTNER Attendants with the system.
- On system display phones, “AA” or “Automated Attendant” displays when a call is being transferred from a PARTNER Attendant. “Transfer from AA” or “Transfer from Auto Att” displays when a call transferred by a PARTNER Attendant was not answered and is being returned to your extension.

Valid Entries

- 1 = Assigned
- 2 = Not Assigned ✓

Programming

To identify an extension where a PARTNER Attendant is installed:

1. Press [*Feature*] [*0*] [*0*] [*System Program*] [*System Program*] [#] [*6*] [*0*] [*Z*].
2. Enter the extension number to which the PARTNER Attendant is connected. For example, to select extension 27, press [*2*] [*Z*].
3. To assign or unassign the extension, press [*Next Data*] until the appropriate value displays.
4. To assign or unassign a second PARTNER Attendant extension, press [*Next Item*] or [*Prev Item*] until the extension number shows on the display. Then repeat Step 3.
5. Select another procedure or exit programming mode.

Abbreviated Ringing (#305)

Description

This feature applies only to system phones.

This System Programming procedure activates or deactivates Abbreviated Ringing at the system phone at a specific extension. When a user is on a call and Abbreviated Ringing is Active, any incoming call rings only once. The green light next to the line button flashes until the call is answered or the caller hangs up (or for a transferred call, until it returns to the transfer return extension). This feature prevents incoming calls from distracting users when they are busy on another call. To allow calls to ring repeatedly, set Abbreviated Ringing to Not Active.

Considerations

- Abbreviated Ringing is typically set to Not Active for receptionists and others who handle many calls quickly, so they have an audible reminder of incoming calls.
- Abbreviated Ringing applies to outside, transferred, *and* intercom calls.
- The volume of an abbreviated ring is lower than a normal ring.
- Calls to a busy extension ring at a lower volume than normal even if Abbreviated Ring is set to Not Active.

Valid Entries

- 1 = Active (incoming calls ring once) ✓
- 2 = Not Active (incoming calls ring repeatedly)

Programming

To change the Abbreviated Ringing setting for an extension:

1. Press [*Feature*] [*0*] [*0*] [*System Program*] [*System Program*] [#] [*3*] [*0*] [*5*].
2. Enter the number of the extension to be programmed. For example, to program extension 12, press [*1*] [*2*].
3. To set Abbreviated Ringing, press [*Next Data*] until the appropriate value displays.
4. To set Abbreviated Ringing for another extension, press [*Next Item*] or [*Prev Item*] until the extension number shows on the display. Then repeat Step 3.
5. Select another procedure or exit programming mode.

Account Code Entry (F12)

Description

This feature can be used only from a system phone.

This feature lets a user enter an account code (up to 16 digits) for an outside call (incoming or outgoing). An account code typically is used to identify a department, project, or client for charge-back or tracking purposes.

Related Features

- You can use **Forced Account Code Entry (#307)** to identify system phone extensions that are *required* to enter an account code prior to dialing *any* outside number (including those on the Emergency Phone Number List). A *forced* account code must be entered at the beginning of a call; however, a different account code can be entered any time during the call.
- You can use **Forced Account Code List (#409)** to create a list of valid account codes, which should be distributed to the appropriate users. If a Forced Account Code List exists, the system checks the list whenever a user enters a forced account code. If the code is valid, the system provides the user access to an outside line. If the code is invalid, the system denies the user access to an outside line.
- For faster entry of frequently-used account codes, you can program an account code on an Auto Dial button or as a System or Personal Speed Dial number (but not as a Marked System Speed Dial number). See **Auto Dialing, System Speed Dial Numbers, and Personal Speed Dial Numbers** for programming instructions.

Considerations

- When an account code is entered during a call, the caller on the other end does not hear the touch-tone digits dialed.
- If SMDR is used, the account code assigned to incoming or outgoing calls prints on call reports. (See “Call Reporting Devices (SMDR)” in Chapter 4 for more information on call reporting.)
- If an account code is entered for an *outgoing* call and the call is transferred to another extension, the call report shows the *originating* extension as the owner of the call. Conversely, if an account code is entered for an *incoming* call and the call is transferred to another extension, the call report shows the *destination* extension as the owner of the call.
- Account codes can be changed during a call. However, only the person who entered the original account code can enter a different account code. SMDR prints changed account codes as follows:
 - For optional or forced account code entry *without* a Forced Account Code List, the call report prints the last account code entered.
 - For forced account code entry *with* a Forced Account Code List, the call report prints the last valid account code entered. If the changed account code is not valid, the report prints the original account code.

-
- If a Forced Account Code List exists, you can check to see if an account code is valid when entering or changing an account code by pressing [*Feature*] [1] [2] after entering the account code. If the account code is not valid, you will hear a denial tone.
 - The AT&T Call Accounting Terminal uses less than 16 digits for an account code. Refer to the device's documentation to determine the maximum digits supported.
 - You can program the Account Code Entry feature code on a button on a system phone. It is recommended that you use a button with lights. (This button can be used for optional Account Code Entry or Forced Account Code Entry.)

Programming

To program an Account Code Entry button:

1. Press [*Feature*] [0] [0] [*System Program*] [*System Program*] [*Central Tel Program*].
2. Enter the number of the extension to be programmed with this feature.
3. Press a programmable button, preferably one with lights.
4. Press [*Feature*] [1] [2].
5. Program another button for this extension or exit programming mode.

Using

To enter or change an *optional* account code:

1. From a system phone, if a password is programmed for the system, you must enter it before lifting the handset. (See **System Password (#403)** for more information.)
2. After lifting the handset (or while already active on an outside call), press the programmed Account Code Entry button or press [*Feature*] [1] [2].
If the Account Code Entry button has lights, the green light turns on.
3. Enter an account code using one of the following methods:
 - Dial it manually using the phone's dialpad.
 - Dial a System or Personal Speed Dial number programmed with the account code.
 - Press an Auto Dial button programmed with the account code.
4. Press the programmed Account Code Entry button or press [*Feature*] [1] [2] to indicate the end of the code.
If the Account Code Entry button has lights, the green light turns off.
5. Make the call, if you are not already on a call.
6. To change the account code, repeat Steps 2 through 4.

To enter or change a *forced* account code:

1. From a system phone, if a password is programmed for the system, you must enter it before lifting the handset. (See **System Password (#403)** for more information.)
2. Lift the handset or press [*Spkr*].
3. Press the programmed Account Code Entry button or press [*Feature*] [1] [2].
If the Account Code Entry button has lights, the green light turns on.
4. Enter an account code (supplied by your System Manager) using one of the following methods:
 - Dial it manually using the phone's dialpad.
 - Dial a System or Personal Speed Dial number programmed with the account code.
 - Press an Auto Dial button programmed with the account code.
5. Press an idle line button:
 - If a Forced Account Code List exists and the account code is valid (or if the Forced Account Code List is empty), you hear outside dial tone. Go to Step 6.
 - If a Forced Account Code List exists and the account code is not valid, you are denied access to the outside line. Verify the account code with your System Manager, then repeat this procedure starting from Step 1.
6. Make the telephone call.
7. To change the account code while on a call:
 - a. Press the programmed Account Code Entry button or press [*Feature*] [1] [2].
 - b. Enter a different account code.
 - c. Press the programmed Account Code Entry button or press [*Feature*] [1] [2].
If a Forced Account Code List exists and the account code is invalid, you hear denial tone. Verify the account code, then repeat Step 7 making sure to enter a valid account code.

Allowed List Assignments (#408)

Description

This System Programming procedure lets you assign up to four Allowed Phone Number Lists to a specific extension.

Related Features

You must use **Allowed Phone Number Lists (#407)** to create the lists of allowed telephone numbers *before* you use this procedure.

Valid Entries

- 1 = Assigned to extension
- 2 = Not Assigned to extension ✓

Programming

To assign Allowed Phone Number Lists to an extension:

1. Press [*Feature*] [*0*] [*0*] [*System Program*] [*System Program*] [#] [*4*] [*0*] [*8*].
2. Enter the number of the extension to be programmed. For example, to program extension 27, press [*2*] [*7*]. A display similar to the following appears:

AllowTo 27
List Number:
3. Enter the list number (1–4). For example, to select list 1, press [*1*].
4. To assign or unassign the list, press [*Next Data*] until the appropriate value displays.
5. At this point:
 - To assign or unassign another list to this extension, press [*Next Item*] or [*Prev Item*] until the list number shows on the display. Then repeat Step 4.
 - To program another extension, press [*Next Procedure*] [*Prev Procedure*] and begin at Step 2.
6. Select another procedure or exit programming mode.

Allowed Phone Number Lists (#407)

Description

This System Programming procedure specifies telephone numbers that users can dial regardless of other dialing restrictions, as long as they have access to an outside line. For example, if you restrict an entire category of calls through **Disallowed Phone Number Lists (#404)**, you can permit calls to a specific number in that category by placing that number on an Allowed Phone Number List. Using this procedure, you can create up to four lists of up to 10 telephone numbers each.

Related Features

- After completing this procedure, you must use **Allowed List Assignments (#408)** to assign the Allowed Phone Number Lists to specific extensions.
- Allowed Phone Number Lists override **Disallowed Phone Number Lists (#404)** and **Outgoing Call Restriction (#401)**, but not **Line Access Restriction (#302)** or **Night Service Button (#503)** with a **System Password (#403)**. (There are other ways of overriding restrictions—see Marked **System Speed Dial Numbers, Emergency Phone List Numbers (#406)**, and **System Password (#403)** for more information.)
- The entries you must make to permit or restrict long-distance calls differ depending on the setting for **Toll Call Prefix (#402)**. This setting tells the system whether a “0” (for operator-assisted calls) or “1” (for direct-dial calls) is required when users make long-distance calls.

Considerations

- Each list entry can include up to 12 digits. You can use the wildcard character (by pressing the [*Hold*] button on a system phone) to match any single digit (it appears as “!” on the telephone display).
- If you are restricting an extension from placing long-distance calls, do not place numbers beginning with a “0” on an Allowed Phone Number List for the extension. Once a user is active on an operator-assisted call, the user will be able to avoid dialing restrictions by asking the operator to dial restricted numbers.
- If you want to go to another programming procedure when entering phone numbers in a list, you must use [*Next Procedure*] or [*Prev Procedure*] to do so since entering [#] and a three-digit code will be considered data for the telephone number.

Valid Entries

Up to 12 digits including 0–9, [#], [*], and [*Hold*] (any single digit)

Examples

The examples below show how you would enter telephone numbers for an Allowed Phone Number List in Step 4 of “Programming.” When an Allowed List is assigned to an extension, users can dial numbers on that list, even if the numbers would otherwise be restricted.

- **Specific Telephone Numbers.** Enter the phone number exactly as you would dial it. For example, to allow calls to the number 201 555-1111, make the following entries:
 - *Toll Call Prefix required*
12015551111
 - *Toll Call Prefix not required*
2015551111
- **All Telephone Numbers in One Area Code.** The following list entries allow calls to the 800 area code:
 - *Toll Call Prefix required*
1800
 - *Toll Call Prefix not required*
800

Programming

To create a list of Allowed Phone Numbers:

1. Press [*Feature*] [*0*] [*0*] [*System Program*] [*System Program*] [#] [*4*] [*0*] [*Z*].
2. At the **List Number:** prompt, enter a list number (1–4). For example, to select the first list, press [*1*].
3. At the **Entry:** prompt, select a list entry (01–10). For example, to select the first entry, press [*0*] [*1*].
4. At the **Data-----** prompt, enter the first telephone number.
5. **To save the telephone number in memory**, you must press [*Enter*].
6. At this point:
 - To change the phone number you just entered, press [*Remove*] and repeat Steps 4 and 5.
 - To delete the phone number you just entered, press [*Remove*].
 - To enter other phone numbers in this list, press [*Next Item*] and repeat Steps 4 and 5.
 - To create another list, press [*Next Procedure*] [*Prev Procedure*] and go to Step 2.
7. Select another procedure using [*Next Procedure*] or [*Prev Procedure*] or exit programming mode.

Answering Calls

Description

This section describes how users can answer calls ringing at their own extensions. Additional features enable users to pick up calls at other extensions—see “Related Features” below.

Related Features

- A user can join a call in progress at another extension, as long as **Privacy** is not on for that extension (see **Joining Calls**).
- A user can answer a call ringing at another specific extension or at any extension in a group. For more information, see **Call Pickup** and **Group Pickup**.
- A user can use **Direct Line Pickup—Active Line** to answer calls on lines not assigned to the user’s phone.
- A user can program the **Voice Interrupt on Busy Talk-Back** feature on a button with lights to respond to a voice interrupt on busy call. Also see **Voice Interrupt On Busy (#312)**.
- You can use **Call Waiting (#316)** to specify standard phone extensions that can receive a call waiting tone and a second incoming call.

Considerations

- If you are using an MDC 9000 or MDW 9000 phone, make sure the handset is on before using the instructions in “How to Answer Calls Ringing at Your Extension.”
- There are several ways to access a line for answering calls:
 - On either a system phone or a standard phone, lift the handset to answer a ringing call (if more than one call is ringing at a system phone, you get the call that has been ringing for the longest time).
 - On a system phone, press a specific line or [*Intercom*] button. You can also use Direct Line Pickup to pick up a ringing or held call, or to join an active call, by dialing [*Intercom*] [*ℓ*] [*ℓ*] and the two-digit line number.
 - On a standard phone, you can use Direct Line Pickup to pick up a ringing or held call, or to join an active call on a specific line: at intercom dial tone, dial [*ℓ*] [*ℓ*] and the two-digit line number.
- Display phones can show the type of call that is ringing at the extension. For standard and non-display system phones, the user can identify the type of call by the system’s ringing patterns. (See “Ringing Patterns” in Chapter 3.) Note that there are no unique ringing patterns for forwarded calls.

How to Answer Calls Ringing at Your Extension

System Phone

You can answer a call on any line that is ringing, or select a specific line if more than one is ringing:

- When the telephone is ringing, lift the handset.
You are connected to the incoming call. If more than one line is ringing, you are connected to the line that has been ringing for the longest time. If the call is an intercom call and you have a display phone, the caller's extension number, and name if programmed, appear on your display until you pick up the handset or press [Spkr].
- To answer a call on a specific line:
 1. Press the line or [*Intercom*] button for the line you want to answer.
 2. Lift the handset or press [*Spkr*].
You are connected to the call.
- To answer a call when you are already on a call:
 1. Press [*Hold*].
The call you are on is placed on hold.
 2. Press the button for the new call.
You are connected to the new call.
 3. To return to the first call, put the second call on hold; then press the line or [*Intercom*] button for the first call.
- To answer a voice-sigaled call (your phone beeps and you hear the caller's voice):
 - If the microphone is on, you can speak after the beep.
 - If the microphone is not on, press [*Mic/HFAI*] or lift the handset.
- To respond to a voice interrupt on busy call (you hear two beeps and the originator's voice—be aware that the third party to whom you are speaking probably also will hear the two beeps and the faint sound of the originator's voice):
 1. Ask the party with whom you are speaking to hold, but do not put the call on hold.
 2. Press the Voice Interrupt On Busy Talk-Back button.
The green light next to the Voice Interrupt On Busy Talk-Back button turns on. Voice Interrupt On Busy Talk-Back is activated.
 3. Respond to the originator of the voice interrupt on busy call.
The third party with whom you were originally speaking does not hear your response, but you can hear that third party.
 4. Press the Voice Interrupt On Busy Talk-Back button again (whether or not the originator has hung up) to resume the conversation with the third party.
The green light next to the Voice Interrupt On Busy Talk-Back button turns off. Voice Interrupt On Busy Talk-Back is deactivated. The originator hears two beeps if he or she did not hang up previously.

Standard Phone

If your standard phone has a button labeled “Recall” or “Flash,” use this button whenever you are instructed to press the switchhook.

■ To answer a call:

When the telephone is ringing, lift the handset.
You are connected to the incoming call.

■ To answer a call when you are already on a call (you hear a call waiting tone—two beeps):

1. Press the switchhook.

The call you are on is placed on hold and you are connected to the new call.

2. To return to the first call, press the switchhook again.

3. You can continue to press the switchhook to move back and forth between the two calls.

You cannot transfer either party, conference in additional parties, or use feature codes while both calls are active.

Auto Dialing

Description

Auto Dial buttons can be programmed only on system phones.

This Telephone Programming procedure lets system phone users dial outside numbers, extension numbers, feature codes, or account codes with a single touch, by pressing a programmed button. If an extension number is stored on an Auto Dial button, the user can dial, signal, or transfer calls to the extension by pressing the button. An Auto Dial number can be stored on any programmable button (a button with no line assigned) on a system phone.

Related Features

- You can use the Auto Dial button instead of dialing the two-digit extension number required for these features: **Call Forwarding/Call Follow-Me, Call Park, Message Light On, Message Light Off, Station Unlock, and Voice Mailbox Transfer.**
- To set up a Fax Management button, program the fax extension number on an Auto Dial button with lights. Special light patterns on the Auto Dial button for the fax extension indicate fax machine status. Chapter 4 provides more information on using a Fax Management button. Identify fax extensions using **Fax Machine Extensions (#601).**
- You can include special functions, such as a Pause, in the Auto Dial number. See **Special Dialing Functions** for more information.

Considerations

- If you program an extension number on a button with lights, the lights show calling activity at the extension (see “Lights” in Chapter 3).
- You can connect an Intercom Autodialer to the system phones at extension 10 and 11 to have Auto Dial buttons for all of the extensions in your system.
- Each user can have only one Auto Dial button—either on the system phone *or* on the Intercom Autodialer—for another extension in the system. That button can be programmed for intercom ringing, intercom voice signaling, *or* manual signaling.
- When programming emergency numbers for Auto Dialing and/or making test calls to those numbers, you should: 1) Remain on the line and briefly explain to the dispatcher the reason for the call before hanging up and 2) Perform such activities in the off-peak hours, such as early morning or late evening.
- Auto Dial buttons do not override dialing restrictions for an extension.
- PARTNER-6, MDC 9000, and MDW 9000 system phones have only four buttons available for lines and/or Auto Dial numbers.

-
- For PBX or Centrex systems that require a dial-out code to make calls outside the PBX or Centrex system, include the dial-out code followed by one or more pauses (if available) on an Auto Dial button for a number outside the PBX or Centrex system. (See “Changing Settings to Support PBX or Centrex Services” in Chapter 2 for more information.)

Examples

The examples below show some possible entries for an Auto Dial number in Step 4 of “Programming.”

- **Outside Phone Number.** Enter the phone number (up to 28 digits) exactly as you would dial it. For example, to program 555-2398, press [*5*] [*5*] [*5*] [*2*] [*3*] [*9*] [*8*].
- **Extension Number.** Press the left [*Intercom*] button and enter the two-digit extension number. Press [***] before the extension number to program the Auto Dial button to voice signal an extension. For example, to program extension 20 for voice signaling, press [*Intercom*] [***] [*2*] [*0*]. The display reads:

Intercom *20
- **Feature Code.** Enter the appropriate code. For example, to program a button to turn on the message light at extension 20, press [*Feature*] [*0*] [*0*] [*2*] [*0*]. When you press the programmed button, the Message Light at extension 20 turns on.

Programming

To program an Auto Dial button:

1. Press [*Feature*] [*0*] [*0*] [*System Program*] [*System Program*] [*Central Tel Program*].
2. Enter the number of the extension to be programmed.
3. Press a programmable button.
4. Enter an outside phone number, feature code, account code, or PBX/Centrex feature access code; or press left [*Intercom*] and enter an extension number.
5. Repeat Steps 3 and 4 to program additional Auto Dial buttons, or exit programming mode.

Using

From a system phone, to dial an outside number or extension number (you can lift the handset or press [*Spkr*], but you do not have to do so):

1. If you want to call on a specific line, press the line button (or press [*Intercom*] [*&*] and dial the two-digit line number).
*If you did not lift the handset, the lights next to [*Spkr*] and [*Mic/HFAI*] go on, and you are active on the speakerphone.*
2. Press the Auto Dial button on which the outside number or extension number is programmed.
The system automatically selects a line if you did not specify one, turns on the speaker (if you did not lift the handset), and dials the Auto Dial number. The number being dialed will show on a display phone.

To use an Auto Dial button programmed with a feature code or account code, follow the directions for the feature you want to use.

Automatic Extension Privacy (#304)

Description

This System Programming procedure lets you either allow users to join active calls at an extension or prevent users from joining active calls at the extension. When Automatic Extension Privacy is Assigned for an extension, other users *cannot* join active calls at that extension. This feature is typically used for standard phones and extensions connected to fax machines, modems, and credit card scanners, which make and receive data calls that should not be interrupted.

Related Features

- To manually change an extension's Privacy state, users can program the **Privacy** feature on a button with lights. Users can then press the Privacy button to activate the feature (green light on) or deactivate the feature (green light off) when they want someone to join a call at their extension. (If Automatic Extension Privacy is Assigned at an extension, the green light is lit *automatically* after programming the Privacy button to indicate that Privacy is currently active. If this is the case, and the Privacy button is pressed, the feature is deactivated. To activate Privacy again, you must press the button.)
- This feature applies only to active calls. Any user can retrieve a held call unless **Exclusive Hold** is used.

Considerations

- If you want to be able to intercept calls routed to an auxiliary device—such as an answering machine, voice messaging system, or PARTNER Attendant—make sure Automatic Extension Privacy is Not Assigned for the auxiliary equipment extension.
- Standard phones and system phones without a programmed Privacy button cannot override this feature once it is assigned to an extension.

Valid Entries

- 1 = Assigned
- 2 = Not Assigned ✓

Programming

To change the Automatic Extension Privacy setting for an extension:

1. Press [*Feature*] [*0*] [*0*] [*System Program*] [*System Program*] [#] [*3*] [*0*] [*4*].
2. Enter the number of the extension to be programmed. For example, to program extension 16, press [*1*] [*6*].
3. To assign or unassign Automatic Extension Privacy, press [*Next Data*] until the appropriate value displays.
4. To program another extension, press [*Next Item*] or [*Prev Item*] until the extension number shows on the display. Then repeat Step 3.
5. Select another procedure or exit programming mode.

Automatic Line Selection

Description

This Telephone Programming procedure determines the line a user is connected to after lifting the handset or turning on the speaker to make a call. The system looks for lines in the order specified by this procedure and selects the first available line. For example, if you specify outside lines first for an extension, but all outside lines are busy, the user will hear the intercom dial tone after lifting the handset or turning on the speaker.

Related Features

- To copy the Automatic Line Selection setting (as well as other system settings) to other extensions, you can use **Copy Settings (#399)**.
- If **Forced Account Code Entry (#307)** is assigned to an extension, Automatic Line Selection for that extension does not apply. This means the user must *manually* select a line after entering a required account code.
- For an extension identified as an **Hotline (#603)** or **Doorphone Extension (#604/#605)**, program the extension to select only the intercom, with no outside lines in the selection sequence.
- For an extension identified as an **External Hotline (#311)**, program the extension to select outside lines first.

Considerations

- This feature must be programmed from extension 10 or 11 only, using Centralized Telephone Programming. Individual users cannot program this feature directly.
- You should program Automatic Line Selection when you first enter Centralized Telephone Programming, before programming any other features. However, if you want to program both Automatic Line Selection and Extension Name Display (which also must be programmed when you first enter Centralized Telephone Programming), first program Automatic Line Selection, then exit and re-enter Centralized Telephone Programming to program Extension Name Display.
- For standard touch-tone or rotary phones, or for any phone used mainly to call other extensions, program the extension to select intercom first.
- For combination extensions, the automatic line selection for both devices (including a standard device) follows the automatic line selection for the extension.
- You do not need to include all available lines for an extension, only the ones you want the system to search through and connect automatically.

Valid Entries

Outside lines 01–12, Left Intercom ✓

Examples

System Phone

With Automatic Line Selection at its factory setting, the system first searches to find an idle outside line in numerical order (starting with the lowest line number). Then, if all outside lines are busy, the system searches for an idle intercom line. This order can be changed, however, to accommodate your business needs. For example, a telemarketing firm with a WATS line (line 5) to reduce telephone expenses would set Automatic Line Selection for all telemarketers' extensions to "5, 1, 2, 3, 4, Intercom." This way the WATS line would be selected first.

Standard Phone

If a standard phone user intends to place intercom calls and access system features, Automatic Line Selection for his or her extension should be set to intercom first for proper operation. For example, the setting for a standard phone in a lobby, used for internal calling or making local calls on line 1, would be "Intercom, 1."

Programming

To program Automatic Line Selection for an extension:

1. Press [*Feature*] [*0*] [*0*] [*System Program*] [*System Program*] [*Central Tel Program*].
2. Enter the number of the extension to be programmed for Automatic Line Selection.
3. Press [*▲*] [*▲*].
4. Press the line or [*Intercom*] buttons in the desired order. For each button pressed, a display similar to the following appears:

Automatic Line Selection
5. To exit Automatic Line Selection, press [*▲*] [*▲*].
6. Press [*Central Tel Program*] and enter a new extension number or exit programming mode.

Automatic VMS Cover (#310)

Description

This feature applies only if you have a voice messaging system.

This System Programming procedure automatically routes an extension's unanswered intercom and transferred calls to the Call Answer Service of the voice messaging system after a specified number of rings (default for all system extensions is three rings), so callers can leave a message.

Related Features

- To manually change an extension's VMS Cover state, users can program the **VMS Cover** feature on a button with lights. Users can then press the VMS Cover button to activate the feature (green light on) or deactivate the feature (green light off). (If Automatic VMS Cover is Assigned at an extension, the green light is lit *automatically* after programming the VMS Cover button to indicate that VMS Cover is currently active. If this is the case, and the VMS Cover button is pressed, the feature is deactivated. To activate VMS Cover again, you must press the button.)
- Automatic VMS Cover also applies to outside calls on lines assigned ownership with **Line Coverage Extension (#208)**.
- Use **VMS Cover Rings (#117)** to change the number of times intercom and transferred calls or outside calls on lines assigned ownership ring at all system extensions before they are sent to the voice messaging system.
- Users with Automatic VMS Cover turned on can activate Do Not Disturb to **Send All Calls** immediately to their voice mailbox.
- If an extension has Automatic VMS Cover and **Call Forwarding** active, calls ring at the forwarding destination; they are not covered by the voice messaging system.

Considerations

Standard phones and system phones without a programmed VMS Cover button cannot override this feature once it is assigned to an extension.

Valid Entries

- 1 = Assigned
- 2 = Not Assigned ✓

Programming

To change the Automatic VMS Cover setting for an extension:

1. Press [*Feature*] [*0*] [*0*] [*System Program*] [*System Program*] [#] [*3*] [*1*] [*0*].
2. Enter the number of the extension to be covered by the voice messaging system. For example, to program extension 11, press [*1*] [*1*].
3. To assign or unassign Automatic VMS Cover, press [*Next Data*] until the appropriate value displays.
4. To program another extension, press [*Next Item*] or [*Prev Item*] until the extension number shows on the display. Then repeat Step 3.
5. Select another procedure or exit programming mode.

Background Music (F19)

Description

This feature is available only on system phones with speakers.

This feature provides background music through the speaker of an idle system phone for a user's work area. Background Music plays the recorded material from the Music On Hold audio source.

Related Features

Background Music is available only if **Music On Hold (#602)** is active and an audio source is connected to the processor module.

Considerations

- If you use the Background Music feature to broadcast certain copyrighted music or material, including songs or other material from radio broadcasts, you may be required to obtain the permission of the copyright owner. One way to obtain permission is to contact ASCAP, BMI, and/or similar performing rights organizations, to obtain a license. AT&T disclaims any liability arising out of the failure to obtain such a license, if required.

For alternative (usually pre-licensed) sources of music to use with this feature, you may wish to contact Telephonetics International, Inc. at 1 800 446-5366. Or, you can purchase a Magic On Hold system from AT&T, which does not require you to obtain a license.

- Background Music stops when a user makes or answers a call, but resumes when the phone becomes idle again.
- If a system phone and a standard phone with a message waiting light are connected in a combination extension, the standard phone's message waiting light will not light if Background Music is on at the system phone.
- You can program a Background Music button on a system phone to use the feature with one touch. A button with lights is recommended.

Programming

To program a Background Music button:

1. Press [*Feature*] [*0*] [*0*] [*System Program*] [*System Program*] [*Central Tel Program*].
2. Enter the number of the extension to be programmed with this feature.
3. Press a programmable button, preferably a button with lights.
4. Press [*Feature*] [*1*] [*9*].
5. Program another button for this extension or exit programming mode.

Using

To turn Background Music on:

1. From a system phone with a speaker, press the programmed button or press [Feature][1][2].
If the phone is idle, you hear Background Music. If the Background Music button has lights, the green light turns on.
2. To adjust the volume of Background Music, use the phone's volume control buttons while listening to the Background Music.

To turn Background Music off:

Press the programmed button or press [Feature][1][2] again.
If the Background Music button has lights, the green light turns off.

Call Forwarding/Call Follow-Me (F11,XX,XX)

Description

This feature forwards all intercom, transferred, and outside calls from a user's extension to another system extension (where XX is an extension number from 10–33). Users can activate this feature from their own extension (*Call Forwarding*) or from any other extension in the system (*Call Follow-Me*).

Related Features

- If an extension in a **Hunt Group (#505)** activates Call Forwarding, the system considers the extension unavailable when a call goes to the Hunt Group.
- If an extension has **VMS Cover** and Call Forwarding active, calls ring at the Call Forwarding destination extension; they are not covered by the voice messaging system.
- Call Forwarding does not apply to parked calls. See **Call Park**.

Considerations

- You can forward outside, intercom, and transferred calls. You cannot forward group calls, calls to doorphone alert extensions, voice-sigaled calls, Voice Interrupt on Busy calls, or transfer-return calls. Calls *cannot* be forwarded outside the system.
- The phone at the extension from which calls are being forwarded beeps once each time a call is forwarded (unless **Do Not Disturb** is active).
- Do not forward your calls to any of the extensions in Hunt Group 7, which contains the extensions associated with the voice messaging system.
- At an extension that has Call Forwarding activated, if multiple calls are ringing, the system forwards them one at a time. This means that each subsequent call is not forwarded until the previous call is finished.
- If you press the Call Forwarding button after a call starts to ring, that call will not be forwarded.
- You can program Call Forwarding on a button on a system phone. Use a button with lights if you want a visual indication when your calls are forwarded. When the green light is on, your calls are forwarded; when the green light is off, calls ring at your extension.
- If the Call Forwarding feature code and optional originating and destination extensions are programmed on a button with lights, you can use the button to turn Call Forwarding on and off with one touch. (The lights show when Call Forwarding is on, *even if* calls are forwarded to a different extension than the one stored on the button, and you can still use the button to turn Call Forwarding off.)

Programming

To program a Call Forwarding button:

1. Press [*Feature*] [0] [0] [*System Program*] [*System Program*] [*Central Tel Program*].
2. Enter the number of the extension to be programmed with this feature.
3. Press a programmable button, preferably a button with lights.
4. At this point, you can:
 - Press [*Feature*] [1] [1], or
 - Press [*Feature*] [1] [1] and the number of the originating extension, or
 - Press [*Feature*] [1] [1], the number of the originating extension, and the number of the destination extension.
5. Program another button for this extension or exit programming mode.

Using

System Phone

To forward calls manually:

1. Press [*Feature*] [1] [1].
2. Dial your extension number.
3. Dial the extension number at which you want the calls to ring.

To remove Call Forwarding manually:

1. Press [*Feature*] [1] [1].
2. Dial your extension number *twice*.

To forward calls using the programmed button:

1. Press the programmed button.
If an originating extension and a destination extension were programmed on the button, Call Forwarding is activated (on a button with lights, the green light is on). Skip Steps 2 and 3.
2. If no originating extension was programmed, dial your extension number.
3. If no destination extension was programmed, dial the extension number at which you want the calls to ring.
Call Forwarding is activated (on a button with lights, the green light is on).

To remove Call Forwarding using the programmed button:

1. Press the programmed button.
If an originating extension and a destination extension were programmed on the button, Call Forwarding is deactivated (on a button with lights, the green light is off). Skip Steps 2 and 3.
2. If no originating extension was programmed, dial your extension number.
3. If no destination extension was programmed, dial your extension number again.
Call Forwarding is deactivated (on a button with lights, the green light is off).

Standard Phone

To forward your calls:

1. Lift the handset.
You hear intercom dial tone.
2. Press [#][1][1].
3. Dial your extension number.
4. Dial the number of the extension at which you want your calls to ring.

To remove Call Forwarding:

1. Lift the handset.
You hear intercom dial tone.
2. Press [#][1][1].
3. Dial your extension number *twice*.

Call Park

Description

This feature allows you to “park” a call, or put it on a special type of hold, so it can be picked up from any phone in the system.

Related Features

- Use **Call Pickup** to retrieve parked calls.
- When a call is parked, the caller hears **Music On Hold (#602)** if it is active and an audio source is connected to the processor module, regardless of the **Ring on Transfer (#119)** setting.
- If you frequently park calls and you have a system phone, program your extension number on an Auto Dial button, so you can park a call simply by pressing the button. See **Auto Dialing**.
- Other ways of placing a call on hold include **Hold** and **Exclusive Hold**.
- Parked calls do not receive **Call Waiting**, **Call Coverage**, **Call Forwarding**, or **VMS Cover**.

Considerations

- It is recommended that you park only one call at a time from your extension to ensure that you know which caller you are talking to when you pick up the parked call.
- Call Park is useful for standard phone users because they can retrieve a parked call without concern for which line the call is on.

Using

System Phone

To park a call:

1. While on a call, press [*Transfr*] and dial your two-digit extension number or press the Auto Dial button programmed for your extension.
2. Hang up.
If the call is not picked up within three minutes, it rings back at your extension. If you used an Auto Dial button, the green light next to the button flutters.

To retrieve a parked call using Call Pickup:

1. Dial [*Intercom*] [*ø*].
2. Dial the extension number or press an Auto Dial button for the extension where the call is parked.

Standard Phone

To park a call:

1. While on a call, press the switchhook or [*Recall*].
The call is put on hold and you hear intercom dial tone.
2. Dial your two-digit extension number.
3. Hang up.
If the call is not picked up within three minutes, it rings back at your extension. If you are on another call when the parked call returns, you will not receive notification even if Call Waiting is Assigned to your extension. The parked call rings back when your phone is idle.

To retrieve a parked call using Call Pickup:

1. Lift the handset.
You hear intercom dial tone.
2. Dial [*⓪*] and the extension number where the call is parked.

Call Pickup (I6XX)

Description

This feature lets users answer any intercom, outside, or transferred call ringing at another specified extension (where XX is an extension number from 10–33). This feature is useful for officemates who agree to answer each other's calls.

Related Features

Use this feature to retrieve a parked call—see **Call Park**. Note that if you use Call Pickup to answer a call that is parked at an extension that also has ringing calls, you will be connected to the parked call—parked calls take precedence over ringing calls.

Considerations

You can program a Call Pickup button on a system phone to pick up with one touch a call that is ringing or parked at another specified extension.

Programming

To program a Call Pickup button:

1. Press [*Feature*] [*Q*] [*Q*] [*System Program*] [*System Program*] [*Central Tel Program*].
2. Enter the number of the extension to be programmed with this feature.
3. Press a programmable button.
4. To specify the extension to be answered, press left [*Intercom*], followed by [*Δ*] and the two-digit extension number (10–33). For example, to answer a call ringing at extension 23, press left [*Intercom*] [*Δ*] [*2*] [*3*].
5. Program another button for this extension or exit programming mode.

Using

System Phone

1. If you want, lift the handset.
2. Press the programmed button, or press [*Intercom*] [*Δ*] and the two-digit number of the extension at which the call is ringing or parked.

Standard Phone

1. Lift the handset.
You hear intercom dial tone.
2. Dial [*Δ*] plus the two-digit number of the extension at which the call is ringing or parked.

Call Waiting (#316)

Description

This feature applies only to standard phones.

This System Programming procedure specifies standard phone extensions that are eligible for Call Waiting. Users who receive a call waiting tone hear two beeps when they are on a call to indicate a second incoming intercom, transferred, or outside call. The user can press the switchhook (or Recall or Flash button, if available) to put the current call on hold and retrieve the second call. To return to the first call, the user simply presses the switchhook again.

Related Features

- For instructions on using Call Waiting, see **Answering Calls**.
- Call Waiting does not apply to parked calls. See **Call Park**.

Considerations

- This feature is distinct from the local telephone company's Call Waiting feature. If you use this system feature, do not use your local telephone company's Call Waiting feature.
- The Call Waiting tone (two beeps) is *not* repeated.
- Use Call Waiting only for standard phone extensions. Do not Assign Call Waiting to extensions that have fax machines, credit card scanners, modems, or auto attendants because the call waiting tone will interrupt the data connection.
- You cannot transfer either party connected using Call Waiting, conference in additional parties, or use feature codes while both calls are active.
- Transfer-return, group call distribution, hunt group, and wake-up calls are not considered incoming calls for this feature.

Valid Entries

- 1 = Assigned
- 2 = Not Assigned ✓

Programming

To change the Call Waiting setting for an extension:

1. Press [*Feature*] [0] [0] [*System Program*] [*System Program*] [#] [3] [1] [6].
2. Enter the number of the extension to receive Call Waiting. For example, to program extension 11, press [1] [1].
3. To assign or unassign Call Waiting, press [*Next Data*] until the appropriate value displays.
4. To program another extension, press [*Next Item*] or [*Prev Item*] until the extension number shows on the display. Then repeat Step 3.
5. Select another procedure or exit programming mode.

Calling Group Extensions (#502)

Description

This System Programming procedure identifies the extensions in a Calling Group—a group of extensions that can be called at the same time. Any user in the system can ring or page all extensions in a Calling Group at the same time or transfer a call to a Calling Group; the first extension to pick up the call is connected to the caller. This feature is useful for conversing with any individual in a specific group such as a sales pool or for paging all individuals in the group. The system can have up to four Calling Groups.

Related Features

- For instructions on making a ringing call or paging call to a Calling Group, see **Group Calling—Ring/Page**.
- Users can make simultaneous announcements over the loudspeaker paging system and the system phones assigned to Calling Group 1. See **Simultaneous Paging**.

Considerations

- Extensions can be in more than one Calling Group. In addition, you can assign *all* extensions in the system to one group—this is especially useful for making paging announcements to all employees.
- Do not assign extensions that connect auxiliary equipment (PARTNER Attendants, voice messaging systems, fax machines, answering machines, hotline phones, or doorphones) or extensions assigned as External Hotline phones to a Calling Group.

Valid Entries

- 1 = Assigned to group
2 = Not Assigned to group ✓

Programming

To create a Calling Group:

1. Press [*Feature*] [0] [0] [*System Program*] [*System Program*] [#] [5] [0] [2].
2. At the **Group:** prompt, enter a group number (1–4). For example, to select group 1, press [1].
3. At the **Extension:** prompt, enter the number of the extension to be programmed. For example, to select extension 31, dial [3] [1].
4. To assign or unassign the extension, press [*Next Data*] until the appropriate value displays.
5. At this point:
 - To program another extension, press [*Next Item*] or [*Prev Item*] until the extension number shows on the display. Repeat Step 4.
 - To program another group, press [*Next Procedure*] [*Prev Procedure*] and repeat Steps 2 through 4.
6. Select another procedure or exit programming mode.

Conference Calls

Description

This section explains how to set up conference calls using the [*Conf*] button on a system phone or the switchhook on a standard phone. A conference call connects up to five parties (including the conference originator) in a single call. Users can connect both outside and inside parties in a conference call, *but the call cannot include more than two outside parties.*

Related Features

- You can use **Outside Conference Denial (#109)** to disallow conference calls with multiple outside parties.
- During the conference call, any inside party can exit the call at any time simply by hanging up. However, if an outside party hangs up during a conference call, the callers that remain in the conference may hear a dial tone. Use **Conference Drop** to remove the last-added outside party from a conference call.

Considerations

- Users can use System Speed Dial, Personal Speed Dial, or Auto Dial numbers to add parties to the conference.
- Do not add a busy or ringing outside call to a conference; if you do, all callers hear the busy or ringing signal. If you hear a busy signal or the party does not answer, reconnect with the held party by pressing the line button.
- Users cannot join a conference call; the originator must add each party to the conference.
- If the conference originator puts the call on hold, other parties can continue to talk. Other inside parties can put their extensions on hold if there are outside parties on the conference call.
- When the originator hangs up, the conference is disconnected.
- Conference calls cannot be transferred.
- If you are using the system behind a PBX or Centrex system, the PBX or Centrex system may include a conference calling feature that lets you connect multiple callers *on a single PBX or Centrex line*. The number of callers you can connect depends on your PBX or Centrex system. For more information on such features, see the documentation for your PBX or Centrex system. (When your Centrex or PBX documentation tells you to use a switchhook flash, use the **Recall** feature instead.)
- Outside parties may be harder to hear on a conference call than on a two-party call, depending on the number of parties and the outside lines connected to the system.

Using

System Phone

1. Set up the call to the first party. (You can call the party, pick up the call from hold, or answer an incoming call.)
You are connected with the first party.
2. Press [*Conf*].
The first party is now on hold.
3. Set up the call to the second party.
You are connected with the second party. If you are adding an inside party to a call, you must wait until the party answers.
4. Press [*Conf*] again to add the second party to the call.
You can now speak with the first and second parties.
5. Repeat Steps 2 through 4 to add more parties.

Standard Phone

1. Set up the call to the first party. (You can call the party, pick up the call from hold, or answer an incoming call.)
You are connected with the first party.
2. Press the switchhook down once rapidly.
The first party is now on hold. You hear intercom dial tone.
3. To add an outside party, dial [*9*] plus the outside number. If the number is busy or does not answer, hang up and the first party rings back.

To add an inside party, dial the two-digit extension number. If the extension is busy or does not answer, press the switchhook down once rapidly and you are reconnected with the first party.
4. When the second party answers, press the switchhook down once rapidly.
You are now connected with both parties.
5. Repeat Steps 2 through 4 to add more parties.

Conference Drop (F06)

Description

This feature drops the last outside party added to a conference call, without disconnecting the other parties.

Related Features

- For instructions on setting up conference calls, see **Conference Calls**.
- You can use **Outside Conference Denial (#109)** to disallow conference calls with multiple outside parties.

Considerations

You can program a Conference Drop button on a system phone to use the feature with one touch.

Programming

To program a Conference Drop button:

1. Press [*Feature*] [*0*] [*0*] [*System Program*] [*System Program*] [*Central Tel Program*].
2. Enter the number of the extension to be programmed with this feature.
3. Press a programmable button.
4. Press [*Feature*] [*0*] [*6*].
5. Program another button for this extension or exit programming mode.

Using

System Phone

Press the programmed button or press [*Feature*] [*0*] [*6*].
The last-added outside party is dropped from the conference.

Standard Phone

Press the switchhook down once rapidly.
The last-added party (inside or outside) is dropped from the conference.

Copy Settings (#399)

Description

This System Programming procedure copies all of the following settings from one extension to another:

#301 Line Assignment	#401 Outgoing Call Restriction
#302 Line Access Restriction	#405 Disallowed List Assignments
#303 Display Language	#408 Allowed List Assignments
#304 Automatic Extension Privacy	#501 Pickup Group Extensions
#305 Abbreviated Ringing	#502 Calling Group Extensions
#307 Forced Account Code Entry	#504 Night Service Group
#308 Distinctive Ring	#505 Hunt Group Extensions
#309 Intercom Dial Tone	#601 Fax Machine Extensions
#310 Automatic VMS Cover	#607 AA Extensions
#311 External Hotline	Automatic Line Selection
#312 Voice Interrupt On Busy	Line Ringing
#316 Call Waiting	

Considerations

- This procedure is skipped in the sequence of programming procedures when cycling. To use this procedure, enter the code **(#399)** directly.
- For each type of phone, program one extension, then use this procedure to copy the programming from that extension to the others with the same number of line buttons (for example, from a PARTNER-18D phone to a PARTNER-18 phone).

Programming

To copy the programmed settings from one extension to another of the same type:

1. Press [*Feature*][*0*][*0*][*System Program*][*System Program*][*#*][*2*][*2*][*2*].
2. At the *Extension:* prompt, enter the source extension to copy from. For example, to copy the current settings from extension 18, press [*1*][*8*].
3. At the *Data --* prompt, enter the target extension to copy to—any extension except the source extension is valid. For example, to copy to extension 22, press [*2*][*2*].
4. At this point:
 - To copy the same settings to another extension, enter the new extension number.
 - To copy another extension's settings, press [*Next Item*] or [*Prev Item*] until the extension number shows on the display. Repeat Step 3.
5. Select another procedure or exit programming mode.

Dial Mode (#201)

Description

This System Programming procedure identifies individual lines as touch-tone or rotary. You should check with your local phone company if you are not sure which type of line is being provided to you.

Related Features

- If you are having difficulty using touch-tone phones on rotary lines, you may need to adjust the **Rotary Dialing Timeout (#108)**.
- If the system has rotary lines, you can use **Touch-Tone Enable** to send touch-tone signals over a rotary line (for example, to access bank-by-phone services).

Valid Entries

- 1 = Touch-Tone line ✓
- 2 = Rotary line

Programming

To change the Dial Mode setting for a specific line:

1. Press [*Feature*] [0] [0] [*System Program*] [*System Program*] [#] [2] [0] [1].
2. Enter the first line to be programmed. For example, to program line 8, press [0] [8].
3. To change the dial mode, press [*Next Data*] until the appropriate value displays.
4. To program another line, press [*Next Item*] or [*Prev Item*] until the line number shows on the display. Then repeat Step 3.
5. Repeat Steps 3 and 4 for all lines that you want to change.
6. Select another procedure or exit programming mode.

Direct Line Pickup—Active Line (I68LL)

Description

This feature allows users to access a ringing or held call, or to join a call in progress on a specific outside line (where *LL* is a line number from 01–12). This feature is useful for picking up a ringing or held call or for joining a call on a line that is not assigned to the phone.

Related Features

- If a line is *idle*, users cannot access it with this feature (they hear busy tone). For information on accessing an idle line, see **Direct Line Pickup—Idle Line**.
- If **Line Access Restriction (#302)** is set to No Access or Out Only for a line assigned to an extension, a user at the restricted extension hears busy tone if Direct Line Pickup is used to answer a call on that line which is ringing at another extension (but the user can join a call or access a held or transferred call on the line).
- Direct Line Pickup cannot be used to access an active call at an extension that has **Privacy** activated or that is part of a **Conference Call**, or a held call at an extension that used **Exclusive Hold**.

Considerations

- This feature is useful when users are requested or paged to pick up a call on a specific line that does not appear on their phone.
- Users *cannot* access conference calls using this feature.
- You can program a Direct Line Pickup—Active Line button on a system phone to pick up a line by pressing the button then dialing the two-digit line number.

Programming

To program a Direct Line Pickup—Active Line button:

1. Press [*Feature*] [0] [0] [*System Program*] [*System Program*] [*Central Tel Program*].
2. Enter the number of the extension to be programmed with this feature.
3. Press a programmable button.
4. Press left [*Intercom*] [6] [8].
5. Program another button for this extension or exit programming mode.

Using

System Phone

1. If you want, lift the handset.
2. Press a button programmed with Direct Line Pickup—Active Line, then dial the two-digit line number (01–12) of the line you want to pick up or join; or press [*intercom*] [*⓪*] [*⓪*] and the two-digit line number.
If you did not lift the handset, the speaker comes on automatically.

Standard Phone

1. Lift the handset.
You hear intercom dial tone.
2. Dial [*⓪*] [*⓪*] and the two-digit line number (01–12) of the line you want to pick up or join.

Direct Line Pickup—Idle Line (I8LL)

Description

This feature allows users to access a specific outside line (where *LL* is a line number from 01–12) when the line is not in use. This feature is useful for accessing a line that is not assigned to the phone.

Related Features

- If a line is *in use*, users cannot access it with this feature (they hear busy tone). For information on accessing a ringing or held call, or joining a call in progress, see **Direct Line Pickup—Active Line**.
- If **Line Access Restriction (#302)** is set to No Access or In Only for a line assigned to an extension, a user at the restricted extension hears busy tone if Direct Line Pickup is used to access that line to place a call.

Considerations

You can program a Direct Line Pickup—Idle Line button on a system phone to pick up a line by pressing the button then dialing the two-digit line number.

Programming

To program a Direct Line Pickup—Idle Line button:

1. Press [*Feature*] [*0*] [*0*] [*System Program*] [*System Program*] [*Central Tel Program*].
2. Enter the number of the extension to be programmed with this feature.
3. Press a programmable button.
4. Press left [*Intercom*] [*g*].
5. Program another button for this extension or exit programming mode.

Using

System Phone

1. If you want, lift the handset.
2. Press the programmed button and dial the two-digit line number (01–12) of the idle line you want to access; or press [*Intercom*] [*g*] and the two-digit line number.
If you did not lift the handset, the speaker comes on automatically.

Standard Phone

1. Lift the handset.
You hear intercom dial tone.
2. Dial [*g*] and the two-digit line number (01–12) of the idle line you want to access.

Disallowed List Assignments (#405)

Description

This System Programming procedure lets you assign up to four Disallowed Phone Number Lists to specified extensions.

Related Features

You must use **Disallowed Phone Number Lists (#404)** to create the lists of disallowed telephone numbers *before* you use this procedure.

Considerations

When a Disallowed Phone Number List is assigned to an extension, the list applies to *all* lines to which the extension has access.

Valid Entries

- 1 = Assigned to extension
- 2 = Not Assigned to extension ✓

Programming

To assign Disallowed Phone Number Lists to an extension:

1. Press [*Feature*] [*0*] [*0*] [*System Program*] [*System Program*] [#] [*4*] [*0*] [*5*].
2. Enter the number of the extension to be programmed. For example, to program extension 27, press [*2*] [*7*]. A display similar to the following appears:

```
Disallow To 27  
List Number:
```
3. Enter the list number (1–4). For example, to select list 1, press [*1*].
4. To assign or unassign the list, press [*Next Data*] until the appropriate value displays.
5. At this point:
 - To assign or unassign another list for this extension, press [*Next Item*] or [*Prev Item*] until the list number shows on the display. Then repeat Step 4.
 - To program another extension, press [*Next Procedure*] [*Prev Procedure*] and begin at Step 2.
6. Select another procedure or exit programming mode.

Disallowed Phone Number Lists (#404)

Description

This System Programming procedure specifies telephone numbers that users cannot dial. For example, you may want to prevent calls to a specific telephone number or to categories of numbers, such as international numbers. Use this procedure to create up to four lists of up to 10 telephone numbers each.

Related Features

- After completing this procedure, you must use **Disallowed List Assignments (#405)** to assign the Disallowed Phone Number Lists to specific extensions.
- **Allowed Phone Numbers, Emergency Phone Numbers, and Marked System Speed Dial Numbers** override the Disallowed List.
- The entries you must make to permit or restrict toll calls differ depending on the setting for **Toll Call Prefix (#402)**. This setting tells the system whether a "0" (for operator-assisted calls) or "1" (for direct-dial calls) is required when you make toll calls.

Considerations

- Each list entry can include up to 12 digits. You can use the wildcard character (by pressing the [*Hold*] button on a system phone) to match any single digit (it appears as "!" on the telephone display).
- When a user dials a number that is on a Disallowed List for the user's extension, the user hears a reorder tone (fast busy signal) after dialing the part of the number that is stored in the list (for example, an area code).
- If you want to go to another programming procedure when entering phone numbers in a list, you must use [*Next Procedure*] or [*Prev Procedure*] to do so since entering [#] and a three-digit code will be considered data for the telephone number.

Valid Entries

Up to 12 digits including 0–9, [#], [*], and [*Hold*] (any single digit)

Examples

The examples below show how to enter telephone numbers for a Disallowed Phone Number List in Step 4 of "Programming."

- **Specific Telephone Numbers.** Enter the phone number exactly as you would dial it. For example, to prevent calls to the local number 555-5678, press [5] [5] [5] [5] [6] [7] [8].
- **All Telephone Numbers in One Area Code.** The following list entries prevent calls to the 900 area code:
 - *Toll Call Prefix required*
1900 and 0900
 - *Toll Call Prefix not required*
900 and 0900

- **All Telephone Numbers in One Exchange.** The following entries prevent calls to the 976 exchange:
 - *Toll Call Prefix required*
 - 976 Prevents local calls
 - 1!!!976 Prevents direct-dial calls to all area codes
 - 0!!!976 Prevents operator-assisted calls to all area codes
 - 1976 Prevents direct-dial toll calls in the same area code (needed only when 0 or 1 is required for toll calls in the same area code)
 - 0976 Prevents operator-assisted toll calls in the same area code (needed only when 0 or 1 is required for toll calls in the same area code)
 - *Toll Call Prefix not required*
 - 976 Prevents local calls
 - !0!976 Prevents calls to area codes with “0” as the second digit, such as 203
 - !1!976 Prevents calls to area codes with “1” as the second digit, such as 212
- **International Long Distance.** To prevent international calls, enter the international prefix number, 011.
- **Long Distance.** To prevent long-distance calls after using one of the local telephone company features that consist of a * and two digits, such as Call Blocking (*67), enter *!10 and *!11.

Programming

To create a list of Disallowed Phone Numbers:

1. Press [*Feature*] [*0*] [*0*] [*System Program*] [*System Program*] [#] [*4*] [*0*] [*4*].
2. At the List Number: prompt, enter a list number (1–4). For example, to select the first list, press [*1*].
3. At the Entry: prompt, select a list entry (01–10).
4. At the Data----- prompt, enter the first telephone number.
5. **To save the telephone number in memory**, you must press [*Enter*].
6. At this point:
 - To enter other phone numbers in this list, press [*Next Item*] to select a different list entry and repeat Steps 4 and 5.
 - To change the phone number you just entered, press [*Remove*] and repeat Steps 4 and 5.
 - To delete the phone number you just entered, press [*Remove*].
 - To create another list, press [*Next Procedure*] [*Prev Procedure*] and repeat from Step 2.
7. Select another procedure using [*Next Procedure*] or [*Prev Procedure*] or exit programming mode.

Display

Description

PARTNER-model display phones have a 2-line, 24-character (per line) adjustable display area, for calling and programming feedback. Specifically, the display shows:

- Current date (excluding year), day, and time when the phone is idle
- Account code, as it is entered
- Number dialed when making a call
- Duration of call (call timer)
- Number (and name if programmed) of the extension calling when receiving an intercom call or transferred call
- Number (and name if programmed) of the extension returning a transferred call when no one answers at the destination extension
- “Automated Attendant” or “Voice Messaging System” when a call is transferred from a PARTNER Attendant or the voice messaging system. “Transfer from Auto Att” or “Transfer from VMS” if a call is returning to your extension after an unsuccessful transfer by a PARTNER Attendant or the voice messaging system.
- “Forward xx xx” on the display of users forwarding their calls (the first xx represents the number of the user’s extension; the second xx represents the number of the destination extension).
- “Wake Up Call” on the display of users receiving a wake up call.
- Volume or display contrast level bars, as volume or display contrast is adjusted
- Programming messages and prompts when in programming mode
- When you are in Telephone Programming mode, the current line assignment, feature code, or Speed Dial number (if any) assigned to a button displays when the button is pressed. “Blank” displays if nothing is programmed.

Related Features

- The **System Date (#101)**, **System Day (#102)**, and **System Time (#103)** settings are shown as the default display.
- You can use **Display Language (#303)** to identify the language in which messages appear, if the extension has a system display phone.
- Users can assign a name to their extension. Then, when that extension is used to make an intercom call, group call, or transferred call, the name and extension number appear on the system display phone receiving the call. Similarly, users receiving a transfer return call see the name and extension number of the person assigned to the extension that did not answer the transferred call. See **Extension Name Display** for more information.

Considerations

- The call timer records the time a user is active on a call. It begins when the handset is lifted out of the cradle and ends when either the handset is placed back in the cradle or the call is placed on hold. (This is not the call duration reported to SMDR. SMDR records the total time the call is in progress—including the time a call is placed on hold. For more information, refer to “Call Reporting Devices (SMDR) in Chapter 4.) When a call is transferred, the timer restarts when the call is answered.
- The call timer is displayed along with the default display.
- Most messages (other than the default display) display for approximately 15 seconds.
- Marked System Speed Dial numbers do not display when they are dialed.
- The display contrast can be adjusted by pressing [**▲**] then using the “up” volume control button to increase the brightness or the “down” volume control button to decrease the brightness. Adjust the contrast while the phone is idle and the handset is in the cradle.
- The angle of the display is adjustable to three positions: low, medium, and high.

Display Language (#303)

Description

This System Programming procedure identifies the language in which display messages appear if the extension has a system display phone. The language is set for each extension, so phones in the same system can display different languages.

Considerations

If SMDR is used, the call report header is printed in the language specified for extension 10.

Valid Entries

- 1 = English ✓
- 2 = Spanish
- 3 = French

Programming

To change the Display Language setting for an extension:

1. Press [*Feature*] [*0*] [*0*] [*System Program*] [*System Program*] [#] [*2*] [*0*] [*2*].
2. Enter the number of the extension to be programmed. For example, to program extension 11, press [*1*] [*1*].
The current display language displays.
3. To change the display language, press [*Next Data*] until the appropriate value displays.
4. To change the display language for another extension, press [*Next Item*] or [*Prev Item*] until the extension number shows on the display. Then repeat Step 3.
5. Select another procedure or exit programming mode.

Distinctive Ring (#308)

Description

This System Programming procedure determines whether calls should ring at a standard device using the system's distinctive ringing patterns—different patterns for outside, intercom, and transferred calls—or whether all calls to the standard device should ring like outside calls.

Considerations

- Change the setting to Not Active if a standard device such as a modem or answering machine does not pick up intercom or transferred calls.
- If distinctive ring is set to Not Active for an extension where both a system phone and a standard device are installed, the system phone continues to use the system's distinctive ringing patterns, but all calls ring at the standard device using a single ring burst.
- The system does not pass distinctive ringing patterns generated by a PBX or central office through to extensions (regardless of the setting for this feature).

Valid Entries

- 1 = Active (outside, intercom, and transferred calls ring differently using the system's distinctive ringing patterns) ✓
- 2 = Not Active (outside, intercom, and transferred calls all ring using a single ring burst)

Programming

To change the Distinctive Ring setting:

1. Press [*Feature*] [*0*] [*0*] [*System Program*] [*System Program*] [#] [*3*] [*0*] [*8*].
2. At the **Extension:** prompt, enter the number of the extension to be programmed. For example, to program extension 22, press [*2*] [*2*].
3. To activate or deactivate Distinctive Ring for the extension, press [*Next Data*] until the appropriate value displays.
4. To program another extension, press [*Next Item*] or [*Prev Item*] until the extension number shows on the display. Repeat Step 3.
5. Select another procedure or exit programming mode.

Do Not Disturb (F01)

Description

This feature is available only on system phones.

This feature lets a system phone user press a programmed button to prevent incoming calls for the extension from audibly alerting (lights still flash). When Do Not Disturb is on, outside callers hear ringing while inside callers hear a busy signal. This feature is recommended only if someone answers outside calls for your extension when you do not answer them.

Related Features

Users with **Automatic VMS Cover (#310)** Assigned or with **VMS Cover** turned on can activate Do Not Disturb to **Send All Calls** immediately to their voice mailbox.

Considerations

- This feature requires a button with lights. When the Do Not Disturb feature is on, the light is also on, indicating that the phone will not ring.
- Use this feature when you do not want the PARTNER Attendant or the voice messaging system to transfer calls to you.
- Use this feature if you are assigned to a Hunt Group and you leave your desk, so calls to the Hunt Group will skip your extension and ring immediately at the next available extension in the group.
- To avoid missing calls when this feature is not needed, turn it off.
- If Do Not Disturb is active at a doorphone alert extension, the person at the doorphone hears signaling, but the alert extension is not signaled.
- Unanswered calls that are transferred from an extension with Do Not Disturb active will ring at that extension if they transfer return.

Programming

To program a Do Not Disturb button:

1. Press [*Feature*] [*0*] [*0*] [*System Program*] [*System Program*] [*Central Tel Program*].
2. Enter the number of the extension to be programmed with this feature.
3. Press a programmable button with lights.
4. Press [*Feature*] [*0*] [*1*].
5. Program another button for this extension or exit programming mode.

Using

From a system phone, press the programmed button to turn Do Not Disturb on; press it again to turn it off. Use the button like a switch—when the light is on, Do Not Disturb is on.

Doorphone Alert Extensions (#606)

Description

This System Programming procedure identifies up to 24 extensions that are to signal when a doorphone button is pressed. When a person uses the doorphone, it signals all alert extensions at the same time. If the alert extension is a system phone, the call signals with a unique *ding-dong* sound to distinguish it from other calls. Additionally, if you have two doorphones, they signal with different tones so you can distinguish between them.

Related Features

- You must use **Doorphone Extensions (#604 and #605)** to identify the extensions to which doorphones are connected.
- If **Do Not Disturb** is active at a doorphone alert extension, the person at the doorphone hears signaling, but the alert extension is not signaled.

Considerations

You cannot bridge two doorphones together.

Valid Entries

- 1 = Not an Alert Extension ✓
- 2 = Doorphone 1 Alert Extension
- 3 = Doorphone 2 Alert Extension
- 4 = Doorphones 1 and 2 Alert Extension

Programming

To identify doorphone alert extensions:

1. Press [*Feature*] [*0*] [*0*] [*System Program*] [*System Program*] [#] [*0*] [*0*] [*0*].
2. Enter the first alert extension number (10–33). For example, to identify extension 10, press [*1*] [*0*].
3. To change the alert status, press [*Next Data*] until the appropriate value displays.
4. To identify another alert extension, press [*Next Item*] or [*Prev Item*] until the extension number shows on the display. Then repeat Step 3.
5. Select another procedure or exit programming mode.

Doorphone Extension (#604 and #605)

Description

These System Programming procedures identify extensions to which doorphones are connected. A doorphone is usually placed near an entrance, to screen visitors. You can connect up to two doorphones to the system—use **Doorphone 1 Extension (#604)** to identify the extension to which the first doorphone is connected and **Doorphone 2 Extension (#605)** to identify the extension to which the second doorphone is connected.

Related Features

- You must use **Doorphone Alert Extensions (#606)** to identify the extensions that signal when the doorphone button is pressed. Each doorphone can signal any number of *alert* extensions.
- To prevent outside calls from being made or received on the doorphone, use **Line Assignment (#301)** to remove all outside lines from the doorphone extension. (**Automatic Line Selection** for the doorphone extension will be *automatically* set to intercom First.)
- You can use **Message Light On** with the doorphone (for example, to turn on the doorphone's light as a prearranged signal to a delivery person) provided the doorphone is connected to an R3.1 206 or later module and the system is equipped with an R3.1 or later processor module.

Considerations

- An extension cannot be used for a doorphone and a hotline at the same time. However, hotlines and doorphones can have the same alert extensions.
- You cannot assign doorphones to extension 10, 11, 16, 17, 22, 23, 28, or 29.
- Remove voice messaging system mailboxes from doorphone extensions.
- You cannot bridge two doorphones together.

Valid Entries

Extensions 12–15, 18–21, 24–27, 30–33
None Assigned ✓

Programming

To program a doorphone extension:

1. Press [*Feature*] [*0*] [*0*] [*System Program*] [*System Program*] [#] [*6*] [*0*] [*4*] for doorphone 1 (or [#] [*6*] [*0*] [*5*] for doorphone 2).
2. Enter the doorphone extension number. For example, to identify extension 20 as a doorphone extension, press [*2*] [*0*]—or press [*Remove*] to unassign an existing doorphone extension.
3. Select another procedure or exit programming mode.

Emergency Phone Number List (#406)

Description

This System Programming procedure creates a list of up to 10 telephone numbers that all users can dial regardless of dialing restrictions provided they have access to an outside line. Typical list entries include fire, police, and emergency services numbers.

Related Features

- If an extension is programmed for **Forced Account Code Entry (#307)**, a user at the extension is required to enter an account code before dialing a number in the Emergency Phone Number List.
- The entries you must make to permit or restrict toll calls differ depending on the setting for **Toll Call Prefix (#402)**. This setting tells the system whether a “0” (for operator-assisted calls) or “1” (for direct-dial calls) is required when you make toll calls.

Considerations

- Each telephone number can include up to 12 digits.
- When programming emergency numbers and/or making test calls to emergency numbers, you should: 1) remain on the line and briefly explain to the dispatcher the reason for the call before hanging up, and 2) perform such activities in the off-peak hours, such as early morning or late evening.

Valid Entries

Up to 12 digits (0–9)

Examples

The examples below show how to enter telephone numbers for the Emergency Phone Number List in Step 3 of “Programming.”

- **911.** To allow 911 calls from any extension that has an outside line, create the following entry for the Emergency List:
911
- **Overriding Number on a Disallowed List.** You can use Emergency List entries to override numbers that would otherwise be disallowed. For example, if you created Disallowed List entries to prevent calls to area code 201, but you want to allow calls to a specific number in that area code (such as the number of a manager who is on call after hours), put the number in the Emergency List:
 - Toll Call Prefix required
12015556666 and 02015556666
 - Toll Call Prefix not required
2015556666

Programming

To create an Emergency Phone Number List:

1. Press [*Feature*] [*0*] [*0*] [*System Program*] [*System Program*] [*#*] [*4*] [*0*] [*6*].
2. Select a list entry (01–10). For example, to select the third entry, press [*0*] [*3*]. A display similar to the following appears:

```
Emergency List 03  
Data-----
```

3. Enter the telephone number.
4. **To save the telephone number in memory**, you must press [*Enter*].
5. At this point:
 - To enter other phone numbers, press [*Next Item*] to select a different list entry and repeat Steps 3 and 4.
 - To change the phone number you just entered, press [*Remove*] and repeat Steps 3 and 4.
 - To delete the phone number you just entered, press [*Remove*].
6. Select another procedure or exit programming mode.

Exclusive Hold (F02)

Description

This feature is available only on system phones.

This feature prevents other extensions from picking up outside calls placed on hold at a specific extension with a system phone.

Related Features

You can use the **Hold** button to put calls on regular hold (any extension can pick up the held call).

Considerations

- You can program an Exclusive Hold button on a system phone to use the feature with one touch.
- For system phones, if a call is left on hold for longer than one minute, the extension at which the call is held generates a short Hold Reminder Tone. This tone sounds once every minute until the held call is retrieved, or until the caller hangs up.

Programming

To program an Exclusive Hold button:

1. Press [*Feature*] [0] [2] [*System Program*] [*System Program*] [*Central Tel Program*].
2. Enter the extension number to be programmed with this feature.
3. Press a programmable button.
4. Press [*Feature*] [0] [2].
5. Program another button for this extension or exit programming mode.

Using

While active on an outside call on a system phone:

1. Press the programmed button or press [*Feature*] [0] [2] to put the call on Exclusive Hold.
The green light next to the line or [Intercom] button flutters. At all other extensions, the line appears busy (steady red).
2. To retrieve the call, press the line or [*Intercom*] button on which the call is held and lift the handset or press [*Spkr*].
You can pick up a call on Exclusive Hold only at the extension on which it was put on Exclusive Hold.

Extension Name Display

Description

Users can assign a name to their extension: up to 20 characters long on PARTNER-model phones, up to 12 characters long on MLS-model phones. Then, when that extension is used to make an intercom, group, or transferred call, the name appears on the system display phone receiving the call. Similarly, users receiving a transfer return call see the name of the person assigned to the extension that did not answer the transferred call.

Related Features

Display Language (#303) has no effect on this feature. This means that the extension name displays exactly as it is programmed.

Considerations

- Any extension, regardless of the phone type on that extension, can be programmed with a name through Centralized Telephone Programming. If users want to program their own extension name, they must have a system display phone at their extension.
- Only extension numbers—not names—are printed on SMDR reports.
- You should program Extension Name Display when you first enter Centralized Telephone Programming, before programming any other features. If you want to program both Extension Name Display and Automatic Line Selection (which also must be programmed when you first enter Centralized Telephone Programming), first program Automatic Line Selection, then exit and re-enter Centralized Telephone Programming to program Extension Name Display.

Valid Entries

Up to 20 characters, including letters A–Z, numbers 0–9, and blank spaces. See Table 5-1 below for the corresponding codes. Note that only the first 12 characters appear on MLS-model phones.

Table 5-1. Character Codes

Letters:		Numbers:
A = 21	N = 62	blank = 11
B = 22	O = 63	0 = 00
C = 23	P = 71	1 = 10
D = 31	Q = 72	2 = 20
E = 32	R = 73	3 = 30
F = 33	S = 74	4 = 40
G = 41	T = 81	5 = 50
H = 42	U = 82	6 = 60
I = 43	V = 83	7 = 70
J = 51	W = 91	8 = 80
K = 52	X = 92	9 = 90
L = 53	Y = 93	
M = 61	Z = 94	

Programming

To assign a name to an extension:

1. Press [*Feature*] [0] [0] [*System Program*] [*System Program*] [*Central Tel Program*].
2. Enter the number of the extension to be programmed. For example, to program extension 12, press [1] [2].
3. Press left [*Intercom*]. For extension 12, the display reads:
12 Enter Extension Name
If a name was assigned previously to this extension, that name displays instead.
4. Enter the two-digit code for each character you want to enter. (See Table 5-1 for codes.) For example, to enter the name Andy, press [2] [1] [6] [2] [3] [1] [2] [3]. The display reads:
12 ANDY
5. If you make a mistake, you can press [*Mic/HEAT*] to clear the display. Repeat Step 4 to enter the correct name.
6. Program a button for this extension or exit programming mode.

External Hotline (#311)

Description

This procedure applies only to standard phones.

This System Programming procedure identifies an external hotline extension. When a user lifts the handset of an external hotline, a predetermined outside number is dialed automatically. The external number might be, for example, a frequently-called service bureau. The external hotline must be a standard phone, not a system phone.

After you identify an external hotline extension, you must store the external phone number for the hotline extension as Personal Speed Dial code 80. Both procedures are included in "Programming" on the next page.

Related Features

- Use **Hotline (#603)** to identify an internal hotline extension.
- Use **Line Assignment (#301)** to assign outside lines to the external hotline extension and **Automatic Line Selection** to set the extension to select outside lines first.

If your use of the external hotline requires immediate dialing of the programmed number, dedicate a line for use by this extension (do not assign the line to any other extension or use the line for any other purpose).
- You can set **Line Ringing** to No Ring for all lines assigned to the external hotline to prevent incoming calls from ringing at the extension.
- Make sure there are no call or line restrictions assigned to an external hotline because that will prevent the outside number from being dialed. See **Outgoing Call Restriction (#401)** and **Line Access Restriction (#302)**.
- Do not use **Station Lock** at an external hotline because it will prevent the outside number from being dialed.
- Remove external hotlines from **Night Service Group Extensions (#504)**, **Calling Group Extensions (#502)**, and **Hunt Group Extensions (#505)**.
- Do not assign **Forced Account Code Entry (#307)** to the external hotline.

Considerations

- Under certain conditions of heavy telephone usage, the external hotline may be unable to dial the programmed number immediately (for example, if many of the standard devices connected to your system dial out at the same time). See "Using" for more information.
- A standard phone without a dialpad is recommended for use as the external hotline.
- You can identify several extensions as external hotlines.
- Do not assign an external hotline to extension 10, 16, 22, or 28 (which are reserved as power failure extensions).

Valid Entries

Extensions 11–15, 17–21, 23–27, and 29–33

1 = Assigned

2 = Not Assigned ✓

Programming

To identify an external hotline extension:

1. Press [Feature] [0] [0] [System Program] [System Program] [#] [3] [1] [1].
2. At the **Extension:** prompt, enter the external hotline extension number—see “Valid Entries” on the previous page. For example, to program extension 30 as the external hotline, press [3] [0].
3. To assign or unassign the extension, press [Next Data] until the appropriate value displays.
4. To program another extension, press [Next Item] or [Prev Item] until the extension number shows on the display. Repeat Step 3.
5. Select another procedure or exit programming mode.

To program the external hotline phone number as Personal Speed Dial code 80:

1. Press [Feature] [0] [0] [System Program] [System Program] [Central Tel Program].
2. Dial the extension number of the external hotline.
3. Press [Feature] [8] [0].
4. Enter the external hotline phone number exactly as you would dial it.
5. Continue programming or exit programming mode.

Using

1. Lift the handset of the external hotline.
After approximately three seconds, the programmed phone number is dialed automatically.
2. If you do not hear dial tone or dialing noises, hang up for about 20 seconds and try again.
3. When the call is answered, speak into the handset.

Fax Machine Extensions (#601)

Description

This System Programming procedure identifies extensions to which fax machines are connected.

Related Features

- If you want to monitor fax machine status and make one-touch transfers to the fax machine, see **Auto Dialing** to program a Fax Management button and “Fax Management Feature” in Chapter 4 to use the button.
- To prevent other extensions from interrupting a fax call, program the fax extension for **Automatic Extension Privacy (#304)**.

Considerations

- Remove voice messaging system mailboxes from fax machine extensions.
- If an automatic fax call comes in on a line covered by the PARTNER MAIL system, the Automated Attendant Service of that system may be programmed to automatically transfer the call to a fax extension or to the extension Hunt Group for the fax machines (if you have multiple fax machines). See the PARTNER MAIL documentation for instructions.

Valid Entries

- 1 = Assigned
- 2 = Not Assigned ✓

Programming

To identify a Fax Machine extension:

1. Press [*Feature*] [0] [0] [*System Program*] [*System Program*] [#] [6] [0] [1].
2. At the Extension: prompt, enter the extension to which the fax machine is connected. For example, to identify extension 30, press [3] [0].
3. To assign or unassign the extension, press [*Next Data*] until the appropriate value displays.
4. To program another extension, press [*Next Item*] or [*Prev Item*] until the extension number shows on the display. Repeat Step 3.
5. Select another procedure or exit programming mode.

Forced Account Code Entry (#307)

Description

This feature applies only to system phones.

This System Programming procedure identifies specific extensions at which users must enter an account code prior to making outside calls. The account code can be used to charge telephone calls to a department or client; the account code prints on call reports if you are using SMDR (Station Message Detail Recording) or a call accounting package.

Related Features

- **Account Code Entry** provides instructions on entering *forced* account codes.
- You can use **Forced Account Code List (#409)** to create a list of valid account codes. If a Forced Account Code List exists, the system checks the list whenever a user enters a forced account code. If a forced account code is valid, the system provides access to an outside line. If a forced account code is invalid, the system denies access to an outside line—to dial out, the user must repeat the procedure for entering a forced account code.
- Extensions programmed with this feature are restricted from dialing outside phone numbers on all lines at the extension — *including numbers on the **Emergency Phone Number List (#406)*** — until an account code is entered. If a Forced Account Code List exists, the account code must match an entry on the list for the user to get an outside line.
- **Account codes can be entered manually or using System Speed Dial Numbers, Personal Speed Dial Numbers, and Auto Dialing** (but not Marked System Speed Dial Numbers).
- **Automatic Line Selection** does not apply for an extension programmed with this feature; the user must *manually* select a line after entering an account code.
- Do not assign Forced Account Code Entry to an **External Hotline (#311)** extension.
- If a **System Password (#403)** is required to override dialing restrictions for an extension, users must enter it *before* entering the account code.

Considerations

- If SMDR is used, the account code assigned to incoming or outgoing calls prints on call reports. (See “Call Reporting Devices (SMDR)” in Chapter 4 for more information on call reporting.) For forced account code entry, if a Forced Account Code List exists, only valid account codes are printed on the call report.
- Forced account codes are not required to answer incoming calls at the extensions programmed with this feature.

Valid Entries

- 1 = Assigned
- 2 = Not Assigned ✓

Programming

To program an extension for Forced Account Code Entry:

1. Press [*Feature*] [*0*] [*0*] [*System Program*] [*System Program*] [#] [*3*] [*0*] [*Z*].
2. At the **Extension:** prompt, enter the number of the extension to be programmed. For example, to program extension 15, press [*1*] [*5*].
3. To assign or unassign Forced Account Code Entry, press [*Next Data*] until the appropriate value displays.
4. To program another extension, press [*Next Item*] or [*Prev Item*] until the extension number shows on the display. Then repeat Step 3.
5. Select another procedure or exit programming mode.

Forced Account Code List (#409)

Description

This System Programming procedure lets you identify a list of up to 99 account code verification entries for extensions that are forced to enter account codes. Once a list is created, any user at an extension programmed for Forced Account Code Entry must enter a valid account code—one that matches a list entry—before being allowed to make an outside call. This feature ensures that only authorized users with valid account codes can make outside calls.

Related Features

- An extension must be programmed for **Forced Account Code Entry (#307)** for the Forced Account Code List to have any effect.
- **Account Code Entry** provides instructions on entering *forced* account codes.

Considerations

- If you do not create a Forced Account Code List, the system *does not* verify the account codes dialed at extensions that are required to enter them.
- To validate an account code, the system compares the first six digits of a user-entered account code to the entries on the Forced Account Code List. For a match to be successful, the user must dial at least the account code's associated list entry, even though the user can dial up to 16 digits for an account code. If the system identifies a match, the user can dial an outside number. If no match occurs, the user is denied access to an outside line and must re-enter a valid account code to dial out.
- Each list entry can include up to six digits. You can use the wildcard character (by pressing the [*Hold*] button on a system phone) to match any single digit (it appears as "!" on the telephone display).

Valid Entries

Up to 6 digits including 0–9 and [*Hold*] (any single digit)

Examples

- **Expanded Account Codes.** Users can enter more than the required digits for an account code for tracking purposes. For example, a Customer Service Department's account code is 123. Representatives in the department must dial at least 123 to get an outside line, but can enter additional digits to track a specific customer or item number. For example,
 - *The following entries are valid:*
 - 123
 - 123999
 - *The following entries are invalid:*
 - 1
 - 12

- **Wildcard Characters.** You can use wildcard characters in list entries. For example, your company's Sales Department has a three digit account code—the first digit represents the department and the second and third digits represent the individuals in the department. You enter 4!! as the list entry.

- *The following entries are valid:*

401
410
499
455555

- *The following entries are invalid:*

4
44

Programming

To create a Forced Account Code List:

1. Press [*Feature*] [*0*] [*0*] [*System Program*] [*System Program*] [#] [*4*] [*0*] [*0*].
2. Select a list entry (01–99). For example, to select the third entry, press [*0*] [*3*]. A display similar to the following appears:

```
Forced Act Code List 03  
Data-----
```

3. Enter up to six digits for the list entry.
4. If the account code is five digits or less, **you must press [*Enter*] to save the account code in memory.**
5. At this point:
 - To enter other account codes, press [*Next Item*] to select a different list entry and repeat Steps 3 and 4.
 - To change the account code you just entered, press [*Remove*] and repeat Steps 3 and 4.
 - To delete the account code you just entered, press [*Remove*].
6. Select another procedure or exit programming mode.

Group Call Distribution (#206)

Description

This System Programming procedure assigns outside lines to Hunt Groups. Doing so allows outside calls to ring directly into a Hunt Group instead of being answered and transferred by the receptionist. You can assign lines to Hunt Groups 1–7. (Hunt Group 7 is used exclusively for the voice messaging system.)

Related Features

- You must use **Hunt Group Extensions (#505)** to assign extensions to Hunt Groups.
- If you assign lines to Hunt Group 7 for the voice messaging system's Automated Attendant Service, you may want to adjust when the lines should ring in the group. See **VMS Hunt Delay (#506)** and **VMS Hunt Schedule (#507)** for more information.
- If you are using a voice messaging system, you have two Group Call Distribution options:
 - If you want Automated Attendant Service for some or all lines, Assign (setting 1) those lines to Hunt Group 7.
 - If you want calls to route directly to the voice mailbox of a specific user after four rings, choose VMS Line Cover (setting 3) for those lines *and* assign a line owner in the voice messaging system. For more information on voice messaging system options, refer to the documentation shipped with the voice messaging system.

As an alternative to the VMS Line Cover setting, you can use **Line Coverage Extension (#208)** with VMS Cover. This provides more flexibility because it lets you specify the number of times calls ring (using **VMS Cover Rings (#117)**) at the user's extension before going to the user's mailbox. In addition, if the user's extension has **Do Not Disturb** on, calls on the line can go immediately to coverage.

Considerations

- Each outside line can be assigned to only one Hunt Group.
- If a Hunt Group that has outside lines assigned receives an outside call and all members of that Hunt Group are busy (or have Do Not Disturb on), the caller hears ringing, which continues until the call is answered.

Examples

Here are some useful applications for Group Call Distribution:

- Place the extensions of employees who work in a department in a Hunt Group and assign one or more outside lines to the group. Doing so lets outside callers ring the group directly without having to be transferred by the receptionist. For example, a mail-order company assigns the extensions of its sales representatives to a Hunt Group and assigns a line to the group. The company then publishes the number as its customer service number, so that a caller can reach a sales representative directly to place an order.

-
- If you install a voice messaging system, assign the system extensions associated with the voice messaging system hardware to Hunt Group 7. Then, use this procedure to assign outside lines to Hunt Group 7 for Automated Attendant Service. Callers hear a greeting and are prompted to enter digits to transfer to a specific extension or group without the assistance of the receptionist.

Valid Entries

- 1 = Assigned (for hunting to groups 1–6, or to group 7 for the voice messaging system's Automated Attendant Service)
- 2 = Not Assigned ✓
- 3 = VMS Line Cover (available only for Hunt Group 7)

Programming

To set up lines for Group Call Distribution:

1. Press [*Feature*] [*0*] [*0*] [*System Program*] [*System Program*] [#] [2] [*0*] [*6*].
2. At the **Group:** prompt, enter a group number (1–6; 7 for the voice messaging system). For example, to select group 1, press [*1*].
3. At the **Line:** prompt, enter the desired line number. For example, to select line 1, press [*0*] [*1*].
4. To assign or remove a line for groups 1–6, or to assign or remove a line or use VMS Line Cover for group 7, press [*Next Data*] until the appropriate value displays.
5. At this point:
 - To program another line, press [*Next Item*] or [*Prev Item*] until the line number shows on the display. Then repeat Step 4.
 - To program another group, press [*Next Procedure*] [*Prev Procedure*], enter a new group number, and repeat Steps 3 and 4.
6. Select another procedure or exit programming mode.

Group Calling—Ring/Page (I7G/I*7G)

Description

This feature lets users ring, page, or transfer calls simultaneously to all of the extensions in any one of four Calling Groups (G is a Calling Group number from 1–4). When paging, the caller hears a beep and begins speaking; the caller's voice is heard on the speakers of all idle system phones in the selected Calling Group. The first extension to answer the call (by picking up the handset or pressing [*Spkr*], or by pressing [*Mic/HFAI*] to answer a page) is connected to the caller.

Related Features

You must use **Calling Group Extensions (#502)** to assign extensions to a Calling Group.

Extensions assigned to Calling Group 1 can receive **Simultaneous Paging**.

Considerations

- Extensions can be in more than one Calling Group.
- Exclude extensions that connect auxiliary equipment (PARTNER Attendants, voice messaging systems, fax machines, internal and external hotline phones, and doorphones) from Calling Groups.
- If some extensions in a Calling Group have standard, MDC 9000, or MDW 9000 phones, those extensions are *not signaled* for voice-paged calls to the group.
- If a Calling Group is in use, a user attempting to page that group hears a busy tone.
- If a user leaves the microphone on for hands-free answer on intercom (HFAI), the microphone is turned off when that phone receives a group page; the user must lift the handset or press [*Mic/HFAI*] to answer the page.
- Calls can be transferred to a Calling Group manually or using a button programmed to ring the Calling Group.
- You can program a Group Calling button on a system phone to ring or page a specified Calling Group or to transfer a call to a Calling Group with one touch.

Examples

Here are some useful applications for this feature:

- Group page employees for general announcements; this feature is an inexpensive alternative to a paging system. (Remember to install system phones with built-in speakers—all models except the MDC 9000 and MDW 9000—where you want employees to hear announcements.)
- Put the extensions of people with similar responsibilities in a Calling Group, so when a caller needs to talk with anyone in the group, the receptionist can transfer the call to the group instead of making separate intercom calls.

For example, a car dealership puts all extensions for the sales staff into Calling Group 1. To let a prospective customer talk to any salesperson, the receptionist simply transfers the call to the group by dialing [*Transfr*] [*Z*] [*1*]. All phones in the group ring, and the customer is connected to the first salesperson to answer. (Alternatively, the receptionist can page the group through the speakers of their system phones by pressing [*Intercom*] [*★*] [*Z*] [*1*].)

Programming

To program a Calling Group button:

1. Press [*Feature*] [*0*] [*0*] [*System Program*] [*System Program*] [*Central Tel Program*].
2. Enter the number of the extension to be programmed with this feature.
3. Press a programmable button.
4. If you want calls to *ring* the group, press left [*Intercom*] [*Z*].
If you want calls to *page* the group, press left [*Intercom*] [*★*] [*Z*]. (Note that buttons programmed for paging a Calling Group cannot be used to transfer a call to that Calling Group.)
5. Dial a Calling Group number (1–4).
6. Program another button for this extension or exit programming mode.

Using

System Phone

To use when programmed on a button:

To *ring or page* the Calling Group, press the programmed button first, then lift the handset. If you are paging the group, start talking after the beep.

If you ring the group, all available extensions in the Calling Group ring.

If you page the group, your voice is heard through the speakers of all system phones that are not busy in the Calling Group. If someone answers the page, you are connected to that person and the rest of the Calling Group no longer hears the page.

To *transfer* a call to the Calling Group, while on a call, press the button programmed for *ringing* a Calling Group. You can hang up or stay on the line to announce the call.

All available extensions in the Calling Group ring.

To manually ring or page a Calling Group:

1. Lift the handset and press [*Intercom*].
You hear intercom dial tone.
2. To make a *ringing* call, dial [*z*] and a group number (1–4).
All available extensions in the Calling Group ring.

To make a *paging* call, press [*z*] [*z*] and a group number (1–4). After the beep, start talking.
Your voice is heard through the speakers of all system phones that are not busy in the Calling Group. If someone answers the page, you are connected to that person and the rest of the Calling Group no longer hears the page.

To manually transfer a call to a Calling Group:

1. While on a call, press [*Transfr*].
2. Dial [*z*] and a group number (1–4). You can hang up or stay on the line to announce the call.
All available extensions in the Calling Group ring.

Standard Phone

To ring or page a Calling Group:

1. Lift the handset.
You hear intercom dial tone.
2. To make a *ringing* call, dial [*z*] and a group number (1–4).
All available extensions in the Calling Group ring.

To make a *paging* call, press [*z*] [*z*] and a group number (1–4). After the beep, start talking.
Your voice is heard through the speakers of all system phones that are not busy in the Calling Group. If someone answers the page, you are connected to that person and the rest of the Calling Group no longer hears the page.

To transfer a call to a Calling Group:

1. While on a call, press the switchhook down once rapidly.
You hear intercom dial tone.
2. Dial [*z*] and a group number (1–4). You can hang up or stay on the line to announce the call.
All available extensions in the Calling Group ring.

Group Hunting—Ring/Voice Signal (I77G/I*77G)

Description

This feature lets you distribute call volume among extensions in a group, to offload call activity from a single user. When an intercom or transferred call is placed to a Hunt Group (where G is a Hunt Group number from 1–7), the system rings or voice signals the first available (non-busy) extension in the group, passing over busy extensions (or those with Do Not Disturb on) in a circular hunt. If a ringing call is not answered within three rings, it moves to the next available extension, and so on, until the call is answered or the caller hangs up. For a voice-signal call, only the first available extension is signaled; if that extension does not answer, the call does not keep hunting. After an extension receives a Hunt Group call, the next call to the Hunt Group will not ring or voice signal that extension first unless all other extensions in the group are busy or do not answer.

The system supports up to seven Hunt Groups; however, Hunt Group 7 is used exclusively for the voice messaging system. For more information, refer to “Voice Messaging Systems” in Chapter 4.

Related Features

- You must use **Hunt Group Extensions (#505)** to assign extensions to a Hunt Group.
- Set **Transfer Return Rings (#105)** to four or greater, to ensure that calls continue hunting to other group extensions if the call is not answered.
- Use **Do Not Disturb** if you are assigned to a Hunt Group and you leave your desk, so that a call to your extension moves directly to the next available extension in the group.
- You can use **Group Call Distribution (#206)** to assign outside lines to a Hunt Group. Doing so allows outside calls on those lines to route directly into that Hunt Group instead of being transferred by the receptionist.
- Hunt Group calls are not eligible for **VMS Cover**.

Considerations

- Extensions can be in more than one Hunt Group.
- Outside calls can be answered and transferred to a Hunt Group. The voice messaging system and the PARTNER Attendant also can transfer calls to a Hunt Group.
- Calls cannot be transferred to a Hunt Group if all extensions in that group are busy.
- If only one extension in a Hunt Group is available and that extension does not answer an incoming call, the call returns to the extension that transferred the call (or to that extension’s transfer return extension) after the programmed amount of transfer return rings.

- You can program a Group Hunting button on a system phone to ring or voice signal a Hunt Group with one touch.
- If you have a voice messaging system, you can program Hunt Group 7 ([*Intercom*] [z] [z] [z]) on a button to retrieve messages with one touch.

Examples

Here are some useful applications for a Hunt Group:

- Place the extensions of employees who work in a department sharing calls, such as a customer service group, in a Hunt Group so that when a call comes in to the receptionist it may be transferred to the next available extension. This alleviates the problem of one employee receiving most of the calls.
- Place the extensions of employees who work in a department in a Hunt Group and assign one or more outside lines to the group. Doing so lets outside callers ring the group directly without having to be transferred by the receptionist. For example, a mail-order company assigns the extensions of its sales representatives to a Hunt Group and assigns a line to the group. The company then publishes the number as its customer service number, so that a caller can reach a sales representative directly to place an order.

Programming

To program a Hunt Group button:

1. Press [*Feature*] [0] [0] [*System Program*] [*System Program*] [*Central Tel Program*].
2. Enter the number of the extension to be programmed with this feature.
3. Press a programmable button.
4. To program the button to *ring* the next available extension in the Hunt Group, press left [*Intercom*] [z] [z].

To program the button to *voice signal* the next available extension in a Hunt Group, press left [*Intercom*] [*] [z] [z].
5. Dial a Hunt Group number (1–7 for ringing calls; 1–6 for voice-sigaled calls).
6. Program another button for this extension or exit programming mode.

Using

System Phone

To use when programmed on a button:

To *ring* or *voice signal* an extension in the Hunt Group, simply lift the handset or press [*Spkr*] and press the programmed button. If you are voice signaling, start talking after the beep.

To *transfer* a call to an extension in the Hunt Group, while on a call press the programmed button.

To manually ring or voice signal a Hunt Group:

1. Lift the handset and press [*Intercom*].
You hear intercom dial tone.
2. To make a *ringing* call, dial [z] [z] and a group number (1–7).
The next available extension in the Hunt Group rings. If no one answers within three rings, the call hunts to the next available extension.

To make a *voice-signaled* call, press [*] [z] [z] and a group number (1–6).
After the beep, start talking.
Your voice is heard through the speaker of the first available system phone that is not busy. If no one answers, the call does not keep hunting.

To manually transfer a call to a Hunt Group:

1. While on a call, press [*Transfr*].
2. Dial [z] [z] and a group number (1–7).
The next available extension in the Hunt Group rings. If no one answers within three rings, the call hunts to the next available extension. However, if Transfer Return Rings is programmed for less than four rings, the call returns to the extension that transferred the call, or to that extension's transfer return extension.

Standard Phone

To ring or voice signal a Hunt Group:

1. Lift the handset.
You hear intercom dial tone.
2. To make a *ringing* call, dial [z] [z] and a group number (1–7).
The next available extension in the Hunt Group rings. If no one answers within three rings, the call hunts to the next available extension.

To make a *voice-signaled* call, press [*] [z] [z] and a group number (1–6).
After the beep, start talking.
Your voice is heard through the speaker of the first available system phone that is not busy. If no one answers, the call does not keep hunting.

To transfer a call to a Hunt Group:

1. While on a call, press the switchhook down once rapidly.
You hear intercom dial tone.
2. Dial [z] [z] and a group number (1–7).
The next available extension in the Hunt Group rings. If no one answers within three rings, the call hunts to the next available extension. However, if Transfer Return Rings is programmed for less than four rings, the call returns to the extension that transferred the call, or to that extension's transfer return extension.

Group Pickup (I66G)

Description

This feature allows users at any extension in the system to answer any outside, intercom, or transferred call ringing at an extension in a Pickup Group (where G is a Pickup Group number from 1–4). In other words, when a call rings at an extension that is in a Pickup Group, a user at any extension in the system can answer the call, without knowing which extension or line is ringing and without being in the same Pickup Group. The system can have up to four Pickup Groups.

Related Features

You must use **Pickup Group Extensions (#501)** to assign extensions to Pickup Groups.

Considerations

- Extensions can be in more than one Pickup Group.
- You can program a Group Pickup button on a system phone to pick up calls in a Pickup Group with one touch.

Examples

Here are some useful applications for a Pickup Group:

- Put all system extensions in a Pickup Group (except the boss' private extension), so anyone on the system can answer a ringing call (except calls to the boss).
- Put the extensions of people who work near each other and who can hear each other's phones ring, but who don't have each other's lines on their phones, in a Pickup Group.

For example, a group of typists work in a large room separated by cubicles, and all of their extensions are in Pickup Group 1. When a typist leaves the room and the typist's phone rings, anyone else in the system who can hear the call ring can pick it up simply by dialing the Pickup Group code for that group ([*Intercom*] [*6*] [*6*] [*1*]).

Programming

To program a Pickup Group button:

1. Press [*Feature*] [*0*] [*0*] [*System Program*] [*System Program*] [*Central Tel Program*].
2. Enter the number of the extension to be programmed with this feature.
3. Press a programmable button.
4. Press left [*Intercom*] [*6*] [*6*].
5. Dial a Pickup Group number (1–4).
6. Program another button for this extension or exit programming mode.

Using

System Phone

To use Group Pickup when programmed on a button, press the programmed button.

To use manually:

1. Lift the handset and press [*Intercom*].
You hear intercom dial tone.
2. Dial [*ⓧ*] [*ⓧ*] and a group number (1–4) to pick up a call ringing at any extension in the group.

Standard Phone

To use Group Pickup:

1. Lift the handset.
You hear intercom dial tone.
2. Dial [*ⓧ*] [*ⓧ*] and a group number (1–4) to pick up a call ringing at any extension in the group.

Hold

Description

This section explains how to place and retrieve calls on hold, using either the [*Hold*] button on a system phone or the switchhook on a standard phone. (The user can make and receive other calls on another line while a call is on hold.)

Related Features

- System phone users can use **Exclusive Hold** to put calls on hold that can be retrieved only from their own extension.
- Use **Call Park** to put a call on a special type of hold so it can be picked up from any phone in the system. This type of hold allows the user to retrieve a call without having to know which line the call is on.
- Callers on hold hear **Music On Hold (#602)** only if it is active and an audio source is connected to the processor module.
- Standard phone users can put a call on hold to retrieve a second call provided **Call Waiting (#316)** is programmed for their extensions.

Considerations

- For system phones, if a call is left on hold for longer than one minute, the extension at which the call is held generates a short Hold Reminder Tone. This tone sounds once every minute until the held call is retrieved, or until the caller hangs up.
- Only one party on an intercom call can put the call on hold. If both parties try to put the call on hold, the call is disconnected.
- If you are using the system behind a PBX or Centrex system, the PBX or Centrex system may include a call hold feature that lets you place a call on hold and place another call on the same line. For more information, see the documentation for your PBX or Centrex system. (When your Centrex or PBX documentation tells you to use a switchhook flash, use the **Recall** feature instead.)
- Hold acts differently on feature phones. When you press a Hold button on a feature phone, the call is held at the phone itself. This means other phones in the system cannot see that the call is on hold (it appears as a busy line). Also, callers on hold at a feature phone will not hear the system's music-on-hold

Using

System Phone

To put a call on hold, press [*Hold*].

The green light next to the line or [Intercom] button winks.

To retrieve a call that you put on hold:

1. Press the line or [*Intercom*] button next to the winking green light.
2. If the handset is in the cradle, lift it up or press [*Spkr*].
You are reconnected to the held call. The green light next to the line or intercom button changes to on steady.

To retrieve a call that a person at another extension put on hold, press the button next to the winking red light (or press [*Intercom*] [*⓪*] [*⓪*] and the two-digit line number).

Standard Phone

To put a call on hold, press the switchhook down once rapidly.

You hear intercom dial tone. The call is on hold. (Do not hang up the handset while the call is on hold. If you hang up the handset, the phone rings. Lifting the handset reconnects you to the held call.)

To retrieve a call that you put on hold:

1. Hang up.
The call "rings back."
2. Lift the handset.
You are reconnected to the held call.

To retrieve a call that a person at another extension put on hold:

1. Lift the handset.
2. At intercom dial tone, dial [*⓪*] [*⓪*] and the two-digit line number.

To answer a call when you are already on a call (you hear a call waiting tone—two beeps):

1. Press the switchhook.
The first call is put on hold and you are connected to the new call.
2. To return to the first call, press the switchhook again.
3. You can continue to press the switchhook to move between the two calls.

Hold Disconnect Time (#203)

Description

This System Programming procedure lets you change the hold disconnect time for an outside line. When a caller on hold hangs up, the local telephone company may send a special signal to the system to free the line. There are two possible signals: a long signal (450 milliseconds) used by most telephone companies, or a short signal (50 milliseconds) used by a few telephone companies. The length of the signal is called the hold disconnect time. If you put a call on hold and the caller hangs up, but the call does not disconnect within a minute after the caller hangs up, use this procedure to change the hold disconnect time.

Considerations

- If the telephone company does not send a signal, keep the hold disconnect time set to Long. The user must disconnect a held call manually by retrieving the call then hanging it up.
- Change the hold disconnect time only if abandoned calls on hold do not disconnect.

Valid Entries

- 1 = Long (450 msec.) ✓
- 2 = Short (50 msec.)

Programming

To change the hold disconnect time:

1. Press [*Feature*] [0] [0] [*System Program*] [*System Program*] [#] [2] [0] [3].
2. Enter the first line number. For example, to program line 1, press [0] [1].
3. To change the hold disconnect time, press [*Next Data*] until the appropriate value displays.
4. To program the next line, press [*Next Item*] or [*Prev Item*] until the line number shows on the display. Then repeat Step 3.
5. Repeat Step 4 for each line in the system.
6. Select another procedure or exit programming mode.

Hotline (#603)

Description

This System Programming procedure identifies an internal hotline extension and its alert extension. When a user lifts the handset of the hotline phone, the alert extension rings. You can set up several hotline and alert extension pairs. The alert extension can be the same or different for multiple hotline extensions.

We recommend using a standard phone as the hotline phone since this feature makes use only of the phone's intercom. The alert extension can be any type of phone; or it can be the loudspeaker paging system so the hotline phone can be used to make announcements over the loudspeaker.

Related Features

- To prevent outside calls from being made or received on the hotline phone, use **Line Assignment (#301)** to remove all outside lines.
- Set **Automatic Line Selection** for the hotline extension to intercom only.
- Remove hotline extensions from **Night Service Group Extensions (#504)**, **Calling Group Extensions (#502)**, and **Hunt Group Extensions (#505)**.
- Use **External Hotline (#311)** to identify an extension that automatically dials a programmed outside number when a user lifts the handset.

Considerations

- The same extension cannot be assigned as both a hotline and a doorphone. Assigning a doorphone extension as a hotline extension cancels the doorphone setting.
- Do not assign hotline phones to extension 10, 16, 22, or 28 (which are reserved as power failure extensions).
- The hotline phone can receive transferred calls (but the user at that extension should not pick up the handset until the phone rings).

Valid Entries

A hotline extension (11–15, 17–21, 23–27, 29–33)

An alert extension (10–33, or 70 for the loudspeaker paging system)

No hotline or alert extension assigned ✓

Example

A supermarket installs a hotline phone at its meat counter. When a customer uses the hotline phone, the butcher's phone rings. Alternatively, if the loudspeaker paging system is programmed as the alert extension, a sales clerk could request a "price check" over the loudspeaker simply by lifting the handset of the hotline phone.

Programming

To identify a hotline extension and its alert extension:

1. Press [*Feature*] [0] [0] [*System Program*] [*System Program*] [#] [6] [0] [3].
2. At the `Extension:` prompt, enter the hotline extension number—see “Valid Entries” on the previous page. For example, to program extension 33 as the hotline, press [3] [3].
3. At the `Data --` prompt, enter the alert extension number—see “Valid Entries” on the previous page. For example, to program extension 32 as the alert extension, press [3] [2]. A display similar to the following appears:

```
Internal Hotline Ext 33
Data 32
```

4. At this point:
 - To change the hotline and alert extension numbers you just entered, repeat Steps 2 and 3.
 - To delete the existing hotline and alert extension numbers, press [*Remove*].
 - To identify another hotline and alert extension pair, press [*Next Item*] or [*Prev Item*] until the new hotline extension number shows on the display. Then repeat Step 3.
5. Select another procedure or exit programming mode.

Using

To use the hotline phone:

1. Lift the handset of the hotline phone.
The designated alert extension rings.
2. When the call is answered, speak into the handset.

Hunt Group Extensions (#505)

Description

This System Programming procedure lets you assign any number of extensions to a Hunt Group. The system supports up to seven Hunt Groups; however, Hunt Group 7 is used exclusively for the voice messaging system.

Related Features for Hunt Groups 1-6

- For instructions on ringing or paging extensions in a Hunt Group or transferring calls to a Hunt Group, see **Group Hunting**.
- If a ringing call to the Hunt Group is not answered within three rings, the call moves to the next available extension in the Hunt Group. If users in the Hunt Group leave their desks, they should turn on **Do Not Disturb** at their extensions so calls hunt immediately to the next available extension.
- For instructions on making outside calls ring directly in a Hunt Group, see **Group Call Distribution (#206)**.
- Hunt Group calls are not eligible for **VMS Cover**.

Related Features for Hunt Group 7

- This Hunt Group applies only to the voice messaging system. For more information, see **VMS Cover Rings (#117)**, **Group Call Distribution (#206)**, **Line Coverage Extension (#208)**, **Automatic VMS Cover (#310)**, **VMS Hunt Delay (#506)**, **VMS Hunt Schedule (#507)**, **Voice Mailbox Transfer**, and **VMS Cover**.
- After you assign the extensions associated with the voice messaging system hardware to Hunt Group 7, you should set the **Transfer Return Extension (#306)** for those extensions to extension 10 (or another extension with a person who can assist the caller).

Considerations for Hunt Groups 1-6

- Any number of extensions can be assigned to each Hunt Group. In addition, extensions can be in more than one Hunt Group.
- You can include multiple fax machines or answering machines in a Hunt Group.
- If you have a PARTNER MAIL system and multiple fax machines, you can assign the fax machines to a Hunt Group. Then you can program the PARTNER MAIL system so that when an automatic fax call comes in on a line covered by the PARTNER MAIL's Automated Attendant Service, the PARTNER MAIL system recognizes that it is a fax call and automatically transfers it to the first available fax machine in the group.

Considerations for Hunt Group 7

This Hunt Group is used exclusively for the extensions associated with the voice messaging system hardware. Do not assign any other extensions to this group. A voice messaging system requires special hardware and set up procedures—refer to “Voice Messaging Systems” in Chapter 4 and to the documentation shipped with the voice messaging system for more information.

Valid Entries

- 1 = Assigned to group
- 2 = Not Assigned to group ✓

Programming

To assign extensions to a Hunt Group:

1. Press [*Feature*] [0] [0] [*System Program*] [*System Program*] [#] [5] [0] [5].
2. At the *Group:* prompt, enter a group number (1–7). For example, to select group 1, press [1]. A display similar to the following appears:

```
Hunt Group 1
Extension:
```
3. Enter the desired extension number. For example, to select extension 31, press [3] [1].
4. To assign or unassign the extension, press [*Next Data*] until the appropriate value displays.
5. At this point:
 - To assign or unassign another extension, press [*Next Item*] or [*Prev Item*] until the extension number shows on the display. Repeat Step 4.
 - To program another group, press [*Next Procedure*] [*Prev Procedure*], enter a new group number, and repeat Steps 3 and 4.
6. Select another procedure or exit programming mode.

Intercom Dial Tone (#309)

Description

This System Programming procedure determines the type of dial tone that the system provides at an extension. It may be necessary to change this setting to Machine (outside line) dial tone for an autodialing device, such as a fax or modem, that has trouble making calls. For example, if you have a modem that checks for outside line dial tone before dialing, use this procedure to change from Regular to Machine dial tone.

Considerations

Use this procedure *only* if an autodialing device has trouble making calls.

Valid Entries

- 1 = Regular dial tone ✓
- 2 = Machine (outside line) dial tone

Programming

To change the Intercom Dial Tone setting for an extension:

1. Press [*Feature*] [0] [0] [*System Program*] [*System Program*] [#] [3] [0] [2].
2. At the *Extension:* prompt, enter the number of the extension to be programmed. For example, to select extension 22, press [2] [2].
3. To change the Intercom Dial Tone setting, press [*Next Data*] until the appropriate value displays.
4. To program another extension, press [*Next Item*] or [*Prev Item*] until the extension number shows on the display. Then repeat Step 3.
5. Select another procedure or exit programming mode.

Joining Calls

Description

Joining is adding yourself to a call in progress, the same way you do on a home telephone by picking up an extension. (This is different from conferencing, in which the originator “pulls you into” the call.) Up to three system extensions can join a call on an outside line (for a total of one outside and four inside parties).

Related Features

- You can use **Automatic Extension Privacy (#304)** to prevent other extensions from joining calls on a specific extension. This is especially useful for answering machines, fax machines, modems, and credit card scanners, because trying to join one of these devices could interfere with its operation.
- Users can program **Privacy** onto a system phone button to allow or prevent others from joining their calls as needed.
- If a line is not assigned to a user's extension and access to that line is not restricted for that extension, the user can use **Direct Line Pickup—Active Line** to join a call on that line.

Considerations

- You cannot join an intercom call or a conference call at another extension.
- You cannot join a call on an extension that has a voice interrupt on busy call in progress.
- You can join a call that is being answered by the voice messaging system, but only if Automatic Extension Privacy is Not Assigned for the extensions associated with the voice messaging system hardware. If this is the case, when you join the call, the voice messaging system disconnects automatically so you can speak to the caller.
- You cannot put a joined call on hold.
- You can tell when someone has joined a call of yours when the lights next to the line button change to alternately flashing red and green.
- If a system phone joins a call on a standard phone, there is a momentary “break” in the call on the standard phone.

How to Join a Call

System Phone

A steady red light next to a line button indicates a call is in progress at another extension.

To join a call:

- Press the line button next to the steady red light and lift the handset, or
- Lift the handset and press [*Intercom*] [*ⓧ*] [*ⓧ*] and the two-digit line number.
The red and green lights alternately flash. You are now joined with the call.

Standard Phone

1. Lift the handset.
You hear intercom dial tone.
2. Dial [*ⓧ*] [*ⓧ*] and the number of the line on which the call is being conducted.

Last Number Redial (F05)

Description

This feature redials the last outside number dialed (maximum 28 digits). It is useful for *immediately* redialing a busy number.

Related Features

- You can use **Save Number Redial** to temporarily save the last number dialed. The difference between Last Number Redial and Save Number Redial is that Save Number Redial allows you to make other outside calls before redialing the saved number.
- **System Speed Dial Numbers** cannot be redialed with this feature.

Considerations

- This feature redials all digits dialed on the last outside call except account codes.
- You can program a Last Number Redial button on a system phone to redial a number with one touch.

Programming

To program a Last Number Redial button:

1. Press [*Feature*] [0] [0] [*System Program*] [*System Program*] [*Central Tel Program*].
2. Enter the number of the extension to be programmed with this feature.
3. Press a programmable button.
4. Press [*Feature*] [0] [5].
5. Program another button for this extension or exit programming mode.

Using

System Phone

To use Last Number Redial:

1. If you want, lift the handset.
2. Press the programmed button or press [*Feature*] [0] [5].
Digits are displayed on system display phones as they are dialed.

Standard Phone

To use Last Number Redial:

1. Lift the handset.
You hear intercom dial tone.
2. Press [#] [0] [5].

Line Access Restriction (#302)

Description

This System Programming procedure restricts an extension from receiving and/or making outside calls on a specific line. For example, you may want a secretary to answer calls on a manager's line, but not to make any outgoing calls on the line; in this case you can assign the manager's line to the secretary's extension and restrict it to In Only.

Related Features

- This procedure is the most extreme way to restrict dialing. For example, an extension with a line set to In Only or No Access cannot select the line to dial out — *even for numbers on the Emergency Phone Number List (#406)*. See "Dialing Restrictions and Permissions" in Chapter 2 for a summary of all dialing restrictions.
- To prevent an extension from using a line, restrict the line even if it is not assigned to the extension, so it cannot be accessed using **Direct Line Pickup**. If an extension's access to a line is set to No Access or In Only, the extension cannot place calls on that line, either by pressing the line button or by using Direct Line Pickup—Idle Line. Likewise, if the extension's access to a line is set to No Access or Out Only, the extension cannot receive calls on that line that are ringing at other extensions, either by pressing the line button or by using Direct Line Pickup—Active Line.
- When a user has access to an outside line for outgoing calls, dialing restrictions can be customized for the user's extension by using **Outgoing Call Restriction (#401)** and **Disallowed Phone Number Lists (#404)**.

Considerations

If a line is assigned to a phone, but is restricted to No Access, the line button lights show calling activity; but the line cannot be used to place or receive calls.

Valid Entries

- 1 = No Restriction (calls permitted on that line) ✓
- 2 = Out Only (can only make outside calls, not receive them, on that line)
- 3 = In Only (can only receive calls, not make them, on that line)
- 4 = No Access (cannot receive or make calls, but can join calls, receive transferred calls, or pick up calls on hold on that line)

Programming

To restrict an extension from making calls on a specific line:

1. Press [*Feature*] [0] [0] [*System Program*] [*System Program*] [#] [3] [0] [2].
2. At the **Extension:** prompt, enter the extension number to be programmed.
For example, to program extension 23, press [2] [3].
3. At the **Line:** prompt, enter the line number to be restricted at this extension.
For example, to restrict line 2, press [0] [2].
The current restriction displays.
4. To change the line restriction for this extension, press [*Next Data*] until the appropriate value displays—see “Valid Entries” on the previous page.
5. At this point:
 - To restrict another line at this extension, press [*Next Item*] or [*Prev Item*] until the line number shows on the display. Repeat Step 4.
 - To restrict another extension, press [*Next Procedure*] [*Prev Procedure*] and begin at Step 2.
6. Select another procedure or exit programming mode.

Line Assignment (#301)

Description

This System Programming procedure assigns the outside lines that are available at an extension. The default order of line assignment to the buttons on a system phone is from left to right, starting in the bottom left corner (see Figure 5-1 on the next page). To put the lines in a different order, first use this procedure to remove all assigned lines; then assign lines in the desired order.

Related Features

- **Number of Lines (#104)** can be used only during initial system setup to assign a subset of lines to all extensions. You can use Line Assignment to assign additional lines to specific extensions. For example, if five lines were assigned to all extensions using Number of Lines (#104) and there are eight lines in the system, use Line Assignment (#301) to assign lines 6, 7, and 8 to specific extensions.
- After you finish Line Assignment, you can use **Line Ringing** to identify when each outside line assigned to an extension should start ringing. If you add a line to the system, its factory setting is Immediate Ring.
- You can use **Automatic Line Selection** to determine the order in which the system selects a line for an extension when the user at that extension lifts the handset or turn on the speaker to make a call. If you add a line to the system, it becomes the last line in the selection sequence.
- Remove all outside lines from **Hotline (#603)** and **Doorphone (#604/#605)** extensions to prevent calls from being made or received on them.
- If you want to prevent a user at an extension from accessing a line, make sure you restrict the line for that extension using **Line Access Restriction (#302)** even if the line is not assigned to that extension, so it cannot be accessed using **Direct Line Pickup**.
- The user must have access to an outside line in order to dial numbers on the **Emergency Phone Number List (#406)**.

Considerations

- A line must be assigned to a button with lights. If a line is assigned to a button *without* lights, you cannot access that line, nor can you program anything else on the button.
- You can assign multiple lines (up to 12) to a standard phone, but a single-line phone can handle only one call at a time. To make a call, a user lifts the handset and dials 9 at the intercom dial tone; the system selects the first available line based on the Automatic Line Selection programmed for the extension. (Alternatively, the user can use Direct Line Pickup to access a specific line.)

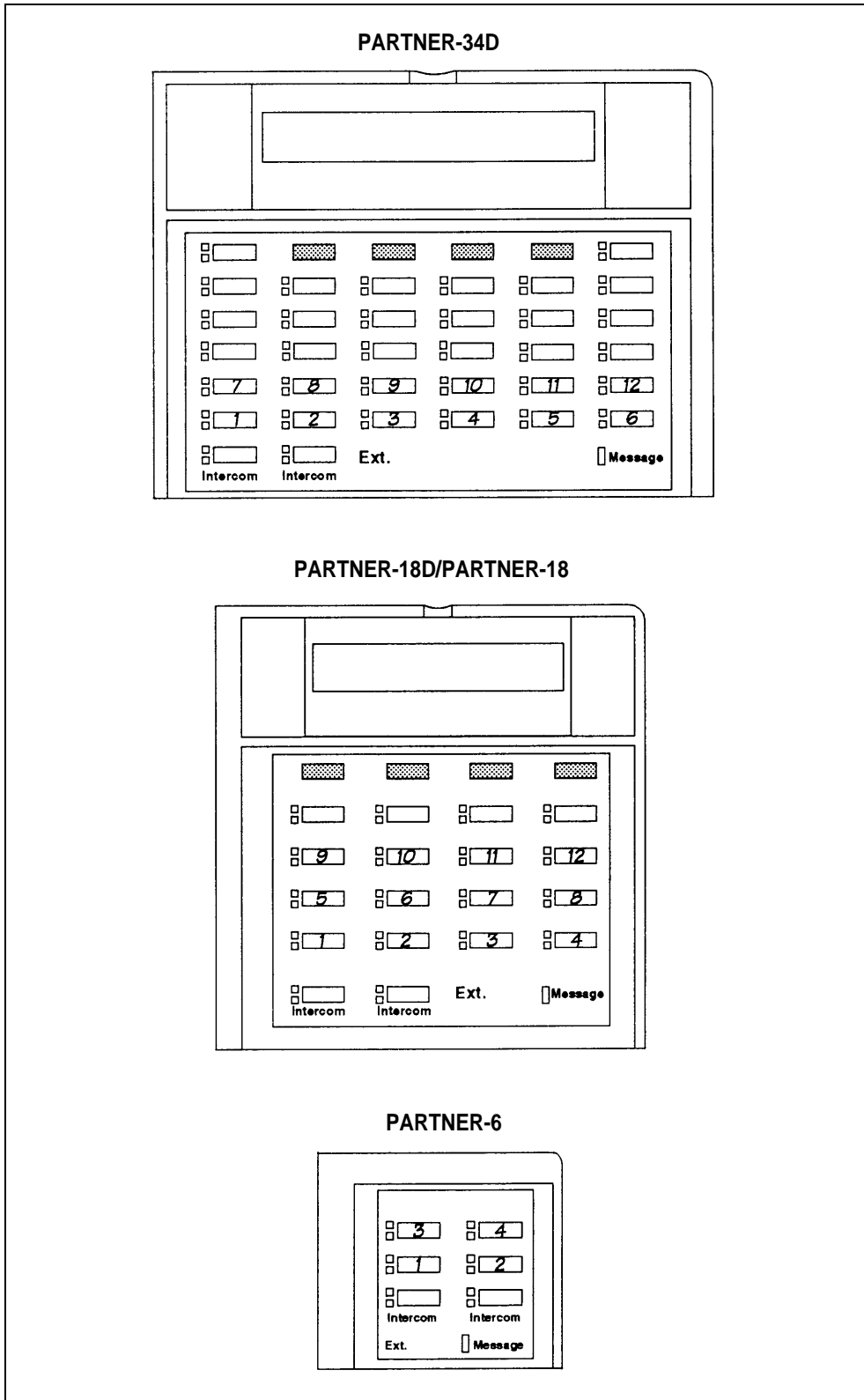


Figure 5-1. Default Line Assignments

Valid Entries

- 1 = Assigned ✓
- 2 = Not Assigned
- 3 = Select Button (then press a line button to assign the line to that button)

Programming

To assign lines to a specific extension:

1. Press [*Feature*] [0] [0] [*System Program*] [*System Program*] [#] [3] [0] [1].
2. Enter the extension number to be programmed (10–33). For example, to program extension 15, press [1] [5].
The red light next to each button that has a line assigned is on steady. To remove all existing line assignments, press [Remove] before selecting a line.
3. Enter the line number (01–12) to be assigned. For example, to select line 1, press [0] [1].
4. At this point:

- If you want to assign the line to the first available button with lights, press [*Next Data*] until the display reads:

```
Line Assignment 15 L01  
1 Assigned
```

- If you want to remove a line assignment, press [*Next Data*] until a display similar to the following appears:

```
Line Assignment 15 L01  
2 Not Assigned
```

- If you want to assign the line to a specific button, press [3]. A display similar to the following appears:

```
Line Assignment 15 L01  
3 Select a Button
```

Then press a button with lights to assign the line to that button. If you use option 3 after a line has been assigned, the line moves from the old button to the new button you select.

5. At this point:
 - To program another line for this extension, press [*Next Item*] or [*Prev Item*] until the line number shows on the display. Then repeat Step 4.
 - To program another extension, press [*Next Procedure*] [*Prev Procedure*] and begin at Step 2.
6. Select another procedure or exit programming mode.

Line Coverage Extension (#208)

Description

This feature applies only if you have a voice messaging system.

This System Programming procedure identifies an extension as the “owner” of a specific outside line, so the extension can activate VMS Cover for that line.

Related Features

- An extension’s “owned” line is eligible for coverage only if **Line Ringing** is set to Immediate Ring or Delayed Ring and **Line Access Restriction (#302)** is set to No Restriction or In Only.
- Use **VMS Cover** or **Automatic VMS Cover (#310)** to redirect the extension’s calls on owned lines to the voice messaging system.
- Use **VMS Cover Rings (#117)** to specify the number of times a call rings at the owner’s extension before it is sent to the voice messaging system.
- Users with **VMS Cover** turned on can **Send All Calls** immediately to their voice mailbox by activating **Do Not Disturb**.

Considerations

- Only one owner can be assigned to a specific line. However, multiple lines can be owned by the same extension.
- This feature provides an alternative method of routing outside calls to the voice messaging system for Call Answer Service.
- This feature has no effect on the CO Line Ownership procedure in PARTNER MAIL or PARTNER MAIL VS.

Valid Entries

Line number (01-12)
Extension number (10-33)
No lines owned by an extension ✓

Programming

To change the Line Coverage setting for an extension:

1. Press [*Feature*] [0] [0] [*System Program*] [*System Program*] [#] [2] [0] [8].
2. Enter the desired line number. For example, to program line 12, press [1] [2].
3. Enter the number of the extension to be assigned ownership of the line
4. At this point:
 - To delete the current setting, press [*Remove*].
 - To program another line, press [*Next Item*] or [*Prev Item*] until the line number shows on the display. Then repeat Step 3.
5. Select another procedure or exit programming mode.

Line Ringing

Description

This Telephone Programming procedure determines how each outside line assigned to an extension rings. A line can ring immediately, ring with a 20 second delay, or not ring at all. Delayed Ring is useful for backup coverage on shared lines, such as for secretaries who cover each other's lines. No Ring is useful for all extensions except 10 when a receptionist answers all calls, or for phones with no regular users, such as in conference rooms.

Related Features

To copy the Line Ringing settings (as well as other system settings) to other extensions, you can use **Copy Settings (#399)**.

Considerations

- Program this feature from extension 10 or 11 only, using Centralized Telephone Programming. Individual users cannot program this feature.
- System phone users see the light patterns for the lines assigned to their extensions even if Line Ringing is set to Delayed Ring or No Ring.
- If a line at an extension is set to No Ring, a user at that extension has to manually select the line to answer a call.

Valid Entries

Immediate Ring ✓
Delayed Ring
No Ring

Examples

- **Receptionist Call Routing.** If you want calls to be answered by the receptionist first, set the lines at the receptionist's extension to Immediate Ring and the lines at the users' extensions to No Ring.
- **Receptionist Backup.** If you want all calls on a line to ring directly at users' extensions—with the receptionist providing backup—set the line at the users' extensions to Immediate Ring. Then set the line on the receptionist's extension to Delayed Ring. An incoming call that is not answered by a user within 20 seconds also rings at the receptionist's extension.

Programming

To change the way outside lines ring at an extension:

1. Press [*Feature*] [0] [0] [*System Program*] [*System Program*] [*Central Tel Program*].
2. Enter the number of the extension to be programmed for Line Ringing.
The green lights next to the line buttons show the current Line Ringing settings for all lines assigned to the extension. (If a line is not assigned to a button, the green light next to that button is off.) The following ringing options can be shown by the green light next to the line button:
 - **Immediate Ring** — on steady
 - **Delayed Ring** — flashes slowly
 - **No Ring** — flutters quickly
3. To change Line Ringing on any line, press the line button until the button light shows the correct setting (the setting for the currently selected line also appears on the display).
4. Continue programming or exit programming mode.

Loudspeaker Paging (I70)

Description

This feature accesses the loudspeaker paging system, if you have one connected to the system through the PAGE jack on the processor module.

Related Features

- Users can make **Simultaneous Paging** announcements over the loudspeaker paging system *and* the system phones assigned to Calling Group 1. See **Calling Group Extensions (#502)** to program Calling Group 1.
- You can specify the loudspeaker paging system as a hotline alert extension so that the hotline phone can be used to make announcements over the loudspeaker. For more information, see **Hotline (#603)**.

Considerations

- You can program a Loudspeaker Paging button on a system phone to access the loudspeaker with one touch.
- If the loudspeaker paging system is in use, a user attempting to make an announcement hears a busy tone.

Programming

To program a Loudspeaker Paging button:

1. Press [*Feature*] [*0*] [*0*] [*System Program*] [*System Program*] [*Central Tel Program*].
2. Enter the number of the extension to be programmed with this feature.
3. Press a programmable button.
4. Press left [*Intercom*] [*Z*] [*0*].
5. Program another button for this extension or exit programming mode.

Using

System Phone

To make an announcement over the loudspeaker paging system:

1. Press the programmed button or [*Intercom*] [*Z*] [*0*], then lift the handset.
2. Speak into the handset. (To avoid feedback, do not use the speakerphone.)
Your voice is heard through the loudspeaker paging system.

If your paging system supports announcements to zoned areas, refer to the instructions packaged with the device to make zoned announcements.

Standard Phone

To make an announcement over the loudspeaker paging system:

1. Lift the handset.
You hear intercom dial tone.
2. Dial [z][d].
3. Speak into the handset.
Your voice is heard through the loudspeaker paging system.

For touch-tone phones only, if your loudspeaker paging system supports announcements to zoned areas, refer to the instructions packaged with the device to make zoned announcements.

Making Calls

Description

A user can make a call by dialing an outside phone number or an extension number. There are also several ways to *speed dial* a number—see “Related Features” below.

Related Features

- You can store an outside number, an intercom number, or a feature code on a button, so a user can dial the number with a single touch. For information about programming and using Auto Dial buttons, see **Auto Dialing**.
- You can program outside numbers for one extension or for the entire system, so a user can dial a number by pressing [*Feature*] (or [#] on a standard phone) plus a two- or three-digit code (80–99 for Personal Speed Dial numbers, 600–699 for System Speed Dial numbers,). For more information, see **Personal Speed Dial Numbers** and **System Speed Dial Numbers**.
- If a user lifts the handset before pressing a line button, the system automatically selects the first available outside line or the intercom. The order in which the system makes the selection is determined by the **Automatic Line Selection** for the extension.
- On either a system phone or a standard phone, users also can use **Direct Line Pickup—Idle Line** to access a line for making an outside call.
- Users can ring or page any of four Calling Groups. For more information, see **Group Calling—Ring/Page**.
- Users can ring any of the seven Hunt Groups or voice signal Hunt Groups 1–6. For more information, see **Group Hunting—Ring/Voice Signal**.
- If Station Lock is used at an extension, users cannot dial outside numbers except Marked **System Speed Dial Numbers** and numbers on the **Emergency Phone Number List (#406)**.
- If dialing restrictions are programmed for an extension, the system may prevent a user at that extension from placing certain calls. For example, a user may not be allowed to dial 900 numbers from the extension. (Or an extension may be programmed to take incoming calls only, so the user cannot dial out at all.) The following features provide dialing restrictions: **Disallowed Phone Number Lists (#404)**, **Line Access Restriction (#302)**, and **Outgoing Call Restriction (#401)**.
- The following features can be used to override dialing restrictions: **Allowed Phone Number Lists (#407)**, **Emergency Phone Number List (#406)**, Marked **System Speed Dial Numbers**, and **System Password (#403)**.
- Users with system phones can enter account codes to track incoming and outgoing calls. For more information, see **Account Code Entry**. You also can use **Forced Account Code Entry (#307)** to identify extensions that must enter account codes prior to dialing outside phone numbers (including those on the Emergency Phone Number List).

-
- Users can signal, then speak to, system phone users who are already active on a call to alert them of important business matters, provided **Voice Interrupt On Busy (#312)** is Assigned for the recipient.

Considerations

- The following instructions assume that system phones are set (using Automatic Line Selection) to automatically select outside lines first, and standard phones are set to select intercom first. This means that when a user with a system phone lifts the handset, the user hears outside dial tone (if an outside line is available); but when a user with a standard phone lifts the handset, the user hears intercom dial tone.
- If you are using an MDC 9000 or MDW 9000, make sure the handset is on before using the following instructions. Also, these phones have no speaker, so use the handset to make a call.

How to Make an Outside Call

System Phone

1. Lift the handset or press [*Spkr*].
The green light next to a line button is on steady and you hear outside dial tone.
2. Dial the phone number.
On a system display phone, the dialed number appears on the display.

If you are using a PBX or Centrex line, you also may need to use a dial-out code (usually 9) before you dial a number outside the system.

To make an outside call on a specific line:

1. Press the idle line button (red and green lights are both off) or dial [*Intercom*] [*&*] plus the two-digit line number.
2. If desired, lift the handset.
3. Dial the phone number.

To reserve a busy line so your phone beeps when the line becomes free—this is useful when you share a line, such as a WATS line, with other people:

1. Press the busy line button (red light is on steady) without lifting the handset or pressing [*Spkr*].
2. When the line is free and your phone beeps, lift the handset and dial the number. (If more than one person reserves a line, all their phones beep when the line is free. The first person to pick up the phone after the beep gets the line, and the other reservations are canceled.)

Standard Phone

1. Lift the handset.
You hear intercom dial tone.
2. Dial [*g*] to get an outside line.
You hear outside line dial tone.
3. Dial the phone number. (If you are using a PBX or Centrex line, you also may need to use a dial-out code (usually 9) before you dial a number outside the PBX or Centrex system.)

To make an outside call on a specific line:

1. Lift the handset.
You hear intercom dial tone
2. Dial [*g*] plus the two-digit line number.
3. Dial the phone number.

How to Make an Intercom Call

An intercom call, or inside call, is a call between two extensions without using an outside line. There are two ways you can signal the extension you are calling: by ringing or by voice.

System Phone

You can lift the handset or press [*Spkr*] before dialing, then:

1. Press an idle [*Intercom*] button (red and green lights are both off).
*You hear intercom dial tone, and the green light next to the [*Intercom*] button is on steady.*
2. To ring the extension, dial the two-digit extension number, or

To voice-signal a system phone at the extension, press [*⌘*] plus the two-digit extension number and listen for one of the following responses:

- If you hear *one beep*, you have reached an idle system phone. You can speak after the beep.
Your voice is heard through the other extension's speaker. If the recipient is present, he or she can reply.
- If you hear *two beeps*, you have reached a busy system phone with Voice Interrupt On Busy Assigned. You can speak after the beeps. Be aware that the third party to whom the recipient is speaking probably also will hear the two beeps and the faint sound of your voice. Be brief and discreet in your interruption.
If the recipient has a Voice Interrupt On Busy Talk-Back button, wait for a response.
- If you hear *ringing*, you have reached an idle standard, MDC 9000, or MDW 9000 phone, or a busy system phone with Voice Interrupt On Busy Not Assigned. Your call is not completed until someone answers.

Standard Phone

1. Lift the handset.
You hear intercom dial tone.
2. To ring the extension, dial the two-digit extension number, or
To voice-signal a system phone at the extension, press [**⌘**] plus the two-digit extension number and listen for one of the following responses:
 - If you hear *one beep*, you have reached an idle system phone. You can speak after the beep.
Your voice is heard through the other extension's speaker. If the recipient is present, he or she can reply.
 - If you hear *two beeps*, you have reached a busy system phone with Voice Interrupt On Busy Assigned. You can speak after the beeps. Be aware that the third party to whom the recipient is speaking probably also will hear the two beeps and the faint sound of your voice. Be brief and discreet in your interruption.
If the recipient has a Voice Interrupt On Busy Talk-Back button, wait for a response.
 - If you hear *ringing*, you have reached an idle standard, MDC 9000, or MDW 9000 phone, or a busy system phone with Voice Interrupt On Busy Not Assigned. Your call is not completed until someone answers.

Manual Signaling (F13XX or F13*XX)

Description

This feature applies only to PARTNER- and MLS-model phones.

This feature lets you program a button on your PARTNER- or MLS-model phone that you can use to signal a predetermined co-worker's extension. It typically is used by a receptionist to alert a user when the user is busy on another call. You can use a Manual Signaling button to beep, ring, or voice signal the user at the target extension.

Related Features

- **Voice Interrupt on Busy (#312)** is an alternative feature that lets a user signal, then speak to, a user who is *active* on a call.
- You can use the Manual Signaling button instead of dialing the two-digit extension number required for these features: **Call Forwarding/Call Follow-Me, Message Light On, Message Light Off, Station Lock, and Voice Mailbox Transfer.**
- To transfer a call to an extension for which you have a Manual Signaling button, press [*Transfr*] before pressing the Manual Signaling button. See **Transferring Calls.**

Considerations

- A PARTNER- or MLS-model phone is required at both extensions to use this feature.
- You must program the Manual Signaling feature code and the target extension number on a button. Use a button with lights if you want to view the status of the target extension, similar to an Auto Dial button.
- You can have only one button per extension—either on the system phone *or* on the Intercom Autodialer—for a target extension. The button can be programmed as a Manual Signaling button or as an Auto Dial button. The lights next to the button show calling activity—see “Lights” in Chapter 3 for more information.
- If you signal an extension that has an Auto Dial or Manual Signaling button programmed for your extension, the green light next to that button flutters to identify your extension as the signaling extension.
- You can signal the target extension while you are on an outside call. (This does not initiate a one-touch transfer.)
- A Manual Signaling button does not initiate an intercom call unless you lift the handset or press [*Spkr*] and press [*Intercom*] first.
- To respond to a signal, the target extension must place an intercom call to the person signaling.

Programming

To program a Manual Signaling button:

1. Press [*Feature*] [0] [0] [*System Program*] [*System Program*] [*Central Tel Program*].
2. Enter the number of the extension to be programmed with this feature.
3. Press a programmable button.
4. Press [*Feature*] [1] [3].
5. Dial the two-digit extension number of the target extension. For example, to identify extension 22 as the target extension, press [2] [2]. (Enter [*] before the extension number if you want to use the button for voice signaling.)
6. Program another button for this extension or exit programming mode.

Using

- To beep the target extension:
 1. While the handset is in the cradle, press the programmed button.
The extension beeps for as long as the button is pressed.
- To ring or voice signal the target extension:
 1. Lift the handset or press [*Spkr*].
 2. Press [*Intercom*].
 3. Press the programmed button.
- To transfer a call to the target extension:
 1. While active on the call, press [*Transfr*].
 2. Press the programmed button.

Message Light Off (F10X)

Description

This feature turns off the message light at a specified extension where XX is an extension number from 10–33).

Related Features

For instructions on turning on the message light, see **Message Light On**.

Considerations

- This feature turns off the message light on system phones and standard phones that have message lights. (See “Standard Telephones” in Chapter 1 for a list of standard phones with message lights.)
- For message waiting capability, standard phones with message waiting lights must be connected to an R3.1 or later 206 module and the system must be equipped with an R3.1 or later processor module.
- Do not use this feature for an extension that is covered by the voice messaging system. The voice messaging system automatically turns off the message light at a subscriber’s extension when messages in the mailbox have been deleted.

If a message light is inadvertently turned off at an extension that has a message in the mailbox, the message light is refreshed during the voice messaging system’s daily maintenance (3 a.m.).

- If you use the Message Light On feature to signal someone at a doorphone extension, you must use this feature to turn the light off.
- You can program a Message Light Off button on a system phone to turn the message light off at a specific extension with one touch.

Programming

To program a Message Light Off button:

1. Press [*Feature*] [0] [0] [*System Program*] [*System Program*] [*Central Tel Program*].
2. Enter the number of the extension to be programmed with this feature.
3. Press a programmable button.
4. Press [*Feature*] [1] [0].
5. Optionally, dial the two-digit extension number of your most common destination, or skip to Step 6 if you want only the feature code on the button.
6. Program another button for this extension or exit programming mode.

Using

System Phone

To turn off the message light:

1. Press the programmed button or press [*Feature*][1][0].
If you programmed the destination extension number on the button, the message light for the destination extension goes off. Skip Step 2.
2. If no extension number was programmed on the button, dial the extension number of the phone whose message light you want to turn off, or use an Auto Dial button or Manual Signaling button.

Standard Phone

To turn off the message light:

1. Lift the handset.
You hear intercom dial tone.
2. Press [#][1][0].
3. Dial the extension number of the phone whose message light you want to turn off.

Message Light On (F09XX)

Description

This feature turns on the message light at a specified extension (where XX is an extension number from 10–33).

Related Features

- For instructions on turning off the message light, see **Message Light Off**.
- You may be able to use this feature to signal someone at a doorphone extension. See **Doorphone Extension (#604 and #605)**.

Considerations

- This feature turns on the message light on system phones and standard phones that have message lights. (See “Standard Telephones” in Chapter 1 for a list of standard phones that have message lights.)
- For message waiting capability, standard phones with message waiting lights must be connected to an R3.1 or later 206 module and the system must be equipped with an R3.1 or later processor module.
- On a standard phone, the message light *flashes* (only when the phone is idle) to indicate that the extension has received a message.
- Do not use this feature for an extension that is covered by the voice messaging system. The voice messaging system automatically turns on the message light at a subscriber’s extension when a message is left in the mailbox.
- If you use this feature to signal someone at a doorphone extension, you must use Message Light Off to turn the light off.
- You can program a Message Light On button on a system phone to turn the message light on at a specific extension with one touch.

Programming

To program a Message Light On button:

1. Press [*Feature*] [*0*] [*0*] [*System Program*] [*System Program*] [*Central Tel Program*].
2. Enter the number of the extension to be programmed with this feature.
3. Press a programmable button.
4. Press [*Feature*] [*0*] [*0*].
5. Optionally, dial the two-digit extension number of your most common destination, or skip to Step 6 if you want only the feature code on the button.
6. Program another button for this extension or exit programming mode.

Using

System Phone

To turn on the message light:

1. Press the programmed button or press [*Feature*] [0] [0].
If you programmed the destination extension number on the button, the message light for the destination extension goes on. Skip Step 2.
2. If no extension number was programmed on the button, dial the extension number of the phone whose message light you want to turn on, or use an Auto Dial button or Manual Signaling button.

Standard Phone

To turn on the message light:

1. Lift the handset.
You hear intercom dial tone.
2. Press [#] [0] [0].
3. Dial the extension number of the phone whose message light you want to turn on.

Music On Hold (#602)

Description

This System Programming procedure activates or deactivates the MUSIC ON HOLD jack on the processor module. The jack must be active and an audio source must be connected to the jack in order to provide recorded music or messages to callers on hold.

Related Features

- If **Ring on Transfer (#119)** is Not Active and Music On Hold is Active, transferred callers hear music-on-hold until the call is answered.
- If Music on Hold is Active, users with system phones with speakers can play **Background Music** through their phones' speakers.
- If the receptionist at extension 10 uses the **Wake Up Service Button (#115)** to schedule wake up calls, the recipients hear music-on-hold when they answer their wake up calls.

Considerations

- If Music On Hold is Not Active or if no audio source is connected, callers on hold hear silence.
- The audio source must be connected to the control unit using an RCA phono plug. For more information, see the *PARTNER Plus Communications System Installation* guide.
- The volume of the audio source can be adjusted using the music-on-hold volume adjustment screw on the processor module. For more information, see the *PARTNER Plus Communications System Installation* guide.
- If the audio source develops trouble (such as a bad tape), you can quickly turn it off by changing the Music On Hold setting to Not Active until you are able to solve the problem.
- If you use Music On Hold to broadcast certain copyrighted music or material, including songs or other material from radio broadcasts, you may be required to obtain the permission of the copyright owner. One way to obtain permission is to contact ASCAP, BMI, and/or similar performing rights organizations, to obtain a license. AT&T disclaims any liability arising out of the failure to obtain such a license, if required.

For alternative (usually pre-licensed) sources of music to use with this feature, you may wish to contact Telephonetics International, Inc. at 1 800 446-5366. Or, you can purchase a Magic on Hold system from AT&T, which does not require you to obtain a license.

Valid Entries

- 1 = Active ✓
- 2 = Not Active

Programming

To change the setting of the MUSIC ON HOLD jack:

1. Press [*Feature*] [0] [0] [*System Program*] [*System Program*] [#] [6] [0] [2].
2. To activate or deactivate the MUSIC ON HOLD jack, press [*Next Data*] until the appropriate value displays.
3. Select another procedure or exit programming mode.

Night Service Button (#503)

Description

This System Programming procedure identifies a button on the system phone at extension 10 to be used to turn Night Service on and off. When Night Service is on, all lines assigned to the phones of the users in the Night Service Group ring immediately, regardless of their normal Line Ringing settings.

Night Service is useful if you want phones to ring after regular business hours. For example, although Shipping Department workers do not answer calls directly during the day, you want them to answer incoming calls after hours.

Related Features

- Night Service affects only the extensions identified using **Night Service Group Extensions (#504)**.
- If you program a **System Password (#403)**, the password must be entered when turning Night Service on or off. In addition, when Night Service is on, users in the Night Service Group can dial only numbers on the **Emergency Phone Number List (#406)** and Marked **System Speed Dial Numbers** without entering the System Password. Night Service with a System Password is useful for controlling unauthorized use of phones after hours.
- If you have a voice messaging system, **VMS Hunt Schedule (#507)** determines when outside calls should ring the VMS Hunt Group (always, day only, or night only). The status of the Night Service button at extension 10 tells the voice messaging system to operate in day or night mode.
- The Night Service button returns to the status (on/off) it was in immediately prior to the power failure or **System Reset (#728)** being used.

Considerations

- A Night Service button must be programmed on the system phone at extension 10.
- Night Service must be programmed on a button with lights. This feature does not work if it is programmed on a button without lights.
- A user in the Night Service Group can receive an after-hours outside call only if it comes in on a line that is assigned to that user's phone. Line assignments for extensions in the Night Service group can vary from one extension to another.
- Dialing restrictions for extensions not in the Night Service Group remain the same as during normal daytime operation.
- If you reassign the Night Service button, it is removed from the button where it was previously assigned.

Valid Entries

- 1 = Assigned to next available button at extension 10
- 2 = Not Assigned ✓
- 3 = Select Button (then press a programmable button to assign Night Service to that button)

Programming

To program a Night Service Button at extension 10:

1. Press [*Feature*] [0] [0] [*System Program*] [*System Program*] [#] [5] [0] [3].
2. At this point:

- If you want to assign Night Service to the first available button, press [*Next Data*] until a display similar to the following appears:

```
Night Service Button  
1 Assigned - Ext10
```

- If you want to remove the Night Service button assignment, press [*Next Data*] until a display similar to the following appears:

```
Night Service Button  
2 Not Assigned
```

- If you want to assign Night Service to a specific button, press [3]. A display similar to the following appears:

```
Night Service Button  
3 Select a Button
```

Then press a programmable button with lights to assign Night Service to that button.

3. Select another procedure or exit programming mode.
4. Label the Night Service button at extension 10.

Using

To turn Night Service on:

1. Press the Night Service button at extension 10.
 - If a System Password is programmed, the green light next to the button flashes; you must continue with Step 2.
 - If no System Password is programmed, the green light is on steady and Night Service is on.
2. Enter the password.

The green light is on steady. Night Service is on.

To turn Night Service off:

1. Press the Night Service button at extension 10.
 - If a System Password is programmed, the green light next to the button flashes; you must continue with Step 2.
 - If no System Password is programmed, the green light goes out and Night Service is off.
2. Enter the password.

The green light goes out. Night Service is off.

Night Service Group Extensions (#504)

Description

This System Programming procedure assigns extensions to the Night Service Group. When Night Service is on and a call comes in, all extensions in the Night Service Group ring immediately, regardless of normal Line Ringing settings.

Related Features

- You must use **Night Service Button (#503)** to program the button that is used to turn Night Service on and off.
- If you program a **System Password (#403)**, when Night Service is on, users in the Night Service Group can dial only numbers on the **Emergency Phone Number List (#406)** and Marked **System Speed Dial Numbers** without entering the System Password.
- If you have a voice messaging system, lines that are assigned to the user's phones in the Night Service Group are covered by the voice messaging system depending on the status of **VMS Hunt Delay (#506)** and **VMS Hunt Schedule (#507)**.

Considerations

- Do not include extensions connected to auxiliary equipment (PARTNER Attendants, voice messaging systems, internal or external hotline phones, or doorphones) in the Night Service Group.
- A user in the Night Service Group can receive an after-hours outside call only if it comes in on a line that is assigned to that user's phone. Line assignments for extensions in the Night Service group can vary from one extension to another.

Valid Entries

- 1 = Assigned to group
- 2 = Not Assigned to group ✓

Programming

To change a Night Service Group assignment:

1. Press [*Feature*] [*0*] [*0*] [*System Program*] [*System Program*] [#] [*5*] [*0*] [*4*].
2. Enter the number of the extension to be programmed. For example, to program extension 13, press [*1*] [*3*].
3. To assign or unassign the extension, press [*Next Data*] until the appropriate value displays.
4. To assign or unassign another extension, press [*Next Item*] or [*Prev Item*] until the extension number shows on the display. Repeat Step 3.
5. Select another procedure or exit programming mode.

Number of Lines (#104)

Description

This feature should be used only for initial system setup.

This System Programming procedure determines the number of outside lines that are automatically assigned to all system extensions. (This number does not have to match the actual number of lines connected at the control unit.)

Related Features

Do not use this procedure if you add lines to the system after initial setup, because it changes **Line Assignment (#301)**, **Line Access Restriction (#302)**, **Automatic Line Selection**, and **Line Ringing** for existing lines back to factory settings. To change line assignments without affecting other settings, use **Line Assignment (#301)**.

Considerations

- You can use this feature to tell the system how many lines are actually connected at the control unit. For example, if some line jacks do not have lines connected, use this procedure to indicate the number of jacks that actually have lines connected; otherwise the line numbers associated with empty jacks would be assigned to phones as though there were actually lines connected.
- You can use this procedure to limit the number of lines that are automatically assigned to all extensions. For example, if there are ten lines connected to the control unit, you can use this procedure to set the number of lines to eight, so that only the first eight lines are assigned to all system extensions. You can then use **Line Assignment (#301)** to assign lines 9 and 10 to specific extensions.

Valid Entries

2 lines per 206 or 200 module, plus 4 lines per 400 module ✓

Programming

To assign lines to the system at initial system setup:

1. Press [*Feature*] [0] [0] [*System Program*] [*System Program*] [#] [1] [0] [4].
2. Dial two digits for the number of outside lines in the system (01–12) that you want to assign to all extensions. For example, dialing [0] [6] means that all extensions are assigned lines 1 through 6.
3. Select another procedure or exit programming mode.

Outgoing Call Restriction (#401)

Description

This System Programming procedure identifies the types of outgoing calls that can be made on all lines at an extension. See “Dialing Restrictions and Permissions” in Chapter 2 for a summary of calling restrictions.

Related Features

- This restriction also applies to lines that a user has access to with **Direct Line Pickup—Idle Line**.
- To override this feature, users can dial Marked **System Speed Dial Numbers** and numbers from an **Allowed Phone Number List (#407)** and the **Emergency Phone Number List (#406)**. Also, if a **System Password (#403)** is defined, MLS-model system phone users can enter it to override restrictions.
- You can program a button on the system phone at extension 10 to be used to quickly change an extension’s Outgoing Call Restriction setting. See **Outgoing Call Restriction Button (#114)** for information.
- You can use **Line Access Restriction (#302)** to restrict extensions from making or receiving calls on specific lines and **Disallowed Phone Number Lists (#404)** to specify telephone numbers that users cannot dial.
- If you program an extension for **Forced Account Code Entry (#307)**, the user at that extension must enter an Account Code before accessing an outside line. (This feature is not available on standard phones.)

Considerations

- While procedures that restrict dialing are very effective, absolute protection against misuse cannot be guaranteed. System phones give you more protection against such misuse than standard phones. Therefore, we strongly recommend that you install system phones where restricting phone use is important.
- If the system is connected to a PBX or Centrex system and a dial-out code (usually 9) is needed to place calls outside the PBX or Centrex system, the control unit may not be able to prevent calls for extensions restricted to Local Only. If dialing restrictions are needed on Centrex lines, use Centrex restrictions instead.

Valid Entries

- 1 = No Restriction (can make toll, local, and intercom calls) ✓
- 2 = Inside (intercom) Only
- 3 = Local (intercom and local) Only

Programming

To identify the types of outgoing calls that can be made on all lines at an extension:

1. Press [*Feature*] [*0*] [*0*] [*System Program*] [*System Program*] [#] [*4*] [*0*] [*1*].
2. At the **Extension:** prompt, enter the number of the extension to be programmed. For example, to select extension 30, press [*3*] [*0*].
3. To change the type of call restriction, press [*Next Data*] until the appropriate value displays.
4. To program another extension, press [*Next Item*] or [*Prev Item*] until the extension number shows on the display. Repeat Step 3.
5. Select another procedure or exit programming mode.

Outgoing Call Restriction Button (#114)

Description

This System Programming procedure identifies a button on the system phone at extension 10 to be used to change the current Outgoing Call Restriction setting for an extension.

This button is useful for quickly changing an extension's restriction. For example, after a guest's departure, a hotel manager can change the Outgoing Call Restriction setting of the room phone from No Restriction to Inside Only so outside calls cannot be made from the phone after the guest checks out. Conversely, a receptionist can change the Outgoing Call Restriction setting of a conference room phone from Local Only (which prevents users from making long distance calls) to No Restriction so a client can dial long distance.

Related Features

- Rather than using an Outgoing Call Restriction button, you can use **Outgoing Call Restriction (#401)** to change an extension's Outgoing Call Restriction setting through System Programming if you prefer.
- You must use an Auto Dial button with lights to designate the extension you want to change after you press the Outgoing Call Restriction button. It is recommended that you use an Auto Dial button on the PARTNER-CA48 Intercom Autodialer. However, you can use an intercom Auto Dial button on the system phone at extension 10 provided the button has lights. For information about programming Auto Dial buttons, see **Auto Dialing**.

Considerations

- An Outgoing Call Restriction button must be programmed on the system phone at extension 10.
- Outgoing Call Restriction must be programmed on a button with lights. This feature does not work if it is programmed on a button *without* lights.
- The system considers extension 10 busy while you are using the Outgoing Call Restriction button, and the phone acts as if it is in System Programming mode. You cannot use other features or handle calls at extension 10 until you are through using the feature.
- You cannot use the Outgoing Call Restriction button to change an extension's setting while extension 11 is in System Programming mode.

Valid Entries

- 1 = Assigned to next available button at extension 10
- 2 = Not Assigned ✓
- 3 = Select button (then press a programmable button with lights to assign Outgoing Call Restriction to that button)

Programming

To program an Outgoing Call Restriction button at extension 10:

1. Press [*Feature*] [0] [0] [*System Program*] [*System Program*] [#] [1] [1] [4].
2. At this point:

- If you want to assign Outgoing Call Restriction to the first available button, press [*Next Data*] until a display similar to the following appears:

```
Outgoing CallRstr Button
1 Assigned - Ext10
```

- If you want to remove the Outgoing Call Restriction button assignment, press [*Next Data*] until a display similar to the following appears:

```
Outgoing CallRstr Button
2 Not Assigned
```

- If you want to assign Outgoing Call Restriction to a specific button, press [3]. A display similar to the following appears:

```
Outgoing CallRstr Button
3 Select a Button
```

Then press a programmable button with lights to assign Outgoing Call Restriction to that button.

3. Select another procedure or exit programming mode.
4. Label the Outgoing Call Restriction button at extension 10.

Using

To change an extension's Outgoing Call Restriction setting:

1. Press the Outgoing Call Restriction button at extension 10.
The green light next to the Outgoing Call Restriction button turns on and extension 10 appears busy to the system.
2. Press the Auto Dial button for the desired extension repeatedly until its lights show the correct setting as follows:
 - **No Restriction.** The green light next to the Auto Dial button is on steady.
 - **Inside Only.** The red light next to the Auto Dial button is on steady.
 - **Local Only.** The green light next to the Auto Dial button flashes.
3. Press the Outgoing Call Restriction button at extension 10 or lift the handset and replace it back in the cradle.
The green light next to the Outgoing Call Restriction button goes off and extension 10 resumes normal operation.

Outside Conference Denial (#109)

Description

This System Programming procedure determines whether users can include more than one outside party in a conference call.

Related Features

- For instructions on making conference calls, see **Conference Calls**.
- Use **Conference Drop** to drop the last outside party added to the conference.

Considerations

- This feature setting applies to all system users.
- A conference call connects up to five parties (including the conference originator). If outside conference is allowed, you can have up to two outside parties and up to three inside parties. If outside conference is disallowed, you can have one outside party and up to four inside parties.

Valid Entries

- 1 = Allow conference calls with up to two outside parties ✓
- 2 = Disallow conference calls with two outside parties

Programming

To allow or disallow conferences with two outside parties:

1. Press [*Feature*] [*0*] [*0*] [*System Program*] [*System Program*] [#] [*1*] [*0*] [*0*].
2. To allow or disallow two outside parties on a conference call, press [*Next Data*] until the appropriate value displays.
3. Select another procedure or exit programming mode.

Personal Speed Dial Numbers

Description

This Telephone Programming procedure lets you store up to 20 frequently-dialed numbers for each extension. Personal Speed Dial numbers can be dialed quickly by pressing [*Feature*] (or [#] at intercom dial tone on a standard phone) and the two-digit code from 80 through 99. The Personal Speed Dial numbers programmed for a particular extension are for use only at that extension.

Related Features

- Personal speed dialing, which lets users dial a number by pressing three buttons, is different from **Auto Dialing**, which lets users dial a number by pressing a single button.
- For instructions on entering special characters (such as Pause) in a number, see **Special Dialing Functions**.
- You can use **System Speed Dial Numbers** to create a list of up to 100 frequently dialed numbers available to all system users.
- You can store account codes as Personal Speed Dial numbers for use with the **Account Code Entry** feature.
- **External Hotline (#311)** uses Personal Speed Dial code 80 for the external hotline telephone number.

Considerations

- If the system is connected to a PBX or Centrex system and a dial-out code (usually 9) is needed to place calls outside the PBX or Centrex system, include the dial-out code in Speed Dial numbers that must dial out of the PBX or Centrex system.
- Personal Speed Dial codes cannot be programmed onto Auto Dial buttons.
- You can dial Personal Speed Dial numbers on a standard phone, but the numbers must be programmed from extension 10 or 11.

Valid Entries

Any phone number—up to 28 characters consisting of the digits 0–9, [*], [#], and special dialing functions that you can access by pressing [*Hold*] (Pause), [*Mic/HEA*] (Stop), [*Spkr*] (Recall), and [*Transfr*] (Touch-Tone Enable)—assigned to codes 80 through 99

No number assigned to any code ✓

Programming

To program Personal Speed Dial numbers:

1. Press [*Feature*] [0] [0] [*System Program*] [*System Program*] [*Central Tel Program*].
2. Dial the number of the extension to be programmed with this feature.
3. Select a two-digit code by pressing [*Feature*] and dialing two digits between 80 and 99. For example, to select code 81, press [*Feature*] [8] [1].

If a number is assigned already to the code, the number appears on the display. If no number is assigned to the code, the display reads:

Blank

4. Enter the phone number exactly as you would dial it.
5. At this point:
 - To program another Personal Speed Dial number, start from Step 3.
 - To program over an existing number, enter the new number after selecting the two-digit code.
 - To remove a Personal Speed Dial number, enter the number's two-digit code and press [*Mic/HEAI*] once.
6. Continue programming or exit programming mode.

Using

System Phone

You can lift the handset or press [*Spkr*] before dialing:

1. If you want to call on a specific line, press the line button (or press [*Intercom*] [8] and the two-digit line number).
2. Press [*Feature*].
3. Dial the two-digit Personal Speed Dial code (80–99).
If you did not specify an outside line, the system automatically selects one, turns on the speaker if the handset is in the cradle, and dials the number. The number being dialed shows on a display phone.

Standard Phone

You can dial Personal Speed Dial numbers on a standard phone, but the numbers must be programmed from extension 10 or 11. To dial a programmed Personal Speed Dial number:

1. Lift the handset.
You hear intercom dial tone.
2. Press [#].
3. Dial the two-digit Personal Speed Dial code (80–99).
The system automatically selects an outside line and dials the number.

Pickup Group Extensions (#501)

Description

This System Programming procedure lets you assign extensions to a Pickup Group. When a call rings at an extension in a Pickup Group, a user at any other extension in the system can answer the ringing call by dialing the Pickup Group code. The Pickup Group feature is useful when a user needs to answer calls on lines not assigned to his or her phone. The system supports up to four Pickup Groups.

Related Features

For instructions on answering calls in a Pickup Group, see **Group Pickup**.

Considerations

- An extension can be assigned to as many as four different Pickup Groups.
- Extensions where extra alerts (such as a loud bell) are installed can be assigned to a Pickup Group, to enable anyone who hears the alert to answer the call.

Valid Entries

- 1 = Assigned to group
- 2 = Not Assigned to group ✓

Programming

To assign extensions to a Pickup Group:

1. Press [*Feature*] [*0*] [*0*] [*System Program*] [*System Program*] [#] [*5*] [*0*] [*1*].
2. At the *Group:* prompt, enter a group number (1–4). For example, to select group 1, press [*1*]. A display similar to the following appears:

```
Pickup Group 1  
Extension:
```
3. Enter the number of the extension to be programmed. For example, to select extension 29, press [*2*] [*9*].
4. To assign or unassign the extension, press [*Next Data*] until the appropriate value displays.
5. At this point:
 - To assign or unassign another extension, press [*Next Item*] or [*Prev Item*] until the extension number shows on the display. Then repeat Step 4.
 - To program another group, press [*Next Procedure*] [*Prev Procedure*] and enter a new group number. Then repeat Steps 3 and 4.
6. Select another procedure or exit programming mode.

Privacy (F07)

Description

This feature is available only on system phones.

This feature lets system phone users press a programmed button to turn Privacy on and off, preventing or allowing other users to join calls at the user's extension as needed.

Related Procedures

- If **Automatic Extension Privacy (#304)** is Assigned for an extension, that extension normally is private. However, if a user sometimes needs to have co-workers join conversations, the user can program a Privacy button to turn Privacy on and off as needed. Once a Privacy button is programmed, the user *must* use the button to turn Privacy on and off even though Automatic Extension Privacy (#304) is Assigned.
- Privacy applies to active calls—any user can retrieve a held call unless the call is placed on hold with **Exclusive Hold**.

Considerations

- Privacy must be programmed on a button with lights. (Users cannot dial the Privacy code manually, or use a programmed button without lights, to activate this feature.) When Privacy is on, the button light at the extension is also on, indicating that others *cannot* join calls.
- Privacy can be turned on and off at any time, even during a call.

Programming

To program a Privacy button:

1. Press [*Feature*] [0] [0] [*System Program*] [*System Program*] [*Central Tel Program*].
2. Dial the number of the extension to be programmed with this feature.
3. Press a programmable button with lights.
4. Press [*Feature*] [0] [1].
5. Program another button for this extension or exit programming mode.

Using

From a system phone, press the programmed button to turn Privacy on; press it again to turn it off. *Use the button like a switch—when the light is on, Privacy is on.*

Recall (F03)

Description

This feature causes the system to send a timed switchhook flash over the telephone line to “recall” a new dial tone or to access a PBX, central office, or Centrex feature, such as Call Waiting.

Related Features

- If users have trouble with Recall, use **Recall Timer Duration (#107)** to adjust the length of the Recall signal. Your local phone company can tell you the correct setting—for most Centrex systems, the correct setting is 800 msec. (or 32).
- You can press [*Spkr*] to insert a Recall signal in an Auto Dial or Speed Dial number, provided it is the first character in the stored number. (For examples, see **Special Dialing Functions.**)

Considerations

- Using Recall on an intercom call disconnects the call.
- Whenever your PBX or Centrex documentation tells you to press the switchhook when you are on an outside call, use the Recall feature instead. If you are already on a call, most PBX or Centrex systems require that you press the switchhook to get a new dial tone, then dial a feature access code to access a specific PBX or Centrex service.
 - On a system phone, press a programmed button or press [*Feature*] [*0*] [*3*] to use Recall.
 - On a standard phone, first press and release the switchhook to get intercom dial tone, then send a Recall signal by pressing [#] [*0*] [*3*].
 - On a (standard) feature phone that has a Recall or Flash button, first press the Recall or Flash button to get intercom dial tone, then send a system Recall signal by pressing [#] [*0*] [*3*].
- You can program a Recall button on a system phone to send a Recall signal with one touch.

Programming

To program a Recall button:

1. Press [*Feature*] [*0*] [*0*] [*System Program*] [*System Program*] [*Central Tel Program*].
2. Enter the number of the extension to be programmed with this feature.
3. Press a programmable button.
4. Press [*Feature*] [*0*] [*3*].
5. Program another button for this extension or exit programming mode.

Using

To access a PBX, central office, or Centrex feature (such as Call Waiting) while active on an outside line:

System Phone

1. Press the programmed button or press [*Feature*] [0] [3].
2. Enter the access code for the feature (if required).
3. To return to your original call, press the programmed button or press [*Feature*] [0] [3] again.

Standard Phone

1. Press the switchhook (or press the Recall or Flash button on a feature phone that has one).
You hear intercom dial tone.
2. Press [#] [0] [3].
3. Enter the access code for the feature (if required)
4. To return to your original call, press the switchhook (or press the Recall or Flash button on a feature phone) again, then press [#] [0] [3] again.

Recall Timer Duration (#107)

Description

This System Programming procedure lets you change the length of the timed signal, or switchhook flash, generated by the system Recall feature (as well as by the Recall option used in Auto Dial and Speed Dial numbers). Recall sends this timed signal over the phone line to the local telephone company or PBX to which the system is connected. Typically you use the Recall feature to access a PBX, central office, or Centrex feature, such as Call Waiting. Your local phone company can tell you the correct setting—for most Centrex systems, the correct setting is 800 msec. (or 32).

Considerations

You should change the factory setting only under two conditions:

- If using the system Recall feature has no effect, lengthen the time.
- If the system is connected to a PBX or Centrex system and Recall drops calls, shorten the time.

Valid Entries

01 through 80 (25 to 2000 msec. in 25 msec. increments)
18 (450 msec.) ✓

Programming

To change the duration of the Recall Timer signal:

1. Press [*Feature*] [0] [0] [*System Program*] [*System Program*] [#] [1] [0] [Z]. A display similar to the following appears:

```
Recall Timer Duration
18 450-msec
```

2. Enter a different Recall Timer setting by pressing [*Next Data*] or [*Prev Data*]. For example, to increase the Recall Timer setting to 750 msec., press [*Prev Data*] until a display similar to the following appears:

```
Recall Timer Duration
30 750-msec
```

Alternatively, you can enter the setting number directly. For example, to set the Recall timer to 750 msec., press [3] [0].

3. Select another procedure or exit programming mode.
4. If you are using Recall to access PBX or Centrex features, test the new Recall Timer setting:
 - If a call is disconnected, shorten the time.
 - If the Recall signal has no effect, lengthen the time.

Ring on Transfer (#119)

Description

This System Programming procedure lets you specify what callers hear while they are being transferred. If Ring on Transfer is set to Active, callers hear ringing as they are being transferred; if it is set to Not Active, callers hear silence unless Music On Hold is activated and an audio source is connected to the system. If this is the case, callers hear music while the call is being transferred to the destination extension. Once there, callers hear ringing until the call is answered or it is sent to the voice messaging system.

Related Features

- If you have an audio source connected to the system, set **Music On Hold (#602)** to Active and Ring on Transfer to Not Active, so callers hear music as they are being transferred to the destination extension.
- This procedure has no effect on **Direct Extension Dial** or **Call Park**.

Valid Entries

- 1 = Active ✓
- 2 = Not Active

Programming

To change Ring on Transfer:

1. Press [*Feature*] [0] [0] [*System Program*] [*System Program*] [#] [1] [1] [0].
2. Press [*Next Data*] until the appropriate value displays.
3. Select another procedure or exit programming mode.

Rotary Dialing Timeout (#108)

Description

This System Programming procedure changes the length of the Rotary Dialing Timeout. You may need to change the length of the timeout if you have any rotary lines and you are having trouble calling out on standard touch-tone phones. For example, if users dial slowly and calls are not completed or are connected to wrong numbers, lengthen the timeout.

Related Features

Use this procedure only if the **Dial Mode (#201)** for at least one outside line in the system is set to rotary.

Considerations

Do not change this setting unless the system is experiencing problems.

Valid Entries

- 1 = 4 seconds
- 2 = 8 seconds ✓
- 3 = 12 seconds

Programming

To change the length of the Rotary Dialing Timeout:

1. Press [*Feature*] [0] [0] [*System Program*] [*System Program*] [#] [1] [0] [8].
2. Press [*Next Data*] until the appropriate value displays.
3. Select another procedure or exit programming mode.

Save Number Redial (F04)

Description

This feature is available only on system phones.

This feature saves into temporary memory the last outside number (up to 28 digits) dialed from an extension with a system phone. Users can use this feature to save a number before they hang up on a busy or unanswered call. Once saved, the number can be redialed at any time. The number stays in memory until a different one is saved.

Related Features

- Unlike **Last Number Redial**, this feature lets the user make other calls before redialing the saved number.
- **System Speed Dial Numbers** cannot be saved using this feature.

Considerations

- This feature redials all digits dialed on the outside call for which the feature was used, except account codes.
- You can program a Save Number Redial button on a system phone to access the feature with one touch. If you do, you can press the button to save the number and press the button later to redial the number.
- You can program this feature on more than one button to save more than one number.

Programming

To program a Save Number Redial button:

1. Press [*Feature*] [0] [0] [*System Program*] [*System Program*] [*Central Tel Program*].
2. Enter the number of the extension to be programmed with this feature.
3. Press a programmable button.
4. Press [*Feature*] [0] [4].
5. Program another button for this extension or exit programming mode.

Using

To save a number:

From a system phone, press the programmed button or press [*Feature*] [0] [4] after dialing the number, but before hanging up.

To redial a stored number:

Press the programmed button again or press [*Feature*] [0] [4] again.

Send All Calls

Description

You can use the VMS Cover or Do Not Disturb buttons to send intercom and transferred calls and outside calls on owned lines immediately to your voice mailbox.

Related Features

- Use **Line Coverage Extension (#208)** to identify an extension as the owner of a specific outside line.
- If **VMS Cover** is on and a call that is eligible for coverage begins to ring, you can turn on **Do Not Disturb** to send that call and any subsequent calls immediately to your voice mailbox. This allows callers to leave a message without having to wait for the number of rings specified with **VMS Cover Rings (#117)**.

Using

To send a call immediately to the voice messaging system:

- If VMS Cover is not turned on, while the call is ringing, press the VMS Cover button.
The ringing call is sent immediately to your voice mailbox; subsequent calls go to your voice mailbox after the specified number of VMS Cover Rings.
- If VMS Cover is already turned on, press the Do Not Disturb button.
All covered calls are sent immediately to the voice messaging system until you turn off Do Not Disturb.

Simultaneous Paging (I*70)

Description

This feature accesses the loudspeaker paging system, if you have one connected to the system through the PAGE jack on the primary processor module, and all of the idle systems phones with speakers assigned to Calling Group 1.

Related Features

- You must use **Calling Group Extensions (#502)** to identify the extensions in Calling Group 1.
- Use **Loudspeaker Paging** to make announcements only over the loudspeaker paging system.

Considerations

- You can program a Simultaneous Paging button on a system phone to access with one touch the loudspeaker paging system and idle system phones with speakers in Calling Group 1.
- If the loudspeaker paging system or Calling Group 1 is in use, a user attempting to make an announcement hears a busy tone.
- If someone answers a loudspeaker page from a system phone in Calling Group 1, the page becomes an intercom call.
- If some extensions in Calling Group 1 have standard, MDC 9000, or MDW 9000 phones, those extensions are not included in the simultaneous page.

Programming

To program a Simultaneous Paging button:

1. Press [*Feature*] [0] [0] [*System Program*] [*System Program*] [*Central Tel Program*].
2. Enter the number of the extension to be programmed with this feature.
3. Press a programmable button.
4. Press left [*Intercom*] [*] [Z] [0].
5. Program another button for this extension or exit programming mode.

Using

System Phone

To make an announcement over the loudspeaker paging system and the idle system phones with speakers in Calling Group 1:

1. Press the programmed button or [*Intercom*] [*ⓧ*] [*Z*] [*⓪*], then lift the handset.
2. Speak into the handset. (To avoid feedback, do not use the speakerphone.)
Your voice is heard through the loudspeaker paging system and the speakers of all idle system phones in Calling Group 1.

If your loudspeaker paging system supports announcements to zoned areas, refer to the instructions packaged with the device to make zoned announcements.

Standard Phone

To make an announcement over the loudspeaker paging system and the idle system phones with speakers in Calling Group 1:

1. Lift the handset.
You hear intercom dial tone.
2. Dial [*ⓧ*] [*Z*] [*⓪*].
3. Speak into the handset.
Your voice is heard through the loudspeaker paging system and the speakers of all idle system phones in Calling Group 1.

For touch-tone phones only, if your loudspeaker paging system supports announcements to zoned areas, refer to the instructions packaged with the device to make zoned announcements.

SMDR Output Format (#610)

Description

Call Reporting (often referred to as *Station Message Detail Recording* or *SMDR*) provides detailed tracking of telephone usage in a printed report. This System Programming procedure allows you to specify whether a maximum of 15 digits or 24 digits is printed for dialed numbers in the Number field on the call report. The longer field is useful for businesses, such as law offices and hotels, that need to record many digits for outgoing calls for billing purposes.

Before changing to 24 digits, check the documentation for your call accounting device to verify that 24 digit output is supported.

Related Features

- You can use **SMDR Record Type (#608)** to specify the type of calls to be included on call reports.
- When you change the output format, the length of the Number field is adjusted for the next call record that prints. To print a new header, use **SMDR Top of Page (#809)**.

Considerations

- This feature requires special hardware and/or software. For more information, see “Call Reporting Devices (SMDR)” in Chapter 4.
- If the output format is set to 15 digits and a “?” prints as the last digit of a dialed number on a call report (indicating that the digits dialed exceed the 15 digits the Number field can hold), you may want to change the output format to 24 digits.

Valid Entries

- 1 = 15 Digits ✓
- 2 = 24 Digits

Programming

To change the maximum number of digits for dialed numbers that can print on call reports:

1. Press [*Feature*] [*0*] [*0*] [*System Program*] [*System Program*] [#] [*6*] [*1*] [*0*].
2. Press [*Next Data*] until the appropriate value displays.
3. Select another procedure or exit programming mode.

SMDR Record Type (#608)

Description

Call Reporting (often referred to as *Station Message Detail Recording* or *SMDR*) provides detailed tracking of telephone usage in a printed report. This System Programming procedure allows you to specify whether all calls or outgoing calls only are to be included on call reports.

Related Features

- The date and time that appear on call reports are determined by **System Date (#101)** and **System Time (#103)**.
- The call report page header prints in the **Display Language (#303)** specified for extension 10.
- If **Account Code Entry** (optional or forced) is used to enter an account code for a call (for example, to charge calls to specific departments or projects), the account code prints on the call report. If there are entries in the **Forced Account Code List (#409)**, only valid account codes and any other entered digits up to 16 print on the call report.
- Marked **System Speed Dial Numbers** appear on the call report as *Fnnn*, where *nnn* is the Speed Dial code.
- You can use **SMDR Output Format (#610)** to identify whether a maximum of 15 or 24 digits is printed for dialed numbers on the call report.
- For instructions on notifying the system that the printer has been aligned to the top of a new page, see **SMDR Top Of Page (#609)**.

Considerations

This feature requires special hardware and/or software. For more information, see “Call Reporting Devices (SMDR)” in Chapter 4.

Valid Entries

- 1 = All Calls (outgoing and incoming) ✓
- 2 = Outgoing Only

Programming

To identify the type of calls to include for call reporting:

1. Press [*Feature*] [0] [0] [*System Program*] [*System Program*] [#] [6] [0] [8].
2. Press [*Next Data*] until the appropriate value displays.
3. Select another procedure or exit programming mode.

SMDR Top Of Page (#609)

Description

Call Reporting (often referred to as *Station Message Detail Recording* or *SMDR*) provides detailed tracking of telephone usage in a printed report. This System Programming procedure notifies the system that the printer has been aligned to the top of a new page. Use this feature after inserting paper, clearing a jam, or to print a new header after changing SMDR Output Format. When this feature is used, the system prints a new call report header.

Related Features

- You can use **SMDR Record Type (#608)** to specify the type of calls to be included on call reports.
- You can use **SMDR Output Format (#610)** to identify whether a maximum of 15 or 24 digits is printed for dialed numbers on the call report.
- You can use **Display Language (#303)** to specify the language in which the call report page header should print.

Considerations

- This feature requires special hardware and/or software. For more information, see “Call Reporting Devices (SMDR)” in Chapter 4.
- This procedure is skipped in the sequence of programming procedures when cycling. To use this procedure, enter the code directly.

Using

1. Make sure the paper in the printer is aligned at the top of a new page.
2. Press [*Feature*] [*0*] [*0*] [*System Program*] [*System Program*] [#] [*6*] [*0*] [*9*].
The system responds by printing the call report page header.
3. Select another procedure or exit programming mode.

Special Dialing Functions

Description

This feature lets you add special characters for System Speed Dial numbers, Personal Speed Dial numbers, and Auto Dial numbers, as follows:

Function	Button	Display	Description
Pause	[<i>Hold</i>]	P	Inserts a 1.5-second pause in the dialing sequence to wait for a response, such as a dial tone or computer voice message.
Recall	[<i>Spkr</i>]	R	Sends a timed switchhook flash needed to alert the system on the other end (such as a PBX or Centrex system), and to use some local telephone company custom calling features (such as Call Waiting). Use Recall only as the first entry in an Auto Dial or Speed Dial number.
Stop	[<i>Mic/HFAI</i>]	S	Stops the dialing sequence until the Auto Dial button or Speed Dial number is used again (for example, so the user can enter additional digits, such as a credit card number or password). To continue, press the Auto Dial button or [<i>Feature</i>] and the two- or three-digit Speed Dial code. (Stop cannot be programmed from an MDC 9000 or MDW 9000 phone, since it has no [<i>Mic/HFAI</i>] button.)
Touch-Tone Enable	[<i>Transfr</i>]	T	Sends touch tones over a rotary line, to electronic equipment such as answering machines and bank computers.

Considerations

Special characters cannot be used when dialing a number manually

Examples

- **Pause.** To call an answering machine at 555-0529, wait 4.5 seconds, then dial 321 to retrieve messages, enter [*3*] [*5*] [*5*] [*0*] [*5*] [*2*] [*9*] [*Hold*] [*Hold*] [*Hold*] [*3*] [*2*] [*1*].
- **Recall/Centrex Feature Button:** The following entry shows how to program an Auto Dial button with a Centrex feature that you use while on a call, for which the feature access code is *32. This example includes a Recall signal to send a switchhook flash to the Centrex system when you are already on a call. (You can store a Recall signal by pressing [*Spkr*], but only if it is the first character stored.) It also includes a 1.5-second pause (which you insert by pressing [*Hold*]) to allow time to get a new Centrex dial tone: [*Spkr*] [*Hold*] [***] [*3*] [*2*].

-
- **Stop:** Your local bank-by-phone service requires that you enter a password before the account number. To program a Personal Speed Dial number or an Auto Dial button to call the bank at 555-7898, include a stop for manually entering the password, and continue with the account number (679 88), enter [5] [5] [5] [Z] [8] [9] [8] [*Mic/HEAL*] [6] [Z] [9] [8] [8].
 - **Touch-Tone Enable:** Your system is connected to rotary lines but you want to call an answering machine at 555-3454 to retrieve messages. Since the machine requires touch tones, enter [5] [5] [5] [3] [4] [5] [4] [*Transfr*]. All digits pressed during the rest of the call are sent as touch tones.
 - **On/Off Centrex Feature Button.** To include both the activation and deactivation codes for a Centrex feature on the same button, press [*Mic/HEAL*] to include a stop between the two codes. For instance, if the code to activate a Centrex feature is *30 and the code to deactivate the feature is *31, store [*] [3] [0] [*Mic/HEAL*] [*] [3] [1] on the Auto Dial button.

The first time you press the Auto Dial button, only the number before the stop is dialed (to activate the feature). When you press the button again, the rest of the stored number is dialed (to deactivate the feature).
 - **Number Outside a PBX or Centrex System.** To store a number that dials out of a PBX or Centrex system, include a dial-out code in the Speed Dial number. This entry, to dial the number 201 555-4321, includes a dial-out code, a 1.5-second pause, and a toll call prefix of 1 for direct dialing (which may not be required for your dialing area): [9] [*Hold*] [1] [2] [0] [1] [5] [5] [5] [4] [3] [2] [1].

Station Lock (F21)

Description

This feature is available only on system and standard touch-tone phones.

This feature lets users enter a four-digit code on their telephone dialpad to “lock” their extension. Later, the user enters the identical code to unlock the extension. Station Lock helps to prevent unauthorized people from making outside calls from these extensions. You should recommend that users lock their extensions whenever they leave their desks for extended periods of time.

Related Features

- All outside numbers except Marked **System Speed Dial Numbers** and numbers on the **Emergency Phone Number List (#406)** are restricted from locked extensions.
- If a user forgets the code, use **Station Unlock** to unlock the extension.
- Do not lock **External Hotline** extensions.

Considerations

- You can program a Station Lock button on a system phone. A button with lights is recommended, so the user can quickly determine whether or not the extension is locked.
- Users can enter a different code each time they lock their extension.
- A user at a locked extension can make intercom calls and can receive intercom and outside calls.
- Station Lock returns to the status (on/off) it was in before a power failure occurred or **System Reset (#728)** was used.

Programming

To program a Station Lock button:

1. Press [*Feature*] [0] [0] [*System Program*] [*System Program*] [*Central Tel Program*].
2. Enter the number of the extension to be programmed with this feature.
3. Press a programmable button.
4. Press [*Feature*] [2] [1].
5. Program another button for this extension or exit programming mode.

Using

System Phone

You can lock an extension when the phone is idle or while active on an intercom or outside call using the handset or speakerphone.

1. Press the Station Lock button or press [*Feature*] [2] [1].
On a programmed button with lights, the green light flashes.
2. Enter a four-digit code using digits 0–9.
3. Re-enter the four-digit code.

If the code entered in Step 3 matches the code entered in Step 2, the extension is locked. On a button with lights, the green light changes to on steady. On a display phone, the display shows ****.

If the code entered in Step 3 does not match the code entered in Step 2, the extension remains unlocked. On a button with lights, the green light turns off. Repeat the locking procedure on the previous page.

To unlock a locked extension:

1. Press the Station Lock button or press [*Feature*] [2] [1].
On a programmed button with lights, the green light flashes.
2. Enter the four-digit code that you used to lock the extension.

If the code entered in Step 2 matches the code used to lock the extension, the extension is unlocked. On a button with lights, the green light turns off.

If the code entered in Step 2 does not match the code used to lock the extension, the extension remains locked. On a button with lights, the green light remains on steady. Repeat the unlocking procedure above.

Standard Phone

To lock a standard touch-tone phone:

1. Lift the handset.
You hear intercom dial tone.
2. Press [#] [2] [1].
You hear intercom dial tone again.
3. Enter a four-digit code using digits 0–9
You hear intercom dial tone again.
4. Re-enter the four-digit code.

If the code entered in Step 4 matches the code entered in Step 3, you hear silence. The extension is locked.

If the code entered in Step 4 does not match the code entered in Step 3, you hear fast busy tone and the extension remains unlocked. Repeat the locking procedure above.

To unlock a standard touch-tone phone:

1. Lift the handset.
You hear intercom dial tone.
2. Press [#] [2] [1].
You hear intercom dial tone again.
3. Enter the four-digit code that you used to lock the extension.
You hear intercom dial tone again.

If the code entered in Step 3 matches the code used to lock the extension, you hear silence and the extension is unlocked.

If the code entered in Step 3 does not match the code used to lock the extension, you hear fast busy tone and the extension remains locked. Repeat the unlocking procedure above.

Station Unlock (F22)

Description

This feature is available only at extension 10 or 11.

This feature lets you unlock a specific user's locked extension. Use this feature when a user forgets the code he or she used to lock the extension.

Related Features

Use **Station Lock** to lock an extension.

Considerations

It is recommended that you do not program this feature on a button.

Using

System Phone

From extension 10 or 11 only:

1. Press [*Feature*] [2] [2].
2. Dial the extension number or use an Auto Dial or Manual Signaling button for the extension that you want to unlock.
The extension is unlocked. If that extension used a Station Lock button with lights to activate the feature, the green light goes off.

Standard Phone

From extension 10 or 11 only:

1. Press [#] [2] [2].
2. Dial the number of the extension that you want to unlock.
The extension is unlocked.

System Date (#101)

Description

This System Programming procedure sets the month, day, and year. The system displays only the month and day on display phones when the phone is idle; the month, day, and year print on SMDR call reports.

Considerations

Include leading zeros for single-digit months or days.

Programming

To change the System Date:

1. Press [*Feature*] [0] [0] [*System Program*] [*System Program*] [#] [1] [0] [1].
2. Enter today's date in the form MMDDYY. For example, to enter April 26, 1996, press [0] [4] [2] [6] [9] [6]. A display similar to the following appears:

```
System Date  
Data 042697
```

3. Select another procedure or exit programming mode.

System Day (#102)

Description

This System Programming procedure sets the day of the week that appears on system display phones.

Valid Entries

- 1 = Sunday ✓
- 2 = Monday
- 3 = Tuesday
- 4 = Wednesday
- 5 = Thursday
- 6 = Friday
- 7 = Saturday

Programming

To change the System Day:

1. Press [*Feature*] [0] [0] [*System Program*] [*System Program*] [#] [1] [0] [2].
2. Change the day by entering a new setting number as listed in "Valid Entries" above. For example, to set the day to Tuesday, press [*Next Data*] until the display reads:

System Day
3 Tuesday
3. Select another procedure or exit programming mode.

System Password (#403)

Description

This feature is available only on PARTNER- and MLS-model phones.

This System Programming procedure defines a four-digit password that users can enter from PARTNER- and MLS-model phones to override dialing restrictions (if the extension has access to an outside line).

Related Features

- The password overrides all dialing restrictions except **Line Access Restriction (#302)**.
- Once a password is programmed, you must enter it to turn Night Service on and off. Additionally, if Night Service is on, users in the **Night Service Group** must enter the password to make any outgoing calls (except calls to numbers on the **Emergency Phone Number List (#406)** and **Marked System Speed Dial Numbers**). Dialing restrictions for extensions not in the Night Service Group remain the same as during normal daytime operation.

Programming

To program a System Password:

1. Press [*Feature*] [0] [0] [*System Program*] [*System Program*] [#] [4] [0] [3]. A display similar to the following appears:

```
Set System Password  
Data----
```
2. Enter a four-digit password or press [*Remove*] to delete the existing password.
3. Select another procedure or exit programming mode.

Using

1. **Before lifting the handset or turning on the speaker at a PARTNER- or MLS-model phone**, press [*Hold*].
2. Enter the password.
The System Password does not appear on display phones.
3. Press an outside line button (or press [*Intercom*] [8] and a two-digit line number) and lift the handset.
4. Dial the number.
The password is in effect until you hang up the phone.

System Reset—Programming Saved (#728)

Description

This System Programming procedure resets the system while retaining the currently programmed settings. Reset the system only when it fails to function correctly after a power failure or down period.

Related Features

After a power failure or system reset:

- **Night Service Button (#503)** and **Station Lock** return to the status (on or off) that they were in immediately prior to the power failure or system reset.
- The **VMS Cover button** and **Privacy** button return to the status (on or off) determined by the programmed setting of **Automatic VMS Cover (#310)** and **Automatic Extension Privacy (#304)**, respectively. For example, if Automatic Extension Privacy is Assigned and the Privacy button is on when a system reset occurs, the Privacy button will be on again after the system reset. However, if Automatic Extension Privacy is Not Assigned and the Privacy button is on when a system reset occurs, the Privacy button will be off after the system reset.
- All other active features at an extension are reset to the default settings. For example, if an extension has calls forwarded to another extension, resetting the system turns off **Call Forwarding** (if the feature is programmed on a button with lights, the reset also turns off the light for the Call Forwarding button).

Considerations

- Resetting the system disconnects all active calls.
- This procedure is skipped in the sequence of programming procedures when cycling. To use this procedure, enter the code directly.
- The system reset begins immediately and takes only a few seconds.
- You cannot interrupt the reset process or use any telephones in the system during the reset process.

Using

To reset the system:

Press [*Feature*] [0] [0] [*System Program*] [*System Program*] [#] [Z] [2] [&]. A display similar to the following appears:

```
Reset - Save All
```

When the reset is completed, the system is no longer in programming mode and the date and time appear on the display. If a power failure occurred, the time may not be correct; change it using **System Time (#103)** and activate other features as desired.

System Speed Dial Numbers

Description

This feature lets you program a list of up to 100 frequently-dialed numbers for the system. Anyone on the system can dial a System Speed Dial number by pressing [*Feature*] (or [#] at intercom dial tone on a standard phone) and the three-digit code from 600 through 699. You can *mark* System Speed Dial numbers to override dialing restrictions.

Related Features

- System Speed Dialing, which lets users dial a number by pressing four buttons, is different from **Auto Dialing**, which lets users dial a number by pressing a single button.
- For instructions on entering special characters (such as Pause) in a number, see **Special Dialing Functions**.
- Individuals can have up to 20 additional **Personal Speed Dial Numbers** for use on their own phones.
- You can store account codes as System Speed Dial numbers for use with the **Account Code Entry** feature.

Considerations

- To program System Speed Dial numbers that override dialing restrictions, *mark* them by entering a star [*] before the phone number. Note that Marked System Speed Dial Numbers appear on the SMDR call report as Fnnn, where *nnn* is the Speed Dial code. For more information on SMDR, see "Call Reports" in Chapter 4.
- System Speed Dial codes cannot be programmed on Auto Dial buttons.
- System Speed Dial numbers can be programmed only from extension 10 or 11, but can be used from any extension.
- Refer to a completed System Speed Dial form for the list of numbers to be programmed. After programming the numbers, distribute a copy of the completed form to users. See Appendix D for a blank form.
- If the system is connected to a PBX or Centrex system and a dial-out code (usually 9) is needed to place calls outside the PBX or Centrex system, include the dial-out code and one or more pauses (if available) in Speed Dial numbers that must dial out of the PBX or Centrex system.
- If you program 911 or other emergency numbers as Speed Dial numbers and want to place test calls, you should: 1) perform such activities in the off-peak hours, such as early morning or late evening and 2) remain on the line and briefly explain to the dispatcher the reason for the call before hanging up.
- You can use multiple Auto Dial buttons and Speed Dial numbers during the course of a single call. For example, you can use an Auto Dial button or Speed Dial number to dial the Account Code Entry feature code, and another Speed Dial number to dial the account code.

Valid Entries

Any phone number—up to 28 characters consisting of the digits 0–9, [*], [#] and special dialing functions that you can access by pressing [Hold] (Pause), [Mic/HFAI] (Stop), [Spkr] (Recall), and [Transfr] (Touch-Tone Enable)—assigned to codes 600 through 699

No number assigned to any code ✓

Programming

To program System Speed Dial numbers:

1. At extension 10 or 11, press [Feature] [0] [0]. A display similar to the following appears:

```
PROGRAM EXTENSION 10
```

2. Select a three-digit code by pressing [Feature] and dialing three digits between 600 and 699. For example, to select code 600, press [Feature] [6] [0] [0].

If a number is assigned already to the code, the number appears on the display. If no number is assigned to the code, the display reads:

```
Blank
```

3. Enter the number. For example, to program 555-4757, press [5] [5] [5] [4] [7] [5] [7]. The following display appears:

```
5554757
```

To mark the System Speed Dial number to override dialing restrictions, precede the number by a [*]. For example, to mark the number 555-1001, press [*] [5] [5] [5] [1] [0] [0] [1]. The following display appears:

```
*5551001
```

4. At this point:
 - To program another System Speed Dial number, start from Step 2.
 - To program over an existing number, enter the new number after selecting the three-digit code.
 - To remove a System Speed Dial number, enter the number's three-digit code and press [Mic/HFAI] once.
5. Press [Feature] [0] [0] to exit programming mode.

Using

System Phone

You can lift the handset or press [*Spkr*] before dialing:

1. If you want to call on a specific line, press the line button (or press [*Intercom*] [*8*] and the two-digit line number).
2. Press [*Feature*].
3. Dial the three-digit System Speed Dial code (600–699).
If you did not specify an outside line, the system automatically selects one, turns on the speaker if the handset is in the cradle, and dials the number. The number being dialed shows on a display phone unless it is a Marked System Speed Dial number.

Standard Phone

1. Lift the handset.
You hear intercom dial tone.
2. Press [*#*].
3. Dial the three-digit System Speed Dial code (600–699).
The system automatically selects an outside line and dials the number.

System Time (#103)

Description

This System Programming procedure sets the time that appears on system display phones.

Considerations

- Enter the time in 24-hour notation. In this scheme, the hours of the day are 0000 (12 midnight) to 2359 (11:59 p.m.). Since each time must have four digits, use leading zeros when necessary. For example, to set the time to 9:00 a.m., enter [0][9][0][0]. For 4:45 p.m., enter [1][6][4][5].
- The time appears on system display phones as a.m. or p.m. (not in 24-hour notation).

Programming

To change the System Time:

1. Press [*Feature*][0][0][*System Program*][*System Program*][#][1][0][3].
2. Enter a new time in 24-hour notation. For example, to set the time to 2:15 p.m., press [1][4][1][5]. A display similar to the following appears:

```
System Time  
Data 1415
```

This time appears on system display phones as 2:15 p.

3. Select another procedure or exit programming mode.

Toll Call Prefix (#402)

Description

This System Programming procedure indicates whether users must dial a 0 or 1 before the area code to make a long-distance call, or just the area code and number. This feature should be set to reflect the dialing patterns of your local telephone company.

Related Features

This procedure affects the operation of dialing restrictions and permissions. For more information, see **Allowed Phone Number Lists (#407)**, **Disallowed Phone Number Lists (#404)**, and **Emergency Phone Number List (#406)**.

Valid Entries

- 1 = 0 or 1 required before Area Code and Number ✓
- 2 = Area Code and Number Only

Programming

To change the Toll Call Prefix setting:

1. Press [*Feature*] [0] [0] [*System Program*] [*System Program*] [#] [4] [0] [2].
2. Press [*Next Data*] until the appropriate value displays.
3. Select another procedure or exit programming mode.

Touch-Tone Enable (F08)

Description

This feature is available only on system phones.

This feature lets a system phone user send touch-tone signals on an outside call over a rotary line. For example, a user may need to dial touch-tone digits while on a call to a bank-by-phone service.

Related Procedures

- You must use **Dial Mode (#201)** to identify rotary lines to the system.
- To activate this feature from within a number stored on an Auto Dial button or as part of a Speed Dial number, press [*Transfr*] when storing the number—see **Special Dialing Functions**.

Considerations

- This feature is needed only when dialing on a rotary line.
- Use Touch-Tone Enable only *after* a call is connected. For example, use this feature after dialing a bank-by-phone service that requires you to dial touch-tone digits.
- You can program a Touch-Tone Enable button on a system phone to turn on Touch-Tone Enable with one touch.

Programming

To program a Touch-Tone Enable button:

1. Press [*Feature*] [*0*] [*0*] [*System Program*] [*System Program*] [*Central Tel Program*].
2. Enter the number of the extension to be programmed with this feature.
3. Press a programmable button.
4. Press [*Feature*] [*0*] [*8*].
5. Program another button for this extension or exit programming mode.

Using

From a system phone, press the programmed button or press [*Feature*] [*0*] [*8*] when you need to enter touch-tone digits. Touch-Tone Enable stays in effect until you hang up.

Transferring Calls

Description

This section explains how to transfer calls using the [*Transfr*] button on a system phone or the switchhook on a standard phone. Transferring a call lets users “pass” a call from one extension to another. Users can transfer both outside calls and intercom calls to other extensions.

Related Features

- To transfer calls to an extension with a single touch, you can program the extension number on an Auto Dial button—see **Auto Dialing**.
- To transfer calls to an extension for which you have a **Manual Signaling** button, press [*Transfr*] before pressing the Manual Signaling button.
- While a call is being transferred, the caller hears ringing if **Ring on Transfer (#119)** is Active. If it is Not Active and **Music On Hold (#602)** is Active and an audio source is connected to the system, the caller hears music-on-hold while the call is being transferred to the destination extension. If Music On Hold is Not Active and **Ring on Transfer (#119)** is Not Active, the caller hears silence.
- The system is factory-set to return a transferred call, after it rings four times at the destination extension, to the extension that transferred it. You can use **Transfer Return Rings (#105)** to change the number of rings for all system extensions. You can use **Transfer Return Extension (#306)** to program a different extension to which unanswered calls from a particular extension should return.
- If you have a voice messaging system, you can use **Voice Mailbox Transfer** to transfer a caller directly to a subscriber’s voice mailbox.
- An extension programmed with **Call Waiting (#316)** cannot transfer either of two active calls.

Considerations

- When you press [*Transfr*], the call is put on hold and its associated green light winks.
- A transferred call appears on the destination extension’s intercom button unless the destination extension has a line button for the line on which the call was received.
- When a call you transferred is answered, the red light goes on next to the line button on which the call was received.
- If you transfer a call to an extension for which you have an Auto Dial button and the call is unanswered, the green light next to the Auto Dial button flutters when the call returns to your extension.
- Calls can be transferred to Calling Groups and Hunt Groups.

-
- When you transfer a call from a display phone, the number to which you are transferring the call briefly appears on the display. If a transferred call is unanswered, the number of the extension that is returning the transferred call also appears on display phones.
 - If you are using the system behind a PBX or Centrex system, the PBX or Centrex system may include a call transfer feature that lets you transfer a call to another Centrex extension, so that the line on which the call came in is free to place and receive other calls. However, to use Centrex transfer, you must be able to dial the extension directly using the Centrex extension number; if a Centrex line is shared by several extensions, you cannot use Centrex transfer to direct the call to a specific extension. For more information on such features, see the documentation for your PBX or Centrex system. (When your Centrex or PBX documentation tells you to use a switchhook flash, use the system **Recall** feature instead.)
 - On a system phone, a transferred call rings with an intercom ring (ring BEEP) until the originator hangs up, then it changes to a transfer ring (ring BEEP BEEP). On a standard phone, a transferred call rings with an intercom ring (ring ring) until the originator hangs up, then it changes to a transfer ring (ring ring ring).

How to Transfer a Call

System Phone

- To pass a call to another extension:
 1. While active on the call, press [*Transfr*].
The call is put on hold and you hear intercom dial tone. The green light next to the line button winks.
 2. Dial the extension number (or [*z*] [*z*] and a Hunt Group number or [*z*] and a Calling Group number) to which you want the call transferred.
 3. When someone answers, announce the call, then hang up.
If no one answers or the call is refused, press the line button next to the winking green light to reconnect to the caller.
- If you do not wish to announce the call, hang up as soon as you hear ringing (after Step 2 above). If no one answers, the call rings back at your extension (unless a different transfer return extension is programmed for your extension)—lift the handset and you are reconnected to the caller.

-
- To make a voice-signaled transfer to a system phone, in Step 2 of the procedure on the previous page press [**⌘**] plus the two-digit extension number, Then listen for one of the following responses:
 - If you hear *one beep*, you have reached an idle system phone. You can speak after the beep.
Your voice is heard through the other extension's speaker. If no one answers or the call is refused, press the line button next to the winking green light to reconnect to the caller. If the call is accepted, hang up.
 - If you hear *two beeps*, you have reached a busy system phone with Voice Interrupt On Busy Assigned. You can speak after the beeps.
Your voice is heard through the recipient's handset or speaker. Be aware that the third party to whom the recipient is speaking probably also will hear the two beeps and the faint sound of your voice. Be brief and discreet in your interruption. If the recipient has a Voice Interrupt On Busy Talk-Back button, wait for a response. If the call is accepted, hang up to complete the transfer. The call rings at the recipient's extension. If the call is refused, press the line button next to the winking green light to reconnect to the caller.
 - If you hear *ringing*, you have reached a standard phone, an idle MDC 9000 or MDW 9000 phone, or a busy system phone with Voice Interrupt On Busy Not Assigned.
When someone answers, announce the call, then hang up. If no one answers or the call is refused, press the line button next to the winking green light to reconnect to the caller.
 - To transfer a call with one button touch:
*While on a call, press the Auto Dial button programmed for the extension, or the Hunt Group or Calling Group button for the group, to which you want to transfer the call. (There is no need to press [*Transfr*] or [*Next Item*]; this takes the place of Steps 1 and 2 in the procedure on the previous page.) For an extension that has a system phone, you can program [**⌘**] plus the extension number on the Auto Dial button, so you can announce the calls when you transfer them.*

Standard Phone

- To pass a call to another extension:
 1. While on a call, press the switchhook down once rapidly.
You hear intercom dial tone.
 2. Dial the extension number (or [z] [z] and a Hunt Group number or [z] and a Calling Group number) to which you want the call transferred.
 3. When someone answers, announce the call, then hang up.
If no one answers or the call is refused, press the switchhook again to reconnect to the caller.
- If you do not wish to announce the call, hang up as soon as you hear ringing (after Step 2 above). If no one answers, the call rings back at your extension (unless a different transfer return extension is programmed for your extension—lift the handset and you are reconnected to the caller.
- To make a voice-signaled transfer to a system phone, in Step 2 above press [*] plus the two-digit extension number. Then listen for one of the following responses:
 - If you hear *one beep*, you have reached an idle system phone. You can speak after the beep.
Your voice is heard through the other extension's speaker. If no one answers or the call is refused, press the switchhook again to reconnect to the caller. If the call is accepted, hang up.
 - If you hear *two beeps*, you have reached a busy system phone with Voice interrupt On Busy Assigned. You can speak after the beeps.
Your voice is heard through the recipient's handset or speaker. Be aware that the third party to whom the recipient is speaking probably also will hear the two beeps and the faint sound of your voice. Be brief and discreet in your interruption. If the recipient has a Voice Interrupt On Busy Talk-Back button, wait for a response. If the call is accepted, hang up to complete the transfer. The call rings at the recipient's extension. If the call is refused, press the switchhook again to reconnect to the caller.
 - If you hear *ringing*, you have reached a standard phone, an idle MDC 9000 or MDW 9000 phone, or a busy system phone with Voice Interrupt On Busy Not Assigned.
When someone answers, announce the call, then hang up. If no one answers or the call is refused, press the switchhook again to reconnect to the caller.

Transfer Return Extension (#306)

Description

By default, transferred calls return to the originating extension if they are not answered. This System Programming procedure can be used to identify a different return extension for the extension that transfers a call.

Related Features

- You can use **Transfer Return Rings (#105)** to define the number of times all system extensions should ring with transferred calls before they return to their transfer return extensions.
- The transfer return extension for any extensions associated with PARTNER Attendant or voice messaging system hardware should be extension 10 (or another extension with a person who can assist the caller). **AA Extensions (#607)** is used to identify the extensions associated with PARTNER Attendant hardware and **Hunt Group Extensions (#505)** is used to identify the extensions associated with voice messaging system hardware.
- If an extension has **VMS Cover** active, unanswered calls to that extension are routed to the voice messaging system rather than to the transfer return extension.

Considerations

- An unanswered transferred call returns to the transfer return extension identified for the extension *transferring* the call, not the extension receiving the call.
- Do not designate an extension associated with PARTNER Attendant or voice messaging system hardware as the transfer return extension for any user extension.
- Transfer return calls do not receive voice mail coverage.

Valid Entries

Extension transferring call ✓
Any extension

Programming

To change the Transfer Return Extension for a specific extension:

1. Press [*Feature*] [*0*] [*0*] [*System_Program*] [*System_Program*] [#] [*2*] [*0*] [*6*].
2. Dial the number of the originating extension.
3. Dial the number of the extension to which the call should return if it is not answered.
4. To program another extension, press [*Next Item*] or [*Prev Item*] until the extension number shows on the display. Repeat Step 3.
5. Select another procedure or exit programming mode.

Transfer Return Rings (#105)

Description

This System Programming procedure, which applies to all system extensions, defines the number of times a transferred call rings before it goes to the transfer return extension.

Related Features

- By default, transferred calls return to the originating extension if they are not answered. You can use **Transfer Return Extension (#306)** to specify a different return extension for the extension that transfers a call.
- If you program **Hunt Group Extensions (#505)**, make sure this setting is four or more rings. This setting allows the call to continue hunting to other group extensions if it is not answered by the first group extension where it rings.
- If an extension has **VMS Cover** active, unanswered calls to that extension are routed to the voice messaging system rather than to the transfer return extension.

Considerations

- If you have a fax machine or an answering machine connected to the system, set Transfer Return Rings to a number greater than the number of rings at which these devices answer. Doing so prevents a call transferred to a fax or answering machine from returning before it is answered.
- The system does not start counting the number of rings for a transferred call (to determine when it goes to the transfer return extension if it is not answered) until the transfer originator hangs up.

Valid Entries

0–9 (0 rings = no return)
4 ✓

Programming

To change the number of times a transferred call rings before returning to the transfer return extension:

1. Press [*Feature*] [*0*] [*0*] [*System Program*] [*System Program*] [#] [*1*] [*0*] [*5*].
2. Enter a setting (0–9). For example, to set a Transfer Return of 5 rings, press [*Next Data*] until a display similar to the following appears:

Transfer Return
5 Rings
3. Select another procedure or exit programming mode.

VMS Cover (F15)

Description

This feature applies only if you have a voice messaging system. It is available only on system phones.

This feature lets system phone users press a programmed button to turn VMS Cover on and off, routing unanswered intercom and transferred calls for their extension to the Call Answer Service of the voice messaging system after the specified number of rings (factory setting is three rings).

Related Features

- If **Automatic VMS Cover (#310)** is Assigned to an extension, that extension normally is covered by the voice messaging system. For greater flexibility, the user can use this feature to program a VMS Cover button to turn coverage on and off as needed. Once a VMS Cover button is programmed, the user *must* use the button to turn VMS Cover on and off even though Automatic VMS Cover (#310) is Assigned.
- VMS Cover also applies to outside calls on lines assigned ownership with **Line Coverage Extension (#208)**.
- Use **VMS Cover Rings (#117)** to change the number of times intercom and transferred calls or outside calls on lines assigned ownership ring at extensions before they are sent to the voice messaging system.
- A user can turn on VMS Cover while a call is ringing to send that call immediately to his or her voice mailbox. See **Send All Calls**.
- Users with VMS Cover already turned on can activate **Do Not Disturb to Send All Calls** immediately to their voice mailbox.
- If an extension has VMS Cover and **Call Forwarding** active, calls ring at the call forwarding destination extension; they are not covered by the voice messaging system.

Considerations

- This feature must be programmed on a button with lights.
- This feature does not apply to forwarded calls, group calls, parked calls, transfer-return calls, Voice Interrupt on Busy calls, or voice-signaled calls.

Programming

To program a VMS Cover button:

1. Press [*Feature*] [0] [0] [*System Program*] [*System Program*] [*Central Tel Program*].
2. Enter the number of the extension to be programmed with this feature.
3. Press a programmable button with lights.
4. Press [*Feature*] [1] [5].
5. Program another button for this extension or exit programming mode.

Using

From a system phone, press the programmed button to turn VMS Cover on; press it again to turn it off. Use the button like a switch—when the light is on, VMS Cover is on and your unanswered intercom and transferred calls or outside calls on lines assigned ownership go to your voice mailbox after the specified number of VMS Cover Rings.

If you turn on VMS Cover while a call is ringing, the call is sent immediately to your voice mailbox.

If VMS Cover is already on and a call begins to ring, you can turn on Do Not Disturb to send that call and any subsequent calls immediately to your voice mailbox.

VMS Cover Rings (#117)

Description

This feature applies only if you have a voice messaging system.

This System Programming procedure, which applies to all system extensions programmed for VMS Cover, defines the number of times a call rings before it is sent to a user's voice mailbox.

Related Features

- VMS Cover also applies to lines that have been designated an owner with **Line Coverage Extension (#208)**.
- If an extension has **VMS Cover** or **Automatic VMS Cover (#310)** active, unanswered calls to that extension are routed to the voice messaging system after the specified number of VMS Cover Rings.

Valid Entries

1-9

3 ✓

Programming

To change the number of times calls ring before being sent to the voice messaging system:

1. Press [*Feature*] [*Q*] [*Q*] [*System Program*] [*System Program*] [#] [*1*] [*1*] [*Z*].
2. Enter a setting (1-9). For example, to set VMS Cover Rings to 4, press [*Next Data*] or [*Prev Data*] until a display similar to the following appears:

```
VMS Cover Rings
4 Rings
```

3. Select another procedure or exit programming mode.

VMS Hunt Delay (#506)

Description

This feature applies only if you have a voice messaging system.

This System Programming procedure determines when outside calls should be answered by the Automated Attendant Service of the voice messaging system. You can set the system for either immediate call handling (after the second ring) or delayed call handling (after the fourth ring). Delayed call handling gives the receptionist an opportunity to answer calls before they go to the Automated Attendant Service.

Related Features

- You must use **Group Call Distribution (#206)** to assign lines to Hunt Group 7.
- You must use **Hunt Group Extensions (#505)** to assign the extensions associated with the voice messaging system hardware to Hunt Group 7.

Valid Entries

- 1 = Immediate ✓
- 2 = Delayed

Programming

To change the VMS Hunt Delay setting for the voice messaging system's Automated Attendant service:

1. Press [*Feature*] [*0*] [*0*] [*System Program*] [*System Program*] [#] [*5*] [*0*] [*0*].
2. Press [*Next Data*] until the appropriate value displays.
3. Select another procedure or exit programming mode.

VMS Hunt Schedule (#507)

Description

This feature applies only if you have a voice messaging system.

This System Programming procedure determines whether the outside lines assigned to Hunt Group 7 hunt through the VMS Hunt Group all the time, only during Day operation (Night Service is off), or only during Night operation (Night Service is on). This feature affects only the Automated Attendant Service of the voice messaging system.

Related Features

- You must use **Group Call Distribution (#206)** to assign lines to Hunt Group 7.
- You must use **Hunt Group Extensions (#505)** to assign the extensions associated with the voice messaging system hardware to Hunt Group 7.
- If you set the VMS Hunt Schedule for Day Only or Night Only, you must use **Night Service Button (#503)** to program a Night Service button for extension 10.

Valid Entries

- 1 = Always ✓
- 2 = Day Only
- 3 = Night Only

Programming

To change the VMS Hunt Schedule setting for the voice messaging system's Automated Attendant Service:

1. Press [*Feature*] [0] [0] [*System Program*] [*System Program*] [#] [5] [0] [Z].
2. Press [*Next Data*] until the appropriate value displays.
3. Select another procedure or exit programming mode.

Voice Interrupt On Busy (#312)

Description

This feature is available only on system phones.

This System Programming procedure identifies extensions that can receive voice interrupt on busy calls. A voice interrupt on busy call is a special intercom call that lets a user (the originator) interrupt and speak to another user (the recipient) who is busy on an intercom or outside call with one other party. When voice interrupt on busy is initiated, the recipient hears two beeps before hearing the originator's voice. The originator and the recipient should be aware that the third party to whom the recipient is speaking probably will hear both the beeps and the faint sound of the originator's voice. This feature typically is used by the receptionist to alert the boss to an important incoming call or event when the boss is already on a call.

Related Features

- **Making Calls** and **Transferring Calls** provide more instructions for making and transferring voice interrupt on busy calls.
- The recipient can use a **Voice Interrupt on Busy Talk-Back** button to respond to the originator of the voice interrupt on busy call. The recipient's response will not be heard by the third party.
- Users cannot receive voice interrupt on busy calls if:
 - **Do Not Disturb** is active at their extension.
 - They are part of a joined call (**Joining Calls**).
 - They are part of a **Conference Call**.

Considerations

- The voice interrupt on busy tone (two beeps) is unique to distinguish it from a voice-signaled intercom call tone (one beep).
- If a voice interrupt on busy call is made to an *idle* extension, the originator and the recipient hear a voice-signaled intercom call tone (one beep) instead.
- If you receive a voice interrupt on busy call and press [*Hold*], the third party is put on hold and the originator hears two beeps that indicate you have ended the voice interrupt on busy call. At this point:
 - To talk to the originator, if the green light next to the [*Intercom*] button is flashing, press [*Intercom*]. (You cannot use the Voice Interrupt On Busy Talk-Back button once a voice interrupt on busy call has ended.)
 - To resume your conversation with the third party, press the line button next to the winking green light.
- Any party involved in a voice interrupt on busy call cannot be involved in a second voice interrupt on busy call until the first is finished.

Valid Entries

- 1 = Assigned
- 2 = Not Assigned ✓

Programming

To change the Voice Interrupt On Busy setting for an extension:

1. Press [*Feature*] [0] [0] [*System Program*] [*System Program*] [#] [3] [1] [2].
2. Enter the number of the extension to be programmed with this feature.
3. To assign or unassign Voice Interrupt On Busy, press [*Next Data*] until the appropriate value displays.
4. Select another procedure or exit programming mode.

Using

To initiate a voice interrupt on busy call:

1. From a system phone, press [*Intercom*].
2. Press [*] plus a two-digit extension number (or use an Auto Dial button).
3. Listen for one of the following responses:
 - If you hear *one beep*, you have reached an idle system phone. You can speak after the beep.
Your voice is heard through the other extension's speaker. If the recipient is present, he or she can reply.
 - If you hear *two beeps*, you have reached a busy system phone with Voice Interrupt On Busy Assigned. You can speak after the beeps. Be aware that the third party to whom the recipient is speaking probably also will hear the two beeps and the faint sound of your voice.
If the recipient has a Voice Interrupt On Busy Talk-Back button, wait for a response. If you hear a second set of beeps, the recipient has ended the voice interrupt on busy call. In either case, hang up to end your part of the voice interrupt on busy call.
 - If you hear *ringing*, you have reached a standard phone, an idle MDC 9000 or MDW 9000 phone, or a busy system phone with Voice Interrupt On Busy Not Assigned. Your call is not completed until someone answers.

Voice Interrupt On Busy Talk-Back (F18)

Description

This feature is available only on system phones.

This feature lets you program a button that is used to respond to a voice interrupt on busy call while the user is active on another call.

Related Procedures

You must use **Voice Interrupt On Busy (#312)** to identify extensions that can receive an intercom call while busy on another call.

Considerations

Voice Interrupt On Busy Talk-Back must be programmed on a button with lights. This feature will not work if it is programmed on a button without lights.

Programming

To program a Voice Interrupt On Busy Talk-Back button:

1. Press [*Feature*] [0] [0] [*System Program*] [*System Program*] [*Central Tel Program*].
2. Enter the number of the extension to be programmed with this feature.
3. Press a programmable button with lights.
4. Press [*Feature*] [1] [8].
5. Program another button for this extension or exit programming mode.

Using

To respond to a voice interrupt on busy call (you hear two beeps and the originator's voice—be aware that the third party to whom you are speaking probably also will hear the two beeps and the faint sound of the originator's voice):

1. Ask the party with whom you are speaking to hold, but *do not* put the call on hold.
2. Press the Voice Interrupt On Busy Talk-Back button.
The green light next to the Voice Interrupt On Busy Talk-Back button turns on. Voice Interrupt On Busy Talk-Back is activated.
3. Respond to the originator of the voice interrupt on busy call.
The third party with whom you were originally speaking does not hear your response, but you can hear that third party.
4. Press the Voice Interrupt On Busy Talk-Back button again (whether or not the originator has hung up) to resume the conversation with the third party.
The green light next to the Voice Interrupt On Busy Talk-Back button turns off. Voice Interrupt On Busy Talk-Back is deactivated. The originator hears two beeps if he or she did not hang up previously.

Voice Mailbox Transfer (F14)

Description

This feature applies only if you have a voice messaging system. It is available only on system phones.

This feature lets a system phone user transfer a caller directly to a specific extension's voice mail box, in order for the caller to leave a message without first ringing the extension. This feature is useful when a user knows that a co-worker is away from his or her desk.

Related Features

While a call is being transferred, the caller hears ringing if **Ring on Transfer (#119)** is Active. If it is Not Active and **Music On Hold (#602)** is Active and an audio source is connected to the system, the caller hears music-on-hold while the call is being transferred to the voice mailbox. If Music On Hold is Not Active and **Ring on Transfer (#119)** is Not Active, the caller hears silence.

Considerations

You can program a Voice Mailbox Transfer button on a system phone to transfer a caller directly to a voice mailbox by pressing the button then dialing the mailbox subscriber's extension number.

Programming

To program a Voice Mailbox Transfer button:

1. Press [*Feature*] [0] [0] [*System Program*] [*System Program*] [*Central Tel Program*].
2. Enter the number of the extension to be programmed with this feature.
3. Press a programmable button.
4. Press [*Feature*] [1] [4].
5. Program another button for this extension or exit programming mode.

Using

To transfer a caller to a specific subscriber's mailbox:

1. From a system phone, press the programmed button or press [*Feature*] [1] [4].
2. Dial the two-digit extension number (or press an Auto Dial button) of the mailbox subscriber for whom the caller wants to leave a message.
The caller is routed to the mailbox and hears the recorded greeting for that mailbox.
3. Hang up.

Wake Up Service Button (#115)

Description

This System Programming procedure identifies a button on the system phone at extension 10 to be used for scheduling wake up (or reminder) calls for system extensions. When a wake up call is scheduled, the system makes an intercom call to the target extension at the scheduled time. If the first call is not answered or the called extension is busy, the system makes a second attempt five minutes later.

Related Features

- Wake up time is based on **System Time (#103)**.
- If users answer a wake up call, they hear **Music On Hold (#602)** if it is Active. If Music On Hold is Not Active, users hear silence.
- Wake up calls ring at target extensions even if **Do Not Disturb** is active at the extension.
- Wake up calls to a target extension that has **Call Forwarding** active ring at the extension—the calls are not forwarded
- Wake up calls that are not answered do not go to voice mail coverage, even if **VMS Cover** is active at the target extension.

Considerations

- A Wake Up Service button must be programmed on the system display phone at extension 10.
- Wake Up Service must be programmed on a button with lights. This feature will not work if it is programmed on a button *without* lights.
- A scheduled wake up call occurs *once* in a 24-hour period. If you want to send a wake up call at the same time on the next day, you must reschedule the call.
- Wake up calls ring the target extension for approximately 30 seconds (or six rings).
- Wake up calls are not placed to extensions assigned as doorphones.

Valid Entries

- 1 = Assigned to next available button at extension 10
- 2 = Not Assigned ✓
- 3 = Select button (then press a programmable button to assign Wake Up Service to that button)

Programming

To program a Wake Up Service button at extension 10:

1. Press [*Feature*] [0] [0] [*System Program*] [*System Program*] [#] [1] [1] [5].
2. At this point:
 - If you want to assign Wake Up Service to the first available button, press [*Next Data*] until a display similar to the following appears:

```
Wake Up Service Button
1 Assigned - Ext10
```
 - If you want to remove the Wake Up Service button assignment, press [*Next Data*] until a display similar to the following appears:

```
Wake Up Service Button
2 Not Assigned
```
 - If you want to assign Wake Up Service to a specific button, press [3]. A display similar to the following appears:

```
Wake Up Service Button
3 Select a Button
```

Then press a programmable button with lights to assign Wake Up Service to that button.
3. Select another procedure or exit programming mode.
4. Label the Wake Up Service button at extension 10.

Using

To schedule a wake up call for a specific extension:

1. Press the Wake Up Service button at extension 10.
The green light next to the Wake Up Service button flutters. Wake Up Service is activated and the display reads:

```
Wake Up Call
```
2. Dial the two-digit extension number of the desired extension (or use an Auto Dial button). For example, to schedule a wake up call for extension 32, press [3] [2]. A display similar to the following appears:

```
Wake Up Call 32 --:--
```
3. Enter the wake-up time in 24-hour notation. For example, to set the time to 2:15 p.m., press [1] [4] [1] [5]. When you have finished entering the time, the display reads:

```
Wake Up Call 32 14:15
```

The wake up call is scheduled, and the green light next to the Wake Up Service button turns off.

To review a scheduled wake up time for a specific extension:

1. Press the Wake Up Service button at extension 10.
2. Dial the two-digit target extension number (or use an Auto Dial button).
3. Review the displayed wake up time and target extension number.
4. Press the Wake Up Service button to exit.
5. Repeat Steps 1 through 4 to review wake up times for other extensions.

To cancel a scheduled wake up call:

1. Press the Wake Up Service button at extension 10.
2. Dial the two-digit target extension number (or use an Auto Dial button).
3. Press [#].
4. Repeat Steps 1–3 to cancel a scheduled wake-up call for another extension.

Contents

When You Need Help	6-1
Power Failure Operation	6-1
Problems with System Phones	6-2
■ System Phone Does Not Ring	6-2
■ System Phone Does Not Work	6-3
■ Display Shows Only 16 Characters Per Line	6-4
■ Display Is Incorrect	6-4
■ Intercom Autodialer Does Not Work Properly	6-4
Problems with Standard Phones	6-5
■ Standard Phone Does Not Ring	6-5
■ Standard Phone Rings Back After Intercom Call with No One at Other End	6-6
■ Standard Phone's Message Waiting Light Does Not Light	6-6
Other Problems with Phones	6-7
■ Trouble Making Outside Calls	6-7
■ Calls are Answered Automatically	6-8
■ Trouble Hearing Called Party Answer	6-9
■ Using the Recall Feature Has No Effect	6-9
■ Using the Recall Feature Disconnects Call	6-9
Problems with Combination Extensions	6-10
■ Phone Does Not Work Properly	6-10
Problems with Standard Devices	6-11
■ Standard Device Does Not Answer	6-11
■ Standard Device Does Not Dial Out Properly	6-11

Contents

System Problems	6-11
■ Calls on Hold Are Disconnected	6-11
■ Call on Hold Hangs Up, but Line Does Not Disconnect	6-12
■ All Phones Dead: No Dial Tone or Lights	6-12
■ Multiple Phones Dead: No Dial Tone or Lights	6-13
■ Poor Transmission Quality on Modem	6-13
■ Other Problems with System	6-13

When You Need Help

If you have a problem with your system, you may be able to solve it by following the appropriate troubleshooting procedures described in this chapter. If not, you can call for help: **in the continental U.S., call the hotline at 1 800 628-2888; outside the continental U.S., call your AT&T Representative or local Authorized Dealer.**

If you call, have the following information ready so that the representatives can better help you:

- The kind of system you have (for example, PARTNER Plus, Release 4.1). To determine the release number, look at the processor module.
- The number of lines and extensions in your system
- The type of phone (system or standard) and the model number, if applicable. System phone model numbers are located either on the upper right-hand corner of the phone or on the dialpad overlay.
- If you followed a troubleshooting procedure and need more help, tell the representative what you did.

Power Failure Operation

When power to the system is cut off, the first line on each 206 module automatically connects to the first extension on the module. This allows you to make and answer calls during a power outage, provided you have a standard phone connected to any of these extensions. (During a power failure, standard phones can only make and receive calls—other system features are not available.)

The system can stay programmed for approximately four days after it stops receiving power. After four days elapse, all of the system's programmed settings return to the factory settings.

The following sections describe various difficulties that might occur, possible causes for the difficulty, and procedures you can follow to try to solve the problem. Programming procedure names are shown in **boldface** type; for more information on a specific procedure, refer to the procedure name in Chapter 5.

Problems with System Phones

System Phone Does Not Ring

Possible Cause 1: Ringer volume is set too low.

What to do: Press the volume control button while the phone is idle and the handset is in the cradle.

- If the phone rings increasingly louder, the problem is solved.
- If the phone still does not ring, go to Possible Cause 2.

Possible Cause 2: The Do Not Disturb or Call Forwarding feature is turned on.

What to do: Check to see if **Do Not Disturb** or **Call Forwarding** is turned on.

- If Do Not Disturb or Call Forwarding is turned on, turn it off.
- If Do Not Disturb or Call Forwarding is not turned on, go to Possible Cause 3.

Possible Cause 3: Line Ringing is programmed for No Ring or Delayed Ring.

What to do: Check the **Line Ringing** setting for the extension.

- If Line Ringing is set for No Ring or Delayed Ring, change the setting if appropriate.
- If Line Ringing is set for Immediate Ring and this phone is part of a combination extension, see "Problems with Combination Extensions: Phone Does Not Work Properly."
- If Line Ringing is set for Immediate Ring and the phone is on an extension by itself, go to Possible Cause 4.

Possible Cause 4: Phone is faulty.

What to do: Unplug the cord from the base of the problem phone. Then plug the cord into a phone that you know rings properly.

- If the replacement phone rings properly, the problem phone is defective. Call the hotline* to arrange for a replacement.
- If the replacement phone does not ring properly, call the hotline*.

* In the continental U.S., help is available at 1 800 628-2888. Outside the continental U.S., call your AT&T Representative or local Authorized Dealer.

System Phone Does Not Work

Possible Cause 1: Telephone cord is plugged into wrong jack on bottom of system phone.

What to do: Plug the modular telephone cord into the correct jack—see the *PARTNER Plus Communications System Installation* guide for instructions.

- If the phone works properly, the problem is solved.
- If the problem remains, go to Possible Cause 2.

Possible Cause 2: Phone needs to be reset.

What to do: Unplug the cord from the base of the problem phone. With the handset hung up, plug the cord in again.

- If the phone works properly, the problem is solved.
- If the problem remains, go to Possible Cause 3.

Possible Cause 3: The telephone is defective.

What to do: Unplug the cord from the base of the problem phone. Then plug the cord into a phone that you know works.

- If the replacement phone works, the problem phone is faulty. Call the hotline* to arrange for a replacement.
- If the replacement phone does not work, go to Possible Cause 4.

Possible Cause 4: The telephone cord is defective.

What to do: Unplug the cord from the base of the phone and the wall jack. Replace the cord with a cord that you know works.

- If the phone works, the cord is faulty. Call the hotline* to arrange for a replacement.
- If the phone does not work and it is part of a combination extension, see “Problems with Combination Extensions: Phone Does Not Work Properly,” Possible Cause 3.
- If the phone does not work and it is not part of a combination extension, call the hotline.*

* In the continental U.S., help is available at 1 800 628-2888. Outside the continental U.S., call your AT&T Representative or local Authorized Dealer.

Display Shows Only 16 Characters Per Line

Possible Cause: Processor module is not R 4.1.

What to do: Check the release number on the processor module.

- If the processor module release number is lower than 4.1, the display shows a maximum of 16 characters.
- If the processor module release number is 4.1, unplug the modular telephone cord from the phone then plug it in again. If the display is still incorrect, see "System Phone Does Not Work."

Display Is Incorrect

Possible Cause: Date, day, and time are not set properly.

What to do: Re-enter the date, day, and time using **System Date (#101)**, **System Day (#102)**, and **System Time (#103)**.

- If the display is correct, the problem is solved.
- If the display is still not correct, see "System Phone Does Not Work."

Intercom Autodialer Does Not Work Properly

Possible Cause 1: Telephone cord is plugged into wrong jack on bottom of Intercom Autodialer.

What to do: Plug the modular telephone cord into the correct jack—see the *PARTNER Plus Communications System Installation* guide for instructions.

- If the Intercom Autodialer works properly, the problem is solved.
- If the problem remains, go to Possible Cause 2.

Possible Cause 2: Intercom Autodialer is not receiving auxiliary power.

What to do: Make sure the Intercom Autodialer is plugged into an electrical outlet.

- If the Intercom Autodialer works properly, the problem is solved.
- If the problem remains, go to Possible Cause 3.

Possible Cause 3: The cord is defective.

What to do: Unplug the cord from the base of the Intercom Autodialer and the wall jack. Replace the cord with a cord that you know works.

- If the Intercom Autodialer works, the cord is faulty. Call the hotline* to arrange for a replacement.
- If the Intercom Autodialer does not work, call the hotline.*

* In the continental U.S., help is available at 1 800 628-2888. Outside the continental U.S., call your AT&T Representative or local Authorized Dealer.

Problems with Standard Phones

Standard Phone Does Not Ring

Possible Cause 1: Ringer is turned off.

What to do: Turn on the ringer

- If the phone rings, the problem is solved.
- If the phone still does not ring, go to Possible Cause 2.

Possible Cause 2: Call Forwarding is turned on.

What to do: Check to see if **Call Forwarding** is turned on.

- If Call Forwarding is turned on, turn it off.
- If Call Forwarding is not turned on, go to Possible Cause 3.

Possible Cause 3: Line Ringing is programmed for No Ring or Delayed Ring.

What to do: Check the **Line Ringing** setting for the extension.

- If Line Ringing is set for No Ring or Delayed Ring, change the setting if appropriate.
- If Line Ringing is set for Immediate Ring and this phone is part of a combination extension, see "Problems with Combination Extensions: Phone Does Not Work Properly."
- If Line Ringing is set for Immediate Ring and the phone is on an extension by itself, go to Possible Cause 4.

Possible Cause 4: Phone is faulty.

What to do: Unplug the problem phone. Plug in a standard phone that you know rings properly.

- If the replacement phone rings properly, the problem phone is defective. Replace it.
- If the replacement phone does not ring properly, call the hotline*.

* In the continental U.S., help is available at 1 800 628-2888. Outside the continental U.S., call your AT&T Representative or local Authorized Dealer.

Standard Phone Rings Back After Intercom Call with No One at Other End

Possible Cause 1: The switchhook is accidentally pressed and released, causing a call to ring back.

What to do: Be sure that the handset is always replaced carefully. If the problem is not solved, go to Possible Cause 2.

Possible Cause 2: Automatic Line Selection is programmed incorrectly.

What to do: If one of the phones involved is a standard single-line rotary or touch-tone telephone, set its **Automatic Line Selection** to intercom first. If the problem is not solved, call the hotline.*

Standard Phone's Message Waiting Light Does Not Light

Possible Cause 1: The standard phone is part of a combination extension which includes a system phone that has Background Music on.

What to do: Check to see if the system phone has **Background Music** on. A standard phone's message waiting light will not light if Background Music is on at the system phone.

- If Background Music is on, turn it off. If the standard phone's message waiting light lights properly, the problem is solved.
- If Background Music is not on, go to Possible Cause 2.

Possible Cause 2: The standard phone's message waiting light is not compatible with the system.

What to do: See "Standard Telephones" in Chapter 1 for a list of supported standard phones with message waiting lights. Also check with your AT&T Representative or local Authorized Dealer to find out if there are others.

- If the phone is not supported, you can use it without message waiting capability.
- If the phone is supported, go to Possible Cause 3.

Possible Cause 3: The standard phone is not connected to the proper hardware.

What to do: Make sure the phone is connected to an R3.1 or later 206 module and the control unit is equipped with an R3.1 or later processor module. If the problem is not solved, call the hotline.*

* In the continental U.S., help is available at 1 800 628-2888. Outside the continental U.S., call your AT&T Representative or local Authorized Dealer.

Other Problems with Phones

Trouble Making Outside Calls

Trouble making outside calls could be one of the following:

- You hear a dial tone, but the dial tone continues as you try to dial.
- You hear a dial tone, which cuts off when you dial, but the line does not ring.
- You hear a busy signal as you dial.
- You hear nothing at all.

Possible Cause 1: Forced Account Code Entry is assigned to the extension.

What to do: Find out if **Forced Account Code Entry (#307)** is assigned to the extension. If it is, enter a valid account code.

- If you can make a call, the problem is solved.
- If Forced Account Code Entry is not assigned, go to Possible Cause 2.

Possible Cause 2: Dial Mode is set incorrectly.

What to do: Find out if you have touch-tone or rotary service. Then set the **Dial Mode (#201)** to Touch-Tone or Rotary as appropriate.

- If you can make a call, the problem is solved.
- If the Dial Mode is set correctly, go to Possible Cause 3.

Possible Cause 3: Someone changed the Outgoing Call Restriction setting for the extension.

What to do: If calls could be made without trouble before, find out if someone changed the **Outgoing Call Restriction (#401)** for the extension.

- If someone changed the Outgoing Call Restriction setting, verify that the change was an appropriate one.
- If no one changed the Outgoing Call Restriction setting, go to Possible Cause 4.

Possible Cause 4: Station Lock was used to lock the extension.

What to do: Use **Station Unlock** from extension 10 to unlock the extension.

- If you can make a call, the problem is solved.
- If the extension was not locked, go to Possible Cause 5.

* In the continental U.S., help is available at 1 800 628-2888. Outside the continental U.S., call your AT&T Representative or local Authorized Dealer.

Possible Cause 5: Local phone company is not accurately receiving the dialing signals.

What to do: Isolate the problem. Use the telephone to make calls on different lines. Then, make calls on different phones using the same line.

- If you cannot make calls from one phone on all lines, follow the procedure for “System Phone Does Not Work,” Possible Cause 2.
- If you cannot make calls using different phones, go to Possible Cause 6.

Possible Cause 6: Too many standard devices are trying to dial simultaneously (If the problem is on a system phone, go to Possible Cause 6.)

What to do: Stay on the line and wait for dial tone, or try to call later.

- If you can make a call, you may want to increase the number of touch-tone receivers by adding 206 (1 receiver) or 400 (2 receivers) modules to avoid future problems. Call the hotline.*
- If you wait 30 seconds and still do not hear a dial tone, go to Possible Cause 7.

Possible Cause 7: Local phone company line is faulty.

What to do: One at a time, unplug each outside line from each 206, 400, and 200 module in the control unit. Then plug each line into a standard telephone and try to make a call.

- If the trouble occurs on the standard phone, try another line cord; if the trouble persists, report it to your local phone company.
- If the trouble does not occur on the standard phone, the trouble is with your control unit. Call the hotline.*

Calls are Answered Automatically

A call rings once, then disappears as if it were answered.

Possible Cause: An auxiliary device answers when it should not (this could occur with a fax machine, voice messaging system, answering machine, or modem).

What to do: Be sure the device is set to answer correctly. If the device answers before it should, adjust it to answer on a later ring. If the device should not answer calls at all, turn off its auto-answer feature. Refer to the device’s user manual.

- For every auxiliary device connected to your system, *either* set the device itself to answer on a later ring (when the Line Ringing for the device’s extension is set to Immediate Ring) *or* set the extension’s Line Ringing to Delayed Ring. For a voice messaging system, check all of the settings associated with it. See page 2-11 for a summary of procedures associated with the voice messaging system and Chapter 5 for complete details on each feature. If the auxiliary device no longer answers calls automatically, the problem is solved.
- If the problem remains, call the hotline.*

* In the continental U.S., help is available at 1 800 628-2888. Outside the continental U.S., call your AT&T Representative or local Authorized Dealer.

Trouble Hearing Called Party Answer

Possible Cause 1: If you are using a speakerphone, there may be environmental factors that affect the performance of the speaker or microphone (for example, too much background noise).

What to do: See “Speakerphone Performance Tips” in Chapter 3 for suggestions on the proper use of the speakerphone. If the problem is not solved, go to Possible Cause 2.

Possible Cause 2: If the system is set for touch-tone dialing, you may have a faulty phone or cord. See “System Phone Does Not Work.” If the system is set for rotary dialing, the Rotary Dialing Timeout interval is too long.

What to do: Reset the interval using **Rotary Dialing Timeout (#108)**.

- If you can hear the called party answer, the problem is solved.
- If the problem is not solved, call the hotline.*

Using the Recall Feature Has No Effect

Possible Cause: Recall Timer Duration setting is too short.

What to do: Increase the **Recall Timer Duration (#107)** by 100 milliseconds.

- If the Recall feature works, the problem is solved.
- If the Recall feature still does not work, continue increasing the Recall Timer Duration by increments of 100 milliseconds until the problem is solved.

Using the Recall Feature Disconnects Call

This problem applies when the system is installed behind a PBX or Centrex system or with the local phone company’s “Call Waiting” feature.

Possible Cause: Recall Timer Duration setting is too long.

What to do: Decrease the **Recall Timer Duration (#107)** by 100 milliseconds.

- If the Recall feature works properly, the problem is solved.
- If the Recall feature still disconnects calls, continue decreasing the Recall Timer Duration by increments of 100 milliseconds until the problem is solved.

* In the continental U.S., help is available at 1 800 628-2888. Outside the continental U.S., call your AT&T Representative or local Authorized Dealer.

Problems with Combination Extensions

Phone Does Not Work Properly

Possible Cause 1: Ringer equivalents are too high for the extension.

What to do: Be sure the total of the two devices' Ringer Equivalence Numbers (REN) does not exceed 2.0. If it does, unplug one of the devices.

- If the phone works properly, the problem is the REN was too high.
- If the phone still does not work properly, go to Possible Cause 2.

Possible Cause 2: Auxiliary device (such as a fax, answering machine, or modem) is faulty.

What to do: Remove the auxiliary device from the extension. Then plug in an auxiliary device that you know works properly.

- If the phone works properly, the problem is the auxiliary device. Replace the auxiliary device.
- If the phone still does not work properly, go to Possible Cause 3.

Possible Cause 3: Phone is plugged into the wrong jack of the system phone or the bridging adapter.

What to do: Plug the phone into the correct jack—see the *PARTNER Plus Communications System Installation* guide for instructions.

- If the phone works properly, the problem is solved.
- If the problem remains, go to Possible Cause 4.

Possible Cause 4: Wrong bridging adapter is used in combination extension.

What to do: First, unplug the bridging adapter from the wall jack. Then, unplug the phone from the adapter and plug the phone directly into the wall jack.

- If the phone works, there is a problem with the bridging adapter. Replace the bridging adapter (use only an AT&T 267F2 bridging adapter). If the problem persists, call the hotline.*
- If the phone still does not work properly, call the hotline.*

* In the continental U.S., help is available at 1 800 628-2888. Outside the continental U.S., call your AT&T Representative or local Authorized Dealer.

Problems with Standard Devices

Standard Device Does Not Answer

Possible Cause: A standard device (such as a fax machine or answering machine) does not answer intercom calls or transferred calls because it does not recognize the distinctive ringing pattern used by the system.

What to do: Change the extension's setting for **Distinctive Ring (#308)** to Not Active, so the extension uses the same ringing for intercom and transferred calls as it does for outside calls.

- If the device works properly, the problem is solved.
- If the problem remains, call the hotline.*

Standard Device Does Not Dial Out Properly

Possible Cause: A standard device with autodialing (such as a modem) does not recognize the intercom dial tone generated by the system.

What to do: Change the setting for **Intercom Dial Tone (#309)** for the extension to Machine, so the system generates outside line dial tone for the extension.

- If the device works properly, the problem is solved.
- If the problem remains, call the hotline.*

System Problems

Calls on Hold Are Disconnected

Possible Cause: Hold Disconnect Time setting is too short.

What to do: Change **Hold Disconnect Time (#203)** from Short to Long.

- If calls on hold no longer disconnect, the problem is solved.
- If calls on hold still get disconnected, or the Hold Disconnect Time already was set to Long, call the hotline.*

* In the continental U.S., help is available at 1 800 628-2888. Outside the continental U.S., call your AT&T Representative or local Authorized Dealer.

Call on Hold Hangs Up, but Line Does Not Disconnect

Possible Cause 1: Hold Disconnect Time setting is too long.

What to do: Change **Hold Disconnect Time (#203)** from Long to Short.

- If abandoned calls on hold are disconnected, the problem is solved.
- If abandoned calls on hold still do not disconnect, or if the Hold Disconnect Time was already Short, go to Possible Cause 2.

Possible Cause 2: Local phone company does not send hold release signal.

What to do: Call your local phone company and find out whether they send a hold release signal. If the local phone company does not send a hold release signal, or if they do but the problem still occurs, call the hotline.*

All Phones Dead: No Dial Tone or Lights

Possible Cause 1: Control unit is not receiving power.

What to do: Make sure the control unit's power cord is plugged securely into the wall outlet. Also make sure the main circuit breaker or the on/off switch (see Figure 1-1 in Chapter 1) is in the "ON" position.

- If the green LEDs on the modules are lit and the trouble is gone, the problem is corrected.
- If the green LEDs on the modules are lit but the trouble remains, call the hotline.*
- If the green LEDs on the modules are out, go to Possible Cause 2.
- If any green LEDs on the modules are flashing, call the hotline.*

Possible Cause 2: The power outlet is faulty.

What to do: Test the outlet by plugging in an appliance, like a lamp or radio.

- If the appliance does not work, the outlet is faulty. If possible, plug the control unit into a different outlet. Then check the fuse box or call an electrician.
- If the appliance works, go to Possible Cause 3.

Possible Cause 3: Control unit fuse is blown.

What to do: Using the on/off switch, turn the control unit on and off several times. If the green LEDs on the modules are still out, call the hotline.*

* In the continental U.S., help is available at 1 800 628-2888. Outside the continental U.S., call your AT&T Representative or local Authorized Dealer.

Multiple Phones Dead: No Dial Tone or Lights

Possible Cause 1: The LED on one system module is out.

What to do: If the green LED on the front of a module is out, try reseating the module in the control unit.

- If the LED lights, the problem is corrected.
- If the problem remains, call the hotline.*

Possible Cause 2: The green LEDs on several system modules are out.

What to do: If the LEDs on the front of several system modules are out, try reseating the leftmost module of the ones with the lights out (see "Replacing System Modules" in the *PARTNER Plus Communications System Installation* guide).

- If the LEDs light, the problem is corrected.
- If the problem remains, call the hotline.*

Poor Transmission Quality on Modem

Possible Cause: A high-speed modem is connected through an extension jack on the control unit to a standard central office telephone line; but the line quality is not sufficient to generate a clear signal when the modem transmits through the system interface.

What to do: Either connect the modem directly to the network interface jack for a line, or contact your local telephone company for information about upgrading the line quality.

- If the device works properly, the problem is solved.
- If the problem remains, call the hotline.*

Other Problems with System

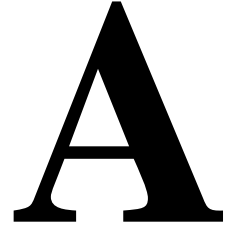
This procedure resets the system. Use it when you have any problems that are not covered elsewhere in this chapter. The following procedure disconnects all calls in progress, but does not erase any system settings.

Possible Cause: System needs a hardware reset.

What to do: Unplug the control unit's power cord from the wall. Wait 10 seconds, then plug it back in. If the problem remains, call the hotline.*

* In the continental U.S., help is available at 1 800 628-2888. Outside the continental U.S., call your AT&T Representative or local Authorized Dealer.

Specifications



Capacities	<p>System</p> <ul style="list-style-type: none"> ▪ 12 outside lines via line jacks on two 206 plus two 400 modules ▪ 24 extensions via extension jacks on four 206 modules ▪ 1 loudspeaker paging system via PAGE jack on processor module ▪ 1 audio source via MUSIC ON HOLD jack on processor module (RCA phono plug required) ▪ 1 call reporting device via SMDR jack on processor module (355A/F adapter required) ▪ 2 doorphones, using 2 extension jacks ▪ 1 voice messaging system—PARTNER MAIL VS, which occupies a slot in the control unit or PARTNER MAIL, which connects to either 3 or 5 extension jacks. 	<p>206 Module</p> <ul style="list-style-type: none"> ▪ 2 outside lines ▪ 6 extensions <p>400 Module</p> <p>4 outside lines</p>	<p>Extension Jack</p> <ul style="list-style-type: none"> ▪ Maximum 2 devices per extension jack, total REN on jack not to exceed 2.0* (System phone REN is 0.0 (zero)) ▪ No more than one system phone per jack <p><i>For programming, a system display phone must be connected to extension 10 or 11.</i></p>
Dimensions and Weights (approx.)	<ul style="list-style-type: none"> ▪ Processor Module ▪ 206 module ▪ 400 module ▪ Backplane & cover ▪ PARTNER-34D phone ▪ PARTNER-18D phone ▪ PARTNER-18 phone ▪ PARTNER-6 phone ▪ MDC 9000 phone ▪ MDW 9000 phone ▪ PARTNER-CA48 Autodialer 	<p>11"(D) x 17"(H) x 1.5"(W) or 27.9 x 43.2 x 3.8 cm</p> <p>11"(D) x 17"(H) x 1.5"(W) or 27.9 x 43.2 x 3.8 cm</p> <p>11"(D) x 17"(H) x 1.5"(W) or 27.9 x 43.2 x 3.8 cm</p> <p>12"(D) x 19"(H) x 11"(W) or 30.5 x 48.3 x 27.9 cm</p> <p>9.8"(D) x 3.75"(H) x 9.3"(W) or 24.9 x 9.5 x 23.6 cm</p> <p>9.8"(D) x 3.75"(H) x 7.9"(W) or 24.9 x 9.5 x 20.1 cm</p> <p>9.8"(D) x 3.75"(H) x 7.9"(W) or 24.9 x 9.5 x 20.1 cm</p> <p>9.8"(D)x 3.75"(H) x 6.1"(W) or 24.9 x 9.5 x 15.5 cm</p> <p>9.4"(D) x 3.4"(H) x 7"(W) or 23.9 x 8.6 x 17.8 cm</p> <p>9.75"(D) x 6"(H) x 4"(W) or 24.8 x 15.2 x 10.1 cm</p> <p>9.8"(D) x 3.75"(H) x 6.1"(W) or 24.9 x 9.5 x 15.5 cm</p>	<p>4.0 lbs or 1.8 kgs</p> <p>4.5 lbs or 2.0 kgs</p> <p>4.0 lbs or 1.8 kgs</p> <p>5.5 lbs or 2.5 kgs</p> <p>2.7 lbs or 1.2 kgs</p> <p>2.4 lbs or 1.1 kgs</p> <p>2.3 lbs or 1.0 kgs</p> <p>1.9 lbs or 0.9 kgs</p> <p>2.8 lbs or 1.3 kgs</p> <p>2.25 lbs or 1.0 kgs</p> <p>1.5 lbs or 0.7 kgs</p>
Switch Fabric	<ul style="list-style-type: none"> ▪ Full digital, nonblocking 		

* The two devices combined on an extension jack can be a system phone with a standard device, or two standard devices; DO NOT connect two system phones to the same extension jack. If a device lists two RENs, use the higher number when adding up RENs.

Electrical Specifications	<ul style="list-style-type: none"> ■ 10 Watts (35 BTUs/hour) per 400 module, normal and maximum power consumption ■ 65 Watts (225 BTUs/hour) per 206 module during normal operation ■ 100 Watts (350 BTUs/hour) per 206 module during maximum power consumption ■ U.S., Canada, and other 110V countries: 4 Amps maximum current at full system capacity (processor module and four 206 modules) Countries using 220V: 2.2 Amps maximum current (processor module and four 206 modules) ■ 4-day memory backup (96 hours)
Processor Module Specifications	<ul style="list-style-type: none"> ■ 68000 microprocessor, 128Kbytes RAM, 512Kbytes ROM
Extension Jack Specifications	<ul style="list-style-type: none"> ■ Ringing voltage: +5VDC, -140 VDC peak to peak; trapezoidal wave shaping ■ 35- to 38-Volt talk battery ■ Ringing frequency: 20 Hz
PAGE Jack Specifications	<ul style="list-style-type: none"> ■ Draws current on inner wire pair ■ Provides contact closure on outer wire pair ■ 600 Ohm impedance
SMDR Output Format	<ul style="list-style-type: none"> ■ 1200 baud ■ No parity ■ 8 data bits ■ 2 stop bits ■ XON/XOFF protocol ■ Carriage return ■ Line feeds
Environmental Requirements—Control Unit	<ul style="list-style-type: none"> ■ Mount on a wall at least 2 feet (0.6 meters) from the floor (wall mounting required) ■ Locate within 5 feet (1.5 meters) of the network interface jacks and a properly grounded electrical outlet not controlled by a switch, using supplied 7-foot (2.1-meter) cords ■ Operating temperature 32° to +104°F (0° to +40°C), not in direct sunlight ■ Humidity 15%–90%, noncondensing ■ For proper ventilation and easy replacement of modules, provide at least 6" (15.2 cm) clearance at the top and sides and 2 feet (0.6 meters) at the front and bottom of the control unit. ■ Locate in an area free of excess moisture, corrosive gases, dust, and chemicals
Electrical Requirements	<ul style="list-style-type: none"> ■ U.S. and Canada: 90–130 VAC, 50–60 Hz, 3-prong outlet separate ground, separately fused at 15 Amps Other countries: 90–264 VAC, fused at 10 Amps ■ Outlet must not be controlled by an on/off switch ■ Grounding to comply with Underwriters Laboratories (UL) 1459: <ul style="list-style-type: none"> A. An insulated grounding conductor that is not smaller in size and equivalent in insulation material and thickness to the grounded and ungrounded branch circuit supply conductors, except that it is green with or without one or more yellow stripes, is to be installed as part of the circuit that supplies the product or system. B. The grounding conductor mentioned in item A is to be connected to ground at the service equipment. C. The attachment-plug receptacles in the vicinity of the product or system are all to be of a grounding type, and the grounding conductors serving these receptacles are to be connected to earth ground at the service equipment.

Requirements for Out-of-Building Extensions	<ul style="list-style-type: none"> ■ Installation of a telephone or other standard (tip/ring) device in another building requires the following In-Range Out-of-Building (IROB) protectors to protect the control unit and device from electrical surges: <ul style="list-style-type: none"> ■ System phone: two AT&T IROB protectors ■ Standard device: one AT&T IROB protector plus one carbon block protector
Wiring	<ul style="list-style-type: none"> ■ System phones: AT&T SYSTIMAX® Bulk Nonplenum (DIW) cable, AT&T SYSTIMAX Bulk Plenum (HALAR/HALAR) cable, or at least 2-pair (4-wire) star (“home run” not “loop”) ■ Other standard telecommunications equipment (single-line phones, fax machines, answering machines, etc.): 1-pair (2-wire) mounting cords (AT&T D2R mounting cords recommended) ■ Bridging adapter: AT&T 267F2 ■ Range: 1,000 feet (305 meters) for system phones; 3,000 feet (915 meters) for standard devices
Safety Requirements	<ul style="list-style-type: none"> ■ U.S.: Meets UL 1459 Issue 2 ■ Canada: Meets CSA C22.2, 225 ■ All other countries: Meets IEC950 Second Edition and EN60950 Second Edition
Government Approvals and Local Phone Company Information	<ul style="list-style-type: none"> ■ U.S.: <ul style="list-style-type: none"> FCC Part 68 FCC registration number (U.S.): AS5 USA-61630-KF-E FCC Part 15 Class A REN (outside line jack): 0.9A per line jack Jack type: RJ11C Loop start lines ■ Canada: <ul style="list-style-type: none"> IC CP01, Issue 7 IC registration number (Canada): 230 3756A IC CS03, Issues 6 & 7 Load Number = 7 Loop start lines

Maintenance, Repair, and Ordering Information

B

Maintenance

Your system is designed to provide trouble-free performance without any special maintenance procedures. To reduce the risk of accidental damage:

- Keep the system modules in an area free of dust, smoke, and moisture, and do not block the air vents by placing objects on top of the control unit.
- Do not place telephones near a heating duct, radiator, or other heat source, and do not drop or expose them to excessive shock or vibration.
- Unplug the telephone if its cord is damaged, if liquid is spilled into it, or if its housing becomes cracked or otherwise damaged.
- To clean your telephone, wipe the outside housing with a soft, dust-free cloth. If absolutely necessary, you may use a cloth *slightly* dampened with a mild soap and water solution. Dry quickly with a soft cloth.



CAUTION:

Your telephone contains sensitive electronic parts. Never submerge it in any kind of liquid, and never use detergents, alcohols, solvents, abrasive cleaners, or an excessive amount of water when cleaning the housing and faceplate. To do so could result in irreparable damage.

Repair Information

Outside the continental U.S., contact your AT&T Representative or local Authorized Dealer for warranty and repair information applicable to your system.

In-Warranty Repairs

If you purchased or leased your system directly from AT&T, AT&T will repair it free of charge during the one-year warranty period. Simply call the hotline and ask for service.

Business-Day service is standard during the warranty period for both the control unit and system phones. Business-Day service is performed during normal business hours. However, if you need 24-hour service protection during the warranty period on the control unit in case there is a major system failure, you can purchase an Around-the-Clock service contract from your local AT&T sales office (1 800 247-7000 in the continental U.S. only). (Around-the-Clock service is not available for phones.)

If you purchased or leased your system through an AT&T Authorized Dealer, contact your dealer for repairs.

Post-Warranty Repairs

If you purchased your system from AT&T and you have a post-warranty service contract, AT&T service is provided under the terms of that contract.

To significantly reduce unexpected repair costs after the warranty period, you can purchase a post-warranty service contract from AT&T. If you do not have a contract, AT&T service is provided on a time-and-materials basis by calling the hotline. A contract provides to you, within the applicable coverage period and response times, service calls with no charge for parts and labor on covered repairs. Both Business-Day and Around-the-Clock coverages of varying lengths are available. To order a post-warranty service contract, call 1 800 247-7000 (in the continental U.S. only).

If you leased your system from AT&T, Business-Day service is included in your lease. To upgrade to Around-the-Clock service, call 1 800 247-7000 (in the continental U.S. only). (Around-the-Clock service is not available for phones.)

If you purchased or leased your system through an AT&T Authorized Dealer, contact your dealer for repairs.

AT&T Limited Warranty and Limitation of Liability

AT&T warrants to you, the customer, that your system will be in good working order on the date AT&T or its authorized reseller delivers or installs the system, whichever is later ("Warranty Date"). If you notify AT&T or its authorized reseller within one year of the Warranty Date that your system is not in good working order, AT&T will without charge to you repair or replace, at its option, the system components that are not in good working order. Repair or replacement parts may be new or refurbished and will be provided on an exchange basis. If AT&T determines that your system cannot be repaired or replaced, AT&T will remove the system and, at your option, refund the purchase price of your system or apply the purchase price towards the purchase of another AT&T system.

If you purchased your system directly from AT&T, AT&T will perform warranty repair in accordance with the terms and conditions of the specific type of AT&T maintenance coverage you selected. A written explanation of AT&T's types of maintenance coverage may be obtained from AT&T by calling 1 800 247-7000 (in the continental U.S. only). If you purchased your system from an AT&T authorized reseller, contact your reseller for the details of the maintenance plan applicable to your system.

This AT&T limited warranty covers damage to the system caused by power surges.

Unless otherwise expressly agreed to in a written agreement signed by AT&T, AT&T will not be responsible under this limited warranty for damages resulting from:

- Failure to follow AT&T's installation, operation, or maintenance instructions;
- Unauthorized system modification, movement, or alteration;
- Unauthorized use of common carrier communication services accessed through the system;
- Abuse, misuse, or negligent acts or omissions of the customer and persons under the customer's control; or
- Acts of third parties and acts of God.

AT&T'S OBLIGATION TO REPAIR, REPLACE, OR REFUND, AS SET FORTH ABOVE, IS YOUR EXCLUSIVE REMEDY.

EXCEPT AS SPECIFICALLY SET FORTH ABOVE, AT&T, ITS AFFILIATES, SUPPLIERS, AND DEALERS MAKE NO WARRANTIES, EXPRESS OR IMPLIED, AND SPECIFICALLY DISCLAIM ANY WARRANTIES OF MERCHANTABILITY OR FITNESS FOR A PARTICULAR PURPOSE.

Limitation of Liability

Except as provided below, the liability of AT&T and its affiliates and suppliers for any claims, losses, damages, or expenses from any cause whatsoever (including acts or omissions of third parties), regardless of the form of action, whether in contract, tort, or otherwise, shall not exceed the lesser of: (1) the direct damages proven; or (2) the repair cost, replacement cost, license fee, annual rental charge, or purchase price, as the case may be, of the equipment that directly gives rise to the claim. Except as provided below, AT&T and its affiliates and suppliers shall not be liable for any incidental, special, reliance, consequential, or indirect loss or damage incurred in connection with the equipment. As used in this paragraph, consequential damages include, but are not limited to, the following: lost profits, lost revenues, and losses arising out of unauthorized use (or charges for such use) of common carrier telecommunications services or facilities accessed through or connected to the equipment. For personal injury caused by AT&T's negligence, AT&T's liability shall be limited to proven damages to person. No action or proceeding against AT&T or its affiliates or suppliers may be commenced more than twelve (12) months after the cause of action accrues. THIS PARAGRAPH SHALL SURVIVE FAILURE OF AN EXCLUSIVE REMEDY.

Product Ordering Information

Reference Materials

In addition to this guide, the following materials are available (the order numbers are in parentheses):

- *System Planner* (518-455-338) provides the forms needed to plan and record how your system and telephones are to be programmed.
- *Installation* (518-455-227) provides instructions for installing the system.
- *User Instruction Cards* (518-455-340) contains basic instructions for using system phones.
- *PARTNER-34D Programming Overlay* (847531696) helps with System Programming from a PARTNER-34D phone.
- *PARTNER-18D Programming Overlay* (847531688) helps with System Programming from a PARTNER-18D phone.
- *MDW 9000 Wireless Telephone: Installation* (503-801-111) explains how to install the MDW 9000 wireless telephone.
- *MDW 9000 Wireless Telephone: Quick Reference* (503-801-110) contains basic instructions for using the MDW 9000 wireless telephone.
- *MDC 9000 Cordless Business Telephone: Installation* (503-801-101) explains how to install the MDC 9000 cordless telephone.
- *MDC 9000 Cordless Business Telephone: Quick Reference* (503-801-100) contains basic instructions for using the MDC 9000 cordless telephone.
- *PARTNER MAIL VS Voice Messaging System: Installation and Programming* (518-322-105) provides instructions for installing, programming, and maintaining your PARTNER MAIL VS system.
- *Using the PARTNER MAIL VS Voice Messaging System* (518-322-106) contains basic instructions for using the PARTNER MAIL VS system.
- *PARTNER MAIL Voice Messaging System: Installation and Use* (585-322-101) provides instructions for installing, programming, and maintaining your PARTNER MAIL system.
- *PARTNER MAIL Voice Messaging System: Planning Guide and Forms* (585-322-501) provides the forms needed to plan and record how your PARTNER MAIL system is to be programmed.
- *PARTNER MAIL Voice Messaging System: User's Quick Reference* (585-322-701) contains basic instructions for using the PARTNER MAIL system.

To order these materials, call the AT&T GBCS Publications Fulfillment Center at 1 800 457-1235 or 1 317 361-5353.

Some of these materials also are available in Spanish and French. For more information, contact the AT&T GBCS Publications Fulfillment Center or your AT&T Representative or local Authorized Dealer.

Hardware Components

Ordering additional telephones and modules, accessories, and replacement parts for your system is convenient. Table B-1 (on the next two pages) shows where you can buy system components in the continental United States.

To take full advantage of your system, the sources shown below also can provide you with the optional equipment you might want for your system, such as AT&T fax machines, answering machines, standard phones, voice messaging systems, modems, paging systems, doorphones, headsets, bells, lights, strobes, music-on-hold systems, and printers.

You can obtain most items from more than one source, either directly from AT&T or from authorized dealers. Sources in the United States are:

- **AT&T Catalog Sales.** This source is AT&T's national phone/mail sales center in Cincinnati. A Catalog Associate will place your order, including AT&T installation if you need it. You can charge your order on a VISA, Mastercard, or American Express card. The Catalog Associate can also give you sales advice and mail you the AT&T SOURCEBOOK CATALOG of systems, telephones, and accessories. Call 1 800 451-2100.
- **AT&T Sales Offices.** Sales offices to serve the small business customer are located throughout the country. To contact the office closest to you, call 1 800 247-7000. A representative will place your order, including AT&T installation if you need it.
- **AT&T Authorized Dealers.** You can also buy most items from one of AT&T's authorized dealers. Check your local telephone directory's yellow pages for the AT&T Authorized Dealer nearest you.
- **AT&T PhoneCenter Stores.** Your local PhoneCenter Store carries most items. To locate the nearest store, call 1 800 222-3111 or see your local white pages under "AT&T PhoneCenter Store."
- **AT&T National Parts Sales Center.** This national sales center, located in Denver, stocks replacement parts for the control unit and telephones. Telephone orders can be placed by calling 1 800 222-7278.

In Canada, order these items from AT&T Canada:

Eastern Canada and Ottawa:	1 514 335-7200
Ontario:	1 416 756-5236
Central and Western Canada:	1 800 561-5165

To use Table B-1, first locate the item you want. A triangle (▲) indicates where you can obtain it.

	SOURCE (U.S.)				
	AT&T Catalog Sales (800) 451-2100	AT&T Sales Office (800) 247-7000	AT&T PhoneCenter Store *	AT&T Authorized Dealer **	AT&T National Parts Sales Center (800) 222-7278
System Modules and Wiring:					
Processor module	▲		▲	▲	▲
Line/Extension module (206E) Includes module, two 7-ft. line cords, and installation instructions	▲	▲	▲	▲	▲
Line module (400E/200E) Includes module, four 7-ft. line cords, and instructions	▲	▲	▲	▲	▲
Backplane				▲	▲
System cover				▲	▲
AC power cord				▲	▲
Line cord (D2R) Connects 206E and 400E modules to network interface (clear color). Specify length: 7 (standard length), 14, or 25 ft.	▲			▲	▲
267F2 bridging adapter Connects two devices to one extension	▲		▲	▲	▲
In-Range Out-of-Building (IROB) protector Required when installing extensions in another building from the control unit (two required per PARTNER-model telephone. one per standard phone or device)		▲	▲	▲	▲
Z300A Electromagnetic Interference (EMI) Filter Includes filter, 7-ft. line cord. and installation instructions		▲		▲	▲
267C line adapter Splits two outside lines from an RJ14 network interface jack, so that each line has its own modular plug (do not use at extension jacks)	▲		▲	▲	
355A/355AF adapter Connects call reporting device to primary processor module		▲		▲	
<p>* To locate the AT&T PhoneCenter Store nearest you, see the listing in your local telephone directory's white pages (under AT&T), or call 1 800 222-3111 (in the continental U.S. only).</p> <p>** To locate the nearest AT&T Authorized Dealer, check your local telephone directory's yellow pages.</p>					

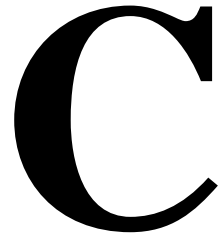
Table B-1 Sources of Additional Equipment and Replacement Parts (U.S.)

To use Table B-1, first locate the item you want. A triangle (▲) indicates where you can obtain it.

	SOURCE (U.S.)				
	AT&T Catalog Sales (800) 451-2100	AT&T Sales Office (800) 247-7000	AT&T PhoneCenter Store *	AT&T Authorized Dealer **	AT&T National Parts Sales Center (800) 222-7278
System Telephones and Accessories:					
PARTNER-34D corded telephone	▲	▲	▲	▲	
PARTNER-18D corded telephone	▲	▲	▲	▲	
PARTNER-18 corded telephone	▲	▲	▲	▲	
PARTNER-6 corded telephone	▲	▲	▲	▲	
MDW-9000 wireless telephone	▲	▲	▲	▲	
MDC-9000 cordless telephone	▲	▲	▲	▲	
PARTNER-CA48 Intercom Autodialer	▲	▲	▲	▲	
Button label package (specify telephone model)	▲			▲	▲
Button label package (PARTNER-CA48 Intercom Autodialer)	▲			▲	▲
Handset (AB1A) Standard for PARTNER-model phones	▲			▲	▲
Amplified handset (K6S) Optional for hard-of-hearing users with PARTNER-model phones	▲	▲		▲	▲
Handset cord, 9 ft., coiled Connects handset to telephone	▲		▲	▲	▲
Telephone mounting cord (D4BU) Connects phone to wall jack, jack panel, or 206E module ext. jack. Specify length: 2, 7, or 14 ft.	▲		▲	▲	▲
Modular telephone extension cord—8-connector Extends the D4BU mounting cords Specify length: 14, 25, 50, 75, or 100 ft.	▲			▲	
<p>* To locate the AT&T PhoneCenter Store nearest you, see the listing in your local telephone directory's white pages (under AT&T), or call 1 800 222-3111 (in the continental U.S. only).</p> <p>** To locate the nearest AT&T Authorized Dealer, check your local telephone directory's yellow pages.</p>					

Table B-1 Sources of Additional Equipment and Replacement Parts (U.S.)

FCC and IC Information



Federal Communications Commission (FCC) Interference Information

This equipment has been tested and found to comply with the limits for a Class A digital device, pursuant to Part 15 of FCC rules. These limits are designed to provide reasonable protection against harmful interference when the equipment is operated in a commercial environment. This equipment generates, uses, and can radiate radio frequency energy and, if not installed and used in accordance with the instruction manuals, may cause harmful interference to radio communications. Operation of this equipment in a residential area is likely to cause harmful interference, in which case the user will have to correct the interference at his or her own expense.

NOTE:

References to FCC regulations are not applicable outside of the U.S.

FCC Notification and Repair Information

This equipment is registered with the FCC in accordance with Part 68 of its rules. In compliance with those rules, you are advised of the following:

- **Means of Connection:** Connection to the telephone network shall be through a standard network interface jack USOC RJ11C. These USOCs must be ordered from your local telephone company.

FCC compliant line cords are provided with Line and Line/Extension Modules for connecting to the telephone company provided USOC RJ11C jacks. Use only FCC compliant line cords and jacks for these connections.

This equipment may not be used with party lines or coin telephone lines.

-
- **Notification to the Telephone Companies:** Before connecting this equipment, you or your equipment supplier must notify your local telephone company's business office of the following:
 - The telephone number(s) you will be using with this equipment.
 - The appropriate registration number and ringer equivalence number (REN), which can be found on the right hand side of the control unit.
 - The facility interface code, which is O2LS2.

You must also notify your local telephone company if and when this equipment is permanently disconnected from the line(s).

- **REN Information:** The REN is used to determine the quantity of devices which may be connected to the same telephone line. Excessive RENs on the telephone line may result in the devices not ringing in response to incoming calls. In most, but not all areas, the sum of RENs should not exceed five (5.0). To be certain of the number of devices that may be connected to a line, as determined by the total RENs, contact the local telephone company.
- **Repair Instructions:** If you experience trouble because your equipment is malfunctioning, the FCC requires that you disconnect the equipment from the network and not use it until the problem has been corrected. Repairs to this equipment can only be made by the manufacturer, its authorized agents, or by others who may be authorized by the FCC. In the event repairs are needed on this equipment, please contact the AT&T Helpline at 1 800 628-2888. For warranty information, see Appendix B.
- **Rights of the Local Telephone Company:** If this equipment causes harm to the telephone network, the local telephone company may discontinue your service temporarily. If possible, they will notify you in advance. But if advance notice is not practical, you will be notified as soon as possible. You will also be advised of your right to file a complaint with the FCC.

Your local telephone company may make changes in its facilities, equipment, operations, or procedures that affect the proper functioning of this equipment. If they do, you will be notified in advance to give you an opportunity to maintain uninterrupted telephone service.

- **Hearing Aid Compatibility:** All system phones are compatible with inductively coupled hearing aids as prescribed by the FCC.

IC Notification and Repair Information

The Industry Canada (IC) label identifies certified equipment. This certification means that the equipment meets certain telecommunications network protective, operational, and safety requirements. The IC does not guarantee the equipment will operate to the user's satisfaction.

Before installing this equipment, users should ensure that is permissible to connect it to the facilities of the local telecommunications company. The equipment must also be installed using an acceptable method of connection. In some cases, the company's inside wiring for single-line individual service may be extended by means of a certified connector assembly (telephone extension cord). The customer should be aware that compliance with the above conditions may not prevent degradation of service in some situations.

Repairs to certified equipment should be made by an authorized Canadian maintenance facility designated by the supplier. Any repairs or alterations made by the user to this equipment, or any equipment malfunctions, may give the telecommunications company cause to request the user to disconnect the equipment.

Users should ensure for their own protection that the electrical ground connections of the power utility, telephone lines, and internal metallic water pipe system, if present, are connected. This precaution may be particularly important in rural areas.



CAUTION:

Users should not attempt to make such connections themselves, but should contact the appropriate electrical inspection authority or electrician, as appropriate.

To prevent overloading, the Load Number (LN) assigned to each terminal device denotes the percentage of the total load to be connected to a telephone loop used by the device. The termination on a loop may consist of any combination of devices subject only to the requirement that the total of the Load Numbers of all the devices does not exceed 100.

IC Certification No: 230 3756A
CSA Certification No: LR 60486
Load No: 7

Renseignements sur la notification du ministère des Industrie Canada et la réparation

L'étiquette du ministère des Industrie Canada identifie le matériel homologué. Cette étiquette certifie que le matériel est conforme à certaines normes de protection, d'exploitation et de sécurité des réseaux de télécommunications. Le Ministère n'assure toutefois pas que le matériel fonctionnera à la satisfaction de l'utilisateur.

Avant d'installer ce matériel, l'utilisateur doit s'assurer qu'il est permis de le raccorder aux installations de l'entreprise locale de télécommunication. Le matériel doit également être installé en suivant une méthode acceptée de peuvent être prolonges au moyen d'un dispositif homologué de raccordement. Dans certains cas, les fils intérieurs de l'entreprise utilisés pour un service individuel à ligne unique peuvent être prolongés au moyen d'un dispositif homologué de raccordement (cordon prolongateur téléphonique interne). L'abonné ne doit pas oublier qu'il est possible que la conformité aux conditions énoncées ci-dessus n'empêchent pas la dégradation du service dans certaines situations. Actuellement, les entreprises de télécommunication ne permettent pas que l'on raccorde leur matériel à des jacks d'abonné, sauf dans les cas précis prévus pas les tarifs particuliers de ces entreprises.

Les réparations de matériel homologué doivent être effectuées par un centre d'entretien canadien autorisé désigné par le fournisseur. La compagnie de télécommunications peut demander à l'utilisateur de débrancher un appareil à la suite de réparations ou de modifications effectuées par l'utilisateur ou à cause de mauvais fonctionnement.

Pour sa propre protection, l'utilisateur doit s'assurer que tous les fils de mise à la terre de la source d'énergie électrique, des lignes téléphoniques et des canalisations d'eau métalliques, s'il y en a, sont raccordés ensemble. Cette précaution est particulièrement importante dans les régions rurales.



AVERTISSEMENT

L'utilisateur ne doit pas tenter de faire ces raccordements lui-même; il doit avoir recours à un service d'inspection des installations électriques, ou à un electricien, selon le cas.

L'indice de charge (IC) assigné à chaque dispositif terminal indique, pour éviter toute surcharge, le pourcentage de la charge totale qui peut être raccordée à un circuit téléphonique boucié utilisé par ce dispositif. La terminaison du circuit boucié peut être constituée de n'importe quelle combinaison de dispositifs, pourvu que la somme des indices de charge de l'ensemble des dispositifs ne dépasse pas 100.

No d'homologation: 230 3756A
No de certification CSA: LR 60486
L'indice de charge: 7

Speed Dial Form

D

Speed Dial Form

This appendix contains a Speed Dial Form to be photocopied and handed out to system users. It provides space for System and Personal Speed Dial numbers. For instructions on programming and using System and Personal Speed Dial numbers, see Chapter 5.

We suggest that you fill in a *photocopy* of the form, leaving the blank original in the book, in case you need to distribute revisions in the future.



PARTNER® Plus Communications System

To Dial • On a system phone, press [*Feature*] + **Code** • On a standard phone, press [#] + **Code** while receiving intercom dial tone.

System Speed Dial Numbers

Code	Name/Company	*	Telephone Number
600			
601			
602			
603			
604			
605			
606			
607			
608			
609			
610			
611			
612			
613			
614			
615			
616			
617			
618			
619			
620			
621			
622			
623			
624			
625			
626			
627			
628			
629			
630			
631			
632			
633			

Code	Name/Company	*	Telephone Number
634			
635			
636			
637			
638			
639			
640			
641			
642			
643			
644			
645			
646			
647			
648			
649			
650			
651			
652			
653			
654			
655			
656			
657			
658			
659			
660			
661			
662			
663			
664			
665			
666			

Code	Name/Company	*	Telephone Number
667			
668			
669			
670			
671			
672			
673			
674			
675			
676			
677			
678			
679			
680			
681			
682			
683			
684			
685			
686			
687			
688			
689			
690			
691			
692			
693			
694			
695			
696			
697			
698			
699			

* You can dial System Speed Dial codes with a (*) at any time, regardless of dialing restrictions placed on your extension. System Speed Dial numbers are programmed by the System Manager (report problems and suggested revisions to your System Manager).



PARTNER[®] Plus Communications System

To Dial • On a system phone, press [*Feature*] + **Code** • On a standard phone, press [#] + **Code** while receiving intercom dial tone. **Extension** _____

Personal Speed Dial Numbers

Code	Name/Company	Telephone Number
80		
81		
82		
83		
84		
85		
86		
87		
88		
89		

Code	Name/Company	Telephone Number
90		
91		
92		
93		
94		
95		
96		
97		
98		
99		

To program Personal Speed Dial Numbers, see the *Quick Reference*.

Programming Mixed Telephone Types

E

Overview

This appendix provides information about programming from a PARTNER-34D phone to MLS-model phones and from an MLS-34D phone to PARTNER-model phones. In these situations, you should be aware that the button that you press at extension 10 or 11 (the programming extension) is likely to be in a different location than the button on the phone to which the programming applies (the target phone). If you are programming from a PARTNER-18D or MLS-18D phone, the button locations are the same.

You can use the illustrations in this appendix to facilitate programming from one telephone type to the other. Figure E-1 shows the buttons on the PARTNER-34D Programming Overlay and the relative location of those buttons on each MLS-model phone. Figure E-2 shows the buttons on the MLS-34D Programming Overlay and the relative location of those buttons on each PARTNER-model phone. (The letters on the PARTNER-34D Overlay in Figure E-1 are printed on the Overlay. To help you program from an MLS-34D phone, you may want to write the letters shown on the MLS-34D Overlay in Figure E-2 on your Overlay.)

If you want to program features on specific buttons at target phones, it is recommended that you:

1. Look at the figure with the overlay that matches the phone at your programming extension.
2. Find the location of the button in the picture of the target phone.
3. Note the letter associated with that particular button.
4. Find the letter in the picture of the Programming Overlay
5. Press that button on the programming extension

For example, if you are using a PARTNER-34D phone at extension 10 and you want to program Do Not Disturb on the top, leftmost button of an MLS-18D phone: refer to Figure E-1; find the top, leftmost button on the MLS-18D phone; then press the button labeled M on the PARTNER-34D Programming Overlay.

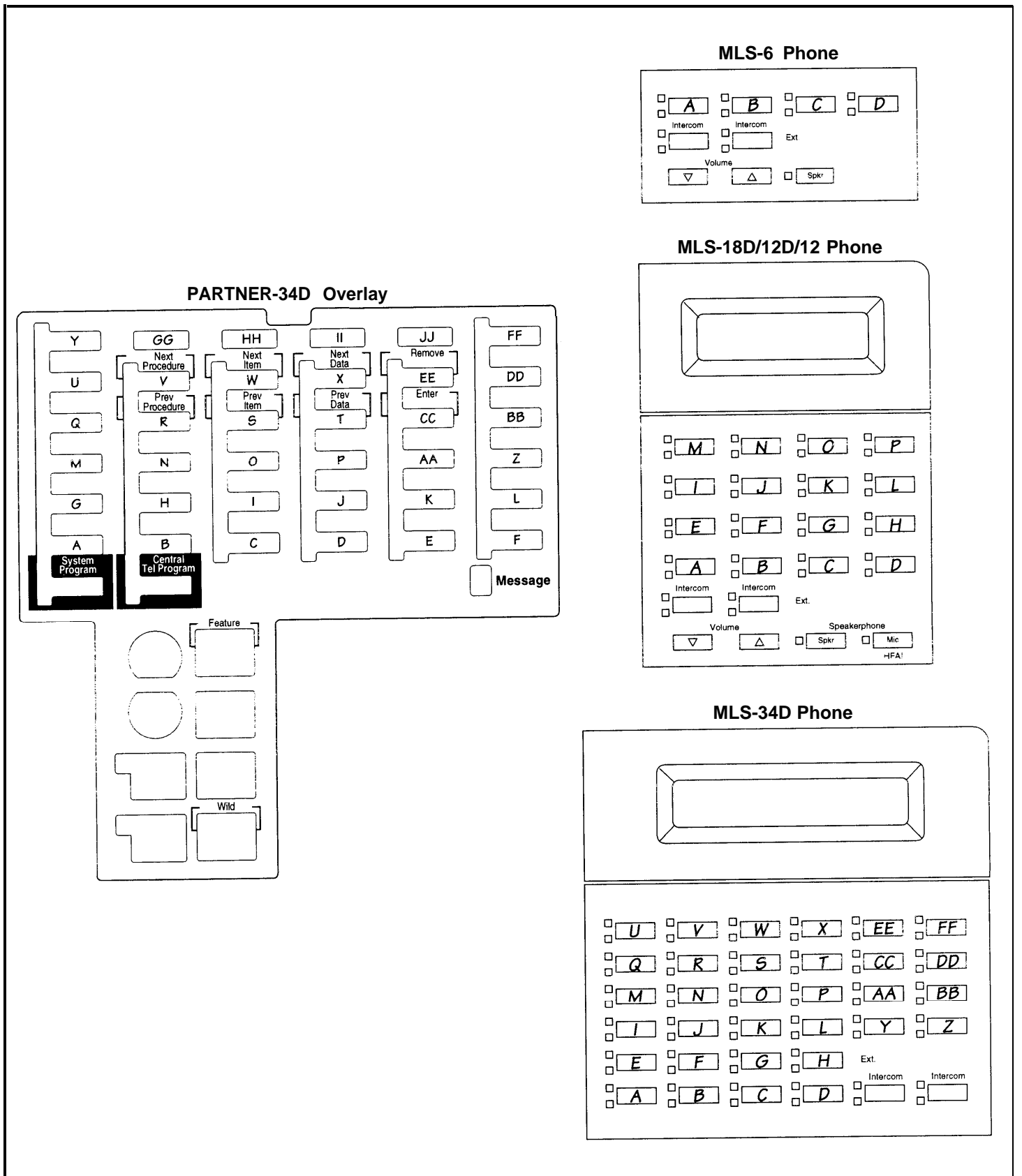


Figure E-1. Programming from a PARTNER-34D Phone

E-2 Programming Mixed Telephone Types

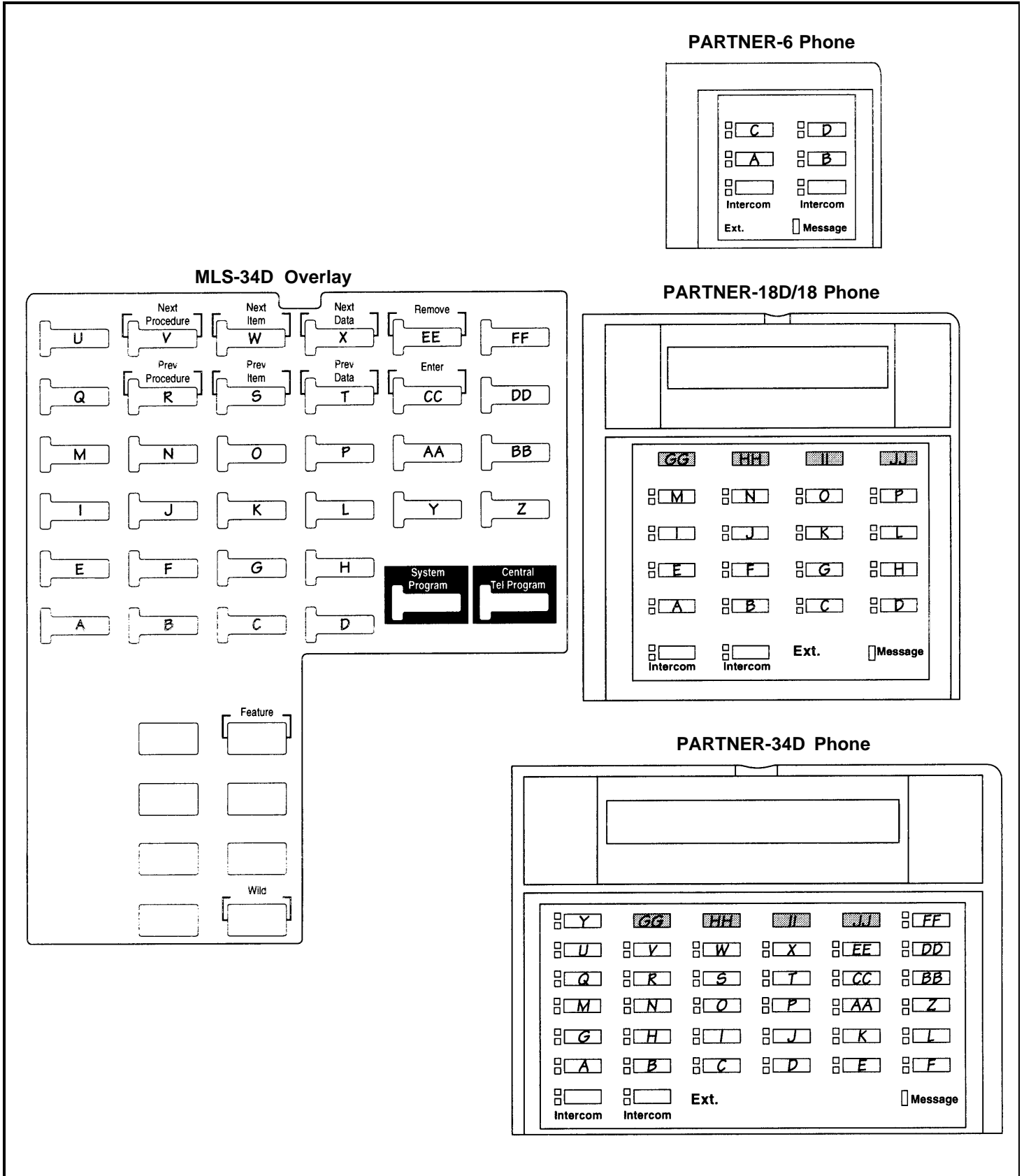


Figure E-2. Programming from an MLS-34D Phone

Glossary

A

Account code

A code of up to 16 digits that is associated with incoming or outgoing telephone calls. Entry of an account code may be optional or forced. If entered, an account code appears on the call record for a call. *See also* Call report, Forced Account Code Entry, and Forced Account Code List.

Auto Dial button

A programmable telephone button that lets you dial a series of digits simply by pressing that button. An Auto Dial button can be used to store a feature code, a phone number, or an account code so that it can be dialed with one touch. *See also* Programmable button.

Automated Attendant Service

A voice messaging system feature that answers calls and routes them to the appropriate extension based on caller responses to a recorded announcement. *See also* PARTNER Attendant and Voice messaging system (VMS).

Auxiliary equipment

Telecommunications equipment (other than system phones) that can be connected to the control unit. Auxiliary equipment includes industry-standard devices that can connect directly to the public telephone network (such as standard phones or fax machines) as well as devices that require the interface provided by the control unit (such as a loudspeaker paging system).

B

Backplane

The bottom and rear portion of the plastic housing that makes up the control unit. The backplane distributes power to the system modules installed in the control unit.

Background Music

A feature that provides background music through the speaker of an idle system phone for a user's work area. Background Music plays the pre-recorded material from the Music On Hold audio source.

C

Call Answer Service

A voice messaging system feature that lets callers leave a message at an unanswered extension or transfer themselves to another extension.

Call Assistant

See Intercom Autodialer.

Call Park

A feature that lets a user put a call on a special type of hold, so it can be picked up from any extension in the system.

Call record

A line of information on a call report that includes data fields such as call type, date, time, called/caller number, and call duration. *See also* Account code and Call report.

Call report

A page of information that begins with a header and lists incoming and outgoing calls to and from your business on a call-by-call basis. *See also* Call record and Call reporting.

Call reporting

A feature that provides records of call activity. Call reporting also is referred to as Station Message Detail Recording or SMDR.

Call Waiting

A feature that lets standard phone users receive notification of a second incoming call when they are busy on a call. The user can press the switchhook to put the first call on hold and answer the second call.

Calling Group

A group of extensions that can be called simultaneously by dialing a group calling code. *See also* Hunt Group.

Calling restriction

A feature that lets you control telephone use at specific extensions.

Centralized Telephone Programming

A method of telephone programming that lets you program individual extensions in the system from a system display phone at extension 10 or extension 11. Centralized Telephone Programming is an alternative to Extension Programming.

CO Line

See Line.

Combination extension

An extension that has two devices connected to it. Combination extensions can connect two standard devices or a standard device and a system phone, but not two system phones.

Control unit

Molded plastic housing, made up of a backplane and cover. The control unit holds system modules, which connect lines coming into your building to the extensions in your system, and also provides system features.

D**DGC Group**

See Group Call Distribution and Hunt Group.

Doorphone

An AT&T proprietary phone that can be wall mounted outside your office or in a lobby to allow visitors to alert any number of system extensions by pressing a button. The doorphone includes a speaker and microphone, to allow two-way conversation between the doorphone and the phone that answers.

Do Not Disturb

A feature that prevents incoming calls from ringing at an extension. See *also* Send All Calls.

E**Extension**

An endpoint in the system (numbered 10–33) that connects telephones or standard devices, which can be dialed using the [*Intercom*] button. See *also* Programming extension.

Extension jack

The location on 206 modules that allows you to connect extension wiring to the control unit for phones (or other telecommunications devices).

Extension number

The number assigned to each extension jack on a 206 module. Extension numbers run consecutively from 10 through 33 and are used for intercom calling.

Extension Name Display

A feature that lets users assign a name to their extension. The name appears along with the extension number on system display phones when users make an intercom call or a group call, or transfer a call.

Extension Programming

A method of telephone programming that lets users program their own extensions from their system phones. See *also* Centralized Telephone Programming.

External Hotline

A standard phone that is programmed to dial a predetermined outside number when a user lifts the handset. See *also* Hotline phone.

F**Fax Management button**

A system phone button with lights that is programmed with the extension number of a fax machine. A user can monitor the lights next to this button to determine when the fax machine is in use, available, or not answering.

Feature phone

An industry-standard phone that includes programmable buttons or other built-in features.

Forced Account Code Entry

A system setting that forces users at specified extensions to enter an account code before making a call. See *also* Account code and Forced Account Code List.

Forced Account Code List

An optional list of account codes that the system checks when a user enters a forced account code. If the forced account code entered by the user is on the list (valid), the user gets access to an outside line; if not, the user is denied access.

400 module

The AT&T equipment component that has line jacks for connecting up to four outside lines to the control unit.

G

Group Call Distribution

A system setting that automatically directs incoming calls on specific lines to a Hunt Group. *See also* Hunt Group and VMS Hunt Group.

H

Hold Reminder Tone

On system phones, a short beep that is generated for a call that is left on hold for longer than one minute. The tone sounds once every minute until the held call is retrieved, or until the caller hangs up.

Hotline phone

A standard phone at an extension which rings another extension automatically when the handset is lifted. *See also* External Hotline.

Hunt Group

A group of extensions that takes incoming or transferred calls in round-robin fashion. Calls to the hunt group go to the first available extension in the group, with the extension that answered most recently being the last one in the hunt order. *See also* Calling Group and VMS Hunt Group.

I

Industry-standard device

A telephone or other telecommunications device that can be connected directly to the public telephone network. *See also* Proprietary device and Standard phone.

Inside call

See Intercom call.

Intercom Autodialer

An auxiliary device that can be connected to the system phones at extensions 10 and 11. The device has an Auto Dial button for each extension in the system, which can be used to dial or transfer calls to the extension with one touch.

Intercom Auto Dial button

A button that is programmed to ring or page another extension whenever the button is pressed. The button can be used to call the extension or to transfer a call to the extension with one touch; the lights next to the button also show calling activity for the extension. *See also* Manual Signaling.

Intercom call

A call that is made to another system extension.

Internal call

See Intercom call.

L

Line

The transmission path between your control unit and the local phone company's central office, used for incoming and outgoing calls.

Line button

A button with status lights on a system phone that represents a specific line for making calls.

Line hunting

See Group Call Distribution.

Line jack

The location on 206 and 400 modules that allows you to connect outside lines to the control unit.

Line number

The number assigned to each line jack on a 206 or 400 module. Line numbers run consecutively from 01 through 12.

Line Reserve

A system feature that lets you reserve a busy line (by pressing the busy line button without lifting the handset) so your phone beeps when the line becomes free.

Loudspeaker paging system

Equipment that lets you make announcements over the loudspeaker from a system extension. Any AT&T paging system can be connected to the PAGE jack on the processor module in the control unit. *See also* Simultaneous Paging.

M

Mailbox

See Voice mailbox.

Manual Signaling

A feature that lets a user signal an extension by pressing a programmed button. The phone at the target extension beeps for as long as the button is pressed. Alternatively, the Manual Signaling button can be used to ring or voice signal the target extension. See *also* Intercom Auto Dial button.

MDC 9000 Telephones

See System phones

MDW 9000 Telephones

See System phones.

Music-on-hold system

Equipment that lets you play recorded music or messages to callers who are placed on hold. A music-on-hold audio source can be connected to the RCA jack on the processor module in the control unit. See *also* Background Music.

N

Network interface jack

A jack, generally located in your equipment room, that provides access to an outside line coming into your building from your local telephone company. A line cord from the network interface jack to a line jack on a 206 or 400 module connects the line to your system.

Night Service

A feature that automatically redirects calls received after hours or when a receptionist is not available to answer calls. (This feature also activates night service operation of the voice messaging system.) See *also* Password.

O

One-touch Intercom Calling button

See Intercom Auto Dial button.

Outside line

See Line.

P

Park

See Call Park.

PARTNER Attendant

An optional device that answers calls and routes them to the appropriate extension based on caller responses to a recorded announcement.

PARTNER-Model Telephones

See System phones.

PARTNER-CA48 Intercom Autodialer

See Intercom Autodialer.

Password

A four-digit code assigned by the System Manager that users can enter from a PARTNER- or MLS-model phone to override dialing restrictions and to turn Night Service on and off. See *also* Night Service.

Pickup Group

A group of extensions for which calls to any extension in the group can be picked up, from any extension in the system, by dialing a group pickup code.

Processor module

This AT&T module, which is always installed in the center slot of the control unit, manages the components of the control unit.

Programmable button

A telephone button that does not have a line assigned; it can be set up to dial a number or access a feature.

Programming

See Centralized Telephone Programming, Extension Programming, and System Programming.

Programming extension

An extension from which you can program the system; this can be either extension 10 or 11.

Proprietary device

A telephone or other device that is designed to work with a specific system, and requires a special interface to connect to the public telephone network. For example, system phones are proprietary devices that can only be used with the control unit described in this guide. See *also* Industry-standard device.

R

RAU (Remote Administration Unit)

An auxiliary device that lets you perform system programming from a remote location.

Recall

A system feature that sends a timed switchhook flash to let you "recall" a dial tone to make another call to or access a PBX or Centrex service. (Use Recall only on an outside call; using Recall on an intercom call disconnects the call.)

Ringer Equivalence Number (REN)

A measure of the power it takes to ring a phone or other telecommunications device, usually shown on a label on the bottom of the device.

S

Send All Calls

Lets you send calls immediately to the voice messaging system.

Simultaneous Paging

A feature that lets you make announcements over the loudspeaker and all idle system phones with speakers in Calling Group 1. *See also* Loudspeaker paging system.

SMDR (Station Message Detail Recording)

See Call reporting.

Speed dialing

A feature that lets a user dial a telephone number quickly by dialing a short code.

Standard phone

An industry-standard touch-tone or rotary phone such as you might have in your home. Some standard phones include special feature buttons for frequently-used calling functions. *See also* Feature phone and Industry-standard device.

Station

See Extension.

Station Lock

A feature that lets a user lock his or her extension to prevent other users from making outside calls from the locked extension.

Station Message Detail Recording (SMDR)

See Call reporting.

Subscriber

A user who has a mailbox in the voice messaging system.

System

The AT&T control unit and system phones that you purchased, plus all other telecommunications devices that are connected to your control unit.

System Manager

The person in your business who is responsible for managing your system, including system programming.

System phones

The AT&T telephones that are specifically designed for use with PARTNER systems. Models include the PARTNER-34D, PARTNER-18D, PARTNER-18, PARTNER-6, MLS-34D, MLS-18D, MLS-12D, MLS-12, MLS-6, MLC-6, MDC 9000, and MDW 9000 phones.

System Programming

Procedures that allow you to customize system settings for your business. System Programming requires a system display phone and must be done from extension 10 or 11.

T

Talk-Back

See Voice Interrupt On Busy Talk-Back.

Telephone Programming

Customizes extensions to meet the needs of individual users, including the assignment of features to programmable buttons. Telephone Programming can be done either centrally or from the user's own extension. *See also* Centralized Telephone Programming and Extension Programming.

200 module

The AT&T equipment component that has line jacks for connecting up to two outside lines to the control unit.

200 module

The AT&T equipment component that contains jacks for connecting up to two outside lines and up to six extensions to the control unit.

V

Verification of Account Codes

See Forced Account Code Entry.

VMS (Voice Messaging System)

See Voice messaging system (VMS).

VMS Hunt Group

Hunt Group 7, reserved by the system to identify extensions that are associated with the voice messaging system hardware. See *also* Group Call Distribution and Hunt Group.

Voice Interrupt On Busy

A special intercom call that lets a user interrupt and speak to another user who is busy on a call. See *also* Voice Interrupt On Busy Talk-Back.

Voice Interrupt On Busy Talk-Back

A feature that lets the recipient of a voice interrupt on busy intercom call respond to the originator of that call. See *also* Voice Interrupt On Busy.

Voice Mail coverage

A voice messaging system feature that provides Call Answer Service when a call is not answered by a covered extension. See *also* Call Answer Service.

Voice Mail Service

A voice messaging system feature that lets users retrieve messages and record greetings.

Voice mailbox

A storage area for greetings and messages in a voice messaging system.

Voice messaging system (VMS)

An optional call routing and messaging device that provides call coverage by answering calls and routing them to caller designated extensions. It also lets callers leave messages at unanswered extensions and lets subscribers retrieve their messages. (The system supports either the PARTNER MAIL VS system or the PARTNER MAIL system.)

W

Wake Up Service

A special application feature that lets the receptionist at extension 10 schedule wake up or reminder calls for specific extensions.

Index

A

AA Extensions (#607), 5-3
Abbreviated Ringing (#305), 5-4
Accessories, B-5 - B-7
Account Code Entry, 5-5 - 5-7, 5-58, 5-60
Adding lines and extensions, 2-5
Allowed List Assignments (#408), 5-8
Allowed Phone Number Lists (#407), 5-9 - 5-10
Amplified handset, 4-3, B-7
Answering a call
 at your extension, 5-11 - 5-13
 ringing at another extension, 5-29, 5-70 - 5-71
Answering machines, 4-4 - 4-7
Attendants, automated (see PARTNER Attendant)
Authorization Codes (see Forced Account Code Entry (#307))
Auto Answer Intercom (see Hands-Free Answer on Intercom)
Auto Dial buttons, 2-18, 3-4, 5-14 - 5-16
Auto Dial numbers
 programming, 5-15
 using, 5-16
Autodialers, Intercom, 1-6, 2-19, 5-14
Automated attendants (see PARTNER Attendant)
Automated attendant extensions, 5-3
Automatic Extension Privacy (#304), 5-17
Automatic Line Selection, 5-18 - 5-19
Automatic VMS Cover (#310), 5-20 - 5-21
Auxiliary equipment
 example setups, 4-1
 overview, 1-7
 programming for, 2-10 - 2-11
 with Night Service, 4-21 - 4-22

B

Background Music, 5-22 - 5-23
Backlit display, 5-44
Backplane, 1-2, B-6
Bed and Breakfast features
 description, 2-12
 Outgoing Call Restriction Button (#114), 5-111 - 5-112
 Wake Up Service Button (#115), 5-160 - 5-163
Bells (see Extra alerts)
Bridging adapter, B-6
Bridging calls, 5-80
Busy extension indication (see Light patterns)
Busy Lamp Fields (BLF) feature (see Light patterns)
Button label sheets, 2-20, 2-21, B-7

Buttons

Auto Dial, 2-18, 3-4, 5-14 - 5-16
intercom, 1-5, 3-2
line, 1-5, 3-2
system phone, 1-5, 3-2

C

Call accounting, 5-127 - 5-129
Call Assistant Intercom Autodialer, 1-6, 2-19, 5-14
Call Follow-Me, 5-24 - 5-26
Call Forwarding, 5-24 - 5-26
Call handling, 3-13
Call Intercept feature, 4-4
Call Park, 5-27 - 5-28
Call Pickup, 5-29
Call report, 4-9, 5-127 - 5-129
Call reporting devices, 4-8 - 4-10
Call Restriction, Outgoing (#401), 5-109 - 5-110
Call timer, 3-2, 5-44
Call Waiting (#316), 5-30
Calling
 intercom (inside), 5-95
 outside, 5-94
Calling extensions simultaneously, 5-64 - 5-66
Calling Group, 5-31, 5-64 - 5-66
Calling Group Extensions (#502), 5-31
Capabilities, system, 1-1
Capacities, system, 1-4, A-1
Centralized telephone programming, 2-1, 2-20
Changing system settings, 2-3, 2-5 - 2-7
Charge Indicator, 3-3
Clock, changing system, 2-3, 2-5, 5-135 - 5-136, 5-142
CO Line Hunting, 5-62
Combination extension
 problems with, 6-10
 using, 3-11
Components, system, 1-2
Conference
 call, making a, 5-32 - 5-33
 Conf button, 3-2, 5-32 - 5-33
 Drop, 5-34
 limit outside participants, 5-113
 outside restriction, 5-113
Control unit, 1-2, 1-3
Copy Settings (#399), 5-35
Cordless phones, 1-5, 3-3, B-7
Coverage, 5-151, 5-153 - 5-155, 5-159
Credit card scanners, 4-11
Cycle programming method, 2-16

D

Date, System (#101), 5-135
Day, System (#102), 5-136
Dead phones, 6-12 - 6-13
Delayed ring, 5-89
DFT (see Line)
DGC (see Direct Group Calling)
Dial Mode (#201), 5-36
Dial pulse signaling, 5-122
Dial tone

- intercom, 5-79
- recall, 5-118
- standard phones, 3-9
- system phones, 3-5

Dial-code features, 3-13
Dialing restrictions and permissions

- disallowed phone numbers, 5-40 - 5-41
- emergency phone numbers, 5-50
- for fax machine, 4-14
- for long-distance, 5-143
- line access, 5-83
- overriding, 2-8, 5-137, 5-139
- programming, 2-7
- summary of, 2-9
- types of outgoing calls, 5-109
- with PBX/Centrex services, 2-6

Direct Department Calling (see Hunt Groups)
Direct Facility Termination (see Line)
Direct Group Calling, 5-154
Direct Line Pickup

- Active Line, 5-37 - 5-38
- Idle Line, 5-39

Direct programming method, 2-16
Direct Station Select (see Auto Dial buttons and Intercom Autodialer)
Disallowed List Assignments (#405), 5-40
Disallowed Phone Number Lists (#404), 5-41 - 5-42
Display

- adjusting contrast, 3-3, 5-44
- assigning a name to, 5-53 - 5-54
- features, 5-43 - 5-44
- name, 5-53

Display Language (#303), 5-45
Display phone

- for programming, 2-12
- for receptionist, 2-18

Distinctive Ring (#308), 5-46
Do Not Disturb, 5-47
Doorphones

- description, 4-2
- Doorphone Alert Extensions (#606), 5-48
- Doorphone Extensions (#604/#605), 5-49
- programming for, 5-48 - 5-49

Drop, Conference, 5-34
Dropping parties from a conference call, 5-32, 5-34
DSS (see Auto Dial buttons and Intercom Autodialer)
DTMF signaling, 5-144

E

Electrical specifications, A-2
Electromagnetic Interference filter, 4-3, B-6
Emergency Phone Number List (#406), 5-50 - 5-51
EMI (see Electromagnetic Interference filter)
Environmental requirements, A-2
Exclusive Hold, 5-52
Extension

- adding an, 2-5
- copying settings, 2-5
- customizing an, 2-4
- groups, 2-10
- jacks, 2-2
- numbering, 2-2
- programming, 2-4 - 2-5, 5-35
- programming from, 2-1
- receptionist, 2-18
- swapping, 2-6
- transfer return, 5-149

Extension 10/11, 2-1, 2-20
Extension Name Display, 5-53 - 5-54
Extension Programming, 2-1, 2-20, 2-23
Extension, Transfer Return (#306), 5-149
External Hotline (#311), 5-55 - 5-56
Extra alerts, 4-2

F

FACE, 5-58, 5-60
Fax Machine Extensions (#601), 5-57
Fax machines

- dialing restrictions for, 4-14
- example setups, 4-14 - 4-17
- Notify feature, 4-13
- programming for, 5-14, 5-57
- transferring calls to, 4-13
- using, 4-12

Fax Management button, 4-12, 5-57
FCC information, A-1
Feature button, 3-2
Feature phones, 3-11
Features

- call handling, 3-13
- dial-code, 3-13
- overview, 1-1
- speed dialing, 2-7, 2-17
- user-programmable, 2-23, 3-13

Flash, 5-118, 5-120
Follow-Me, 5-24 - 5-26
Forced Account Code Entry (#307), 5-58 - 5-59
Forced Account Code List (#409), 5-60 - 5-61
Forwarding calls, 5-24 - 5-26
400 module, 1-4, B-6

G

GCD (see Group Call Distribution)
Group Call Distribution (#206), 5-62 - 5-63
Group Calling, 5-31, 5-64 - 5-66
Group Hunting, 5-67 - 5-69, 5-77, 5-154
Group Paging, 5-64 - 5-66
Group Pickup, 5-70 - 5-71
Groups
 Calling, 5-31, 5-64 - 5-66
 Hunt, 5-67 - 5-69, 5-77 - 5-78
 Night Service, 5-107
 overview, 2-10
 Paging, 5-31, 5-64
 Pickup, 5-70 - 5-71, 5-116
 setting up, 2-10

H

Hands-Free Answer on Intercom, 3-6
Handset
 using, 3-5
 volume controls, 3-3
Hard-of-hearing handsets, 4-3, B-7
Hardware, 1-2, 1-7
Headsets, 4-3
Hearing aid compatibility, A-2
HFAI (see Hands-Free Answer on Intercom)
Hold button, 3-2, 5-72 - 5-73
Hold Disconnect Time (#203), 5-74
Hold Reminder Tone, 5-52, 5-72
Hold, Exclusive, 5-52
Holding a call, 5-52, 5-72 - 5-73
Hotel/Motel features
 description, 2-12
 Outgoing Call Restriction Button (#114), 5-111 - 5-112
 Wake Up Service Button (#115), 5-160 - 5-162
Hotline (#603), 5-75 - 5-76
Hotline, External, 5-55
Hotline support, Inside front cover, 6-1
Hunt Group Extensions (#505), 5-77 - 5-78
Hunt Groups (see also Group Call Distribution)
 description, 2-10
 programming, 5-78
 using, 5-67
 VMS, 5-154 - 5-155

I

Idle Line Preference (see Automatic Line Selection)
Immediate call answering, 2-18
Immediate ring, 5-89
In-Range Out-of-Building protectors, 4-3, A-3, B-6
Indicators, system telephone, 3-2 - 3-3
Industry-standard devices (see Standard devices)

Inside call, making an, 5-95
Intercom Auto Dial buttons, 2-18, 3-4, 5-15
Intercom Autodialer, 1-6, 2-19, 5-14
Intercom buttons, 1-5, 3-2
Intercom call, making an, 5-95
Intercom Dial Tone (#309), 5-79
Intercom status, 2-18, 3-4
Internal Hotline (see Hotline (#603))
IROB (see In-Range Out-of-Building protectors)

J

Jacks, 2-2
Joining a call, 5-80 - 5-81

L

Labeling
 line and extension jacks, 2-2
 system phones, 2-21
Language, Display (#303), 5-45
Last Number Redial, 5-82
Light patterns
 description of, 3-4
 Fax Management button, 4-12
 Intercom Auto Dial Button, 2-18, 3-4
Line
 adapter, B-6
 adding to system, 2-5
 assigning to extensions, 2-3, 5-85 - 5-87, 5-108
 buttons, 1-5, 3-2, 5-85
 cords, B-6
 jacks, 2-2
 numbering, 2-2
 reserving, 5-94
 restricting use at individual extension, 5-83 - 5-84
 type, 5-36
Line Access Restriction (#302), 5-83 - 5-84
Line Assignment (#301), 5-85 - 5-87
Line Coverage Extension (#208), 5-88
Line ownership, 5-88
Line pickup, 5-37, 5-39
Line Ringing, 5-89 - 5-90
Line Selection, Automatic, 5-18 - 5-19
Lines, Number of (#104), 5-108
Lists
 allowed phone numbers, 5-9 - 5-10
 disallowed phone numbers, 5-41 - 5-42
 emergency phone numbers, 5-50 - 5-51
 forced account codes, 5-60 - 5-61
Loudspeaker Paging, 5-91 - 5-92, 5-125 - 5-126
Loudspeaker Paging system, 4-2

M

Maintenance, B-1
Making a call, 5-93 - 5-96
Manual Signaling, 5-97 - 5-98
Marked System Speed Dial numbers, 2-8, 5-139
Message indicator, 3-3
Message Light On/Off, 5-99 - 5-102
Message Waiting (see Standard phones)
Microphone, 3-2, 3-5 - 3-6
Microphone disable (see Mute)
Microphone (Mic) button, 3-3, 3-5
Modems, 4-19 - 4-20
Modules
 description, 1-4
 processor, 1-4, B-6
 200, 1-4, B-6
 206/400, 1-4, 2-2, B-6
MOH (see Music-on-hold (#602))
Monitoring call activity, 2-18, 5-14, 5-83
Music On Hold (#602)
 as background music, 5-103 - 5-104
 description, 4-2, 5-103 - 5-104
 programming, 5-104
Mute, 3-6

N

Name Display, 5-53
Night Service
 auxiliary equipment with, 4-21 - 4-22
 dialing restrictions with, 2-8
 programming, 5-106 - 5-107
 using, 5-106
 with password, 5-137
Night Service Button (#503), 5-105 - 5-106
Night Service Group Extensions (#504), 5-107
No ring, 5-89
Notify feature, 4-13
Number of Lines (#104), 5-108
Numbering of lines and extensions, 2-2

O

On/Off button, 3-3
On/Off switch, 1-3
One touch transfer (see Auto Dial numbers)
Optional equipment, 1-7, 2-10, 4-1
Ordering
 equipment, B-4
 reference materials and books, B-4
Out-of-building extension requirements, 4-3
Outgoing Call Restriction (#401), 5-109 - 5-110
Outgoing Call Restriction Button (#114), 5-111 - 5-112
Outside Auto Dial numbers, 5-15

Outside call, making an, 5-94
Outside Conference Denial (#109), 5-113
Outside line, reserving an, 5-94
Outward restriction (see Outgoing Call Restriction (#401))
Overlay (see Programming overlays)
Overriding dialing restrictions, 2-8, 5-137, 5-139
Owner, line, 5-88

P

PAGE jack, 4-2, A-1 - A-2
Paging, 5-125
 Calling Groups, 5-64
 Loudspeaker, 5-91 - 5-92, 5-125 - 5-126
 PARTNER-model phone, 5-64 - 5-69
 Simultaneous, 5-125
PARTNER Attendant, 4-23, 5-3
PARTNER Attendant extensions, 5-3
PARTNER-CA48 Intercom Autodialer, 1-6, 2-19, 5-14
PARTNER phones (see System phones)
PARTNER-34D telephone
 buttons and indicators, 3-2
 for receptionist, 2-18
 programming overlay, 2-13
PARTNER Voice Messaging Systems (see Voice messaging systems)
Password, System (#403), 5-137
Pause, programming function in phone number, 5-130
Permissions, dialing, 2-8
Personal Speed Dial numbers, 2-17, 5-114 - 5-115
Picking up a held call, 5-72 - 5-73
Pickup
 Call, 5-29
 Group, 5-29, 5-70, 5-116
 Line, 5-37, 5-39
Pickup Group Extensions (#501), 5-116
Placing a call, 5-93 - 5-96
Power cord, B-6
Power failure, 3-8, 6-1
Printer (see Station Message Detail Recording)
Privacy, 5-17, 5-117
Privacy, Automatic Extension (#304), 5-17
Problems, solving, 6-1
Processor module, 1-4, B-6
Programmable buttons, 2-18, 3-2 - 3-3
Programming (see also System Programming and Telephone Programming)
 after installation, 2-5
 auxiliary equipment, 2-10
 centralized telephone, 2-1, 2-20
 changing system, 2-1, 2-7, 2-12
 changing type, 2-16, 2-23
 dial-code features onto buttons, 2-18, 2-20, 2-23
 extensions, 2-1, 2-4, 2-20, 2-23
 for PBX/Centrex support, 2-6
 groups, 2-10
 initial setup, 2-3
 lines, 2-3, 2-5

Programming (*continued*)
methods, 2-16, 2-20
mixed telephone types, E-1 - E-3
mode, 2-16
options, 2-7, 2-17
overlays, 2-12, 2-13
overview, 2-1
phone numbers on a button, 2-18, 5-14 - 5-16
programmable buttons, 2-18, 3-2 - 3-3, 5-14
quick reference charts, End of book
receptionist extension, 2-18
restrictions and permissions, 2-7
system, 2-1, 2-7, 2-12
telephone, 2-1, 2-17, 2-20

Pulse dial, 5-36, 5-122

Q

Quick reference charts, End of book

R

Recall
programming feature on a button, 5-118
programming function in phone number, 5-130
using, 5-119

Recall Timer Duration (#107), 5-120

Receptionist extension, 2-18

Redial
Last Number, 5-82
Save Number, 5-123

Reference materials, B-4

Reminder service, 5-160

REN (*see* Ringer Equivalence Number)

Repair, B-1

Replacement parts, B-4, B-6

Request, line, 5-94

Reserving an outside line, 5-94

Resetting the system, 5-138, 6-13

Restriction
Line Access (#302), 5-83 - 5-84
Outgoing Call (#401), 5-109 - 5-110

Restrictions, dialing
disallowed phone numbers, 5-40 - 5-41
for fax machine, 4-14
for long-distance, 5-143
line access, 5-83
locking an extension, 5-132 - 5-133
overriding, 2-8, 5-50, 5-137, 5-139
PBX/Centrex operation, 2-6
programming, 2-7
summary 2-9
types of outgoing calls, 5-109

Retrieving a held call, 5-72 - 5-73

Ring on Transfer (#119), 5-121

Ring, Distinctive (#308), 5-46

Ringer Equivalence Number (REN), 1-7, A-1, A-3

Ringer volume controls, 3-3

Ringing
Abbreviated (#305), 5-4
Line, 5-89 - 5-90

Ringing patterns
standard phones, 3-9
system phones, 3-5

Ringing/Idle Line Preference (*see* Automatic Line Selection)

Rings
Transfer Return (#105), 5-150
VMS Cover (#117), 5-153

Rotary
dial, 5-36, 5-122
lines, 5-36, 5-144
phones, 1-6, 3-8

Rotary Dialing Timeout (#108), 5-122

S

SAC (*see* Send All Calls)

Save Number Redial, 5-123

Send All Calls, 5-124

Set
date, 5-135
day, 5-136
time, 5-142

Settings, Copy (#399), 5-35

Setup, initial, 2-3

Sharing an extension, 3-11

Simultaneous Paging, 5-125 - 5-126

SMDR (*see* Station Message Detail Recording)

SMDR Output Format (#610), 5-127

SMDR Record Type (#608), 5-128

SMDR Top of Page (#609), 5-129

Speaker
using, 3-5, 3-7
volume controls, 3-3

Speaker (Spkr) button, 3-3

Speakerphone, non-proprietary, 4-2

Special dialing functions, 5-130 - 5-131

Specifications, A-1

Speed dialing
Auto Dial numbers, 5-14 - 5-16
Forms, D-2 - D-3
Personal Speed Dial numbers, 5-114 - 5-115
System Speed Dial numbers, 5-139 - 5-141

Standard devices
answering machines, 4-4
credit card scanners, 4-11
fax machines, 4-12
limitations, 1-7, 3-10
modems, 4-19
overview, 1-7
problems with, 6-11
telephones, 1-6, 3-8

Standard phones

- Automatic Line Selection for, 5-2, 5-18
- call handling, 3-13
- connecting, 1-7
- dial tones, 3-9
- dial-code features, 3-13
- feature buttons on, 3-11
- limitations, 1-7, 3-10
- message waiting compatibility, 5-99, 5-101
- overview, 1-6, 3-8
- power failure, for use during, 3-8, 6-1
- ringing patterns, 3-9
- switchhook, 3-9, 5-118
- using, 3-8

Station Lock, 5-132 - 5-133

Station Message Detail Recording, 4-8, 5-128 - 5-129

Station name (see Extension Name Display)

Station page, 5-64

Station programming (see Extension programming)

Station Unlock, 5-134

Stop, programming function in phone number, 5-130

Support, customer, 6-1, B-1

Swapping extensions, 2-6

Switchhook flash, 3-9, 5-118, 5-120

System clock, 2-3, 2-5

System Date (#101), 5-135

System Day (#102), 5-136

System Password (#403), 5-137

System phones

- buttons, 3-2 - 3-3
- call handling, 3-13
- definition, 1-5
- dial tones, 3-5
- indicators, 3-2 - 3-3
- labeling sheets, 2-20, 2-21, B-7
- lights, 3-4
- microphone, 3-5
- ordering, B-7
- overview, 1-5
- problems with, 6-2 - 6-4
- ringing patterns, 3-5
- speaker, 3-5, 3-7
- using, 3-1, 3-13
- wireless, 3-3, B-4, B-7

System Planner, B-4

System problems, 6-11 - 6-13

System programming (see also Programming)

- changing, 2-5, 2-12
- for PBX/Centrex support, 2-6
- general instructions, 2-12
- individual procedures, 5-2
- initial, 2-3
- methods of, 2-16
- options, 2-7
- overview, 2-1
- quick reference charts, End of book

System Reset (#728), 5-138

System settings, changing, 2-5, 2-12

System Speed Dial numbers, 5-139 - 5-141

System Time (#103), 5-142

T

Talk Back, 5-158

Technical specifications, A-1

Telephone company notification, A-2

Telephone programming

at extension, 2-23

Auto Dial buttons, 2-18, 5-14 - 5-16

centrally (at extension 10 or 11), 2-20

dial-code features, 2-18

individual procedures, 5-2

lines, 2-4, 2-17

methods, 2-20

options, 2-4 - 2-5, 2-17

overview, 2-17

receptionist extension, 2-18

speed dialing, 2-17

Telephone usage reports, 4-9, 5-127 - 5-129

Telephones (see also System phones and Standard phones)

feature, 3-11

rotary, 1-6

touch-tone phone, 1-6, 3-8

using, 3-1, 3-8, 3-11, 3-13

Time, System (#103), 5-142

Timed flash, 5-118, 5-120

Timer, call, 3-2, 5-44

Toll Call Prefix (#402), 5-143

Toll restrictions (see Dialing restrictions and permissions)

Touch-tone dial, 5-36, 5-122

Touch-Tone Enable

programming feature on a button, 5-144

programming function in phone number, 5-130

using, 5-144

Transfer button, 3-2, 5-145 - 5-148

Transfer return display message, 5-146

Transfer Return Extension (#306), 5-149

Transfer Return Rings (#105), 5-150

Transfer ringing, 3-5, 3-9, 5-146

Transfer, one-touch (see Auto Dial numbers)

Transferring a call

to a Calling Group, 5-64

to another extension, 5-145 - 5-148

to fax machine, 4-13

Troubleshooting, 6-2

200 module, 1-4, B-6

206 module, 1-4, B-6

267F2 bridging adapter, B-6

U

Usage reports, 4-9, 5-127 - 5-129

V

VMS (see Voice messaging systems)
VMS Cover, 5-88, 5-151 - 5-152
VMS Cover Rings (#117), 5-153
VMS Hunt Delay (#506), 5-154
VMS Hunt Schedule (#507), 5-155
Voice Interrupt On Busy (#312), 5-156 - 5-157
Voice interrupt on busy call
 description, 3-7, 5-156 - 5-157
 responding to a, 5-158
Voice Interrupt On Busy Talk-Back, 5-158
Voice mail, 5-151, 5-153 - 5-155, 5-159
Voice Mailbox Transfer, 5-159
Voice messaging systems, 5-151, 5-153 - 5-155, 5-159
 example, 4-24 - 4-25
 overview, 4-24
 reference materials, B-4
 sending calls, 5-124
 summary of procedures, 2-11
Voice-signaling, 3-6, 5-64 - 5-69
Volume controls, 3-3

W

Wake Up Service Button (#115), 5-160 - 5-162
Warranty information, B-1 - B-3
Wildcard character, 5-9, 5-41, 5-60
Wireless phones, 3-3, B-4, B-7
Wiring specifications, A-3

Z

Z300A (see Electromagnetic Interference filter)

Centralized Telephone Programming Quick Reference

Place the Programming Overlay on the dialpad of the system display phone at extension 10 or 11

TO ENTER PROGRAMMING MODE

PRESS [*Feature*] [0] [0]
 PRESS [*System Program*] [*System Program*] [*Central Tel Program*]
 DIAL the extension number to be programmed
Buttons on which lines are assigned for the extension light up to show the current Line Ringing setting; remaining buttons can be programmed with Auto Dial numbers or features

TO PROGRAM ANOTHER FEATURE AT THE SAME EXTENSION

After you program one feature, continue with the instructions in the box for the next feature

TO CHANGE SETTING FOR ANOTHER EXTENSION

PRESS [*Central Tel Program*]
 DIAL the new extension's number

TO ERASE A FEATURE OR AUTO DIAL BUTTON

Press the programmed button
 PRESS [*Mic/HEA*]

TO END PROGRAMING MODE

PRESS [*Feature*] [0] [0]

NOTE: Program Automatic Line Selector/Extension Name Display first.

AUTOMATIC LINE SELECTION (p. 5-18)

PRESS [*] [*]
 PRESS the line/intercom buttons in the desired order
 PRESS [*] [*]
 ✓ Outside lines 01-12, left [*Intercom*]

EXTENSION NAME DISPLAY (p. 5-53)

PRESS left [*Intercom*]
 Enter the character codes for the name (See Table 5-1 "Character Codes" on p. 5-53)

PERSONAL SPEED DIAL NUMBERS (p. 5-114)

PRESS [*Feature*] DIAL the phone number—up to 28 digits including special functions (see "Special Dialing Functions," p. 5-130)
 DIAL a two-digit code (80-99)

AUTO DIAL NUMBERS—OUTSIDE AND INSIDE (p. 5-14)

PRESS a programmable button
To program an outside number:
 DIAL the phone number—up to 28 digits including special functions (see "Special Dialing Functions," p. 5-130)
To program an extension number:
 PRESS left [*Intercom*]
 DIAL the extension number (to ring the extension) or [*] plus the extension number (to voice-signal the extension)

LINE RINGING (p. 5-89)

PRESS each line button until the desired ringing option appears in the display
 • Immediate ring (green steady) ✓
 • No ring (green fast flutter)
 • Delayed ring—starts ringing after 20 seconds (green slow flashing)

System Features

ACCOUNT CODE ENTRY (p. 5-5)

PRESS a programmable button
 PRESS [*Feature*] [1] [2]

BACKGROUND MUSIC (p. 5-22)

PRESS a programmable button
 PRESS [*Feature*] [1] [0]

CALL FORWARDING/CALL FOLLOW-ME (p. 5-24)

PRESS a programmable button
 PRESS [*Feature*] [1] [1]
 DIAL (optional) two-digit *originating* extension number
 DIAL (optional) two-digit *destination* extension number

CALL PICKUP (p. 5-29)

PRESS a programmable button
 PRESS left [*Intercom*] [0]
 DIAL the two-digit extension number

CONFERENCE DROP (p. 5-34)

PRESS a programmable button
 PRESS [*Feature*] [0] [0]

DIRECT LINE PICKUP—ACTIVE LINE (p. 5-37)

PRESS a programmable button
 DIAL left [*Intercom*] [0] [0]

DIRECT LINE PICKUP—IDLE LINE (p. 5-39)

PRESS a programmable button
 DIAL left [*Intercom*] [0]

DO NOT DISTURB (p. 5-47)

PRESS a programmable button with lights
 PRESS [*Feature*] [0] [1]

EXCLUSIVE HOLD (p. 5-52)

PRESS a programmable button
 PRESS [*Feature*] [0] [2]

GROUP CALLING—RING/PAGE (p. 5-64)

For ringing the group:
 PRESS a programmable button
 PRESS left [*Intercom*] [Z]
 DIAL a Calling Group number (1-4)
For paging the group:
 PRESS a programmable button
 PRESS left [*Intercom*] [*] [Z]
 DIAL a Calling Group number (1-4)

GROUP HUNTING—RING/VOICE SIGNAL (p. 5-67)

For ringing the first available extension:
 PRESS a programmable button
 PRESS left [*Intercom*] [Z] [Z]
 DIAL a Hunt Group number (1-7)
For voice signaling the first available extension:
 PRESS a programmable button
 PRESS left [*Intercom*] [*] [Z] [Z]
 DIAL a Hunt Group number (1-6)

System Features Continued

GROUP PICKUP (p. 5-70)
 PRESS a programmable button
 PRESS left [*Intercom*] [6] [6]
 DIAL a Pickup Group number (1-4)

LAST NUMBER REDIAL (p. 5-82)
 PRESS a programmable button
 PRESS [*Feature*] [0] [5]

LOUDSPEAKER PAGING (p. 5-91)
 PRESS a programmable button
 PRESS left [*Intercom*] [Z] [0]

MANUAL SIGNALING (p. 5-97)
 PRESS a programmable button
 PRESS [*Feature*] [1] [3]
 DIAL the two-digit extension number (to ring extension) *or*
 DIAL [*] plus the two-digit extension number (to voice-signal the extension)

MESSAGE LIGHT OFF (p. 5-99)
 PRESS a programmable button
 PRESS [*Feature*] [1] [0]
 DIAL (optional) two-digit extension number

MESSAGE LIGHT ON (p. 5-101)
 PRESS a programmable button
 PRESS [*Feature*] [0] [0]
 DIAL (optional) two-digit extension number

PRIVACY (p. 5-117)
 PRESS a programmable button with lights
 PRESS [*Feature*] [0] [Z]

RECALL (p. 5-118)
 PRESS a programmable button
 PRESS [*Feature*] [0] [3]

SAVE NUMBER REDIAL (p. 5-123)
 PRESS a programmable button
 PRESS [*Feature*] [0] [4]

SIMULTANEOUS PAGING (p. 5-125)
 PRESS a programmable button
 PRESS left [*Intercom*] [*] [Z] [0]

STATION LOCK (p. 5-132)
 PRESS a programmable button
 PRESS [*Feature*] [2] [1]

TOUCH-TONE ENABLE (p. 5-144)
 PRESS a programmable button
 PRESS [*Feature*] [0] [8]

VMS COVER (p. 5-151)
 PRESS a programmable button with lights
 PRESS [*Feature*] [1] [5]

VOICE INTERRUPT ON BUSY TALK-BACK (p. 5-158)
 PRESS a programmable button with lights
 PRESS [*Feature*] [1] [8]

VOICE MAILBOX TRANSFER (p. 5-159)
 PRESS a programmable button
 PRESS [*Feature*] [1] [4]

- ✓ = Factory setting
- ☐ = Button with lights required
- = Button with lights recommended

System Programming Quick Reference

Place the Programming Overlay on the dialpad of the system display phone at extension 10 or 11

TO START SYSTEM PROGRAMMING

PRESS [*Feature*] [0] [0]

PRESS [*System Program*]

PRESS [*System Program*]

TO END SYSTEM PROGRAMMING

PRESS [*Feature*] [0] [0]

TO USE A SPECIFIC PROCEDURE

DIAL [#] and three-digit procedure code

Example: [#] [1] [0] [1] for System Date

TO CYCLE THROUGH SYSTEM PROGRAMMING PROCEDURES

PRESS [*Next Procedure*] or [*Prev Procedure*]

NOTES: Procedures #399, #609, and #728—shown below in dashed boxes—are skipped when cycling.

TO CYCLE THROUGH AVAILABLE SETTINGS

PRESS [*Next Data*] or [*Prev Data*]

TO RETURN TO FACTORY SETTING

PRESS [*Remove*]

System

SYSTEM DATE (p. 5-135)
DIAL #101
DIAL the date in MMDDYY form.

SYSTEM DAY (p. 5-136)
DIAL #102
DIAL 1 = Sunday ✓ 5 = Thursday
2 = Monday 6 = Friday
3 = Tuesday 7 = Saturday
4 = Wednesday

SYSTEM TIME (p. 5-142)
DIAL #103
DIAL the time in HHMM 24-hour military format

NUMBER OF LINES (p. 5-108)
*See IMPORTANT below
DIAL #104
DIAL two digits (01–12) for the number of outside lines to be assigned to every extension
✓ 2 per 206 module
✓ 4 per 400 module

TRANSFER RETURN RINGS
DIAL #105 (p. 5-150)
DIAL one digit (0–9) for the number of rings before the call returns
✓ = 4 rings
0 rings = no return

RECALL TIMER DURATION
DIAL #107 (p. 5-120)
DIAL two digits (01–80) to set the length of a switchhook flash
✓ = 18 (450 msec)

ROTARY DIALING TIMEOUT
DIAL #108 (p. 5-122)
DIAL 1 = 4 sec
2 = 8 sec ✓
3 = 12 sec

OUTSIDE CONFERENCE DENIAL
DIAL #109 (p. 5-113)
DIAL 1 = Allowed ✓
2 = Disallowed

OUTGOING CALL RESTRICTION BUTTON (p. 5-111)
DIAL #114
DIAL 1 = Assigned
2 = Not Assigned ✓
3 = Select Button then press a programmable button

WAKE UP SERVICE BUTTON (p. 5-160)
DIAL #115
DIAL 1 = Assigned
2 = Not Assigned ✓
3 = Select Button then press a programmable button

VMS COVER RINGS
DIAL #117 (p. 5-153)
DIAL one digit (1–9) for the number of rings before the call is sent to the voice messaging system
✓ = 3 rings

RING ON TRANSFER (p. 5-121)
DIAL #119
DIAL 1 = Active ✓
2 = Not Active

Lines

DIAL MODE (p. 5-36)
DIAL #201
DIAL a line number (01–12)
DIAL 1 = Touch-Tone ✓
2 = Rotary
PRESS [*Next Item*] to program another line

HOLD DISCONNECT TIME
DIAL #203 (p. 5-74)
DIAL a line number (01–12)
DIAL 1 = Long (450 msec) ✓
2 = Short (50 msec)
PRESS [*Next Item*] to program another line

GROUP CALL DISTRIBUTION
DIAL #206 (p. 5-62)
DIAL a group number (1–6, 7 for VMS)
DIAL a line number (01–12)
DIAL 1 = Assigned
2 = Not Assigned ✓
3 = VMS Line Cover (only for hunt group 7)
PRESS [*Next Item*] to program another line

LINE COVERAGE EXTENSION
DIAL #208 (p. 5-88)
DIAL a line number (01–12)
DIAL an extension number (10–33)
PRESS [*Next Item*] to program another line
PRESS [*Remove*] to unassign ownership

For Centralized Telephone Programming, see previous pages

IMPORTANT: The Number of Lines procedure changes line Assignment (#301), Line Access Restriction (#302), Automatic Line Selection, and Line Ringing to factory settings. To change line assignments without affecting other settings, use Line Assignment (#301).

IMPORTANT: Using this procedure disconnects any active calls but retains system settings. Use it only if the system fails to function correctly after a power failure or down period.
DIAL #728

Extensions

LINE ASSIGNMENT (p. 5-85)

DIAL #301

DIAL an extension number (10-33)
To remove all existing line assignments, press [Remove] before selecting a line.

DIAL a line number (01-12)

DIAL 1 = Assigned ✓
2 = Not Assigned
3 = Select Button then press a programmable button (to assign the line to that button)
If you use option 3 after a line has been assigned, the line moves from the old button to the new button you select.

PRESS [Next Item] to program another line for this extension.

To program another extension:

PRESS [Next Procedure] [Prev Procedure], enter a new extension number, and repeat above steps

LINE ACCESS RESTRICTION

DIAL #302 (p. 5-83)

DIAL an extension number (10-33)

DIAL a line number (01-12)

DIAL 1 = No Restriction ✓
2 = Outgoing Only
3 = Incoming Only
4 = No Access (line appears on button, but you can use line only to pick up a transferred or held call)

PRESS [Next Item] to program another line

To program another extension:

PRESS [Next Procedure] [Prev Procedure], enter a new extension number, and repeat above steps

DISPLAY LANGUAGE (p. 5-45)

DIAL #303

DIAL an extension number (10-33)

DIAL 1 = English ✓
2 = Spanish
3 = French

PRESS [Next Item] to program another extension

AUTOMATIC EXTENSION PRIVACY

DIAL #304 (p. 5-17)

DIAL an extension number (10-33)

DIAL 1 = Assigned
2 = Not Assigned ✓

PRESS [Next Item] to program another extension

ABBREVIATED RINGING

DIAL #305 (p. 5-4)

DIAL an extension number (10-33)

DIAL 1 = Active (1 ring) ✓
2 = Not Active (repeated ringing)

PRESS [Next Item] to program another extension

TRANSFER RETURN EXTENSION

DIAL #306 (p. 5-149)

DIAL an extension number (10-33)

DIAL number of the extension (10-33) to which call should return if not answered
✓ Extension transferring call

PRESS [Next Item] to program another extension

FORCED ACCOUNT CODE ENTRY

DIAL #307 (p. 5-58)

DIAL an extension number (10-33)

DIAL 1 = Assigned
2 = Not Assigned ✓

PRESS [Next Item] to program another extension

DISTINCTIVE RING (p. 5-46)

DIAL #308

DIAL an extension number (10-33)

DIAL 1 = Active ✓
2 = Not Active

PRESS [Next Item] to program another extension

INTERCOM DIAL TONE (p. 5-79)

DIAL #309

DIAL an extension number (10-33)

DIAL 1 = Regular ✓
2 = Machine

PRESS [Next Item] to program another extension

AUTOMATIC VMS COVER

DIAL #310 (p. 5-20)

DIAL an extension number (10-33)

DIAL 1 = Assigned
2 = Not Assigned ✓

PRESS [Next Item] to program another extension

EXTERNAL HOTLINE

DIAL #311 (p. 5-55)

DIAL an extension number (10-33)

DIAL 1 = Assigned
2 = Not Assigned ✓

PRESS [Next Item] to program another extension

VOICE INTERRUPT ON BUSY

DIAL #312 (p. 5-156)

DIAL an extension number (10-33)

DIAL 1 = Assigned
2 = Not Assigned ✓

PRESS [Next Item] to program another extension

CALL WAITING

DIAL #316 (p. 5-30)

DIAL an extension number (10-33)

DIAL 1 = Assigned
2 = Not Assigned ✓

PRESS [Next Item] to program another extension

COPY SETTINGS (p. 5-35)

DIAL #399

DIAL a source extension number

DIAL target extension numbers

✓ = Factory setting

☐ = Button with lights required

System Programming Quick Reference

Place the Programming Overlay on the dialpad of the system display phone at extension 10 or 11

TO START SYSTEM PROGRAMMING

PRESS [*Feature*] [*Q*] [*Q*]
 PRESS [*System Program*]
 PRESS [*System Program*]

TO END SYSTEM PROGRAMMING

PRESS [*Feature*] [*Q*] [*Q*]

TO USE A SPECIFIC PROCEDURE

DIAL [#] and three-digit procedure code
 Example: [#] [1] [*Q*] [1] for System Date

TO CYCLE THROUGH SYSTEM PROGRAMMING PROCEDURES

PRESS [*Next Procedure*] or [*Prev Procedure*]

NOTE: Procedures #399, #609, and #728—shown below in dashed boxes—are skipped when cycling.

TO CYCLE THROUGH AVAILABLE SETTINGS

PRESS [*Next Data*] or [*Prev Data*]

TO RETURN TO FACTORY SETTING

PRESS [*Remove*]

Dialing Restrictions and Permissions

OUTGOING CALL RESTRICTION
 DIAL #401 (p. 5-109)
 DIAL an extension number (10-33)
 DIAL 1 = No Restriction ✓
 2 = Inside (intercom Only)
 3 = Local (intercom and local) Only
 PRESS [*Next Item*] to program another extension

TOLL CALL PREFIX (p. 5-143)
 DIAL #402
 DIAL 1 = 0/1 plus Area Code and Number ✓
 2 = Area Code and Number Only

SYSTEM PASSWORD (p. 5-137)
 DIAL #403
 DIAL four digits to set the password

DISALLOWED PHONE NUMBER LISTS
 DIAL #404 (p. 5-41)
 DIAL a list number (1-4)
 DIAL a list entry (01-10)
To add entry:
 DIAL the telephone number (up to 12 digits)
 PRESS [*Enter*]
 PRESS [*Remove*] to remove a list entry
 PRESS [*Next Item*] to program another list entry

To program another list:
 PRESS [*Next Procedure*] [*Prev Procedure*], enter a new list number, and repeat above steps

DISALLOWED LIST ASSIGNMENTS
 DIAL #405 (p. 5-40)
 DIAL an extension number (10-33)
 DIAL a list number (1-4)
 DIAL 1 = Assigned
 2 = Not Assigned ✓
 PRESS [*Next Item*] to assign another list
To program another extension:
 PRESS [*Next Procedure*] [*Prev Procedure*], enter a new extension number, and repeat above steps

EMERGENCY PHONE NUMBER LIST
 DIAL #406 (p. 5-50)
 DIAL a list entry (01-10)
To add entry:
 DIAL the telephone number (up to 12 digits)
 PRESS [*Enter*]
 PRESS [*Remove*] to remove a list entry
 PRESS [*Next Item*] to program another list entry

ALLOWED PHONE NUMBER LISTS
 DIAL #407 (P. 5-9)
 DIAL a list number (1-4)
 DIAL a list entry (01-10)
To add entry:
 DIAL the telephone number (up to 12 digits)
 PRESS [*Enter*]
 PRESS [*Remove*] to remove a list entry
 PRESS [*Next Item*] to program another list entry

To program another list:
 PRESS [*Next Procedure*] [*Prev Procedure*], enter a new list number, and repeat above steps

ALLOWED LIST ASSIGNMENTS
 DIAL #408 (p. 5-8)
 DIAL an extension number (10-33)
 DIAL a list number (1-4)
 DIAL 1 = Assigned
 2 = Not Assigned ✓
 PRESS [*Next Item*] to assign another list
To program another extension:
 PRESS [*Next Procedure*] [*Prev Procedure*], enter a new extension number, and repeat above steps

FORCED ACCOUNT CODE LIST
 DIAL #409 (P. 5-60)
 DIAL a list entry (01-99)
To add entry:
 DIAL the account code (up to 6 digits)
 PRESS [*Enter*]
 PRESS [*Remove*] to remove a list entry
 PRESS [*Next Item*] to program another list entry

System Speed Dial Numbers (p. 5-139)

To program a number:
 PRESS [*Feature*] [*Q*] [*Q*] to enter programming mode
 PRESS [*Feature*] ←
 DIAL a three-digit code (600-699)
 DIAL the telephone number—up to 28 digits
 Including special characters (see page 5-130)
 To “mark” it (to override restrictions), dial [*] before the telephone number
 To program another number, or to change a number, repeat _____
 PRESS [*Feature*] [*Q*] [*Q*] to exit programming mode

To remove a number:
 PRESS [*Feature*] [*Q*] [*Q*] to enter programming mode
 PRESS [*Feature*] ←
 DIAL the System Speed Dial number's code (600-699)
 PRESS [*Mic/HFAL*]
 To remove another number, repeat _____
 PRESS [*Feature*] [*Q*] [*Q*] to exit programming mode

Groups

PICKUP GROUP EXTENSIONS

DIAL #501 (p. 5-116)
DIAL a group number (1-4)
DIAL an extension number (10-33)
DIAL 1 = Assigned to group
2 = Not Assigned to group ✓
PRESS [*Next Item*] to assign another extension

CALLING GROUP EXTENSIONS

DIAL #502 (p. 5-31)
DIAL a group number (1-4)
DIAL an extension number (10-33)
DIAL 1 = Assigned to group
2 = Not Assigned to group ✓
PRESS [*Next Item*] to assign another extension

NIGHT SERVICE BUTTON

DIAL #503 (p. 5-105)
DIAL 1 = Assigned
2 = Not Assigned ✓
3 = Select button *then* press a programmable button (to assign Night Service to that button)
If you use option 3 after a Night Service button has been assigned, the Night Service button moves from the old button to the new button you select

NIGHT SERVICE GROUP EXTENSIONS

DIAL #504 (p. 5-107)
DIAL an extension number (10-33)
DIAL 1 = Assigned to group
2 = Not Assigned to group ✓
PRESS [*Next Item*] to assign another extension

HUNT GROUP EXTENSIONS

DIAL #505 (p. 5-77)
DIAL a group number (1-6, 7 for VMS)
DIAL an extension number (10-33)
DIAL 1 = Assigned to group
2 = Not Assigned to group ✓
PRESS [*Next Item*] to assign another extension

VMS HUNT DELAY

DIAL #506 (p. 5-154)
DIAL 1 = Immediate ✓
2 = Delayed

VMS HUNT SCHEDULE

DIAL #507 (p. 5-155)
DIAL 1 = Always ✓
2 = Day Only
3 = Night Only

Auxiliary Equipment

FAX MACHINE EXTENSIONS

DIAL #601 (p. 5-57)
DIAL an extension number (10-33)
DIAL 1 = Assigned
2 = Not Assigned ✓
PRESS [*Next Item*] to identify another extension

MUSIC ON HOLD

(p. 5-103)
DIAL #602
DIAL 1 = Active ✓
2 = Not Active

HOTLINE

(p. 5-75)
DIAL #603
DIAL the hotline extension number (not ext. 10, 16, 22, or 28)
DIAL the alerted extension number (not the hotline) or [Z] [0] to paging system
To remove the hotline and alert:
PRESS [*Remove*]

DOORPHONE 1 EXTENSION

DIAL #604 (p. 5-49)
DIAL an extension number (12-15, 18-21, 24-27, or 30-33)
To remove the doorphone extension:
PRESS [*Remove*]

DOORPHONE 2 EXTENSION

DIAL #605 (p. 5-49)
DIAL an extension number (12-15, 18-21, 24-27, or 30-33)
To remove the doorphone extension:
PRESS [*Remove*]

DOORPHONE ALERT EXTENSIONS

DIAL #606 (p. 5-48)
DIAL an extension number (except a doorphone extension)
DIAL 1 = Not an alert ✓
2 = Doorphone 1 alert
3 = Doorphone 2 alert
4 = Doorphones 1 and 2
PRESS [*Next Item*] to identify another extension (up to 24 alert extensions per doorphone)

AA EXTENSIONS

(p. 5-3)
DIAL #607
DIAL an extension number (10-33)
DIAL 1 = Assigned
2 = Not Assigned ✓
PRESS [*Next Item*] to assign another extension

SMDR RECORD TYPE

(p. 5-128)
DIAL #608
DIAL 1 = All calls ✓
2 = Outgoing calls only

SMDR TOP OF PAGE

(p. 5-129)
DIAL #609

SMDR OUTPUT FORMAT

(p. 5-127)
DIAL #610
DIAL 1 = 15 digits ✓
2 = 24 digits

✓ = Factory setting

☐ = Button with lights required

AT&T 518-455-228
Comcode 107542292
Issue 1, October 1995

Graphics© AT&T 1988