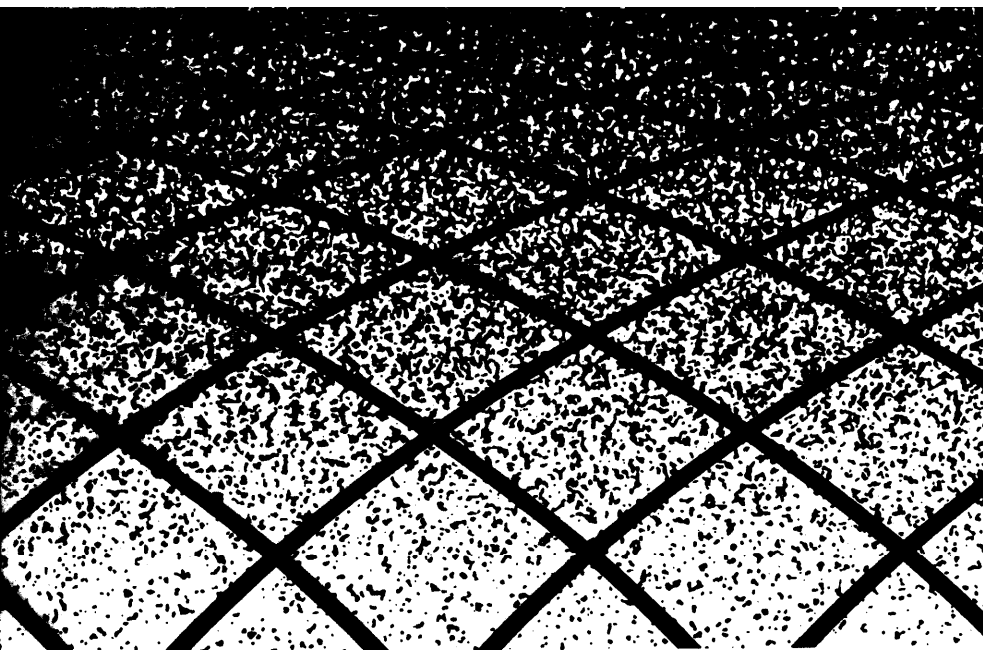




TransTalk™ 9000
Digital Wireless System

MDW 9000 Wireless Telephone

Installation



Notice

Every effort was made to ensure that the information in this booklet was complete and accurate at the time of printing. However, information is subject to change. The pictures in this booklet are for illustrative purposes only; your actual hardware may look slightly different.

Federal Communications Commission (FCC) Information

For details, see "Regulatory Information."

Security

Toll fraud, the unauthorized use of your telecommunications system by an unauthorized party (for example, persons other than your company's employees, agents, subcontractors, or persons working on your company's behalf) can result in substantial additional charges for your telecommunications services. You are responsible for the security of your system. There may be a risk of toll fraud associated with your telecommunications system. You are responsible for programming and configuring your equipment to prevent unauthorized use. Your system administrator should read all documents provided with this product to fully understand the features that can introduce the risk of toll fraud and the steps that can be taken to reduce that risk. AT&T does not warrant that this product is immune from or will prevent unauthorized use of common-carrier telecommunication services or facilities accessed through or connected to it. AT&T will not be responsible for any charges that result from such unauthorized use.

Trademarks

TransTalk is a trademark of AT&T and PARTNER, MERLIN, MERLIN LEGEND, DEFINITY and SYSTIMAX are registered trademarks of AT&T. Supra is a registered trademark of Plantronics, Inc.

Warranty

AT&T provides a limited warranty for this product; see "AT&T Limited Warranty."

Ordering Information

The order number for this booklet is 503-801-131. The order number for the *MDW 9000 Wireless Telephone Quick Reference* is 503-801-132. To order additional copies of these reference materials, call 1 800 457-1235 or 1 317 361-5353. To order parts and accessories, see "Ordering Replacement & Optional Parts."

Customer Support

In the continental U.S., call 1 800 628-2888 if you need assistance when using your wireless phone with a PARTNER, MERLIN, or MERLIN LEGEND system. For all other systems, follow the procedure you normally use to get support for your communications system.

Outside the continental U.S., contact your AT&T Representative or local Authorized Dealer.

Contents

Introduction	1
■ Privacy Information	2
■ Roadmap	2
■ Safety Information	3
Parts List	4
■ Additional Parts	5
Key Components	6
Installation	8
■ Important Safety Instructions	8
■ Additional Safety Instructions for Installation Personnel	11
■ Positioning a Single Radio Module or the Carrier Assembly	12
■ Installing a Single Radio Module	14
■ Installing the Carrier Assembly on a Wall	16
■ Installing the Carrier Assembly on a Shelf or Desk	20
■ Removing a Radio Module from the Carrier Assembly	24
■ Moving or Installing New Radio Modules in the Carrier Assembly	26
■ Swapping Extensions	26
■ Installation Self-Test	26
■ Positioning the Battery Charger	27
■ Installing the Battery Charger	28
■ Inserting and Removing the Handset's Battery Pack	31
■ Testing the Handset: Local Test Mode	33
■ Wireless Test Mode	34
■ Filling Out Labels	37

The MDW 9000 Battery Charger	38
■ Charger Features	38
■ Battery Charger LEDs	39
■ Proper Battery Pack Usage	39
■ Low Battery Indicator	40
■ Inserting a Spare Battery Pack into the Battery Charger	41
■ Removing a Spare Battery Pack from the Battery Charger	43
■ Extending Battery Life	44
Handset Range Indicators	45
Using the Carrying Holster	46
Headsets	47
■ Using Headsets	47
MDW 9000 Compatibility	49
■ Entering Station Programming Mode	49
■ Programming System Features	50
Maintaining Your MDW 9000	55
Ordering Replacement & Optional Parts	56
AT&T Limited Warranty and Limitation of Liability	57
■ Repair Information	58
Regulatory Information	60
■ FCC Part 15 Rules	60
■ IC RSS-210 Compliance	60
■ Hearing Aid Compatibility	60
Specifications	61
Index	63

Introduction

Congratulations on the purchase of your new TransTalk™ 9000 Digital Wireless System **MDW 9000 Wireless Telephone**. MDW stands for Multi-line Digital Wireless. This product was designed to AT&T's high standards for innovation, reliability, and convenience.

The phone is wireless; the telephone line cord to the phone was eliminated. This provides flexibility, so that you may not require additional telephone wiring when moving into a new building, or changing the phone's location in an existing building. The phone can be located as required. All you need is an electrical outlet, and a test check to make sure that the handset is in range of its matching radio module.

The phone is portable, so there is no handset cord. This portability enables you to move about your work area or home with freedom, without giving up the features of a corded phone.

The **handset** communicates through a matching **radio module**, not the **battery charger** where the handset sits for charging. Each handset can be used only with the radio module packaged with the handset. The handset and the radio module each have the same unique security code to identify the matching pair.

AT&T provides built-in and secure automatic registration between the handset and radio module, so that your system is ready to use after powering up.

A **carrier assembly** (also known as a backplane) is required when between 2 and 6 wireless phones are used within the same area of coverage. This unit synchronizes the radio signals and ensures proper operation of multiple phones. The radio modules are placed in the carrier assembly.

As a special feature, a spare battery pack can be stored in the battery charger, allowing for extended phone usage. For convenience, a headset can be connected to the phone to allow hands-free conversation.

This booklet describes MDW 9000 telephone installation. Also included with the phone is a *Quick Reference* that contains information about displays, controls, compatibility, and troubleshooting.

After you have installed your MDW 9000 phone and understand the handset controls and displays, use the programming and call handling instructions that come with your communications system; follow the user instructions for the phone type identified below:

- PARTNER® systems: the MLC-6 Cordless Telephone; the MDW 9000 is fully compatible with the PARTNER family of communications systems.

NOTE:

Carefully note the functional differences listed in “MDW 9000 Compatibility” later in this booklet for the following systems.

- MERLIN®, MERLIN Plus, and MERLIN II systems: a 5-button phone.
- MERLIN LEGEND® systems: a 10-button ATL set.
- System 25: a 10-button ATL set.
- System 75, System 85, and DEFINITY® systems*: a 7303s set.

Privacy Information

The MDW 9000 phone is designed to protect the privacy and security of your voice conversation. The set uses continuously changing radio frequencies and digital encoding techniques to make it impossible for eavesdropping to occur through the use of commercially available analog radio scanners.

Roadmap

When installing an MDW 9000 phone, it is recommended that you read the sections of this booklet in the following order:

1. “Important Safety Instructions” and “Additional Safety Instructions for Installation Personnel”
2. “Positioning a Single Radio Module or the Carrier Assembly”

* For DEFINITY G3V3 systems, you can administer the system for the MDW 9000 telephone (rather than a 7303s set) and follow the user’s instructions in the *MDW 9000 Wireless Telephone User’s Guide*, order number 555-230-768.

3. Choose one of the following sections:

- If you are installing one MDW 9000 phone:
 - “Installing a Single Radio Module”
- If you are installing 2 to 6 MDW 9000 phones, either:
 - “Installing the Carrier Assembly on a Wall” or
 - “Installing the Carrier Assembly on a Shelf or Desk”

4. “Installation Self-Test”

5. “Positioning the Battery Charger”

6. “Installing the Battery Charger”

7. “Inserting and Removing the Handset’s Battery Pack”

8. “Testing the Handset: Local Test Mode”

9. “Wireless Test Mode”


10. “Filling Out Labels”


NOTE:

The Roadmap indicates basic installation guidelines. You must familiarize yourself with the remaining sections in this booklet and the *Quick Reference* to fully understand how to use this phone.

Safety Information

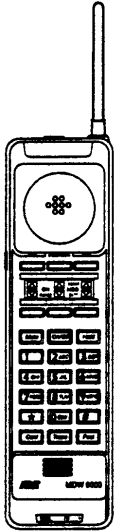
Before installing the MDW 9000 phone, please read and understand the safety instructions in “Installation.” This booklet also contains instructions related to safety labels on the product:

 **WARNING** *indicates the presence of a hazard that can cause severe or fatal personal injury if the hazard is not avoided.*

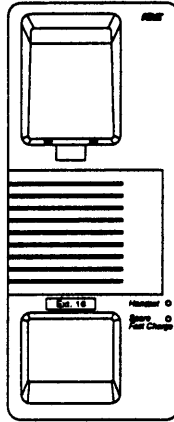
 **CAUTION** *indicates the presence of a hazard that will or can cause minor personal injury or property damage if not avoided.*

Parts List

Along with this booklet, the box should contain the items shown below. If it does not, call for customer support as described on the inside front cover of this booklet.



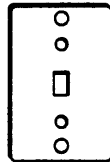
Handset



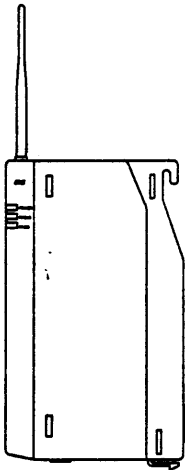
Battery Charger with Mounting Base



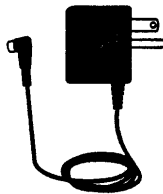
Battery Pack



Wall Mounting Plate



Radio Module



Charging Cradle 11-foot (3.4 m)
Power Cord and
Standard AC Adapter



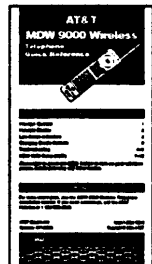
8-foot (2.4 m)
Telephone Line Cord



Philips Head
Wood Screws (2)



Carrying Holster



Quick Reference

Additional Parts

The following parts may be included or necessary, depending upon your installation.

Kit of parts (order number D-182866) included only for a single MDW 9000 phone installation when purchased without the carrier assembly:



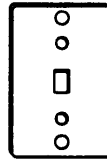
Radio Module 11-foot (3.4 m)
Power Cord and
Standard AC Adapter



Rubber Feet (4)

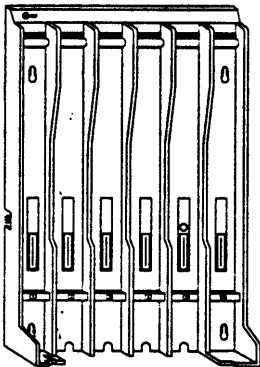


Philips Head
Wood Screws (2)

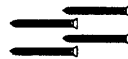


Wall Mounting
Plate

Required when 2 or more MDW 9000 phones are installed:



Carrier Assembly

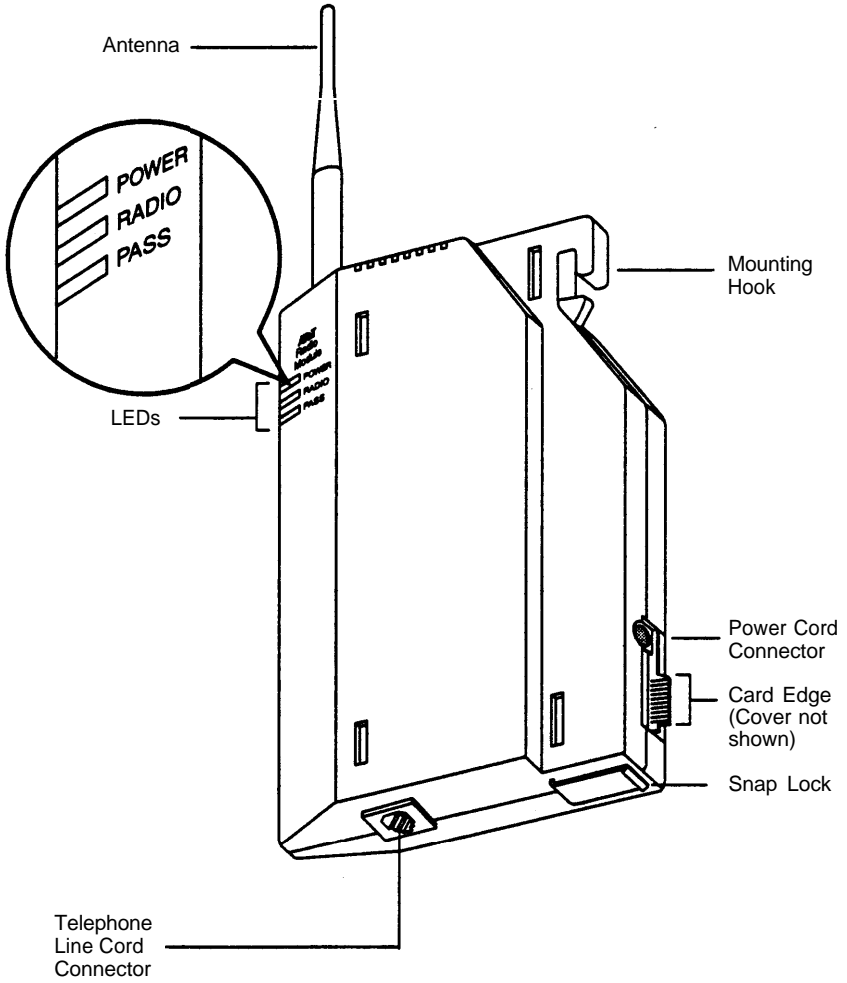


Philips Head
Wood Screws (4)



Carrier Assembly 25-foot (7.6 m)
Power Cord and Standard AC Adapter
(included with purchase of Carrier Assembly)

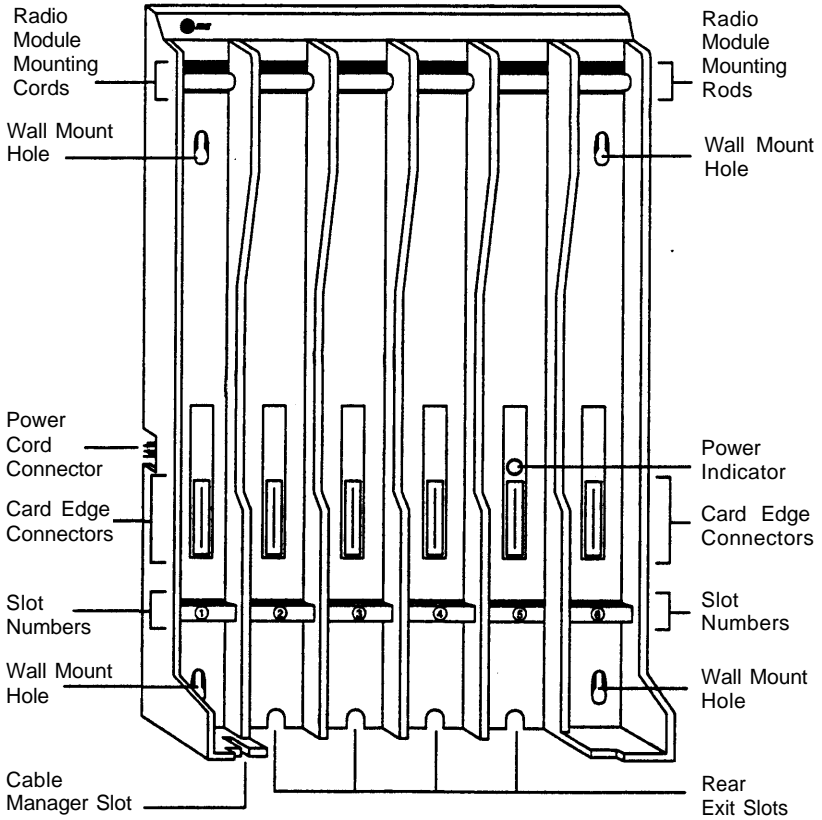
Key Components



Radio Module

NOTE:

This unit is required when installing 2 to 6 MDW 9000 telephones.



Carrier Assembly

Installation


IMPORTANT:


Before beginning installation, please read and understand “Important Safety Instructions” and “Additional Safety Instructions for Installation Personnel” on the following pages.


Important Safety Instructions

Always follow these basic safety precautions when installing or using this product to reduce risk of injury from fire or electric shock.

Make sure the battery charger, radio module, and carrier assembly are unplugged before you install.

 ***The exclamation point within an equilateral triangle is intended to alert the user to the presence of important operating and maintenance (servicing) instructions in the literature accompanying the product.***

 **WARNING: Risk of Electric Shock**
Failure to properly ground this product will result in a risk of electrical shock, which can cause serious personal injury. This product requires a 3-prong AC power receptacle for safe operation. You should have your receptacle checked by a qualified electrician before connecting this equipment.

 **WARNING:**
The Rechargeable battery contains nickel and cadmium. Do not burn or puncture the battery. Like other batteries of this type, if it is burned or punctured, it could release toxic material which could cause injury. Do not dispose of it in household garbage. For information about recycling or proper disposal, consult your local solid waste (garbage) collection or disposal organization.

SAVE THESE INSTRUCTIONS

-
- Read and understand all instructions in this booklet before using this product.
 - Observe all warnings and instructions marked on the product.
 - Unplug this product from wall outlets and telephone jacks before cleaning. Clean exposed parts with a soft, damp cloth. Do not use liquid or aerosol cleaners.
 - Do not use the product near water or when you are wet. If product comes in contact with any liquids, unplug the power cord and telephone line cords immediately. Do not plug the product back in until it has dried thoroughly.
 - If you suspect a gas leak, report it immediately, but use a telephone away from the area in question. The telephone's electrical contacts could generate a tiny spark. While unlikely, it is possible that this spark could ignite a heavy concentration of gas. This product is not approved for use in areas labeled by the Occupational Safety and Health Administration (OSHA) as "explosive environments." Only "Explosive Atmosphere Telephones" may be used in such hazardous environments.
 - Never push objects of any kind into this product through housing slots, since the objects may touch hazardous voltage points or short out parts that could result in a risk of electric shock. Never spill liquid of any kind on the telephone.
 - Install this product securely on a stable surface. Damage may result if the product falls.
 - Install this product in a protected location where no one can step on or trip over power cords and telephone line cords. Do not place objects on the cords that may cause damage or abrasion.
 - Use only the Model # PIDB-270 power supply shipped with this product for the Battery Charger or radio module.
 - Use only the Model # SW109 power supply shipped with the carrier assembly.
 - Use only the correct power source. If you are not sure of the power supply to your location, consult your local power company.

-
- This product uses a 3-prong plug in continental U.S. locations. Such plugs are designed for your safety. Do not attempt to defeat this purpose. If your wall outlet will not accept the plug, the outlet should be replaced by an electrician.
 - Do not allow anything to rest on the power cord. Do not locate this product where the cord will be abused by persons walking on it. Do not overload wall outlets as this can result in the risk of fire or electric shock. Do not staple or otherwise attach the power cord to building surfaces.
 - Slots and openings in the housing and the back or bottom are provided for ventilation. To protect the housing from overheating, these openings must not be blocked or covered. Therefore, do not place the product on a bed, sofa, rug, or other similar surface. Also, do not place this product in an enclosed area unless proper ventilation is provided.
 - Never place this product near or over a radiator or heat register.
 - Use only the type of battery pack shipped with this product.
 - Unplug this product from the wall outlet, remove the telephone line cord from the modular wall jack or communications system switch/control unit, and refer servicing to qualified service personnel under the following conditions:
 - When the power cord or plug is damaged or frayed.
 - If the product does not operate normally by following the operating instructions. Adjust only those controls that are covered by the operating instructions because improper adjustment of other controls may result in damage and will often require extensive work by a qualified technician to restore the product to normal operation.
 - If the product has been dropped and the housing has been damaged.
 - This product should be serviced by (or taken to) a qualified service center when service or repair work is required. Do not open the product, there are no user serviceable components inside.

Additional Safety Instructions for Installation Personnel

- Install the product to meet all environmental and electrical requirements listed in this booklet.
- Do not install telephone wiring during a lightning storm.
- Do not install telephone jacks in a wet location unless the jack is specifically designed for wet locations. Never touch uninsulated telephone wires or terminals unless the telephone line has been disconnected at the network interface.
- Use caution when installing or modifying telephone lines.
- All wiring that connects to this equipment and becomes part of the building wiring must be a minimum of CLASS 2 or U.L. Listed Communications cable.



CAUTION:

This equipment is for installation on AT&T PARTNER, PARTNER Plus, PARTNER II, MERLIN, MERLIN Plus, MERLIN II, MERLIN LEGEND, System 25, System 75, System 85, and DEFINITY communications systems only.



WARNING:

Installation of this equipment for In-Range Out of Building (IROB) conditions requires the use of protectors. See the documentation that came with your communications system for more information.

**Go to “Positioning a Single Radio
Module or the Carrier Assembly”**

Positioning a Single Radio Module or the Carrier Assembly

This phone uses radio transmissions to communicate. The range depends on your particular operating environment. For indoor use, intervening walls will reduce the phone's range. Try to stay away from concentrations of structural metal, such as steel and aluminum, or reinforced concrete.

IMPORTANT:

This phone has a built-in testing feature that you can use before installation to help determine proper placement of the radio module. To perform the test, all you need is an electrical outlet for the radio module and a charged battery in the handset (you do not need a communications system switch/control unit). Refer to "Wireless Test Mode" later in this booklet for details.

Before you install the radio module/carrier assembly, note the following considerations regarding its location and use:

- When positioning the radio module/carrier assembly, try to place the unit in a central location, relative to the handset(s) usage area. For convenience, you may want to place the radio module/carrier assembly in the same room, and on the same wall, as your communications system switch/control unit. If your switch/control unit is located in a remote location, you may have to run a telephone line cord from your switch/control unit to the centrally positioned radio module/carrier assembly. The maximum distance is 1000 feet (333 m) of 26 gauge cable.
- At least 6 feet (2 m) is required between the radio module/carrier assembly and the communications system switch/control unit.
- You can install a single radio module in a remote location using a telephone line cord to connect the radio module to the communications system switch/control unit. IROBs should be used for out-of-building installations.
- The radio module/carrier assembly should be placed high on the wall for optimum voice quality and range. Allow at least 1 1/2 feet (45.7 cm) of space between the top of the antenna on the radio modules and the ceiling.

-
- The radio module/carrier assembly should never be installed above a drop, suspended level ceiling.
 - The radio module/carrier assembly should *not* share the same power line as equipment with microprocessors such as answering machines, personal computers, and fax machines; or electromagnetic equipment such as electric motors
 - **The radio module/carrier assembly should not be within 6 feet (2m) of equipment with microprocessors such as answering machines, personal computers, and fax machines; electromagnetic equipment such as electric motors; or electrical main power feeds, junction boxes, circuit-breaker panels, or fuse boxes.**
 - Install a single radio module within 3 feet (1 m) of either side of, and within 6 to 8 feet (2 to 2.6 m) above, a properly grounded 3-prong electrical outlet that is not controlled by an on/off switch.
 - Install the carrier assembly within 15 feet (5 m) of either side of, and within 6 to 8 feet (2 to 2.6 m) above, a properly grounded 3-prong electrical outlet that is not controlled by an on/off switch.
 - If your communications system uses an uninterruptable power supply, such as a backup generator, be sure to connect the radio module/carrier assembly to that power supply.
 - Installing a single radio module on a shelf or desk is not recommended, because it greatly reduces the range and quality of the transmission.

Go to **one** of the following sections:

“Installing a Single Radio Module”

“Installing the Carrier Assembly on a Wall”

“Installing the Carrier Assembly on a Shelf or Desk”

NOTE:

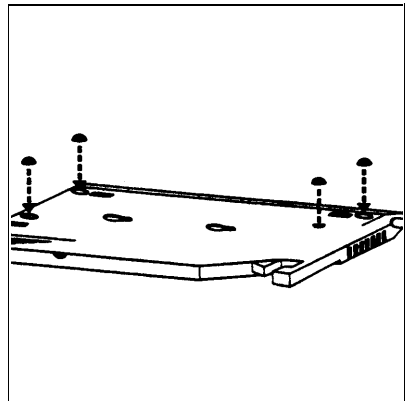
The following illustrations depict PARTNER system hardware. Your hardware may differ from that which is shown.

Installing a Single Radio Module

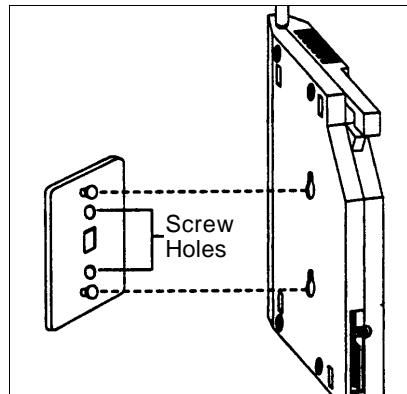
- Install high on wall, leaving at least 1 ½ feet (45.7 cm) between antenna and ceiling
- See “Parts List” and “Key Components” earlier in this booklet for additional picture detail

1 Check to make sure the radio module’s power cord is unplugged from the wall outlet before continuing.

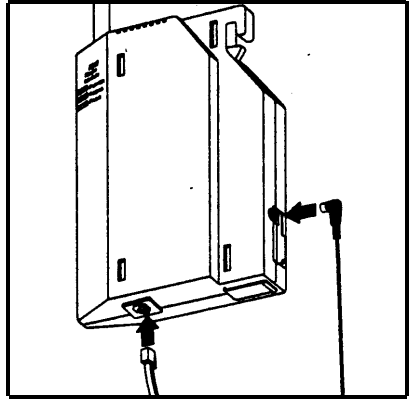
2 Detach the rubber feet. Apply them to marked areas on the underside of the radio module.



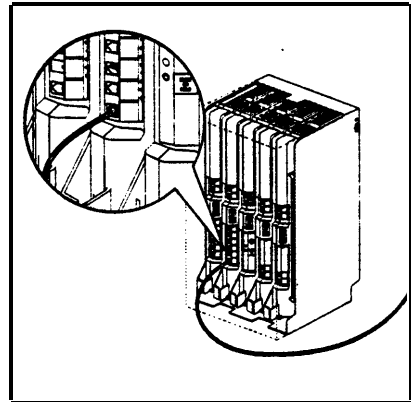
3 Place the wall mounting plate against the wall. Choose a location backed by a wooden stud (if unavailable, use toggle bolts instead of the supplied wood screws). Lightly tap a nail into the wall to start holes. Then screw the plate flush to the wall. Place the radio module over the plate, then slide it downward to lock it into place. (Note: do not remove the plastic cap covering the radio module’s card edge.)



- 4** Insert the radio module's power cord into the side of the radio module. Insert the telephone line cord into the bottom of the radio module.

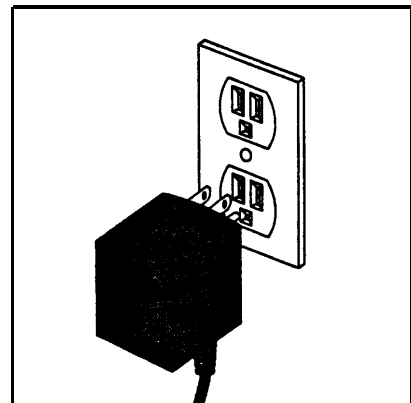


- 5** Insert the other end of the telephone line cord into an existing wall jack or terminal/station connector on your communications system switch/control unit (refer to your communications system manual for the proper port location).



- 6** Plug the power cord/AC adapter into a property grounded 3-prong wall outlet.

▲ CAUTION: *Never connect or disconnect line cords while the radio module is plugged into the wall outlet.*



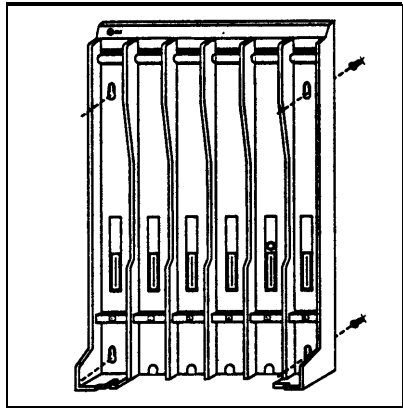
Go to "Installation Self-Test"

Installing the Carrier Assembly on a Wall

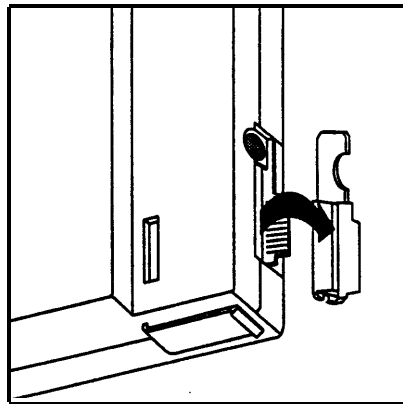
- Install high on wall, leaving at least 1 ½ feet (45.7 cm) between antenna and ceiling
- See “Key Components” earlier in this booklet for additional picture detail

1 Check to make sure the carrier assembly’s power cord is unplugged from the wall outlet before continuing.

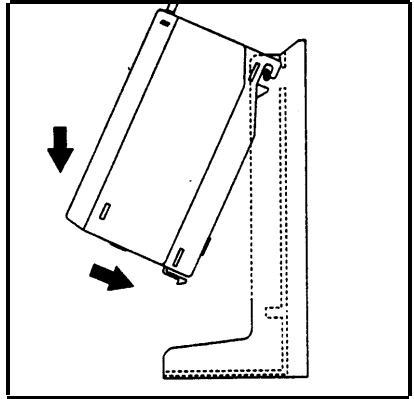
2 Place the carrier assembly against the wall. Choose a location backed by a wooden stud (if unavailable, use toggle bolts instead of the supplied wood screws). Hold the carrier assembly straight; use a level if needed. Using a nail or pencil, mark screw locations through the four wall mount holes. Start screws, leaving the screw heads approximately ½" (12 mm) from the wall. Place the carrier assembly over the screws, then slide it downward to lock it into place. Tighten the screws.



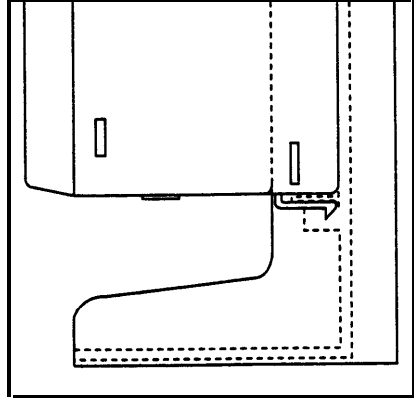
3 Remove the plastic cap covering each radio module’s card edge before installing the radio modules in the carrier assembly.



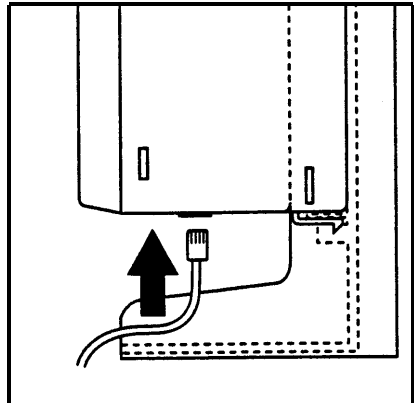
4 Starting from the leftmost slot (#1), insert each radio module into the carrier assembly by hooking it onto the radio module mounting rod. Slowly swing the radio module's card edge into the card edge connector on the back of the carrier assembly.



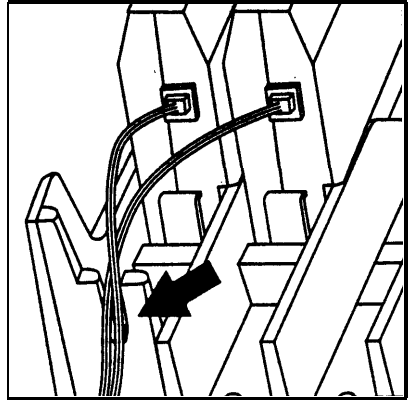
5 When the card edge is fully seated, a snap lock on the bottom of the radio module will engage.



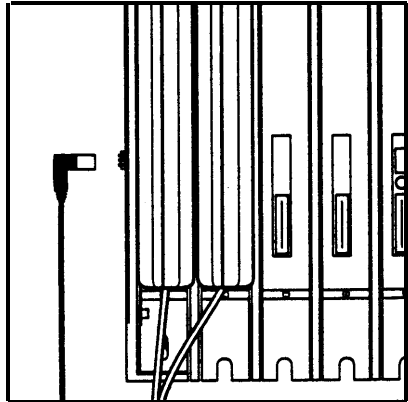
6 Insert a telephone line cord into the bottom of each radio module.



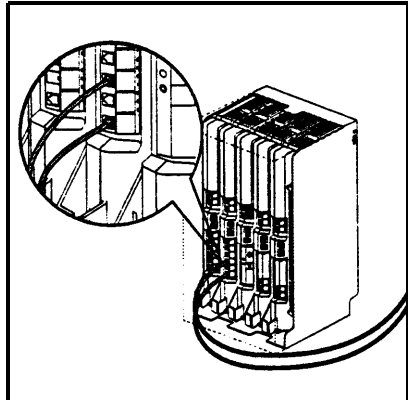
- 7** Slide the telephone line cords through the cable manager slot on the left front of the carrier assembly.



- 8** Insert the carrier assembly's power cord into the left side of the carrier assembly.



- 9** Insert the other end of the telephone line cords into the appropriate terminal/station connectors on your communications system switch/control unit (refer to your communications system manual for the proper location).



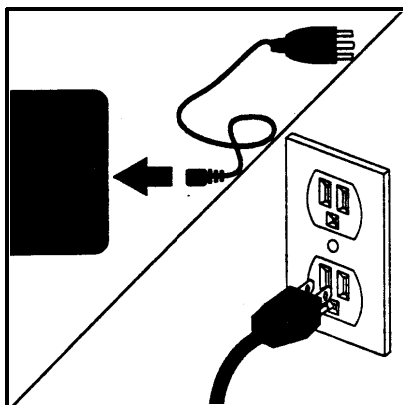
10

Insert the carrier assembly's power cord into the AC adapter, then plug the AC adapter into a properly grounded 3-prong wall outlet.

If appropriate, you can wall mount the AC adapter using its attached wall-mounting bracket.



CAUTION: *Never connect or disconnect line cords, or add or remove radio modules, while the carrier assembly is plugged into the wall outlet.*



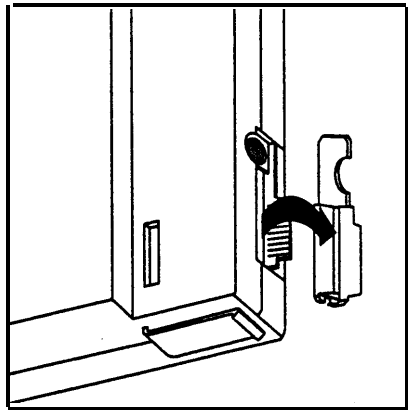
Go to “Installation Self-Test”

Installing the Carrier Assembly on a Shelf or Desk

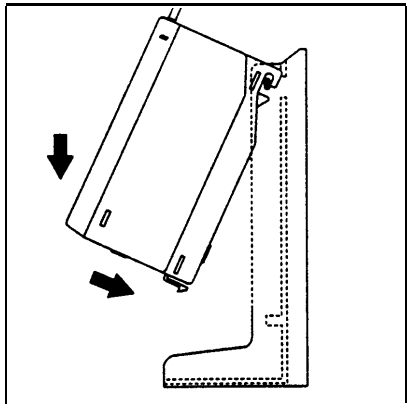
- You will not receive optimum performance if unit is placed on a desk or low shelf
- Install as high as possible, leaving at least 1 ½ feet (45.7 cm) between antennas and ceiling if on high shelf
- See “Key Components” earlier in this booklet for additional picture detail

1 Check to make sure the carrier assembly’s power cord is unplugged from the wall outlet before continuing.

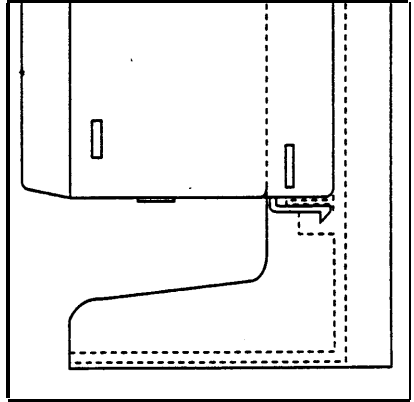
2 Remove the plastic cap covering each radio module’s card edge before installing the radio modules in the carrier assembly.



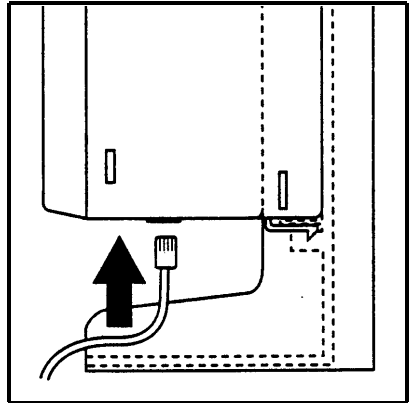
3 Starting from the leftmost slot (#1), insert each radio module into the carrier assembly by hooking it onto the radio module mounting rod. Slowly swing the radio module’s card edge into the card edge connector on the back of the carrier assembly.



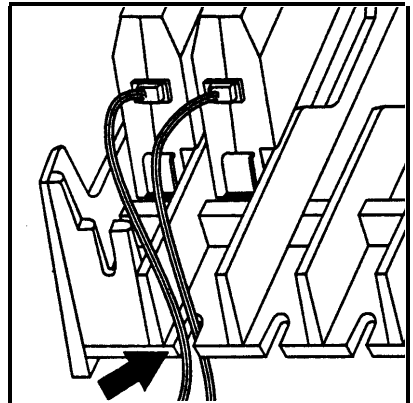
- 4** When the card edge is fully seated, a snap lock on the bottom of the radio module will engage.



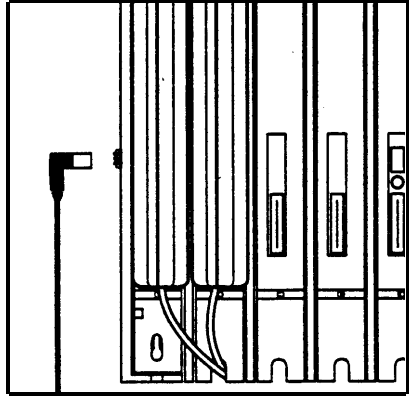
- 5** Insert a telephone line cord into the bottom of each radio module.



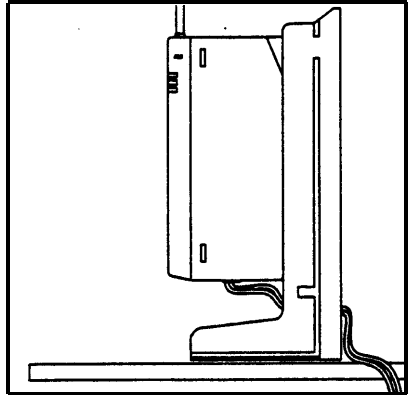
- 6** Slide the telephone line cords through the rear exit slots on the bottom of the carrier assembly. Cords originating from slots 1 and 6 can share exit slots with cords from slots 2 and 5 respectively.



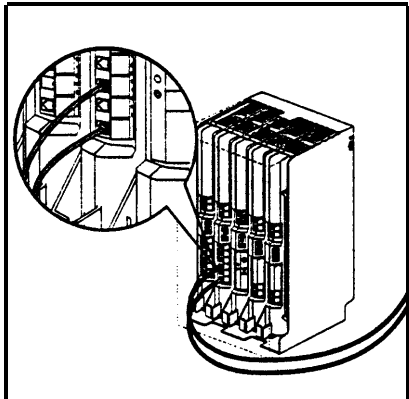
7 Insert the carrier assembly's power cord into the left side of the carrier assembly.



8 Place the carrier assembly on its feet towards the back of the shelf or desk, making sure it is in a stable position. Be sure the telephone line cords come out the rear exit slots in the back of the unit. Arrange the power cord and telephone line cords beneath the shelf or desk so no one can step on them or trip over them.



9 Insert the other end of the telephone line cords into the appropriate terminal/station connectors on your communications system switch/control unit (refer to your communications system manual for the proper location).

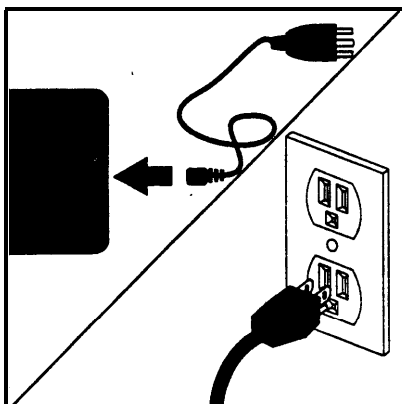


10 Insert the carrier assembly's power cord into the AC adapter, then plug the AC adapter into a properly grounded 3-prong wall outlet. If appropriate, you can wall mount the AC adapter using its attached wall-mounting bracket.



CAUTION:

Never connect or disconnect line cords, or add or remove radio modules, while the carrier assembly is plugged into the wall outlet.

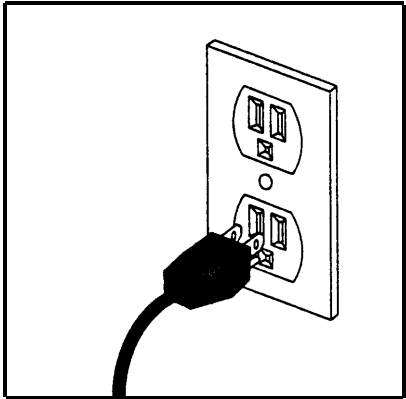


Go to "Installation Self-Test"

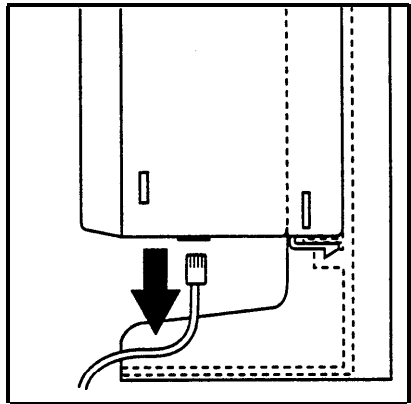
Removing a Radio Module from the Carrier Assembly

- See “Key Components” earlier in this booklet for additional picture detail

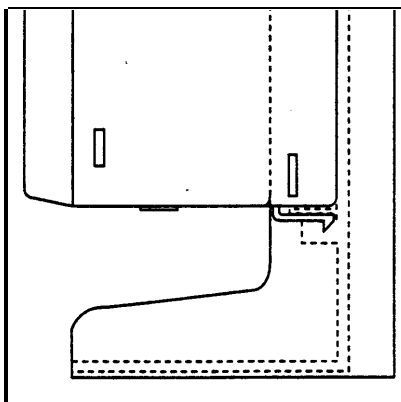
1 Unplug the carrier assembly's power cord/AC adapter from the wall outlet.



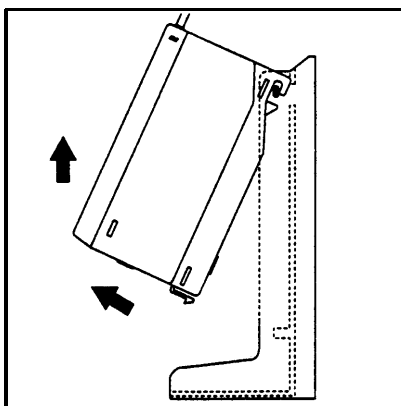
2 Unplug the telephone line cord from the bottom of the radio module.



- 3** Press up and hold the snap lock on the bottom rear of the radio module.



- 4** Slowly swing the radio module's card edge out of the card edge connector on the back of the carrier assembly, releasing the snap lock when clear. Unhook the radio module from the radio module mounting rod by gently lifting upward.



Moving or Installing New Radio Modules in the Carrier Assembly

Always unplug the carrier assembly's power cord/AC adapter from the wall outlet when:

- Removing a radio module.
- Moving a radio module to a new slot in the carrier assembly.
- Installing a new radio module.

Swapping Extensions

If you want to change your phone's extension number assignment, make sure the handset is turned off before unplugging the telephone line cord from the communications system switch/control unit.

Installation Self-Test

Upon installation, the Power and Pass LEDs on the radio module(s) will light. The radio module(s) then initiate a 2 minute self-test and synchronization. Check connections if either the Power or Pass LED is not lit.

NOTE:

The Radio LED also *may* light upon installation; however, since the Radio LED has no significance during the self-test, ignore its operation.

The Radio LED indicates a connection between the handset and the radio module; it lights when the handset is being used as long as the battery in the handset is charged.

Go to "Positioning the Battery Charger"

Positioning the Battery Charger

The battery charger can be placed on a desk, or it can be mounted on a wall. Before you install the battery charger, note the following considerations:

- Locate the battery charger within 5 feet (1.6 m) of either side of (and for wall or shelf mounting, within 5 feet (1.6 m) above) a properly grounded 3-prong electrical outlet that is not controlled by an on/off switch.
- If your communications system uses an uninterruptible power supply, such as a backup generator, be sure to connect the battery charger to that power supply.
- Do not locate the battery charger where it will be exposed to direct sunlight or water.



WARNING:

The Rechargeable battery contains nickel and cadmium. Do not burn or puncture the battery. Like other batteries of this type, if it is burned or punctured, it could release toxic material which could cause injury. Do not dispose of it in household garbage. For information about recycling or proper disposal, consult your local solid waste (garbage) collection or disposal organization.

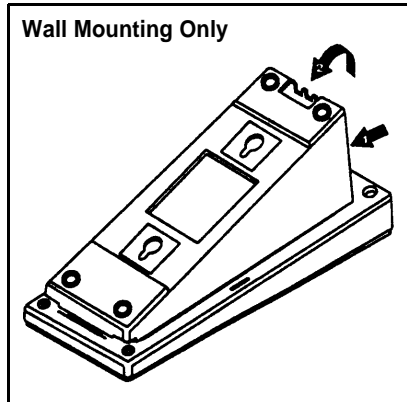
Go to “Installing the Battery Charger”

Installing the Battery Charger

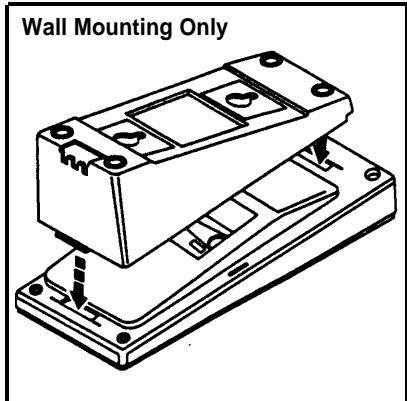
- If you are wall mounting the battery charger, follow Steps 1 through 9
- If you are desk mounting the battery charger, follow only Steps 1, 4, 5, and 9

1 Check to make sure the battery charger's power cord is unplugged from the wall outlet before continuing. If you are desk mounting, skip to Step 4.

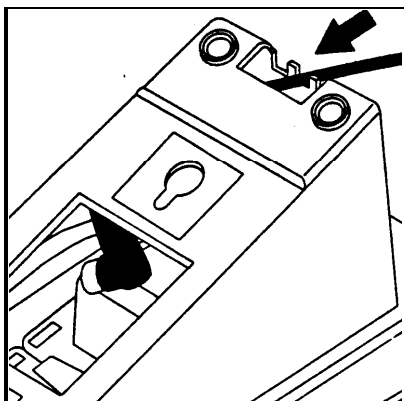
2 To wall mount, gently place the battery charger upside down. Push in the wide end of the mounting base (1) and lift upwards (2) to separate the base from the battery charger.



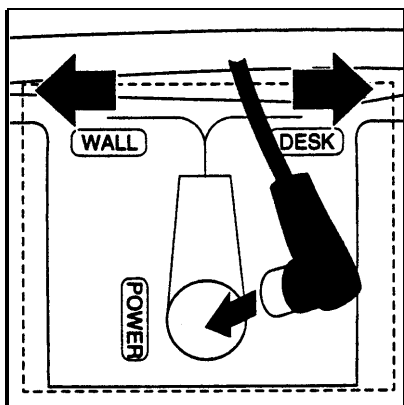
3 Reverse the mounting base (so the wide end of the mounting base is above the narrow end of the battery charger). Insert the tab on the narrow end of the mounting base into the slot on the wide end of the battery charger. Insert the tab on the wide end of the mounting base into the slot on the narrow end of the battery charger, pushing the mounting base down and slightly inward until the tabs lock into place.



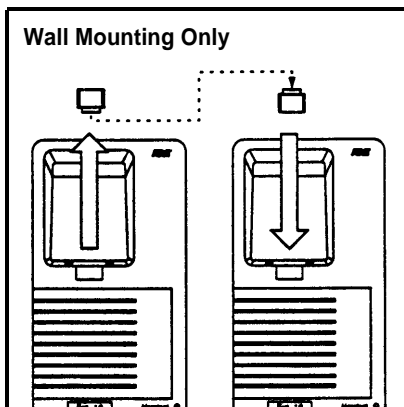
- 4** Insert the battery charger's power cord/AC adapter through the hole in the bottom of the wide end of the mounting base.



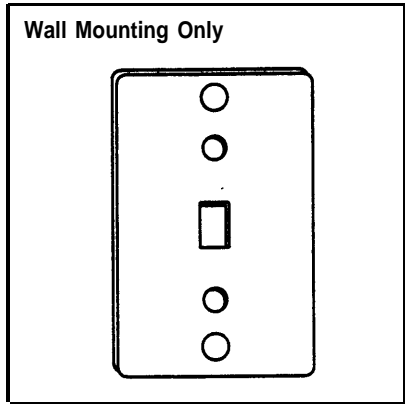
- 5** Insert the power cord/AC adapter into the battery charger plug marked Power. Route the power cord/AC adapter into the channel marked Desk or Wall. If desk mounting, place the battery charger on the desk, then go to Step 9. If wall mounting, continue with Step 6.



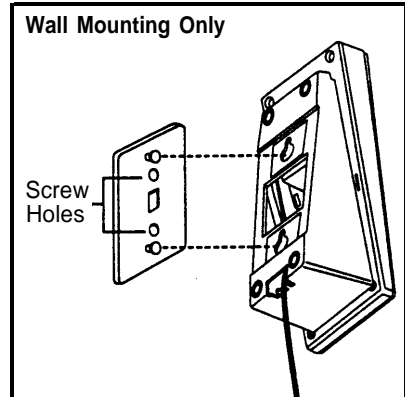
- 6** Reverse the handset hook on the battery charger. Slide the handset hook up out of its slot. Then turn the hook upside down and replace it in the slot with the top protruding so the handset can hang from it.



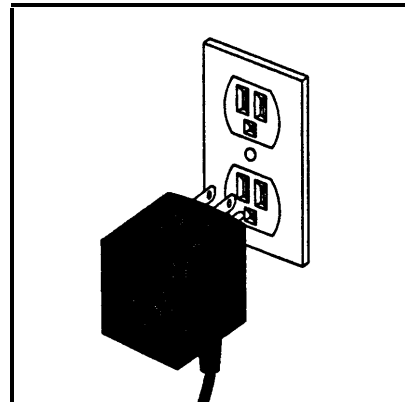
7 Place the wall mounting plate against the wall. Choose a location backed by a wooden stud (if unavailable, use toggle bolts instead of the supplied wood screws). Lightly tap a nail into the wall to start holes.



8 Screw the wall mounting plate flush to the wall. Place the battery charger over the plate, then slide it downward to lock it into place.

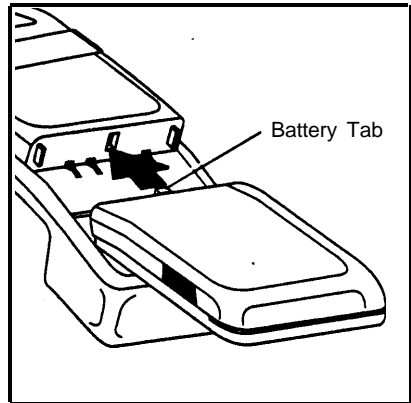


9 Plug the power cord/AC adapter into a properly grounded 3-prong wall outlet.

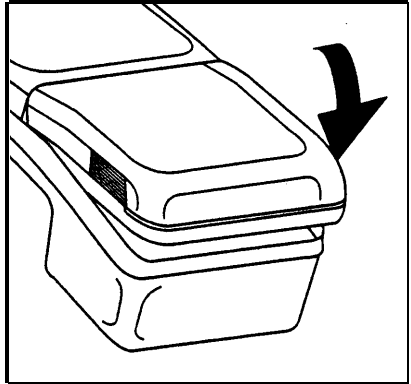


Inserting and Removing the Handset's Battery Pack

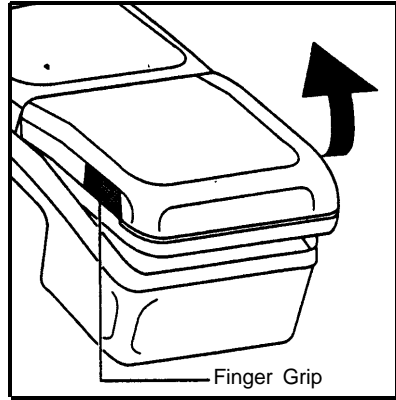
1 To insert the battery pack, insert the tab on the battery pack into the hole along the top edge of the battery compartment on the handset.



2 Press the battery pack downward to lock it into place. The battery pack must be charged prior to use. See "The MDW 9000 Battery Charger" later in this booklet for instructions.



3 To remove the battery pack, grasp the finger grips on both sides of the battery pack, then gently pull the battery pack upward and out.



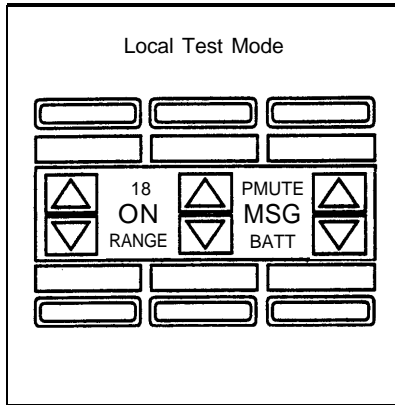
Go to “Testing the Handset: Local Test Mode”

Testing the Handset: Local Test Mode

This test activates the audio warning signal and all visual indicators on the handset display.

1. Remove the handset from the battery charger.
2. Make sure the handset is turned off.
3. Press [#] for at least 5 seconds.
4. While still holding [#], press [On/Off].

The handset emits two beeps and all indicators on the display appear as shown below:



5. Press [On/Off] to exit Local Test Mode.

You must exit this mode to initiate proper call handling.

If the beeps do not sound or the indicators do not appear, call for customer support as described on the inside front cover of this booklet.

Go to “Wireless Test Mode”

Wireless Test Mode

You can determine sound clarity, signal strength, and voice quality using Wireless Test Mode. By performing the tests as you walk around the area in which the handset will be used, you can determine the extent of the handset's range and the voice quality throughout the area of coverage.

You also can use Wireless Test Mode to find out the identification number of a handset and its matching radio module. This can help you identify your handset if there are multiple MDW 9000 phones in the same area and the handsets get mixed up. Or, you can use it to isolate a handset's matching radio module for repair purposes.

The following procedure provides instructions for all of the Wireless Test Mode tests. You can perform the tests multiple times and in any order; and you can exit at any time by pressing [On/Off].

NOTE:

Ignore anything that displays if you press [4] or [5] while in Wireless Test Mode. These displays are for AT&T Technicians' use only.

1. To enter Wireless Test Mode:
 - a. Remove the handset from the battery charger.
 - b. Make sure the handset is turned off.
 - c. Press [9] for at least 5 seconds.
 - d. While still holding [9], press [On/Off].

T (for Test) appears in the handset display. You hear two beeps, then simulated dial tone.
2. To determine **sound clarity**, listen to the simulated dial tone as you walk around.

A strong tone indicates good sound clarity.

-
3. To determine **signal strength**, press [1].

The display shows a number from 1 to 10. The higher the number, the stronger the signal, as shown in the table below.

Display Number	Signal Strength Is
10	Strong/almost error free
9	Strong/almost error free
8	Strong/almost error free
7	Very good/some errors
6	Very good/some errors
5	Good/more errors
4	Good to Fair/more errors
3	Fair/more errors
2	Near end of range
1	Near end of range/loss of link

4. To determine **voice quality**, press [2].

The display shows a number between 1 to 10. The higher the number, the better the voice quality, as shown in the table below. A low number may indicate potential interfering devices (such as another radio transmitter) in the area.

Display Number	Voice Quality Is
10	Very good
9	Very good
8	Errors, but not noticeable in normal speech
7	Errors, but not noticeable in normal speech
6	Noticeable noise
5	Noticeable noise
4	Noisy but intelligible speech
3	Noisy but intelligible speech
2	Garbled speech
1	Unintelligible speech

-
5. To determine the **terminal identification number**, press [3].

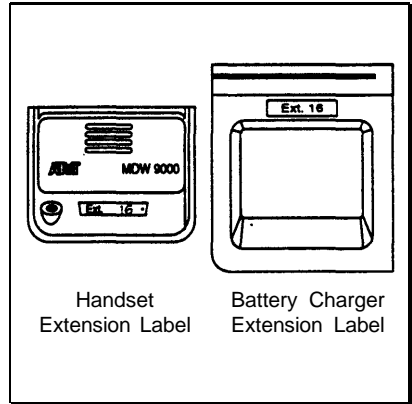
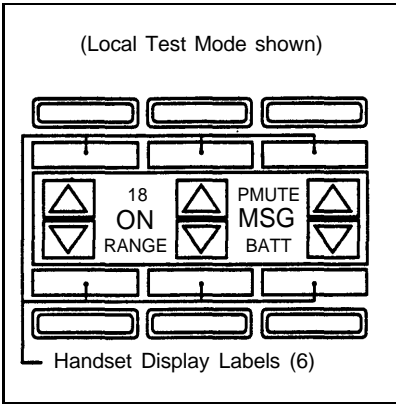
The display shows a number from 1 to 6. This is the handset's identification number. It is also the number of the slot in the carrier assembly where the handset's matching radio module resides. (A single MDW 9000 installation displays number 1.)

6. To exit Wireless Test Mode, press [On/Off].

Go to "Filling Out Labels"

Filling Out Labels

Remove the protective film from the handset display. Using a *ballpoint pen* or *pencil only*, write the following information on the erasable labels:



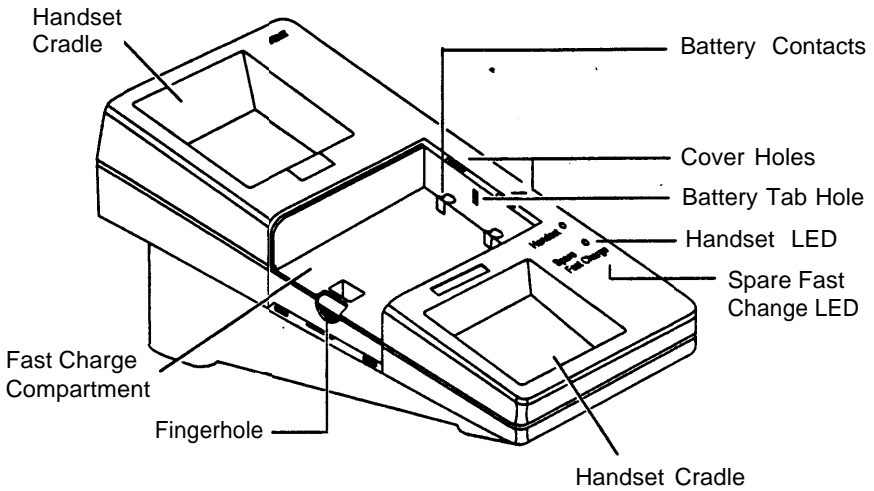
On the handset display labels, write the line numbers or programmed features assigned to each of the outside line/programmable/intercom/drop buttons. See "MDW 9000 Compatibility" later in this booklet.

On the handset extension label (below the mouthpiece) and on the battery charger's extension label, write the phone's extension number.

NOTE:

If you use a pencil or *ball-point* pen on these labels, you will be able to erase the information later. Do *not* use felt-tip or other types of non-erasable markers. Also, do not remove the labels.

The MDW 9000 Battery Charger



NOTE:

Do not touch, push, or pull any exposed battery contacts.

Charger Features

■ **Fast charge compartment:**

- **Fast-charges** a battery pack in 2.5 hours
- **Reconditions** the battery pack by reducing or eliminating potential “memory” effect.

NOTE:

The “memory” effect, which reduces a battery’s capacity, is caused when you recharge a battery before it is fully discharged.

■ **Handset cradle:**

- **Slow-charges** the handset battery pack.

Battery Charger LEDs

- The Handset LED, when lit, indicates that the handset battery pack is in charge mode (battery pack in handset on battery charger).
- The Spare Fast Charge LED, when lit, indicates that a spare battery pack is in the battery charger's fast charge compartment:

When the Spare Fast Charge LED...	The battery pack inside the fast charge compartment is...
Is steady red	being discharged.
Is steady orange	being fast-charged.
Is steady green	fully charged.
Flashes orange	defective; replace the battery pack.

The battery charger will charge *both* the handset battery pack and the spare battery pack when they are in their proper receptacles.

Refer to the illustration on page 38 for the location of these LEDs on the battery charger.

Proper Battery Pack Usage

We recommend that you use the fast charge compartment to charge the battery pack fully and quickly.

NOTE:

Before you use the MDW 9000 handset for the first time, the battery pack must be charged.

The following table shows how long reconditioning takes, depending on how much charge is left in the battery pack when you insert it into the fast charge compartment:

Battery-Pack Charge State	Discharge Time	Recharge Time	Total Time
Low charge (lights BATT indicator)	0.5 hours	2 hours	2.5 hours
Full charge	4 hours	2 hours	6 hours

IMPORTANT:

Depending on the level of “memory” effect that the battery may have, it is sometimes necessary to recondition the battery pack in the fast charge compartment twice. (Insert the battery pack in the fast charge compartment and leave it there until the Spare Fast Charge LED is steady green. Remove the battery pack from the fast charge compartment, then re-insert it and leave it until the Spare Fast Charge LED is steady green a second time.)

Note that your handset will consume power during both talk time (when the handset is on) and standby time (when the handset is turned off, but out of the battery charger). A fully charged battery pack provides about 3 hours of talk time or about 22 hours of standby time. As a guideline, you can expect a 1 hour reduction in talk time for every 7 hours of standby time. Similarly, you can expect a 7 hour reduction in standby time for every hour of talk time.

We highly recommend that you purchase a second battery pack to use as a spare. With the spare battery pack in the battery charger's fast charge compartment, you are assured of having a fresh, usable battery pack while you are using the battery pack in the handset.

Low Battery Indicator

When the handset is on and the battery power is low, the handset will emit two beeps and the **BATT** indicator in the handset display will flash. When this occurs, you have approximately 1 to 2 minutes of talk time left. At this point, you can either:

- Complete your call, turn the handset off, and recharge the battery pack, or
- If you have a charged spare battery pack, place your call on Hold and replace the handset battery pack with the spare battery pack from the fast charge compartment of the battery charger. Wait 6 to 10 seconds, then turn the handset on and proceed as you would for any call placed on Hold.

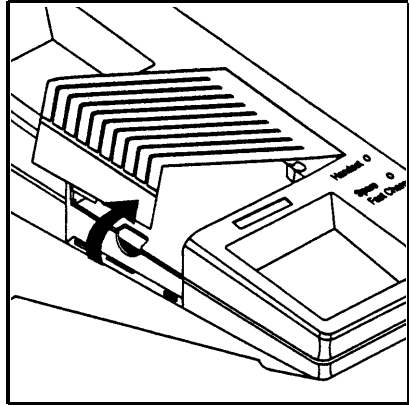
NOTE:

If you continue talking, the handset will turn off when the battery pack is drained. Your call will be placed on Hold automatically so you can swap battery packs.

Inserting a Spare Battery Pack into the Battery Charger

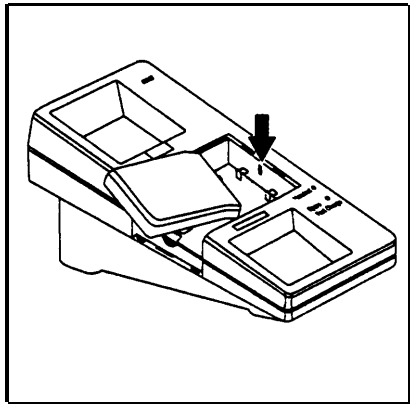
- See “The MDW 900 Battery Charger” earlier in this booklet for additional picture detail

- 1** Press the finger grip on the side of the cover and lift the cover off.



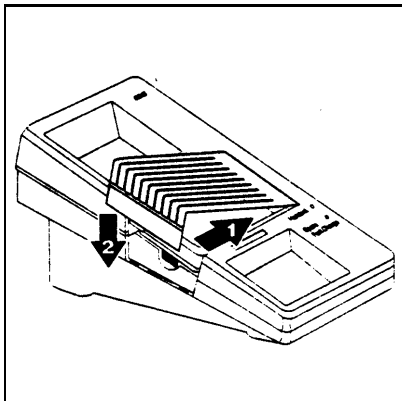
- 2** Insert the tab on the battery pack into the hole on the side of the fast charge compartment. Push down the battery pack to lock it into place. The Spare Fast Charge LED should light. If the Spare Fast Charge LED does not light, try reseating the battery pack.

The Spare Fast Charge LED remains lit until the battery pack is removed from the compartment.



3 Replace the cover by inserting it in the cover holes (1). Then swing the cover downward until it locks into place (2).

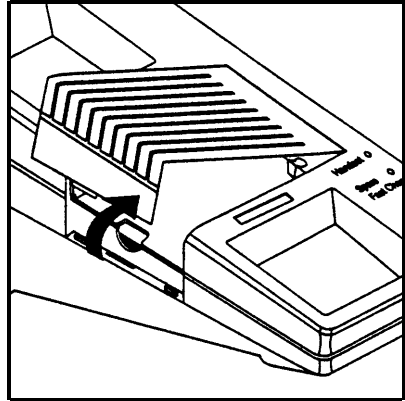
The battery pack will be fully charged and ready to use in 2.5 to 6 hours, depending on its charge state. (See Table on page 39.)



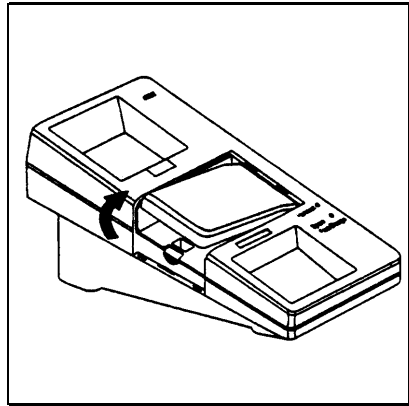
Removing a Spare Battery Pack from the Battery Charger

- See “The MDW 9000 Battery Charger” earlier in this booklet for additional picture detail

1 Press the finger grip on the side of the cover and lift off the cover.



2 Insert your finger in the finger-hole under the battery pack, then gently pull the battery pack upward and out. The Spare Fast Charge LED will go off.



Extending Battery Life

Although a battery pack can be charged in the handset when the handset rests in the battery charger, the battery charger reconditioning process is optimized to give a much faster and efficient charge to the pack. The fast charge compartment discharges the battery pack before recharging it, thereby ensuring the best possible charge.

The slow charge that the cradle sends the handset battery helps keep the handset operational while not in use. It is not a substitute for the reconditioning and quick charging capability of the fast charge compartment. With this in mind, use the battery charger's fast charge compartment as the primary recharger.

When the spare pack in the fast charge compartment is fully charged, switch it with the pack in the handset.

Follow these steps to ensure an uninterrupted supply of power to your MDW 9000 phone:

Action	Reason
If you have only one battery pack, place the pack into the fast charge compartment at the end of each day.	The fast charge compartment reconditions the battery pack, optimizing the battery's performance and extending its life.
If you have two battery packs, exchange the packs between the handset and the fast charge compartment at least once a day.	The fast charge compartment reconditions the battery pack, optimizing the battery's performance and extending its life.
Alternate the battery pack(s) between the handset and the battery charger's fast charge compartment, even if the handset battery never lights the handset's BATT indicator.	To improve battery efficiency, the battery charger's fast charge compartment always discharges the battery pack before recharging it. Because the handset never discharges the battery pack, be sure to insert the pack into the battery charger's fast charge compartment at least once a day.

Handset Range Indicators

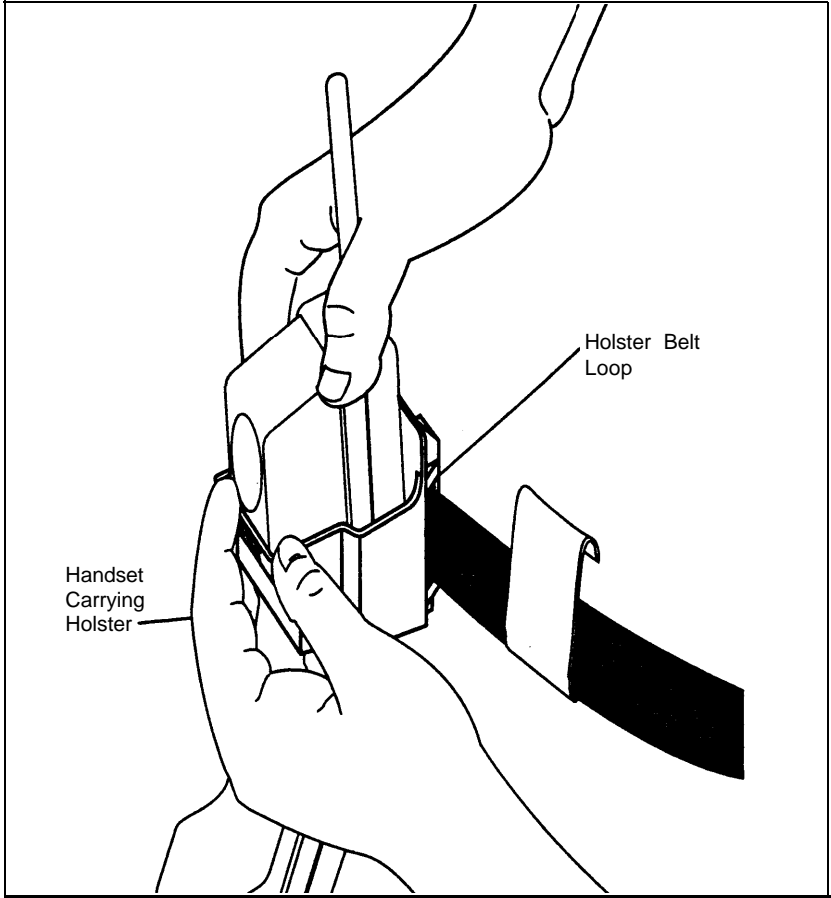
The handset provides an audible and a visual warning signal to alert you when the handset is not within optimal range of the radio module. Depending on how far away the handset is from the radio module, the signal functions as follows:

- **Out of optimal range.** If you walk into an area that is near the end of the optimal operating range of the radio module, the handset emits two beeps and flashes the **RANGE** indicator continuously. At this point, you can continue your conversation or initiate a call, but you are likely to experience a degradation in voice quality.
- **Loss of communication link.** If you walk into an area that is out of operating range of the radio module, the handset emits five beeps and flashes the **RANGE** indicator five times. In this case, you must bring the handset within range of the radio module within several seconds or the handset will turn off. If the handset turns off, it appears that your call was disconnected; however it has only been put on Hold. To talk with your party, move back towards the radio module, press [On/Off], then proceed as you would for any call placed on Hold.
- **Cannot establish communication link.** If you are completely out of range of the radio module when you attempt to make a call, the handset emits two beeps and flashes the **RANGE** indicator two times: then the handset automatically turns off. To make the call, move back towards the radio module and try again.

Refer to “Troubleshooting” in the *Quick Reference* for additional information about out-of-range conditions.

Using the Carrying Holster

The carrying holster allows you to carry the handset with you without having to hold it in your hand. To attach the holster to your belt, simply thread your belt through the holster's belt loop. Then slip the handset into the holster.



To easily remove the handset from the carrying holster, place one hand on the holster to hold it in place (as shown in the picture above) then pull the handset out with the other hand.

Headsets

This telephone is equipped with a single-prong headset jack on the bottom of the handset (near the mouthpiece). A headset assists in call answering, and provides hands-free operation. AT&T offers a headset designed for use with your wireless phone.

NOTE:

The range of the handset is diminished when you are using a headset. You may need to move closer to the radio module, or move the radio module closer to you.

Using Headsets

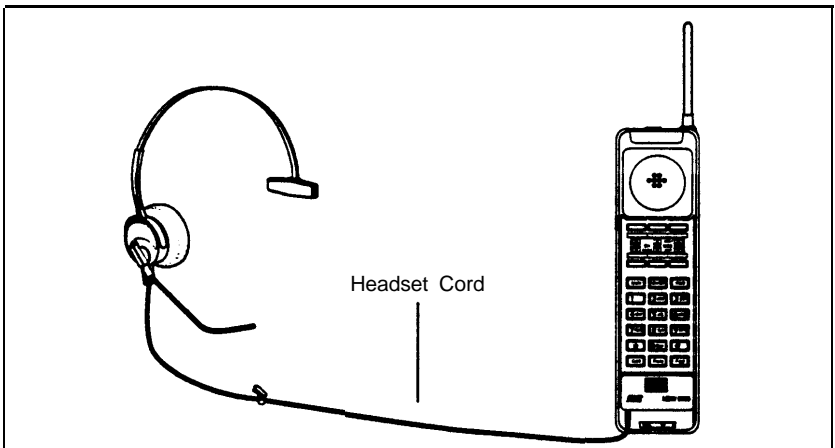
To use a headset, simply plug the headset cord into the headset jack on the handset.



CAUTION:

Do not plug any other device into the headset jack.

When using the carrying holster, insert the headset cord into the handset before you insert the handset into the holster. Then slide the handset into the holster with the cord running alongside it. If you insert the cord after the handset is placed in the holster, removing the handset will disconnect the cord.



If desired, the headset cord can be removed from the handset without the call being dropped. You can then use the handset as you normally would.

NOTE:

Calls cannot be heard on the handset when the headset is connected to the headset jack. The handset microphone is also deactivated.

Using the Headset On/Off Button

For convenience when using the carrying holster, the headset [On/Off] button near the antenna should be used. This button will become active **only** when the headset cord is plugged into the headset jack. It is identical in function to the [On/Off] button to the left of the [Hold] button.

Answering Calls with a Headset

When you receive a call, you will hear a ringing tone coming from the handset (you will not hear a tone from the headset itself). To answer the call, press the headset [On/Off] button near the antenna (or [On/Off] to the left of [Hold] if the handset is not in the holster).

Placing Calls with a Headset

To place a call with a headset:

1. Remove the handset from the carrying holster.
2. Press the [On/Off] button near the antenna to access an available line.
3. Dial the number as described in the user instructions that come with your communications system.
4. Press the [On/Off] button to end the call.

MDW 9000 Compatibility

After you have installed your MDW 9000 and understand the handset controls and displays, use the programming and call handling instructions that come with your communications system; follow the user instructions for the phone type identified below:

- PARTNER systems: the MLC-6 Cordless Telephone; **the MDW 9000 is fully compatible with the PARTNER family of communications systems.**
- MERLIN, MERLIN Plus, and MERLIN II systems: a 5-button phone.
- MERLIN LEGEND systems: a 10-button ATL set.
- System 25: a 10-button ATL set.
- System 75, System 85, and DEFINITY systems*: a 7303s set.

Carefully note the functional differences between your wireless phone and the phone type identified above, as described in the following sections.

If you have a fully loaded carrier assembly and the wireless phones shares the same line appearance, it is recommended that you program some of the wireless phones for Delayed Ring or No Ring.

Entering Station Programming Mode

On all PARTNER, MERLIN, and MERLIN LEGEND systems:

- To enter programming mode, turn on the handset, press [*Intercom*], then press [*Feat*] followed by [*0*] [*0*].
- To exit programming mode, press [*Feat*] followed by [*0*] [*0*] or turn off the handset.

NOTE:

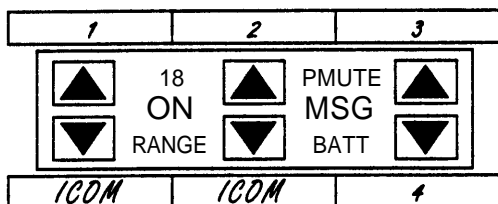
The above instructions do not apply on System 25, System 75, System 85, and DEFINITY systems. On these systems, features are assigned by the system administrator.

* For DEFINITY G3V3 systems, you can administer the system for the MDW 9000 telephone (rather than a 7303s set) and follow the user's instructions in the *MDW 9000 Wireless Telephone User's Guide*, order number 555-230-768.

Programming System Features

PARTNER Systems:

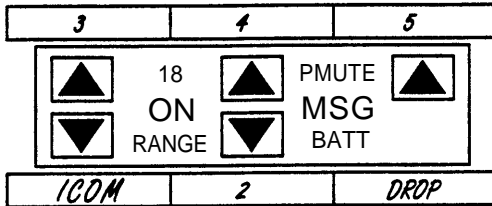
- PARTNER II and PARTNER Plus system buttons should be assigned as follows; 1, 2, 3, and 4 are line *or* feature buttons (for a PARTNER system, buttons 1 through 4 are line only):



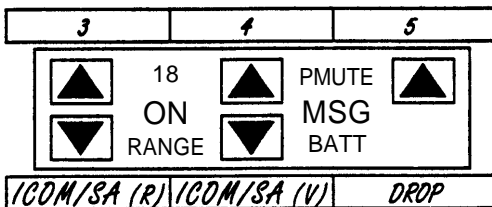
MERLIN Systems:

- It is recommended that you use MERLIN 206/410/820 systems installed with Feature Package 2 with your wireless phone.
- On MERLIN II and MERLIN LEGEND systems, you must connect your wireless phone to an available jack on either a 408 outside line/analog telephone module or a 008 analog telephone module.
- You must disable the Voice Announce feature. This telephone does not have a speaker function.
- The wireless phone should not be assigned to a paging group.
- To program the Ringing Option feature, use the “arrow” and “rectangle” indicators in the display as the equivalent of red and green LEDs, respectively.
- For MERLIN II system users, if you program an Auto Intercom button, idle line preference must be set to intercom.
- If any of your incoming lines has the call waiting feature, program the Recall feature on one of the programmable buttons and press it before you pick up a waiting call. You can dial #50 before you pick up a waiting call on the following: MERLIN 206/410/820 systems only with Feature Package 2, and all MERLIN Plus, MERLIN II, and MERLIN 1030/3070 systems. Pressing the [On/Off] button will disconnect the call.

- MERLIN 206/410/820 and MERLIN Plus system buttons should be assigned as follows; 2, 3, 4, and 5 are line or feature buttons:



- To use MERLIN LEGEND system feature codes with this phone, program the top right-hand button as a System Feature button. This will permit you to use the wide array of LEGEND system features by turning the set on, pressing the System Feature button, and dialing the appropriate “ * ” code number. Your wireless phone’s [*Feat*] button only allows you to enter programming mode. It does not work when using MERLIN LEGEND system features.
- MERLIN 1030/3070, MERLIN II, and MERLIN LEGEND system buttons should be assigned as follows; 3, 4, and 5 are line or feature buttons:



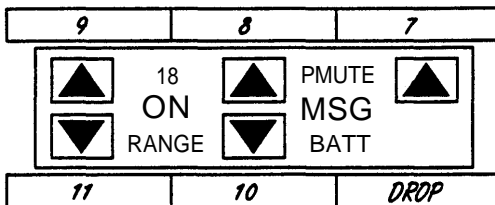
System 25:

- For Releases 1, 2, and 3, this telephone **must** be administered as a 10-button MERLIN set (type 303).
- Either a TN762B Hybrid pack or a ZTN79 ATL pack must be used to connect the switch and the MDW 9000 telephone.
- Assigning features may be done **only** by the system administrator.
- Use the following features with caution:

Automatic Intercom, Bridging, Coverage, Direct Station Selection, Personal Line, Pooled Facility, Send All Calls (use with single ring reminder).

Since these features provide visual indication that the feature is turned on, be aware that if you turn off the handset when using that feature, you may forget that the feature is on.

- Do not assign the following features: Auto Answer, Scroll, Inspect, Directory, Next, Local, Call, and Manual Callback Queuing.
- If programming the Flex DSS or Repertory Dial feature, dial the number to be recorded and push the button you are assigning to the feature. You will receive 3 short beeps and a dial tone to confirm programming.
- If you are programming numbers for the Station Speed Dial feature, dial the numbers to be stored then dial the Personal Speed Dialing code (#20 through #39), including the #. Listen for a confirmation tone followed by a dial tone.
- System 25 buttons should be assigned as follows; 7, 8, 9, 10, and 11 are system access or feature buttons:



System 75, System 85, and DEFINITY systems:

This phone must be administered as a 7303s Hybrid terminal for the following systems:

- System 75 - R1V1, R1V2, and R1V3
- System 85 - R2V1, R2V2, R2V3, and R2V4
- DEFINITY G1 - (R1V4)
- DEFINITY G2 - G2.1 and G2.2 - (R2V5, R2V6)
- DEFINITY G3 Version 1 - (R1V5)
- DEFINITY G3 Version 1.1 and Version 2

Native terminal administration is provided in DEFINITY G3 Version 3.

On the older switch types that do not accommodate Universal modules (System 85 - R2V1, R2V2, R2V3, and R2V4), an ANN17B Hybrid pack in conjunction with a DS-1 carrier must be used to connect the switch and the MDW 9000 telephone. On the newer switches that accommodate Universal modules:

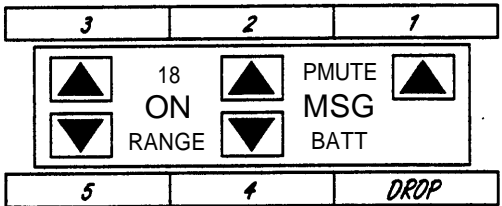
- System 75 - R1V1, R1V2, and R1V3
- DEFINITY G1 - (R1V4)
- DEFINITY G3 Version 1 - (R1V5)
- DEFINITY G3 Version 1.1 and Version 2
- DEFINITY G3 Version 3

a TN762B Hybrid pack must be used with the Universal carrier for this purpose. Depending upon the actual hardware configuration, DEFINITY G2 - G2.1 and G2.2 may utilize either an ANN17B or TN762B pack. In either case, the latest vintage packs are recommended.

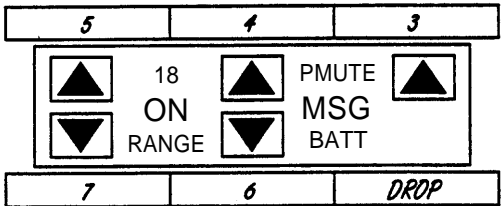
Note that for DEFINITY G2.1 and G2.2, General Terminal Administration (GTA) may be used to set up "custom" set types so that administration may be done using that custom set type.

Set administration and button feature assignment may be done only by the system administrator. It is recommended that you do not use features that require visuals (the LCD feature indicator) to be updated while the set is turned off. Also, since some features, such as Send All Calls, provide visual indication that the feature is turned on, be aware that if you turn off the handset when using that feature, you may forget that the feature is on.

- System 75 and DEFINITY G1 and G3 system buttons should be assigned as follows; 1, 2, 3, 4, and 5 are line or feature buttons:



- System 85 and DEFINITY G2 system buttons should be assigned as follows: 3, 4, 5, 6, and 7 are line or feature buttons:



Maintaining Your MDW 9000

This telephone is designed to provide trouble-free performance without any special maintenance procedures. To reduce the risk of accidental damage:

- Keep the telephone in an area free of dust, smoke, and moisture; do not block the air vents by placing objects on top of the radio module.
- Do not place the telephone near a heating duct, radiator, or other heat source, and do not drop or expose it to excessive shock or vibration.
- Unplug the battery charger, radio module, or carrier assembly if its power cord is damaged, if liquid is spilled into it, or if its housing becomes cracked or otherwise damaged.
- To clean your telephone, wipe the outside housing with a soft, dust-free cloth. If absolutely necessary, you may use a cloth *slightly* dampened with a mild soap and water solution. Dry quickly with a soft cloth.



CAUTION:

Your telephone contains sensitive electronic parts. Never submerge it in any kind of liquid, and never use detergents, alcohols, solvents, abrasive cleaners, or an excessive amount of water when cleaning the housing and faceplate. To do so could result in irreparable damage.

Ordering Replacement & Optional Parts

To order replacement parts or optional equipment in the continental U.S., call the AT&T Sourcebook Sales, AT&T Catalog Sales, or AT&T National Parts Sales Center toll free. When ordering, please use the part numbers shown in the table below.

Item	AT&T Sourcebook Sales 1 800 451-2100	AT&T Catalog Sales 1 800 635-8866	AT&T National Parts Sales Center 1 800 222-PART
Battery Pack White Black	32034A 32036A	32034A 32036A	107546400 107546392
Handset Carrying Holster Gray Black	NA NA	NA NA	846628527 846501401
Handset Carrying Case			
Battery Charger (includes Battery, Power Cord and AC Adapter) White Black	11135X 32040A-10 32040A-9	11135X 32040A-10 32040A-9	NA 107076762 107076754
Power Cord and AC Adapter for Battery Charger (11 foot (3.4 m))	NA	NA	847523404
Carrier Assembly	3204-CR1A	3204-CR1A	107073330
Power Cord and AC Adapter for Carrier Assembly (25 foot (7.6 m))	NA	NA	847224227
Telephone Line Cord (8 foot (2.4 m))	NA	NA	103786794
Power Cord and AC Adapter for Radio Module (11 foot (3.4 m))	NA	NA	847523404
Supra® 900 Headset	3122-041A	3122-041A	407156892
Kit of Parts (For Single MDW 9000 Installation)	D-182866	D-182866	107586828

Outside the continental U.S., contact your AT&T Representative or local Authorized Dealer.

AT&T Limited Warranty and Limitation of Liability

AT&T warrants to you, the customer, that your wireless telephone system will be in good working order on the date AT&T or its Authorized Dealer delivers or installs the system, whichever is later ("Warranty Date"). If you notify AT&T or its Authorized Dealer within one year of the Warranty Date that your system is not in good working order, AT&T will without charge to you repair or replace, at its option, the system components that are not in good working order. Repair or replacement parts may be new or refurbished and will be provided on an exchange basis. If AT&T determines that your system cannot be repaired or replaced, AT&T will remove the system and, at your option, refund the purchase price of your system or apply the purchase price towards the purchase of another AT&T system.

If you purchased your system directly from AT&T, AT&T will perform warranty repair in accordance with the terms and conditions of the specific type of AT&T maintenance coverage you selected. A written explanation of AT&T's types of maintenance coverage may be obtained from AT&T by calling 1 800 247-7000 (in the continental U.S. only). If you purchased your system from an AT&T Authorized Dealer, contact your dealer for the details of the maintenance plan applicable to your system.

This AT&T limited warranty covers damage to the system caused by power surges. Unless otherwise expressly agreed to in a written agreement signed by AT&T, AT&T will not be responsible under this limited warranty for damages resulting from:

- Failure to follow AT&T's installation, operation, or maintenance instructions;
- Unauthorized system modification, movement, or alteration;
- Unauthorized use of common carrier communication services accessed through the system;
- Abuse, misuse, or negligent acts or omissions of the customer and persons under the customer's control; or
- Acts of third parties and acts of God.

AT&T'S OBLIGATION TO REPAIR, REPLACE, OR REFUND, AS SET FORTH ABOVE, IS YOUR EXCLUSIVE REMEDY.

EXCEPT AS SPECIFICALLY SET FORTH ABOVE, AT&T, ITS AFFILIATES, SUPPLIERS, AND DEALERS MAKE NO WARRANTIES, EXPRESS OR IMPLIED, AND SPECIFICALLY DISCLAIM ANY WARRANTIES OF MERCHANTABILITY OR FITNESS FOR A PARTICULAR PURPOSE.

Limitation of Liability:

Except as provided below, the liability of AT&T and its affiliates and suppliers for any claims, losses, damages, or expenses from any cause whatsoever (including acts or omissions of third parties), regardless of the form of action, whether in contract, tort, or otherwise, shall not exceed the lesser of: (1) the direct damages proven; or (2) the repair cost, replacement cost, license fee, annual rental charge, or purchase price, as the case may be, of the equipment that directly gives rise to the claim. Except as provided below, AT&T and its affiliates and suppliers shall not be liable for any incidental, special, reliance, consequential, or indirect loss or damage incurred in connection with the equipment. As used in this paragraph, consequential damages include, but are not limited to, the following: lost profits, lost revenues, and losses arising out of unauthorized use (or charges for such use) of common carrier telecommunications services or facilities accessed through or connected to the equipment. For personal injury caused by AT&T's negligence, AT&T's liability shall be limited to proven damages to person. No action or proceeding against AT&T or its affiliates or suppliers may be commenced more than twelve (12) months after the cause of action accrues. THIS PARAGRAPH SHALL SURVIVE FAILURE OF AN EXCLUSIVE REMEDY.

Repair Information

Outside the continental U.S., contact your AT&T Representative or local Authorized Dealer for warranty and repair information applicable to your system.

In-Warranty Repairs

If you purchased or leased your system directly from AT&T, AT&T will repair it free of charge during the one-year warranty period. Simply call the Hotline and ask for service.

Business-Day service is standard during the warranty period. Business-Day service is performed during normal business hours. (Around-the-Clock service is not available for phones.)

If you purchased or leased your system through an AT&T Authorized Dealer, contact your dealer for repairs.

Post-Warranty Repairs

If you purchased the system from AT&T and you have a post-warranty service contract, AT&T service is provided under the terms of that contract.

To significantly reduce unexpected repair costs after the warranty period, you can purchase a post-warranty service contract from AT&T. If you do not have a contract, AT&T service is provided on a time-and-materials basis by calling the Hotline. A contract provides to you, within the applicable coverage period and response times, service calls with no charge for parts and labor on covered repairs. To order a post-warranty service contract, call 1 800 247-7000 (in the continental U.S. only).

If you leased your system from AT&T, Business-Day service is included in your lease.

If you purchased or leased your system through an AT&T Authorized Dealer, contact your dealer for repairs.

Regulatory Information

Regulatory agencies require that you be notified of the following:

FCC Part 15 Rules

The AT&T MDW 9000 Wireless Telephone has been tested and has been found to comply with *FCC Part 15 Rules*. These specifications are designed to provide reasonable protection against harmful interference in a commercial or residential installation. This wireless telephone generates, uses, and can radiate radio frequency energy and, if not installed and used in accordance with the instructions, may cause harmful interference to radio communications. However, there is no guarantee that interference will not occur in a particular installation. If the telephone does cause harmful interference to radio or television reception, which can be determined by turning the telephone off and on, the user is encouraged to try to correct the interference by one or more of the following measures:

- Where it can be done safely, reorient the receiving television or radio antenna.
- To the extent possible, relocate the television, radio, or other receiver with respect to the telephone.
- Plug the telephone into an electrical outlet that is not on the same circuit as one used by the radio or television.

IC RSS-210 Compliance

This device complies with RSS-210 of Industry Canada. Operation is subject to the following two conditions:

1. This device may not cause interference.
2. This device must accept any interference including interference that may cause undesirable operation of the device.

The user is cautioned that modifications to this telephone, not expressly approved by AT&T, could void the user's authority to operate the equipment.

Hearing Aid Compatibility

This wireless telephone is compatible with inductively-coupled hearing aids.

Specifications

GENERAL				
Model:	MDW 9000			
Dimensions and Weights:	Handset	10.0"(L) x 2.43"(H) x 1.5"(W) 25.4 x 6.17 x 3.8 cm	.75 lbs .34 kgs	
	Handset w/Battery Pack	10.0"(L) x 2.43"(H) x 1.5"(W) 25.4 x 6.17 x 3.8 cm	1.25 lbs .57 kgs	
	Battery Charger	9.75"(L) x 5.13"(H) x 3.94"(W) 24.77 x 13.03 x 10.01 cm	1.0 lbs .45 kgs	
	Battery Charger w/ Battery Pack	9.75"(L) x 5.13"(H) x 3.94"(W) 24.77 x 13.03 x 10.01 cm	1.5 lbs .68 kgs	
	Battery Pack	3.0"(L) x .75"(H) x 2.5"(W) 7.6 x 1.9 x 6.35 cm	.50 lbs .23 kgs	
	Headset w/Cord (Approx.)	10.5"(L) x 1.2"(H) x 5.6"(W) 26.67 x 3.05 x 14.22 cm	.17 lbs .08 kgs	
	Radio Module (RM)	12.1"(L) x 1.5"(H) x 5.5"(W) 30.73 x 3.81 x 13.97 cm	1.5 lbs .68 kgs	
	Carrier Assembly (CA)	14.0"(L) x 2.5"(H) x 9.0"(W) 35.56 x 6.35 x 22.86 cm	3.0 lbs 7.62 kgs	
	Carrier Assembly w/6 RM's	14.0"(L) x 2.5"(H) x 9.0"(W) 35.56 x 6.35 x 22.86 cm	12.0 lbs 5.44 kgs	
	Power Supply (Battery Charger and RM)	3.19"(L) x 1.94"(H) x 2.17"(W) 8.09 x 4.92 x 5.50 cm	1.1 lbs 0.5 kgs	
	Power Supply (CA)	5.13"(L) x 1.6"(H) x 1.6"(W) 13.03 x 4.06 x 4.06 cm	1.7 lbs .77 kgs	
	Operating Temperature:	Temperature range:	4.4° C (40° F) to 40° C (104° F)	
		Relative humidity:	15% to 95%	
	Electrical Specifications: (Power)	Handset	2.0 watts	
Battery Charger		1.5 watts		
Radio Module		4.0 watts		
Carrier Assembly w/6 RM's		24.0 watts		
Power Supply (Battery Charger and RM)		6.0 watts (10V 600mA)		
Power Supply (CA)		30.0 watts (9V)		
Battery Pack Life:	Nickel Cadmium	3.0 hours talk time/22 hours standby time		

RF SYSTEM PARAMETERS	
Frequency Band:	902.1 - 927.9 MHz
Channel Spacing:	150 KHz
Total Channel Capability:	50 (Channels Dynamically allocated out of 173)
Duplex Method:	Time Division Duplex (TDD) (Transmit and Receive on same frequency)
Transmitter Output Power:	Dynamic Power Adjustment: 1mW ERP Minimum to 160mW ERP Maximum
Receiver Sensitivity:	-100 dBm at Antenna Port
OTHER	
Electrical Requirements:	<ul style="list-style-type: none"> ■ 105-135VAC, 50-60 Hz, 3-prong outlet separate ground, separately fused at 15 amps. ■ Outlet must not be controlled by an on/off switch ■ Grounding to comply with Underwriters Laboratories (UL) 1459
Requirements For Out-Of-Building Extensions:	<p>Installation of a telephone or other standard (tip/ring) device in another building requires the following In-Range Out-of-Building (IROB) protectors to protect the switch/control unit and telephone device from electrical surges:</p> <p>MDW 9000 phone: two AT&T 503A1 protectors (ETR) two AT&T 343B protectors (ATL)</p>
Wiring:	<ul style="list-style-type: none"> ■ MDW 9000 phone: AT&T SYSTIMAX® or at least 2-pair (4-wire) star ("home run" not "loop") ETR ■ AT&T SYSTIMAX or at least 4-pair (8-wire) star ("home run" not "loop") ATL ■ Bridging Adapter: AT&T 267F2 (ETR) ■ Bridging Adapter: AT&T 267C (ATL) ■ Range: 1,000 feet (305 meters) for the Radio Module (26 AWG)

Index

B

Backplane (see *Carrier assembly*)

BATT indicator, 40

Battery charger

about, 1, 27, 38, 39

charging the spare battery, 39, 41

choosing location for, 27

extension label, 37

features, 38

illustration of, 38

inserting the spare battery, 41

installation, 28

LEDs, 38, 39

removing the spare battery, 43

Battery pack

charging in battery charger, 38, 41

extending life of, 44

handset, 31, 38, 39

life, 40, 61

low battery indication, 38

reconditioning, 38, 39, 40, 44

spare, 39, 40, 41, 43, 44

C

Carrier assembly

about, 1

choosing location for, 12

illustration of, 7

removing a radio module from, 24

shelf or desk installation, 20

testing the installation, 26

upgrading radio modules, 26

wall installation, 16

Carrying holster, 46

D

DEFINITY systems, 2, 49, 53

E

Extension labels, 37

Extensions, changing, 26

F

Fast charge compartment, 38, 39, 40, 41, 43

FCC information, 60

H

Handset

about, 1

carrying holster, 46

charging the battery pack, 31, 38, 39

cradle, 38

filling out labels for, 37

identifying, 36

Handset (continued)
 illustration of, 4
 inserting and removing the
 battery pack, 31
 local test mode, 33
 range indicators, 45
 wireless test mode, 34
Handset display labels, 37
Handset LED, 38, 39
Headset
 about, 47
 answering calls, 48
 placing calls, 48
Hearing aid compatibility, 60
Holster, 4, 46
Hotline, inside front cover

I

IC information, 60
Installation
 battery charger, 28
 carrier assembly, 16, 20
 radio module, 14, 16, 20
 remote location, 12
 testing, 26

L

Labels, 37
LED
 Handset, 38, 39,

 Pass, 26
 Power, 26
 Radio, 26
 Spare Fast Charge, 38, 39
Local test mode, 33

M

Maintenance, 55
MERLIN systems, 2, 49, 50

P

PARTNER systems, 2, 49, 50
Parts
 additional, 5
 ordering, 56
 system, 4
Pass LED, 26
Phone compatibility, 49
Power LED, 26
Programming mode, 49

R

Radio LED, 26
Radio module
 about, 1
 carrier assembly installation,
 16, 20
 choosing location for, 12

Radio module (continued)
 identifying, 36
 illustration of, 6
 moving, 26
 removing from carrier assembly,
 24
 replacing, 26
 single module installation, 14
 testing the installation, 26
 upgrading, 26
Range, 12, 34, 45
RANGE indicator, 45
Repair information, 58, 59
Replacement parts, 56

S

Safety precautions, 3, 8, 11
Signal strength, 35
Sound clarity, 34
Spare battery
 about, 40, 44
 inserting in battery charger,
 41
 removing from battery
 charger, 43
Spare Fast Charge LED, 38, 39
Specifications, 61
Standby time, 40, 61
System 25, 2, 49, 53
System 75, 2, 49, 53
System 85, 2, 49, 53

T

Talk time, 40, 61
Terminal identification number,
 36
Testing
 handset, 33
 signal strength, 35
 sound clarity, 34
 voice quality, 35

V

Voice quality, 35

W

Warranty information, 57
Wireless test mode, 34

Printed in USA

503-801-131 Issue 1
Comcode 107673956

