

TELEPHONE SETS

940-TYPE

IDENTIFICATION, INSTALLATION, AND CONNECTIONS

1. GENERAL

1.01 This section provides identification, installation, and connection information for the 940A, 940B, and 940C (Fig. 1) DESIGN LINE* telephone (*Celebrity*) sets.

* Trademark

1.02 This section is reissued to:

- Add D-180600 Kit of Parts
- Add new Fig. 4, telephone company-owned components
- Remove Uniform Service Order Code (USOC) and D-Kit of Parts, Table A

Warning: *Telephone apparatus or wiring shall not be installed in a location where minimum separation from other wiring as specified in Section 460-300-149 cannot be maintained.*

1.03 The customer's premises must be properly wired with an appropriate jack in order to accept the D4BU-29 plug-ended mounting cord and/or 225A adapter furnished with each telephone set.

2. IDENTIFICATION

2.01 The 940A, 940B, and 940C rotary dial equipped telephone sets are new DESIGN LINE telephone sets being made available to the customer. The customer buys the housing, handset, and decorative features from the telephone company and the telephone company retains ownership of the transmission and signaling components which are mounted on a removable base and incorporated in the handset (Fig. 2, 3, and 4).



Fig. 1—940-Type DESIGN LINE Telephone Set

Ordering Guide (Refer to Table A)

2.02 Basic Telephone Set Ordering Information:

Example: Set, Telephone, 940A40-50† is an ivory set equipped with a rotary dial and a chrome trim applique (Fig. 1).

† Refer to Table A for available color and applique information.

2.03 These telephone sets are intended to be used as single line or two-party common battery desk sets and cannot be used on four- and eight-party service.

3. INSTALLATION AND CONNECTIONS

3.01 These telephone sets are furnished from the factory fully assembled and wired for bridged ringing. †The P1A ringer is shipped from

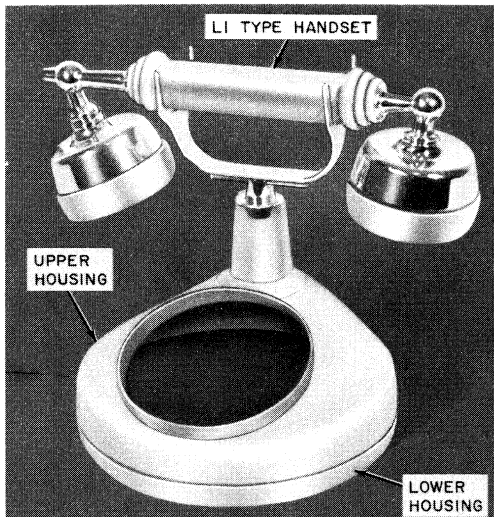


Fig. 2—Customer-Owned Components 940A or 940B Telephone Set

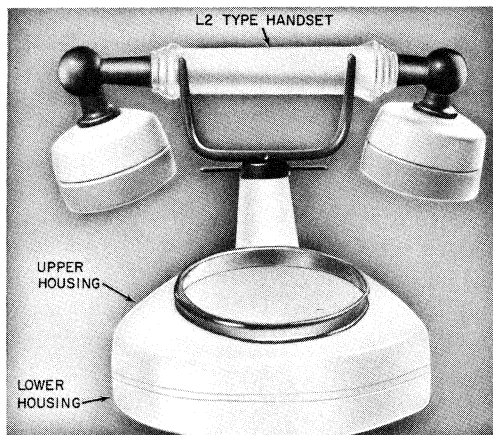


Fig. 3—Customer-Owned Components, 940C Telephone Set

the factory with the bias spring in the low bias position. To connect the telephone set, plug the mounting cord into a 625A jack or if the existing

jack is a 548A or equivalent, use the 225A adapter furnished with each set.

3.02 The internal connections for the 940-type telephone sets nonkey system use is shown in Fig. 7.

3.03 Connections for 1A KTS do not require any telephone set modifications and are wired same as Fig. 7.

3.04 Connections for use with 1A1 or 1A2 KTS are shown in Fig. 8. Table C includes necessary wiring modifications required for 1A1 or 1A2 key telephone system use.

3.05 To gain access to the interior of these sets for wiring changes, refer to Part 4.

3.06 Line and Ringer Connections:

- (1) For single line and two-party service, refer to Table B.
- (2) For adjustments and ringer cutoff feature of the P1A ringer, refer to Section 501-259-101.

4. REMOVAL OF TELEPHONE COMPANY-OWNED COMPONENTS

4.01 When it is desired to discontinue telephone service of the 940-type design line telephone set proceed as follows:

◆**Note:** Remove the telephone company-owned components that are screwed to the base or can otherwise be easily removed. Refer to Fig. 4 for identification of company-owned components.◆

- (1) Remove handset cord from handset and telephone set base.
- (2) Remove mounting cord from telephone set base and wall jack or adapter.
- (3) Remove three housing mounting screws located on bottom outer edge of the baseplate (Fig. 5 or 6).
- (4) Remove upper and lower housing by lifting them off.

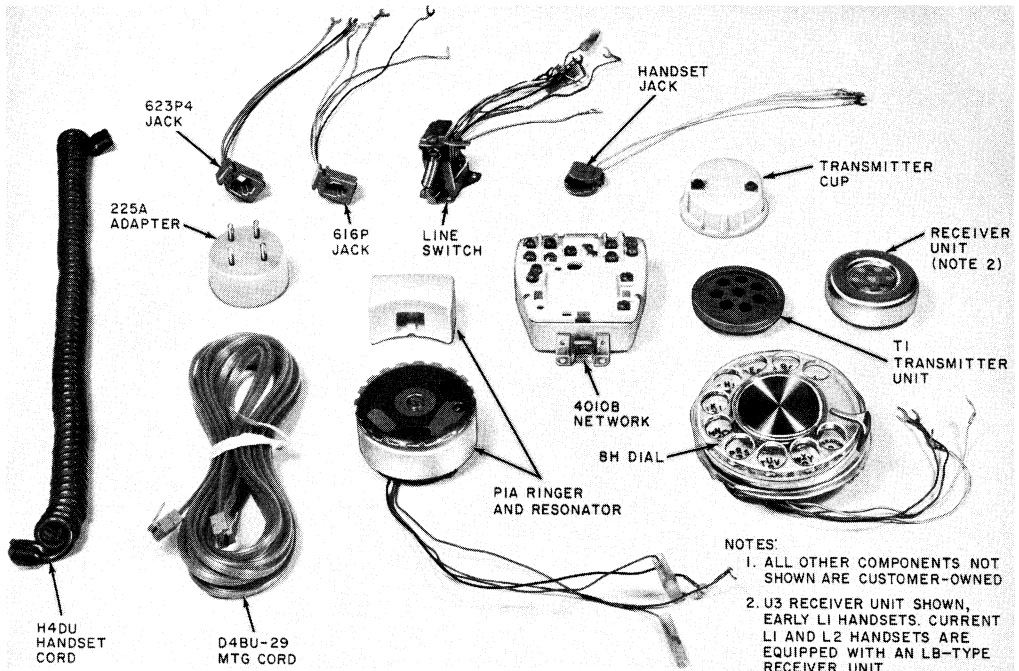


Fig. 4—Telephone Company-Owned Components

TABLE A
ORDERING GUIDE

TEL SET	DISPLAY TEL SET CODE	PLASTIC COLOR	DIAL INSERT COLOR	TRIM COLOR	DIAL	HANDSET CORD	MTG CORD
940A40-50	940AD40-50	Ivory	Chrome	Chrome	8H	H4DU-50	D4BU-29
940B40-50	940BD40-50		Gold	Gold			
940A40-62	940AD40-62	Blue	Chrome	Chrome			
940B40-62	940BD40-62		Gold	Gold			
940C40-50	940CD40-50	Ivory	Chrome	Chrome			
940C41-50	940CD41-50		Gold	Gold			
940C40-62	940CD40-62	Blue	Chrome	Chrome			
940C41-62	940CD41-62		Gold	Gold			

TABLE B
 LINE AND RINGER CONNECTIONS
 (940-TYPE TELEPHONE SETS)†

WIRE OR LEAD	COLOR	INDIVID. OR BRIDGED	RING PARTY	TIP PARTY		
				NO IDENT GROUND	IDENTIFYING GROUND	
					1000Ω	2650Ω
Inside Wire at Jack	R	R	R	R	R	R
	G	G	G	G	G	G
	Y	Y	Y	Y	Y	Y
	BK	B	B	B	B	B
623P4 Line Cord Jack Assy	R	A	A	L1	F	F
	G	L1	L1	A	L2	L2
	Y	G	G	G	G	G
	BK	L2	L2	L2	*	*
Ringer	R	K	K	K	K	K
	S-R	*	*	*	*	L1
	S	*	*	*	L1	*
	BK	L1	G	G	G	G
Line Switch	Y	A	A	A	L2	L2
	W	F	F	F	B	B

* Insulated and stored.

† For access to set wiring follow applicable steps in Part 4.

(5) After removing telephone company-owned components reassemble upper and lower housings using the three housing mounting screws (Fig. 5 or 6).

TABLE C

MODIFICATIONS FOR 1A1 OR 1A2 KTS
 (940-TYPE TELEPHONE SET)*

LEAD	COLOR	NET TERM.	
		REMOVE FROM	CONNECT TO
Line Switch	S	A	L2
	Y	A	L2
	BR	C	G
	G	L1	A
	W	F	C
623P4 Line Cord Jack Assy	G	L1	F
Ringer	BK	L1	F

* For access to set wiring follow applicable steps in Part 4.

4.02 Follow local procedures for returning telephone company-owned components.

4.03 When it is necessary to return a set to Western Electric for repair, it should be packed using the D-180600 Kit of Parts which contains packing material and instructions.

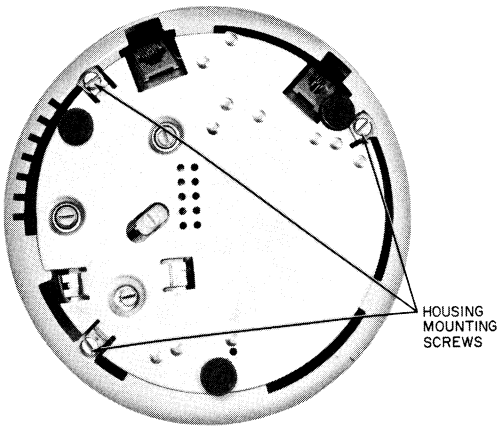


Fig. 5—940A or 940B Telephone Set, Bottom View

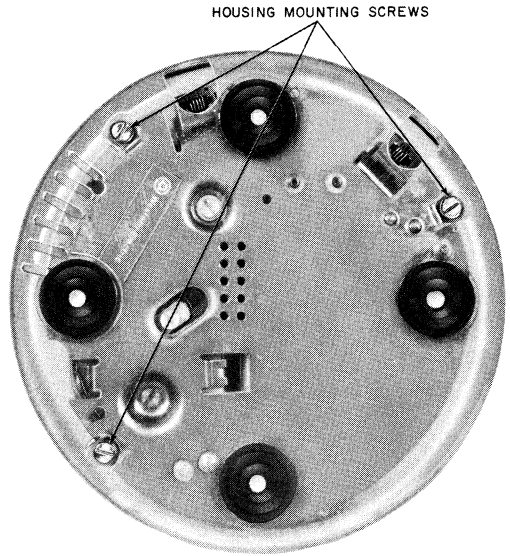
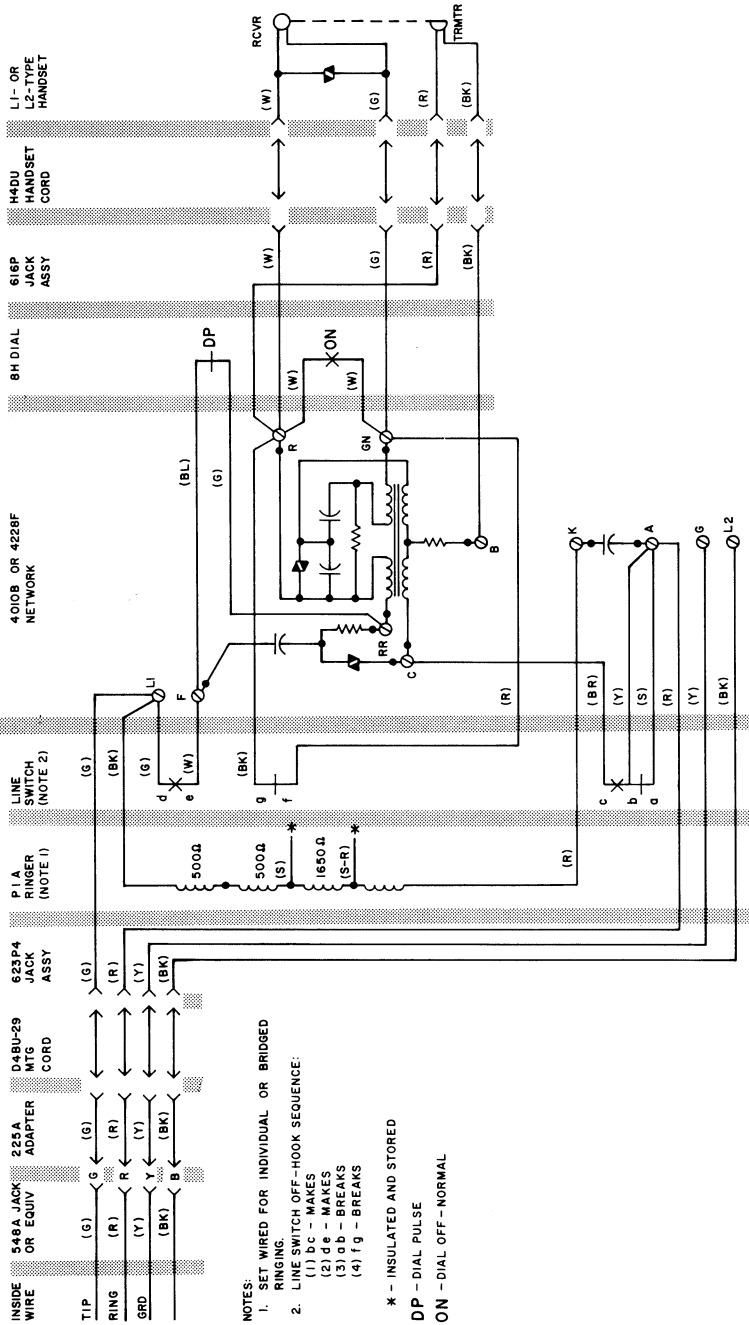
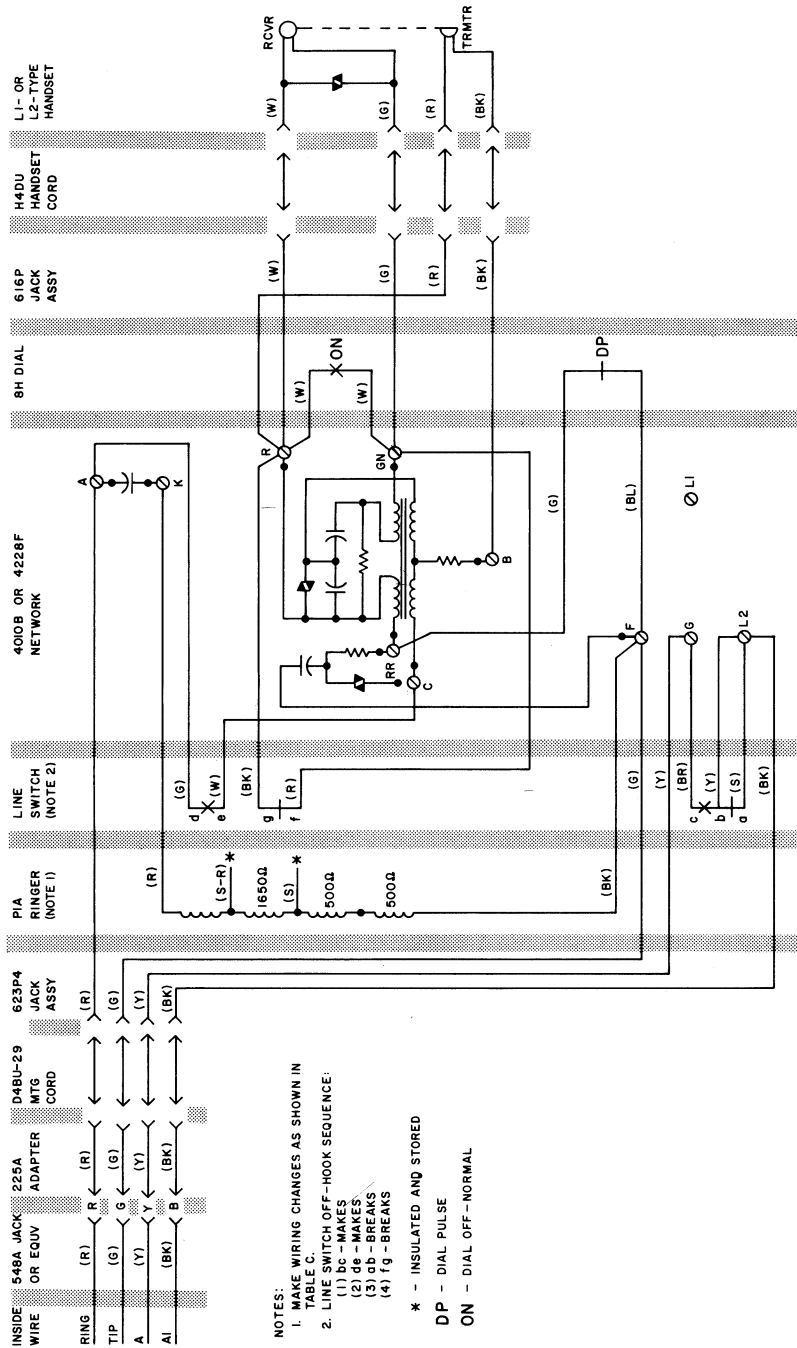


Fig. 6—940C Telephone Set, Bottom View



- NOTES:
1. SET WIRED FOR INDIVIDUAL OR BRIDGED RINGING.
 2. LINE SWITCH OFF-HOOK SEQUENCE:
 - (1) DC - MAKES
 - (2) DC - BREAKS
 - (3) AC - BREAKS
 - (4) AC - MAKES
- * - INSULATED AND STORED
 DP - DIAL PULSE
 ON - DIAL OFF - NORMAL

Fig. 7—940-Type Telephone Set, Connections



- NOTES:
1. MAKE WIRING CHANGES AS SHOWN IN TABLE C.
 2. LINE SWITCH OFF-HOOK SEQUENCE:
 - (1) bc - MAKES
 - (2) de - MAKES
 - (3) ad - BREAKS
 - (4) fg - BREAKS
- * - INSULATED AND STORED
- DP - DIAL PULSE
- ON - DIAL OFF-NORMAL

Fig. 8—940-Type Telephone Set Connections, Wired for 1A1 or 1A2 KTS