

1991

**BMW
850i
(E31)**

Electrical

Troubleshooting

Manual



ELECTRICAL TROUBLESHOOTING MANUAL

8 SERIES – E31 (850i)

SCHEMATICS

MODEL YEAR 1991

0100.0	INDEX	3450.1	SLIP CONTROL (ABS/ASC)
0110.0	INTRODUCTION	3450.2	SLIP CONTROL (ABS/ASC+T)
0140.0	SYMBOLS	3623.0	TIRE PRESSURE CONTROL (RDC)
0670.0	POWER DISTRIBUTION CHART	3715.1z	ELECTRONIC SHOCK ABSORBER CONTROLIII+ (EDC III+)
0670.1	FUSE CHART	5116.0	POWER MIRRORS
0670.2	POWER DISTRIBUTION	5120.0	ZKE DOOR LOCK HEATING (TSH)
0670.3	FUSE DETAILS	5126.0	ZKE CENTRAL LOCKING (ZV)
0670.4	GROUND DISTRIBUTION	5133.0	ZKE POWER WINDOWS (FH)
0670.5	DATA LINK	5146.0	POWER SUN SHADES
1210.6	ENGINE CONTROL SYSTEM (DMEM1.7, 12-CYLINDER M70)	5200.0	POWER SEATS
1230.0	CHARGING SYSTEM	5200.1	SEAT/MIRROR MEMORY SYSTEM (SM/SPM)
1240.0	START	5203.0	HEATED SEATS
1270.1	ELECTRONIC THROTTLE CONTROL (EML12-CYLINDER)	5410.0	ZKE SUNROOF (SHD)
1290.0	E-BOX FAN	6100.0z	CENTRAL BODY ELECTRONICS (ZKE II)
2460.0z	ELECTRONIC TRANSMISSION CONTROL(EGS)	6133.0	HORN
3231.0	ELECTRIC STEERING COLUMN ADJUSTMENT	6160.0z	ZKE WIPER/WASHER CONTROL
3231.1	STEERING COLUMN MEMORY (LSM)	6164.0	ZKE WINDSHIELD WIPER PRESSURE CONTROL (ADV)
3234.0	SUPPLEMENTAL RESTRAINT SYSTEM (AIRBAG)	6167.0	ZKE HEADLIGHT WASHER (SRA)
3240.0	POWER ASSIST STEERING (SERVOTRONIC)	6169.0	WINDSHIELD WASHER JET HEATERS
		6210.0	BODY ELECTRONICS MODULE (EKM)
		6211.0	INSTRUMENT CLUSTER

SCHEMATICS

6300.0	LIGHT SWITCH DETAILS	6424.0z	REAR WINDOW DEFOGGER/ANTENNA
6301.0	LAMP MONITOR (LKM)	6450.0	AUTOMATIC HEATING/AC CONTROL (IHKA)
6312.0	HEADLIGHTS/FOG LIGHTS	6454.0	AUXILIARY FAN
6313.0	TURN/HAZARD LIGHTS	6510.1	RADIO/CD-PLAYER (PROVISIONS)
6314.0	PARK/TAIL/UNDERHOOD LIGHTS	6561.0	CELLULAR TELEPHONE (PROVISIONS)
6320.0	LICENSE PLATE/LUGGAGE COMPARTMENT LIGHTS	6575.1	ANTI-THEFT SYSTEM III (DWA III)
6322.0	BACK UP LIGHTS	6581.0z	MULTI-INFORMATION DISPLAY (MID)
6325.0	BRAKE LIGHTS	6610.0	INFRARED LOCKING (IRS)
6330.0z	ZKE INTERIOR LIGHTS (IB)	7000.0	COMPONENT LOCATION CHART
6332.0	INTERIOR ACCESSORIES	7100.0	COMPONENT LOCATION VIEWS
6350.0	CRASH CONTROL MODULE	8000.0	SPLICE LOCATION VIEWS
		8500.0	CONNECTOR VIEWS

BMW
8



09/90

0100.0

1991



INDEX

A/C Relay	6454.0-01
A/C Compressor	6450.0-01
ABS	3450.1-00
ABS	3450.2-00
ADV Motor	6164.0-01
Air Conditioner	6450.0-00
Air Intake Temperature Sensor	1210.6-08
Air Mass Meter	1210.6-03
Air Volume Control	6450.0-01
Airbag	3234.0-00
Alternator	1230.0-00
Anti Theft Horn	6133.0-00
Anti Theft System	6575.1-00
ASC	3450.1-00
ASC + T	3450.2-00
Automatic Climate Control (IHKA)	6450.0-00
Automatic Inside Mirror	5116.0-02
Automatic Stability Control (ASC)	3450.1-00
Automatic Stability Control plus Traction (ASC + T)	3450.2-00
Auxiliary Fan	6454.0-00
Auxiliary Water Pump	6450.0-11
Back Up Lights	6322.0-00
Battery B+ Start Point	0670.2-00
Blower Motor	6450.0-01
Brake Light	6325.0-00
Brake Light Switch	1270.1-03
Brake Pad Sensor Front	6210.0-05
Brake Pad Sensor Rear	6210.0-05
Cassette Player Lights	6300.0-02
Cellular Telephone Provisions	6561.0-00
Central Body Electronics (ZKE II)	6100.0-00
Central Locking System With ZKE	5126.0-00
Cigar Lighter	6332.0-01
Cold Monitoring	6301.0-01
Component Location Chart	7000.0-00
Component Location Views	7100.0-00
Concealing Headlights	6312.0-04

Connector Views	8500.0-00
Crash Control Unit	6350.0-00
Cruise Control With EML	1270.1-00
Cylinder Identification Sensor	1210.6-15
Diagnostic Connector	0670.5-10
Diagnostic Link	0670.5-00
Diagnostic Link RXD	0670.5-03
Diagnostic Link TXD	0670.5-01
Diagnostic Module (Airbag)	3234.0-00
Door Handle Switch	5120.0-00
Door Jamb Switch	6575.1-01
Door Lock Heating With ZKE	5120.0-00
Drive Away Protection	6575.1-03
E-Box Fan	1290.0-00
EGS	2460.0-00
Electronic Body Module (EKM)	6210.0-00
Electronic Damper Control III	3715.1-00
Electronic Transmission Control (EGS)	2460.0-00
EML	1270.1-00
Engine Compartment Light	6314.0-02
Engine Speed Sensor	1210.6-15
Fan E-Box	1290.0-00
Fog Lights	6312.0-01
Front Power Distribution Box	0670.2-00
Front Sensor (Airbag)	3234.0-01
Fuel Gauge	6211.0-00
Fuel Pump With DME M1.7, 12 Cylinder	1210.6-04
Fuel Pump With DME M1.7, 12 Cylinder	1210.6-14
Fuel Reserve Contact	6211.0-00
Fuse Chart	0670.1-00
Fuse Details	0670.3-00
Gear Selector Switch	6210.0-10
General Module	6100.0-00
General Module Safety Relay	6100.0-01
Glove Box Switch	6575.1-02
Glove Compartment Light	6332.0-00
Ground Distribution	0670.4-00

Hazard Indicators	6313.0-00
Headlight Flasher	6312.0-00
Headlight Washer	6167.0-00
Headlights	6312.0-00
High Beam	6312.0-03
Hood Switch	6575.1-02
Horn	6133.0-00
Hydraulic Unit	3450.1-02
Hydraulic Unit	3450.2-02
I-Bus	6210.0-00
Instrument Bus	0670.5-05
Ignition Coil DME	1210.6-10
Ignition Switch	0670.2-02
Ignition Timing Adjust (AEGS)	2460.0-03
IHKA Air Delivery	6450.0-05
IHKA Auxiliary Water Pump	6450.0-11
IHKA Compressor Controls	6450.0-12
IHKA Diagnostic Link And Starter Input	6450.0-14
IHKA Power	6450.0-00
IHKA Temperature Controls	6450.0-03
IHKA Water Valves	6450.0-02
Indicators	
-ABS	6211.0-03
-Airbag	6211.0-03
-Brake Fluid Level	6211.0-03
-Brake Warning	6211.0-03
-Charge Light	6211.0-04
-Check Engine	6211.0-04
-EML	6313.0-02
-Fog Light	6312.0-00
-Fuel Reserve Indicator	6211.0-04
-Hazard Light	6211.0-04
-High Beam	6211.0-03
-Oil Pressure Gauge	6211.0-03
-Park Brake	6312.0-01
-Turn Signal Indicator	6211.0-04
Infrared Locking System	6610.0-00

Infrared Receiver	6610.0-00
Injection Electronics (DME M1.7, 12 Cylinder)	1210.6-00
Instrument Cluster	6211.0-00
Intensive Wash	6160.0-02
Interior Light Switch	6330.0-03
Interior Lights	6330.0-03
Interval Wipe	6160.0-00
Introduction	0110.0-00
Lamp Monitor (LKM)	6301.0-00
License Plate Lights	6320.0-00
Lock Sensor (IHKA)	6450.0-13
Lumbar Support	5200.0-00
Make-up Mirror	6300.0-00
Memory Seat/Mirrors (SM/SPM)	5200.1-00
Memory Switch	5200.1-01
Motor Electronics	1210.6-00
Multi-Information Display	6581.0-00
Oxygen Sensor	1210.6-05
Oxygen Sensor	1210.6-15
Parking Lights	6314.0-01
Passenger Compartment Lights	6330.0-00
Power Assist Steering (Servotronic)	3240.0-00
Power Distribution	0670.0-00
Power Mirrors	5116.0-00
Power Mirrors With Memory (SM/SPM)	5200.1-06
Power Seats	5200.0-00
Power Seats With Memory	5200.1-00
Power Sun Shades	5146.0-00
Pulse Wipe	6160.0-00
Radio	6510.0-00
Radio Antitheft Switch (DWA)	6575.1-02



INDEX

Rear Axle Reed Contact	6210.0-08
Rear Fog Lights	6312.0-03
Rear Lights	6314.0-01
Rear Power Distribution Box	0670.2-06
Rear View Mirror	5116.0-02
Rear Window Antenna	6424.0-00
Rear Window Defogger	6424.0-00
Relay Module	6100.0-04
Seat Heating	5203.0-00
Shift Lock	2460.0-01
Signal Horn	6575.1-00
Solenoid Controlled Valve	3240.0-00
Speed Control With EML	1270.1-02
Speed Sensor	6210.0-08
Speed Sensor	6211.0-01
Speed Signal	6210.0-02
Speed Signal (TD)	6211.0-00
Speedometer	6211.0-00
Splice Location Views	8000.0-00
SRA-Module	6167.0-02
Starter	1240.0-01
Steering, Speed Dependent	3240.0-00
Sunroof	5410.0-00
Symbols	0140.0-00
Tachometer	6211.0-00
Telephone	6561.0-00
Temperature Gauge	6211.0-00
Transmission	2460.0-02
Transmission Control Unit	2460.0-01
Trunk Lid Switch	6575.1-00
Trunk Light	6320.0-00
Turn Signal	6313.0-00
Unloader Relay	0670.2-04
Vehicle Speed Control	1270.1-02
Washer Pump	6160.0-02
Washer Unit	6160.0-00
Window Monitor (DWA)	6575.1-05

Window Switch	5133.0-00
Windshield Washer	6160.0-00
Windshield Washer Jet Heaters	6169.0-00
Wiper Motor	6160.0-01
Wiper Pressure Control (ADV)	6164.0-00
ZKE II	6100.0-00





Introduction

Schematics

The schematics divide the entire vehicle electrical system into individual circuits. Interacting electrical components are shown on one common schematic.

Switches and other components are represented in such a way that their general layout and function are self-explicit. They are arranged on the sheet such that the current path can be followed from positive (top) to negative (bottom).

Important: The components and wires are not drawn to scale. For instance, a lead with a length of over 1m can be shown as a lead which is only a few cm long. To enhance the clarity of the schematics, all connectors and splices between fuses and components as well as between grounds and components have been omitted. If this information should be required, it may be referenced in cells 0670.3 Fuse Details and 0670.4 Ground Distribution.

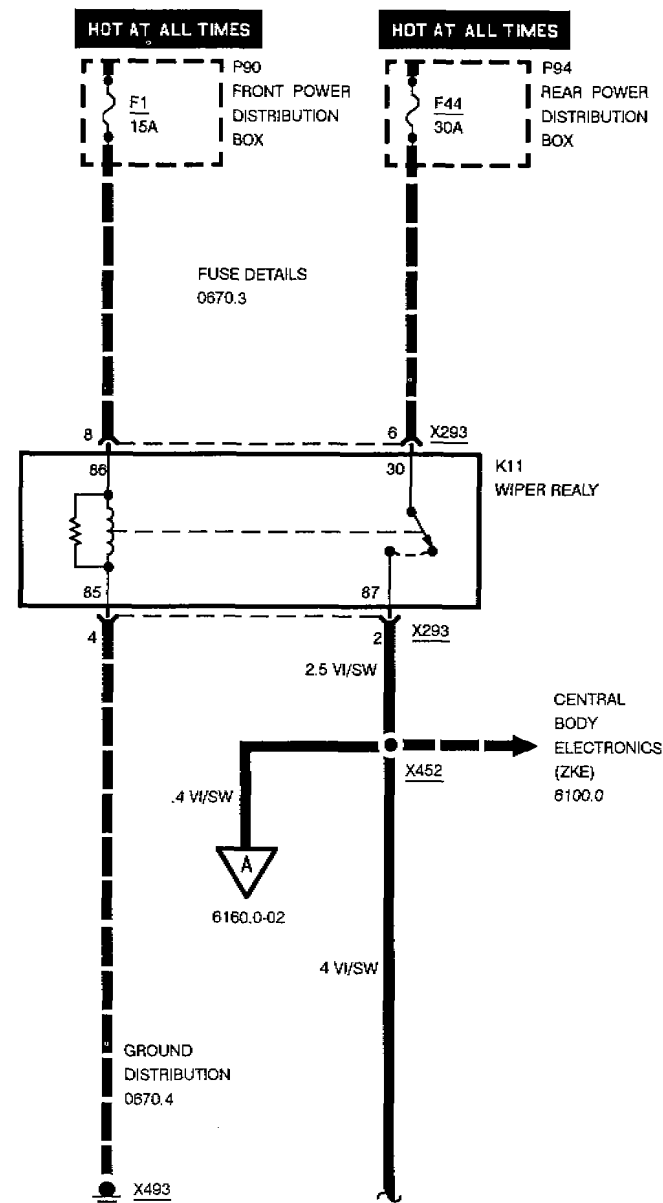
All circuit symbols used are listed and explained in cell 0140.0 Symbols.

In cell 7000.0 Component Location Chart all important connectors, ground points and components are listed in tabular form. It provides a precise description of the component locations in the vehicle.

In cell 7100.0 Component Location Views the locations of the connectors and components which are difficult to locate are shown in photographs. In cell 8500.0 Connector Views diagrams of all connectors with more than three pins are illustrated.

Example

General conventions can be explained based on the following schematic example.



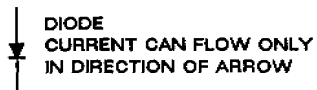
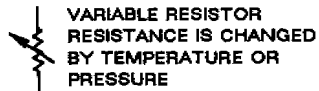
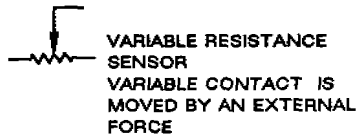
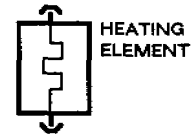
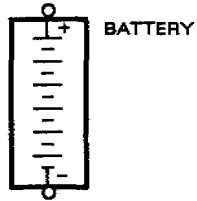


General Conventions

1. Switches and relays are always shown in rest position (e.g. K11).
2. A component shown in a dashed frame signifies that the component is illustrated only in part (e.g. P90 and P94).
3. A component shown in a completely drawn frame signifies that the component is illustrated in full (e.g. K11).
4. The dashed line between pin 8 and pin 6 of connector X293 indicates that both pins belong connector X293.
5. The dashed line from fuse F1 to pin 8 of the connector X293 shows the positive supply of the relay K11. Detailed information regarding connectors and splices between fuse F1 and Pin 8 of X293, as well as other wires coming from fuse F1, are illustrated in 0670.3 Fuse Details at fuse F1.
6. The dashed line with arrow at connector X452 indicates that several wires lead to connector X452 to another circuit. All wires leading to the splice are illustrated in cell 6100.0 Central Body Electronics (ZKE). An solid line with an arrow indicates that only this one wire leads to another circuit.
7. The dashed line from pin 4 of connector X293 to ground X493 shows the ground supply for relay K11. Detailed information regarding connectors and splices between pin 4 and the ground point X493, as well as other wires leading to the ground point, are illustrated in 0670.4 Ground Distribution at ground X493.
8. The solid line from splice X452 with an A in the open arrow indicates that the wire continues on another page. The page reference is located underneath the arrow.
9. Termination of the 4 VI/SW from splice X452 with a wavy line indicates that the wire is continued on the opposite page.



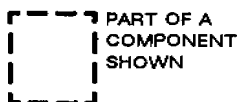
SYMBOLS



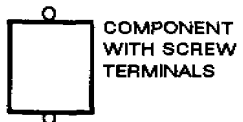
SYMBOLS



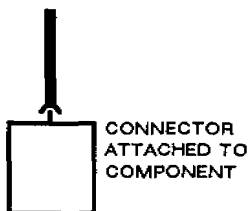
ENTIRE COMPONENT SHOWN



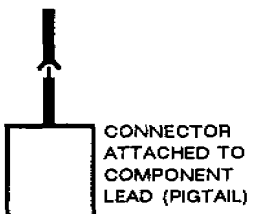
PART OF A COMPONENT SHOWN



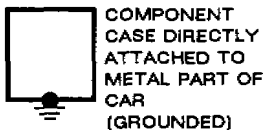
COMPONENT WITH SCREW TERMINALS



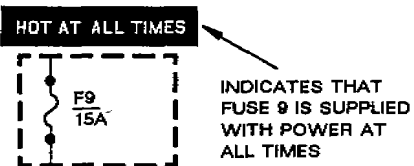
CONNECTOR ATTACHED TO COMPONENT



CONNECTOR ATTACHED TO COMPONENT LEAD (PIGTAIL)



COMPONENT CASE DIRECTLY ATTACHED TO METAL PART OF CAR (GROUNDED)



HOT AT ALL TIMES

INDICATES THAT FUSE 9 IS SUPPLIED WITH POWER AT ALL TIMES

TERMINAL NUMBER	DESCRIPTION
50	VOLTAGE: IGNITION SWITCH IN START
30	VOLTAGE: SUPPLIED AT ALL TIMES
15	VOLTAGE: IGNITION SWITCH IN RUN OR START
15I	VOLTAGE: IGNITION SWITCH IN RUN
R	VOLTAGE: IGNITION SWITCH IN ACCESSORY, RUN OR START
31	GROUND

WIRE INSULATION IS ONE COLOR

PIN NUMBER

.5 BR

4

.5 BR

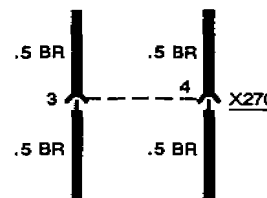
X270

CONNECTOR REFERENCE NUMBER FOR COMPONENT LOCATION CHART

A WAVY LINE MEANS WIRE IS CONTINUED

.75 GN/WS

1. FIRST COLOR IS THE WIRE INSULATION.
2. SECOND COLOR IS THE "TRACER" OR "STRIPE" COLOR.
3. THIRD COLOR IS THE COLOR OF THE DOTS.



TWO CONNECTIONS (PINS) IN THE SAME CONNECTOR

DASHED LINE INDICATES TERMINALS OF THE SAME CONNECTOR

WIRE SIZE IN MM²

.75 BR

WIRE ATTACHED TO METAL PART OF CAR (GROUNDED)

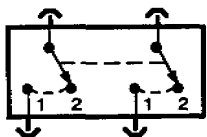
GROUND NUMBERED FOR REFERENCE ON COMPONENT LOCATION CHART

X165

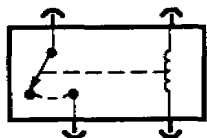
SYMBOLS



ONE POLE,
TWO POSITION
SWITCH

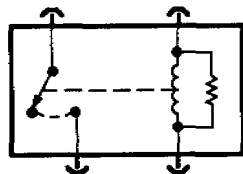


SWITCHES THAT MOVE
TOGETHER
DASHED LINE SHOWS
A MECHANICAL
CONNECTION BETWEEN
SWITCHES

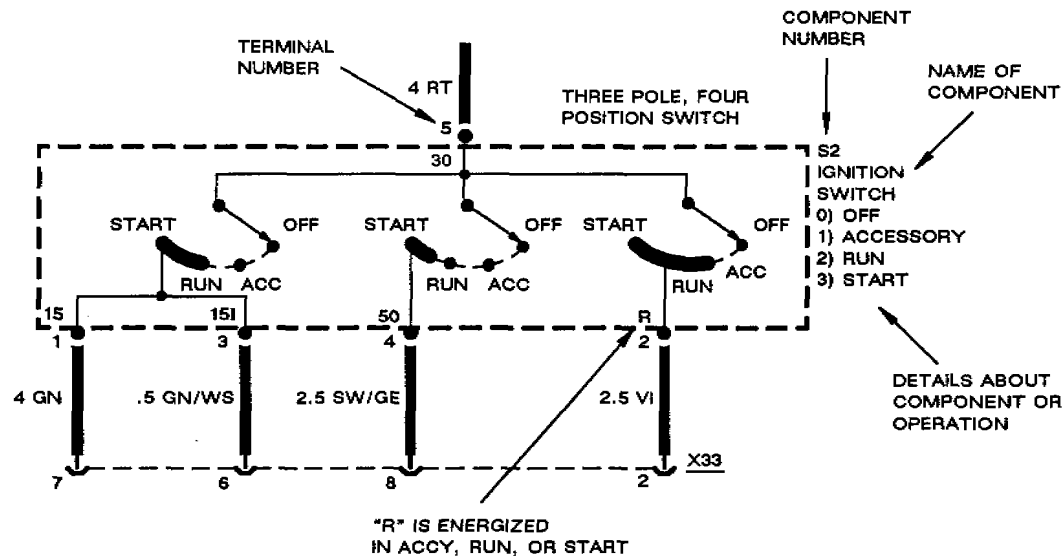


RELAY WITH NO
CURRENT FLOWING
THROUGH COIL

WHEN COIL IS
ENERGIZED, SWITCH
IS PULLED CLOSED



RELAY WITH
RESISTOR ACROSS
COIL

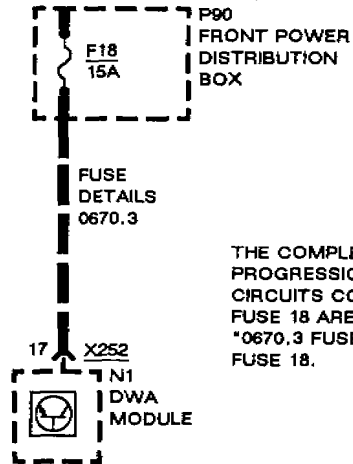


TERMINAL NUMBER	DESCRIPTION
50	VOLTAGE: IGNITION SWITCH IN START
30	VOLTAGE: SUPPLIED AT ALL TIMES
15	VOLTAGE: IGNITION SWITCH IN RUN OR START
15I	VOLTAGE: IGNITION SWITCH IN RUN
R	VOLTAGE: IGNITION SWITCH IN ACCESSORY, RUN, OR START
31	GROUND

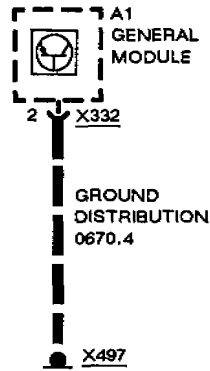


SYMBOLS

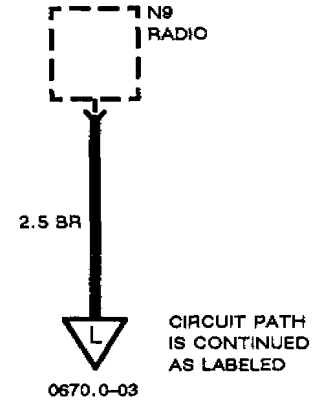
HOT IN ACCY RUN OR START



THE COMPLETE WIRE
PROGRESSION AND FURTHER
CIRCUITS CONNECTED TO
FUSE 18 ARE SHOWN IN CELL
"0670.3 FUSE DETAILS" AT
FUSE 18.

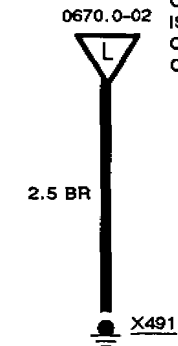


THE COMPLETE WIRE
PROGRESSION AND FURTHER
CIRCUITS CONNECTED AT
GROUND X497 ARE SHOWN IN
CELL "0670.4 GROUND
DISTRIBUTION" AT GROUND
X497.

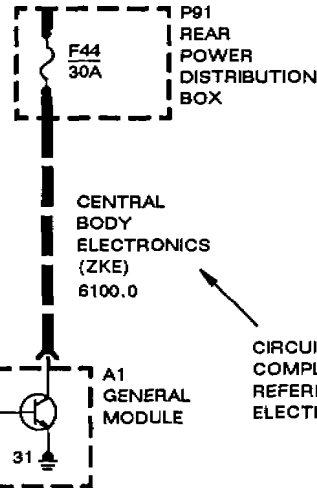


CIRCUIT PATH
IS CONTINUED
AS LABELED

ARROW SHOWS
DIRECTION OF
CURRENT FLOW AND
IS REPEATED WHERE
CURRENT PATH
CONTINUES

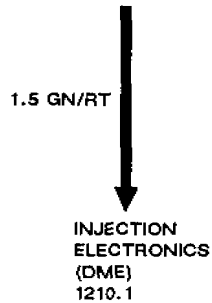


HOT IN ACCY RUN OR START



CIRCUIT SHOWN IS INCOMPLETE
COMPLETE CIRCUIT CAN BE
REFERENCED IN CENTRAL BODY
ELECTRONICS (ZKE)

CIRCUIT REFERENCE-
A WIRE WHICH CONNECTS
TO ANOTHER CIRCUIT



SYMBOL INDICATES
A SOLID STATE
DEVICE (INCLUDES
ONLY ELECTRONIC PARTS)

BMW
8

0140.0-04

BMW
8



09/90

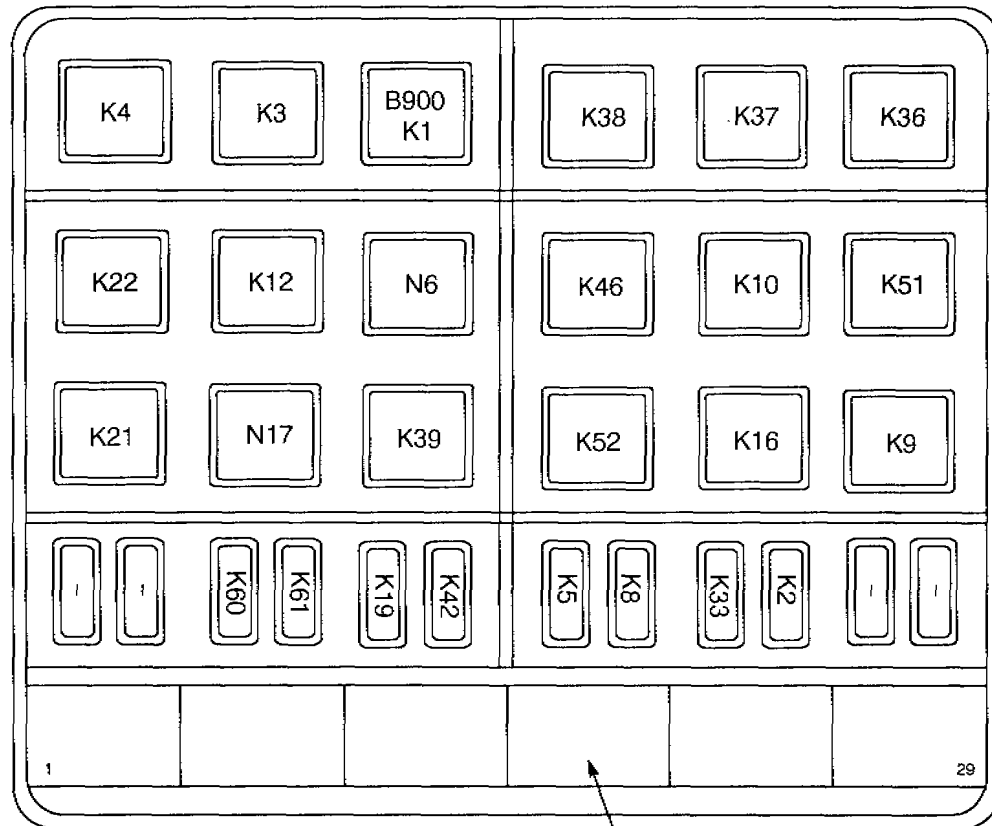
0670.0

1991



POWER DISTRIBUTION CHART

FRONT POWER DISTRIBUTION BOX



FUSES



POWER DISTRIBUTION CHART

FRONT POWER DISTRIBUTION BOX

COMPONENTS IN FRONT POWER DISTRIBUTION BOX

NUMBER	CONNECTOR	DESCRIPTION
B900	X55	JUMPER PLUG
K1	X55	STARTER RELAY
K2	X10039	HORN RELAY
K3	X57	UNLOADER RELAY TERMINAL R
K4	X58	BLOWER RELAY
K5	X10040	WASHER PUMP RELAY
K8	X10040	AUXILIARY WATER PUMP RELAY
K9	X63	UNLOADER RELAY, KL15
K10	X54	ABS OVERVOLTAGE PROTECTION RELAY, WITHOUT ASC + T
K12	X291	WIPER PRESSURE CONTROL RELAY (ADV)
K16	X64	HAZARD FLASHER RELAY
K19	X10041	AIR CONDITIONING MOTRONIC RELAY
K21	X52	NORMAL SPEED RELAY

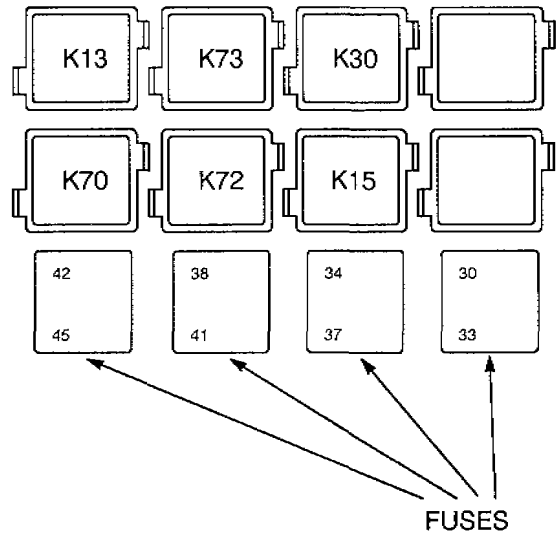
COMPONENTS IN FRONT POWER DISTRIBUTION BOX

NUMBER	CONNECTOR	DESCRIPTION
K22	X53	HIGH SPEED RELAY
K33	X10039	AIR CONDITIONING RELAY
K36	X10044	WIPER RELAY I
K37	X10045	WIPER RELAY II
K38	X10047	WIPER RELAY III
K39	X280	CONCEALING HEADLIGHTS RELAY
K42	X10041	INTENSIVE WASH RELAY
K46	X43	HIGH BEAM LIGHT RELAY
K51	X941	RELAY FOR HORN TELEPHONE US
K52	X281	HEADLIGHT FLASHER RELAY
K60	X10042	COMPRESSOR CUT-OFF RELAY
K61	X10042	KL61 UNLOADER RELAY
N6	X61	HEADLIGHT/FRONT FOG LIGHT MODULE
N17	X65	CRASH CONTROL UNIT



POWER DISTRIBUTION CHART

P94 REAR POWER DISTRIBUTION BOX





POWER DISTRIBUTION CHART

P94 REAR POWER DISTRIBUTION BOX

COMPONENTS IN FRONT POWER DISTRIBUTION BOX

NUMBER	CONNECTOR	DESCRIPTION
K13	X292	REAR DEFOGGER RELAY
K15	X294	ELECTRIC POWER PROTECTION RELAY
K30	X287	ELECTRIC POWER PROTECTION RELAY II
K70	X1376	CENTRAL LOCKING TRUNK LID MOTOR RELAY
K72	X13001	CONSUMER CUT-OFF RELAY I
K73	X13015	CONSUMER CUT-OFF RELAY II



FUSE CHART

FUSES 1 TO 29

		FUSE NUMBER																												
		1	2	3	4	5	6	7	8	9	10	11	12	13	14	15	16	17	18	19	20	21	22	23	24	25	26	27	28	29
		7.5A	7.5A	7.5A	7.5A	10A	15A	30A	7.5A	20A	7.5A	7.5A	15A	7.5A	7.5A	10A	20A	7.5A	7.5A	30A	30A	7.5A	30A	15A	15A	30A	15A	30A	15A	7.5A
1210.6	INJECTION ELECTRONICS (DME M1.7, 12 CYLINDER)												●												●	●				●
1230.0	CHARGING SYSTEM																													
1240.0	START												●																	
1270.1	ELECTRONIC THROTTLE CONTROL (EML, 12 CYLINDER)	●							●			●																		
1290.0	E-BOX FAN																													
2460.0	ELECTRONIC TRANSMISSION CONTROL (EGS)								●			●																		
3231.0	ELECTRIC STEERING COLUMN ADJUSTMENT																													
3231.1	MEMORY STEERING COLUMN ADJUSTMENT (LSM)																●		●											
3234.0	SUPPLEMENTAL RESTRAINT SYSTEM (AIR BAG)																													
3240.0	POWER ASSIST STEERING (SERVOTRONIC)																													●
3450.1	ANTILOCK BRAKE SYSTEM WITH AUTOMATIC STABILITY CONTROL (ABS/ASC)								●										●											●
3450.2	AUTOMATIC STABILITY CONTROL PLUS TRACTION (ASC + T)								●										●											
3623.0	TIRE PRESSURE CONTROL (RDC)																													●
3715.1	ELECTRONIC DAMPER CONTROL III (EDC III)																													●
5116.0	POWER MIRRORS												●						●											
5120.0	ZKE DOOR LOCK HEATING (TSH)																													
5126.0	ZKE CENTRAL LOCKING (ZV)																													
5133.0	ZKE POWER WINDOWS (FH)																													●
5146.0	POWER SUN SHADES																													



FUSE CHART

FUSES 1 TO 29

		FUSE NUMBER																													
		1	2	3	4	5	6	7	8	9	10	11	12	13	14	15	16	17	18	19	20	21	22	23	24	25	26	27	28	29	
		7.5A	7.5A	7.5A	7.5A	10A	15A	30A	7.5A	20A	7.5A	7.5A	15A	7.5A	7.5A	10A	20A	7.5A	7.5A	30A	30A	7.5A	30A	15A	15A	30A	15A	30A	15A	7.5A	
5200.0	POWER SEATS																														
5200.1	MEMORY SEATS/ MIRRORS (SM/SPM)												●				●	●	●												
5203.0	HEATED SEATS																●														
5410.0	ZKE SUNROOF (SHD)															●														●	
6100.0	CENTRAL BODY ELECTRONICS (ZKE)															●														●	
6133.0	HORN									●																					
6160.0	ZKE WIPER CONTROL (SWS)	●														●							●							●	
6164.0	ZKE WINDSHIELD WIPER PRESSURE CONTROL (ADV)									●						●														●	
6167.0	ZKE HEADLIGHT WASHER (SRA)		●													●													●	●	
6169.0	WINDSHIELD WASHER JET HEATERS												●																		
6210.0	ELECTRONIC BODY MODULE (EKM)												●						●	●											
6211.0	INSTRUMENT CLUSTER	●											●						●	●											
6300.0	LIGHT SWITCH DETAILS		●	●	●	●																									
6301.0	LAMP MONITOR (LKM)		●	●	●	●		●	●	●	●	●										●									
6312.0	HEADLIGHTS/ FOG LIGHTS		●	●		●		●		●	●	●		●	●							●						●			
6313.0	TURN/ HAZARD LIGHTS			●			●																								
6314.0	PARK/ TAIL/ UNDERHOOD LIGHTS			●	●	●																									
6320.0	LICENSE PLATE/ LUGGAGE COMPARTMENT LIGHTS			●		●																									
6322.0	BACK UP LIGHTS																														●



FUSE CHART

FUSES 1 TO 29

		FUSE NUMBER																												
		1	2	3	4	5	6	7	8	9	10	11	12	13	14	15	16	17	18	19	20	21	22	23	24	25	26	27	28	29
		7.5A	7.5A	7.5A	7.5A	10A	15A	30A	7.5A	20A	7.5A	7.5A	15A	7.5A	7.5A	10A	20A	7.5A	7.5A	30A	30A	7.5A	30A	15A	15A	30A	15A	30A	15A	7.5A
6325.0	BRAKE LIGHTS			●					●																					
6330.0	ZKE INTERIOR LIGHTS (IB)															●														
6332.0	GLOVE COMPARTMENT LIGHT/ CIGAR LIGHTER/ CHARGING SOCKET					●																								
6350.0	CRASH CONTROL UNIT						●																							
6424.0	REAR WINDOW DEFOGGER/ ANTENNA																													
6450.0	AUTOMATIC CLIMATE CONTROL (IHKA)	●																			●		●							●
6454.0	AUXILIARY FAN																										●			●
6510.0	RADIO/ CD PLAYER (PROVISIONS)																				●									
6561.0	CELLULAR TELEPHONE (PROVISIONS)									●											●									
6575.1	ANTITHEFT SYSTEM III (DWA III)																			●	●									
6581.0	MULTI- INFORMATION DISPLAY (MID)																			●	●									
6610.0	INFRARED LOCKING (IRS)																			●	●									



FUSE CHART

FUSES 30 TO 53

		FUSE NUMBER																
		30	31	32	33	34	36	37	38	39	40	41	42	43	45	50	51	53
		15A	7.5A	20A	7.5A	30A	15A	30A	30A	30A	15A	30A	30A	10A	30A	10A	25A	15A
1210.6	INJECTION ELECTRONICS (DME M1.7, 12 CYLINDER)																	
1230.0	CHARGING SYSTEM																	
1240.0	START																	
1270.1	ELECTRONIC THROTTLE CONTROL (EML, 12 CYLINDER)																	
1290.0	E-BOX FAN																	
2460.0	ELECTRONIC TRANSMISSION CONTROL (EGS)																	
3231.0	ELECTRIC STEERING COLUMN ADJUSTMENT									●								
3231.1	MEMORY STEERING COLUMN ADJUSTMENT (LSM)									●								
3234.0	SUPPLEMENTAL RESTRAINT SYSTEM (AIR BAG)																	
3240.0	POWER ASSIST STEERING (SERVOTRONIC)																	
3450.1	ANTILOCK BRAKE SYSTEM WITH AUTOMATIC STABILITY CONTROL (ABS/ASC)																	
3450.2	AUTOMATIC STABILITY CONTROL PLUS TRACTION (ASC + T)																	
3623.0	TIRE PRESSURE CONTROL (RDC)																	
3715.1	ELECTRONIC DAMPER CONTROL III (EDC III)			●	●													
5116.0	POWER MIRRORS																	
5120.0	ZKE DOOR LOCK HEATING (TSH)												●					
5126.0	ZKE CENTRAL LOCKING (ZV)		●		●	●						●	●					
5133.0	ZKE POWER WINDOWS (FH)		●		●	●						●	●					
5146.0	POWER SUN SHADES			●														



FUSE CHART

FUSES 30 TO 53

	FUSE NUMBER																			
	30	31	32	33	34	36	37	38	39	40	41	42	43	45	50	51	53			
	15A	7.5A	20A	7.5A	30A	15A	30A	30A	30A	15A	30A	30A	10A	30A	10A	25A	15A			
5200.0 POWER SEATS							●	●												
5200.1 MEMORY SEATS/ MIRRORS (SM/SPM)							●													
5203.0 HEATED SEATS																				
5410.0 ZKE SUNROOF (SHD)		●		●	●							●	●							
6100.0 CENTRAL BODY ELECTRONICS (ZKE II)		●		●	●							●	●							
6133.0 HORN																				
6160.0 ZKE WIPER/WASHER CONTROL		●		●	●							●	●							
6164.0 ZKE WINDSHIELD WIPER PRESSURE CONTROL (ADV)																				
6167.0 ZKE HEADLIGHT WASHER (SRA)																				
6169.0 WINDSHIELD WASHER JET HEATERS																				
6210.0 ELECTRONIC BODY MODULE (EKM)		●		●																
6211.0 INSTRUMENT CLUSTER		●																		
6300.0 LIGHT SWITCH DETAILS																				
6301.0 LAMP MONITOR (LKM)																				
6312.0 HEADLIGHTS/ FOG LIGHTS																				
6313.0 TURN/ HAZARD LIGHTS																				
6314.0 PARK/ TAIL/ UNDERHOOD LIGHTS																				
6320.0 LICENSE PLATE/ LUGGAGE COMPARTMENT LIGHTS				●																
6322.0 BACK UP LIGHTS																				



FUSE CHART

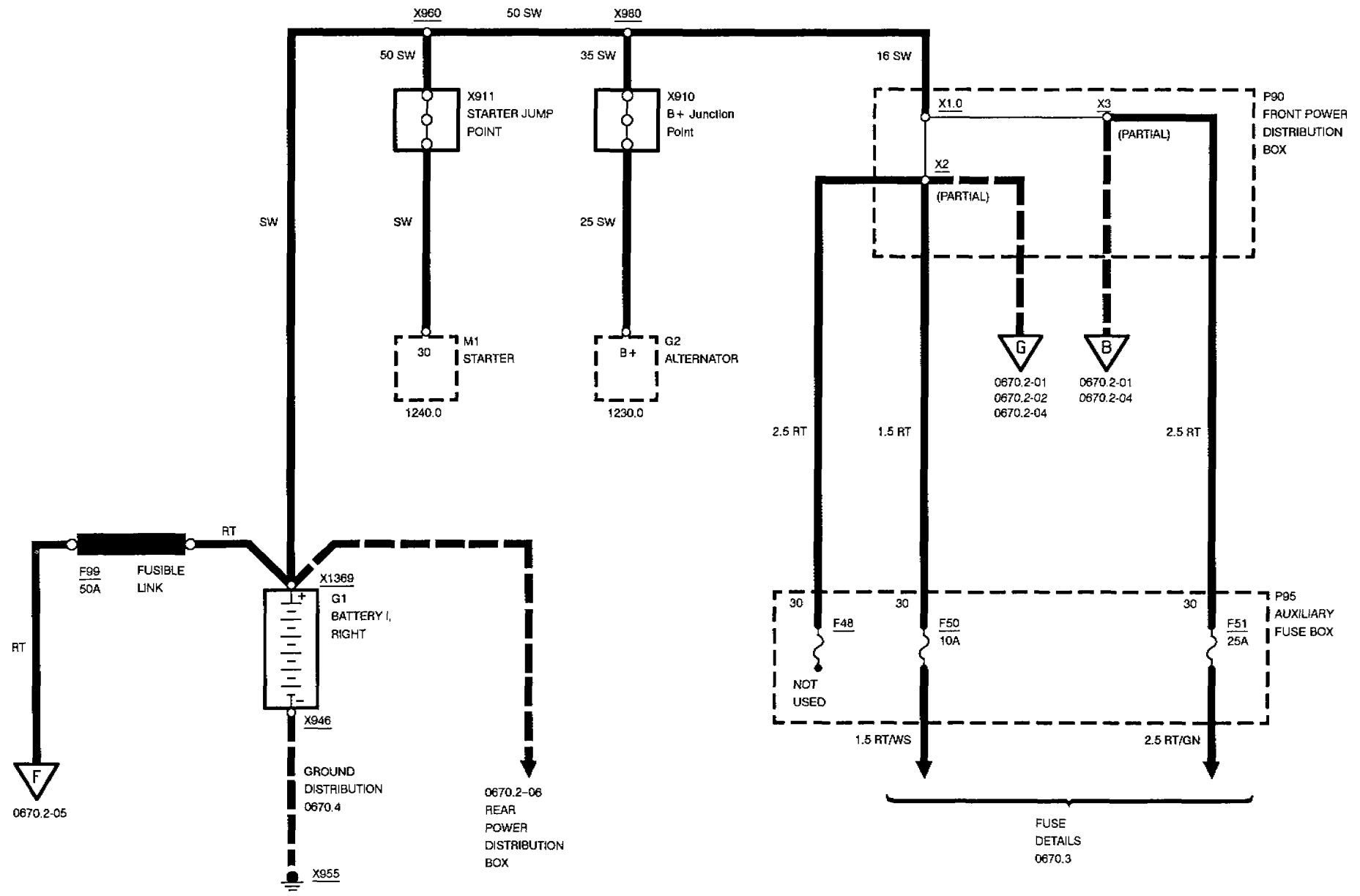
FUSES 30 TO 53

		FUSE NUMBER																			
		30	31	32	33	34	36	37	38	39	40	41	42	43	45	50	51	53			
		15A	7.5A	20A	7.5A	30A	15A	30A	30A	30A	15A	30A	30A	10A	30A	10A	25A	15A			
6325.0	BRAKE LIGHTS																				
6330.0	ZKE INTERIOR LIGHTS (IB)				●								●								
6332.0	GLOVE COMPARTMENT LIGHT/ CIGAR LIGHTER/ CHARGING SOCKET				●				●												
6350.0	CRASH CONTROL UNIT																				
6424.0	REAR WINDOW DEFOGGER/ ANTENNA											●									
6450.0	AUTOMATIC CLIMATE CONTROL (IHKA)								●												
6454.0	AUXILIARY FAN																				
6510.0	RADIO/ CD PLAYER (PROVISIONS)								●												
6561.0	CELLULAR TELEPHONE (PROVISIONS)	●																			
6575.1	ANTITHEFT SYSTEM III (DWA III)		●																		
6581.0	MULTI- INFORMATION DISPLAY (MID)		●																		
6610.0	INFRARED LOCKING (IRS)		●																		



POWER DISTRIBUTION

FRONT POWER DISTRIBUTION BOX

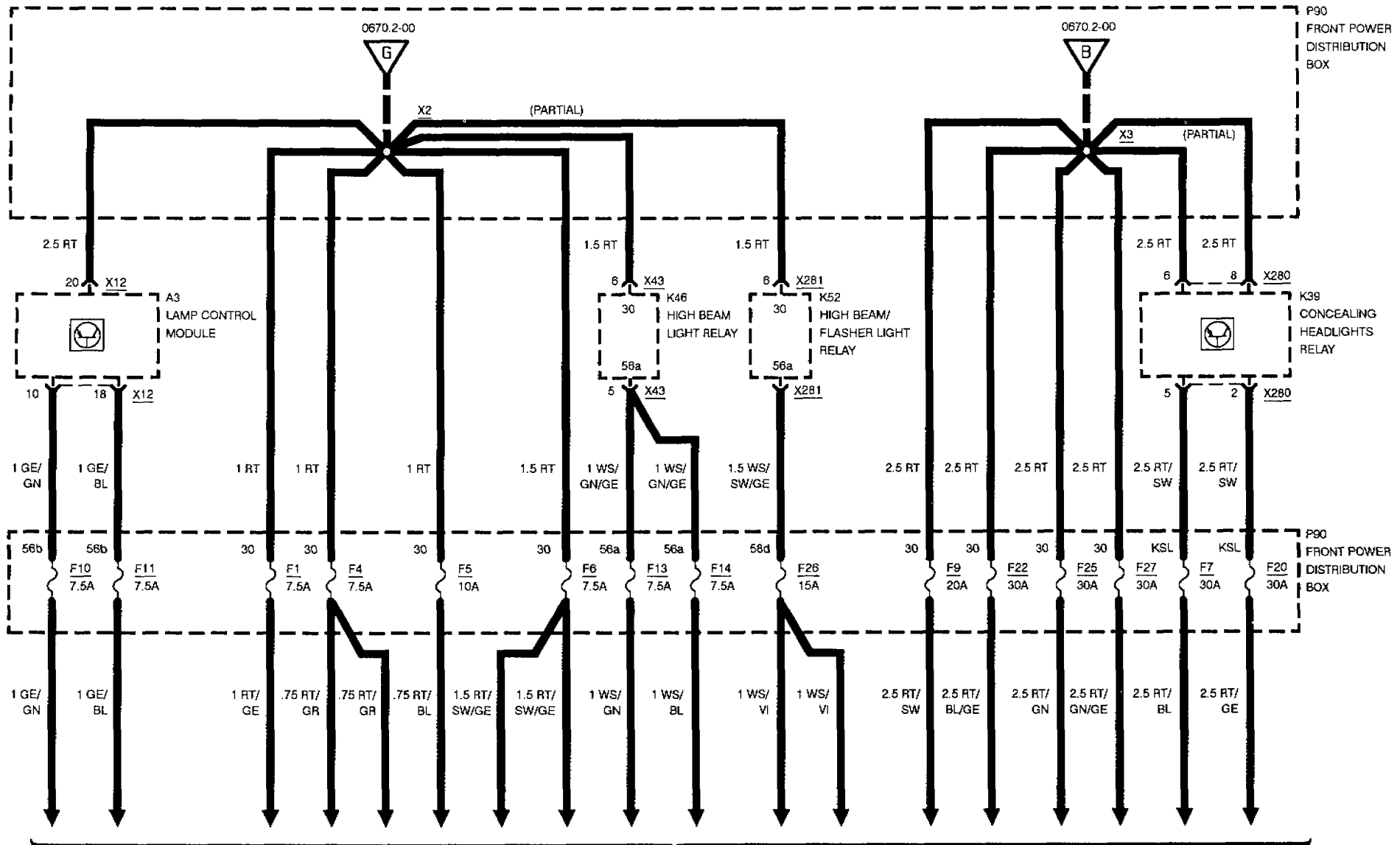


09/90
0670.2-00
1991



POWER DISTRIBUTION

FRONT POWER DISTRIBUTION BOX

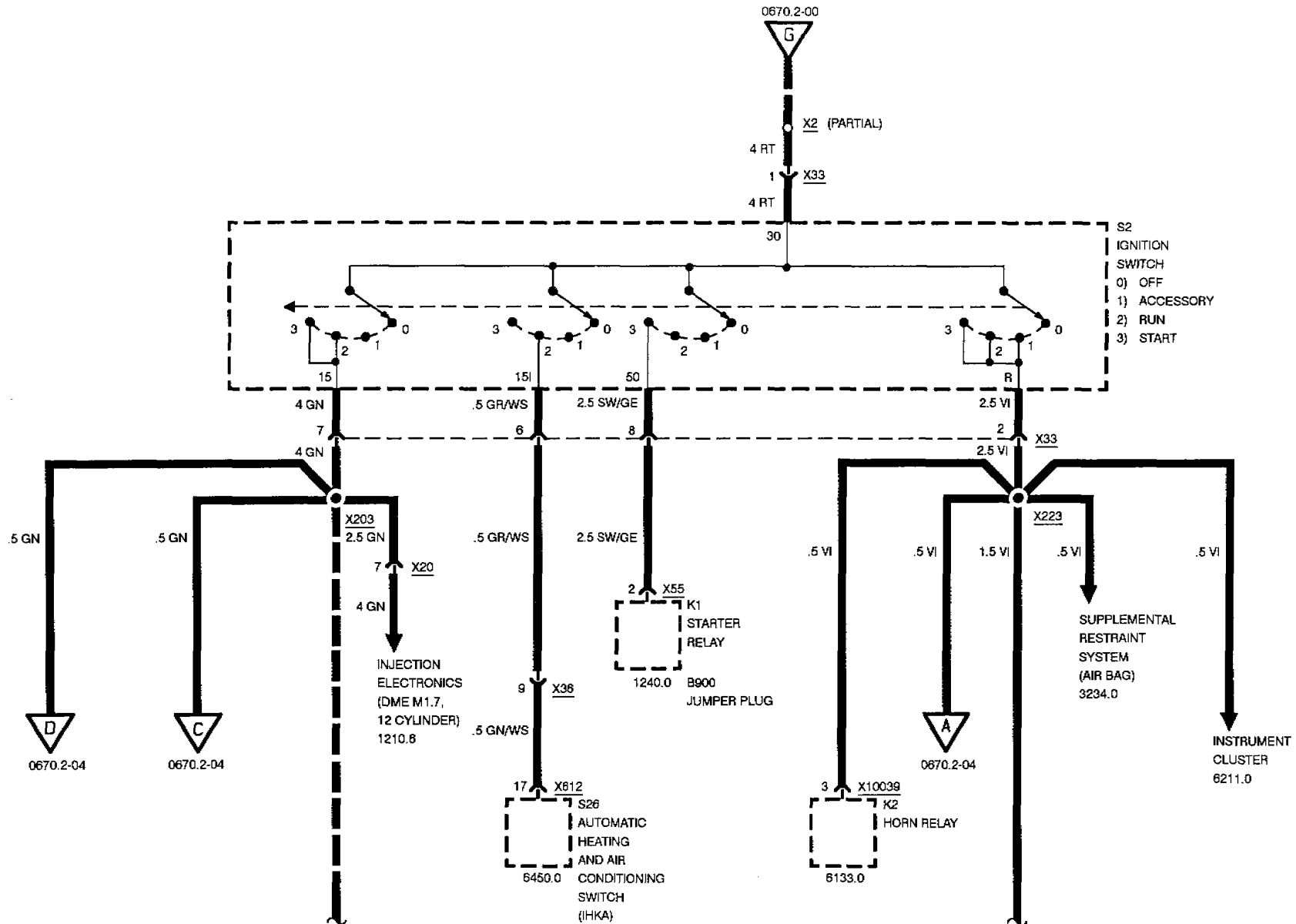


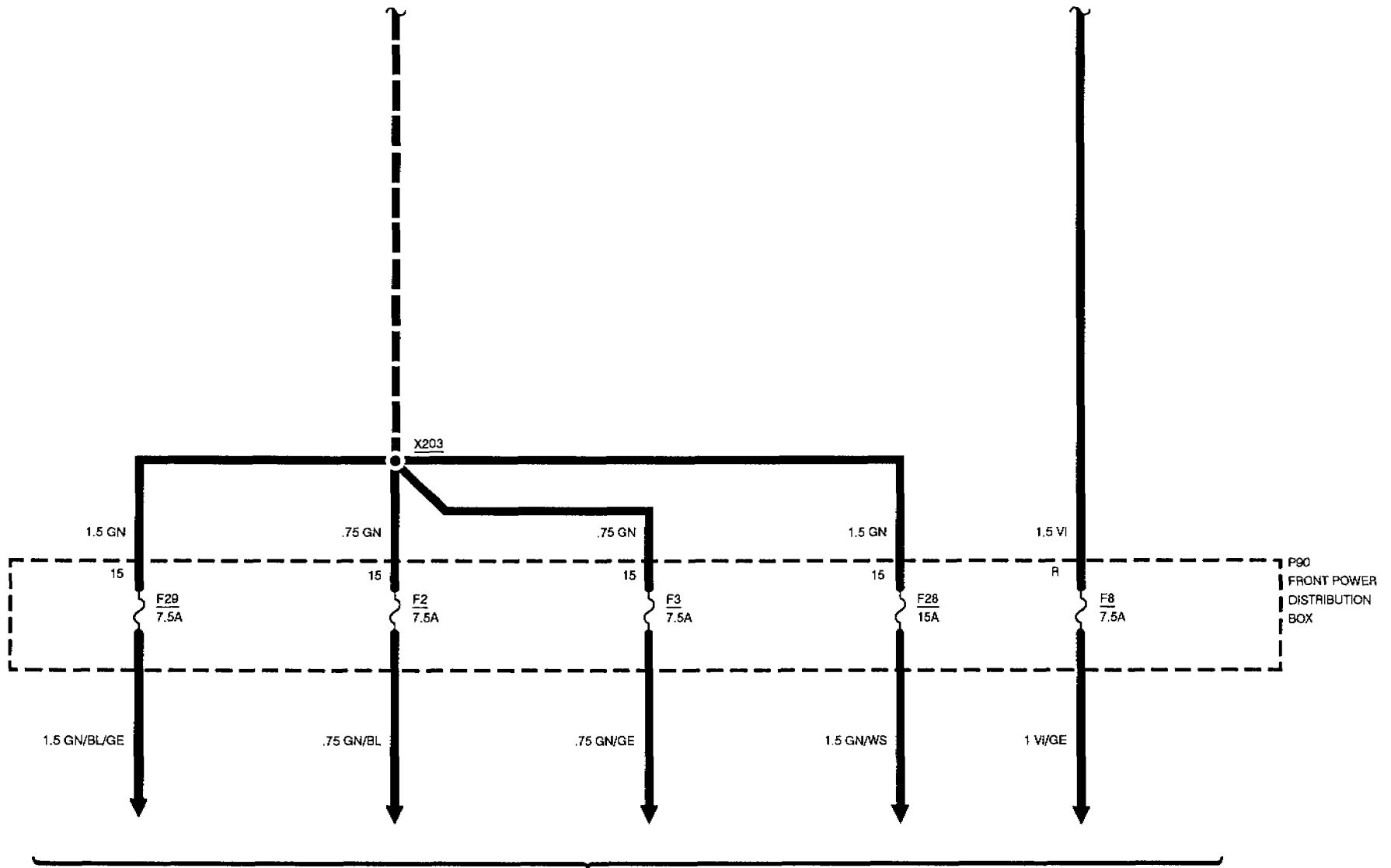
FUSE
DETAILS
0670.3



POWER DISTRIBUTION

FRONT POWER DISTRIBUTION BOX



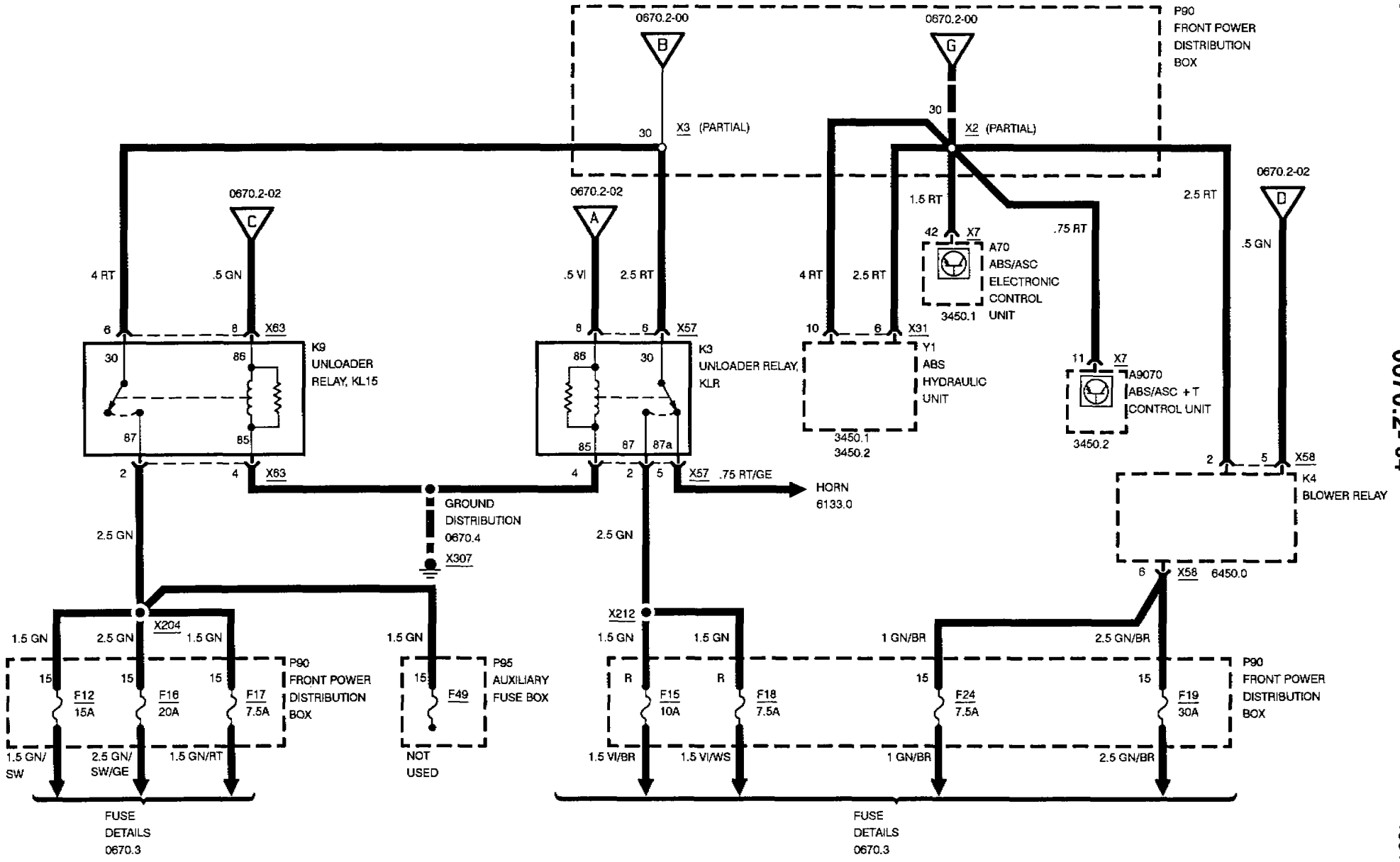


FUSE
DETAILS
0670.3



POWER DISTRIBUTION

FRONT POWER DISTRIBUTION BOX



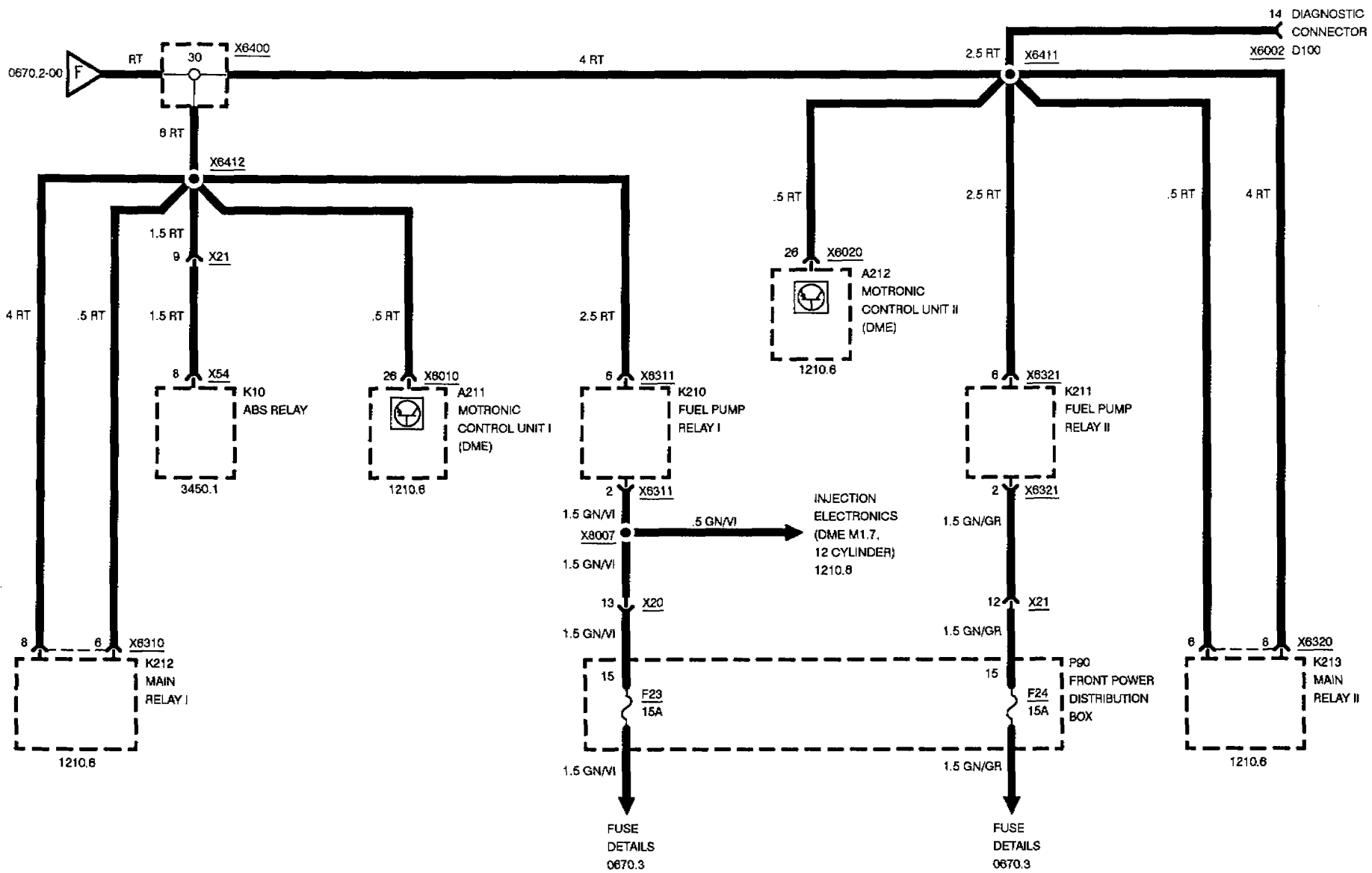
09/90

0670.2-04

1991



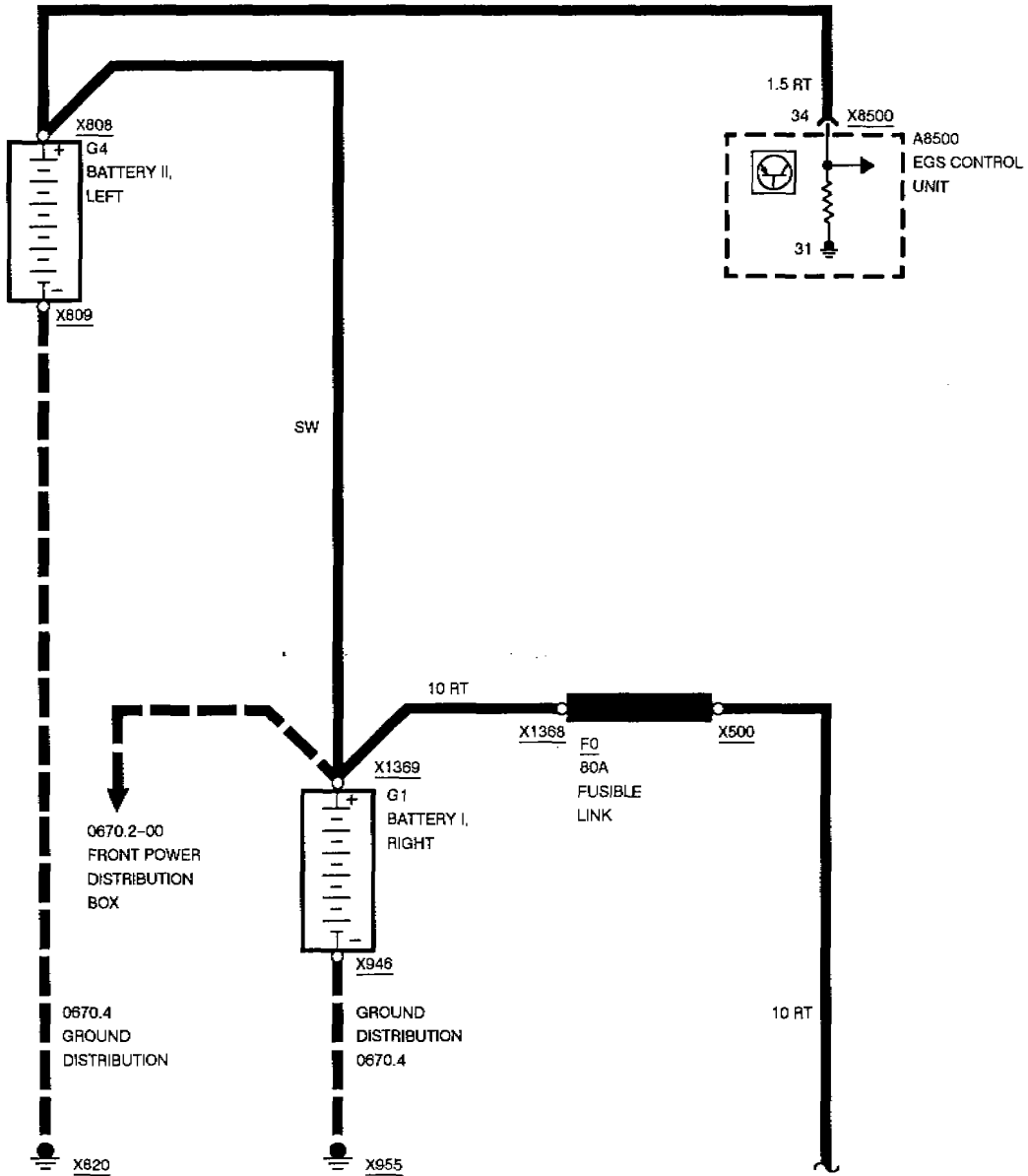
POWER DISTRIBUTION

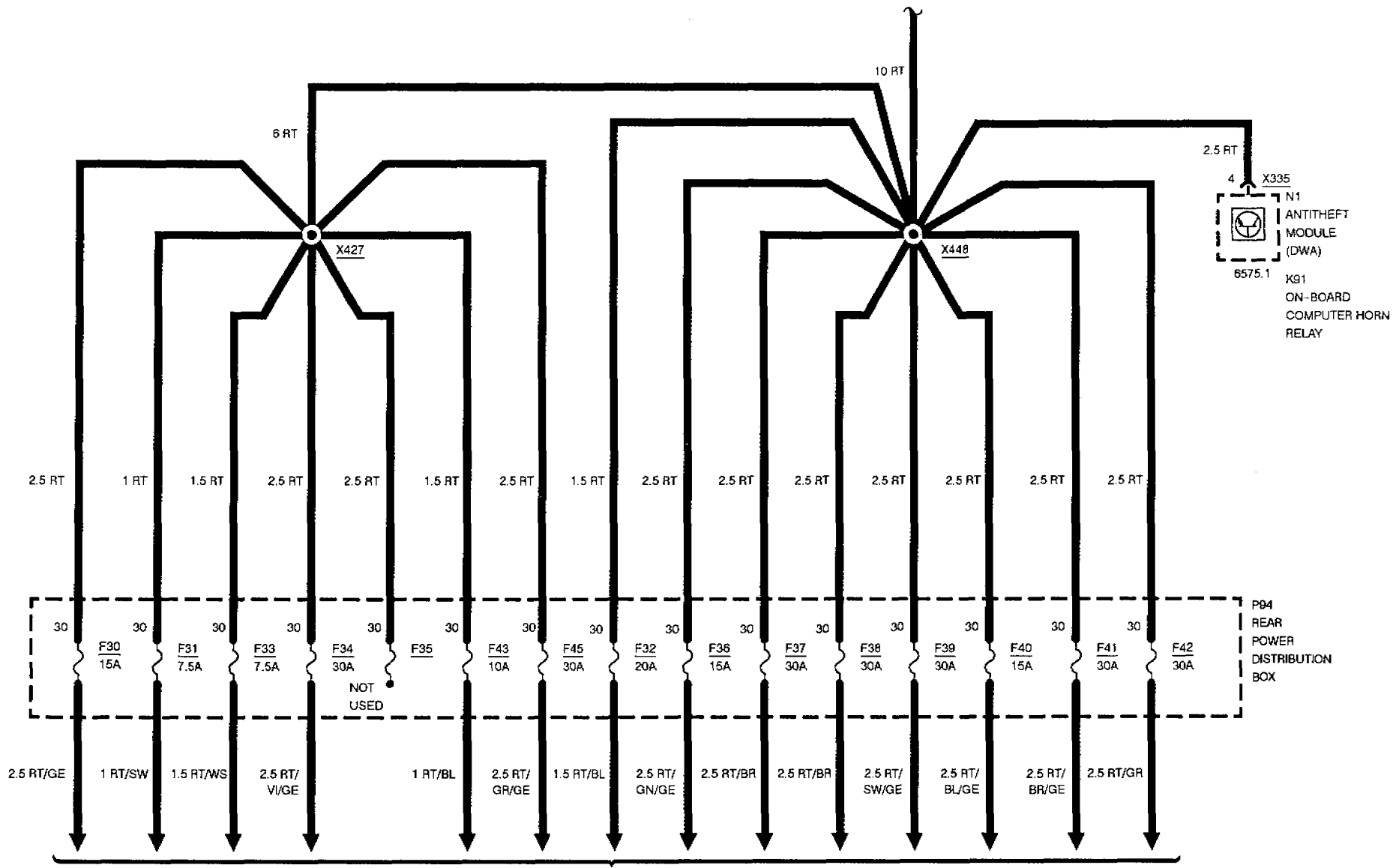




POWER DISTRIBUTION

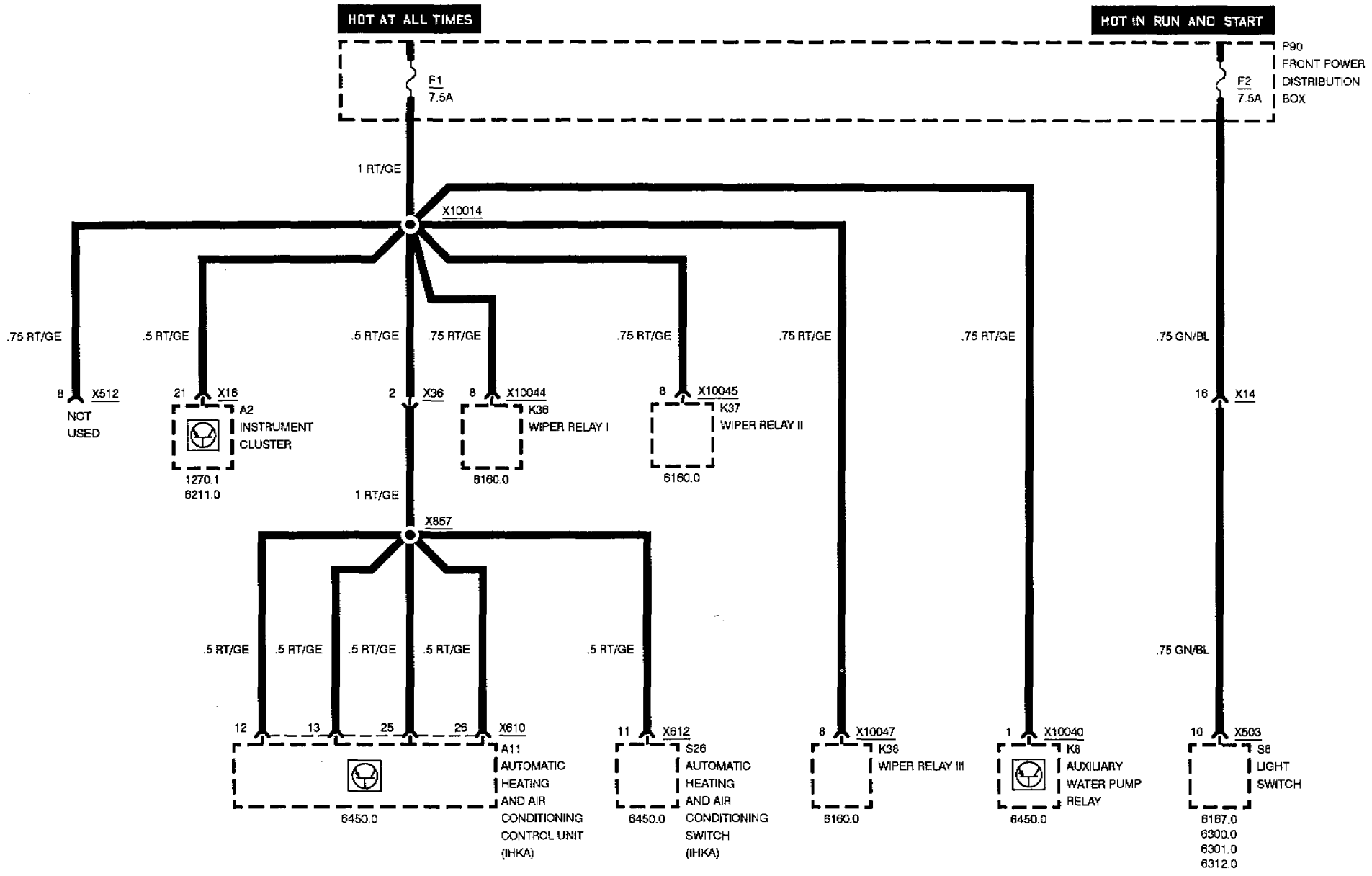
REAR POWER DISTRIBUTION BOX





FUSE
DETAILS
0670.3

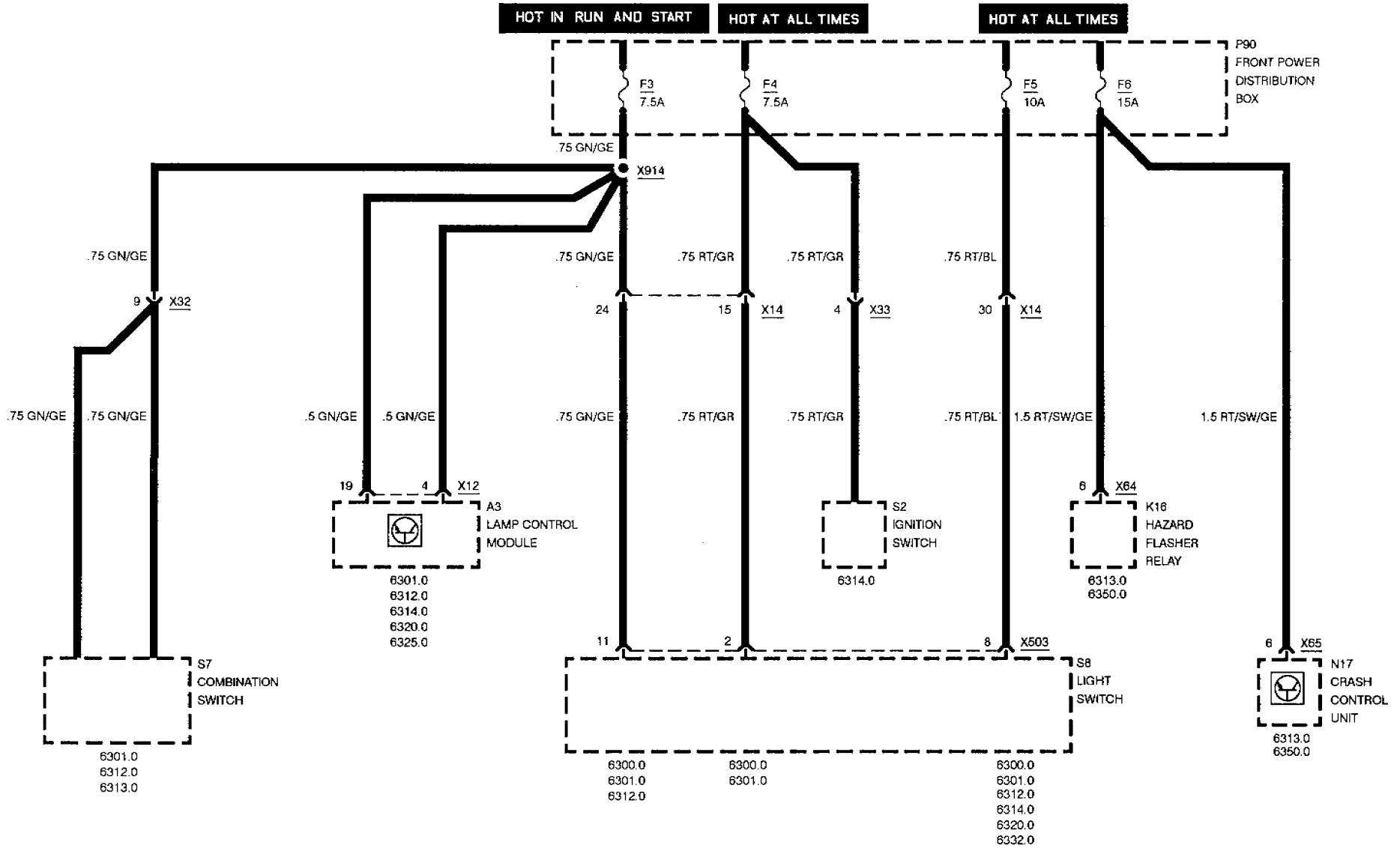
BMW
8 **FUSE DETAILS**
FUSES 1 AND 2





FUSE DETAILS

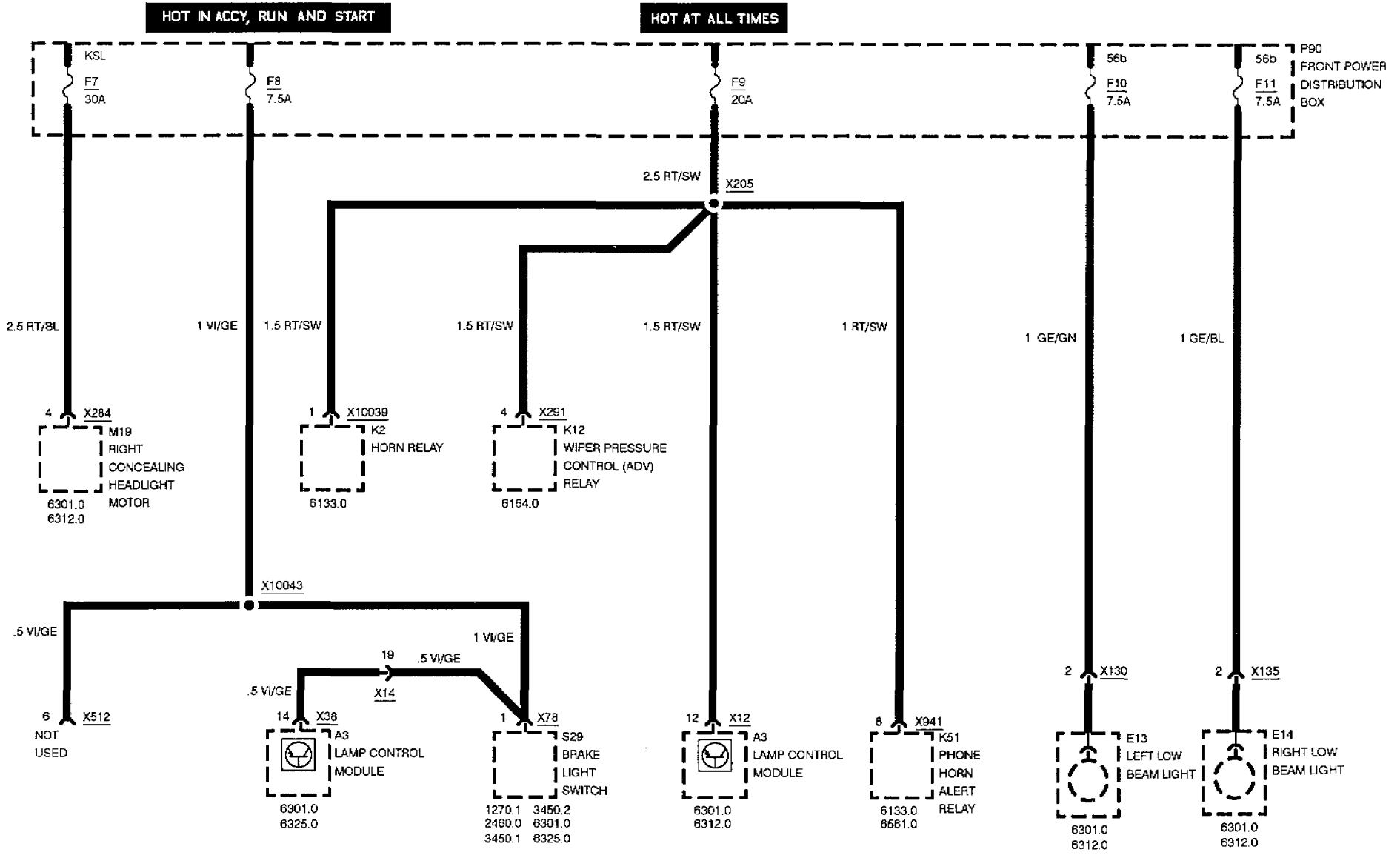
FUSES 3, 4, 5 AND 6



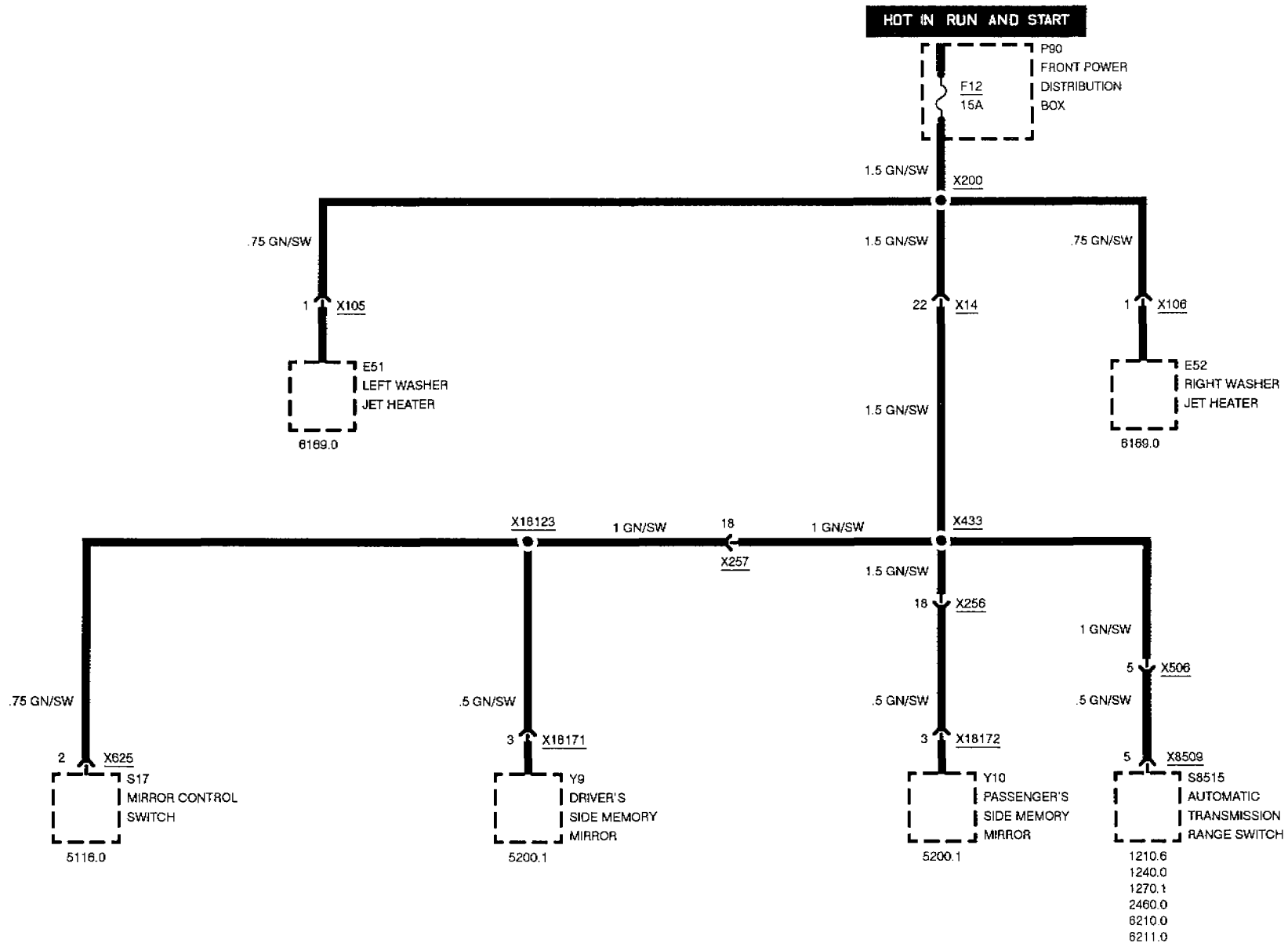


FUSE DETAILS

FUSES 7, 8, 9, 10, AND 11



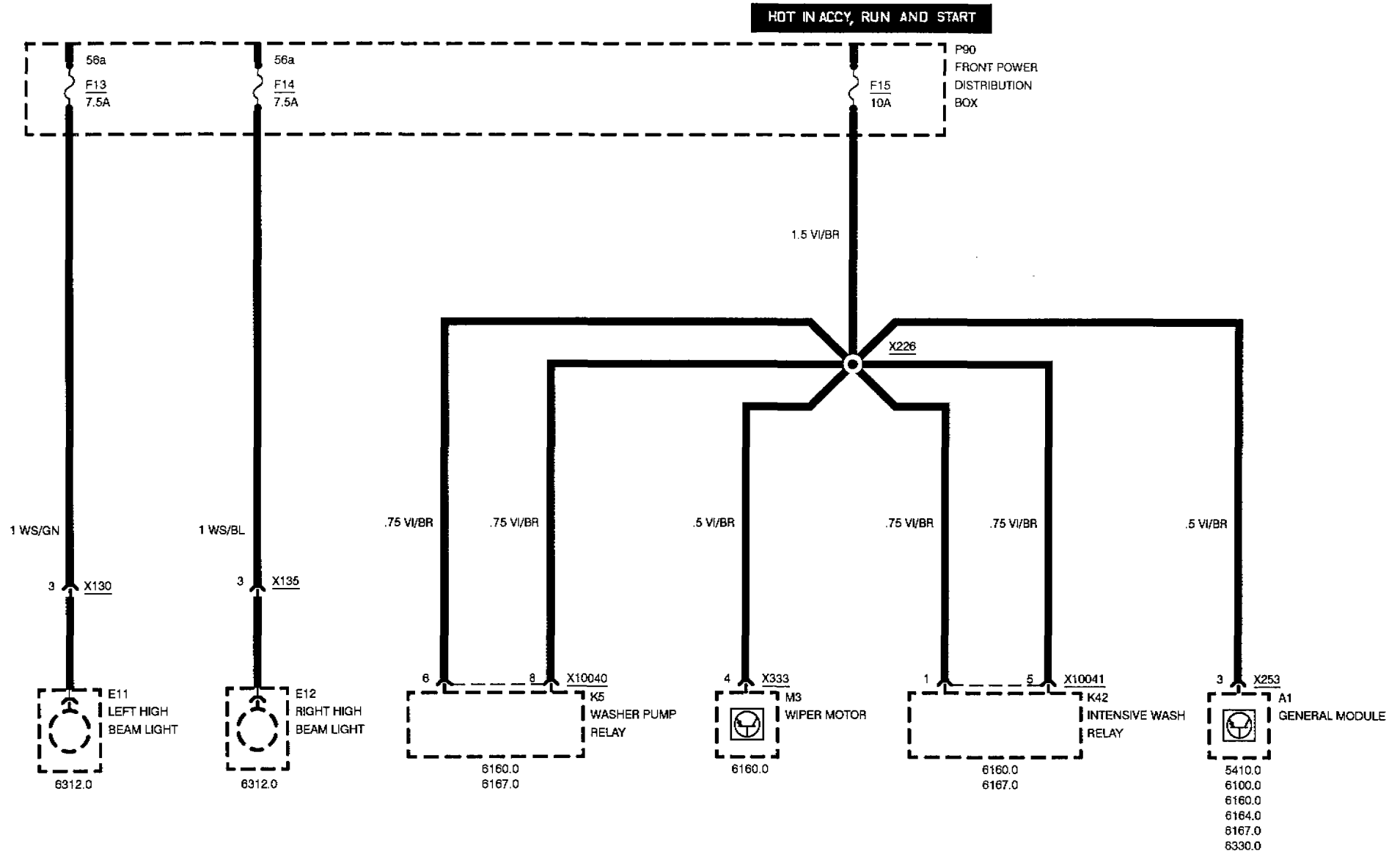
BMW
8 **FUSE DETAILS**
FUSE 12





FUSE DETAILS

FUSES 13, 14, AND 15

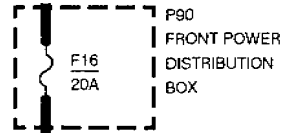




FUSE DETAILS

FUSE 16

HOT IN RUN AND START



2.5 GN/SW/GE

27 X13

2.5 GN/SW/GE

X470

1.5 GN/SW/GE

10 X275

1.5 GN/SW/GE

10 X279

WITH MEMORY SEATS

WITHOUT MEMORY SEATS

1.5 GN/SW

1.5 GN/SW

1.5 GN/SW

X18178

X18175

X18175

.5 GN/SW

.5 GN/SW

.5 GN/SW

.5 GN/SW

9 X394

.5 GN/SW

.5 GN/SW

.5 GN/SW

.5 GN/SW

.5 GN/SW

.5 GN/SW

1

2

3

X658

1

9

X18131

1

2

3

X651

1

2

3

X651

S54 PASSENGER'S SEAT HEATER SWITCH

A21 MEMORY SEAT/ MIRRORS CONTROL UNIT

A34 MEMORY STEERING COLUMN CONTROL UNIT

S63 DRIVER'S SEAT HEATER SWITCH

S53 DRIVER'S SEAT HEATER SWITCH

5203.0

5200.1

3231.1

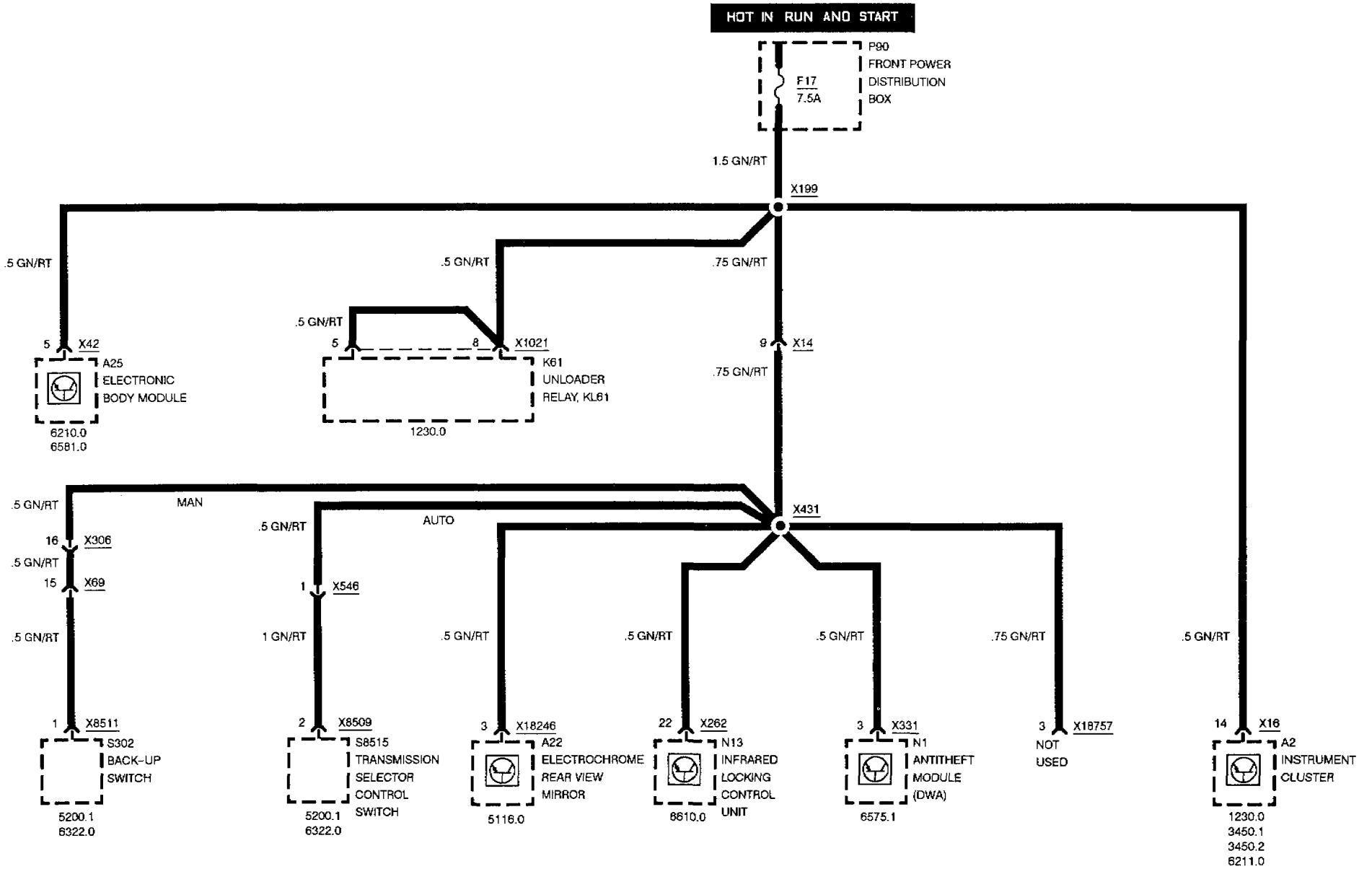
5203.0

5203.0



FUSE DETAILS

FUSE 17

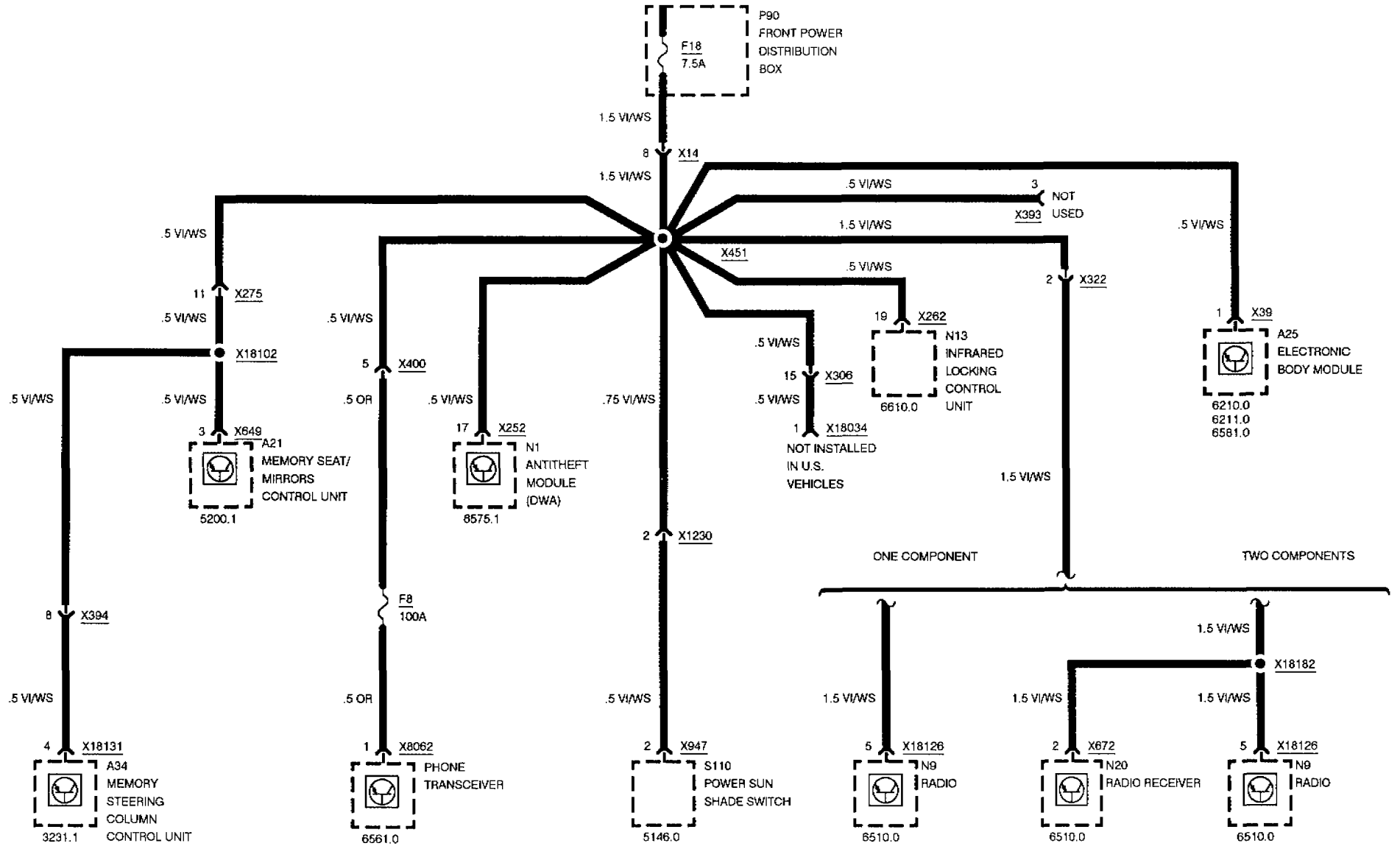




FUSE DETAILS

FUSE 18

HOT IN ACCY, RUN AND START



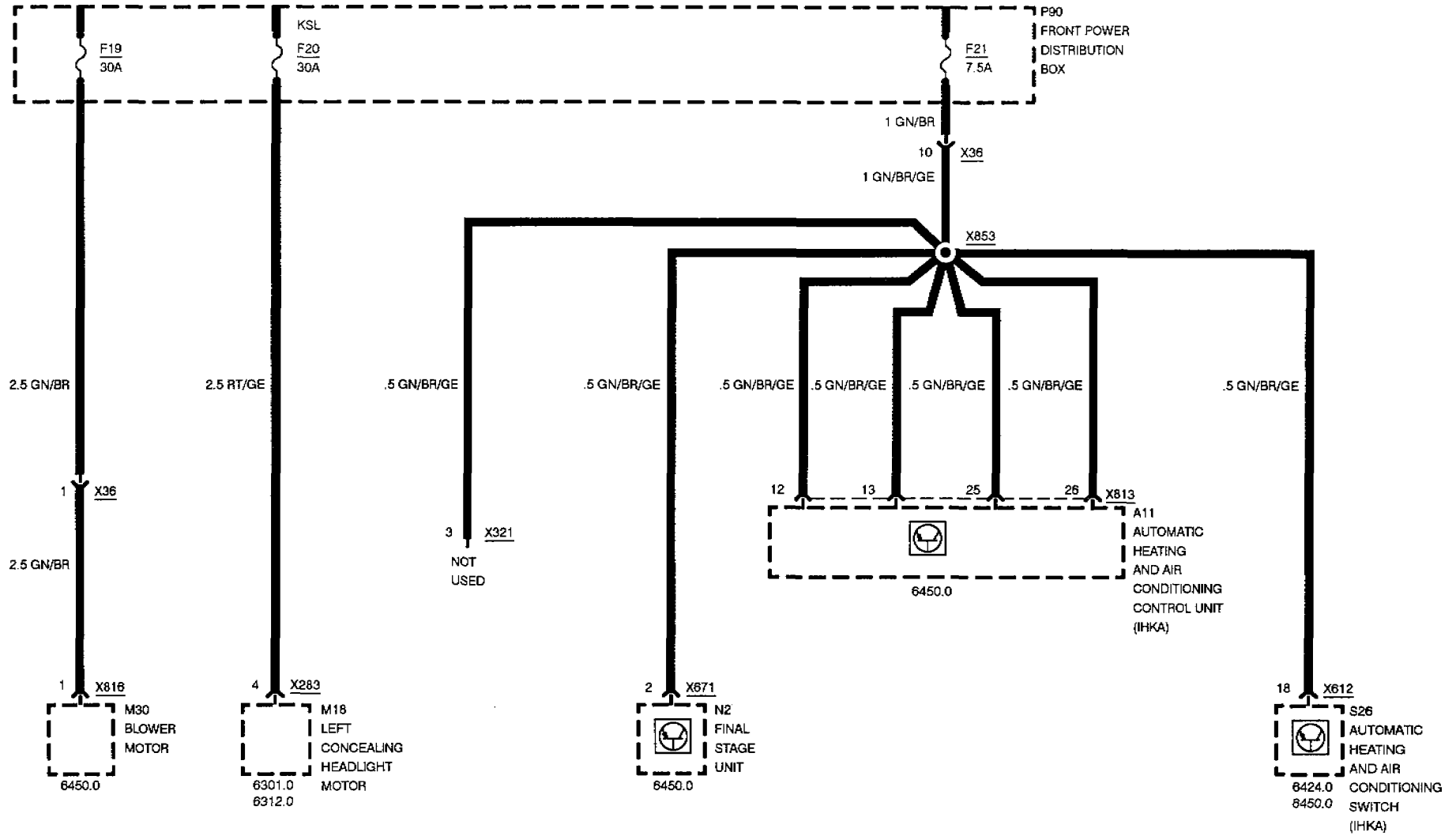


FUSE DETAILS

FUSES 19, 20, AND 21

HOT IN RUN AND START

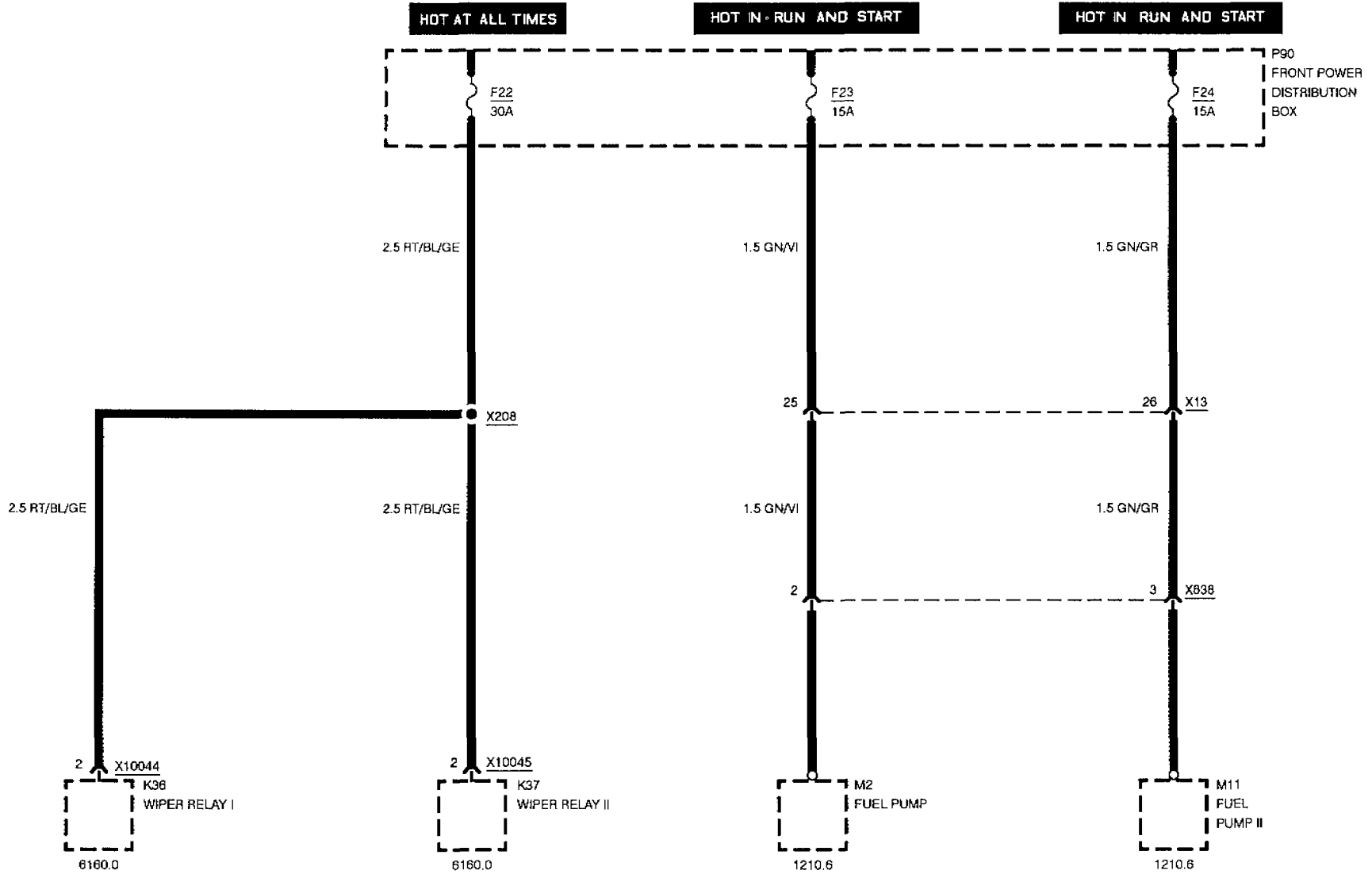
HOT IN RUN AND START





FUSE DETAILS

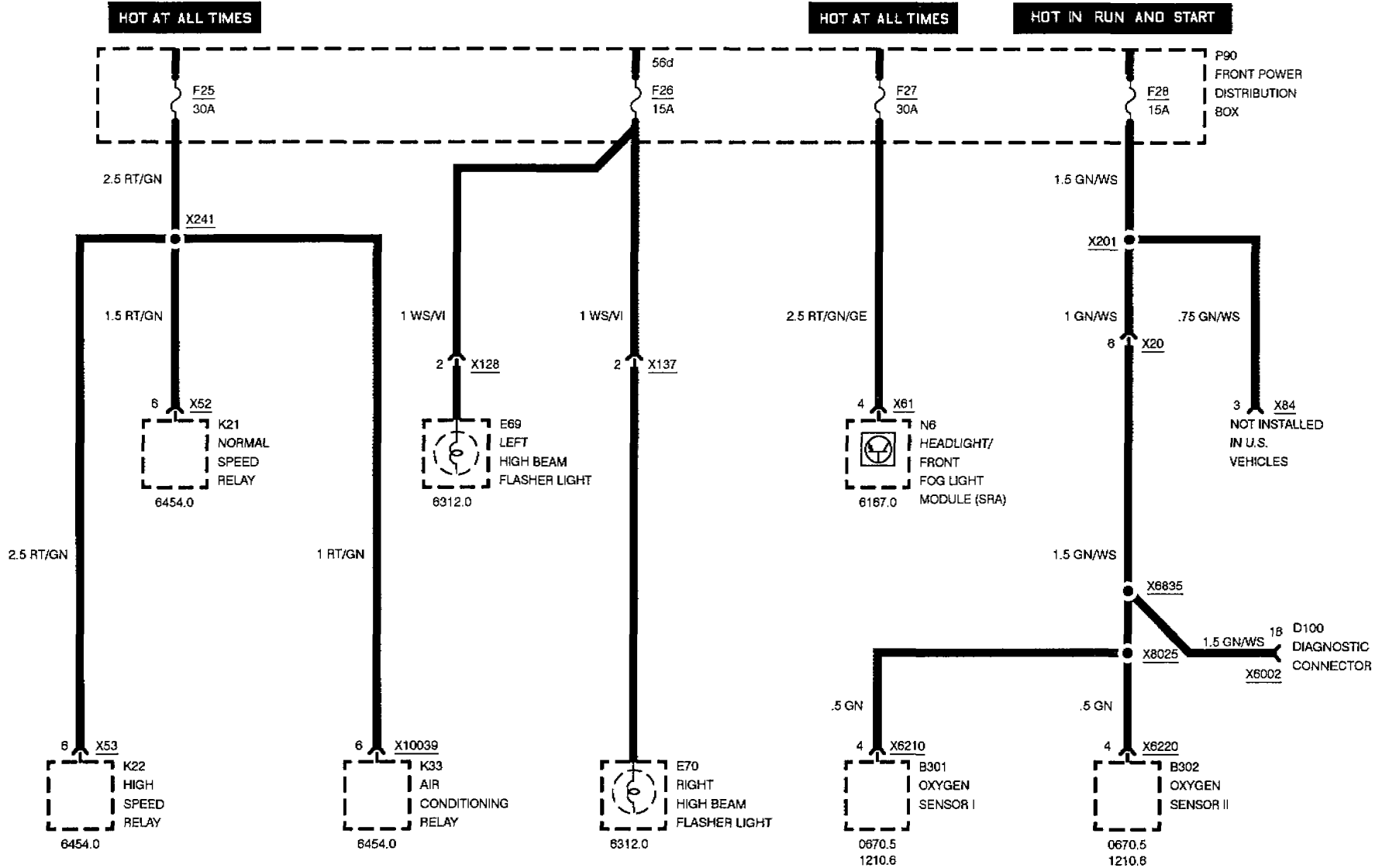
FUSES 22, 23 AND 24





FUSE DETAILS

FUSES 25, 26, 27, AND 28

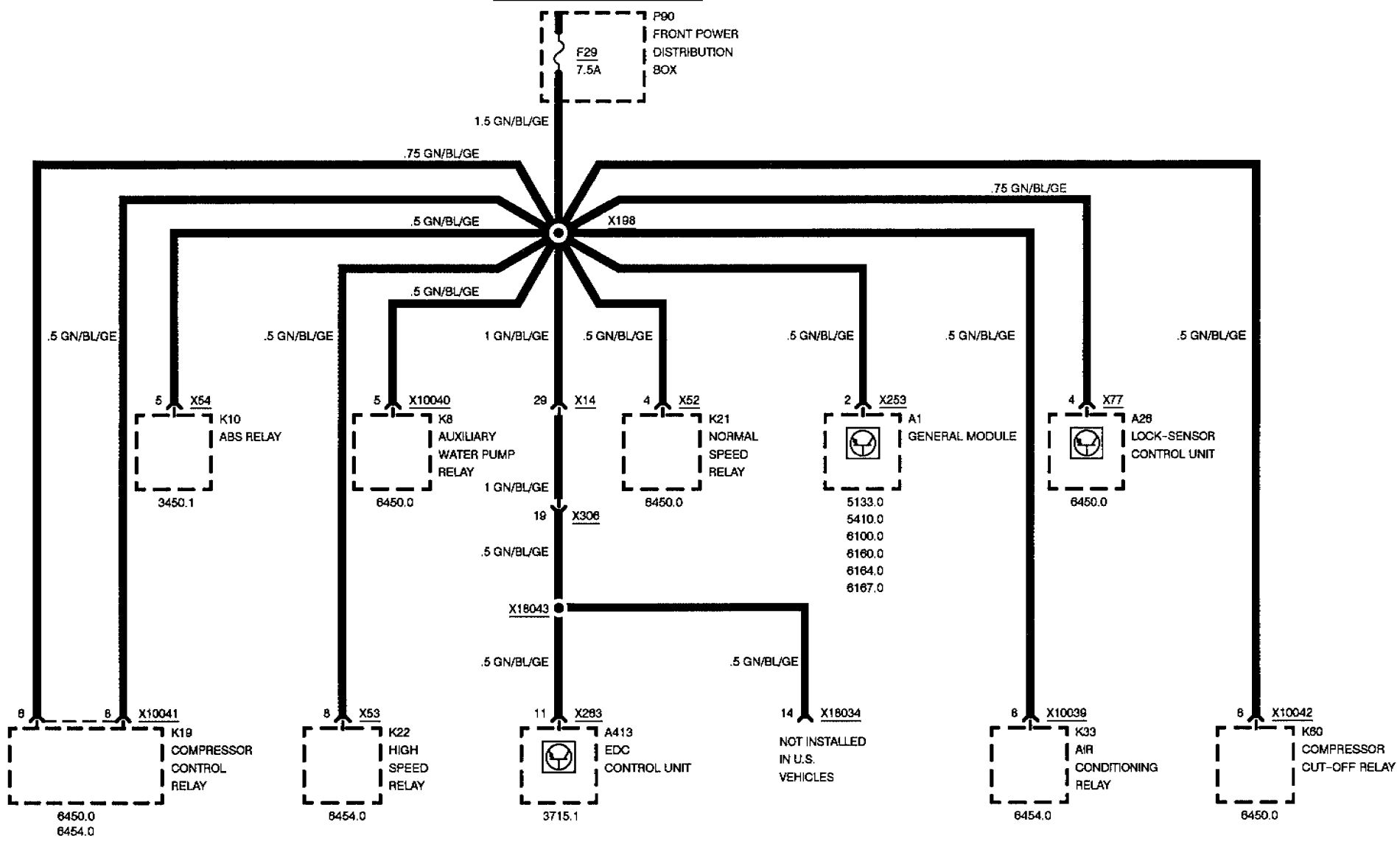




FUSE DETAILS

FUSE 29

HOT IN RUN AND START

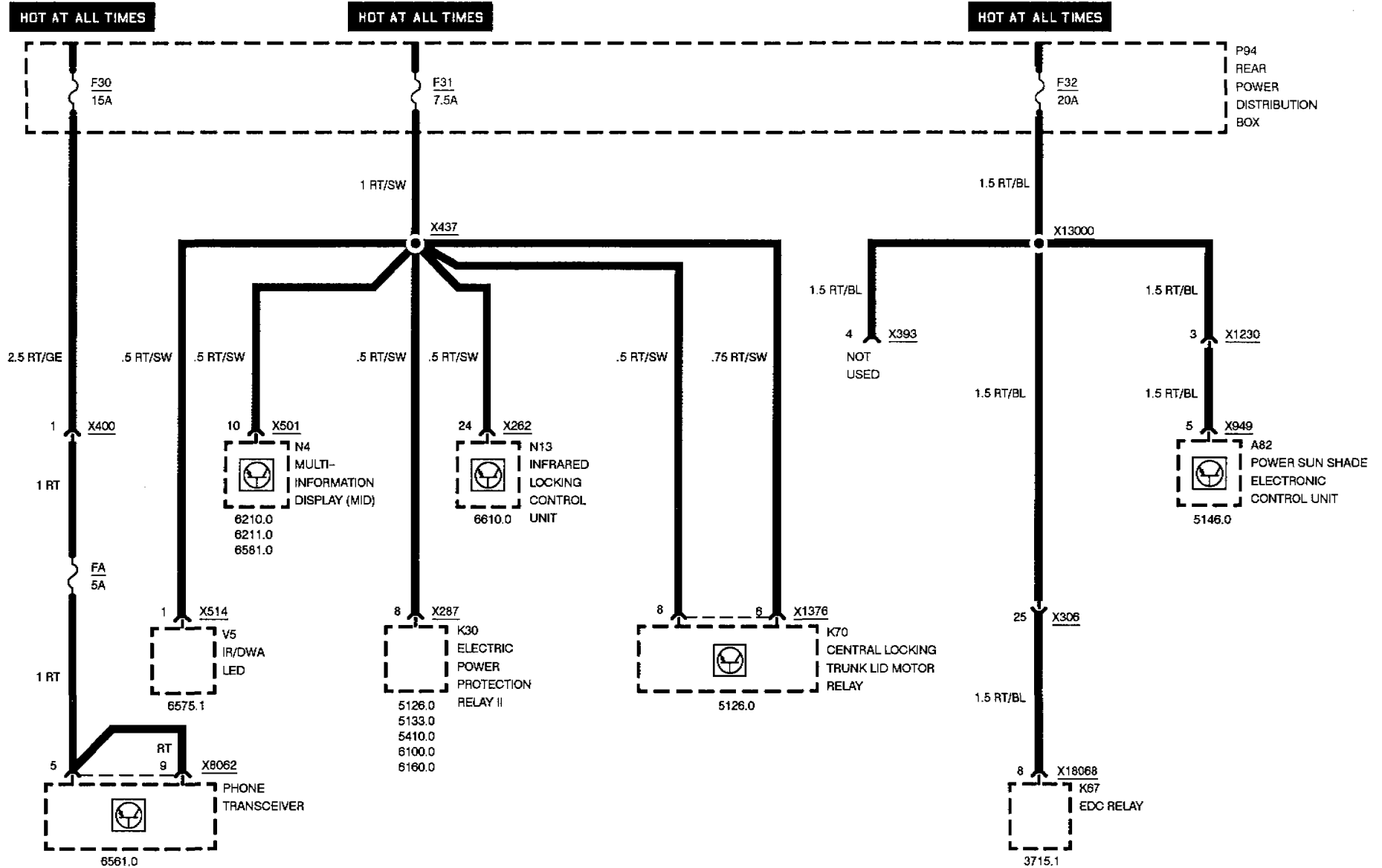


09/90
0670.3-11
1991



FUSE DETAILS

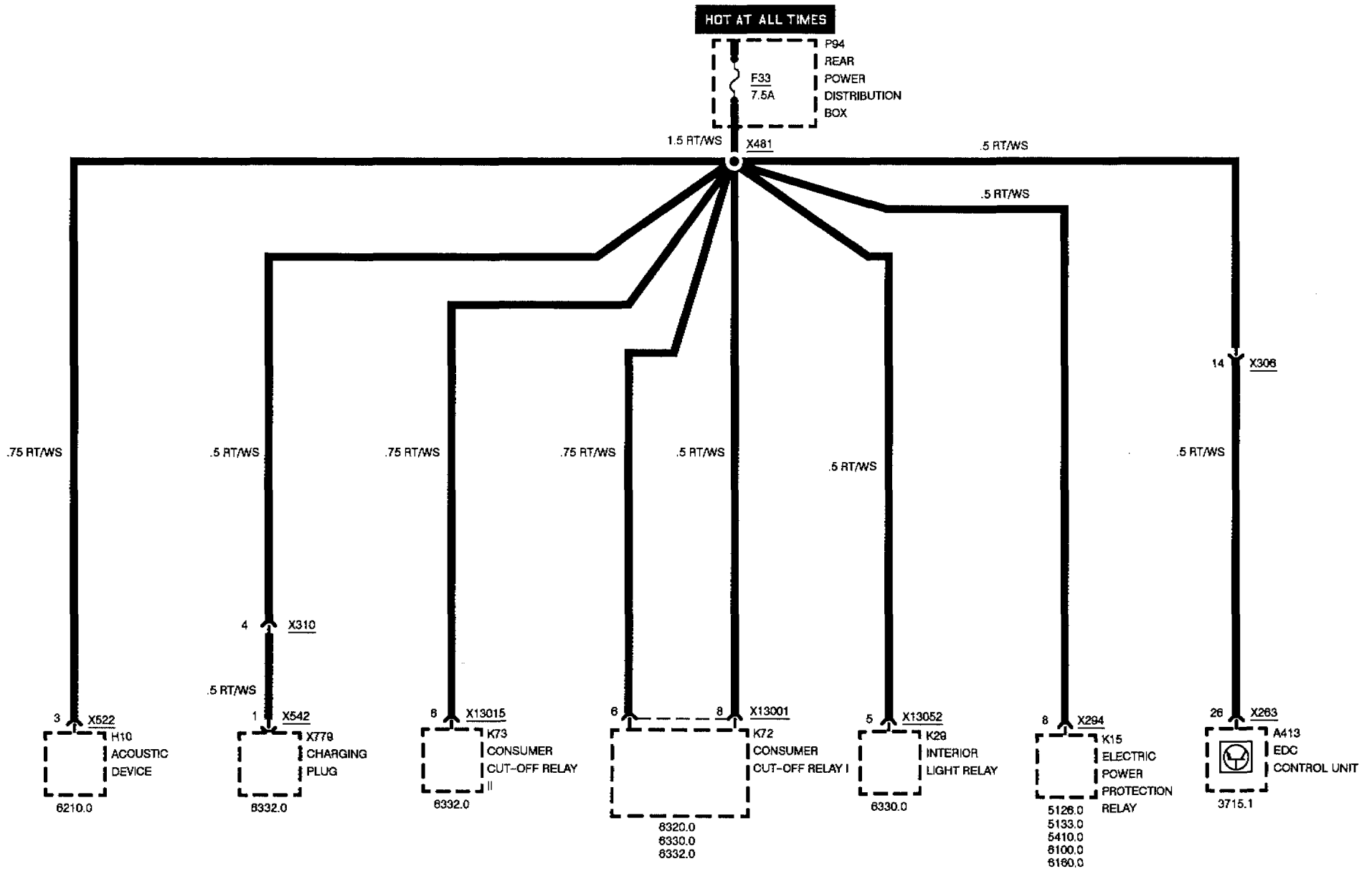
FUSES 30, 31, AND 32





FUSE DETAILS

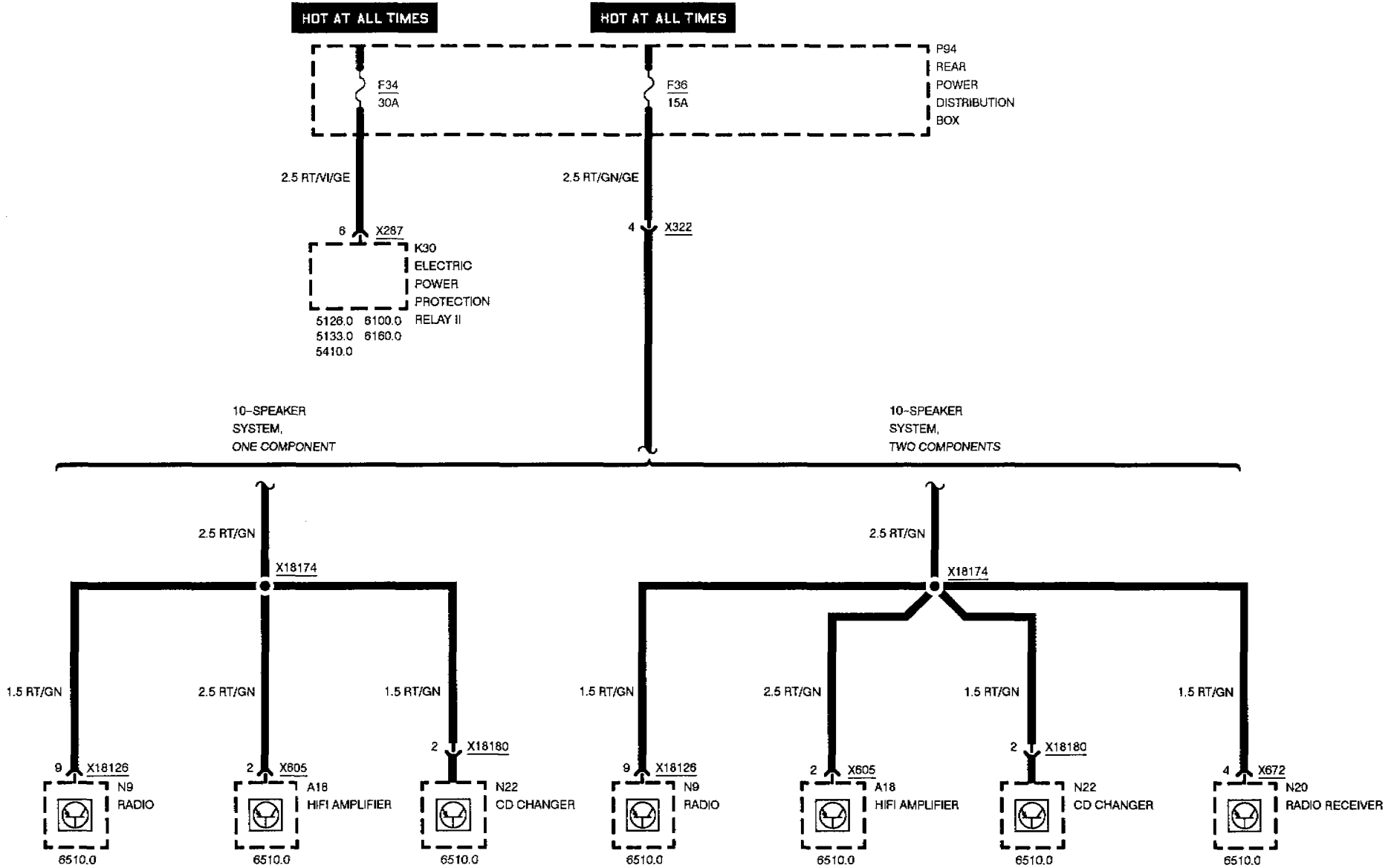
FUSE 33



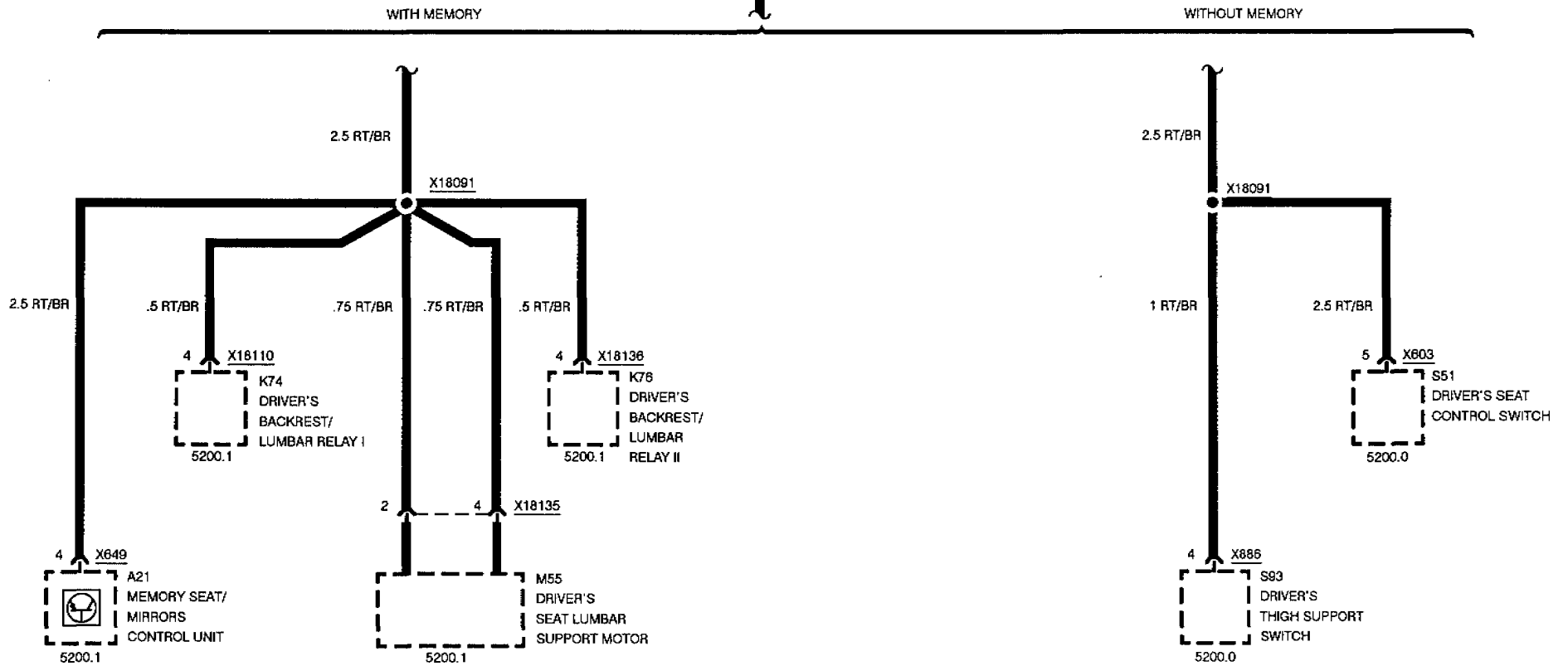
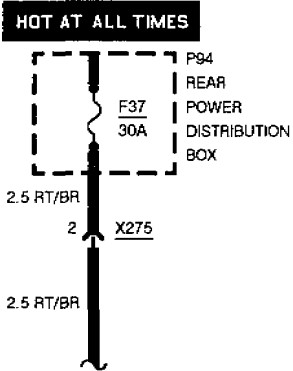


FUSE DETAILS

FUSES 34 AND 36



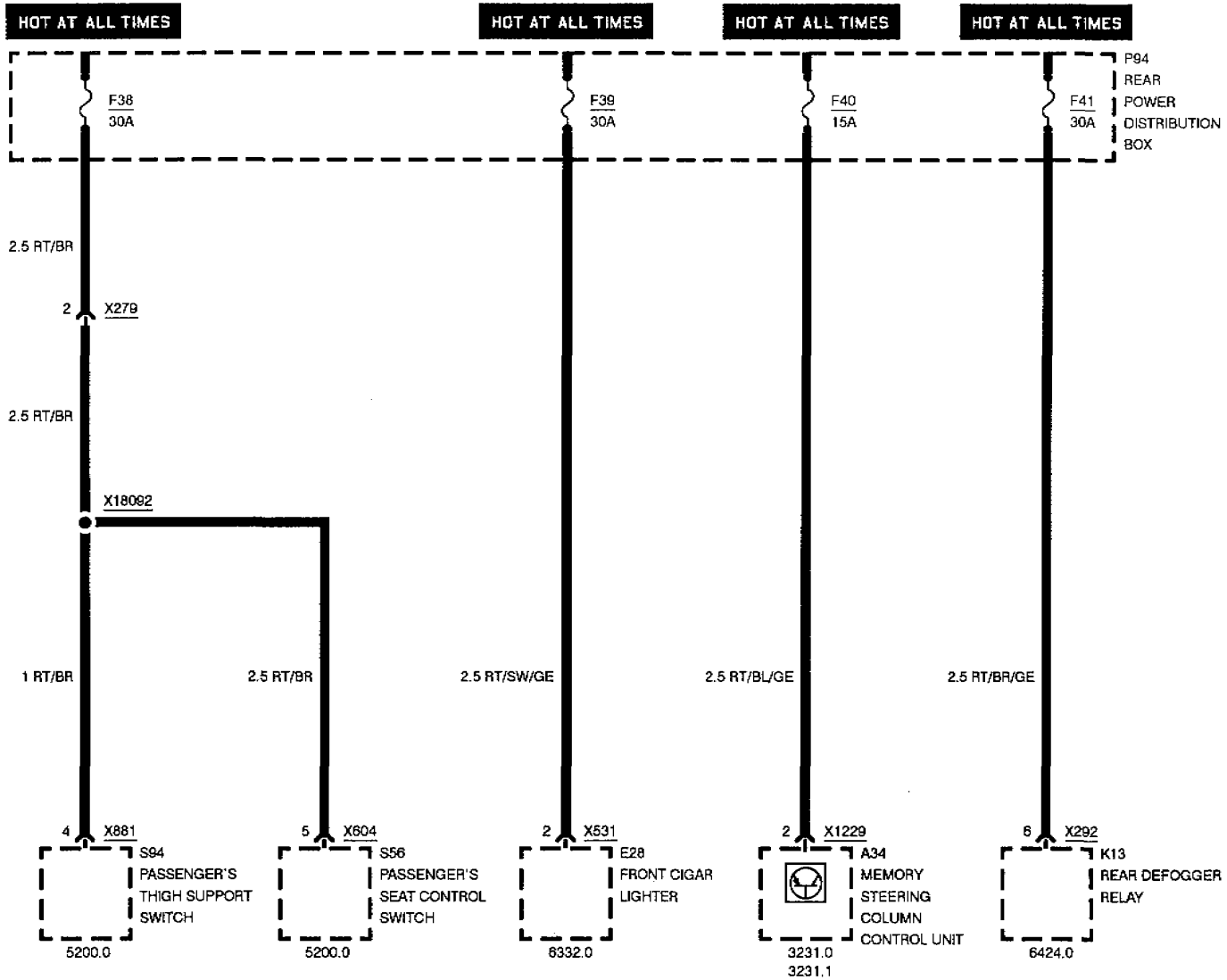
BMW
8 FUSE DETAILS
FUSE 37





FUSE DETAILS

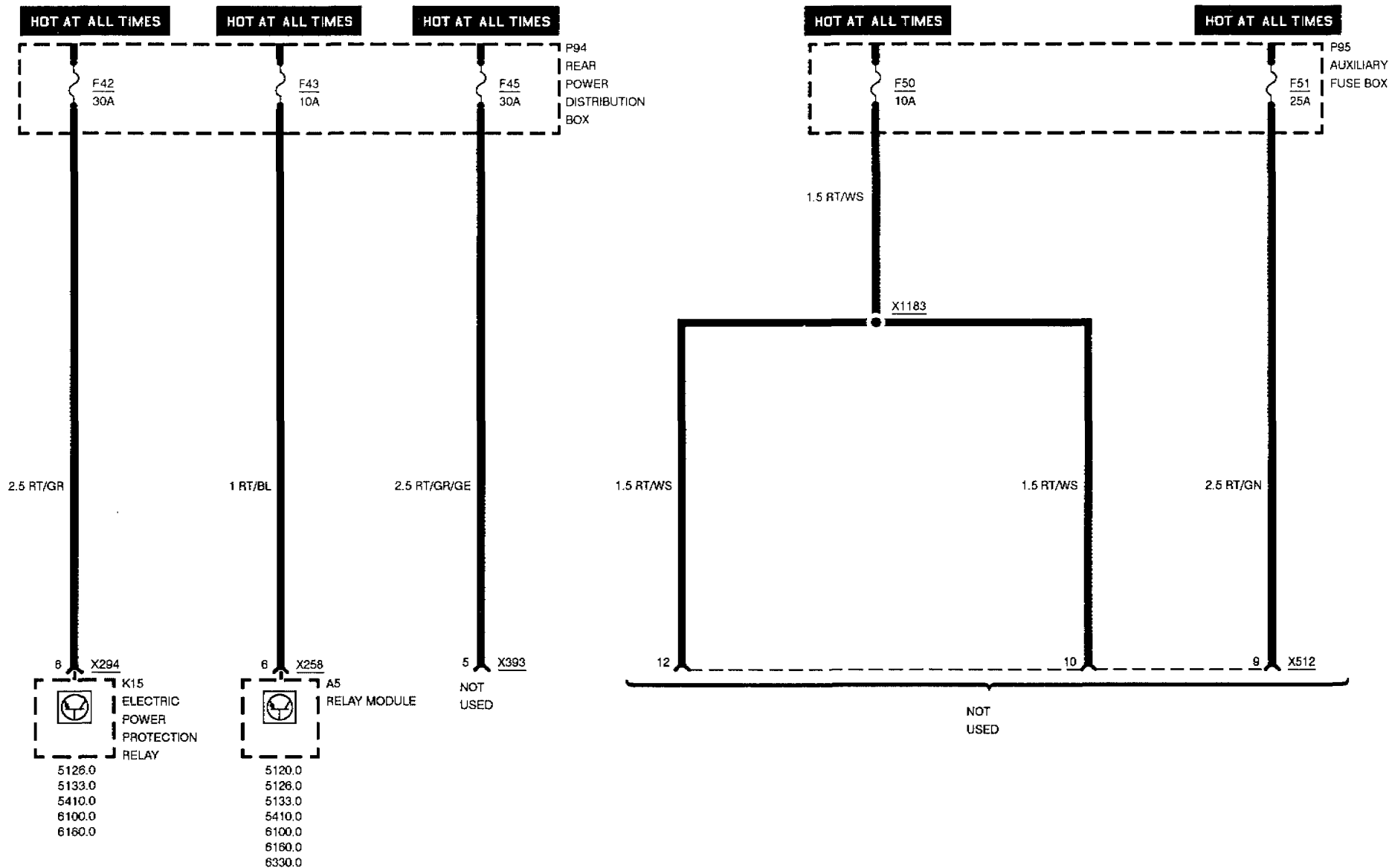
FUSES 38, 39, 40, AND 41





FUSE DETAILS

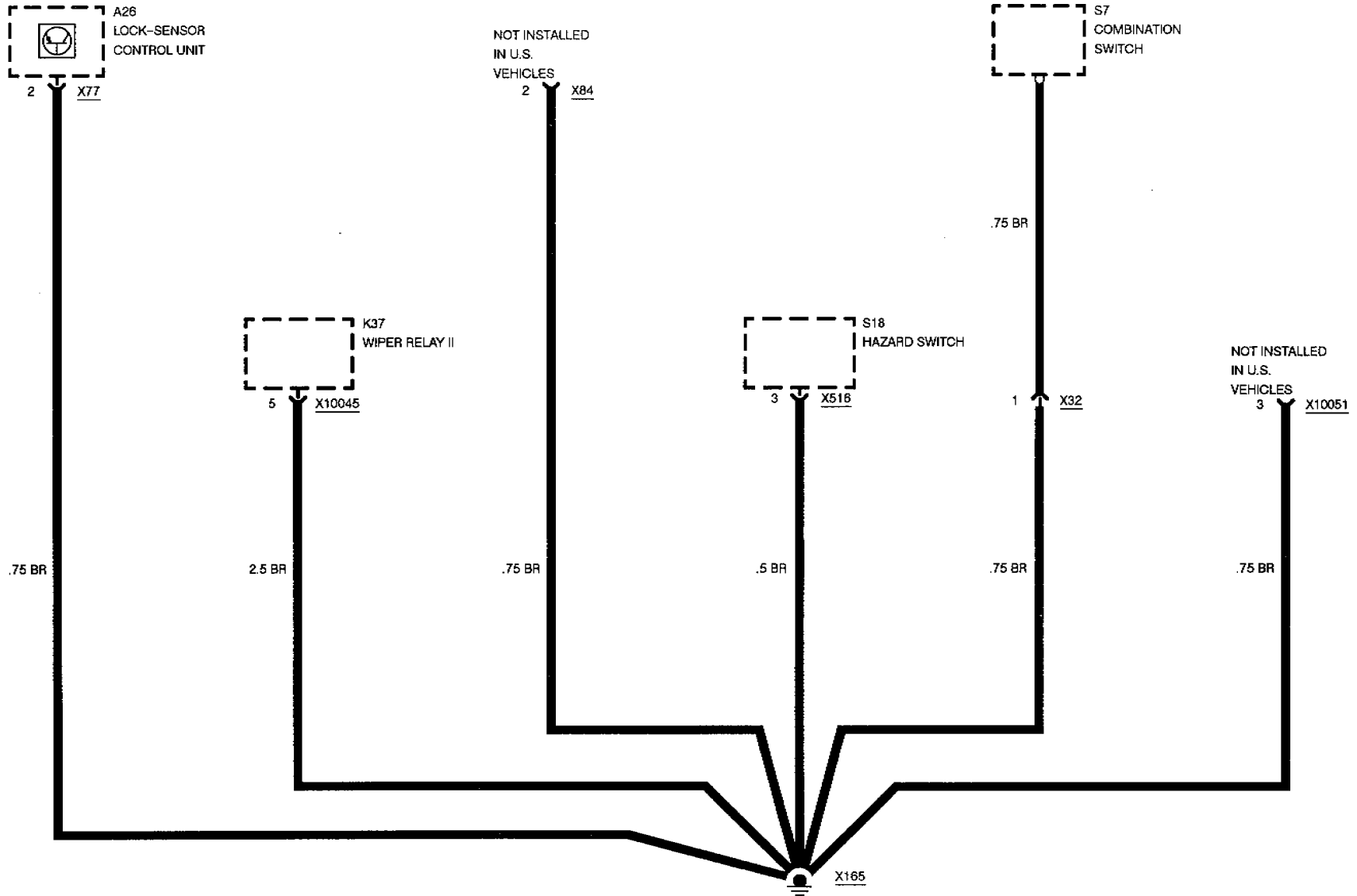
FUSES 42, 43, 45, 50 AND 51





GROUND DISTRIBUTION

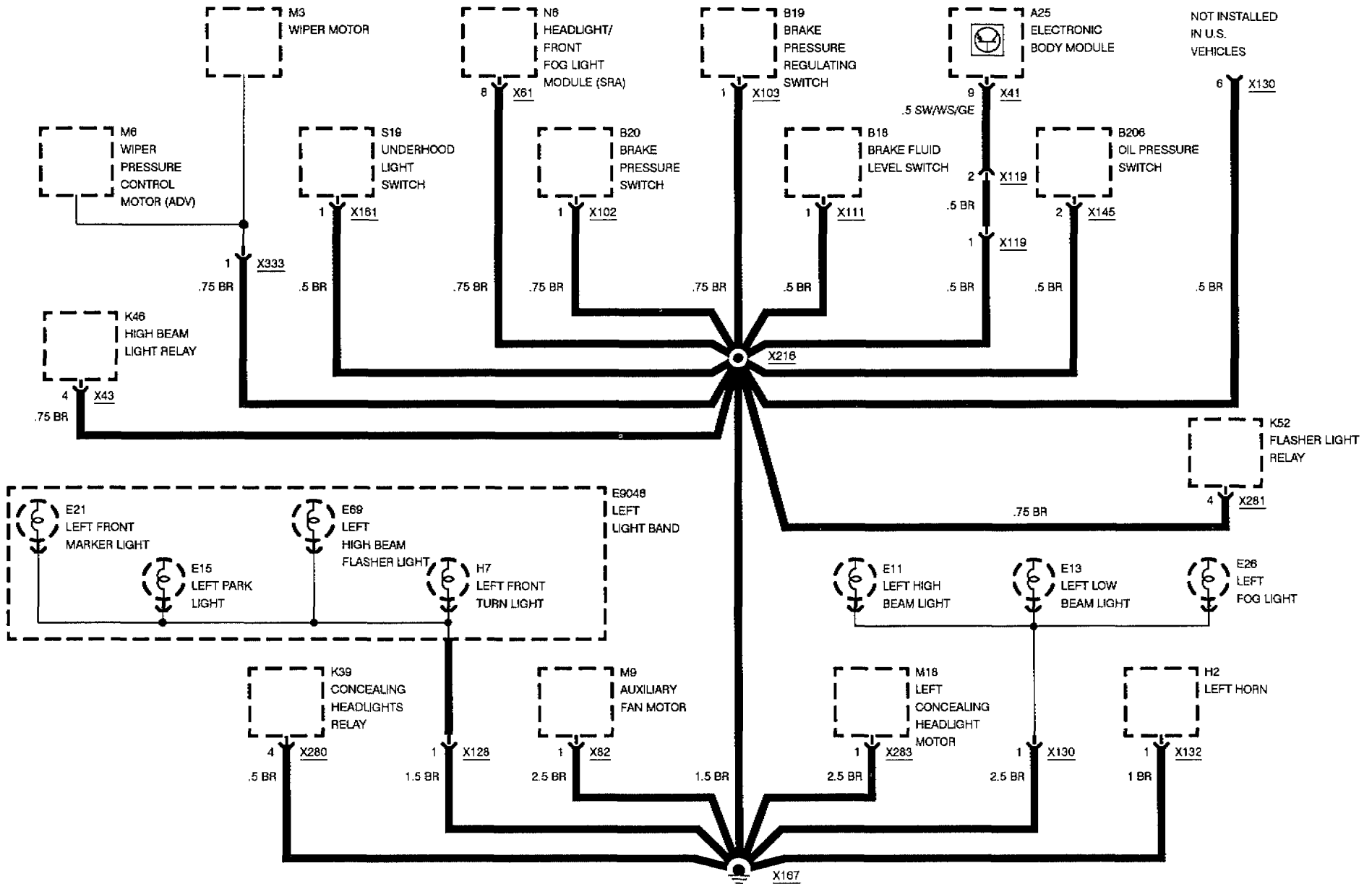
GROUND X165





GROUND DISTRIBUTION

GROUND X167

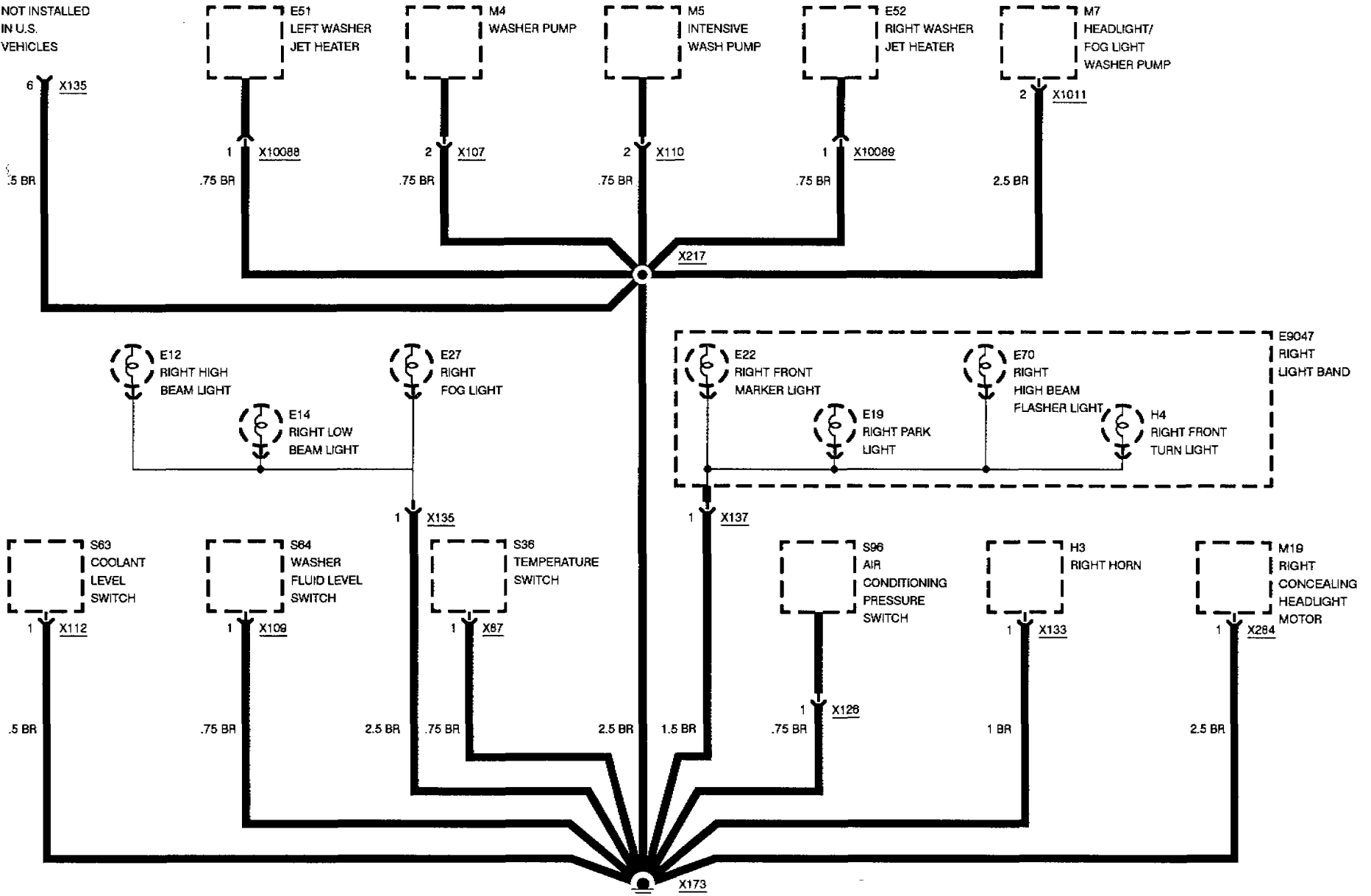




GROUND DISTRIBUTION

GROUND X173

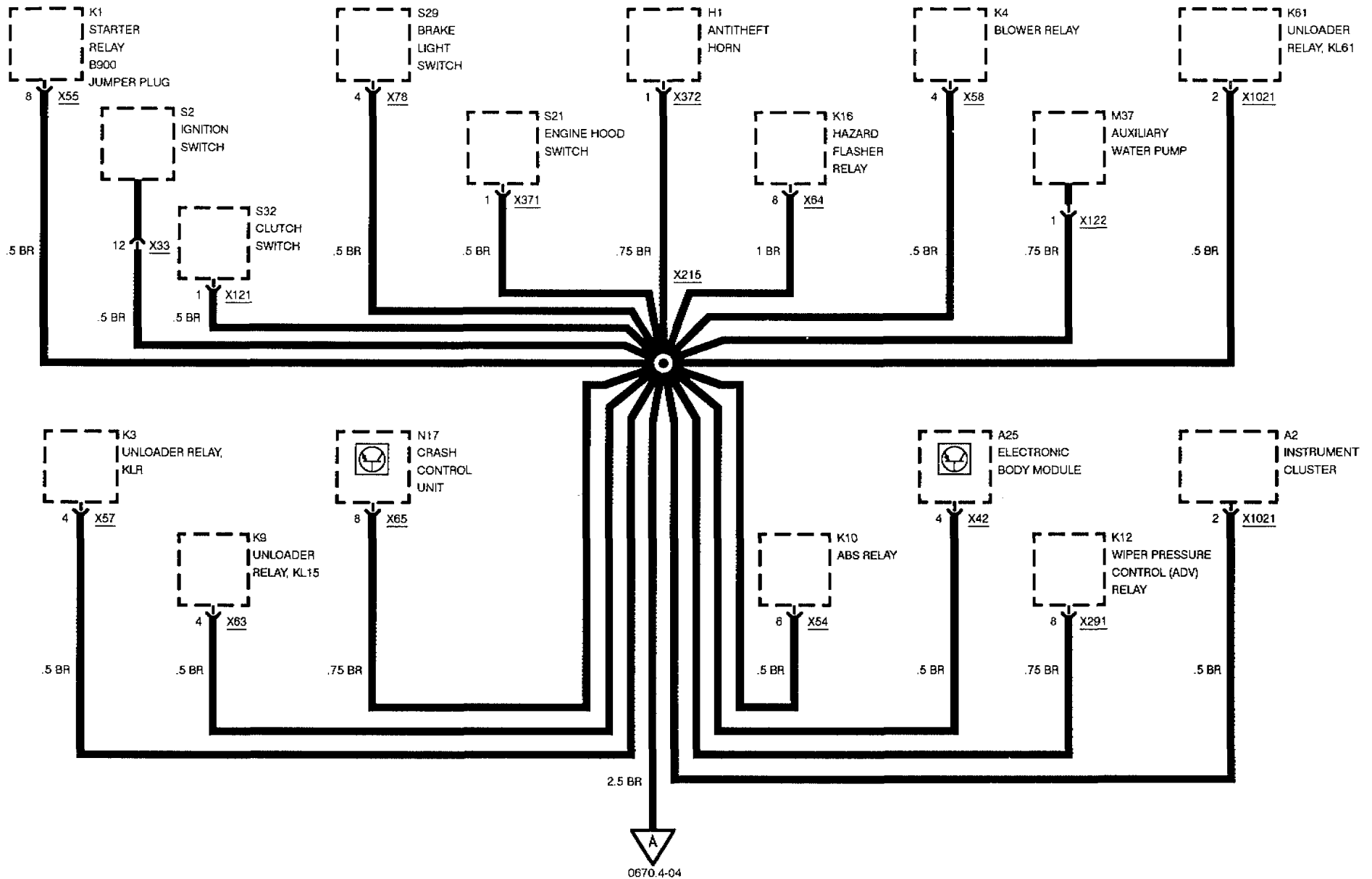
NOT INSTALLED
IN U.S.
VEHICLES





GROUND DISTRIBUTION

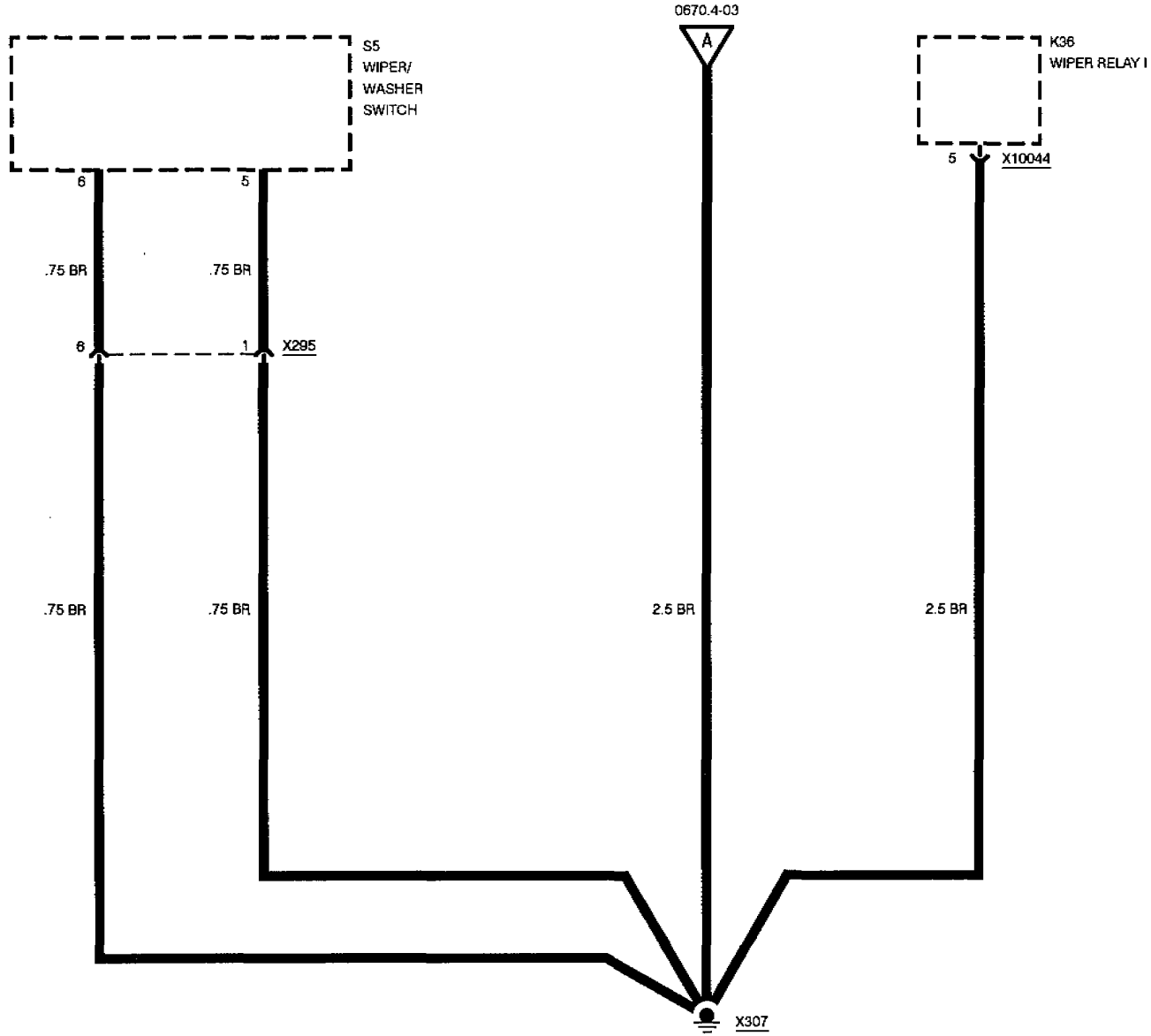
GROUND X307





GROUND DISTRIBUTION

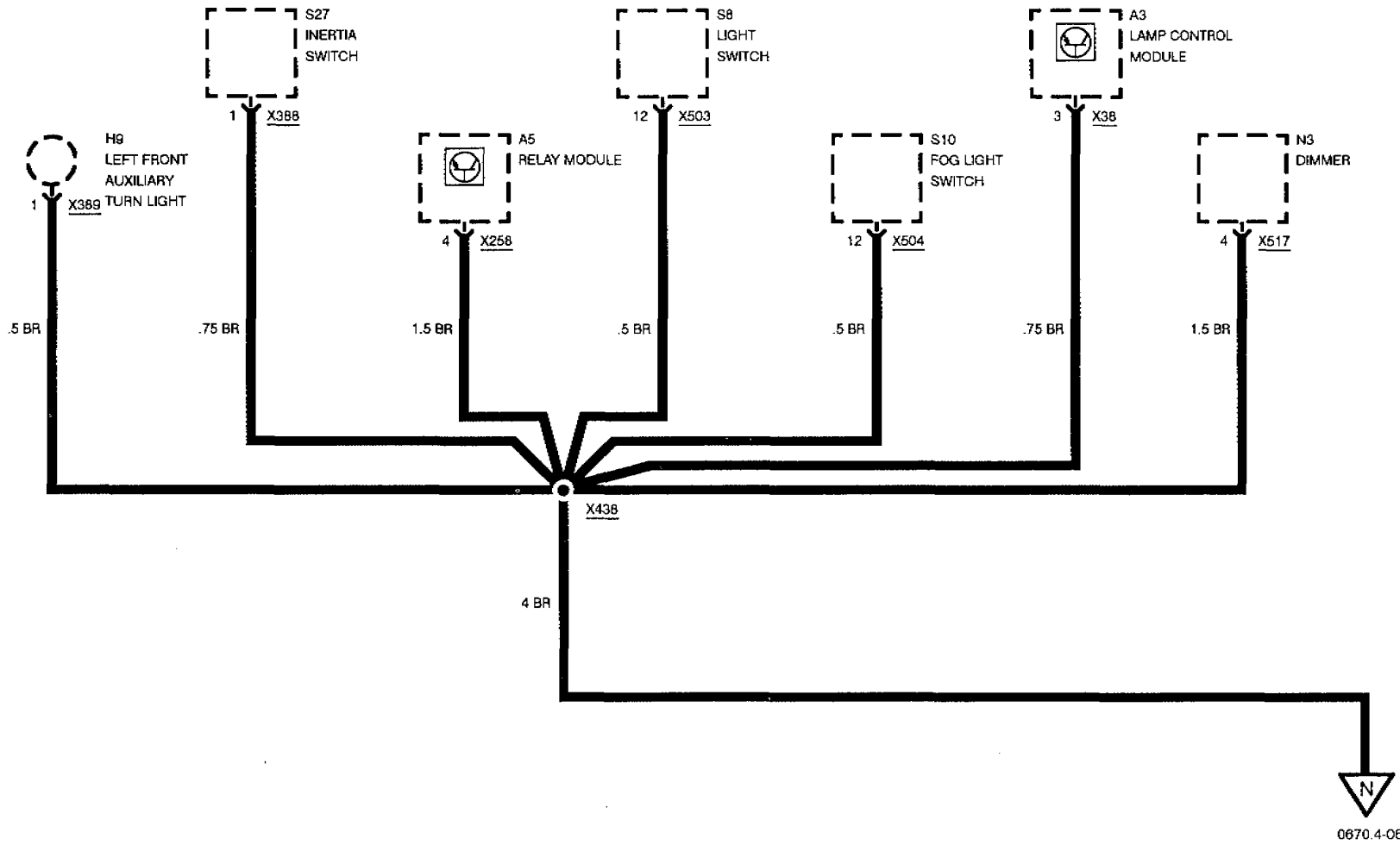
GROUND X307





GROUND DISTRIBUTION

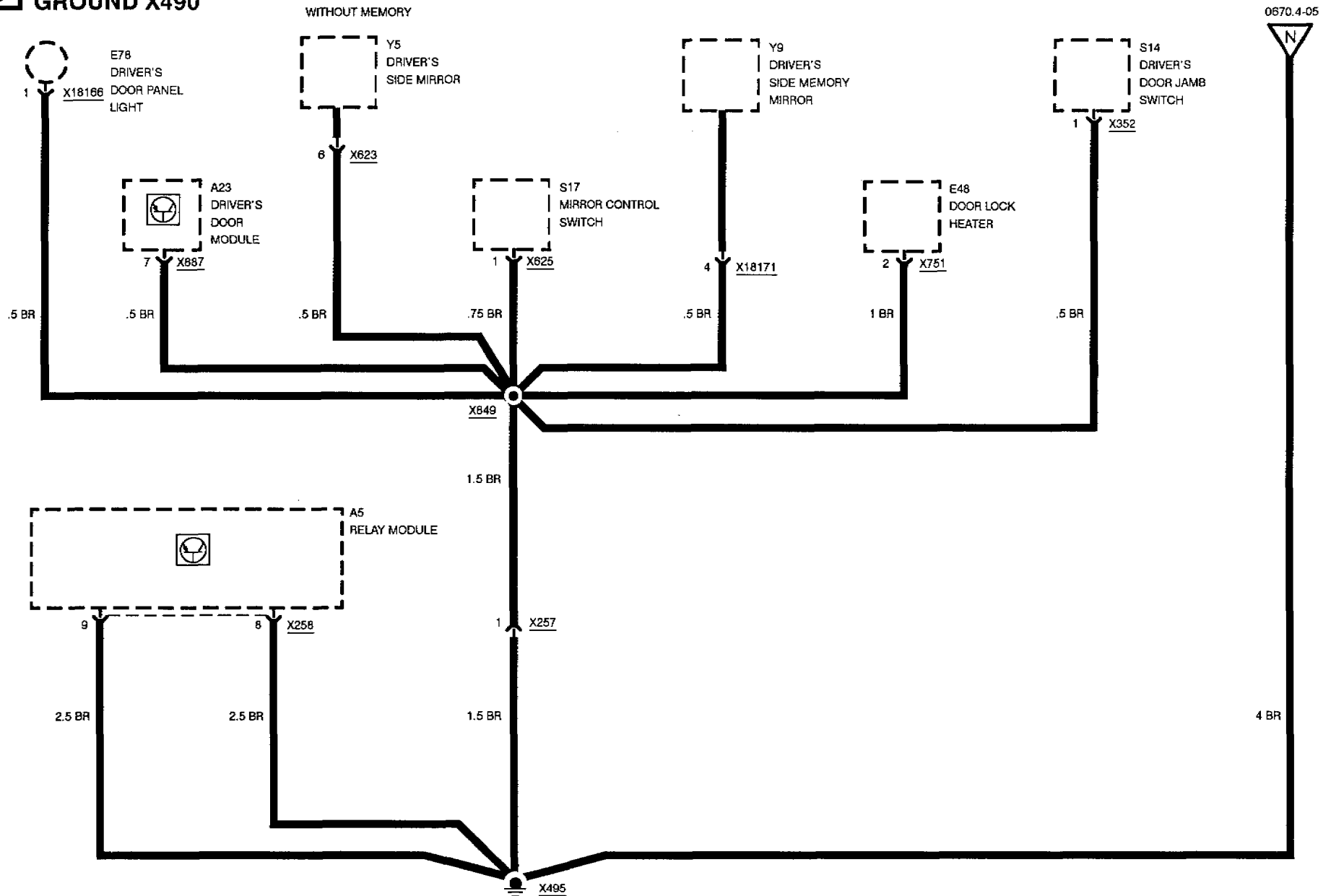
GROUND X490



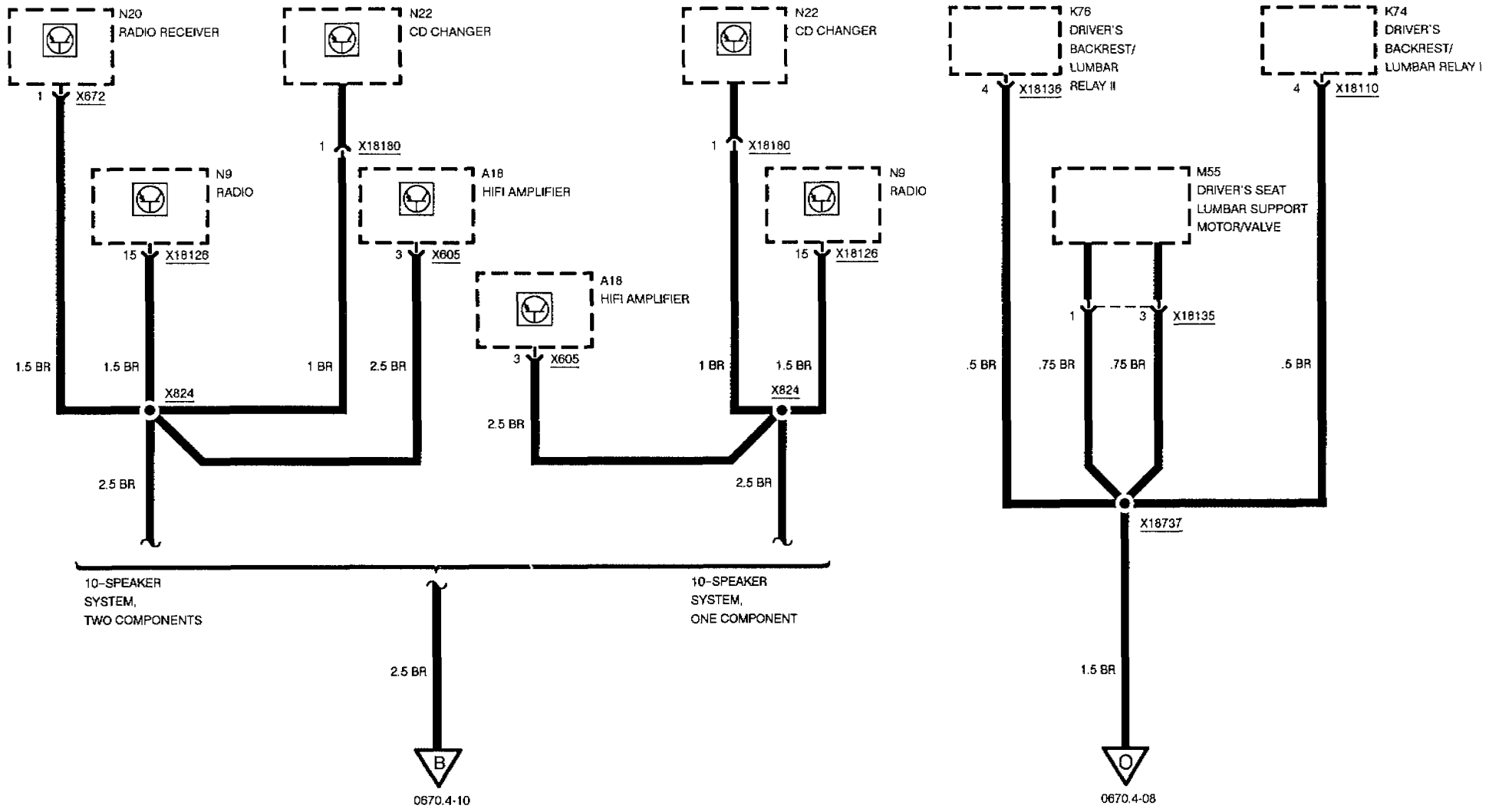


GROUND DISTRIBUTION

GROUND X490



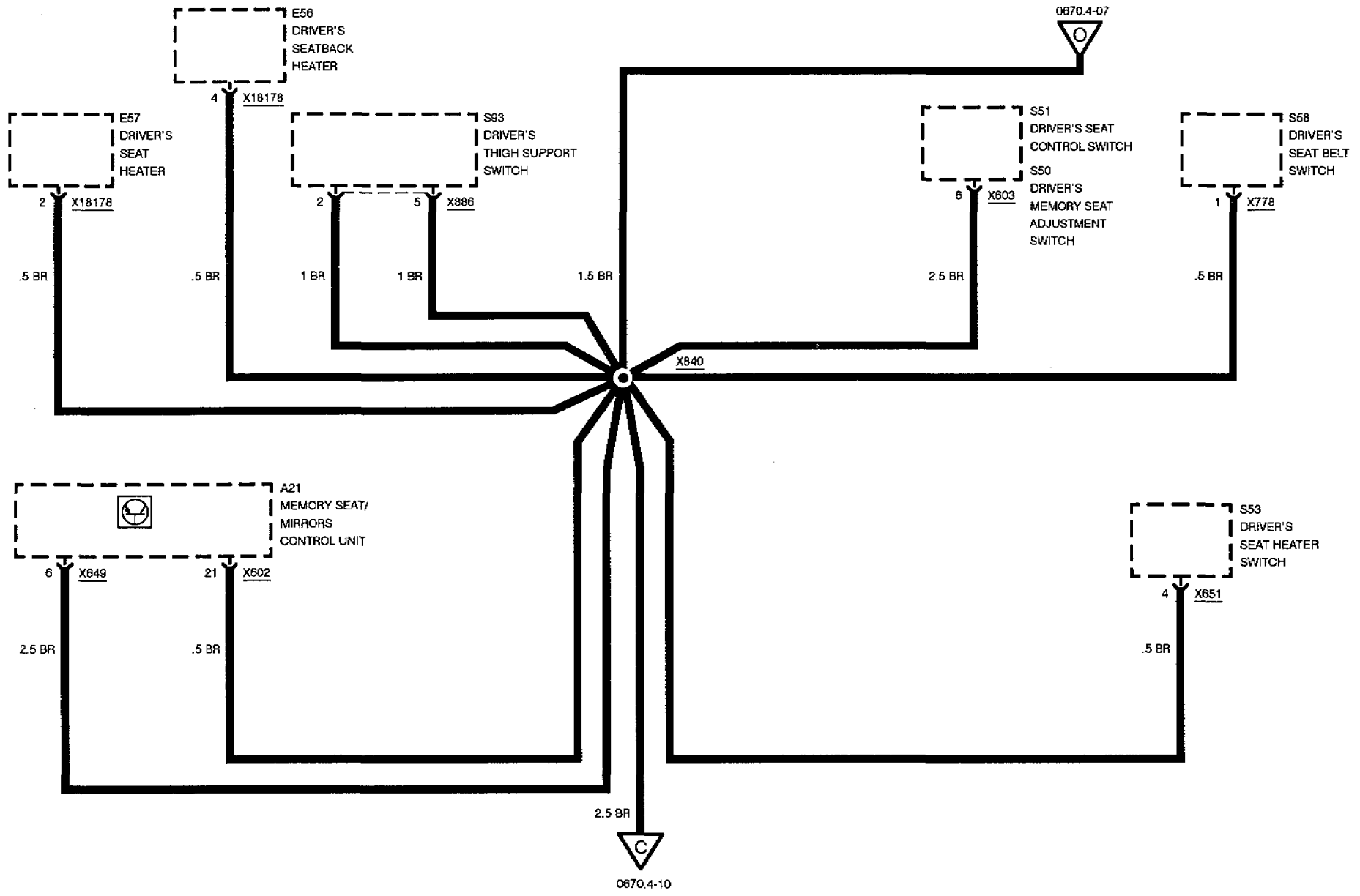
BMW
8 **GROUND DISTRIBUTION**
GROUND X492





GROUND DISTRIBUTION

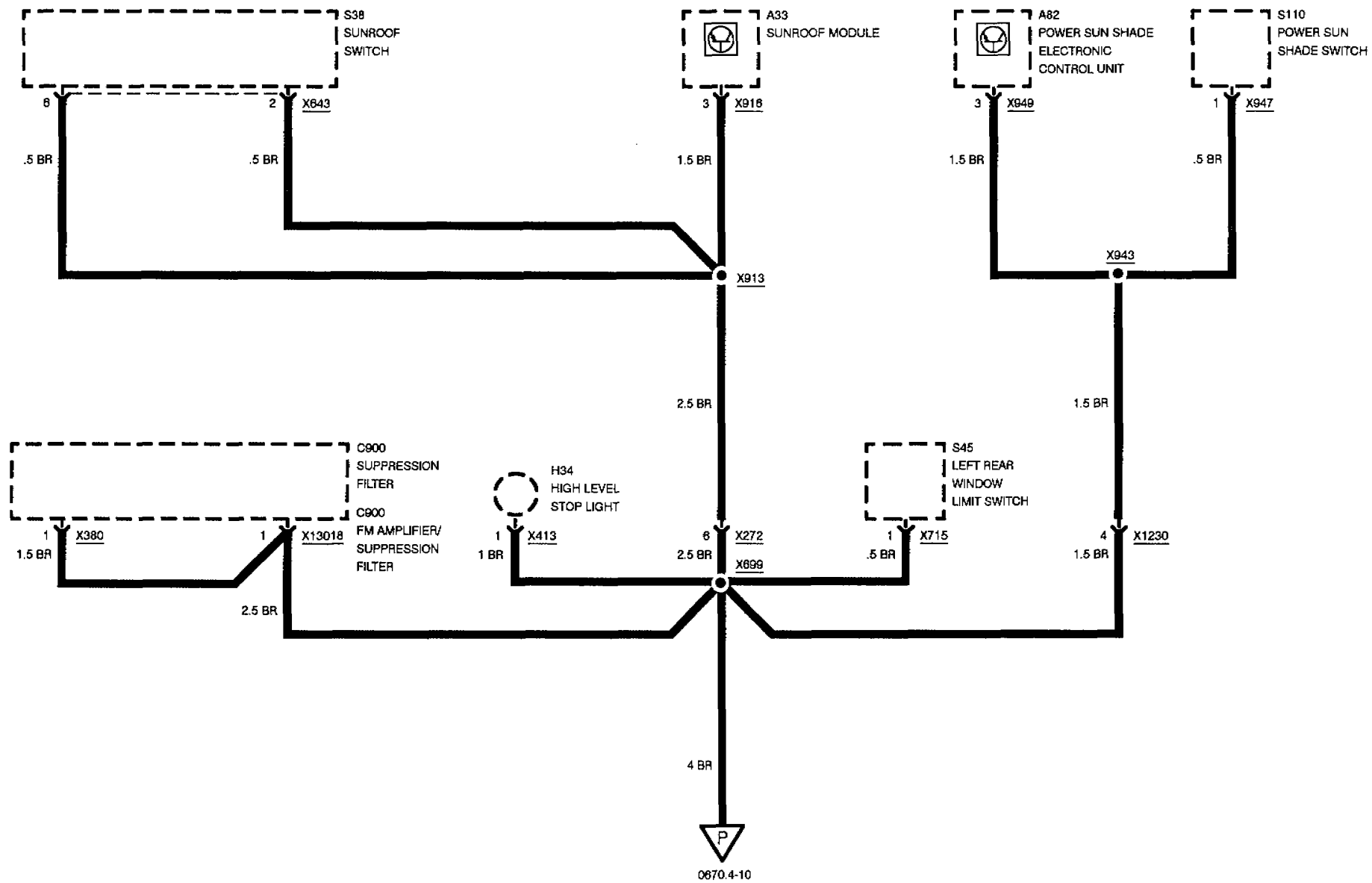
GROUND X492





GROUND DISTRIBUTION

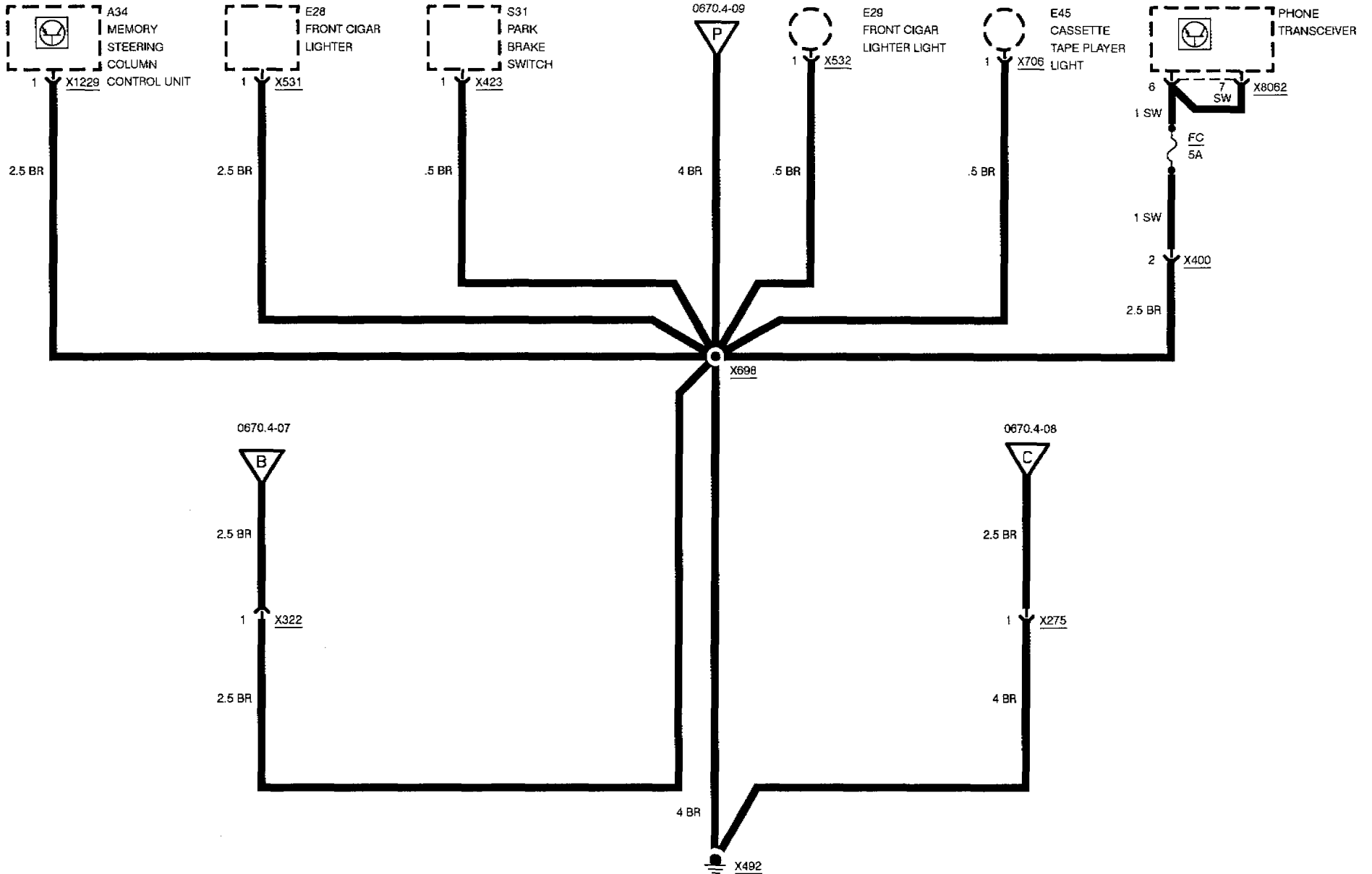
GROUND X492





GROUND DISTRIBUTION

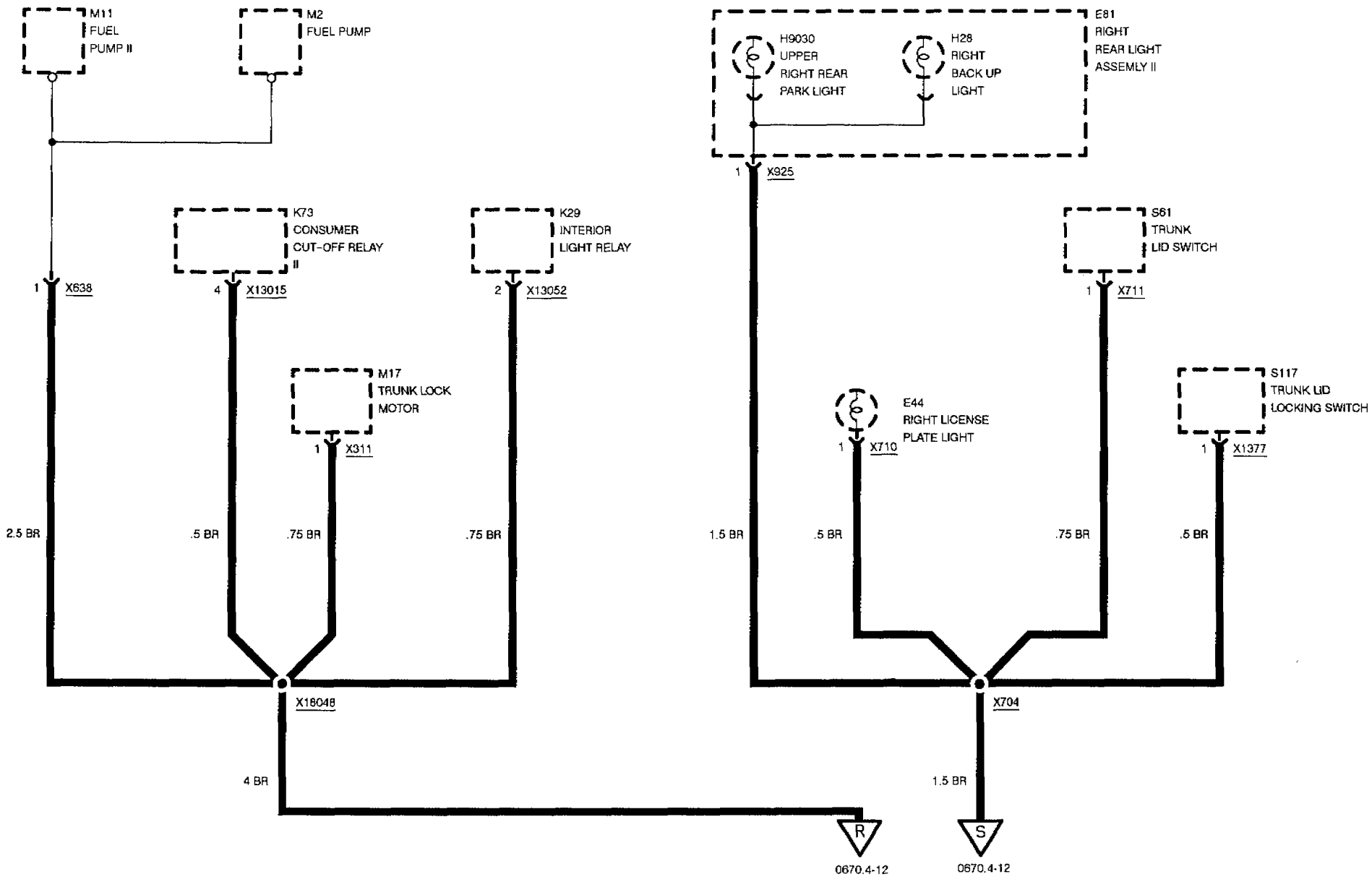
GROUND X492



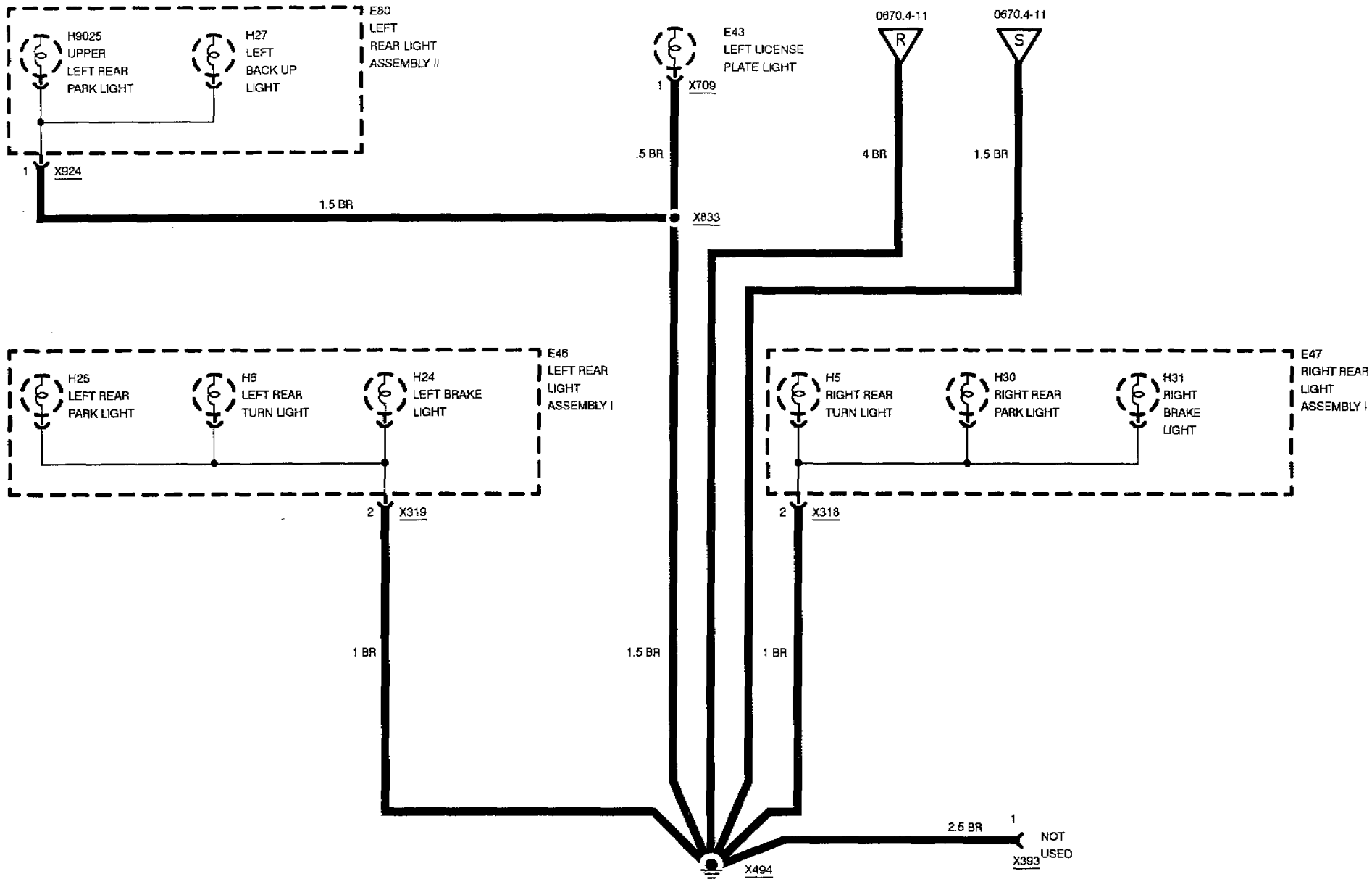


GROUND DISTRIBUTION

GROUND X494



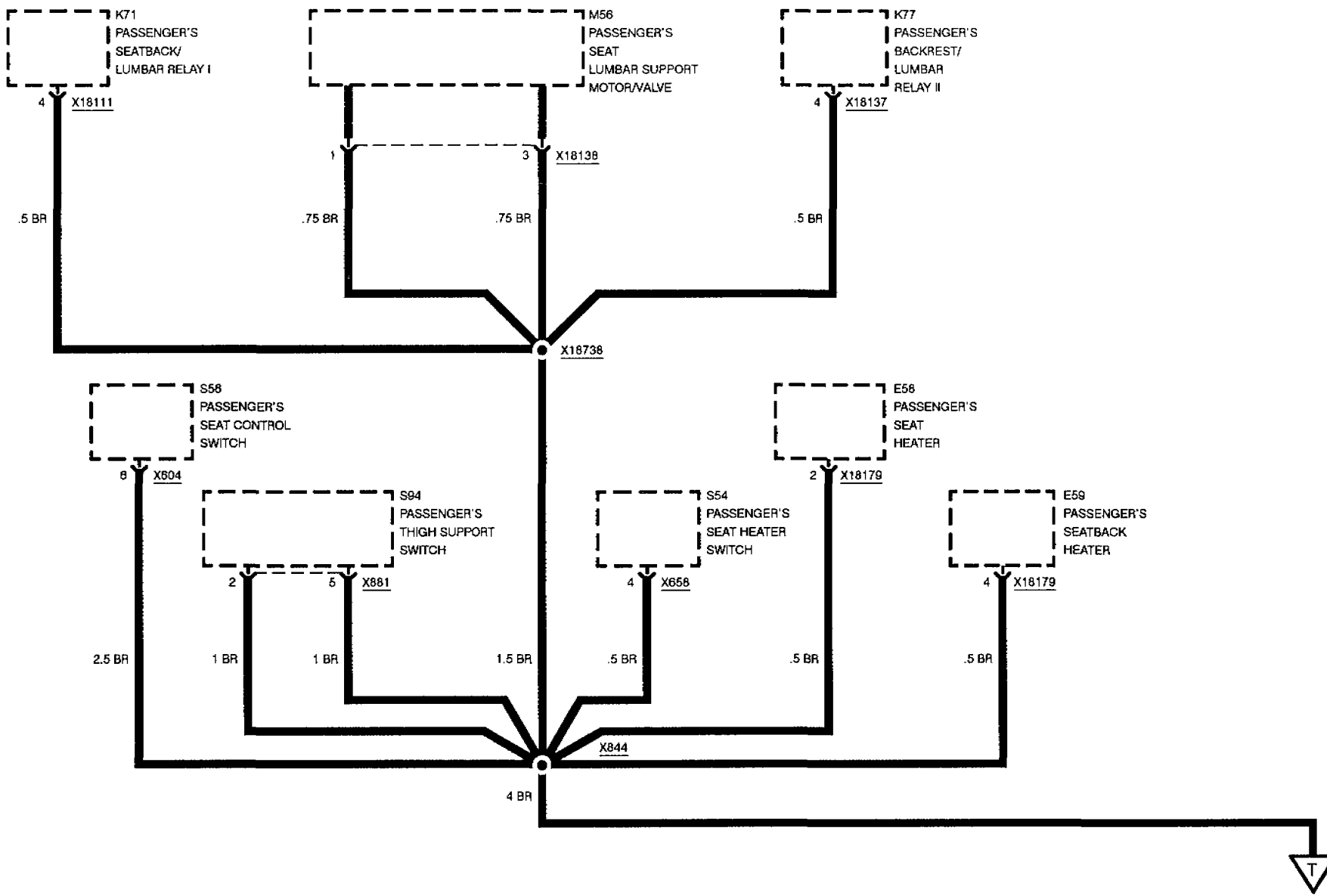
BMW
8 **GROUND DISTRIBUTION**
GROUND X494





GROUND DISTRIBUTION

GROUND X495

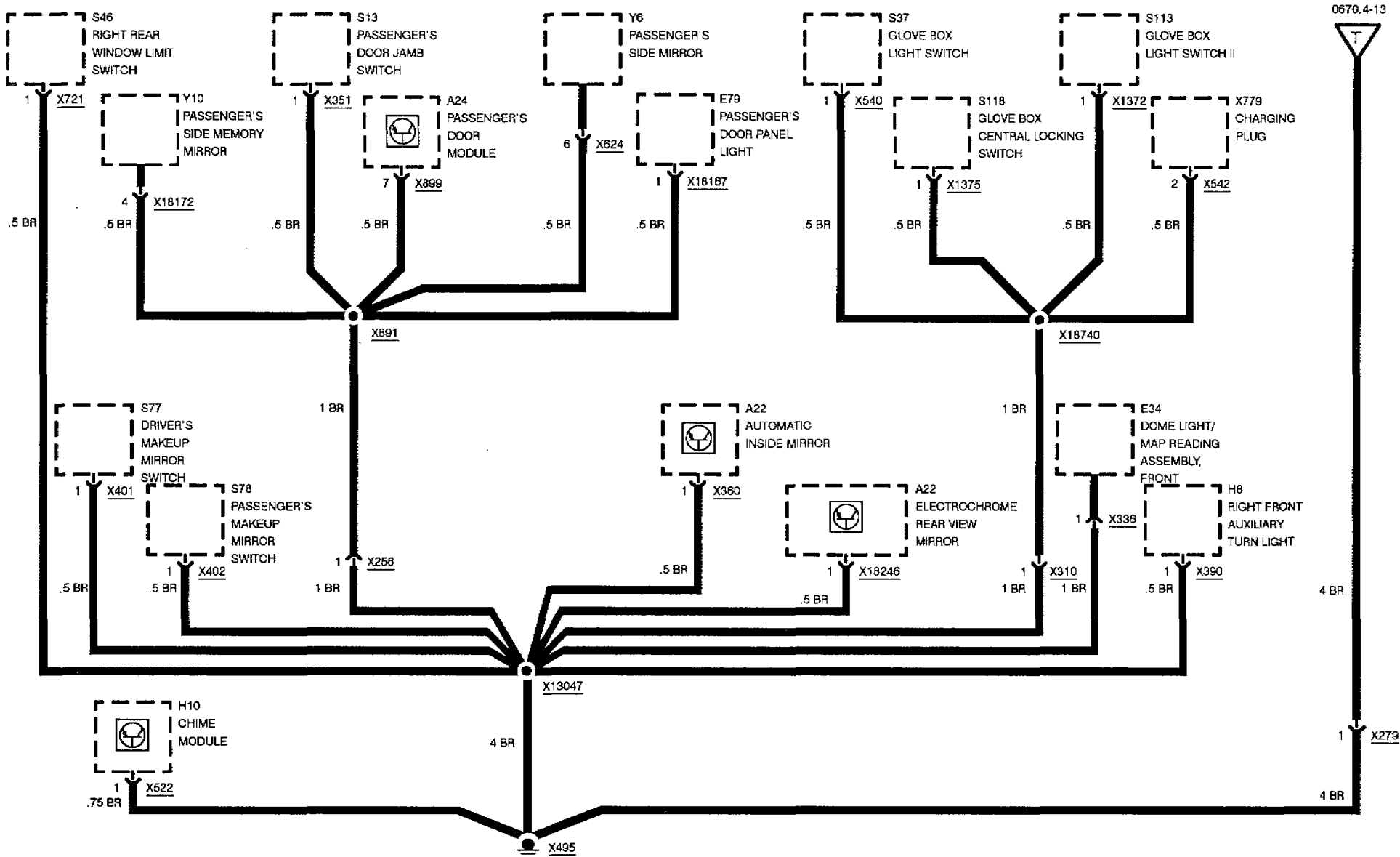




GROUND DISTRIBUTION

GROUND X495

WITHOUT MEMORY



0670.4-13

09/90

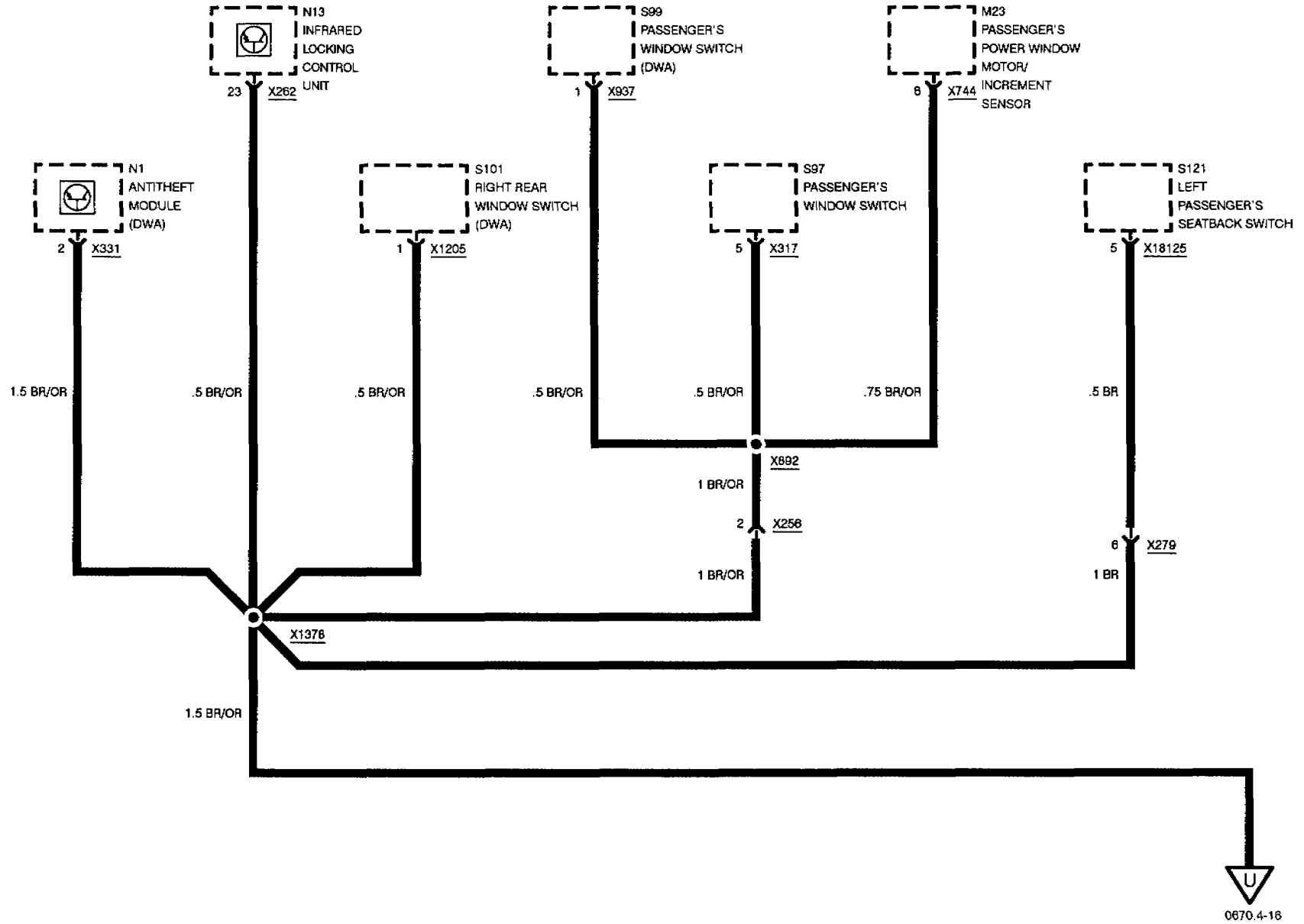
0670.4-14

1991



GROUND DISTRIBUTION

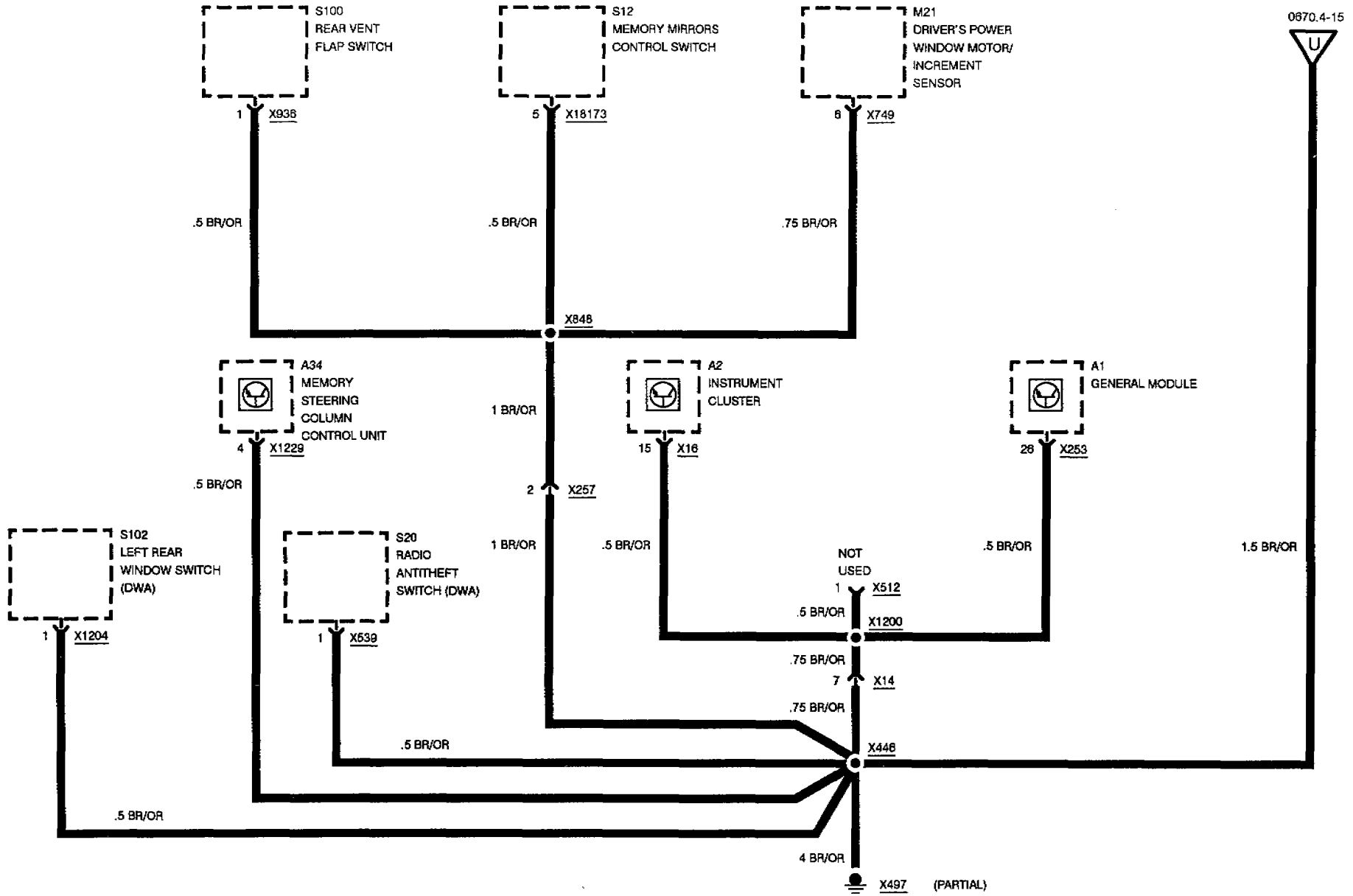
GROUND X497





GROUND DISTRIBUTION

GROUND X497



06/90

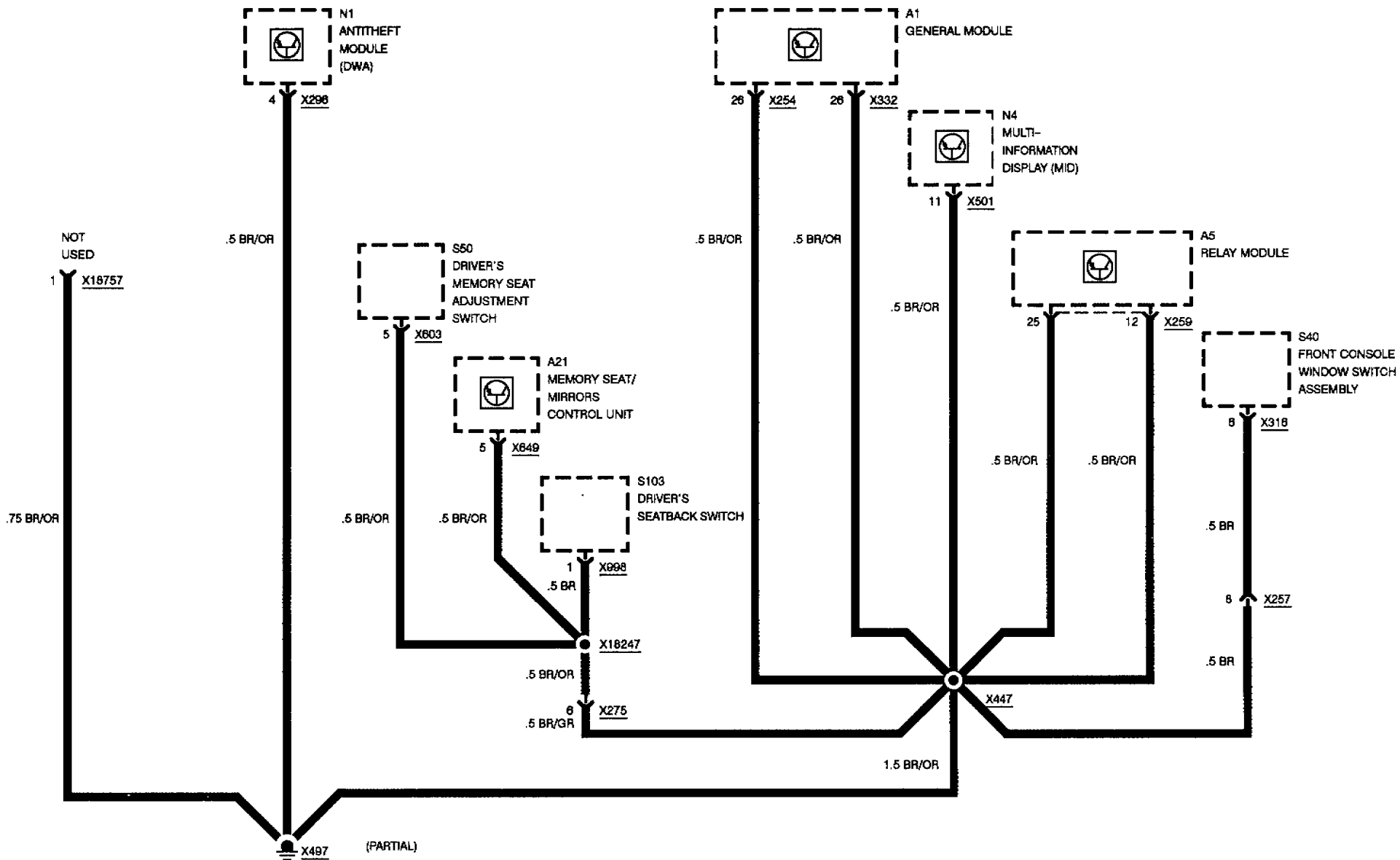
0670.4-16

1991



GROUND DISTRIBUTION

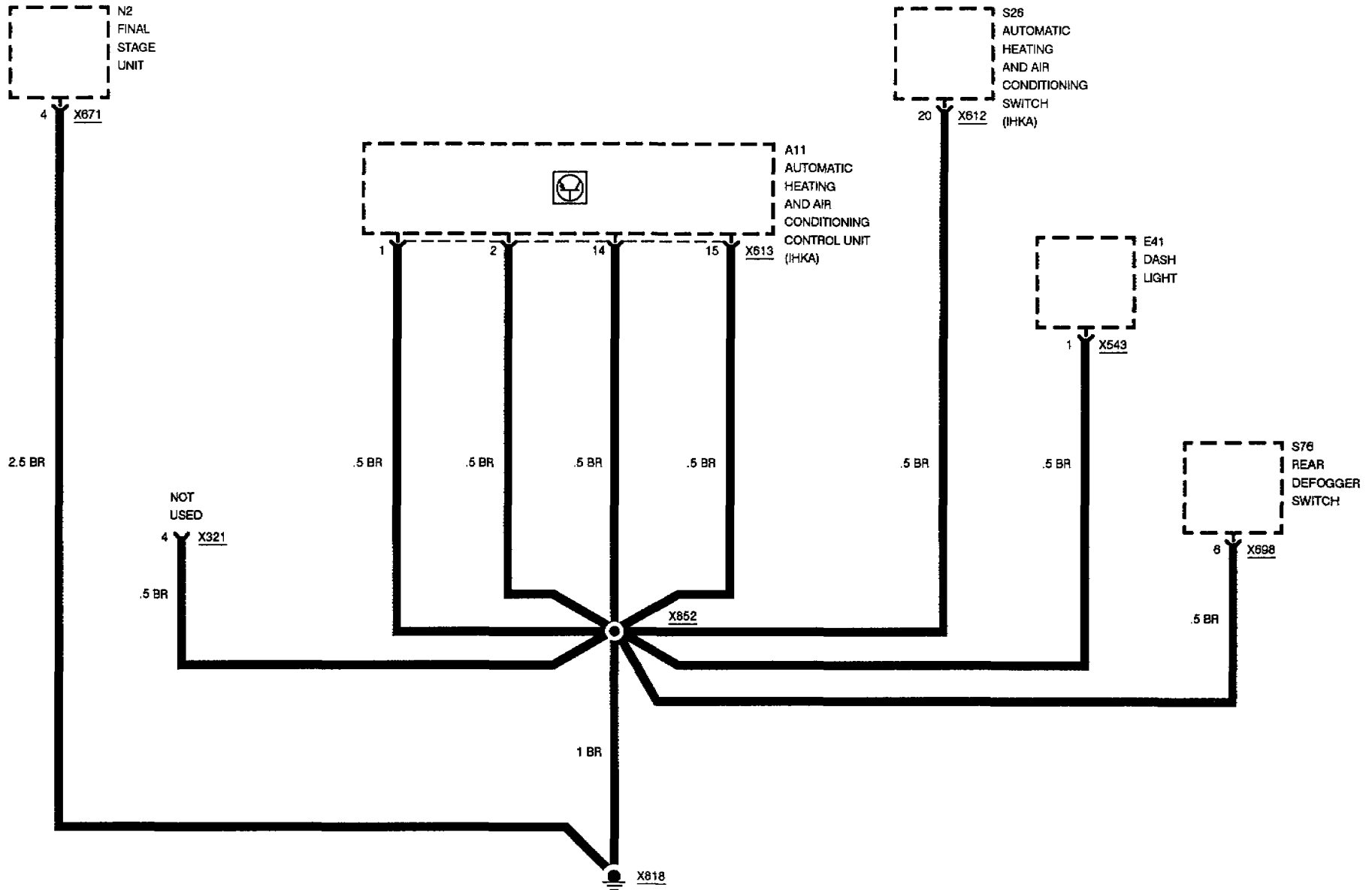
GROUND X497





GROUND DISTRIBUTION

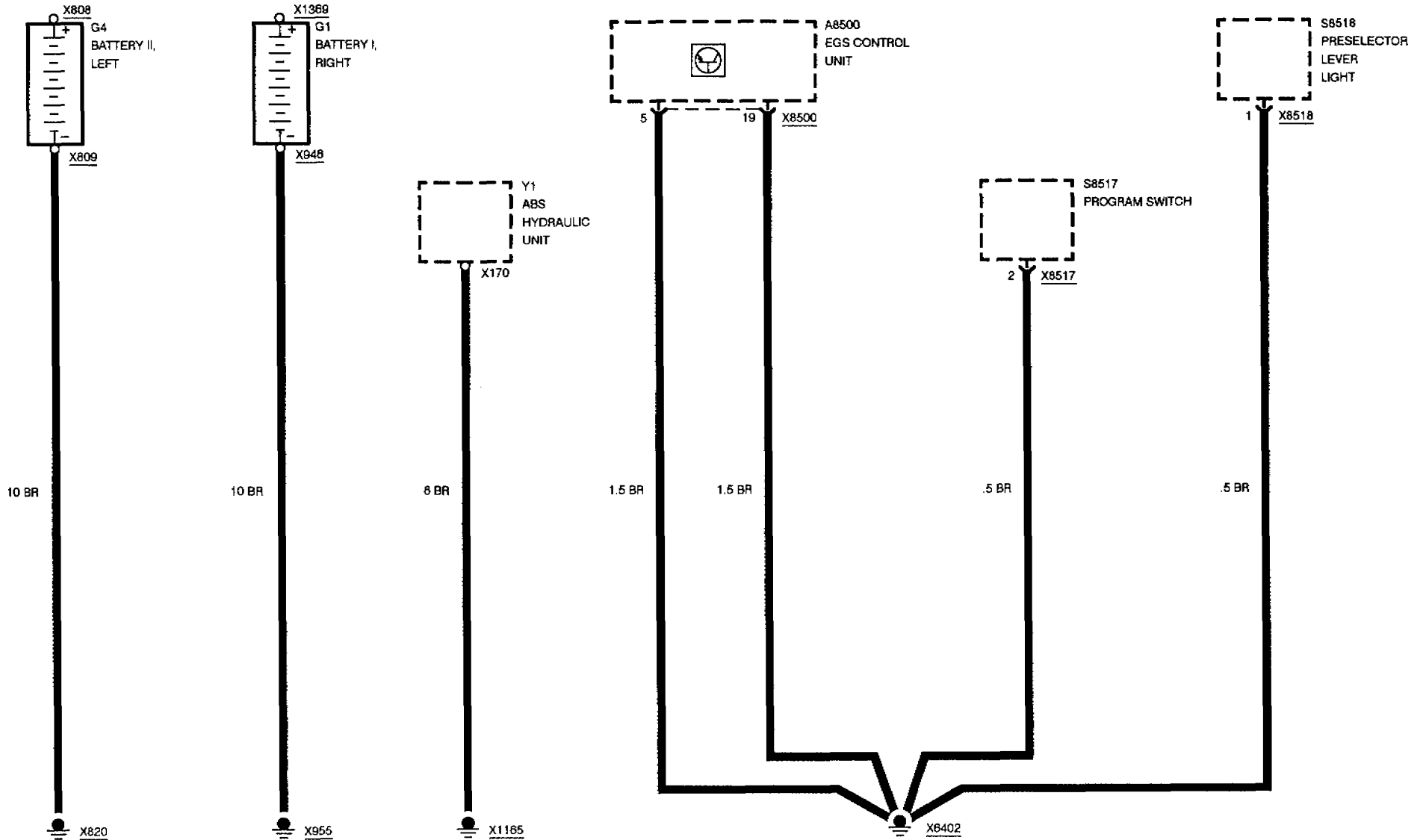
GROUND X818





GROUND DISTRIBUTION

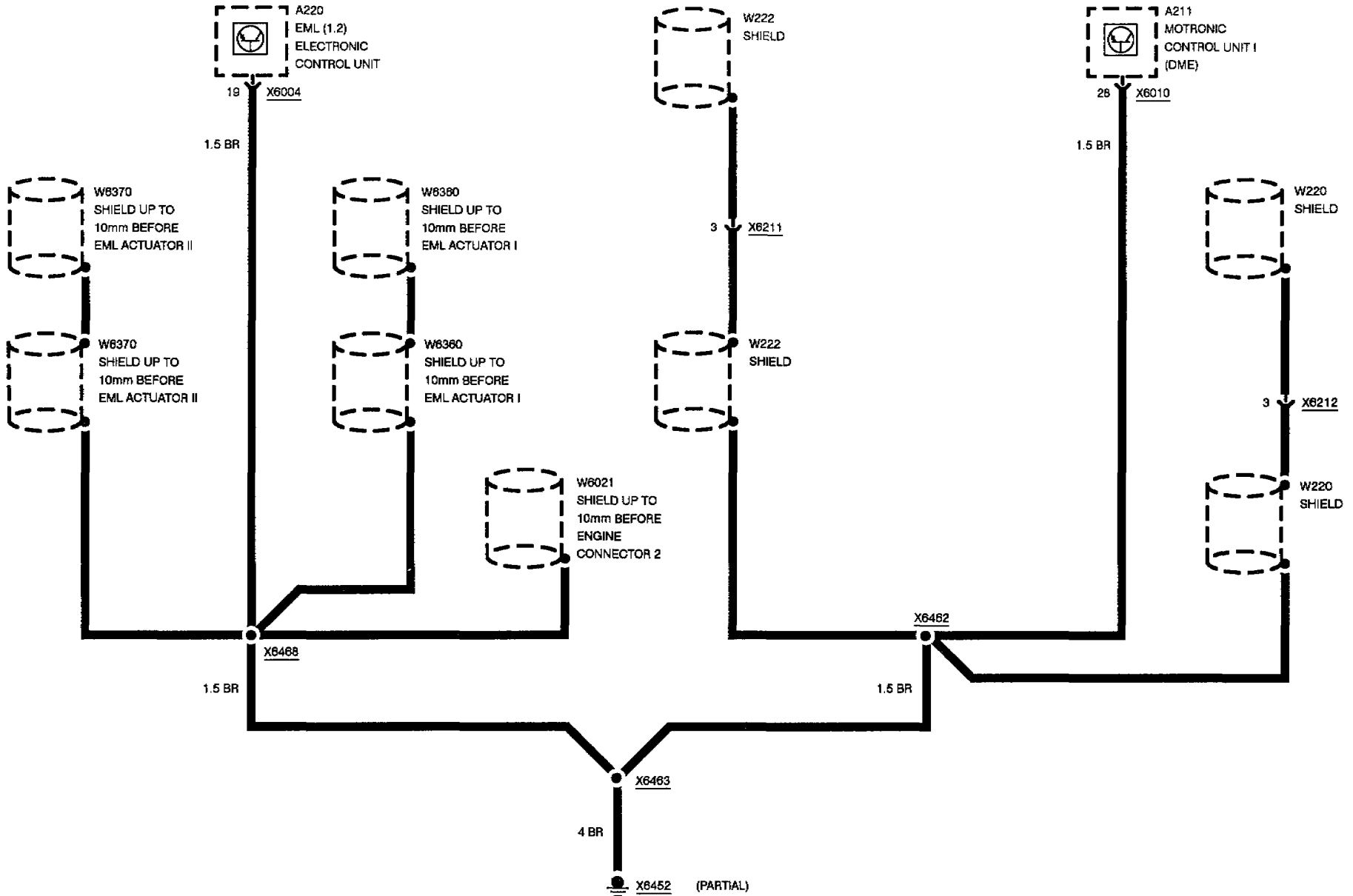
GROUND X820, X955, X1165 AND X6402





GROUND DISTRIBUTION

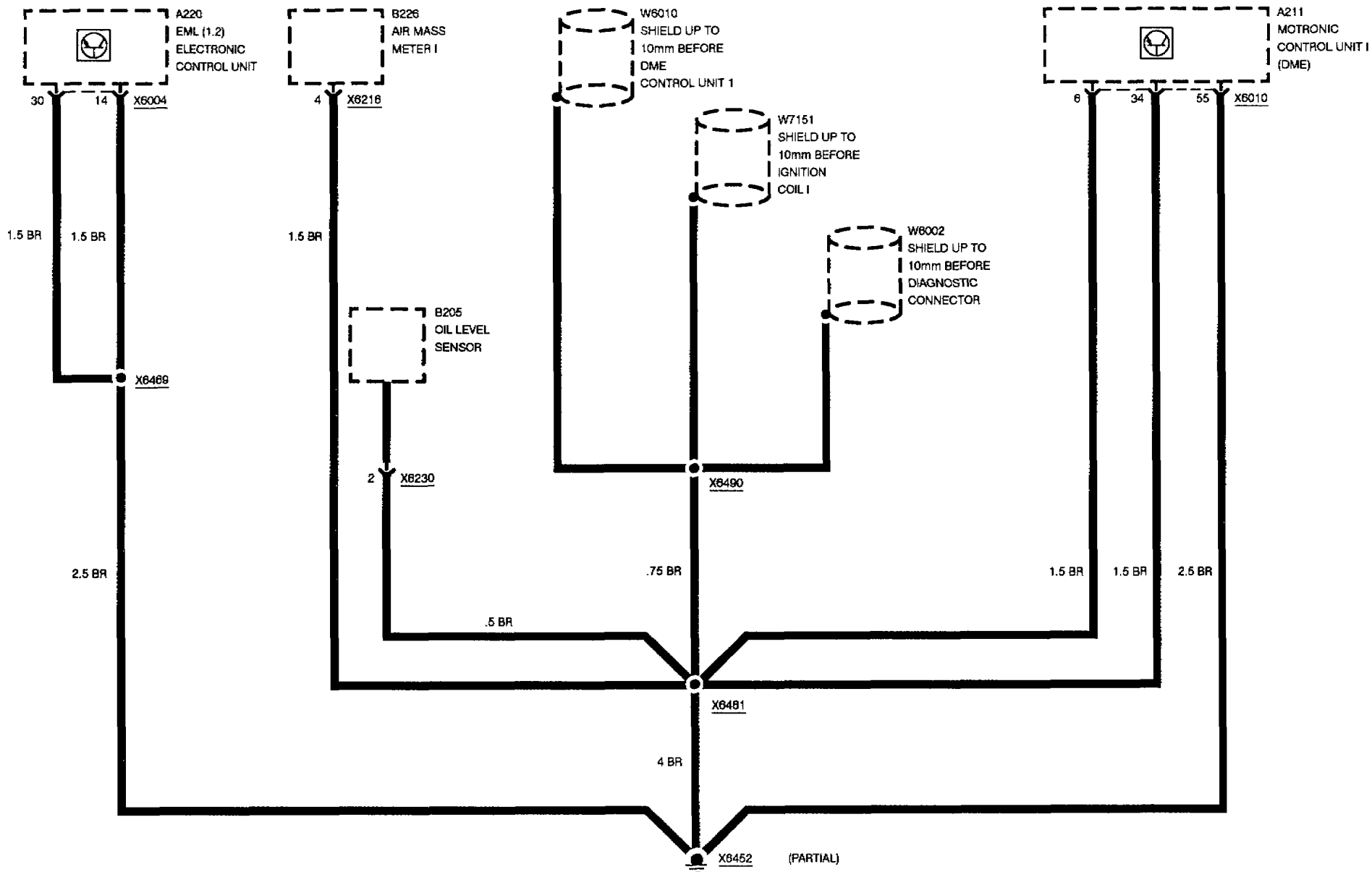
GROUND X6452





GROUND DISTRIBUTION

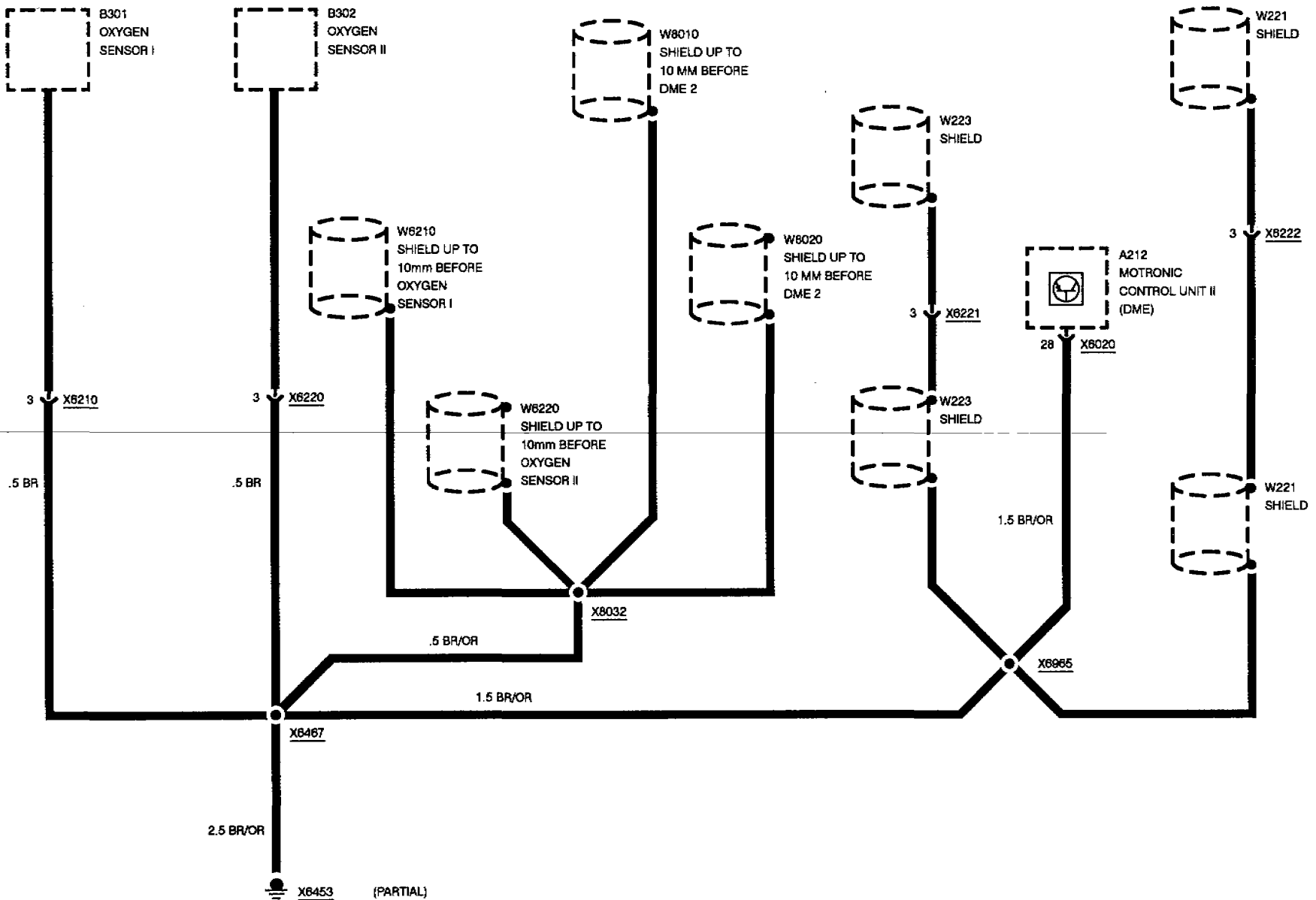
GROUND X6452



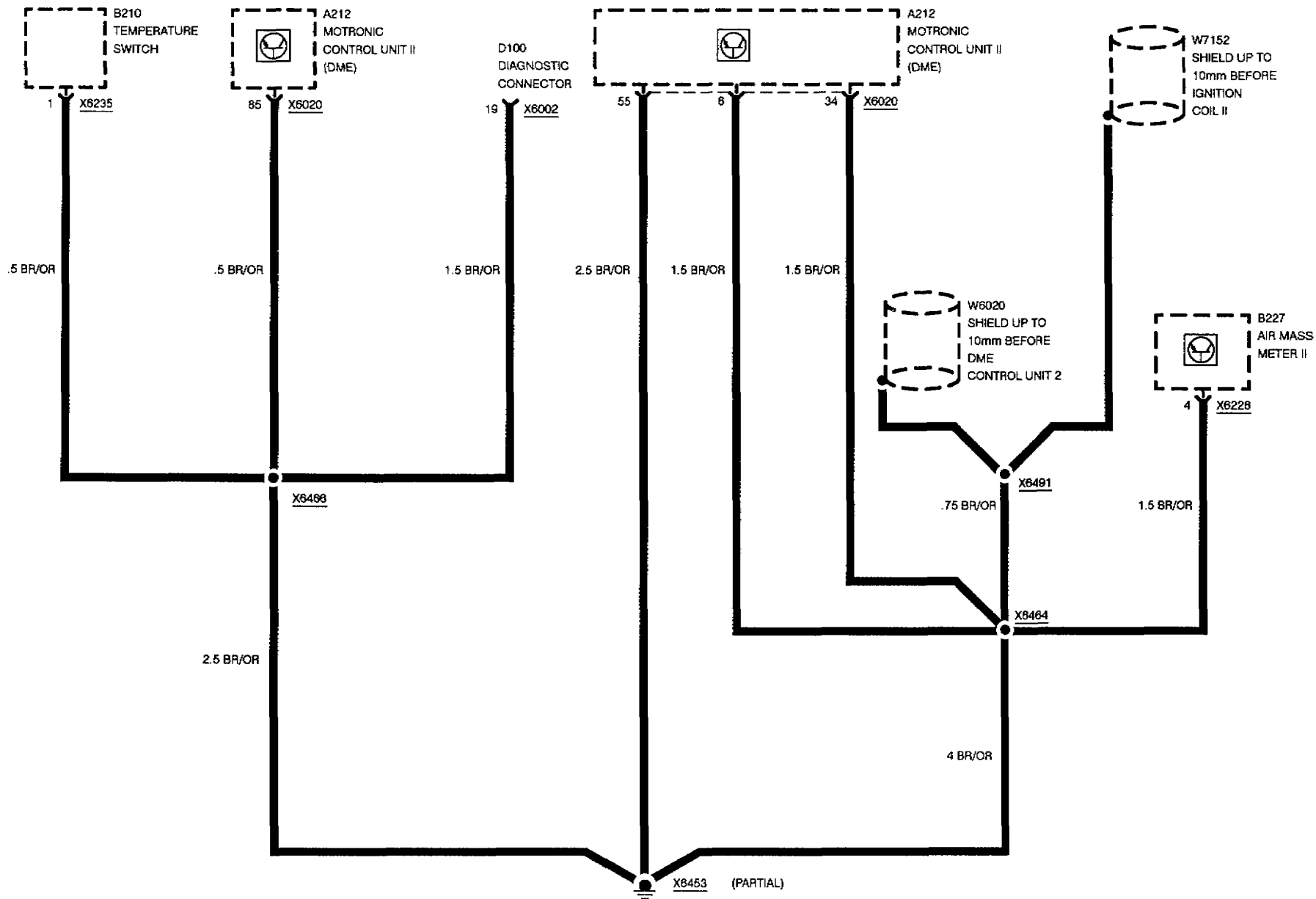


GROUND DISTRIBUTION

GROUND X6453



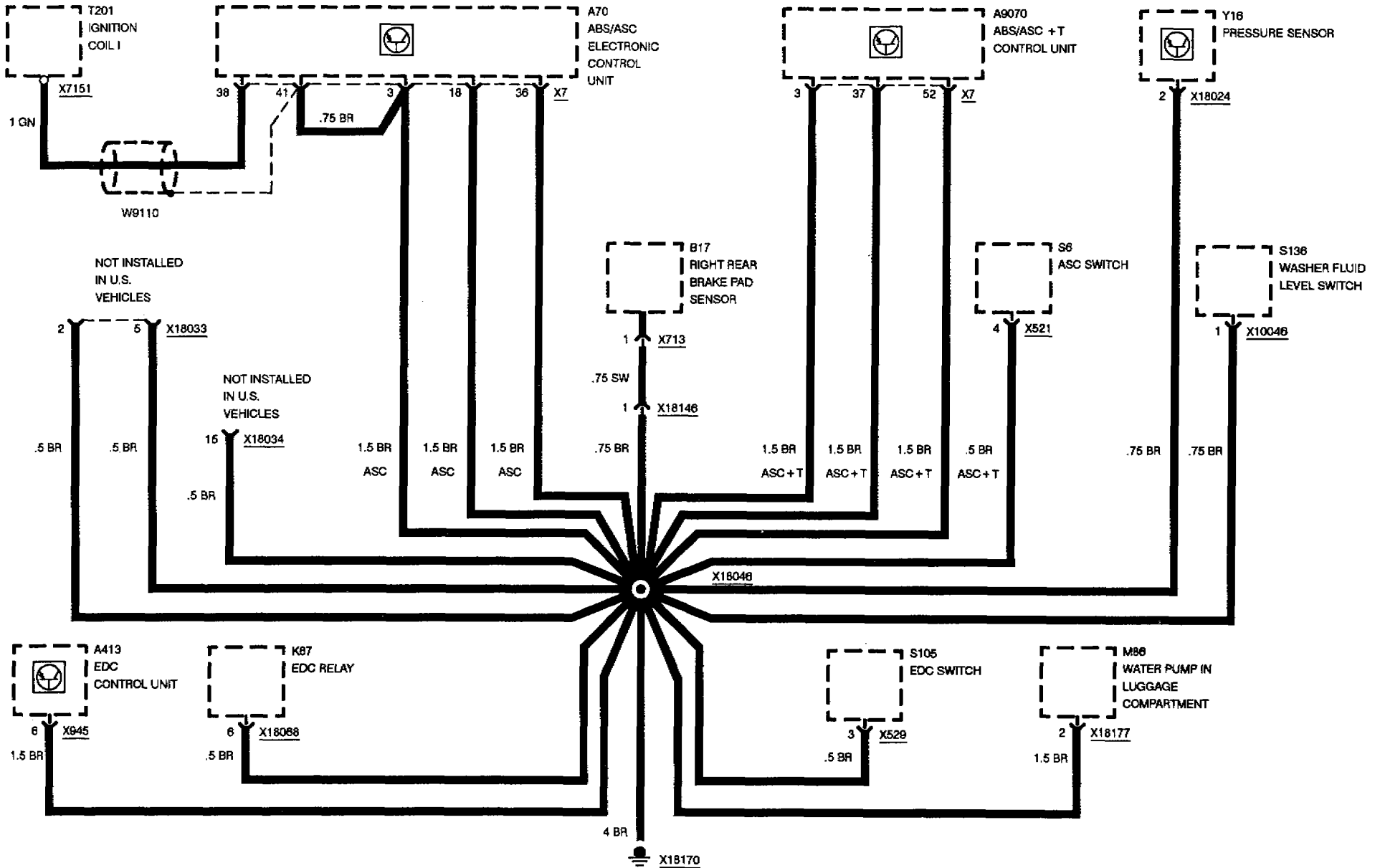
BMW 8 **GROUND DISTRIBUTION**
GROUND X6453





GROUND DISTRIBUTION

GROUND X18170

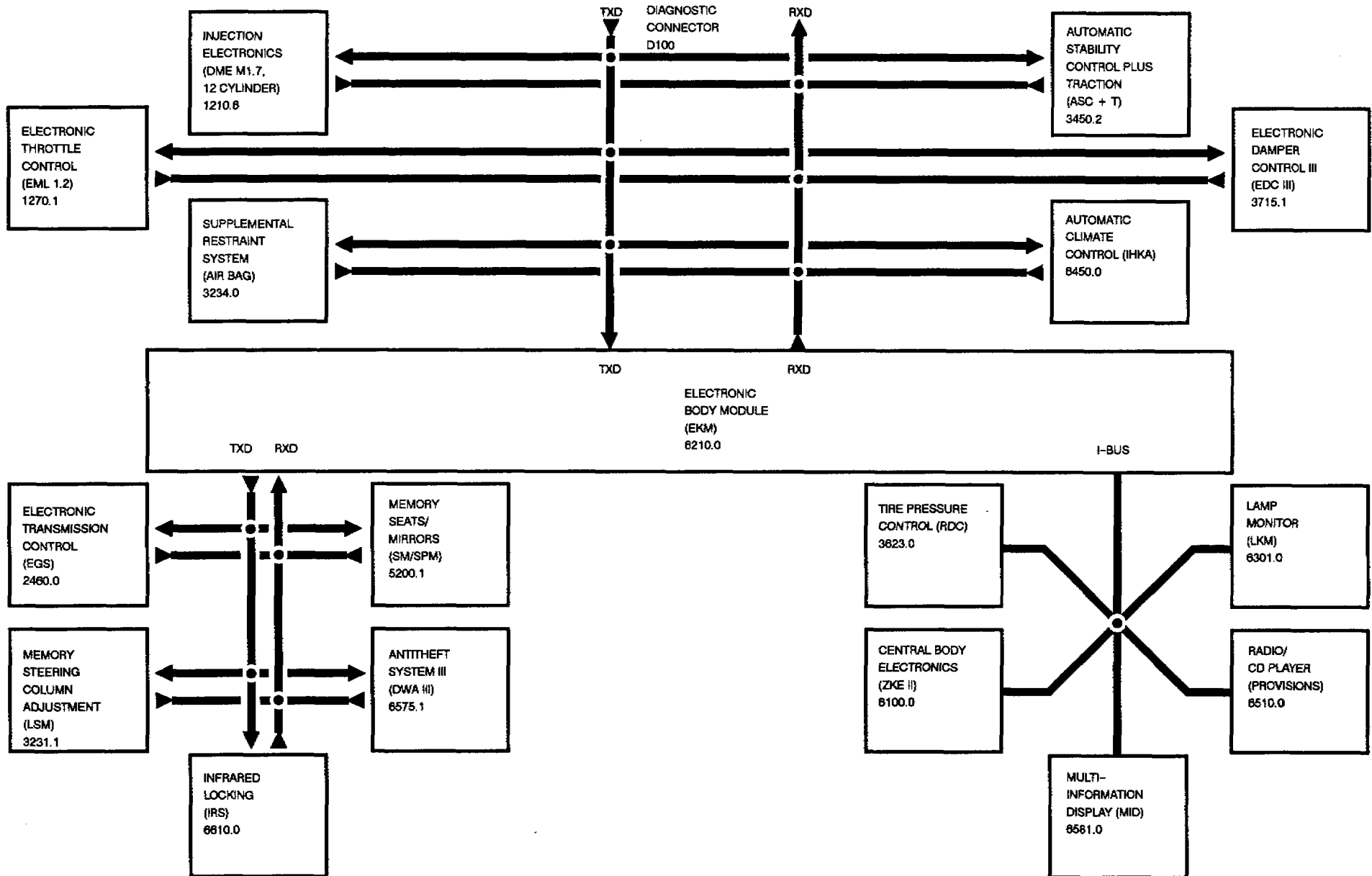






DIAGNOSTIC LINK

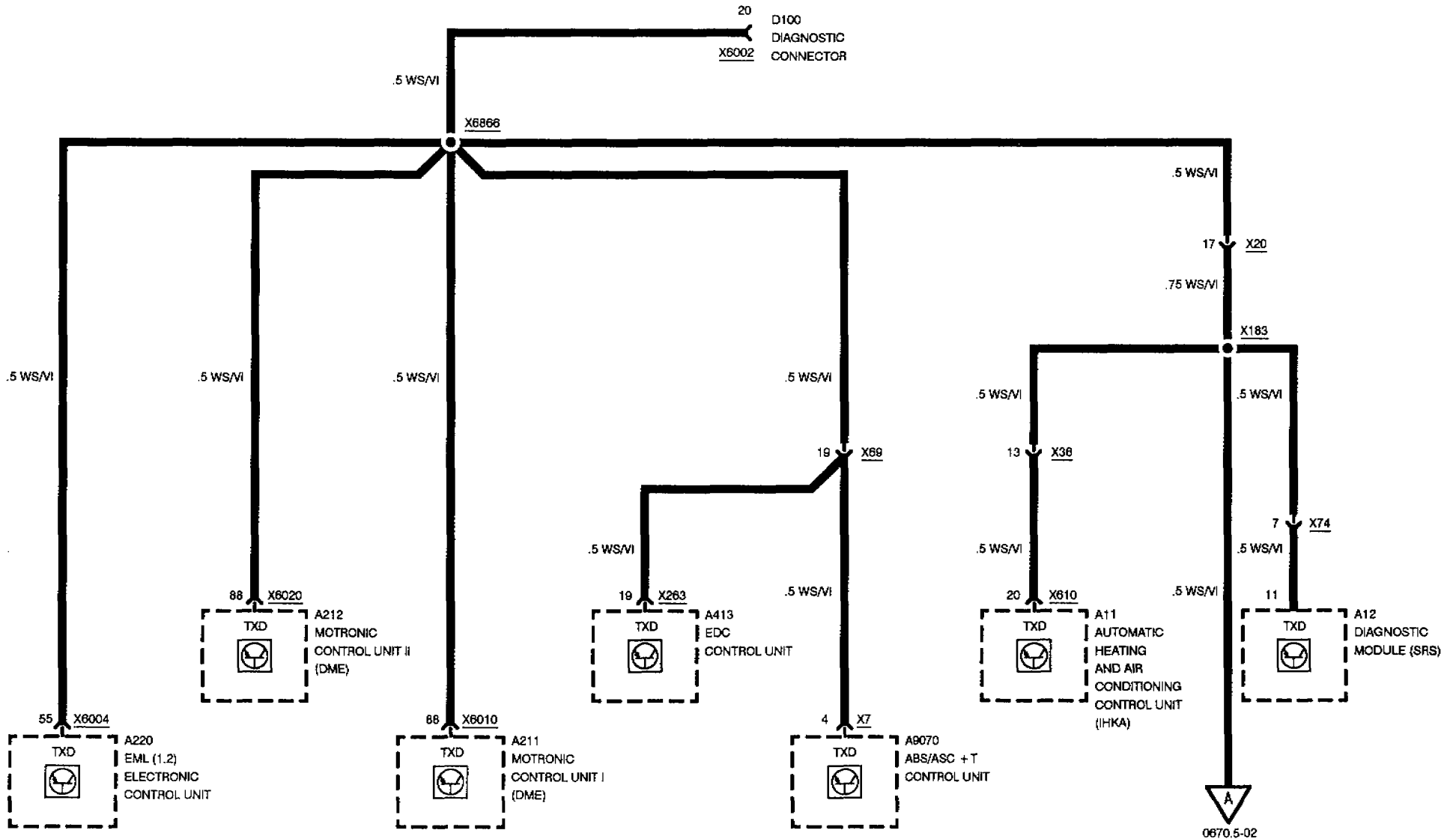
BLOCK DIAGRAM





DIAGNOSTIC LINK

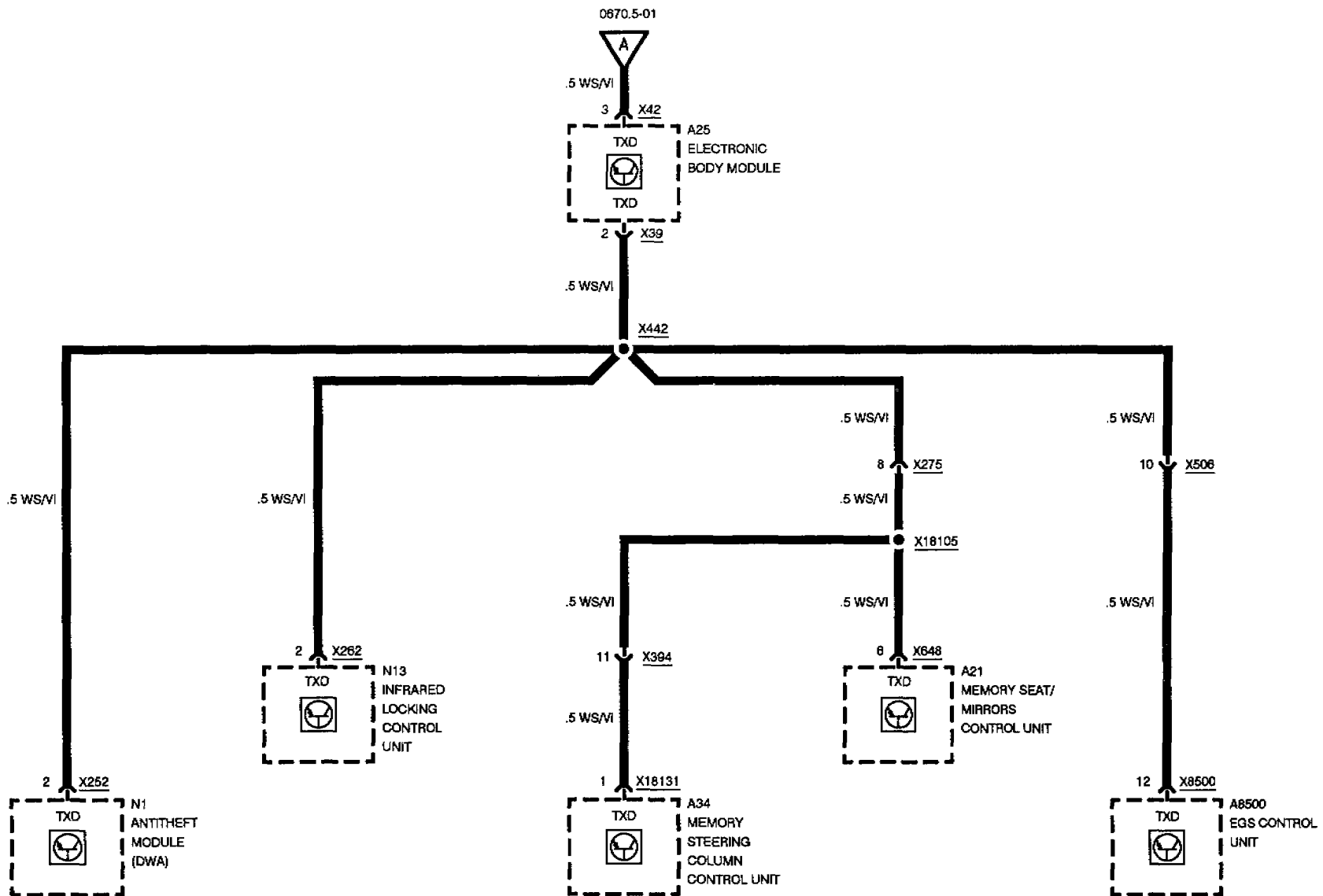
TXD





DIAGNOSTIC LINK

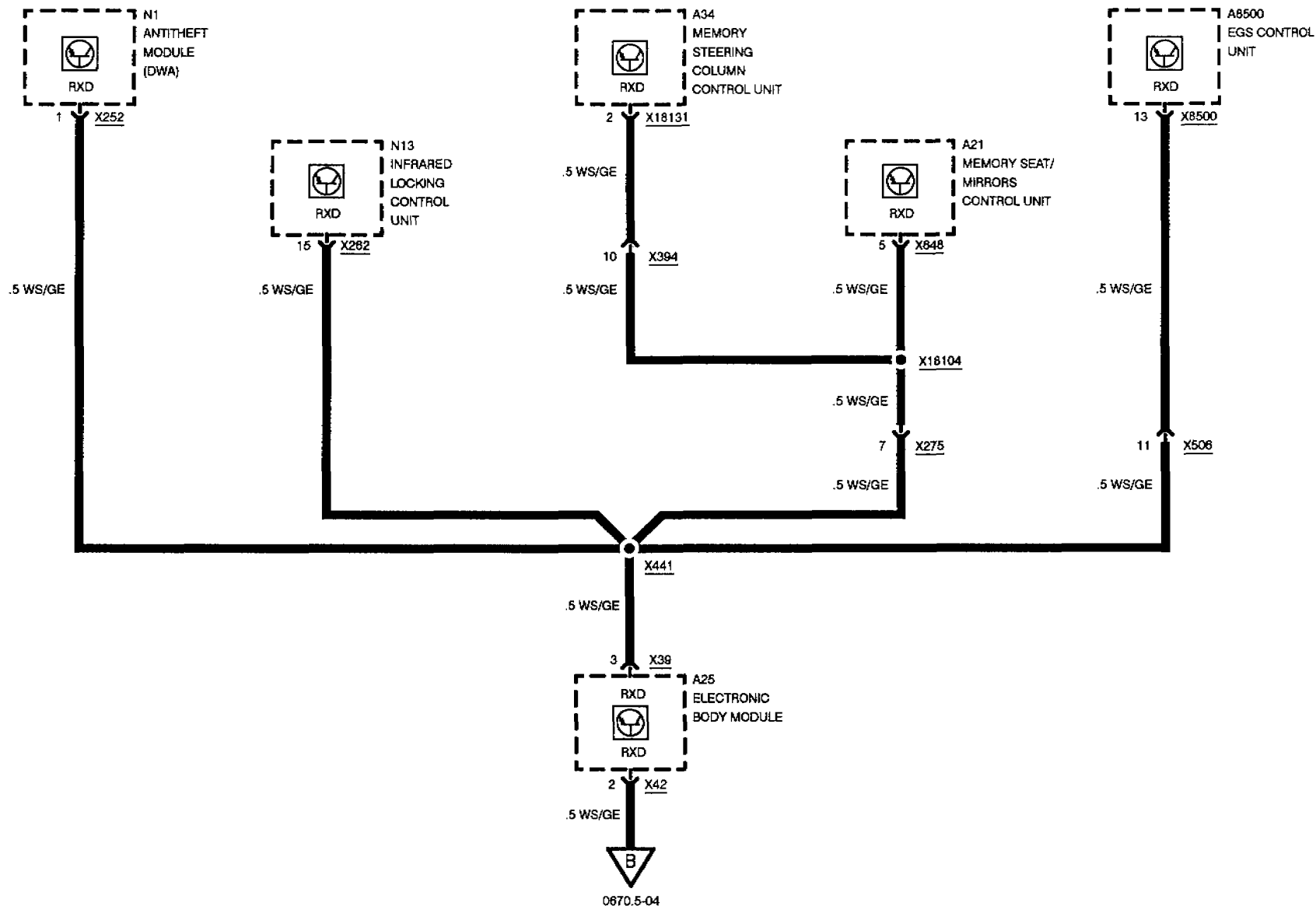
TXD





DIAGNOSTIC LINK

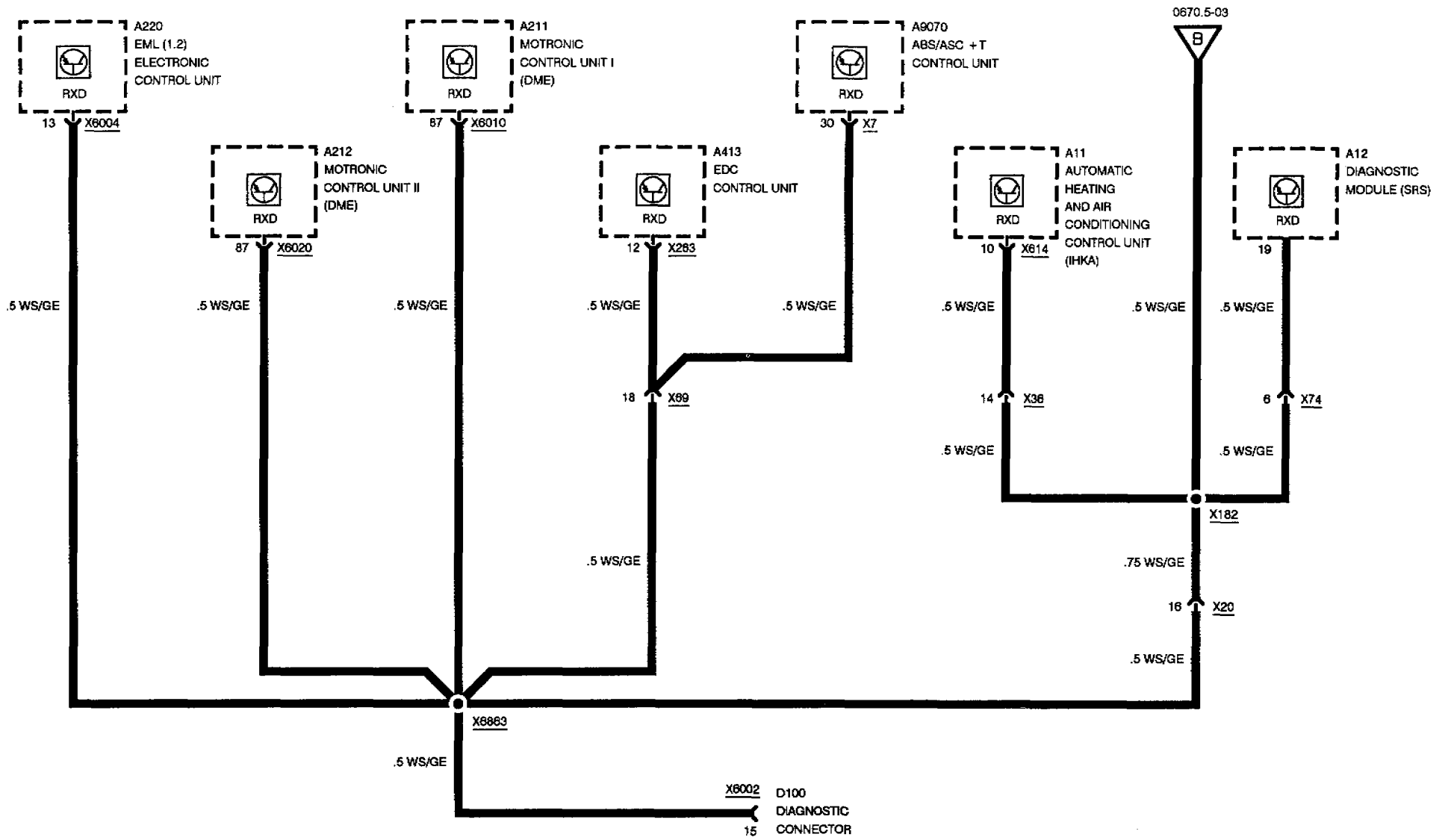
RXD





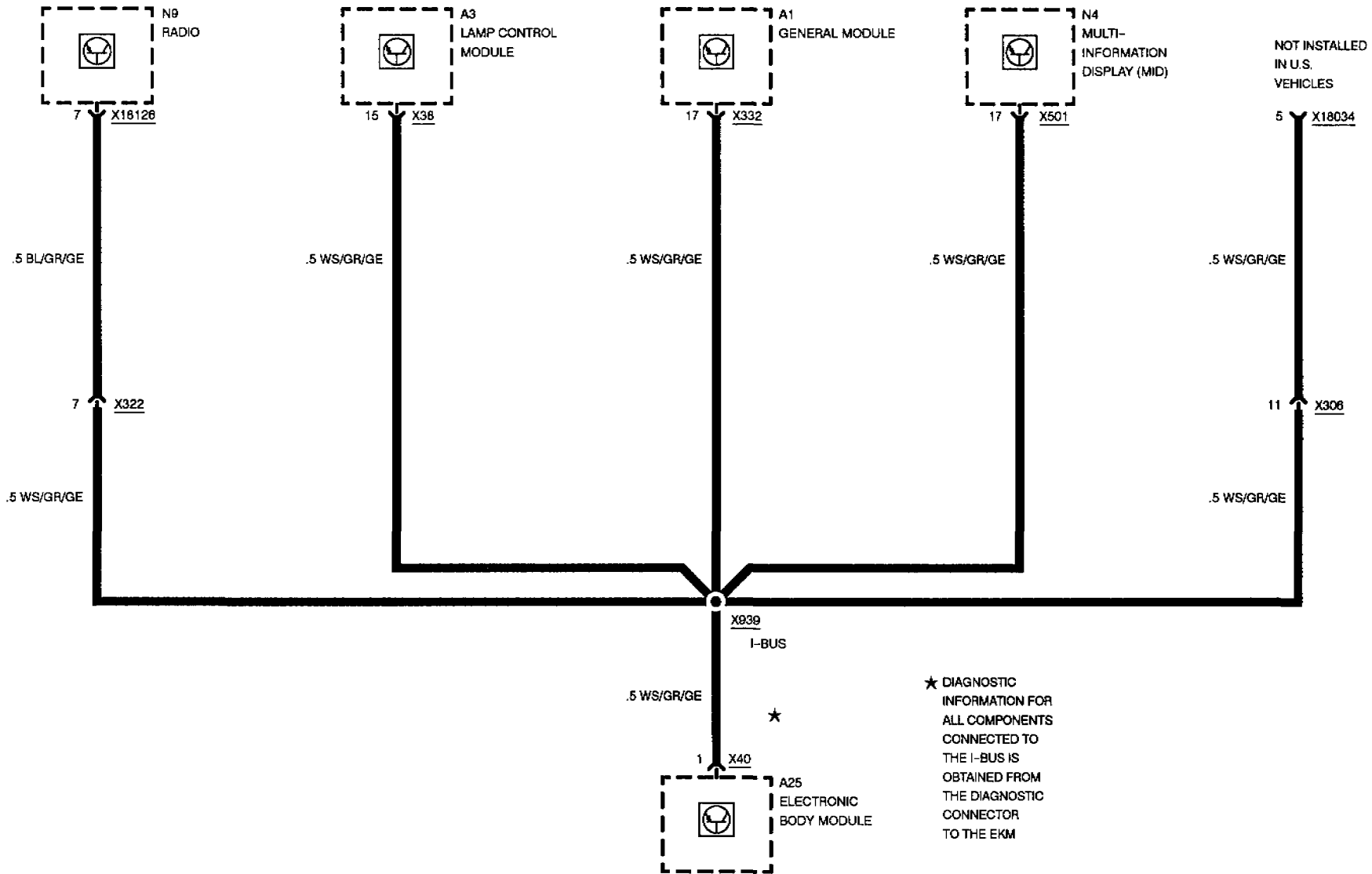
DIAGNOSTIC LINK

RXD





DIAGNOSTIC LINK INSTRUMENTATION BUS (I-BUS)

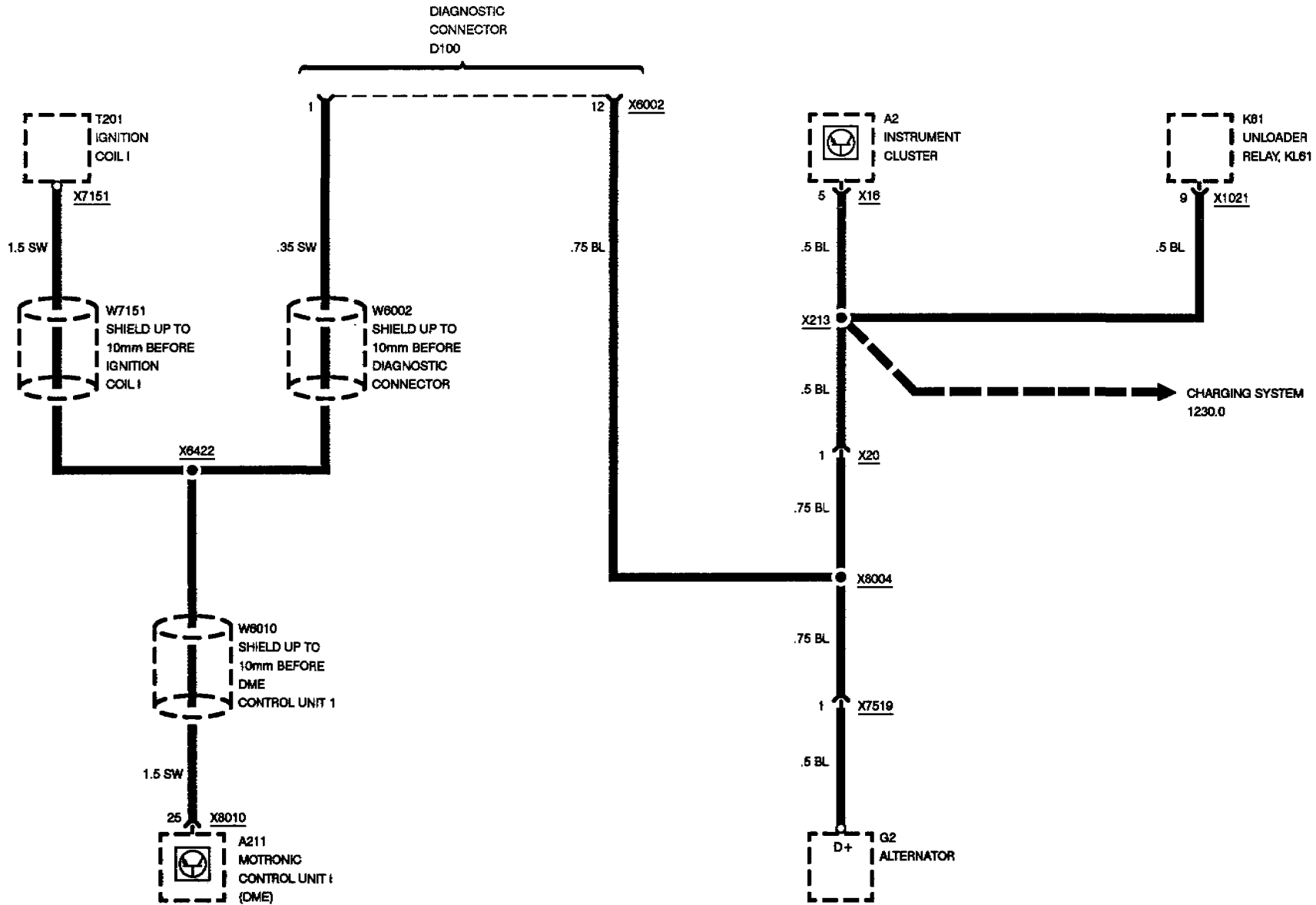


★ DIAGNOSTIC INFORMATION FOR ALL COMPONENTS CONNECTED TO THE I-BUS IS OBTAINED FROM THE DIAGNOSTIC CONNECTOR TO THE EKM



DIAGNOSTIC LINK

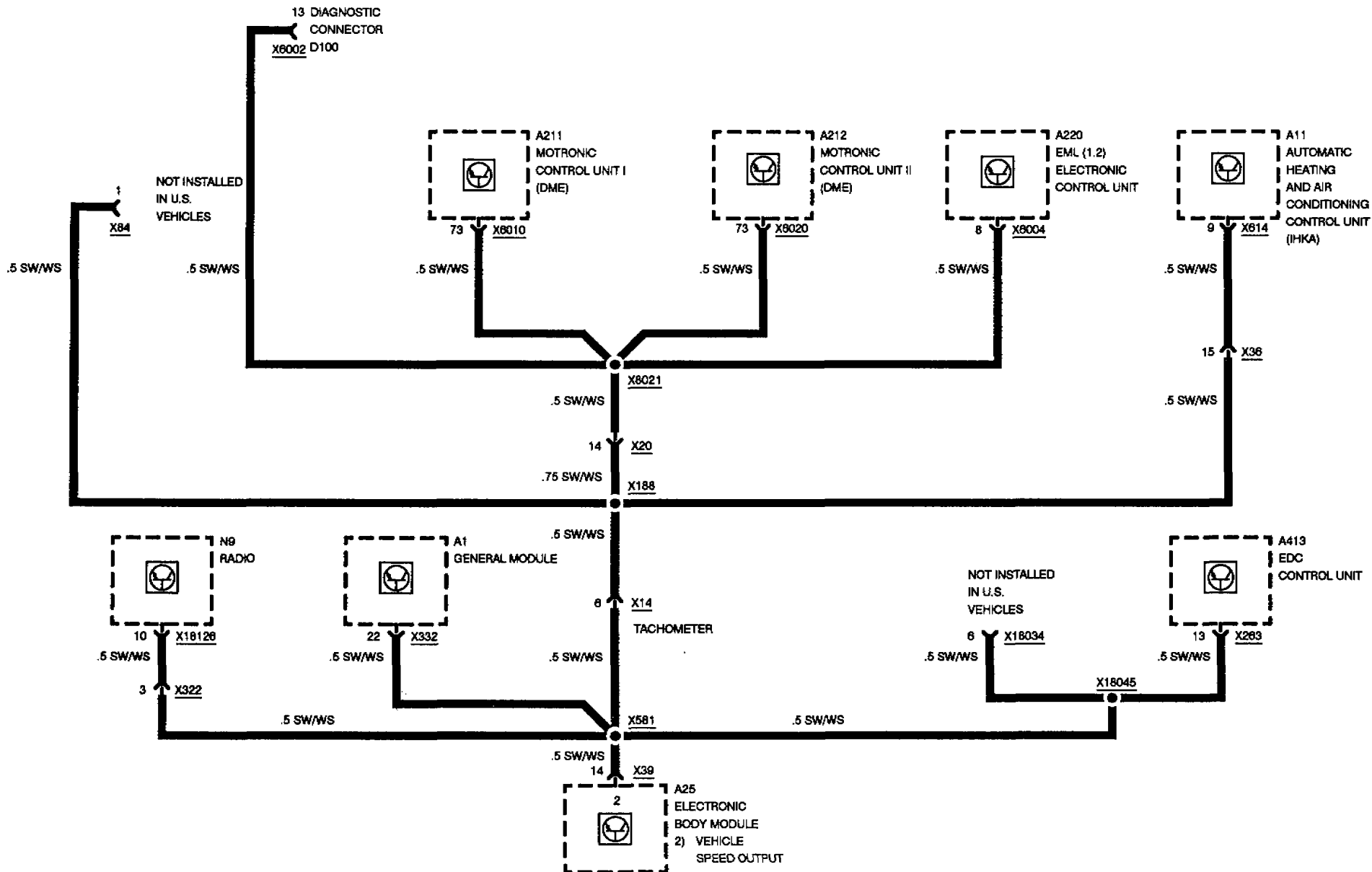
DIAGNOSTIC CONNECTOR PINS 1 AND 12





DIAGNOSTIC LINK

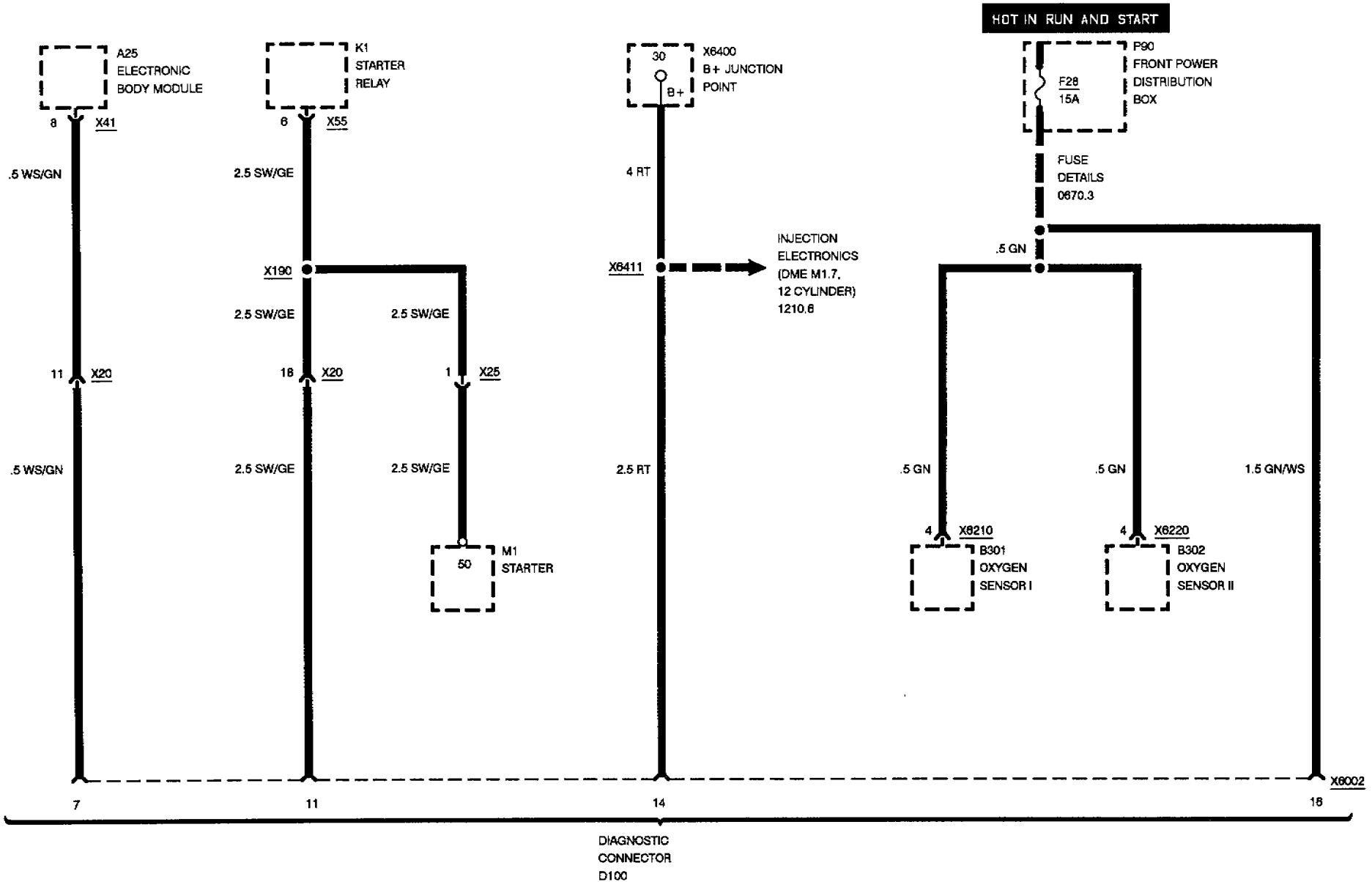
DIAGNOSTIC CONNECTOR PIN 13





DIAGNOSTIC LINK

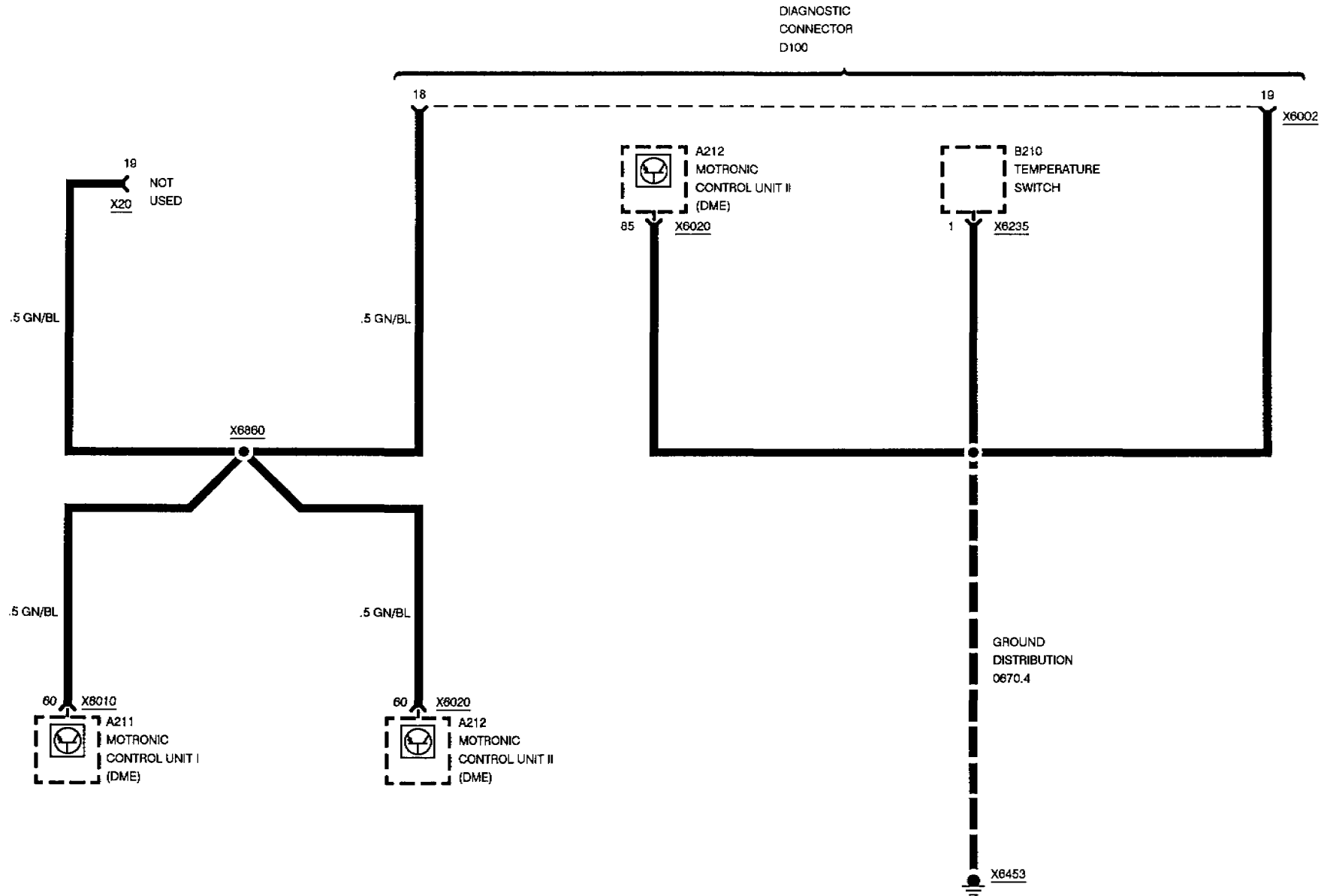
DIAGNOSTIC CONNECTOR PINS 7, 11, 14, AND 16





DIAGNOSTIC LINK

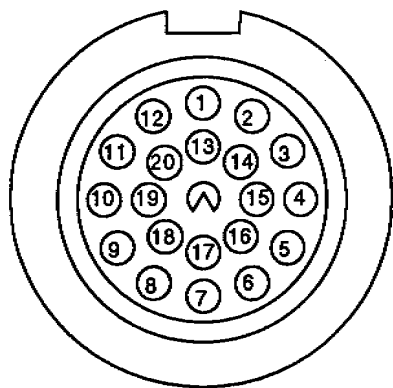
DIAGNOSTIC CONNECTOR PINS 18 AND 19





DIAGNOSTIC LINK

DIAGNOSTIC CONNECTOR (X6002)



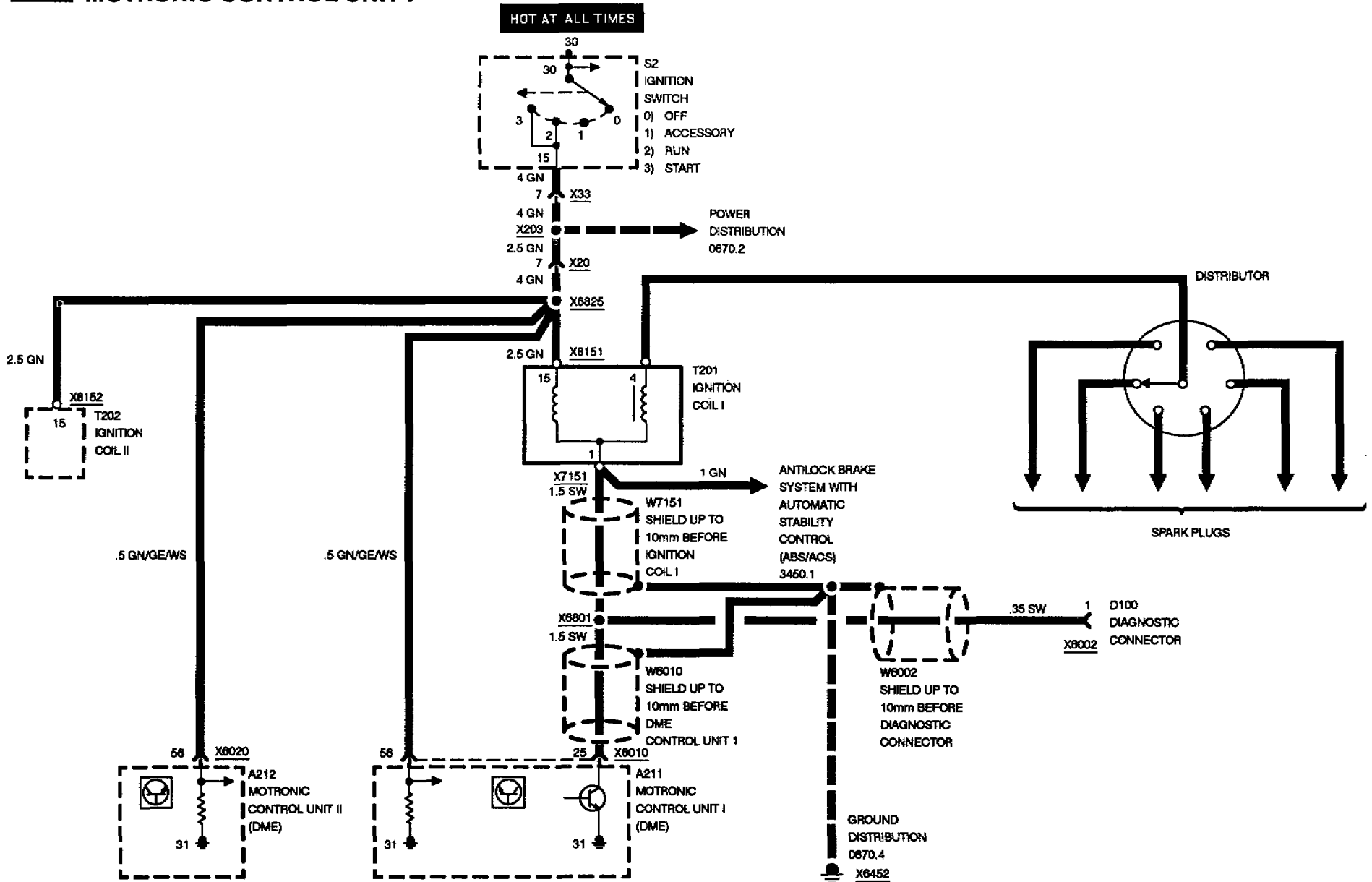
PIN NUMBER	TERMINAL NUMBER	TERMINAL DESCRIPTION	WIRE COLOR
1	1	IGNITION COIL	SW
2	-	LATE PRODUCTION	
3	-	LATE PRODUCTION	
4	-	LATE PRODUCTION	
5	-	LATE PRODUCTION	
6	-	LATE PRODUCTION	
7	SI	SERVICE INTERVAL RESET	WS/GN
8	-	LATE PRODUCTION	
9	-	LATE PRODUCTION	
10	-	LATE PRODUCTION	
11	50	VOLTAGE: IGNITION SWITCH IN START	SW/GE
12	61(D+)	ALTERNATOR CHARGE INDICATOR	BL
13	TACH	SPEEDOMETER SIGNAL-OUTPUT	SW/WS
14	30	VOLTAGE: HOT AT ALL TIMES	RT
15	RXD	DIAGNOSTIC DATALINK	WS/GE
16	15S	VOLTAGE: IGNITION SWITCH IN RUN AND START	GN/WS
17	-	LATE PRODUCTION	
18	-	PROGRAM SELECT FOR DME CONTROL UNIT	GN/BL
19	31	GROUND	BR
20	TXD	DIAGNOSTIC DATALINK	WS/VI





INJECTION ELECTRONICS (DME M1.7, 12 CYLINDER)

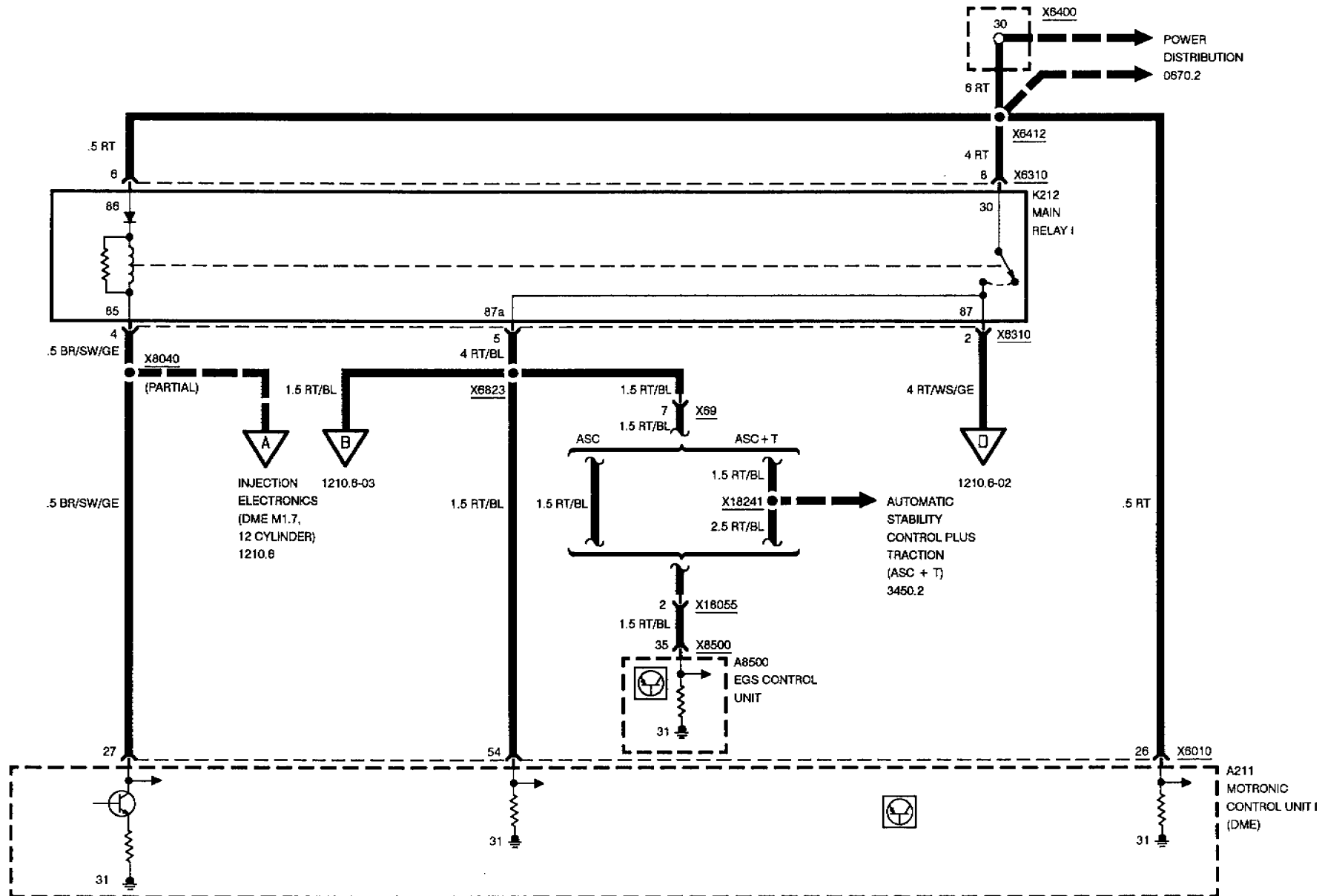
MOTRONIC CONTROL UNIT I





INJECTION ELECTRONICS (DME M1.7, 12 CYLINDER)

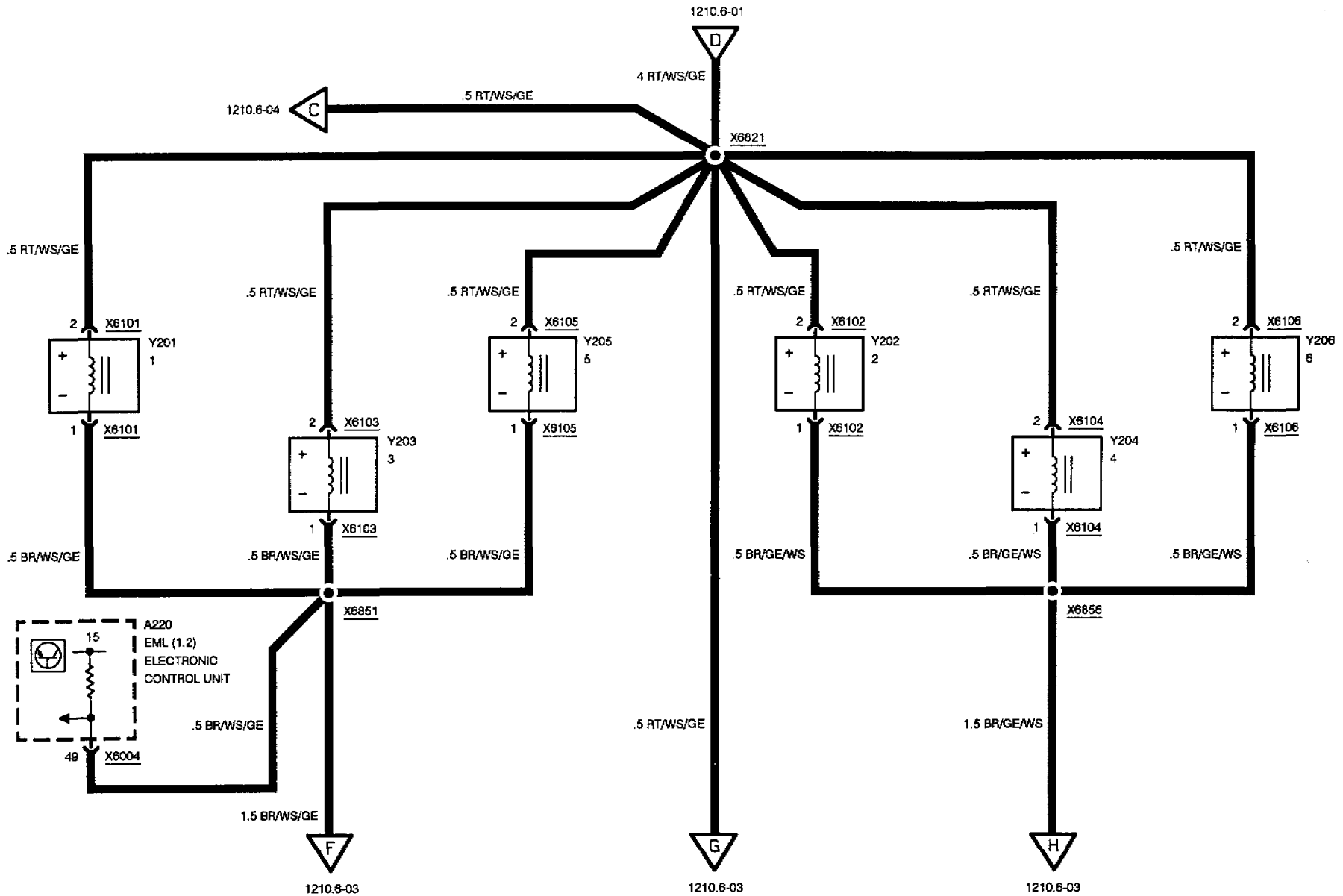
MOTRONIC CONTROL UNIT I





INJECTION ELECTRONICS (DME M1.7, 12 CYLINDER)

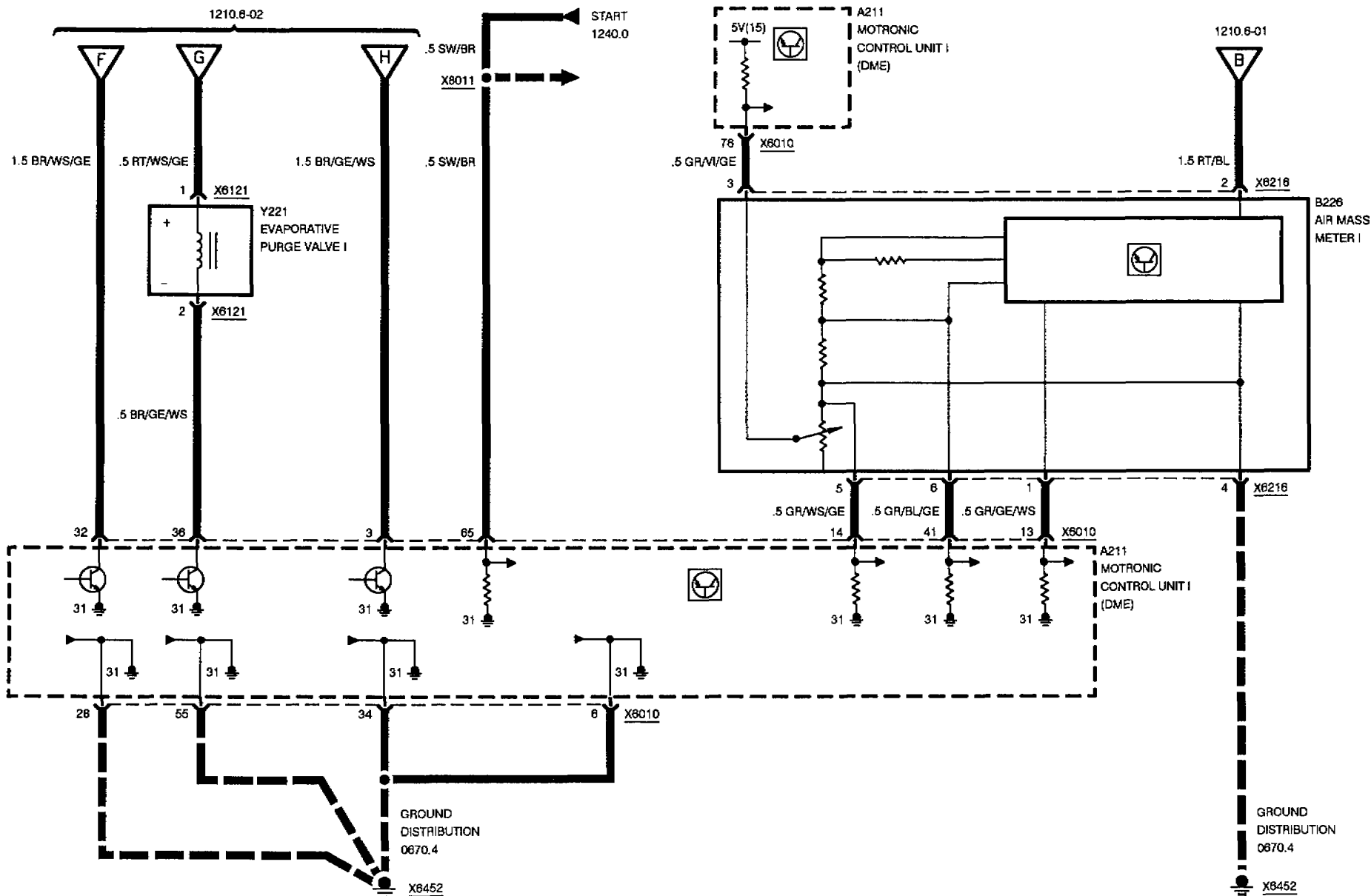
FUEL INJECTORS





INJECTION ELECTRONICS (DME M1.7, 12 CYLINDER)

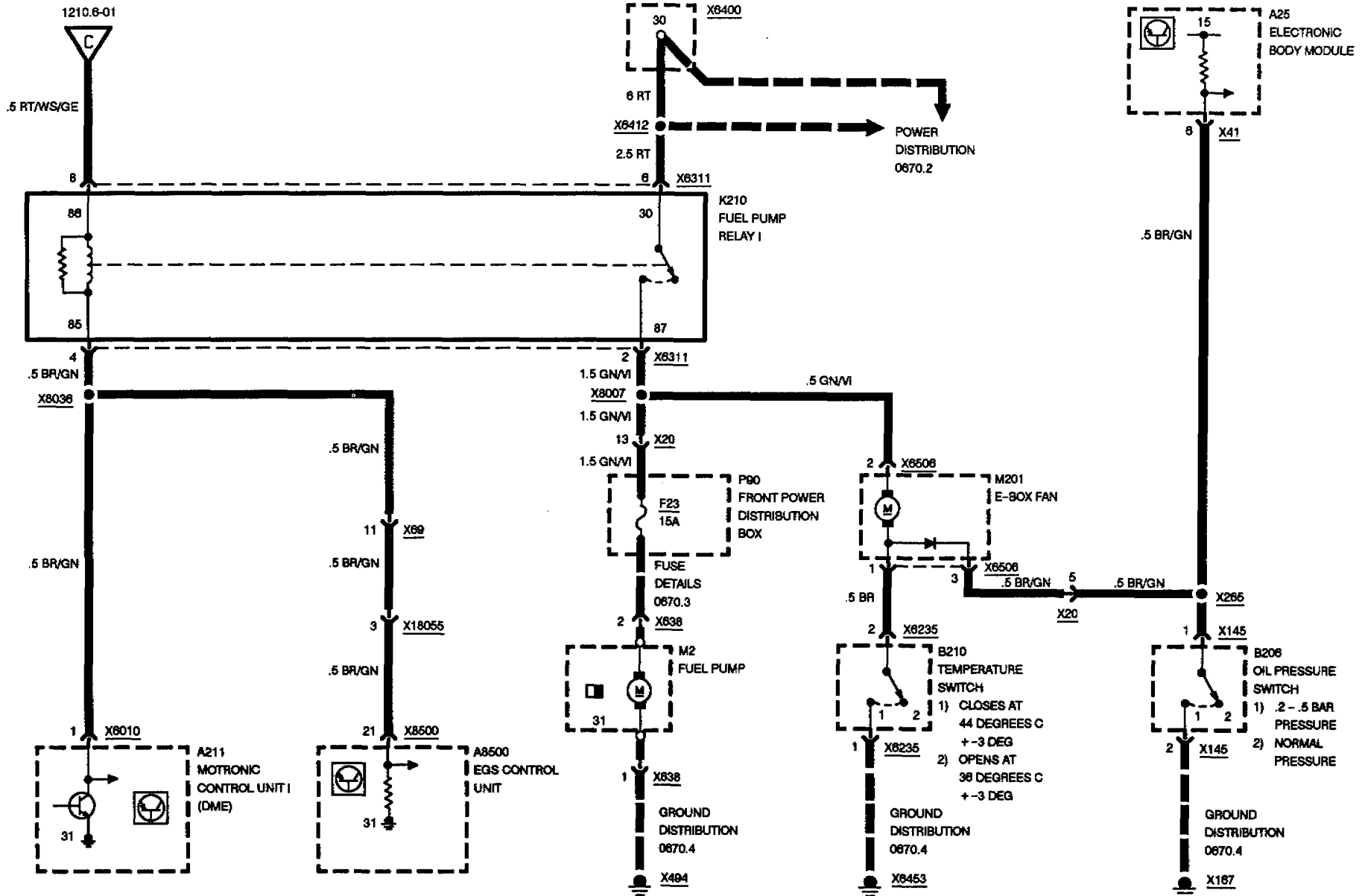
MOTRONIC CONTROL UNIT I





INJECTION ELECTRONICS (DME M1.7, 12 CYLINDER)

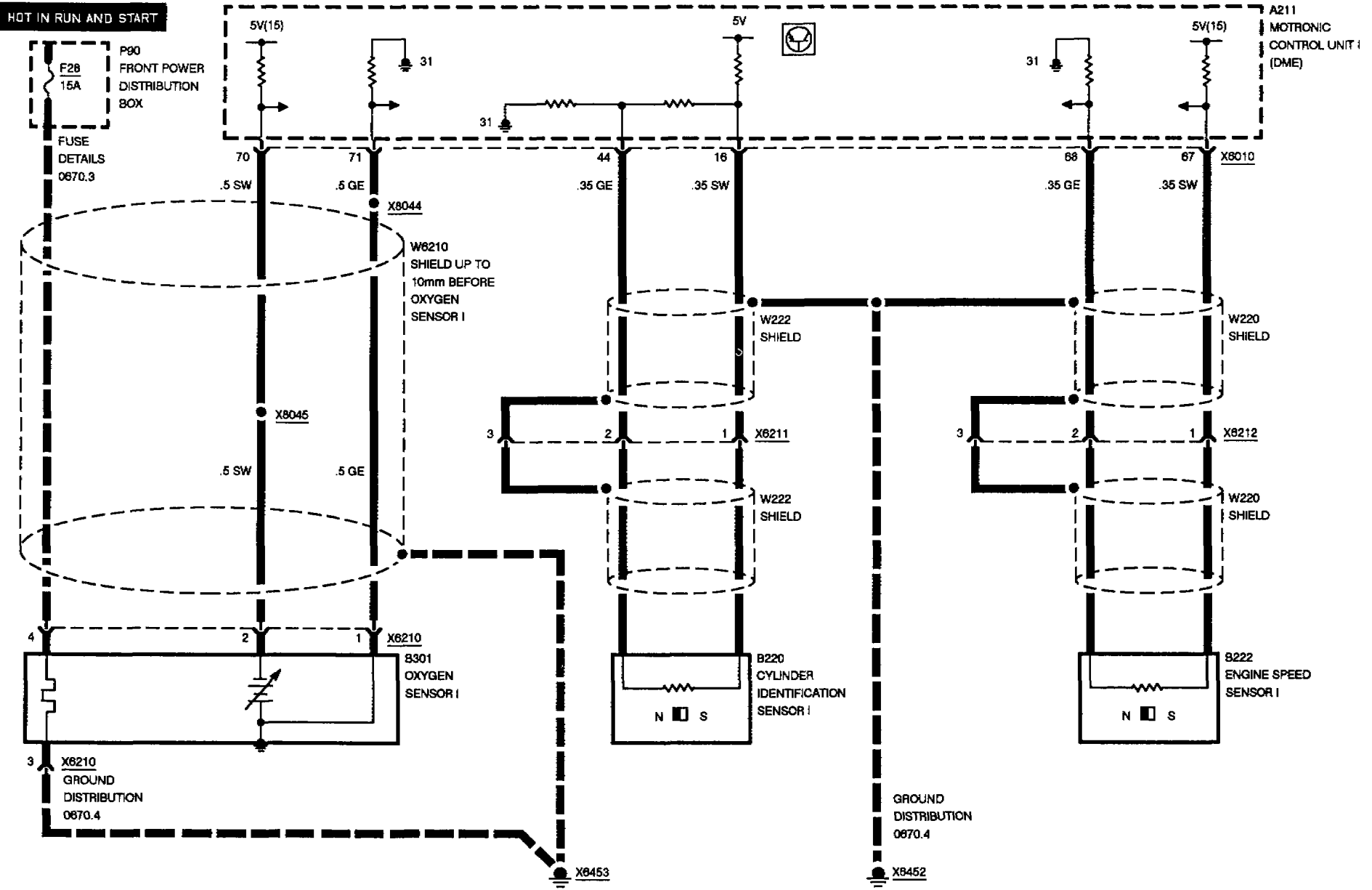
MOTRONIC CONTROL UNIT I





INJECTION ELECTRONICS (DME M1.7, 12 CYLINDER)

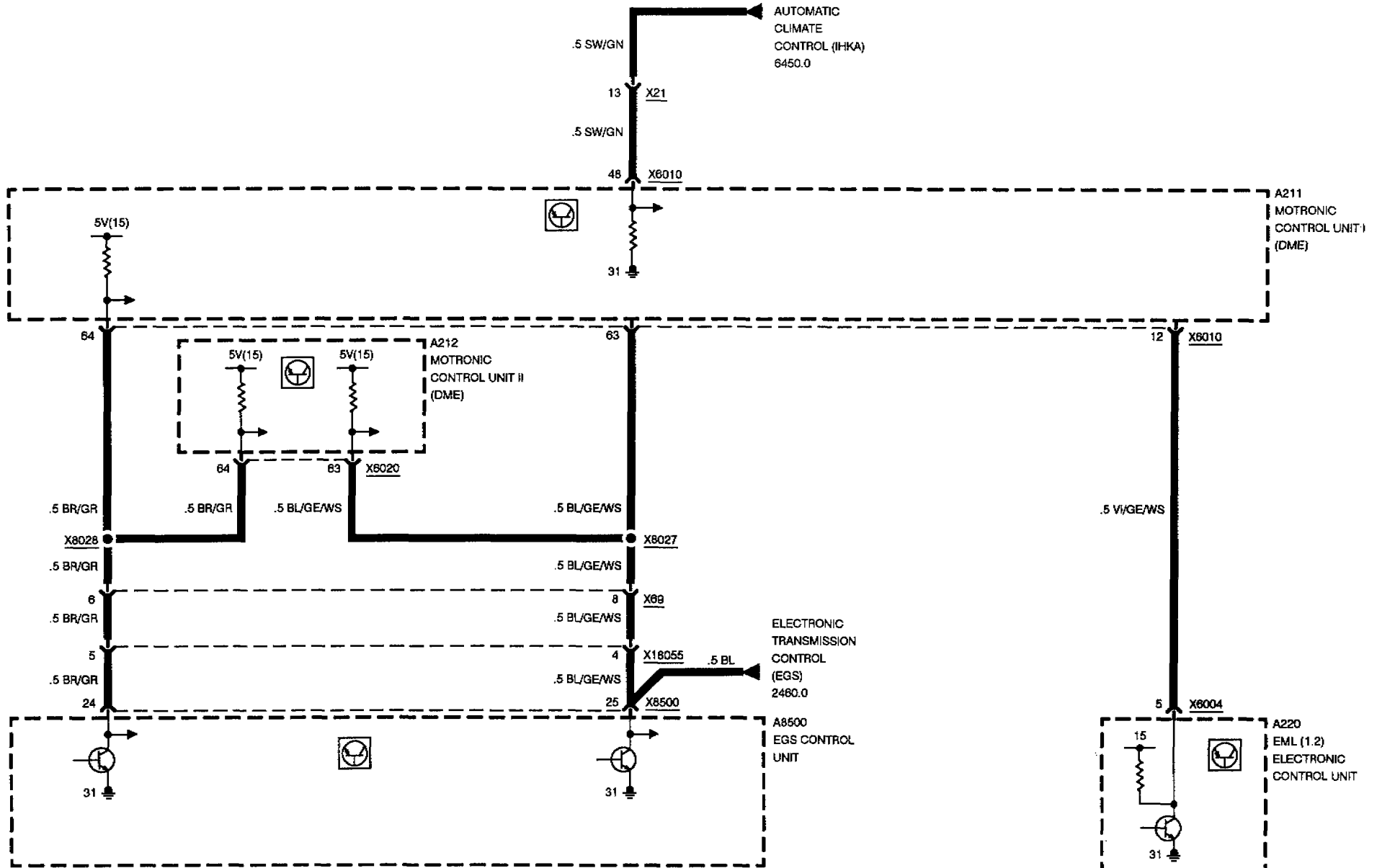
MOTRONIC CONTROL UNIT I





INJECTION ELECTRONICS (DME M1.7, 12 CYLINDER)

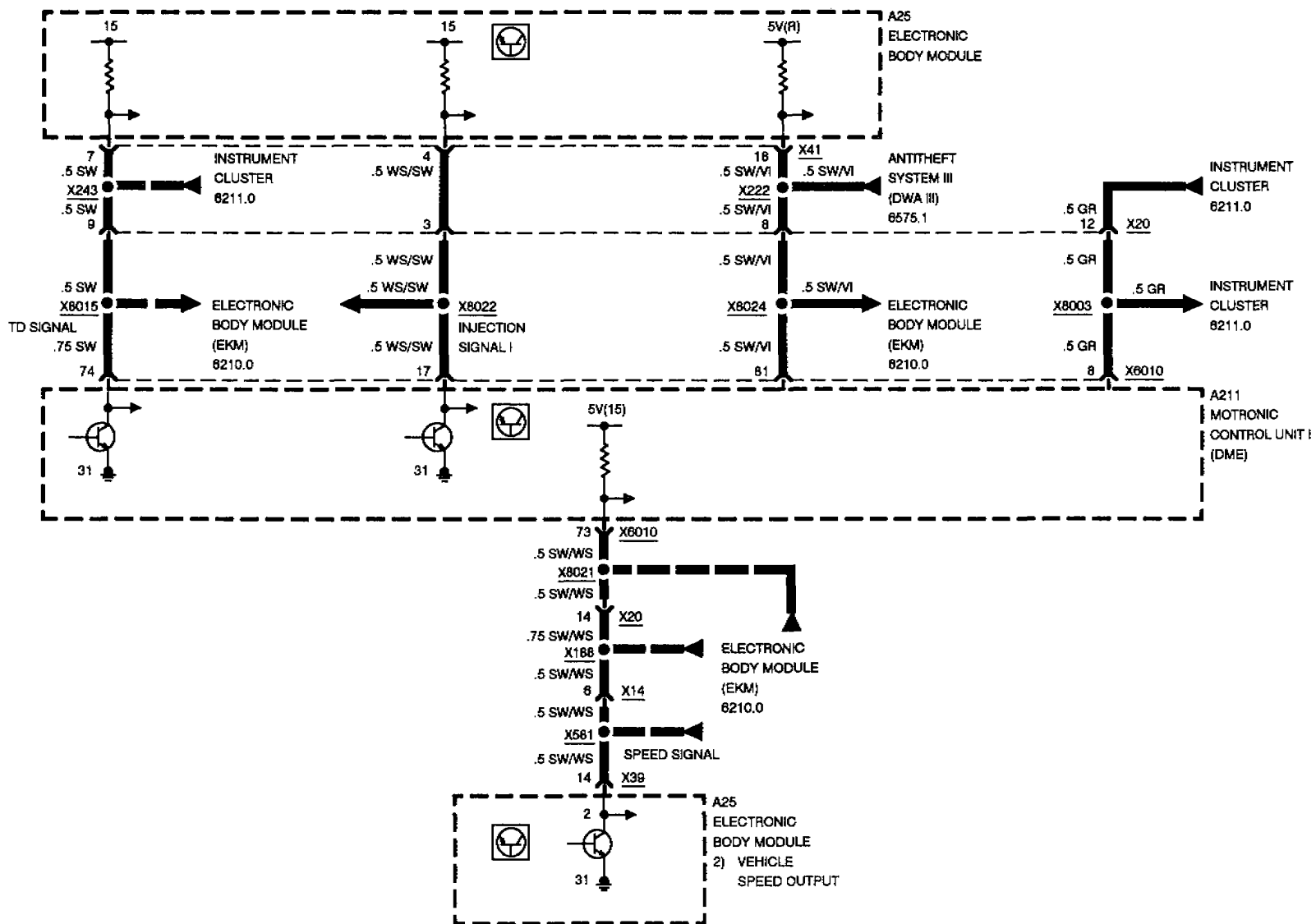
MOTRONIC CONTROL UNIT I





INJECTION ELECTRONICS (DME M1.7, 12 CYLINDER)

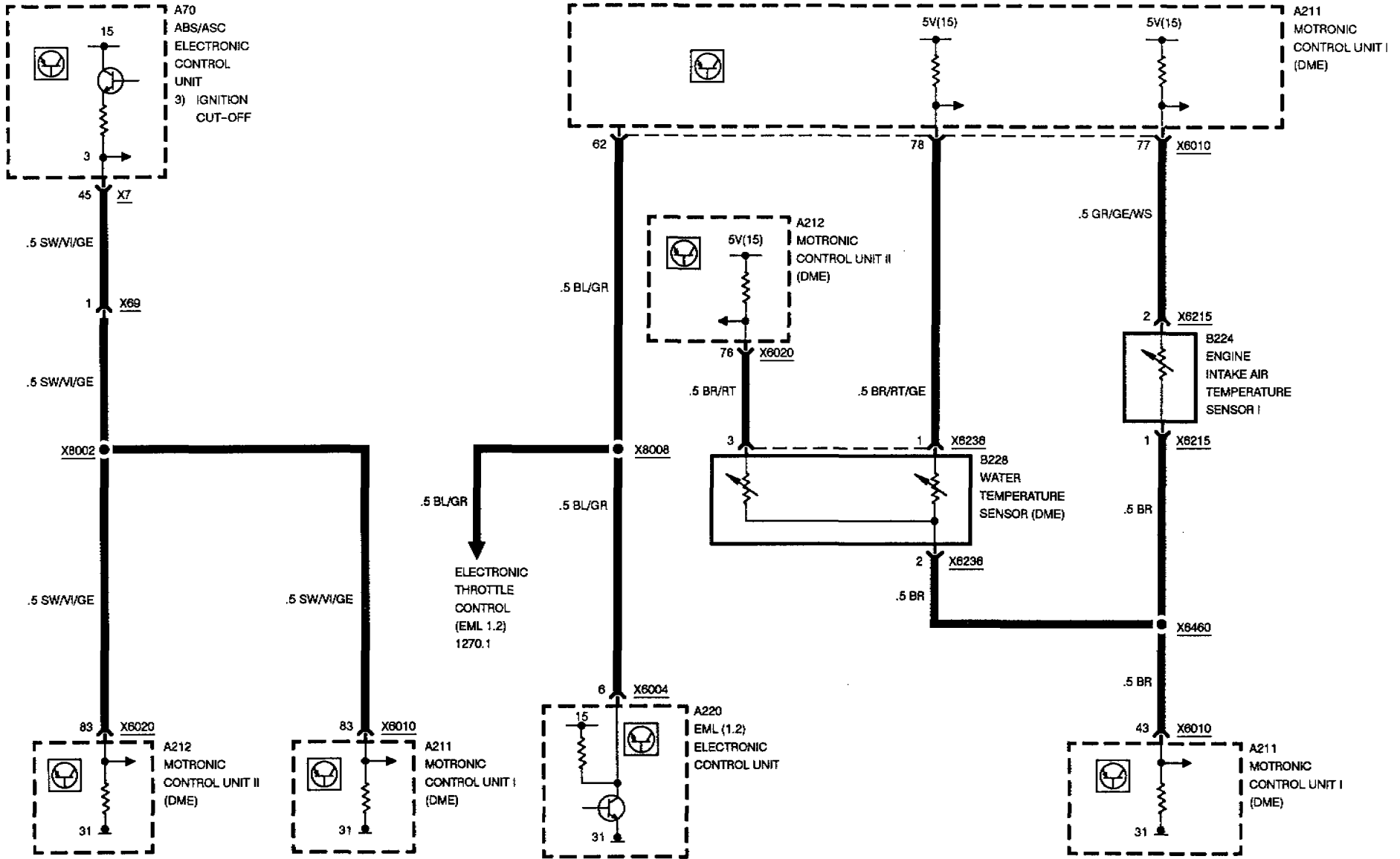
MOTRONIC CONTROL UNIT I





INJECTION ELECTRONICS (DME M1.7, 12 CYLINDER)

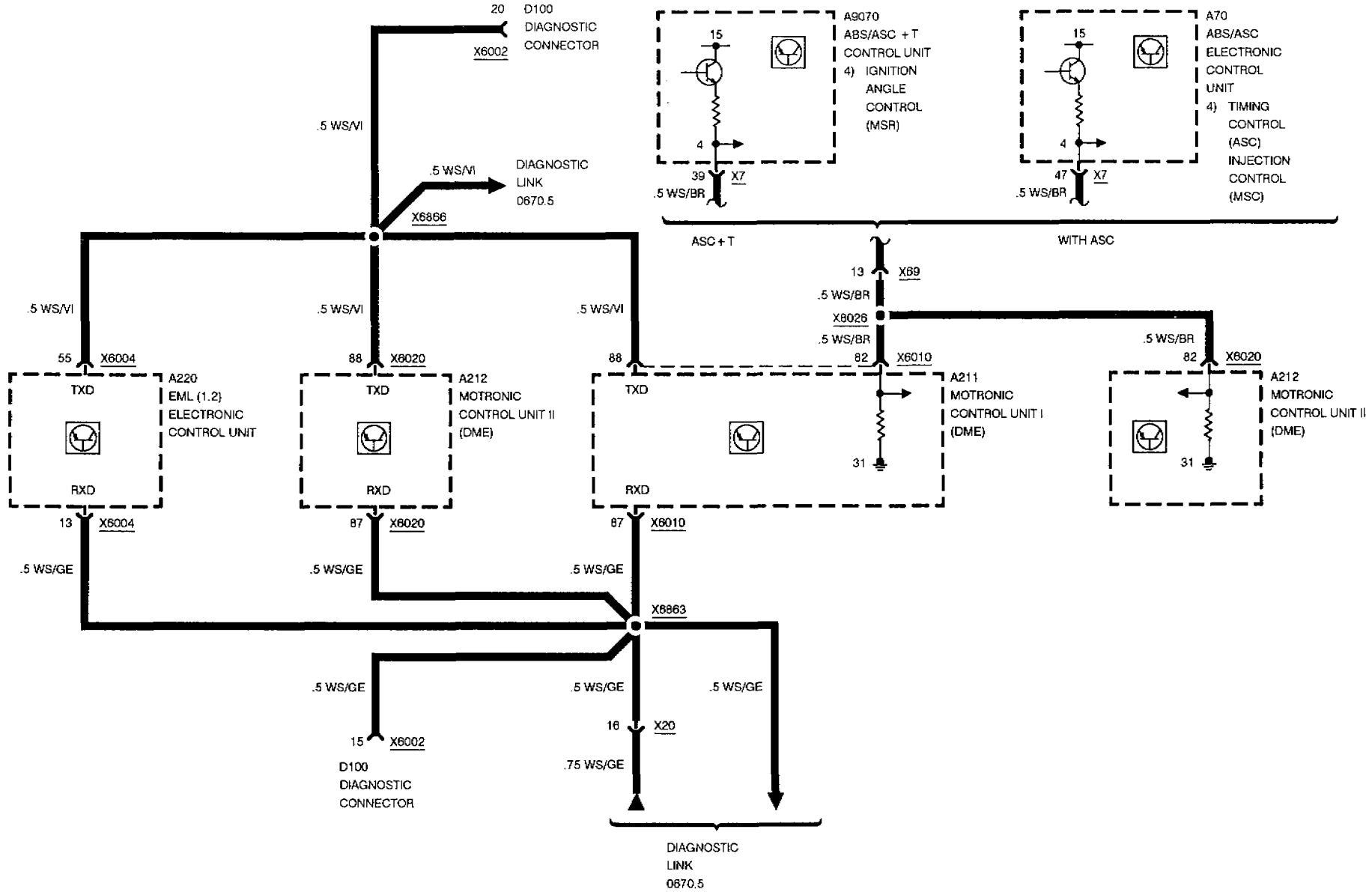
MOTRONIC CONTROL UNIT I





INJECTION ELECTRONICS (DME M1.7, 12 CYLINDER)

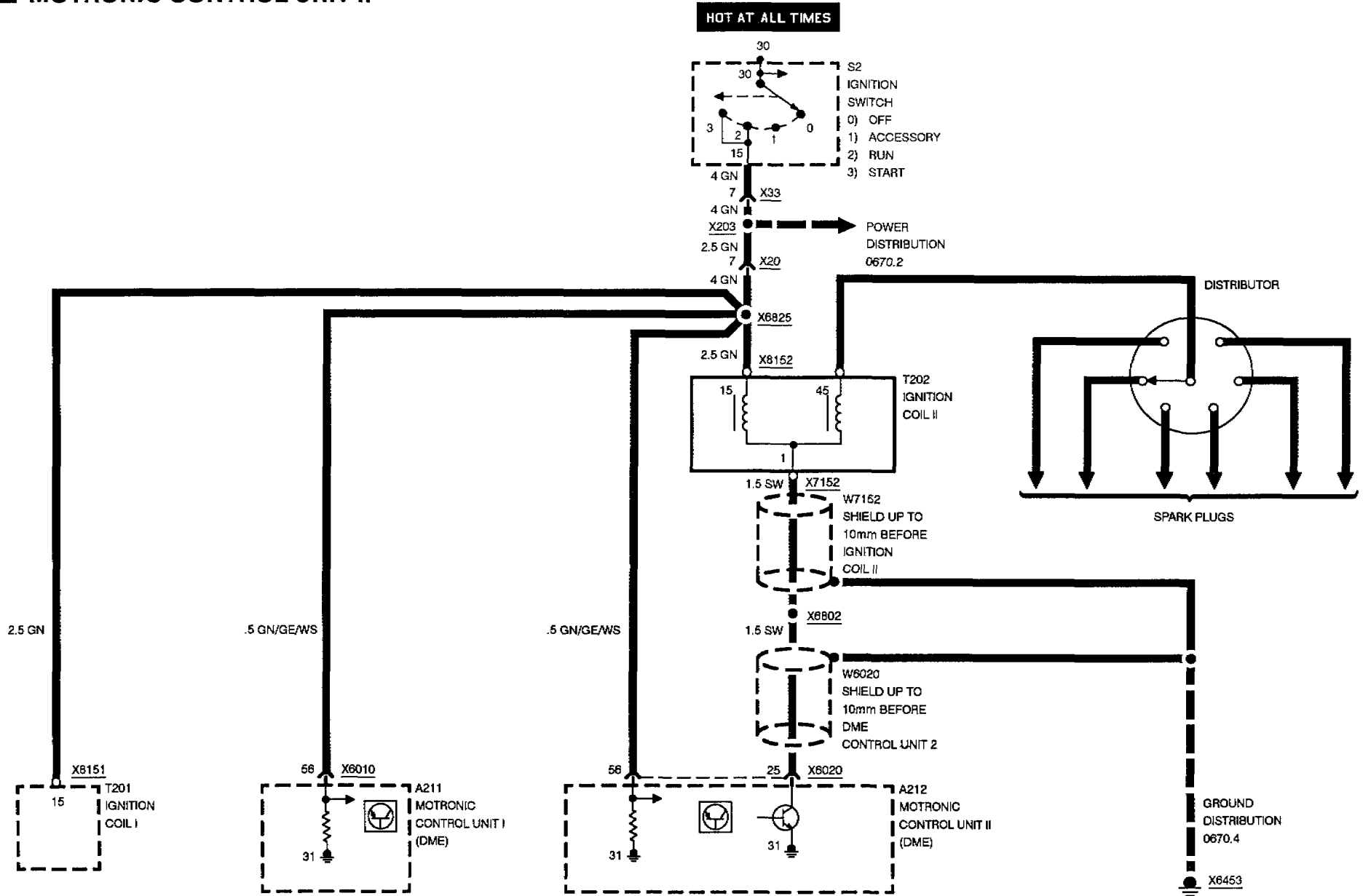
MOTRONIC CONTROL UNIT I





INJECTION ELECTRONICS (DME M1.7, 12 CYLINDER)

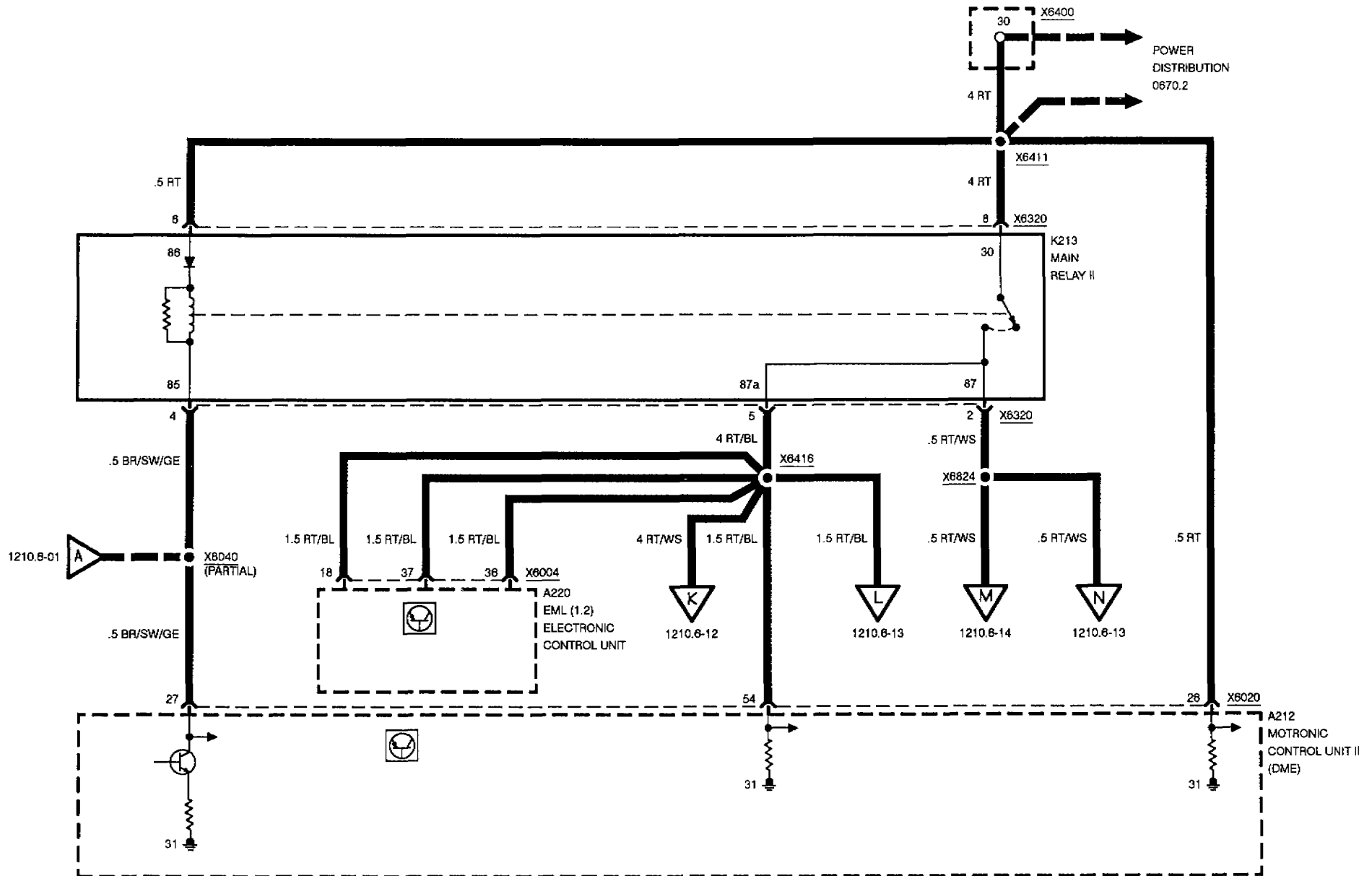
MOTRONIC CONTROL UNIT II





INJECTION ELECTRONICS (DME M1.7, 12 CYLINDER)

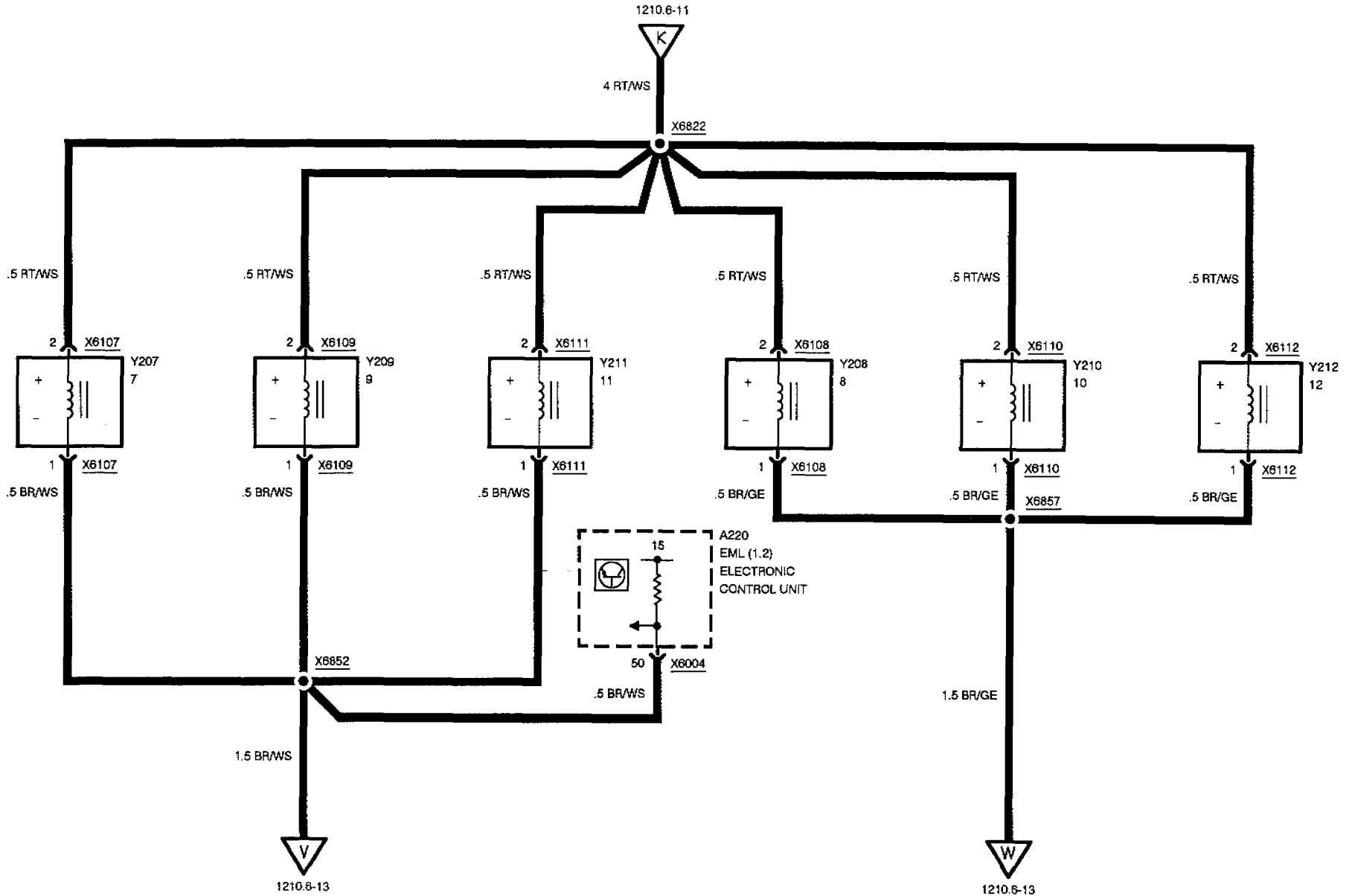
MOTRONIC CONTROL UNIT II





INJECTION ELECTRONICS (DME M1.7, 12 CYLINDER)

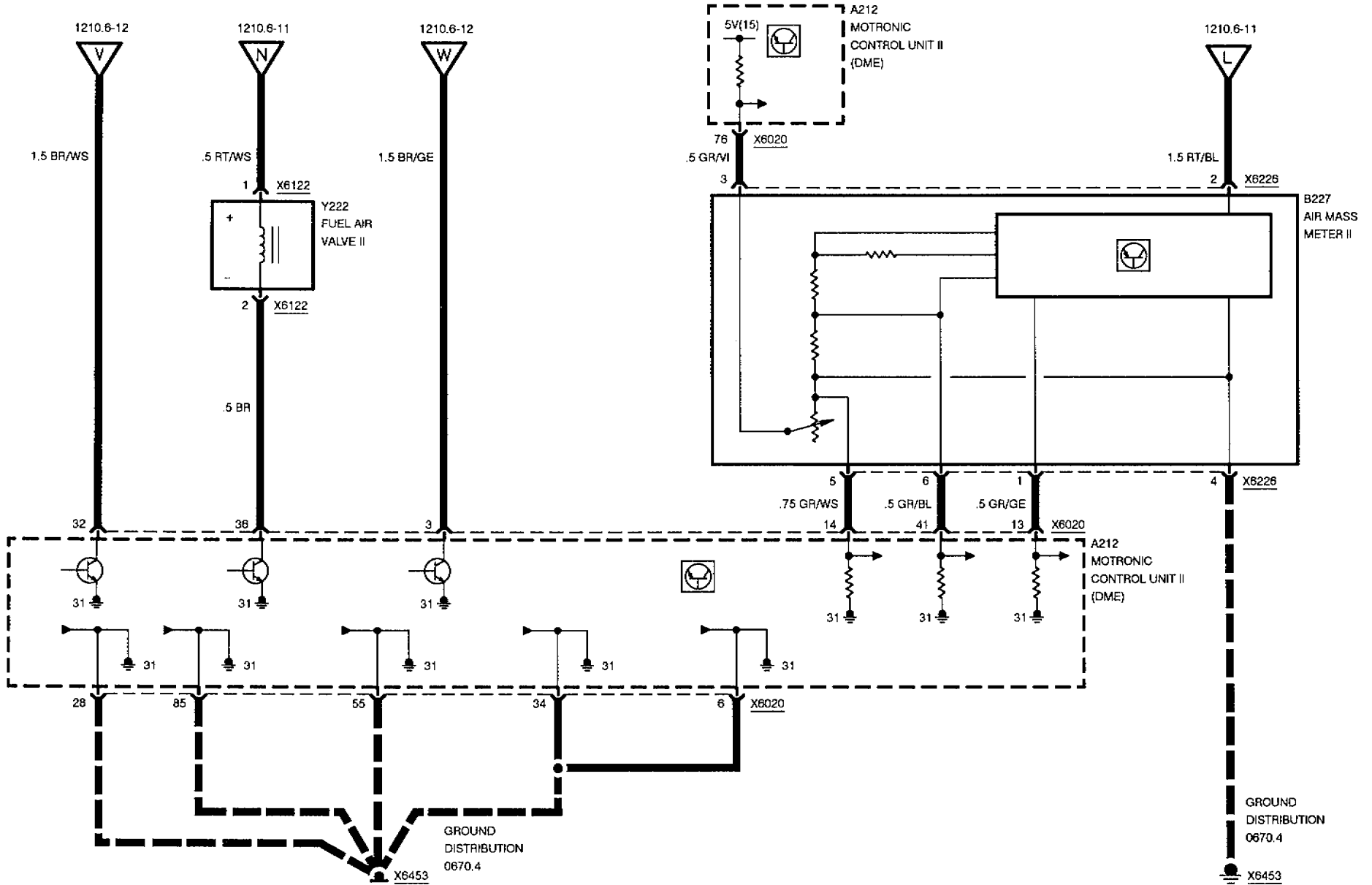
FUEL INJECTORS





INJECTION ELECTRONICS (DME M1.7, 12 CYLINDER)

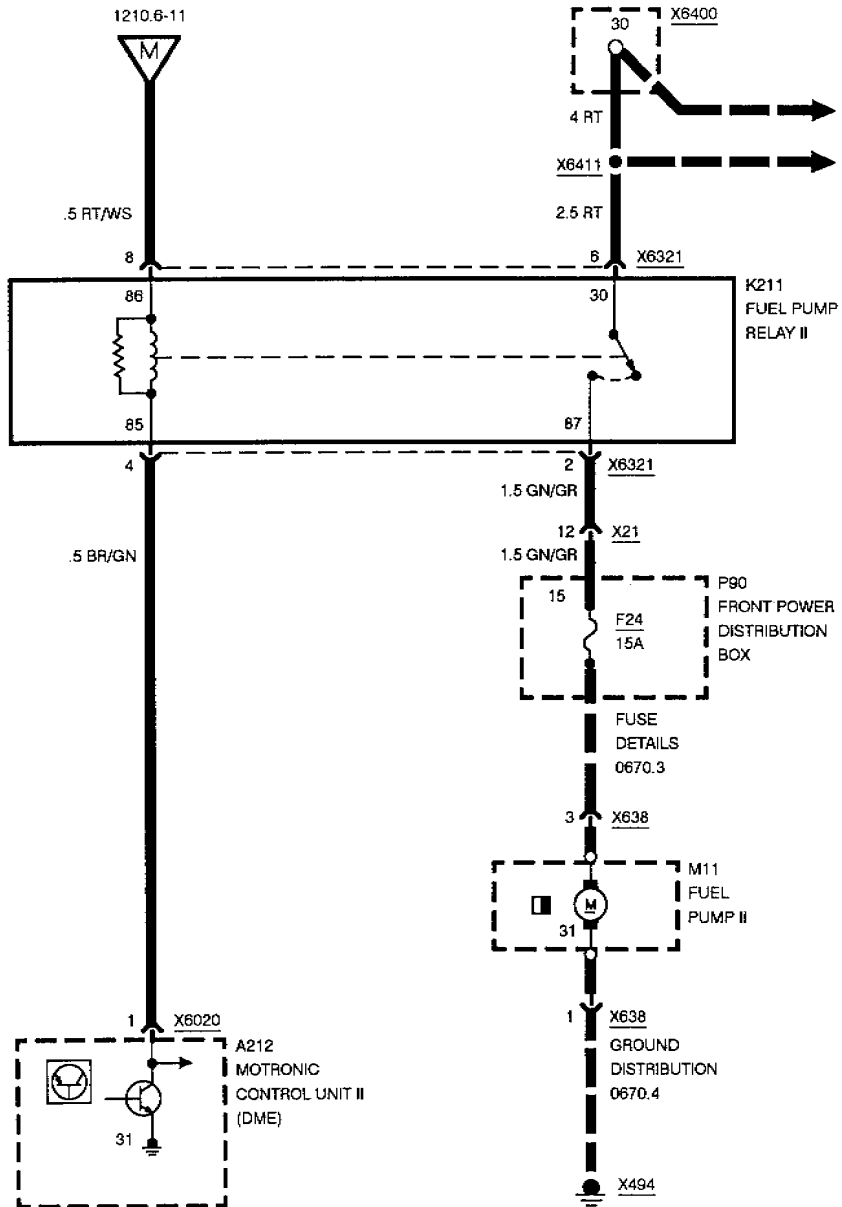
MOTRONIC CONTROL UNIT II



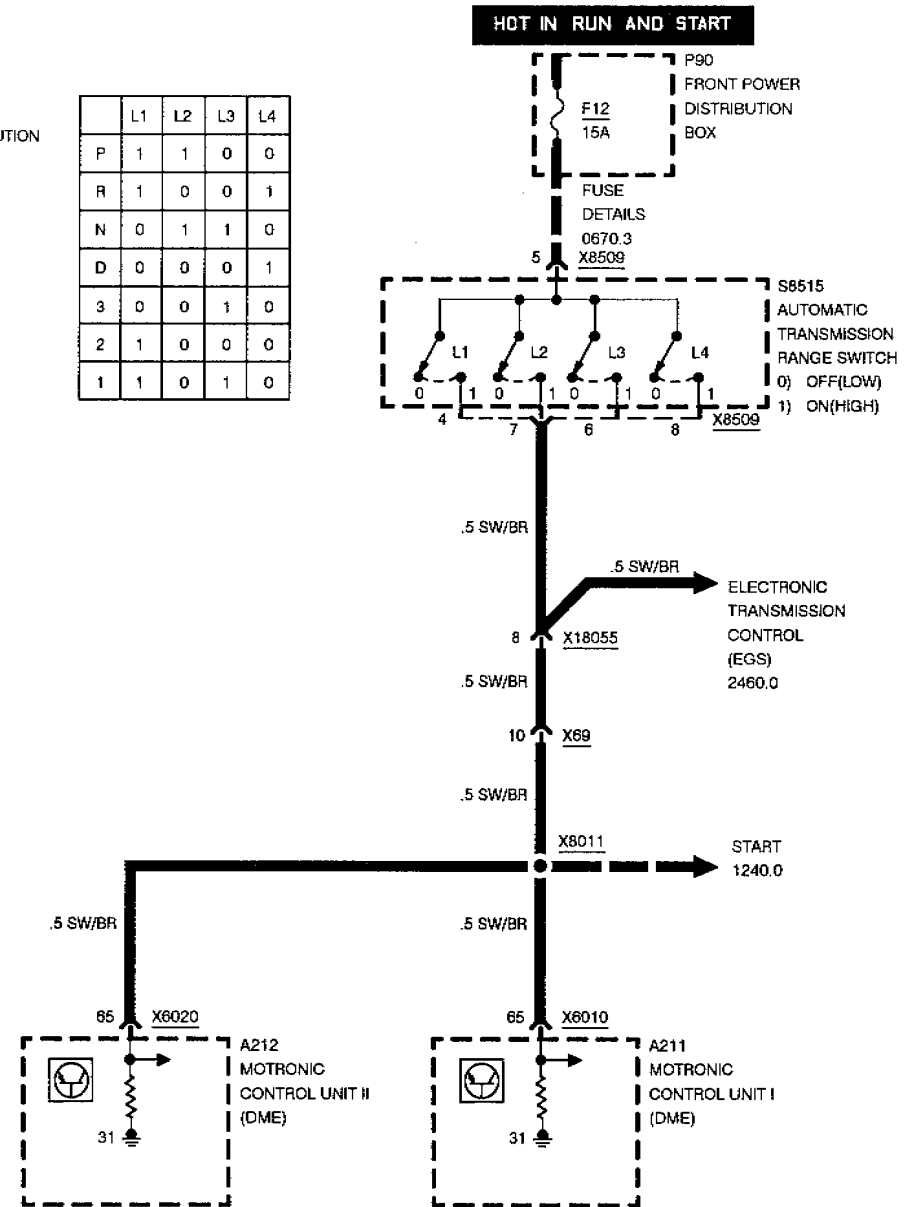


INJECTION ELECTRONICS (DME M1.7, 12 CYLINDER)

MOTRONIC CONTROL UNIT II



	L1	L2	L3	L4
P	1	1	0	0
R	1	0	0	1
N	0	1	1	0
D	0	0	0	1
3	0	0	1	0
2	1	0	0	0
1	1	0	1	0

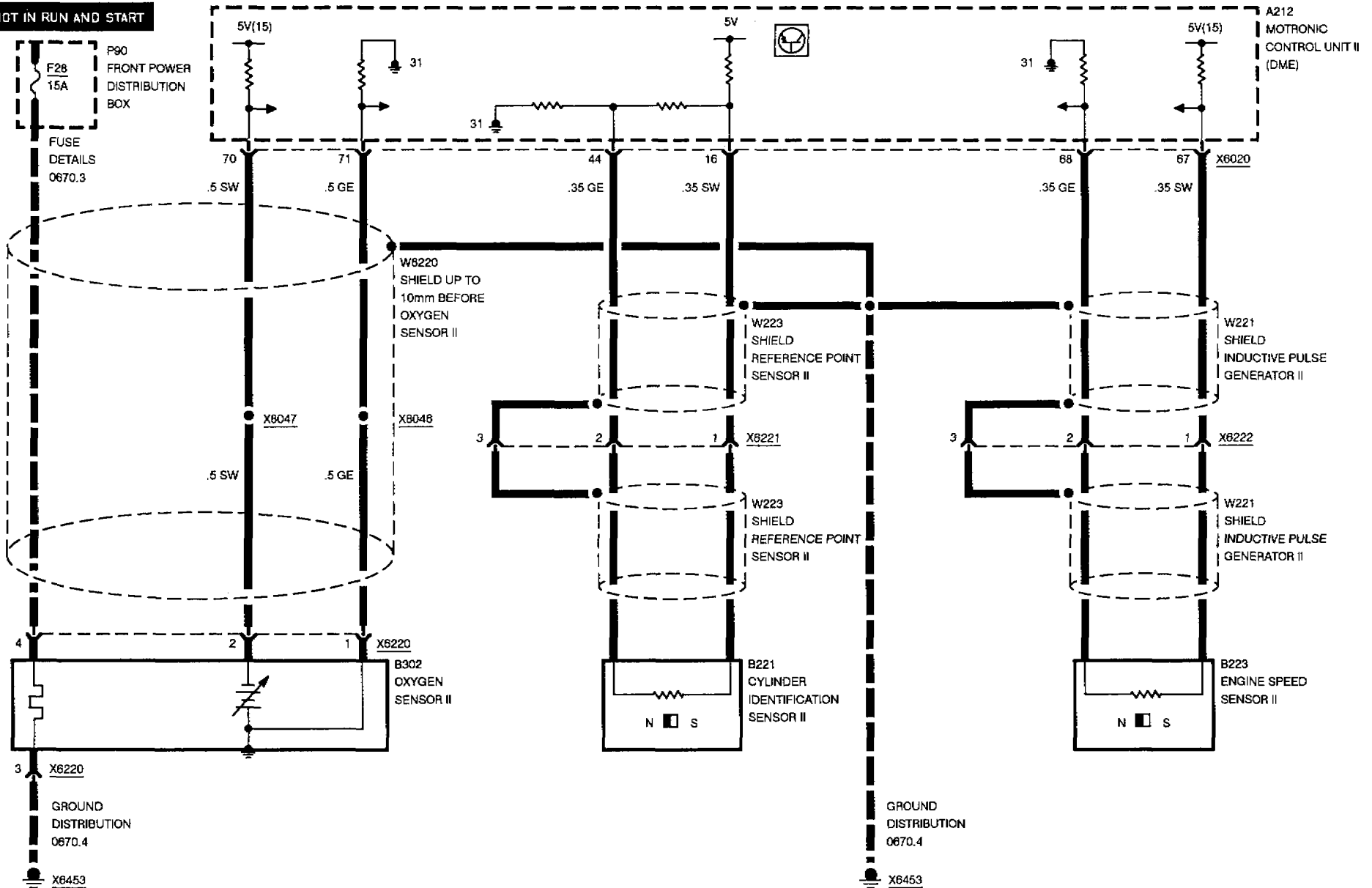




INJECTION ELECTRONICS (DME M1.7, 12 CYLINDER)

MOTRONIC CONTROL UNIT II

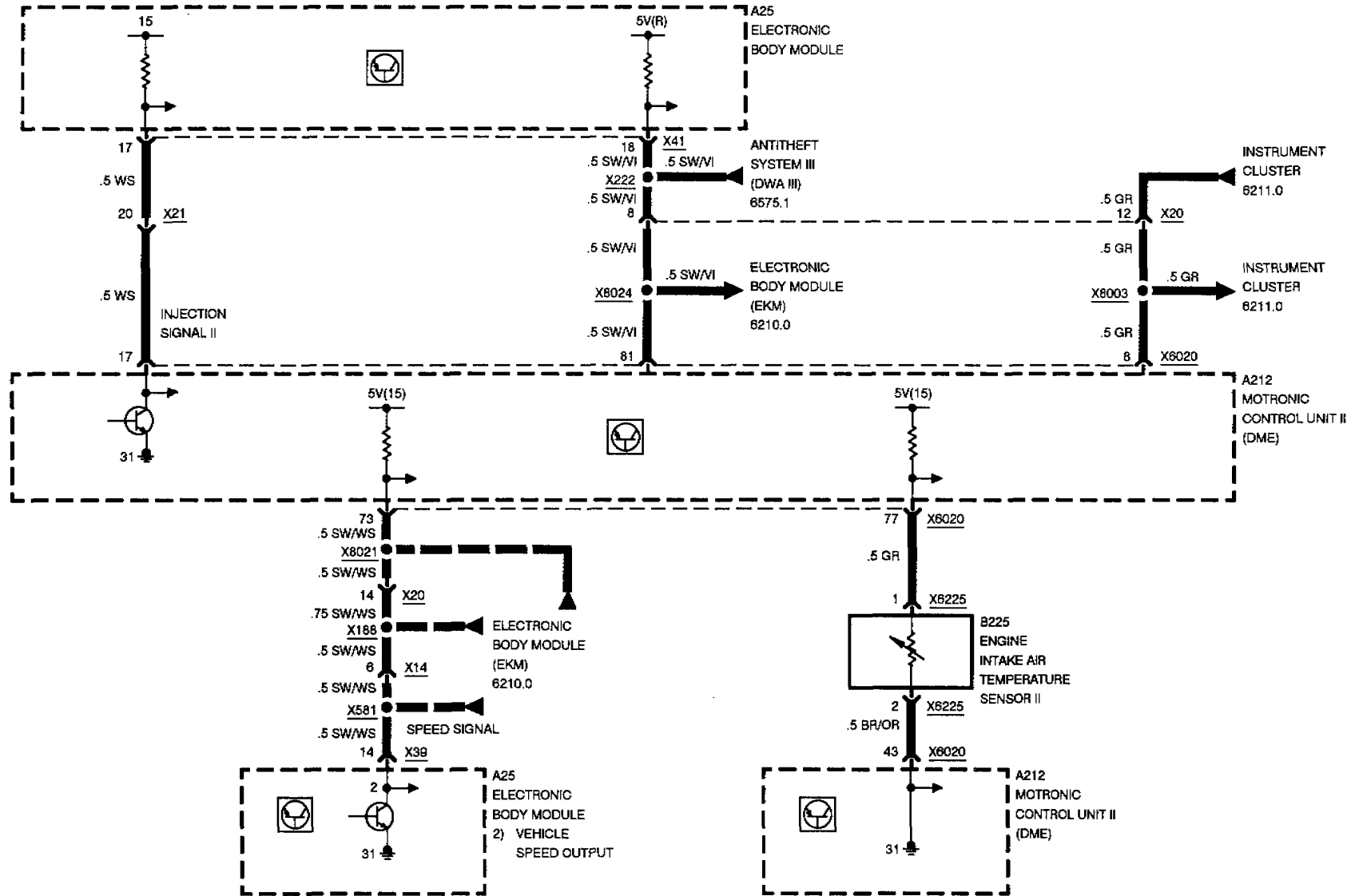
HOT IN RUN AND START





INJECTION ELECTRONICS (DME M1.7, 12 CYLINDER)

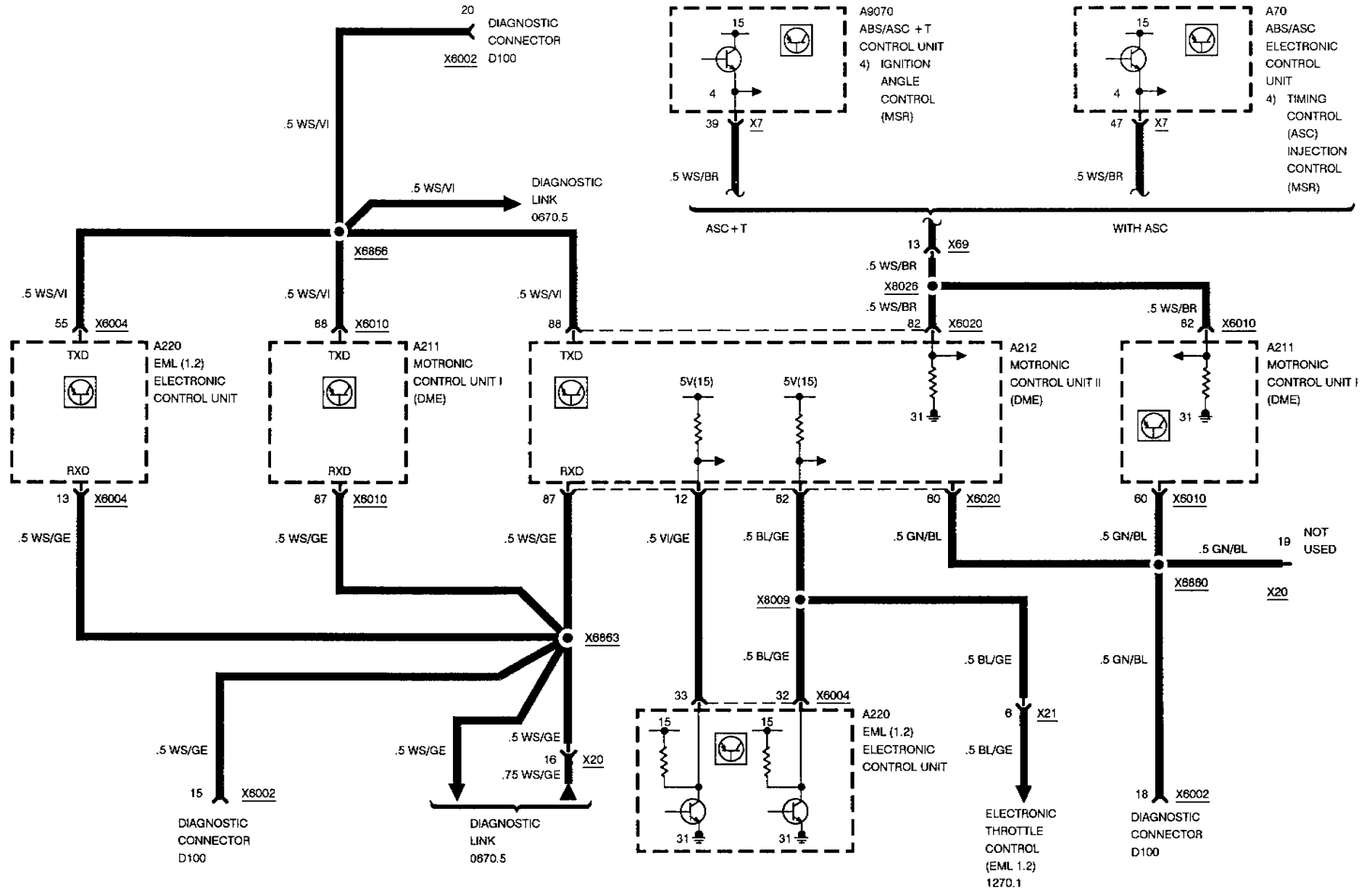
MOTRONIC CONTROL UNIT II





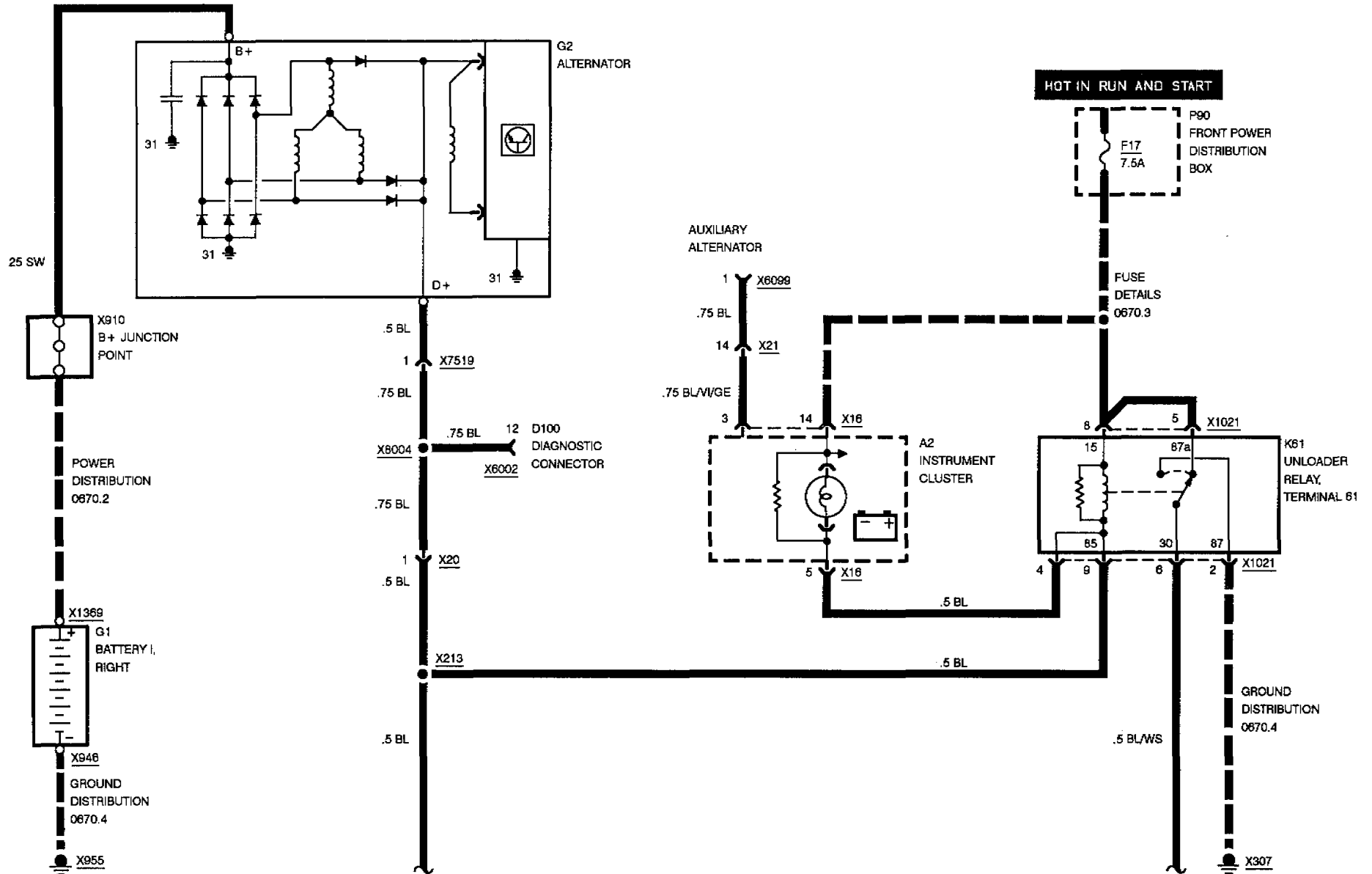
INJECTION ELECTRONICS (DME M1.7, 12 CYLINDER)

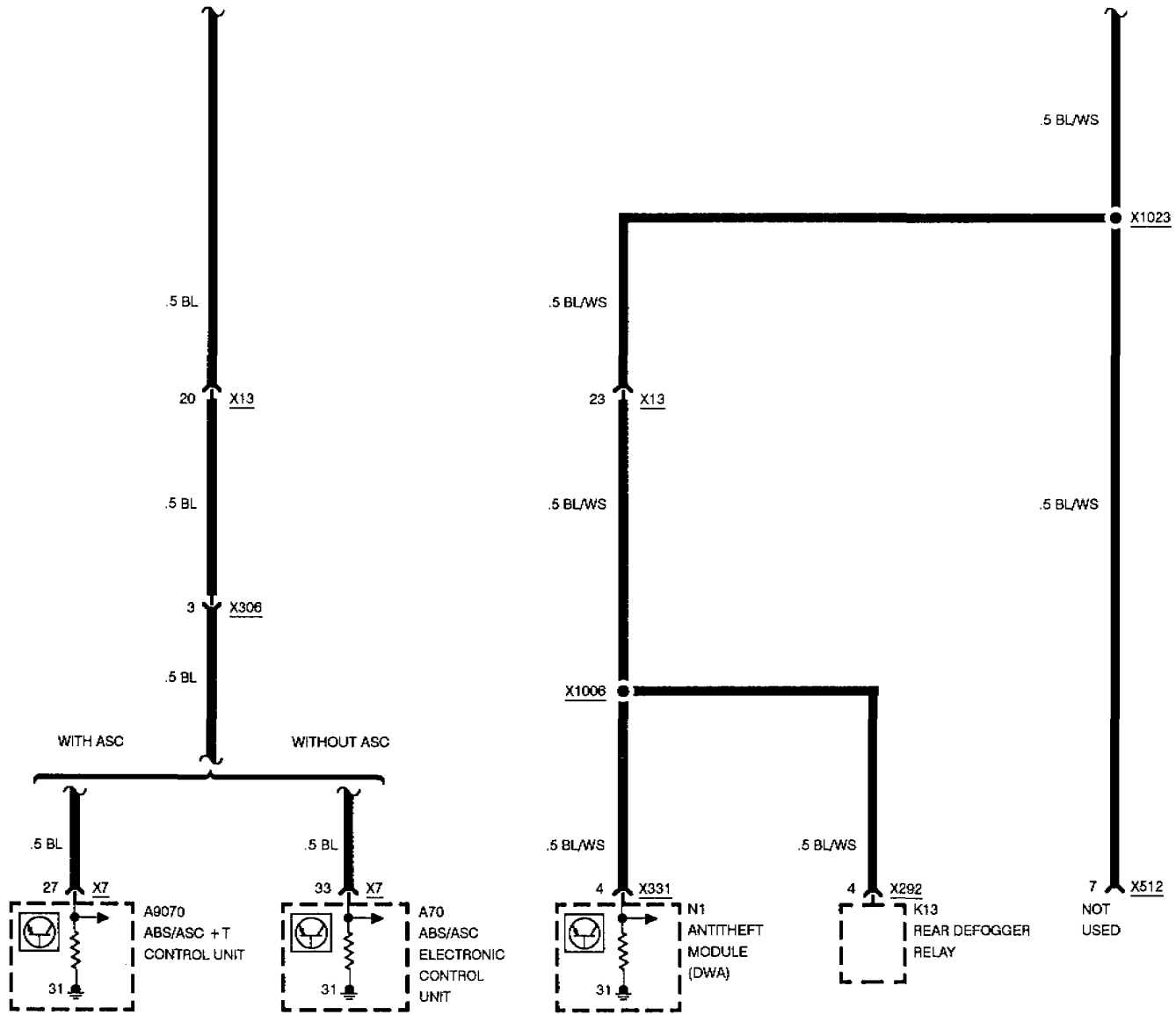
MOTRONIC CONTROL UNIT II

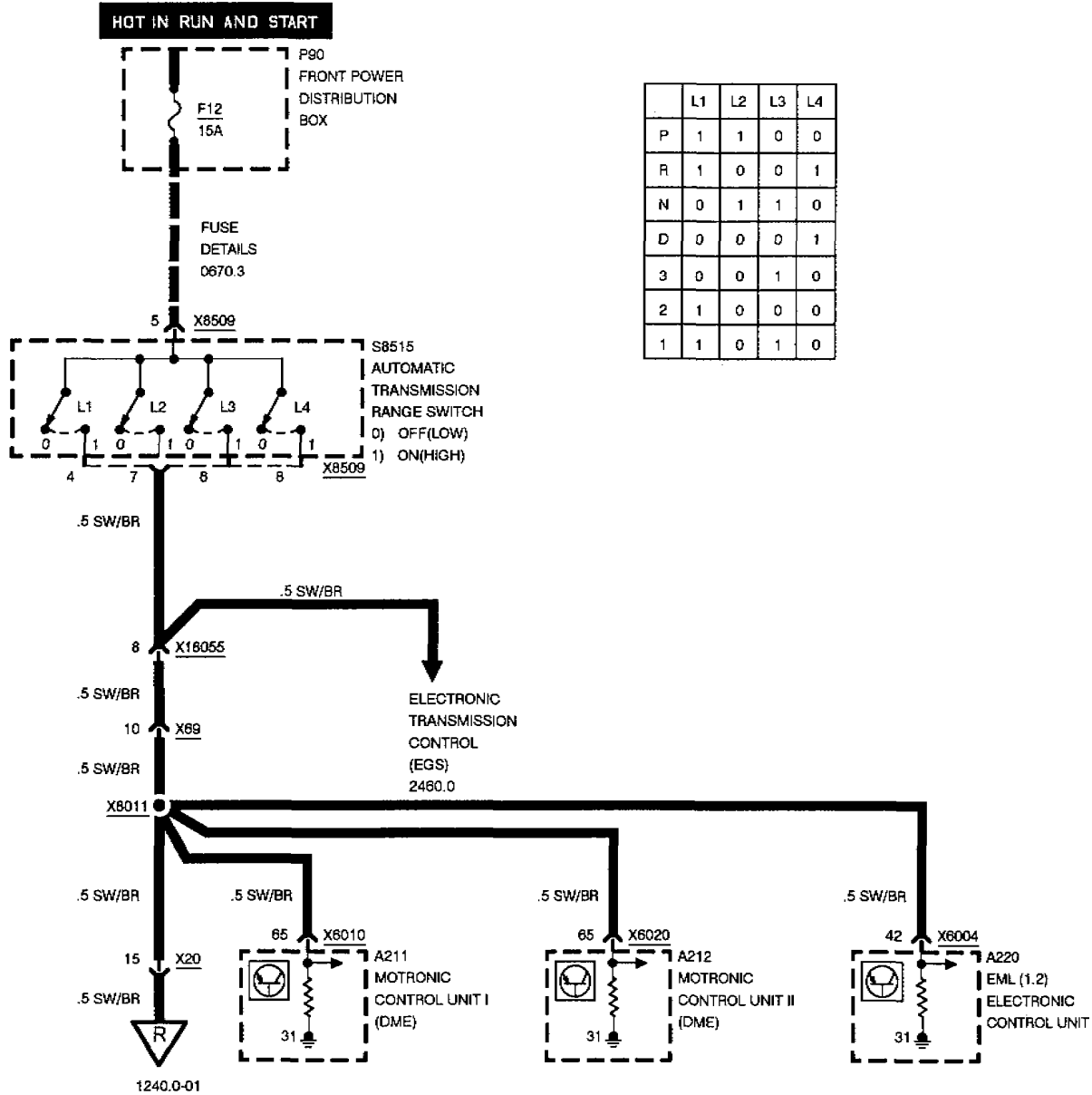




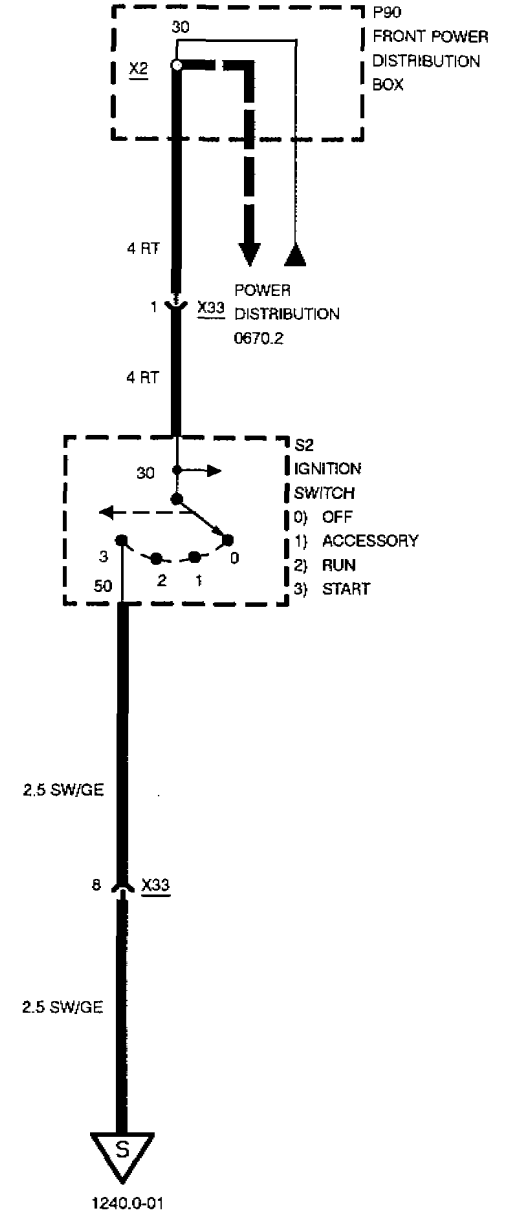
CHARGING SYSTEM





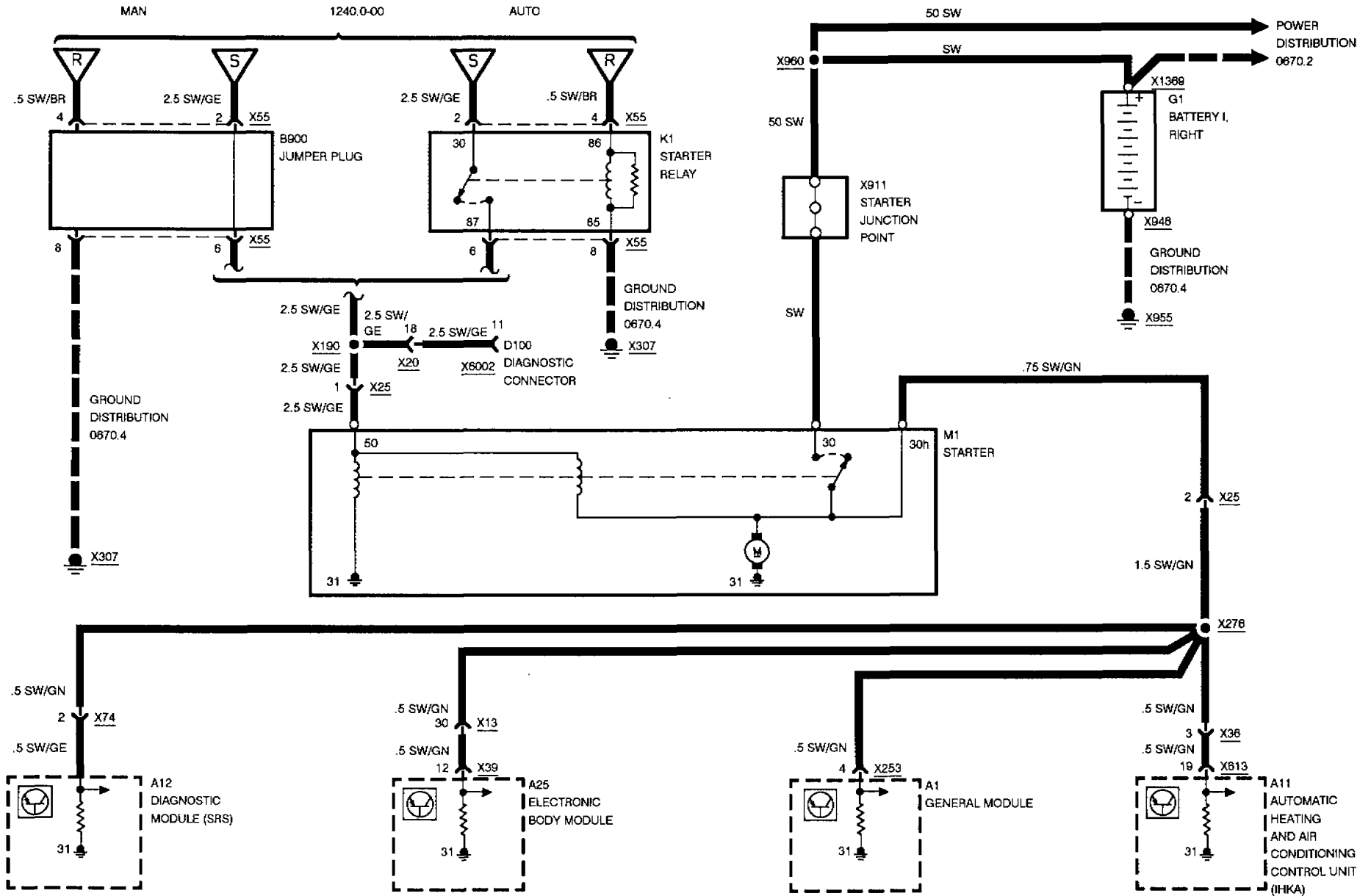


	L1	L2	L3	L4
P	1	1	0	0
R	1	0	0	1
N	0	1	1	0
D	0	0	0	1
3	0	0	1	0
2	1	0	0	0
1	1	0	1	0





START



BMW
8

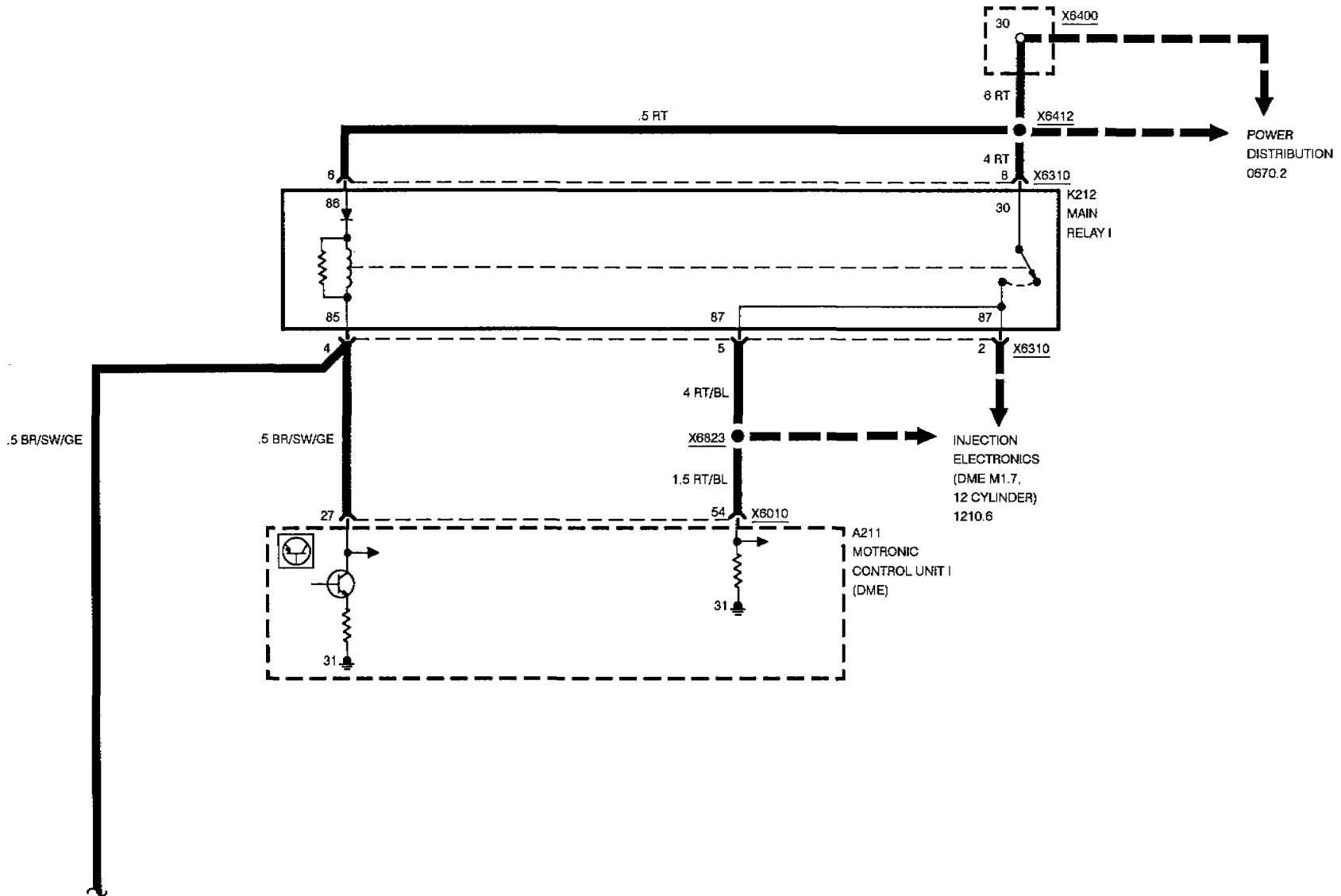
1240.0-02

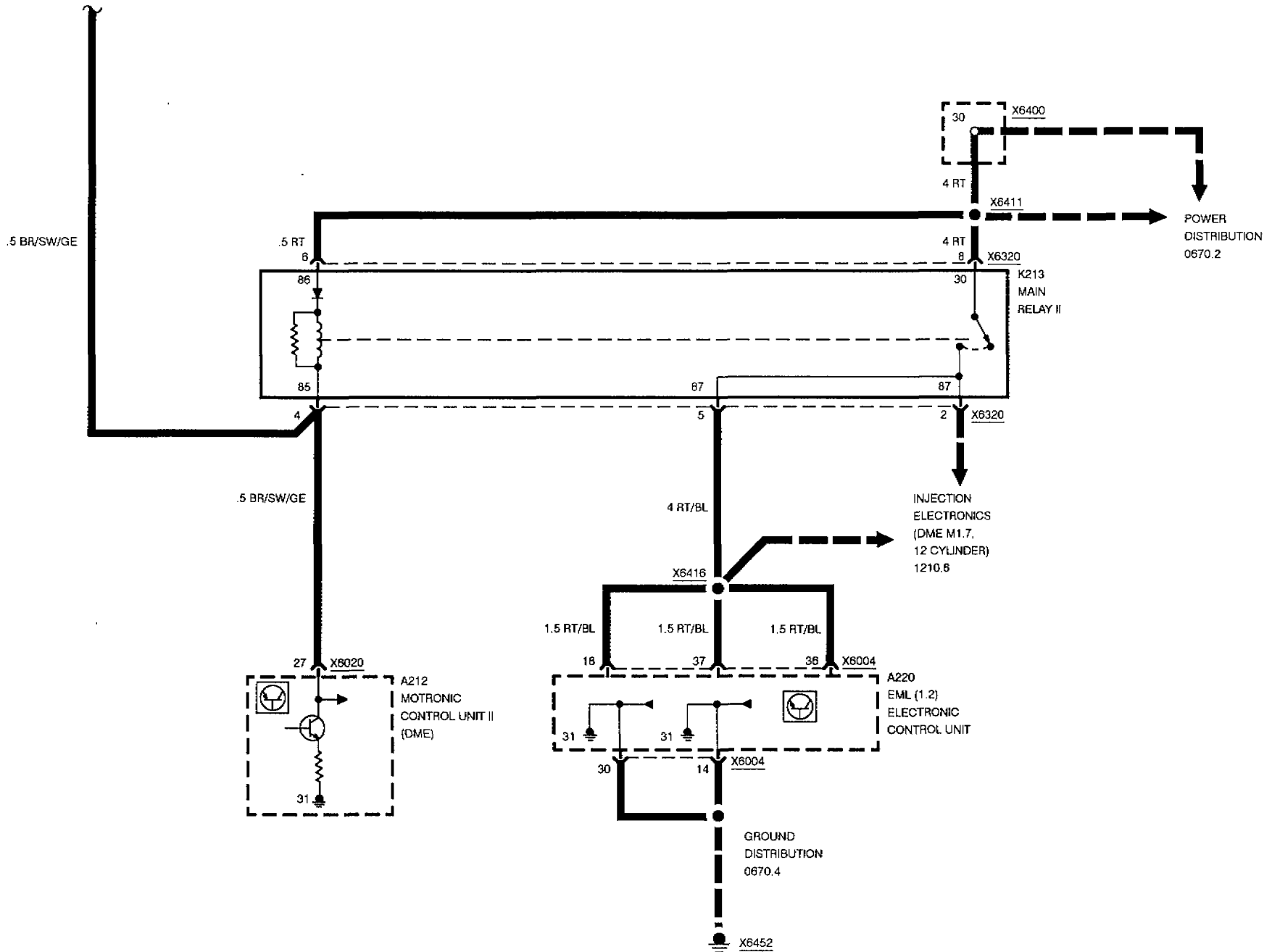
BMW
8

1270.1



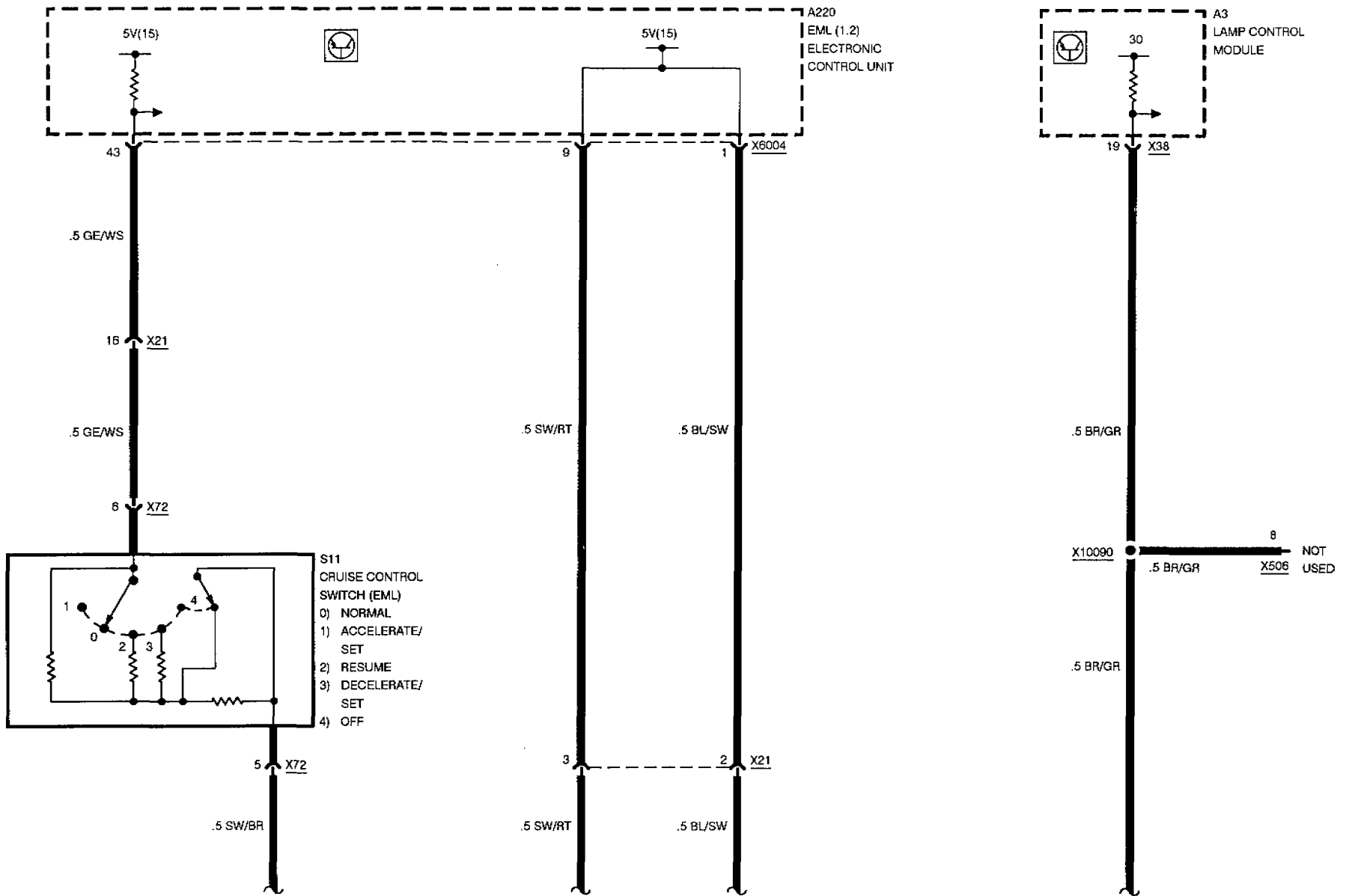
ELECTRONIC THROTTLE CONTROL (EML 1.2)

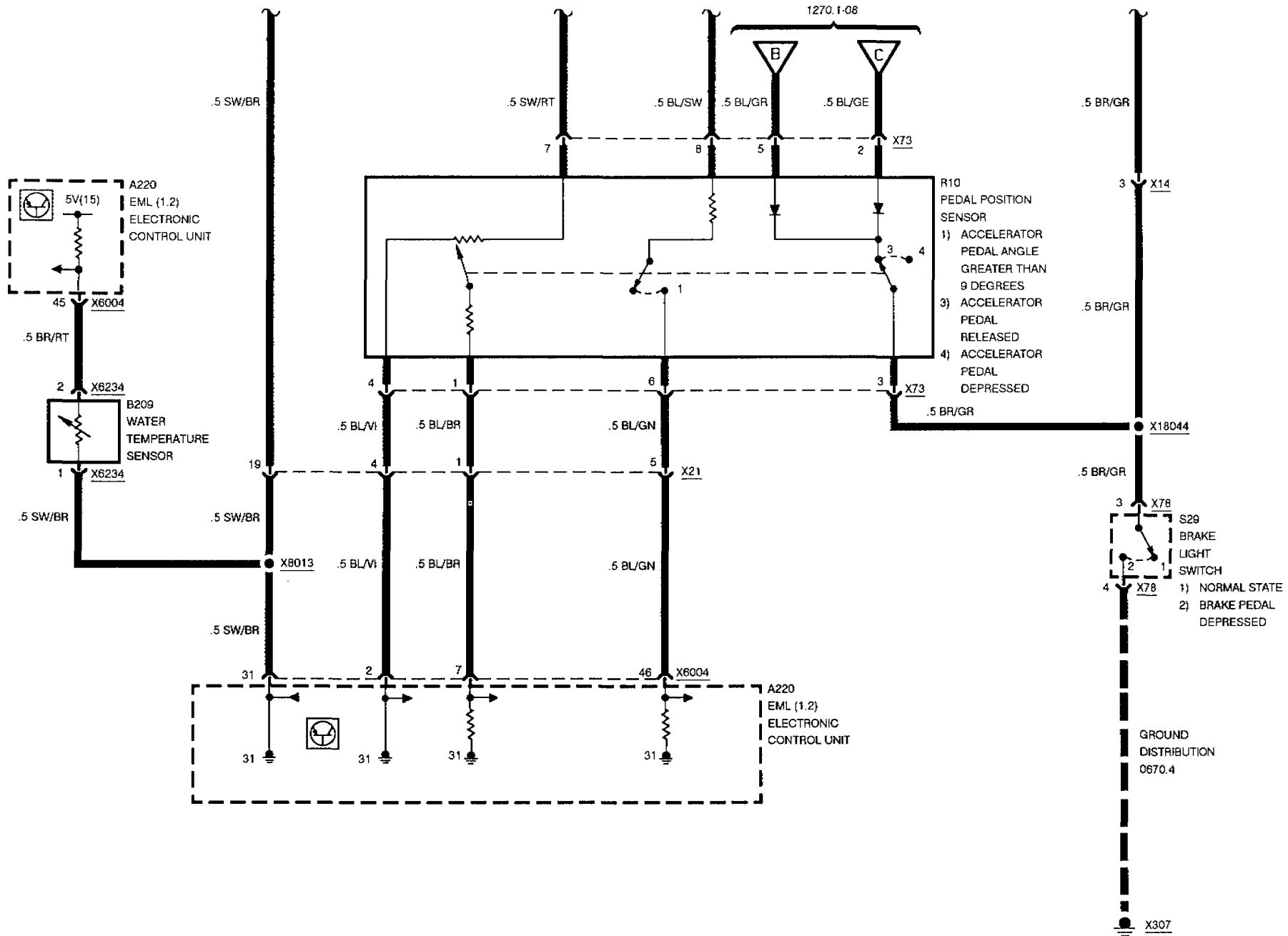






ELECTRONIC THROTTLE CONTROL (EML 1.2)

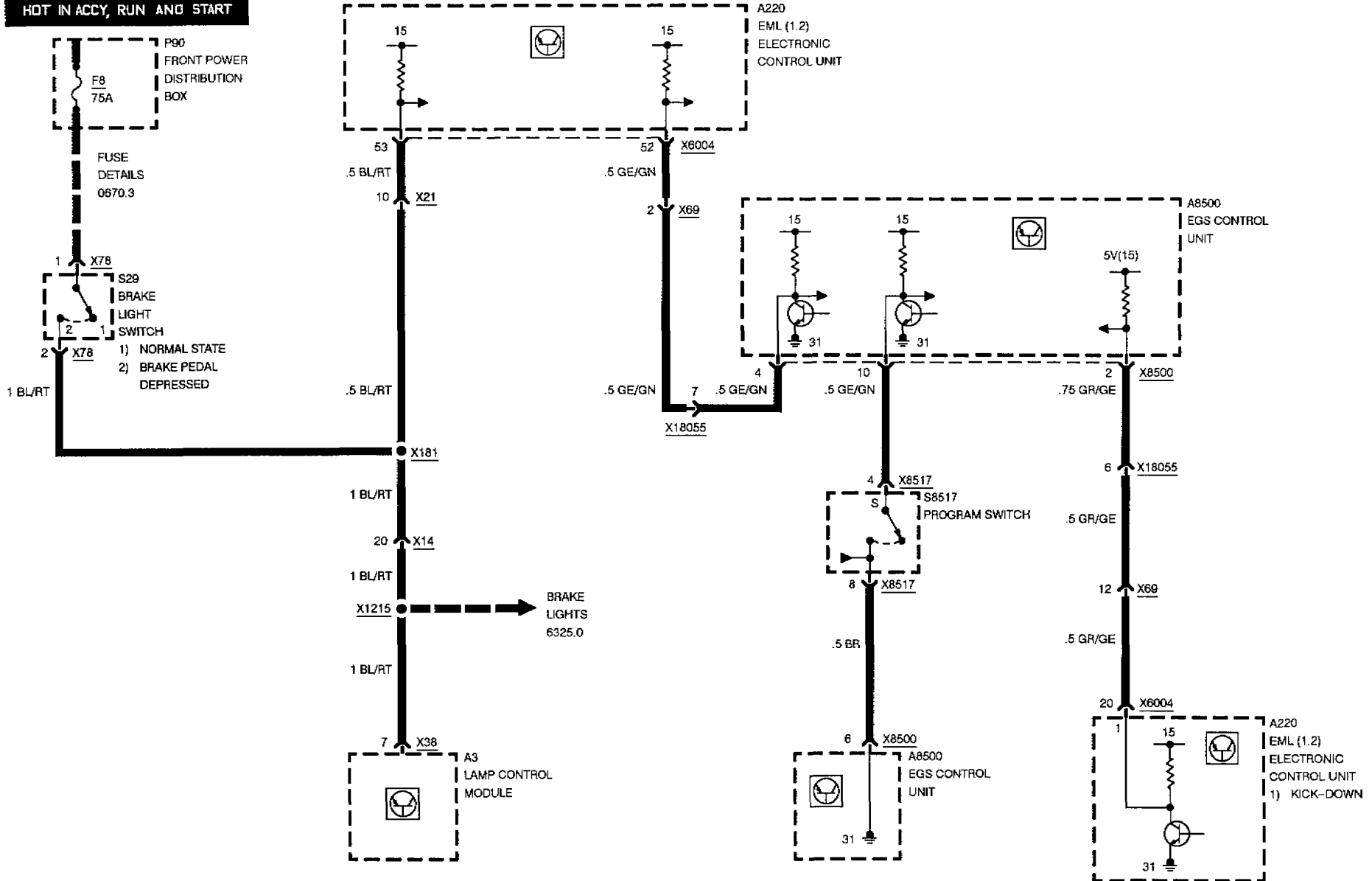






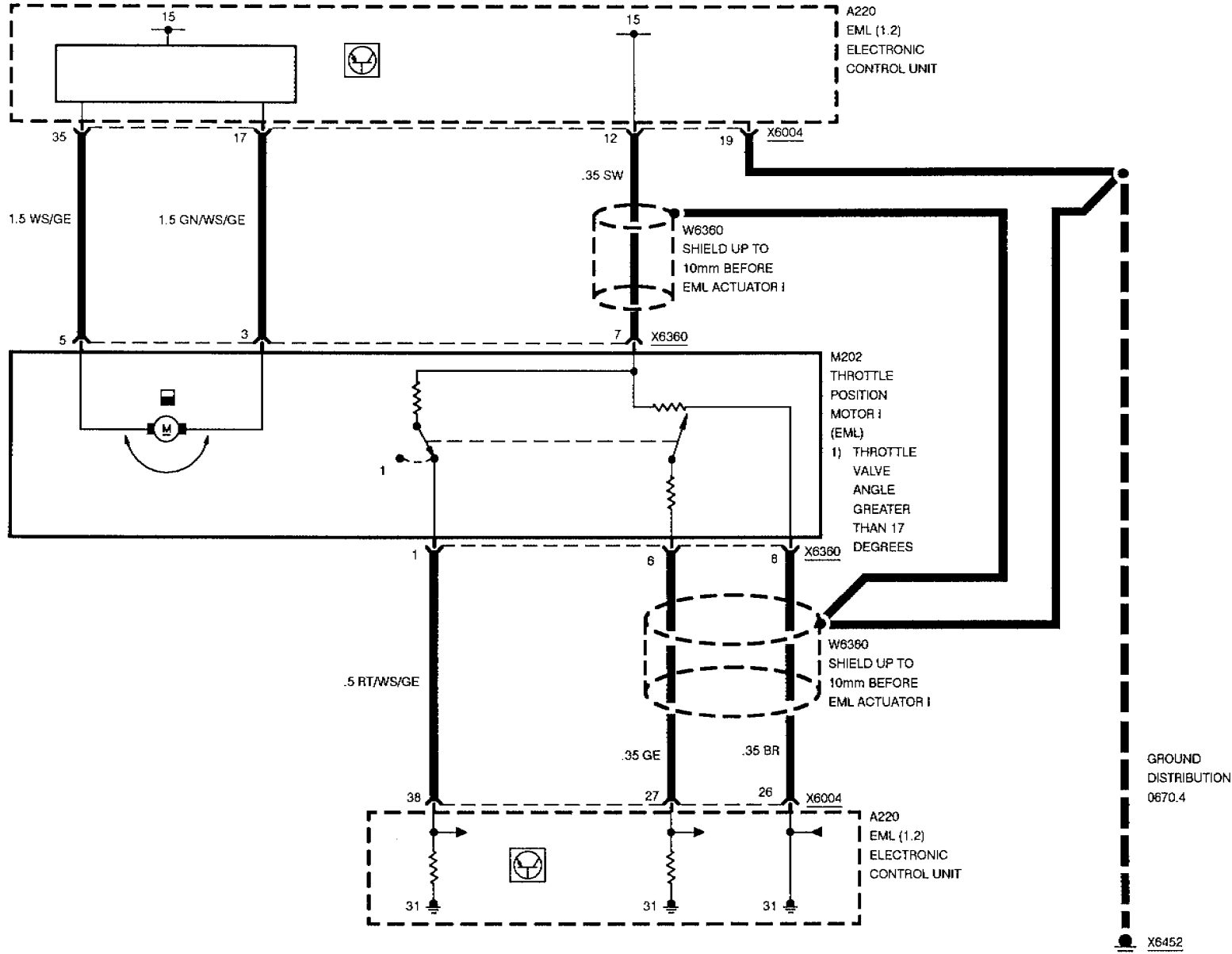
ELECTRONIC THROTTLE CONTROL (EML 1.2)

HOT IN ACCY, RUN AND START

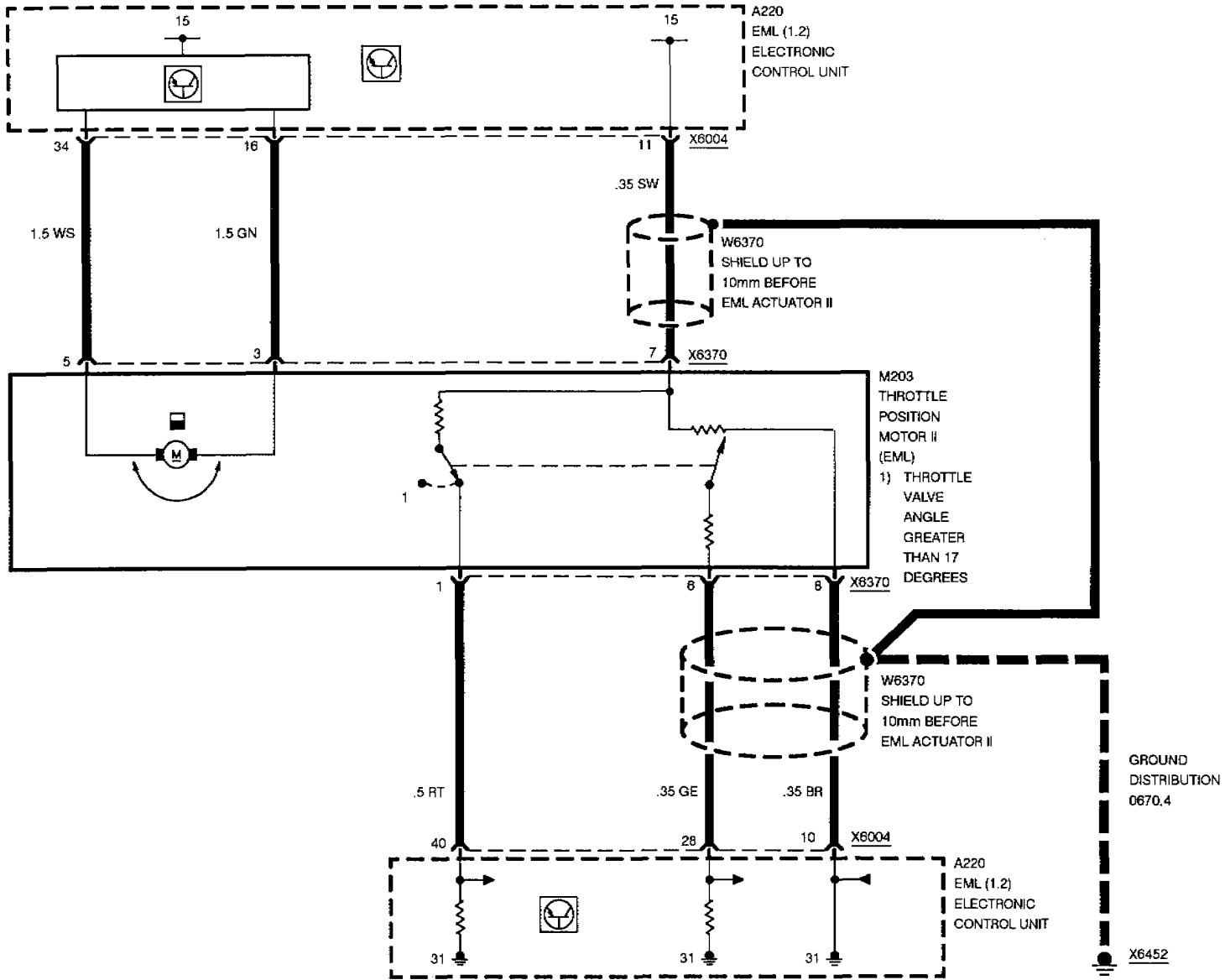




ELECTRONIC THROTTLE CONTROL (EML 1.2)

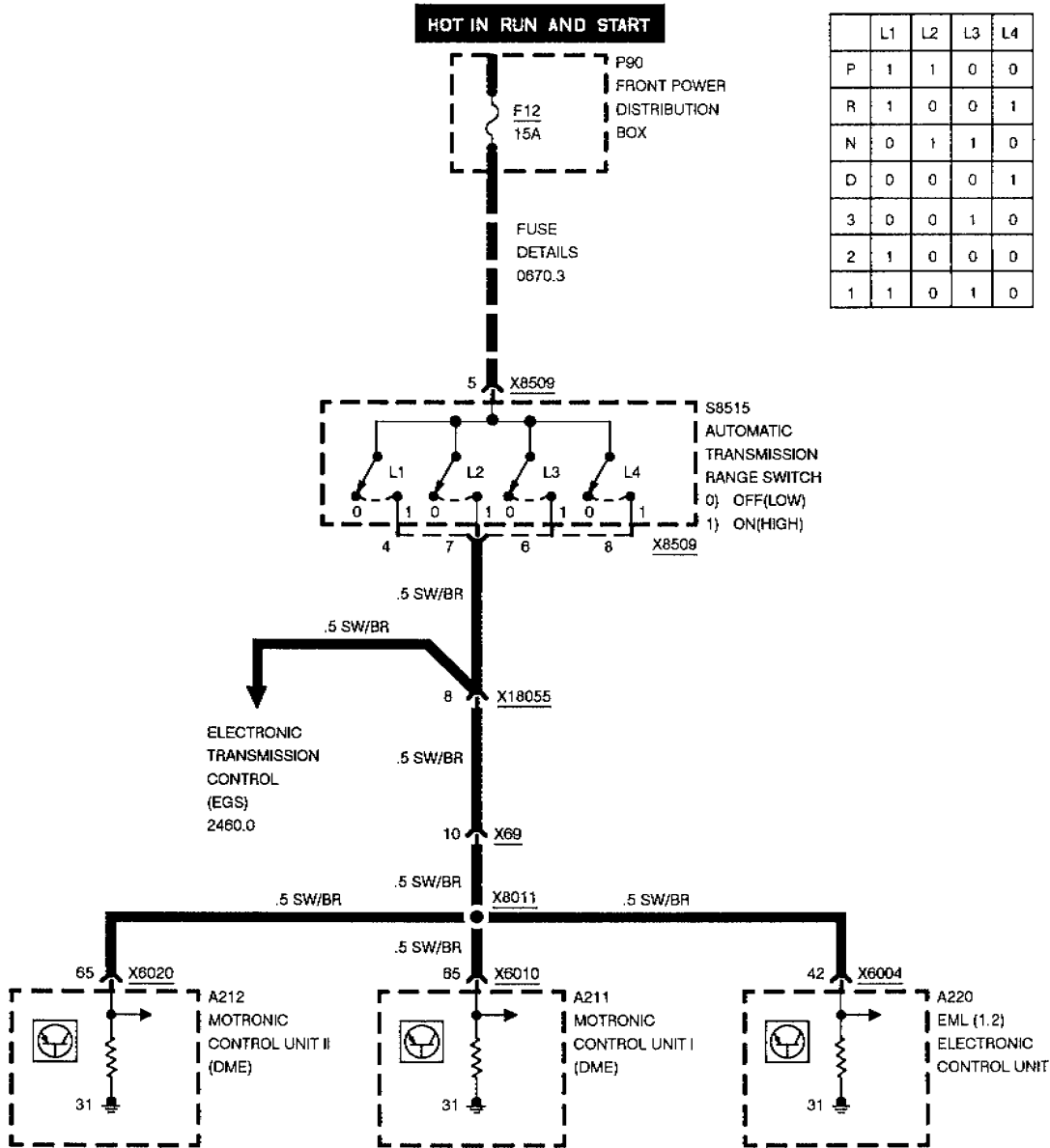


ELECTRONIC THROTTLE CONTROL (EML 1.2)

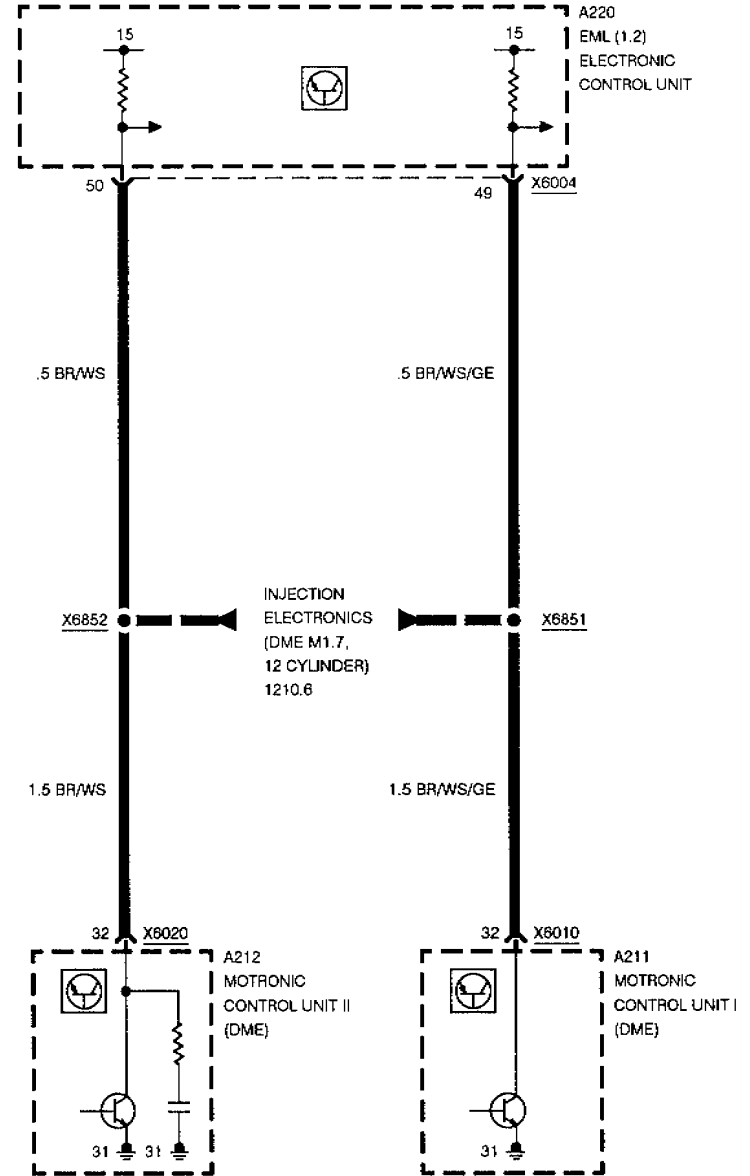




ELECTRONIC THROTTLE CONTROL (EML 1.2)

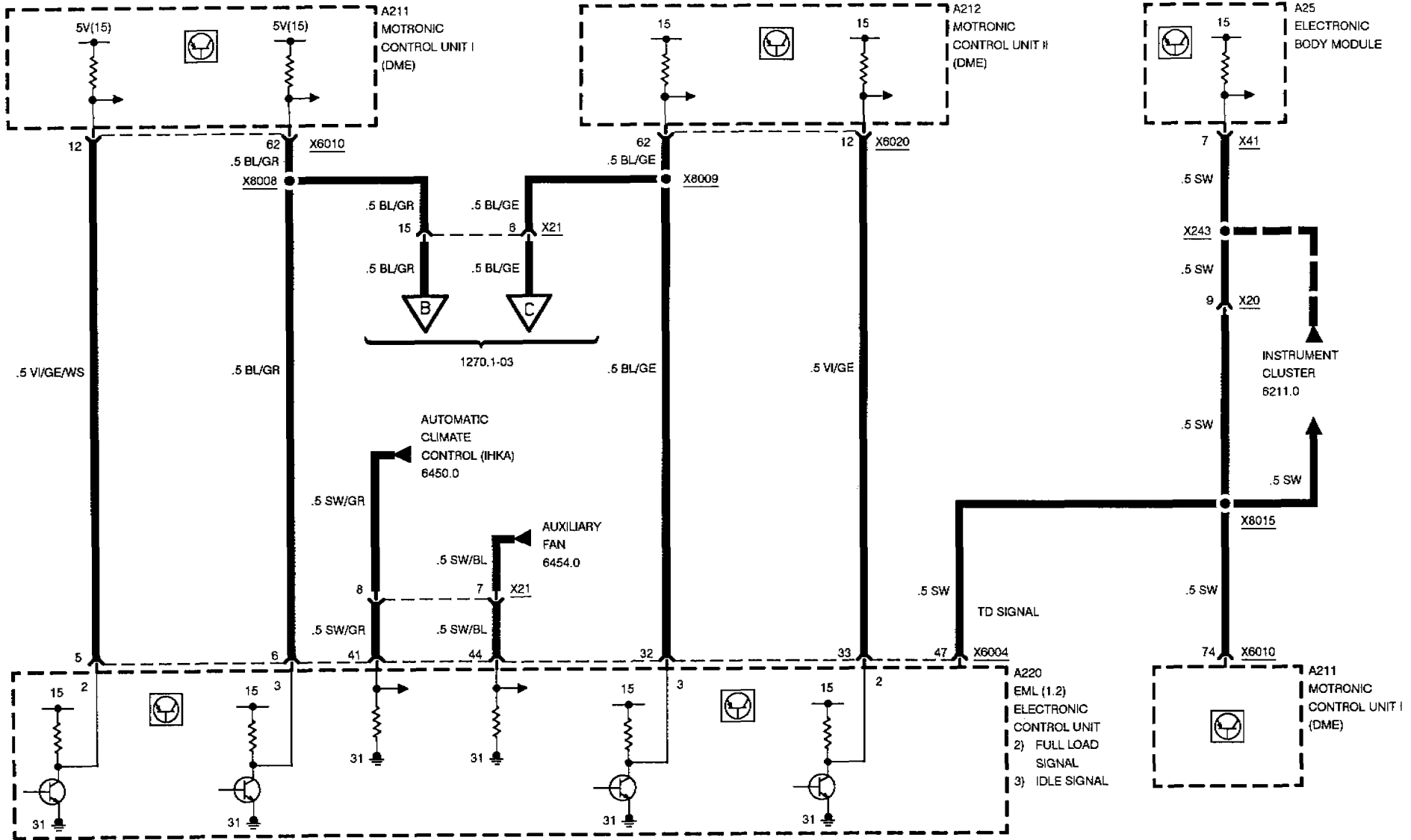


	L1	L2	L3	L4
P	1	1	0	0
R	1	0	0	1
N	0	1	1	0
D	0	0	0	1
3	0	0	1	0
2	1	0	0	0
1	1	0	1	0

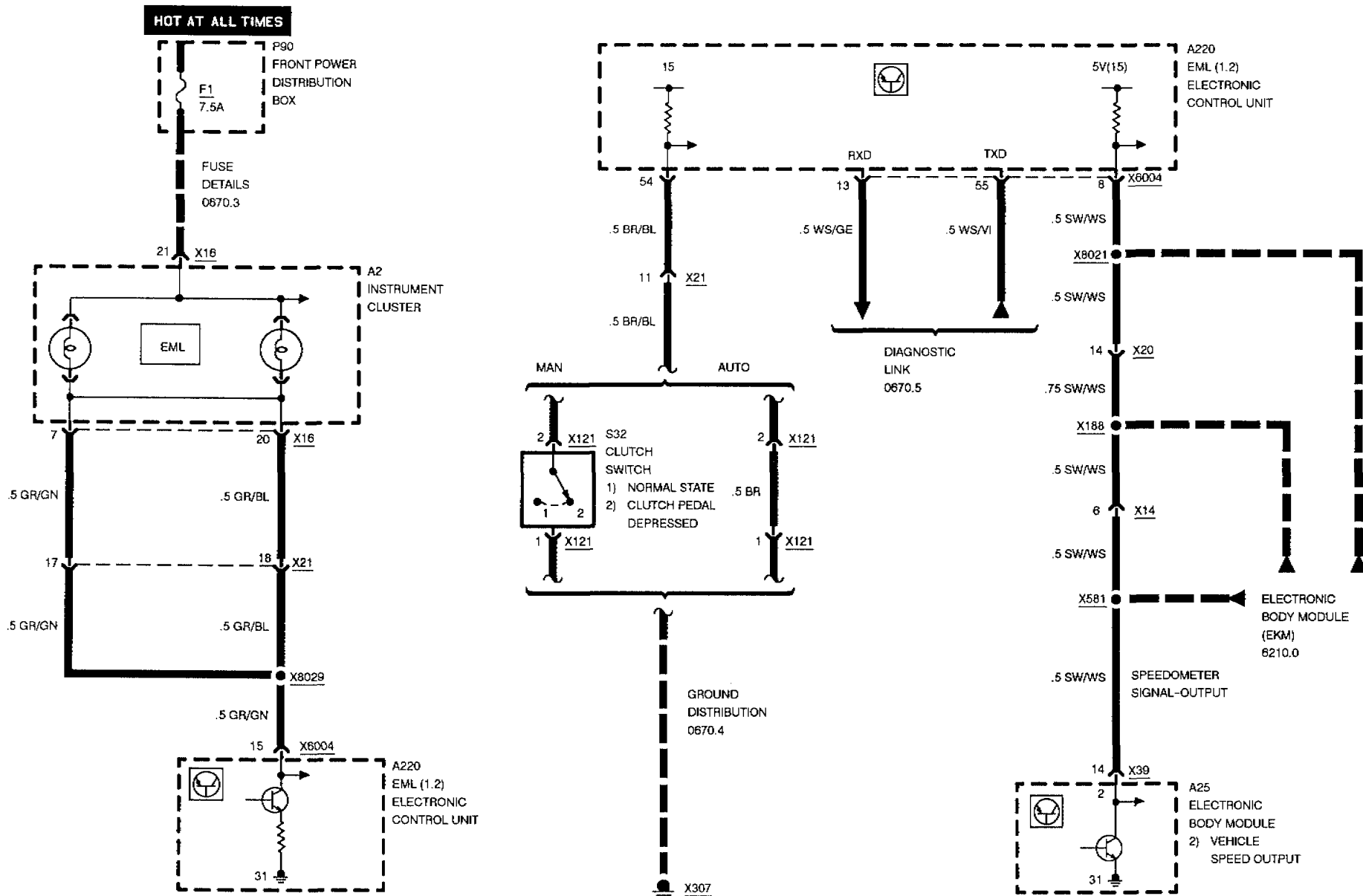




ELECTRONIC THROTTLE CONTROL (EML 1.2)



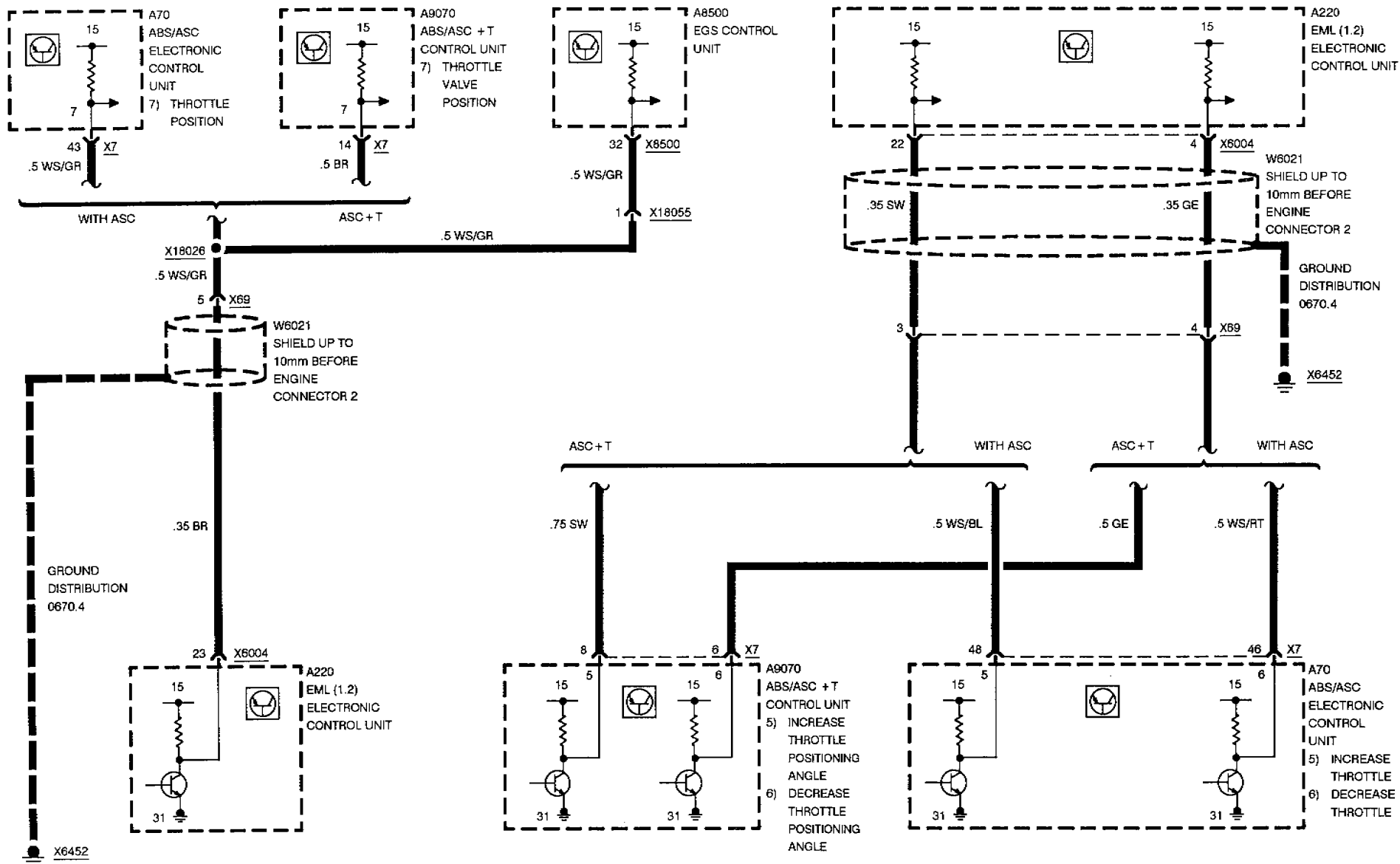
ELECTRONIC THROTTLE CONTROL (EML 1.2)





ELECTRONIC THROTTLE CONTROL (EML 1.2)

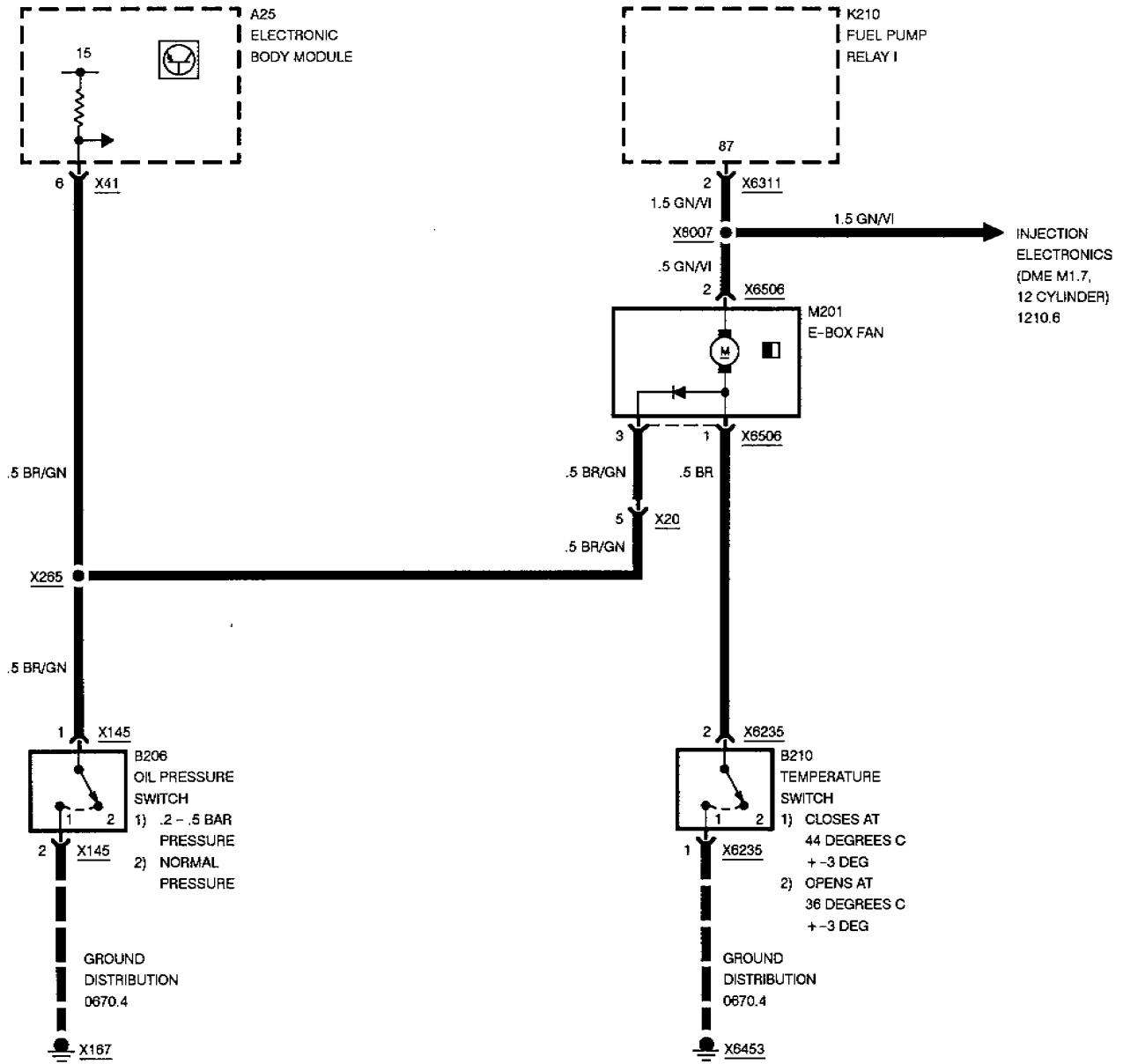
EML INTERFACE



BMW
8



E-BOX FAN

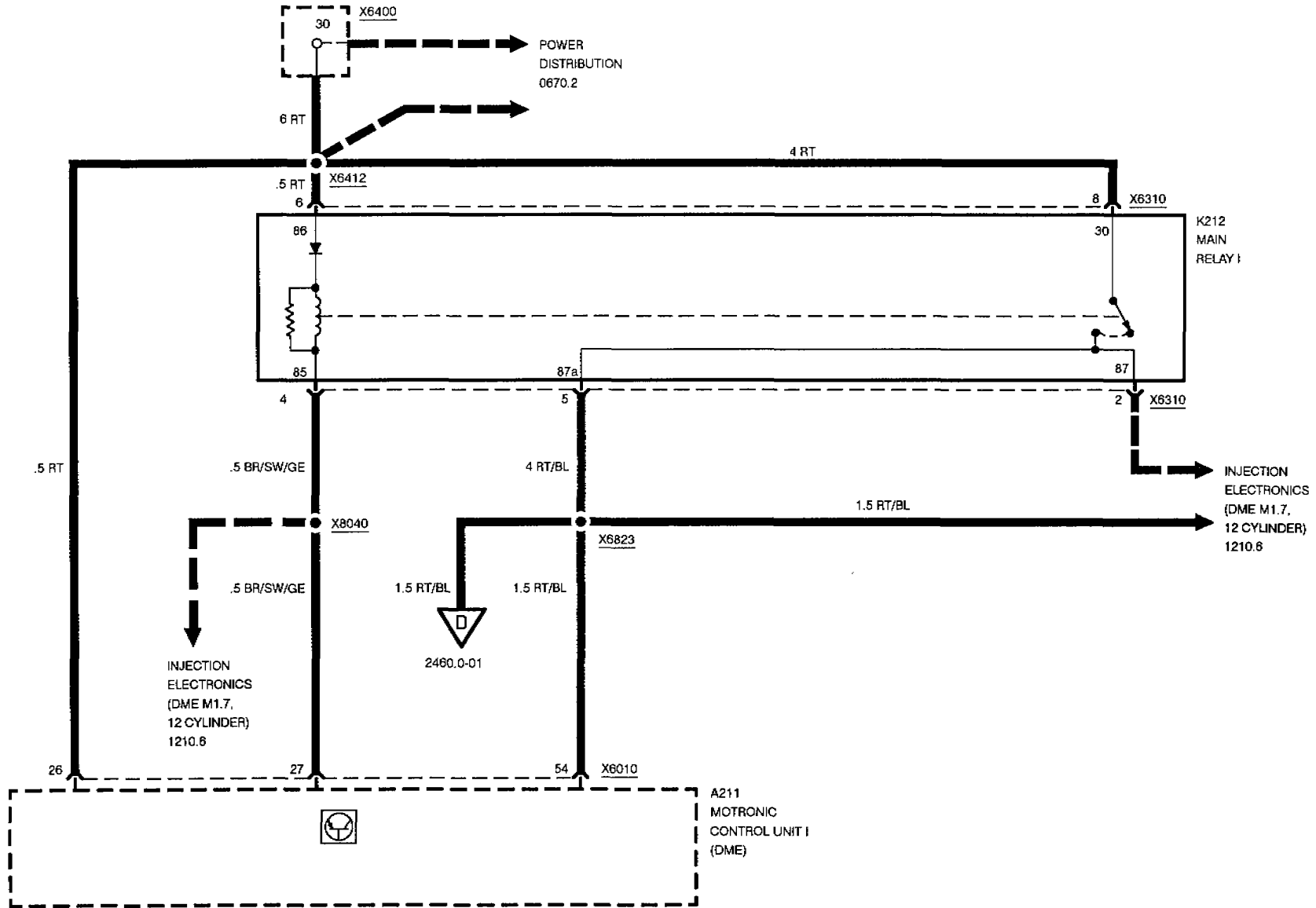


BMW
8

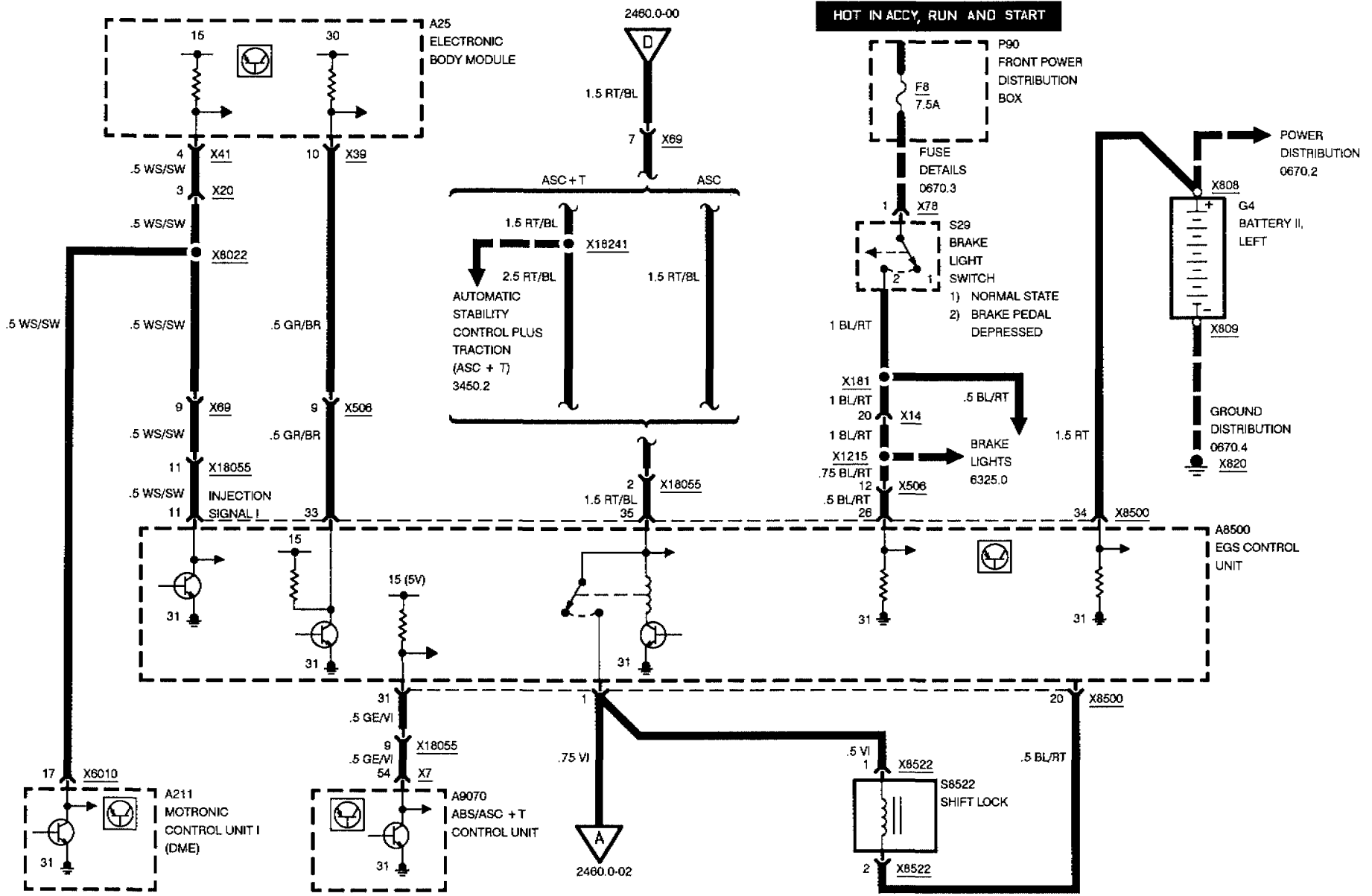
2460.0



ELECTRONIC TRANSMISSION CONTROL (EGS)

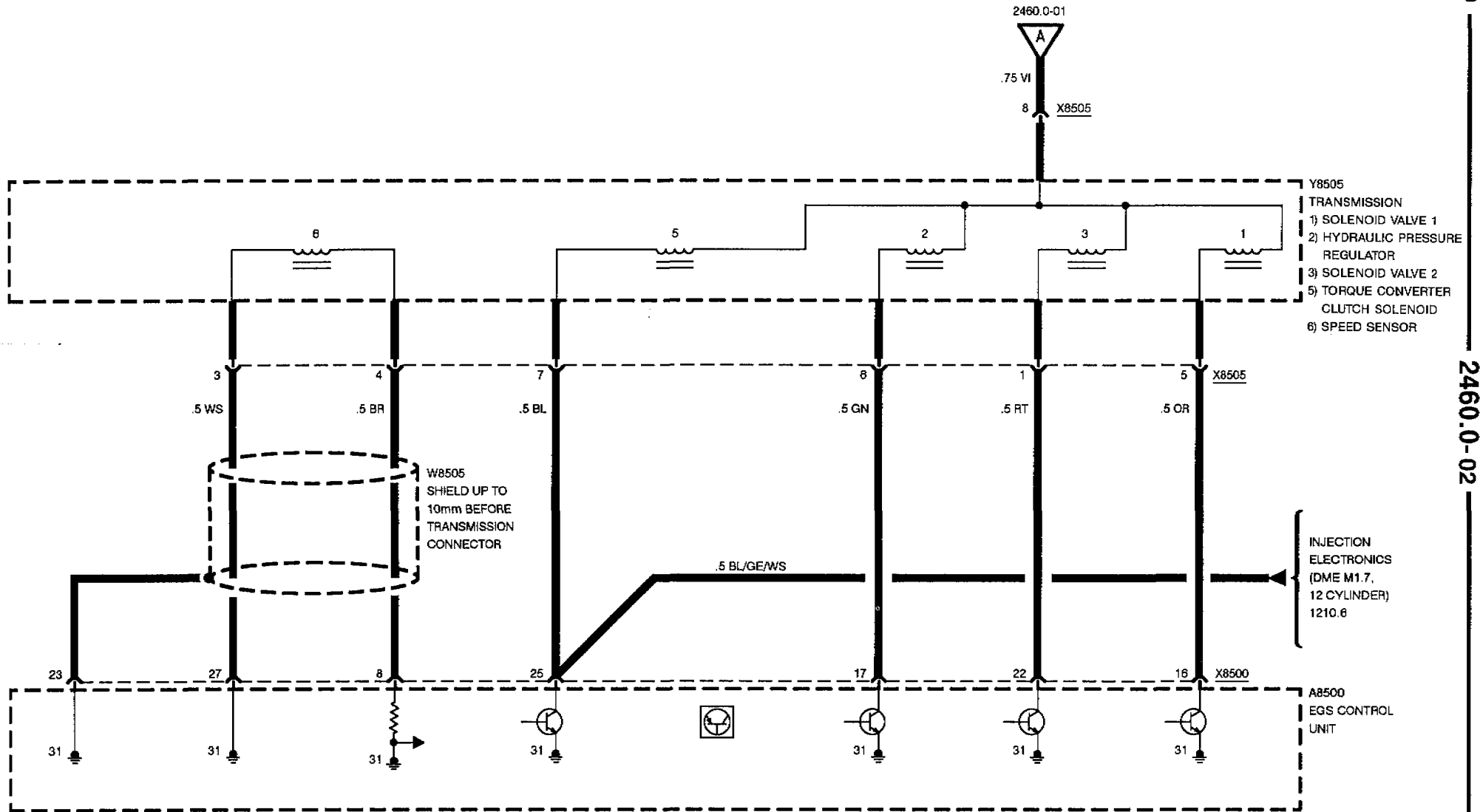


ELECTRONIC TRANSMISSION CONTROL (EGS)



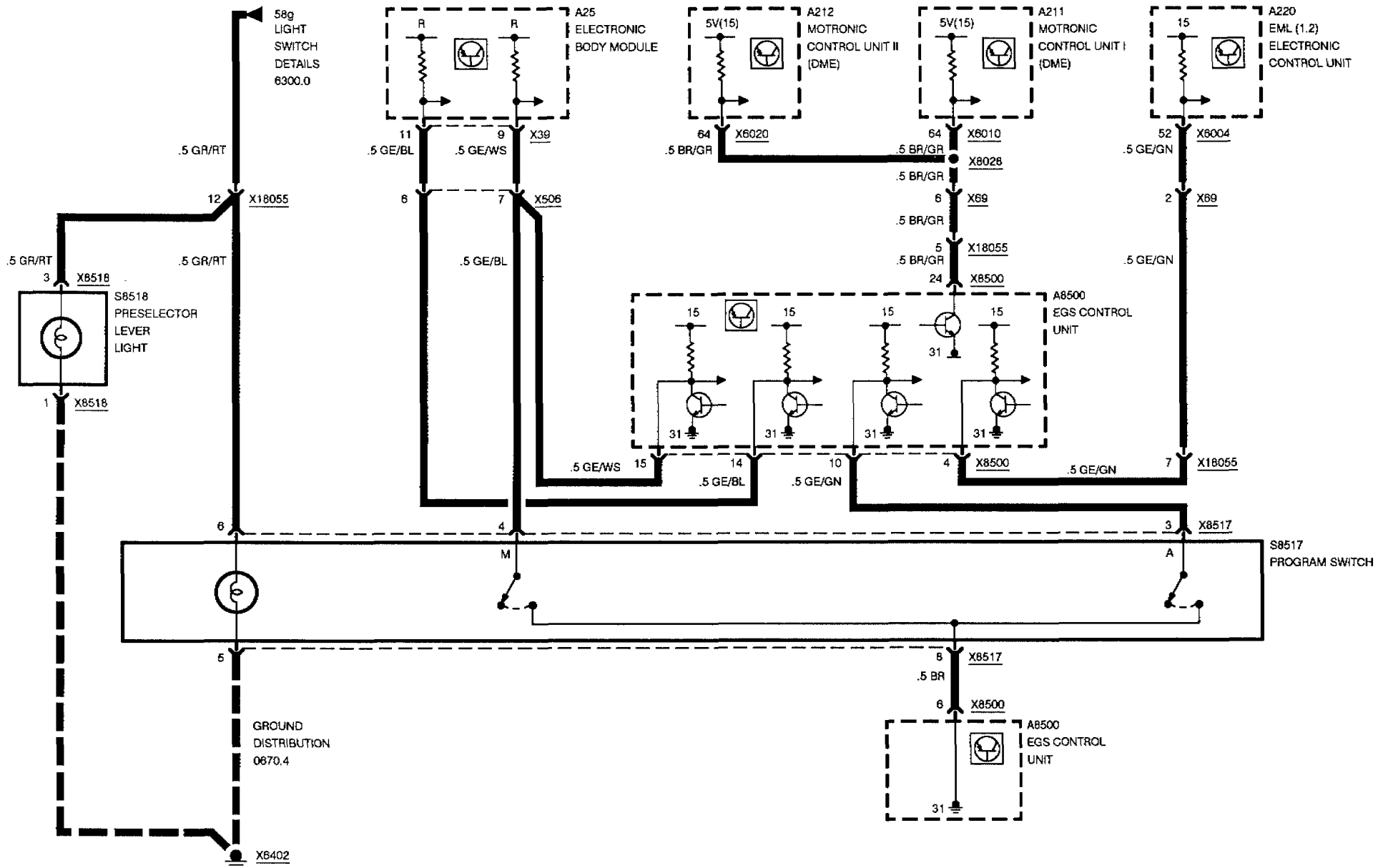


ELECTRONIC TRANSMISSION CONTROL (EGS)



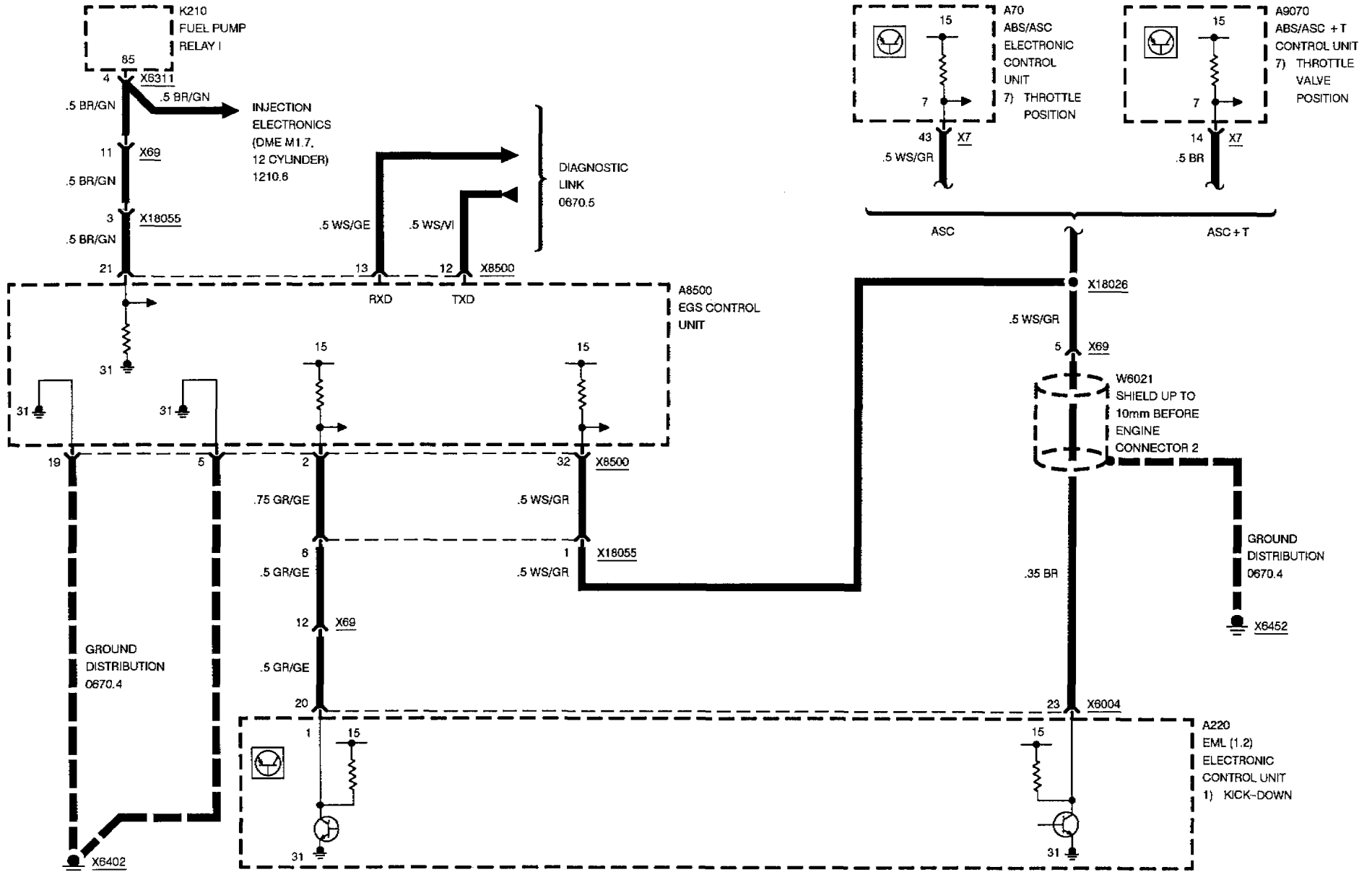


ELECTRONIC TRANSMISSION CONTROL (EGS)





ELECTRONIC TRANSMISSION CONTROL (EGS)

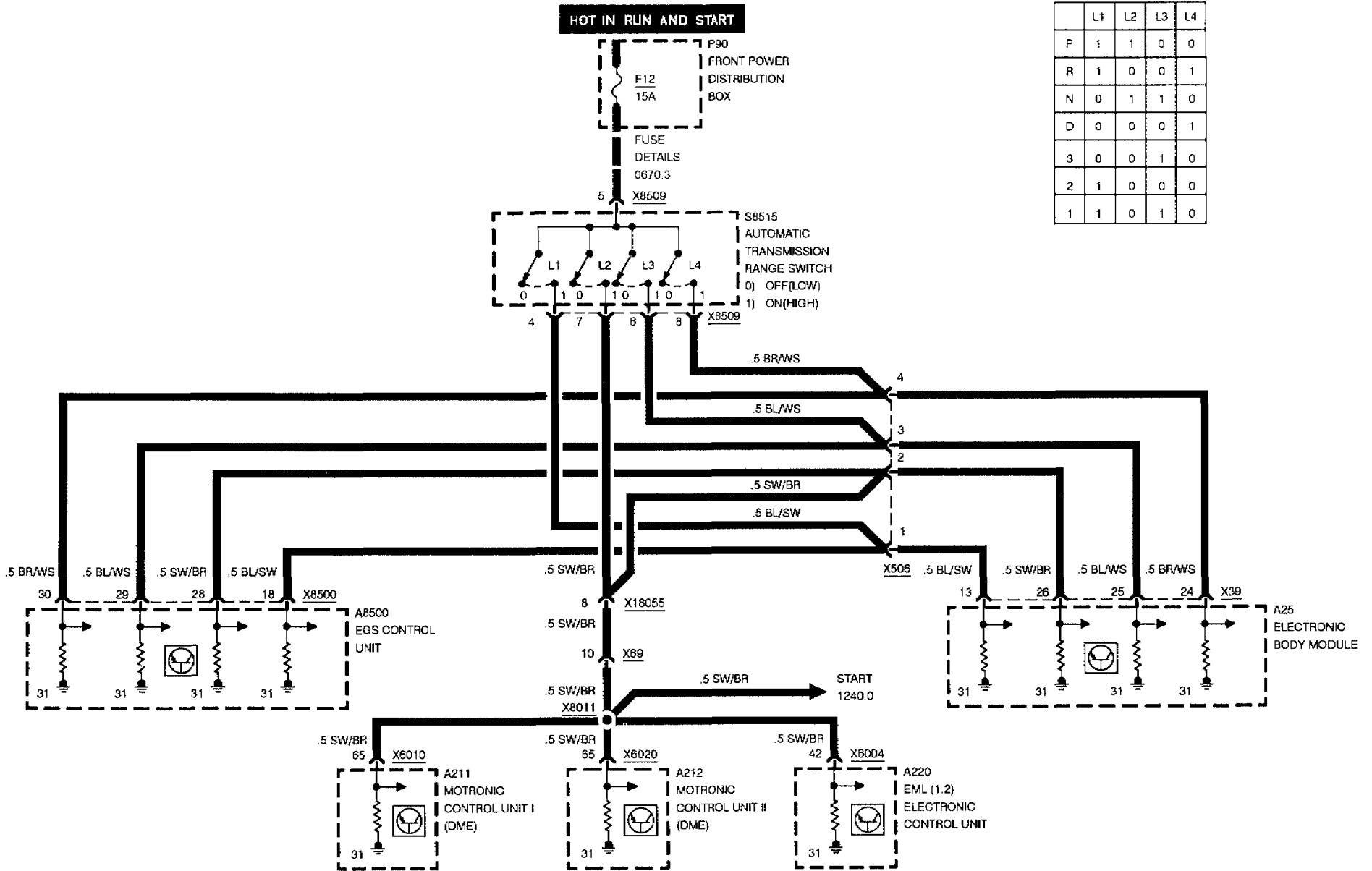


09/90
2460.0-04
1991



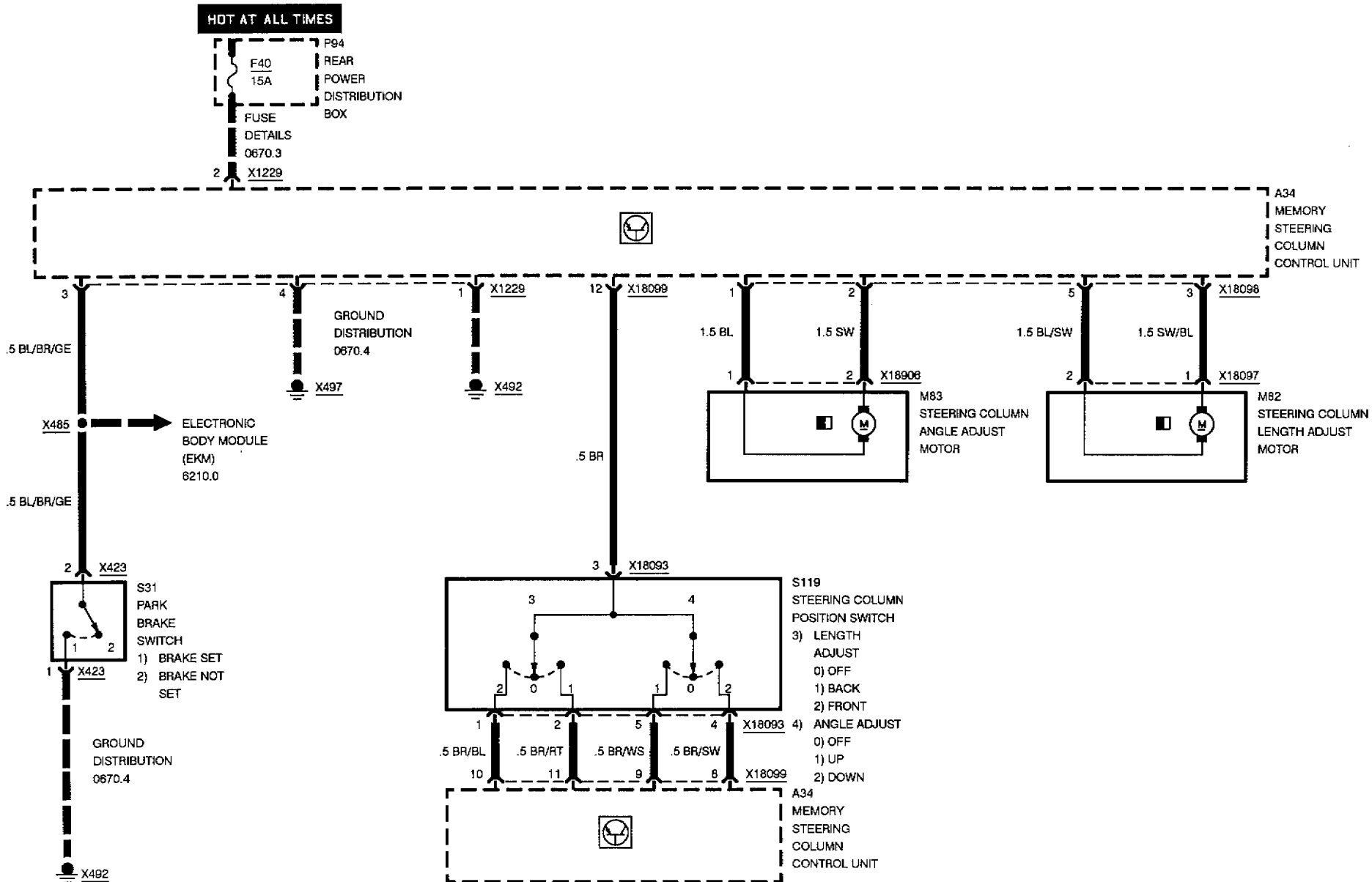
ELECTRONIC TRANSMISSION CONTROL (EGS)

	L1	L2	L3	L4
P	1	1	0	0
R	1	0	0	1
N	0	1	1	0
D	0	0	0	1
3	0	0	1	0
2	1	0	0	0
1	1	0	1	0





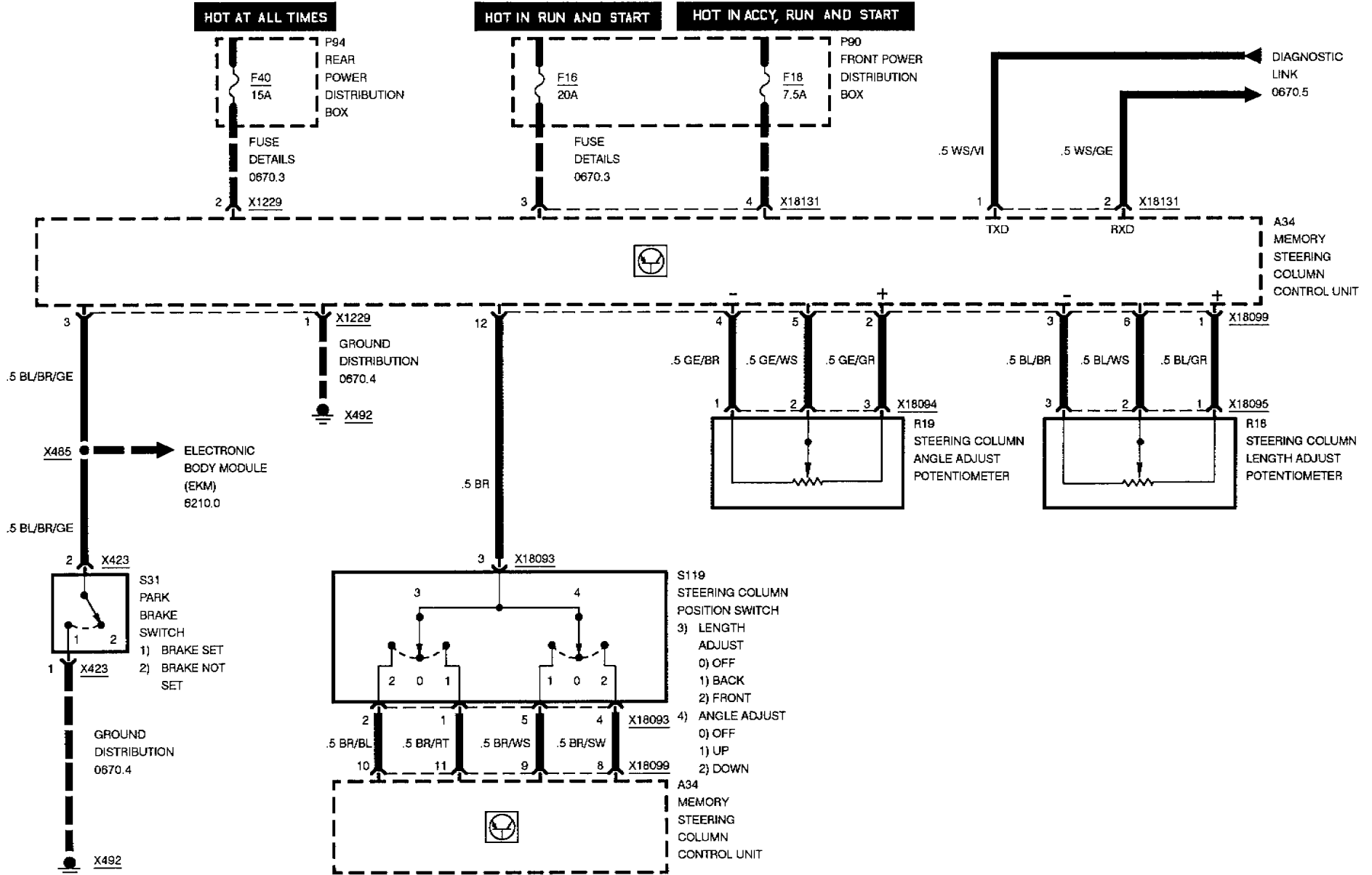
ELECTRIC STEERING COLUMN ADJUSTMENT





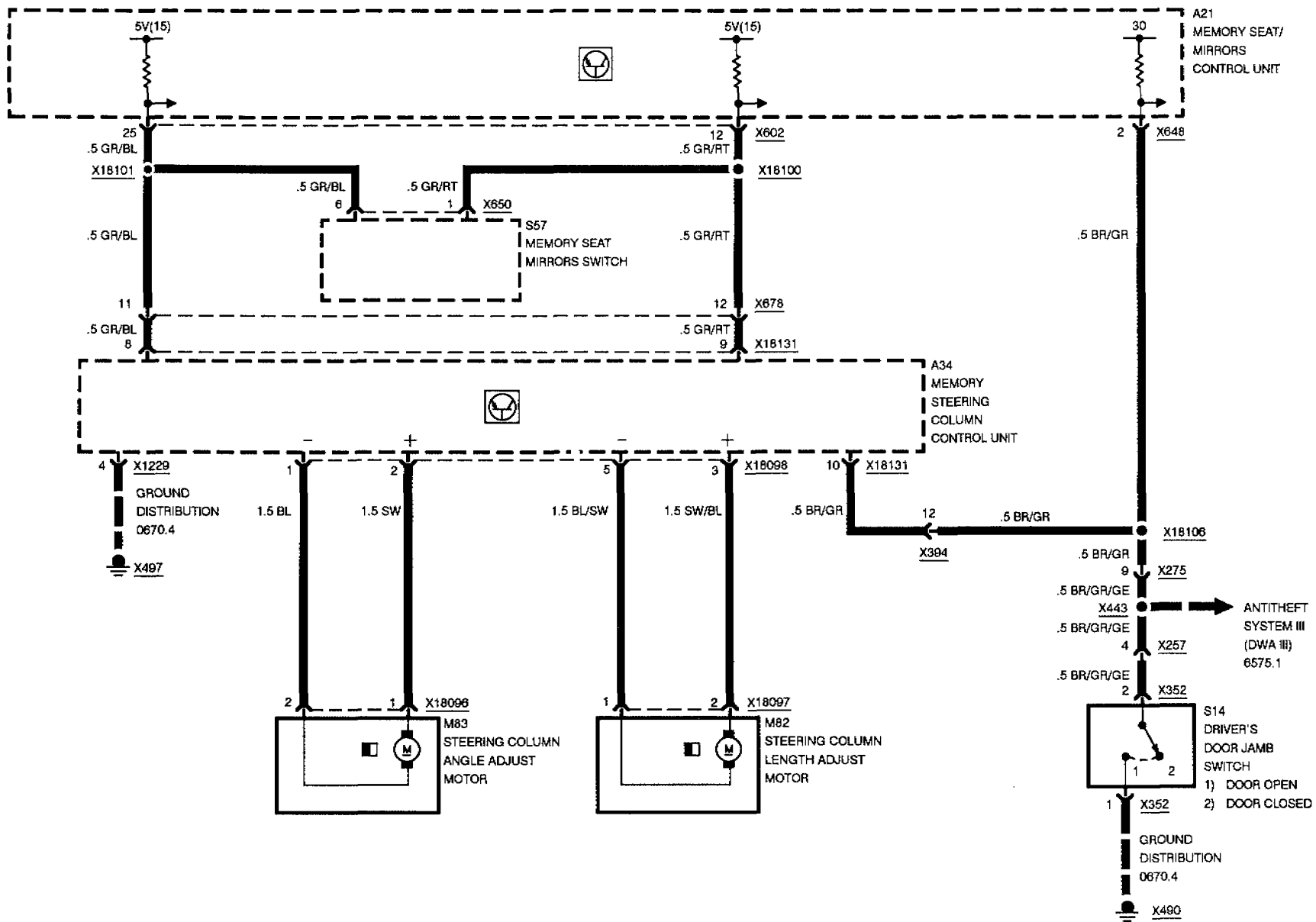


MEMORY STEERING COLUMN ADJUSTMENT (LSM)



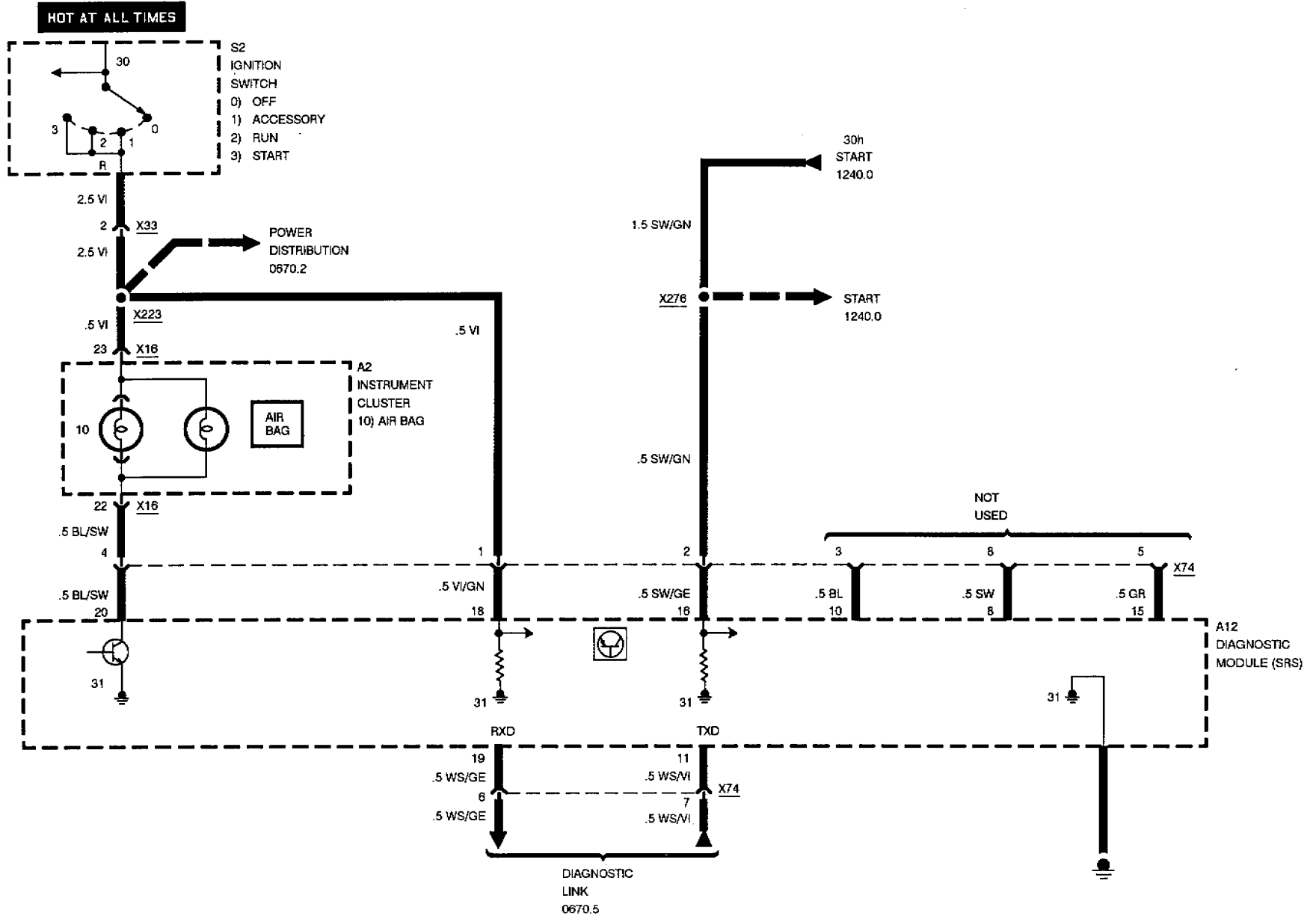


MEMORY STEERING COLUMN ADJUSTMENT (LSM)

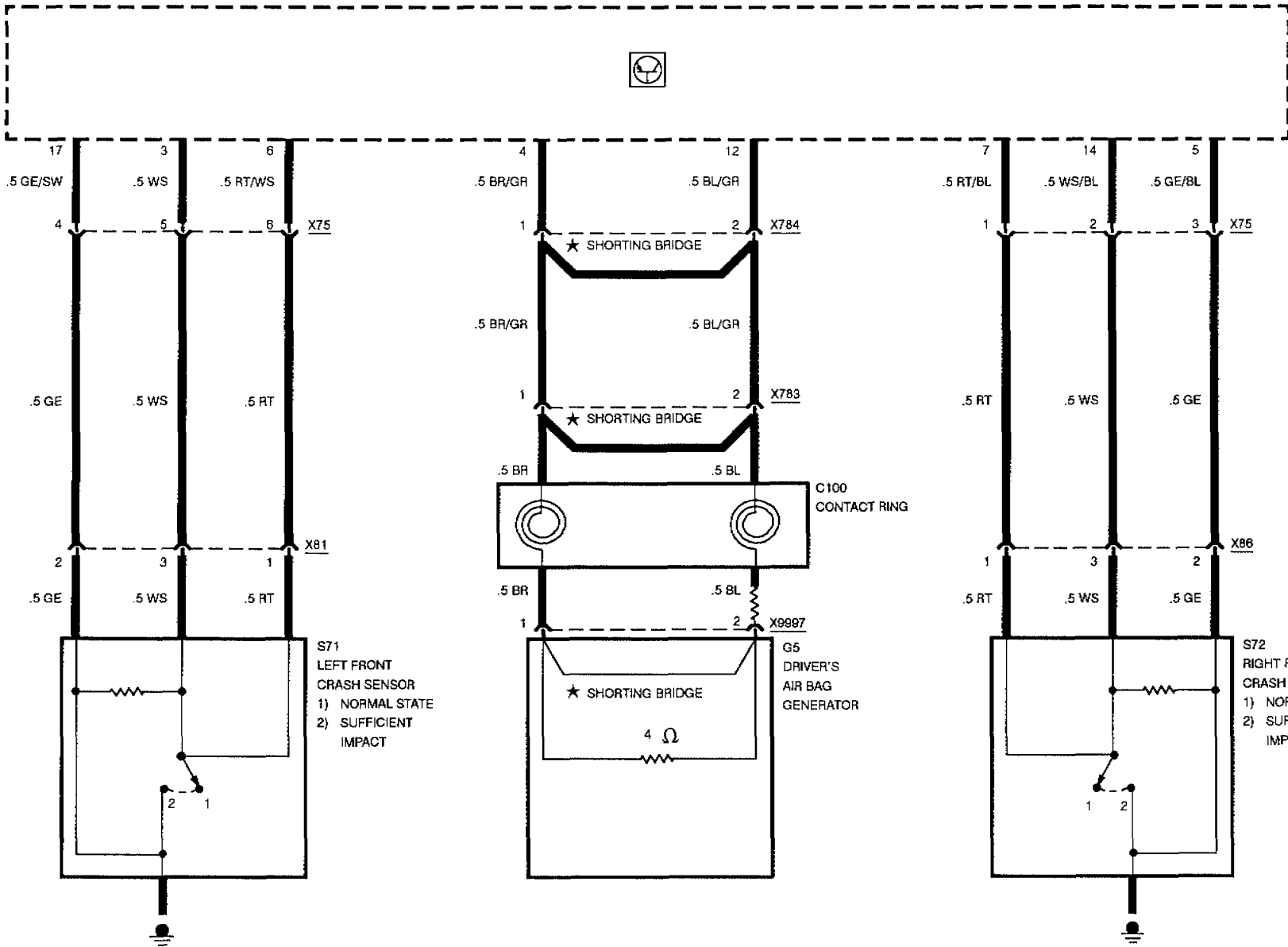




SUPPLEMENTAL RESTRAINT SYSTEM (AIR BAG)



SUPPLEMENTAL RESTRAINT SYSTEM (AIR BAG)



A12
DIAGNOSTIC
MODULE (SRS)

★ THE DRIVER'S AIRBAG GENERATOR IS FITTED WITH SHORTING BRIDGES. THE BRIDGES SHORT THE GENERATOR LEADS TOGETHER TO PREVENT UNINTENTIONAL TRIGGERING OF THE IGNITER WHEN WORKING ON THE AIRBAG SYSTEM.

ONLY SPECIAL TOOLS 81 1260 AND 82 1280 (TEST LEADS) MAY BE USED TO CHECK THE WIRE LOOP AND IGNITER RESISTANCE.

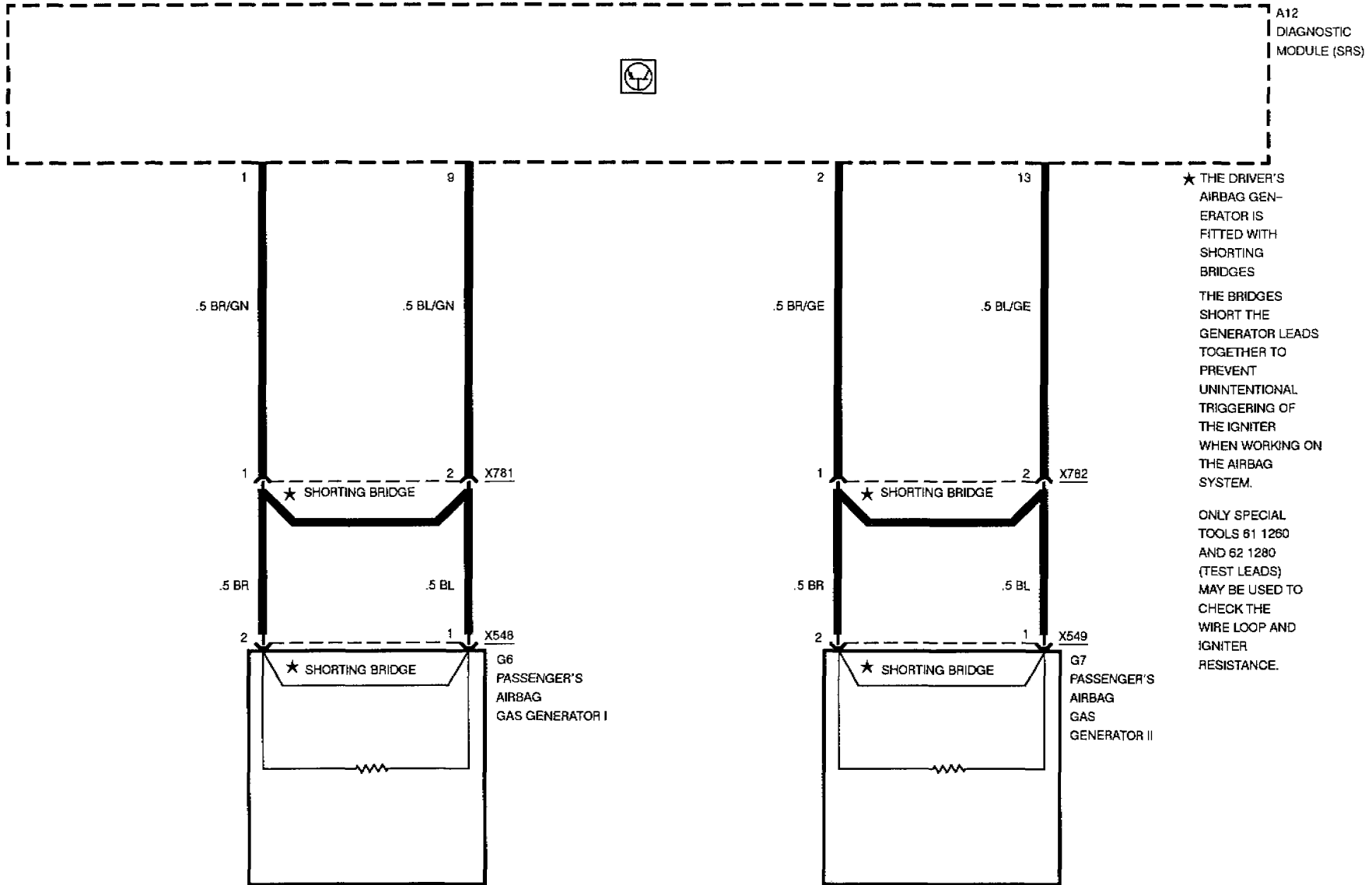
S71
LEFT FRONT
CRASH SENSOR
1) NORMAL STATE
2) SUFFICIENT
IMPACT

G5
DRIVER'S
AIR BAG
GENERATOR

S72
RIGHT FRONT
CRASH SENSOR
1) NORMAL STATE
2) SUFFICIENT
IMPACT



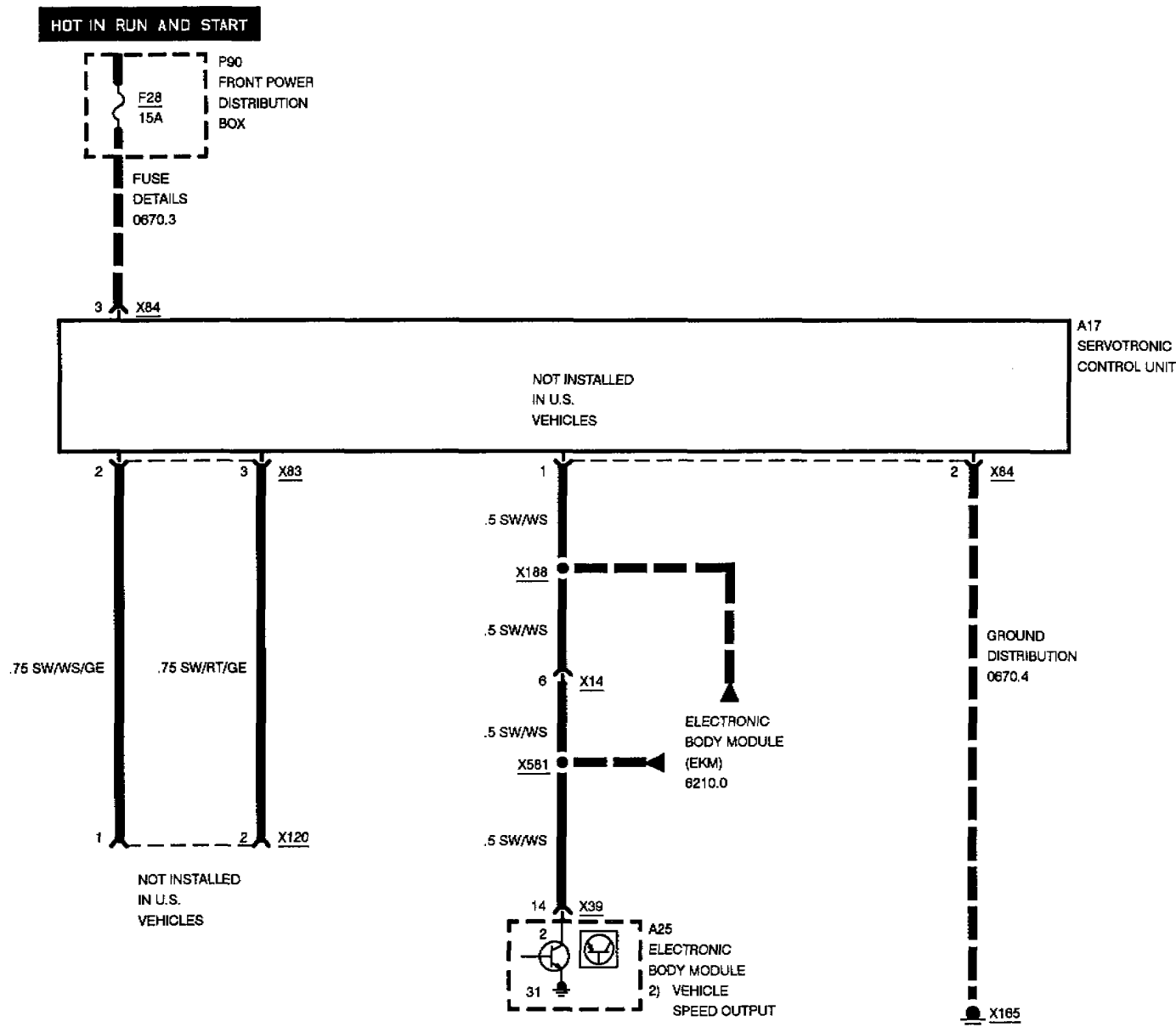
SUPPLEMENTAL RESTRAINT SYSTEM (AIR BAG) WITH PASSENGER'S AIRBAG







POWER ASSIST STEERING (SERVOTRONIC)



09/90

3240.0-00

1991

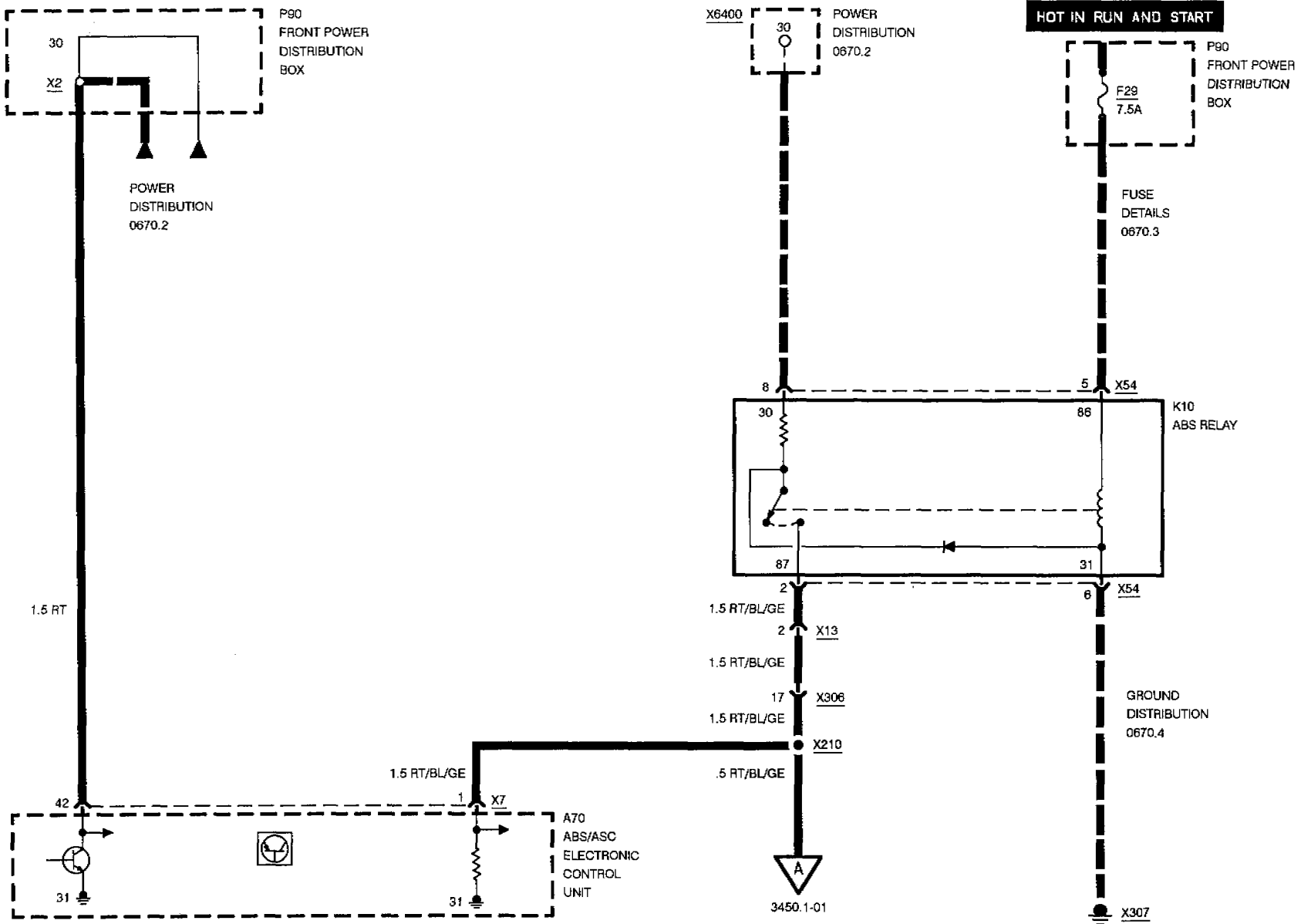
BMW
8

3450.1



ANTILOCK BRAKE SYSTEM WITH AUTOMATIC STABILITY CONTROL (ABS/ASC)

850iA

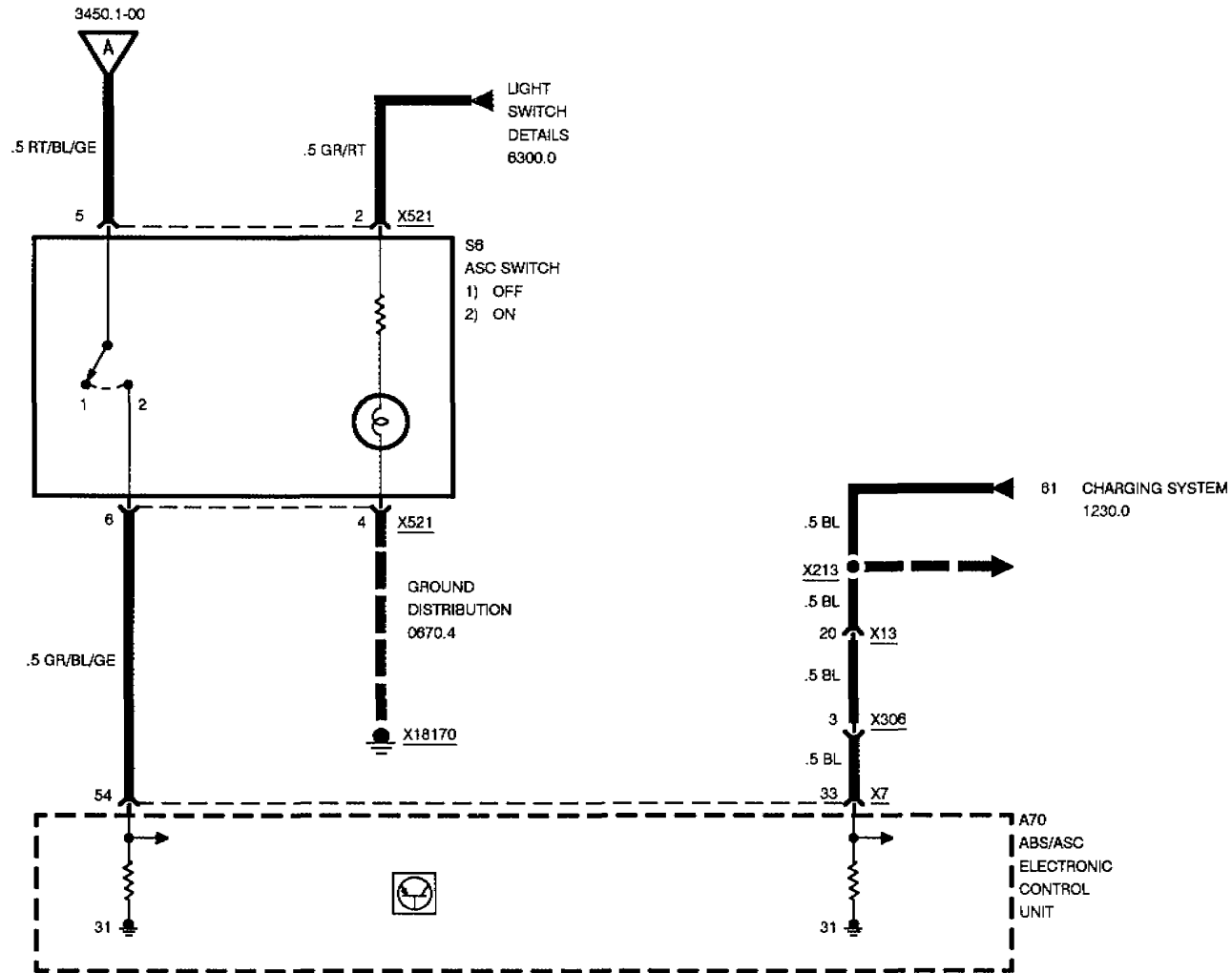


09/90 — 3450.1-00 — 1991



ANTILOCK BRAKE SYSTEM WITH AUTOMATIC STABILITY CONTROL (ABS/ASC)

850iA

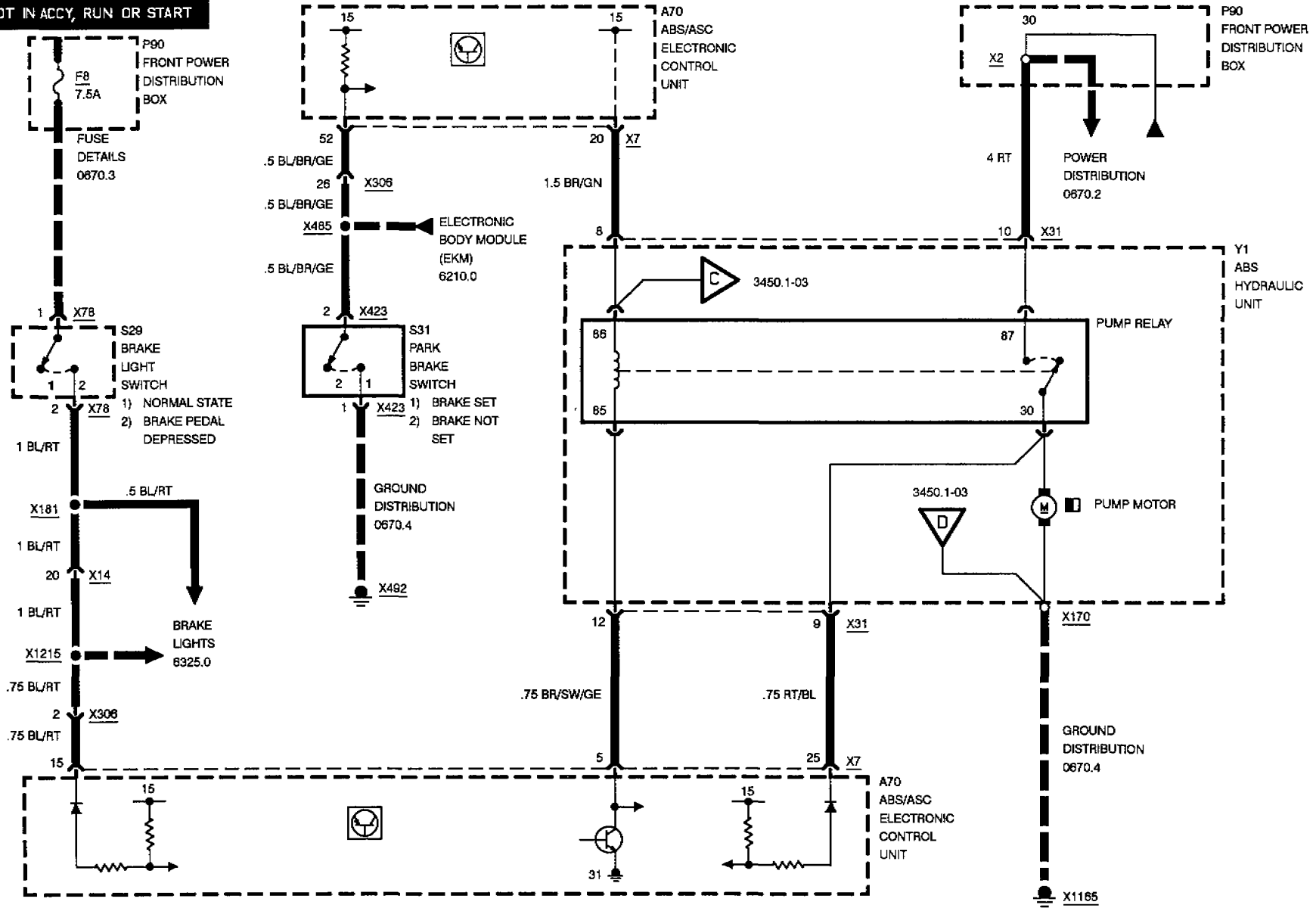




ANTILOCK BRAKE SYSTEM WITH AUTOMATIC STABILITY CONTROL (ABS/ASC)

850iA

HOT IN ACCY, RUN OR START



09/90

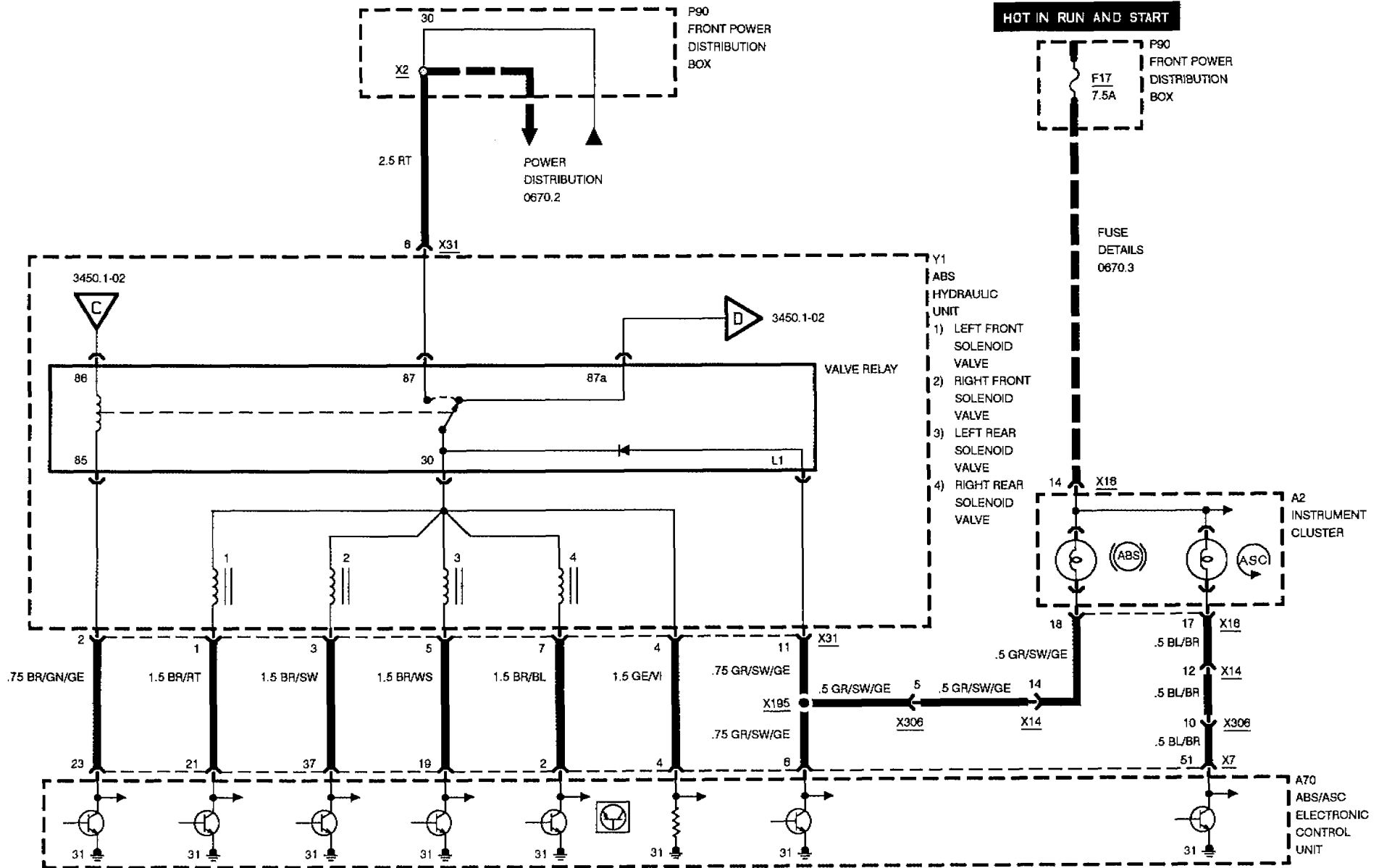
3450.1-02

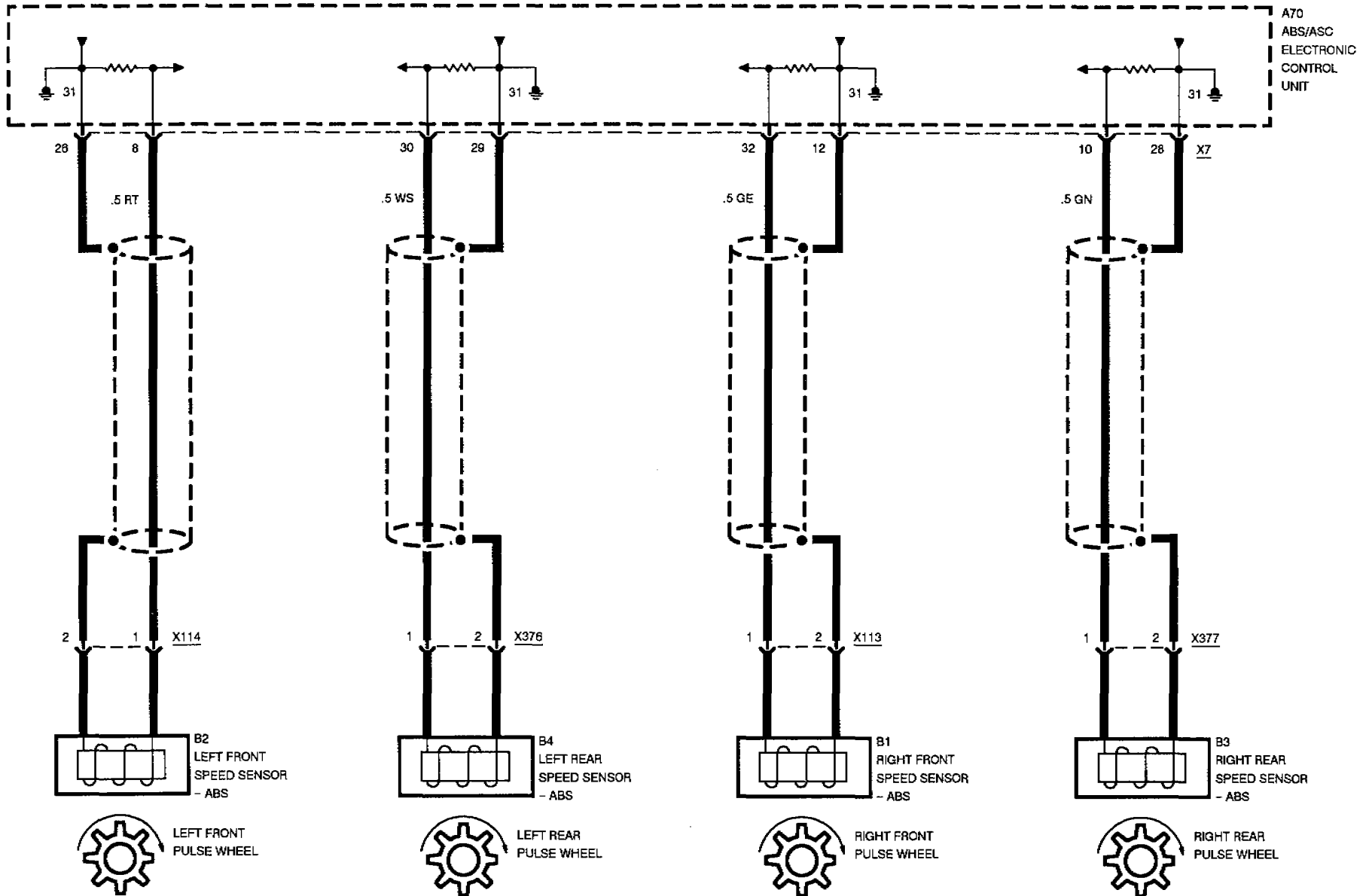
1991



ANTILOCK BRAKE SYSTEM WITH AUTOMATIC STABILITY CONTROL (ABS/ASC)

850iA



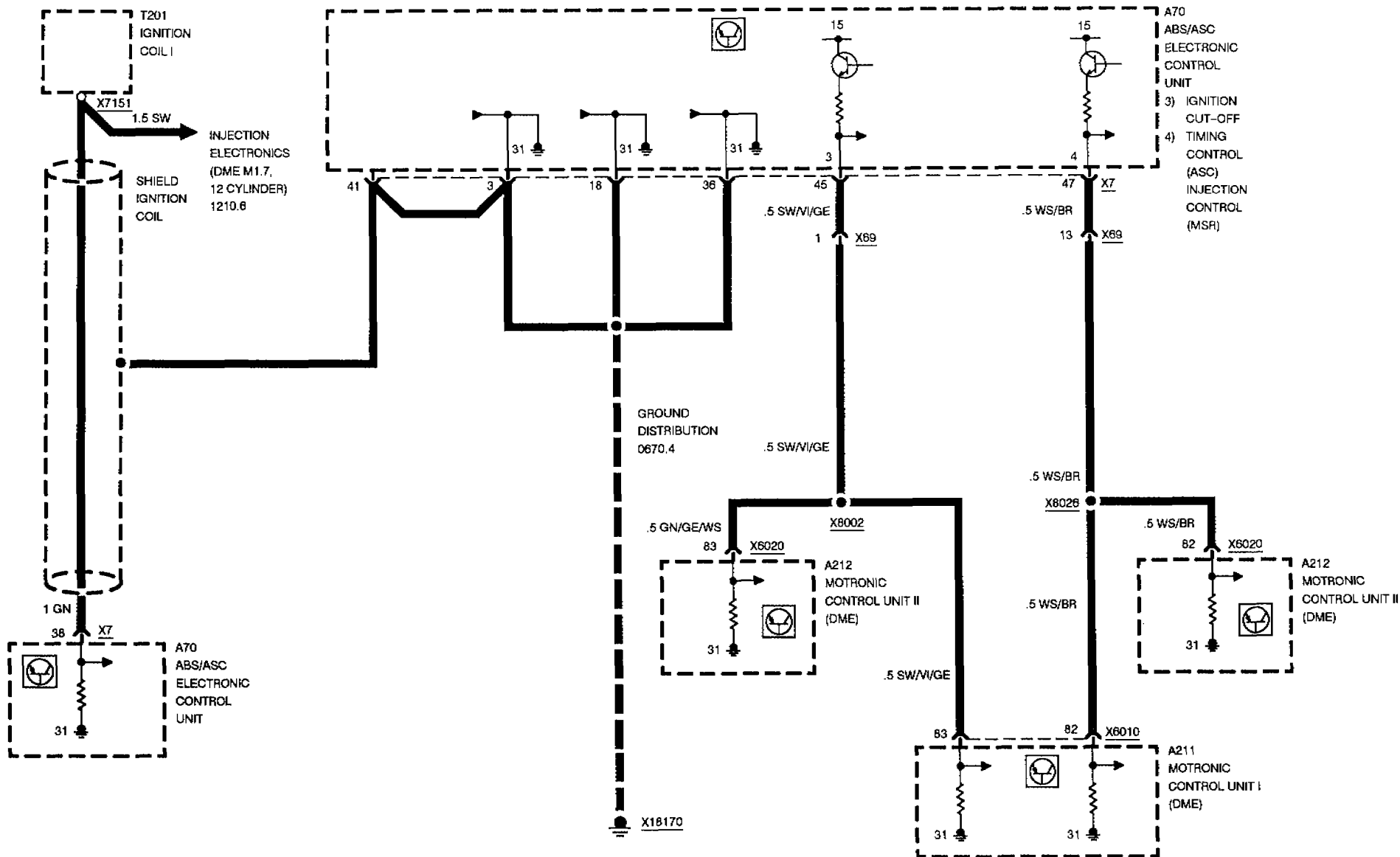




ANTILOCK BRAKE SYSTEM WITH AUTOMATIC STABILITY CONTROL (ABS/ASC)

850iA

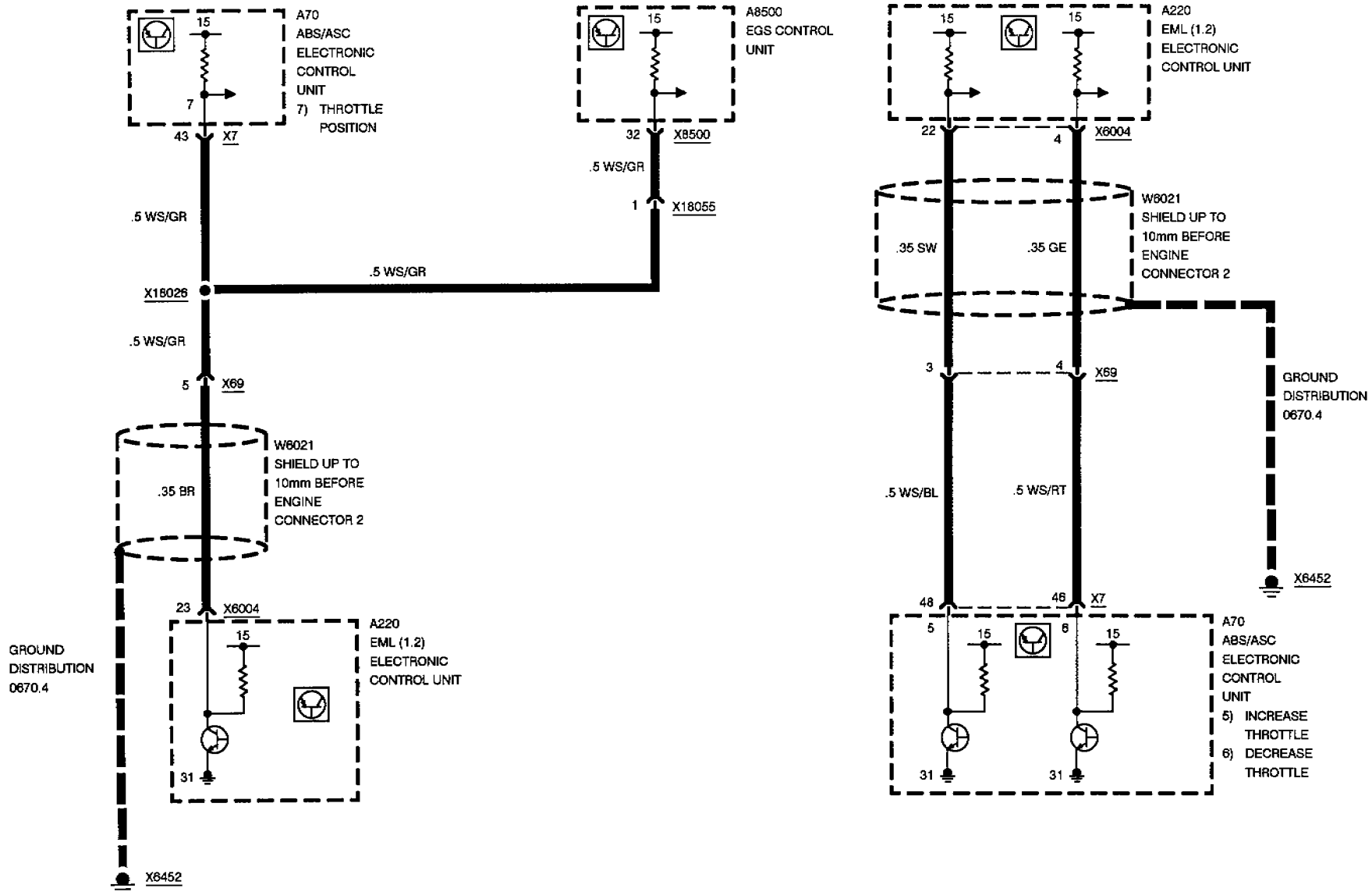
DME INTERFACE





ANTILOCK BRAKE SYSTEM WITH AUTOMATIC STABILITY CONTROL (ABS/ASC)

850iA



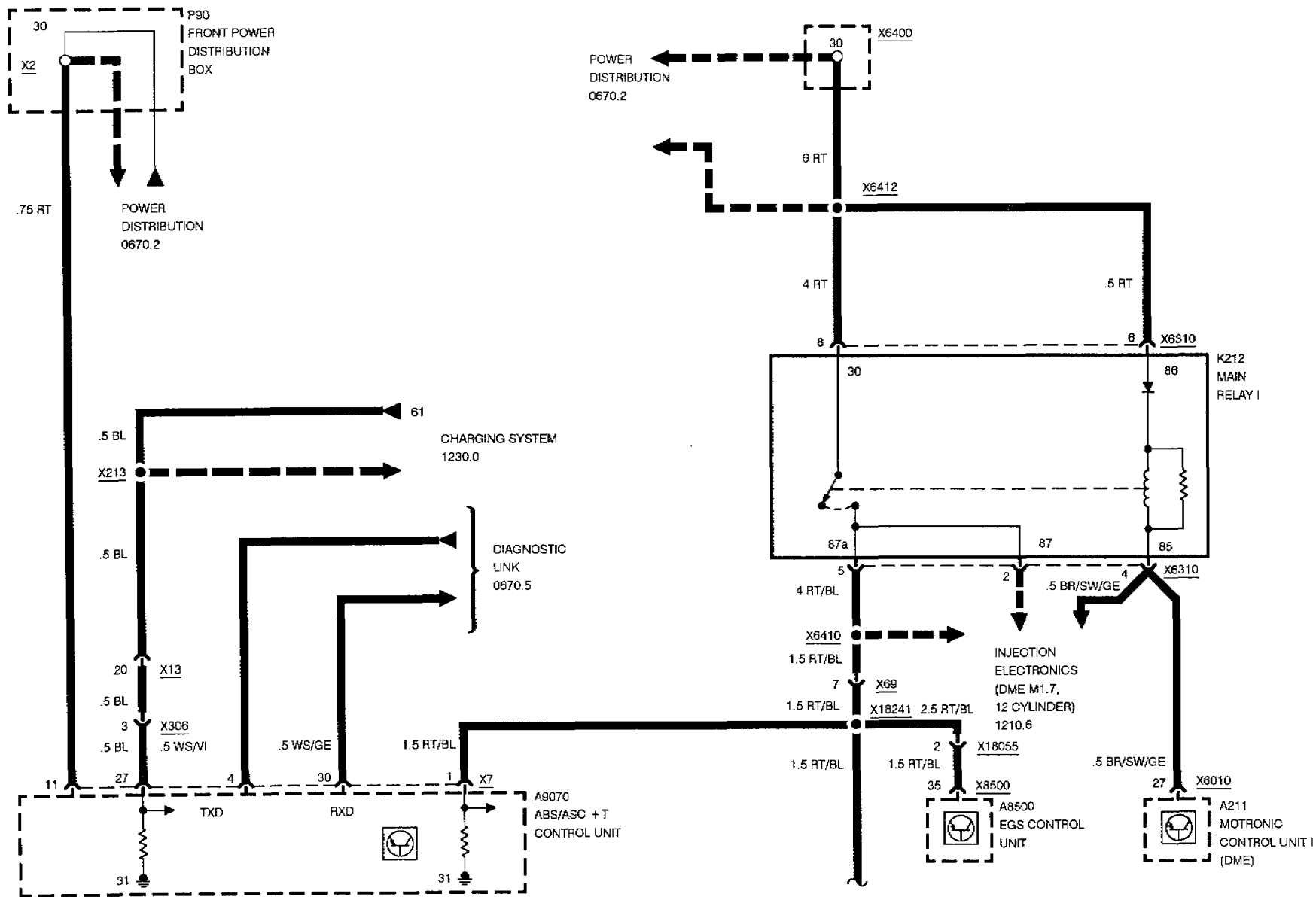
09/90

3450.1-06

1991

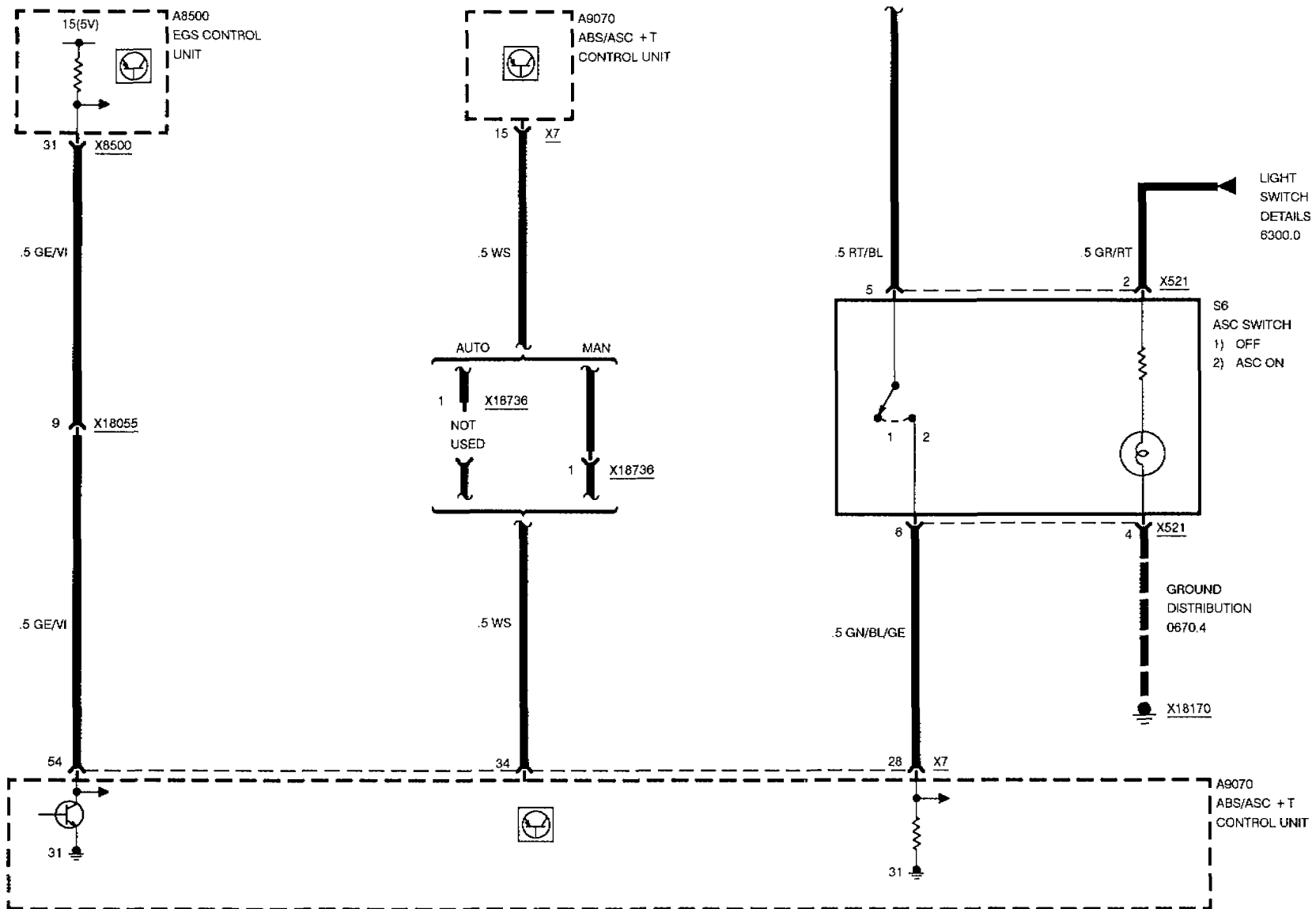


AUTOMATIC STABILITY CONTROL PLUS TRACTION (ASC + T)





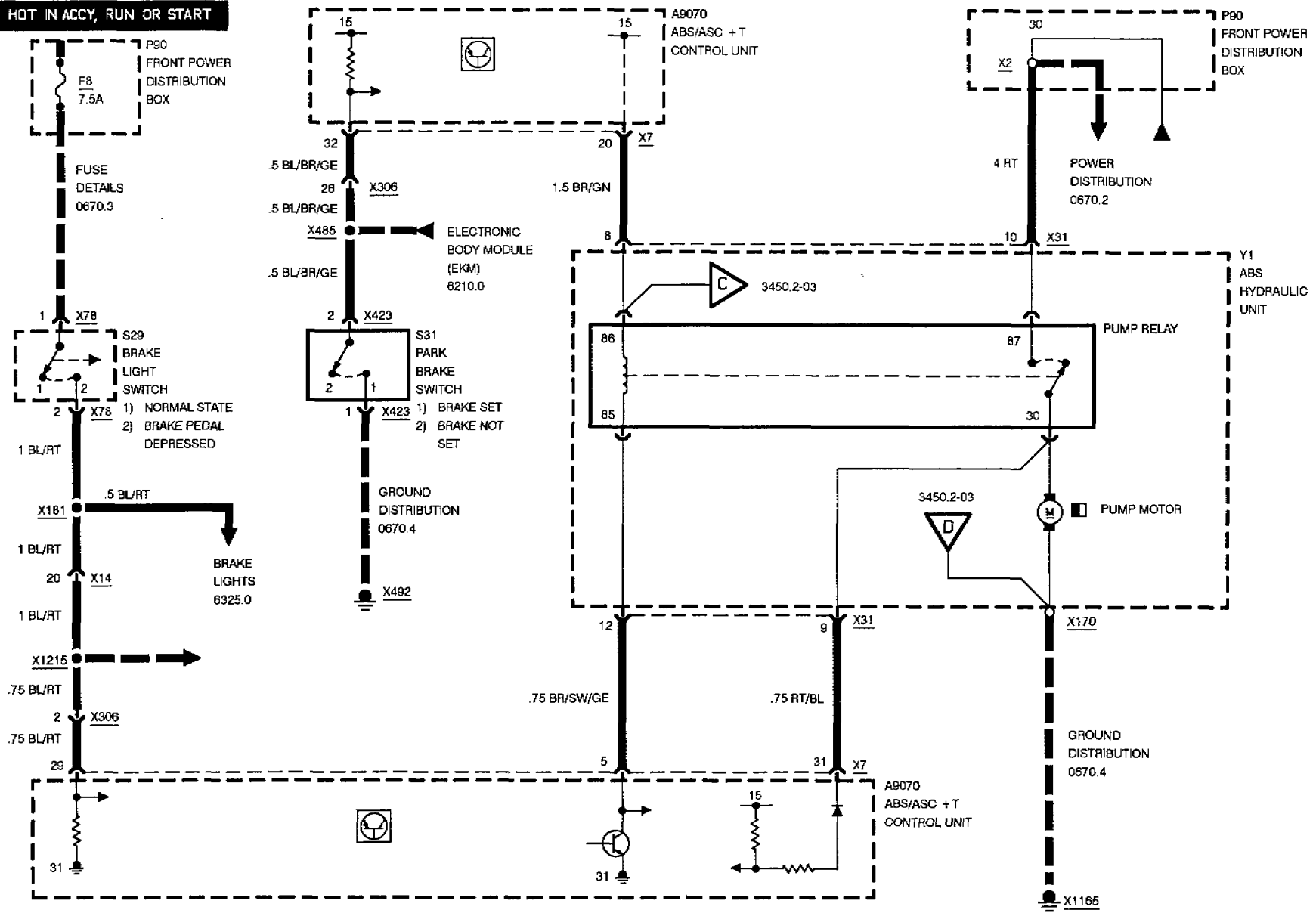
AUTOMATIC STABILITY CONTROL PLUS TRACTION (ASC + T)





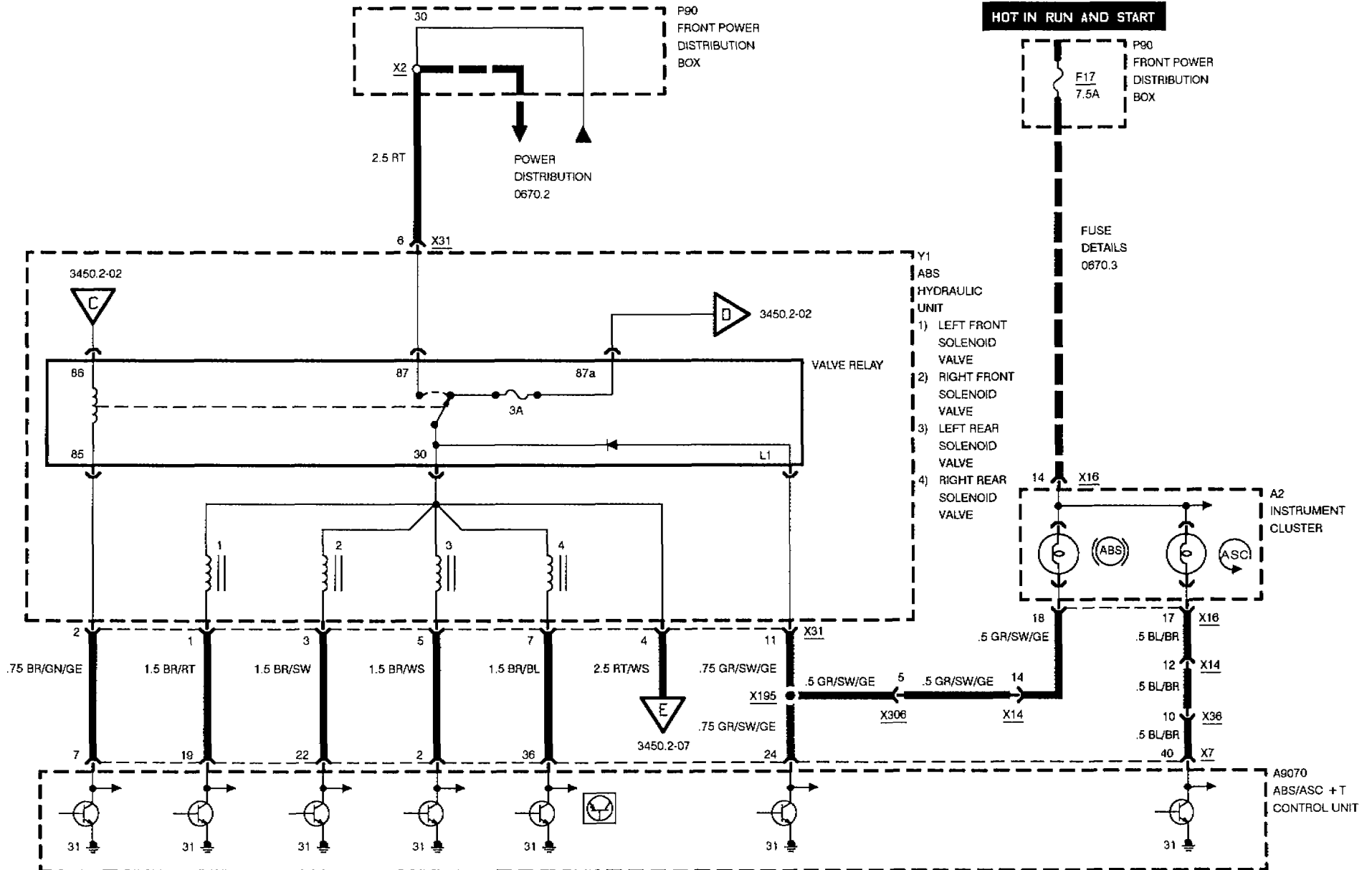
AUTOMATIC STABILITY CONTROL PLUS TRACTION (ASC + T)

HOT IN ACCY, RUN OR START



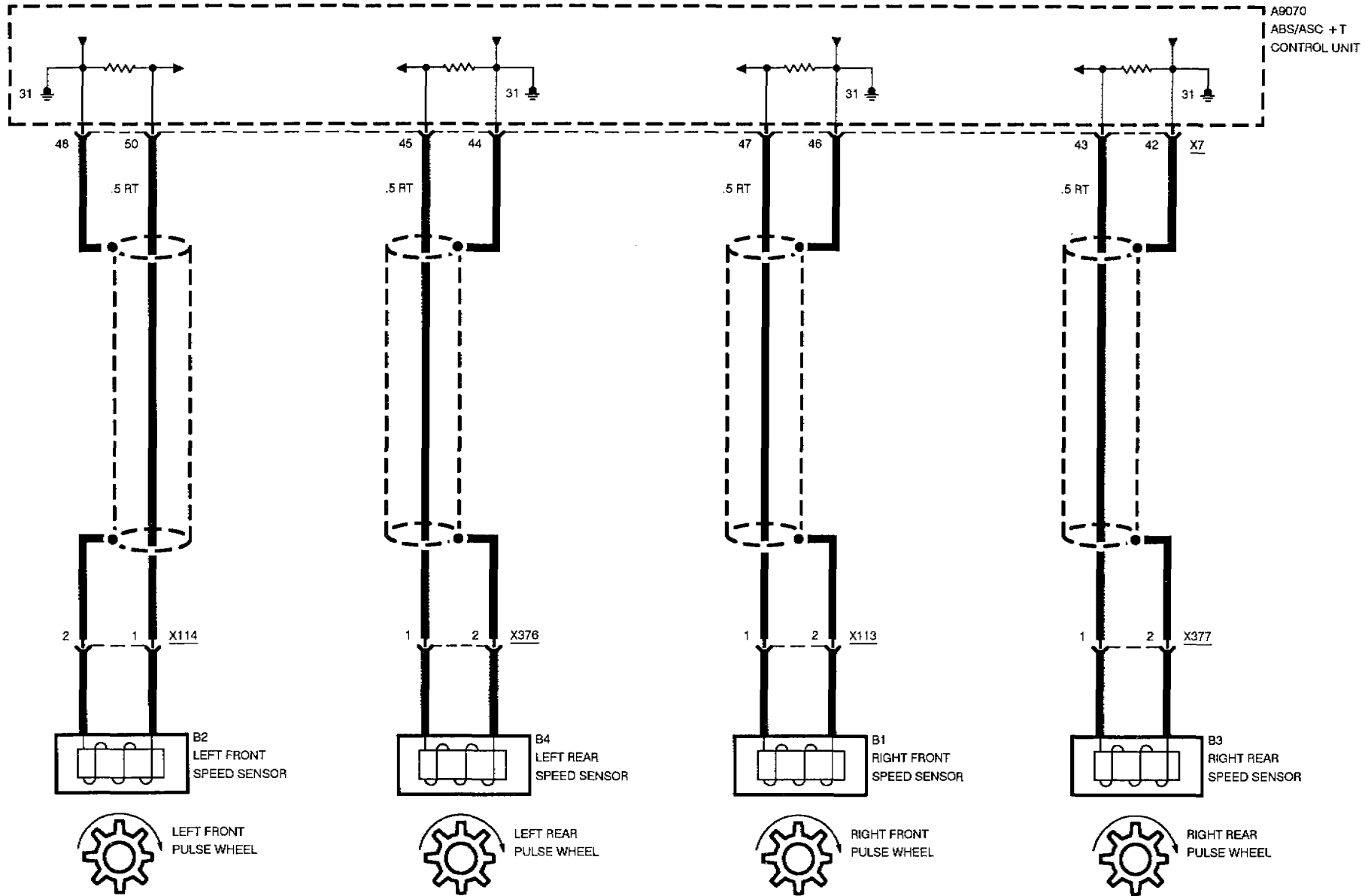


AUTOMATIC STABILITY CONTROL PLUS TRACTION (ASC + T)





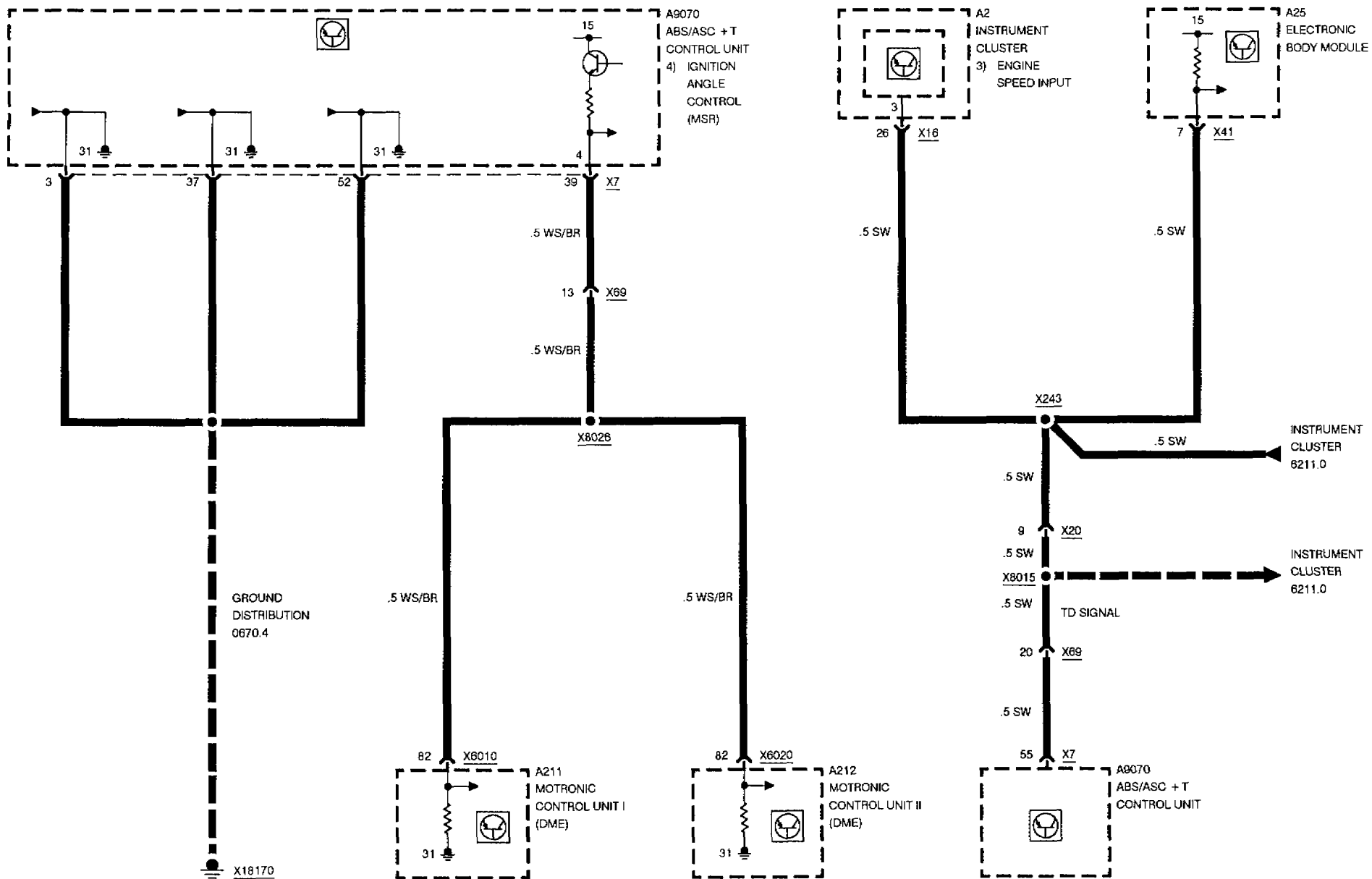
AUTOMATIC STABILITY CONTROL PLUS TRACTION (ASC + T)





AUTOMATIC STABILITY CONTROL PLUS TRACTION (ASC + T)

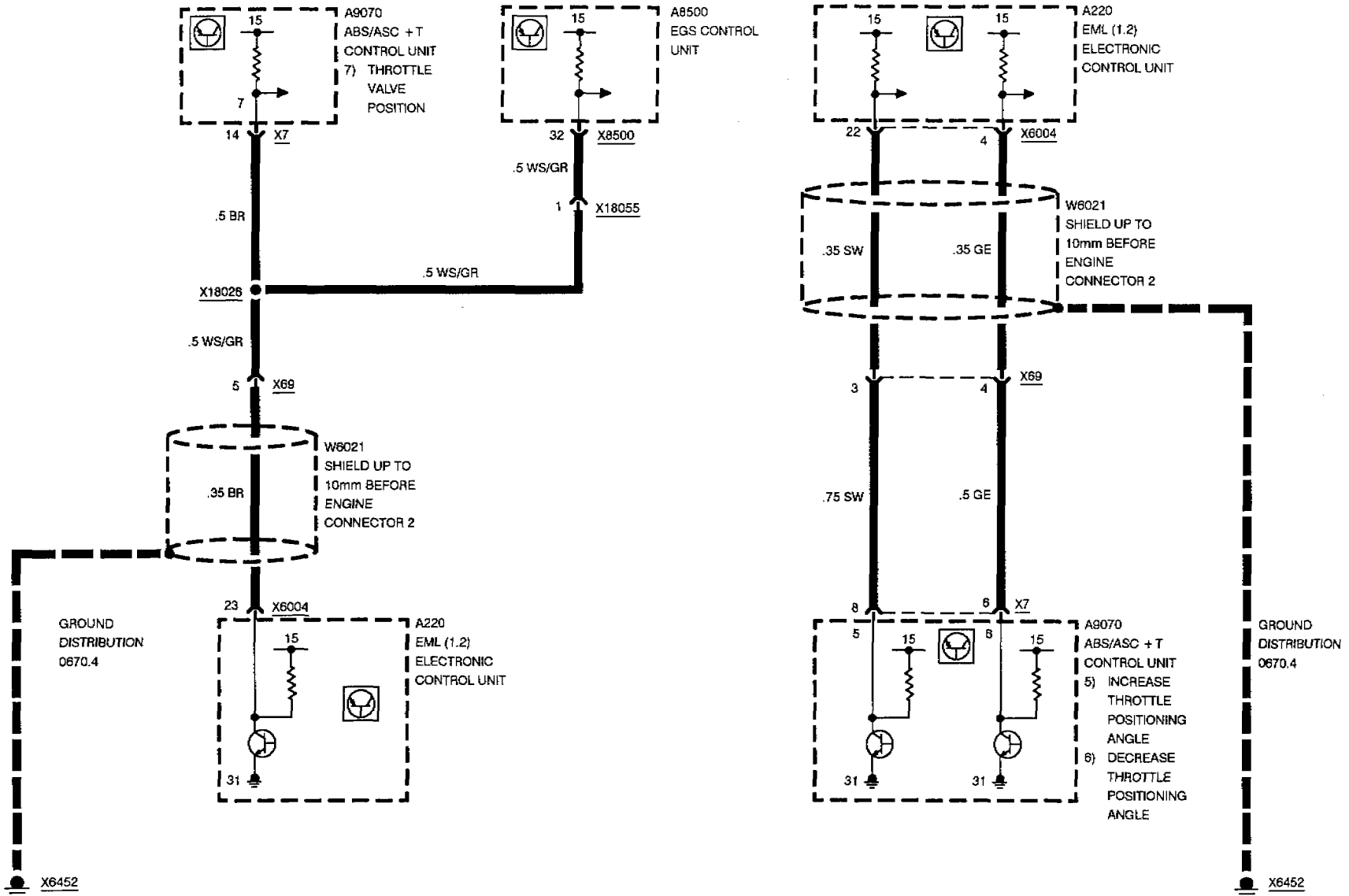
DME INTERFACE





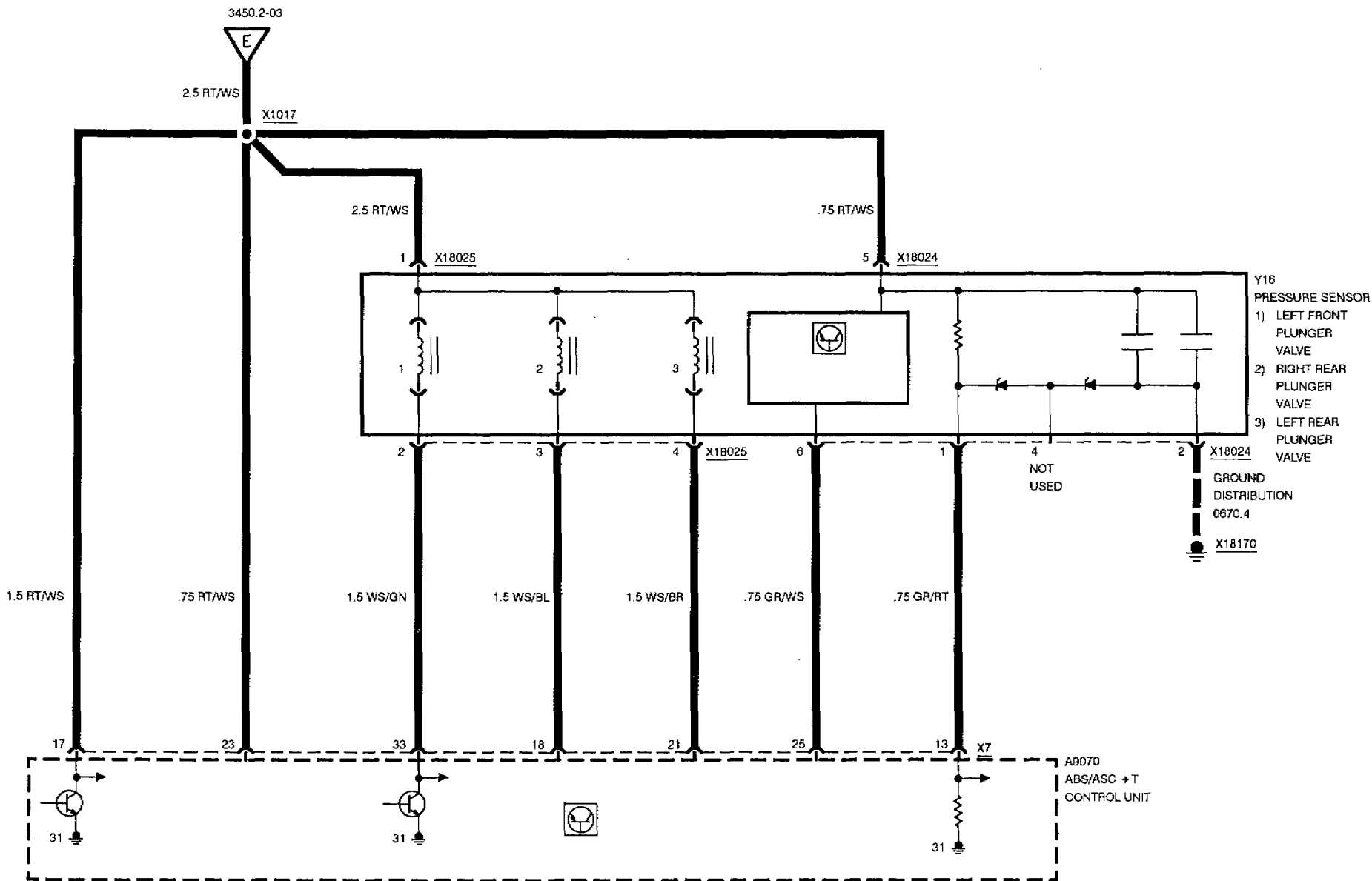
AUTOMATIC STABILITY CONTROL PLUS TRACTION (ASC + T)

EML INTERFACE



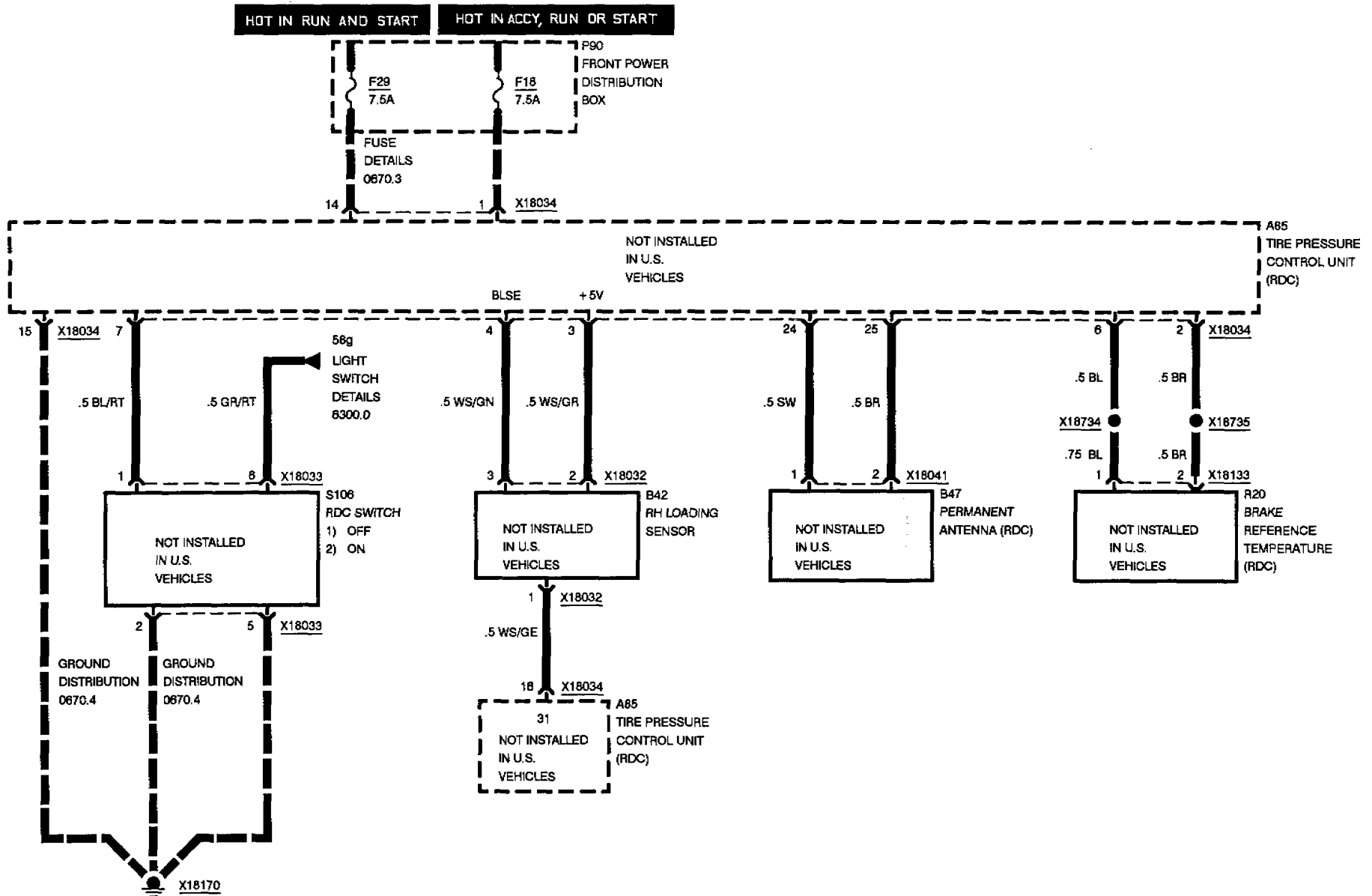


AUTOMATIC STABILITY CONTROL PLUS TRACTION (ASC + T)

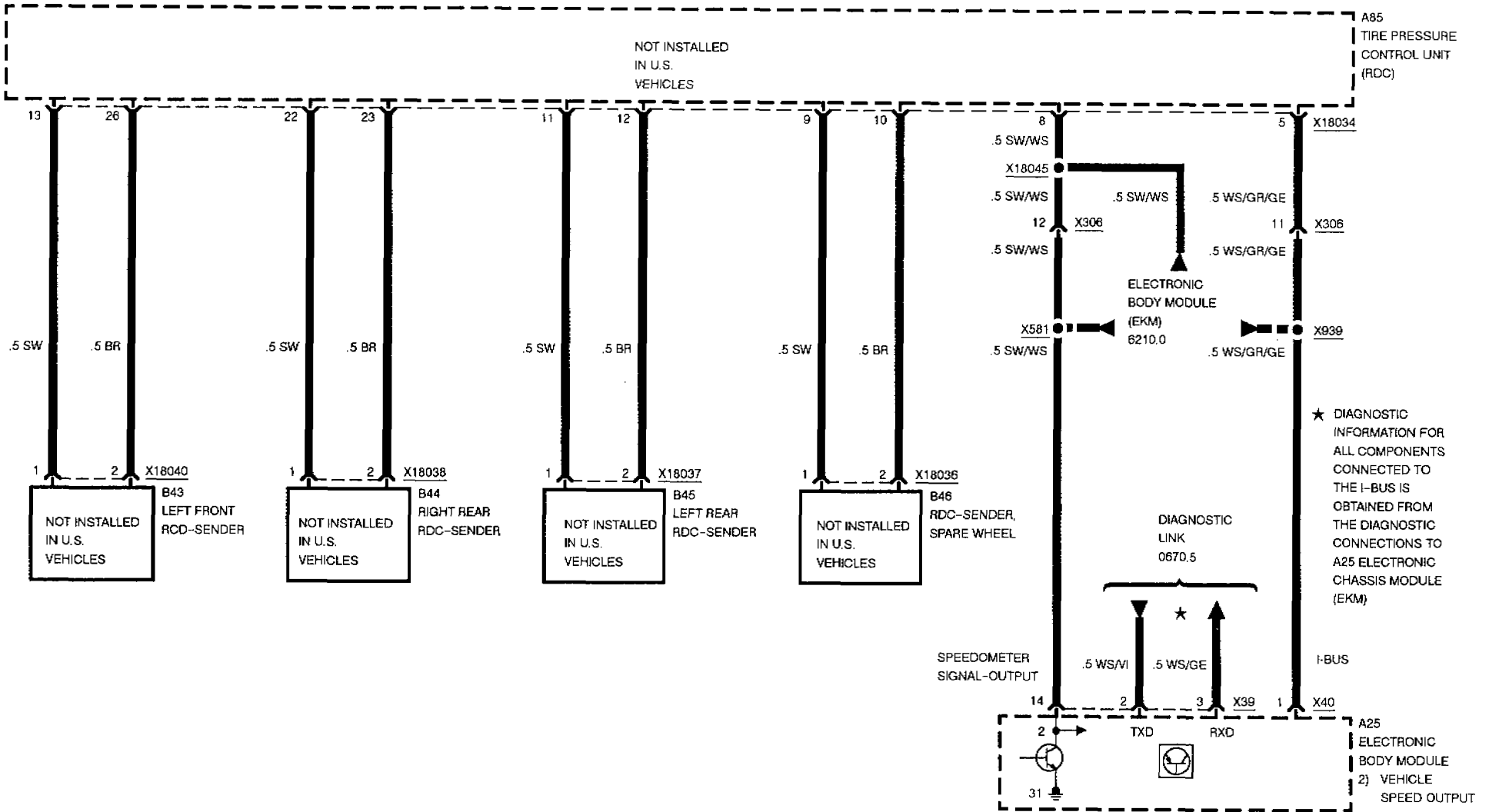




TIRE PRESSURE CONTROL (RDC)

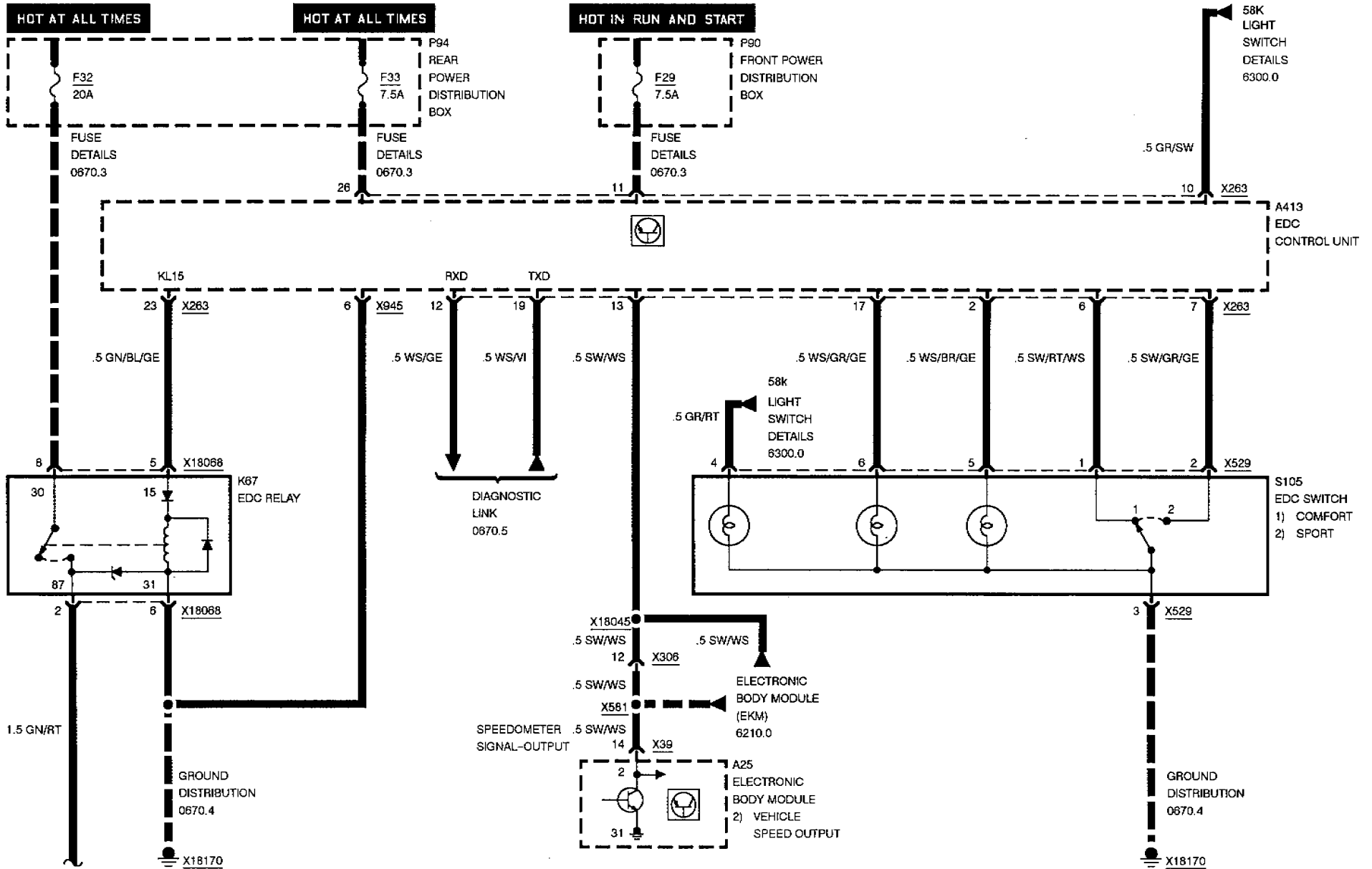


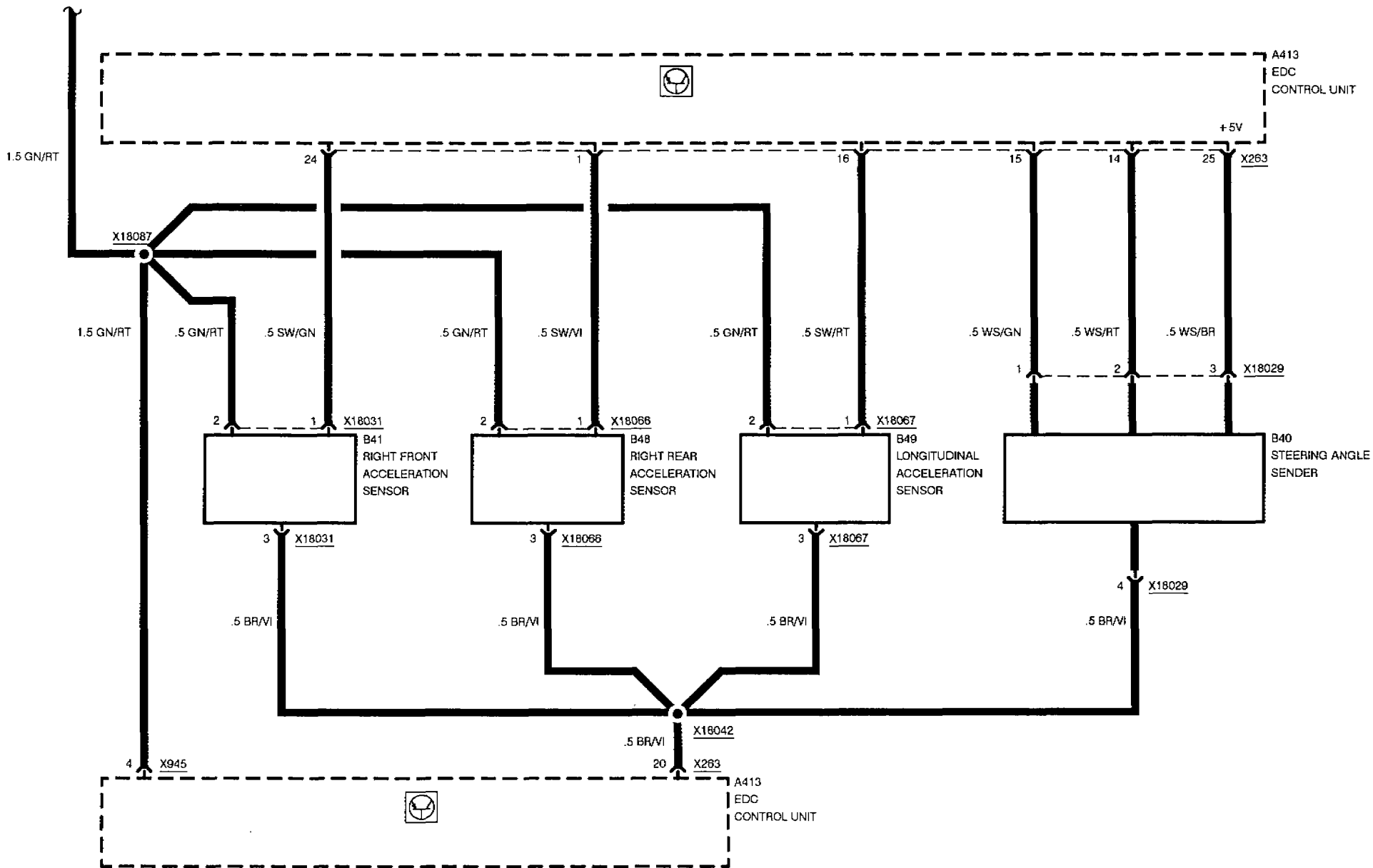
TIRE PRESSURE CONTROL (RDC)





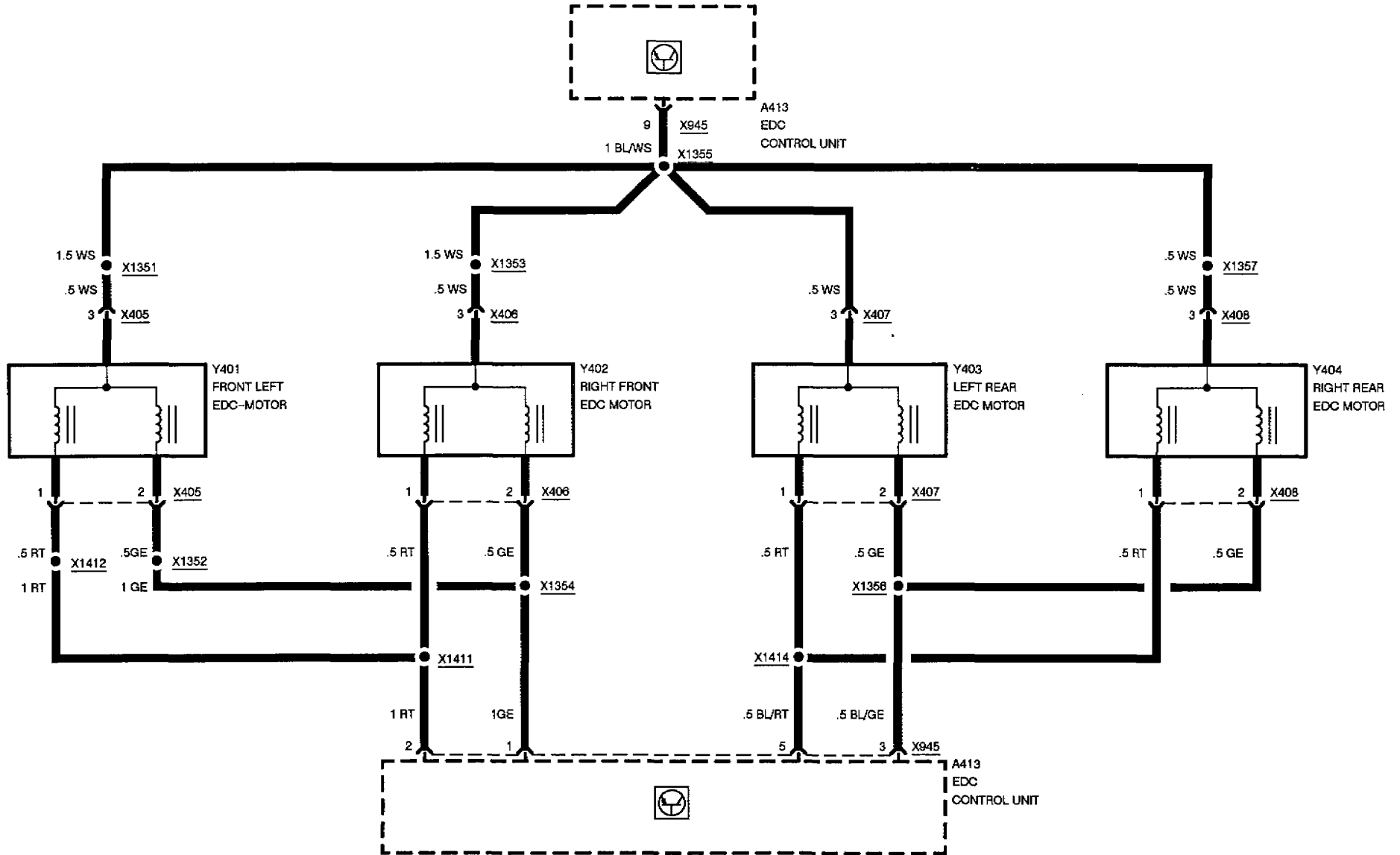
ELECTRONIC DAMPER CONTROL III (EDC III)







ELECTRONIC DAMPER CONTROL III (EDC III)

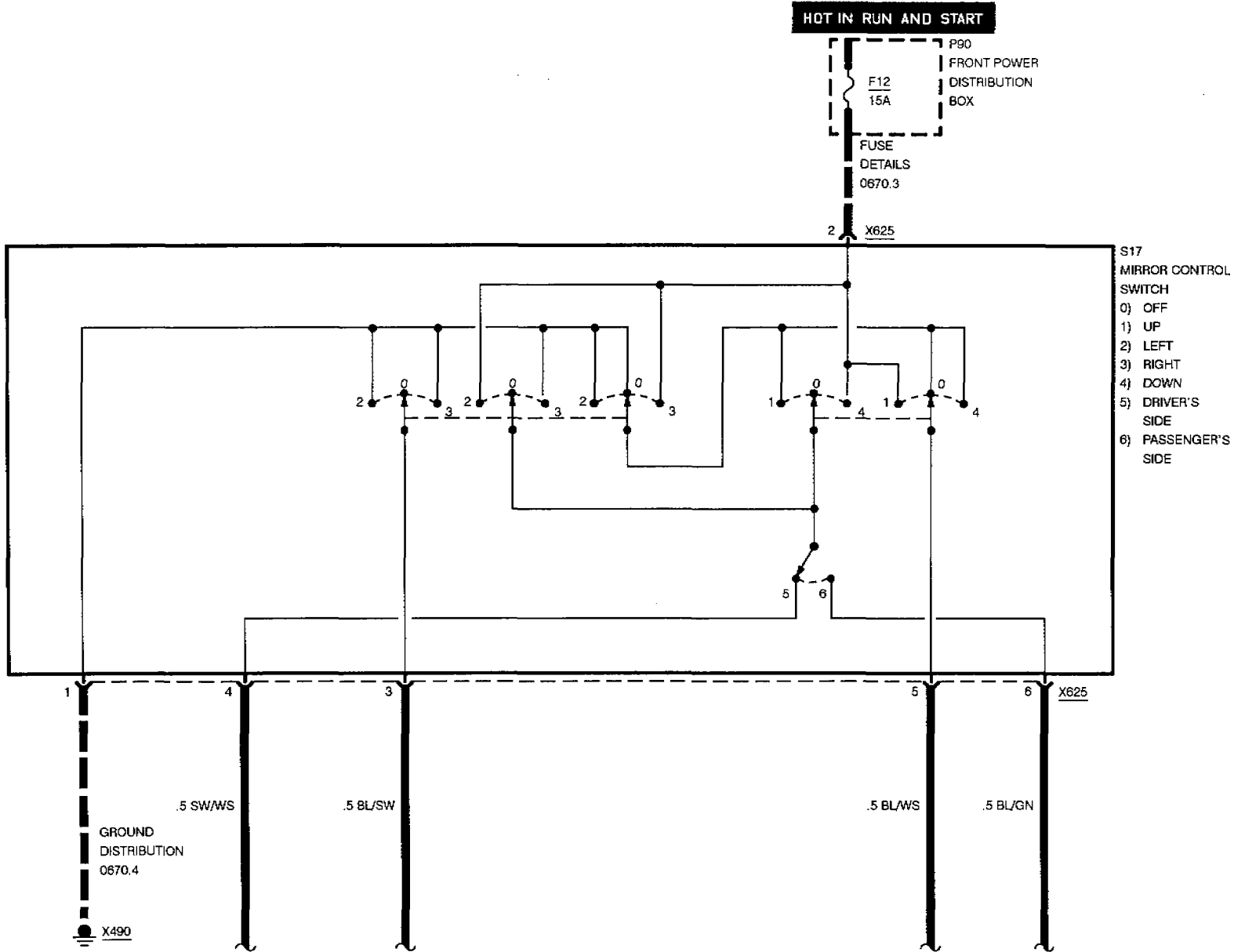


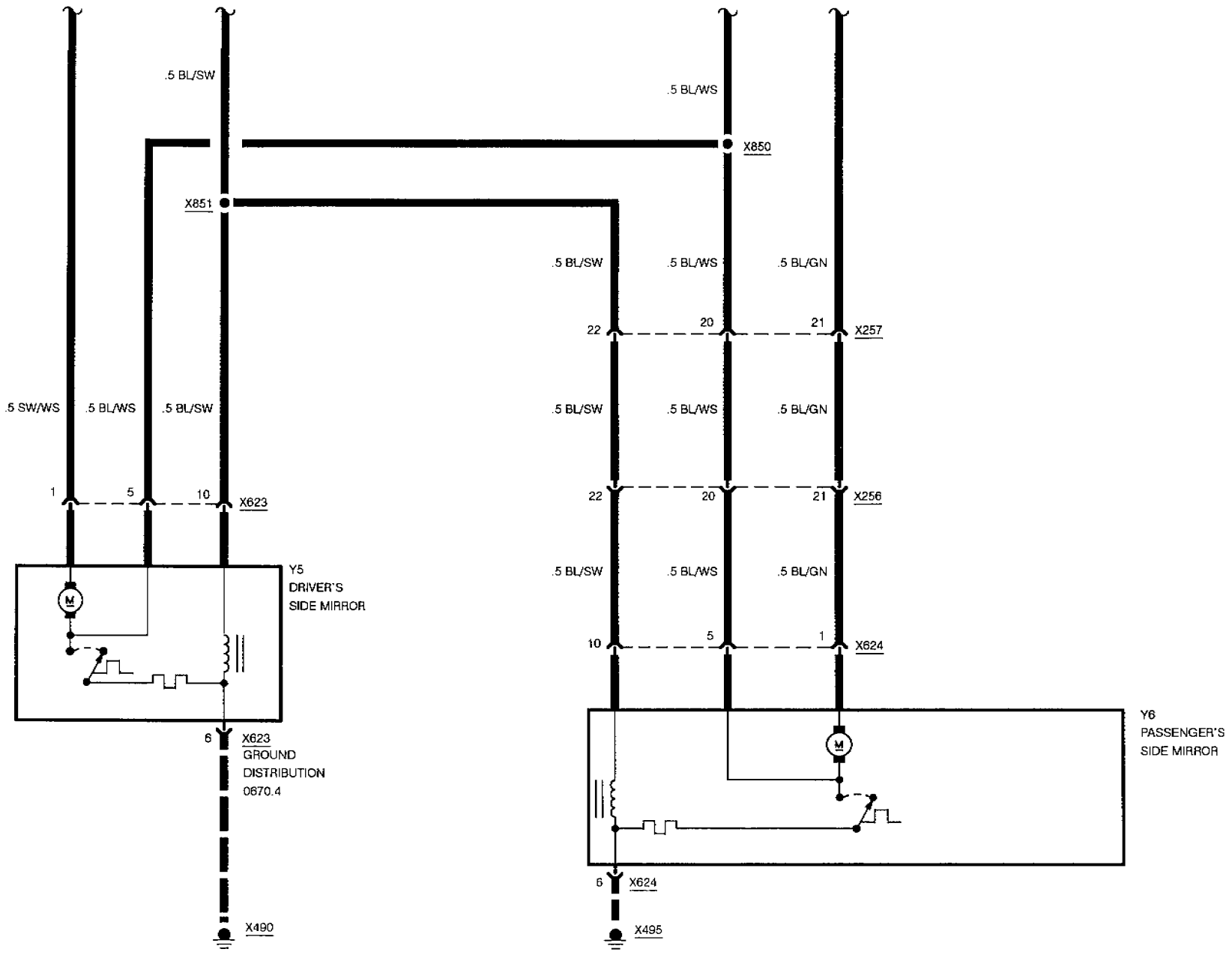


5116.0



POWER MIRRORS OUTSIDE MIRRORS

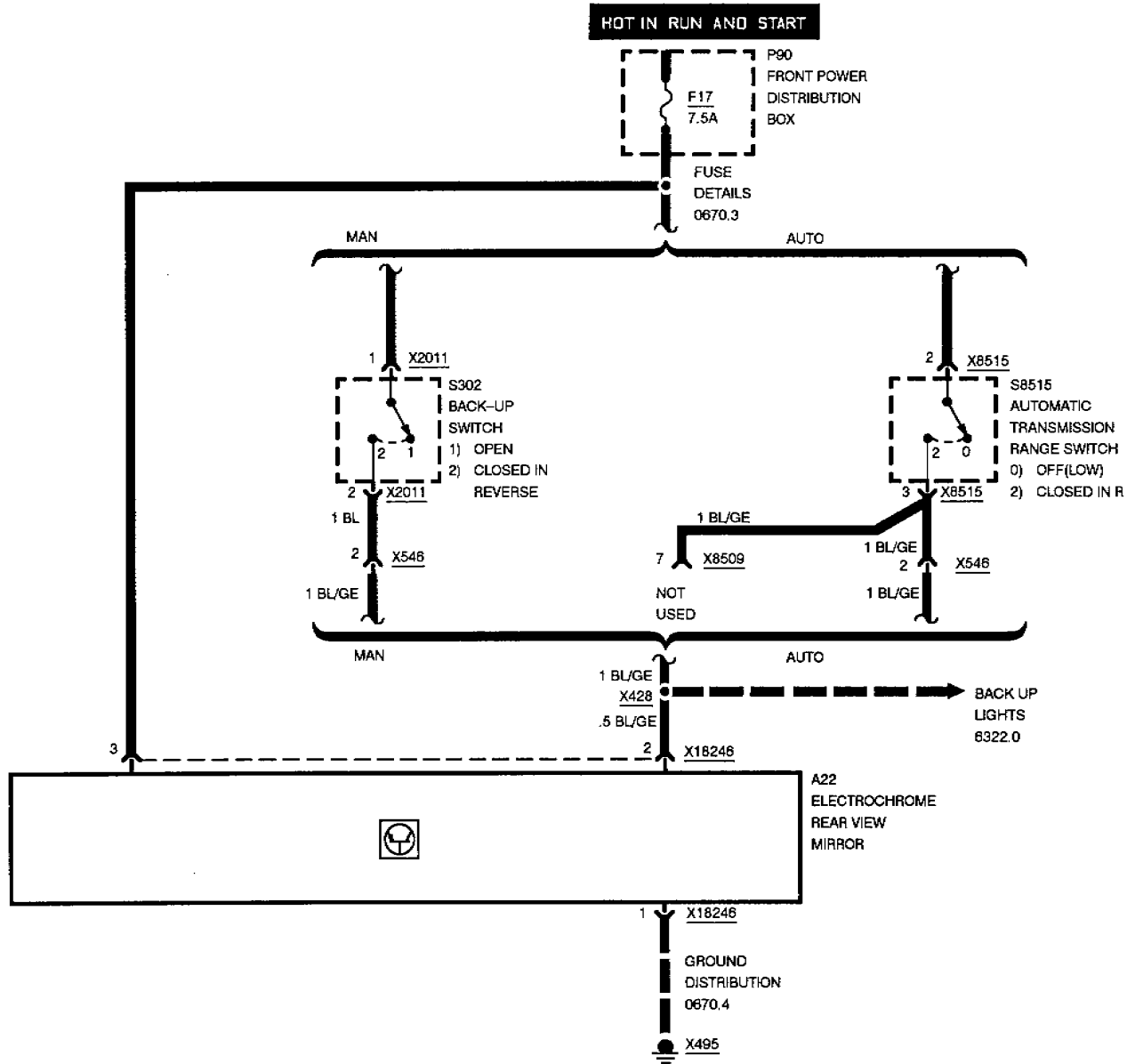






POWER MIRRORS

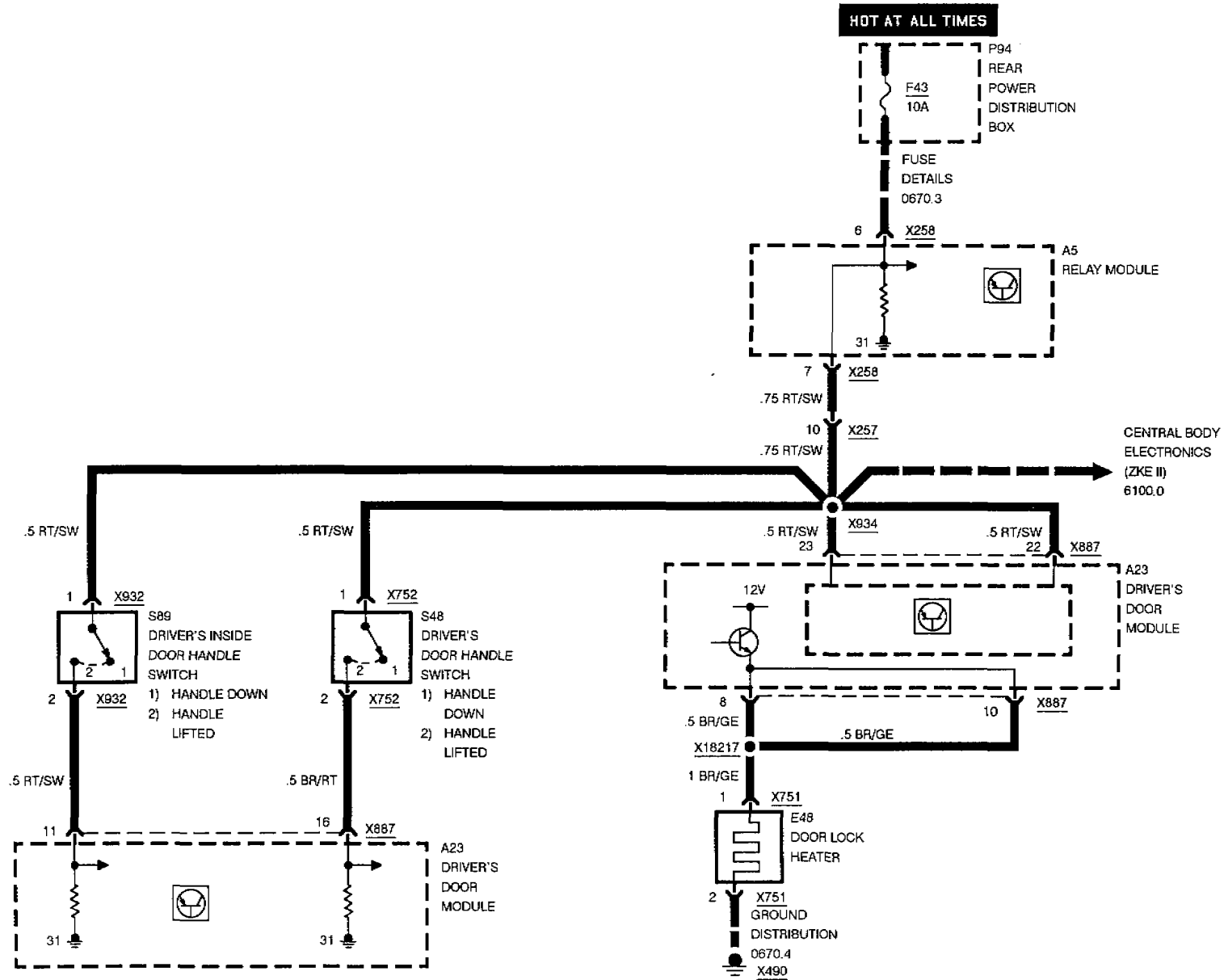
INSIDE MIRRORS



BMW
8



ZKE DOOR LOCK HEATING (TSH)

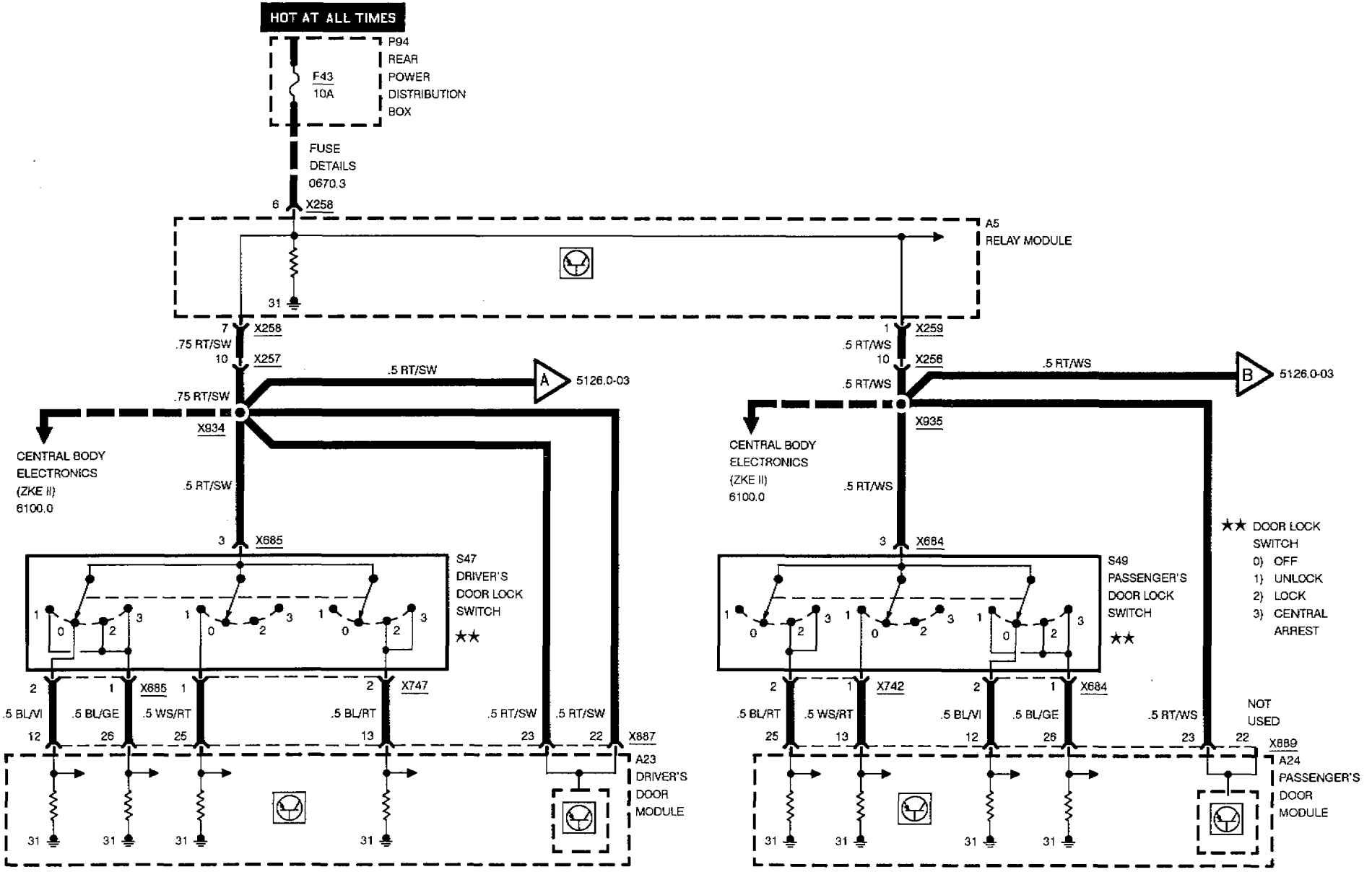






ZKE CENTRAL LOCKING (ZV)

(INPUTS)

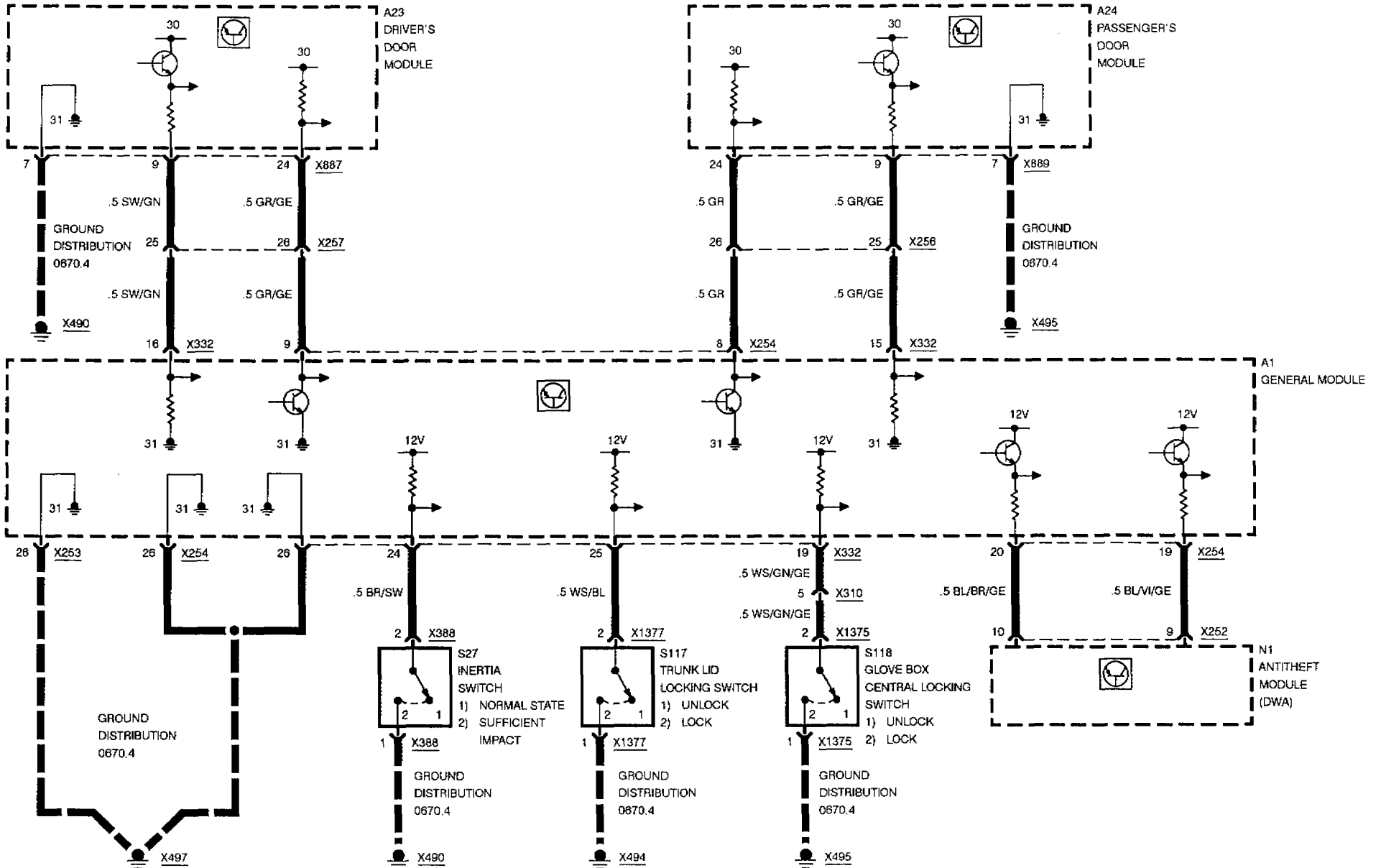


09/90 5126.0-00 1991

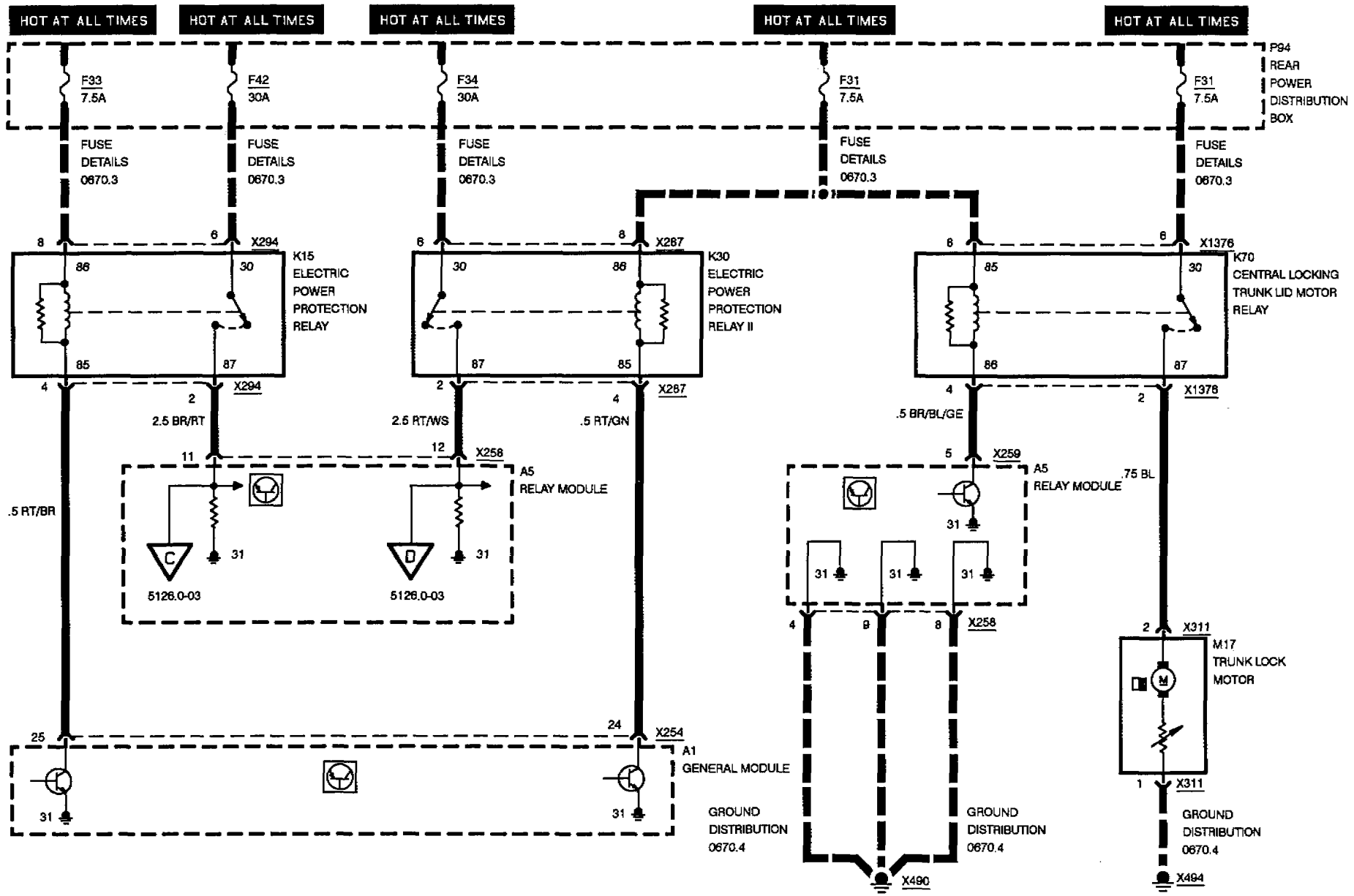


ZKE CENTRAL LOCKING (ZV)

(INPUTS)

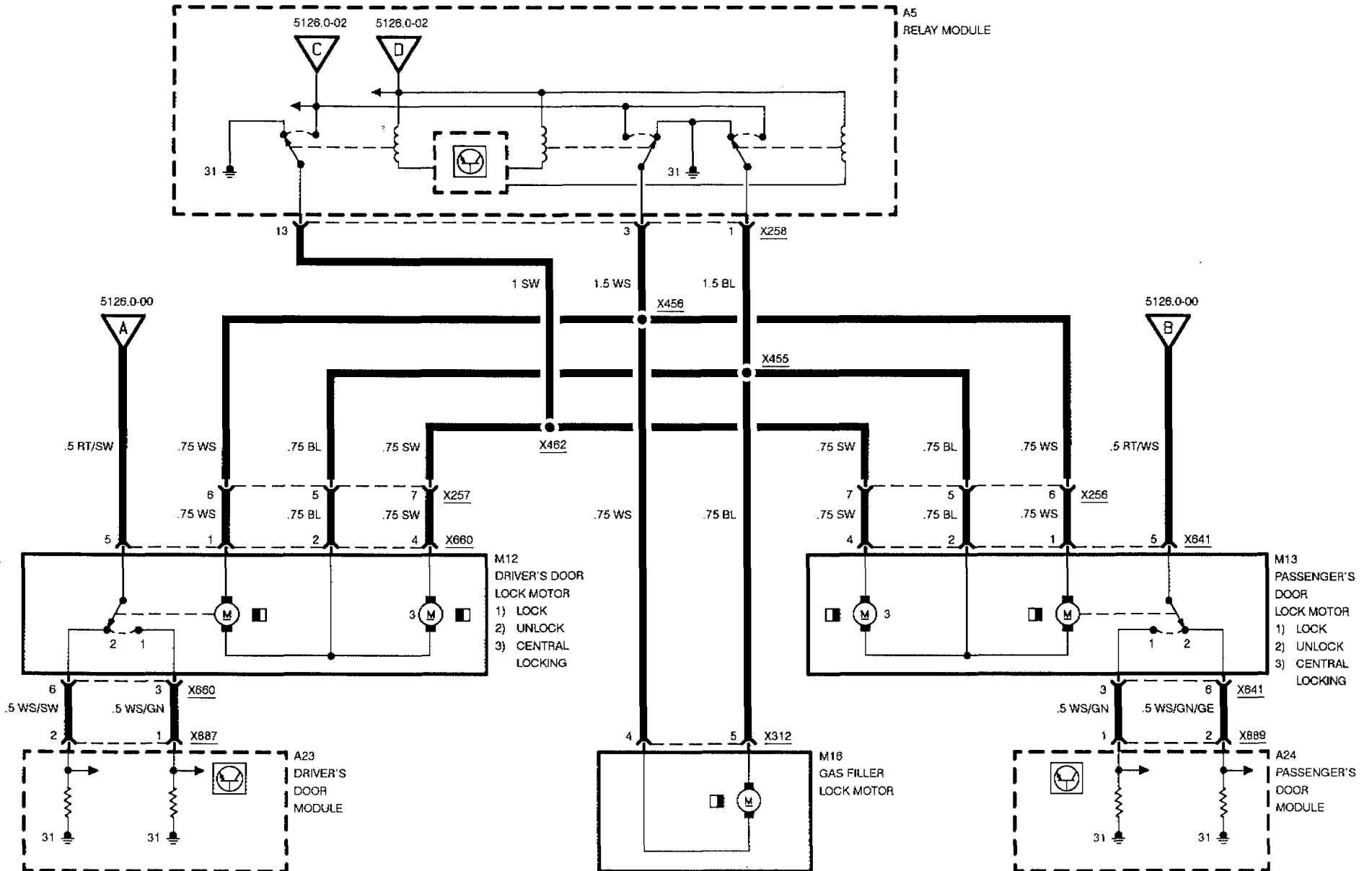


ZKE CENTRAL LOCKING (ZV)



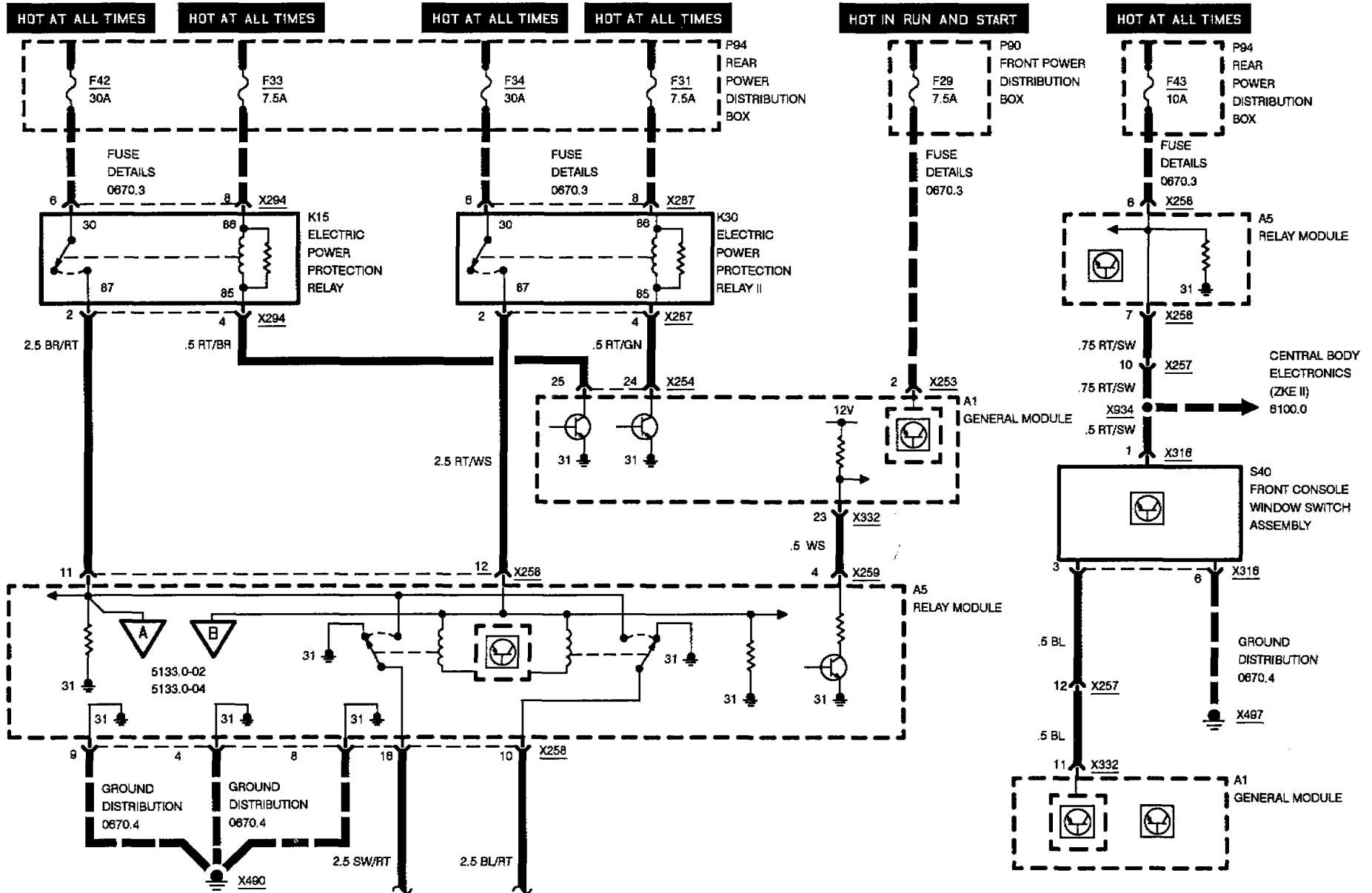


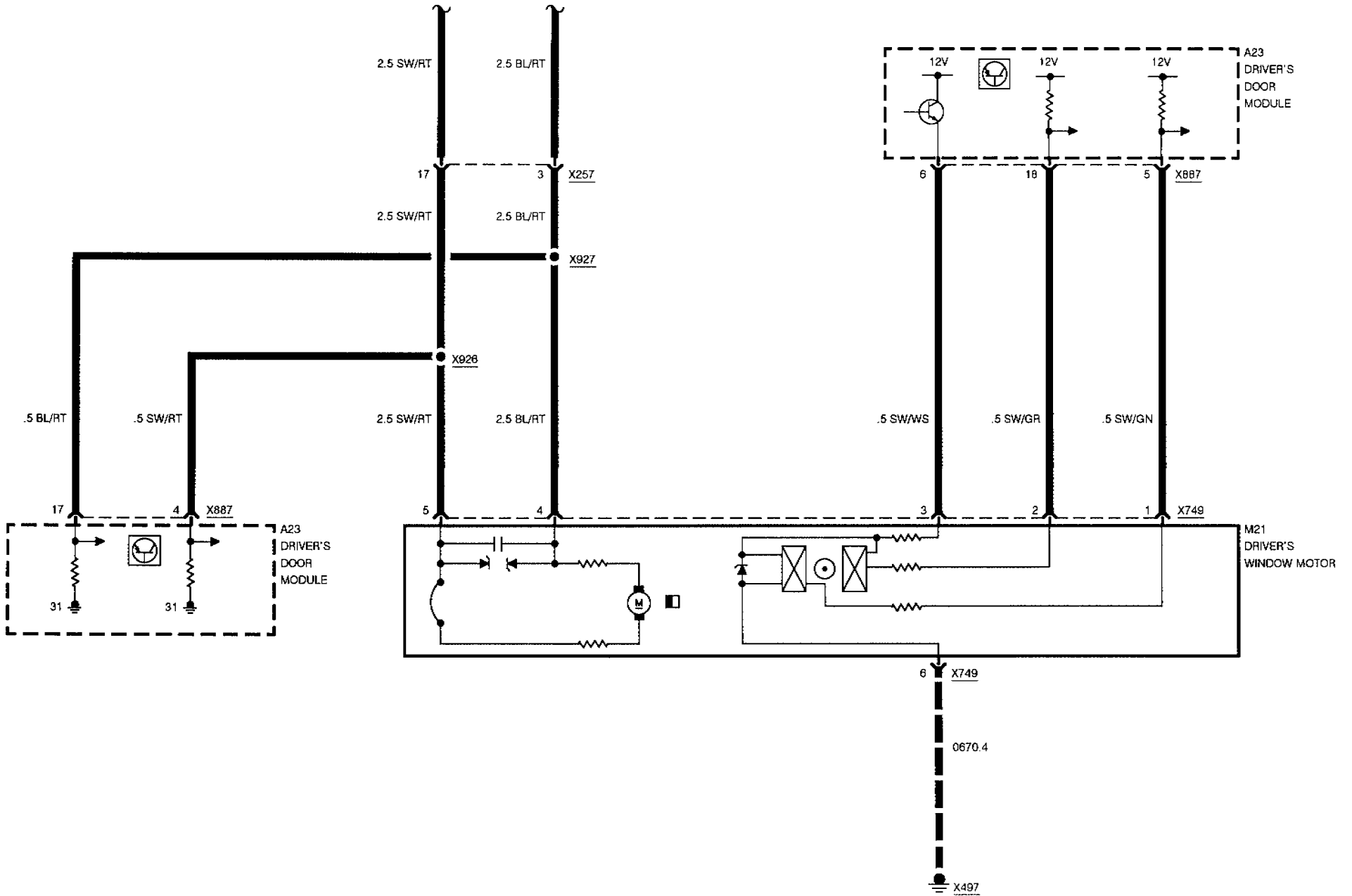
ZKE CENTRAL LOCKING (ZV) (OUTPUTS)



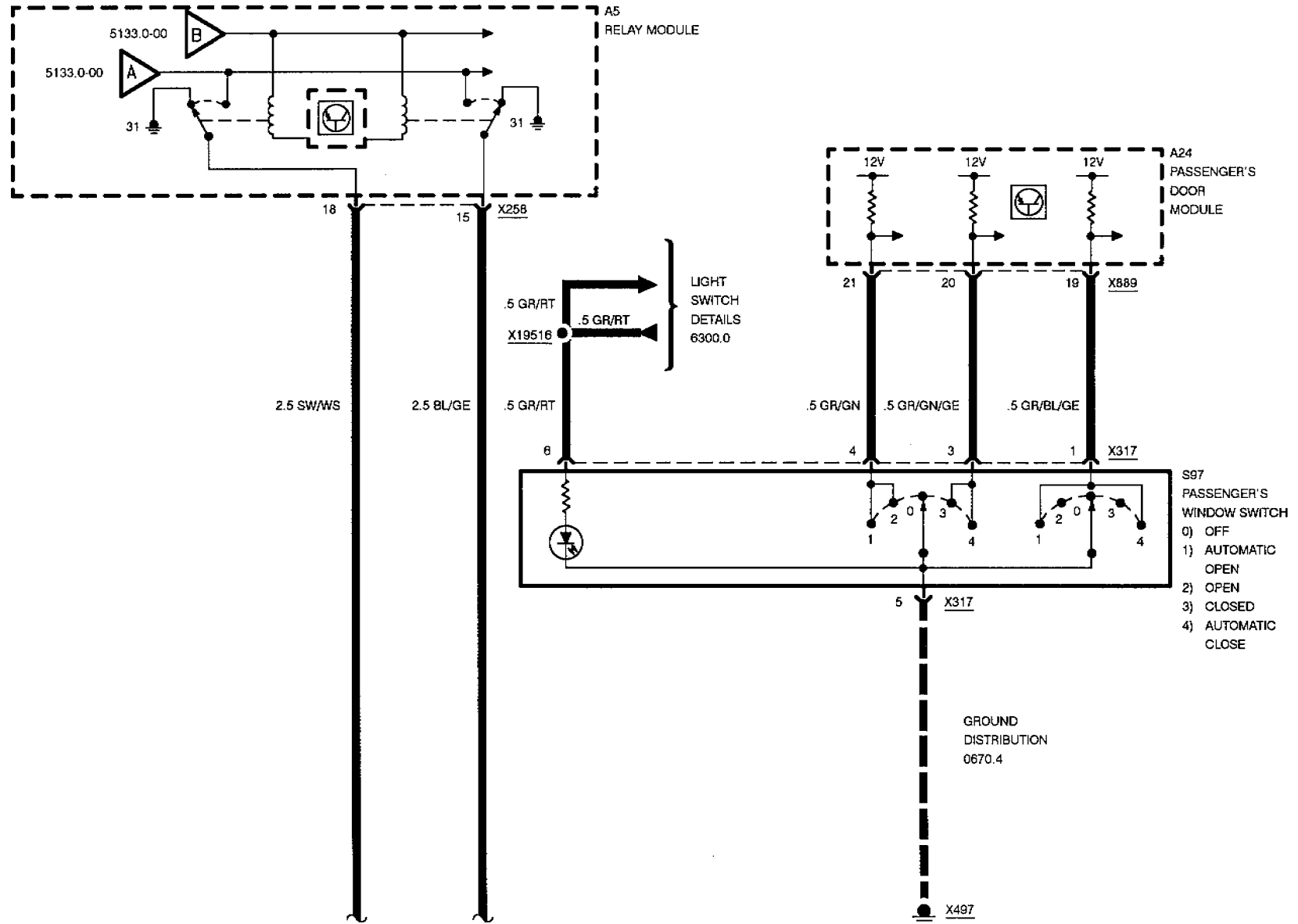


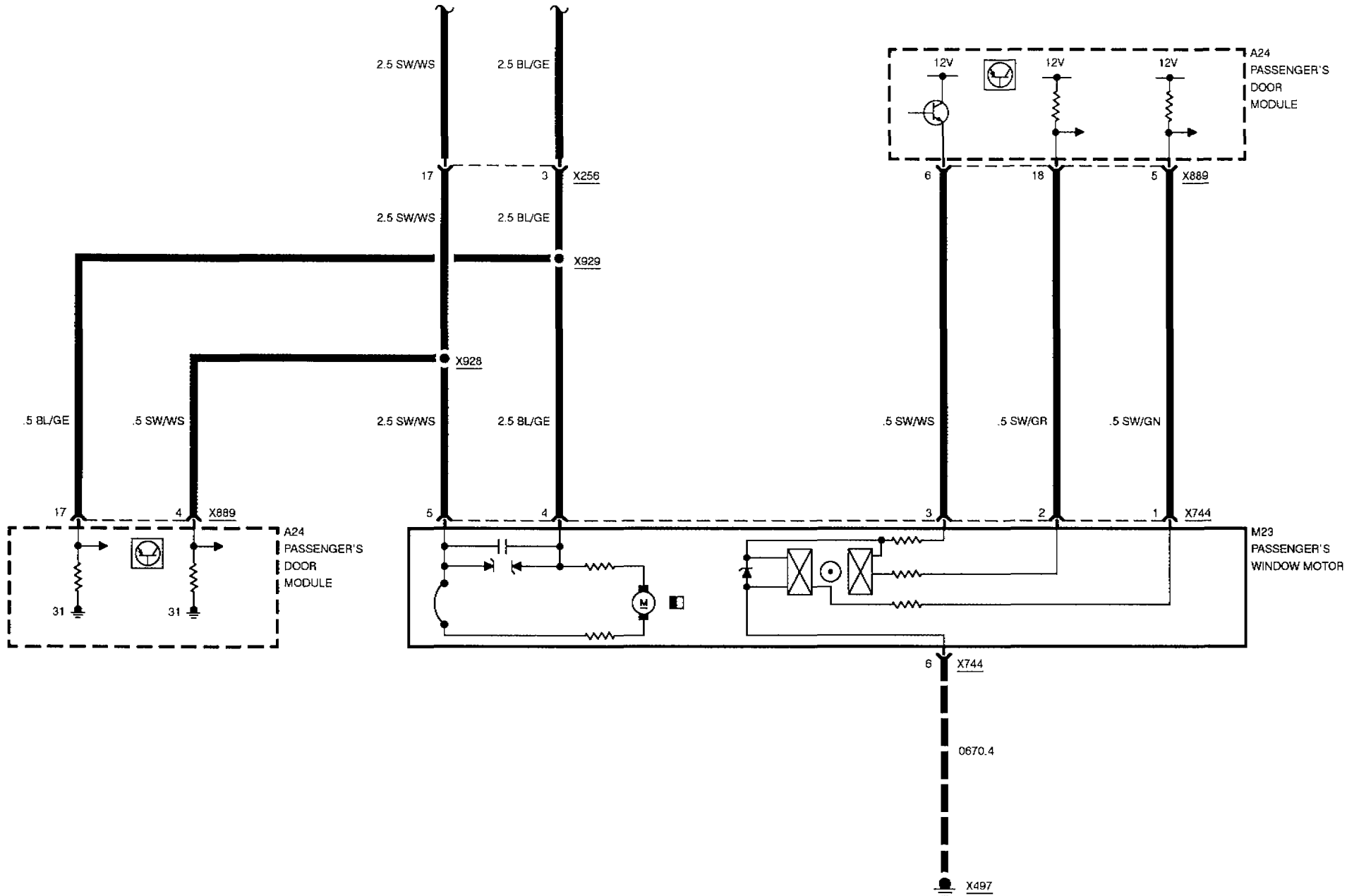
ZKE POWER WINDOWS (FH)





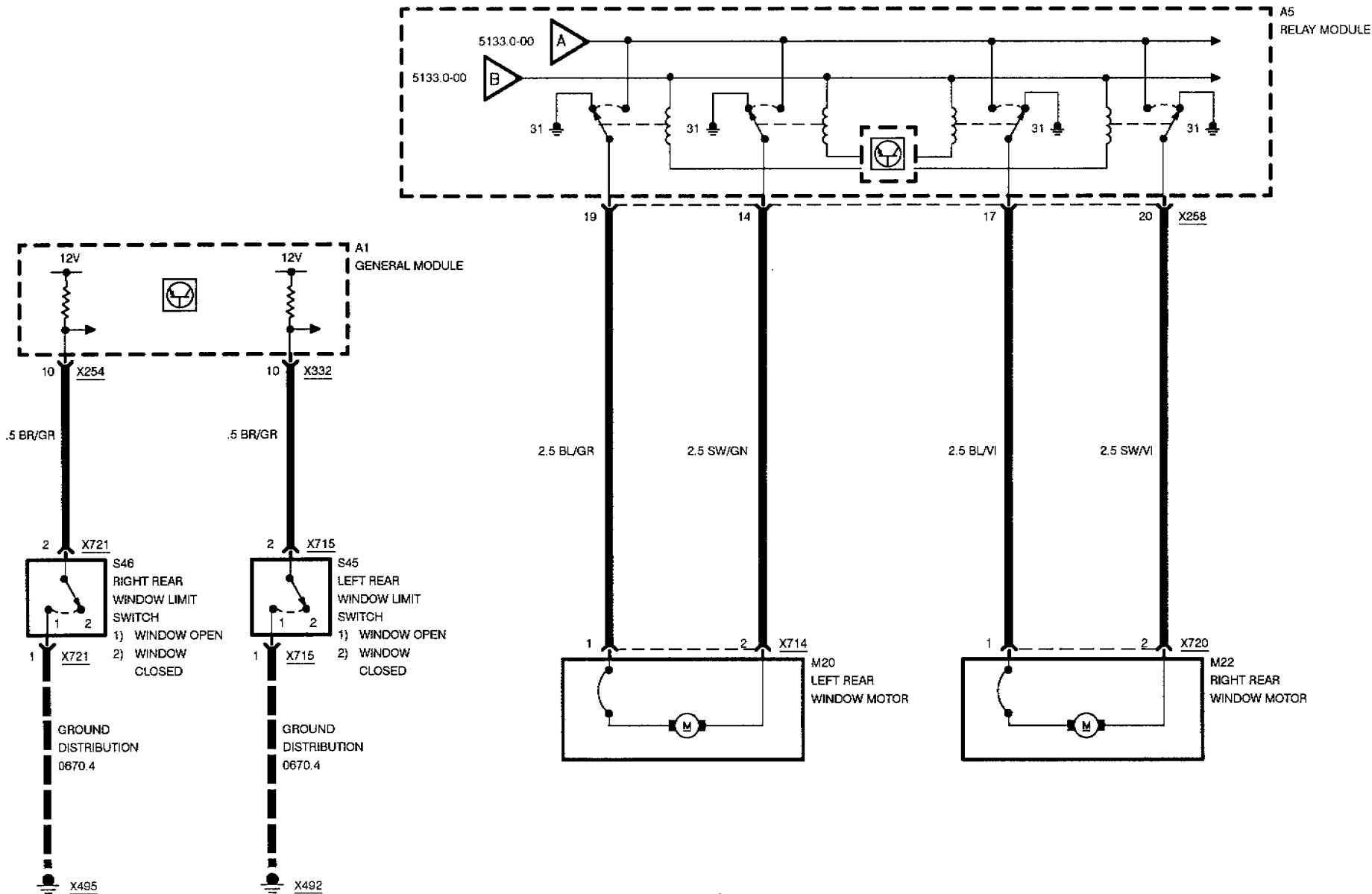
ZKE POWER WINDOWS (FH)







ZKE POWER WINDOWS (FH)

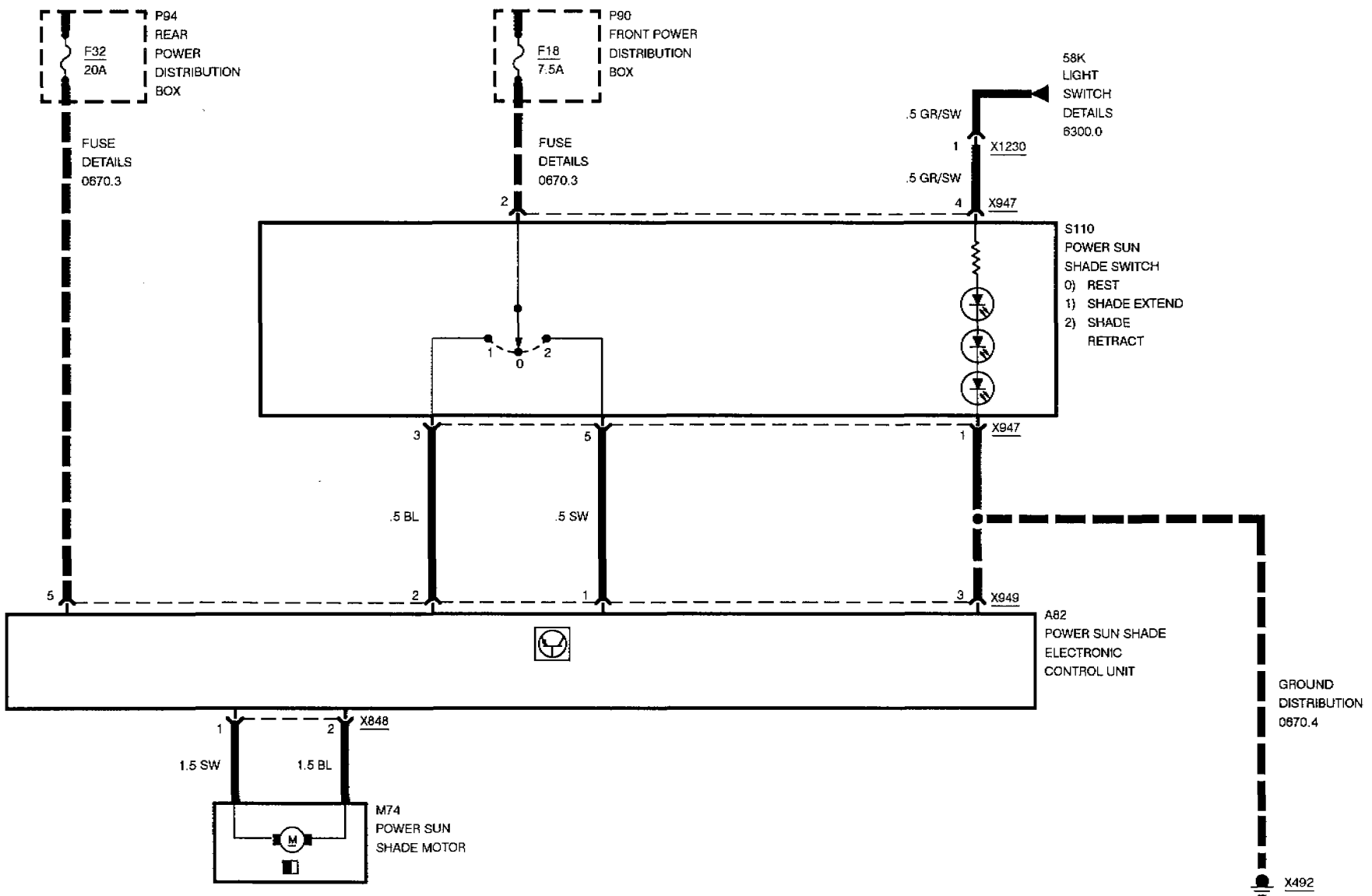




POWER SUN SHADES

HOT AT ALL TIMES

HOT IN ACCY, RUN OR START



BMW
8

(

,

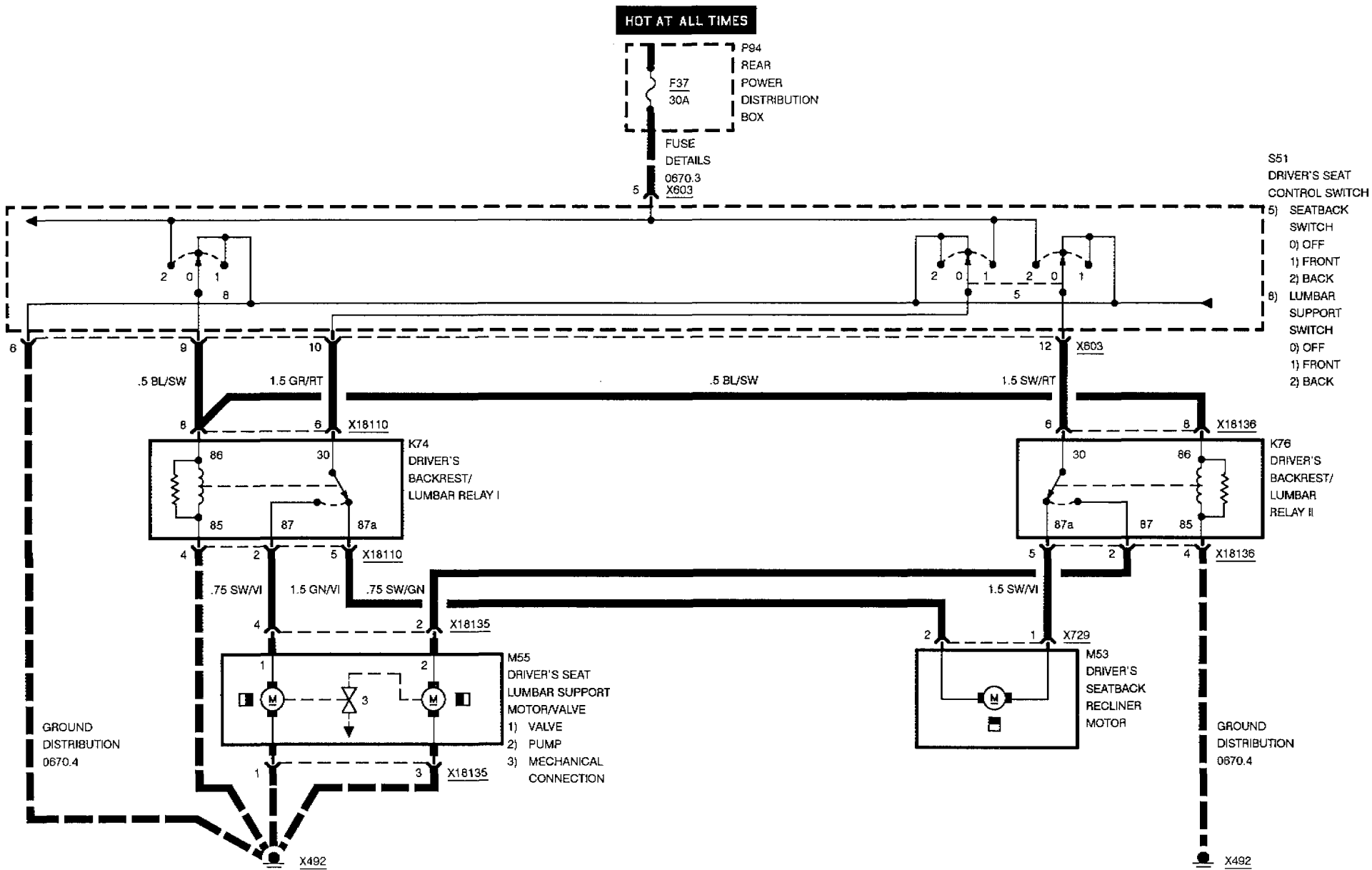
)

5200.0



POWER SEATS

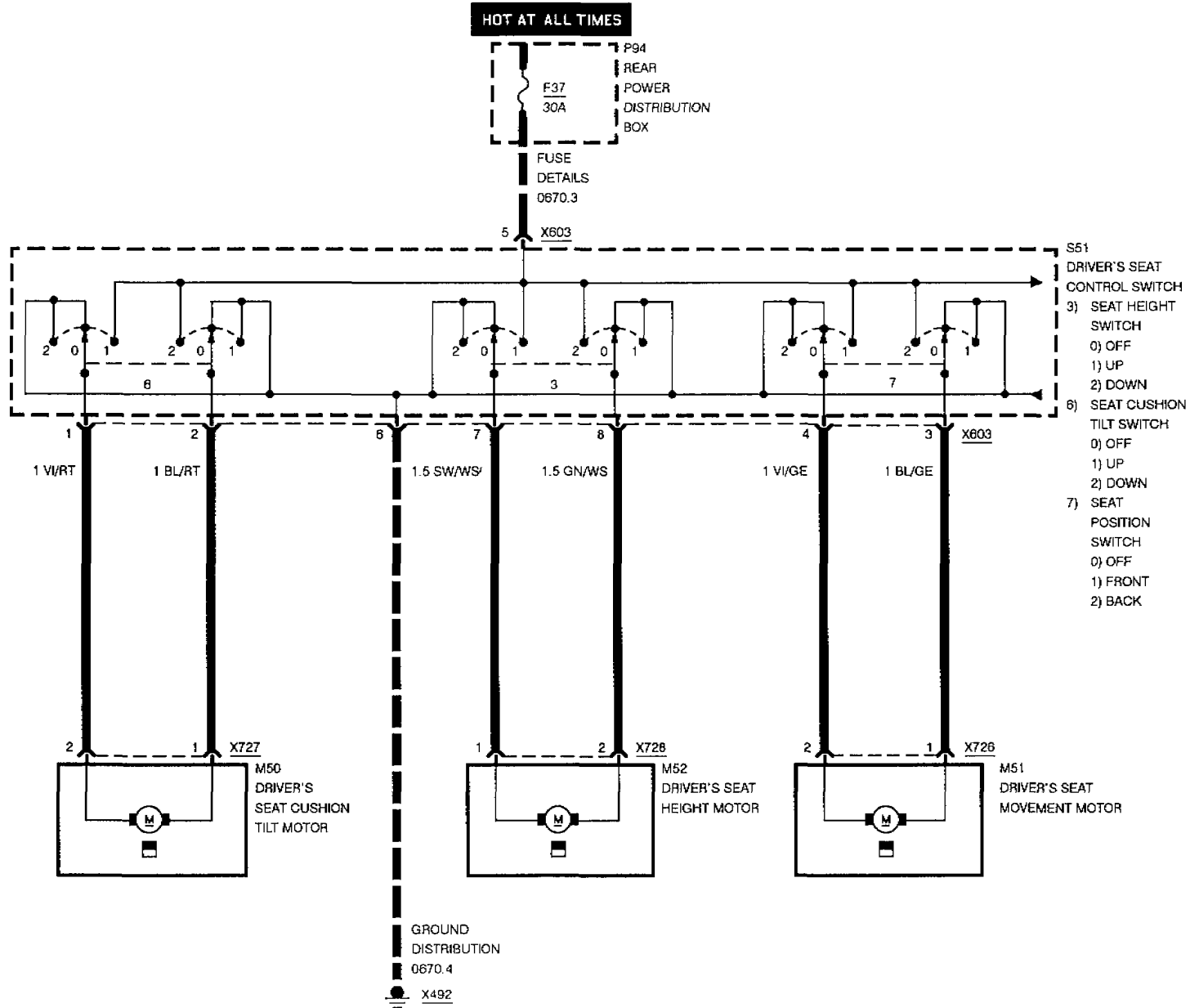
DRIVER'S SEAT





POWER SEATS

DRIVER'S SEAT

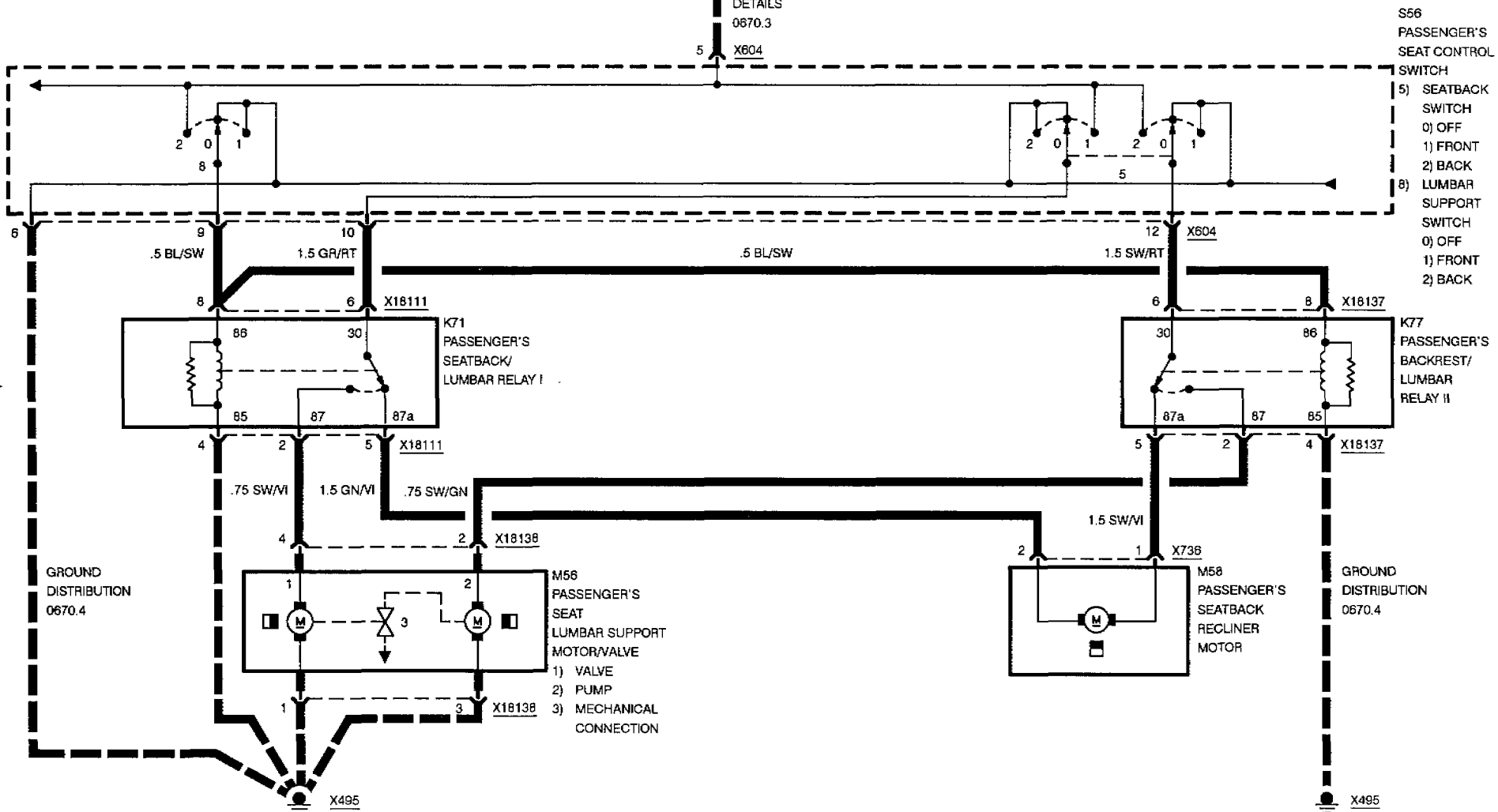
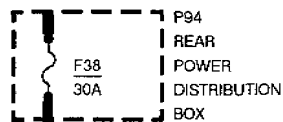




POWER SEATS

PASSENGER'S SEAT

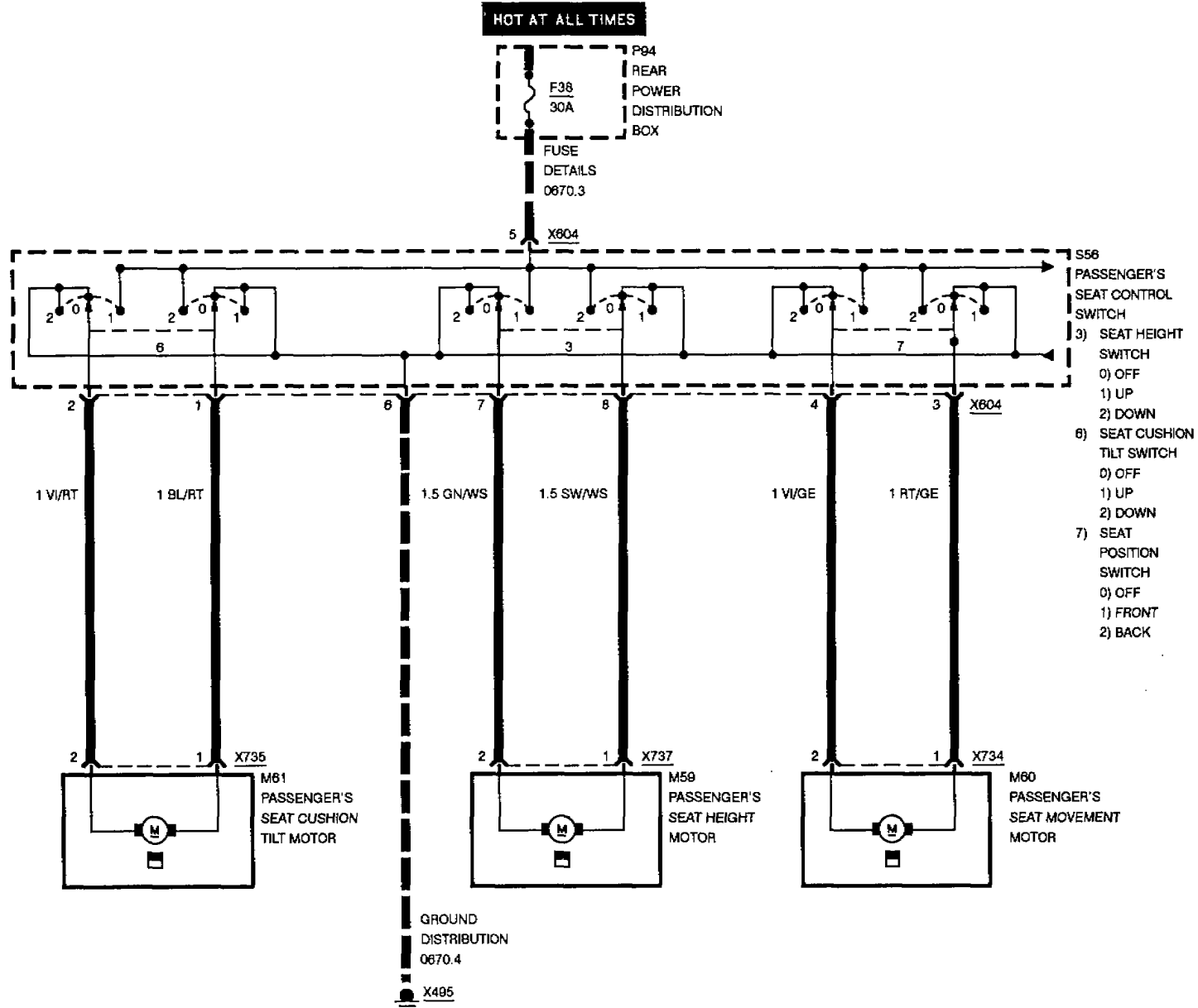
HOT AT ALL TIMES



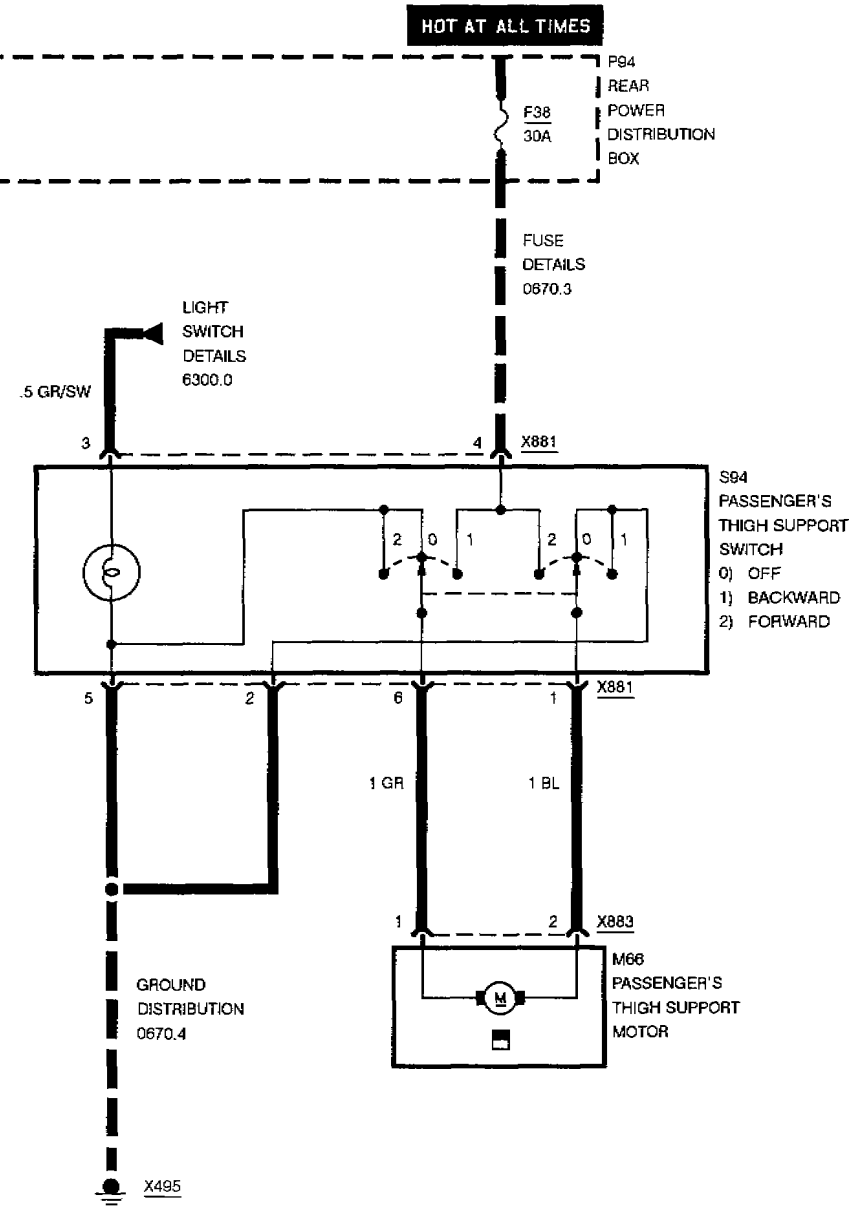
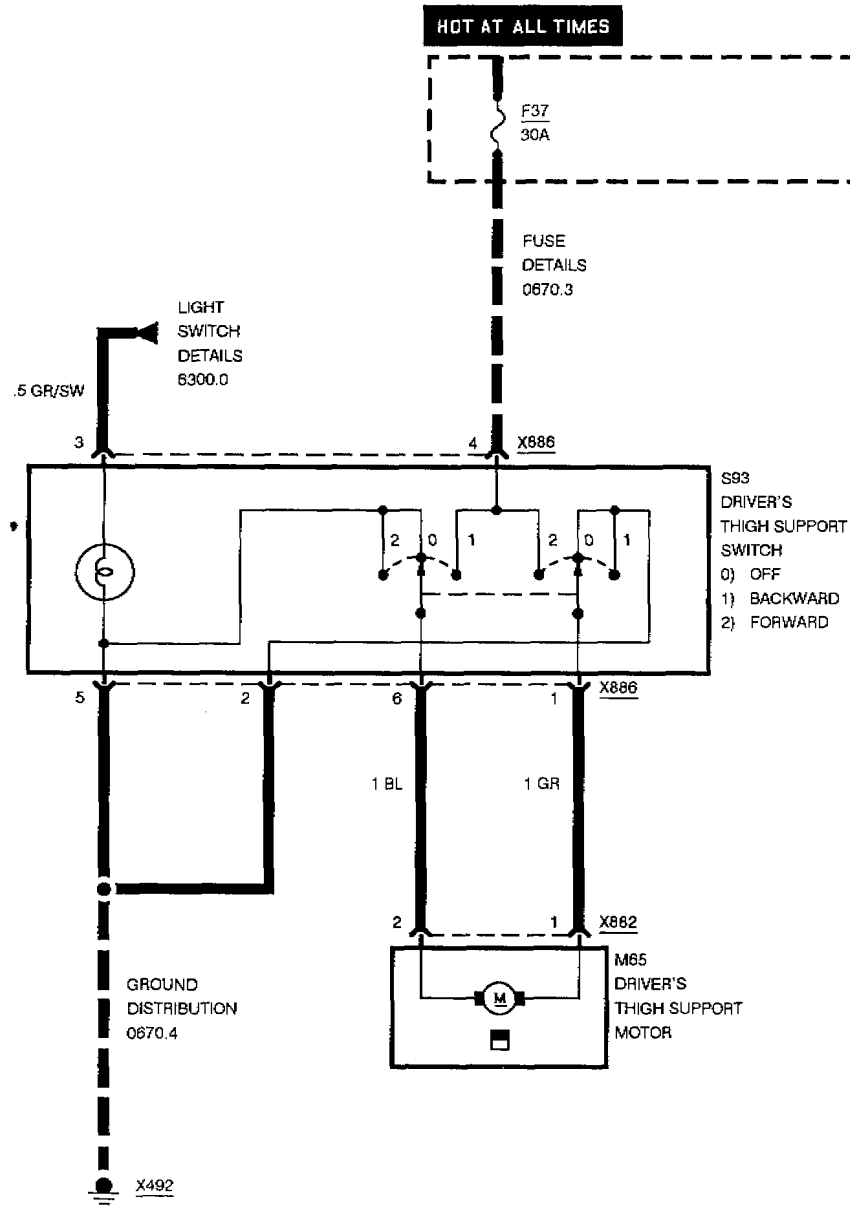


POWER SEATS

PASSENGER'S SEAT

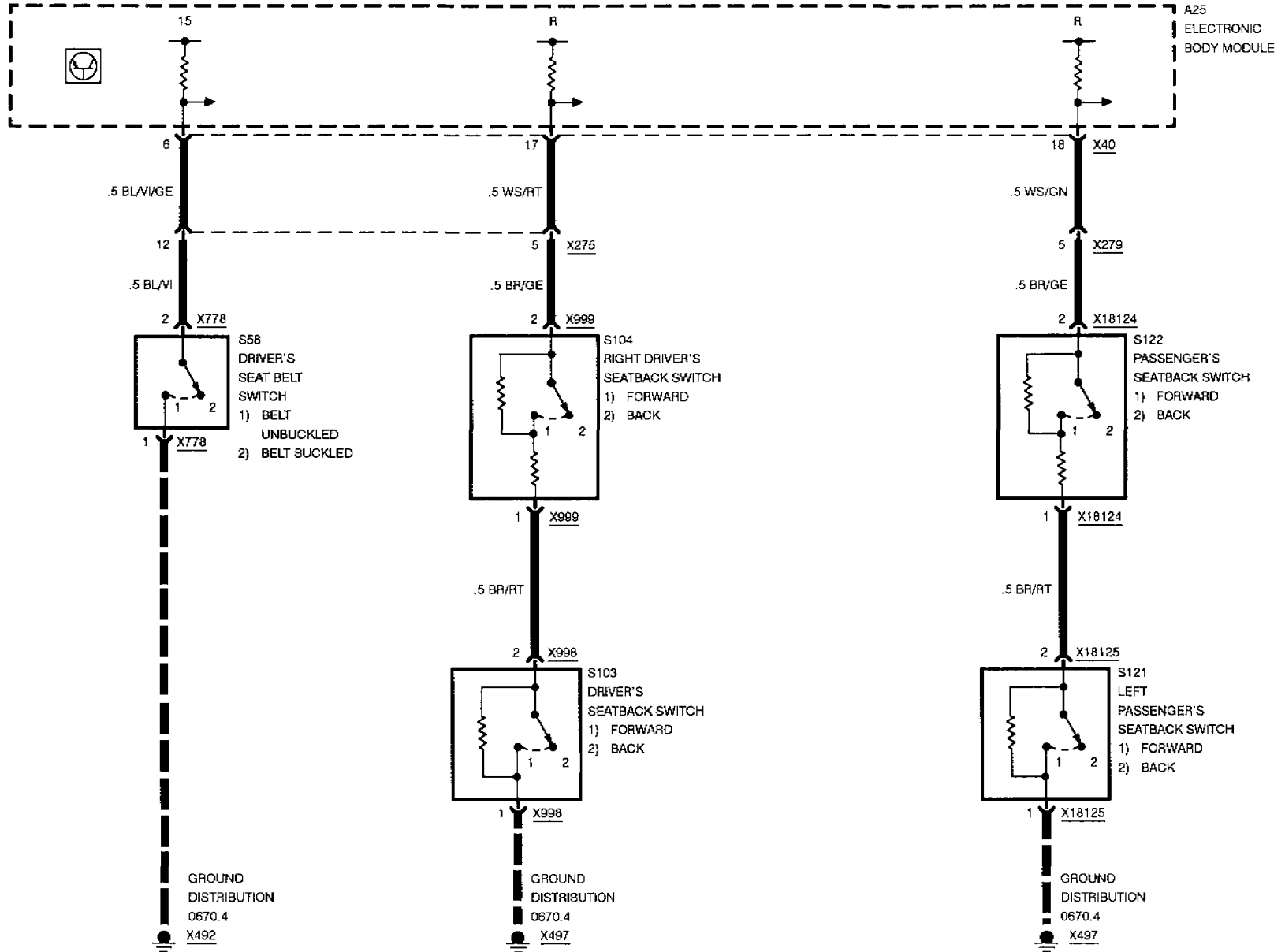


BMW **8** **POWER SEATS**
THIGH SUPPORT





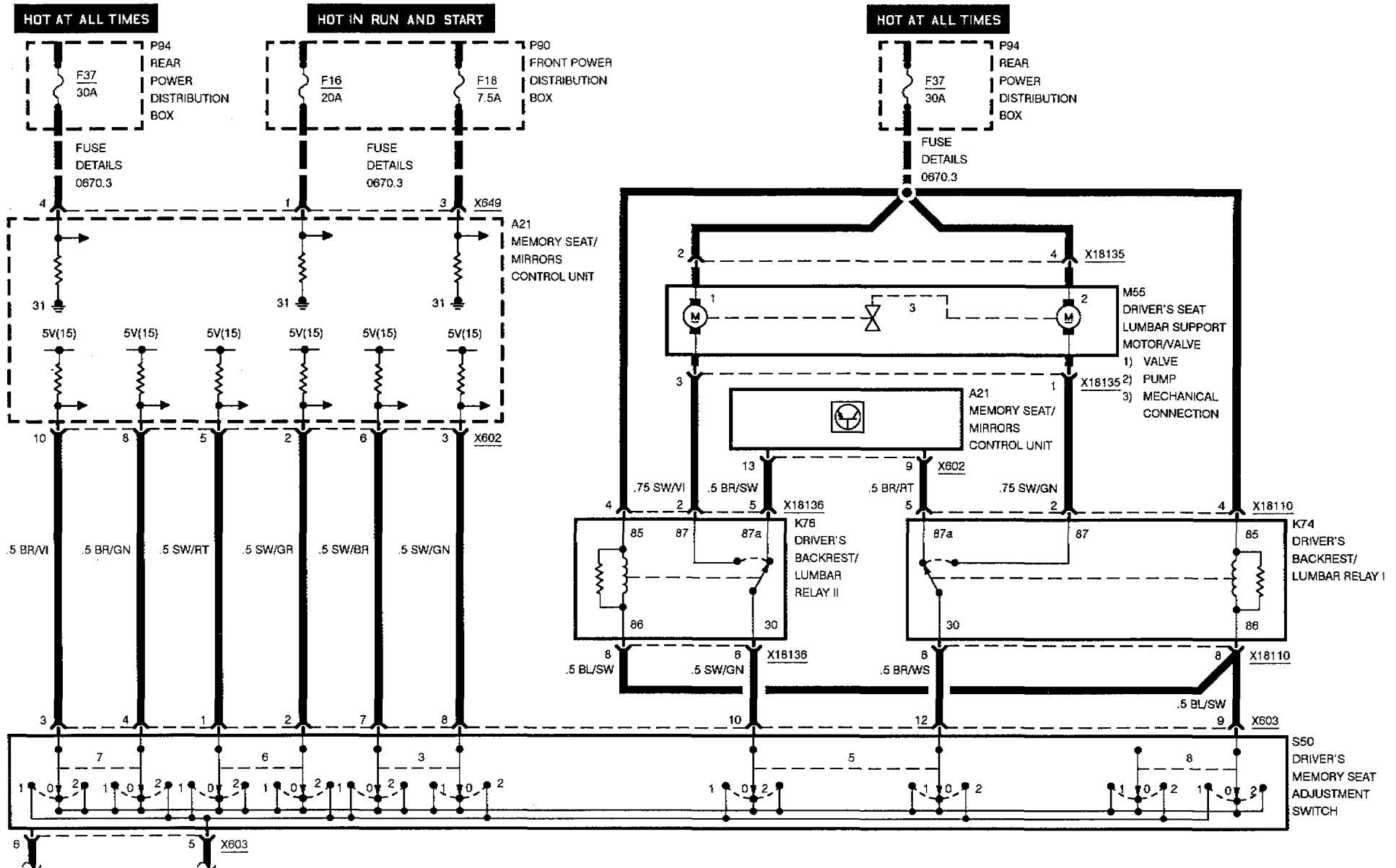
POWER SEATS

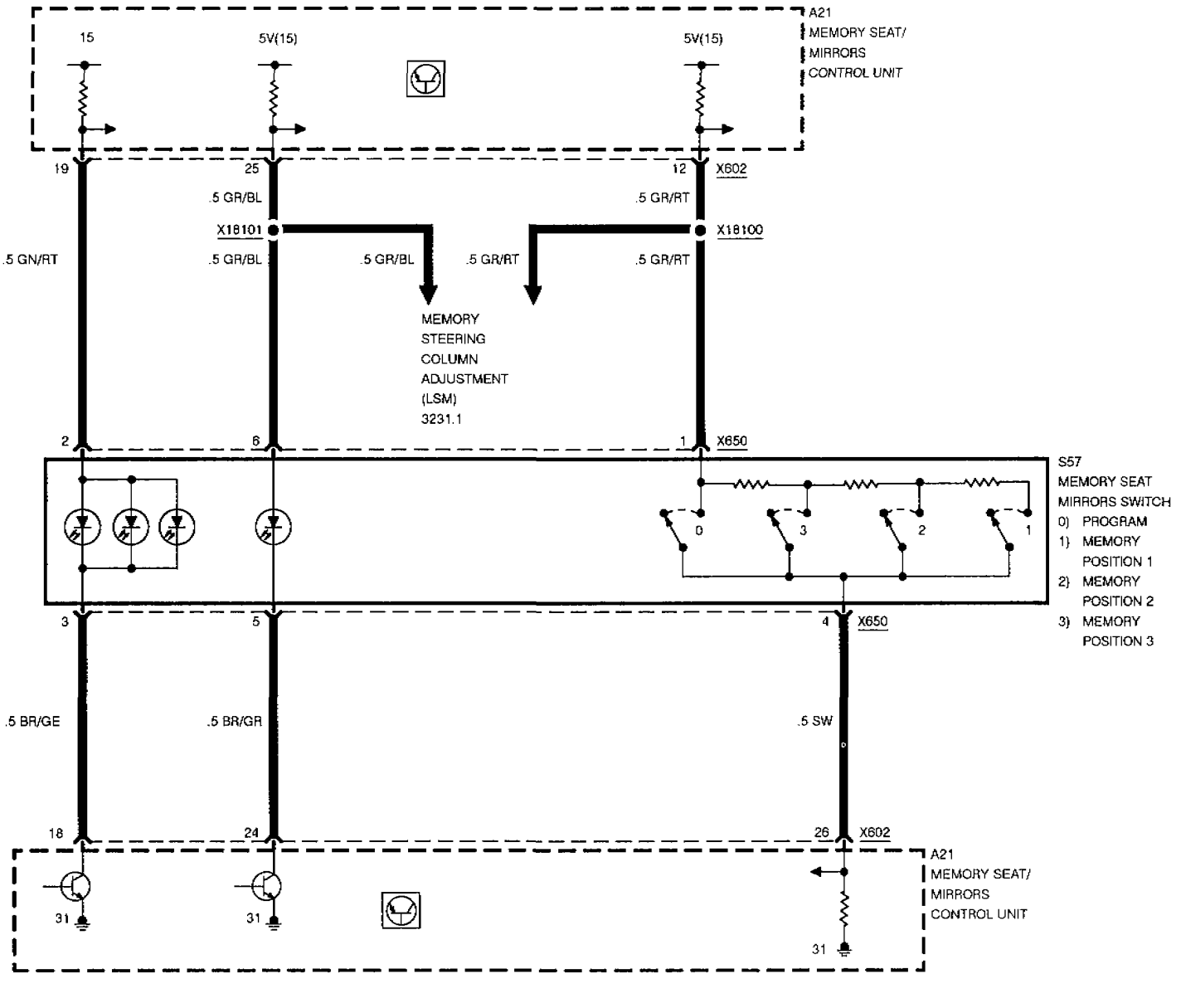






MEMORY SEATS/ MIRRORS (SM/SPM)



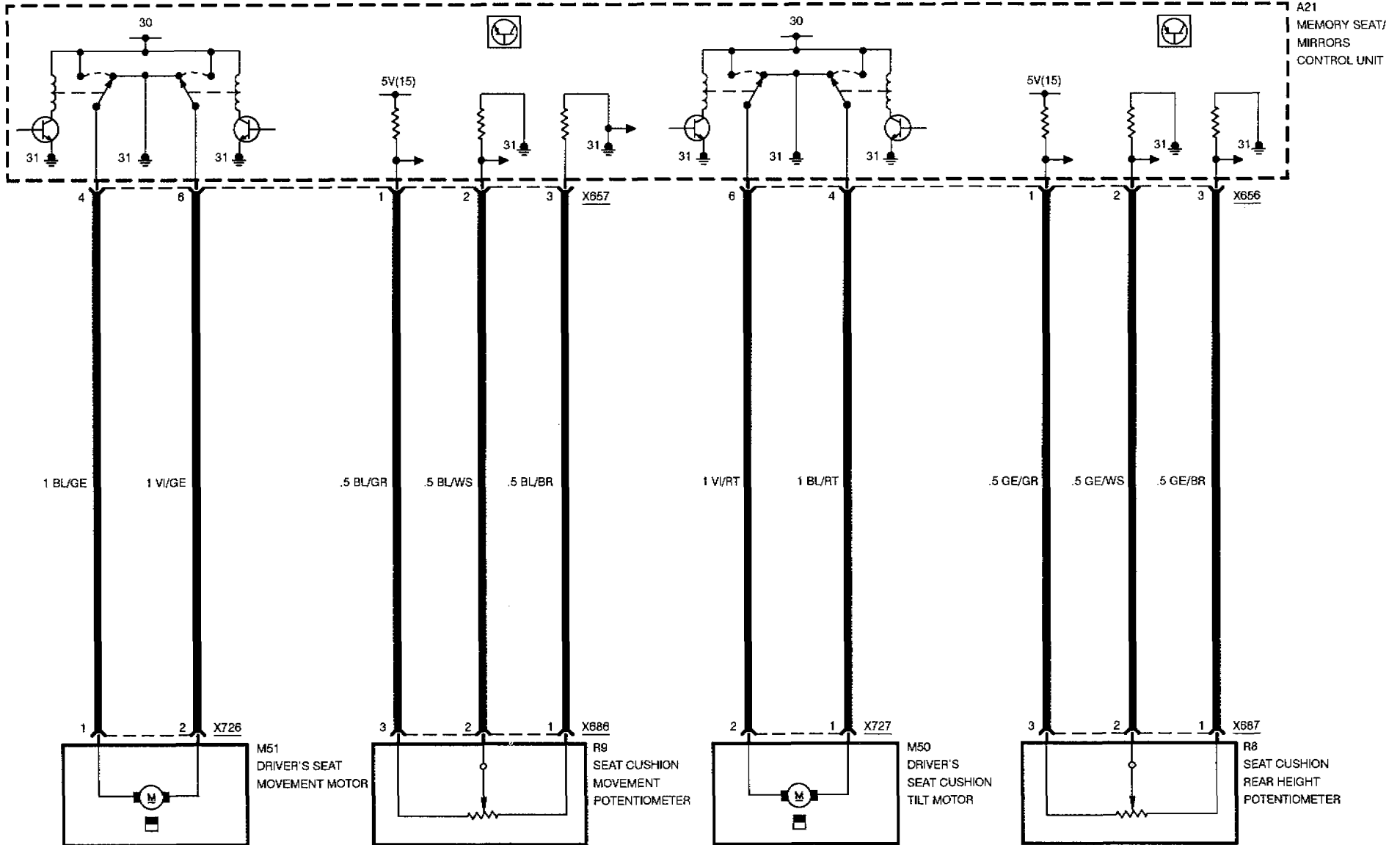


GROUND DISTRIBUTION 0670.4



MEMORY SEATS/ MIRRORS (SM/SPM)

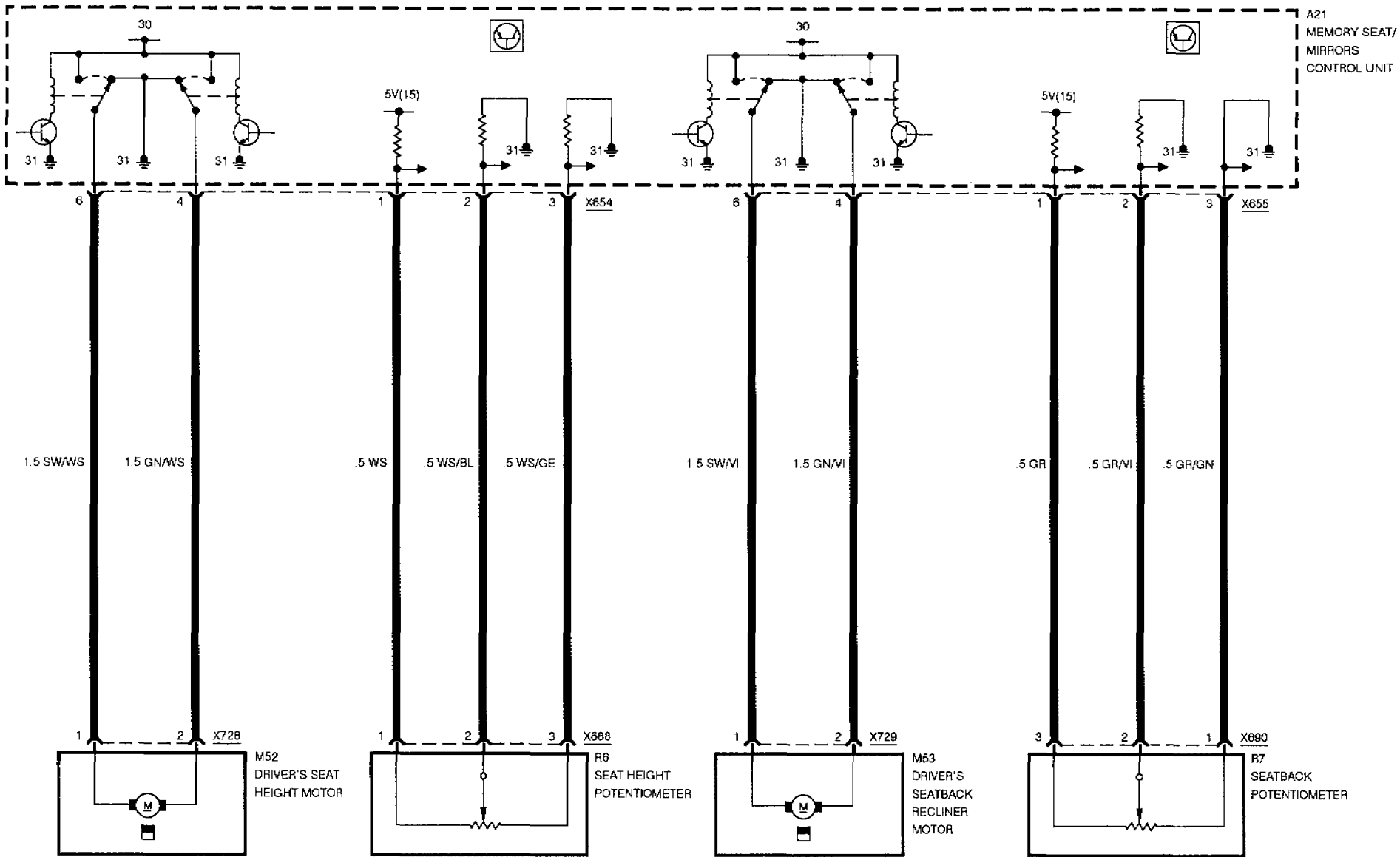
SEAT





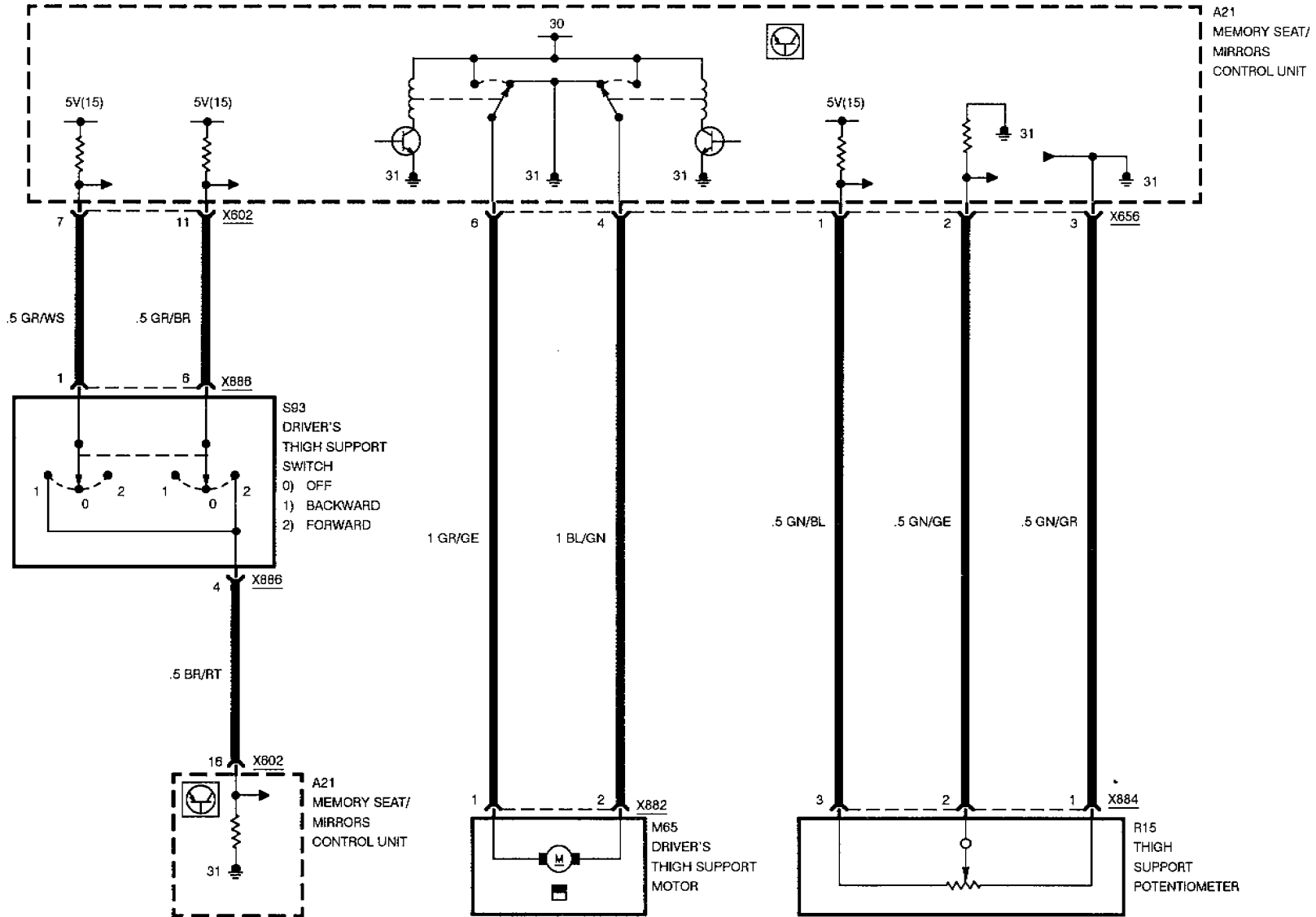
MEMORY SEATS/ MIRRORS (SM/SPM)

SEAT



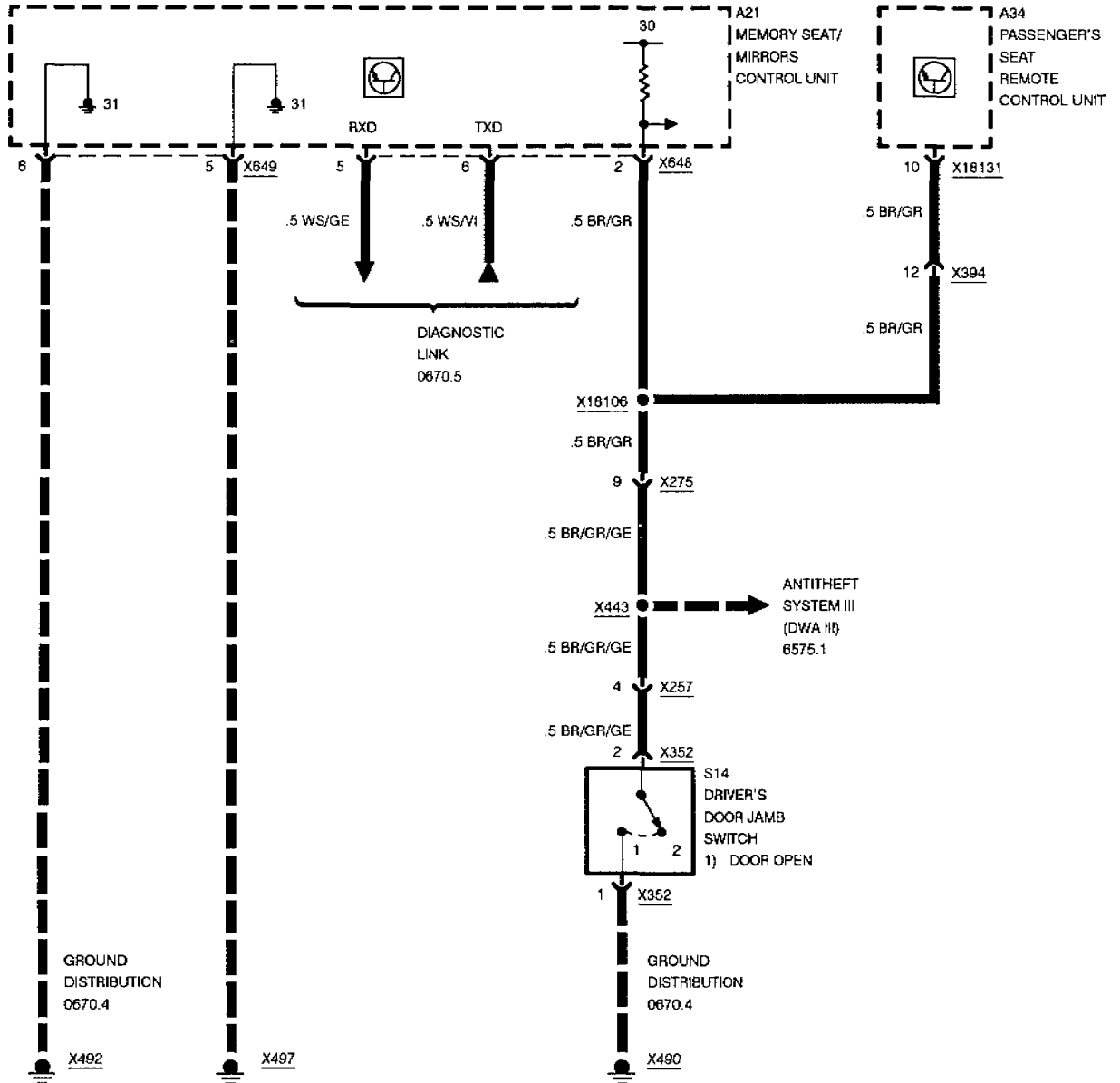
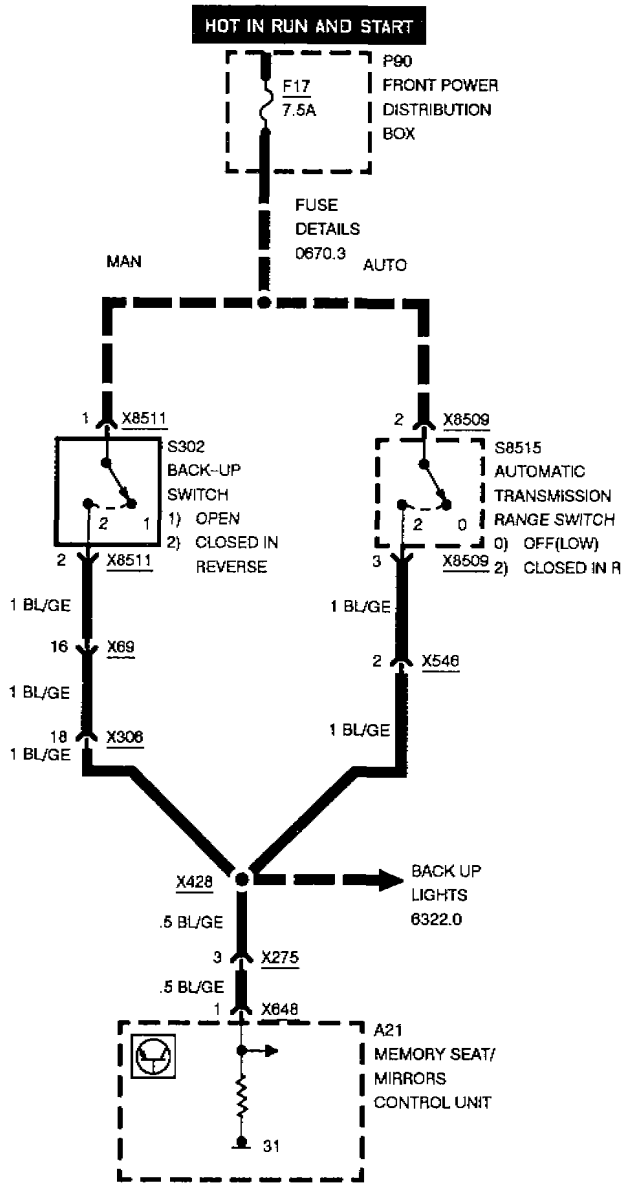


MEMORY SEATS/ MIRRORS (SM/SPM) WITH SPORT SEAT





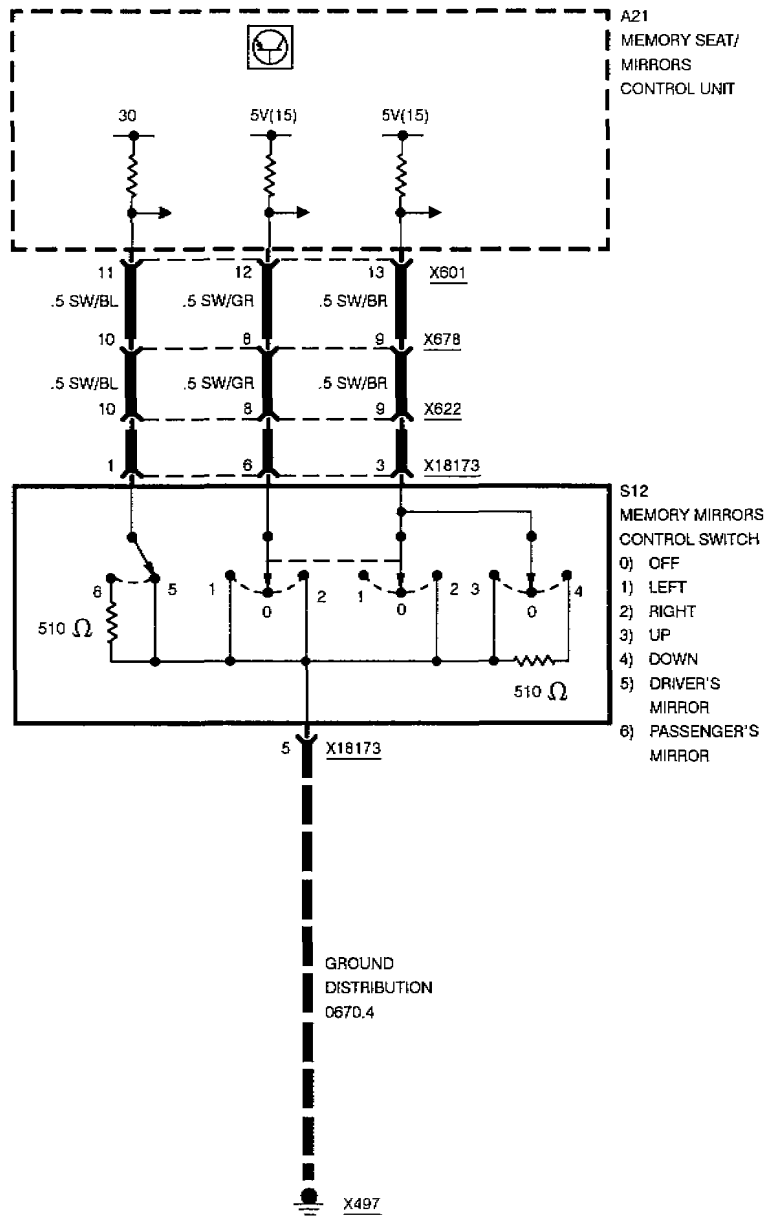
MEMORY SEATS/ MIRRORS (SM/SPM)





MEMORY SEATS/ MIRRORS (SM/SPM)

MIRROR





MEMORY SEATS/ MIRRORS (SM/SPM)

MIRROR

HOT IN RUN AND START

P90
FRONT POWER
DISTRIBUTION
BOX

F12
15A

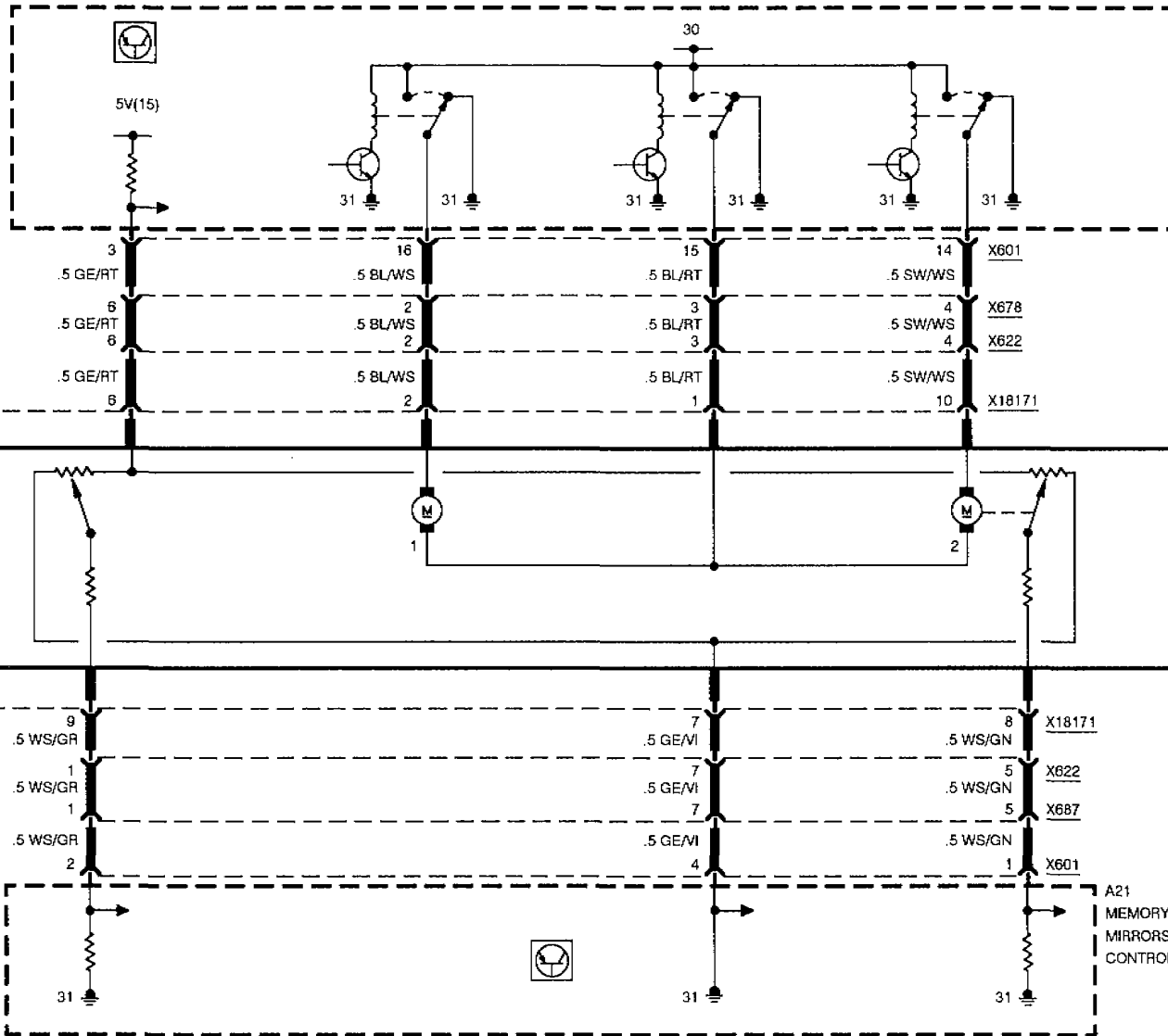
FUSE
DETAILS
0670.3

3

4

GROUND
DISTRIBUTION
0670.4

X490



A21
MEMORY SEAT/
MIRRORS
CONTROL UNIT

Y9
DRIVER'S
SIDE MEMORY
MIRROR
1) VERTICAL
MOTOR
2) HORIZONTAL
MOTOR

X18171

X622

X687

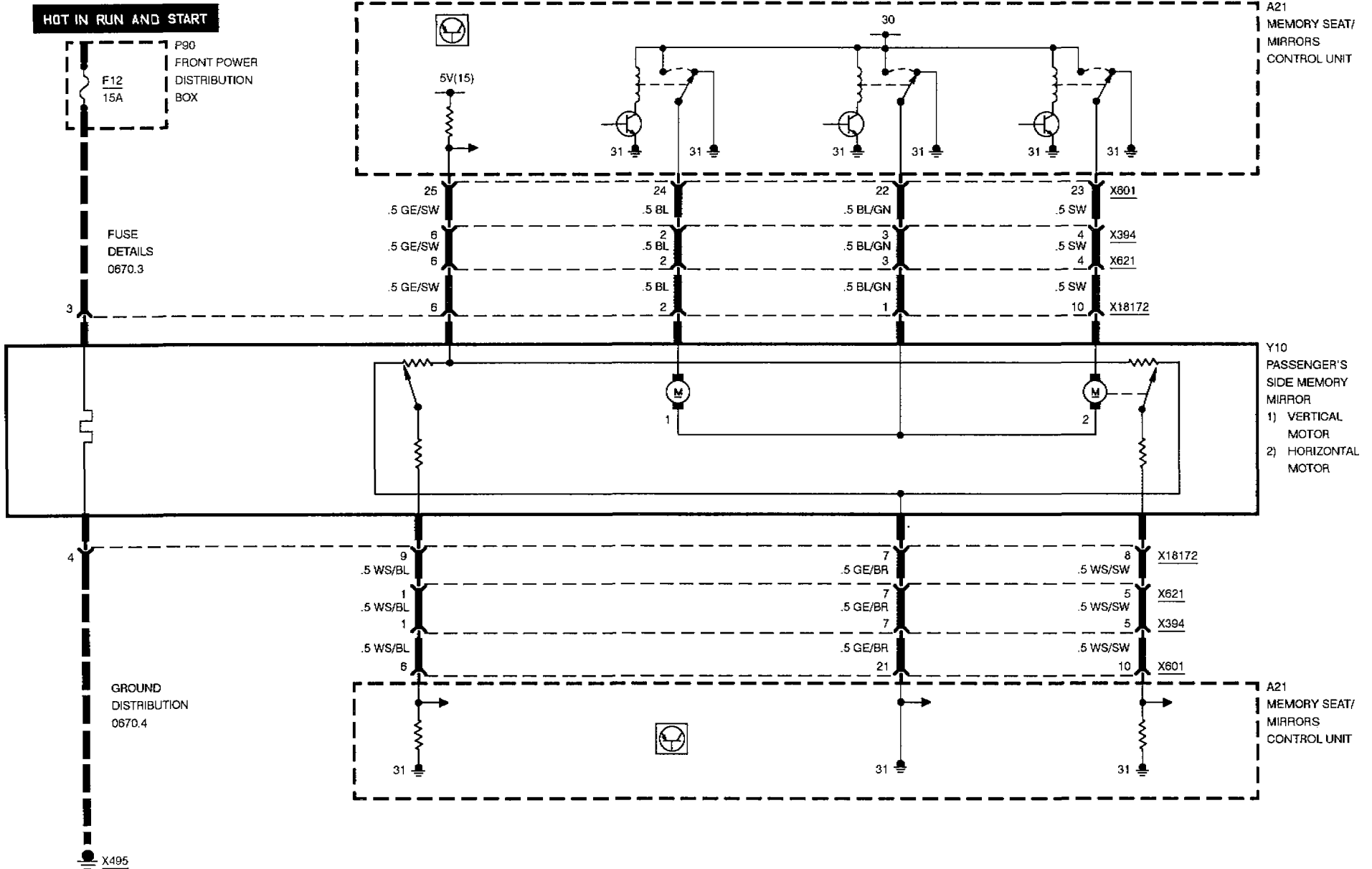
X601

A21
MEMORY SEAT/
MIRRORS
CONTROL UNIT



MEMORY SEATS/ MIRRORS (SM/SPM)

MIRROR

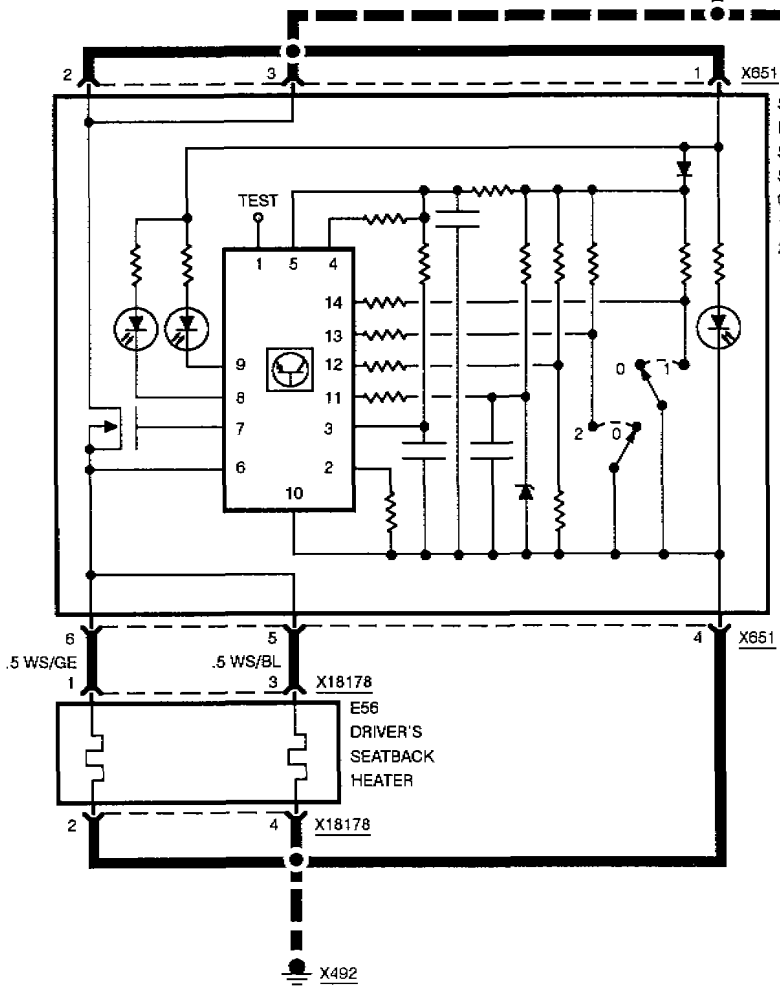
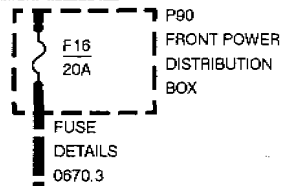






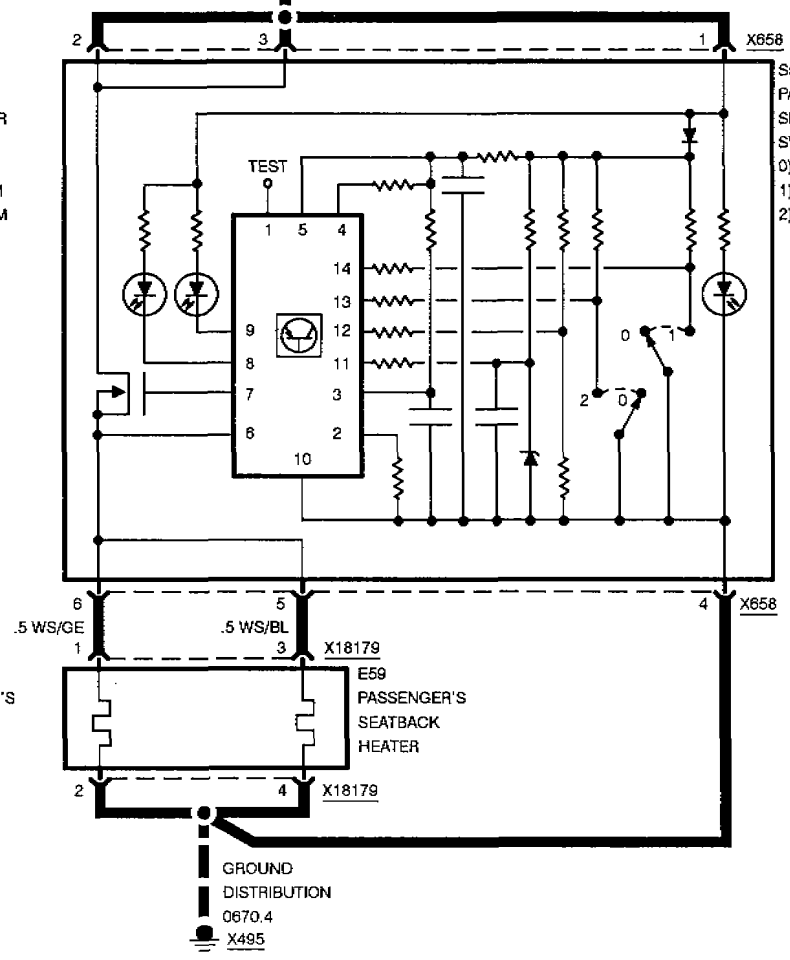
HEATED SEATS

HOT IN RUN AND START



E57 DRIVER'S SEAT HEATER

E56 DRIVER'S SEATBACK HEATER

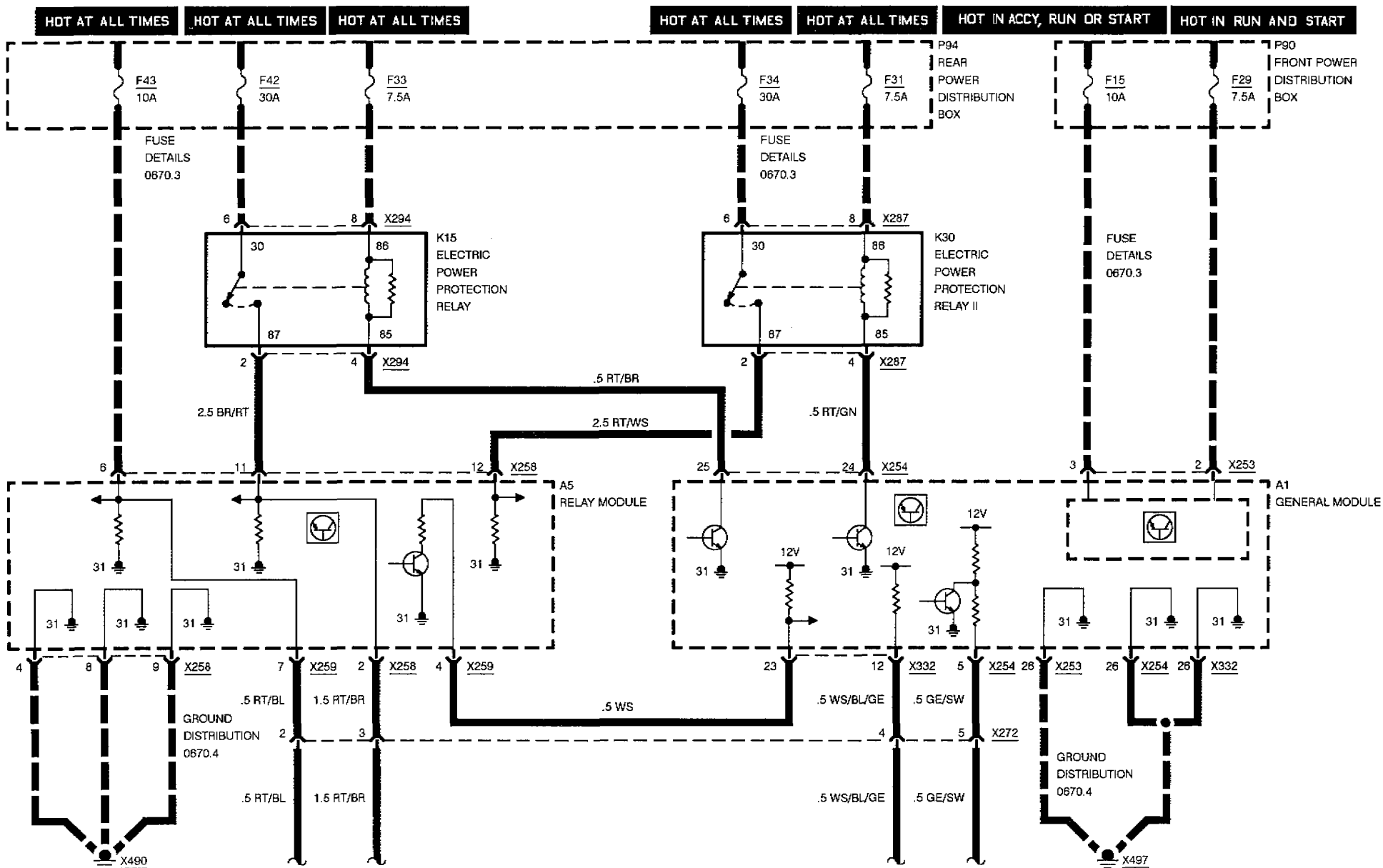


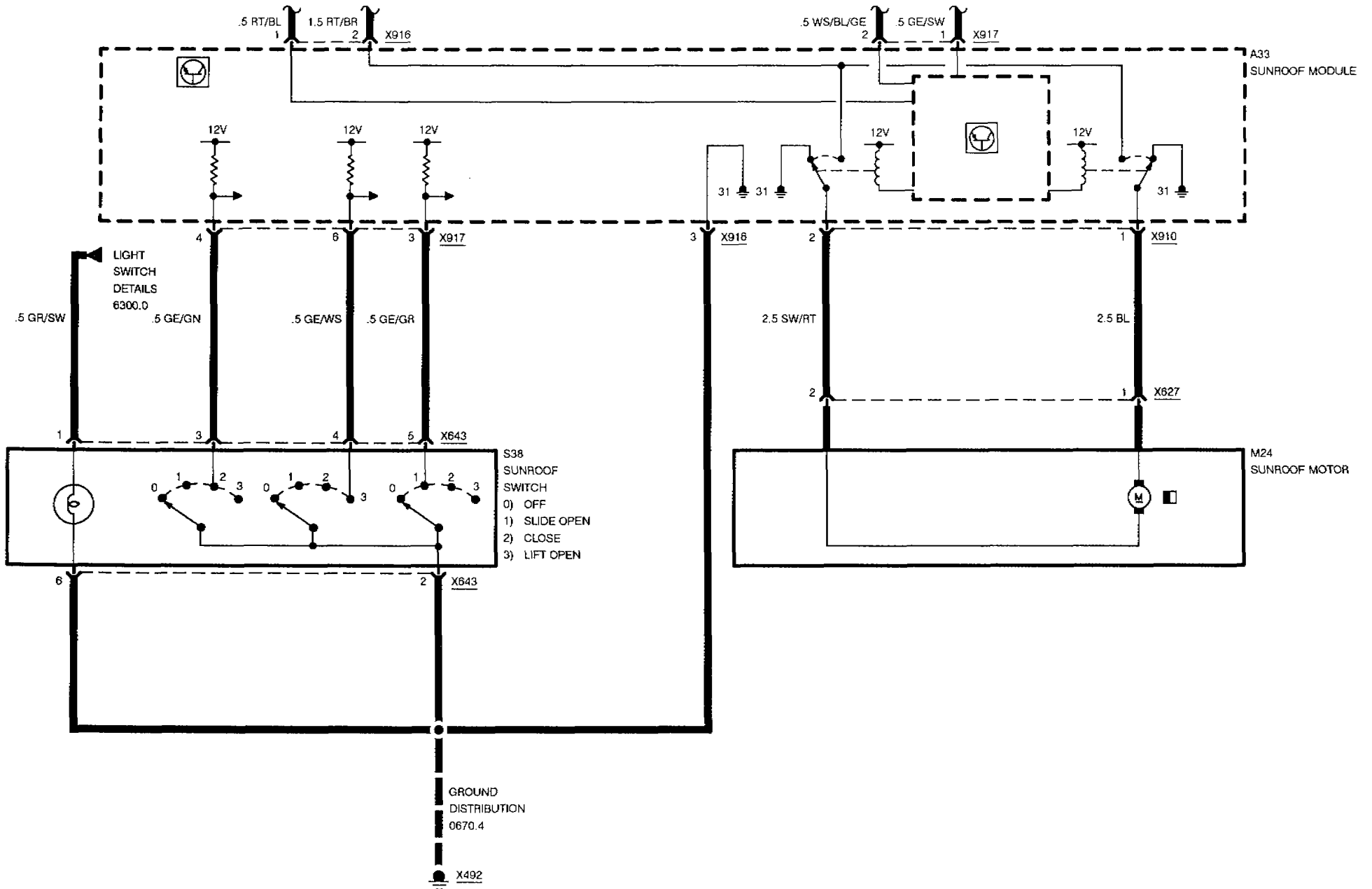
E58 PASSENGER'S SEAT HEATER

E59 PASSENGER'S SEATBACK HEATER



BMW
8 **ZKE SUNROOF (SHD)**







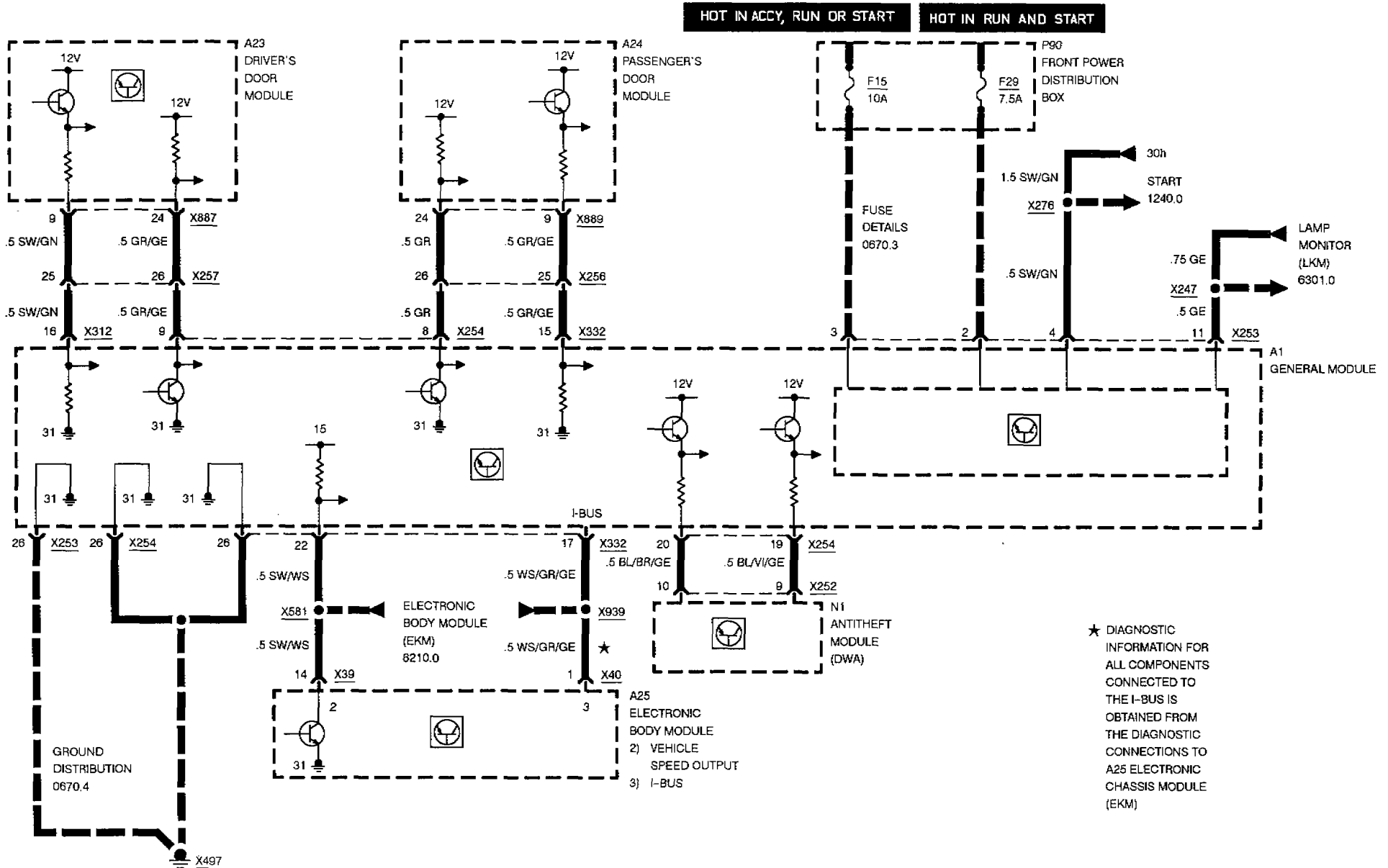
BMW
8

6100.0



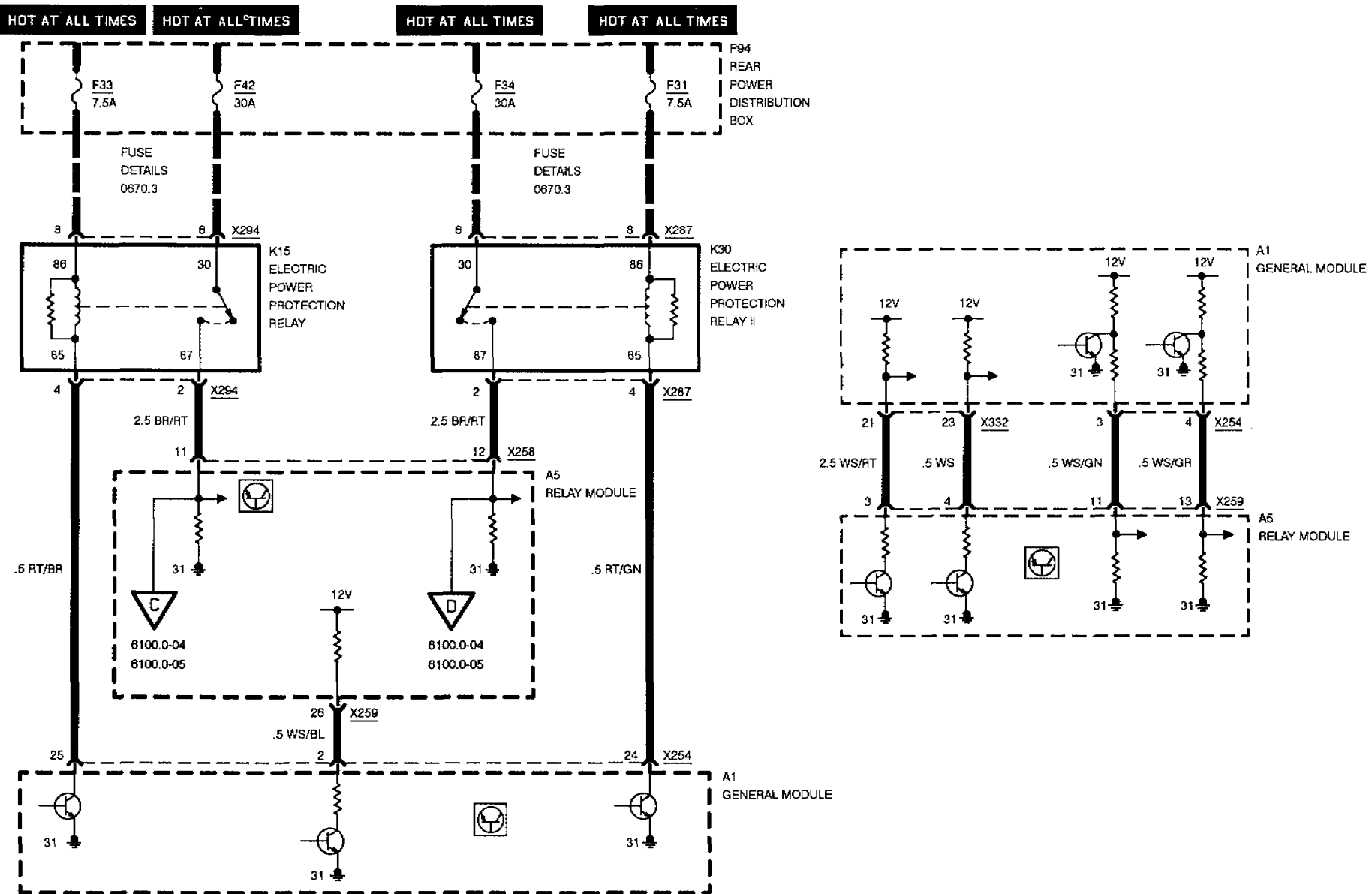
CENTRAL BODY ELECTRONICS (ZKE II)

GENERAL MODULE





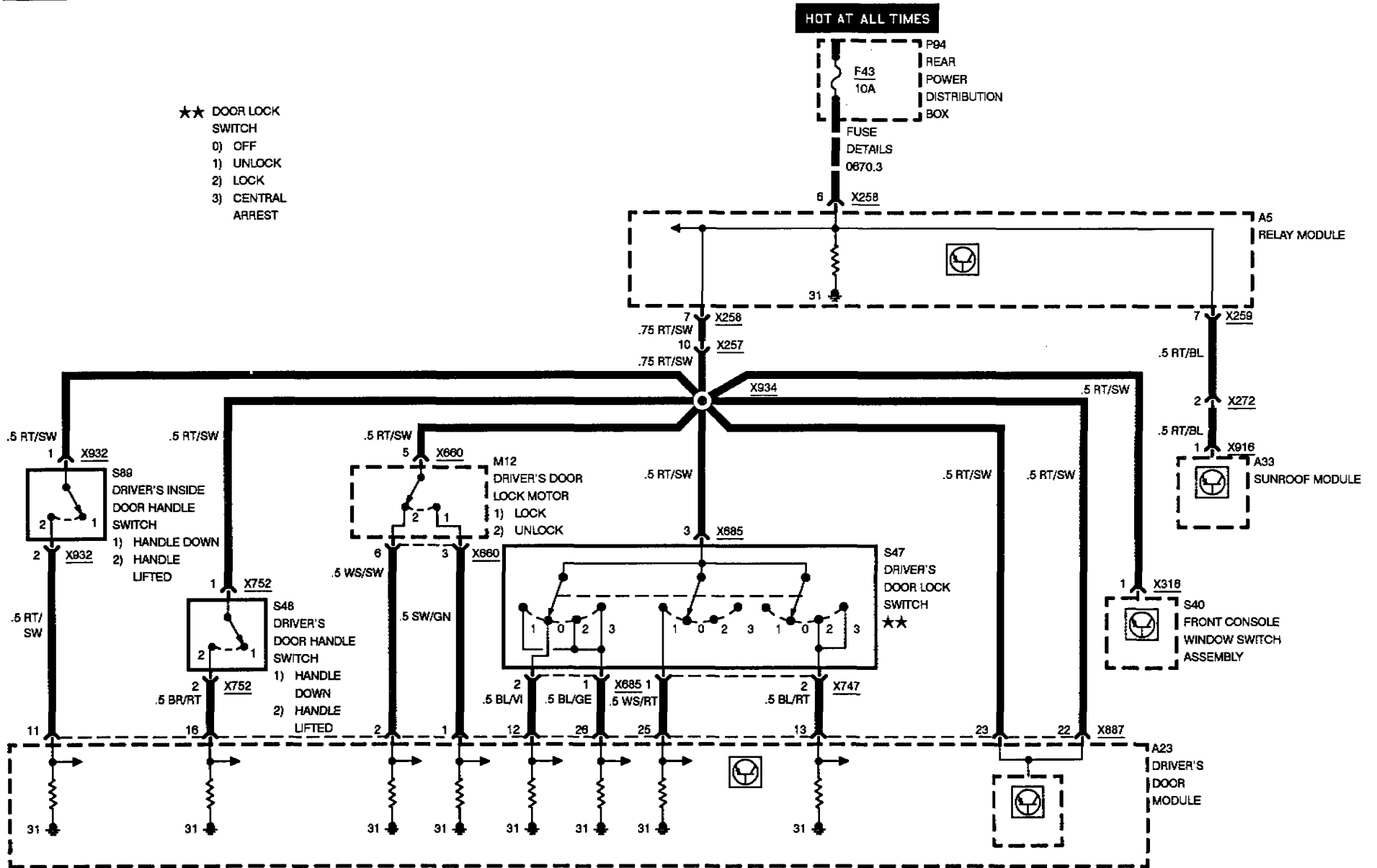
CENTRAL BODY ELECTRONICS (ZKE II)





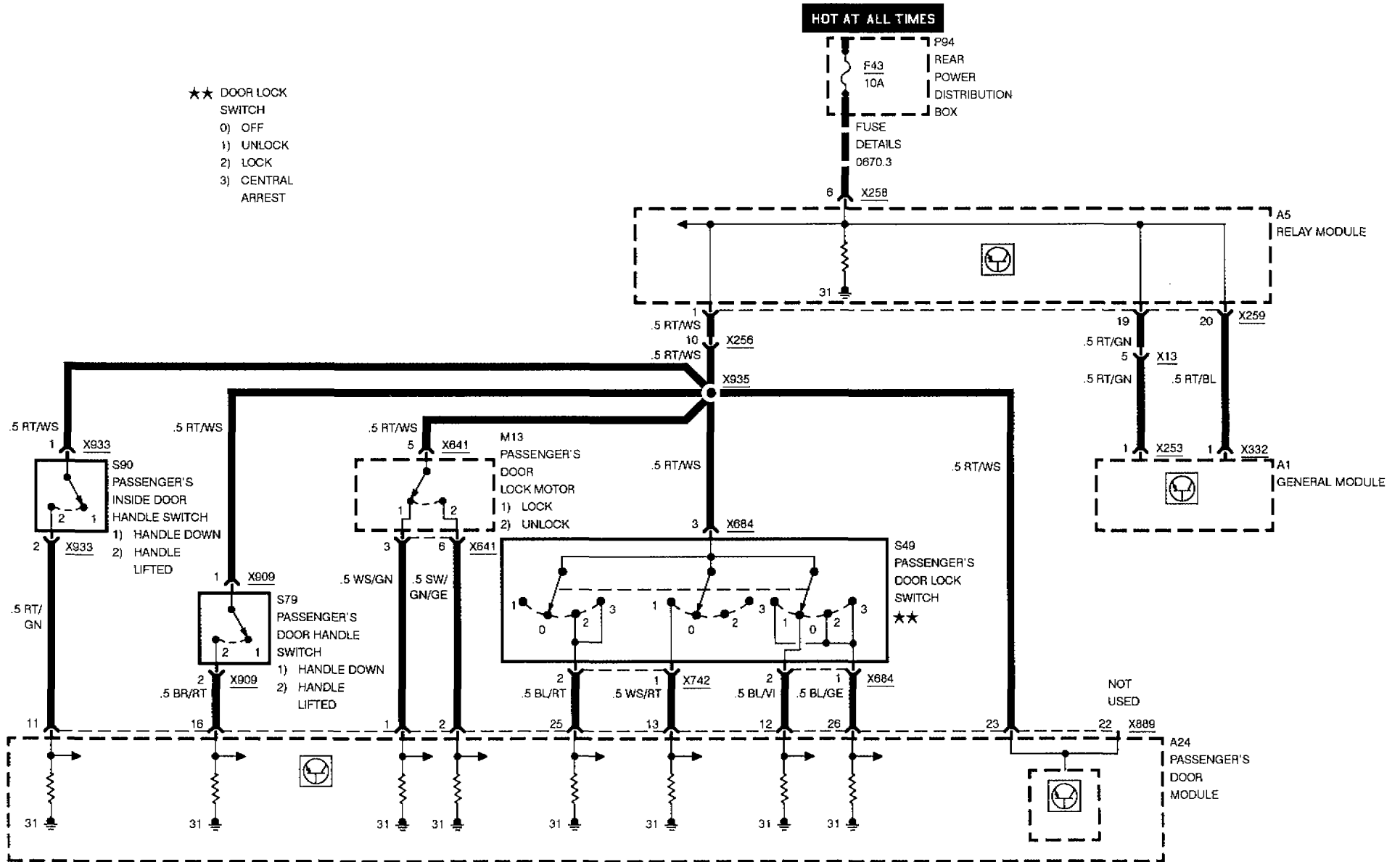
CENTRAL BODY ELECTRONICS (ZKE II)

- ★★ DOOR LOCK SWITCH
- 0) OFF
- 1) UNLOCK
- 2) LOCK
- 3) CENTRAL ARREST



CENTRAL BODY ELECTRONICS (ZKE II)

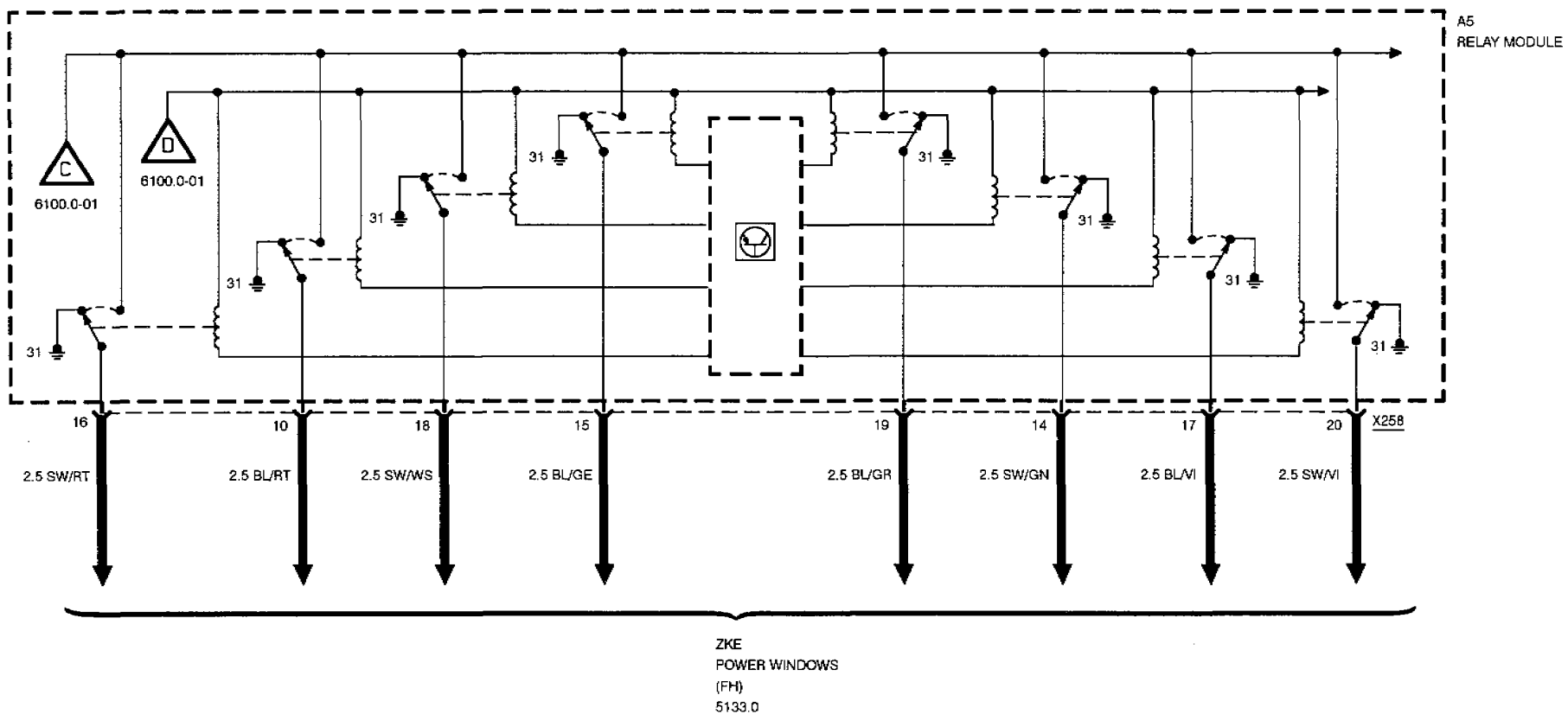
- ★★ DOOR LOCK SWITCH
- 0) OFF
- 1) UNLOCK
- 2) LOCK
- 3) CENTRAL ARREST





CENTRAL BODY ELECTRONICS (ZKE II)

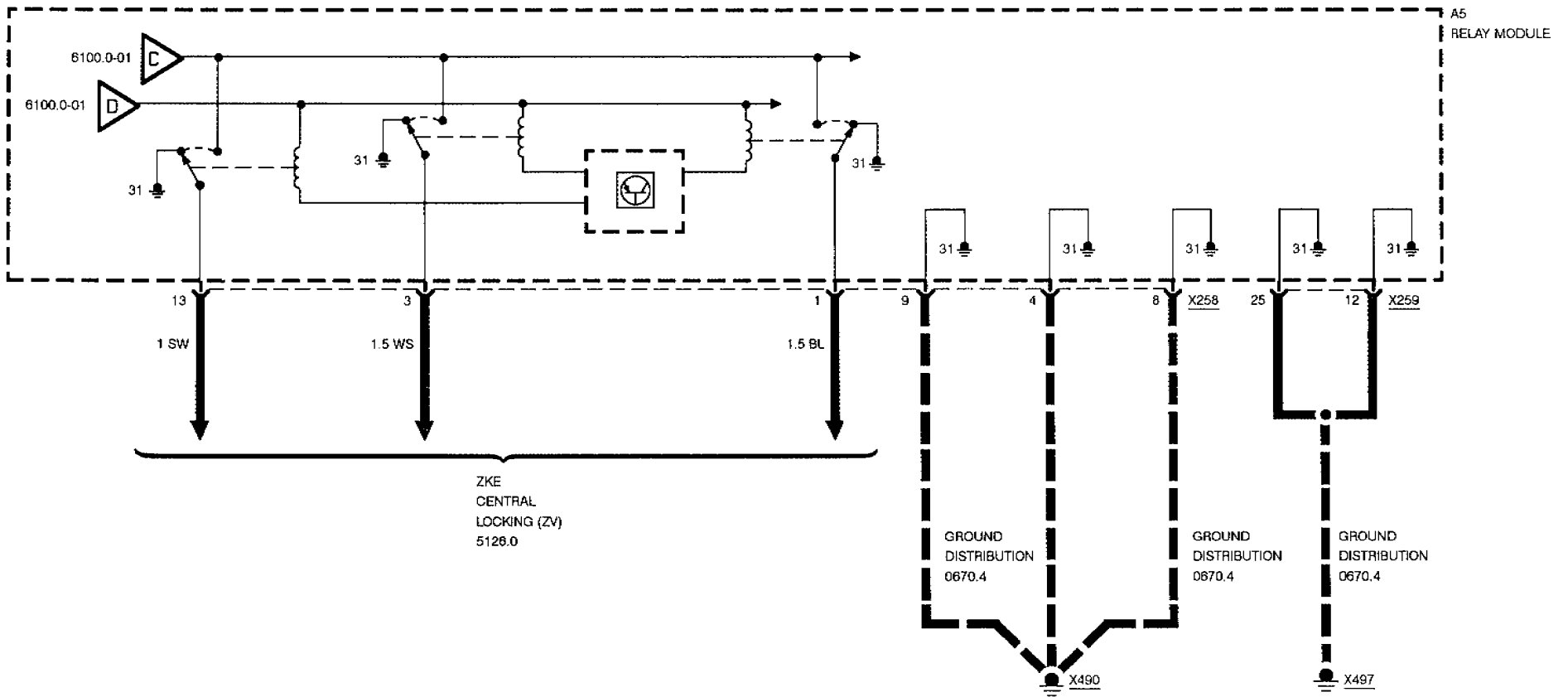
RELAY MODULE





CENTRAL BODY ELECTRONICS (ZKE II)

RELAY MODULE



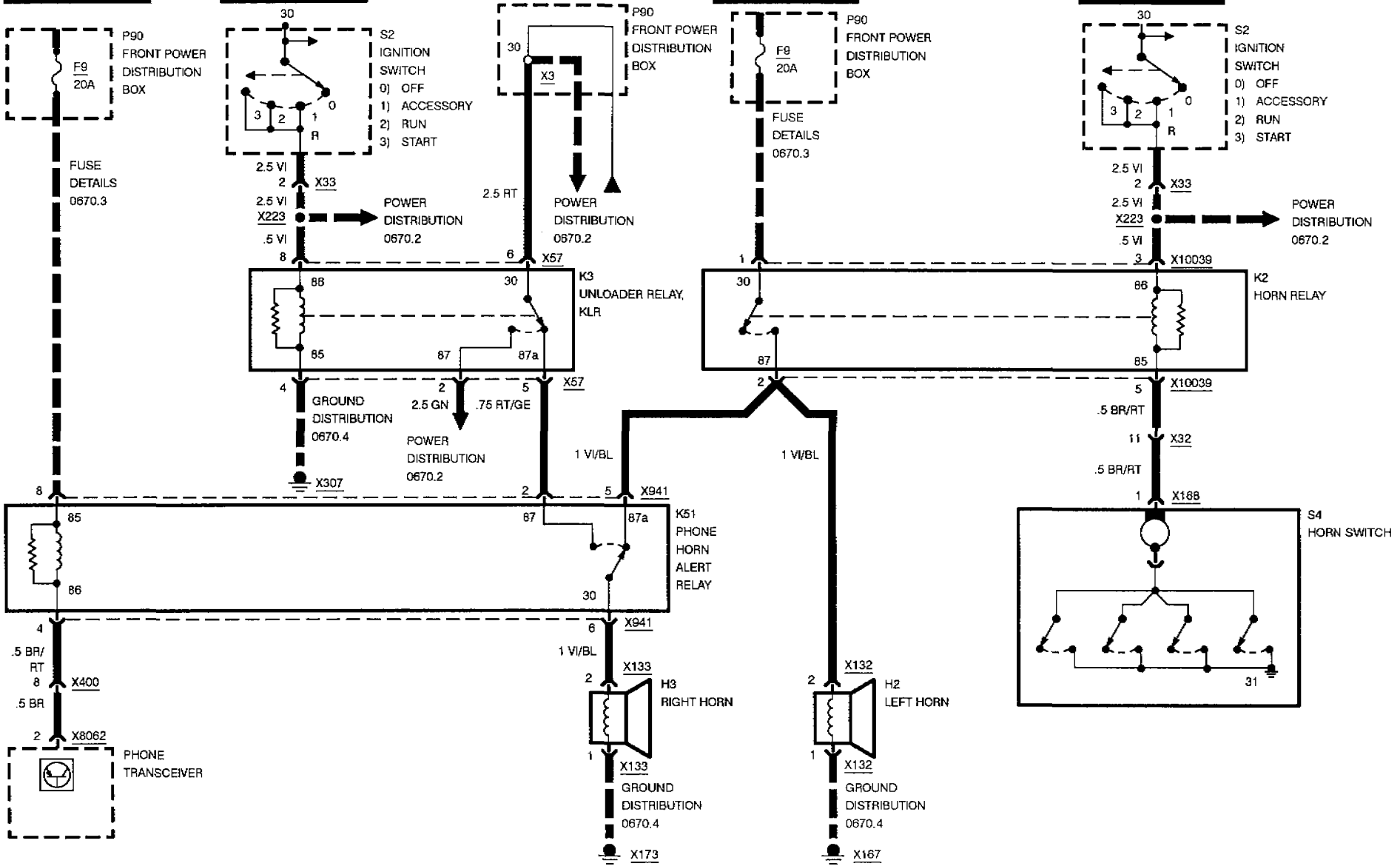
HORN

HOT AT ALL TIMES

HOT AT ALL TIMES

HOT AT ALL TIMES

HOT AT ALL TIMES

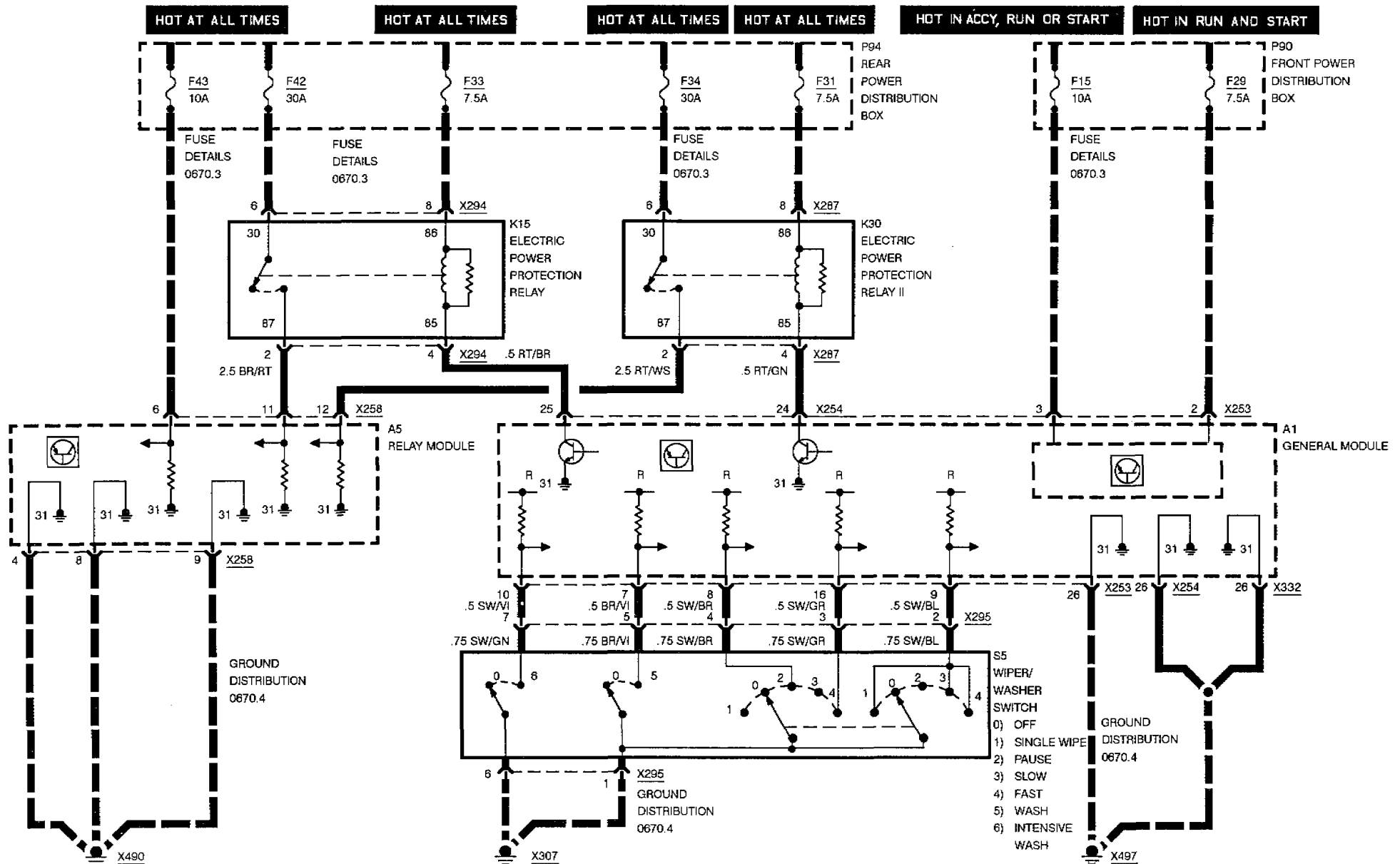




6160.0

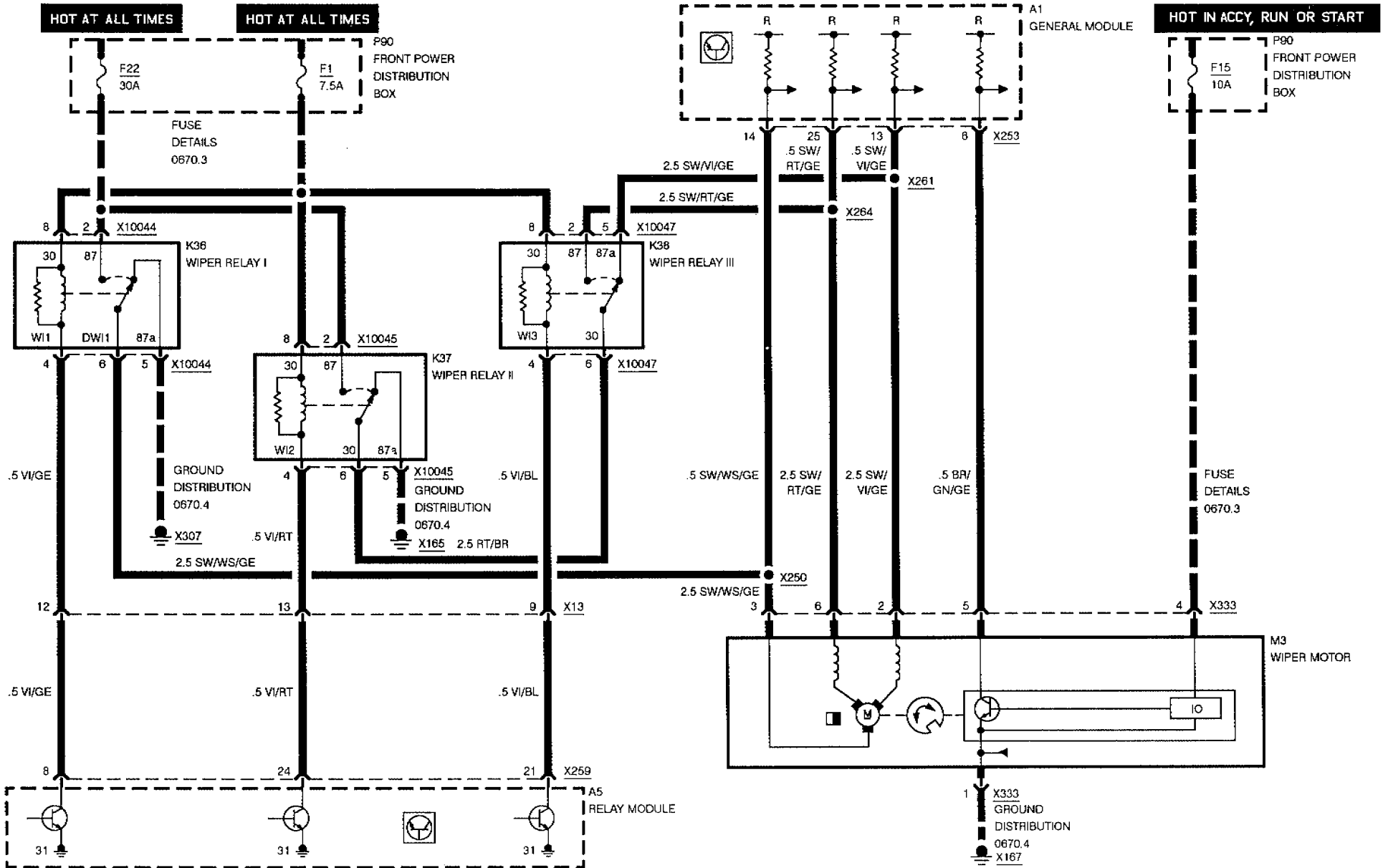


ZKE WIPER/WASHER CONTROL



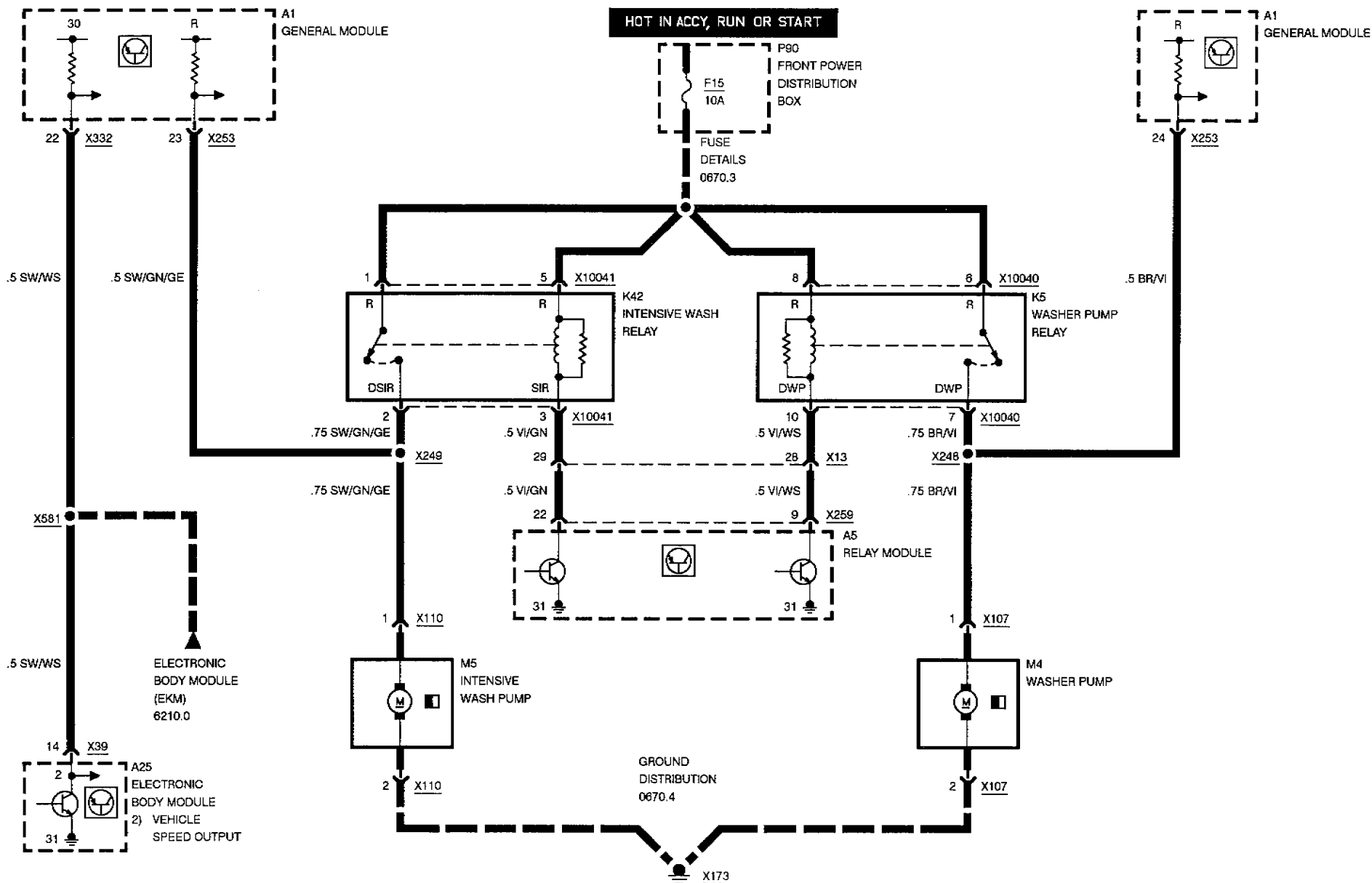


ZKE WIPER/WASHER CONTROL





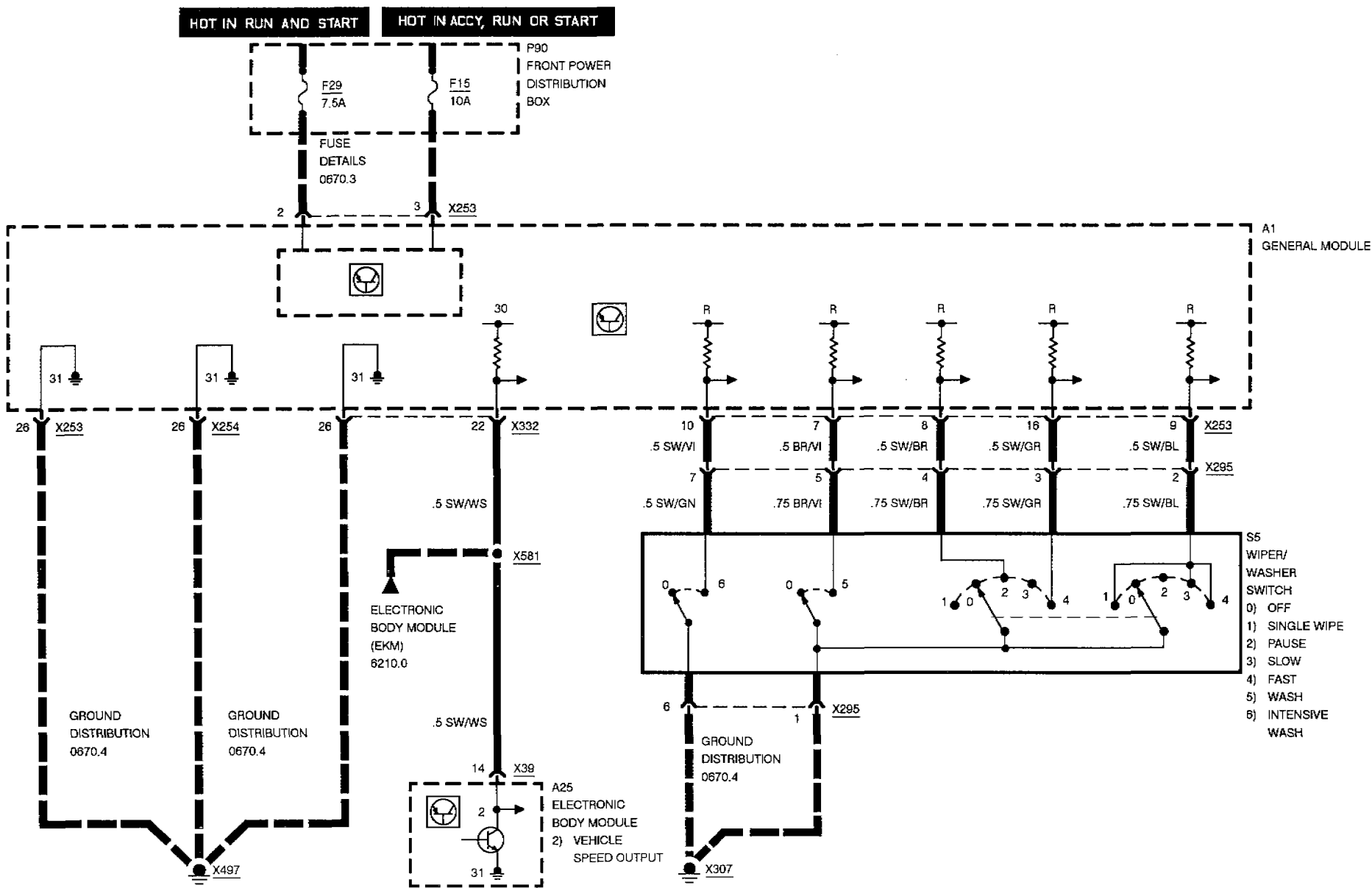
ZKE WIPER/WASHER CONTROL



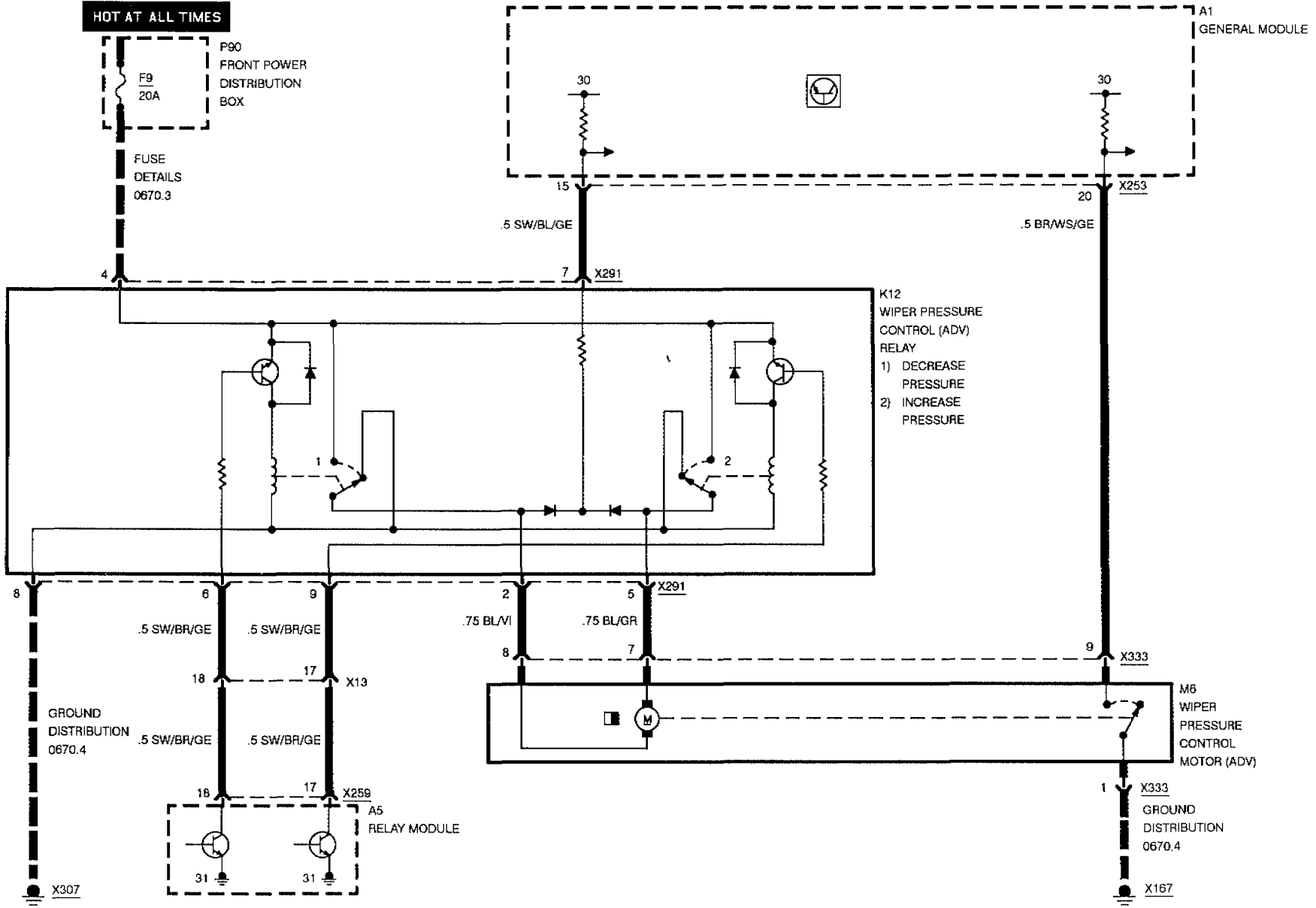




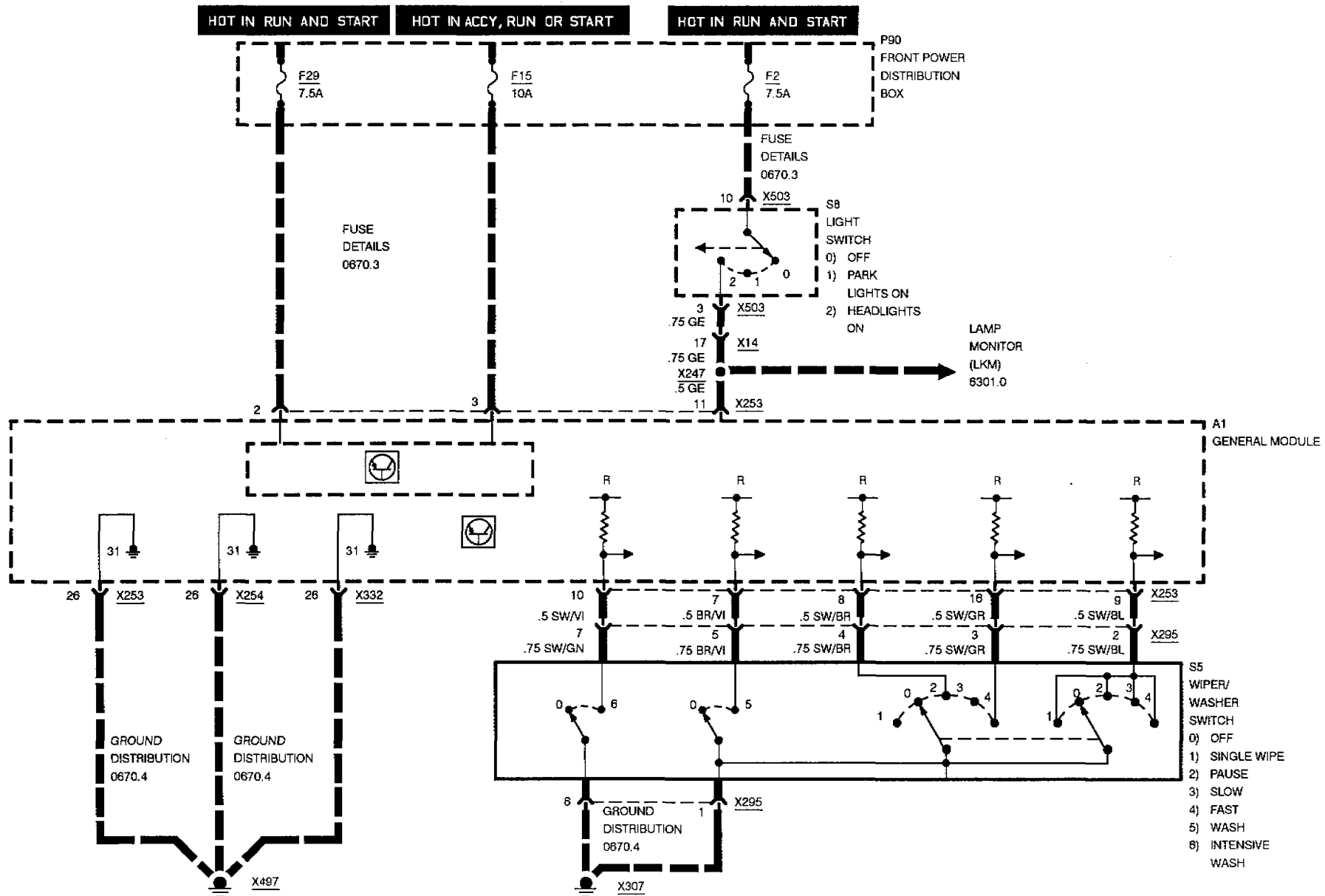
ZKE WINDSHIELD WIPER PRESSURE CONTROL (ADV)



ZKE WINDSHIELD WIPER PRESSURE CONTROL (ADV)

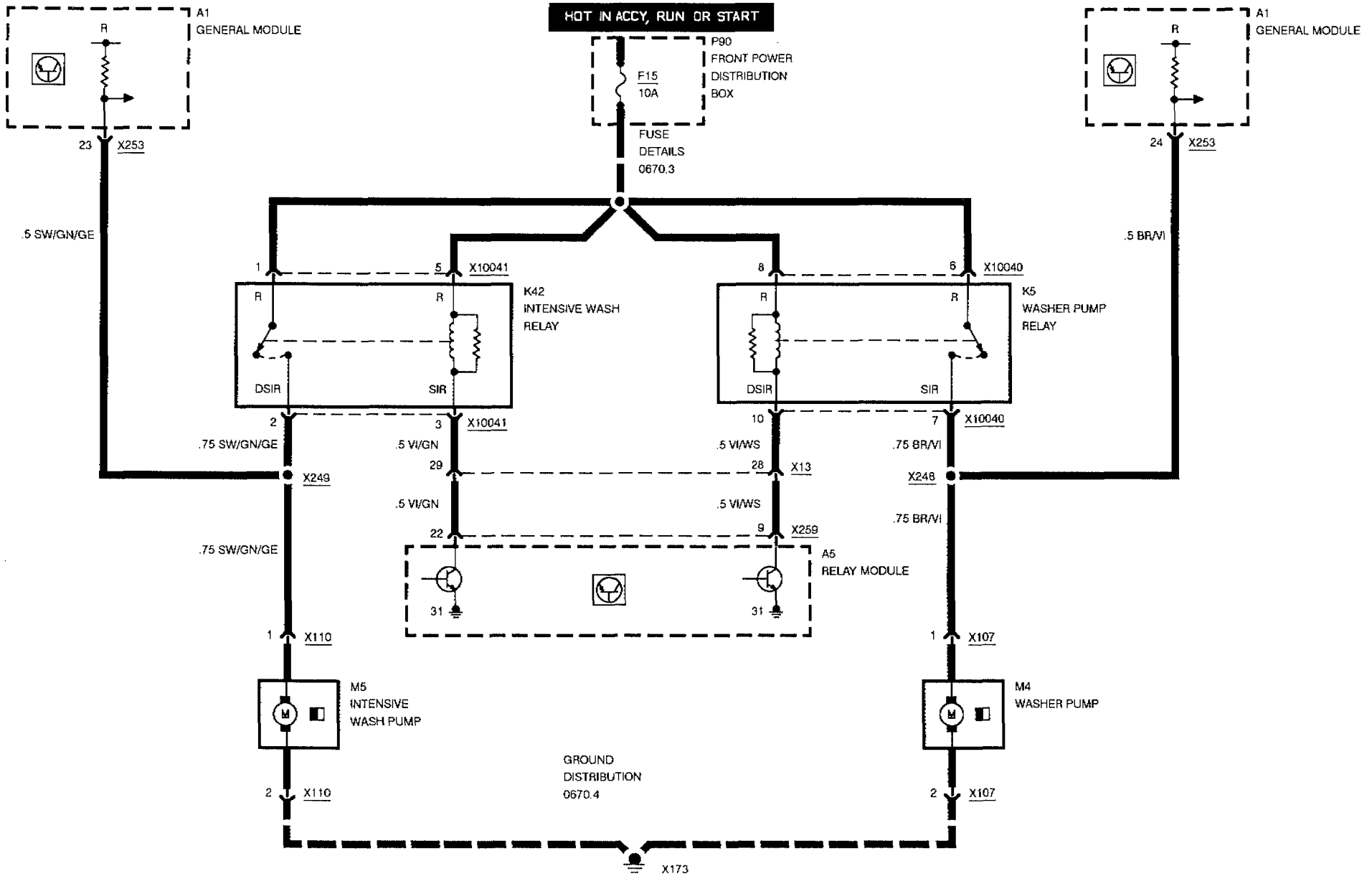


ZKE HEADLIGHT WASHER (SRA)





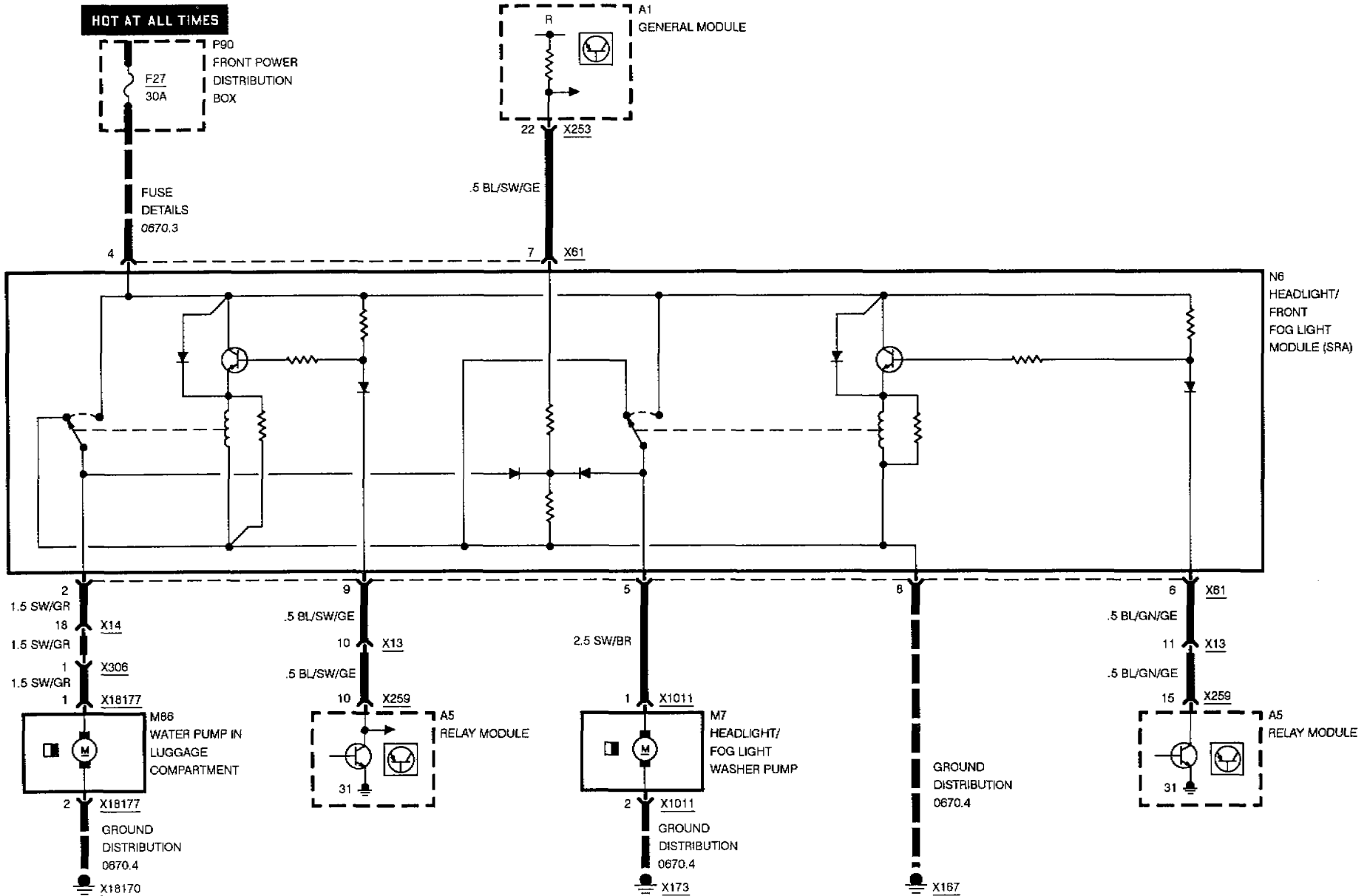
ZKE HEADLIGHT WASHER (SRA)





ZKE HEADLIGHT WASHER (SRA)

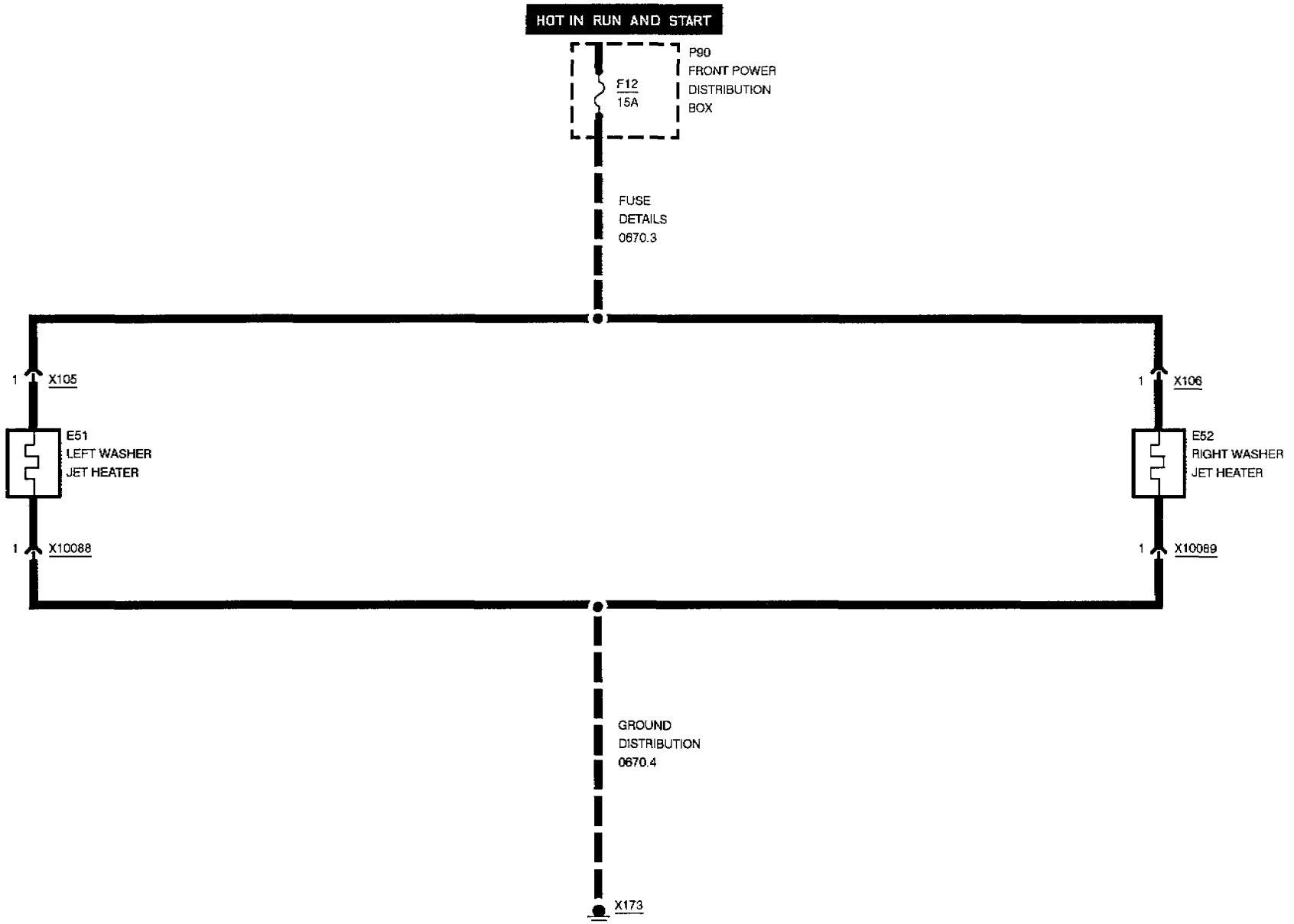
OUTPUT DETAILS







WINDSHIELD WASHER JET HEATERS



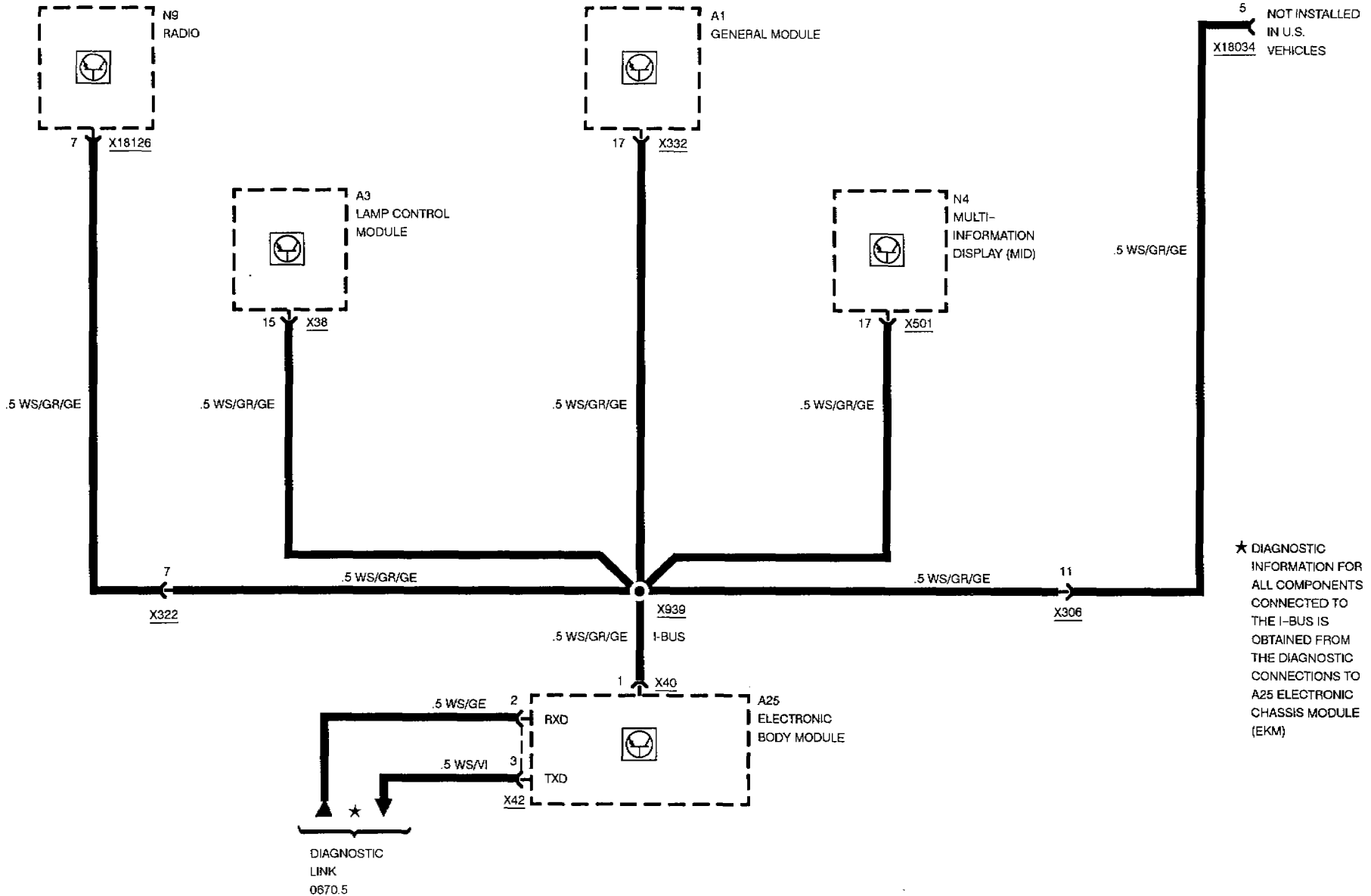
BMW
8

6210.0



ELECTRONIC BODY MODULE (EKM)

INSTRUMENTATION BUS (I-BUS)

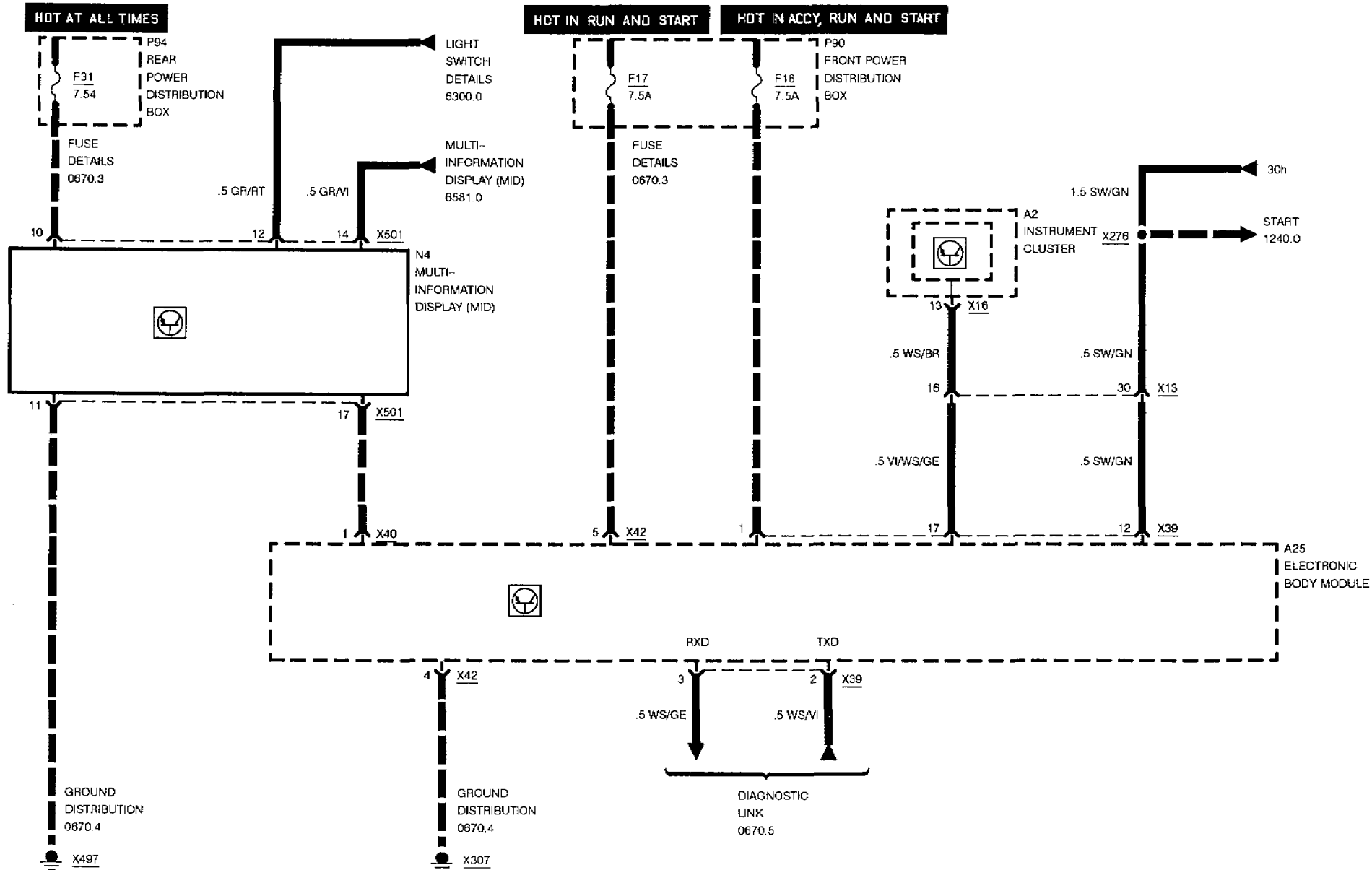


★ DIAGNOSTIC INFORMATION FOR ALL COMPONENTS CONNECTED TO THE I-BUS IS OBTAINED FROM THE DIAGNOSTIC CONNECTIONS TO A25 ELECTRONIC CHASSIS MODULE (EKM)



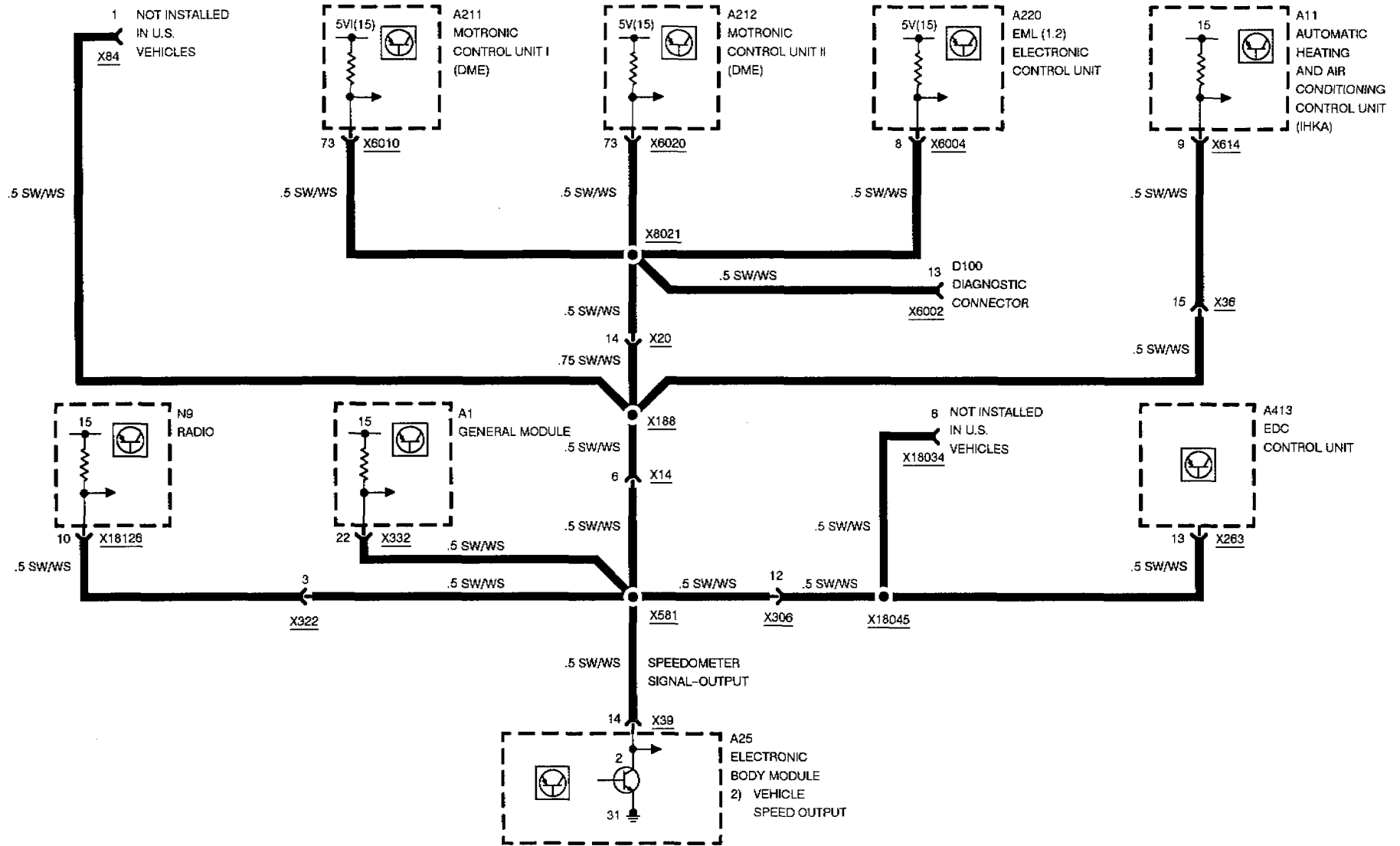
ELECTRONIC BODY MODULE (EKM)

POWER, GROUNDS, START INPUT, KOMBI-BUS, DIAGNOSTIC LINK

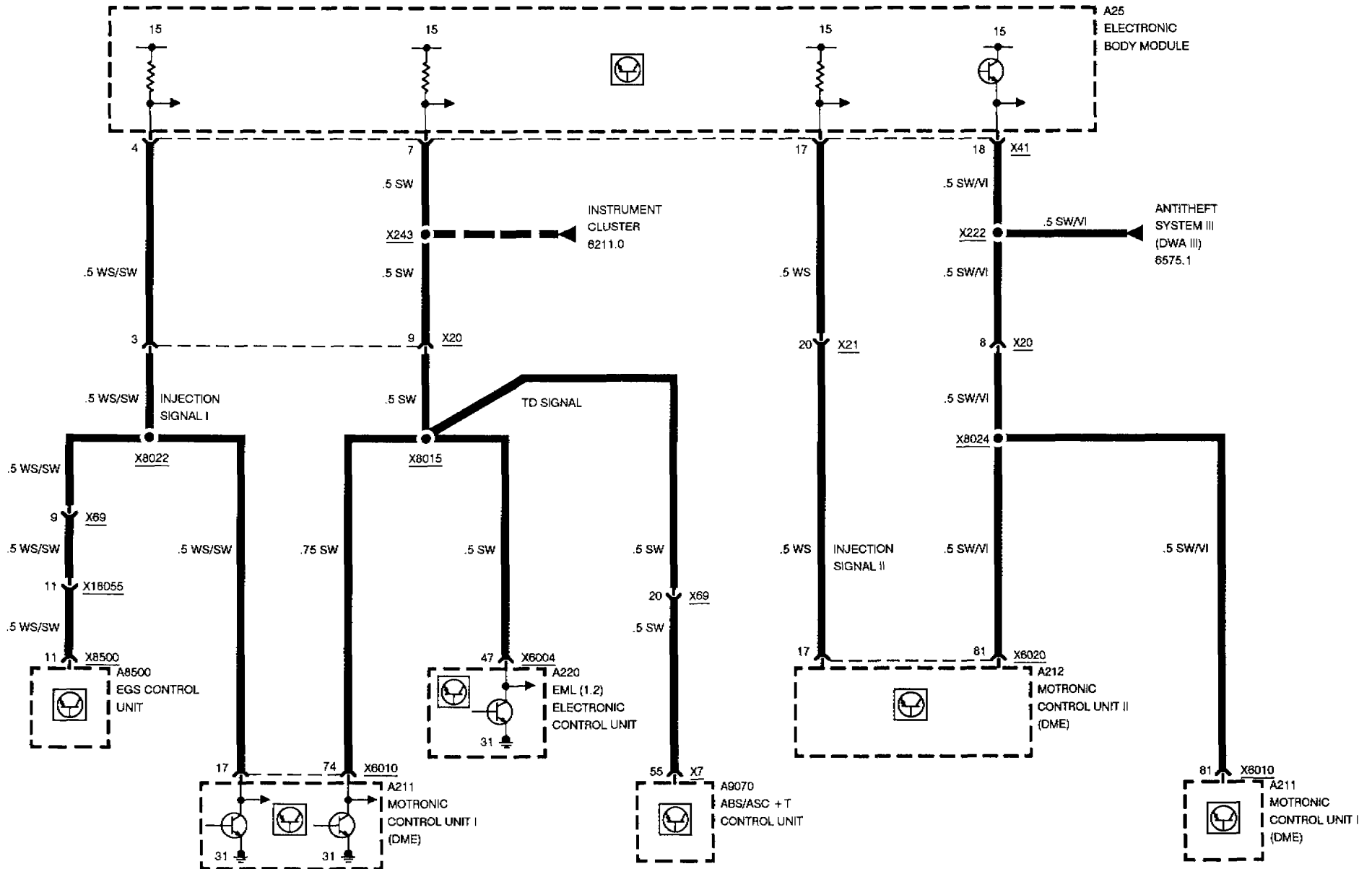




ELECTRONIC BODY MODULE (EKM) SIGNAL-OUTPUT SPEEDOMETER

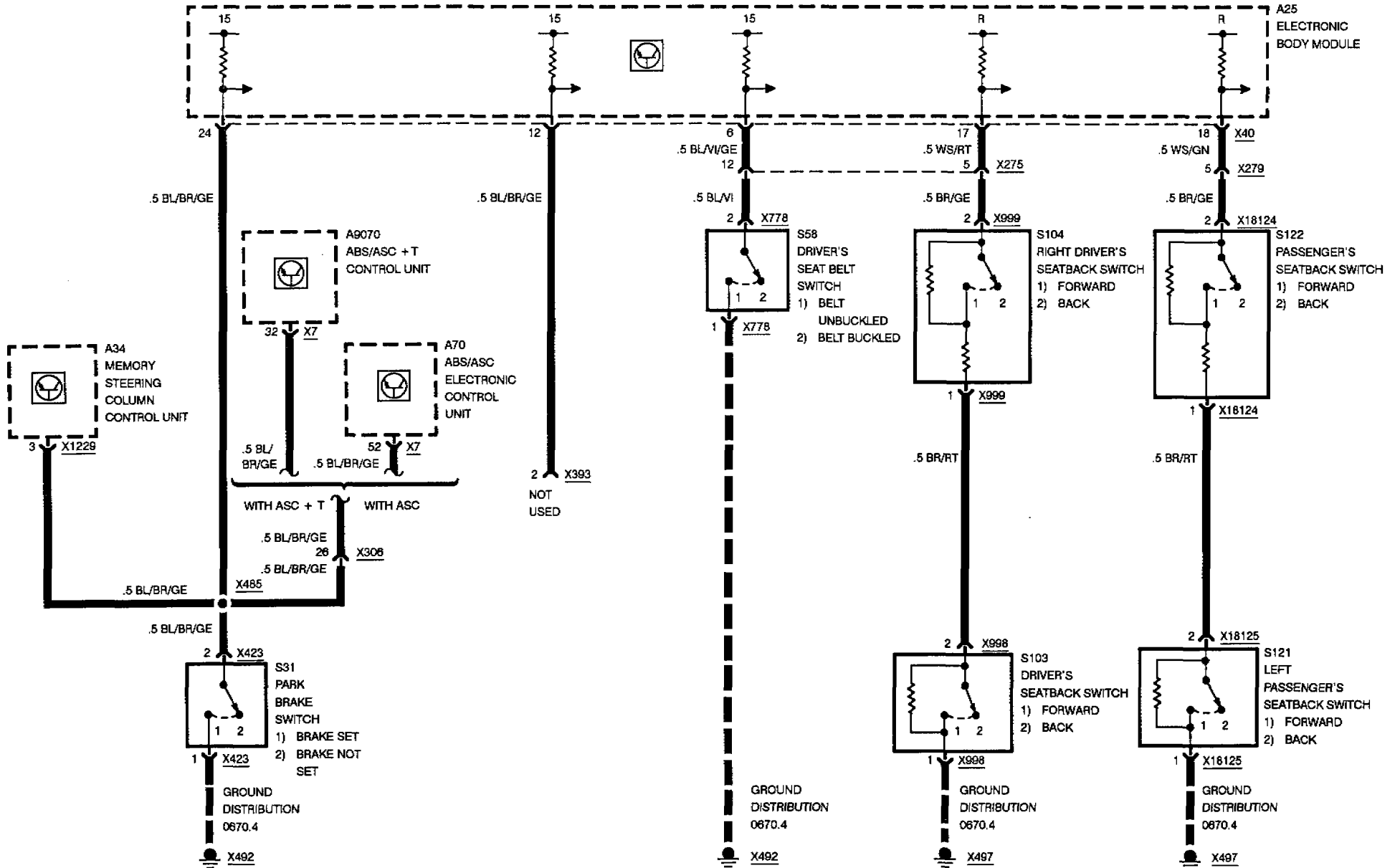


ELECTRONIC BODY MODULE (EKM)



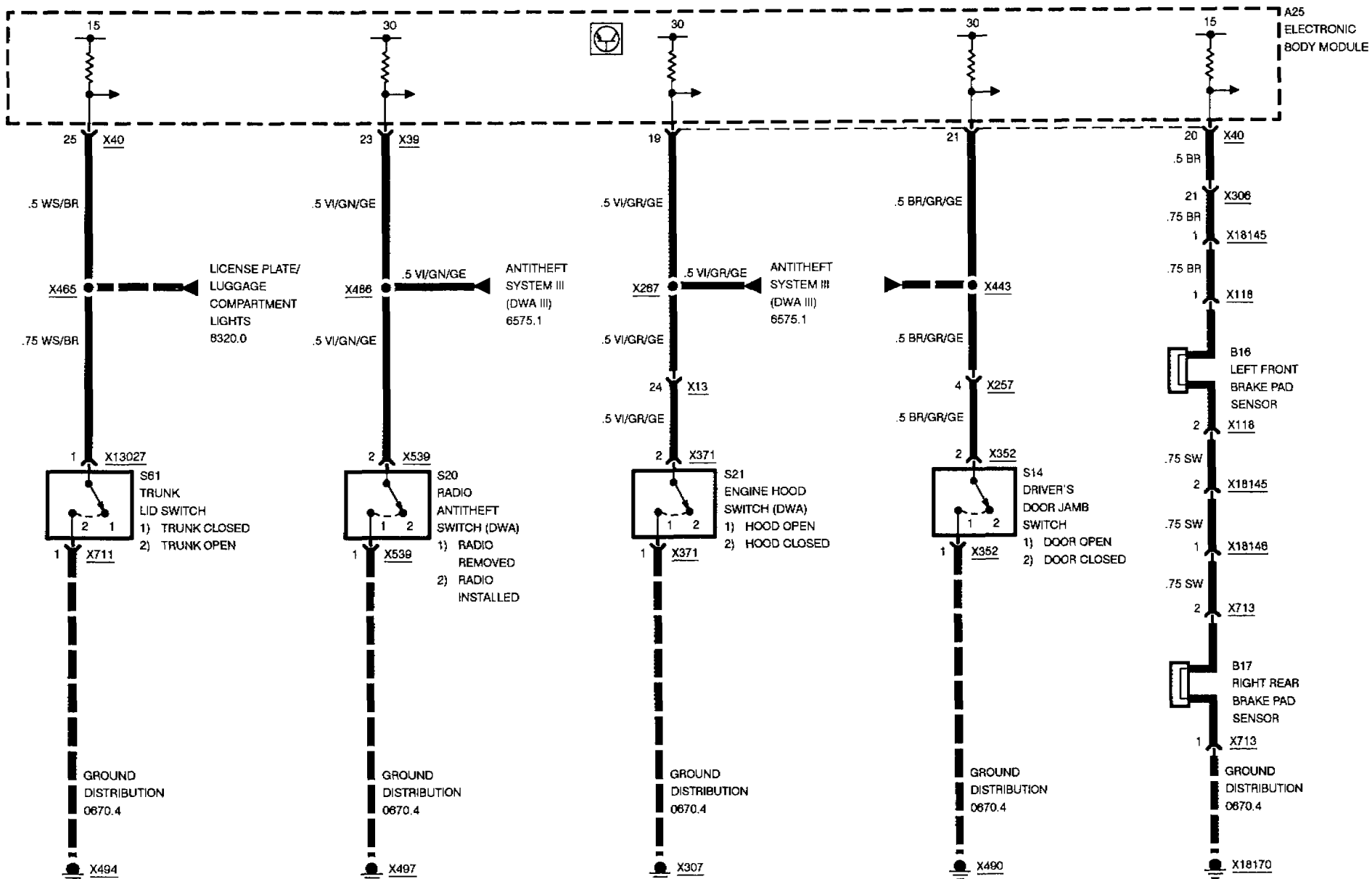


ELECTRONIC BODY MODULE (EKM)

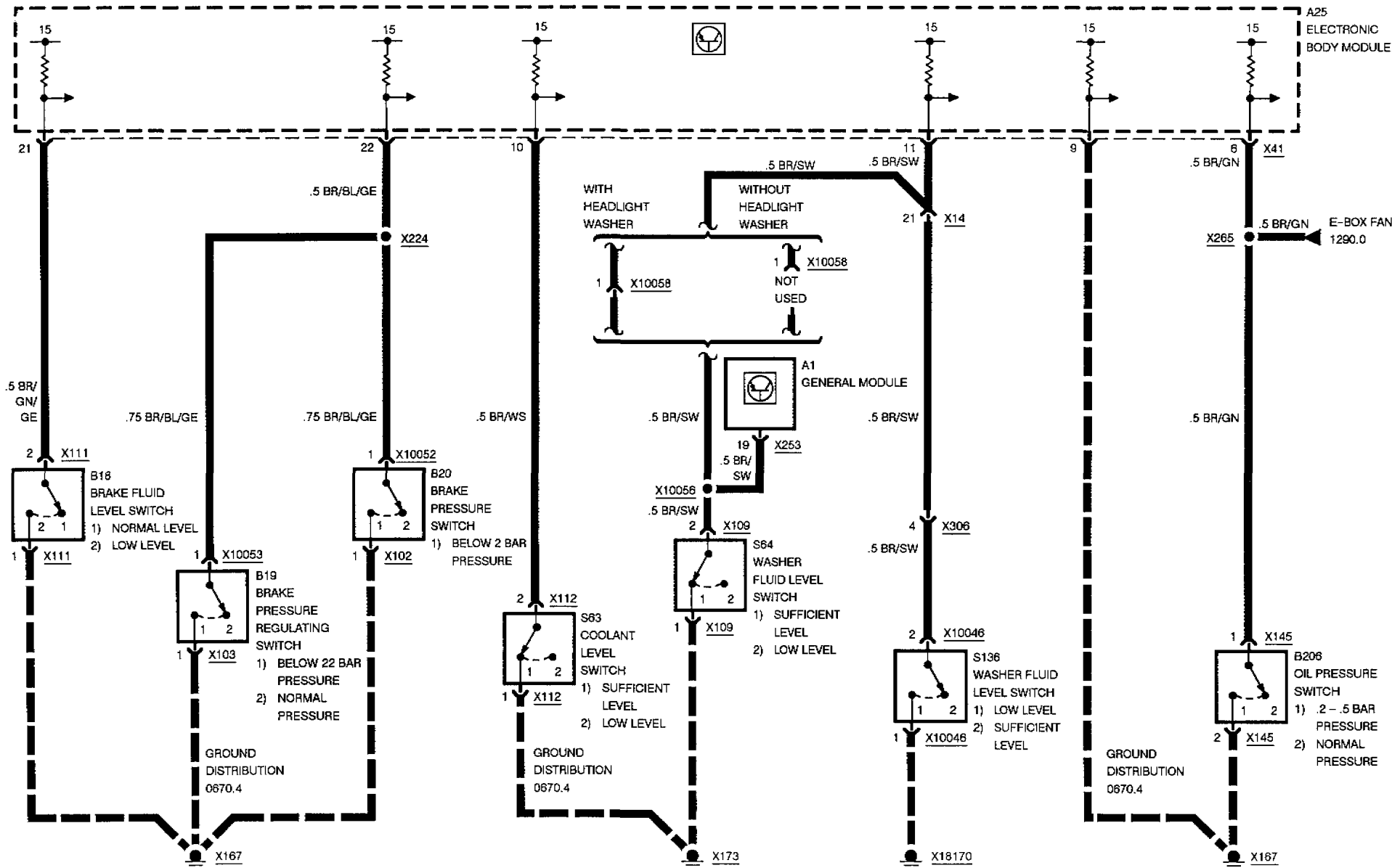




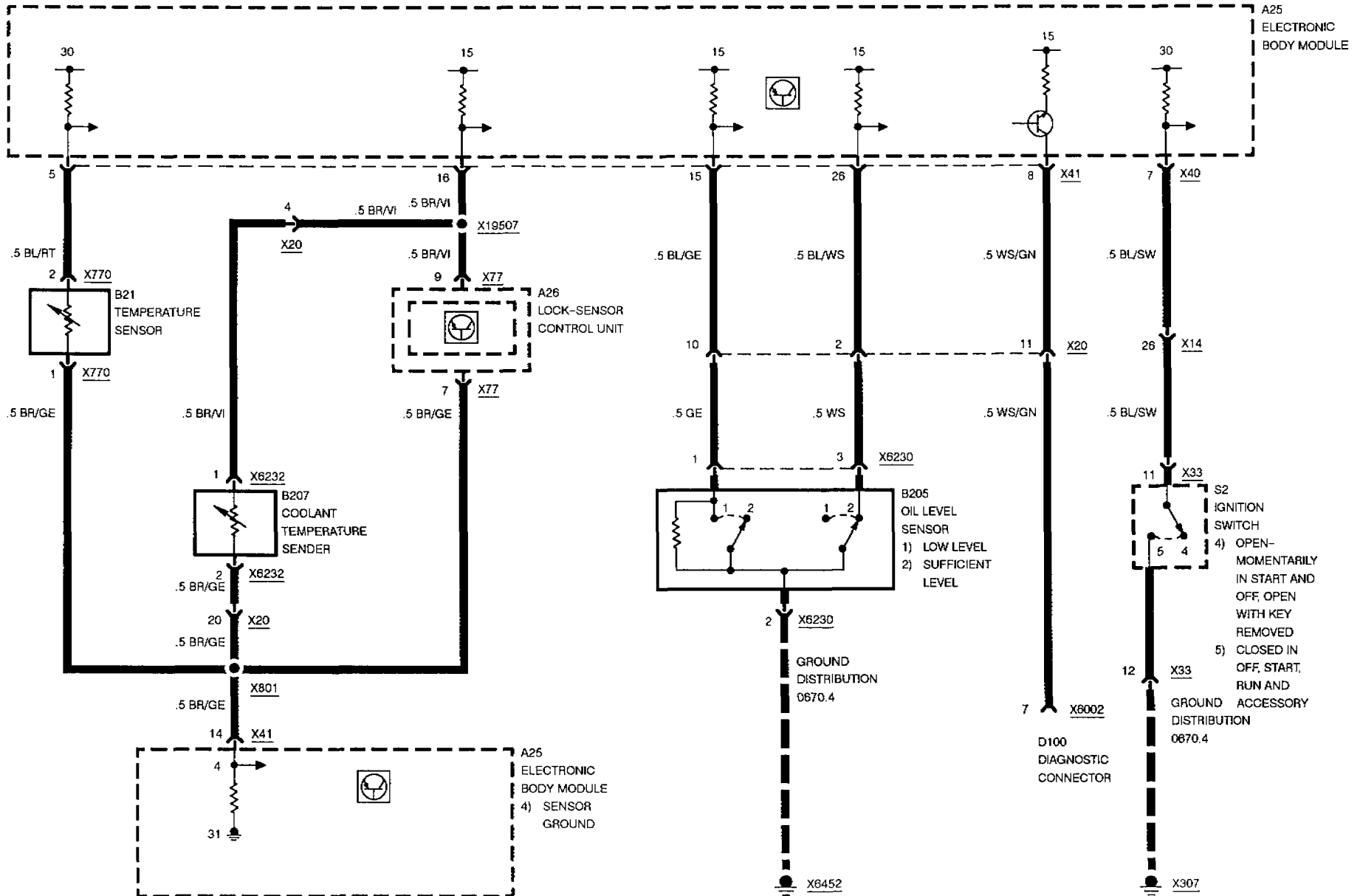
ELECTRONIC BODY MODULE (EKM)



BMW ELECTRONIC BODY MODULE (EKM)

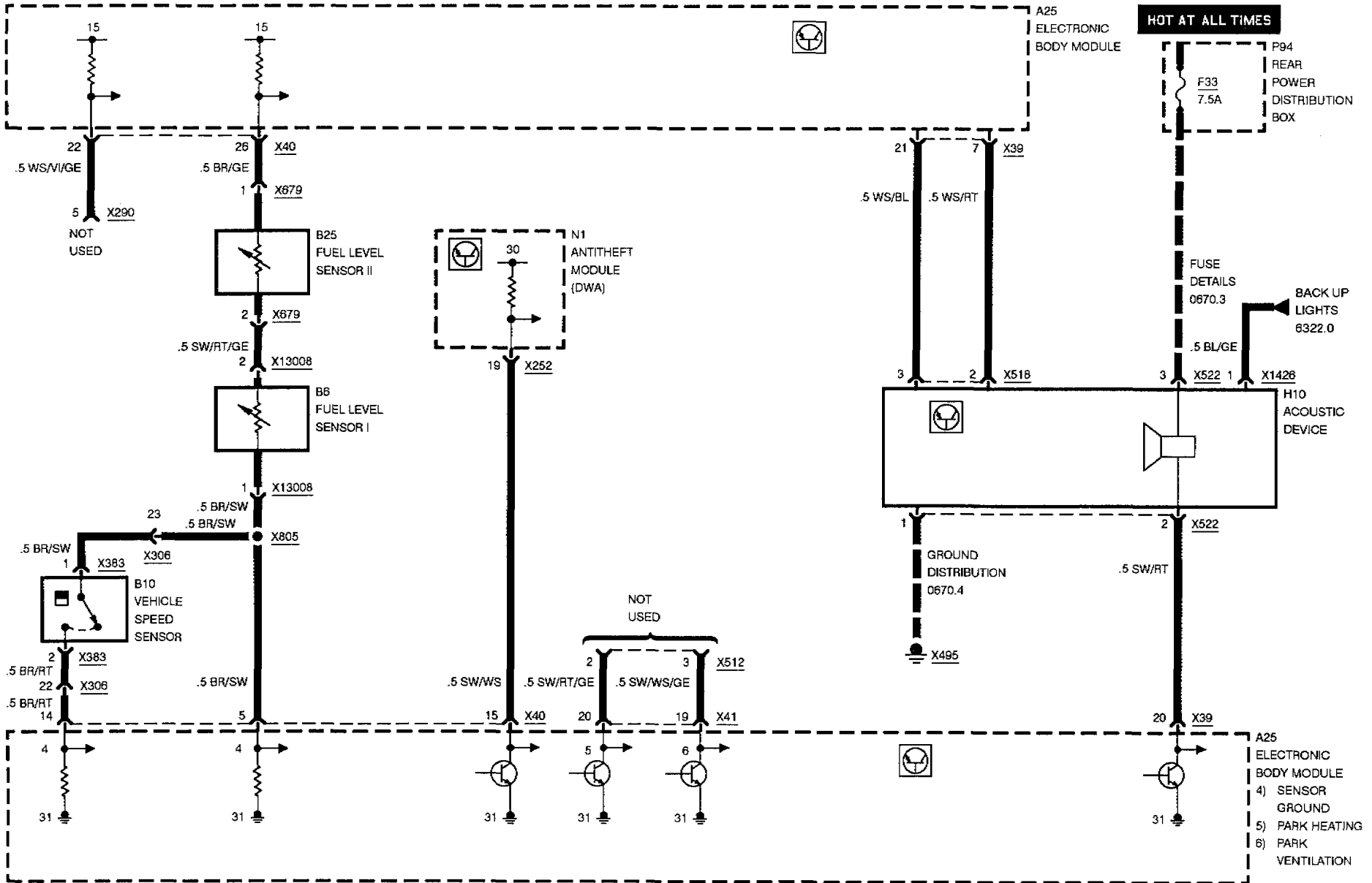


ELECTRONIC BODY MODULE (EKM)



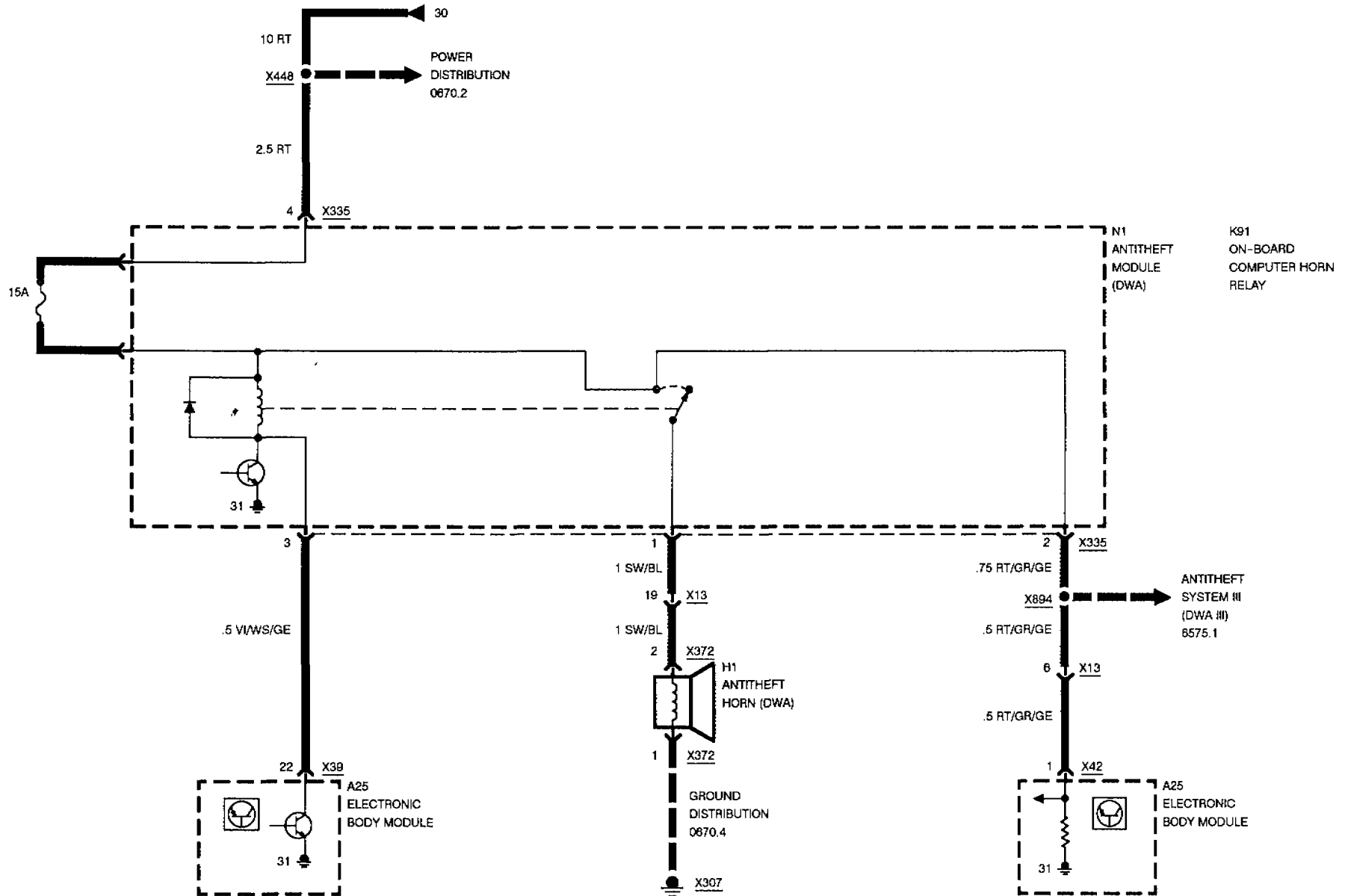


ELECTRONIC BODY MODULE (EKM)



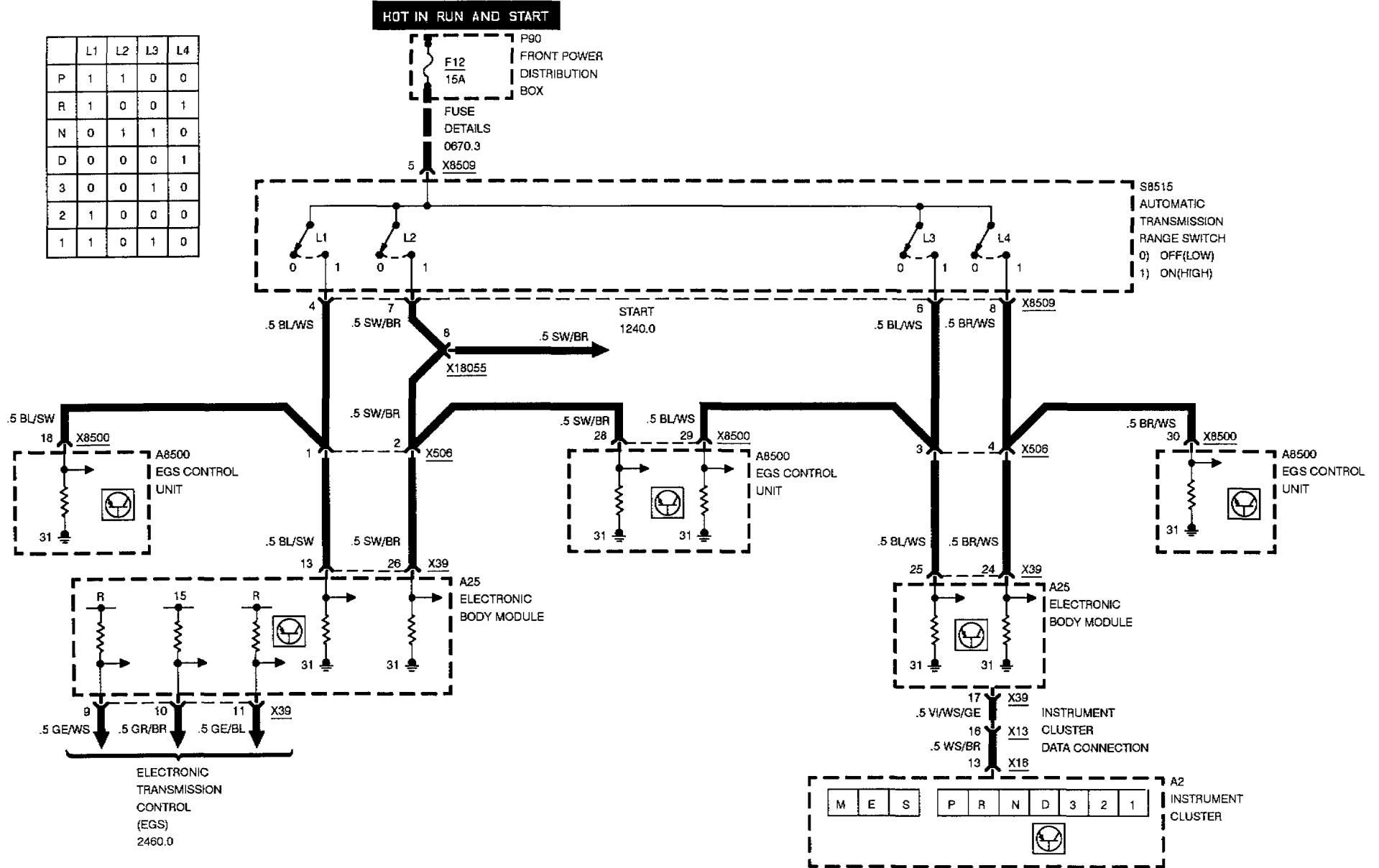


ELECTRONIC BODY MODULE (EKM)



ELECTRONIC BODY MODULE (EKM)

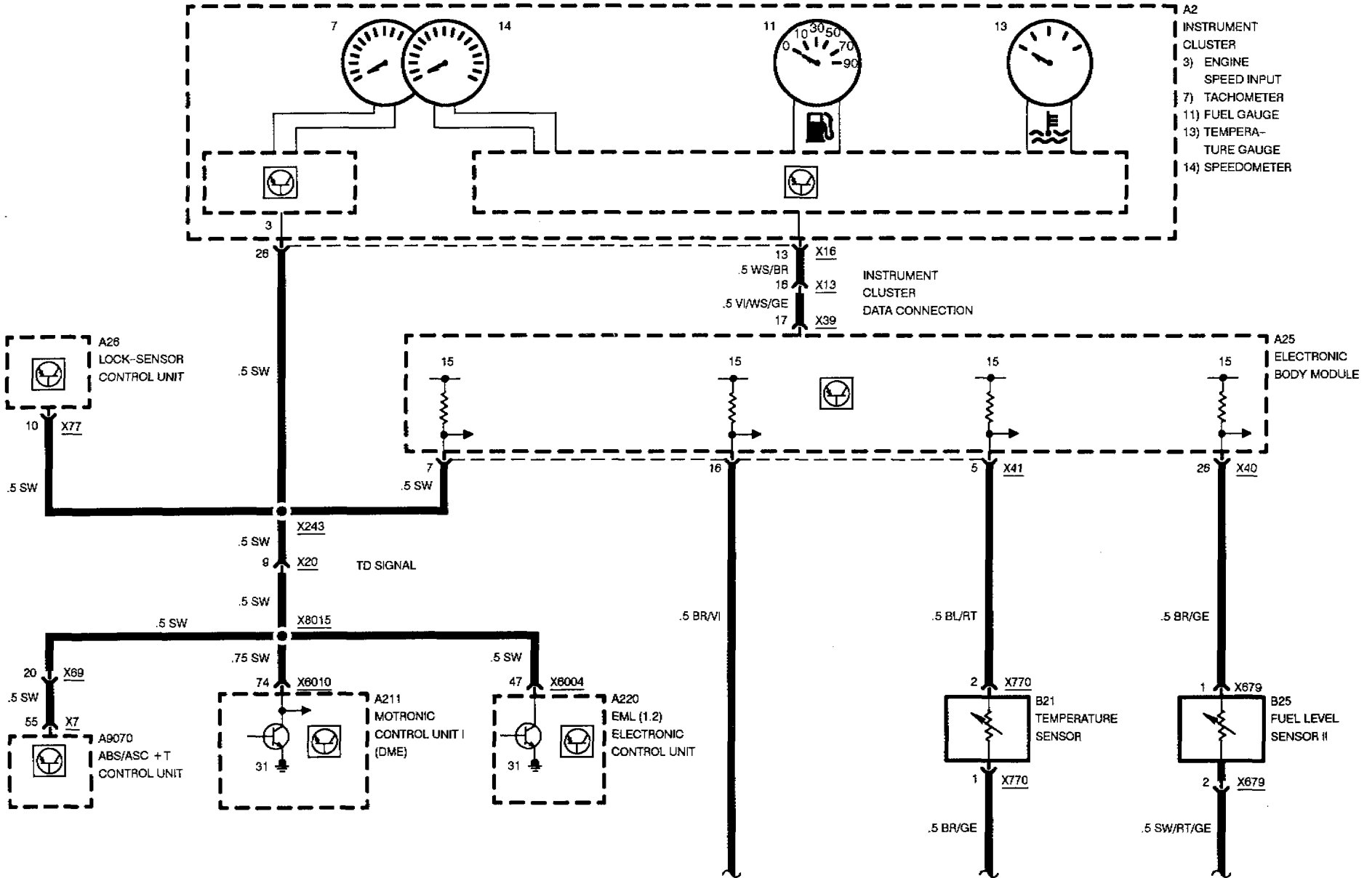
	L1	L2	L3	L4
P	1	1	0	0
R	1	0	0	1
N	0	1	1	0
D	0	0	0	1
3	0	0	1	0
2	1	0	0	0
1	1	0	1	0

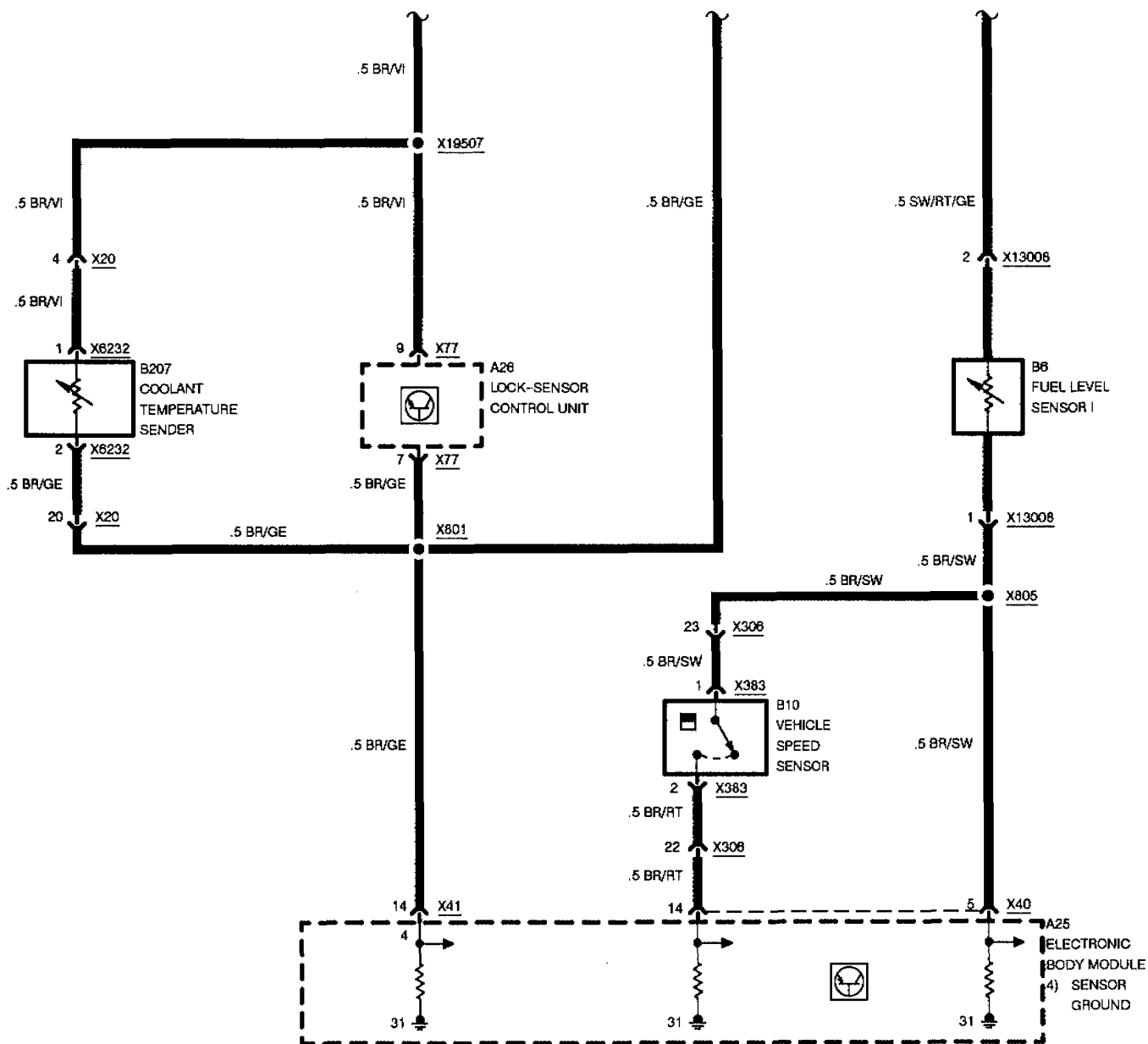


BMW
8

6211.0

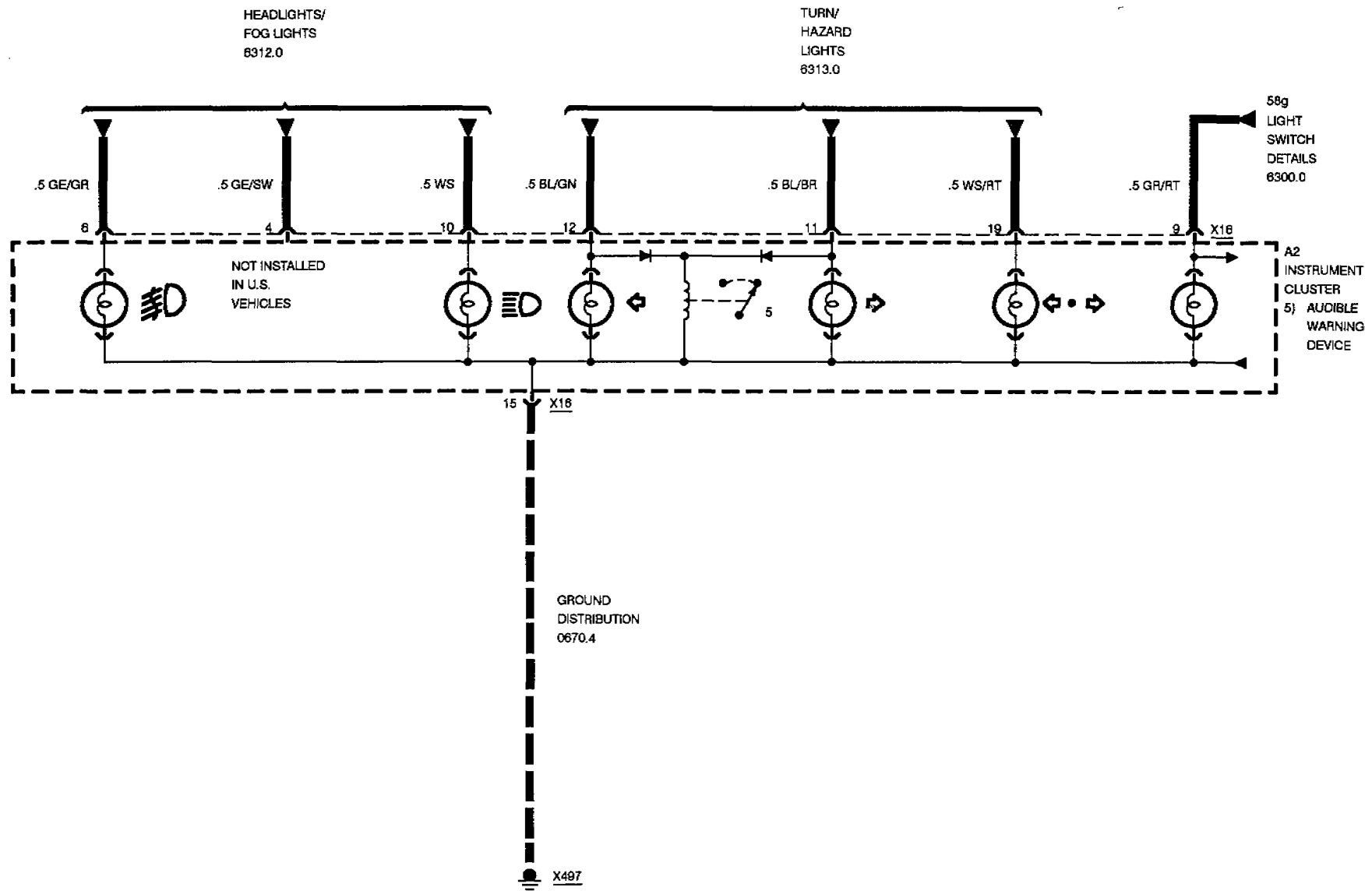
BMW 8 INSTRUMENT CLUSTER INDICATORS





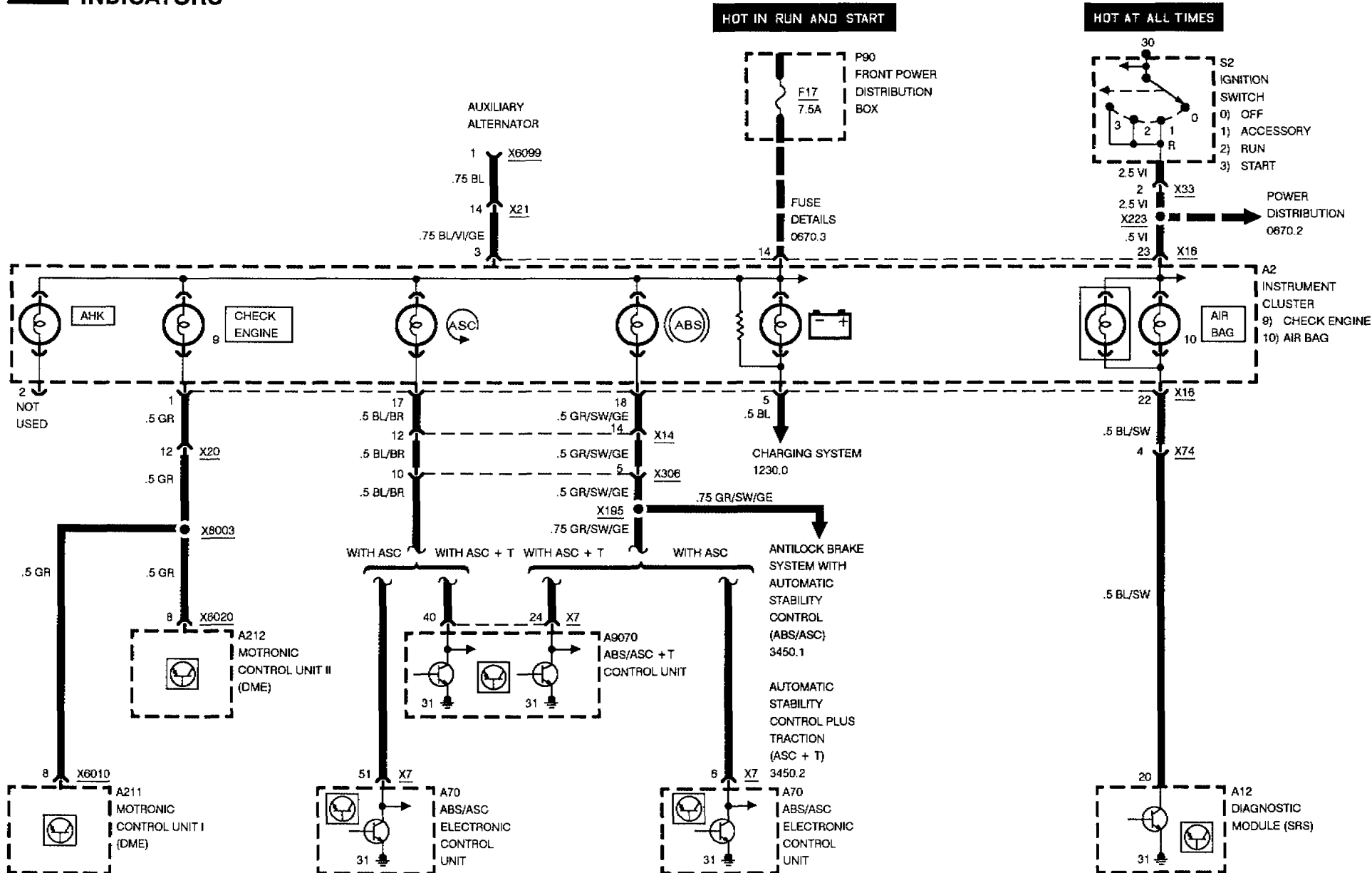


INSTRUMENT CLUSTER INDICATORS



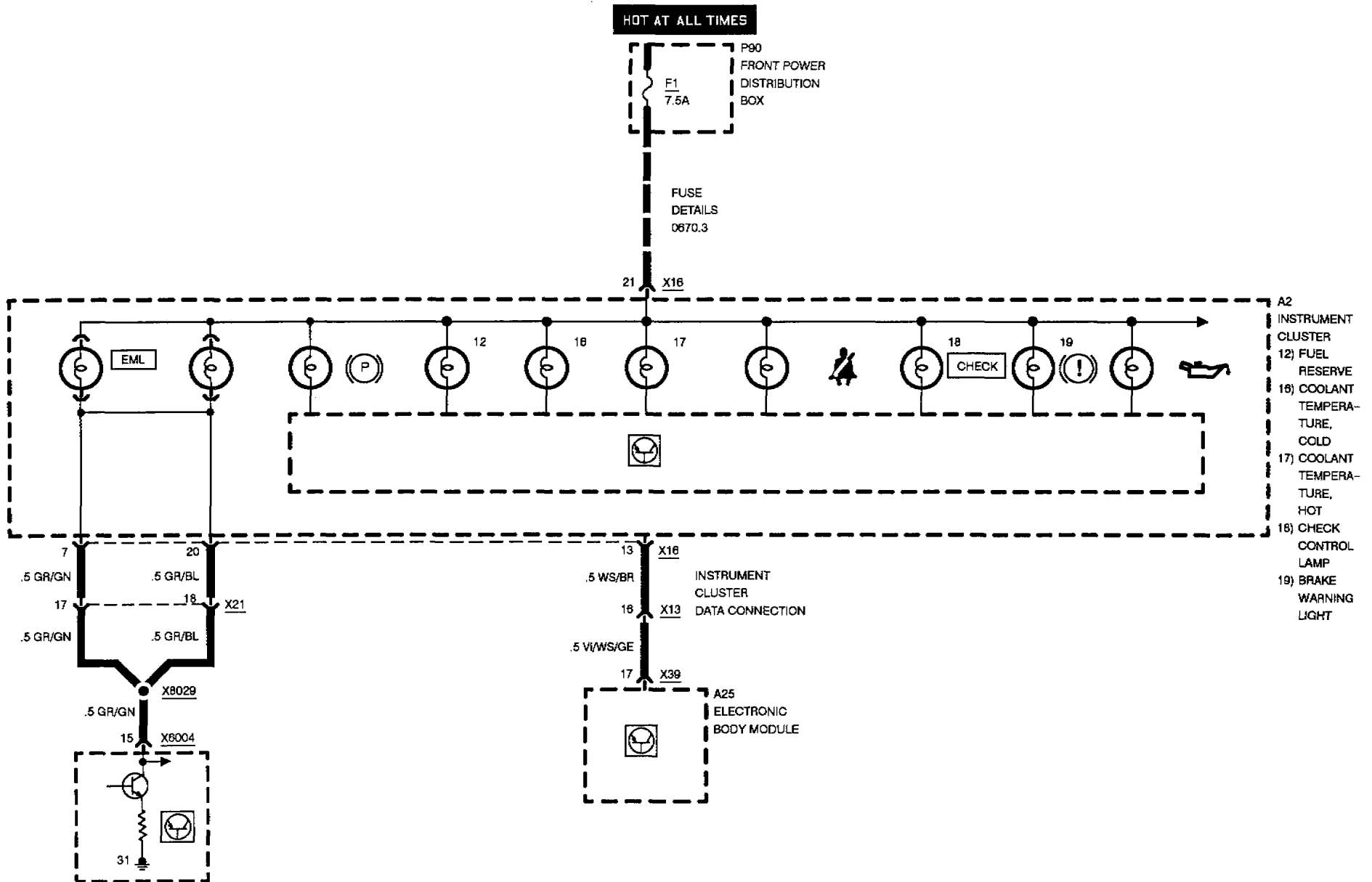


INSTRUMENT CLUSTER INDICATORS





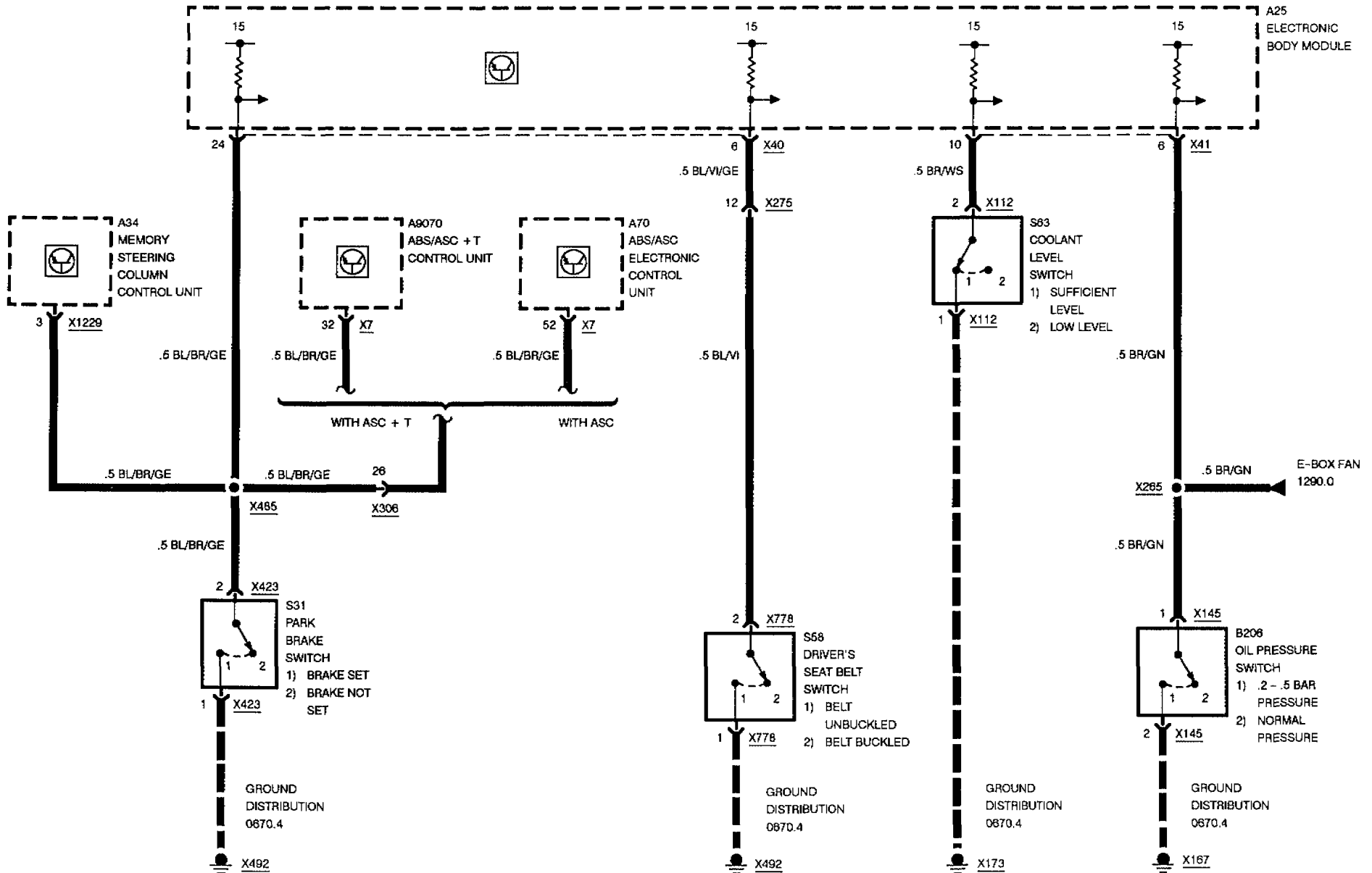
INSTRUMENT CLUSTER INDICATORS



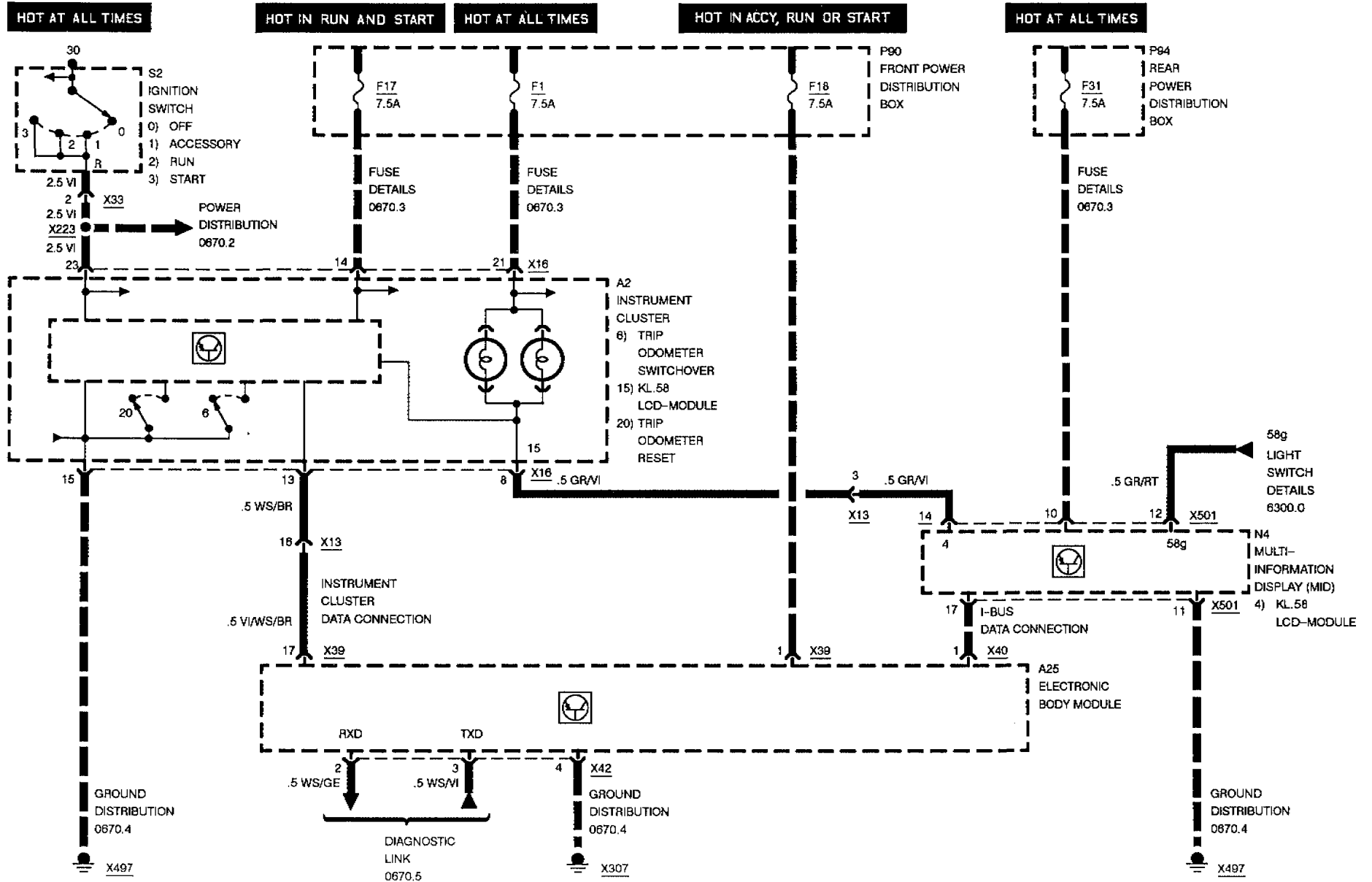


INSTRUMENT CLUSTER

INDICATOR LIGHTS, INPUTS



INSTRUMENT CLUSTER

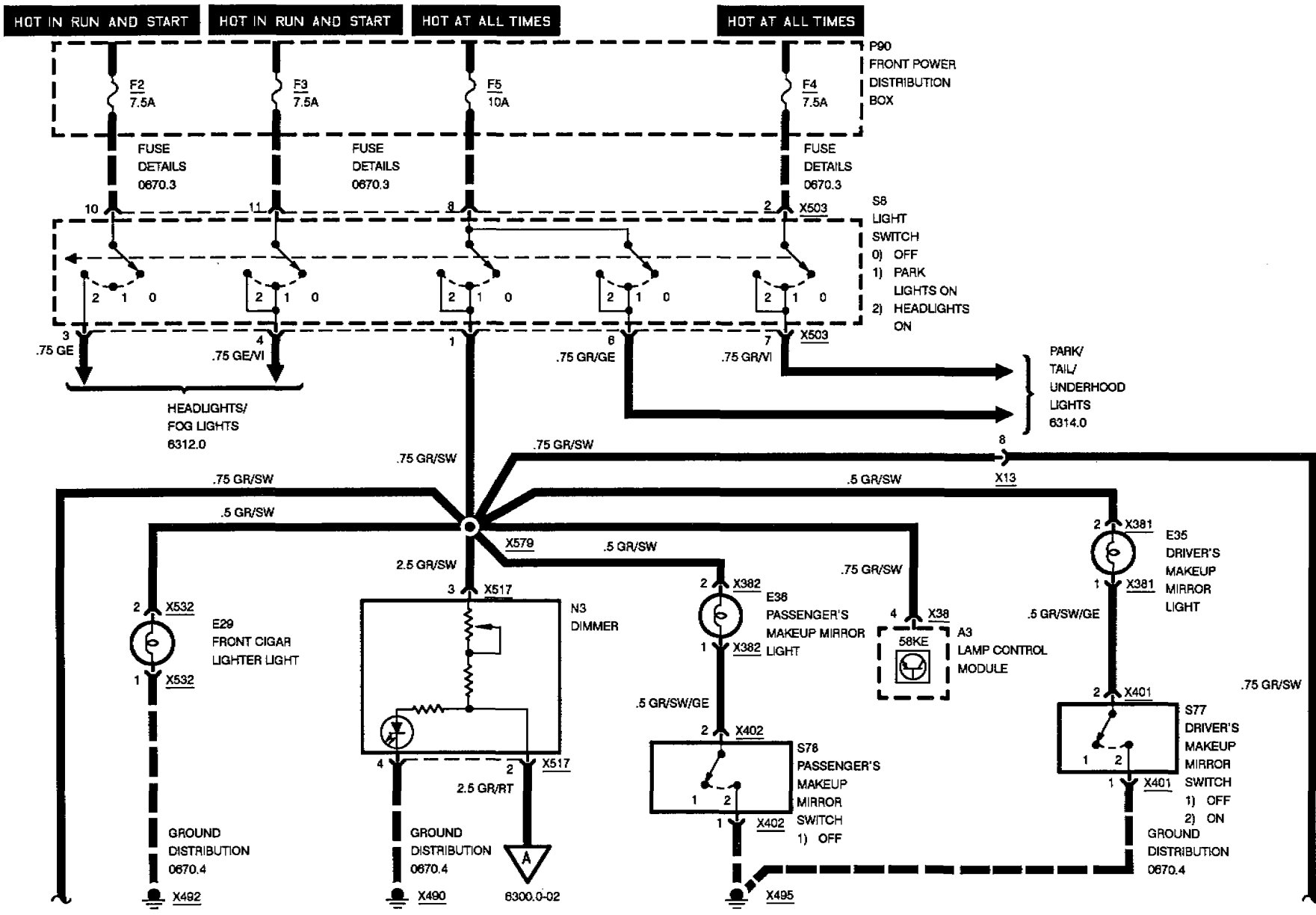


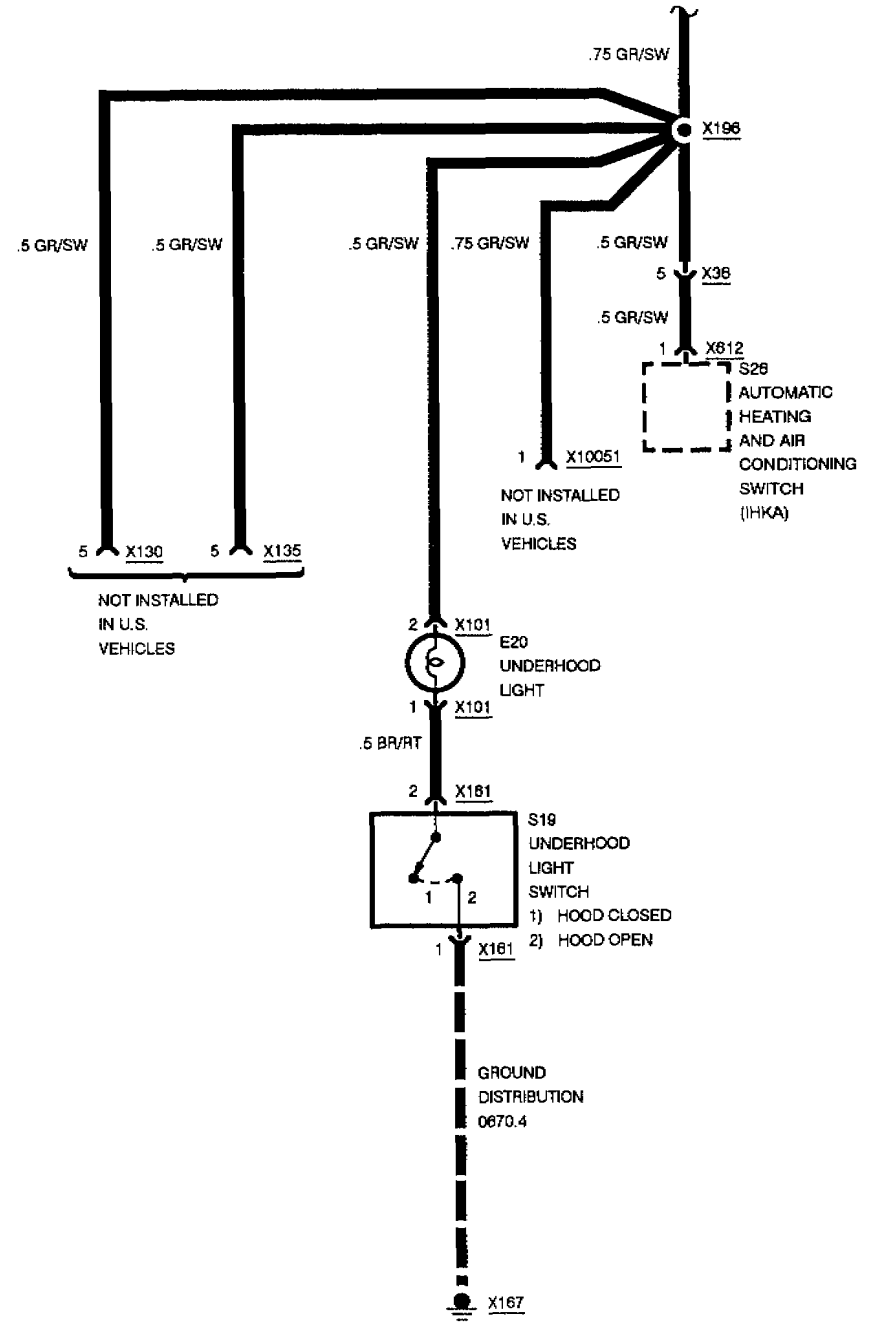
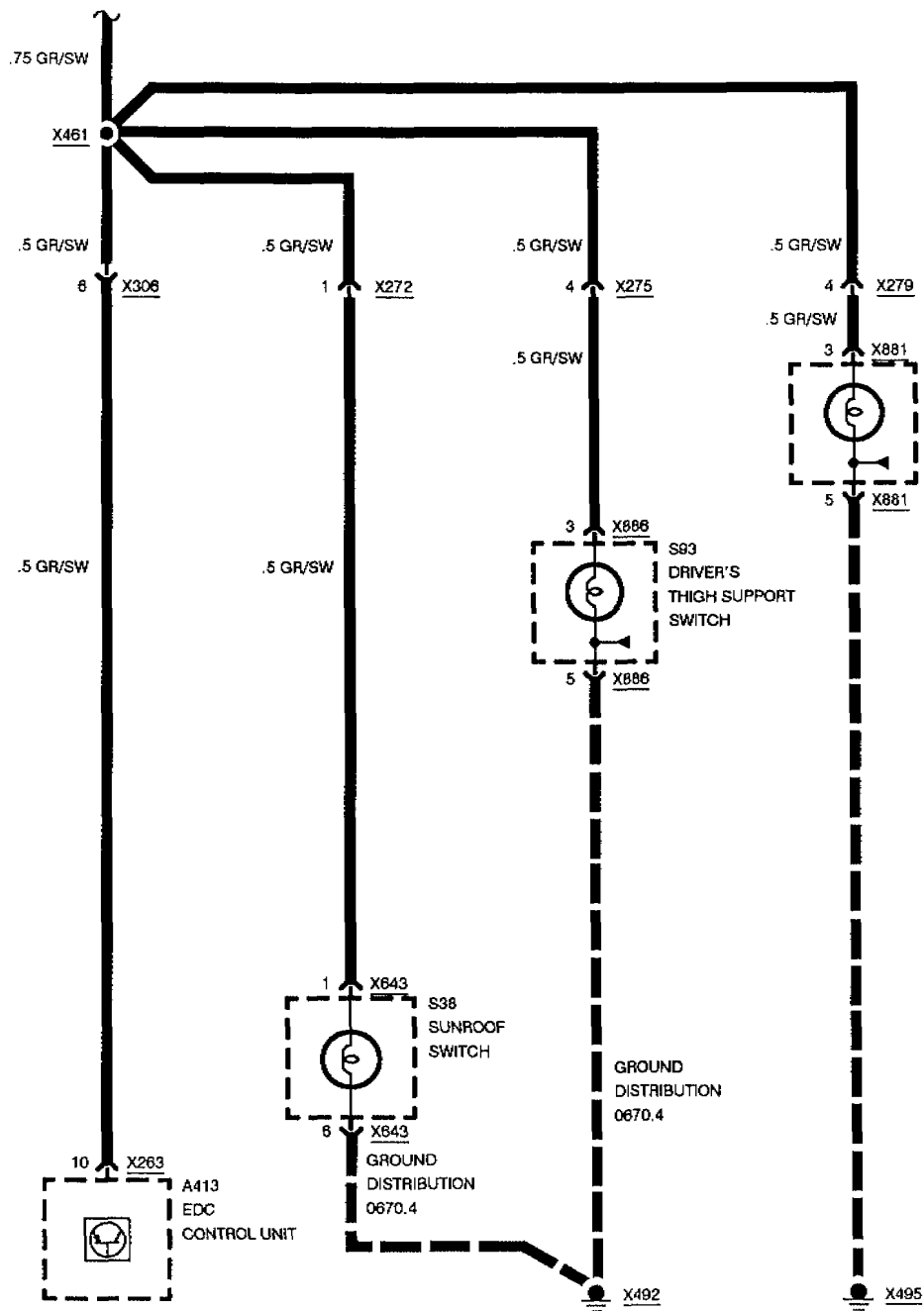


BMW
8

6300.0

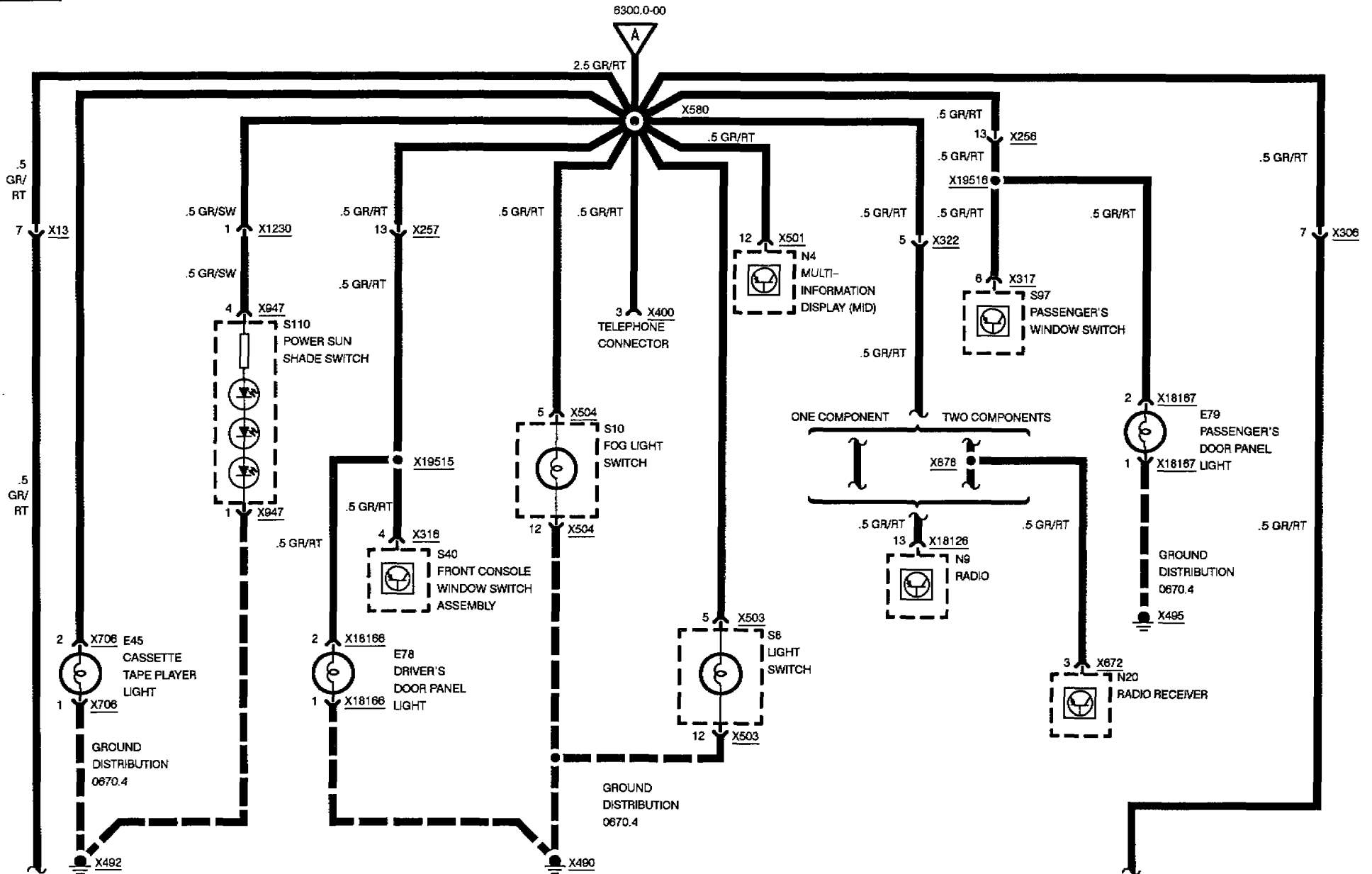
BMW LIGHT SWITCH DETAILS

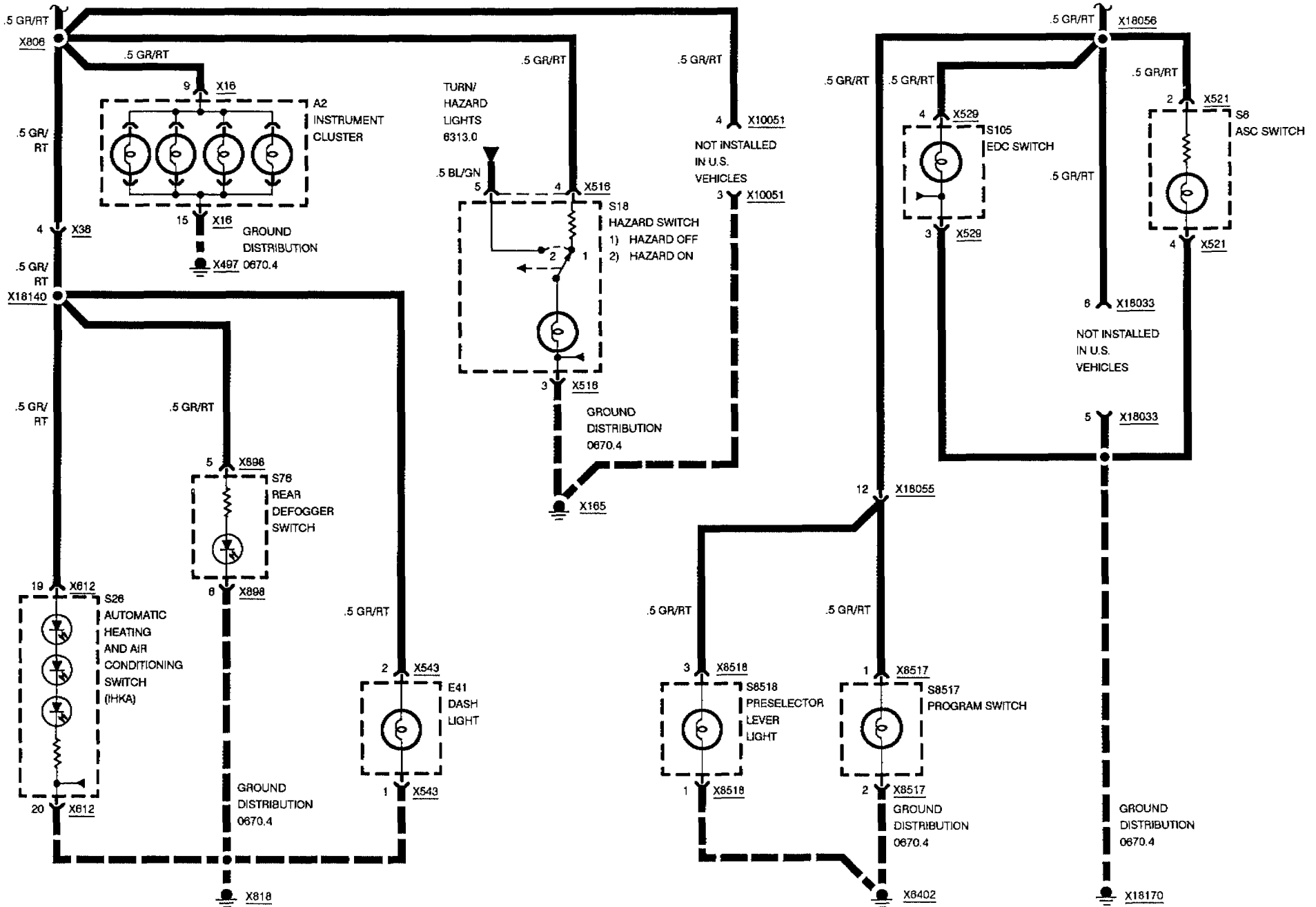






LIGHT SWITCH DETAILS





BMW
8

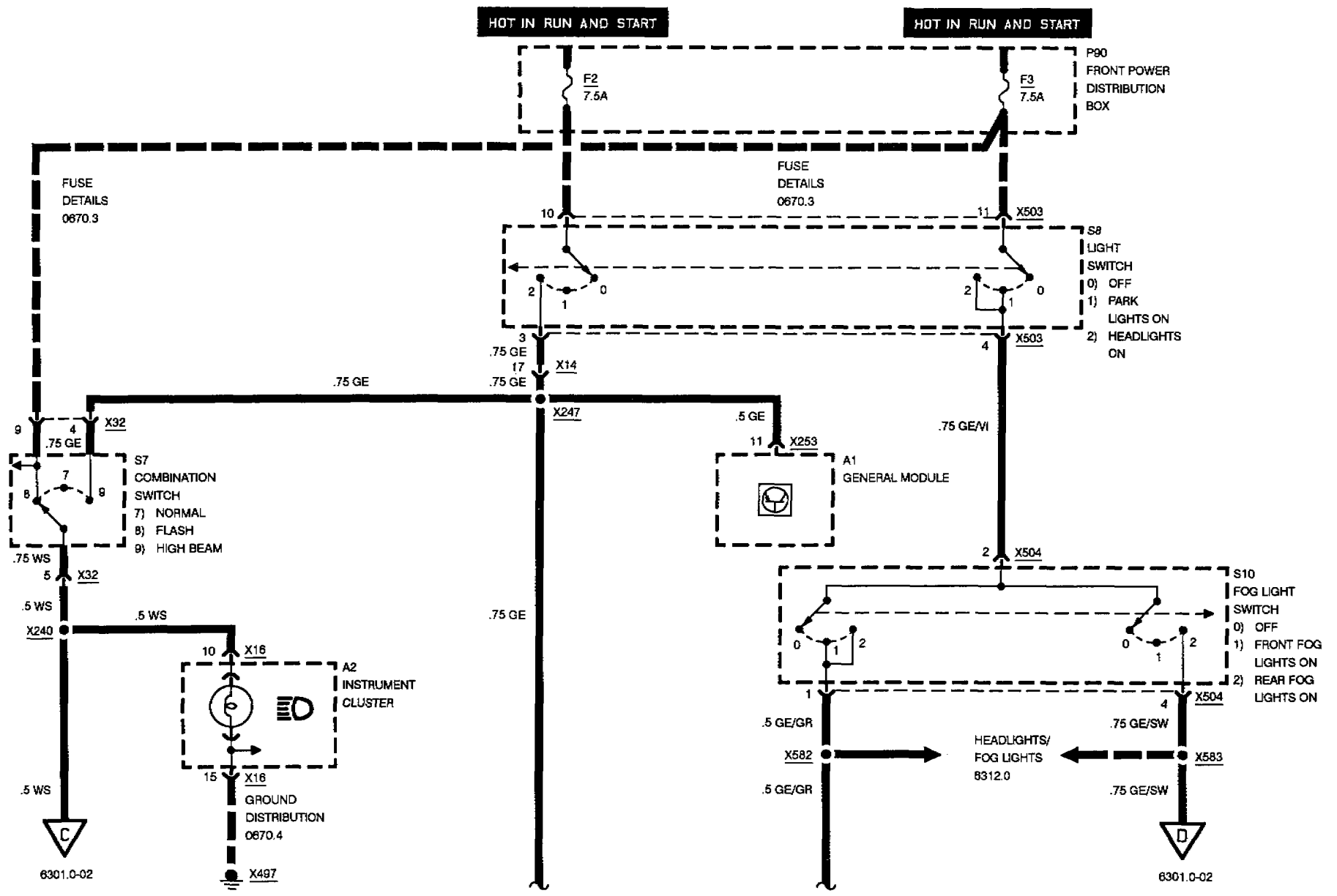
6300.0-04

BMW
8

6301.0



LAMP MONITOR (LKM)



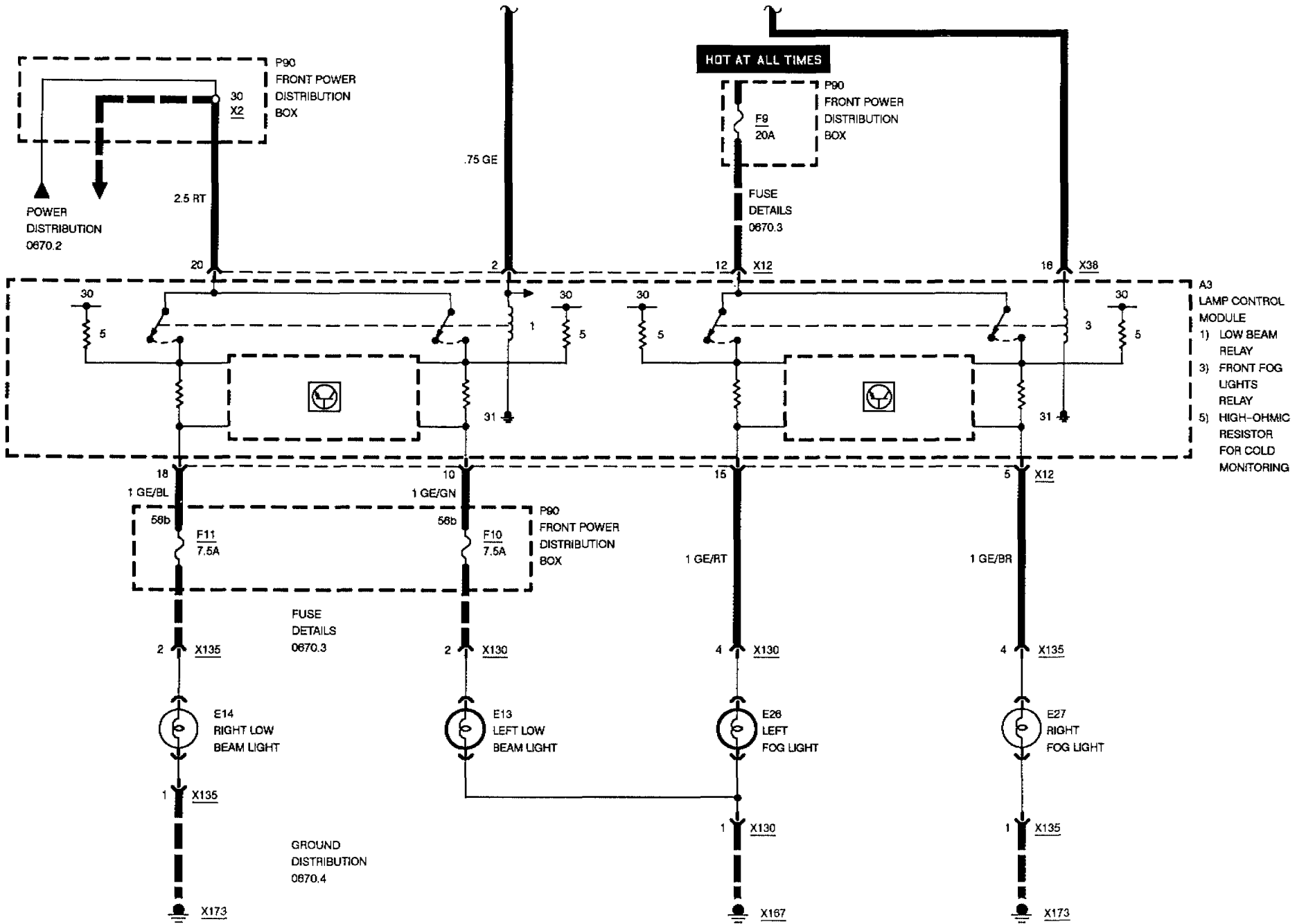
6301.0-02

6301.0-02

09/90

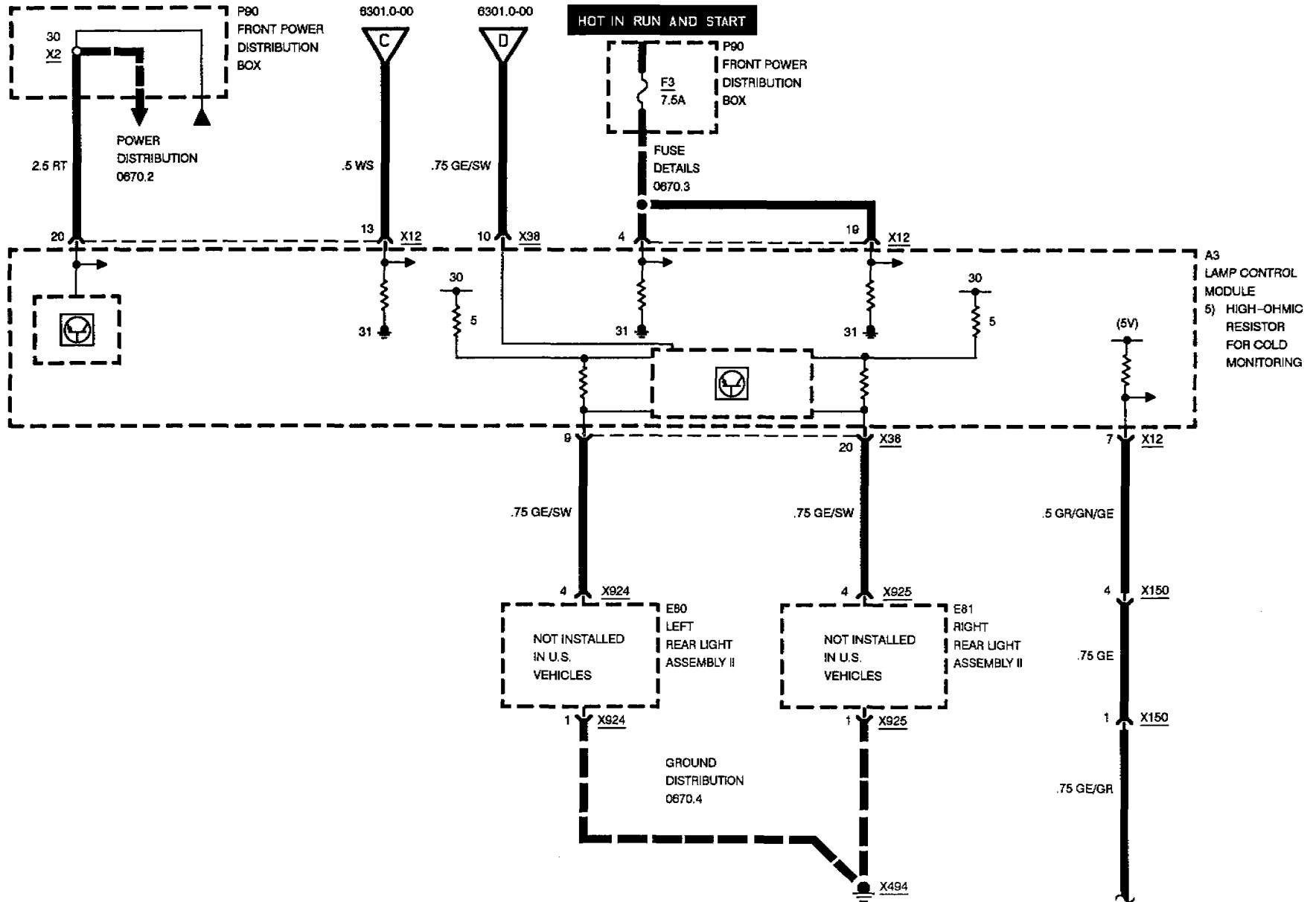
6301.0-00

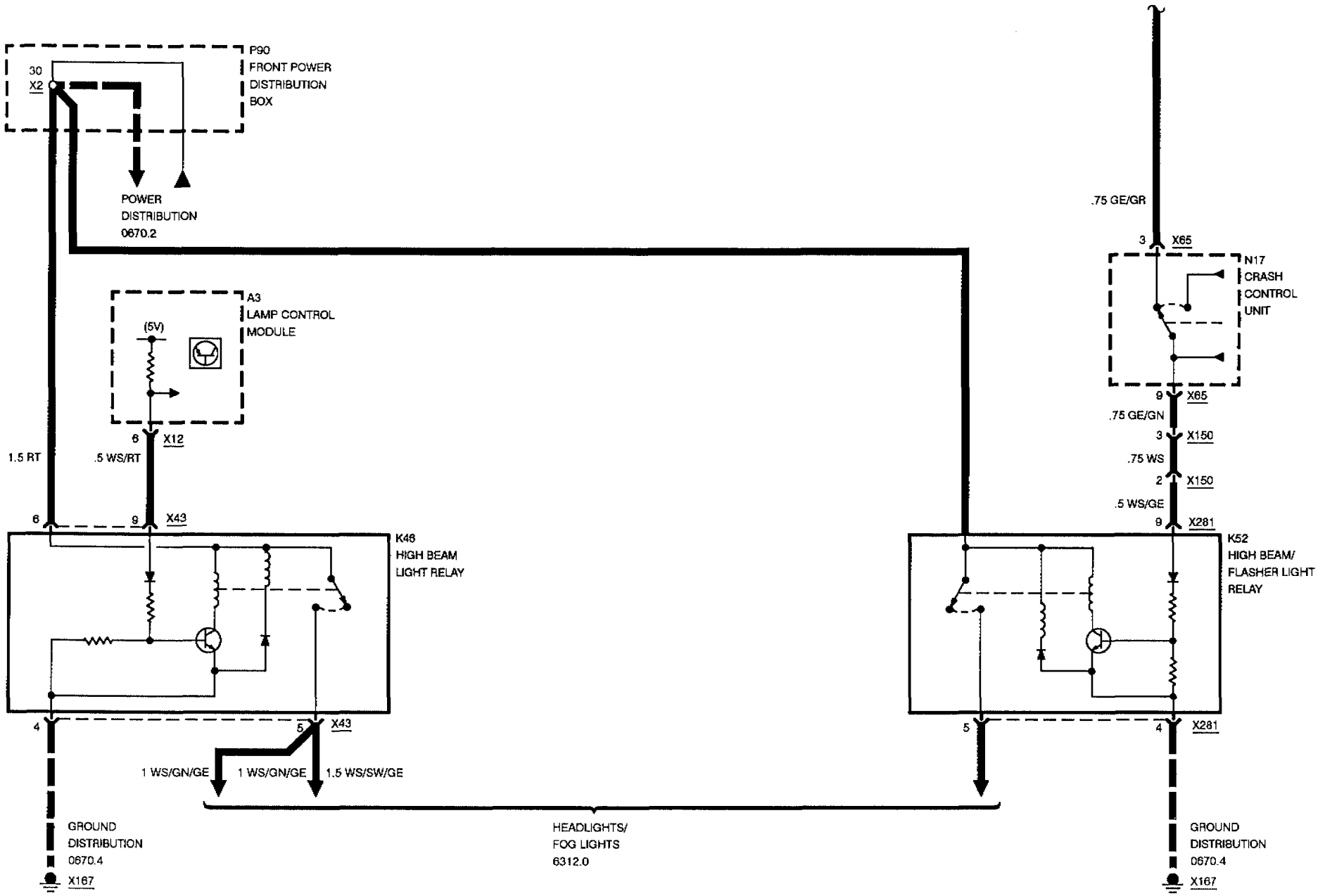
1991





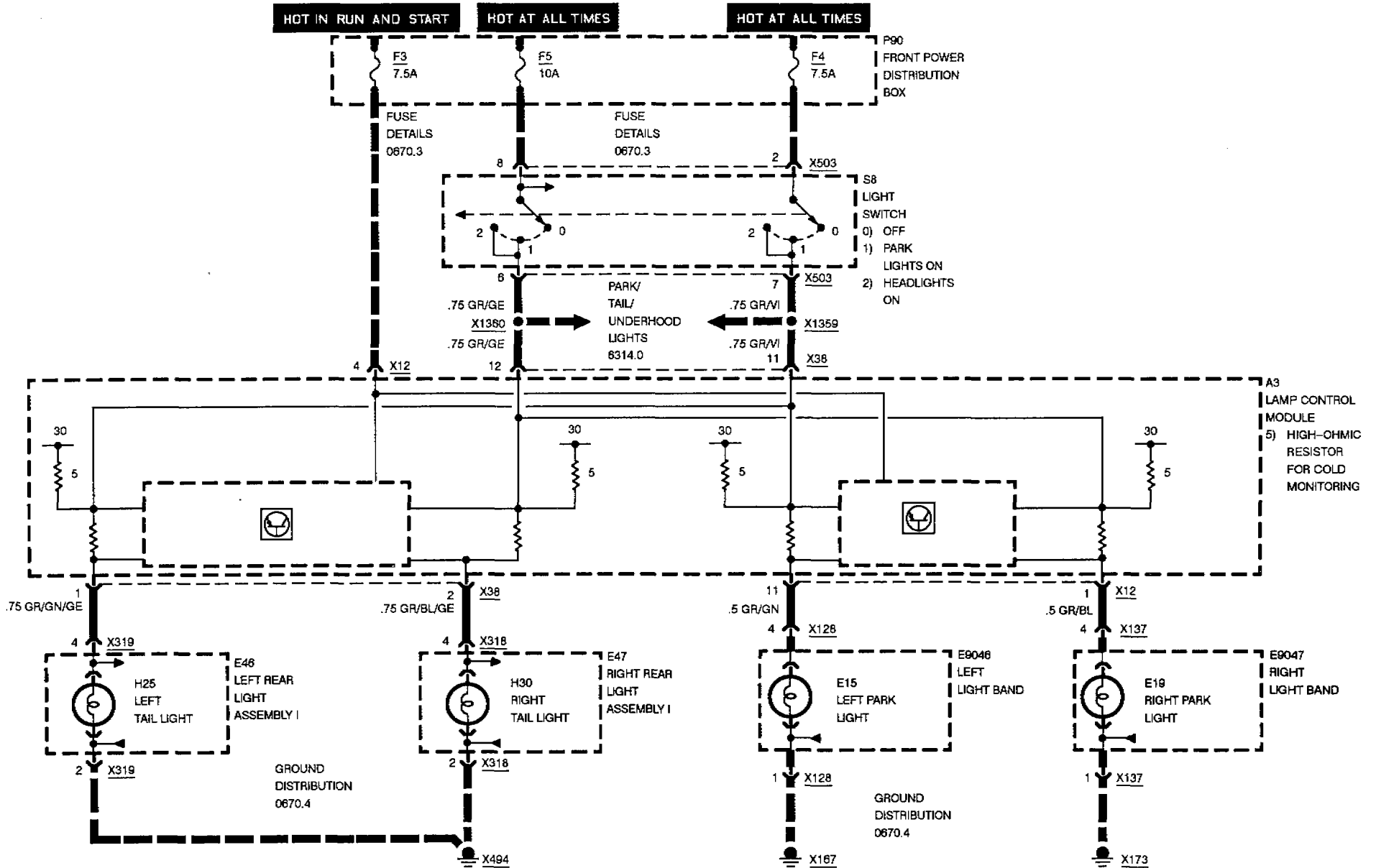
LAMP MONITOR (LKM)





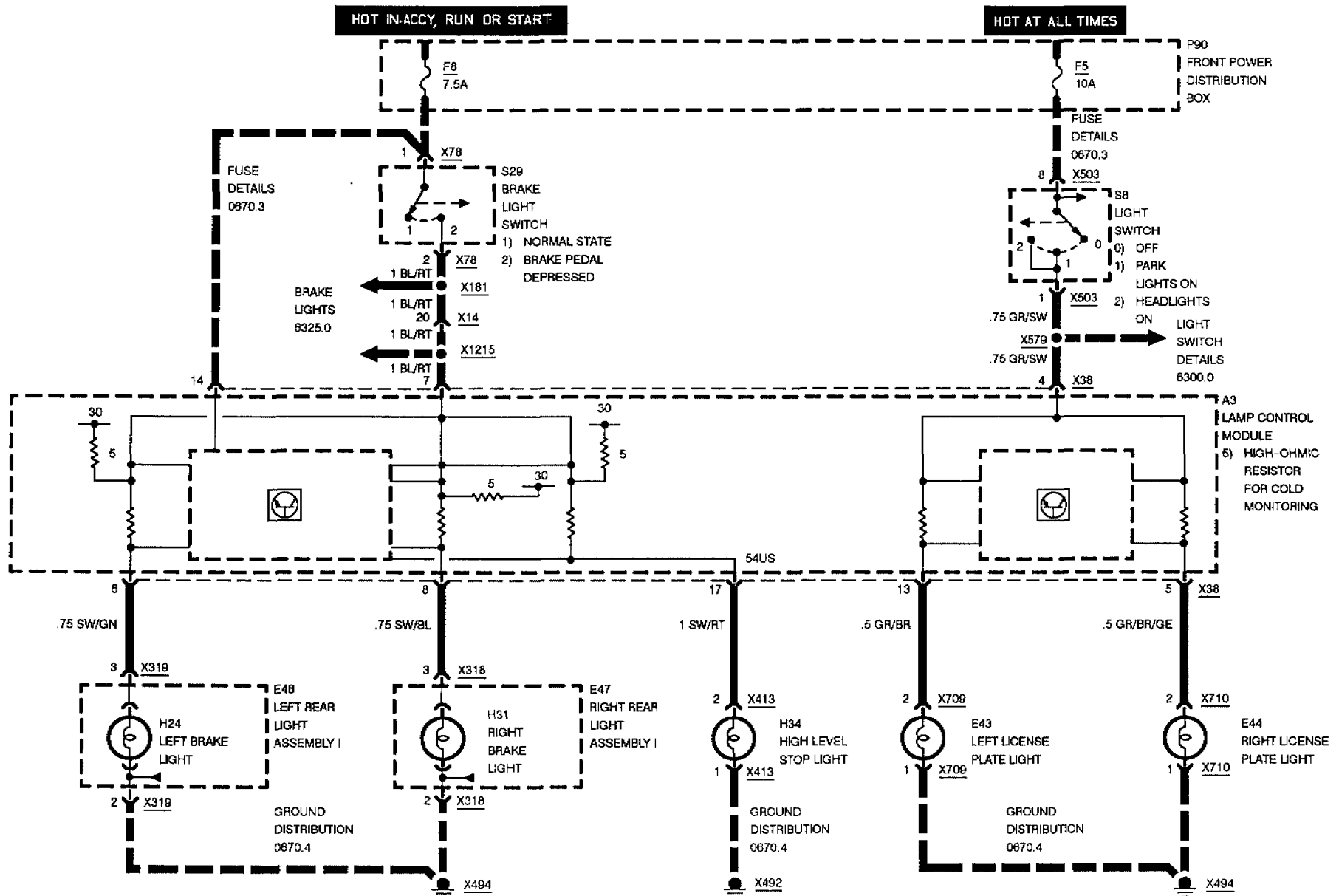


LAMP MONITOR (LKM)



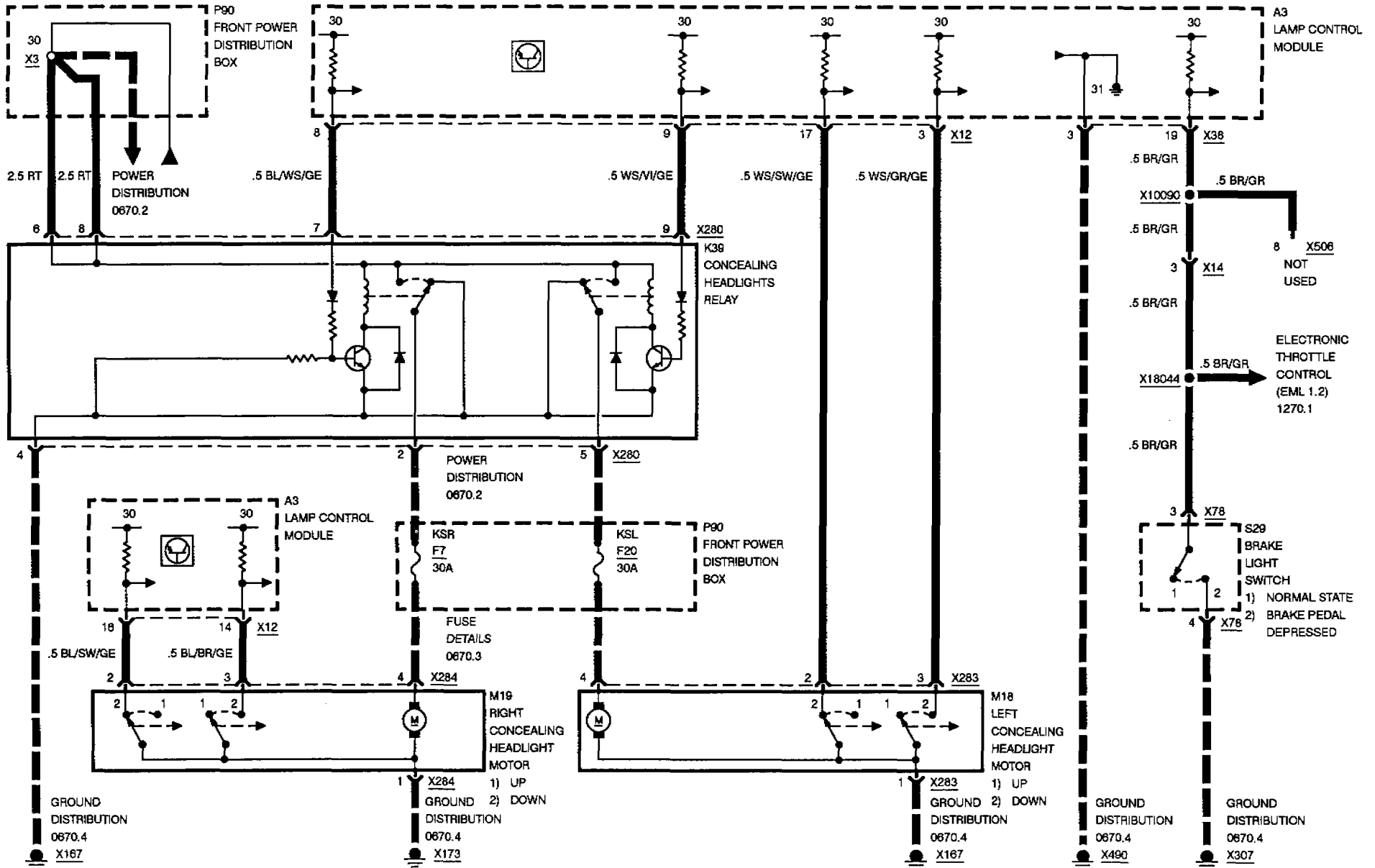


LAMP MONITOR (LKM)





LAMP MONITOR (LKM) CONCEALING HEADLIGHTS

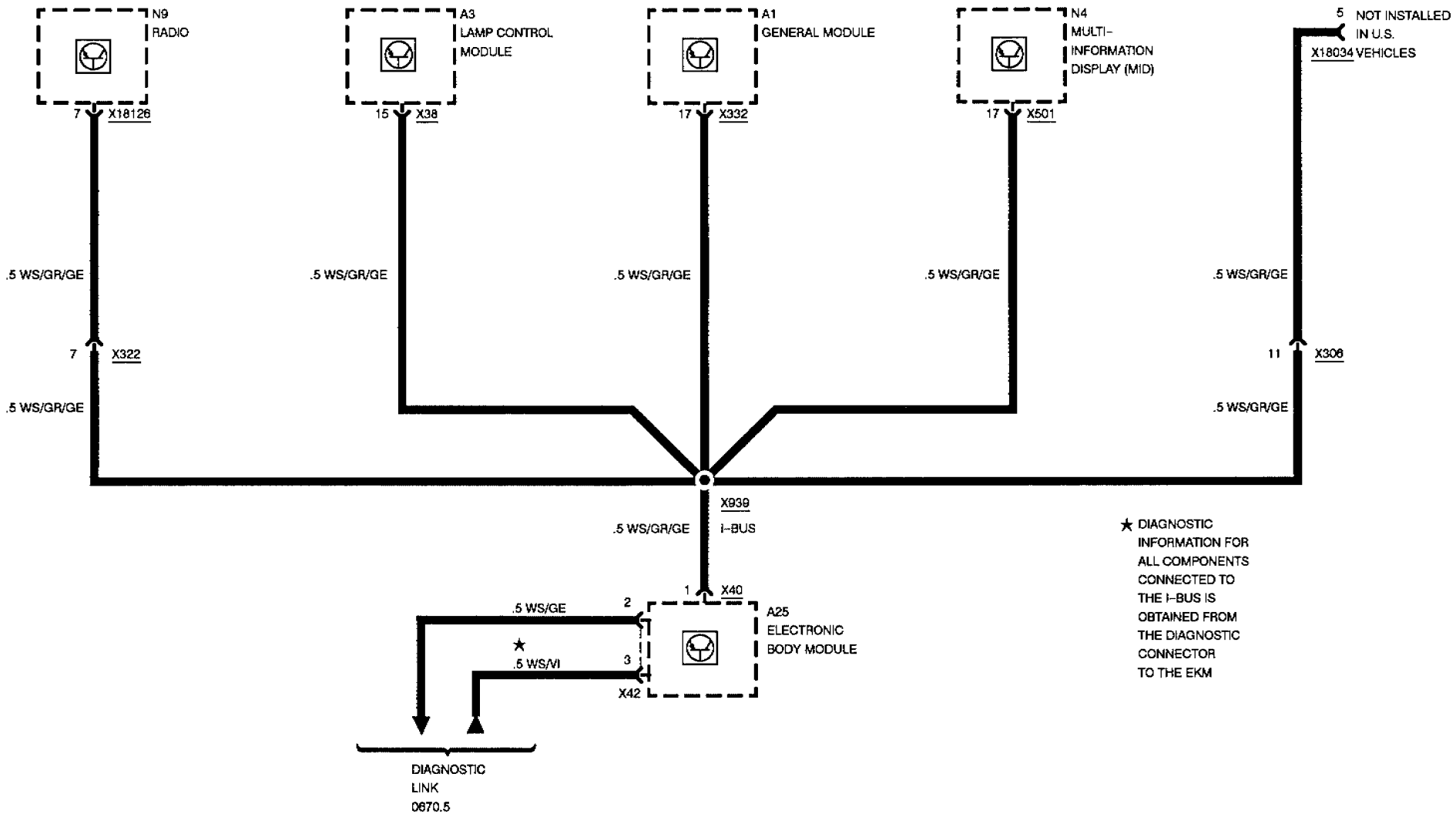


09/90
6301.0-06
1991



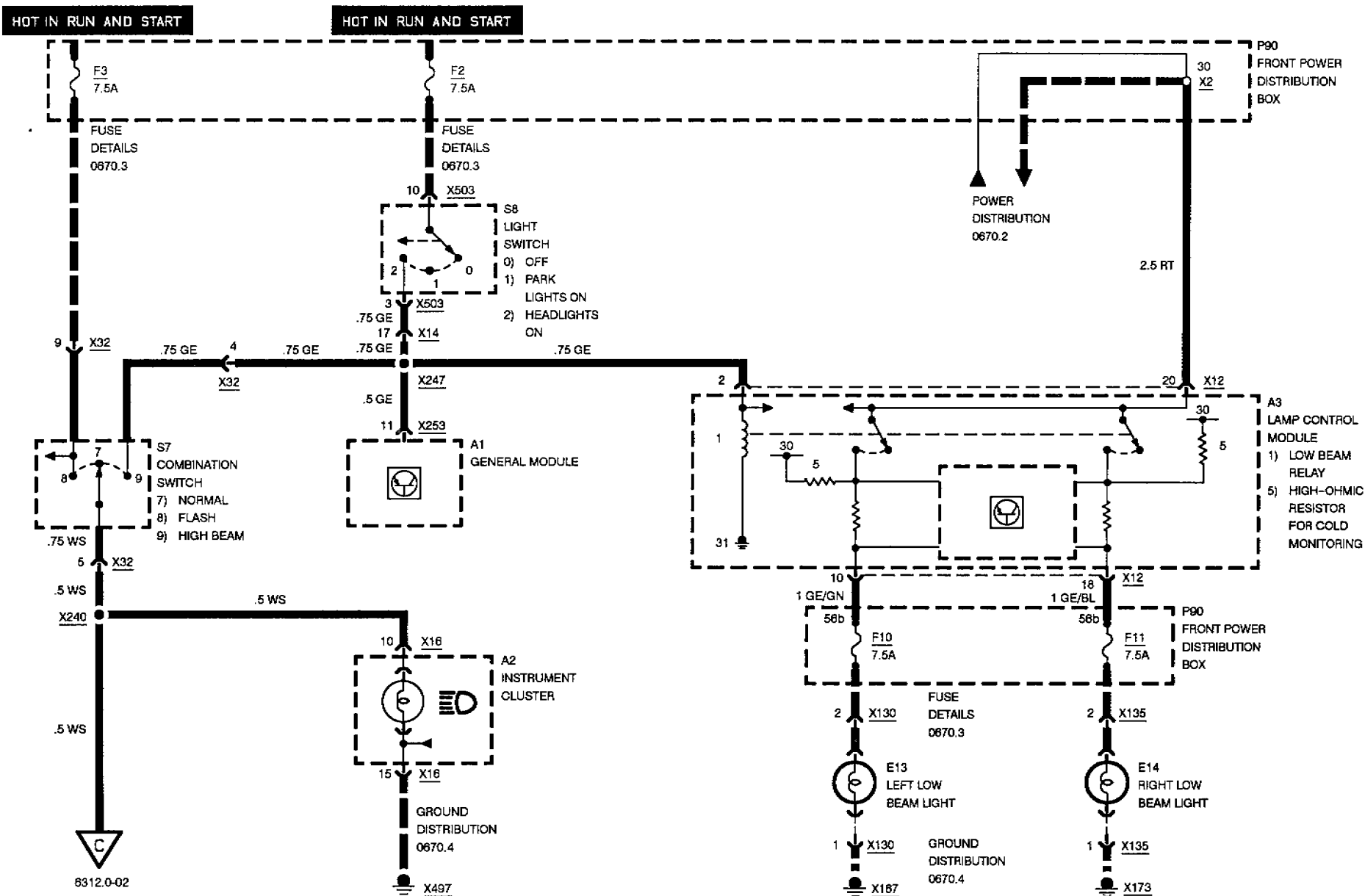
LAMP MONITOR (LKM)

INSTRUMENTATION BUS (I-BUS)

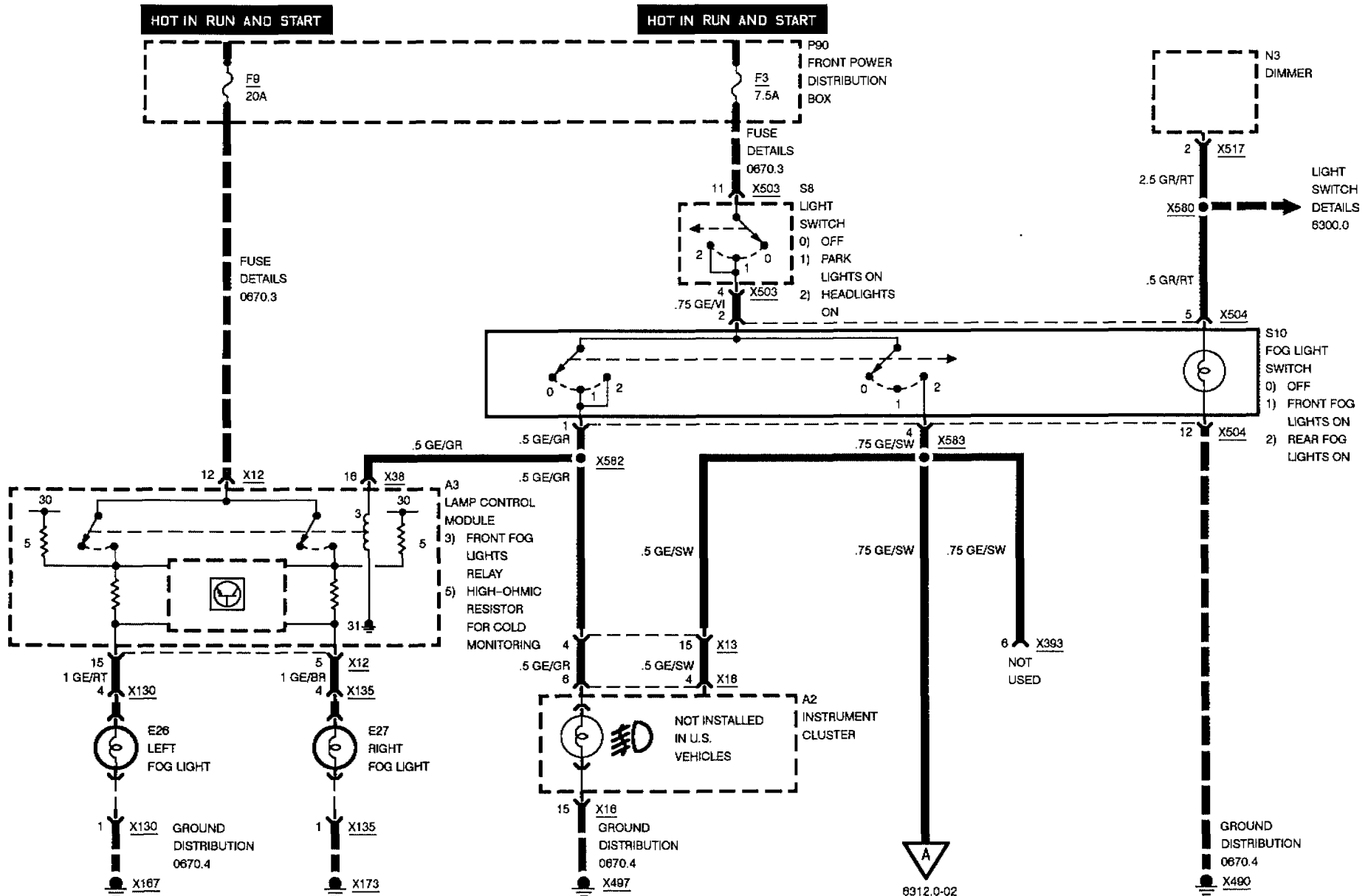


★ DIAGNOSTIC INFORMATION FOR ALL COMPONENTS CONNECTED TO THE I-BUS IS OBTAINED FROM THE DIAGNOSTIC CONNECTOR TO THE EKM

HEADLIGHTS/ FOG LIGHTS

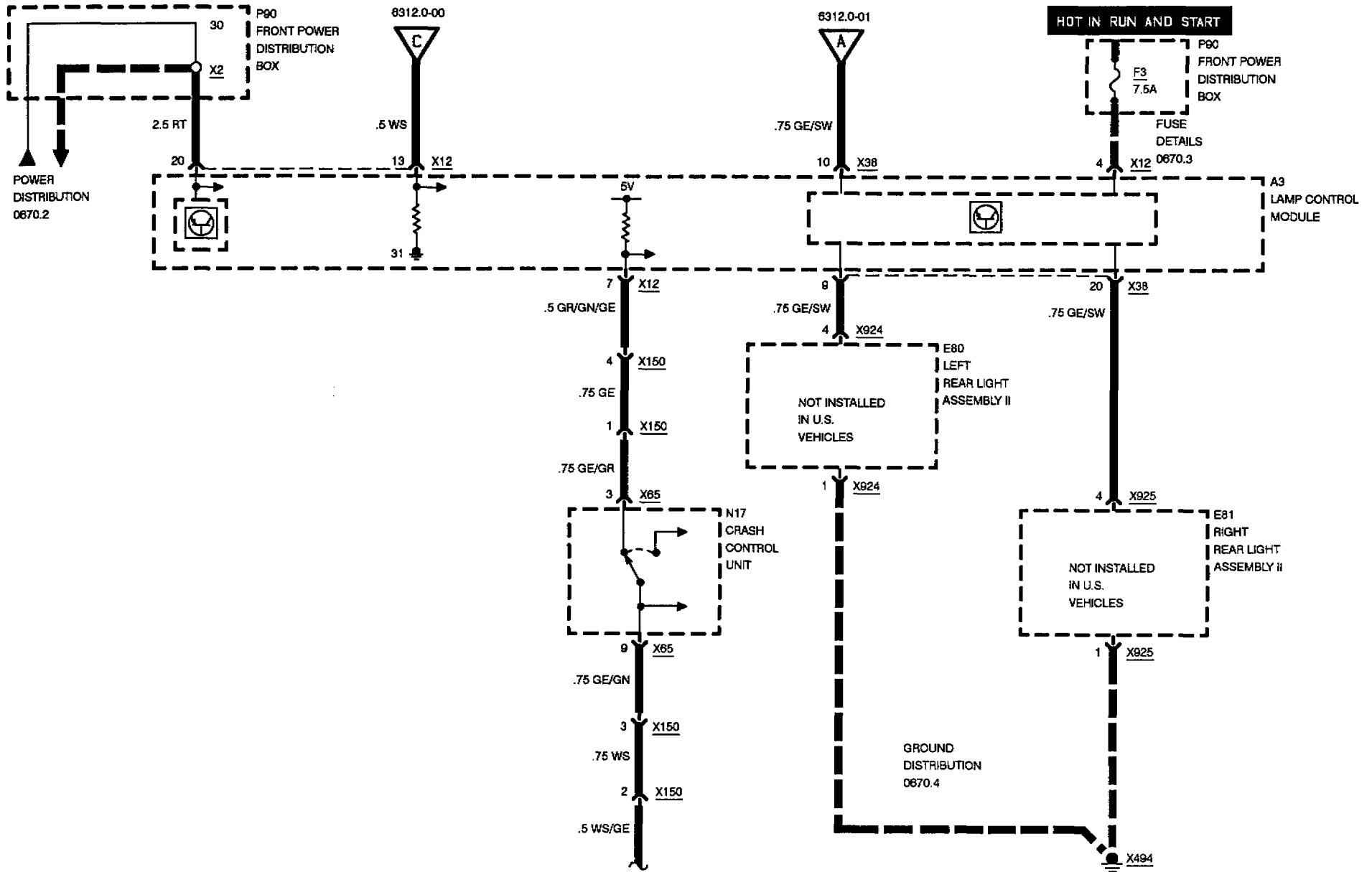


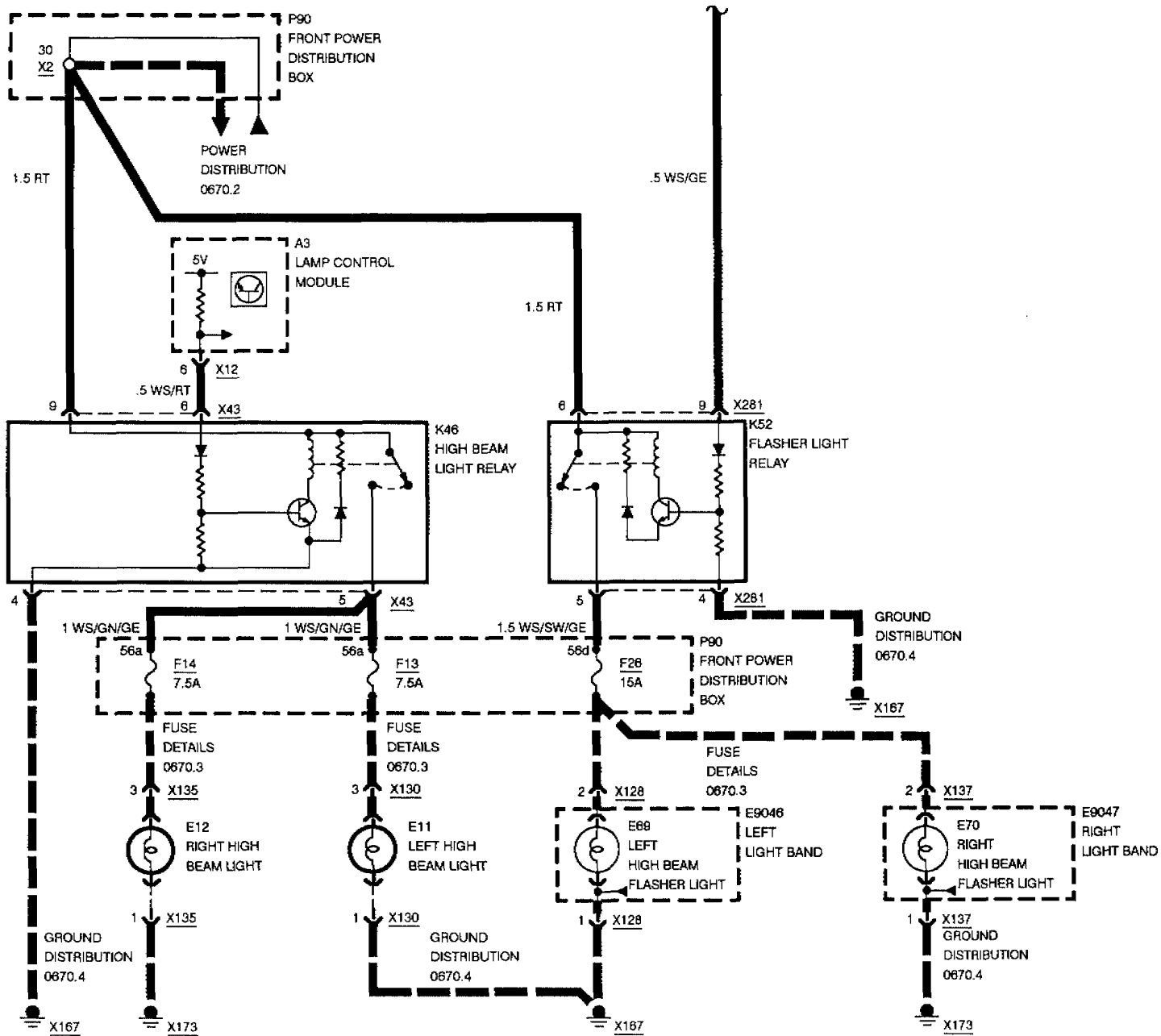
HEADLIGHTS/ FOG LIGHTS





HEADLIGHTS/ FOG LIGHTS

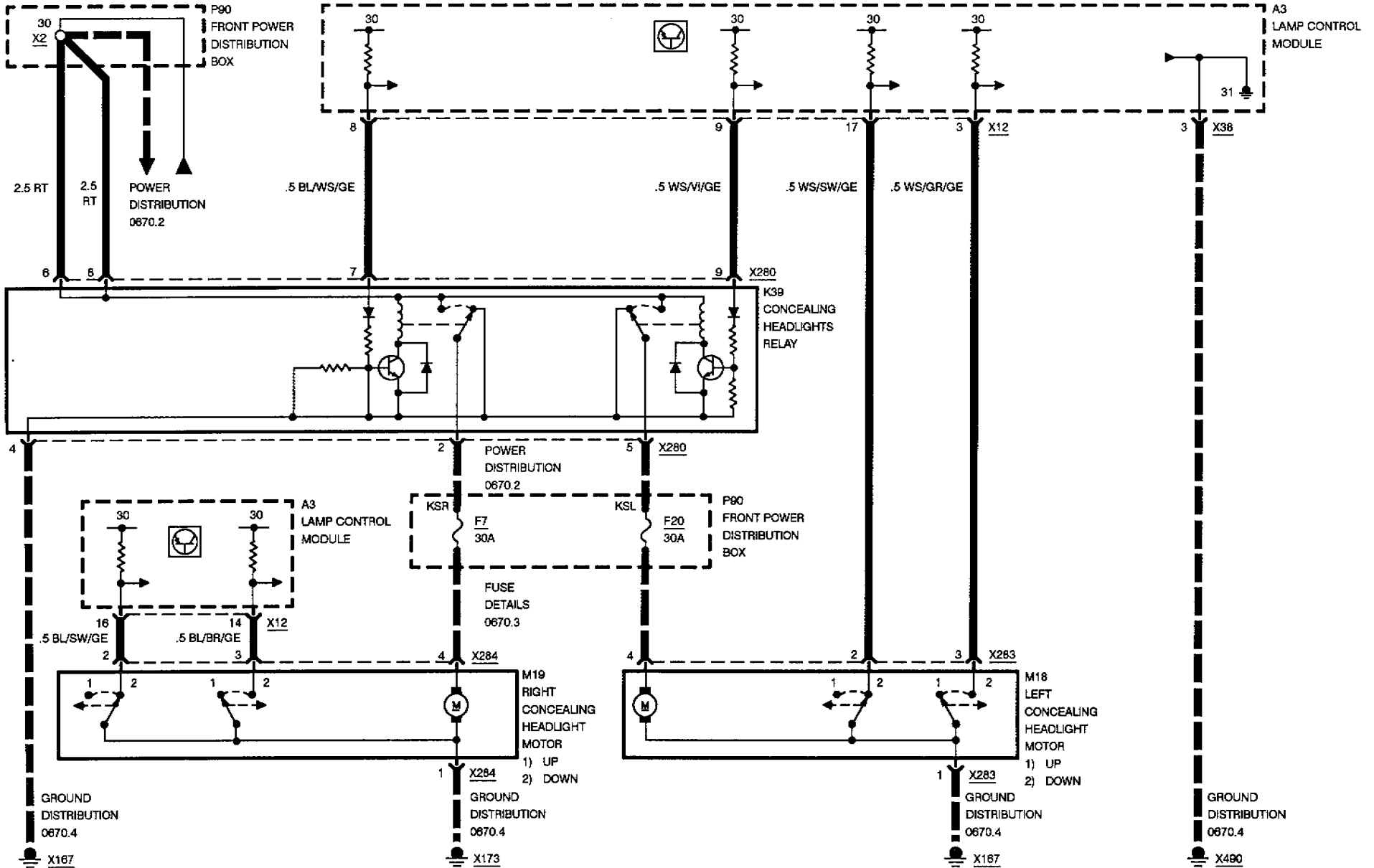






HEADLIGHTS/ FOG LIGHTS

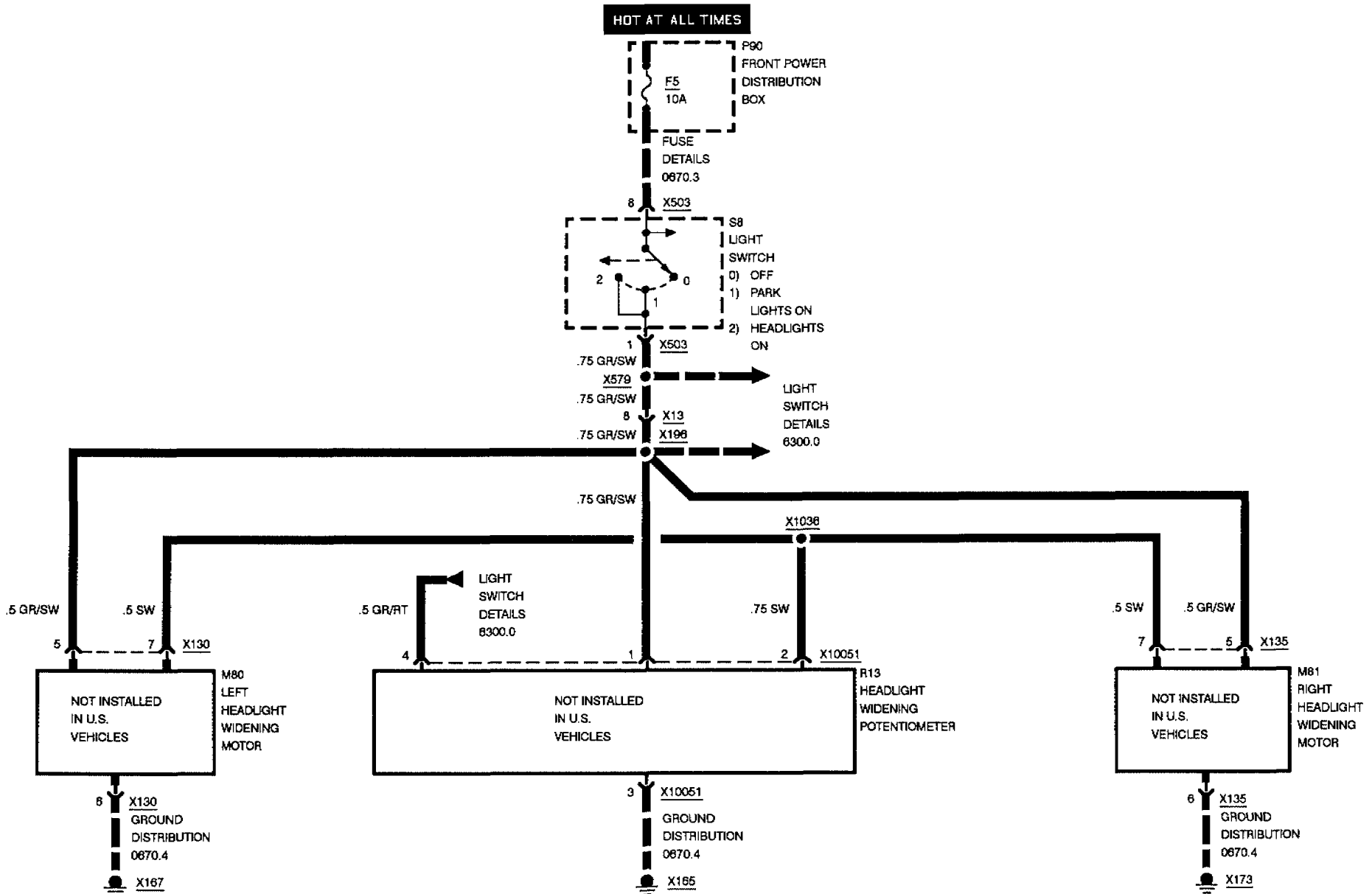
CONCEALING HEADLIGHTS



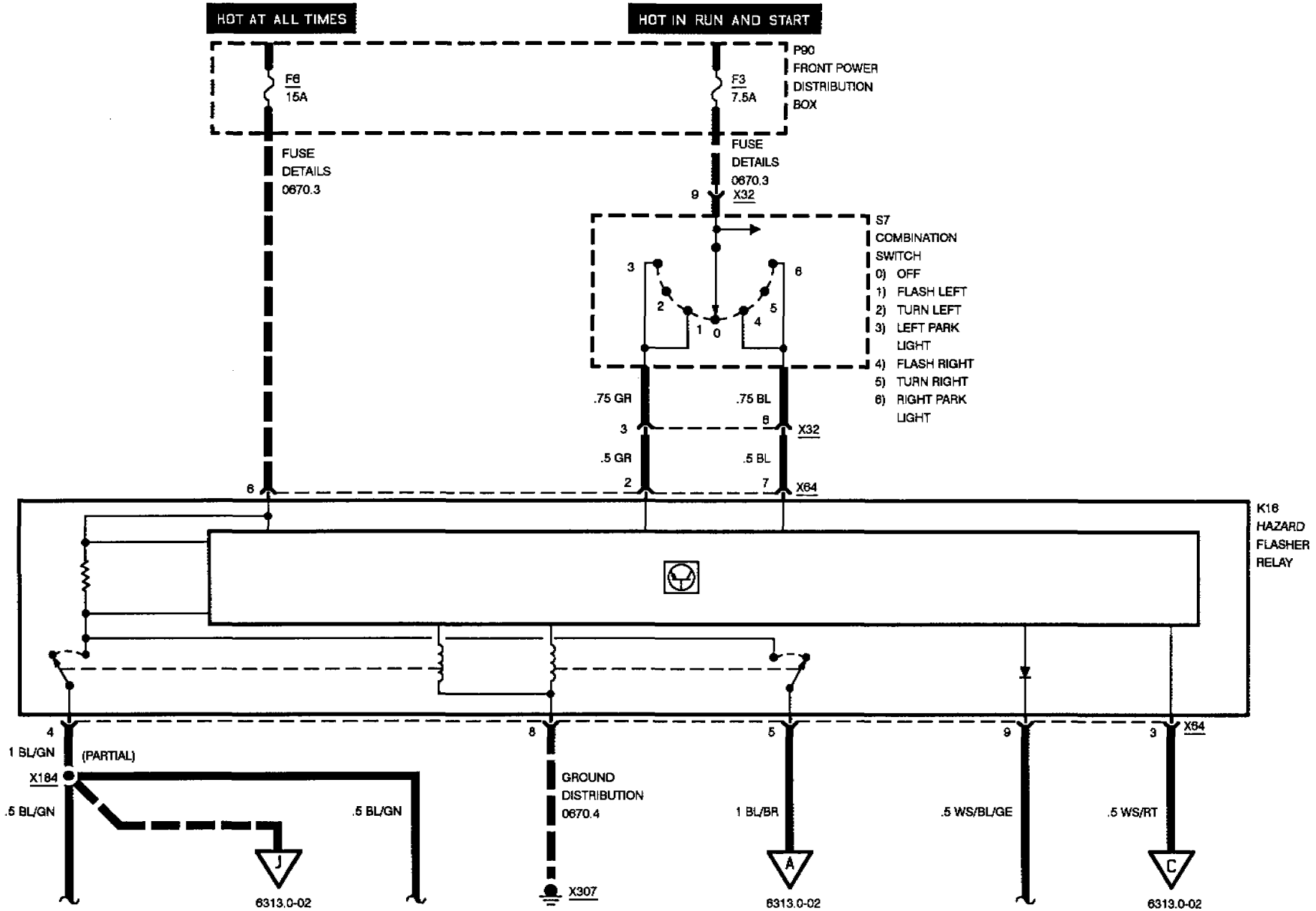


HEADLIGHTS/ FOG LIGHTS

HEADLIGHT BEAM ANGLE ADJUST

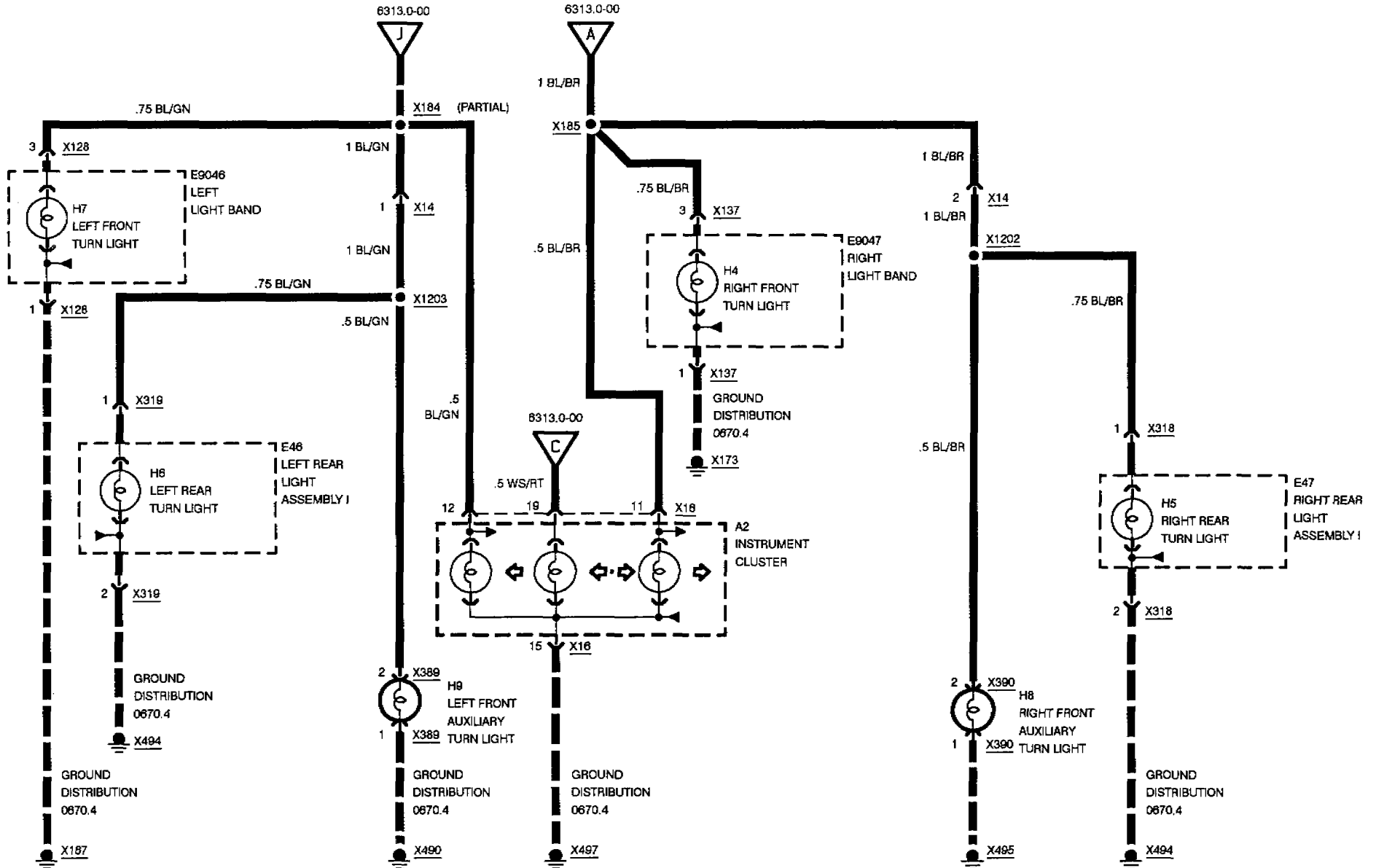


TURN/ HAZARD LIGHTS





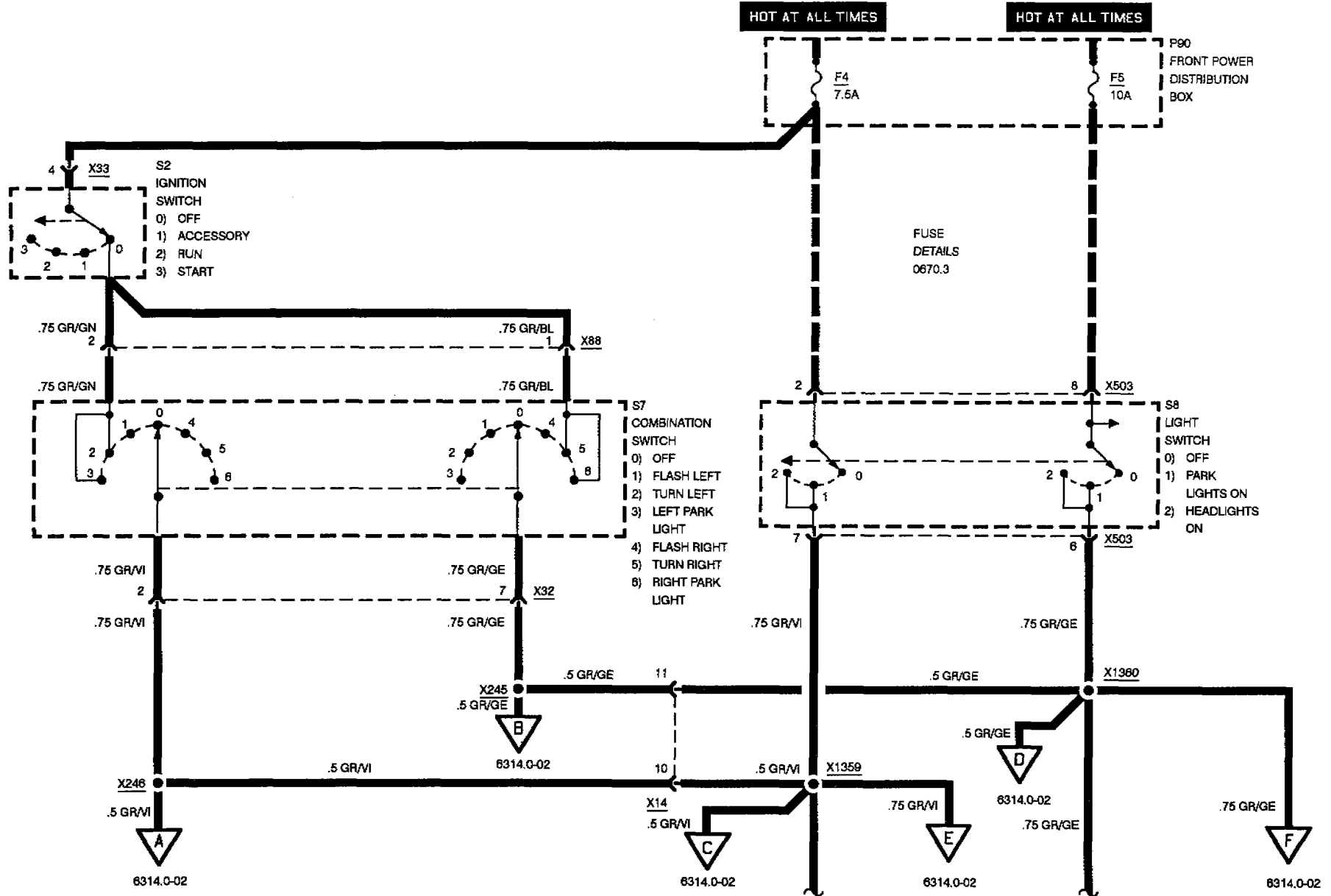
TURN/ HAZARD LIGHTS

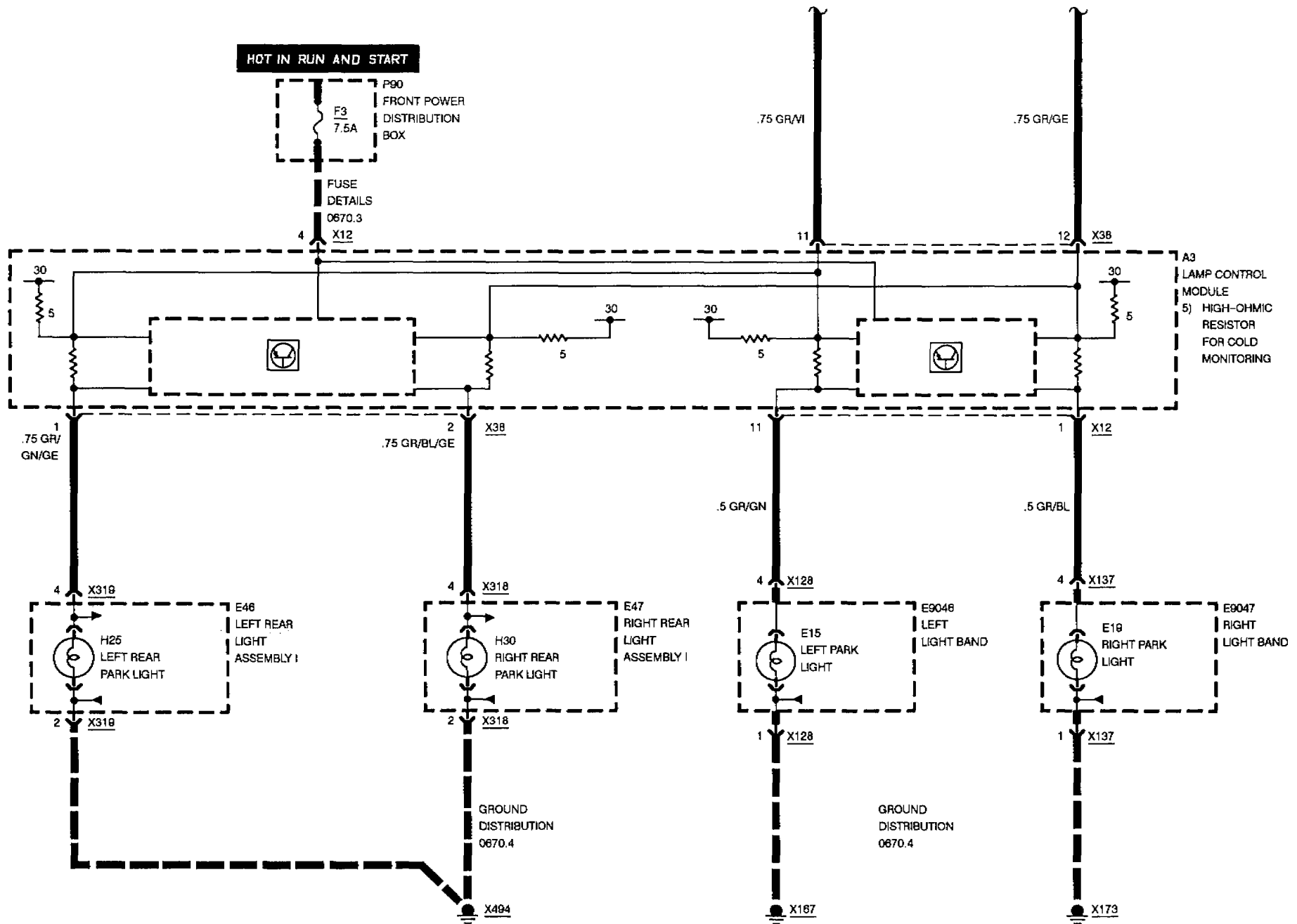






PARK/ TAIL/ UNDERHOOD LIGHTS

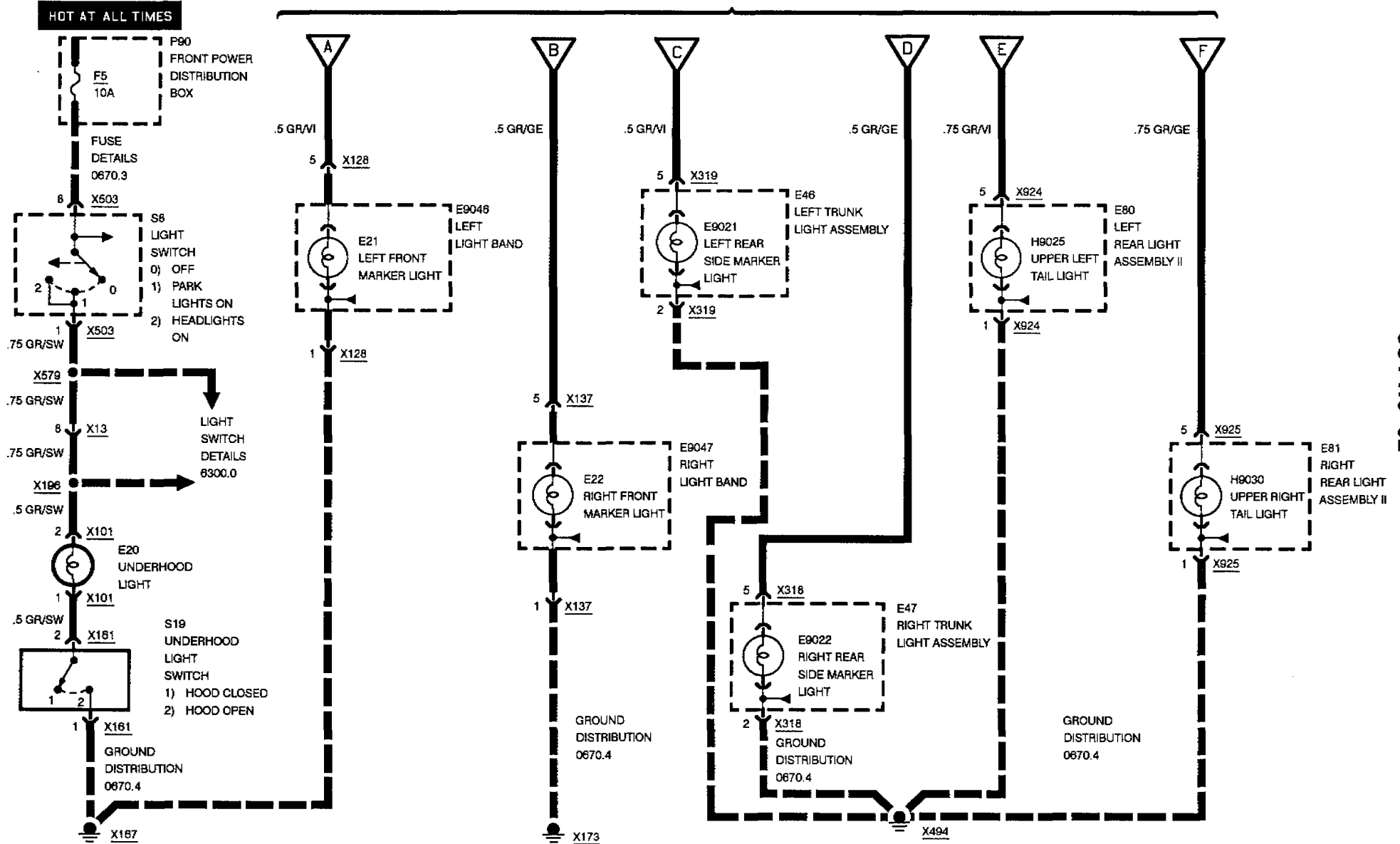






PARK/ TAIL/ UNDERHOOD LIGHTS

8314.0-00





(

(

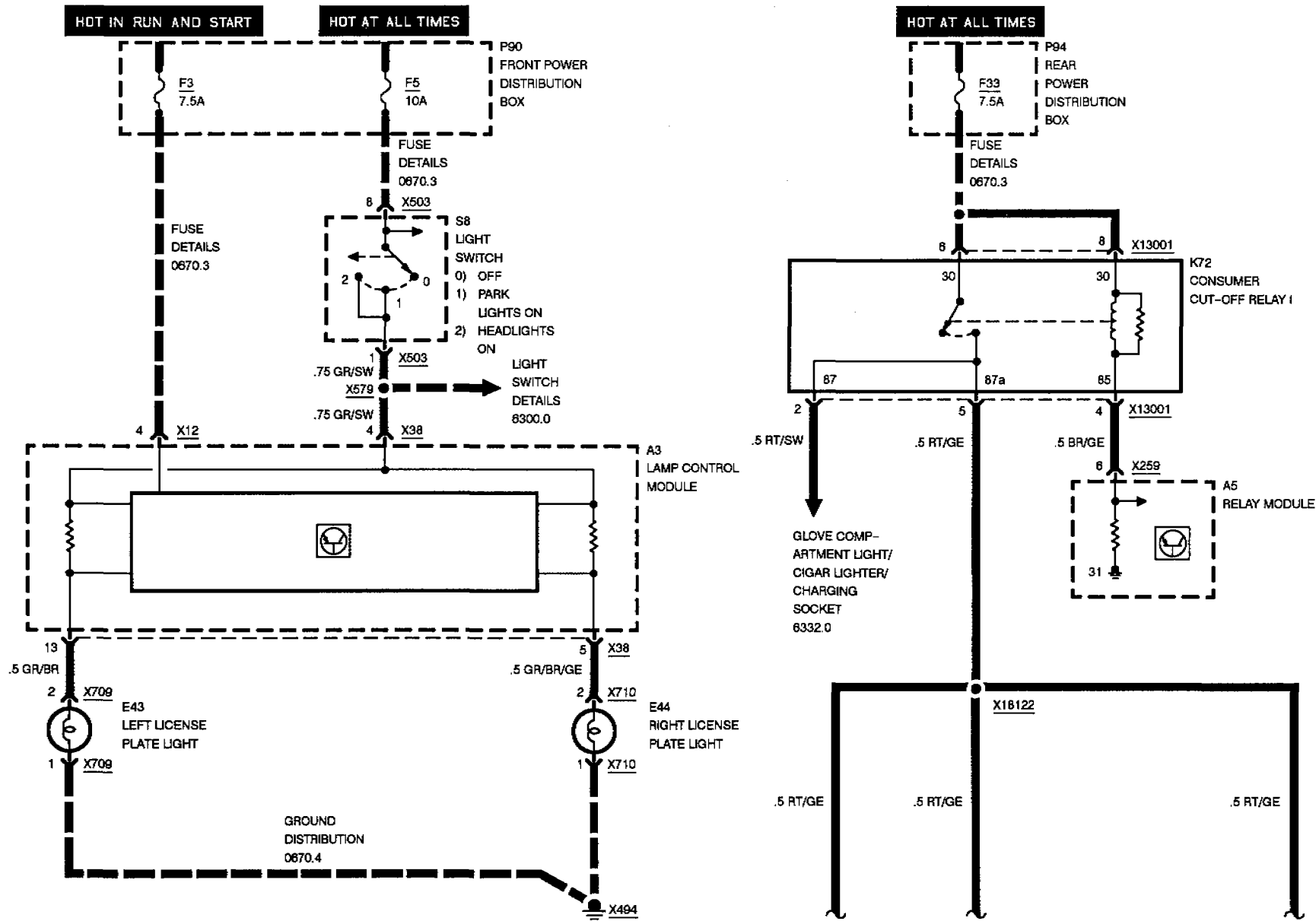
(



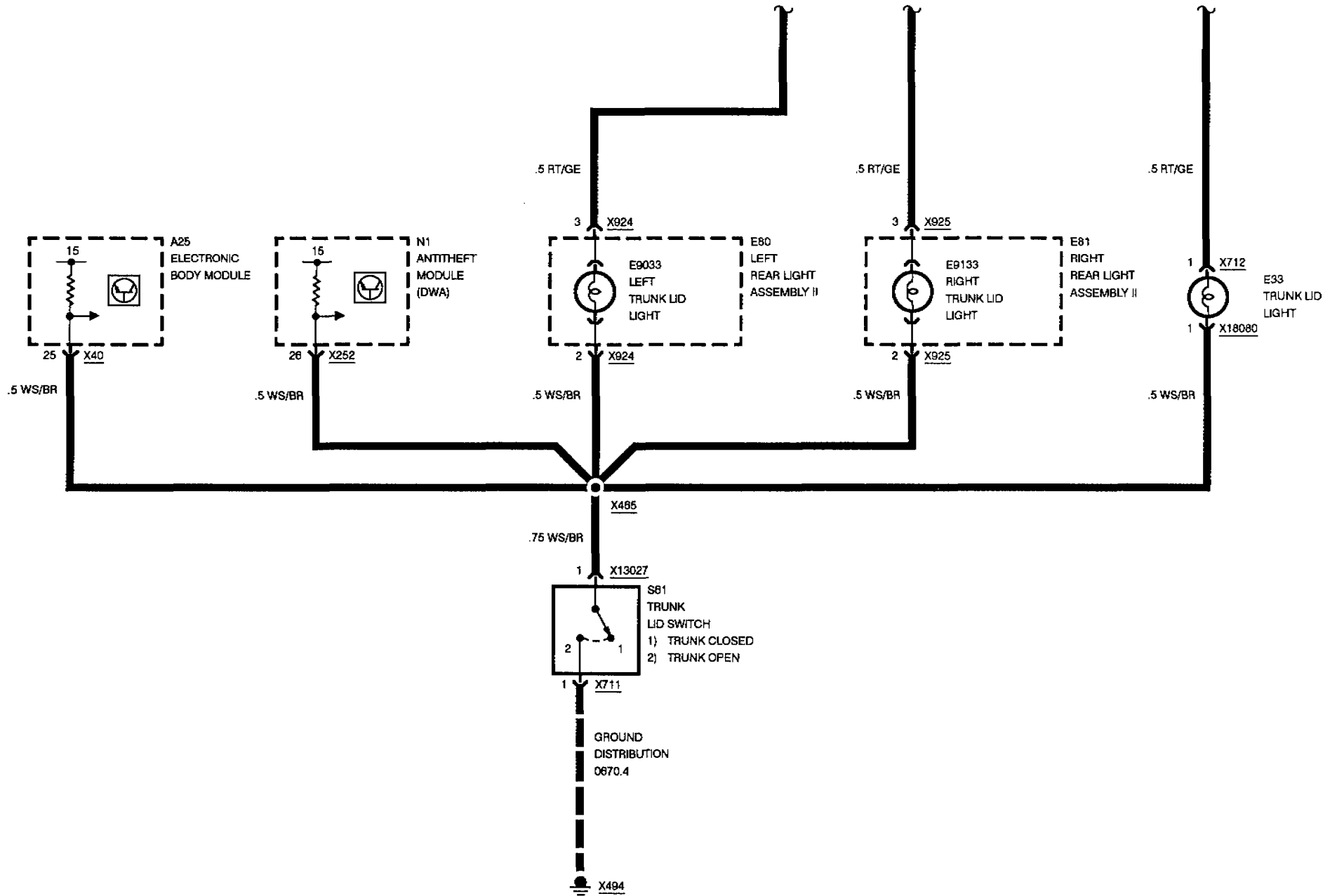
6320.0



LICENSE PLATE/ LUGGAGE COMPARTMENT LIGHTS

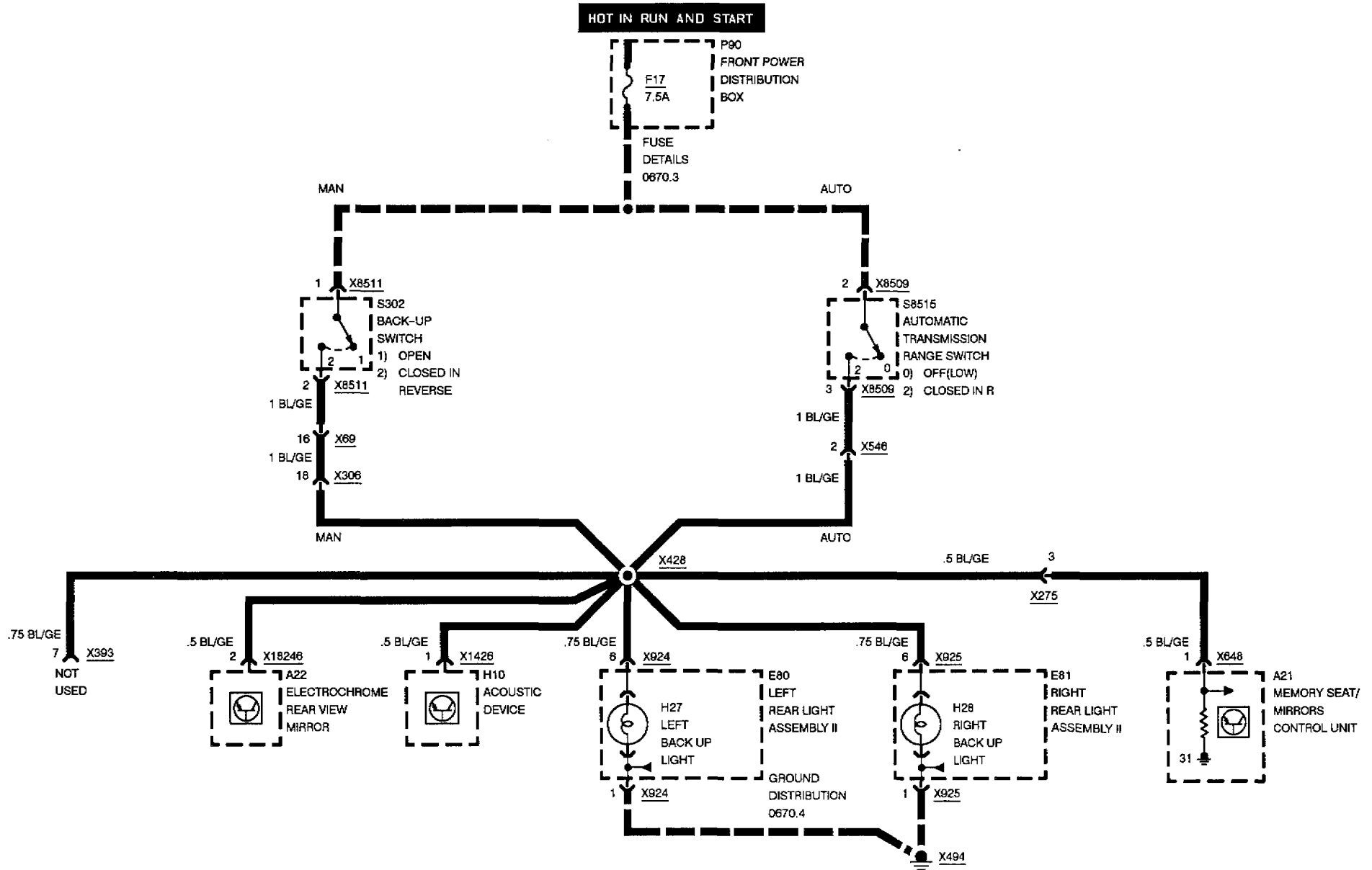


09/90
6320.0-00
1991



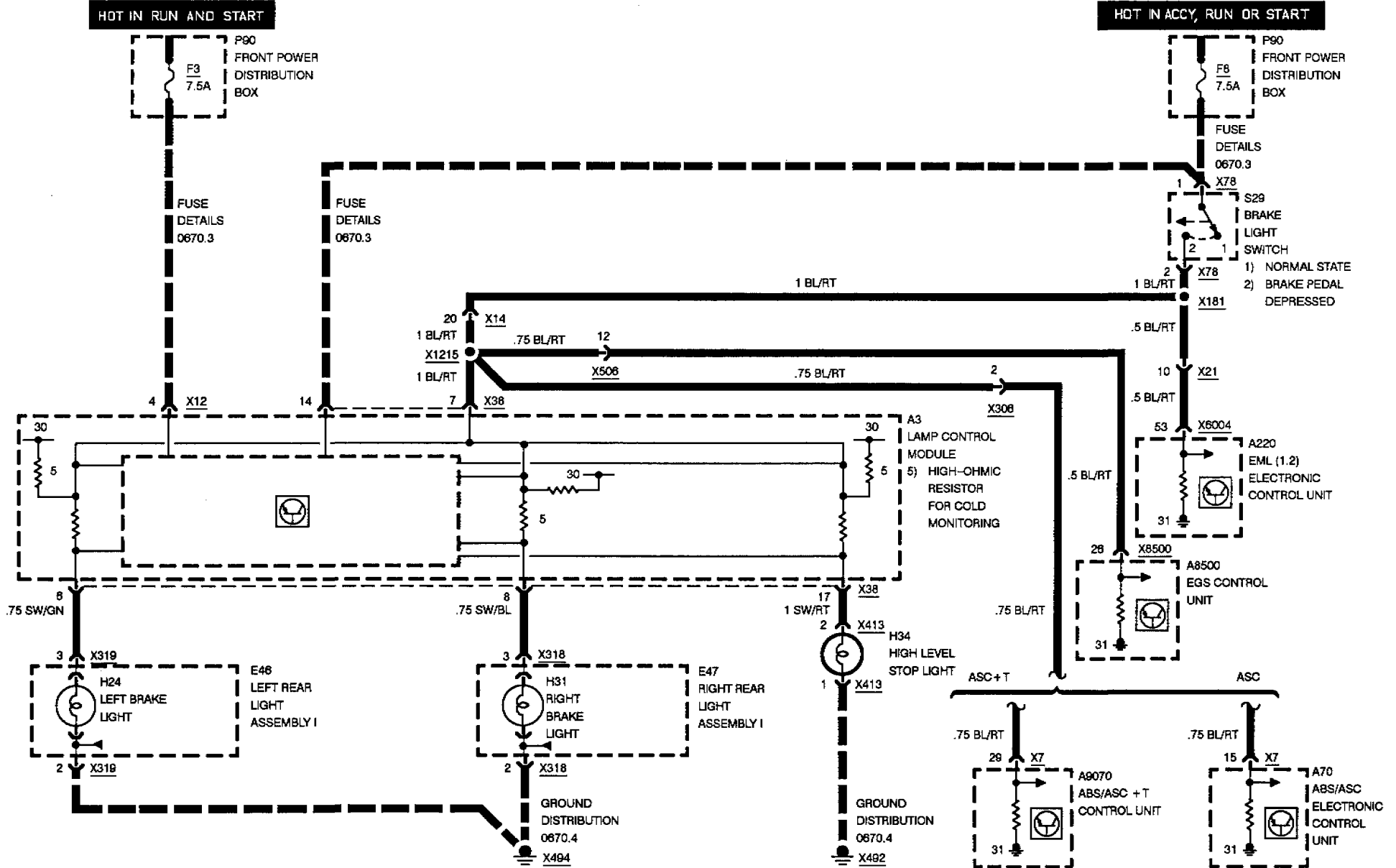


BACK UP LIGHTS



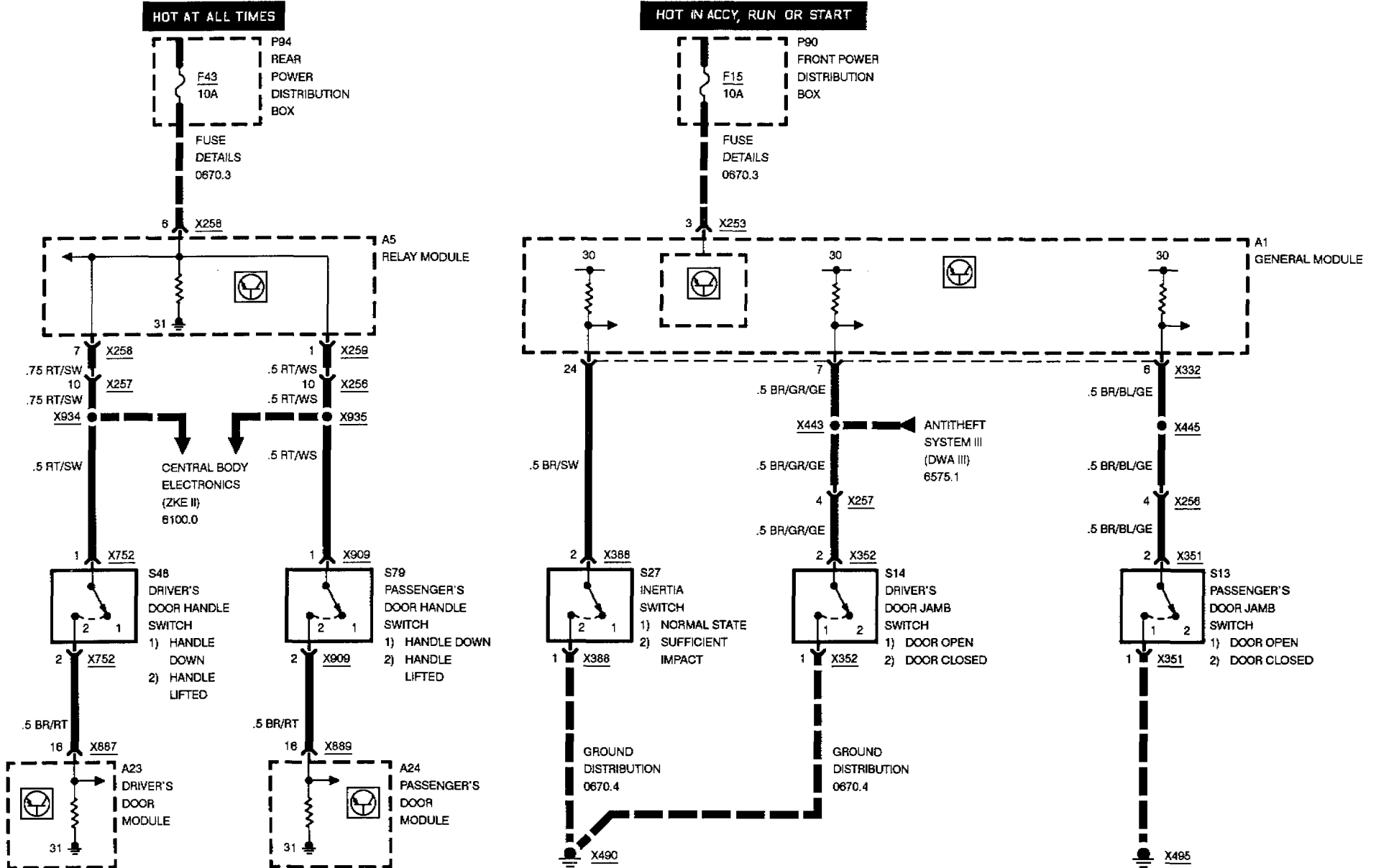


BRAKE LIGHTS





BMW 8 ZKE INTERIOR LIGHTS (IB)
(INPUTS)



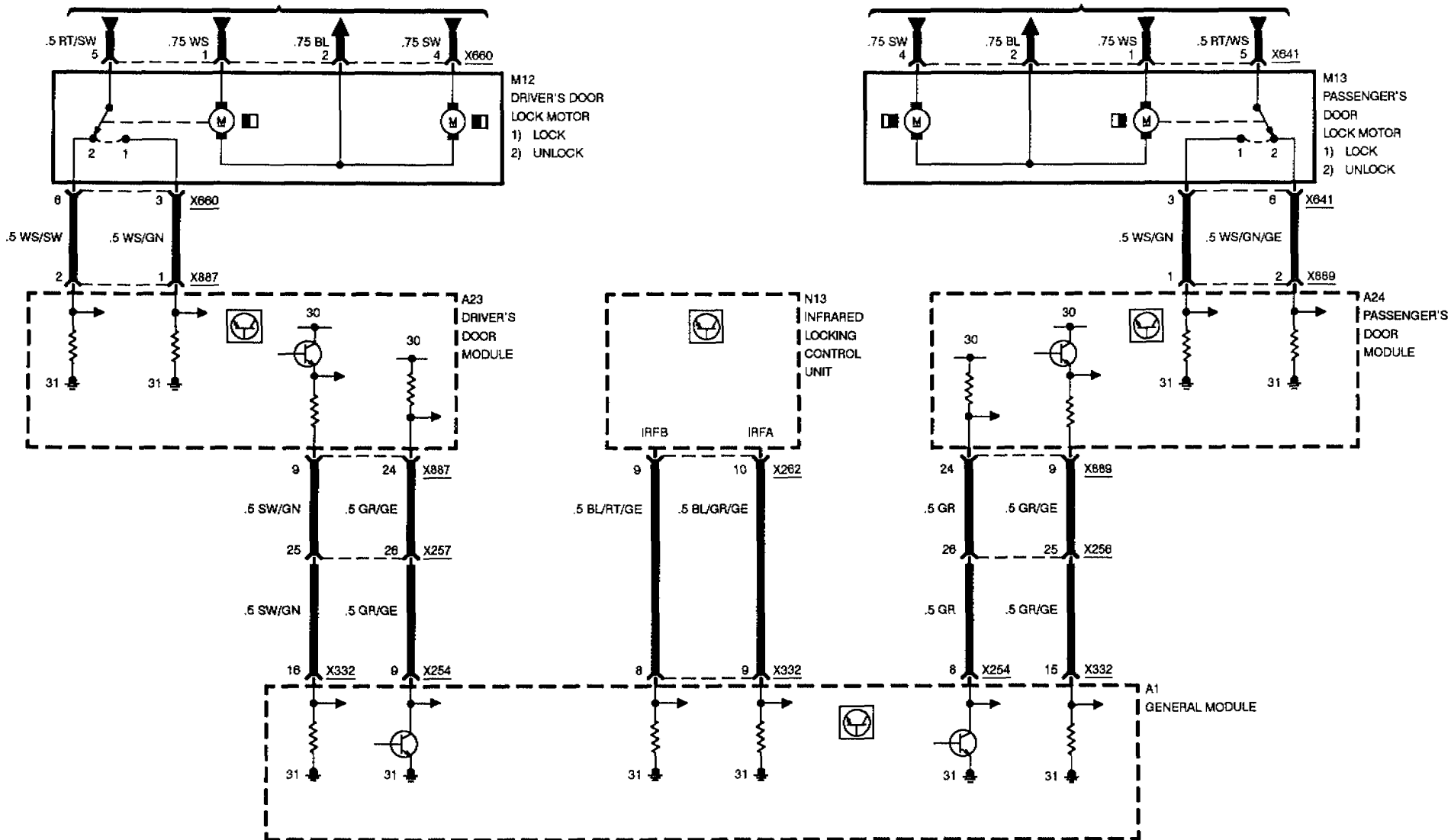


ZKE INTERIOR LIGHTS (IB)

(INPUTS)

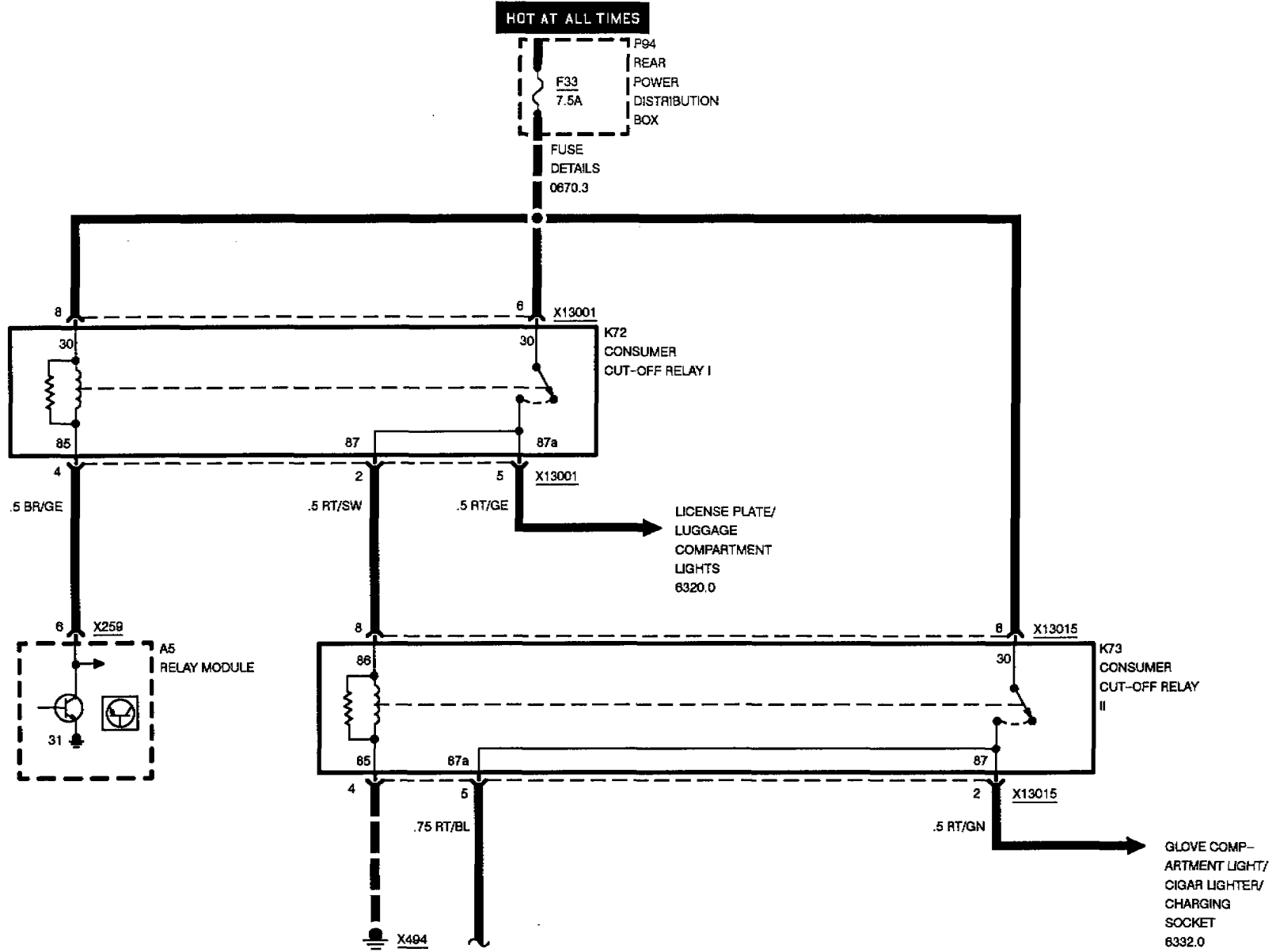
ZKE
CENTRAL
LOCKING (ZV)
5128.0

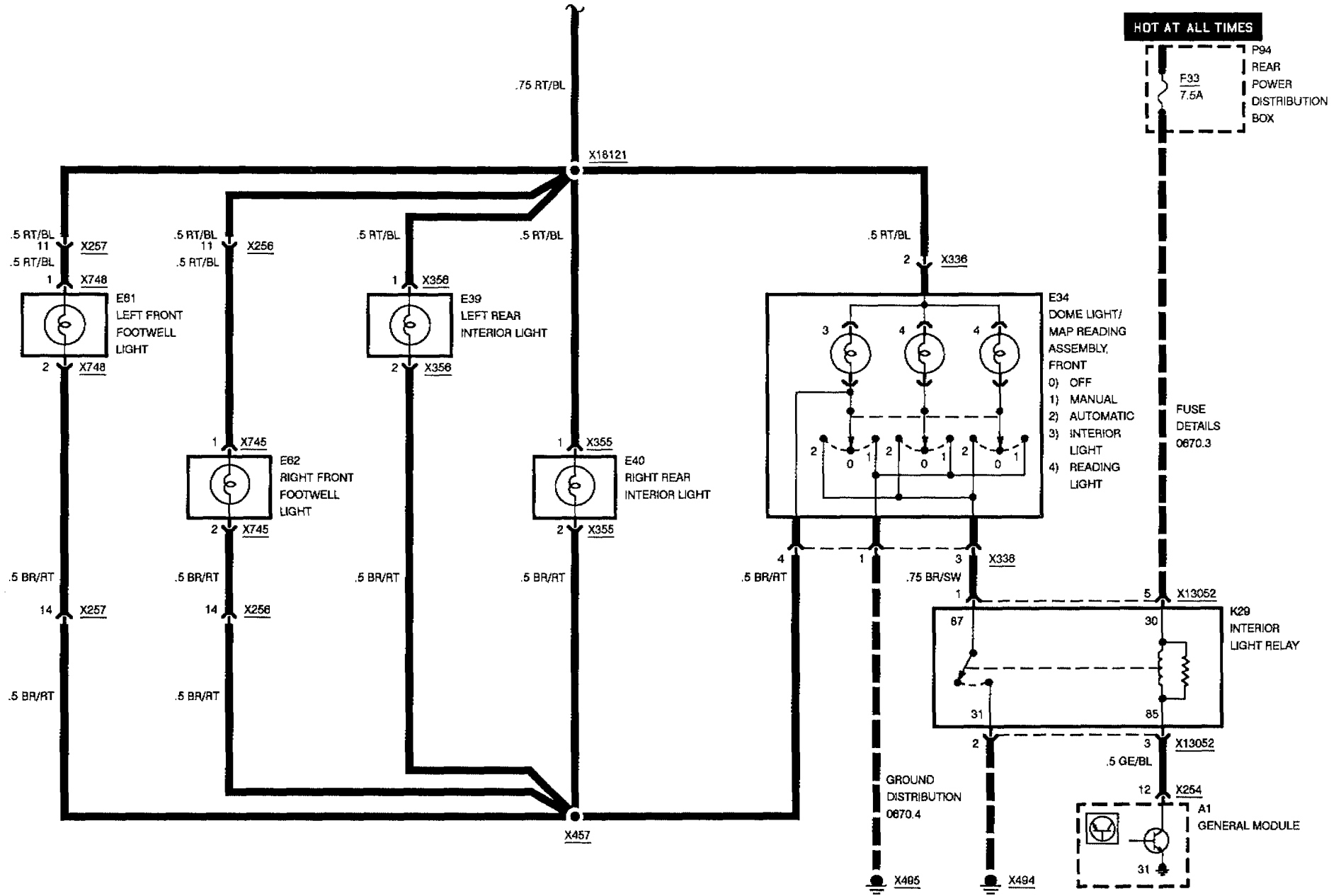
ZKE
CENTRAL
LOCKING (ZV)
5128.0





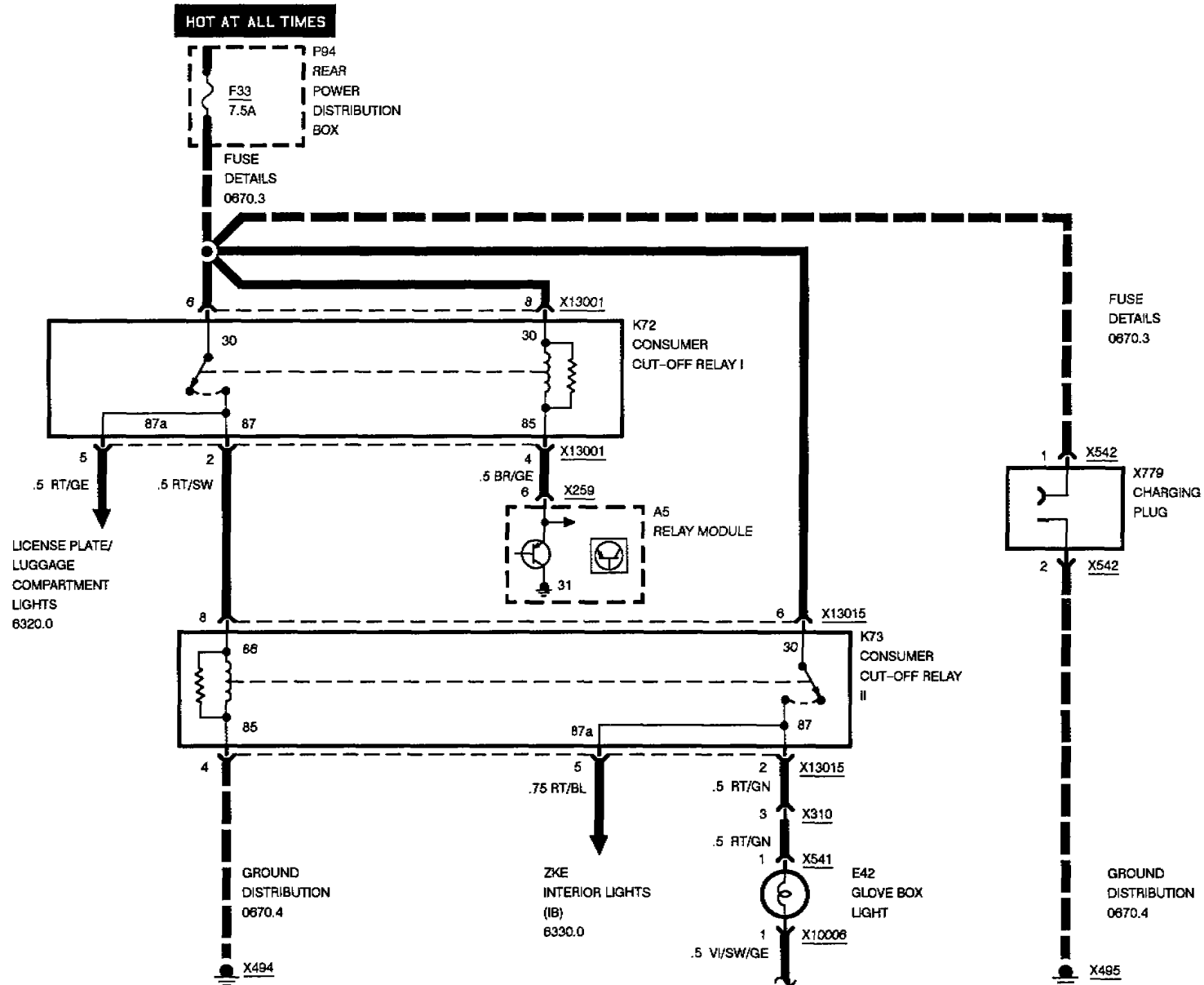
ZKE INTERIOR LIGHTS (IB)

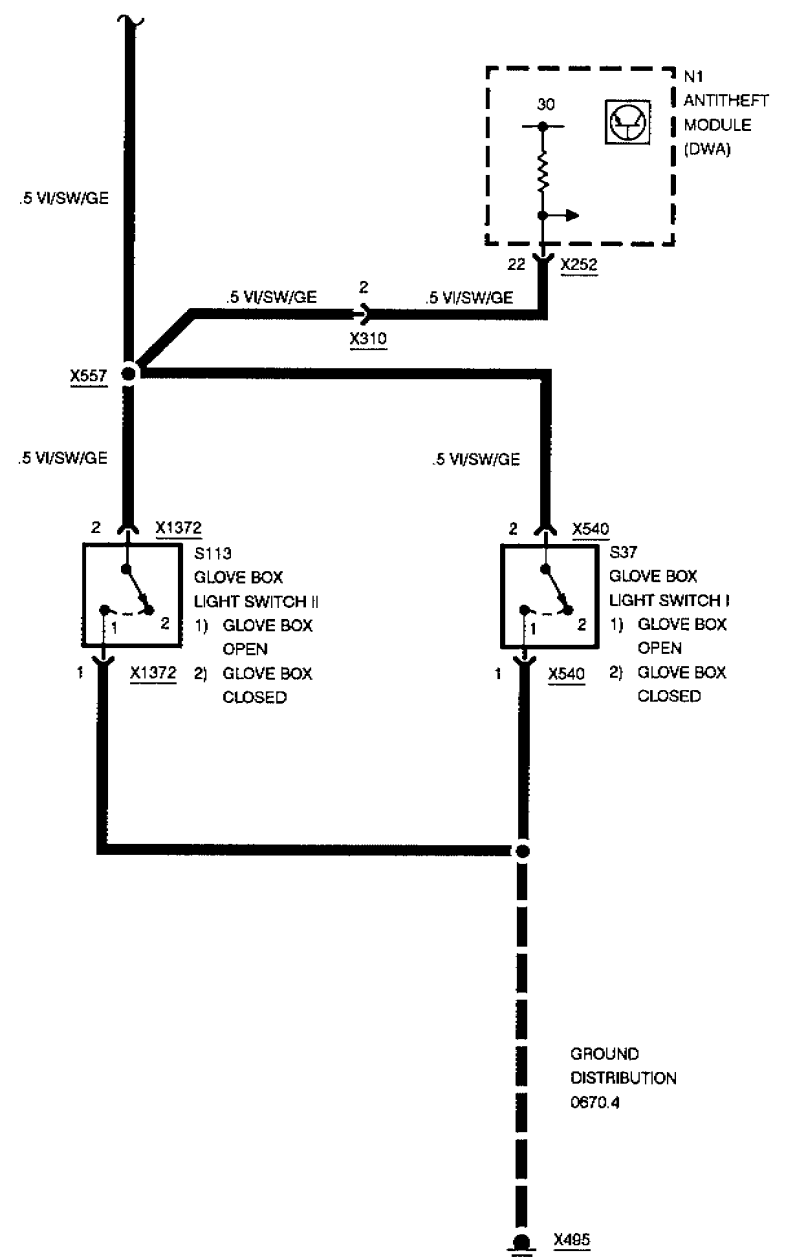
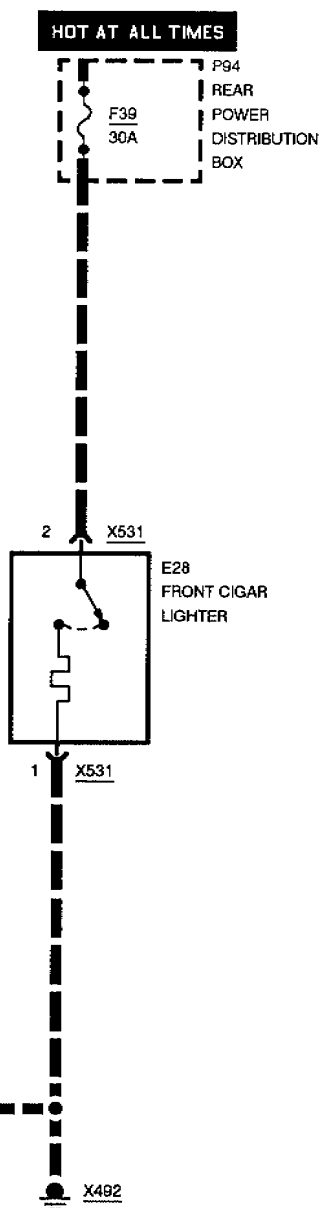
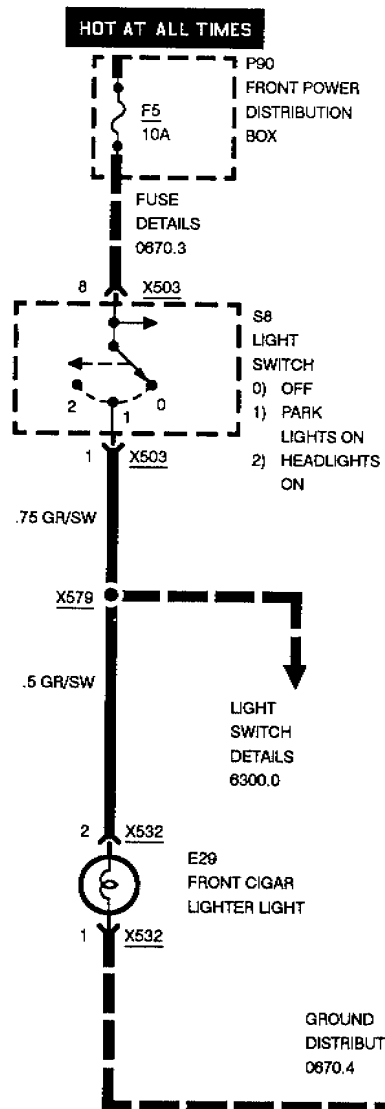






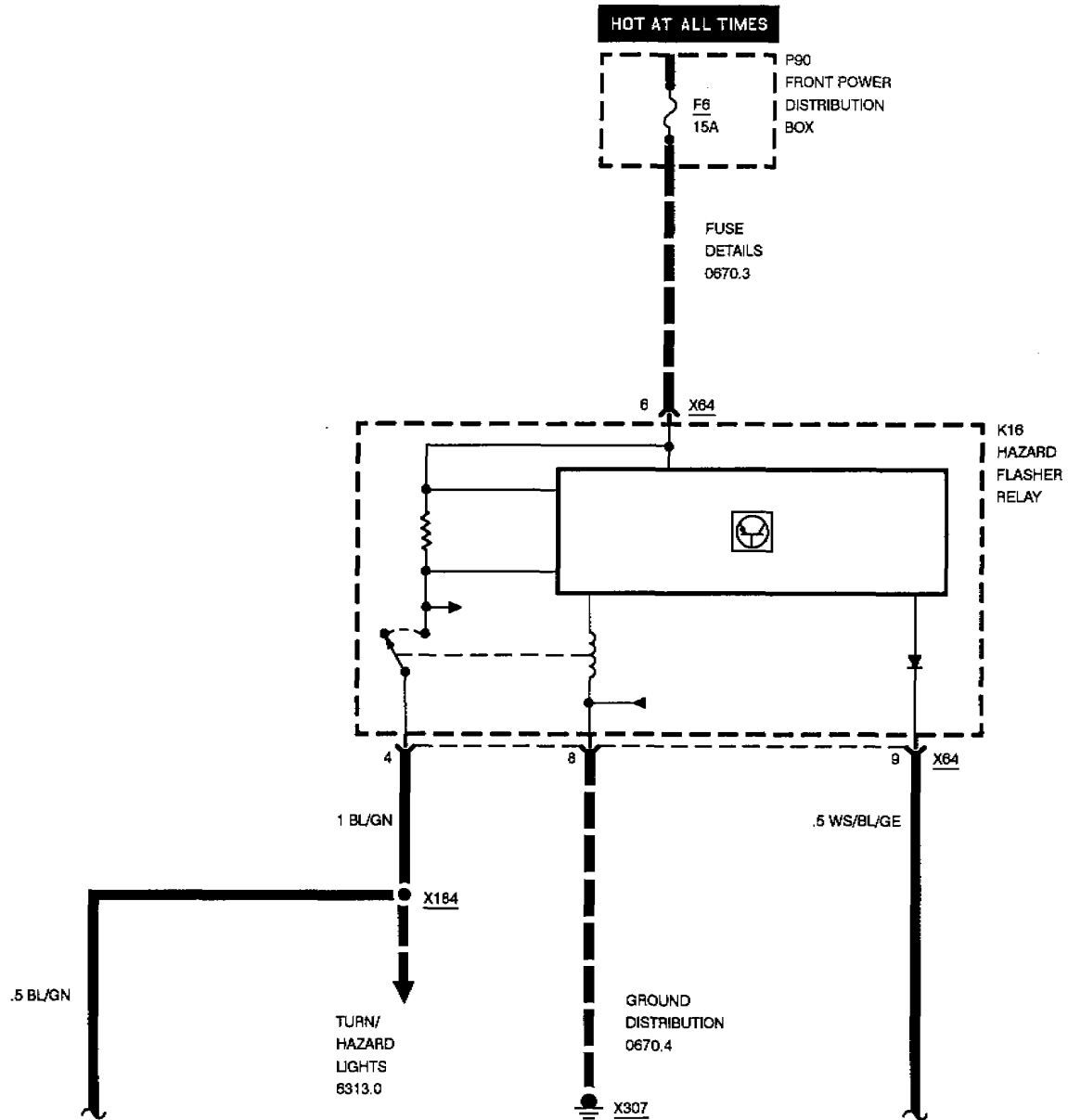
GLOVE COMPARTMENT LIGHT/ CIGAR LIGHTER/ CHARGING SOCKET

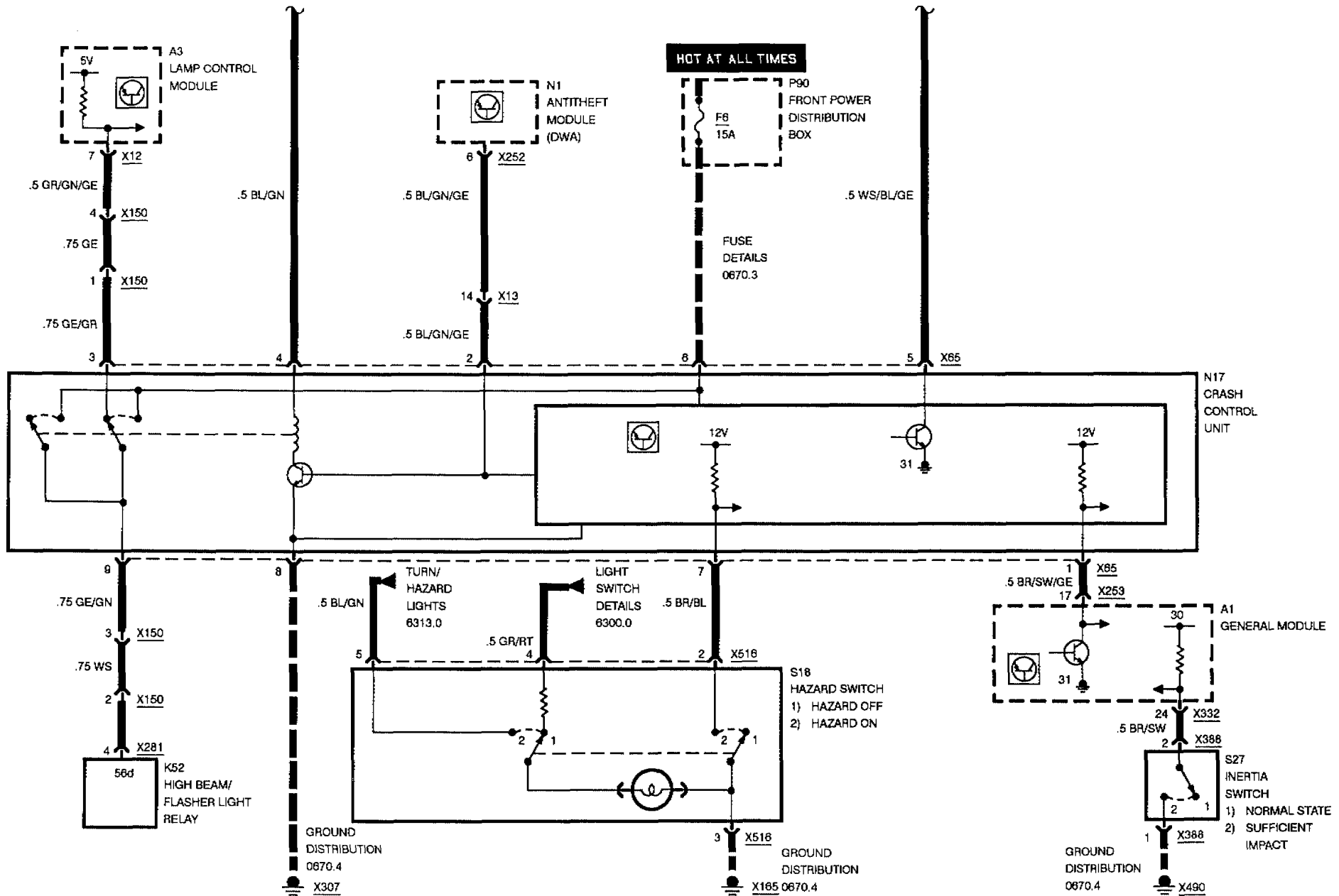






CRASH CONTROL UNIT





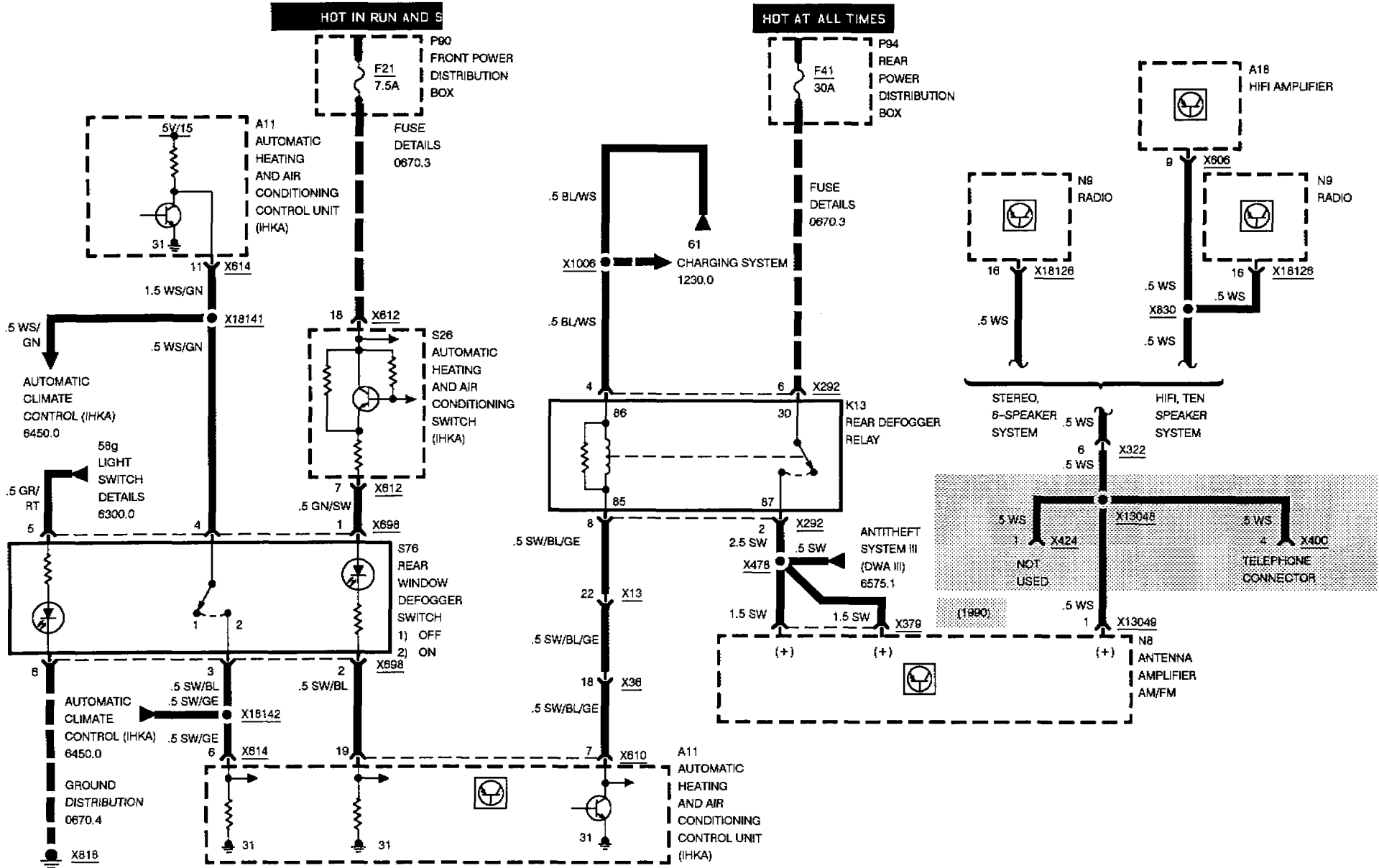
BMW
8

6350.0-02





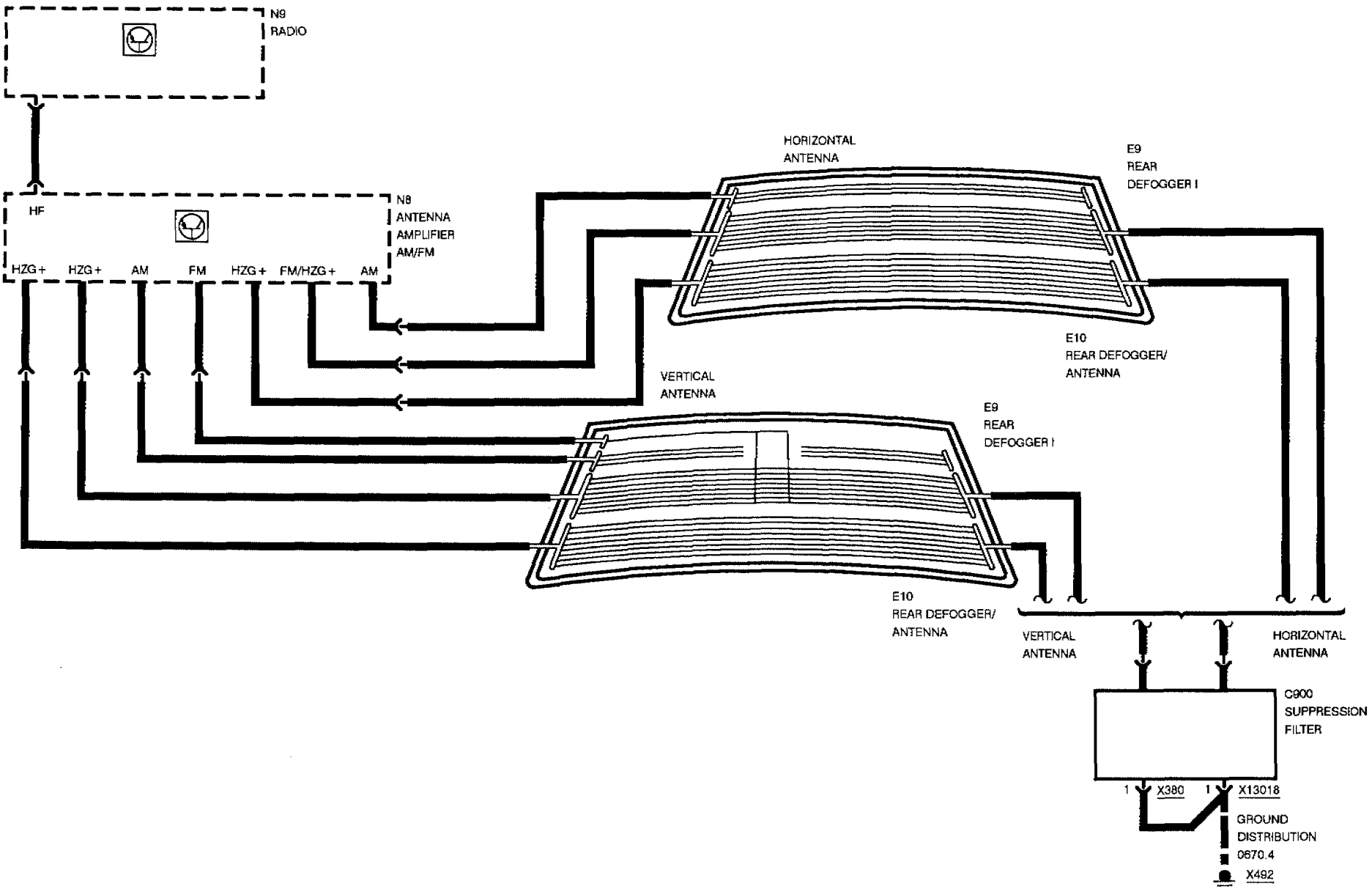
REAR WINDOW DEFOGGER/ ANTENNA





REAR WINDOW DEFOGGER/ ANTENNA

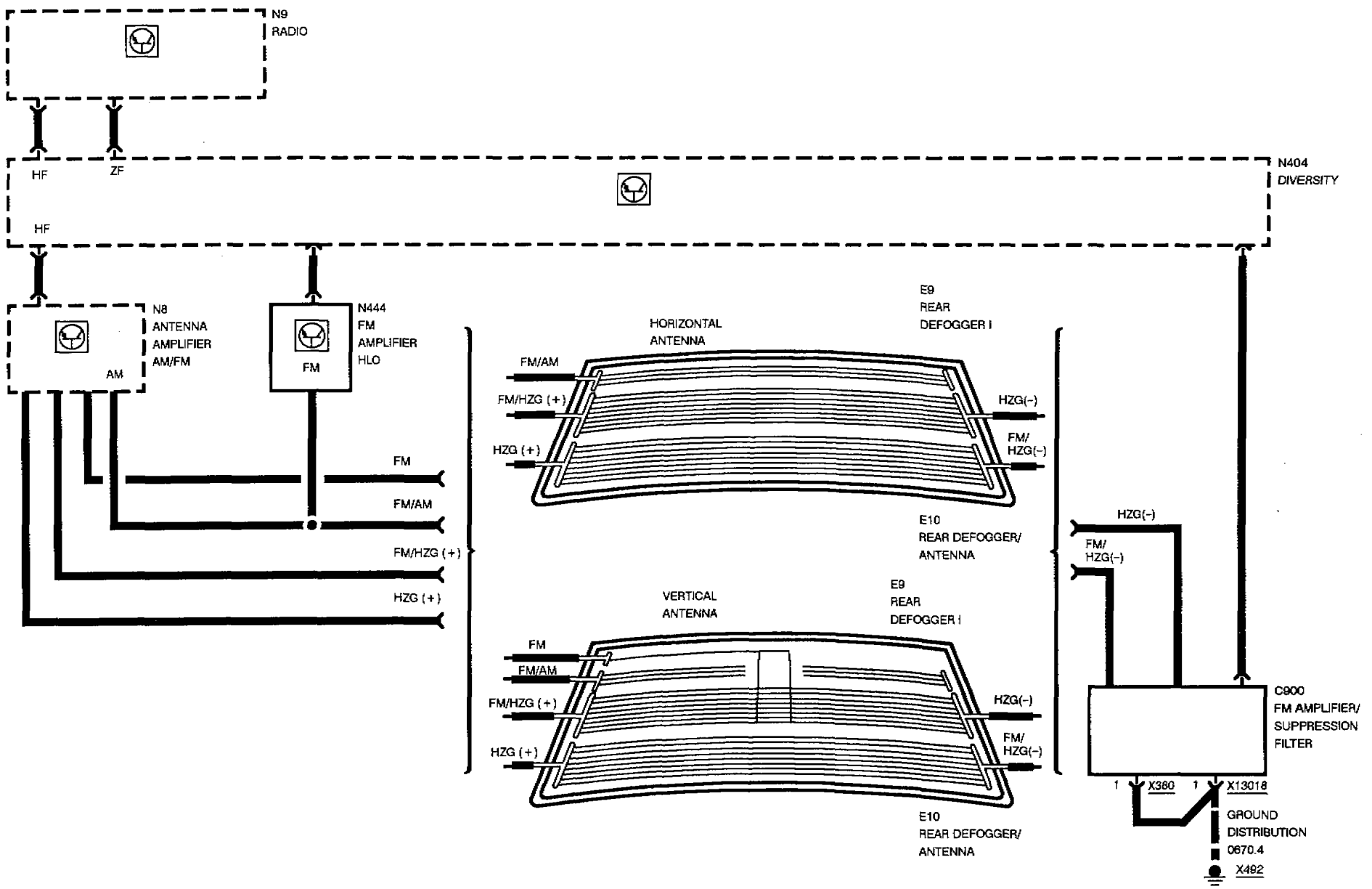
REAR WINDOW ANTENNA





REAR WINDOW DEFOGGER/ ANTENNA

3-ANTENNA-DIVERSITY



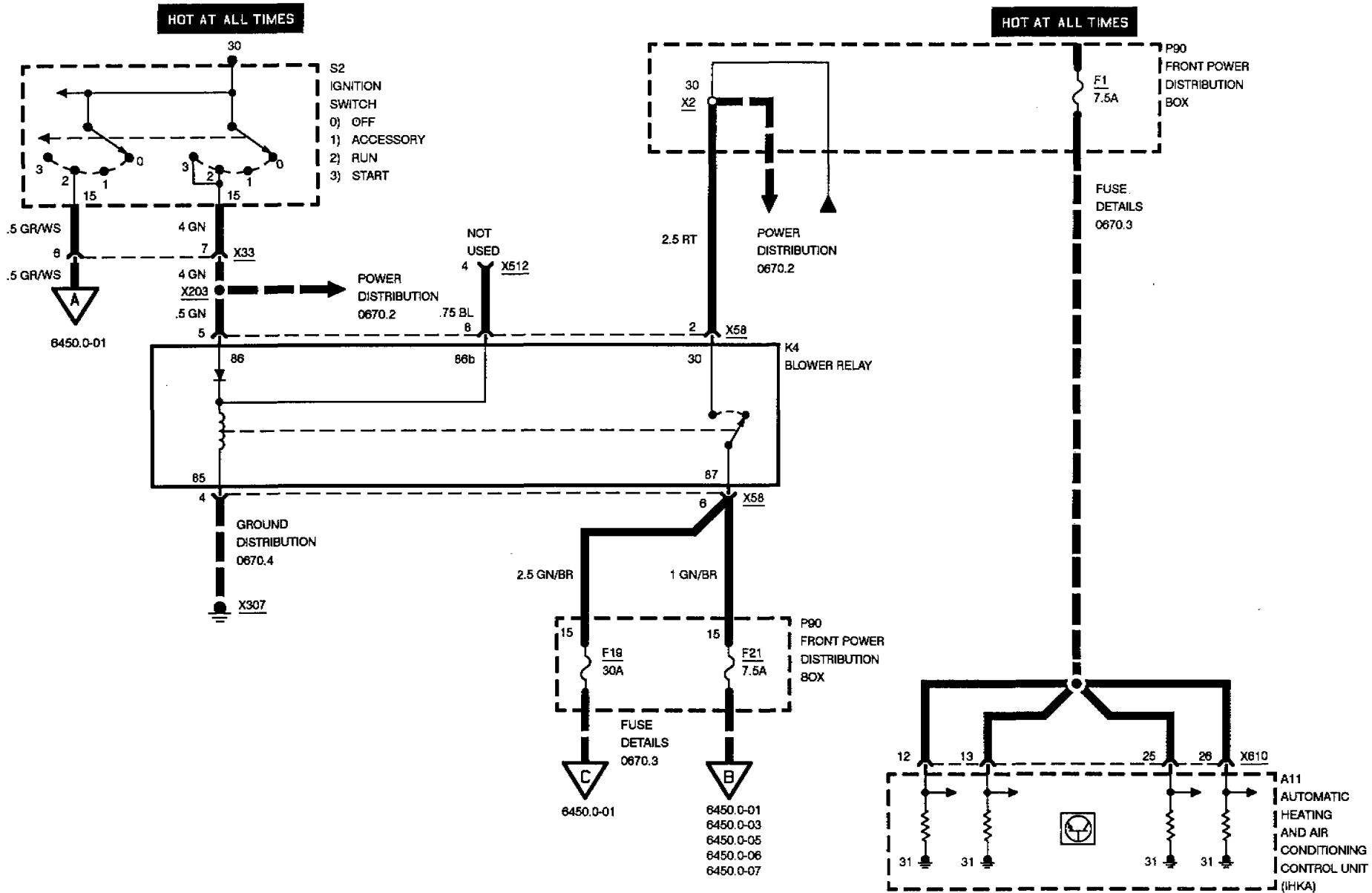


6450.0



AUTOMATIC CLIMATE CONTROL (IHKA)

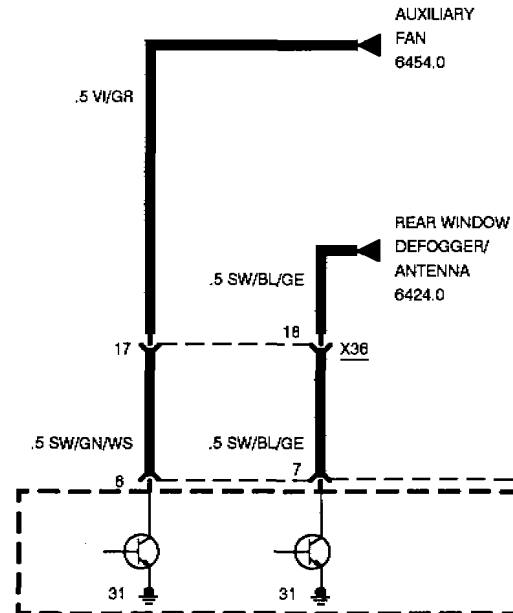
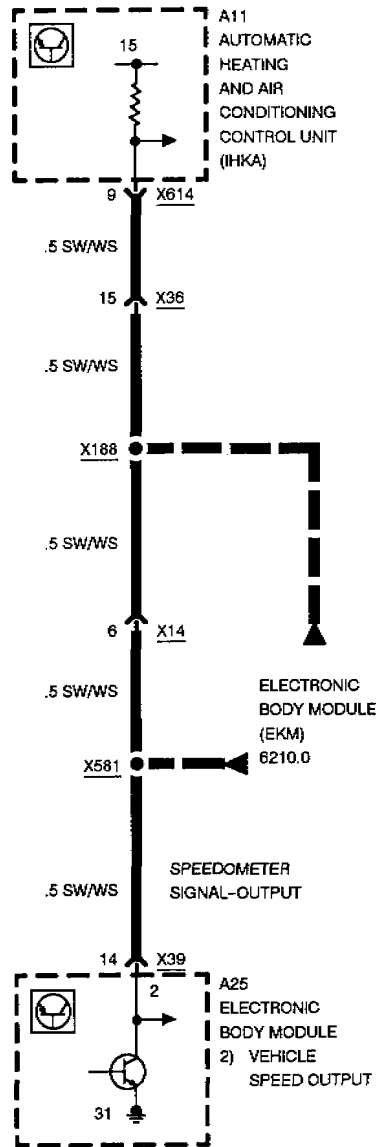
POWER



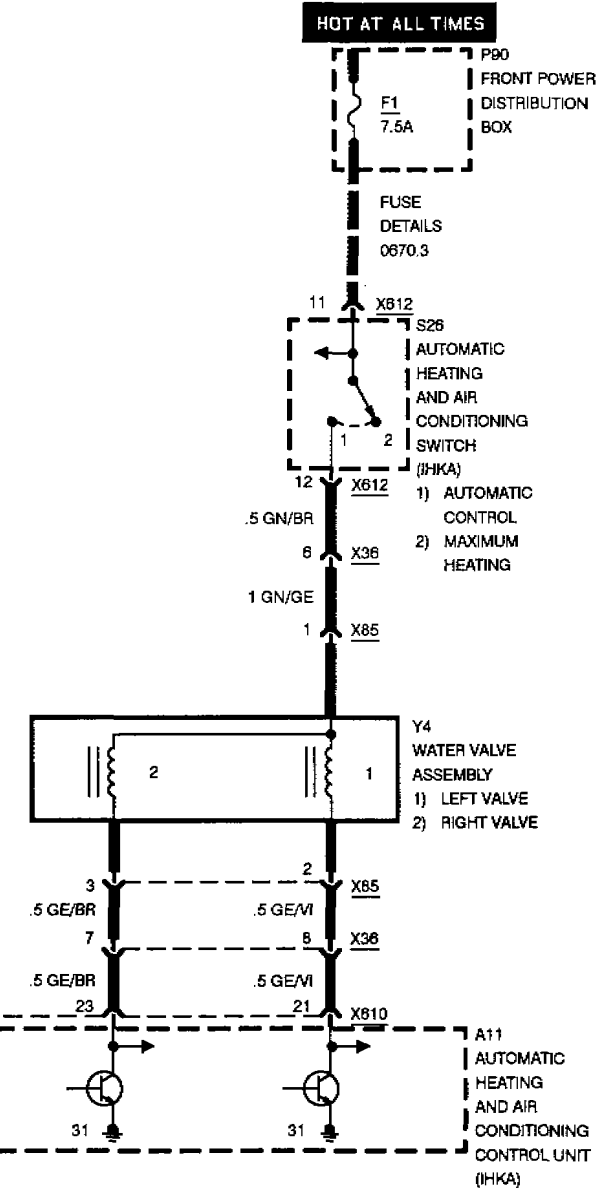


AUTOMATIC CLIMATE CONTROL (IHKA)

BLOWER CONTROLS



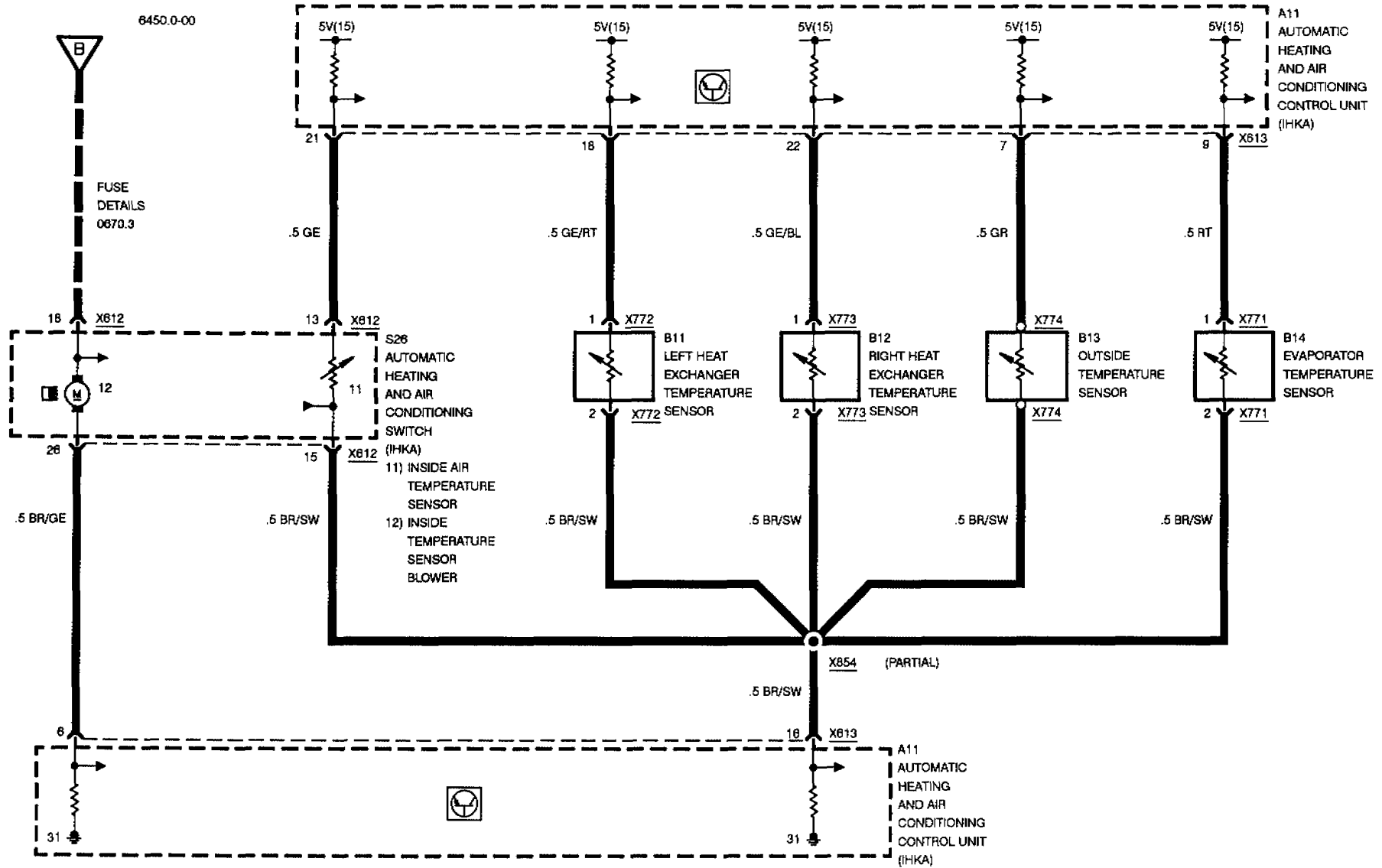
WATER VALVES





AUTOMATIC CLIMATE CONTROL (IHKA)

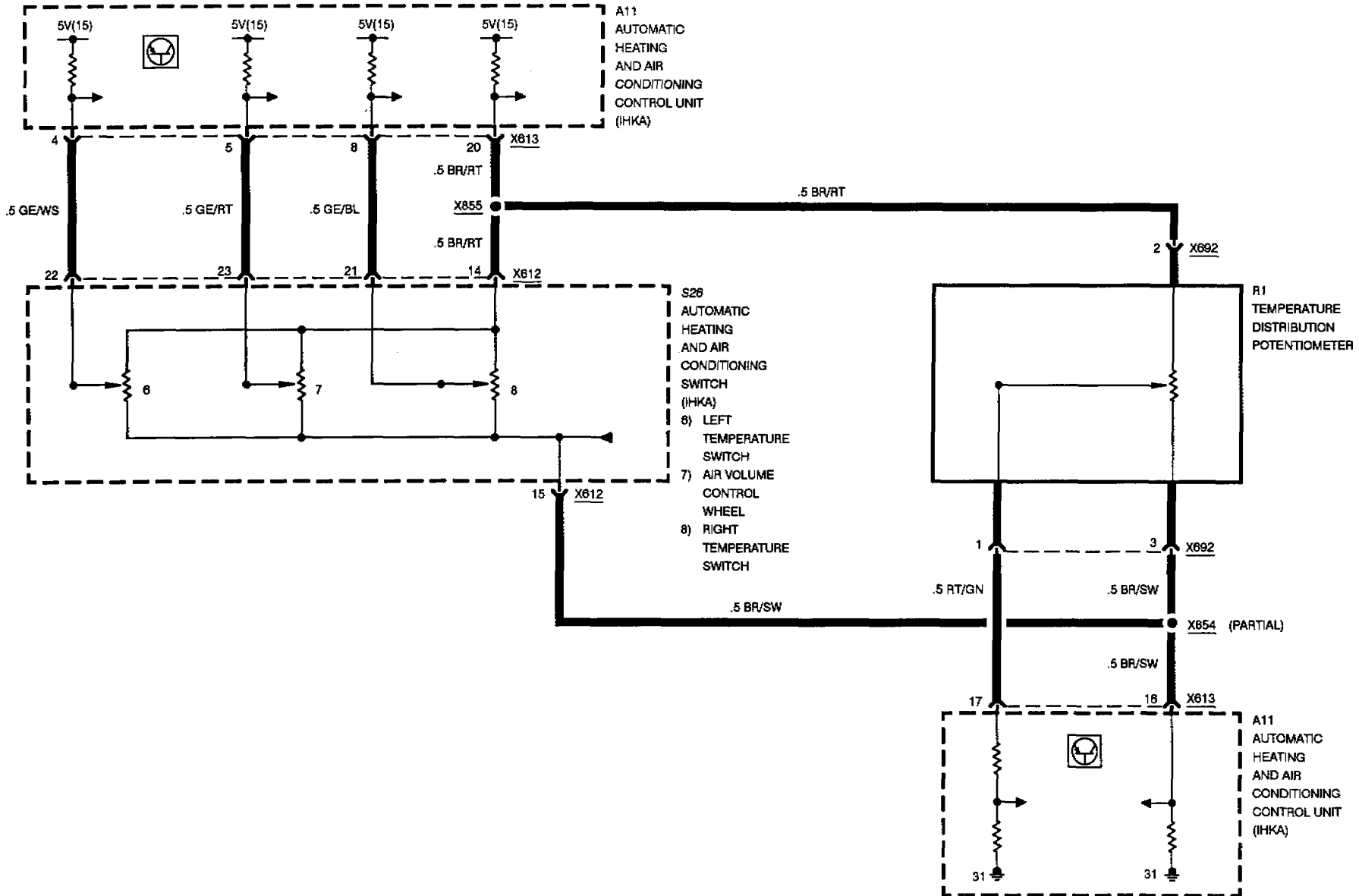
TEMPERATURE CONTROLS



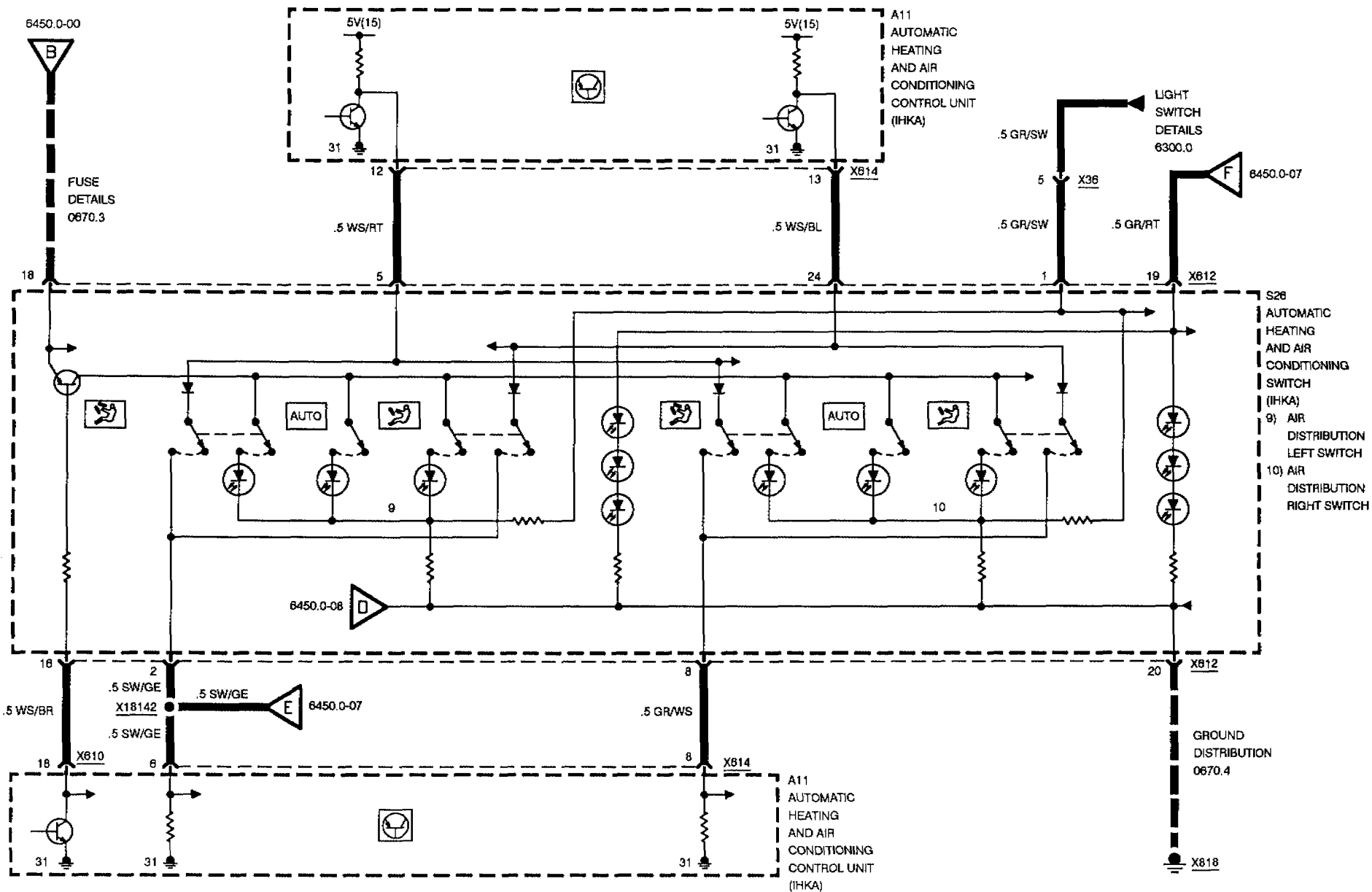


AUTOMATIC CLIMATE CONTROL (IHKA)

TEMPERATURE CONTROLS



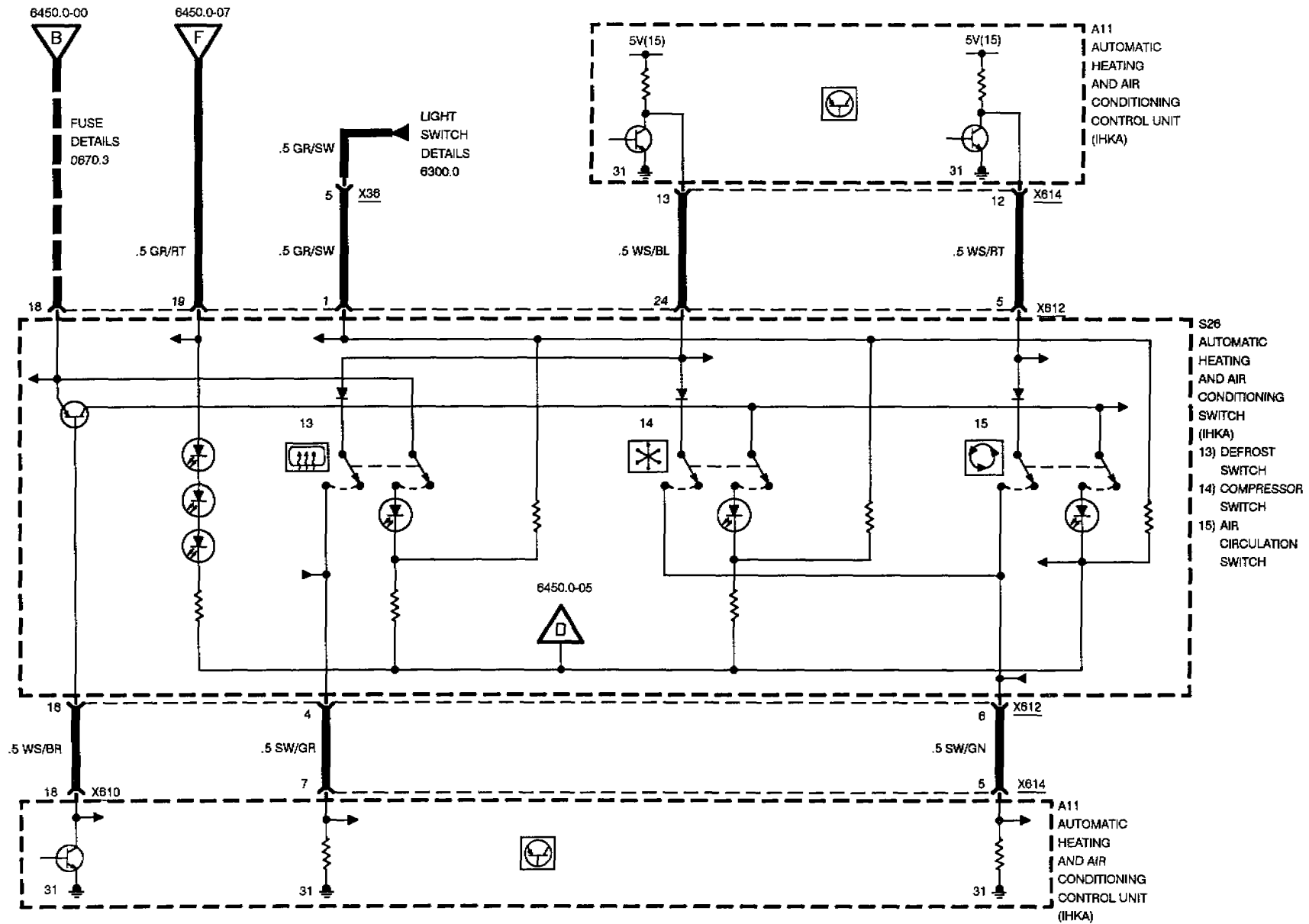
BMW **8** **AUTOMATIC CLIMATE CONTROL (IHKA)**
AIR DELIVERY





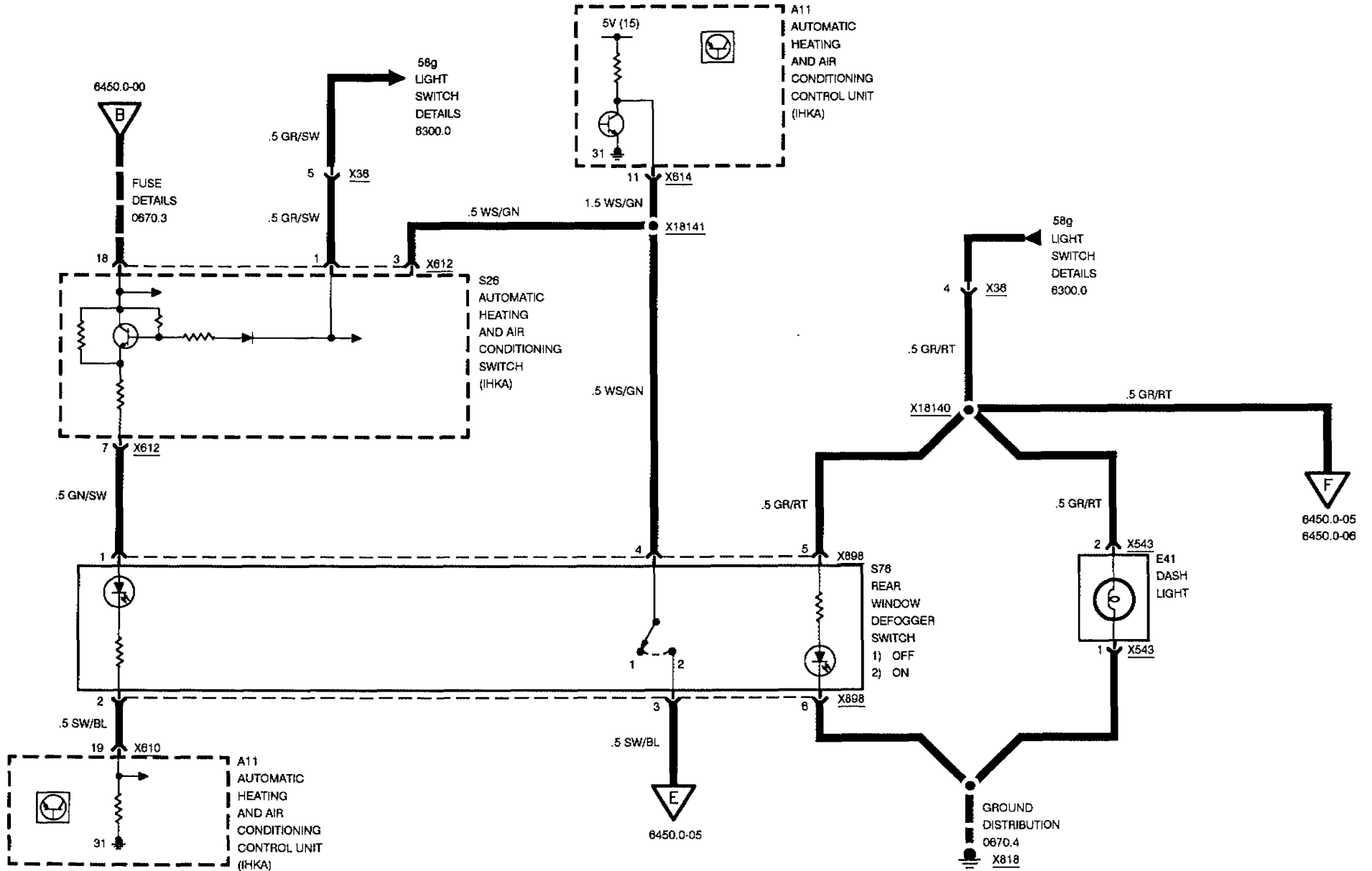
AUTOMATIC CLIMATE CONTROL (IHKA)

AIR DELIVERY





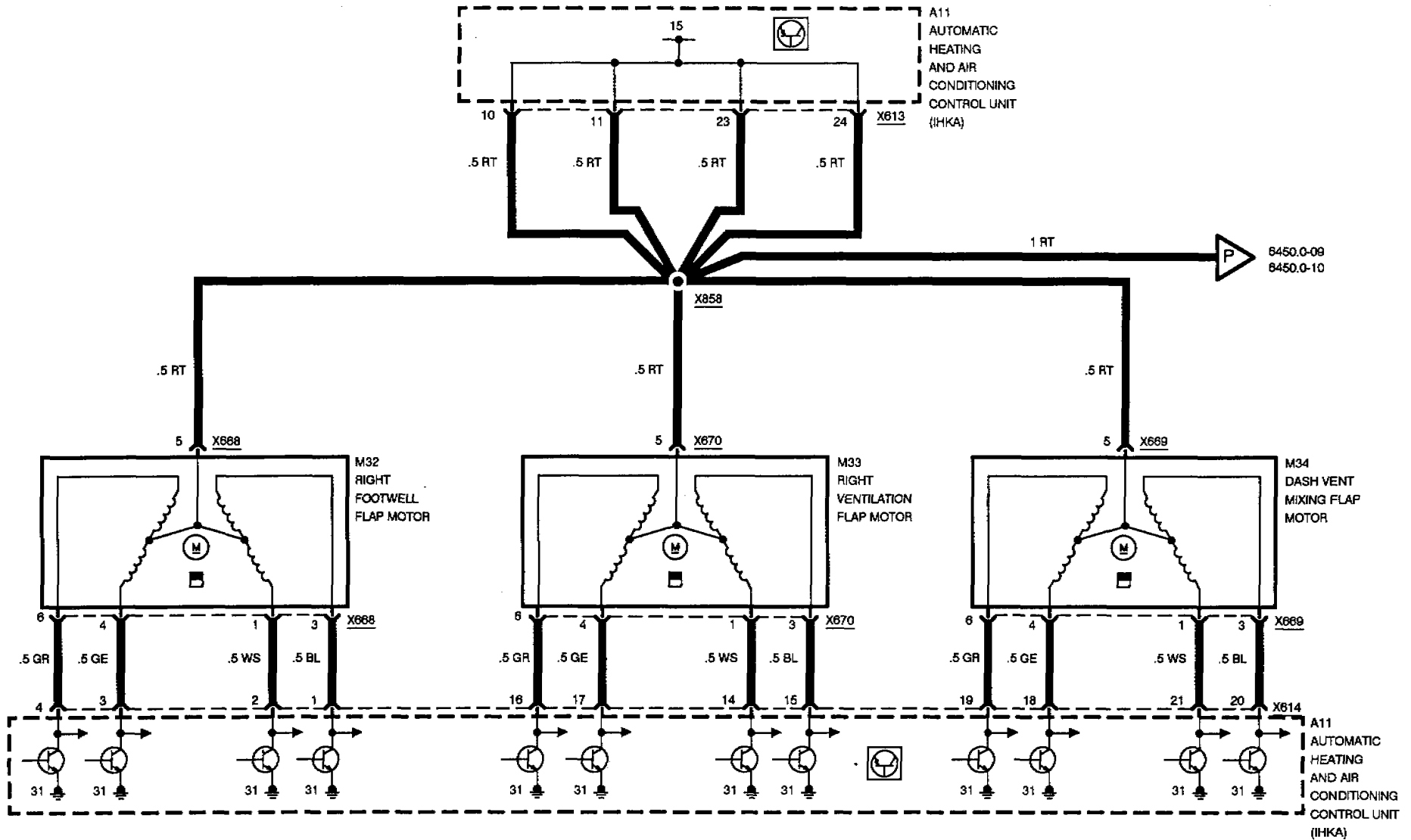
AUTOMATIC CLIMATE CONTROL (IHKA) AIR DELIVERY





AUTOMATIC CLIMATE CONTROL (IHKA)

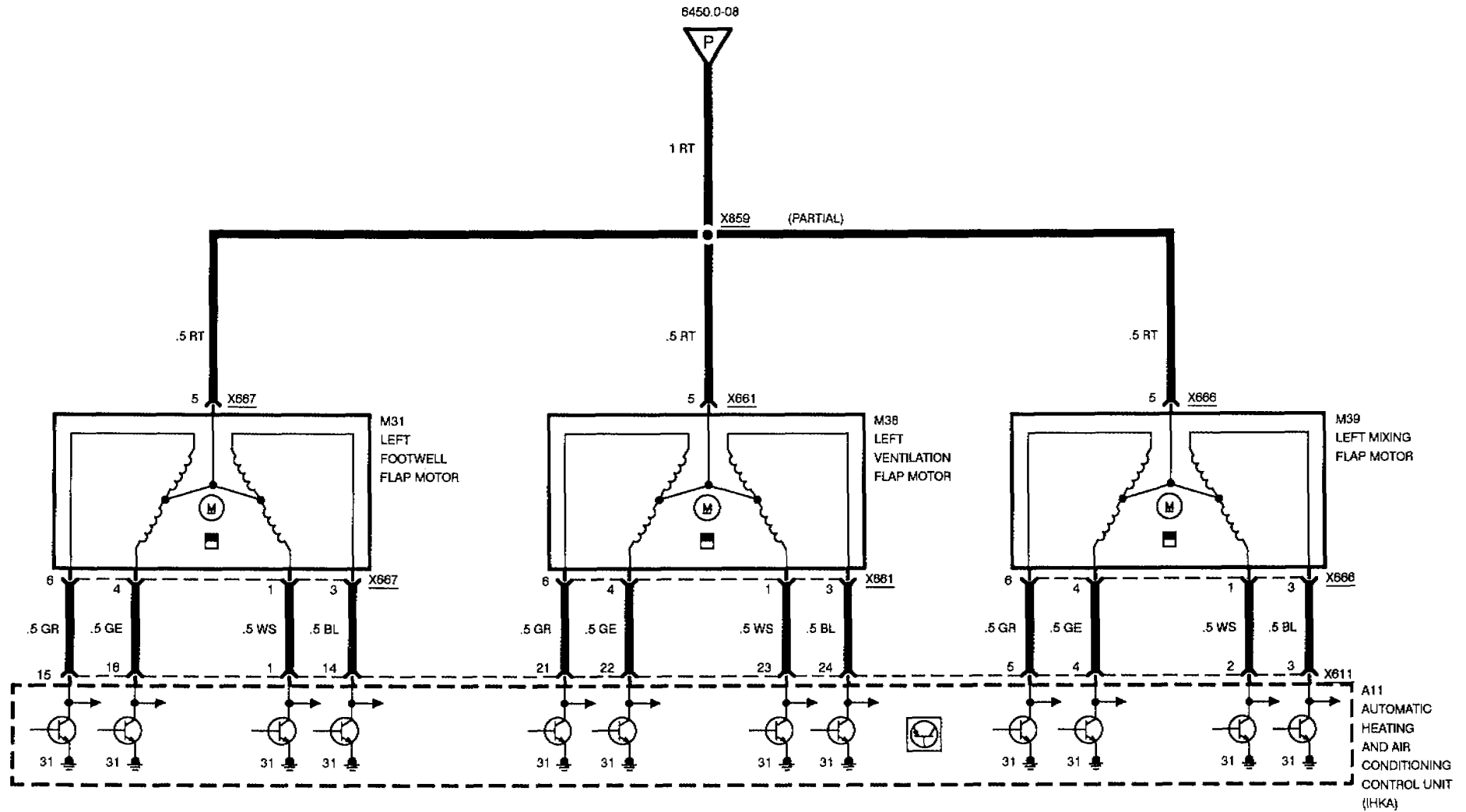
AIR DELIVERY





AUTOMATIC CLIMATE CONTROL (IHKA)

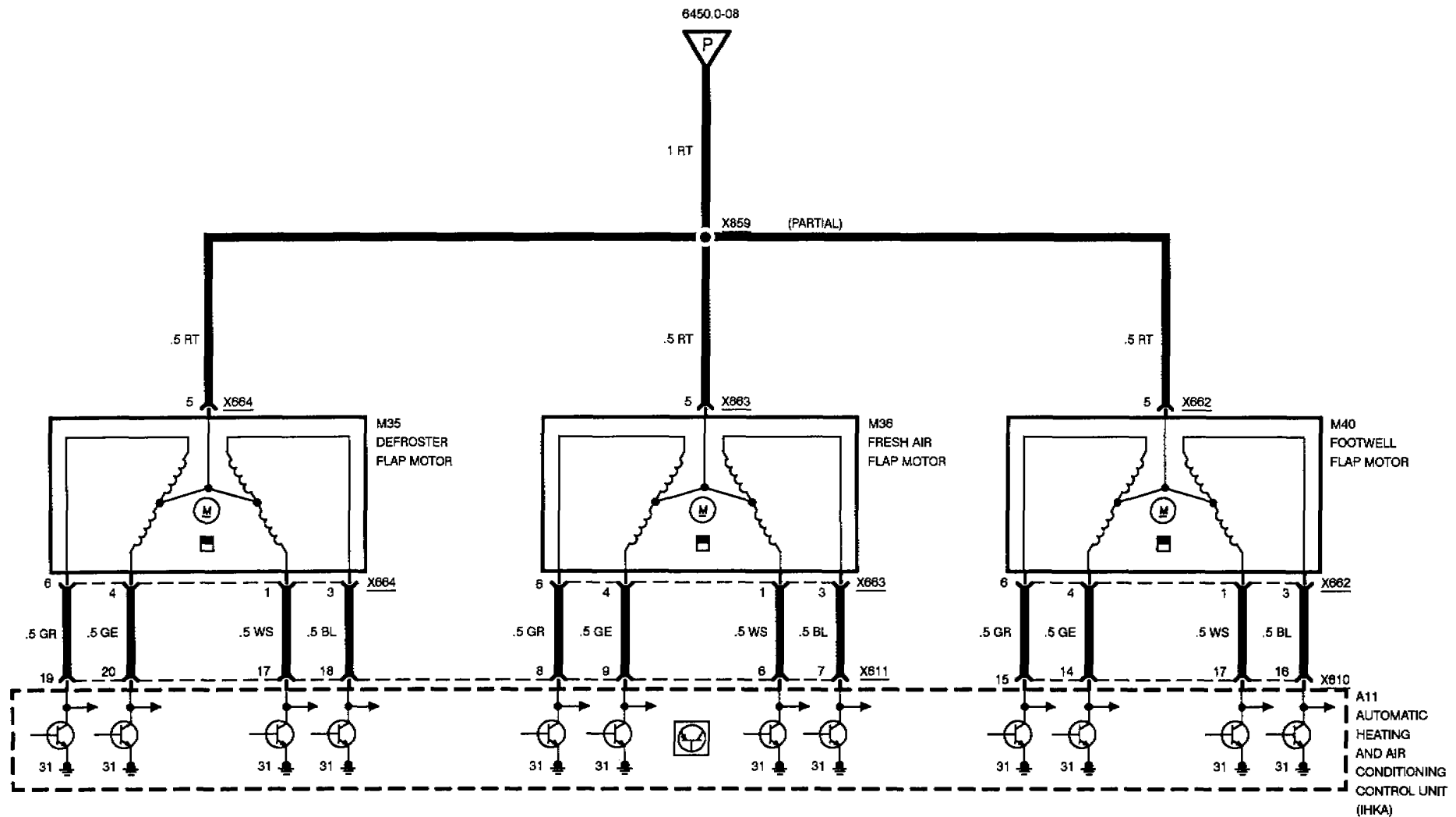
AIR DELIVERY





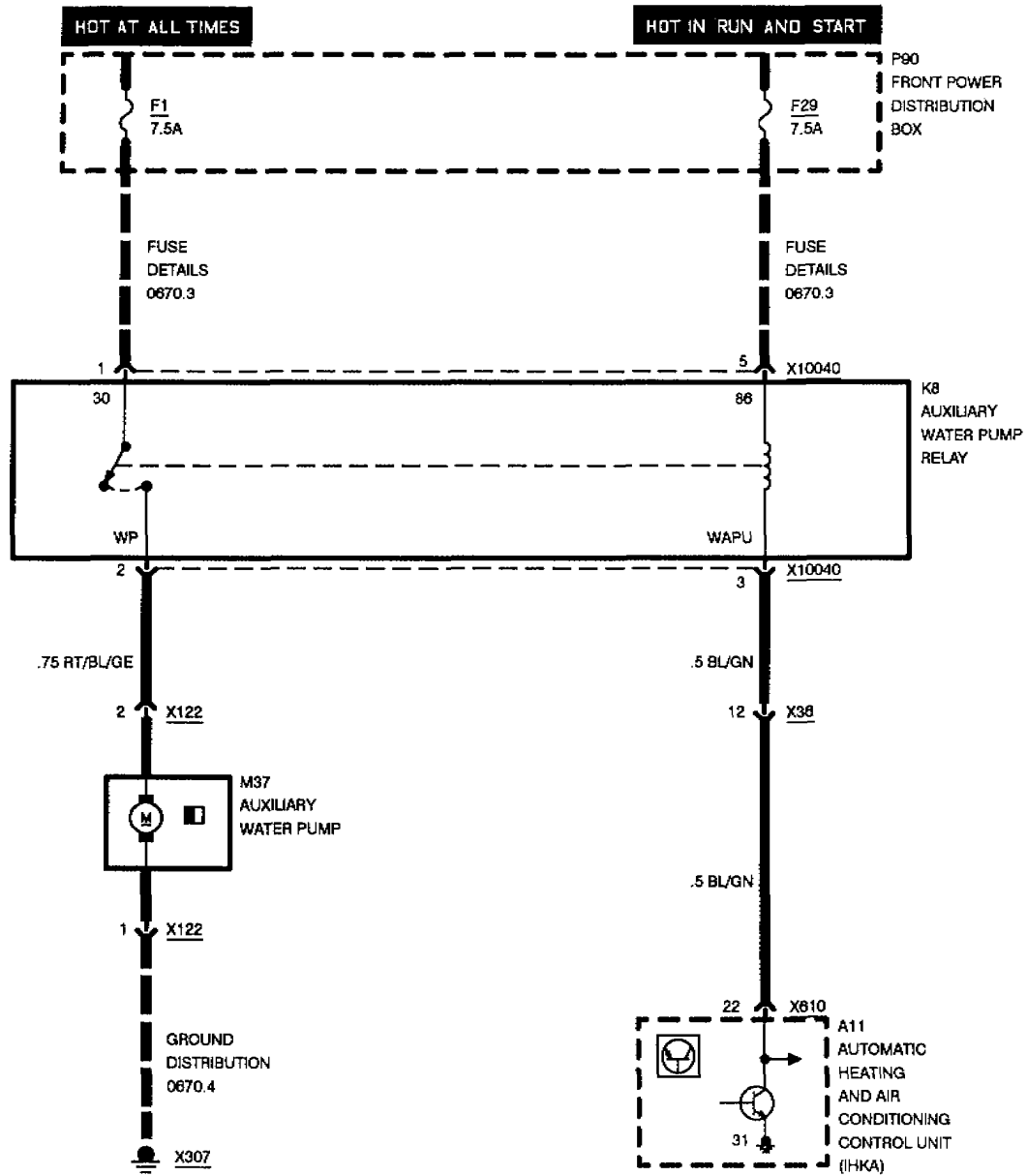
AUTOMATIC CLIMATE CONTROL (IHKA)

AIR DELIVERY



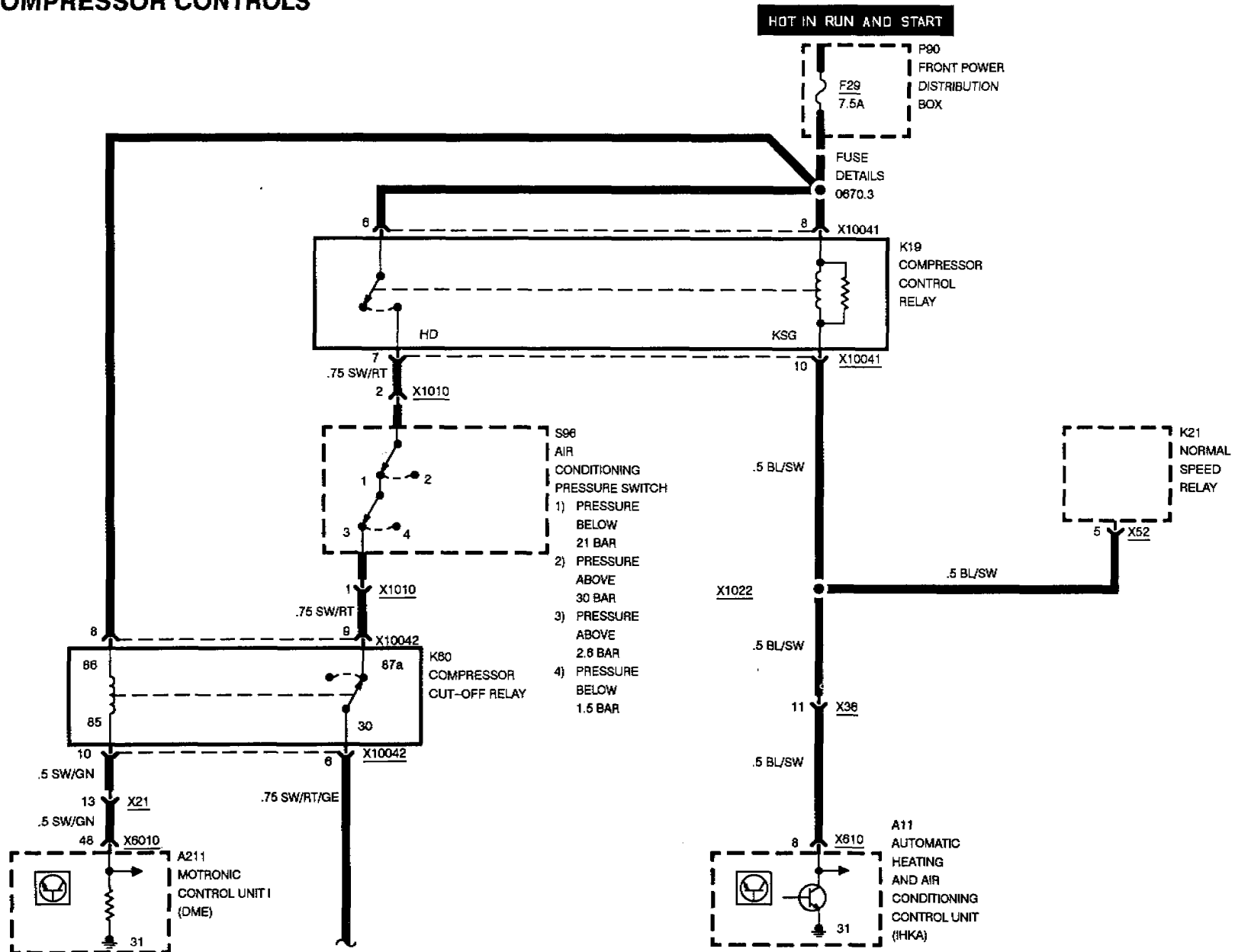


AUTOMATIC CLIMATE CONTROL (IHKA)

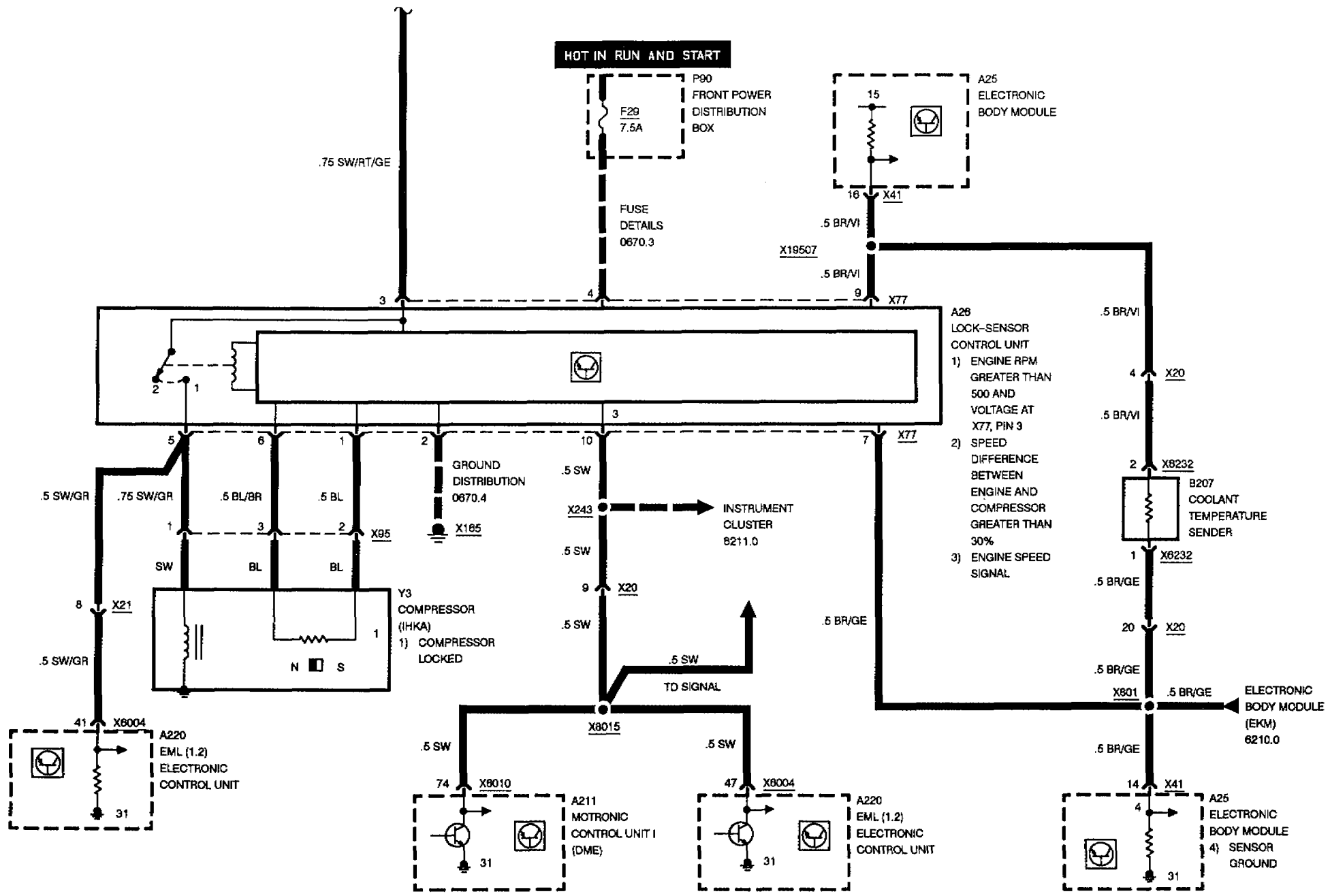




AUTOMATIC CLIMATE CONTROL (IHKA) COMPRESSOR CONTROLS

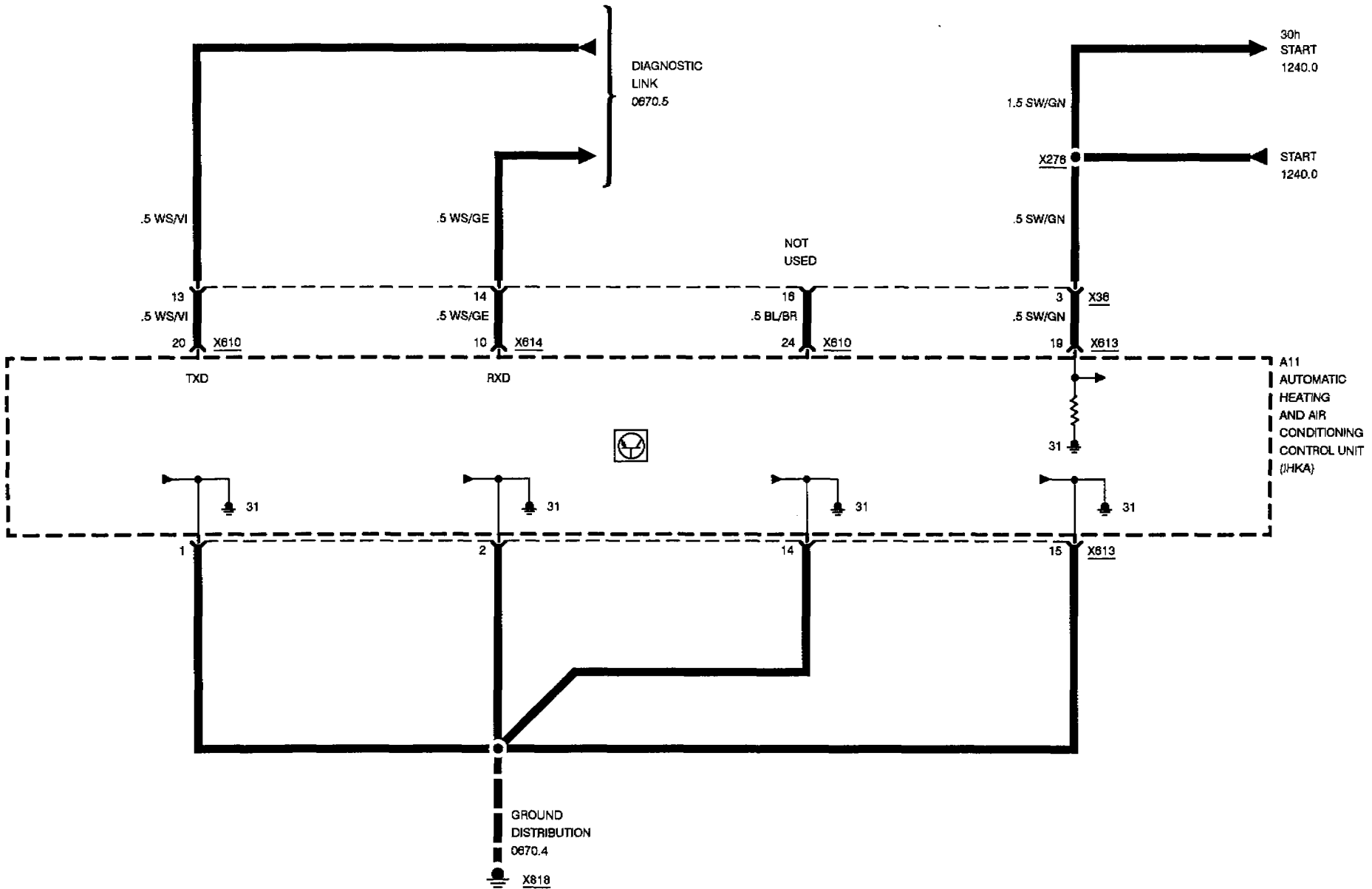


HOT IN RUN AND START





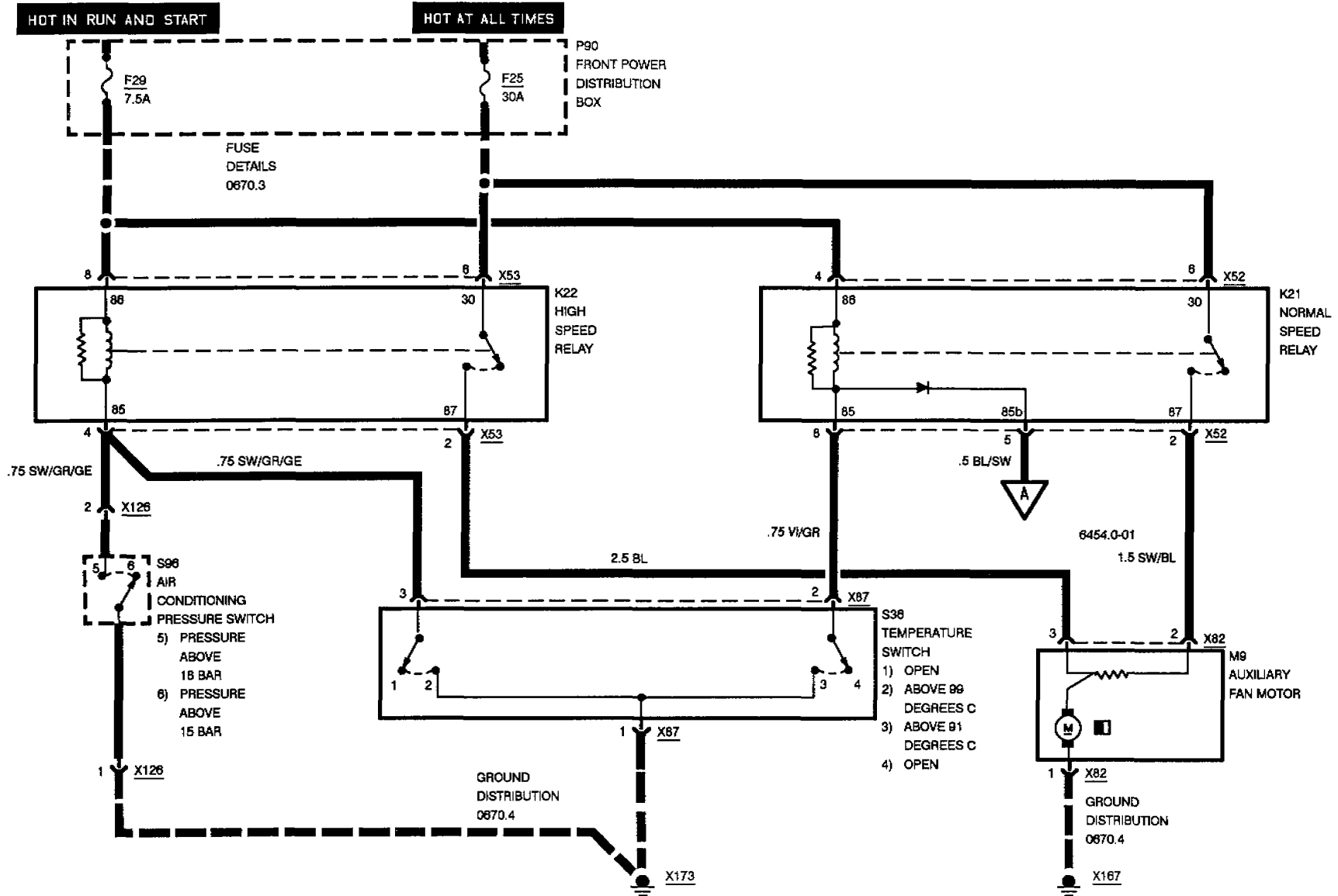
AUTOMATIC CLIMATE CONTROL (IHKA) DIAGNOSTIC LINK AND STARTER INPUT



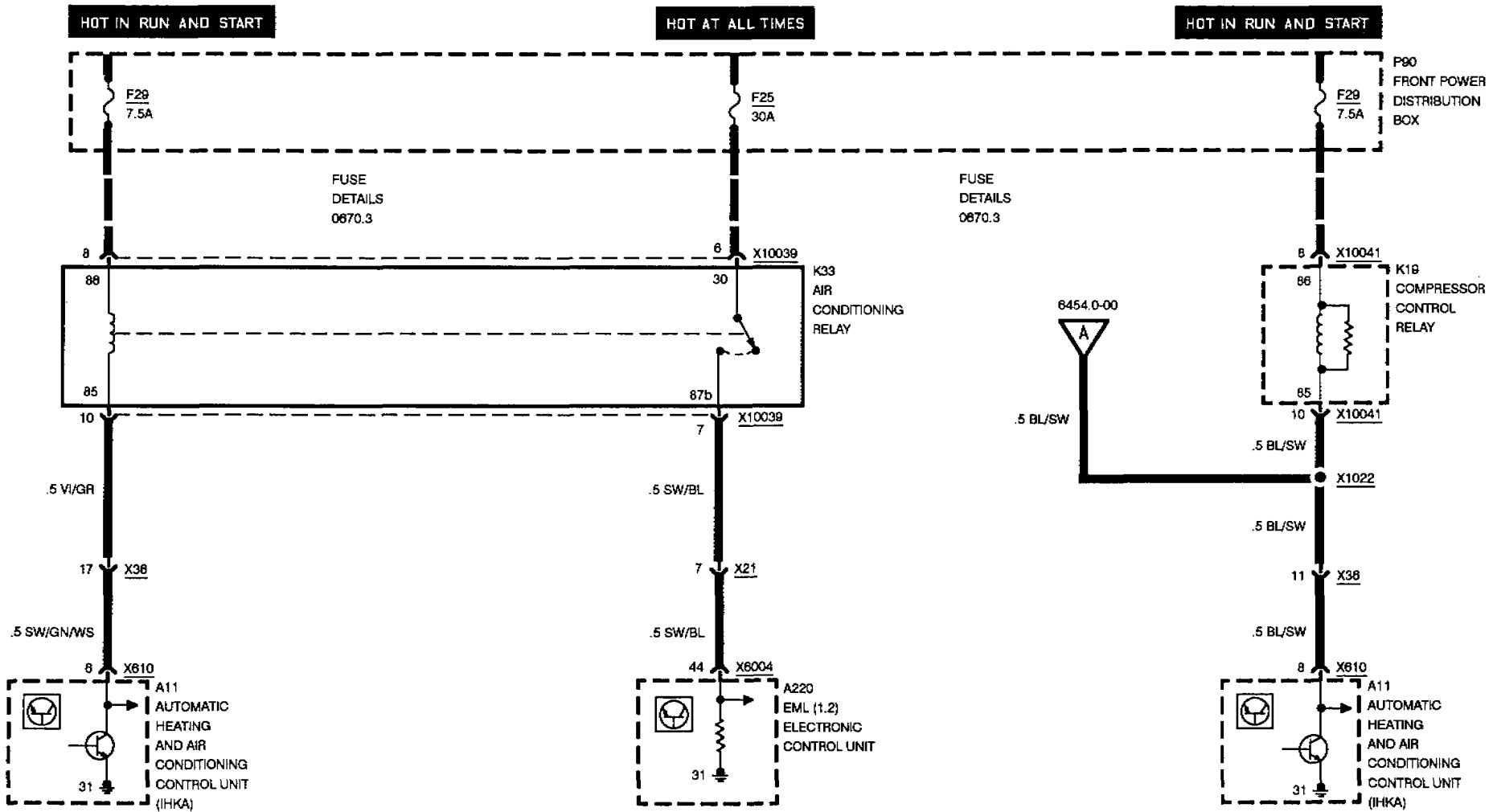




AUXILIARY FAN



BMW
8 **AUXILIARY FAN**





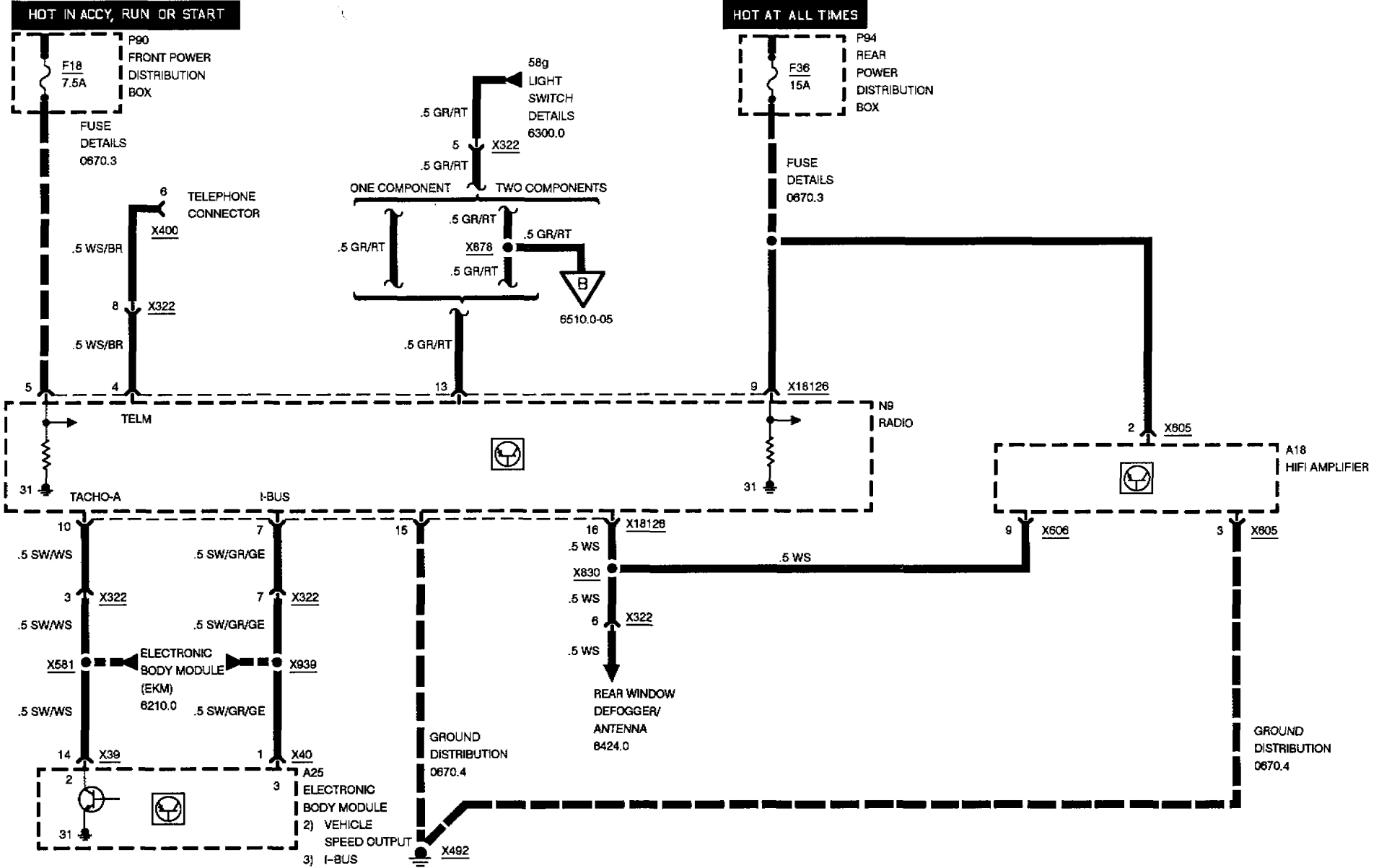


6510.0



RADIO/ CD PLAYER (PROVISIONS)

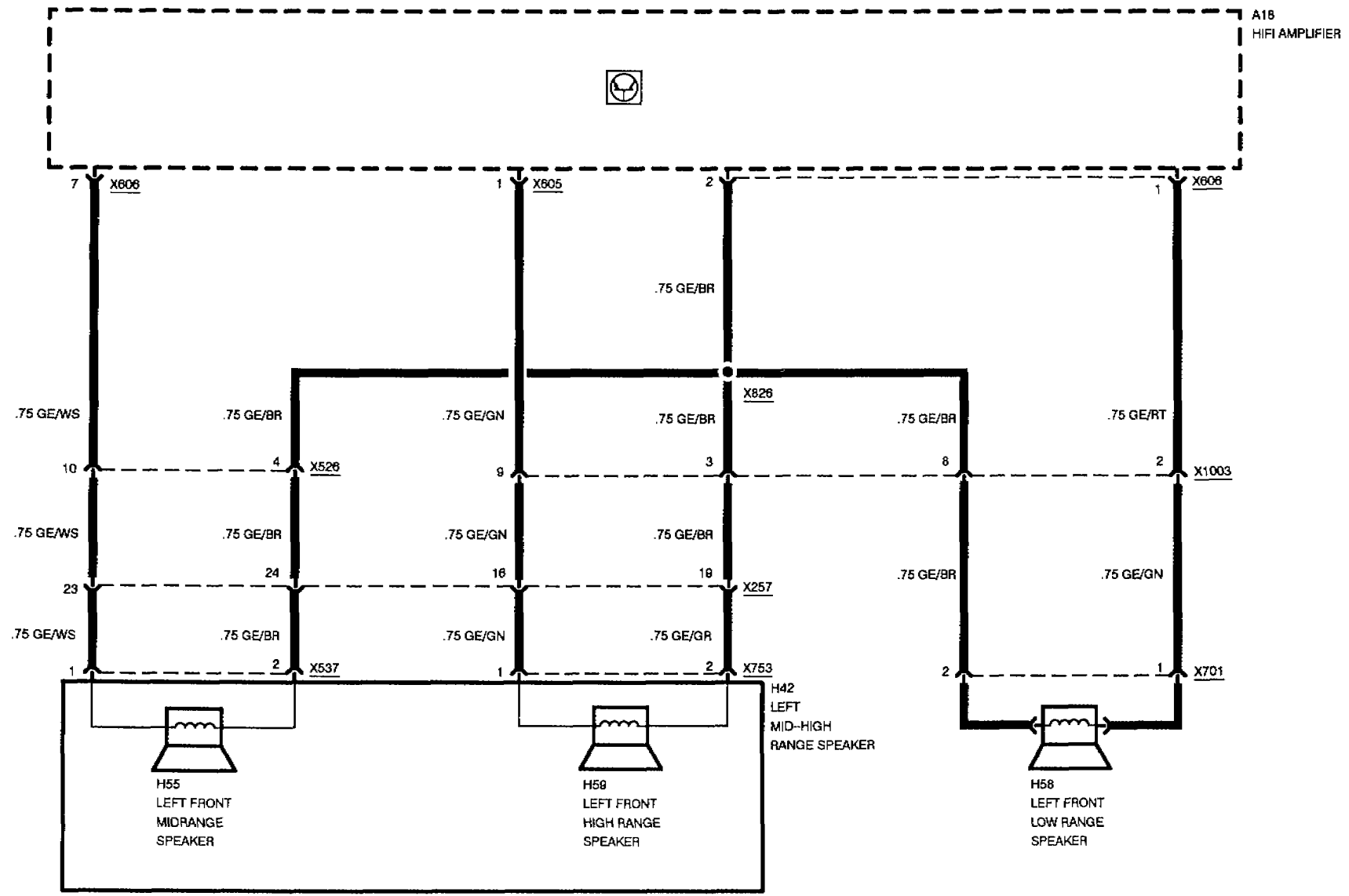
HIFI, TEN SPEAKER SYSTEM





RADIO/ CD PLAYER (PROVISIONS)

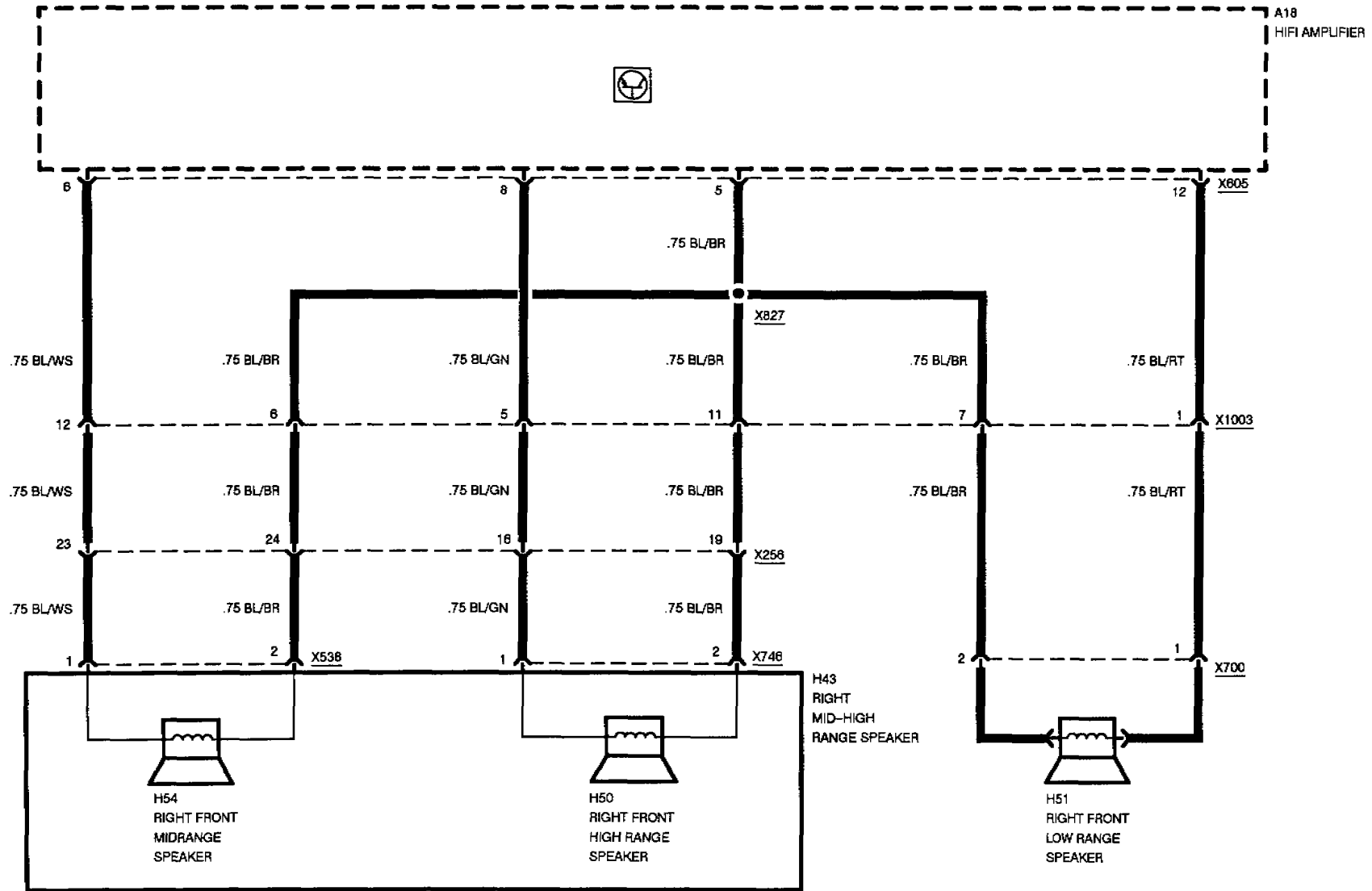
HIFI, TEN SPEAKER SYSTEM





RADIO/ CD PLAYER (PROVISIONS)

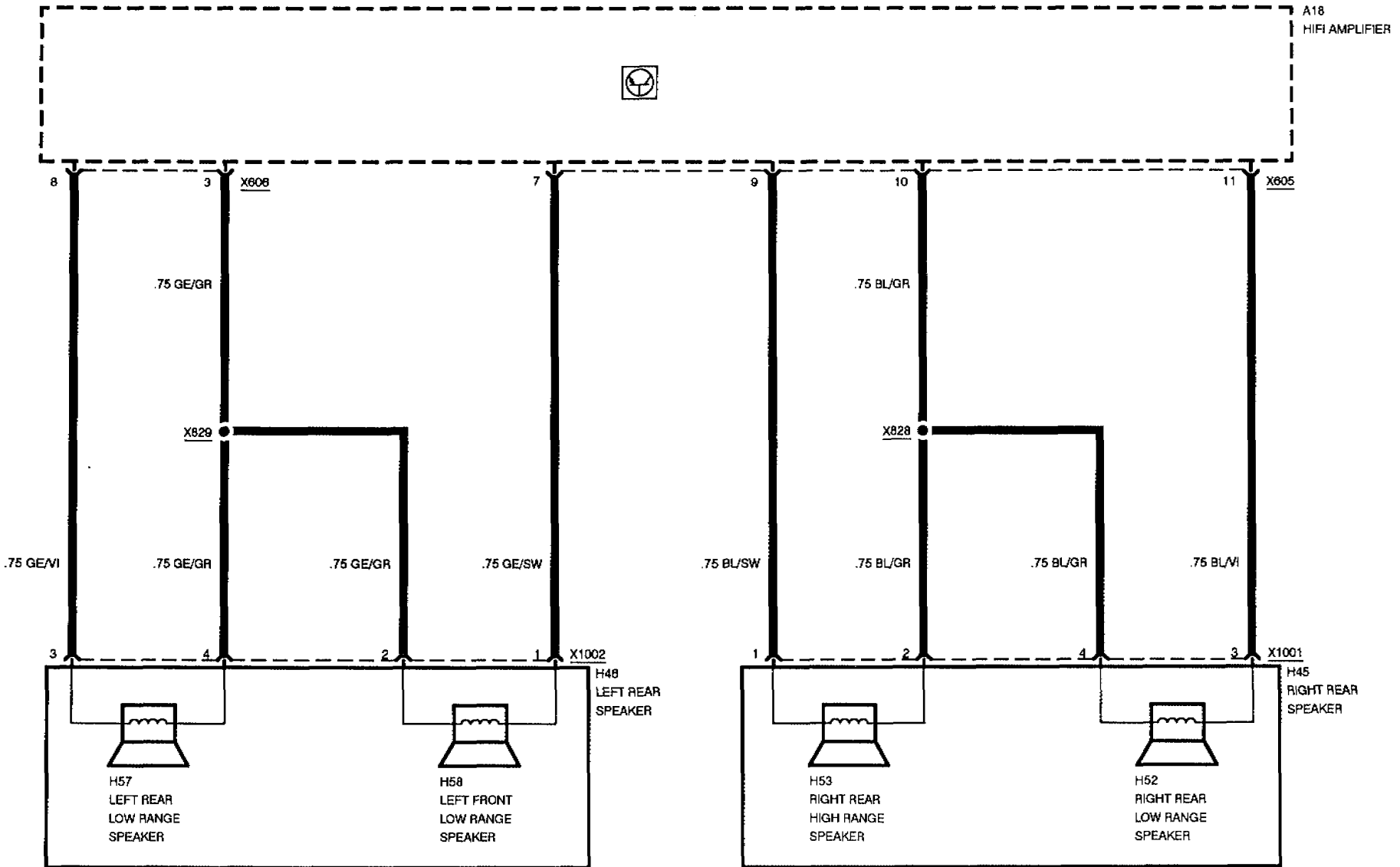
HIFI, TEN SPEAKER SYSTEM





RADIO/ CD PLAYER (PROVISIONS)

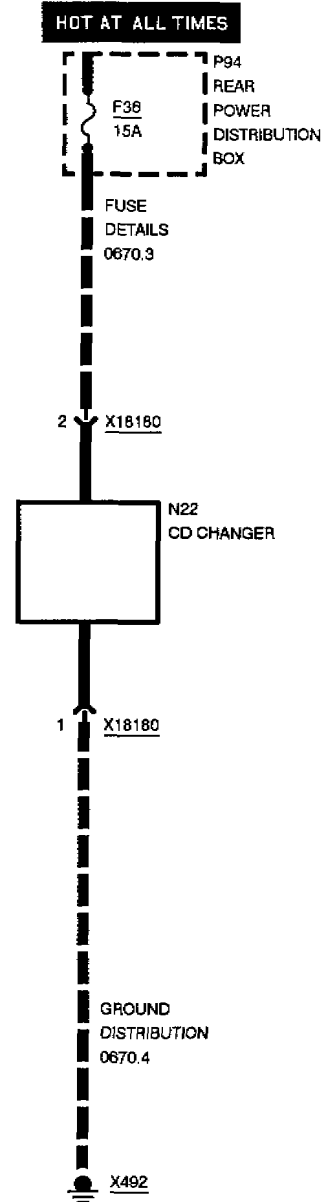
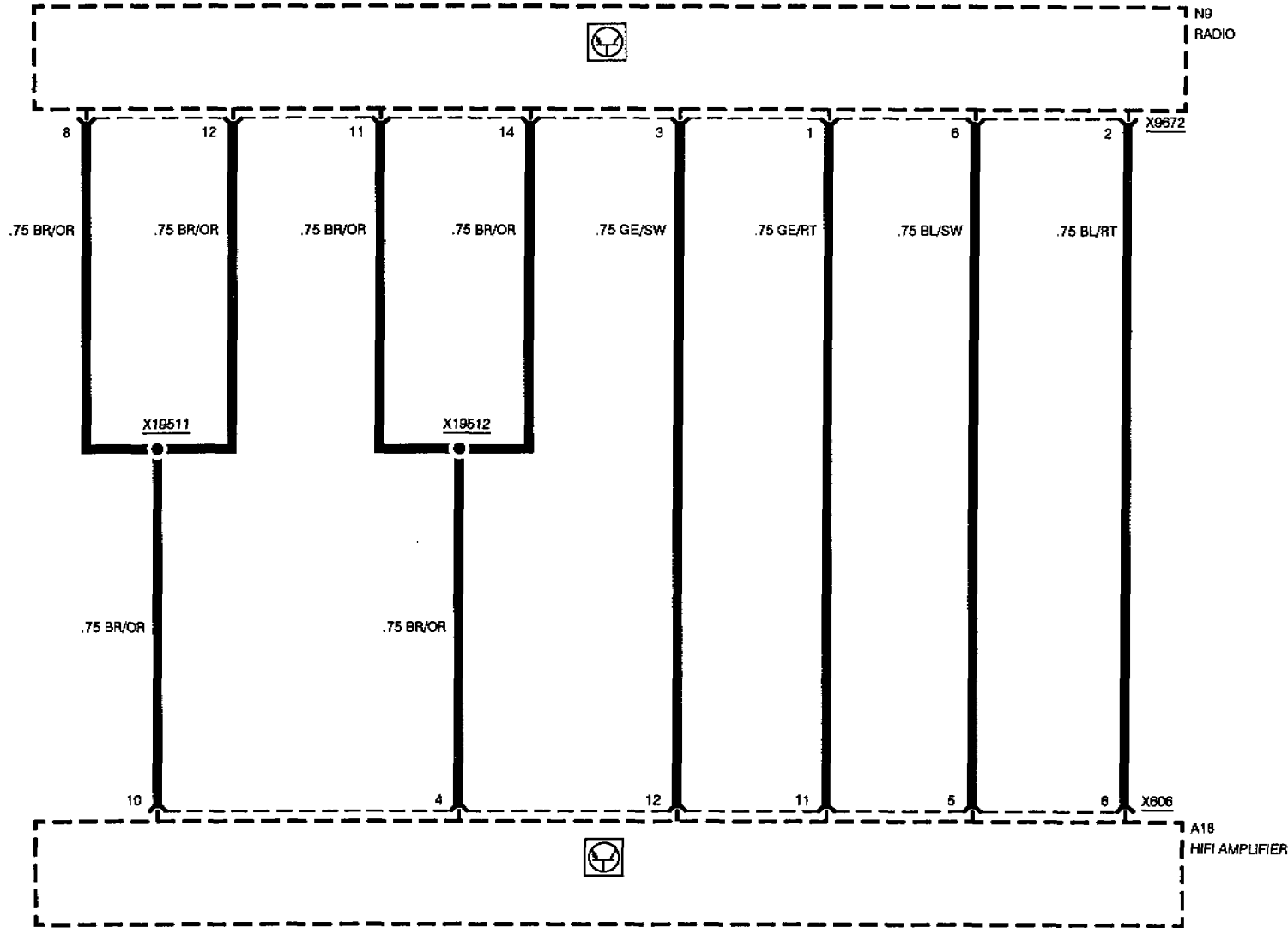
HIFI, TEN SPEAKER SYSTEM





RADIO/ CD PLAYER (PROVISIONS)

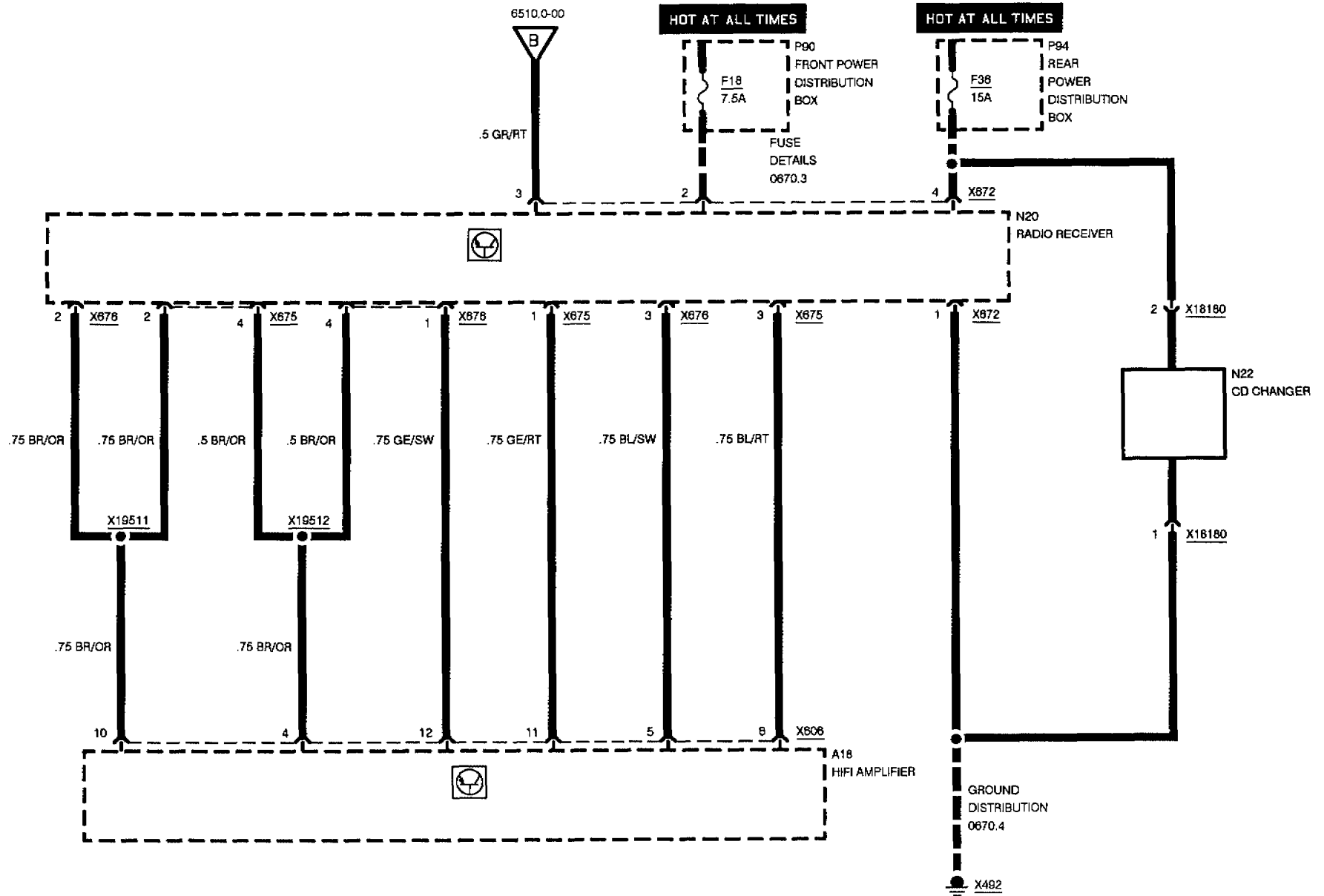
HIFI, 10-SPEAKER SYSTEM (ONE COMPONENT)





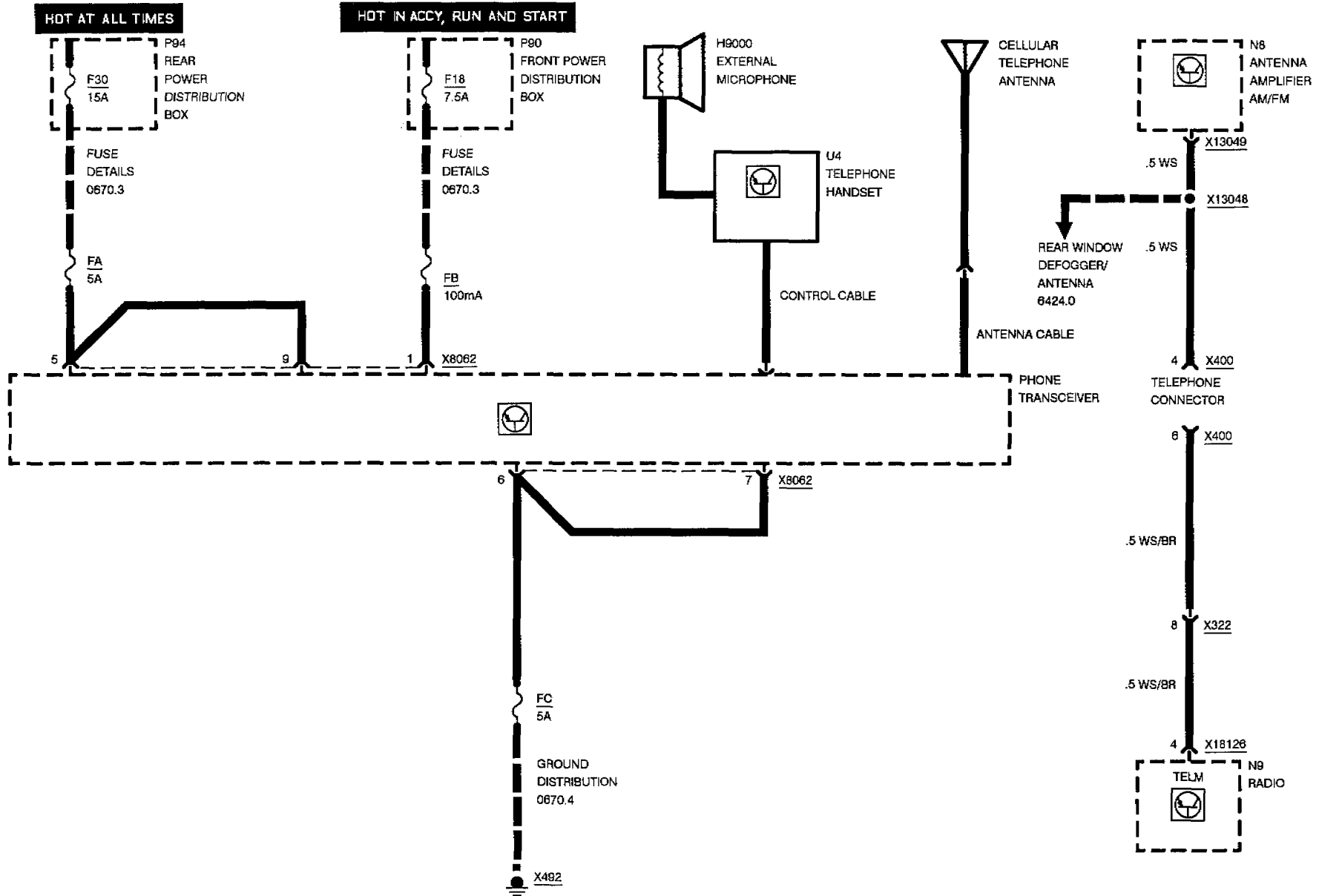
RADIO/ CD PLAYER (PROVISIONS)

HIFI, 10-SPEAKER SYSTEM (TWO COMPONENTS)



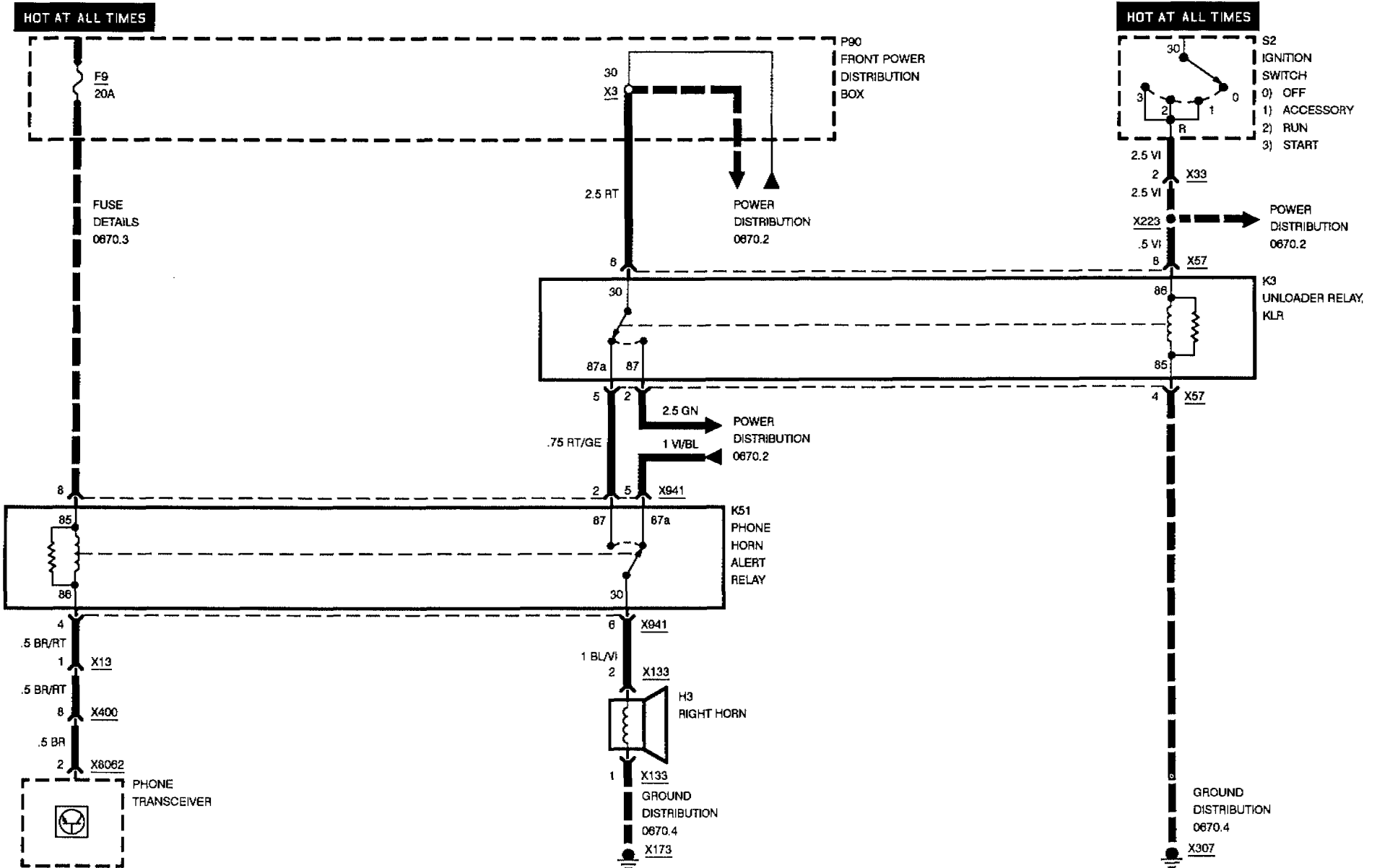


CELLULAR TELEPHONE (PROVISIONS)





CELLULAR TELEPHONE (PROVISIONS)





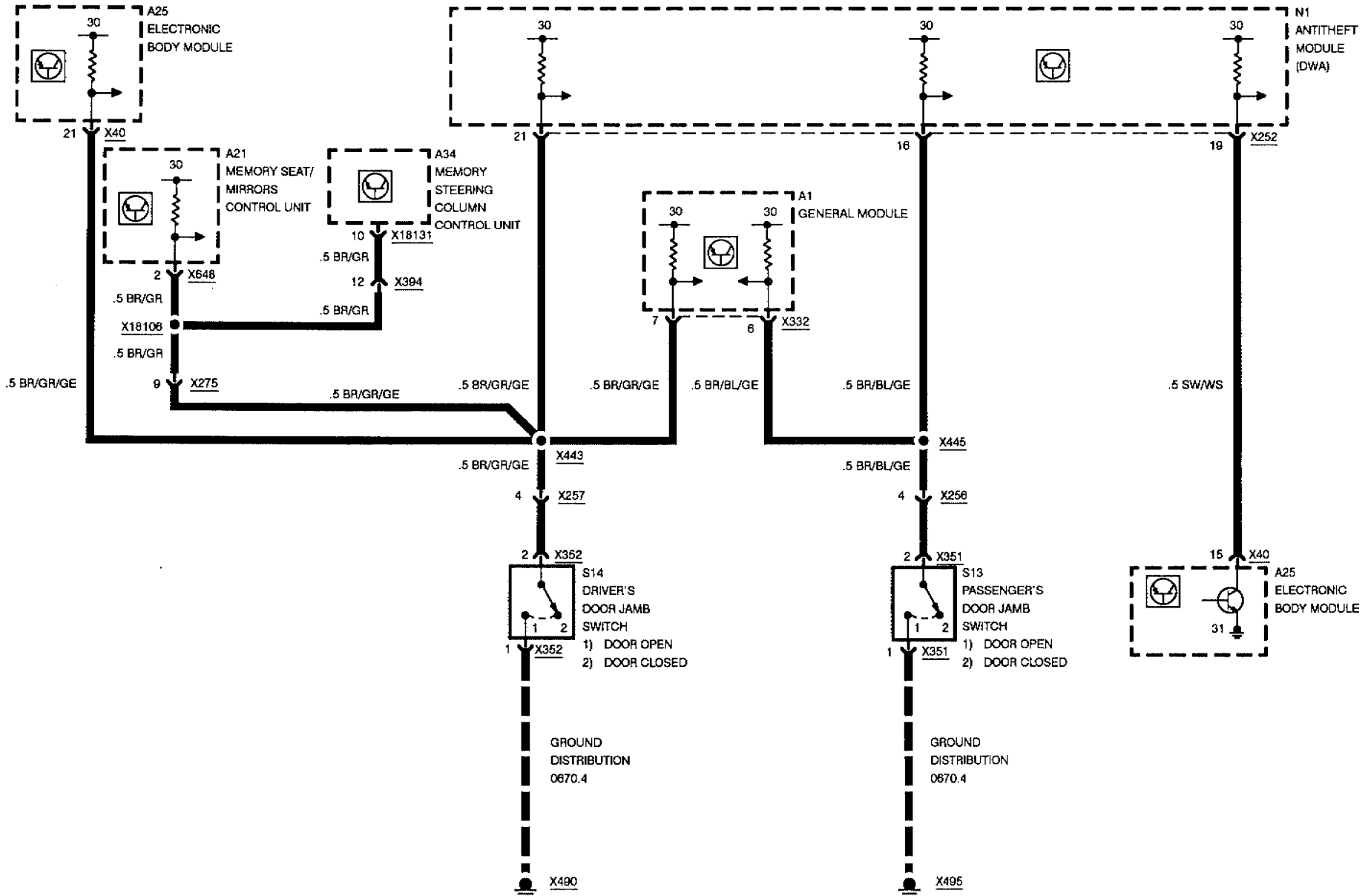
BMW
8

6575.1



ANTITHEFT SYSTEM III (DWA III)

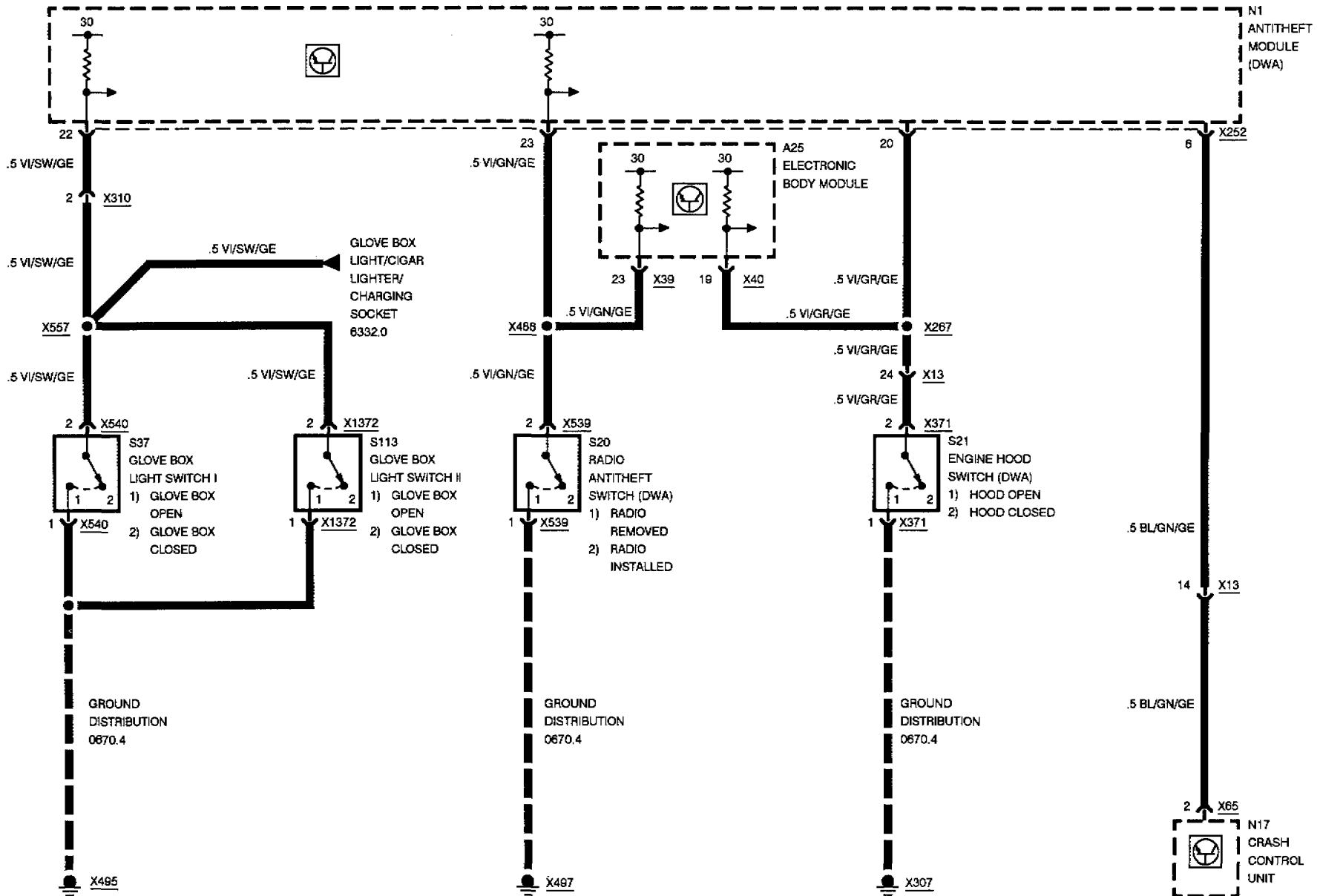
FRONT DOOR CONTACTS, CODING PLUG





ANTITHEFT SYSTEM III (DWA III)

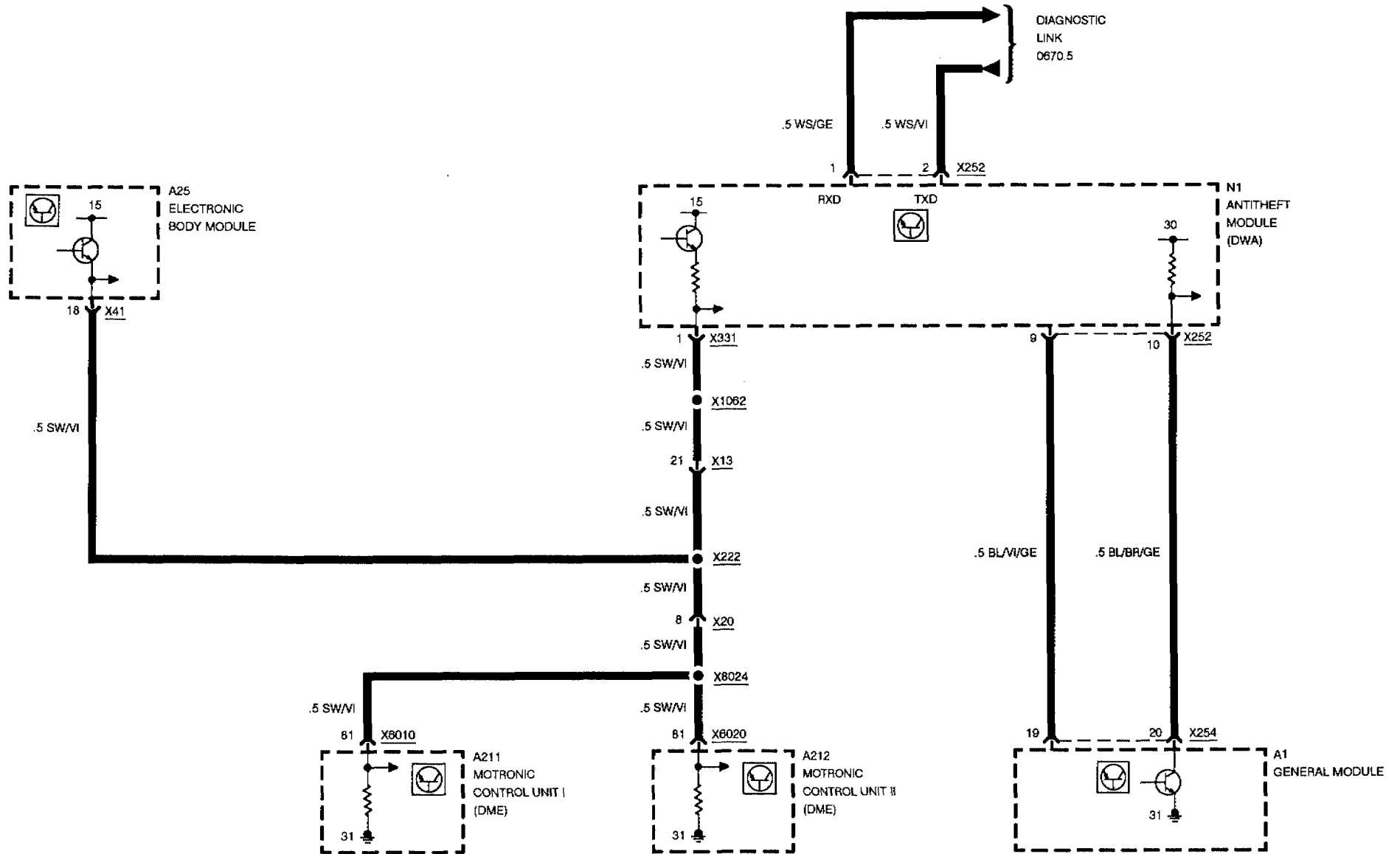
GLOVE BOX, RADIO, ENGINE HOOD INPUTS AND VISUAL ALARM





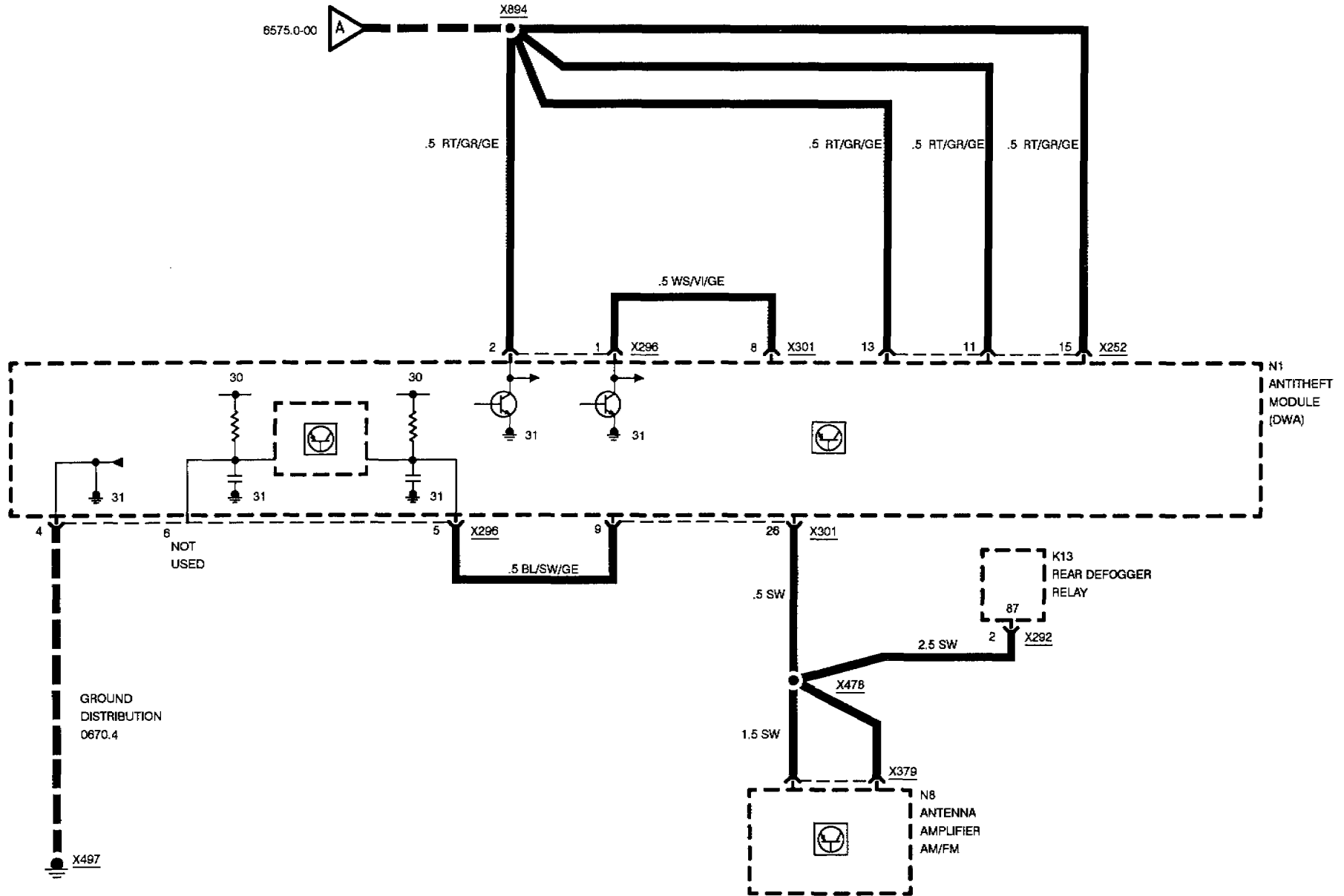
ANTITHEFT SYSTEM III (DWA III)

DIAGNOSTIC LINK, DRIVE AWAY PROTECTION, QZV



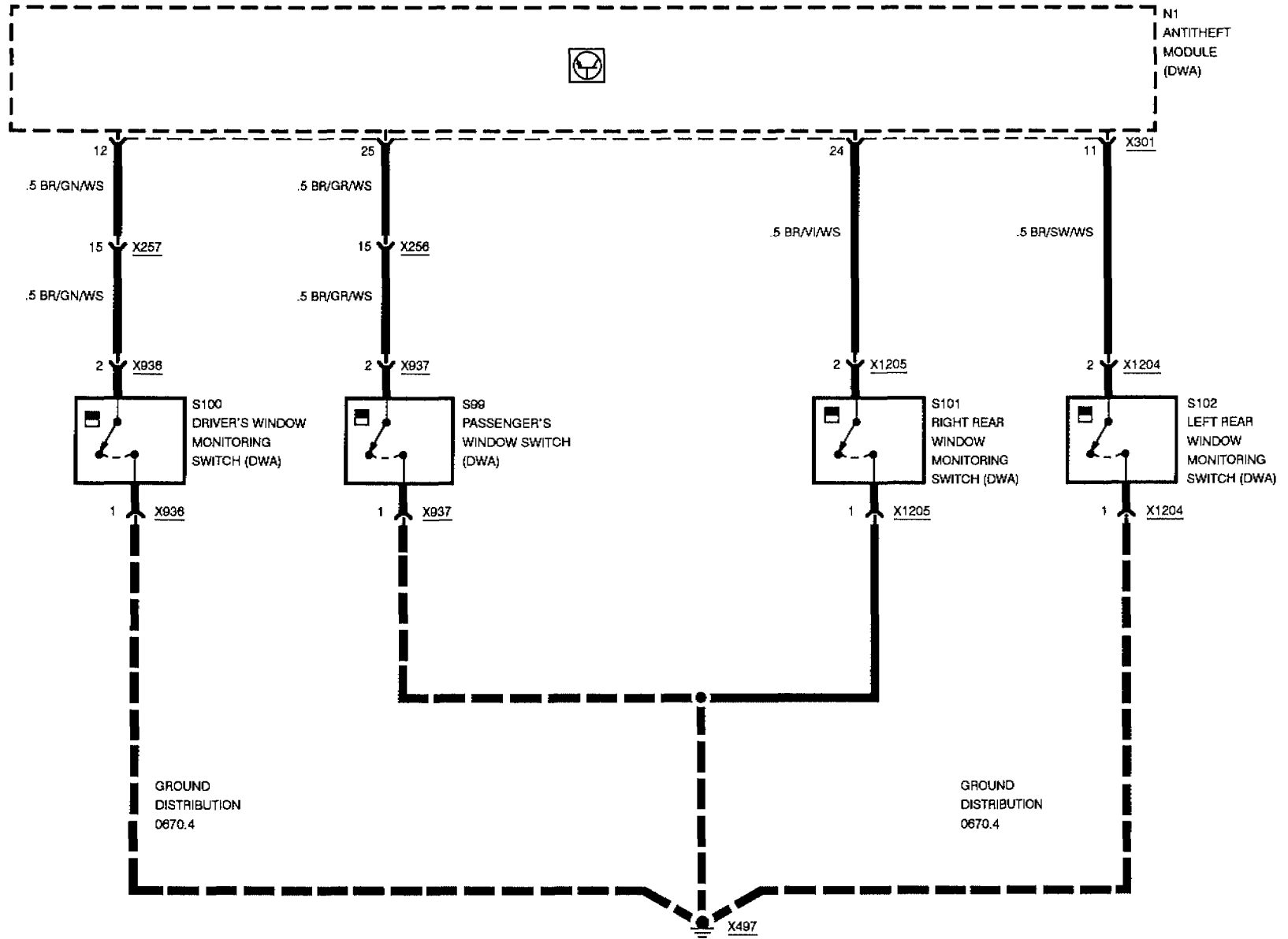


ANTITHEFT SYSTEM III (DWA III) GRADIENT MONITOR AND DATA LINK



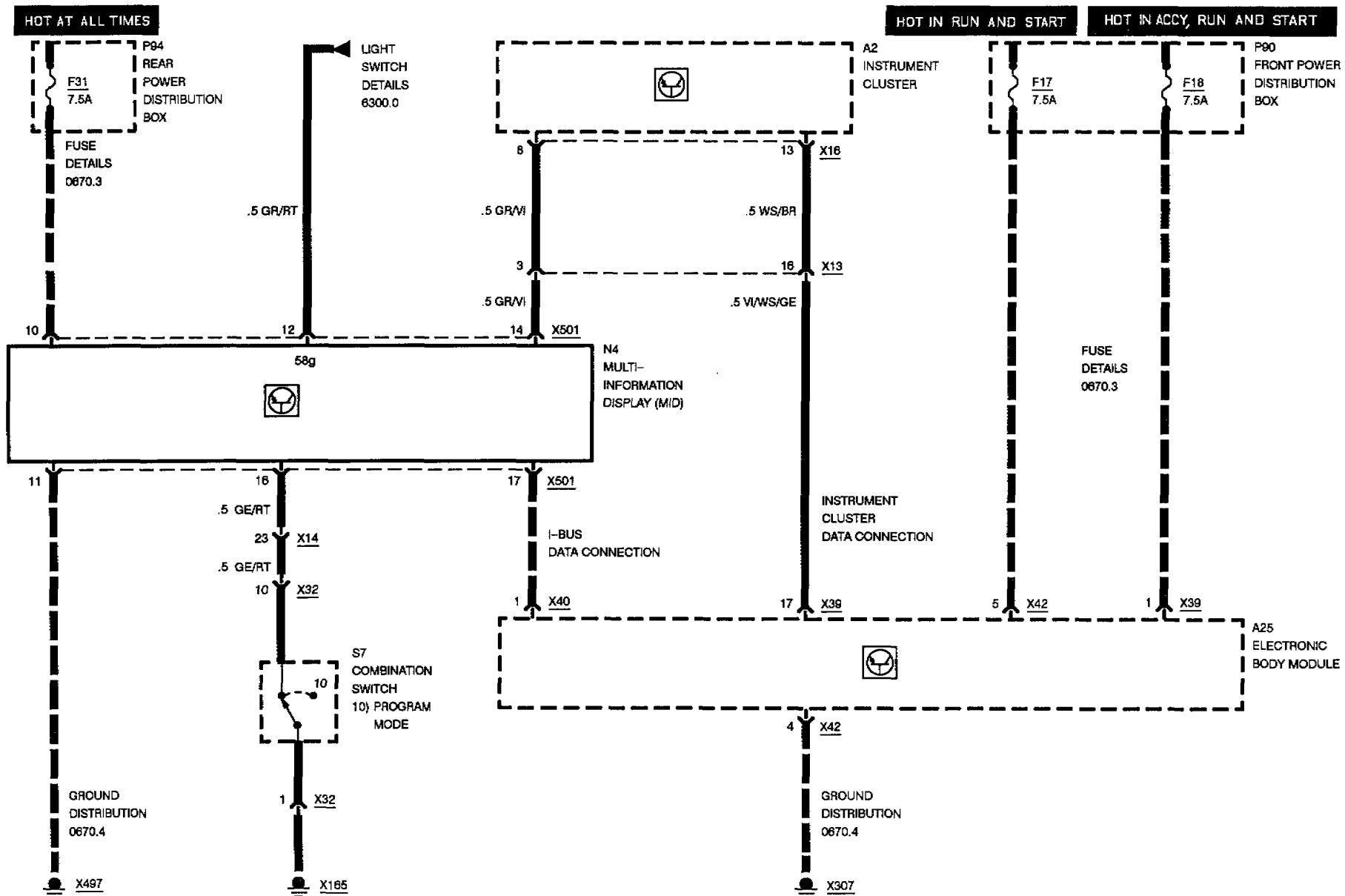


ANTITHEFT SYSTEM III (DWA III) FRONT AND REAR WINDOW SWITCHES





MULTI-INFORMATION DISPLAY (MID)



BMW
8

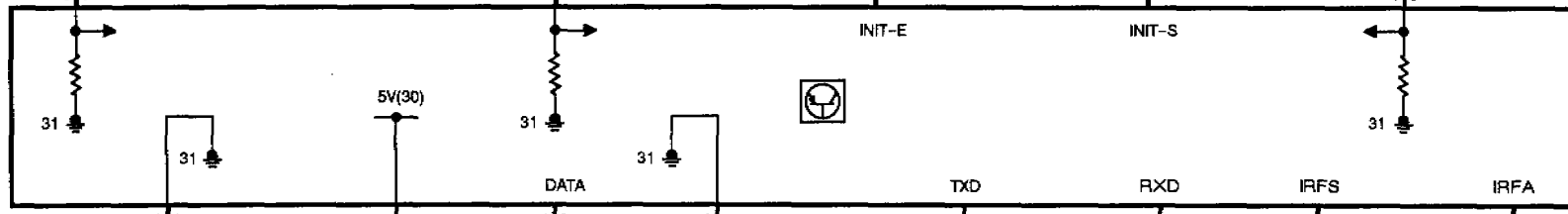
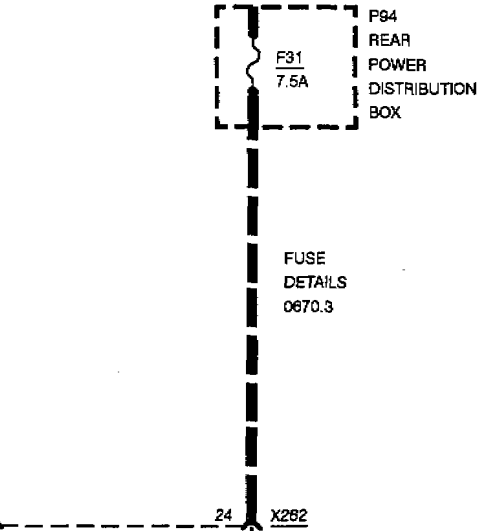
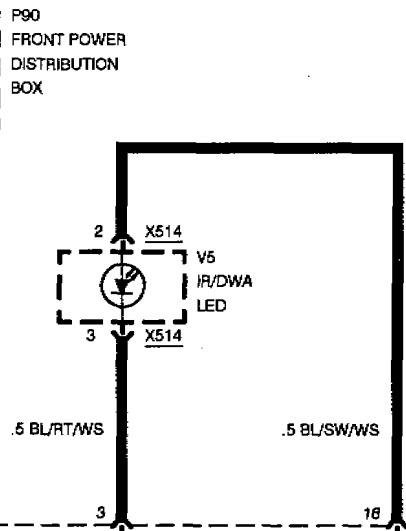
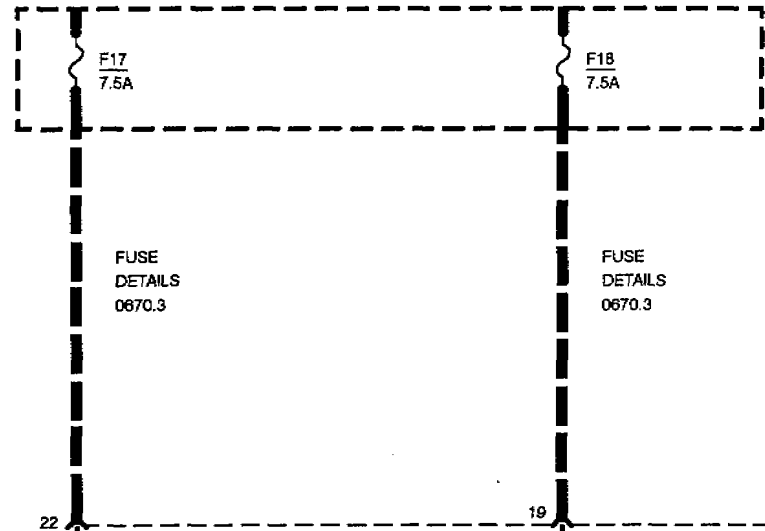
6581.0-01

INFRARED LOCKING (IRS)

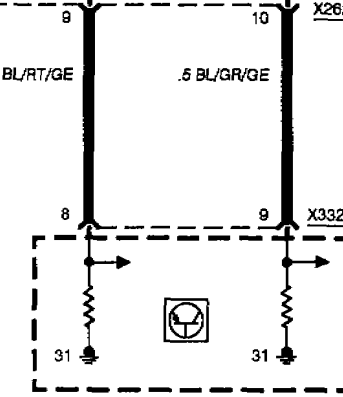
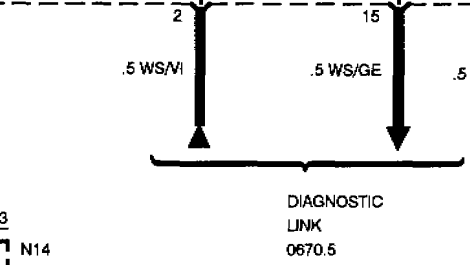
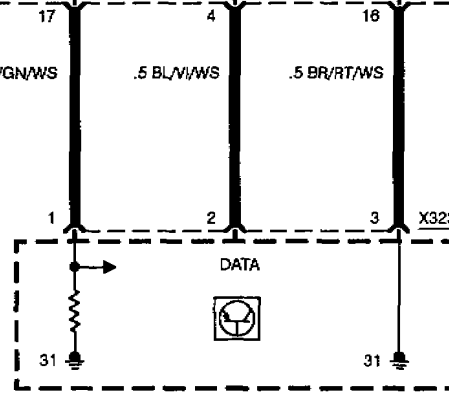
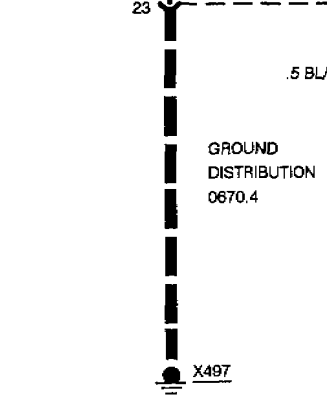
HOT IN RUN AND START

HOT IN ACCY, RUN AND START

HOT AT ALL TIMES



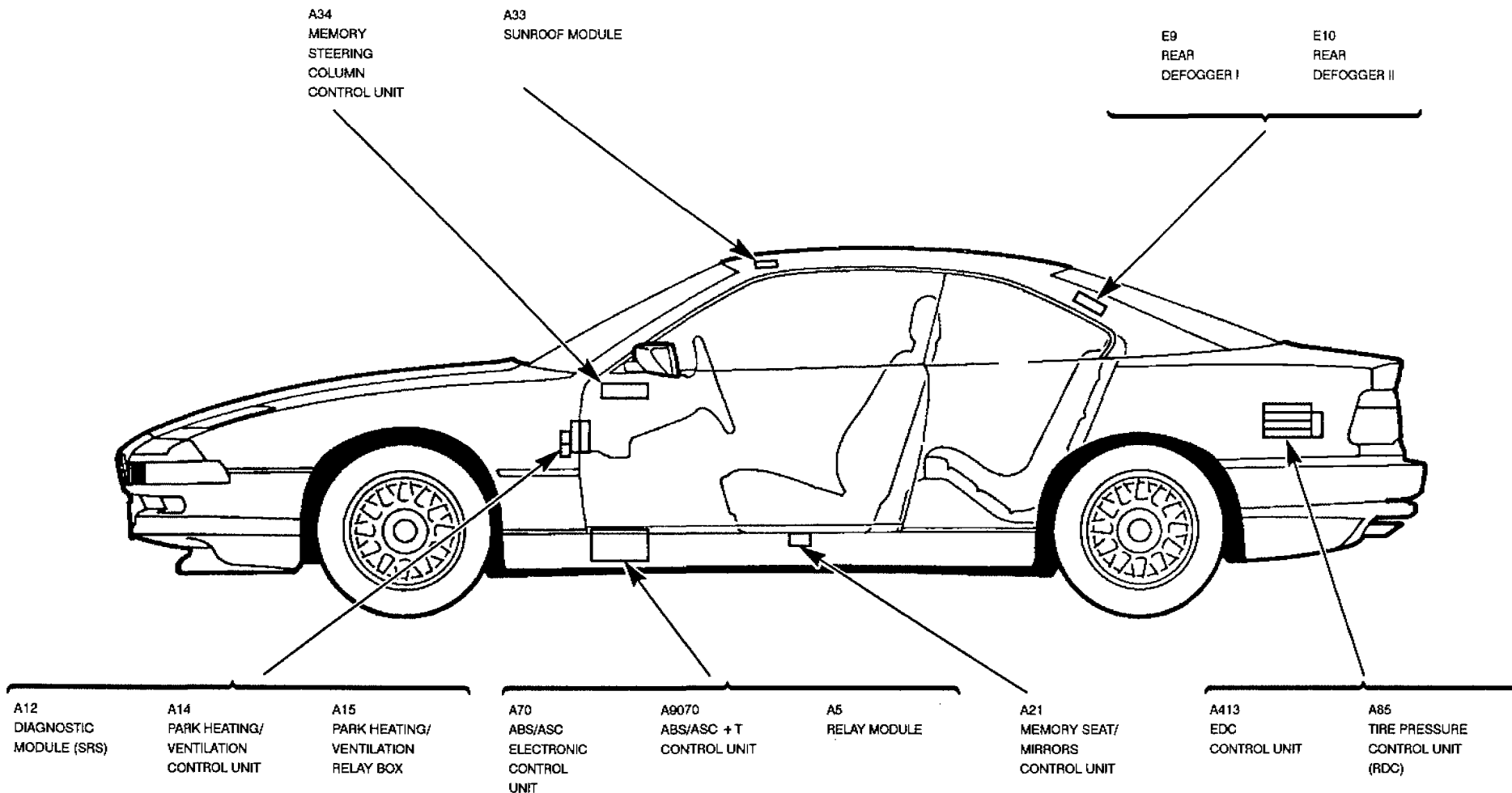
N13 INFRARED LOCKING CONTROL UNIT





COMPONENT LOCATION CHART

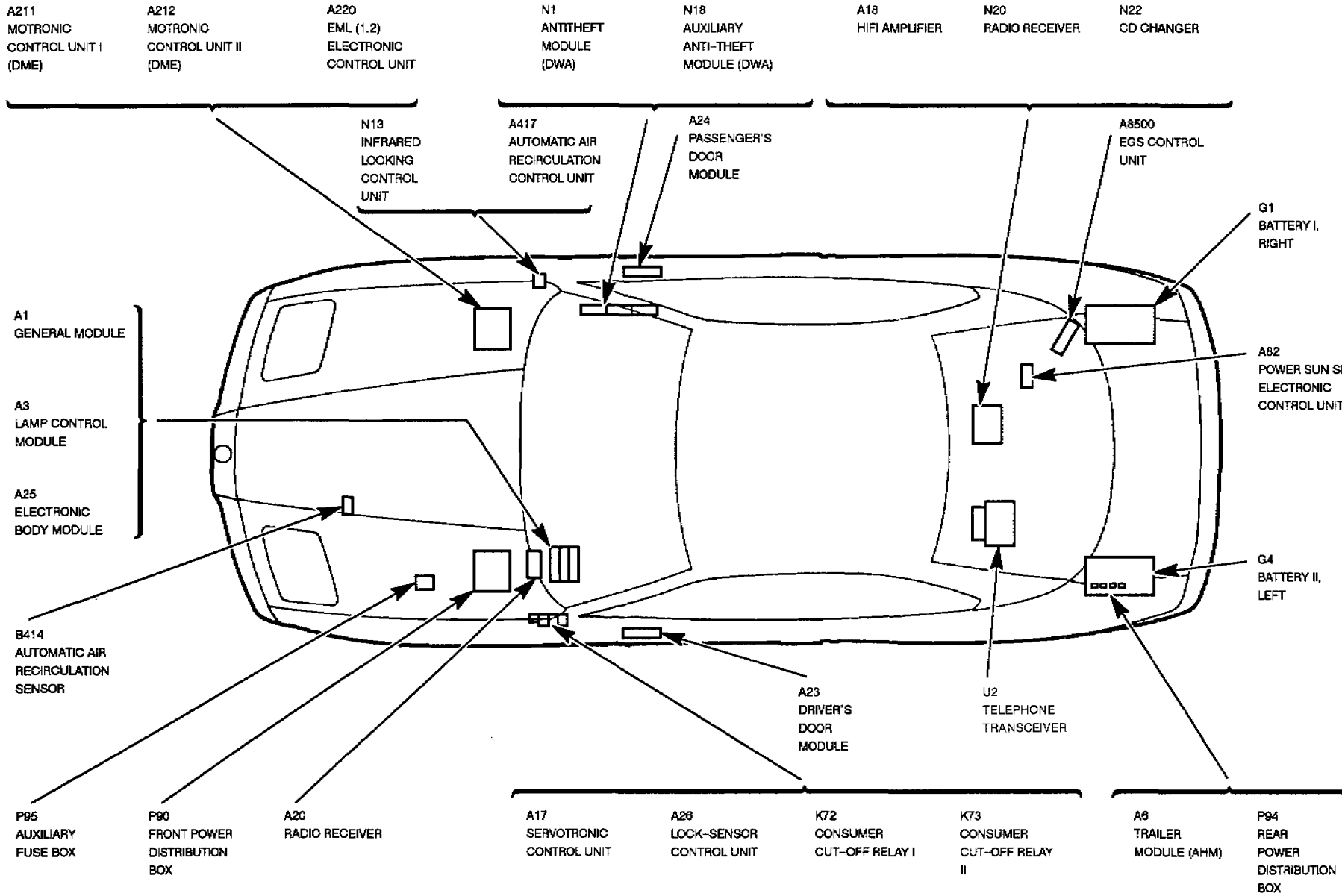
ELECTRONIC CONTROL UNIT LOCATIONS





COMPONENT LOCATION CHART

ELECTRONIC CONTROL UNIT LOCATIONS



BMW
8

09/90

7000.00

1991



COMPONENT LOCATION CHART

COMPONENT

PAGE-FIGURE
7100.0 8500.0

A1	GENERAL MODULE	Below LH side of dash	12-2
A3	LAMP CONTROL MODULE	Below LH side of dash	12-1
A5	RELAY MODULE	Inside box on interior side of LH door sill	10-3
A6	TRAILER MODULE (AHM)	In LH rear side of luggage compartment	26-2
A11	AUTOM. HEATING AND AIR CONDITIONING CONTROL UNIT (IHKA)	Between front footwells, ahead of IHKA Plenum	
A12	DIAGNOSTIC MODULE (SRS)	Below RH side of dash	15-2
A14	PARK HEATING/VENTILATION CONTROL UNIT	Below RH side of dash	15-2
A15	PARK HEATING/VENTILATION RELAY BOX	Below RH side of dash	15-2
A17	SERVOTRONIC CONTROL UNIT	Behind LH footwell speaker grill	11-3
A18	HIFI AMPLIFIER	In LH rear side of luggage compartment	29-2
A21	MEMORY SEAT/MIRRORS CONTROL UNIT	Underside of LH front seat	21-2
A23	DRIVER'S DOOR MODULE	In lower LH front door	18-1
A24	PASSENGER'S DOOR MODULE	In upper RH front door	
A25	ELECTRONIC BODY MODULE	Below LH side of dash	12-2
A26	LOCK-SENSOR CONTROL UNIT	Behind LH footwell speaker grill	11-3
A33	SUNROOF MODULE	Center of windshield header	17-1
A70	ABS/ASC ELECTRONIC CONTROL UNIT	LH side of LH footwell	10-2
A82	POWER SUN SHADE ELECTRONIC CONTROL UNIT	At back of rear window shelf	30-3
A85	TIRE PRESSURE CONTROL UNIT (RDC)	In LH rear side of luggage compartment	



COMPONENT LOCATION CHART

COMPONENT

PAGE-FIGURE
7100.0 8500.0

A211	..	MOTRONIC CONTROL UNIT I (DME)	Rear RH side of engine compartment, in E-Box	00-1
A212	..	MOTRONIC CONTROL UNIT II (DME)	Rear RH side of engine compartment, in E-Box	00-1
A220	..	EML (1.2) ELECTRONIC CONTROL UNIT	Rear RH side of engine compartment, in E-Box	00-1
A34	...	MEM. STEERING COLUMN CONTROL UNIT		Above multiinformation display	
A413	..	EDC CONTROL UNIT	In RH side of luggage compartment	27-3
A417	..	AUTOM. AIR RECIRCULATION CONTROL UNIT		Behind RH footwell speaker grill	14-1
A8500	..	EGS CONTROL UNIT	In RH rear side of luggage compartment	27-1
A8500	..	EGS CONTROL UNIT	In RH rear side of luggage compartment	27-2
A8500	..	EGS CONTROL UNIT	In RH rear side of luggage compartment	28-3
A9070	..	ABS/ASC + T CONTROL UNIT	LH side of LH footwell	10-2
B4	LEFT REAR SPEED SENSOR	Behind LH rear wheel	22-3
B11	...	LEFT HEAT EXCHANGER TEMP. SENSOR	Below LH side of dash, LH side of IHKA Plenum	13-3
B12	...	RIGHT HEAT EXCHANGER TEMP. SENSOR	..	LH side of RH footwell		
B14	...	EVAPORATOR TEMPERATURE SENSOR	RH side of LH footwell, LH side of IHKA Plenum		
B15	...	ELECTRO- HYDRAULIC CONVERTER (SERVOTRONIC)	Under LH front of car		
B16	...	LEFT FRONT BRAKE PAD SENSOR	On LH front wheel, above brake caliper	22-1
B17	...	RIGHT REAR BRAKE PAD SENSOR	Behind RH rear wheel, on caliper		
B18	...	BRAKE FLUID LEVEL SWITCH	Rear LH side of engine compartment	05-2
B19	...	BRAKE PRESSURE REGULATING SWITCH	Rear LH side of engine compartment	05-2



COMPONENT LOCATION CHART

COMPONENT

PAGE-FIGURE
7100.0 8500.0

B20	... BRAKE PRESSURE SWITCH	... Rear LH side of engine compartment	... 05-2
B25	... FUEL LEVEL SENSOR II	... Under LH rear seat	... 17-2
B28	... GRADIENT MONITOR (DWA)	... In LH rear side of luggage compartment	... 26-2
B40	... STEERING ANGLE SENDER	... LH footwell, under footrest	
B48	... RIGHT REAR ACCELERATION SENSOR	... In RH rear side of luggage compartment	... 27-1
B49	... LONGITUDINAL ACCELERATION SENSOR	... In LH forward side of luggage compartment	... 25-3
B6	... FUEL LEVEL SENSOR I	... Under RH rear seat	
B201	... CYLINDER IDENTIFICATION SENSOR	... Near distributor	
B206	... OIL PRESSURE SWITCH	... LH side of engine compartment	... 08-1
B207	... COOLANT TEMP. SENDER	... On coolant inlet	
B209	... WATER TEMP. SENSOR	... On coolant inlet	
B210	... TEMPERATURE SWITCH	... Rear RH side of engine compartment, in E-Box	
B21	... TEMPERATURE SENSOR	... Front LH side of engine compartment	
B220	... CYLINDER IDENTIFICATION SENSOR I	... Front of engine compartment	... 09-1
B221	... CYLINDER IDENTIFICATION SENSOR II	... Front of engine compartment	... 09-1
B222	... ENGINE SPEED SENSOR I	... Front of engine compartment	... 09-1
B223	... ENGINE SPEED SENSOR II	... Front of engine compartment	... 09-1
B224	... ENGINE INTAKE AIR TEMP. SENSOR I	... On coolant inlet	
B225	... ENGINE INTAKE AIR TEMP. SENSOR II	... Rear of engine	
B226	... AIR MASS METER I	... Front LH side of engine compartment	... 05-3



COMPONENT LOCATION CHART

COMPONENT

PAGE-FIGURE
7100.0 8500.0

B227	..	AIR MASS METER II	Front RH side of engine compartment	02-2
B228	..	WATER TEMPERATURE SENSOR (DME)	On coolant inlet		
B301	..	OXYGEN SENSOR I	On catalytic converter		
B302	..	OXYGEN SENSOR II	On catalytic converter		
B414	..	AUTOMATIC AIR RECIRCULATION SENSOR	..	Front LH side of engine compartment		
B900	..	JUMPER PLUG	In Front Power Distribution Box	02-3
C100	..	CONTACT RING	Top of steering column		
C900	..	SUPPRESSION FILTER	In upper RH C-pillar	20-3
C900	..	FM AMPLIFIER/SUPPRESSION FILTER	In upper RH C-pillar		
D100	..	DIAGNOSTIC CONNECTOR	Front RH side of engine compartment	02-2
E20	...	UNDERHOOD LIGHT	On underside of engine hood	09-3
E50	...	PARK HEATING UNIT	Rear RH side of engine compartment	01-1
E51	...	LEFT WASHER JET HEATER	On underside of engine hood	09-3
E52	...	RIGHT WASHER JET HEATER	On underside of engine hood		
E9047	..	RIGHT LIGHT BAND	RH front of vehicle	08-3
F0	FUSIBLE LINK (80 A)	In RH side of luggage compartment	27-2
F99	...	FUSIBLE LINK (50A)	In RH side of luggage compartment	27-2
G4	BATTERY II, LEFT	In LH rear side of luggage compartment	26-1
G4	BATTERY II, LEFT	In LH rear side of luggage compartment	26-2
G1	BATTERY I, RIGHT	In RH side of luggage compartment		



COMPONENT LOCATION CHART

COMPONENT

PAGE-FIGURE
7100.0 8500.0

H1	ANTITHEFT HORN	Behind RH fresh air cowf	10-1
H10	...	ACOUSTIC DEVICE	Below RH side of dash		
K1	STARTER RELAY	In Front Power Distribution Box	02-3
K2	HORN RELAY	In Front Power Distribution Box	03-3
K3	UNLOADER RELAY, KLR	In Front Power Distribution Box	02-3
K4	BLOWER RELAY	In Front Power Distribution Box	02-3
K5	WASHER PUMP RELAY	In Front Power Distribution Box	03-3
K9	UNLOADER RELAY, KL15	In Front Power Distribution Box	03-2
K10	...	ABS RELAY	In Front Power Distribution Box	03-1
K12	...	WIPER PRESSURE CONTROL (ADV) RELAY	In Front Power Distribution Box	03-1
K13	...	REAR DEFOGGER RELAY	Rear power distribution box, In LH side of luggage compartment	25-1
K14	...	AUXILIARY BATTERY RELAY	In luggage compartment		
K15	...	ELECTRIC POWER PROTECTION RELAY	Rear power distribution box, In LH side of luggage compartment	25-2
K16	...	HAZARD FLASHER RELAY	In Front Power Distribution Box	03-2
K19	...	COMPRESSOR CONTROL RELAY	In Front Power Distribution Box	03-3
K21	...	NORMAL SPEED RELAY	In Front Power Distribution Box	03-2
K22	...	HIGH SPEED RELAY	In Front Power Distribution Box	03-1
K29	...	INTERIOR LIGHT RELAY	Behind LH footwell speaker grill	11-3
K30	...	ELECTRIC POWER PROTECTION RELAY II	...	Rear power distribution box, In LH side of luggage compartment	25-1
K31	...	CIGAR LIGHTER RELAY	Rear power distribution box, In LH side of luggage compartment	25-1



COMPONENT LOCATION CHART

COMPONENT

PAGE-FIGURE
7100.0 8500.0

K33	...	AIR CONDITIONING RELAY	In Front Power Distribution Box	03-3
K36	...	WIPER RELAY I	In Front Power Distribution Box	02-3
K37	...	WIPER RELAY II	In Front Power Distribution Box	02-3
K38	...	WIPER RELAY III	In Front Power Distribution Box	02-3
K39	...	CONCEALING HEADLIGHTS RELAY	In Front Power Distribution Box	03-2
K42	...	INTENSIVE WASH RELAY	In Front Power Distribution Box	03-3
K46	...	HIGH BEAM LIGHT RELAY	In Front Power Distribution Box	03-1
K51	...	JUMPER FOR HORN, TELEPHONE	In Front Power Distribution Box	03-1
K59	...	PASSENGER SIDE REAR ENTRANCE ASSIST RELAY		Under RH front seat		
K60	...	COMPRESSOR CUT-OFF RELAY	In Front Power Distribution Box	03-3
K61	...	UNLOADER RELAY, KL61	In Front Power Distribution Box	03-3
K67	...	EDC RELAY	In RH side of luggage compartment	27-3
K70	...	CENTRAL TRUNK LID MOTOR RELAY	Rear power distribution box, In LH side of luggage compartment	25-2
K71	...	PASSENGER'S SEATBACK/LUMBAR RELAY I		Under RH front seat		
K72	...	CONSUMER CUT-OFF RELAY I	Rear power distribution box, In LH side of luggage compartment	25-2
K73	...	CONSUMER CUT-OFF RELAY II	Rear power distribution box, In LH side of luggage compartment	25-1
K74	...	DRIVER'S BACKREST/LUMBAR RELAY I	Under LH front seat		
K76	...	DRIVER'S BACKREST/LUMBAR RELAY II	Under LH front seat		
K77	...	PASSENGER'S BACKREST/LUMBAR RELAY II		Under RH front seat		



COMPONENT LOCATION CHART

COMPONENT

PAGE-FIGURE
7100.0 8500.0

K79 ...	NORWAY FOGLIGHT RELAY	Rear power distribution box, In LH side of luggage compartment	25-1
K8 ...	AUXILIARY WATER PUMP RELAY	In Front Power Distribution Box	
K91 ...	ON-BOARD COMPUTER HORN RELAY	Inside box on interior side of RH door sill	
K210 ..	FUEL PUMP RELAY I	Rear RH side of engine compartment, in E-Box	00-2
K211 ..	FUEL PUMP RELAY II	Rear RH side of engine compartment, in E-Box	00-2
K212 ..	MAIN RELAY I	Rear RH side of engine compartment, in E-Box	00-2
K213 ..	MAIN RELAY II	Rear RH side of engine compartment, in E-Box	00-2
K214 ..	OXYGEN SENSOR RELAY	Rear RH side of engine compartment, in E-Box	00-2
K52 ...	HIGH BEAM/FLASHER LIGHT RELAY	In Front Power Distribution Box	
K9051 .	JUMPER FOR HORN TELEPHONE	In Front Power Distribution Box	
M3	WIPER MOTOR	Behind LH fresh air cowl	
M4	WASHER PUMP	RH side of engine compartment	01-2
M5	INTENSIVE WASH PUMP	Front RH side of engine compartment, near windshield washer reservoir	
M9	AUXILIARY FAN MOTOR	Behind front grille	
M12 ...	DRIVER'S DOOR LOCK MOTOR	In lower LH front door	19-1
M13 ...	PASSENGER'S DOOR LOCK MOTOR	In upper RH front door	
M16 ...	GAS FILLER LOCK MOTOR	In RH rear side of luggage compartment	28-3
M24 ...	SUNROOF MOTOR	Center of windshield header	17-1
M30 ...	BLOWER MOTOR	Behind center of cowl, behind coolant expansion tank support panel	
M31 ...	LEFT FOOTWELL FLAP MOTOR	Below LH side of dash, on LH side of IHKA Plenum	



COMPONENT LOCATION CHART

COMPONENT

PAGE-FIGURE
7100.0 8500.0

M32 ...	RIGHT FOOTWELL FLAP MOTOR	LH side of RH footwell	
M33 ...	RIGHT VENTILATION FLAP MOTOR	LH side of RH footwell	
M34 ...	DASH VENT MIXING FLAP MOTOR	LH side of glove box	15-3
M34 ...	DASH VENT MIXING FLAP MOTOR	Center of dash, right of radio	
M35 ...	DEFROSTER FLAP MOTOR	LH side of IHKA Plenum	
M36 ...	FRESH AIR FLAP MOTOR	LH side of IHKA Plenum	
M38 ...	LEFT VENTILATION FLAP MOTOR	Below LH side of dash	
M39 ...	LEFT MIXING FLAP MOTOR	Center of dash, left of radio	
M40 ...	FOOTWELL FLAP MOTOR	Below LH side of dash	
M41 ...	REAR COMPARTMENT ACTUATOR MOTOR	Below LH side of dash, near brake pedal	13-1
M74 ...	POWER SUN SHADE MOTOR	At back of rear window shelf	30-3
M201 ...	E-BOX FAN	In E-Box, under the control units	
M202 ...	THROTTLE POSITION MOTOR I (EML)	Front LH side of engine compartment	09-2
M203 ...	THROTTLE POSITION MOTOR II (EML)	Front RH side of engine compartment	
M21 ...	DRIVER'S POWER WINDOW MOTOR/ INCREMENT SENSOR	In lower LH front door	
M23 ...	PASSENGER'S POWER WINDOW MOTOR/ INCREMENT SENSOR	In lower RH front door	
M37 ...	AUXILIARY WATER PUMP	Rear LH side of engine compartment	
M55 ...	DRIVER'S SEAT LUMBAR SUPPORT MOTOR/VALVE	In upper LH front seatback	



COMPONENT LOCATION CHART

COMPONENT

PAGE-FIGURE
7100.0 8500.0

N1	ANTITHEFT MODULE (DWA)	Inside box on interior side of RH door sill	14-3
N2	FINAL STAGE UNIT	LH side of RH footwell, ahead of IHKA Plenum	
N6	HEADLIGHT/FRT FOG LIGHT MODULE (SRA)	In Front Power Distribution Box	03-1
N8	ANTENNA AMPLIFIER AM/FM	In upper LH C-pillar	20-2
N13	INFRARED LOCKING CONTROL UNIT	Behind RH footwell speaker grill	14-1
N14	INFRARED RECEIVER	Center of windshield header	
N17	CRASH CONTROL UNIT	In Front Power Distribution Box	03-2
N18	AUXILIARY ANTI-THEFT MODULE (DWA)	Inside box on interior side of RH door sill	14-3
N20	RADIO RECEIVER	In luggage compartment	
N22	CD CHANGER	In luggage compartment	
P90	FRONT POWER DISTRIBUTION BOX	Rear LH side of engine compartment	05-2
P93	E-BOX	Rear RH side of engine compartment	00-3
P94	REAR POWER DISTRIBUTION BOX	In LH forward side of luggage compartment	25-3
P95	AUXILIARY FUSE BOX	LH side of engine compartment	04-2
R10	PEDAL POSITION SENSOR	Below LH side of dash, near brake pedal	13-1
R13	HEADLIGHT WIDENING POTENTIOMETER	Center console	16-1
S6	ASC SWITCH	Center console	16-1
S29	BRAKE LIGHT SWITCH	Below LH side of dash, on brake pedal	12-3
S36	TEMPERATURE SWITCH	Front RH side of engine compartment	07-3
S40	FRONT CONSOLE WINDOW SWITCH ASSEM.	LH front door, behind door panel	19-3



COMPONENT LOCATION CHART

COMPONENT

PAGE-FIGURE
7100.0 8500.0

S63	COOLANT LEVEL SWITCH	Front RH side of engine compartment	07-3	
S64	WASHER FLUID LEVEL SWITCH	RH side of engine compartment	01-2	
S71	LEFT FRONT CRASH SENSOR	LH side of engine compartment	04-1	
S72	RIGHT FRONT CRASH SENSOR	Ahead of RH side shock tower		
S117	TRUNK LID LOCKING SWITCH	Underside of trunk lid	30-1	
S302	BACK-UP SWITCH	On RH side of transmission		
T201	IGNITION COIL I	Front RH side of engine compartment		
T202	IGNITION COIL II	LH side of engine compartment		
V5	IR/DWA LED	Center of dash		
X1.0	JUNCTION POST FOR P90 FRONT POWER DISTRIBUTION BOX	LH footwell, under footrest	11-2	
X7	CONNECTOR (55-PINS, NATURAL)	ABS/ASC ELECTRONIC CONTROL UNIT, A70	10-3	00-1
X7	CONNECTOR (55-PINS, NATURAL)	ABS/ASC +T CONTROL UNIT, A9070		00-1
X12	CONNECTOR (20-PINS, RED)	Below LH side of dash	12-1	14-1
X13	CONNECTOR (30-PINS, BLACK)	LH footwell, under footrest	10-2	00-4
X14	CONNECTOR (30-PINS, WHITE)	LH footwell, under footrest	10-2	00-4
X16	CONNECTOR (26-PINS, (---))	INSTRUMENT CLUSTER, A2		14-3
X20	CONNECTOR (20-PINS, BLACK)	Rear RH side of engine compartment	00-3	01-2
X21	CONNECTOR (20-PINS, BLACK)	Rear RH side of engine compartment	00-3	01-5
X25	CONNECTOR (4-PINS, BLACK)	RH side of engine compartment	01-2	15-1



COMPONENT LOCATION CHART

COMPONENT

		PAGE-FIGURE	
		7100.0	8500.0
X31	CONNECTOR (12-PINS, BLACK)	ABS HYDRAULIC UNIT, Y1	01-6
X32	CONNECTOR (12-PINS, WHITE)	Below LH side of dash	13-2 02-1
X33	CONNECTOR (12-PINS, BLACK)	Below LH side of dash, LH side of steering column	02-1
X36	CONNECTOR (21-PINS, BLACK)	Below center console	16-3 01-3
X38	CONNECTOR (20-PINS, RED)	Below LH side of dash	12-1 14-1
X39	CONNECTOR (26-PINS, GREEN)	Below LH side of dash	12-2 14-3
X40	CONNECTOR (26-PINS, BROWN)	Below LH side of dash	12-2 14-3
X41	CONNECTOR (26-PINS, BLUE)	Below LH side of dash	12-2 14-3
X42	CONNECTOR (5-PINS, BLACK)	Below LH side of dash	12-2 02-4
X43	CONNECTOR (9-PINS, BLACK)	HIGH BEAM LIGHT RELAY, K46	02-3
X52	CONNECTOR (9-PINS, WHITE)	NORMAL SPEED RELAY, K21	02-3
X54	CONNECTOR (9-PINS, BLACK)	ABS RELAY, K10	02-3
X55	CONNECTOR (9-PINS, WHITE)	STARTER RELAY, K1	02-3
X55	CONNECTOR (9-PINS, WHITE)	JUMPER PLUG, B900	02-3
X57	CONNECTOR (9-PINS, BLACK)	UNLOADER RELAY, KLR, K3	02-3
X58	CONNECTOR (9-PINS, WHITE)	BLOWER RELAY, K4	02-3
X61	CONNECTOR (9-PINS, BLACK)	HEADLIGHT/FRONT FOG LIGHT MODULE (SRA), N6	02-3
X63	CONNECTOR (9-PINS, WHITE)	UNLOADER RELAY, KL15, K9	02-3
X64	CONNECTOR (9-PINS, BLACK)	HAZARD FLASHER RELAY, K16	02-3
X65	CONNECTOR (9-PINS, BROWN)	CRASH CONTROL UNIT, N17	02-3



COMPONENT LOCATION CHART

COMPONENT

PAGE-FIGURE
7100.0 8500.0

X69	CONNECTOR (20-PINS, BLACK)	Rear RH side of engine compartment	00-3	01-5
X72	CONNECTOR (8-PINS, WHITE)	Below LH side of dash	13-2	03-1
X73	CONNECTOR (8-PINS, WHITE)	Below LH side of dash, near brake pedal	13-1	03-1
X74	CONNECTOR (8-PINS, ORANGE)	Below RH side of dash	15-2	03-1
X75	CONNECTOR (6-PINS, ORANGE)	Below RH side of dash	15-2	04-1
X77	CONNECTOR (10-PINS, (---))	LOCK-SENSOR CONTROL UNIT, A26		14-2
X78	CONNECTOR (4-PINS, BLACK)	Below LH side of dash, on brake pedal	12-3	06-3
X81	CONNECTOR (3-PINS, ORANGE)	LEFT FRONT CRASH SENSOR, S71	04-1	04-4
X82	CONNECTOR (3-PINS, BLACK)	Front LH side of engine compartment	07-1	04-2
X83	CONNECTOR (3-PINS, YELLOW)	SERVOTRONIC CONTROL UNIT, A17		04-5
X84	CONNECTOR (3-PINS, YELLOW)	SERVOTRONIC CONTROL UNIT, A17		04-3
X85	CONNECTOR (3-PINS, BLACK)	Rear LH side of engine compartment	05-1	04-2
X87	CONNECTOR (3-PINS, BLACK)	Front RH side of engine compartment	07-3	04-2
X95	CONNECTOR (3-PINS, BLACK)	Front RH side of engine compartment	07-3	04-2
X105	CONNECTOR (2-PINS, BLACK)	LEFT WASHER JET HEATER, E51	09-3	
X107	CONNECTOR (2-PINS, BLUE)	RH side of engine compartment	01-2	
X109	CONNECTOR (2-PINS, BLACK)	RH side of engine compartment	01-2	
X110	CONNECTOR (2-PINS, BLUE)	RH side of engine compartment	01-3	
X112	CONNECTOR (2-PINS, BLACK)	Front RH side of engine compartment	07-3	
X113	CONNECTOR (2-PINS, WHITE)	RIGHT FRONT SPEED SENSOR, B1	23-3	



COMPONENT LOCATION CHART

COMPONENT

PAGE-FIGURE
7100.0 8500.0

X118	CONNECTOR (2-PINS, BLACK)	On LH front wheel, above brake caliper	22-1	
X119	CONNECTOR (2-PINS, BLACK)	Rear LH side of engine compartment	05-2	
X121	CONNECTOR (2-PINS, WHITE)	Below LH side of dash, on brake pedal	12-3	
X122	CONNECTOR (2-PINS, BLACK)	Rear LH side of engine compartment	05-1	
X128	CONNECTOR (7-PINS, BLACK)	Near LH headlight assembly	06-1	14-4
X130	CONNECTOR (7-PINS, BLACK)	LH side of engine compartment	04-2	14-4
X130	CONNECTOR (7-PINS, BLACK)	LH side of engine compartment	04-3	14-4
X135	CONNECTOR (7-PINS, BLACK)	RH side of engine compartment	01-3	14-4
X137	CONNECTOR (7-PINS, BLACK)	Near RH headlight assembly	06-2	14-4
X145	CONNECTOR (2-PINS, BLACK)	LH side of engine compartment	08-1	
X150	CONNECTOR (4-PINS, BLACK)	LH footwell, under footrest	11-2	06-5
X161	CONNECTOR (2-PINS, BLACK)	Near LH headlight assembly	08-2	
X165	GROUND	LH side of LH footwell, under footrest	11-3	
X167	GROUND	LH side of engine compartment	04-3	
X173	GROUND	RH side of engine compartment	02-1	
X252	CONNECTOR (26-PINS, BLACK)	ANTITHEFT MODULE (DWA), N1	14-3	14-3
X253	CONNECTOR (26-PINS, BLACK)	Below LH side of dash	12-1	14-3
X254	CONNECTOR (26-PINS, YELLOW)	Below LH side of dash	12-1	14-3
X256	CONNECTOR (26-PINS, BLACK)	Ahead of RH front door, in wire grommet		15-6
X257	CONNECTOR (26-PINS, BLACK)	Ahead of LH front door, in wire grommet		15-6



COMPONENT LOCATION CHART

COMPONENT

PAGE-FIGURE
7100.0 8500.0

X258 .. CONNECTOR (20-PINS, BLACK)	RELAY MODULE, A5	10-3	14-1
X259 .. CONNECTOR (26-PINS, BLACK)	RELAY MODULE, A5	10-3	14-3
X262 .. CONNECTOR (26-PINS, YELLOW)	INFRARED LOCKING CONTROL UNIT, N13	14-1	14-3
X263 .. CONNECTOR (26-PINS, BLACK)	EDC CONTROL UNIT, A413	27-3	14-3
X272 .. CONNECTOR (6-PINS, BLACK)	Left from LH rear seat, behind trim panel	24-3	04-1
X275 .. CONNECTOR (12-PINS, WHITE)	Under LH front seat	21-1	02-1
X275 .. CONNECTOR (12-PINS, WHITE)	Underside of LH front seat	21-3	02-1
X279 .. CONNECTOR (12-PINS, WHITE)	Under RH front seat		02-1
X280 .. CONNECTOR (9-PINS, BLACK)	CONCEALING HEADLIGHTS RELAY, K39		02-3
X281 .. CONNECTOR (9-PINS, BLACK)	HIGH BEAM/FLASHER LIGHT RELAY, K52z		02-3
X283 .. CONNECTOR (4-PINS, GRAY)	LH side of engine compartment	04-2	15-1
X283 .. CONNECTOR (4-PINS, GRAY)	LH side of engine compartment	04-3	15-1
X284 .. CONNECTOR (4-PINS, GRAY)	RH side of engine compartment	01-3	15-1
X287 .. CONNECTOR (9-PINS, BLACK)	ELECTRIC POWER PROTECTION RELAY II, K30		02-3
X290 .. CONNECTOR (9-PINS, BLACK)	THERMAL CONTROL RELAY (JAPAN), K20		02-3
X291 .. CONNECTOR (9-PINS, BLACK)	WIPER PRESSURE CONTROL (ADV) RELAY, K12		02-3
X292 .. CONNECTOR (9-PINS, BLACK)	REAR DEFOGGER RELAY, K13		02-3
X294 .. CONNECTOR (9-PINS, BLACK)	ELECTRIC POWER PROTECTION RELAY, K15		02-3
X295 .. CONNECTOR (8-PINS, BLACK)	Below LH side of dash	13-2	03-1
X301 .. CONNECTOR (26-PINS, WHITE)	ANTITHEFT MODULE (DWA), N1	14-3	14-3



COMPONENT LOCATION CHART

COMPONENT

PAGE-FIGURE
7100.0 8500.0

X306 ..	CONNECTOR (30-PINS, BLUE)	LH footwell, under footrest	10-2	00-4
X307 ..	GROUND	LH side of LH footwell, under footrest	11-3	
X312 ..	CONNECTOR (6-PINS, BLACK)	GAS FILLER LOCK MOTOR, M16	28-3	08-3
X316 ..	CONNECTOR (6-PINS, WHITE)	FRONT CONSOLE WINDOW SWITCH ASSEMBLY, S40	19-3	16-1
X317 ..	CONNECTOR (6-PINS, WHITE)	PASSENGER'S WINDOW SWITCH, S97		16-1
X318 ..	CONNECTOR (4-PINS, BLACK)	RIGHT TRUNK LIGHT ASSEMBLY, E47	28-2	06-3
X318 ..	CONNECTOR (6-PINS, BLACK)	RIGHT REAR LIGHT ASSEMBLY I, E47z		17-2
X319 ..	CONNECTOR (4-PINS, BLACK)	LEFT REAR LIGHT ASSEMBLY I, E46z	26-2	06-3
X319 ..	CONNECTOR (6-PINS, BLACK)	LEFT REAR LIGHT ASSEMBLY I, E46z		17-2
X321 ..	CONNECTOR (4-PINS, BLACK)	Below center console	16-3	06-5
X322 ..	CONNECTOR (8-PINS, BLACK)	Below center console	16-3	03-1
X323 ..	CONNECTOR (6-PINS, WHITE)	INFRARED RECEIVER, N14	17-1	06-1
X331 ..	CONNECTOR (5-PINS, BLACK)	ANTITHEFT MODULE (DWA), N1	14-3	02-4
X332 ..	CONNECTOR (26-PINS, WHITE)	Below LH side of dash	12-1	14-3
X333 ..	CONNECTOR (12-PINS, BLACK)	Rear LH side of engine compartment	05-2	15-2
X335 ..	CONNECTOR (4-PINS, GREEN)	ANTITHEFT MODULE (DWA), N1	14-3	02-6
X336 ..	CONNECTOR (4-PINS, WHITE)	DOME LIGHT/MAP READING ASSEMBLY, FRONT, E34	17-1	06-5
X338 ..	CONNECTOR (4-PINS, BLACK)	In LH rear side of luggage compartment	26-2	06-3
X338 ..	CONNECTOR (6-PINS, BLACK)	In LH rear side of luggage compartment		17-2
X339 ..	CONNECTOR (6-PINS, BLACK)	In RH rear side of luggage compartment		17-2



COMPONENT LOCATION CHART

COMPONENT

PAGE-FIGURE
7100.0 8500.0

X352	CONNECTOR (2-PINS, BLACK)	In lower LH front door	19-1	
X356	CONNECTOR (2-PINS, BLACK)	In upper LH C-pillar	20-2	
X360	CONNECTOR (3-PINS, BLACK)	AUTOMATIC INSIDE MIRROR, A22		15-4
X371	CONNECTOR (2-PINS, BLACK)	Near RH headlight assembly	06-3	
X372	CONNECTOR (2-PINS, WHITE)	ANTITHEFT HORN, H1	10-1	
X377	CONNECTOR (2-PINS, WHITE)	Under rear of car	24-2	
X379	CONNECTOR (1-PINS, BLACK)	ANTENNA AMPLIFIER AM/FM, N8	20-2	
X380	CONNECTOR (1-PINS, BLACK)	SUPPRESSION FILTER, C900	20-3	
X383	CONNECTOR (2-PINS, BLACK)	Under rear of car	24-2	
X392	CONNECTOR (1-PINS, BLUE)	Inside box on interior side of RH door sill	14-3	
X393	CONNECTOR (6-PINS, BLACK)	In LH rear side of luggage compartment	26-1	03-1
X394	CONNECTOR (12-PINS, BLACK)	Under LH front seat	21-1	02-1
X394	CONNECTOR (12-PINS, BLACK)	Underside of LH front seat	21-3	02-1
X395	CONNECTOR (1-PINS, YELLOW)	Inside box on interior side of RH door sill	14-3	
X400	CONNECTOR (8-PINS, BLACK)	In LH forward side of luggage compartment	25-3	03-1
X405	CONNECTOR (3-PINS, BLACK)	LEFT FRONT EDC VALVE, Y401z		04-4
X406	CONNECTOR (3-PINS, BLACK)	RIGHT FRONT EDC MOTOR, Y402	23-3	04-4
X407	CONNECTOR (3-PINS, BLACK)	LEFT REAR EDC VALVE, Y403z		04-4
X408	CONNECTOR (3-PINS, BLACK)	RIGHT REAR EDC VALVE, Y404z	24-2	04-4
X424	CONNECTOR (1-PINS, BROWN)	ANTENNA AMPLIFIER AM/FM, N8	20-2	



COMPONENT LOCATION CHART

COMPONENT

PAGE-FIGURE
7100.0 8500.0

X490	GROUND	Inside box on interior side of LH door sill	10-3	
X492	GROUND	LH side of LH footwell, under footrest	11-3	
X494	GROUND	In RH rear side of luggage compartment	28-2	
X495	GROUND	Interior side of RH door sill	14-2	
X497	GROUND	In LH rear side of luggage compartment	26-2	
X501	CONNECTOR (18-PINS, BLACK)	MULTI- INFORMATION DISPLAY (MID), N4z		15-5
X503	CONNECTOR (12-PINS, BLACK)	LIGHT SWITCH, S8		05-6
X504	CONNECTOR (12-PINS, BLACK)	FOG LIGHT SWITCH, S10		05-6
X506	CONNECTOR (12-PINS, WHITE)	Below center console	16-2	02-1
X509	CONNECTOR (9-PINS, WHITE)	RIGHT PARK LIGHT/LICENSE LIGHT RELAY, K25		02-3
X512	CONNECTOR (12-PINS, BLACK)	Behind glove box		02-1
X514	CONNECTOR (4-PINS, BLACK)	IR/DWA LED, V5		06-3
X516	CONNECTOR (5-PINS, BLACK)	HAZARD SWITCH, S18		06-2
X517	CONNECTOR (4-PINS, BLACK)	DIMMER, N3		06-3
X518	CONNECTOR (4-PINS, BLACK)	ACOUSTIC DEVICE, H10z	15-1	06-3
X521	CONNECTOR (6-PINS, BLUE)	ASC SWITCH, S6	16-1	16-1
X522	CONNECTOR (3-PINS, WHITE)	ACOUSTIC DEVICE, H10z	15-1	05-5
X523	CONNECTOR (6-PINS, BLACK)	DRIVER'S DAYLIGHT CODING DIODE, V4		09-2
X529	CONNECTOR (6-PINS, GREEN)	EDC SWITCH, S105		16-1
X537	CONNECTOR (2-PINS, BLACK)	LH front door, behind door panel	20-1	



COMPONENT LOCATION CHART

COMPONENT

PAGE-FIGURE
7100.0 8500.0

X539	CONNECTOR (2-PINS, BLACK)	Below center console	16-2	
X540	CONNECTOR (2-PINS, BLACK)	LH side of glove box	15-3	
X542	CONNECTOR (2-PINS, BLACK)	LH side of glove box	15-3	
X546	CONNECTOR (2-PINS, BLACK)	Below center console	16-2	
X601	CONNECTOR (26-PINS, BLACK)	MEMORY SEAT/MIRRORS CONTROL UNIT, A21	21-3	01-1
X602	CONNECTOR (26-PINS, BLACK)	MEMORY SEAT/MIRRORS CONTROL UNIT, A21	21-2	01-1
X603	CONNECTOR (12-PINS, BLACK)	DRIVER'S SEAT CONTROL SWITCH, S51		06-6
X603	CONNECTOR (12-PINS, BLACK)	DRIVER'S MEMORY SEAT ADJUSTMENT SWITCH, S50		06-6
X604	CONNECTOR (12-PINS, BLACK)	PASSENGER'S SEAT CONTROL SWITCH, S56		06-6
X605	CONNECTOR (12-PINS, BLACK)	HIFI AMPLIFIER, A18	29-2	02-1
X606	CONNECTOR (12-PINS, WHITE)	HIFI AMPLIFIER, A18	29-2	02-1
X607	CONNECTOR (12-PINS, BLACK)	PARK HEATING/VENTILATION RELAY BOX, A15		08-5
X608	CONNECTOR (12-PINS, BLACK)	PARK HEATING UNIT, E50		07-2
X609	CONNECTOR (15-PINS, BLACK)	TRAILER MODULE (AHM), A6		12-2
X610	CONNECTOR (26-PINS, WHITE)	AUTOMATIC HEATING AND AIR CONDITIONING CONTROL UNIT (IHKA), A11		01-1
X611	CONNECTOR (26-PINS, BLACK)	AUTOMATIC HEATING AND AIR CONDITIONING CONTROL UNIT (IHKA), A11		01-1
X612	CONNECTOR (26-PINS, BLUE)	AUTOMATIC HEATING AND AIR CONDITIONING SWITCH (IHKA), S26		14-3
X613	CONNECTOR (26-PINS, BLUE)	AUTOMATIC HEATING AND AIR CONDITIONING CONTROL UNIT (IHKA), A11		01-1
X614	CONNECTOR (26-PINS, YELLOW)	AUTOMATIC HEATING AND AIR CONDITIONING CONTROL UNIT (IHKA), A11		01-1
X621	CONNECTOR (10-PINS, BLACK)	Ahead of RH front door, In wire grommet		16-4



COMPONENT LOCATION CHART

COMPONENT

PAGE-FIGURE
7100.0 8500.0

X622 .. CONNECTOR (10-PINS, BLACK)	Ahead of LH front door, in wire grommet		16-3
X623 .. CONNECTOR (10-PINS, ORANGE)	In upper LH front door	18-3	16-2
X624 .. CONNECTOR (10-PINS, BLACK)	PASSENGER'S SIDE MIRROR, Y6		16-2
X625 .. CONNECTOR (6-PINS, WHITE)	MIRROR CONTROL SWITCH, S17	19-3	08-3
X629 .. CONNECTOR (8-PINS, NATURAL)	PARK HEATING/VENTILATION CONTROL UNIT, A14		07-3
X630 .. CONNECTOR (13-PINS, BLACK)	Rear of car		07-6
X638 .. CONNECTOR (3-PINS, BLACK)	Under RH rear seat	17-3	04-2
X641 .. CONNECTOR (6-PINS, BLACK)	PASSENGER'S DOOR LOCK MOTOR, M13		09-4
X642 .. CONNECTOR (6-PINS, BLACK)	PARK HEATING/VENTILATION CONTROL UNIT, A14		09-3
X643 .. CONNECTOR (6-PINS, BLUE)	SUNROOF SWITCH, S38	17-1	08-3
X648 .. CONNECTOR (6-PINS, BLACK)	MEMORY SEAT/MIRRORS CONTROL UNIT, A21	21-3	08-3
X649 .. CONNECTOR (6-PINS, WHITE)	MEMORY SEAT/MIRRORS CONTROL UNIT, A21	21-3	08-3
X650 .. CONNECTOR (6-PINS, BLACK)	MEMORY SEAT MIRRORS SWITCH, S57		16-1
X651 .. CONNECTOR (6-PINS, YELLOW)	DRIVER'S SEAT HEATER SWITCH, S53		16-1
X654 .. CONNECTOR (6-PINS, WHITE)	MEMORY SEAT/MIRRORS CONTROL UNIT, A21	21-2	08-3
X655 .. CONNECTOR (6-PINS, WHITE)	MEMORY SEAT/MIRRORS CONTROL UNIT, A21	21-2	08-3
X656 .. CONNECTOR (6-PINS, GREEN)	MEMORY SEAT/MIRRORS CONTROL UNIT, A21	21-2	08-3
X657 .. CONNECTOR (6-PINS, BROWN)	MEMORY SEAT/MIRRORS CONTROL UNIT, A21	21-2	08-3
X658 .. CONNECTOR (6-PINS, YELLOW)	PASSENGER'S SEAT HEATER SWITCH, S54		16-1
X660 .. CONNECTOR (6-PINS, BLACK)	DRIVER'S DOOR LOCK MOTOR, M12		09-4



COMPONENT LOCATION CHART

COMPONENT

PAGE-FIGURE
7100.0 8500.0

X661 .. CONNECTOR (6-PINS, GRAY)	LEFT VENTILATION FLAP MOTOR, M38		10-4
X662 .. CONNECTOR (6-PINS, GRAY)	FOOTWELL FLAP MOTOR, M40		10-4
X663 .. CONNECTOR (6-PINS, GRAY)	FRESH AIR FLAP MOTOR, M36		10-4
X664 .. CONNECTOR (6-PINS, GRAY)	DEFROSTER FLAP MOTOR, M35		10-4
X666 .. CONNECTOR (6-PINS, GRAY)	LEFT MIXING FLAP MOTOR, M39		10-4
X667 .. CONNECTOR (6-PINS, GRAY)	LEFT FOOTWELL FLAP MOTOR, M31		10-4
X668 .. CONNECTOR (6-PINS, GRAY)	RIGHT FOOTWELL FLAP MOTOR, M32		10-4
X669 .. CONNECTOR (6-PINS, GRAY)	DASH VENT MIXING FLAP MOTOR, M34		10-4
X670 .. CONNECTOR (6-PINS, GRAY)	RIGHT VENTILATION FLAP MOTOR, M33		10-4
X671 .. CONNECTOR (5-PINS, BLACK)	FINAL STAGE UNIT, N2		02-4
X672 .. CONNECTOR (4-PINS, BLACK)	RADIO RECEIVER, N20		10-5
X678 .. CONNECTOR (12-PINS, WHITE)	Under LH front seat	21-1	02-1
X678 .. CONNECTOR (12-PINS, WHITE)	Underside of LH front seat	21-3	02-1
X679 .. CONNECTOR (2-PINS, WHITE)	Under LH rear seat	17-2	
X682 .. CONNECTOR (3-PINS, BLACK)	AUTOMATIC HEATING AND AIR CONDITIONING SWITCH (IHKA), S26		16-5
X684 .. CONNECTOR (3-PINS, BLACK)	PASSENGER'S DOOR LOCK SWITCH, S49		04-2
X685 .. CONNECTOR (3-PINS, BLACK)	DRIVER'S DOOR LOCK SWITCH, S47	19-2	04-2
X686 .. CONNECTOR (3-PINS, BLUE)	SEAT CUSHION MOVEMENT POTENTIOMETER, R9	21-3	10-3
X690 .. CONNECTOR (3-PINS, BLUE)	SEATBACK POTENTIOMETER, R7	21-3	10-3
X692 .. CONNECTOR (3-PINS, BLACK)	TEMPERATURE DISTRIBUTION POTENTIOMETER, R1		03-3



COMPONENT LOCATION CHART

COMPONENT

PAGE-FIGURE

7100.0 8500.0

X695	CONNECTOR (3-PINS, BLACK)	In LH rear side of luggage compartment	29-1	00-0
X701	CONNECTOR (2-PINS, BLACK)	Behind LH footwell speaker grill	11-3	
X709	CONNECTOR (2-PINS, BLACK)	LEFT LICENSE PLATE LIGHT, E43	30-1	
X710	CONNECTOR (2-PINS, BLACK)	RIGHT LICENSE PLATE LIGHT, E44	30-1	
X714	CONNECTOR (4-PINS, BLACK)	Left from LH rear seat, behind trim panel	24-3	06-3
X715	CONNECTOR (2-PINS, BLACK)	Left from LH rear seat, behind trim panel	24-3	
X720	CONNECTOR (4-PINS, BLACK)	RIGHT REAR POWER WINDOW MOTOR, M22z		06-3
X744	CONNECTOR (6-PINS, BLACK)	PASSENGER'S POWER WINDOW MOTOR/INCREMENT SENSOR, M23z		09-4
X745	CONNECTOR (2-PINS, BLACK)	In upper RH C-pillar	20-3	
X747	CONNECTOR (2-PINS, YELLOW)	In upper LH front door	19-2	
X748	CONNECTOR (2-PINS, WHITE)	LEFT FRONT FOOTWELL LIGHT, E61	20-1	
X749	CONNECTOR (6-PINS, BLACK)	DRIVER'S POWER WINDOW MOTOR/INCREMENT SENSOR, M21z	18-2	09-4
X751	CONNECTOR (2-PINS, WHITE)	In upper LH front door	19-2	
X752	CONNECTOR (2-PINS, BLUE)	In upper LH front door	19-2	
X753	CONNECTOR (2-PINS, BLACK)	LH front door, behind door panel	20-1	
X770	CONNECTOR (2-PINS, YELLOW)	Front LH side of engine compartment	07-2	
X778	CONNECTOR (2-PINS, BLACK)	Underside of LH front seat	21-2	
X779	CHARGING PLUG	LH side of glove box		
X784	CONNECTOR (2-PINS, ORANGE)	Below RH side of dash	15-2	
X818	GROUND	Below LH side of dash	13-1	



COMPONENT LOCATION CHART

COMPONENT

PAGE-FIGURE
7100.0 8500.0

X820	.. GROUND In LH rear side of luggage compartment	26-1	
X848	.. CONNECTOR (4-PINS, GREEN) POWER SUN SHADE ELECTRONIC CONTROL UNIT, A82	30-3	
X881	.. CONNECTOR (6-PINS, WHITE) PASSENGER'S THIGH SUPPORT SWITCH, S94		08-3
X886	.. CONNECTOR (6-PINS, WHITE) DRIVER'S THIGH SUPPORT SWITCH, S93		08-3
X887	.. CONNECTOR (26-PINS, BLACK) DRIVER'S DOOR MODULE, A23	18-1	14-3
X889	.. CONNECTOR (26-PINS, WHITE) PASSENGER'S DOOR MODULE, A24		14-3
X898	.. CONNECTOR (6-PINS, BLACK) REAR DEFOGGER SWITCH, S76		16-1
X910	.. B+ Junction Point Rear LH side of engine compartment	05-1	
X911	.. STARTER JUMP POINT Rear RH side of engine compartment	01-1	
X916	.. CONNECTOR (5-PINS, RED) SUNROOF MODULE, A33	17-1	02-4
X917	.. CONNECTOR (6-PINS, RED) SUNROOF MODULE, A33	17-1	06-1
X924	.. CONNECTOR (6-PINS, BLACK) Underside of trunk lid, left		04-1
X925	.. CONNECTOR (6-PINS, BLACK) RIGHT REAR LIGHT ASSEMBLY II, E81	30-2	04-1
X932	.. CONNECTOR (2-PINS, BLUE) In lower LH front door	19-1	
X936	.. CONNECTOR (2-PINS, WHITE) In lower LH front door	18-1	
X936	.. CONNECTOR (2-PINS, WHITE) LH front door, behind door panel	20-1	
X941	.. CONNECTOR (9-PINS, BLACK) JUMPER FOR HORN, TELEPHONE, K51		02-3
X941	.. CONNECTOR (9-PINS, BLACK) JUMPER FOR HORN TELEPHONE, K9051z		02-3
X945	.. CONNECTOR (10-PINS, BLACK) EDC CONTROL UNIT, A413	27-3	14-2
X947	.. CONNECTOR (6-PINS, BLACK) POWER SUN SHADE SWITCH, S110		16-1



COMPONENT LOCATION CHART

COMPONENT

PAGE-FIGURE
7100.0 8500.0

X949	CONNECTOR (5-PINS, BLACK)	POWER SUN SHADE ELECTRONIC CONTROL UNIT, A82	30-3	02-4
X955	GROUND	In LH rear side of luggage compartment	26-1	
X980	!!! ERROR CODE X980 NOT FOUND !!!	RH side of LH footwell, under carpet	11-1	
X1001	CONNECTOR (4-PINS, BLACK)	LEFT REAR SPEAKER, H46	28-1	06-3
X1002	CONNECTOR (4-PINS, BLACK)	In LH rear side of luggage compartment	26-3	06-3
X1003	CONNECTOR (12-PINS, BLACK)	Below center console	16-3	02-1
X1011	CONNECTOR (2-PINS, GRAY)	RH side of engine compartment	01-3	
X1021	CONNECTOR (9-PINS, BLACK)	UNLOADER RELAY, KL61, K61		02-3
X1086	CONNECTOR (9-PINS, BLACK)	NORWAY FOGLIGHT RELAY, K79		02-3
X1156	CONNECTOR (4-PINS, BLACK)			06-3
X1204	CONNECTOR (2-PINS, WHITE)	Left from LH rear seat, behind trim panel	24-3	
X1229	CONNECTOR (4-PINS, BLACK)	MEMORY STEERING COLUMN CONTROL UNIT, A34z		02-6
X1230	CONNECTOR (4-PINS, WHITE)	Left from LH rear seat, behind trim panel	24-3	06-3
X1376	CONNECTOR (9-PINS, BLACK)	CENTRAL LOCKING TRUNK LID MOTOR RELAY, K70		02-3
X1377	CONNECTOR (2-PINS, BLACK)	Underside of trunk lid	30-1	
X3210	CONNECTOR (26-PINS, BLUE)	AUTOMATIC AIR RECIRCULATION CONTROL UNIT, A417	14-1	01-1
X3211	CONNECTOR (4-PINS, BLACK)	Front LH side of engine compartment	07-1	13-4
X6002	CONNECTOR (20-PINS, BLACK)	Front RH side of engine compartment	02-2	11-5
X6004	CONNECTOR (55-PINS, BLACK)	EML (1.2) ELECTRONIC CONTROL UNIT, A220		00-1
X6010	CONNECTOR (88-PINS, BLACK)	MOTRONIC CONTROL UNIT I (DME), A211		14-5



COMPONENT LOCATION CHART

COMPONENT

PAGE-FIGURE
7100.0 8500.0

X6020 . CONNECTOR (88-PINS, BLACK)	MOTRONIC CONTROL UNIT II (DME), A212		14-5
X6121 . CONNECTOR (2-PINS, BLACK)	Front RH side of engine compartment	02-2	
X6122 . CONNECTOR (2-PINS, WHITE)	Front RH side of engine compartment	02-2	
X6210 . CONNECTOR (4-PINS, GRAY)	On catalytic converter	24-1	16-6
X6211 . CONNECTOR (3-PINS, BLACK)	CYLINDER IDENTIFICATION SENSOR I, B220		03-5
X6212 . CONNECTOR (3-PINS, BLACK)	ENGINE SPEED SENSOR I, B222		03-5
X6216 . CONNECTOR (7-PINS, BLACK)	AIR MASS METER I, B226	05-3	13-2
X6220 . CONNECTOR (4-PINS, GRAY)	On catalytic converter	24-1	16-6
X6221 . CONNECTOR (3-PINS, BLACK)	CYLINDER IDENTIFICATION SENSOR II, B221		03-5
X6222 . CONNECTOR (3-PINS, BLACK)	ENGINE SPEED SENSOR II, B223		03-5
X6226 . CONNECTOR (7-PINS, BLACK)	AIR MASS METER II, B227		13-2
X6230 . CONNECTOR (3-PINS, BLACK)	Under RH front of car	23-1	
X6230 . CONNECTOR (3-PINS, BLACK)	OIL LEVEL SENSOR, B205		03-5
X6235 . CONNECTOR (2-PINS, BLACK)	Rear RH side of engine compartment, in E-Box	00-1	
X6236 . CONNECTOR (3-PINS, BLACK)	WATER TEMPERATURE SENSOR (DME), B228		03-5
X6303 . CONNECTOR (9-PINS, YELLOW)	OXYGEN SENSOR RELAY, K214		02-3
X6310 . CONNECTOR (9-PINS, WHITE)	MAIN RELAY I, K212		02-3
X6311 . CONNECTOR (9-PINS, YELLOW)	FUEL PUMP RELAY I, K210		02-3
X6320 . CONNECTOR (9-PINS, WHITE)	MAIN RELAY II, K213		02-3
X6321 . CONNECTOR (9-PINS, YELLOW)	FUEL PUMP RELAY II, K211		02-3



COMPONENT LOCATION CHART

COMPONENT

PAGE-FIGURE
7100.0 8500.0

X6360 . CONNECTOR (8-PINS, BLACK)	THROTTLE POSITION MOTOR I (EML), M202	09-2	03-4
X6370 . CONNECTOR (8-PINS, BLACK)	THROTTLE POSITION MOTOR II (EML), M203		03-4
X6400 . B+ JUNCTION POINT	Rear RH side of engine compartment, in E-Box	00-2	
X6402 . GROUND	In RH side of luggage compartment	27-2	
X6452 . GROUND	Rear RH side of engine compartment, on E-box	00-3	
X6453 . GROUND	Rear RH side of engine compartment, on E-box	00-3	
X6506 . CONNECTOR (4-PINS, BLACK)	Rear RH side of engine compartment, in E-Box	00-1	06-3
X8500 . CONNECTOR (35-PINS, NATURAL)	EGS CONTROL UNIT, A8500		00-3
X8505 . CONNECTOR (8-PINS, BLACK)			11-1
X8509 . CONNECTOR (8-PINS, BLACK)	Left-hand drive	ANK:	16-1
X8515 . CONNECTOR (8-PINS, BLACK)	Right-hand drive	16-1	03-1
X8517 . CONNECTOR (10-PINS, BLACK)	PROGRAM SWITCH, S8517	16-2	16-4
X9400 . CONNECTOR (8-PINS, BLACK)	In LH forward side of luggage compartment		03-1
X9401 . CONNECTOR (15-PINS, (---))	In LH forward side of luggage compartment		17-5
X9402 . CONNECTOR (15-PINS, (---))	In LH forward side of luggage compartment		17-6
X9403 . CONNECTOR (15-PINS, (---))	In LH forward side of luggage compartment		17-5
X10039 . CONNECTOR (10-PINS, BLACK)	HORN RELAY, K2		15-3
X10039 . CONNECTOR (10-PINS, BLACK)	AIR CONDITIONING RELAY, K33		15-3

09/90
7000.0-24
1991



COMPONENT LOCATION CHART

COMPONENT

PAGE-FIGURE
7100.0 8500.0

X10040	CONNECTOR (10-PINS, BLACK)	AUXILIARY WATER PUMP RELAY, K8z	15-3
X10040	CONNECTOR (10-PINS, BLACK)	WASHER PUMP RELAY, K5	15-3
X10041	CONNECTOR (10-PINS, BLACK)	COMPRESSOR CONTROL RELAY, K19	15-3
X10041	CONNECTOR (10-PINS, BLACK)	INTENSIVE WASH RELAY, K42	15-3
X10042	CONNECTOR (10-PINS, BLACK)	COMPRESSOR CUT-OFF RELAY, K60	15-3
X10042	CONNECTOR (10-PINS, BLACK)	UNLOADER RELAY, KL61, K61	15-3
X10044	CONNECTOR (9-PINS, BLACK)	WIPER RELAY I, K36	02-3
X10045	CONNECTOR (9-PINS, BLACK)	WIPER RELAY II, K37	02-3
X10046	CONNECTOR (2-PINS, BLACK)	Water pump in luggage compartment	29-3
X10047	CONNECTOR (9-PINS, BLACK)	WIPER RELAY III, K38	02-3
X10051	CONNECTOR (4-PINS, BLACK)	HEADLIGHT WIDENING POTENTIOMETER, R13	16-1 06-3
X10058	CONNECTOR (1-PINS, YELLOW)	LH footwell, under footrest	11-2
X13001	CONNECTOR (9-PINS, BLACK)	CONSUMER CUT-OFF RELAY I, K72	02-3
X13008	CONNECTOR (2-PINS, WHITE)	Under RH rear seat	17-3
X13015	CONNECTOR (9-PINS, BLACK)	CONSUMER CUT-OFF RELAY II, K73	02-3
X13017	CONNECTOR (1-PINS, BLACK)	ANTENNA AMPLIFIER AM/FM, N8	20-2
X13018	CONNECTOR (1-PINS, BLACK)	SUPPRESSION FILTER, C900	20-3
X13052	CONNECTOR (9-PINS, (---))	NORWAY FOGLIGHT RELAY, K79	15-3
X18024	CONNECTOR (6-PINS, BLACK)	PRESSURE SENSOR, Y16	09-4
X18025	CONNECTOR (4-PINS, BLACK)	PRESSURE SENSOR, Y16	13-4



COMPONENT LOCATION CHART

COMPONENT

		PAGE-FIGURE	
		7100.0	8500.0
X18029	CONNECTOR (4-PINS, BLACK)	STEERING ANGLE SENDER, B40	06-3
X18031	CONNECTOR (3-PINS, BLACK)	RIGHT FRONT ACCELERATION SENSOR, B41	23-2 05-5
X18032	CONNECTOR (3-PINS, BLACK)	RH LOADING SENSOR, B42	17-4
X18033	CONNECTOR (6-PINS, YELLOW)	RDC SWITCH, S106	16-1
X18034	CONNECTOR (26-PINS, BLACK)	TIRE PRESSURE CONTROL UNIT (RDC), A85	01-1
X18036	CONNECTOR (2-PINS, GRAY)	Under rear of car	24-2
X18036	CONNECTOR (2-PINS, GRAY)	Waterpump in luggage compartment	29-3
X18038	CONNECTOR (2-PINS, BLACK)	Under rear of car	24-2
X18041	CONNECTOR (2-PINS, BLACK)	RH front of wheel well below	23-3
X18055	CONNECTOR (12-PINS, BLACK)	Below center console	16-2 02-1
X18066	CONNECTOR (3-PINS, BLACK)	RIGHT REAR ACCELERATION SENSOR, B48	27-1 07-5
X18067	CONNECTOR (3-PINS, BLACK)	LONGITUDINAL ACCELERATION SENSOR, B49	25-3 05-5
X18068	CONNECTOR (9-PINS, BLACK)	EDC RELAY, K67	02-3
X18093	CONNECTOR (6-PINS, BLACK)	STEERING COLUMN POSITION SWITCH, S119z	04-1
X18094	CONNECTOR (3-PINS, BLUE)	STEERING COLUMN ANGLE ADJUST POTENTIOMETER, R19z	10-3
X18095	CONNECTOR (3-PINS, BLUE)	STEERING COLUMN LENGTH ADJUST POTENTIOMETER, R18z	10-3
X18098	CONNECTOR (5-PINS, BLACK)	MEMORY STEERING COLUMN CONTROL UNIT, A34z	02-4
X18099	CONNECTOR (12-PINS, BLACK)	MEMORY STEERING COLUMN CONTROL UNIT, A34z	08-2
X18110	CONNECTOR (9-PINS, BLACK)	DRIVER'S BACKREST/LUMBAR RELAY I, K74	02-3



COMPONENT LOCATION CHART

COMPONENT

		PAGE-FIGURE	
		7100.0	8500.0
X18111	CONNECTOR (9-PINS, BLACK) PASSENGER'S SEATBACK/LUMBAR RELAY I, K71		02-3
X18126	CONNECTOR (17-PINS, RED) Below center console	16-2	12-3
X18131	CONNECTOR (12-PINS, WHITE) MEMORY STEERING COLUMN CONTROL UNIT, A34z		08-2
X18133	CONNECTOR (2-PINS, BLACK) RH front of wheel well below	23-3	
X18135	CONNECTOR (4-PINS, WHITE) DRIVER'S SEAT LUMBAR SUPPORT MOTOR, M55		06-5
X18136	CONNECTOR (9-PINS, BLACK) DRIVER'S BACKREST/LUMBAR RELAY II, K76		02-3
X18137	CONNECTOR (9-PINS, BLACK) PASSENGER'S BACKREST/LUMBAR RELAY II, K77		02-3
X18138	CONNECTOR (4-PINS, WHITE) PASSENGER'S SEAT LUMBAR SUPPORT MOTOR, M56		06-5
X18145	CONNECTOR (2-PINS, BLACK) Under rear of car	24-2	
X18146	CONNECTOR (2-PINS, YELLOW) Under rear of car	24-2	
X18170	!!! ERROR CODE X18170 NOT FOUND !!! Inside box on interior side of LH door sill	10-3	
X18171	CONNECTOR (10-PINS, BLACK) In upper LH front door	18-3	16-2
X18171	CONNECTOR (10-PINS, BLACK) DRIVER'S SIDE MEMORY MIRROR, Y9		16-2
X18172	CONNECTOR (10-PINS, BLACK) PASSENGER'S SIDE MEMORY MIRROR, Y10		16-2
X18173	CONNECTOR (6-PINS, BLACK) MEMORY MIRRORS CONTROL SWITCH, S12		16-1
X18177	CONNECTOR (2-PINS, GRAY) Water pump in luggage compartment	29-3	
X18178	CONNECTOR (4-PINS, BLACK)		06-5
X18179	CONNECTOR (4-PINS, BLACK)		06-5
X18180	CONNECTOR (3-PINS, WHITE) CD CHANGER, N22		03-3



COMPONENT LOCATION CHART

COMPONENT

PAGE-FIGURE
7100.0 8500.0

X18210	CONNECTOR (9-PINS, BLACK)	DRIVER'S SIDE REAR ENTRANCE ASSIST RELAY, K58	02-3
X18211	CONNECTOR (9-PINS, BLACK)	PASSENGER'S SIDE REAR ENTRANCE ASSIST RELAY, K59	02-3
X18246	CONNECTOR (3-PINS, YELLOW)	ELECTROCHROME REAR VIEW MIRROR, A22z	17-1
X18757	CONNECTOR (3-PINS, WHITE)		17-3
Y1	ABS HYDRAULIC UNIT	Front LH side of engine compartment	07-2
Y3	COMPRESSOR (IHKA)	Front RH side of engine compartment	07-3
Y4	WATER VALVE ASSEMBLY	Rear LH side of engine compartment	05-1
Y7	PARK HEATING METERING PUMP	Under rear of car	
Y16	PRESSURE SENSOR	LH side of engine compartment	
Y221	EVAPORATIVE PURGE VALVE I	Front LH side of engine compartment	
Y222	FUEL AIR VALVE II	Front RH side of engine compartment	
Y402	RIGHT FRONT EDC VALVE	Behind LH front wheel	
Y403	LEFT REAR EDC VALVE	Behind LH rear wheel	

BMW
8

7000.0-29

COMPONENT LOCATION VIEWS

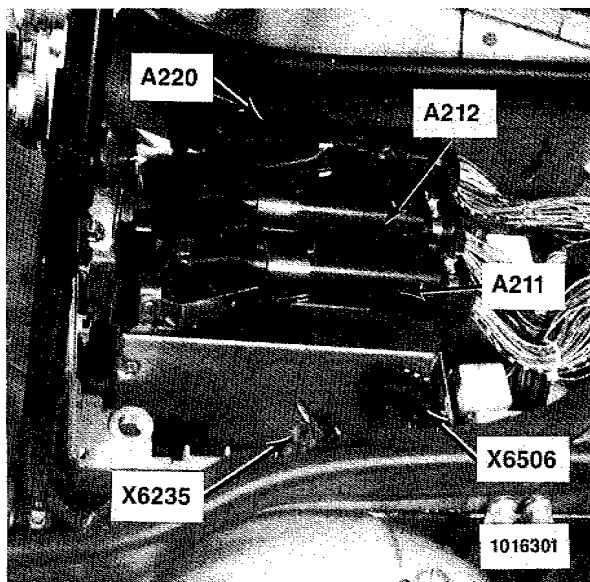


FIG. 1 - Rear RH side of engine compartment

- A211** MOTRONIC CONTROL UNIT I (DME)
- A212** MOTRONIC CONTROL UNIT II (DME)
- A220** EML (1.2) ELECTRONIC CONTROL UNIT
- X6235** CONNECTOR (2-PINS, BLACK)
- X6506** CONNECTOR (4-PINS, BLACK)

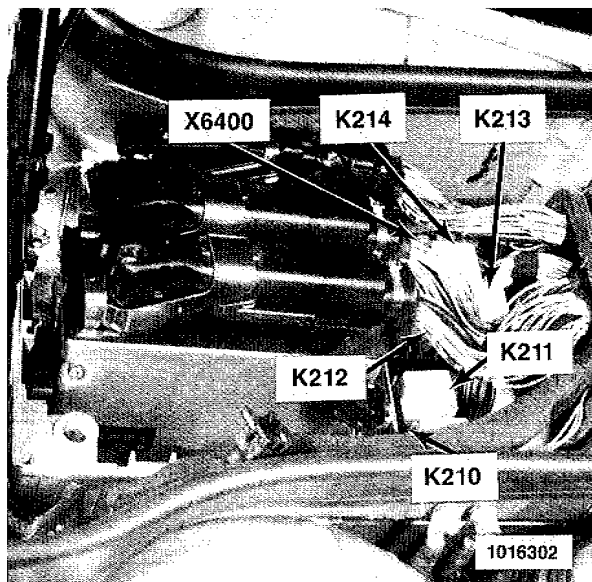


FIG. 2 - Rear RH side of engine compartment

- K210** FUEL PUMP RELAY I
- K211** FUEL PUMP RELAY II
- K212** MAIN RELAY I
- K213** MAIN RELAY II
- K214** OXYGEN SENSOR RELAY
- X6400** B+ JUNCTION POINT

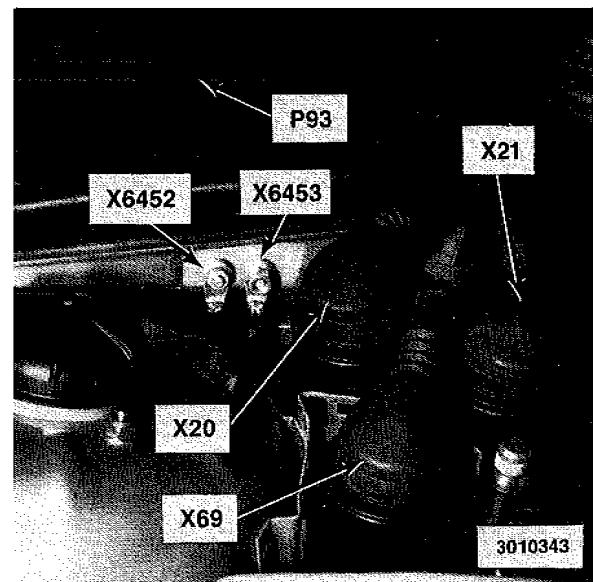


FIG. 3 - Rear RH side of engine compartment

- P93** E-BOX
- X20** CONNECTOR (20-PINS, BLACK)
- X21** CONNECTOR (20-PINS, BLACK)
- X69** CONNECTOR (20-PINS, BLACK)
- X6452** GROUND
- X6453** GROUND

COMPONENT LOCATION VIEWS

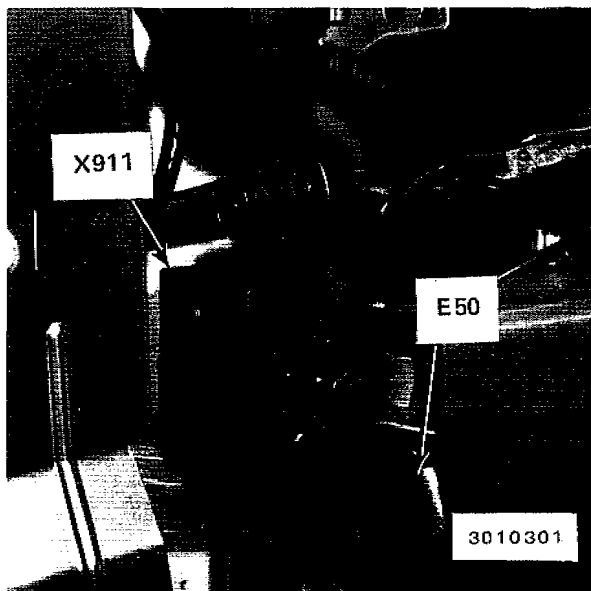


FIG. 1 - Rear RH side of engine compartment

- E50** PARK HEATING UNIT
- X911** STARTER JUMP POINT

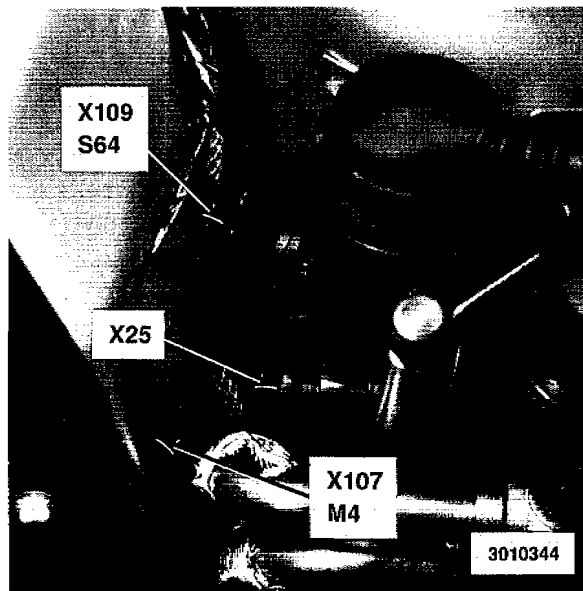


FIG. 2 - RH side of engine compartment

- M4** WASHER PUMP
- S64** WASHER FLUID LEVEL SWITCH
- X25** CONNECTOR (4-PINS, BLACK)
- X107** CONNECTOR (2-PINS, BLUE)
- X109** CONNECTOR (2-PINS, BLACK)

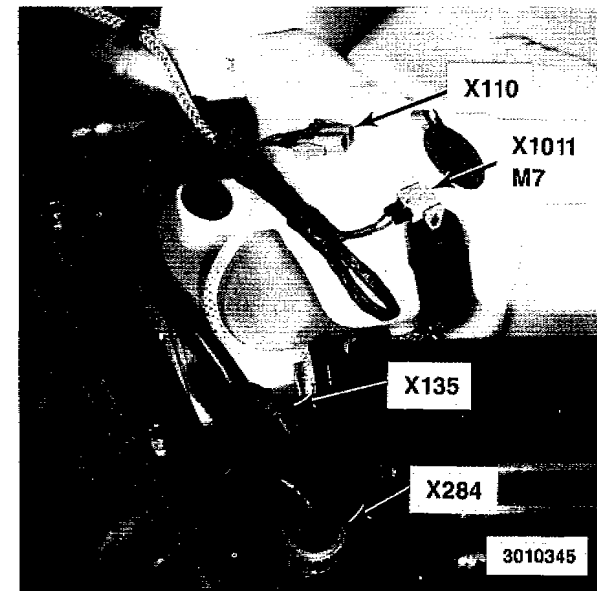


FIG. 3 - RH side of engine compartment

- X110** CONNECTOR (2-PINS, BLUE)
- X135** CONNECTOR (7-PINS, BLACK)
- X284** CONNECTOR (4-PINS, GRAY)
- X1011** CONNECTOR (2-PINS, GRAY)

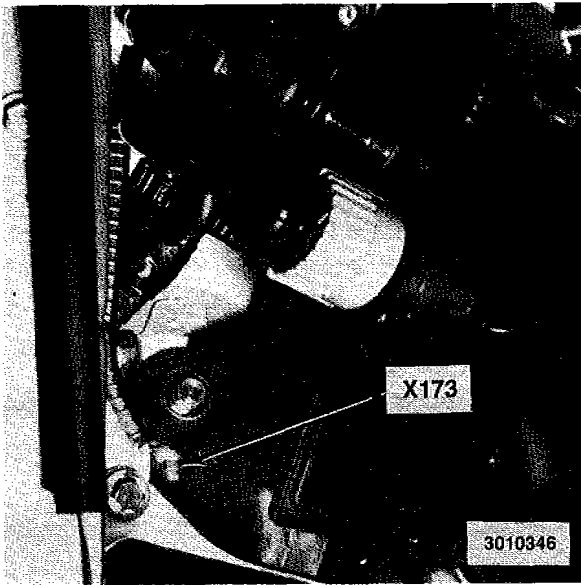


FIG. 1 - RH side of engine compartment

X173 GROUND

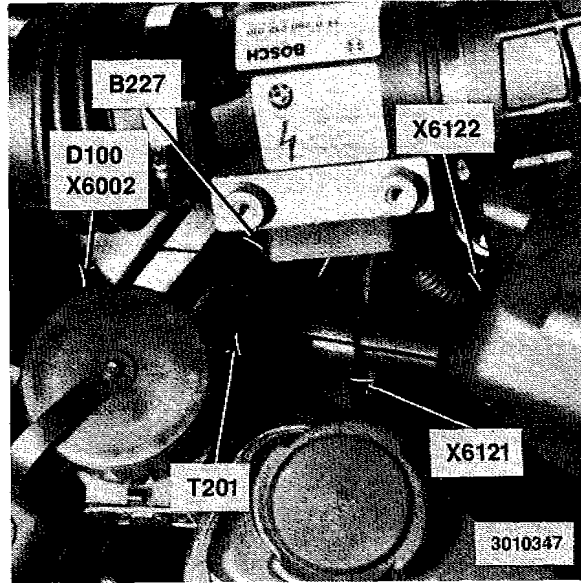


FIG. 2 - Front RH side of engine compartment

- B227 AIR MASS METER II**
- D100 DIAGNOSTIC CONNECTOR**
- T201 IGNITION COIL I**
- X6002 CONNECTOR (20-PINS, BLACK)**
- X6121 CONNECTOR (2-PINS, BLACK)**
- X6122 CONNECTOR (2-PINS, WHITE)**

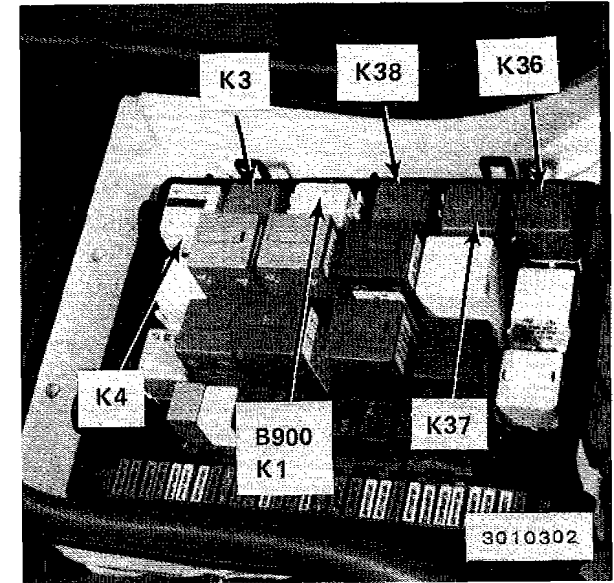


FIG. 3 - Front power distribution box, rear LH side of engine compartment

- B900 JUMPER PLUG**
- K1 STARTER RELAY**
- K3 UNLOADER RELAY, KLR**
- K4 BLOWER RELAY**
- K36 WIPER RELAY I**
- K37 WIPER RELAY II**
- K38 WIPER RELAY III**

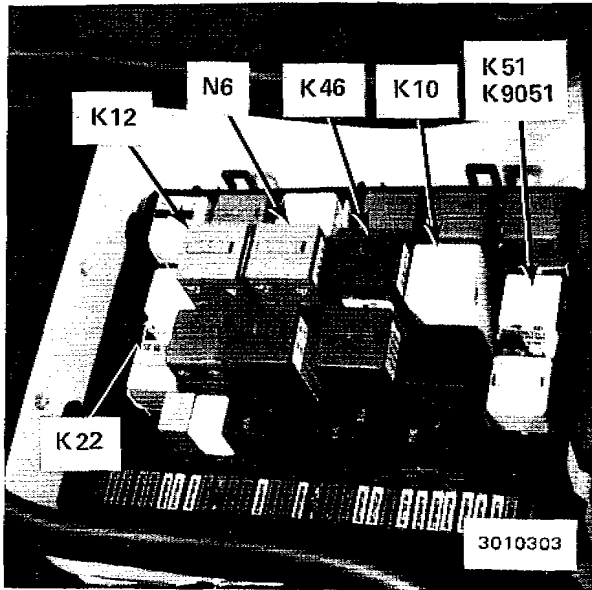


FIG. 1 - Front power distribution box, rear LH side of engine compartment

- K46 HIGH BEAM LIGHT RELAY**
- K10 ABS RELAY**
- K12 WIPER PRESSURE CONTROL (ADV) RELAY**
- K22 HIGH SPEED RELAY**
- K51 JUMPER FOR HORN, TELEPHONE**
- K9051 JUMPER FOR HORN TELEPHONE**
- N6 HEADLIGHT/FRONT FOG LIGHT MODULE (SRA)**

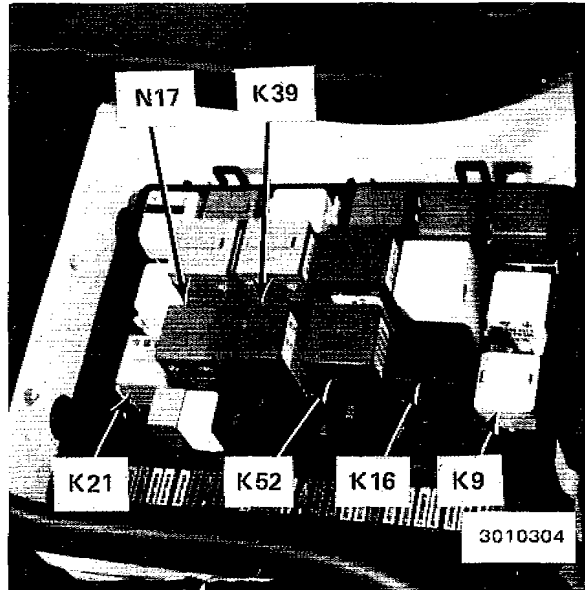


FIG. 2 - Front power distribution box, rear LH side of engine compartment

- K9 UNLOADER RELAY, KL15**
- K16 HAZARD FLASHER RELAY**
- K21 NORMAL SPEED RELAY**
- K39 CONCEALING HEADLIGHTS RELAY**
- K52 HIGH BEAM/FLASHER LIGHT RELAY**
- N17 CRASH CONTROL UNIT**

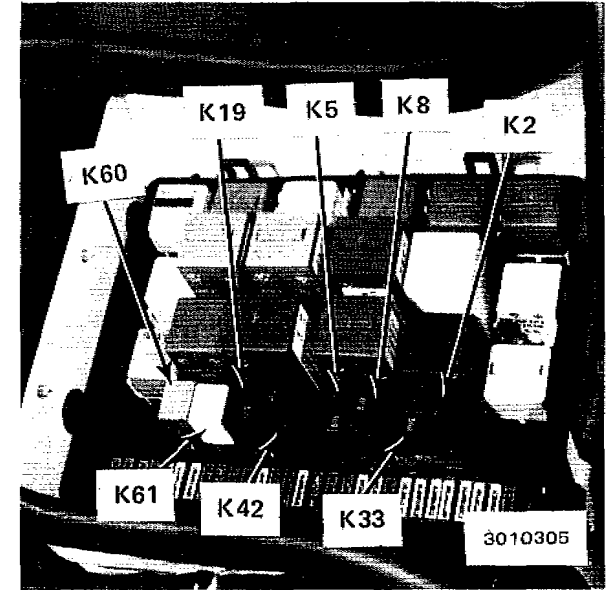


FIG. 3 - Front power distribution box, rear LH side of engine compartment

- K2 HORN RELAY**
- K5 WASHER PUMP RELAY**
- K8 AUXILIARY WATER PUMP RELAY**
- K19 COMPRESSOR CONTROL RELAY**
- K33 AIR CONDITIONING RELAY**
- K42 INTENSIVE WASH RELAY**
- K60 COMPRESSOR CUT-OFF RELAY**
- K61 UNLOADER RELAY, KL61**



COMPONENT LOCATION VIEWS

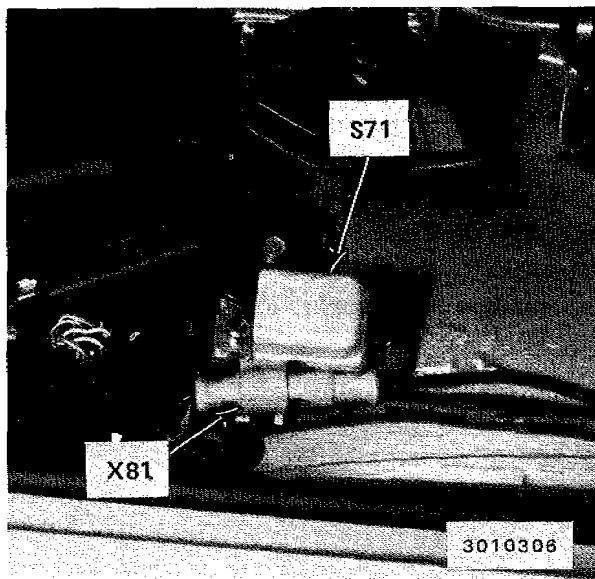


FIG. 1 - LH side of engine compartment

- S71 LEFT FRONT CRASH SENSOR**
- X81 CONNECTOR (3-PINS, ORANGE)**

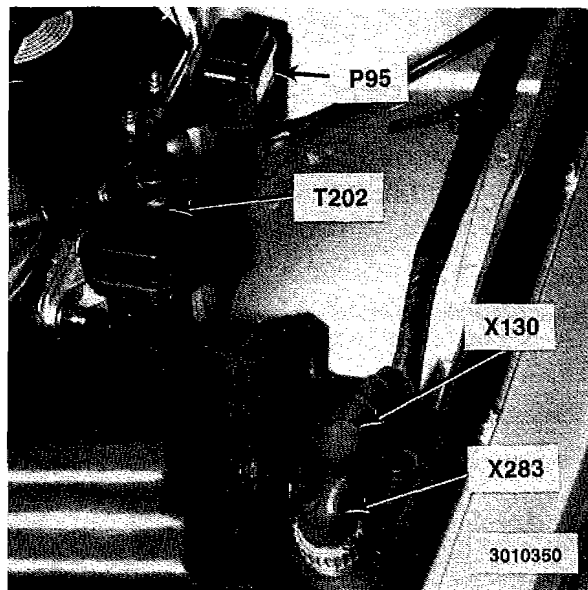


FIG. 2 - LH side of engine compartment

- T202 IGNITION COIL II**
- P95 AUXILIARY FUSE BOX**
- X130 CONNECTOR (7-PINS, BLACK)**
- X283 CONNECTOR (4-PINS, GRAY)**

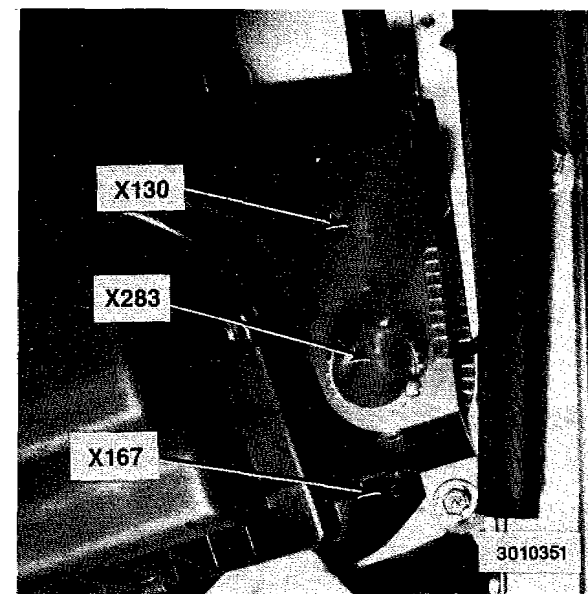


FIG. 3 - LH side of engine compartment

- X130 CONNECTOR (7-PINS, BLACK)**
- X167 GROUND**
- X283 CONNECTOR (4-PINS, GRAY)**



COMPONENT LOCATION VIEWS

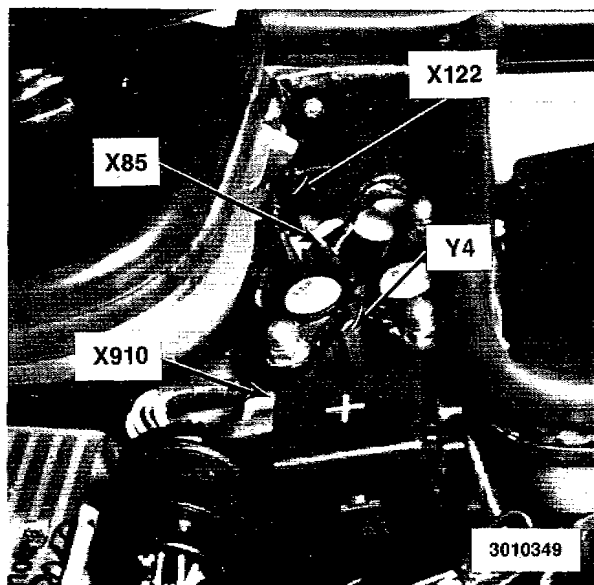


FIG. 1 - Rear LH side of engine compartment

- Y4 WATER VALVE ASSEMBLY
- X85 CONNECTOR (3-PINS, BLACK)
- X122 CONNECTOR (2-PINS, BLACK)
- X910 B+ Junction Point

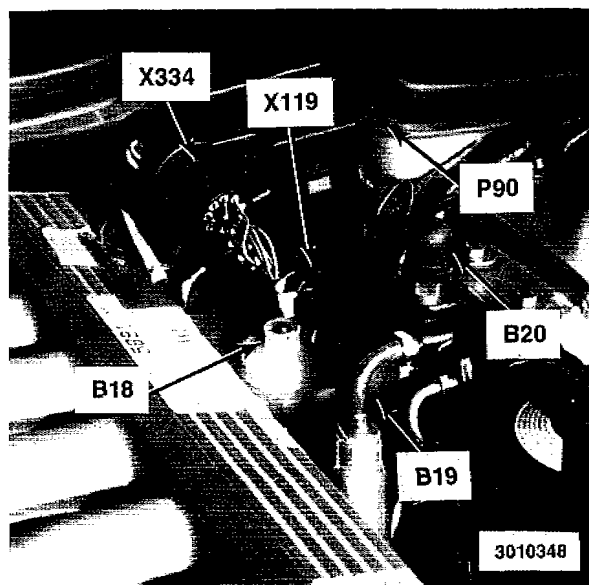


FIG. 2 - Rear LH side of engine compartment

- B18 BRAKE FLUID LEVEL SWITCH
- B19 BRAKE PRESSURE REGULATING SWITCH
- B20 BRAKE PRESSURE SWITCH
- P90 FRONT POWER DISTRIBUTION BOX
- X119 CONNECTOR (2-PINS, BLACK)
- X333 CONNECTOR (12-PINS, BLACK)

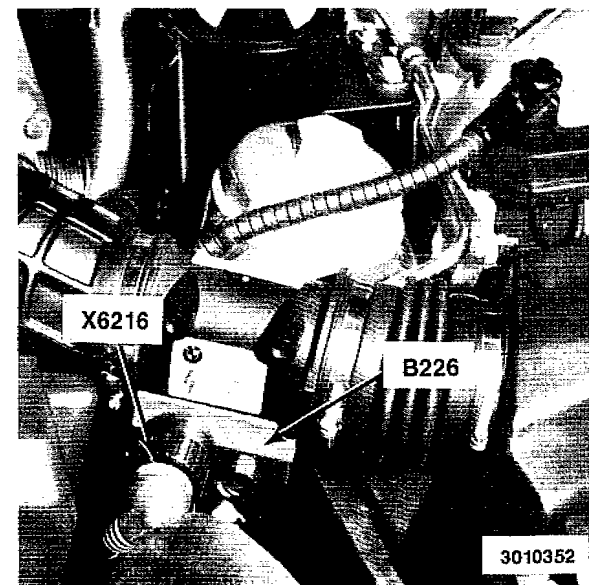


FIG. 3 - Front LH side of engine compartment

- B226 AIR MASS METER I
- X6216 CONNECTOR (7-PINS, BLACK)



COMPONENT LOCATION VIEWS

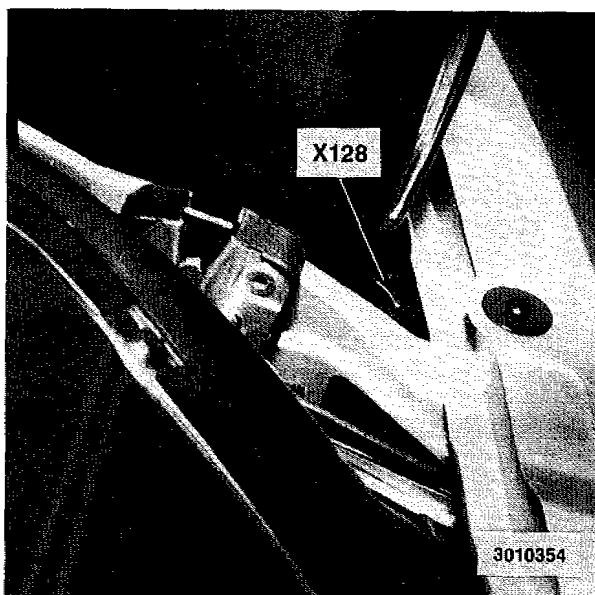


FIG. 1 - Near LH headlight assembly
X128 CONNECTOR (7-PINS, BLACK)

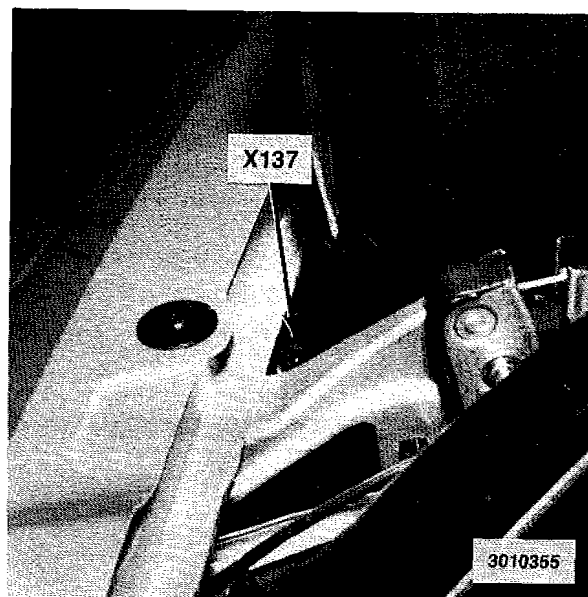


FIG. 2 - Near RH headlight assembly
X137 CONNECTOR (7-PINS, BLACK)

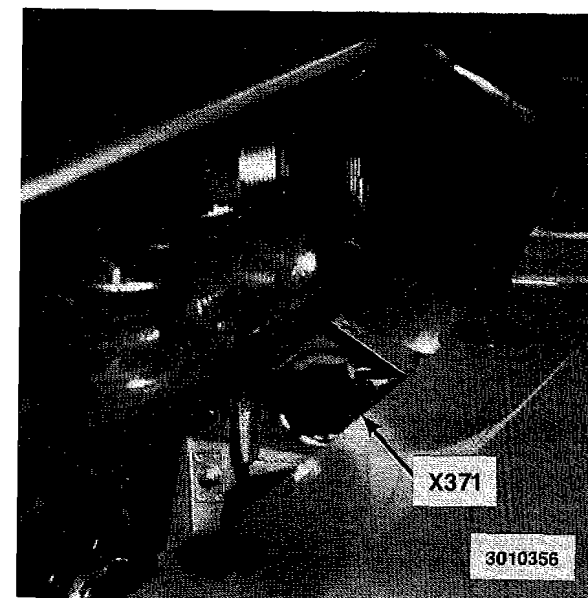


FIG. 3 - Near RH headlight assembly
X371 CONNECTOR (2-PINS, BLACK)

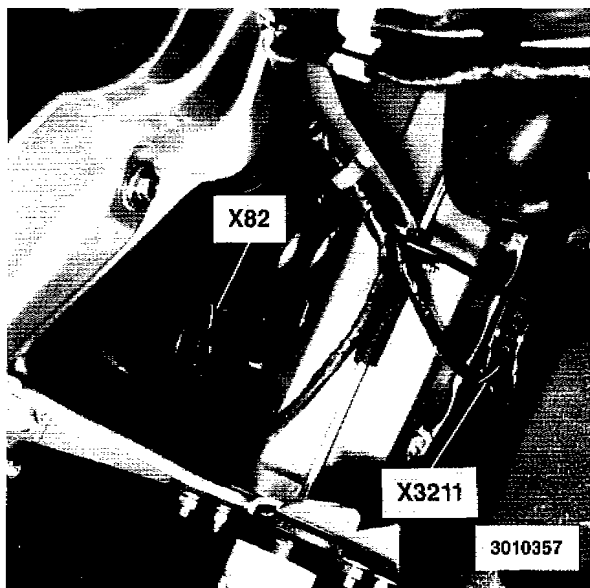


FIG. 1 - Front LH side of engine compartment, (headlights removed)

- X82 CONNECTOR (3-PINS, BLACK)**
- X3211 CONNECTOR (4-PINS, BLACK)**



FIG. 2 - Front LH side of engine compartment, (headlights removed)

- B21 TEMPERATURE SENSOR**
- X770 CONNECTOR (2-PINS, YELLOW)**
- Y1 ABS HYDRAULIC UNIT**

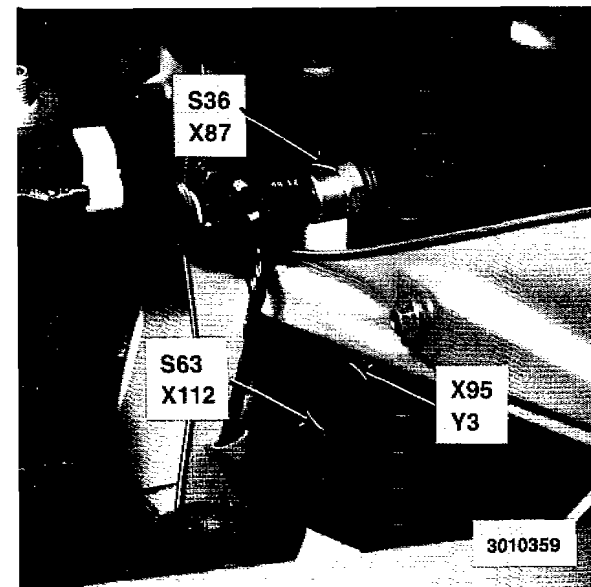


FIG. 3 - Front RH side of engine compartment, (headlights removed)

- S36 TEMPERATURE SWITCH**
- S63 COOLANT LEVEL SWITCH**
- X87 CONNECTOR (3-PINS, BLACK)**
- X95 CONNECTOR (3-PINS, BLACK)**
- X112 CONNECTOR (2-PINS, BLACK)**
- Y3 COMPRESSOR (IHKA)**



COMPONENT LOCATION VIEWS

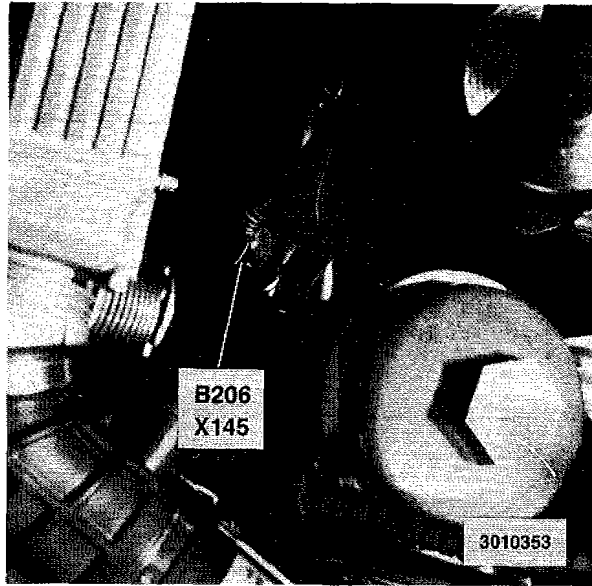


FIG. 1 - LH side of engine compartment

B206 OIL PRESSURE SWITCH
X145 CONNECTOR (2-PINS, BLACK)

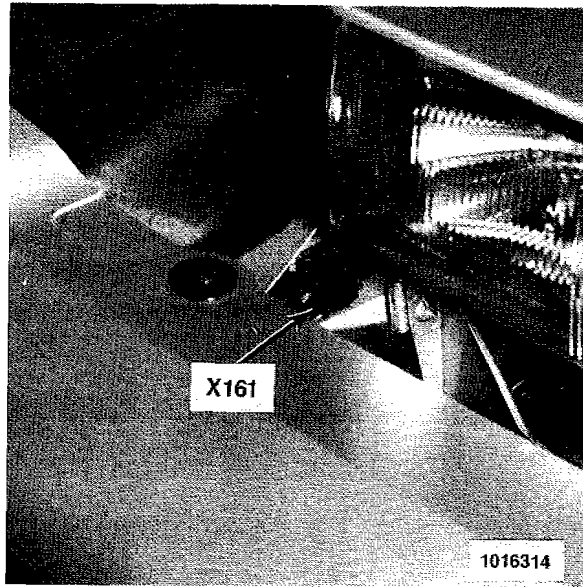


FIG. 2 - Near LH headlight assembly

X161 CONNECTOR (2-PINS, BLACK)

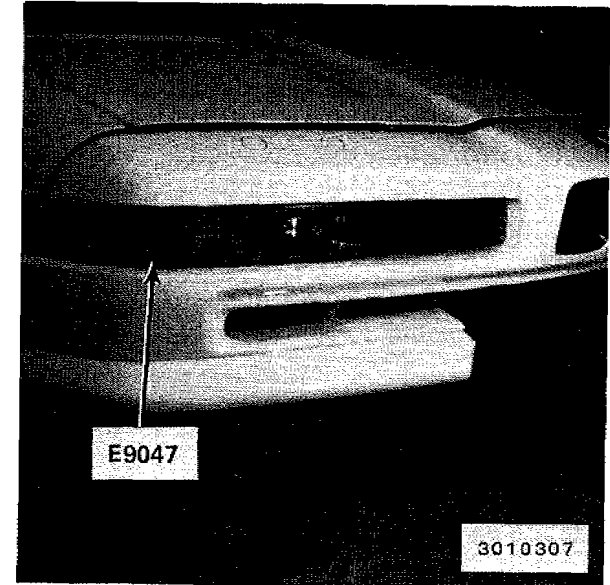


FIG. 3 - RH front of vehicle

E9047 RIGHT LIGHT BAND

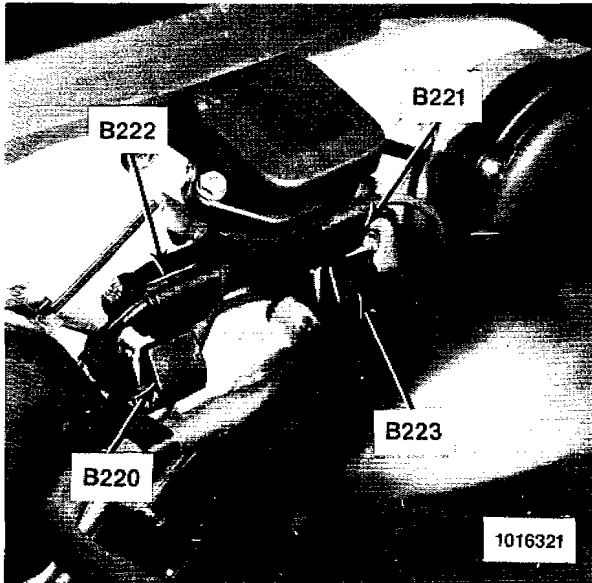


FIG. 1 - Front of engine compartment

- B220** CYLINDER IDENTIFICATION SENSOR I
- B221** CYLINDER IDENTIFICATION SENSOR II
- B222** ENGINE SPEED SENSOR I
- B223** ENGINE SPEED SENSOR II

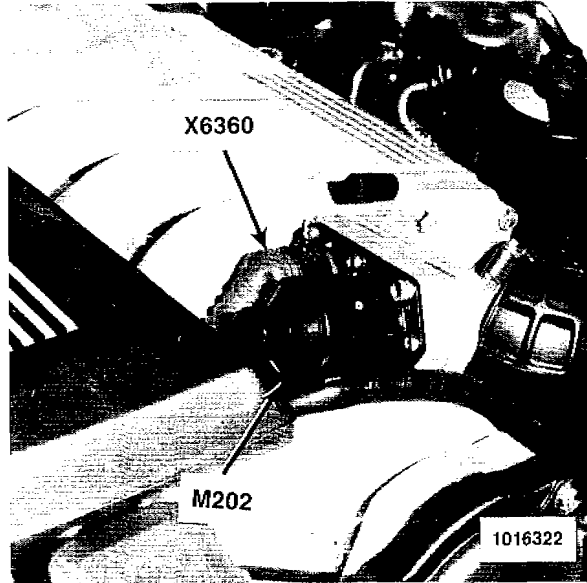


FIG. 2 - Front LH side of engine compartment

- M202** THROTTLE POSITION MOTOR I (EML)
- X6360** CONNECTOR (8-PINS, BLACK)

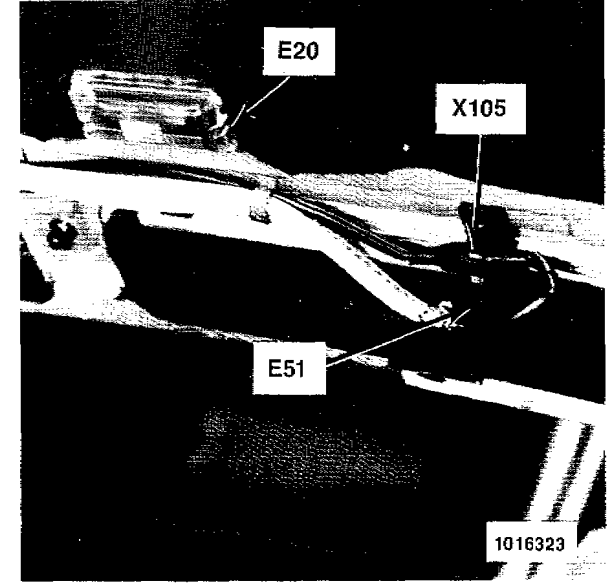


FIG. 3 - On underside of engine hood, left, (RH similar)

- E20** UNDERHOOD LIGHT
- E51** LEFT WASHER JET HEATER
- X105** CONNECTOR (2-PINS, BLACK)

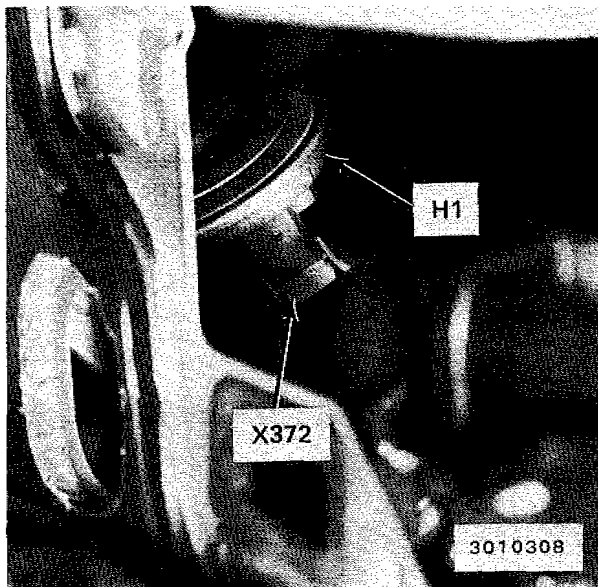


FIG. 1 - Behind RH fresh air cowl

- H1 ANTITHEFT HORN
- X372 CONNECTOR (2-PINS, WHITE)

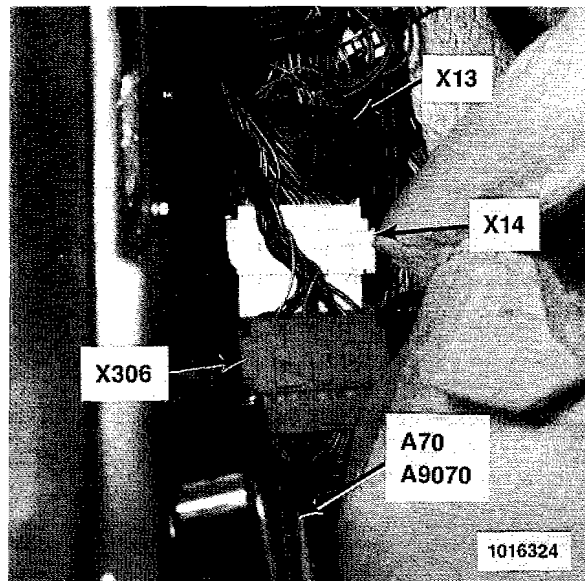


FIG. 2 - LH footwell, under footrest

- A70 ABS/ASC ELECTRONIC CONTROL UNIT
- A9070 ABS/ASC + T CONTROL UNIT
- X13 CONNECTOR (30-PINS, BLACK)
- X14 CONNECTOR (30-PINS, WHITE)
- X306 CONNECTOR (30-PINS, BLUE)

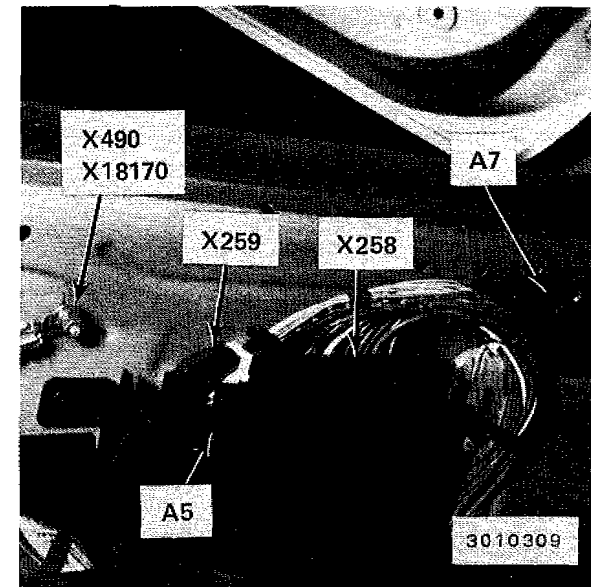


FIG. 3 - Inside box on interior side of LH door sill

- A5 RELAY MODULE
- X7 CONNECTOR (55-PINS, NATURAL)
- X258 CONNECTOR (20-PINS, BLACK)
- X259 CONNECTOR (26-PINS, BLACK)
- X490 GROUND
- X18170 GROUND

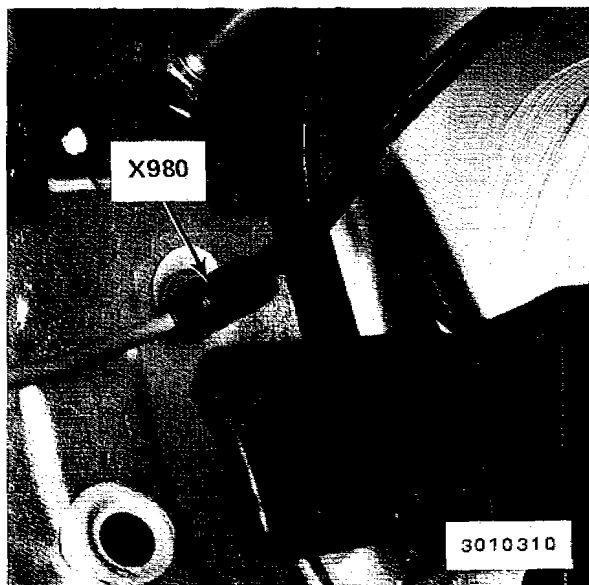


FIG. 1 - RH side of LH footwell, under carpet

X980 SPLICE

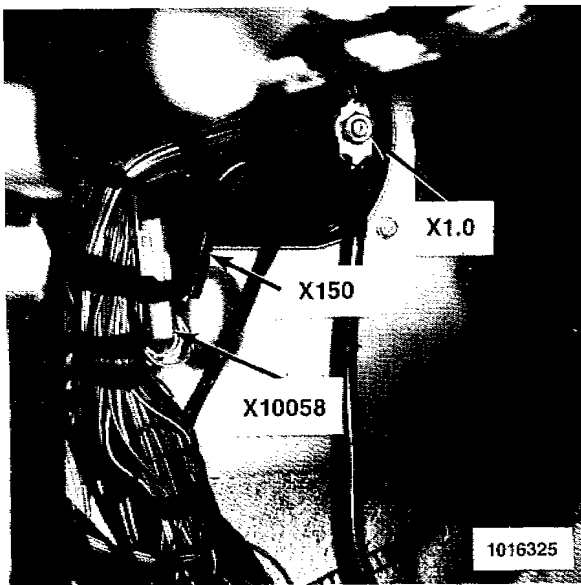


FIG. 2 - LH footwell, under footrest

- X1.0 JUNCTION POST FOR P90 FRONT POWER DISTRIBUTION BOX
- X150 CONNECTOR (4-PINS, BLACK)
- X10058 CONNECTOR (1-PINS, YELLOW)

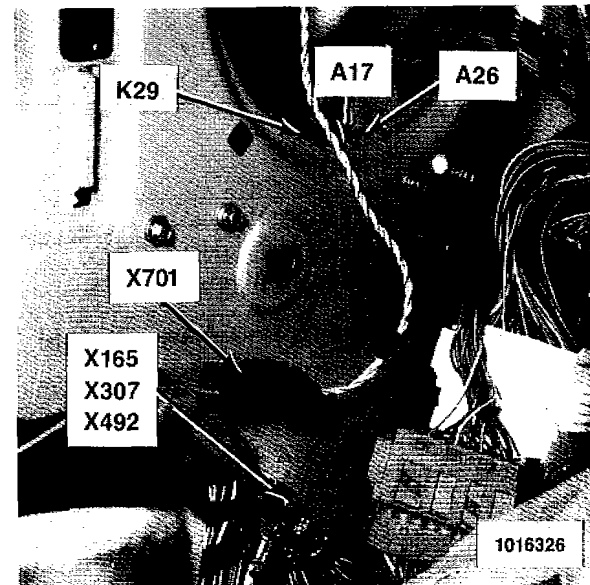


FIG. 3 - LH side of LH footwell

- A17 SERVOTRONIC CONTROL UNIT
- A26 LOCK-SENSOR CONTROL UNIT
- K29 INTERIOR LIGHT RELAY
- X165 GROUND
- X307 GROUND
- X492 GROUND
- X701 CONNECTOR (2-PINS, BLACK)



COMPONENT LOCATION VIEWS

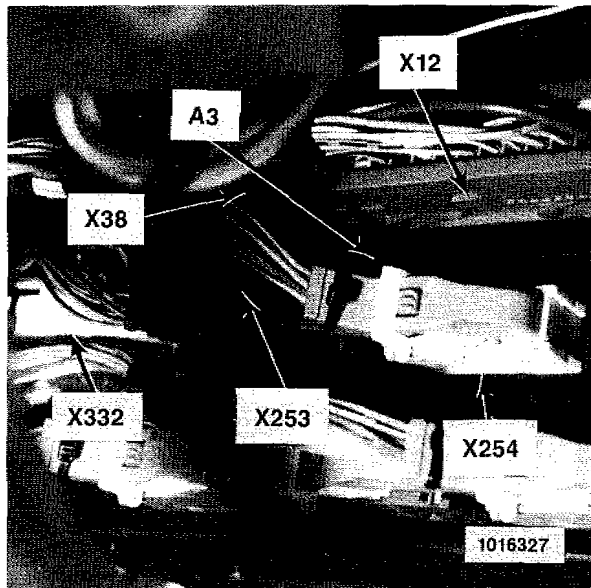


FIG. 1 - Below LH side of dash

- A3 LAMP CONTROL MODULE
- X12 CONNECTOR (20-PINS, RED)
- X38 CONNECTOR (20-PINS, RED)
- X253 CONNECTOR (26-PINS, BLACK)
- X254 CONNECTOR (26-PINS, YELLOW)
- X332 CONNECTOR (26-PINS, WHITE)

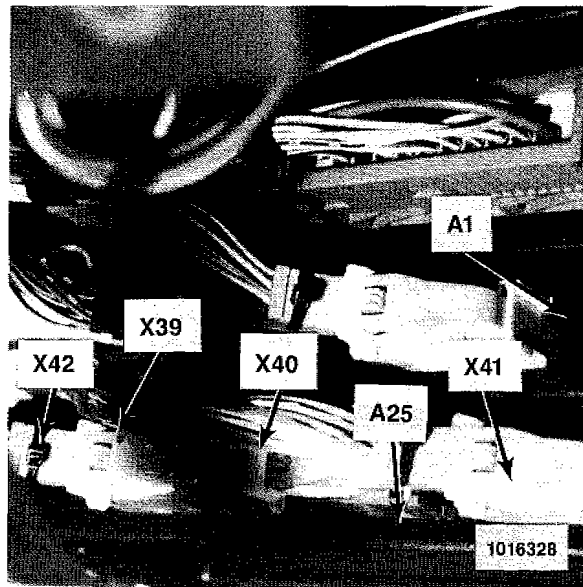


FIG. 2 - Below LH side of dash

- A1 GENERAL MODULE
- A25 ELECTRONIC BODY MODULE
- X39 CONNECTOR (26-PINS, GREEN)
- X40 CONNECTOR (26-PINS, BROWN)
- X41 CONNECTOR (26-PINS, BLUE)
- X42 CONNECTOR (5-PINS, BLACK)

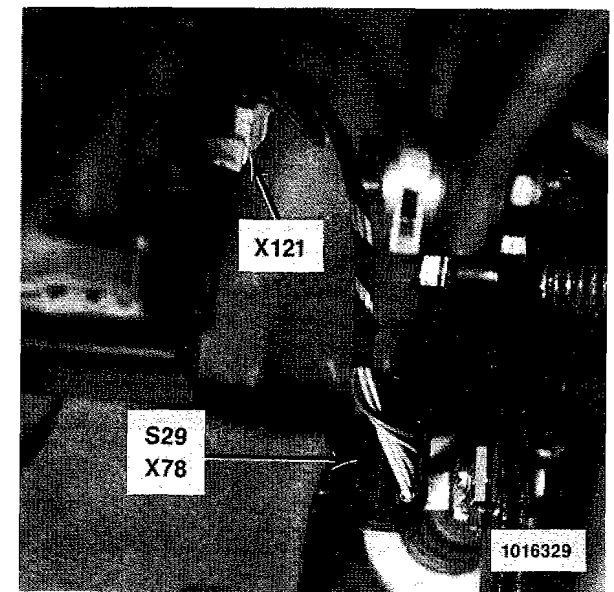


FIG. 3 - Below LH side of dash

- S29 BRAKE LIGHT SWITCH
- X78 CONNECTOR (4-PINS, BLACK)
- X121 CONNECTOR (2-PINS, WHITE)

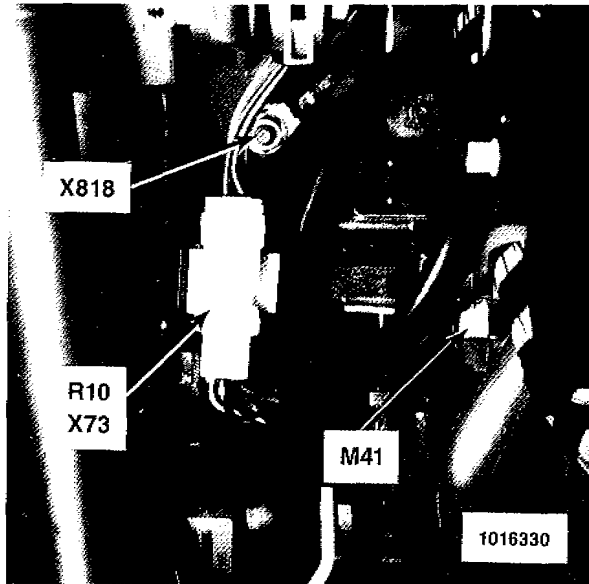


FIG. 1 - Below LH side of dash

- M41** REAR COMPARTMENT ACTUATOR MOTOR
- R10** PEDAL POSITION SENSOR
- X73** CONNECTOR (8-PINS, WHITE)
- X818** GROUND

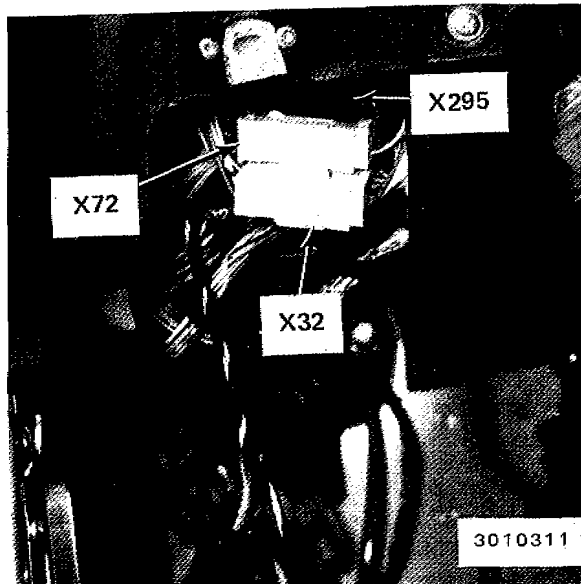


FIG. 2 - Below LH side of dash

- X32** CONNECTOR (12-PINS, WHITE)
- X72** CONNECTOR (8-PINS, WHITE)
- X295** CONNECTOR (8-PINS, BLACK)

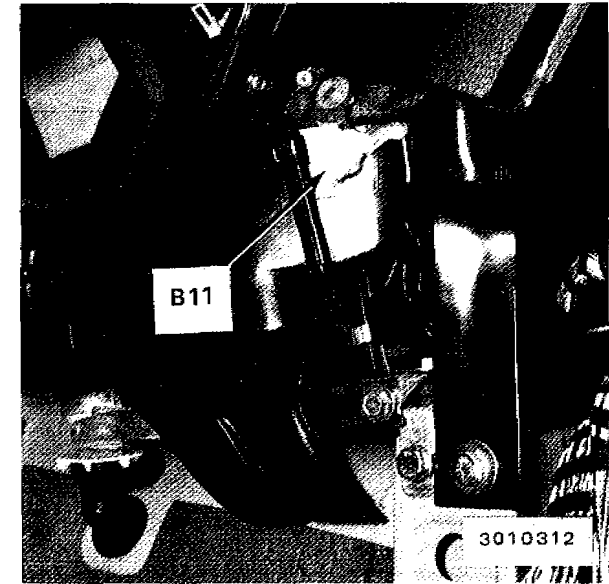


FIG. 3 - Below LH side of dash, LH side of IHKA Plenum

- B11** LEFT HEAT EXCHANGER TEMPERATURE SENSOR

COMPONENT LOCATION VIEWS

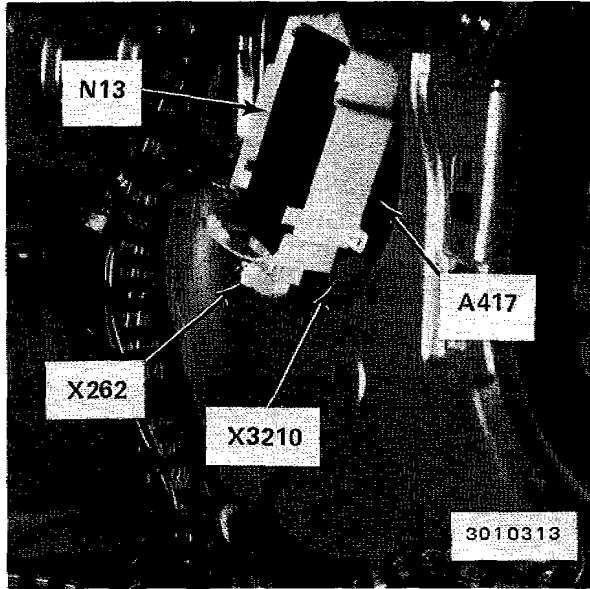


FIG. 1 - Behind RH footwell speaker grill

- A417** AUTOMATIC AIR RECIRCULATION CONTROL UNIT
- N13** INFRARED LOCKING CONTROL UNIT
- X262** CONNECTOR (26-PINS, YELLOW)
- X3210** CONNECTOR (26-PINS, BLUE)

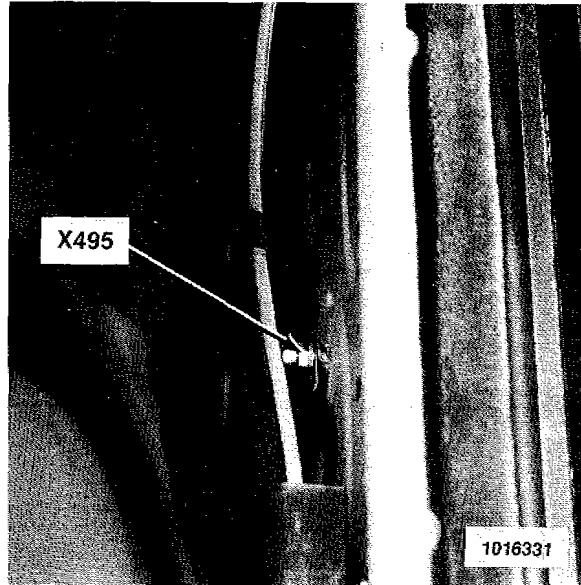


FIG. 2 - Interior side of RH door sill

- X495** GROUND

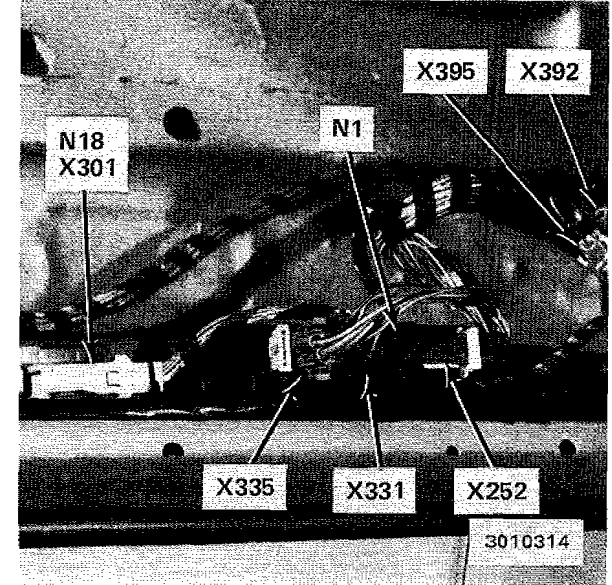


FIG. 3 - Interior side of RH door sill

- X252** CONNECTOR (26-PINS, BLACK)
- X301** CONNECTOR (26-PINS, WHITE)
- X331** CONNECTOR (5-PINS, BLACK)
- X335** CONNECTOR (4-PINS, GREEN)
- X392** CONNECTOR (1-PINS, BLUE)
- X395** CONNECTOR (1-PINS, YELLOW)
- N1** ANTITHEFT MODULE (DWA)
- N18** AUXILIARY ANTI-THEFT MODULE (DWA)



COMPONENT LOCATION VIEWS

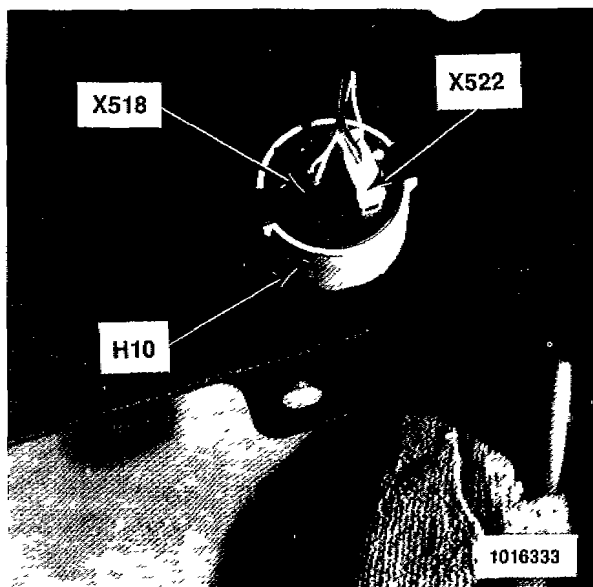


FIG 1 - Below RH side of dash

- H10 ACOUSTIC DEVICE
- X518 CONNECTOR (4-PINS, BLACK)
- X522 CONNECTOR (3-PINS, WHITE)

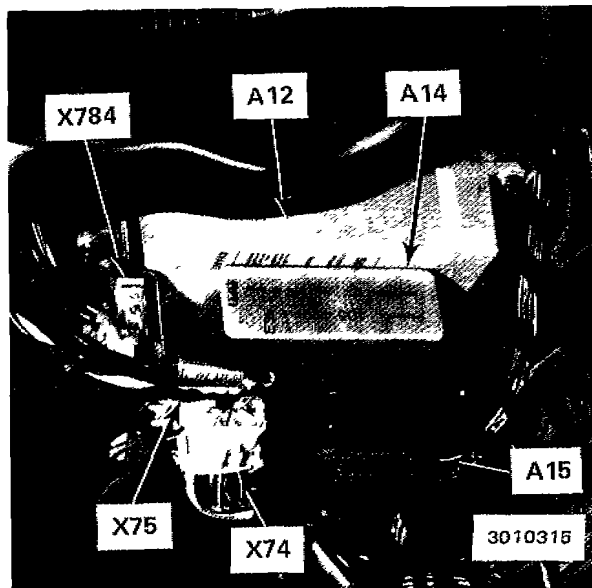


FIG 2 - Below RH side of dash, (glove box removed)

- A12 DIAGNOSTIC MODULE (SRS)
- A14 PARK HEATING/VENTILATION CONTROL UNIT
- A15 PARK HEATING/VENTILATION RELAY BOX
- X74 CONNECTOR (8-PINS, ORANGE)
- X75 CONNECTOR (6-PINS, ORANGE)
- X784 CONNECTOR (2-PINS, ORANGE)

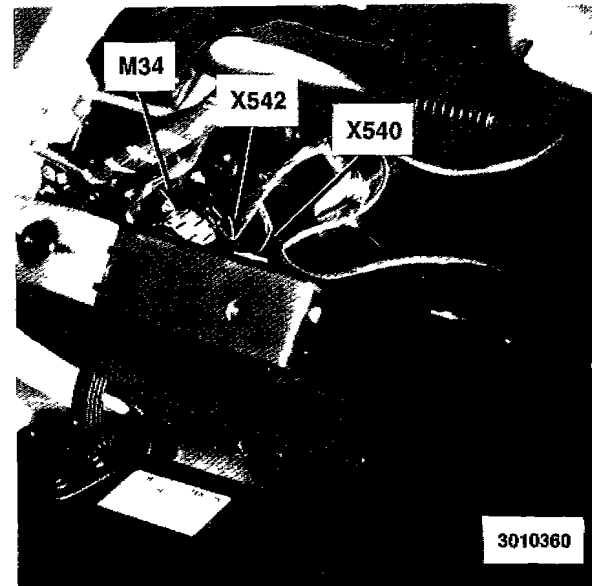


FIG. 3 - RH side of dash, (glove box removed)

- M34 DASH VENT MIXING FLAP MOTOR
- X540 CONNECTOR (2-PINS, BLACK)
- X542 CONNECTOR (2-PINS, BLACK)



COMPONENT LOCATION VIEWS

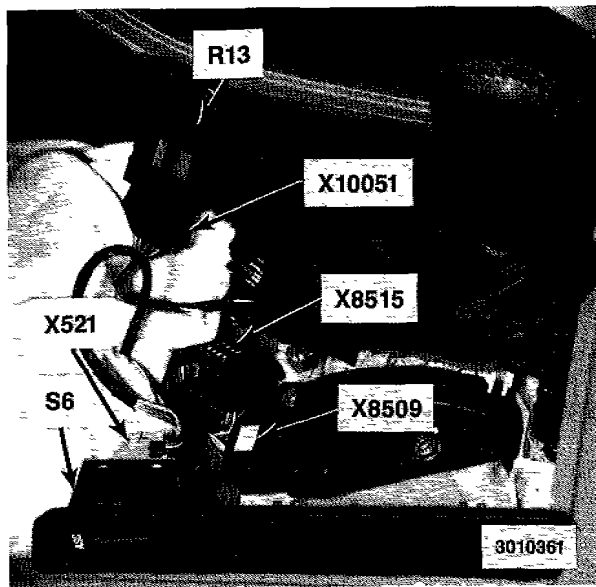


FIG 1 - Center console

- R13 HEADLIGHT WIDENING POTENTIOMETER**
- S6 ASC SWITCH**
- X521 CONNECTOR (6-PINS, BLUE)**
- X8509 CONNECTOR (8-PINS, BLACK)**
- X8515 CONNECTOR (8-PINS, BLACK)**
- X10051 CONNECTOR (4-PINS, BLACK)**

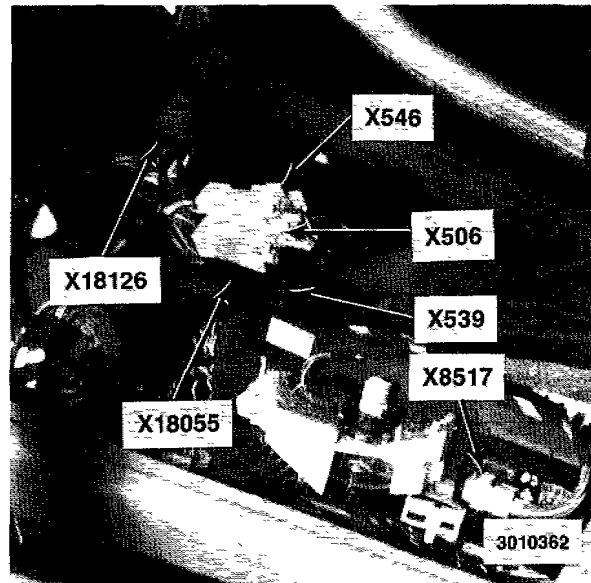


FIG 2 - Center console

- X506 CONNECTOR (12-PINS, WHITE)**
- X539 CONNECTOR (2-PINS, BLACK)**
- X546 CONNECTOR (2-PINS, BLACK)**
- X8517 CONNECTOR (10-PINS, BLACK)**
- X18055 CONNECTOR (12-PINS, BLACK)**
- X18126 CONNECTOR (17-PINS, RED)**

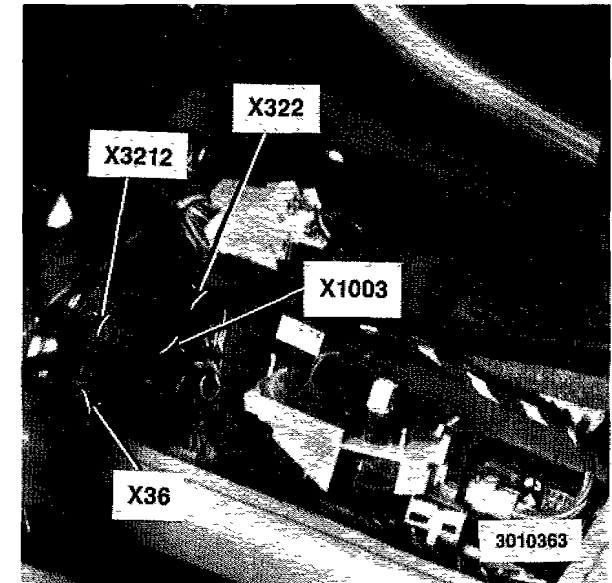


FIG 3 - Center console

- X36 CONNECTOR (21-PINS, BLACK)**
- X321 CONNECTOR (4-PINS, BLACK)**
- X322 CONNECTOR (8-PINS, BLACK)**
- X1003 CONNECTOR (12-PINS, BLACK)**

COMPONENT LOCATION VIEWS

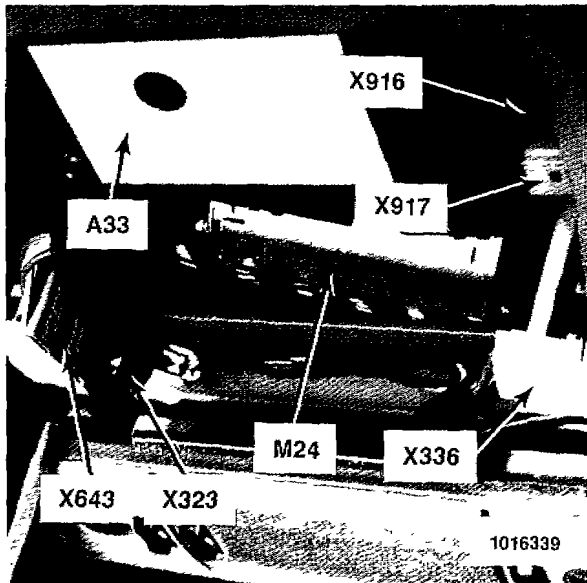


FIG 1 - Center of windshield header

- A33** SUNROOF MODULE
- M24** SUNROOF MOTOR
- X323** CONNECTOR (6-PINS, WHITE)
- X336** CONNECTOR (4-PINS, WHITE)
- X643** CONNECTOR (6-PINS, BLUE)
- X916** CONNECTOR (5-PINS, RED)
- X917** CONNECTOR (6-PINS, RED)

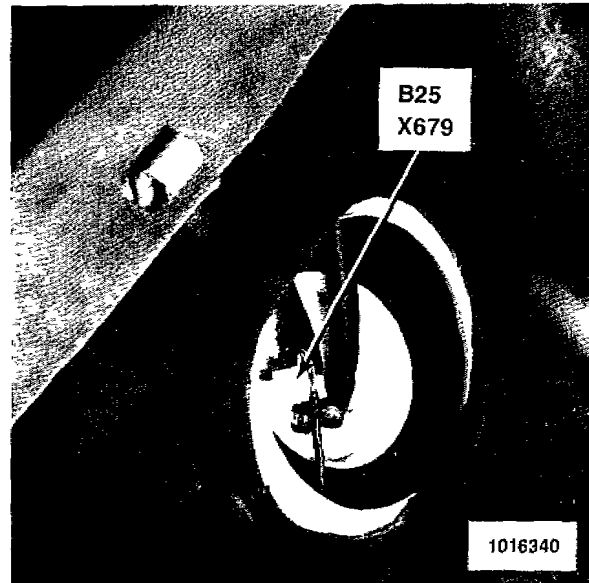


FIG 2 - Under LH rear seat

- B25** FUEL LEVEL SENSOR II
- X679** CONNECTOR (2-PINS, WHITE)

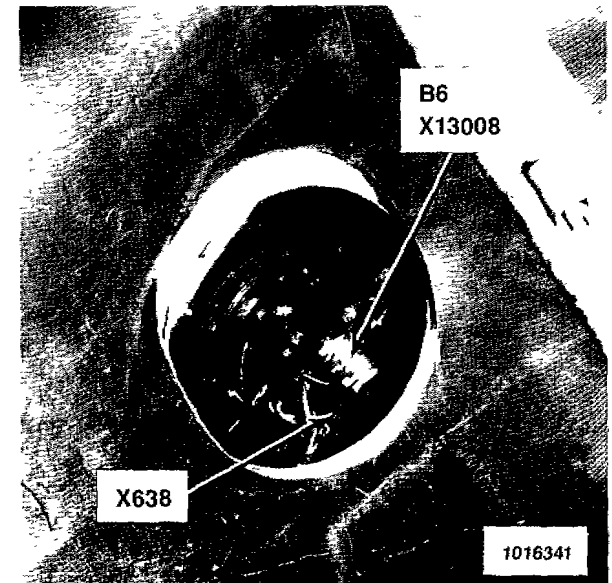


FIG 3 - Under RH rear seat

- B6** FUEL LEVEL SENSOR I
- X638** CONNECTOR (3-PINS, BLACK)
- X13008** CONNECTOR (2-PINS, WHITE)

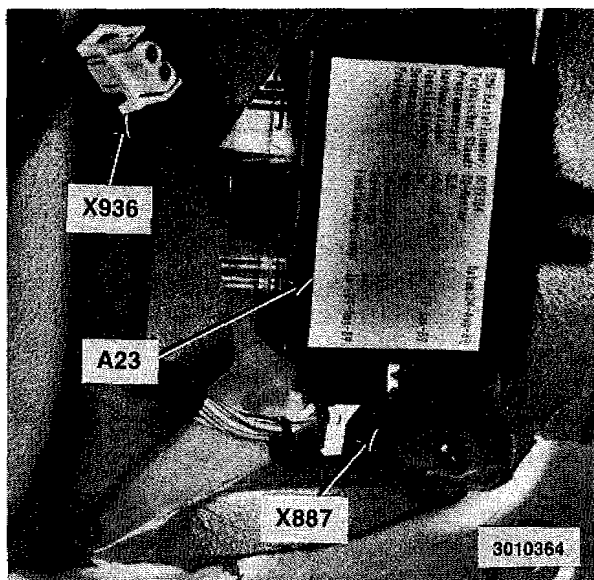


FIG. 1 - In lower LH front door, right, (RH similar)

- A23 DRIVER'S DOOR MODULE
- X887 CONNECTOR (26-PINS, BLACK)
- X936 CONNECTOR (2-PINS, WHITE)

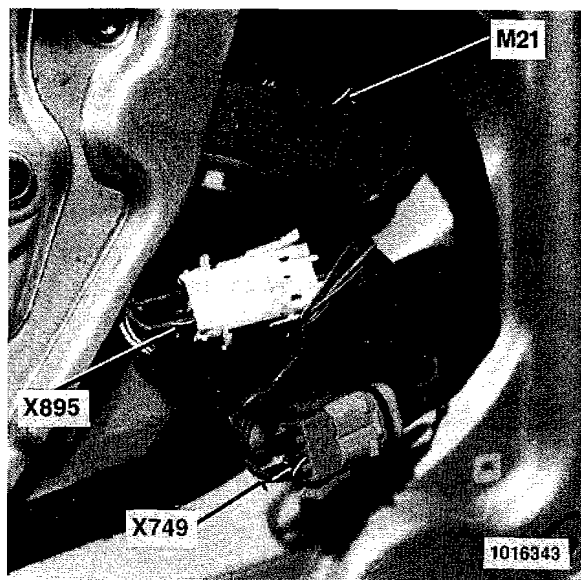


FIG. 2 - In lower LH front door, right, (RH similar)

- M21 DRIVER'S POWER WINDOW MOTOR/INCREMENT SENSOR
- X749 CONNECTOR (6-PINS, BLACK)



FIG. 3 - In upper LH front door, right, (RH similar)

- X18171 CONNECTOR (10-PINS, BLACK)
- X623 CONNECTOR (10-PINS, ORANGE)

COMPONENT LOCATION VIEWS

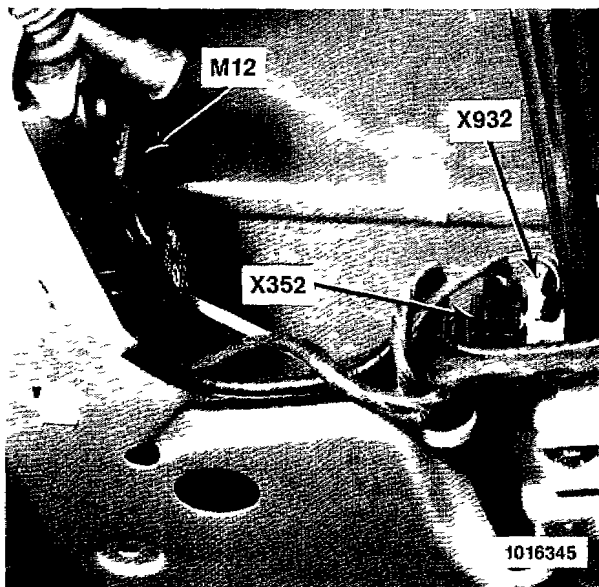


FIG. 1 - In lower LH front door, left, (RH similar)

- M12 DRIVER'S DOOR LOCK MOTOR**
- X352 CONNECTOR (2-PINS, BLACK)**
- X932 CONNECTOR (2-PINS, BLUE)**

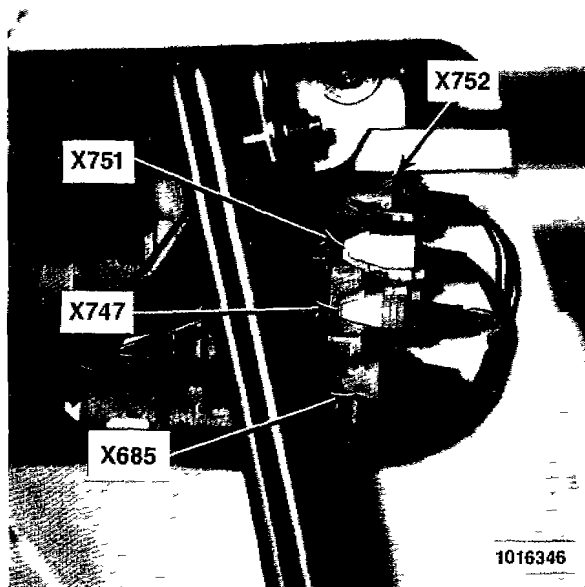


FIG. 2 - In upper LH front door, left, (RH similar)

- X685 CONNECTOR (3-PINS, BLACK)**
- X747 CONNECTOR (2-PINS, YELLOW)**
- X751 CONNECTOR (2-PINS, WHITE)**
- X752 CONNECTOR (2-PINS, BLUE)**

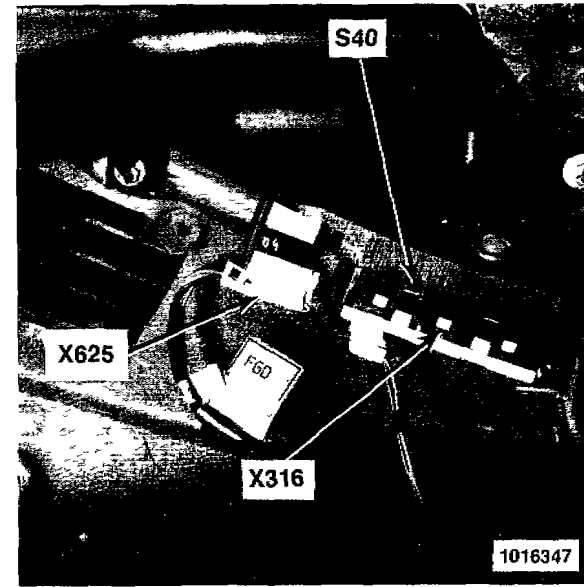


FIG. 3 - LH front door, behind door panel, (RH similar)

- S40 FRONT CONSOLE WINDOW SWITCH ASSEMBLY**
- X316 CONNECTOR (6-PINS, WHITE)**
- X625 CONNECTOR (6-PINS, WHITE)**



COMPONENT LOCATION VIEWS

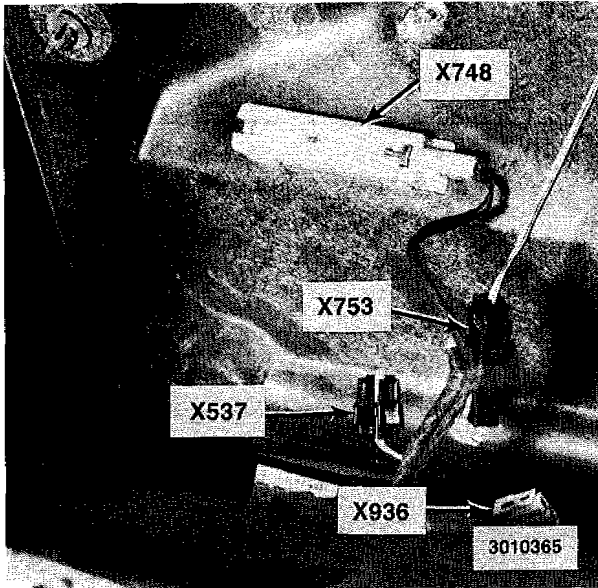


FIG. 1 - LH front door, behind door panel, (RH similar)

- X537 CONNECTOR (2-PINS, BLACK)**
- X748 CONNECTOR (2-PINS, WHITE)**
- X753 CONNECTOR (2-PINS, BLACK)**
- X936 CONNECTOR (2-PINS, WHITE)**

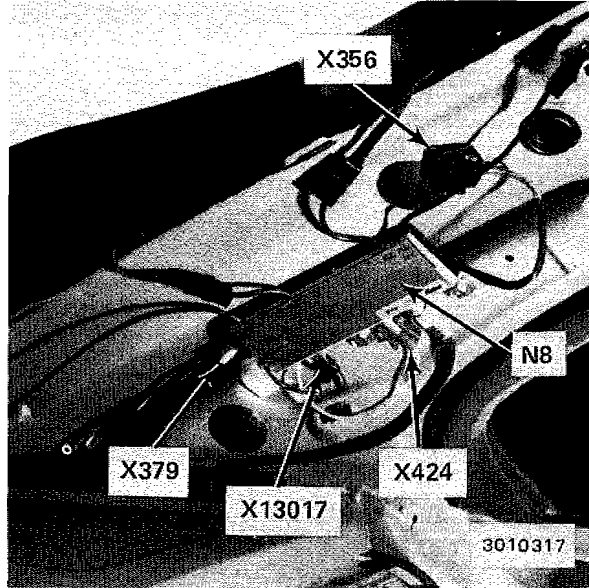


FIG. 2 - In upper LH C-pillar

- N8 ANTENNA AMPLIFIER AM/FM**
- X356 CONNECTOR (2-PINS, BLACK)**
- X379 CONNECTOR (1-PINS, BLACK)**
- X424 CONNECTOR (1-PINS, BROWN)**
- X13017 CONNECTOR (1-PINS, BLACK)**

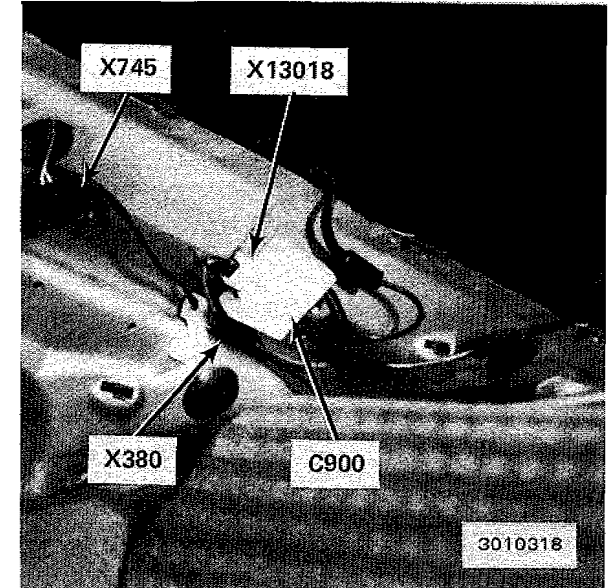


FIG. 3 - In upper RH C-pillar

- C900 SUPPRESSION FILTER**
- C900 FM AMPLIFIER/SUPPRESSION FILTER**
- X380 CONNECTOR (1-PINS, BLACK)**
- X745 CONNECTOR (2-PINS, BLACK)**
- X13018 CONNECTOR (1-PINS, BLACK)**

COMPONENT LOCATION VIEWS

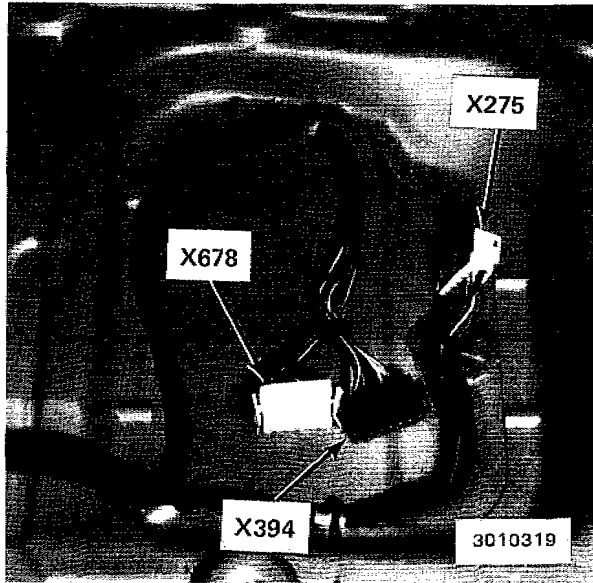


FIG. 1 - Under LH front seat, under carpet

- X275** CONNECTOR (12-PINS, WHITE)
- X394** CONNECTOR (12-PINS, BLACK)
- X678** CONNECTOR (12-PINS, WHITE)

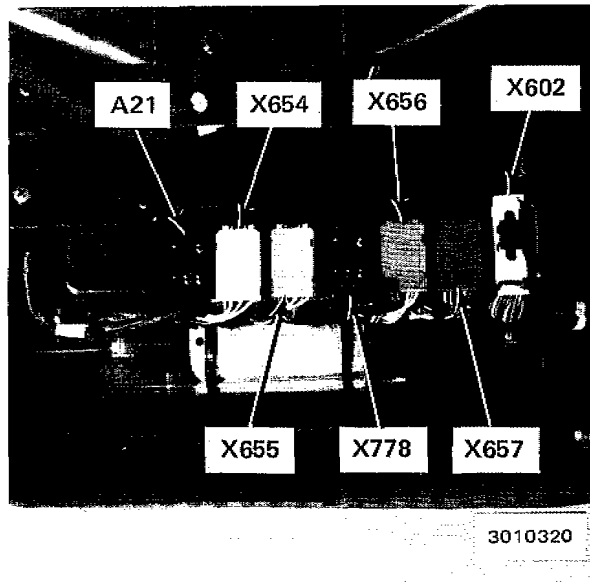


FIG. 2 - Underside of LH front seat

- A21** MEMORY SEAT/MIRRORS CONTROL UNIT
- X602** CONNECTOR (26-PINS, BLACK)
- X654** CONNECTOR (6-PINS, WHITE)
- X655** CONNECTOR (6-PINS, WHITE)
- X656** CONNECTOR (6-PINS, GREEN)
- X657** CONNECTOR (6-PINS, BROWN)
- X778** CONNECTOR (2-PINS, BLACK)

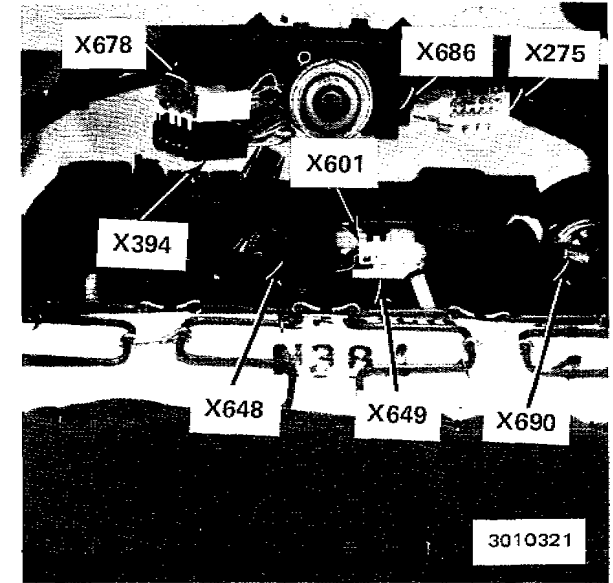


FIG. 3 - Underside of LH front seat

- X275** CONNECTOR (12-PINS, WHITE)
- X394** CONNECTOR (12-PINS, BLACK)
- X601** CONNECTOR (26-PINS, BLACK)
- X648** CONNECTOR (6-PINS, BLACK)
- X649** CONNECTOR (6-PINS, WHITE)
- X678** CONNECTOR (12-PINS, WHITE)
- X686** CONNECTOR (3-PINS, BLUE)
- X690** CONNECTOR (3-PINS, BLUE)



COMPONENT LOCATION VIEWS

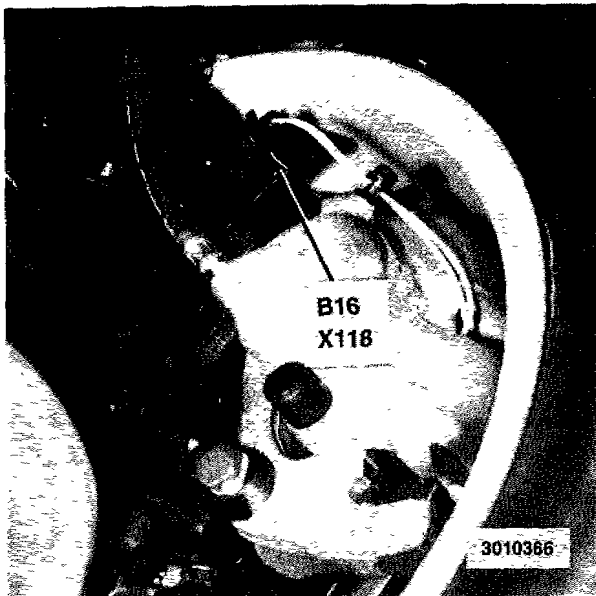


FIG 1 - Behind LH front wheel, RH rear wheel similar

B16 LEFT FRONT BRAKE PAD SENSOR

X118 CONNECTOR (2-PINS, BLACK)

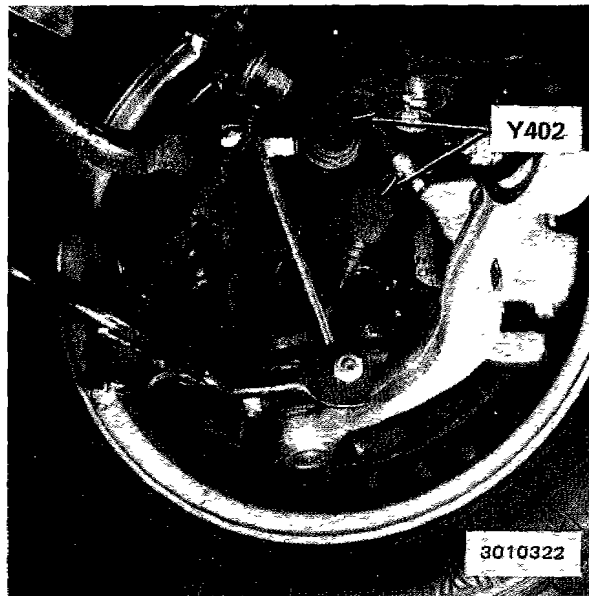


FIG 2 - Behind LH front wheel, (RH similar)

Y402 RIGHT FRONT EDC VALVE

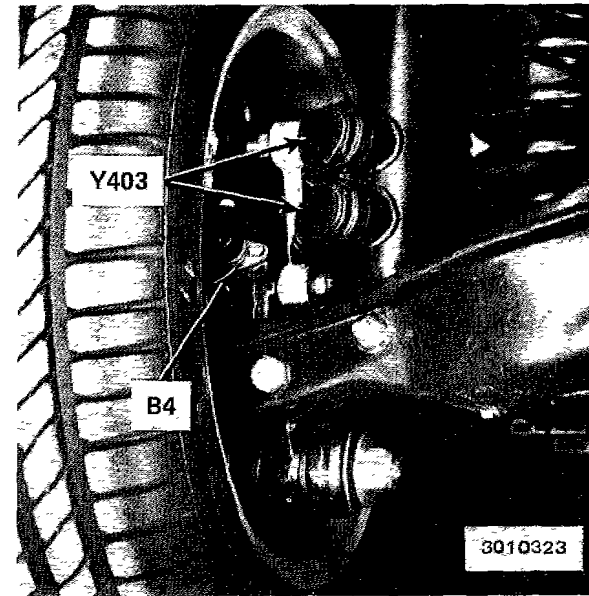


FIG 3 - Behind LH rear wheel, (RH similar)

B4 LEFT REAR SPEED SENSOR
Y403 LEFT REAR EDC VALVE

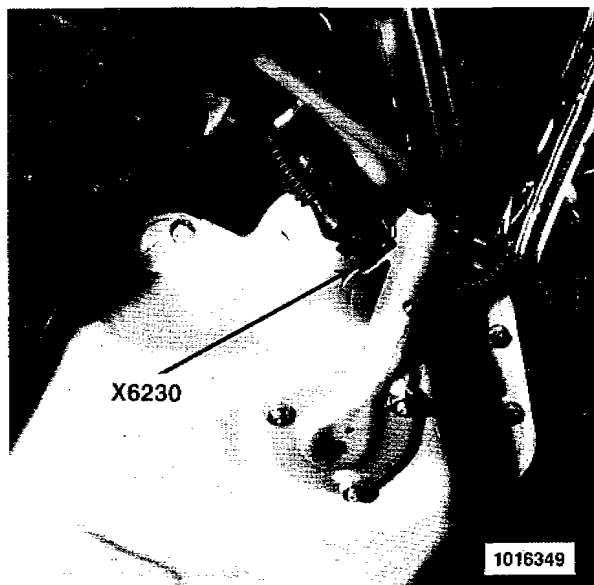


FIG. 1 - Under RH front of car

X6230 CONNECTOR (3-PINS, BLACK)

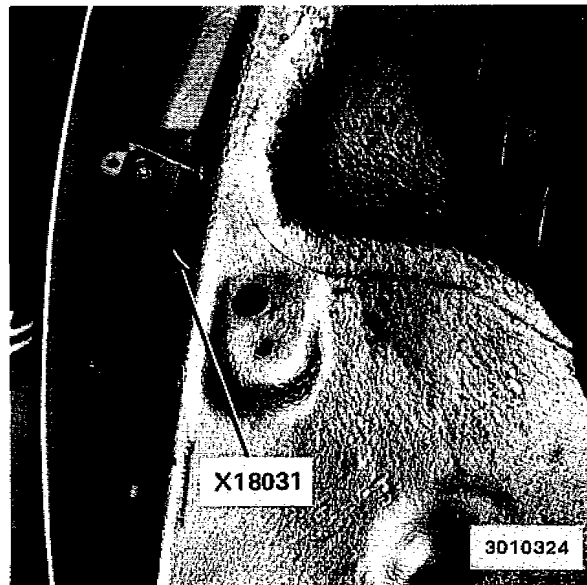


FIG. 2 - RH front of wheel well above

X18031 CONNECTOR (3-PINS, BLACK)

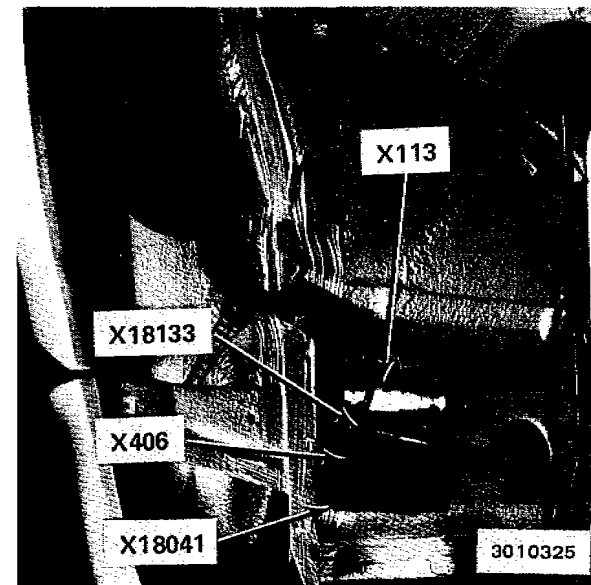


FIG. 3 - Below

X113 CONNECTOR (2-PINS, WHITE)
X406 CONNECTOR (3-PINS, BLACK)
X18041 CONNECTOR (2-PINS, BLACK)
X18133 CONNECTOR (2-PINS, BLACK)



COMPONENT LOCATION VIEWS

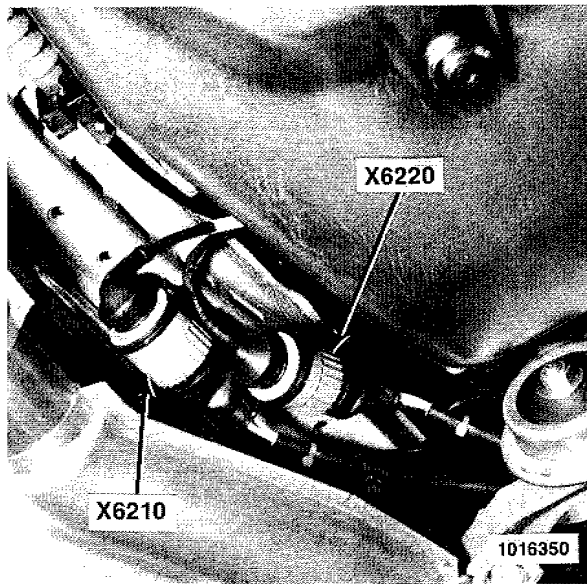


FIG. 1 - On catalytic converter

- X6210 CONNECTOR (4-PINS, GRAY)
- X6220 CONNECTOR (4-PINS, GRAY)

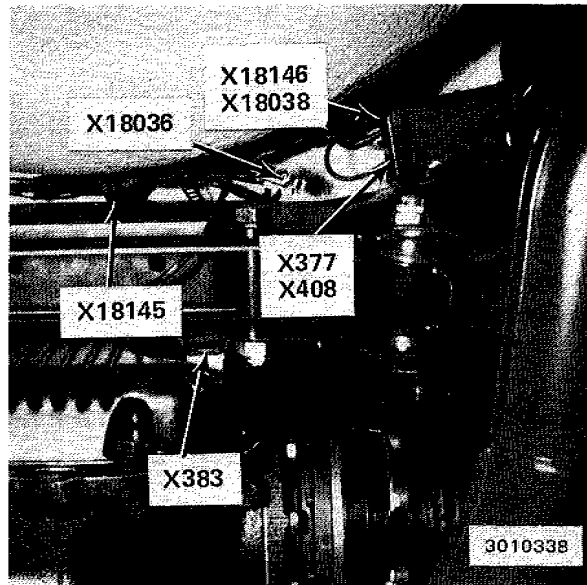


FIG. 2 - Under rear of car

- X377 CONNECTOR (2-PINS, WHITE)
- X383 CONNECTOR (2-PINS, BLACK)
- X408 CONNECTOR (3-PINS, BLACK)
- X18036 CONNECTOR (2-PINS, GRAY)
- X18038 CONNECTOR (2-PINS, BLACK)
- X18145 CONNECTOR (2-PINS, BLACK)
- X18146 CONNECTOR (2-PINS, YELLOW)

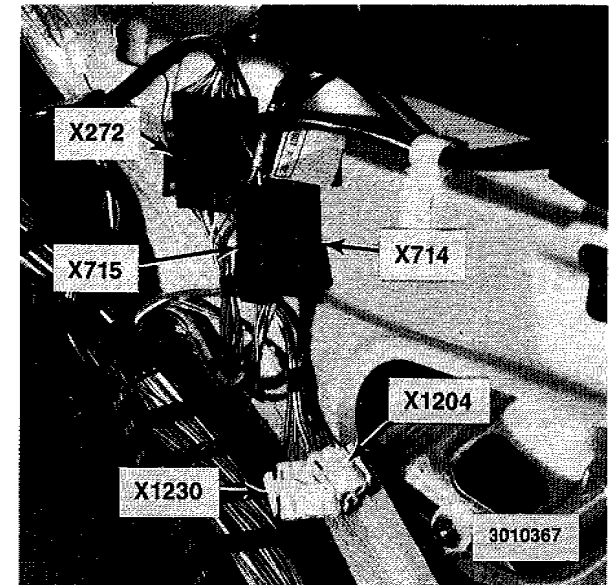


FIG. 3 - Left from LH rear seat, behind trim panel

- X272 CONNECTOR (6-PINS, BLACK)
- X714 CONNECTOR (4-PINS, BLACK)
- X715 CONNECTOR (2-PINS, BLACK)
- X1204 CONNECTOR (2-PINS, WHITE)
- X1230 CONNECTOR (4-PINS, WHITE)

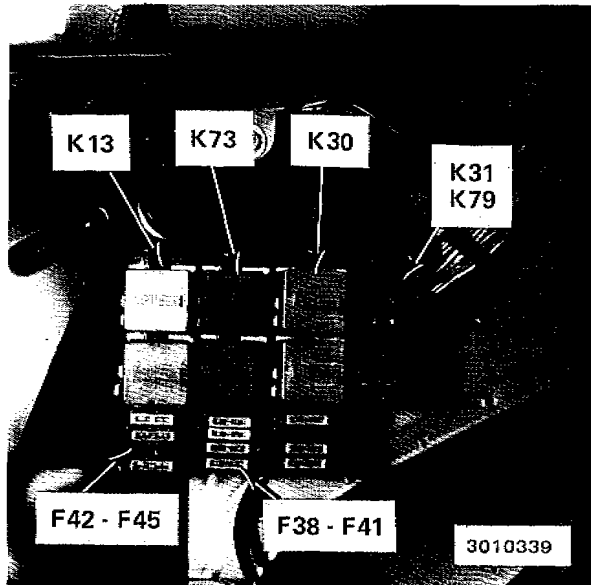


FIG. 1 - In LH side of luggage compartment

- K13 REAR DEFOGGER RELAY**
- K30 ELECTRIC POWER PROTECTION RELAY II**
- K31 CIGAR LIGHTER RELAY**
- K73 CONSUMER CUT-OFF RELAY II**
- K79 NORWAY FOGLIGHT RELAY**

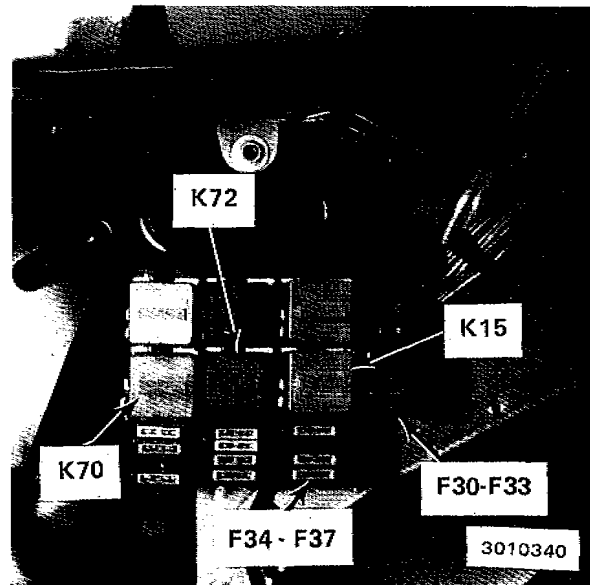


FIG. 2 - In LH side of luggage compartment

- K15 ELECTRIC POWER PROTECTION RELAY**
- K70 CENTRAL LOCKING TRUNK LID MOTOR RELAY**
- K72 CONSUMER CUT-OFF RELAY I**

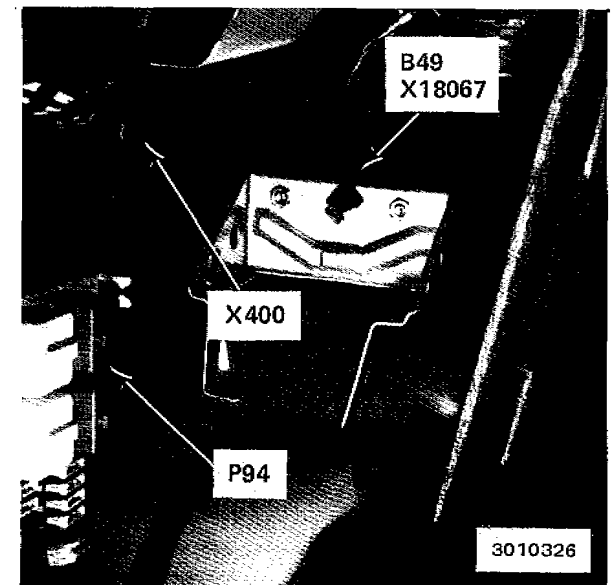


FIG. 3 - In LH forward side of luggage compartment

- B49 LONGITUDINAL ACCELERATION SENSOR**
- P94 REAR POWER DISTRIBUTION BOX**
- X400 CONNECTOR (8-PINS, BLACK)**
- X18067 CONNECTOR (3-PINS, BLACK)**



COMPONENT LOCATION VIEWS

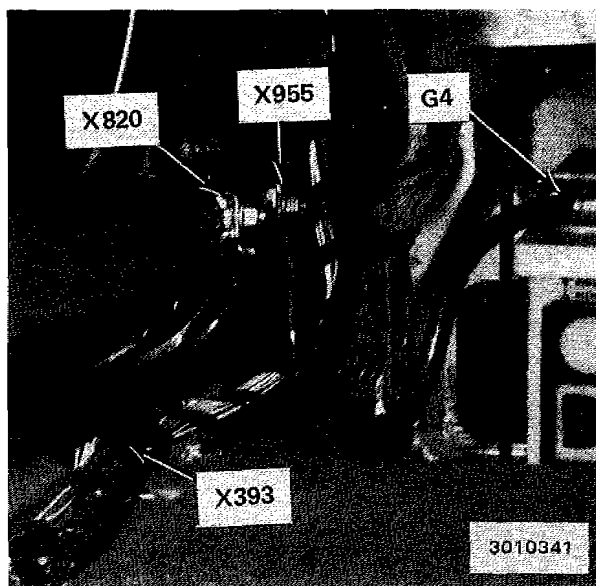


FIG. 1 - In LH rear side of luggage compartment

- G4 BATTERY II, LEFT**
- X393 CONNECTOR (6-PINS, BLACK)**
- X820 GROUND**
- X955 GROUND**

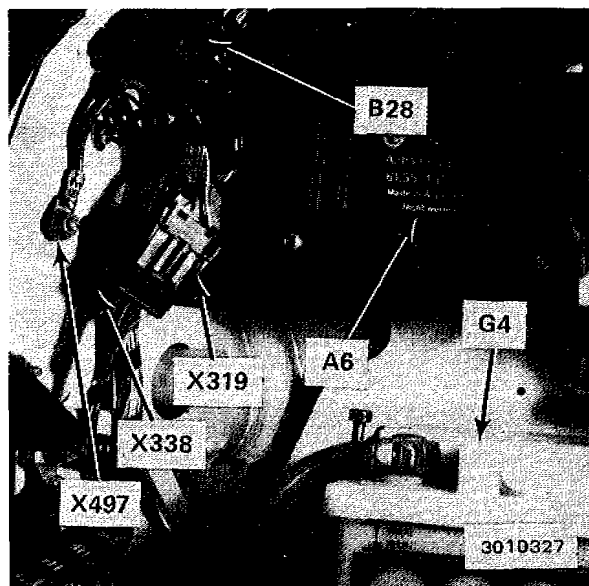


FIG. 2 - In LH rear side of luggage compartment

- A6 TRAILER MODULE (AHM)**
- B28 GRADIENT MONITOR (DWA)**
- G4 BATTERY II, LEFT**
- X319 CONNECTOR (4-PINS, BLACK)**
- X338 CONNECTOR (4-PINS, BLACK)**
- X497 GROUND**

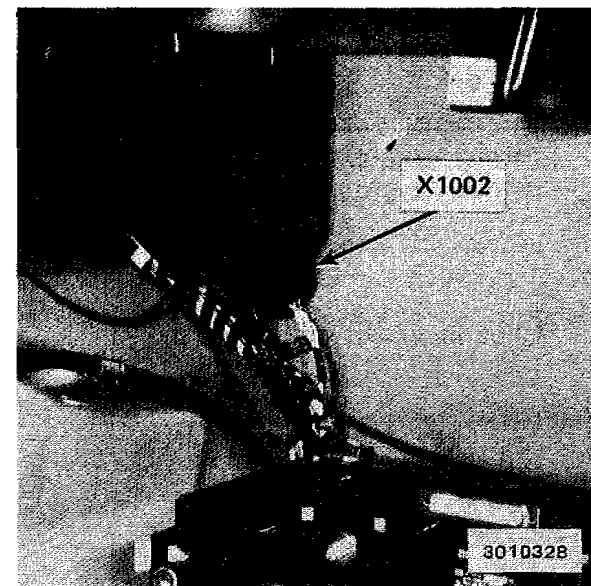


FIG. 3 - In LH rear side of luggage compartment

- X1002 CONNECTOR (4-PINS, BLACK)**

COMPONENT LOCATION VIEWS

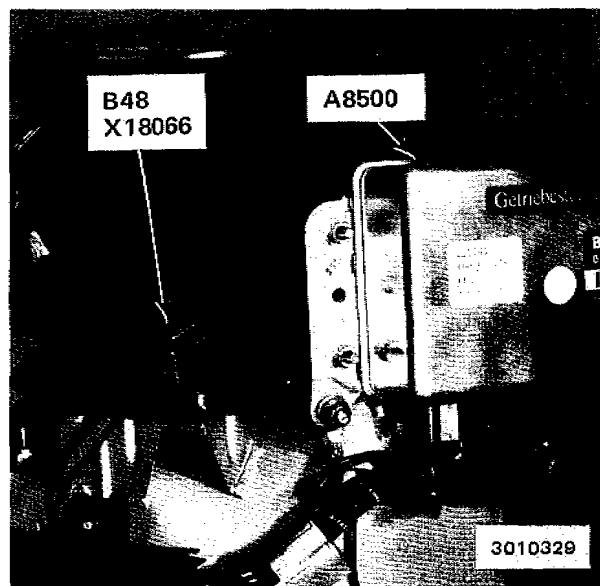


FIG. 1 - In RH rear side of luggage compartment

- A8500 EGS CONTROL UNIT**
- B48 RIGHT REAR ACCELERATION SENSOR**
- X18066 CONNECTOR (3-PINS, BLACK)**

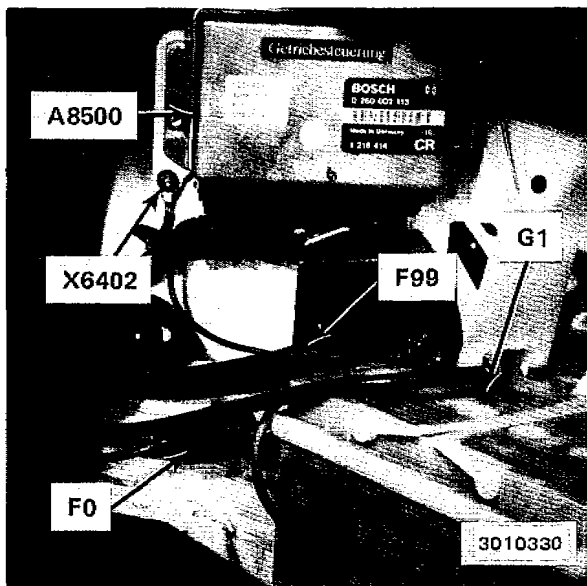


FIG. 2 - In RH side of luggage compartment

- A8500 EGS CONTROL UNIT**
- F0 FUSIBLE LINK (80 A)**
- F99 FUSIBLE LINK (50A)**
- G1 BATTERY I, RIGHT**
- X6402 GROUND**

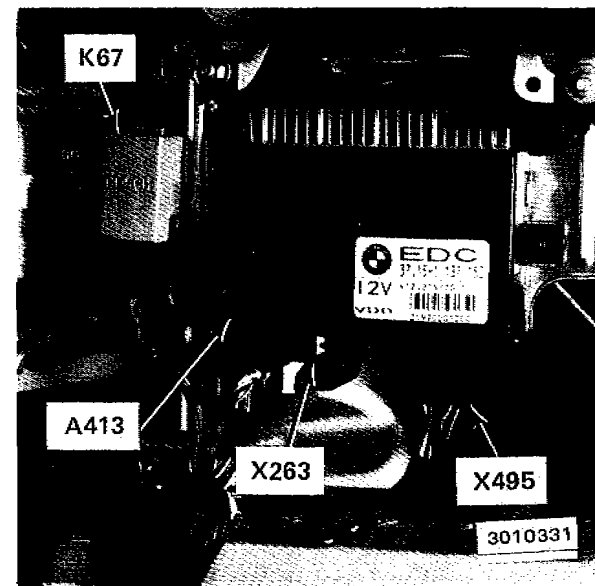


FIG. 3 - In RH side of luggage compartment

- A413 EDC CONTROL UNIT**
- K67 EDC RELAY**
- X263 CONNECTOR (26-PINS, BLACK)**
- X495 CONNECTOR (10-PINS, BLACK)**



COMPONENT LOCATION VIEWS

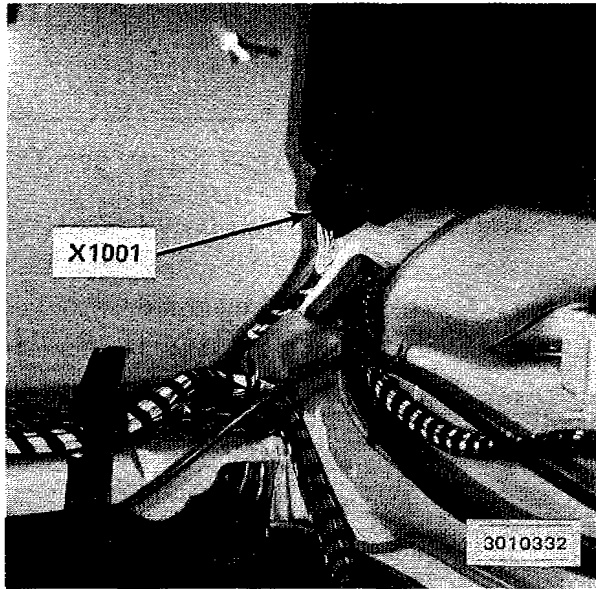


FIG. 1 - In RH rear side of luggage compartment

X1001 CONNECTOR (4-PINS, BLACK)

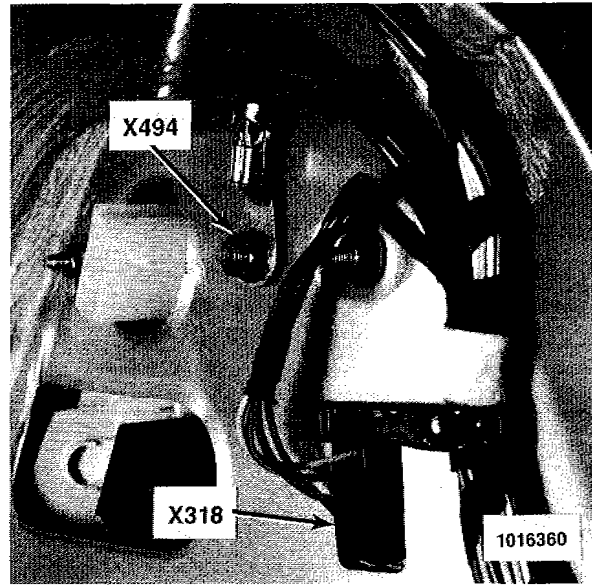


FIG. 2 - In RH rear side of luggage compartment

X318 CONNECTOR (4-PINS, BLACK)
X494 GROUND

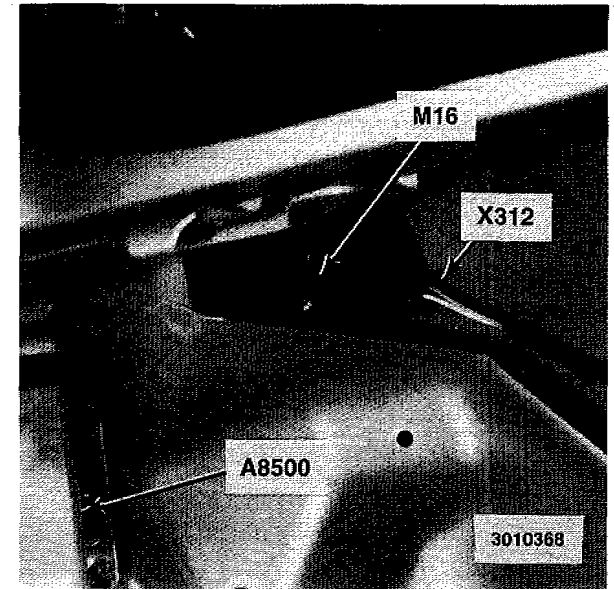


FIG. 3 - In RH rear side of luggage compartment

A8500 EGS CONTROL UNIT
M16 GAS FILLER LOCK MOTOR
X312 CONNECTOR (6-PINS, BLACK)

COMPONENT LOCATION VIEWS



FIG. 1 - In LH rear side of luggage compartment

X695 CONNECTOR (3-PINS, BLACK)

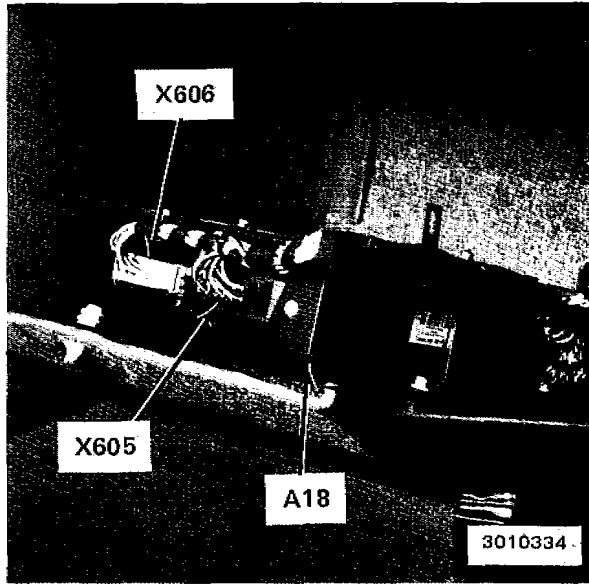


FIG. 2 - In LH rear side of luggage compartment

A18 HI-FI AMPLIFIER
X605 CONNECTOR (12-PINS, BLACK)
X606 CONNECTOR (12-PINS, WHITE)

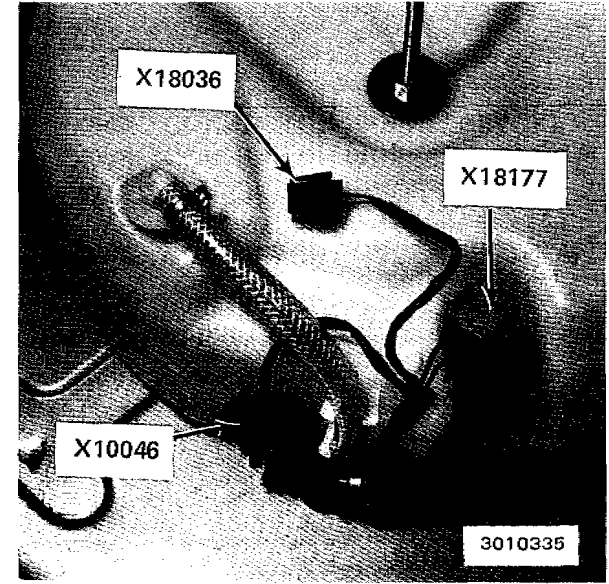


FIG. 3 - Water pump in luggage compartment

X10046 CONNECTOR (2-PINS, BLACK)
X18036 CONNECTOR (2-PINS, GRAY)
X18177 CONNECTOR (2-PINS, GRAY)

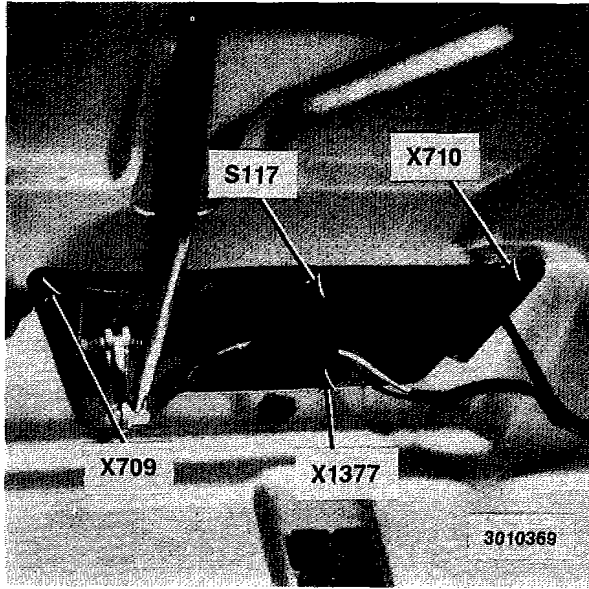


FIG. 1 - Underside of trunk lid

- S117 TRUNK LID LOCKING SWITCH
- X709 CONNECTOR (2-PINS, BLACK)
- X710 CONNECTOR (2-PINS, BLACK)
- X1377 CONNECTOR (2-PINS, BLACK)

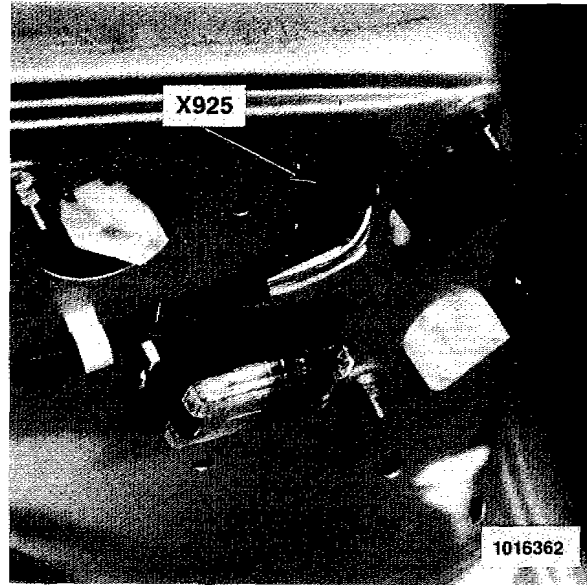


FIG. 2 - Underside of trunk lid, right, (LH similar)

- X925 CONNECTOR (6-PINS, BLACK)

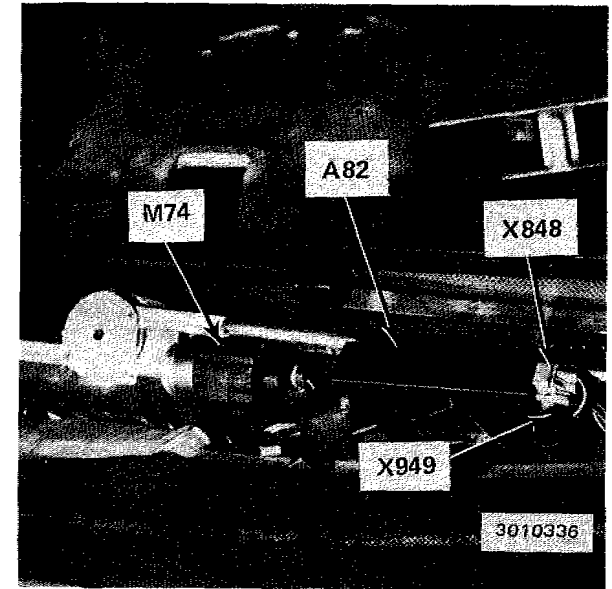


FIG. 3 - At back of rear window shelf under trim panel

- A82 POWER SUN SHADE ELECTRONIC CONTROL UNIT
- M74 POWER SUN SHADE MOTOR
- X848 CONNECTOR (4-PINS, GREEN)
- X949 CONNECTOR (5-PINS, BLACK)





SPLICE LOCATION VIEWS

SPLICE LOCATION INDEX

SPLICE INDEX E31-850i

SPLICE	HARNES	PAGE NUMBER	SPLICE	HARNES	PAGE NUMBER
X181-X190	FRONT	8000.0-02	X939	REAR	8000.0-04
X195	CHASSIS	8000.0-03	X943	SUNSHADE	NOT SHOWN
X196	FRONT	8000.0-02	X960-X980	BATTERY	NOT SHOWN
X210	CHASSIS	8000.0-03	X1006	REAR	8000.0-04
X212-X265	FRONT	8000.0-02	X1017-X1018	CHASSIS	8000.0-03
X267	REAR	8000.0-04	X1022-X1036	FRONT	8000.0-02
X276	FRONT	8000.0-02	X1183-X1200	FRONT	8000.0-02
X427-X486	REAR	8000.0-04	X1202-X1215	REAR	8000.0-04
X557	GLOVE BOX LIGHTS	NOT SHOWN	X1351-X1357	CHASSIS	8000.0-03
X558-X704	REAR	8000.0-04	X1359-X1378	REAR	8000.0-04
X801	FRONT	8000.0-02	X1412	CHASSIS	8000.0-03
X805	REAR	8000.0-04	X6410-X8047	ENGINE	NOT SHOWN
X806	FRONT	8000.0-02	X10014-X10056	FRONT	8000.0-02
X823	TRAILER ADAPTER	NOT SHOWN	X13000-X13048	REAR	8000.0-04
X824	REAR	8000.0-04	X18026-X18043	CHASSIS	8000.0-03
X826-X830	RADIO	NOT SHOWN	X18044	FRONT	8000.0-02
X840	DRIVER'S SEAT	NOT SHOWN	X18045-X18046	CHASSIS	8000.0-03
X844	PASSENGER'S SEAT	NOT SHOWN	X18048	REAR	8000.0-04
X848-X851	DRIVER DOOR	NOT SHOWN	X18056-X18087	CHASSIS	8000.0-03
X852-X859	IHKA	NOT SHOWN	X18091	DRIVER'S SEAT	NOT SHOWN
X878	RADIO	NOT SHOWN	X18092	PASSENGER'S SEAT	NOT SHOWN
X891-X892	PASSENGER'S DOOR	NOT SHOWN	X18100-X18106	DRIVER'S SEAT	NOT SHOWN
X894	REAR	8000.0-04	X18108	PARK HEATING/VENTILATION	NOT SHOWN
X914	FRONT	8000.0-02	X18121-X18122	REAR	8000.0-04
X926-X927	DRIVER DOOR	NOT SHOWN	X18123	DRIVER DOOR	NOT SHOWN
X928-X929	PASSENGER'S DOOR	NOT SHOWN	X18140-X18142	IHKA	NOT SHOWN
X934	DRIVER DOOR	NOT SHOWN	X18174	RADIO	NOT SHOWN
X935	PASSENGER'S DOOR	NOT SHOWN	X18175	DRIVER'S SEAT	NOT SHOWN



SPLICE LOCATION VIEWS

SPLICE LOCATION INDEX

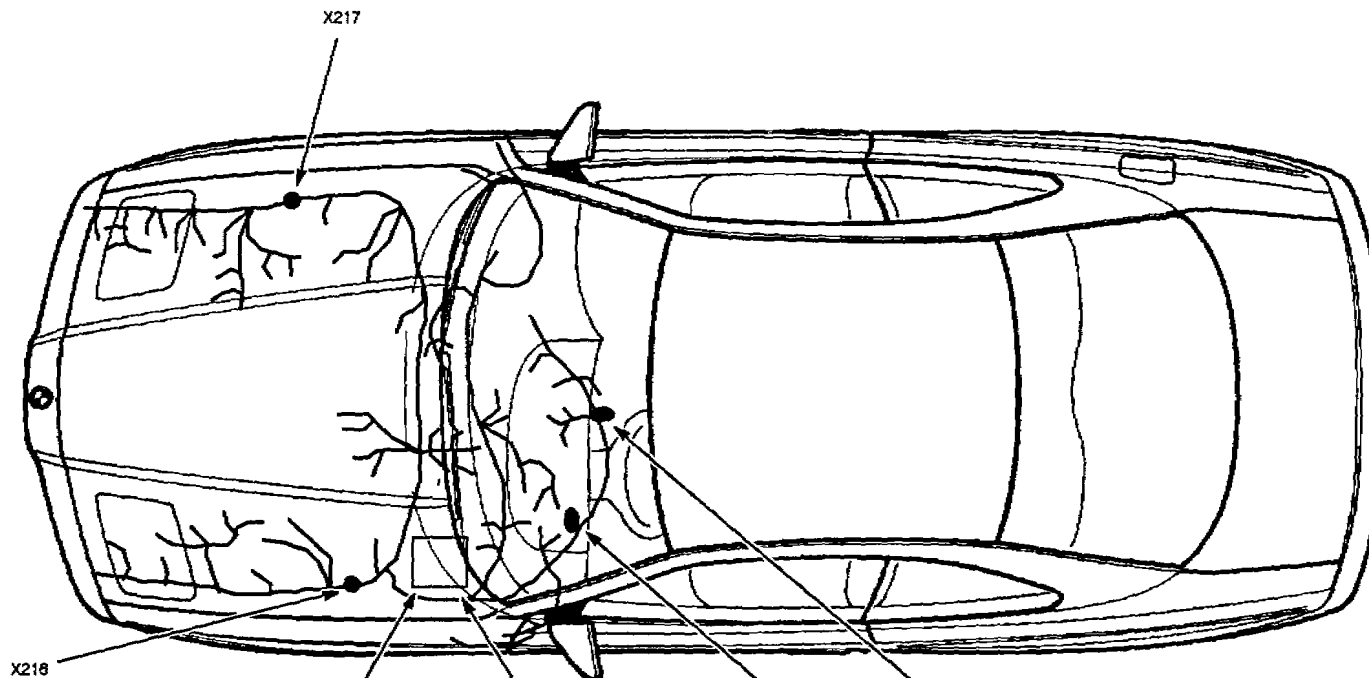
SPLICE INDEX E31-850i

SPLICE	HARNESS	PAGE NUMBER
X18176	PASSENGER'S SEAT	NOT SHOWN
X18182	RADIO	NOT SHOWN
X18217	DRIVER DOOR	NOT SHOWN
X18247	DRIVER'S SEAT	NOT SHOWN
X18734-X18735	CHASSIS	8000.0-03
X18737	DRIVER'S SEAT	NOT SHOWN
X18738	PASSENGER'S SEAT	NOT SHOWN
X19507	FRONT	8000.0-02
X19511-X19512	RADIO	NOT SHOWN
X19515	DRIVER DOOR	NOT SHOWN
X19516	PASSENGER'S DOOR	NOT SHOWN



SPLICE LOCATION VIEWS

FRONT HARNESS



- X184 ● X212 ● X261 ●
- X185 ● X224 ● X264 ●
- X188 ● X245 ● X265 ●
- X201 ● X246 ● X801 ●
- X203 ● X248 ● X1022 ●
- X205 ● X249 ● X1200 ●
- X208 ● X250 ● X10014 ●

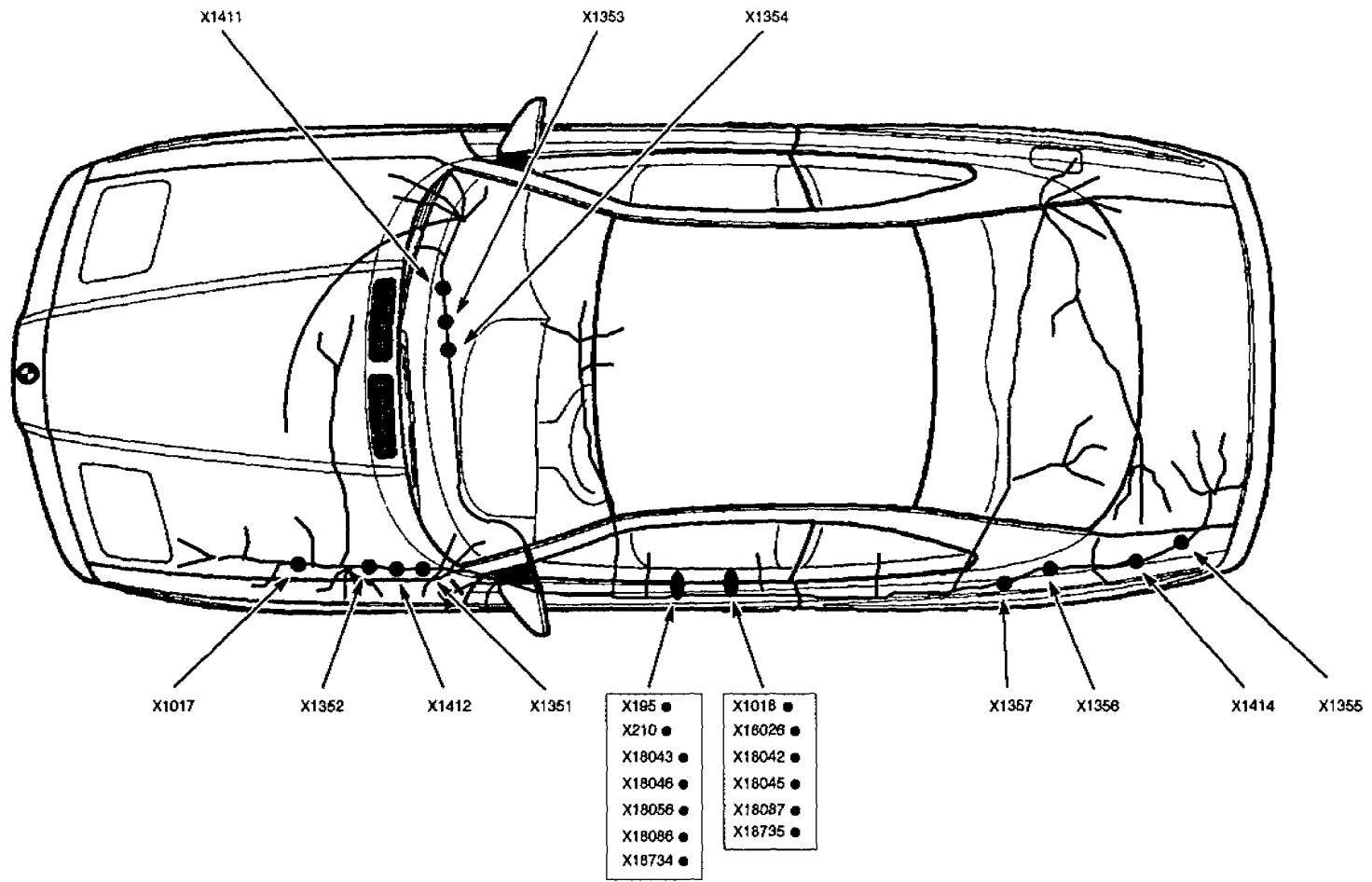
- X181 ● X204 ● X806 ●
- X182 ● X213 ● X1023 ●
- X183 ● X222 ● X1036 ●
- X190 ● X223 ● X1183 ●
- X198 ● X226 ● X10043 ●
- X196 ● X243 ● X10058 ●
- X200 ● X276 ● X18507 ●

- X199 ● X240
- X215 ● X247
- X241 ● X914
- X18044



SPLICE LOCATION VIEWS

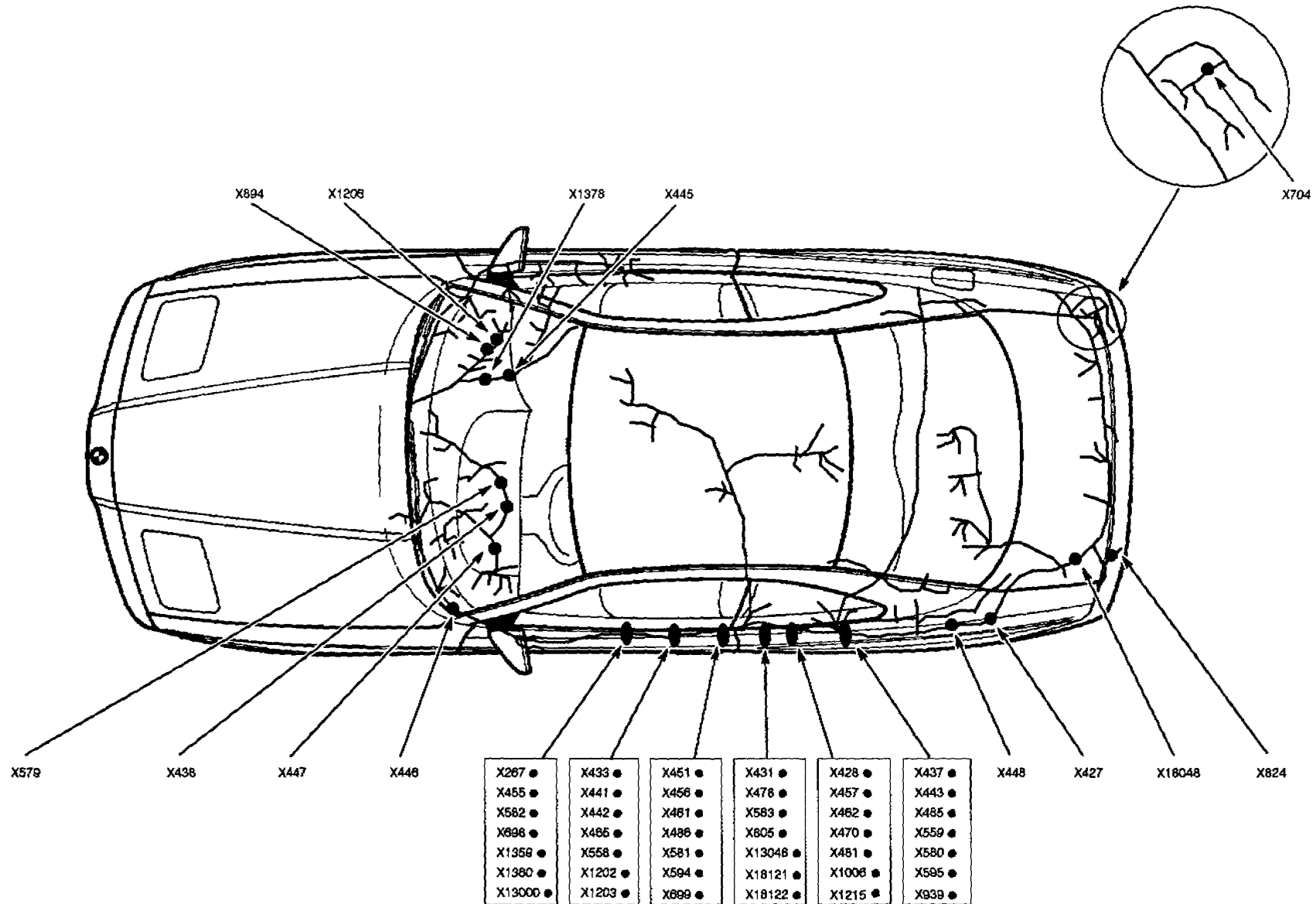
CHASSIS HARNESS





SPLICE LOCATION VIEWS

REAR HARNESS





CONNECTOR VIEWS



CONNECTOR VIEWS

FIG. 1

B550001.00

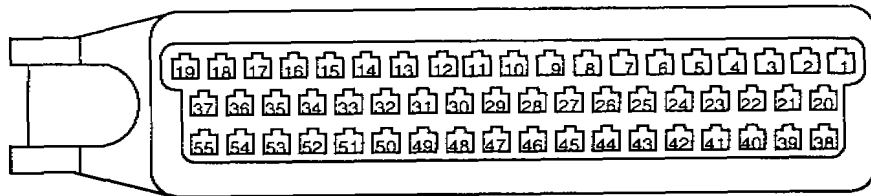


FIG. 2

B350001.00

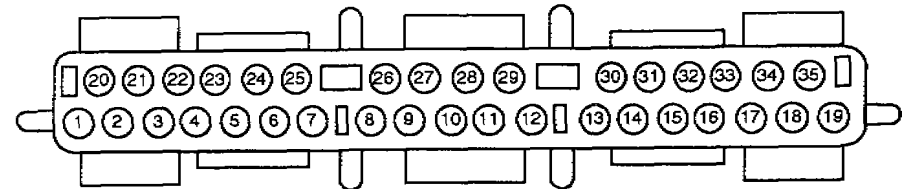


FIG. 3

B360002.00

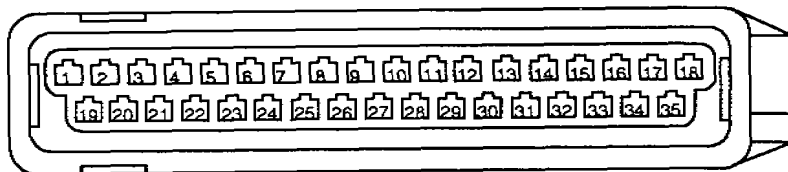
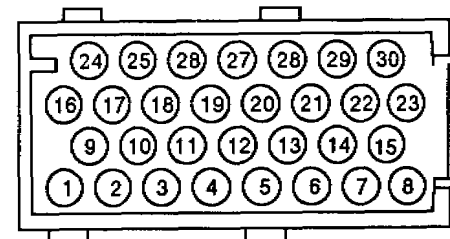


FIG. 4

B300001.00





CONNECTOR VIEWS

FIG. 1

B260002.00

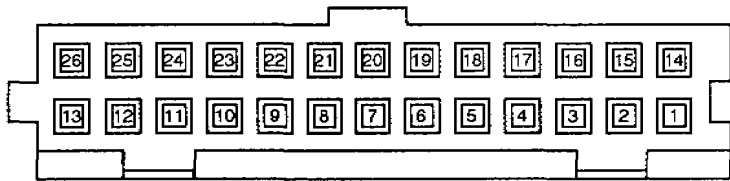


FIG. 2

B200002.00

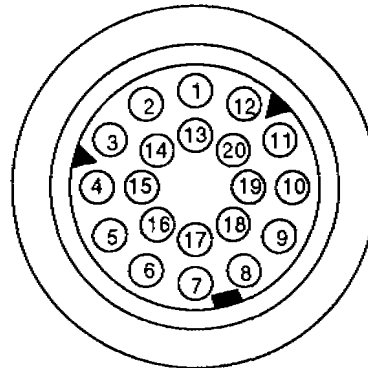


FIG. 3

B210001.00

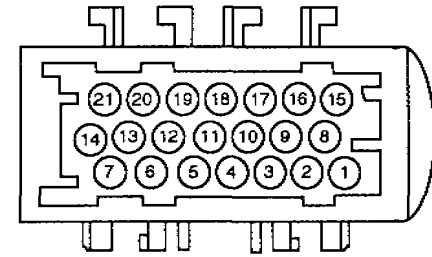


FIG. 4

B240001.00

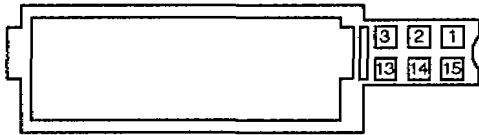


FIG. 5

B200004.00

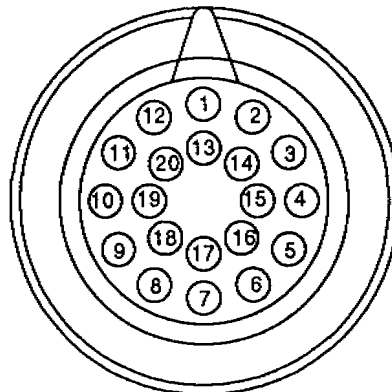
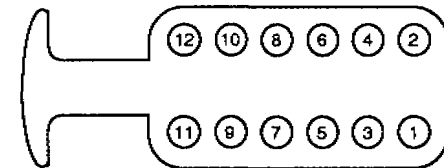


FIG. 6

B120013.00





CONNECTOR VIEWS

FIG. 1

B120002.01

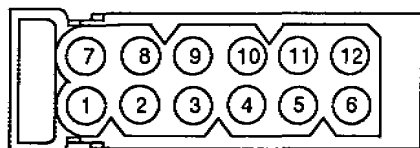
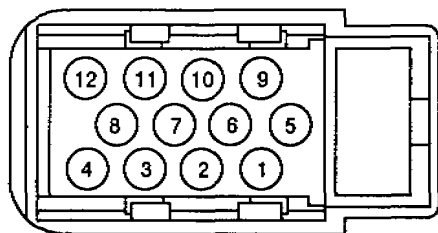


FIG. 2

B120003.00



B100001.00

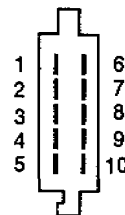


FIG. 3

B090001.00

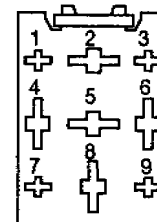


FIG. 4

B050005.00

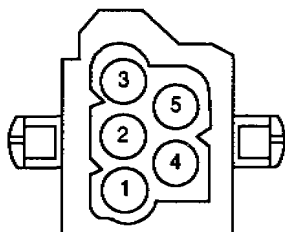
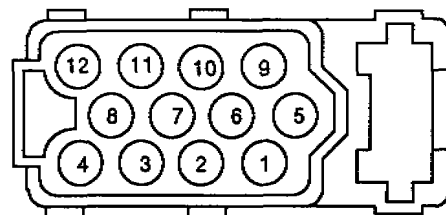


FIG. 5

B120007.00



B100003.00

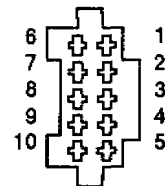
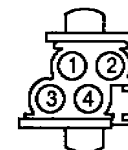


FIG. 6

B040003.00





CONNECTOR VIEWS

FIG. 1

B080002.00

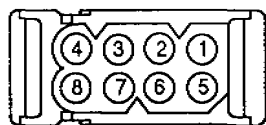


FIG. 2

B080004.00

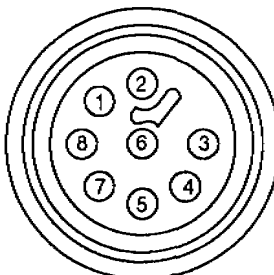


FIG. 3

B030001.00

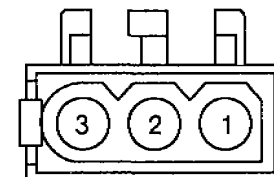


FIG. 4

B080003.00

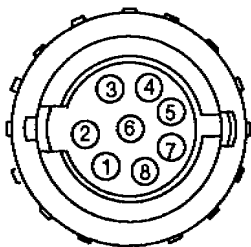


FIG. 5

B030015.00

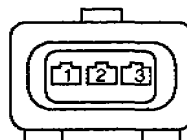
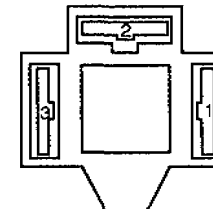


FIG. 6

B030014.00





CONNECTOR VIEWS

FIG. 1

B060017.00



FIG. 2

B030004.00



FIG. 3

B030013.00

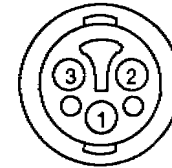


FIG. 4

B030005.00

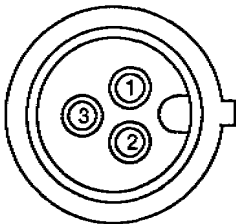


FIG. 5

B030012.00

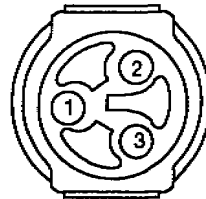
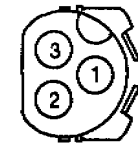


FIG. 6

B030006.00





CONNECTOR VIEWS

FIG. 1

B060004.00

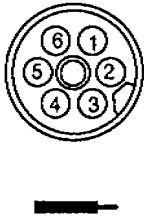


FIG. 2

B050005.00

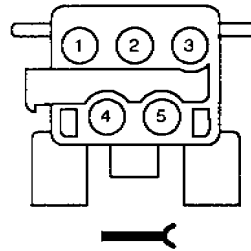


FIG. 3

B0300010.00

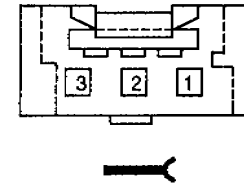


FIG. 4

B060002.00

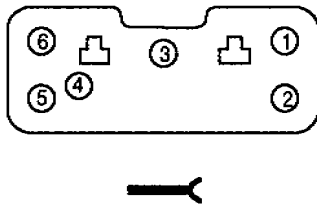


FIG. 5

B030003.04

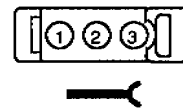
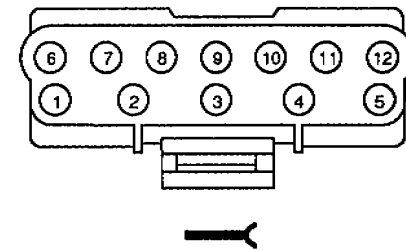


FIG. 6

B120006.00





CONNECTOR VIEWS

FIG. 1

B060006.00

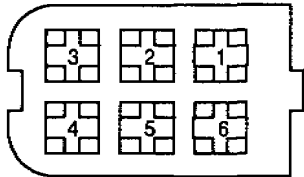


FIG. 2

B050003.00

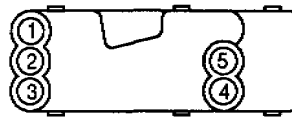


FIG. 3

B040004.00

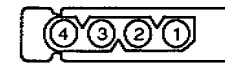


FIG. 4

B060020.00

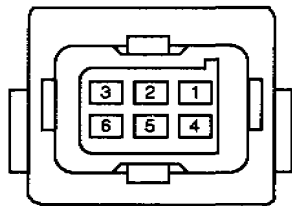


FIG. 5

B040002.00

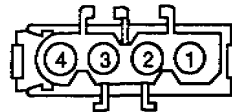
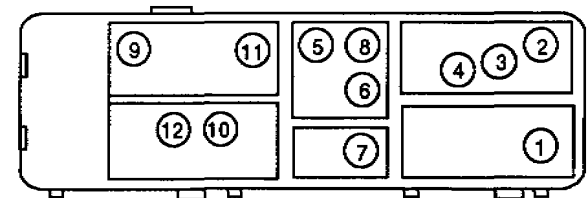


FIG. 6

B120008.00





CONNECTOR VIEWS

FIG. 1

B100002.00

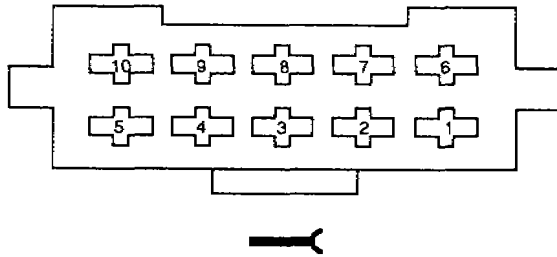


FIG. 2

B120009.00

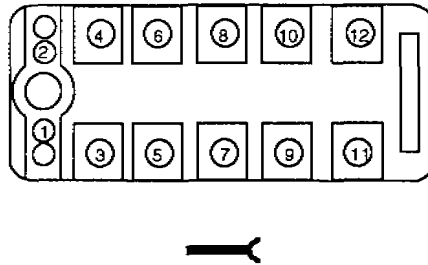


FIG. 3

B080006.00

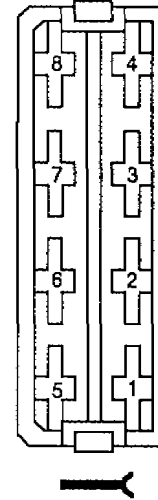


FIG. 4

B060013.00

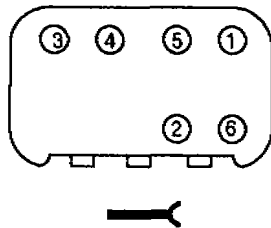


FIG. 5

B030009.00

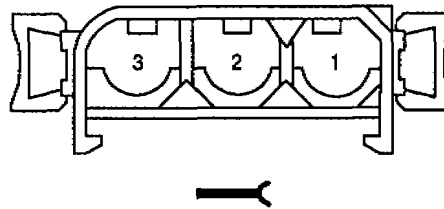
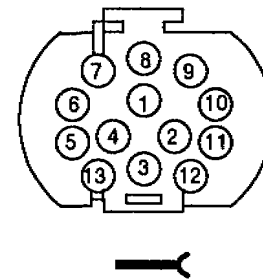


FIG. 6

B130002.00





CONNECTOR VIEWS

FIG. 1

B210002.00

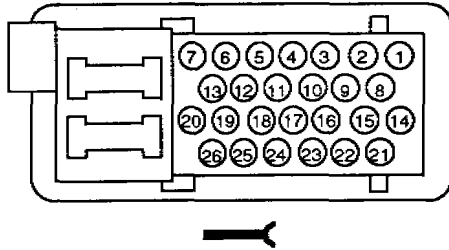


FIG. 2

B120011.00

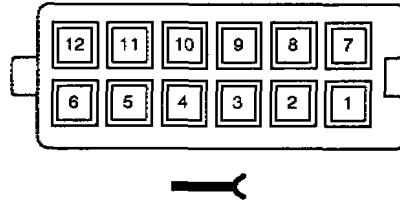


FIG. 3

B120011.00

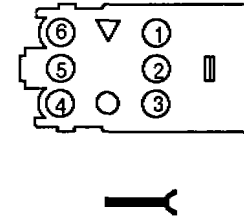


FIG. 4

B200001.00

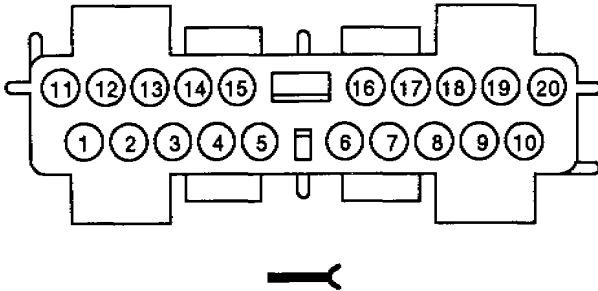


FIG. 5

B120005.00

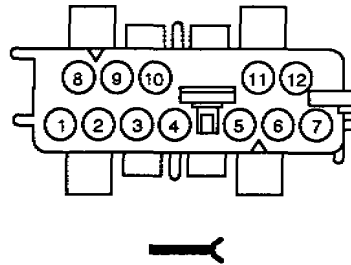
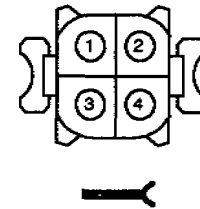


FIG. 6

B040010.00





CONNECTOR VIEWS

FIG. 1

B060007.00

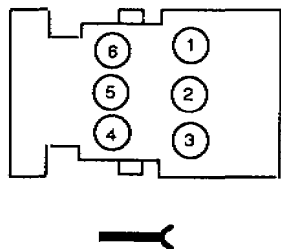


FIG. 2

B060023.00

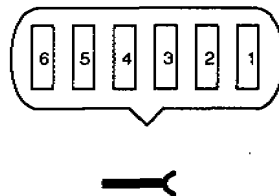


FIG. 3

B060016.00

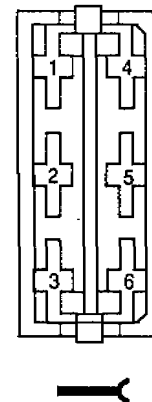


FIG. 4

B060009.00

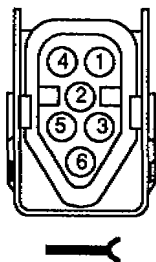


FIG. 5

B060010.00

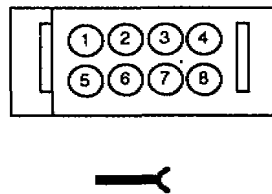
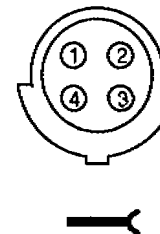


FIG. 6

B0400011.00





CONNECTOR VIEWS

FIG. 1

B080009.00

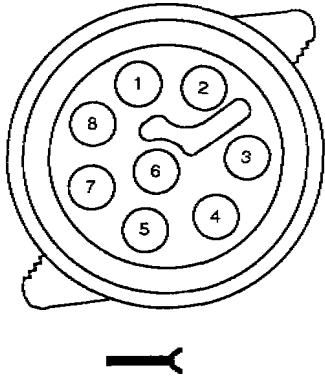


FIG. 2

B060011.00

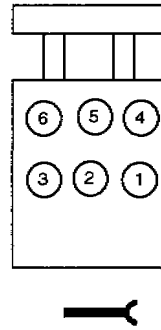


FIG. 3

B030016.00

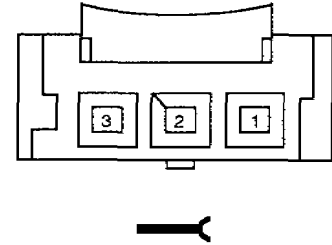


FIG. 4

B060010.01

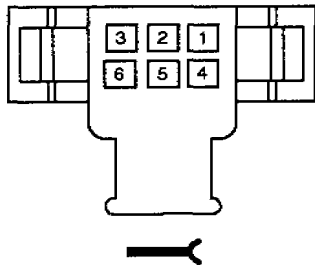


FIG. 5

B040013

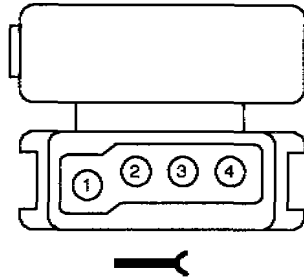
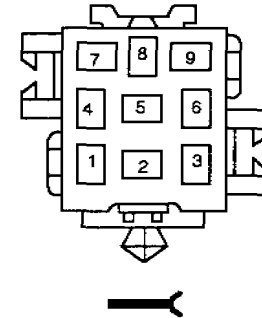


FIG. 6

B090002.00





CONNECTOR VIEWS

FIG. 1

B080005.00

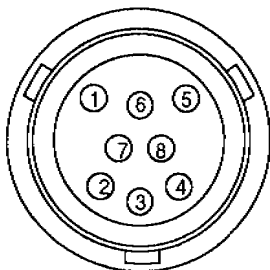


FIG. 2

B050006.00



FIG. 3

B060014.00

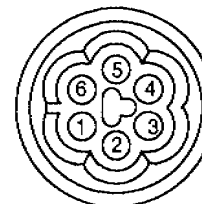


FIG. 4

B040006.00

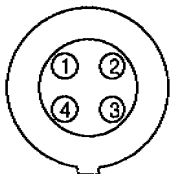


FIG. 5

B200003.00

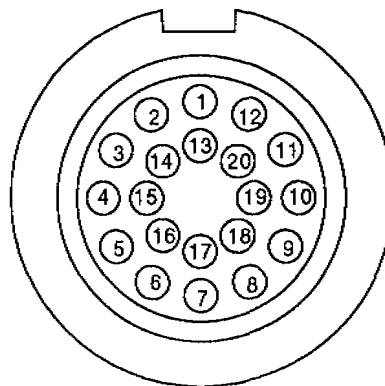
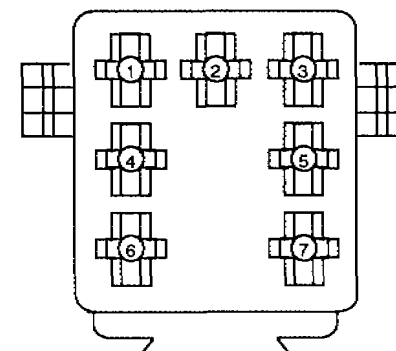


FIG. 6

B07000.00





CONNECTOR VIEWS

FIG. 1

B170000.00

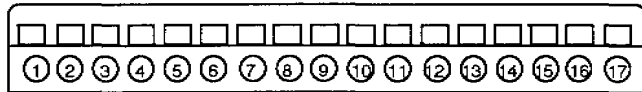


FIG. 2

B150003.00

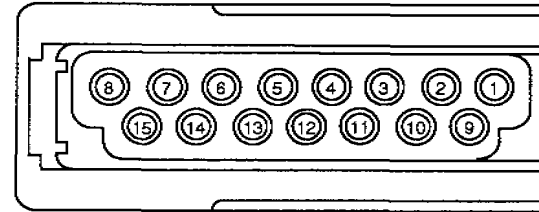


FIG. 3

B170001.00

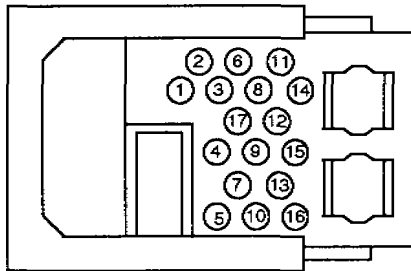
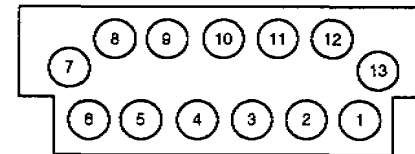


FIG. 4

B130004.00





CONNECTOR VIEWS

FIG. 1

B070006.00

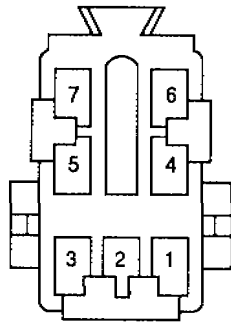


FIG. 2

B070005.00

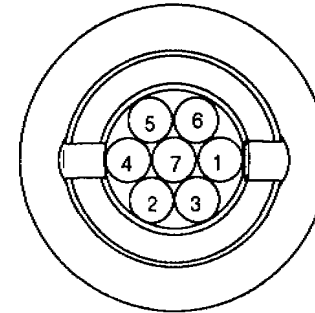


FIG. 3

B060034.00

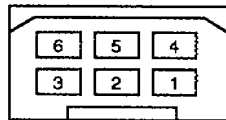
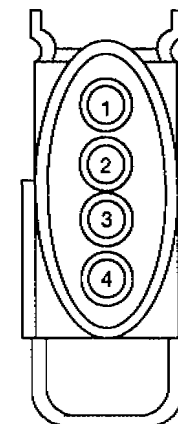


FIG. 4

B040015.00





CONNECTOR VIEWS

FIG. 1

B200007.00

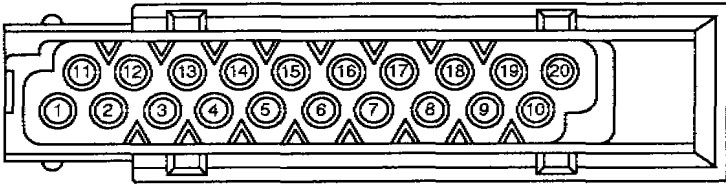


FIG. 2

B100007.00

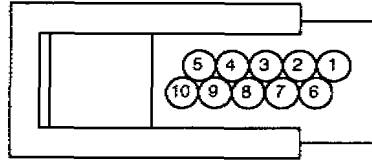


FIG. 3

B260005.00

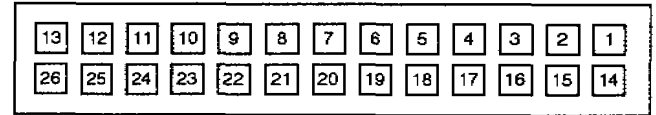


FIG. 4

B070007.00

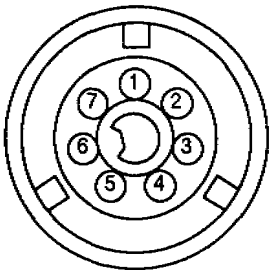
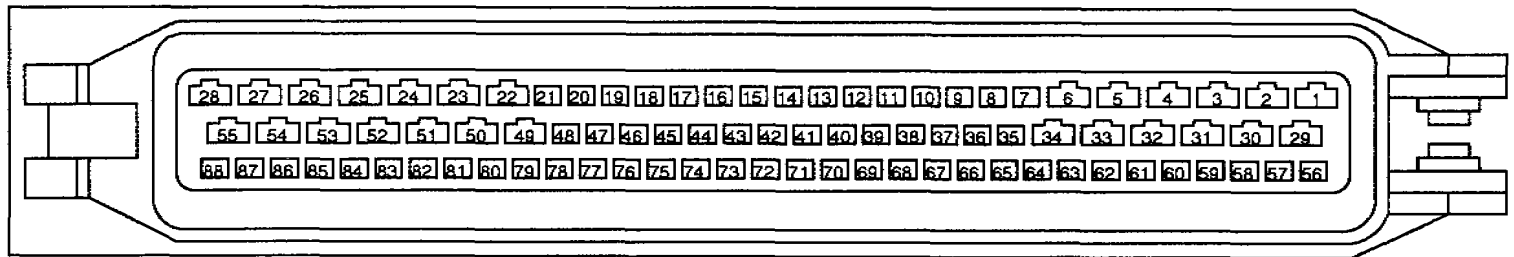


FIG. 5

B880001.00





CONNECTOR VIEWS

FIG. 1

B040016.00

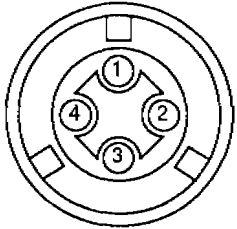


FIG. 2

B040015.00

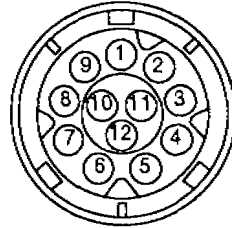


FIG. 3

B100004.00

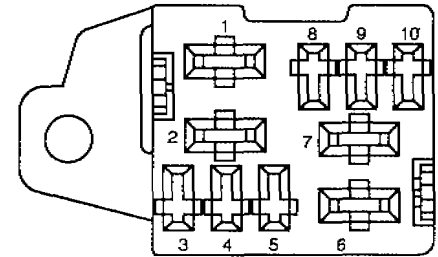


FIG. 4

B030022.00

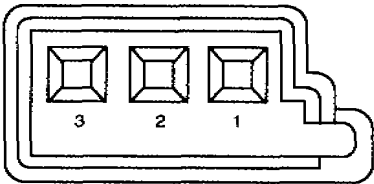


FIG. 5

B180000.00

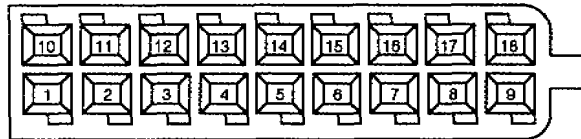
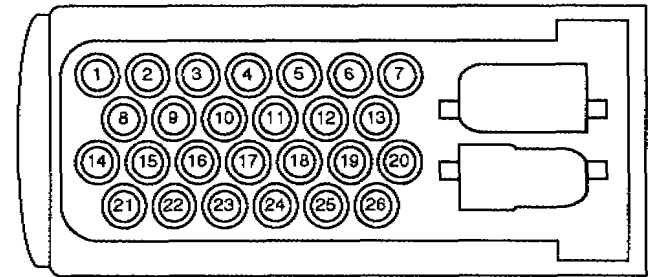


FIG. 6

B260006.00





CONNECTOR VIEWS

FIG. 1
B060035.00

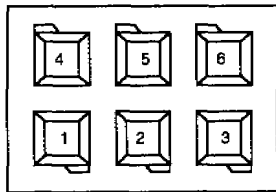


FIG. 2
B100008.00

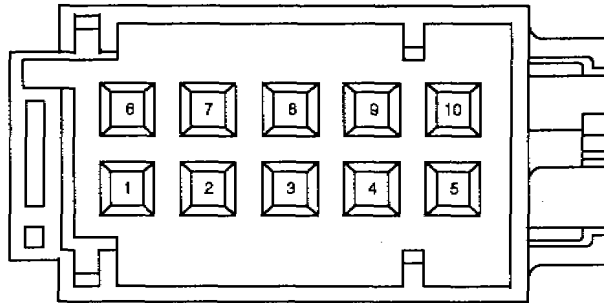


FIG. 3
B10010.00

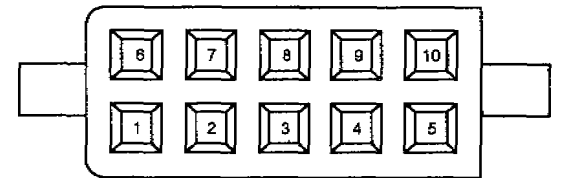


FIG. 4
B100008.00

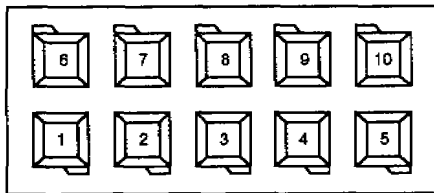


FIG. 5
B030024.0

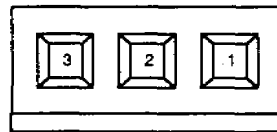
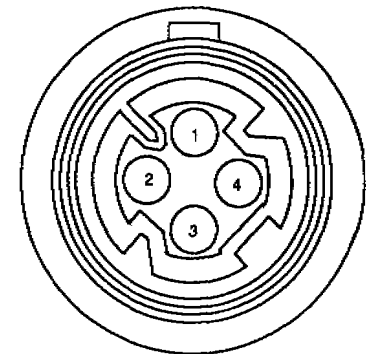


FIG. 6
B040017





CONNECTOR VIEWS

FIG. 1

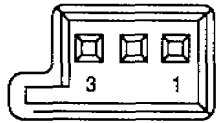


FIG. 2

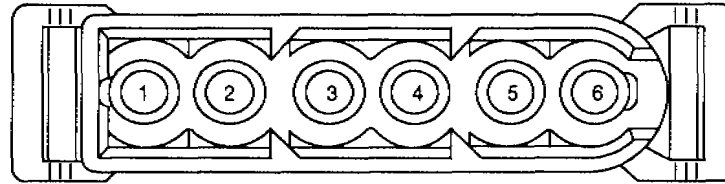


FIG. 3

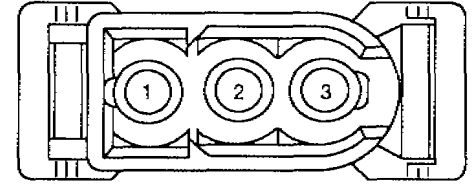


FIG. 4

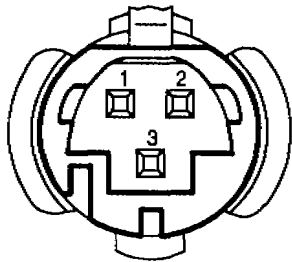


FIG. 5

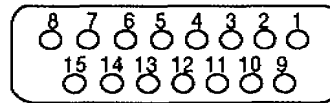
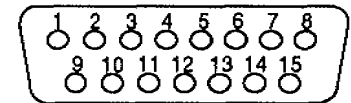


FIG. 6





8500.0-18