

1998

BMW E36

**318is/c, 323i/c,
328i/c, M3/c**

Electrical

Troubleshooting

Manual

Vehicles Produced 9/97 to 8/98



ELECTRICAL TROUBLESHOOTING MANUAL

**SERIES 3 – E36 (318is, 323i, 328i, M3,
INCL. CONVERTIBLE)**

SCHEMATICS

MODEL YEAR 1998

0100.0	INDEX	5116.0	POWER MIRRORS
0110.0	INTRODUCTION	5120.0	ZKE DOOR LOCK HEATING (TSH)
0140.0	SYMBOLS	5126.0	ZKE CENTRAL LOCKING (ZV)
0670.0	POWER DISTRIBUTION CHART	5133.1	POWER WINDOWS (FH)
0670.1	FUSE CHART	5200.0	POWER SEATS
0670.2	POWER DISTRIBUTION	5203.0	HEATED SEATS
0670.3	FUSE DETAILS	5410.1	POWER TILT/SLIDE SUNROOF (SHD)
0670.4	GROUND DISTRIBUTION	5430.1	ELECTRICAL CONVERTIBLE TOP
0670.5	DATA LINK	6100.0	CENTRAL BODY ELECTRONICS (ZKE IV)
1210.17	ENGINE CONTROL SYSTEM MS41.1 (6-CYLINDER M52)	6133.0	HORN
1210.20	ENGINE CONTROL SYSTEM (DME M5.2, 4-CYLINDER M44)	6135.0	DRIVE-AWAY PROTECTION (EWS II)
1230.0	CHARGING SYSTEM	6160.1	WIPER/WASHER MODULE (WWM)
1240.0	START	6167.1	HEADLIGHT WASHER (SRA)
2460.2	ELECTRONIC TRANSMISSION CONTROL (EGS A4S 270R)	6169.0	WINDSHIELD WASHER JET HEATERS
2460.4	ELECTRONIC TRANSMISSION CONTROL (EGS A5S 310Z)	6211.0	INSTRUMENT CLUSTER
3234.0	SUPPLEMENTAL RESTRAINT SYSTEM (AIR BAG)	6213.1	ANALOG CLOCK
3450.0	SLIP CONTROL (ABS)	6213.2	MULTI-FUNCTION CLOCK
3450.1	SLIP CONTROL (ABS/ASC)	6214.0	ON-BOARD DISPLAY

SCHEMATICS

6300.0	LIGHT SWITCH DETAILS	6424.0	REAR WINDOW DEFOGGER/ ANTENNA
6312.0	HEADLIGHTS/FOG LIGHTS	6450.7	INTEGRATED CLIMATE REGULATION (IHKA E36)
6313.0	TURN/HAZARD LIGHTS	6510.0	RADIO/STEREO
6314.0	PARK/TAIL LIGHTS	6510.1	RADIO/HIFI
6320.0	LICENSE PLATE/LUGGAGE COMPARTMENT LIGHTS	6561.0	CELLULAR TELEPHONE (PROVISIONS)
6322.0	BACK UP LIGHTS	6571.0	CRUISE CONTROL (TEMPOMAT)
6325.0	BRAKE LIGHTS	6575.2	ANTI-THEFT SYSTEM (ALPINE)
6330.3	INTERIOR LIGHTS	6581.2	ON-BOARD COMPUTER (BC V)
6332.1	GLOVE BOX LIGHT/CASSETTE BOX/ASHTRAY LIGHT/CHARGING SOCKET/CIGAR LIGHTER	7000.0	COMPONENT LOCATION CHART
6350.0	CRASH CONTROL MODULE	7100.0	COMPONENT LOCATION VIEWS
6410.5	HEATING CONTROL (HR)	8000.0	SPLICE LOCATION VIEWS
6412.10	PARK VENTILATION WITH HR	8500.0	CONNECTOR VIEWS
6412.20	PARK VENTILATION WITH IHKA E36		



0100.0 INDEX

ABS CONTROL MODULE/HYDRAULIC UNIT, A202 3450.0
ABS HYDRAULIC UNIT, Y1 3450.1-06
ABS HYDRAULIC UNIT, Y1w 3450.1-01
ABS PEDAL TRAVEL SENSOR, S123 3450.1-01
ABS PUMP MOTOR RELAY, K75 3450.
ABS PUMP MOTOR RELAY, TIMED, K125 3450.1-00
ABS PUMP MOTOR RELAY, TIMED, K125 3450.1-05
ABS RELAY, K10 3450.
ACCELERATOR PEDAL POSITION SENSOR (ASC),
R6255 3450.1-05
AIR BAG GAS GENERATOR, DRIVER'S, G5 3234.0-00
AIR BAG GAS GENERATOR, PASSENGER'S, G6 3234.0-00
AIR BAG GAS GENERATOR, RIGHT SIDE, G15 3234.0-01
AIR CONDITIONING COMPRESSOR, Y2 6450.7-04
AIR PUMP, M6133 1210.17-05
AIR PUMP, Y6133 1210.20-09
ANALOG CLOCK 6213.1-00
ANALOG CLOCK, N5 6213.1-00
ANTENNA AMPLIFIER AM/FM, N8 6424.0-00
ANTI-THEFT CONTROL MODULE (ALPINE), N12w 6575.2
ANTI-THEFT HORN (ALPINE), H1w 6575.2-02
ANTI-THEFT SYSTEM (ALPINE) 6575.2
ASC DIODE, V7 3450.1-00
ASC SWITCH, S6 3450.1-02
ASC SWITCH, S6 3450.1-07
ASHTRAY LIGHT, FRONT, E25 6332.1-00
ASHTRAY LIGHT, REAR, E28y 6300.0-01
AUTOMATIC CLIMATE CONTROL MODULE, A115 6450.7

AUTOMATIC TRANSMISSION RANGE SWITCH, S3 2460.
AUXILIARY FAN MOTOR, M9 6450.7
AUXILIARY FUSE BOX IN LUGGAGE COMPARTMENT,
P96 0670.2
AUXILIARY FUSE BOX, P95 0670.2-04
AUXILIARY FUSE BOX, P97 0670.2
AUXILIARY THROTTLE POSITION MOTOR (ADS), M93 3450.1-02
AUXILIARY THROTTLE POSITION MOTOR (ADS), M93 3450.1-07
AUXILIARY THROTTLE POSITION SENSOR, R31 3450.1-04
AUXILIARY TURN LIGHT, LEFT FRONT, H9 6313.0-02
AUXILIARY TURN LIGHT, RIGHT FRONT, H8 6313.0-02
B+ JUMP START JUNCTION POINT, G6430 0670.2-00
BACK UP LIGHT, LEFT, H27 6322.0-00
BACK UP LIGHT, RIGHT, H28 6322.0-00
BACK UP LIGHTS 6322.0
BATTERY, G1 0670.2-00
BLOWER MOTOR, M30 6410.5-01
BLOWER MOTOR, M30 6412.10-01
BLOWER MOTOR, M30 6450.7-00
BLOWER RELAY, K4 6410.5-00
BLOWER RELAY, K4 6412.10-00
BLOWER RELAY, K4 6450.7-00
BLOWER RESISTORS, R11 6410.5-01
BLOWER RESISTORS, R11 6412.10-01
BLOWER SWITCH, S75 6410.5-01
BLOWER SWITCH, S75 6412.10-00
BODY ELECTRONICS CONTROL MODULE (ZKE IV),
A104 6100.0-00



INDEX

BRAKE FLUID LEVEL SWITCH, B18	6211.0-00
BRAKE LIGHT SWITCH, S29	6325.0-00
BRAKE LIGHT SWITCH, S30	6325.0-01
BRAKE LIGHT, LEFT, H24	6325.0
BRAKE LIGHT, RIGHT, H31	6325.0
BRAKE LIGHTS	6325.0
BRAKE PAD SENSOR, LEFT FRONT, B16	6211.0-01
BRAKE PAD SENSOR, RIGHT REAR, B17	6211.0-01
CAMSHAFT POSITION SENSOR (CYLINDER IDENTIFICATION), B6204	1210.17-06
CARBON CANISTER VALVE, Y199	1210.17-10
CARBON CANISTER VALVE, Y199	1210.20-09
CASSETTE BOX LIGHT, E45y	6300.0-00
CD CHANGER, N22	6510.1-00
CELLULAR TELEPHONE (PROVISIONS)	6561.0
CENTRAL BODY ELECTRONICS (ZKE IV)	6100.0
CENTRAL LOCKING SWITCH, S302	5126.0-02
CENTRAL POWER WINDOW SWITCH, S40y	5133.1-03
CHARGING SOCKET, X779	6332.1-01
CHARGING SYSTEM	1230.0
CHECK CONTROL MODULE, A4	6581.2
CHILD PROTECTION CONTROL (CONSOLE), S130 ..	5133.1-02
CHIME MODULE, H10	6581.2-01
CIGAR LIGHTER LIGHT, FRONT, E29	6300.0-03
CIGAR LIGHTER, FRONT, E28	6332.1-00
CLUTCH SWITCH, S32	6571.0-01
COMBINATION SWITCH, S7	6312.0-00
COMBINATION SWITCH, S7	6313.0-00

COMPONENT LOCATION CHART	7000.0
COMPONENT LOCATION VIEWS	7100.0
COMPRESSOR CONTROL RELAY, K19	6450.7-04
CONNECTOR VIEWS	8500.0
CONTACT RING, C101	3234.0-00
CONVERTIBLE TOP ACTUATING SWITCH, S143	5430.1-01
CONVERTIBLE TOP CONTROL MODULE, A96	5430.1-00
CONVERTIBLE TOP END-POSITION MICRO SWITCH, S164	5430.1-01
CONVERTIBLE TOP MOTOR, M101	5430.1-02
CONVERTIBLE TOP POSITION MICRO SWITCH, S165	5430.1-01
CONVERTIBLE TOP STORAGE LID LOCK MOTOR, M43	5430.1-02
CONVERTIBLE TOP STORAGE LID MICRO SWITCH, S214	5430.1-02
CONVERTIBLE TOP STORAGE LID MOTOR, M100 ...	5430.1-02
CRANKSHAFT POSITION/RPM SENSOR, B6203	1210.
CRASH CONTROL MODULE	6350.0
CRASH CONTROL MODULE, N17	6350.0-01
CRUISE CONTROL (TEMPOMAT)	6571.0
CRUISE CONTROL ACTUATOR (TEMPOMAT), M25 ...	6571.0-01
CRUISE CONTROL MODULE (TEMPOMAT), A8	6571.0
CRUISE CONTROL SWITCH, S28	6571.0-00
DATA LINK	0670.5
DATA LINK CONNECTOR, D100	0670.5-00
DAY LIGHT RELAY MODULE, K46z	6312.0-01
DEFOGGER RELAY, REAR, K13	6424.0-00



INDEX

DEFOGGER/ANTENNA, REAR, E10	6424.0
DEFROSTER FLAP MOTOR, M35	6450.7-03
DIMMER, N3	6300.0-00
DIVERSITY, N404	6424.0-03
DOME LIGHT/MAP READING ASSEMBLY, FRONT, E34	6330.3
DOOR CONTACT, LEFT REAR, S125	6330.3-04
DOOR CONTACT, RIGHT REAR, S124	6330.3-04
DOOR HANDLE SWITCH, DRIVER'S, S48	6575.2-00
DOOR JAMB SWITCH, DRIVER'S, S14	5133.1-00
DOOR JAMB SWITCH, LEFT REAR, S16	6330.3-05
DOOR JAMB SWITCH, PASSENGER'S, S13	5133.1-00
DOOR JAMB SWITCH, REAR RIGHT, S15	6330.3-05
DOOR LOCK HEATER, E48	5120.0-00
DOOR LOCK MOTOR, DRIVER'S, M12	5126.0-00
DOOR LOCK MOTOR, LEFT REAR, M15	5126.0-01
DOOR LOCK MOTOR, PASSENGER'S, M13	5126.0-00
DOOR LOCK MOTOR, RIGHT REAR M14	5126.0-01
DOOR LOCK SWITCH, DRIVER'S, S47	5126.0-02
DOOR LOCK SWITCH, PASSENGER'S, S49	5126.0-02
DOUBLE TEMPERATURE SWITCH, S36y	6450.7-06
DRIVE-AWAY PROTECTION (EWS II)	6135.0
DUAL TEMPERATURE SENSOR (COOLANT TEMPERATURE), B6256	1210.17-02
DWA LED	6575.2-00
ELECTRICAL CONVERTIBLE TOP	5430.1
ELECTRONIC IMMOBILIZER CONTROL MODULE (EWS II), A836	6135.0

ELECTRONIC TRANSMISSION CONTROL (EGS A4S 270R)	2460.2
ELECTRONIC TRANSMISSION CONTROL (EGS A5S 310Z)	2460.4
ENGINE CONTROL MODULE (DME), A6000	1210.
ENGINE CONTROL MODULE RELAY, K6300	1210.
ENGINE CONTROL SYSTEM (DME M5.2, 4-CYLINDER M44)	1210.20
ENGINE CONTROL SYSTEM MS41.1 (6-CYLINDER M52)	1210.17
ENGINE COOLANT LEVEL SWITCH, S63	6581.2-02
ENGINE COOLANT TEMPERATURE SENSOR, B6232	1210.20-05
ENGINE COOLANT TEMPERATURE SENSOR, B6236	1210.17-02
ENGINE HOOD SWITCH, S21w	6575.2-02
EVAPORATIVE EMISSION VALVE, Y6120	1210.
EVAPORATOR TEMPERATURE SENSOR, B14	6450.7-02
EXHAUST GAS FLAP VALVE, Y198	1210.17-09
FINAL STAGE UNIT, N2	6450.7-00
FOG LIGHT RELAY, FRONT, K47	6312.0-00
FOG LIGHT SWITCH, S10	6312.0-00
FOG LIGHT, LEFT, E26	6312.0-00
FOG LIGHT, RIGHT, E27	6312.0-00
FOOTWELL LIGHT, LEFT FRONT, E61	6330.3
FOOTWELL LIGHT, RIGHT FRONT, E62	6330.3
FRESH AIR FLAP MOTOR, M36	6450.7-00
FUEL CHANGEOVER VALVE, Y6263	1210.20-09
FUEL INJECTION VALVE, CYL. 1, Y6101	1210.
FUEL INJECTION VALVE, CYL. 2, Y6102	1210.



INDEX

FUEL INJECTION VALVE, CYL. 3, Y6103	1210.
FUEL INJECTION VALVE, CYL. 4, Y6104	1210.
FUEL INJECTION VALVE, CYL. 5, Y6105	1210.17-01
FUEL INJECTION VALVE, CYL. 6, Y6106	1210.17-01
FUEL LEVEL SENSOR, B6	6211.0-04
FUEL PUMP RELAY, CYL. 1-6, K6301	1210.
FUEL PUMP RELAY, K6301w	1210.17-04
FUEL PUMP, M2	1210.
FUEL TANK PRESSURE SENSOR, B72	1210.17-10
FUEL TANK PRESSURE SENSOR, B72	1210.20-05
FUEL TANK SENSOR II, B25y	6211.0-04
FUSE CHART	0670.1
FUSE DETAILS	0670.3
GAS FILLER LOCK MOTOR, M16	5126.0-00
GEAR SHIFT LEVER INDICATOR, E96	6300.0-01
GENERATOR, G6509	1230.0-00
GLOVE BOX LIGHT, E42	6332.1-00
GLOVE BOX LIGHT/CASSETTE BOX/ASHTRAY LIGHT/ CHARGING SOCKET/CIGAR LIGHTER	6332.1
GLOVE BOX LOCK MOTOR, M107	5126.0-00
GROUND DISTRIBUTION	0670.4
HALL EFFECT CAMSHAFT SENSOR, B6209	1210.20-04
HARD TOP CONNECTOR 1, E99	5430.1-00
HARD TOP CONNECTOR 2, E100y	6330.3-03
HAZARD FLASHER RELAY, K16	6313.0-00
HAZARD SWITCH, S18	6313.0-01
HEADLIGHT WASHER (SRA)	6167.1
HEADLIGHT, LEFT, E7	6313.0-02

HEADLIGHT, LEFT, E7	6314.0-01
HEADLIGHT, RIGHT, E8	6313.0-02
HEADLIGHT, RIGHT, E8	6314.0-01
HEADLIGHT/FOG LIGHT WASHER PUMP, M7	6167.1-00
HEADLIGHTS/FOG LIGHTS	6312.0
HEAT EXCHANGER TEMPERATURE SENSOR, LH, B11	6410.5-01
HEAT EXCHANGER TEMPERATURE SENSOR, LH, B11	6450.7-02
HEAT EXCHANGER TEMPERATURE SENSOR, RH, B12	6450.7-02
HEATED SEATS	5203.0
HIFI AMPLIFIER, A18	6510.1-00
HIGH BEAM LIGHT RELAY, K46	6312.0-01
HIGH BEAM LIGHT, E12	6312.0-01
HIGH BEAM LIGHT, LEFT, E11	6312.0-01
HIGH LEVEL STOP LIGHT, H34	6325.0
HIGH LEVEL STOP LIGHT/REAR SPOILER, H34z	6325.0
HIGH RANGE SPEAKER, LEFT FRONT, H59	6510.0-00
HIGH RANGE SPEAKER, LEFT FRONT, H59	6510.1-01
HIGH RANGE SPEAKER, LEFT REAR, H56	6510.1-01
HIGH RANGE SPEAKER, RIGHT FRONT, H50	6510.0-00
HIGH RANGE SPEAKER, RIGHT FRONT, H50	6510.1-02
HIGH RANGE SPEAKER, RIGHT REAR, H53	6510.1-02
HIGH SPEED RELAY, K22	6450.7-05
HIGH SPEED RELAY, K22	6450.7-06
HORN	6133.0
HORN RELAY (ALPINE), K108	6575.2-02



INDEX

HORN RELAY, K2	6133.0-00
HORN SWITCH, S4	6133.0-00
HORN, LEFT, H2	6133.0-00
HORN, RIGHT, H3	6133.0-00
HOT FILM AIR MASS METER, B6207	1210.17-05
HOT FILM AIR MASS METER, B6217	1210.20-06
IDLE SPEED CONTROL VALVE, Y6130	1210.
IGNITION COIL, CYL. 1, T6151	1210.
IGNITION COIL, CYL. 2, T6152	1210.
IGNITION COIL, CYL. 3, T6153	1210.
IGNITION COIL, CYL. 4, T6154	1210.
IGNITION COIL, CYL. 5, T6155	1210.17-03
IGNITION COIL, CYL. 6, T6156	1210.17-03
IGNITION SWITCH, S2	0670.2-04
INDEX	0100.0
INSTRUMENT CLUSTER	6211.0
INSTRUMENT CLUSTER, A2w	6211.0
INTAKE AIR RESONANCE CHANGEOVER VALVE, Y6131	1210.20-01
INTAKE AIR TEMPERATURE SENSOR, B6205	1210.
INTEGRATED CLIMATE REGULATION (IHKA E36)	6450.7
INTERIOR LIGHT, LEFT REAR, E39	6330.3
INTERIOR LIGHT, RIGHT REAR E40	6330.3
INTERIOR LIGHTS	6330.3
INTERMEDIATE PRESSURE SWITCH, B9	6450.7
INTRODUCTION	0110.0
JET HEATER THERMOSWITCH, S198	6169.0-00
KICK-DOWN SWITCH, S8507	2460.

KNOCK SENSOR, B6240	1210.17-06
KNOCK SENSOR, B6240	1210.20-05
LICENSE PLATE LIGHT, LEFT, E43	6320.0-00
LICENSE PLATE LIGHT, RIGHT, E44	6320.0-00
LICENSE PLATE/LUGGAGE COMPARTMENT LIGHTS	6320.0
LIGHT SWITCH DETAILS	6300.0
LIGHT SWITCH, S8	6300.0-00
LOW BEAM LIGHT RELAY, K48	6312.0-01
LOW BEAM LIGHT, LEFT, E13	6312.0-01
LOW BEAM LIGHT, RIGHT, E14	6312.0-01
LOW RANGE SPEAKER, LEFT FRONT, H58	6510.0-00
LOW RANGE SPEAKER, LEFT FRONT, H58	6510.1-01
LOW RANGE SPEAKER, LEFT REAR, H57	6510.1-01
LOW RANGE SPEAKER, RIGHT FRONT, H51	6510.0-00
LOW RANGE SPEAKER, RIGHT FRONT, H51	6510.1-02
LOW RANGE SPEAKER, RIGHT REAR, H52	6510.1-02
LOW-NOISE MICROPHONE	6575.2-00
LUGGAGE COMPARTMENT LID MICRO SWITCH, S213	5430.1-02
LUGGAGE COMPARTMENT LID RELAY, K117	5126.0-01
LUGGAGE COMPARTMENT LIGHT ASSEMBLY, LEFT, E46	6313.0-02
LUGGAGE COMPARTMENT LIGHT ASSEMBLY, LEFT, E46	6314.0-01
LUGGAGE COMPARTMENT LIGHT ASSEMBLY, LEFT, E46	6325.0
LUGGAGE COMPARTMENT LIGHT ASSEMBLY, LEFT, E46	6581.2-03



INDEX

LUGGAGE COMPARTMENT LIGHT ASSEMBLY, LEFT, E46 6581.2-04

LUGGAGE COMPARTMENT LIGHT ASSEMBLY, LEFT, E46 6322.0-00

LUGGAGE COMPARTMENT LIGHT ASSEMBLY, RIGHT, E47 6313.0-02

LUGGAGE COMPARTMENT LIGHT ASSEMBLY, RIGHT, E47 6314.0-01

LUGGAGE COMPARTMENT LIGHT ASSEMBLY, RIGHT, E47 6322.0-00

LUGGAGE COMPARTMENT LIGHT ASSEMBLY, RIGHT, E47 6325.0

LUGGAGE COMPARTMENT LIGHT ASSEMBLY, RIGHT, E47 6581.2-03

LUGGAGE COMPARTMENT LIGHT ASSEMBLY, RIGHT, E47 6581.2-04

LUGGAGE COMPARTMENT LIGHT SWITCH, S61y ... 6320.0-01

LUGGAGE COMPARTMENT LIGHT, E32 6320.0-01

LUGGAGE COMPARTMENT LIGHT, LEFT, E101 6320.0-01

LUGGAGE COMPARTMENT LIGHT, RIGHT, E102 6320.0-01

LUGGAGE COMPARTMENT LOCK MOTOR, M17 5126.0-01

MAKE-UP MIRROR LIGHT, DRIVER'S, E35 6330.3-03

MAKE-UP MIRROR LIGHT, PASSENGER'S, E36 6330.3-03

MAKE-UP MIRROR SWITCH, DRIVER'S, S77 6330.3-03

MAKE-UP MIRROR SWITCH, PASSENGER'S, S78 ... 6330.3-03

MID-HIGH RANGE SPEAKER, LEFT, H42 6510.1-01

MID-HIGH RANGE SPEAKER, RIGHT, H43 6510.1-02

MIDRANGE SPEAKER, LEFT FRONT, H55 6510.1-01

MIDRANGE SPEAKER, RIGHT FRONT, H54 6510.1-02

MIRROR CONTROL SWITCH, S17 5116.0-00

MIRROR, DRIVER'S SIDE, Y5 5116.0-01

MIRROR, PASSENGER'S SIDE, Y6 5116.0-01

MIRROR, PASSENGER'S SIDE, Y6 6412.20-00

MULTI-FUNCTION CLOCK 6213.2

MULTI-FUNCTION CLOCK, N10 6213.2

NORMAL SPEED RELAY, K21 6450.7-05

NORMAL SPEED RELAY, K21 6450.7-06

OBD II CONNECTOR, D110 0670.5

OIL PRESSURE SWITCH, B6231 6211.0-00

OIL TEMPERATURE SENSOR, B6238 6211.0-04

ON-BOARD COMPUTER (BC V) 6581.2

ON-BOARD COMPUTER TEMPERATURE SENSOR, B21 6213.2

ON-BOARD COMPUTER TEMPERATURE SENSOR, B21 6581.2-00

ON-BOARD COMPUTER, N4 6581.2-00

ON-BOARD DISPLAY 6214.0

ON-BOARD DISPLAY, A35 6214.0-00

OUTSIDE TEMPERATURE SENSOR, B13 6450.7-02

OXYGEN SENSOR (BEHIND CATALYTIC CONVERTER), B62002 1210.20-04

OXYGEN SENSOR (IN FRONT OF CATALYTIC CONVERTER), B62001 . 1210.20-04

OXYGEN SENSOR I (BEHIND CATALYTIC CONVERTER), B62102 1210.17-04

OXYGEN SENSOR I (IN FRONT OF CATALYTIC CONVERTER), B62101 . 1210.17-04



INDEX

OXYGEN SENSOR II (BEHIND CATALYTIC CONVERTER), B62202	1210.17-04
OXYGEN SENSOR II (IN FRONT OF CATALYTIC CONVERTER), B62201	1210.17-04
PARK BRAKE SWITCH, S31	6211.0-00
PARK LIGHT, LEFT, E15	6314.0-01
PARK LIGHT, RIGHT, E19	6314.0-01
PARK VENTILATION RELAY, K450	6412.
PARK VENTILATION RELAY, K450	6412.10-01
PARK VENTILATION WITH HR	6412.10
PARK VENTILATION WITH IHKA E36	6412.20
PARK/TAIL/UNDERHOOD LIGHTS	6314.0
POWER DISTRIBUTION	0670.2
POWER DISTRIBUTION BOX, FRONT, P90	0670.2-00
POWER DISTRIBUTION CHART	0670.0
POWER MIRRORS	5116.0
POWER SEATS	5200.0
POWER TILT/SLIDE SUNROOF (SHD)	5410.1
POWER WINDOW SWITCH, DRIVER'S, S126y	5133.1-01
POWER WINDOW SWITCH, PASSENGER'S, S127y	5133.1-01
POWER WINDOWS (FH)	5133.1
PRESSURE SWITCH, B8y	6450.7
PRESSURE SWITCH, B9508	6450.7
PROGRAM SWITCH, S8503	2460.
PYROTECHNICAL BELT TENSIONER, DRIVER'S SIDE, G12	3234.0-00
PYROTECHNICAL BELT TENSIONER, PASSENGER'S SIDE, G13	3234.0-00

RADIO, N9	6510.0-00
RADIO, N9	6510.1
RADIO/HIFI	6510.1
RADIO/STEREO	6510.0
REAR DOOR (CONSOLE) POWER WINDOW SWITCH, LH, S128y	5133.1-02
REAR DOOR (CONSOLE) POWER WINDOW SWITCH, RH, S129y	5133.1-02
REAR DOOR POWER WINDOW SWITCH (DOOR), LH, S41y	5133.1-02
REAR DOOR POWER WINDOW SWITCH (DOOR), RH, S42y	5133.1-02
REAR POWER WINDOW SWITCH, LH, S128z	5133.1-03
REAR POWER WINDOW SWITCH, RH, S129z	5133.1-03
RECIRCULATION FLAP MOTOR, M40	6450.7-03
RECIRCULATION FLAP MOTOR, REAR, M46	6450.7-03
REGULATION FLAP MOTOR, M44	6450.7-03
RELAY MODULE, A5	5133.1-05
REVERSING LIGHT SWITCH, S8511	6322.0-00
ROLLOVER PROTECTION ACTUATOR, LH, Y85	5430.1-03
ROLLOVER PROTECTION ACTUATOR, RH, Y86	5430.1-03
ROLLOVER SENSOR, N24	5430.1-03
SEAT BELT SWITCH, DRIVER'S, S58	3234.0-01
SEAT BELT SWITCH, DRIVER'S, S58	3234.0-02
SEAT BELT SWITCH, PASSENGER'S, S59	3234.0-01
SEAT BELT SWITCH, PASSENGER'S, S59	3234.0-02
SEAT CONTROL SWITCH, DRIVER'S SEAT, S51	5200.0-00
SEAT CONTROL SWITCH, PASSENGER'S SEAT, S56	5200.0-01



SEAT CUSHION TILT MOTOR, DRIVER'S, M50 5200.0-00
SEAT CUSHION TILT MOTOR, PASSENGER'S, M61 .. 5200.0-01
SEAT HEATER SWITCH, DRIVER'S SEAT, S53 5203.0-00
SEAT HEATER SWITCH, PASSENGER'S SEAT, S54 .. 5203.0-00
SEAT HEATER, DRIVER'S, E57 5203.0-00
SEAT HEATER, PASSENGER'S, E58 5203.0-00
SEAT HEIGHT MOTOR, DRIVER'S, M52 5200.0-00
SEAT HEIGHT MOTOR, PASSENGER'S, M59 5200.0-01
SEAT LUMBAR SUPPORT MOTOR/VALVE, DRIVER'S,
M55z 5200.0-02
SEAT LUMBAR SWITCH, DRIVER'S, S52 5200.0-02
SEAT MAT, I1008 3234.0-03
SEAT MOVEMENT MOTOR, DRIVER'S, M51 5200.0-00
SEAT MOVEMENT MOTOR, PASSENGER'S, M60 5200.0-01
SEAT OCCUPANCY DETECTOR, A113 3234.0-00
SEATBACK HEATER, DRIVER'S, E56 5203.0-00
SEATBACK HEATER, PASSENGER'S, E59 5203.0-00
SEATBACK RECLINER MOTOR, DRIVER'S, M53 5200.0-00
SEATBACK RECLINER MOTOR, PASSENGER'S, M58 5200.0-01
SECONDARY AIR PUMP RELAY, K6304 1210.17-05
SECONDARY AIR PUMP RELAY, Y6304 1210.20-09
SECONDARY AIR PUMP VALVE, Y6163 1210.17-05
SECONDARY AIR PUMP VALVE, Y6163 1210.20-09
SHIFT-LOCK, Y19 2460.
SIDE AIR BAG GAS GENERATOR, LEFT, G14 3234.0-01
SIDE IMPACT SENSOR, DRIVER'S, B78 3234.0-01
SIDE IMPACT SENSOR, PASSENGER'S, B79 3234.0-01
SLIP CONTROL (ABS) 3450.0

SLIP CONTROL (ABS/ASC) 3450.1
SLIP CONTROL MODULE (ABS/ASC), A52 3450.1
SOLENOID VALVE ("RUNNING LOSSES"), Y6550 1210.17-05
SPATIAL SOUND RELAY, K128 6424.0-02
SPATIAL SOUND SWITCH, S303 6510.1
SPEAKER, LEFT REAR, H46 6510.0-00
SPEAKER, LEFT REAR, H46 6510.1-01
SPEAKER, RIGHT REAR, H45 6510.0-00
SPEAKER, RIGHT REAR, H45 6510.1-02
SPEED SENSOR – ABS, LEFT FRONT, B2 3450.0-01
SPEED SENSOR – ABS, LEFT FRONT, B2 3450.1
SPEED SENSOR – ABS, LEFT REAR, B4 3450.0-01
SPEED SENSOR – ABS, LEFT REAR, B4 3450.1
SPEED SENSOR – ABS, RIGHT FRONT, B1 3450.0-01
SPEED SENSOR – ABS, RIGHT FRONT, B1 3450.1
SPEED SENSOR – ABS, RIGHT REAR, B3 3450.0-01
SPEED SENSOR – ABS, RIGHT REAR, B3 3450.1
SPlice LOCATION VIEWS 8000.0
START 1240.0
STARTER IMMOBILIZATION SWITCH, S235 6135.0-00
STARTER, M6510 1240.0-02
SUPPLEMENTAL RESTRAINT SYSTEM (AIR BAG) 3234.0
SUPPLEMENTAL RESTRAINT SYSTEM CONTROL MODULE,
A12 3234.0
SUPPRESSION FILTER, C900 6424.0
SYMBOLS 0140.0
TAIL LIGHT, LEFT, H25 6314.0-01
TAIL LIGHT, LEFT, H37 6314.0-01



INDEX

TAIL LIGHT, RIGHT, H30	6314.0-01
TAIL LIGHT, RIGHT, H39	6314.0-01
TELEPHONE CONNECTOR	6561.0
TEMPERATURE SWITCH, S36	6450.7-05
THERMOSTAT, A32y	6410.5
THROTTLE POSITION SENSOR, R6252	1210.
TILT/SLIDE SUNROOF CONTROL ASSEMBLY, A56 ...	5410.1-00
TILT/SLIDE SUNROOF SWITCH (SHD), S38	5410.1-00
TRANSMISSION CONTROL MODULE (EGS), A7000 ..	2460.4-00
TRANSMISSION CONTROL MODULE (EGS), A8500 ..	2460.2-00
TRANSMISSION POSITION INDICATOR LIGHT, E82 ..	6300.0-01
TRANSMISSION VALVE UNIT, Y8505	2460.2-01
TRANSMISSION VALVE UNIT, Y8505y	2460.2-07
TRANSMISSION VALVE UNIT, Y8505y	2460.4-01
TRANSMITTER MODULE (EWS II), A835	6135.0
TURN LIGHT, LEFT FRONT, H7	6313.0-02
TURN LIGHT, LEFT REAR, H6	6313.0-02
TURN LIGHT, RIGHT FRONT, H4	6313.0-02
TURN LIGHT, RIGHT REAR, H5	6313.0-02
TURN/HAZARD LIGHTS	6313.0
UNCOUPLING DIODE, V6	6412.20-00
UNLOADER RELAY, TERMINAL 15, K6326	1210.
UNLOADER RELAY, TERMINAL 15, K9	5203.0-00
VARIABLE CAMSHAFT CONTROL VALVE 1, Y6275 ..	1210.17-05
VEHICLE SPEED SENSOR, B10	6211.0-04
WASHER FLUID LEVEL SWITCH, S64	6581.2-02
WASHER JET HEATER, LEFT, E51	6169.0-00
WASHER JET HEATER, RIGHT, E52	6169.0-00

WASHER PUMP, M4	6160.1-01
WATER VALVE ASSEMBLY, Y4	6410.5-00
WATER VALVE ASSEMBLY, Y4	6450.7-01
WINDOW BLOWER MICRO SWITCH, REAR, S196	5430.1-01
WINDOW BLOWER RELAY, REAR, K99	6424.0-01
WINDOW BLOWER, REAR, M105	6424.0-01
WINDOW DEFOGGER/ANTENNA, REAR,	6424.0
WINDOW MOTOR, DRIVER'S, M21	5133.1-04
WINDOW MOTOR, LEFT REAR, M20	5133.1-05
WINDOW MOTOR, LEFT REAR, M98	5133.1-05
WINDOW MOTOR, PASSENGER'S, M23	5133.1-04
WINDOW MOTOR, RIGHT REAR, M22	5133.1-05
WINDOW MOTOR, RIGHT REAR, M99	5133.1-05
WINDSCREEN COWL PANEL LOCK MICRO SWITCH, S231	5430.1-00
WINDSCREEN COWL PANEL LOCK MOTOR, M132 ...	5430.1-00
WINDSHIELD WASHER JET HEATERS	6169.0
WIPER MOTOR, M3	6160.1
WIPER/WASHER MODULE (LOW II), A64	6160.1-00
WIPER/WASHER MODULE (WWM)	6160.1
WIPER/WASHER MODULE, A51	6160.1-01
WIPER/WASHER SWITCH, S5	6160.1
ZKE CENTRAL LOCKING (ZV)	5126.0
ZKE DOOR LOCK HEATING (TSH)	5120.0

Schematics

The schematics divide the entire vehicle electrical system into individual circuits. Interacting electrical components are shown on one common schematic.

Switches and other components are represented in such a way that their general layout and function are self-explicit. They are arranged on the sheet such that the current path can be followed from positive (top) to negative (bottom).

Important: The components and wires are not drawn to scale. For instance, a lead with a length of over 1m can be shown as a lead that is only a few cm long. To ensure clear arrangement, all connectors, lines branches and connected components from the fuses to the component and from the component to ground connection are not shown within the individual cells. If required, reference can be made to cells **0670.3 Fuse Details** and **0670.4 Ground Distribution** where all lines are illustrated with all plug connections, line branches and connected components.

All circuit symbols used are listed and explained in cell **0140.0 Symbols**.

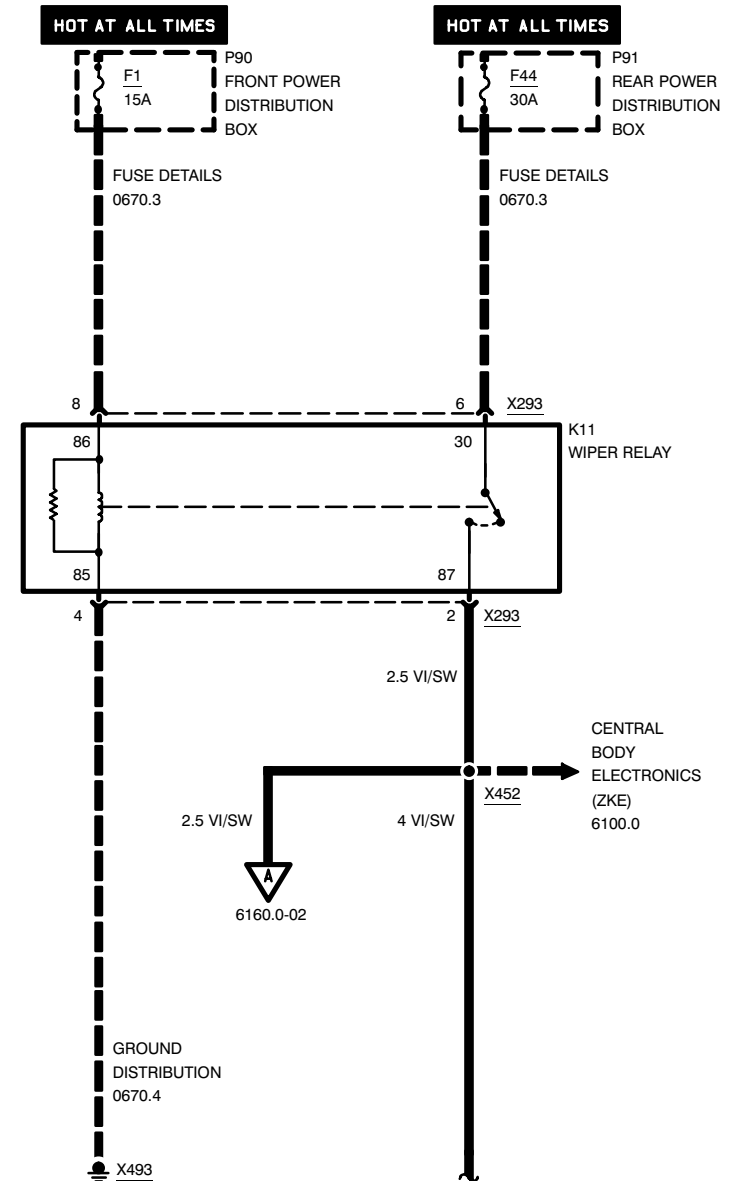
In cell **7000.0 Component Location Chart** all important connectors, ground points and components are listed in tabular form. It provides a precise description of the component locations in the vehicle.

In cell **7100.0 Component Location Views** the location of connectors and components which are difficult to locate are shown in line arts or illustrations. In cell **8000.0 Splice Location Views** all splices are listed in numerical order and illustrations are provided to assist in locating splices on larger harnesses. In cell **8500.0 Connector Views** diagrams of connectors with more than 2 pins are illustrated.

Included in this ETM are foldout block diagrams. These are overviews of the entire system (EGS, ABS, AC, etc.) which helps understand the relationships between various components and control unit of the system being diagnosed.

Example

General conventions can be explained based on the following schematic example.



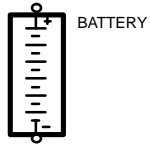


General Conventions

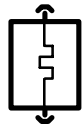
1. Switches and relays are always shown in rest position (e.g. K11).
2. A component shown in a dashed frame signifies that the component is illustrated only in part (e.g. P90 and P91).
3. A component shown in a completely drawn frame signifies that the component is illustrated in full (e.g. K11).
4. The dashed line between pin 8 and pin 6 of connector X293 indicates that both pins belong to connector X293.
5. The dashed line from fuse F1 to pin 8 of connector X293 shows the positive supply of relay K11. If required, refer to cell **0670.3 Fuse Details** at fuse F1 for the complete line progressing with plug connections, line branches, wire colors and cross sections.
6. The dashed line with an arrow at splice X452 indicates that several wires lead to splice X452. All lines leading to the connection are illustrated in cell **6100.0 Central Body Electronics (ZKE)**. An interrupted line with an arrow indicates that only this one wire leads to another circuit.
7. The dashed line from pin 4 of connector X293 to ground X493 shows the ground supply for relay K11. If required, refer to cell **0670.4 Ground Distribution** at ground X493 for the complete line progression with all plug connections, line branches, wire colors, and cross sections.
8. The interrupted line from splice X452 with an **A** in the open arrow is continued on page 6160.0-02. Termination of wire 4 VI/SW from splice X452 with a wavy line indicates that the wire is continued on the opposite page.



0140.0 SYMBOLS



BATTERY



HEATING ELEMENT



VARIABLE RESISTANCE SENSOR
VARIABLE CONTACT IS MOVED BY AN EXTERNAL FORCE



ANTENNA



FUSE DETAILS



LOUDSPEAKER OR HORN



VARIABLE RESISTOR
RESISTANCE IS CHANGED BY TEMPERATURE OR PRESSURE



CONTROL/POWER ELECTRONICS



FUSIBLE LINK



LIGHT



DIODE CURRENT CAN FLOW ONLY IN DIRECTION OF ARROW



HALL EFFECT SENSOR



RADIO



CIRCUIT BREAKER



PERMANENT MAGNET MOTOR ONE SPEED



ZENER DIODE TO REGULATE VOLTAGE



TRANSISTORIZED SWITCH



THERMO SWITCH



PERMANENT MAGNET MOTOR TWO SPEEDS



LIGHT EMITTING DIODE



INDUCTIVE SENSOR



SOLENOID



KNOCK SENSOR



OXYGEN SENSOR



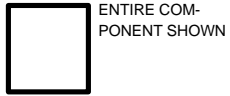
VEHICLE SPEED SENSOR



SOLENOID CONTROLLED VALVE OR CLUTCH SOLENOID



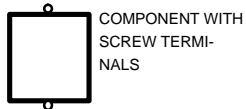
SYMBOLS



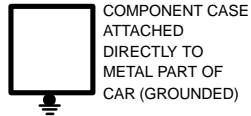
ENTIRE COMPONENT SHOWN



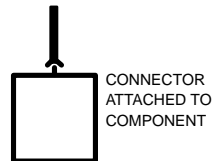
PART OF COMPONENT SHOWN



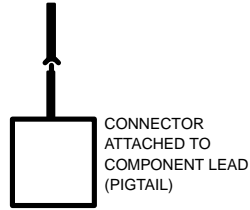
COMPONENT WITH SCREW TERMINALS



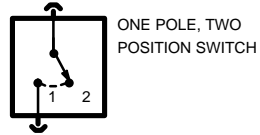
COMPONENT CASE ATTACHED DIRECTLY TO METAL PART OF CAR (GROUNDED)



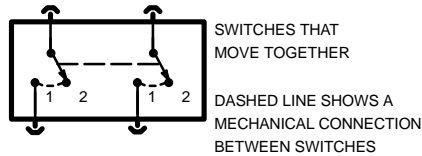
CONNECTOR ATTACHED TO COMPONENT



CONNECTOR ATTACHED TO COMPONENT LEAD (PIGTAIL)



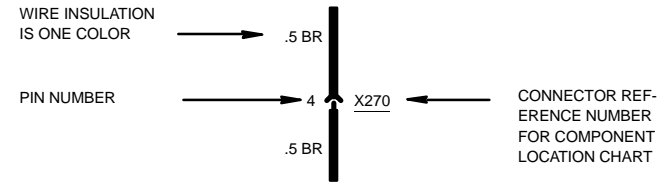
ONE POLE, TWO POSITION SWITCH



SWITCHES THAT MOVE TOGETHER

DASHED LINE SHOWS A MECHANICAL CONNECTION BETWEEN SWITCHES

WIRE COLOR	
BL	BLUE
BR	BROWN
GE	YELLOW
GN	GREEN
GR	GRAY
OR	ORANGE
RS	PINK
RT	RED
SW	BLACK
VI	VIOLET
WS	WHITE
TR	TRANSPARENT



WIRE INSULATION IS ONE COLOR

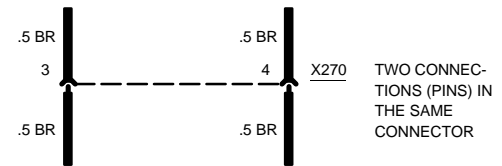
PIN NUMBER

CONNECTOR REFERENCE NUMBER FOR COMPONENT LOCATION CHART



WIRE INSULATION IS ONE COLOR WITH ANOTHER COLOR STRIPE (GREEN WITH WHITE)

A WAVY LINE MEANS WIRE IS CONTINUED



.5 BR

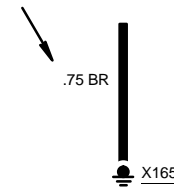
.5 BR

X270

TWO CONNECTIONS (PINS) IN THE SAME CONNECTOR

DASHED LINE INDICATES TERMINALS OF THE SAME CONNECTOR

WIRE SIZE IN MM SQUARED



.75 BR

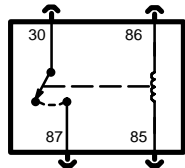
X165

WIRE ATTACHED TO METAL PART OF CAR (GROUNDED)

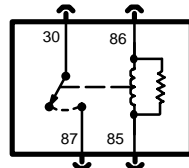
GROUND NUMBERED FOR REFERENCE ON COMPONENT LOCATION CHART



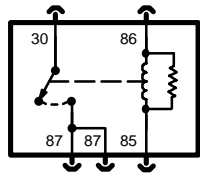
SYMBOLS



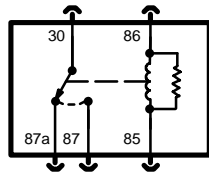
CONTACT RELAY



RELAY WITH RESISTOR ACROSS WINDING



CONTACT RELAY WITH TWO OUTPUTS



CHANGEOVER RELAY WITH TWO OUTPUTS

TERMINAL NUMBER DESCRIPTION

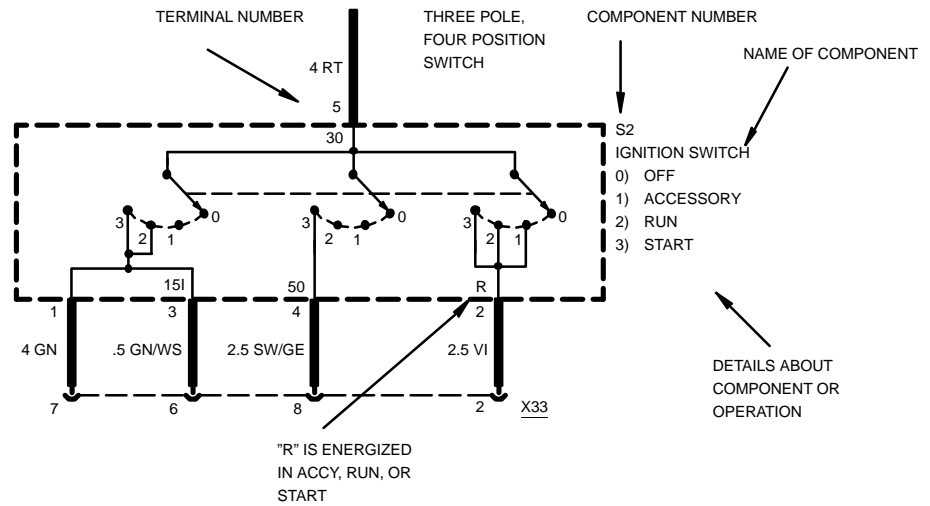
30 RELAY INPUT

85 RELAY OUTPUT (WINDING)

86 RELAY INPUT (WINDING)

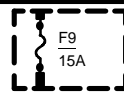
87 RELAY OUTPUT (ENERGIZED)

87a RELAY OUTPUT (AT REST)



TERMINAL NUMBER	DESCRIPTION	TERMINAL NUMBER	DESCRIPTION
50	VOLTAGE: IGNITION SWITCH IN START	15I	VOLTAGE: IGNITION SWITCH IN RUN
30	VOLTAGE: SUPPLIED AT ALL TIMES	R	VOLTAGE: IGNITION SWITCH IN ACCESSORY, RUN OR START
15	VOLTAGE: IGNITION SWITCH IN RUN OR START	31	GROUND

HOT AT ALL TIMES



INDICATES THAT FUSE 9 IS SUPPLIED WITH POWER AT ALL TIMES

POWER STATUS

HOT AT ALL TIMES

HOT IN RUN AND START

HOT IN ACCY, RUN AND START

DESCRIPTION

VOLTAGE: SUPPLIED AT ALL TIMES

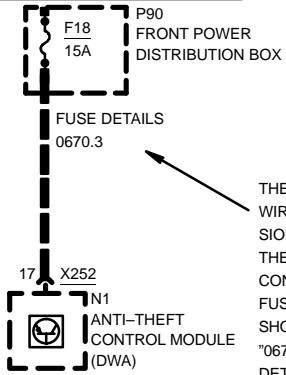
VOLTAGE: IGNITION SWITCH IN RUN OR START

VOLTAGE: IGNITION SWITCH IN ACCESSORY, RUN OR START

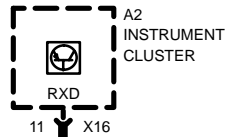


SYMBOLS

HOT IN ACCY, RUN AND START



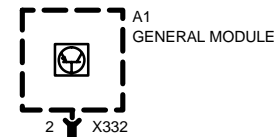
THE COMPLETE WIRE PROGRESSION AND FURTHER CIRCUITS CONNECTED TO FUSE 18 ARE SHOWN IN CELL "0670.3 FUSE DETAILS" AT FUSE 18



.5 WS/GE

DATA LINK
0670.5

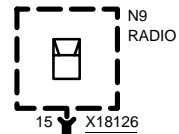
CIRCUIT REFERENCE-A WIRE WHICH CONNECTS TO ANOTHER CIRCUIT



GROUND DISTRIBUTION
0670.4

X497

THE COMPLETE WIRE PROGRESSION AND FURTHER CIRCUITS CONNECTED TO GROUND X497 ARE SHOWN IN CELL "0670.4 GROUND DISTRIBUTION" AT GROUND X497



1.5 BR

0670.0-03

CURRENT PATH IS CONTINUED AS LABELED



1.5 BR

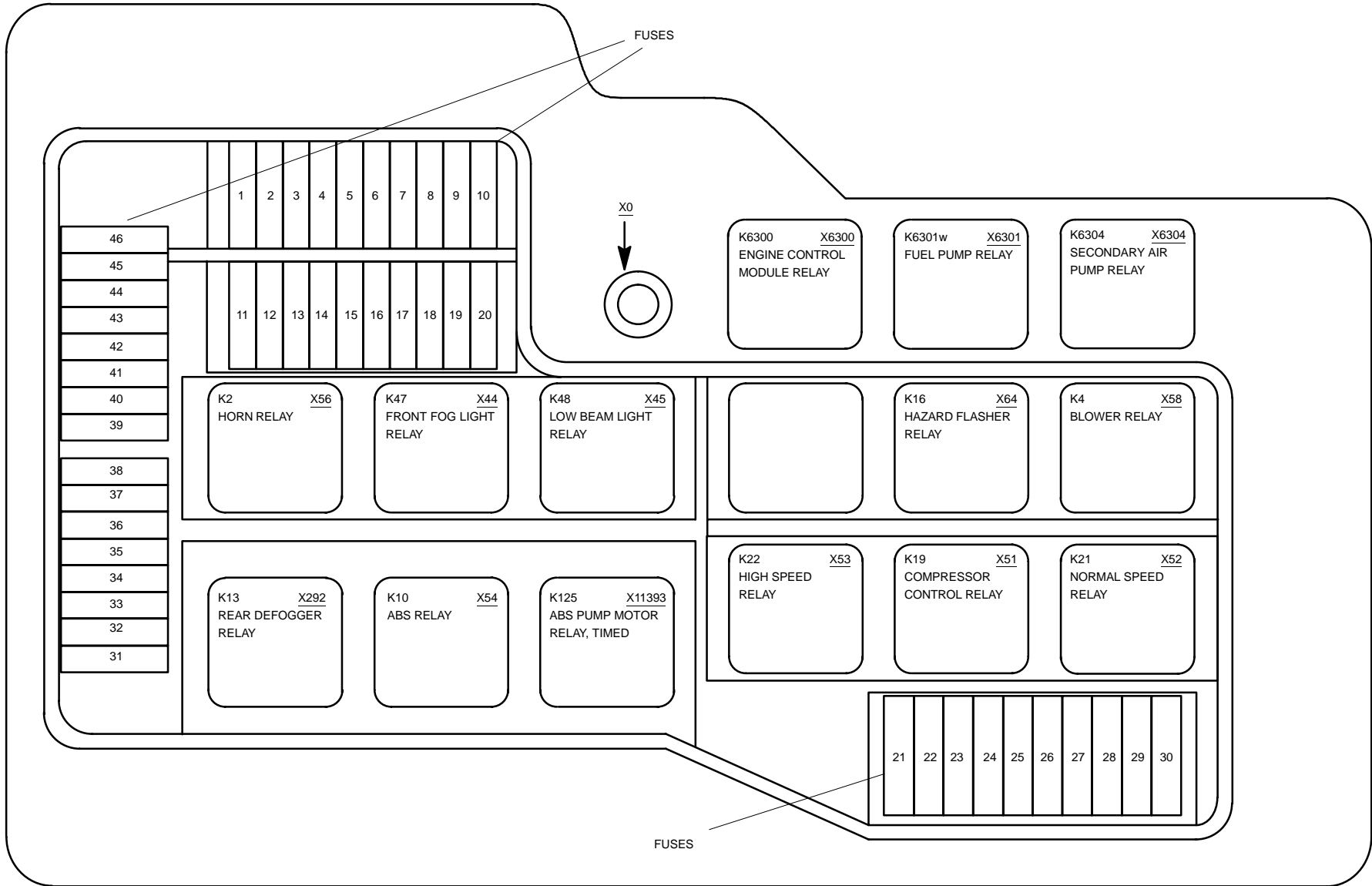
X491

ARROW SHOWS DIRECTION OF CURRENT FLOW AND IS REPEATED WHERE CURRENT PATH CONTINUES



0670.0 POWER DISTRIBUTION CHART

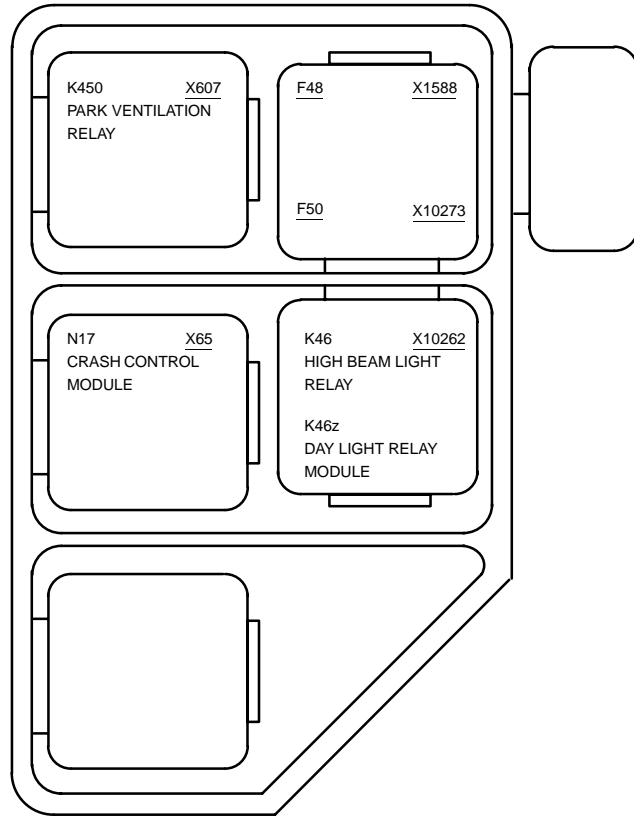
FRONT POWER DISTRIBUTION BOX





POWER DISTRIBUTION CHART

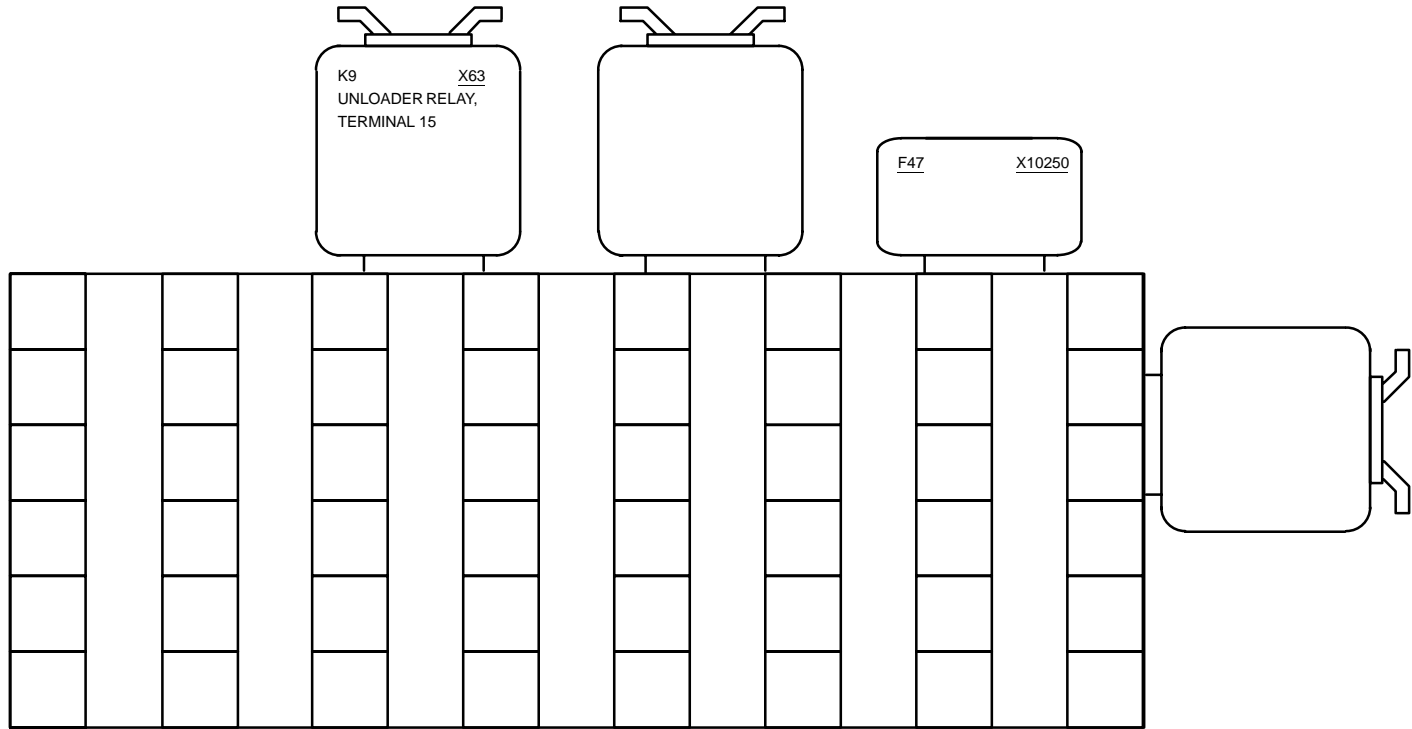
RELAY PANEL UNDER LH SIDE OF DASHBOARD





POWER DISTRIBUTION CHART

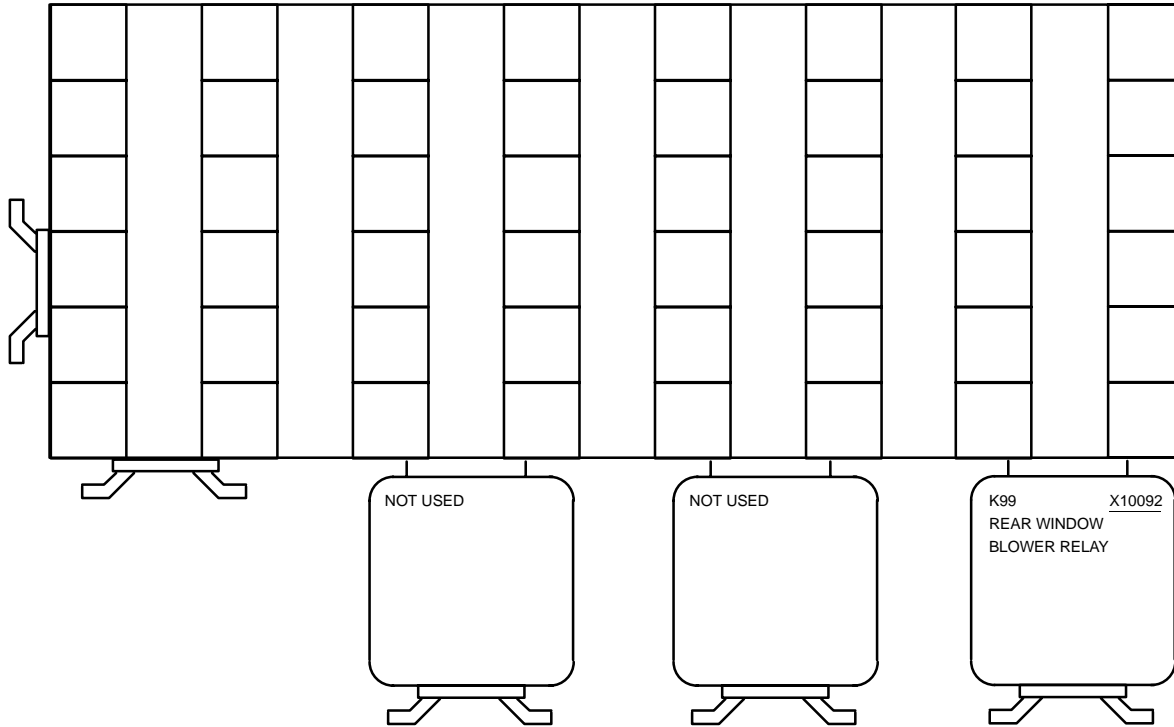
SPLICE PANEL UNDER LH SIDE OF DASHBOARD





POWER DISTRIBUTION CHART

SPLICE PANEL UNDER RH SIDE OF DASHBOARD





0670.1 FUSE CHART

FUSES 1 TO 29

	FUSE NUMBER																													
	1	2	3	4	5	6	7	8	9	10	11	12	13	14	15	16	17	18	19	20	21	22	23	24	25	26	27	28	29	
	30A	5A	30A	15A	30A	20A	5A	15A	20A	30A	7.5A	7.5A	5A	30A	15A	5A	10A	15A	30A	30A	5A	5A	5A	10A	5A	10A	5A	5A	7.5A	
1210.17 ENGINE CONTROL SYSTEM MS41.1 (6-CYLINDER M52)																●		●												
1210.20 ENGINE CONTROL SYSTEM (DME M5.2, 4-CYLINDER M44)		●														●		●												
1230.0 CHARGING SYSTEM																														
1240.0 START																														●
2460.2 ELECTRONIC TRANSMISSION CONTROL (EGS A4S 270R)																											●		●	
2460.4 ELECTRONIC TRANSMISSION CONTROL (EGS A5S 310Z)																											●		●	
3234.0 SUPPLEMENTAL RESTRAINT SYSTEM (AIR BAG)																												●		
3450.0 SLIP CONTROL (ABS)											●										●							●		
3450.1 SLIP CONTROL (ABS/ASC)											●										●							●		
5116.0 POWER MIRRORS																									●					
5120.0 ZKE DOOR LOCK HEATING (TSH)							●																							
5126.0 ZKE CENTRAL LOCKING (ZV)							●																							●
5133.1 POWER WINDOWS (FH)														●						●										
5200.0 POWER SEATS					●																									
5203.0 HEATED SEATS			●																				●							
5410.1 POWER TILT/SLIDE SUNROOF (SHD)	●																													
5430.1 ELECTRICAL CONVERTIBLE TOP							●																	●			●			
6100.0 CENTRAL BODY ELECTRONICS (ZKE IV)														●																
6133.0 HORN								●																						
6135.0 DRIVE-AWAY PROTECTION (EWS II)																														●



FUSE CHART

FUSES 1 TO 29

	FUSE NUMBER																												
	1	2	3	4	5	6	7	8	9	10	11	12	13	14	15	16	17	18	19	20	21	22	23	24	25	26	27	28	29
	30A	5A	30A	15A	30A	20A	5A	15A	20A	30A	7.5A	7.5A	5A	30A	15A	5A	10A	15A	30A	30A	5A	5A	5A	10A	5A	10A	5A	5A	7.5A
6160.1 WIPER/WASHER MODULE (WWM)			●																										
6167.1 HEADLIGHT WASHER (SRA)			●																										
6169.0 WINDSHIELD WASHER JET HEATERS																								●					
6211.0 INSTRUMENT CLUSTER																							●				●		
6213.1 ANALOG CLOCK																							●					●	
6213.2 MULTI-FUNCTION CLOCK																							●					●	
6214.0 ON-BOARD DISPLAY																							●					●	
6300.0 LIGHT SWITCH DETAILS																						●				●			
6312.0 HEADLIGHTS/FOG LIGHTS											●	●			●								●		●				●
6313.0 TURN/HAZARD LIGHTS																							●						
6314.0 PARK/TAIL/UNDERHOOD LIGHTS																													
6320.0 LICENSE PLATE/LUGGAGE COMPARTMENT LIGHTS																													
6322.0 BACK UP LIGHTS																										●			
6325.0 BRAKE LIGHTS																													
6330.3 INTERIOR LIGHTS																													
6332.1 GLOVE BOX LIGHT/CASSETTE BOX/ASHTRAY LIGHT/CHARGING SOCKET/CIGAR LIGHTER																													
6350.0 CRASH CONTROL MODULE																													
6410.5 HEATING CONTROL (HR)																						●		●					
6412.10 PARK VENTILATION WITH HR																						●							
6412.20 PARK VENTILATION WITH IHKA E36																						●							



FUSE CHART

FUSES 1 TO 29

	FUSE NUMBER																												
	1	2	3	4	5	6	7	8	9	10	11	12	13	14	15	16	17	18	19	20	21	22	23	24	25	26	27	28	29
	30A	5A	30A	15A	30A	20A	5A	15A	20A	30A	7.5A	7.5A	5A	30A	15A	5A	10A	15A	30A	30A	5A	5A	5A	10A	5A	10A	5A	5A	7.5A
6424.0 REAR WINDOW DEFOGGER/ANTENNA						●																	●						
6450.7 INTEGRATED CLIMATE REGULATION (IHKA E36)																●				●		●							
6510.0 RADIO/STEREO									●																				
6510.1 RADIO/HIFI/TOP HIFI									●																				
6561.0 CELLULAR TELEPHONE (PROVISIONS)																													
6571.0 CRUISE CONTROL (TEMPOMAT)																												●	
6575.2 ANTI-THEFT SYSTEM (ALPINE)																													
6581.2 ON-BOARD COMPUTER (BC V)											●	●											●				●		



FUSE CHART

FUSES 30 TO 50

	FUSE NUMBER																				
	30	31	32	33	34	35	36	37	38	39	40	41	42	43	44	45	46	47	48	49	50
	7.5A	5A	30A	10A	15A	25A	30A	10A	30A	7.5A	30A	30A	7.5A	5A	15A	7.5A	15A	15A	40A	20A	5A
1210.17 ENGINE CONTROL SYSTEM MS41.1 (6-CYLINDER M52)										●							●				●
1210.20 ENGINE CONTROL SYSTEM (DME M5.2, 4-CYLINDER M44)										●							●				
1230.0 CHARGING SYSTEM																					
1240.0 START		●														●					
2460.2 ELECTRONIC TRANSMISSION CONTROL (EGS A4S 270R)																	●				
2460.4 ELECTRONIC TRANSMISSION CONTROL (EGS A5S 310Z)																	●				
3234.0 SUPPLEMENTAL RESTRAINT SYSTEM (AIR BAG)													●								
3450.0 SLIP CONTROL (ABS)									●								●				
3450.1 SLIP CONTROL (ABS/ASC)									●								●				
5116.0 POWER MIRRORS																					
5120.0 ZKE DOOR LOCK HEATING (TSH)						●															
5126.0 ZKE CENTRAL LOCKING (ZV)		●				●										●					
5133.1 POWER WINDOWS (FH)																					
5200.0 POWER SEATS											●										
5203.0 HEATED SEATS																					
5410.1 POWER TILT/SLIDE SUNROOF (SHD)																					
5430.1 ELECTRICAL CONVERTIBLE TOP													●	●						●	
6100.0 CENTRAL BODY ELECTRONICS (ZKE IV)				●		●								●							
6133.0 HORN														●							
6135.0 DRIVE-AWAY PROTECTION (EWS II)		●														●					



FUSE CHART

FUSES 30 TO 50

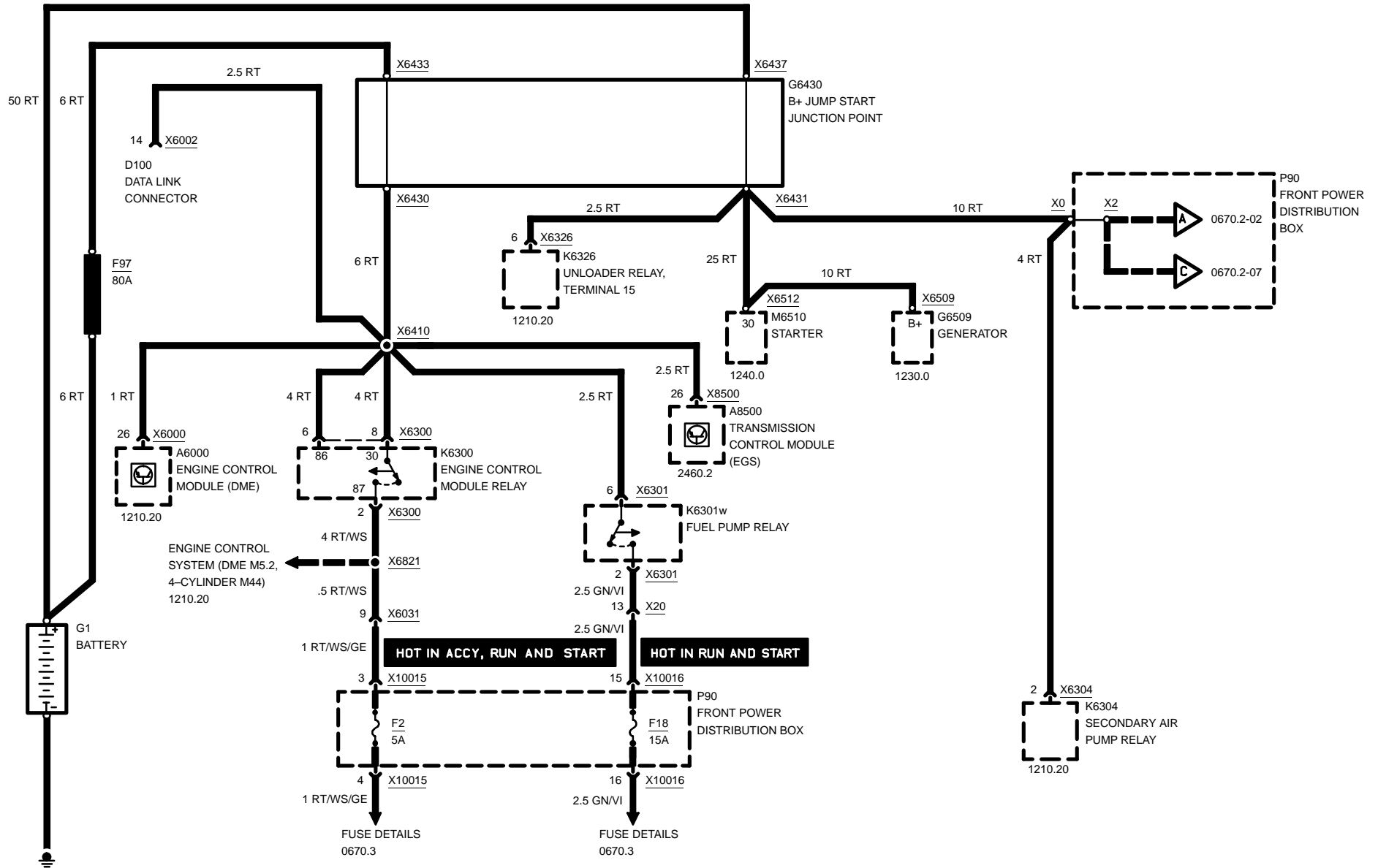
	FUSE NUMBER																									
	30	31	32	33	34	35	36	37	38	39	40	41	42	43	44	45	46	47	48	49	50					
	7.5A	5A	30A	10A	15A	25A	30A	10A	30A	7.5A	30A	30A	7.5A	5A	15A	7.5A	15A	15A	40A	20A	5A					
6160.1 WIPER/WASHER MODULE (WWM)							●	●							●											
6167.1 HEADLIGHT WASHER (SRA)							●								●											
6169.0 WINDSHIELD WASHER JET HEATERS																										
6211.0 INSTRUMENT CLUSTER		●														●	●									
6213.1 ANALOG CLOCK		●																								
6213.2 MULTI-FUNCTION CLOCK		●														●	●									
6214.0 ON-BOARD DISPLAY		●														●	●									
6300.0 LIGHT SWITCH DETAILS				●				●																		
6312.0 HEADLIGHTS/FOG LIGHTS	●																									
6313.0 TURN/HAZARD LIGHTS				●																						
6314.0 PARK/TAIL/UNDERHOOD LIGHTS				●				●																		
6320.0 LICENSE PLATE/LUGGAGE COMPARTMENT LIGHTS				●				●																		
6322.0 BACK UP LIGHTS																										
6325.0 BRAKE LIGHTS																	●									
6330.3 INTERIOR LIGHTS				●										●												
6332.1 GLOVE BOX LIGHT/CASSETTE BOX/ASHTRAY LIGHT/CHARGING SOCKET/CIGAR LIGHTER		●	●					●							●											
6350.0 CRASH CONTROL MODULE				●																						
6410.5 HEATING CONTROL (HR)																										
6412.10 PARK VENTILATION WITH HR																										
6412.20 PARK VENTILATION WITH IHKA E36																										



FUSE CHART

FUSES 30 TO 50

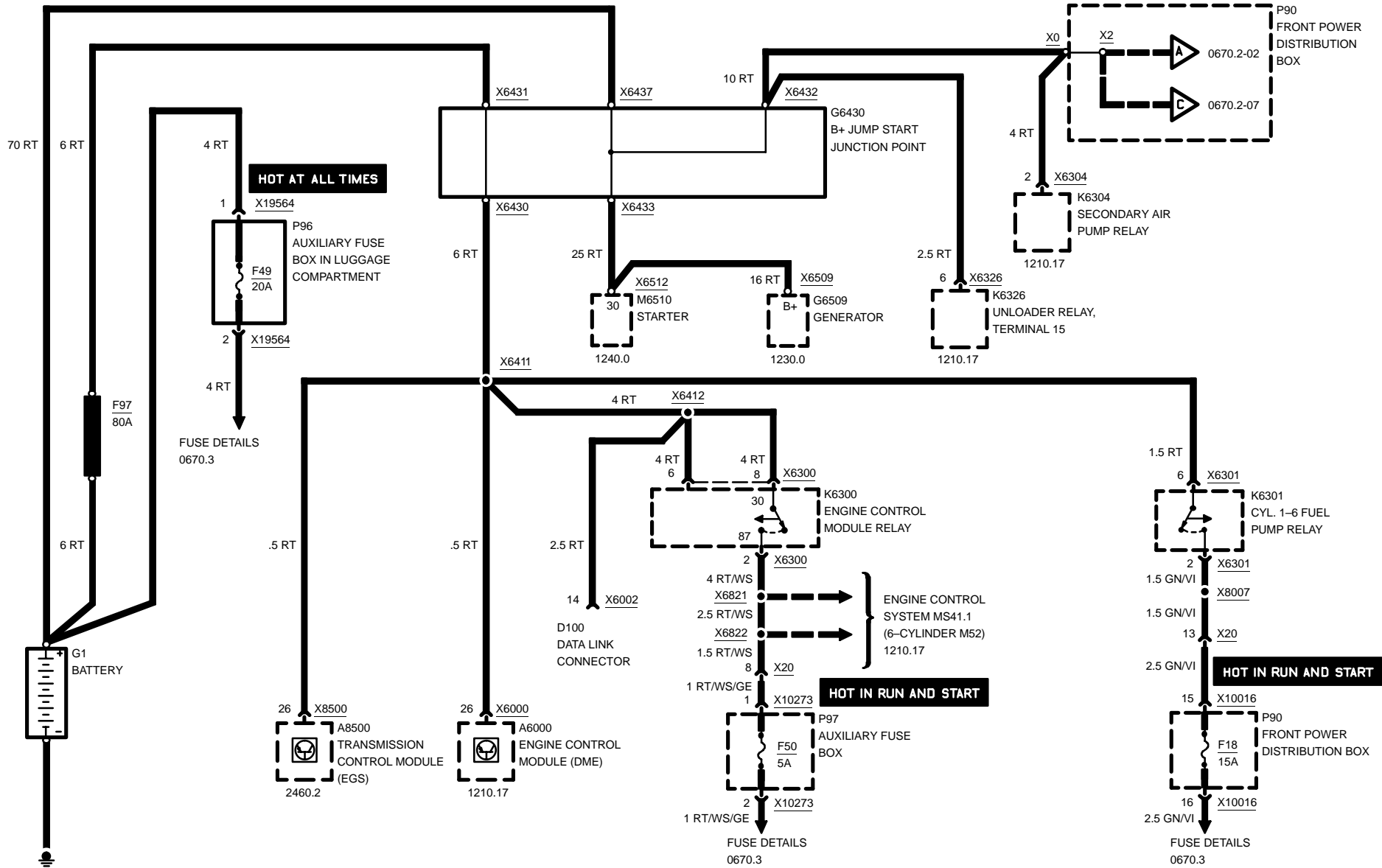
	FUSE NUMBER																							
	30	31	32	33	34	35	36	37	38	39	40	41	42	43	44	45	46	47	48	49	50			
	7.5A	5A	30A	10A	15A	25A	30A	10A	30A	7.5A	30A	30A	7.5A	5A	15A	7.5A	15A	15A	40A	20A	5A			
6424.0 REAR WINDOW DEFOGGER/ANTENNA														●										
6450.7 INTEGRATED CLIMATE REGULATION (IHKA E36)	●									●		●							●					
6510.0 RADIO/STEREO															●									
6510.1 RADIO/HIFI/TOP HIFI				●										●	●									
6561.0 CELLULAR TELEPHONE (PROVISIONS)				●										●										
6571.0 CRUISE CONTROL (TEMPOMAT)																	●							
6575.2 ANTI-THEFT SYSTEM (ALPINE)														●				●						
6581.2 ON-BOARD COMPUTER (BC V)	●			●					●								●	●						





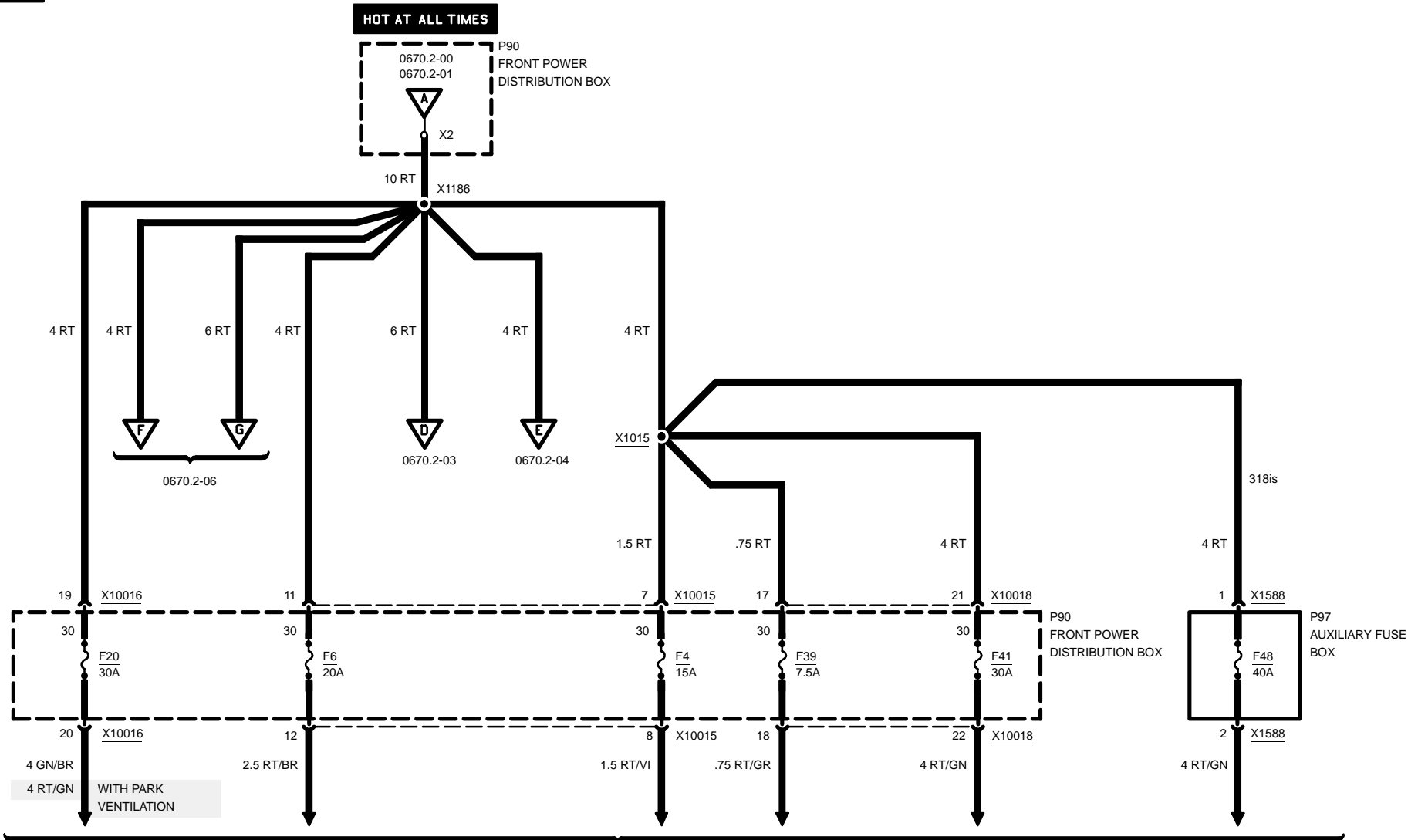
POWER DISTRIBUTION

323i, 328i, M3





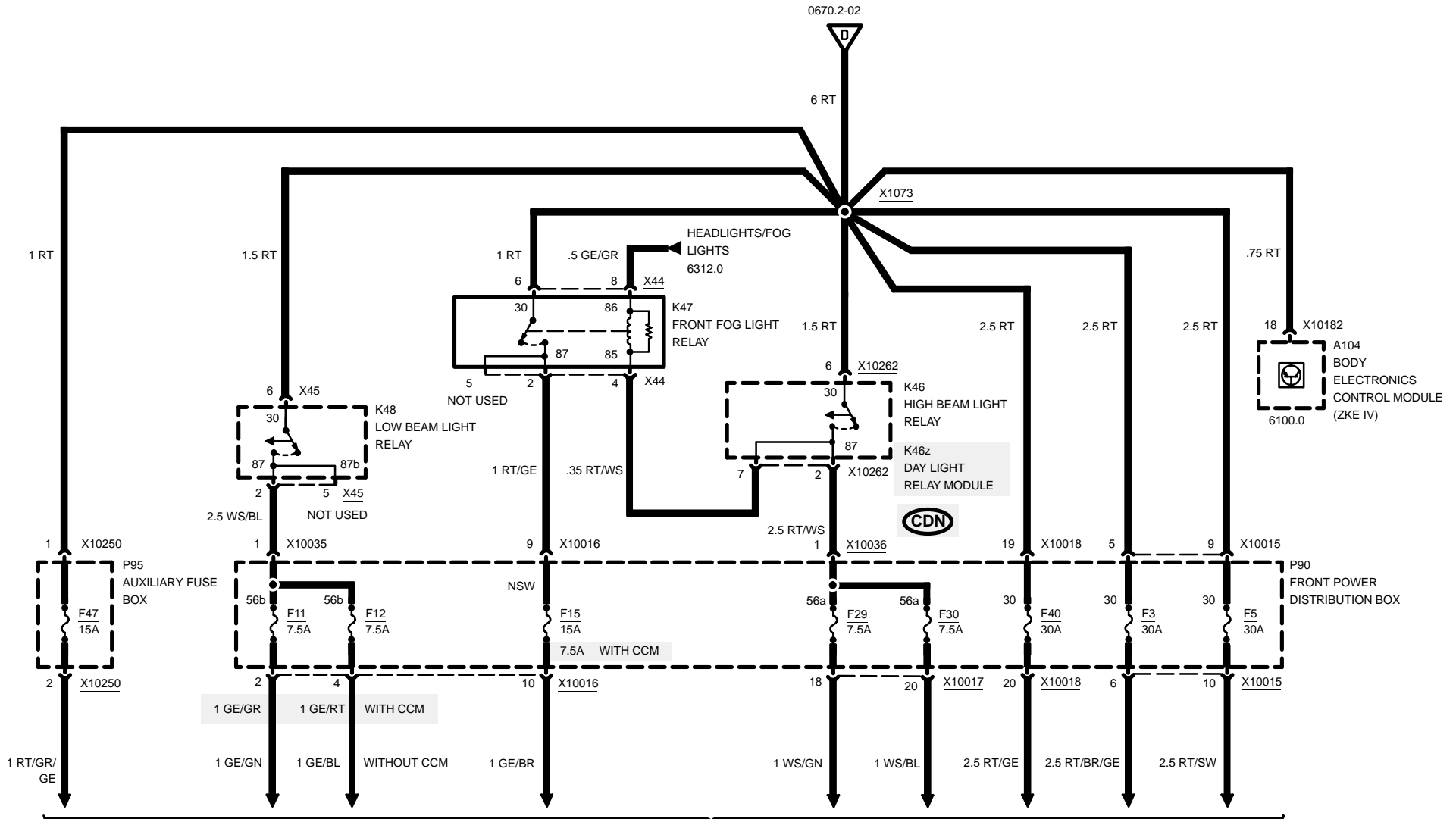
POWER DISTRIBUTION



FUSE DETAILS
0670.3



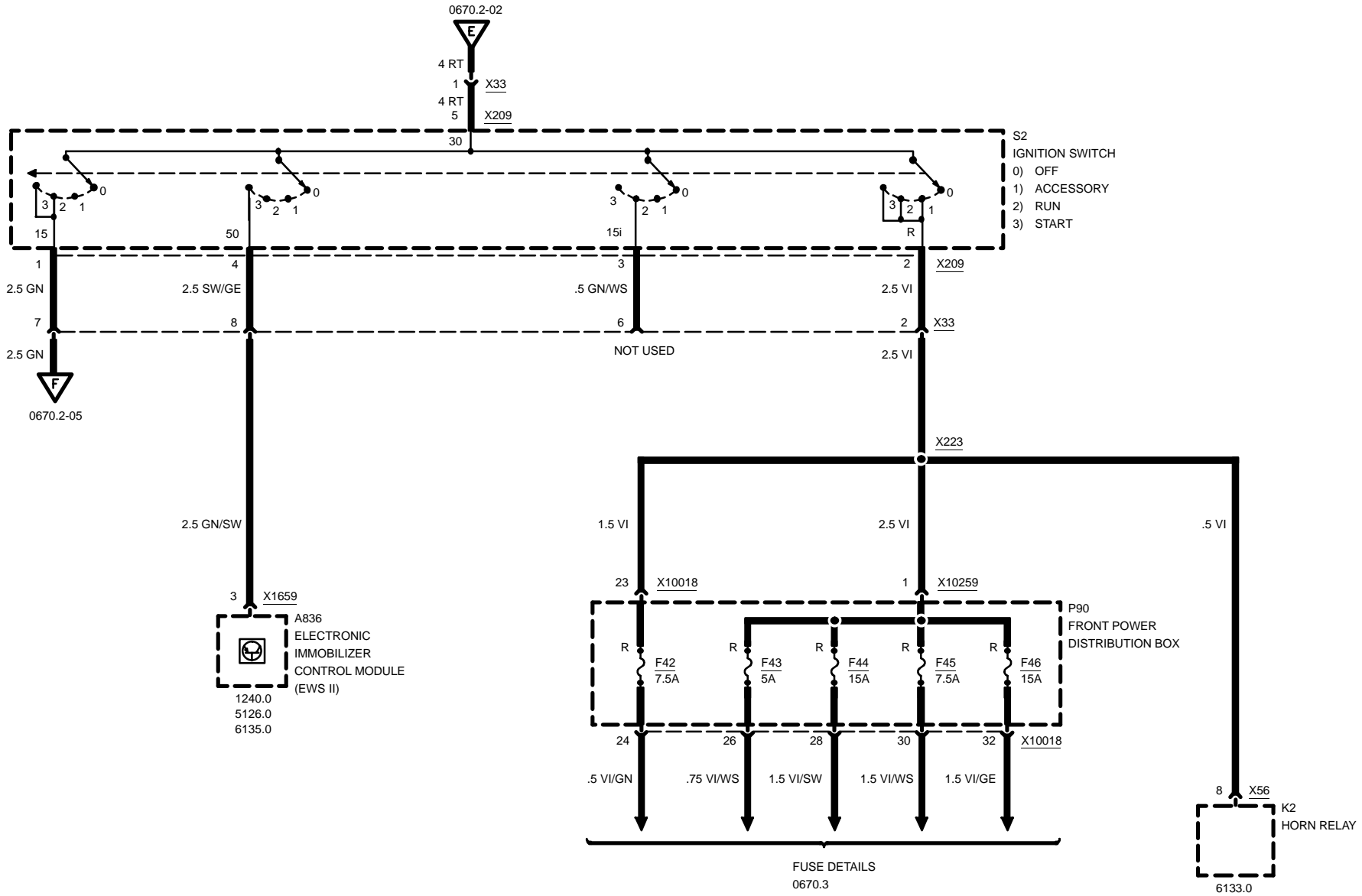
POWER DISTRIBUTION



FUSE DETAILS
0670.3

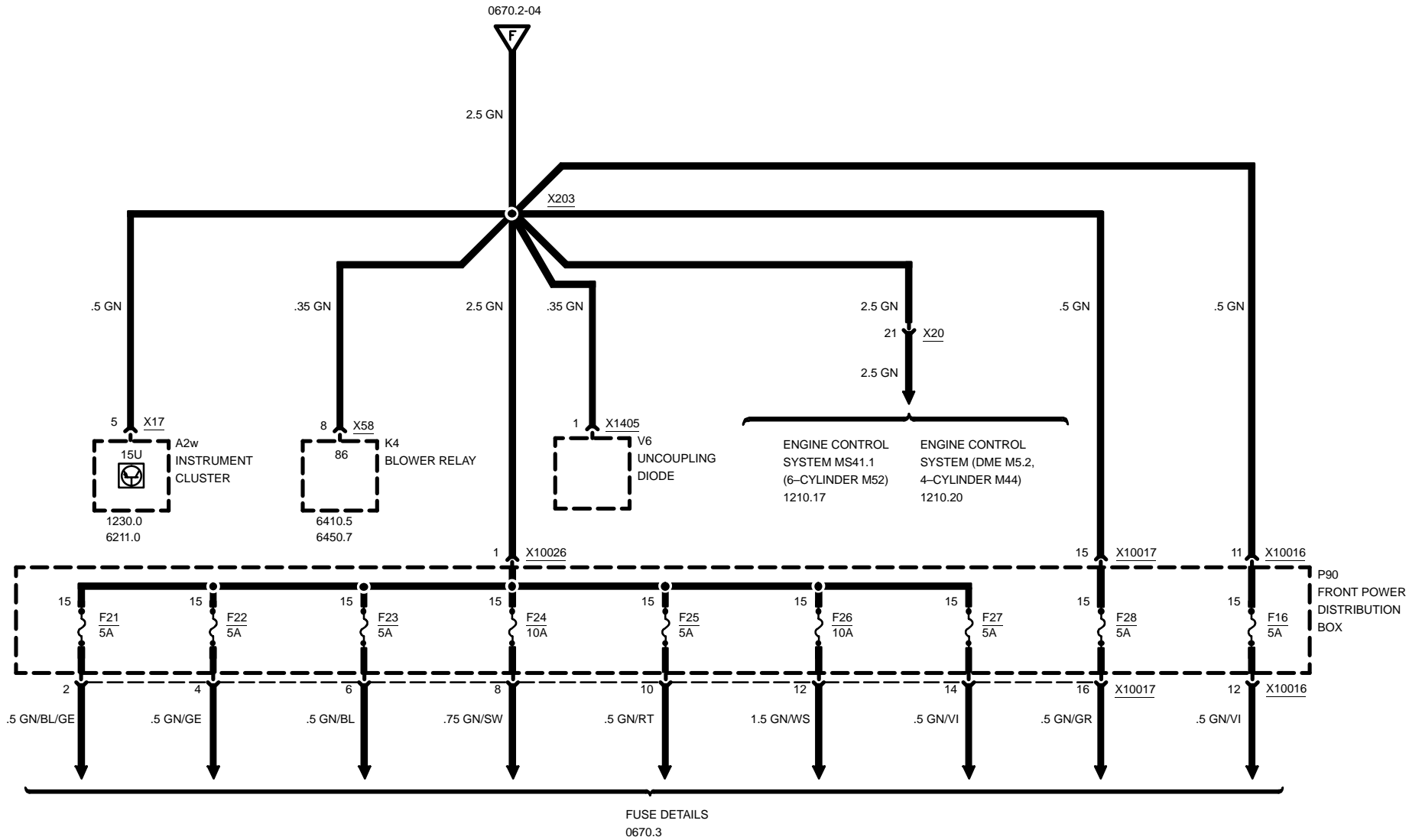


POWER DISTRIBUTION



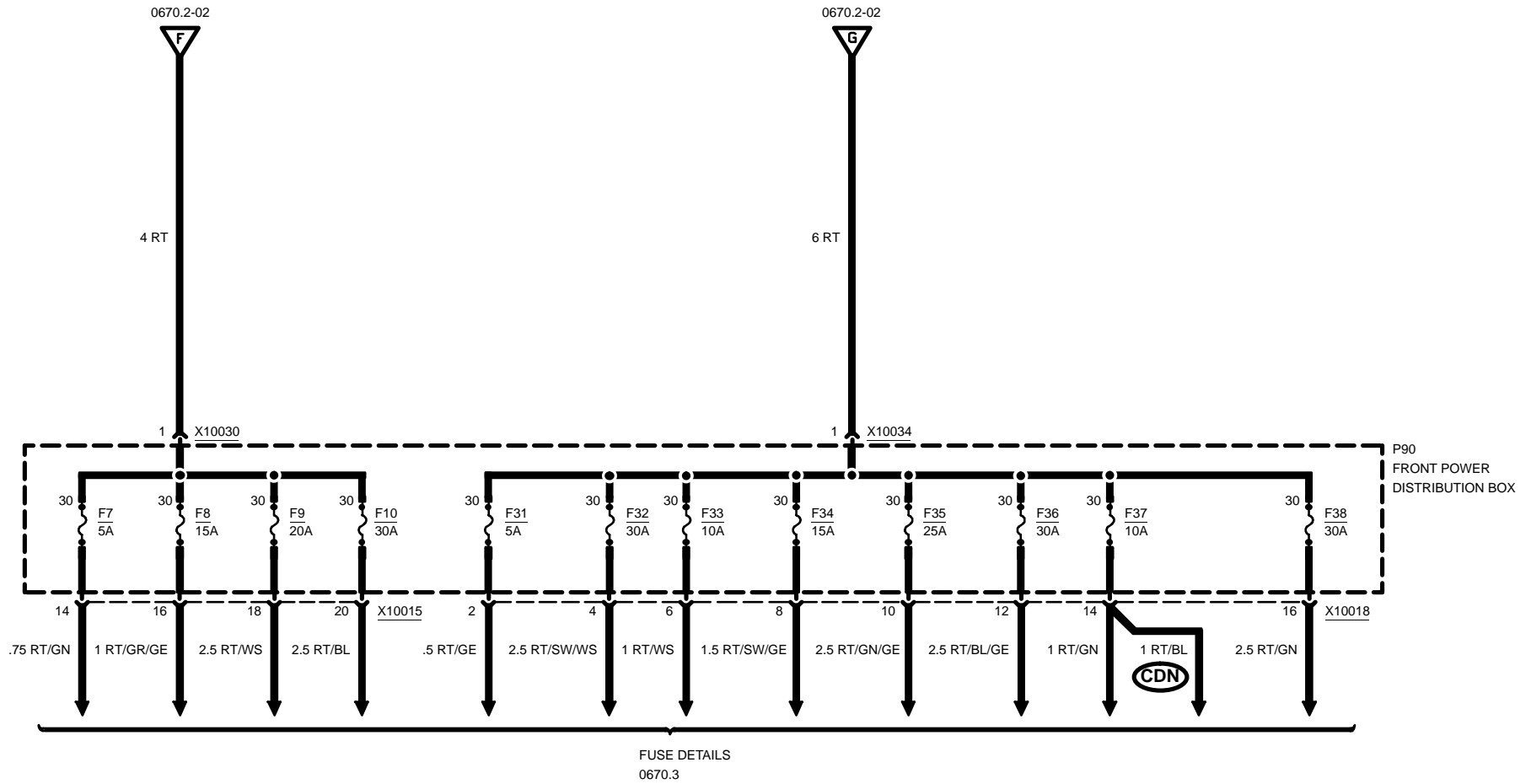


POWER DISTRIBUTION



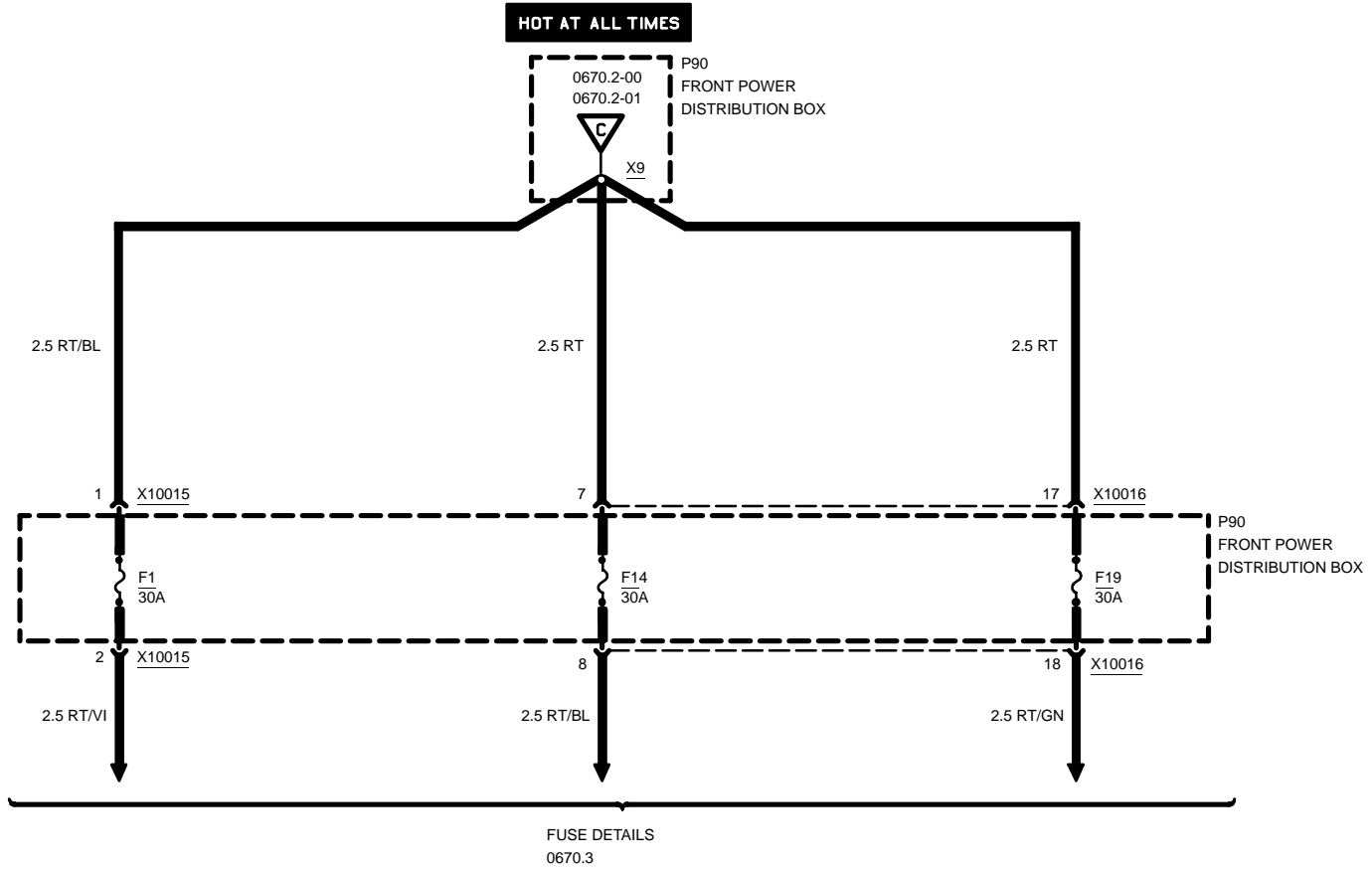


POWER DISTRIBUTION





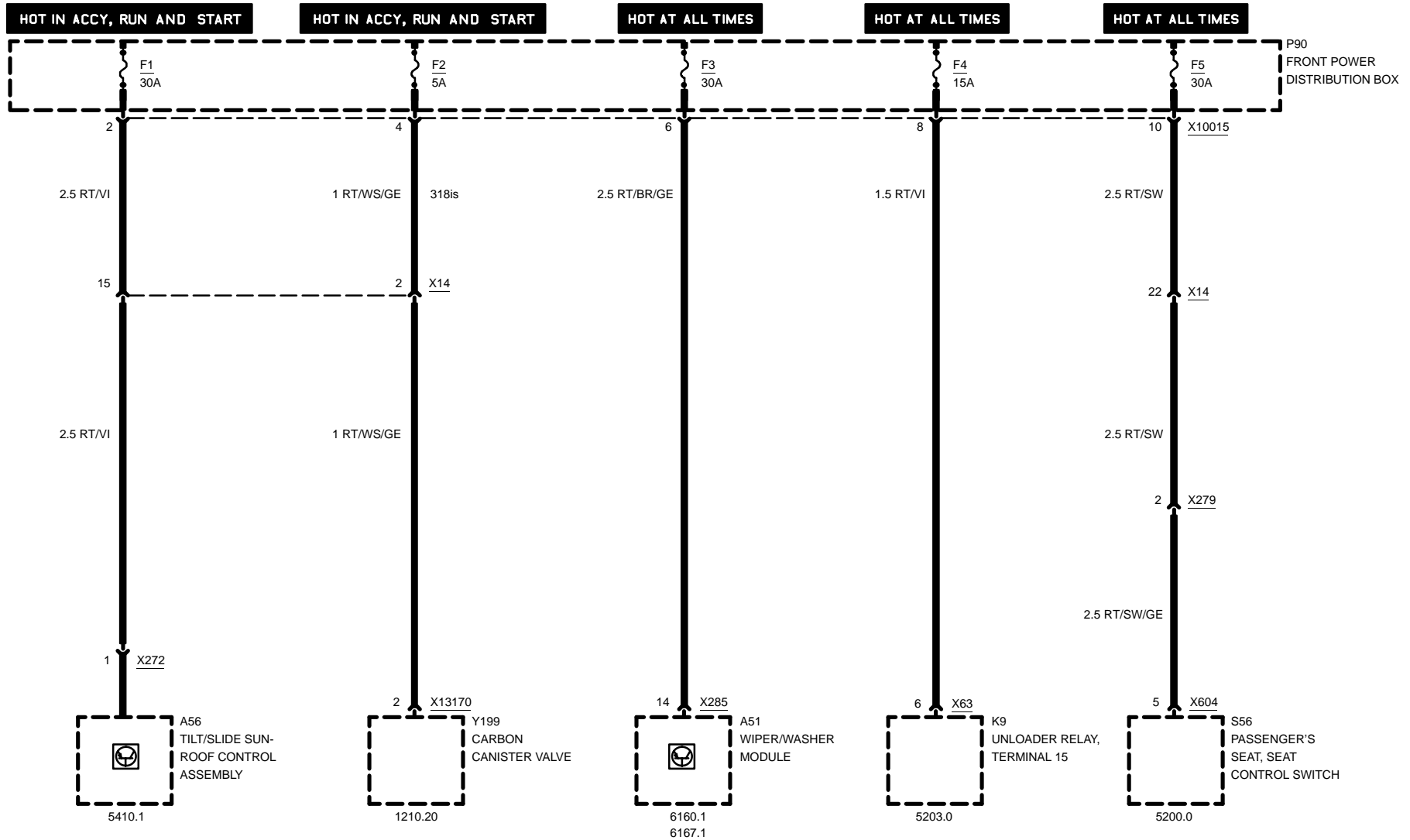
POWER DISTRIBUTION





0670.3 FUSE DETAILS

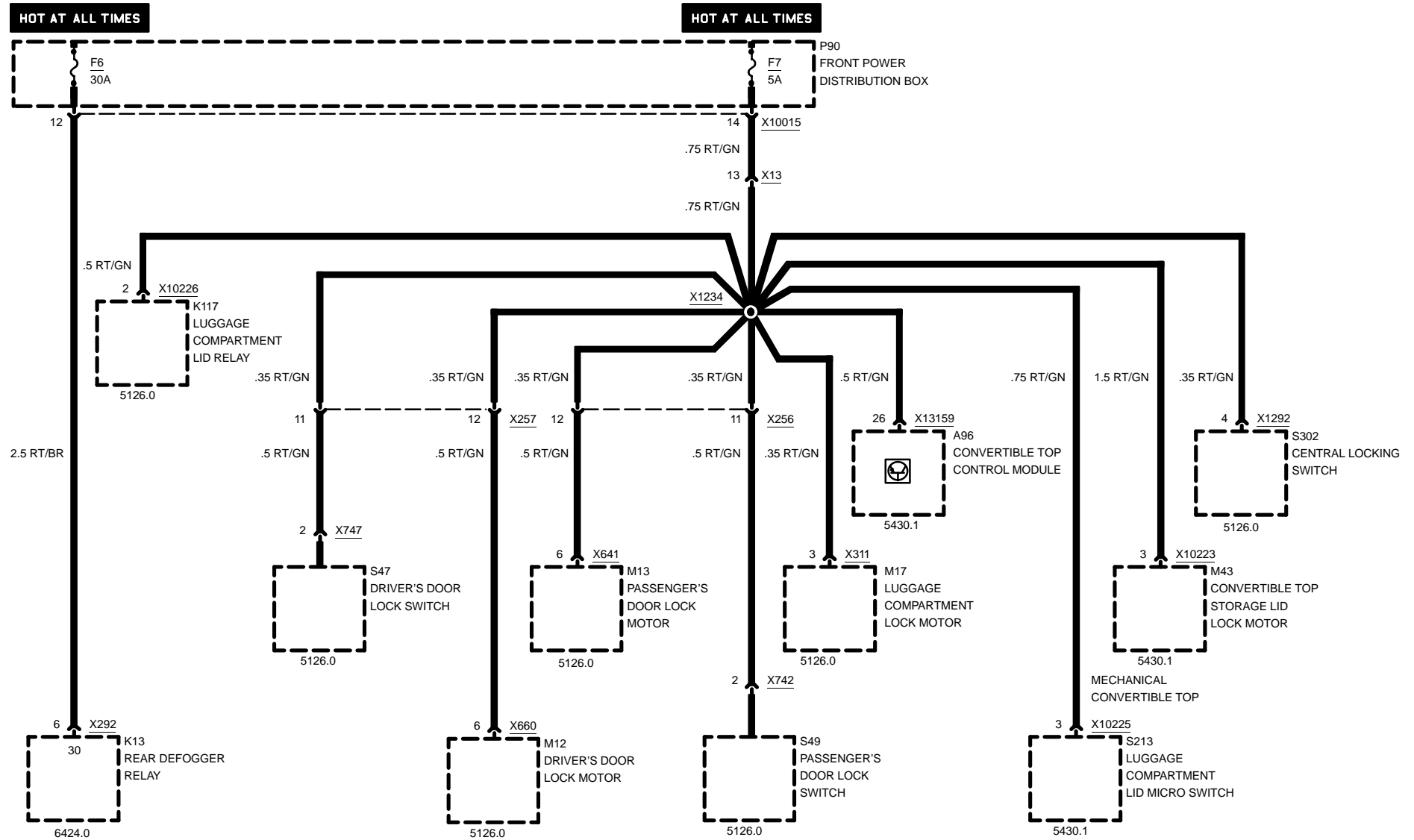
FUSES 1, 2, 3, 4, AND 5





FUSE DETAILS

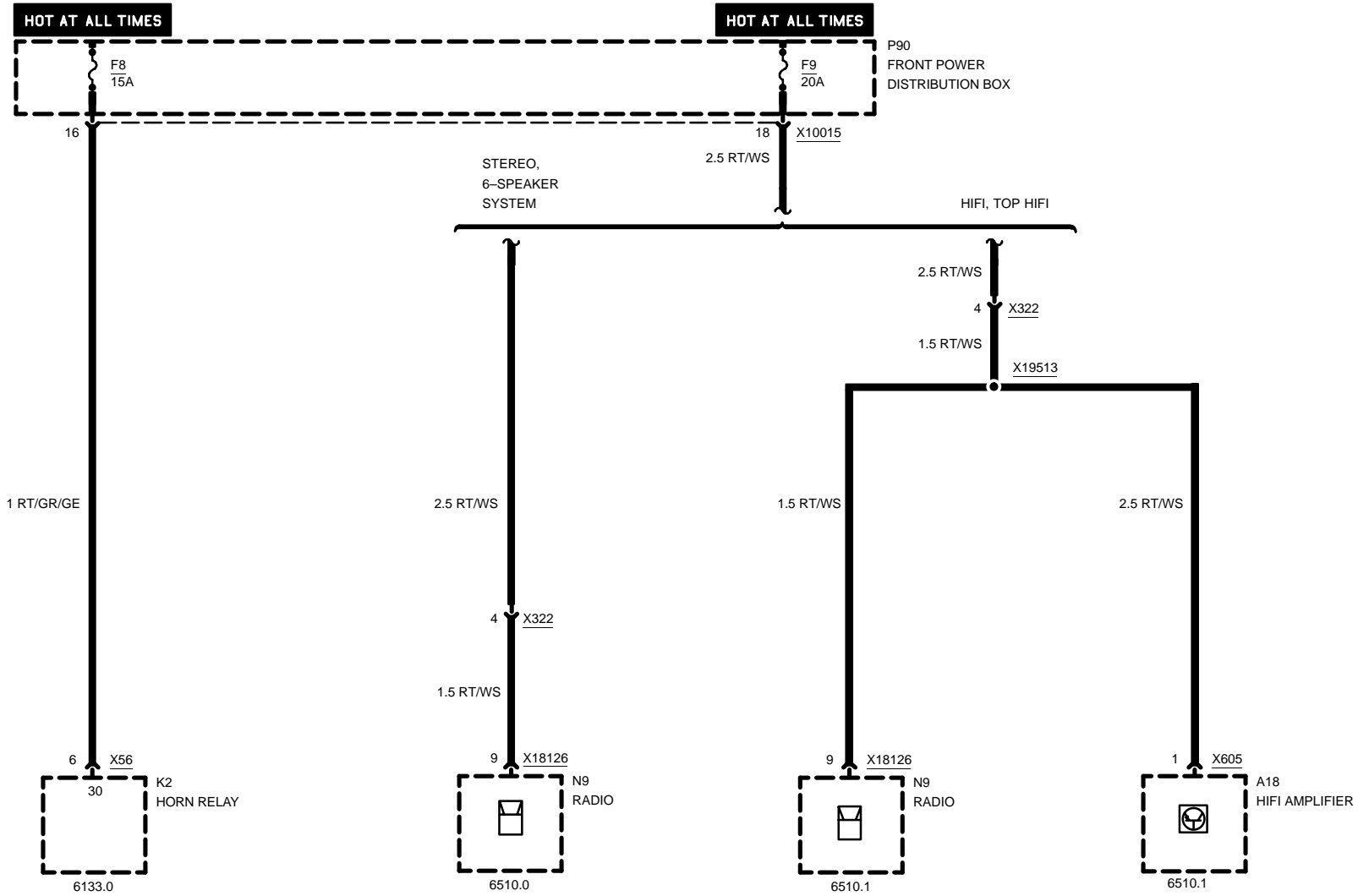
FUSES 6 AND 7





FUSE DETAILS

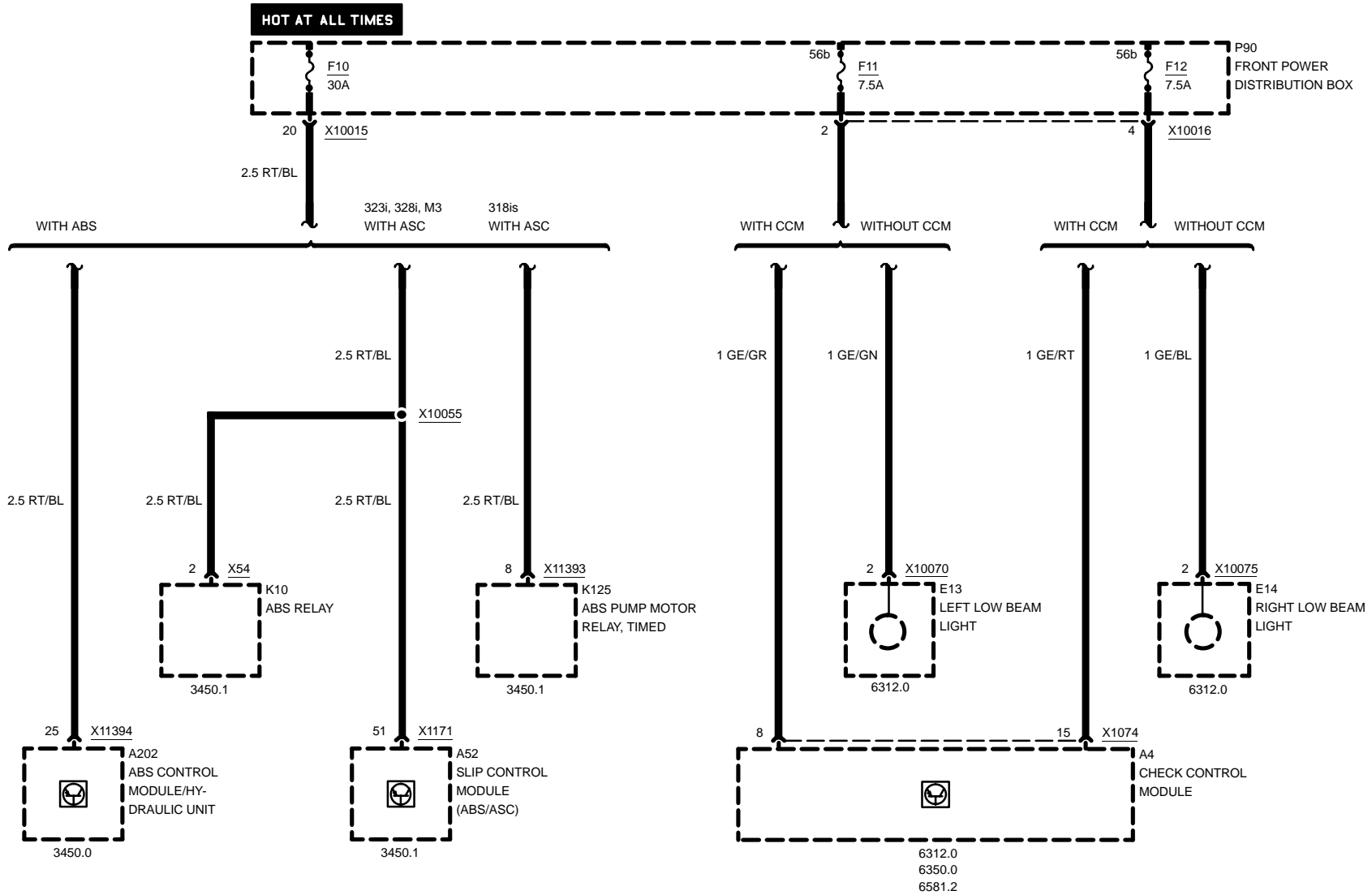
FUSES 8 AND 9





FUSE DETAILS

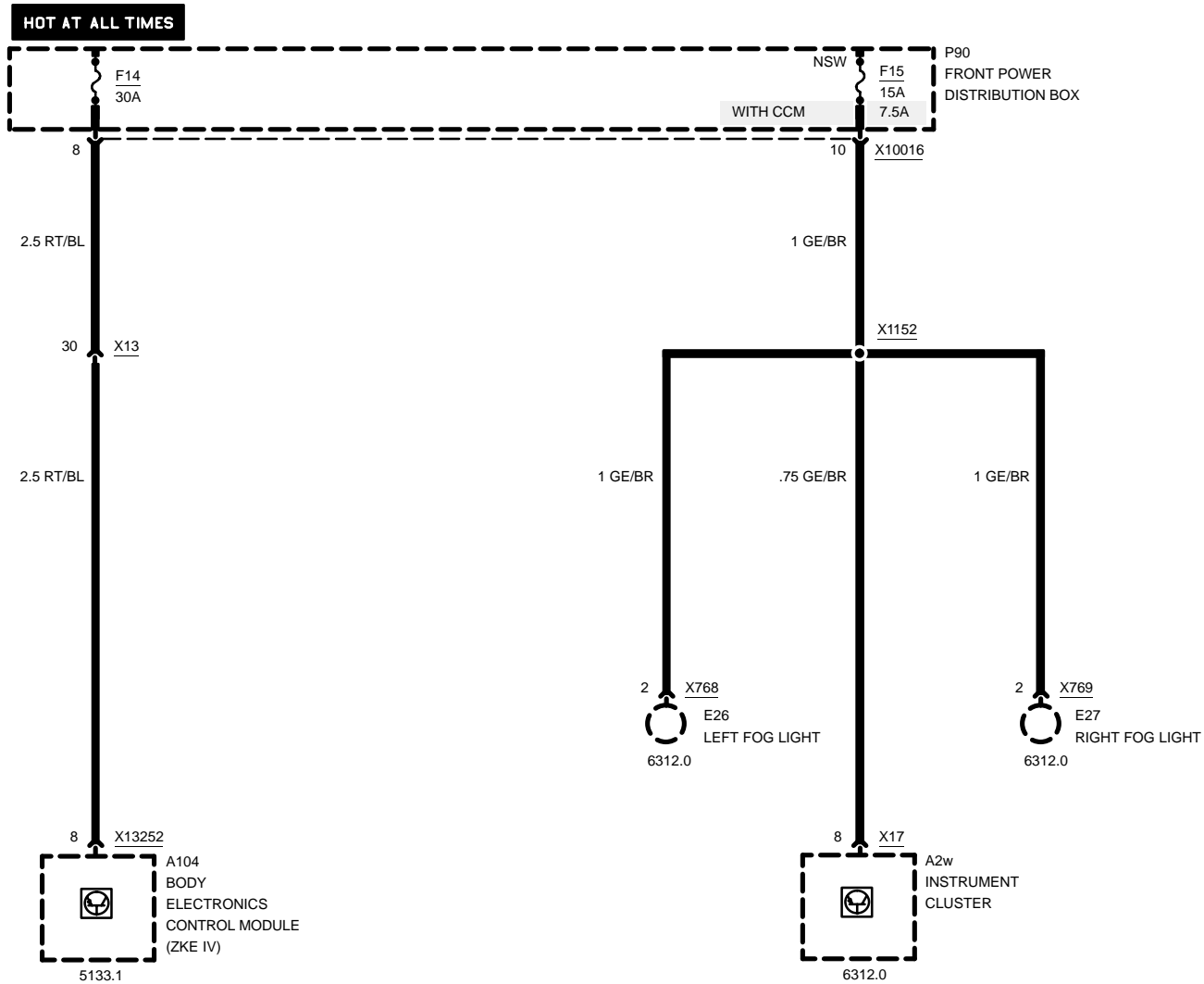
FUSES 10, 11, AND 12





FUSE DETAILS

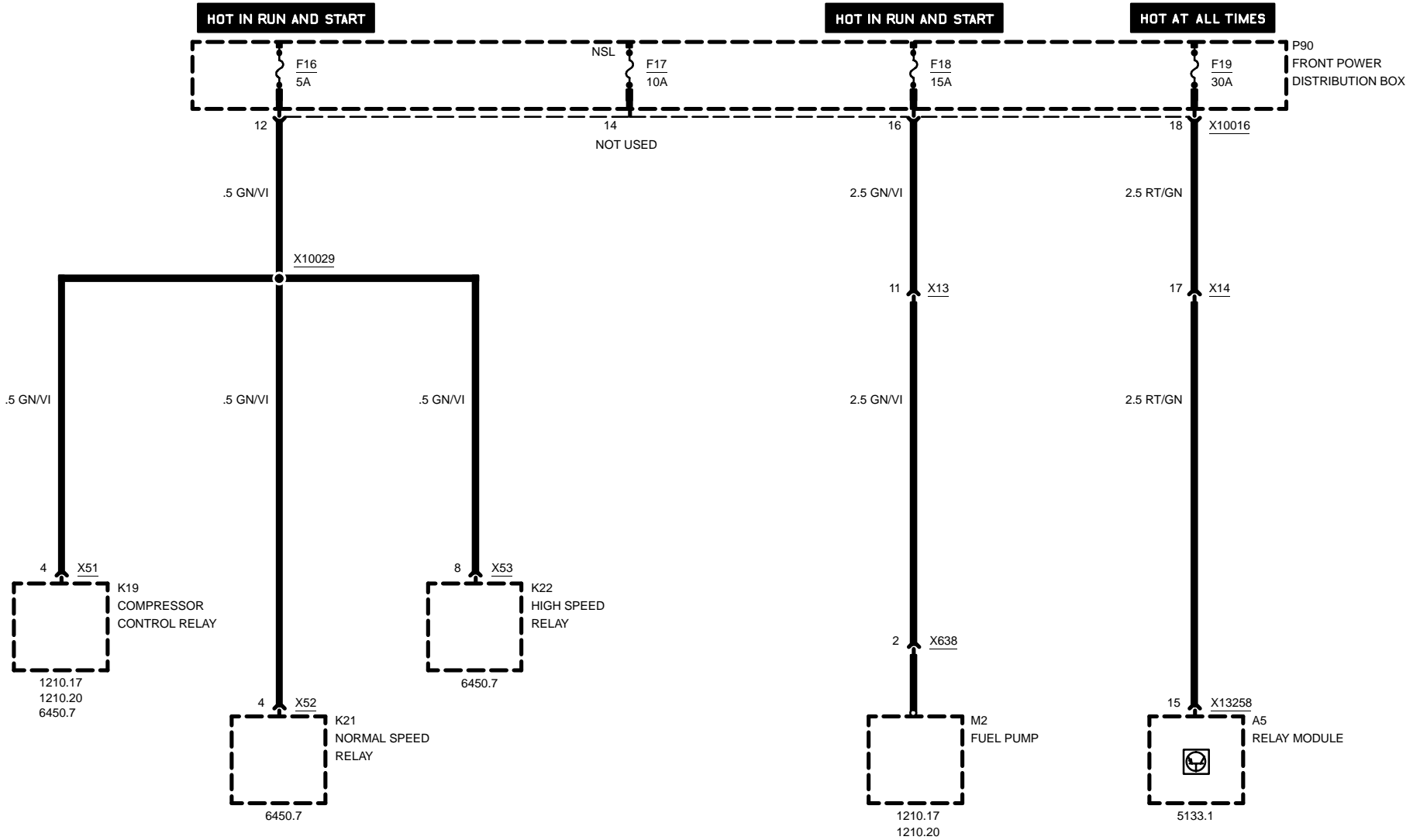
FUSES 14 AND 15





FUSE DETAILS

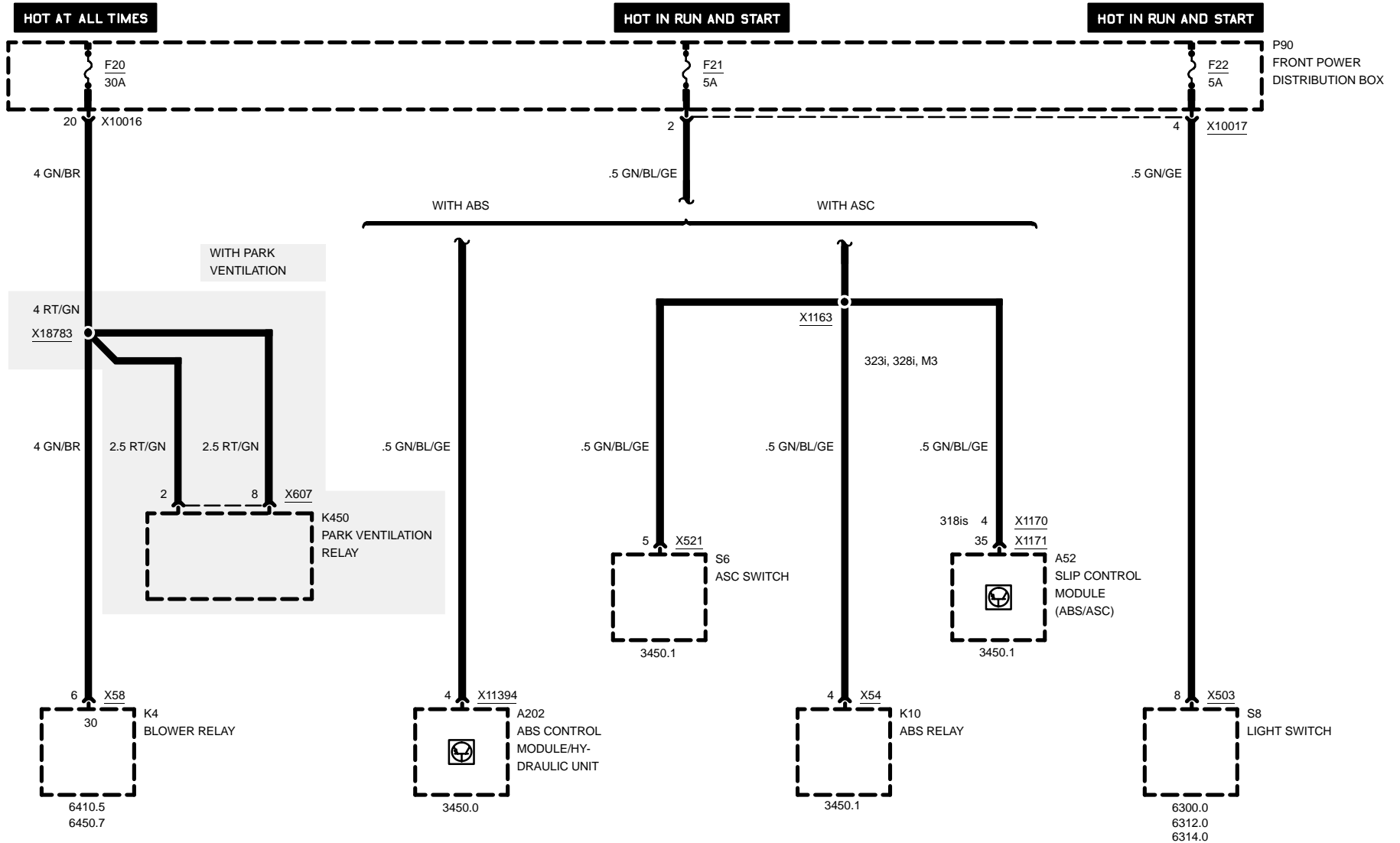
FUSES 16, 17, 18, AND 19





FUSE DETAILS

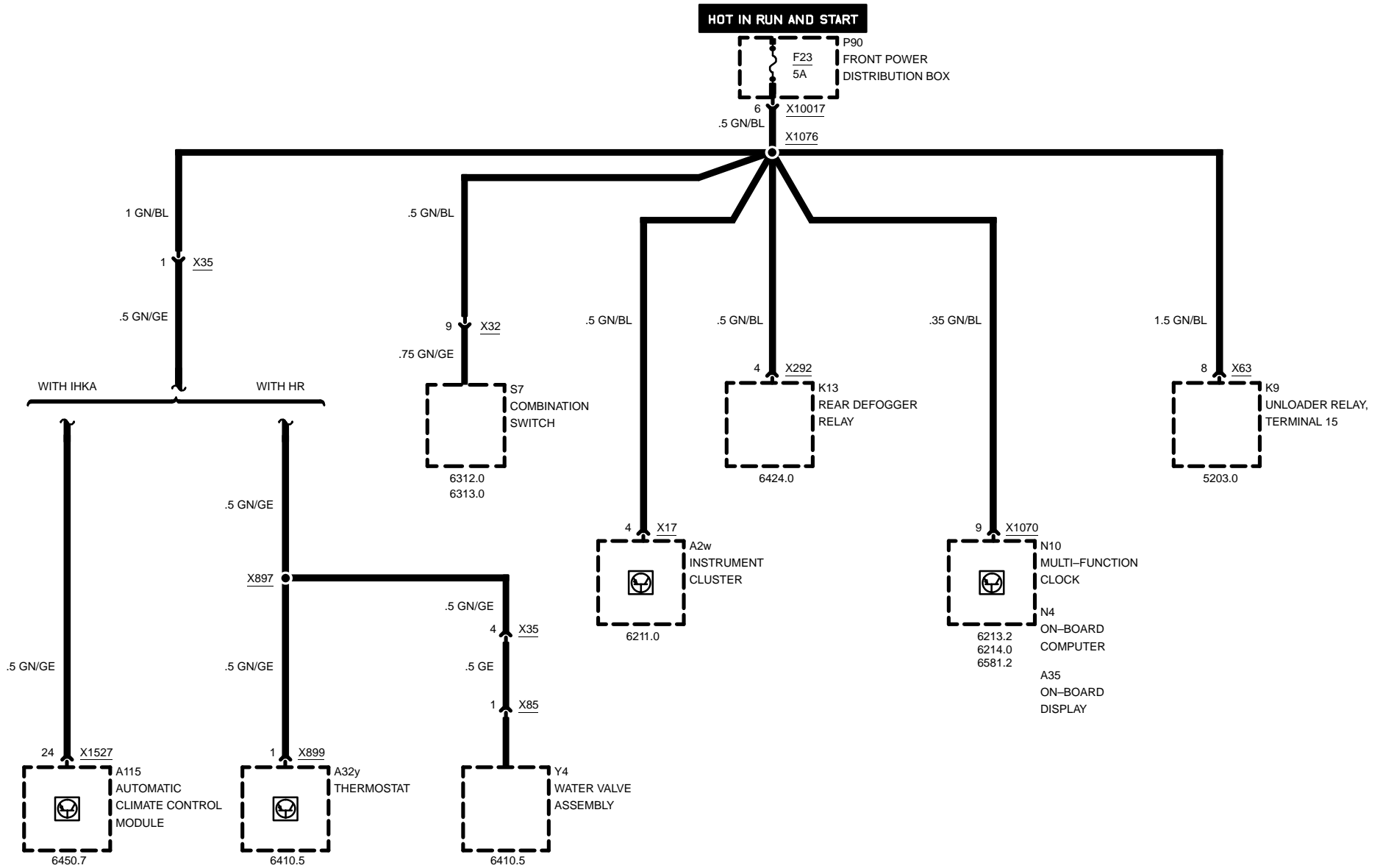
FUSES 20, 21, AND 22





FUSE DETAILS

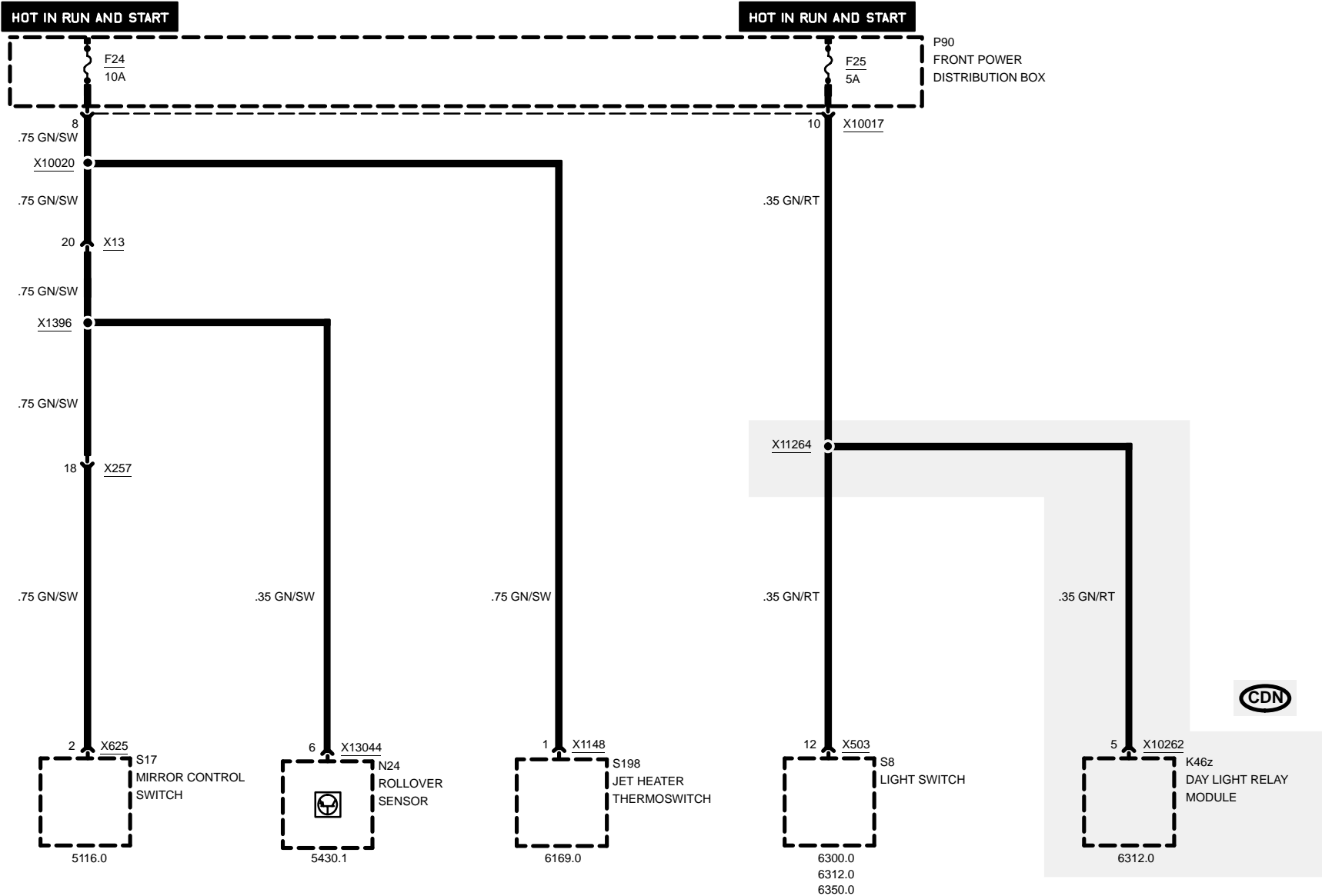
FUSE 23





FUSE DETAILS

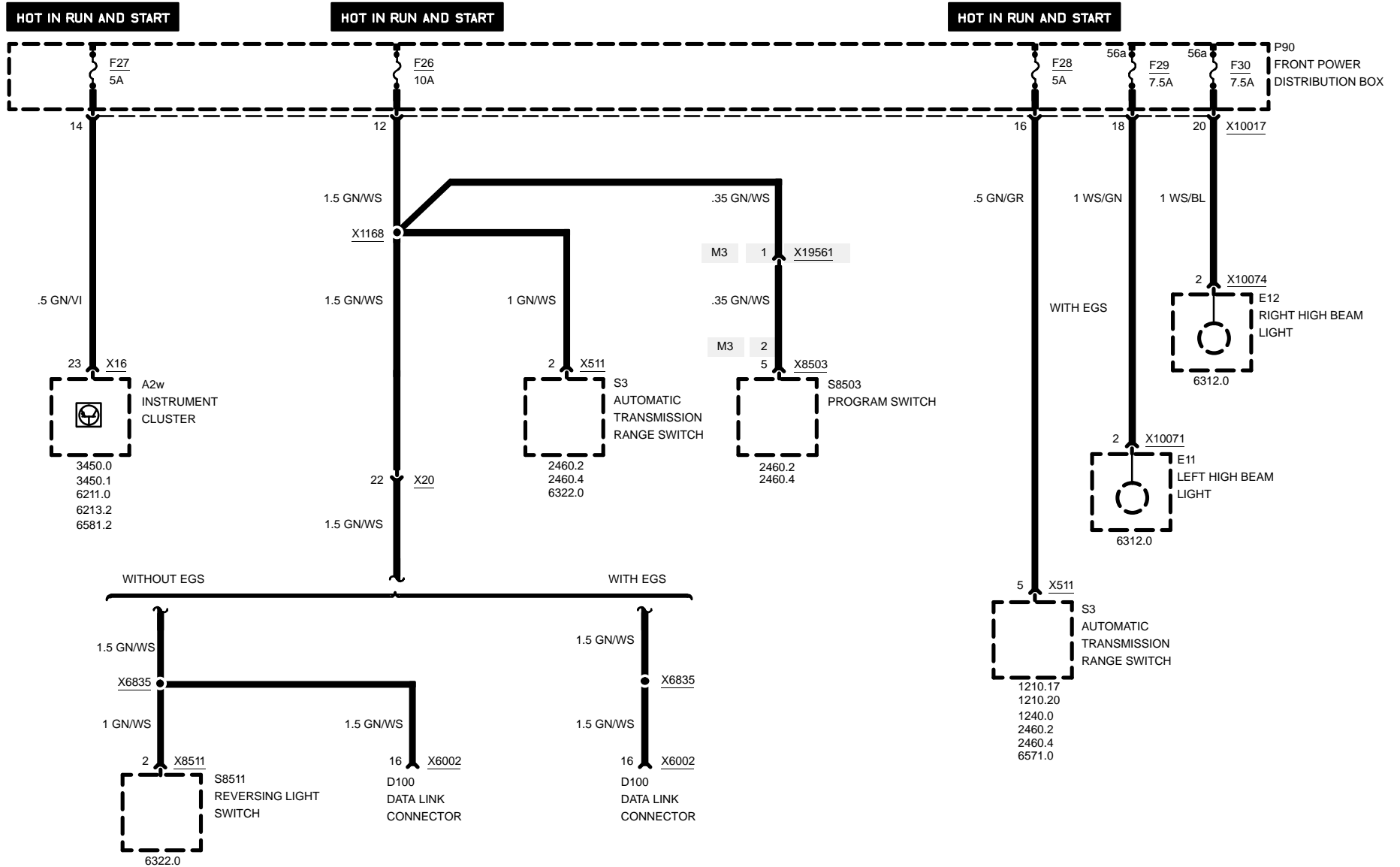
FUSES 24 AND 25





FUSE DETAILS

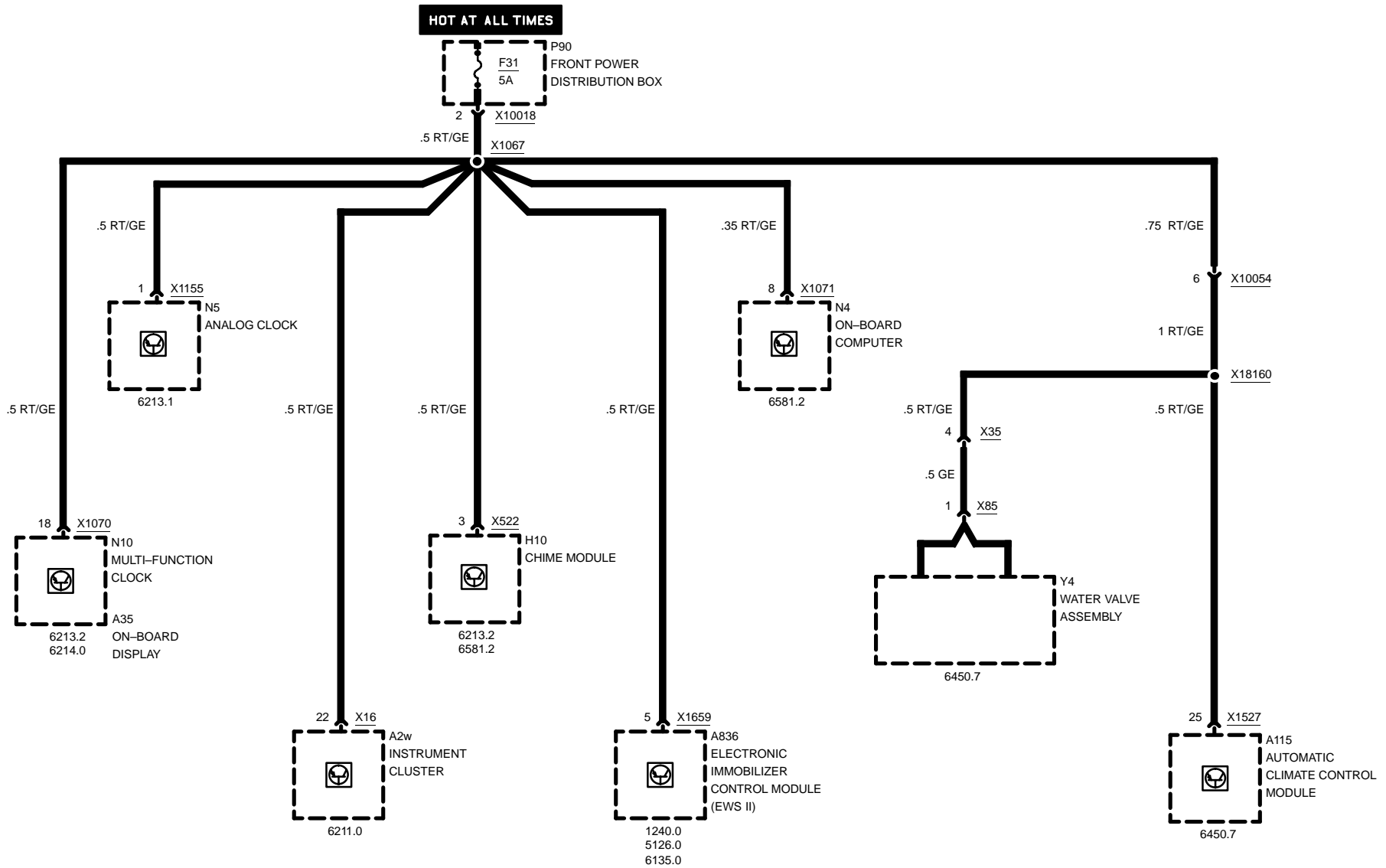
FUSES 26, 27, 28, 29, AND 30





FUSE DETAILS

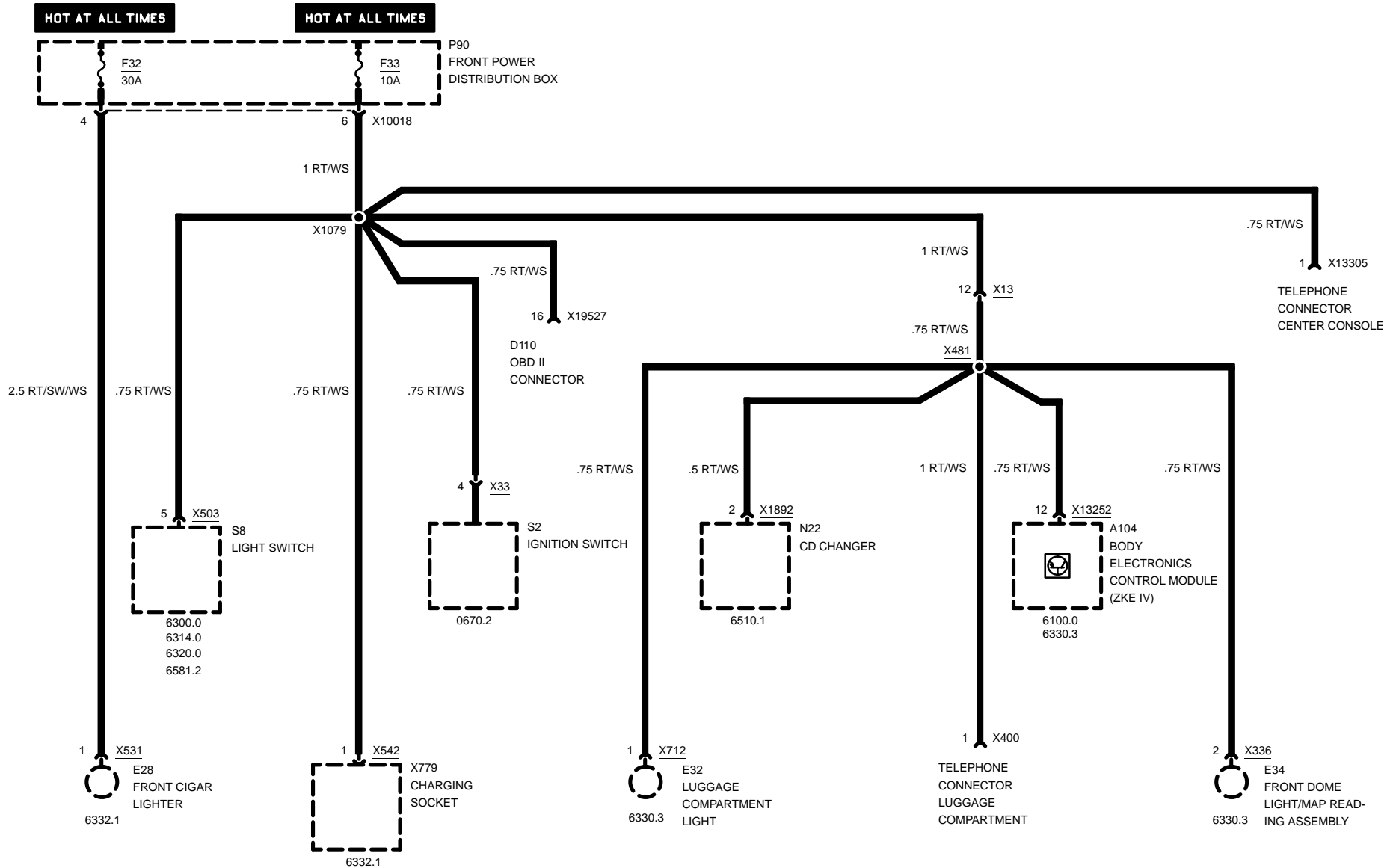
FUSE 31





FUSE DETAILS

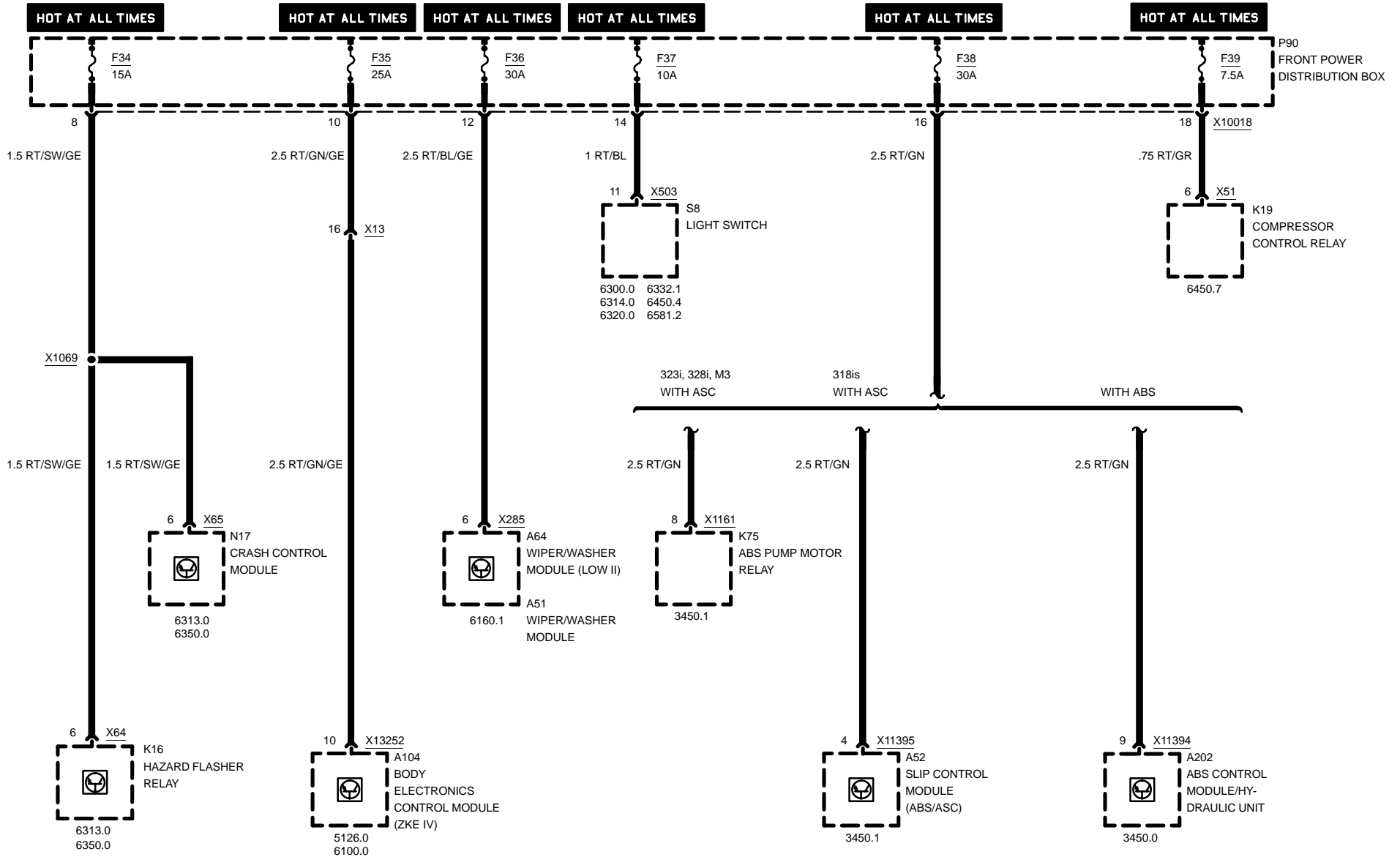
FUSES 32 AND 33





FUSE DETAILS

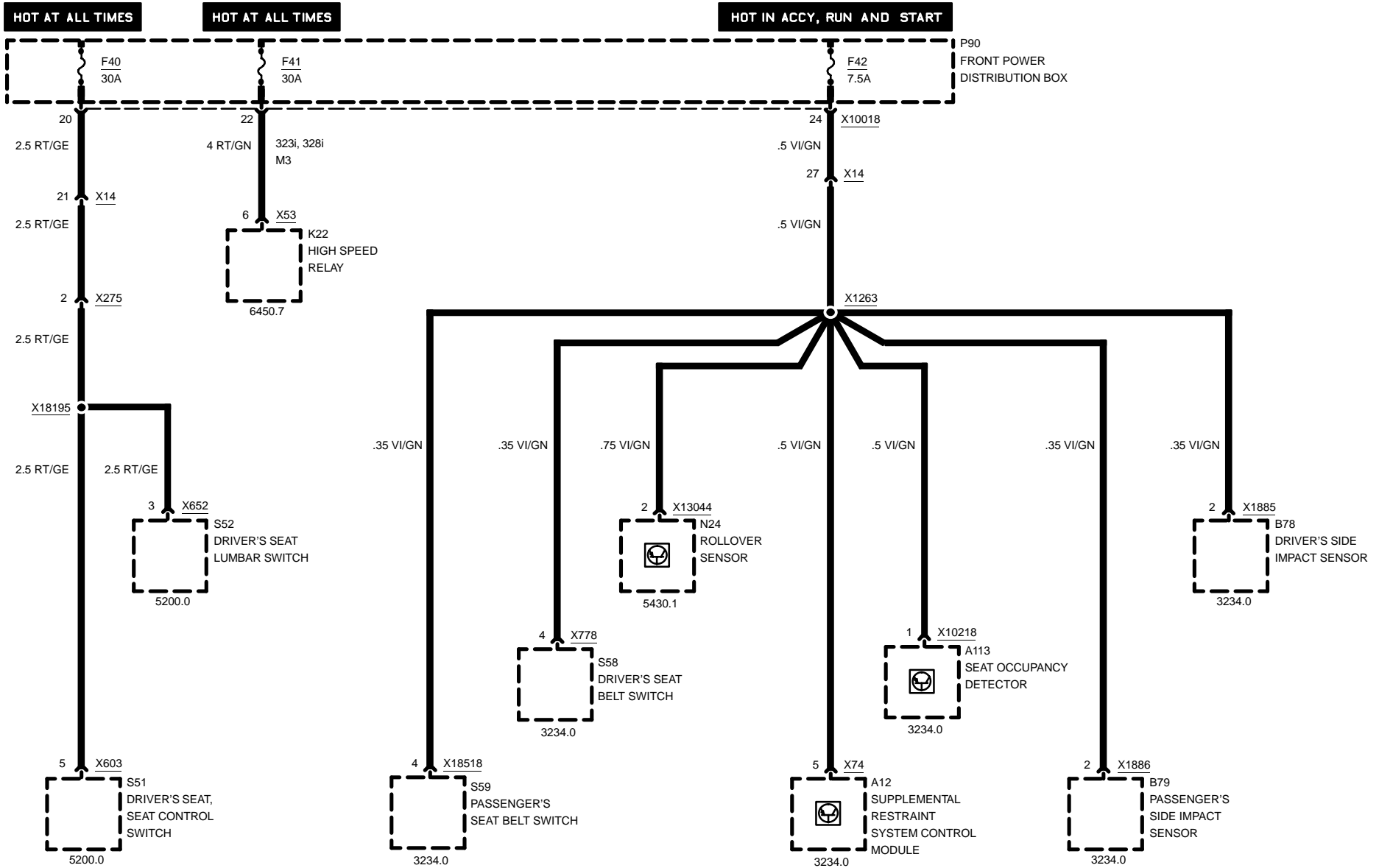
FUSES 34, 35, 36, 37, 38, AND 39





FUSE DETAILS

FUSES 40, 41, AND 42

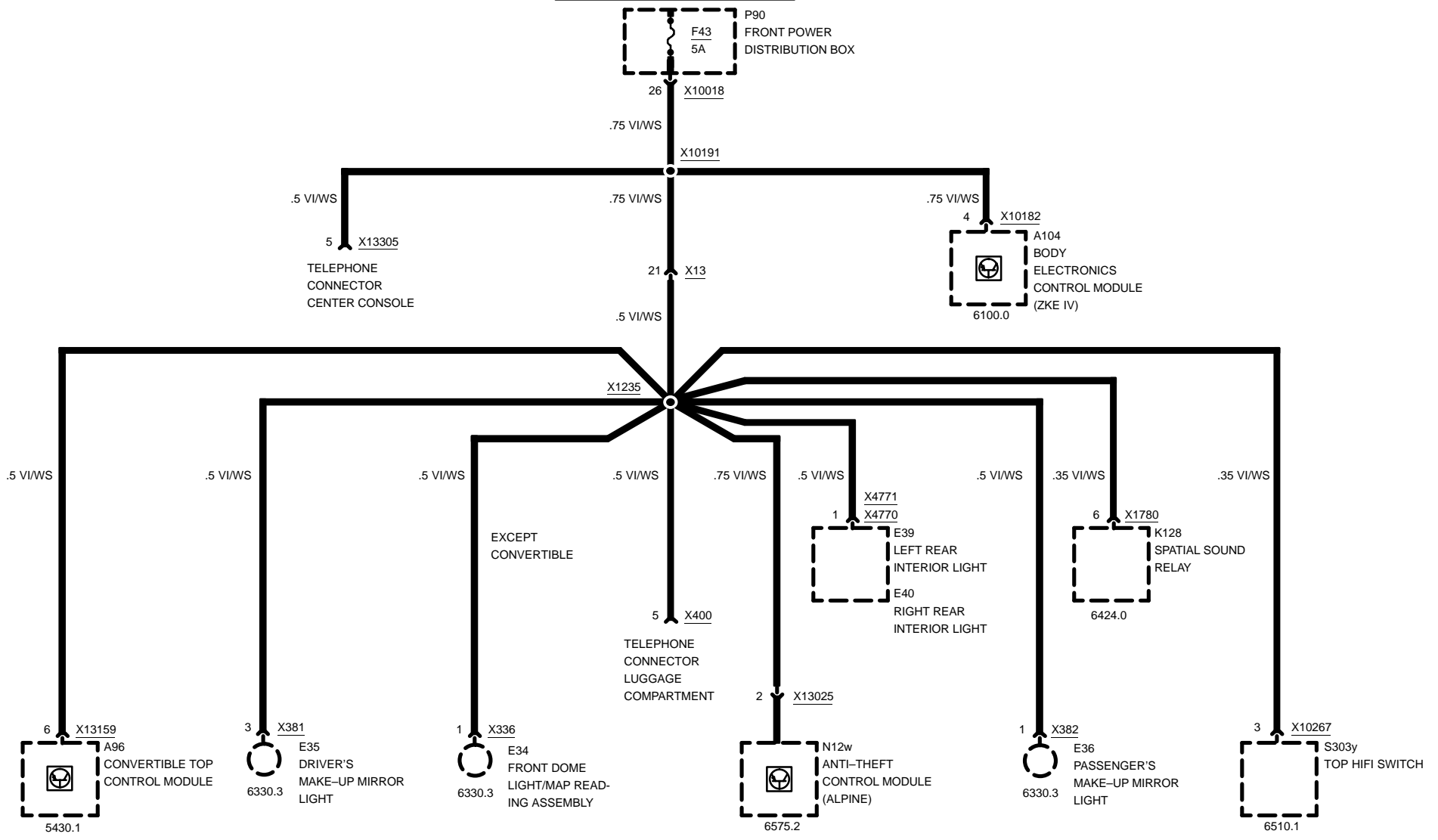




FUSE DETAILS

FUSE 43

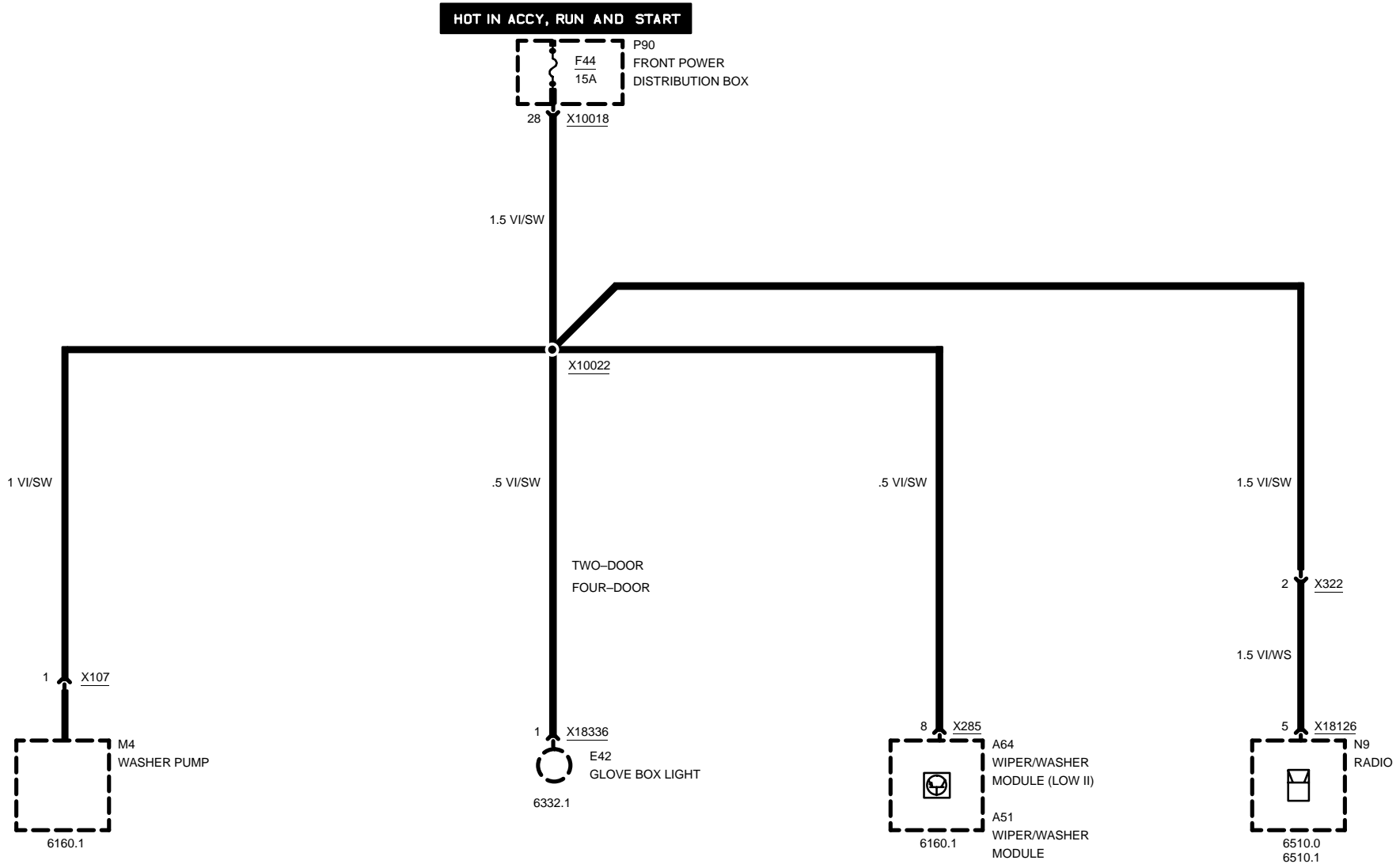
HOT IN ACCY, RUN AND START





FUSE DETAILS

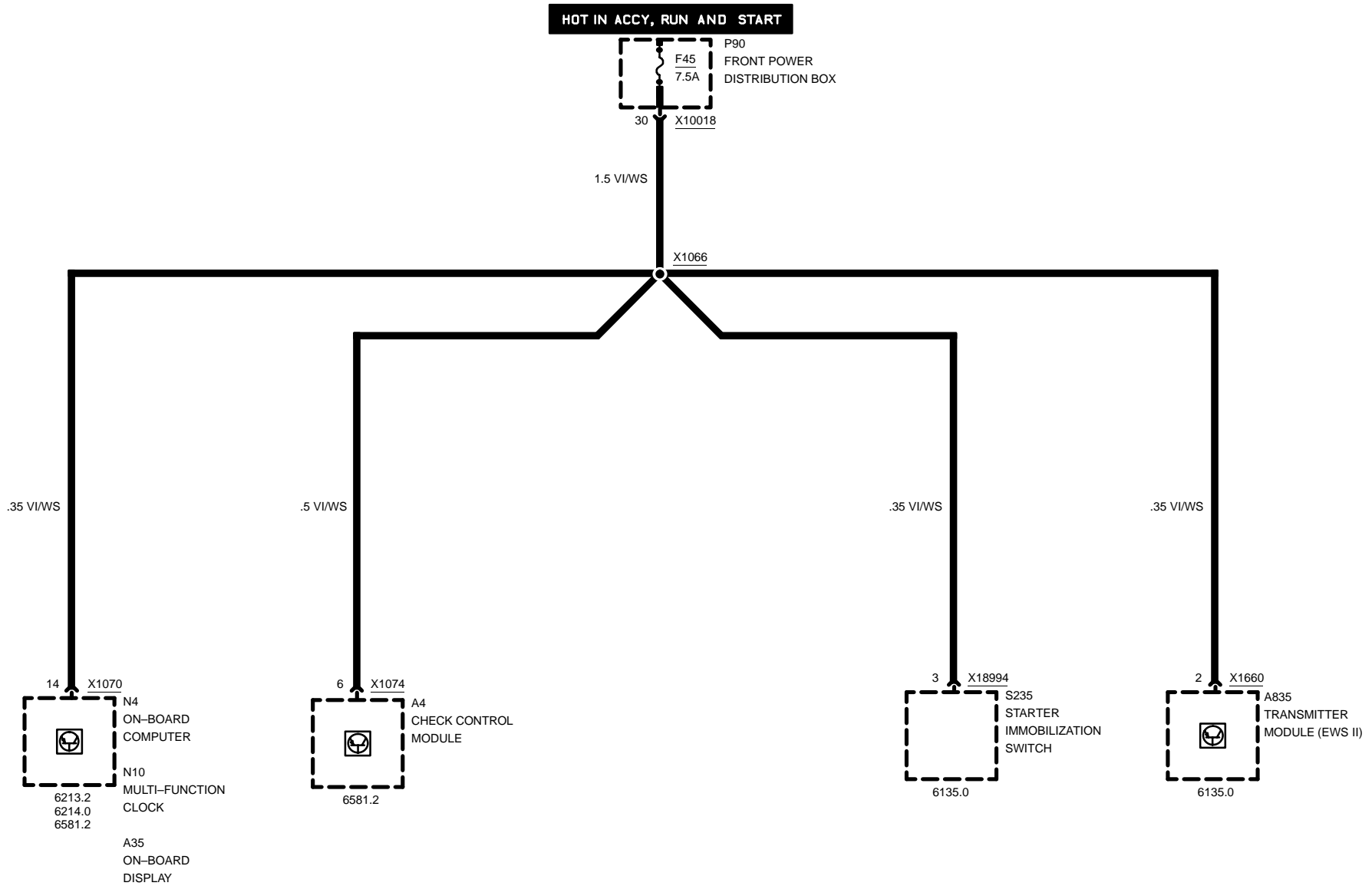
FUSE 44





FUSE DETAILS

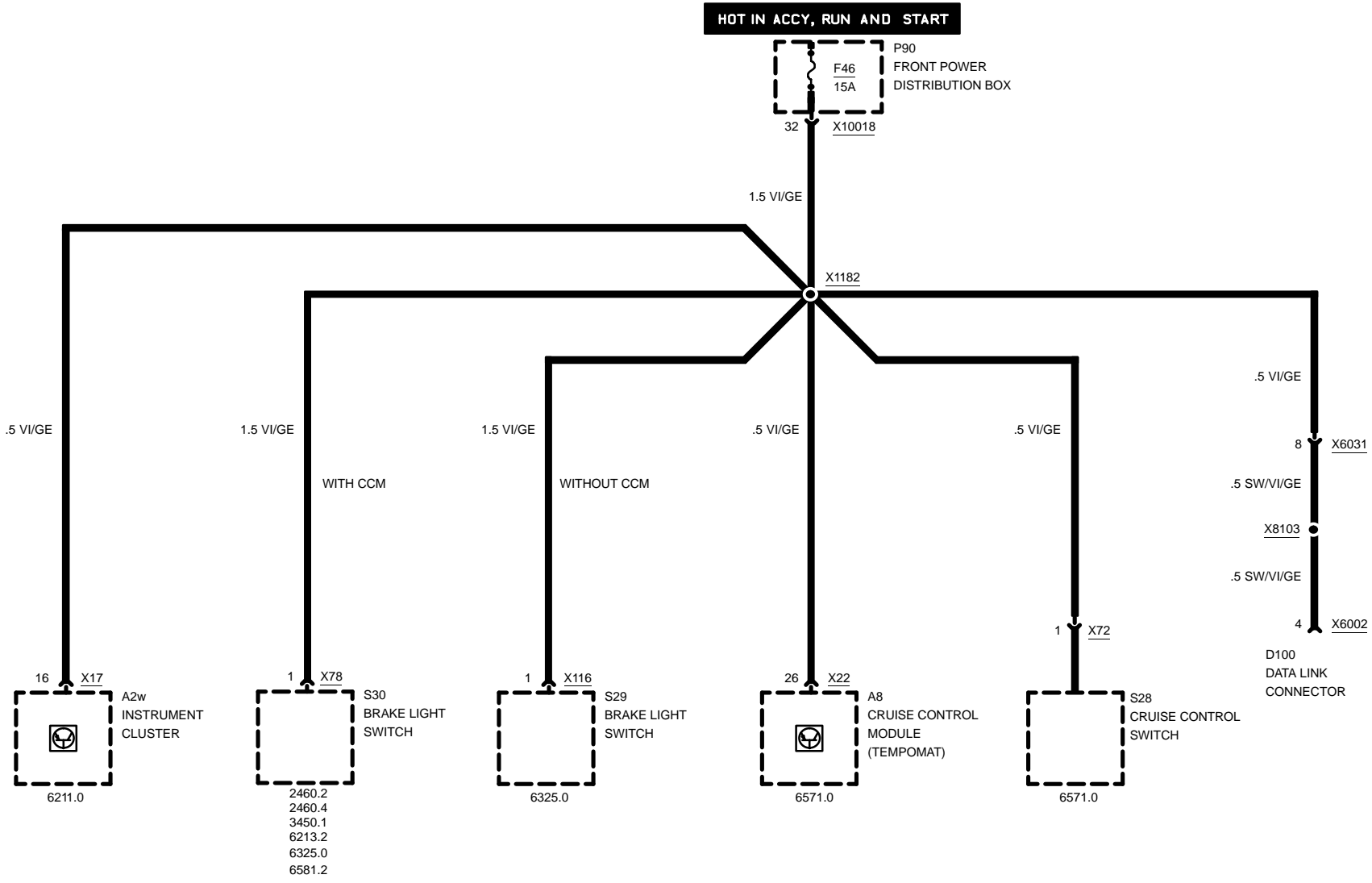
FUSE 45





FUSE DETAILS

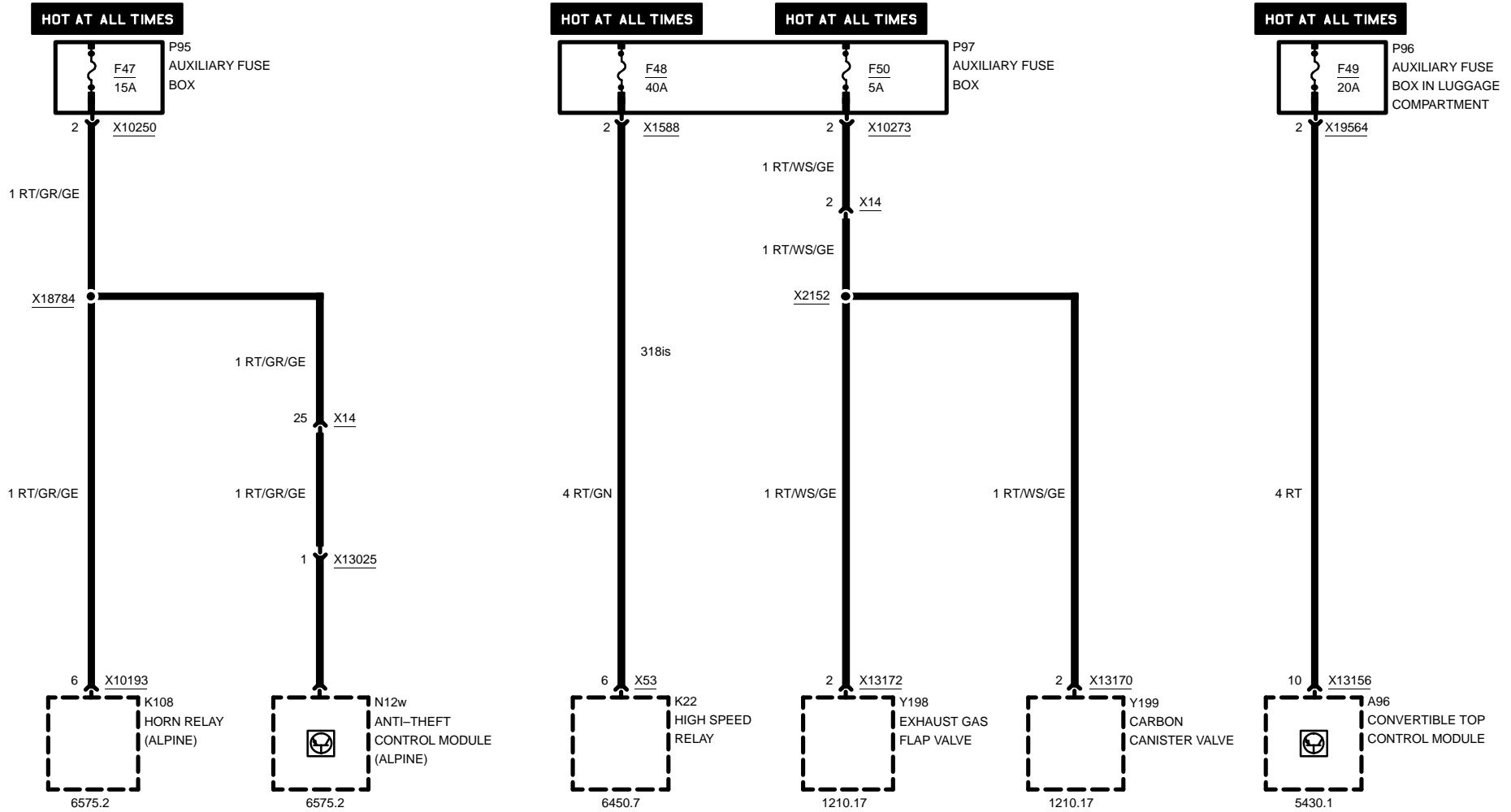
FUSE 46





FUSE DETAILS

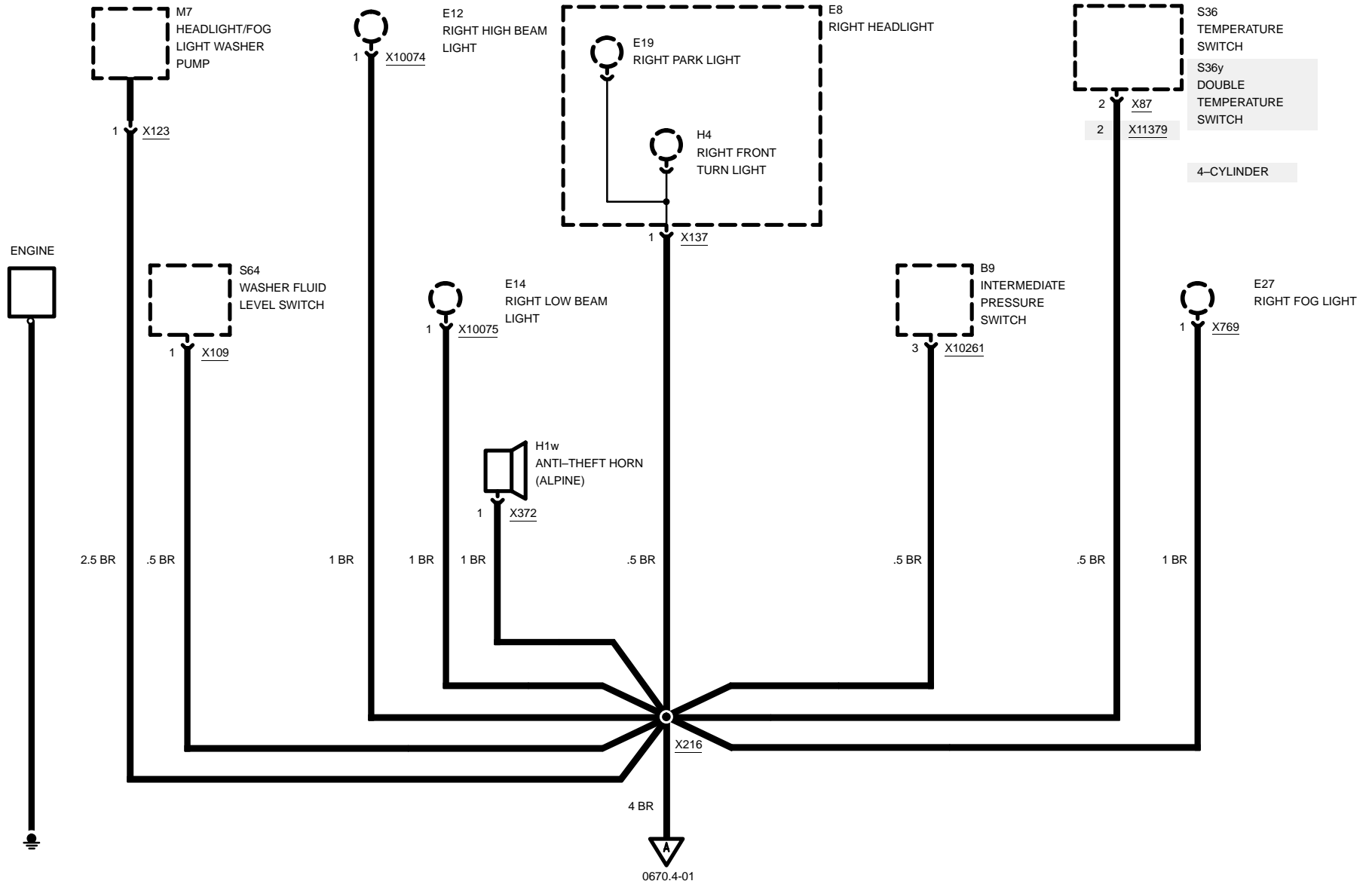
FUSES 47, 48, 49, AND 50





0670.4 GROUND DISTRIBUTION

GROUND X165

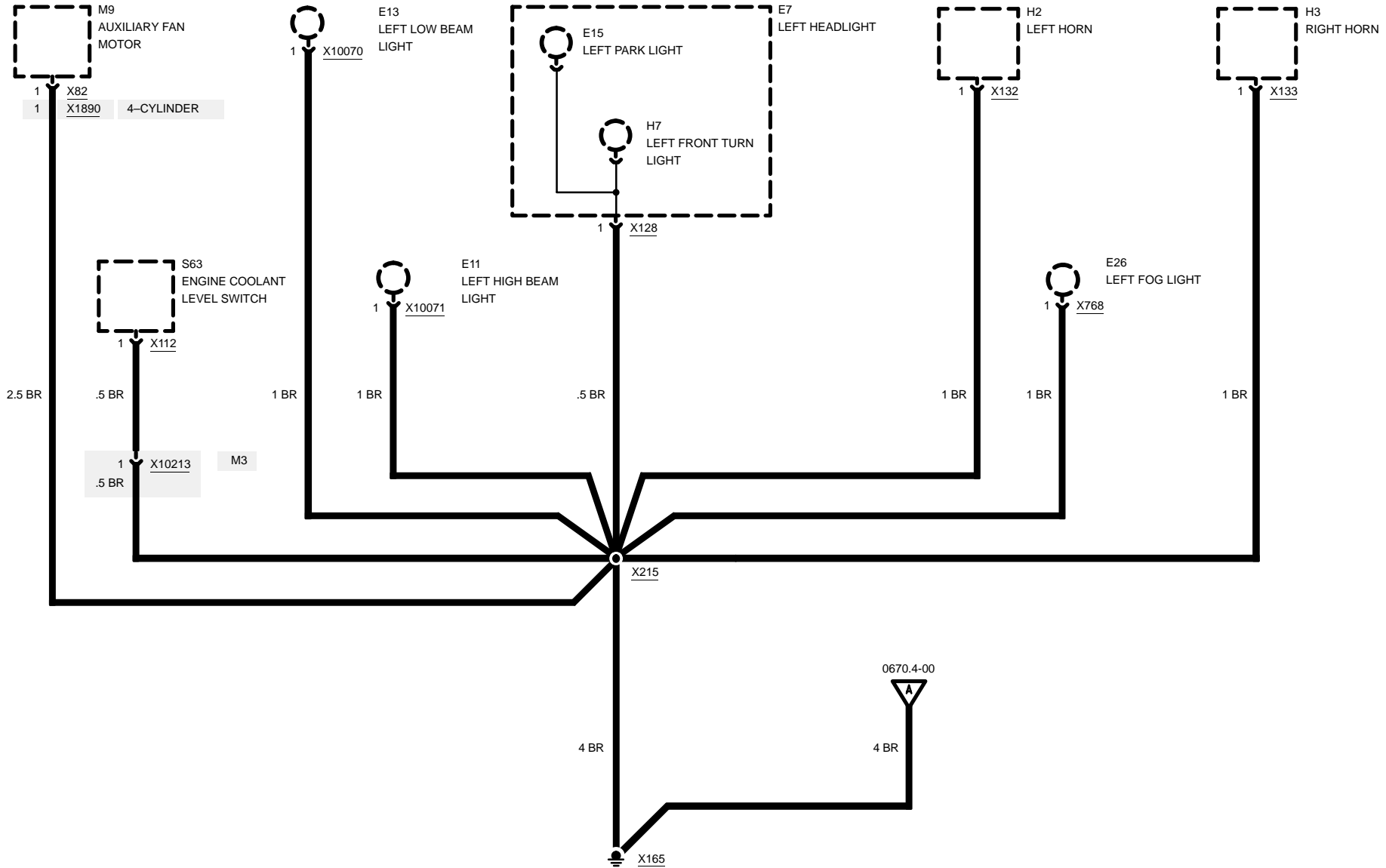


0670.4-01



GROUND DISTRIBUTION

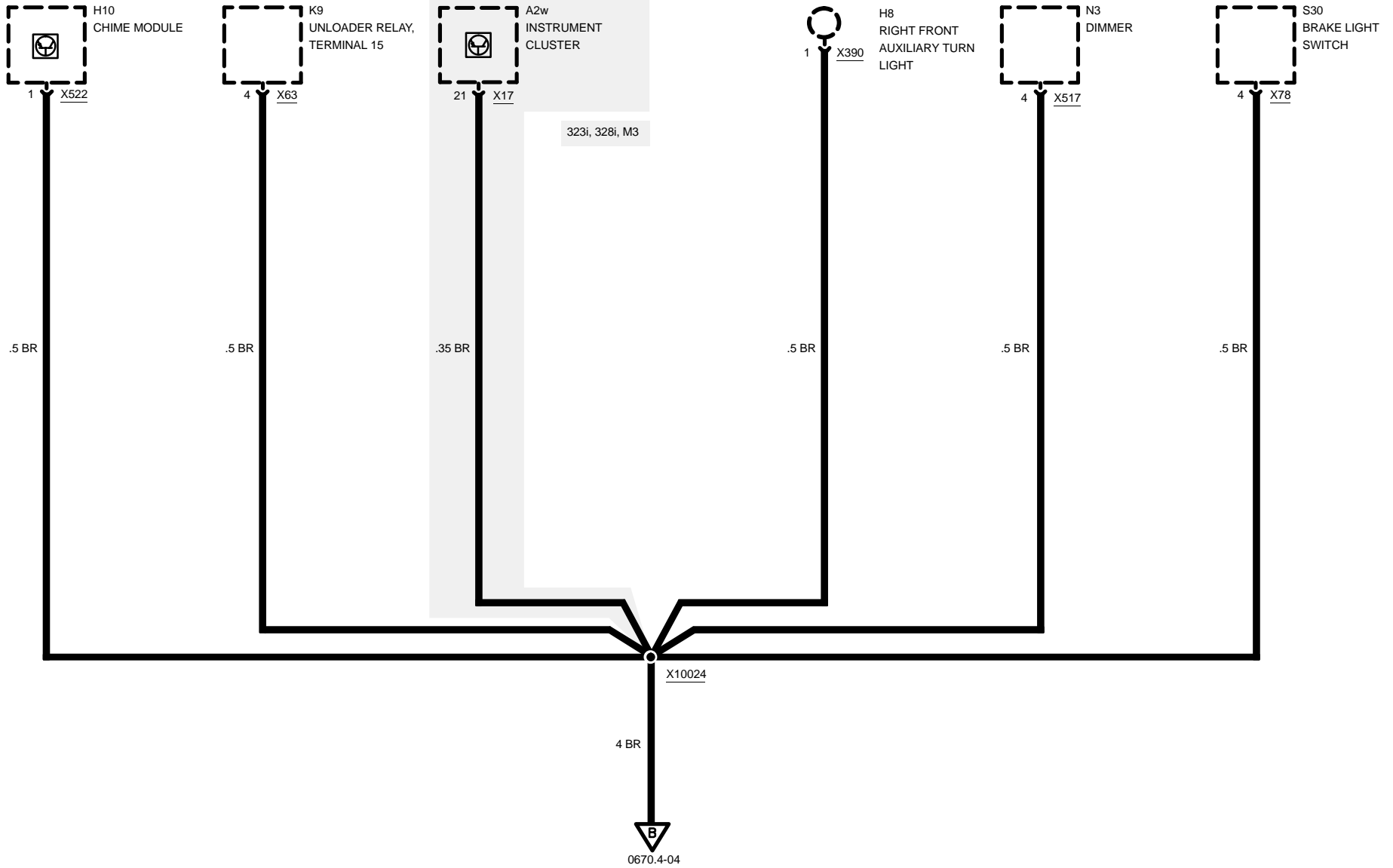
GROUND X165





GROUND DISTRIBUTION

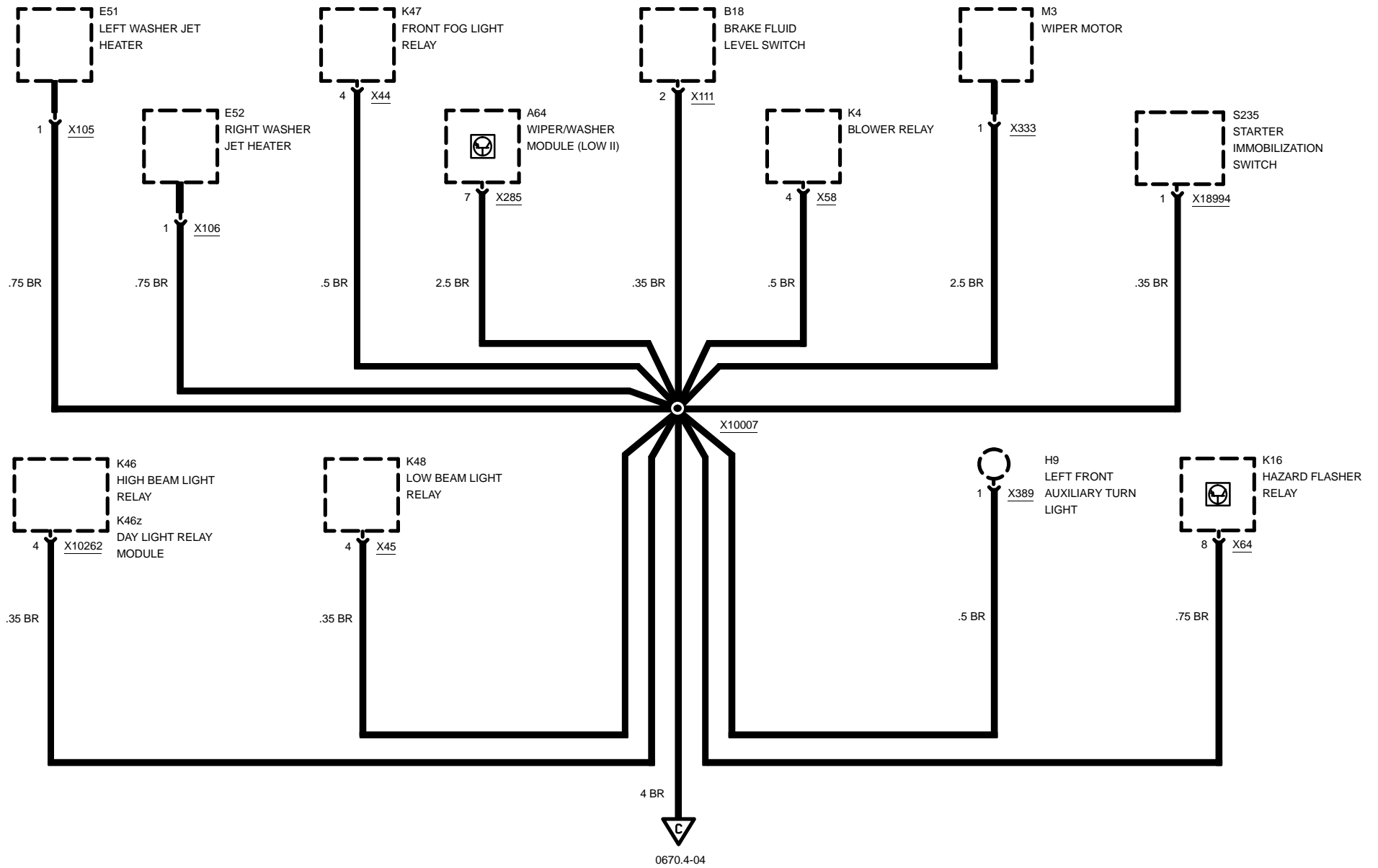
GROUND X173





GROUND DISTRIBUTION

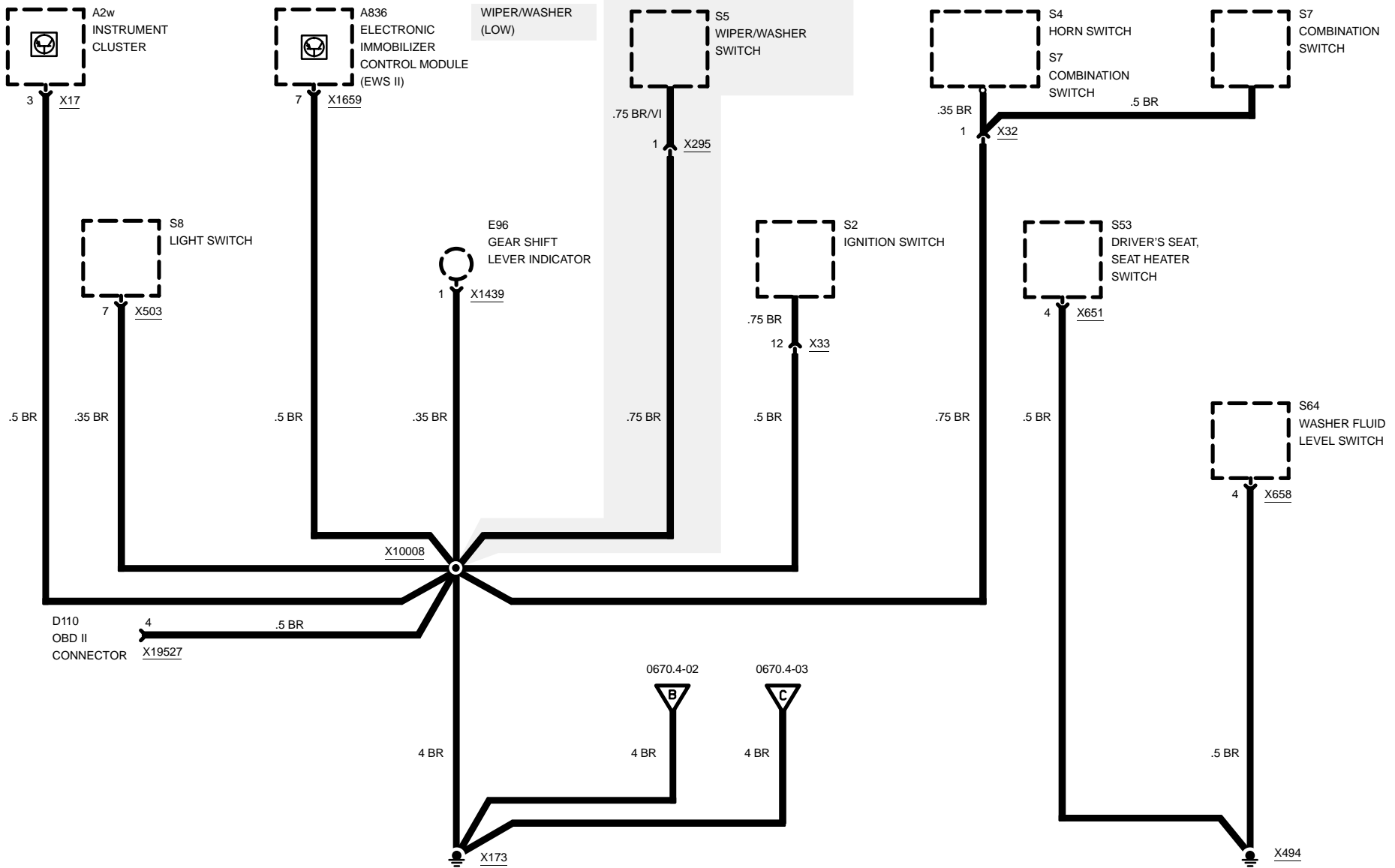
GROUND X173





GROUND DISTRIBUTION

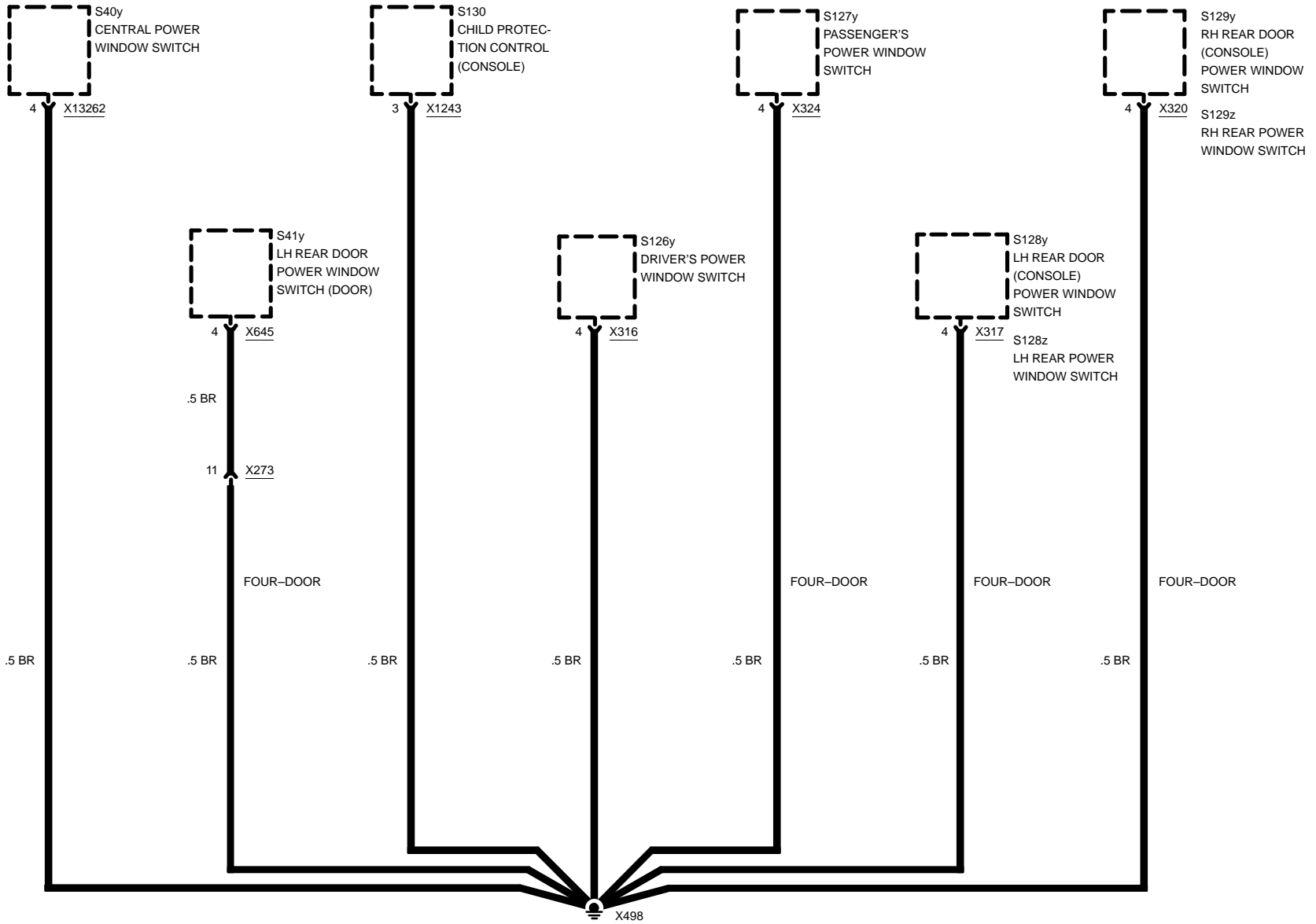
GROUNDS X173 AND X494





GROUND DISTRIBUTION

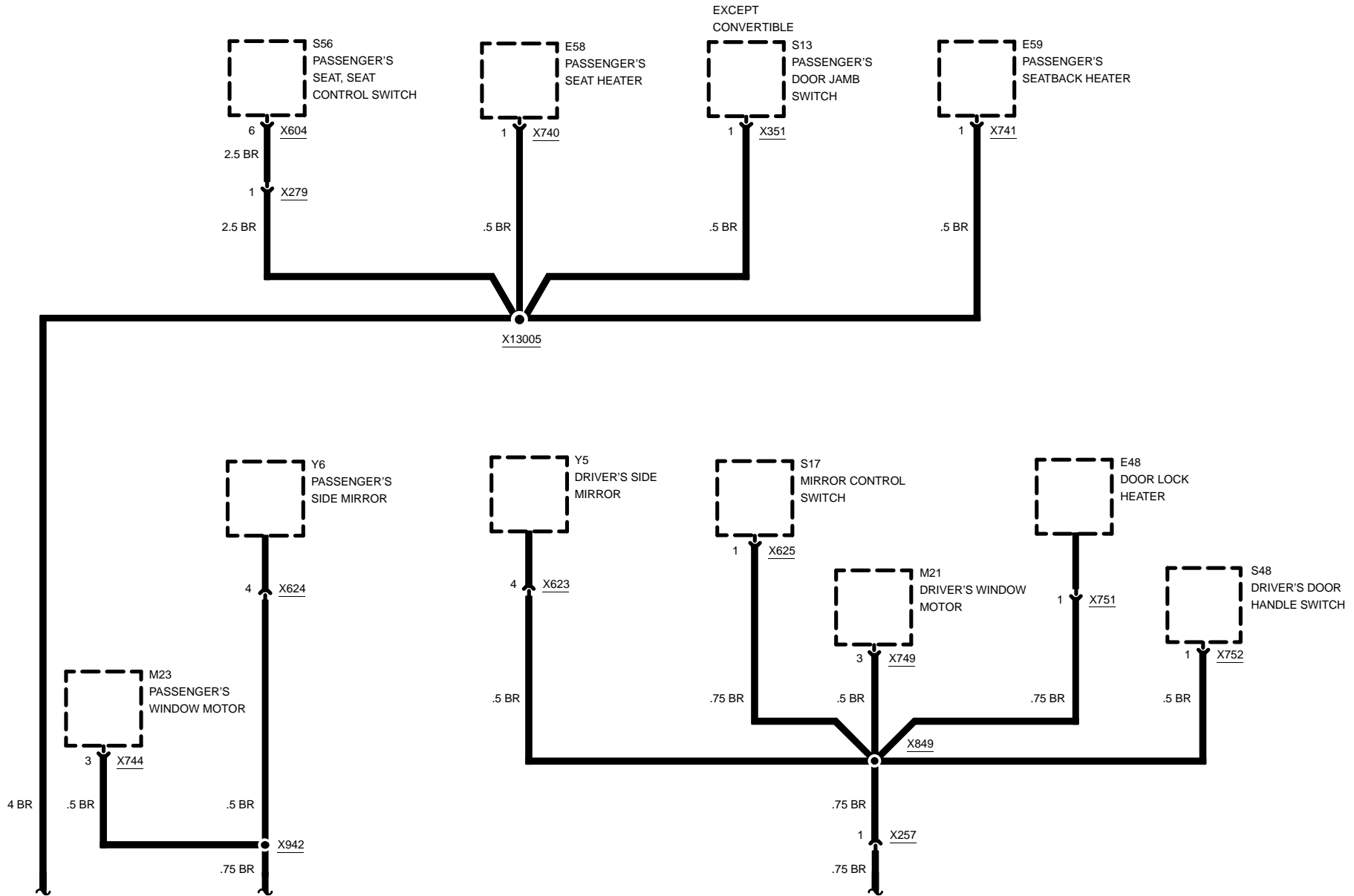
GROUND X498

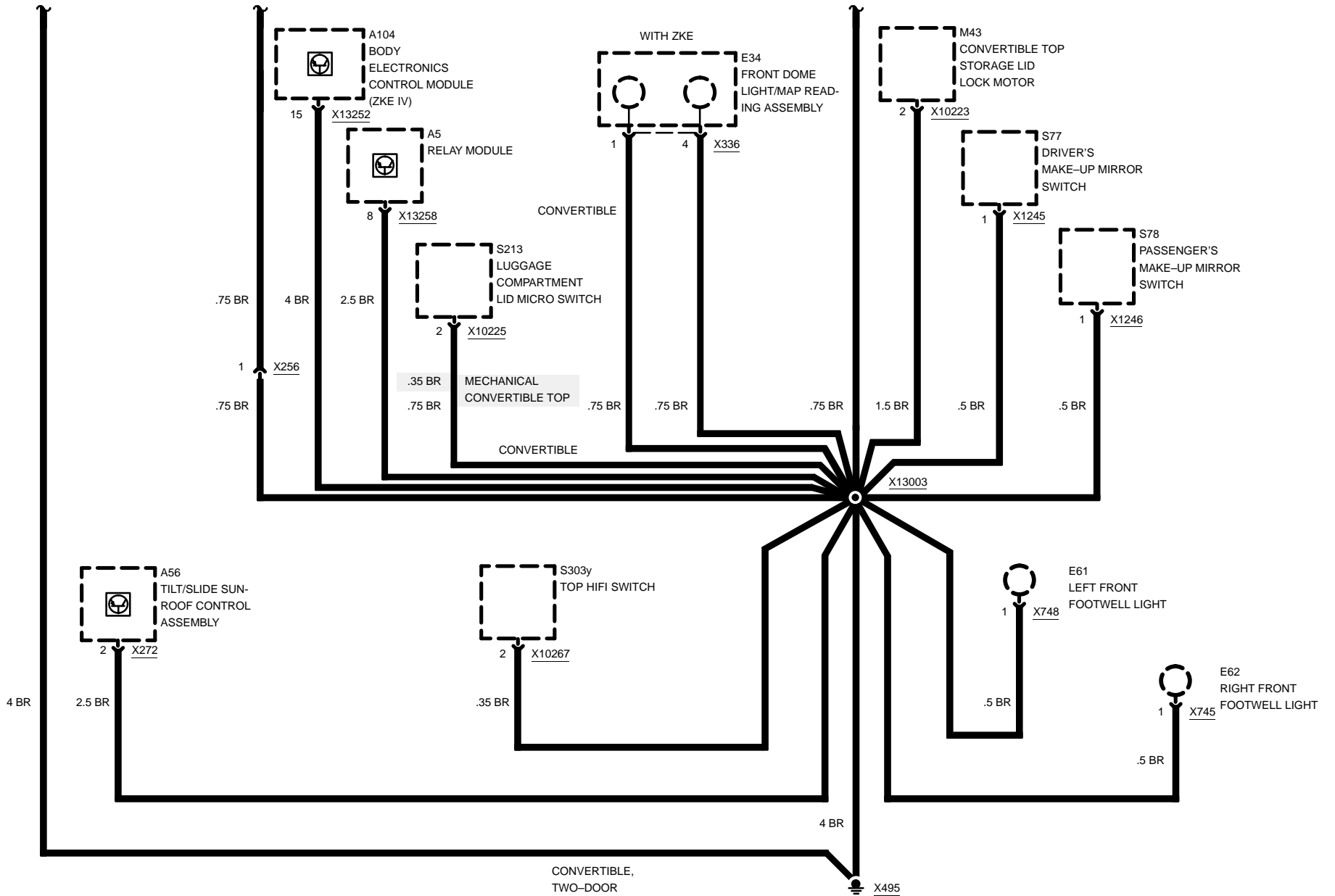




GROUND DISTRIBUTION

GROUND X495

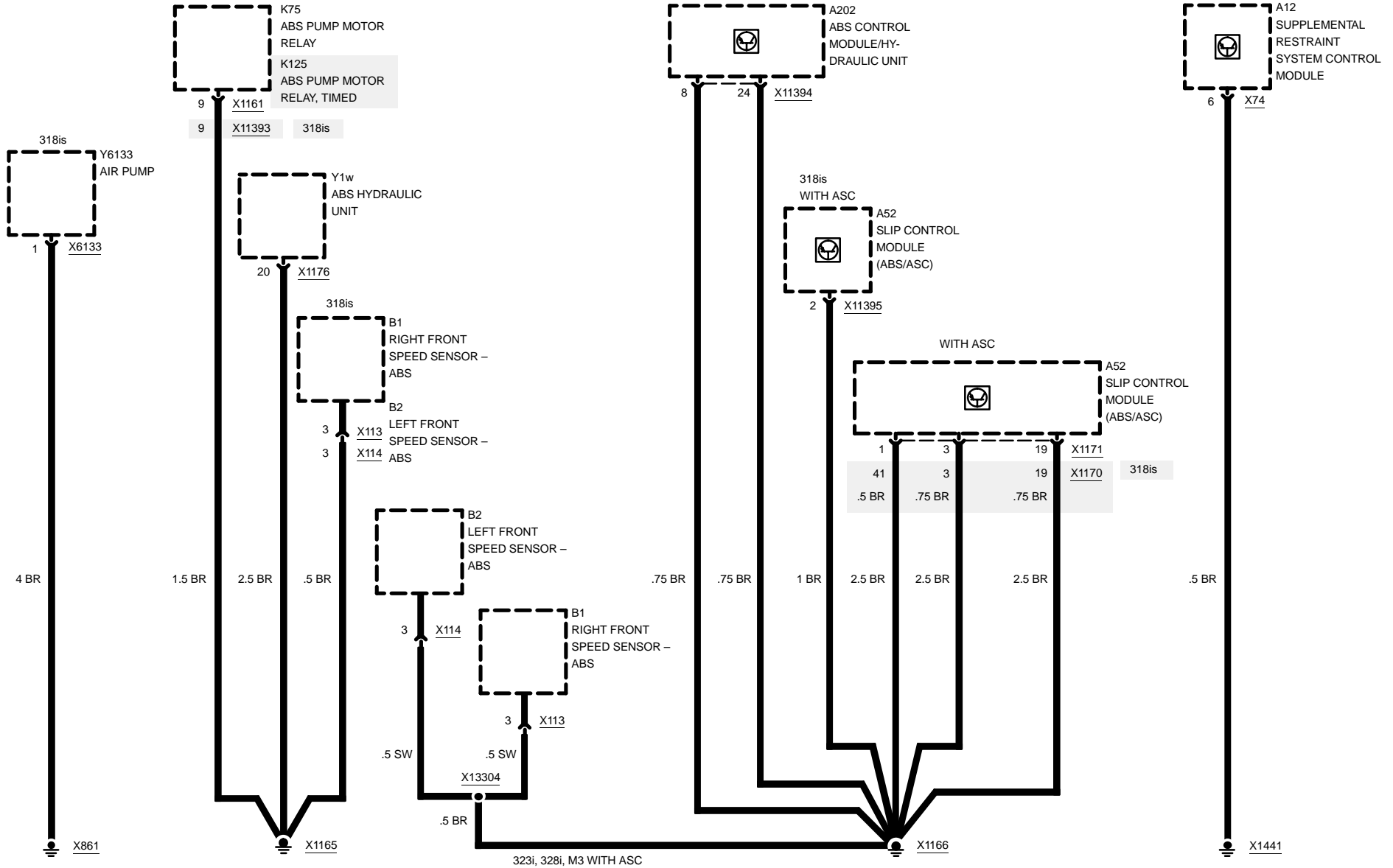






GROUND DISTRIBUTION

GROUNDS X861, X1165, X1166, AND X1441

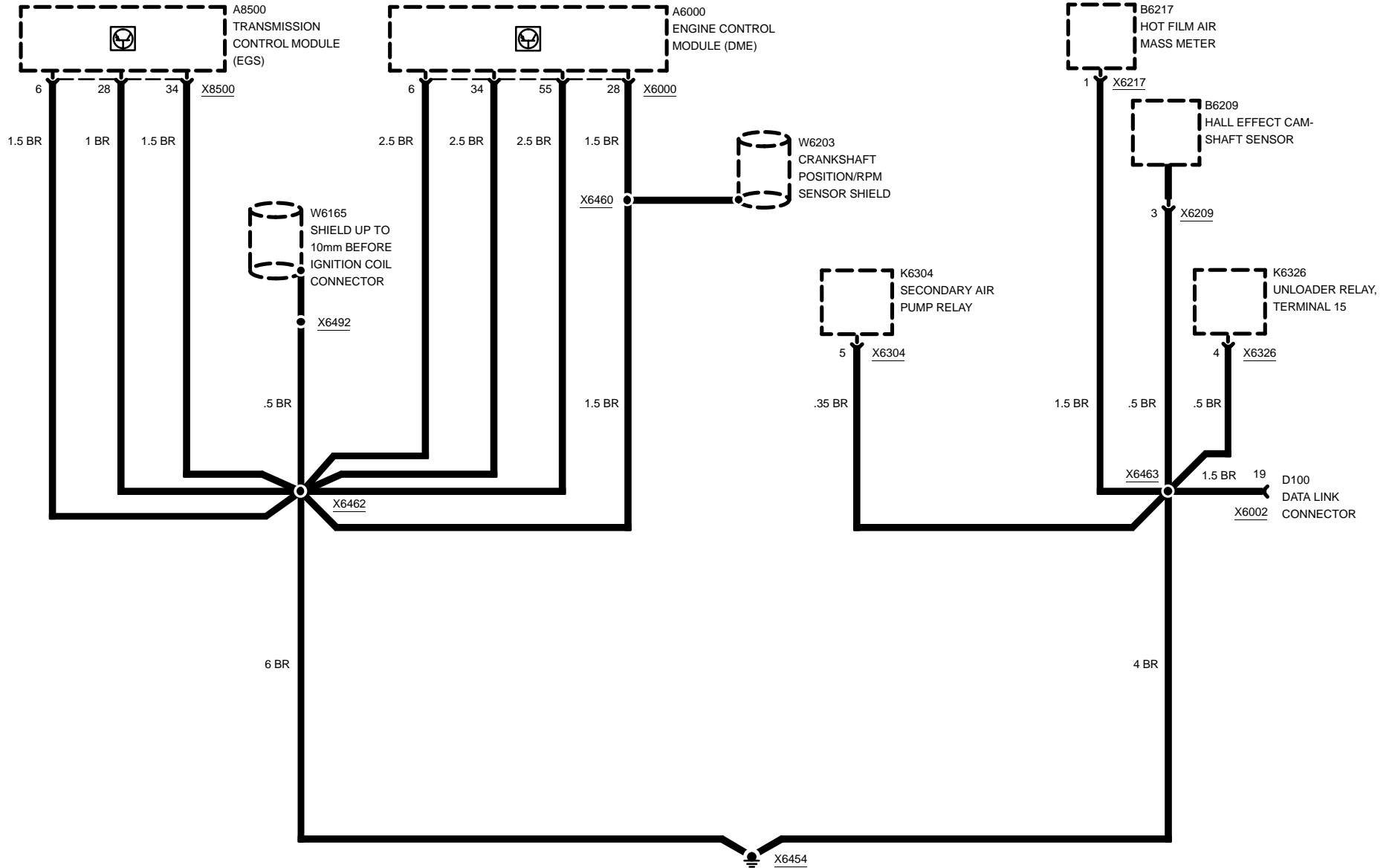




GROUND DISTRIBUTION

318is

GROUND X6454

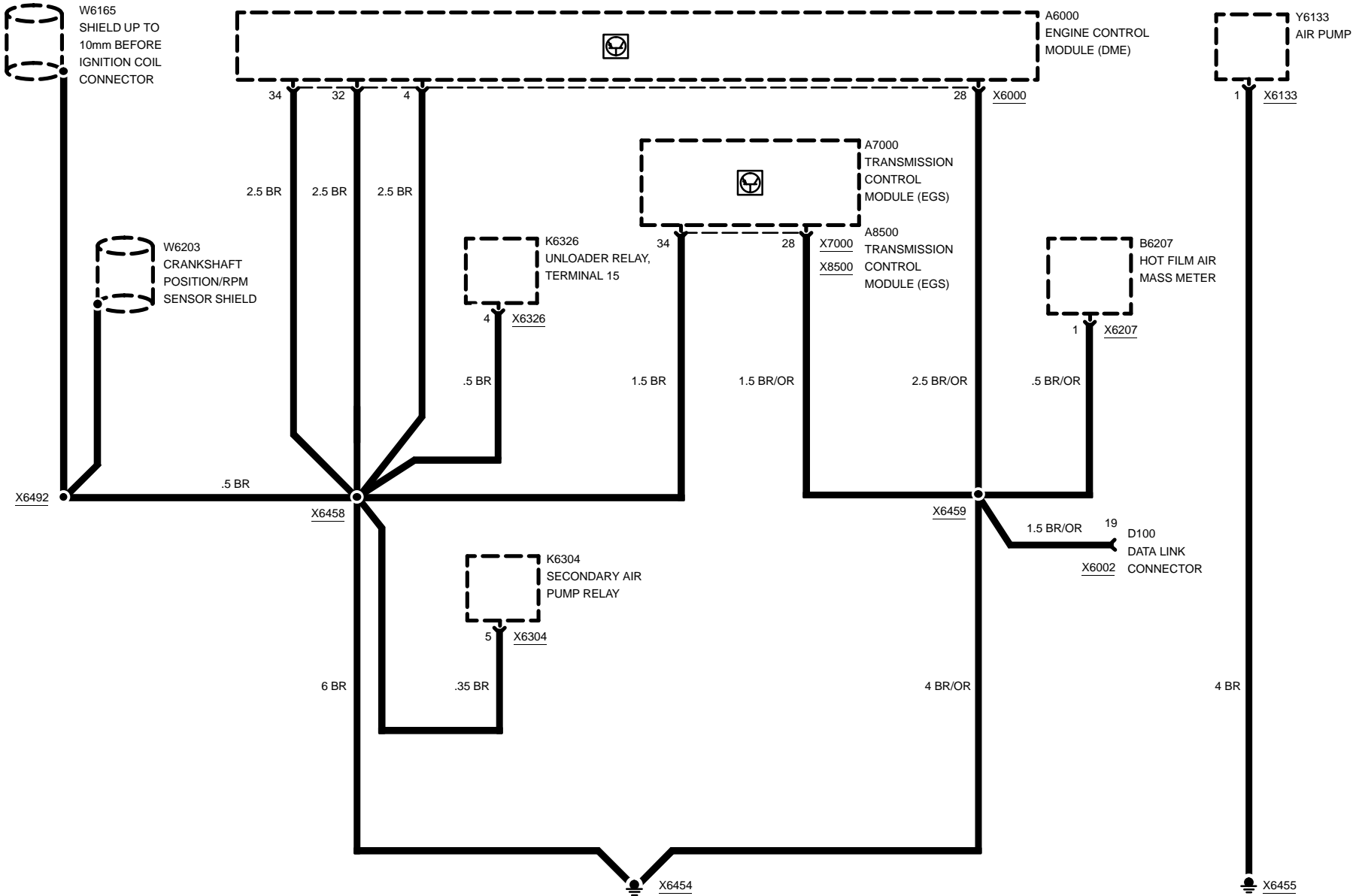




GROUND DISTRIBUTION

323i, 328i, M3

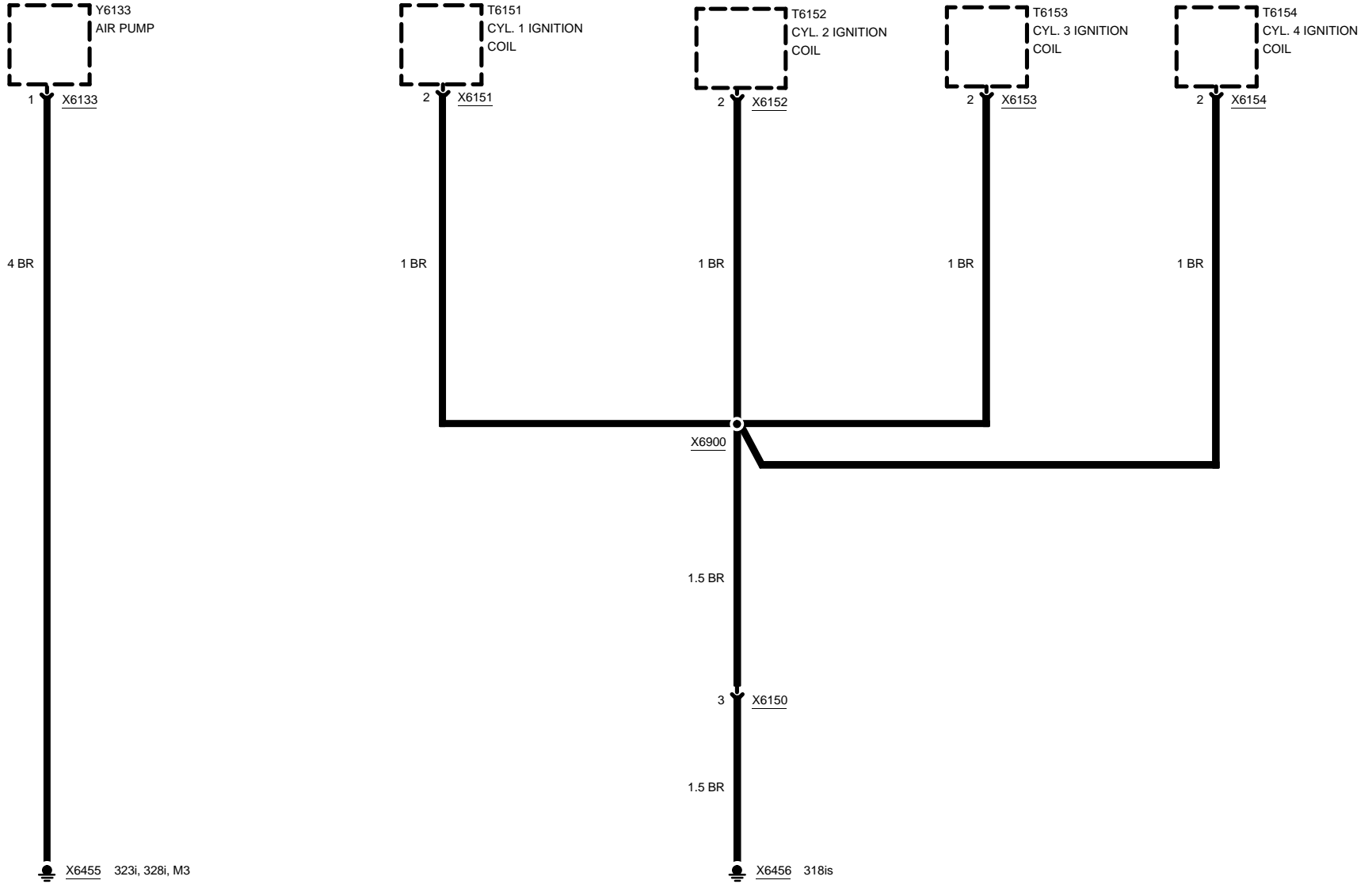
GROUNDS X6454 AND X6455





GROUND DISTRIBUTION

GROUNDS X6455 AND X6456

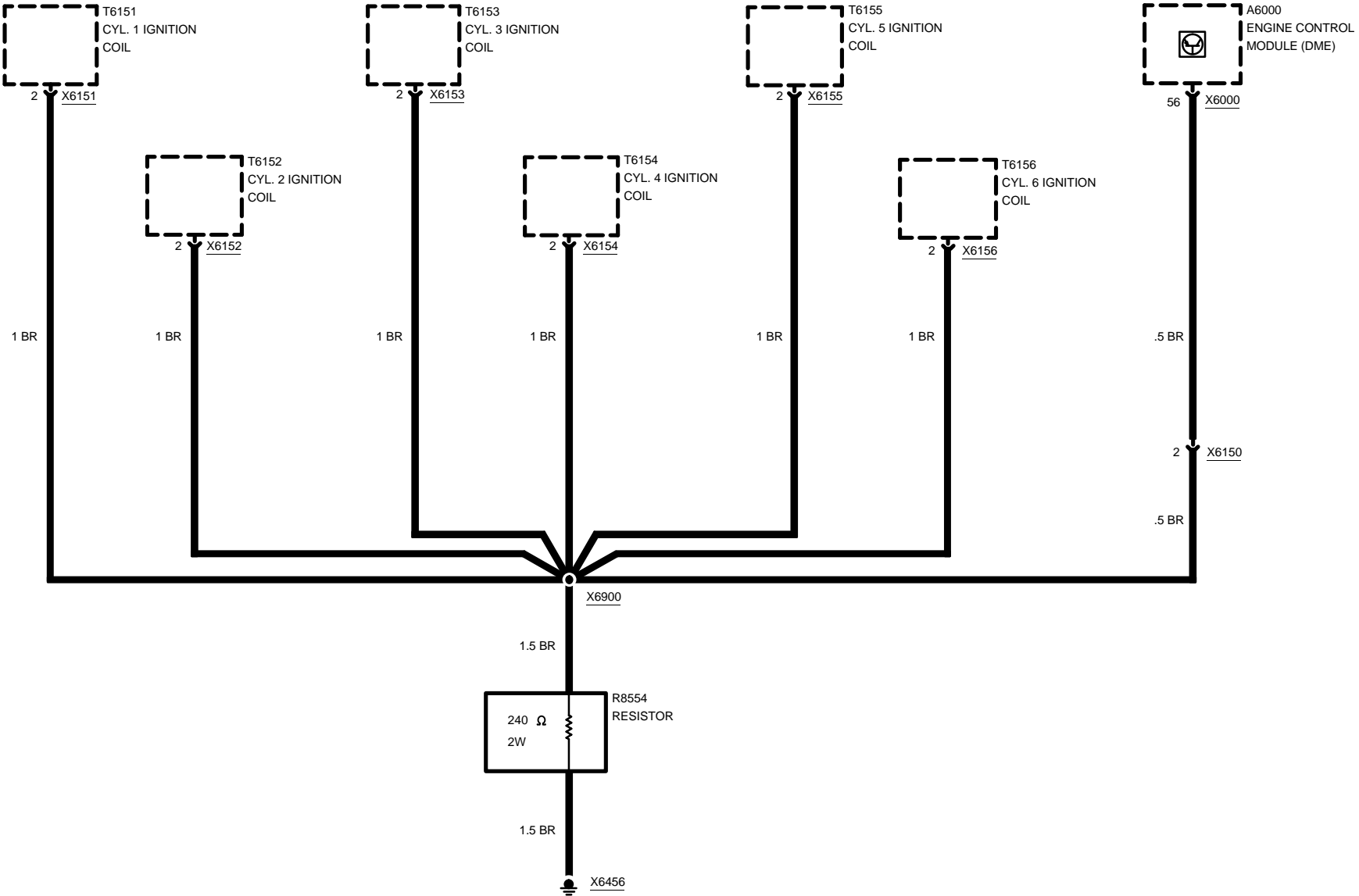




GROUND DISTRIBUTION

323i, 328i, M3

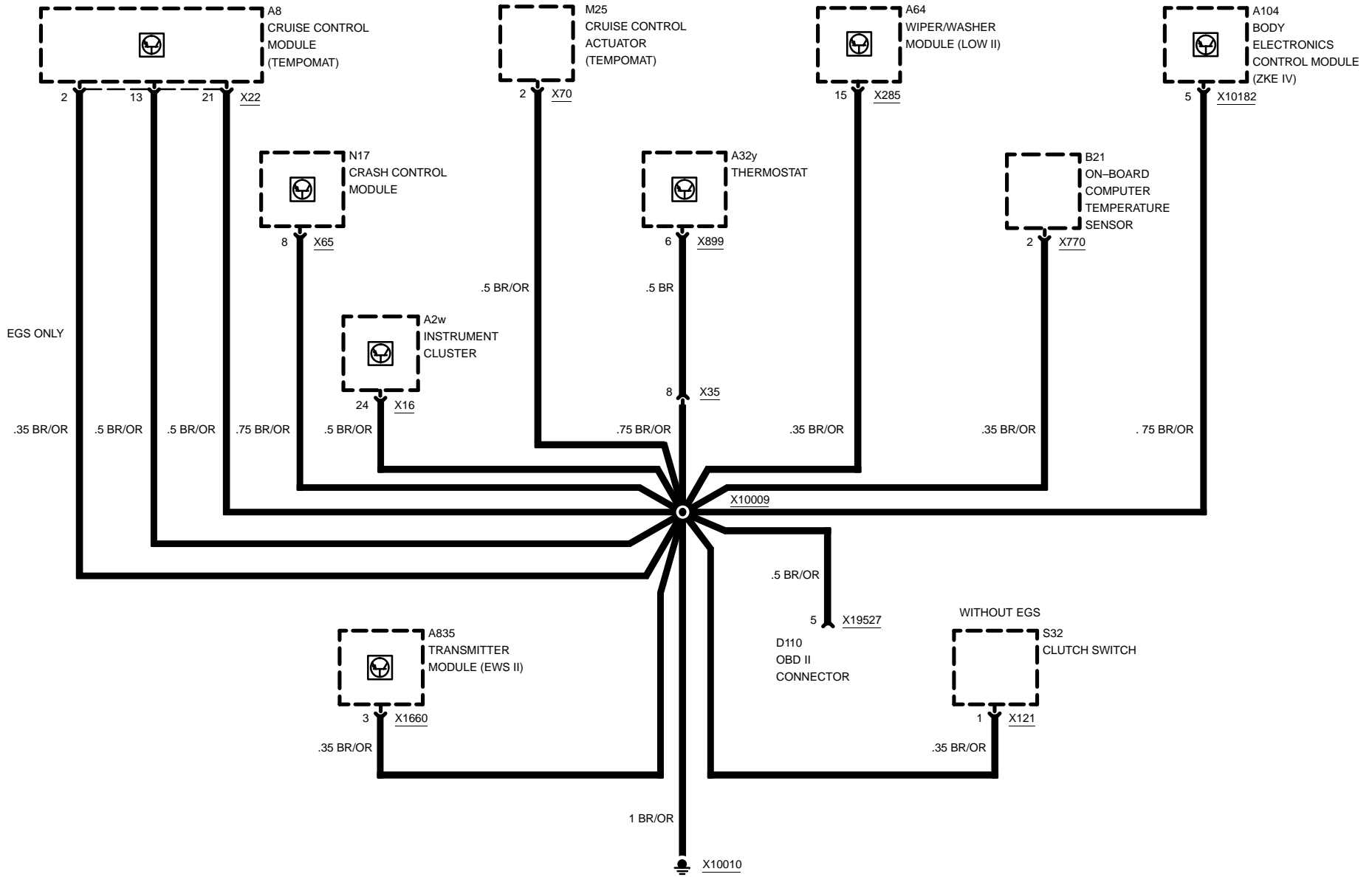
GROUND X6456





GROUND DISTRIBUTION

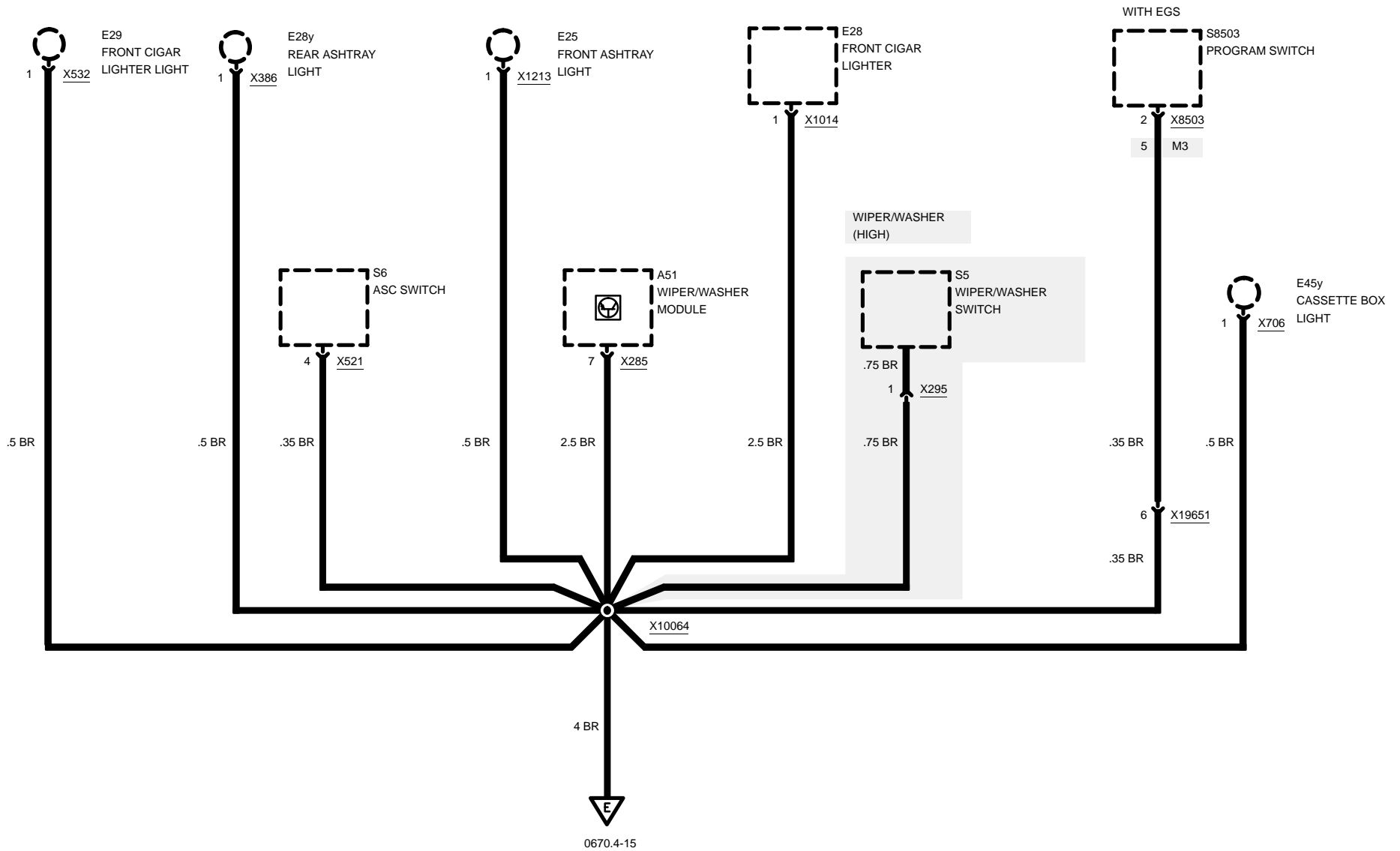
GROUND X10010





GROUND DISTRIBUTION

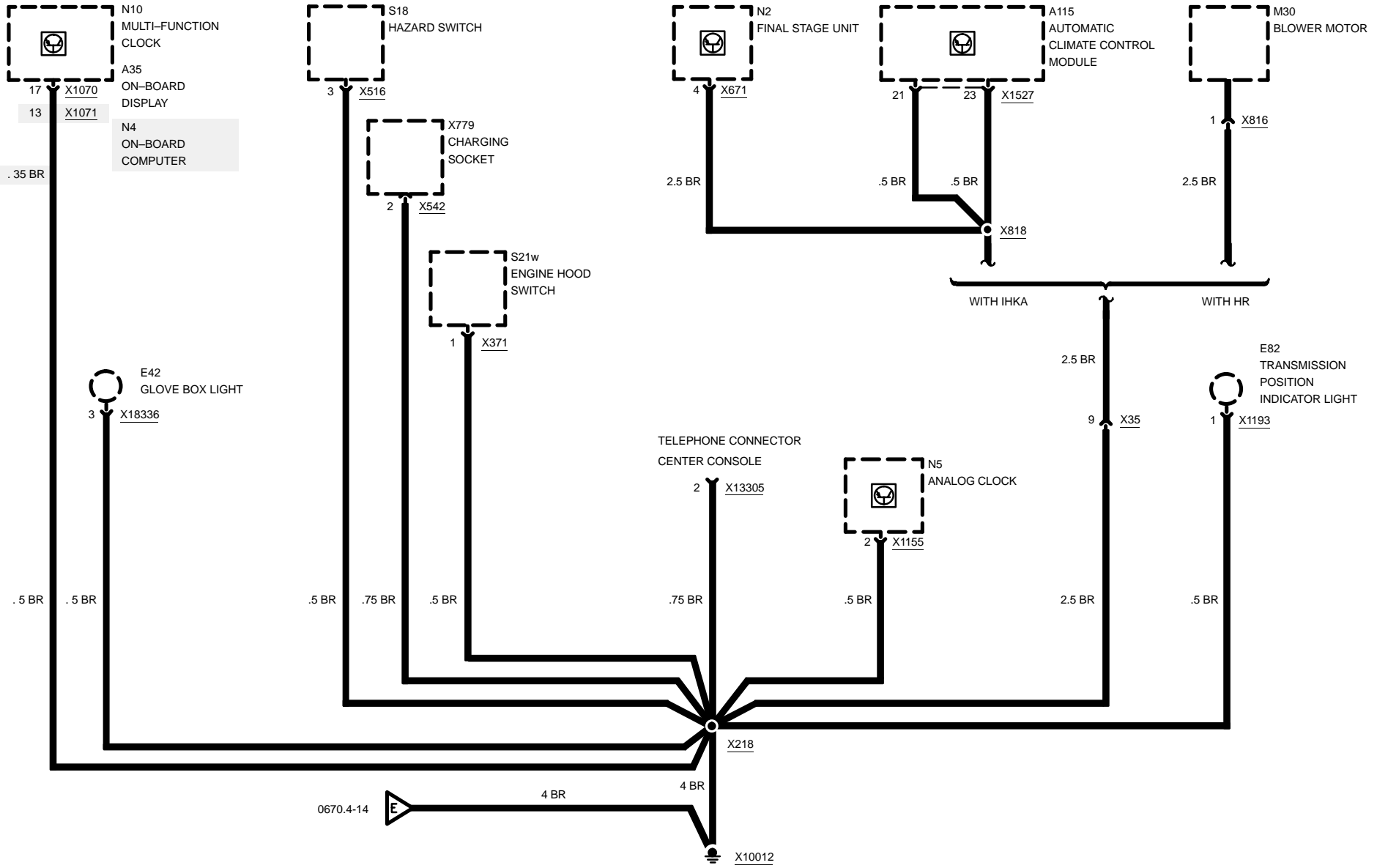
GROUND X10012





GROUND DISTRIBUTION

GROUND X10012



0670.4-14



04/99

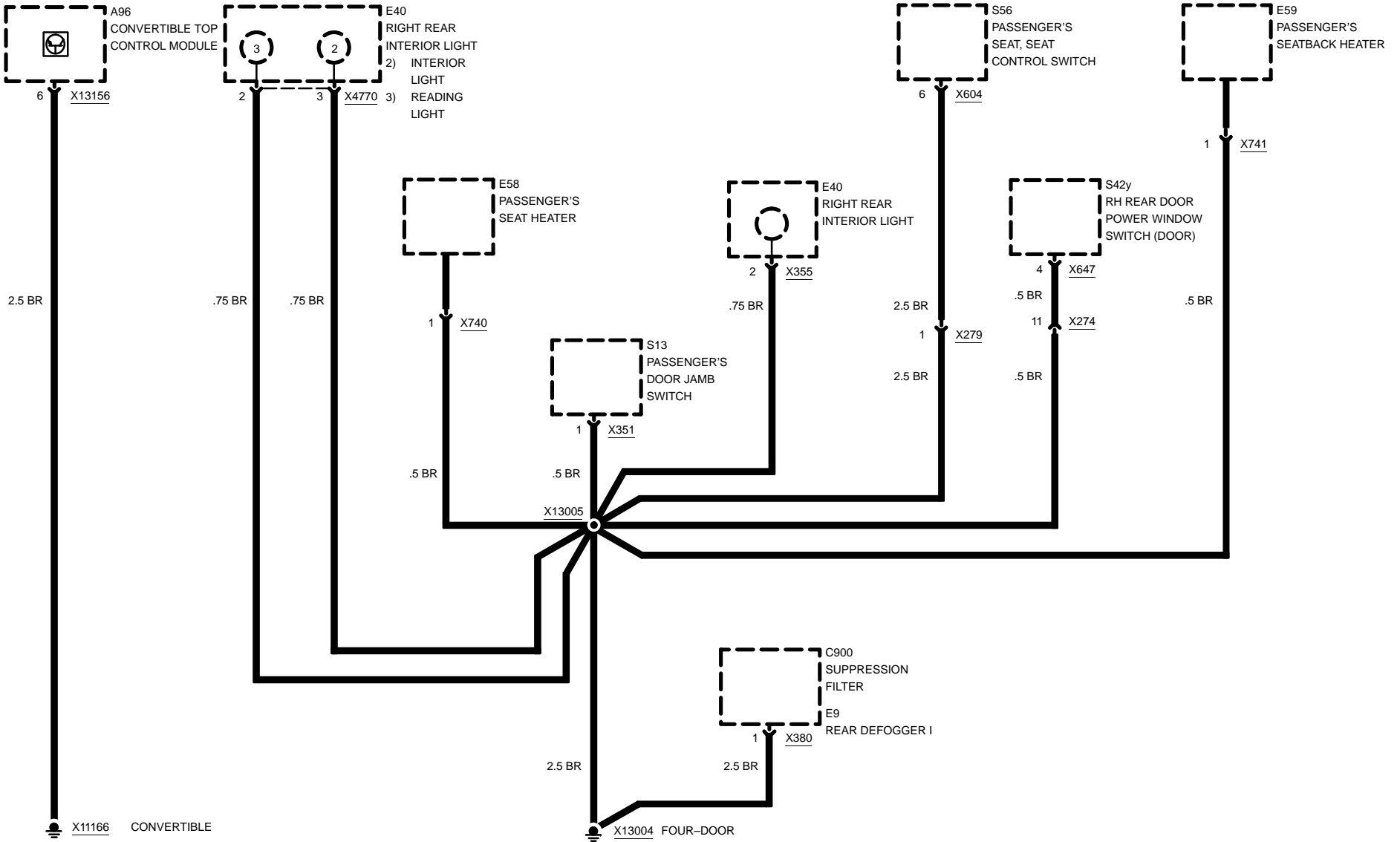
0670.4-15

1998



GROUND DISTRIBUTION

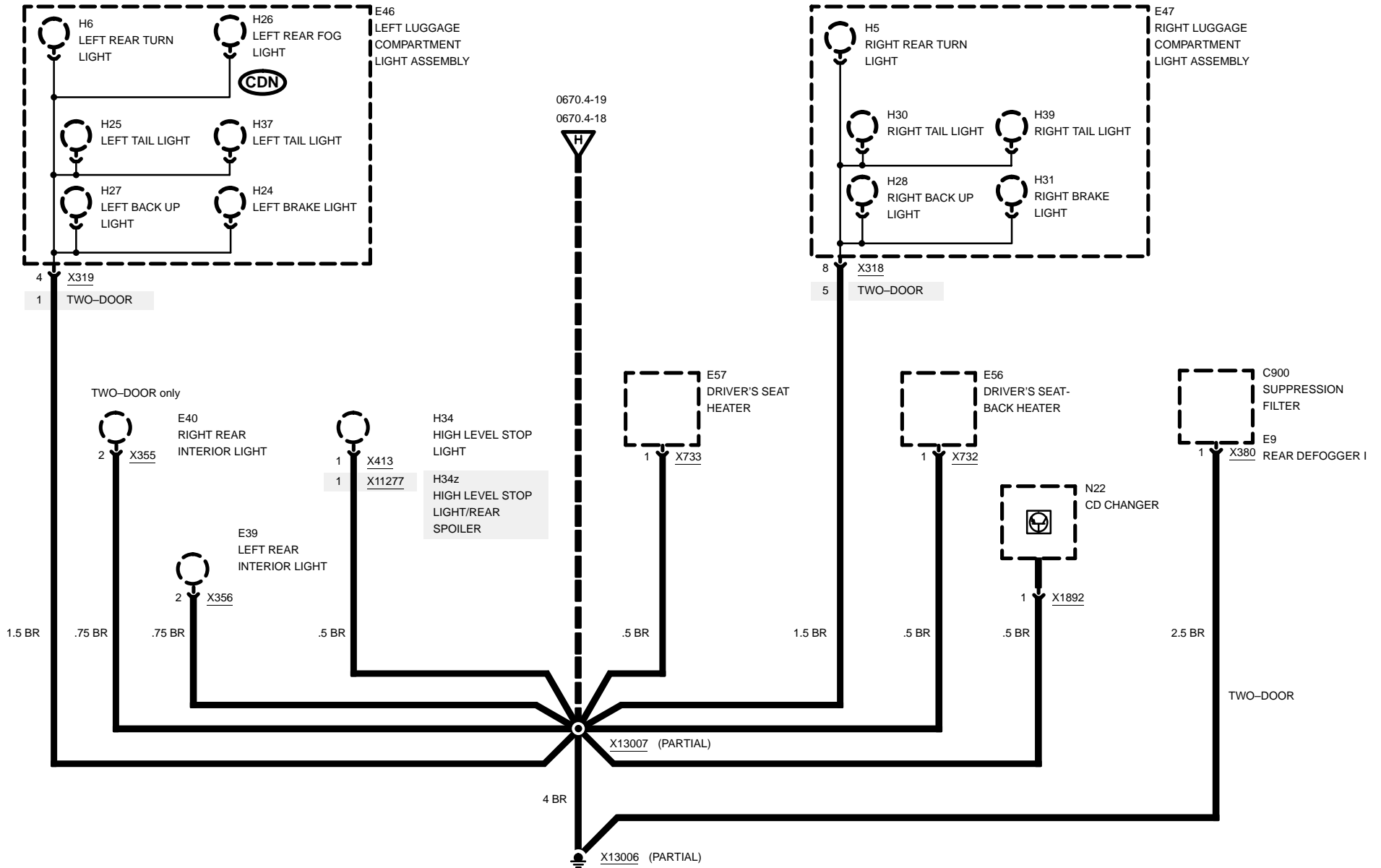
GROUNDS X11166 AND X13004





GROUND DISTRIBUTION

GROUND X13006



04/99

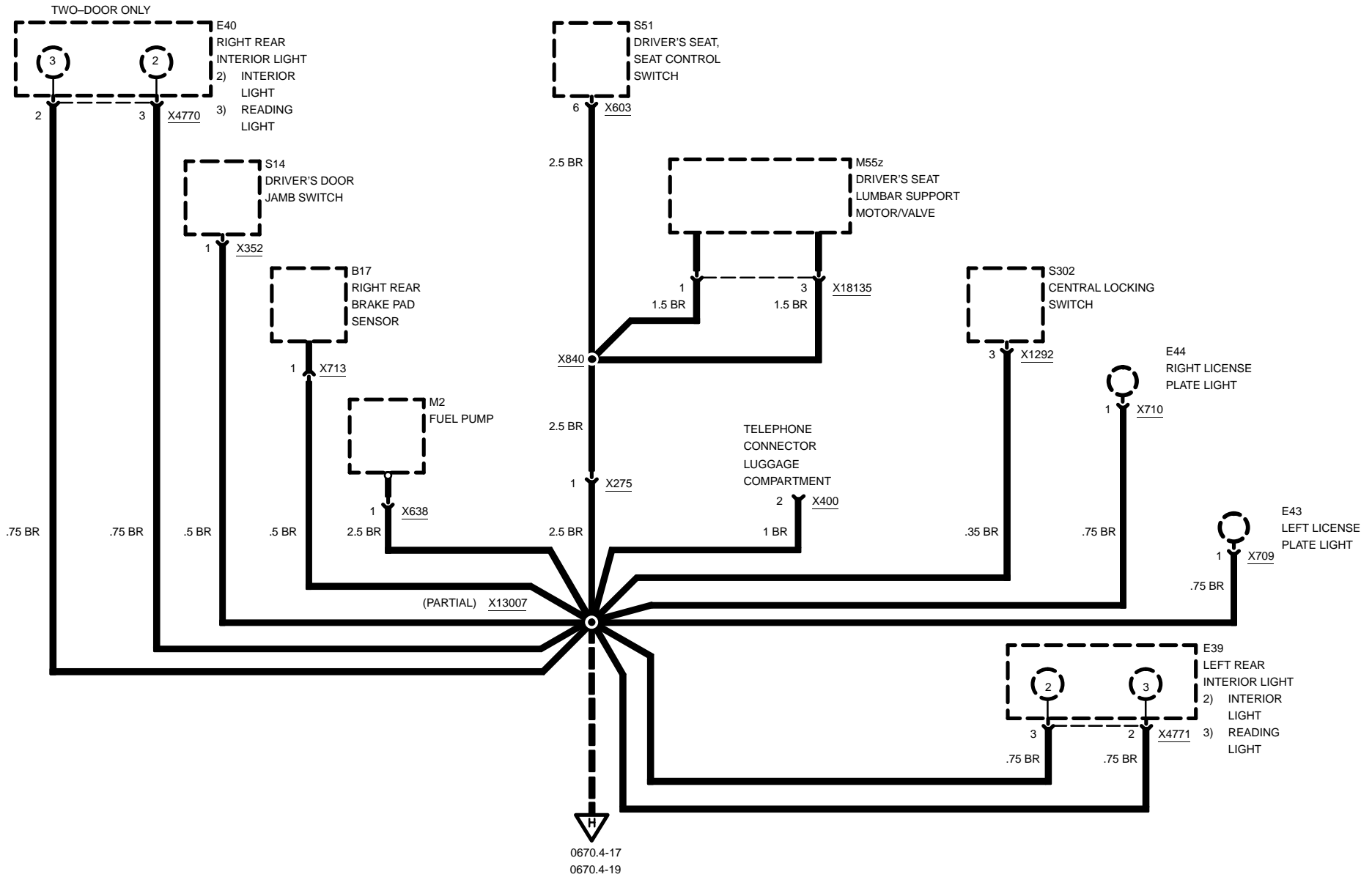
0670.4-17

1998



GROUND DISTRIBUTION

GROUND X13006



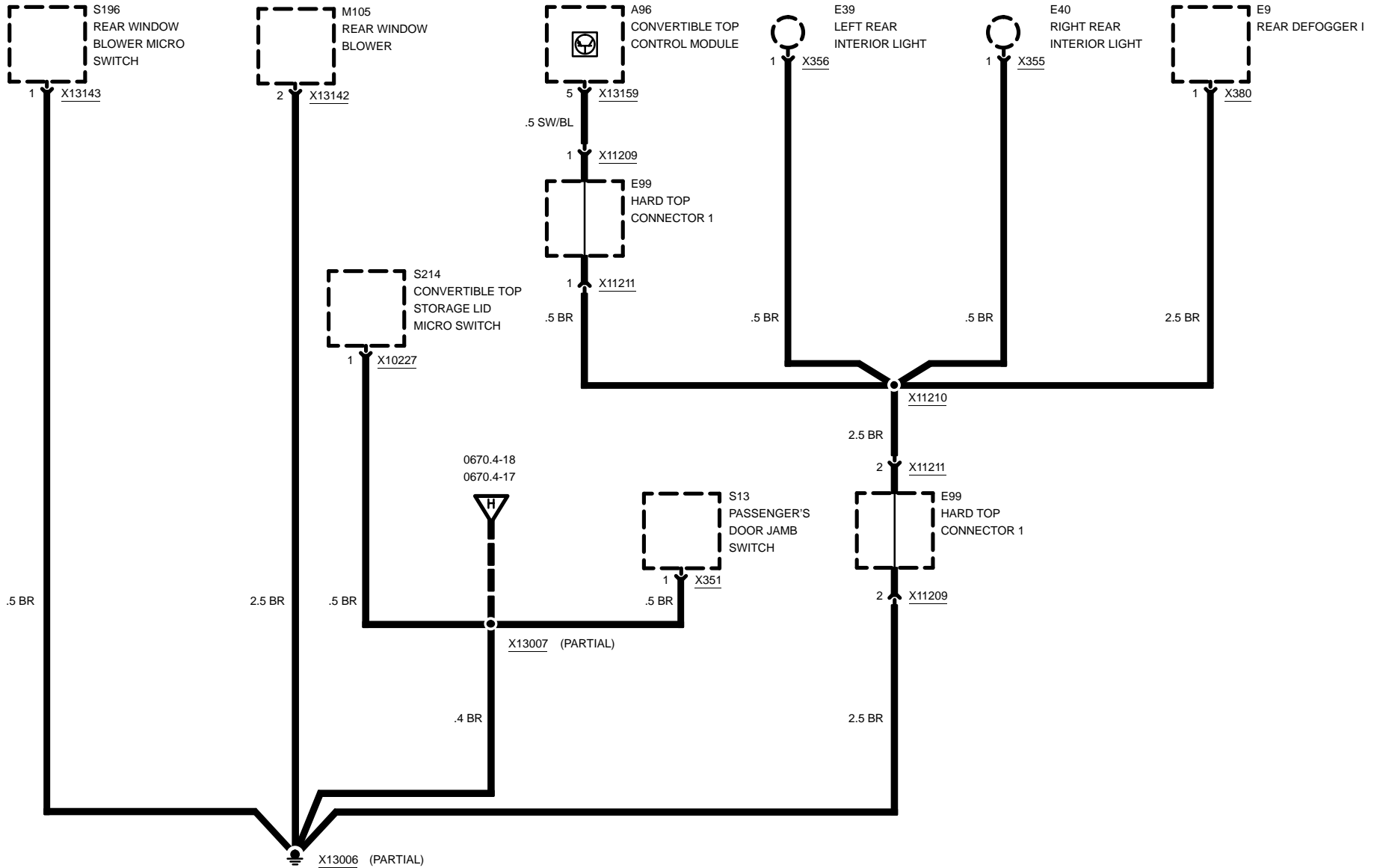
0670.4-17
0670.4-19



GROUND DISTRIBUTION

CONVERTIBLE

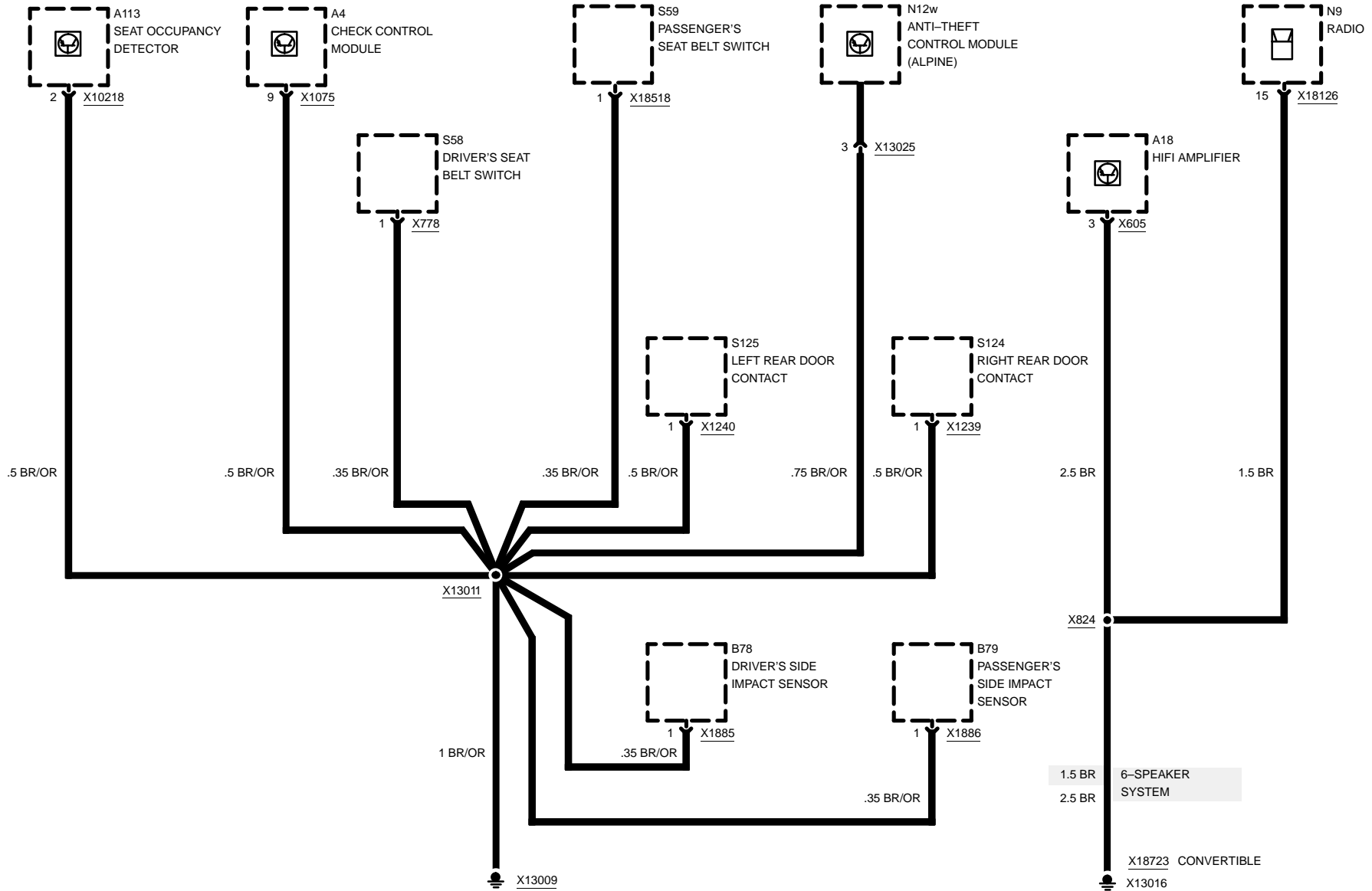
GROUND X13006





GROUND DISTRIBUTION

GROUNDS X13009, X13016, AND X18723

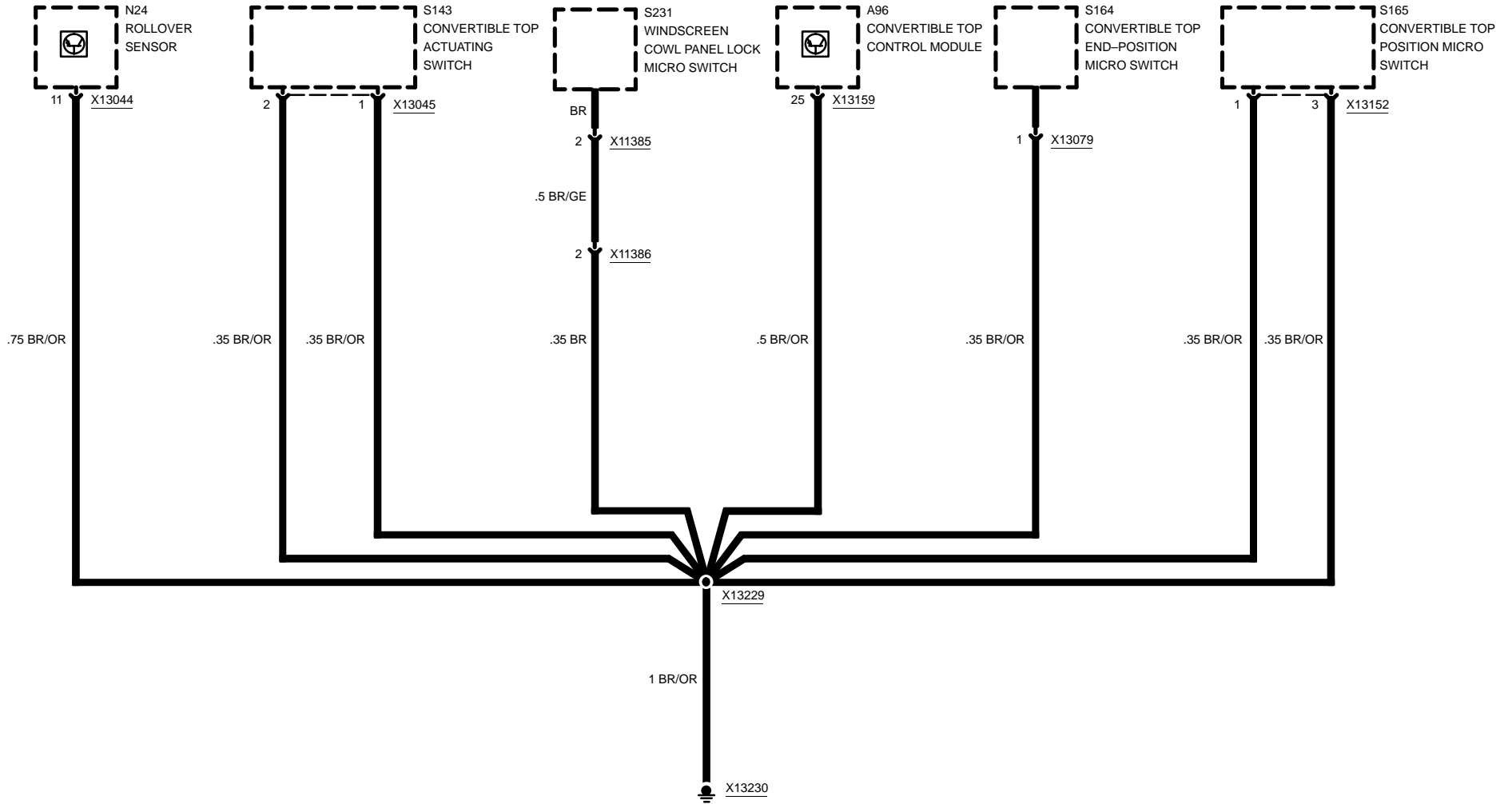




GROUND DISTRIBUTION

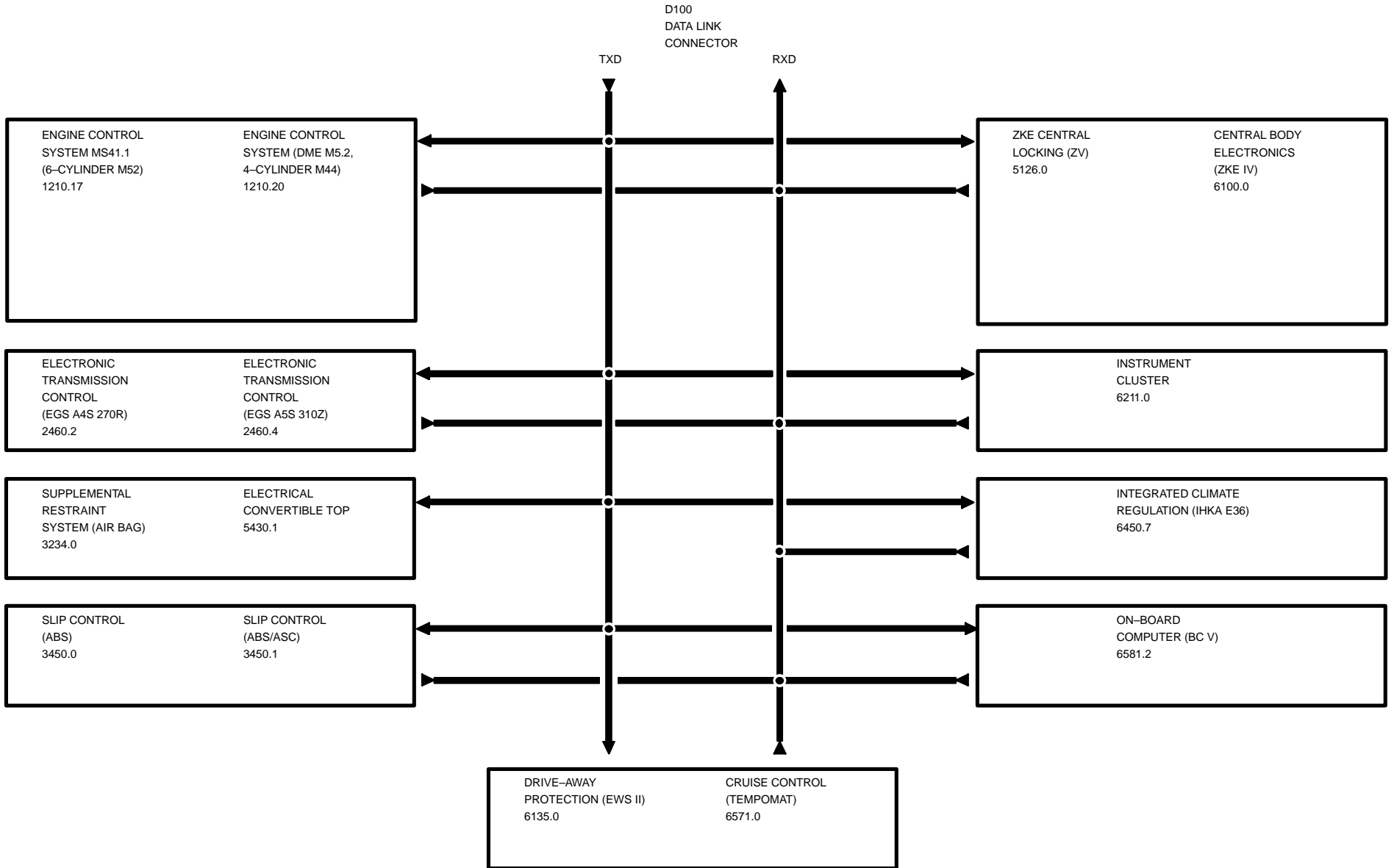
CONVERTIBLE

GROUND X13230





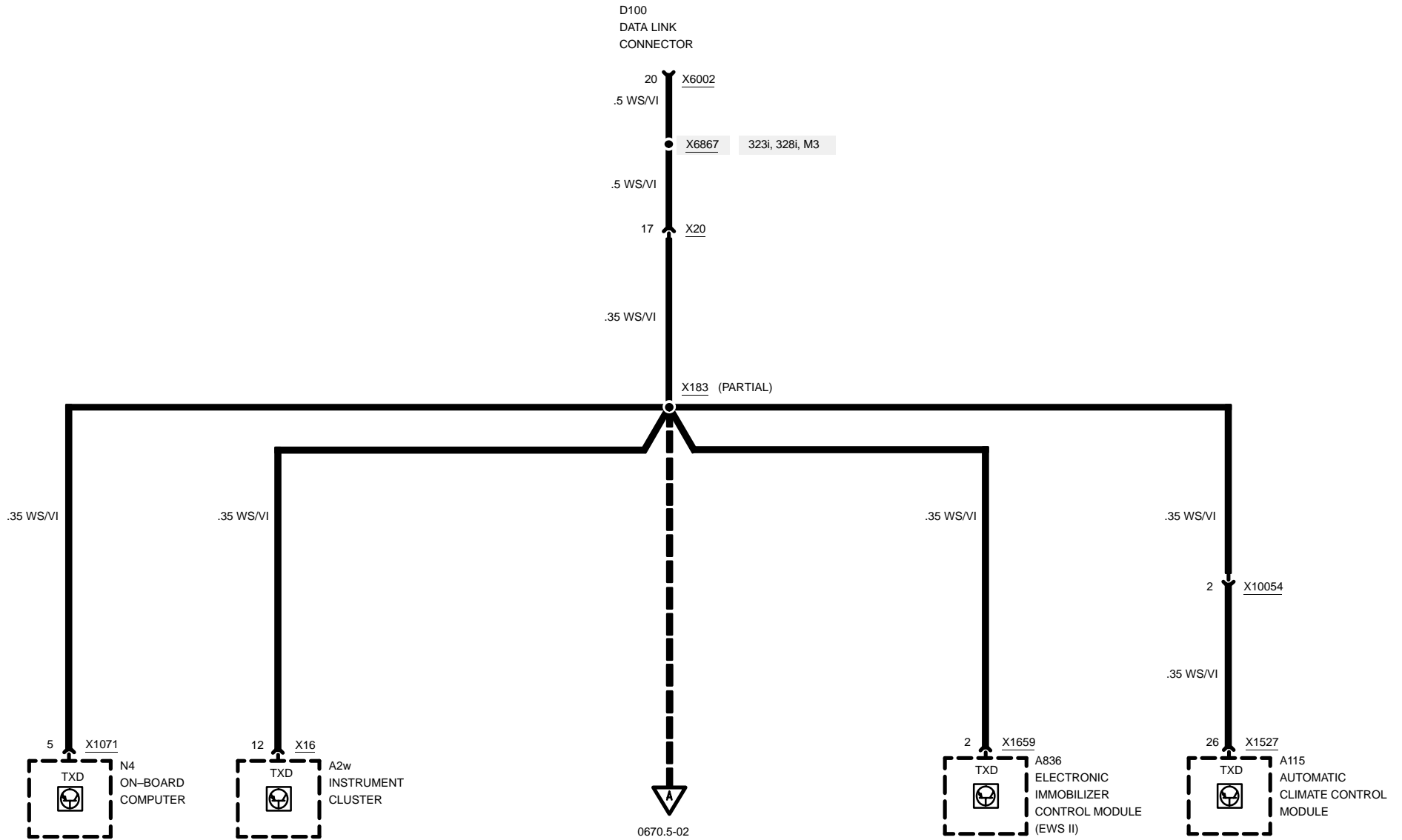
0670.5 DATA LINK BLOCK DIAGRAM





DATA LINK

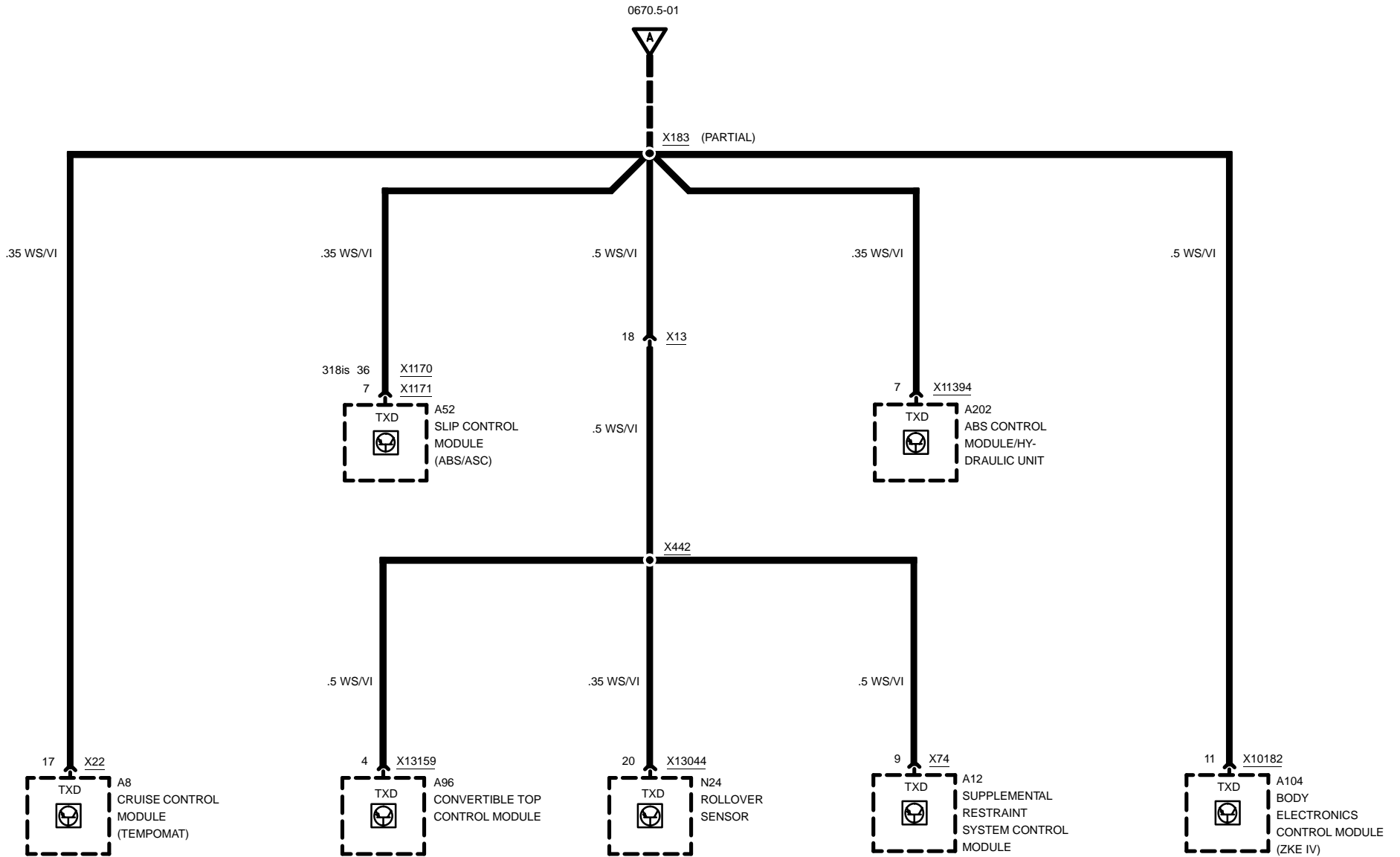
TXD, PIN 20





DATA LINK

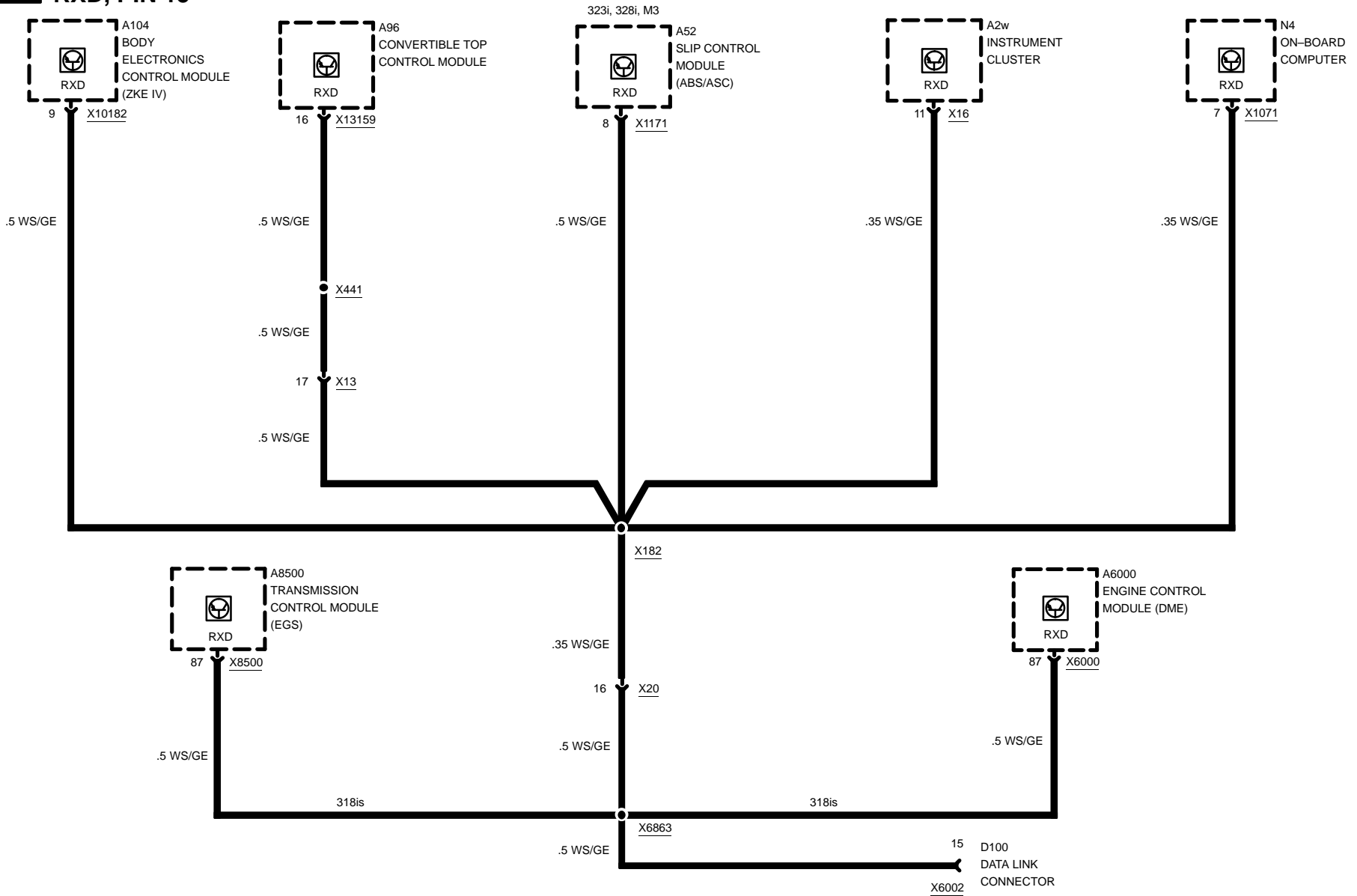
TXD, PIN 20





DATA LINK

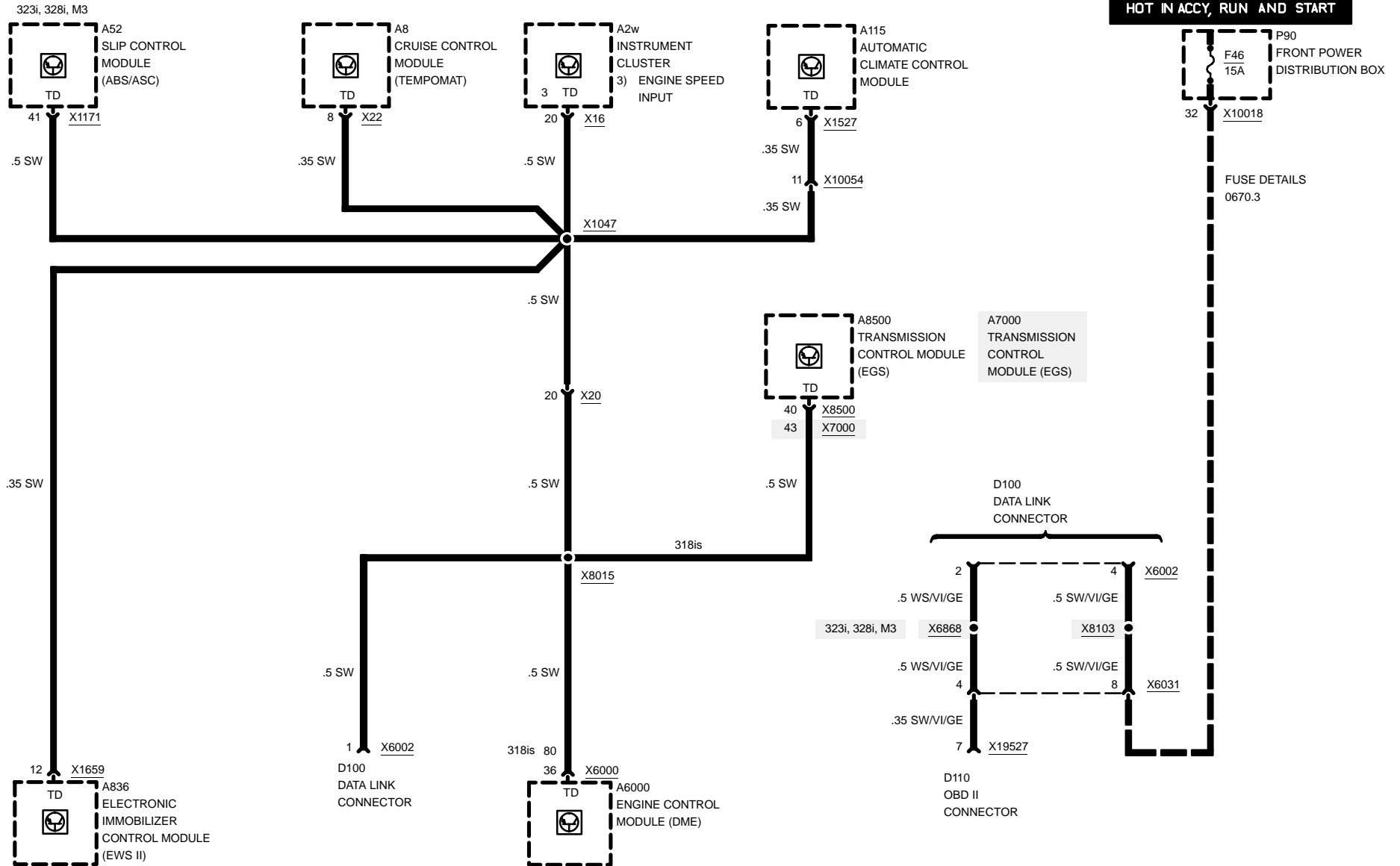
RXD, PIN 15





DATA LINK

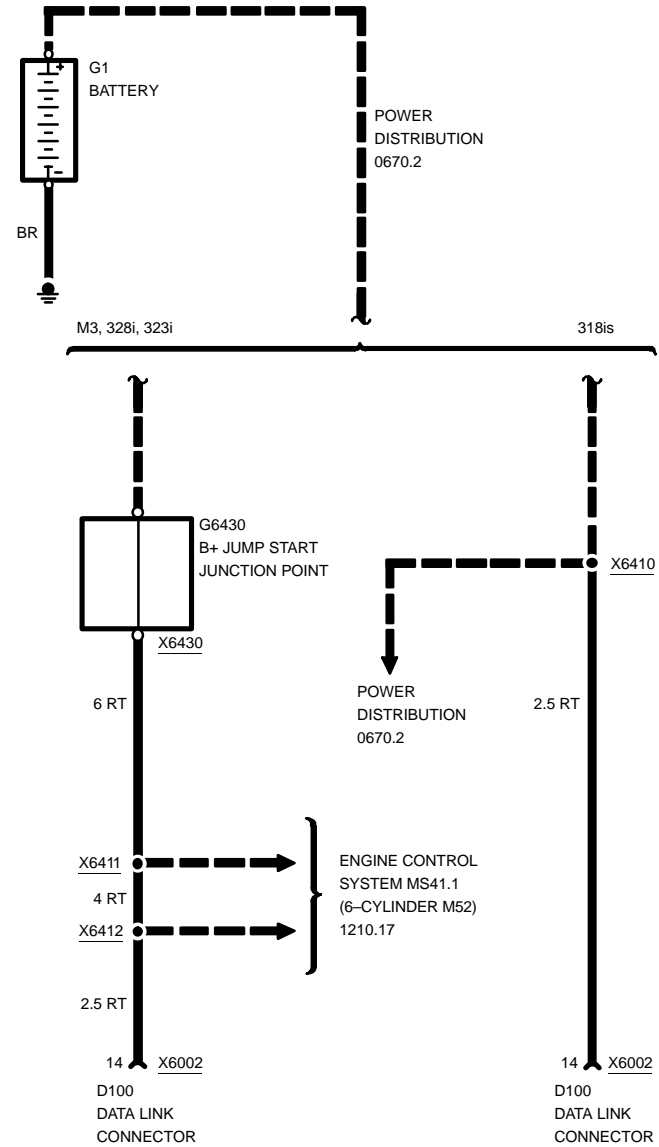
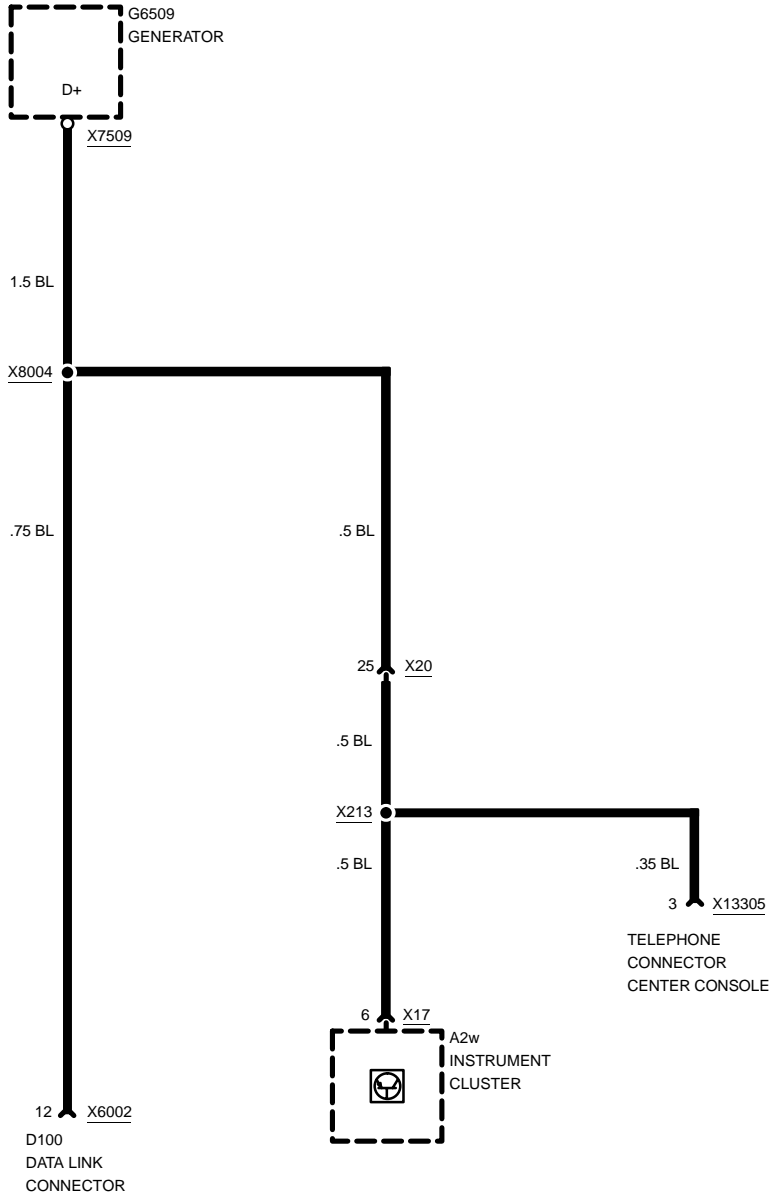
DATA LINK CONNECTOR, PINS 1, 2, AND 4





DATA LINK

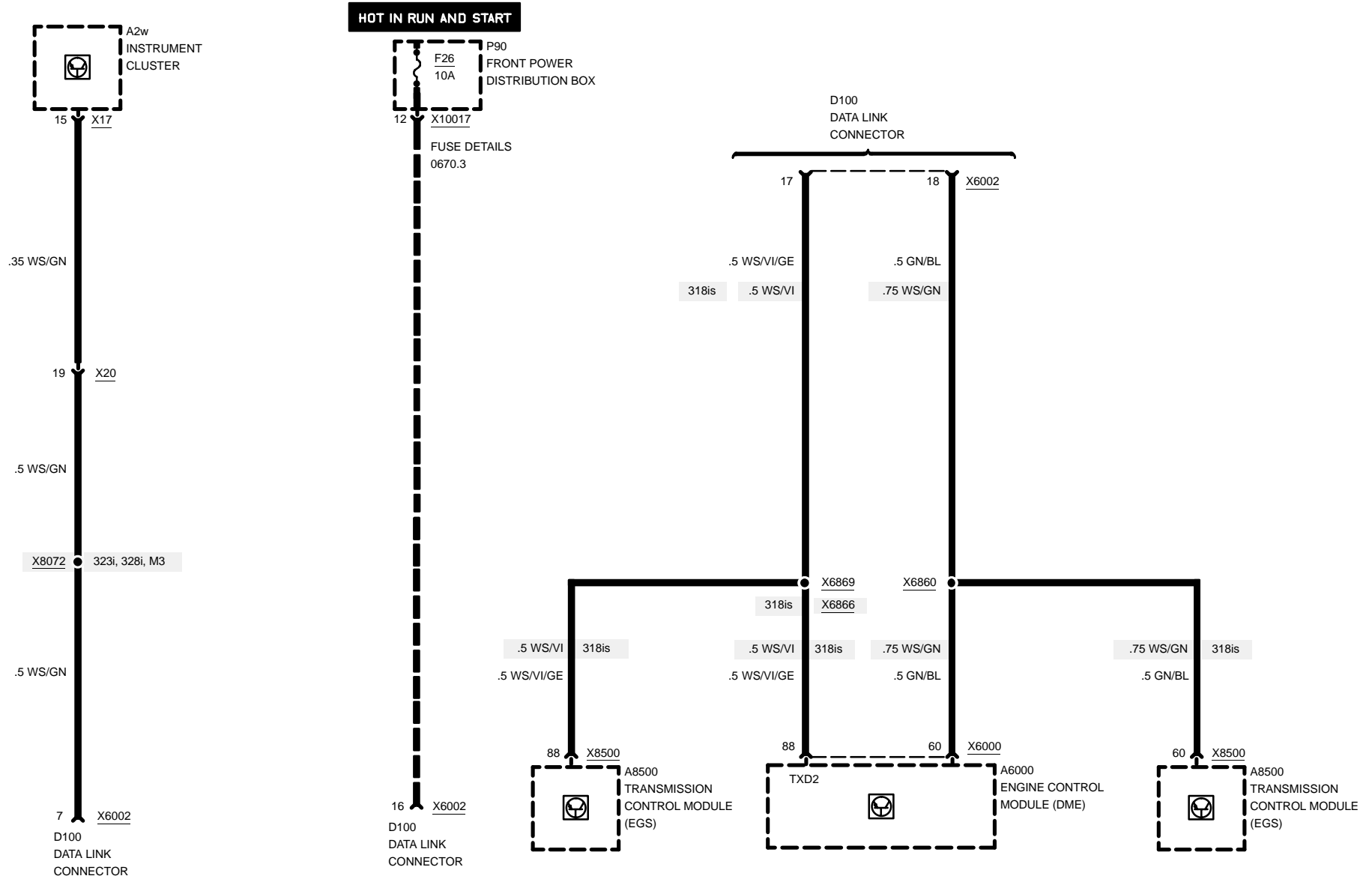
DATA LINK CONNECTOR, PINS 12 AND 14





DATA LINK

DATA LINK CONNECTOR, PINS 7, 16, 17, AND 18

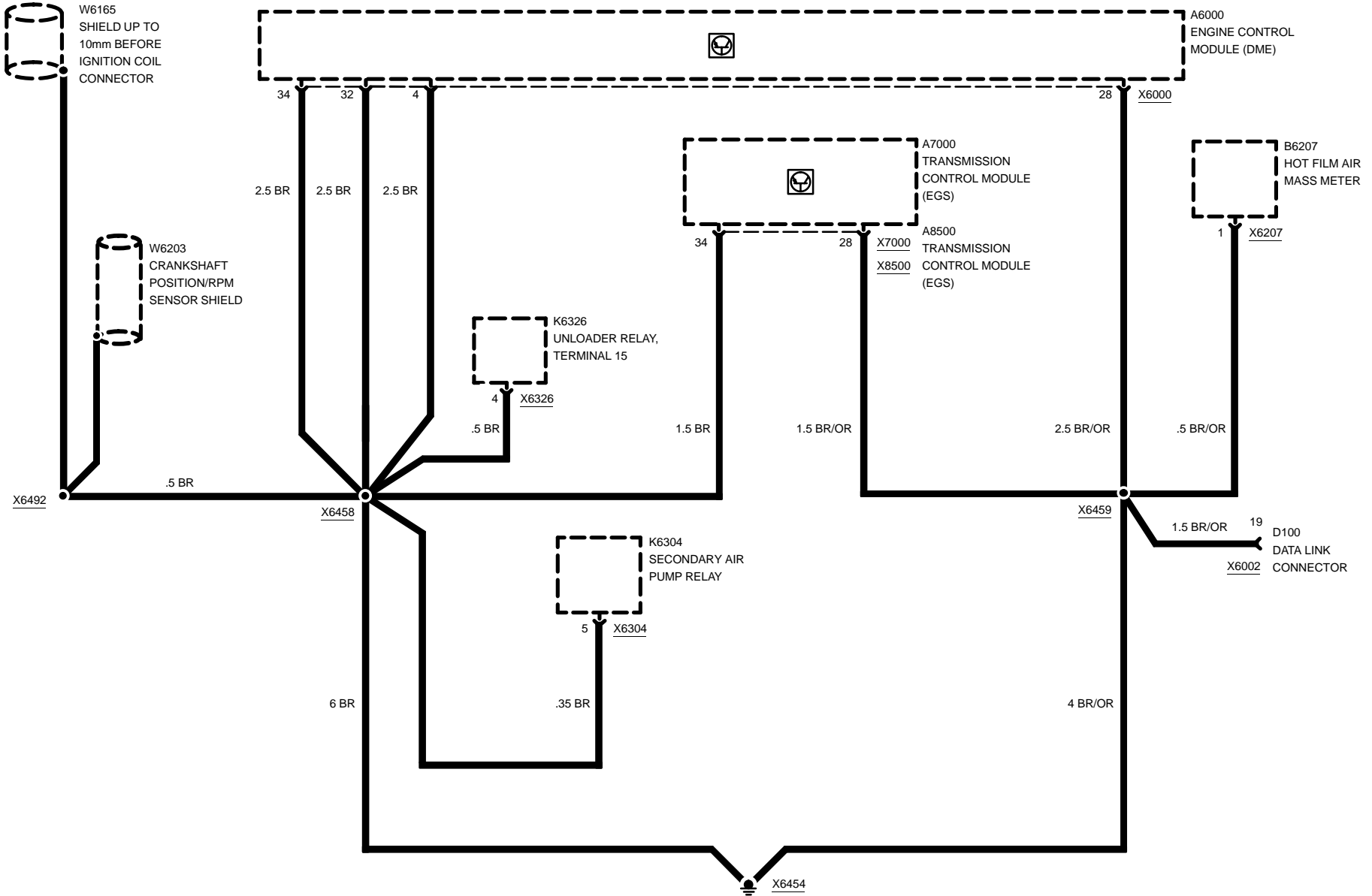




DATA LINK

323i, 328i, M3

DATA LINK CONNECTOR, PIN 19

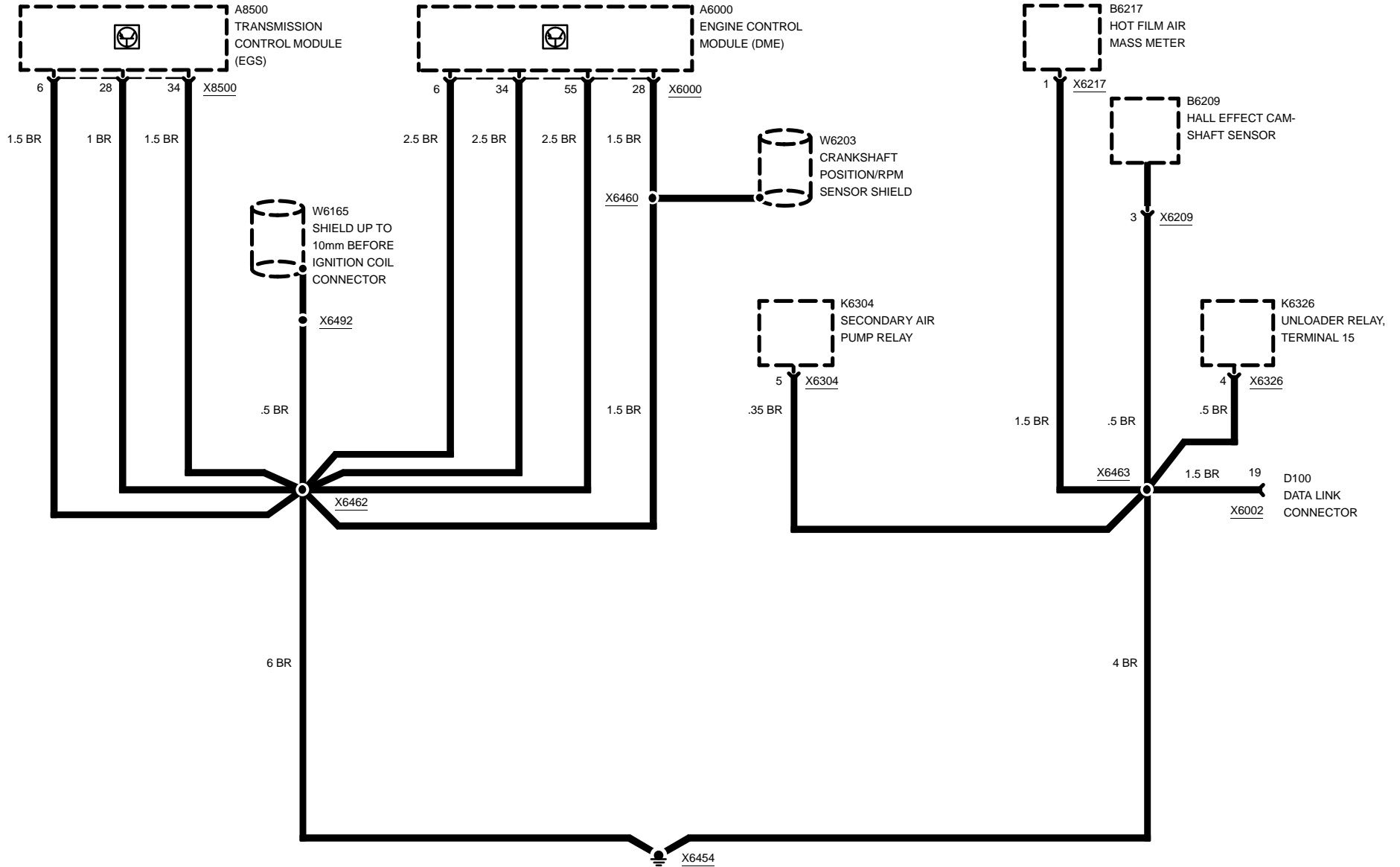




DATA LINK

318is

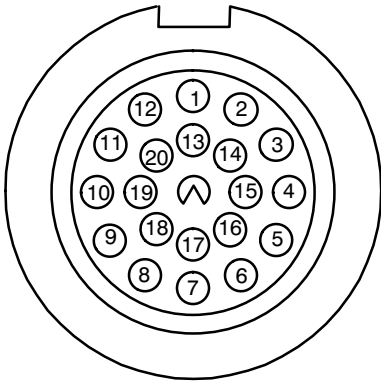
DATA LINK CONNECTOR, PIN 19



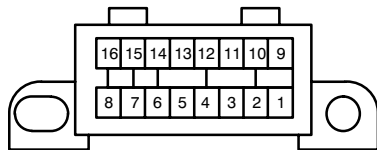
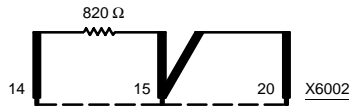


DATA LINK

DATA LINK CONNECTOR (X6002)



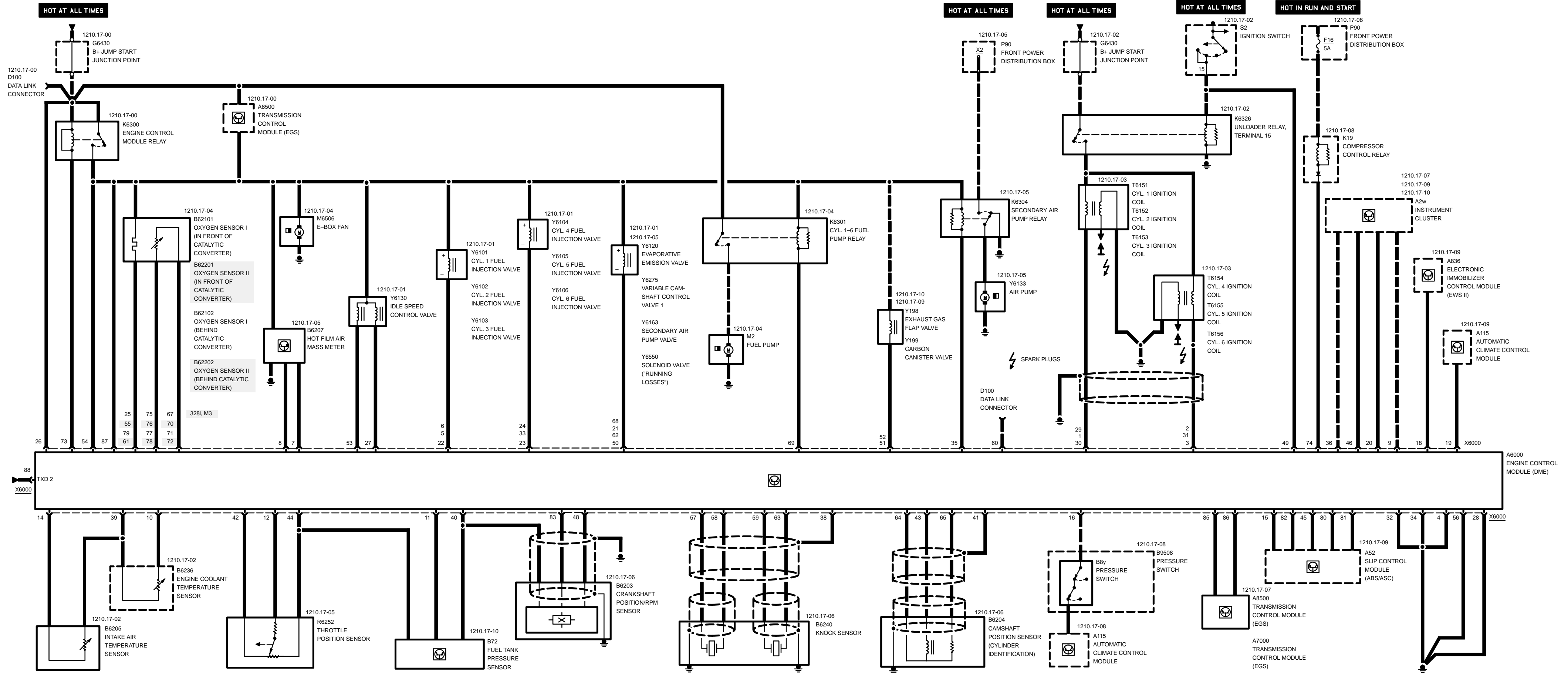
BRIDGES IN CAP OF D100 DATA LINK CONNECTOR

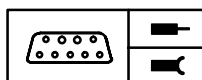


BRIDGE IN CAP OF D110 OBD II CONNECTOR



PIN NUMBER	TERMINAL NUMBER	TERMINAL DESCRIPTION	WIRE COLOR
1	TD	ENGINE	SW
2	TXD2	DIAGNOSTIC DATA LINK	WS/VI/GE
3	—	NOT OCCUPIED	
4	R	VOLTAGE: HOT IN ACCY, RUN AND START	SW/VI/GE
5	—	NOT OCCUPIED	
6	—	NOT OCCUPIED	
7	SI	SERVICE INTERVAL RESET	WS/GN
8	—	NOT OCCUPIED	
9	—	NOT OCCUPIED	
10	—	NOT OCCUPIED	
11	—	NOT OCCUPIED	
12	61(D+)	GENERATOR CHARGE INDICATOR	BL
13	—	NOT OCCUPIED	
14	30	VOLTAGE: HOT AT ALL TIMES	RT
15	RXD	DIAGNOSTIC DATA LINK	WS/GE
16	15S	VOLTAGE: IGNITION SWITCH IN RUN AND START	GN/WS
17	TXD2	DIAGNOSTIC DATA LINK	WS/VI – WS/VI/GE
18	PGSP	PROGRAM SELECT FOR ENGINE CONTROL MODULE (DME)	WS/GN – GN/BL
19	31	GROUND	BR – BR/OR
20	TXD	DIAGNOSTIC DATA LINK	WS/VI



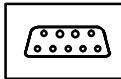


Pin Assignments

X6000

Pin	Type	Description/Function	Connection
1	A	Cyl. 2 ignition coil control	Cyl. 2 ignition coil
2	A	Cyl. 4 ignition coil control	Cyl. 4 ignition coil
3	A	Cyl. 6 ignition coil control	Cyl. 6 ignition coil
4	M	Ground	Ground point
5	A	Cyl. 2 fuel injection valve control	Cyl. 2 fuel injection valve
6	A	Cyl. 1 fuel injection valve control	Cyl. 1 fuel injection valve
7	M	Ground	Hot wire air mass meter
8	E	Hot wire air mass meter	Hot wire air mass meter
9	E	TI-measurement signal (fuel consumption)	Instrument cluster
10	E	Engine coolant temperature	Engine coolant temperature sensor
11	E	Fuel tank pressure	Fuel tank pressure sensor
12	E	Throttle position signal	Throttle position sensor
13		Not used	
14	E	Intake air temperature	Intake air temperature sensor
15	E	Speed signal right rear	ABS/ASC control module
16	E	Activate A/C	Pressure switch
17		Not used	
18	E	Drive-away protection signal (code)	Electronic immobilizer control module (EWS II)
19	E	A/C-ON-signal	Air conditioning operating unit
20	A	"Check engine" indicator control	Instrument cluster
21	A	Camshaft control	Variable camshaft control valve
22	A	Cyl. 3 fuel injection valve control	Cyl. 3 fuel injection valve
23	A	Cyl. 6 fuel injection valve control	Cyl. 6 fuel injection valve
24	A	Cyl. 4 fuel injection valve control	Cyl. 4 fuel injection valve
25	M	Oxygen sensor heating ground	Oxygen sensor (in front of catalytic converter)
26	E	Battery voltage	B+ jump start junction point
27	A	Activate valve	Idle speed control valve
28	M	Ground	Ground point
29	A	Cyl. 1 ignition coil control	Cyl. 1 ignition coil

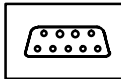
E = Input, A = Output, M = Ground



Pin Assignments

Pin	Type	Description/Function	Connection
30	A	Cyl. 3 ignition coil control	Cyl. 3 ignition coil
31	A	Cyl. 5 ignition coil control	Cyl. 5 ignition coil
32	M	Ground	Ground point
33	A	Cyl. 5 fuel injection valve control	Cyl. 5 fuel injection valve
34	M	Ground	Ground point
35	A	Activate relay	Secondary air pump relay
36	A	Crankshaft RPM speed signal TD	Instrument cluster
37		Not used	
38	M	Ground	Shield knock sensor
39	M	Ground	Temperature sensors
40	M	Ground	Crankshaft position/RPM sensor Fuel tank pressure sensor
41	M	Ground	Shield camshaft position sensor
42	M	Ground	Throttle position sensor
43	E	Camshaft position	Camshaft position sensor
44	A	Voltage supply	Throttle position sensor Fuel tank pressure sensor
45	A	Throttle position signal	ABS/ASC control module
46	E	TI-measurement signal (fuel consumption)	Instrument cluster
47		Not used	
48	A	Voltage supply	Crankshaft position/RPM sensor
49	E	Terminal 15	Ignition switch
50	A	Running losses	Solenoid valve
51	A	Activate valve	Carbon canister valve
52	A	Signal exhaust flap	Exhaust gas flap valve
53	A	Activate valve	Idle speed control valve
54	E	Battery voltage, terminal 87	Engine control module relay
55	M	Oxygen sensor heating ground	Oxygen sensor (in front of catalytic converter)
56	M	Ground	Ground point
57	E	Cyl. 1-3 knock sensor	Knock sensor
58	E	Cyl. 1-3 knock sensor	Knock sensor
59	E	Cyl. 4-6 knock sensor	Knock sensor

E = Input, A = Output, M = Ground



Pin Assignments

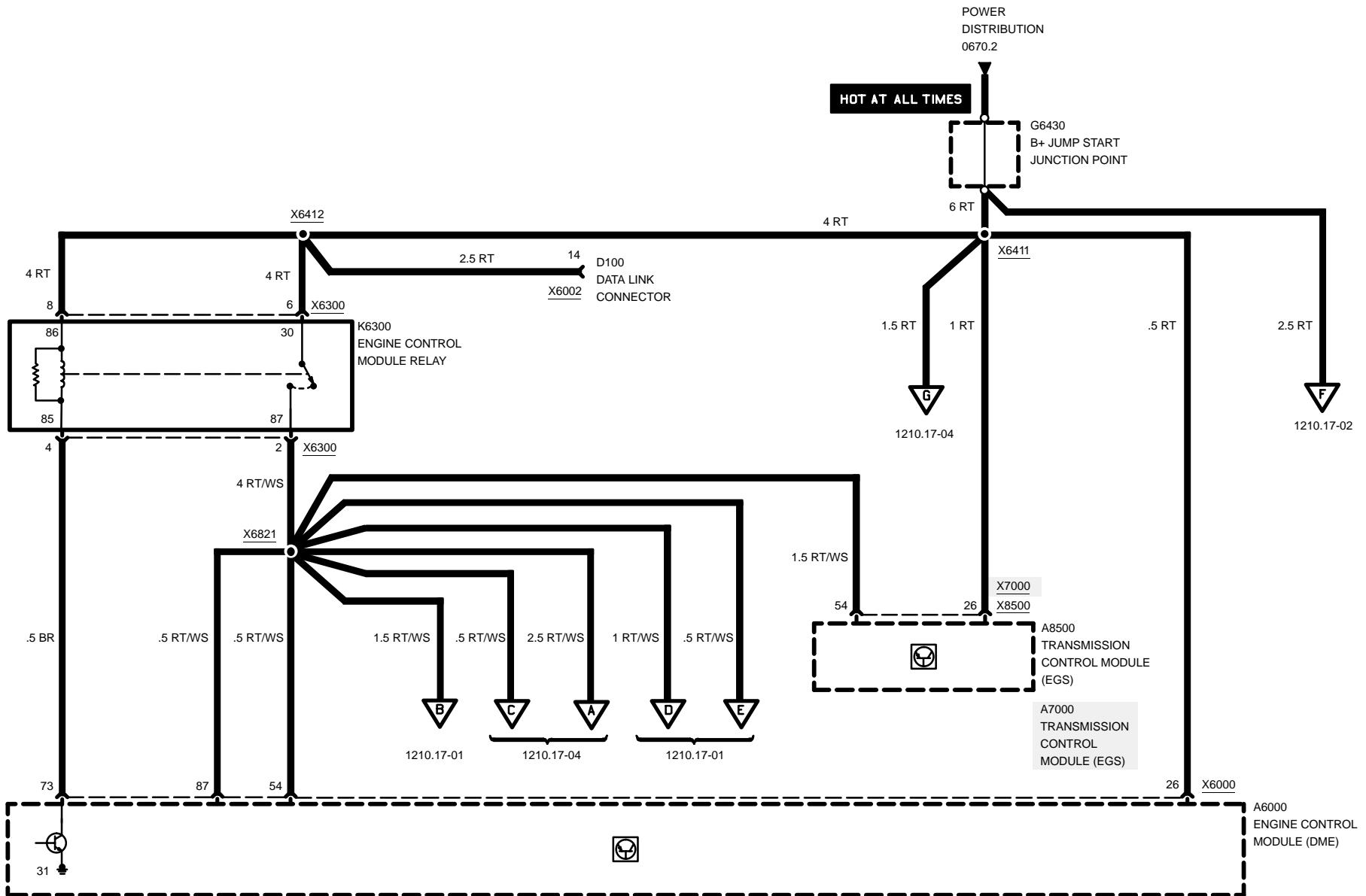
Pin	Type	Description/Function	Connection
60	E	Programming voltage	Data link connector
61	M	Oxygen sensor heating ground	Oxygen sensor (behind catalytic converter)
62	A	Activate valve	Secondary air pump valve
63	E	Cyl. 4-6 knock sensor	Knock sensor
64	M	Ground	Camshaft position sensor
65	E	Camshaft position	Camshaft position sensor
66		Not used	
67	M	Oxygen sensor signal ground	Oxygen sensor (in front of catalytic converter)
68	A	Activate valve	Evaporative emission valve
69	A	Activate relay	Fuel pump relay
70	M	Oxygen sensor signal ground	Oxygen sensor (in front of catalytic converter)
71	M	Oxygen sensor signal ground	Oxygen sensor (behind catalytic converter)
72	M	Oxygen sensor signal ground	Oxygen sensor (behind catalytic converter)
73	E	Activate relay	Engine control module relay
74	A	Activate A/C compressor	Compressor control relay
75	E	Sensor signal	Oxygen sensor (in front of catalytic converter)
76	E	Sensor signal	Oxygen sensor (in front of catalytic converter)
77	E	Sensor signal	Oxygen sensor (behind catalytic converter)
78	E	Sensor signal	Oxygen sensor (behind catalytic converter)
79	M	Oxygen sensor heating ground	Oxygen sensor (behind catalytic converter)
80	A	ASC signal ZA	Slip control module (ABS/ASC)
81	A	ASC signal ZWV	Slip control module (ABS/ASC)
82	A	ASC signal MSR	Slip control module (ABS/ASC)
83	E	Sensor signal	Crankshaft position/RPM sensor
84		Not used	
85	E/A	CAN-LOW	Transmission control module (EGS)
86	E/A	CAN-HIGH	Transmission control module (EGS)
87	E	Battery voltage, terminal 87	Engine control module relay
88	E/A	TxD diagnosis data link	Data link connector

E = Input, A = Output, M = Ground



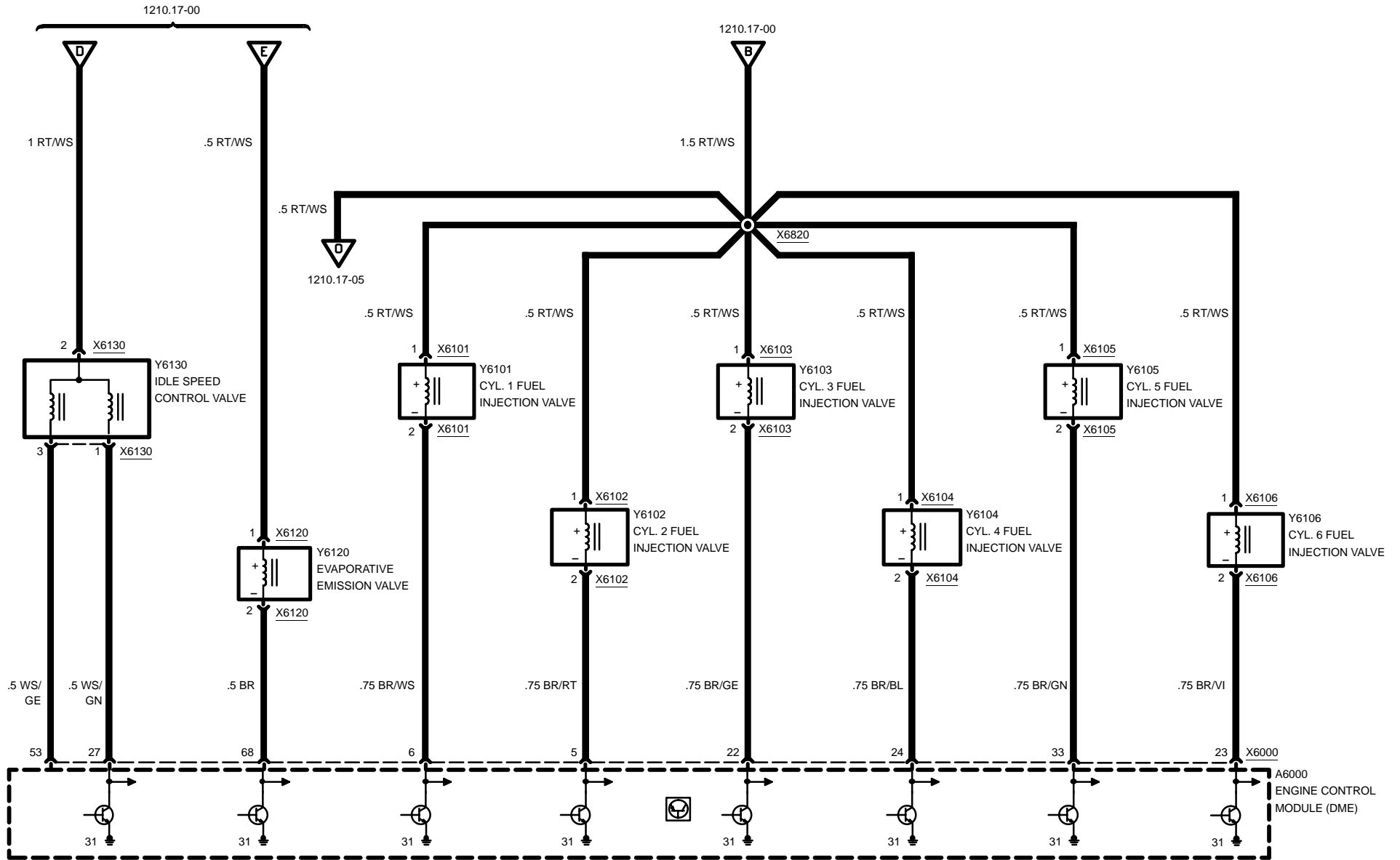
ENGINE CONTROL SYSTEM MS41.1 (6-CYLINDER M52)

POWER



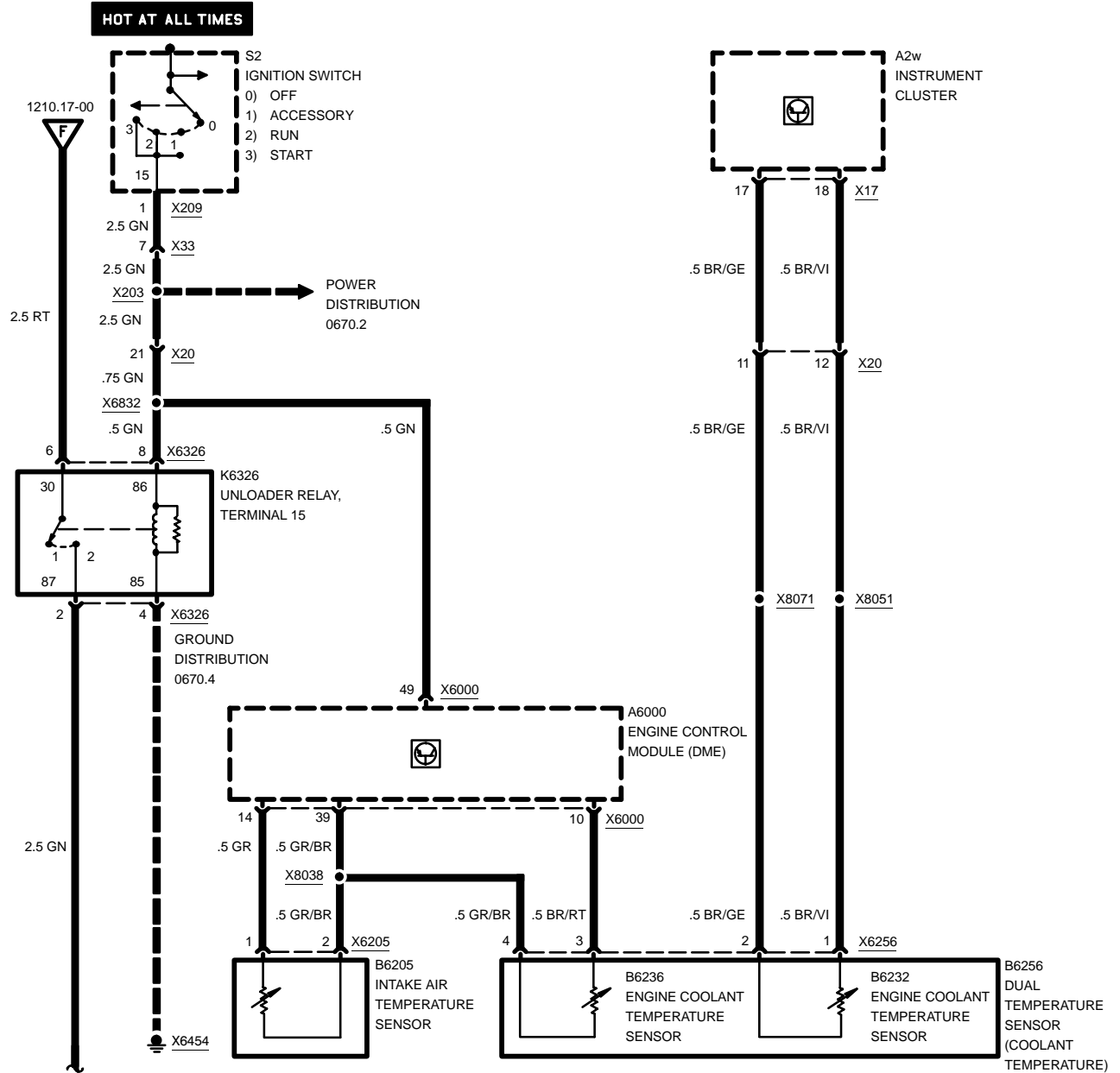


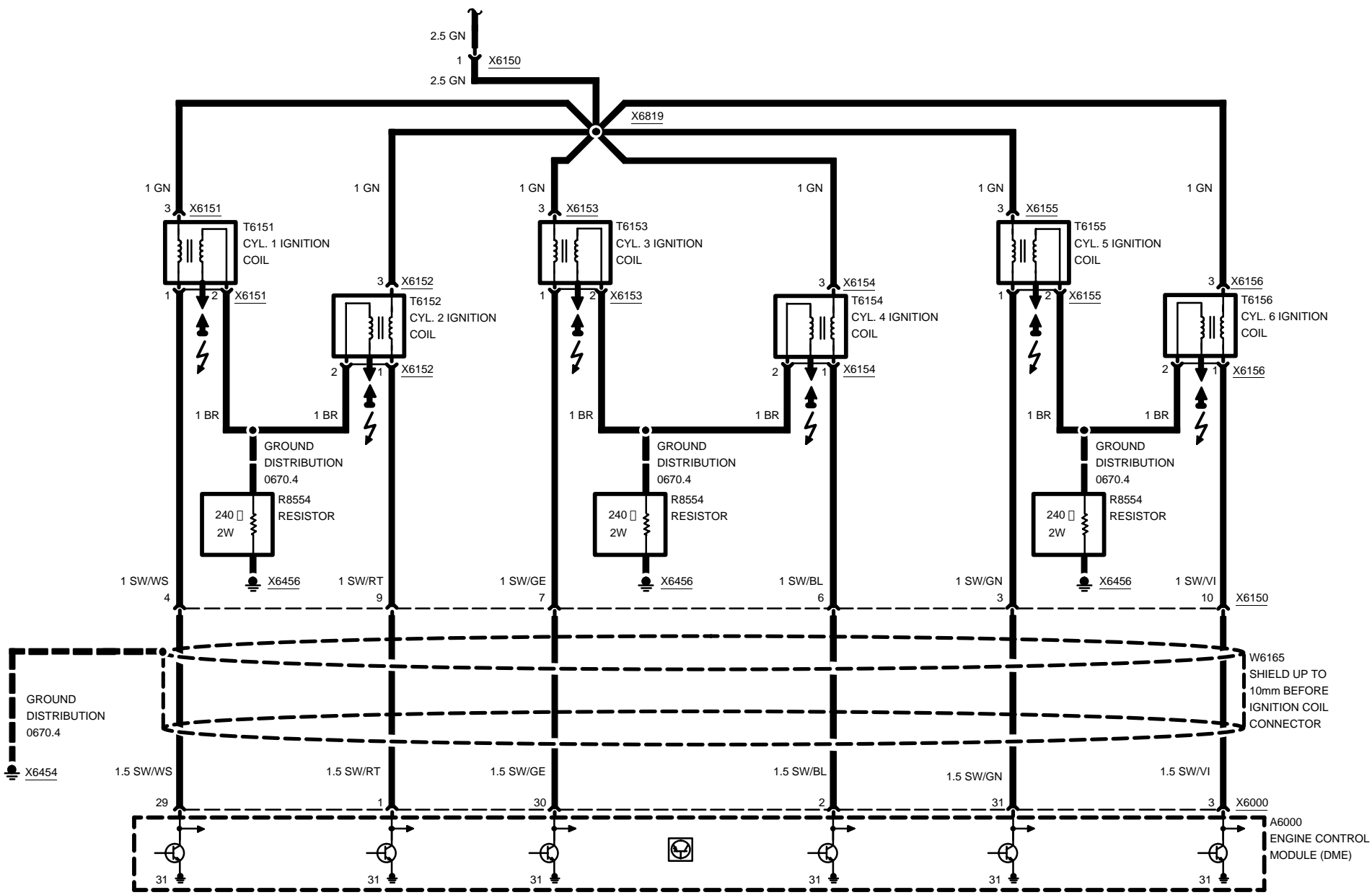
ENGINE CONTROL SYSTEM MS41.1 (6-CYLINDER M52)





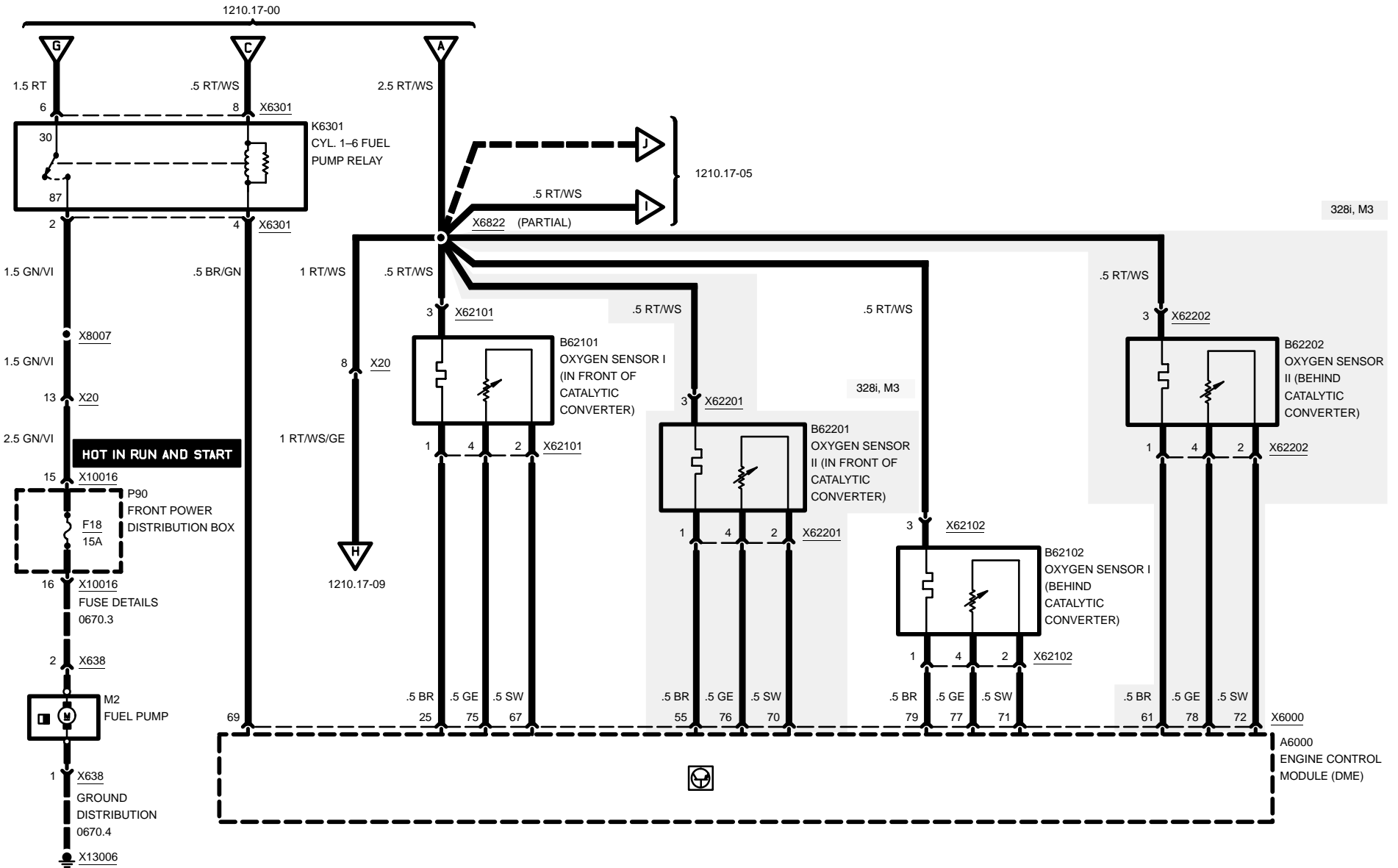
ENGINE CONTROL SYSTEM MS41.1 (6-CYLINDER M52)





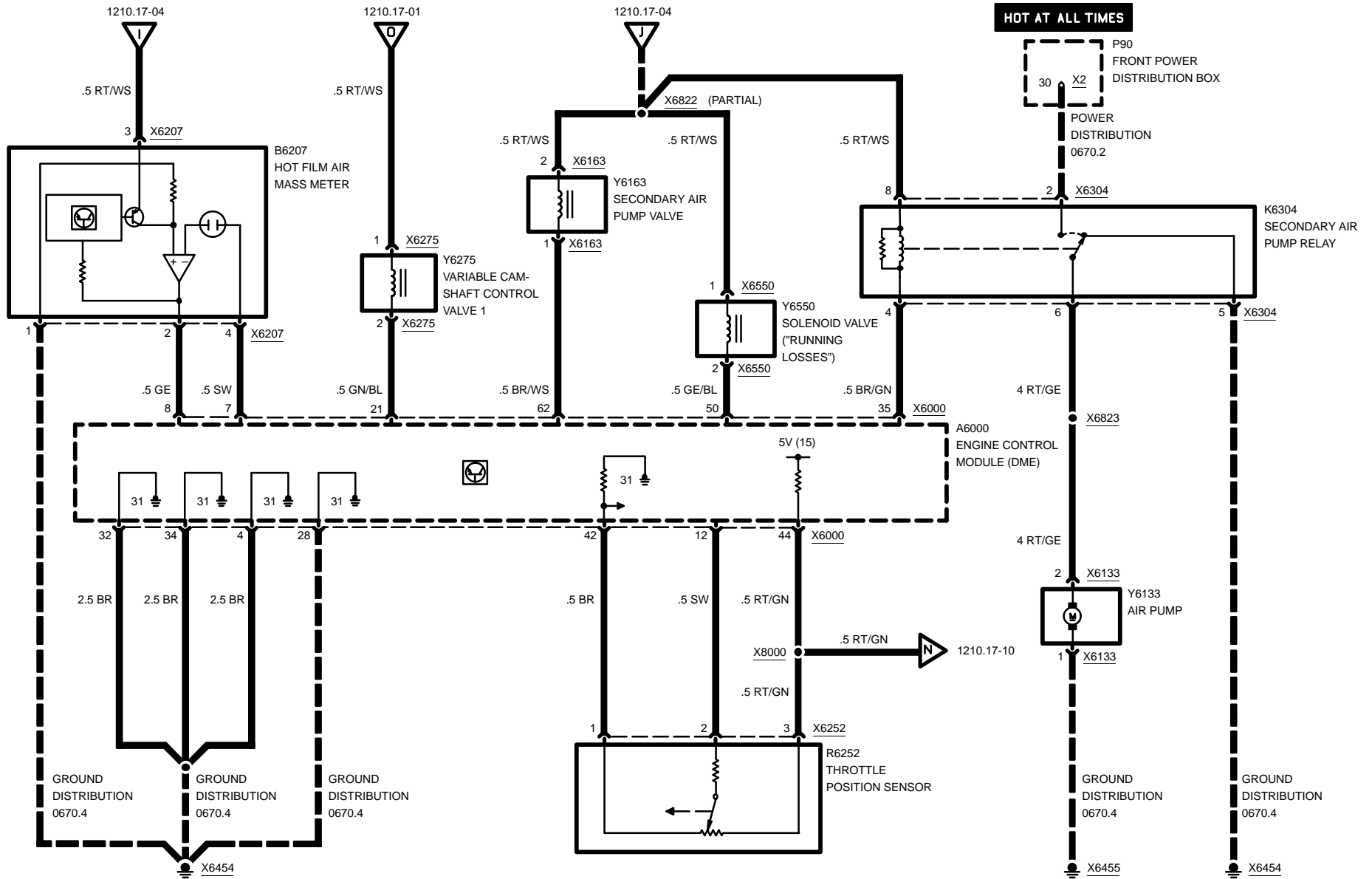


ENGINE CONTROL SYSTEM MS41.1 (6-CYLINDER M52)



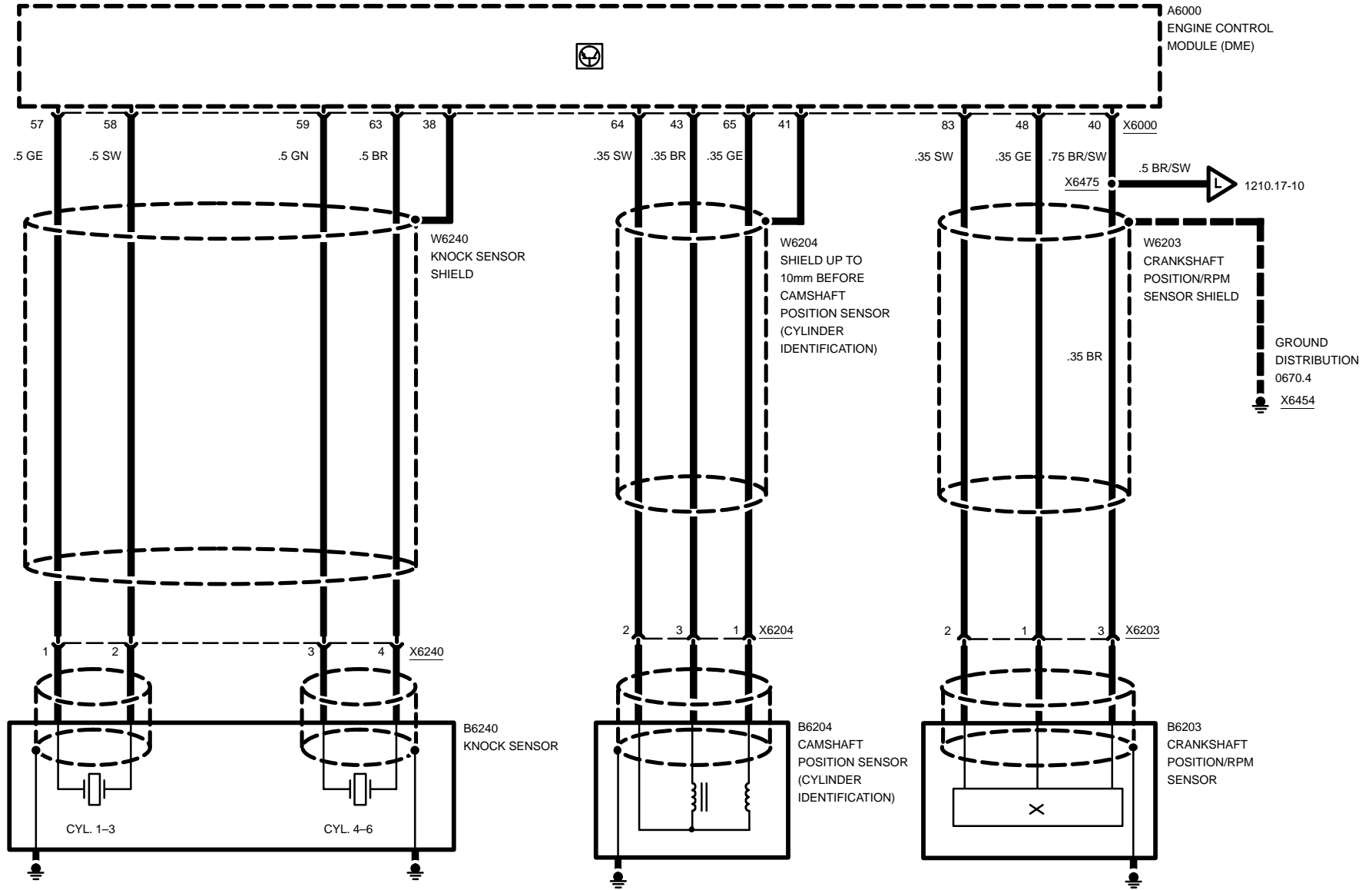


ENGINE CONTROL SYSTEM MS41.1 (6-CYLINDER M52)



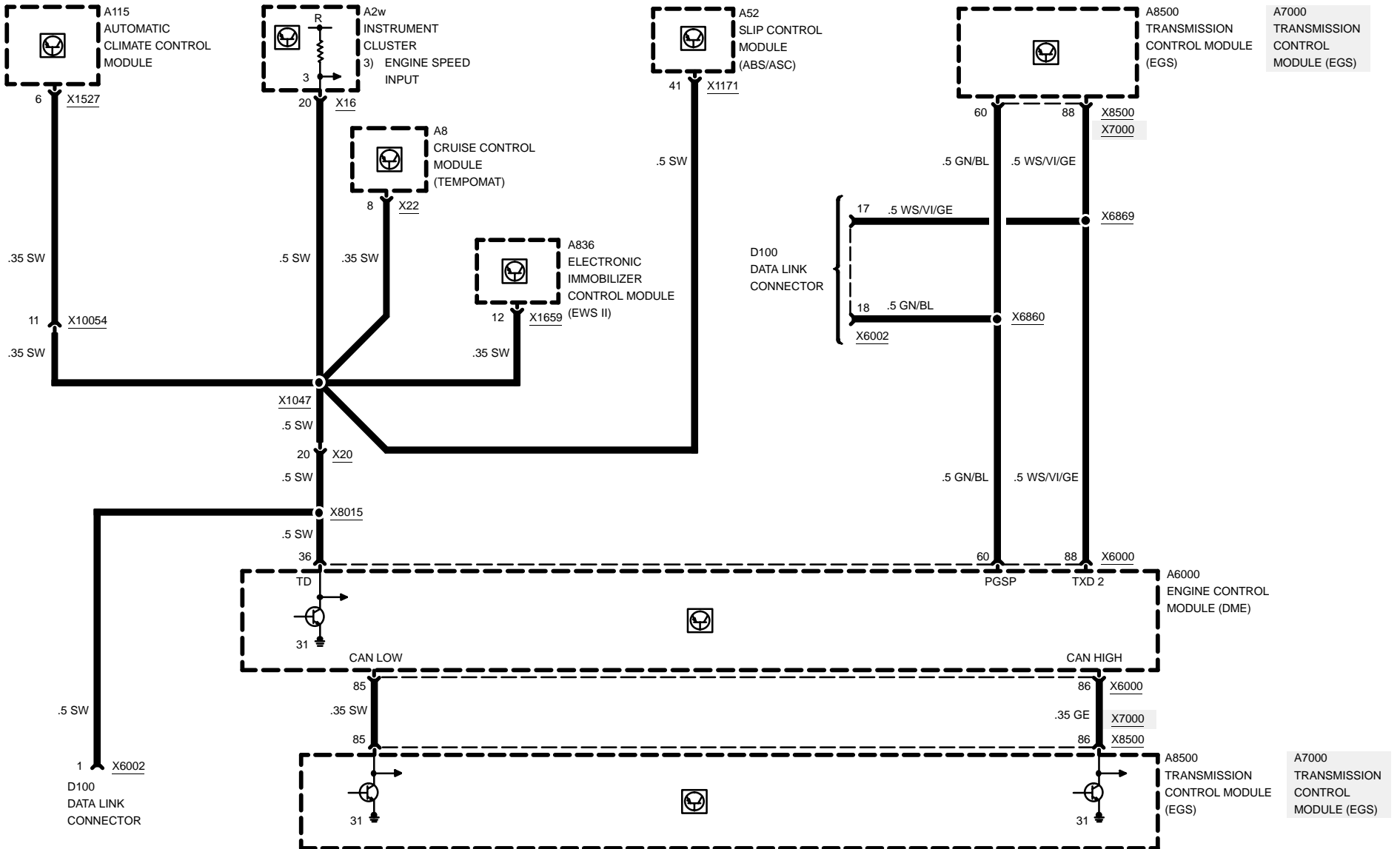


ENGINE CONTROL SYSTEM MS41.1 (6-CYLINDER M52)



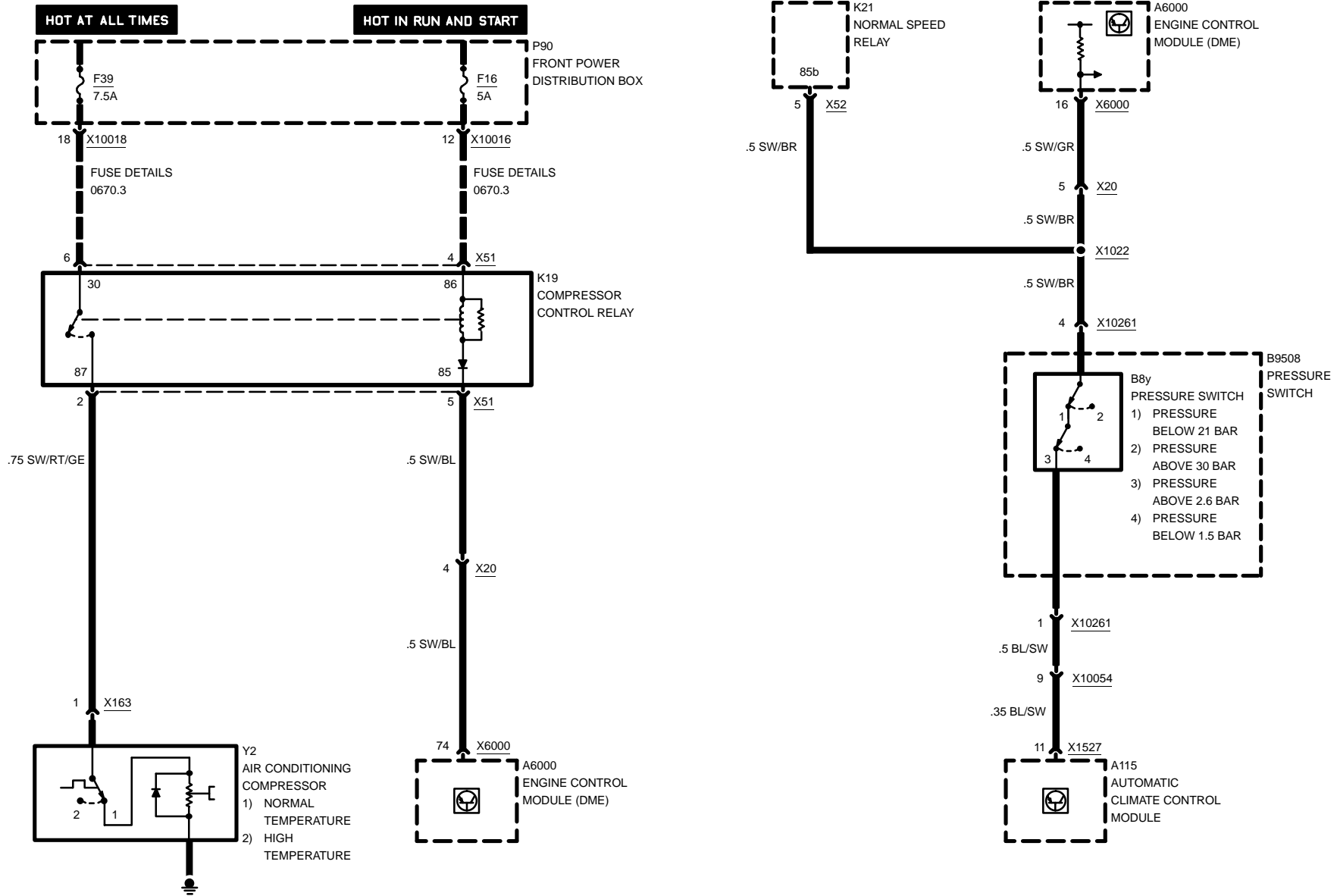


ENGINE CONTROL SYSTEM MS41.1 (6-CYLINDER M52)



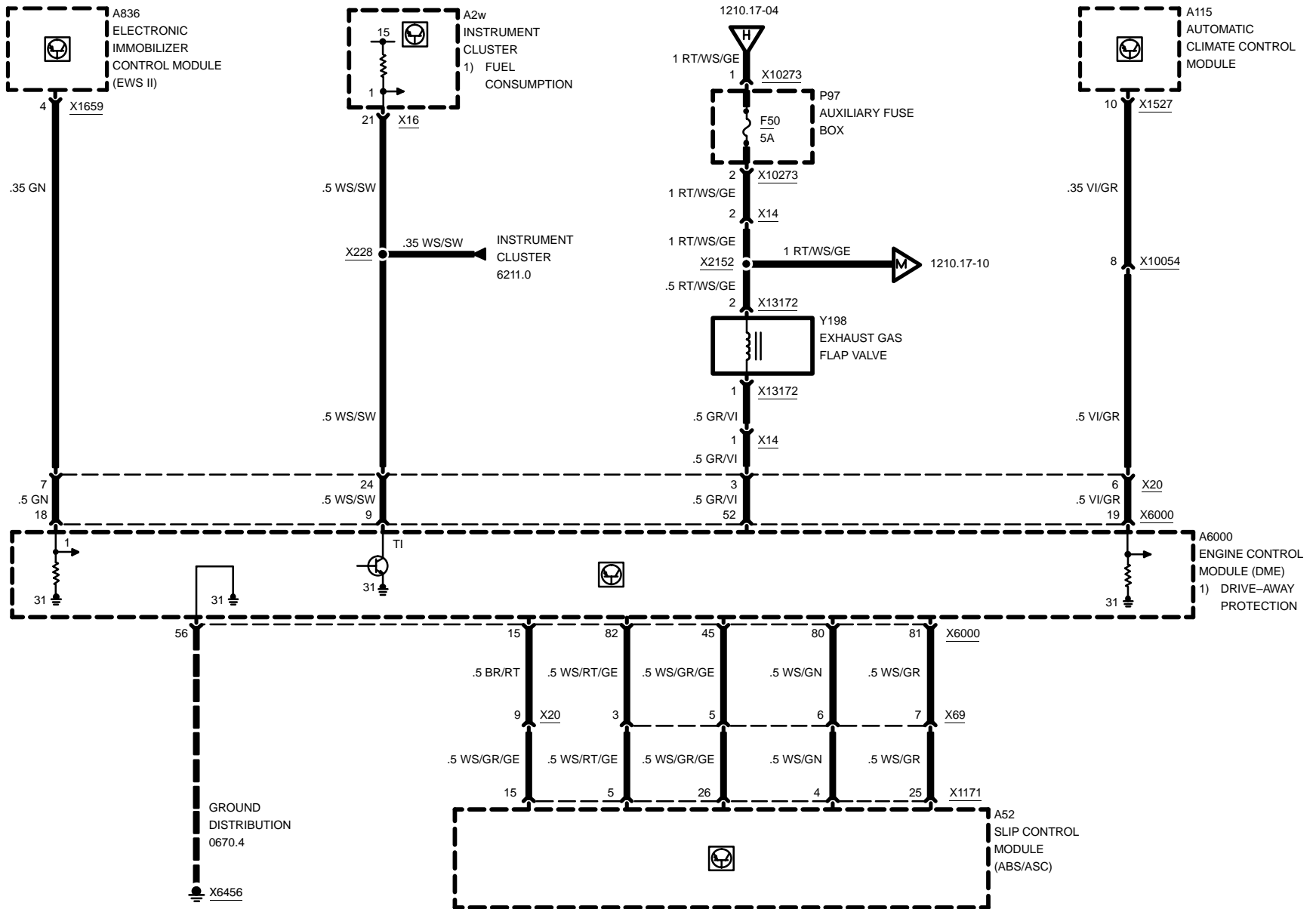


ENGINE CONTROL SYSTEM MS41.1 (6-CYLINDER M52)





ENGINE CONTROL SYSTEM MS41.1 (6-CYLINDER M52)

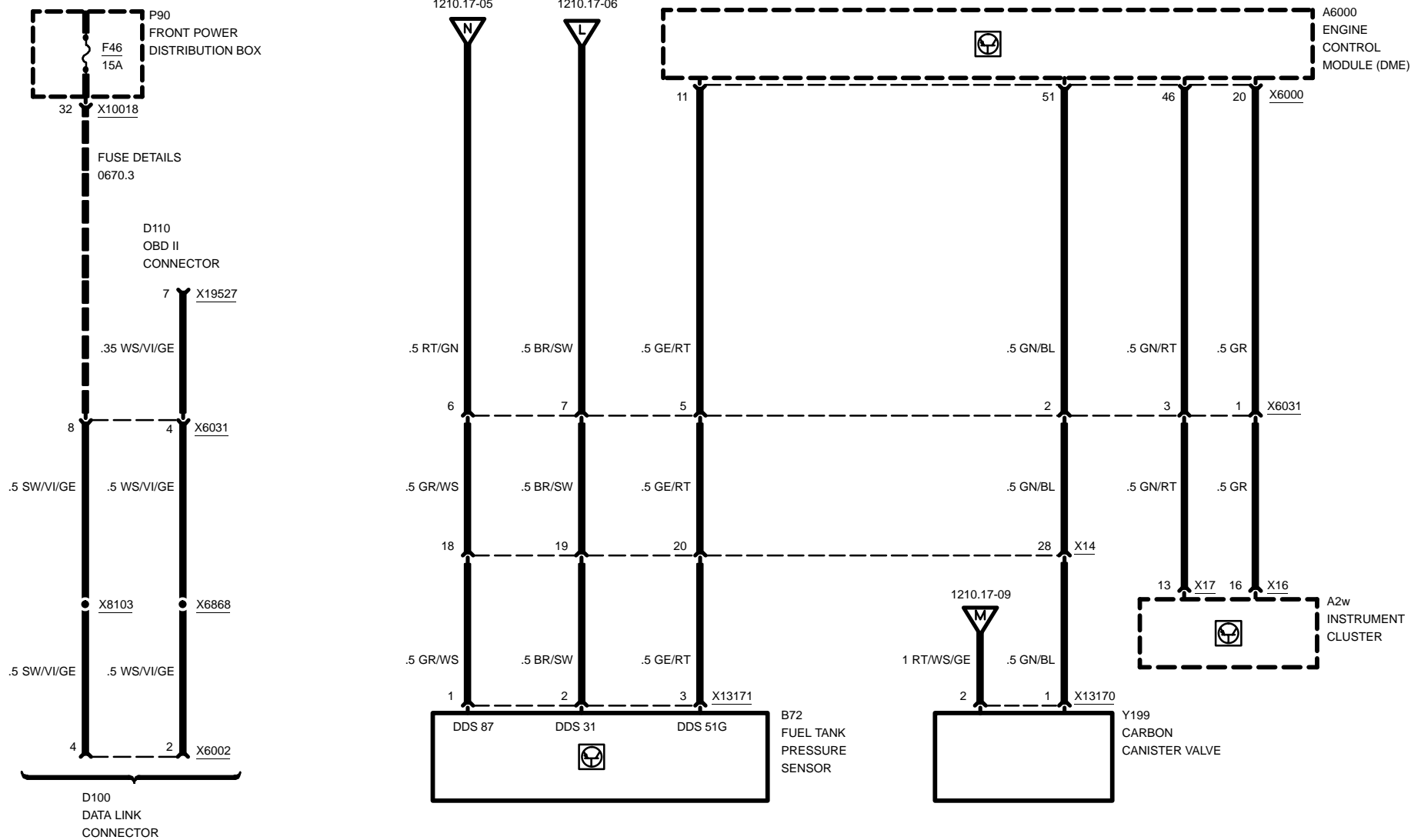




ENGINE CONTROL SYSTEM MS41.1 (6-CYLINDER M52)

OBD II DIAGNOSIS

HOT IN ACCY RUN AND START

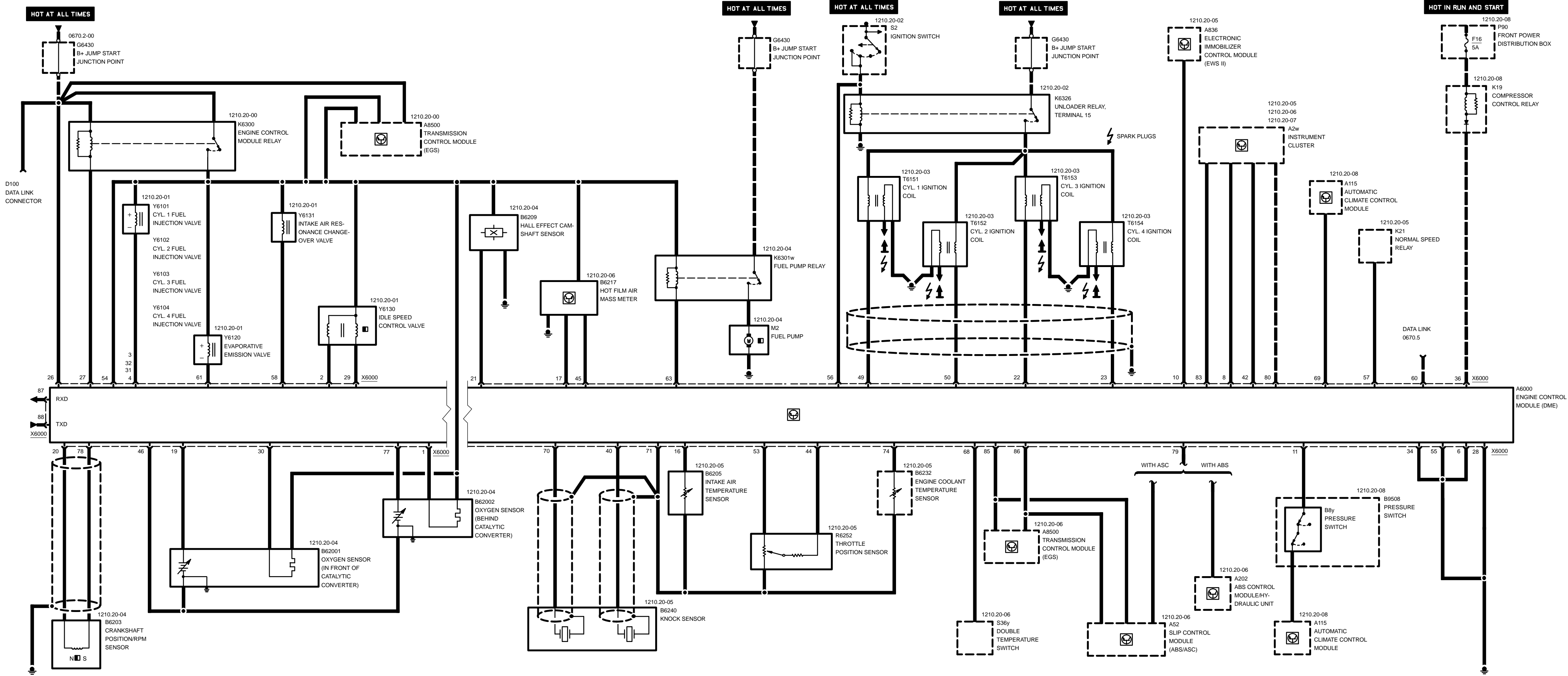


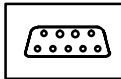
1210.20 ENGINE CONTROL SYSTEM (DME M5.2, 4-CYLINDER M44)

04/99

1210.20

1998



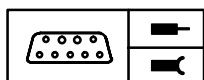


Pin Assignments

X6000

Pin	Type	Description/Function	Connection
89	M	Oxygen sensor heating ground	Oxygen sensor (behind catalytic converter)
90	A	Activate valve	Idle speed control valve
91	A	Activate valve	Cyl. 1 fuel injection valve
92	A	Activate valve	Cyl. 4 fuel injection valve
93		Not used	
94	M	Ground, fuel injection valve output stages	Ground point
95		Not used	
96	A	"Check engine" indicator control	Instrument cluster
97		Not used	
98	E	Drive-away protection signal	Electronic immobilizer control module (EWS II)
99	E	Activate A/C	Pressure switch
100		Not used	
101		Not used	
102		Not used	
103		Not used	
104	E	Intake air temperature	Intake air temperature sensor
105	M	Ground	Hot film air mass meter
106		Not used	
107	E	Oxygen sensor signal	Oxygen sensor (in front of catalytic converter)
108	E	Crankshaft position/RPM	Crankshaft position/RPM sensor
109	E	Camshaft position	Hall effect camshaft sensor
110	A	Cyl. 3 ignition coil control	Cyl. 3 ignition coil
111	A	Cyl. 4 ignition coil control	Cyl. 4 ignition coil
112		Not used	
113		Not used	
114	E	Battery voltage	B+ jump start junction point
115	A	Engine control module relay control	Engine control module relay, terminal 85
116	M	Ground for electronics and shielding of sensors	Ground point

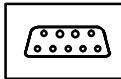
E = Input, A = Output, M = Ground



Pin Assignments

Pin	Type	Description/Function	Connection
117	A	Idle speed control valve control	Idle speed control valve
118	M	Oxygen sensor heating ground	Oxygen sensor (in front of catalytic converter)
119	A	Activate valve	Cyl. 3 fuel injection valve
120	A	Activate valve	Cyl. 2 fuel injection valve
121		Not used	
122	M	Ground, remaining output stages (except for ignition and fuel injection valves)	Ground point
123		Not used	
124	A	A/C compressor cut-out	Compressor control relay
125		Not used	
126		Not used	
127		Not used	
128	E	Cyl. 3-4 knock sensor	Knock sensor
129		Not used	
130	E	TI-measurement signal (fuel consumption)	Instrument cluster
131		Not used	
132	E	Throttle position	Throttle position sensor
133	E	Signal input	Hot film air mass meter
134	M	Sensor ground	Oxygen sensors
135		Not used	
136		Not used	
137	A	Cyl. 1 ignition coil control	Cyl. 1 ignition coil
138	A	Cyl. 2 ignition coil control	Cyl. 2 ignition coil
139		Not used	
140		Not used	
141	A	Component supply (+)	Throttle position sensor
142	E	Battery voltage from engine control module relay	Engine control module relay, terminal 87
143	M	Ground, ignition	Ground point
144	E	Ignition switch, terminal 15	Ignition switch, terminal 15
145	A	Activate auxiliary fan	Normal speed relay
146	A	Activate valve	Intake air resonance changeover valve

E = Input, A = Output, M = Ground



Pin Assignments

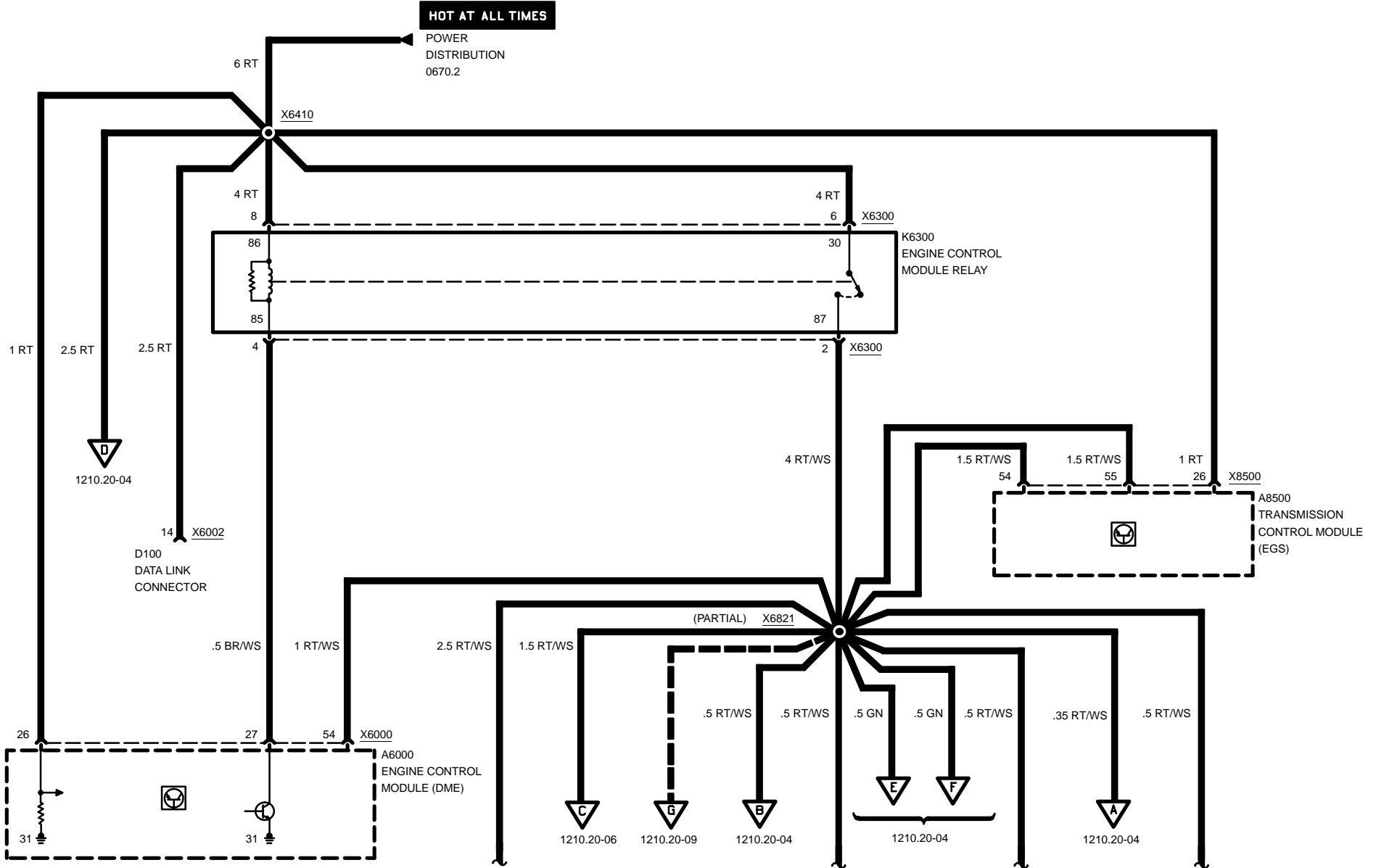
Pin	Type	Description/Function	Connection
147		Not used	
148	E	Programming voltage	Data link connector
149	A	Activate valve	Evaporation emission valve
150		Not used	
151	A	Activate relay	Fuel pump relay
152	A	Secondary air pump valve control	Secondary air pump valve
153	A	Carbon canister valve control	Carbon canister valve
154	A	Fuel changeover valve	Fuel changeover valve
155		Not used	
156	E	Signal above 80 °C	Double temperature switch
157	E	A/C-ON-signal	Air conditioning operating unit
158	E	Cyl 1-2 knock sensor	Knock sensor
159	M	Ground for sensors	Temperature-/knock-/throttle position sensors
160	E	Fuel tank pressure	Fuel tank pressure sensor
161		Not used	
162	E	Temperature signal	Engine coolant temperature sensor
163		Not used	
164		Not used	
165	E	Oxygen sensor signal	Oxygen sensor (behind catalytic converter)
166	E	Crankshaft position/RPM	Crankshaft position/RPM sensor
167	E	Speed signal right rear	ABS/ASC control module
168	A	Crankshaft RPM speed signal TD	Instrument cluster
169		Not used	
170		Not used	
171	E	Vehicle speed signal	Instrument cluster
172		Not used	
173	E/A	CAN-LOW	EGS/ASC control module
174	E/A	CAN-HIGH	EGS/ASC control module
175	A	RxD diagnosis data line	Data link connector
176	E/A	TxD diagnosis data line	Data link connector

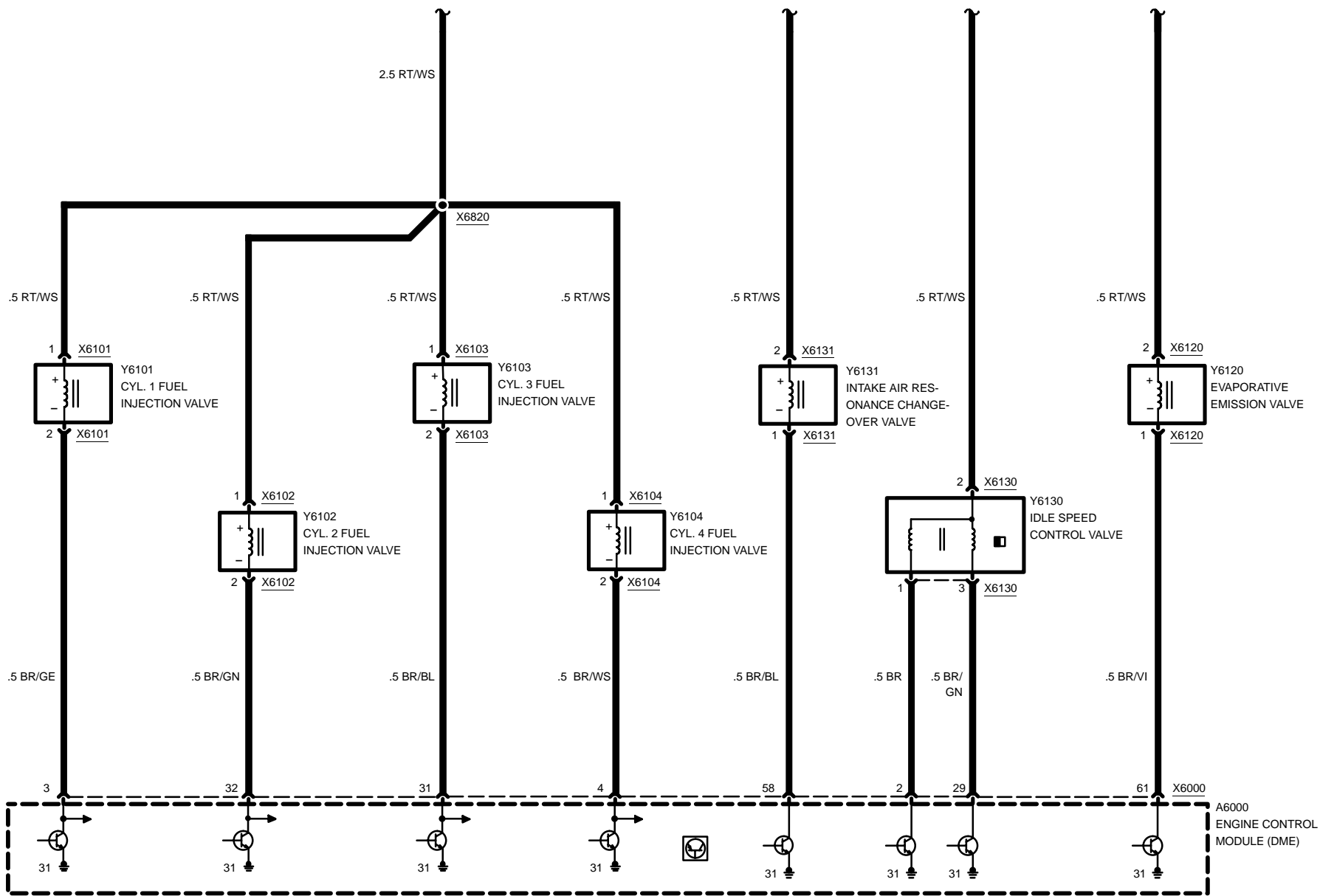
E = Input, A = Output, M = Ground



ENGINE CONTROL SYSTEM (DME M5.2, 4-CYLINDER M44)

POWER, FUEL INJECTION VALVES

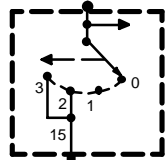




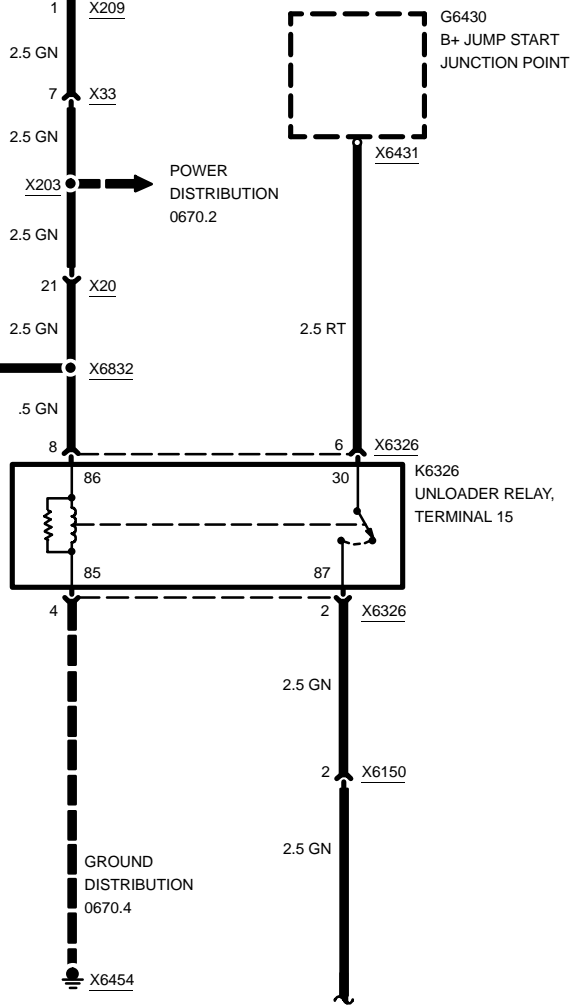


ENGINE CONTROL SYSTEM (DME M5.2, 4-CYLINDER M44)

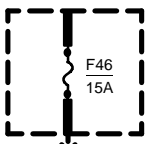
HOT AT ALL TIMES



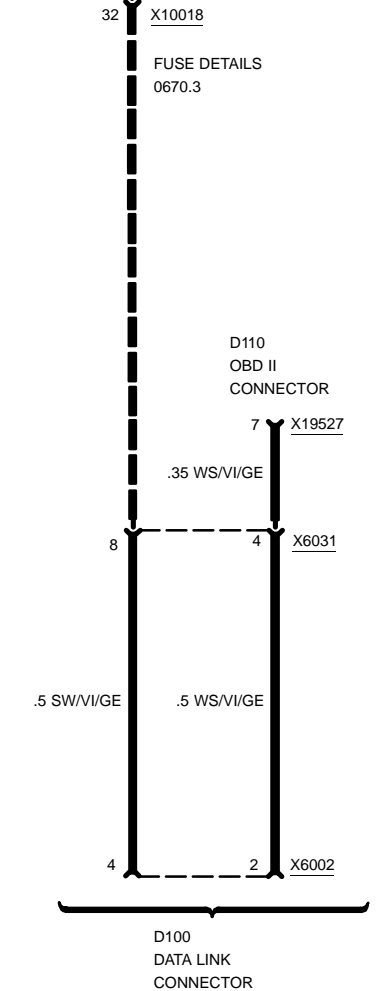
- S2
IGNITION SWITCH
- 0) OFF
 - 1) ACCESSORY
 - 2) RUN
 - 3) START

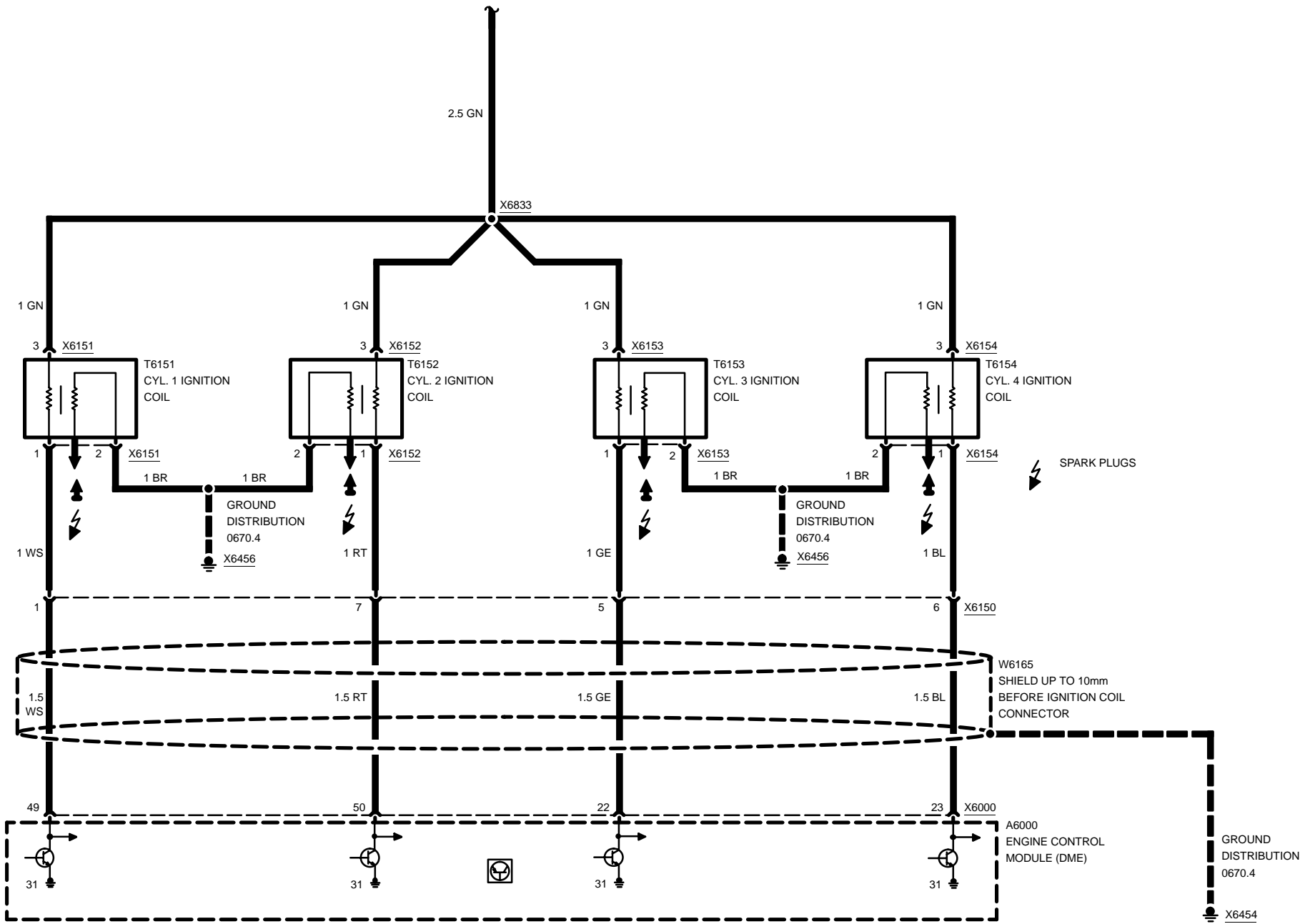


HOT IN ACCY, RUN AND START



P90
FRONT POWER
DISTRIBUTION BOX

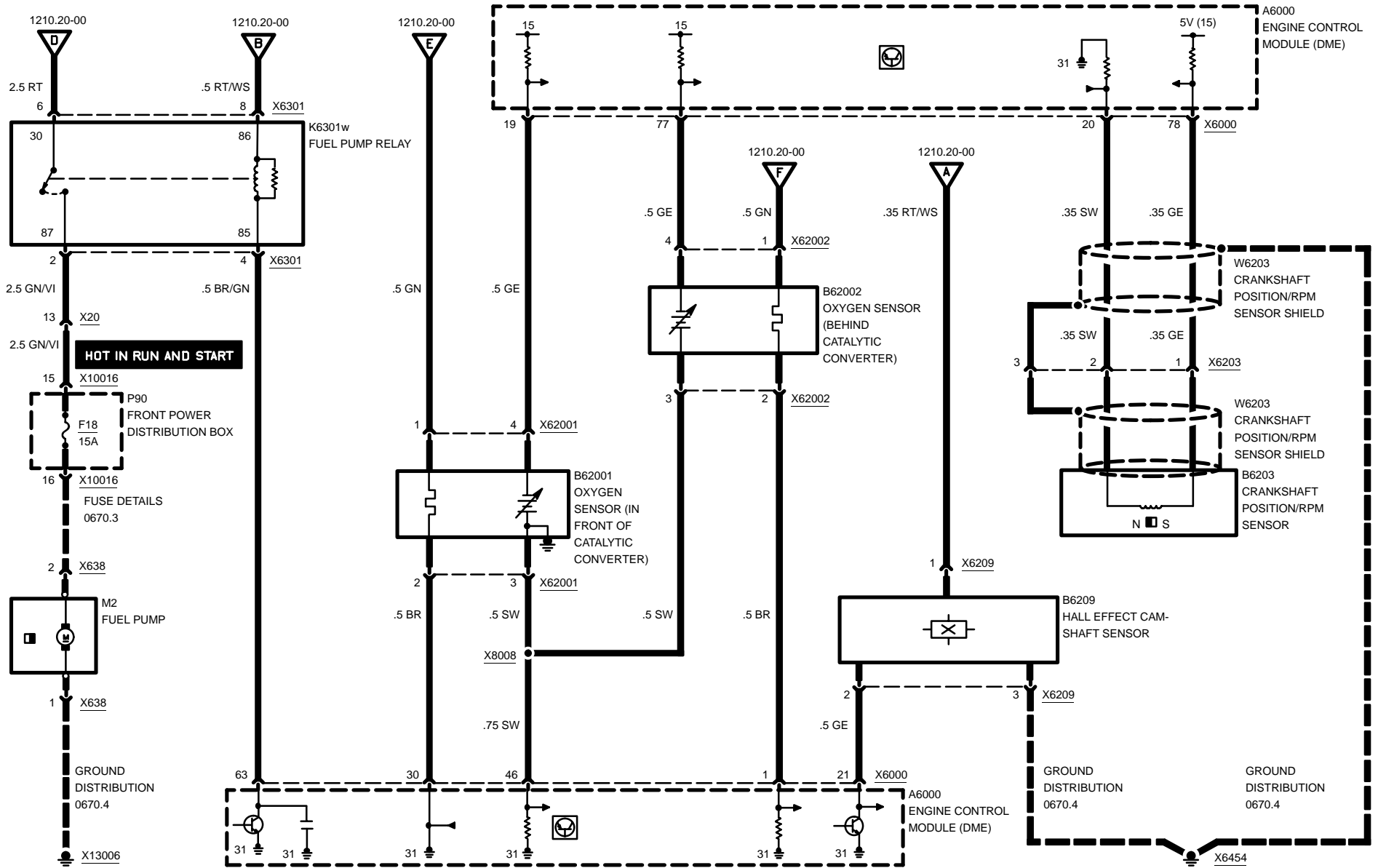




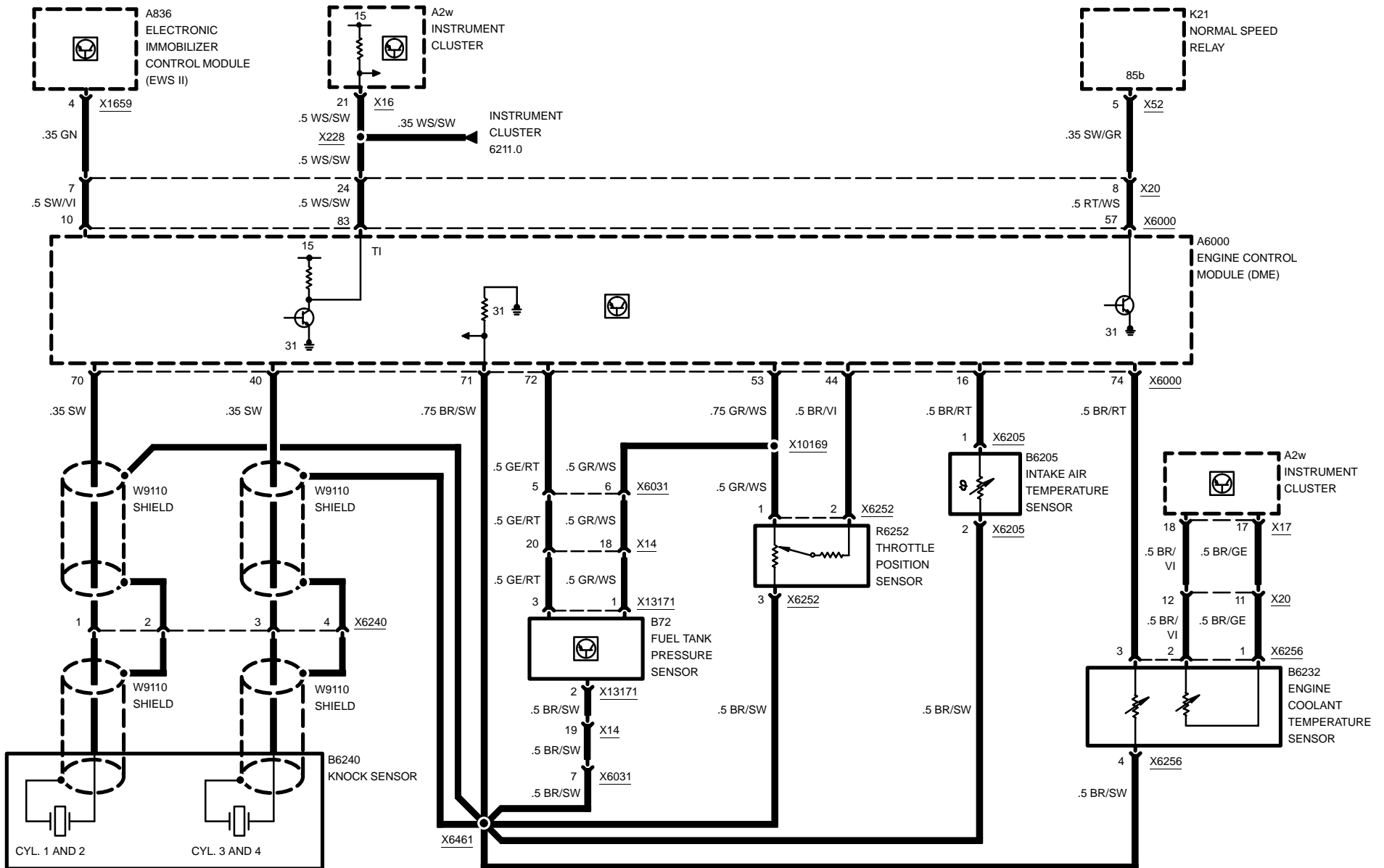


ENGINE CONTROL SYSTEM (DME M5.2, 4-CYLINDER M44)

FUEL PUMP, HEATED OXYGEN SENSOR, CRANKSHAFT SENSORS

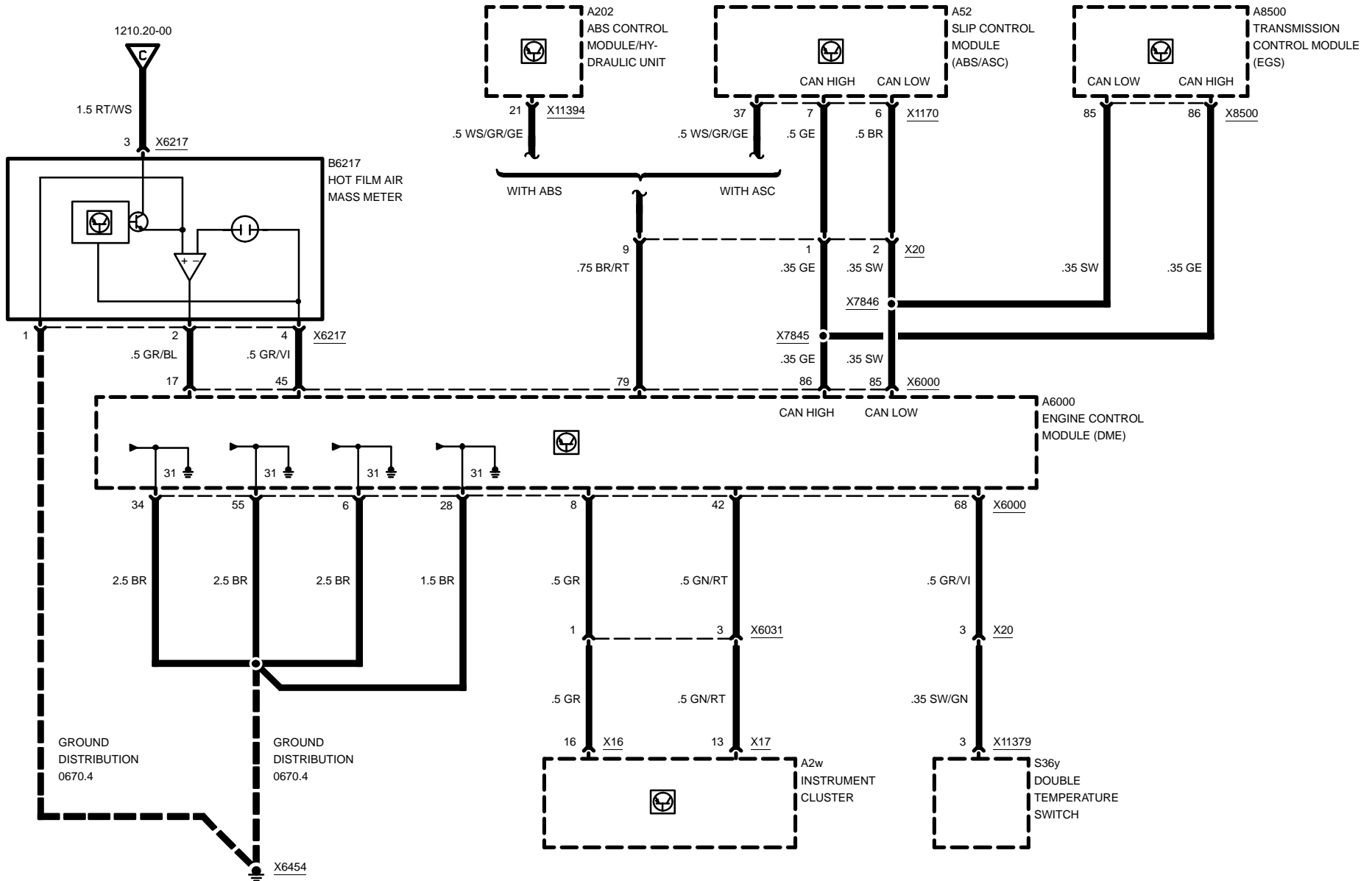


ENGINE CONTROL SYSTEM (DME M5.2, 4-CYLINDER M44)





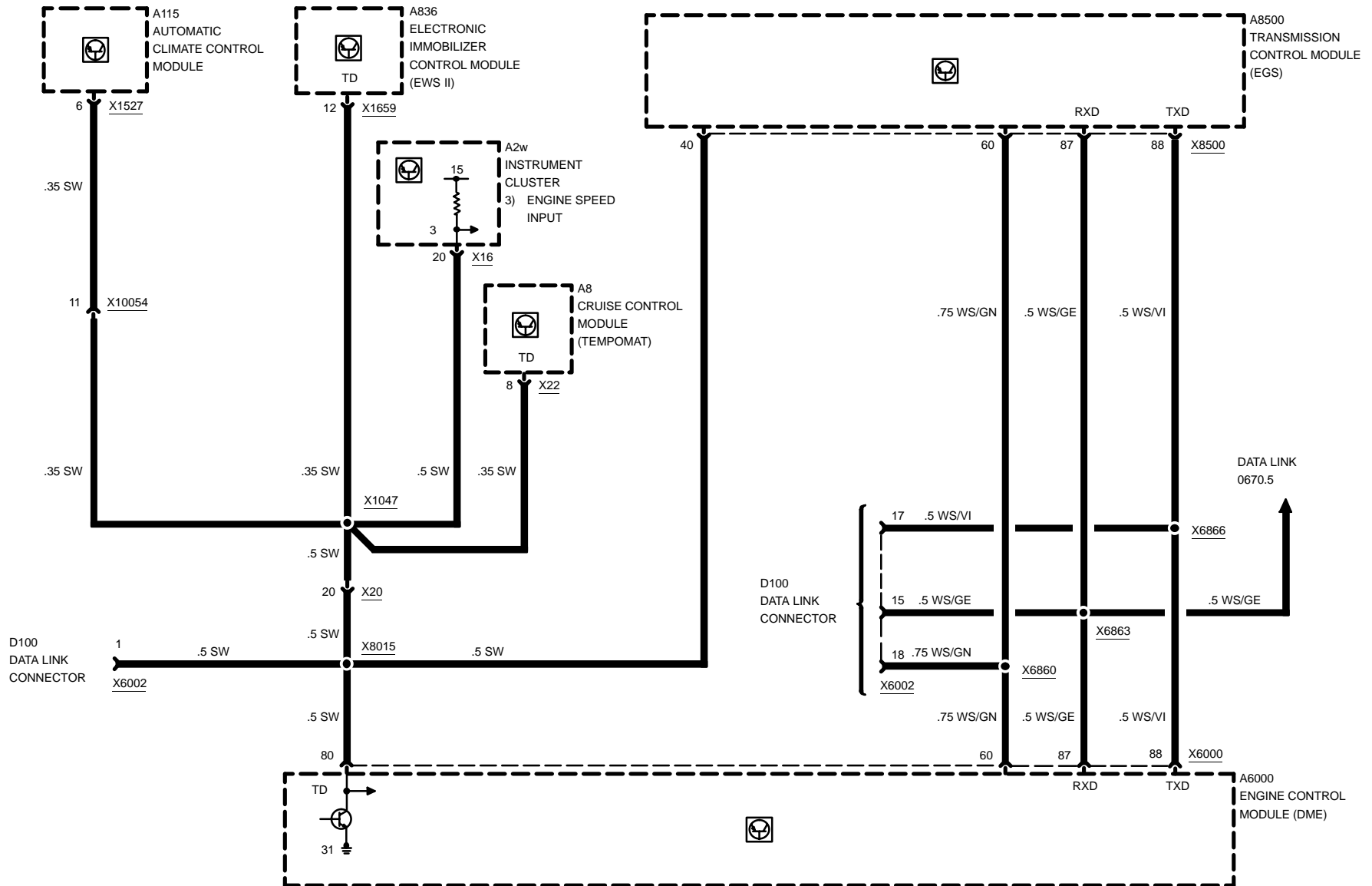
ENGINE CONTROL SYSTEM (DME M5.2, 4-CYLINDER M44)





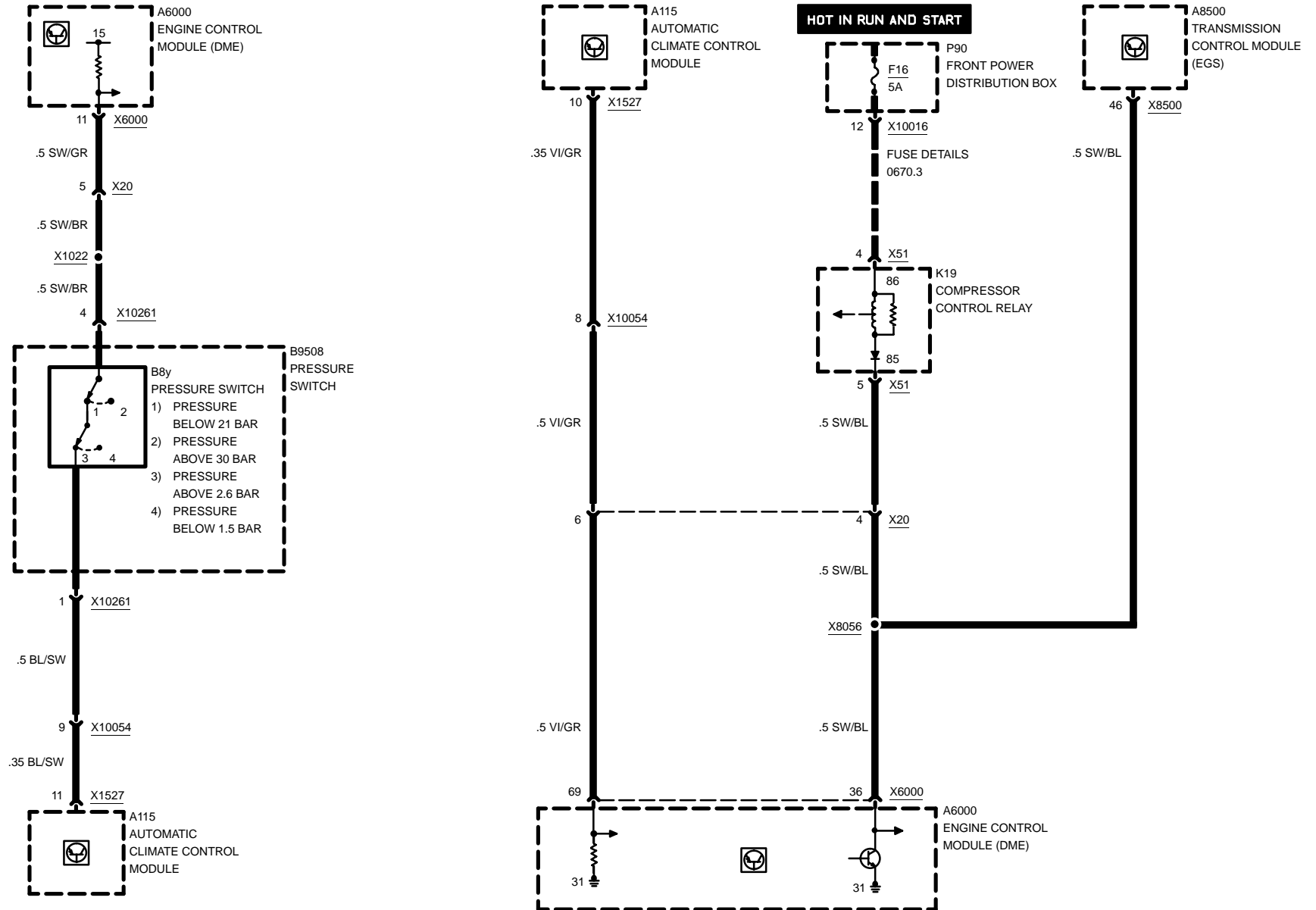
ENGINE CONTROL SYSTEM (DME M5.2, 4-CYLINDER M44)

DATA LINK



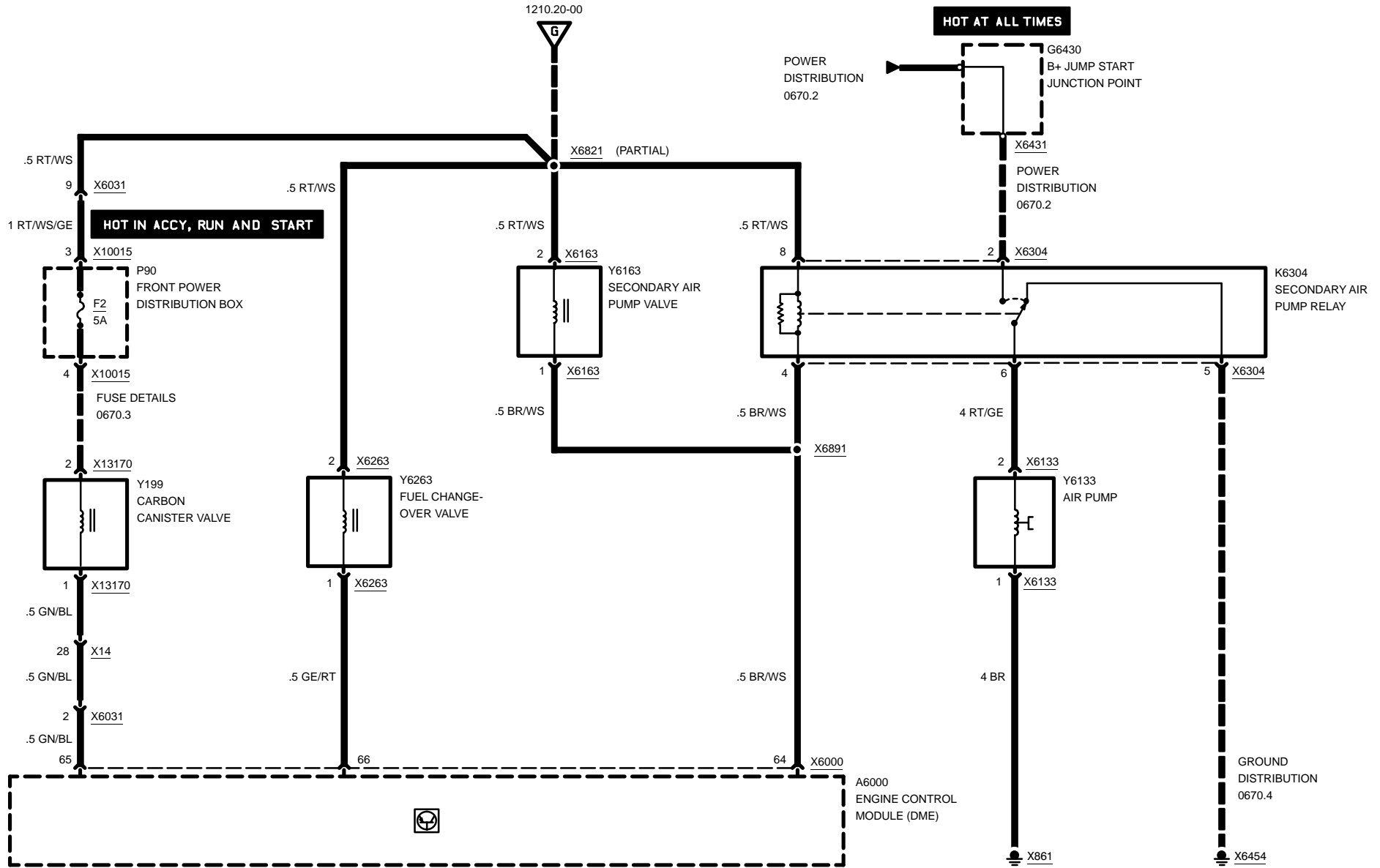


ENGINE CONTROL SYSTEM (DME M5.2, 4-CYLINDER M44)





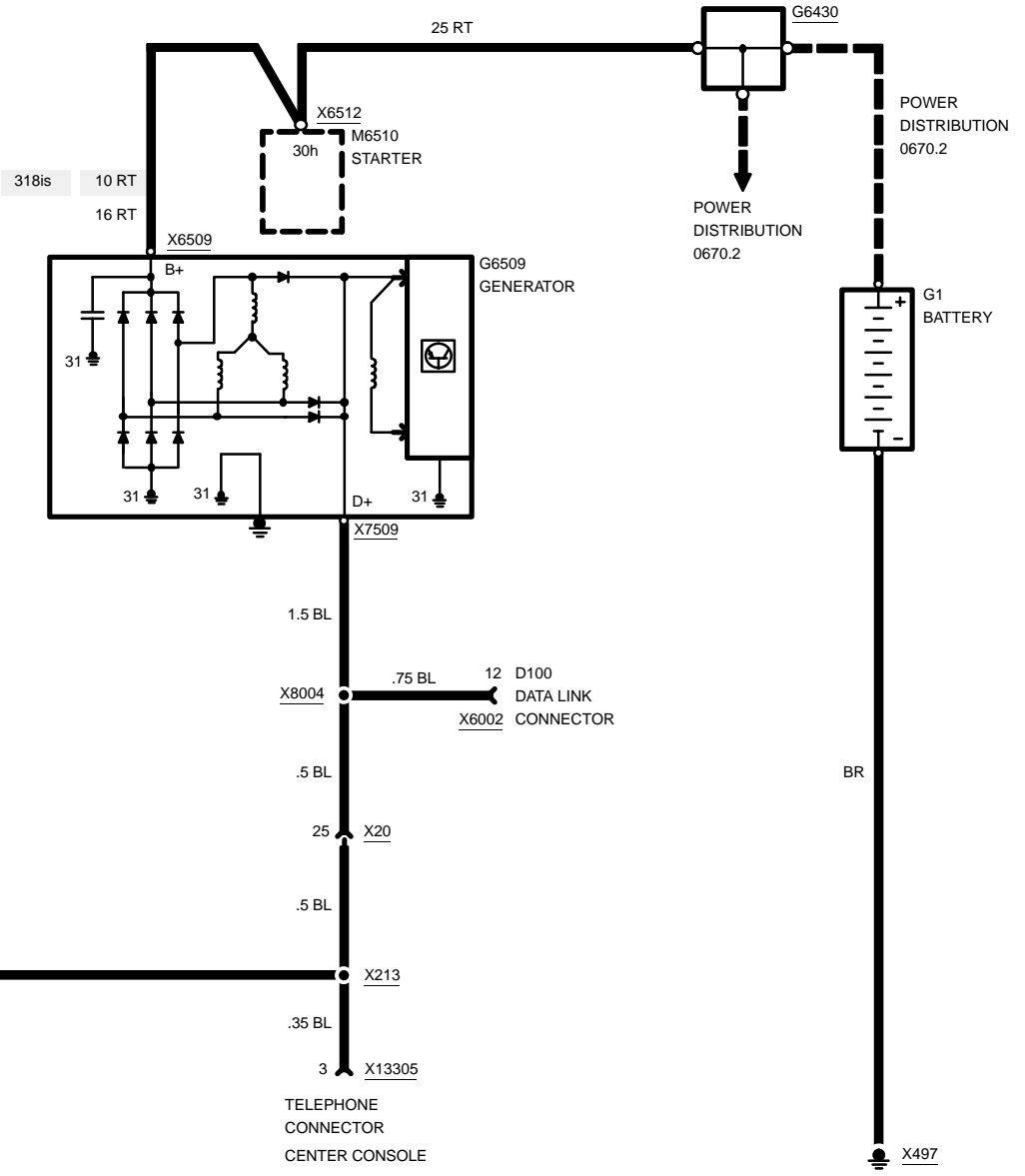
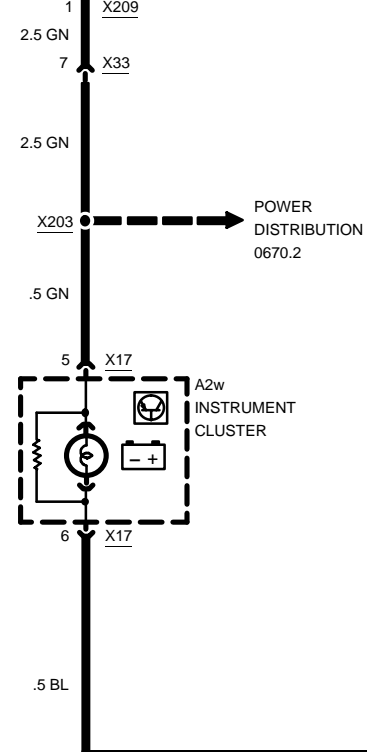
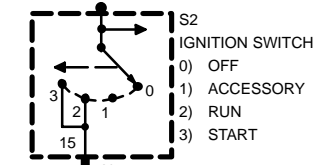
ENGINE CONTROL SYSTEM (DME M5.2, 4-CYLINDER M44)





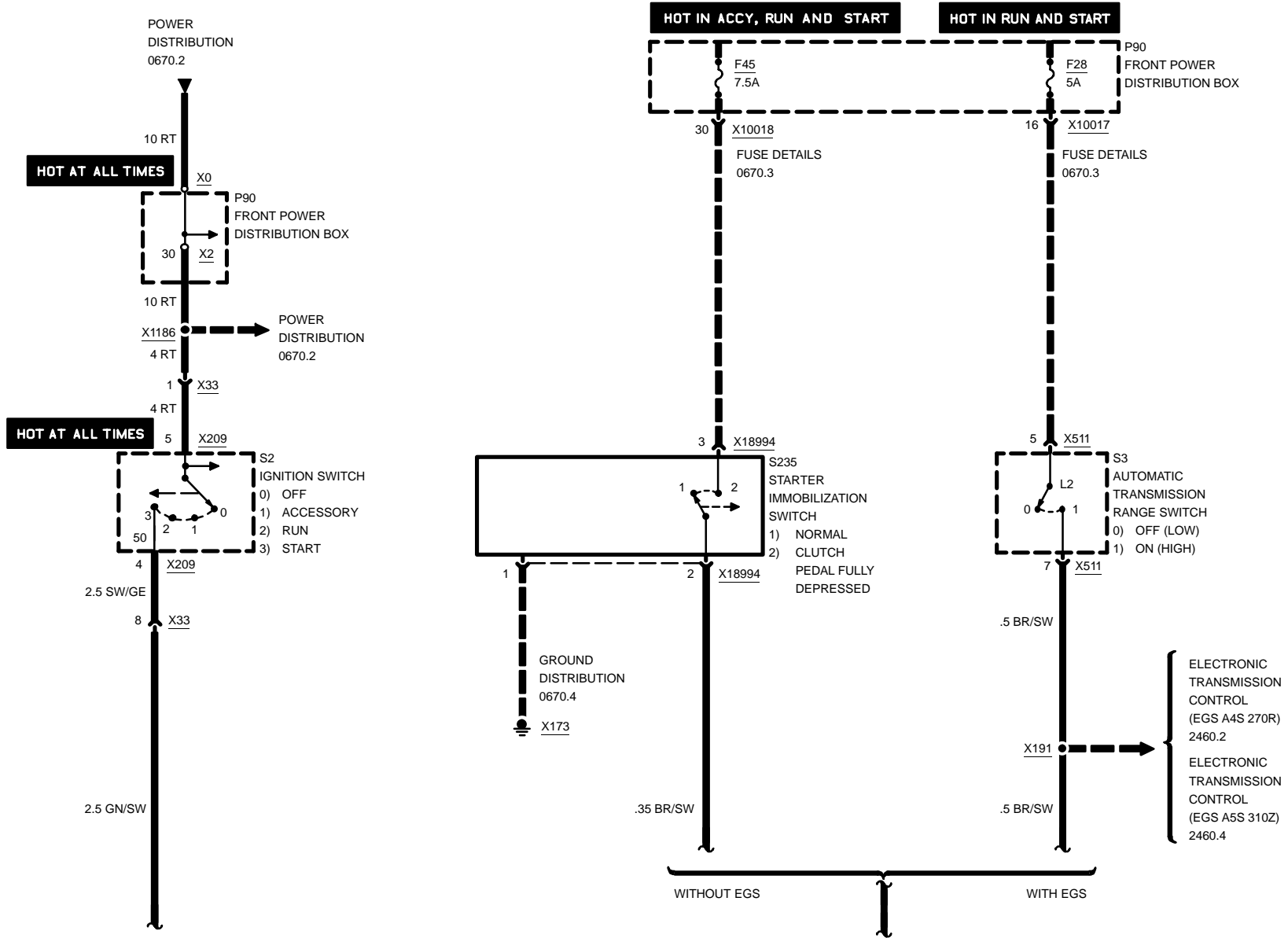
1230.0 CHARGING SYSTEM

HOT AT ALL TIMES



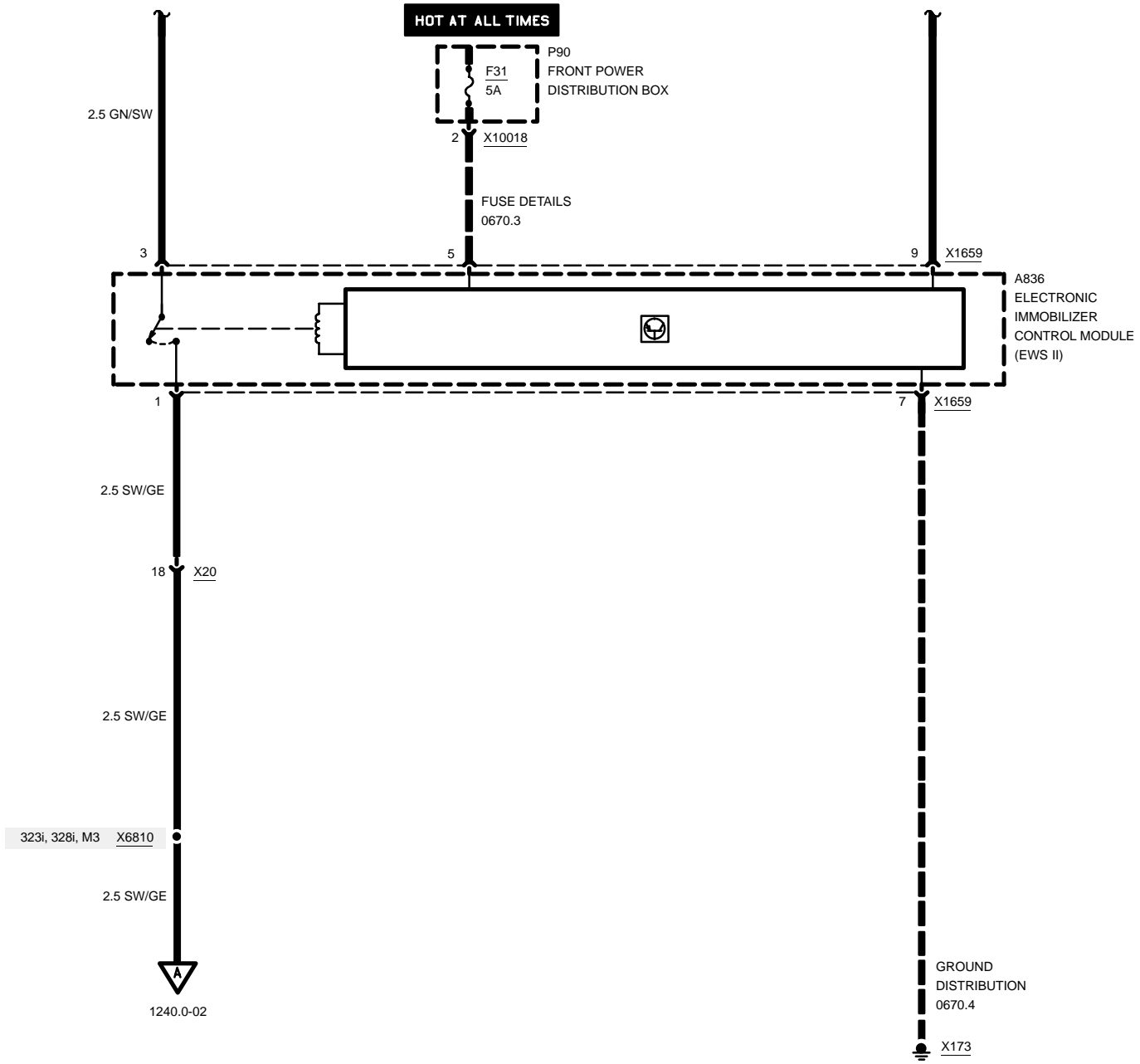


1240.0 START



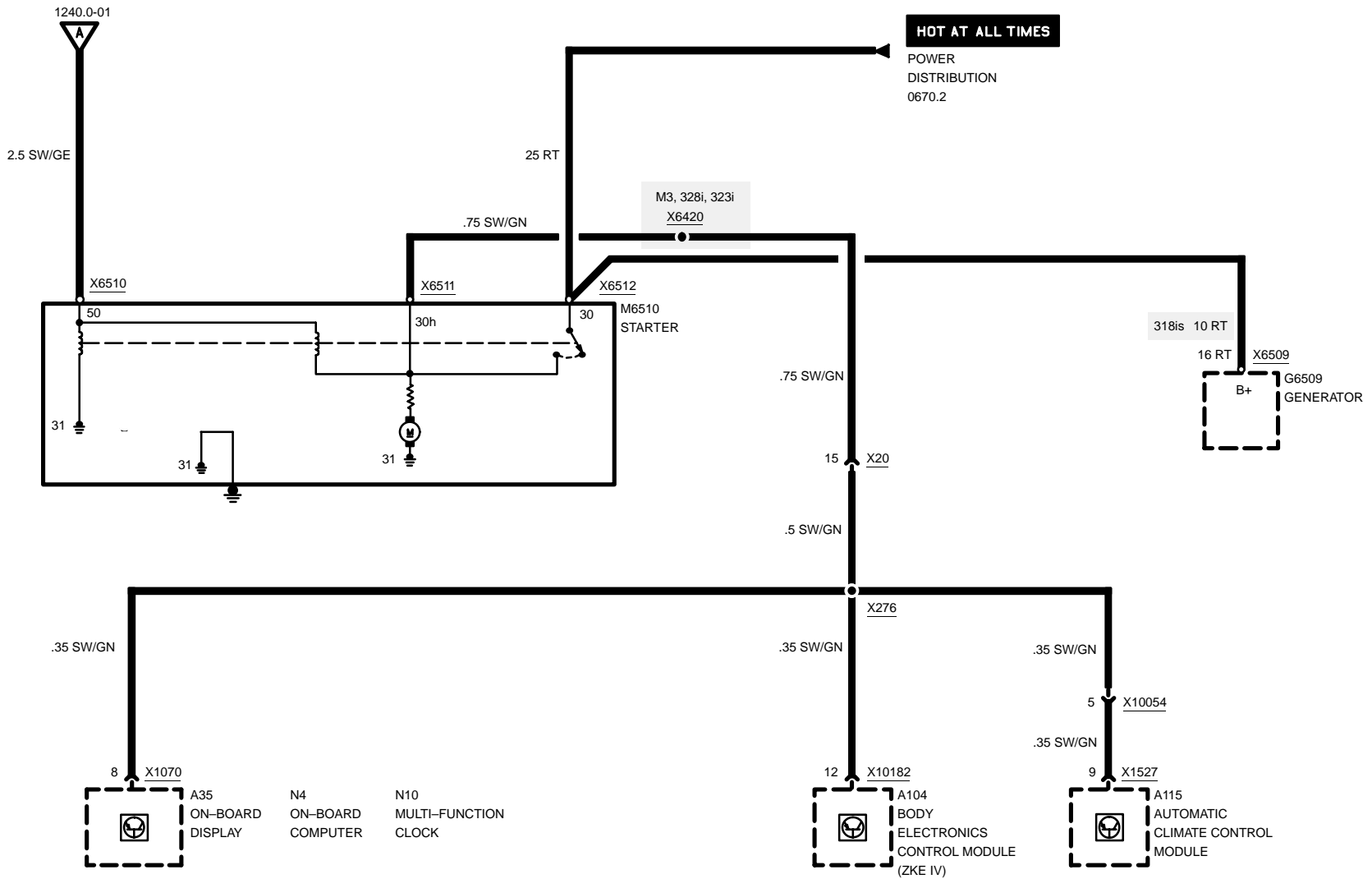
EGS A4S 270R
EGS A5S 310Z

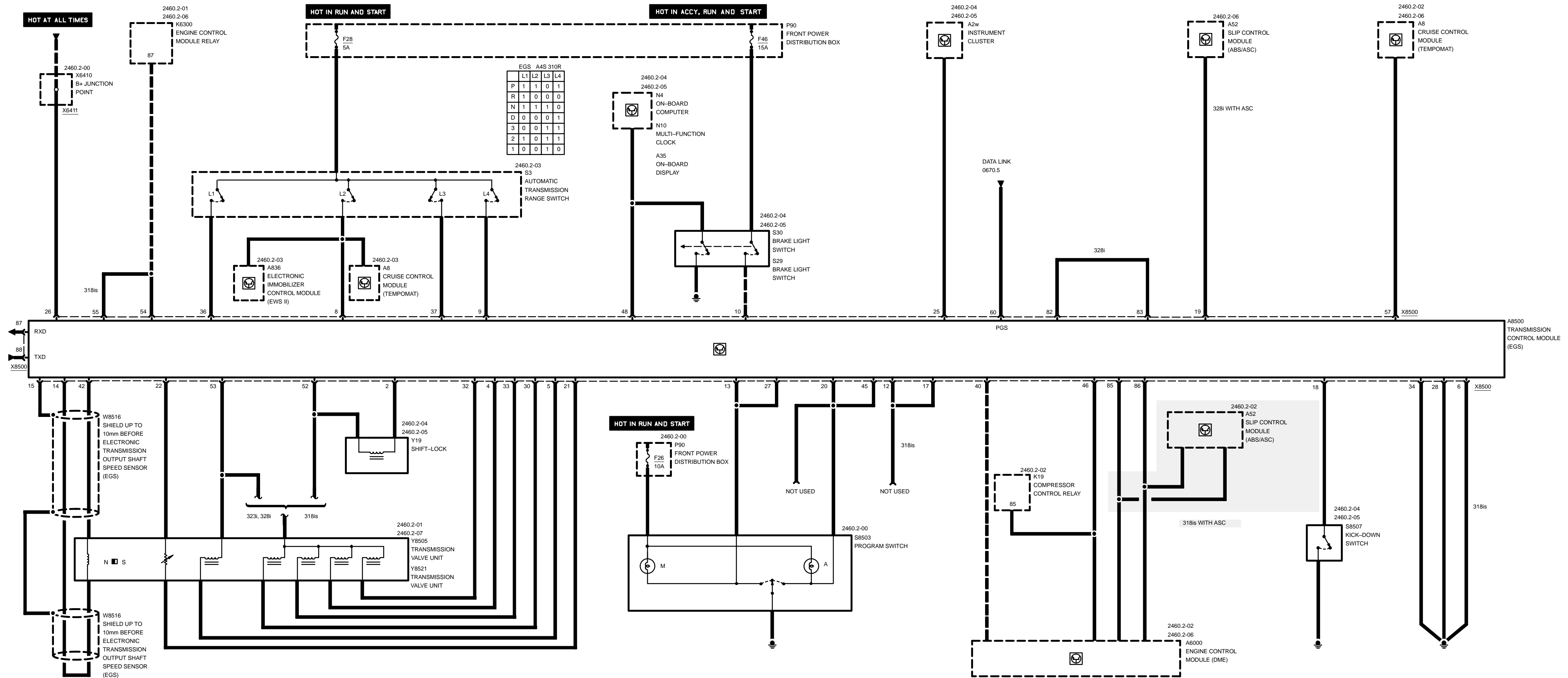
	L1	L2	L3	L4
P	1	1	0	1
R	1	0	0	0
N	1	1	1	0
D	0	0	0	1
3	0	0	1	1
2	1	0	1	1
1	0	0	1	0

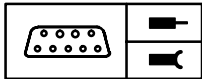




START





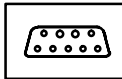


Pin Assignments

X8500

Pin	Type	Description/Function	Connection
177		Not used	
178	A	Shift-lock solenoid control	Shift-lock
179		Not used	
180	A	Band solenoid	Transmission valve unit (318is)
4	A	Solenoid valve 3 control (-)	Transmission valve unit (328i)
181	A	Hydraulic pressure regulator control (-)	Transmission valve unit
182	M	Ground	Ground point (318is)
183		Not used	
184	E	Gear range signal L2	Automatic transmission range switch
185	E	Gear range signal L4	Automatic transmission range switch
186	E	Brake pedal position	Brake light switch
187		Not used	
188	E	Sport mode signal	Not used
189	E	Manual mode signal	Program switch
190	E	Output speed (-)	Transmission valve unit
191	M	Ground for shield	Shield for speed sensor
192		Not used	
193	A	S-program indication	Not used
194	E	Kick-down signal	Kick-down switch
195	E	ASC signal	ASC module (328i)
196	E	Automatic mode signal	Program switch
197	E	Oil temperature signal (-)	Transmission valve unit
198	E	Oil temperature signal (+)	Transmission valve unit
199		Not used	
200		Not used	
201	A	Fault indicator signal	Instrument cluster
202	E	Battery voltage	B+ jump start junction point
203	A	M-program indication	Program switch
204	M	Ground	Ground point
205		Not used	

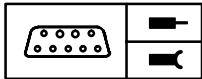
E = Input, A = Output, M = Ground



Pin Assignments

Pin	Type	Description/Function	Connection
206	A	Solenoid valve 1 control (-)	Transmission valve unit
207		Not used	
208	A	Torque converter clutch solenoid valve control (-)	Transmission valve unit
209	A	Solenoid valve 2 control (-)	Transmission valve unit
210	M	Ground	Ground point
211		Not used	
212	E	Gear range signal L1	Automatic transmission range switch
213	E	Gear range signal L3	Automatic transmission range switch
214		Not used	
215		Not used	
216	E	RPM speed signal TD	Engine control module (318is)
217		Not used	
218	E	Output speed (+)	Transmission valve unit
219		Not used	
220		Not used	
221	A	A-program indication	Program switch
222	E	A/C compressor-ON-signal	Engine control module (318is)
223		Not used	
224	E	Brake switch test signal	Brake light switch
225		Not used	
226		Not used	
227		Not used	
228	A	Voltage supply	Shift-lock/Transmission valve unit (318is)
52	A	Voltage supply	Shift-lock (328i)
229	E	Voltage pressure regulator	Transmission valve unit
230	E	Voltage supply, terminal 87	Engine control module relay
231	E	Voltage supply, terminal 87	Engine control module relay (318is)
232		Not used	
233	E	Cruise control signal	Cruise control module
234		Not used	
235		Not used	

E = Input, A = Output, M = Ground



Pin Assignments

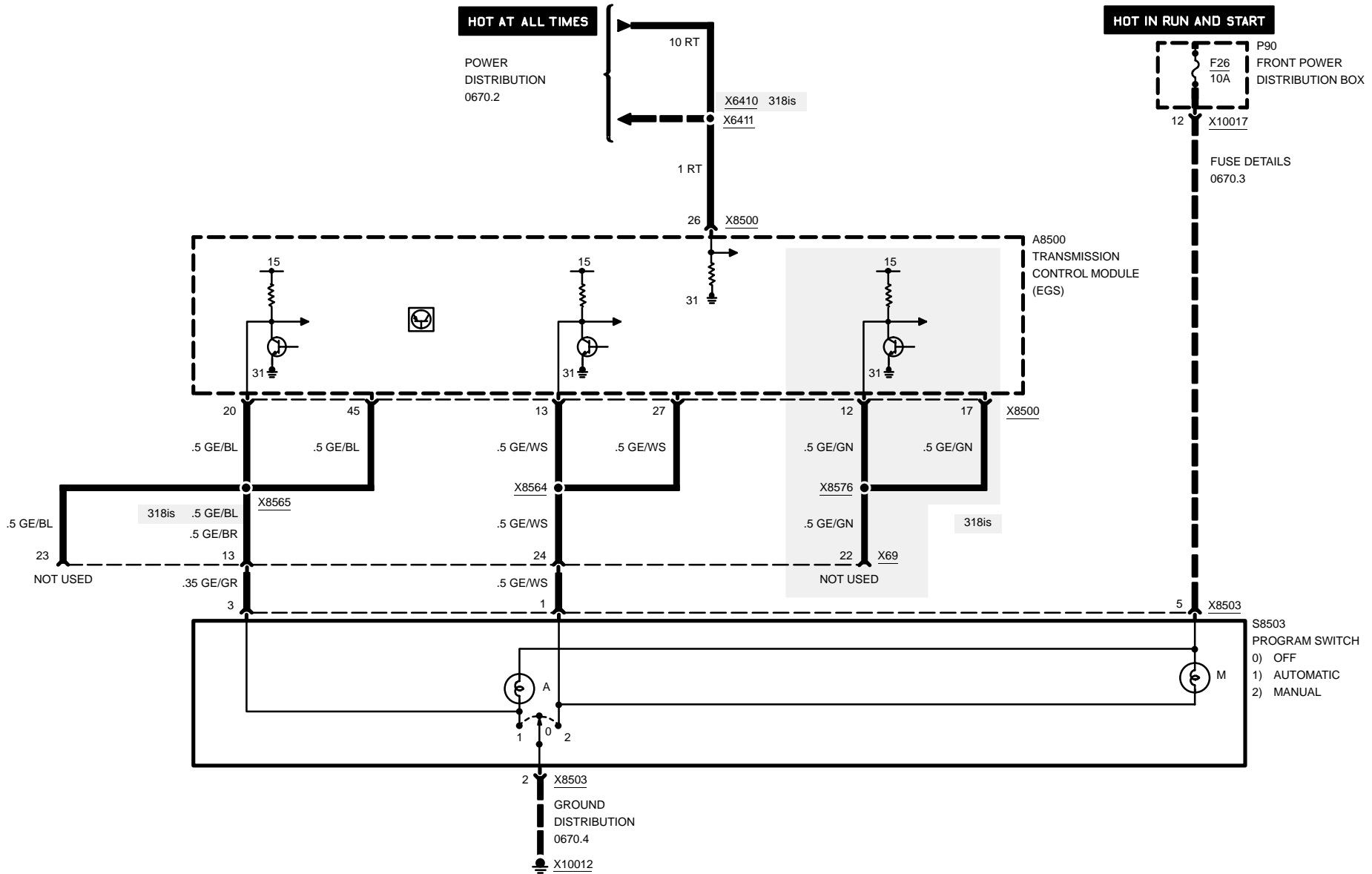
Pin	Type	Description/Function	Connection
236	E	Programming voltage	Data link connector
237		Not used	
238		Not used	
239		Not used	
240		Not used	
241		Not used	
242		Not used	
243		Not used	
244		Not used	
245		Not used	
246		Not used	
247		Not used	
248		Not used	
249		Not used	
250		Not used	
251		Not used	
252		Not used	
253		Not used	
254		Not used	
255		Not used	
256		Not used	
257		Not used	
258	E/A	Jumper plug	(328i)
259	E/A	Jumper plug	(328i)
260		Not used	
261	E/A	Can-Low	Engine control module
262	E/A	Can-High	Engine control module
263	A	RxD diagnostic data link	Data link connector (318is)
264	E/A	TxD diagnostic data link	Data link connector

E = Input, A = Output, M = Ground



ELECTRONIC TRANSMISSION CONTROL (EGS A4S 270R)

POWER, PROGRAM SWITCH

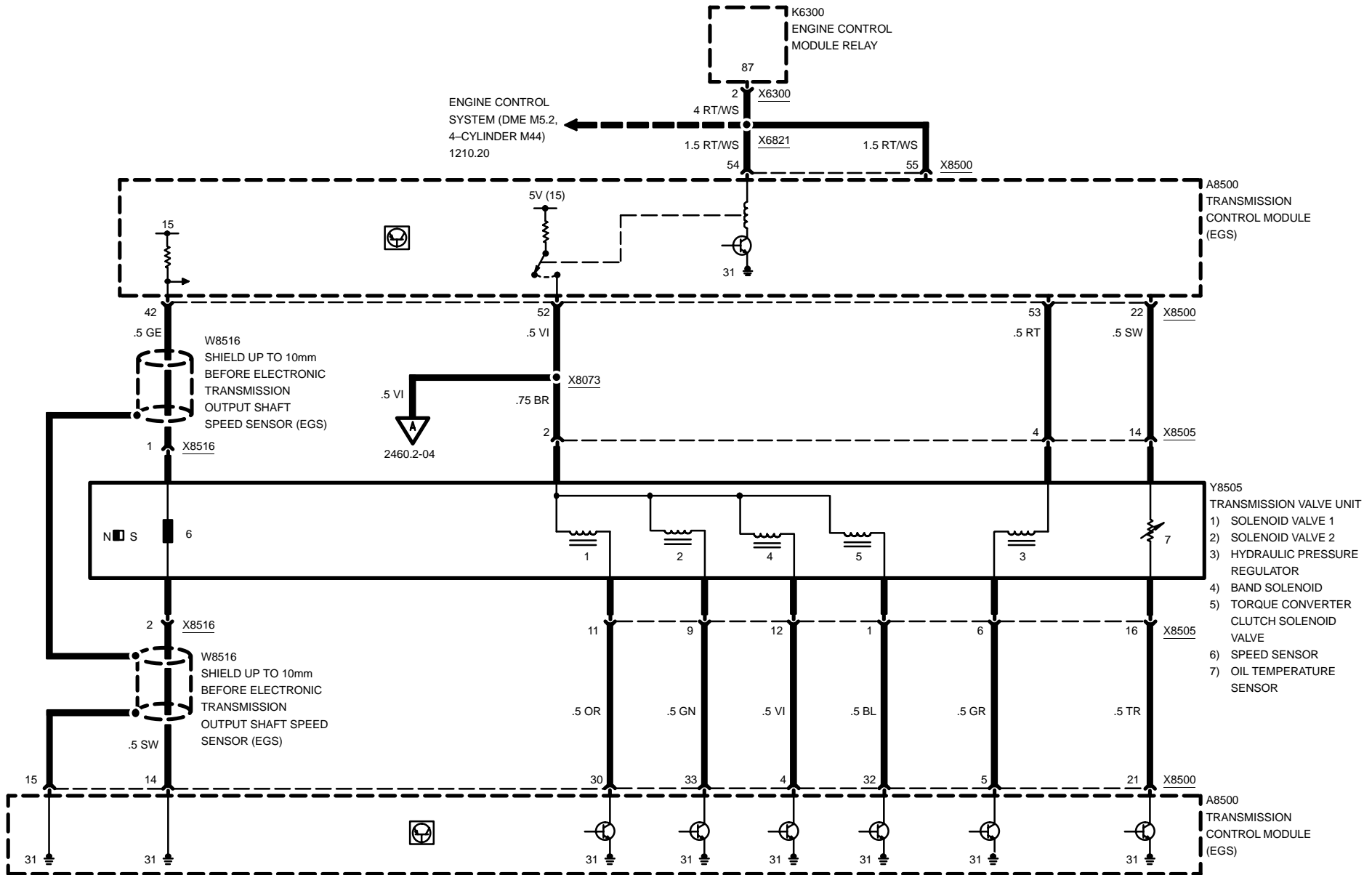




ELECTRONIC TRANSMISSION CONTROL (EGS A4S 270R)

318is

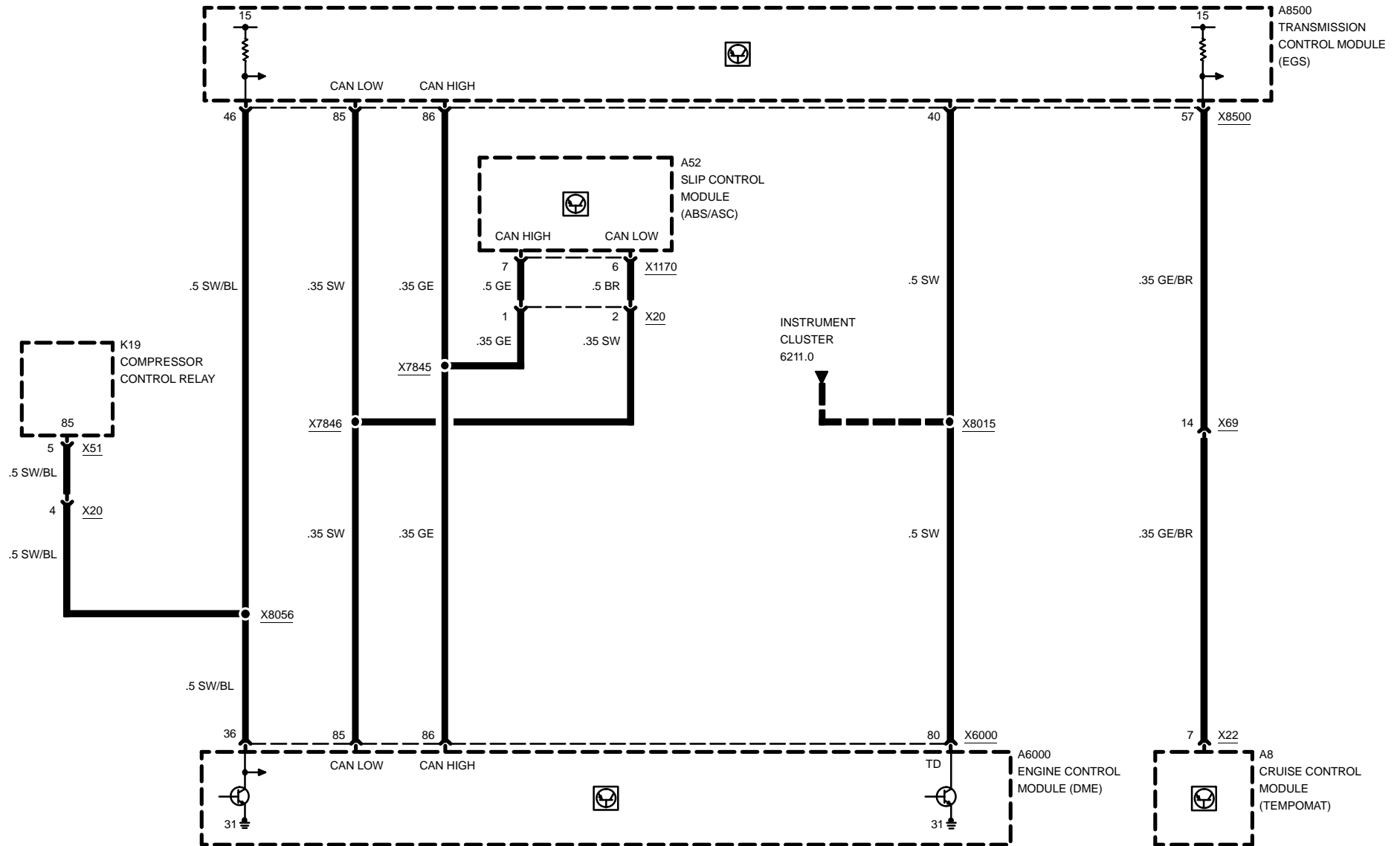
POWER





ELECTRONIC TRANSMISSION CONTROL (EGS A4S 270R)

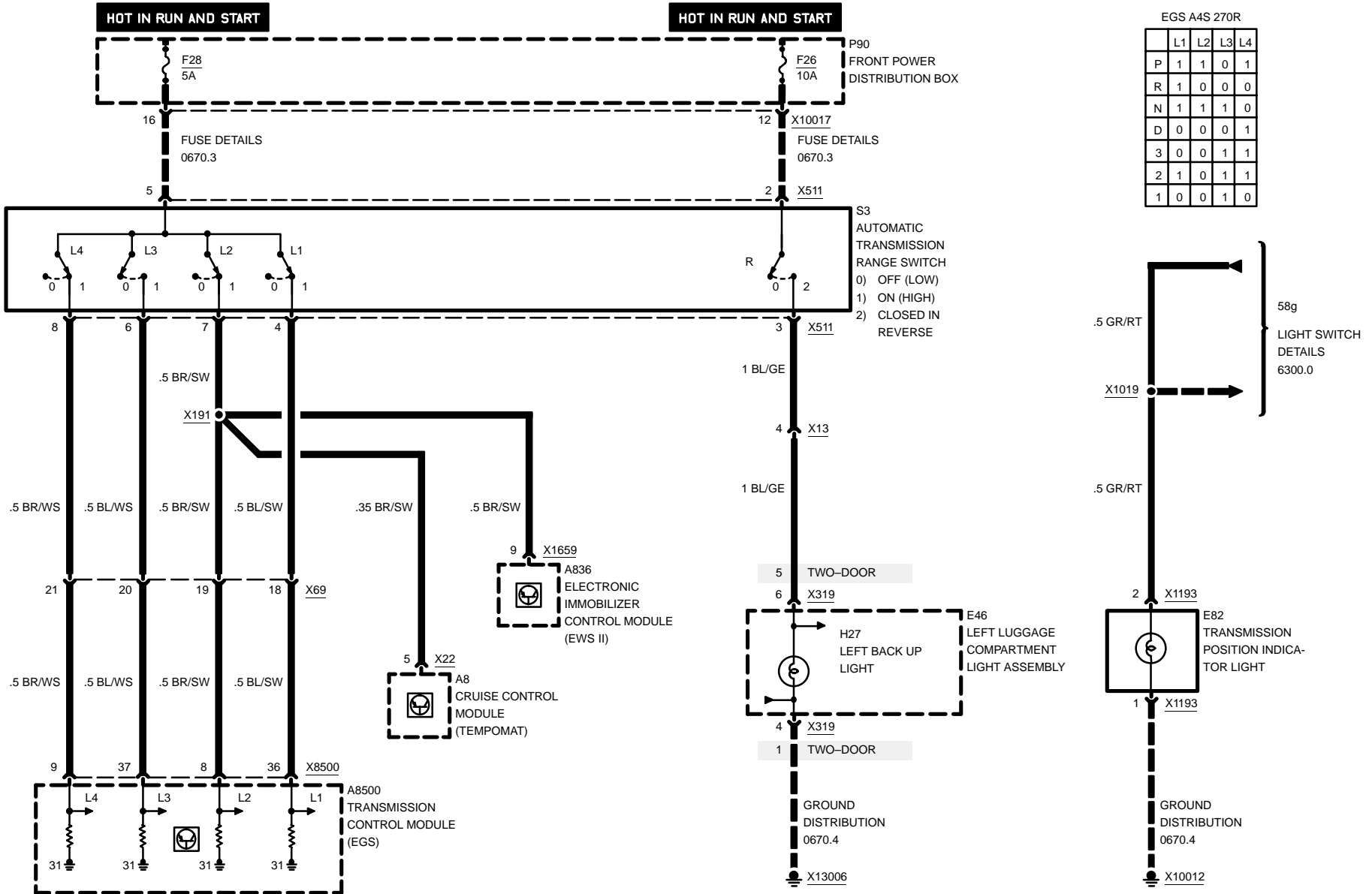
318is





ELECTRONIC TRANSMISSION CONTROL (EGS A4S 270R)

GEAR SELECTOR SWITCH



EGS A4S 270R

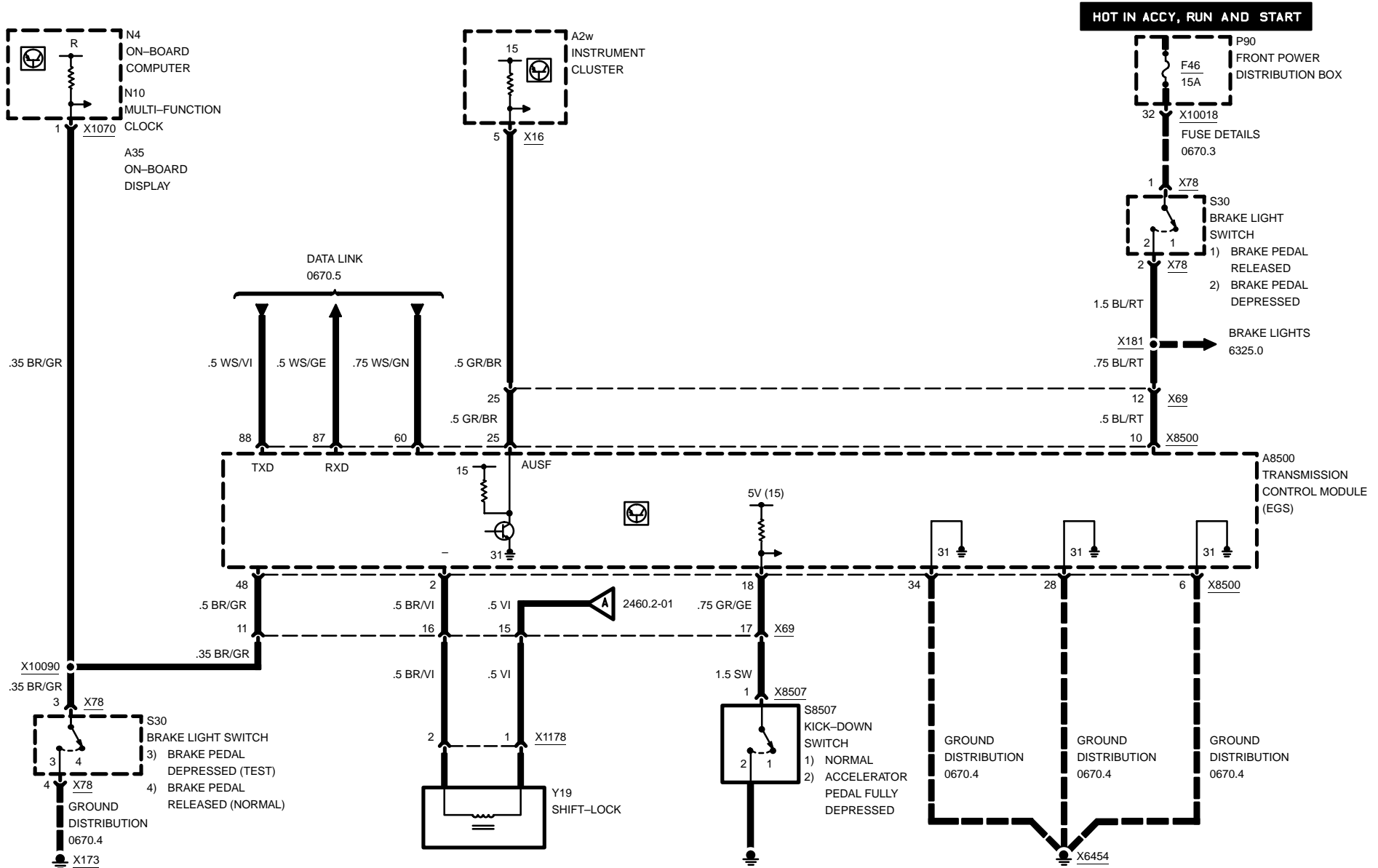
	L1	L2	L3	L4
P	1	1	0	1
R	1	0	0	0
N	1	1	1	0
D	0	0	0	1
3	0	0	1	1
2	1	0	1	1
1	0	0	1	0



ELECTRONIC TRANSMISSION CONTROL (EGS A4S 270R)

318is

SHIFT LOCK, DATA LINK, KICK-DOWN SWITCH



04/99

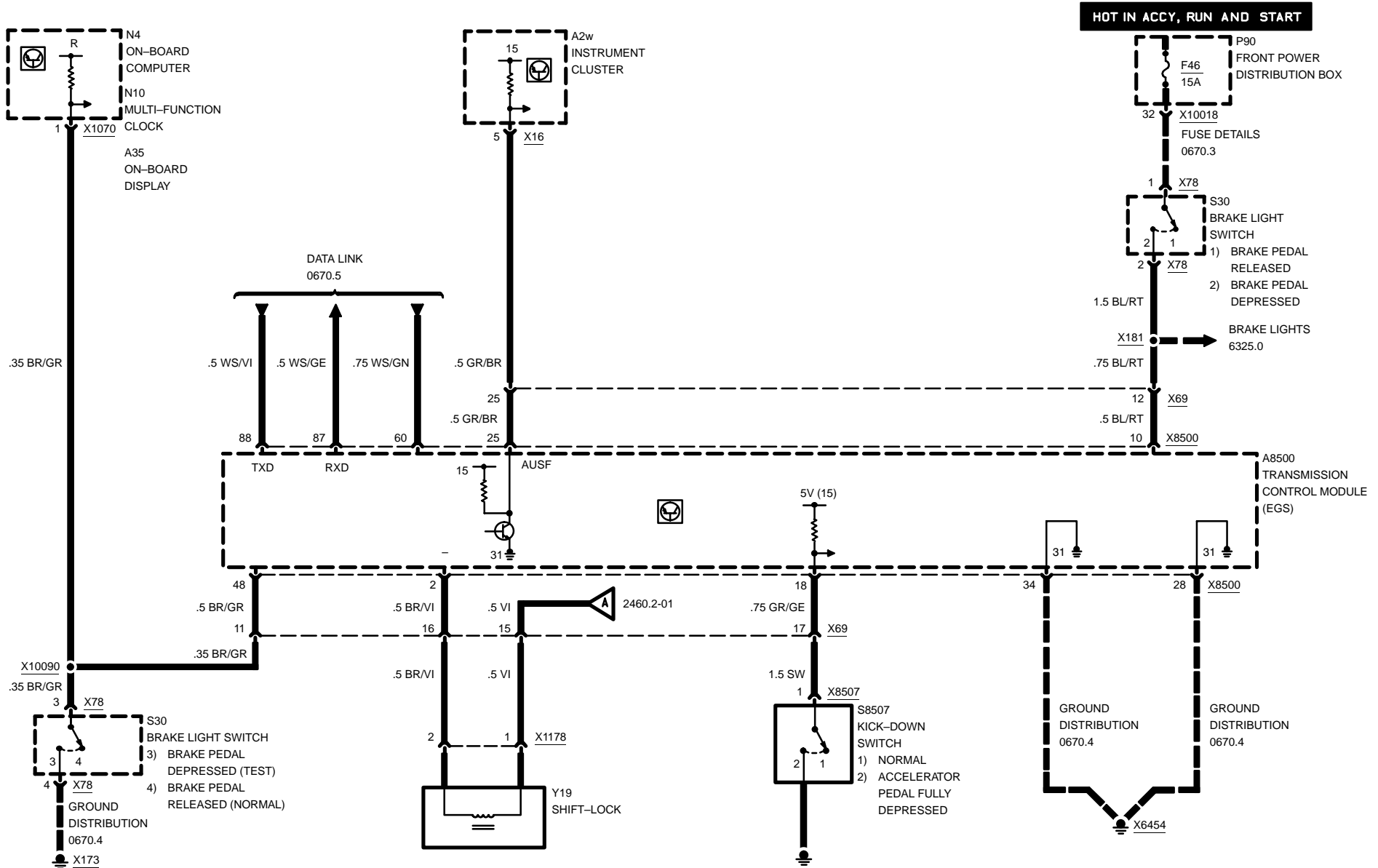
2460.2-04

1998



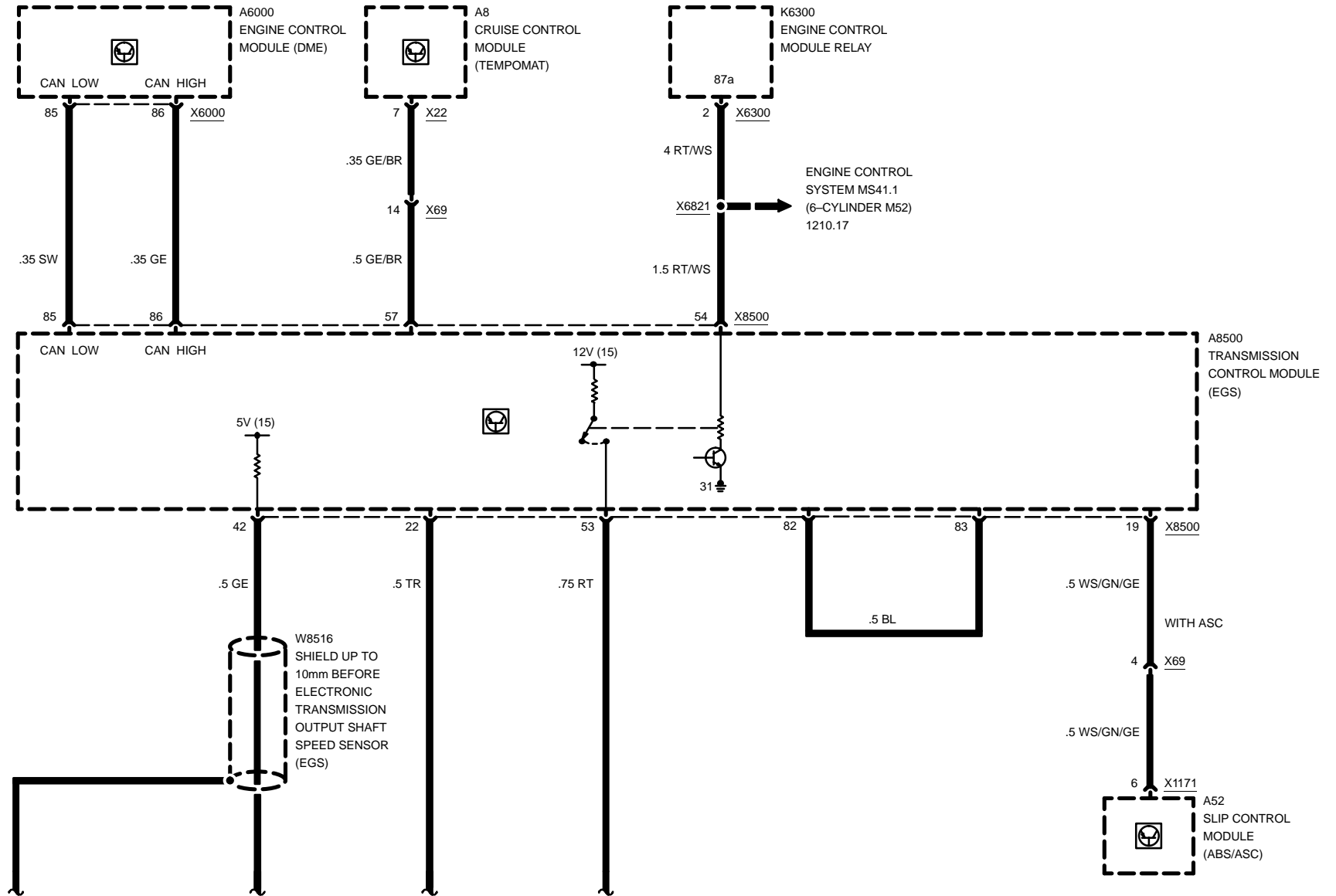
ELECTRONIC TRANSMISSION CONTROL (EGS A4S 270R) 323i, 328i

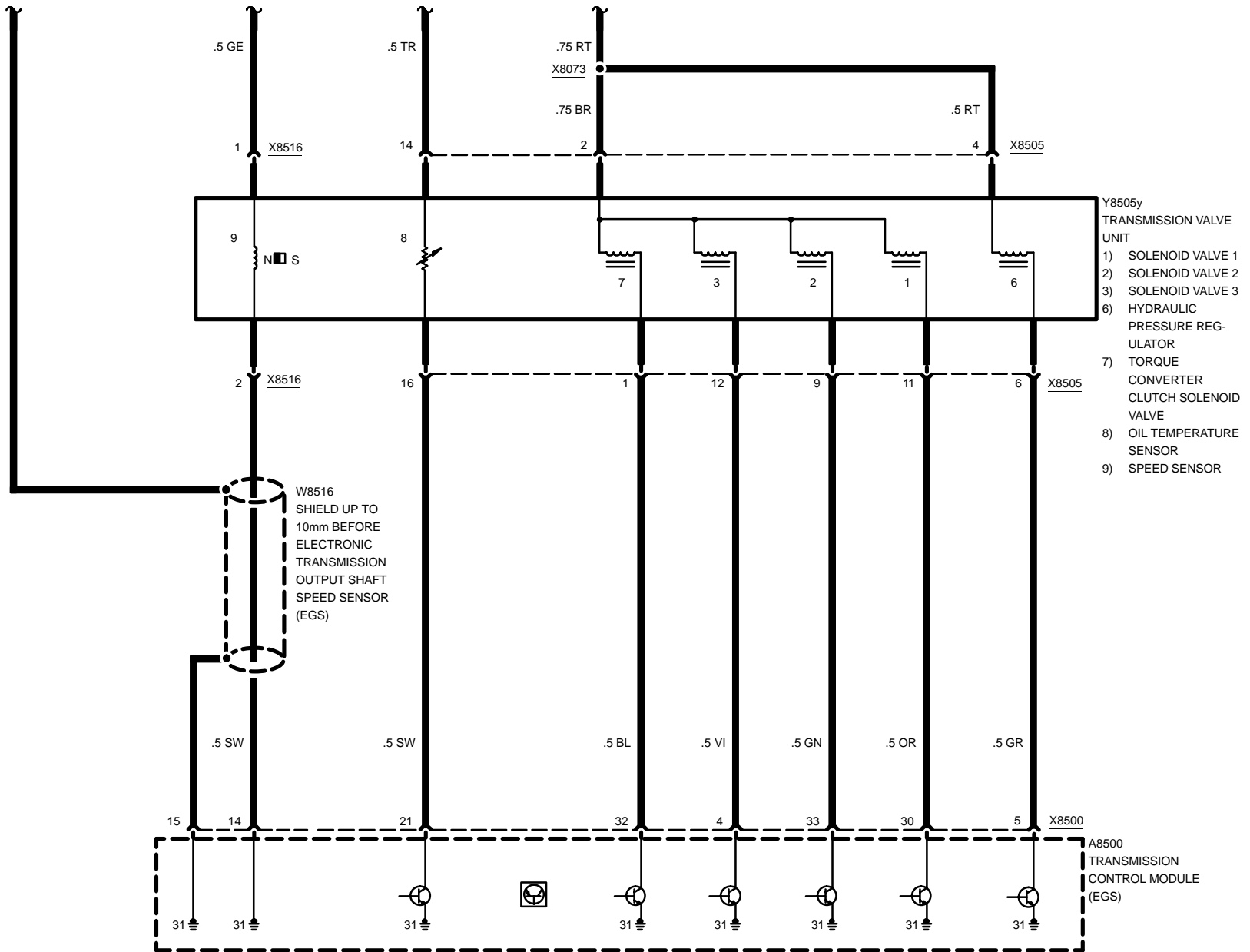
SHIFT LOCK, DATA LINK, KICK-DOWN SWITCH

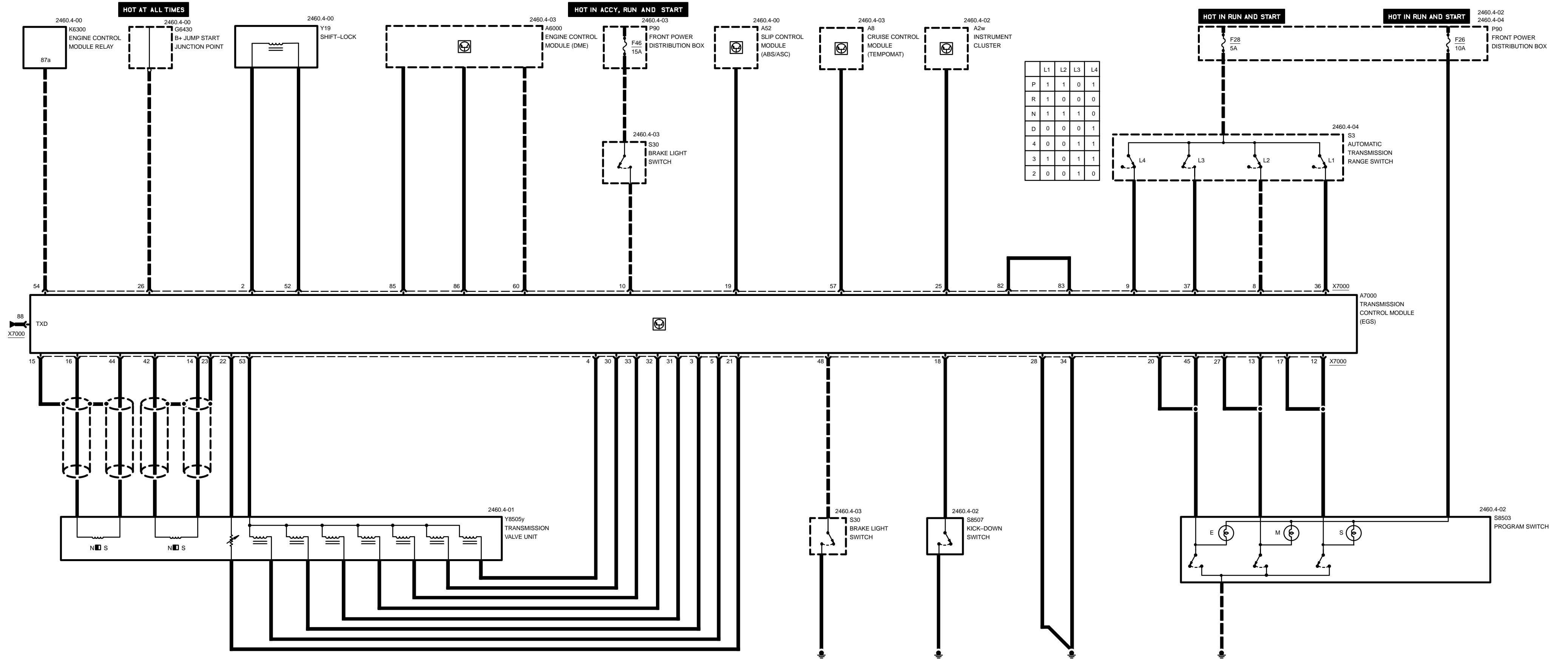


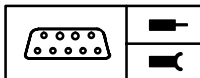


ELECTRONIC TRANSMISSION CONTROL (EGS A4S 270R) 323i, 328i







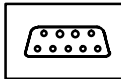


Pin Assignments

X7000

Pin	Type	Description/Function	Connection
1		Not used	
2	A	Shift-lock	Shift-lock
3	A	Solenoid valve 5	Transmission valve unit
4	A	Torque converter clutch solenoid valve	Transmission valve unit
5	A	Hydraulic pressure regulator	Transmission valve unit
6		Not used	
7		Not used	
8		Gear range signal L2	Automatic transmission range switch
9		Gear range signal L4	Automatic transmission range switch
10	E	Brake pedal position	Brake light switch
11		Not used	
12	E	S-program indication	Program switch
13	E	M-program indication	Program switch
14	E	Speed sensor	Transmission valve unit
15	M	Shield speed sensor	Shield
16	A	Speed sensor n-turbine	Transmission valve unit
17	E	S-program	Program switch
18	E	Kick-down signal	Kick-down switch
19	E	ASC signal	ASC module
20	E	E-program	Program switch
21	M	Ground oil temperature sensor	Transmission valve unit
22	E	Oil temperature sensor	Transmission valve unit
23	M	Shield speed sensor	Shield
24		Not used	
25	A	Fault indicator signal	Instrument cluster
26	E	Battery voltage	Jump start junction point
27	E	M-program	Program switch
28	M	Ground, electronics	Ground point
29		Not used	
30	A	Solenoid valve 1	Transmission valve unit

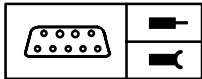
E = Input, A = Output, M = Ground



Pin Assignments

Pin	Type	Description/Function	Connection
31	A	Solenoid valve 4	Transmission valve unit
32	A	Solenoid valve 3	Transmission valve unit
33	A	Solenoid valve 2	Transmission valve unit
34	M	Ground	Ground point
35		Not used	
36	E	Gear range signal L1	Automatic transmission range switch
37	E	Gear range signal L3	Automatic transmission range switch
38		Not used	
39		Not used	
40		Not used	
41		Not used	
42	A	Speed sensor n ab (+)	Transmission valve unit
43		Not used	
44	E	Speed sensor n-turbine	Transmission valve unit
45	E	E-program indication	Program switch
46		Not used	
47		Not used	
48	E	Brake switch test signal	Brake light switch
49		Not used	
50		Not used	
51		Not used	
52	A	Voltage supply	Shift-lock
53	A	Voltage supply for solenoid valves	Transmission valve unit
54	E	Voltage supply	DME relay
55		Not used	
56		Not used	
57	E	Cruise control signal	Cruise control module
58		Not used	
59		Not used	
60	E	Programming voltage	Data link connector
61		Not used	
62		Not used	

E = Input, A = Output, M = Ground



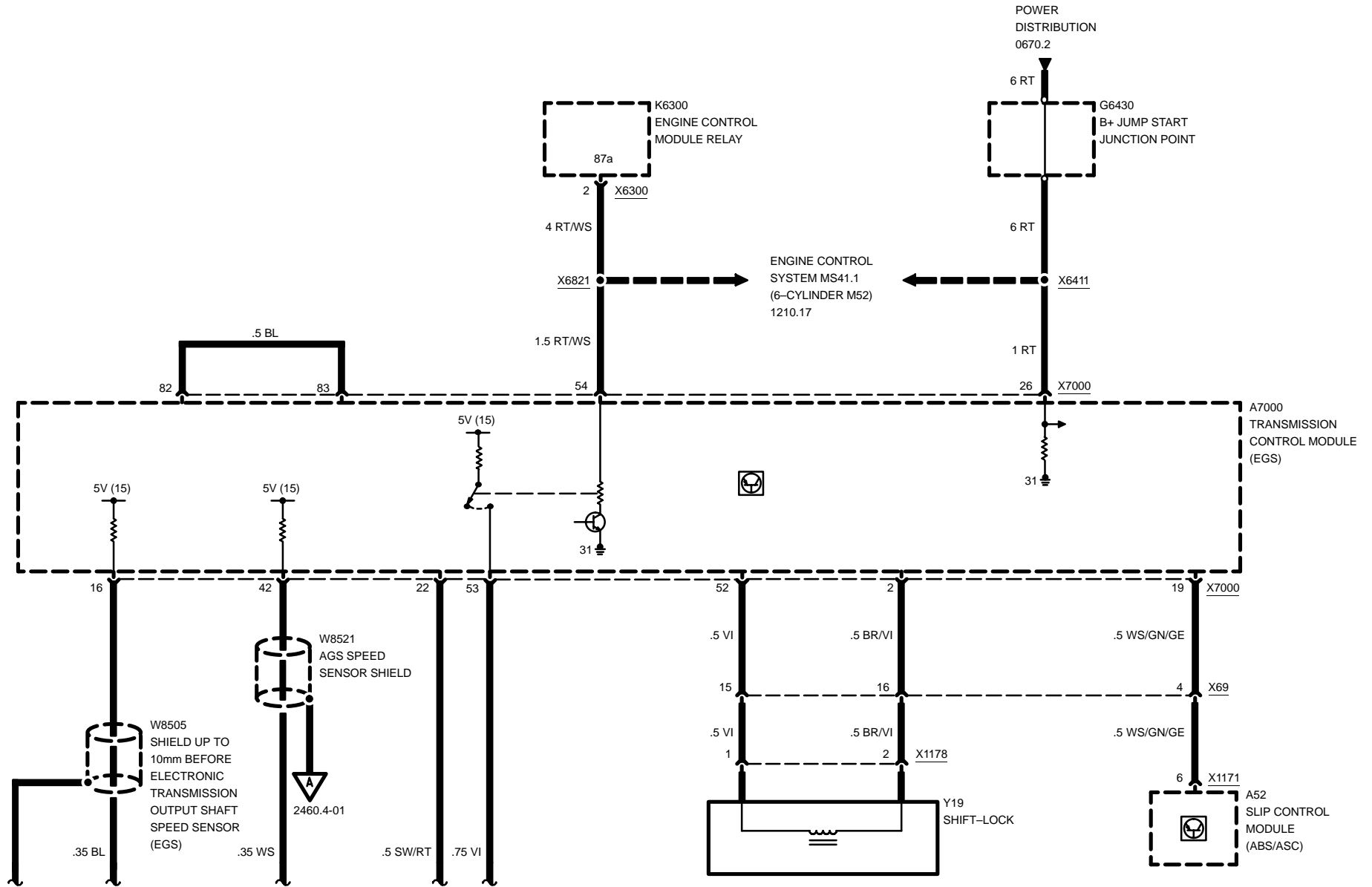
Pin Assignments

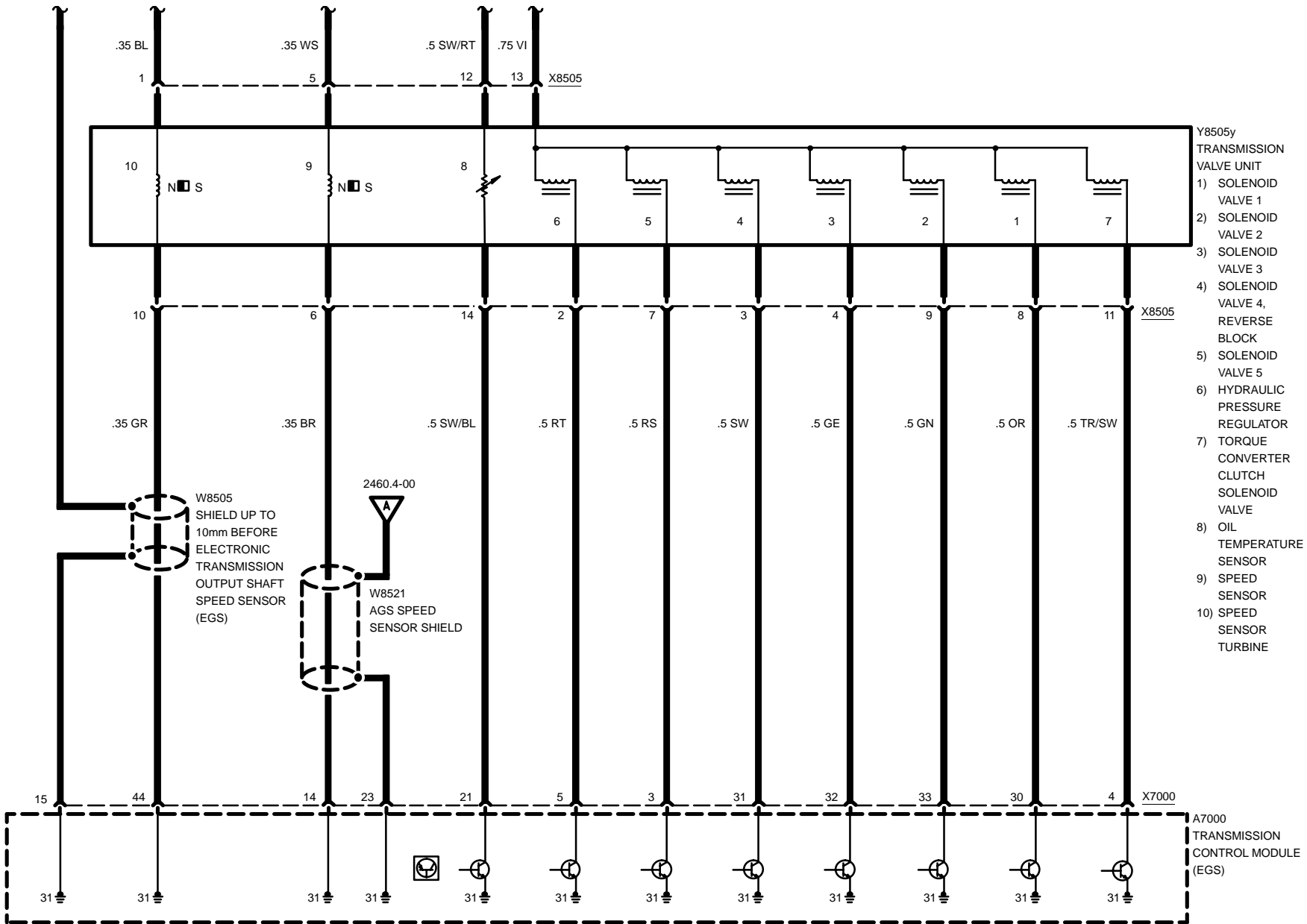
Pin	Type	Description/Function	Connection
63		Not used	
64		Not used	
65		Not used	
66		Not used	
67		Not used	
68		Not used	
69		Not used	
70		Not used	
71		Not used	
72		Not used	
73		Not used	
74		Not used	
75		Not used	
76		Not used	
77		Not used	
78		Not used	
79		Not used	
80		Not used	
81		Not used	
82	E/A	Jumper plug	
83	E/A	Jumper plug	
84		Not used	
85	E/A	CAN-LOW	Engine control module
86	E/A	CAN-HIGH	Engine control module
87		Not used	
88	E/A	TxD diagnostic data link	Data link connector

E = Input, A = Output, M = Ground



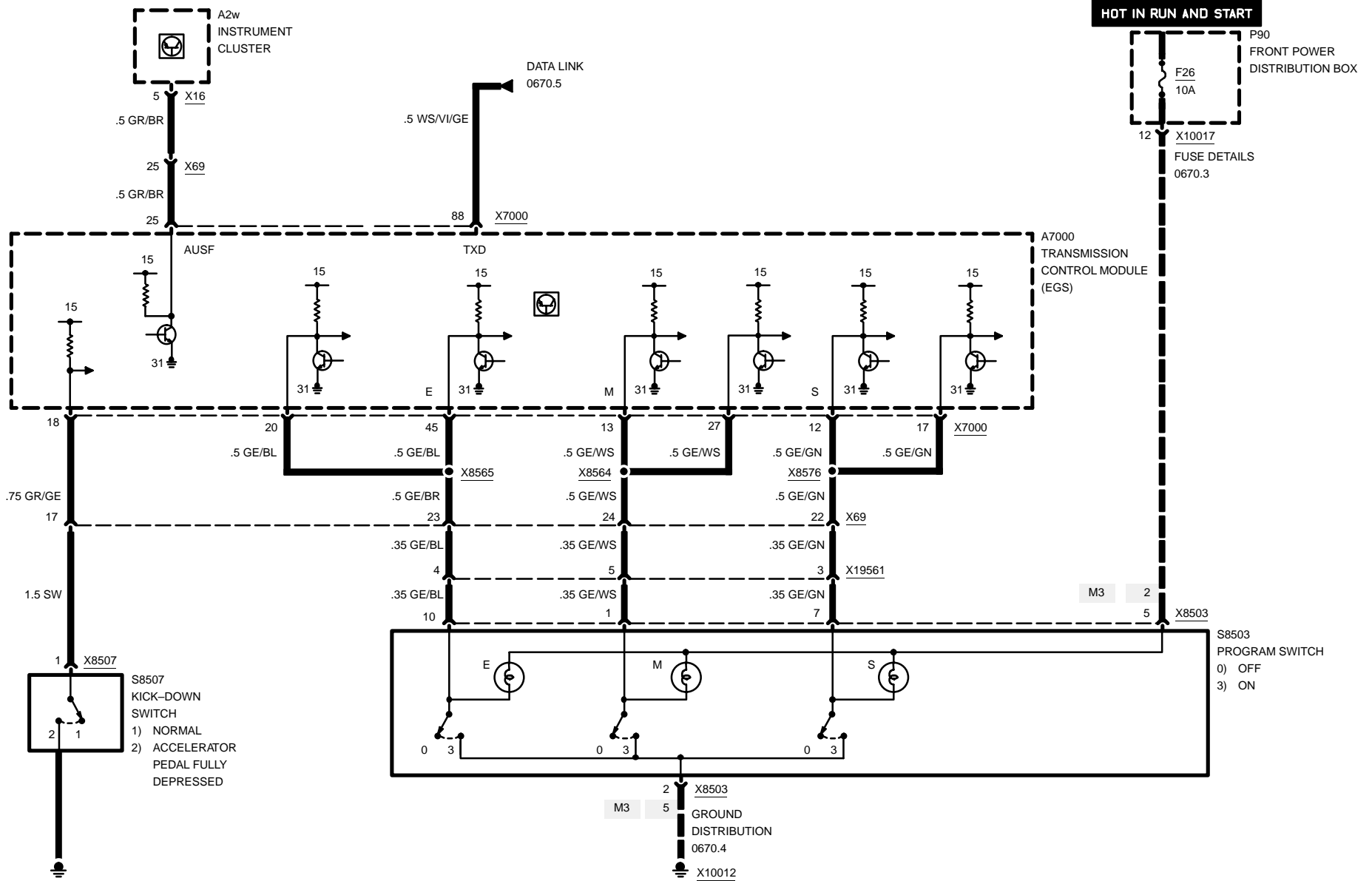
ELECTRONIC TRANSMISSION CONTROL (EGS A5S 310Z)





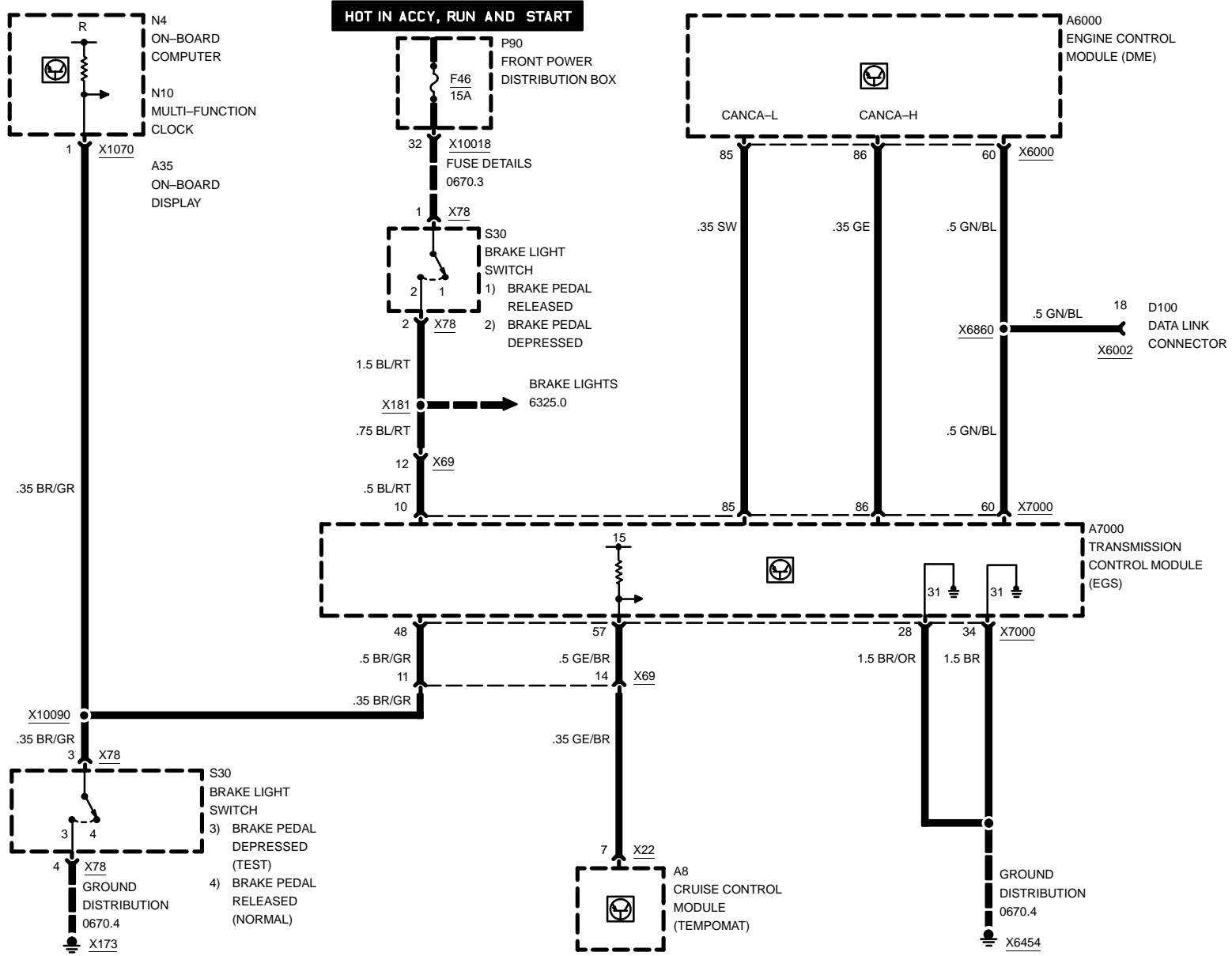


ELECTRONIC TRANSMISSION CONTROL (EGS A5S 310Z)



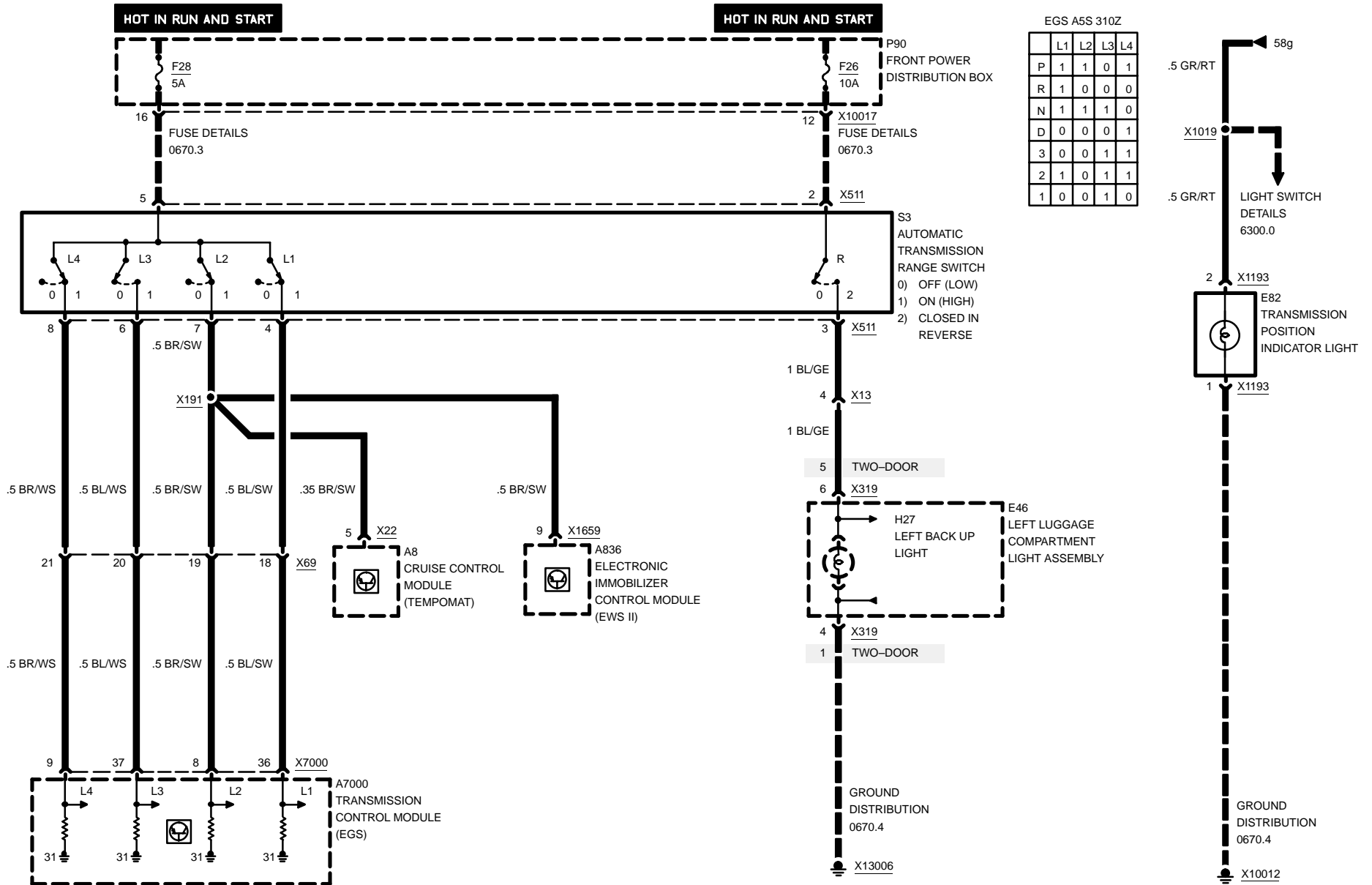


ELECTRONIC TRANSMISSION CONTROL (EGS A5S 310Z)





ELECTRONIC TRANSMISSION CONTROL (EGS A5S 310Z)



EGS A5S 310Z

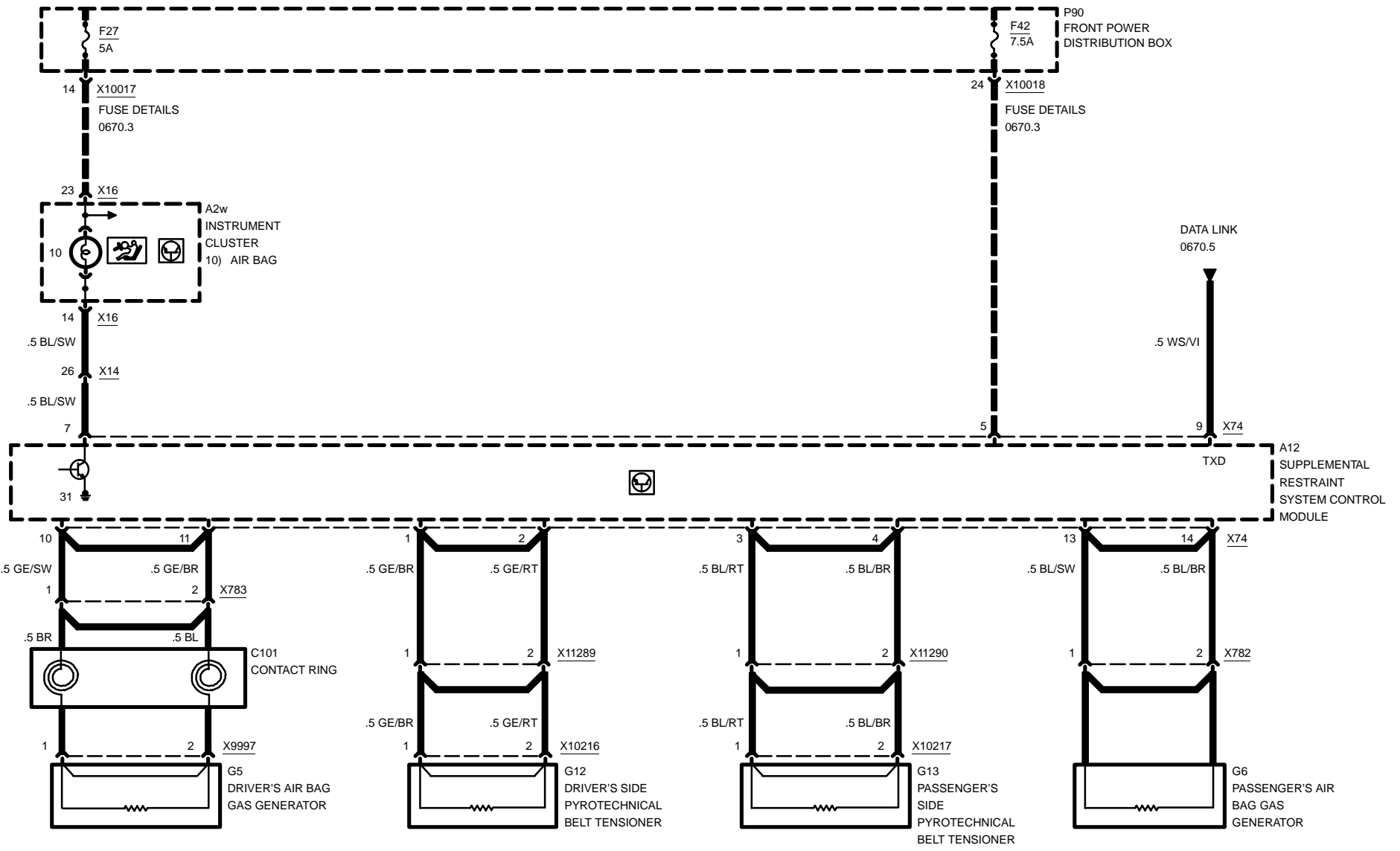
	L1	L2	L3	L4
P	1	1	0	1
R	1	0	0	0
N	1	1	1	0
D	0	0	0	1
3	0	0	1	1
2	1	0	1	1
1	0	0	1	0



3234.0 SUPPLEMENTAL RESTRAINT SYSTEM (AIR BAG)

HOT IN RUN AND START

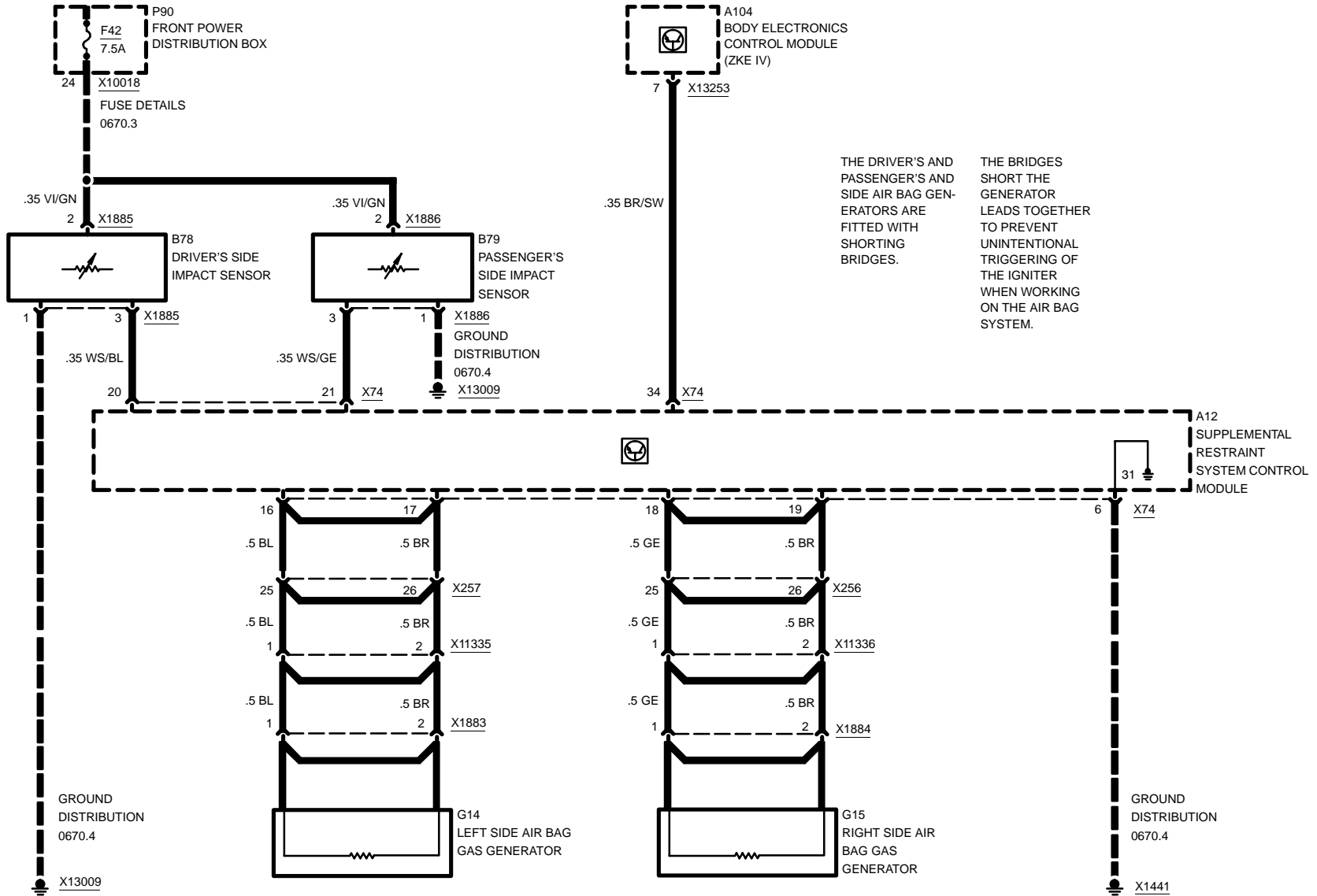
HOT IN ACCY, RUN AND START





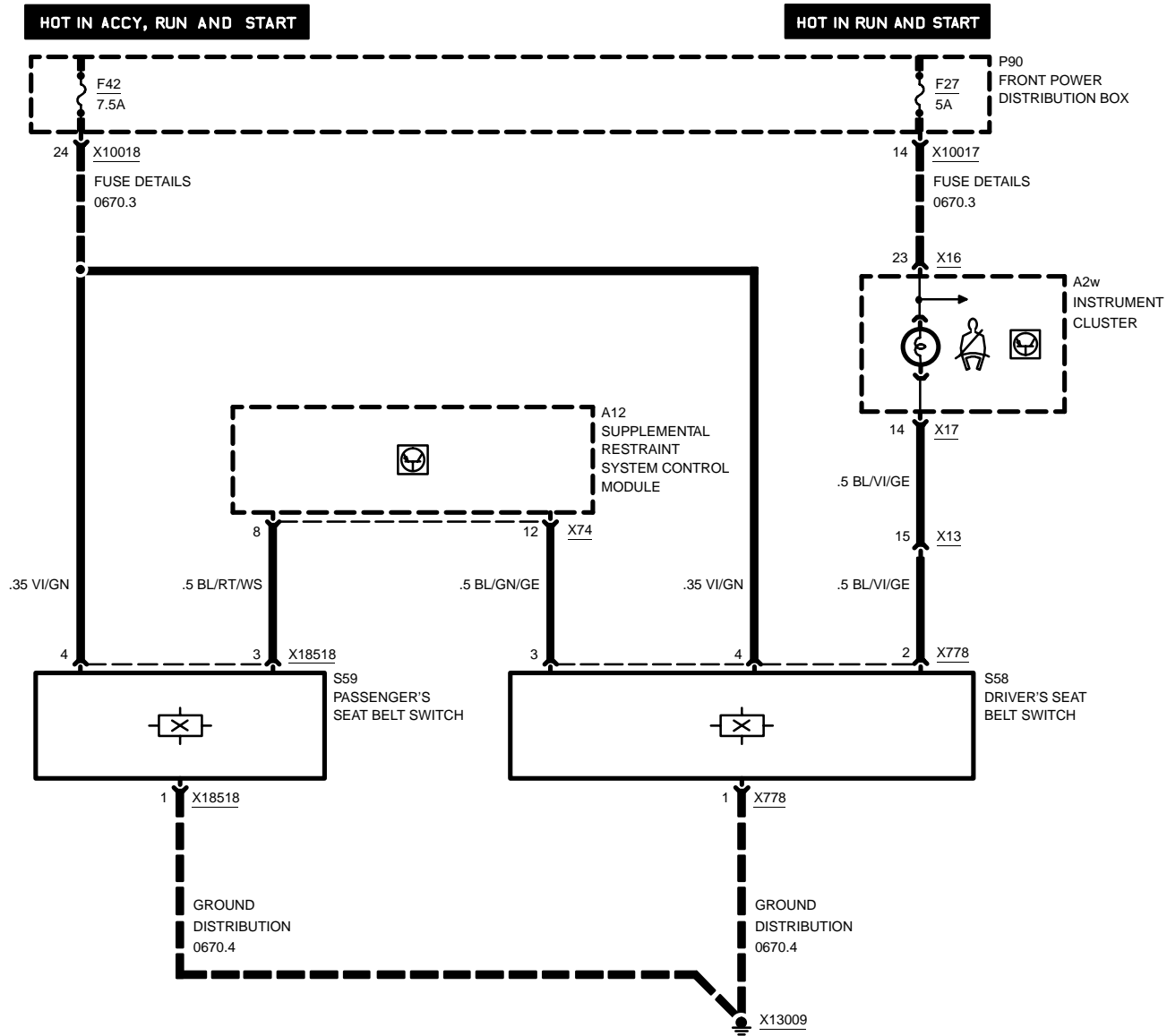
SUPPLEMENTAL RESTRAINT SYSTEM (AIR BAG)

HOT IN RUN AND START



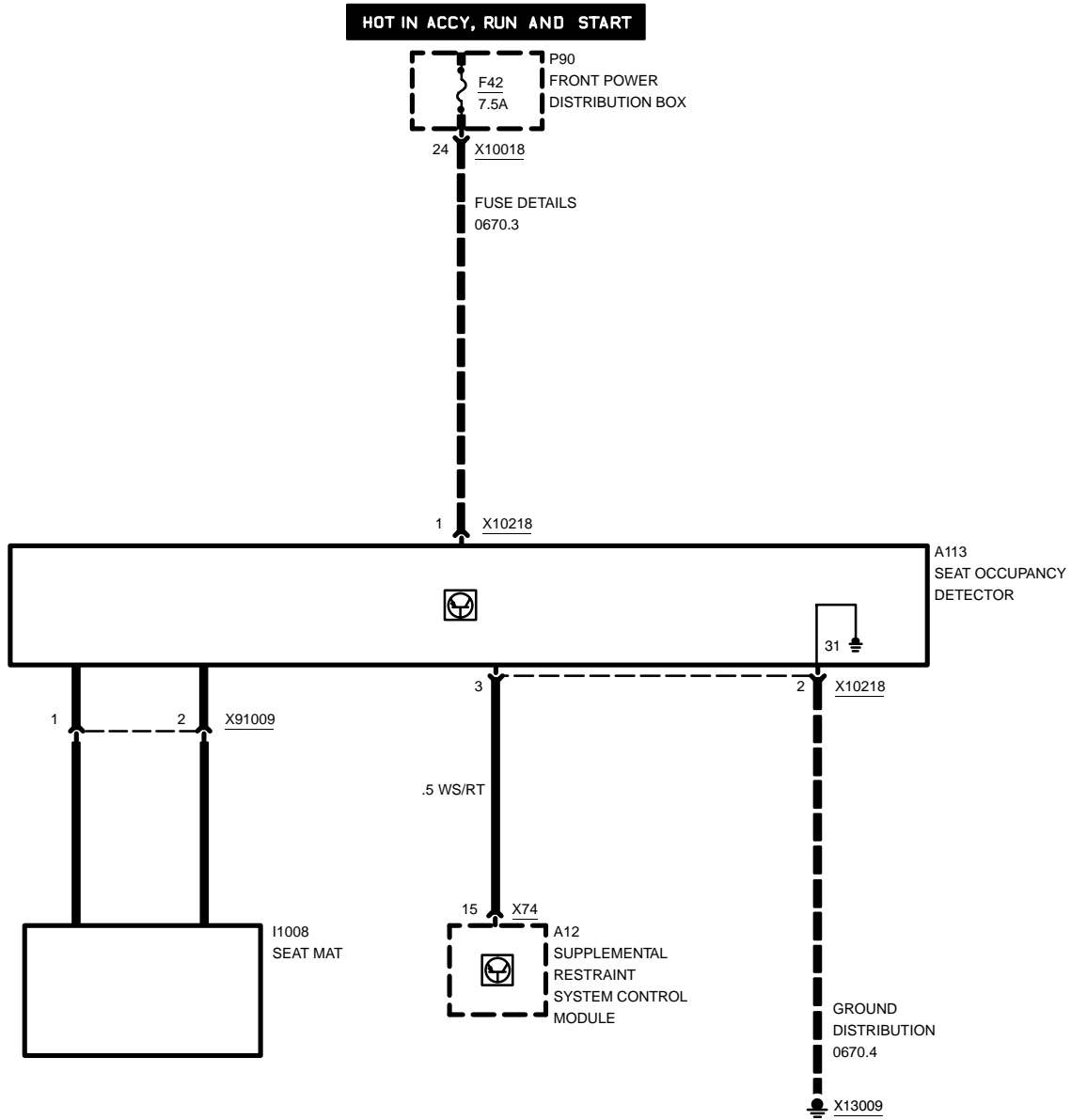


SUPPLEMENTAL RESTRAINT SYSTEM (AIR BAG)



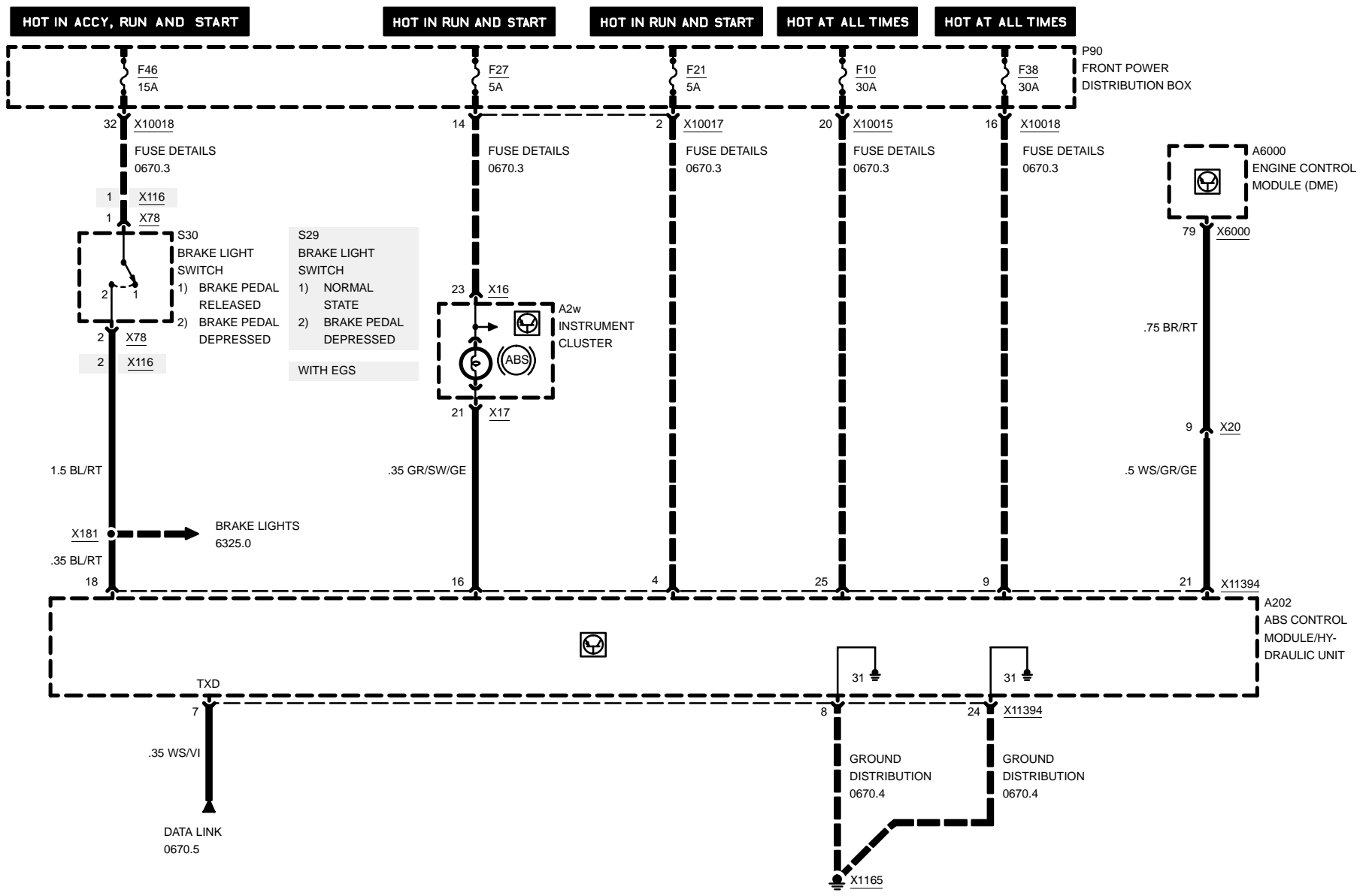


SUPPLEMENTAL RESTRAINT SYSTEM (AIR BAG)



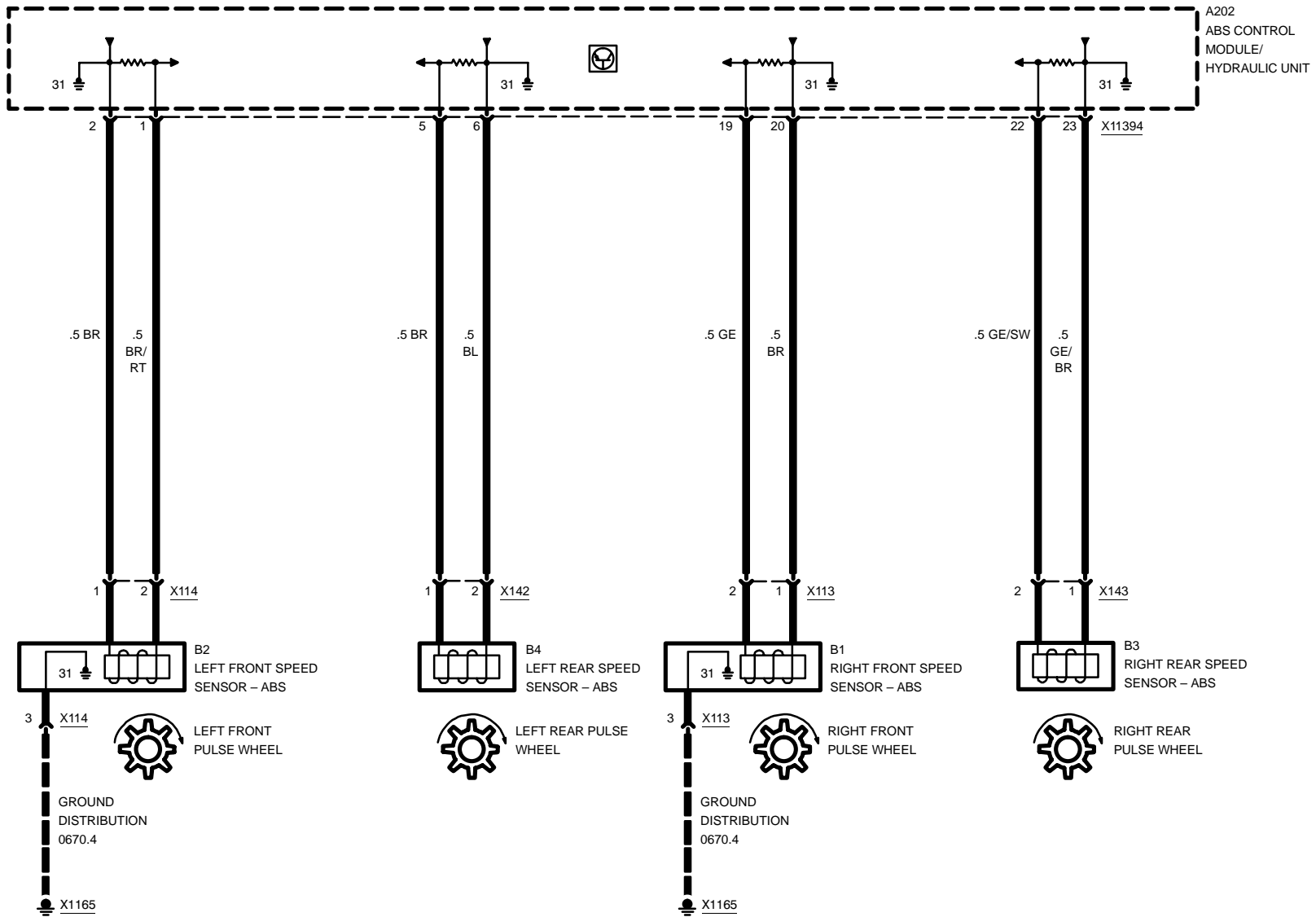


3450.0 SLIP CONTROL (ABS)



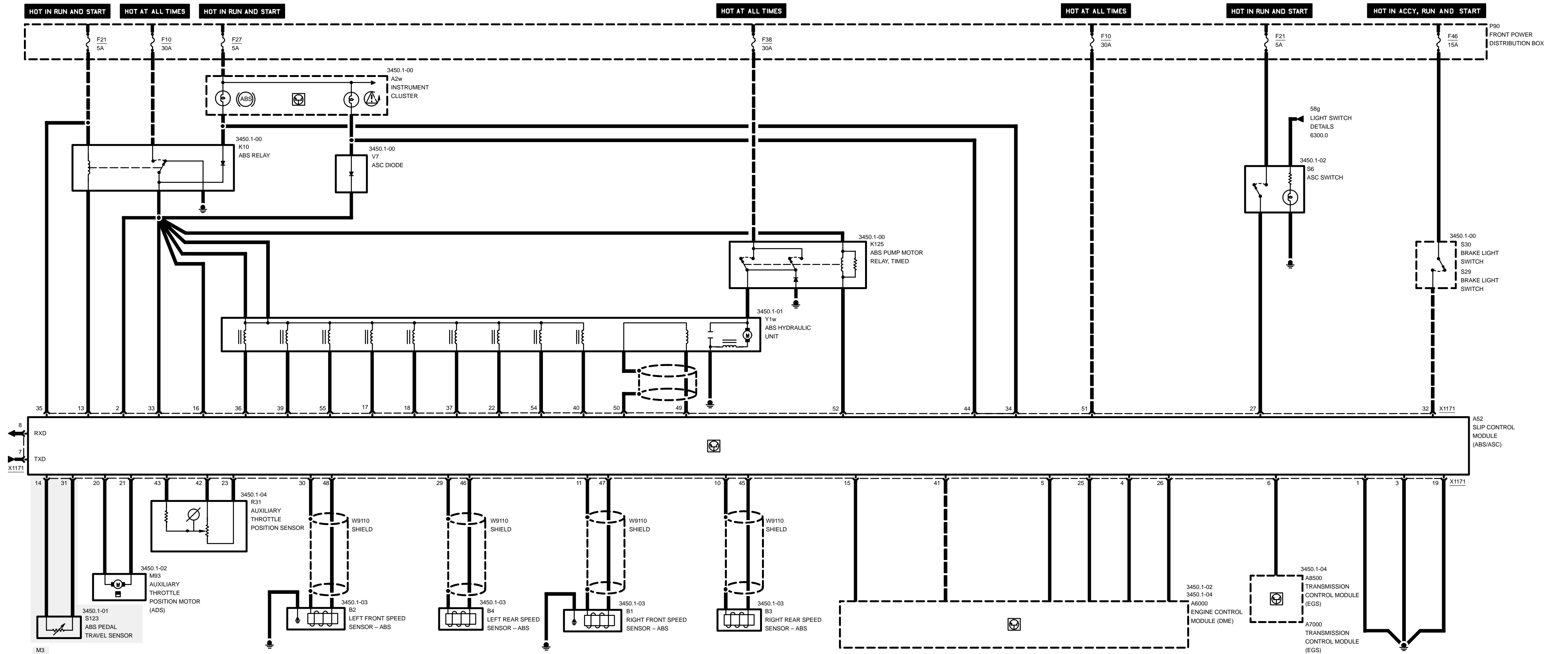


SLIP CONTROL (ABS)

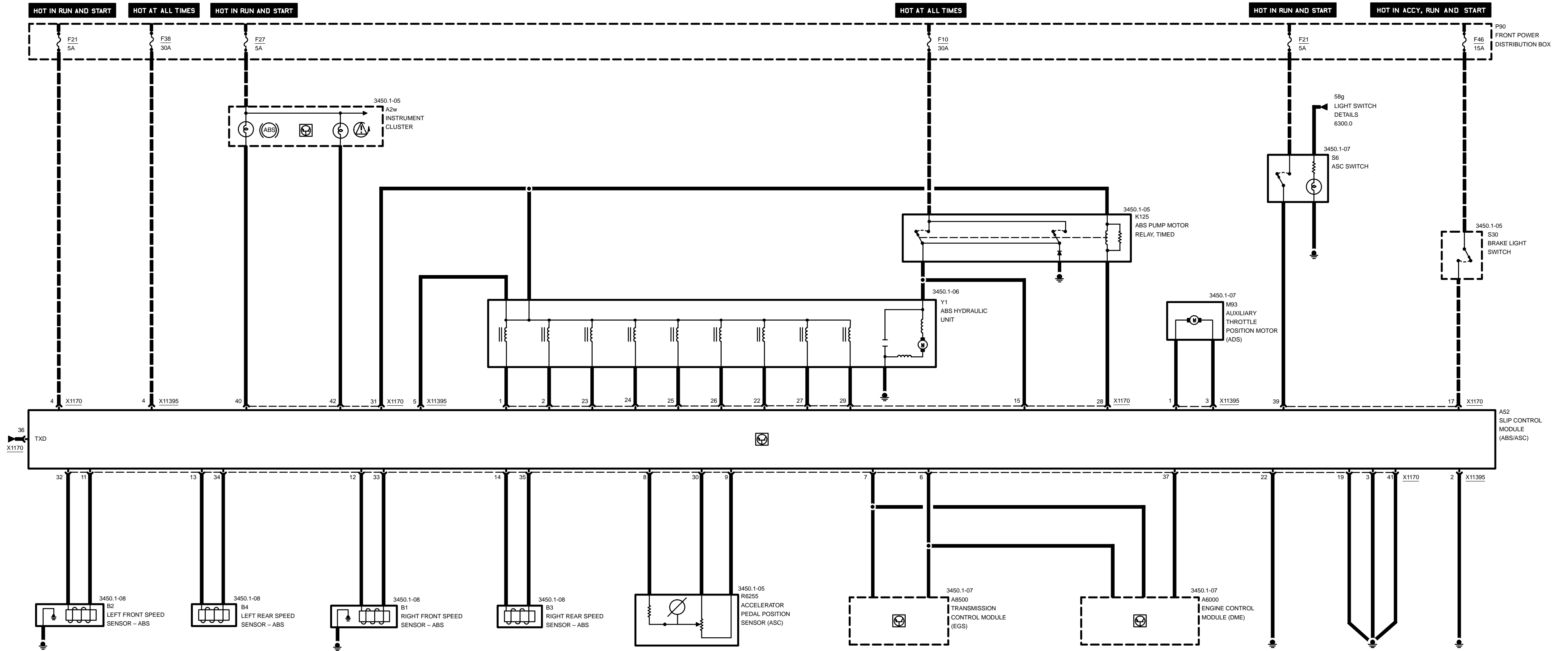


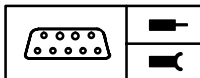
3450.1 SLIP CONTROL (ABS/ASC)

323i, 328i, M3



318is



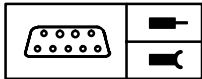


Pin Assignments (323i, 328i, M3)

X1171

Pin	Type	Description/Function	Connection
1	M	Ground	Ground
2	E	Battery voltage	ABS relay
3	M	Ground, module	Ground
4	E	Ignition cut-off signal	DME module
5	A	EML signal	DME module
6	A	Transmission influence	Transmission control module
7	E/A	TxD signal	Diagnostic link
8	A	RxD signal	Diagnostic link
9		Not used	
10	A	Sensor ground	Right rear speed sensor (ABS)
11	A	Sensor ground	Right front speed sensor (ABS)
12		Not used	
13	A	ABS power protection relay	ABS power protection relay
14	E	Pedal travel sensor	Pedal travel sensor
15	A	Right rear speed signal	DME module
16	E	Plus supply	ABS relay
17	A	Solenoid valve signal left rear inlet	ABS hydraulic unit
18	A	Solenoid valve signal left rear outlet	ABS hydraulic unit
19	M	Ground	Ground
20	A	ADS step motor (-)	ADS step motor
21	A	ADS step motor (+)	ADS step motor
22	A	Solenoid valve signal right front inlet	ABS hydraulic unit
23	E	ASC throttle flap potentiometer (-)	ASC throttle flap motor potentiometer
24		Not used	
25	E	Signal idle speed	DME module
26	A	Throttle flap position	DME module
27	E	ASC switch signal	ASC witch
28		Not used	
29	A	Sensor ground	Left rear speed sensor (ABS)
30	A	Sensor ground	Left front speed sensor (ABS)

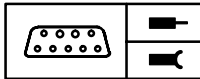
E = Input, A = Output, M = Ground



Pin Assignments (323i, 328i, M3)

Pin	Type	Description/Function	Connection
31	E	Pedal travel sensor	Pedal travel sensor
32	E	Brake signal	Brake light switch
33	E	Plus supply	ABS relay
34	A	ABS lamp control	Instrument cluster
35	E	Ignition signal	Fuse 21
36	A	Separator valve	ABS hydraulic unit
37	A	Solenoid valve signal right front outlet	ABS hydraulic unit
38		Not used	
39	A	Right rear inlet valve	ABS hydraulic unit
40	A	Solenoid valve signal left front inlet	ABS hydraulic unit
41	E	Speed signal	DME module
42	E	ASC throttle flap potentiometer (+)	ASC throttle flap potentiometer
43	E	ASC throttle flap signal	ASC throttle flap potentiometer
44	A	ASC lamp control	Instrument cluster
45	E	Right rear speed sensor signal	Right rear speed sensor
46	E	Left rear speed sensor signal	Left rear speed sensor
47	E	Right front speed sensor signal	Right front speed sensor
48	E	Left front speed sensor signal	Left front speed sensor
49	E	Pump motor sensor signal	ABS hydraulic unit
50	E	Shield pump motor sensor	ABS hydraulic unit
51	E	Plus supply	Front power distribution box
52	A	ABS pump motor relay	ABS pump motor relay
53		Not used	
54	A	Solenoid valve signal left front outlet	ABS hydraulic unit
55	A	Right rear outlet valve	ABS hydraulic unit

E = Input, A = Output, M = Ground

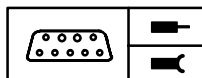


Pin Assignments (318is)

X1170

Pin	Type	Description/Function	Connection
56	A	Right rear inlet valve	ABS hydraulic unit
57	A	Separator valve	ABS hydraulic unit
58	M	Ground	Ground point
59	E	Voltage supply	Fuse 21
60		Not used	
61	E/A	Can Low	DME/EGS module
62	E/A	Can High	DME/EGS module
63	E	ASC throttle flap signal	Accelerator pedal position sensor
64	E	ASC throttle flap potentiometer (-)	Accelerator pedal position sensor
65		Not used	
66	A	Sensor ground	Left front speed sensor (ABS)
67	A	Sensor ground	Right front speed sensor (ABS)
68	A	Sensor ground	Left rear speed sensor (ABS)
69	A	Sensor ground	Right rear speed sensor (ABS)
70	E	Pump motor signal	ABS pump motor relay
71		Not used	
72	E	Brake pedal position	Brake light switch
73		Not used	
74	M	Ground	Ground point
75		Not used	
76		Not used	
77	A	Left front outlet valve	ABS hydraulic unit
78	A	Right rear outlet valve	ABS hydraulic unit
79	A	Left rear inlet valve	ABS hydraulic unit
80	A	Left rear outlet valve	ABS hydraulic unit
81	A	Right front outlet valve	ABS hydraulic unit
82	A	Right front inlet valve	ABS hydraulic unit
83	A	Activate relay	ABS pump motor relay
84	A	Left front inlet valve	ABS hydraulic unit
85	E	ASC throttle flap potentiometer (+)	Accelerator pedal position sensor

E = Input, A = Output, M = Ground



Pin Assignments (318is)

Pin	Type	Description/Function	Connection
86	A	ABS signal	ABS pump motor relay/Hydraulic unit
87	E	Speed signal	Left front speed sensor (ABS)
88	E	Speed signal	Right front speed sensor (ABS)
89	E	Speed signal	Left rear speed sensor (ABS)
90	E	Speed signal	Right rear speed sensor (ABS)
91	E/A	TxD diagnostic data link	Data link connector
92	A	Right rear speed signal	DME module
93		Not used	
94	E	ASC signal	ASC switch
95	E	Slip control system warning lamp	Slip control module (ASC)
96	M	Ground	Ground point
97	A	ASC signal	Instrument cluster

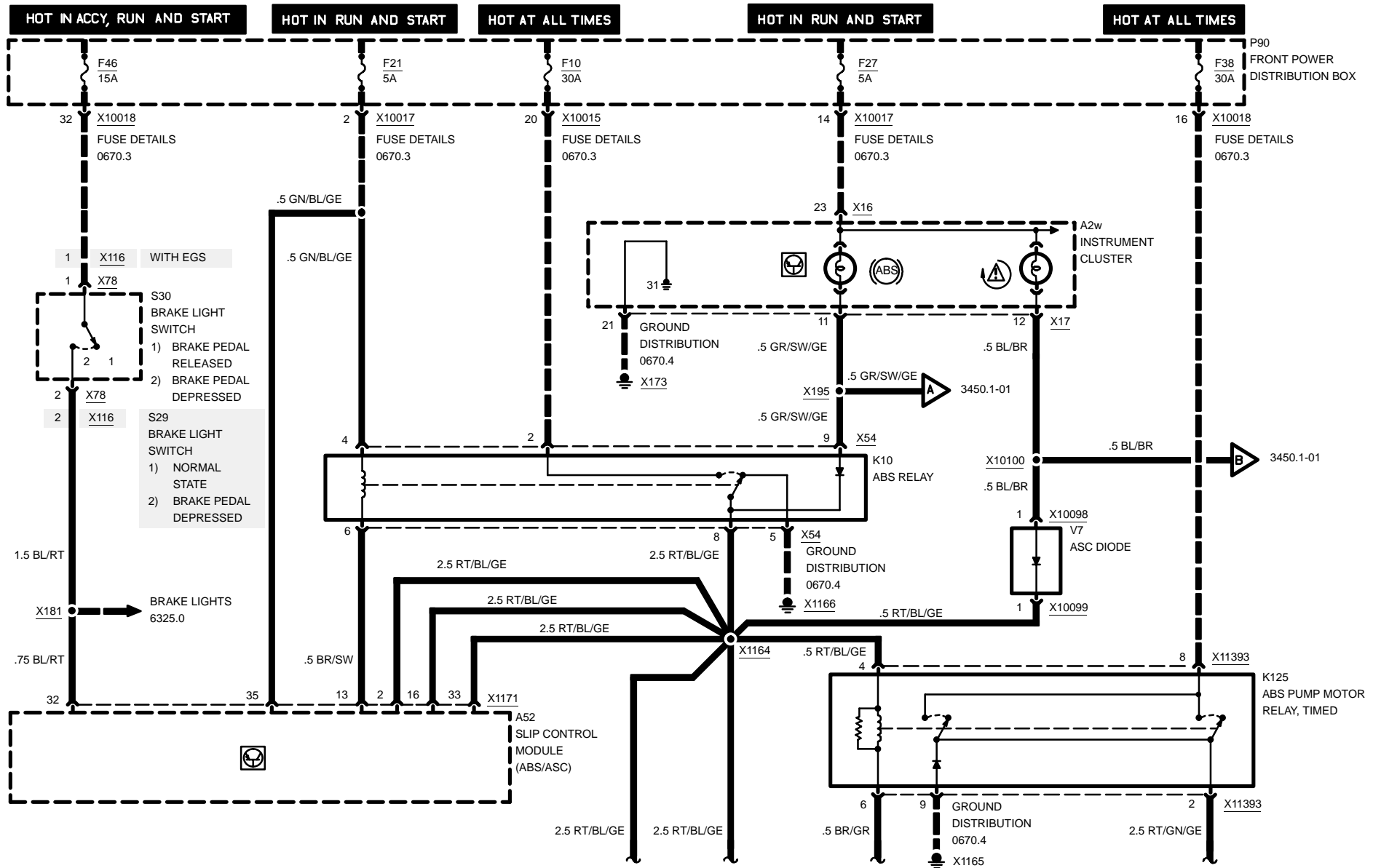
X11395

Pin	Type	Description/Function	Connection
1	A	ADS step motor (+)	ADS step motor
2	M	Ground	Ground point
3	A	ADS step motor (-)	ADS step motor
4	E	Voltage supply	Fuse 38
5	A	ABS signal	ABS hydraulic unit



SLIP CONTROL (ABS/ASC)

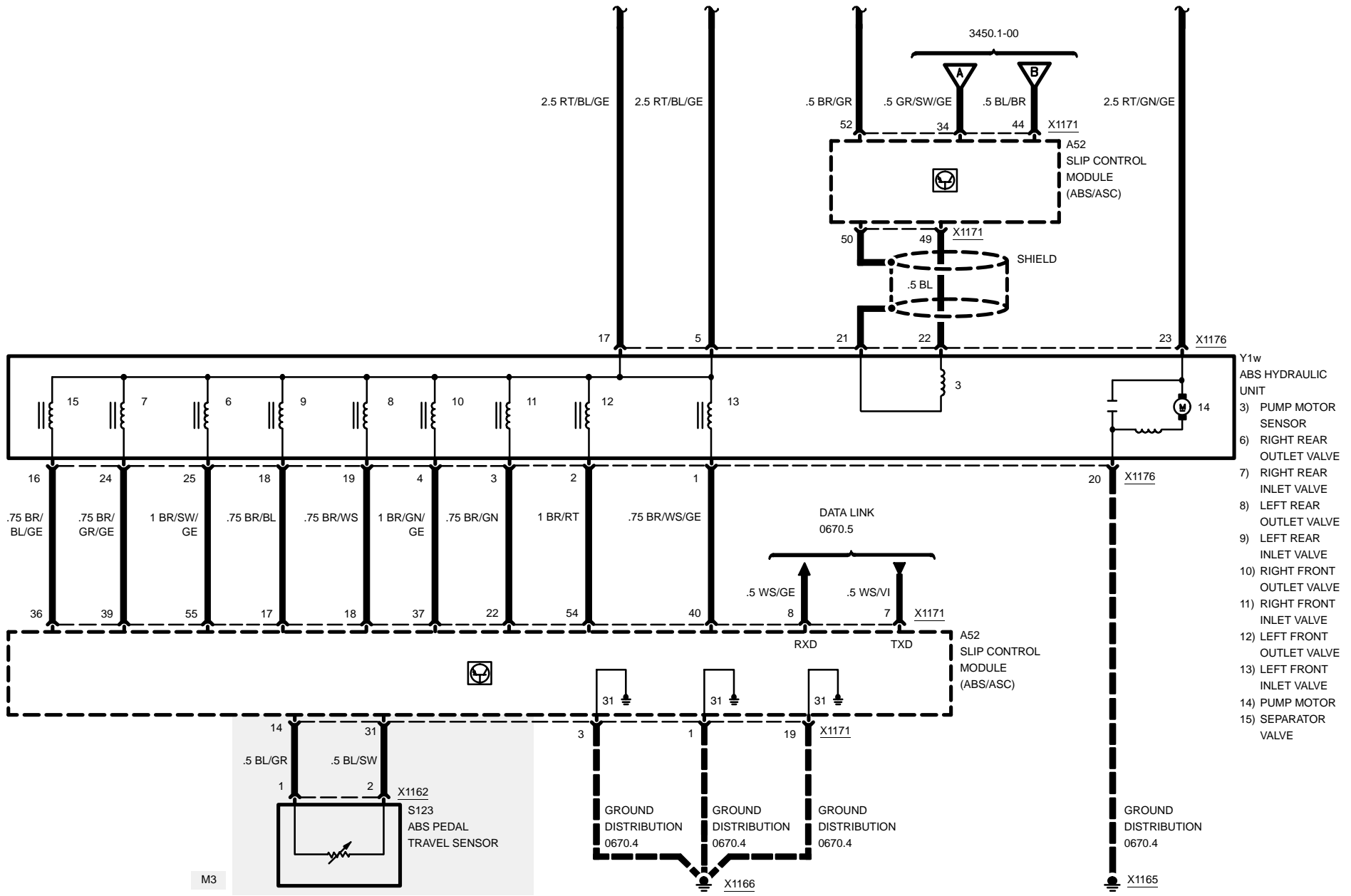
323i, 328i, M3



04/99

3450.1-00

1998



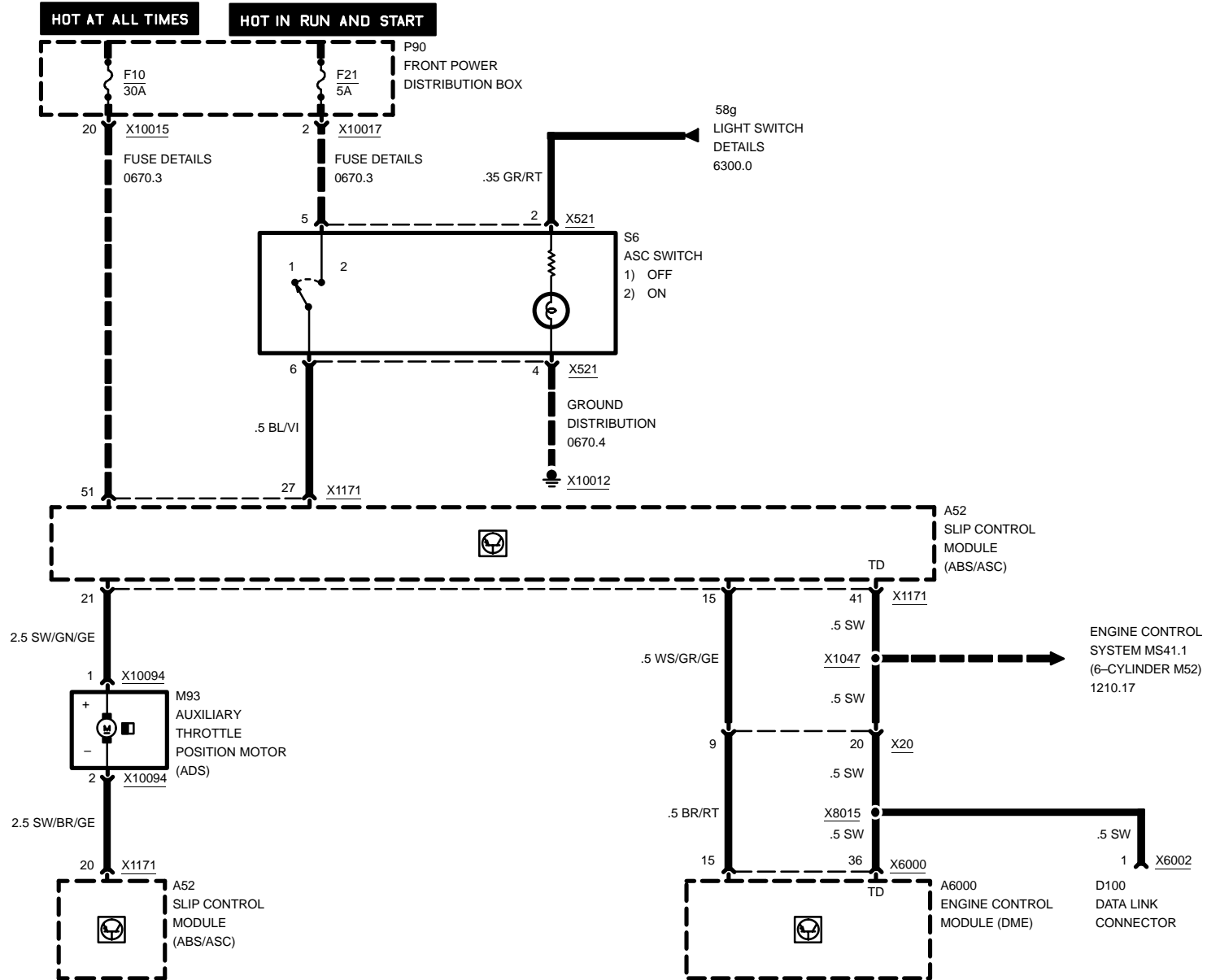
- Y1w
ABS HYDRAULIC UNIT
- 3) PUMP MOTOR SENSOR
 - 6) RIGHT REAR OUTLET VALVE
 - 7) RIGHT REAR INLET VALVE
 - 8) LEFT REAR OUTLET VALVE
 - 9) LEFT REAR INLET VALVE
 - 10) RIGHT FRONT OUTLET VALVE
 - 11) RIGHT FRONT INLET VALVE
 - 12) LEFT FRONT OUTLET VALVE
 - 13) LEFT FRONT INLET VALVE
 - 14) PUMP MOTOR
 - 15) SEPARATOR VALVE

M3



SLIP CONTROL (ABS/ASC)

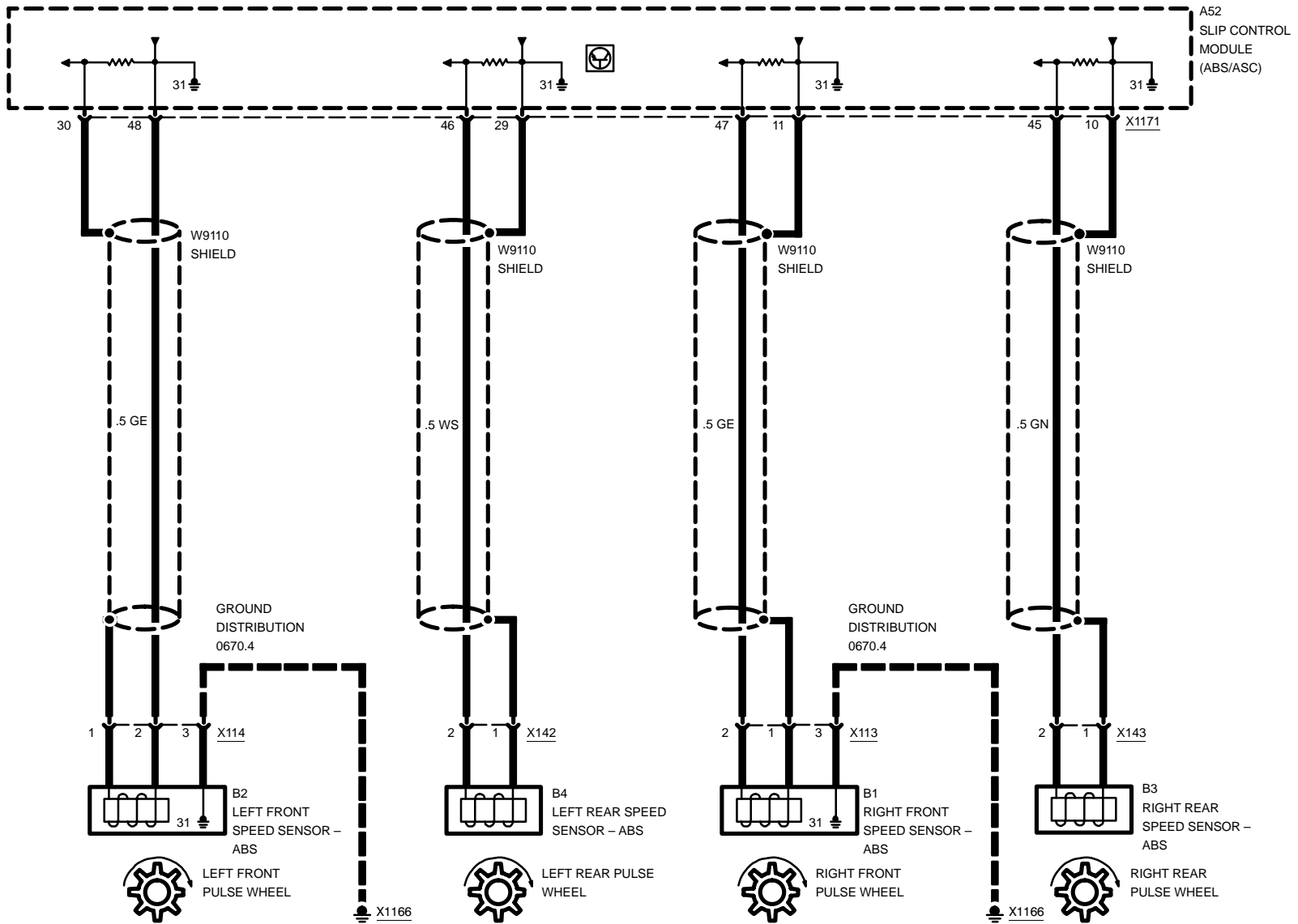
323i, 328i, M3





SLIP CONTROL (ABS/ASC)

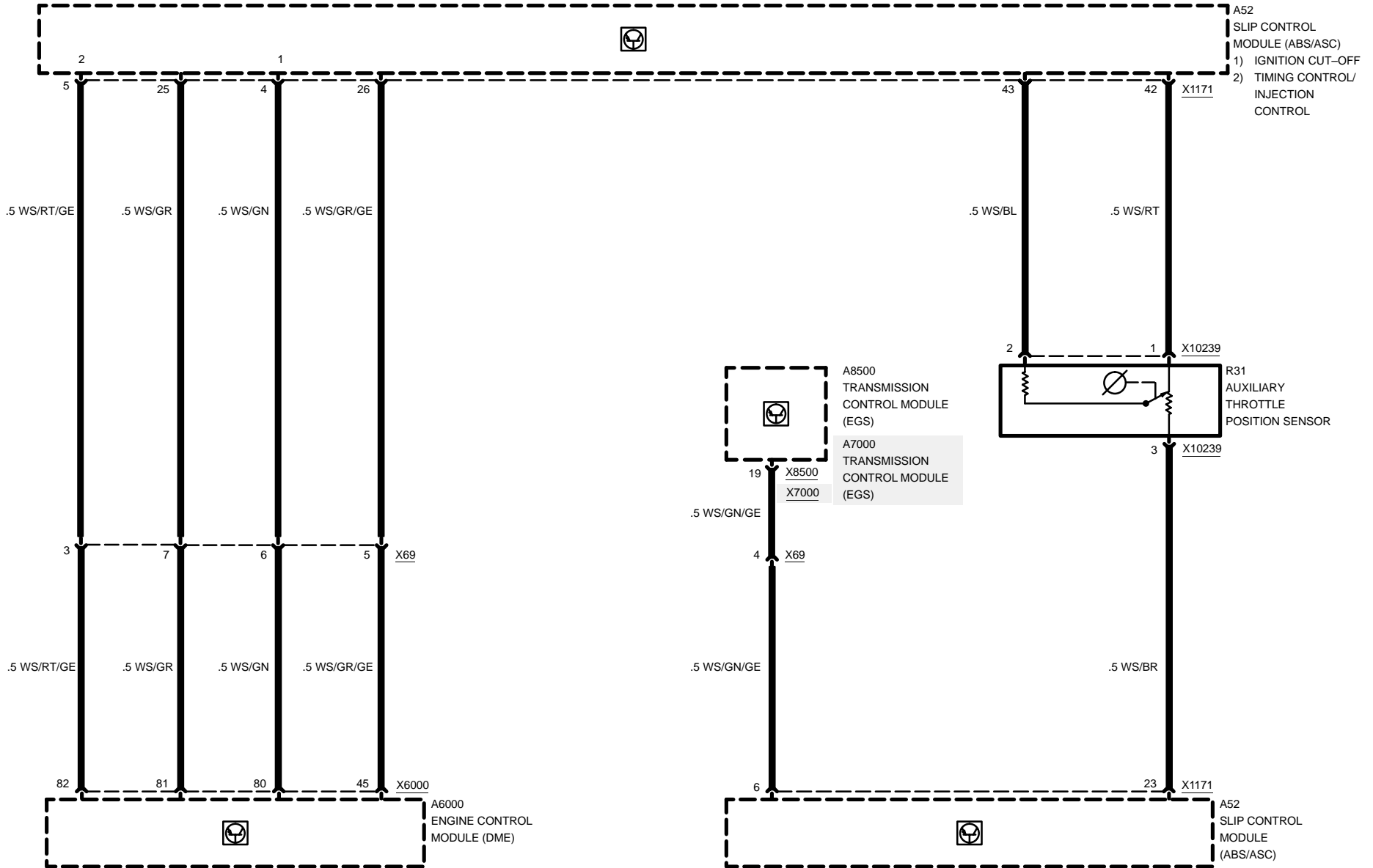
323i, 328i, M3





SLIP CONTROL (ABS/ASC)

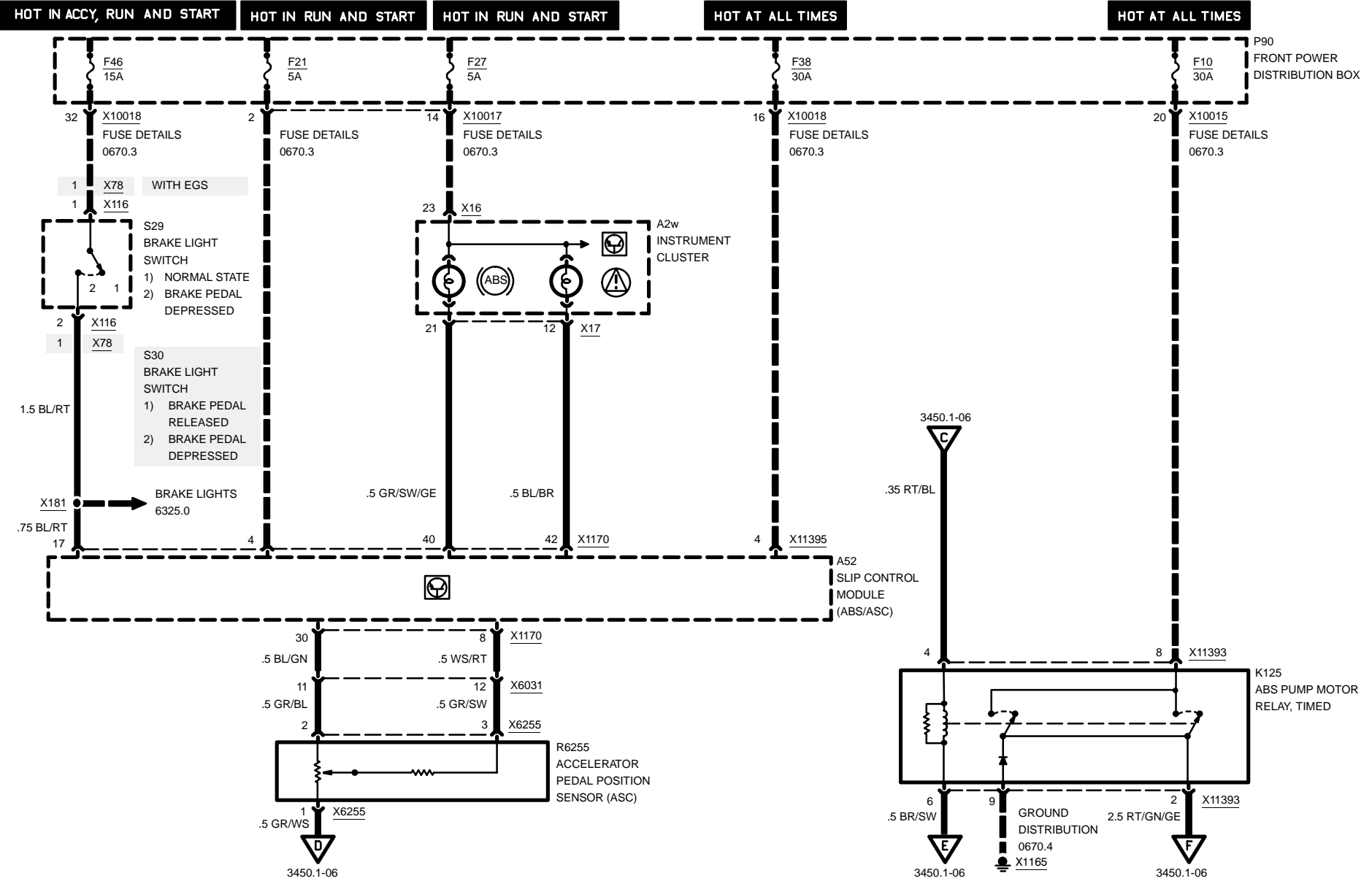
323i, 328i, M3





SLIP CONTROL (ABS/ASC)

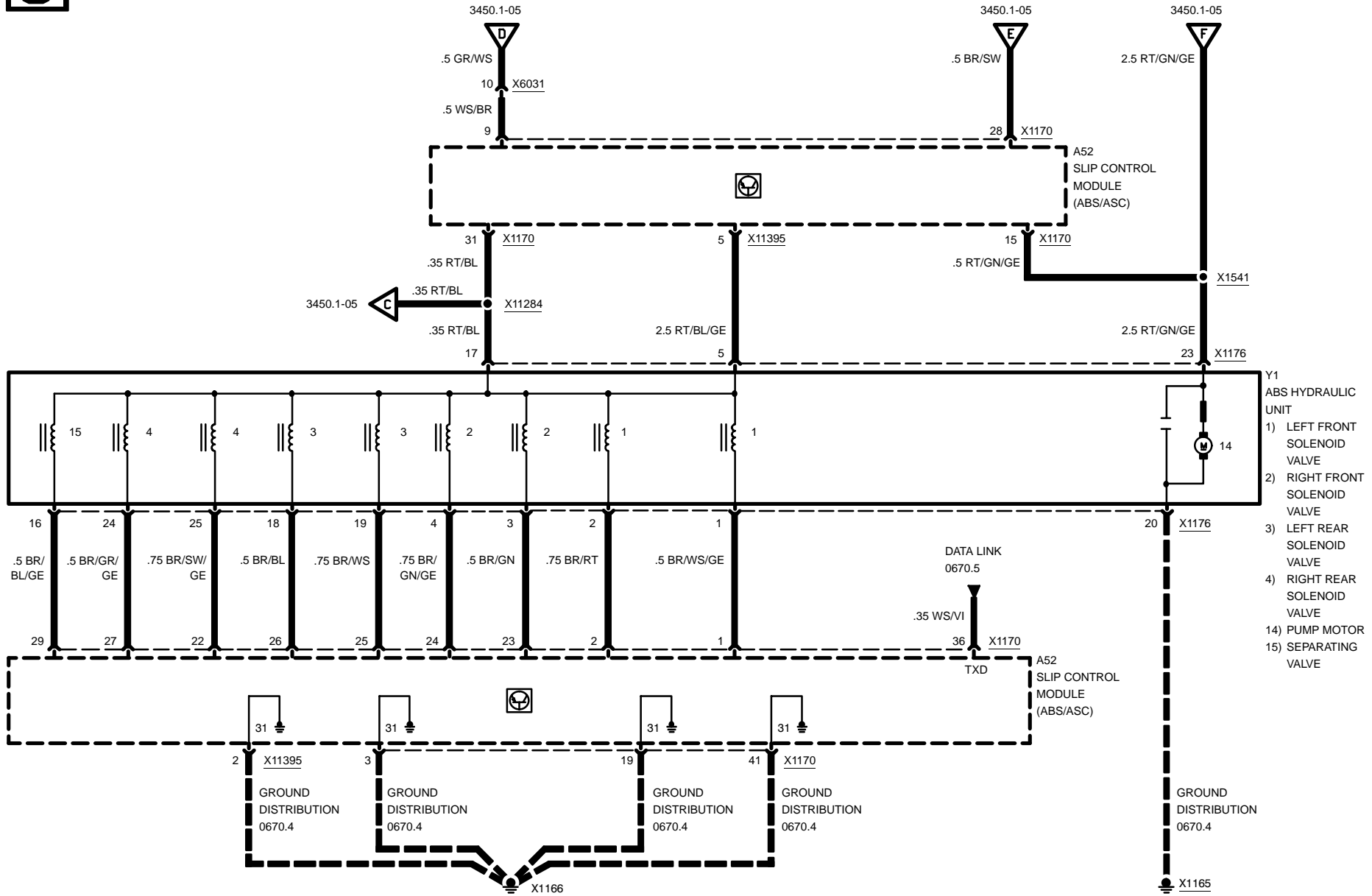
318is





SLIP CONTROL (ABS/ASC)

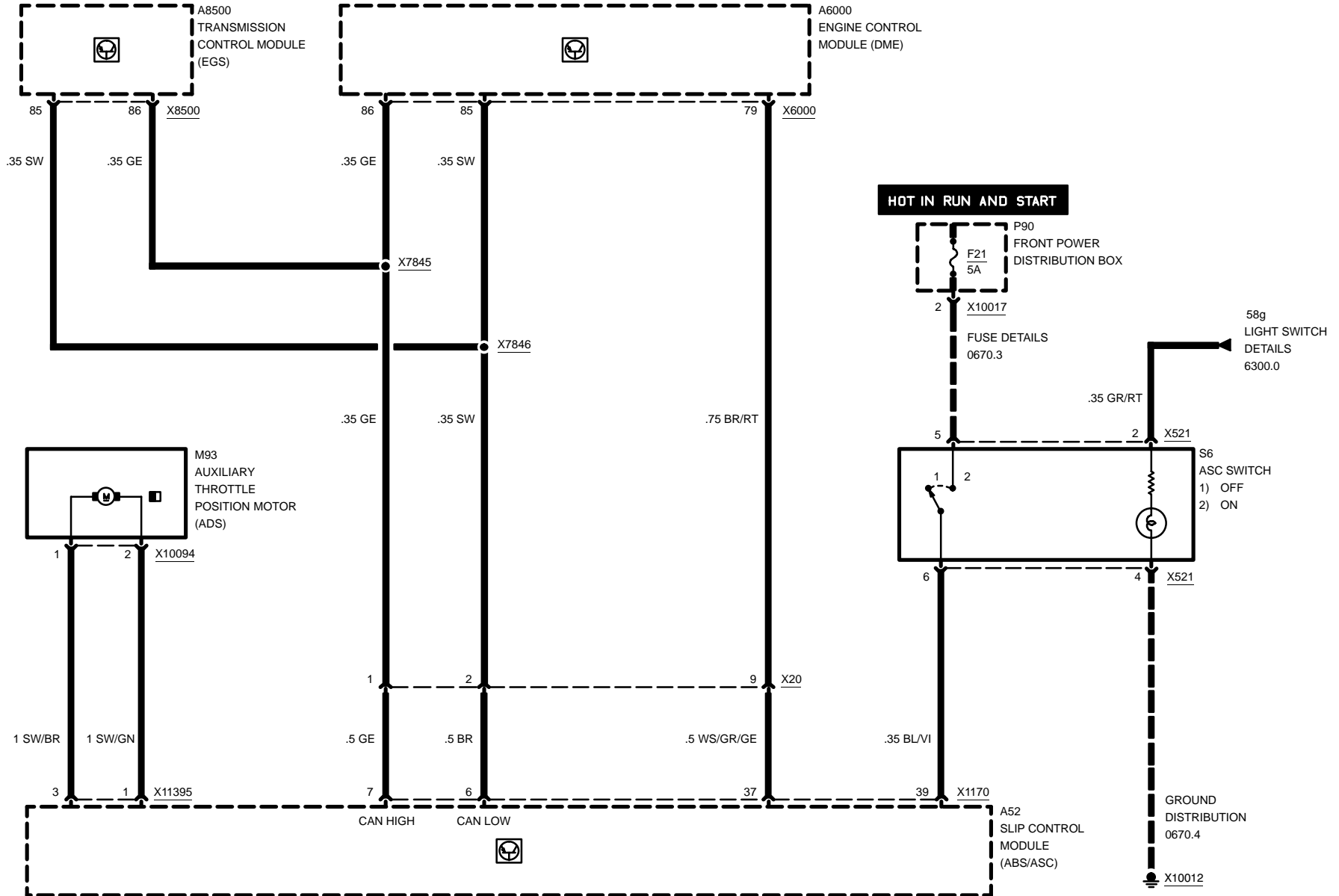
318is





SLIP CONTROL (ABS/ASC)

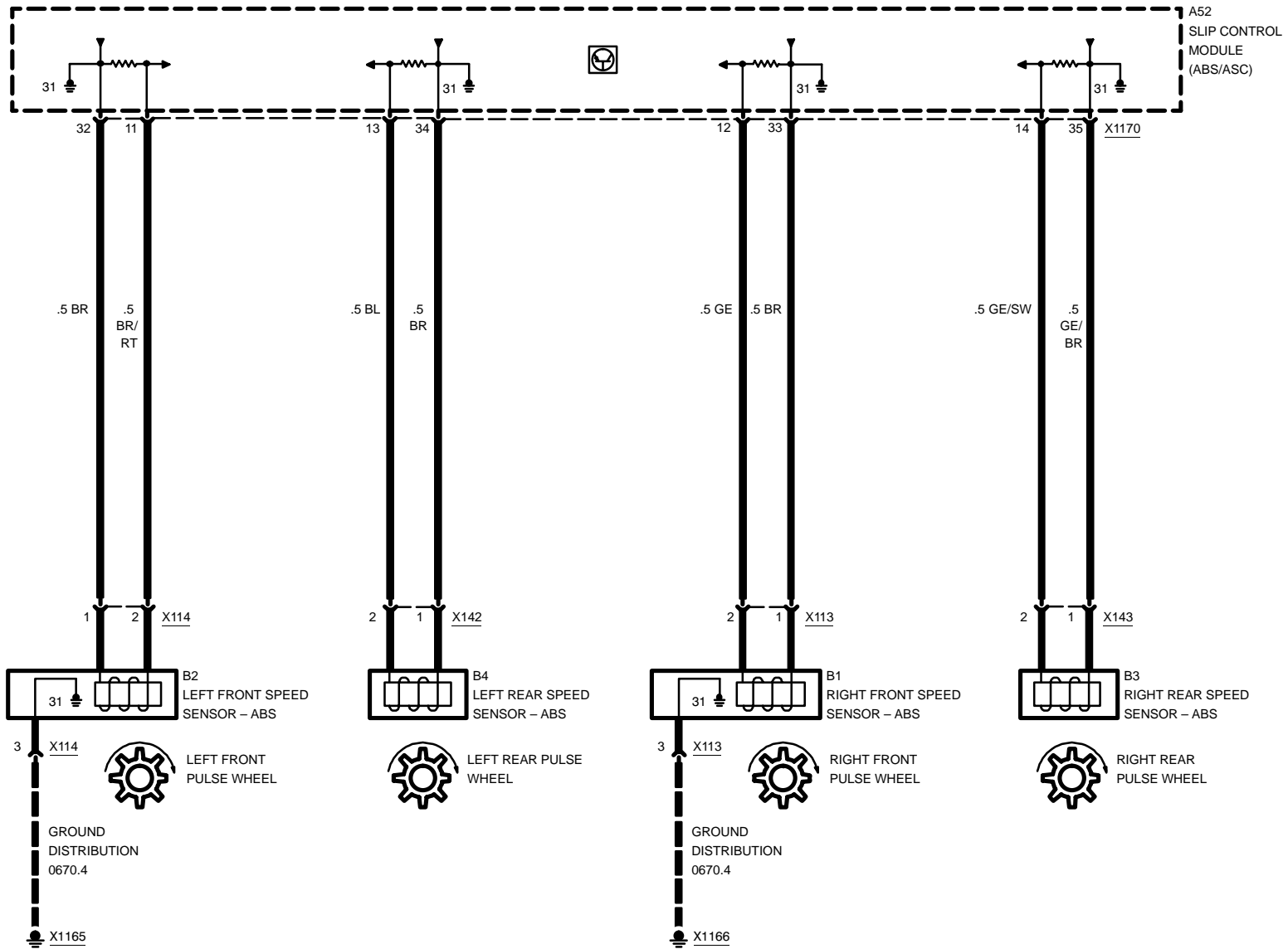
318is





SLIP CONTROL (ABS/ASC)

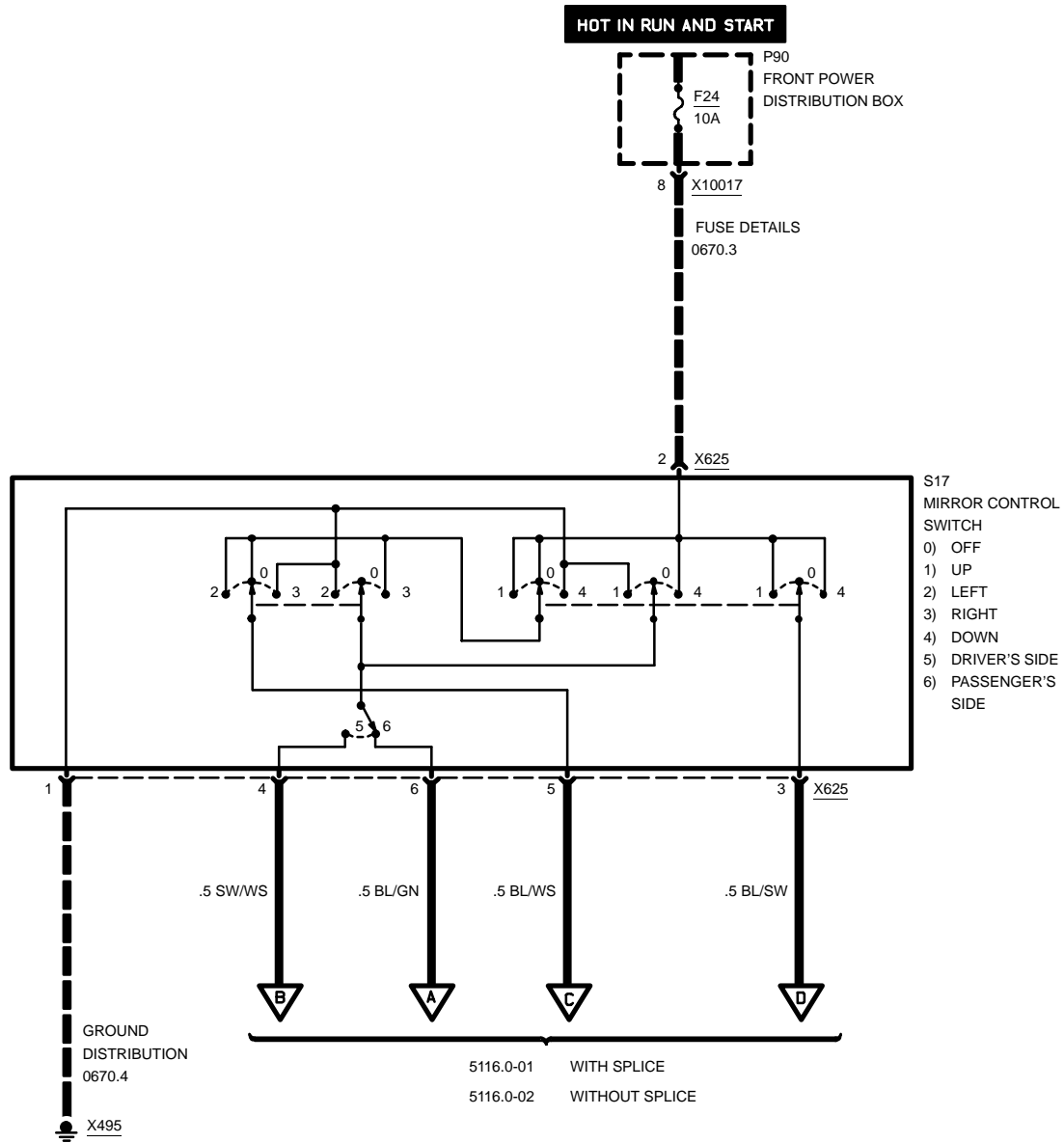
318is





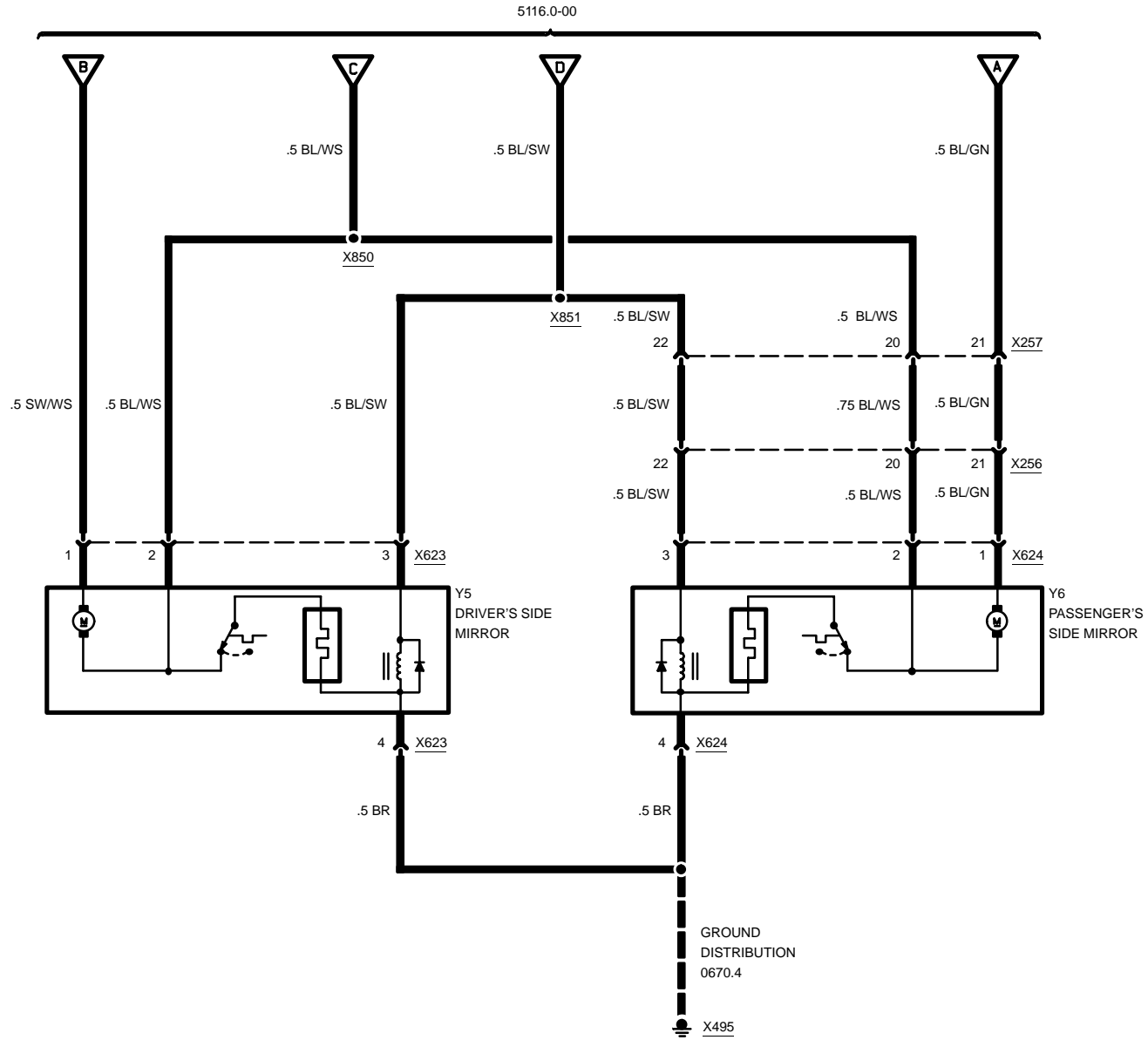
5116.0 POWER MIRRORS

OUTSIDE MIRROR



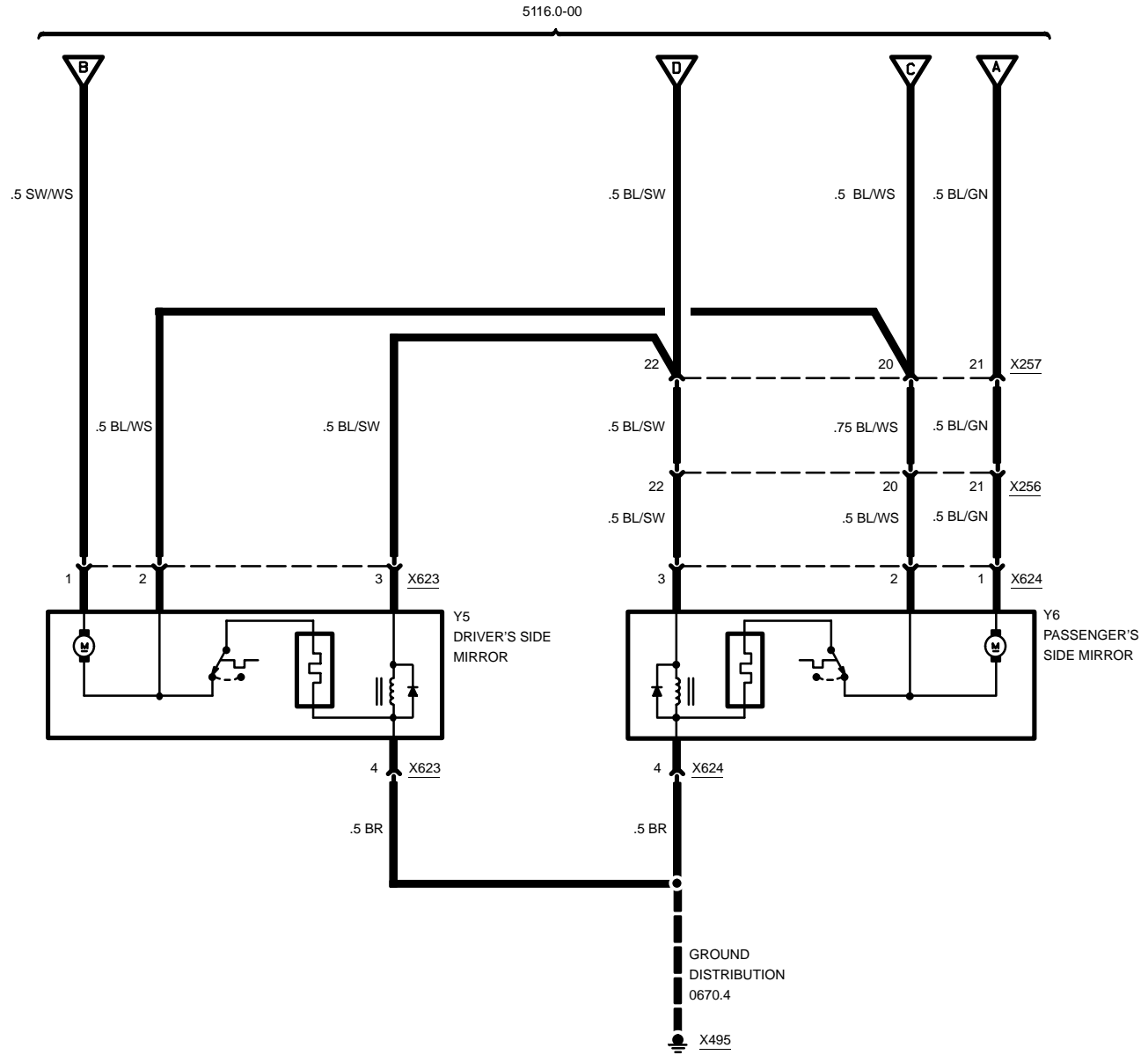


POWER MIRRORS WITH SPLICE



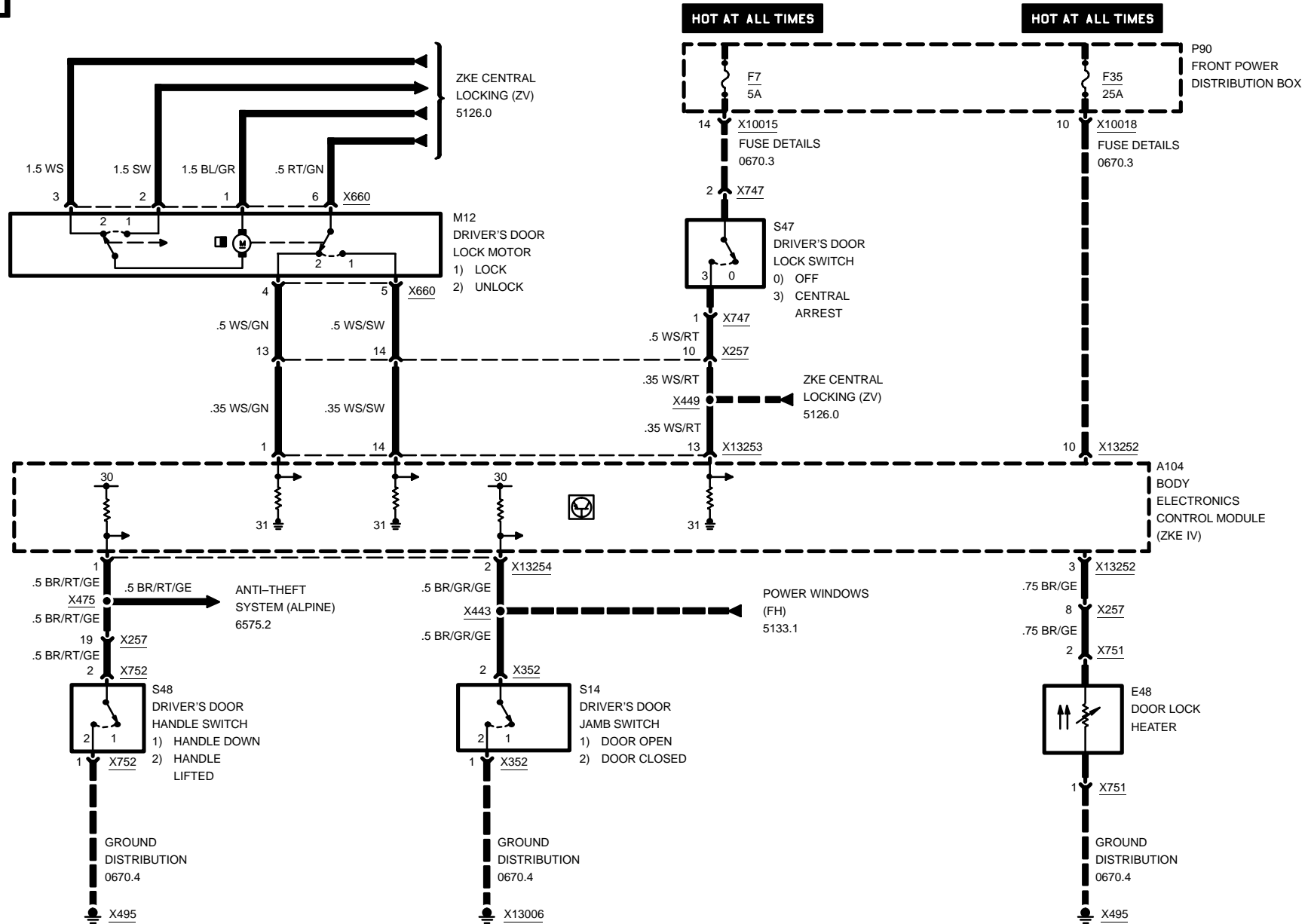


POWER MIRRORS WITHOUT SPLICE



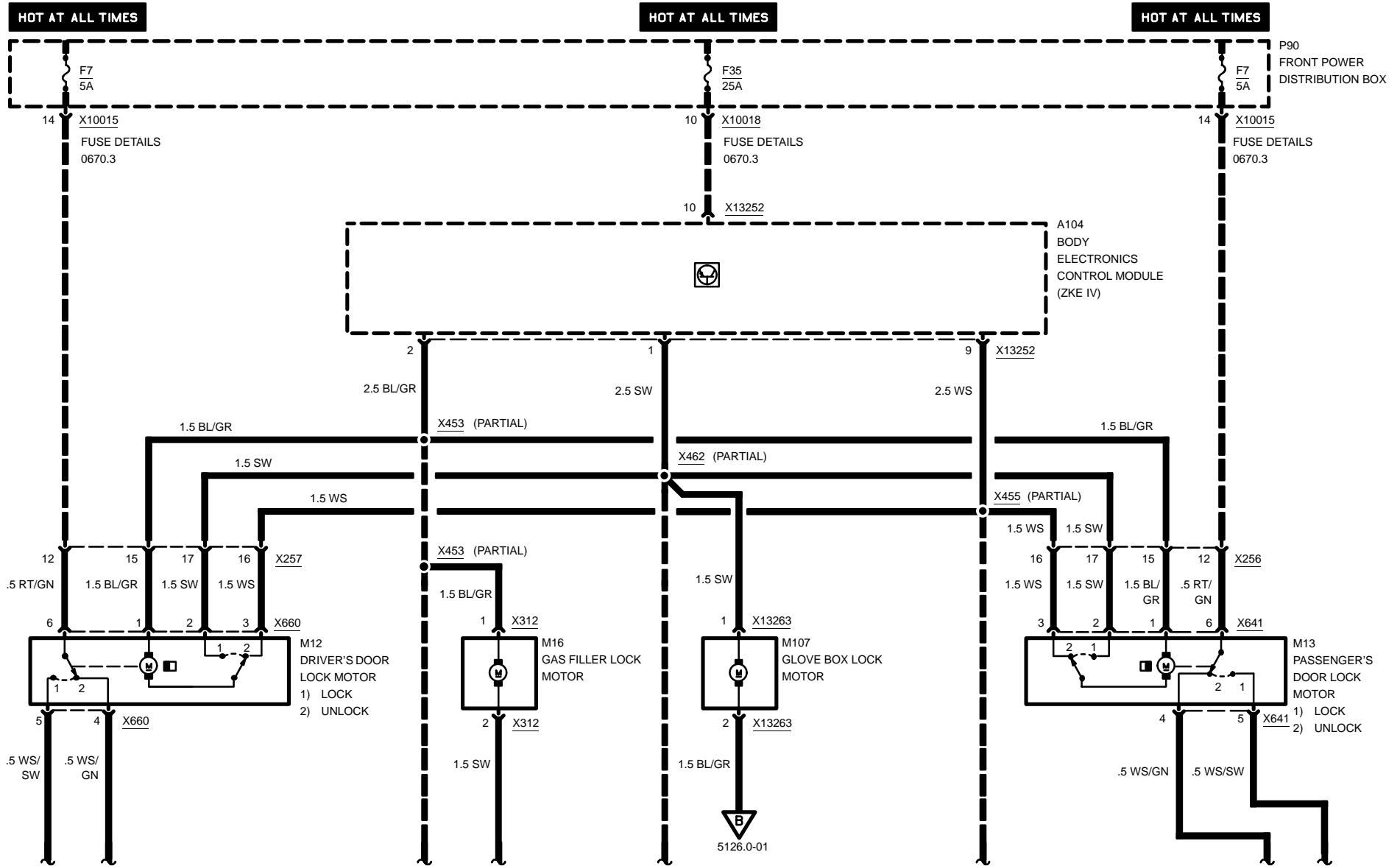


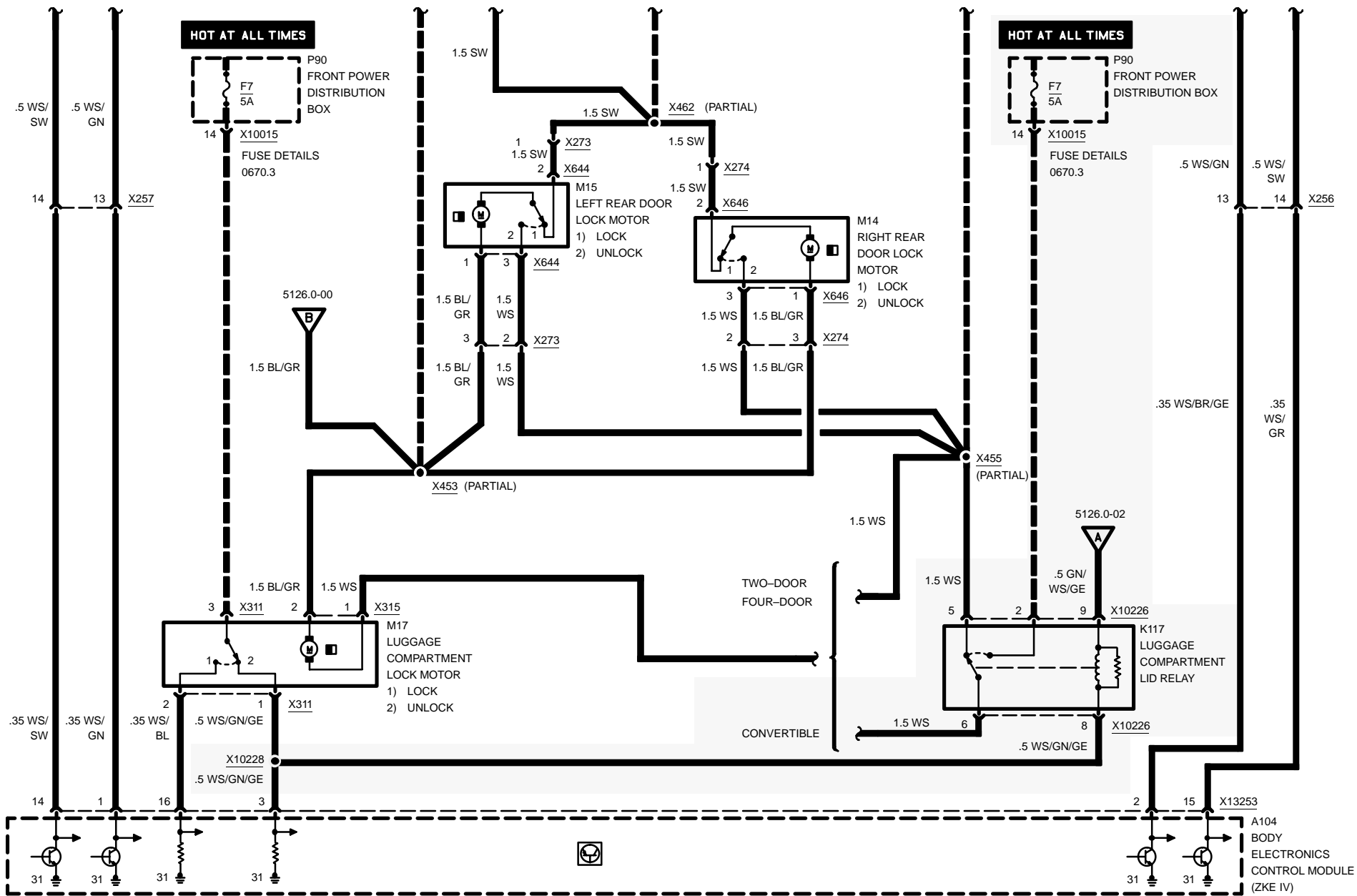
5120.0 ZKE DOOR LOCK HEATING (TSH)





5126.0 ZKE CENTRAL LOCKING (ZV) OUTPUT DETAILS





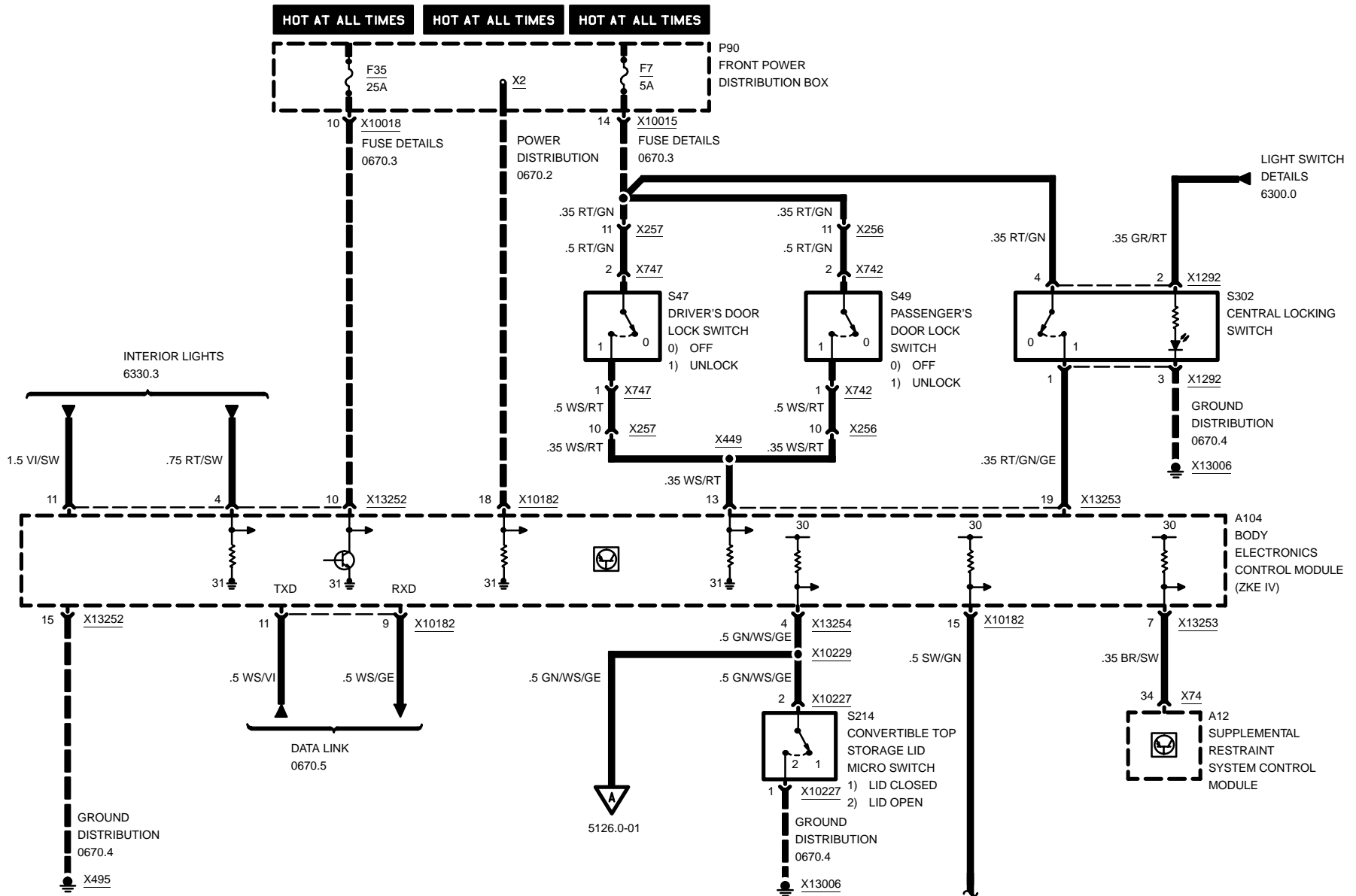
04/99

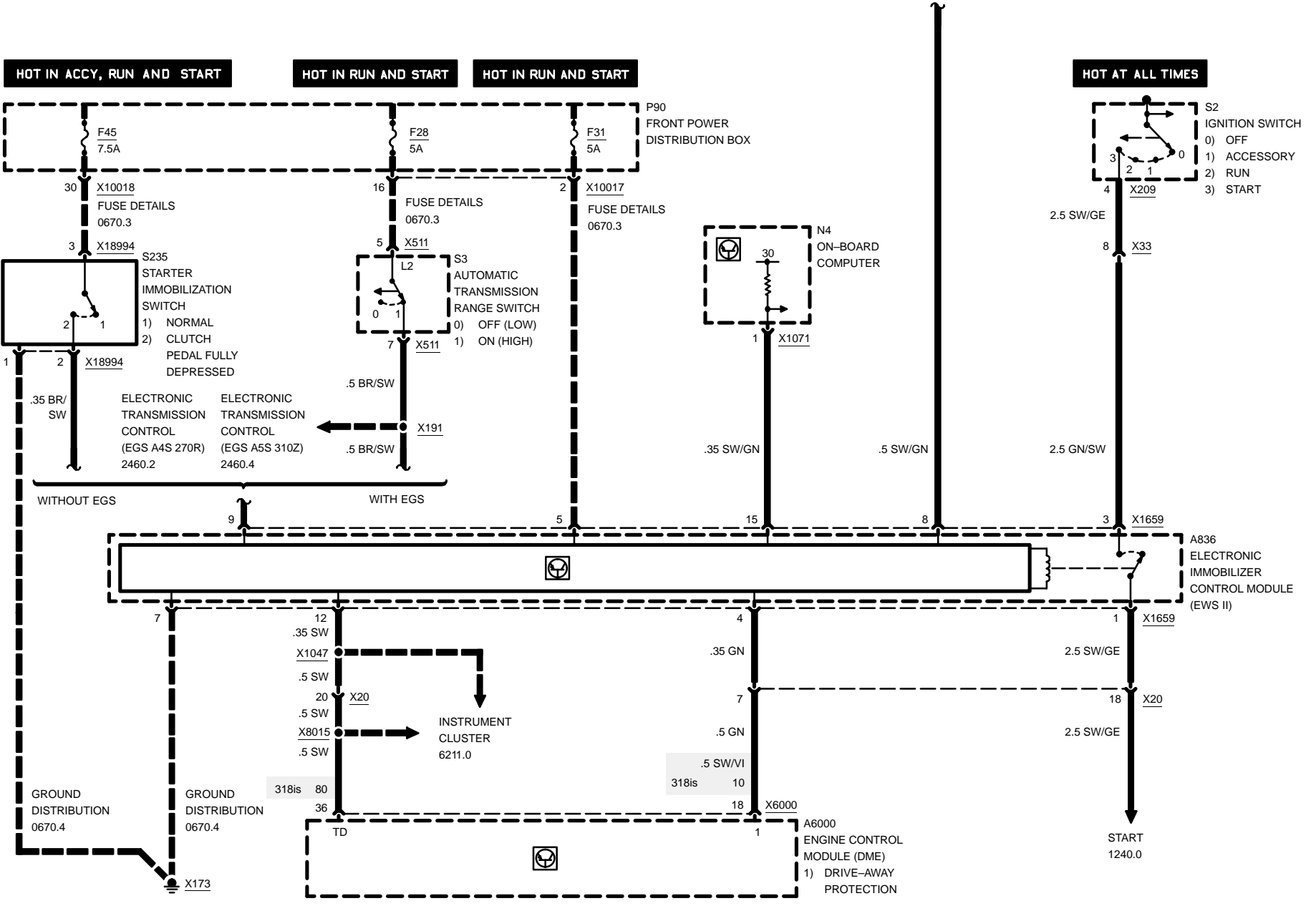
5126.0-01

1998



ZKE CENTRAL LOCKING (ZV)

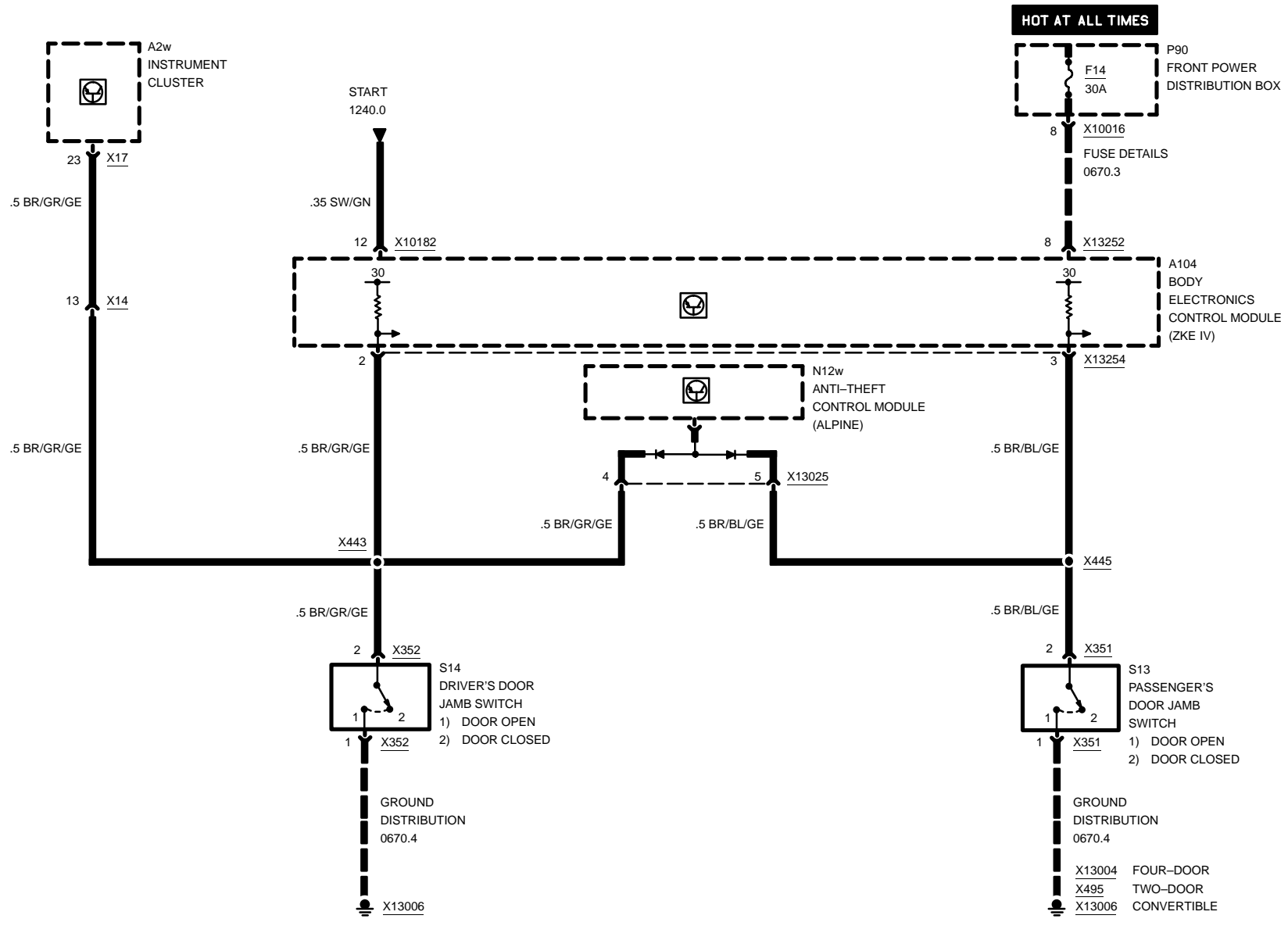






5133.1 POWER WINDOWS (FH)

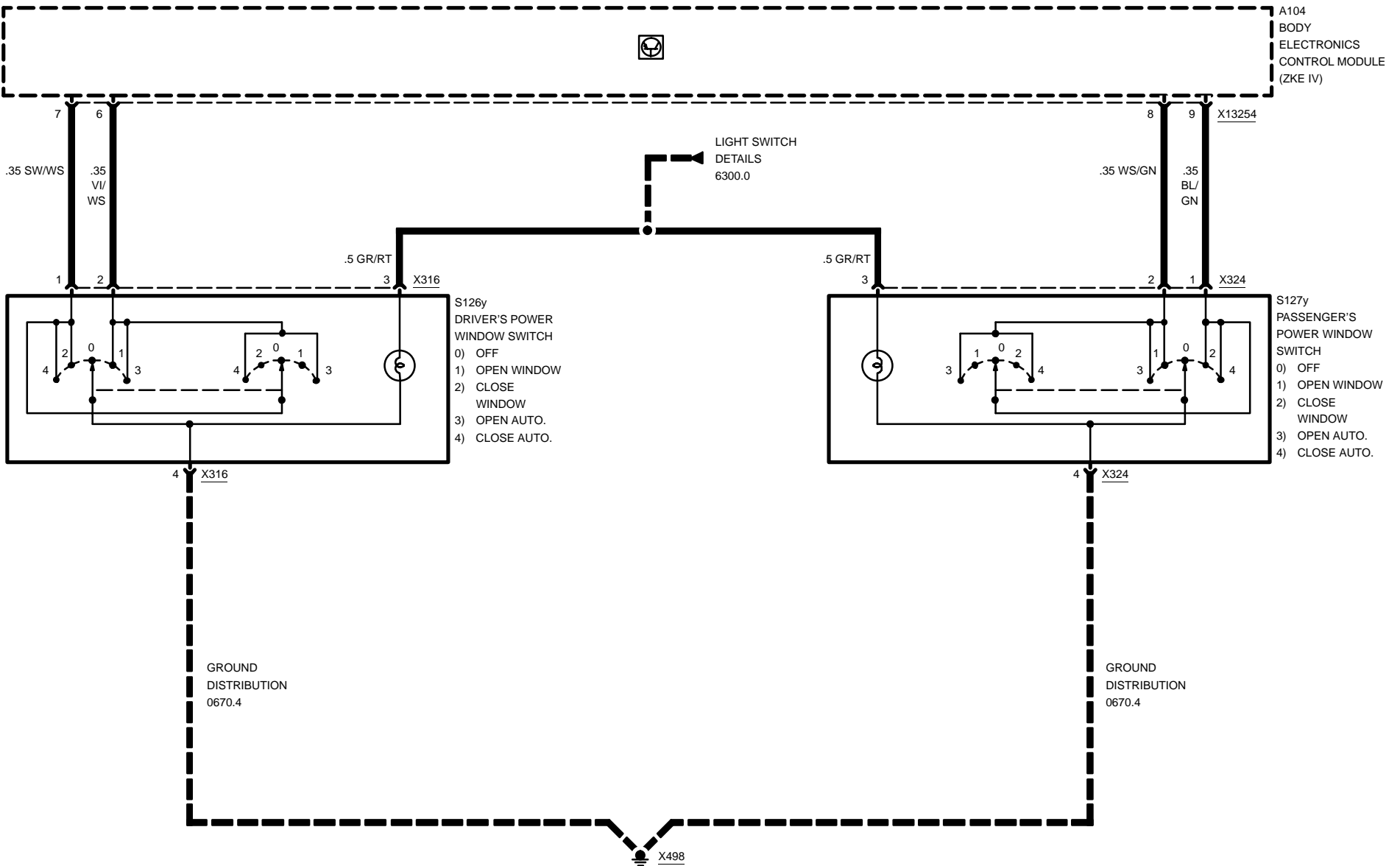
INPUT DETAILS





POWER WINDOWS (FH)

INPUT DETAILS

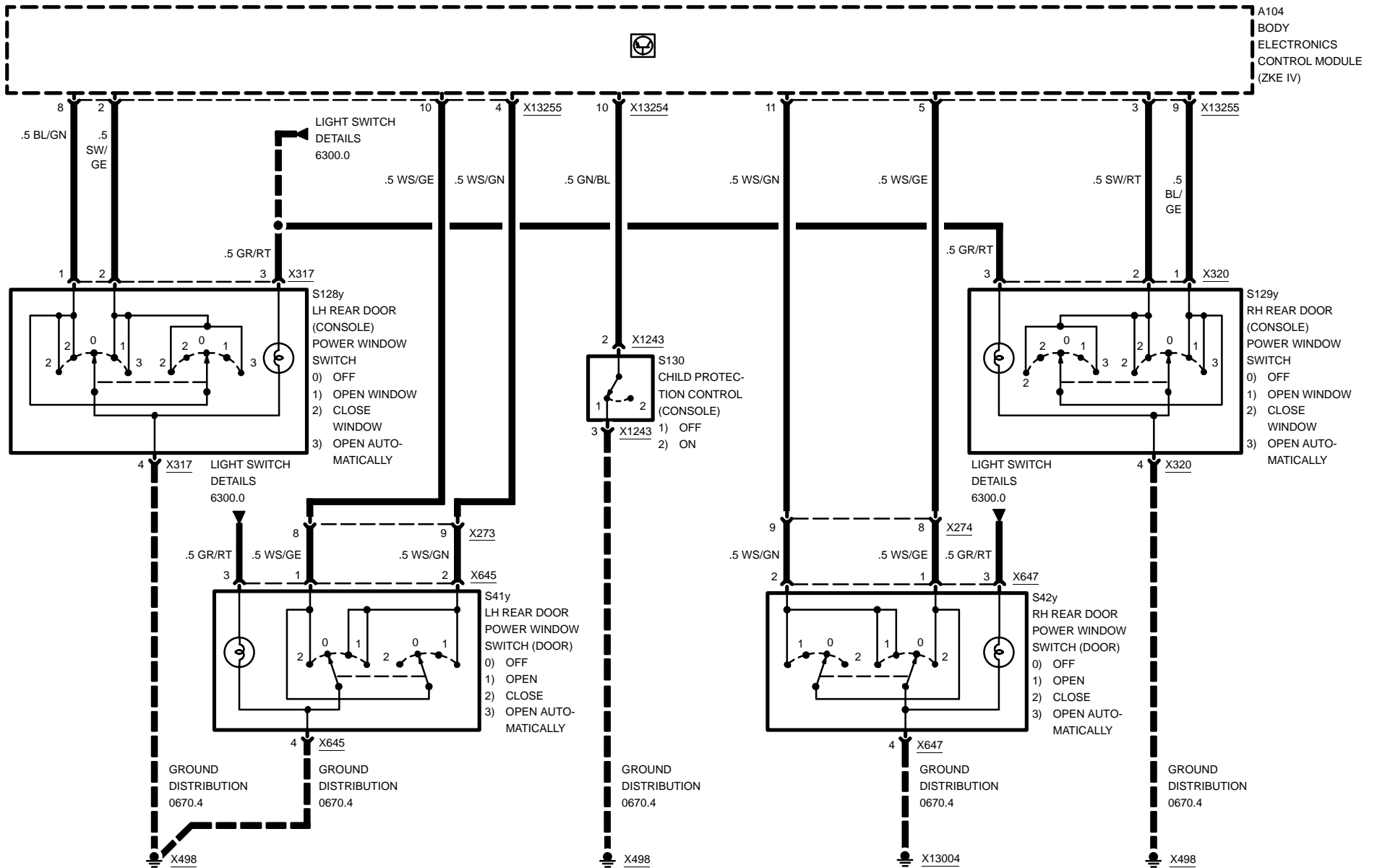




POWER WINDOWS (FH)

FOUR-DOOR

INPUT DETAILS

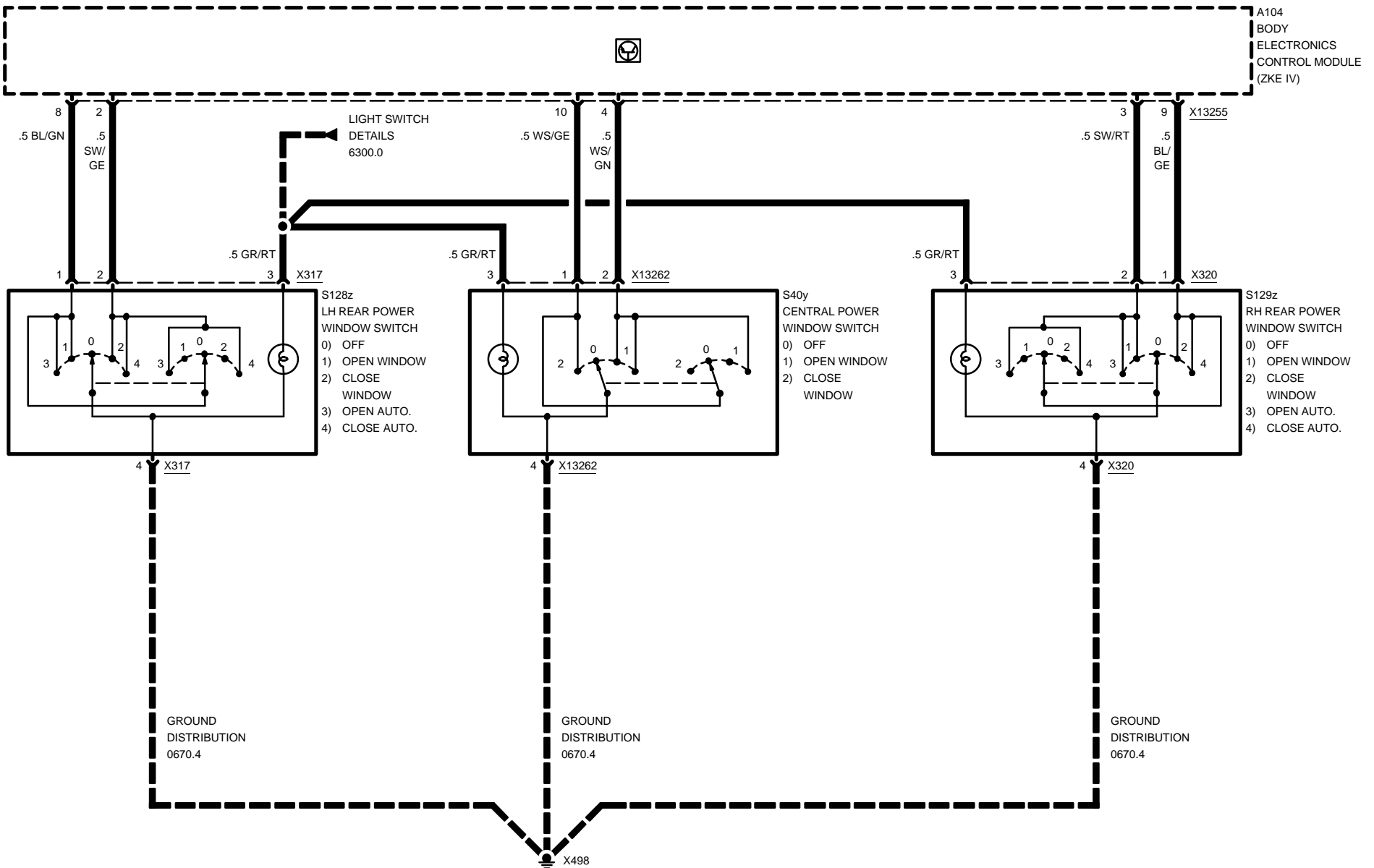




POWER WINDOWS (FH)

CONVERTIBLE

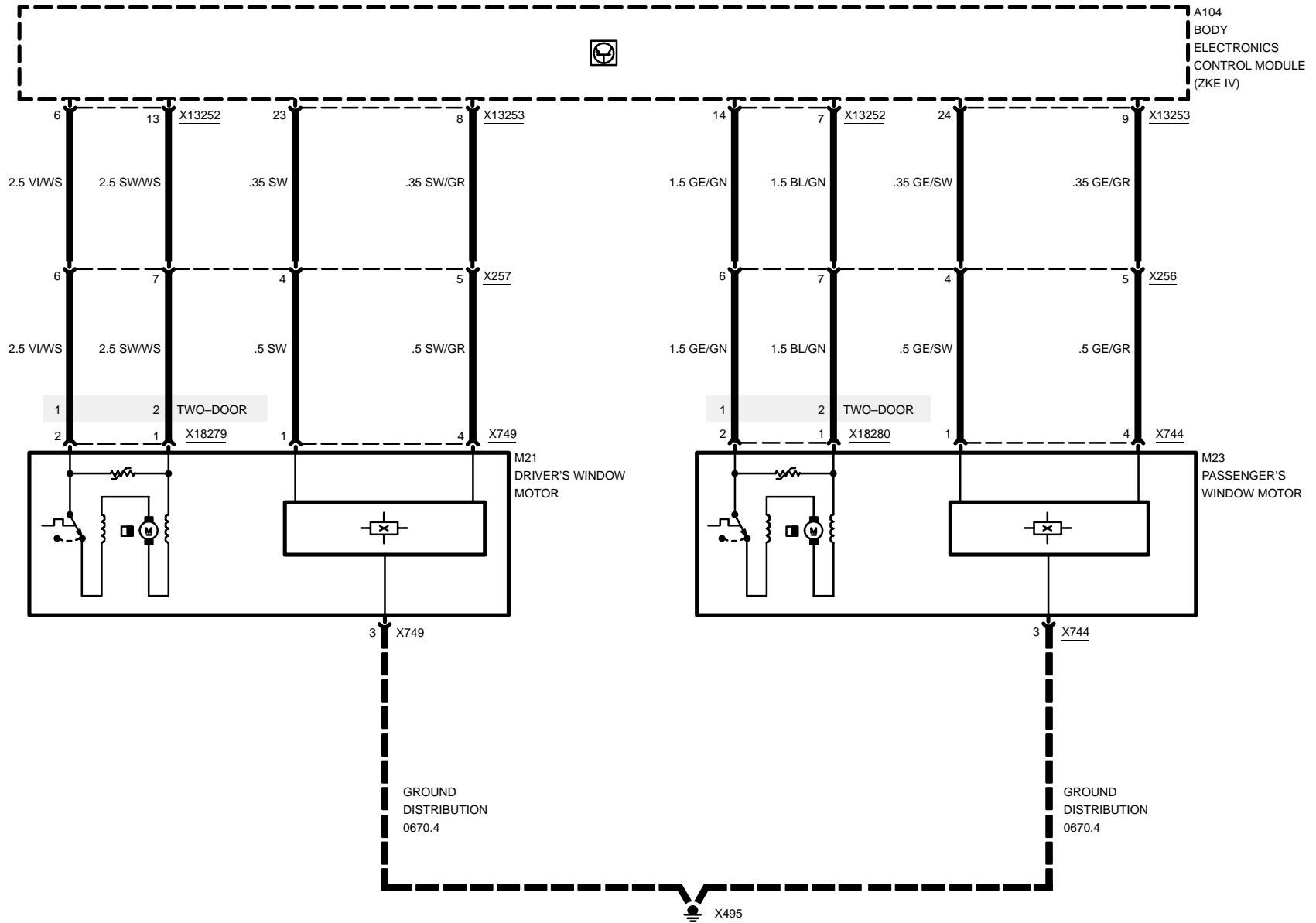
INPUT DETAILS





POWER WINDOWS (FH)

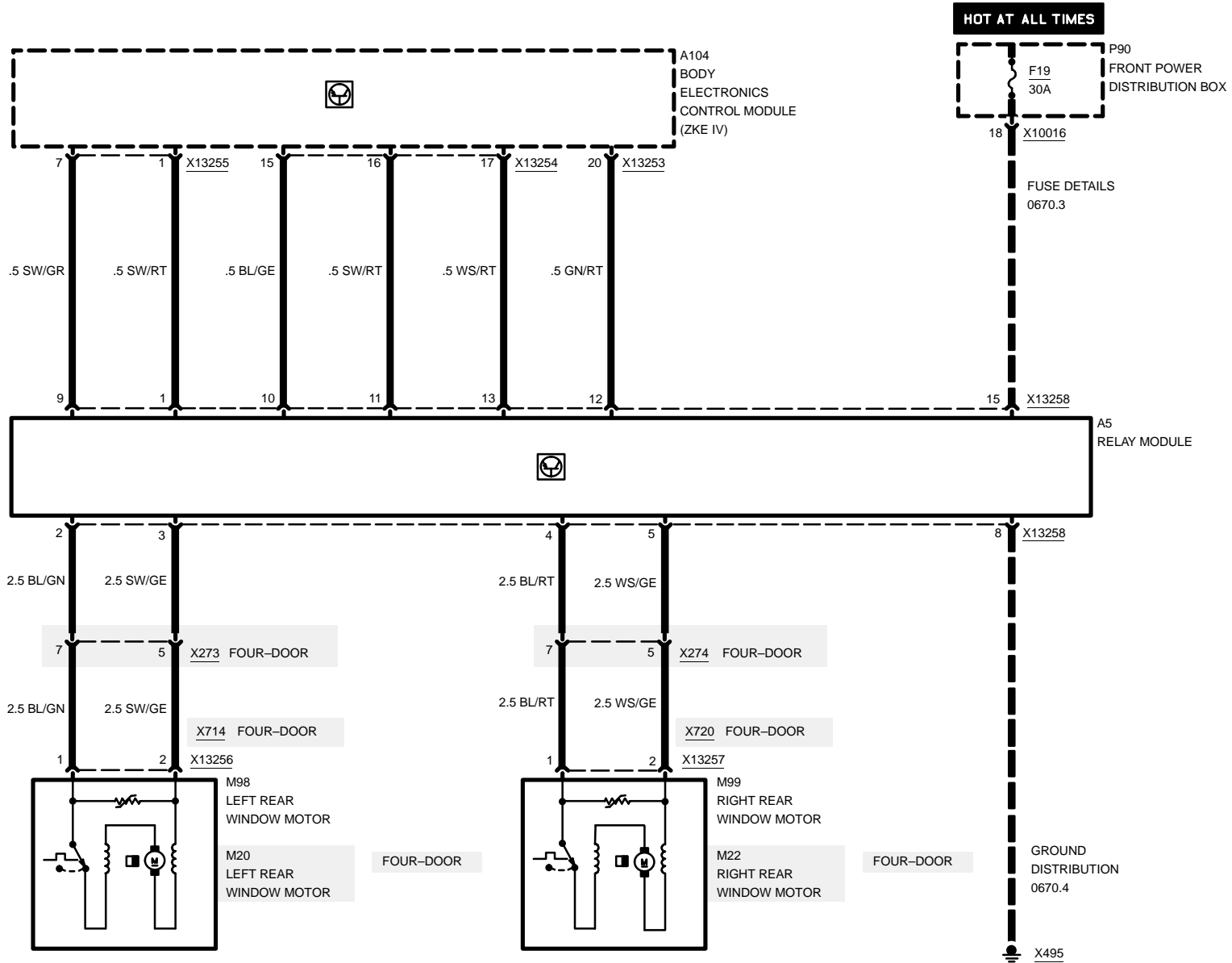
OUTPUT DETAILS





POWER WINDOWS (FH)

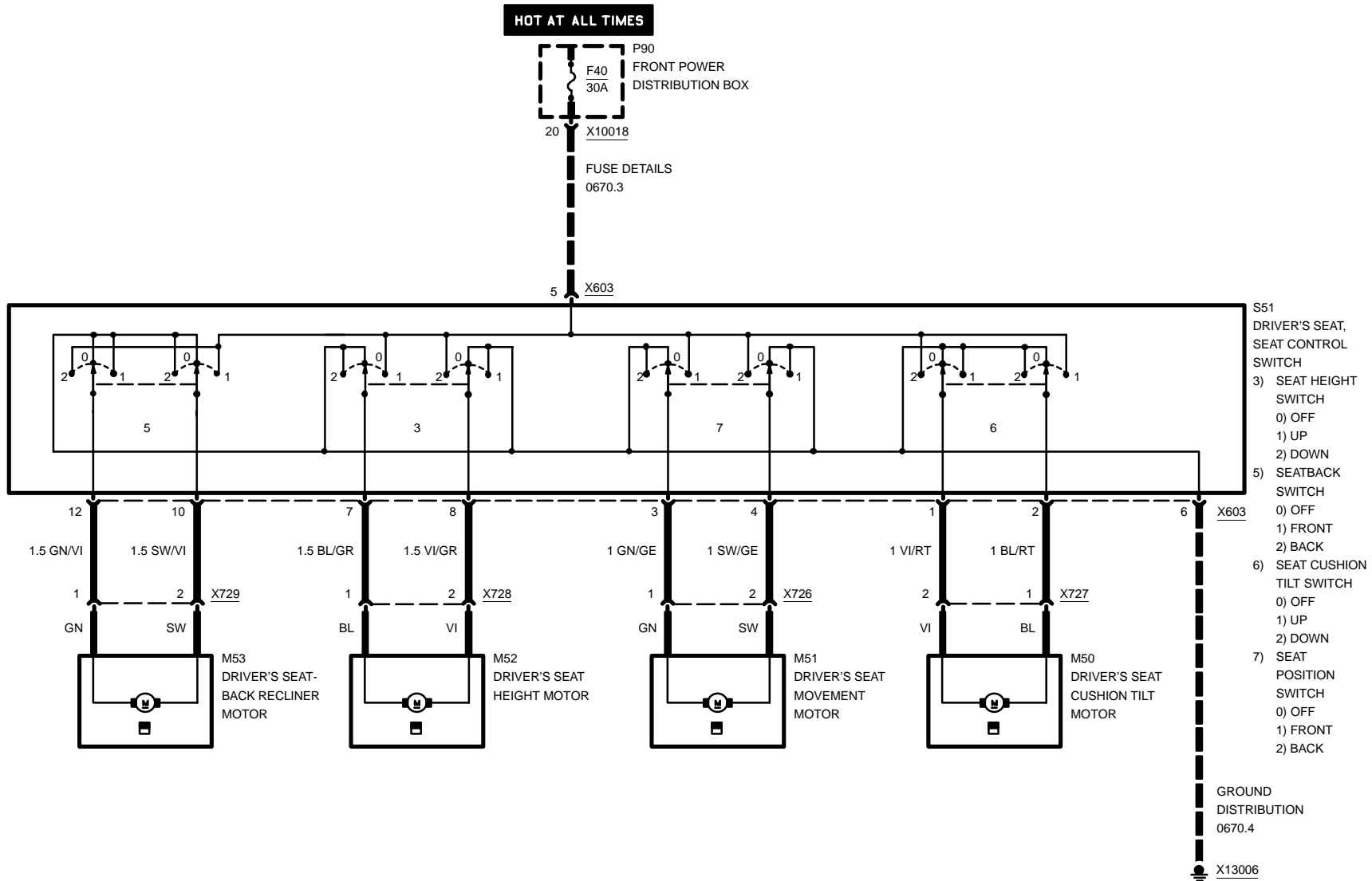
OUTPUT DETAILS





5200.0 POWER SEATS

DRIVER'S SEAT

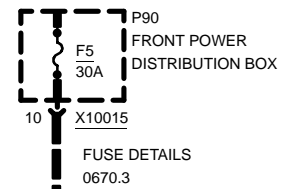




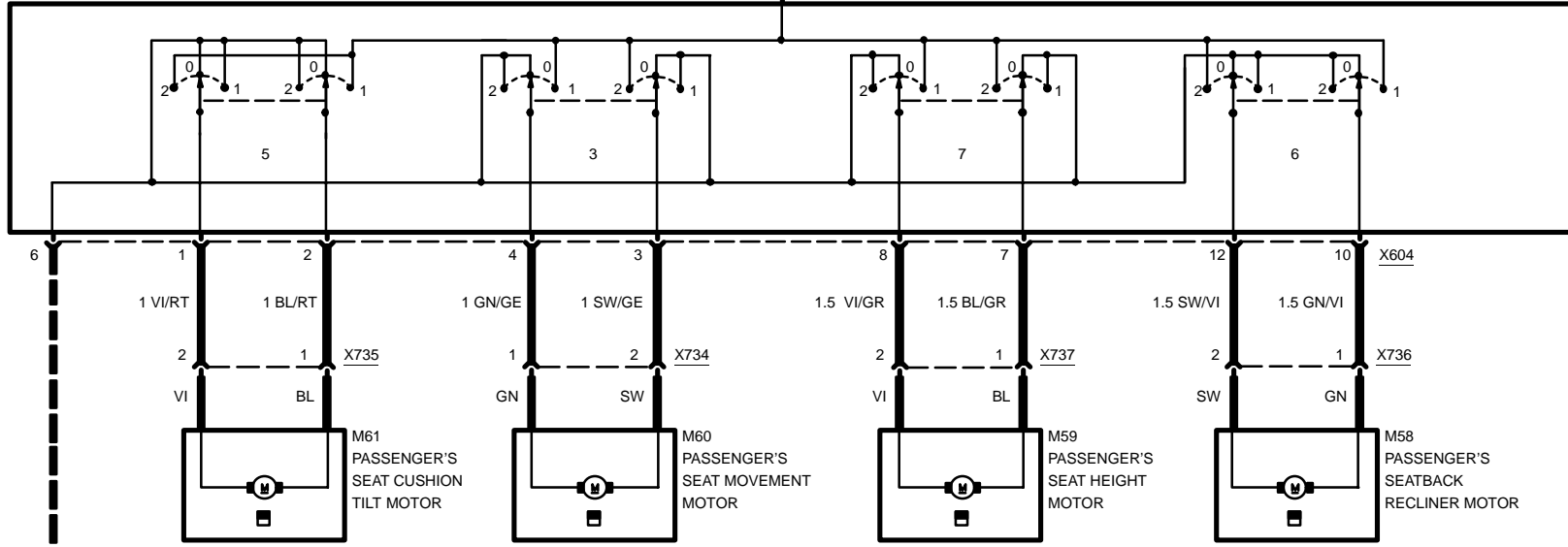
POWER SEATS

PASSENGER'S SEAT

HOT AT ALL TIMES



5 X604



- S56
PASSENGER'S SEAT, SEAT
CONTROL SWITCH
- 3) SEAT HEIGHT SWITCH
 - 0) OFF
 - 1) UP
 - 2) DOWN
 - 5) SEATBACK SWITCH
 - 0) OFF
 - 1) FRONT
 - 2) BACK
 - 6) SEAT CUSHION TILT
SWITCH
 - 0) OFF
 - 1) UP
 - 2) DOWN
 - 7) SEAT POSITION
SWITCH
 - 0) OFF
 - 1) FRONT
 - 2) BACK

GROUND
DISTRIBUTION
0670.4

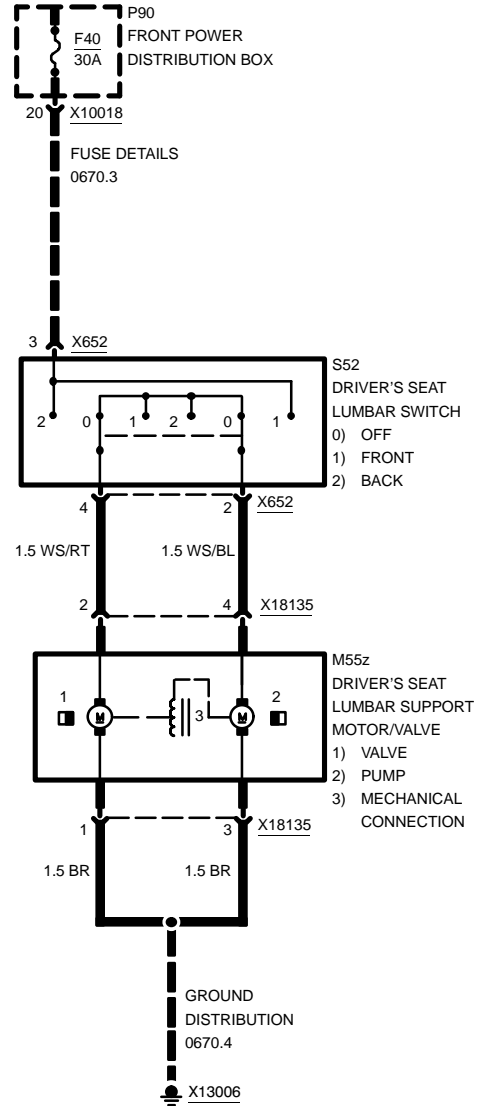
X495 TWO-DOOR
X13004 FOUR-DOOR



POWER SEATS AND LUMBAR SUPPORT

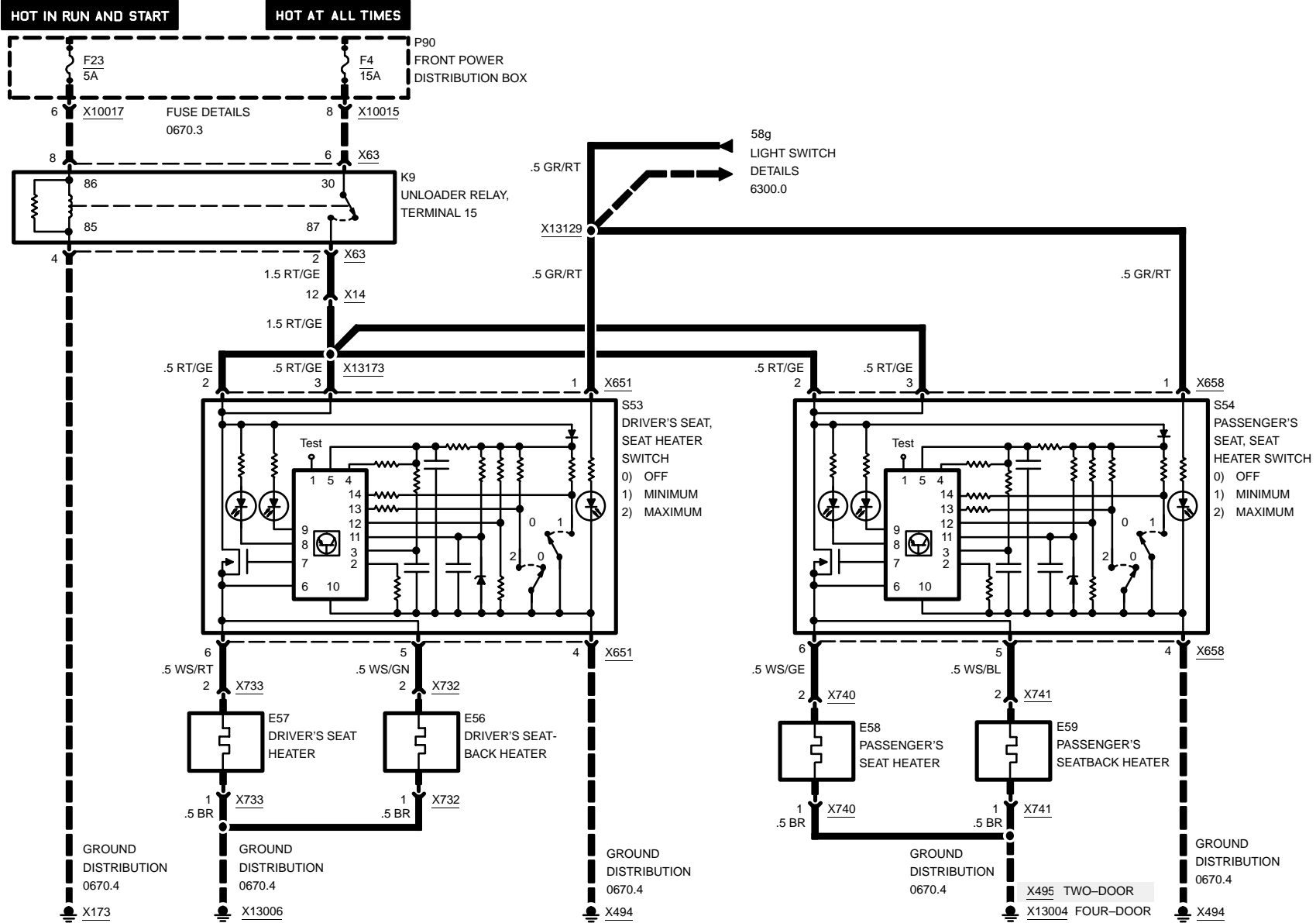
DRIVER'S SIDE – LUMBAR SUPPORT

HOT AT ALL TIMES



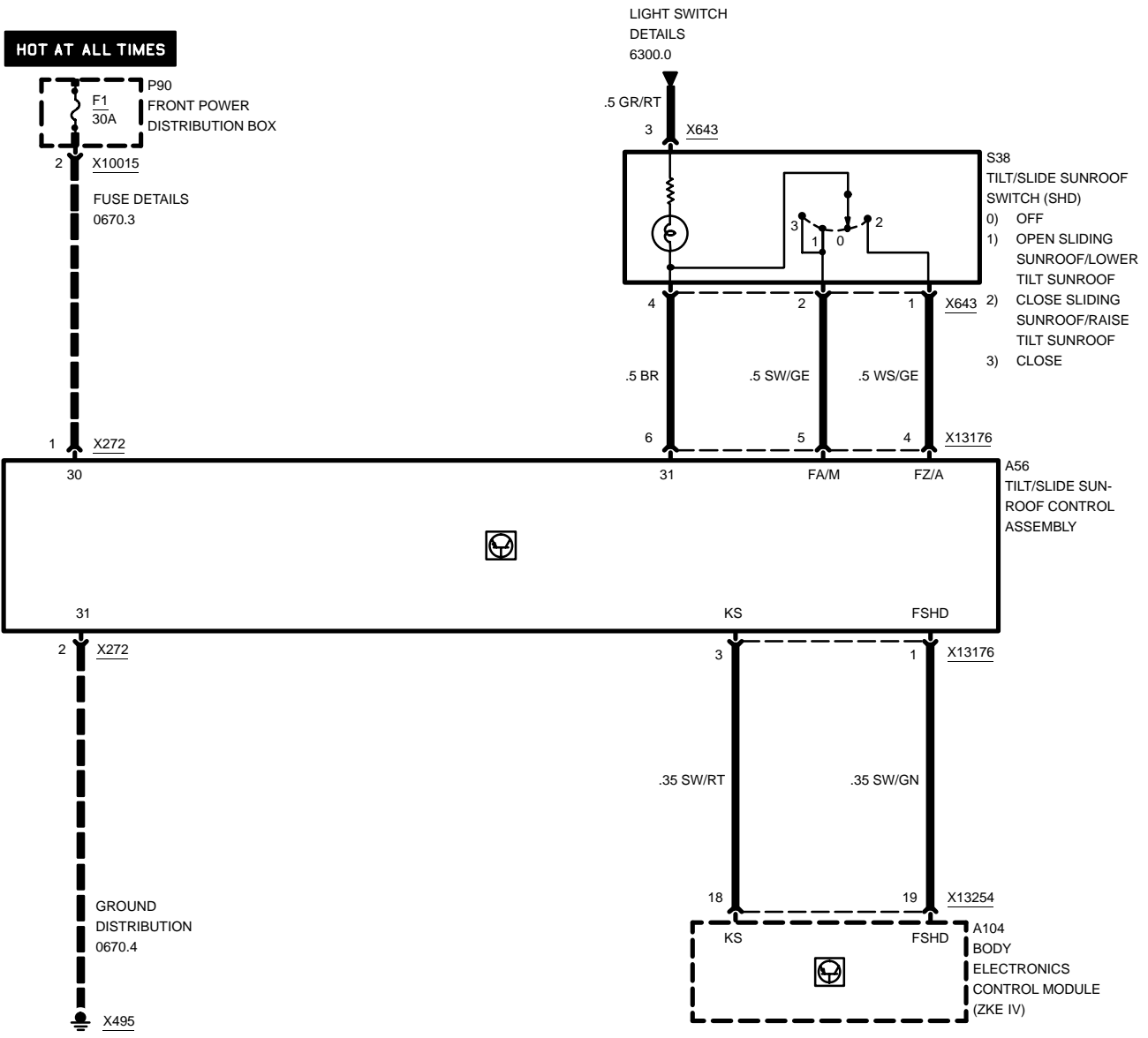


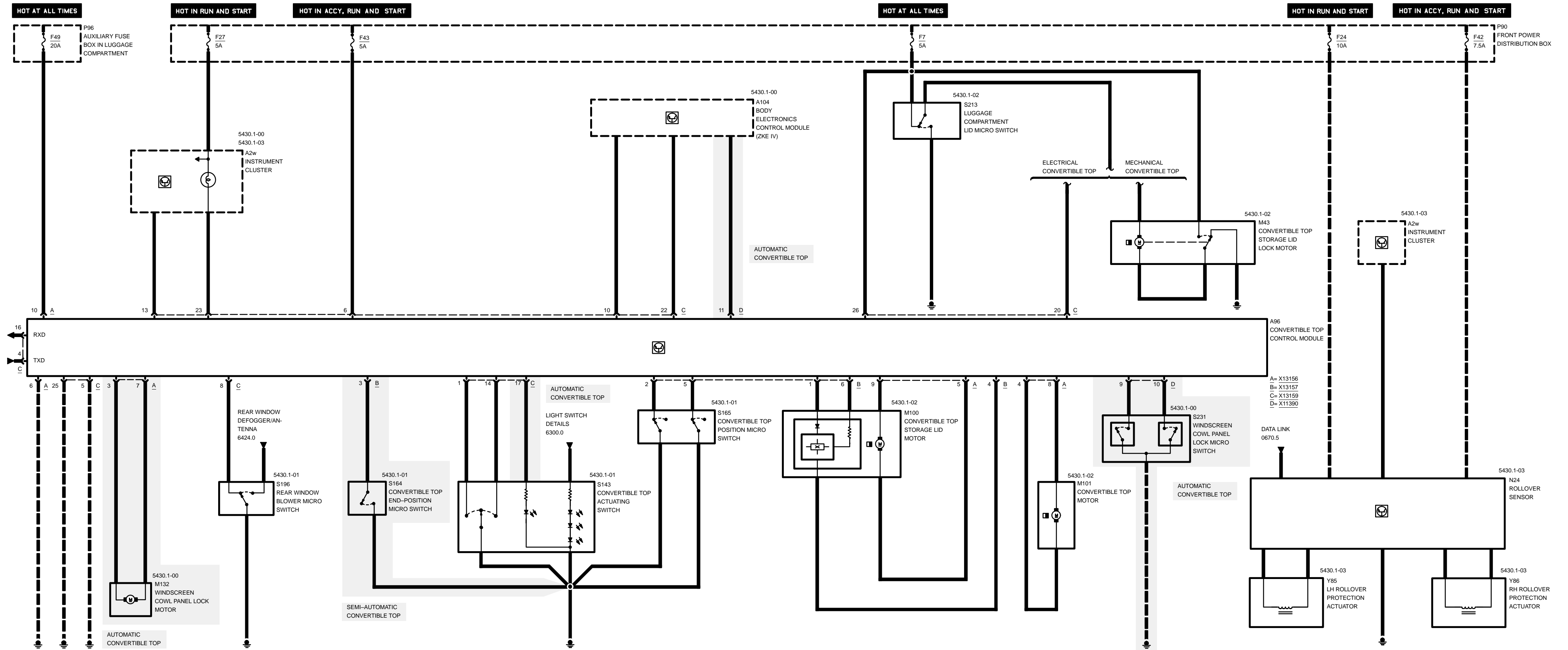
5203.0 HEATED SEATS

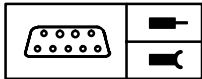




5410.1 POWER TILT/SLIDE SUNROOF (SHD)







Pin Assignments

A = X13156	10 Pins, black
B = X13157	6 Pins, black
C = X13159	26 Pins, black
D = X11390	12 Pins, black

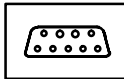
X13156

Pin	Type	Description/Function	Connection
1		Not used	
2		Not used	
3	E/A	Activate engine	Windscreen cowl panel locking (automatic convertible top)
4	E/A	Control signal	Convertible top motor
5	E/A	Control signal	Convertible top storage lid motor
6	M	Ground	Ground
7	E/A	Activate engine	Windscreen cowl panel locking (automatic convertible top)
8	E/A	Control signal	Convertible top motor
9	E/A	Control signal	Convertible top storage lid motor
10	E	Plus supply 12V	Fuse 49

X13157

Pin	Type	Description/Function	Connection
1	A	Plus supply	Position sensor (convertible top storage lid motor)
2	E	Position signal	Convertible top position micro switch
3	E	Position signal	Convertible top end position micro switch (semi-automatic convertible top)
4	E	Component ground	Position sensor (convertible top storage lid motor)
5	E	Position signal	Convertible top position micro switch
6	E	Control signal	Position sensor (convertible top storage lid motor)

E = Input, A = Output, M = Ground

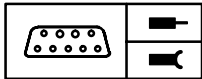


Pin Assignments

X13159

Pin	Type	Description/Function	Connection
1	E	Top open signal	Convertible top actuating switch
2		Not used	
3		Not used	
4	E/A	TxD data signal	Data link connector
5	M	Ground	Hard top connector 1
6	E	Power supply	Front power distribution box
7		Not used	
8	E	Rear window blower signal	Rear window blower micro switch
9		Not used	
10	A	Data signal	Body electronics control module
11		Not used	
12		Not used	
13	A	Speed signal	Instrument cluster
14	E	Top closed signal	Convertible top actuating switch
15		Not used	
16	A	RxD data signal	Data link connector
17	A	LED	Convertible top actuating switch
18		Not used	
19		Not used	
20	E	Luggage compartment lid signal	Luggage compartment lid micro switch
21		Not used	
22	A	Data signal	Body electronics control module
23		Not used	
24		Not used	
25	M	Ground	Ground
26	E	Power supply	Front power distribution box

E = Input, A = Output, M = Ground



Pin Assignments

X11390

Pin	Type	Description/Function	Connection
1		Not used	
2		Not used	
3		Not used	
4		Not used	
5		Not used	
6		Not used	
7		Not used	
8		Not used	
9	E/A	Lock windscreen cowl panel	Windscreen cowl panel lock microswitch (automatic convertible top)
10	E/A	Unlock windscreen cowl panel	Windscreen cowl panel UNLOCKED (automatic convertible top)
11	E/A	Comfort closing	Body electronics control module (ZKE IV) (automatic convertible top)
12		Not used	

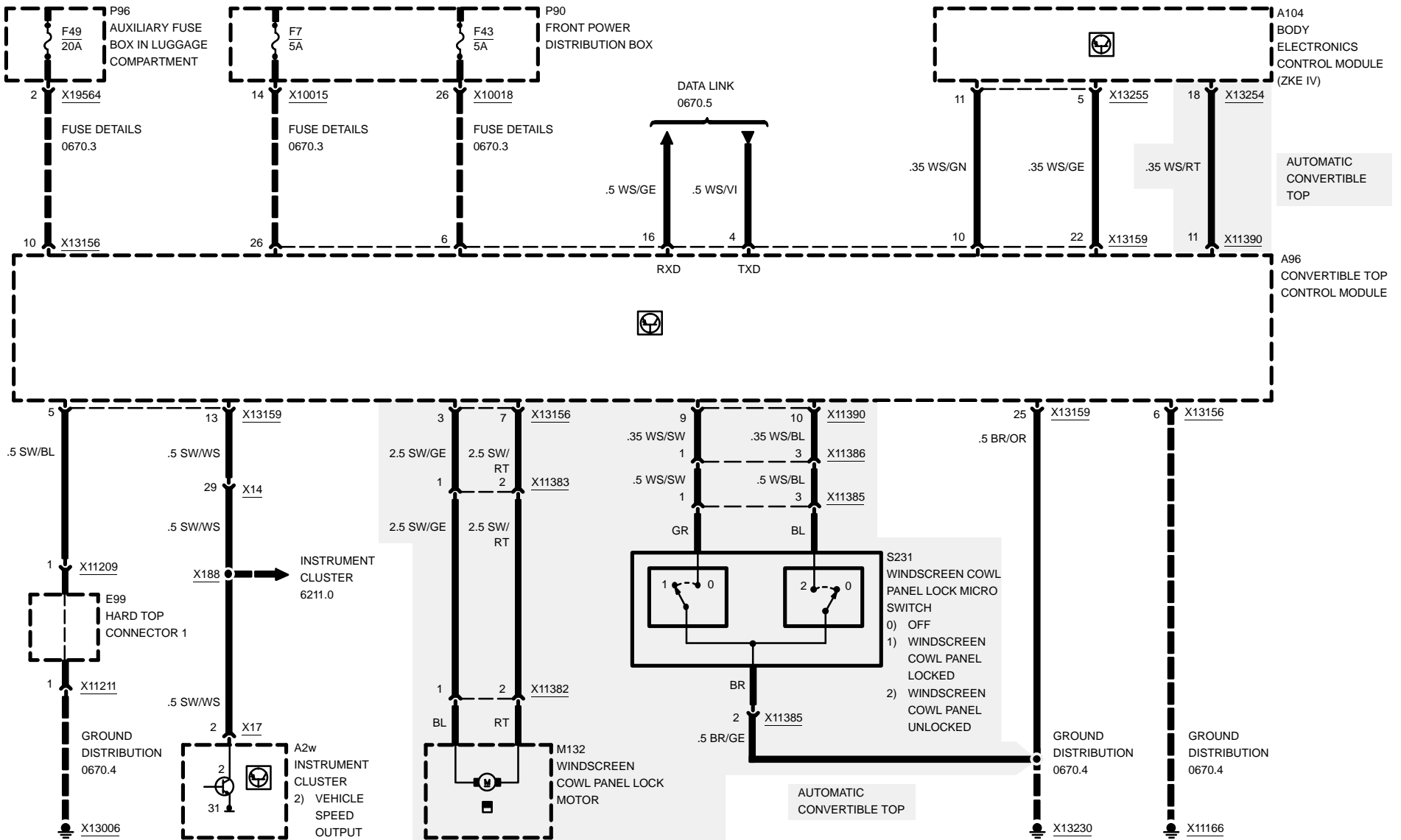


ELECTRICAL CONVERTIBLE TOP

HOT AT ALL TIMES

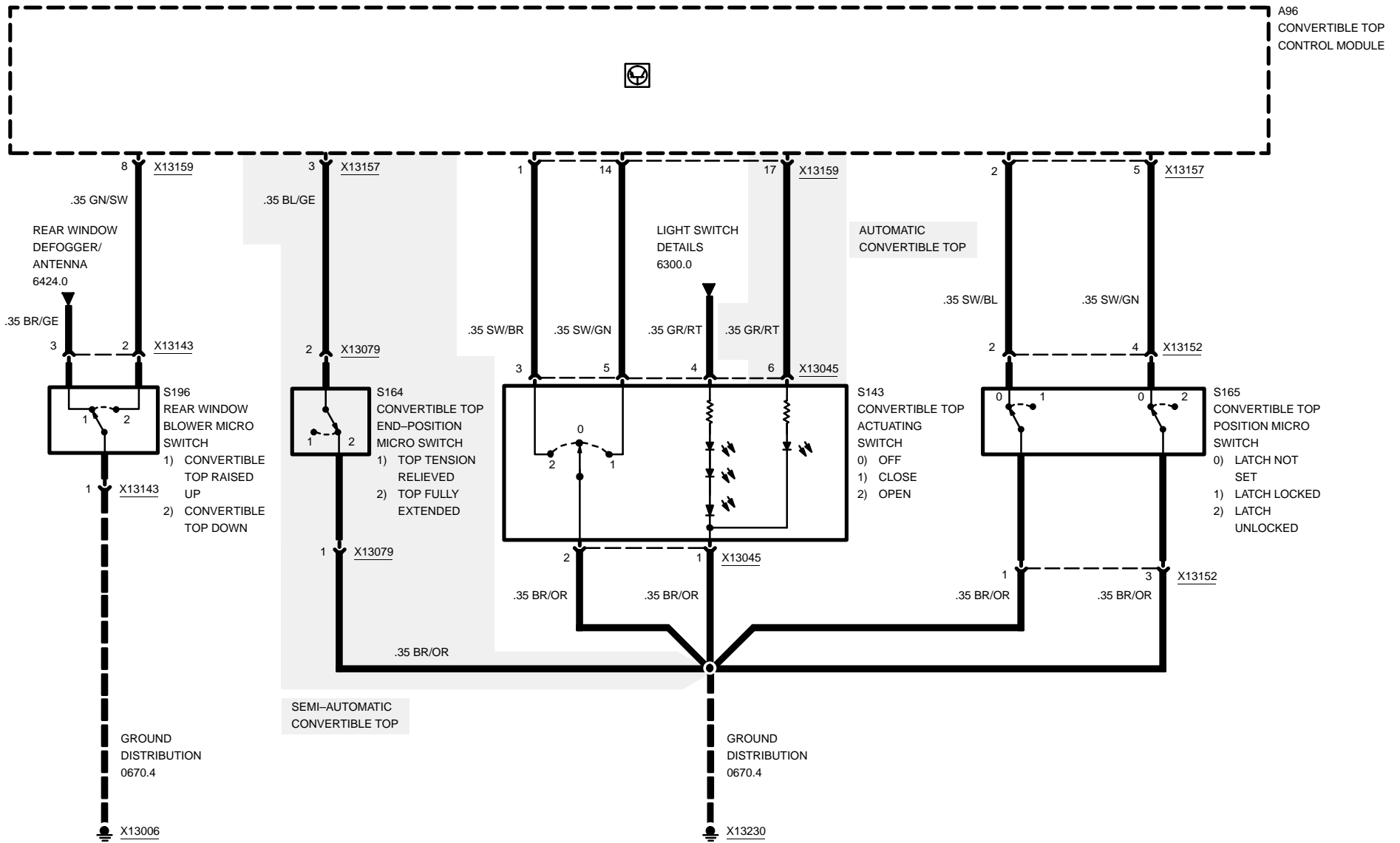
HOT AT ALL TIMES

HOT IN ACCY, RUN AND START





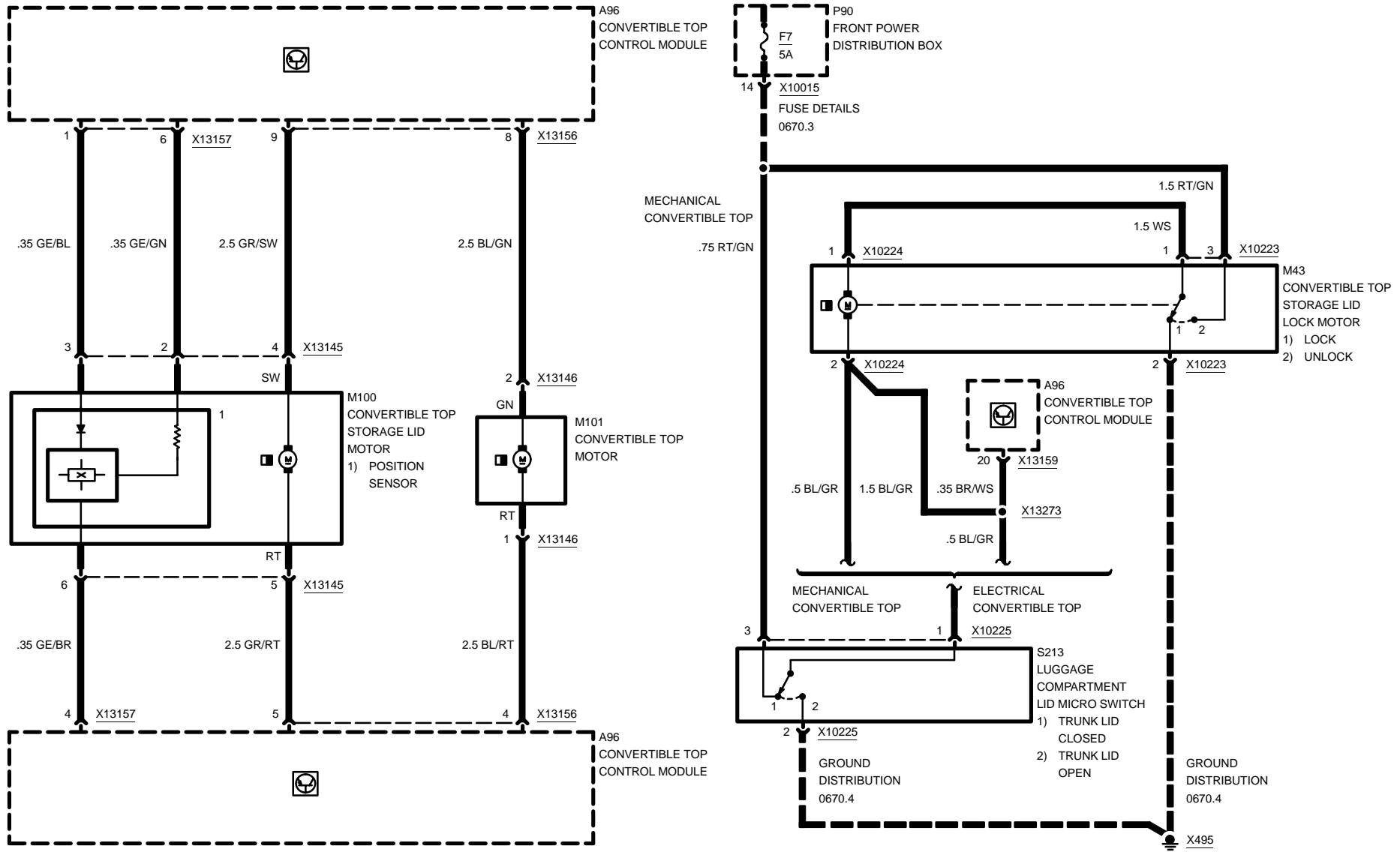
ELECTRICAL CONVERTIBLE TOP





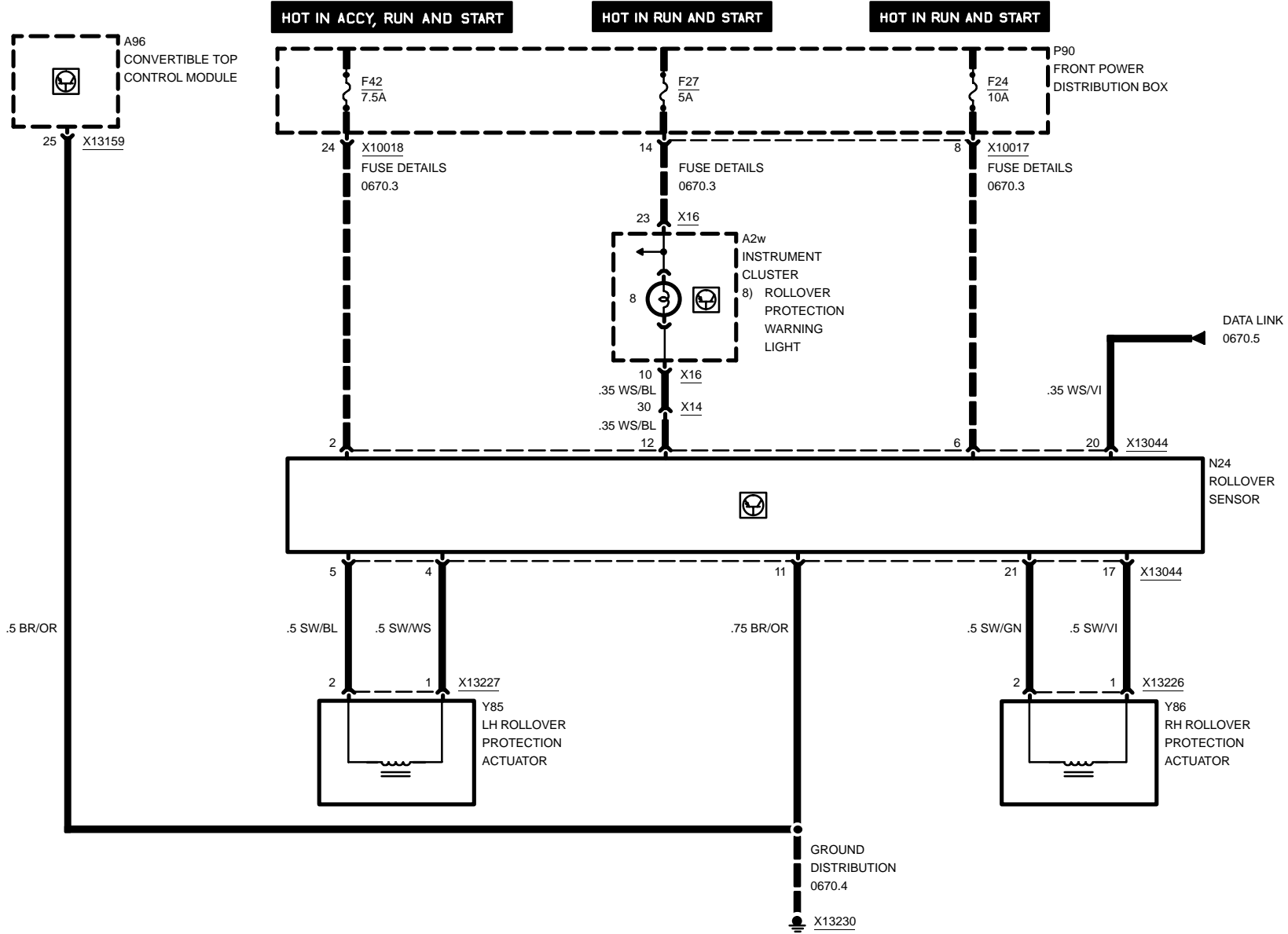
ELECTRICAL CONVERTIBLE TOP

HOT AT ALL TIMES



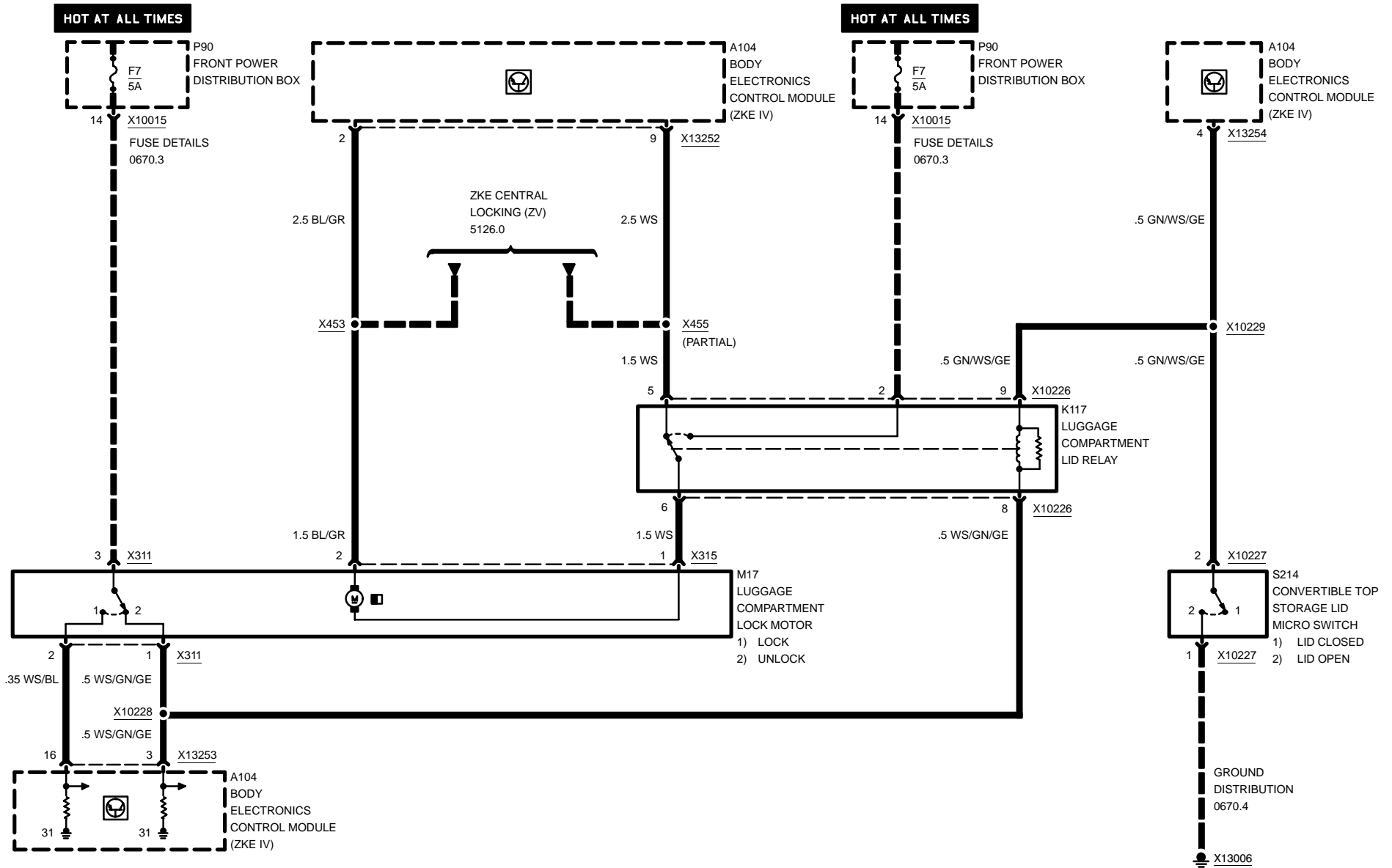


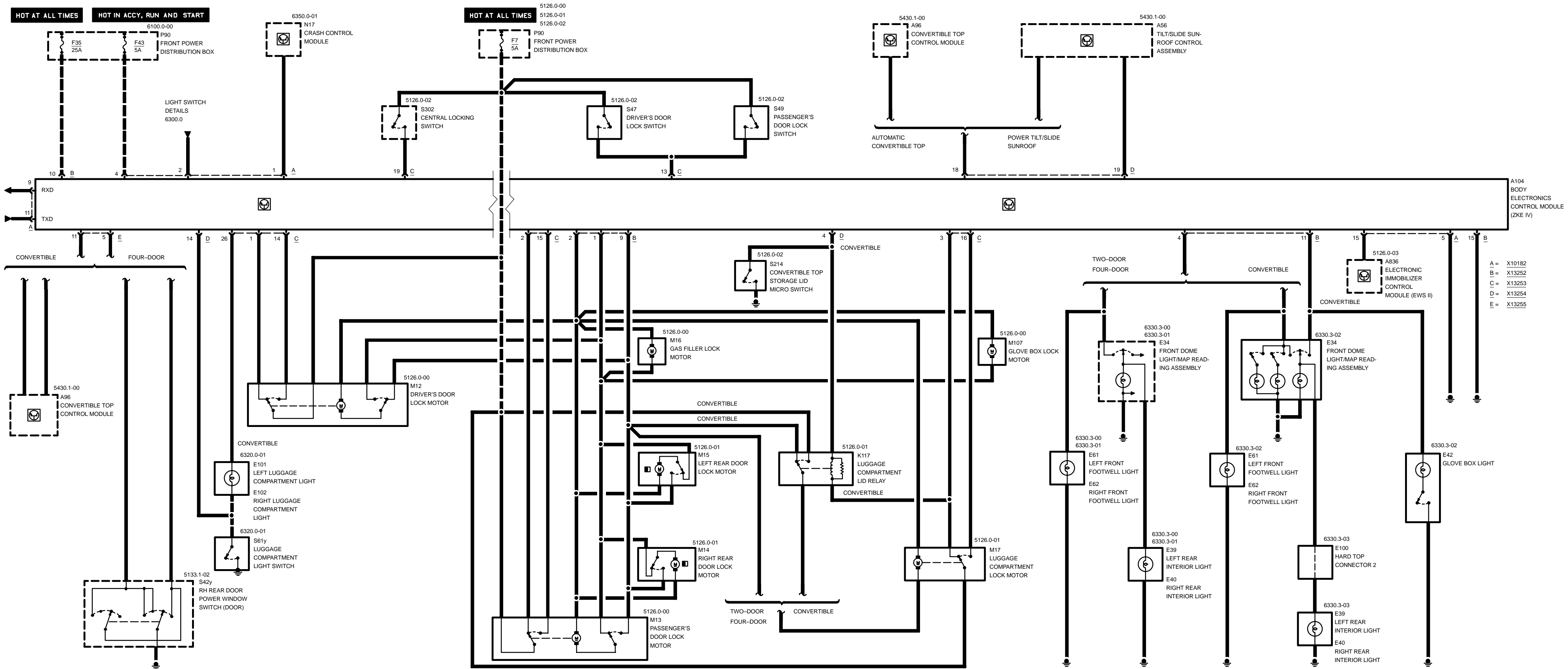
ELECTRICAL CONVERTIBLE TOP ROLLOVER SENSOR

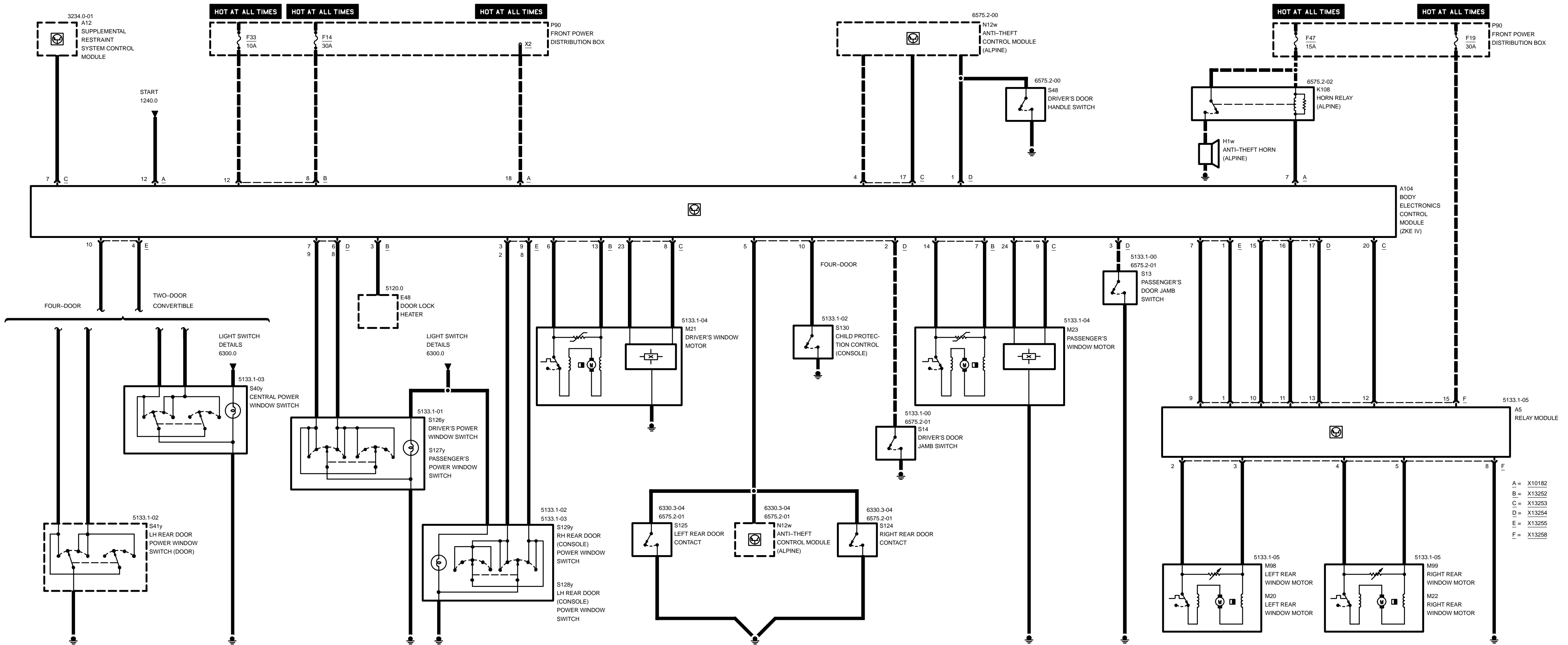




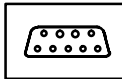
ELECTRICAL CONVERTIBLE TOP







- A = X10182
- B = X13252
- C = X13253
- D = X13254
- E = X13255
- F = X13258



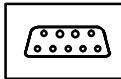
Pin Assignments

E = X10182	18 Pins, black
F = X13252	15 Pins, black
G = X13253	26 Pins, yellow
H = X13254	26 Pins, green
I = X13255	26 Pins, nature
J = X13258	15 Pins, white

X10182

Pin	Type	Description/Function	Connection
1	E	Crash signal	Crash control unit
2	E	Light signal	Light switch
3		Not used	
4	E	Voltage supply, terminal R	Front power distribution box, fuse 43
5	M	Ground	Ground
6		Not used	
7	A	Activate relay	Horn relay (Alpine)
8		Not used	
9	A	Diagnosis RxD signal	Data link connector
10		Not used	
11	E/A	Diagnosis TxD signal	Data link connector
12	E	Start signal	Starter
13		Not used	
14		Not used	
15	A	Drive-away protection	Electronic immobilizer control module (EWS II)
16		Not used	
17		Not used	
18	E	Power supply	Front power distribution box

E = Input, A = Output, M = Ground



Pin Assignments

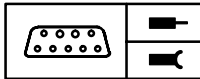
X13252

Pin	Type	Description/Function	Connection
1	E	Power lock signal	Door lock motors
2	A	Voltage supply	All lock motors
3	A	Power supply	Door lock heating
4	E	Automatic interior light signal	Interior light
5		Not used	
6	A	Voltage supply	Power window motor, driver's door
7	A	Voltage supply	Power window motor, passenger's door
8	E	Power supply	Front power distribution box, fuse 14
9	E	Lock signal	Lock motor & luggage compartment lid relay
10	E	Power supply	Front power distribution box, fuse 35
11	A	Voltage supply	Interior lights, engine compartment light, glove box light
12	E	Power supply	Front power distribution box, fuse 33
13	E	Motor signal	Power window motor, driver's door
14	E	Motor signal	Power window motor, passenger's door
15	M	Ground	Ground

X13253

Pin	Type	Description/Function	Connection
1	E	Position signal	Door lock motor, driver's door
2	E	Position signal	Door lock motor, passenger's door
3	E	Lock signal, luggage compartment lid	Luggage compartment lid lock motor, luggage compartment lid relay
4	E	Data signal	Anti-theft system control module (Alpine)
5		Not used	
6		Not used	
7	E	Crash signal	Inertia switch
8	E	Revolution signal	Power window motor, driver's door
9	E	Revolution signal	Power window motor, passenger's door

E = Input, A = Output, M = Ground



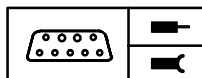
Pin Assignments

Pin	Type	Description/Function	Connection
10		Not used	
11		Not used	
12		Not used	
13	E	Central arrest signal	Door lock switches
14	E	Lock signal, driver's door	Door lock motor, driver's door
15	E	Lock signal, passenger's door	Door lock motor, passenger's door
16	E	Lock signal, luggage compartment lid	Luggage compartment lid lock motor
17	E	Data signal	Anti-theft system control module (Alpine)
18		Not used	
19	E	Central locking signal	Central locking switch
20	E/A	Data signal	Relay module
21		Not used	
22		Not used	
23	A	Plus supply (revolution)	Power window's motor, driver's side
24	A	Voltage supply (revolution)	Power window's motor, passenger's side
25		Not used	
26	A	Voltage supply	Luggage compartment lights

X13254

Pin	Type	Description/Function	Connection
1	E	Door signal	Driver's door handle switch
2	E	Door signal	Door jamb switch driver's door
3	E	Door signal	Door jamb switch passenger's door
4	E	Convertible: Luggage compartment lid signal Four-door: Door signal	Luggage compartment lid switch/luggage compartment lid relay Left rear door jump switch
5	E	Door signal	Right rear door jump switch
6	E	OPEN signal	Power window switch, driver's door
7	E	CLOSE signal	Power window switch, driver's door
8	E	OPEN signal	Power window switch, passenger's door
9	E	CLOSE signal	Power window switch, passenger's door
10	E	Four-door: child protection signal	Child protection switch

E = Input, A = Output, M = Ground



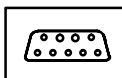
Pin Assignments

Pin	Type	Description/Function	Connection
11		Not used	
12		Not used	
13		Not used	
14	E	Luggage compartment lid signal	Luggage compartment lid switch
15	A	Data signal	Relay module
16	A	Data signal	Relay module
17	A	Data signal	Relay module
18		Not used	
19		Not used	
20		Not used	
21		Not used	
22		Not used	
23		Not used	
24		Not used	
25		Not used	
26		Not used	

X13255

Pin	Type	Description/Function	Connection
1	A	Data signal	Relay module
2	E	OPEN signal	Left rear power window switch
3	E	OPEN signal	Right rear power window switch
4	E	Convertible: OPEN signal Four-door: OPEN signal	Main power window switch Driver's rear window switch
5	E	Convertible: Data signal Four-door: CLOSE signal	Convertible top control module Passenger's rear window switch
6		Not used	
7	A	Data signal	Relay module
8	E	CLOSE signal	Left rear power window switch
9	E	CLOSE signal	Right rear power window switch
10	E	Convertible: CLOSE signal Four-door: CLOSE signal	Main power window switch Driver's window switch

E = Input, A = Output, M = Ground



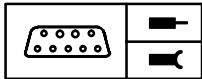
Pin Assignments

Pin	Type	Description/Function	Connection
11	E	Convertible: Data signal Four-door: OPEN signal	Convertible top control module Passenger's window switch
12		Not used	
13		Not used	
14		Not used	
15		Not used	
16		Not used	
17		Not used	
18		Not used	
19		Not used	
20		Not used	
21		Not used	
22		Not used	
23		Not used	
24		Not used	
25		Not used	
26		Not used	

X13258

Pin	Type	Description/Function	Connection
1	E	Data signal	Central body electronic module
2	A	Voltage supply (motor)	Right rear power window motor
3	E	Signal	Right rear power window motor
4	E	Signal	Left rear power window motor
5	A	Voltage supply (motor)	Left rear power window motor
6		Not used	
7		Not used	
8	M	Ground	Ground
9	E	Data signal	Central body electronic module
10	E/A	Data signal	Central body electronic module
11	E/A	Data signal	Central body electronic module

E = Input, A = Output, M = Ground

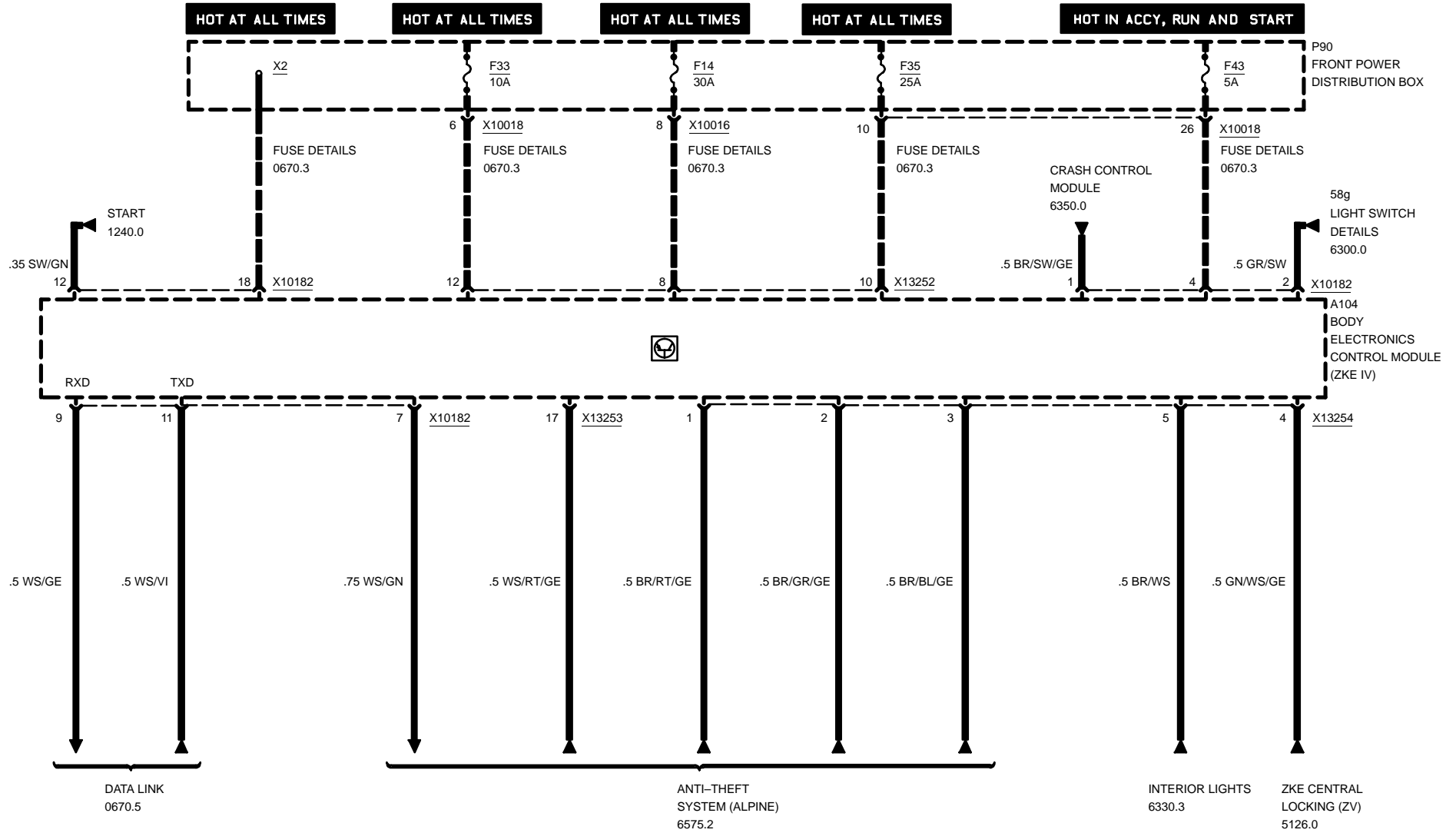


Pin Assignments

Pin	Type	Description/Function	Connection
12	E	Data signal	Central body electronic module
13	E/A	Data signal	Central body electronic module
14		Not used	
15	E	Power supply	Front power distribution box

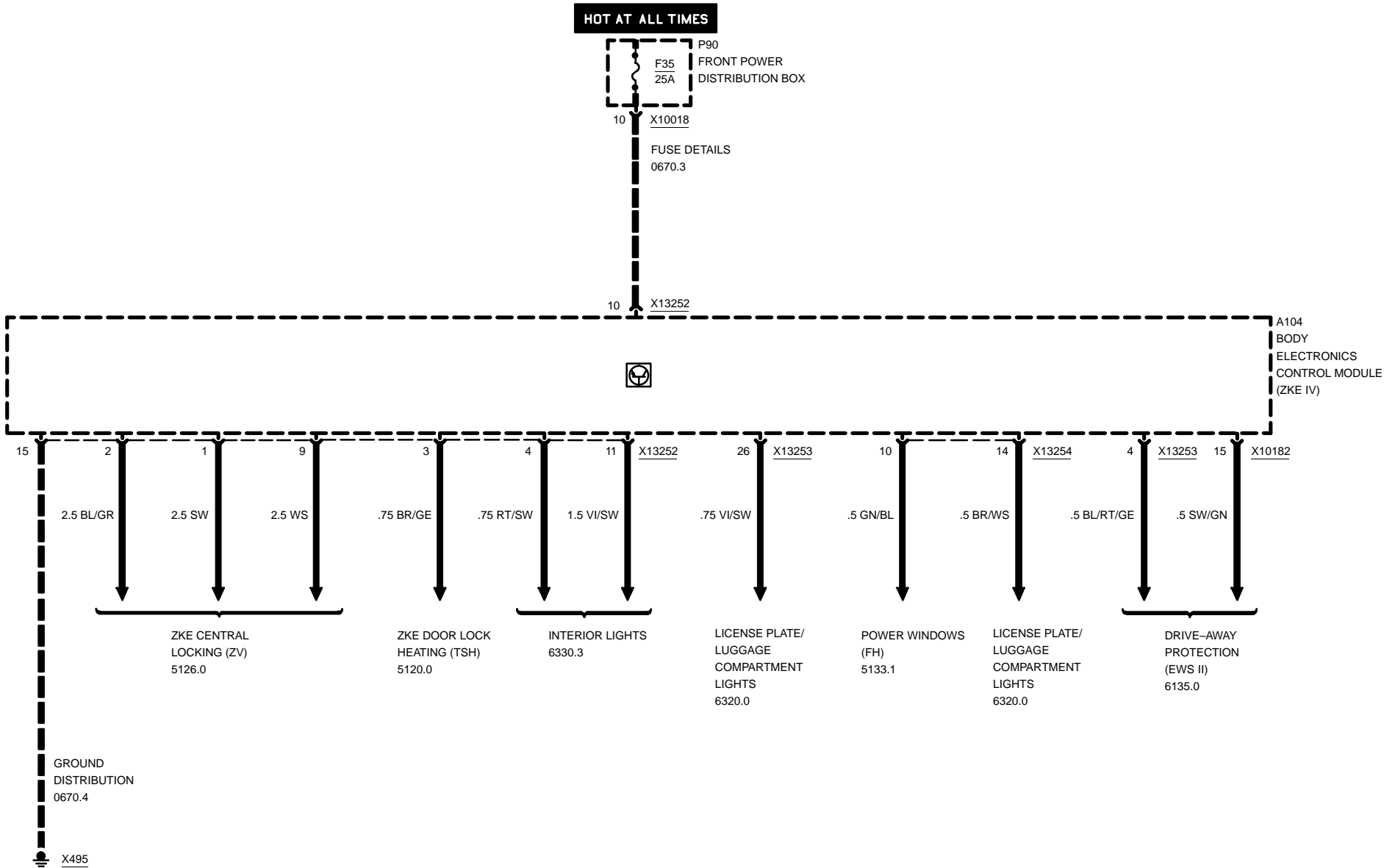


CENTRAL BODY ELECTRONICS (ZKE IV)



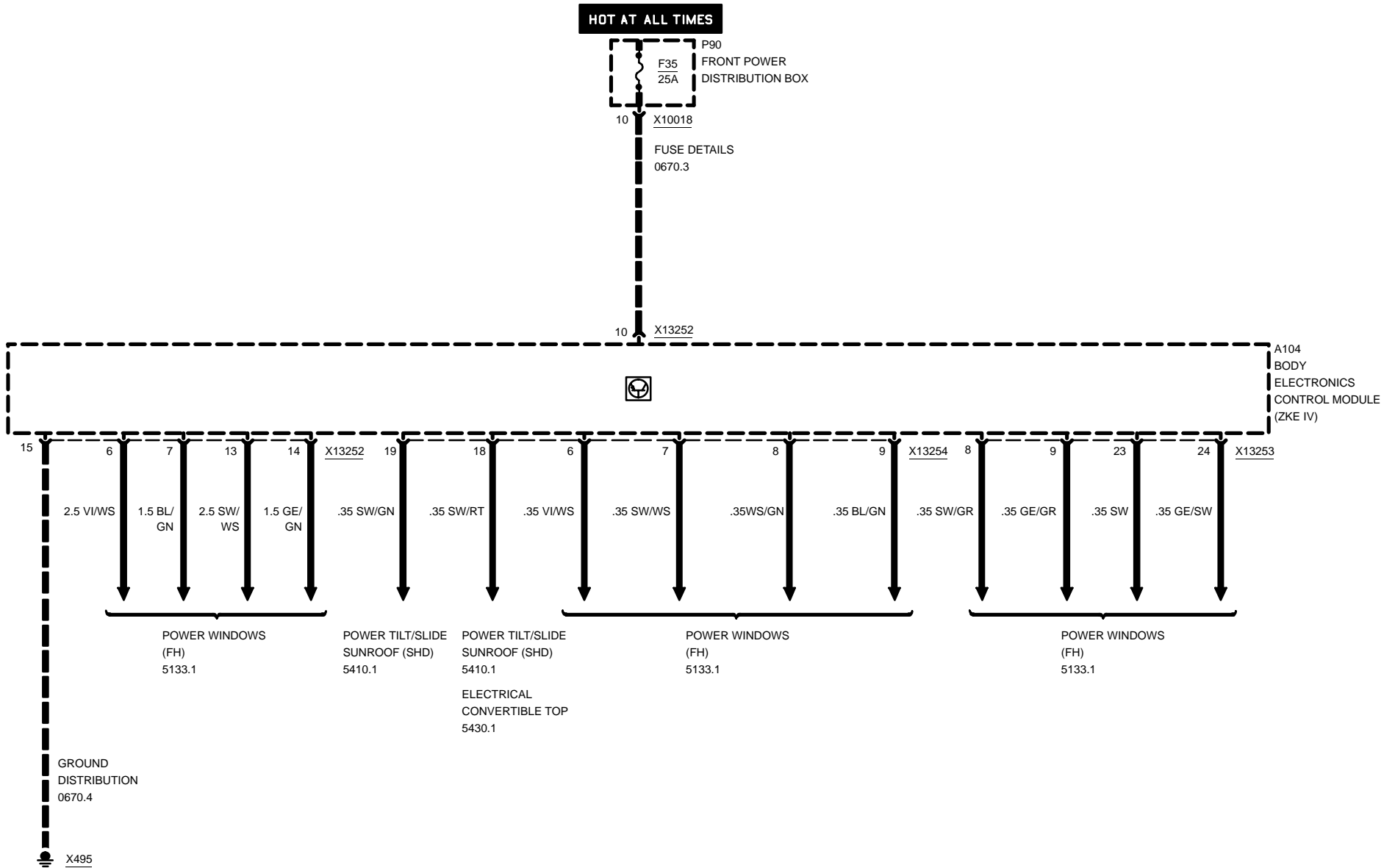


CENTRAL BODY ELECTRONICS (ZKE IV)



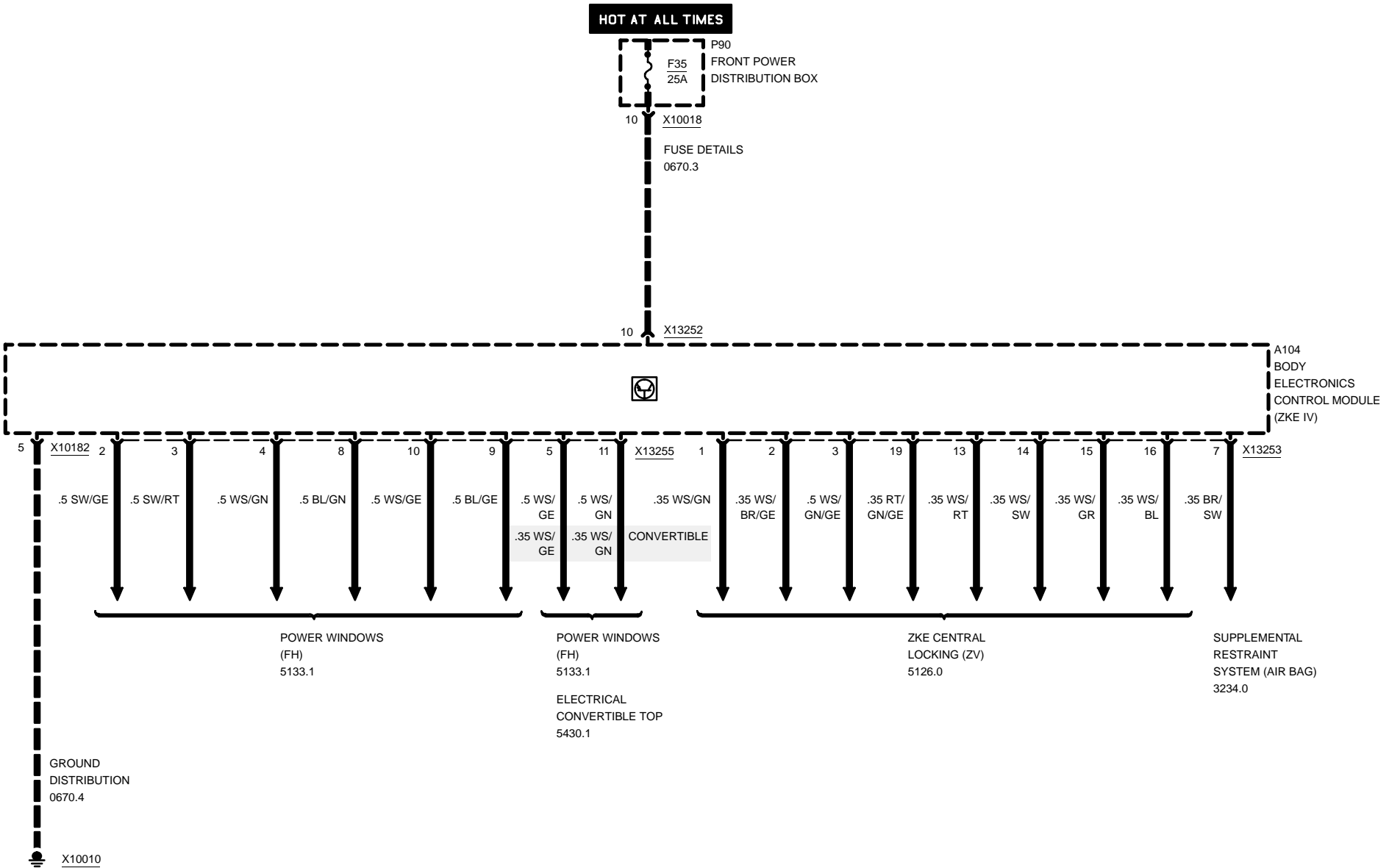


CENTRAL BODY ELECTRONICS (ZKE IV)



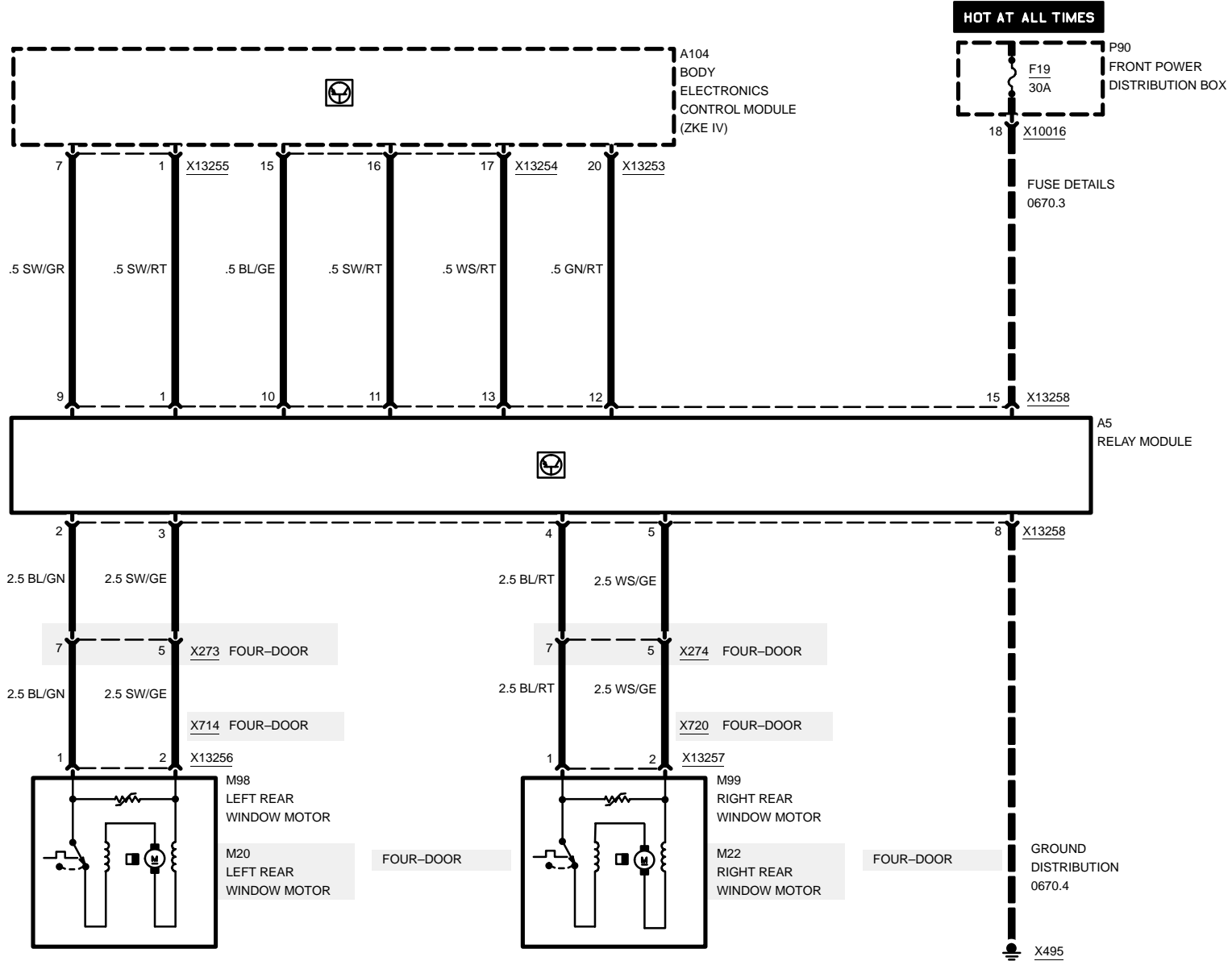


CENTRAL BODY ELECTRONICS (ZKE IV)



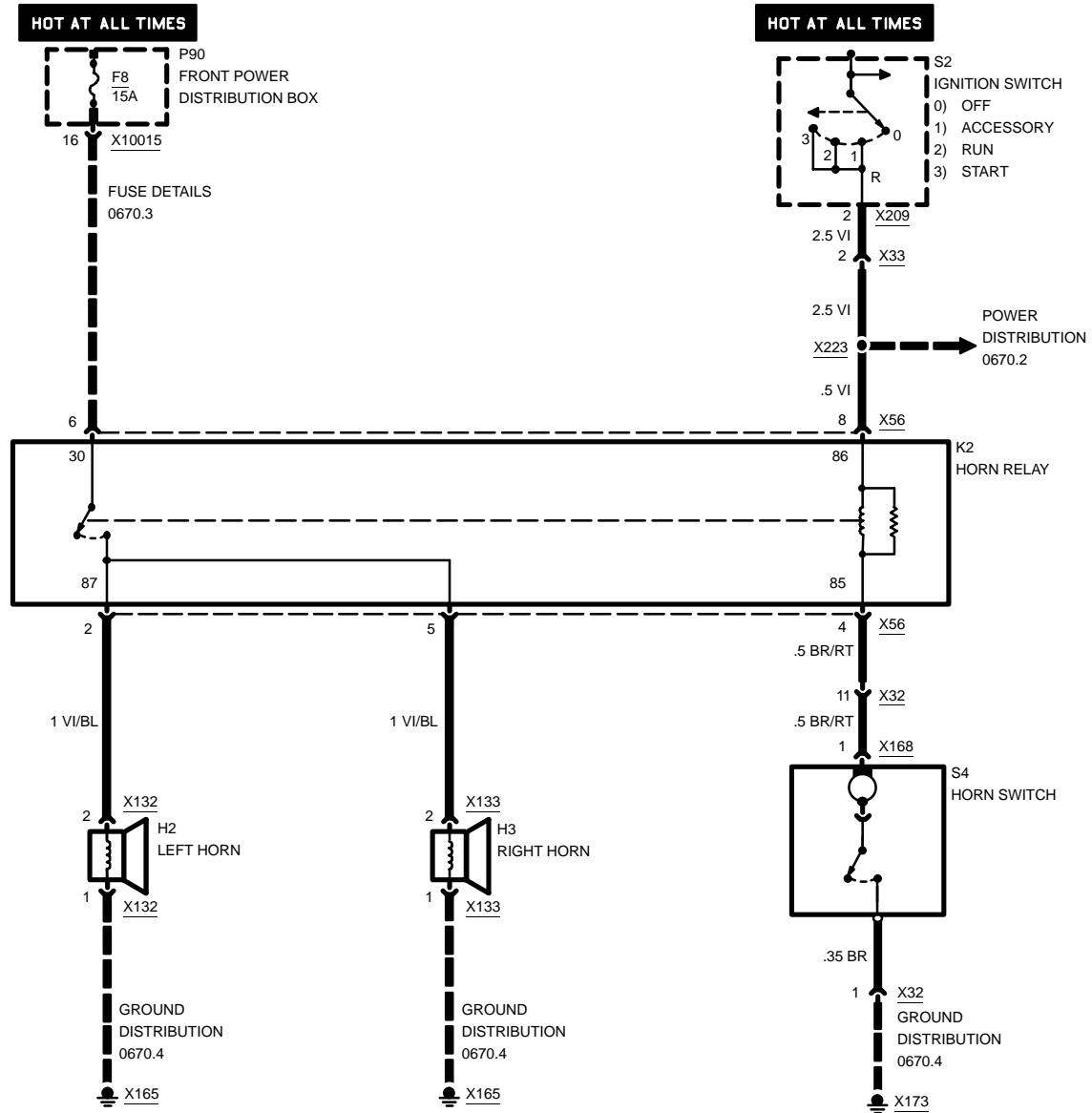


CENTRAL BODY ELECTRONICS (ZKE IV)



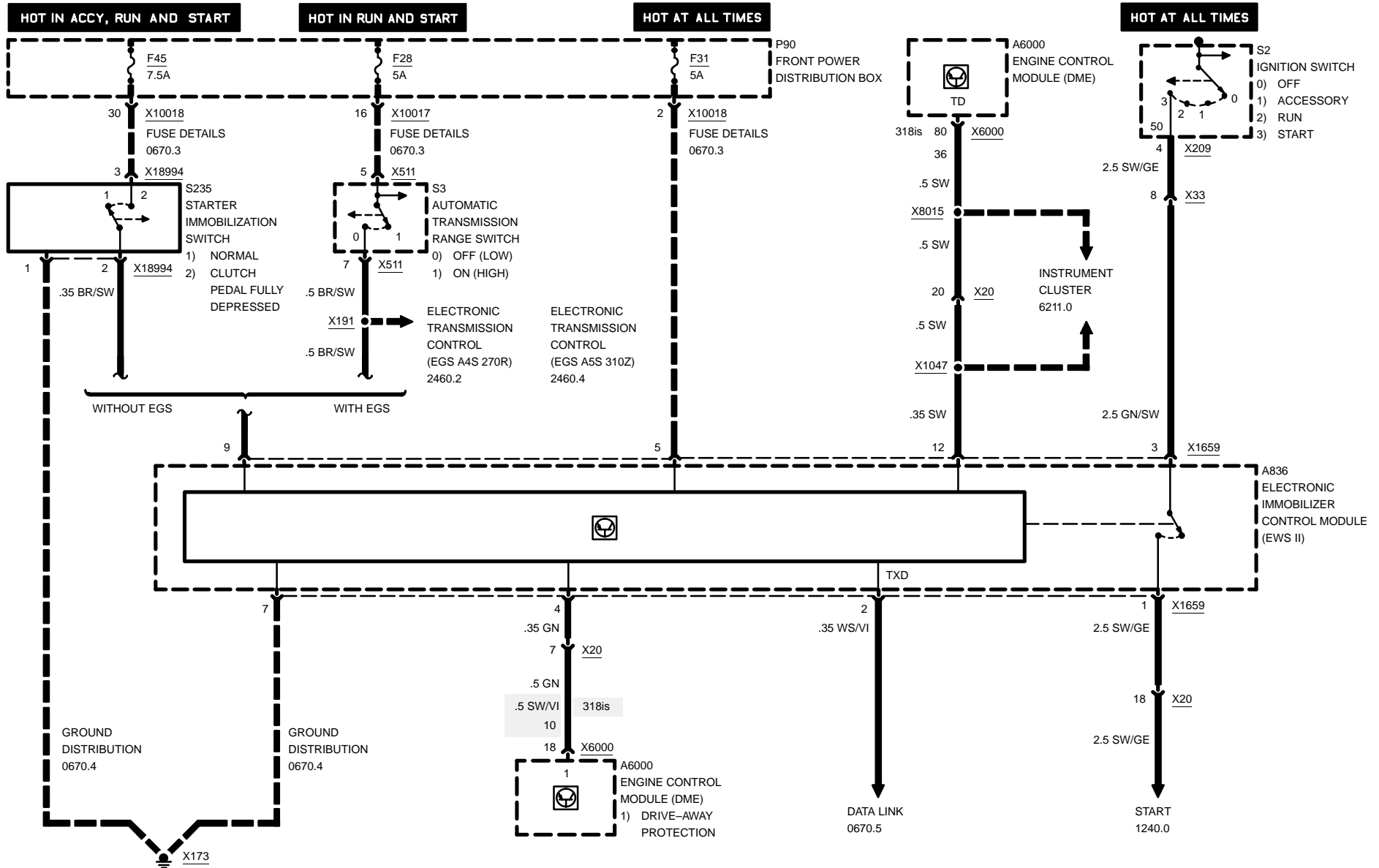


6133.0 HORN



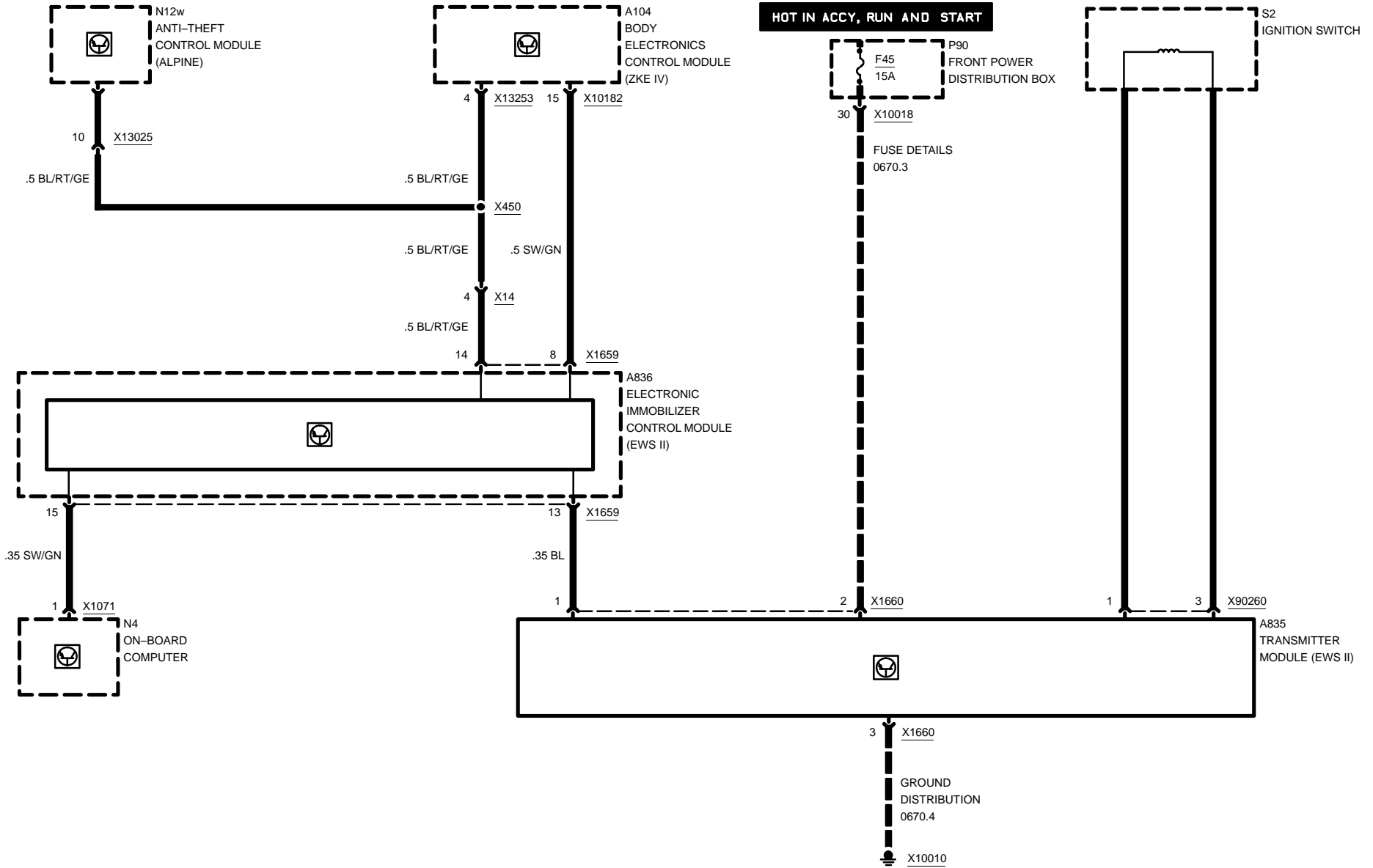


6135.0 DRIVE-AWAY PROTECTION (EWS II)





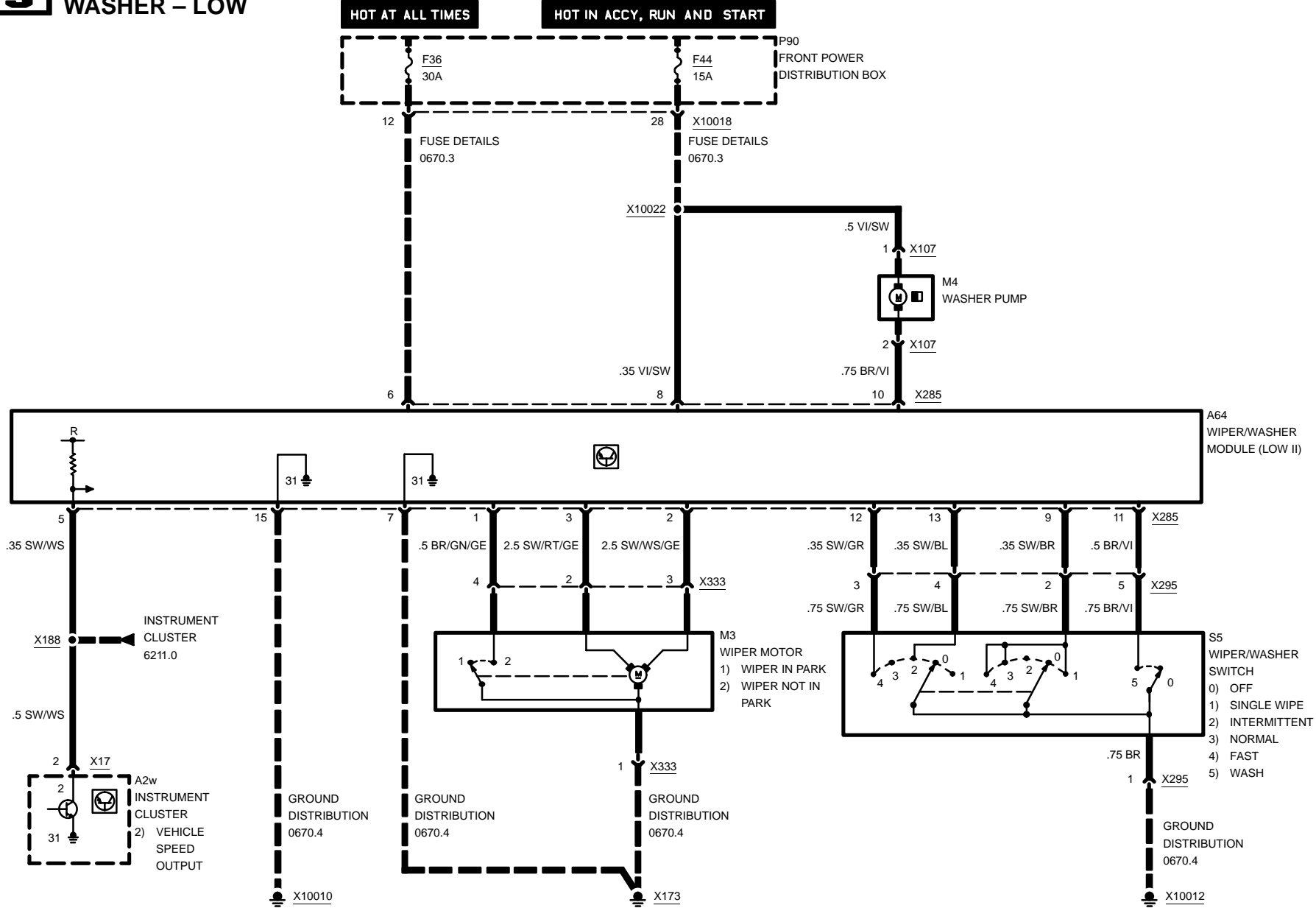
DRIVE-AWAY PROTECTION (EWS II)





6160.1 WIPER/WASHER MODULE (WWM)

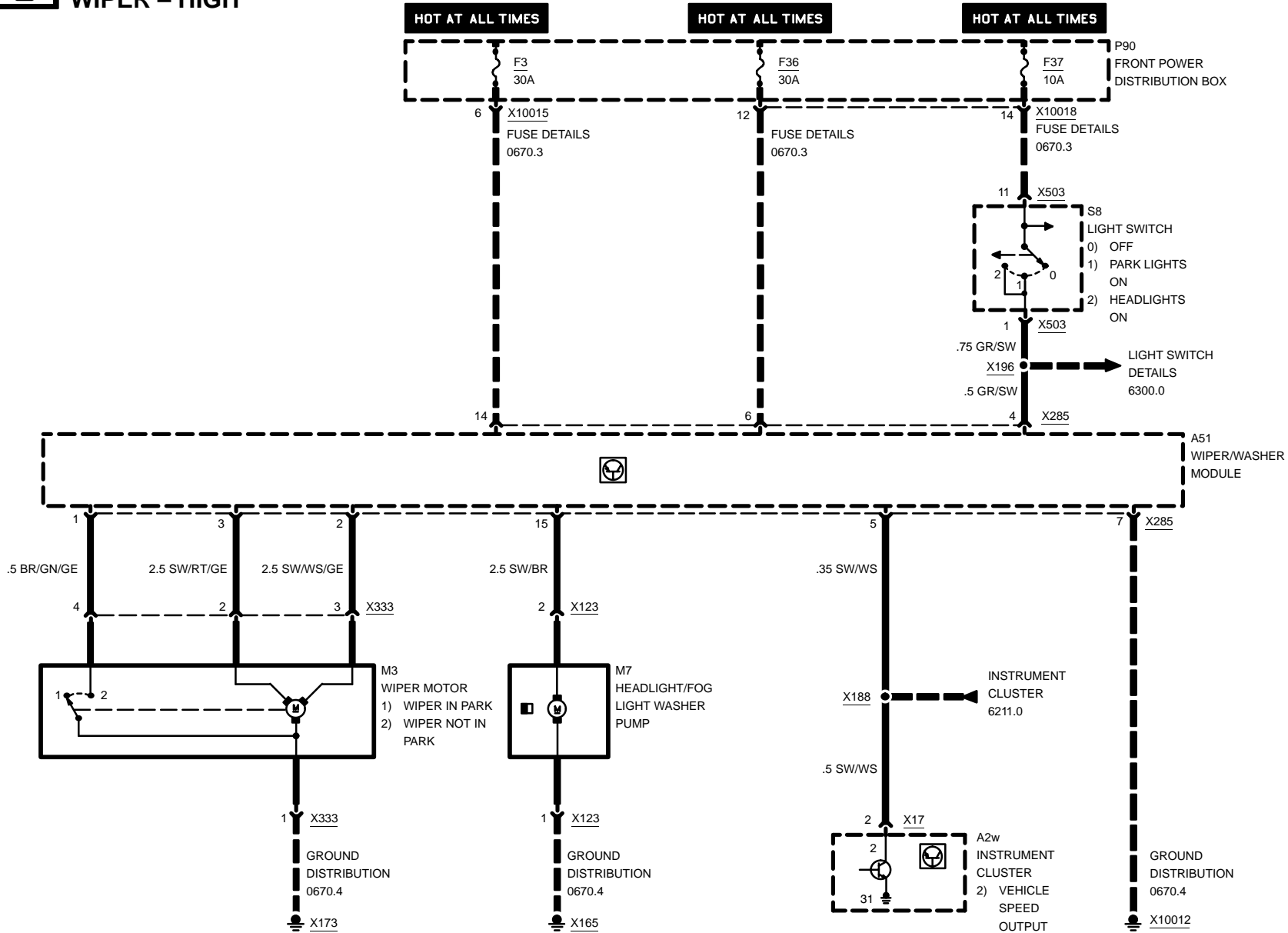
WASHER - LOW





WIPER/WASHER MODULE (WWM)

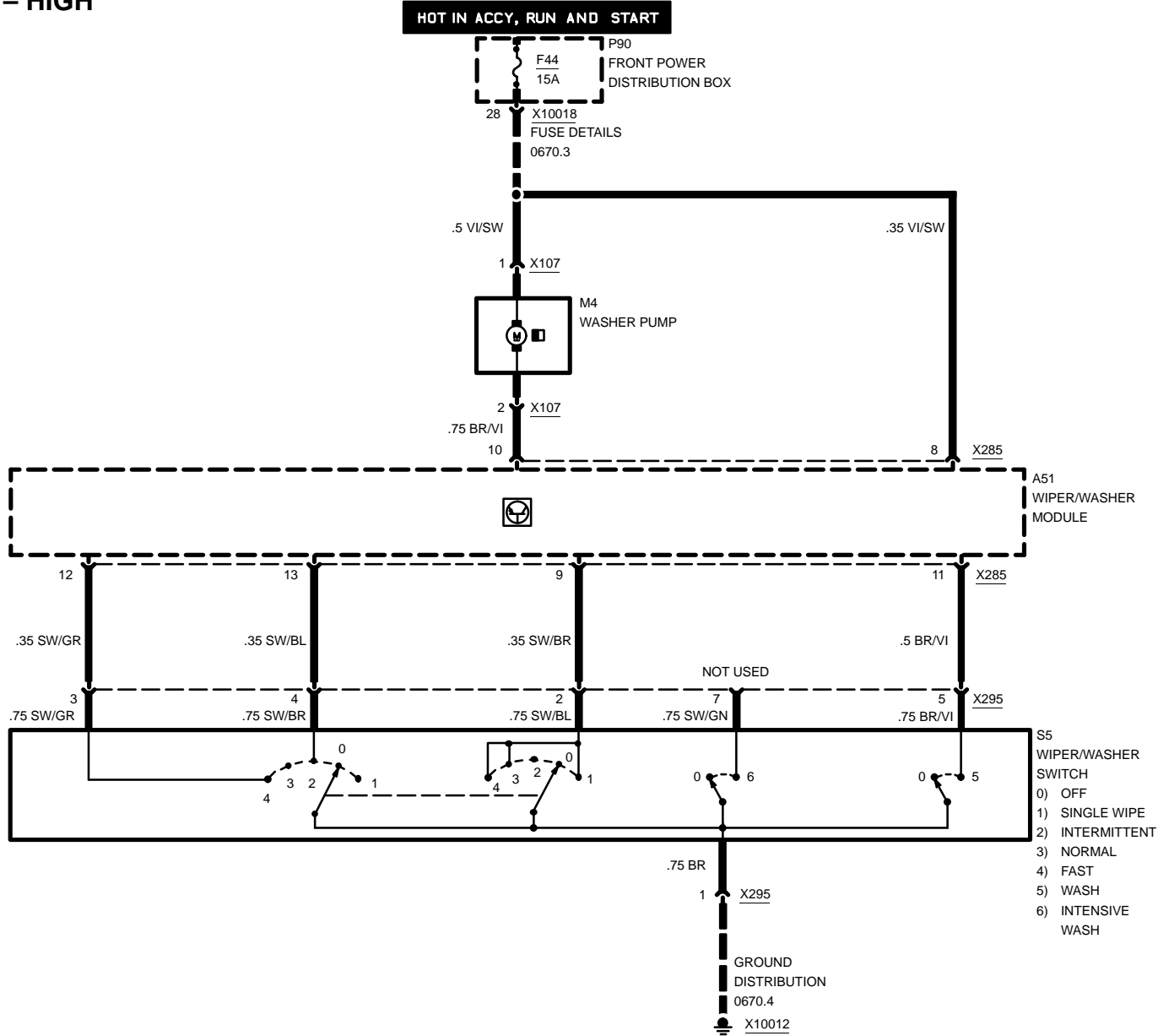
WIPER - HIGH





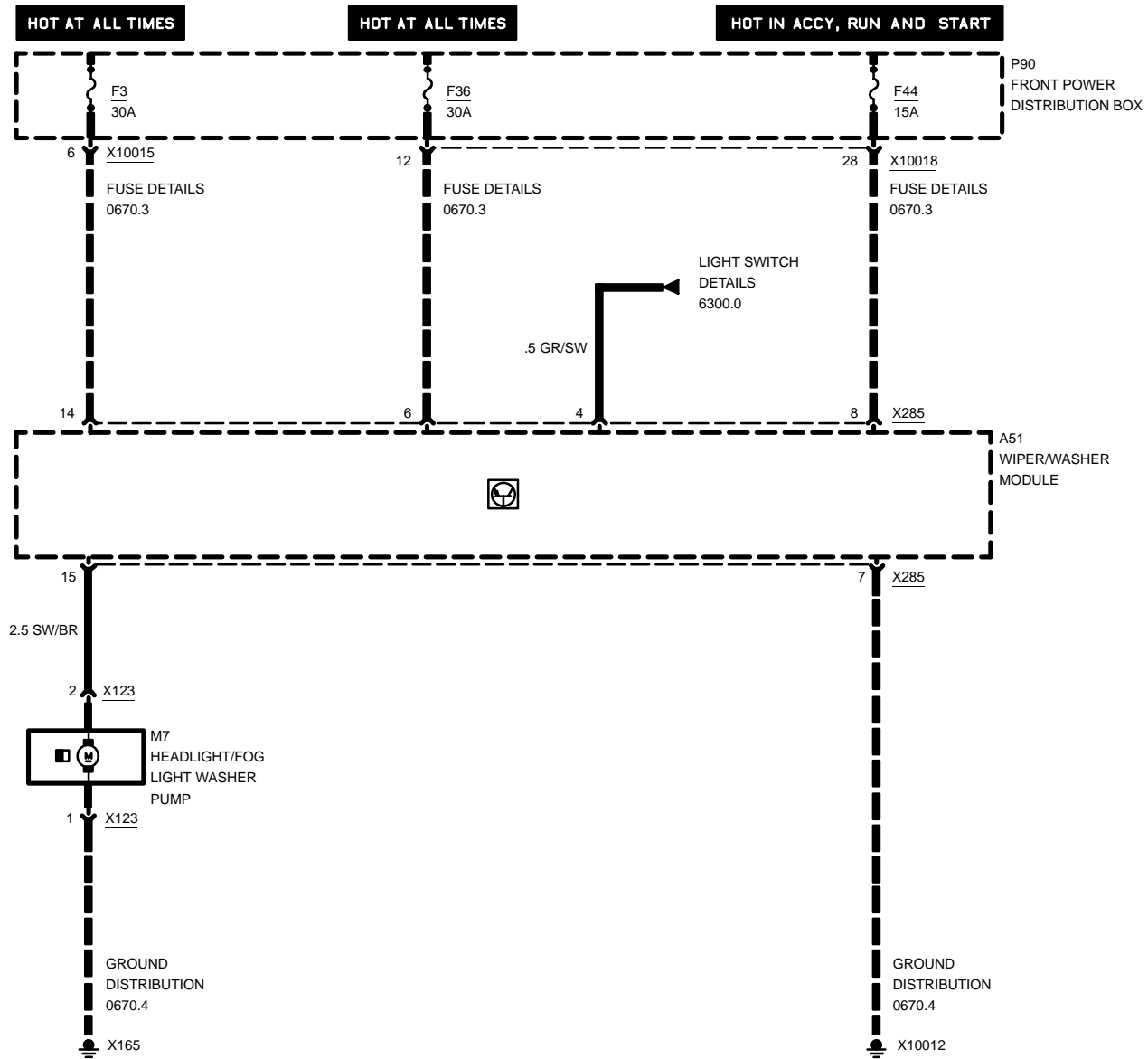
WIPER/WASHER MODULE (WWM)

WASHER – HIGH



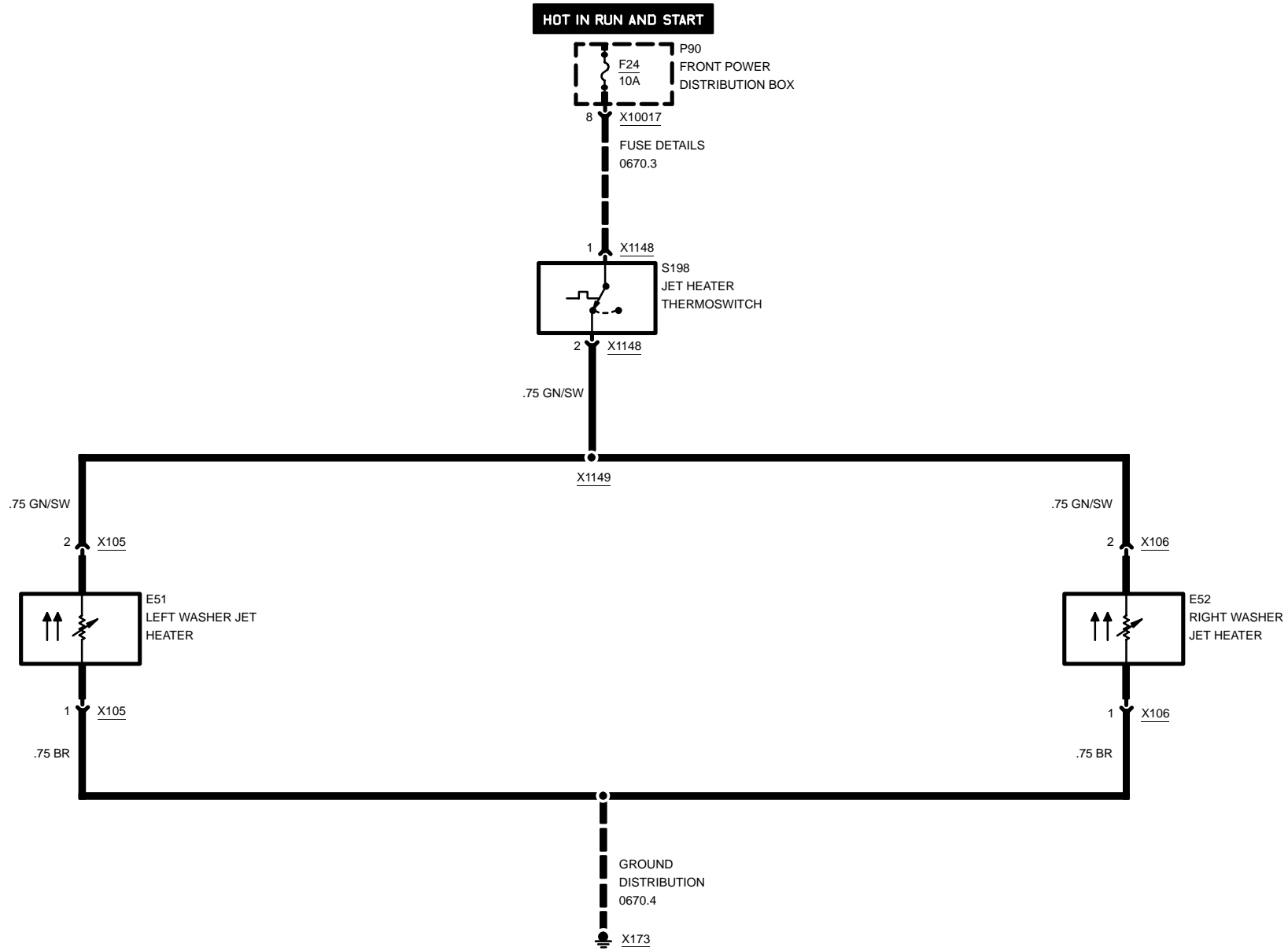


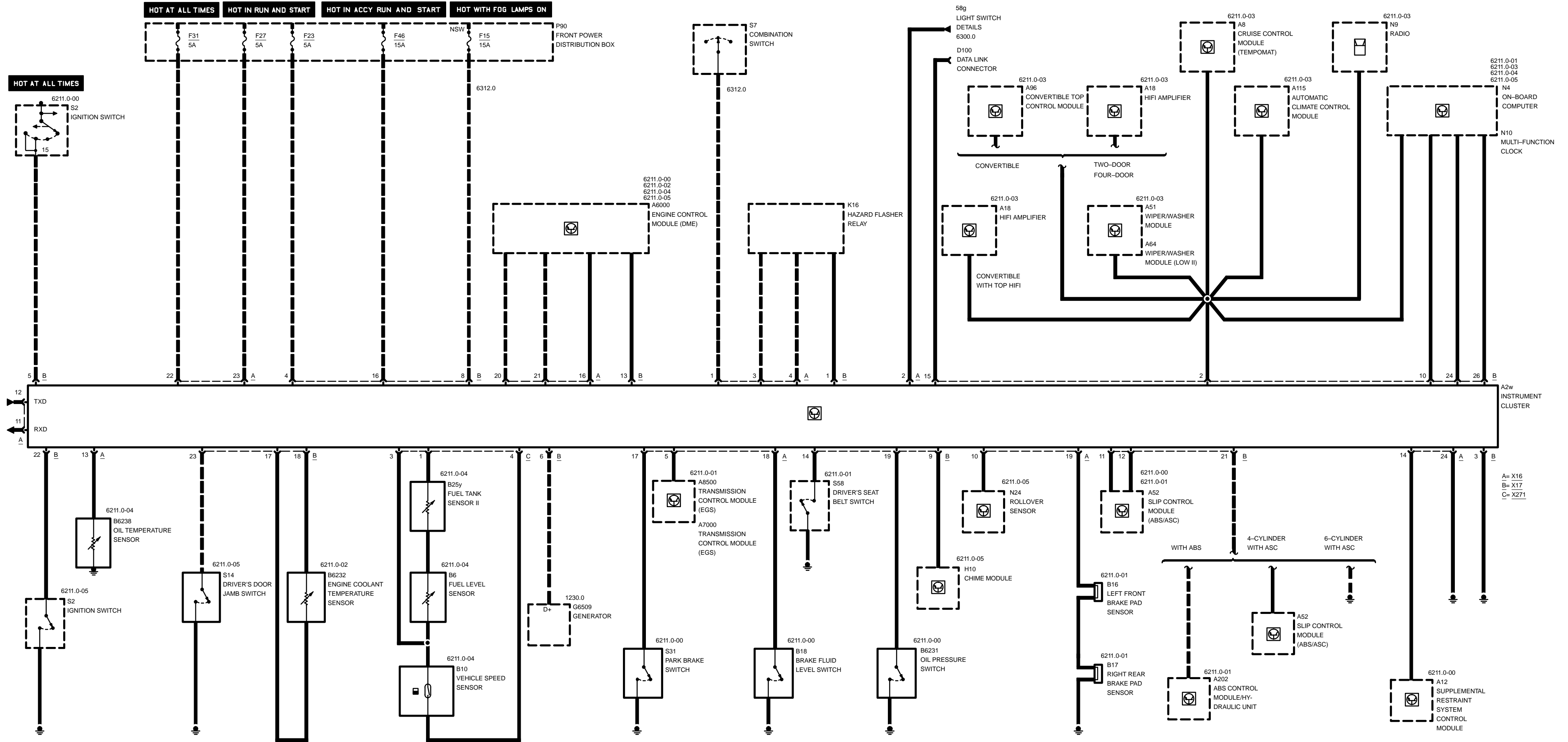
6167.1 HEADLIGHT WASHER (SRA)

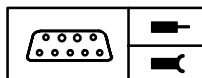




6169.0 WINDSHIELD WASHER JET HEATERS





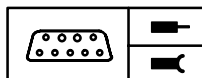


Pin Assignments

X16

Pin	Type	Description/Function	Connection
1	E	High beam indicator control	Combination switch
2	E	Terminal 58g, instrument illumination power	Dimmer
3	E	Right turn signal indicator control	Hazard flasher relay
4	E	Left turn signal indicator control	Hazard flasher relay
5	E	Warning lamp for EGS fault (information signal transmission oil temperature)	Transmission control module (EGS)
6		Not used	
7		Not used	
8		Not used	
9		Not used	
10	E	Convertible: Rollover signal	Rollover sensor
11	A	RxD diagnostic data link	Data link connector
12	E/A	TxD diagnostic data link	Data link connector
13	E	Oil temperature	Engine oil temperature sensor
14	E	Airbag warning lamp (SRS) control	Supplemental restraint system control module
15		Not used	
16	E	"Check engine" indicator control	Engine control module (DME)
17	E	Park brake warning lamp control	Park brake switch
18	E	Brake fluid warning lamp control	Brake fluid level switch
19	E	Brake pad wear warning lamp control	Brake pad sensors
20	E	Crankshaft RPM speed signal TD	Engine control module (DME)
21	E	Fuel consumption signal + KVA	Engine control module (DME)
22	E	Voltage supply, terminal 30	Front power distribution box, fuse 31
23	E	Voltage supply, terminal 15 for indicator and warning lamps	Front power distribution box, fuse 27
24	M	Ground supply, terminal 31 for instrument cluster electronics	Ground point
25		Not used	
26		Not used	

E = Input, A = Output, M = Ground

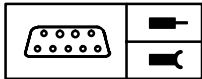


Pin Assignments

X17

Pin	Type	Description/Function	Connection
1	E	Trailer turn signal indicator control	Hazard flasher relay
2	A	Vehicle speed signal	Various control modules
3	M	Ground supply, terminal 31 for indicator and warning lamps	Ground point
4	E	Voltage supply, terminal 15 for instrument cluster electronics	Front power distribution box, fuse 23
5	E	Voltage supply, terminal 15 for battery charge indicator	Ignition switch, terminal 15
6	E	Ground supply, terminal 61 for battery charge indicator	Generator
7		Not used	
8	E	Fog light indicator control	Front power distribution box, fuse 15
9	A	Sound tone signal	Chime module
10	A	Information signal, fuel tank content	On-board computer
11	E	Slip control system warning lamp (ABS) control	Slip control module (ABS) (323i, 328i, M3)
12	E	ASC signal	ASC control module
13	A	TI-measurement signal (fuel consumption)	Engine control module (DME)
14	E	Seat belt warning lamp control	Driver's seat belt switch
15	E	S/A reset/service interval indicator reset	Data link connector
16	E	Voltage supply, terminal R	Front power distribution box, fuse 46
17	A	Coolant temperature sensor	Coolant temperature sensor
18	E	Coolant temperature sensor	Coolant temperature sensor
19	E	Oil pressure warning lamp control	Oil pressure switch
20		Not used	
21	E	Ground	Ground point (with ASC)
21	E	Slip control system warning lamp (ABS) control	Slip control module (ABS/ASC) (323i, 328i, M3) ABS control module (ABS)
22	E	Ignition key warning/audible ignition key warning	Ignition switch
23	E	Driver's door open	Driver's door jamb switch

E = Input, A = Output, M = Ground



Pin Assignments

Pin	Type	Description/Function	Connection
24	A	Dimmer signal/brightness information signal for connected control modules	On-board computer or multi-function clock
25		Not used	
26	E	Central indicator lamp/check-control	On-board computer or multi-function clock

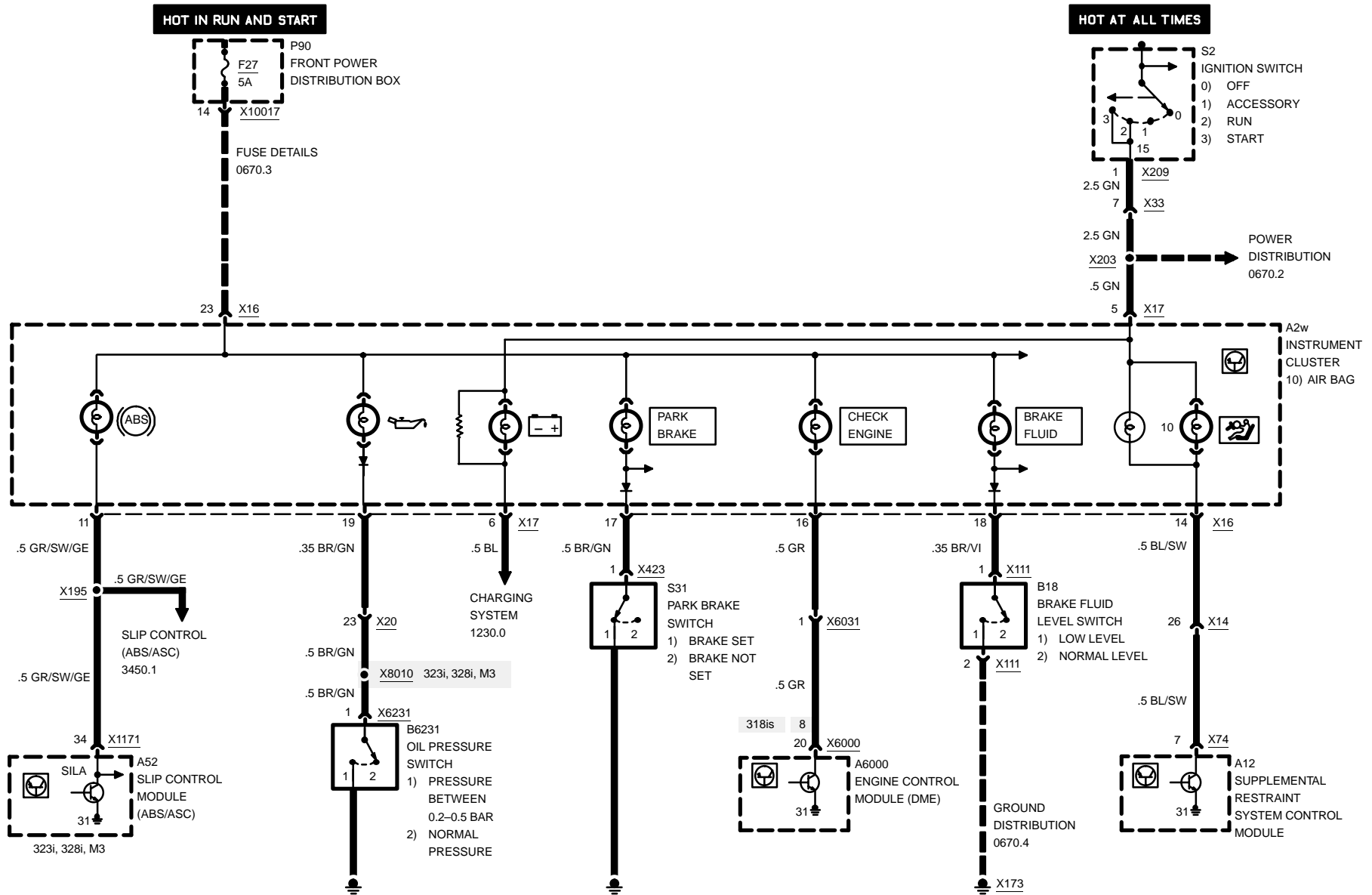
X271

Pin	Type	Description/Function	Connection
1	A	Fuel level sensor	Fuel tank sensors
2		Not used	
3	A	Ground supply for fuel tank sensors and vehicle speed sensor	Fuel tank sensors and vehicle speed sensor
4	E	Position signal TW	Vehicle speed sensor
5		Not used	
6		Not used	
7		Not used	
8		Not used	
9		Not used	
10		Not used	
11		Not used	
12		Not used	



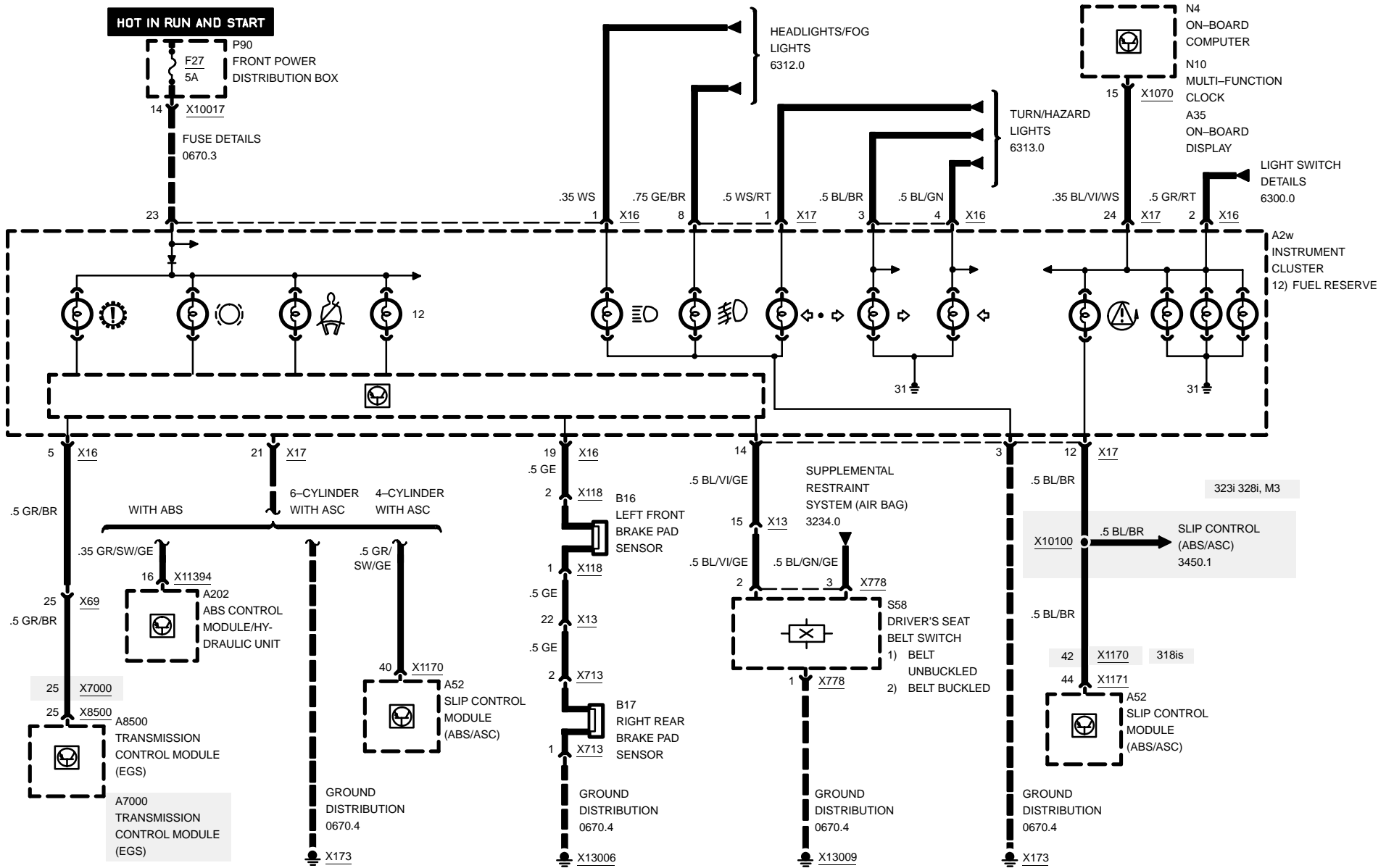
INSTRUMENT CLUSTER

INDICATORS



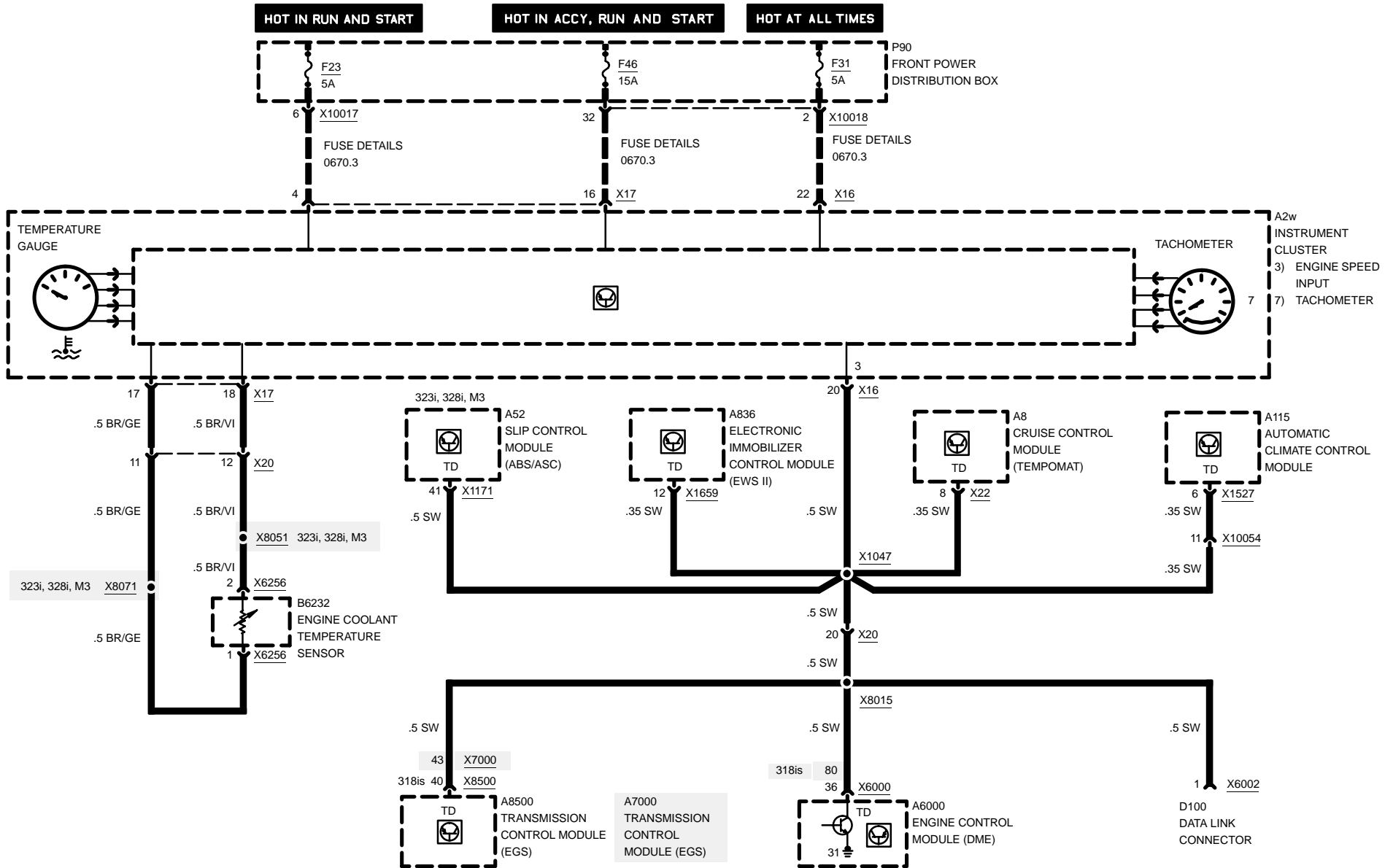


INSTRUMENT CLUSTER INDICATORS





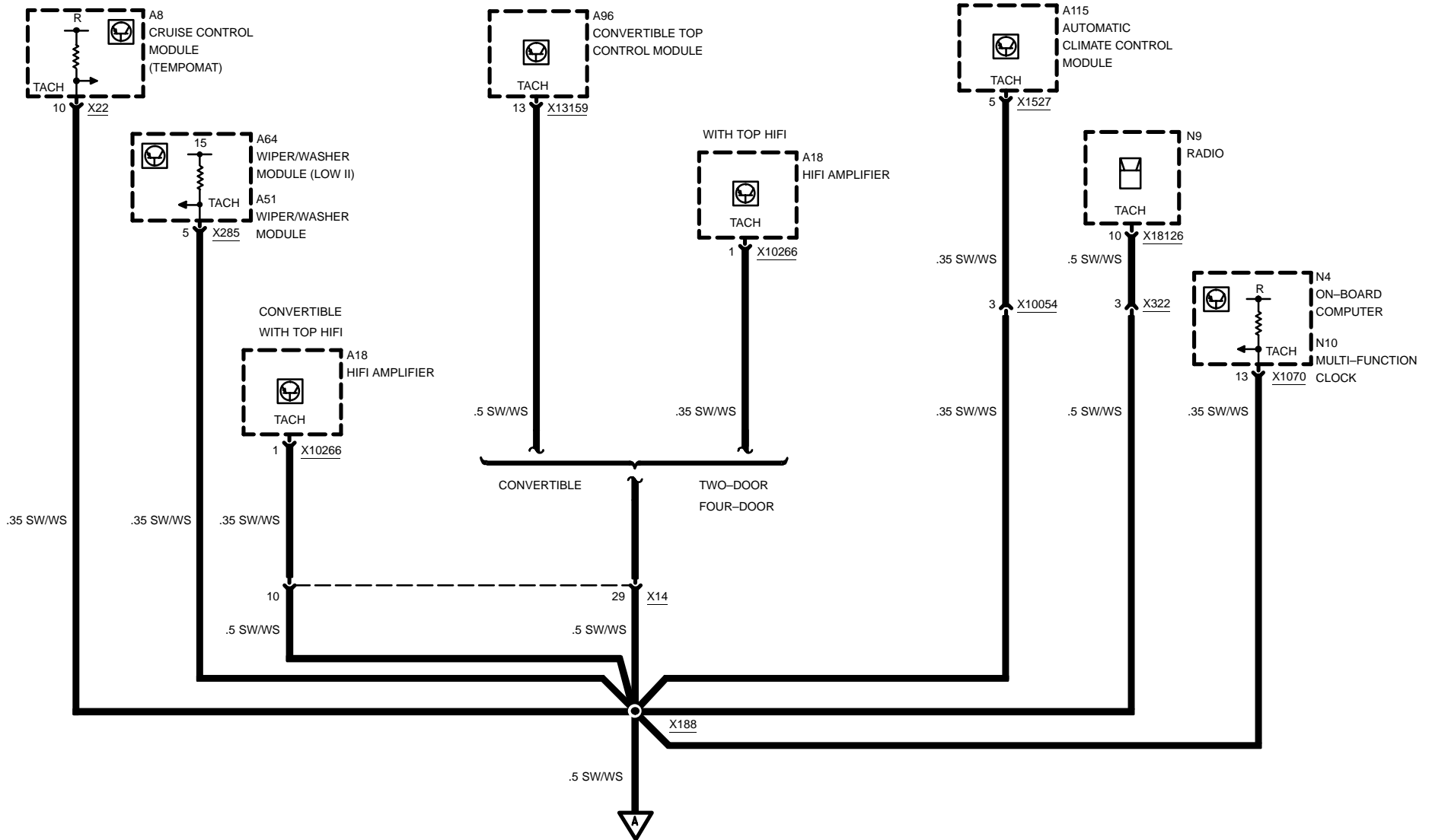
INSTRUMENT CLUSTER INDICATORS





INSTRUMENT CLUSTER

SIGNAL-OUTPUT SPEEDOMETER

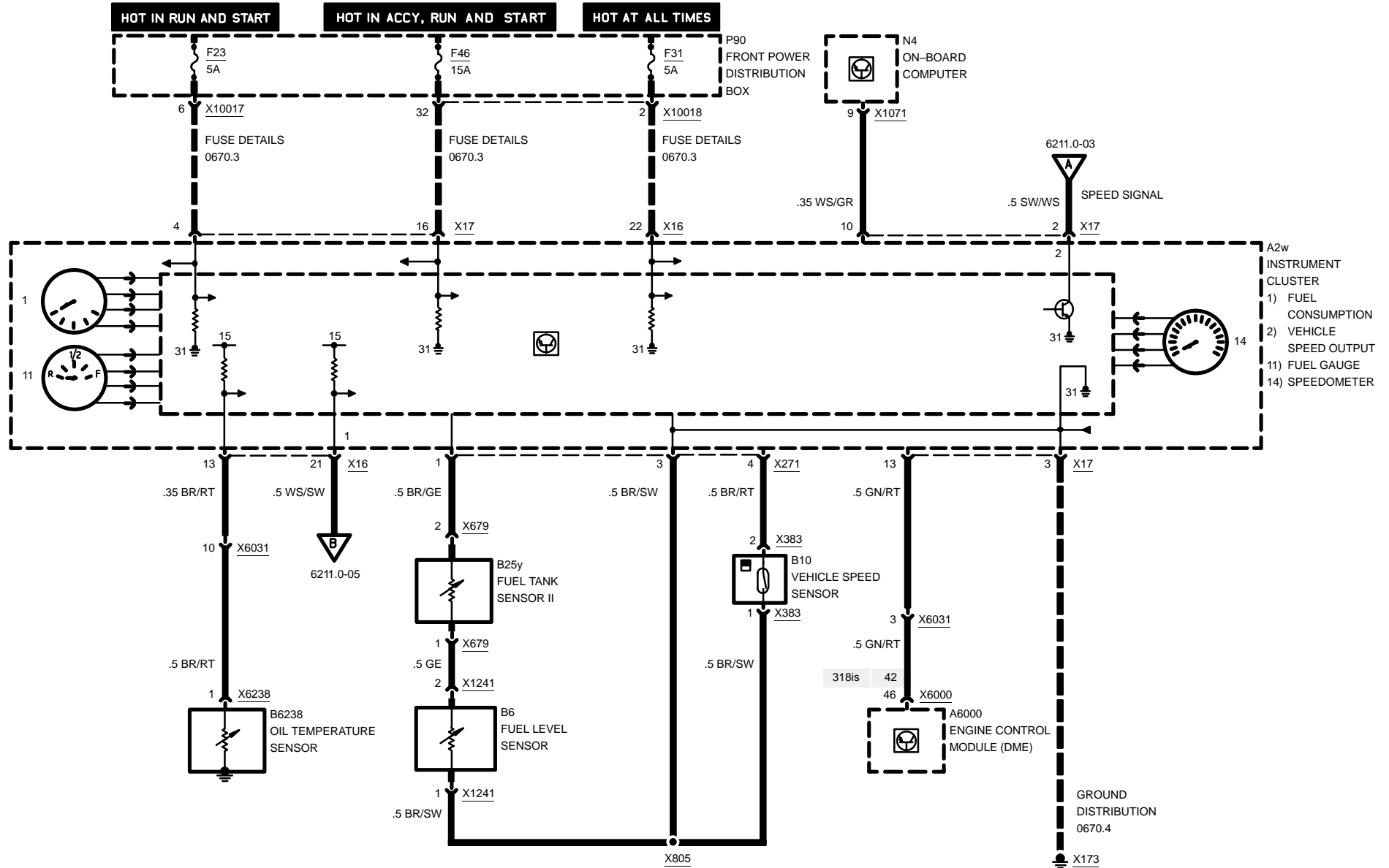


6211.0-04



INSTRUMENT CLUSTER

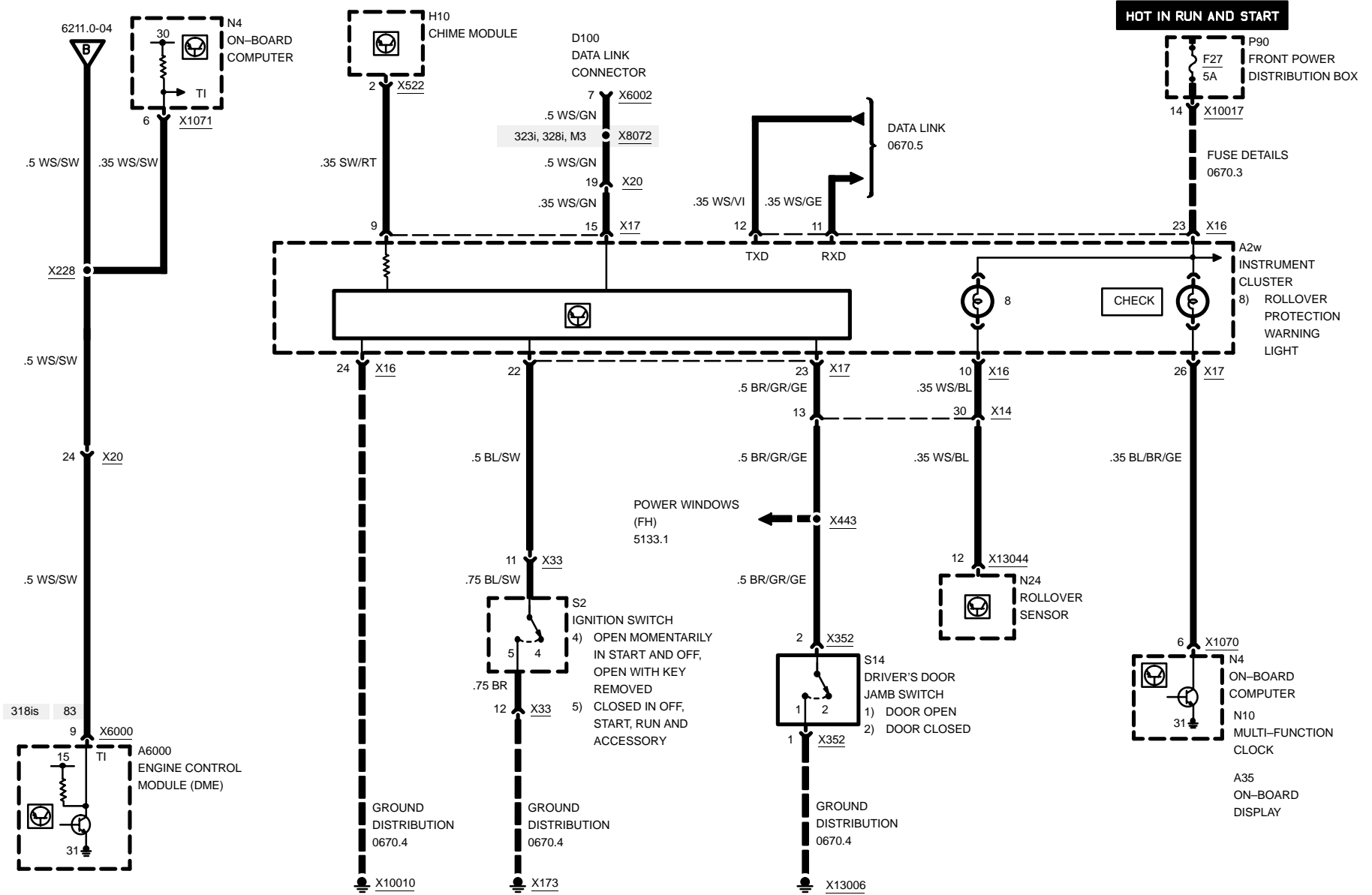
INDICATORS





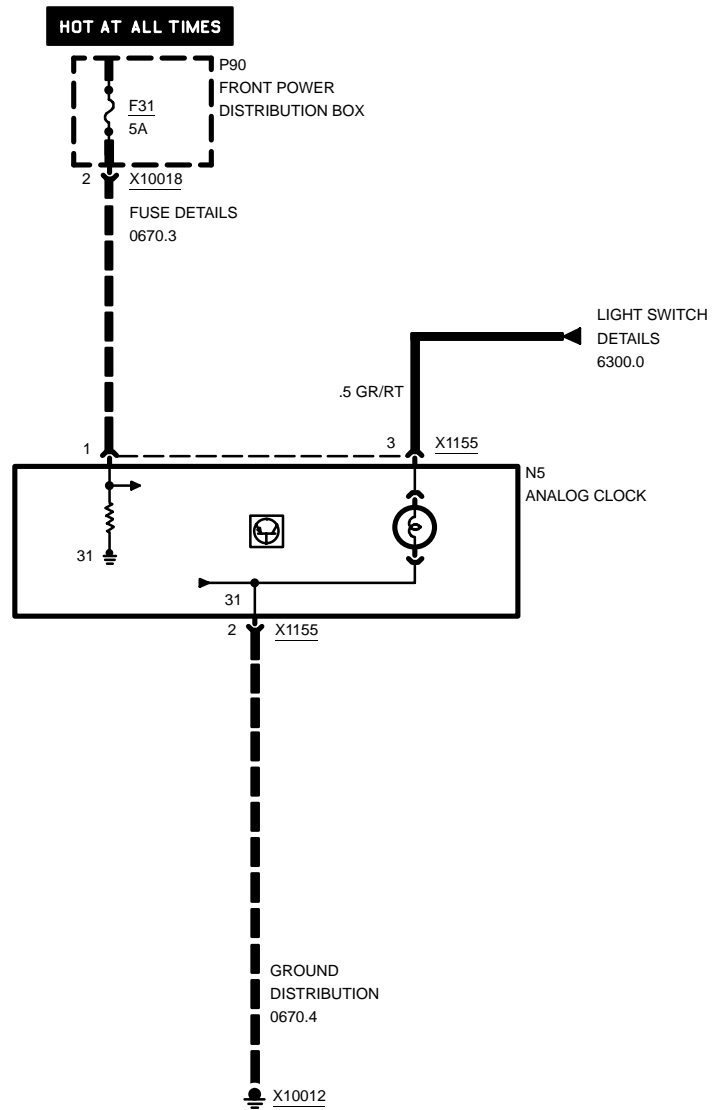
INSTRUMENT CLUSTER

INDICATORS



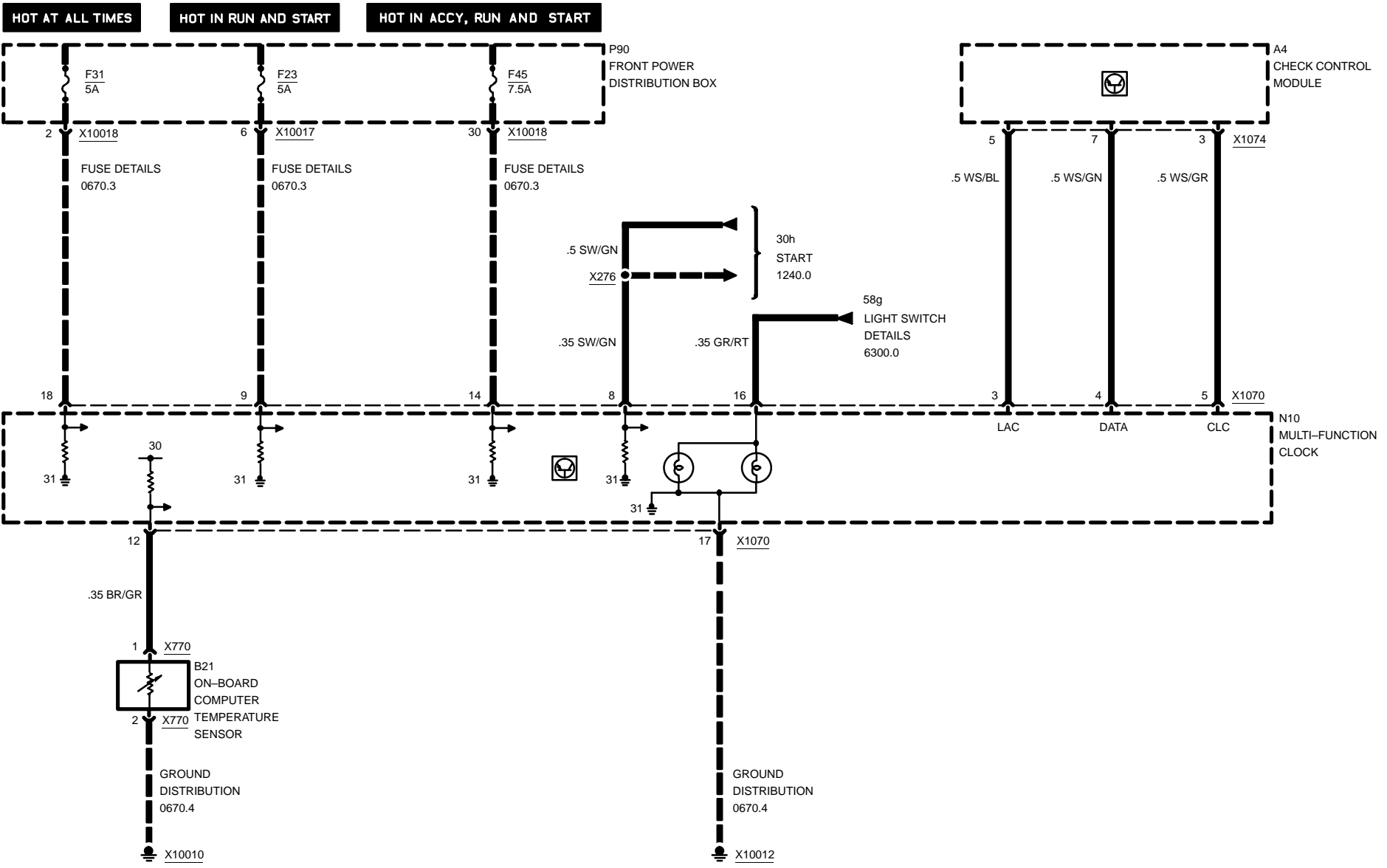


6213.1 ANALOG CLOCK





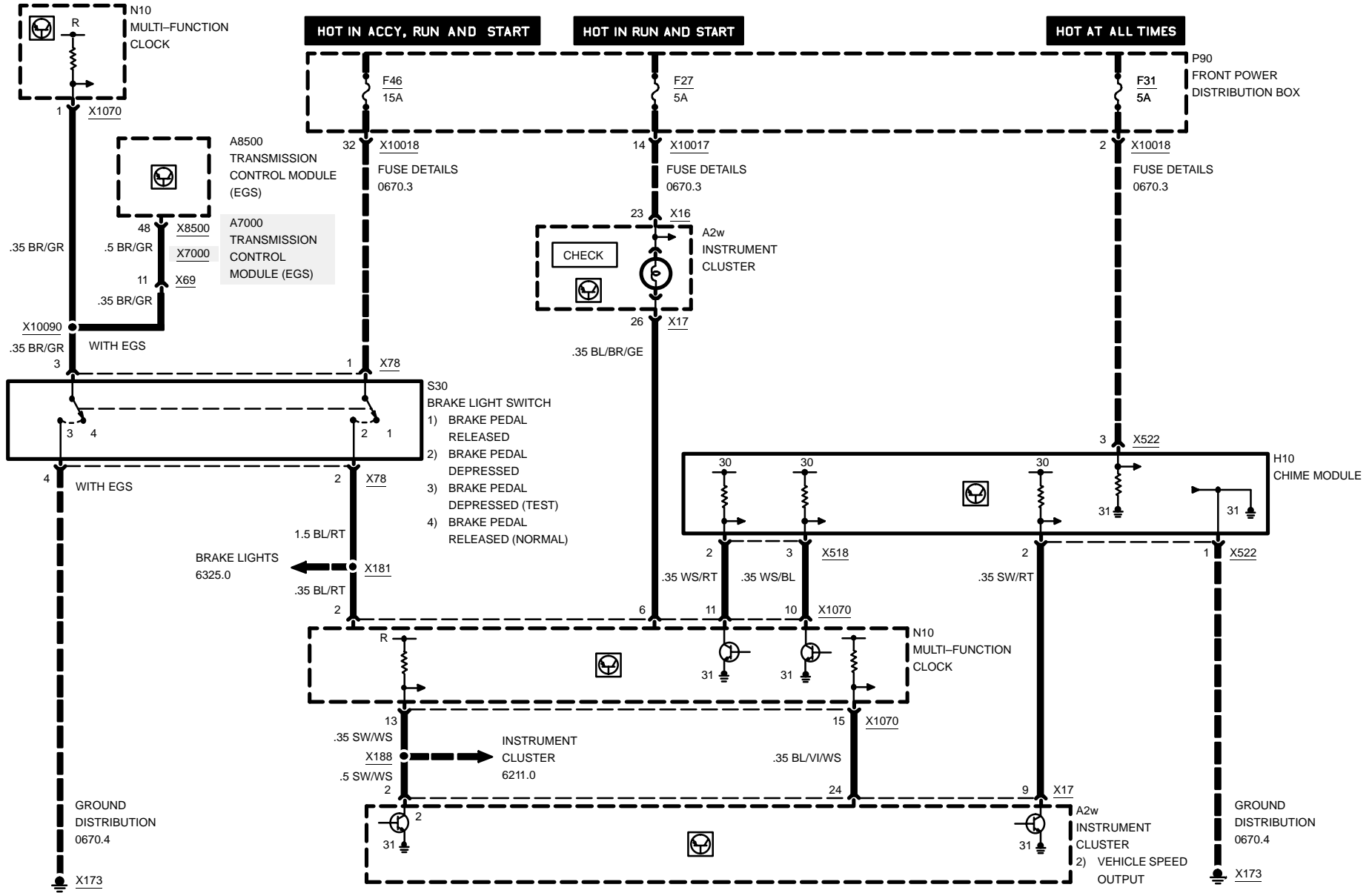
6213.2 MULTI-FUNCTION CLOCK





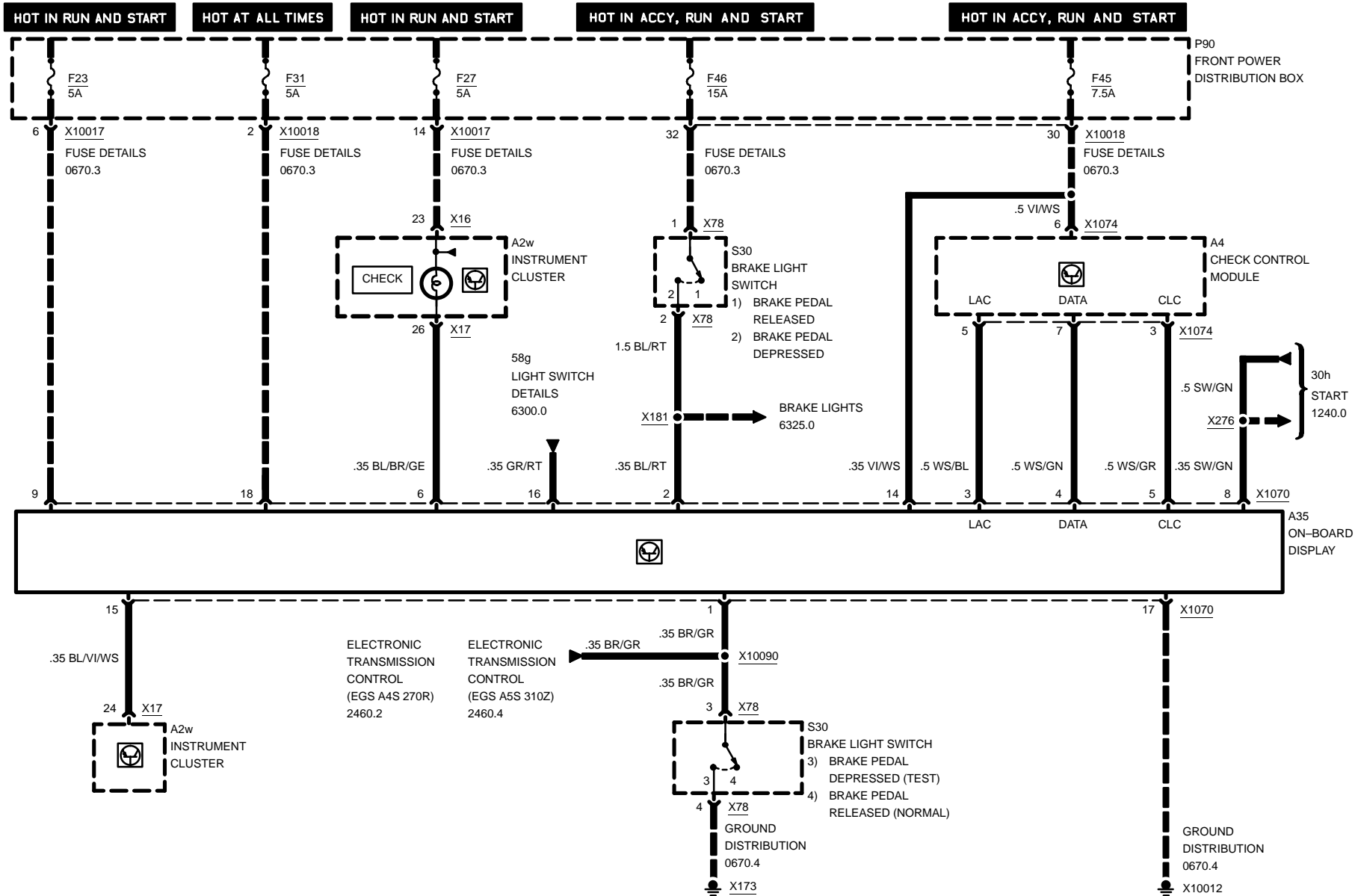
MULTI-FUNCTION CLOCK

CHIME, BRAKE LIGHT SWITCH

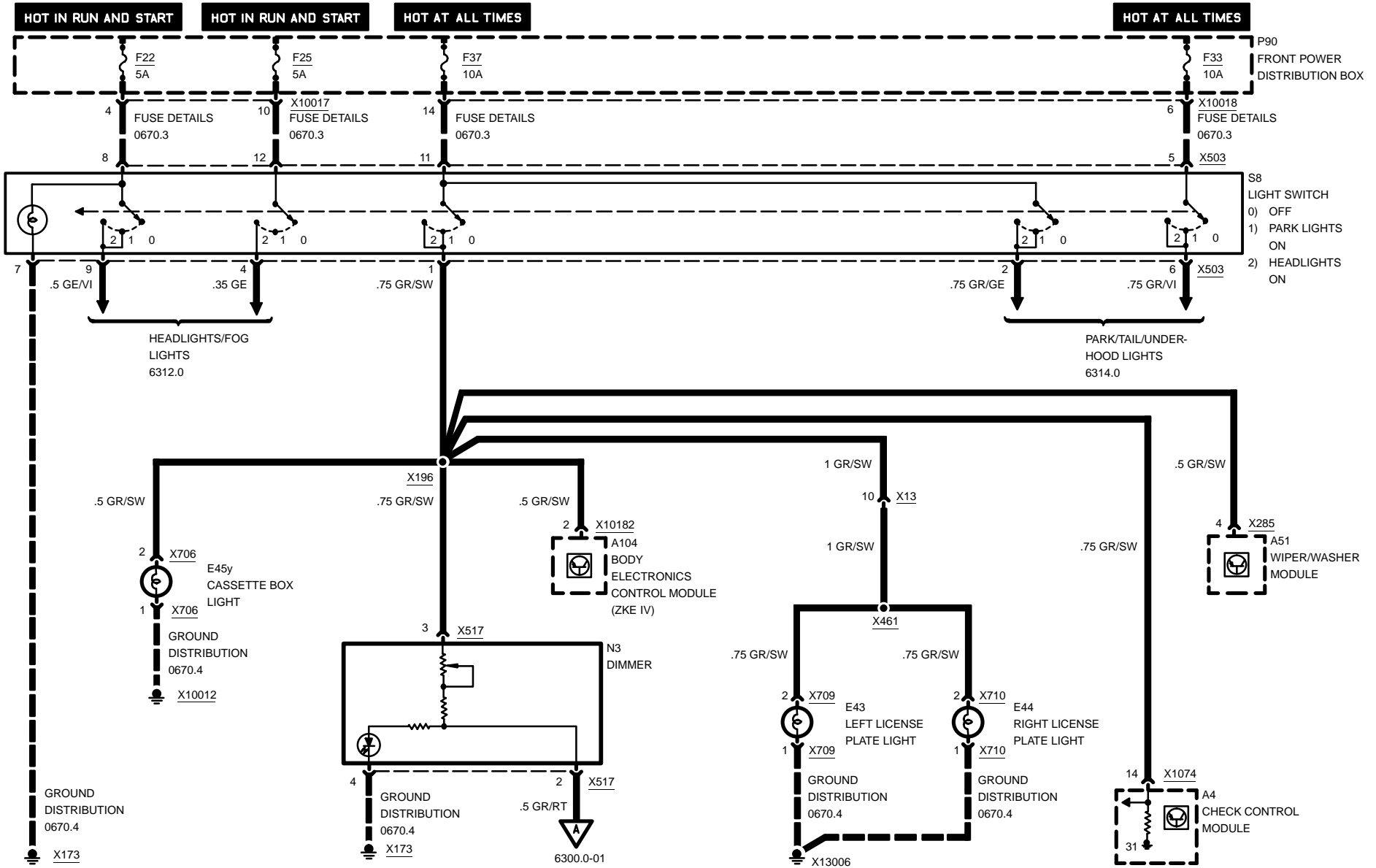




6214.0 ON-BOARD DISPLAY

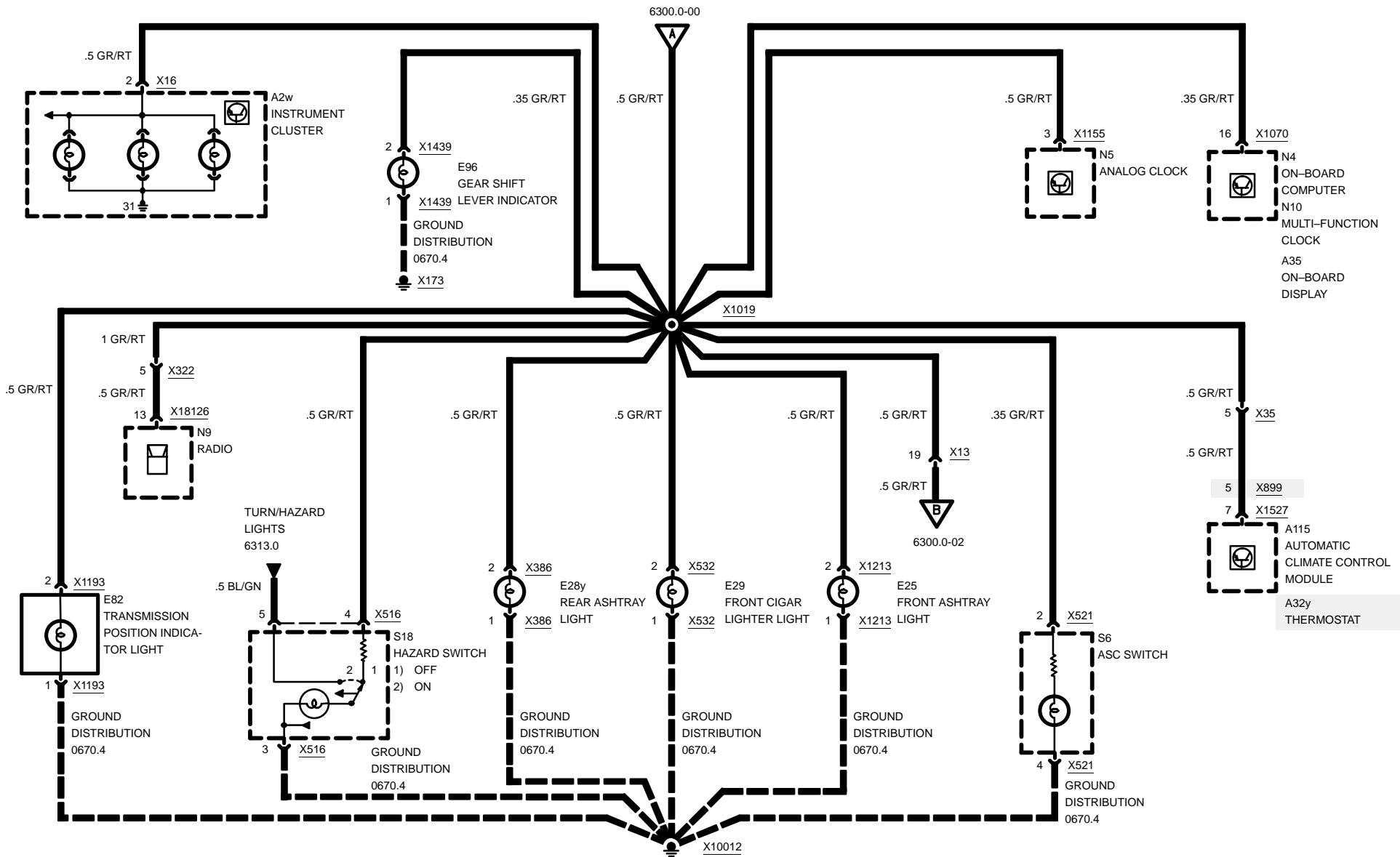


6300.0 LIGHT SWITCH DETAILS



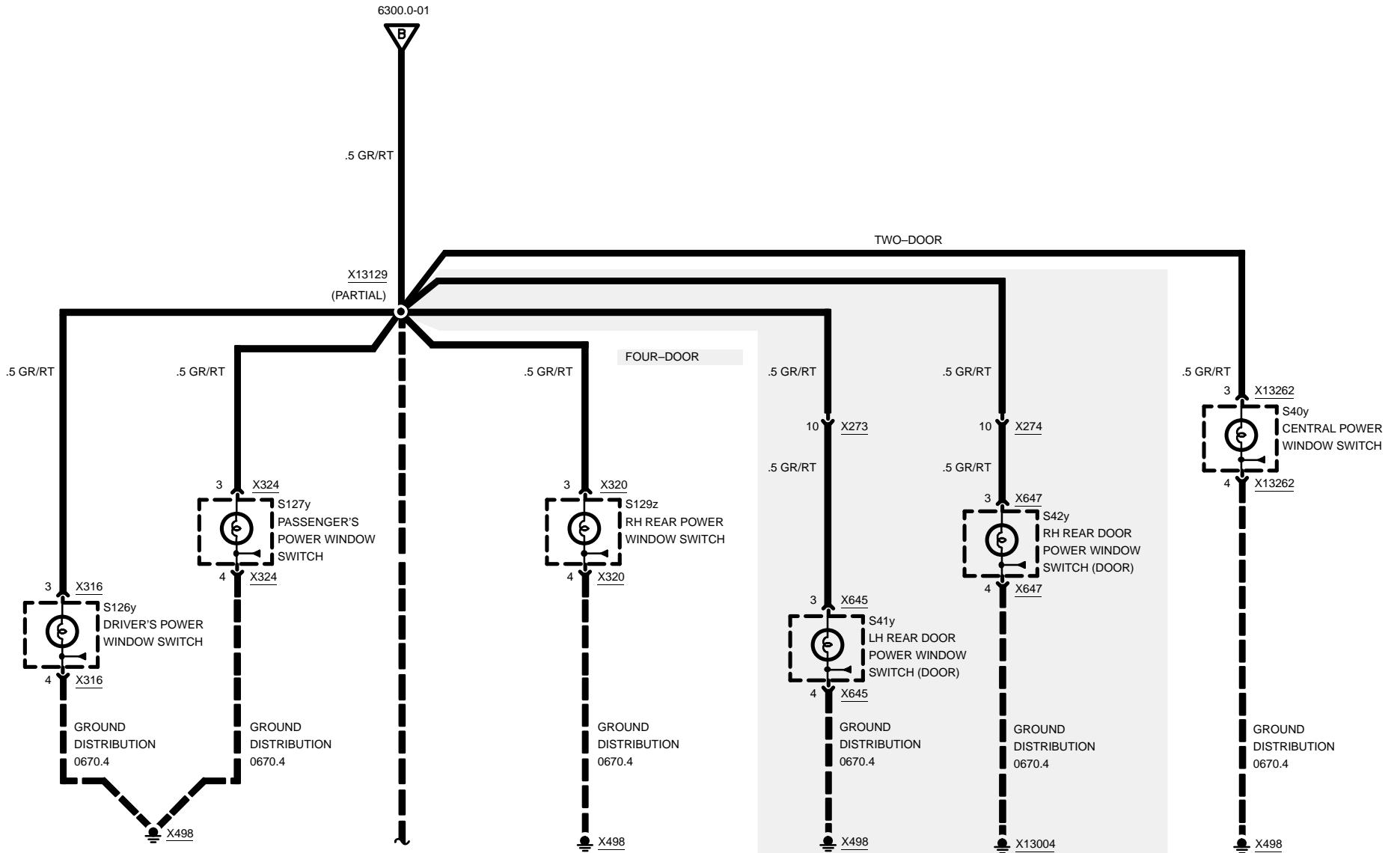


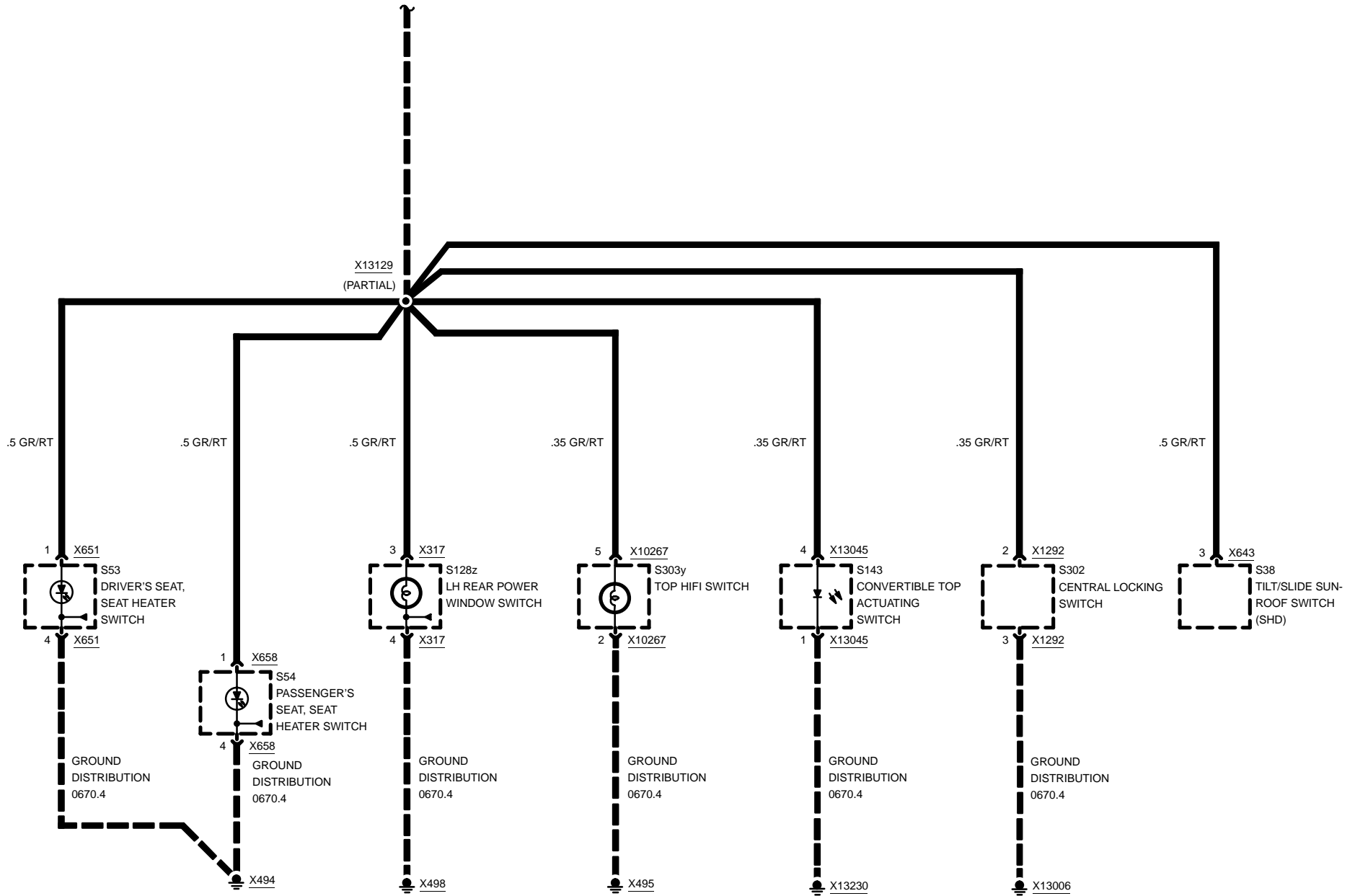
LIGHT SWITCH DETAILS





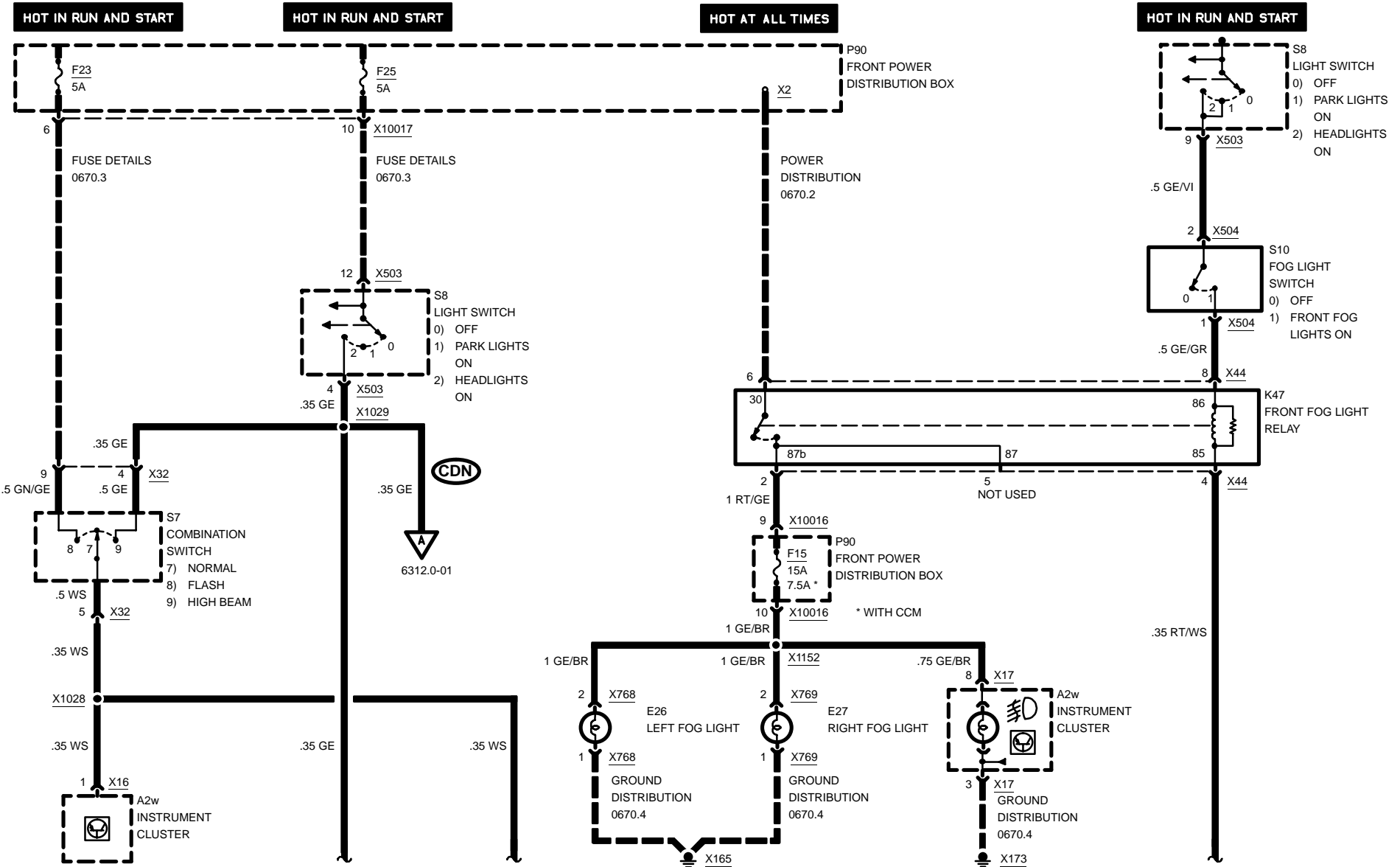
LIGHT SWITCH DETAILS

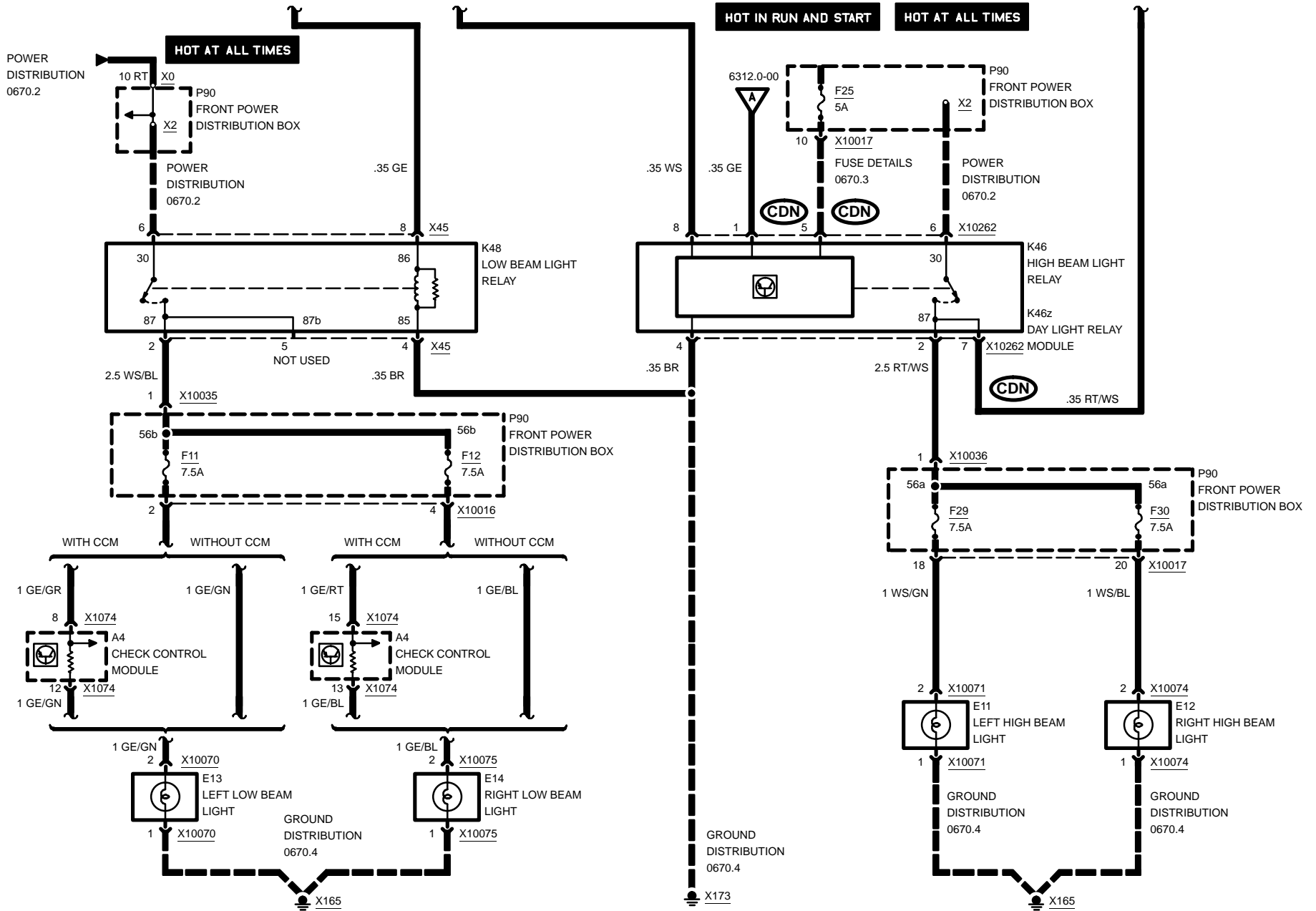






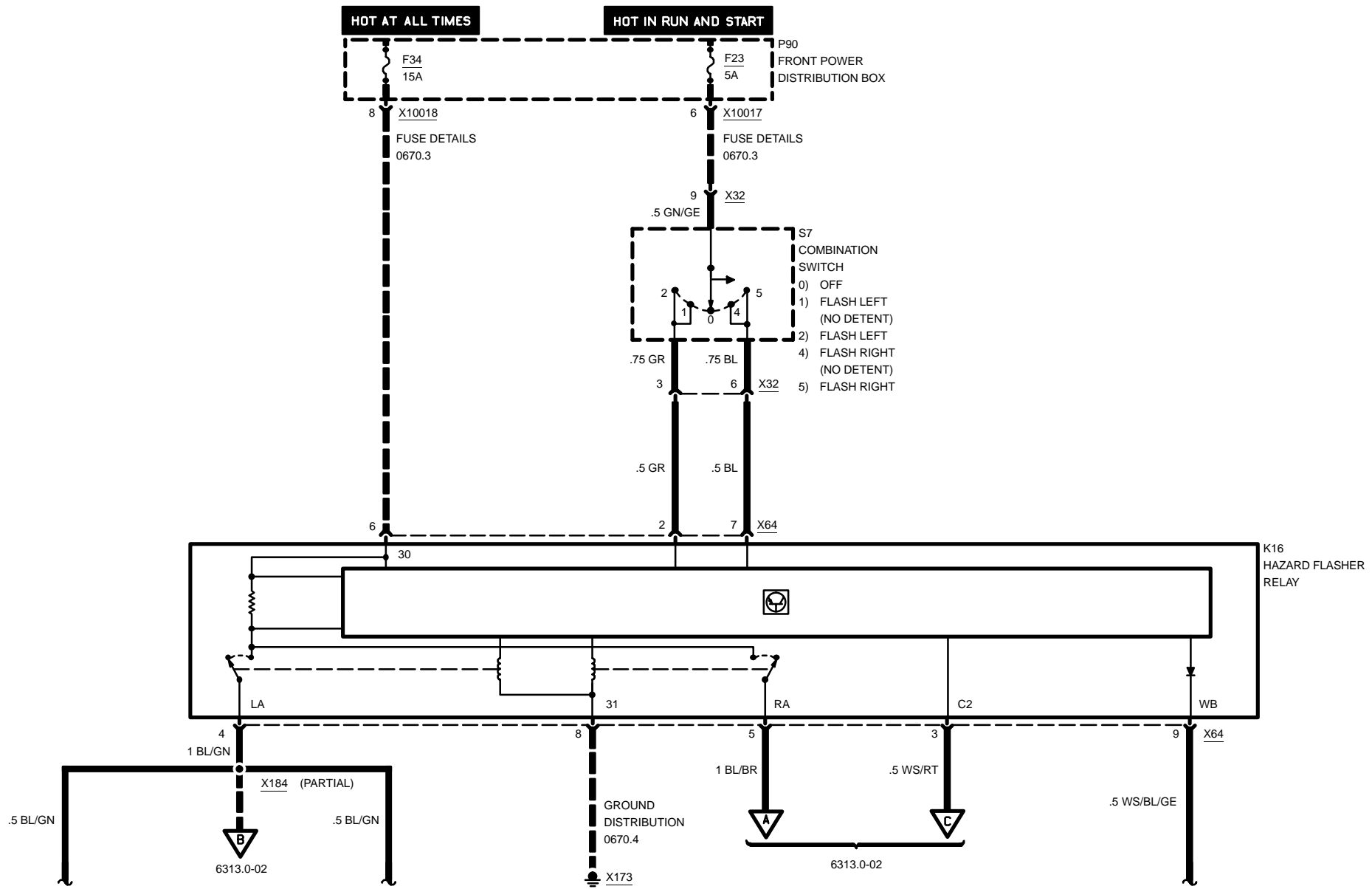
6312.0 HEADLIGHTS/FOG LIGHTS

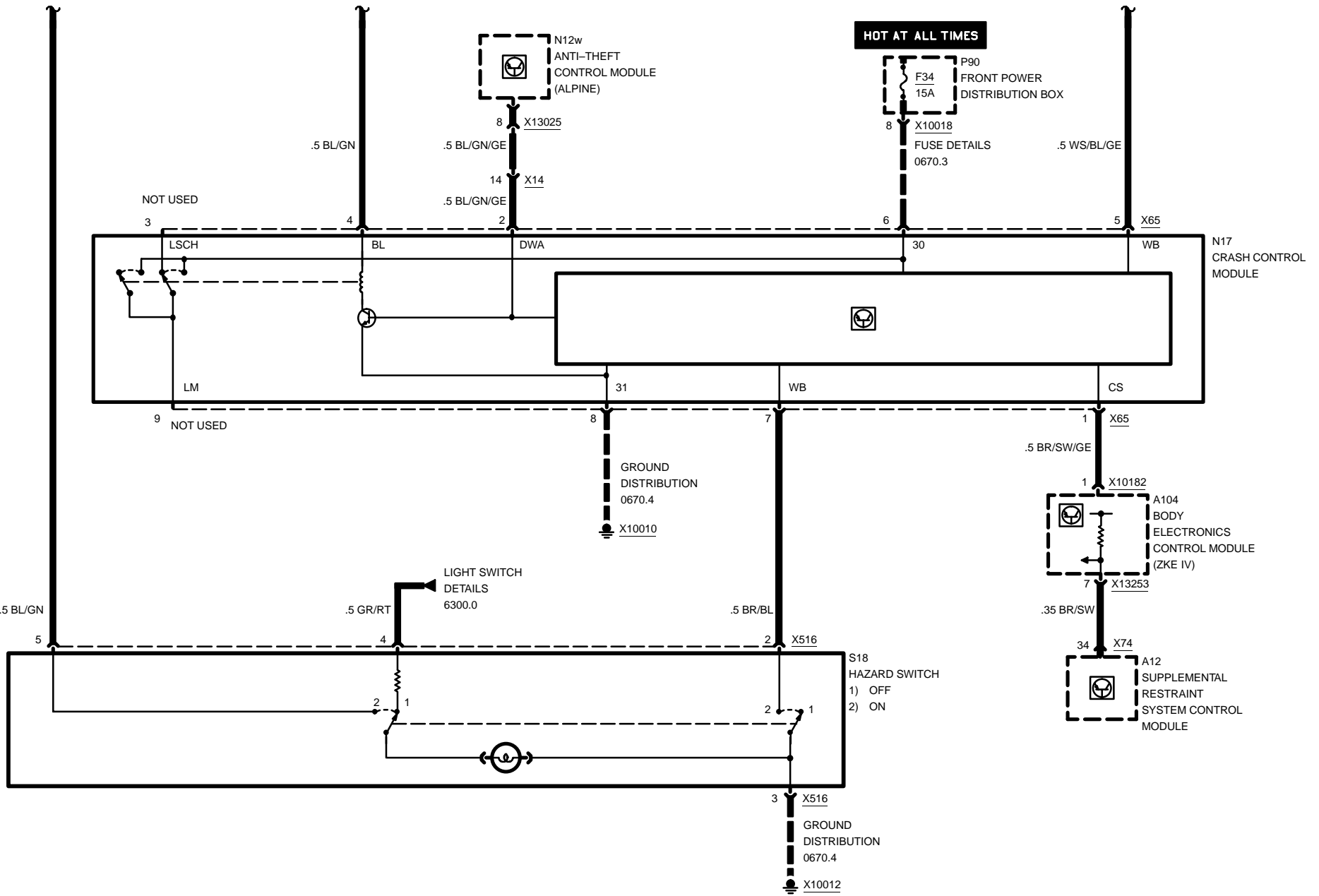






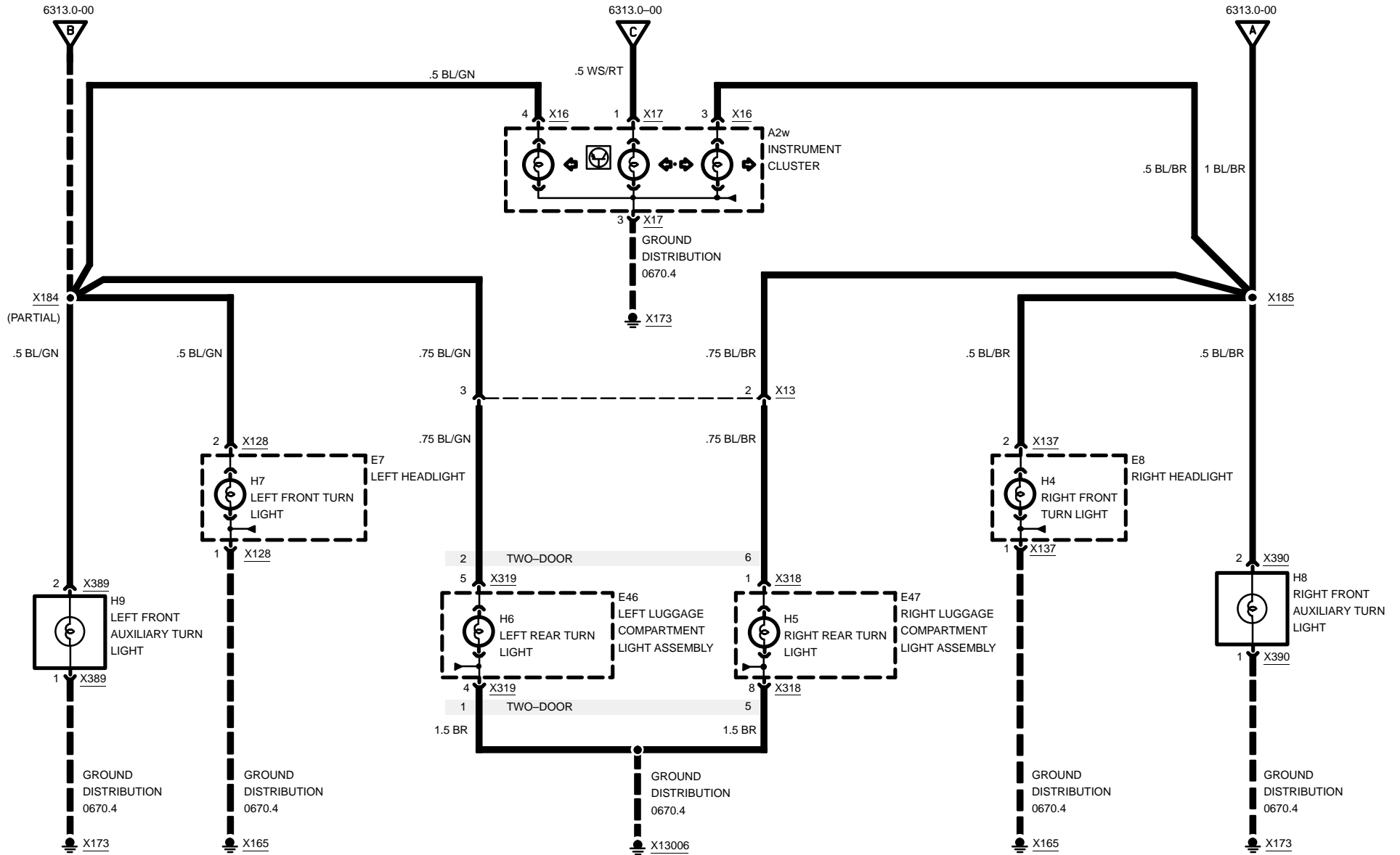
6313.0 TURN/HAZARD LIGHTS





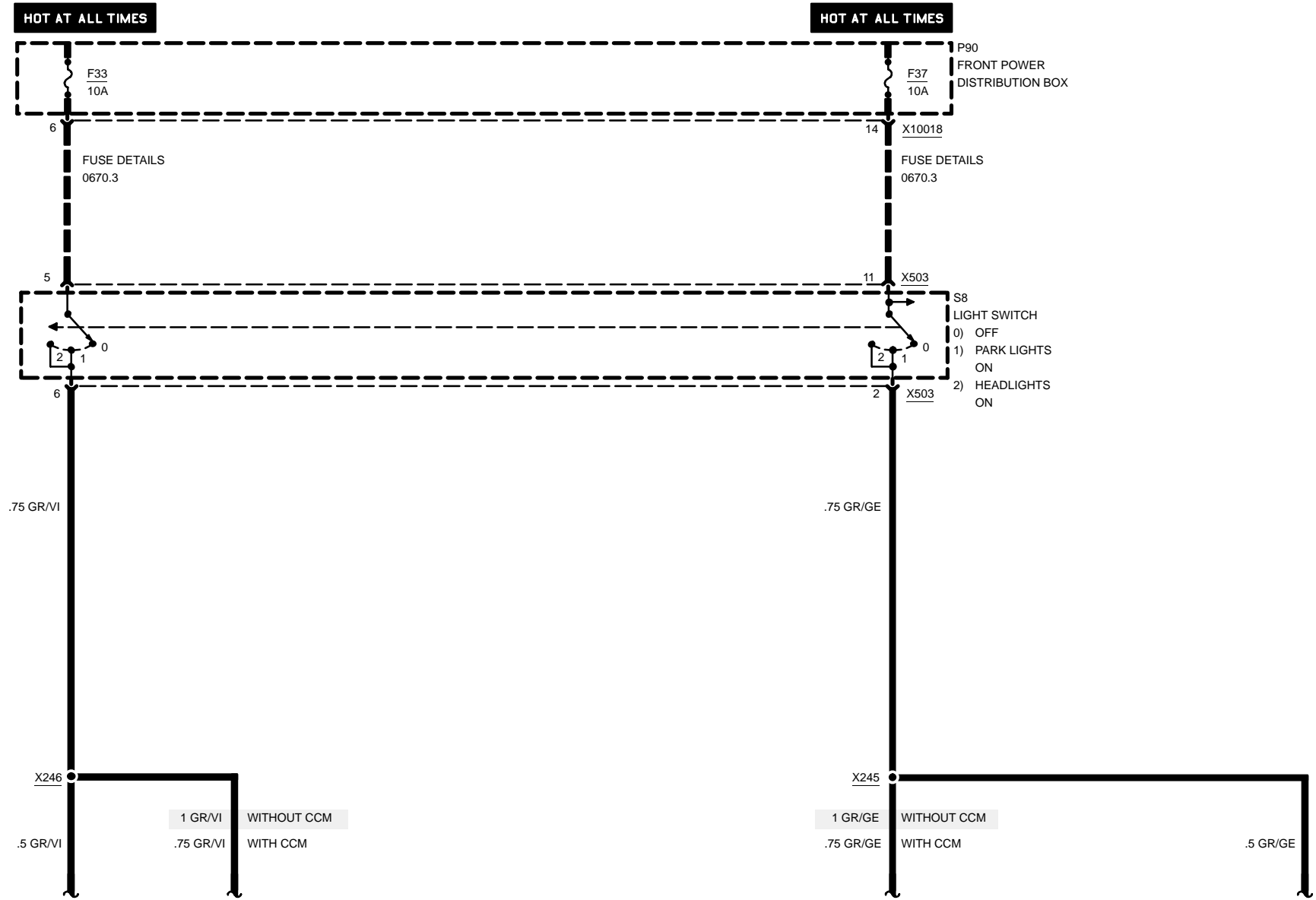


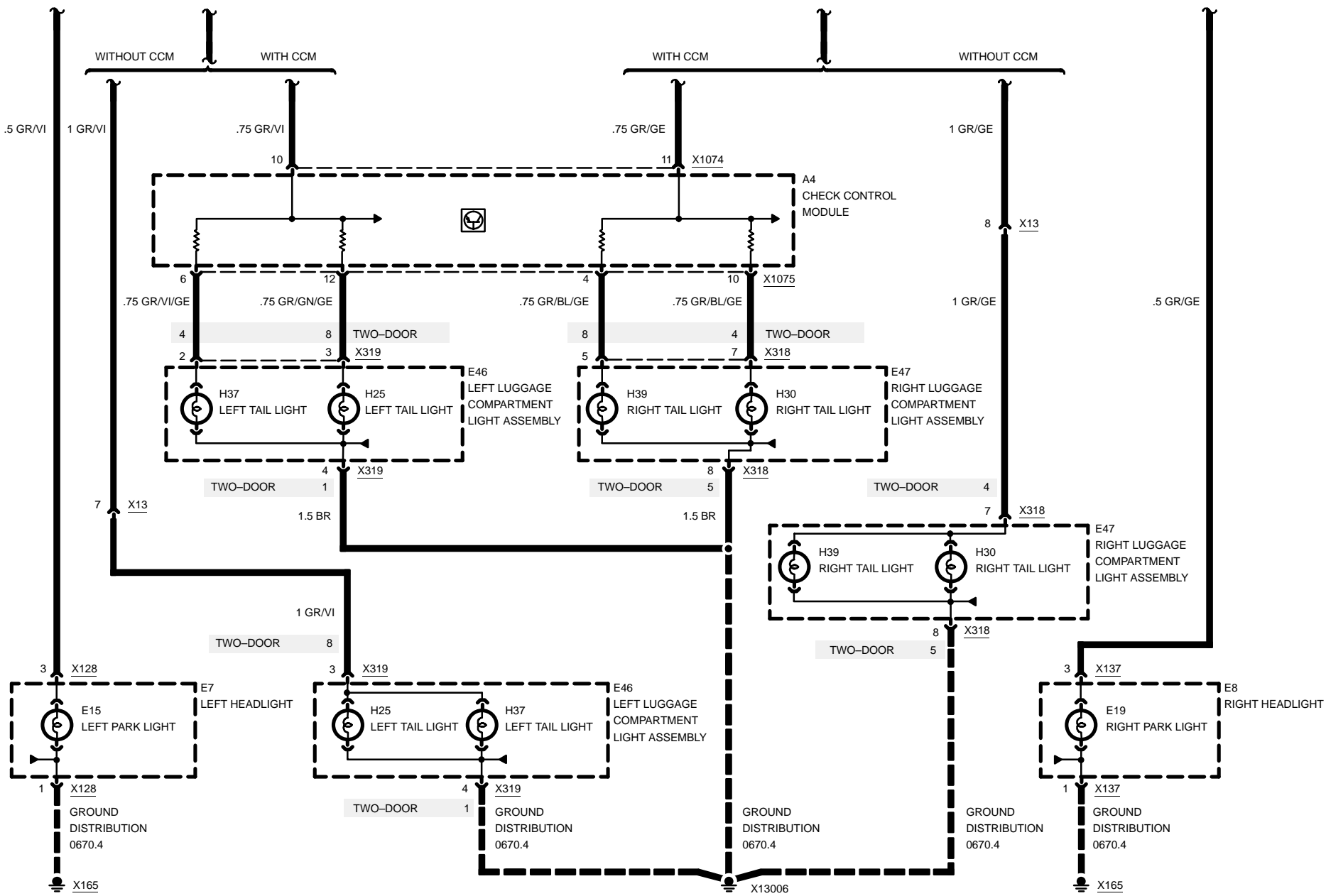
TURN/HAZARD LIGHTS





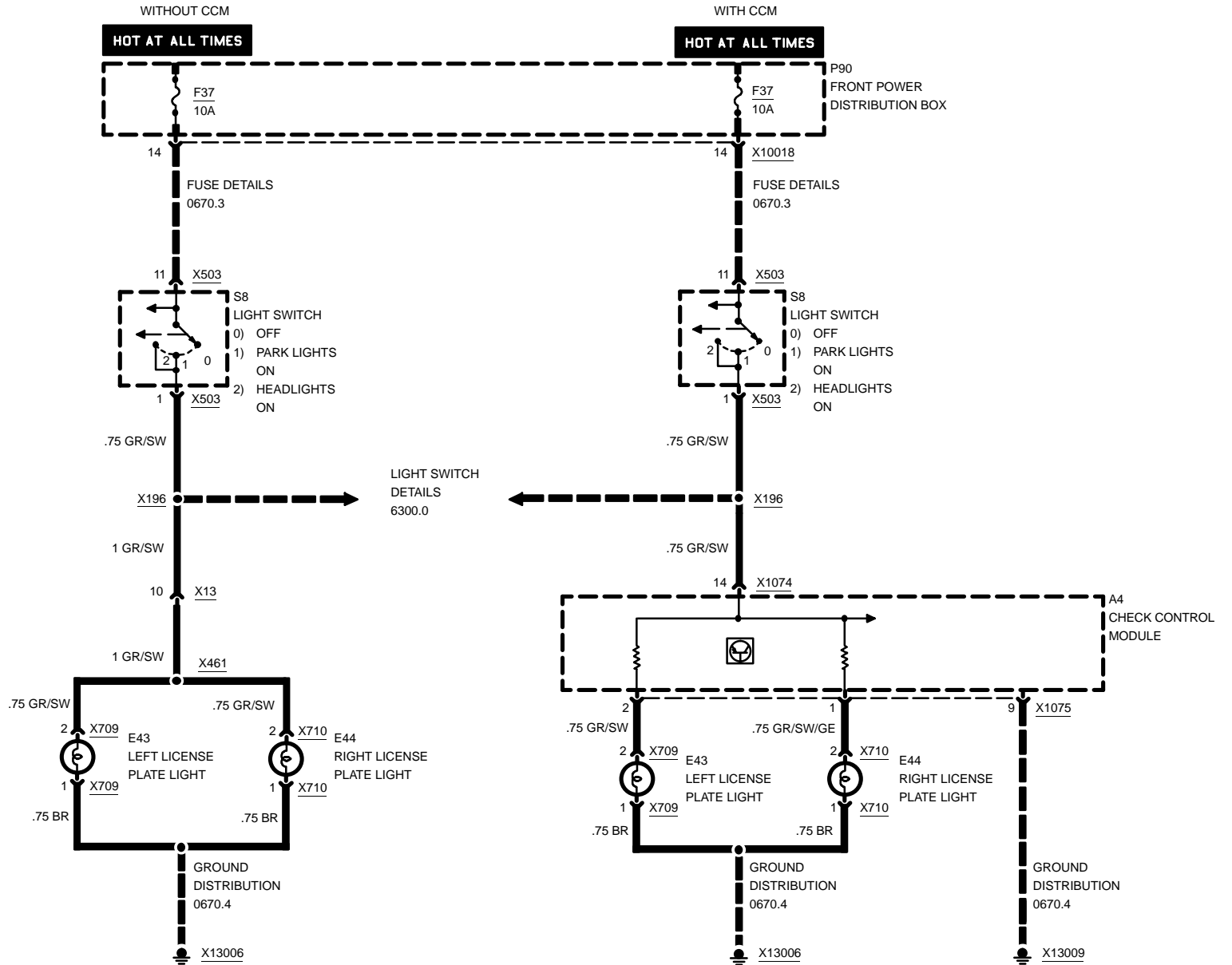
6314.0 PARK/TAIL LIGHTS





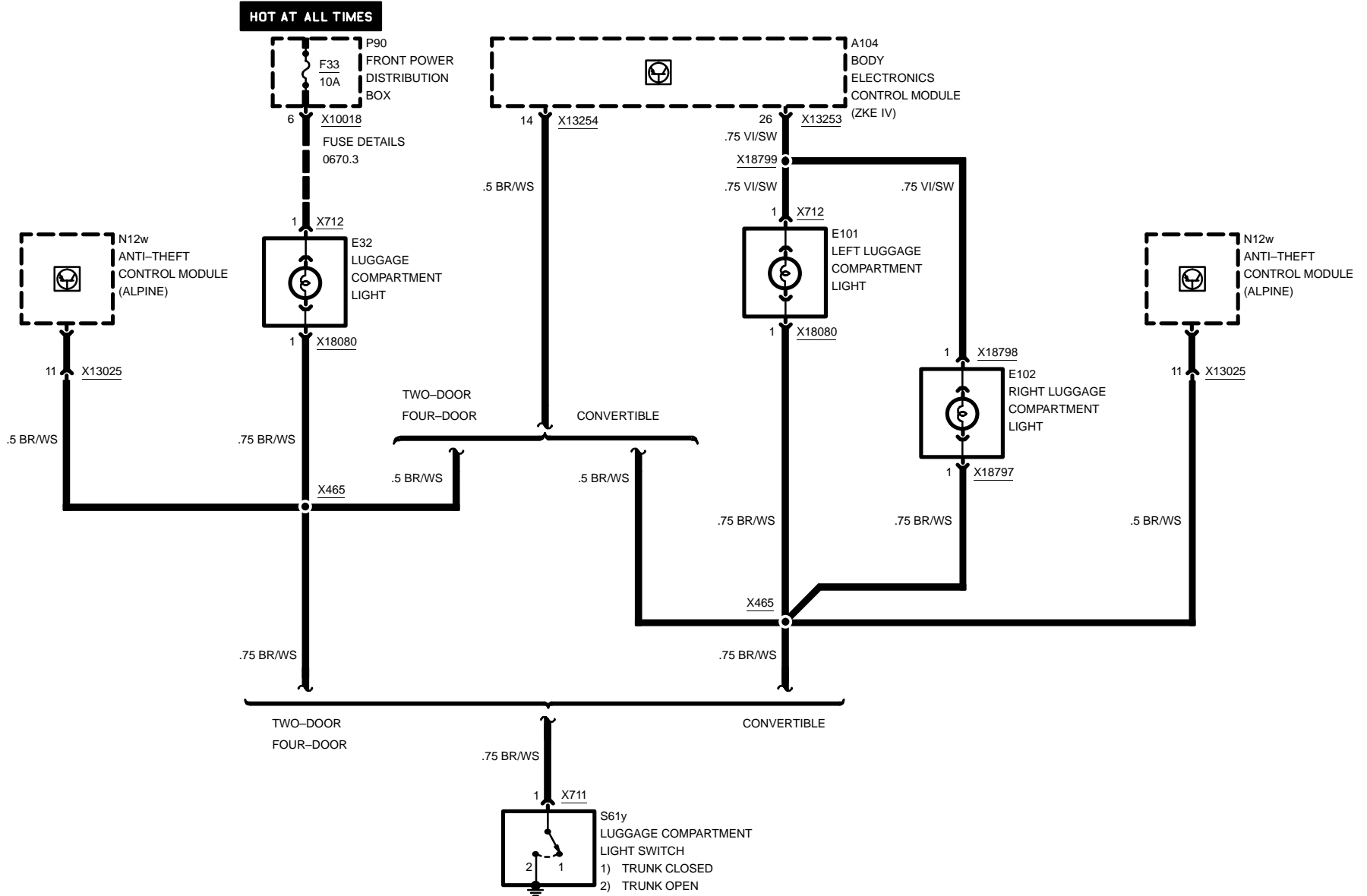


6320.0 LICENSE PLATE/LUGGAGE COMPARTMENT LIGHTS



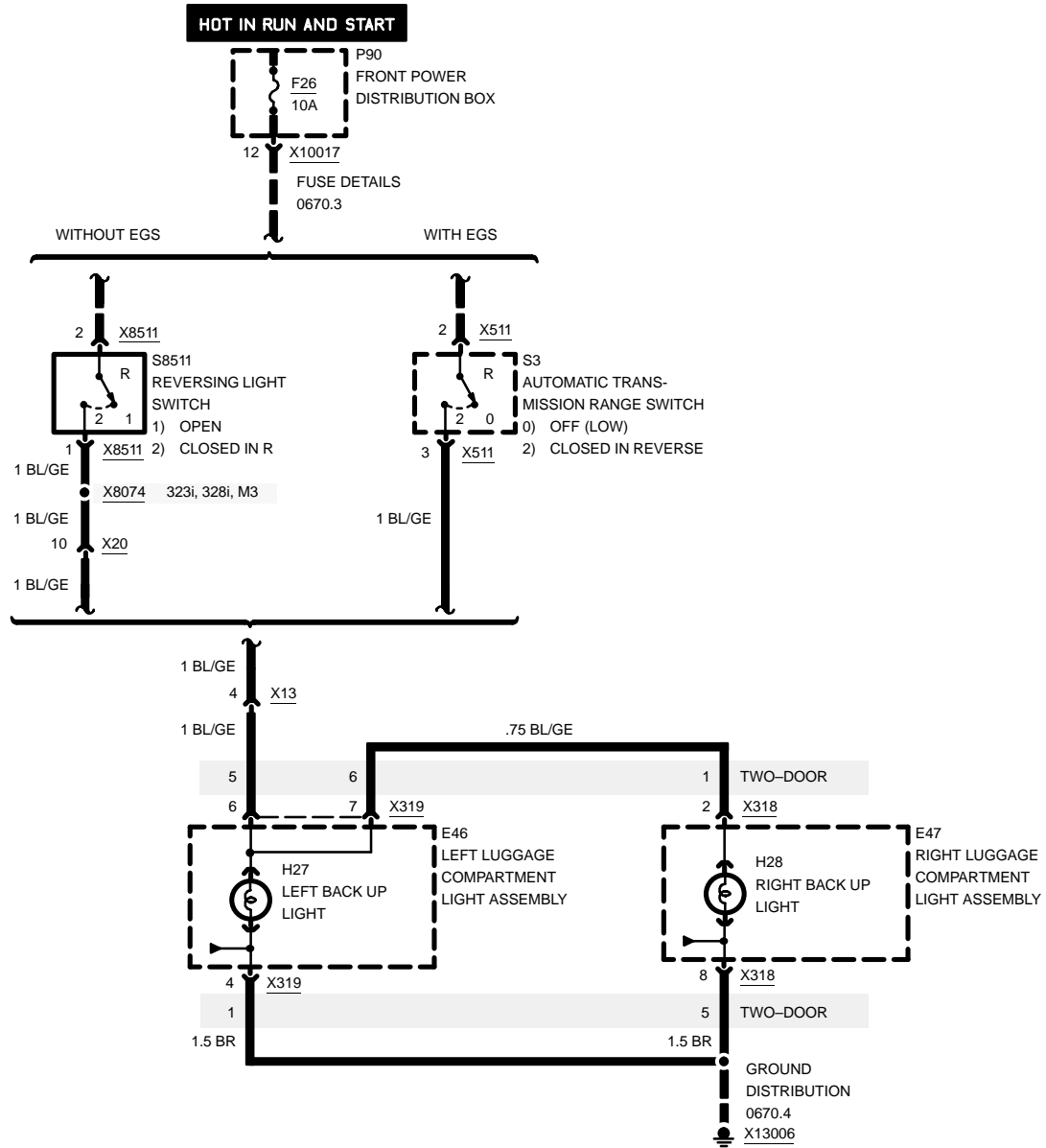


LICENSE PLATE/LUGGAGE COMPARTMENT LIGHTS





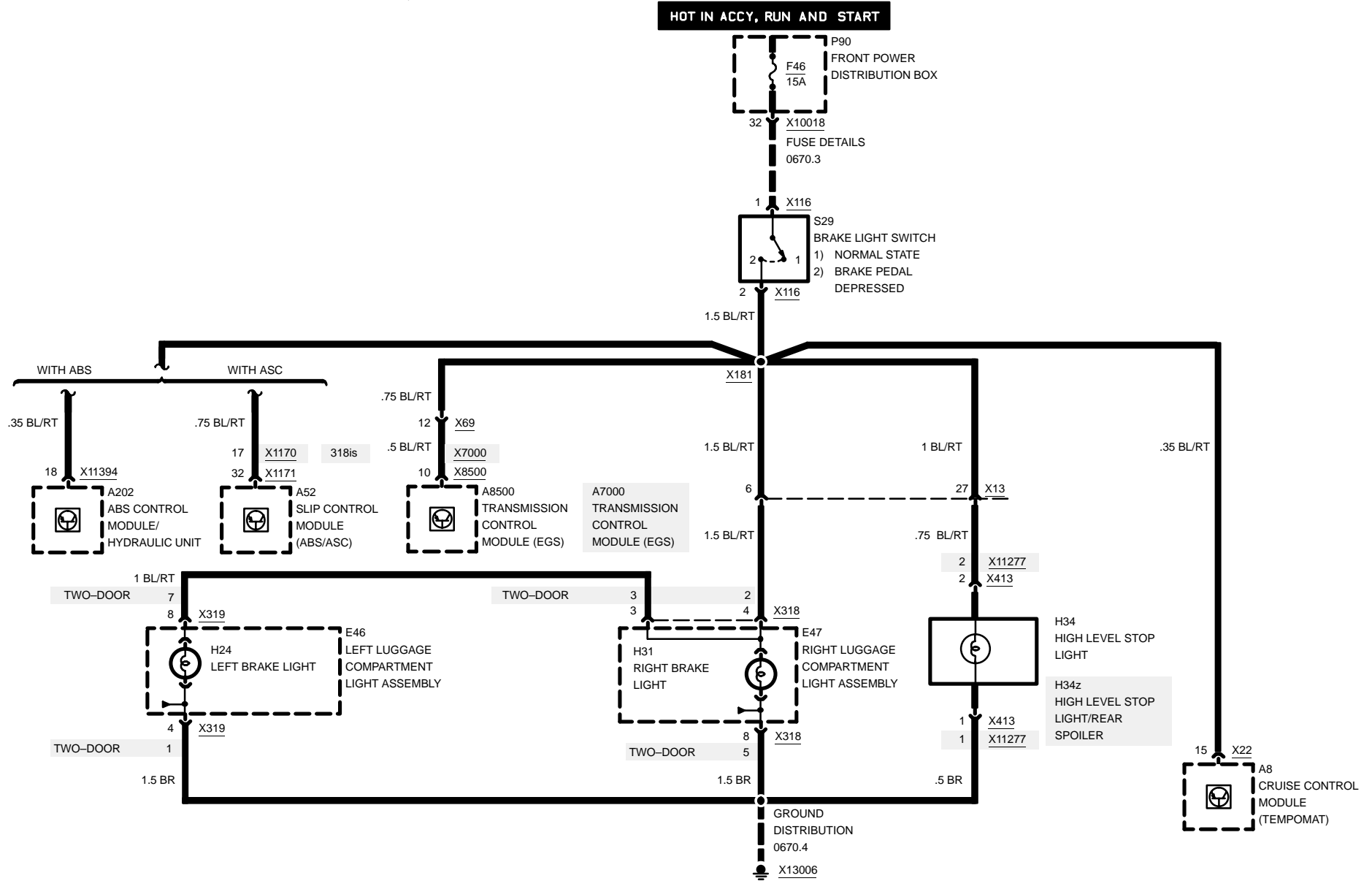
6322.0 BACK UP LIGHTS





6325.0 BRAKE LIGHTS

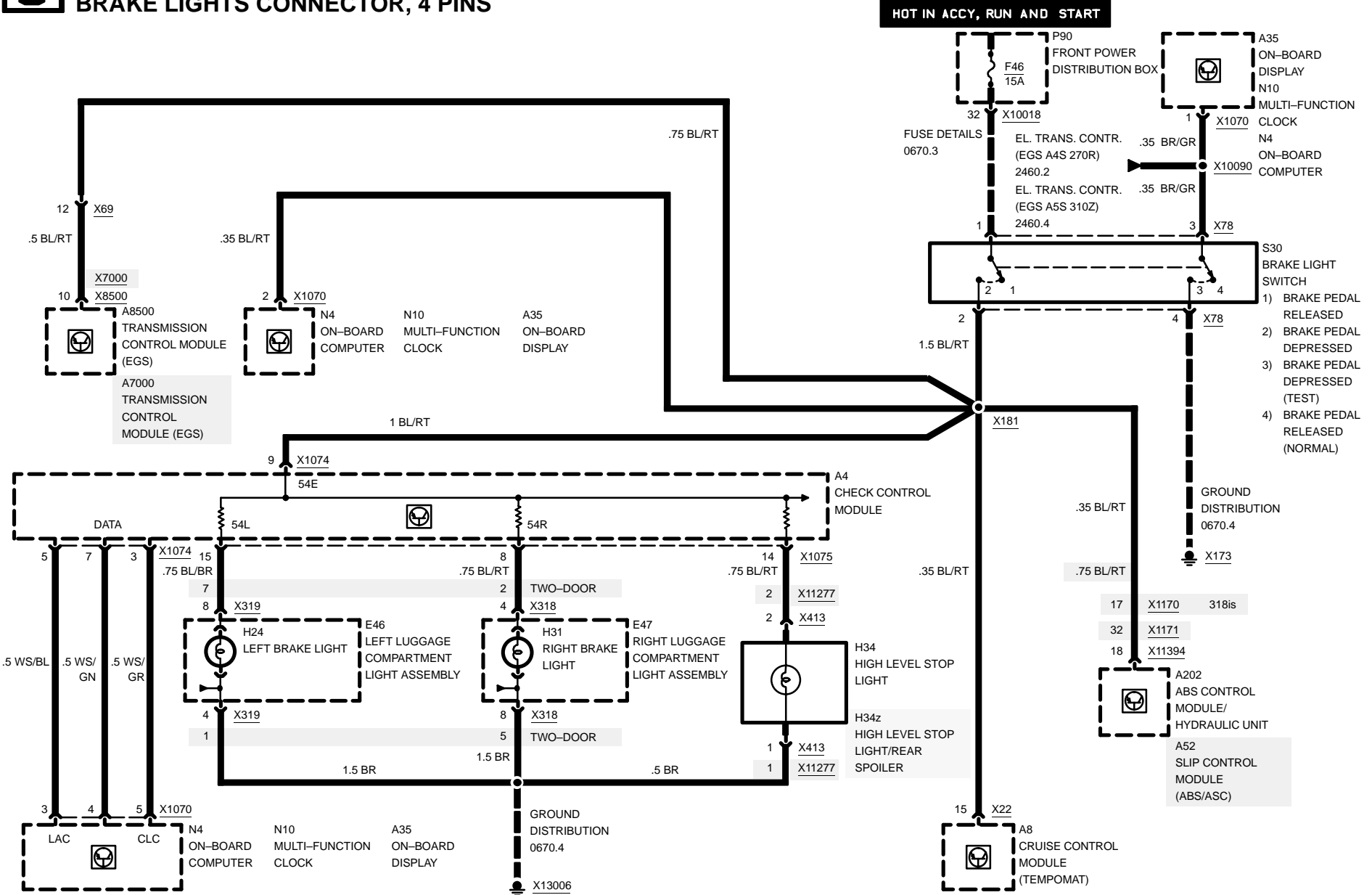
BRAKE LIGHTS CONNECTOR, 2 PINS





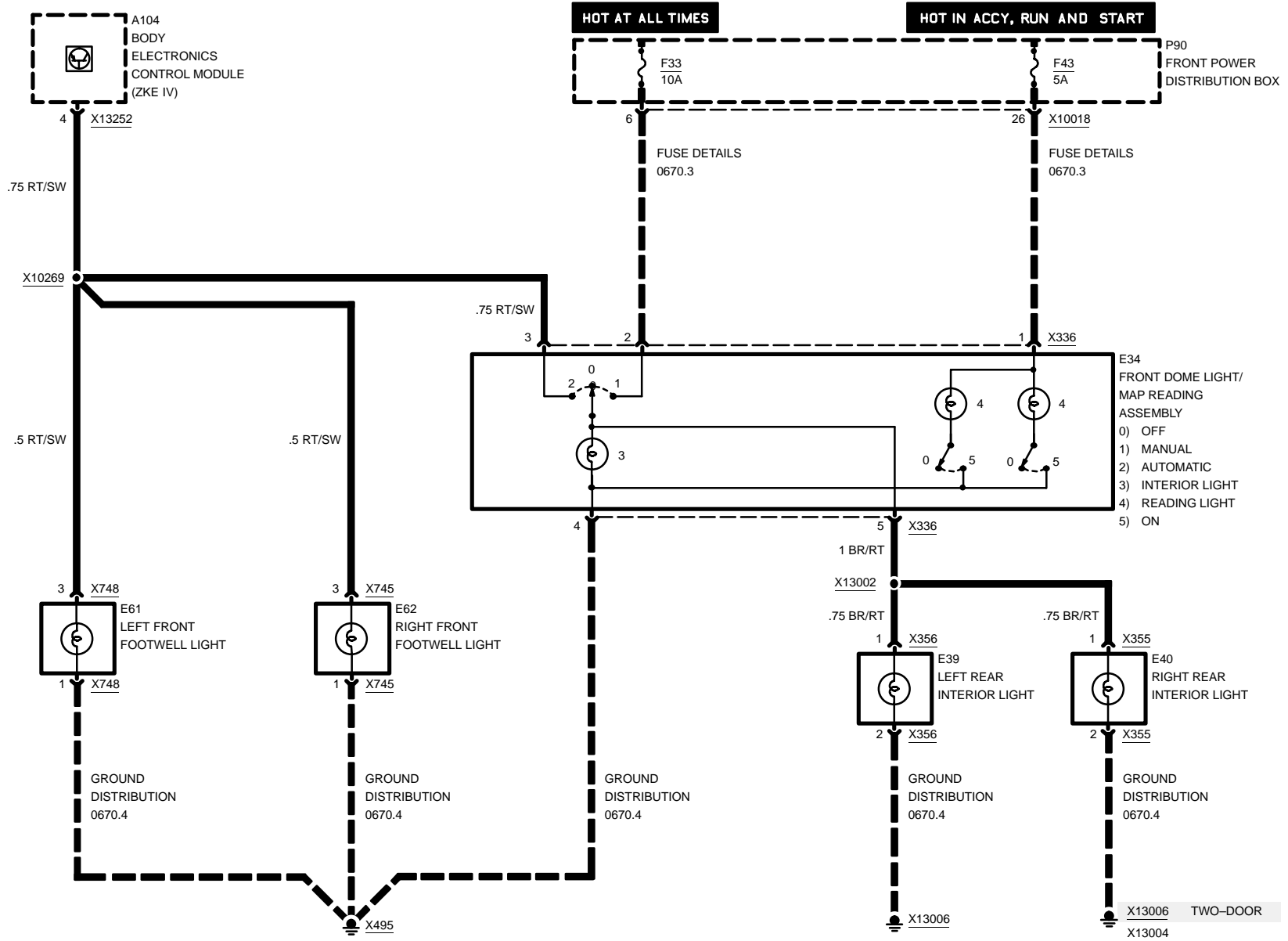
BRAKE LIGHTS

BRAKE LIGHTS CONNECTOR, 4 PINS



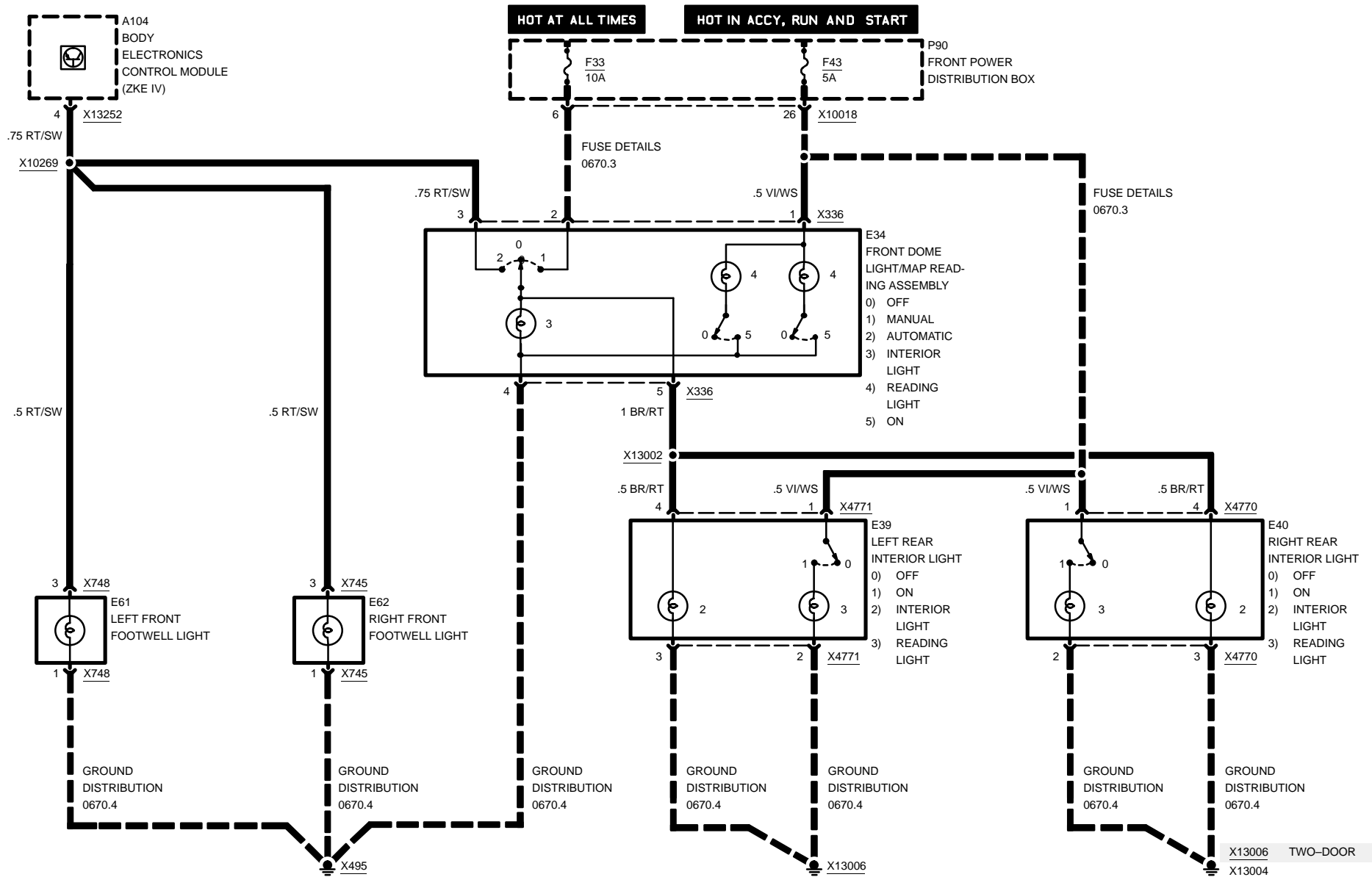


6330.3 INTERIOR LIGHTS WITHOUT REAR READING LIGHT





INTERIOR LIGHTS WITH REAR READING LIGHT

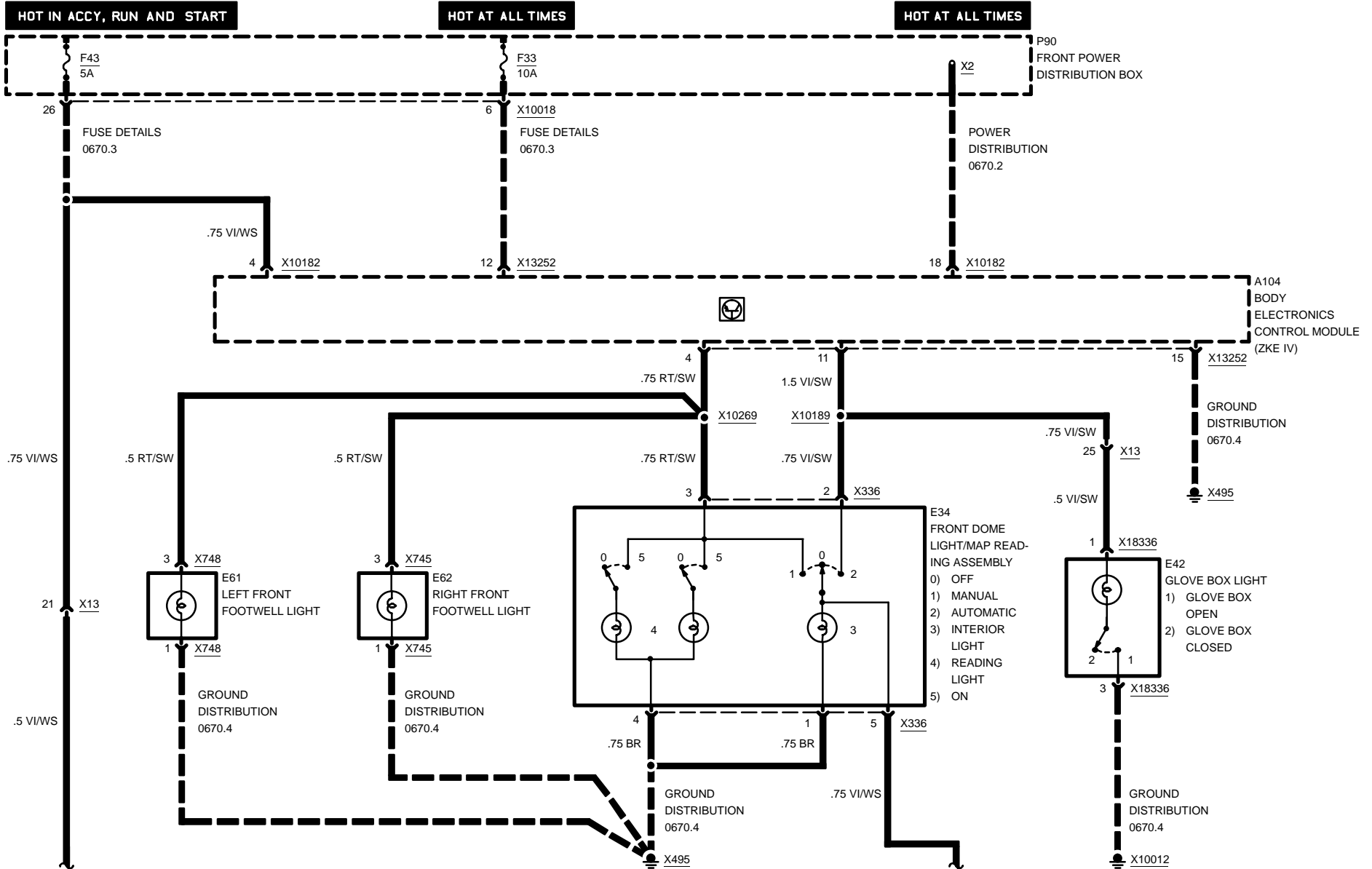


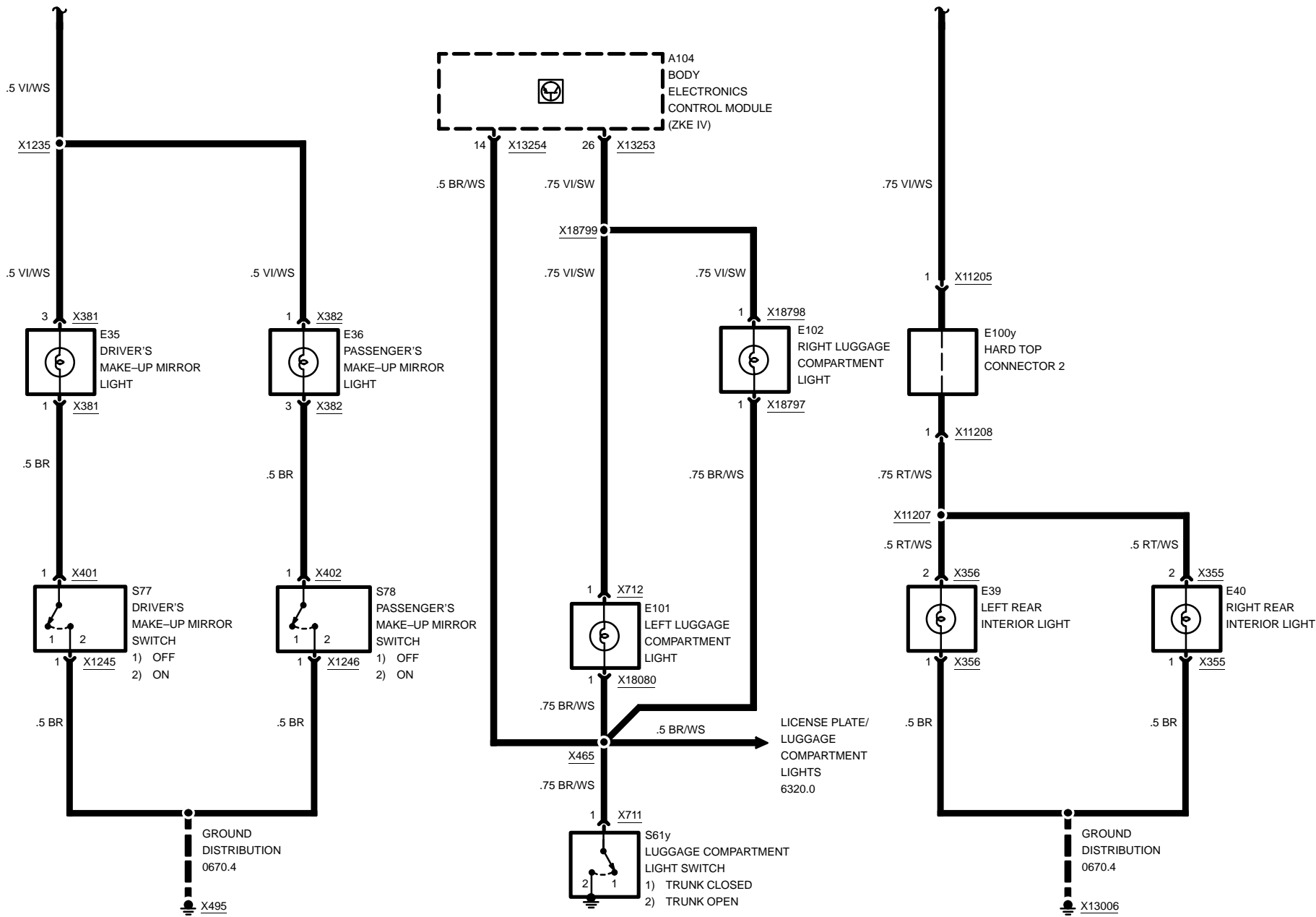
X13006 TWO-DOOR
X13004



INTERIOR LIGHTS

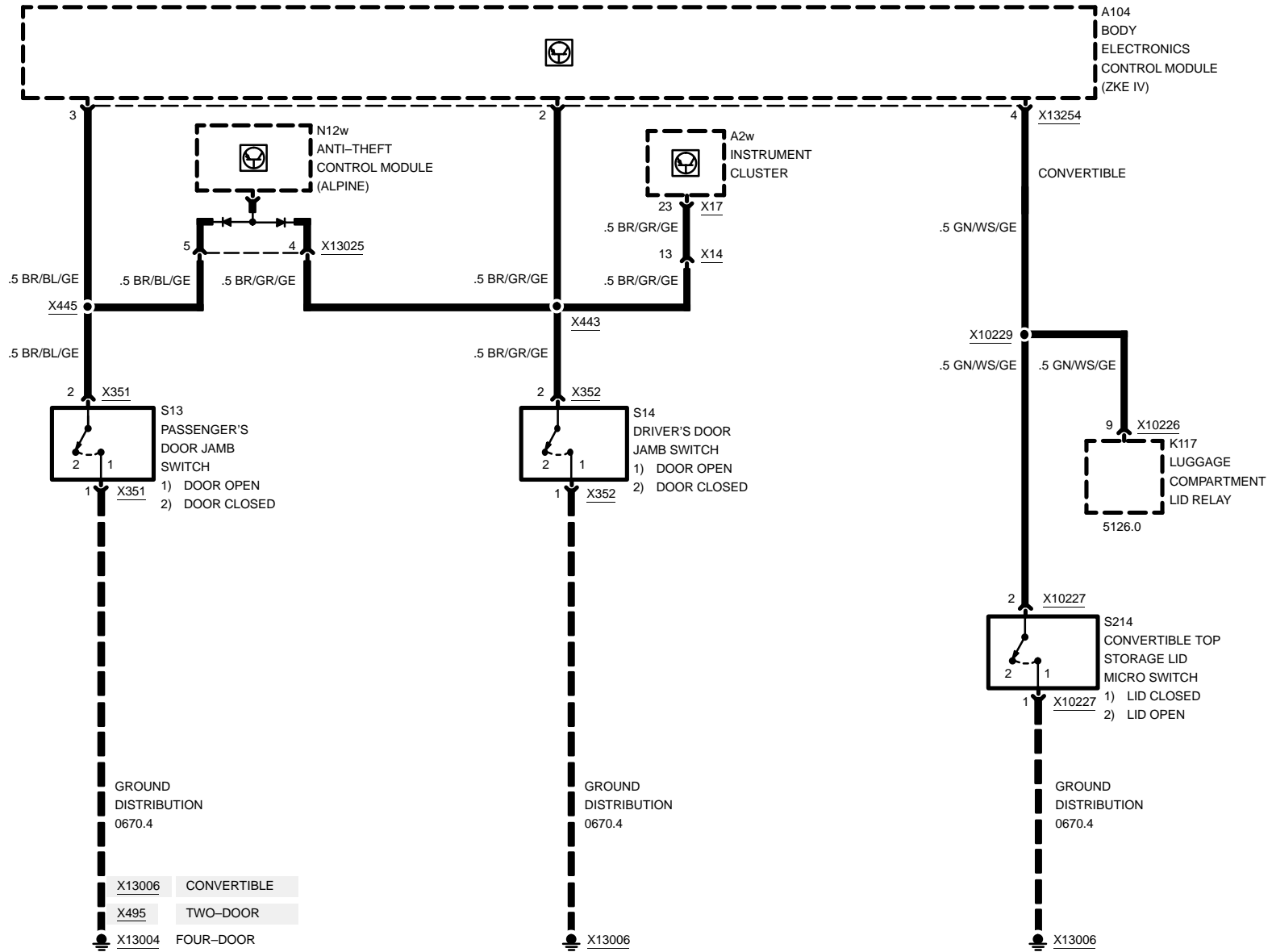
CONVERTIBLE







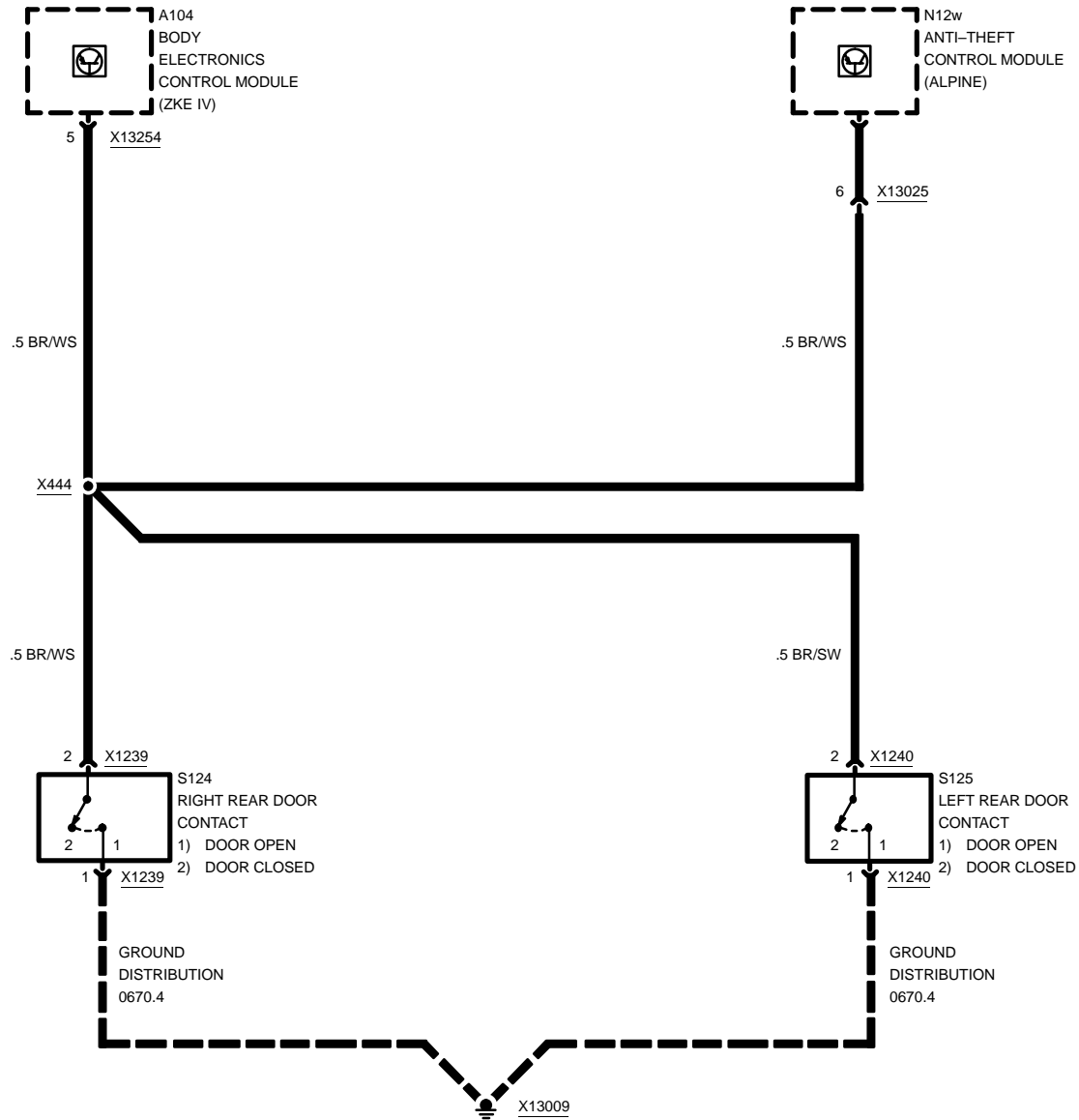
INTERIOR LIGHTS





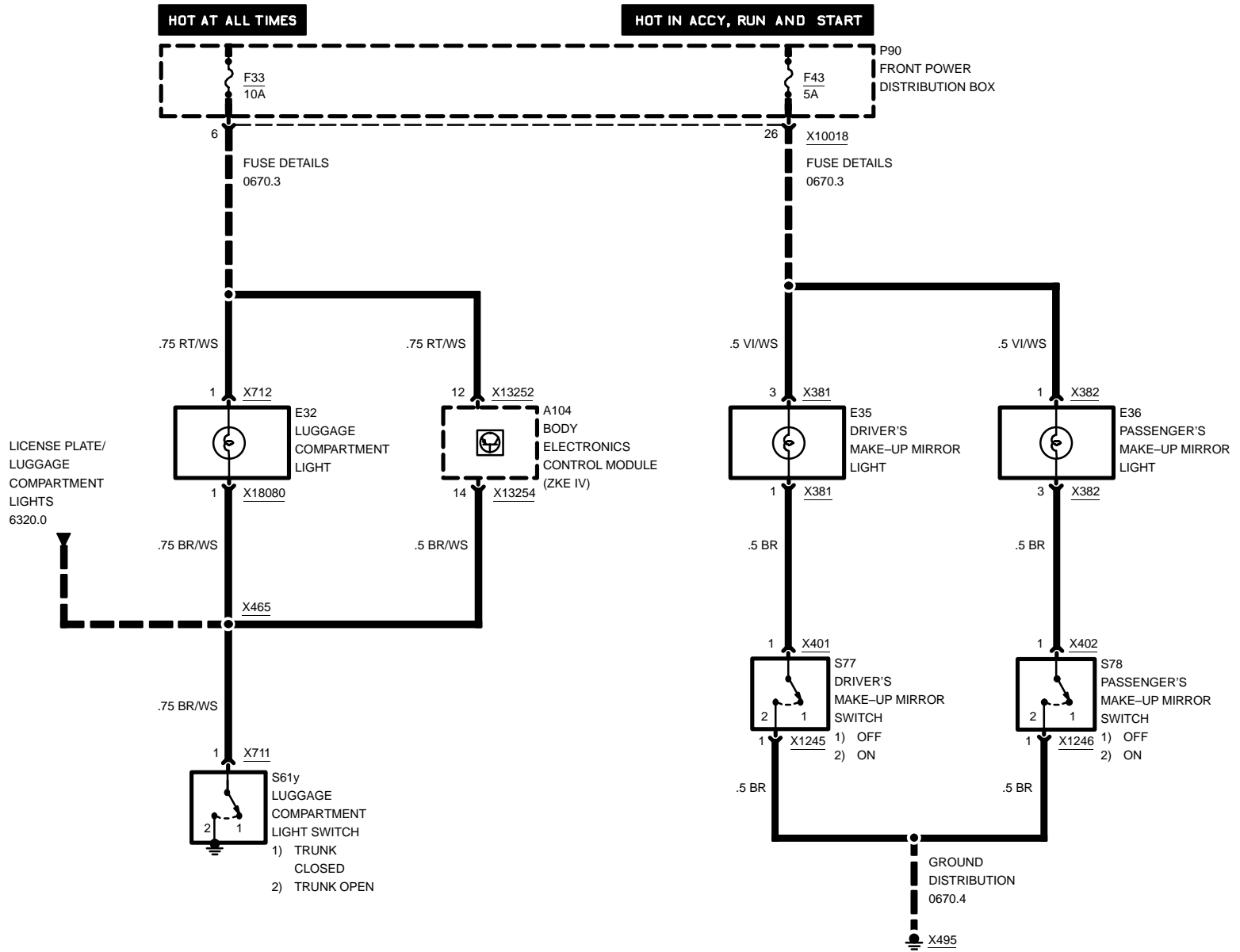
INTERIOR LIGHTS

REAR DOOR JAMB SWITCH



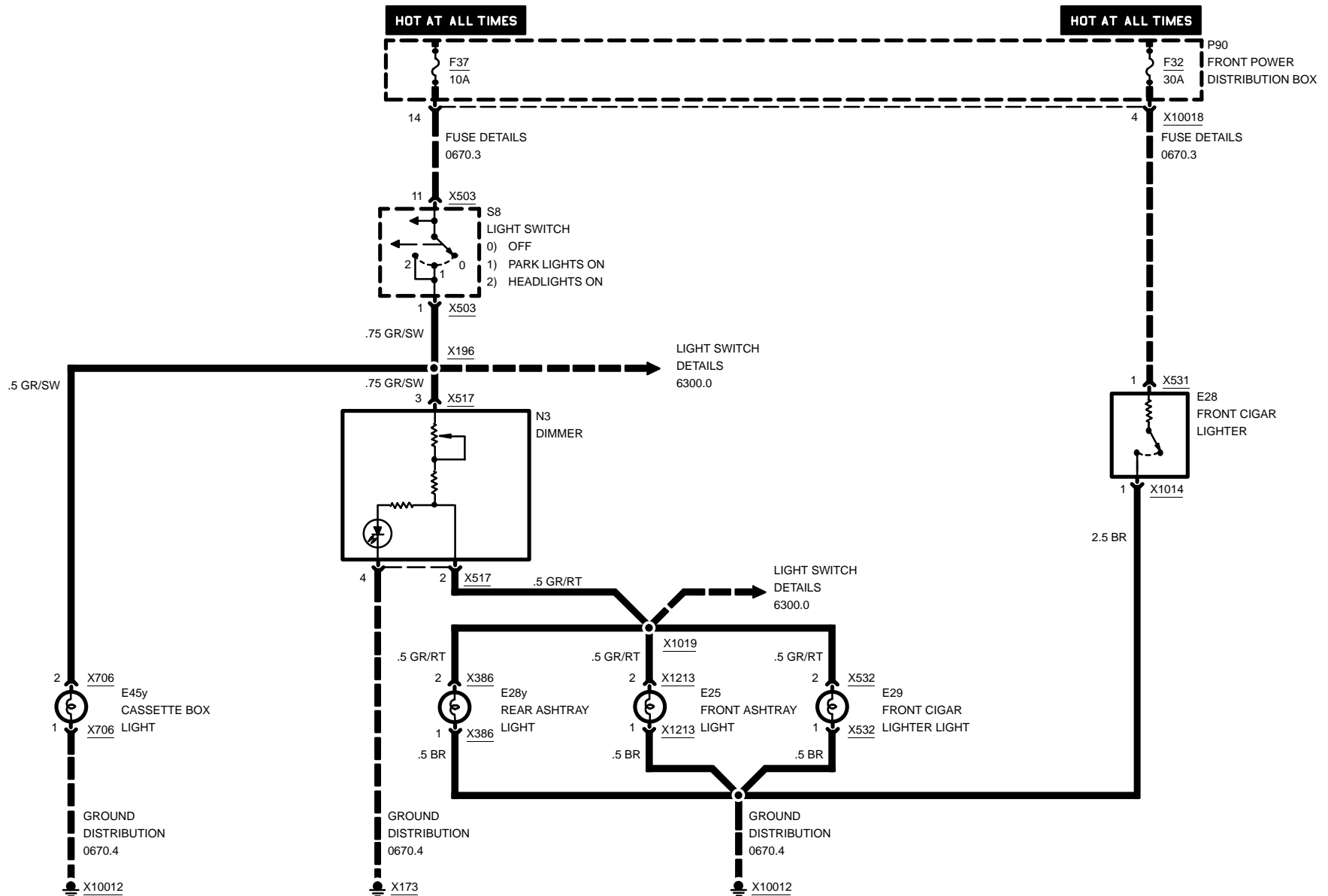


INTERIOR LIGHTS



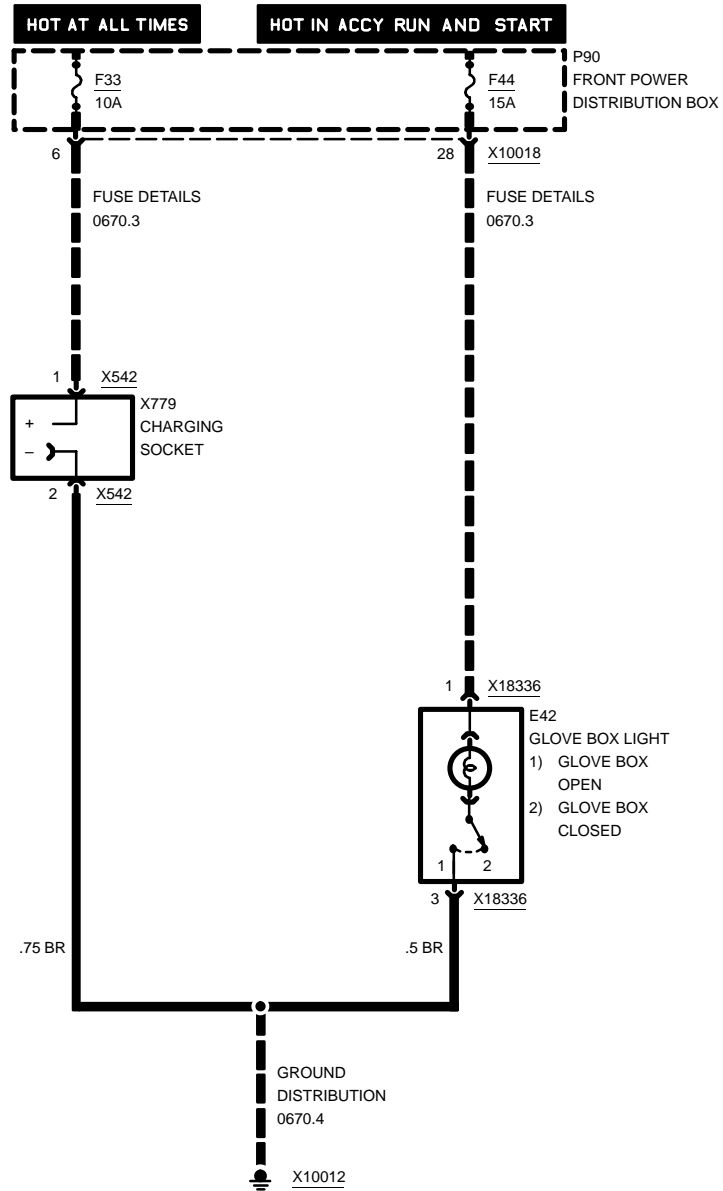


6332.1 GLOVE BOX LIGHT/CASSETTE BOX/ASHTRAY LIGHT/CHARGING SOCKET/CIGAR LIGHTER

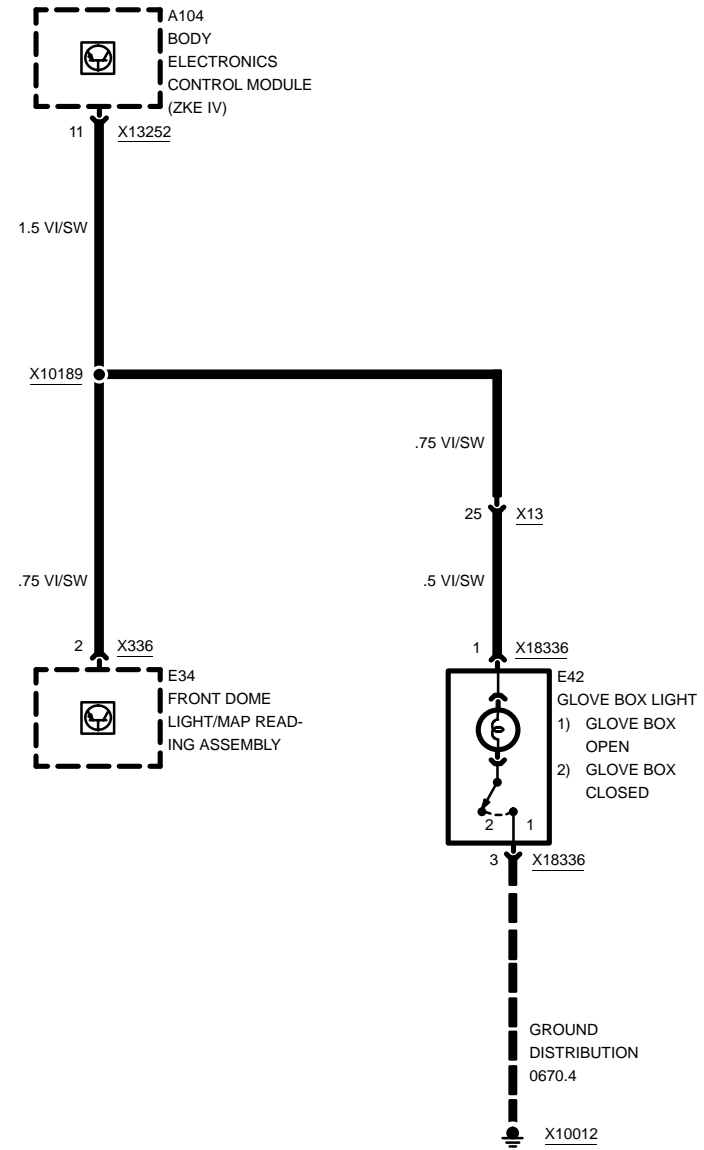




GLOVE BOX LIGHT/CASSETTE BOX/ASHTRAY LIGHT/CHARGING SOCKET/CIGAR LIGHTER

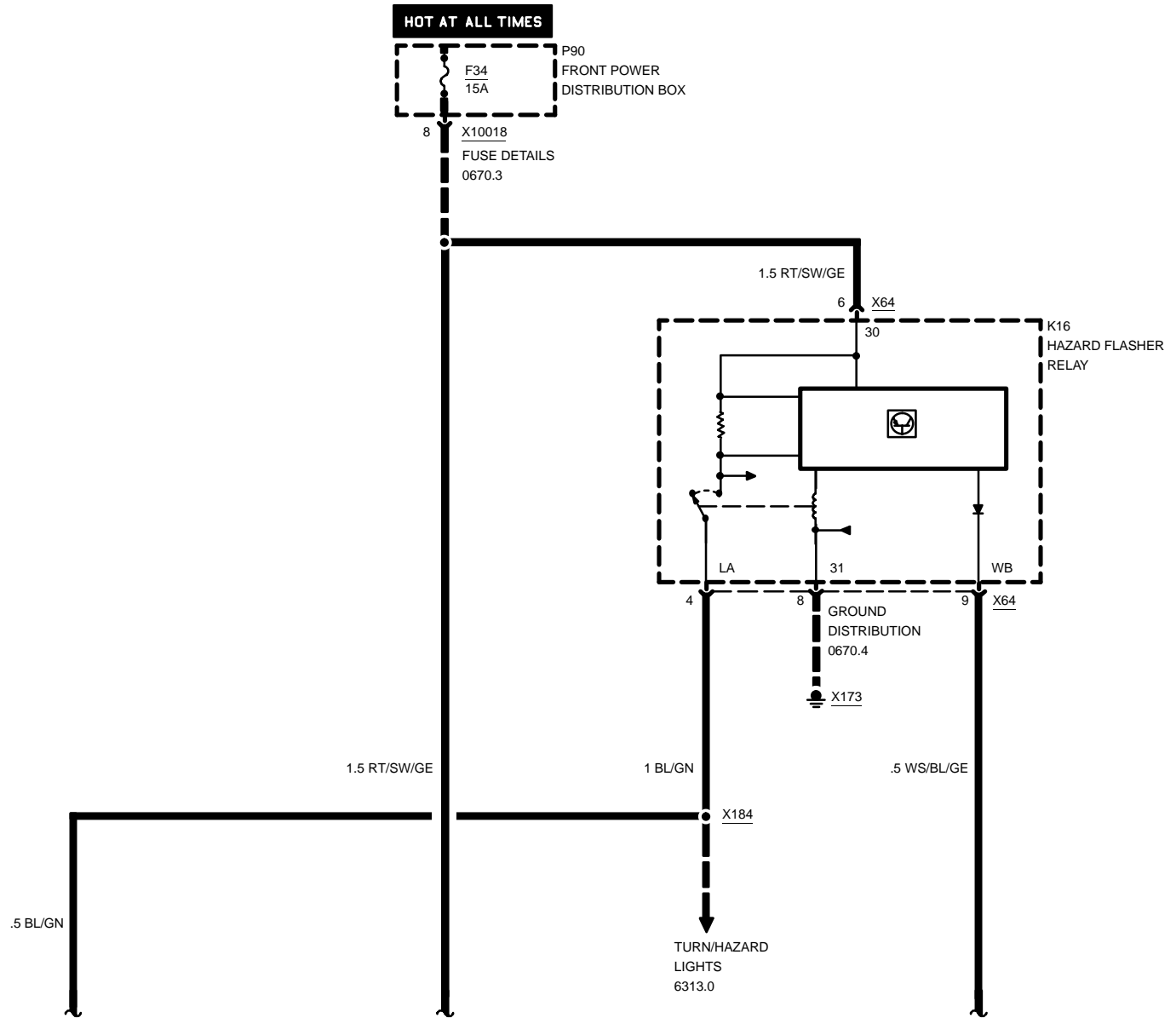


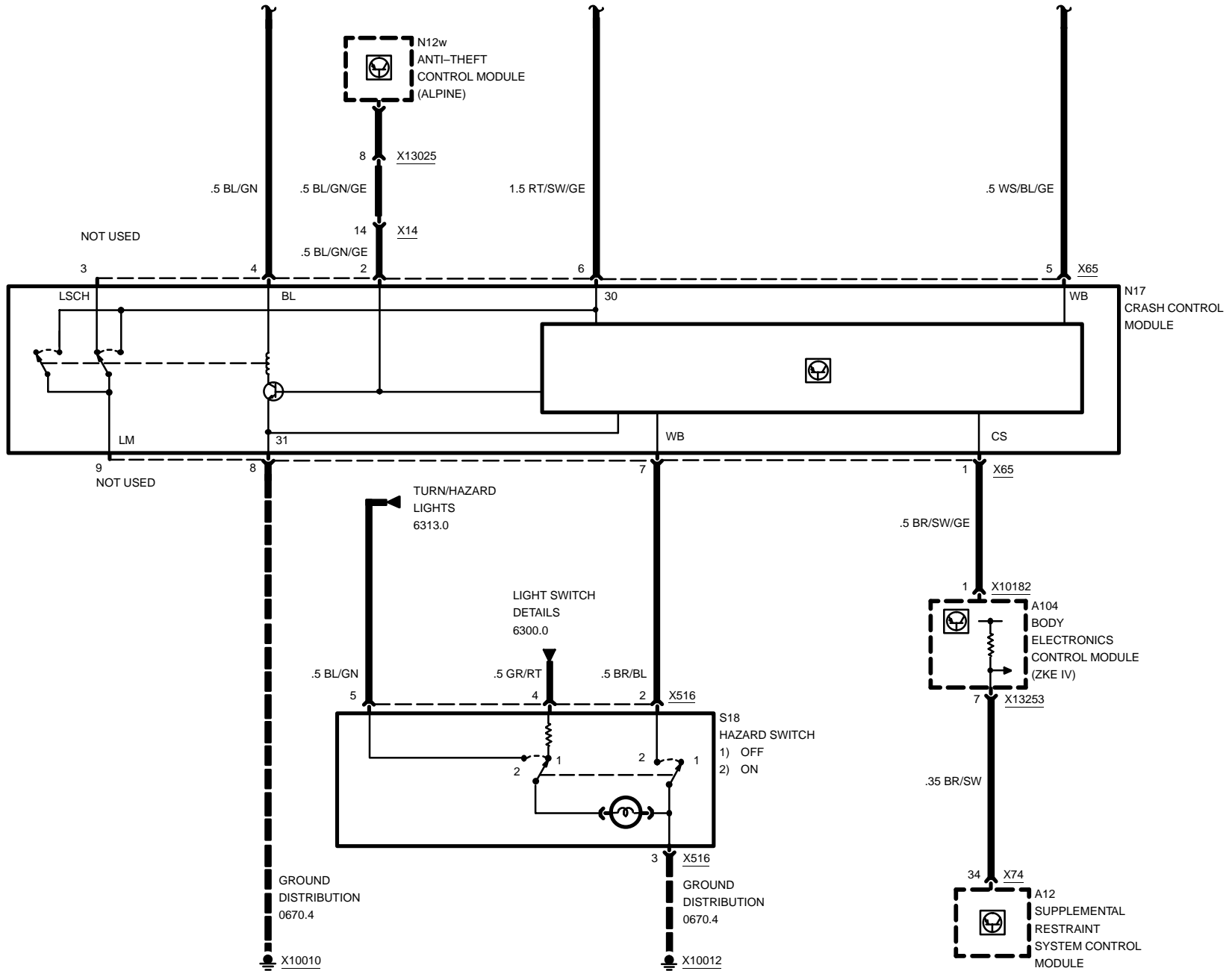
CONVERTIBLE





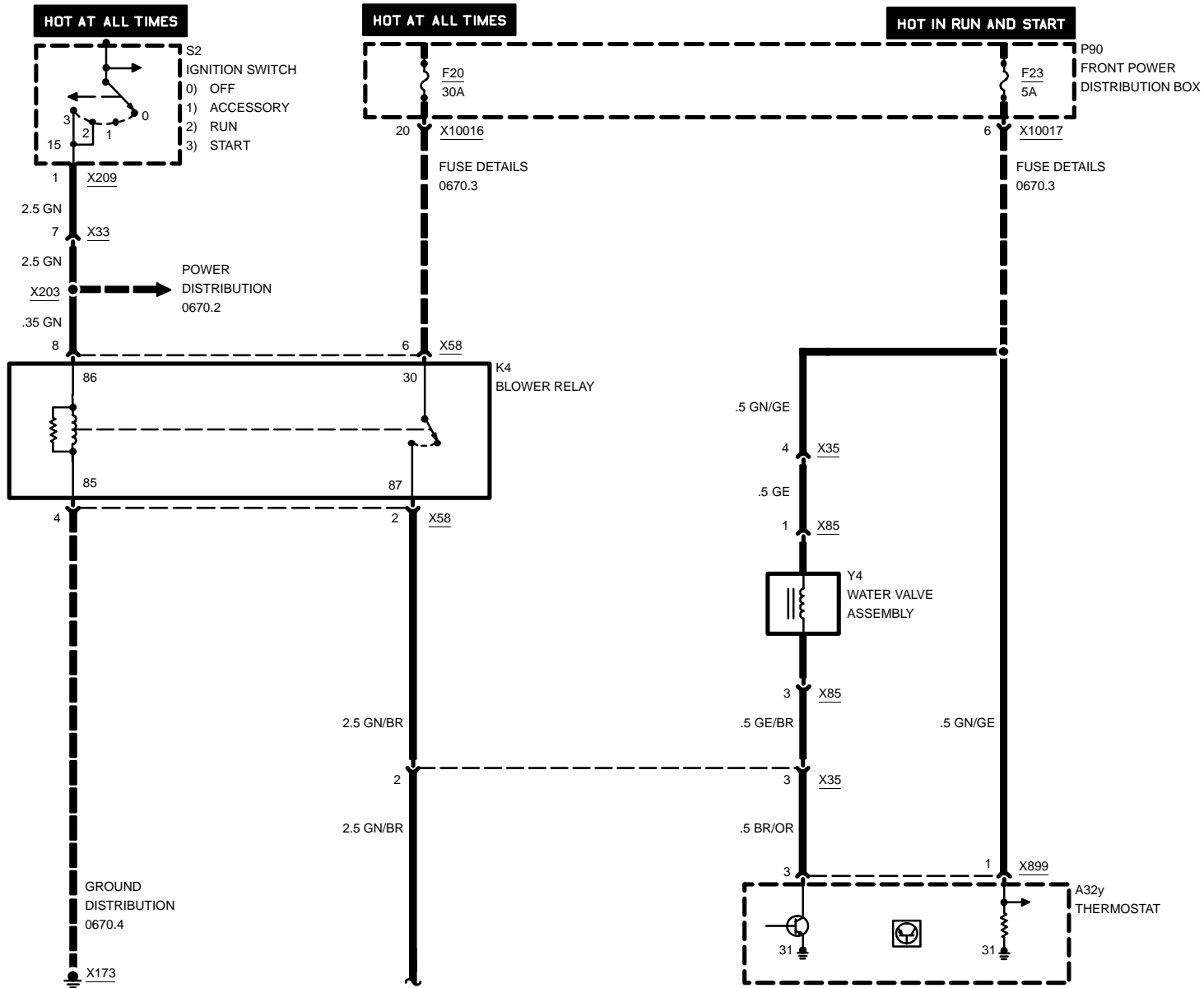
6350.0 CRASH CONTROL MODULE

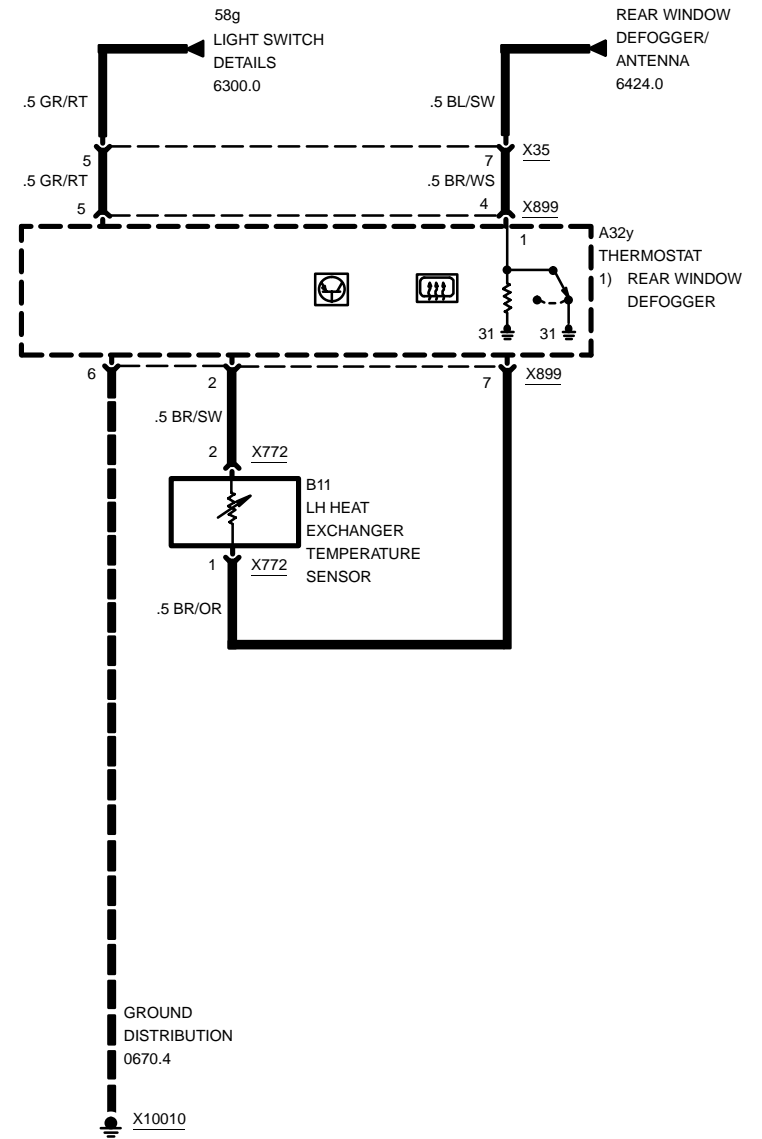
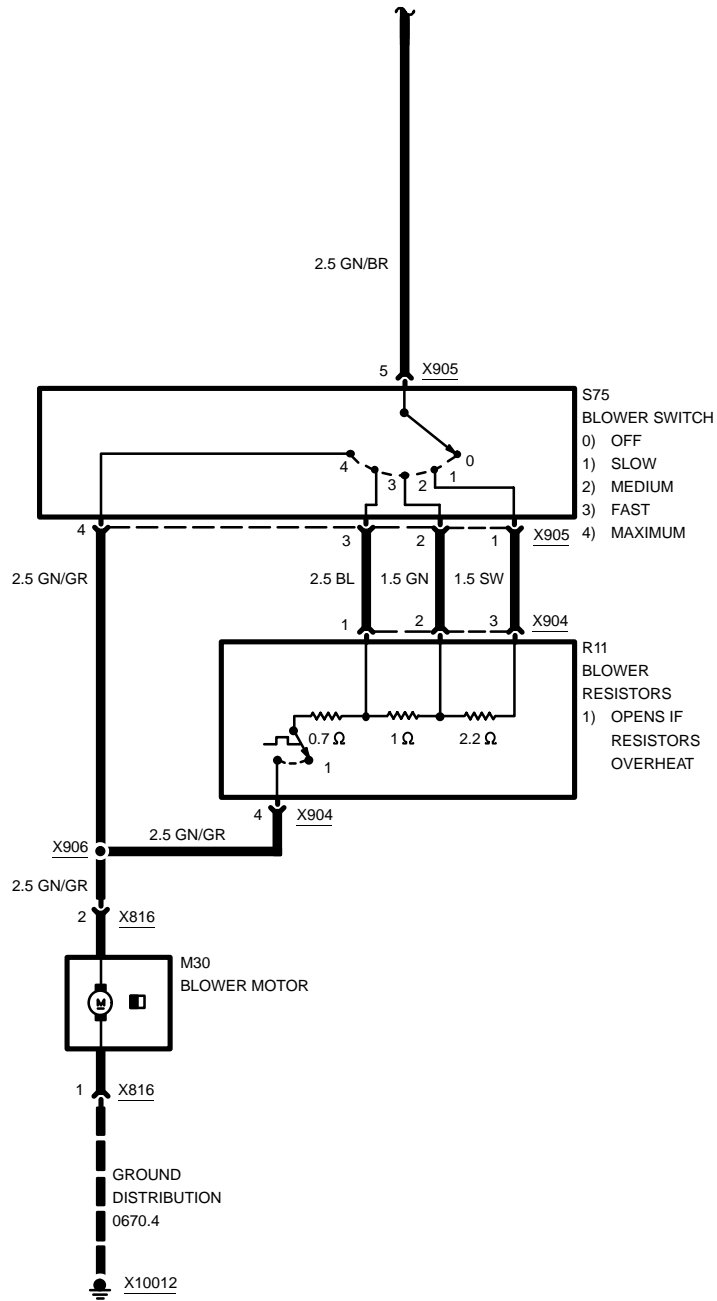






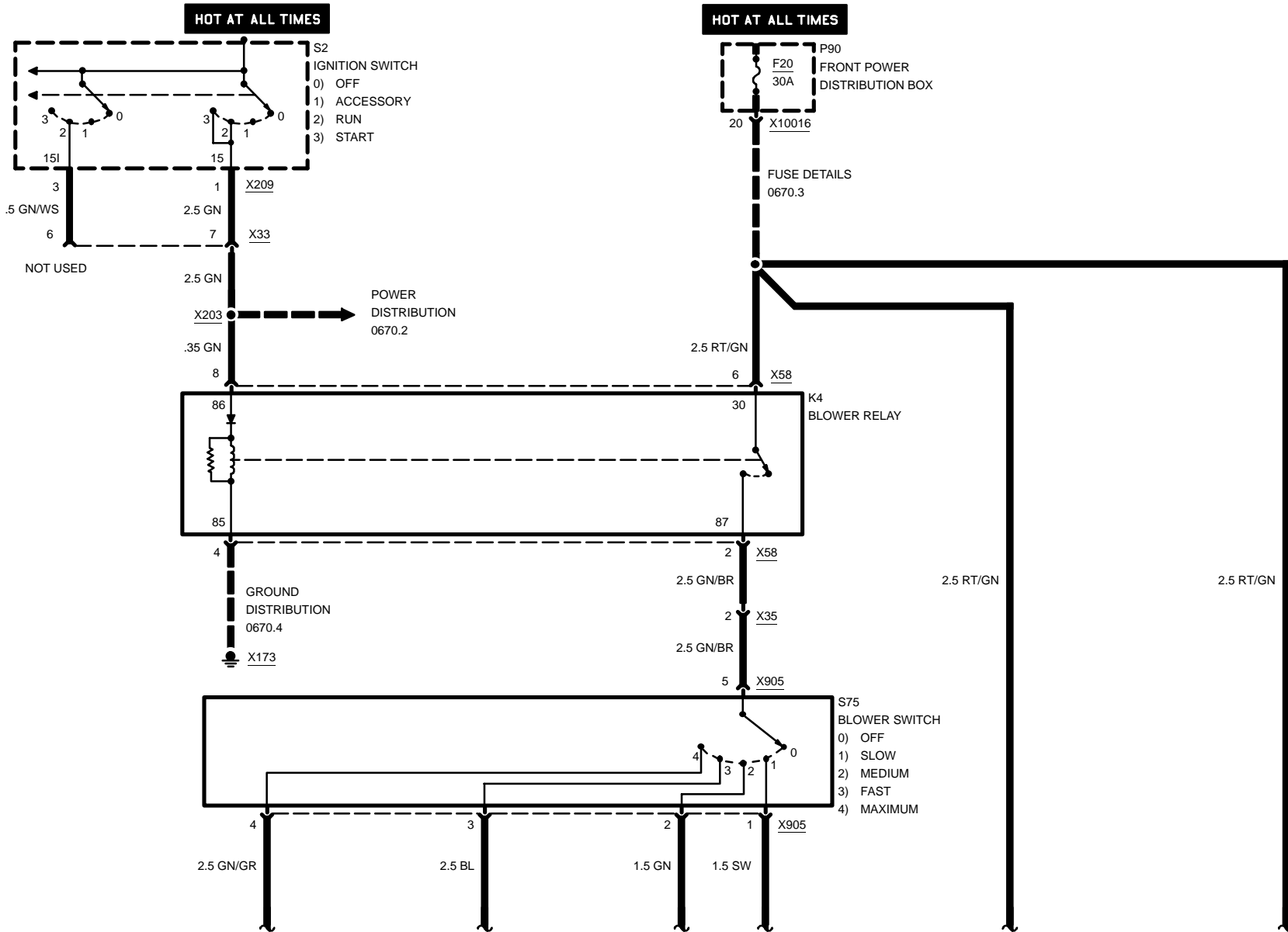
6410.5 HEATING CONTROL (HR)

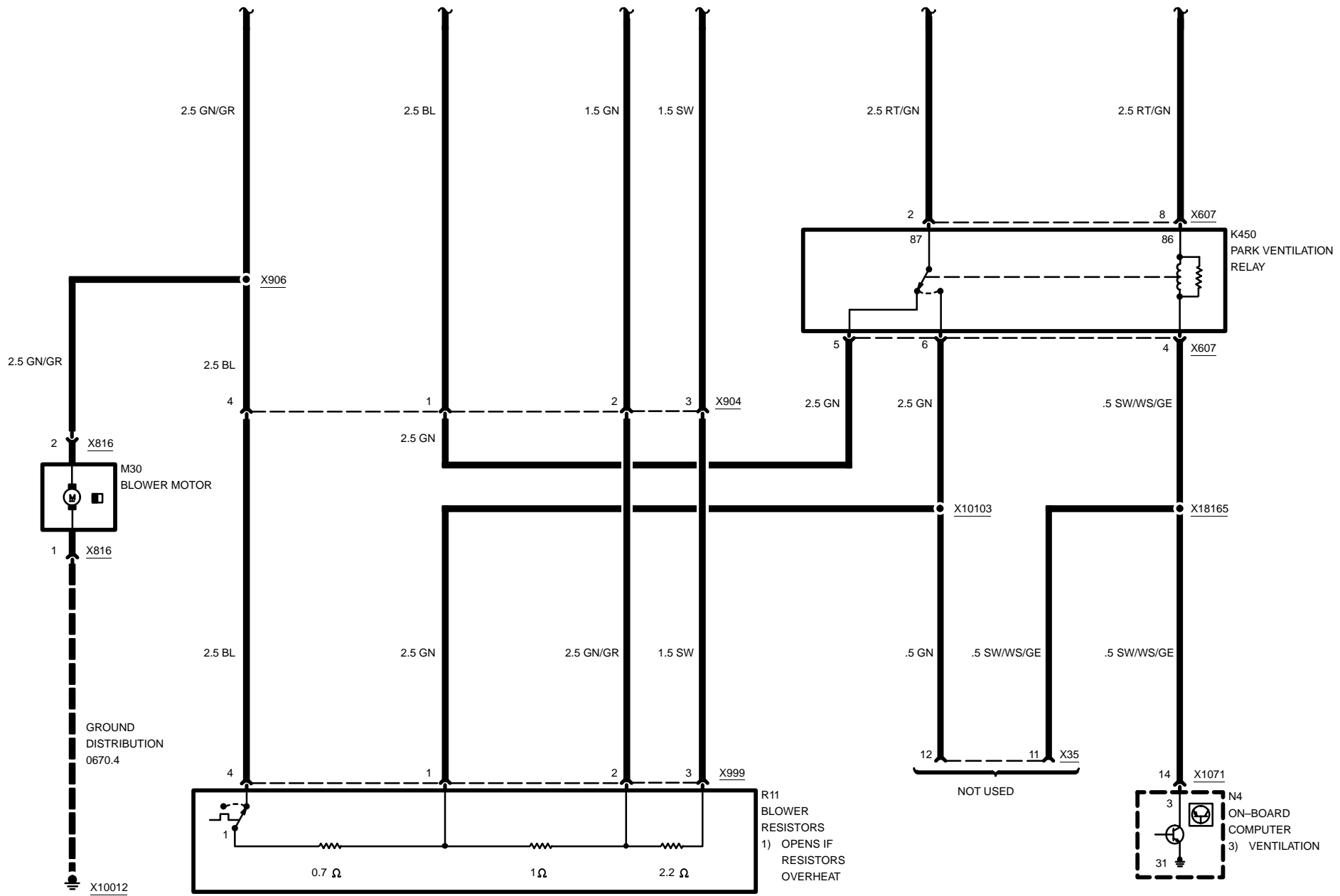






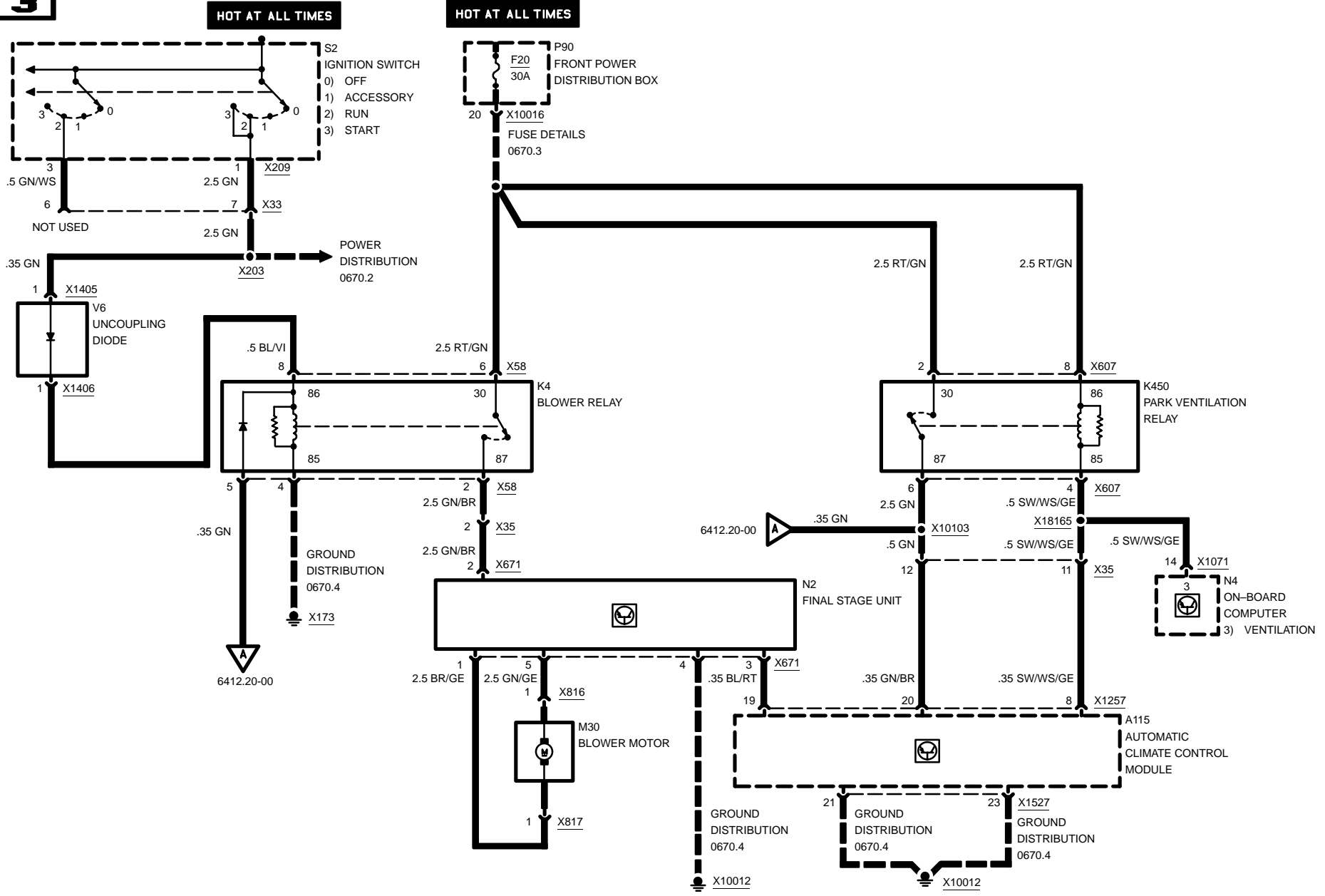
6412.10 PARK VENTILATION WITH HR







6412.20 PARK VENTILATION WITH IHKA E36



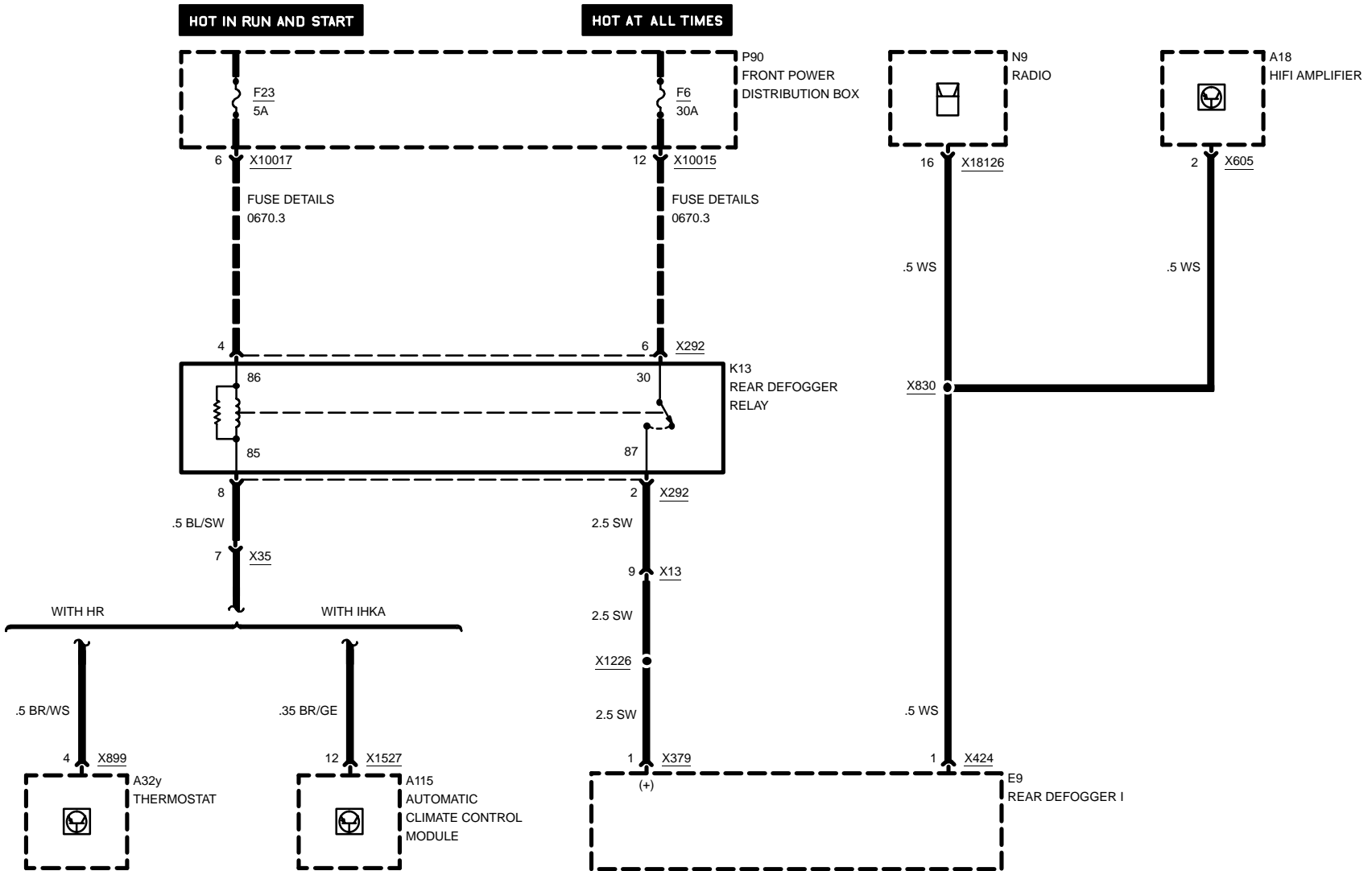
04/99

6412.20-00

1998



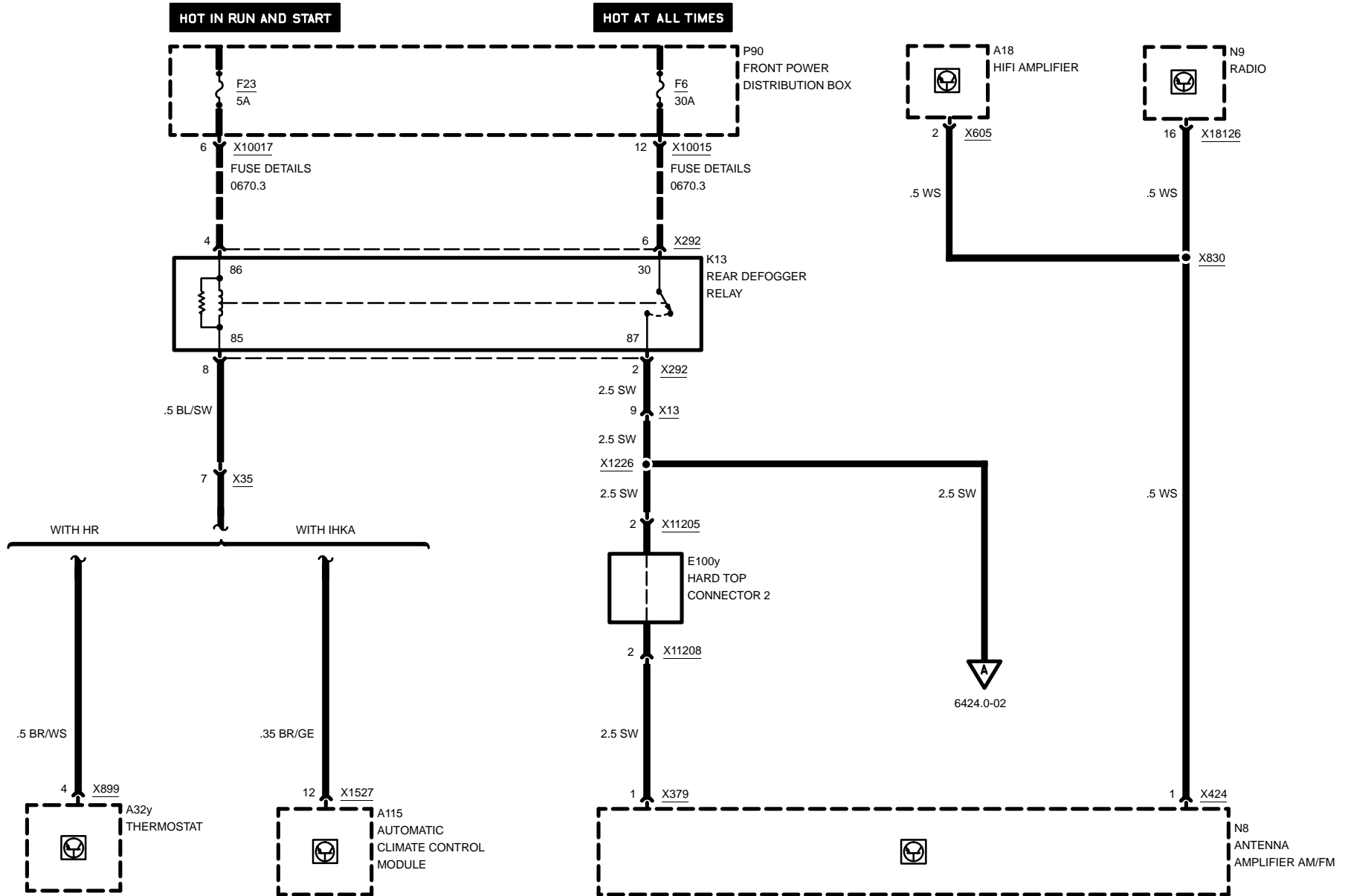
6424.0 REAR WINDOW DEFOGGER/ANTENNA





REAR WINDOW DEFOGGER/ANTENNA

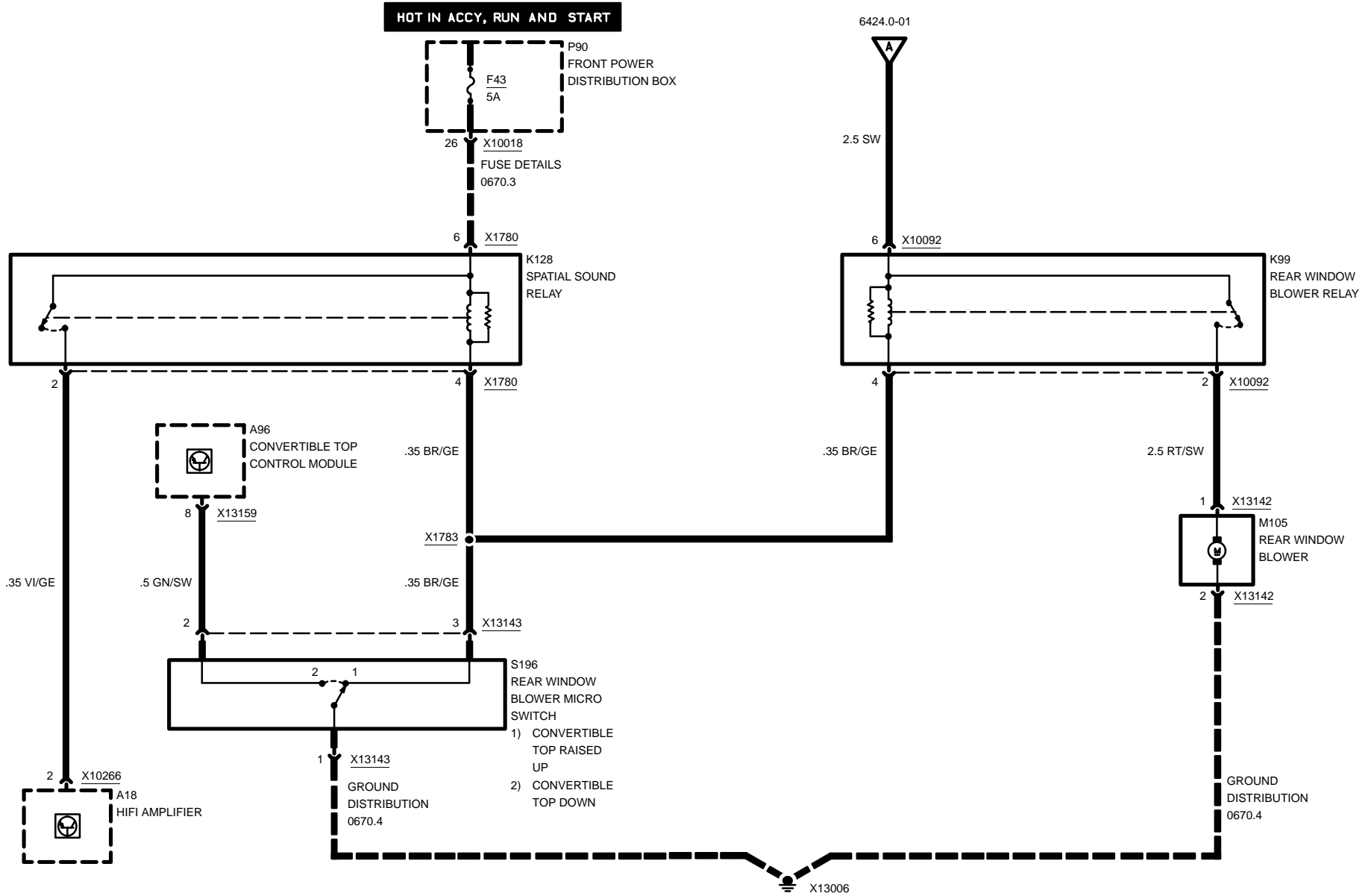
CONVERTIBLE





REAR WINDOW DEFOGGER/ANTENNA

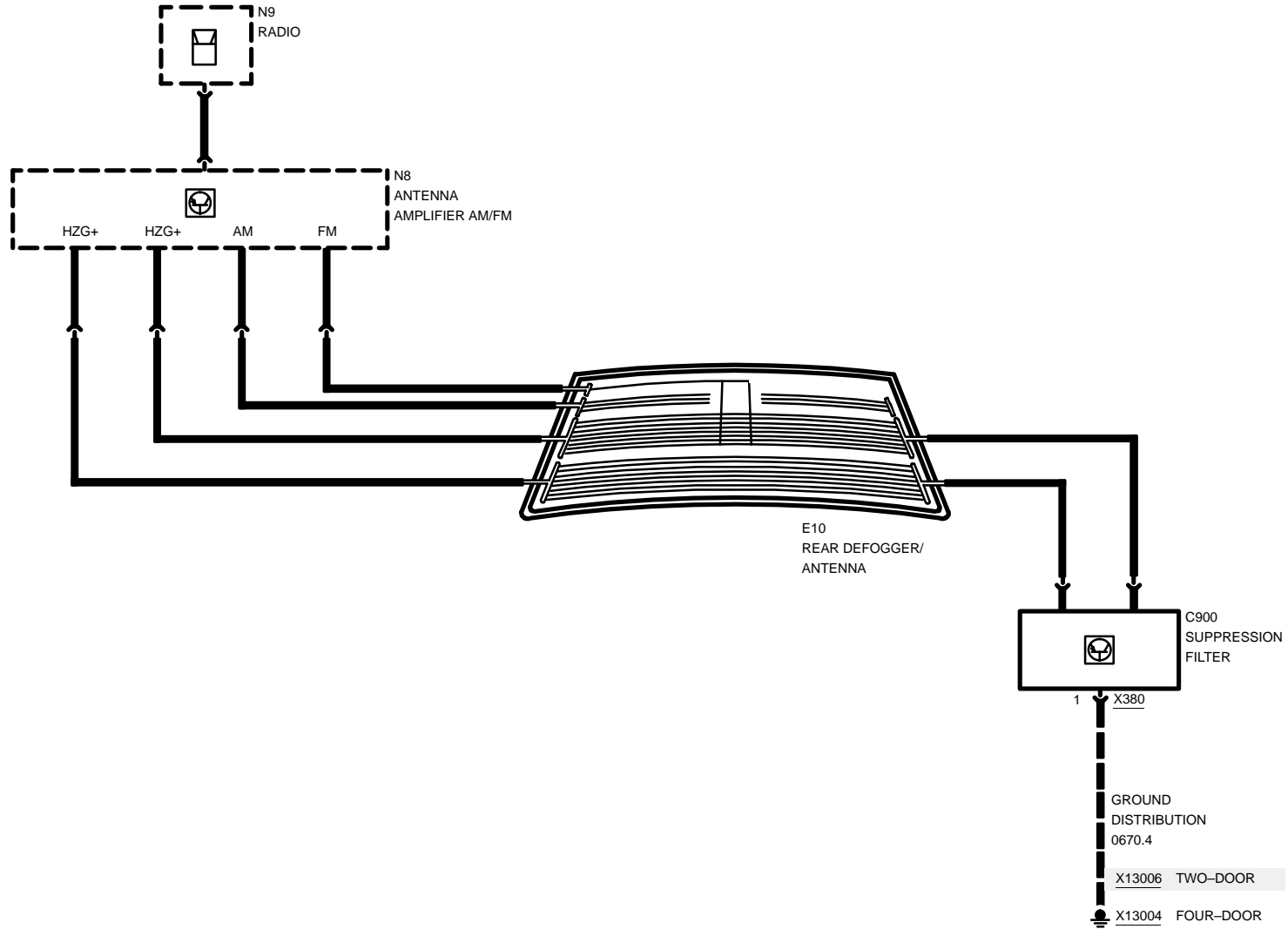
CONVERTIBLE





REAR WINDOW DEFOGGER/ANTENNA

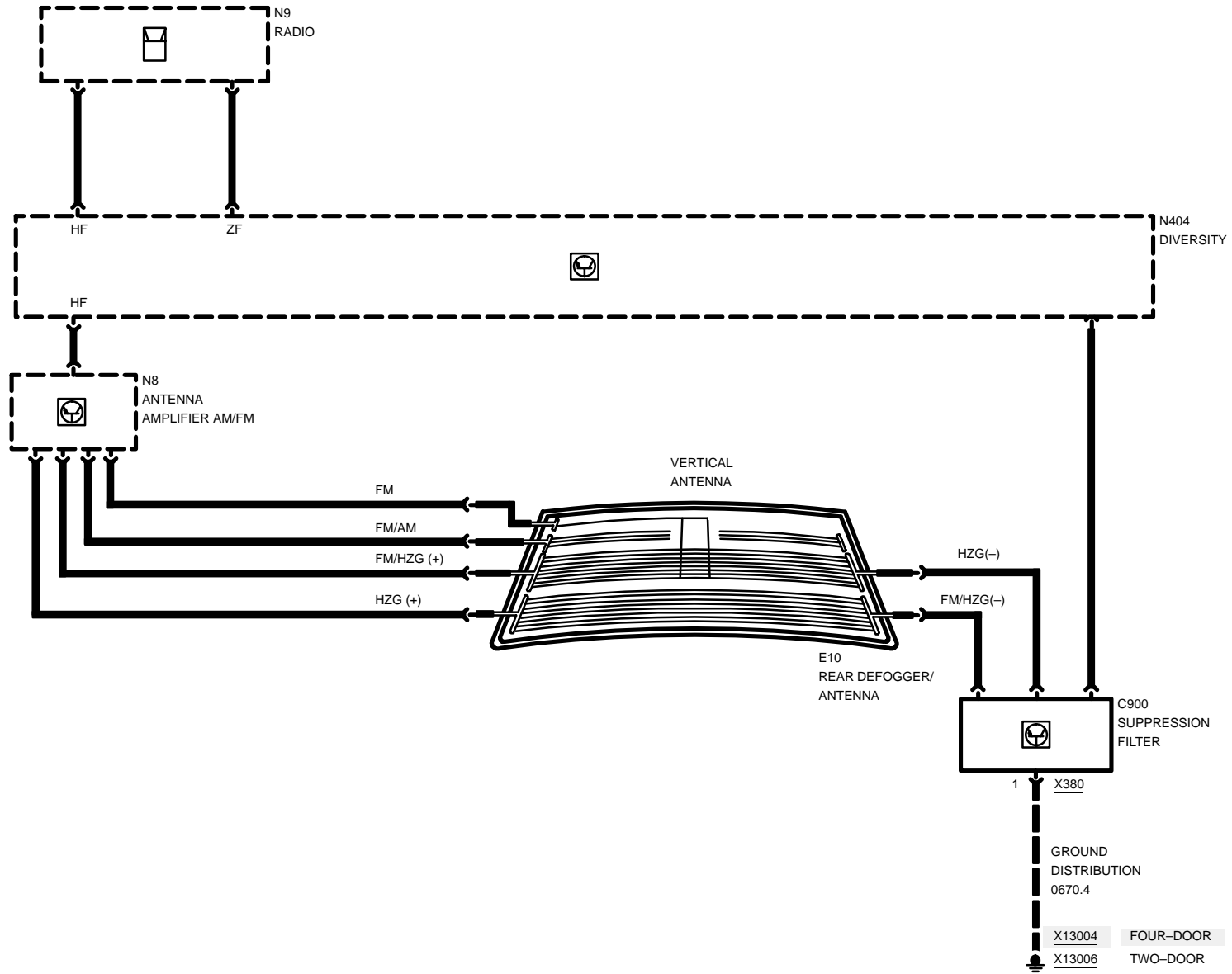
REAR WINDOW ANTENNA

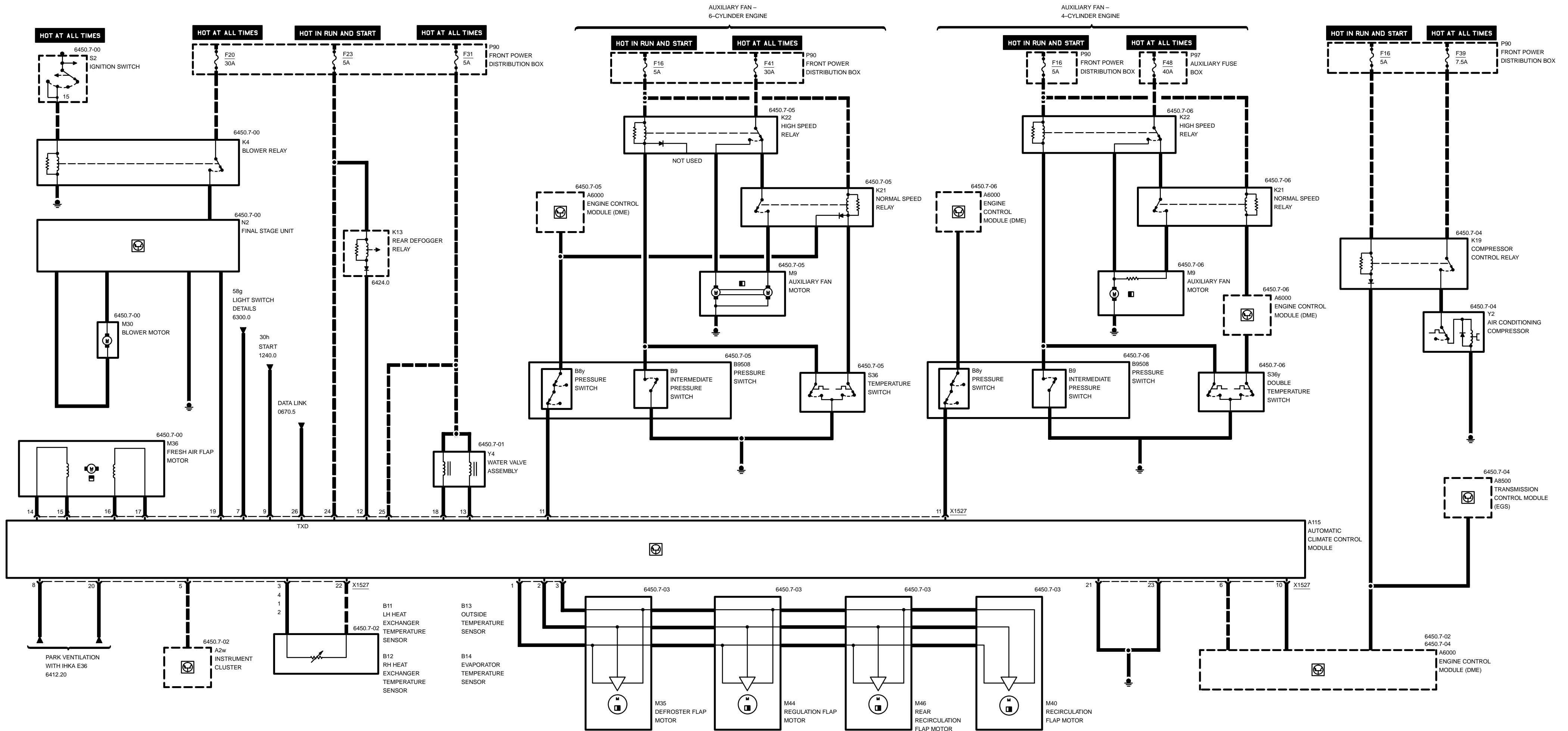


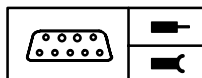


REAR WINDOW DEFOGGER/ANTENNA

3-ANTENNA-DIVERSITY







Pin Assignments

X1527

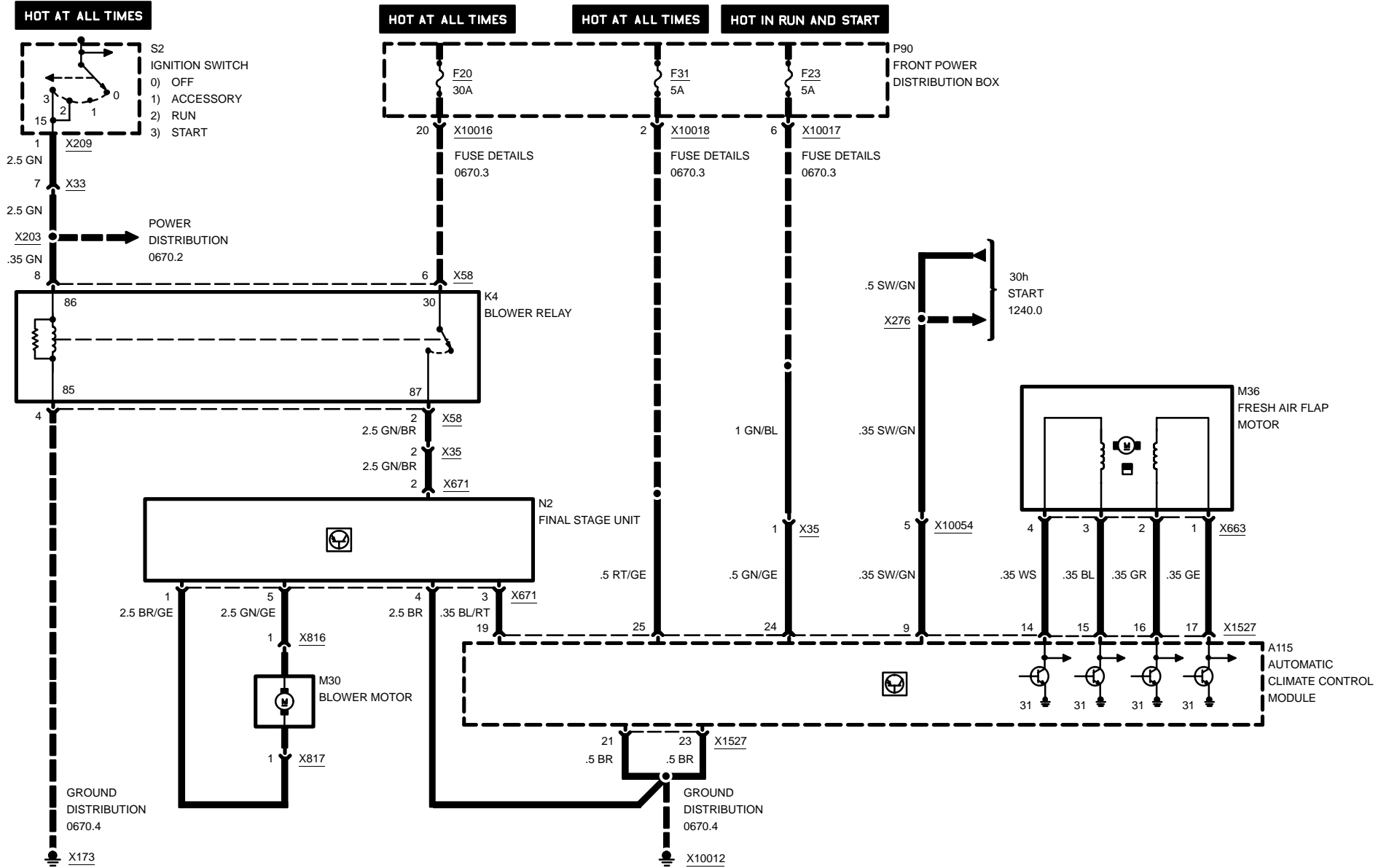
Pin	Type	Description/Function	Connection
1	E	Outside temperature	Outside temperature sensor
2	E	Evaporator temperature	Evaporator temperature sensor
3	E	Heater temperature, left	Left heat exchanger temperature sensor
4	E	Heater temperature, right	Right heat exchanger temperature sensor
5	E	Vehicle speed signal (Speedometer output signal)	Instrument cluster
6	E	RPM speed signal TD	Engine control module (DME)
7	E	Illumination input	Illumination
8	A	Output signal	On-board computer
9	E	Terminal 50	Starter
10	A	RPM speed increase	Engine control module (DME)
11	A	A/C compressor activation	Pressure switch
12	A	Rear window signal	Rear window
13	A	Water valve activation, right	Right water valve
14	A	Fresh air flap motor activation	Fresh air flap motor
15	A	Fresh air flap motor activation	Fresh air flap motor
16	A	Fresh air flap motor activation	Fresh air flap motor
17	A	Fresh air flap motor activation	Fresh air flap motor
18	A	Water valve activation, left	Left water valve
19	A	A/C fan activation	A/C fan final stage
20	E	Independent ventilation	Relay box
21	M	Ground	Control panel
22	M	Ground	Mixing actuator
23	M	Ground	Control panel
24	E	Terminal 15	Fuse
25	E	Terminal 30	Fuse
26	E/A	Diagnostic data link	Data link connector

E = Input, A = Output, M = Ground



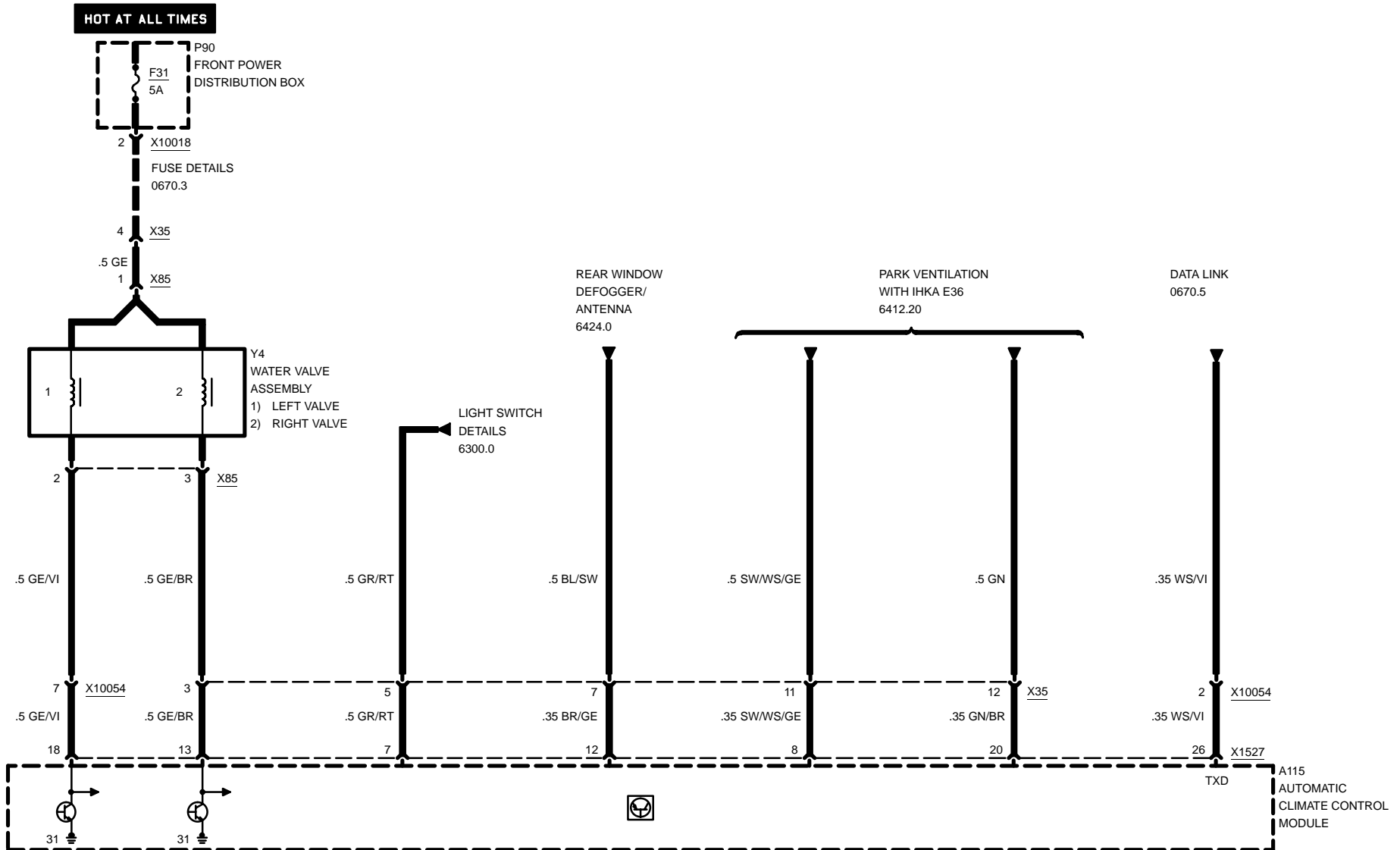
INTEGRATED CLIMATE REGULATION (IHKA E36)

POWER, AIR FLOW CONTROL





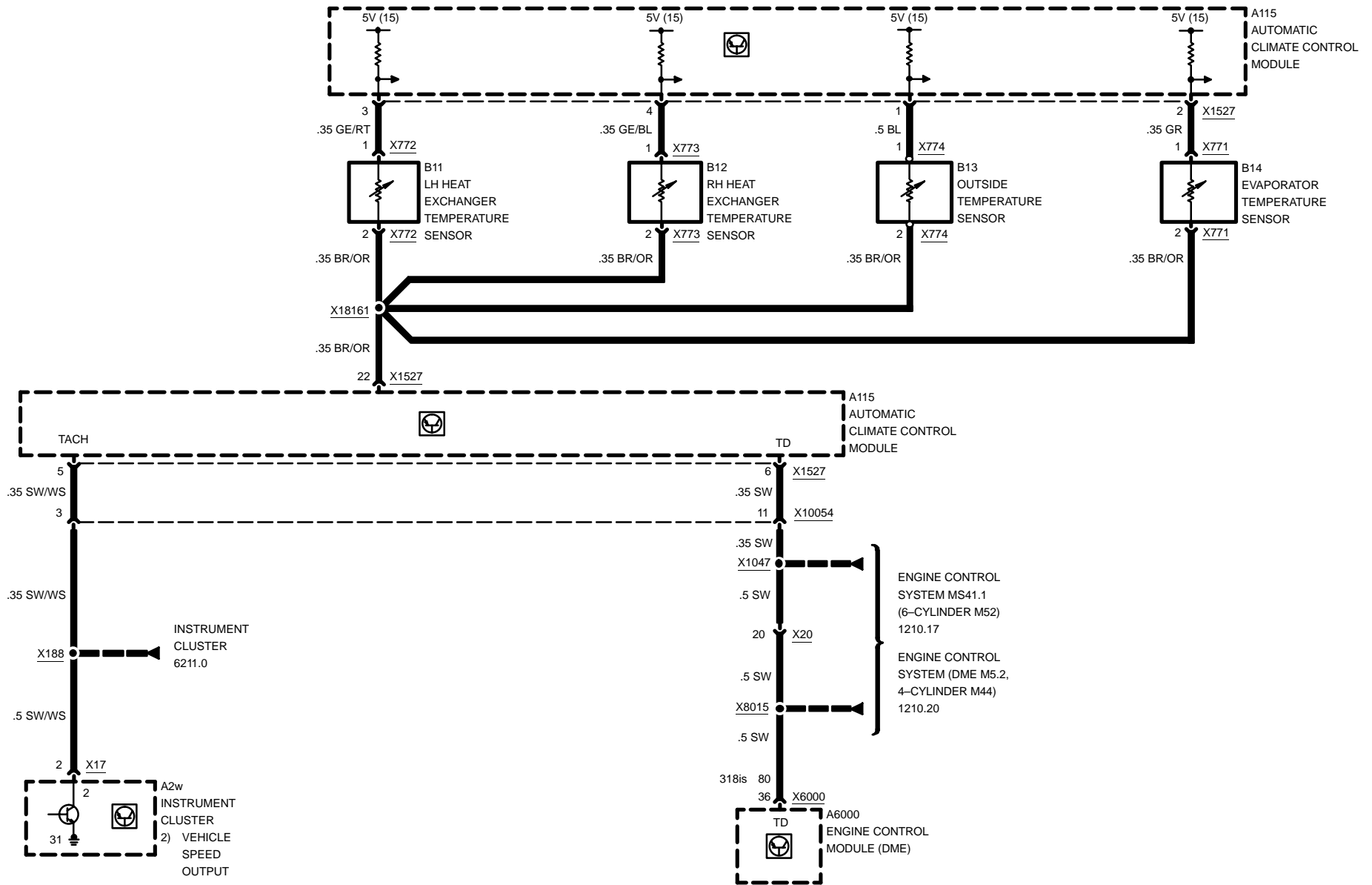
INTEGRATED CLIMATE REGULATION (IHKA E36)





INTEGRATED CLIMATE REGULATION (IHKA E36)

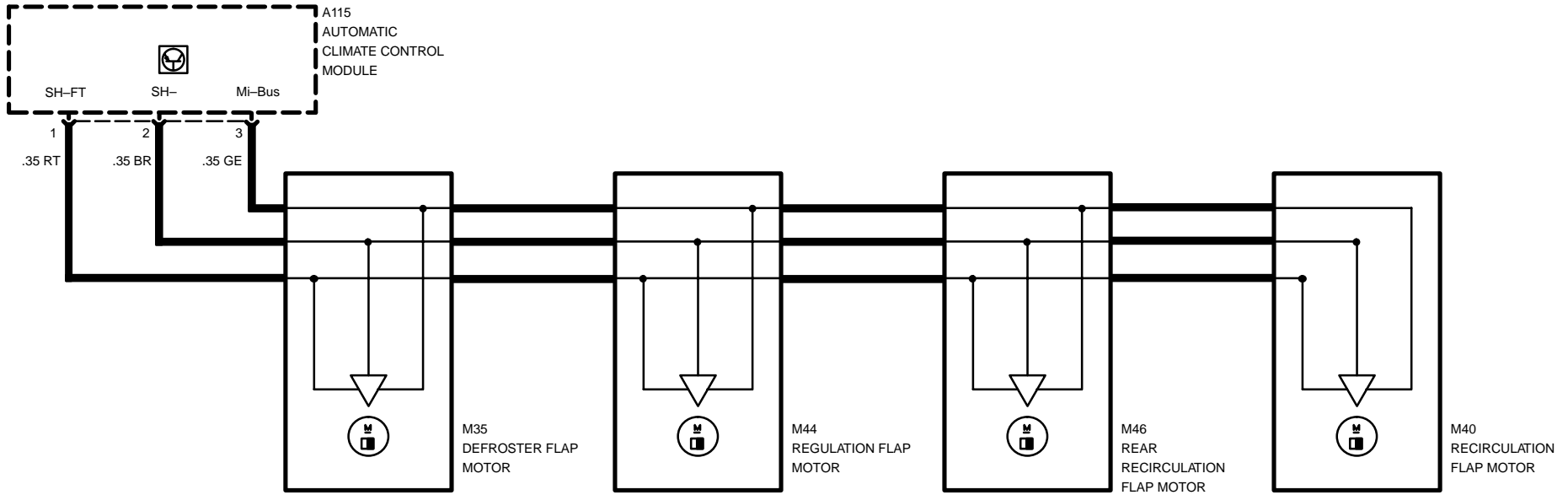
TEMPERATURE CONTROL





INTEGRATED CLIMATE REGULATION (IHKA E36)

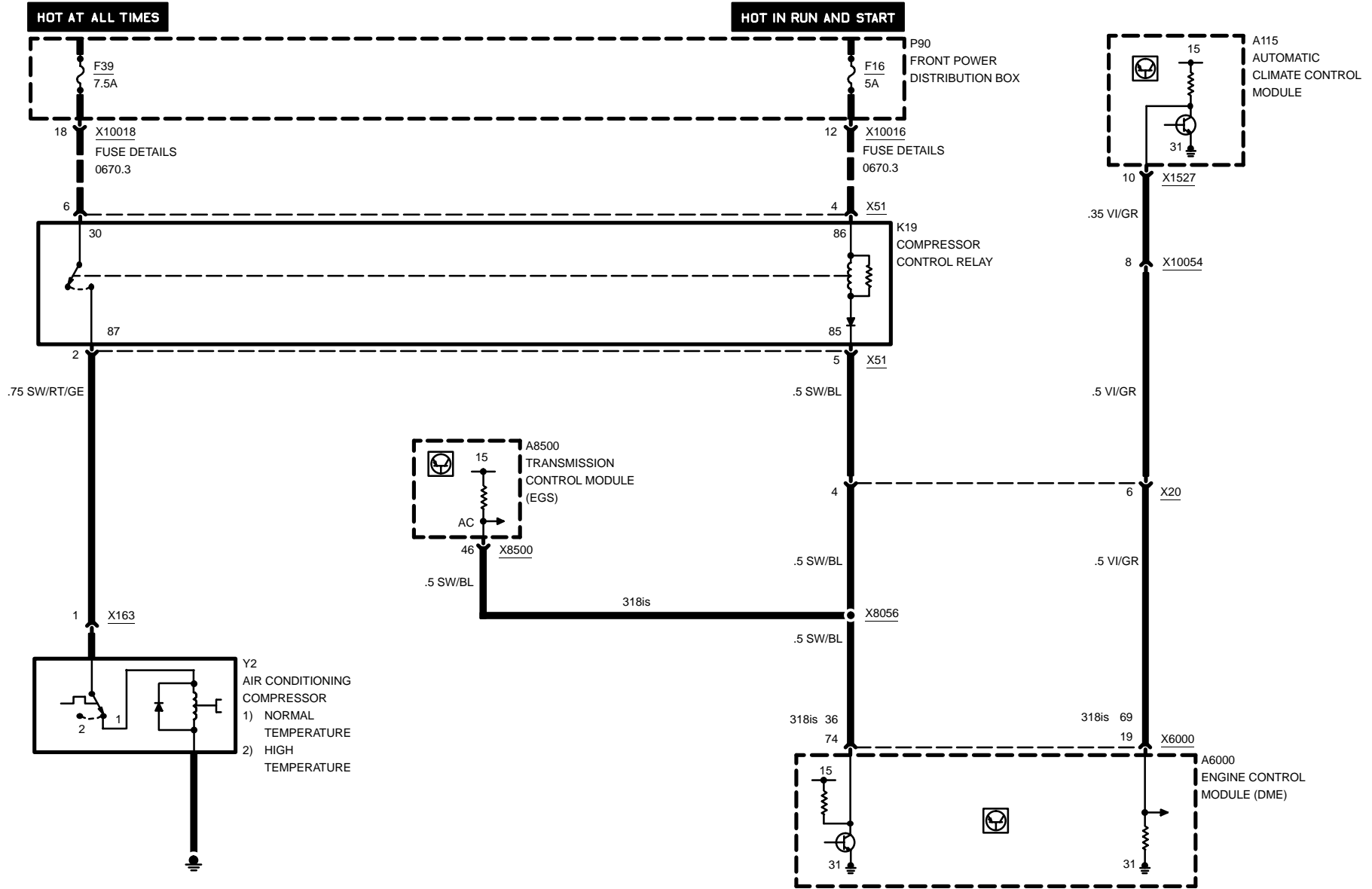
AIR DELIVERY





INTEGRATED CLIMATE REGULATION (IHKA E36)

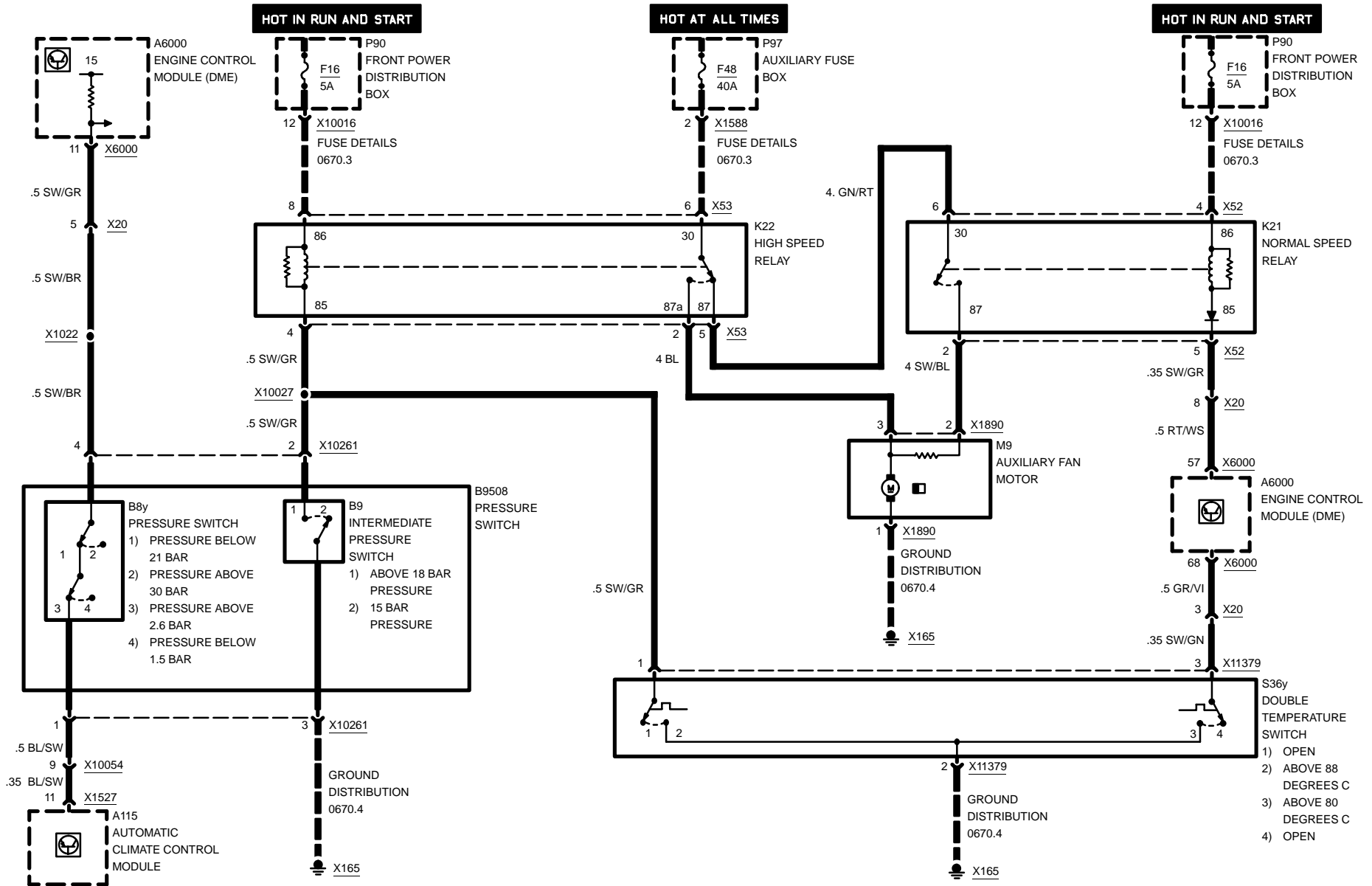
COMPRESSOR CONTROLS





INTEGRATED CLIMATE REGULATION (IHKA E36)

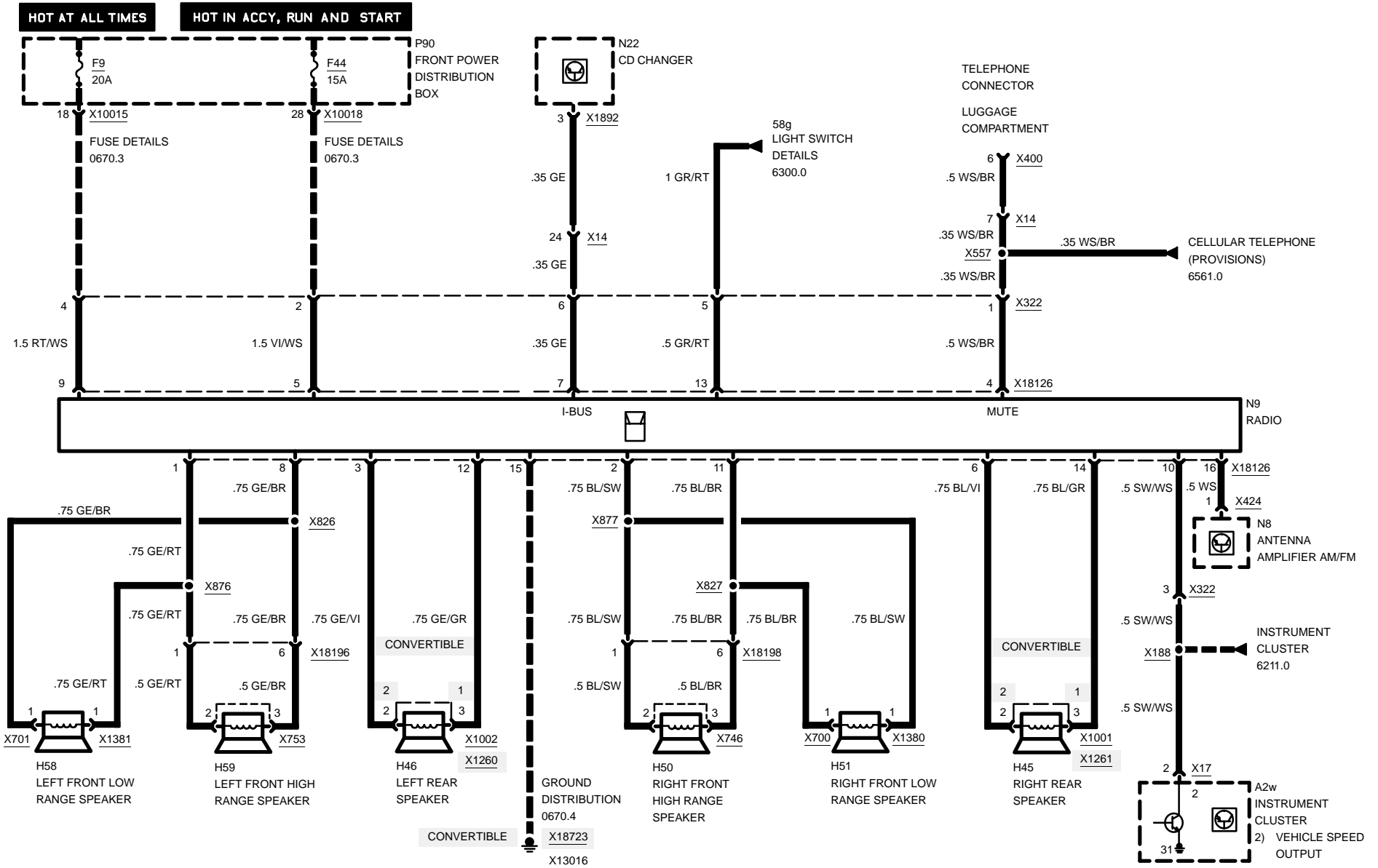
AUXILIARY FAN – 4-CYLINDER ENGINE





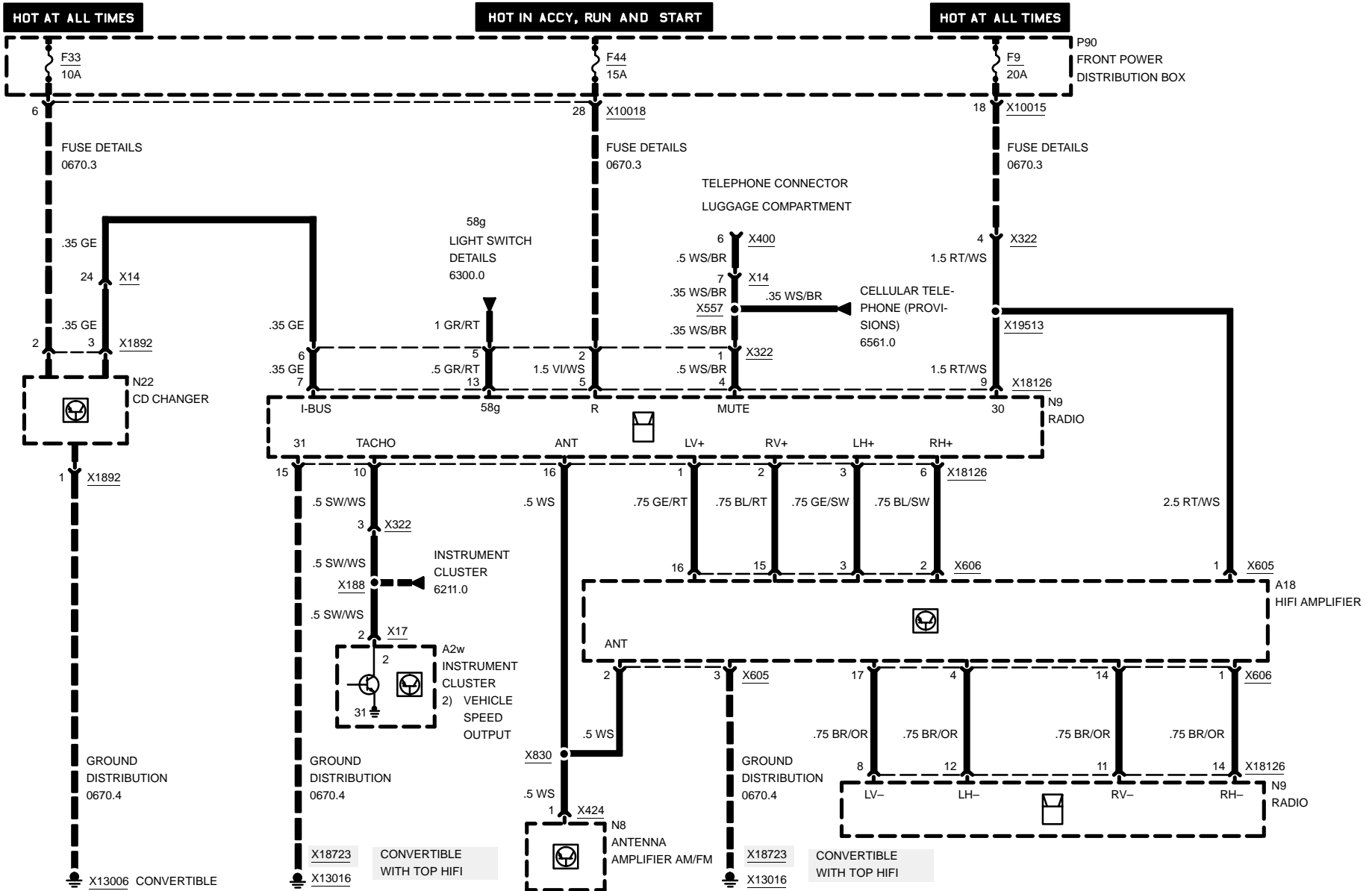
6510.0 RADIO/STEREO

STEREO, 6-SPEAKER SYSTEM



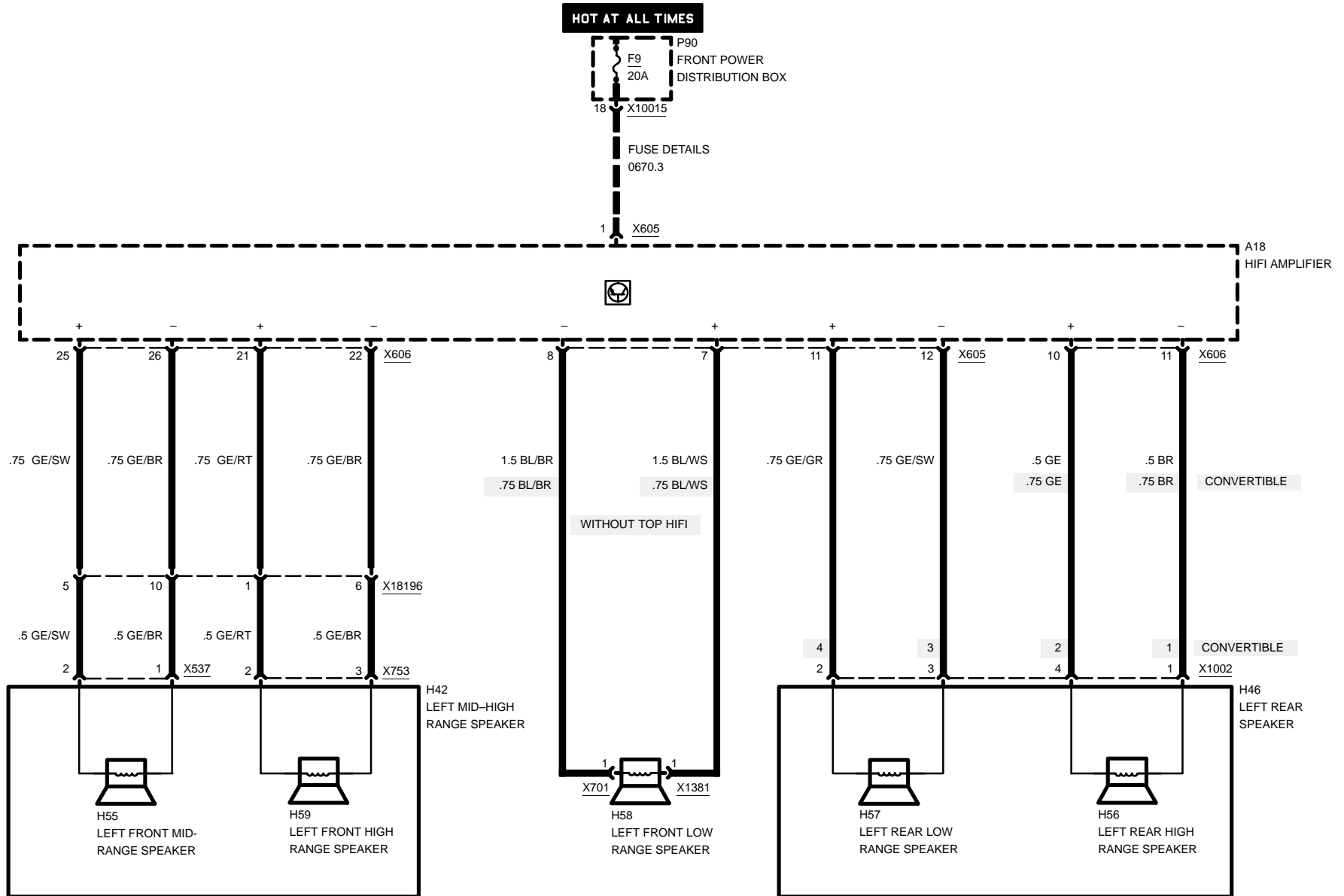


6510.1 RADIO/HIFI/TOP HIFI



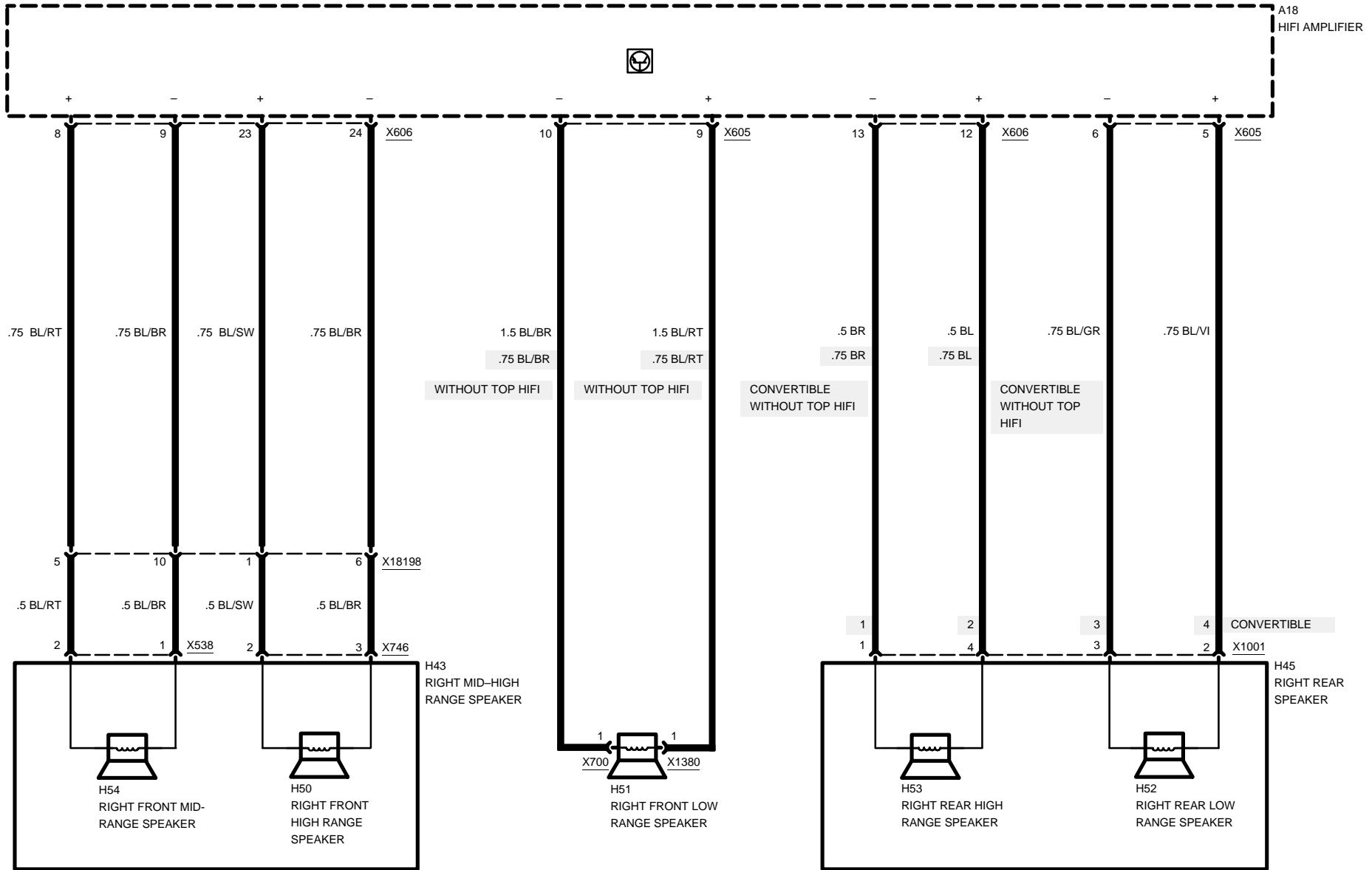


RADIO/HIFI/TOP HIFI



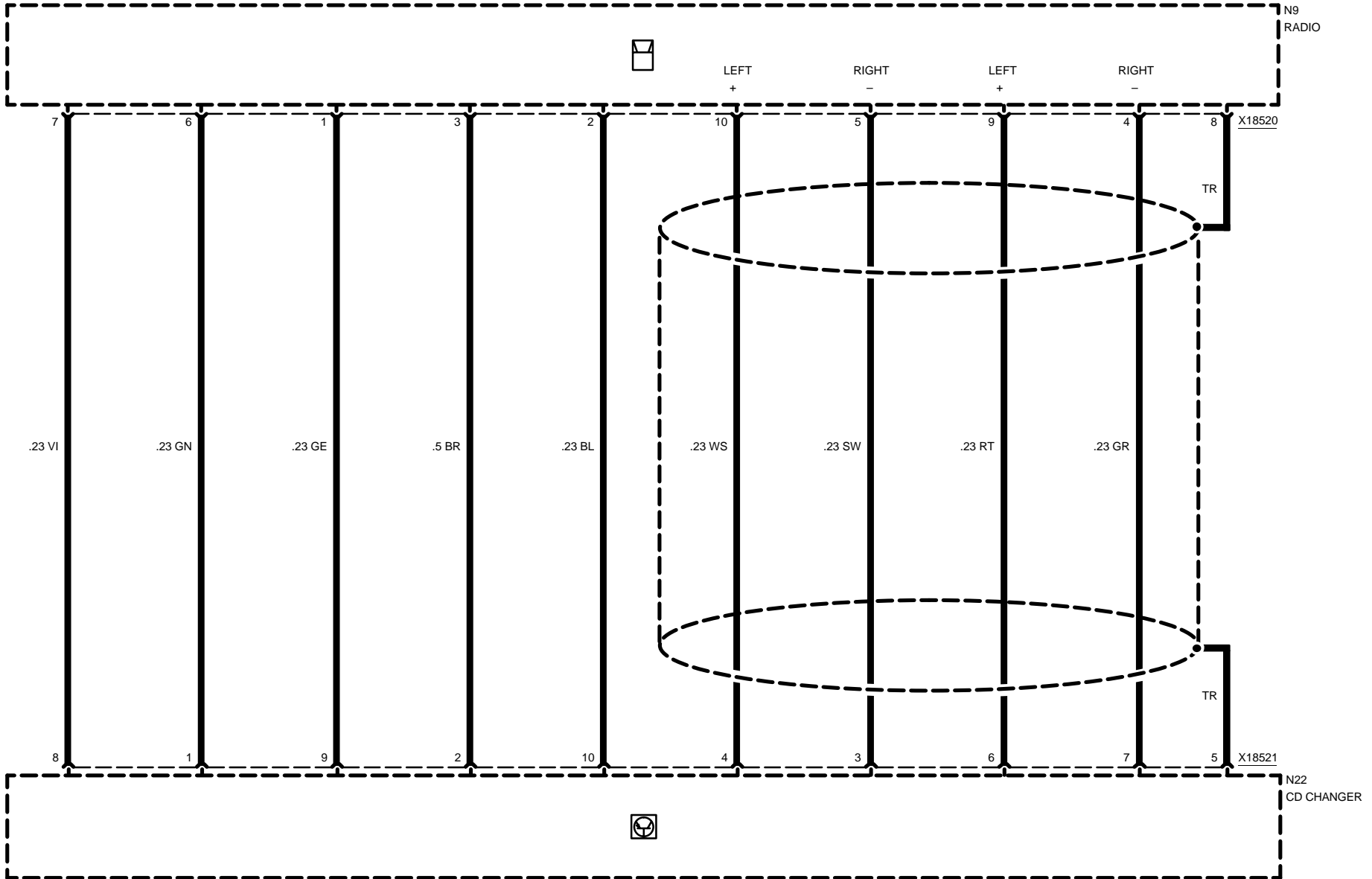


RADIO/HIFI/TOP HIFI





RADIO/HIFI/TOP HIFI

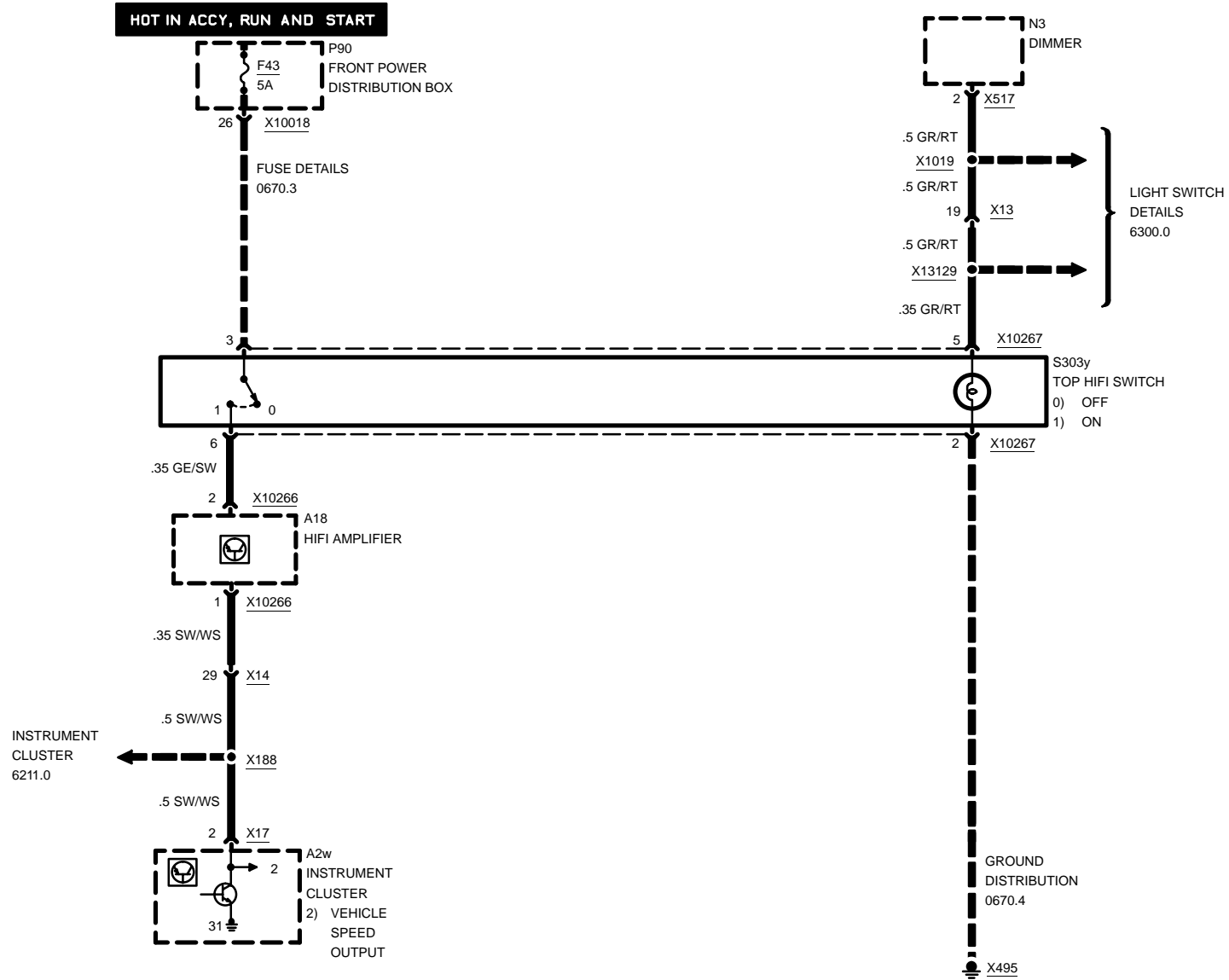




RADIO/HIFI/TOP HIFI

TOP HIFI

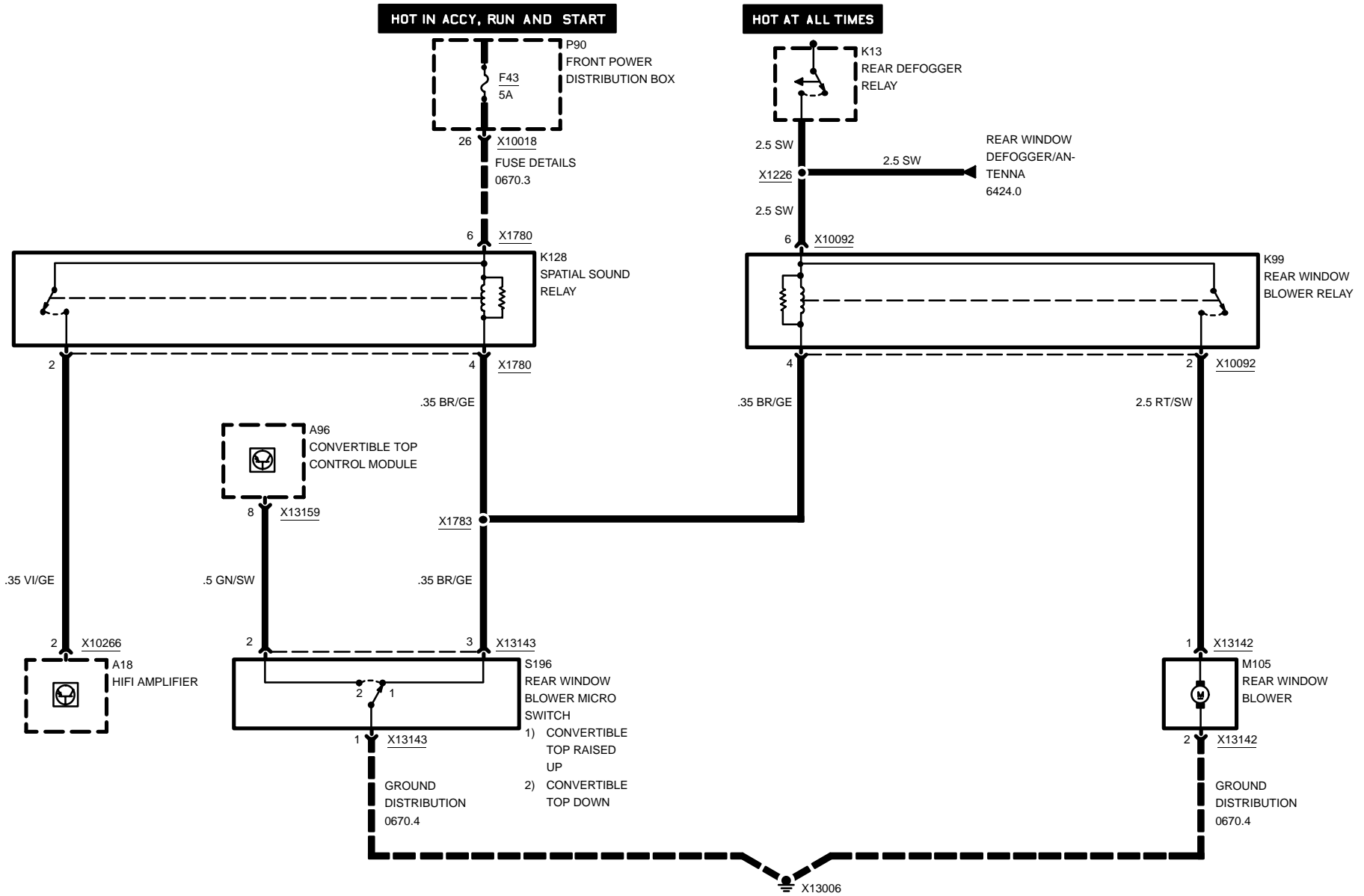
TWO-DOOR, FOUR-DOOR





RADIO/HIFI/TOP HIFI
TOP HIFI

CONVERTIBLE

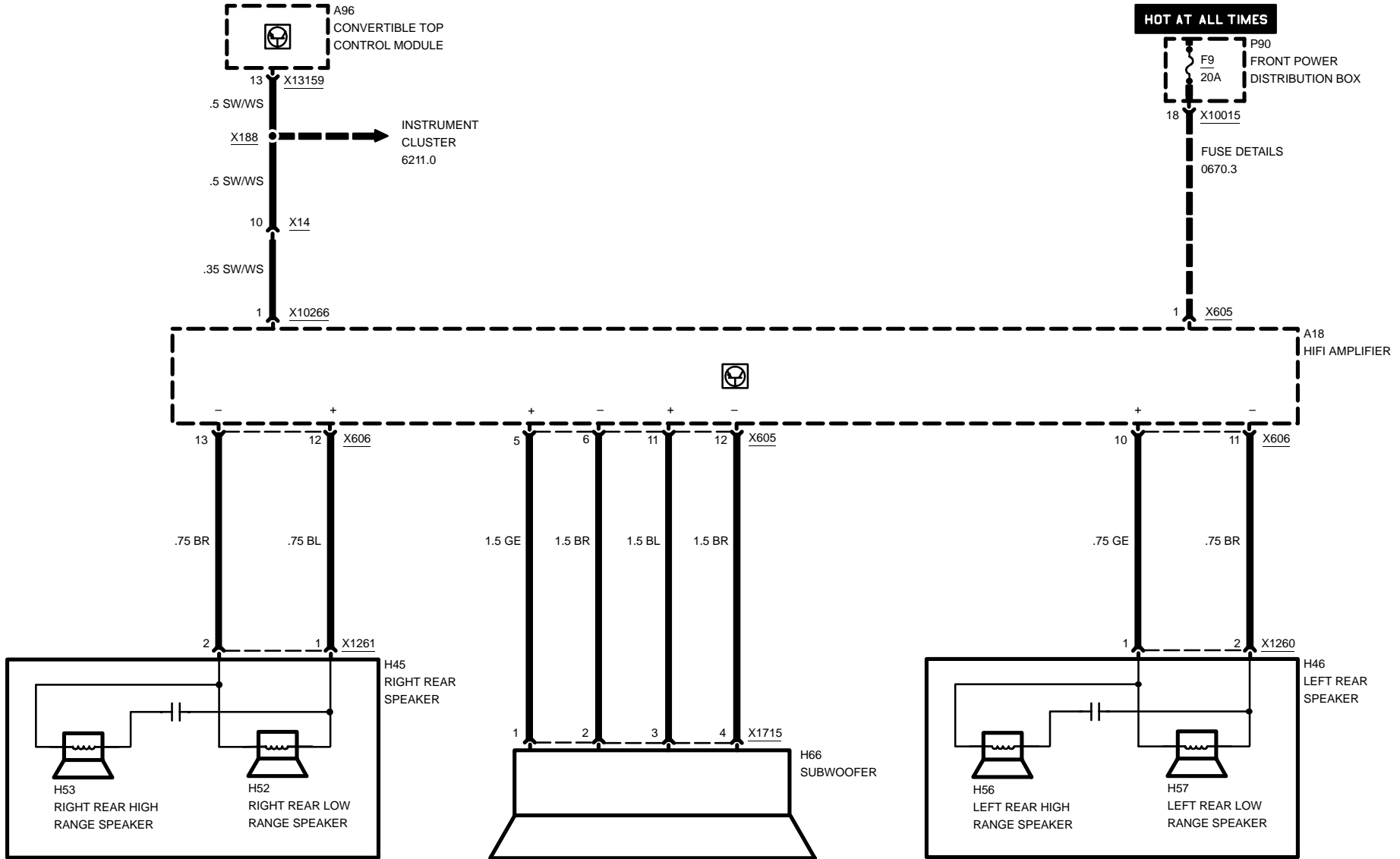




RADIO/HIFI/TOP HIFI

TOP HIFI

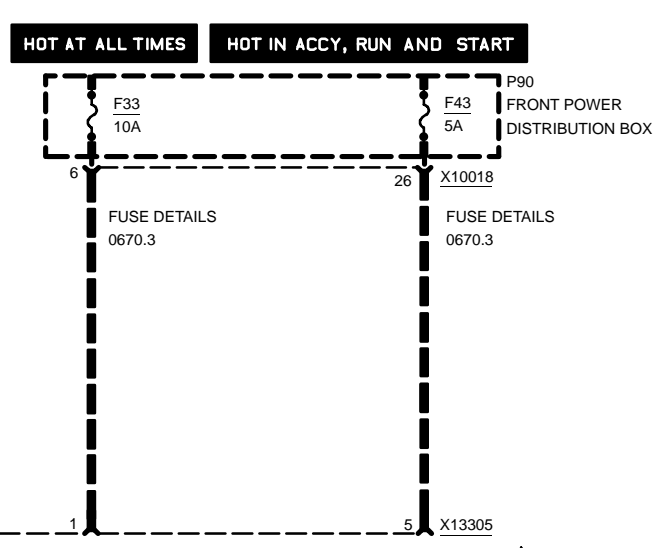
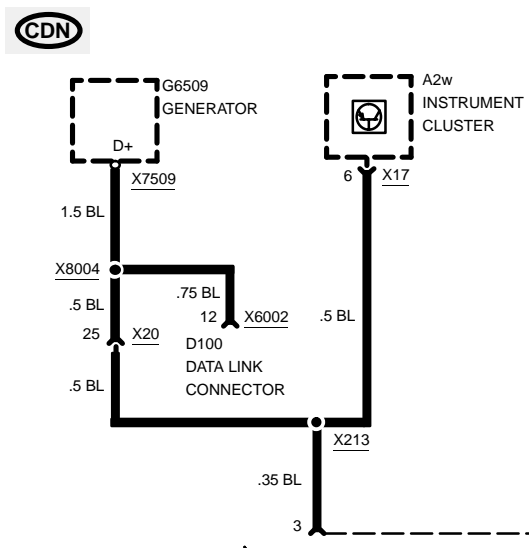
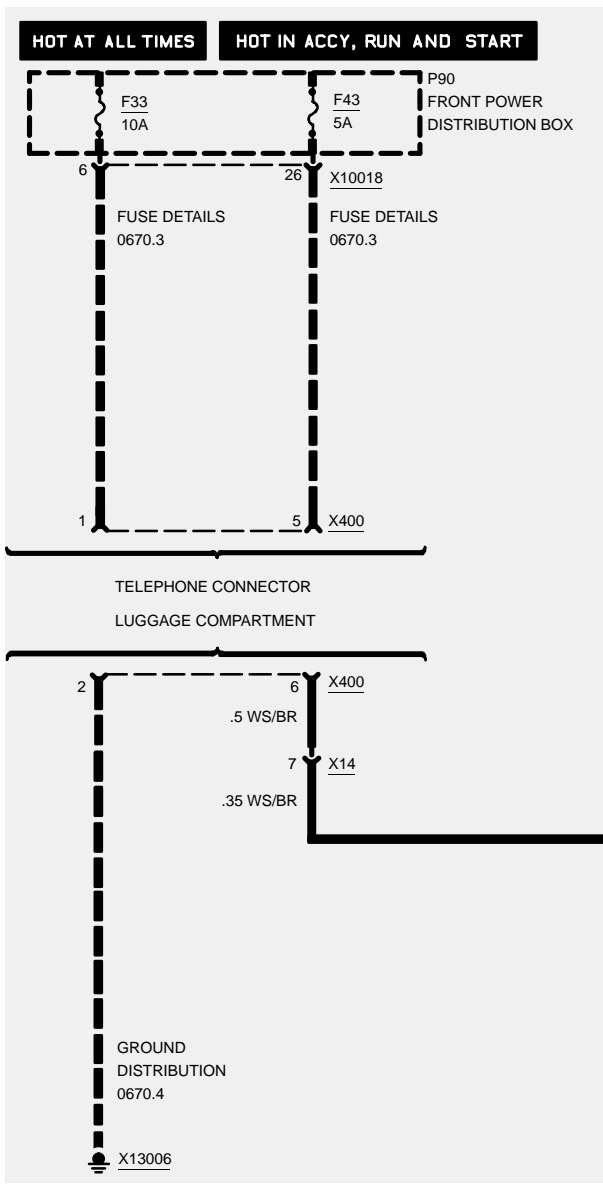
CONVERTIBLE





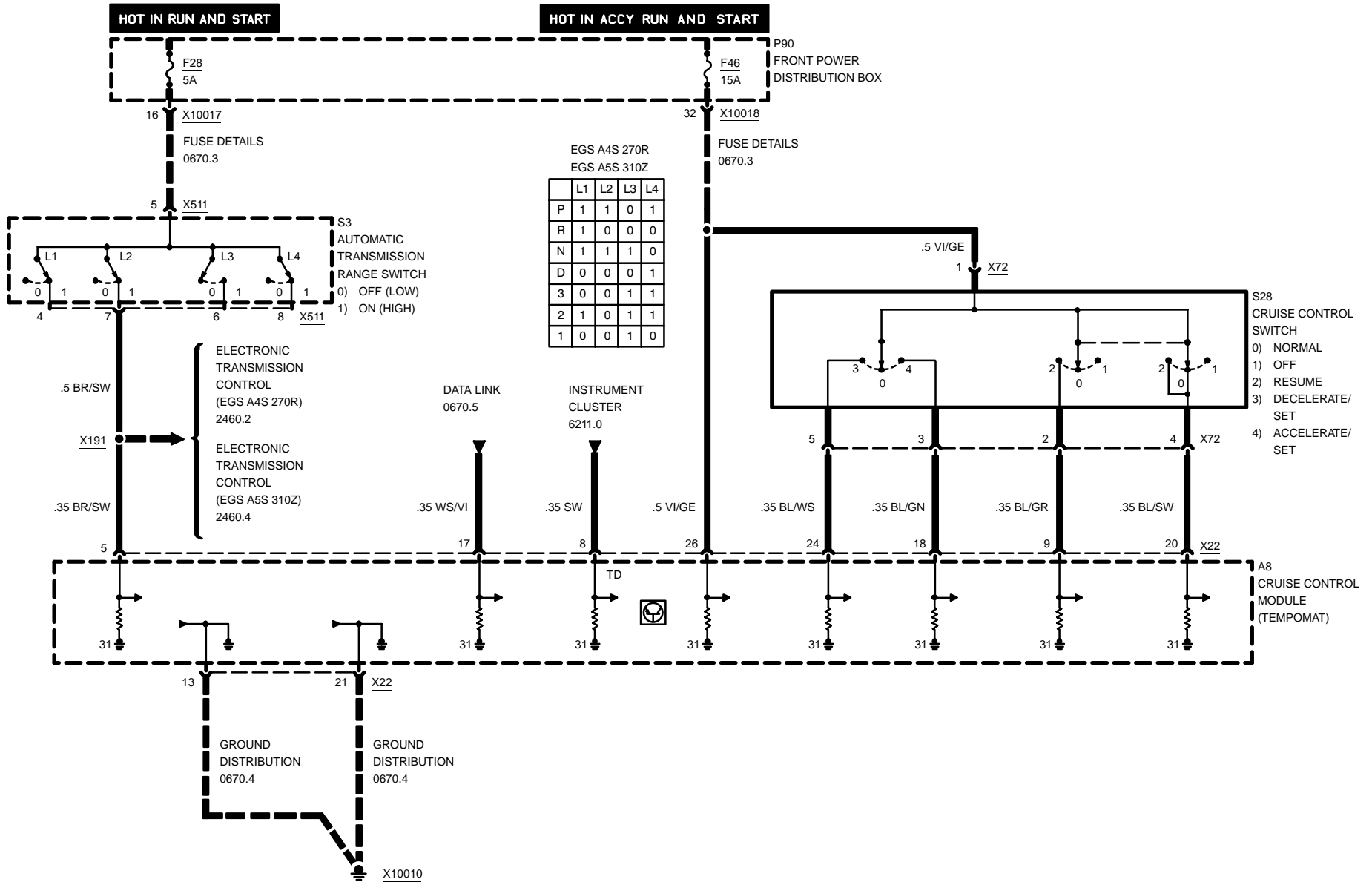
6561.0 CELLULAR TELEPHONE (PROVISIONS)

PROVISIONS



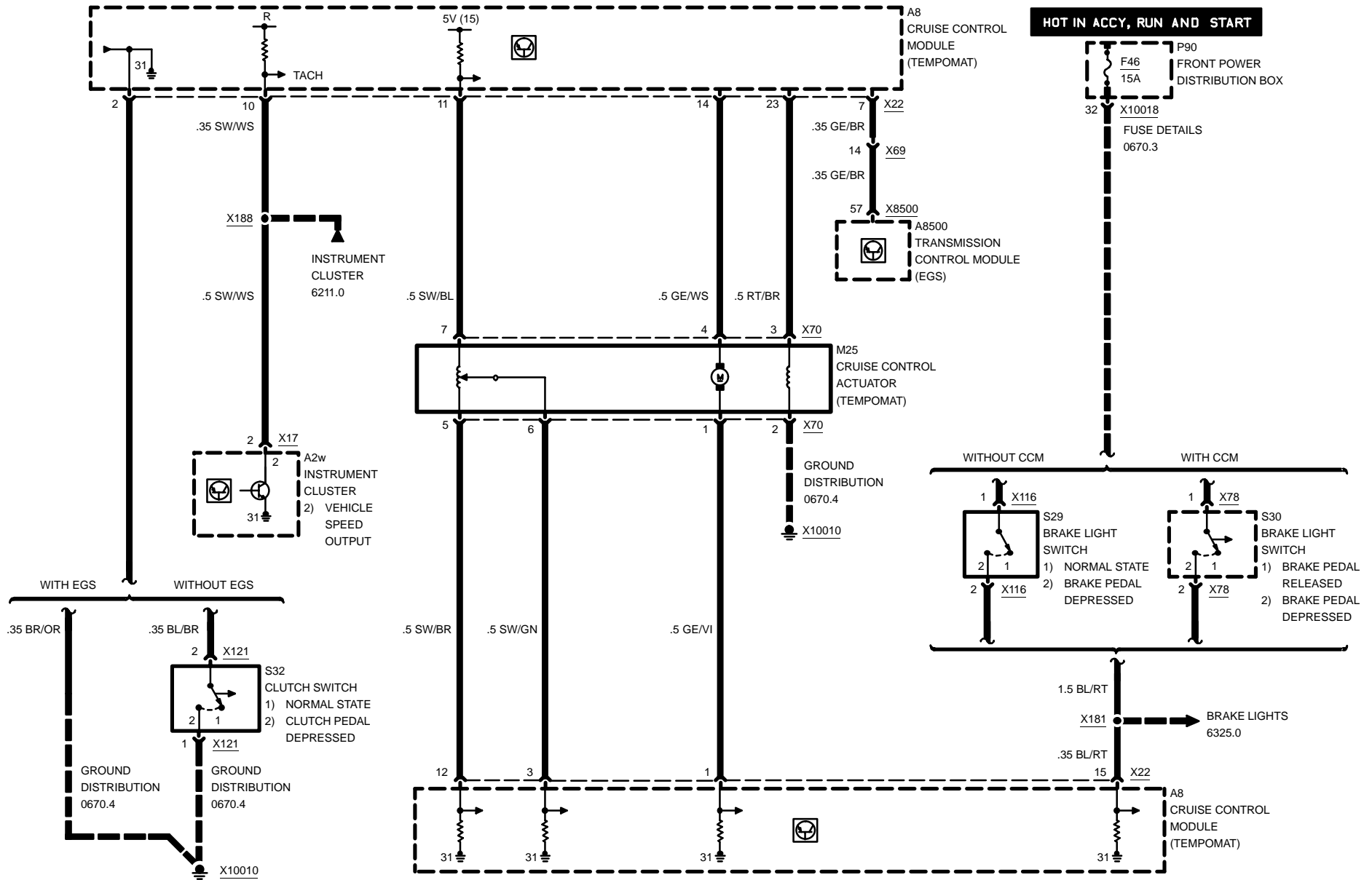


6571.0 CRUISE CONTROL (TEMPOMAT)



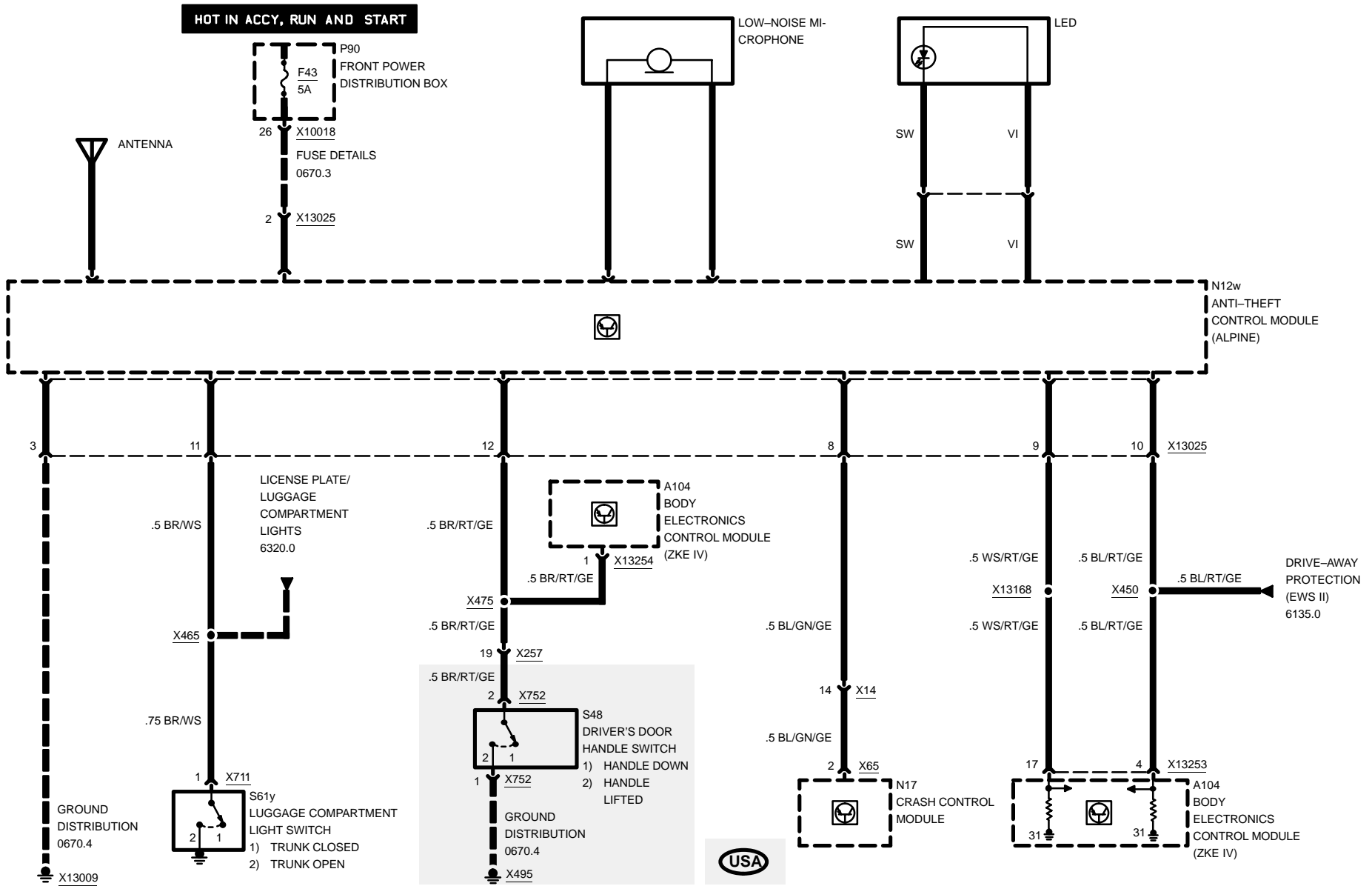


CRUISE CONTROL (TEMPOMAT)





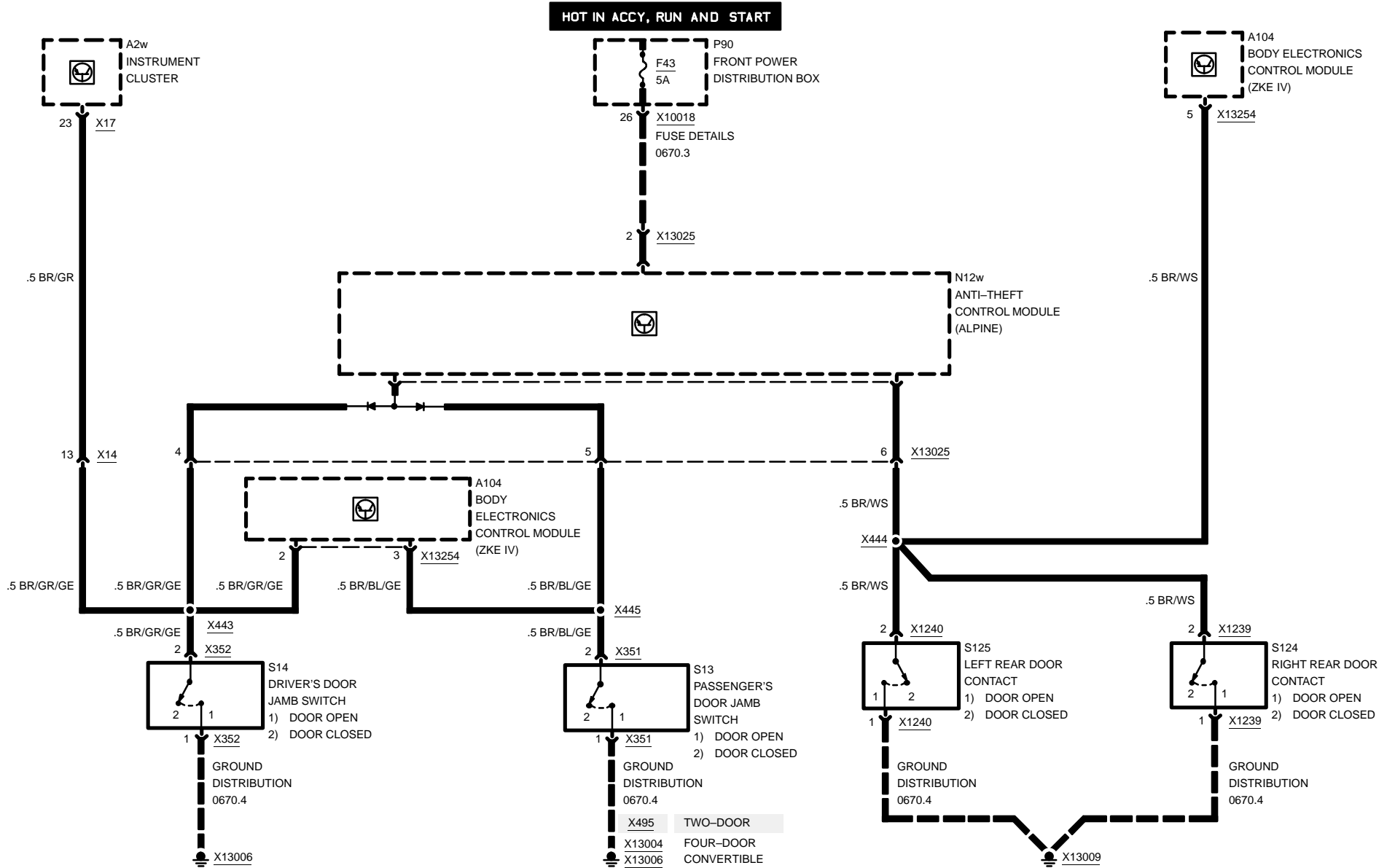
6575.2 ANTI-THEFT SYSTEM (ALPINE)





ANTI-THEFT SYSTEM (ALPINE)

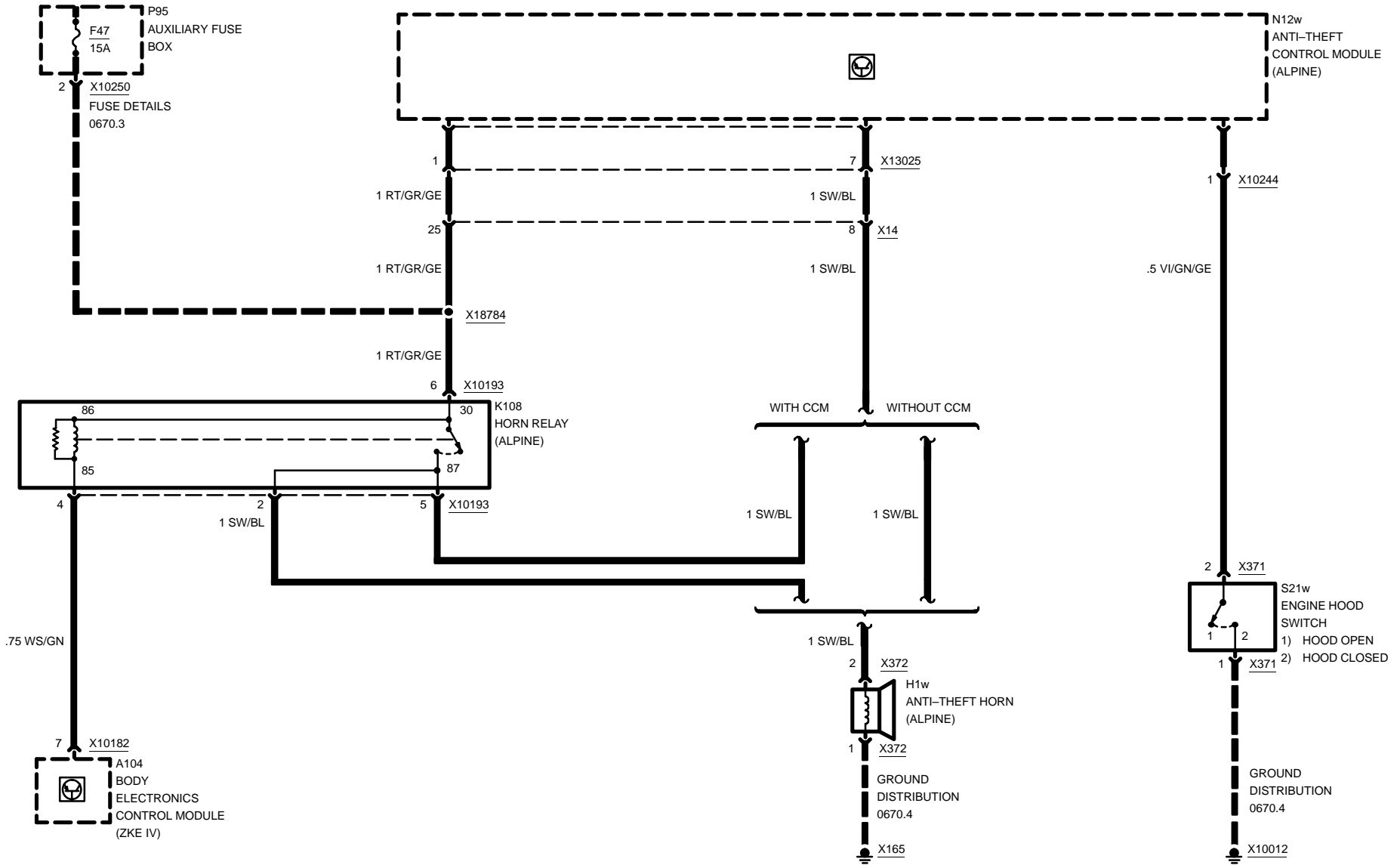
FRONT AND REAR DOOR JAMB SWITCHES





ANTI-THEFT SYSTEM (ALPINE)

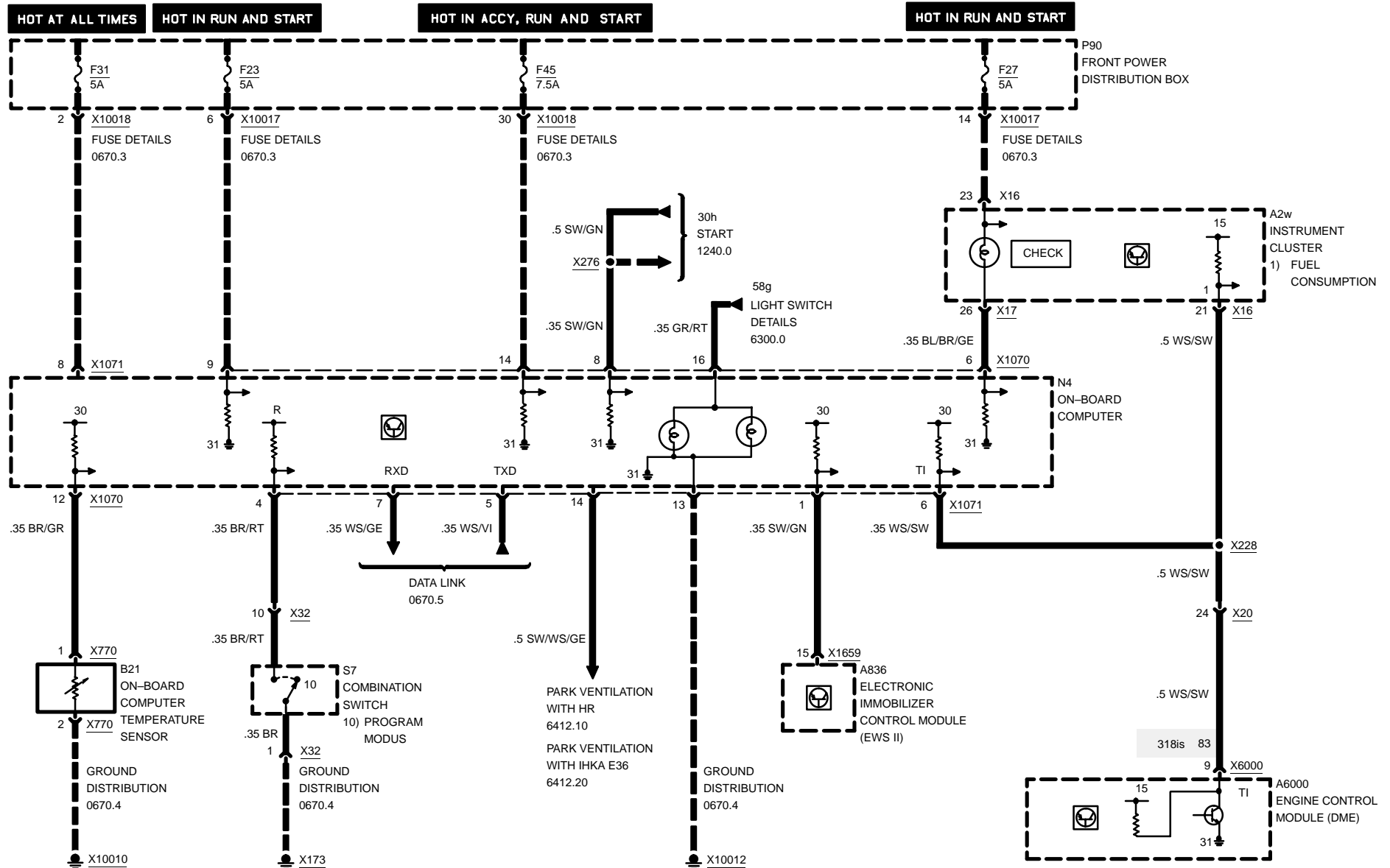
HOT AT ALL TIMES





6581.2 ON-BOARD COMPUTER (BC V)

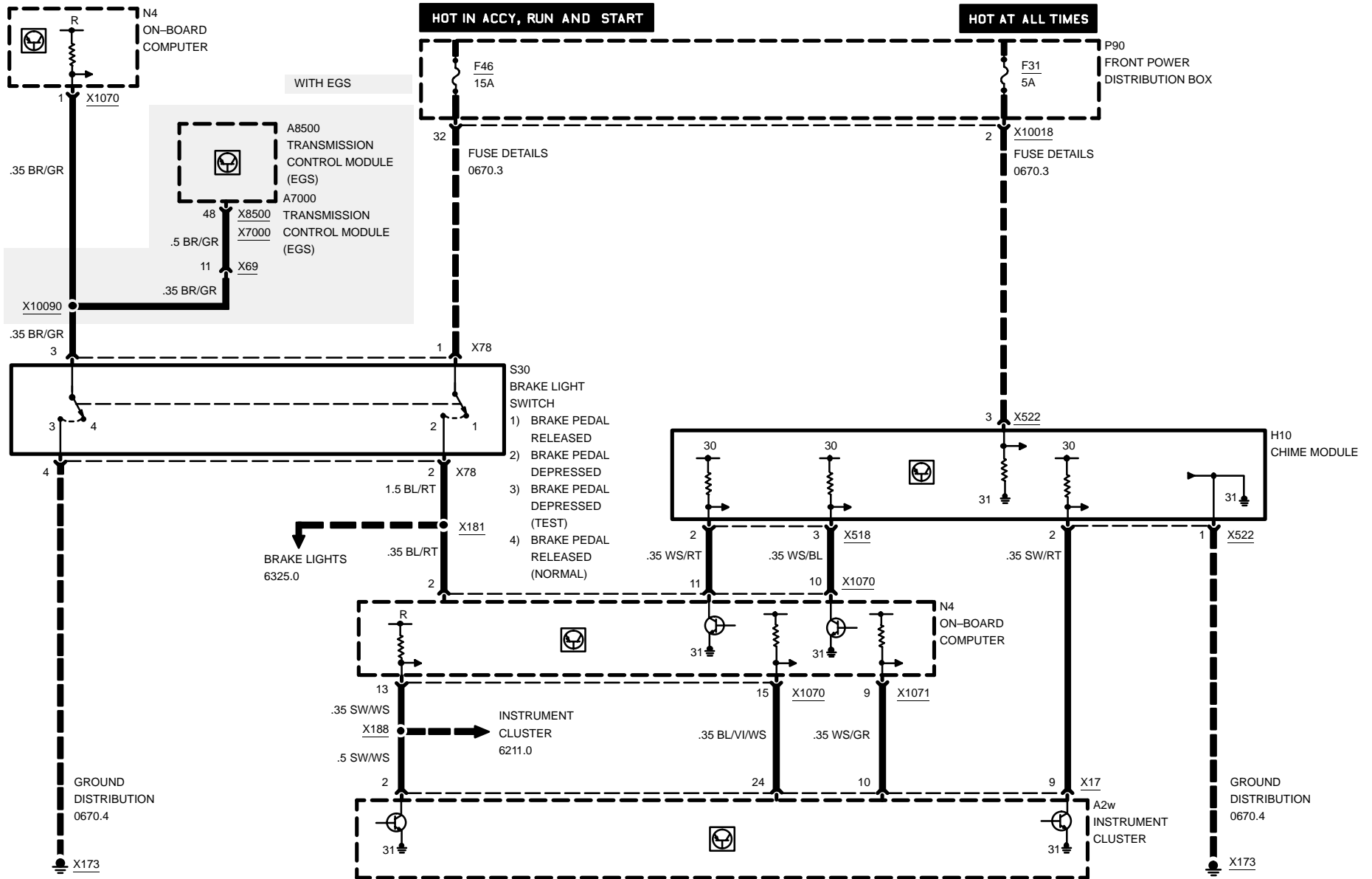
POWER





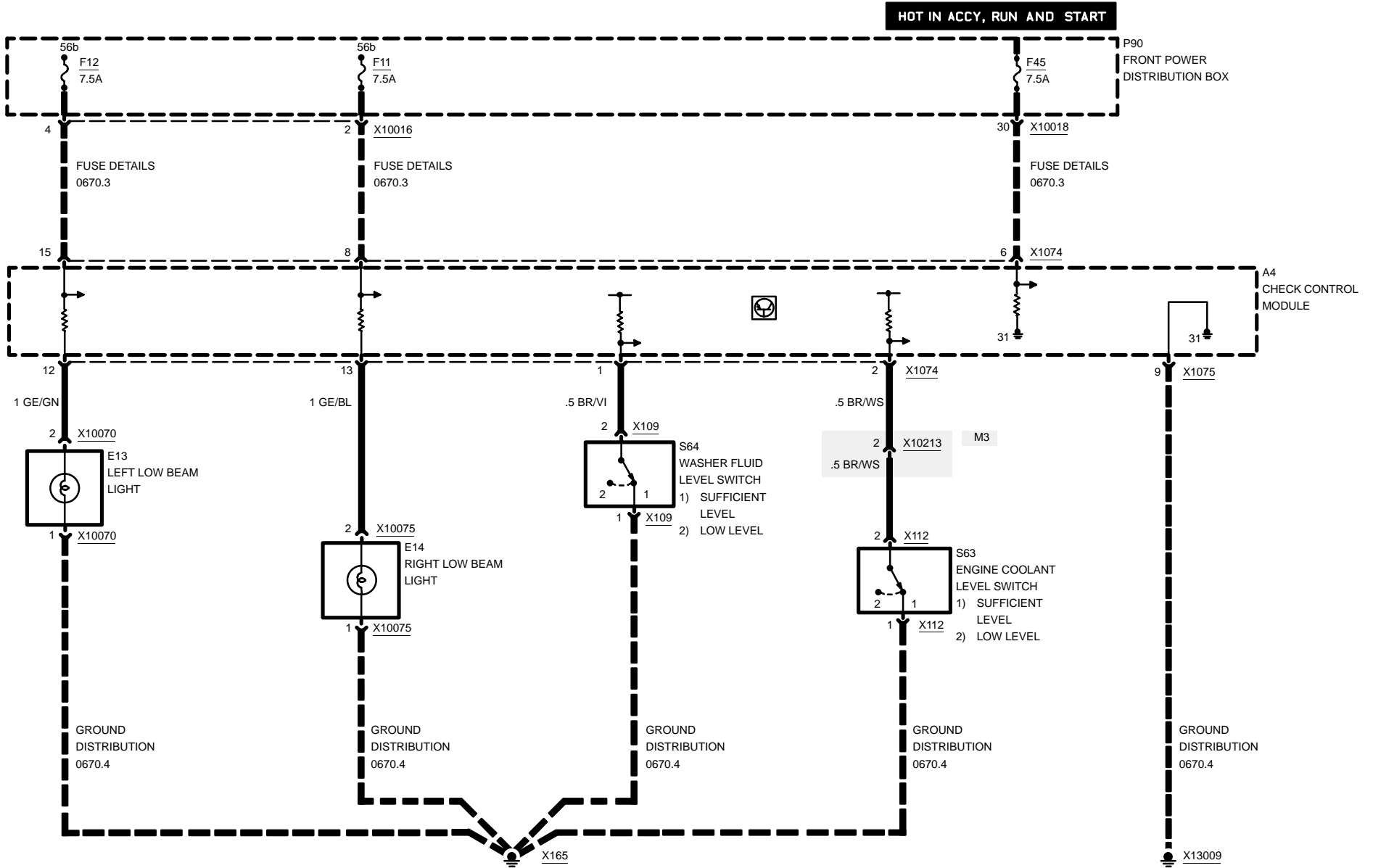
ON-BOARD COMPUTER (BC V)

CHIME, BRAKE LIGHT SWITCH





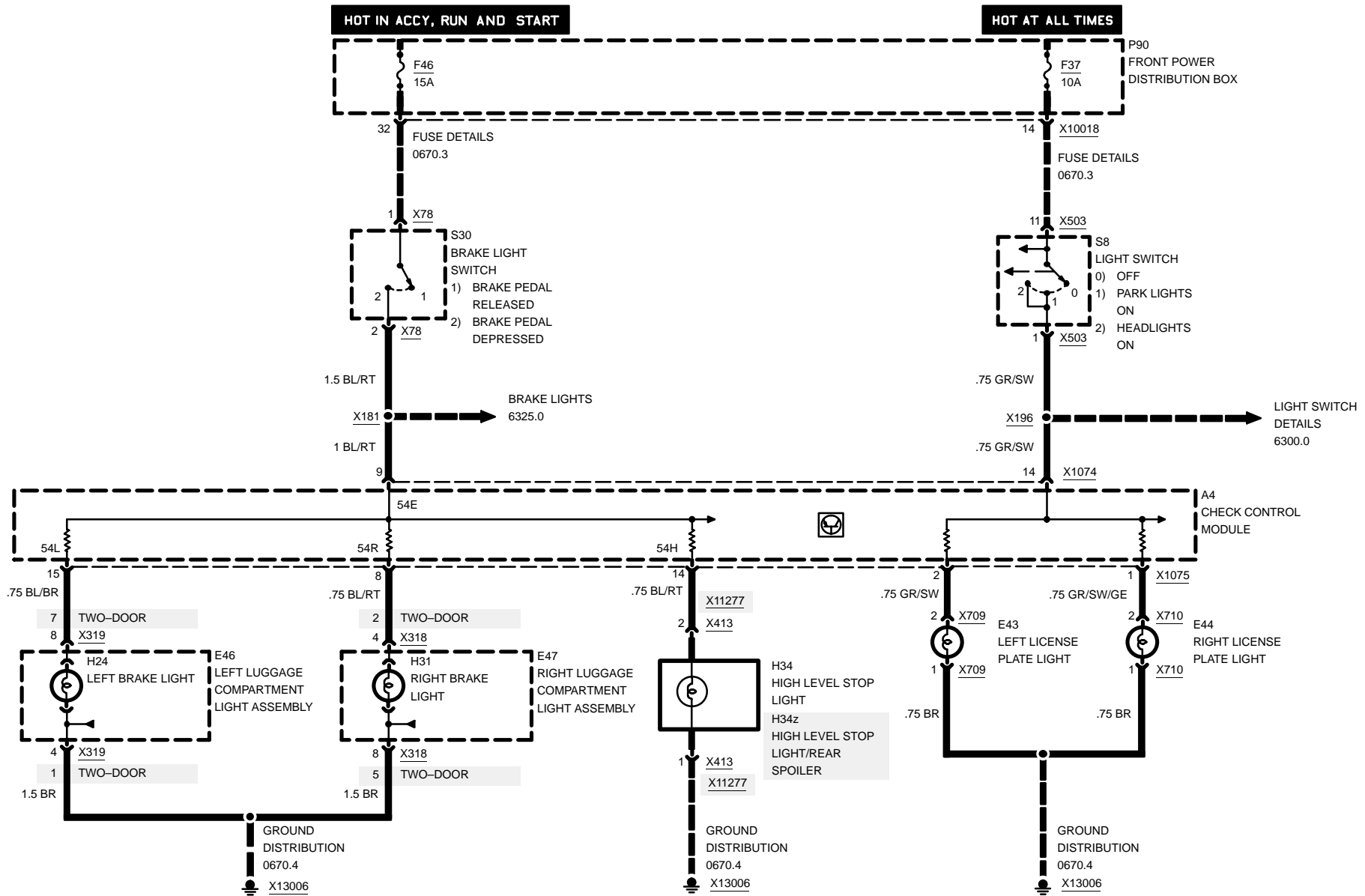
ON-BOARD COMPUTER (BC V) CHECK CONTROL





ON-BOARD COMPUTER (BC V)

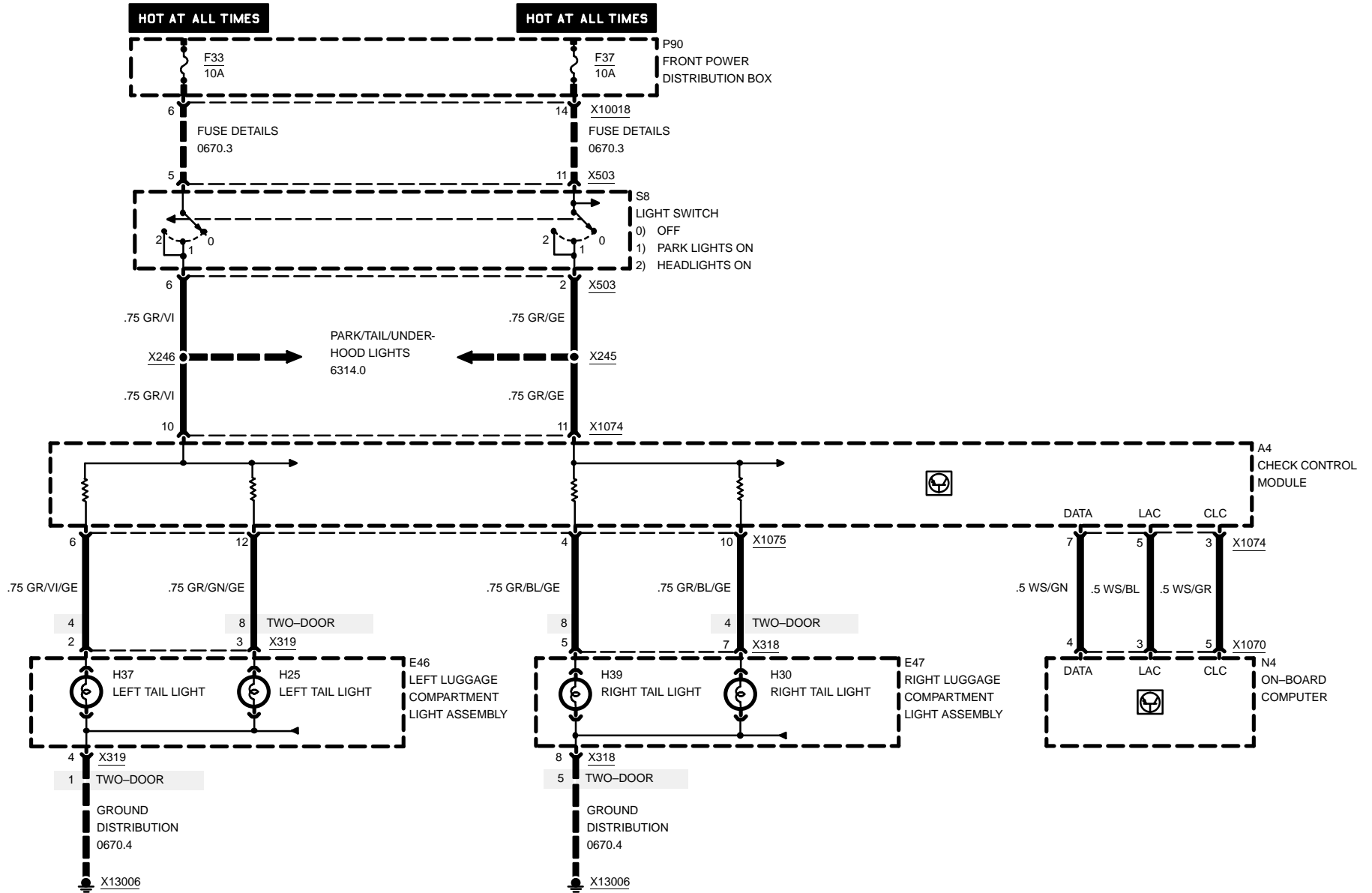
CHECK CONTROL





ON-BOARD COMPUTER (BC V)

CHECK CONTROL





7000.0 COMPONENT LOCATION CHART

COMP.	DESCRIPTION	LOCATION	7100.0	8500.0
A2w ..	INSTRUMENT CLUSTER	LH side of dash	28-3	
A4	CHECK CONTROL MODULE	below LH side of dash	00-3	
A5	RELAY MODULE	behind glove box		
A8	CRUISE CONTROL MODULE (TEMPOMAT)	RH side of dash behind glove box	01-2	
A12 ..	SUPPLEMENTAL RESTRAINT SYSTEM CONTROL MODULE	below rear seat	00-2	
A18 ..	HIFI AMPLIFIER	below RH side of rear seat (Convertible)	02-3	
A18 ..	HIFI AMPLIFIER	in LH side of luggage compartment	04-1	
A35 ..	ON-BOARD DISPLAY	center of dash center console		
A51 ..	WIPER/WASHER MODULE	behind glove box (glove box removed)	01-1	
A52 ..	SLIP CONTROL MODULE (ABS/ASC)	behind glove box (glove box removed)	01-3	
A56 ..	TILT/SLIDE SUNROOF CONTROL ASSEMBLY	under roof center panel	04-2	
A64 ..	WIPER/WASHER MODULE (LOW II)	behind glove box (glove box removed)	01-1	
A96 ..	CONVERTIBLE TOP CONTROL MODULE .	in lower LH C-pillar behind side panel	02-1	
A104 .	BODY ELECTRONICS CONTROL MODULE (ZKE IV)	behind glove box (glove box removed)	01-1	
A113..	SEAT OCCUPANCY DETECTOR	under RH front seat		
A115..	AUTOMATIC CLIMATE CONTROL MODULE	behind center console	03-2	
A202	ABS CONTROL MODULE/HYDRAULIC UNIT	rear LH side of engine compartment		
A835 .	TRANSMITTER MODULE (EWS II)	RH side of steering column	04-3	



COMPONENT LOCATION CHART

COMP.	DESCRIPTION	LOCATION	7100.0	8500.0
A836	ELECTRONIC IMMOBILIZER CONTROL MODULE (EWS II)	RH side of dash behind glove box	38-3	
A6000	ENGINE CONTROL MODULE (DME)	rear RH side of engine compartment	00-1	
A7000	TRANSMISSION CONTROL MODULE (EGS)	rear RH side of engine compartment	00-1	
A8500	TRANSMISSION CONTROL MODULE (EGS)	rear RH side of engine compartment	00-1	
B1	RIGHT FRONT SPEED SENSOR – ABS	on RH front wheel, above brake caliper	08-3	
B2	LEFT FRONT SPEED SENSOR – ABS	on LH front wheel, above brake caliper	08-3	
B3	RIGHT REAR SPEED SENSOR – ABS	on RH rear wheel, above brake caliper		
B4	LEFT REAR SPEED SENSOR – ABS	on LH rear wheel, above brake caliper		
B6	FUEL LEVEL SENSOR	below LH side of rear seat	21-2	
B10	VEHICLE SPEED SENSOR	under rear of car on differential	08-1	
B11	LH HEAT EXCHANGER TEMPERATURE SENSOR	center console		
B12	RH HEAT EXCHANGER TEMPERATURE SENSOR	center console		
B13	OUTSIDE TEMPERATURE SENSOR	rear of engine compartment behind RH fresh air cowl	15-2	
B14	EVAPORATOR TEMPERATURE SENSOR	RH side of LH footwell LH side of IHKA Plenum	28-1	
B16	LEFT FRONT BRAKE PAD SENSOR	on LH front wheel, above brake caliper	08-3	
B17	RIGHT REAR BRAKE PAD SENSOR	behind RH rear wheel		
B18	BRAKE FLUID LEVEL SWITCH	rear LH side of engine compartment top of brake fluid reservoir	18-3	
B21	ON-BOARD COMPUTER TEMPERATURE SENSOR	front RH side of engine compartment	20-1	



COMPONENT LOCATION CHART

COMP.	DESCRIPTION	LOCATION	7100.0	8500.0
B25y	FUEL TANK SENSOR II	top of fuel tank		
B72	FUEL TANK PRESSURE SENSOR	RH rear wheel well behind trim panel	14-1	
B78	DRIVER'S SIDE IMPACT SENSOR	in lower LH B-pillar	39-2	
B79	PASSENGER'S SIDE IMPACT SENSOR	in lower RH B-pillar		
B6203	CRANKSHAFT POSITION/RPM SENSOR	front of engine below	10-3	
B6204	CAMSHAFT POSITION SENSOR (CYLINDER IDENTIFICATION)	front of engine below intake manifold	11-1	
B6204	CAMSHAFT POSITION SENSOR (CYLINDER IDENTIFICATION)	front of engine below intake manifold	12-2	
B6205	INTAKE AIR TEMPERATURE SENSOR	front LH side of engine compartment (318is)	18-2	
B6205	INTAKE AIR TEMPERATURE SENSOR	LH side of engine near oil level stick	36-3	
B6207	HOT FILM AIR MASS METER	LH side of engine	12-1	
B6209	HALL EFFECT CAMSHAFT SENSOR	front of engine (318is)		
B6217	HOT FILM AIR MASS METER	top front of engine	18-2	
B6231	OIL PRESSURE SWITCH	front of engine below intake manifold	11-1	
B6231	OIL PRESSURE SWITCH	front of engine below intake manifold (318is)	17-1	
B6232	ENGINE COOLANT TEMPERATURE SENSOR	front of engine below intake manifold	11-3	
B6232	ENGINE COOLANT TEMPERATURE SENSOR	front of engine below intake manifold (318is)	17-2	
B6233	AIR FLOW SENSOR	LH side of engine compartment right of LH side shock tower		
B6236	ENGINE COOLANT TEMPERATURE SENSOR	front of engine	11-3	
B6238	OIL TEMPERATURE SENSOR	LH side of engine		



COMPONENT LOCATION CHART

COMP.	DESCRIPTION	LOCATION	7100.0	8500.0
B6240	KNOCK SENSOR	top front of engine	11-2	
B6256	DUAL TEMPERATURE SENSOR (COOLANT TEMPERATURE)	RH front of engine below intake manifold	11-1	
B9508	PRESSURE SWITCH	front RH side of engine compartment near RH headlight assembly	09-3	
B62001	OXYGEN SENSOR (IN FRONT OF CATALYTIC CONVERTER)	on catalytic converter	37-1	
B62002	OXYGEN SENSOR (BEHIND CATALYTIC CONVERTER)	on catalytic converter (318is)	37-2	
B62101	OXYGEN SENSOR I (IN FRONT OF CATALYTIC CONVERTER)	on catalytic converter	38-2	
B62102	OXYGEN SENSOR I (BEHIND CATALYTIC CONVERTER)	on catalytic converter		
B62201	OXYGEN SENSOR II (IN FRONT OF CATALYTIC CONVERTER)	on catalytic converter	38-2	
B62202	OXYGEN SENSOR II (BEHIND CATALYTIC CONVERTER)	on catalytic converter		
C101	CONTACT RING	top of steering column	24-2	
C900	SUPPRESSION FILTER	in upper RH C-pillar	33-2	
D100	DATA LINK CONNECTOR	rear RH side of engine compartment	05-1	
E10	REAR DEFOGGER/ANTENNA	in rear window		
E11	LEFT HIGH BEAM LIGHT	near LH headlight assembly		
E12	RIGHT HIGH BEAM LIGHT	near RH headlight assembly		
E13	LEFT LOW BEAM LIGHT	near LH headlight assembly		
E14	RIGHT LOW BEAM LIGHT	near RH headlight assembly		



COMPONENT LOCATION CHART

COMP.	DESCRIPTION	LOCATION	7100.0	8500.0
E15	LEFT PARK LIGHT	front of vehicle		
E19	RIGHT PARK LIGHT	front of vehicle		
E25	FRONT ASHTRAY LIGHT	center console	31-2	
E26	LEFT FOG LIGHT	under LH front bumper	08-2	
E27	RIGHT FOG LIGHT	under RH front bumper	08-2	
E28	FRONT CIGAR LIGHTER	near gearshift lever		
E28y	REAR ASHTRAY LIGHT	below center console	31-2	
E29	FRONT CIGAR LIGHTER LIGHT	center console		
E32	LUGGAGE COMPARTMENT LIGHT	in luggage compartment		
E34	FRONT DOME LIGHT/MAP READING ASSEMBLY	under roof center panel	04-2	
E35	DRIVER'S MAKE-UP MIRROR LIGHT	above LH sun visor	38-1	
E36	PASSENGER'S MAKE-UP MIRROR LIGHT	above RH sun visor	23-1	
E39	LEFT REAR INTERIOR LIGHT	in upper LH C-pillar	33-1	
E40	RIGHT REAR INTERIOR LIGHT	in upper RH C-pillar	33-2	
E42	GLOVE BOX LIGHT	LH side of glove box	25-1	
E43	LEFT LICENSE PLATE LIGHT	underside of luggage compartment lid, near license plate	09-1	
E44	RIGHT LICENSE PLATE LIGHT	underside of luggage compartment lid, near license plate	09-1	
E45y	CASSETTE BOX LIGHT	center of dash		
E46	LEFT LUGGAGE COMPARTMENT LIGHT ASSEMBLY	in LH rear side of luggage compartment		
E47	RIGHT LUGGAGE COMPARTMENT LIGHT ASSEMBLY	in RH rear side of luggage compartment	03-3	



COMPONENT LOCATION CHART

COMP.	DESCRIPTION	LOCATION	7100.0	8500.0
E48	DOOR LOCK HEATER	LH front door		
E51	LEFT WASHER JET HEATER	on underside of engine hood		
E52	RIGHT WASHER JET HEATER	on underside of engine hood		
E56	DRIVER'S SEATBACK HEATER	in upper LH front seatback	23-3	
E57	DRIVER'S SEAT HEATER	under LH front seat	23-3	
E58	PASSENGER'S SEAT HEATER	underside of RH front seat		
E59	PASSENGER'S SEATBACK HEATER	in upper RH front seatback		
E82	TRANSMISSION POSITION INDICATOR LIGHT	center console		
E96	GEAR SHIFT LEVER INDICATOR	center console		
E99	HARD TOP CONNECTOR 1	in convertible top compartment		
E100y	HARD TOP CONNECTOR 2	in convertible top compartment		
E101	LEFT LUGGAGE COMPARTMENT LIGHT	in LH rear side of luggage compartment (Convertible)		
E102	RIGHT LUGGAGE COMPARTMENT LIGHT	in RH rear side of luggage compartment (Convertible)		
F97	FUSIBLE LINK	in RH side of luggage compartment		
G1	BATTERY	in RH rear side of luggage compartment		
G1	BATTERY	rear RH side of engine compartment (318is)		
G5	DRIVER'S AIR BAG GAS GENERATOR	behind steering wheel	24-2	
G6	PASSENGER'S AIR BAG GAS GENERATOR	RH side of dash	27-2	
G12	DRIVER'S SIDE PYROTECHNICAL BELT TENSIONER	driver's seat right		



COMPONENT LOCATION CHART

COMP.	DESCRIPTION	LOCATION	7100.0	8500.0
G13	PASSENGER'S SIDE PYROTECHNICAL BELT TENSIONER	passenger's seat left		
G14 ..	LEFT SIDE AIR BAG GAS GENERATOR ..	in driver's door	39-3	
G15 ..	RIGHT SIDE AIR BAG GAS GENERATOR ..	in passenger's door		
G6430	B+ JUMP START JUNCTION POINT	rear RH side of engine compartment back of RH side shock tower	05-1	
G6509	GENERATOR	front LH side of engine compartment	05-2	
H2 ...	LEFT HORN	front of engine compartment		
H3 ...	RIGHT HORN	front of engine compartment		
H4 ...	RIGHT FRONT TURN LIGHT	front of vehicle		
H5 ...	RIGHT REAR TURN LIGHT	RH side of body rear end		
H6 ...	LEFT REAR TURN LIGHT	LH side of body rear end		
H7 ...	LEFT FRONT TURN LIGHT	front of vehicle		
H8 ...	RIGHT FRONT AUXILIARY TURN LIGHT ..	front of vehicle		
H9 ...	LEFT FRONT AUXILIARY TURN LIGHT ...	front of vehicle		
H10 ..	CHIME MODULE	below LH side of dash		
H1w ..	ANTI-THEFT HORN (ALPINE)	front RH side of engine compartment		
H24 ..	LEFT BRAKE LIGHT	LH side of body rear end		
H25 ..	LEFT TAIL LIGHT	LH side of body rear end		
H26 ..	LEFT REAR FOG LIGHT	LEFT LUGGAGE COMPARTMENT LIGHT ASSEMBLY		
H27 ..	LEFT BACK UP LIGHT	LEFT LUGGAGE COMPARTMENT LIGHT ASSEMBLY		
H28 ..	RIGHT BACK UP LIGHT	LEFT LUGGAGE COMPARTMENT LIGHT ASSEMBLY		
H30 ..	RIGHT TAIL LIGHT	RIGHT LUGGAGE COMPARTMENT LIGHT ASSEMBLY		



COMPONENT LOCATION CHART

COMP.	DESCRIPTION	LOCATION	7100.0	8500.0
H31 ..	RIGHT BRAKE LIGHT	RIGHT LUGGAGE COMPARTMENT LIGHT ASSEMBLY		
H34 ..	HIGH LEVEL STOP LIGHT	at back of rear window shelf		
H34z	HIGH LEVEL STOP LIGHT/REAR SPOILER	in rear spoiler		
H37 ..	LEFT TAIL LIGHT	RIGHT LUGGAGE COMPARTMENT LIGHT ASSEMBLY		
H42 ..	LEFT MID-HIGH RANGE SPEAKER	in upper LH front door		
H43 ..	RIGHT MID-HIGH RANGE SPEAKER	in upper RH front door		
H45 ..	RIGHT REAR SPEAKER	under rear window shelf		
H46 ..	LEFT REAR SPEAKER	under rear window shelf		
H50 ..	RIGHT FRONT HIGH RANGE SPEAKER ..	in upper RH front door		
H51 ..	RIGHT FRONT LOW RANGE SPEAKER ..	in lower RH A-pillar		
H52 ..	RIGHT REAR LOW RANGE SPEAKER	under rear window shelf		
H53 ..	RIGHT REAR HIGH RANGE SPEAKER ...	under rear window shelf		
H54 ..	RIGHT FRONT MIDRANGE SPEAKER	in upper RH front door		
H55 ..	LEFT FRONT MIDRANGE SPEAKER	in upper LH front door		
H56 ..	LEFT REAR HIGH RANGE SPEAKER	under rear window shelf		
H57 ..	LEFT REAR LOW RANGE SPEAKER	under rear window shelf		
H58 ..	LEFT FRONT LOW RANGE SPEAKER	in lower LH A-pillar		
H59 ..	LEFT FRONT HIGH RANGE SPEAKER ...	in upper LH front door		
H66 ..	SUBWOOFER	behind trim panel		
I1008 .	SEAT MAT	in passenger's seat		
K2	HORN RELAY	rear LH side of engine compartment in Power Distribution Box		19-2
K4	BLOWER RELAY	rear LH side of engine compartment in Power Distribution Box		19-2



COMPONENT LOCATION CHART

COMP.	DESCRIPTION	LOCATION	7100.0	8500.0
K9	UNLOADER RELAY, TERMINAL 15	behind LH footwell trim	25-3	
K10	ABS RELAY	rear LH side of engine compartment in Power Distribution Box	19-1	
K13	REAR DEFOGGER RELAY	rear LH side of engine compartment in Power Distribution Box	19-1	
K16	HAZARD FLASHER RELAY	rear LH side of engine compartment in Power Distribution Box	19-2	
K19	COMPRESSOR CONTROL RELAY	rear LH side of engine compartment in Power Distribution Box	19-1	
K21	NORMAL SPEED RELAY	rear LH side of engine compartment in Power Distribution Box	19-3	
K22	HIGH SPEED RELAY	rear LH side of engine compartment in Power Distribution Box	19-3	
K46	HIGH BEAM LIGHT RELAY	LH side of dash behind instrument cluster	02-2	
K46z	DAY LIGHT RELAY MODULE	below LH side of dash		
K47	FRONT FOG LIGHT RELAY	rear LH side of engine compartment in Power Distribution Box	19-2	
K48	LOW BEAM LIGHT RELAY	rear LH side of engine compartment in Power Distribution Box	19-2	
K99	REAR WINDOW BLOWER RELAY	behind glove box left	25-2	
K108	HORN RELAY (ALPINE)	behind glove box left	01-2	
K117	LUGGAGE COMPARTMENT LID RELAY	behind glove box right		
K125	ABS PUMP MOTOR RELAY, TIMED	rear LH side of engine compartment in Power Distribution Box (318is)	19-3	
K128	SPATIAL SOUND RELAY	footwell, driver's side behind trim panel		
K450	PARK VENTILATION RELAY	below LH side of dash	02-2	
K6300	ENGINE CONTROL MODULE RELAY	rear LH side of engine compartment in Power Distribution Box	19-3	
K6301	CYL. 1-6 FUEL PUMP RELAY	rear LH side of engine compartment in Power Distribution Box	19-3	
K6301w	FUEL PUMP RELAY	rear LH side of engine compartment in Front Power Distribution Box	19-1	
K6304	SECONDARY AIR PUMP RELAY	rear LH side of engine compartment in Power Distribution Box	19-3	
K6326	UNLOADER RELAY, TERMINAL 15	rear RH side of engine compartment	39-1	



COMPONENT LOCATION CHART

COMP.	DESCRIPTION	LOCATION	7100.0	8500.0
M2	FUEL PUMP	below RH side of rear seat	20-2	
M3	WIPER MOTOR	rear of engine compartment below center of cowl	16-1	
M4	WASHER PUMP	front RH side of engine compartment on washer fluid reservoir	10-1	
M7	HEADLIGHT/FOG LIGHT WASHER PUMP	front RH side of engine compartment on washer fluid reservoir	10-2	
M9	AUXILIARY FAN MOTOR	behind front grille behind trim panel	18-1	
M12	DRIVER'S DOOR LOCK MOTOR	in upper LH front door behind trim panel		
M13	PASSENGER'S DOOR LOCK MOTOR	in upper RH front door behind trim panel		
M14	RIGHT REAR DOOR LOCK MOTOR	in upper RH rear door behind trim panel		
M15	LEFT REAR DOOR LOCK MOTOR	in upper LH rear door behind trim panel		
M16	GAS FILLER LOCK MOTOR	in RH rear side of luggage compartment	03-3	
M17	LUGGAGE COMPARTMENT LOCK MOTOR	rear side of luggage compartment in lift gate	34-2	
M20	LEFT REAR WINDOW MOTOR	in lower LH rear door behind trim panel		
M21	DRIVER'S WINDOW MOTOR	LH front door behind door panel	31-3	
M22	RIGHT REAR WINDOW MOTOR	in lower RH rear door behind door panel		
M23	PASSENGER'S WINDOW MOTOR	RH front door behind door panel	32-1	
M25	CRUISE CONTROL ACTUATOR (TEMPOMAT)	front LH side of engine compartment	18-2	
M30	BLOWER MOTOR	rear of engine compartment behind RH fresh air cowl	15-2	
M35	DEFROSTER FLAP MOTOR	RH side of IHKA Plenum	29-2	
M36	FRESH AIR FLAP MOTOR	below LH side of dash RH side of IHKA Plenum	29-3	
M40	RECIRCULATION FLAP MOTOR	below LH side of dash RH side of IHKA Plenum	29-2	



COMPONENT LOCATION CHART

COMP.	DESCRIPTION	LOCATION	7100.0	8500.0
M43 ..	CONVERTIBLE TOP STORAGE LID LOCK MOTOR	in convertible top compartment left	22-1	
M44 ..	REGULATION FLAP MOTOR	RH side of IHKA Plenum		
M46 ..	REAR RECIRCULATION FLAP MOTOR ...	RH side of IHKA Plenum		
M50 ..	DRIVER'S SEAT CUSHION TILT MOTOR ..	under LH front seat	23-3	
M51 ..	DRIVER'S SEAT MOVEMENT MOTOR	under LH front seat	23-3	
M52 ..	DRIVER'S SEAT HEIGHT MOTOR	under LH front seat	23-3	
M53 ..	DRIVER'S SEATBACK RECLINER MOTOR	under LH front seat	23-3	
M58 ..	PASSENGER'S SEATBACK RECLINER MOTOR	under RH front seat		
M59 ..	PASSENGER'S SEAT HEIGHT MOTOR ...	under RH front seat		
M60 ..	PASSENGER'S SEAT MOVEMENT MOTOR	under RH front seat		
M61 ..	PASSENGER'S SEAT CUSHION TILT MOTOR	under RH front seat		
M93 ..	AUXILIARY THROTTLE POSITION MOTOR (ADS)	front of engine compartment		
M98 ..	LEFT REAR WINDOW MOTOR	left from LH rear seat behind trim panel	22-2	
M99 ..	RIGHT REAR WINDOW MOTOR	RH side of RH rear seat behind trim panel	22-2	
M100 .	CONVERTIBLE TOP STORAGE LID MOTOR	in LH side of luggage compartment	34-1	
M101 .	CONVERTIBLE TOP MOTOR	in LH side of luggage compartment	34-3	
M105 .	REAR WINDOW BLOWER	behind rear seats	21-3	
M107 .	GLOVE BOX LOCK MOTOR	RH side of dash behind glove box		



COMPONENT LOCATION CHART

COMP.	DESCRIPTION	LOCATION	7100.0	8500.0
M132	WINDSCREEN COWL PANEL LOCK MOTOR	front cover	35-1	
M6510	STARTER	rear LH side of engine compartment		
N2	FINAL STAGE UNIT	behind LH side of dash		
N3	DIMMER	LH side of dash	26-1	
N4	ON-BOARD COMPUTER	center console	03-1	
N5	ANALOG CLOCK	center console		
N8	ANTENNA AMPLIFIER AM/FM	in upper LH C-pillar	33-1	
N10	MULTI-FUNCTION CLOCK	center console		
N12w	ANTI-THEFT CONTROL MODULE (ALPINE)	behind glove box (glove box removed)	01-3	
N17	CRASH CONTROL MODULE	LH side of dash behind instrument cluster	02-2	
N22	CD CHANGER	in LH forward side of luggage compartment		
N24	ROLLOVER SENSOR	in lower LH C-pillar behind side panel	02-3	
P90	FRONT POWER DISTRIBUTION BOX	rear LH side of engine compartment	05-3	
P95	AUXILIARY FUSE BOX	footwell, driver's side		
P96	AUXILIARY FUSE BOX IN LUGGAGE COMPARTMENT	in RH side of luggage compartment behind trim panel		
P97	AUXILIARY FUSE BOX	LH side of dash behind instrument cluster	02-2	
R11	BLOWER RESISTORS	behind center of dashboard left	29-1	
R6252	THROTTLE POSITION SENSOR	LH side of engine near oil level stick	13-3	
R6252	THROTTLE POSITION SENSOR	LH side of engine compartment (318is)	17-3	
R8554	RESISTOR	front of engine compartment		



COMPONENT LOCATION CHART

COMP.	DESCRIPTION	LOCATION	7100.0	8500.0
S2	IGNITION SWITCH	RH side of steering column	24-3	
S3	AUTOMATIC TRANSMISSION RANGE SWITCH	center console	30-3	
S4	HORN SWITCH	top of steering column	24-2	
S5	WIPER/WASHER SWITCH	LH side of dash RH side of steering column above		
S6	ASC SWITCH	center console	30-2	
S7	COMBINATION SWITCH	on steering column	24-3	
S8	LIGHT SWITCH	LH side of dash	26-1	
S10	FOG LIGHT SWITCH	LH side of dash		
S13	PASSENGER'S DOOR JAMB SWITCH	in upper RH B-pillar	33-3	
S14	DRIVER'S DOOR JAMB SWITCH	in upper LH B-pillar	33-3	
S15	REAR RIGHT DOOR JAMB SWITCH	in lower RH C-pillar	33-3	
S16	LEFT REAR DOOR JAMB SWITCH	in lower LH C-pillar	33-3	
S17	MIRROR CONTROL SWITCH	in upper LH front door		
S18	HAZARD SWITCH	center console near gearshift lever	30-3	
S21w	ENGINE HOOD SWITCH	front RH side of engine compartment	10-2	
S28	CRUISE CONTROL SWITCH	on steering column	24-3	
S29	BRAKE LIGHT SWITCH	LH footwell on brake pedal support bracket behind LH footwell trim	26-3	
S30	BRAKE LIGHT SWITCH	LH footwell on brake pedal support bracket behind LH footwell trim	26-2	
S31	PARK BRAKE SWITCH	center console on rear of park brake lever	31-2	
S32	CLUTCH SWITCH	LH footwell on clutch pedal support bracket behind LH footwell trim	26-3	
S36	TEMPERATURE SWITCH	front RH side of engine compartment near RH headlight assembly	09-3	



COMPONENT LOCATION CHART

COMP.	DESCRIPTION	LOCATION	7100.0	8500.0
S36y	DOUBLE TEMPERATURE SWITCH	RH top of radiator	09-3	
S38 . .	TILT/SLIDE SUNROOF SWITCH (SHD)	roof		
S40y .	CENTRAL POWER WINDOW SWITCH	center console		
S41y .	LH REAR DOOR POWER WINDOW SWITCH (DOOR)	in lower LH rear door behind trim panel		
S42y .	RH REAR DOOR POWER WINDOW SWITCH (DOOR)	in lower RH rear door behind trim panel		
S53 . .	DRIVER'S SEAT, SEAT HEATER SWITCH	center console near gearshift lever	30-2	
S54 . .	PASSENGER'S SEAT, SEAT HEATER SWITCH	center console near gearshift lever	30-1	
S58 . .	DRIVER'S SEAT BELT SWITCH	in LH front seat belt buckle		
S59 . .	PASSENGER'S SEAT BELT SWITCH	in RH front seat belt buckle		
S61y .	LUGGAGE COMPARTMENT LIGHT SWITCH	underside of luggage compartment lid left	34-2	
S63 . .	ENGINE COOLANT LEVEL SWITCH	front RH side of engine compartment	18-1	
S64 . .	WASHER FLUID LEVEL SWITCH	front RH side of engine compartment on washer fluid reservoir	10-1	
S75 . .	BLOWER SWITCH	center of dash		
S77 . .	DRIVER'S MAKE-UP MIRROR SWITCH	above LH sun visor	38-1	
S78 . .	PASSENGER'S MAKE-UP MIRROR SWITCH	above RH sun visor	23-1	
S123 .	ABS PEDAL TRAVEL SENSOR	near brake master cylinder	18-3	
S124 .	RIGHT REAR DOOR CONTACT	rear RH door pillar	33-3	
S125 .	LEFT REAR DOOR CONTACT	LH rear door jamb	33-3	



COMPONENT LOCATION CHART

COMP.	DESCRIPTION	LOCATION	7100.0	8500.0
S130	CHILD PROTECTION CONTROL (CONSOLE)	center console		
S143	CONVERTIBLE TOP ACTUATING SWITCH	center console		
S164	CONVERTIBLE TOP END-POSITION MICRO SWITCH	at convertible top linkage		
S165	CONVERTIBLE TOP POSITION MICRO SWITCH	at convertible top linkage		
S196	REAR WINDOW BLOWER MICRO SWITCH	in convertible top compartment, left	35-2	
S198	JET HEATER THERMOSWITCH	front LH side of engine compartment	37-3	
S213	LUGGAGE COMPARTMENT LID MICRO SWITCH	underside of luggage compartment lid		
S214	CONVERTIBLE TOP STORAGE LID MICRO SWITCH	at convertible top linkage		
S126y	DRIVER'S POWER WINDOW SWITCH	center console near gearshift lever	31-1	
S127y	PASSENGER'S POWER WINDOW SWITCH	center console near gearshift lever	31-1	
S128y	LH REAR DOOR (CONSOLE) POWER WINDOW SWITCH	center console		
S128z	LH REAR POWER WINDOW SWITCH	center console		
S129y	RH REAR DOOR (CONSOLE) POWER WINDOW SWITCH	center console		
S129z	RH REAR POWER WINDOW SWITCH	center console		
S231	WINDSCREEN COWL PANEL LOCK MICRO SWITCH	front cover	35-1	



COMPONENT LOCATION CHART

COMP.	DESCRIPTION	LOCATION	7100.0	8500.0
S303y	TOP HIFI SWITCH	center console		
S8503	PROGRAM SWITCH	center console		
S8507	KICK-DOWN SWITCH	LH footwell		
S8511	REVERSING LIGHT SWITCH	under front of car LH side of transmission		
T6151	CYL. 1 IGNITION COIL	top RH side of engine	13-1	
T6151	CYL. 1 IGNITION COIL	RH side of engine compartment (318is)	17-3	
T6152	CYL. 2 IGNITION COIL	top RH side of engine	13-1	
T6152	CYL. 2 IGNITION COIL	RH side of engine compartment (318is)	17-3	
T6153	CYL. 3 IGNITION COIL	top RH side of engine	13-1	
T6153	CYL. 3 IGNITION COIL	RH side of engine compartment (318is)	17-3	
T6154	CYL. 4 IGNITION COIL	top RH side of engine	13-1	
T6154	CYL. 4 IGNITION COIL	RH side of engine compartment (318is)	17-3	
T6155	CYL. 5 IGNITION COIL	top RH side of engine	13-1	
T6156	CYL. 6 IGNITION COIL	top RH side of engine	13-1	
V6	UNCOUPLING DIODE	rear LH side of engine compartment in Power Distribution Box		
V7	ASC DIODE	top LH side of engine compartment in Front Power Distribution Box		
X0	B+ JUNCTION POINT	rear LH side of engine compartment	05-3	
X2	BATTERY B+ START POINT	rear LH side of engine compartment	05-3	
X9	B+ JUNCTION POINT	rear LH side of engine compartment	05-3	
X13 ..	(30 PINS, BLACK)	behind LH footwell kickpanel	16-3	00-4
X14 ..	(30 PINS, NATURAL)	behind LH footwell kickpanel	16-3	00-4
X16 ..	(26 PINS, NATURAL)	LH side of dash rear side of instrument cluster, A2w	28-3	00-2



COMPONENT LOCATION CHART

COMP.	DESCRIPTION	LOCATION	7100.0	8500.0
X17	.. (26 PINS, BLUE)	LH side of dash rear side of instrument cluster, A2w	28-3	00-2
X20	.. (25 PINS, BLACK)	rear LH side of engine compartment	18-3	05-2
X22	.. (26 PINS, GRAY)	RH side of dash behind glove box	01-2	00-2
X32	.. (12 PINS, NATURAL)	LH footwell underside of steering column	27-3	04-5
X33	.. (12 PINS, BLACK)	LH footwell underside of steering column behind LH footwell trim	27-3	04-5
X35	.. (12 PINS, NATURAL)	below LH side of dash RH side of steering column	27-3	04-5
X35	.. (12 PINS, NATURAL)	below LH side of dash RH side of steering column	28-1	04-5
X44	.. (9 PINS, BLACK)	Power Distribution Box rear LH side of engine compartment		03-6
X45	.. (9 PINS, BLACK)	Power Distribution Box rear LH side of engine compartment		03-6
X51	.. (9 PINS, BLACK)	Power Distribution Box rear LH side of engine compartment		03-6
X52	.. (9 PINS, BLACK)	Power Distribution Box rear LH side of engine compartment		03-6
X53	.. (9 PINS, BLACK)	Power Distribution Box rear LH side of engine compartment		03-6
X54	.. (9 PINS, BLACK)	Power Distribution Box rear LH side of engine compartment		03-6
X56	.. (9 PINS, BLACK)	Power Distribution Box rear LH side of engine compartment		03-6
X58	.. (9 PINS, BLACK)	Power Distribution Box rear LH side of engine compartment		03-6
X63	.. (9 PINS, BLACK)	behind LH footwell speaker grille		03-6
X64	.. (9 PINS, BLACK)	Power Distribution Box rear LH side of engine compartment		03-6
X65	.. (9 PINS, BLACK)	below LH side of dash		03-6
X69	.. (25 PINS, GRAY)	rear LH side of engine compartment	18-3	05-2
X70	.. (8 PINS, BLACK)	front LH side of engine compartment	18-2	02-2
X72	.. (6 PINS, NATURAL)	footwell, driver's side	27-3	06-2
X74	.. (50 PINS, YELLOW)	below rear seat	00-2	02-5



COMPONENT LOCATION CHART

COMP.	DESCRIPTION	LOCATION	7100.0	8500.0
X78	.. (4 PINS, BLACK)	LH footwell on brake pedal support bracket behind LH footwell trim	26-2	03-3
X82	.. (3 PINS, BLACK)	front of engine compartment on auxiliary fan	18-1	08-1
X85	.. (3 PINS, BLACK)	rear LH side of engine compartment	16-2	06-3
X87	.. (3 PINS, BLACK)	front RH side of engine compartment RH top of radiator	09-3	06-3
X105	(2 PINS, BLACK)	on underside of engine hood		
X106	(2 PINS, BLACK)	on underside of engine hood		
X107	.. (2 PINS, BLACK)	front RH side of engine compartment on washer fluid reservoir	10-1	
X109	.. (2 PINS, BLACK)	front RH side of engine compartment on washer fluid reservoir	10-1	
X111	.. (2 PINS, BLACK)	rear LH side of engine compartment top of brake fluid reservoir	18-3	
X112	.. (2 PINS, BLACK)	front RH side of engine compartment	18-1	
X113	.. (3 PINS, GRAY)	wheel well right	09-2	09-2
X114	.. (3 PINS, GRAY)	wheel well left	09-2	09-2
X116	.. (2 PINS, BLACK)	LH footwell near brake pedal	26-3	
X118	.. (2 PINS, BLACK)	wheel well left	09-2	
X121	.. (2 PINS, WHITE)	LH footwell on clutch pedal	26-3	
X123	.. (2 PINS, GRAY)	front RH side of engine compartment on washer fluid reservoir	10-2	
X128	.. (2 PINS, BLACK)	front RH side of engine compartment		
X132	.. (2 PINS, BLACK)	front of engine compartment		
X133	.. (2 PINS, BLACK)	front of engine compartment		
X137	.. (2 PINS, BLACK)	front LH side of engine compartment		
X142	.. (2 PINS, GRAY)	under rear of car LH side of on differential		
X143	.. (2 PINS, GRAY)	under rear of car near differential on differential	08-1	



COMPONENT LOCATION CHART

COMP.	DESCRIPTION	LOCATION	7100.0	8500.0
X163	(3 PINS, BLACK)	front RH side of engine compartment on washer fluid reservoir	10-1	06-3
X165	GROUND	front LH side of engine compartment	06-3	
X168	(1 PIN, BLACK)	LH side of steering column		
X173	GROUND	below LH side of dash	07-1	
X209	(12 PINS, BLACK)	LH footwell underside of steering column		
X256	(26 PINS, BLACK)	ahead of RH front door in lower RH A-pillar	32-1	04-1
X257	(26 PINS, BLACK)	ahead of LH front door in lower LH A-pillar		04-1
X271	(12 PINS, BLACK)	LH side of dash rear side of instrument cluster, A2w	28-3	01-3
X272	(2 PINS, WHITE)	under roof center panel		
X273	(12 PINS, BLACK)	in lower LH B-pillar	21-1	01-2
X274	(12 PINS, BLACK)	in lower RH B-pillar	21-1	01-2
X275	(4 PINS, NATURAL)	under LH front seat	23-2	03-3
X279	(4 PINS, NATURAL)	under RH front seat	32-3	03-3
X285	(15 PINS, BLUE)	behind glove box	25-2	00-3
X292	(9 PINS, BLACK)	Power Distribution Box rear LH side of engine compartment		03-6
X295	(8 PINS, BLACK)	LH footwell underside of steering column behind LH footwell trim	27-3	03-5
X311	(3 PINS, BLACK)	underside of luggage compartment lid left	34-2	01-1
X312	(2 PINS, BLACK)	in RH rear side of luggage compartment behind RH rear light assembly	03-3	
X315	(2 PINS, BLACK)	underside of luggage compartment lid left	34-2	
X316	(4 PINS, YELLOW)	center console near gearshift lever	31-1	10-1
X317	(6 PINS, YELLOW)	center console near gearshift lever	30-3	07-1
X318	(8 PINS, BLACK)	in RH rear side of luggage compartment behind RH rear light assembly	03-3	01-4



COMPONENT LOCATION CHART

COMP.	DESCRIPTION	LOCATION	7100.0	8500.0
X319	(8 PINS, BLACK)	in LH rear side of luggage compartment behind LH rear light assembly		01-4
X320	(6 PINS, YELLOW)	center console near gearshift lever	30-3	07-1
X322	(6 PINS, BLACK)	LH footwell	28-2	06-2
X324	(4 PINS, YELLOW)	center console near gearshift lever	31-1	10-1
X333	(4 PINS, NATURAL)	rear of engine compartment below center of cowl	16-1	09-3
X336	(6 PINS, NATURAL)	under roof center panel	04-2	04-2
X351	(2 PINS, BLACK)	in upper RH B-pillar		
X352	(2 PINS, BLACK)	in lower LH C-pillar behind side panel	35-3	
X353	(1 PIN, NATURAL)	in lower RH C-pillar		
X354	(1 PIN, NATURAL)	in lower LH C-pillar		
X355	(2 PINS, BLACK)	in upper RH C-pillar	33-2	
X356	(2 PINS, BLACK)	in upper LH C-pillar	33-1	
X371	(2 PINS, BLACK)	front RH side of engine compartment on washer fluid reservoir	10-2	
X372	(2 PINS, GRAY)	rear RH side of engine compartment back of RH side shock tower		
X379	(1 PIN, BLACK)	in upper LH C-pillar	33-1	
X380	(1 PIN, BLACK)	in upper RH C-pillar	33-2	
X381	(3 PINS, BLACK)	above LH sun visor	38-1	01-1
X382	(3 PINS, BLACK)	above RH sun visor	23-1	01-1
X383	(2 PINS, BLACK)	under rear of car on differential	08-1	
X386	(2 PINS, BLACK)	REAR ASHTRAY LIGHT		
X389	(2 PINS, BLACK)	rear LH side of engine compartment		
X390	(2 PINS, BLACK)	RH side of dash behind glove box		



COMPONENT LOCATION CHART

COMP.	DESCRIPTION	LOCATION	7100.0	8500.0
X400	(8 PINS, BLACK)	in LH rear side of luggage compartment		03-5
X401	(1 PIN, BLACK)	above LH sun visor	38-1	
X402	(1 PIN, BLACK)	above RH sun visor	23-1	
X413	(2 PINS, BLACK)	at back of rear window shelf		
X423	(1 PIN, NATURAL)	below center console on rear of park brake lever		
X424	(1 PIN, BROWN)	in upper LH C-pillar	33-1	
X494	GROUND	under LH front seat under carpet left	39-2	
X495	GROUND	behind RH footwell trim	07-3	
X498	GROUND	under LH front seat under carpet left	39-2	
X503	(12 PINS, WHITE)	LH side of dash	26-1	01-6
X504	(4 PINS, NATURAL)	LH side of dash	26-1	03-3
X511	(8 PINS, BLACK)	center console	30-3	01-4
X516	(5 PINS, BLACK)	center console	30-3	03-2
X517	(4 PINS, BLACK)	LH side of dash	26-1	03-3
X518	(4 PINS, BLACK)	LH footwell	28-2	03-3
X521	(6 PINS, BLUE)	center console		05-3
X522	(3 PINS, NATURAL)	LH footwell	28-2	02-1
X531	(1 PIN, NATURAL)	center console near gearshift lever	30-2	
X532	(2 PINS, BLACK)	center console near gearshift lever	30-2	
X537	(3 PINS, BLACK)	in upper LH front door behind door panel	31-3	01-1
X538	(2 PINS, BLACK)	RH front door behind door panel	32-1	
X542	(2 PINS, BLACK)	LH side of glove box	25-1	



COMPONENT LOCATION CHART

COMP.	DESCRIPTION	LOCATION	7100.0	8500.0
X603	(12 PINS, BLACK)	LH front seat		04-5
X604	(12 PINS, BLACK)	RH front seat		04-5
X605	(12 PINS, BLACK)	below RH side of rear seat Convertible	02-3	03-4
X605	(12 PINS, BLACK)	in LH side of luggage compartment	04-1	03-4
X606	(26 PINS, BLACK)	below RH side of rear seat Convertible	02-3	00-2
X606	(26 PINS, BLACK)	in LH side of luggage compartment	04-1	00-2
X607	(9 PINS, BLACK)	below LH side of dash	02-2	03-6
X623	(4 PINS, BLACK)	in upper LH front door behind door panel		10-1
X624	(4 PINS, BLACK)	in upper RH front door behind door panel	32-1	10-1
X625	(6 PINS, WHITE)	LH front door	31-3	05-1
X638	(2 PINS, BLACK)	below RH side of rear seat	20-2	
X641	(6 PINS, BLACK)	RH front door behind door panel		08-2
X643	(4 PINS, YELLOW)	in roof panel		10-1
X644	(6 PINS, BLACK)	in lower LH rear door		05-3
X645	(6 PINS, BLUE)	in lower LH rear door		06-2
X646	(6 PINS, BLACK)	in lower RH rear door behind trim panel		06-2
X647	(6 PINS, BLUE)	in lower RH rear door behind trim panel		08-4
X651	(6 PINS, YELLOW)	center console	30-2	05-3
X652	(6 PINS, BLACK)	driver's seat left		05-1
X658	(6 PINS, YELLOW)	center console	30-1	05-3
X660	(4 PINS, BLACK)	LH front door in door at key lock assembly		05-4
X663	(4 PINS, GRAY)	RH side of IHKA Plenum	29-3	10-1



COMPONENT LOCATION CHART

COMP.	DESCRIPTION	LOCATION	7100.0	8500.0
X671	(5 PINS, BLACK)	behind LH side of dash		04-3
X679	(2 PINS, NATURAL)	below RH side of rear seat	20-2	
X700	(1 PIN, NATURAL)	behind RH footwell speaker grille		
X701	(1 PIN, NATURAL)	behind LH footwell kickpanel		
X706	(2 PINS, BLACK)	center console	31-2	
X709	(2 PINS, BLACK)	underside of luggage compartment lid, near license plate	09-1	
X710	(2 PINS, BLACK)	underside of luggage compartment lid, near license plate	09-1	
X711	(1 PIN, NATURAL)	underside of luggage compartment lid left	34-2	
X712	(1 PIN, TRANSPARENT)	underside of luggage compartment lid left		
X713	(2 PINS, BLACK)	under rear of car near differential on differential	08-1	
X714	(2 PINS, GRAY)	in lower LH rear door behind trim panel		
X720	(2 PINS, GRAY)	in lower RH rear door behind trim panel		
X726	(2 PINS, —)	under LH front seat	23-2	
X727	(2 PINS, —)	under LH front seat	23-2	
X728	(2 PINS, —)	under LH front seat	23-2	
X729	(2 PINS, —)	under LH front seat	23-2	
X732	(4 PINS, BLACK)	under LH front seat under carpet		03-3
X733	(4 PINS, BLACK)	under LH front seat under carpet		03-3
X734	(2 PINS, —)	under RH front seat		
X735	(2 PINS, —)	under RH front seat		
X736	(2 PINS, —)	under RH front seat		
X737	(2 PINS, —)	under RH front seat		



COMPONENT LOCATION CHART

COMP.	DESCRIPTION	LOCATION	7100.0	8500.0
X740	(4 PINS, BLACK)	under RH front seat	24-1	03-3
X741	(4 PINS, BLACK)	under RH front seat	24-1	03-3
X742	(2 PINS, YELLOW)	RH front door in door at key lock assembly		
X744	(2 PINS, GRAY)	RH front door behind door panel	32-1	
X745	(3 PINS, BLACK)	above RH footwell dash panel		01-1
X746	(3 PINS, BLACK)	RH front door behind door panel	32-1	01-1
X747	(2 PINS, YELLOW)	LH front door in door at key lock assembly	32-2	
X748	(3 PINS, BLACK)	footwell, driver's side, behind trim panel		01-1
X749	(4 PINS, BLACK)	in upper LH front door	31-3	
X751	(2 PINS, WHITE)	LH front door	32-2	
X752	(2 PINS, GRAY)	LH front door in door at key lock assembly	32-2	
X753	(3 PINS, BLACK)	LH front door		01-1
X768	(2 PINS, WHITE)	in the engine compartment near LH headlight assembly	08-2	
X769	(2 PINS, WHITE)	in the engine compartment near RH headlight assembly	08-2	
X770	(2 PINS, YELLOW)	front RH side of engine compartment	20-1	
X771	(2 PINS, BLACK)	RH side of LH footwell LH side of IHKA Plenum	28-1	
X772	(2 PINS, WHITE)	center console		
X773	(2 PINS, WHITE)	center console		
X774	(1 PIN, GRAY)	rear of engine compartment behind RH fresh air cowl		
X778	(4 PINS, BLACK)	under LH front seat	23-2	10-1
X779	(2 PINS, BLACK)	LH side of glove box	25-1	
X782	(3 PINS, ORANGE)	below RH side of dash	27-2	10-3



COMPONENT LOCATION CHART

COMP.	DESCRIPTION	LOCATION	7100.0	8500.0
X783	(3 PINS, BLACK)	underside of steering column		10-3
X816	(2 PINS, BLACK)	rear of engine compartment behind RH fresh air cowl		
X817	(1 PIN, BLACK)	rear of engine compartment behind RH fresh air cowl		
X899	(12 PINS, BLACK)	behind center of dashboard		01-3
X904	(4 PINS, BLACK)	LH side of IHKA Plenum	29-1	03-3
X905	(5 PINS, BLACK)	behind center of dashboard		
X999	(4 PINS, BLACK)	behind center of dashboard left		03-3
X1001	(4 PINS, BLACK)	RIGHT REAR SPEAKER		03-3
X1002	(4 PINS, —)	LEFT REAR SPEAKER		03-3
X1014	(1 PIN, BLACK)	center console near gearshift lever	30-2	
X1070	(18 PINS, BLACK)	center console	03-1	01-5
X1071	(18 PINS, NATURAL)	center console	03-1	01-5
X1074	(15 PINS, WHITE)	below LH side of dash	00-3	00-3
X1075	(15 PINS, BLACK)	below LH side of dash	00-3	00-3
X1148	(2 PINS, BLACK)	front LH side of engine compartment JET HEATER THERMOSWITCH	37-3	
X1155	(3 PINS, BLACK)	center console		01-1
X1162	(2 PINS, BLACK)	near brake master cylinder	18-3	
X1165	GROUND	below LH side of dash	07-1	
X1166	GROUND	behind RH footwell trim	07-3	
X1170	(42 PINS, BLACK)	behind glove box (glove box removed)	01-3	10-4
X1171	(55 PINS, BLACK)	behind glove box (glove box removed)	01-3	00-1
X1176	(25 PINS, BLACK)	LH side of engine compartment		05-2



COMPONENT LOCATION CHART

COMP.	DESCRIPTION	LOCATION	7100.0	8500.0
X1178	(2 PINS, WHITE)	below center console LH side of gearshift selector		
X1193	(3 PINS, BLACK)	center console RH side of gearshift selector		01-1
X1213	(2 PINS, BLACK)	center console	31-2	
X1239	(2 PINS, BLACK)	RH C-Pillar		
X1240	(2 PINS, BLACK)	LH C-Pillar		
X1241	(2 PINS, NATURAL)	below LH side of rear seat	21-2	
X1243	(6 PINS, BLACK)	center console near gearshift lever	31-1	07-1
X1245	(1 PIN, BLACK)	in sun visor left		
X1246	(1 PIN, BLACK)	in sun visor right		
X1260	(2 PINS, NATURAL)	behind side panel left		
X1261	(2 PINS, NATURAL)	behind side panel right		
X1292	(4 PINS, NATURAL)	center console		10-1
X1380	(1 PIN, NATURAL)	behind RH footwell speaker grille		
X1381	(1 PIN, NATURAL)	behind LH footwell kickpanel		
X1405	(1 PIN, NATURAL)	rear LH side of engine compartment in Power Distribution Box		
X1406	(1 PIN, WHITE)	rear LH side of engine compartment in Power Distribution Box		
X1439	(2 PINS, BLACK)	center console		
X1441	GROUND	below rear seat	00-2	
X1527	(26 PINS, BLUE)	behind center console	03-2	00-2
X1588	(2 PINS, BLACK)	below LH side of dash		
X1659	(15 PINS, YELLOW)	RH side of dash behind glove box	38-3	00-3
X1660	(3 PINS, WHITE)	RH side of steering column	04-3	01-1



COMPONENT LOCATION CHART

COMP.	DESCRIPTION	LOCATION	7100.0	8500.0
X1715	(4 PINS, NATURAL)	behind trim panel, SUBWOOFER		03-3
X1780	(9 PINS, BLACK)	footwell, driver's side behind trim panel		03-6
X1883	(3 PINS, —)	in driver's door		01-1
X1884	(3 PINS, —)	in passenger's door		01-1
X1885	(3 PINS, BLACK)	under LH front seat, under carpet left	39-2	09-1
X1886	(3 PINS, BLACK)	under RH front seat, under carpet right		09-1
X1890	(3 PINS, BLACK)	behind front grille behind trim panel		08-1
X1892	(3 PINS, BLACK)	in RH rear side of luggage compartment		01-1
X4770	(4 PINS, NATURAL)	in upper RH C-pillar		10-1
X4771	(4 PINS, NATURAL)	in upper LH C-pillar		10-1
X6000	(88 PINS, BLACK)	rear RH side of engine compartment	00-1	06-1
X6002	(20 PINS, BLACK)	rear RH side of engine compartment	05-1	04-4
X6031	(12 PINS, BLACK)	rear LH side of engine compartment		01-6
X6091	(30 PINS, BLACK)	rear of engine compartment on firewall		05-6
X6101	(2 PINS, BLACK)	top center of engine	36-1	
X6102	(2 PINS, BLACK)	top center of engine	36-1	
X6103	(2 PINS, BLACK)	top center of engine	36-1	
X6104	(2 PINS, BLACK)	top center of engine	36-1	
X6105	(2 PINS, BLACK)	top center of engine	36-1	
X6106	(2 PINS, BLACK)	top center of engine	36-1	
X6120	(2 PINS, BLACK)	LH side of engine compartment right of LH side shock tower	15-1	
X6120	(2 PINS, BLACK)	LH side of engine compartment right of LH side shock tower	20-3	



COMPONENT LOCATION CHART

COMP.	DESCRIPTION	LOCATION	7100.0	8500.0
X6130	(3 PINS, GRAY)	front of engine below intake manifold	11-3	10-2
X6130	(2 PINS, BLACK)	rear LH side of engine compartment	11-2	
X6131	(2 PINS, BLACK)	rear LH side of engine compartment	36-2	
X6133	(2 PINS, BLACK)	front of engine compartment		
X6150	(12 PINS, BLACK)	front RH side of engine compartment	05-1	01-6
X6151	(3 PINS, GRAY)	top RH side of engine		07-4
X6152	(3 PINS, GRAY)	top RH side of engine		07-4
X6153	(3 PINS, GRAY)	top RH side of engine		07-4
X6154	(3 PINS, GRAY)	top RH side of engine		07-4
X6155	(3 PINS, GRAY)	top RH side of engine		07-4
X6156	(3 PINS, GRAY)	top RH side of engine		07-4
X6163	(2 PINS, BLACK)	RH side of engine		
X6203	(3 PINS, BLACK)	front of engine below intake manifold		10-2
X6204	(3 PINS, BLACK)	front of engine below intake manifold		07-3
X6205	(2 PINS, BLACK)	front LH side of engine compartment (318is)	18-2	
X6205	(2 PINS, BLACK)	LH side of engine near oil level stick	36-3	
X6207	(4 PINS, BLACK)	LH side of engine	12-1	07-2
X6209	(3 PINS, BLACK)	front of engine HALL EFFECT CAMSHAFT SENSOR		07-5
X6217	(4 PINS, GRAY)	top front of engine	18-2	07-2
X6231	(2 PINS, BLACK)	LH side of engine compartment near oil level stick	11-1	
X6231	(2 PINS, BROWN)	front of engine below intake manifold (318is)	17-1	
X6238	(2 PINS, BLACK)	LH side of engine (M3)		



COMPONENT LOCATION CHART

COMP.	DESCRIPTION	LOCATION	7100.0	8500.0
X6240	(4 PINS, BLACK)	LH side of engine near starter		07-2
X6252	(3 PINS, BLACK)	LH side of engine	13-3	07-3
X6252	(3 PINS, BLACK)	LH side of engine near oil level stick	12-1	10-2
X6256	(4 PINS, BLACK)	front of engine	11-1	07-2
X6256	(4 PINS, BLACK)	front of engine	17-2	
X6275	(2 PINS, BLACK)	top center of engine	12-2	
X6300	(9 PINS, BLACK)	rear LH side of engine compartment		03-6
X6301	(9 PINS, BLACK)	rear LH side of engine compartment		03-6
X6304	(9 PINS, BLACK)	rear LH side of engine compartment		03-6
X6326	(9 PINS, BLACK)	rear RH side of engine compartment in E-Box	39-1	03-6
X6430	CABLE SOCKET B+ JUMP START JUNCTION POINT	rear RH side of engine compartment		
X6431	CABLE SOCKET B+ JUMP START JUNCTION POINT	rear RH side of engine compartment		
X6432	CABLE SOCKET B+ JUMP START JUNCTION POINT	rear RH side of engine compartment		
X6433	CABLE SOCKET B+ JUMP START JUNCTION POINT	rear RH side of engine compartment		
X6437	CABLE SOCKET B+ JUMP START JUNCTION POINT	rear RH side of engine compartment		
X6454	GROUND	rear RH side of engine compartment back of RH side shock tower	06-2	
X6456	GROUND	on cylinder head	07-2	
X6509	CABLE SOCKET ALTERNATOR B+	front LH side of engine compartment	05-2	
X6510	CABLE SOCKET STARTER, TERMINAL 50	rear LH side of engine compartment below intake manifold		



COMPONENT LOCATION CHART

COMP.	DESCRIPTION	LOCATION	7100.0	8500.0
X6511	CABLE SOCKET STARTER, TERMINAL 30h	rear LH side of engine compartment below intake manifold		
X6512	CABLE SOCKET STARTER, TERMINAL 30	rear LH side of engine compartment below intake manifold		
X6550	(2 PINS, BLACK)	under LH center of car behind trim panel	27-1	
X7000	(88 PINS, BLACK)	rear RH side of engine compartment	00-1	06-1
X7509	CABLE SOCKET ALTERNATOR, TERMINAL D+	front LH side of engine compartment below		
X8500	(88 PINS, BLACK)	rear RH side of engine compartment	00-1	06-1
X8503	(10 PINS, WHITE)	center console RH side of gearshift selector	31-1	02-4
X8505	(16 PINS, BLACK)	on RH side of transmission		03-1
X8507	(1 PIN, BLACK)	below LH side of dash		
X8511	(2 PINS, BLACK)	under front of car LH side of transmission		
X8516	(3 PINS, BLACK)	under center of car above		10-2
X9997	(2 PINS, ORANGE)	behind steering wheel	24-2	
X10010	GROUND	behind RH footwell trim		
X10012	GROUND	behind RH footwell trim	07-3	
X10013	(1 PIN, —)	top of steering column		
X10054	(12 PINS, BLACK)	below LH side of dash RH side of steering column	28-1	04-5
X10070	(2 PINS, GRAY)	near LH headlight assembly	13-2	
X10071	(2 PINS, BLACK)	near LH headlight assembly	13-2	
X10074	(2 PINS, BLACK)	near LH headlight assembly		
X10075	(2 PINS, GRAY)	near RH headlight assembly		



COMPONENT LOCATION CHART

COMP.	DESCRIPTION	LOCATION	7100.0	8500.0
X10092	(9 PINS, BLACK)	behind glove box left	25-2	03-6
X10094	(2 PINS, BLACK)	LH side of engine compartment	12-1	
X10098	(1 PIN, —)	front RH side of engine compartment		
X10099	(1 PIN, —)	front RH side of engine compartment		
X10182	(18 PINS, BLACK)	behind glove box (glove box removed)		01-5
X10193	(9 PINS, BLACK)	behind glove box (glove box removed)	01-2	03-6
X10213	(2 PINS, BLACK)	front RH side of engine compartment		
X10216	(2 PINS, YELLOW)	driver's seat right		
X10217	(2 PINS, YELLOW)	passenger's seat left		
X10218	(3 PINS, NATURAL)	under RH front seat	24-1	01-1
X10223	(3 PINS, BLACK)	in convertible top compartment left	22-1	00-1
X10224	(2 PINS, BLACK)	in convertible top compartment left	22-1	
X10225	(3 PINS, BLACK)	underside of luggage compartment lid		01-1
X10226	(9 PINS, BLACK)	behind glove box	25-2	03-6
X10227	(4 PINS, BLACK)	in convertible top compartment		07-6
X10238	(2 PINS, BLACK)	LH side of engine compartment		
X10239	(3 PINS, BLACK)	LH side of engine compartment	12-1	07-3
X10244	(1 PIN, BLACK)	below LH side of dash		
X10250	(2 PINS, BLACK)	behind LH footwell speaker grille		
X10261	(4 PINS, BLACK)	front RH side of engine compartment near RH headlight assembly	09-3	08-5
X10262	(9 PINS, BLACK)	below LH side of dash		03-6
X10266	(6 PINS, BLACK)	below RH side of rear seat (Convertible)		05-3



COMPONENT LOCATION CHART

COMP.	DESCRIPTION	LOCATION	7100.0	8500.0
X10267	(6 PINS, BLACK)	center console		05-3
X10273	(2 PINS, BLACK)	LH side of dash behind instrument cluster		
X11166	GROUND	in lower LH C-pillar behind side panel	35-3	
X11205	(2 PINS, BLACK)	behind rear seats right	22-3	
X11208	(2 PINS, BLACK)	hard top		
X11209	(2 PINS, BLACK)	behind rear seats left behind side panel	35-3	
X11211	(2 PINS, —)	in convertible top compartment		
X11277	(3 PINS, YELLOW)	on lift gate in rear spoiler		01-1
X11289	(3 PINS, BLACK)	under LH front seat		01-1
X11290	(3 PINS, BLACK)	under RH front seat		01-1
X11335	(3 PINS, —)	in driver's door	39-3	01-1
X11336	(3 PINS, —)	in passenger's door		01-1
X11379	(3 PINS, NATURAL)	RH top of radiator	09-3	06-4
X11382	(2 PINS, BLUE)	front cover	35-1	
X11383	(2 PINS, BLUE)	in lower LH C-pillar behind side panel	35-3	
X11385	(3 PINS, BLACK)	front cover	35-1	01-1
X11386	(3 PINS, BLUE)	in lower LH C-pillar behind side panel	35-3	01-1
X11390	(12 PINS, BLACK)	in lower LH C-pillar behind side panel	02-1	01-3
X11393	(9 PINS, BLACK)	Power Distribution Box rear LH side of engine compartment		03-6
X11394	(25 PINS, BLACK)	rear LH side of engine compartment back of LH side shock tower		05-5
X11395	(5 PINS, BLACK)	behind glove box ((glove box removed))		04-3
X13004	GROUND	in upper RH rear seatback	06-1	



COMPONENT LOCATION CHART

COMP.	DESCRIPTION	LOCATION	7100.0	8500.0
X13006	GROUND	in upper LH rear seatback		
X13009	GROUND	behind RH footwell trim	07-3	
X13016	GROUND	below LH side of dash	07-1	
X13025	(12 PINS, BLACK)	behind glove box (glove box removed)	01-3	04-5
X13044	(12 PINS, BLACK)	in lower LH C-pillar behind side panel	02-1	01-3
X13045	(6 PINS, GREEN)	center console		05-3
X13079	(3 PINS, YELLOW)	behind rear seats		01-1
X13142	(2 PINS, WHITE)	behind rear seats	21-3	
X13143	(3 PINS, BLACK)	behind rear seats behind side panel	35-3	01-1
X13145	(6 PINS, BLACK)	in LH side of luggage compartment	34-3	04-2
X13146	(2 PINS, BLACK)	in LH side of luggage compartment	34-1	
X13152	(4 PINS, BLACK)	in LH side of luggage compartment	34-1	07-6
X13156	(10 PINS, BLACK)	in lower LH C-pillar behind side panel	02-1	09-4
X13157	(6 PINS, BLACK)	in lower LH C-pillar behind side panel	02-1	05-3
X13159	(26 PINS, BLACK)	in lower LH C-pillar behind side panel	02-1	00-2
X13170	(2 PINS, BLACK)	in spare-wheel well	14-3	
X13171	(3 PINS, NATURAL)	RH rear wheel well behind trim panel	14-1	06-4
X13172	(2 PINS, BLACK)	in LH rear side of luggage compartment	14-2	
X13176	(6 PINS, NATURAL)	under roof center panel		05-3
X13226	(2 PINS, BLACK)	behind rear seats		
X13227	(2 PINS, BLACK)	behind rear seats		
X13230	GROUND	behind RH footwell trim above (Convertible)		



COMPONENT LOCATION CHART

COMP.	DESCRIPTION	LOCATION	7100.0	8500.0
X13252	(15 PINS, BLACK)	behind glove box (glove box removed)	01-1	00-3
X13253	(26 PINS, YELLOW)	behind glove box (glove box removed)	01-1	00-2
X13254	(26 PINS, GREEN)	behind glove box (glove box removed)	01-1	00-2
X13255	(12 PINS, NATURAL)	behind glove box (glove box removed)		01-3
X13256	(2 PINS, GRAY)	left from LH rear seat behind trim panel	22-2	
X13257	(2 PINS, GRAY)	RH side of RH rear seat behind trim panel	22-2	
X13258	(15 PINS, WHITE)	behind glove box (glove box removed)	25-2	00-3
X13262	(6 PINS, BLUE)	center console		05-3
X13263	(2 PINS, BLACK)	behind glove box		
X13305	(8 PINS, BLACK)	center console		01-4
X18080	(1 PIN, TRANSPARENT)	in luggage compartment		
X18126	(17 PINS, BLACK)	center console behind radio		02-3
X18135	(4 PINS, —)	under driver's seat		
X18196	(10 PINS, BLACK)	driver's door LEFT FRONT HIGH RANGE SPEAKER		02-4
X18198	(10 PINS, BLACK)	passenger's door RIGHT FRONT HIGH RANGE SPEAKER		02-4
X18279	(2 PINS, BLACK)	in lower LH front door behind trim panel		
X18280	(2 PINS, BLACK)	in lower RH side of front door behind trim panel		
X18296	(2 PINS, YELLOW)	in lower LH B-pillar behind trim panel	32-2	
X18336	(3 PINS, BLACK)	LH side of glove box (glove box removed)	25-1	01-1
X18518	(4 PINS, BLACK)	under RH front seat		10-1
X18520	(10 PINS, —)	center console RADIO		
X18521	(10 PINS, —)	RH side of luggage compartment CD CHANGER		



COMPONENT LOCATION CHART

COMP.	DESCRIPTION	LOCATION	7100.0	8500.0
X18723	GROUND	below LH side of dash		
X18741	(4 PINS, —)	center of dash MICROPHONE		
X18797	(1 PIN, NATURAL)	in RH rear side of luggage compartment		
X18798	(1 PIN, NATURAL)	in RH rear side of luggage compartment		
X18994	(3 PINS, YELLOW)	rear LH side of engine compartment below		01-1
X19527	(16 PINS, BLACK)	below LH side of dash		08-3
X19561	(6 PINS, BLACK)	on RH side of transmission		05-3
X62001	(4 PINS, BLACK)	under center of car (318is)	37-1	07-2
X62002	(4 PINS, BLACK)	under center of car (318is)	37-2	07-2
X62101	(4 PINS, BLACK)	top center of engine	15-3	07-2
X62102	(4 PINS, BLACK)	under center of car on catalytic converter		07-2
X62201	(4 PINS, BLACK)	top center of engine	15-3	07-2
X62202	(4 PINS, BLACK)	under center of car on catalytic converter		07-2
X90260	(3 PINS, NATURAL)	RH side of steering column	04-3	01-1
X91009	(2 PINS, BLACK)	under passenger's seat		
Y1	ABS HYDRAULIC UNIT	rear LH side of engine compartment back of LH side shock tower	16-2	
Y1w	ABS HYDRAULIC UNIT	LH side of engine compartment		
Y2	AIR CONDITIONING COMPRESSOR	front of engine		
Y4	WATER VALVE ASSEMBLY	rear LH side of engine compartment	16-2	
Y5	DRIVER'S SIDE MIRROR	in upper LH front door		
Y6	PASSENGER'S SIDE MIRROR	in upper RH front door		
Y19	SHIFT-LOCK	center console RH side of gearshift selector		



COMPONENT LOCATION CHART

COMP.	DESCRIPTION	LOCATION	7100.0	8500.0
Y85	LH ROLLOVER PROTECTION ACTUATOR	behind rear seats (Convertible)	02-3	
Y86	RH ROLLOVER PROTECTION ACTUATOR	behind rear seats (Convertible)	02-3	
Y198	EXHAUST GAS FLAP VALVE	in LH rear side of luggage compartment	14-2	
Y199	CARBON CANISTER VALVE	in spare-wheel well	14-3	
Y6101	CYL. 1 FUEL INJECTION VALVE	RH front of engine	12-3	
Y6102	CYL. 2 FUEL INJECTION VALVE	top center of engine	12-3	
Y6103	CYL. 3 FUEL INJECTION VALVE	top center of engine	12-3	
Y6104	CYL. 4 FUEL INJECTION VALVE	top center of engine	12-3	
Y6105	CYL. 5 FUEL INJECTION VALVE	top center of engine	12-3	
Y6106	CYL. 6 FUEL INJECTION VALVE	top center of engine	12-3	
Y6120	EVAPORATIVE EMISSION VALVE	front LH side of engine compartment right of LH side shock tower	15-1	
Y6120	EVAPORATIVE EMISSION VALVE	LH side of engine compartment right of LH side shock tower	20-3	
Y6130	IDLE SPEED CONTROL VALVE	front of engine below intake manifold	11-3	
Y6130	IDLE SPEED CONTROL VALVE	rear LH side of engine compartment	11-2	
Y6131	INTAKE AIR RESONANCE CHANGEOVER VALVE	rear LH side of engine compartment	36-2	
Y6133	AIR PUMP	front of engine compartment	05-1	
Y6163	SECONDARY AIR PUMP VALVE	RH side of engine		
Y6275	VARIABLE CAMSHAFT CONTROL VALVE 1	top center of engine	12-2	
Y6550	SOLENOID VALVE ("RUNNING LOSSES")	under LH center of car		
Y8505	TRANSMISSION VALVE UNIT	on LH side of transmission		



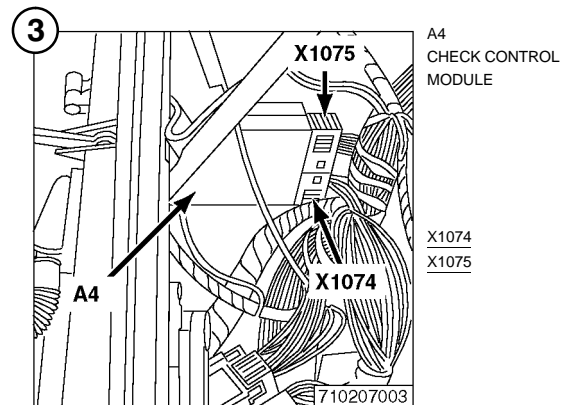
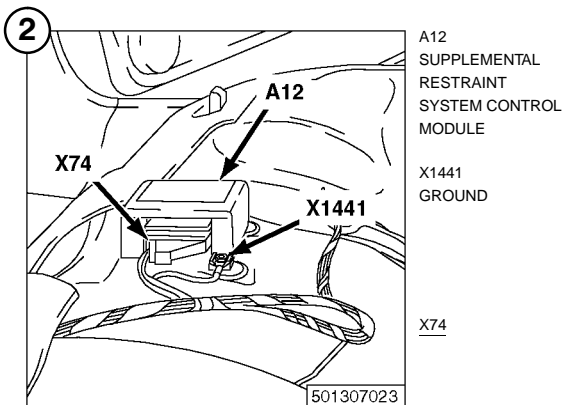
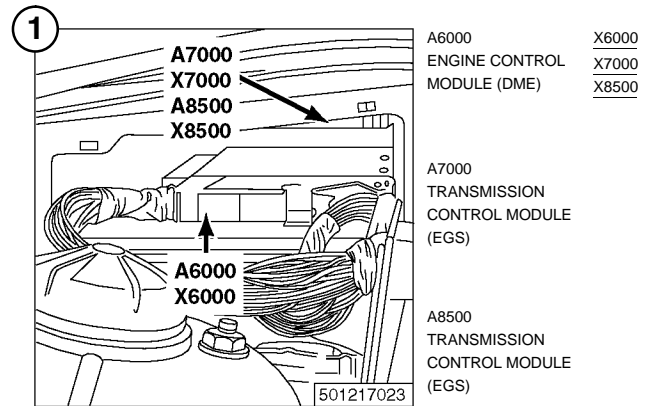
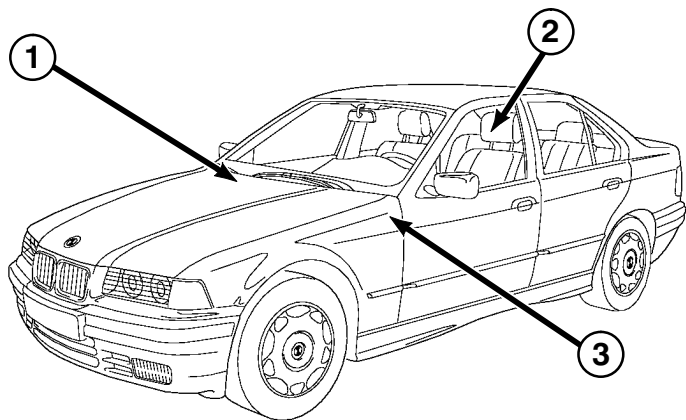
COMPONENT LOCATION CHART

COMP.	DESCRIPTION	LOCATION	7100.0	8500.0
Y8505y	TRANSMISSION VALVE UNIT	on LH side of transmission		
Y8521	TRANSMISSION VALVE UNIT	on RH side of transmission		



7100.0 COMPONENT LOCATION VIEWS

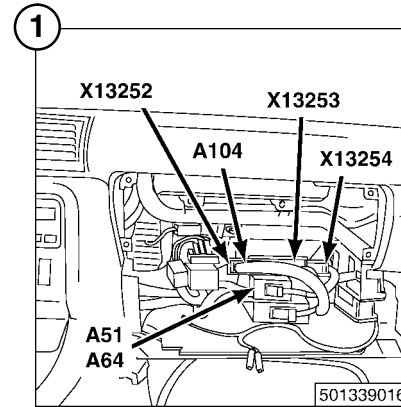
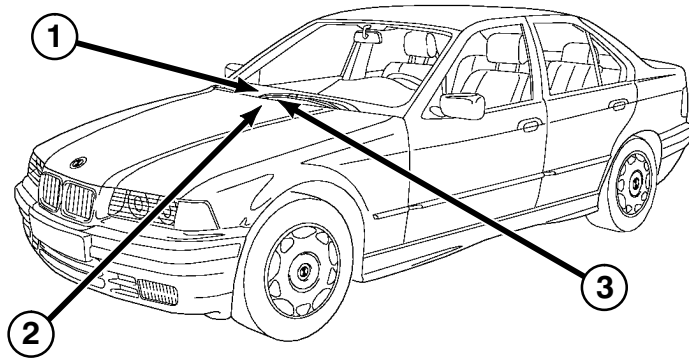
ELECTRICAL CONTROL MODULE LOCATIONS



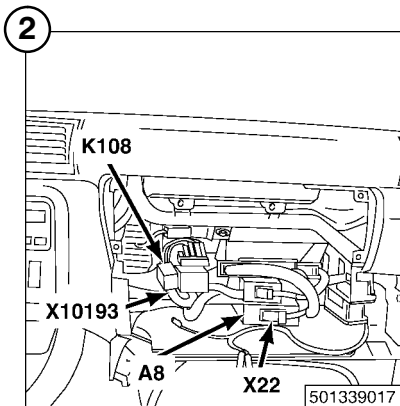


COMPONENT LOCATION VIEWS

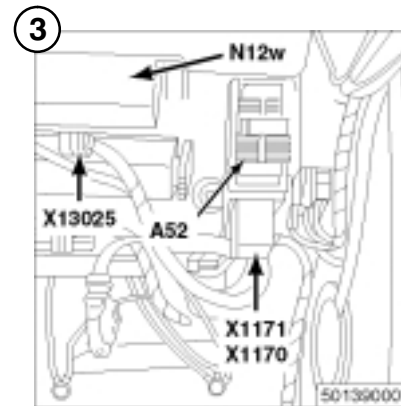
ELECTRICAL CONTROL MODULE LOCATIONS



A51 WIPER/WASHER MODULE
 X13252
 X13253
 X13254
 A64 WIPER/WASHER MODULE (LOW II)
 A104 BODY ELECTRONICS CONTROL MODULE (ZKE IV)



A8 CRUISE CONTROL MODULE (TEMPOMAT)
 K108 HORN RELAY (ALPINE)
 X22
 X10193

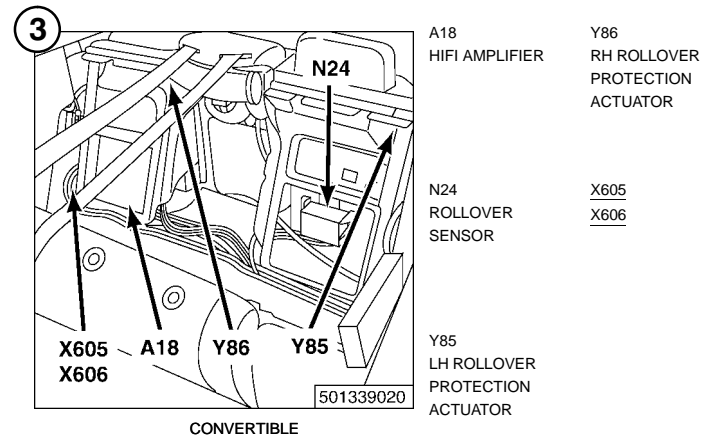
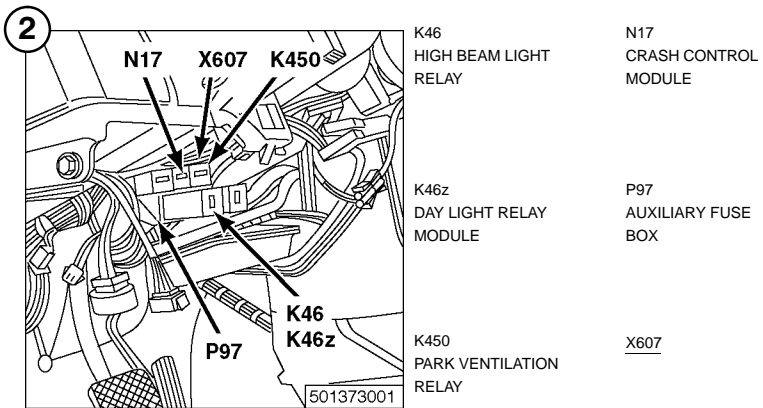
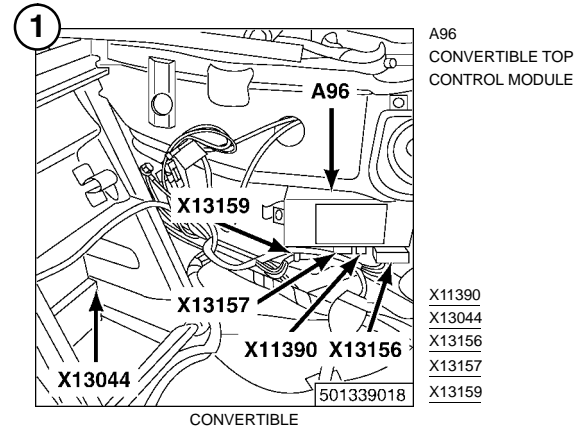
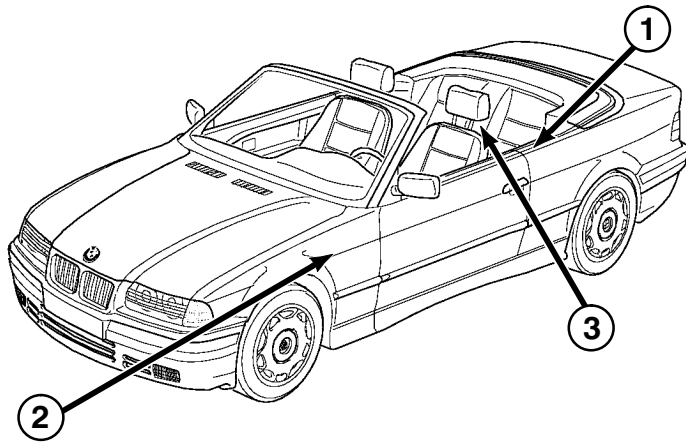


A52 SLIP CONTROL MODULE (ABS/ASC)
 N12w ANTI-THEFT CONTROL MODULE (ALPINE)
 X1170
 X1171
 X13025



COMPONENT LOCATION VIEWS

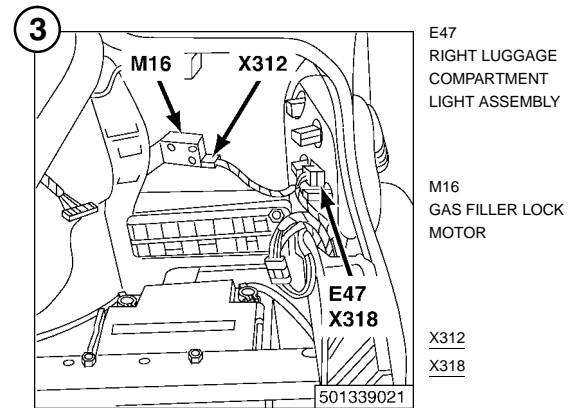
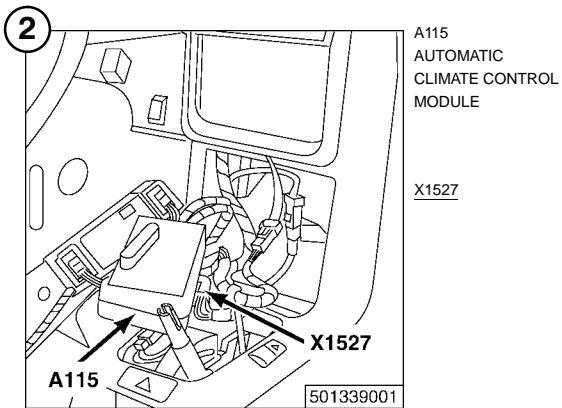
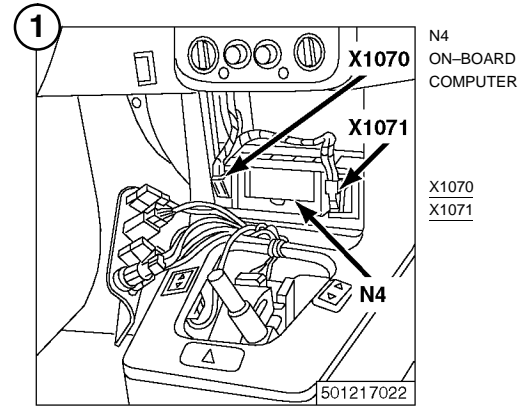
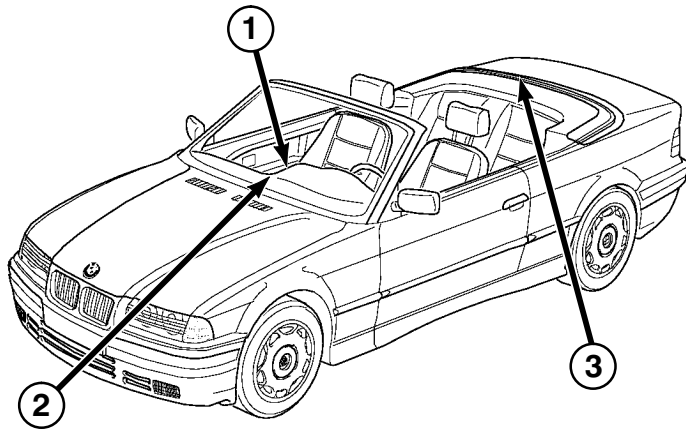
ELECTRICAL CONTROL MODULE LOCATIONS





COMPONENT LOCATION VIEWS

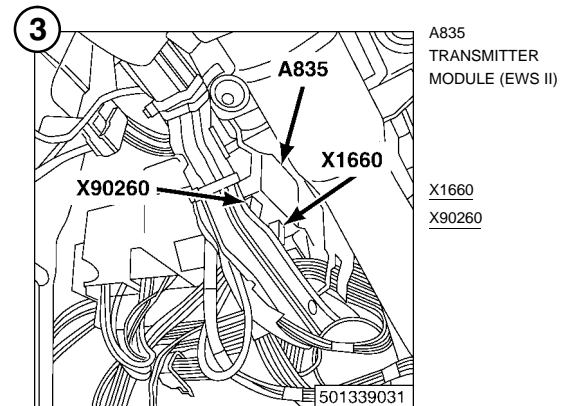
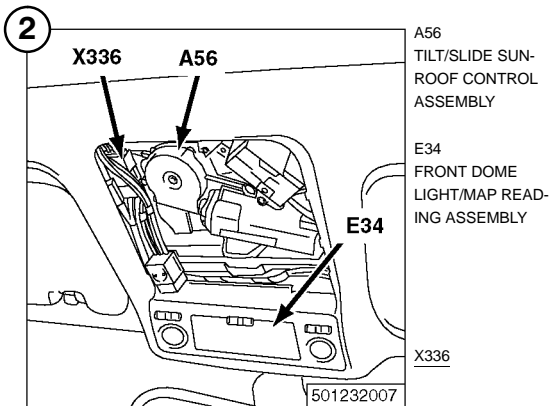
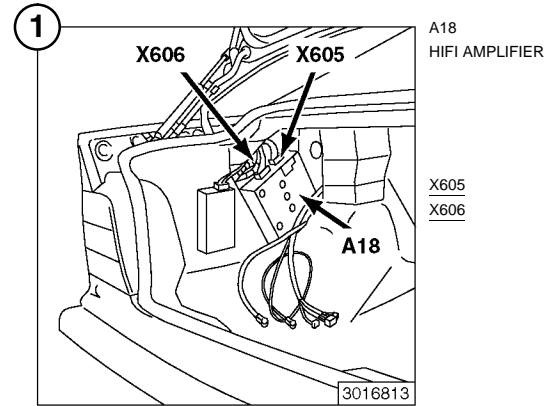
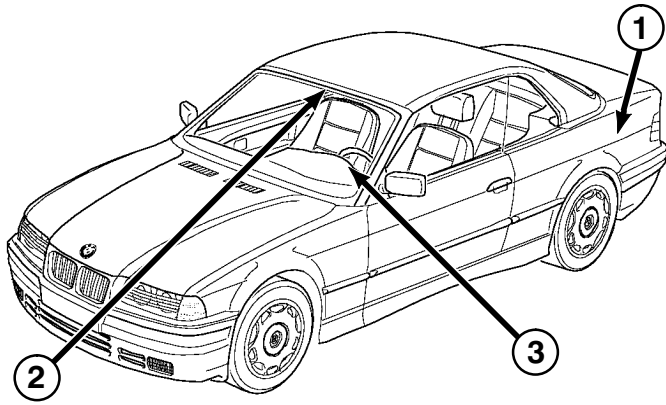
ELECTRICAL CONTROL MODULE LOCATIONS





COMPONENT LOCATION VIEWS

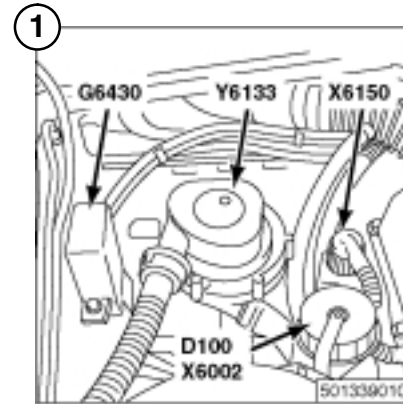
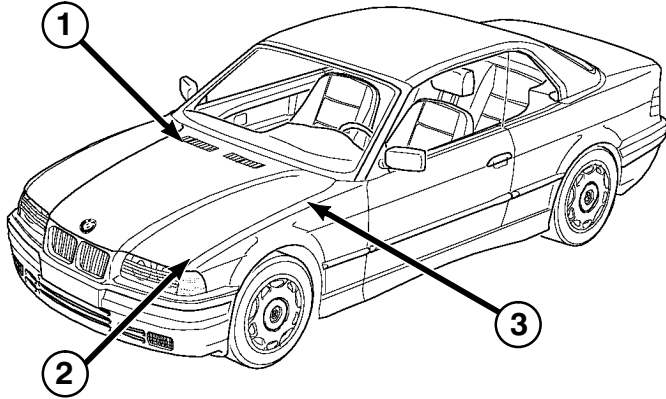
ELECTRICAL CONTROL MODULE LOCATIONS





COMPONENT LOCATION VIEWS

B(+)

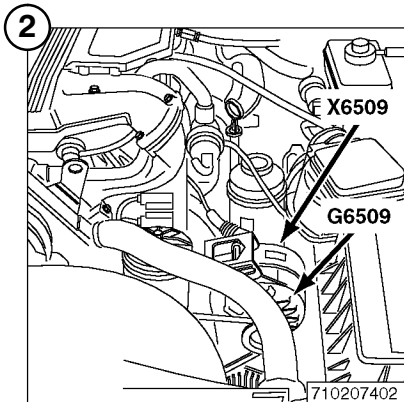


D100
DATA LINK
CONNECTOR

X6002
X6150

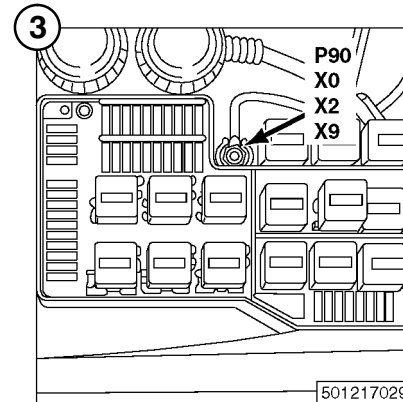
G6430
B+ JUMP START
JUNCTION POINT

Y6133
AIR PUMP



G6509
GENERATOR

X6509
CABLE SOCKET
ALTERNATOR B+



P90
FRONT POWER
DISTRIBUTION BOX

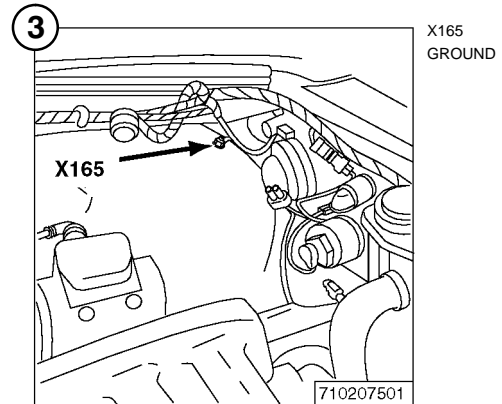
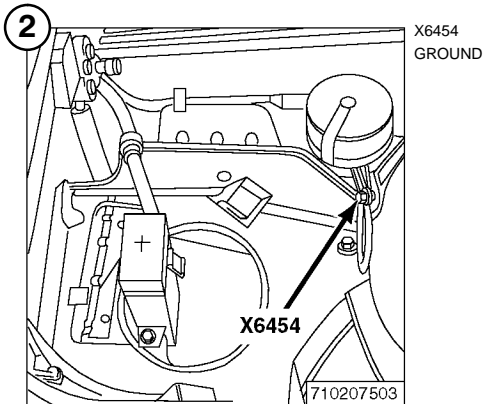
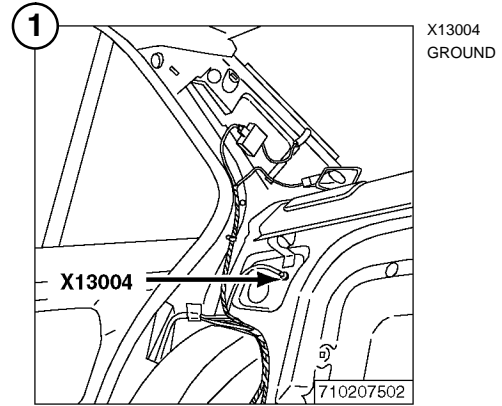
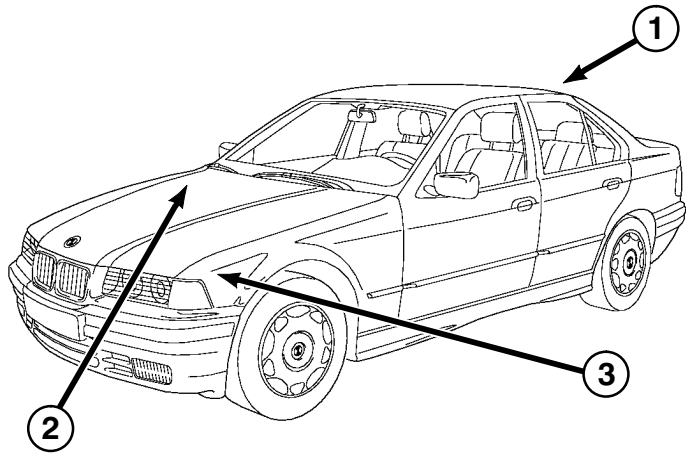
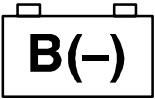
X0
B+ JUNCTION
POINT

X2
BATTERY B+
START POINT

X9
B+ JUNCTION
POINT



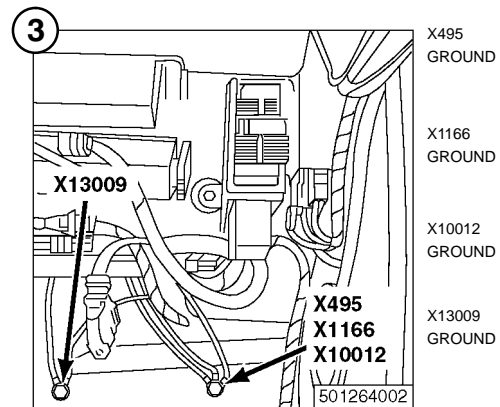
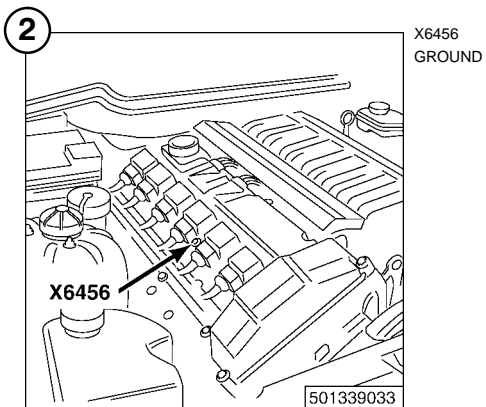
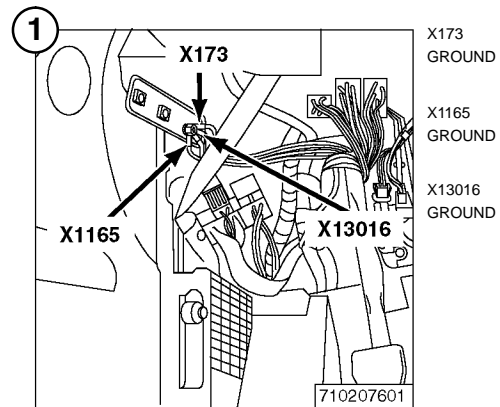
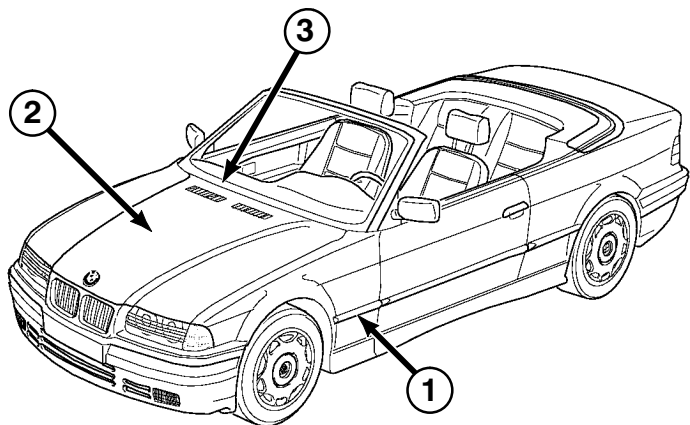
COMPONENT LOCATION VIEWS





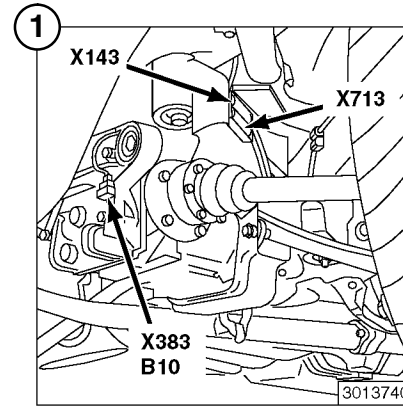
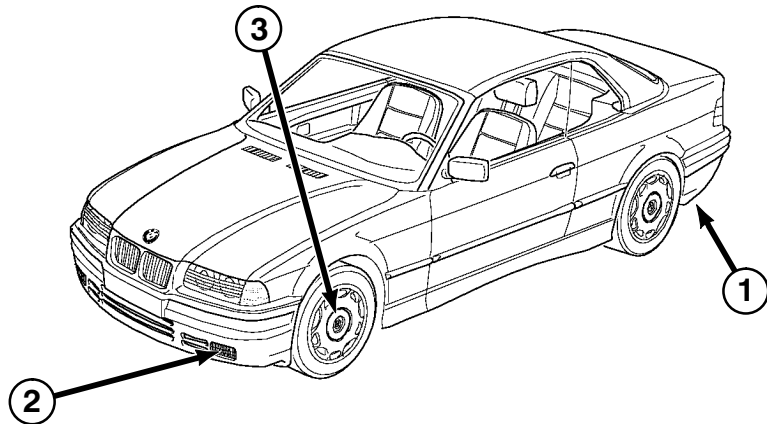
COMPONENT LOCATION VIEWS

B(-)



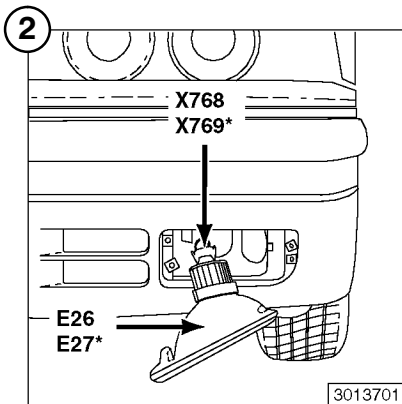


COMPONENT LOCATION VIEWS



B10
VEHICLE SPEED
SENSOR

X143
X383
X713

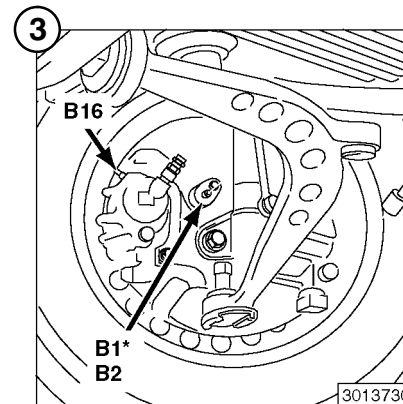


E26
LEFT FOG LIGHT

E27 *
RIGHT FOG LIGHT

X768
X769 *

* RH SIMILAR



B1 *
RIGHT FRONT
SPEED SENSOR -
ABS

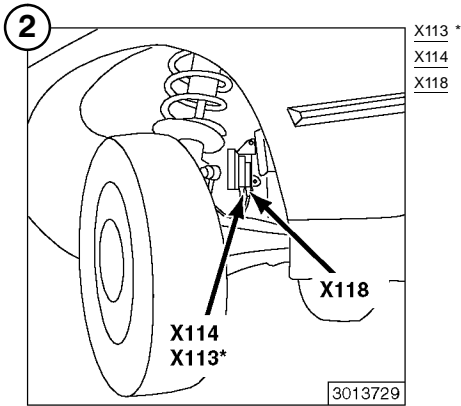
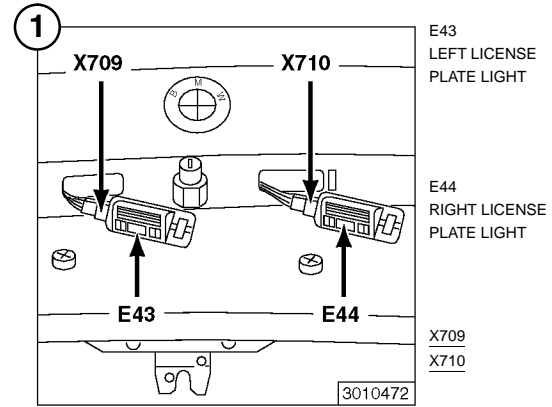
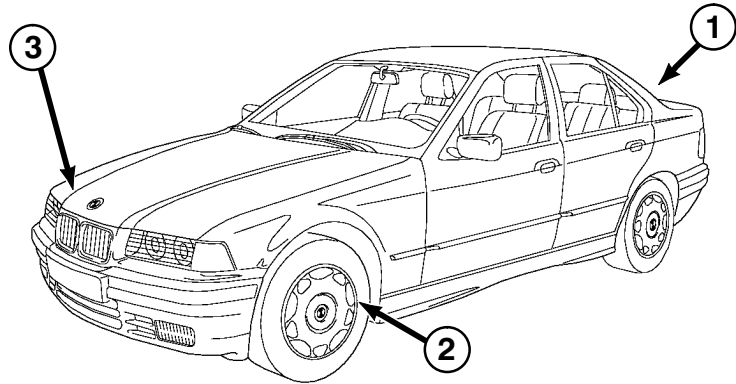
B2
LEFT FRONT
SPEED SENSOR -
ABS

B16
LEFT FRONT
BRAKE PAD
SENSOR

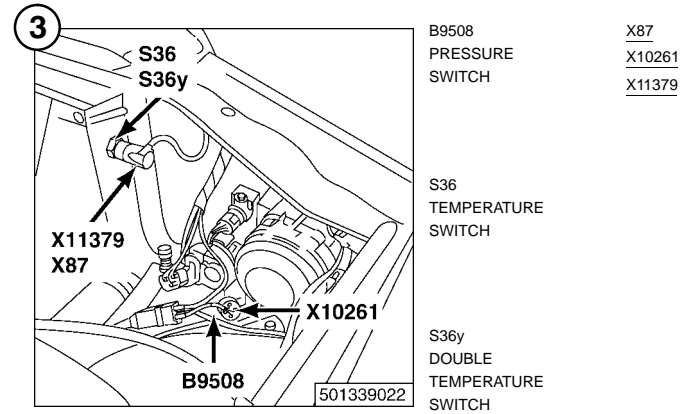
* RH SIMILAR



COMPONENT LOCATION VIEWS

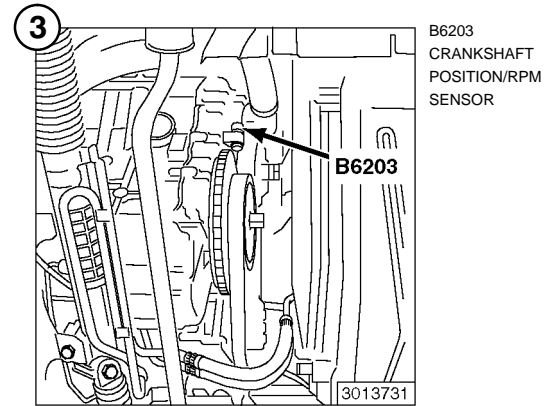
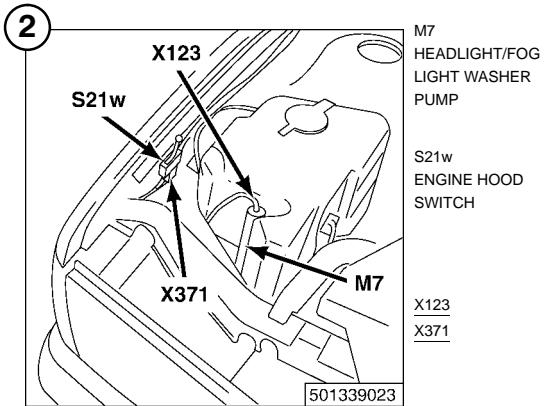
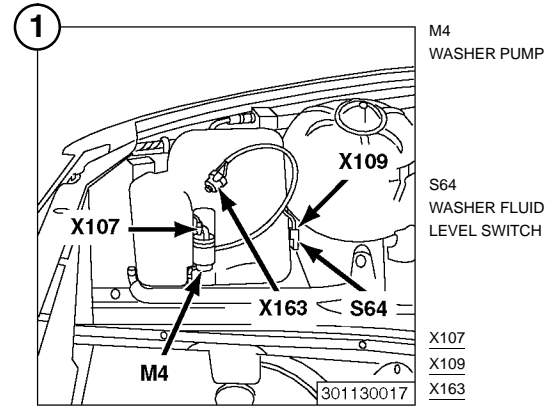
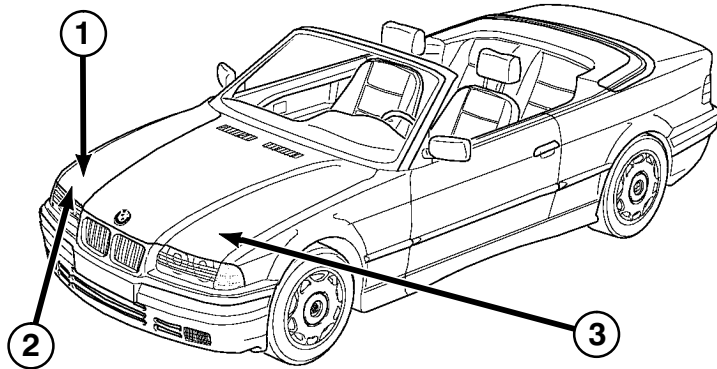


* RH SIMILAR



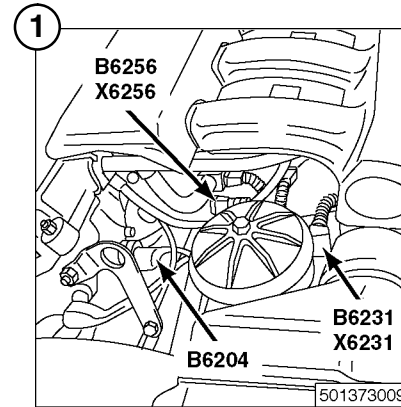
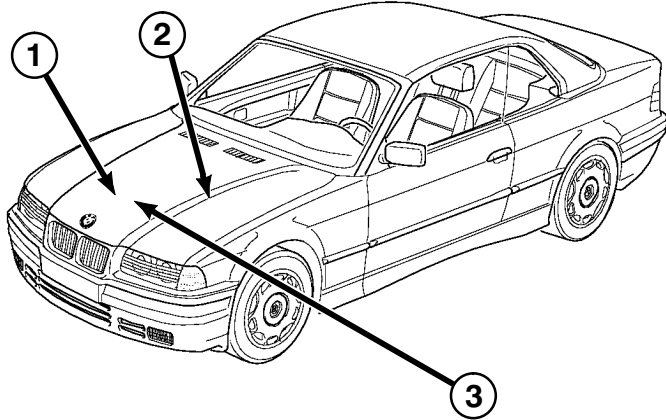


COMPONENT LOCATION VIEWS





COMPONENT LOCATION VIEWS



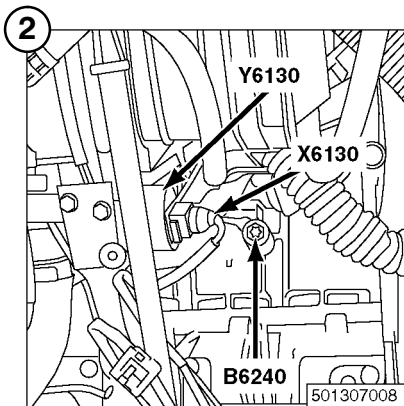
B6204
CAMSHAFT POSITION SENSOR (CYLINDER IDENTIFICATION)

B6231
OIL PRESSURE SWITCH

B6256
DUAL TEMPERATURE SENSOR (COOLANT TEMPERATURE)

X6231
X6256

501373009



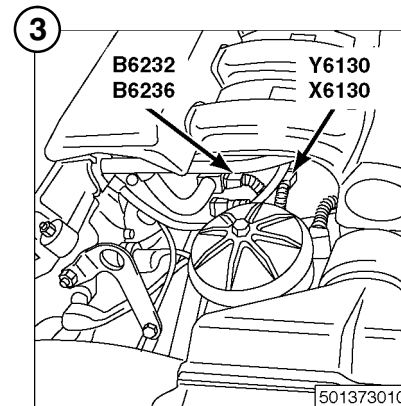
B6240
KNOCK SENSOR

Y6130
IDLE SPEED CONTROL VALVE

X6130

B6240

501307008



B6232
ENGINE COOLANT TEMPERATURE SENSOR

B6236
ENGINE COOLANT TEMPERATURE SENSOR

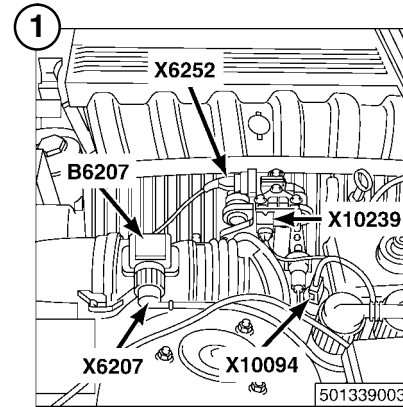
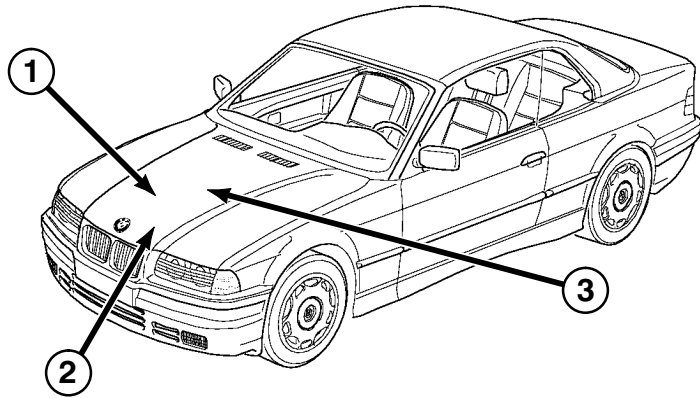
Y6130
IDLE SPEED CONTROL VALVE

X6130

501373010



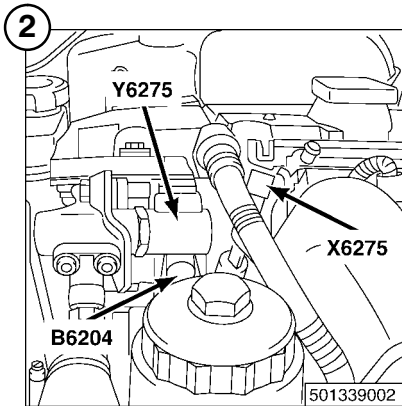
COMPONENT LOCATION VIEWS



B6207
HOT FILM AIR
MASS METER

X6207
X6252
X10094
X10239

501339003

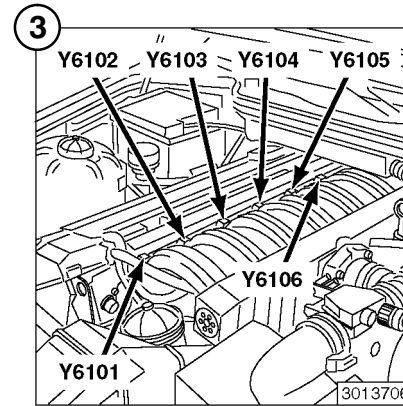


B6204
CAMSHAFT
POSITION SENSOR
(CYLINDER
IDENTIFICATION)

Y6275
VARIABLE CAM-
SHAFT CONTROL
VALVE 1

X6275

501339002



Y6101
CYL. 1 FUEL
INJECTION VALVE

Y6104
CYL. 4 FUEL
INJECTION VALVE

Y6102
CYL. 2 FUEL
INJECTION VALVE

Y6105
CYL. 5 FUEL
INJECTION VALVE

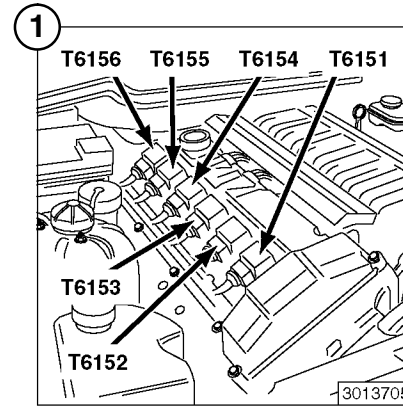
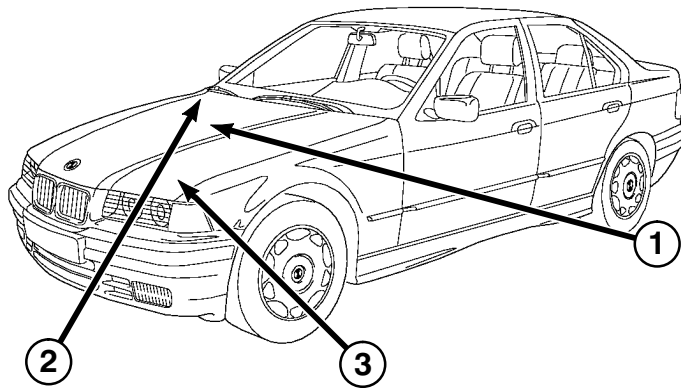
Y6103
CYL. 3 FUEL
INJECTION VALVE

Y6106
CYL. 6 FUEL
INJECTION VALVE

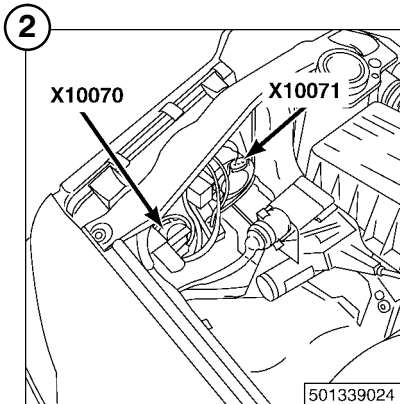
3013706



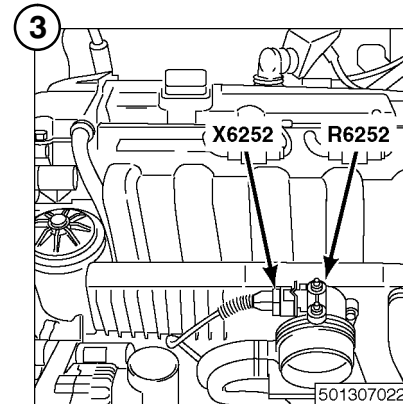
COMPONENT LOCATION VIEWS



- | | |
|----------------------------------|----------------------------------|
| T6151
CYL. 1 IGNITION
COIL | T6154
CYL. 4 IGNITION
COIL |
| T6152
CYL. 2 IGNITION
COIL | T6155
CYL. 5 IGNITION
COIL |
| T6153
CYL. 3 IGNITION
COIL | T6156
CYL. 6 IGNITION
COIL |



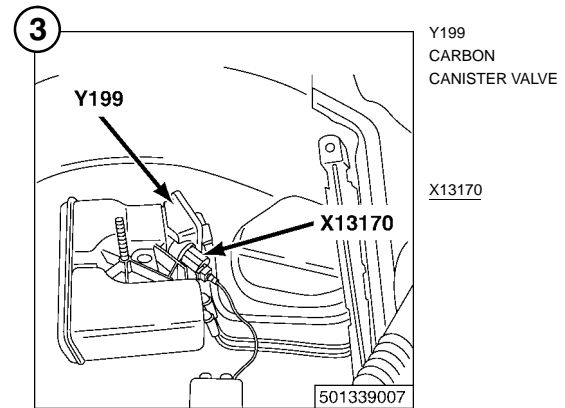
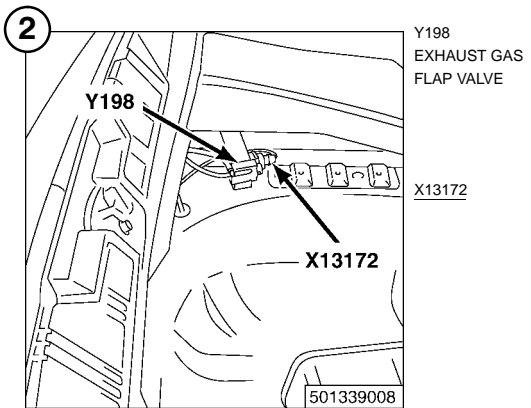
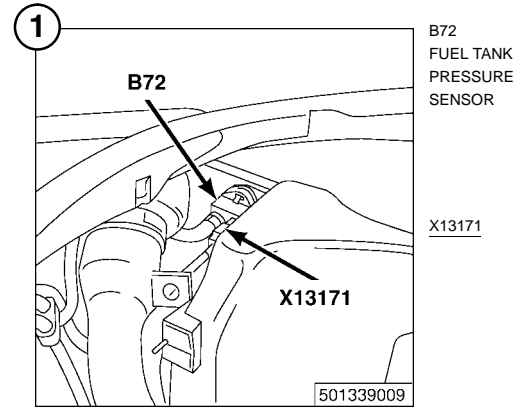
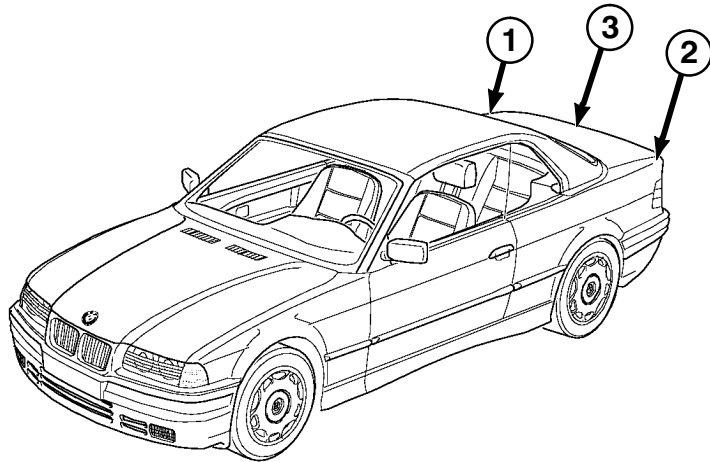
- X10070
- X10071



- R6252
THROTTLE
POSITION SENSOR
- X6252

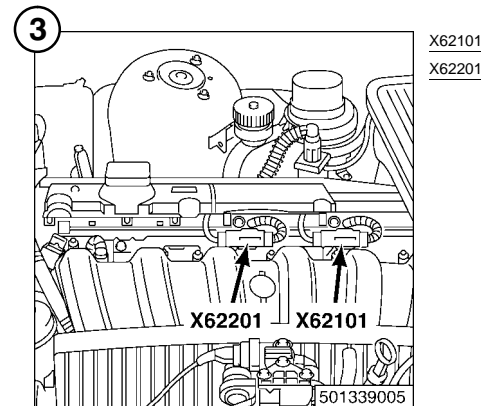
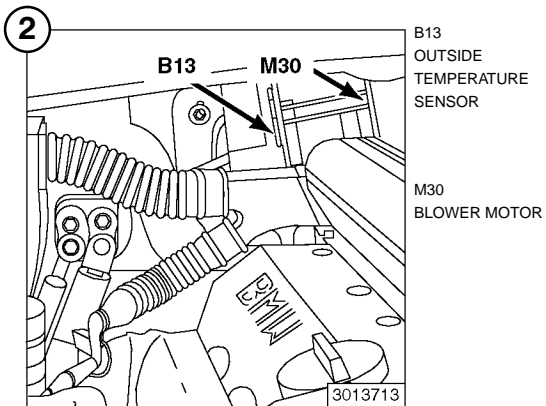
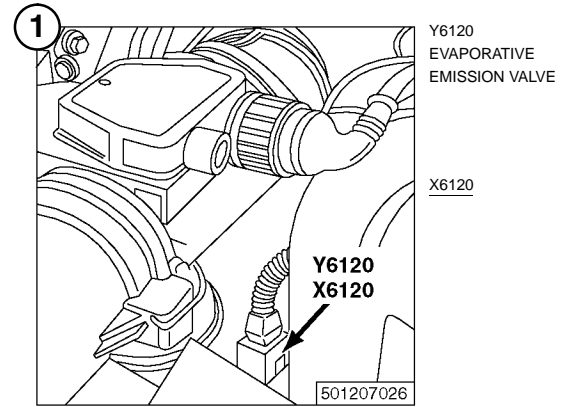
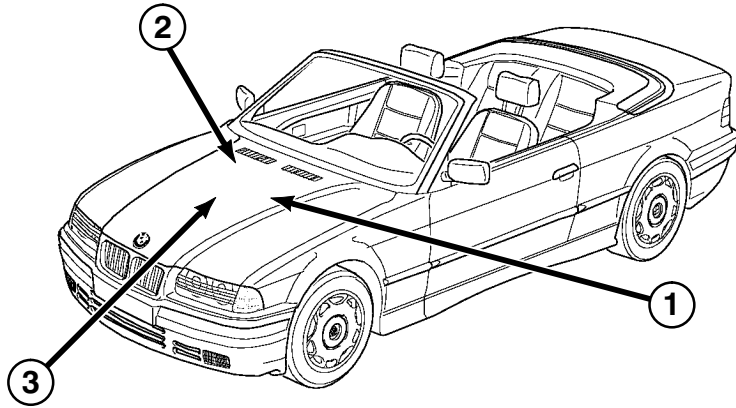


COMPONENT LOCATION VIEWS



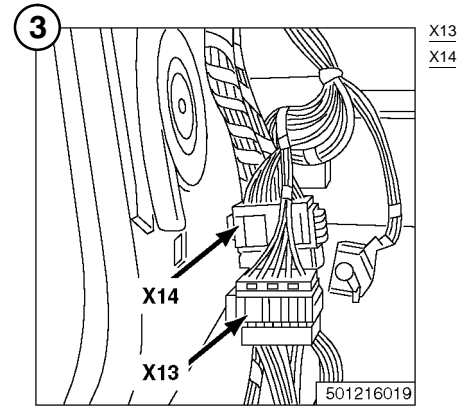
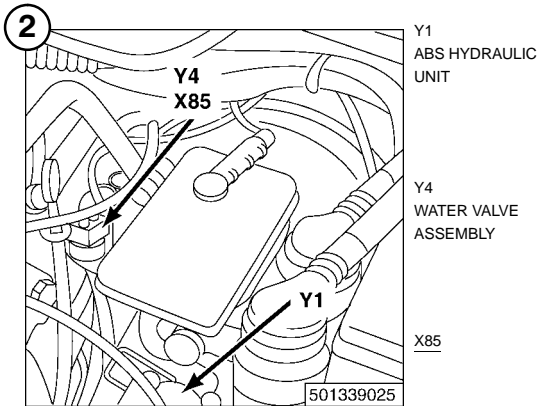
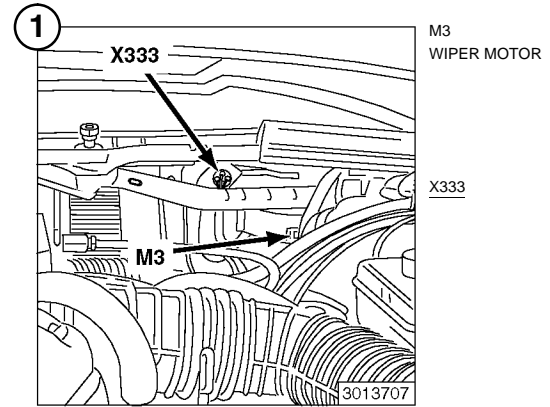
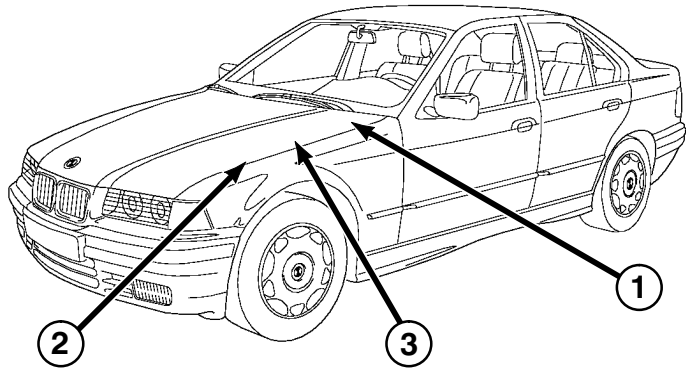


COMPONENT LOCATION VIEWS



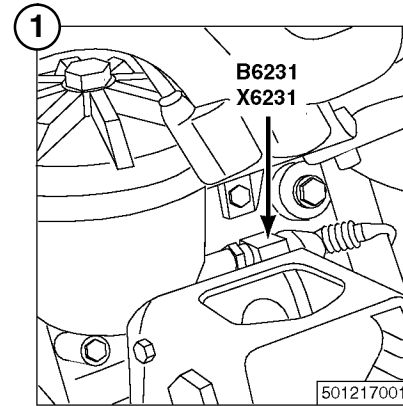
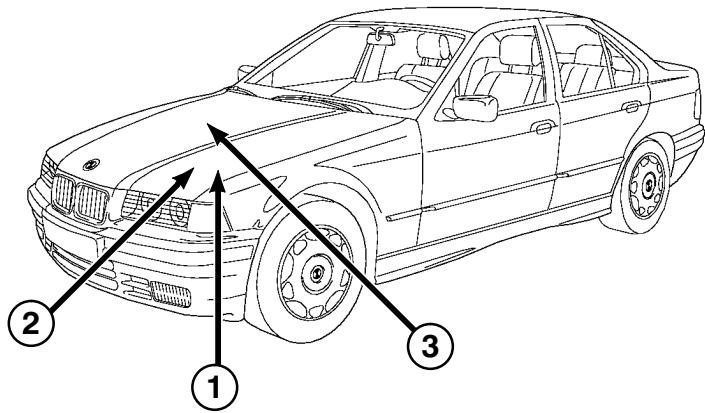


COMPONENT LOCATION VIEWS





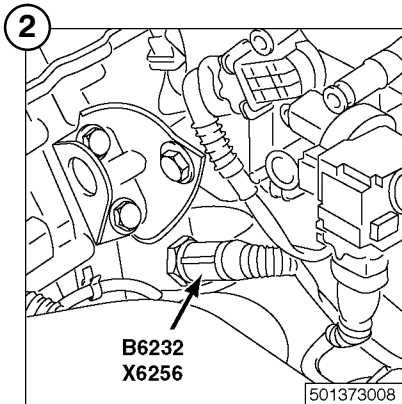
COMPONENT LOCATION VIEWS



B6231
OIL PRESSURE
SWITCH

X6231

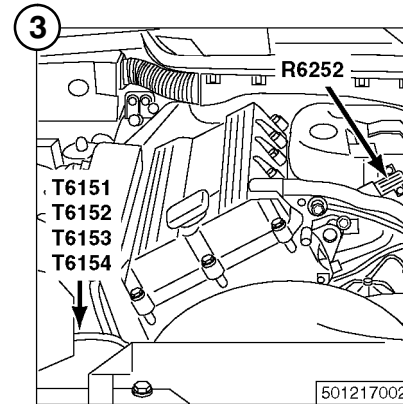
318is



B6232
ENGINE COOLANT
TEMPERATURE
SENSOR

X6256

318is



R6252
THROTTLE
POSITION SENSOR

T6153
CYL. 3 IGNITION
COIL

T6151
T6152
T6153
T6154

T6151
CYL. 1 IGNITION
COIL

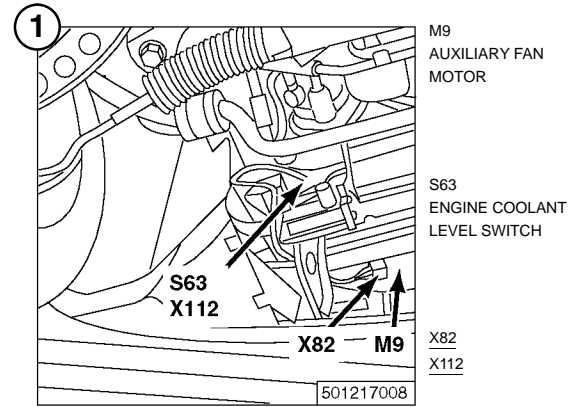
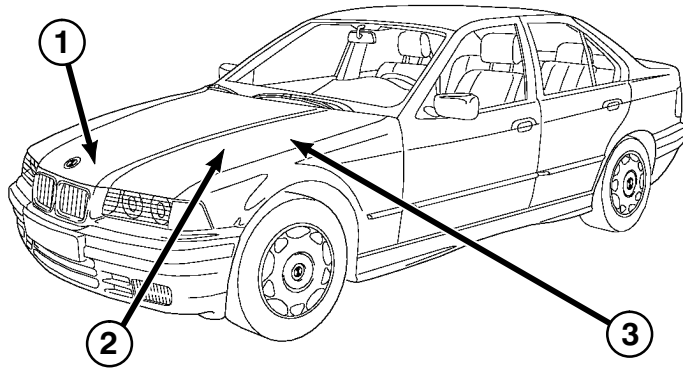
T6154
CYL. 4 IGNITION
COIL

T6152
CYL. 2 IGNITION
COIL

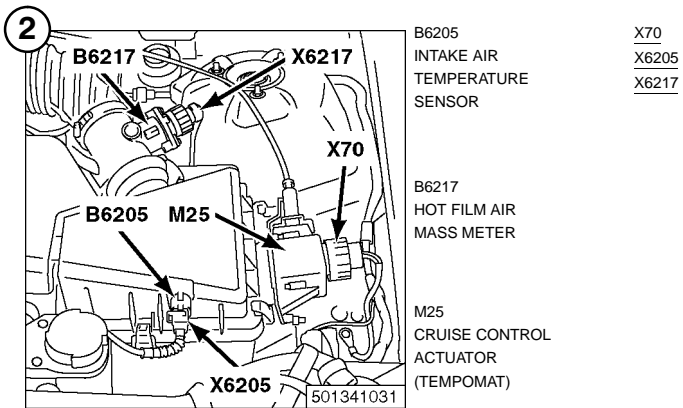
318is



COMPONENT LOCATION VIEWS



318is

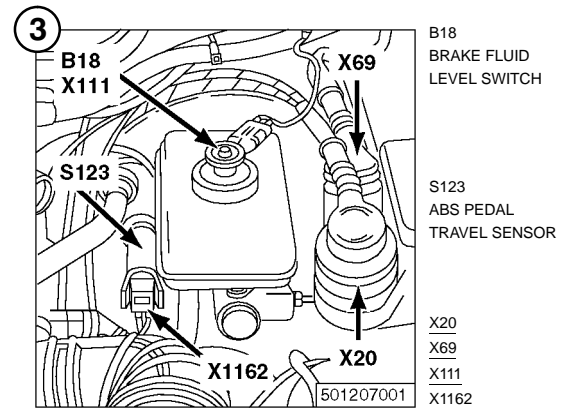


B6205
INTAKE AIR
TEMPERATURE
SENSOR

X70
X6205
X6217

B6217
HOT FILM AIR
MASS METER

M25
CRUISE CONTROL
ACTUATOR
(TEMPOMAT)



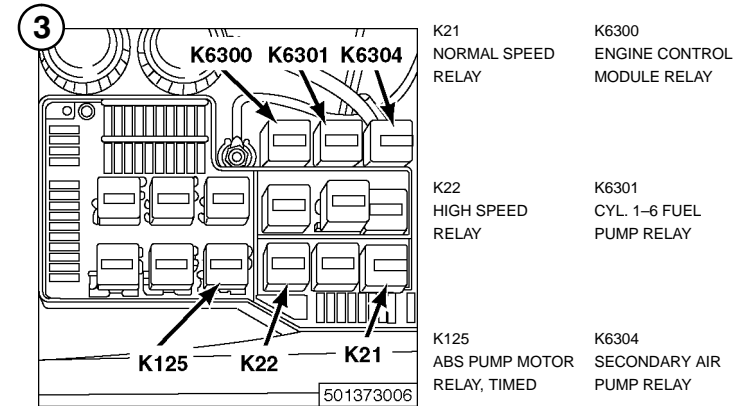
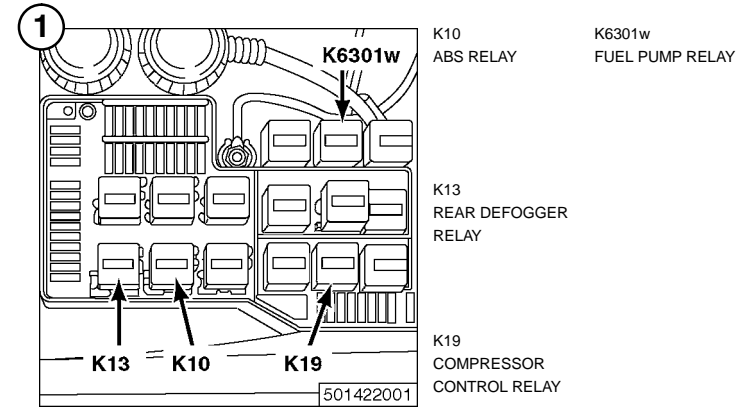
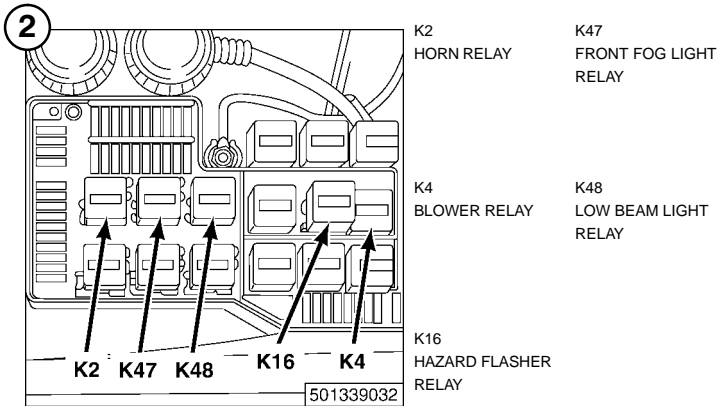
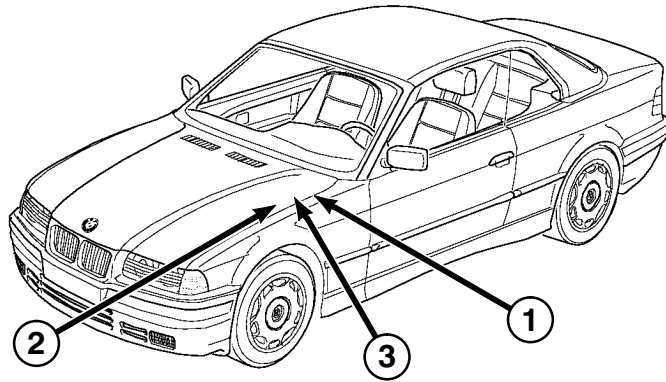
B18
BRAKE FLUID
LEVEL SWITCH

S123
ABS PEDAL
TRAVEL SENSOR

X20
X69
X111
X1162

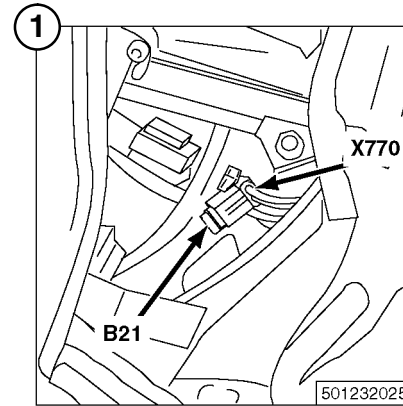
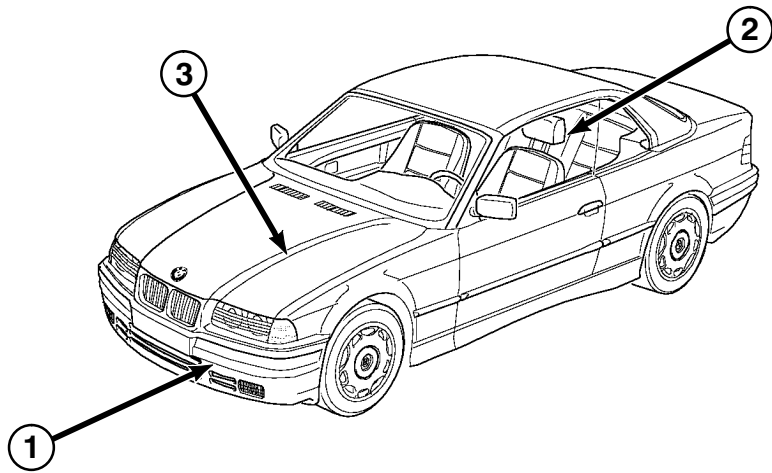


COMPONENT LOCATION VIEWS





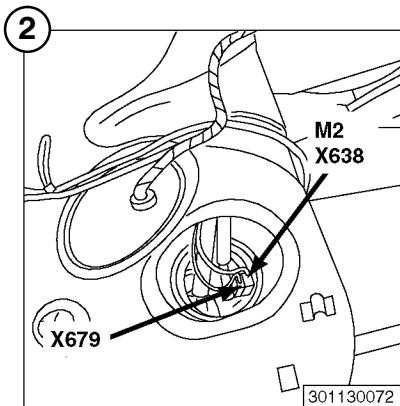
COMPONENT LOCATION VIEWS



B21
ON-BOARD
COMPUTER
TEMPERATURE
SENSOR

X770

501232025



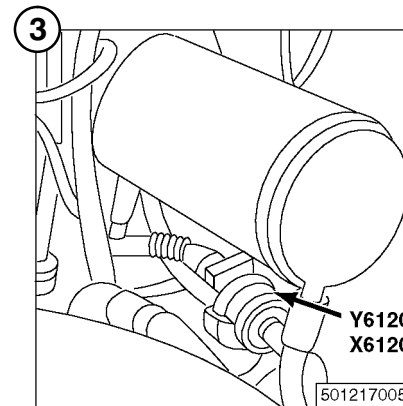
M2
FUEL PUMP

M2
X638

X638
X679

X679

301130072



Y6120
EVAPORATIVE
EMISSION VALVE

X6120

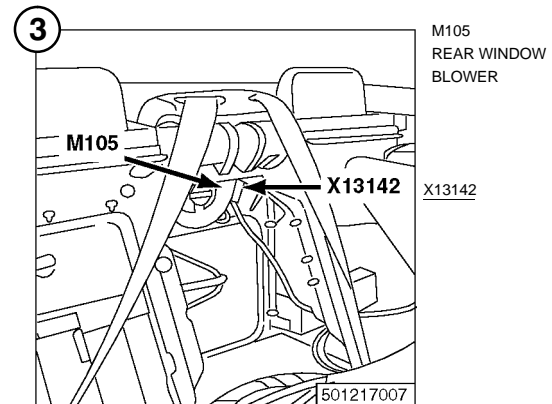
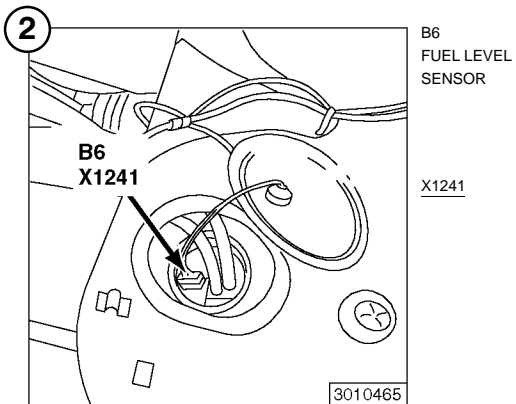
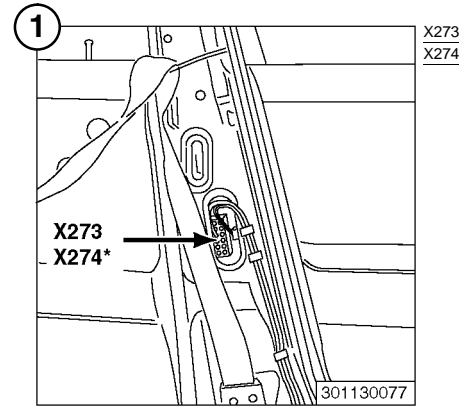
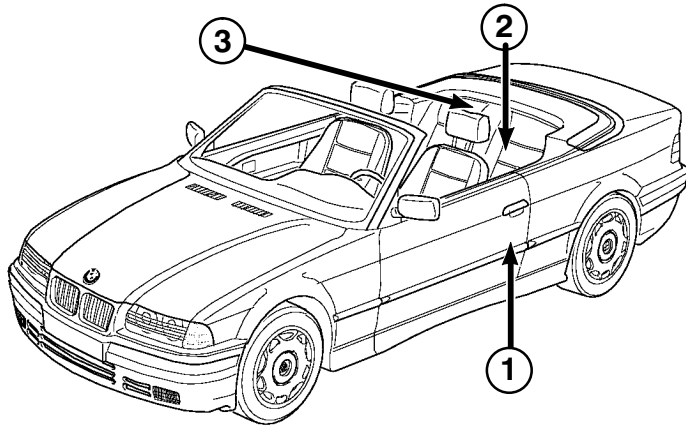
Y6120
X6120

501217005

318is

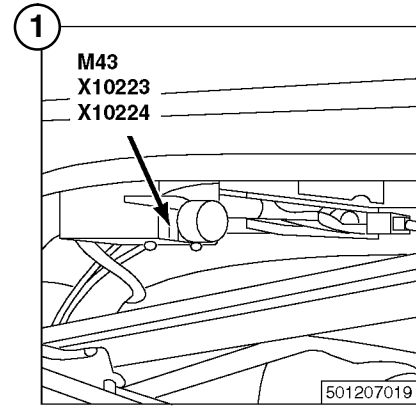
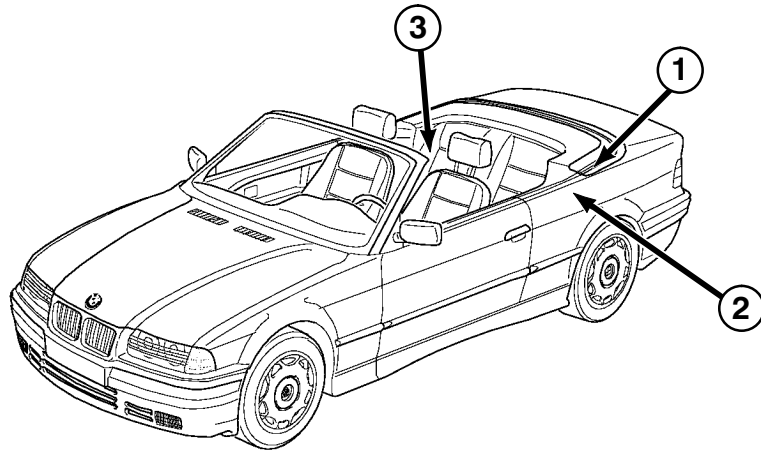


COMPONENT LOCATION VIEWS





COMPONENT LOCATION VIEWS

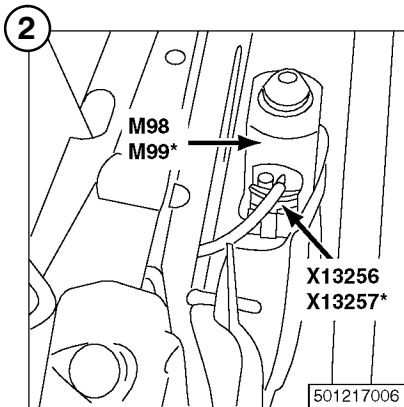


M43
X10223
X10224

M43
CONVERTIBLE TOP
STORAGE LID
LOCK MOTOR

X10223
X10224

501207019



M98
M99*

M98
LEFT REAR
WINDOW MOTOR

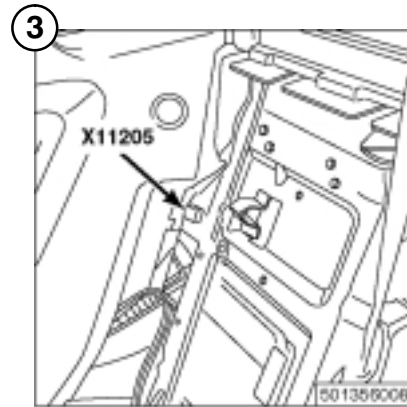
M99 *
RIGHT REAR
WINDOW MOTOR

X13256
X13257*

X13256
X13257 *

501217006

* RH SIMILAR



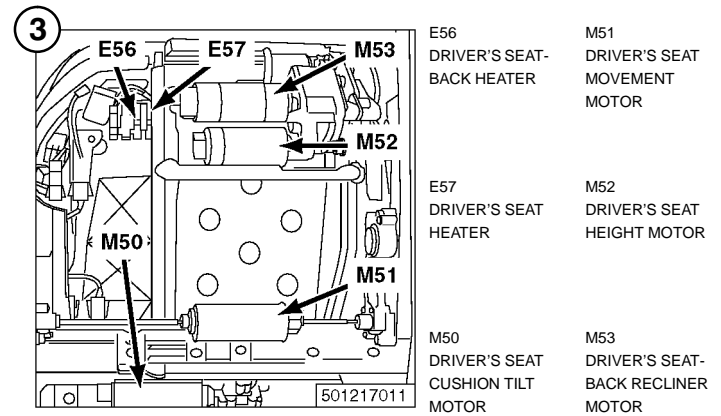
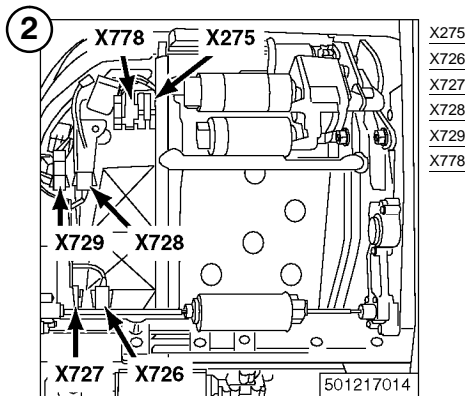
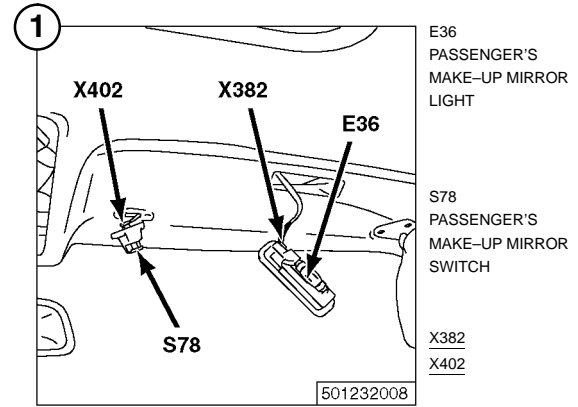
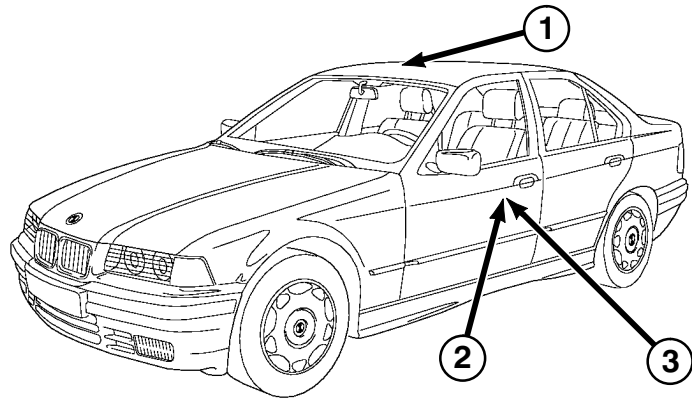
X11205

X11205

501356006

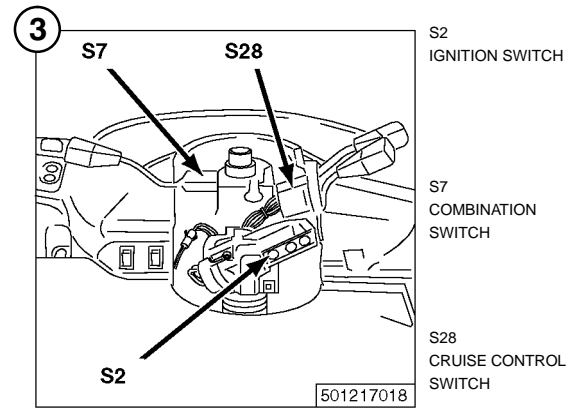
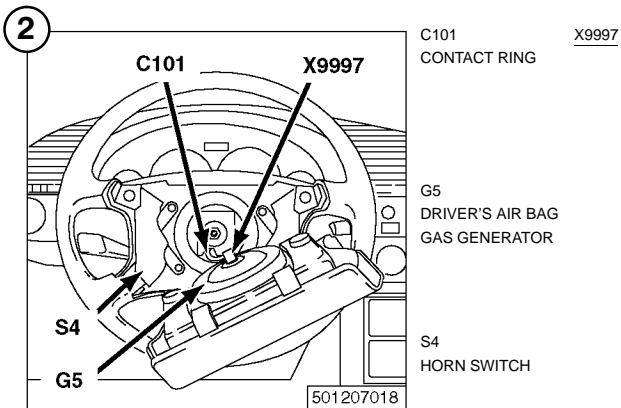
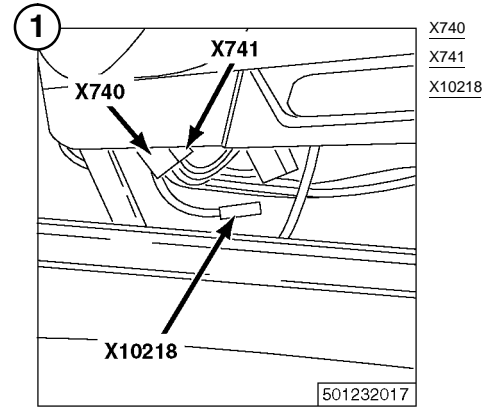
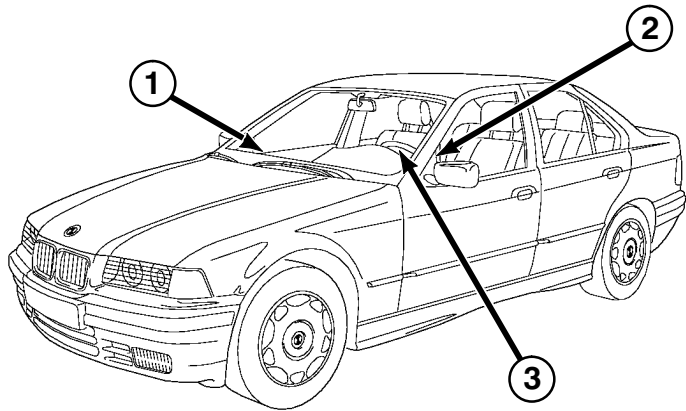


COMPONENT LOCATION VIEWS



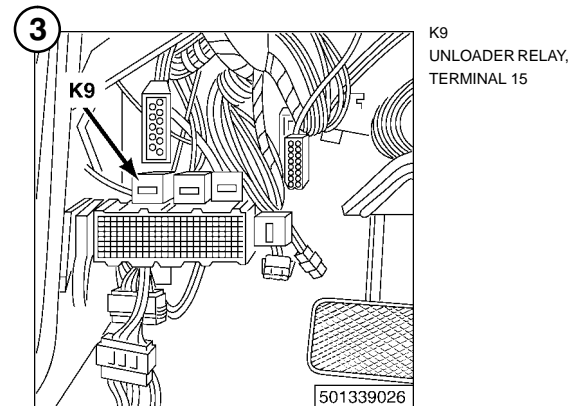
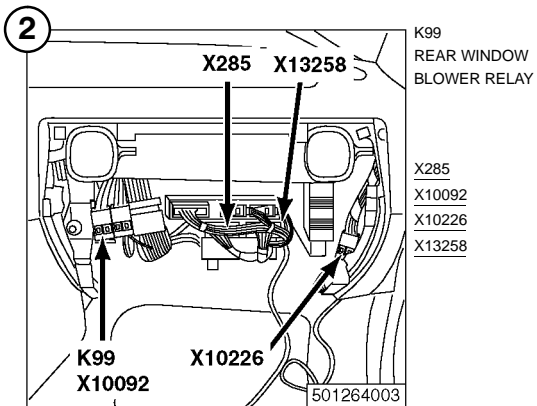
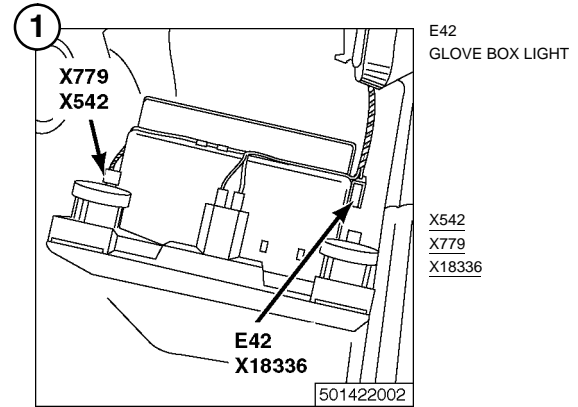
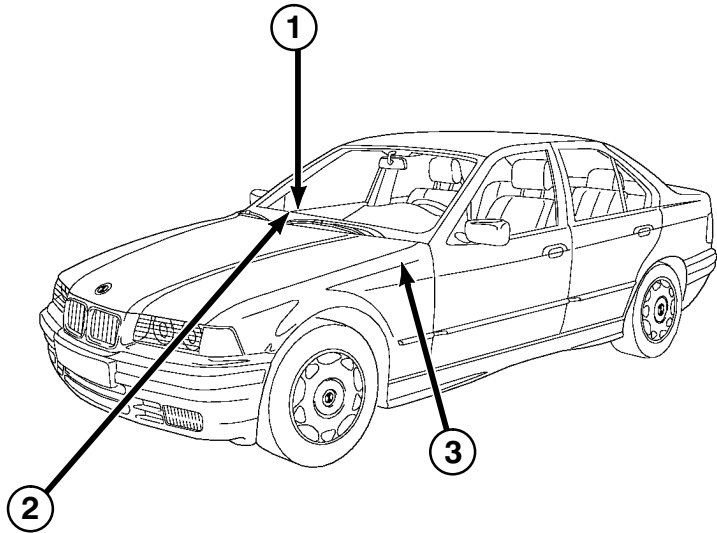


COMPONENT LOCATION VIEWS



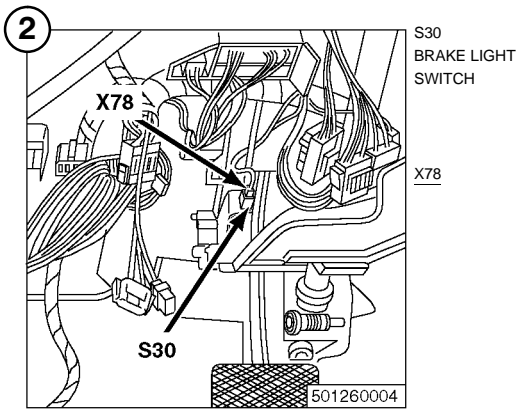
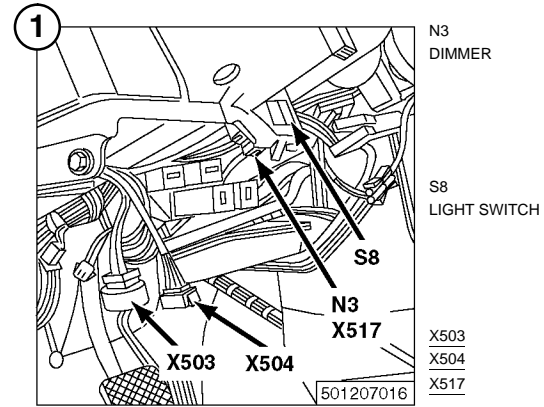
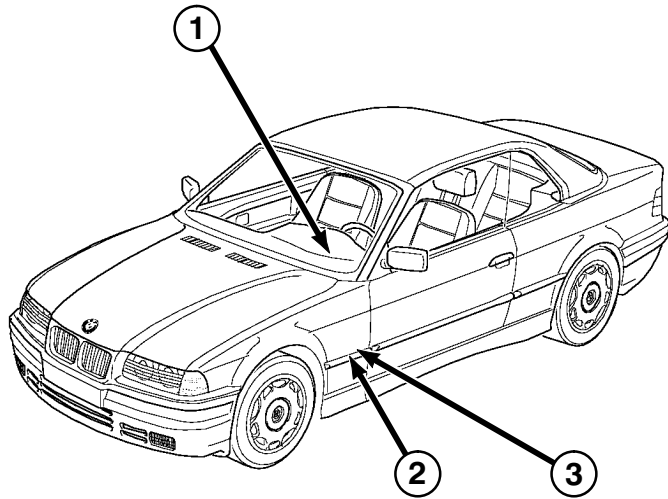


COMPONENT LOCATION VIEWS

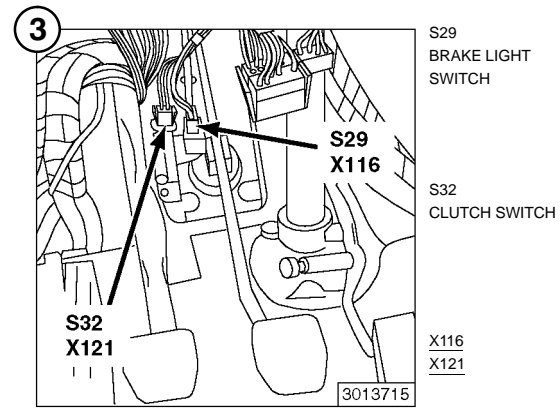




COMPONENT LOCATION VIEWS



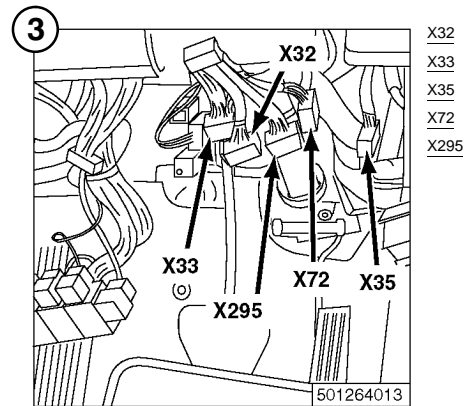
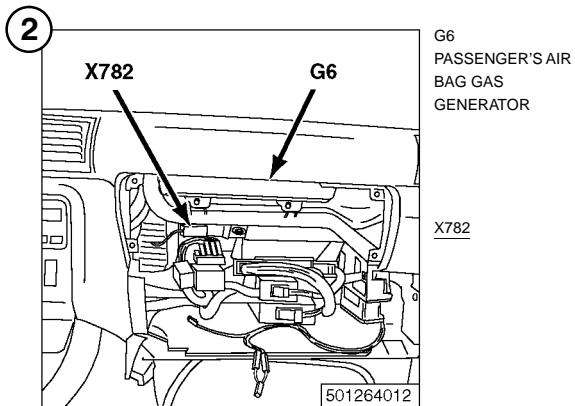
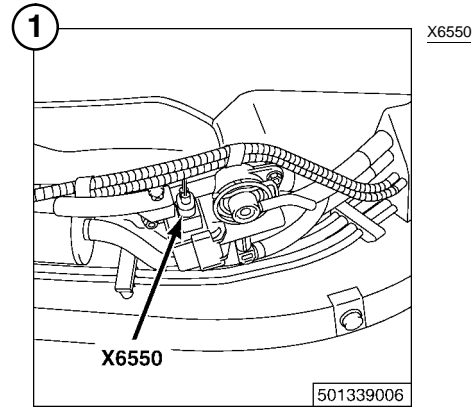
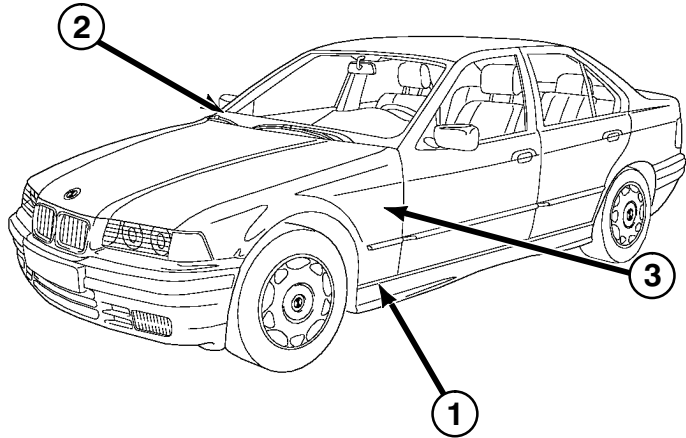
AUTOMATIC



MANUAL

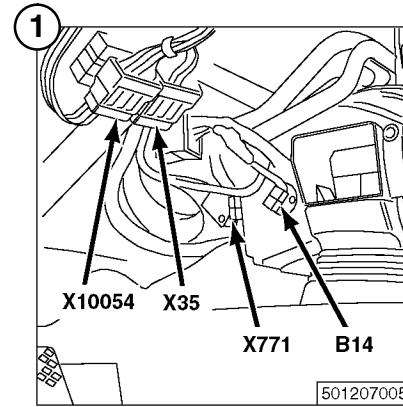
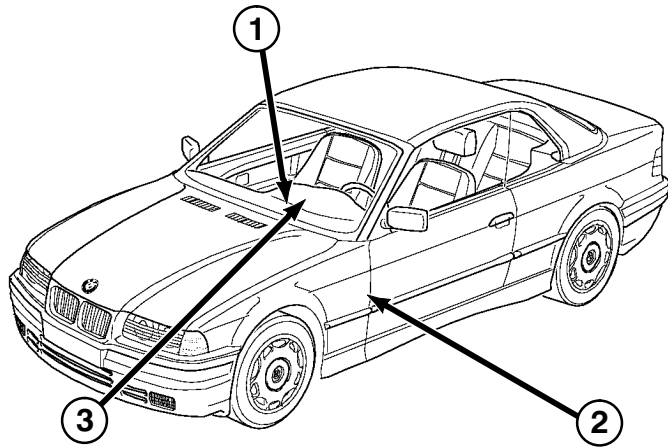


COMPONENT LOCATION VIEWS





COMPONENT LOCATION VIEWS

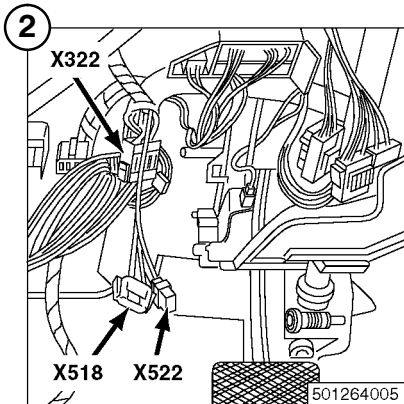


B14
EVAPORATOR
TEMPERATURE
SENSOR

X35
X771
X10054

X10054 X35 X771 B14

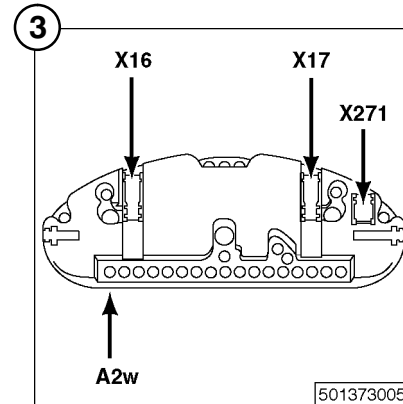
501207005



X322
X518
X522

X322
X518 X522

501264005



A2w
INSTRUMENT
CLUSTER

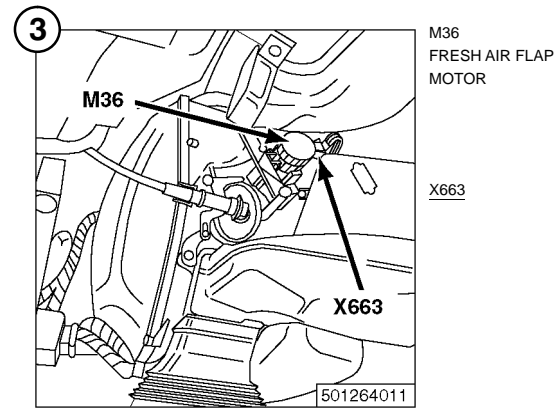
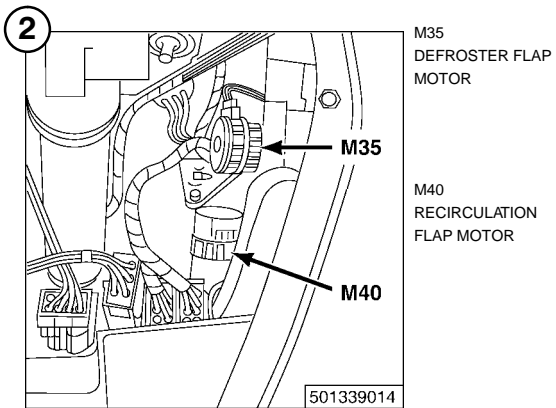
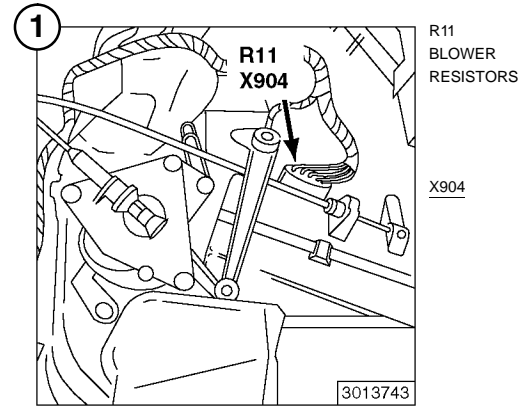
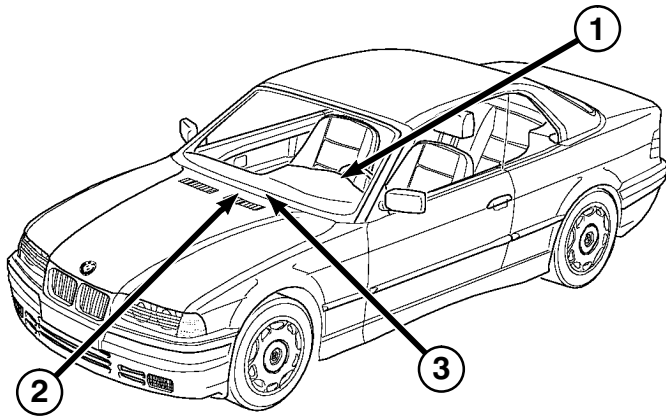
X16
X17
X271

X16 X17 X271
A2w

501373005

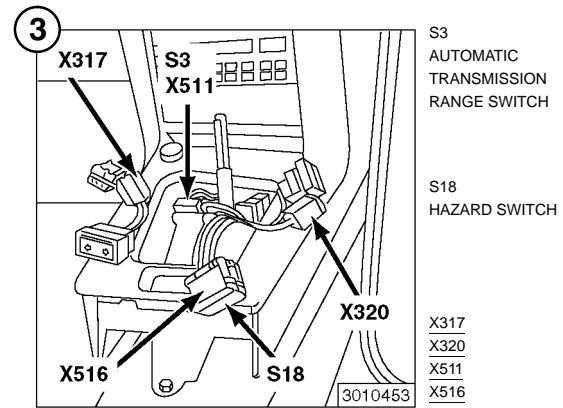
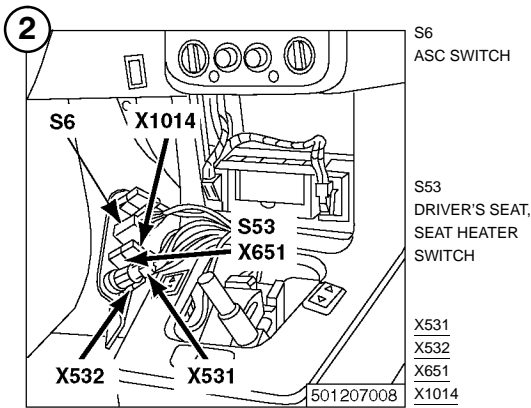
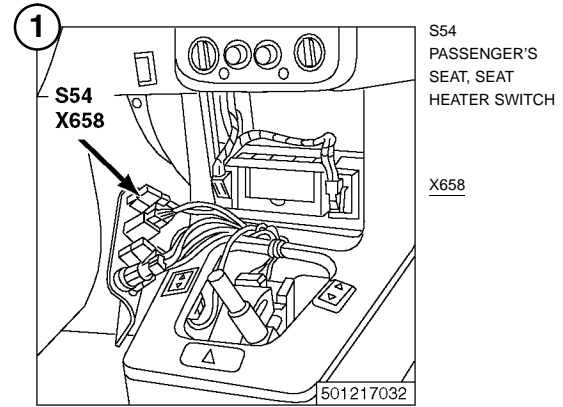
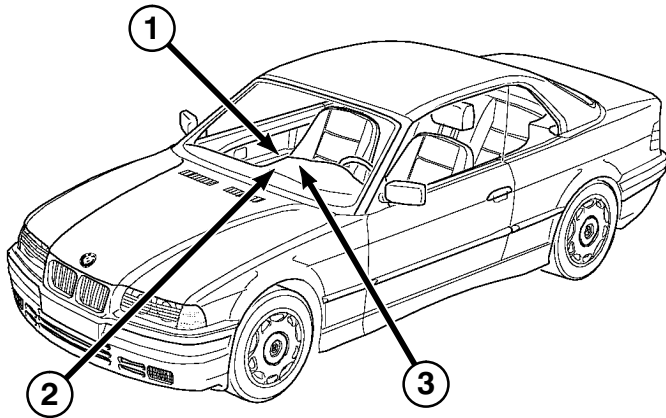


COMPONENT LOCATION VIEWS



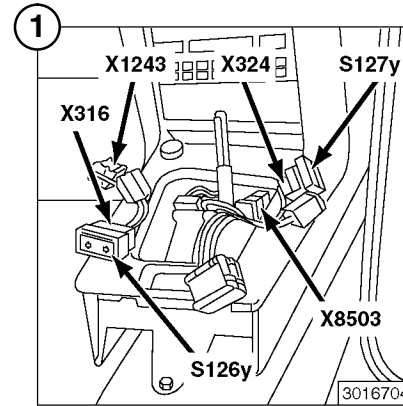
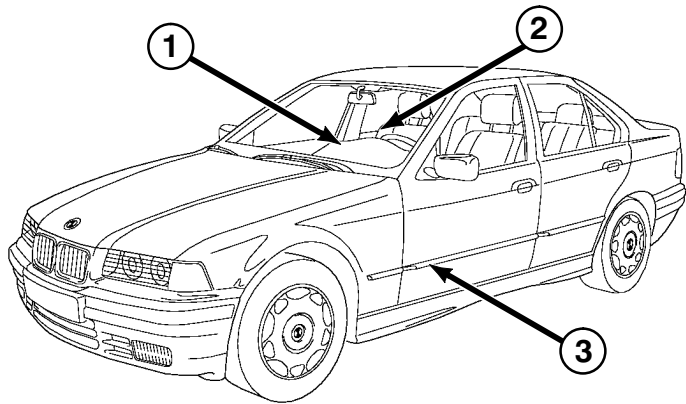


COMPONENT LOCATION VIEWS





COMPONENT LOCATION VIEWS

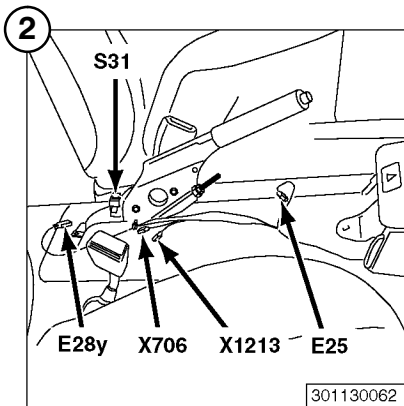


S126y
DRIVER'S POWER
WINDOW SWITCH

S127y
PASSENGER'S
POWER WINDOW
SWITCH

X316
X324
X1243
X8503

3016704



E25
FRONT ASHTRAY
LIGHT

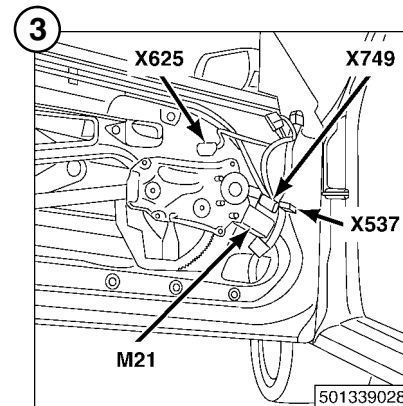
X706
X1213

E28y
REAR ASHTRAY
LIGHT

E28y X706 X1213 E25

S31
PARK BRAKE
SWITCH

301130062



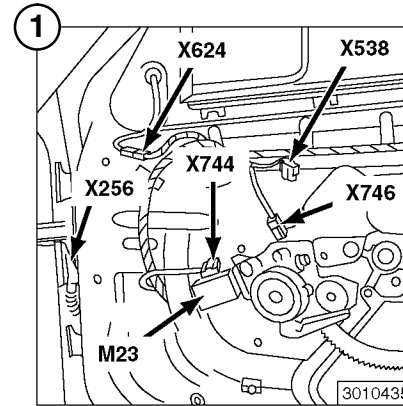
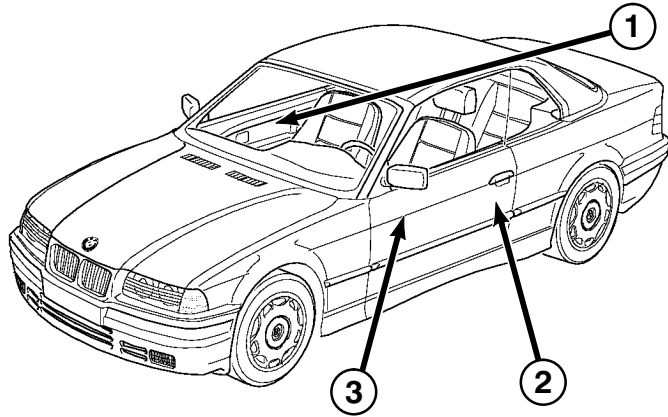
M21
DRIVER'S WINDOW
MOTOR

X537
X625
X749

501339028

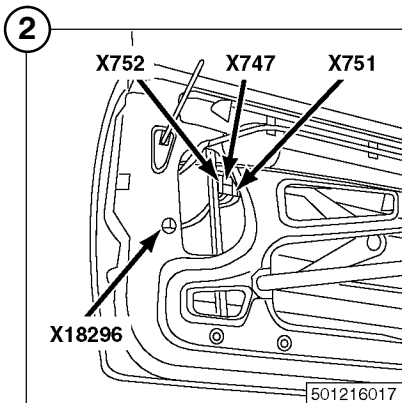


COMPONENT LOCATION VIEWS

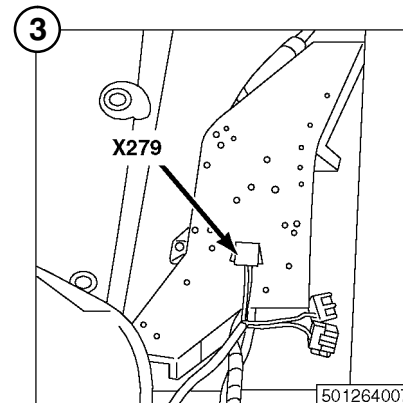


M23
PASSENGER'S
WINDOW MOTOR

X256
X538
X624
X744
X746



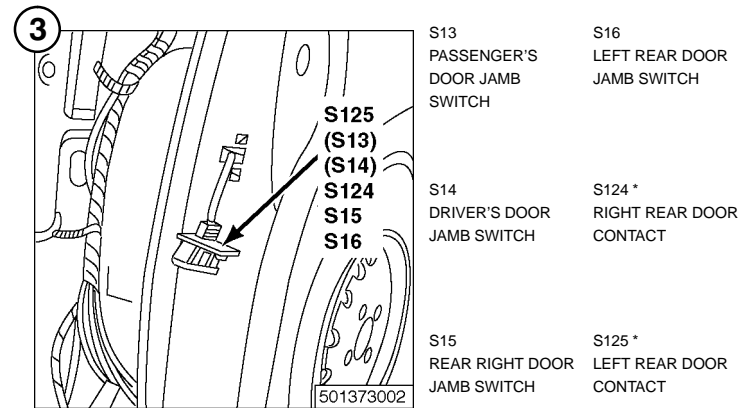
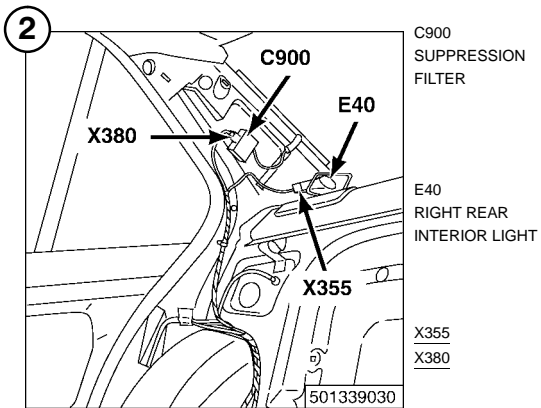
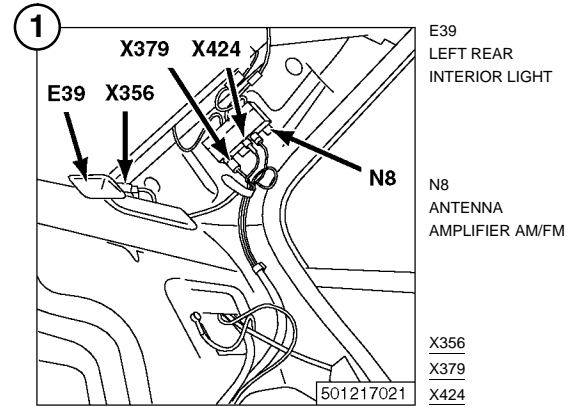
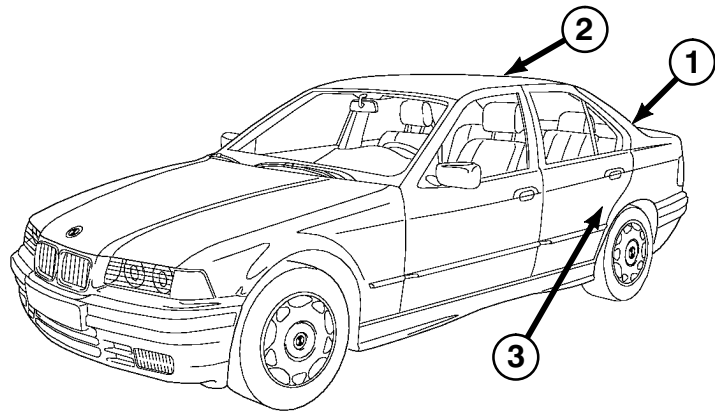
X747
X751
X752
X18296



X279



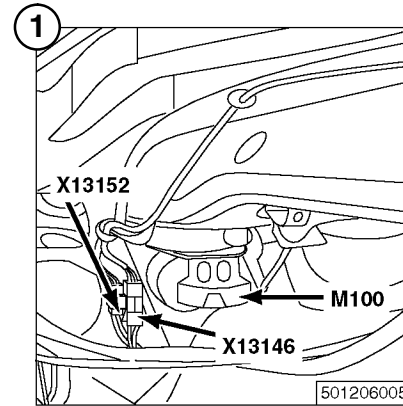
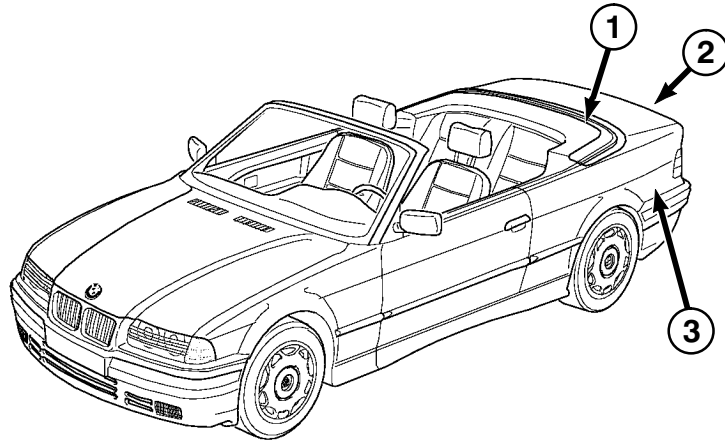
COMPONENT LOCATION VIEWS



* WITH ALPINE

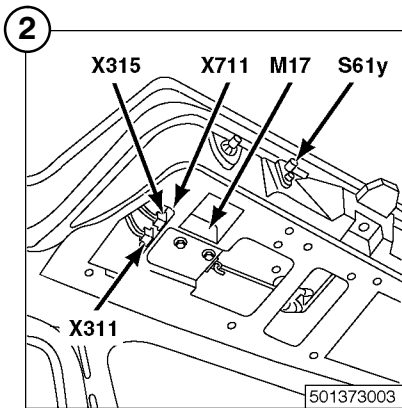


COMPONENT LOCATION VIEWS



M100
CONVERTIBLE TOP
STORAGE LID
MOTOR

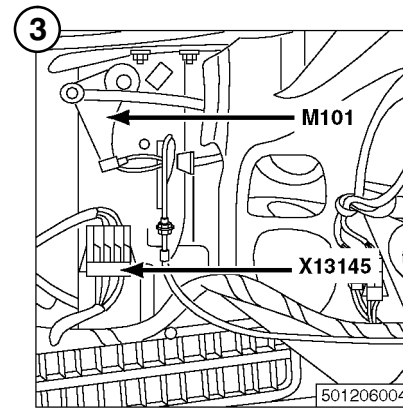
X13146
X13152



M17
LUGGAGE
COMPARTMENT
LOCK MOTOR

S61y
LUGGAGE
COMPARTMENT
LIGHT SWITCH

X311
X315
X711

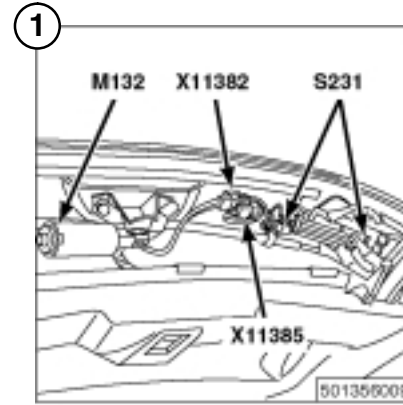
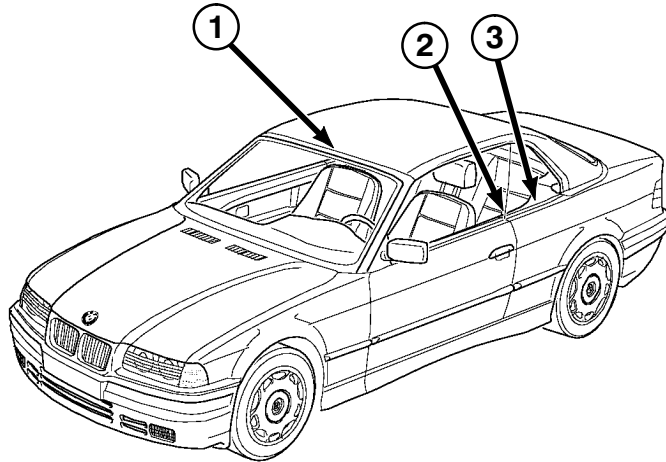


M101
CONVERTIBLE TOP
MOTOR

X13145



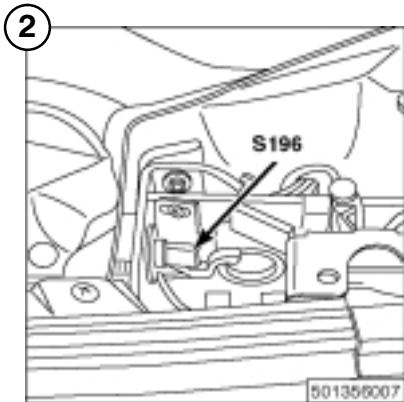
COMPONENT LOCATION VIEWS



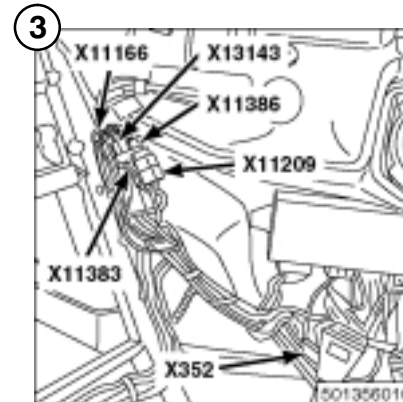
M132
WINDSCREEN
COWL PANEL LOCK
MOTOR

S231
WINDSCREEN
COWL PANEL LOCK
MICRO SWITCH

X11382
X11385



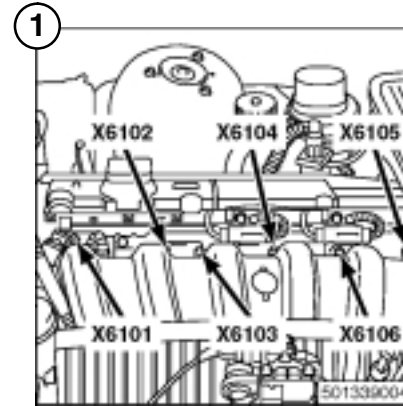
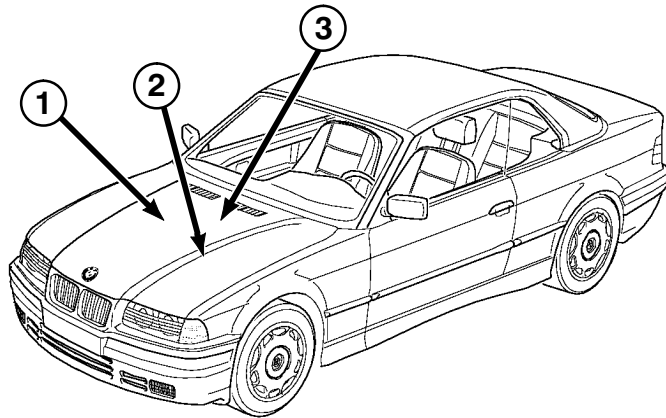
S196
REAR WINDOW
BLOWER MICRO
SWITCH



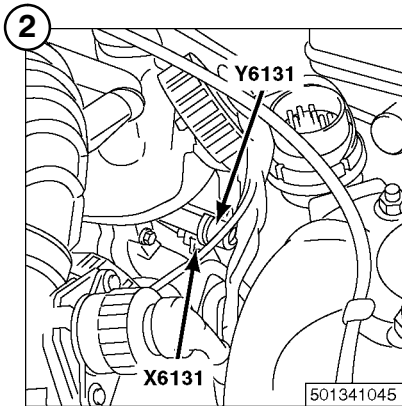
X352
X11166
X11209
X11383
X11386
X13143



COMPONENT LOCATION VIEWS

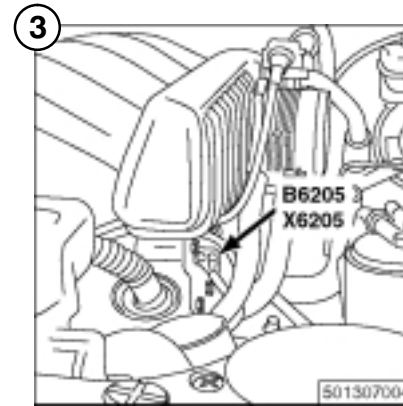


- X6101
- X6102
- X6103
- X6104
- X6105
- X6106



Y6131
INTAKE AIR RES-
ONANCE CHANGE-
OVER VALVE

X6131

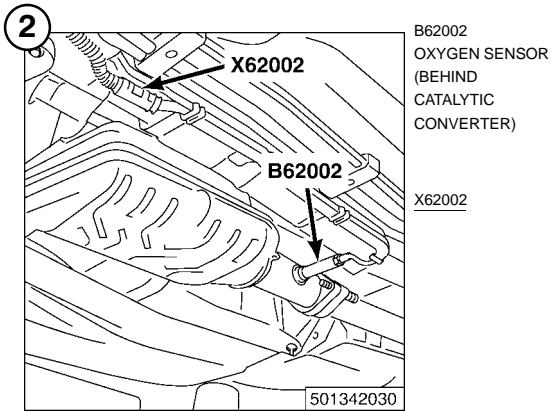
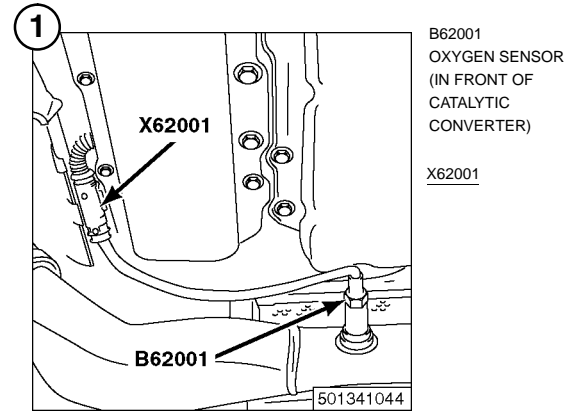
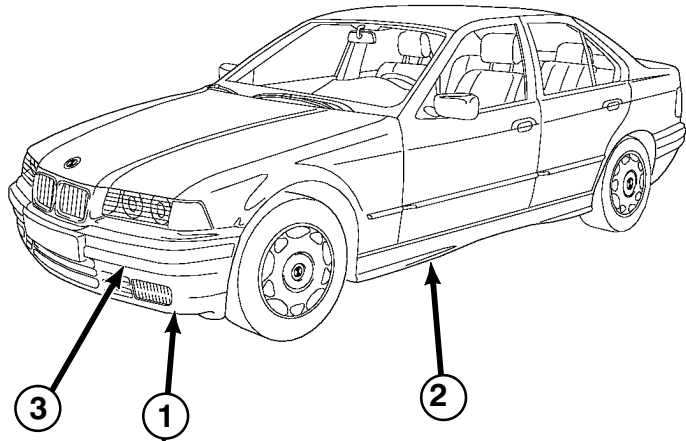


B6205
INTAKE AIR
TEMPERATURE
SENSOR

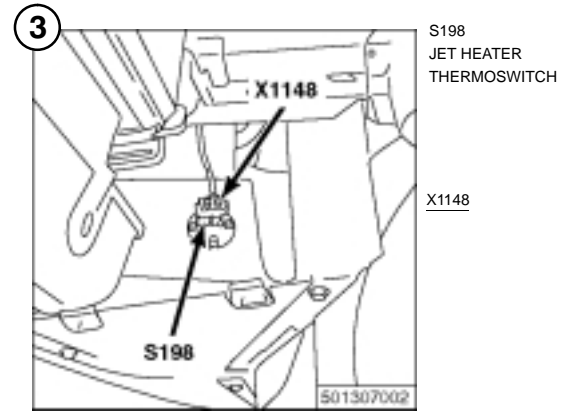
X6205



COMPONENT LOCATION VIEWS

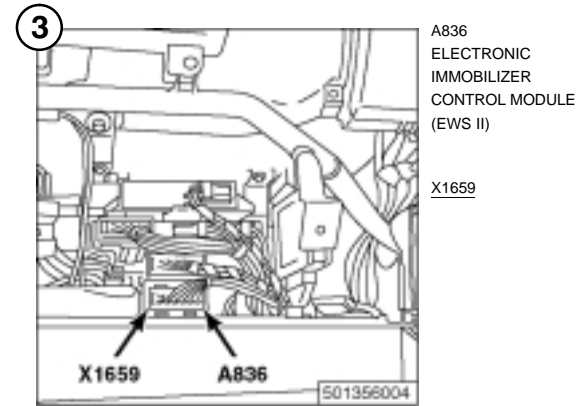
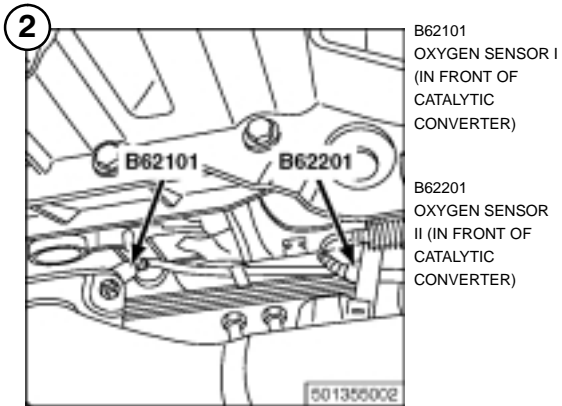
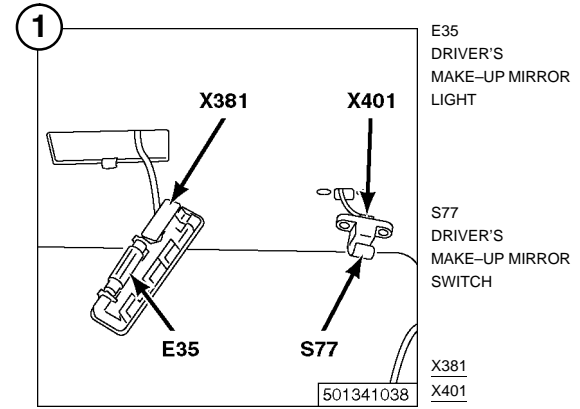
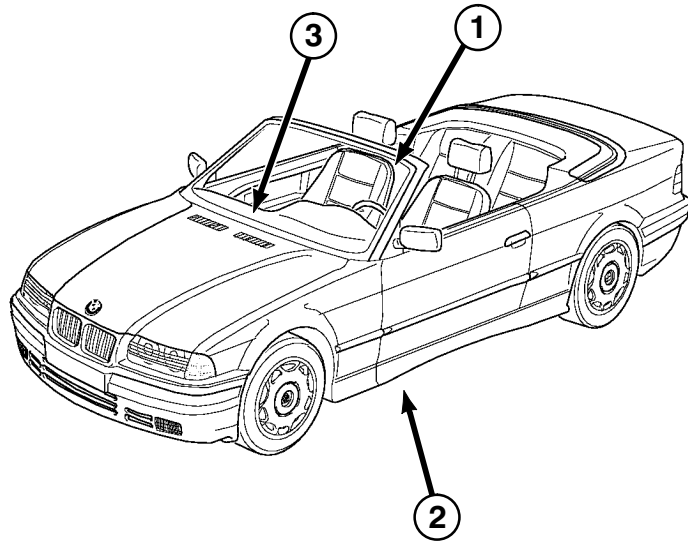


318tds



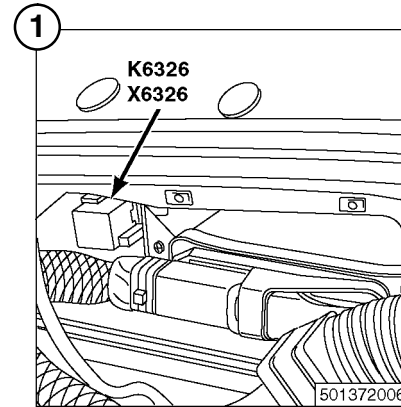
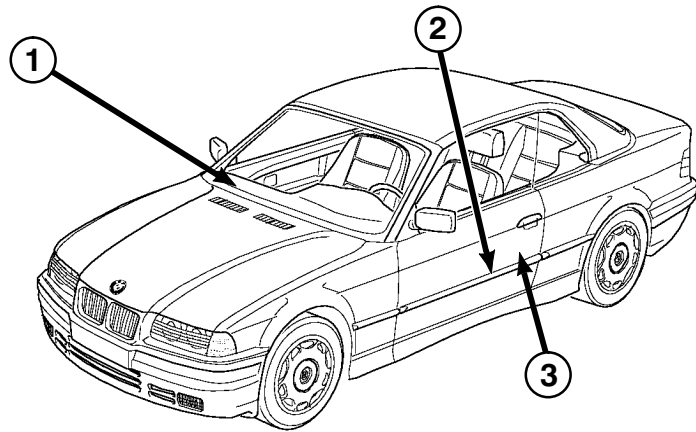


COMPONENT LOCATION VIEWS



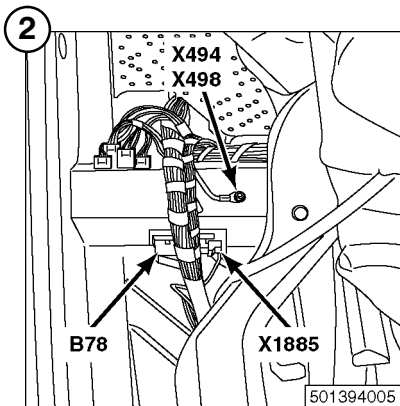


COMPONENT LOCATION VIEWS



K6326
UNLOADER RELAY,
TERMINAL 15

X6326

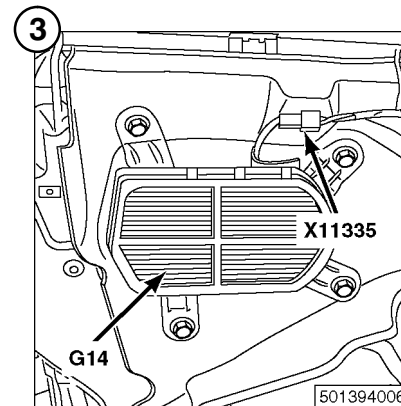


B78
DRIVER'S SIDE
IMPACT SENSOR

X1885

X494
GROUND

X498
GROUND



G14
LEFT SIDE AIR BAG
GAS GENERATOR

X11335



8000.0 SPLICE LOCATION VIEWS

SPLICE	HARNESS	PAGE NUMBER	SPLICE	HARNESS	PAGE NUMBER
X181-X276	FRONT	8000.0-02	X1387-X1396	REAR	8000.0-03
X313-X314	REAR	8000.0-03	X1387-X1396	REAR, CONVERTIBLE	8000.0-04
X313-X314	REAR, CONVERTIBLE	8000.0-04	X1396	REAR	8000.0-03
X428-X481	REAR	8000.0-03	X1541-X1693	FRONT	8000.0-02
X428-X481	REAR, CONVERTIBLE	8000.0-04	X1894-X2152	REAR	8000.0-03
X530-X595	FRONT	8000.0-02	X2152	REAR, CONVERTIBLE	8000.0-04
X805	REAR	8000.0-03	X6410-X6492	M44 ENGINE	8000.0-05
X805	REAR, CONVERTIBLE	8000.0-04	X6411-X6492	M3 ENGINE	8000.0-06
X818	IHKA	NOT SHOWN	X6411-X6492	M52 ENGINE	8000.0-07
X824-X830	RADIO	NOT SHOWN	X6810-X6900	M3 ENGINE	8000.0-06
X834	LH REAR DOOR	NOT SHOWN	X6810-X6900	M52 ENGINE	8000.0-07
X835	RH REAR DOOR	NOT SHOWN	X6820-X6900	M44 ENGINE	8000.0-05
X849	DRIVER'S DOOR	NOT SHOWN	X7845-X7846	M44 ENGINE	8000.0-05
X876-X878	RADIO	NOT SHOWN	X8000-X8576	M3 ENGINE	8000.0-06
X906	IHKA	NOT SHOWN	X8000-X8776	M52 ENGINE	8000.0-07
X942	PASSENGER'S DOOR	NOT SHOWN	X8004-X8576	M44 ENGINE	8000.0-05
X1015-X1164	FRONT	8000.0-02	X10007-X10104	FRONT	8000.0-02
X1149	FRONT	8000.0-02	X10020	FRONT	8000.0-02
X1167	REAR	8000.0-03	X10118	REAR	8000.0-03
X1168-X1192	FRONT	8000.0-02	X10118	REAR, CONVERTIBLE	8000.0-04
X1212-X1218	REAR	8000.0-03	X10120-X10123	FRONT	8000.0-02
X1212-X1235	REAR, CONVERTIBLE	8000.0-04	X10169	M44 ENGINE	8000.0-05
X1225-X1233	FRONT	8000.0-02	X10189	REAR, CONVERTIBLE	8000.0-04
X1226-X1235	REAR	8000.0-03	X10191-X10192	FRONT	8000.0-02
X1258	FRONT	8000.0-02	X10228-X10292	REAR, CONVERTIBLE	8000.0-04
X1263	REAR, CONVERTIBLE	8000.0-04	X10231-X10252	FRONT	8000.0-02
X1263-X1299	REAR	8000.0-03	X10269	REAR	8000.0-03
X1382-X1383	RADIO	NOT SHOWN	X10269	REAR, CONVERTIBLE	8000.0-04



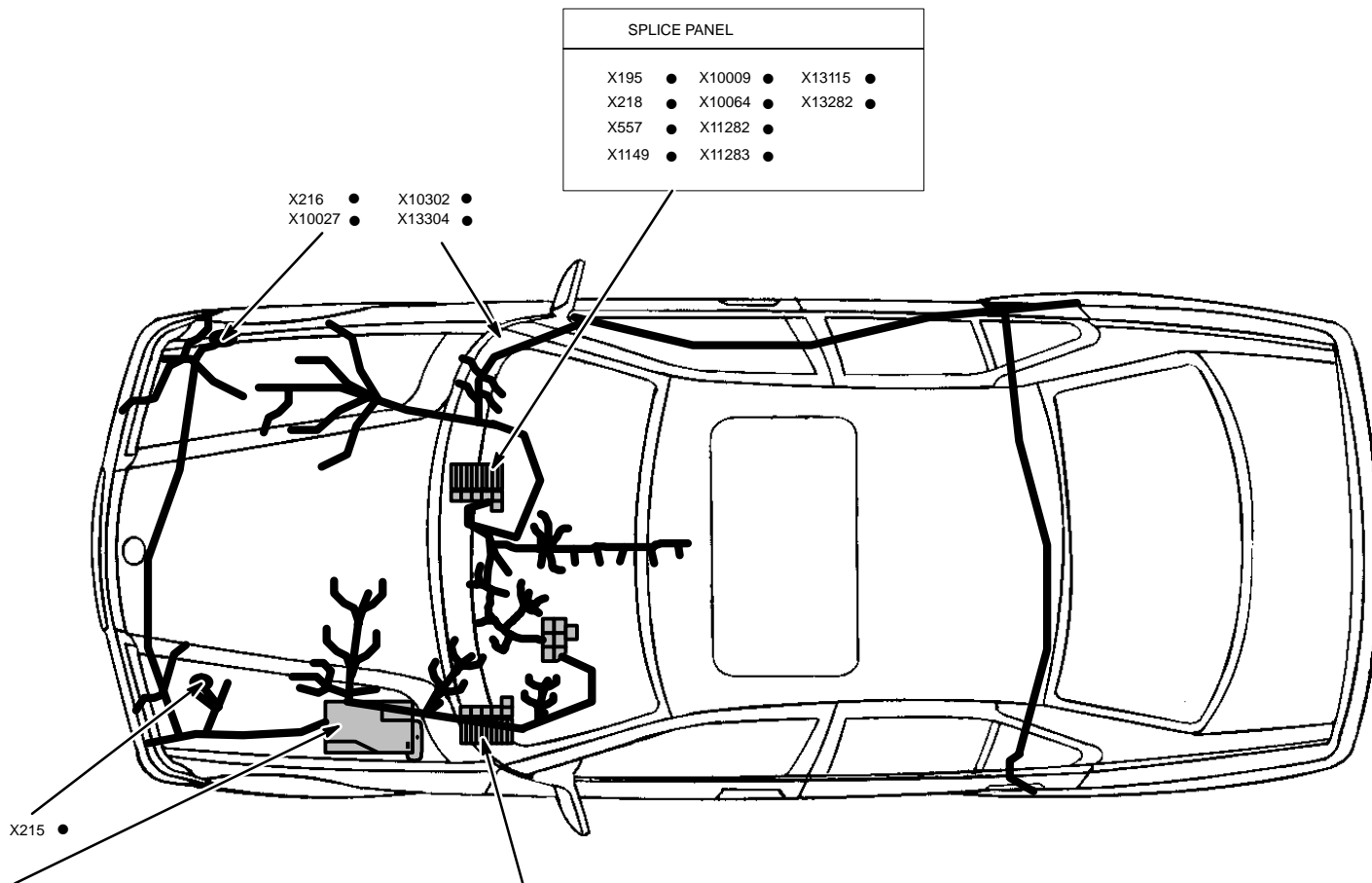
SPLICE LOCATION VIEWS

SPLICE	HARNESS	PAGE NUMBER
X10302	FRONT	8000.0-02
X11264	FRONT	8000.0-02
X11269	REAR	8000.0-03
X11279	REAR, CONVERTIBLE	8000.0-04
X11282-X11381	FRONT	8000.0-02
X13000	FRONT	8000.0-02
X13002-X13011	REAR	8000.0-03
X13002-X13011	REAR, CONVERTIBLE	8000.0-04
X13021-X13115	FRONT	8000.0-02
X13127-X13273	REAR, CONVERTIBLE	8000.0-04
X13129-X13173	REAR	8000.0-03
X13282	FRONT	8000.0-02
X13289	REAR	8000.0-03
X13289	REAR, CONVERTIBLE	8000.0-04
X13300-X13304	FRONT	8000.0-02
X13309	REAR	8000.0-03
X13309	REAR, CONVERTIBLE	8000.0-04
X13311-X13313	FRONT	8000.0-02
X18160-X18161	IHKA	NOT SHOWN
X18165-X18784	FRONT	8000.0-02
X18785-X18799	REAR, CONVERTIBLE	8000.0-04
X19513-X19515	RADIO	NOT SHOWN



SPLICE LOCATION VIEWS

FRONT HARNESS



SPLICE PANEL					
X195	●	X10009	●	X13115	●
X218	●	X10064	●	X13282	●
X557	●	X11282	●		
X1149	●	X11283	●		

- X216 ●
- X10027 ●
- X10302 ●
- X13304 ●

- X215 ●

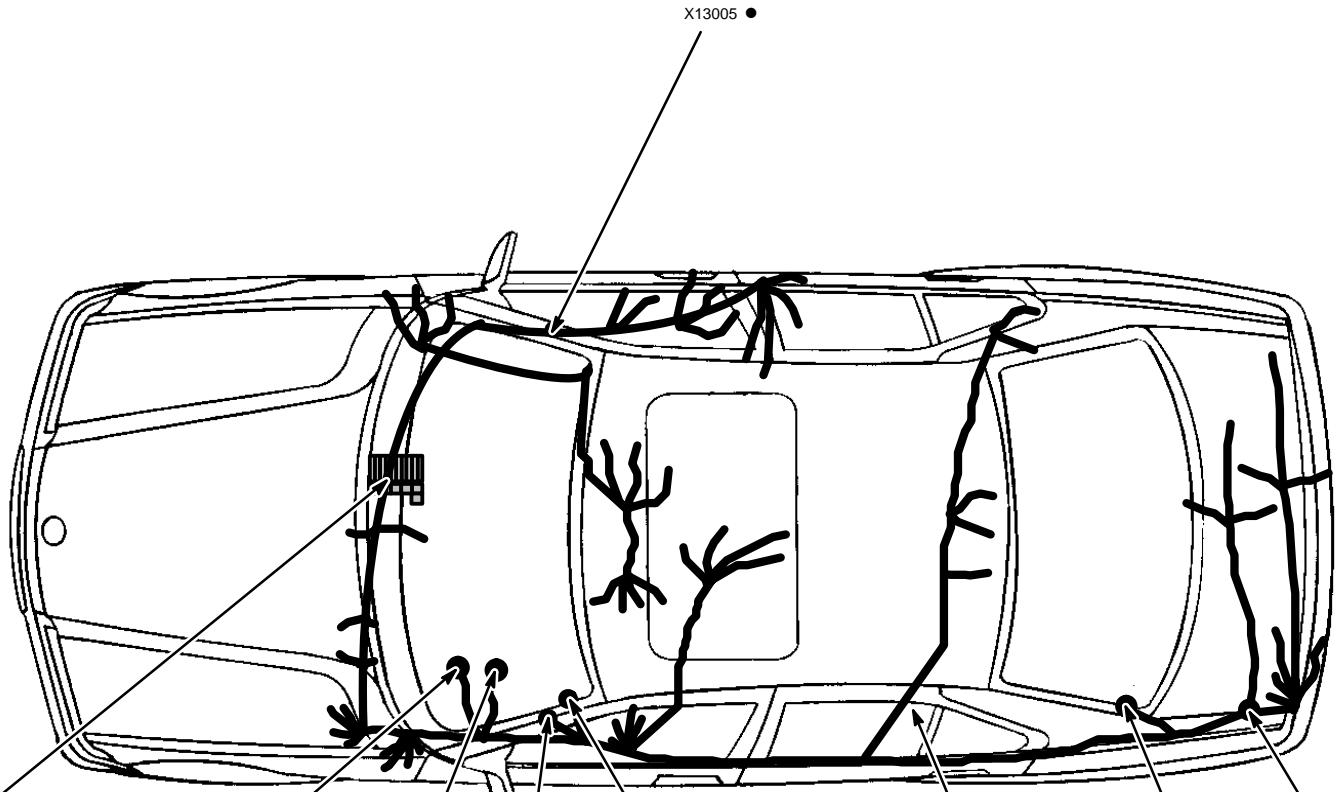
SPLICE PANEL											
X184	●	X246	●	X1036	●	X1164	●	X10007	●	X11284	●
X185	●	X276	●	X1055	●	X1168	●	X10020	●	X13000	●
X186	●	X530	●	X1068	●	X1172	●	X10021	●	X13300	●
X187	●	X595	●	X1073	●	X1177	●	X10022	●	X13302	●
X203	●	X1015	●	X1076	●	X1186	●	X10055	●	X18783	●
X223	●	X1022	●	X1077	●	X1192	●	X10029	●	X18784	●
X238	●	X1027	●	X1152	●	X1233	●	X10100	●		
X245	●	X1028	●	X1163	●	X1541	●	X10192	●		

SPLICE PANEL													
X181	●	X228	●	X1079	●	X1686	●	X10028	●	X10191	●	X13313	●
X182	●	X1019	●	X1080	●	X1687	●	X10060	●	X10231	●	X18165	●
X183	●	X1029	●	X1085	●	X1689	●	X10061	●	X10252	●		
X188	●	X1047	●	X1179	●	X1691	●	X10090	●	X11264	●		
X191	●	X1065	●	X1182	●	X1693	●	X10103	●	X11381	●		
X196	●	X1066	●	X1225	●	X10008	●	X10104	●	X13021	●		
X197	●	X1067	●	X1258	●	X10011	●	X10120	●	X13311	●		
X213	●	X1069	●	X1682	●	X10024	●	X10123	●	X13312	●		



SPLICE LOCATION VIEWS

REAR HARNESS



SPLICE PANEL			
X441 ●	X462 ●	X1894 ●	X13129 ●
X442 ●	X475 ●	X1895 ●	X13132 ●
X443 ●	X481 ●	X10118 ●	X13164 ●
X444 ●	X1212 ●	X10269 ●	X13164 ●
X445 ●	X1235 ●	X11269 ●	X13168 ●
X449 ●	X1263 ●	X13002 ●	X13173 ●
X450 ●	X1299 ●	X13003 ●	X13289 ●
X453 ●	X1387 ●	X13010 ●	X13309 ●
X455 ●	X1396 ●	X13011 ●	

X1234 ●

X461 ●

X805 ●

X1167 ●

X1284 ●

X465 ●
X13007 ●

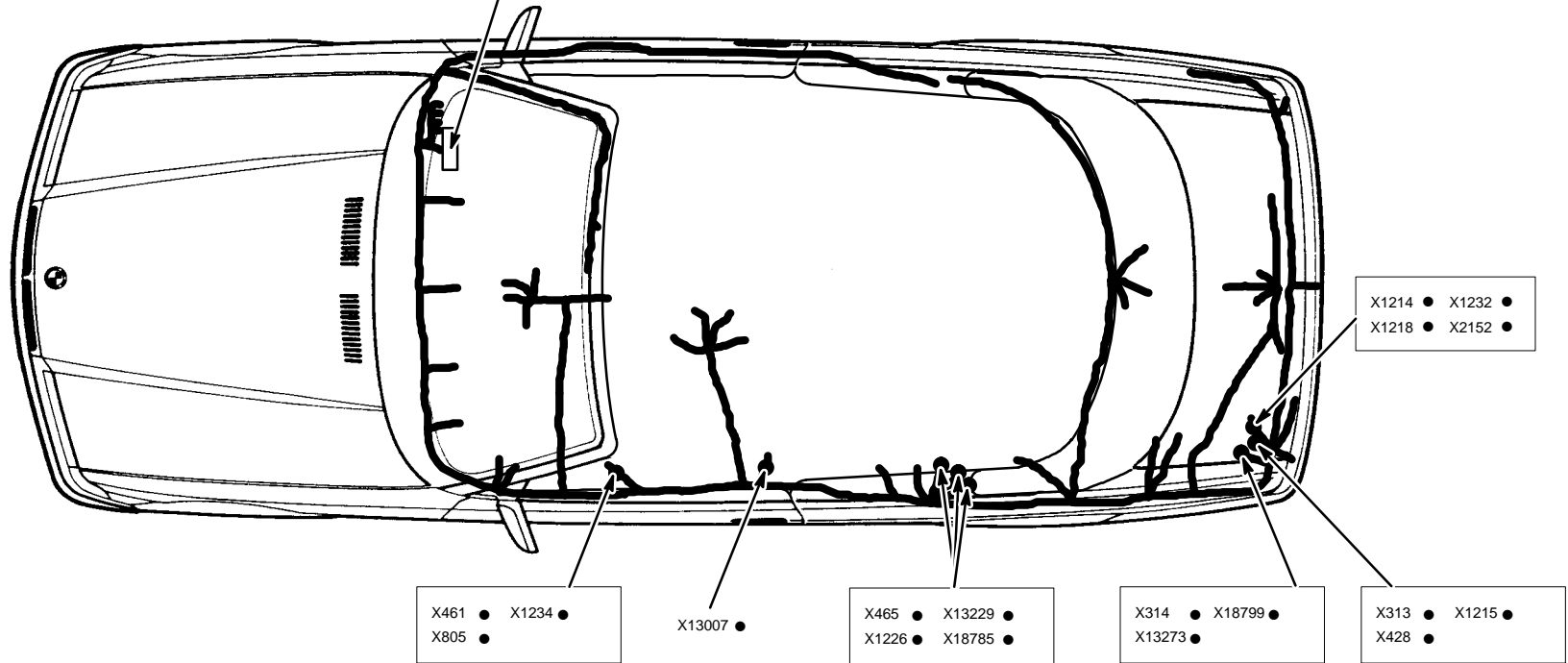
X313 ●
X314 ●
X428 ●
X1214 ●
X1215 ●
X1218 ●
X1226 ●
X1232 ●
X2152 ●



SPLICE LOCATION VIEWS

REAR WIRING HARNESS – CONVERTIBLE

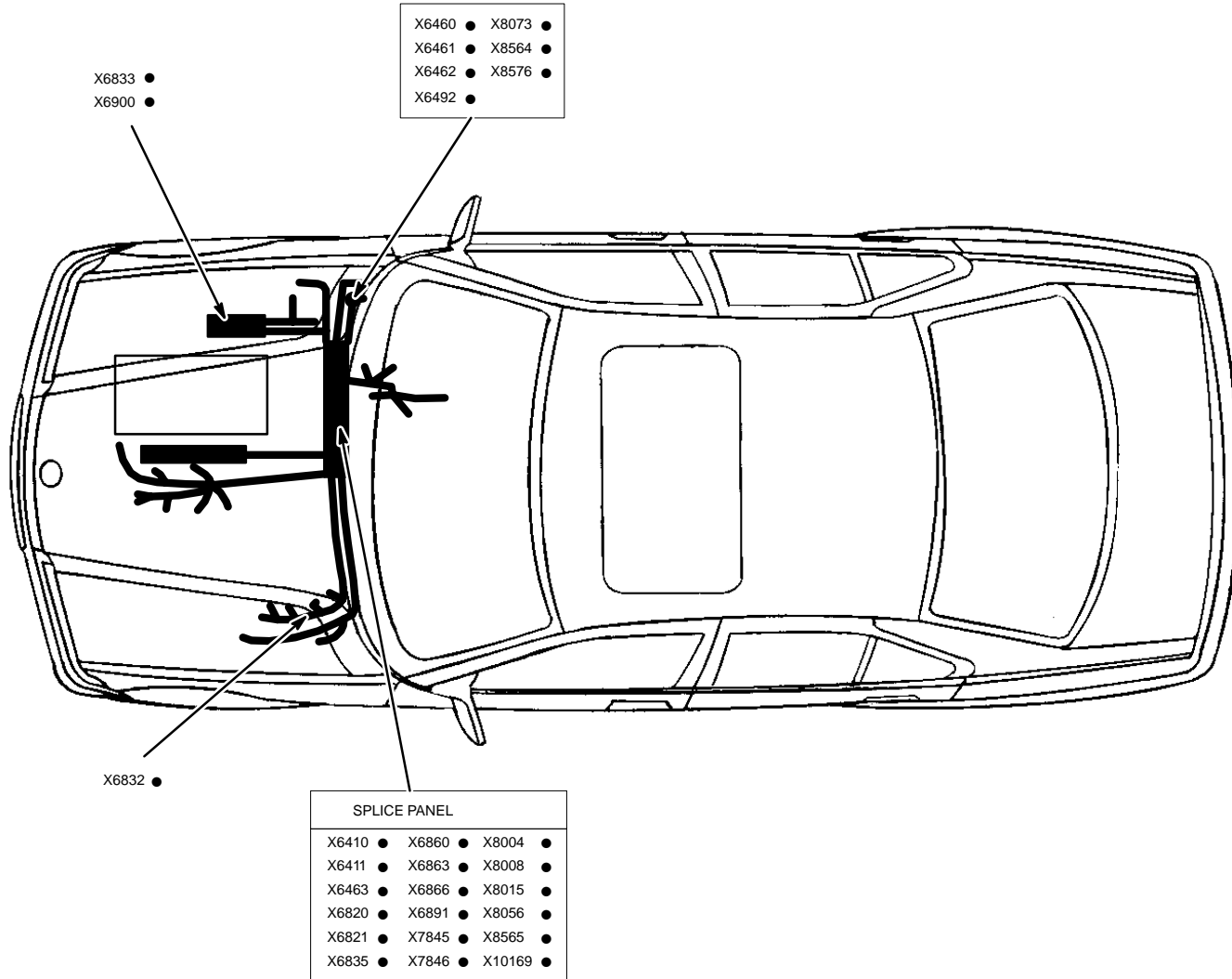
SPLICE PANEL				
X441 ●	X453 ●	X1263 ●	X10269 ●	X13129 ●
X442 ●	X455 ●	X1387 ●	X11279 ●	X13132 ●
X443 ●	X462 ●	X1396 ●	X13002 ●	X13168 ●
X444 ●	X475 ●	X10118 ●	X13003 ●	X13173 ●
X445 ●	X481 ●	X10189 ●	X13010 ●	X13289 ●
X449 ●	X1212 ●	X10228 ●	X13011 ●	X13309 ●
X450 ●	X1235 ●	X10229 ●	X13127 ●	





SPLICE LOCATION VIEWS

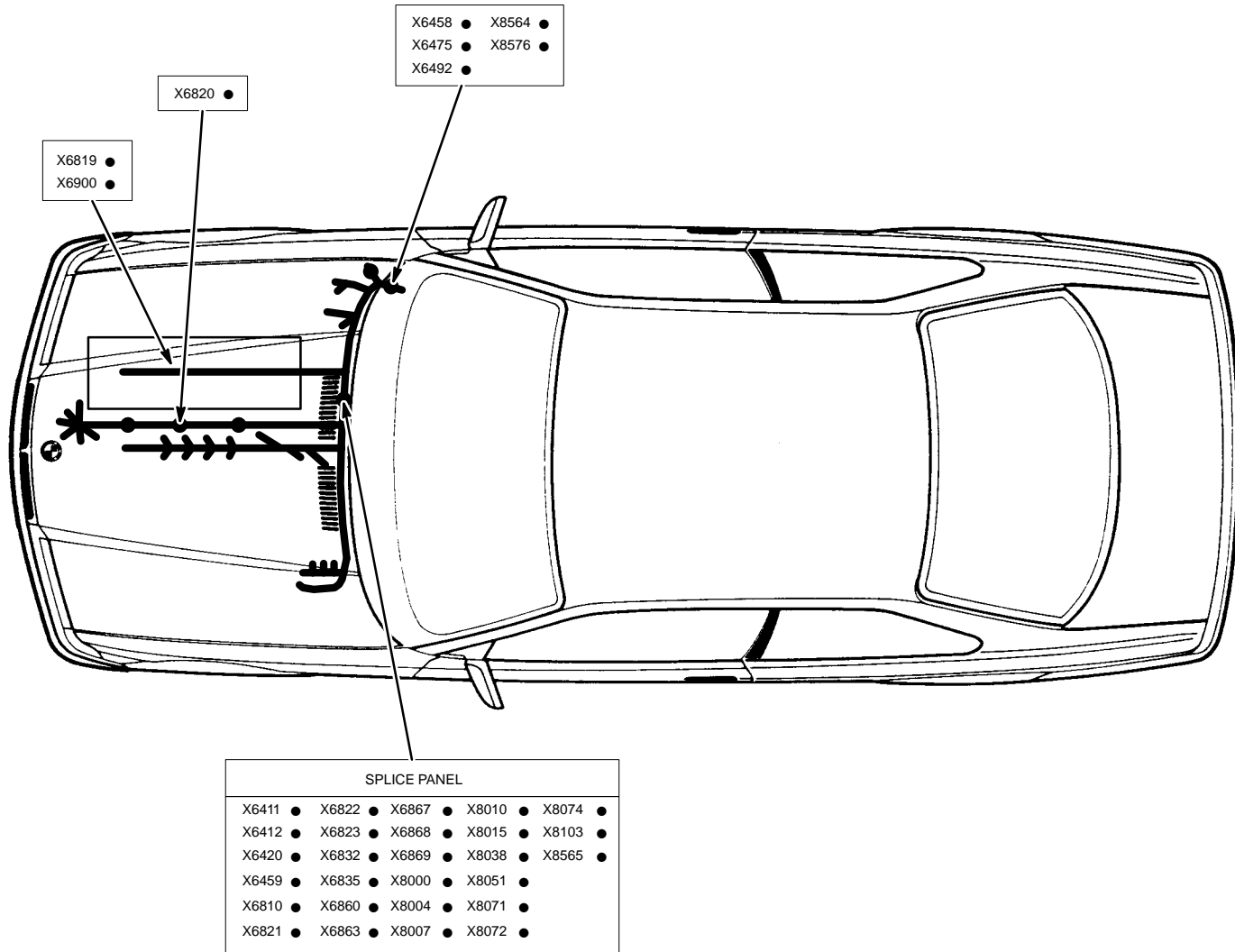
ENGINE HARNESS M44





SPLICE LOCATION VIEWS

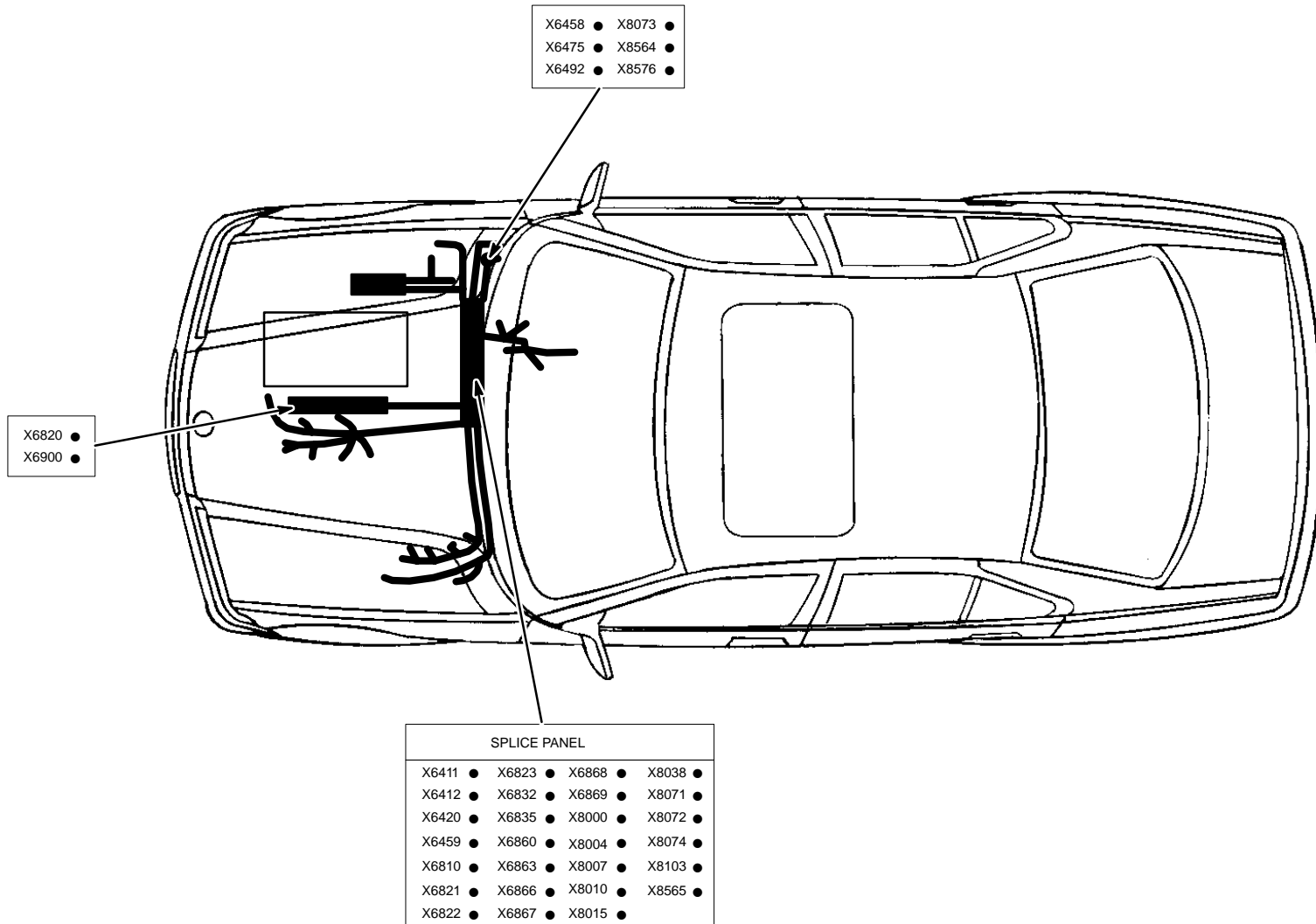
ENGINE HARNESS M3





SPLICE LOCATION VIEWS

ENGINE HARNESS M52





8500.0 CONNECTOR VIEWS

FIG. 1

B030003.02

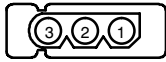


FIG. 2

B260005.00

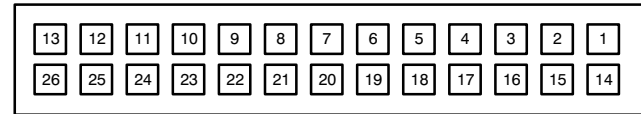


FIG. 3

B150003.00

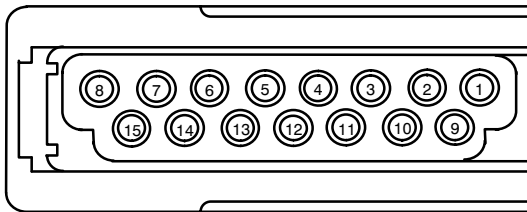
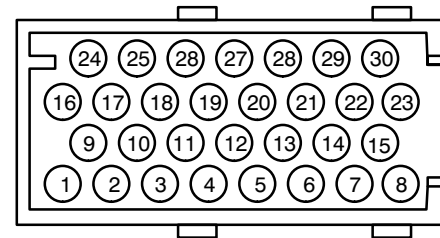


FIG. 4

B300001.00





CONNECTOR VIEWS

FIG. 1

B030024

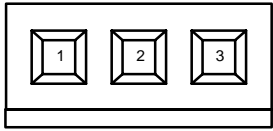


FIG. 2

B120003.00

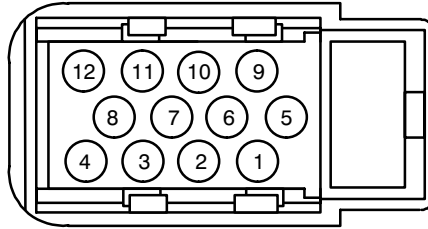


FIG. 3

B120001.00

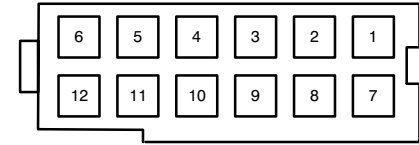


FIG. 4

B080002.00

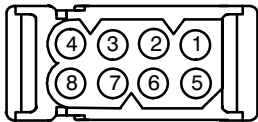


FIG. 5

B180000.00

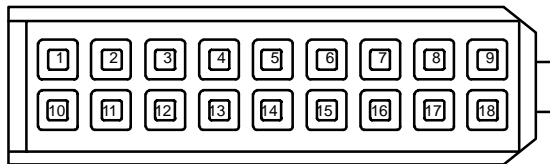


FIG. 6

B120015

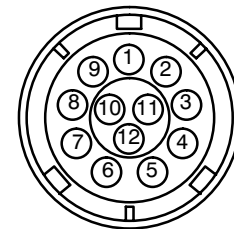


FIG. 1

B030001.00

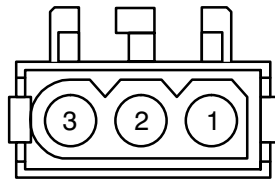


FIG. 2

B070007.00

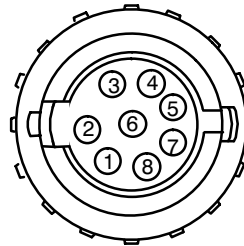


FIG. 3

B170001.00

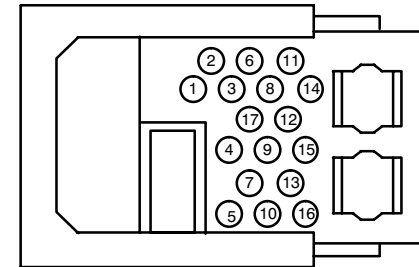


FIG. 4

B100008.00

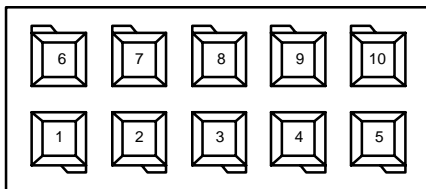
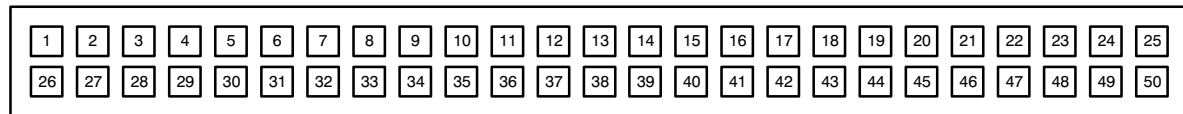


FIG. 5

B500000.00





CONNECTOR VIEWS

FIG. 1

B160001.00

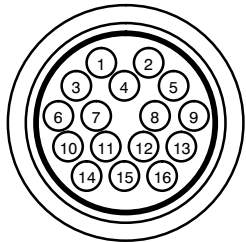


FIG. 2

B050003.00

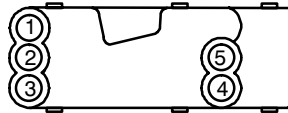


FIG. 3

B040004.00

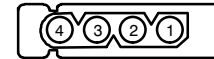


FIG. 4

B120002.02

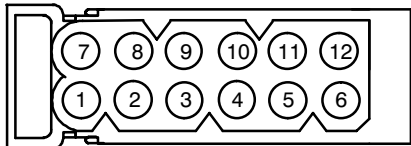


FIG. 5

B080001.00

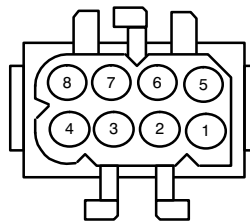
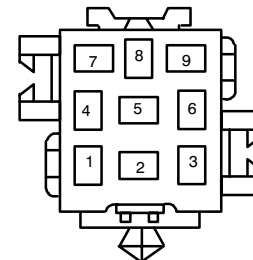


FIG. 6

B090002.00





CONNECTOR VIEWS

FIG. 1

B210002.00

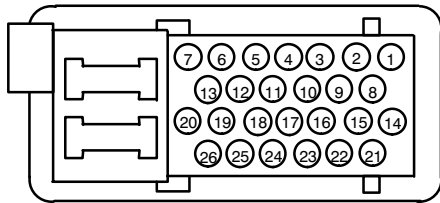


FIG. 2

B060001.02

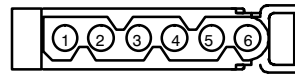


FIG. 3

B050005.00

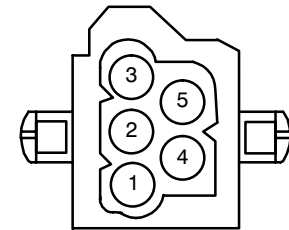


FIG. 4

B200003.00

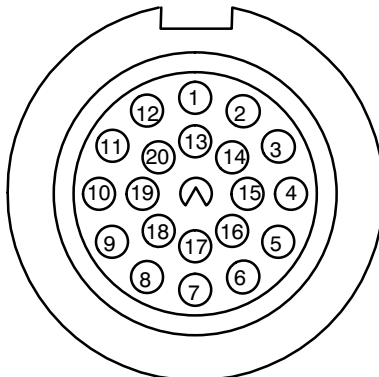
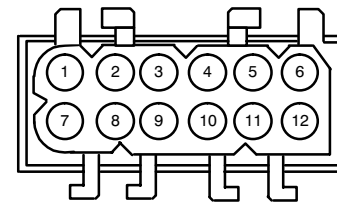


FIG. 5

B120004.01





CONNECTOR VIEWS

FIG. 1

B060008.00

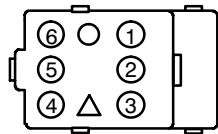


FIG. 2

B250001.01

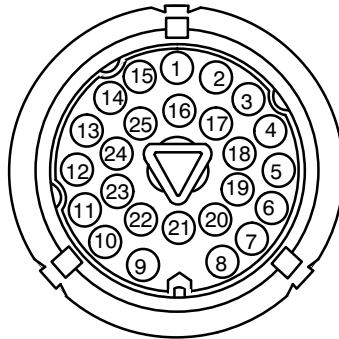


FIG. 3

B060019.02

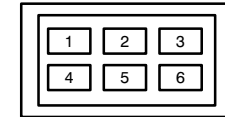


FIG. 4

B060037.00

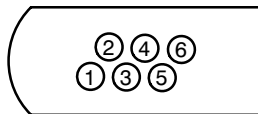


FIG. 5

B250004.00

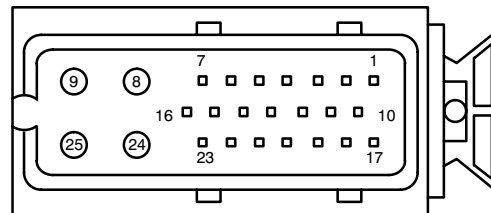
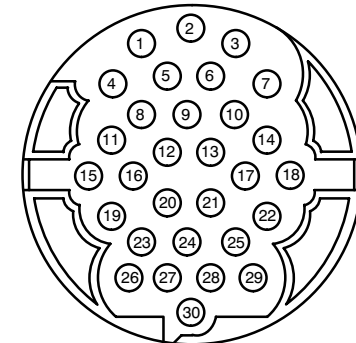


FIG. 6

B300005.00





CONNECTOR VIEWS

FIG. 1

B880001.00

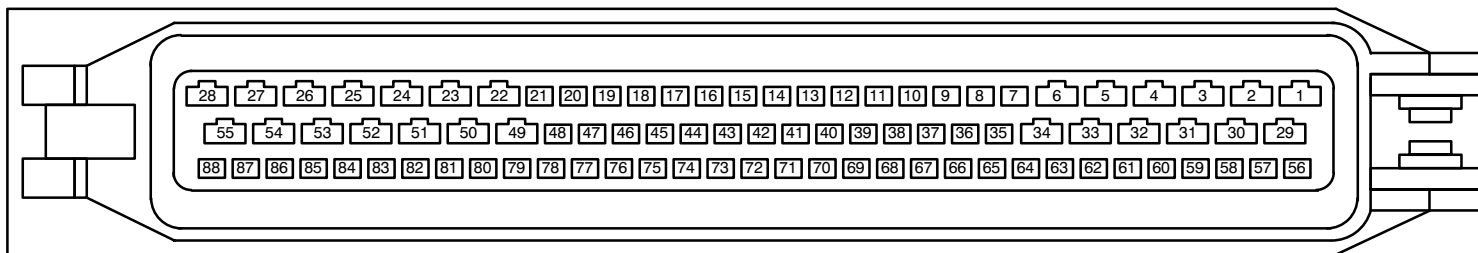


FIG. 2

B060038.00

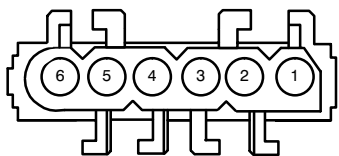


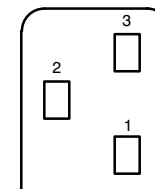
FIG. 3

B030006.00



FIG. 4

B030004.01





CONNECTOR VIEWS

FIG. 1

B060012.00

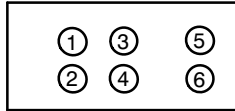


FIG. 2

B040023.01

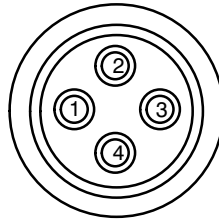


FIG. 3

B030018.00

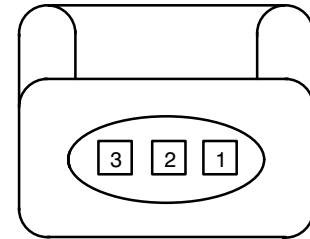


FIG. 4

B030015.08

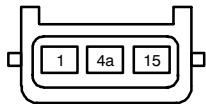


FIG. 5

B030023.00

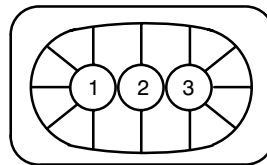
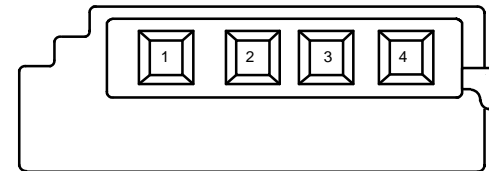


FIG. 6

B040020.00





CONNECTOR VIEWS

FIG. 1

B030025.00

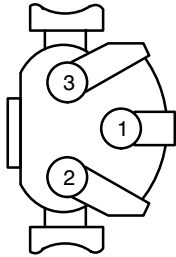


FIG. 2

B060037.01

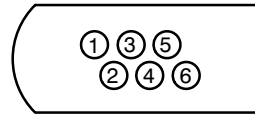


FIG. 3

B160003.00

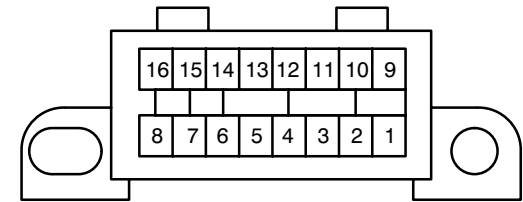


FIG. 4

B060001.00

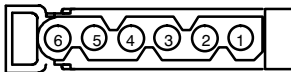
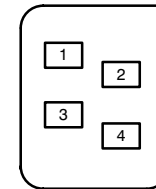


FIG. 5

B040027.00





CONNECTOR VIEWS

FIG. 1

B030048a

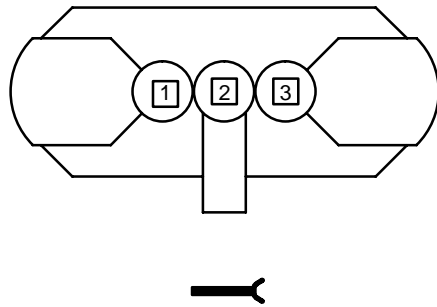


FIG. 2

B030013.00

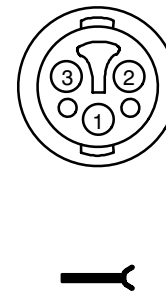


FIG. 3

B040029.00

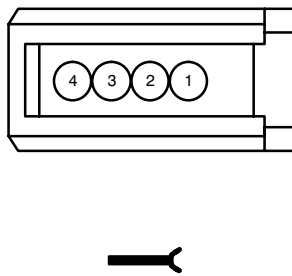
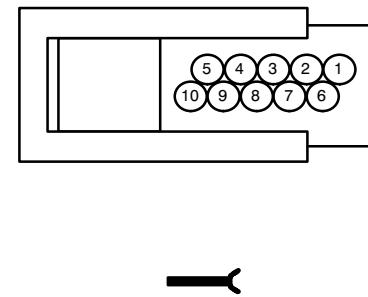


FIG. 4

B100007.00





CONNECTOR VIEWS

FIG. 1

B040021

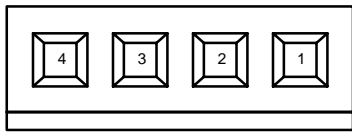


FIG. 2

B030018.01

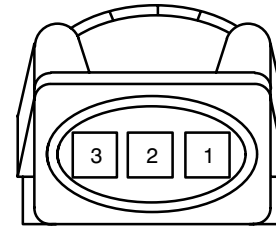


FIG. 3

B030042.01

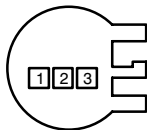


FIG. 4

B420000.00

