

**1999**

**BMW E36 Coupe  
and Convertible  
318is/C, 323is/C,  
328is/C, M3**

**Electrical**

**Troubleshooting**

**Manual**

Vehicles produced 9/98 to 8/99



## ELECTRICAL TROUBLESHOOTING MANUAL

### SERIES 3 – E36 (318i, 323i, 328i, M3, COUPE AND CONVERTIBLE)

#### SCHEMATICS

#### MODEL YEAR 1999

0100.0	INDEX	5116.0	POWER MIRRORS
0110.0	INTRODUCTION	5120.0	ZKE DOOR LOCK HEATING (TSH)
0140.0	SYMBOLS	5126.0	ZKE CENTRAL LOCKING (ZV)
0670.0	POWER DISTRIBUTION CHART	5133.1	POWER WINDOWS (FH)
0670.1	FUSE CHART	5200.0	POWER SEATS
0670.2	POWER DISTRIBUTION	5203.0	HEATED SEATS
0670.3	FUSE DETAILS	5410.1	POWER TILT/SLIDE SUNROOF (SHD)
0670.4	GROUND DISTRIBUTION	5430.1	ELECTRICAL CONVERTIBLE TOP
0670.5	DATA LINK	6100.0	CENTRAL BODY ELECTRONICS (ZKE IV)
1210.17	ENGINE CONTROL SYSTEM MS41.1 (6-CYLINDER M52)	6133.0	HORN
1210.20	ENGINE CONTROL SYSTEM (DME M5.2, 4-CYLINDER M44)	6135.0	DRIVE-AWAY PROTECTION (EWS II)
1230.0	CHARGING SYSTEM	6160.1	WIPER/WASHER MODULE (WWM)
1240.0	START	6167.1	HEADLIGHT WASHER (SRA)
2460.2	ELECTRONIC TRANSMISSION CONTROL (EGS A4S 270R)	6169.0	WINDSHIELD WASHER JET HEATERS
2460.4	ELECTRONIC TRANSMISSION CONTROL (EGS A5S 310Z)	6211.0	INSTRUMENT CLUSTER
3234.0	SUPPLEMENTAL RESTRAINT SYSTEM (AIR BAG)	6213.1	ANALOG CLOCK
3450.1	SLIP CONTROL (ABS/ASC)	6213.2	MULTI-FUNCTION CLOCK
		6214.0	ON-BOARD DISPLAY

6300.0	LIGHT SWITCH DETAILS	6424.0	REAR WINDOW DEFOGGER/ ANTENNA
6312.0	HEADLIGHTS/FOG LIGHTS	6450.7	INTEGRATED CLIMATE REGULATION (IHKA E36)
6313.0	TURN/HAZARD LIGHTS	6510.0	RADIO/STEREO
6314.0	PARK/TAIL LIGHTS	6510.1	RADIO/HIFI/TOP HIFI
6320.0	LICENSE PLATE/LUGGAGE COMPARTMENT LIGHTS	6561.0	CELLULAR TELEPHONE (PROVISIONS)
6322.0	BACK UP LIGHTS	6571.0	CRUISE CONTROL (TEMPOMAT)
6325.0	BRAKE LIGHTS	6575.2	ANTI-THEFT SYSTEM (ALPINE)
6330.3	INTERIOR LIGHTS	6581.2	ON-BOARD COMPUTER (BC V)
6332.1	GLOVE BOX LIGHT/CASSETTE BOX/ASHTRAY LIGHT/CHARGING SOCKET/CIGAR LIGHTER	7000.0	COMPONENT LOCATION CHART
6350.0	CRASH CONTROL MODULE	7100.0	COMPONENT LOCATION VIEWS
6410.5	HEATING CONTROL (HR)	8000.0	SPLICE LOCATION VIEWS
6412.10	PARK VENTILATION WITH HR	8500.0	CONNECTOR VIEWS
6412.20	PARK VENTILATION WITH IHKA E36		



# 0100.0 INDEX

ABS HYDRAULIC UNIT, Y1 .....	3450.1-06
ABS HYDRAULIC UNIT, Y1w .....	3450.1-01
ABS PEDAL TRAVEL SENSOR, S123 .....	3450.1-01
ABS PUMP MOTOR RELAY, TIMED, K125 .....	3450.1-00
ABS PUMP MOTOR RELAY, TIMED, K125 .....	3450.1-05
ABS RELAY, K10 .....	3450.1-00
AIR BAG GAS GENERATOR, DRIVER'S, G5 .....	3234.0-00
AIR BAG GAS GENERATOR, LEFT SIDE, G14 .....	3234.0-01
AIR BAG GAS GENERATOR, PASSENGER'S, G6 .....	3234.0-00
AIR BAG GAS GENERATOR, RIGHT SIDE, G15 .....	3234.0-01
AIR CONDITIONING COMPRESSOR, Y2 .....	6450.7-04
AIR PUMP, Y6133 .....	1210.17-05
AIR PUMP, Y6133 .....	1210.20-09
ANALOG CLOCK .....	6213.1-00
ANALOG CLOCK, N5 .....	6213.1-00
ANTENNA AMPLIFIER AM/FM, N8 .....	6424.0
ANTI-THEFT CONTROL MODULE (ALPINE), N12w .....	6575.2
ANTI-THEFT HORN (ALPINE), H1w .....	6575.2-02
ANTI-THEFT SYSTEM (ALPINE) .....	6575.2
ASC DIODE, V7 .....	3450.1-00
ASC SWITCH, S6 .....	3450.1-02
ASC SWITCH, S6 .....	3450.1-07
ASHTRAY LIGHT, FRONT, E25 .....	6300.0-01
ASHTRAY LIGHT, REAR, E28y .....	6300.0-01
AUTOMATIC CLIMATE CONTROL MODULE, A115 .....	6450.7
AUTOMATIC TRANSMISSION RANGE SWITCH, S3 .....	2460.
AUXILIARY FAN MOTOR, M9 .....	6450.7

AUXILIARY FUSE BOX IN LUGGAGE COMPARTMENT, P96 .....	0670.2
AUXILIARY FUSE BOX, P95 .....	0670.2-03
AUXILIARY FUSE BOX, P97 .....	0670.2
AUXILIARY THROTTLE POSITION MOTOR (ADS), M93 .....	3450.1-02
AUXILIARY THROTTLE POSITION MOTOR (ADS), M93 .....	3450.1-07
AUXILIARY THROTTLE POSITION SENSOR, R31 .....	3450.1-04
AUXILIARY TURN LIGHT, LEFT FRONT, H9 .....	6313.0-02
AUXILIARY TURN LIGHT, RIGHT FRONT, H8 .....	6313.0-02
B+ JUMP START JUNCTION POINT, G6430 .....	0670.2
BACK UP LIGHT, LEFT, H27 .....	6322.0-00
BACK UP LIGHT, RIGHT, H28 .....	6322.0-00
BACK UP LIGHTS .....	6322.0
BATTERY, G1 .....	0670.2
BLOWER MOTOR, M30 .....	6410.5-01
BLOWER MOTOR, M30 .....	6412.10-01
BLOWER MOTOR, M30 .....	6412.20-00
BLOWER MOTOR, M30 .....	6450.7-00
BLOWER RELAY, K4 .....	6410.5-00
BLOWER RELAY, K4 .....	6412.10-00
BLOWER RELAY, K4 .....	6412.20-00
BLOWER RELAY, K4 .....	6450.7-00
BLOWER RESISTORS, R11 .....	6410.5-01
BLOWER RESISTORS, R11 .....	6412.10-01
BLOWER SWITCH, S75 .....	6410.5-01
BLOWER SWITCH, S75 .....	6412.10-00
BODY ELECTRONICS CONTROL MODULE (ZKE IV), A104 .....	6100.0



# INDEX

BRAKE FLUID LEVEL SWITCH, B18 .....	6211.0-00
BRAKE LIGHT SWITCH, S29 .....	6325.0-00
BRAKE LIGHT SWITCH, S30 .....	6325.0-01
BRAKE LIGHT, LEFT, H24 .....	6325.0
BRAKE LIGHT, RIGHT, H31 .....	6325.0
BRAKE LIGHTS .....	6325.0
BRAKE PAD SENSOR, LEFT FRONT, B16 .....	6211.0-01
BRAKE PAD SENSOR, RIGHT REAR, B17 .....	6211.0-01
CAMSHAFT POSITION SENSOR (CYLINDER IDENTIFICATION), B6204 .....	1210.17-06
CARBON CANISTER VALVE, Y199 .....	1210.17-10
CARBON CANISTER VALVE, Y199 .....	1210.20-09
CASSETTE BOX LIGHT, E45y .....	6300.0-00
CD CHANGER, N22 .....	6510.1
CELLULAR TELEPHONE (PROVISIONS) .....	6561.0
CENTRAL BODY ELECTRONICS (ZKE IV) .....	6100.0
CENTRAL LOCKING SWITCH, S302 .....	5126.0-02
CENTRAL POWER WINDOW SWITCH, S40y .....	5133.1-02
CHARGING SOCKET, X779 .....	6332.1-01
CHARGING SYSTEM .....	1230.0
CHECK CONTROL MODULE, A4 .....	6581.2
CHIME MODULE, H10 .....	6581.2-01
CIGAR LIGHTER LIGHT, FRONT, E29 .....	6300.0-01
CIGAR LIGHTER, FRONT, E28 .....	6332.1-00
CLUTCH SWITCH, S32 .....	6571.0-01
COMBINATION SWITCH, S7 .....	6312.0-00
COMBINATION SWITCH, S7 .....	6313.0-00
COMPONENT LOCATION CHART .....	7000.0

COMPONENT LOCATION VIEWS .....	7100.0
COMPRESSOR CONTROL RELAY, K19 .....	6450.7-04
CONNECTOR VIEWS .....	8500.0
CONTACT RING, C101 .....	3234.0-00
CONVERTIBLE TOP ACTUATING SWITCH, S143 .....	5430.1-01
CONVERTIBLE TOP CONTROL MODULE, A96 .....	5430.1
CONVERTIBLE TOP END-POSITION MICRO SWITCH, S164 .....	5430.1-01
CONVERTIBLE TOP MOTOR, M101 .....	5430.1-02
CONVERTIBLE TOP POSITION MICRO SWITCH, S165 .....	5430.1-01
CONVERTIBLE TOP STORAGE LID LOCK MOTOR, M43 .....	5430.1-02
CONVERTIBLE TOP STORAGE LID MICRO SWITCH, S214 .....	5430.1-04
CONVERTIBLE TOP STORAGE LID MOTOR, M100 ...	5430.1-02
CRANKSHAFT POSITION/RPM SENSOR, B6203 .....	1210.
CRASH CONTROL MODULE .....	6350.0
CRASH CONTROL MODULE, N17 .....	6350.0-01
CRUISE CONTROL (TEMPOMAT) .....	6571.0
CRUISE CONTROL ACTUATOR (TEMPOMAT), M25 ...	6571.0-01
CRUISE CONTROL MODULE (TEMPOMAT), A8 .....	6571.0
CRUISE CONTROL SWITCH, S28 .....	6571.0-00
DATA LINK .....	0670.5
DATA LINK CONNECTOR, D100 .....	0670.5
DAY LIGHT RELAY MODULE, K46z .....	6312.0-01
DEFOGGER I, REAR, E9 .....	6424.0
DEFOGGER RELAY, REAR, K13 .....	6424.0
DEFOGGER/ANTENNA, REAR, E10 .....	6424.0



DEFROSTER FLAP MOTOR, M35 ..... 6450.7-03  
DIMMER, N3 ..... 6300.0-00  
DIVERSITY, N404 ..... 6424.0-04  
DOME LIGHT/MAP READING ASSEMBLY, FRONT, E34 .. 6330.3  
DOOR HANDLE SWITCH, DRIVER'S, S48 ..... 6575.2-00  
DOOR JAMB SWITCH, DRIVER'S, S14 ..... 5133.1-00  
DOOR JAMB SWITCH, PASSENGER'S, S13 ..... 5133.1-00  
DOOR LOCK HEATER, E48 ..... 5120.0-00  
DOOR LOCK MOTOR, DRIVER'S, M12 ..... 5126.0-00  
DOOR LOCK MOTOR, PASSENGER'S, M13 ..... 5126.0-00  
DOOR LOCK SWITCH, DRIVER'S, S47 ..... 5126.0-02  
DOOR LOCK SWITCH, PASSENGER'S, S49 ..... 5126.0-02  
DOUBLE TEMPERATURE SWITCH, S36y ..... 6450.7-06  
DRIVE-AWAY PROTECTION (EWS II) ..... 6135.0  
DUAL TEMPERATURE SENSOR  
(COOLANT TEMPERATURE), B6256 ..... 1210.17-02  
ELECTRICAL CONVERTIBLE TOP ..... 5430.1  
ELECTRONIC IMMOBILIZER CONTROL MODULE  
(EWS II), A836 ..... 6135.0  
ELECTRONIC TRANSMISSION CONTROL  
(EGS A4S 270R) ..... 2460.2  
ELECTRONIC TRANSMISSION CONTROL  
(EGS A5S 310Z) ..... 2460.4  
ENGINE CONTROL MODULE (DME), A6000 ..... 1210.  
ENGINE CONTROL MODULE RELAY, K6300 ..... 1210.  
ENGINE CONTROL SYSTEM  
(DME M5.2, 4-CYLINDER M44) ..... 1210.20  
ENGINE CONTROL SYSTEM MS41.1  
(6-CYLINDER M52) ..... 1210.17

ENGINE COOLANT LEVEL SWITCH, S63 ..... 6581.2-02  
ENGINE COOLANT TEMPERATURE SENSOR, B6232 1210.17-02  
ENGINE COOLANT TEMPERATURE SENSOR, B6232 1210.20-05  
ENGINE COOLANT TEMPERATURE SENSOR, B6236 1210.17-02  
ENGINE HOOD SWITCH, S21w ..... 6575.2-02  
EVAPORATIVE EMISSION VALVE, Y6120 ..... 1210.  
EVAPORATOR TEMPERATURE SENSOR, B14 ..... 6450.7-02  
EXHAUST GAS FLAP VALVE, Y198 ..... 1210.17-09  
FINAL STAGE UNIT, N2 ..... 6412.20-00  
FINAL STAGE UNIT, N2 ..... 6450.7-00  
FOG LIGHT RELAY, FRONT, K47 ..... 6312.0-00  
FOG LIGHT SWITCH, S10 ..... 6312.0-00  
FOG LIGHT, LEFT, E26 ..... 6312.0-00  
FOG LIGHT, RIGHT, E27 ..... 6312.0-00  
FOOTWELL LIGHT, LEFT FRONT, E61 ..... 6330.3  
FOOTWELL LIGHT, RIGHT FRONT, E62 ..... 6330.3  
FRESH AIR FLAP MOTOR, M36 ..... 6450.7-00  
FUEL CHANGEOVER VALVE, Y6263 ..... 1210.20-09  
FUEL INJECTION VALVE, CYL. 1, Y6101 ..... 1210.  
FUEL INJECTION VALVE, CYL. 2, Y6102 ..... 1210.  
FUEL INJECTION VALVE, CYL. 3, Y6103 ..... 1210.  
FUEL INJECTION VALVE, CYL. 4, Y6104 ..... 1210.  
FUEL INJECTION VALVE, CYL. 5, Y6105 ..... 1210.17-01  
FUEL INJECTION VALVE, CYL. 6, Y6106 ..... 1210.17-01  
FUEL LEVEL SENSOR, B6 ..... 6211.0-04  
FUEL PUMP RELAY, CYL. 1-6, K6301 ..... 1210.17-04  
FUEL PUMP RELAY, K6301w ..... 1210.20-04  
FUEL PUMP, M2 ..... 1210.



FUEL TANK PRESSURE SENSOR, B72 ..... 1210.17-10  
FUEL TANK PRESSURE SENSOR, B72 ..... 1210.20-05  
FUEL TANK SENSOR II, B25y ..... 6211.0-04  
FUSE CHART ..... 0670.1  
FUSE DETAILS ..... 0670.3  
GAS FILLER LOCK MOTOR, M16 ..... 5126.0-00  
GEAR SHIFT LEVER INDICATOR, E96 ..... 6300.0-01  
GENERATOR, G6509 ..... 1230.0-00  
GLOVE BOX LIGHT, E42 ..... 6332.1-01  
GLOVE BOX LIGHT/CASSETTE BOX/ASHTRAY LIGHT/  
CHARGING SOCKET/CIGAR LIGHTER ..... 6332.1  
GLOVE BOX LOCK MOTOR, M107 ..... 5126.0-00  
GROUND DISTRIBUTION ..... 0670.4  
HALL EFFECT CAMSHAFT SENSOR, B6209 ..... 1210.20-04  
HARD TOP CONNECTOR 1, E99 ..... 5430.1-00  
HARD TOP CONNECTOR 2, E100y ..... 6330.3-03  
HAZARD FLASHER RELAY, K16 ..... 6313.0-00  
HAZARD SWITCH, S18 ..... 6313.0-01  
HEADLIGHT WASHER (SRA) ..... 6167.1  
HEADLIGHT, LEFT, E7 ..... 6313.0-02  
HEADLIGHT, LEFT, E7 ..... 6314.0-01  
HEADLIGHT, RIGHT, E8 ..... 6313.0-02  
HEADLIGHT, RIGHT, E8 ..... 6314.0-01  
HEADLIGHT/FOG LIGHT WASHER PUMP, M7 ..... 6167.1-00  
HEADLIGHTS/FOG LIGHTS ..... 6312.0  
HEAT EXCHANGER TEMPERATURE SENSOR, LH, B11 6410.5-01  
HEAT EXCHANGER TEMPERATURE SENSOR, LH, B11 6450.7-02  
HEAT EXCHANGER TEMPERATURE SENSOR, RH, B126450.7-02

HEATED SEATS ..... 5203.0  
HIFI AMPLIFIER, A18 ..... 6510.1  
HIGH BEAM LIGHT RELAY, K46 ..... 6312.0-01  
HIGH BEAM LIGHT, LEFT, E11 ..... 6312.0-01  
HIGH BEAM LIGHT, RIGHT, E12 ..... 6312.0-01  
HIGH LEVEL STOP LIGHT, H34 ..... 6325.0  
HIGH LEVEL STOP LIGHT/REAR SPOILER, H34z ..... 6325.0  
HIGH RANGE SPEAKER, LEFT FRONT, H59 ..... 6510.0-00  
HIGH RANGE SPEAKER, LEFT FRONT, H59 ..... 6510.1-01  
HIGH RANGE SPEAKER, LEFT REAR, H56 ..... 6510.1  
HIGH RANGE SPEAKER, RIGHT FRONT, H50 ..... 6510.0-00  
HIGH RANGE SPEAKER, RIGHT FRONT, H50 ..... 6510.1-02  
HIGH RANGE SPEAKER, RIGHT REAR, H53 ..... 6510.1  
HIGH SPEED RELAY, K22 ..... 6450.7-05  
HIGH SPEED RELAY, K22 ..... 6450.7-06  
HORN ..... 6133.0  
HORN RELAY (ALPINE), K108 ..... 6575.2-02  
HORN RELAY, K2 ..... 6133.0-00  
HORN SWITCH, S4 ..... 6133.0-00  
HORN, LEFT, H2 ..... 6133.0-00  
HORN, RIGHT, H3 ..... 6133.0-00  
HOT FILM AIR MASS METER, B6207 ..... 1210.17-05  
HOT FILM AIR MASS METER, B6217 ..... 1210.20-06  
IDLE SPEED CONTROL VALVE, Y6130 ..... 1210.  
IGNITION COIL, CYL. 1, T6151 ..... 1210.  
IGNITION COIL, CYL. 2, T6152 ..... 1210.  
IGNITION COIL, CYL. 3, T6153 ..... 1210.  
IGNITION COIL, CYL. 4, T6154 ..... 1210.



# INDEX

IGNITION COIL, CYL. 5, T6155 .....	1210.17-03
IGNITION COIL, CYL. 6, T6156 .....	1210.17-03
IGNITION SWITCH, S2 .....	0670.2-04
INDEX .....	0100.0
INSTRUMENT CLUSTER .....	6211.0
INSTRUMENT CLUSTER, A2w .....	6211.0
INTAKE AIR RESONANCE CHANGEOVER VALVE, Y6131 .....	1210.20-01
INTAKE AIR TEMPERATURE SENSOR, B6205 .....	1210.
INTEGRATED CLIMATE REGULATION (IHKA E36) .....	6450.7
INTERIOR LIGHT, LEFT REAR, E39 .....	6330.3
INTERIOR LIGHT, RIGHT REAR, E40 .....	6330.3
INTERIOR LIGHTS .....	6330.3
INTERMEDIATE PRESSURE SWITCH, B9 .....	6450.7
INTRODUCTION .....	0110.0
JET HEATER THERMOSWITCH, S198 .....	6169.0-00
KICK-DOWN SWITCH, S8507 .....	2460.
KNOCK SENSOR, B6240 .....	1210.17-06
KNOCK SENSOR, B6240 .....	1210.20-05
LICENSE PLATE LIGHT, LEFT, E43 .....	6320.0-00
LICENSE PLATE LIGHT, RIGHT, E44 .....	6320.0-00
LICENSE PLATE/LUGGAGE COMPARTMENT LIGHTS ...	6320.0
LIGHT EMITTING DIODE (LED) .....	6575.2-00
LIGHT SWITCH DETAILS .....	6300.0
LIGHT SWITCH, S8 .....	6300.0-00
LOW BEAM LIGHT RELAY, K48 .....	6312.0-01
LOW BEAM LIGHT, LEFT, E13 .....	6312.0-01
LOW BEAM LIGHT, RIGHT, E14 .....	6312.0-01

LOW RANGE SPEAKER, LEFT FRONT, H58 .....	6510.0-00
LOW RANGE SPEAKER, LEFT FRONT, H58 .....	6510.1-01
LOW RANGE SPEAKER, LEFT REAR, H57 .....	6510.1
LOW RANGE SPEAKER, RIGHT FRONT, H51 .....	6510.0-00
LOW RANGE SPEAKER, RIGHT FRONT, H51 .....	6510.1-02
LOW RANGE SPEAKER, RIGHT REAR, H52 .....	6510.1
LOW-NOISE MICROPHONE .....	6575.2-00
LUGGAGE COMPARTMENT LID MICRO SWITCH, S213	5430.1-02
LUGGAGE COMPARTMENT LID RELAY, K117 .....	5126.0-01
LUGGAGE COMPARTMENT LIGHT ASSEMBLY, LEFT, E46 .....	6313.0-02
LUGGAGE COMPARTMENT LIGHT ASSEMBLY, LEFT, E46 .....	6314.0-01
LUGGAGE COMPARTMENT LIGHT ASSEMBLY, LEFT, E46 .....	6322.0-00
LUGGAGE COMPARTMENT LIGHT ASSEMBLY, LEFT, E46 .....	6325.0
LUGGAGE COMPARTMENT LIGHT ASSEMBLY, LEFT, E46 .....	6581.2
LUGGAGE COMPARTMENT LIGHT ASSEMBLY, RIGHT, E47 .....	6313.0-02
LUGGAGE COMPARTMENT LIGHT ASSEMBLY, RIGHT, E47 .....	6314.0-01
LUGGAGE COMPARTMENT LIGHT ASSEMBLY, RIGHT, E47 .....	6322.0-00
LUGGAGE COMPARTMENT LIGHT ASSEMBLY, RIGHT, E47 .....	6325.0
LUGGAGE COMPARTMENT LIGHT ASSEMBLY, RIGHT, E47 .....	6581.2





## INDEX

LUGGAGE COMPARTMENT LIGHT SWITCH, S61y ...	6320.0-01	ON-BOARD DISPLAY, A35 .....	6214.0-00
LUGGAGE COMPARTMENT LIGHT, E32 .....	6320.0-01	OUTSIDE TEMPERATURE SENSOR, B13 .....	6450.7-02
LUGGAGE COMPARTMENT LIGHT, LEFT, E101 .....	6320.0-01	OXYGEN SENSOR (BEHIND CATALYTIC CONVERTER), B62002 .....	1210.20-04
LUGGAGE COMPARTMENT LIGHT, RIGHT, E102 .....	6320.0-01	OXYGEN SENSOR (IN FRONT OF CATALYTIC CONVERTER), B62001 .	1210.20-04
LUGGAGE COMPARTMENT LOCK MOTOR, M17 .....	5126.0-01	OXYGEN SENSOR I (BEHIND CATALYTIC CONVERTER), B62102 .....	1210.17-04
MAKE-UP MIRROR LIGHT, DRIVER'S, E35 .....	6330.3	OXYGEN SENSOR I (IN FRONT OF CATALYTIC CONVERTER), B62101 .	1210.17-04
MAKE-UP MIRROR LIGHT, PASSENGER'S, E36 .....	6330.3	OXYGEN SENSOR II (BEHIND CATALYTIC CONVERTER), B62202 .....	1210.17-04
MAKE-UP MIRROR SWITCH, DRIVER'S, S77 .....	6330.3	OXYGEN SENSOR II (IN FRONT OF CATALYTIC CONVERTER), B62201 .	1210.17-04
MAKE-UP MIRROR SWITCH, PASSENGER'S, S78 .....	6330.3	PARK BRAKE SWITCH, S31 .....	6211.0-00
MID-HIGH RANGE SPEAKER, LEFT, H42 .....	6510.1-01	PARK LIGHT, LEFT, E15 .....	6314.0-01
MID-HIGH RANGE SPEAKER, RIGHT, H43 .....	6510.1-02	PARK LIGHT, RIGHT, E19 .....	6314.0-01
MIDRANGE SPEAKER, LEFT FRONT, H55 .....	6510.1-01	PARK VENTILATION RELAY, K450 .....	6412.
MIDRANGE SPEAKER, RIGHT FRONT, H54 .....	6510.1-02	PARK VENTILATION RELAY, K450 .....	6412.10-01
MIRROR CONTROL SWITCH, S17 .....	5116.0-00	PARK VENTILATION WITH HR .....	6412.10
MIRROR, DRIVER'S SIDE, Y5 .....	5116.0	PARK VENTILATION WITH IHKA E36 .....	6412.20
MIRROR, PASSENGER'S SIDE, Y6 .....	5116.0	PARK/TAIL LIGHTS .....	6314.0
MULTI-FUNCTION CLOCK .....	6213.2	POWER DISTRIBUTION .....	0670.2
MULTI-FUNCTION CLOCK, N10 .....	6213.2	POWER DISTRIBUTION BOX, FRONT, P90 .....	0670.2
NORMAL SPEED RELAY, K21 .....	6450.7-05	POWER DISTRIBUTION CHART .....	0670.0
NORMAL SPEED RELAY, K21 .....	6450.7-06	POWER MIRRORS .....	5116.0
OBD II CONNECTOR, D110 .....	0670.5	POWER SEATS .....	5200.0
OIL PRESSURE SWITCH, B6231 .....	6211.0-00	POWER TILT/SLIDE SUNROOF (SHD) .....	5410.1
OIL TEMPERATURE SENSOR, B6238 .....	6211.0-04		
ON-BOARD COMPUTER (BC V) .....	6581.2		
ON-BOARD COMPUTER TEMPERATURE SENSOR, B21 .....	6581.2-00		
ON-BOARD COMPUTER, N4 .....	6581.2		
ON-BOARD DISPLAY .....	6214.0		



POWER WINDOW SWITCH, DRIVER'S, S126y ..... 5133.1-01  
POWER WINDOW SWITCH, PASSENGER'S, S127y ... 5133.1-01  
POWER WINDOWS (FH) ..... 5133.1  
PRESSURE SWITCH, B8y ..... 6450.7  
PRESSURE SWITCH, B9508 ..... 6450.7  
PROGRAM SWITCH, S8503 ..... 2460.  
PYROTECHNICAL BELT TENSIONER,  
DRIVER'S SIDE, G12 ..... 3234.0-00  
PYROTECHNICAL BELT TENSIONER,  
PASSENGER'S SIDE, G13 ..... 3234.0-00  
RADIO, N9 ..... 6510.0-00  
RADIO, N9 ..... 6510.1  
RADIO/HIFI/TOP HIFI ..... 6510.1  
RADIO/STEREO ..... 6510.0  
REAR POWER WINDOW SWITCH, LH, S128z ..... 5133.1-02  
REAR POWER WINDOW SWITCH, RH, S129z ..... 5133.1-02  
RECIRCULATION FLAP MOTOR, M40 ..... 6450.7-03  
RECIRCULATION FLAP MOTOR, REAR, M46 ..... 6450.7-03  
REGULATION FLAP MOTOR, M44 ..... 6450.7-03  
RELAY MODULE, A5 ..... 5133.1-04  
RELAY MODULE, A5 ..... 6100.0-04  
RESISTOR, R8554 ..... 0670.4-12  
REVERSING LIGHT SWITCH, S8511 ..... 6322.0-00  
ROLLOVER PROTECTION ACTUATOR, LH, Y85 ..... 5430.1-03  
ROLLOVER PROTECTION ACTUATOR, RH, Y86 ..... 5430.1-03  
ROLLOVER SENSOR, N24 ..... 5430.1-03  
SEAT BELT SWITCH, DRIVER'S, S58 ..... 3234.0-02  
SEAT BELT SWITCH, PASSENGER'S, S59 ..... 3234.0-02

SEAT CONTROL SWITCH, DRIVER'S SEAT, S51 ..... 5200.0-00  
SEAT CONTROL SWITCH, PASSENGER'S SEAT, S56 . 5200.0-01  
SEAT CUSHION TILT MOTOR, DRIVER'S, M50 ..... 5200.0-00  
SEAT CUSHION TILT MOTOR, PASSENGER'S, M61 .. 5200.0-01  
SEAT HEATER SWITCH, DRIVER'S SEAT, S53 ..... 5203.0-00  
SEAT HEATER SWITCH, PASSENGER'S SEAT, S54 .. 5203.0-00  
SEAT HEATER, DRIVER'S, E57 ..... 5203.0-00  
SEAT HEATER, PASSENGER'S, E58 ..... 5203.0-00  
SEAT HEIGHT MOTOR, DRIVER'S, M52 ..... 5200.0-00  
SEAT HEIGHT MOTOR, PASSENGER'S, M59 ..... 5200.0-01  
SEAT LUMBAR SUPPORT MOTOR/VALVE, DRIVER'S,  
M55z ..... 5200.0-02  
SEAT LUMBAR SWITCH, DRIVER'S, S52 ..... 5200.0-02  
SEAT MAT, I1008 ..... 3234.0-03  
SEAT MOVEMENT MOTOR, DRIVER'S, M51 ..... 5200.0-00  
SEAT MOVEMENT MOTOR, PASSENGER'S, M60 .... 5200.0-01  
SEAT OCCUPANCY DETECTOR, A113 ..... 3234.0-03  
SEATBACK HEATER, DRIVER'S, E56 ..... 5203.0-00  
SEATBACK HEATER, PASSENGER'S, E59 ..... 5203.0-00  
SEATBACK RECLINER MOTOR, DRIVER'S, M53 ..... 5200.0-00  
SEATBACK RECLINER MOTOR, PASSENGER'S, M58 5200.0-01  
SECONDARY AIR PUMP RELAY, K6304 ..... 1210.17-05  
SECONDARY AIR PUMP RELAY, K6304 ..... 1210.20-09  
SECONDARY AIR PUMP VALVE, Y6163 ..... 1210.17-05  
SECONDARY AIR PUMP VALVE, Y6163 ..... 1210.20-09  
SHIFT-LOCK, Y19 ..... 2460.  
SIDE IMPACT SENSOR, DRIVER'S, B78 ..... 3234.0-01  
SIDE IMPACT SENSOR, PASSENGER'S, B79 ..... 3234.0-01



## INDEX

SLIP CONTROL (ABS/ASC) .....	3450.1	THERMOSTAT, A32y .....	6410.5
SLIP CONTROL MODULE (ABS/ASC), A52 .....	3450.1	THROTTLE POSITION SENSOR (ASC), R6255z .....	3450.1-05
SOLENOID VALVE ("RUNNING LOSSES"), Y6550 .....	1210.17-05	THROTTLE POSITION SENSOR, R6252 .....	1210.
SPATIAL SOUND RELAY, K128 .....	6510.1-05	TILT/SLIDE SUNROOF CONTROL ASSEMBLY, A56 ...	5410.1-00
SPEAKER, LEFT REAR, H46 .....	6510.0-00	TILT/SLIDE SUNROOF SWITCH (SHD), S38 .....	5410.1-00
SPEAKER, LEFT REAR, H46 .....	6510.1	TOP HIFI SWITCH, S303y .....	6510.1-04
SPEAKER, RIGHT REAR, H45 .....	6510.0-00	TRANSMISSION CONTROL MODULE (EGS), A7000 ..	2460.4-00
SPEAKER, RIGHT REAR, H45 .....	6510.1	TRANSMISSION CONTROL MODULE (EGS), A8500 ..	2460.2-00
SPEED SENSOR – ABS, LEFT FRONT, B2 .....	3450.1	TRANSMISSION POSITION INDICATOR LIGHT, E82 ..	6300.0-01
SPEED SENSOR – ABS, LEFT REAR, B4 .....	3450.1	TRANSMISSION VALVE UNIT, Y8505 .....	2460.2-01
SPEED SENSOR – ABS, RIGHT FRONT, B1 .....	3450.1	TRANSMISSION VALVE UNIT, Y8505y .....	2460.2-07
SPEED SENSOR – ABS, RIGHT REAR, B3 .....	3450.1	TRANSMISSION VALVE UNIT, Y8505y .....	2460.4-01
SPLICE LOCATION VIEWS .....	8000.0	TRANSMITTER MODULE (EWS II), A835 .....	6135.0-01
START .....	1240.0	TURN LIGHT, LEFT FRONT, H7 .....	6313.0-02
STARTER IMMOBILIZATION SWITCH, S235 .....	6135.0-00	TURN LIGHT, LEFT REAR, H6 .....	6313.0-02
STARTER, M6510 .....	1240.0-02	TURN LIGHT, RIGHT FRONT, H4 .....	6313.0-02
SUBWOOFER, H66 .....	6510.1-06	TURN LIGHT, RIGHT REAR, H5 .....	6313.0-02
SUPPLEMENTAL RESTRAINT SYSTEM		TURN/HAZARD LIGHTS .....	6313.0
CONTROL MODULE, A12 .....	3234.0	UNCOUPLING DIODE, V6 .....	6412.20-00
SUPPLEMENTAL RESTRAINT SYSTEM (AIR BAG) .....	3234.0	UNLOADER RELAY, TERMINAL 15, K6326 .....	1210.
SUPPRESSION FILTER, C900 .....	6424.0	UNLOADER RELAY, TERMINAL 15, K9 .....	5203.0-00
SYMBOLS .....	0140.0	VARIABLE CAMSHAFT CONTROL VALVE 1, Y6275 ..	1210.17-05
TAIL LIGHT, LEFT, H25 .....	6314.0-01	VEHICLE SPEED SENSOR, B10 .....	6211.0-04
TAIL LIGHT, LEFT, H37 .....	6314.0-01	WASHER FLUID LEVEL SWITCH, S64 .....	6581.2-02
TAIL LIGHT, RIGHT, H30 .....	6314.0-01	WASHER JET HEATER, LEFT, E51 .....	6169.0-00
TAIL LIGHT, RIGHT, H39 .....	6314.0-01	WASHER JET HEATER, RIGHT, E52 .....	6169.0-00
TELEPHONE CONNECTOR .....	6561.0	WASHER PUMP, M4 .....	6160.1
TEMPERATURE SWITCH, S36 .....	6450.7-05	WATER VALVE ASSEMBLY, Y4 .....	6410.5-00



## INDEX

---

WATER VALVE ASSEMBLY, Y4 .....	6450.7-01
WINDOW BLOWER MICRO SWITCH, REAR, S196 ....	5430.1-01
WINDOW BLOWER RELAY, REAR, K99 .....	6424.0-02
WINDOW BLOWER, REAR, M105 .....	6424.0-02
WINDOW DEFOGGER/ANTENNA, REAR, .....	6424.0
WINDOW MOTOR, DRIVER'S, M21 .....	5133.1-03
WINDOW MOTOR, LEFT REAR, M98 .....	5133.1-04
WINDOW MOTOR, PASSENGER'S, M23 .....	5133.1-03
WINDOW MOTOR, RIGHT REAR, M99 .....	5133.1-04
WINDSCREEN COWL PANEL LOCK MICRO SWITCH, S231 .....	5430.1-00
WINDSCREEN COWL PANEL LOCK MOTOR, M132 ...	5430.1-00
WINDSHIELD WASHER JET HEATERS .....	6169.0
WIPER MOTOR, M3 .....	6160.1
WIPER/WASHER MODULE (LOW II), A64 .....	6160.1-00
WIPER/WASHER MODULE (WWM) .....	6160.1
WIPER/WASHER MODULE, A51 .....	6160.1
WIPER/WASHER SWITCH, S5 .....	6160.1
ZKE CENTRAL LOCKING (ZV) .....	5126.0
ZKE DOOR LOCK HEATING (TSH) .....	5120.0

## Schematics

The schematics divide the entire vehicle electrical system into individual circuits. Interacting electrical components are shown on one common schematic.

Switches and other components are represented in such a way that their general layout and function are self-explicit. They are arranged on the sheet such that the current path can be followed from positive (top) to negative (bottom).

**Important:** The components and wires are not drawn to scale. For instance, a lead with a length of over 1m can be shown as a lead that is only a few cm long. To ensure clear arrangement, all connectors, lines branches and connected components from the fuses to the component and from the component to ground connection are not shown within the individual cells. If required, reference can be made to cells **0670.3 Fuse Details** and **0670.4 Ground Distribution** where all lines are illustrated with all plug connections, line branches and connected components.

All circuit symbols used are listed and explained in cell **0140.0 Symbols**.

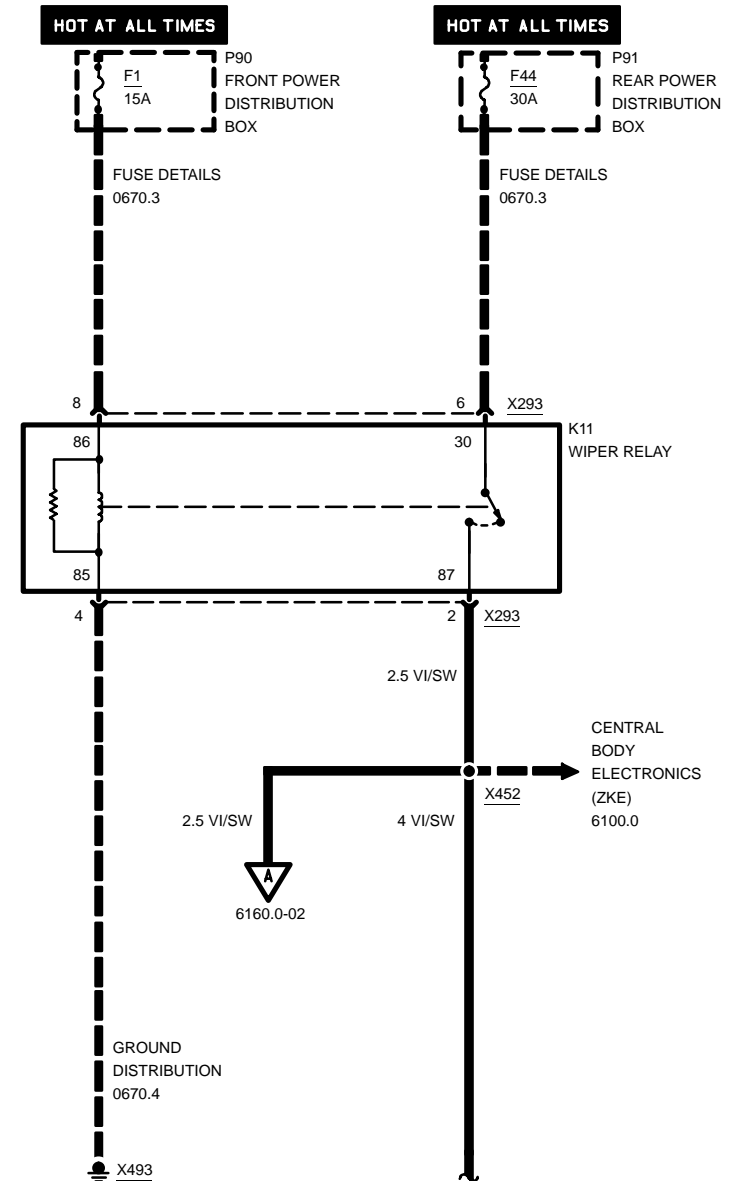
In cell **7000.0 Component Location Chart** all important connectors, ground points and components are listed in tabular form. It provides a precise description of the component locations in the vehicle.

In cell **7100.0 Component Location Views** the location of connectors and components which are difficult to locate are shown in line arts or illustrations. In cell **8000.0 Splice Location Views** all splices are listed in numerical order and illustrations are provided to assist in locating splices on larger harnesses. In cell **8500.0 Connector Views** diagrams of connectors with more than 2 pins are illustrated.

Included in this ETM are foldout block diagrams. These are overviews of the entire system (EGS, ABS, AC, etc.) which helps understand the relationships between various components and control unit of the system being diagnosed.

### Example

General conventions can be explained based on the following schematic example.



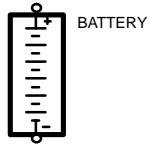


### General Conventions

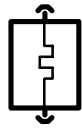
1. Switches and relays are always shown in rest position (e.g. K11).
2. A component shown in a dashed frame signifies that the component is illustrated only in part (e.g. P90 and P91).
3. A component shown in a completely drawn frame signifies that the component is illustrated in full (e.g. K11).
4. The dashed line between pin 8 and pin 6 of connector X293 indicates that both pins belong to connector X293.
5. The dashed line from fuse F1 to pin 8 of connector X293 shows the positive supply of relay K11. If required, refer to cell **0670.3 Fuse Details** at fuse F1 for the complete line progressing with plug connections, line branches, wire colors and cross sections.
6. The dashed line with an arrow at splice X452 indicates that several wires lead to splice X452. All lines leading to the connection are illustrated in cell **6100.0 Central Body Electronics (ZKE)**. An interrupted line with an arrow indicates that only this one wire leads to another circuit.
7. The dashed line from pin 4 of connector X293 to ground X493 shows the ground supply for relay K11. If required, refer to cell **0670.4 Ground Distribution** at ground X493 for the complete line progression with all plug connections, line branches, wire colors, and cross sections.
8. The interrupted line from splice X452 with an **A** in the open arrow is continued on page 6160.0-02. Termination of wire 4 VI/SW from splice X452 with a wavy line indicates that the wire is continued on the opposite page.



# 0140.0 SYMBOLS



BATTERY



HEATING ELEMENT



VARIABLE RESISTANCE SENSOR  
VARIABLE CONTACT IS MOVED BY AN EXTERNAL FORCE



ANTENNA



FUSE DETAILS



LOUDSPEAKER OR HORN



VARIABLE RESISTOR  
RESISTANCE IS CHANGED BY TEMPERATURE OR PRESSURE



CONTROL/POWER ELECTRONICS



FUSIBLE LINK



LIGHT



DIODE CURRENT CAN FLOW ONLY IN DIRECTION OF ARROW



HALL EFFECT SENSOR



CIRCUIT BREAKER



PERMANENT MAGNET MOTOR ONE SPEED



ZENER DIODE TO REGULATE VOLTAGE



RADIO



THERMO SWITCH



PERMANENT MAGNET MOTOR TWO SPEEDS



LIGHT EMITTING DIODE (LED)



TRANSISTORIZED SWITCH



SOLENOID



KNOCK SENSOR



OXYGEN SENSOR



INDUCTIVE SENSOR



SOLENOID CONTROLLED VALVE OR CLUTCH SOLENOID



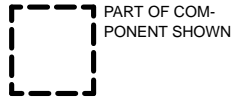
VEHICLE SPEED SENSOR



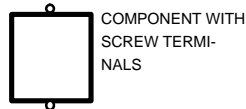
# SYMBOLS



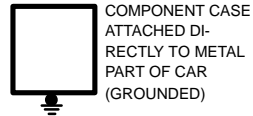
ENTIRE COM-  
PONENT SHOWN



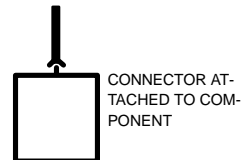
PART OF COM-  
PONENT SHOWN



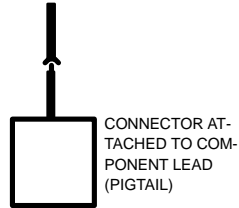
COMPONENT WITH  
SCREW TERMI-  
NALS



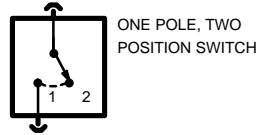
COMPONENT CASE  
ATTACHED DI-  
RECTLY TO METAL  
PART OF CAR  
(GROUNDED)



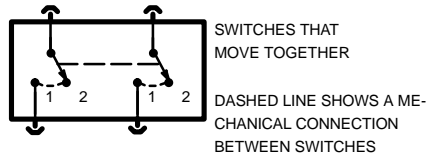
CONNECTOR AT-  
TACHED TO COM-  
PONENT



CONNECTOR AT-  
TACHED TO COM-  
PONENT LEAD  
(PIGTAIL)



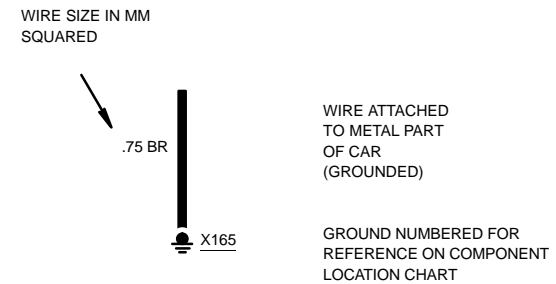
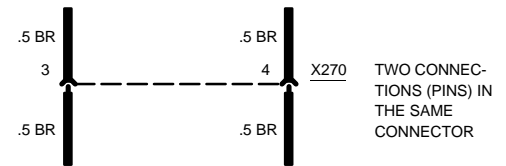
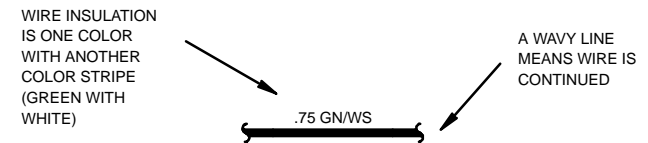
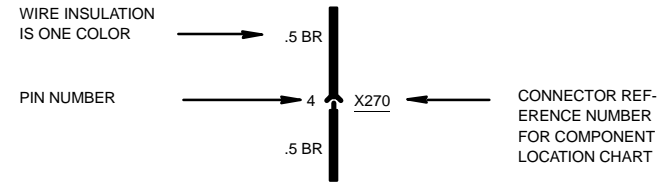
ONE POLE, TWO  
POSITION SWITCH



SWITCHES THAT  
MOVE TOGETHER

DASHED LINE SHOWS A ME-  
CHANICAL CONNECTION  
BETWEEN SWITCHES

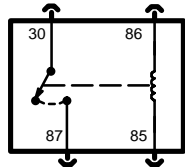
WIRE COLOR	
BL	BLUE
BR	BROWN
GE	YELLOW
GN	GREEN
GR	GRAY
OR	ORANGE
RS	PINK
RT	RED
SW	BLACK
VI	VIOLET
WS	WHITE
TR	TRANSPARENT



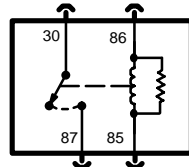




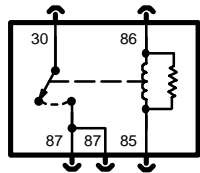
# SYMBOLS



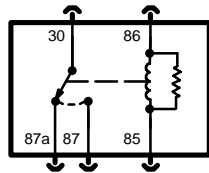
CONTACT RELAY



RELAY WITH RESISTOR ACROSS WINDING



CONTACT RELAY WITH TWO OUTPUTS



CHANGEOVER RELAY WITH TWO OUTPUTS

TERMINAL NUMBER DESCRIPTION

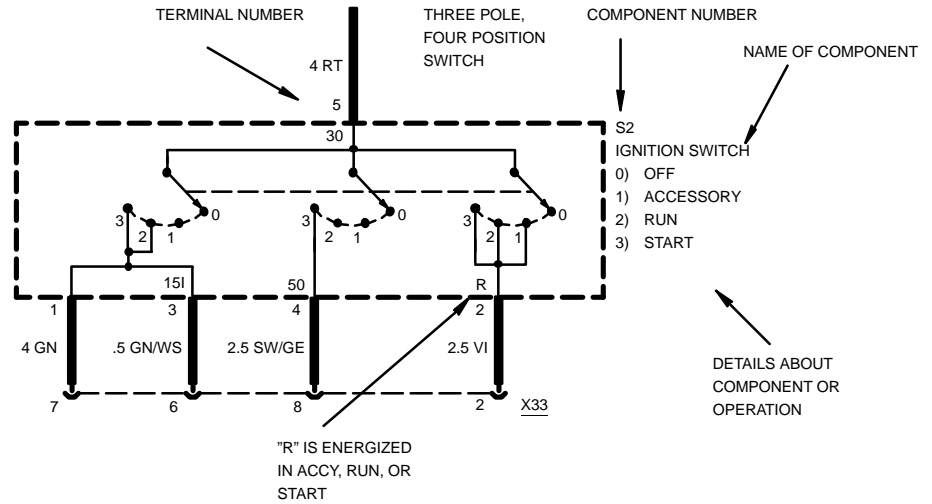
30 RELAY INPUT

85 RELAY OUTPUT (WINDING)

86 RELAY INPUT (WINDING)

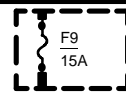
87 RELAY OUTPUT (ENERGIZED)

87a RELAY OUTPUT (AT REST)



TERMINAL NUMBER	DESCRIPTION	TERMINAL NUMBER	DESCRIPTION
50	VOLTAGE: IGNITION SWITCH IN START	15I	VOLTAGE: IGNITION SWITCH IN RUN
30	VOLTAGE: SUPPLIED AT ALL TIMES	R	VOLTAGE: IGNITION SWITCH IN ACCESSORY, RUN OR START
15	VOLTAGE: IGNITION SWITCH IN RUN OR START	31	GROUND

**HOT AT ALL TIMES**



INDICATES THAT FUSE 9 IS SUPPLIED WITH POWER AT ALL TIMES

POWER STATUS

**HOT AT ALL TIMES**

**HOT IN RUN AND START**

**HOT IN ACCY, RUN AND START**

DESCRIPTION

VOLTAGE: SUPPLIED AT ALL TIMES

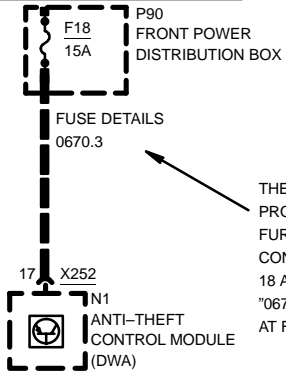
VOLTAGE: IGNITION SWITCH IN RUN OR START

VOLTAGE: IGNITION SWITCH IN ACCESSORY, RUN OR START

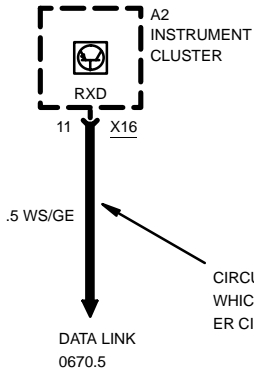


# SYMBOLS

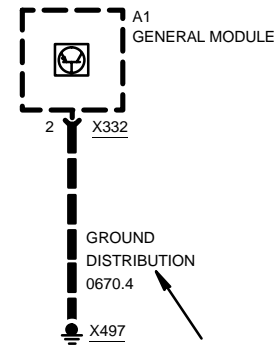
## HOT IN ACCY, RUN AND START



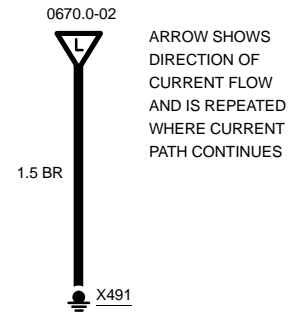
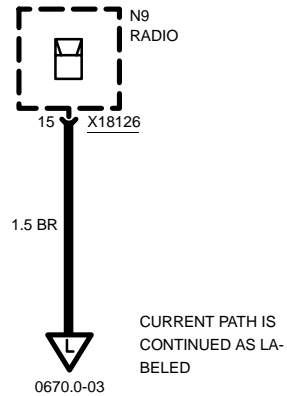
THE COMPLETE WIRE PROGRESSION AND FURTHER CIRCUITS CONNECTED TO FUSE 18 ARE SHOWN IN CELL "0670.3 FUSE DETAILS" AT FUSE 18



CIRCUIT REFERENCE-A WIRE WHICH CONNECTS TO ANOTHER CIRCUIT



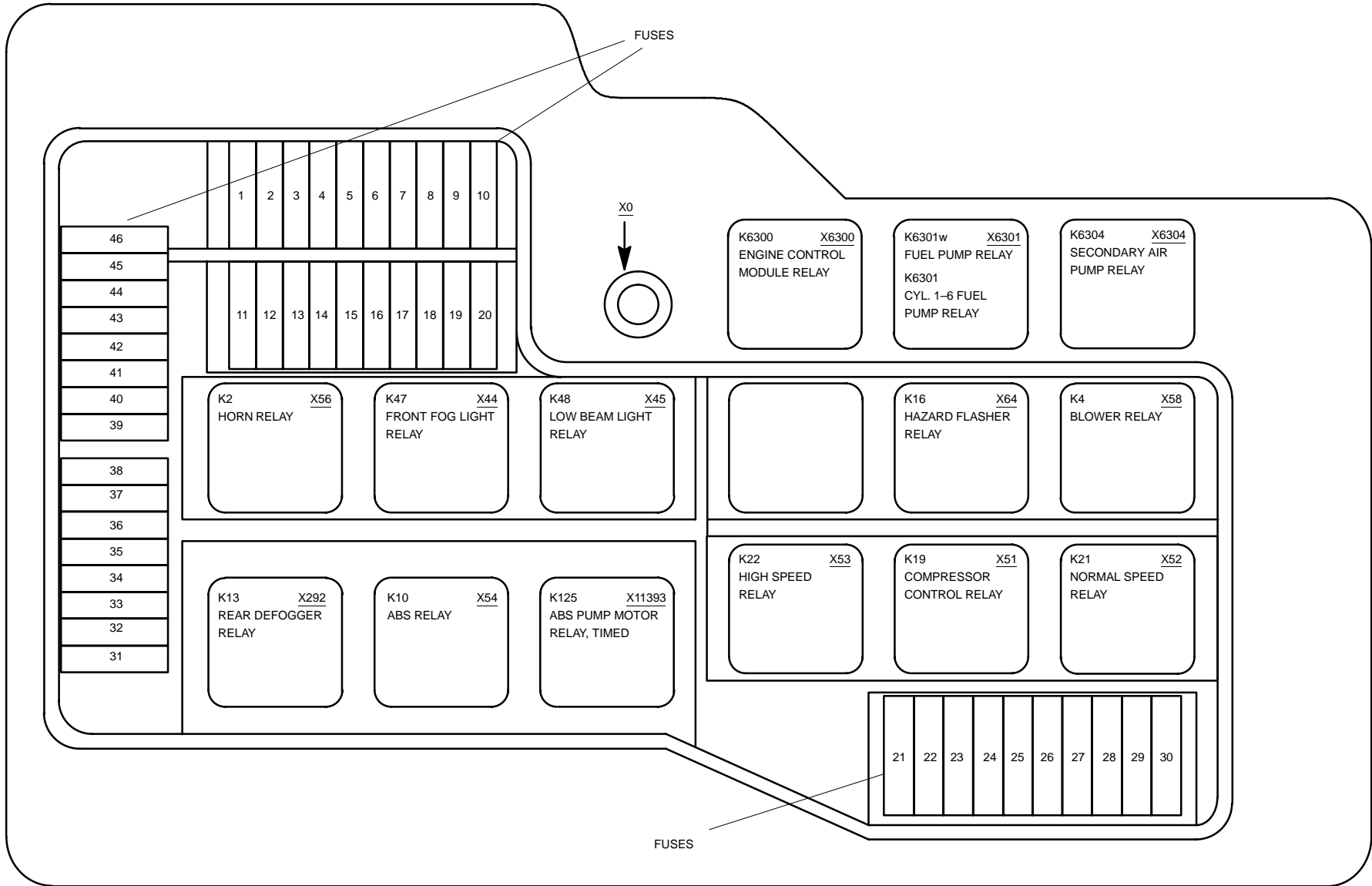
THE COMPLETE WIRE PROGRESSION AND FURTHER CIRCUITS CONNECTED TO GROUND X497 ARE SHOWN IN CELL "0670.4 GROUND DISTRIBUTION" AT GROUND X497





# 0670.0 POWER DISTRIBUTION CHART

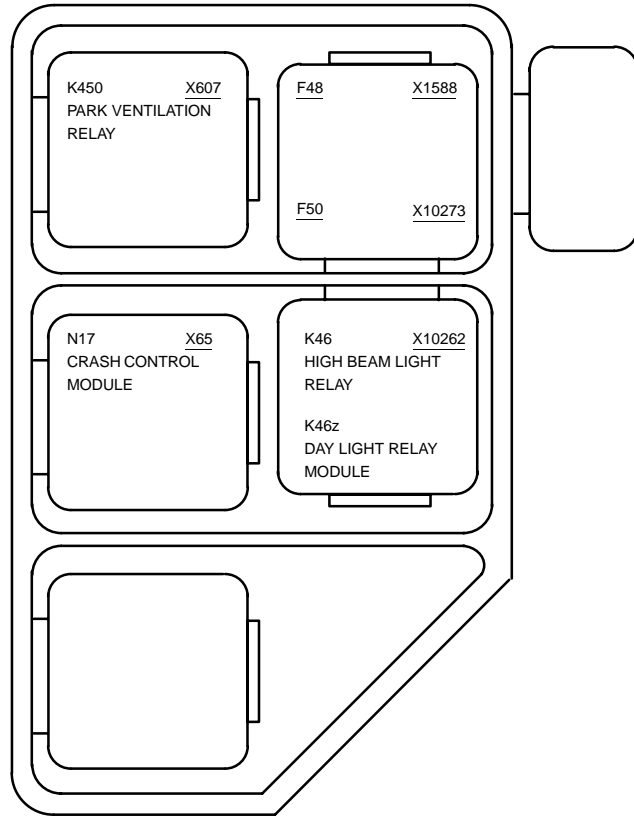
## FRONT POWER DISTRIBUTION BOX





# POWER DISTRIBUTION CHART

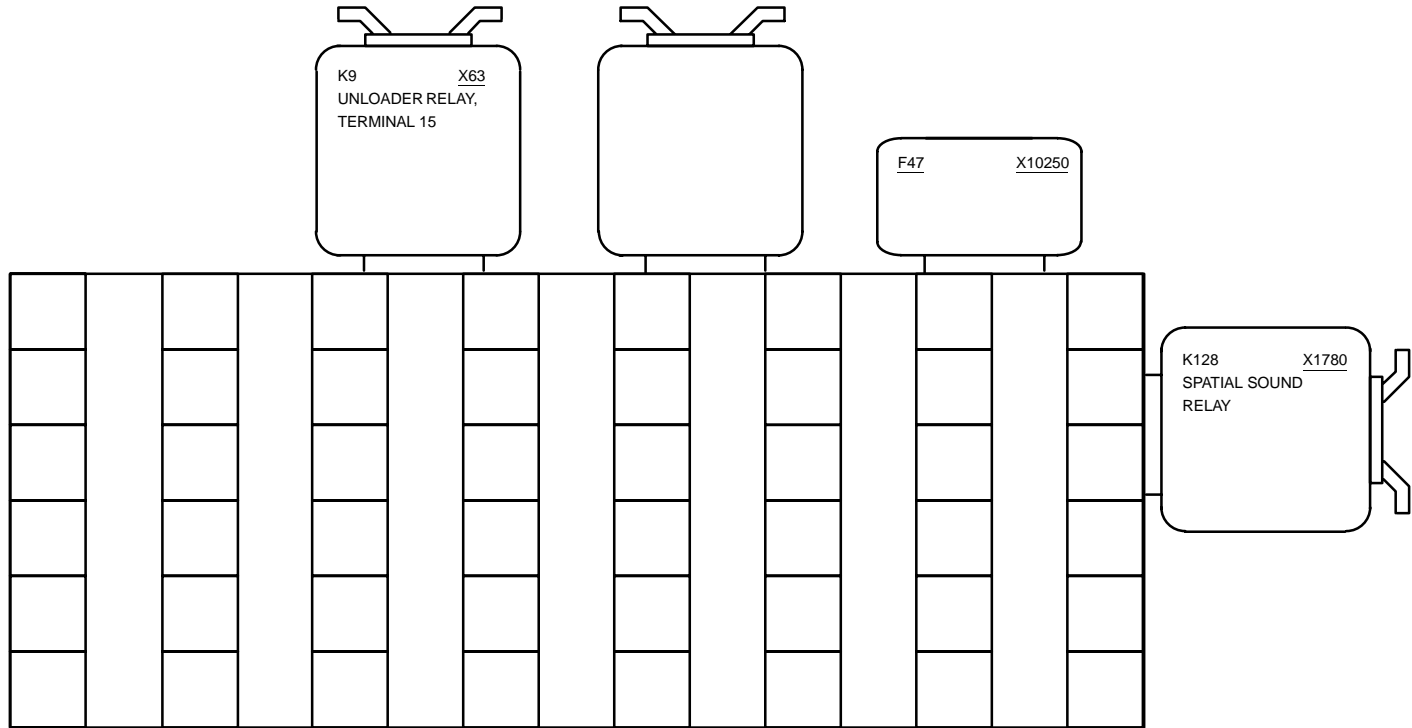
## RELAY PANEL UNDER LH SIDE OF DASHBOARD





# POWER DISTRIBUTION CHART

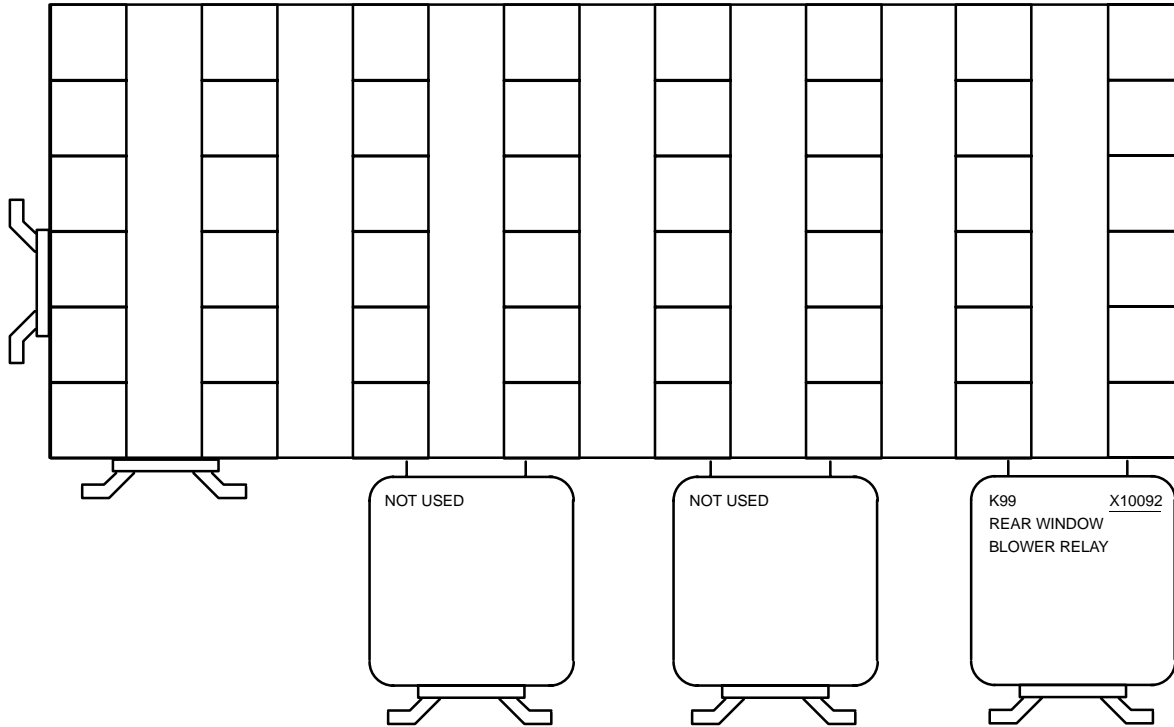
## SPLICE PANEL UNDER LH SIDE OF DASHBOARD





# POWER DISTRIBUTION CHART

## SPLICE PANEL UNDER RH SIDE OF DASHBOARD





# 0670.1 FUSE CHART

## FUSES 1 TO 29

	FUSE NUMBER																												
	1	2	3	4	5	6	7	8	9	10	11	12	13	14	15	16	17	18	19	20	21	22	23	24	25	26	27	28	29
	30A	5A	30A	15A	30A	20A	5A	15A	20A	30A	7.5A	7.5A	5A	30A	15A	5A	10A	15A	30A	30A	5A	5A	5A	10A	5A	10A	5A	5A	7.5A
1210.17 ENGINE CONTROL SYSTEM MS41.1 (6-CYLINDER M52)																●		●											
1210.20 ENGINE CONTROL SYSTEM (DME M5.2, 4-CYLINDER M44)		●														●		●											
1230.0 CHARGING SYSTEM																													
1240.0 START																													●
2460.2 ELECTRONIC TRANSMISSION CONTROL (EGS A4S 270R)																										●		●	
2460.4 ELECTRONIC TRANSMISSION CONTROL (EGS A5S 310Z)																										●		●	
3234.0 SUPPLEMENTAL RESTRAINT SYSTEM (AIR BAG)																											●		
3450.1 SLIP CONTROL (ABS/ASC)										●										●							●		
5116.0 POWER MIRRORS																								●					
5120.0 ZKE DOOR LOCK HEATING (TSH)							●																						
5126.0 ZKE CENTRAL LOCKING (ZV)							●																					●	
5133.1 POWER WINDOWS (FH)														●						●									
5200.0 POWER SEATS					●																								
5203.0 HEATED SEATS			●																				●						
5410.1 POWER TILT/SLIDE SUNROOF (SHD)	●																												
5430.1 ELECTRICAL CONVERTIBLE TOP							●																	●			●		
6100.0 CENTRAL BODY ELECTRONICS (ZKE IV)														●															
6133.0 HORN								●																					
6135.0 DRIVE-AWAY PROTECTION (EWS II)																												●	
6160.1 WIPER/WASHER MODULE (WWM)		●																											



# FUSE CHART

## FUSES 1 TO 29

	FUSE NUMBER																												
	1	2	3	4	5	6	7	8	9	10	11	12	13	14	15	16	17	18	19	20	21	22	23	24	25	26	27	28	29
	30A	5A	30A	15A	30A	20A	5A	15A	20A	30A	7.5A	7.5A	5A	30A	15A	5A	10A	15A	30A	30A	5A	5A	5A	10A	5A	10A	5A	5A	7.5A
6167.1 HEADLIGHT WASHER (SRA)			●																										
6169.0 WINDSHIELD WASHER JET HEATERS																									●				
6211.0 INSTRUMENT CLUSTER																							●				●		
6213.1 ANALOG CLOCK																							●					●	
6213.2 MULTI-FUNCTION CLOCK																							●				●		
6214.0 ON-BOARD DISPLAY																							●				●		
6300.0 LIGHT SWITCH DETAILS																						●				●			
6312.0 HEADLIGHTS/FOG LIGHTS											●	●			●								●		●				●
6313.0 TURN/HAZARD LIGHTS																							●						
6314.0 PARK/TAIL/UNDERHOOD LIGHTS																													
6320.0 LICENSE PLATE/LUGGAGE COMPARTMENT LIGHTS																													
6322.0 BACK UP LIGHTS																											●		
6325.0 BRAKE LIGHTS																													
6330.3 INTERIOR LIGHTS																													
6332.1 GLOVE BOX LIGHT/CASSETTE BOX/ASHTRAY LIGHT/CHARGING SOCKET/CIGAR LIGHTER																													
6350.0 CRASH CONTROL MODULE																													
6410.5 HEATING CONTROL (HR)																						●		●					
6412.10 PARK VENTILATION WITH HR																						●							
6412.20 PARK VENTILATION WITH IHKA E36																						●							
6424.0 REAR WINDOW DEFOGGER/ANTENNA						●																		●					







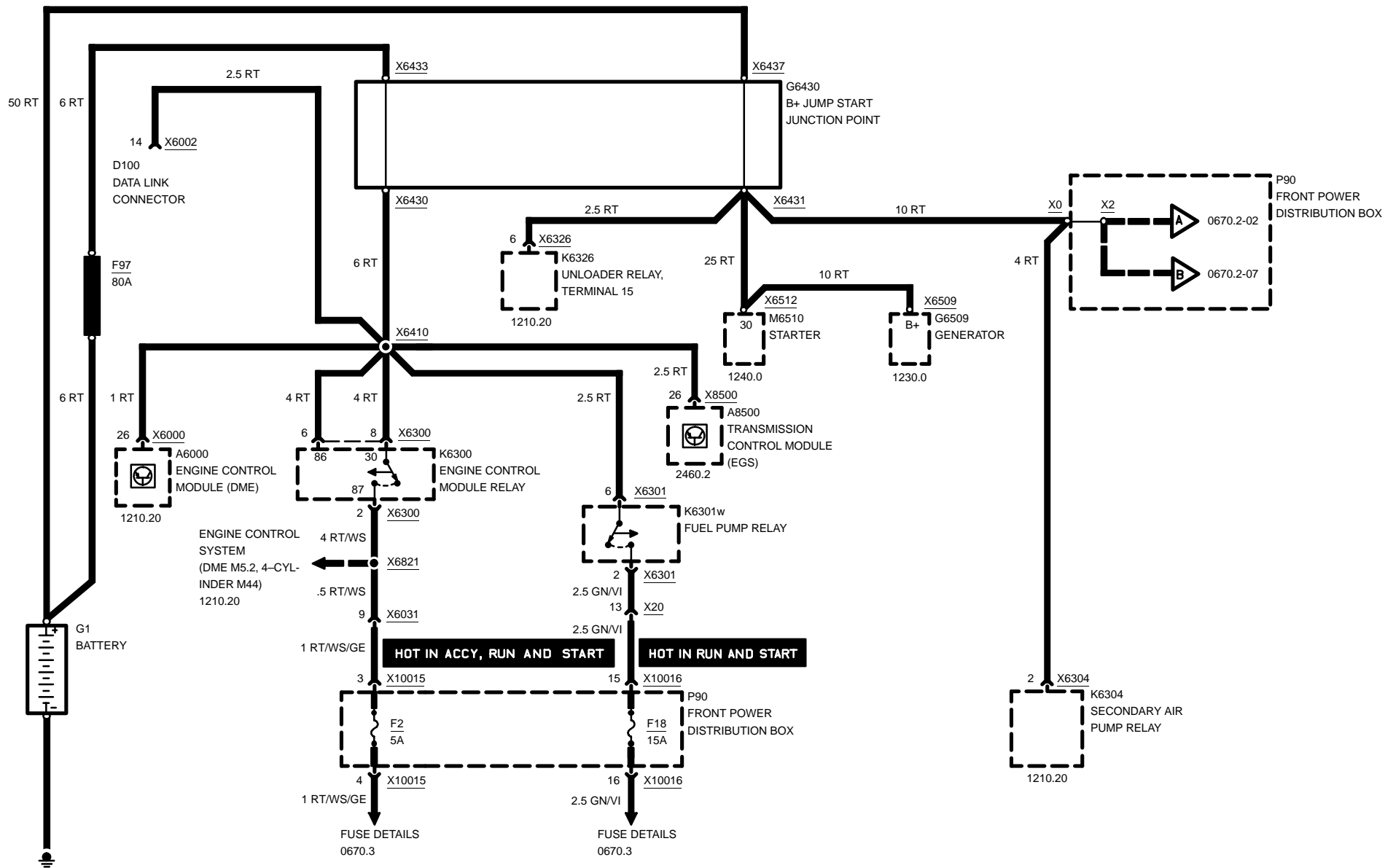
# FUSE CHART

## FUSES 30 TO 50

	FUSE NUMBER																				
	30	31	32	33	34	35	36	37	38	39	40	41	42	43	44	45	46	47	48	49	50
	7.5A	5A	30A	10A	15A	25A	30A	10A	30A	7.5A	30A	30A	7.5A	5A	15A	7.5A	15A	15A	40A	20A	5A
1210.17 ENGINE CONTROL SYSTEM MS41.1 (6-CYLINDER M52)										●							●				●
1210.20 ENGINE CONTROL SYSTEM (DME M5.2, 4-CYLINDER M44)										●							●				
1230.0 CHARGING SYSTEM																					
1240.0 START		●														●					
2460.2 ELECTRONIC TRANSMISSION CONTROL (EGS A4S 270R)																	●				
2460.4 ELECTRONIC TRANSMISSION CONTROL (EGS A5S 310Z)																	●				
3234.0 SUPPLEMENTAL RESTRAINT SYSTEM (AIR BAG)													●								
3450.1 SLIP CONTROL (ABS/ASC)									●								●				
5116.0 POWER MIRRORS																					
5120.0 ZKE DOOR LOCK HEATING (TSH)						●															
5126.0 ZKE CENTRAL LOCKING (ZV)		●			●											●					
5133.1 POWER WINDOWS (FH)																					
5200.0 POWER SEATS											●										
5203.0 HEATED SEATS																					
5410.1 POWER TILT/SLIDE SUNROOF (SHD)																					
5430.1 ELECTRICAL CONVERTIBLE TOP													●	●						●	
6100.0 CENTRAL BODY ELECTRONICS (ZKE IV)				●		●								●							
6133.0 HORN																					
6135.0 DRIVE-AWAY PROTECTION (EWS II)		●															●				
6160.1 WIPER/WASHER MODULE (WWM)							●	●							●						



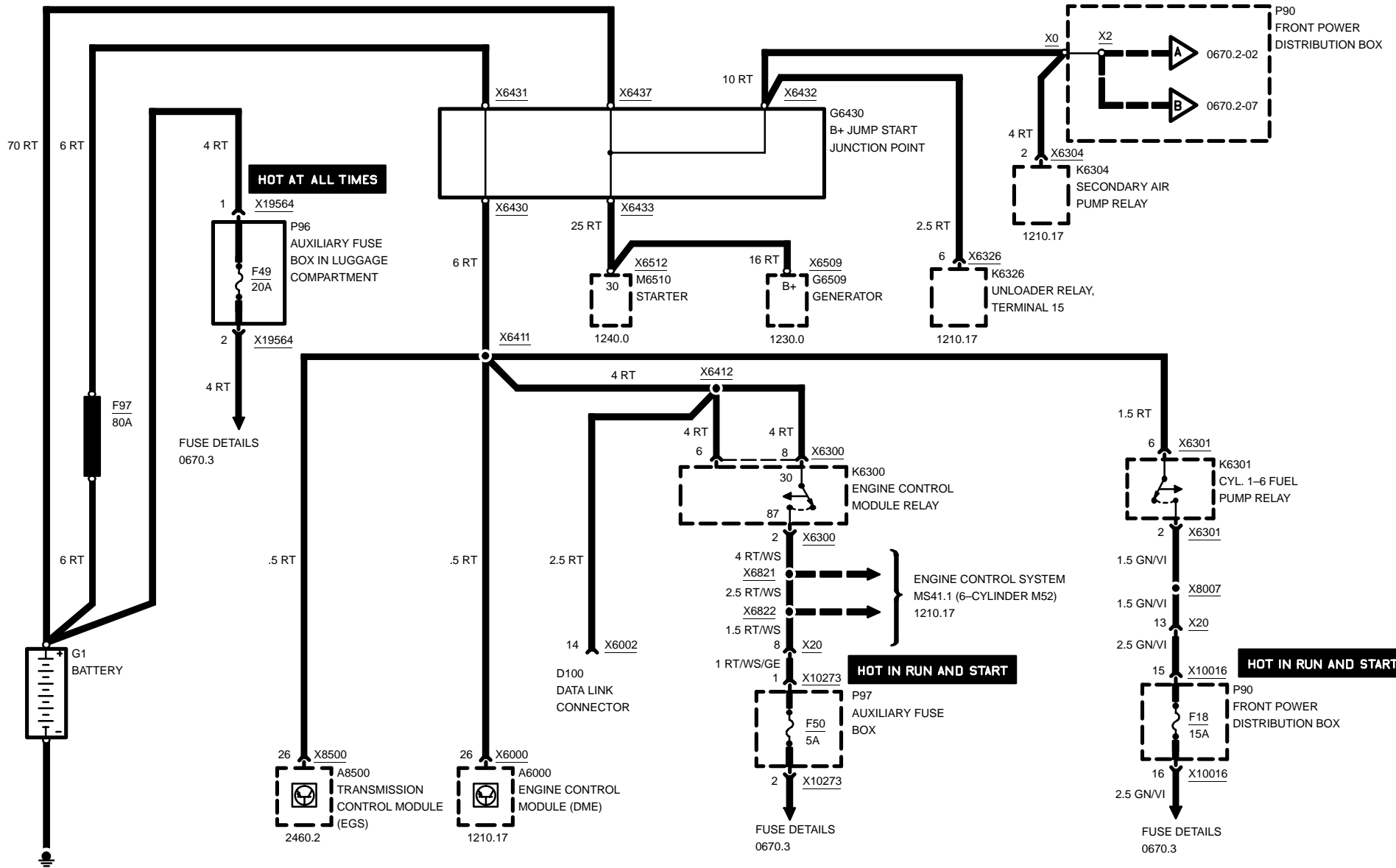






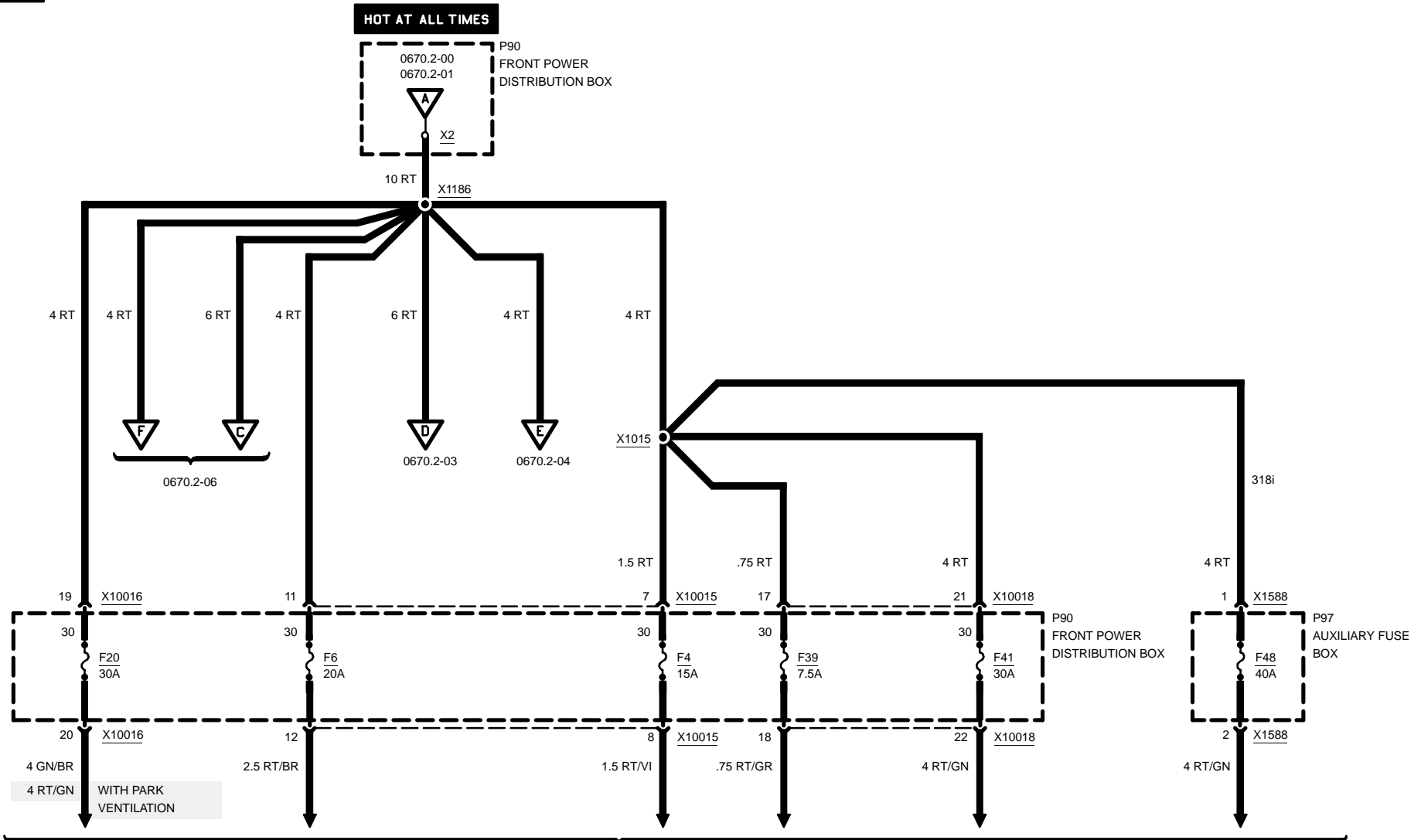
# POWER DISTRIBUTION

## 323i, 328i, M3





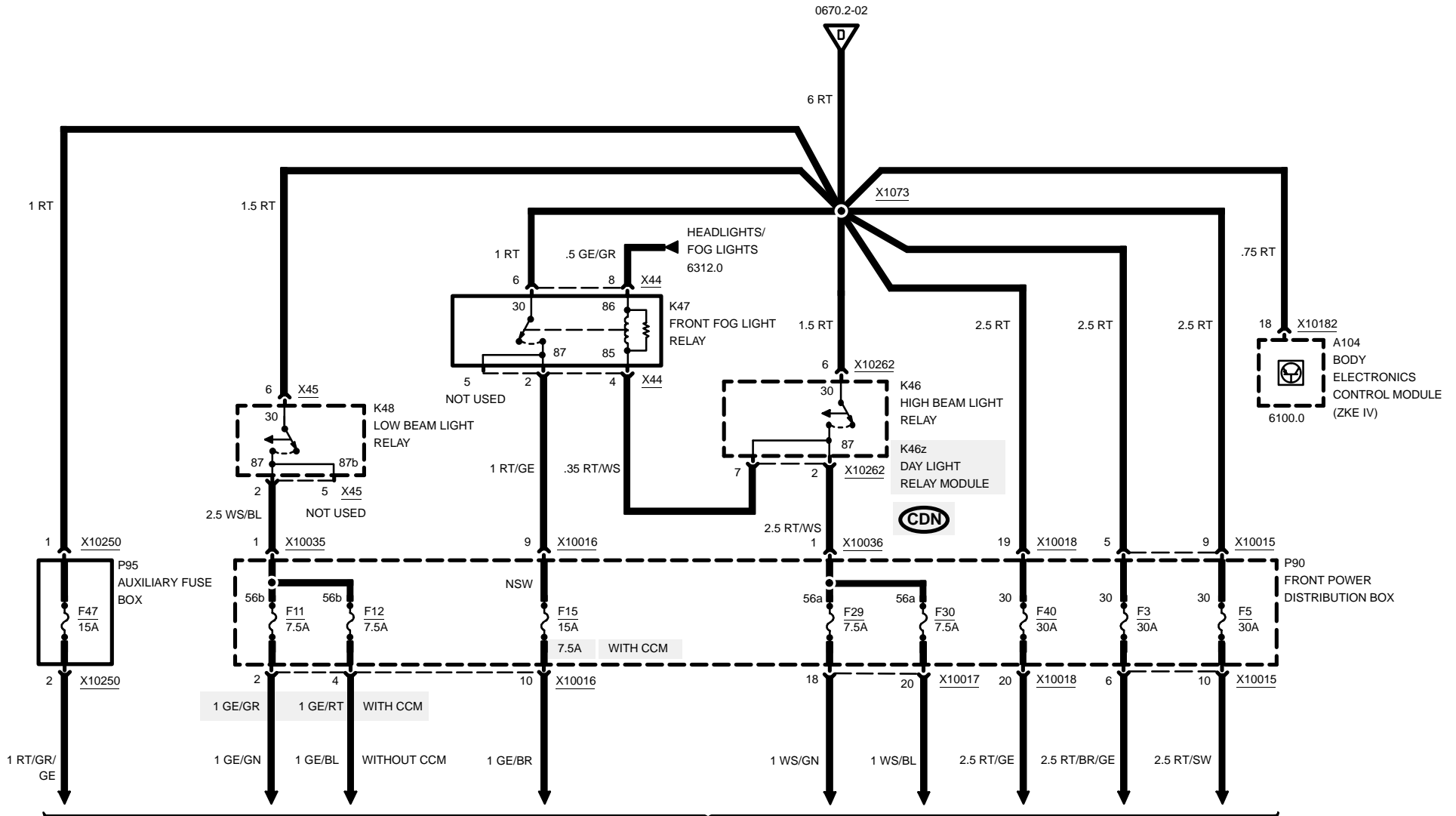
# POWER DISTRIBUTION



FUSE DETAILS  
0670.3



# POWER DISTRIBUTION

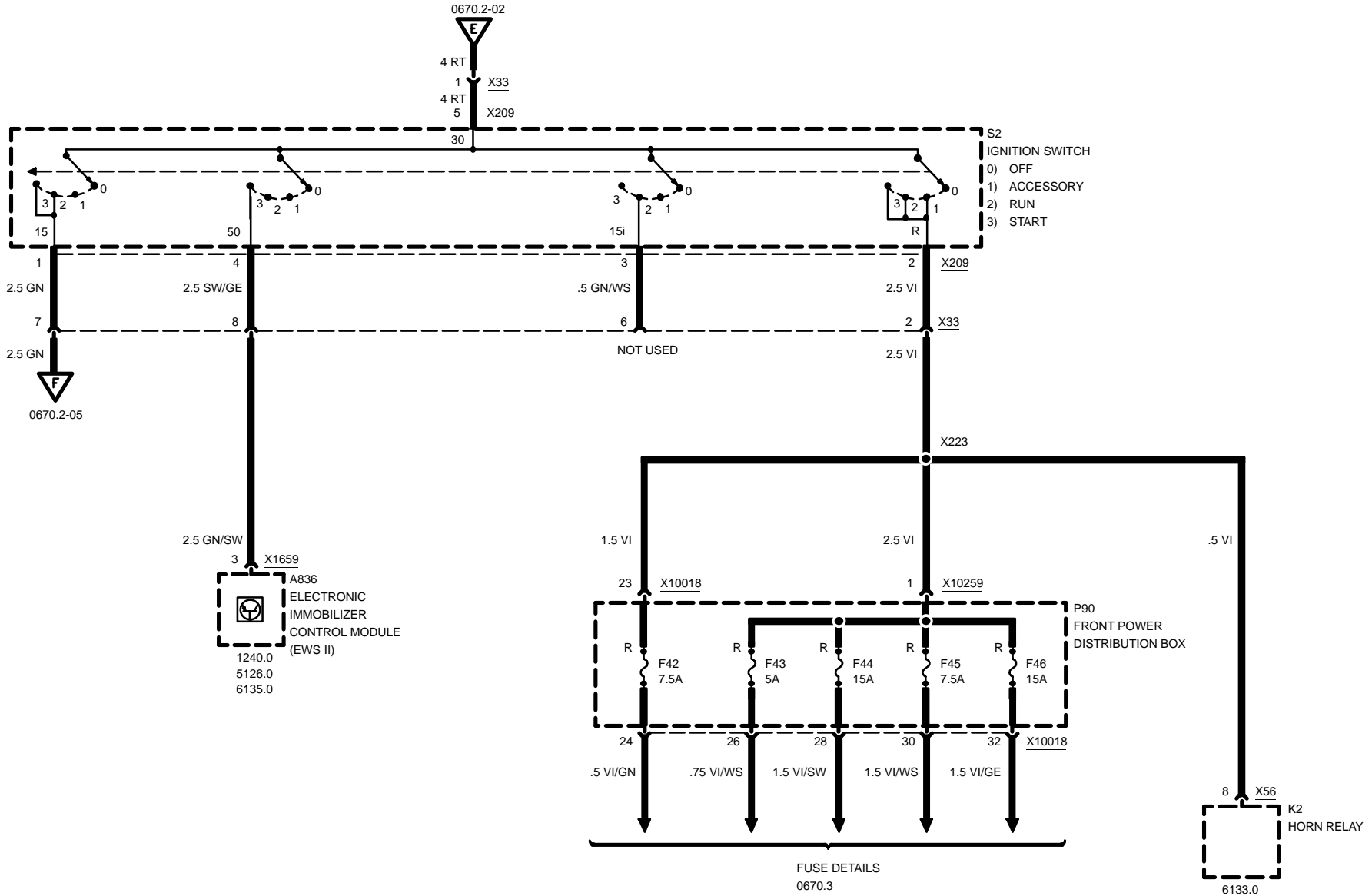


FUSE DETAILS  
0670.3



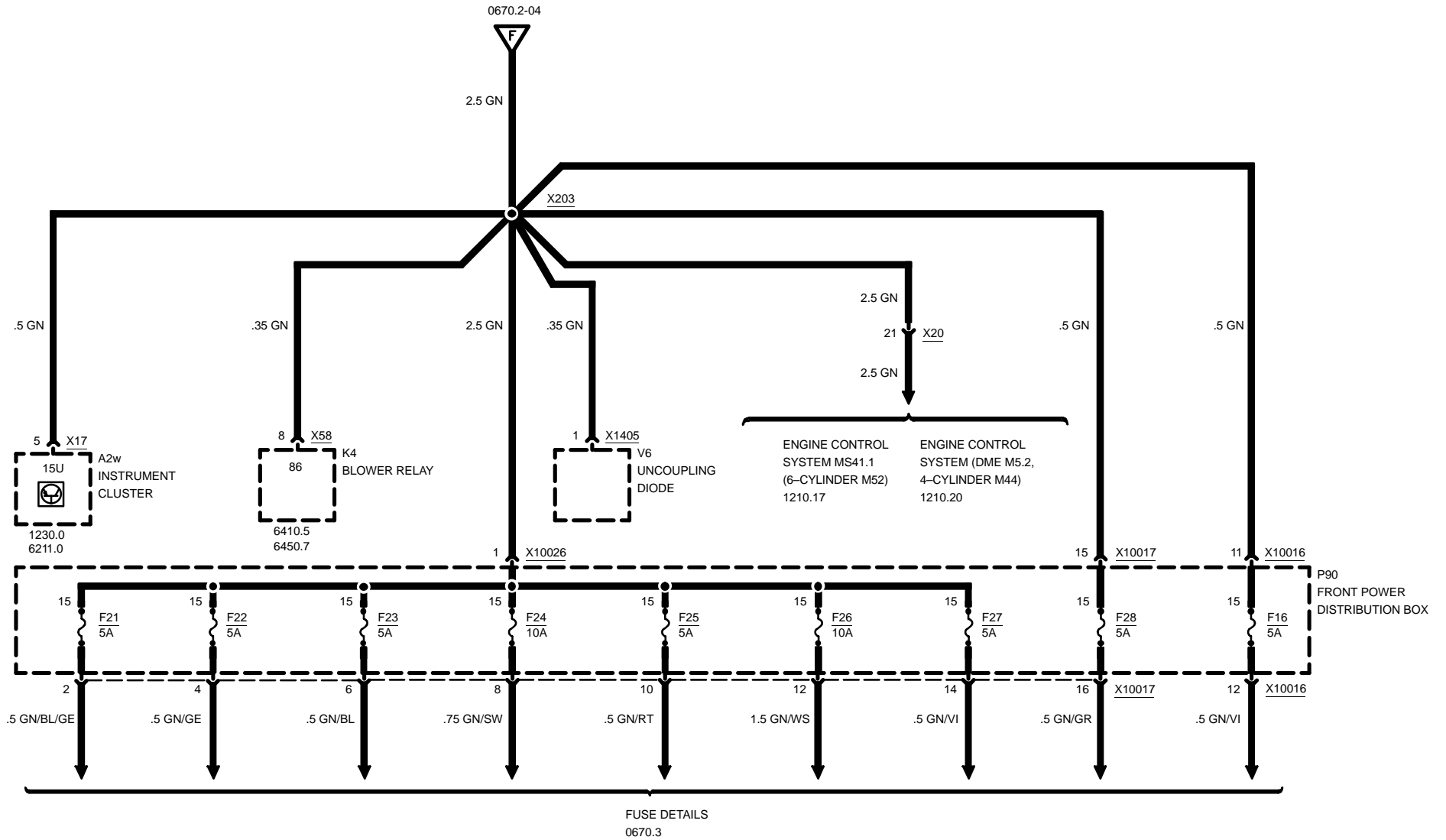


# POWER DISTRIBUTION



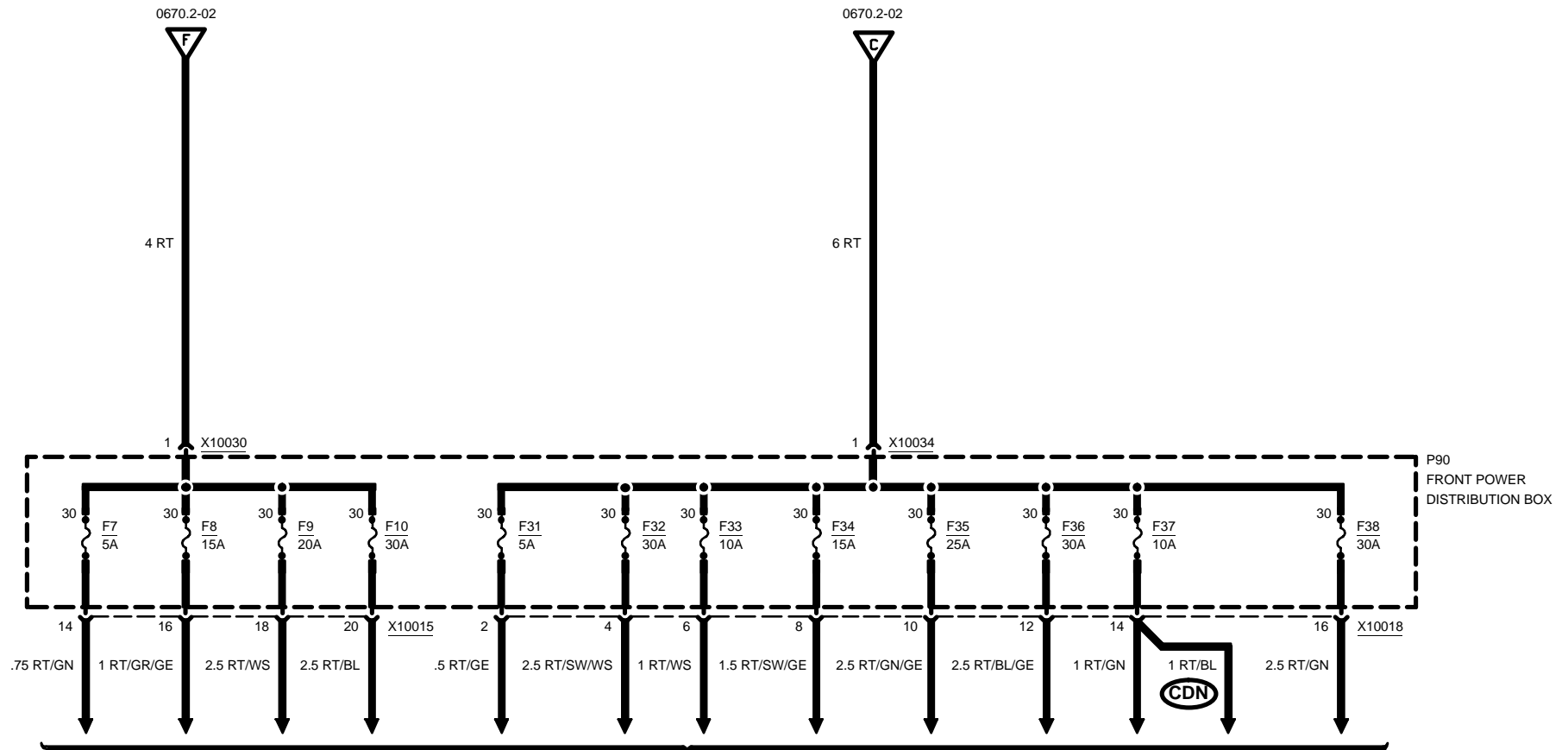


# POWER DISTRIBUTION





# POWER DISTRIBUTION



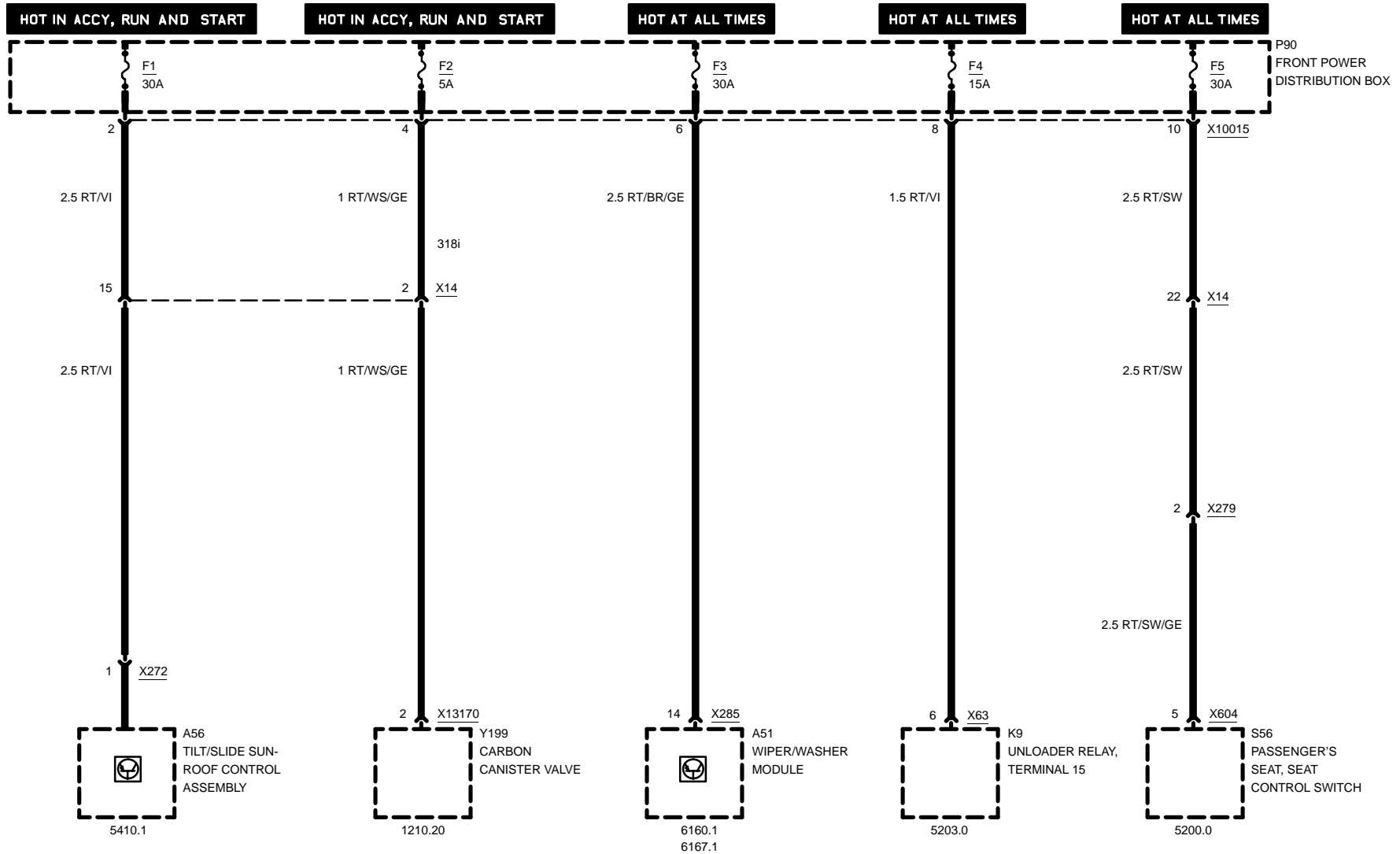
FUSE DETAILS  
0670.3





# 0670.3 FUSE DETAILS

## FUSES 1, 2, 3, 4, AND 5

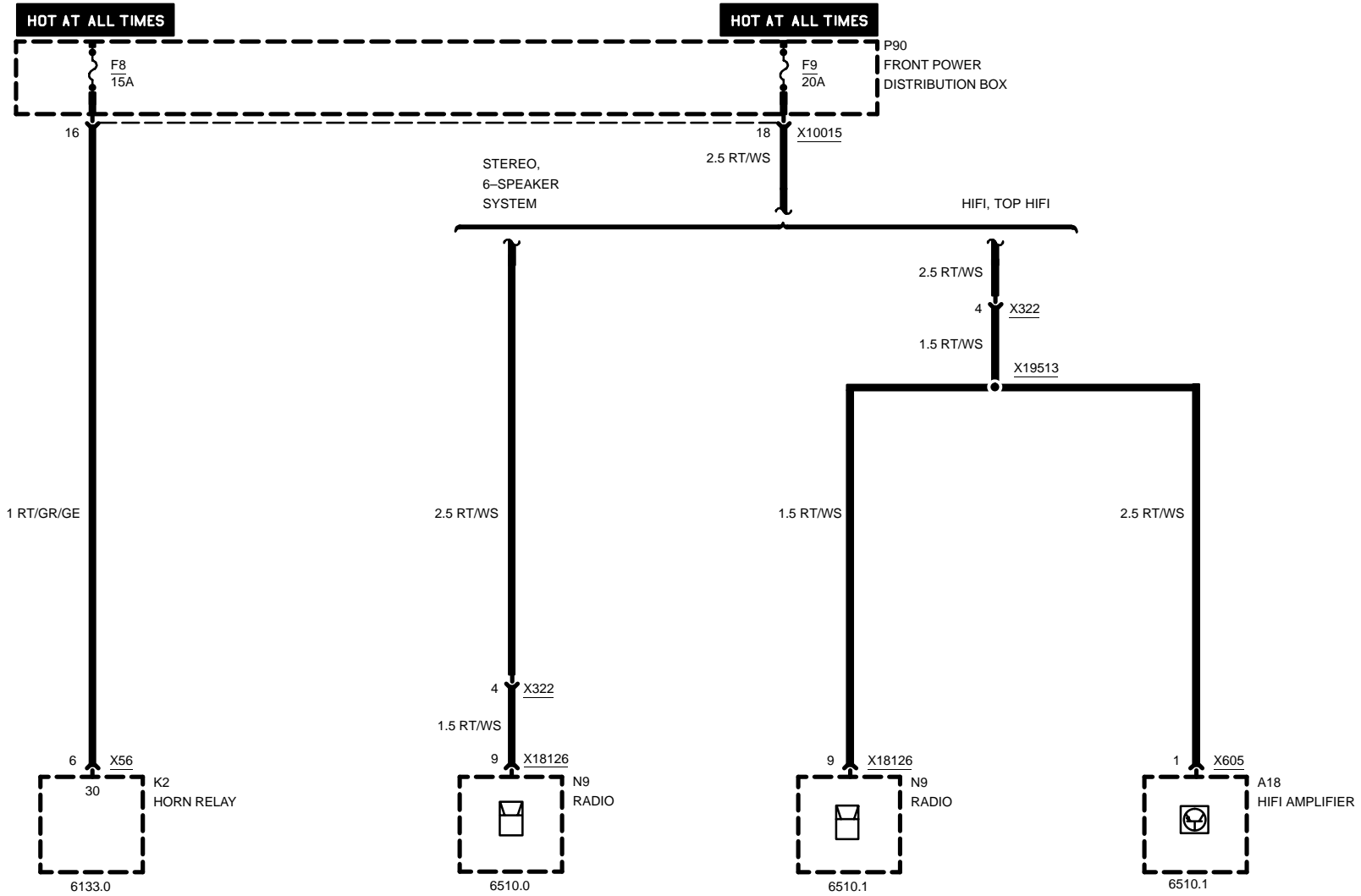






# FUSE DETAILS

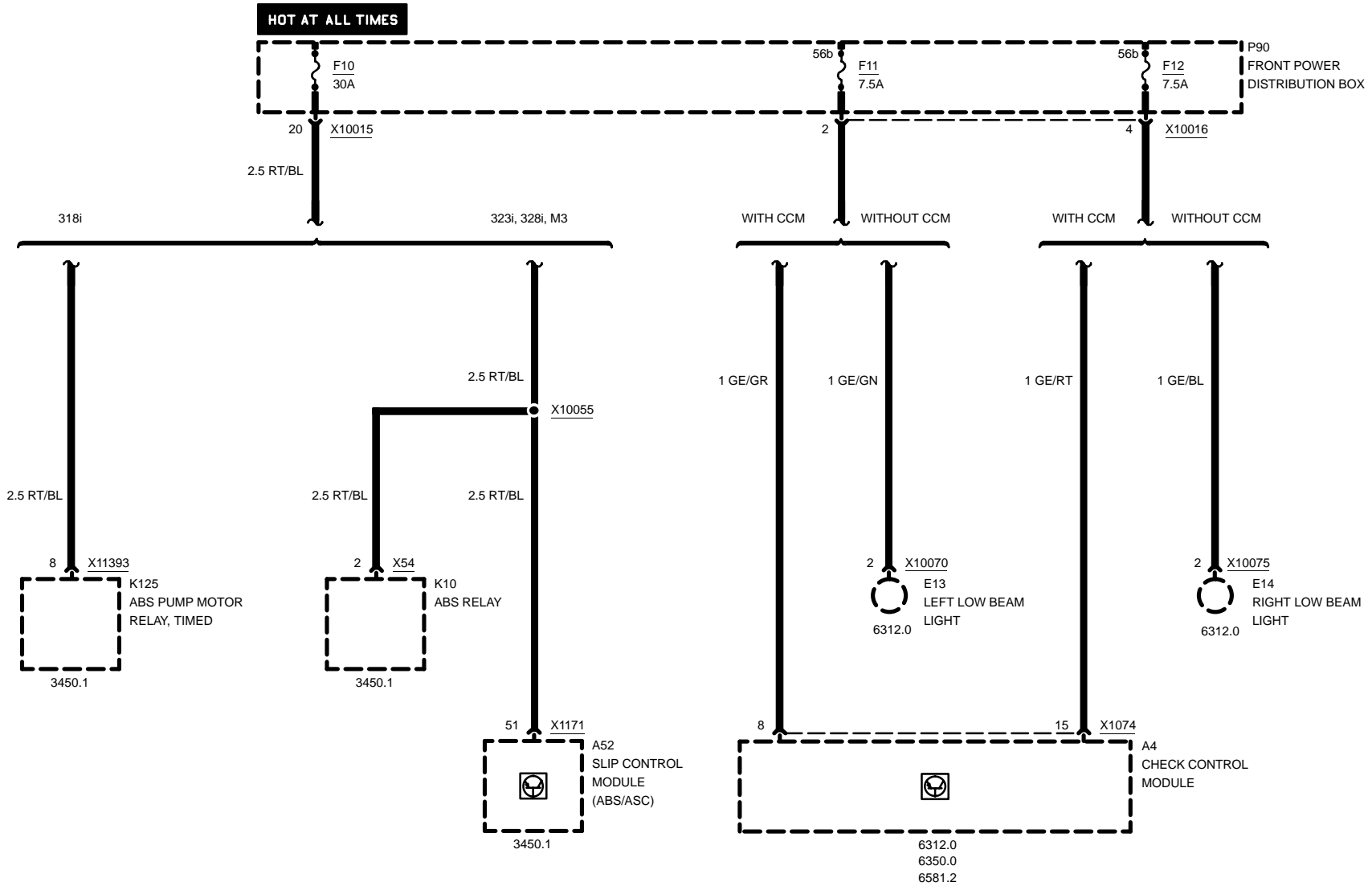
## FUSES 8 AND 9





# FUSE DETAILS

## FUSES 10, 11, AND 12

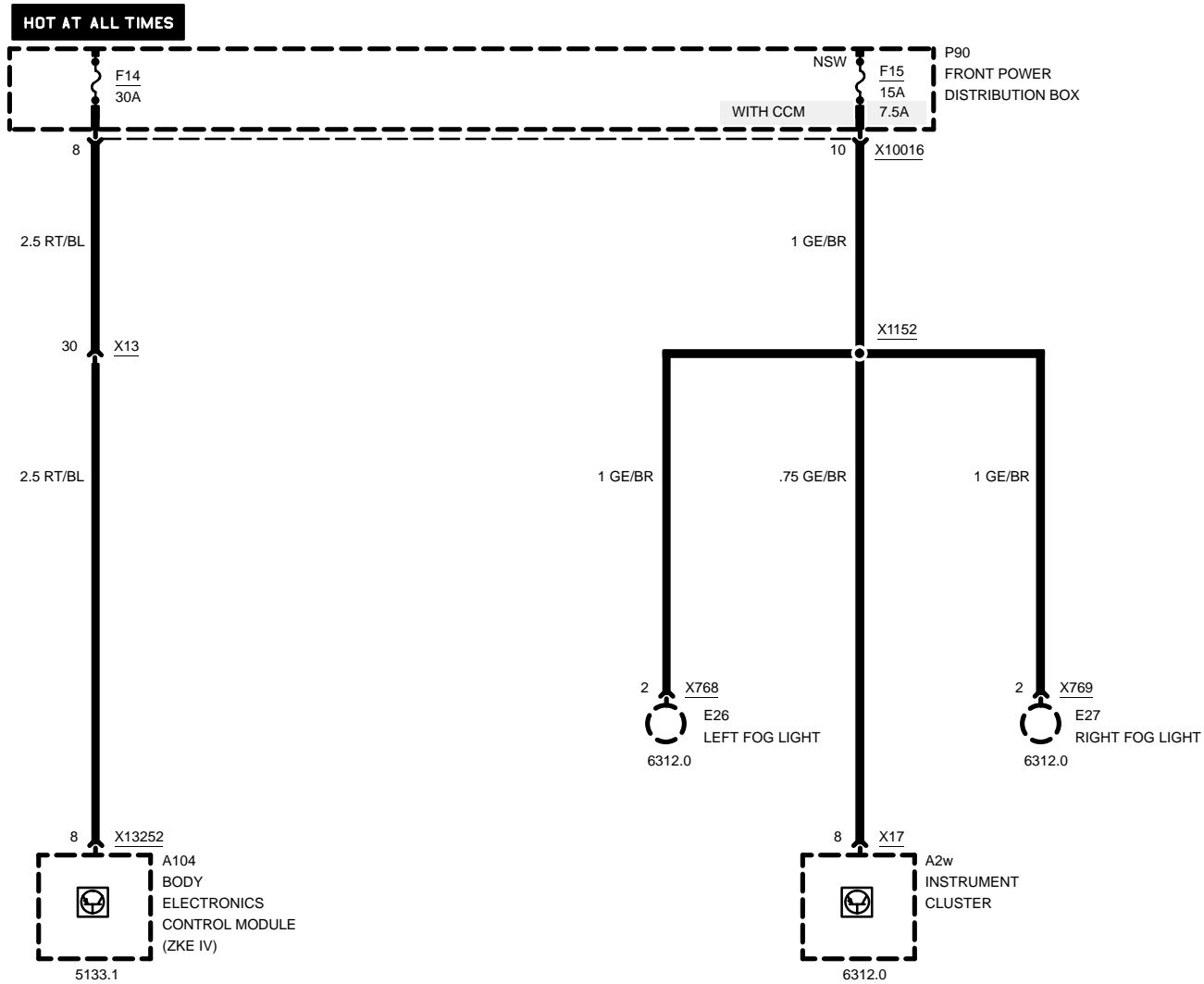






# FUSE DETAILS

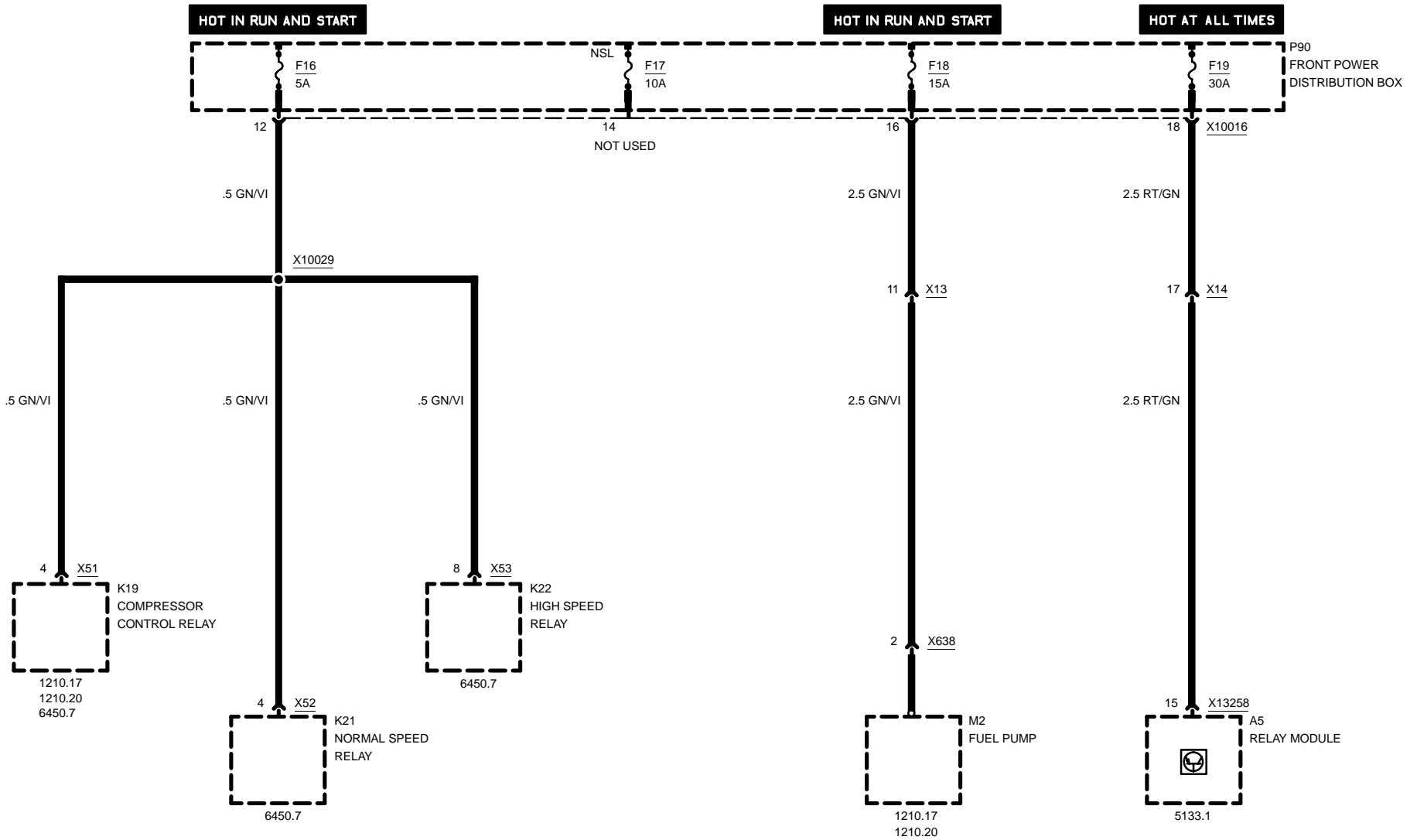
## FUSES 14 AND 15





# FUSE DETAILS

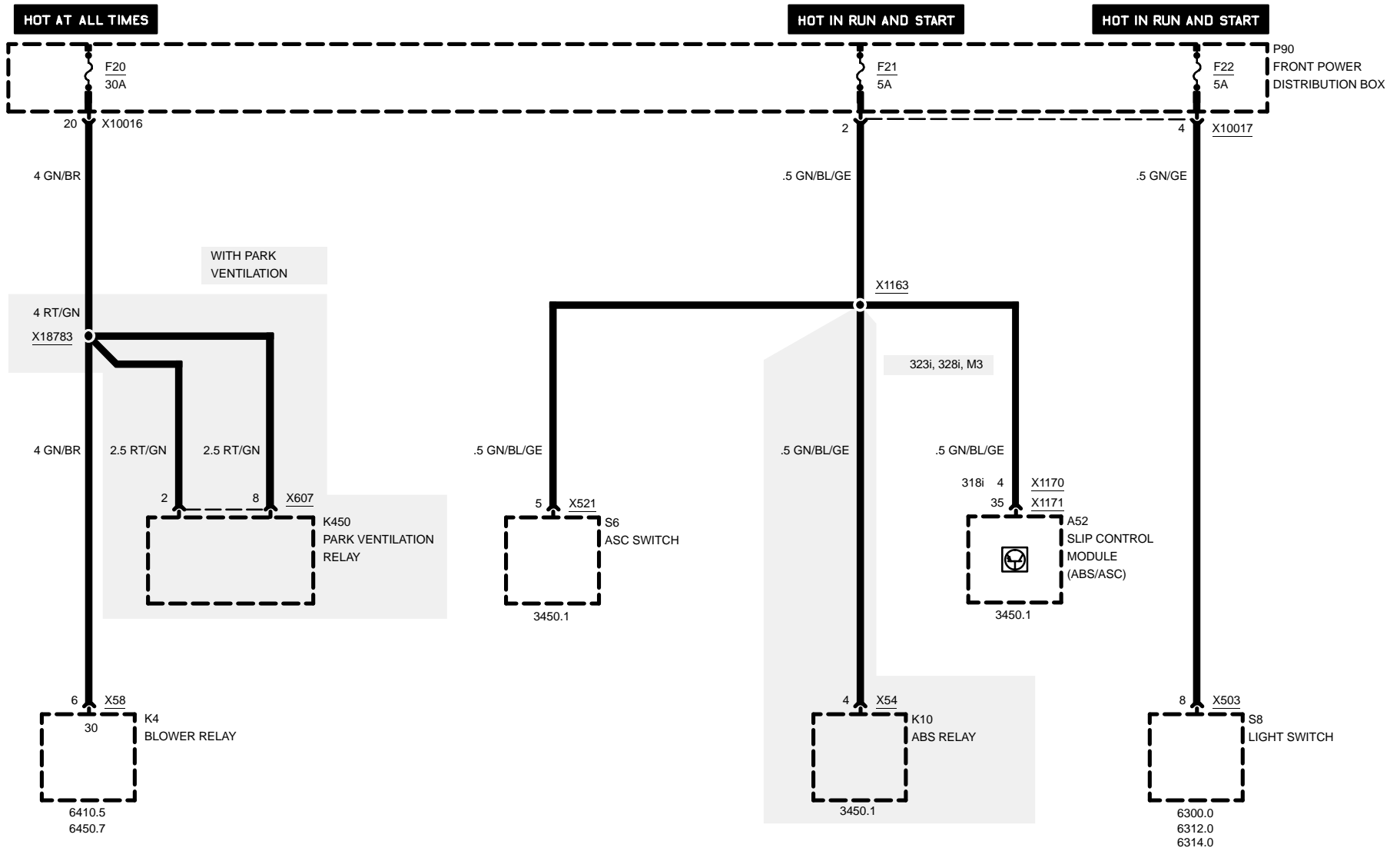
## FUSES 16, 17, 18, AND 19





# FUSE DETAILS

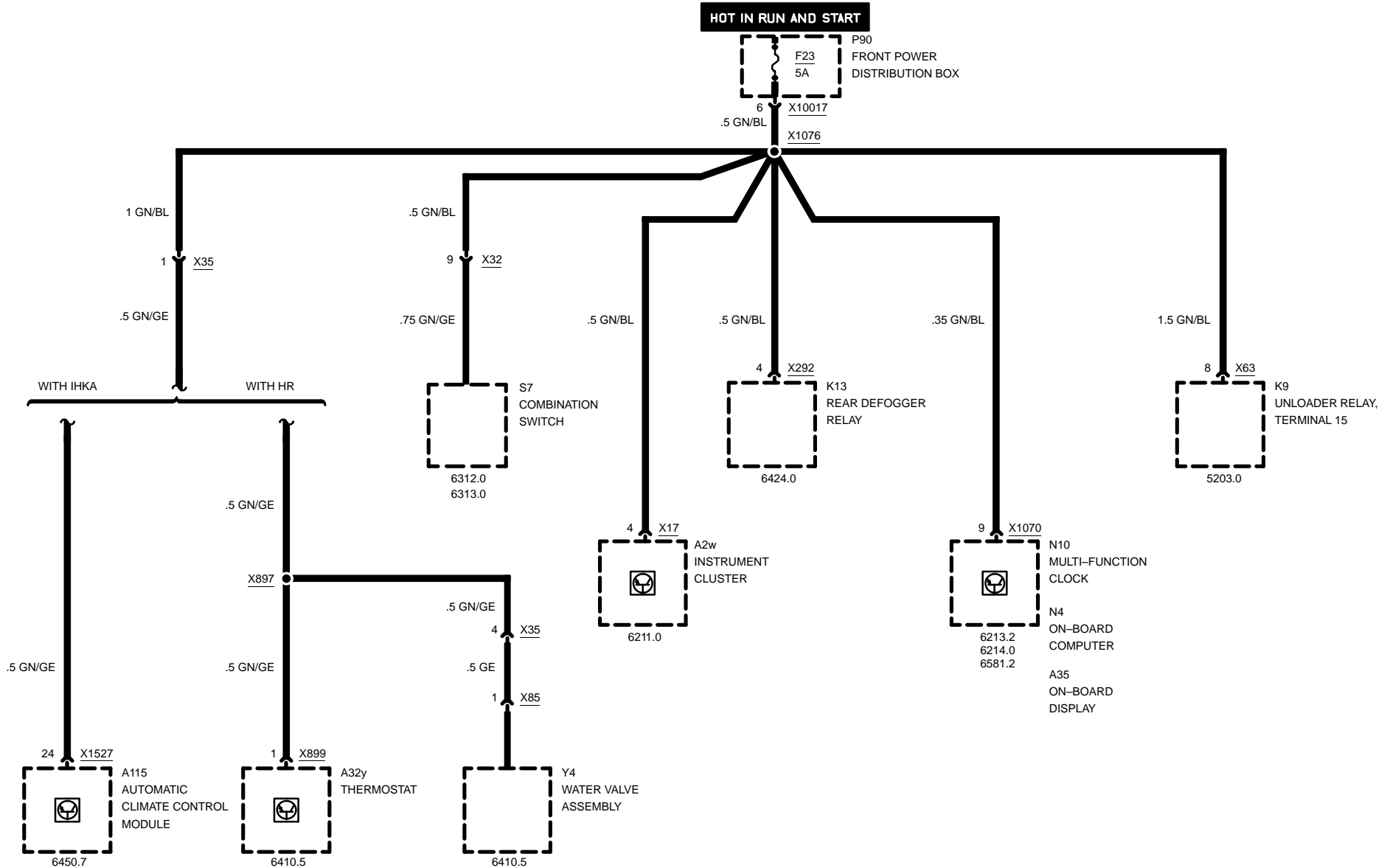
## FUSES 20, 21, AND 22





# FUSE DETAILS

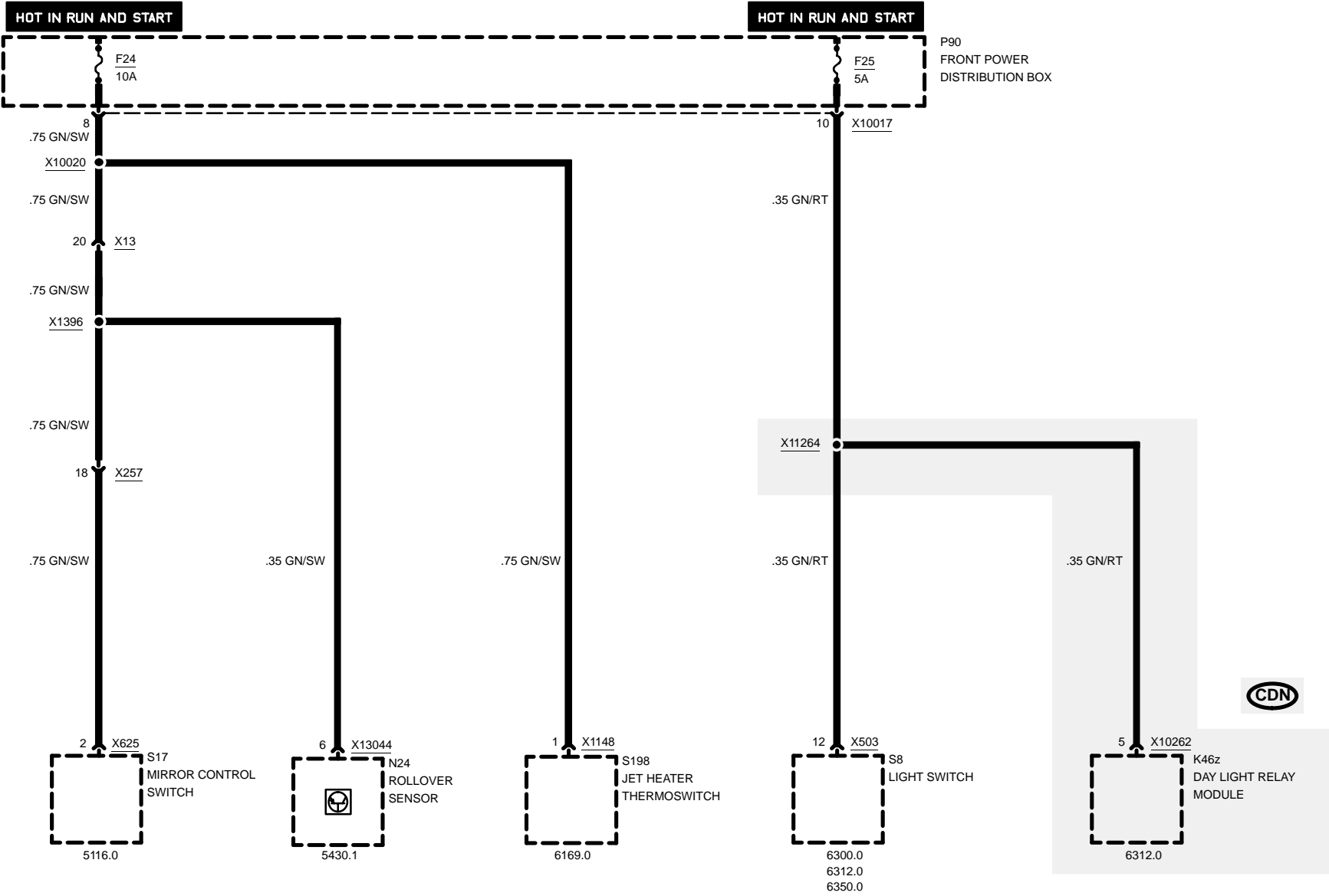
## FUSE 23





# FUSE DETAILS

## FUSES 24 AND 25

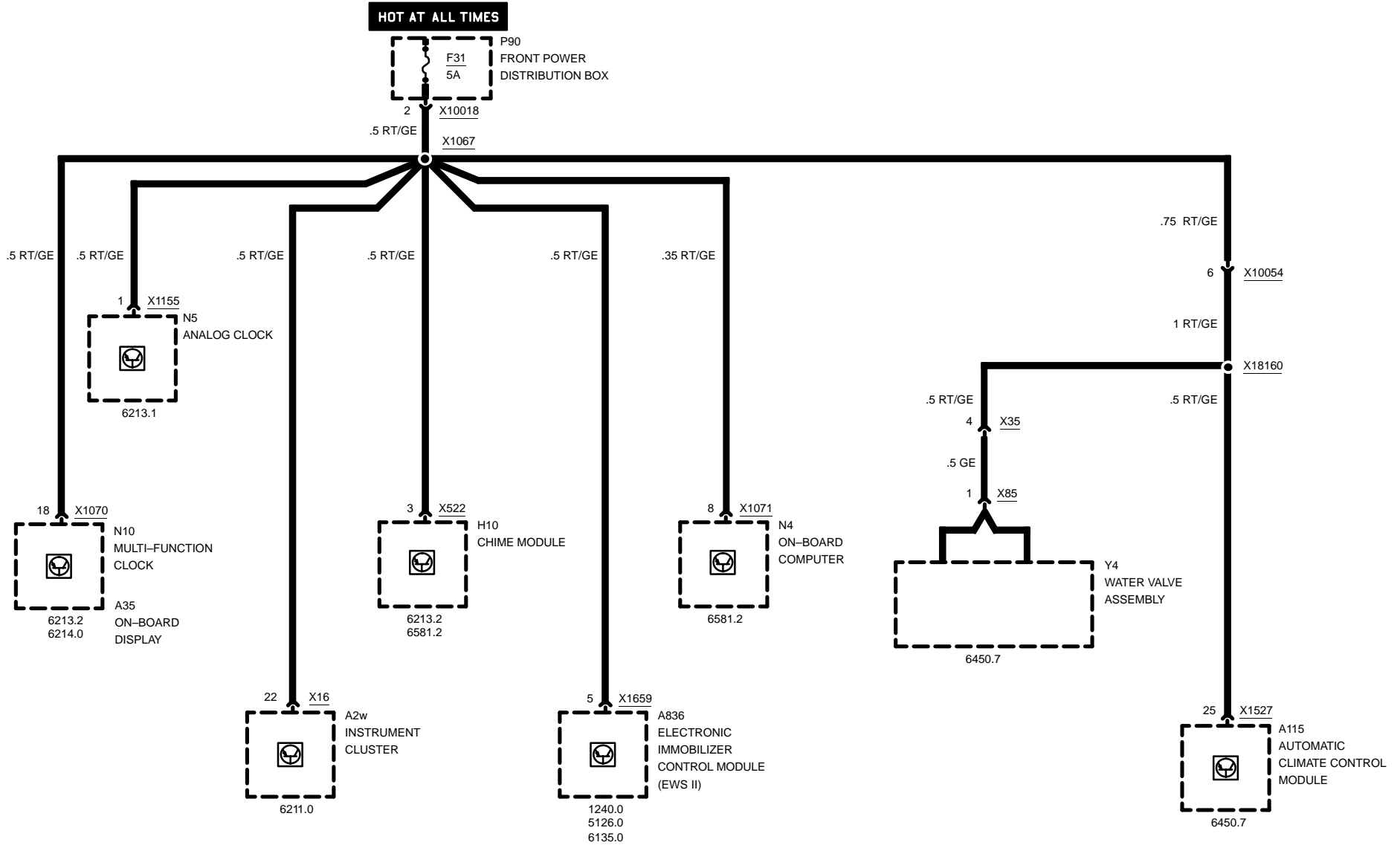






# FUSE DETAILS

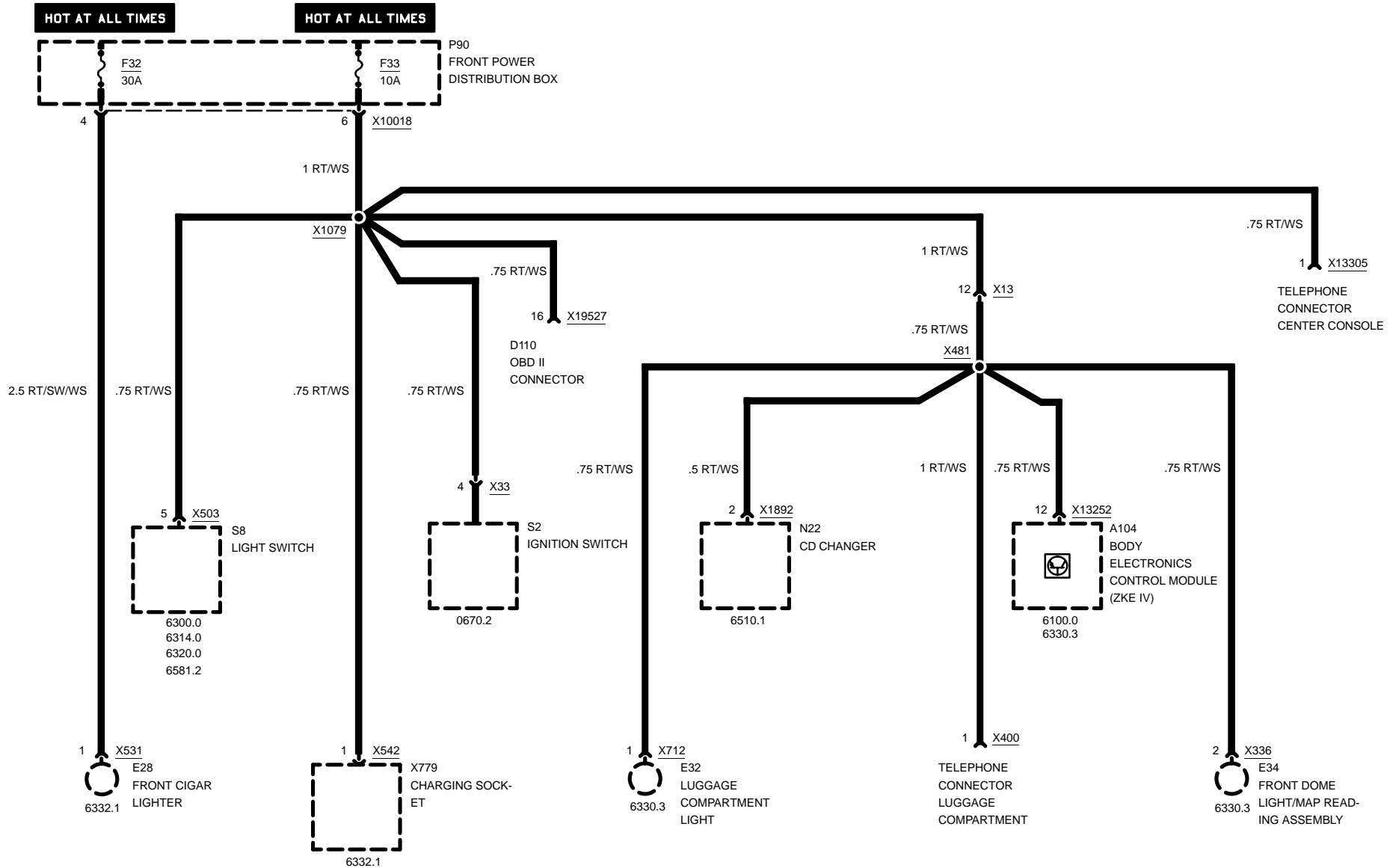
## FUSE 31





# FUSE DETAILS

## FUSES 32 AND 33

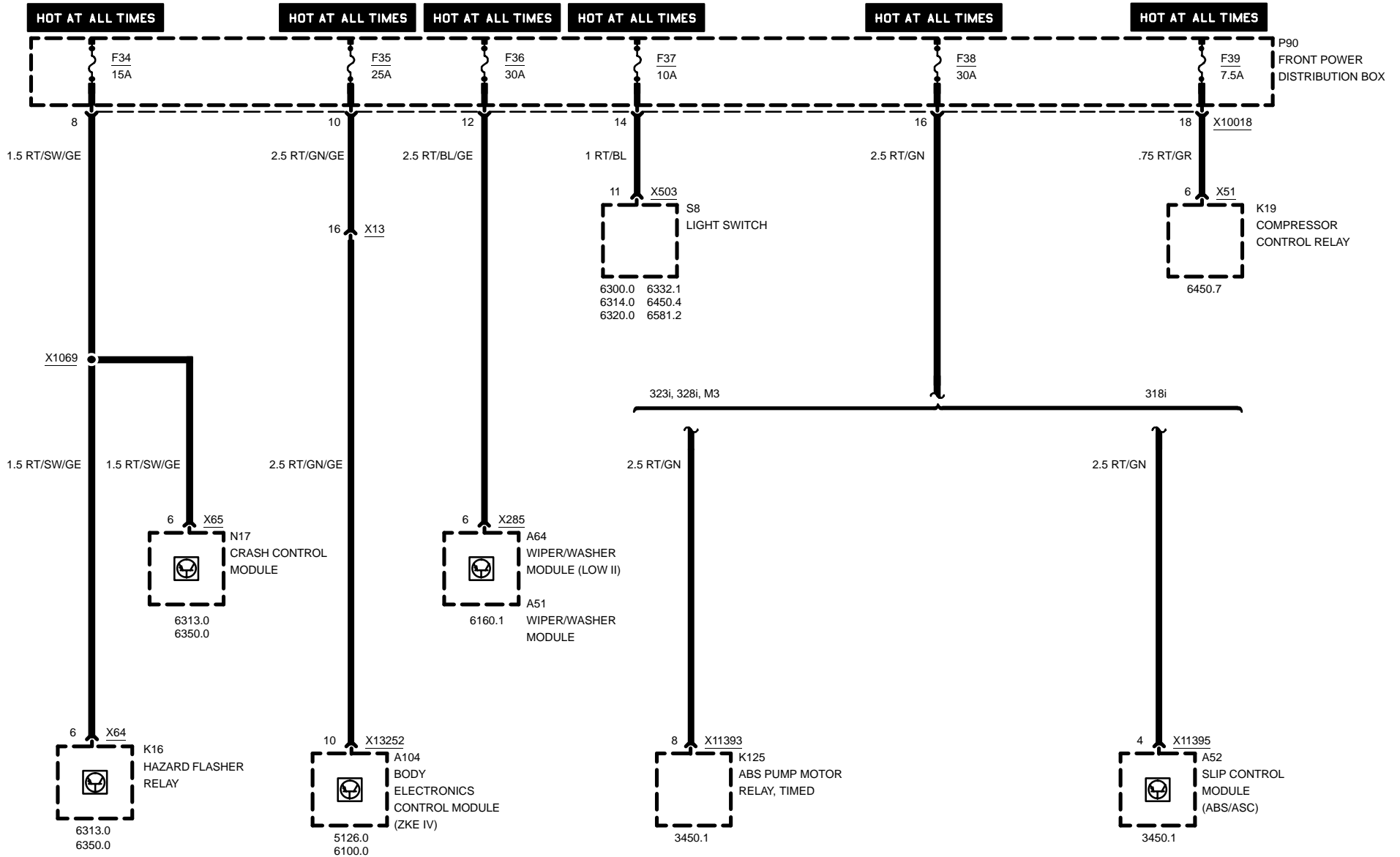






# FUSE DETAILS

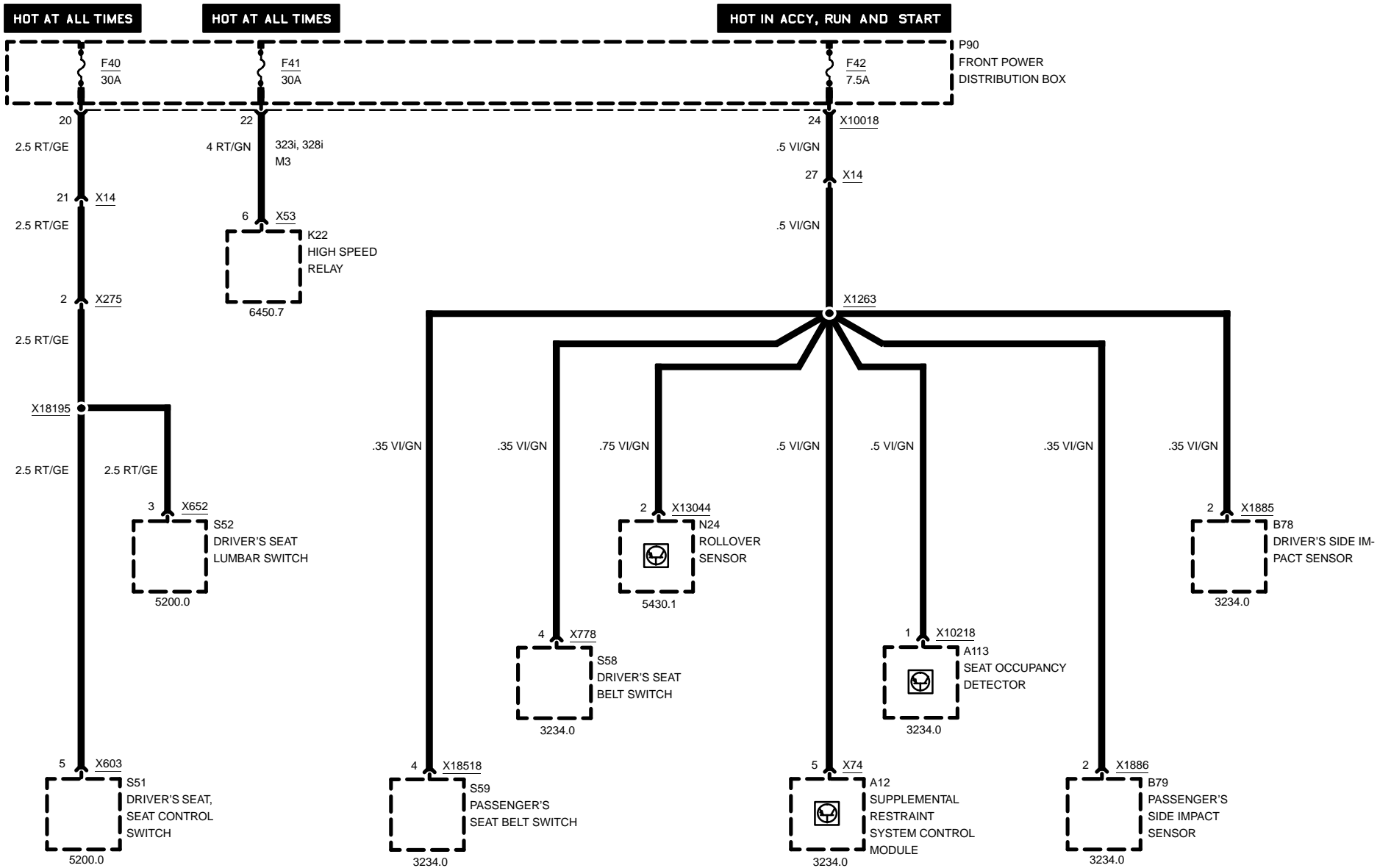
## FUSES 34, 35, 36, 37, 38, AND 39





# FUSE DETAILS

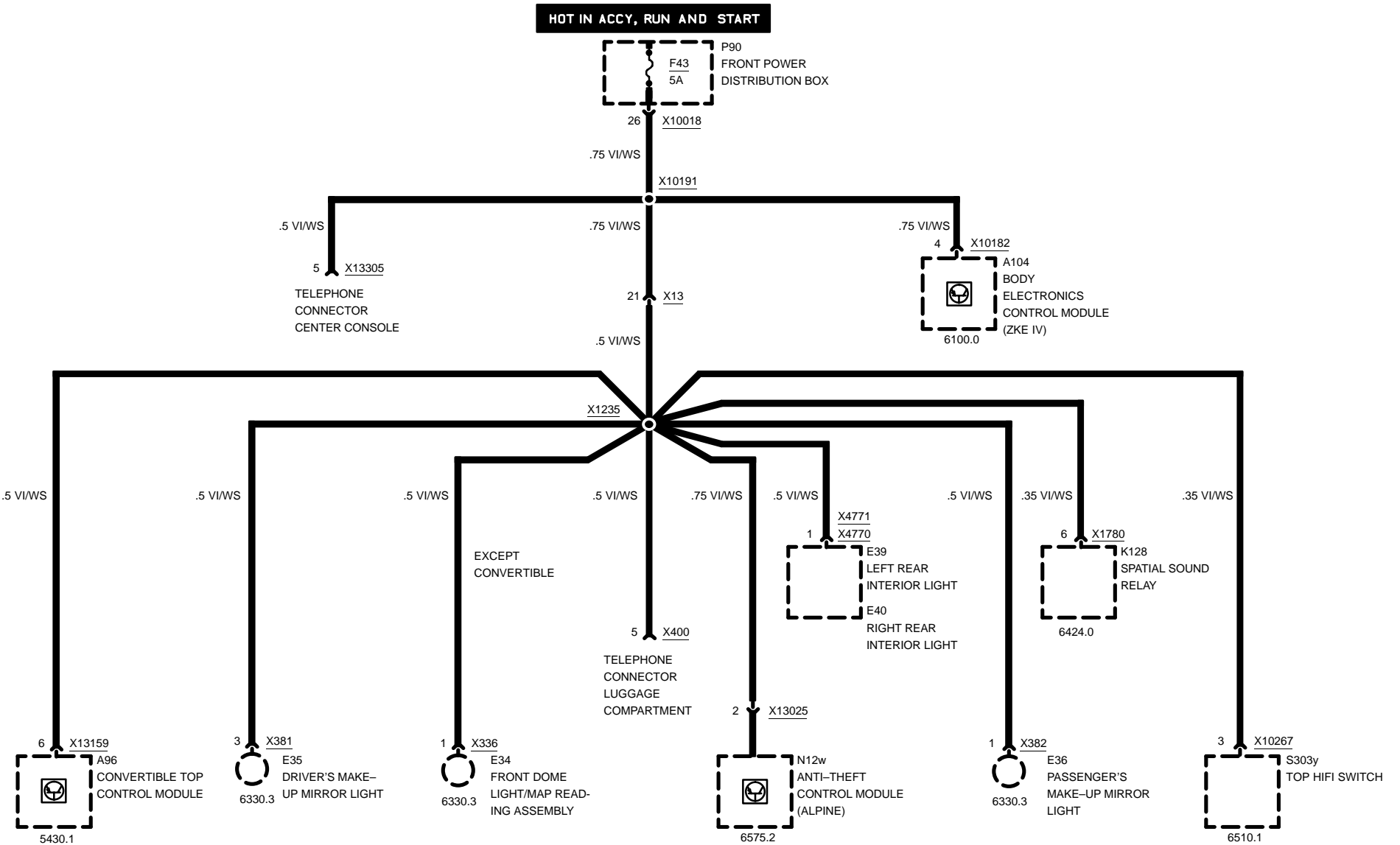
## FUSES 40, 41, AND 42





# FUSE DETAILS

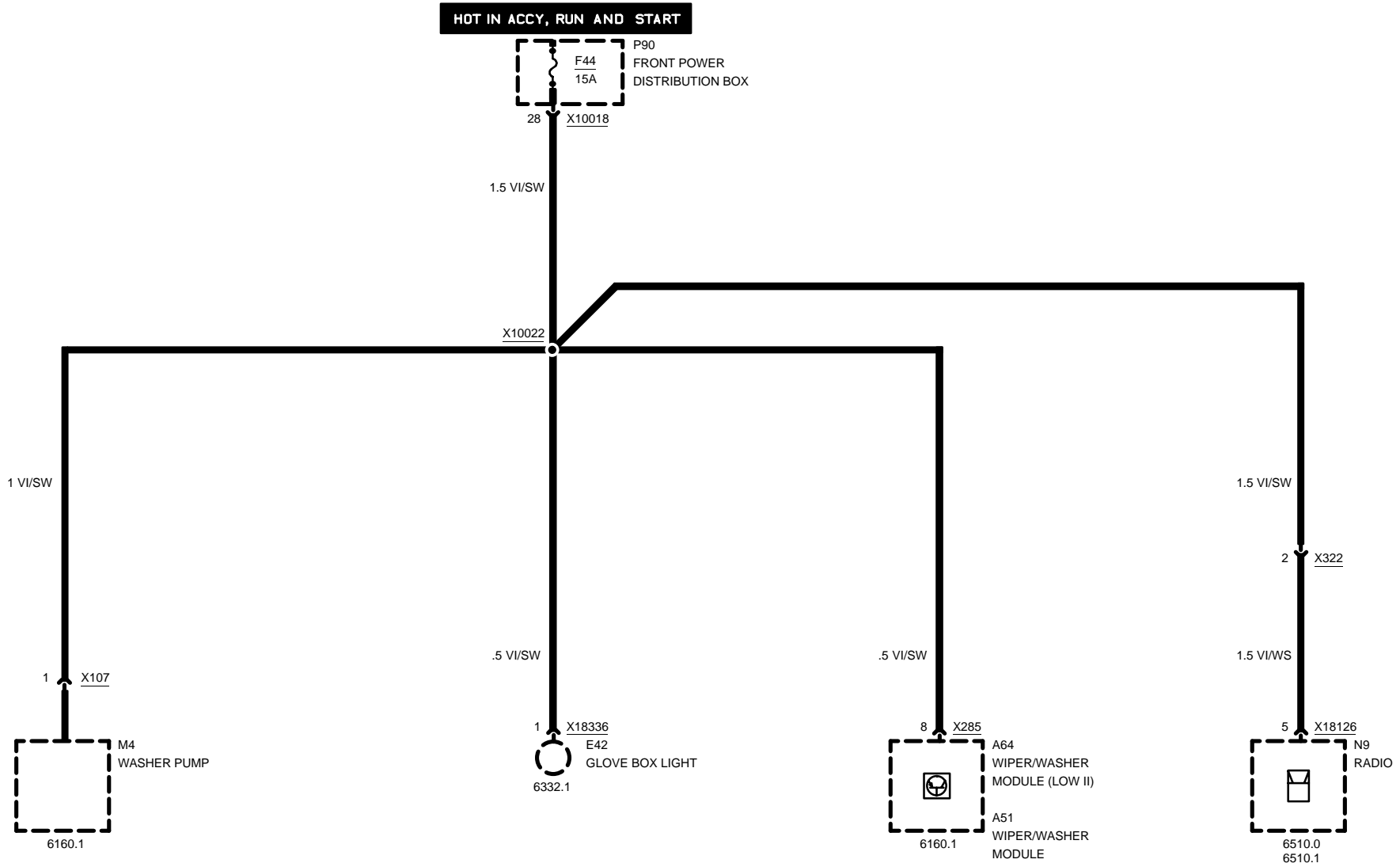
## FUSE 43





# FUSE DETAILS

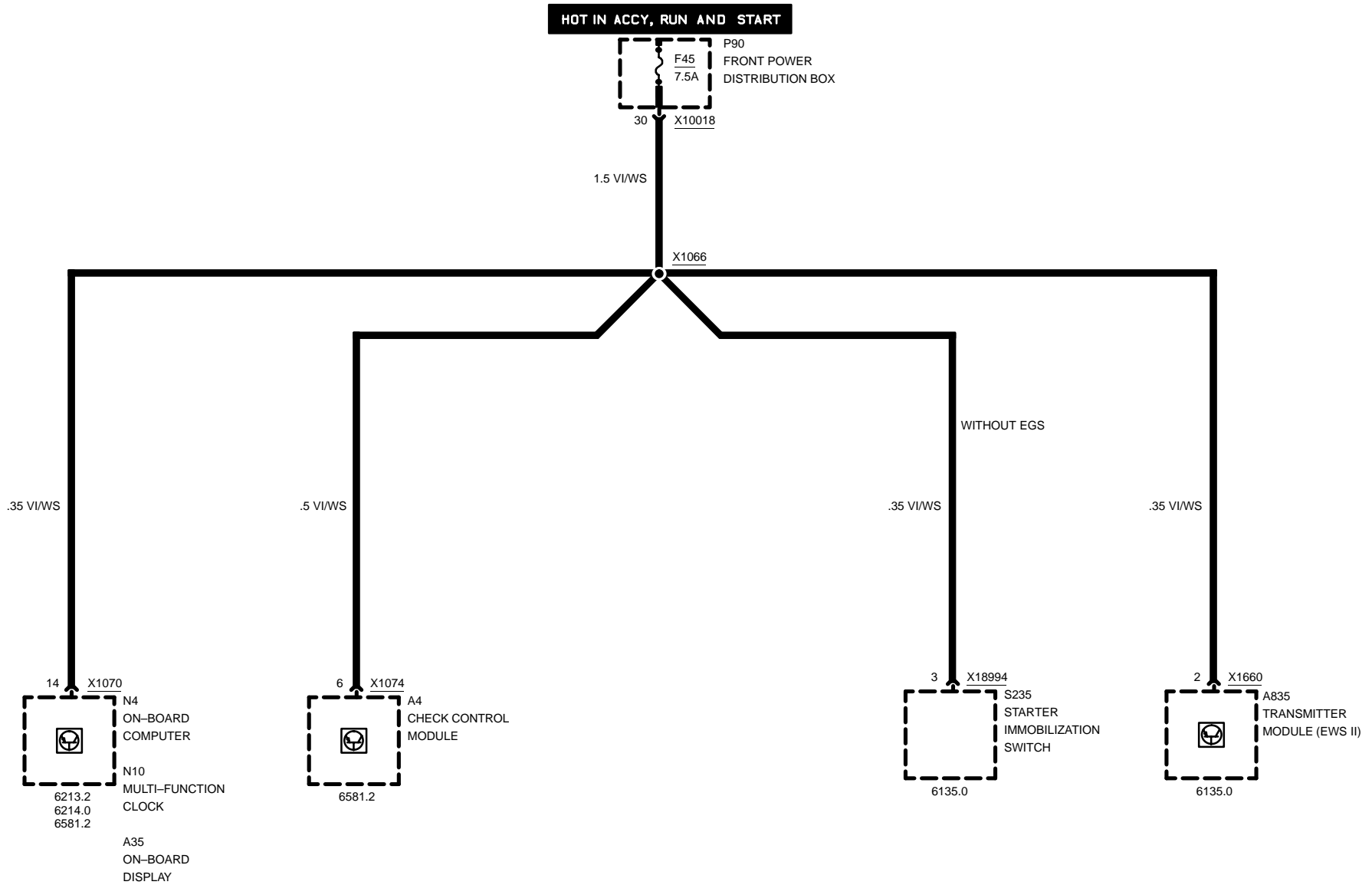
## FUSE 44





# FUSE DETAILS

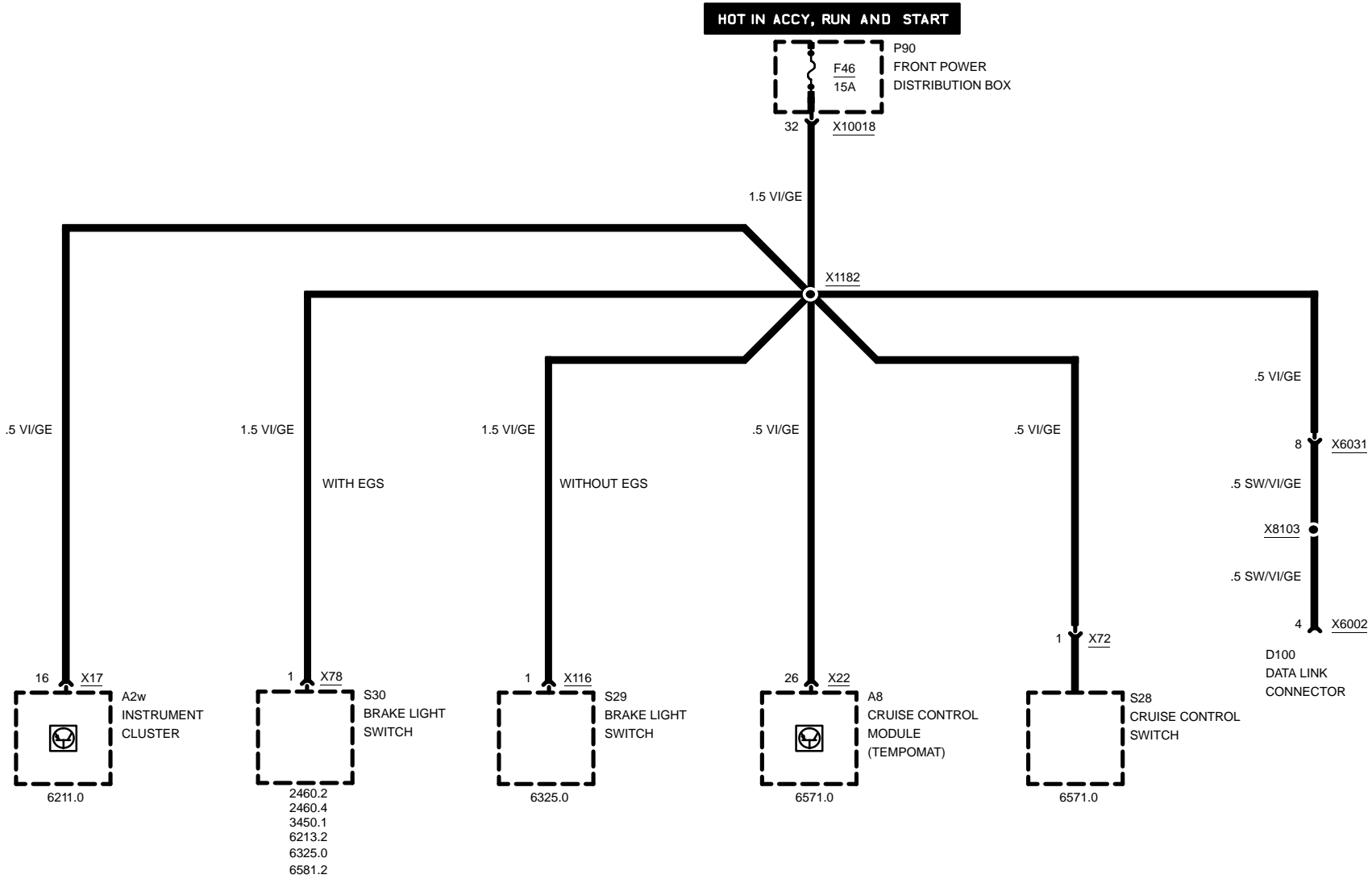
## FUSE 45





# FUSE DETAILS

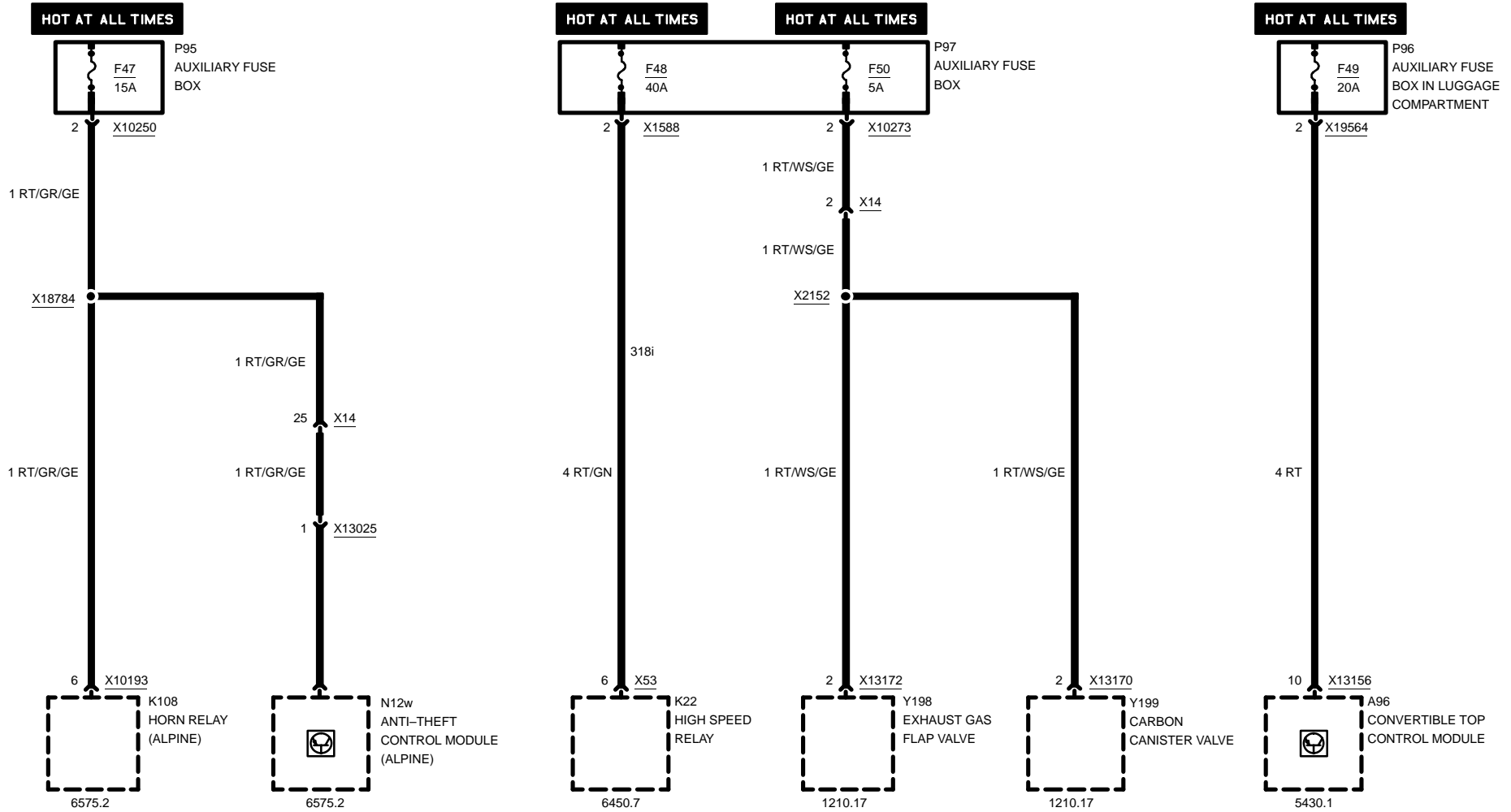
## FUSE 46





# FUSE DETAILS

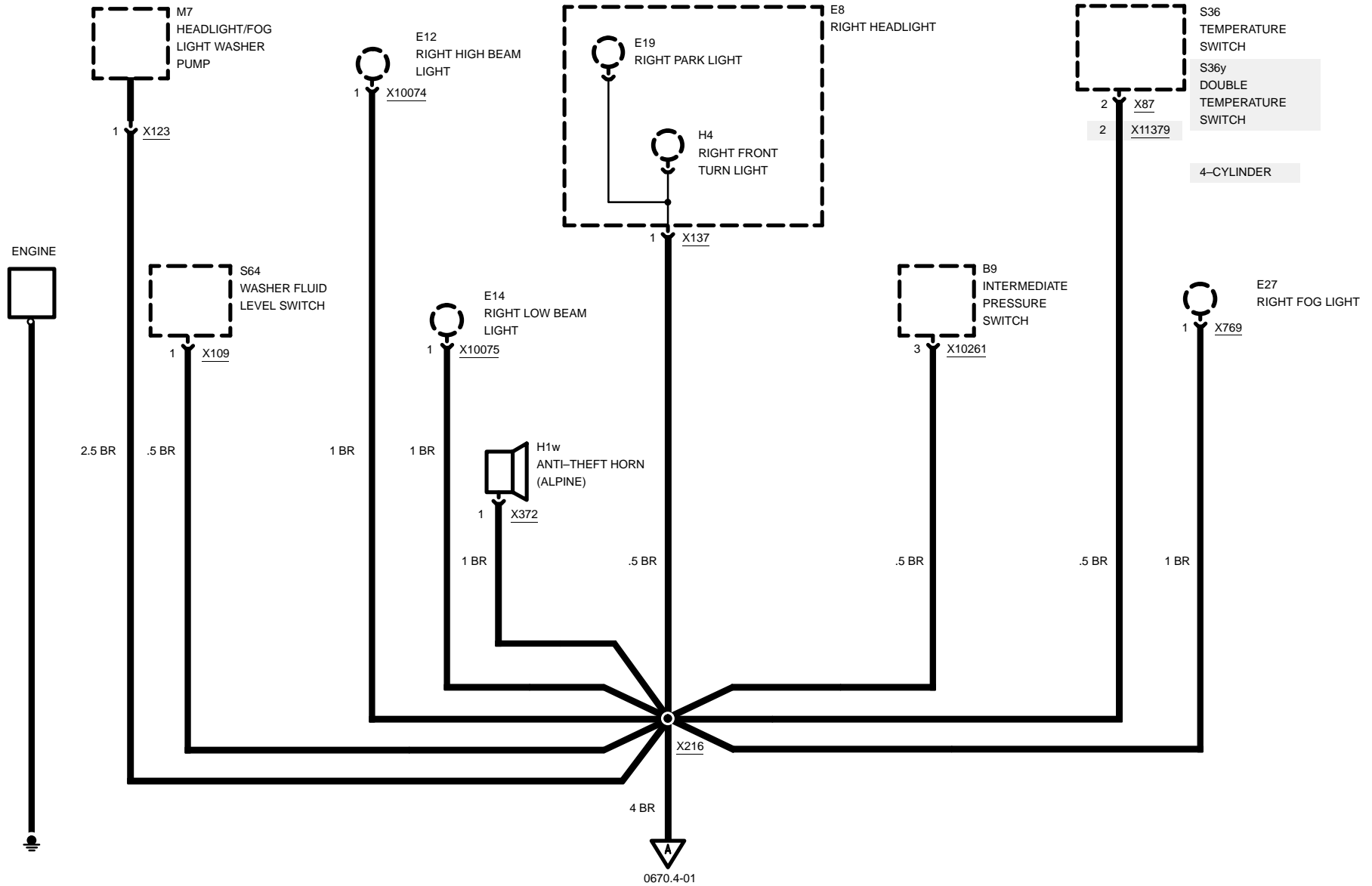
## FUSES 47, 48, 49, AND 50





# 0670.4 GROUND DISTRIBUTION

## GROUND X165

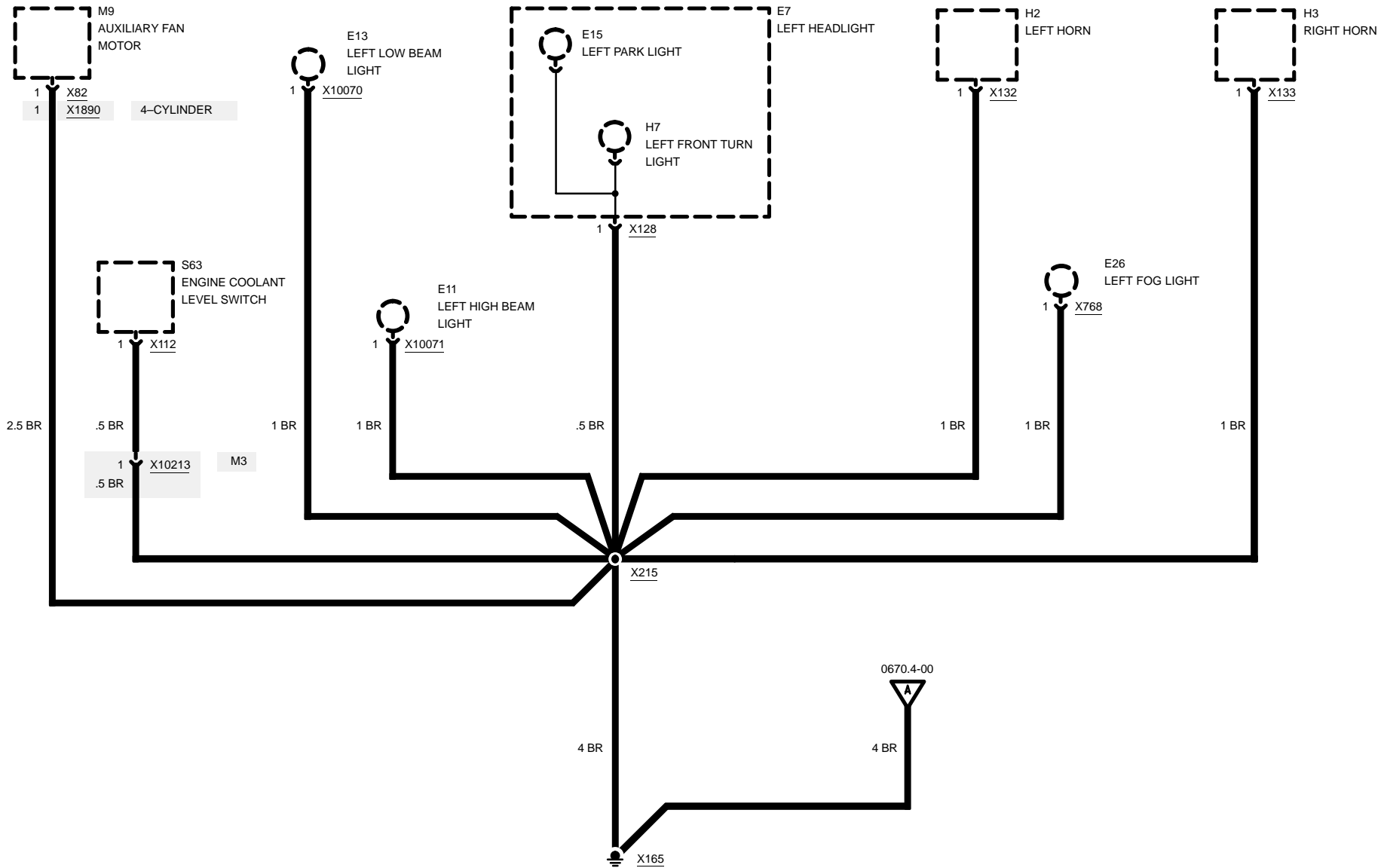






# GROUND DISTRIBUTION

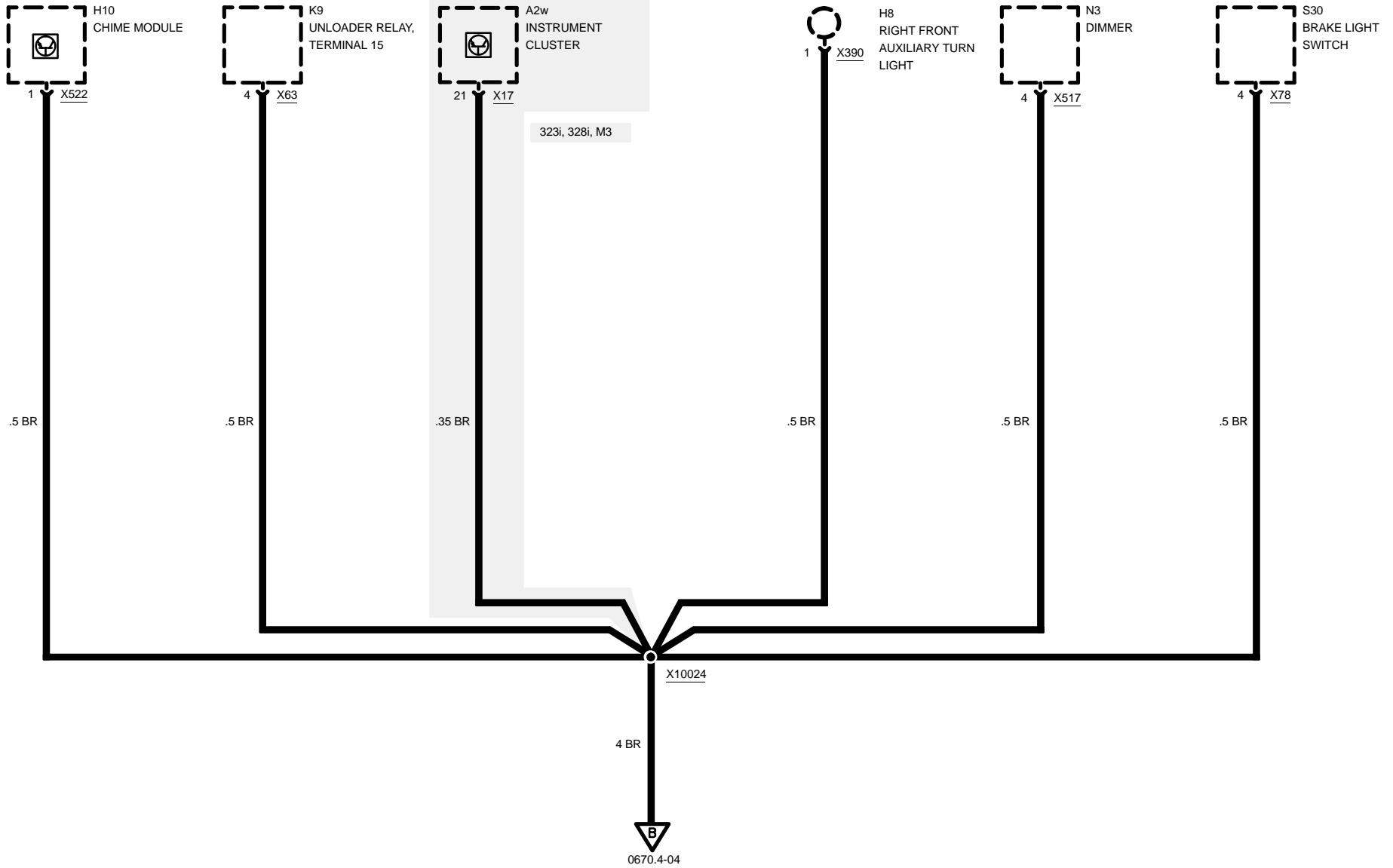
## GROUND X165





# GROUND DISTRIBUTION

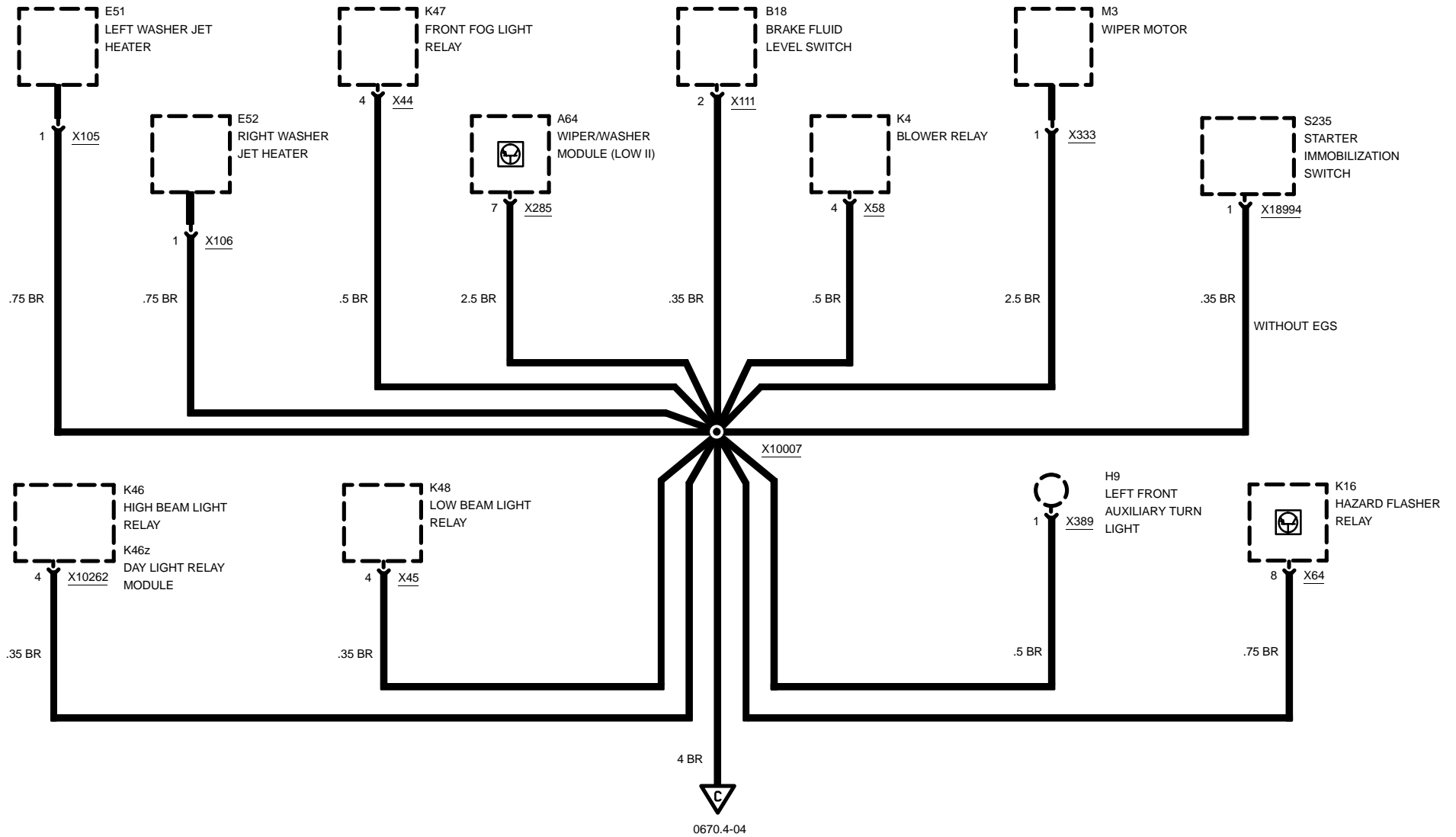
## GROUND X173





# GROUND DISTRIBUTION

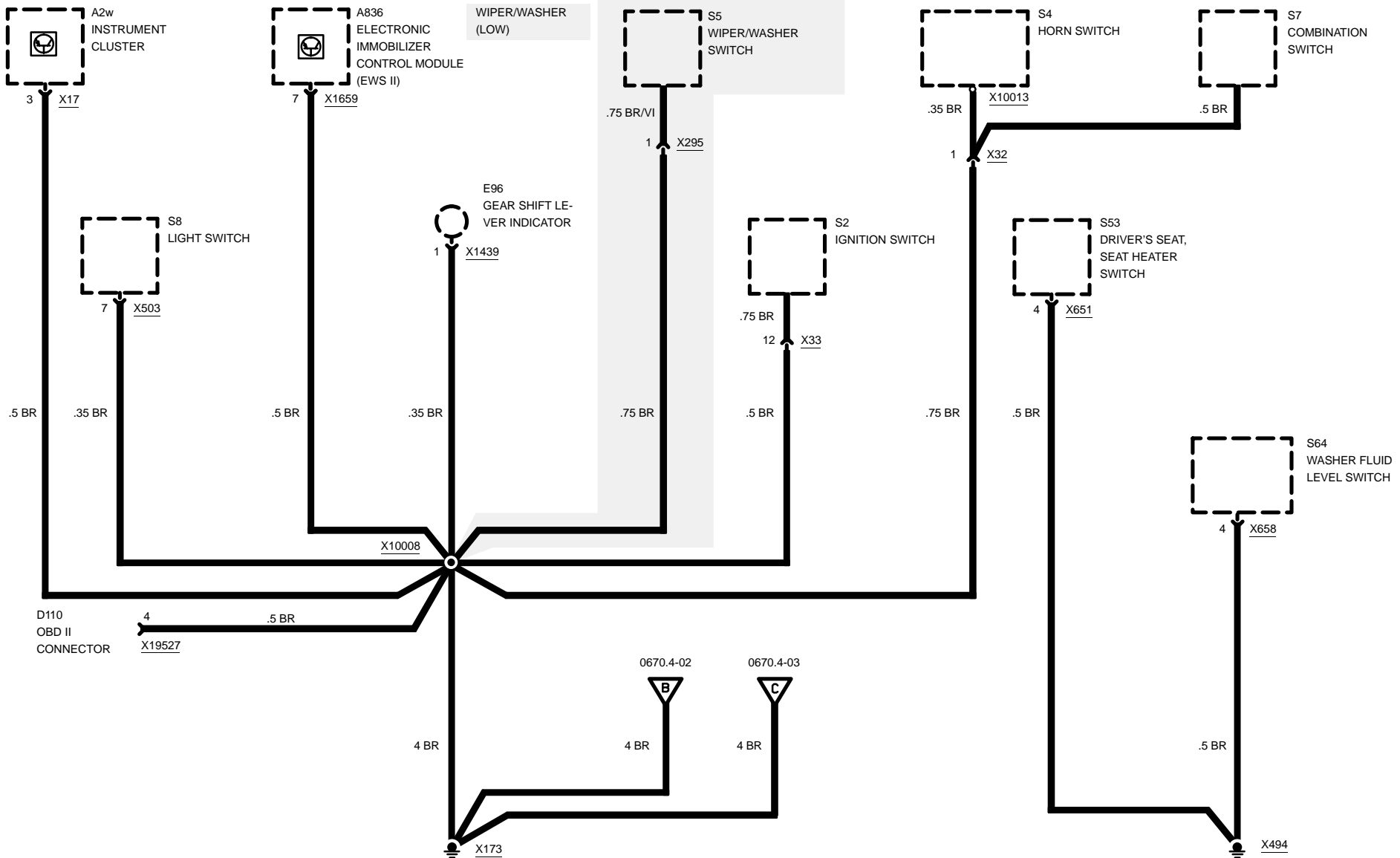
## GROUND X173





# GROUND DISTRIBUTION

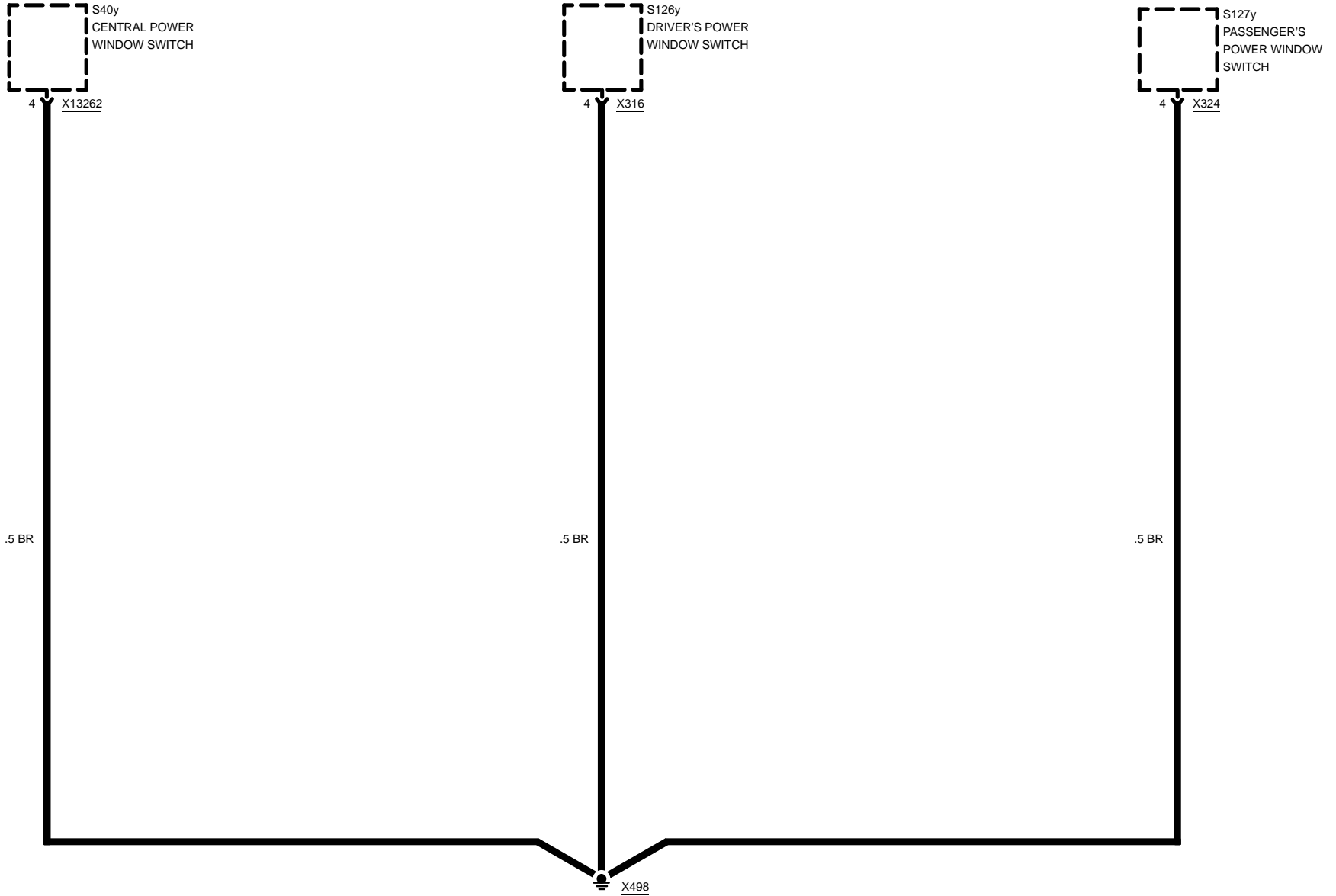
## GROUNDS X173 AND X494





# GROUND DISTRIBUTION

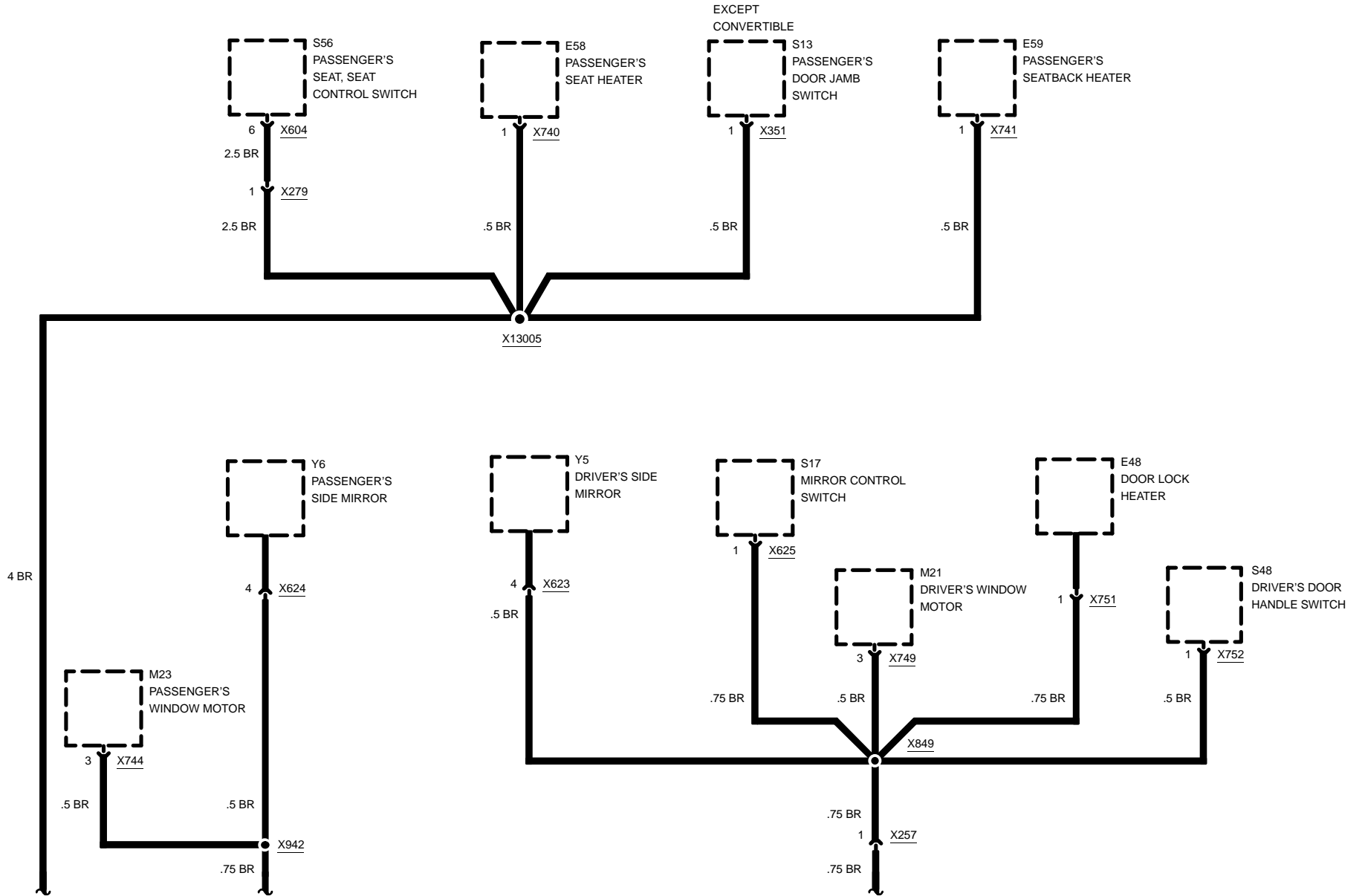
## GROUND X498





# GROUND DISTRIBUTION

## GROUND X495

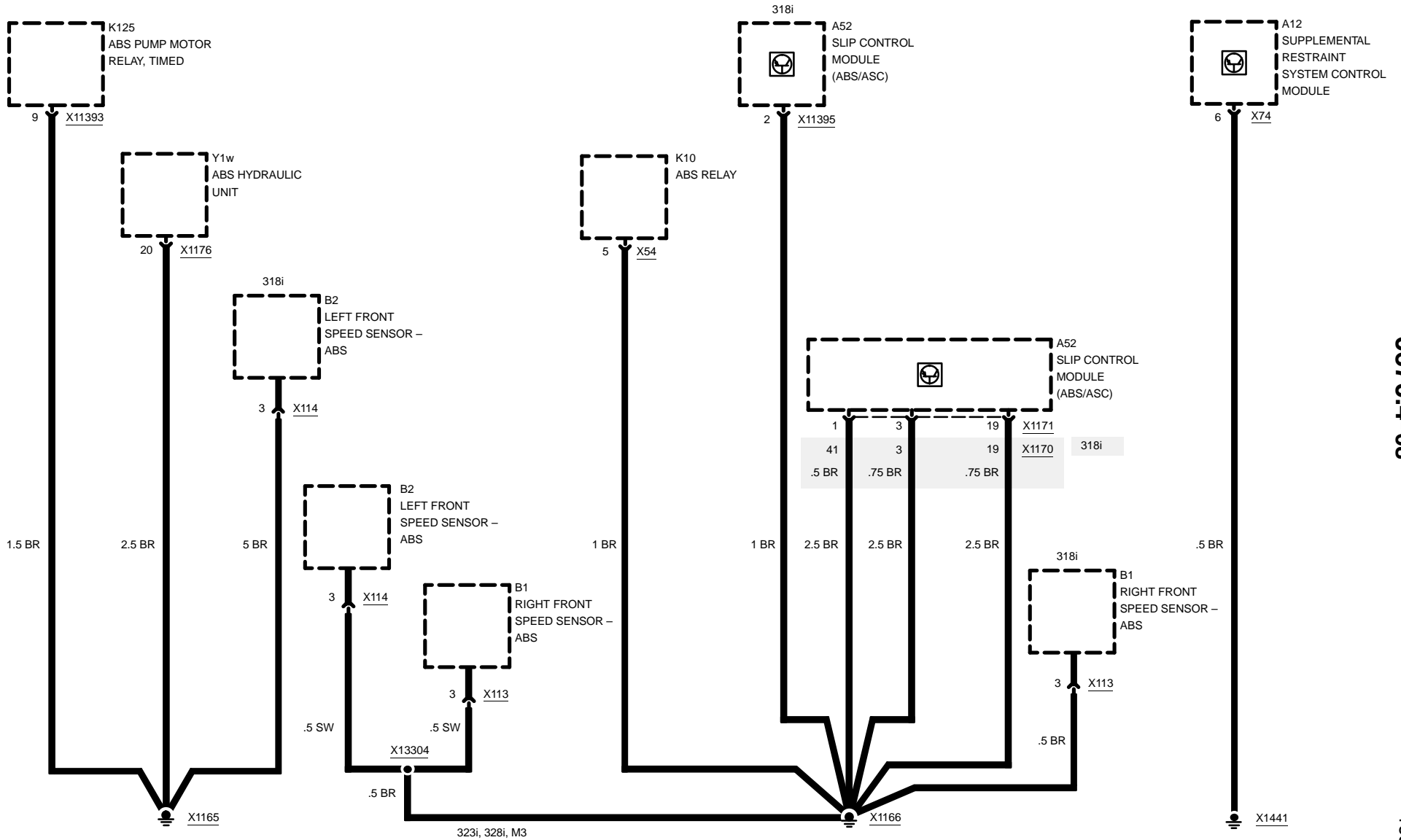






# GROUND DISTRIBUTION

## GROUNDS X1165, X1166, AND X1441



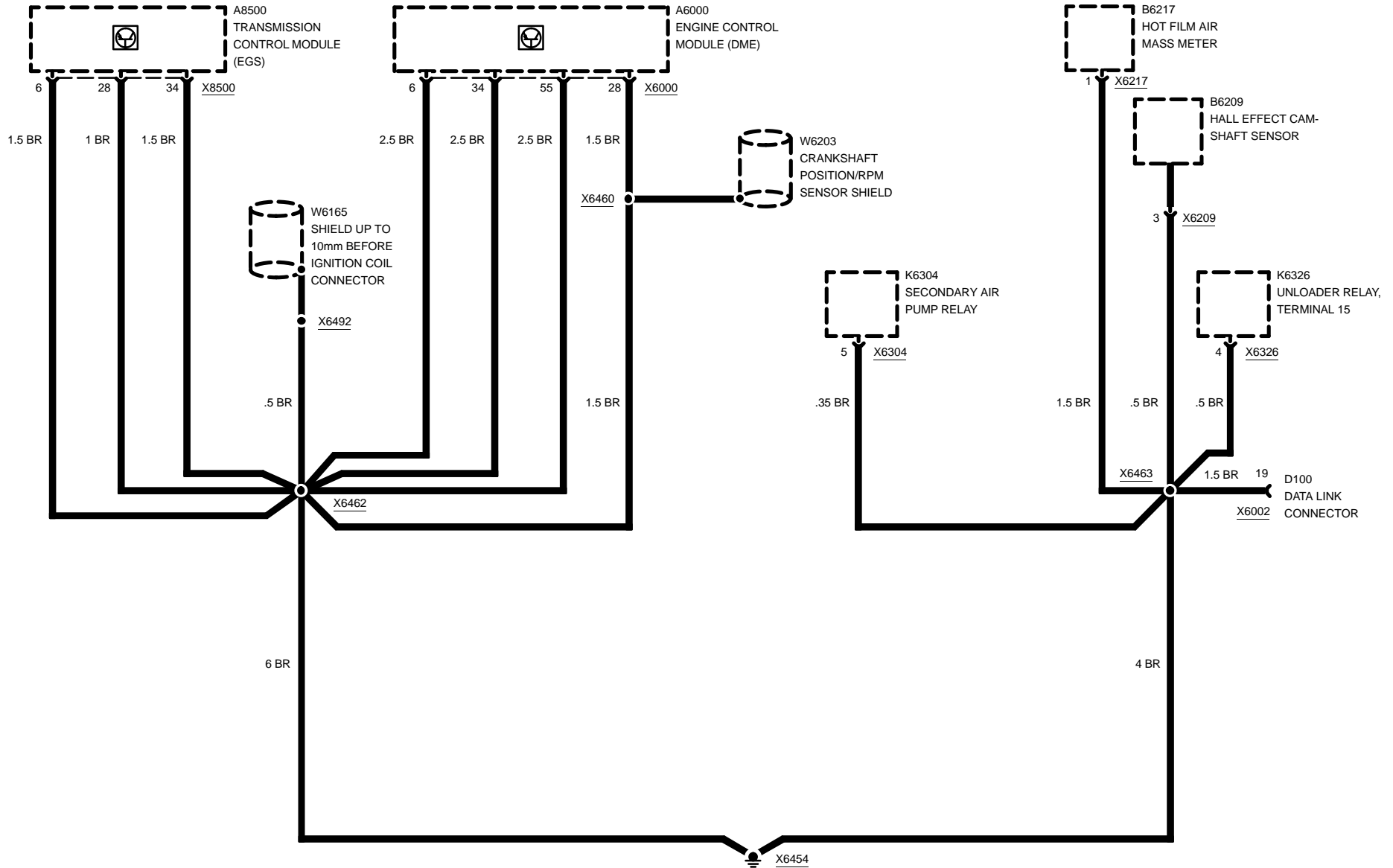




# GROUND DISTRIBUTION

318i

## GROUND X6454

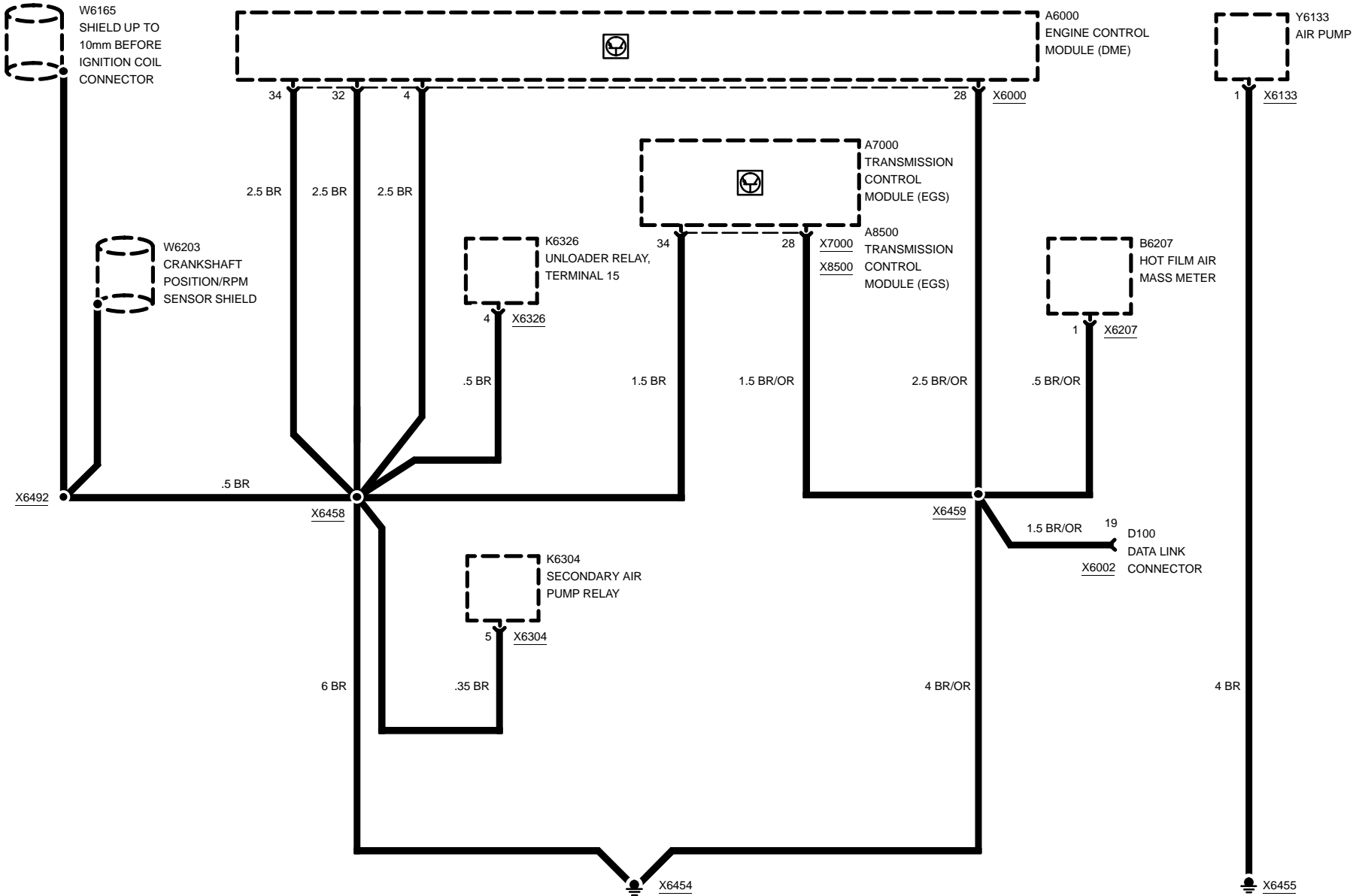




# GROUND DISTRIBUTION

323i, 328i, M3

## GROUNDS X6454 AND X6455



03/00

0670.4-10

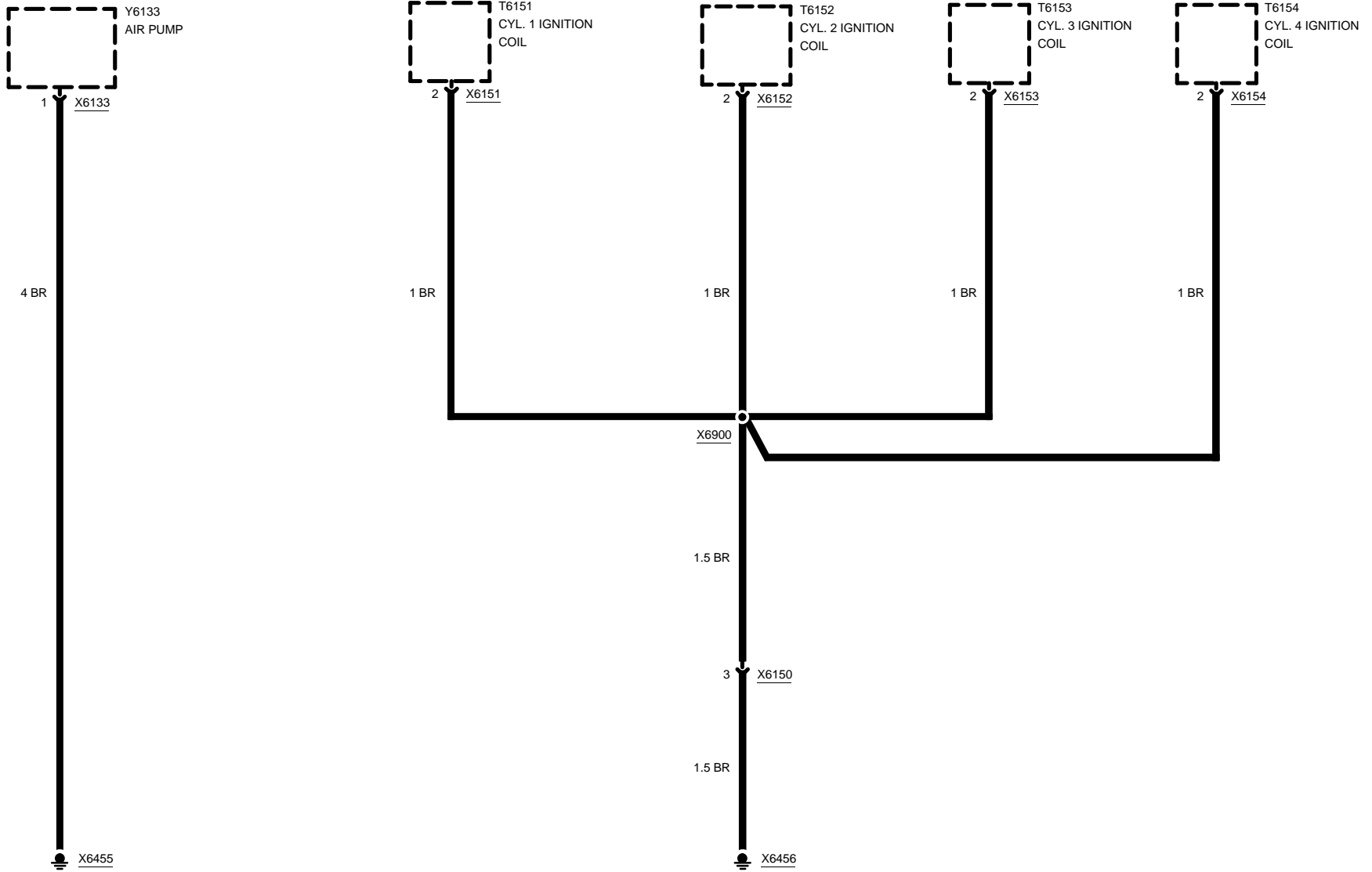
1999



# GROUND DISTRIBUTION

## GROUNDS X6455 AND X6456

318i



03/00

0670.4-11

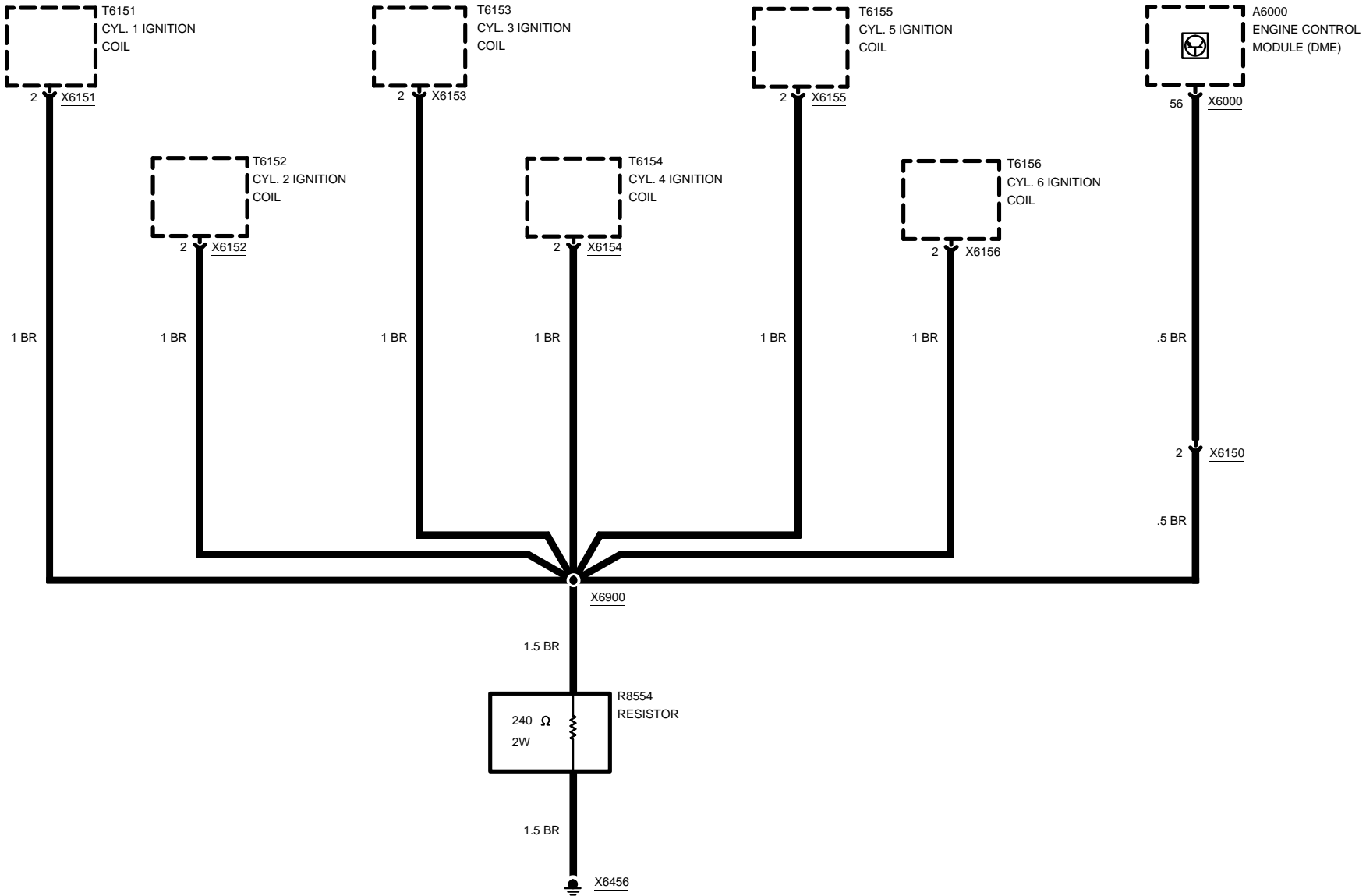
1999



# GROUND DISTRIBUTION

323i, 328i, M3

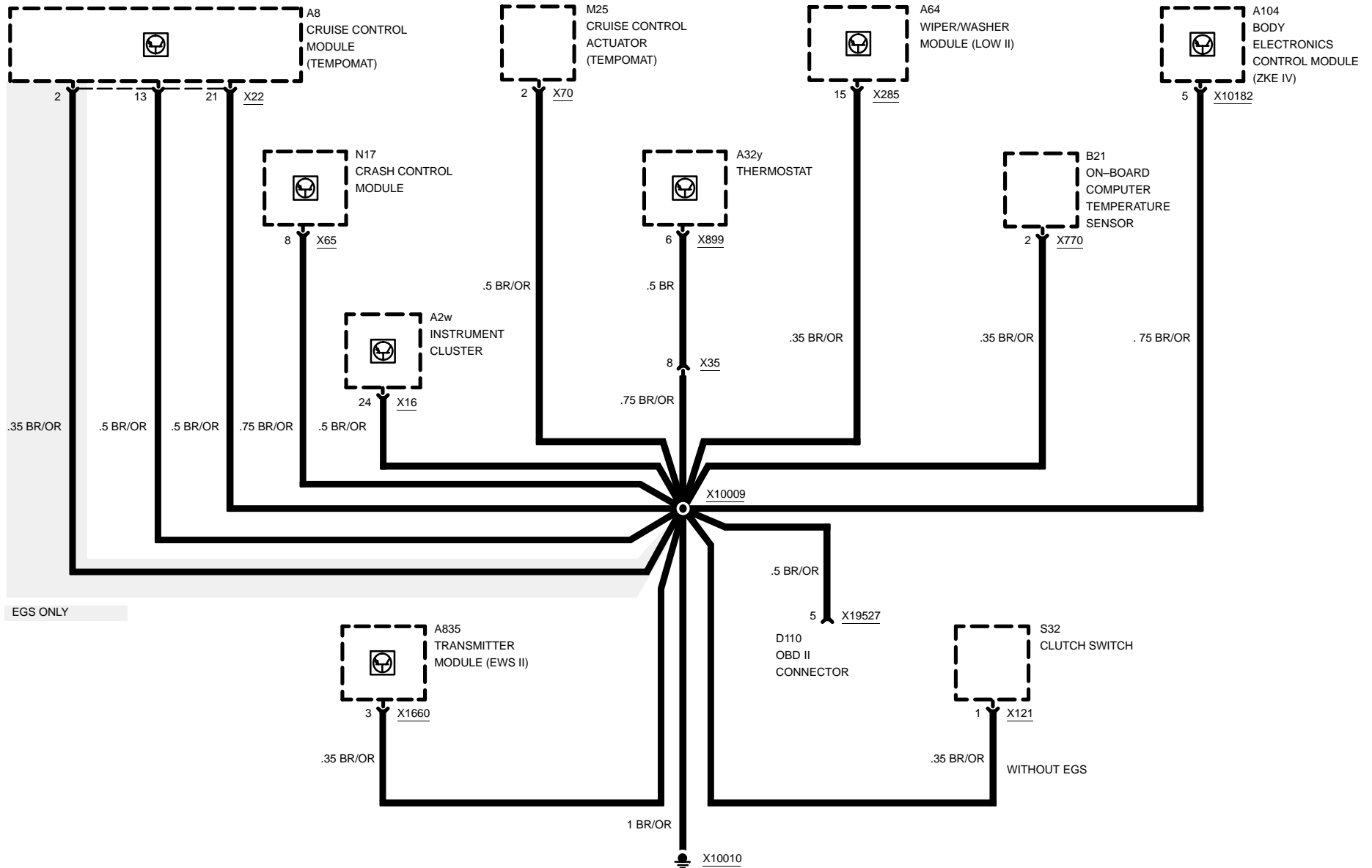
## GROUND X6456





# GROUND DISTRIBUTION

## GROUND X10010



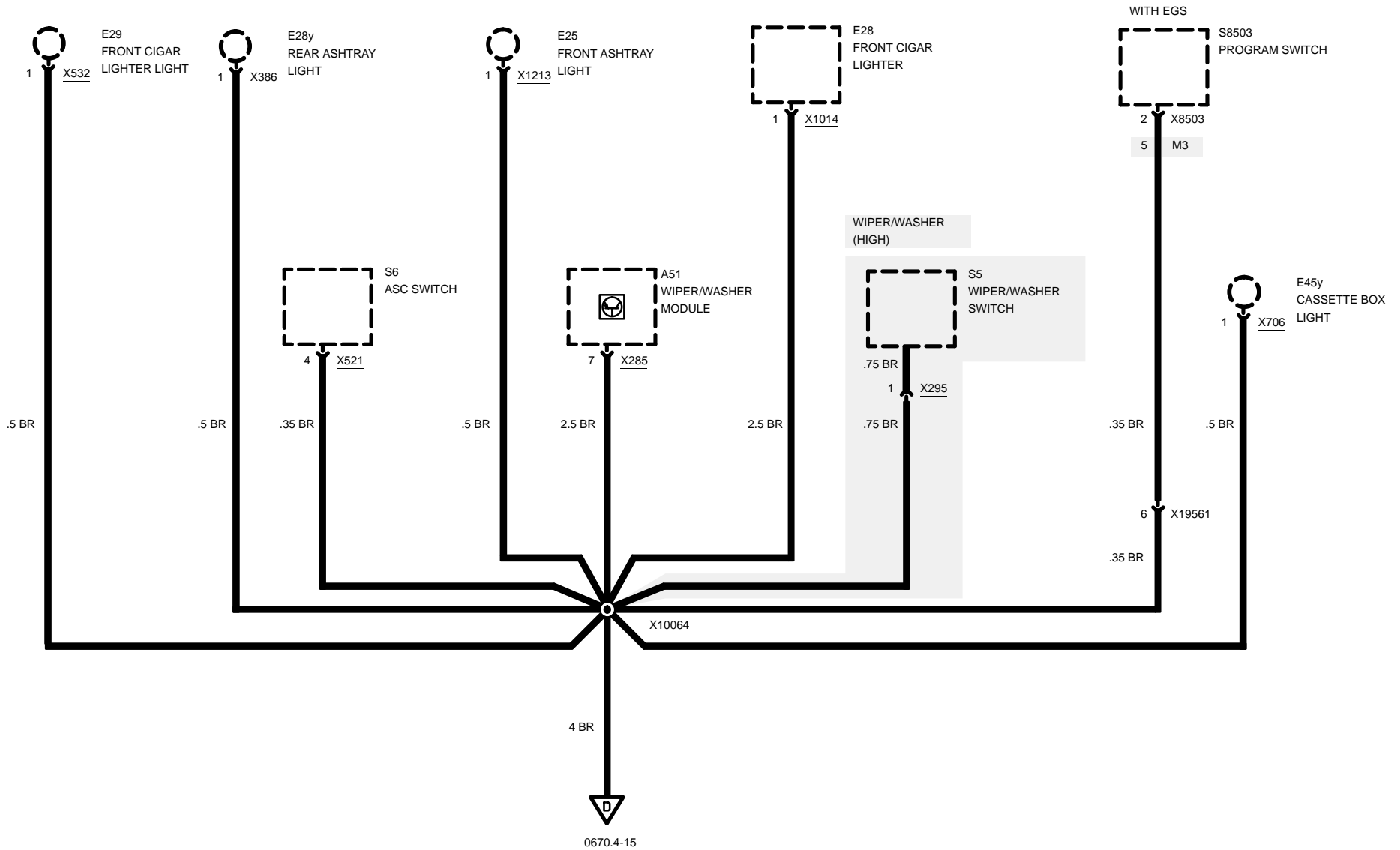
EGS ONLY

WITHOUT EGS



# GROUND DISTRIBUTION

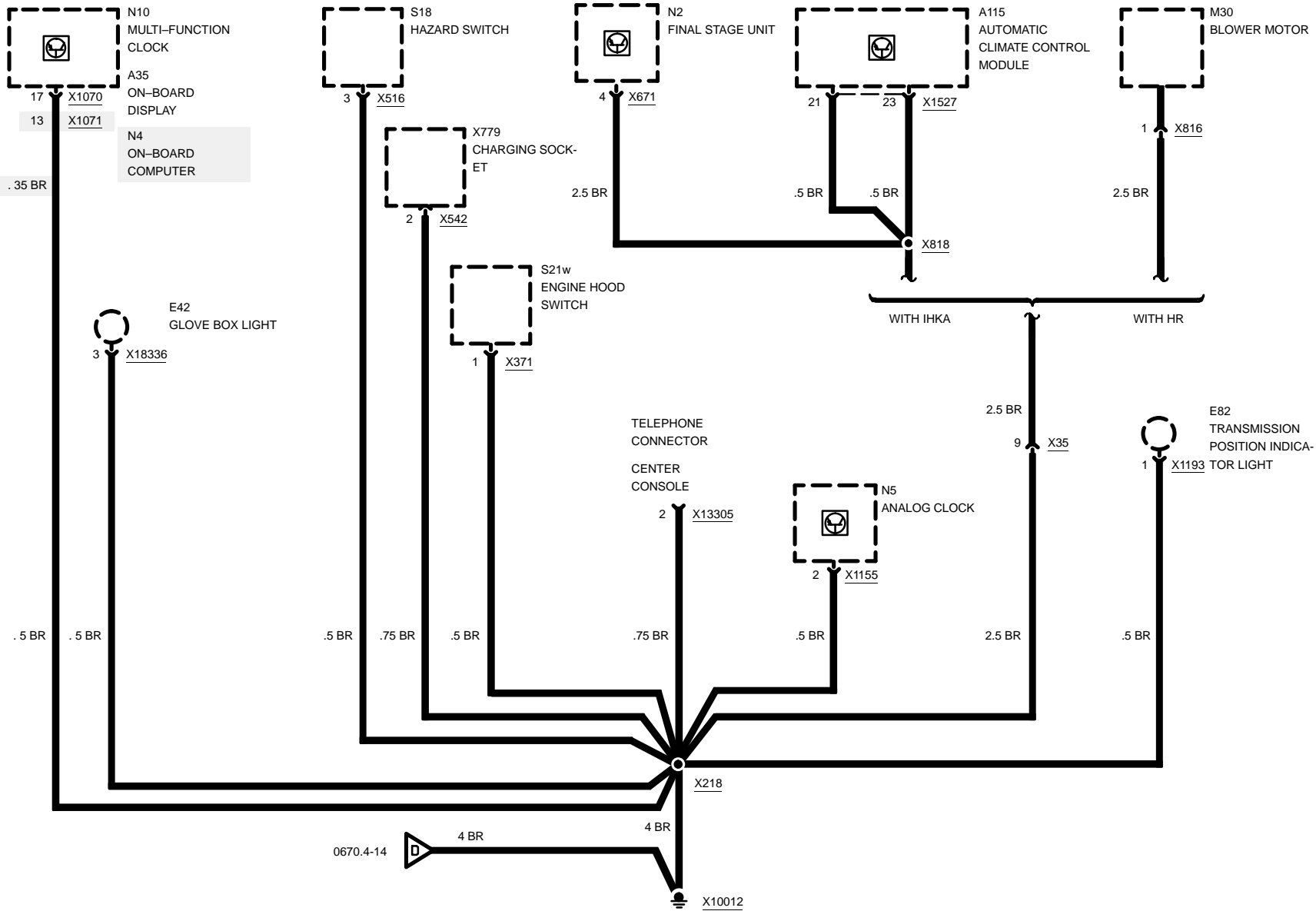
## GROUND X10012





# GROUND DISTRIBUTION

## GROUND X10012



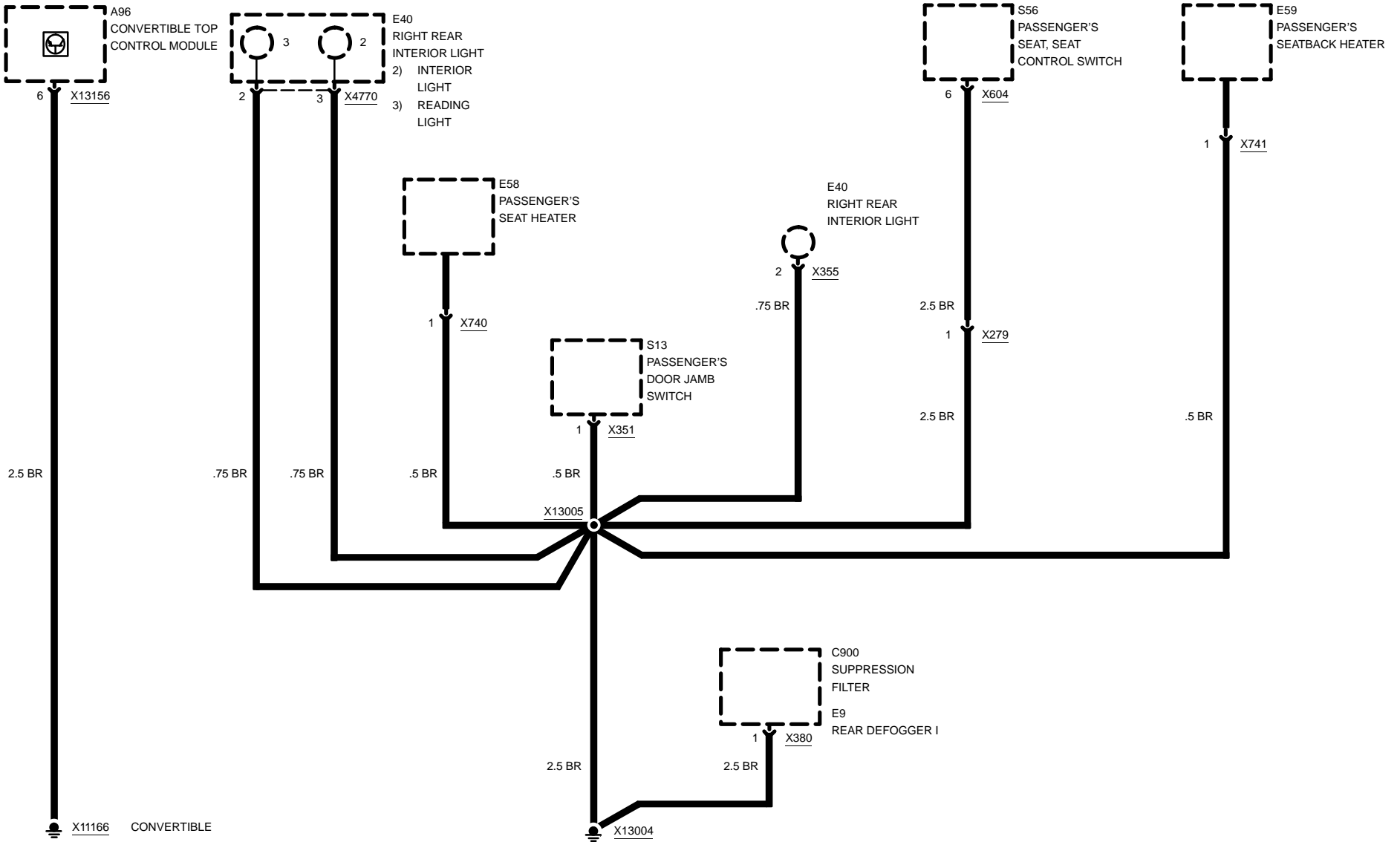
0670.4-14





# GROUND DISTRIBUTION

## GROUNDS X11166 AND X13004

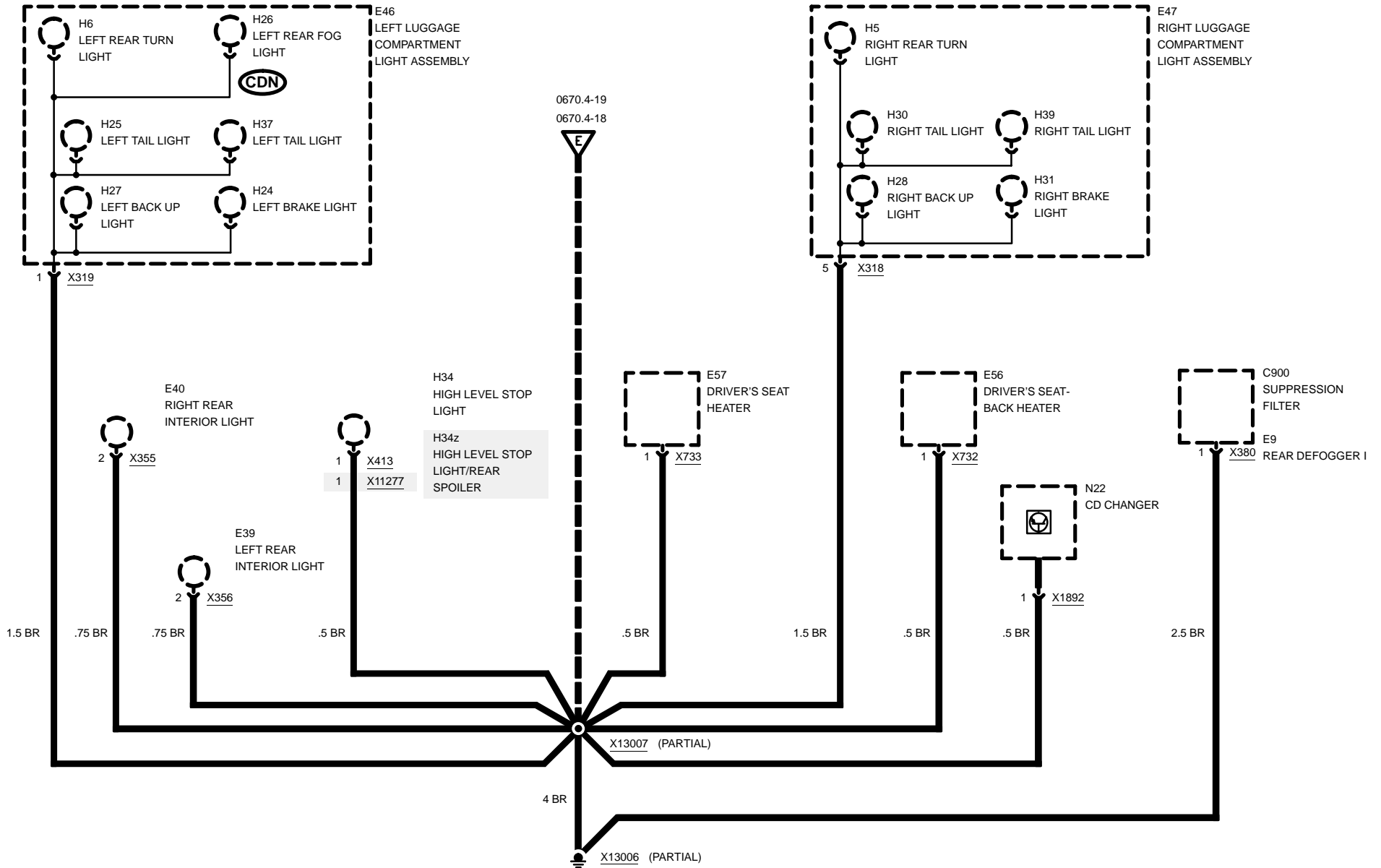






# GROUND DISTRIBUTION

## GROUND X13006



03/00

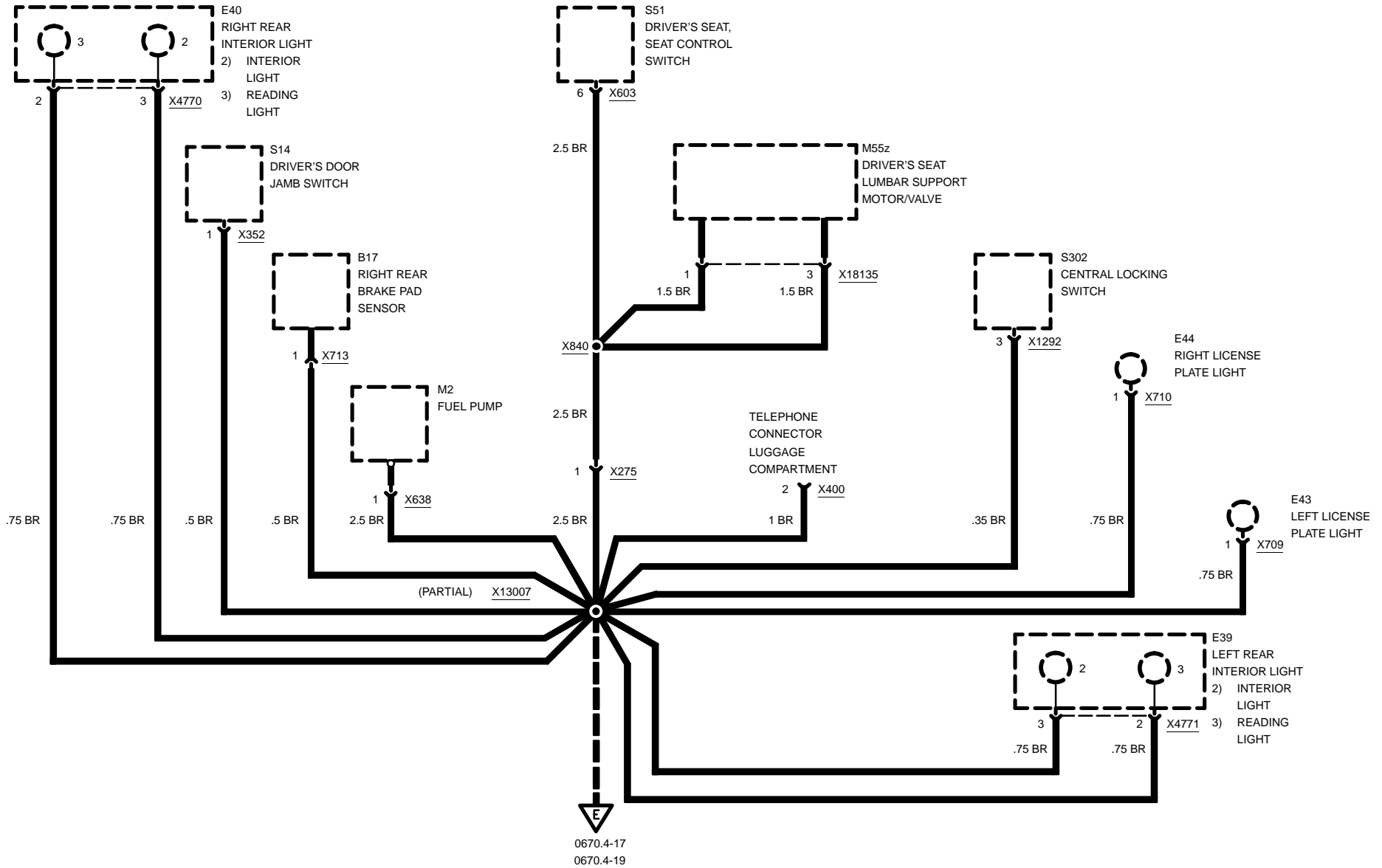
0670.4-17

1999



# GROUND DISTRIBUTION

## GROUND X13006



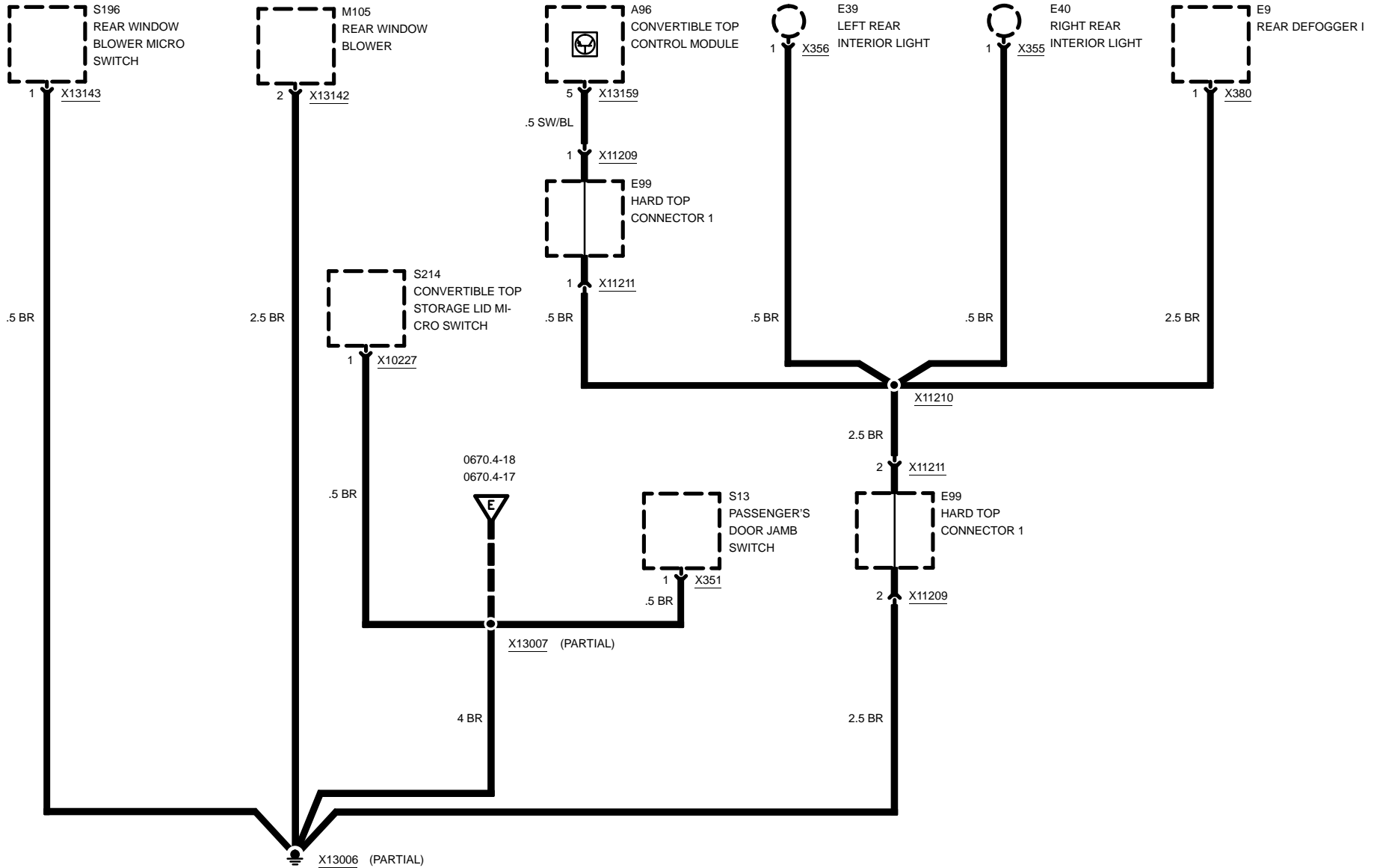
0670.4-17  
0670.4-19



# GROUND DISTRIBUTION

## GROUND X13006

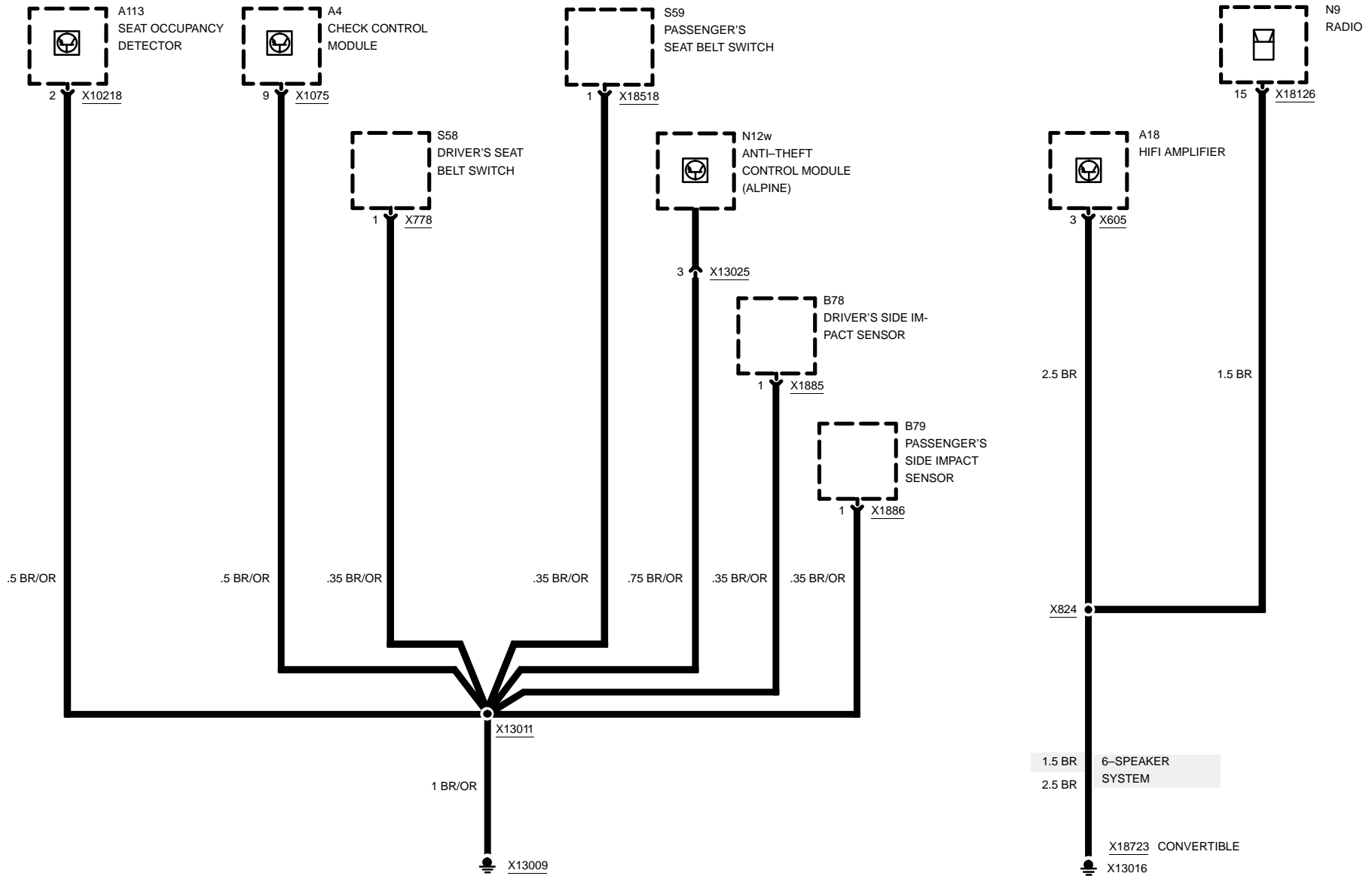
# CONVERTIBLE





# GROUND DISTRIBUTION

## GROUNDS X13009, X13016, AND X18723

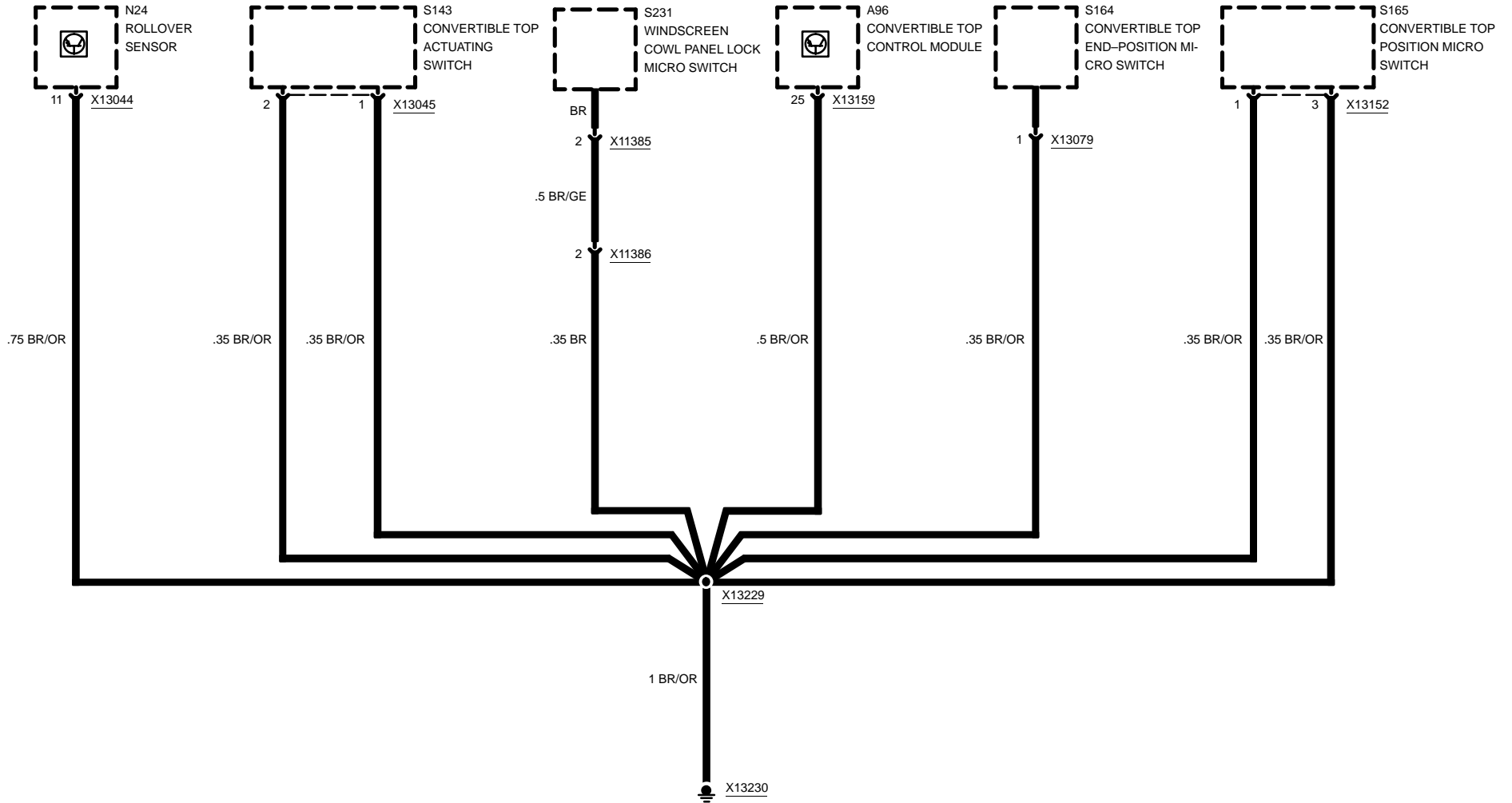




# GROUND DISTRIBUTION

# CONVERTIBLE

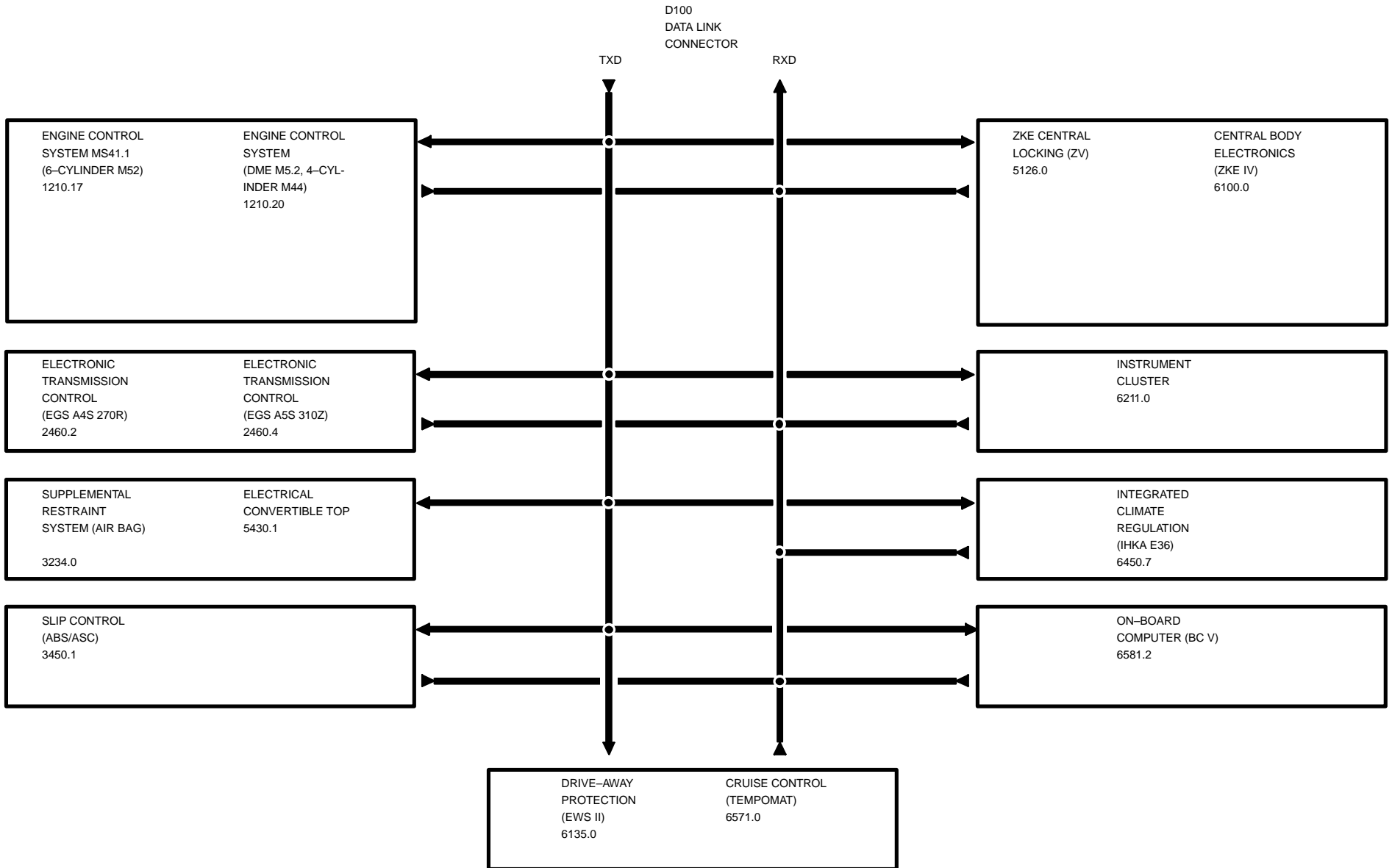
## GROUND X13230





# 0670.5 DATA LINK

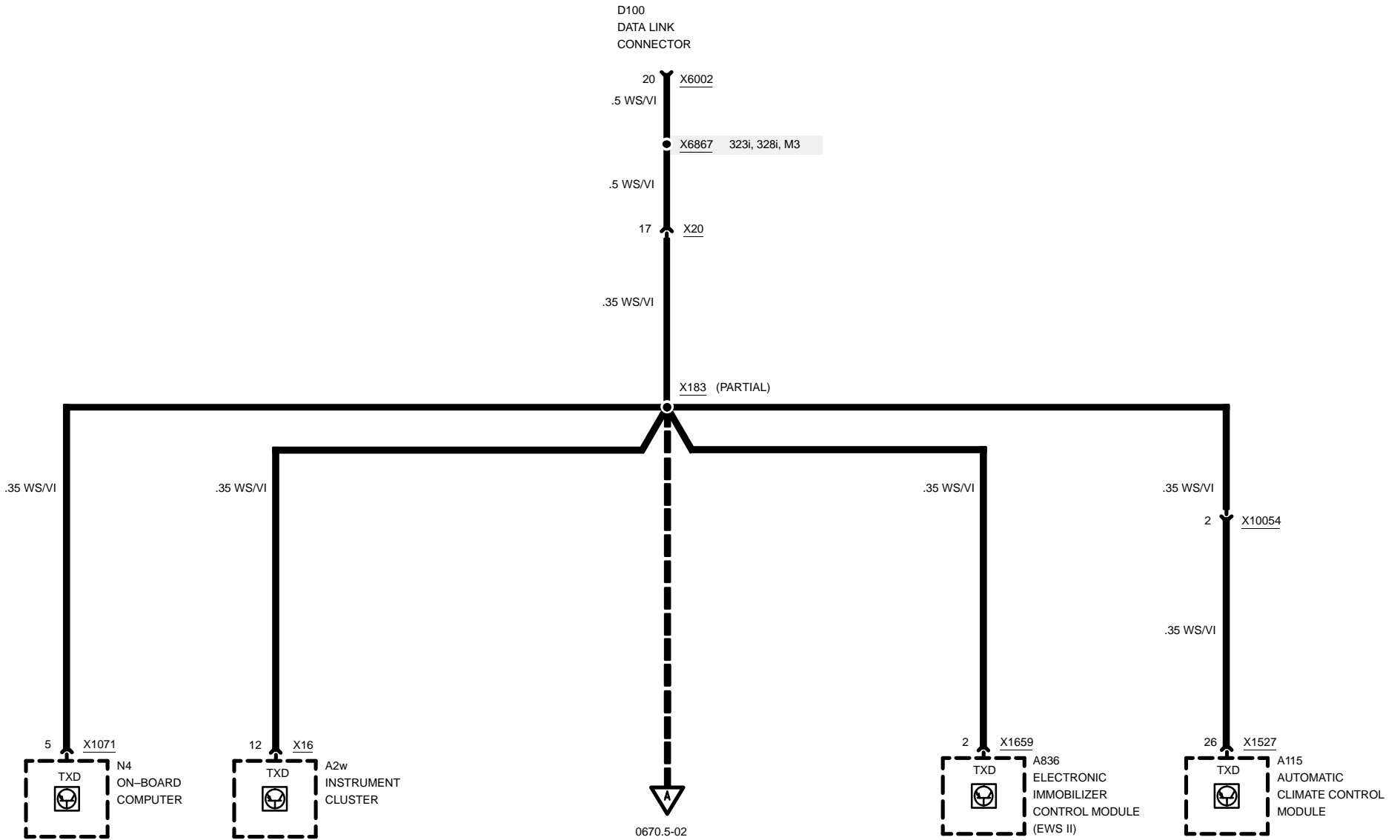
## BLOCK DIAGRAM





# DATA LINK

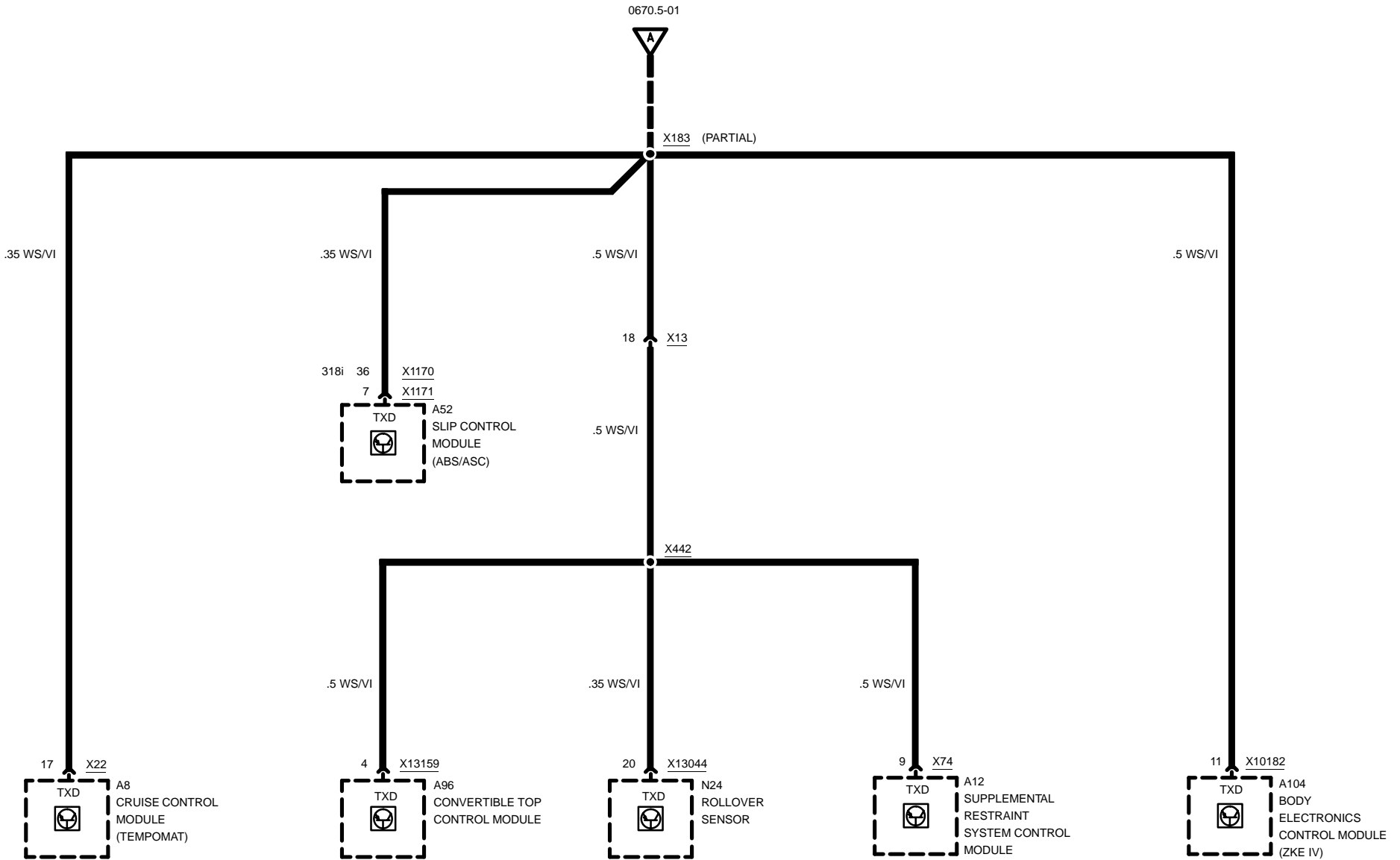
## TXD, PIN 20





# DATA LINK

## TXD, PIN 20

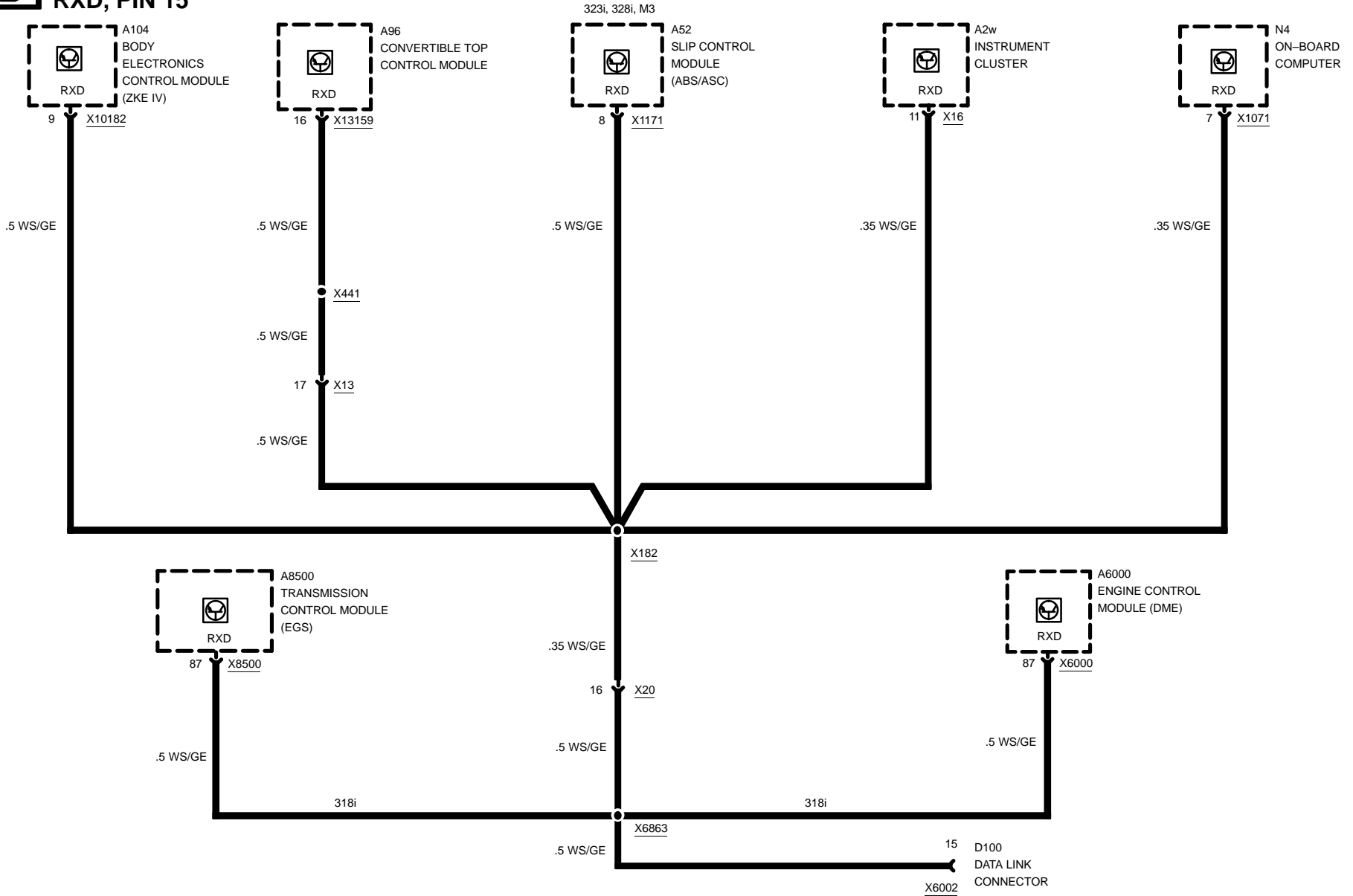






# DATA LINK

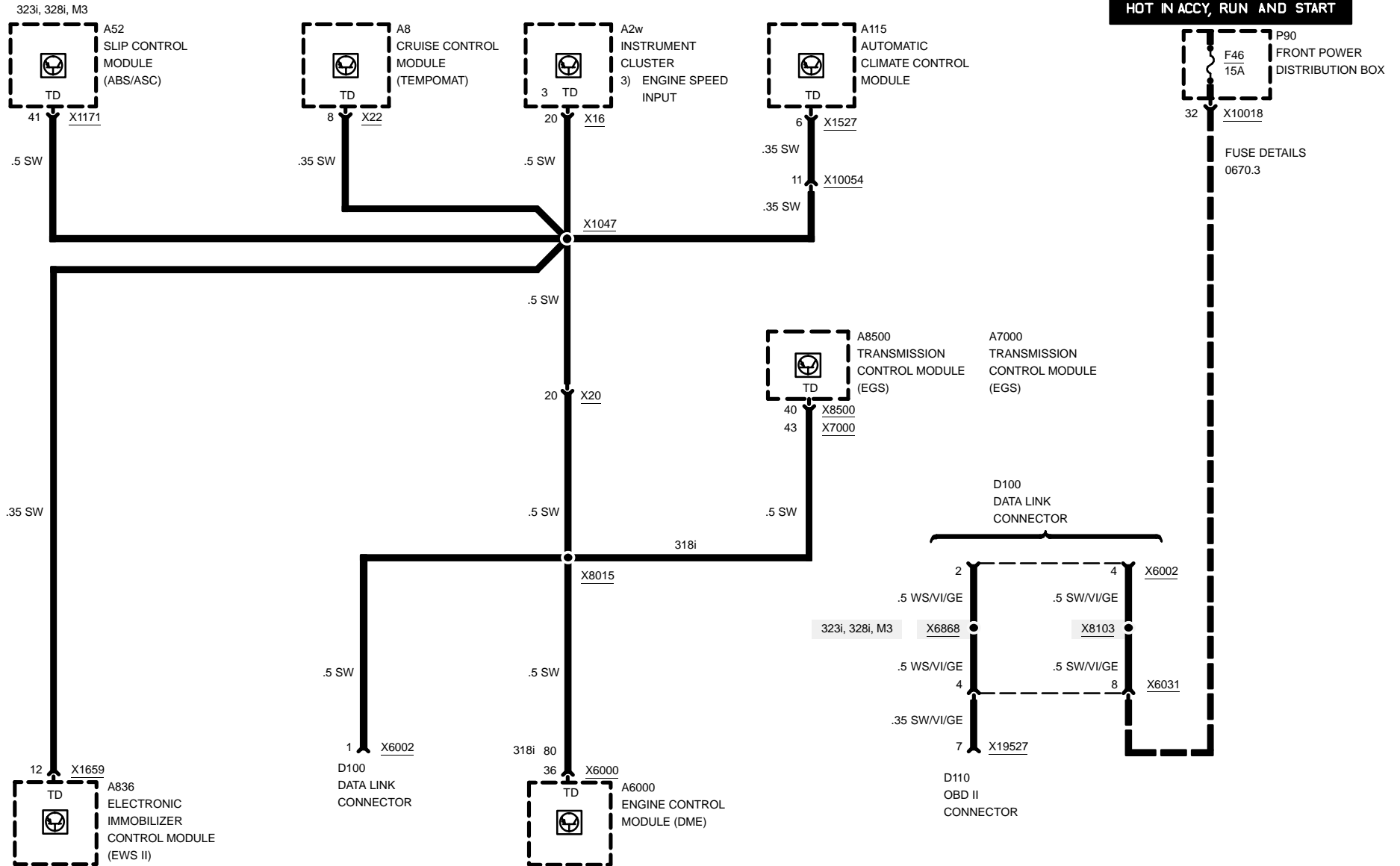
## RXD, PIN 15





# DATA LINK

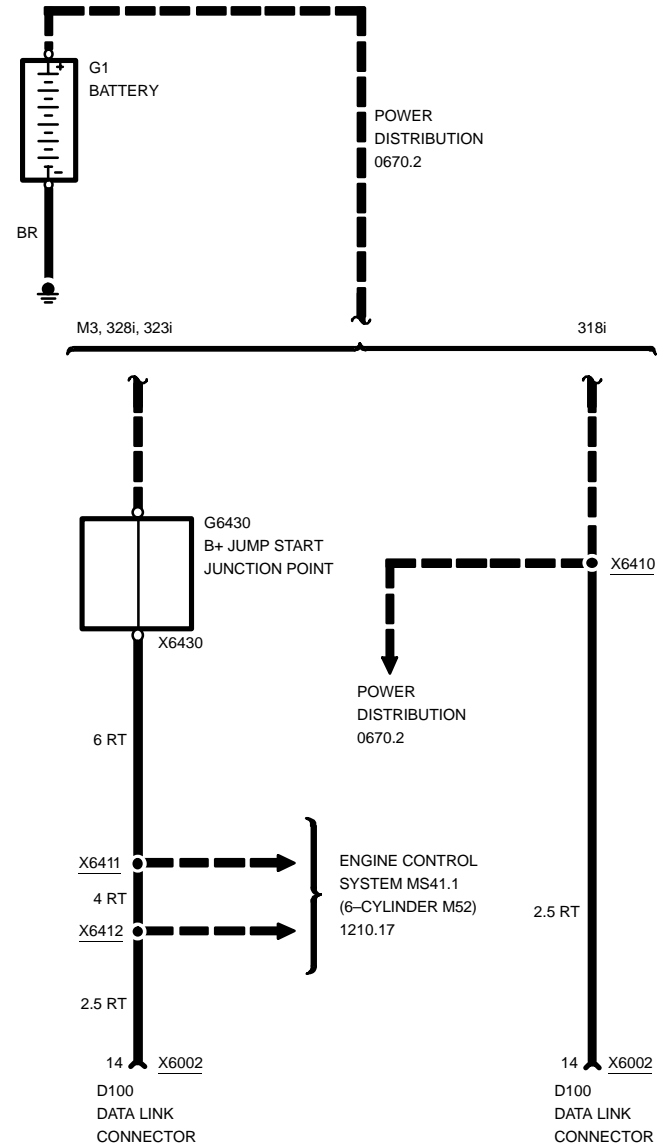
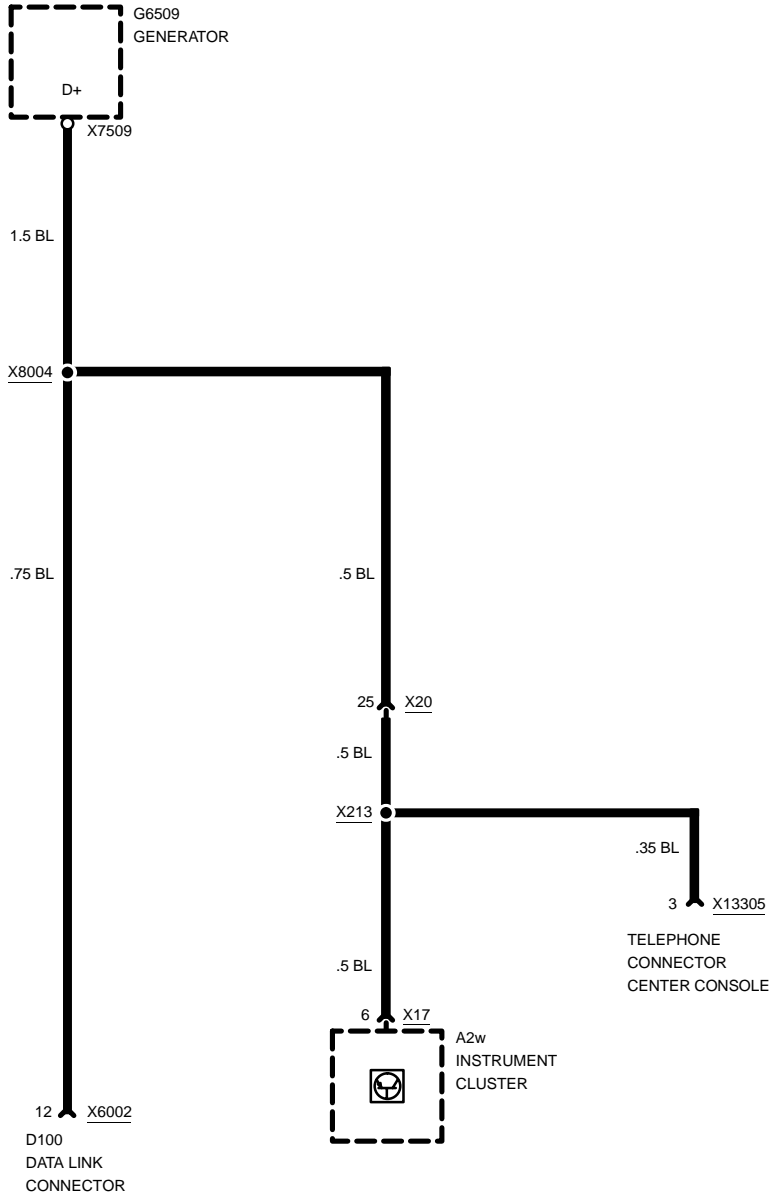
## DATA LINK CONNECTOR, PINS 1, 2, AND 4





# DATA LINK

## DATA LINK CONNECTOR, PINS 12 AND 14



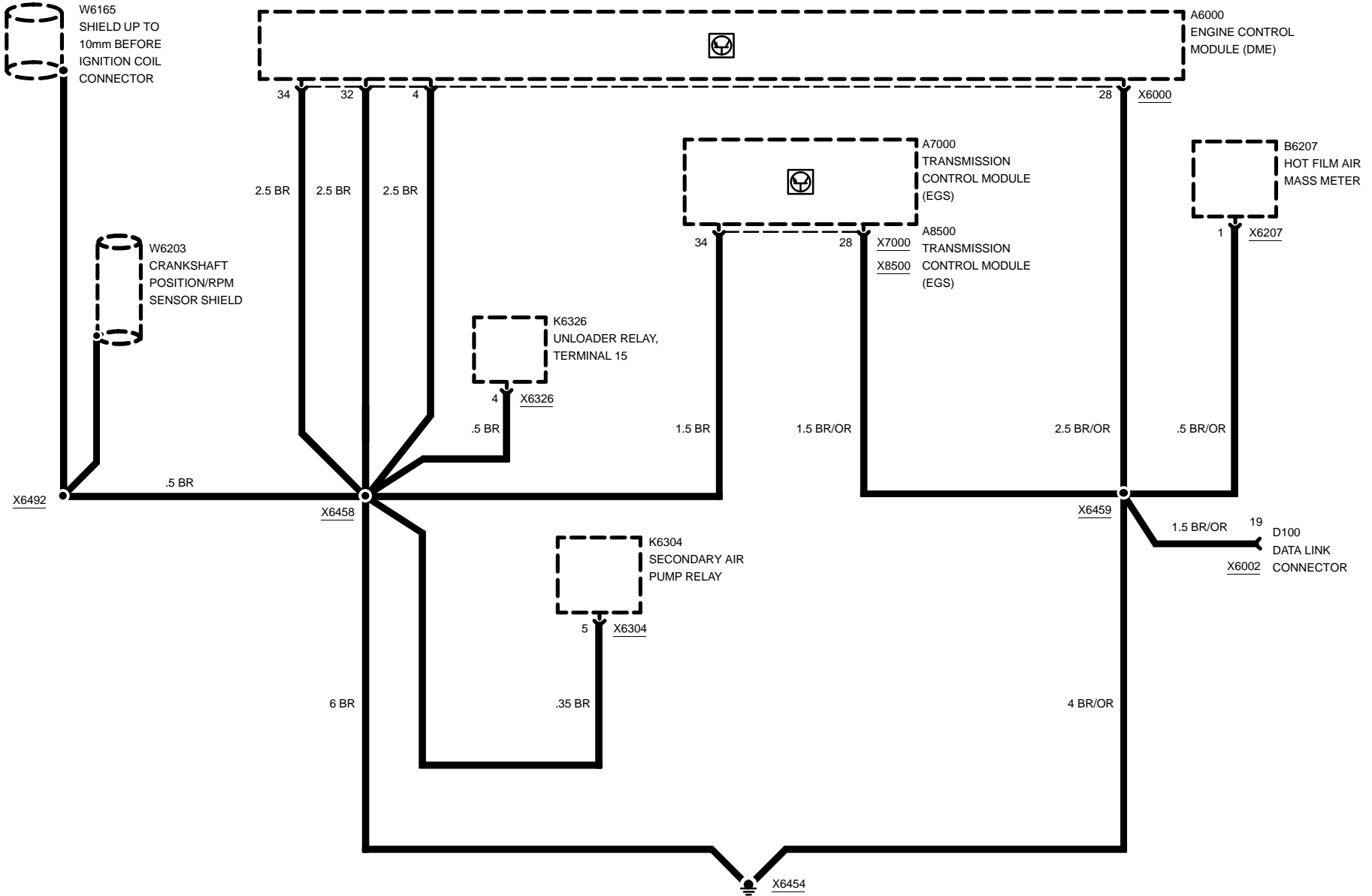




# DATA LINK

## 323i, 328i, M3

### DATA LINK CONNECTOR, PIN 19

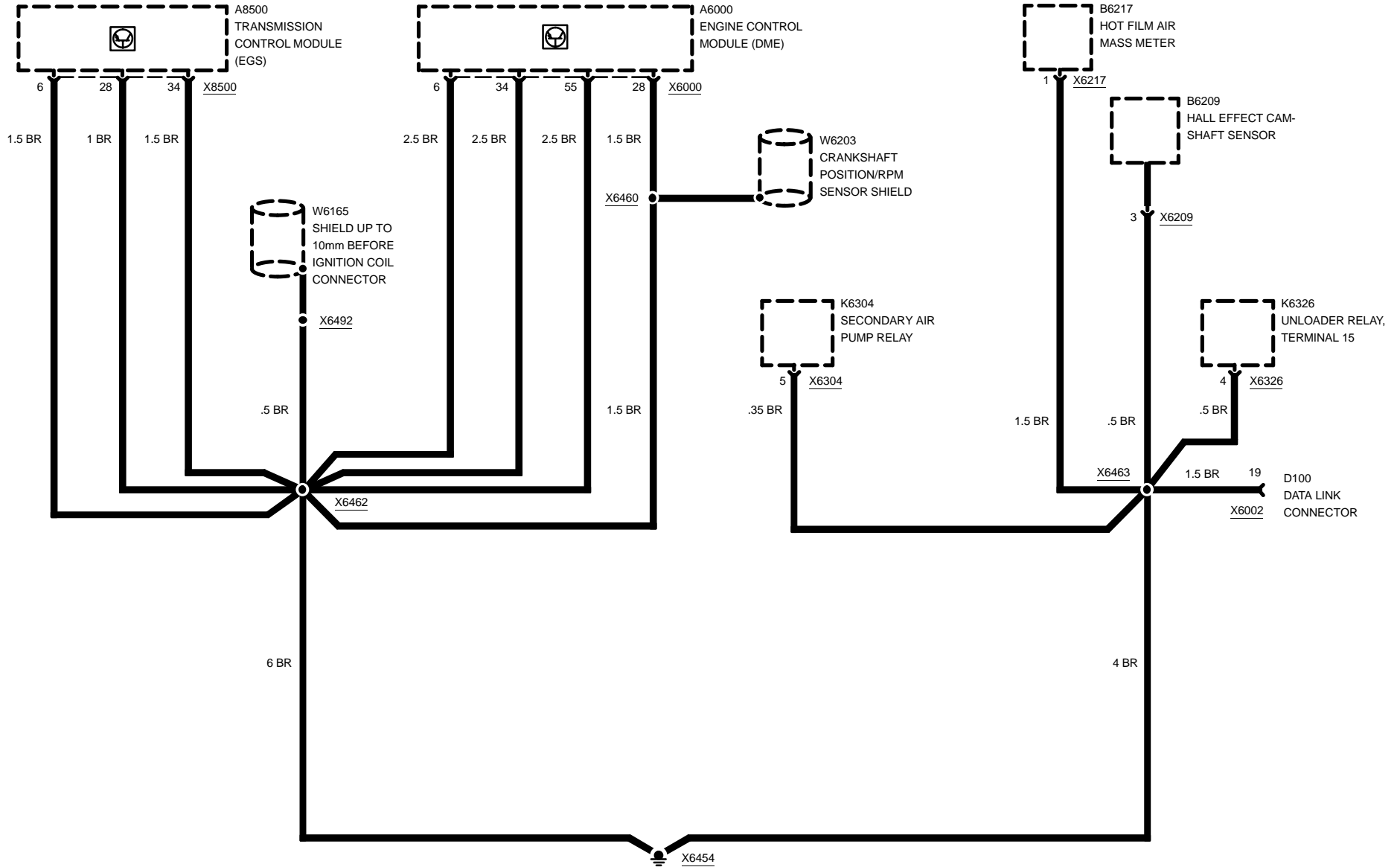




# DATA LINK

318i

## DATA LINK CONNECTOR, PIN 19



03/00

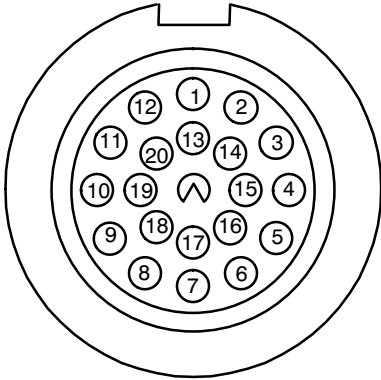
0670.5-08

1999

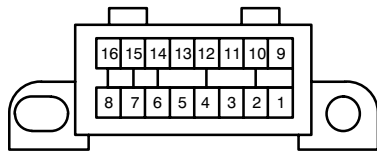
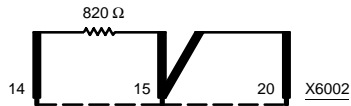
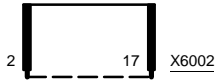


# DATA LINK

## DATA LINK CONNECTOR (X6002)



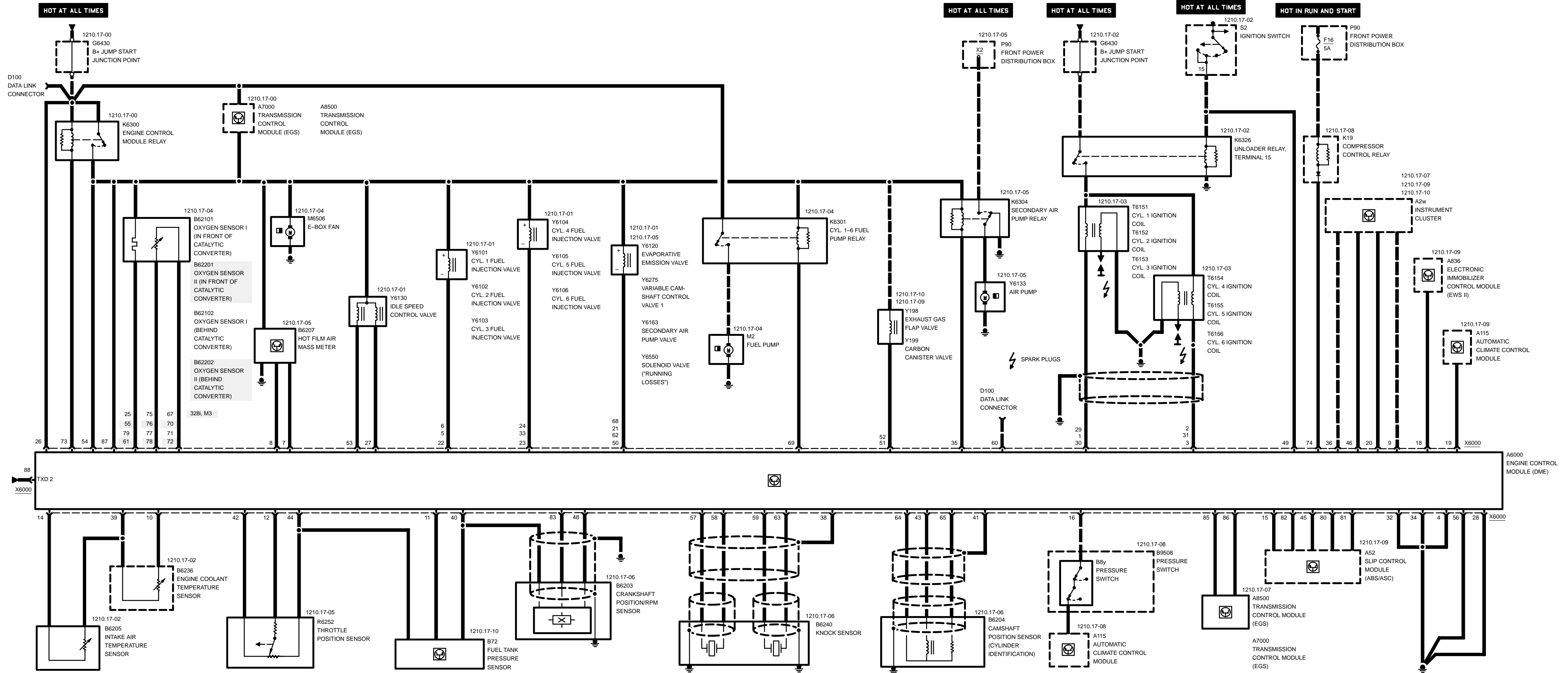
BRIDGES IN CAP OF D100 DATA LINK CONNECTOR



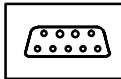
BRIDGE IN CAP OF D110 OBD II CONNECTOR



PIN NUMBER	TERMINAL NUMBER	TERMINAL DESCRIPTION	WIRE COLOR
1	TD	ENGINE	SW
2	TXD2	DIAGNOSTIC DATA LINK	WS/VI/GE
3	—	NOT OCCUPIED	
4	R	VOLTAGE: HOT IN ACCY, RUN AND START	SW/VI/GE
5	—	NOT OCCUPIED	
6	—	NOT OCCUPIED	
7	SI	SERVICE INTERVAL RESET	WS/GN
8	—	NOT OCCUPIED	
9	—	NOT OCCUPIED	
10	—	NOT OCCUPIED	
11	—	NOT OCCUPIED	
12	61(D+)	GENERATOR CHARGE INDICATOR	BL
13	—	NOT OCCUPIED	
14	30	VOLTAGE: HOT AT ALL TIMES	RT
15	RXD	DIAGNOSTIC DATA LINK	WS/GE
16	15S	VOLTAGE: IGNITION SWITCH IN RUN AND START	GN/WS
17	TXD2	DIAGNOSTIC DATA LINK	WS/VI – WS/VI/GE
18	PGSP	PROGRAM SELECT FOR ENGINE CONTROL MODULE (DME)	WS/GN – GN/BL
19	31	GROUND	BR – BR/OR
20	TXD	DIAGNOSTIC DATA LINK	WS/VI





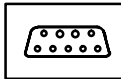


## Pin Assignments

### X6000

Pin	Type	Description/Function	Connection
1	A	Cyl. 2 ignition coil control	Cyl. 2 ignition coil
2	A	Cyl. 4 ignition coil control	Cyl. 4 ignition coil
3	A	Cyl. 6 ignition coil control	Cyl. 6 ignition coil
4	M	Ground	Ground point
5	A	Cyl. 2 fuel injection valve control	Cyl. 2 fuel injection valve
6	A	Cyl. 1 fuel injection valve control	Cyl. 1 fuel injection valve
7	M	Ground	Hot wire air mass meter
8	E	Hot wire air mass meter	Hot wire air mass meter
9	E	TI-measurement signal (fuel consumption)	Instrument cluster
10	E	Engine coolant temperature	Engine coolant temperature sensor
11	E	Fuel tank pressure	Fuel tank pressure sensor
12	E	Throttle position signal	Throttle position sensor
13		Not used	
14	E	Intake air temperature	Intake air temperature sensor
15	E	Speed signal right rear	ABS/ASC control module
16	E	Activate A/C	Pressure switch
17		Not used	
18	E	Drive-away protection signal (code)	Electronic immobilizer control module (EWS II)
19	E	A/C-ON-signal	Air conditioning operating unit
20	A	"Check engine" indicator control	Instrument cluster
21	A	Camshaft control	Variable camshaft control valve
22	A	Cyl. 3 fuel injection valve control	Cyl. 3 fuel injection valve
23	A	Cyl. 6 fuel injection valve control	Cyl. 6 fuel injection valve
24	A	Cyl. 4 fuel injection valve control	Cyl. 4 fuel injection valve
25	M	Oxygen sensor heating ground	Oxygen sensor (in front of catalytic converter)
26	E	Battery voltage	B+ jump start junction point
27	A	Activate valve	Idle speed control valve
28	M	Ground	Ground point
29	A	Cyl. 1 ignition coil control	Cyl. 1 ignition coil

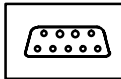
E = Input, A = Output, M = Ground



## Pin Assignments

Pin	Type	Description/Function	Connection
30	A	Cyl. 3 ignition coil control	Cyl. 3 ignition coil
31	A	Cyl. 5 ignition coil control	Cyl. 5 ignition coil
32	M	Ground	Ground point
33	A	Cyl. 5 fuel injection valve control	Cyl. 5 fuel injection valve
34	M	Ground	Ground point
35	A	Activate relay	Secondary air pump relay
36	A	Crankshaft RPM speed signal TD	Instrument cluster
37		Not used	
38	M	Ground	Shield knock sensor
39	M	Ground	Temperature sensors
40	M	Ground	Crankshaft position/RPM sensor Fuel tank pressure sensor
41	M	Ground	Shield camshaft position sensor
42	M	Ground	Throttle position sensor
43	E	Camshaft position	Camshaft position sensor
44	A	Voltage supply	Throttle position sensor Fuel tank pressure sensor
45	A	Throttle position signal	ABS/ASC control module
46	E	TI-measurement signal (fuel consumption)	Instrument cluster
47		Not used	
48	A	Voltage supply	Crankshaft position/RPM sensor
49	E	Terminal 15	Ignition switch
50	A	Running losses	Solenoid valve
51	A	Activate valve	Carbon canister valve
52	A	Signal exhaust flap	Exhaust gas flap valve
53	A	Activate valve	Idle speed control valve
54	E	Battery voltage, terminal 87	Engine control module relay
55	M	Oxygen sensor heating ground	Oxygen sensor (in front of catalytic converter)
56	M	Ground	Ground point
57	E	Cyl. 1-3 knock sensor	Knock sensor
58	E	Cyl. 1-3 knock sensor	Knock sensor
59	E	Cyl. 4-6 knock sensor	Knock sensor

E = Input, A = Output, M = Ground



## Pin Assignments

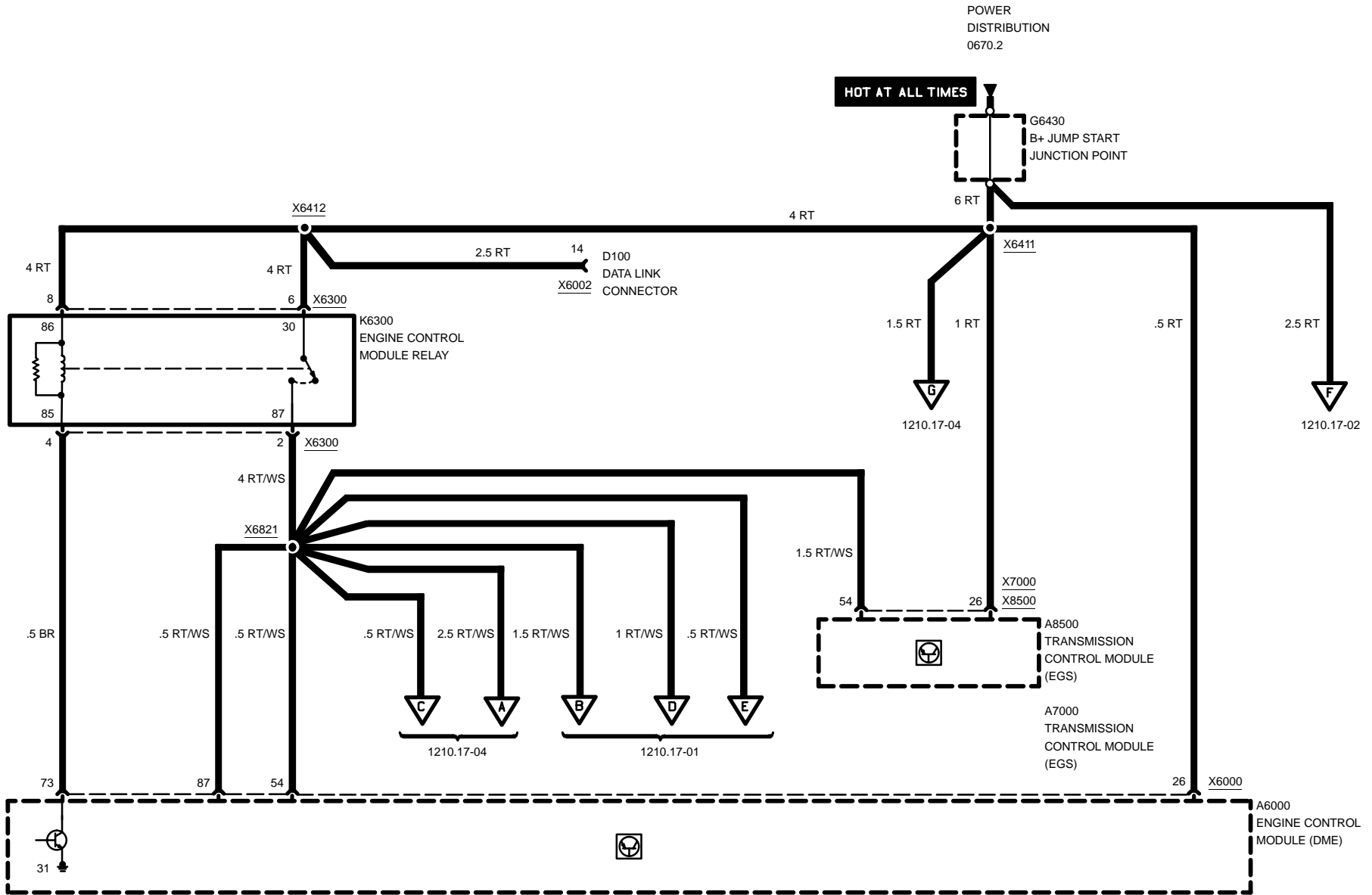
Pin	Type	Description/Function	Connection
60	E	Programming voltage	Data link connector
61	M	Oxygen sensor heating ground	Oxygen sensor (behind catalytic converter)
62	A	Activate valve	Secondary air pump valve
63	E	Cyl. 4-6 knock sensor	Knock sensor
64	M	Ground	Camshaft position sensor
65	E	Camshaft position	Camshaft position sensor
66		Not used	
67	M	Oxygen sensor signal ground	Oxygen sensor (in front of catalytic converter)
68	A	Activate valve	Evaporative emission valve
69	A	Activate relay	Fuel pump relay
70	M	Oxygen sensor signal ground	Oxygen sensor (in front of catalytic converter)
71	M	Oxygen sensor signal ground	Oxygen sensor (behind catalytic converter)
72	M	Oxygen sensor signal ground	Oxygen sensor (behind catalytic converter)
73	E	Activate relay	Engine control module relay
74	A	Activate A/C compressor	Compressor control relay
75	E	Sensor signal	Oxygen sensor (in front of catalytic converter)
76	E	Sensor signal	Oxygen sensor (in front of catalytic converter)
77	E	Sensor signal	Oxygen sensor (behind catalytic converter)
78	E	Sensor signal	Oxygen sensor (behind catalytic converter)
79	M	Oxygen sensor heating ground	Oxygen sensor (behind catalytic converter)
80	A	ASC signal ZA	Slip control module ABS/ASC
81	A	ASC signal ZWV	Slip control module ABS/ASC
82	A	ASC signal MSR	Slip control module ABS/ASC
83	E	Sensor signal	Crankshaft position/RPM sensor
84		Not used	
85	E/A	CAN LOW	Transmission control module EGS
86	E/A	CAN HIGH	Transmission control module EGS
87	E	Battery voltage, terminal 87	Engine control module relay
88	E/A	TxD diagnosis data link	Data link connector

E = Input, A = Output, M = Ground



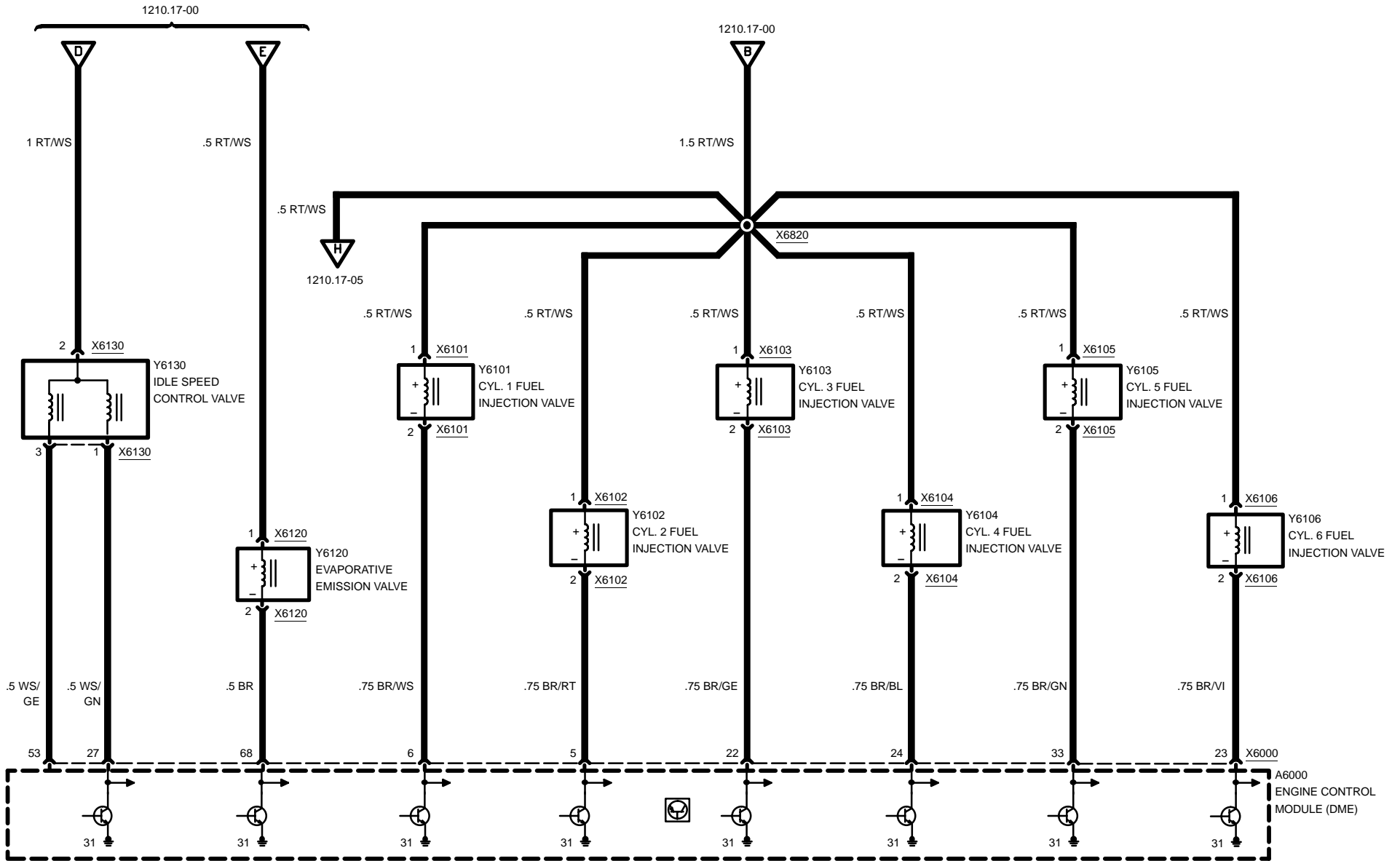
# ENGINE CONTROL SYSTEM MS41.1 (6-CYLINDER M52)

## POWER

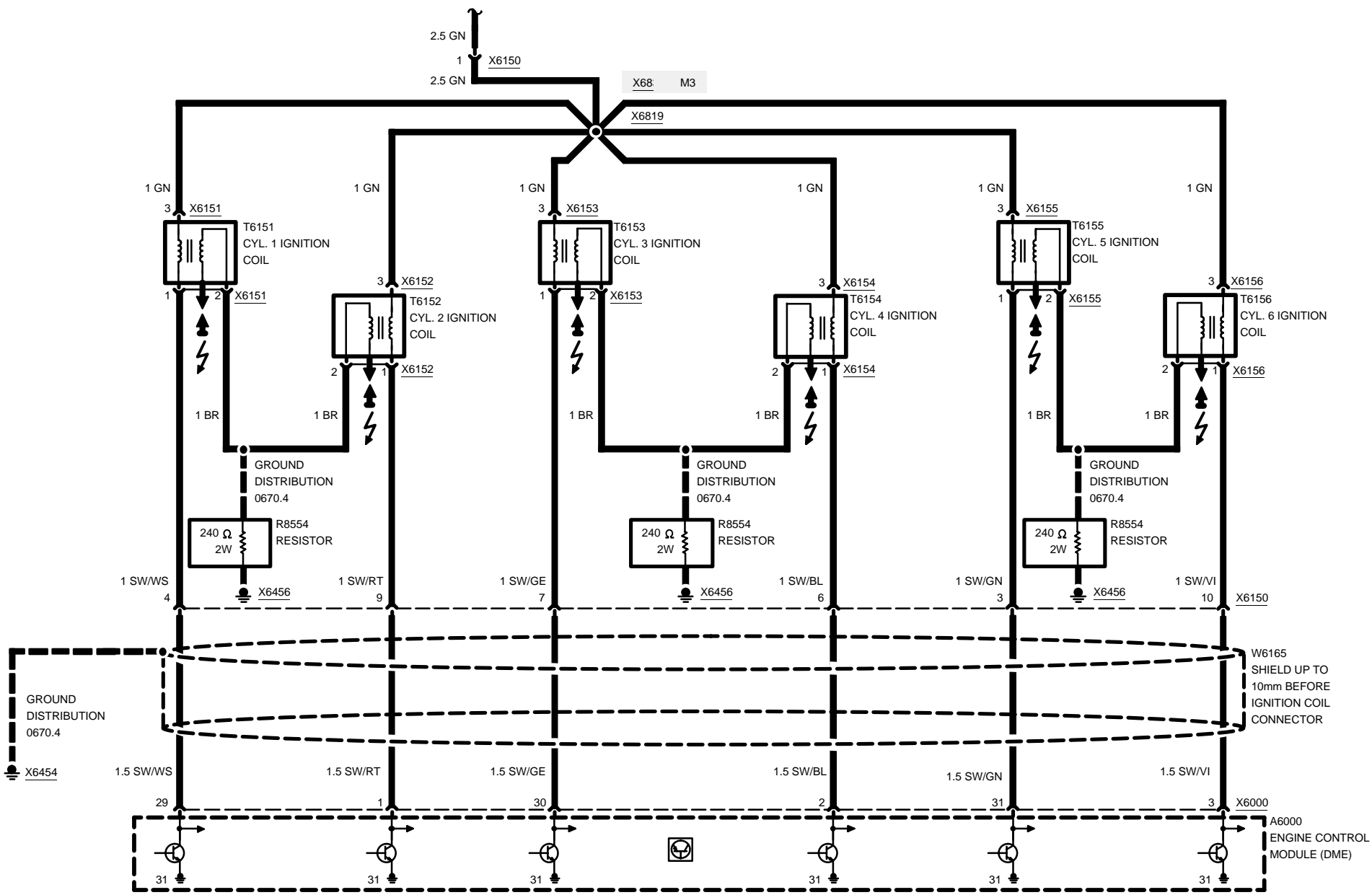




# ENGINE CONTROL SYSTEM MS41.1 (6-CYLINDER M52)







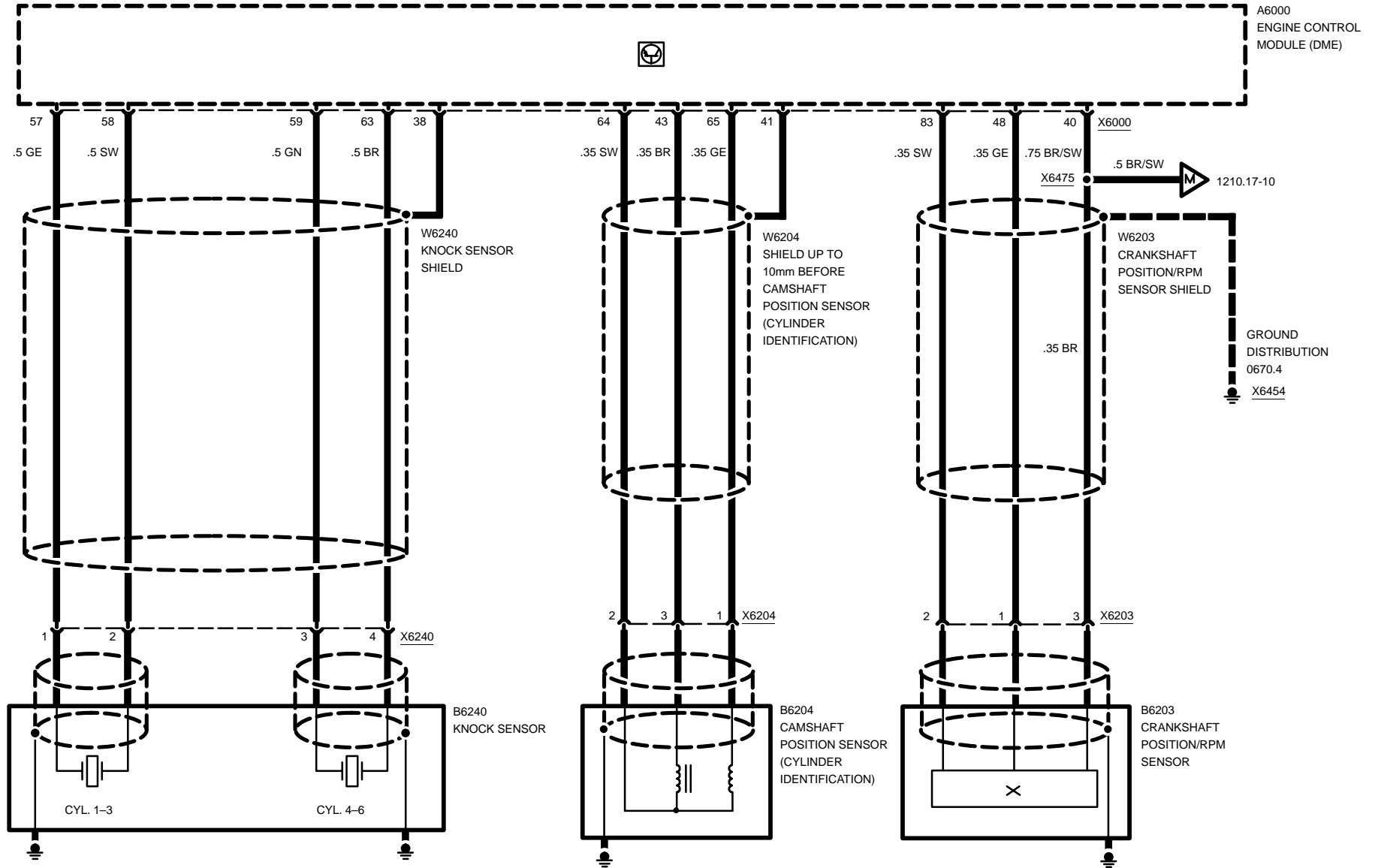






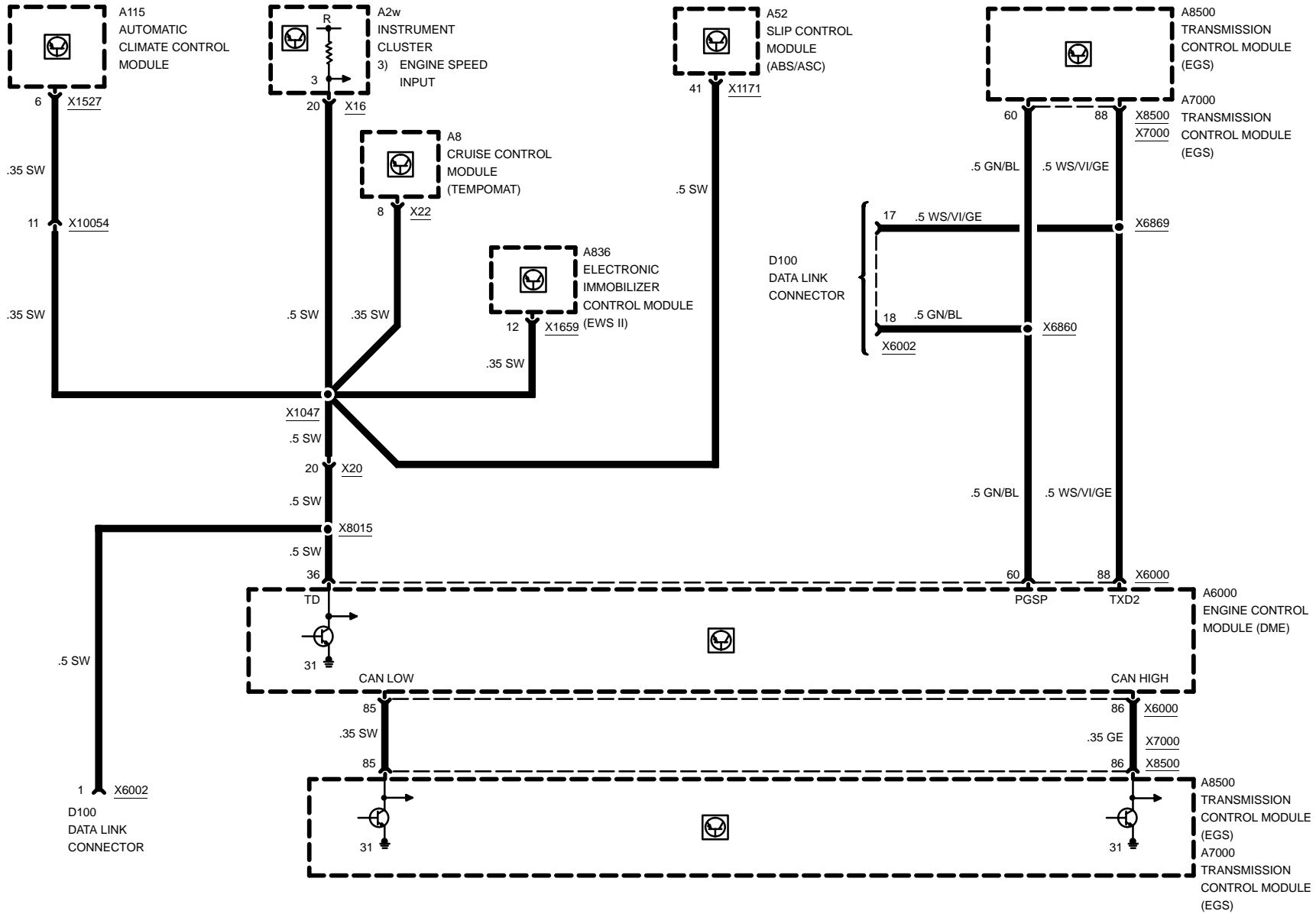


# ENGINE CONTROL SYSTEM MS41.1 (6-CYLINDER M52)



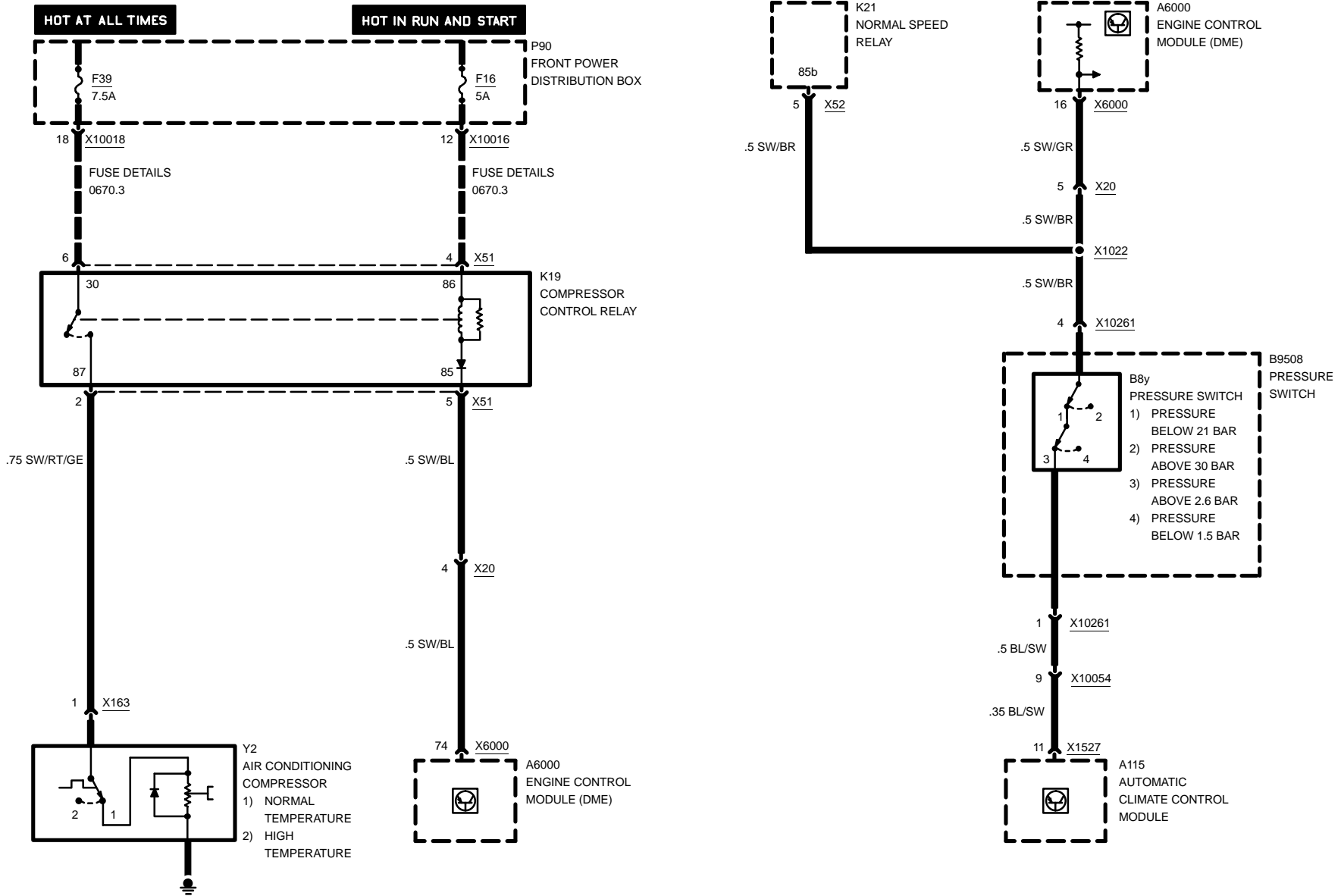


# ENGINE CONTROL SYSTEM MS41.1 (6-CYLINDER M52)



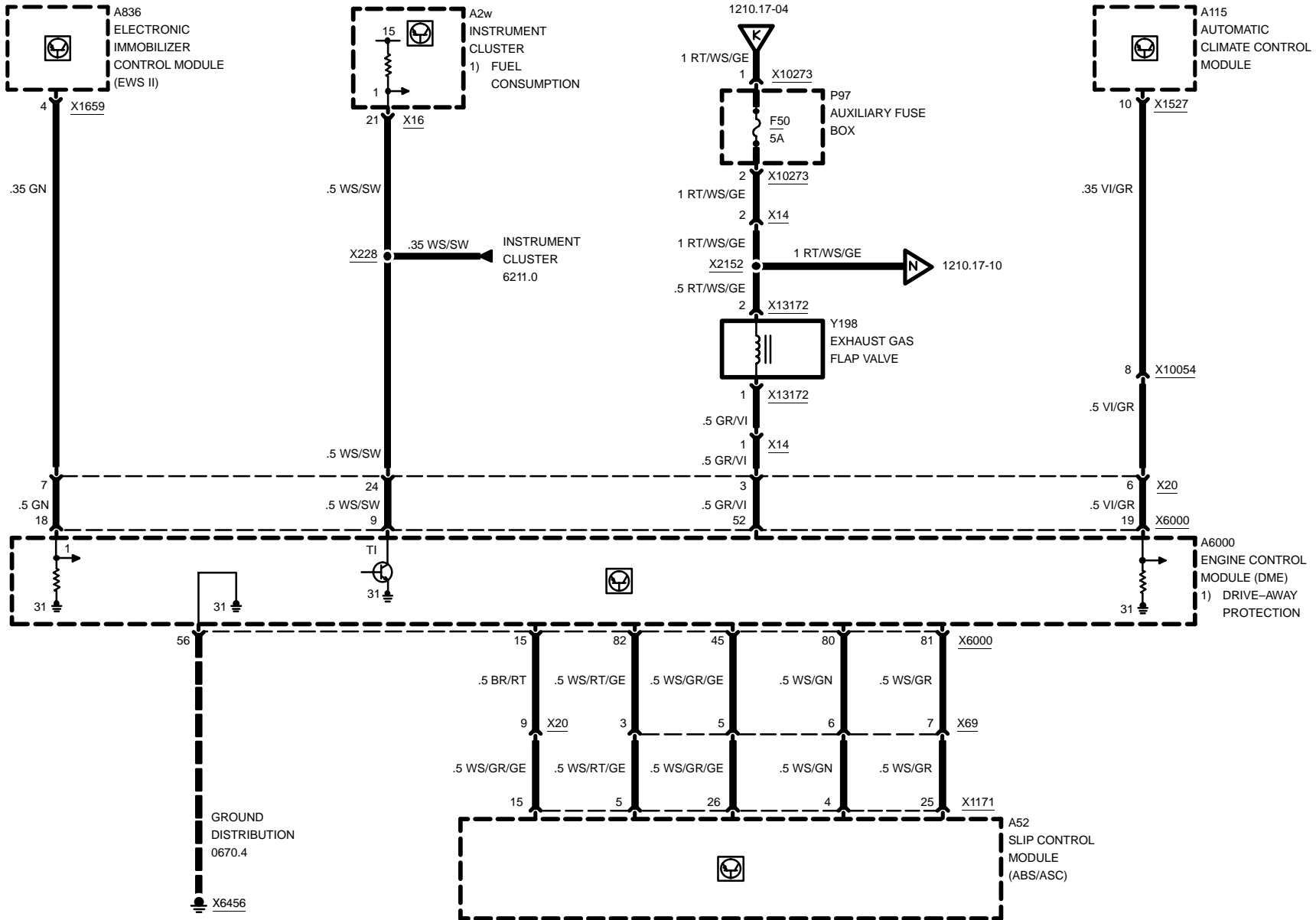


# ENGINE CONTROL SYSTEM MS41.1 (6-CYLINDER M52)





# ENGINE CONTROL SYSTEM MS41.1 (6-CYLINDER M52)

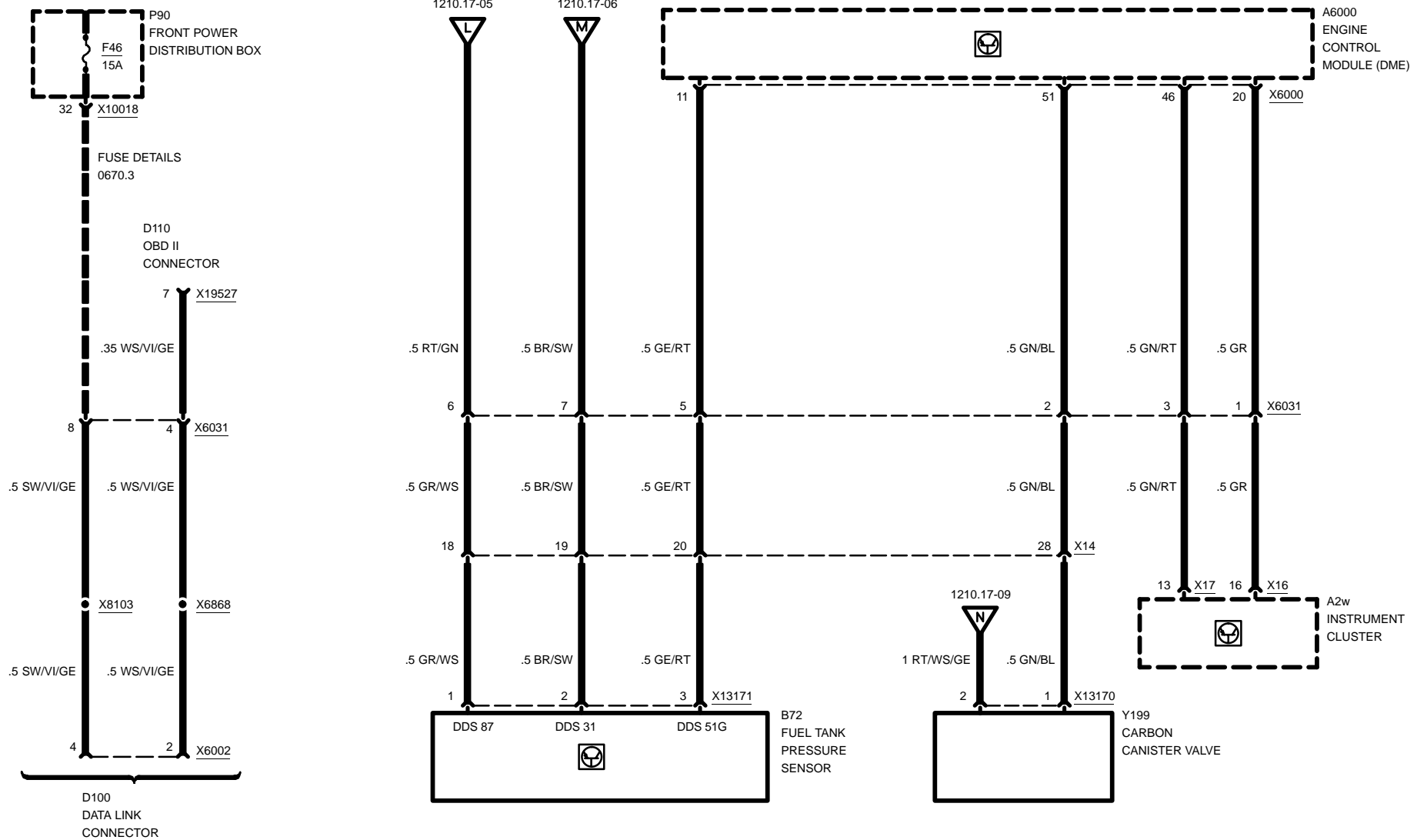




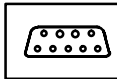
# ENGINE CONTROL SYSTEM MS41.1 (6-CYLINDER M52)

## OBD II DIAGNOSIS

### HOT IN ACCY RUN AND START







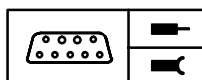
## Pin Assignments

### X6000

Pin	Type	Description/Function	Connection
89	M	Oxygen sensor heating ground	Oxygen sensor (behind catalytic converter)
90	A	Activate valve	Idle speed control valve
91	A	Activate valve	Cyl. 1 fuel injection valve
92	A	Activate valve	Cyl. 4 fuel injection valve
93		Not used	
94	M	Ground, fuel injection valve output stages	Ground point
95		Not used	
96	A	"Check engine" indicator control	Instrument cluster
97		Not used	
98	E	Drive away protection signal	Electronic immobilizer control module (EWS II)
99	E	Activate A/C	Pressure switch
100		Not used	
101		Not used	
102		Not used	
103		Not used	
104	E	Intake air temperature	Intake air temperature sensor
105	M	Ground	Hot film air mass meter
106		Not used	
107	E	Oxygen sensor signal	Oxygen sensor (in front of catalytic converter)
108	E	Crankshaft position/RPM	Crankshaft position/RPM sensor
109	E	Camshaft position	Hall effect camshaft sensor
110	A	Cyl. 3 ignition coil control	Cyl. 3 ignition coil
111	A	Cyl. 4 ignition coil control	Cyl. 4 ignition coil
112		Not used	
113		Not used	
114	E	Battery voltage	B+ jump start junction point
115	A	Engine control module relay control	Engine control module relay, terminal 85
116	M	Ground for electronics and shielding of sensors	Ground point

E = Input, A = Output, M = Ground

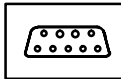




## Pin Assignments

Pin	Type	Description/Function	Connection
117	A	Idle speed control valve control	Idle speed control valve
118	M	Oxygen sensor heating ground	Oxygen sensor (in front of catalytic converter)
119	A	Activate valve	Cyl. 3 fuel injection valve
120	A	Activate valve	Cyl. 2 fuel injection valve
121		Not used	
122	M	Ground, remaining output stages (except for ignition and fuel injection valves)	Ground point
123		Not used	
124	A	A/C compressor cut-out	Compressor control relay
125		Not used	
126		Not used	
127		Not used	
128	E	Cyl. 3-4 knock sensor	Knock sensor
129		Not used	
130	E	TI-measurement signal (fuel consumption)	Instrument cluster
131		Not used	
132	E	Throttle position	Throttle position sensor
133	E	Signal input	Hot film air mass meter
134	M	Sensor ground	Oxygen sensors
135		Not used	
136		Not used	
137	A	Cyl. 1 ignition coil control	Cyl. 1 ignition coil
138	A	Cyl. 2 ignition coil control	Cyl. 2 ignition coil
139		Not used	
140		Not used	
141	A	Component supply +	Throttle position sensor
142	E	Battery voltage from engine control module relay	Engine control module relay, terminal 87
143	M	Ground, ignition	Ground point
144	E	Ignition switch, terminal 15	Ignition switch, terminal 15
145	A	Activate auxiliary fan	Normal speed relay
146	A	Activate valve	Intake air resonance change over valve

E = Input, A = Output, M = Ground



## Pin Assignments

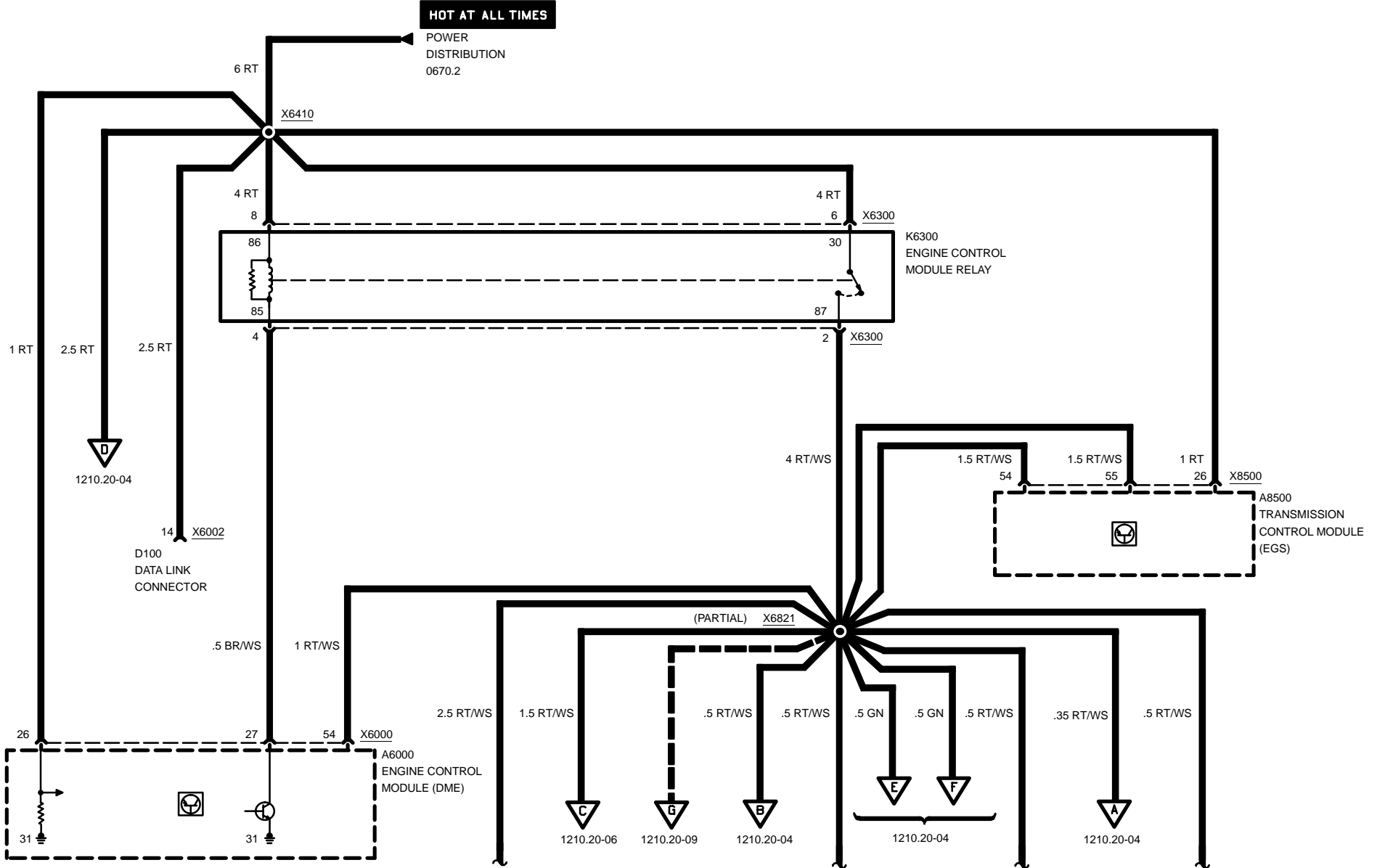
Pin	Type	Description/Function	Connection
147		Not used	
148	E	Programming voltage	Data link connector
149	A	Activate valve	Evaporation emission valve
150		Not used	
151	A	Activate relay	Fuel pump relay
152	A	Secondary air pump valve control	Secondary air pump valve
153	A	Carbon canister valve control	Carbon canister valve
154	A	Fuel changeover valve	Fuel changeover valve
155		Not used	
156	E	Signal above 80°C	Double temperature switch
157	E	Signal A/C on	Air conditioning operating unit
158	E	Cyl 1-2 knock sensor	Knock sensor
159	M	Ground for sensors	Temperature-/knock-/throttle position-sensors
160	E	Fuel tank pressure	Fuel tank pressure sensor
161		Not used	
162	E	Temperature signal	Engine coolant temperature sensor
163		Not used	
164		Not used	
165	E	Oxygen sensor signal	Oxygen sensor (behind catalytic converter)
166	E	Crankshaft position/RPM	Crankshaft position/RPM sensor
167	E	Speed signal right rear	ABS/ASC control module
168	A	Crankshaft RPM speed signal TD	Instrument cluster
169		Not used	
170		Not used	
171	E	Vehicle speed signal	Instrument cluster
172		Not used	
173	E/A	CAN-LOW	EGS/ASC control module
174	E/A	CAN-HIGH	EGS/ASC control module
175	A	RxD diagnosis data line	Data link connector
176	E/A	TxD diagnosis data line	Data link connector

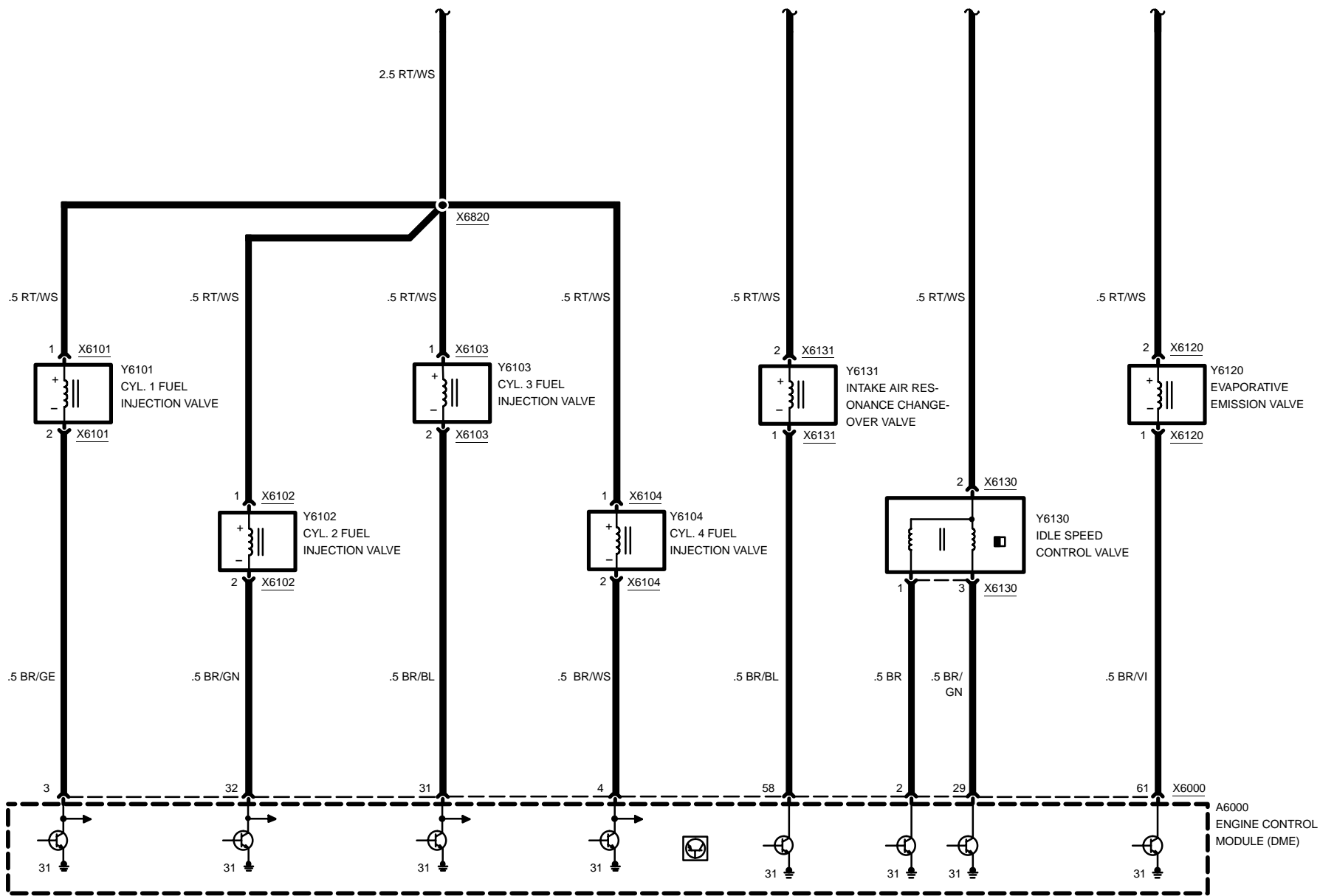
E = Input, A = Output, M = Ground



# ENGINE CONTROL SYSTEM (DME M5.2, 4-CYLINDER M44)

## POWER, FUEL INJECTION VALVES

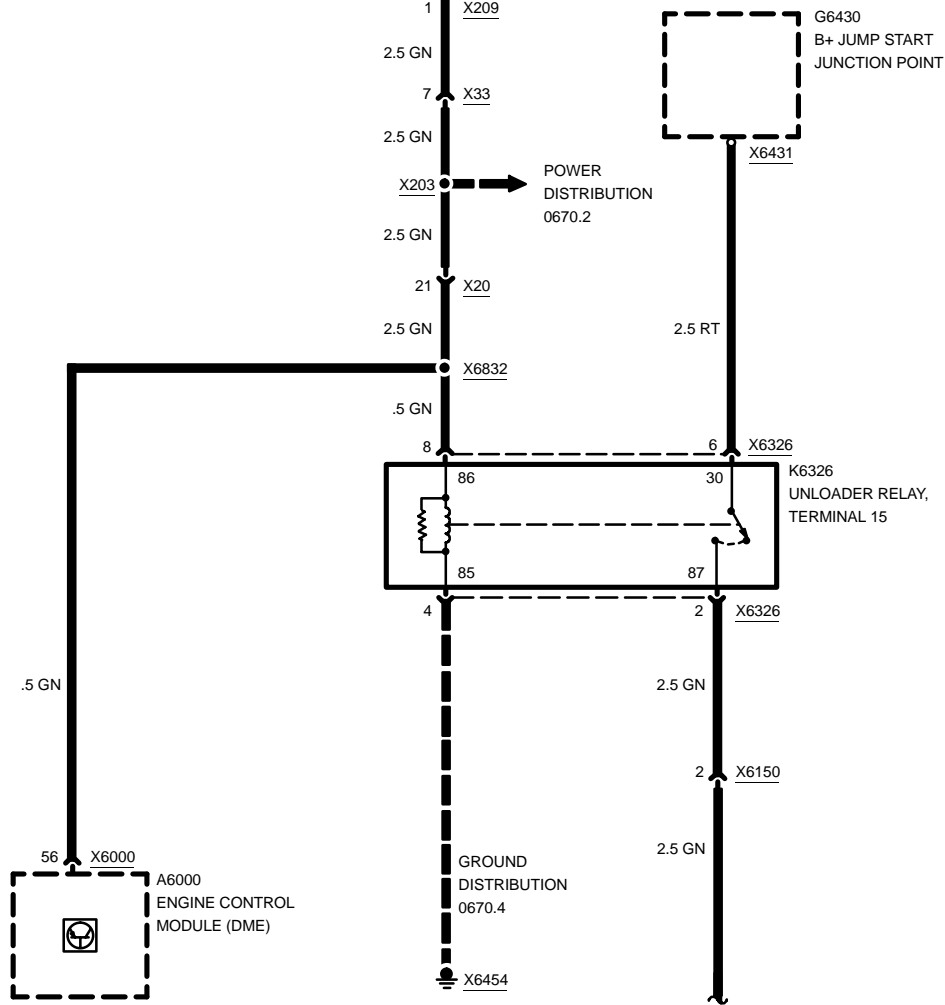
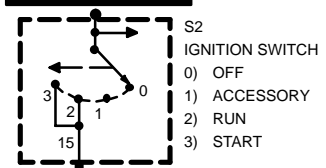




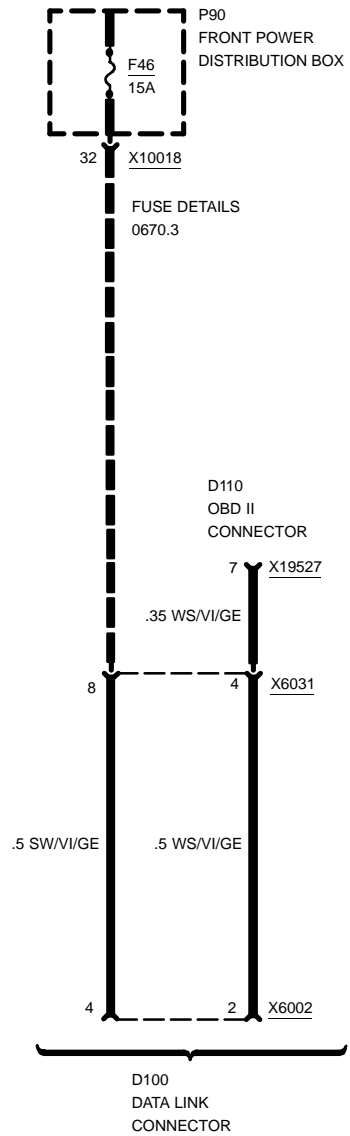


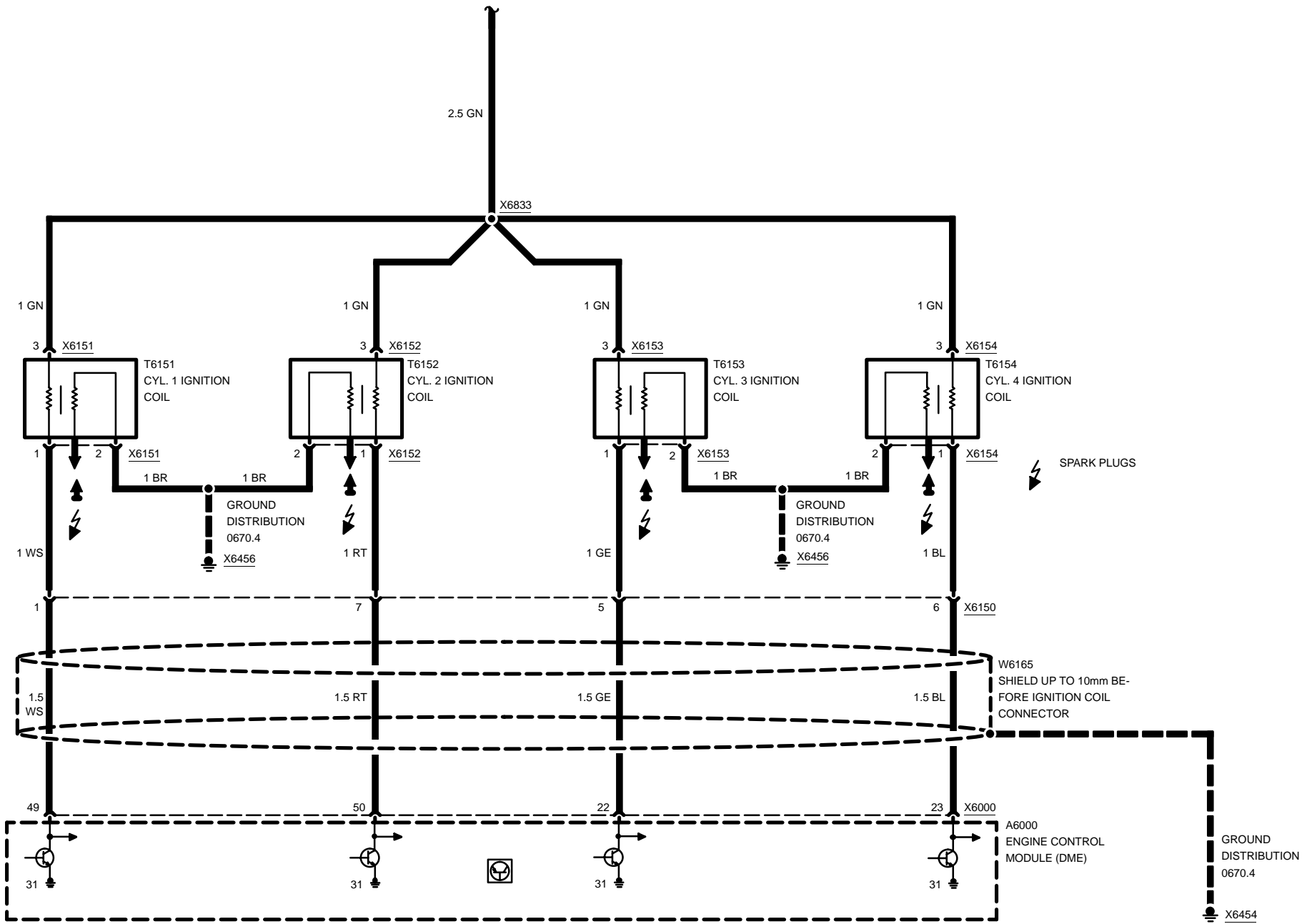
# ENGINE CONTROL SYSTEM (DME M5.2, 4-CYLINDER M44)

**HOT AT ALL TIMES**



**HOT IN ACCY, RUN AND START**

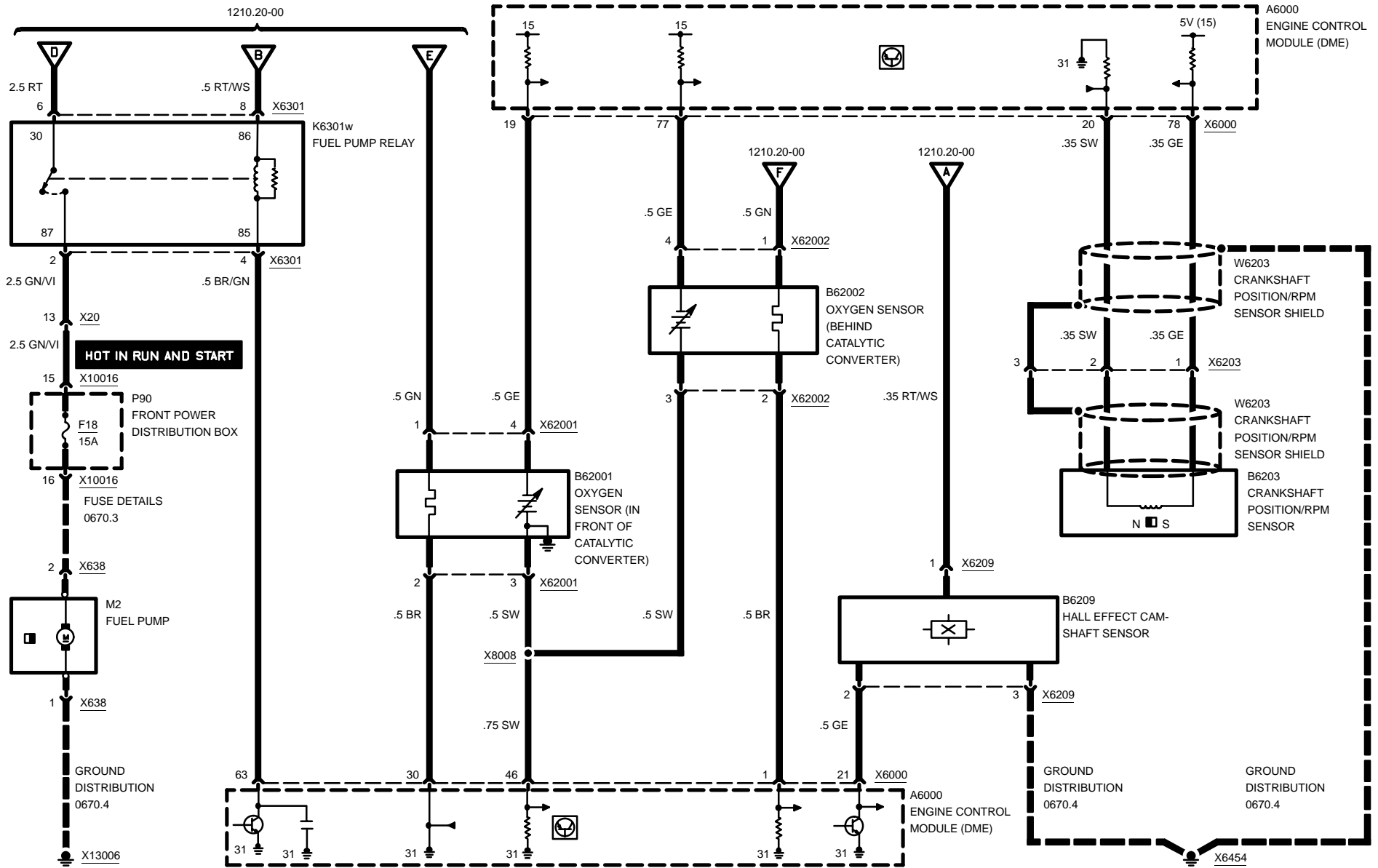






# ENGINE CONTROL SYSTEM (DME M5.2, 4-CYLINDER M44)

## FUEL PUMP, HEATED OXYGEN SENSOR, CRANKSHAFT SENSOR



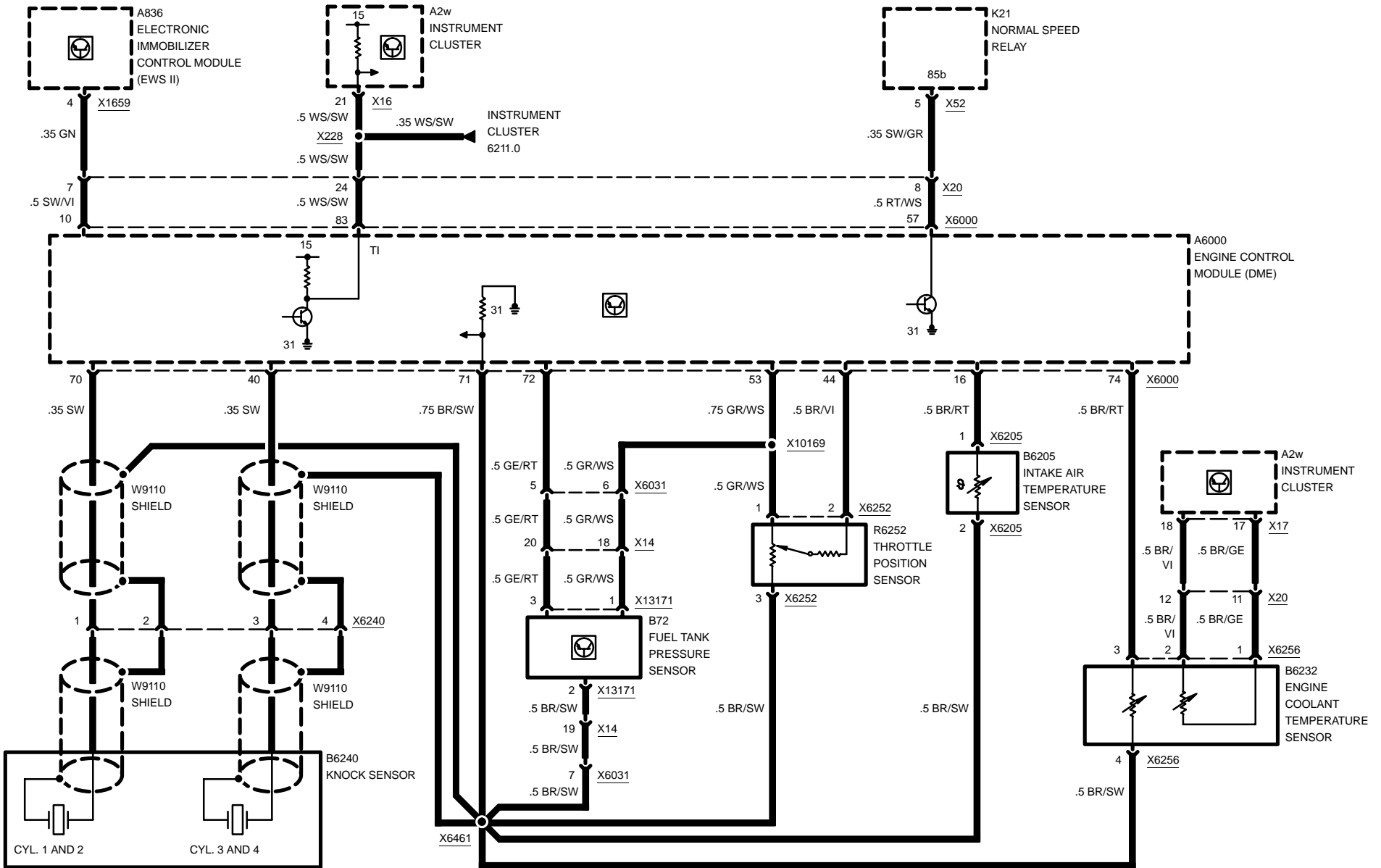
03/00

1210.20-04

1999



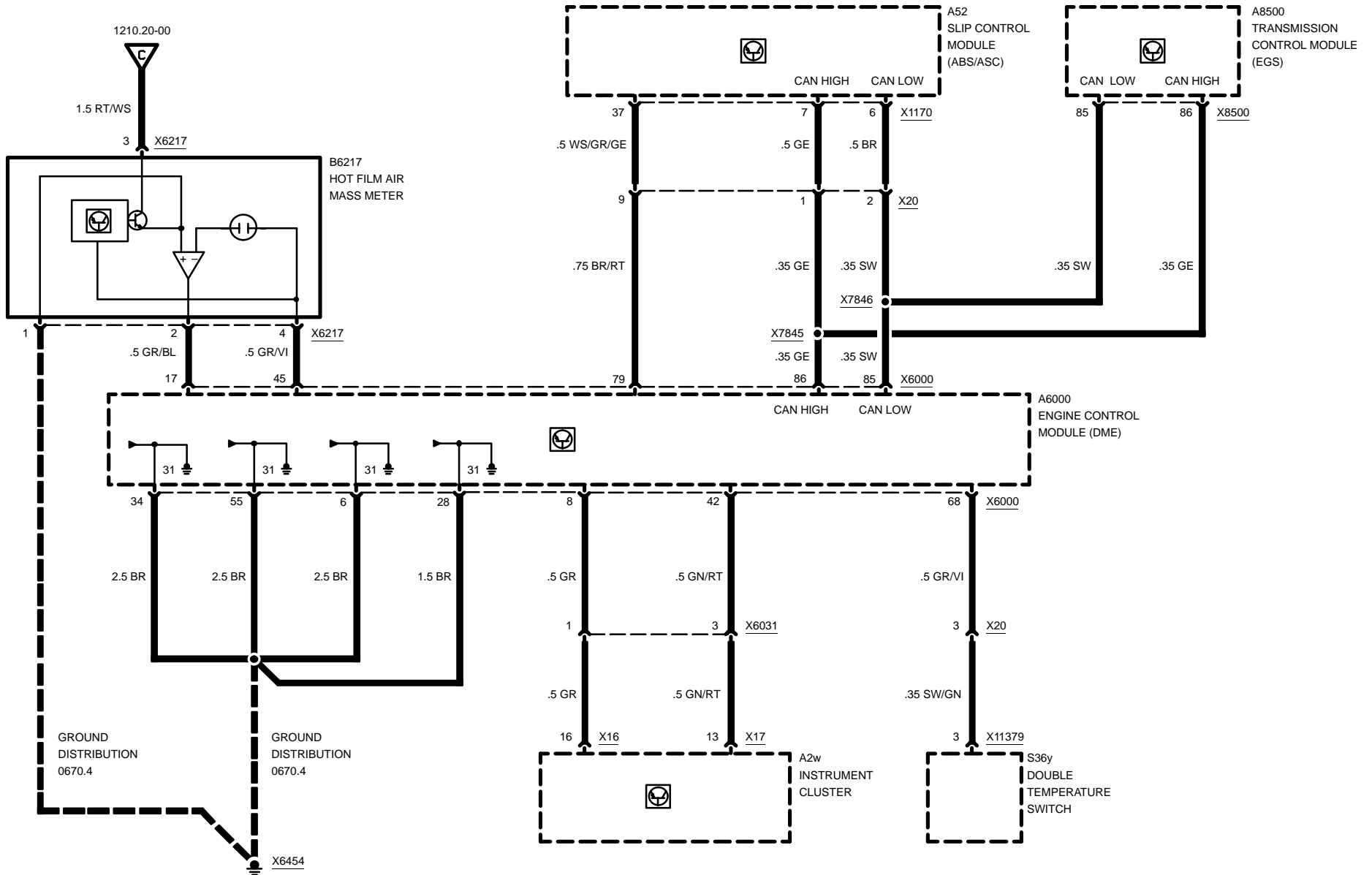
# ENGINE CONTROL SYSTEM (DME M5.2, 4-CYLINDER M44)







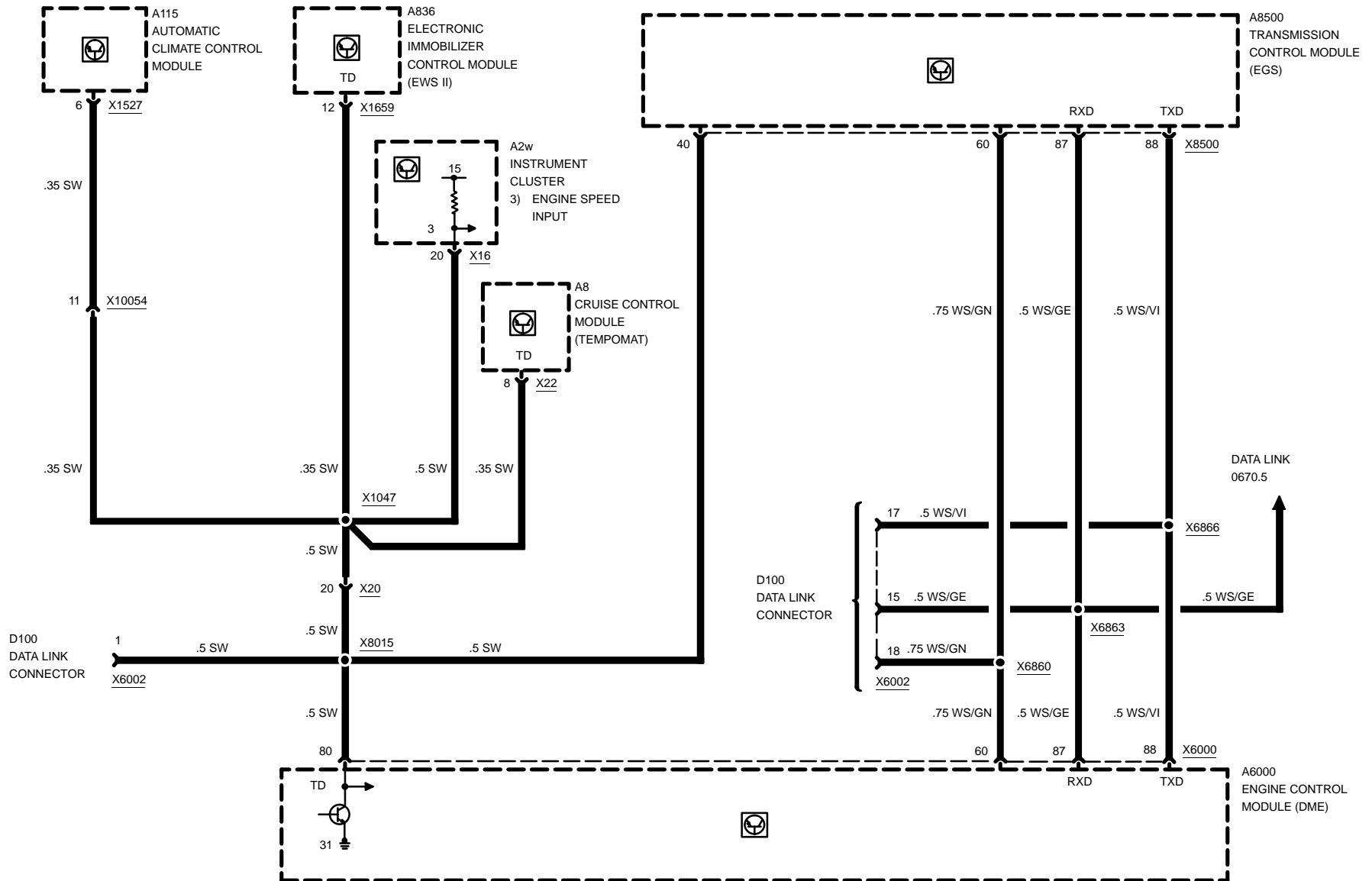
# ENGINE CONTROL SYSTEM (DME M5.2, 4-CYLINDER M44)





# ENGINE CONTROL SYSTEM (DME M5.2, 4-CYLINDER M44)

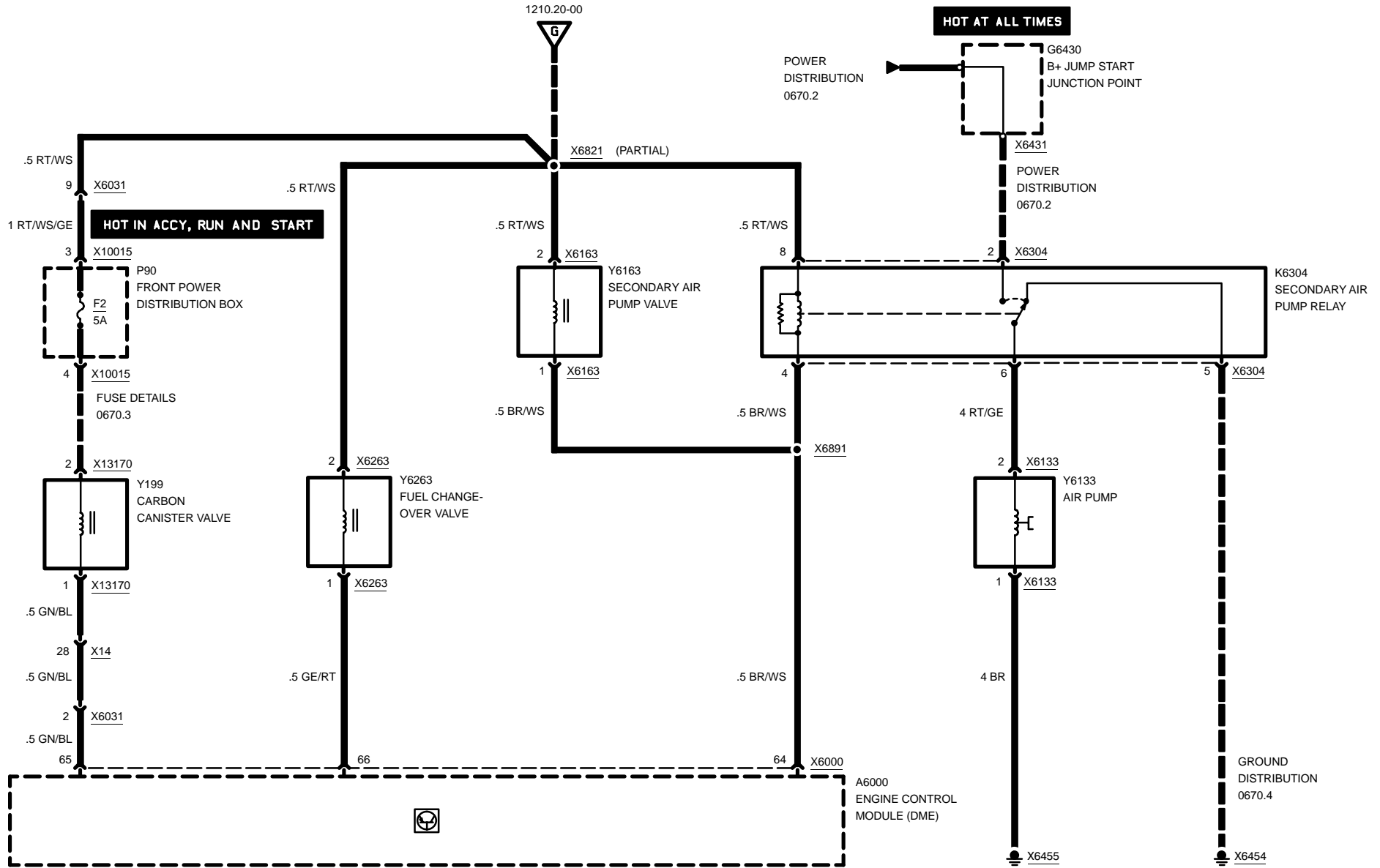
## DATA LINK





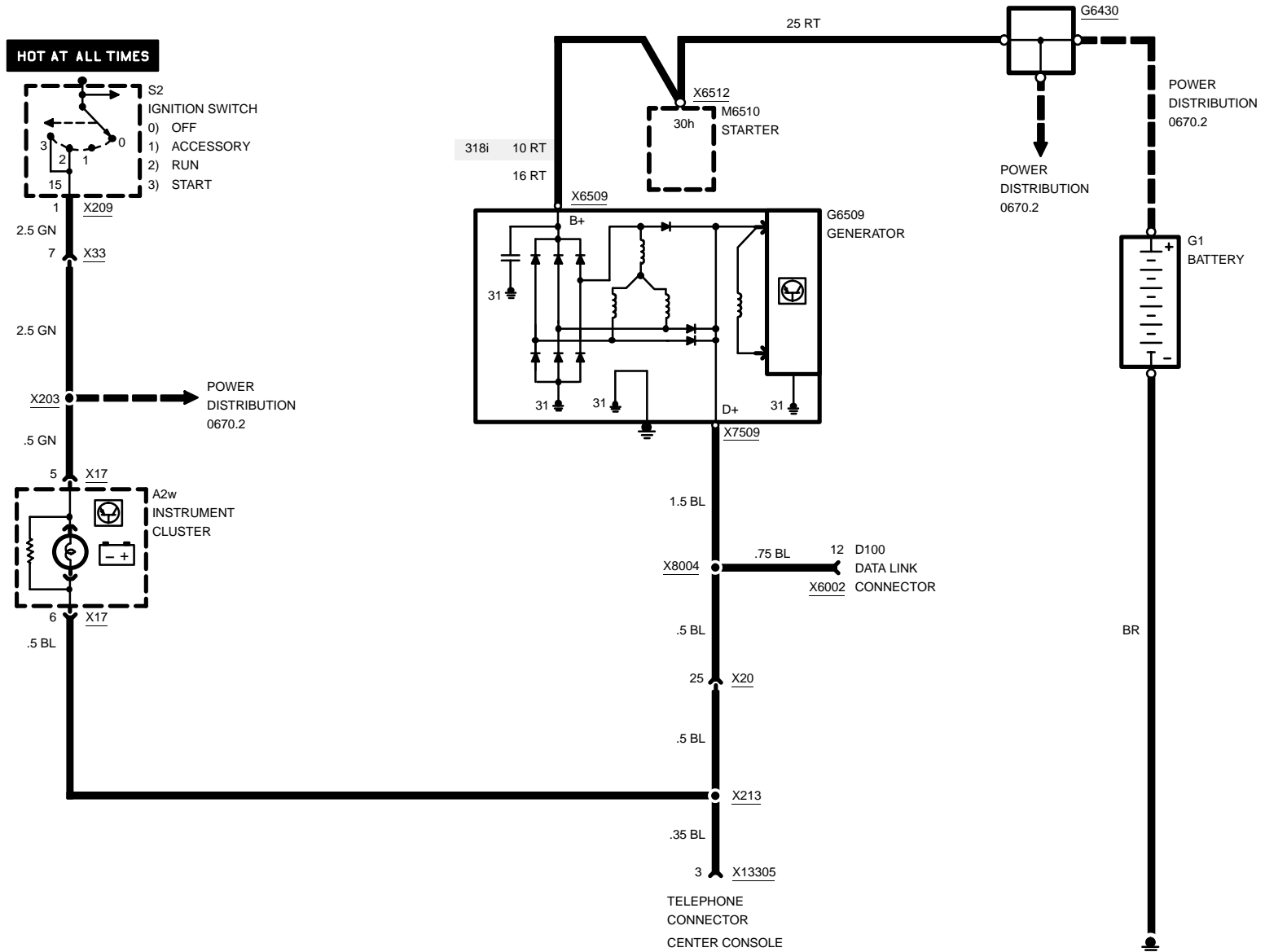


# ENGINE CONTROL SYSTEM (DME M5.2, 4-CYLINDER M44)



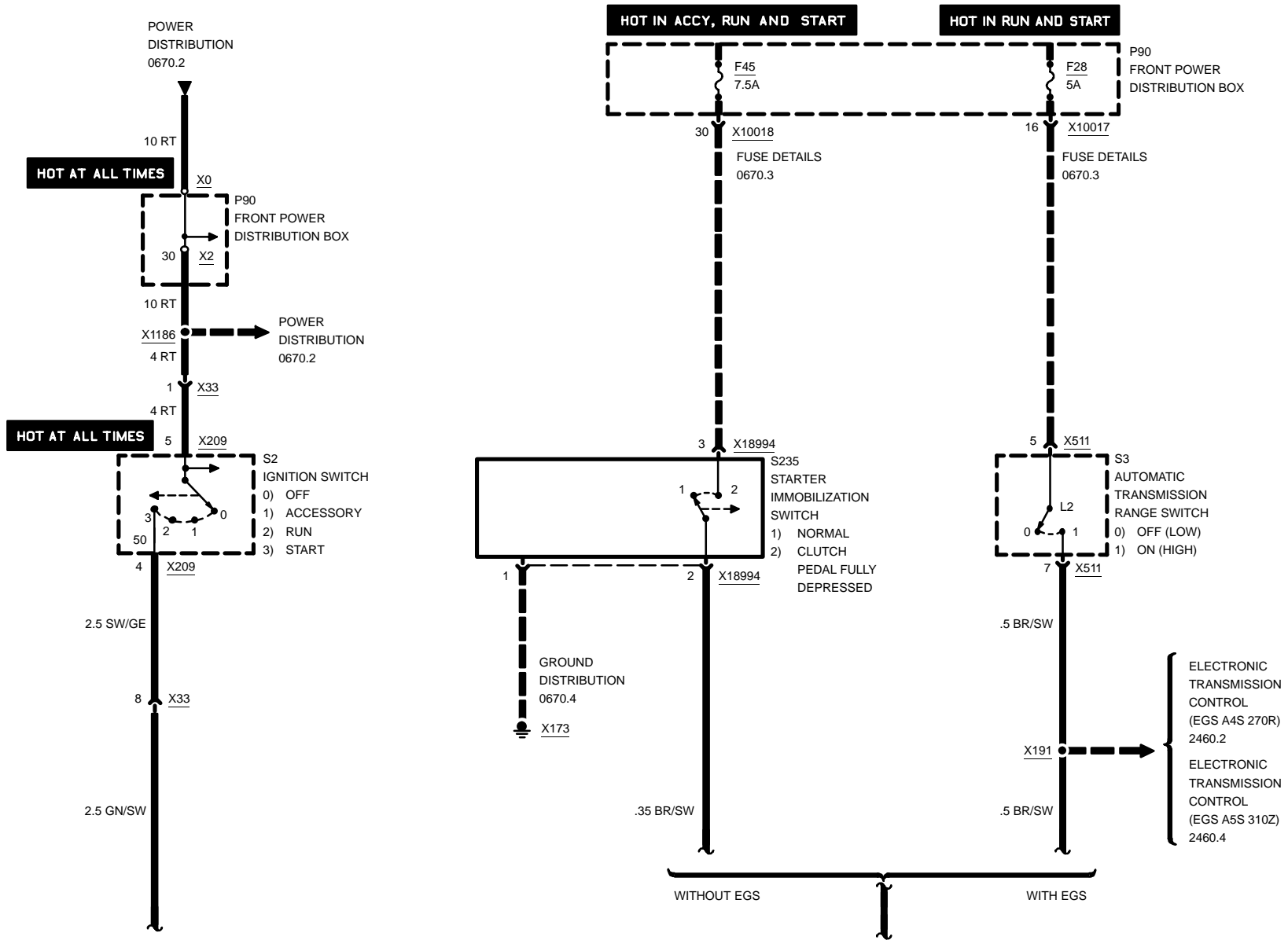


# 1230.0 CHARGING SYSTEM



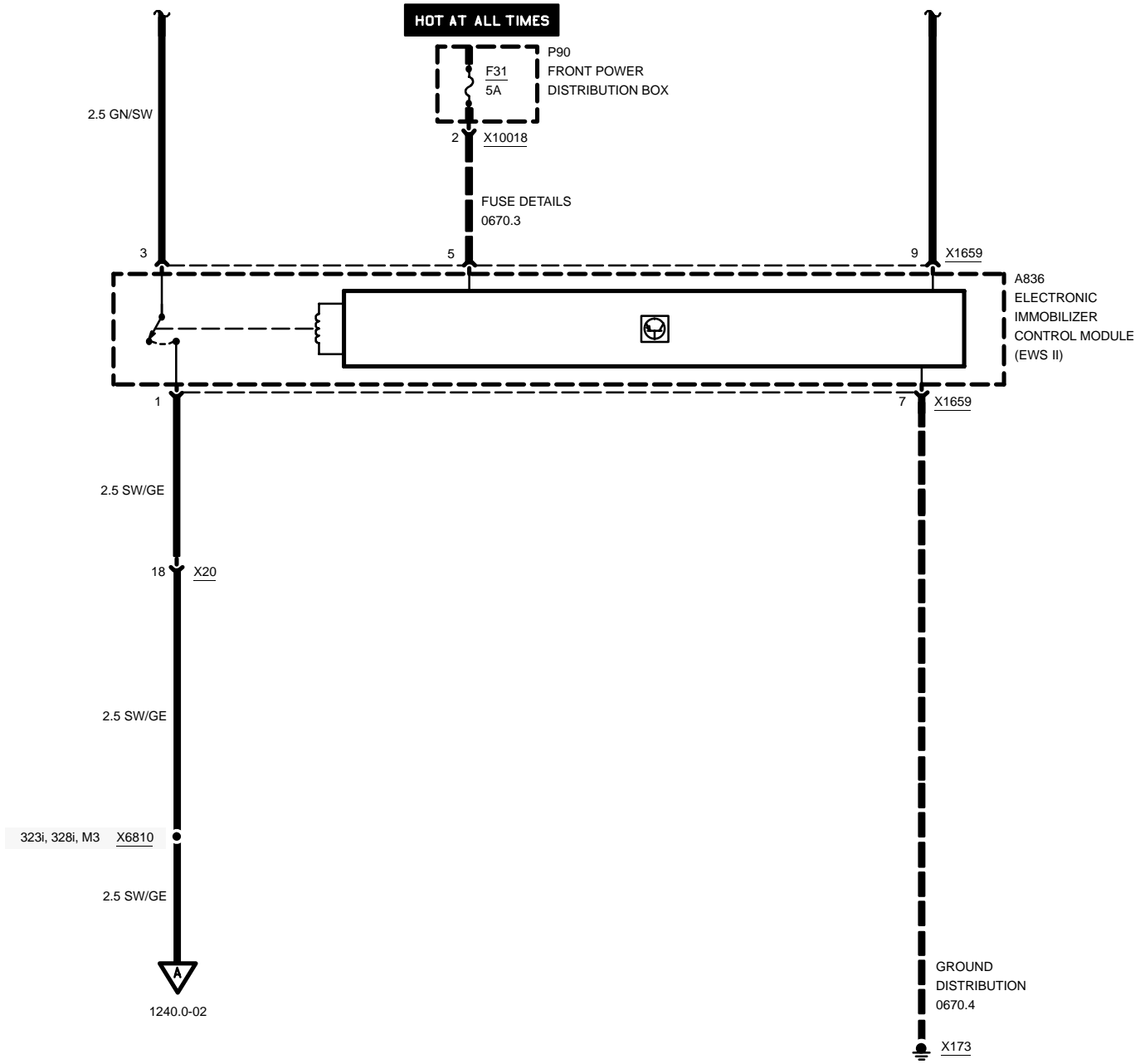


# 1240.0 START



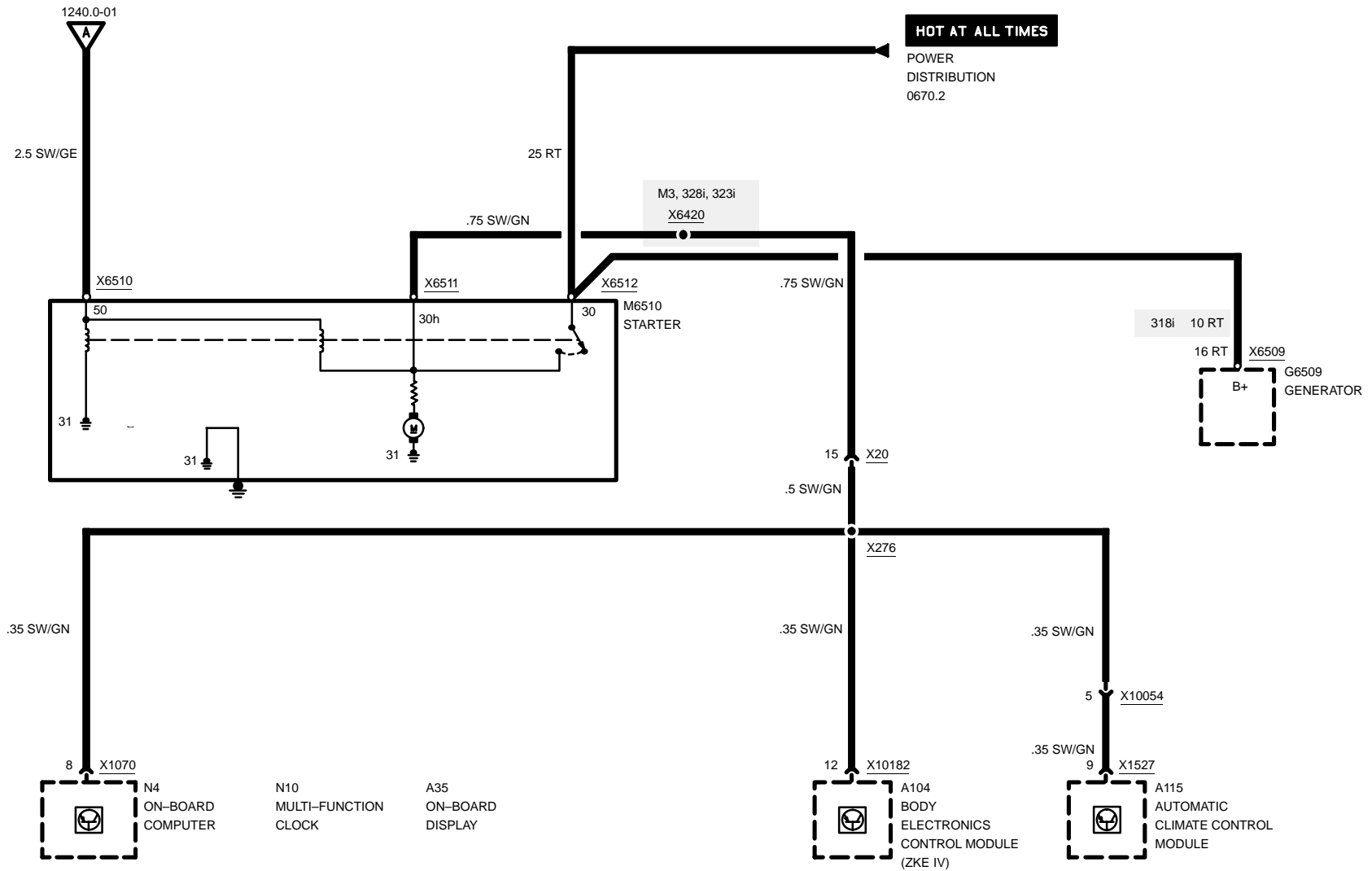
EGS A4S 270R

	L1	L2	L3	L4
P	1	1	0	1
R	1	0	0	0
N	1	1	1	0
D	0	0	0	1
3	0	0	1	1
2	1	0	1	1
1	0	0	1	0

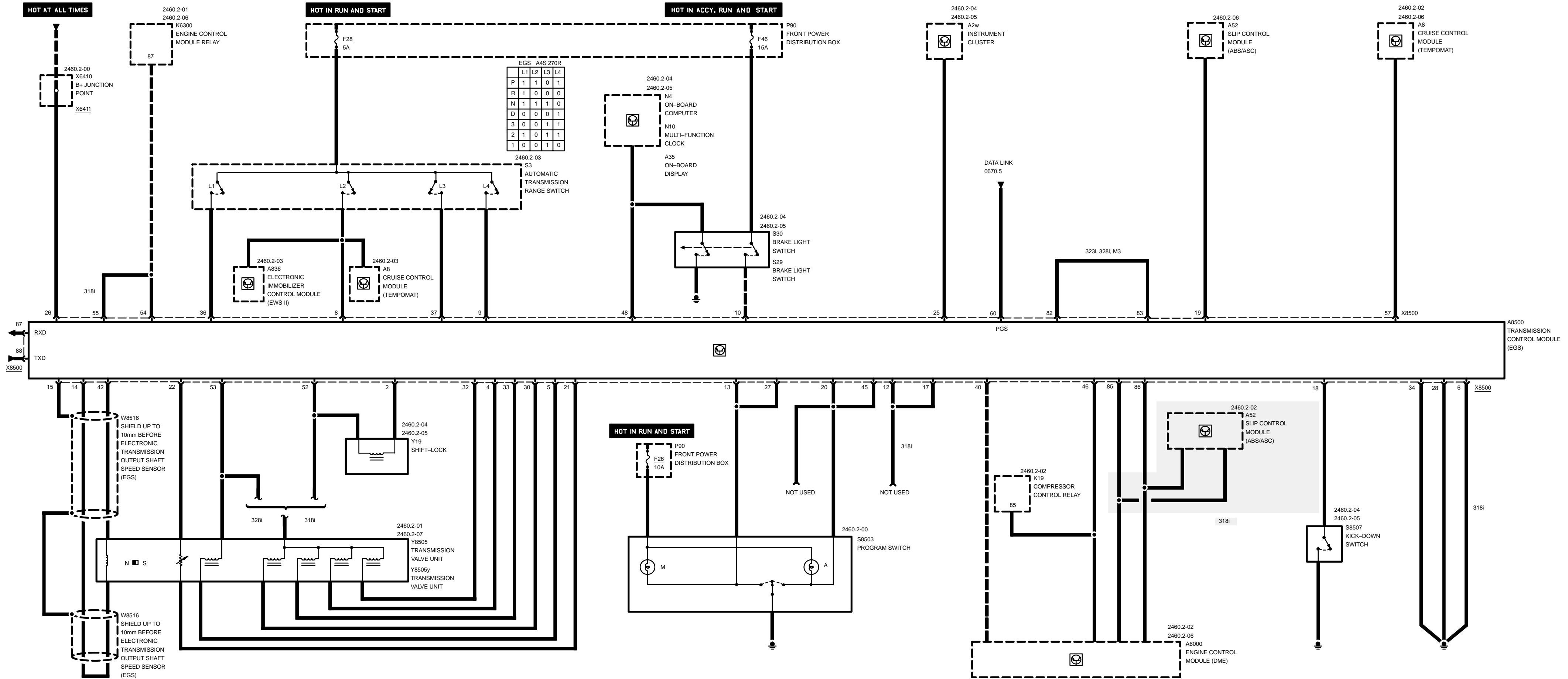


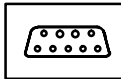


# START







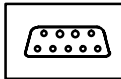


## Pin Assignments

### X8500

Pin	Type	Description/Function	Connection
177		Not used	
178	A	Shift-lock solenoid control	Shift-lock
179		Not used	
180	A	Band solenoid	Transmission valve unit (318i)
4	A	Solenoid valve 3 control (-)	Transmission valve unit (323i, 328i)
181	A	Hydraulic pressure regulator control (-)	Transmission valve unit
182	M	Ground	Ground point (318i)
183		Not used	
184	E	Gear range signal L2	Automatic transmission range switch
185	E	Gear range signal L4	Automatic transmission range switch
186	E	Brake pedal position	Brake light switch
187		Not used	
188	E	Sport mode signal	Not used
189	E	Manual mode signal	Program switch
190	E	Output speed (-)	Transmission valve unit
191	M	Ground for shield	Shield for speed sensor
192		Not used	
193	A	S-program indication	Not used
194	E	Kick-down signal	Kick-down switch
195	E	ASC signal	ASC-module (323i, 328i)
196	E	Automatic mode signal	Program switch
197	E	Oil temperature signal (-)	Transmission valve unit
198	E	Oil temperature signal (+)	Transmission valve unit
199		Not used	
200		Not used	
201	A	Fault indicator signal	Instrument cluster
202	E	Battery voltage	B+ jump start junction point
203	A	M-program indication	Program switch
204	M	Ground	Ground point
205		Not used	

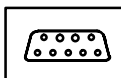
E = Input, A = Output, M = Ground



## Pin Assignments

Pin	Type	Description/Function	Connection
206	A	Solenoid valve 1 control (-)	Transmission valve unit
207		Not used	
208	A	Torque converter clutch solenoid valve control (-)	Transmission valve unit
209	A	Solenoid valve 2 control (-)	Transmission valve unit
210	M	Ground	Ground point
211		Not used	
212	E	Gear range signal L1	Automatic transmission range switch
213	E	Gear range signal L3	Automatic transmission range switch
214		Not used	
215		Not used	
216	E	RPM speed signal TD	Engine control module (318i)
217		Not used	
218	E	Output speed (+)	Transmission valve unit
219		Not used	
220		Not used	
221	A	A-program indication	Program switch
222	E	A/C compressor-ON-signal	Engine control module (318i)
223		Not used	
224	E	Brake switch test signal	Brake light switch
225		Not used	
226		Not used	
227		Not used	
228	A	Voltage supply	Shift-lock/Transmission valve unit (318i)
52	A	Voltage supply	Shift-lock (323i, 328i)
229	E	Voltage pressure regulator	Transmission valve unit
230	E	Voltage supply terminal 87	Engine control module relay
231	E	Voltage supply terminal 87	Engine control module relay (318i)
232		Not used	
233	E	Cruise control signal	Cruise control module
234		Not used	
235		Not used	

E = Input, A = Output, M = Ground



## Pin Assignments

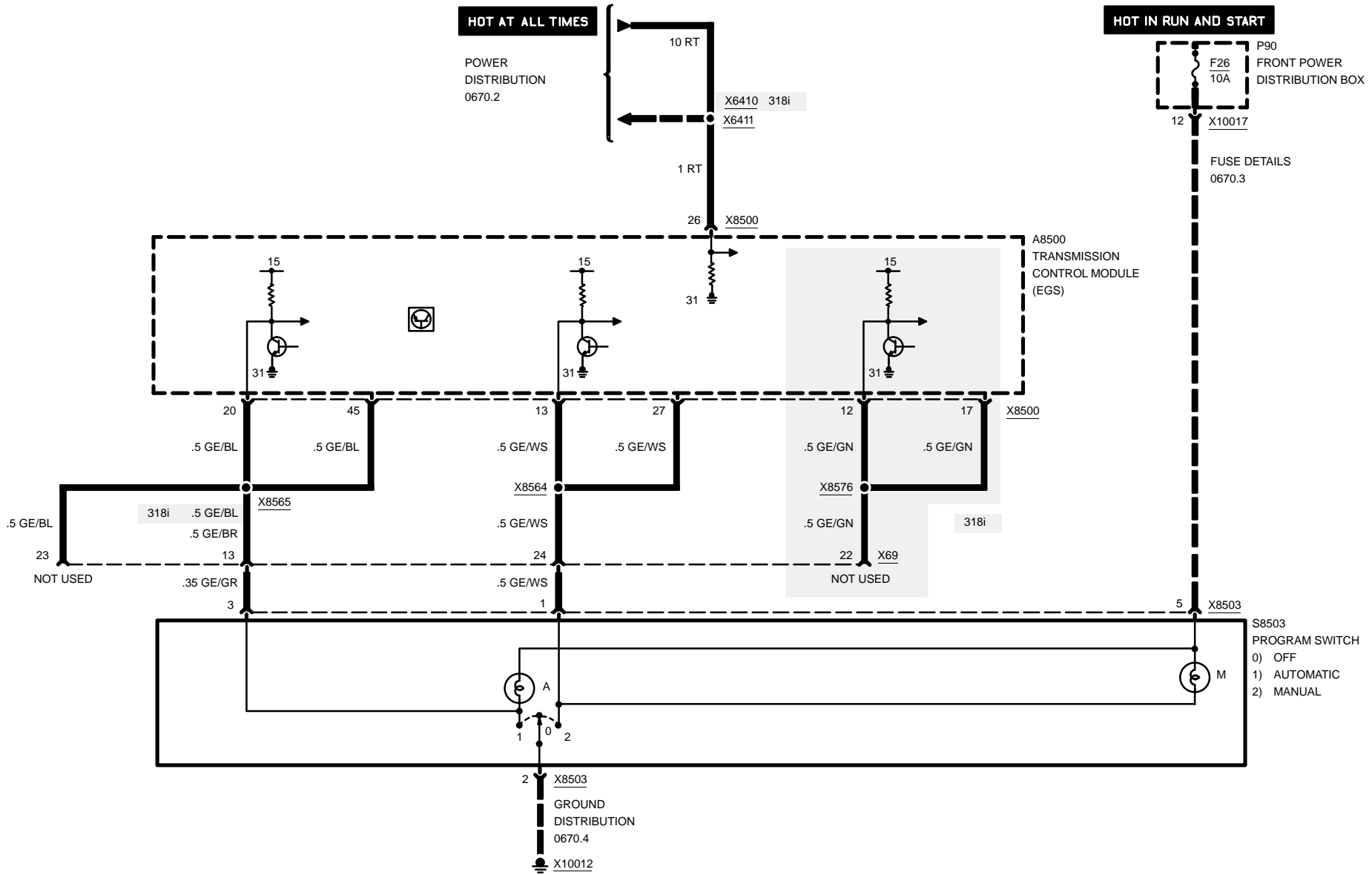
Pin	Type	Description/Function	Connection
236	E	Programming voltage	Data link connector
237		Not used	
238		Not used	
239		Not used	
240		Not used	
241		Not used	
242		Not used	
243		Not used	
244		Not used	
245		Not used	
246		Not used	
247		Not used	
248		Not used	
249		Not used	
250		Not used	
251		Not used	
252		Not used	
253		Not used	
254		Not used	
255		Not used	
256		Not used	
257		Not used	
258	E/A	Jumper plug	(323i, 328i)
259	E/A	Jumper plug	(323i, 328i)
260		Not used	
261	E/A	Can-Low	Engine control module
262	E/A	Can-High	Engine control module
263	A	RxD diagnostic data link	Data link connector (318i)
264	E/A	TxD diagnostic data link	Data link connector

E = Input, A = Output, M = Ground



# ELECTRONIC TRANSMISSION CONTROL (EGS A4S 270R)

## POWER, PROGRAM SWITCH

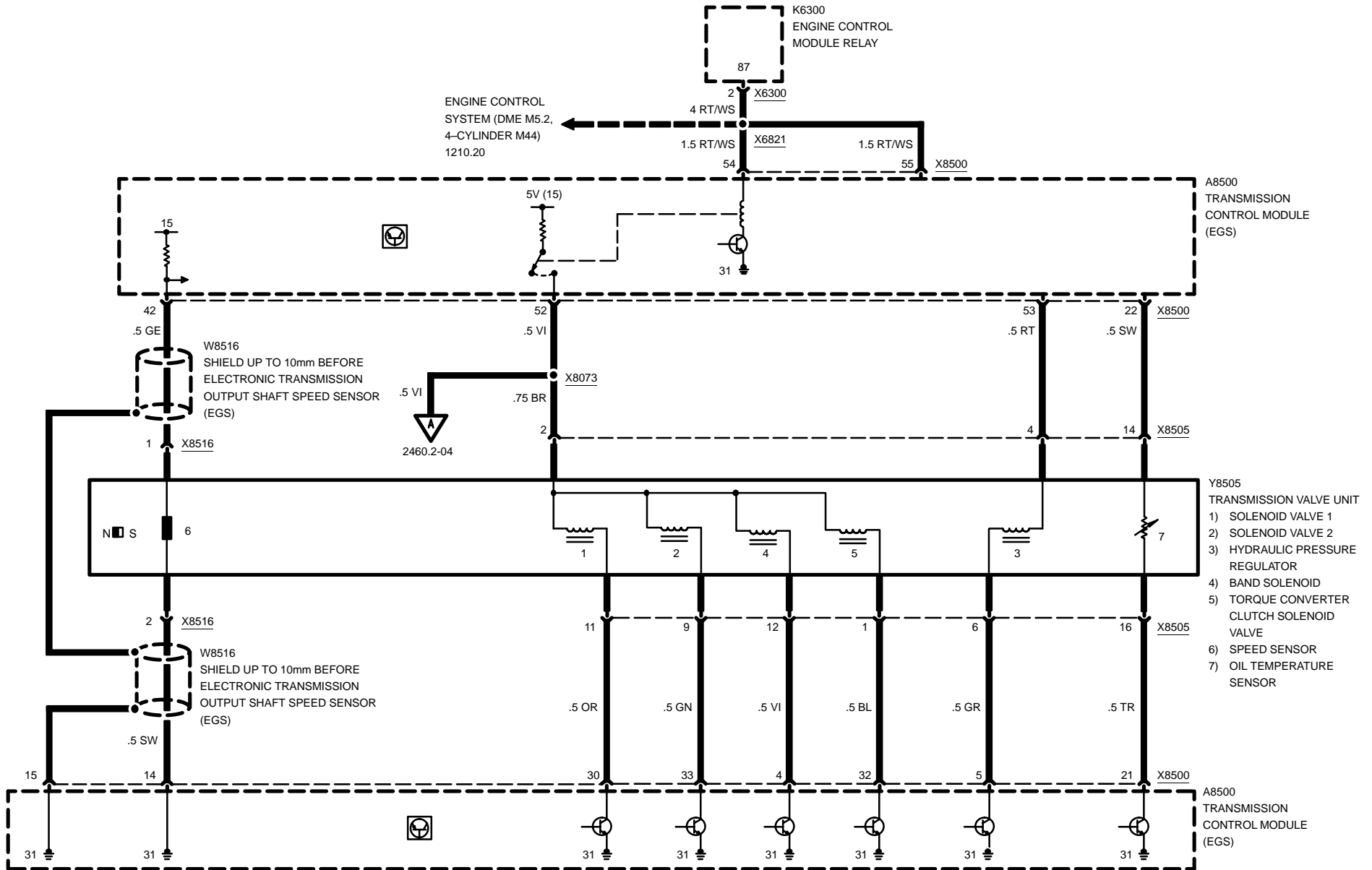




# ELECTRONIC TRANSMISSION CONTROL (EGS A4S 270R)

318i

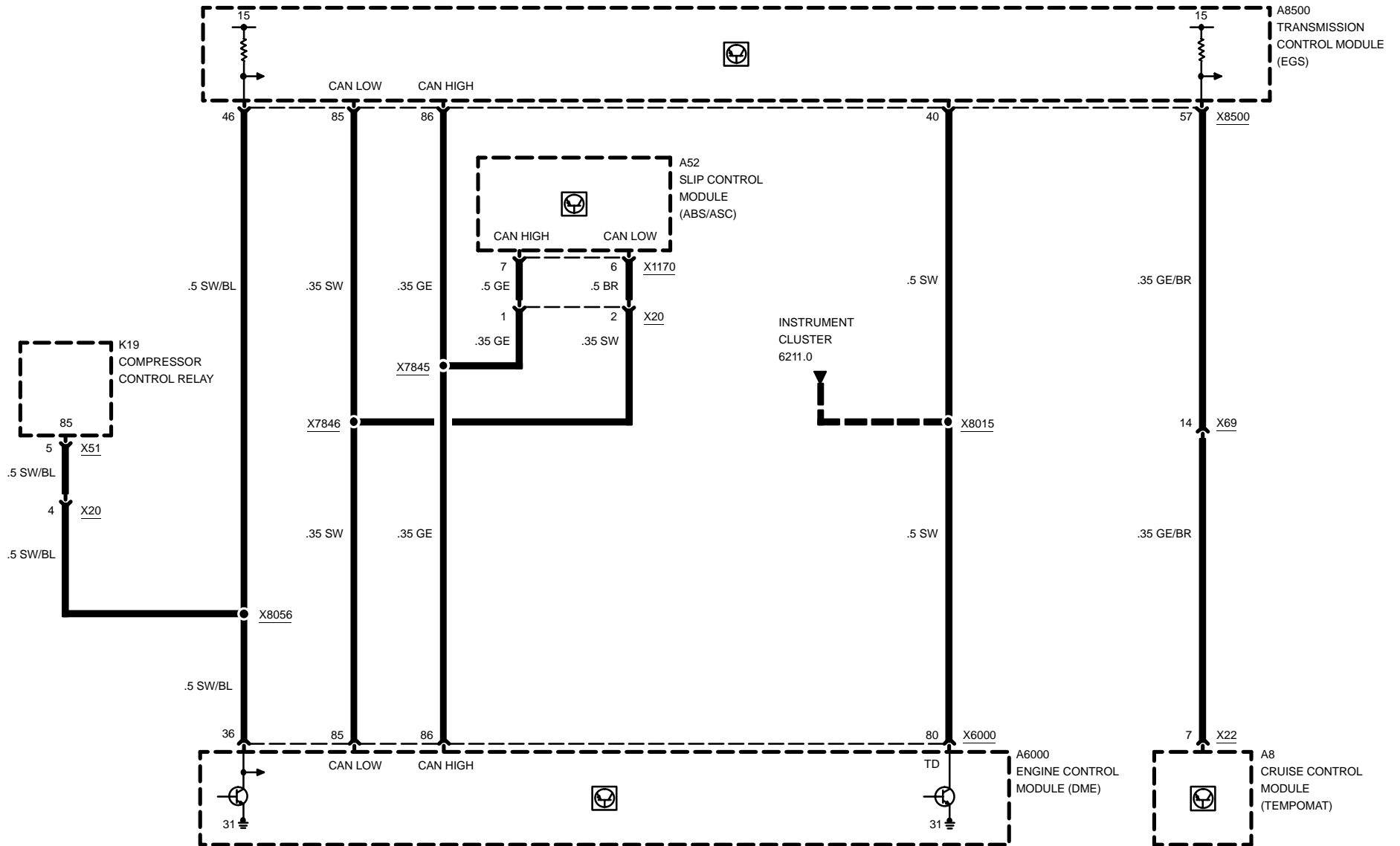
## POWER





# ELECTRONIC TRANSMISSION CONTROL (EGS A4S 270R)

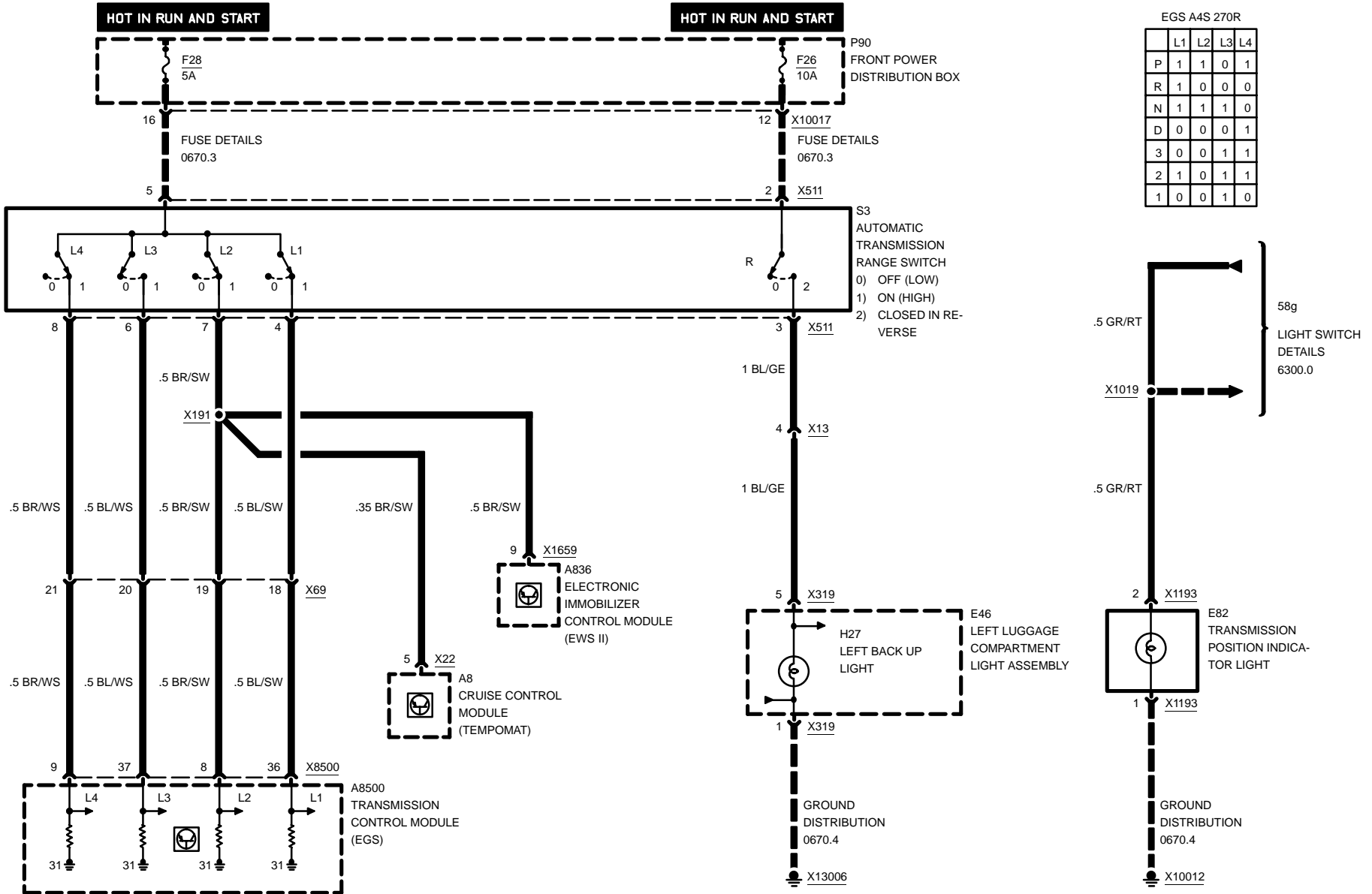
318i





# ELECTRONIC TRANSMISSION CONTROL (EGS A4S 270R)

## GEAR SELECTOR SWITCH



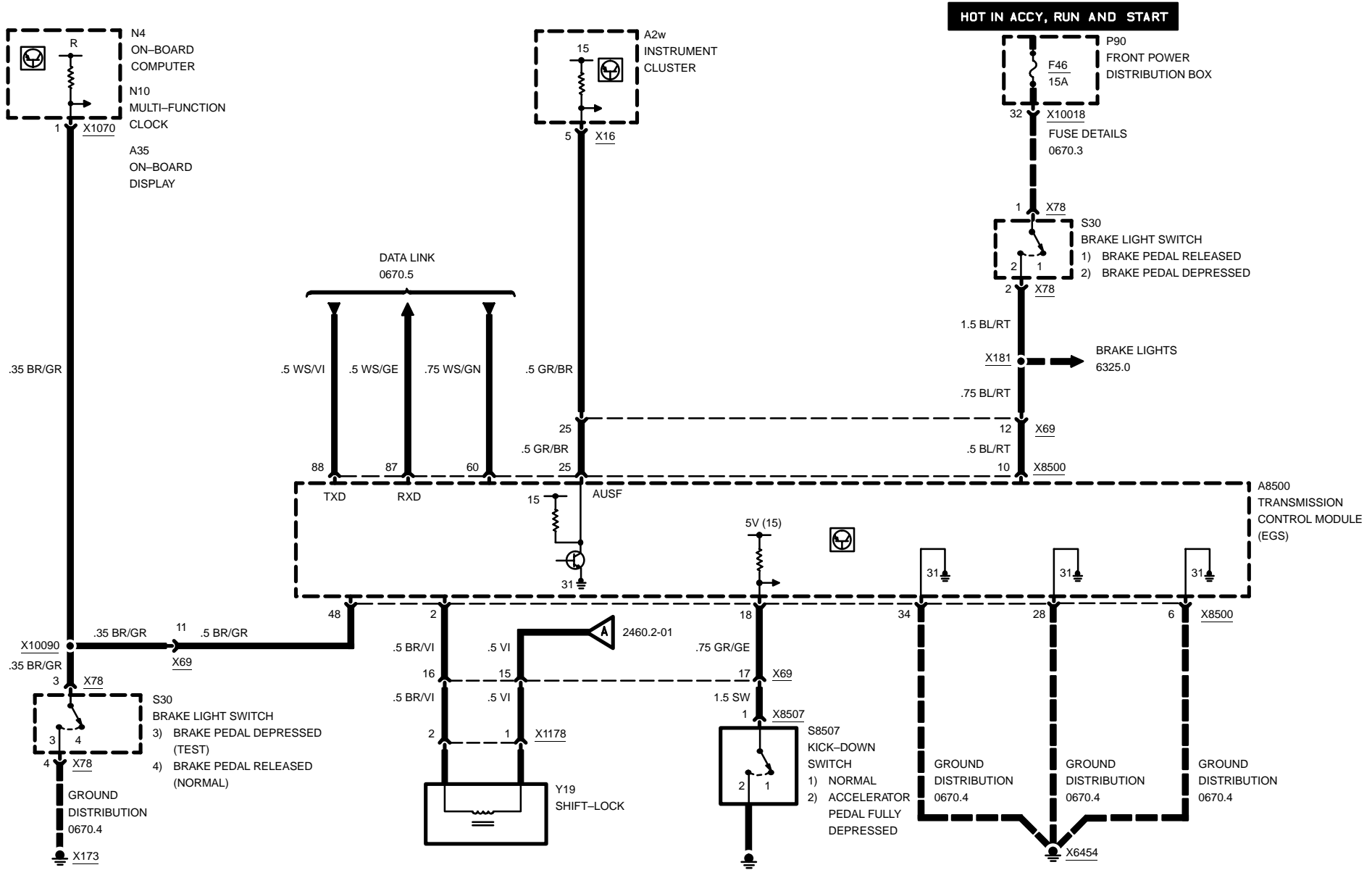




# ELECTRONIC TRANSMISSION CONTROL (EGS A4S 270R)

318i

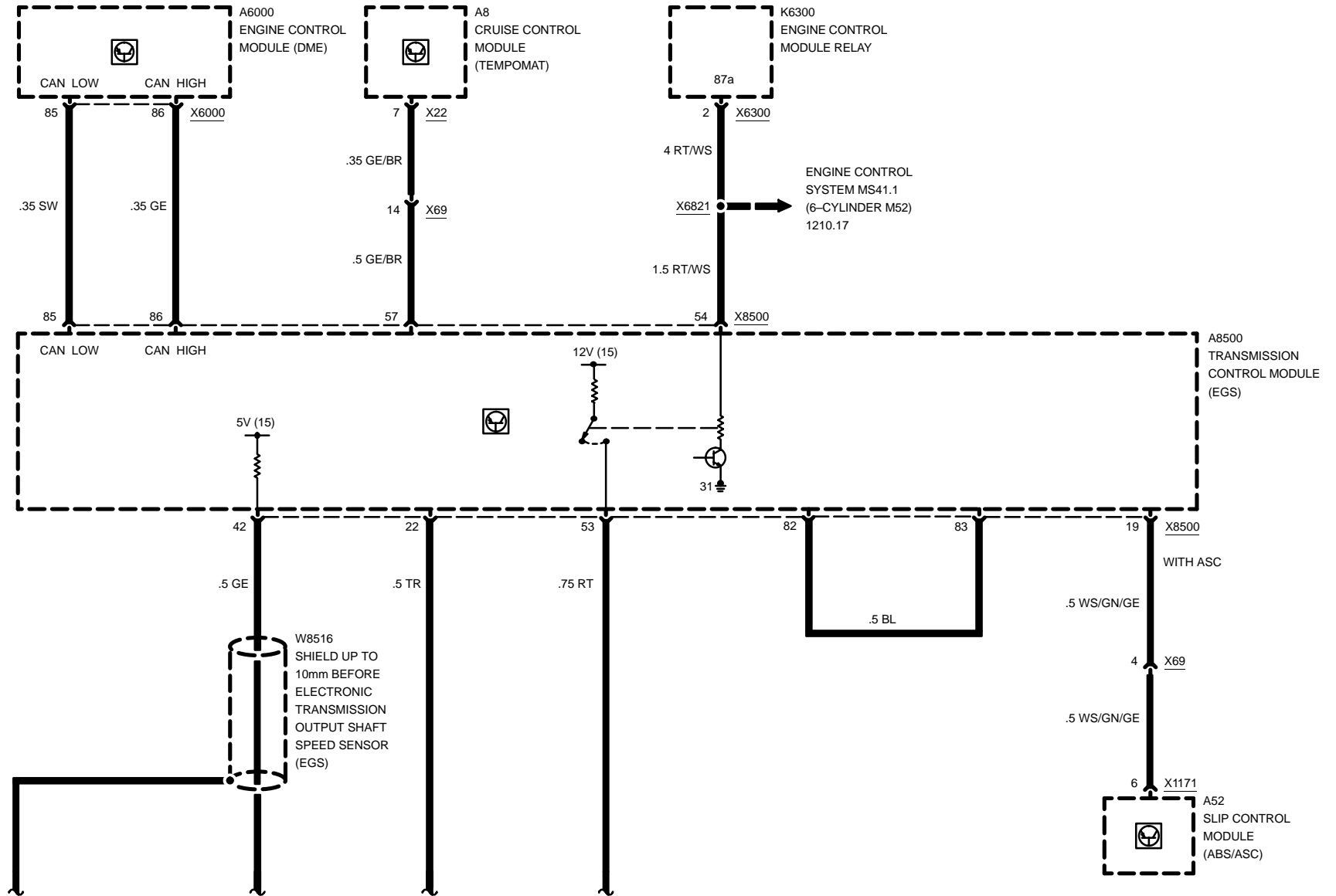
## SHIFT LOCK, DATA LINK, KICK-DOWN SWITCH

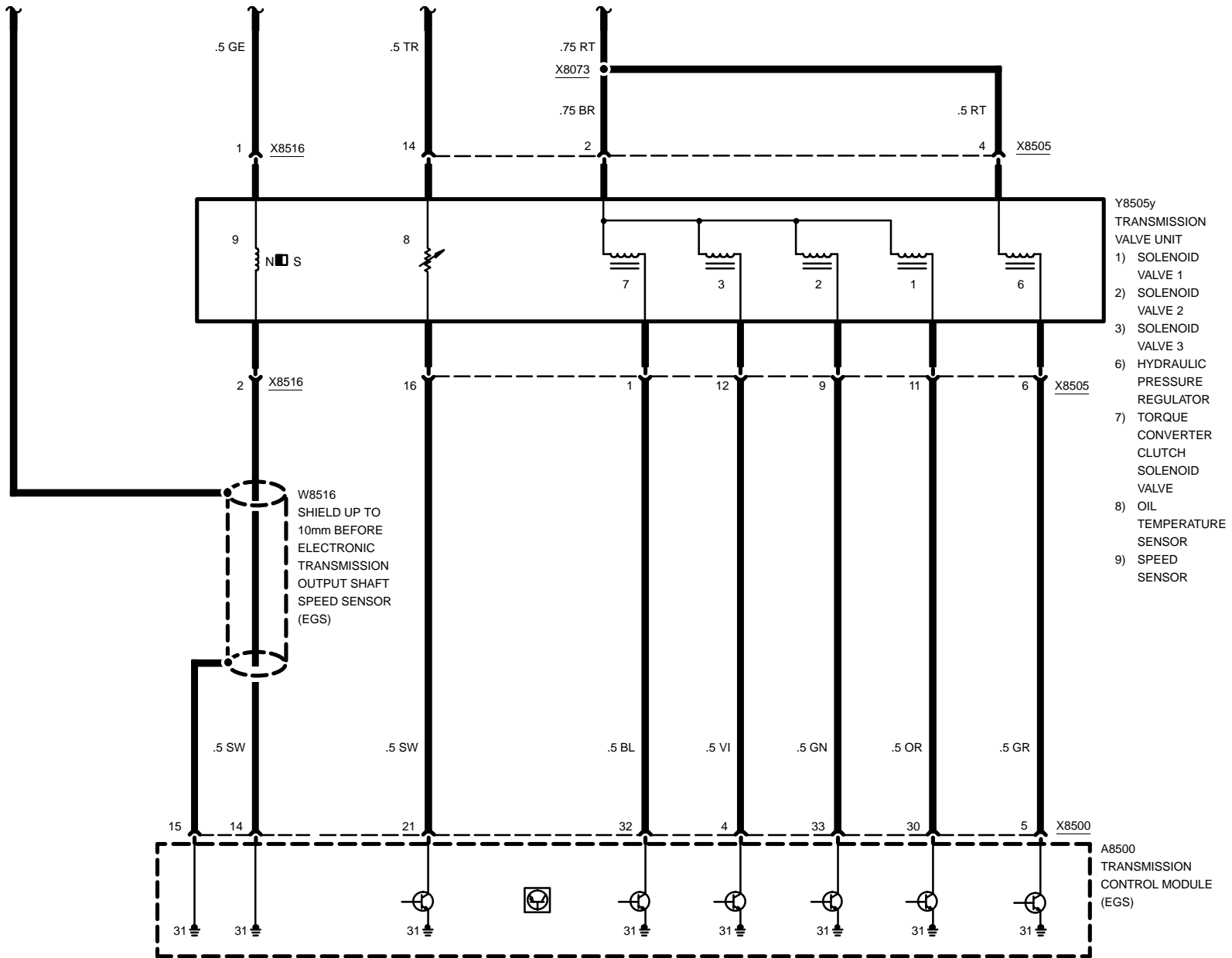


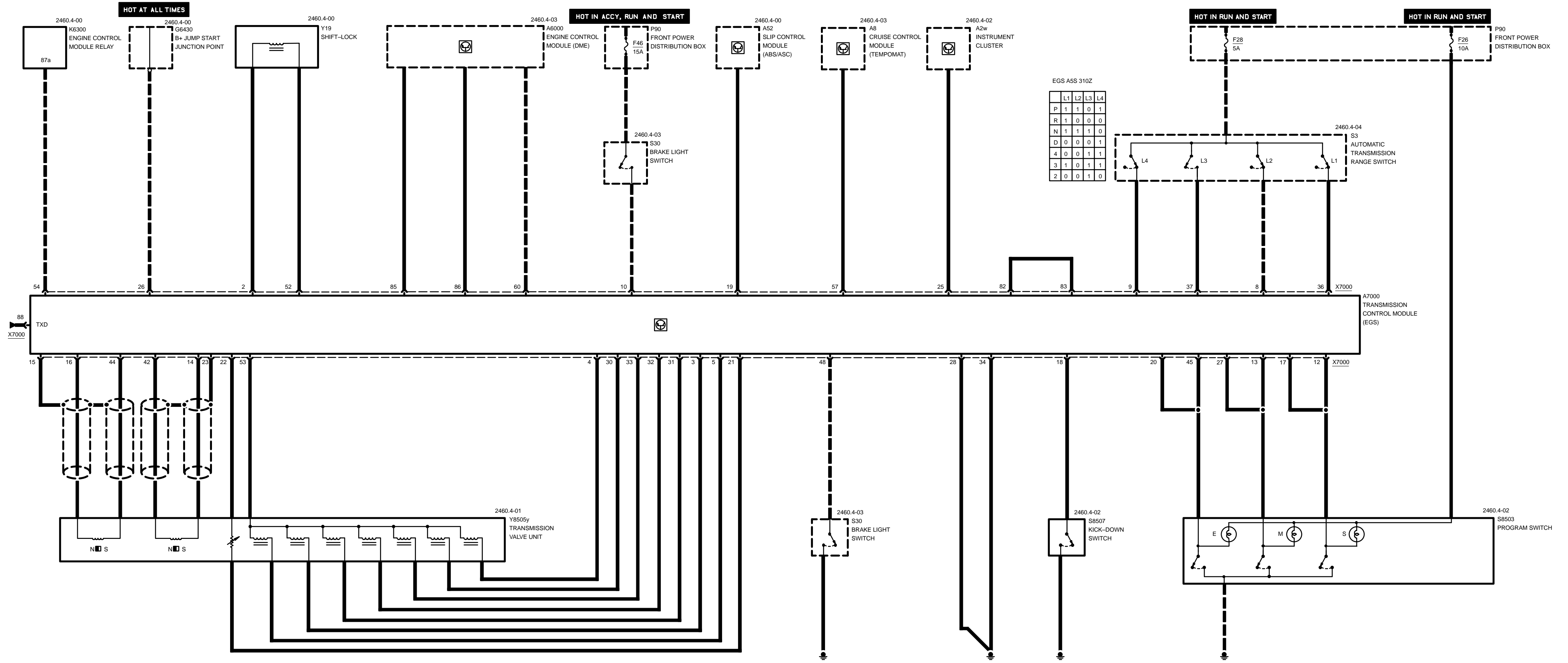




# ELECTRONIC TRANSMISSION CONTROL (EGS A4S 270R) 323i, 328i

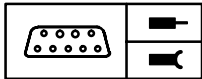






EGS A5S 310Z

	L1	L2	L3	L4
P	1	1	0	1
R	1	0	0	0
N	1	1	1	0
D	0	0	0	1
4	0	0	1	1
3	1	0	1	1
2	0	0	1	0

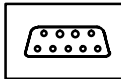


## Pin Assignments

### X7000

Pin	Type	Description/Function	Connection
1		Not used	
2	A	Shift-lock	Shift-lock
3	A	Solenoid valve 5	Transmission valve unit
4	A	Torque converter clutch solenoid valve	Transmission valve unit
5	A	Hydraulic pressure regulator	Transmission valve unit
6		Not used	
7		Not used	
8		Gear range signal L2	Automatic transmission range switch
9		Gear range signal L4	Automatic transmission range switch
10	E	Brake pedal position	Brake light switch
11		Not used	
12	E	S-program indication	Program switch
13	E	M-program indication	Program switch
14	E	Speed sensor	Transmission valve unit
15	M	Shield speed sensor	Shield
16	A	Speed sensor n-turbine	Transmission valve unit
17	E	S-program	Program switch
18	E	Kick-down signal	Kick-down switch
19	E	ASC signal	ASC module
20	E	E-program	Program switch
21	M	Ground oil temperature sensor	Transmission valve unit
22	E	Oil temperature sensor	Transmission valve unit
23	M	Shield speed sensor	Shield
24		Not used	
25	A	Fault indicator signal	Instrument cluster
26	E	Battery voltage	Jump start junction point
27	E	M-program	Program switch
28	M	Ground, electronics	Ground point
29		Not used	
30	A	Solenoid valve 1	Transmission valve unit

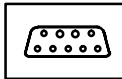
E = Input, A = Output, M = Ground



## Pin Assignments

Pin	Type	Description/Function	Connection
31	A	Solenoid valve 4	Transmission valve unit
32	A	Solenoid valve 3	Transmission valve unit
33	A	Solenoid valve 2	Transmission valve unit
34	M	Ground	Ground point
35		Not used	
36	E	Gear range signal L1	Automatic transmission range switch
37	E	Gear range signal L3	Automatic transmission range switch
38		Not used	
39		Not used	
40		Not used	
41		Not used	
42	A	Speed sensor n ab (+)	Transmission valve unit
43		Not used	
44	E	Speed sensor n-turbine	Transmission valve unit
45	E	E-program indication	Program switch
46		Not used	
47		Not used	
48	E	Brake switch test signal	Brake light switch
49		Not used	
50		Not used	
51		Not used	
52	A	Voltage supply	Shift-lock
53	A	Voltage supply for solenoid valves	Transmission valve unit
54	E	Voltage supply	DME relay
55		Not used	
56		Not used	
57	E	Cruise control signal	Cruise control module
58		Not used	
59		Not used	
60	E	Programming voltage	Data link connector
61		Not used	
62		Not used	

E = Input, A = Output, M = Ground



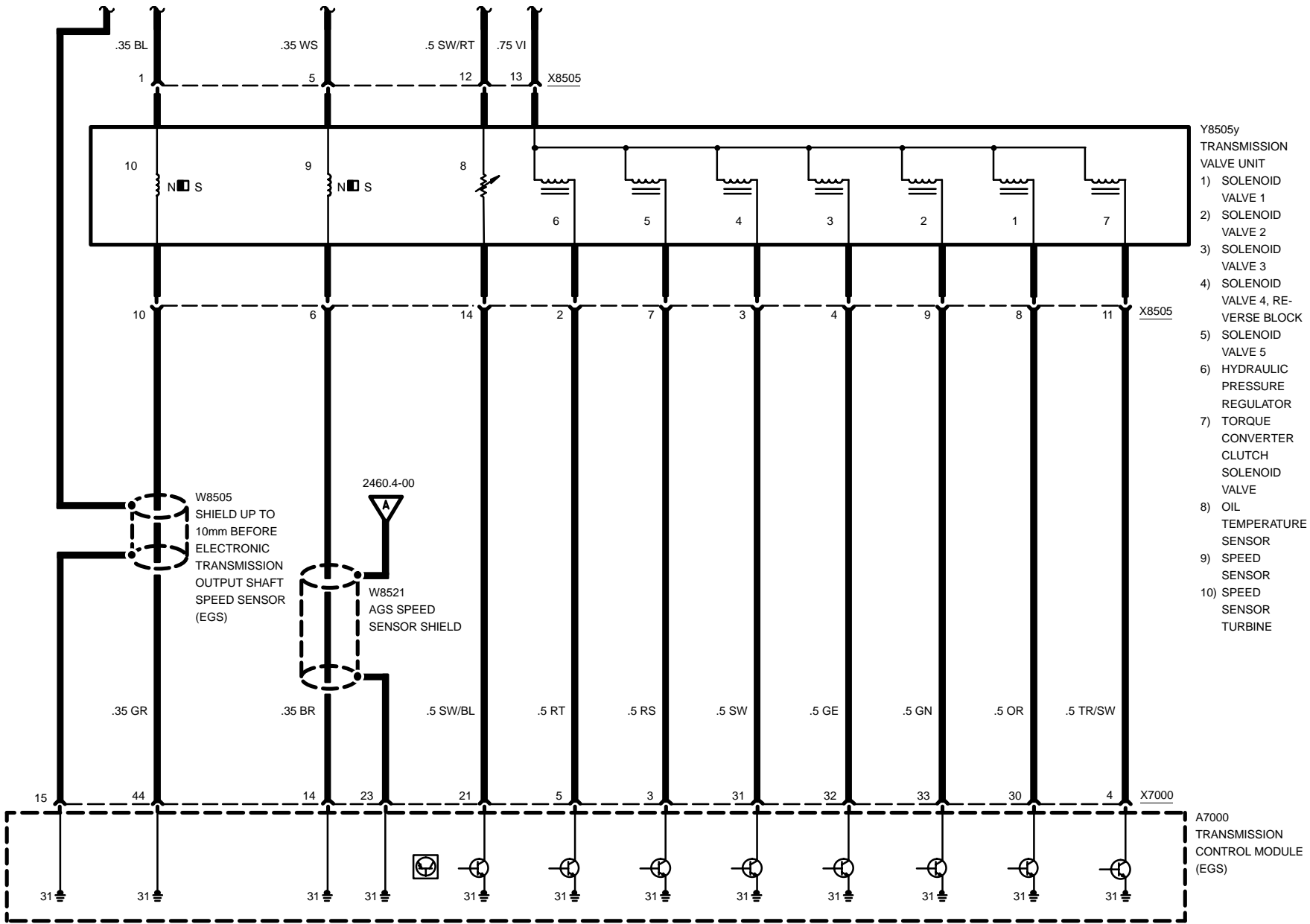
## Pin Assignments

Pin	Type	Description/Function	Connection
63		Not used	
64		Not used	
65		Not used	
66		Not used	
67		Not used	
68		Not used	
69		Not used	
70		Not used	
71		Not used	
72		Not used	
73		Not used	
74		Not used	
75		Not used	
76		Not used	
77		Not used	
78		Not used	
79		Not used	
80		Not used	
81		Not used	
82	E/A	Jumper plug	
83	E/A	Jumper plug	
84		Not used	
85	E/A	CAN-LOW	Engine control module
86	E/A	CAN-HIGH	Engine control module
87		Not used	
88	E/A	TxD diagnostic data link	Data link connector

E = Input, A = Output, M = Ground



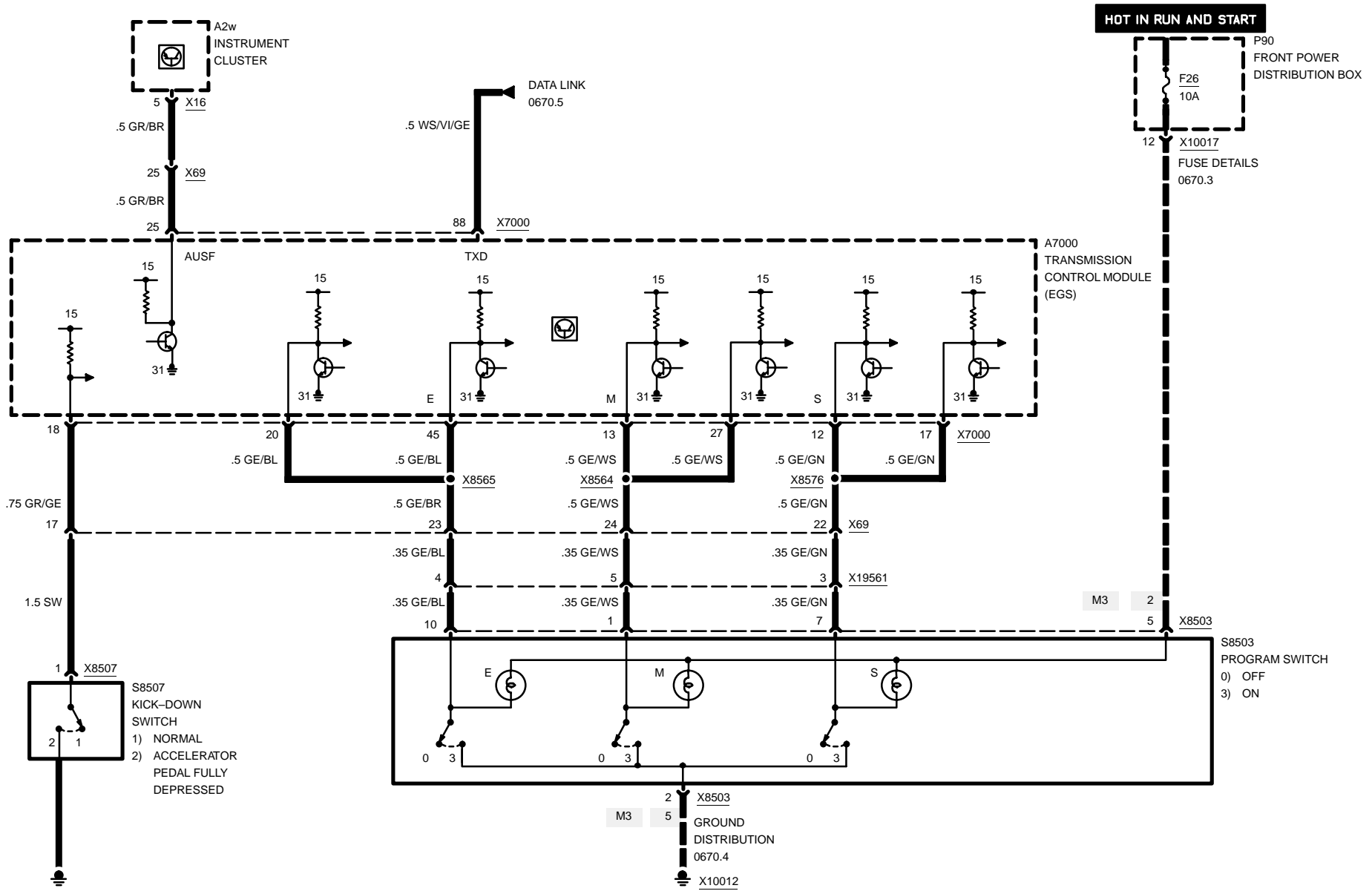




- 1) SOLENOID VALVE 1
- 2) SOLENOID VALVE 2
- 3) SOLENOID VALVE 3
- 4) SOLENOID VALVE 4, REVERSE BLOCK
- 5) SOLENOID VALVE 5
- 6) HYDRAULIC PRESSURE REGULATOR
- 7) TORQUE CONVERTER CLUTCH SOLENOID VALVE
- 8) OIL TEMPERATURE SENSOR
- 9) SPEED SENSOR
- 10) SPEED SENSOR TURBINE



# ELECTRONIC TRANSMISSION CONTROL (EGS A5S 310Z)



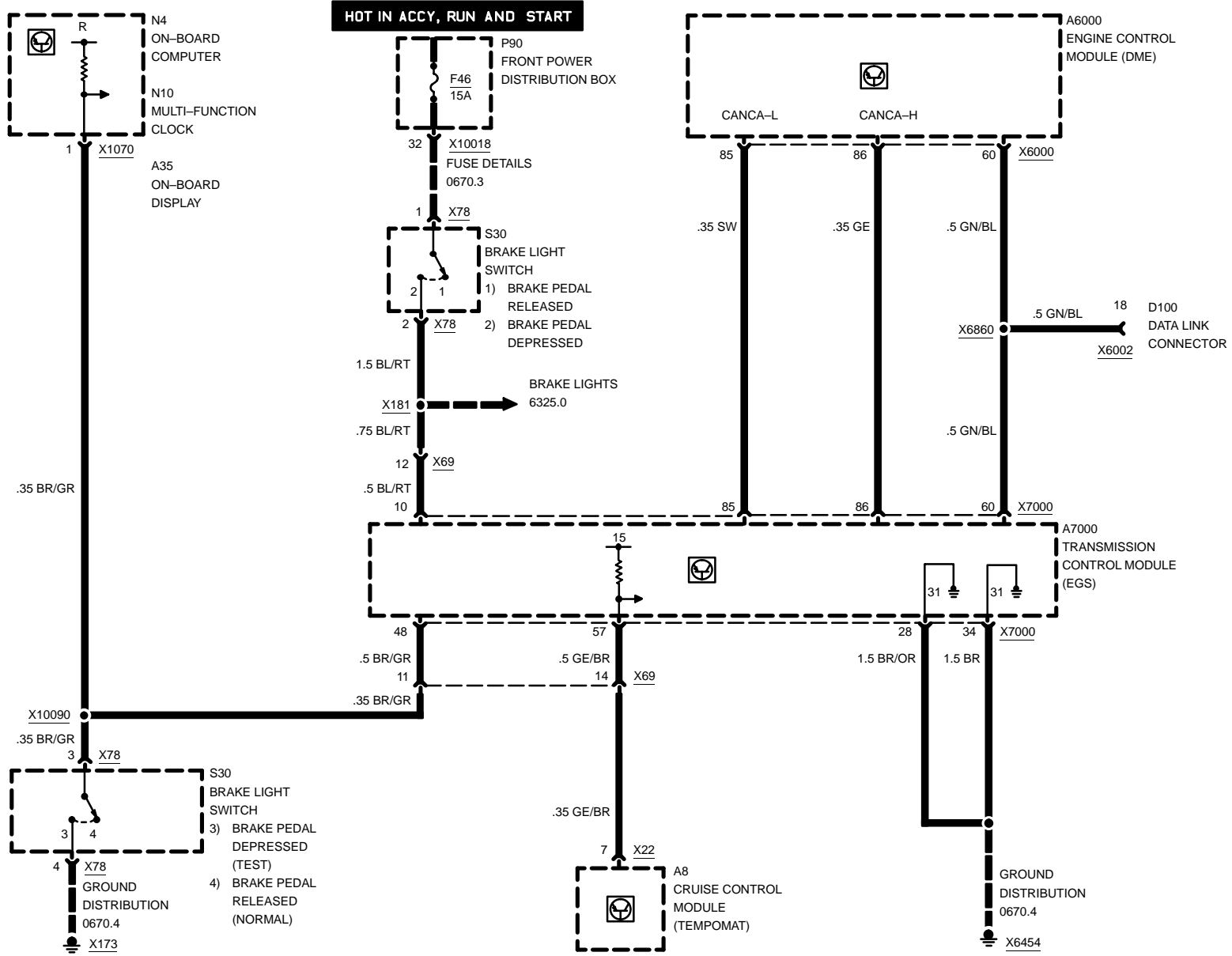
03/00

2460.4-02

1999

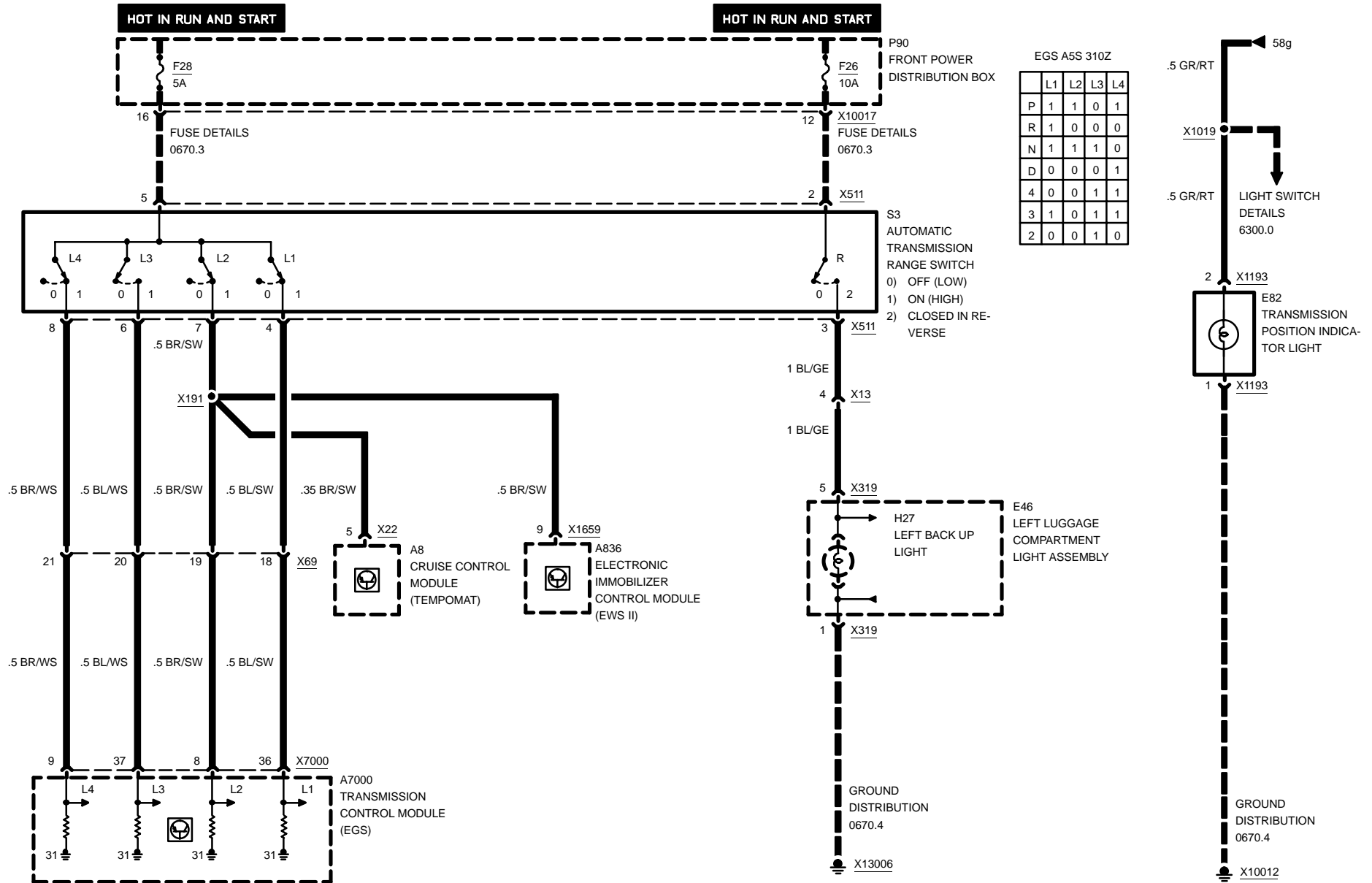


# ELECTRONIC TRANSMISSION CONTROL (EGS A5S 310Z)





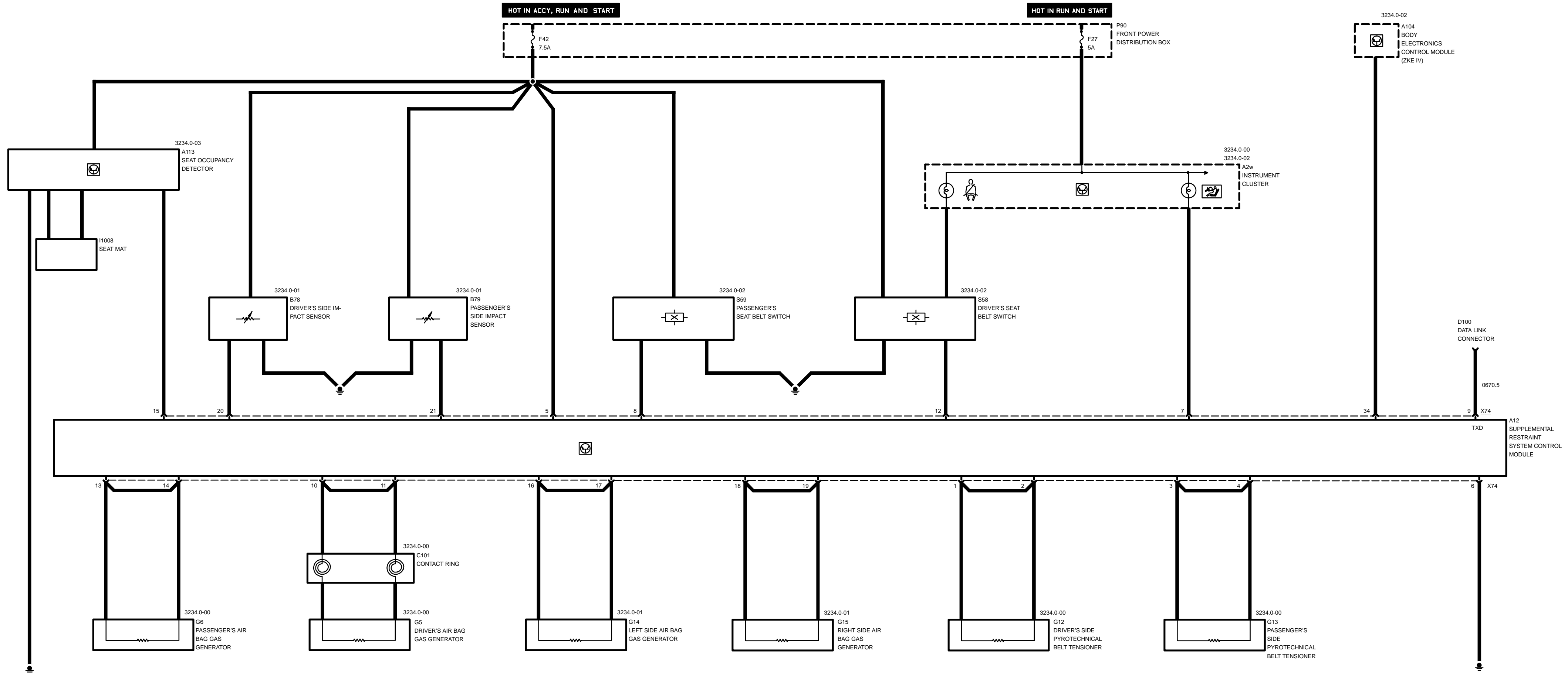
# ELECTRONIC TRANSMISSION CONTROL (EGS A5S 310Z)

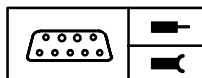


03/00

2460.4-04

1999



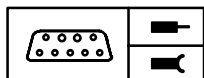


## Pin Assignments

### X74

Pin	Type	Description/Function	Connection
1	A	Pyrotechnical belt tensioner	Driver's side pyrotechnical belt tensioner
2	A	Pyrotechnical belt tensioner	Driver's side pyrotechnical belt tensioner
3	A	Pyrotechnical belt tensioner	Passenger's side pyrotechnical belt tensioner
4	A	Pyrotechnical belt tensioner	Passenger's side pyrotechnical belt tensioner
5	E	Power supply	Front power distribution box, fuse 42
6	M	Ground	Ground point
7	A	Air bag warning indicator	Instrument cluster
8	E	Belt switch	Passenger's seat belt switch
9	E/A	TxD diagnostic data line	Data link connector
10	A	Air bag (+)	Driver's air bag gas generator
11	A	Air bag (-)	Driver's air bag gas generator
12	E	Belt switch	Driver's seat belt switch
13	A	Air bag (+)	Passenger's air bag gas generator
14	A	Air bag (-)	Passenger's air bag gas generator
15	E	Seat occupancy detector	Seat occupancy detector
16	A	Gas generator	Gas generator, left side air bag
17	A	Gas generator	Gas generator, left side air bag
18	A	Gas generator	Gas generator, right side air bag
19	A	Gas generator	Gas generator, right side air bag
20	E	Impact sensor	Driver's side impact sensor
21	E	Impact sensor	Passenger's side impact sensor
22		Not used	
23		Not used	
24		Not used	
25		Not used	
26		Not used	
27		Not used	
28		Not used	
29		Not used	

E = Input, A = Output, M = Ground



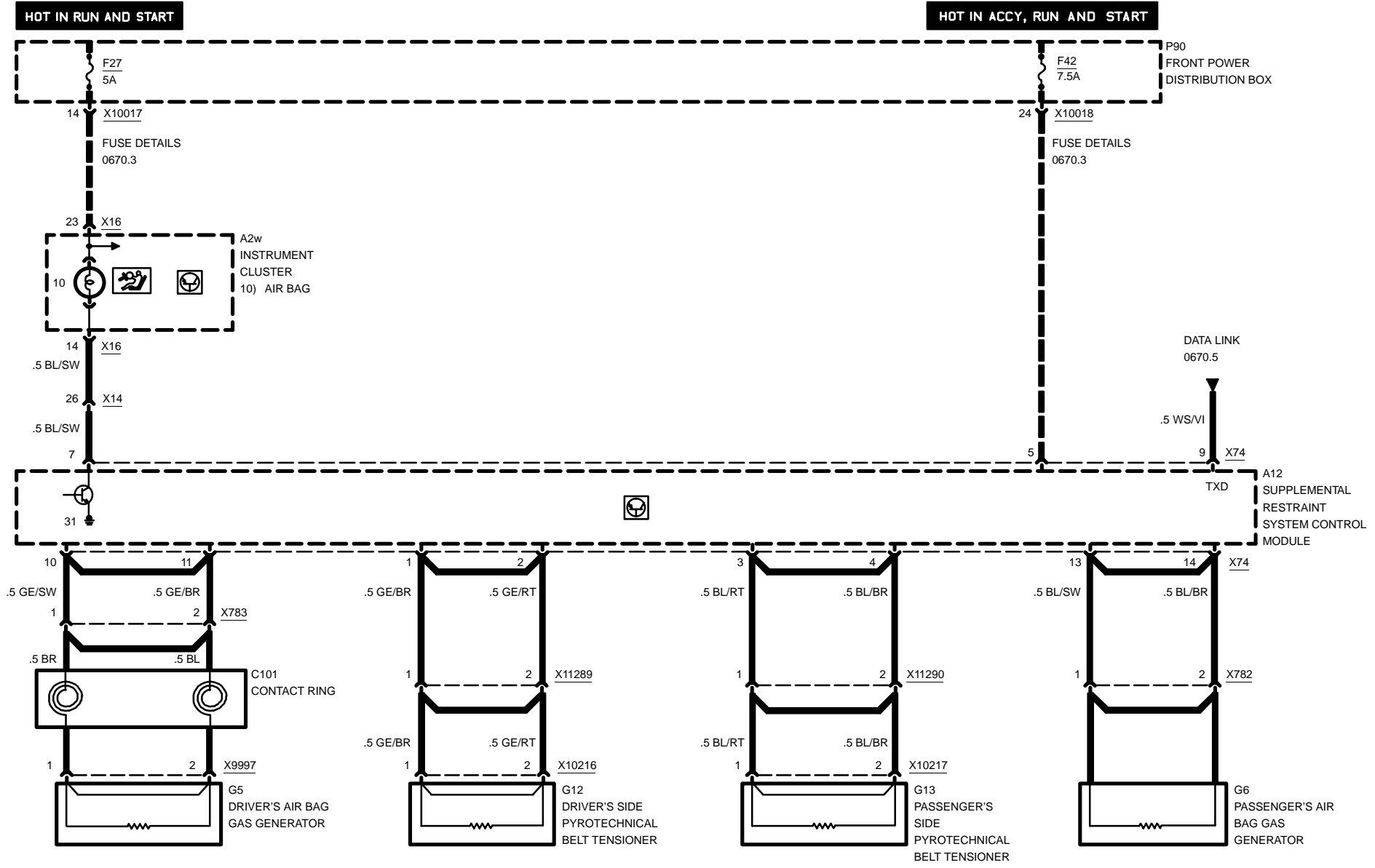
## Pin Assignments

Pin	Type	Description/Function	Connection
30		Not used	
31		Not used	
32		Not used	
33		Not used	
34	A	Crash signal	Body electronics control module (ZKE IV)
35		Not used	
36		Not used	
37		Not used	
38		Not used	
39		Not used	
40		Not used	
41		Not used	
42		Not used	
43		Not used	
44		Not used	
45		Not used	
46		Not used	
47		Not used	
48		Not used	
49		Not used	
50		Not used	





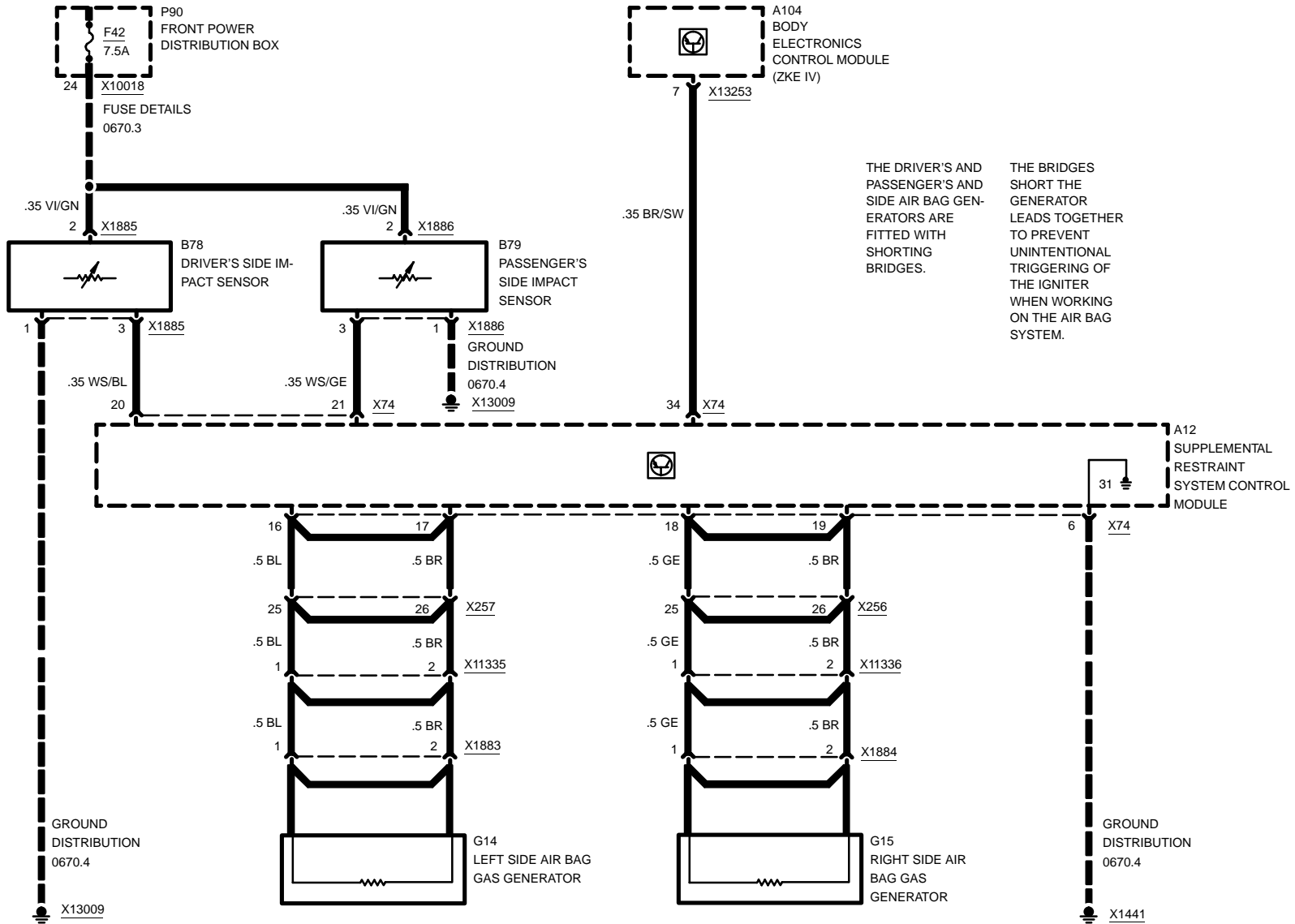
# SUPPLEMENTAL RESTRAINT SYSTEM (AIR BAG)





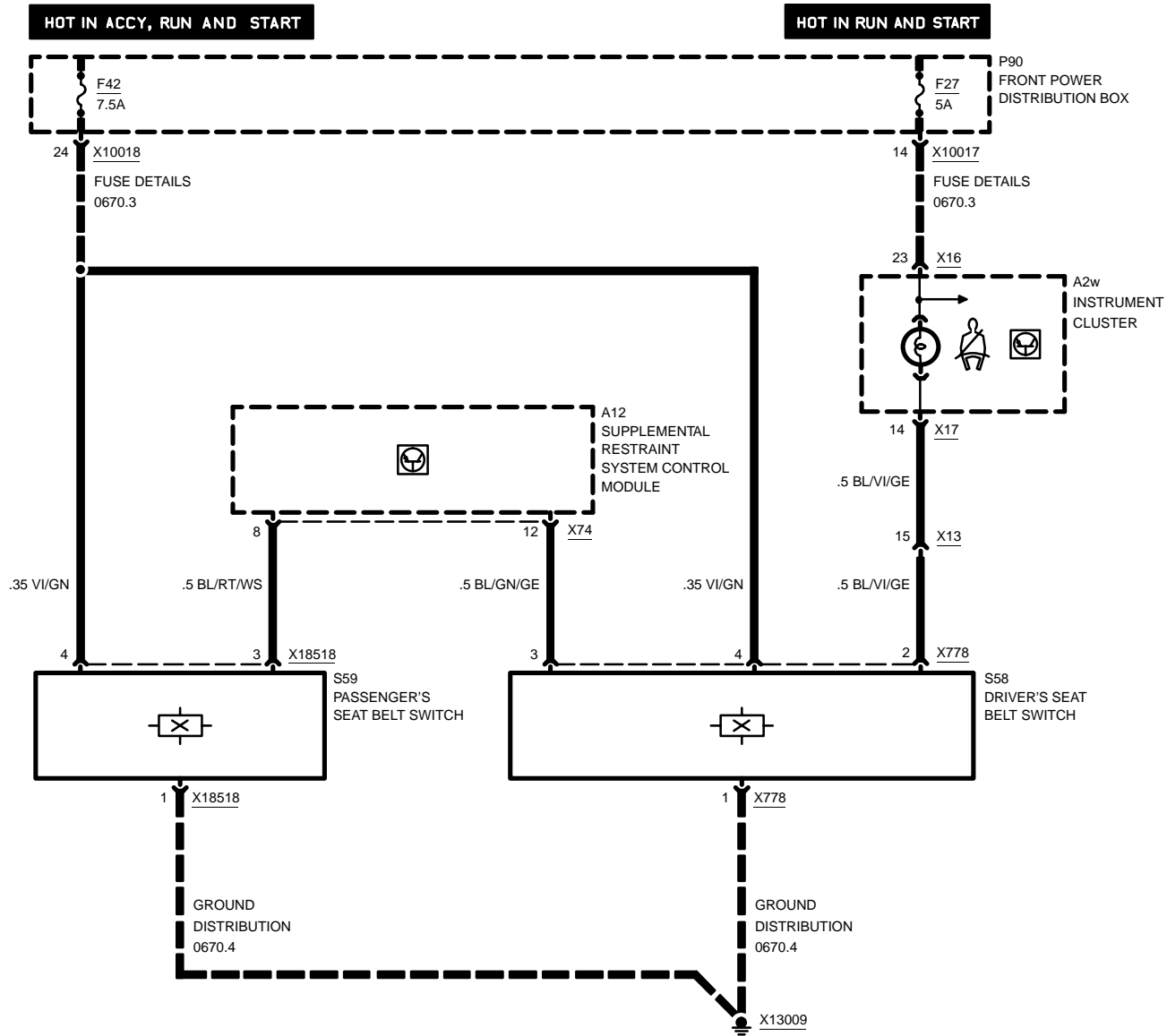
# SUPPLEMENTAL RESTRAINT SYSTEM (AIR BAG)

**HOT IN RUN AND START**



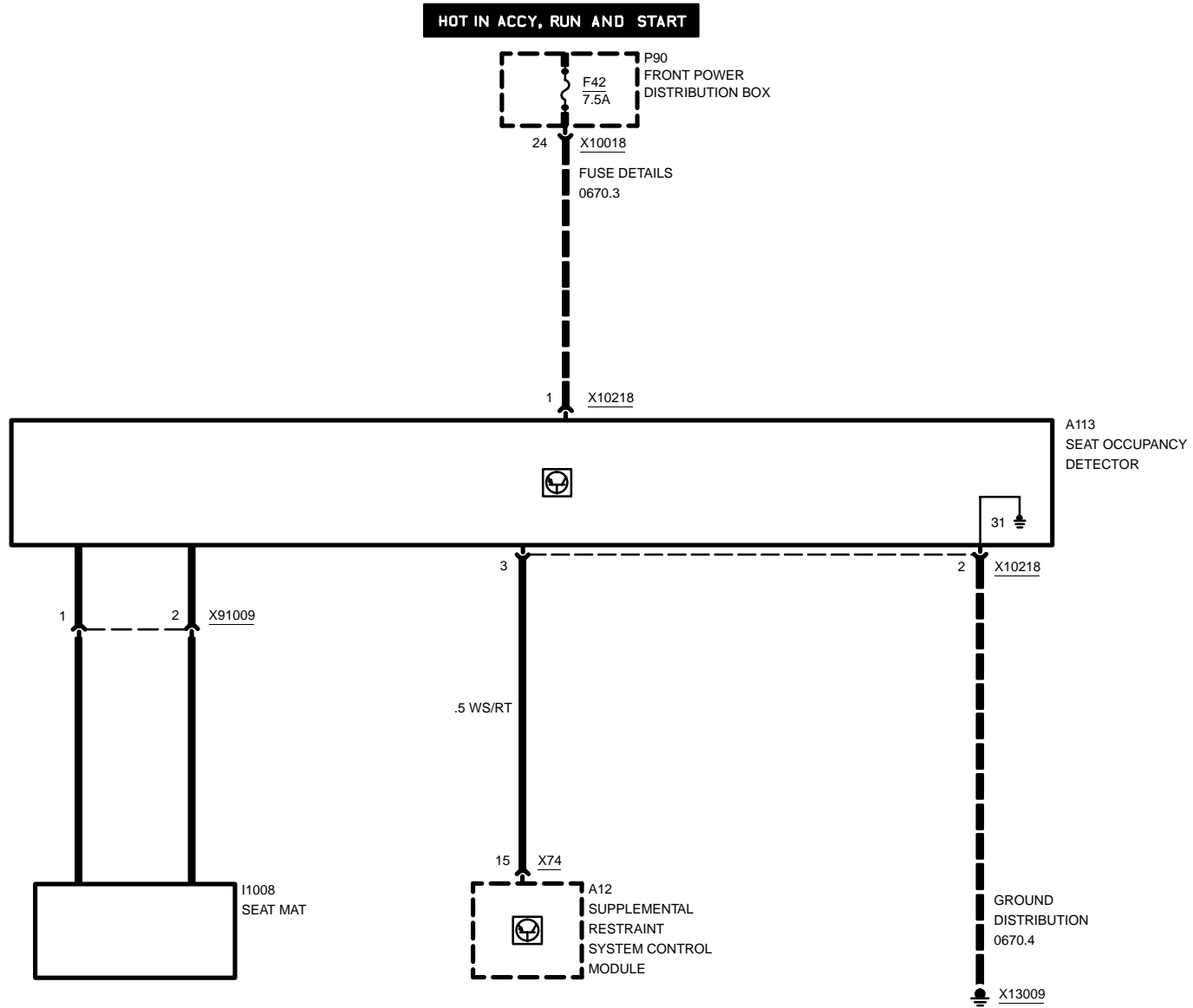


# SUPPLEMENTAL RESTRAINT SYSTEM (AIR BAG)





# SUPPLEMENTAL RESTRAINT SYSTEM (AIR BAG)



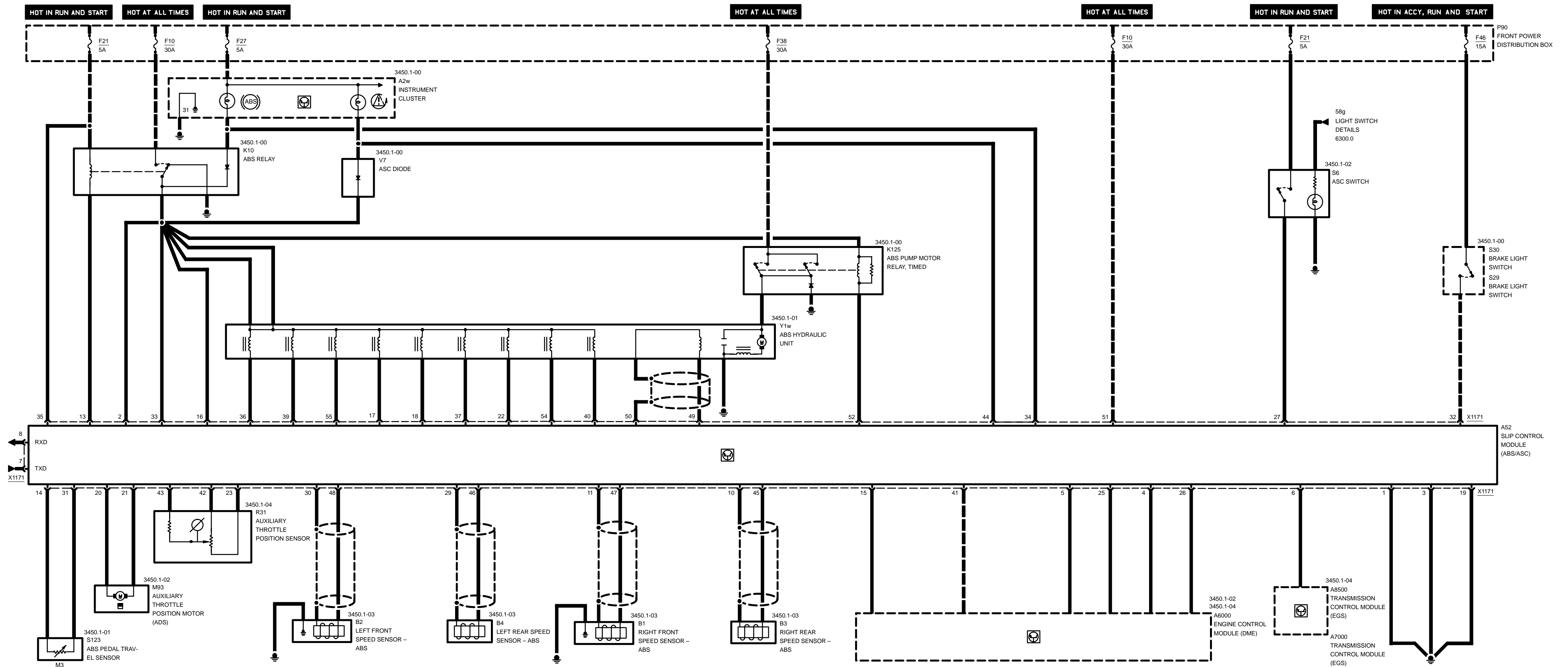
3450.1 SLIP CONTROL (ABS/ASC)

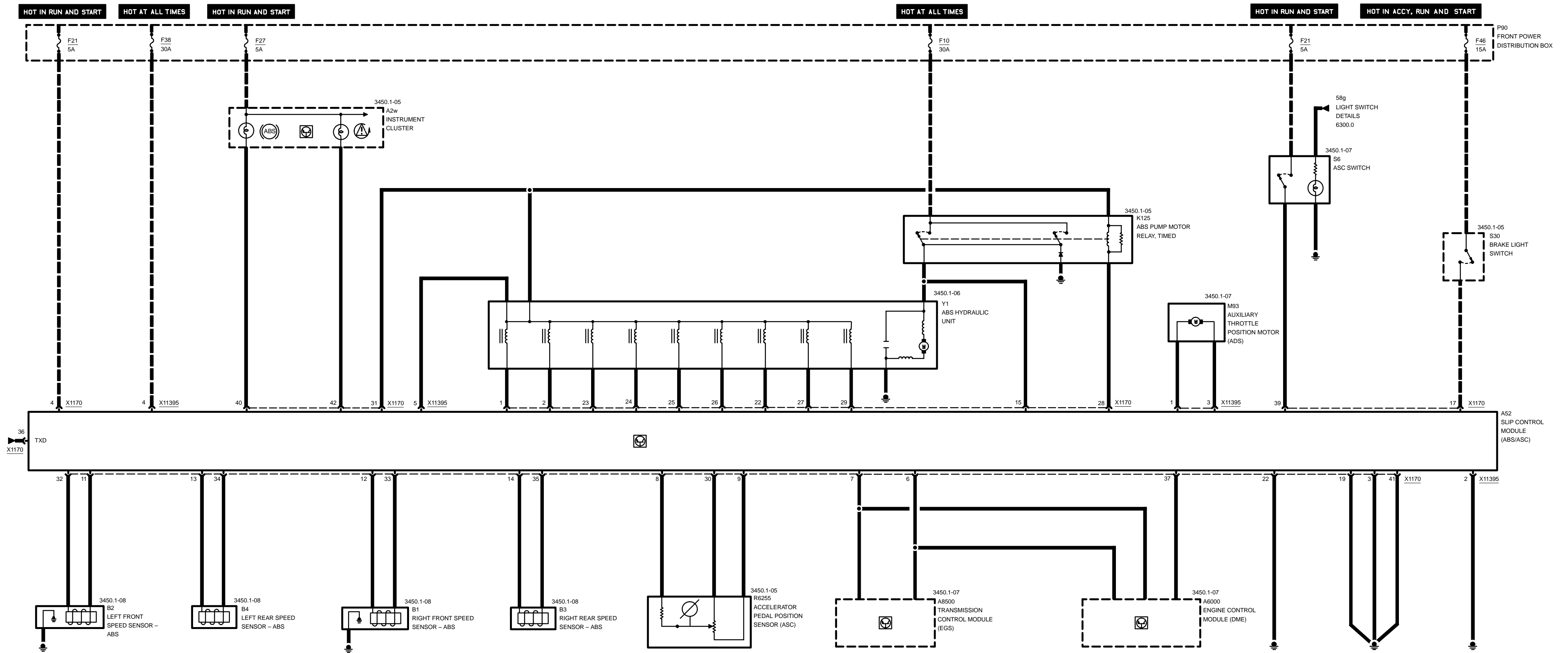
323i, 328i, M3

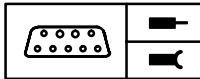
03/00

3450.1a

1999







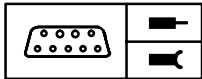
## Pin Assignments

**323i, 328i, M3**

### X1171

Pin	Type	Description/Function	Connection
1	M	Ground	Ground
2	E	Battery voltage	ABS relay
3	M	Ground	Ground
4	E	Ignition cut-off signal	DME module
5	A	EML signal	DME module
6	A	Transmission influence	Transmission control module
7	E/A	TxD signal	Diagnostic link
8	A	RxD signal	Diagnostic link
9		Not used	
10	A	Sensor ground	ABS speed sensor rear right
11	A	Sensor ground	ABS speed sensor front right
12		Not used	
13	A	ABS power protection relay	ABS power protection relay
14	E	Pedal travel sensor	Pedal travel sensor
15	A	Right rear speed signal	DME module
16	E	Plus supply	ABS relay
17	A	Solenoid valve signal left rear inlet	ABS hydraulic unit
18	A	Solenoid valve signal left rear outlet	ABS hydraulic unit
19	M	Ground	Ground
20	A	ADS step motor (-)	ADS step motor
21	A	ADS step motor (+)	ADS step motor
22	A	Solenoid valve signal right front inlet	ABS hydraulic unit
23	E	ASC throttle flap potentiometer (-)	ASC throttle flap motor potentiometer
24		Not used	
25	E	Idle speed signal	DME module
26	A	Throttle flap position	DME module
27	E	ASC switch signal	ASC witch
28		Not used	
29	A	Sensor ground	ABS speed sensor rear left
30	A	Sensor ground	ABS speed sensor front left

E = Input, A = Output, M = Ground



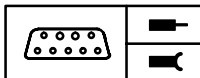
## Pin Assignments

**323i, 328i, M3**

Pin	Type	Description/Function	Connection
31	E	Pedal travel sensor	Pedal travel sensor
32	E	Brake signal	Brake light switch
33	E	Plus supply	ABS relay
34	A	ABS lamp control	Instrument cluster
35	E	Ignition signal	Fuse 21
36	A	Separator valve	ABS hydraulic unit
37	A	Solenoid valve signal right front outlet	ABS hydraulic unit
38		Not used	
39	A	Right rear inlet valve	ABS hydraulic unit
40	A	Solenoid valve signal left front inlet	ABS hydraulic unit
41	E	Speed signal	DME module
42	E	ASC throttle flap potentiometer (+)	ASC throttle flap potentiometer
43	E	ASC throttle flap signal	ASC throttle flap potentiometer
44	A	ASC lamp control	Instrument cluster
45	E	Speed sensor signal rear right	Speed sensor rear right
46	E	Speed sensor signal rear left	Speed sensor rear left
47	E	Speed sensor signal front right	Speed sensor front right
48	E	Speed sensor signal front left	Speed sensor front left
49	E	Pump motor sensor signal	ABS hydraulic unit
50	E	Shield pump motor sensor	ABS hydraulic unit
51	E	Plus supply	Front power distribution box
52	A	ABS pump motor relay	ABS pump motor relay
53		Not used	
54	A	Solenoid valve signal left front outlet	ABS hydraulic unit
55	A	Right rear outlet valve	ABS hydraulic unit

E = Input, A = Output, M = Ground





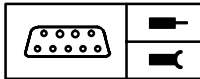
## Pin Assignments

318i

### X1170

Pin	Type	Description/Function	Connection
56	A	Right rear inlet valve	ABS hydraulic unit
57	A	Separator valve	ABS hydraulic unit
58	M	Ground	Ground point
59	E	Voltage supply	Fuse 21
60		Not used	
61	E/A	Can Low	DME/EGS module
62	E/A	Can High	DME/EGS module
63	E	ASC throttle flap signal	Accelerator pedal position sensor
64	E	ASC throttle flap potentiometer (-)	Accelerator pedal position sensor
65		Not used	
66	A	Sensor ground	Left front speed sensor ABS
67	A	Sensor ground	Right front speed sensor ABS
68	A	Sensor ground	Left rear speed sensor ABS
69	A	Sensor ground	Right rear speed sensor ABS
70	E	Signal pump motor	ABS pump motor relay
71		Not used	
72	E	Brake pedal position	Brake light switch
73		Not used	
74	M	Ground	Ground point
75		Not used	
76		Not used	
77	A	Left front outlet valve	ABS hydraulic unit
78	A	Right rear outlet valve	ABS hydraulic unit
79	A	Left rear inlet valve	ABS hydraulic unit
80	A	Left rear outlet valve	ABS hydraulic unit
81	A	Right front outlet valve	ABS hydraulic unit
82	A	Right front inlet valve	ABS hydraulic unit
83	A	Activate relay	ABS pump motor relay
84	A	Left front inlet valve	ABS hydraulic unit
85	E	ASC throttle flap potentiometer (+)	Accelerator pedal position sensor

E = Input, A = Output, M = Ground



## Pin Assignments

318i

Pin	Type	Description/Function	Connection
86	A	Signal ABS	ABS pump motor relay/Hydraulic unit
87	E	Speed signal	Left front speed sensor ABS
88	E	Speed signal	Right front speed sensor ABS
89	E	Speed signal	Left rear speed sensor ABS
90	E	Speed signal	Right rear speed sensor ABS
91	E/A	TxD diagnostic data link	Data link connector
92	A	Speed signal right rear	DME module
93		Not used	
94	E	Signal ASC	ASC switch
95	E	Slip control system warning lamp	Slip control module (ASC)
96	M	Ground	Ground point
97	A	Signal ASC	Instrument cluster

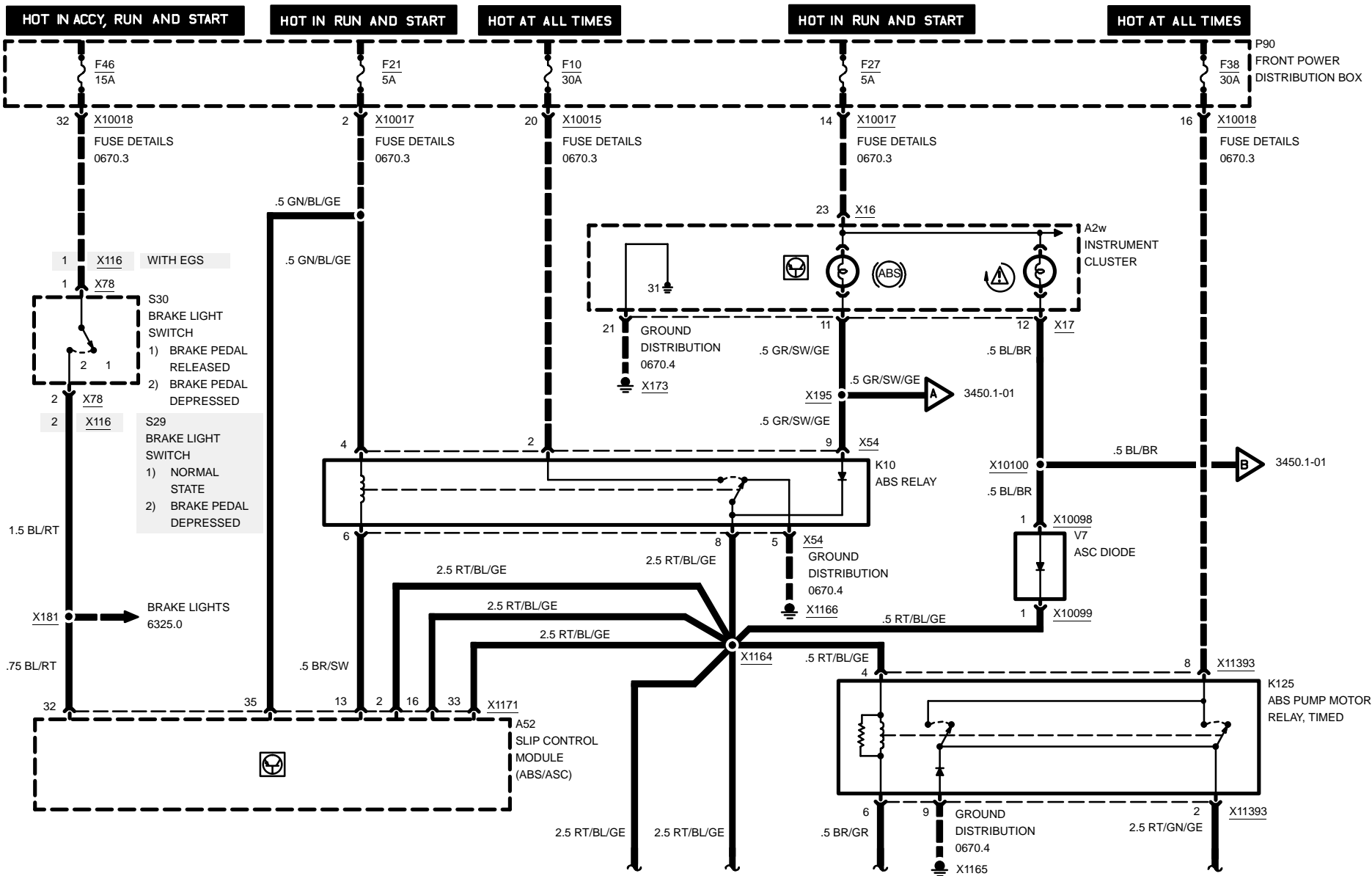
### X11395

Pin	Type	Description/Function	Connection
1	A	ADS step motor (+)	ADS step motor
2	M	Ground	Ground point
3	A	ADS step motor (-)	ADS step motor
4	E	Voltage supply	Fuse 38
5	A	Signal ABS	ABS hydraulic unit

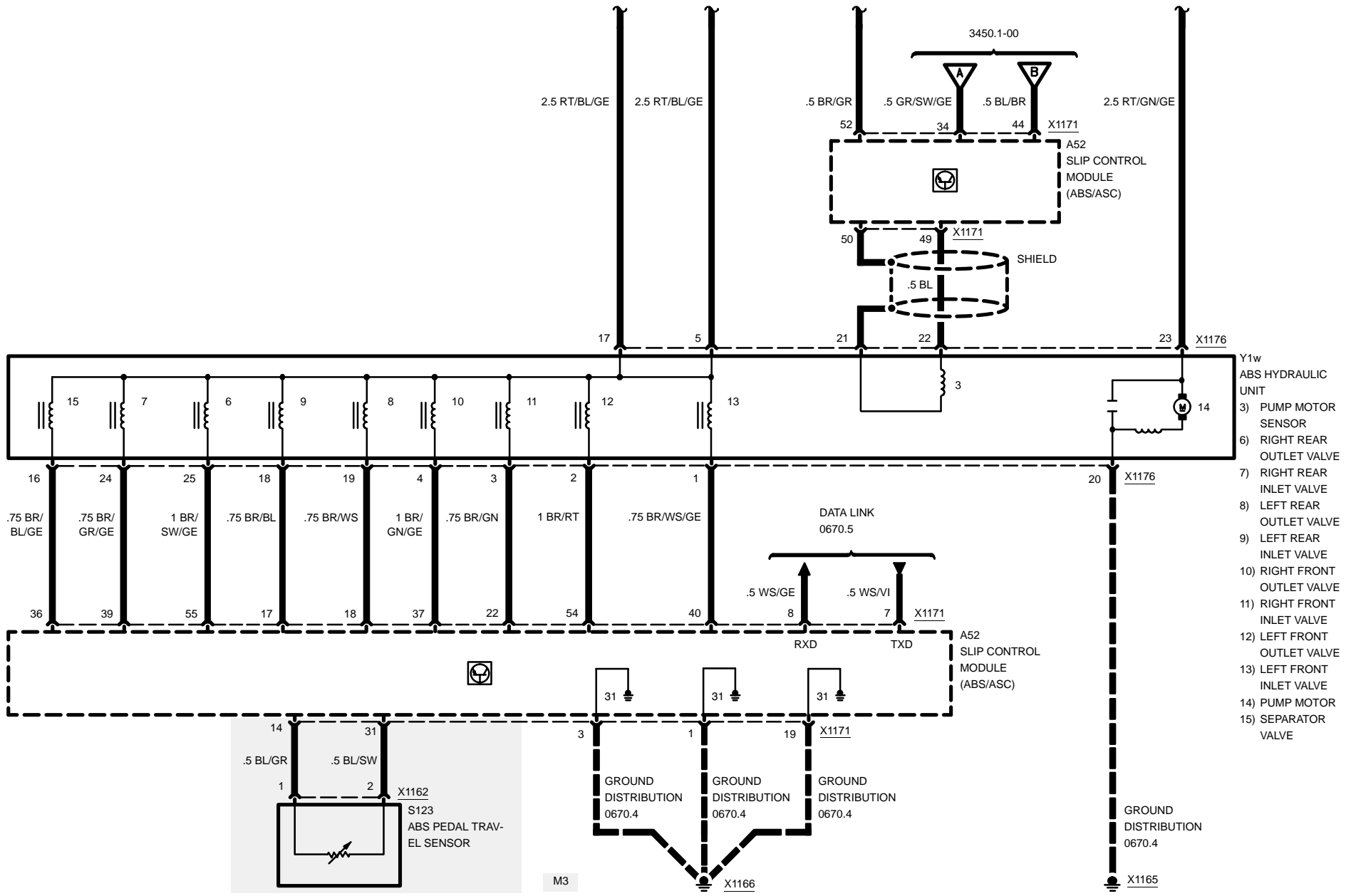


# SLIP CONTROL (ABS/ASC)

323i, 328i, M3



03/00 — 3450.1-00 — 1999

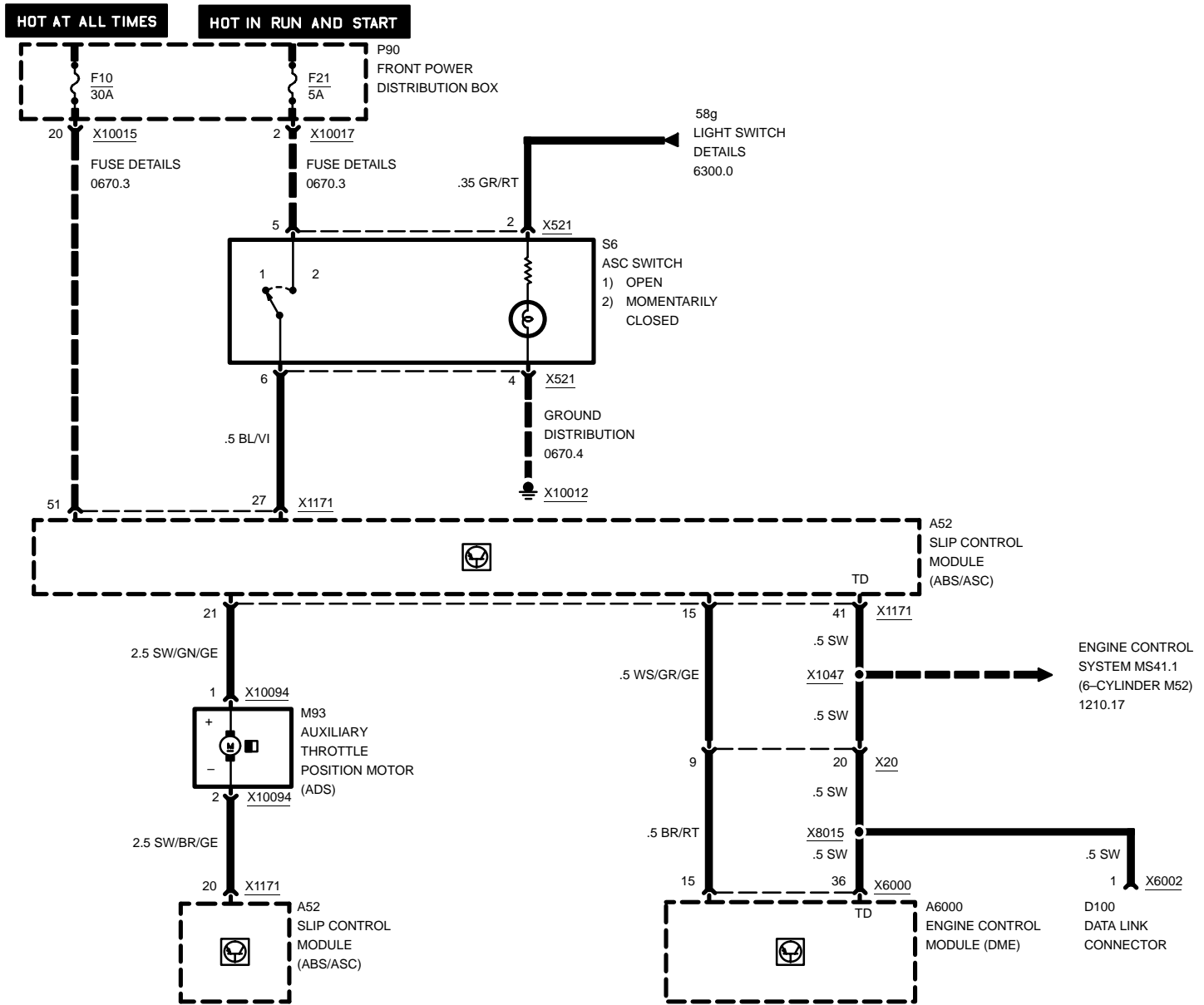


- Y1w  
ABS HYDRAULIC UNIT
- 3) PUMP MOTOR
  - 6) RIGHT REAR OUTLET VALVE
  - 7) RIGHT REAR INLET VALVE
  - 8) LEFT REAR OUTLET VALVE
  - 9) LEFT REAR INLET VALVE
  - 10) RIGHT FRONT OUTLET VALVE
  - 11) RIGHT FRONT INLET VALVE
  - 12) LEFT FRONT OUTLET VALVE
  - 13) LEFT FRONT INLET VALVE
  - 14) PUMP MOTOR
  - 15) SEPARATOR VALVE



# SLIP CONTROL (ABS/ASC)

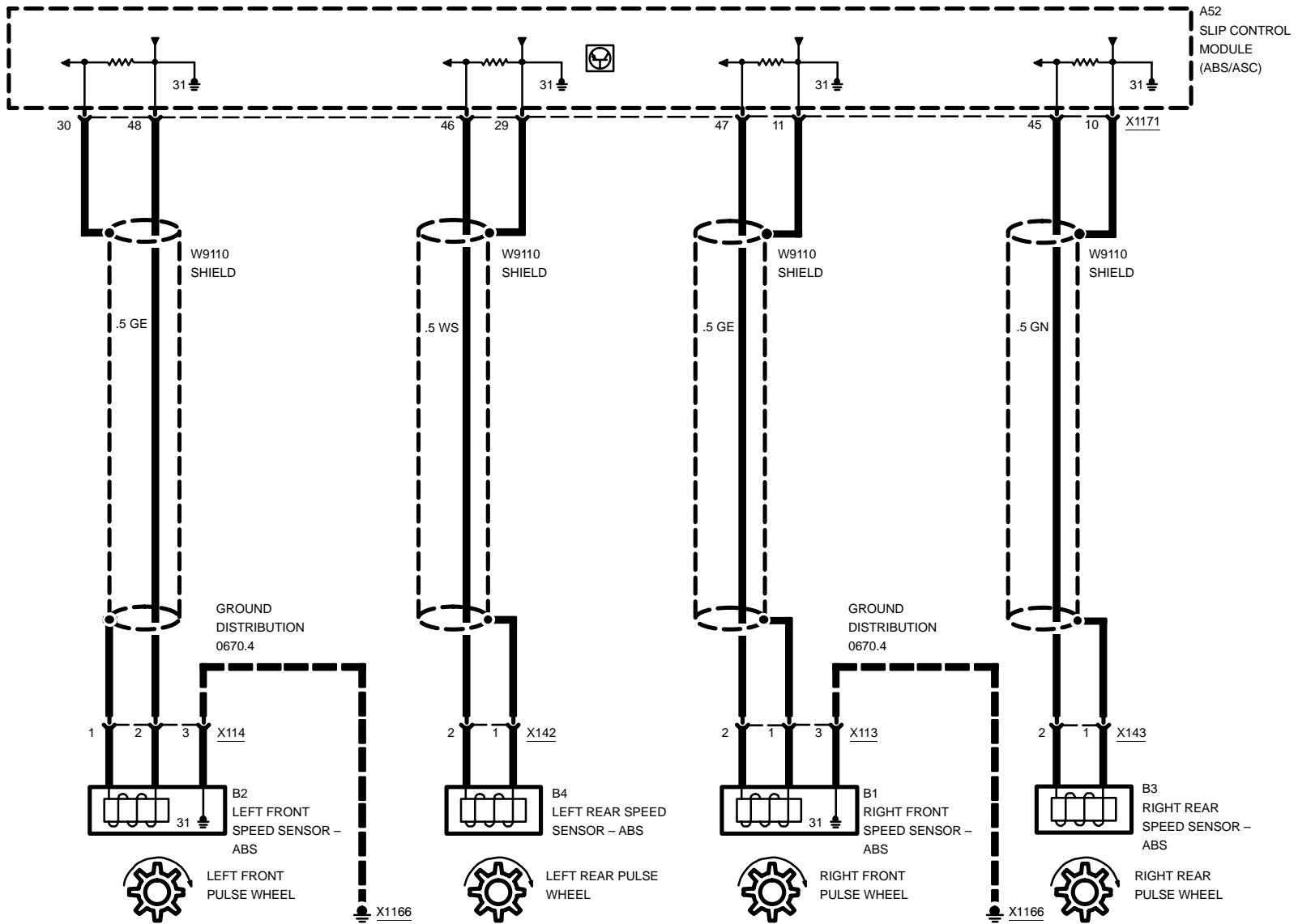
323i, 328i, M3





# SLIP CONTROL (ABS/ASC)

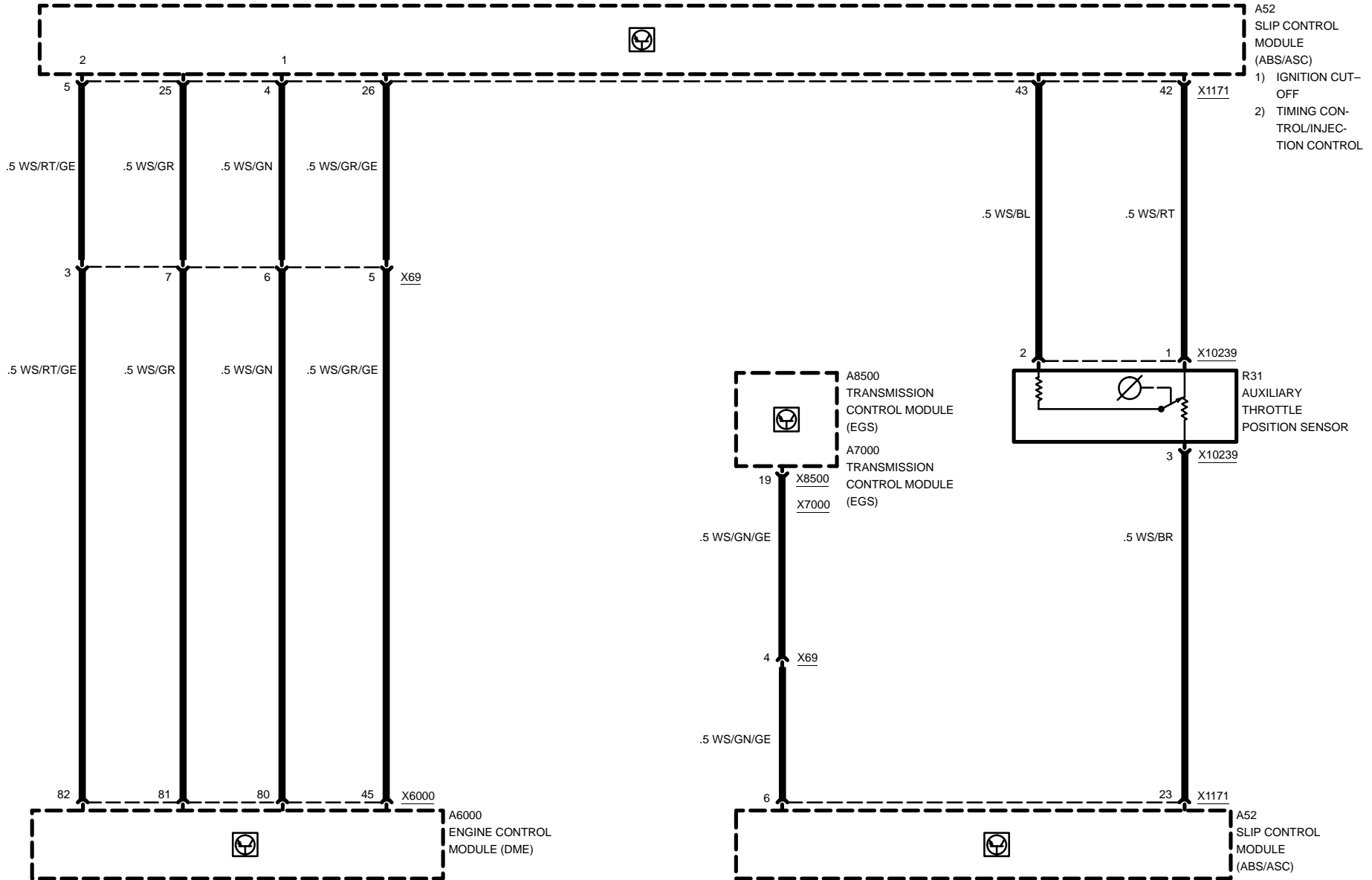
323i, 328i, M3





# SLIP CONTROL (ABS/ASC)

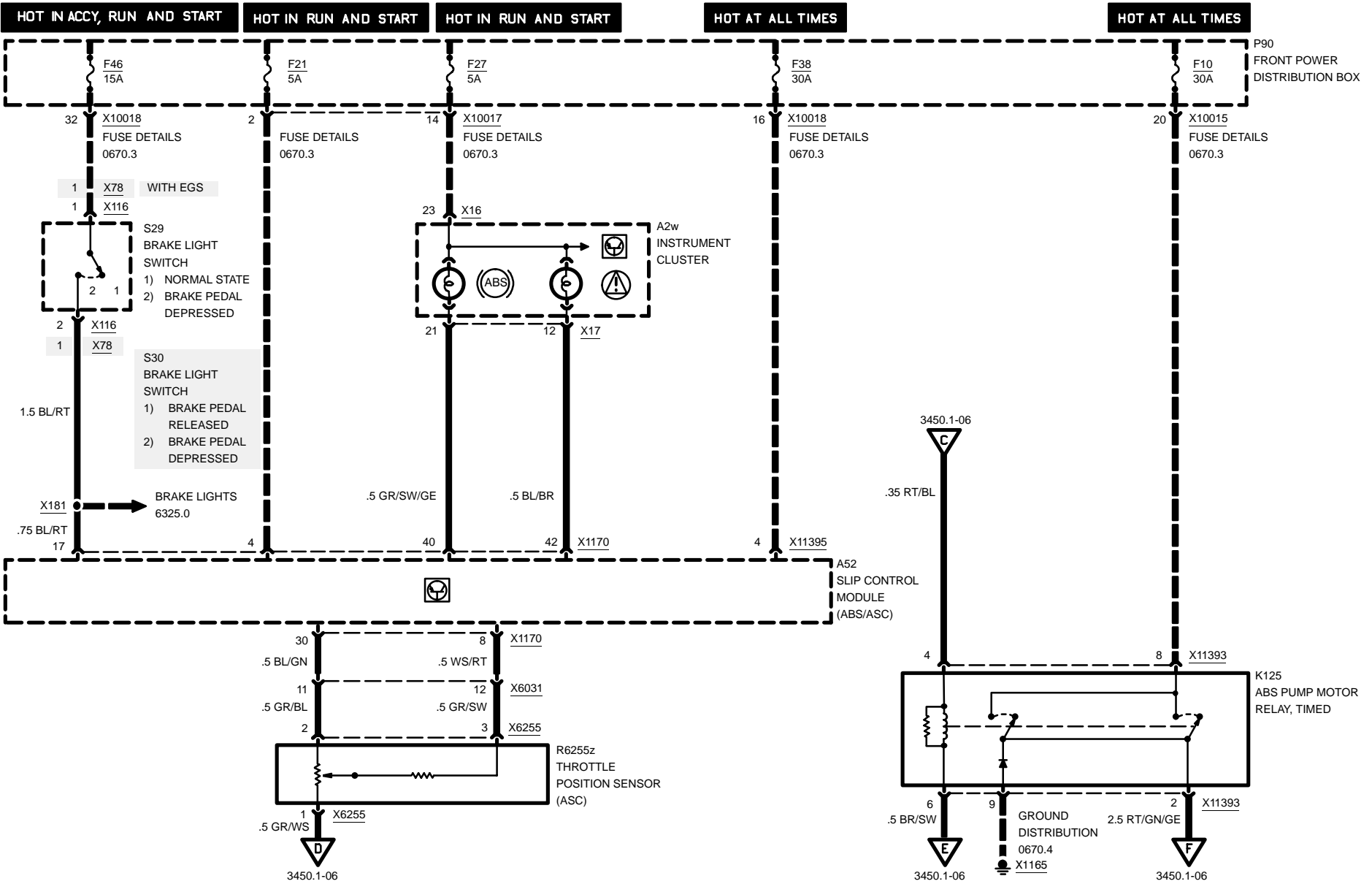
323i, 328i, M3





# SLIP CONTROL (ABS/ASC)

318i



03/00

3450.1-05

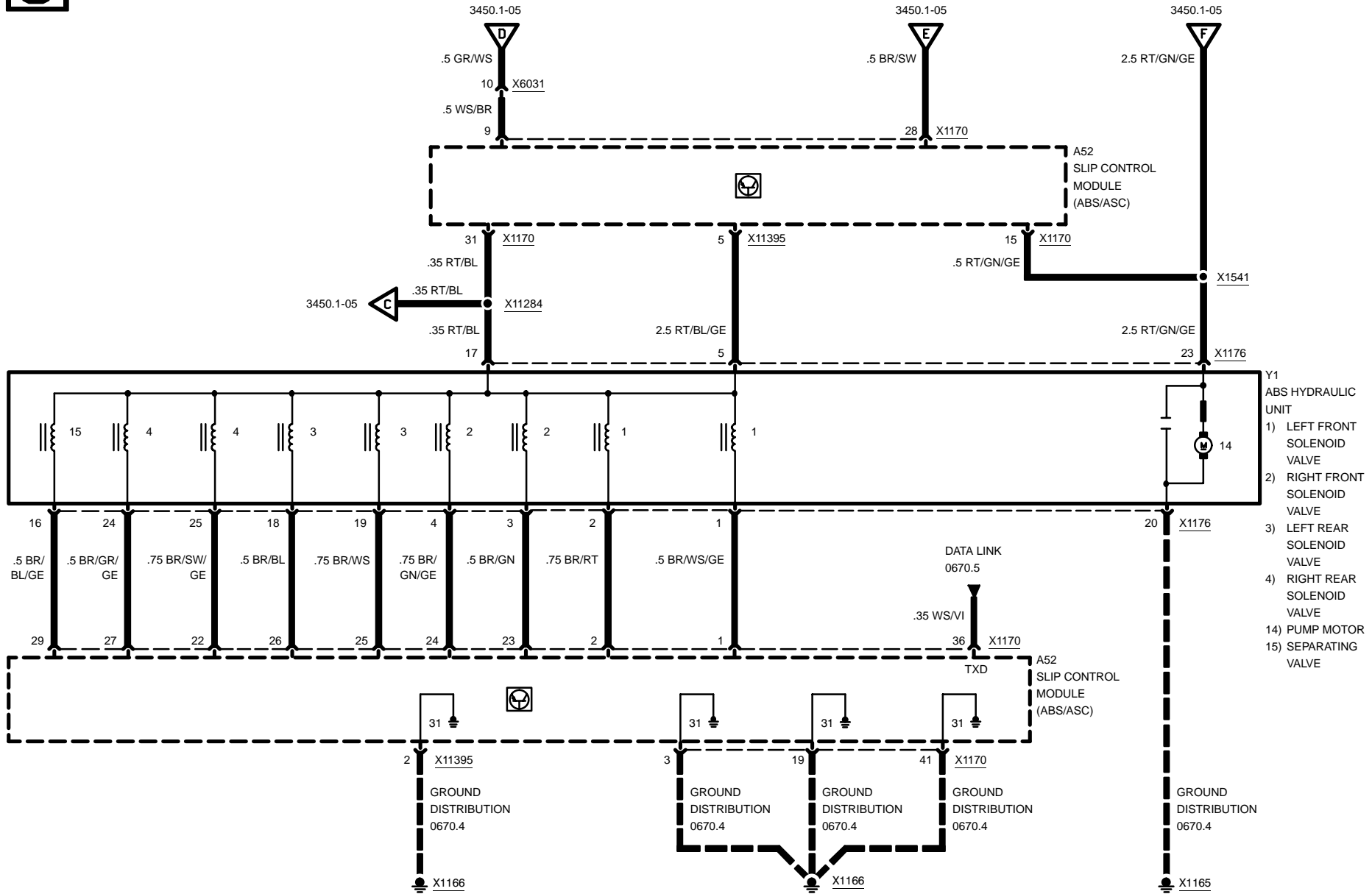
1999





# SLIP CONTROL (ABS/ASC)

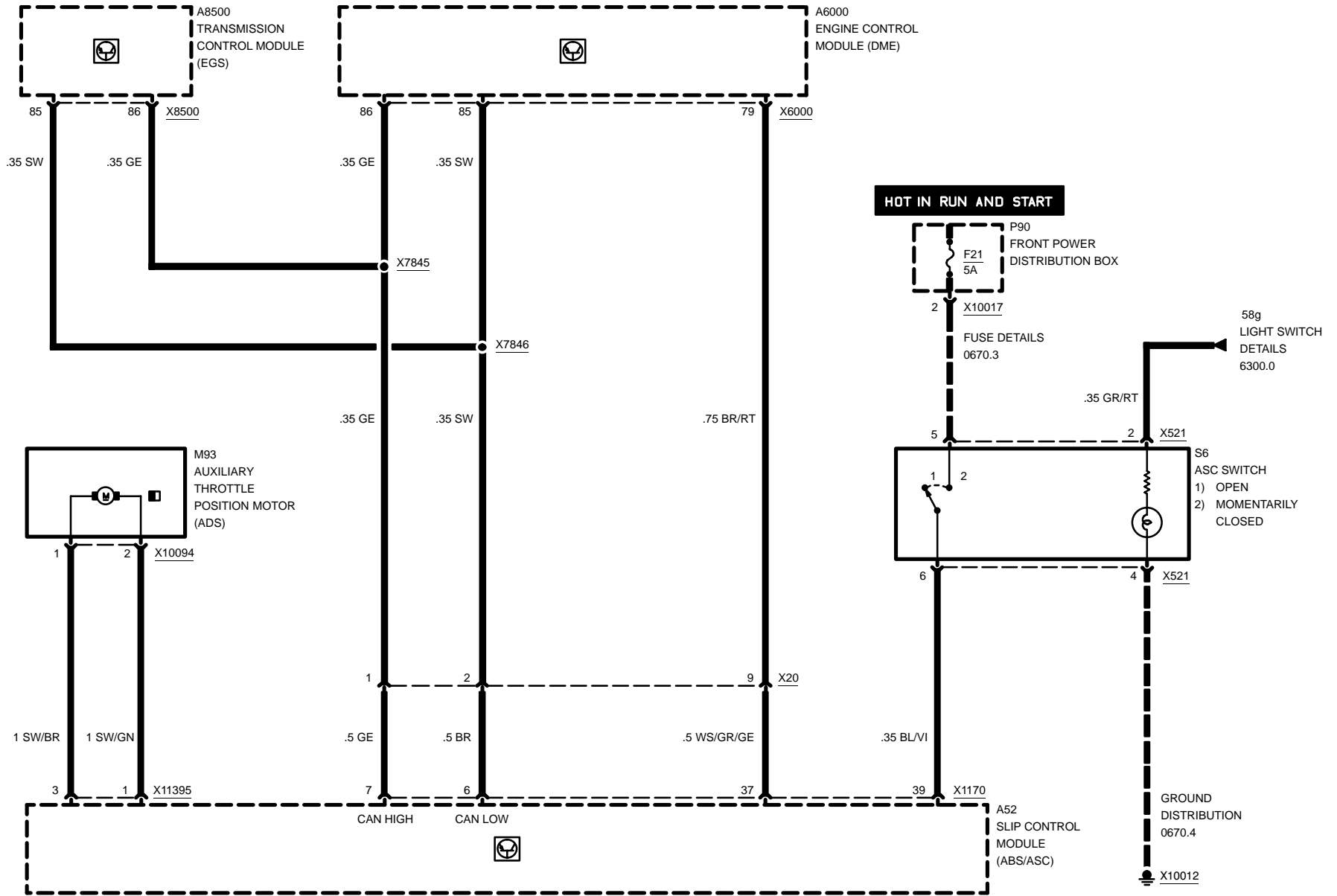
318i





# SLIP CONTROL (ABS/ASC)

318i



03/00

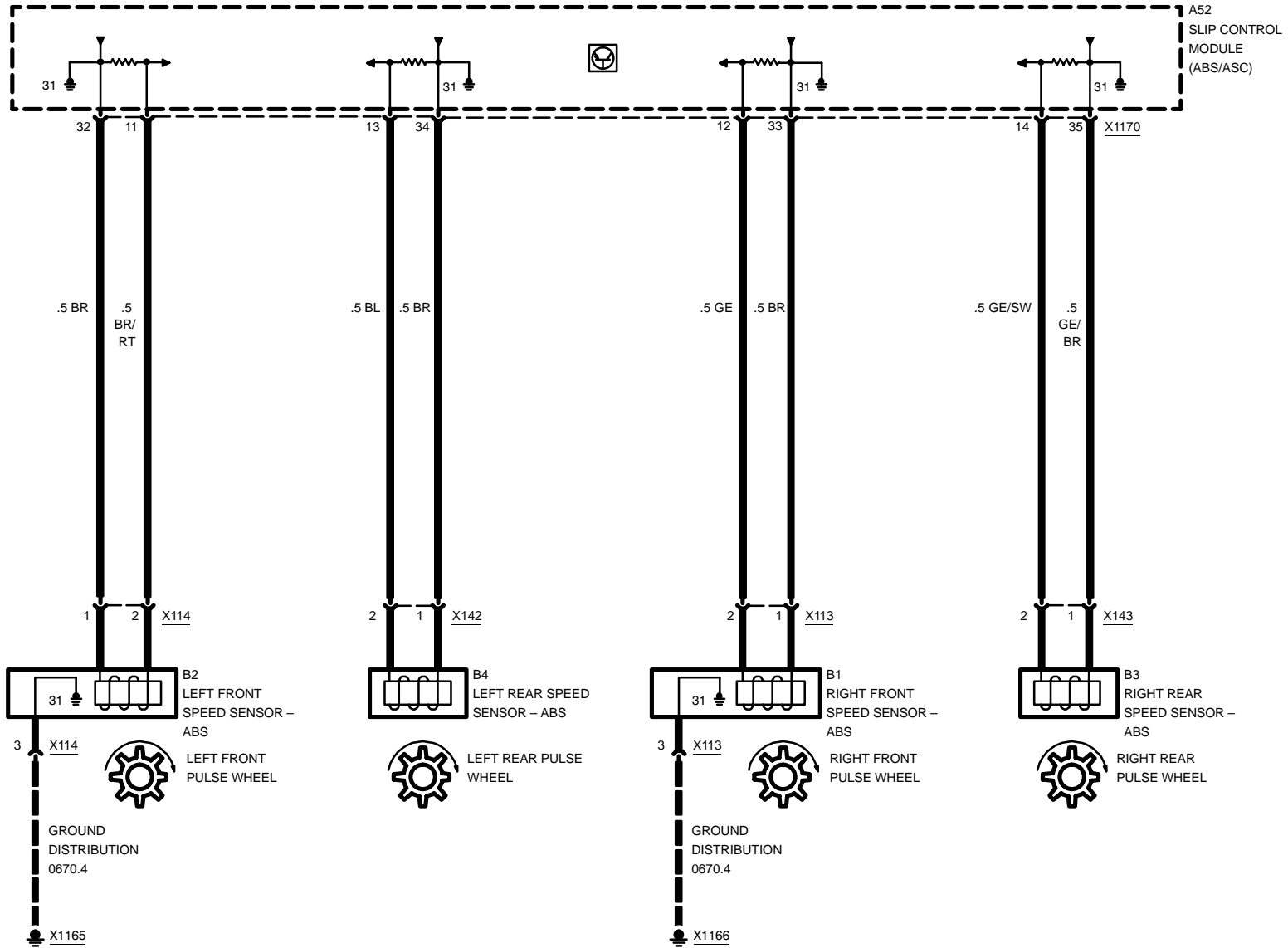
3450.1-07

1999



# SLIP CONTROL (ABS/ASC)

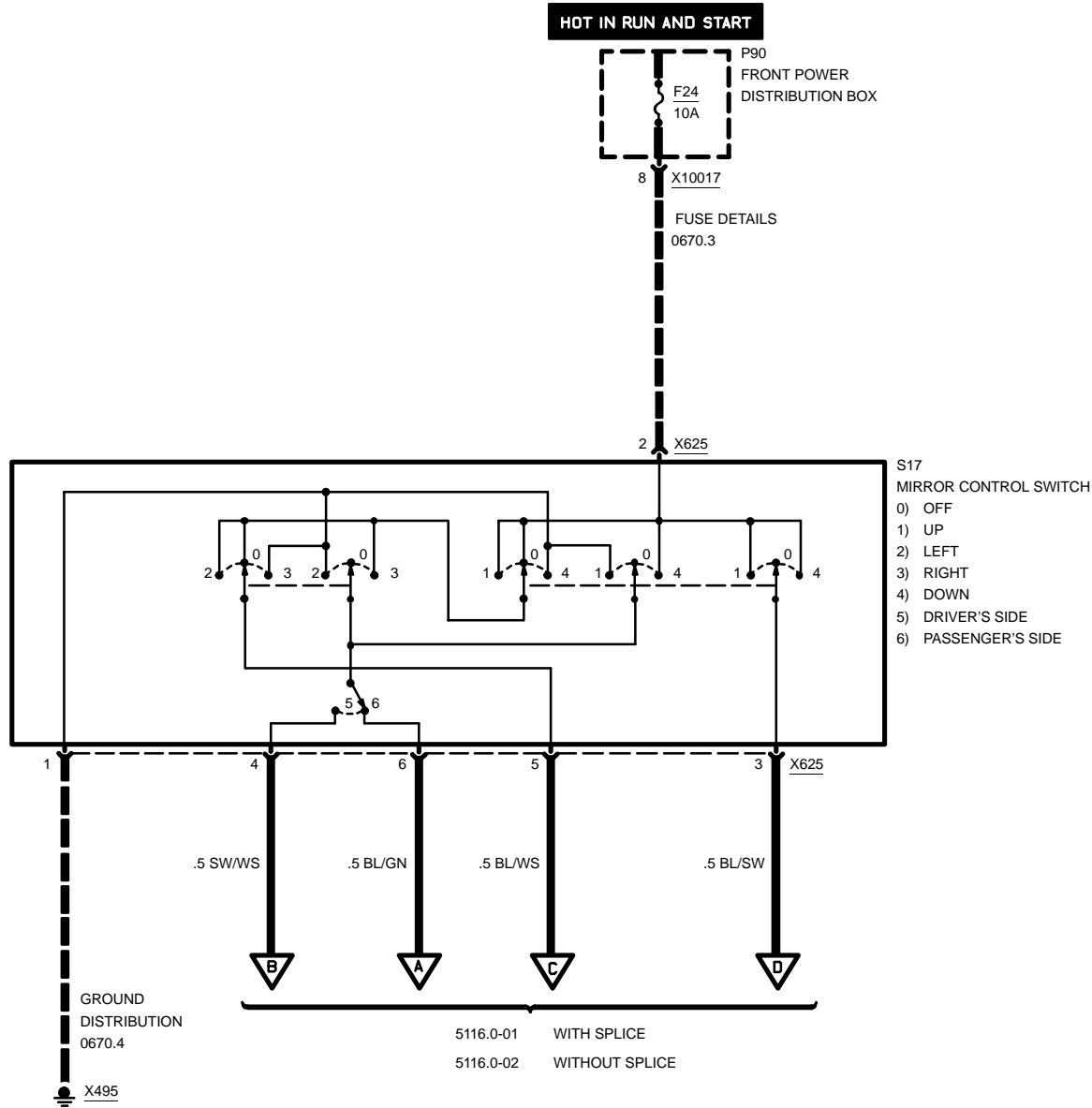
318i





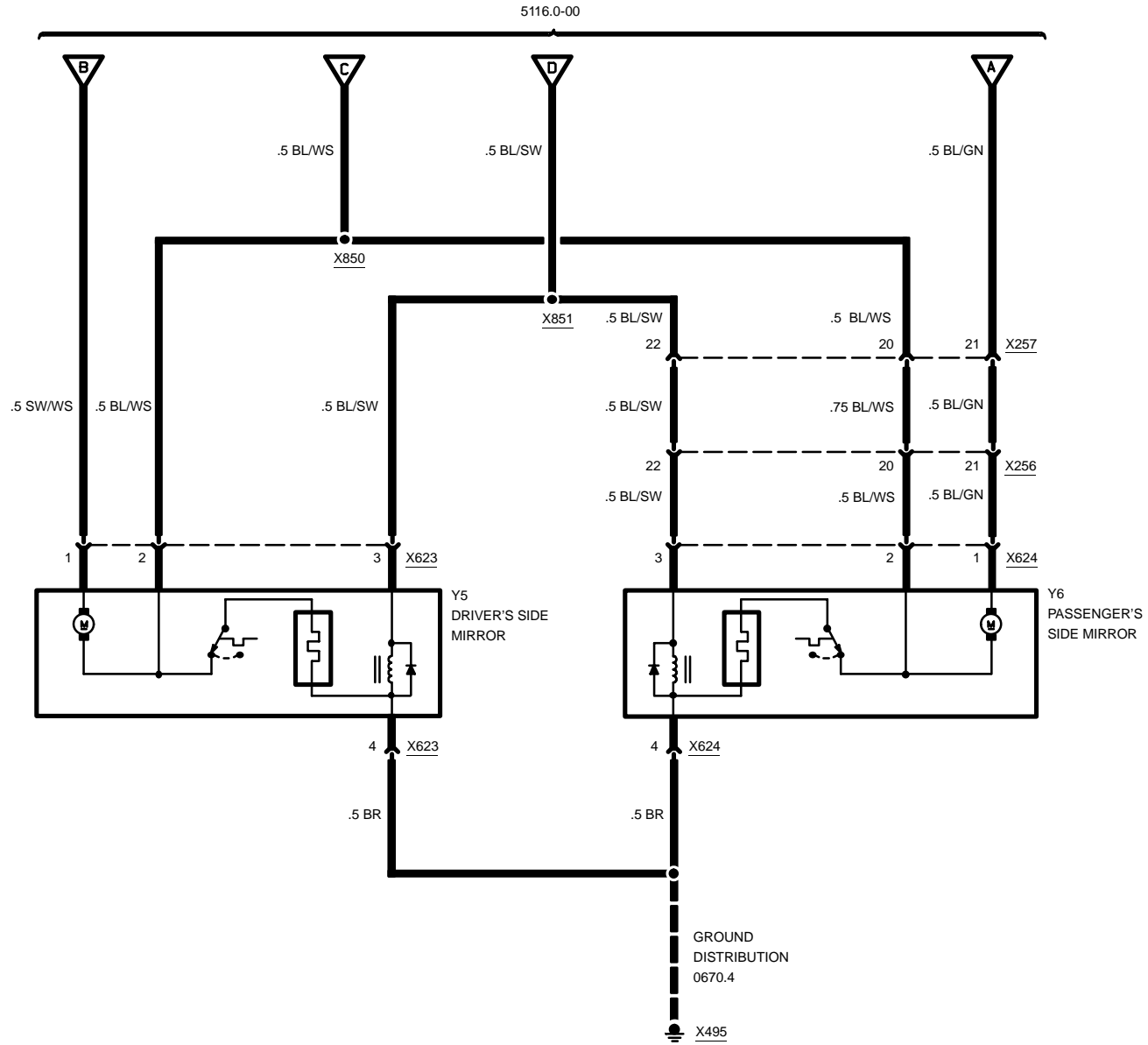
# 5116.0 POWER MIRRORS

## OUTSIDE MIRROR





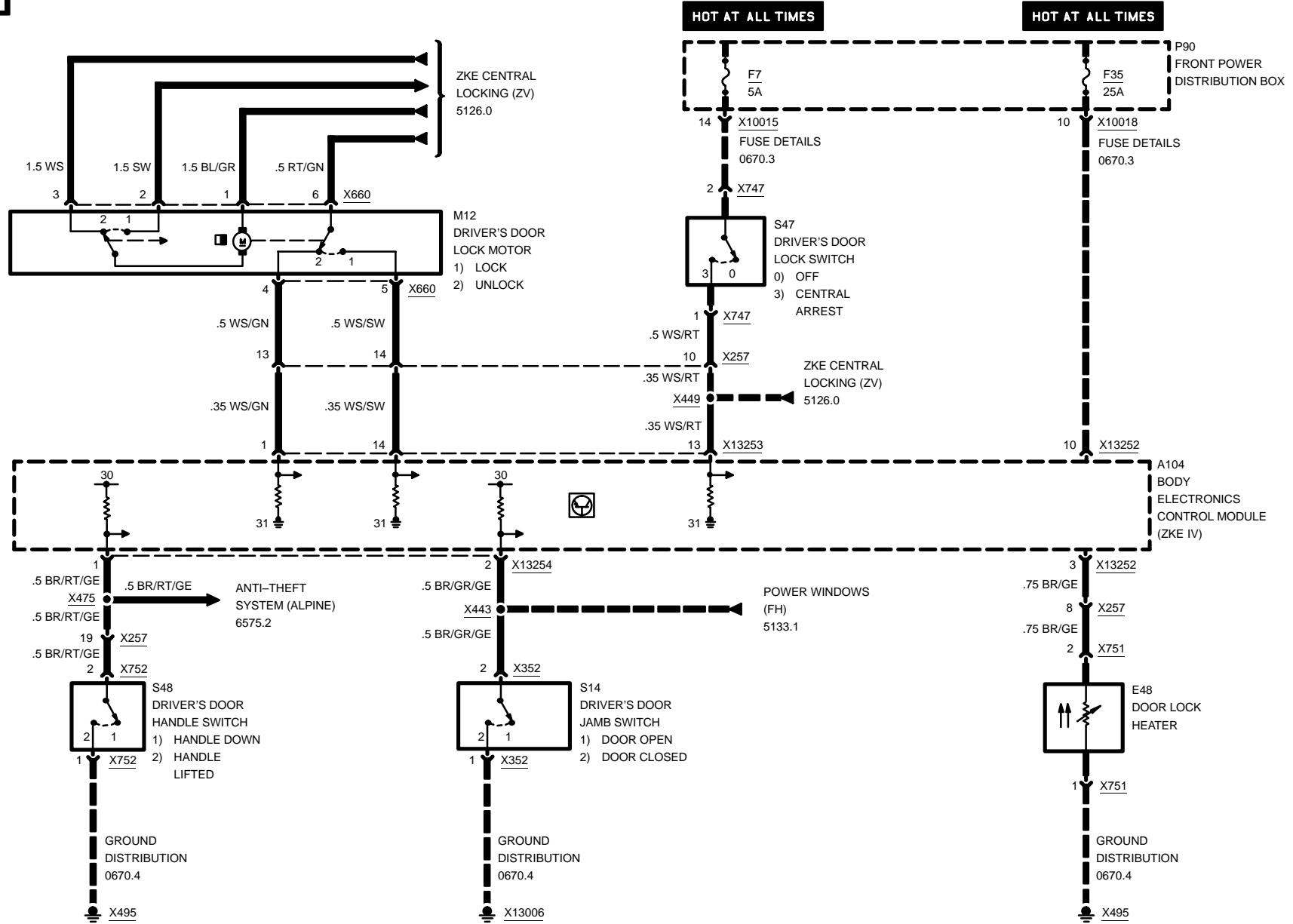
# POWER MIRRORS WITH SPLICE





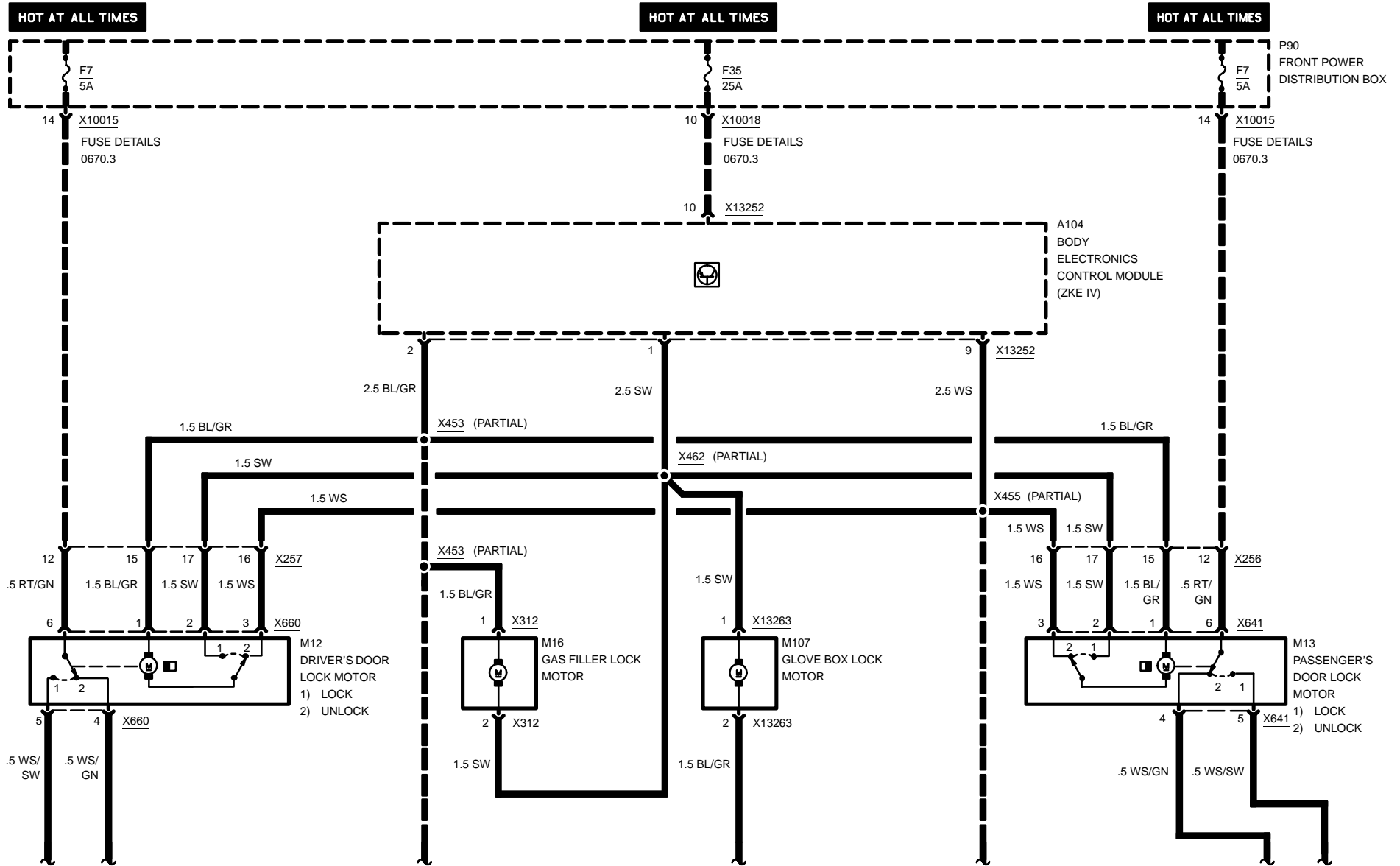


# 5120.0 ZKE DOOR LOCK HEATING (TSH)

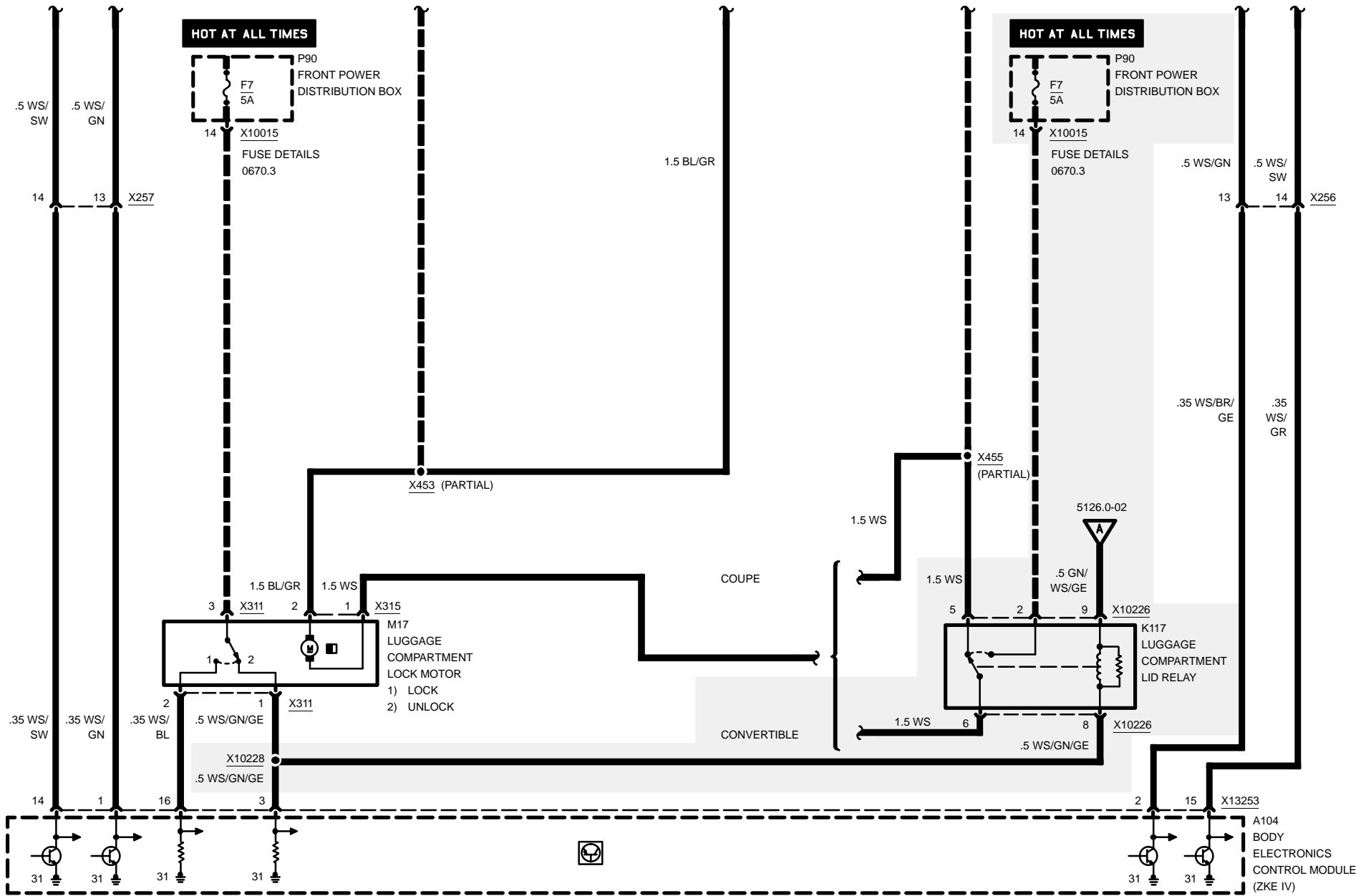




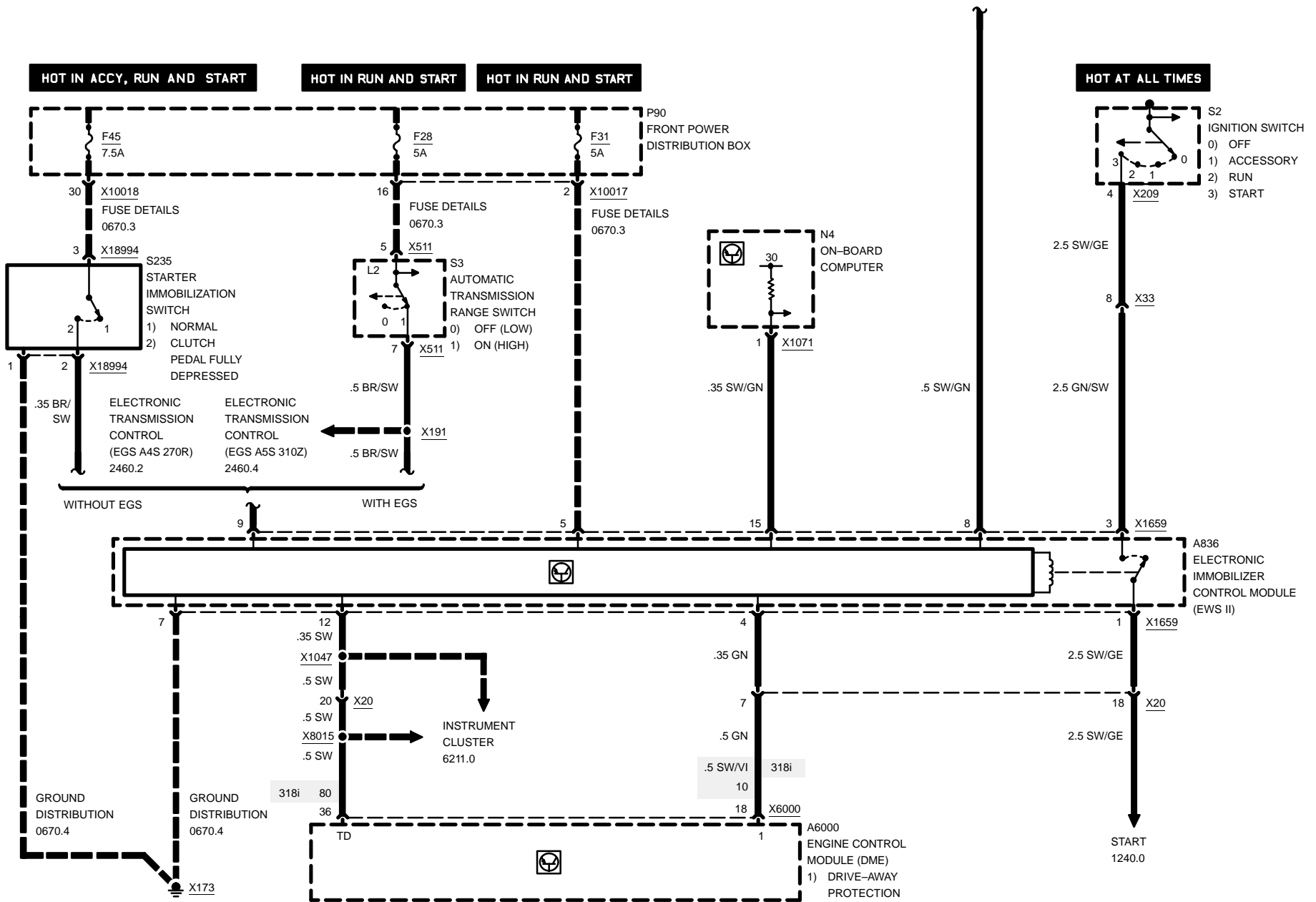
# 5126.0 ZKE CENTRAL LOCKING (ZV) OUTPUT DETAILS







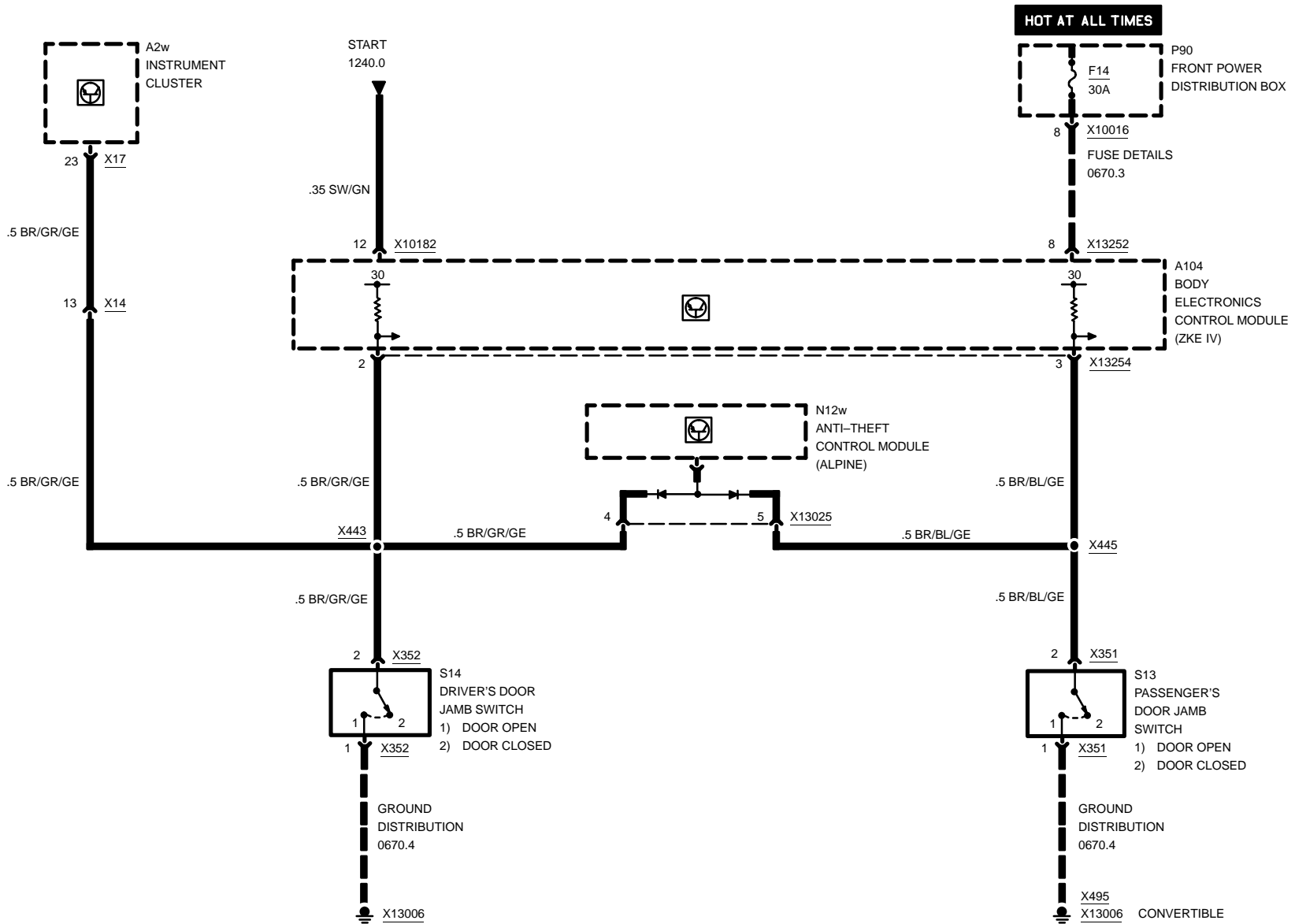






# 5133.1 POWER WINDOWS (FH)

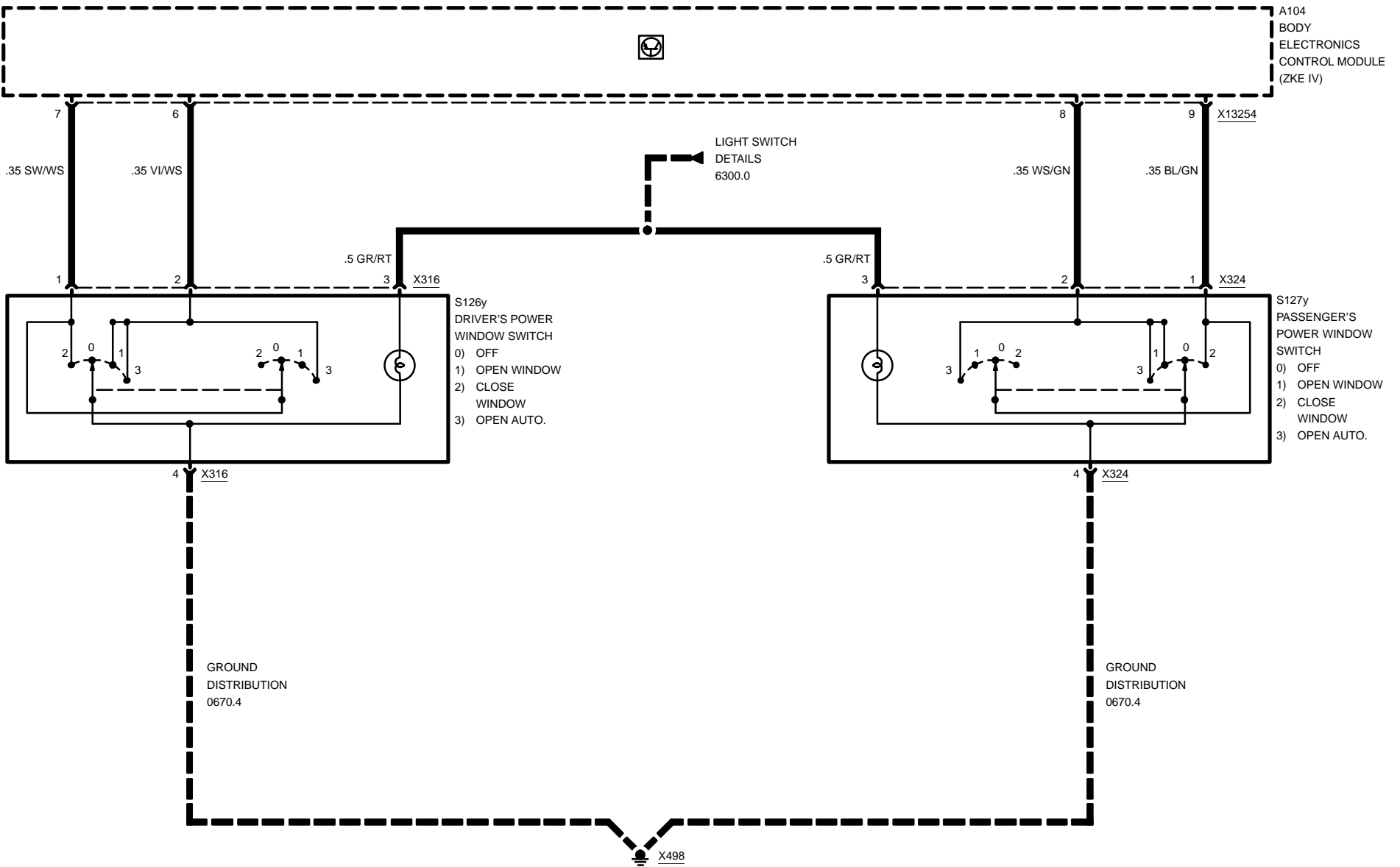
## INPUT DETAILS





# POWER WINDOWS (FH)

## INPUT DETAILS

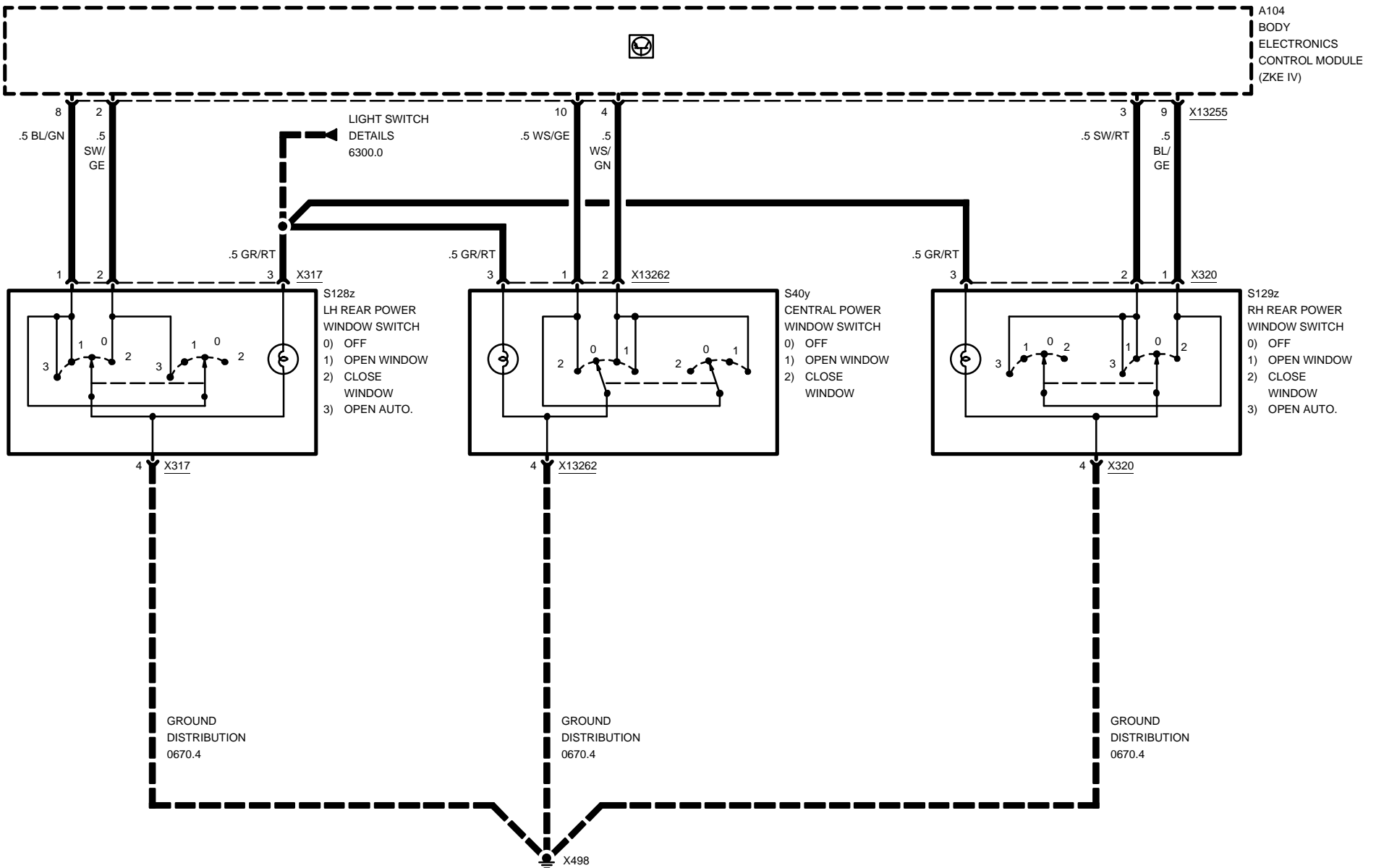




# POWER WINDOWS (FH)

## CONVERTIBLE

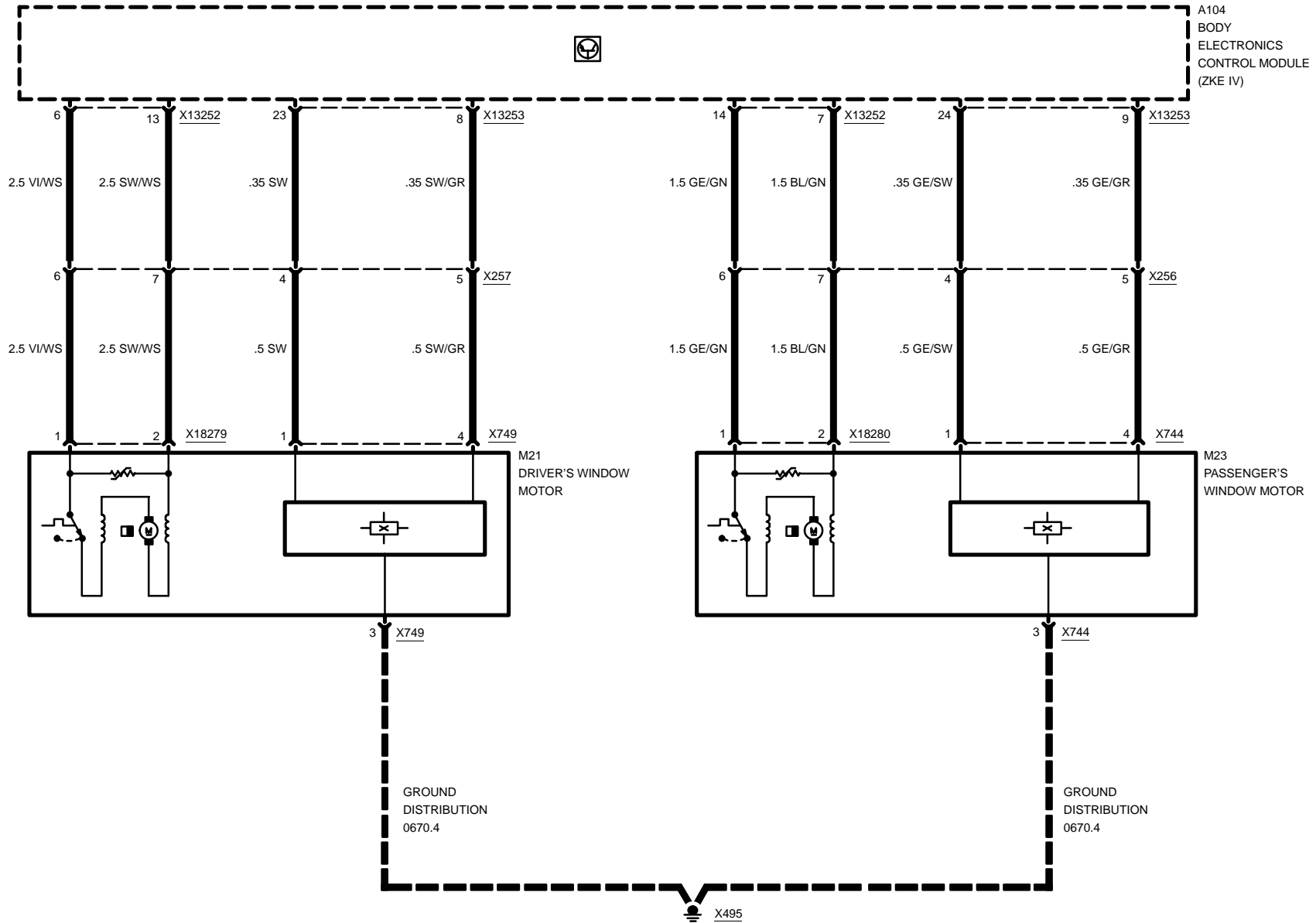
### INPUT DETAILS





# POWER WINDOWS (FH)

## OUTPUT DETAILS

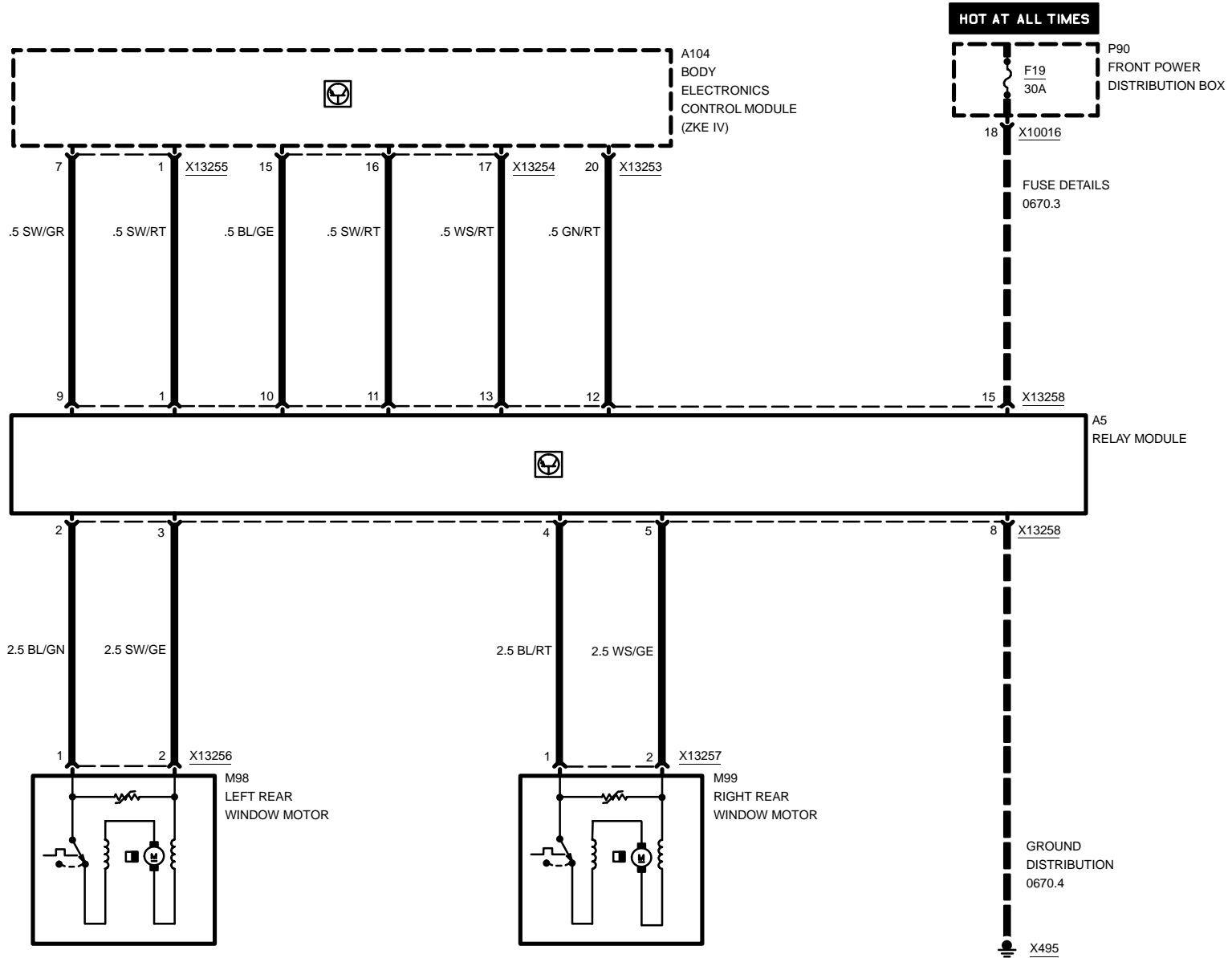




# POWER WINDOWS (FH)

## OUTPUT DETAILS

# CONVERTIBLE

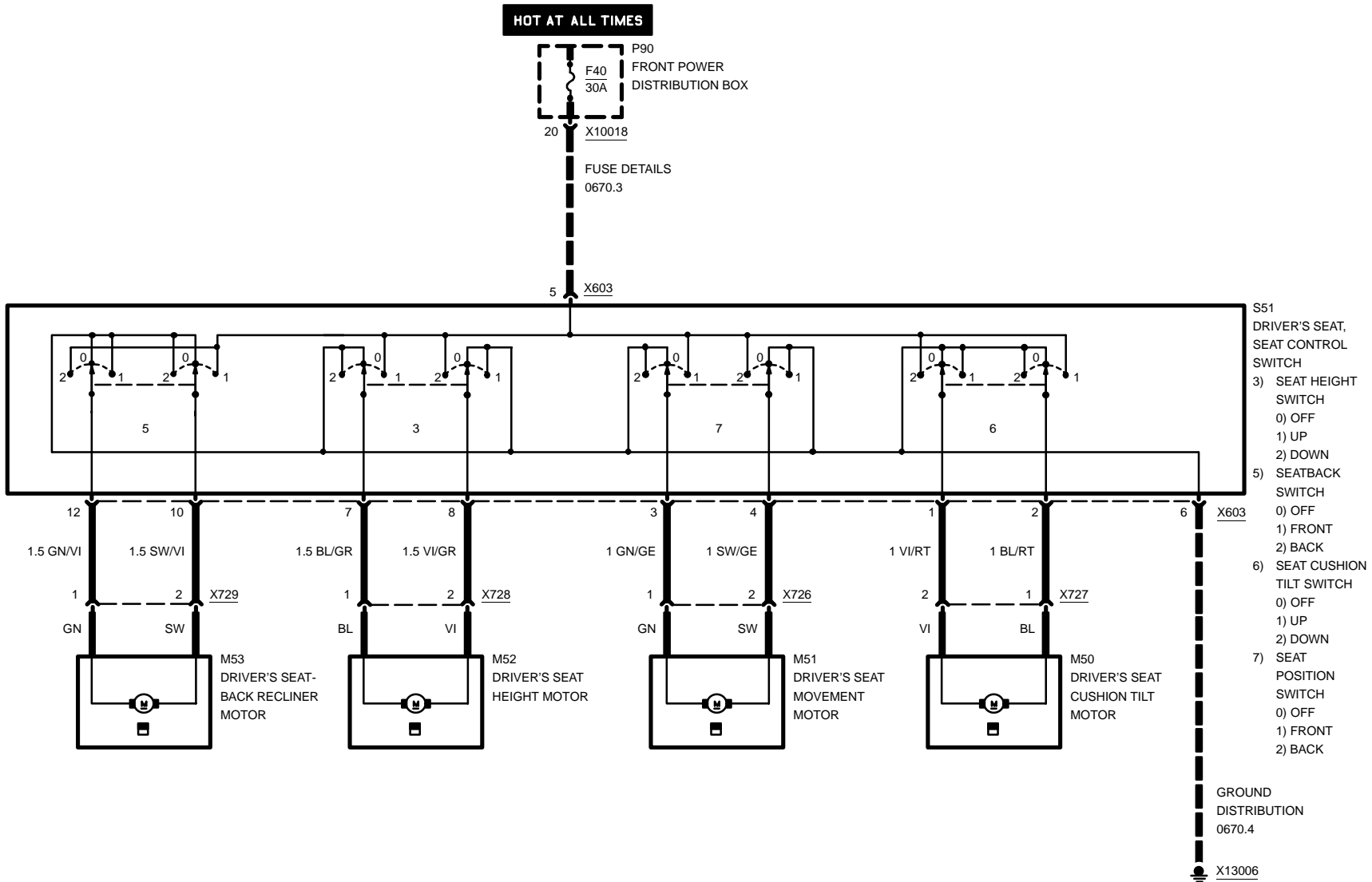






# 5200.0 POWER SEATS

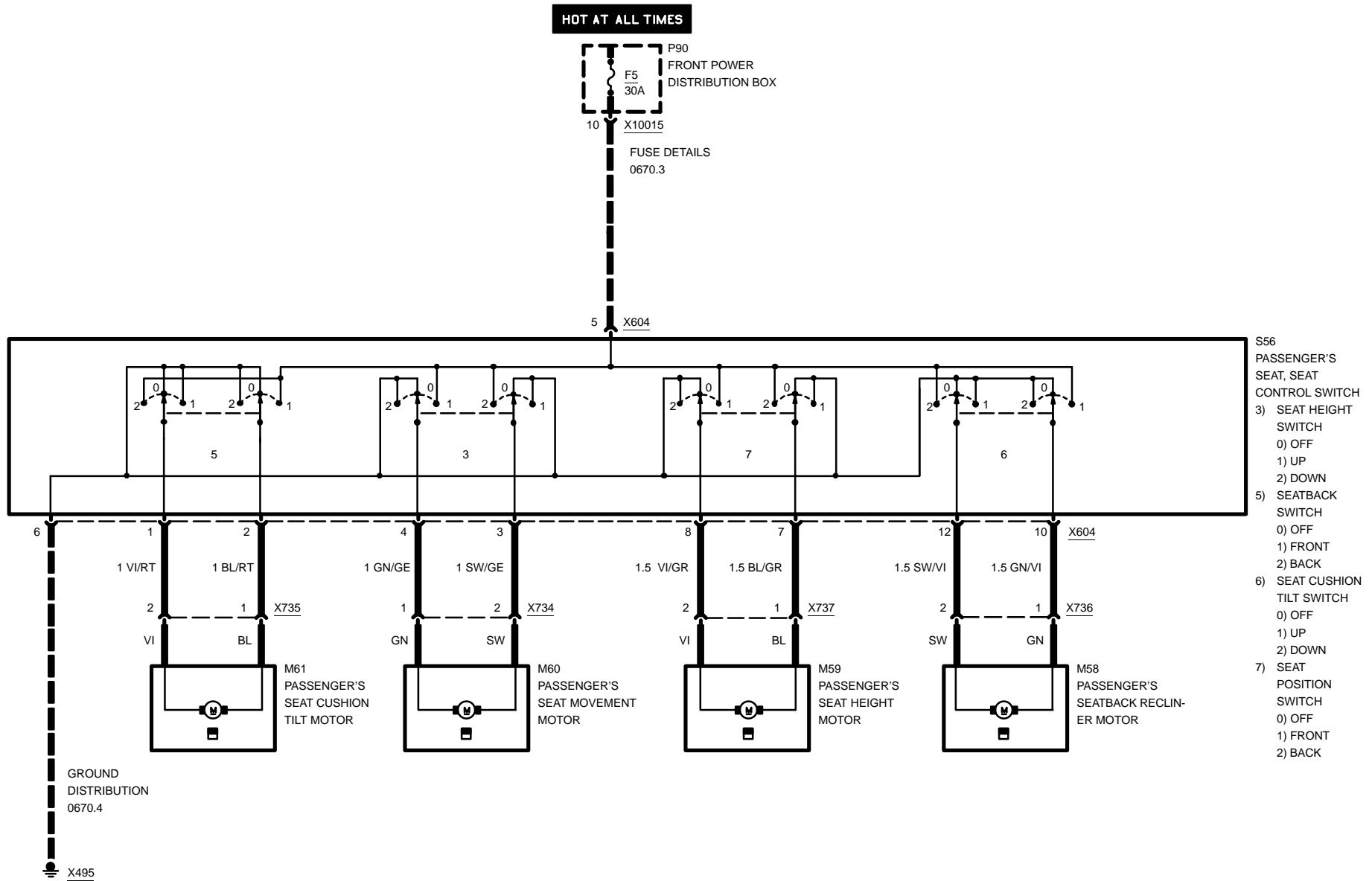
## DRIVER'S SEAT





# POWER SEATS

## PASSENGER'S SEAT

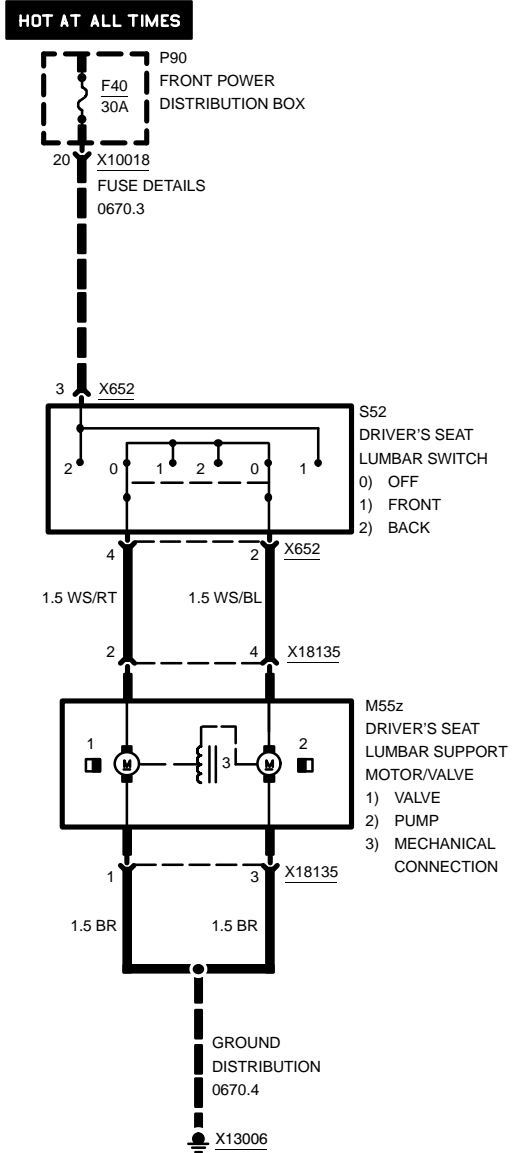


- S56 PASSENGER'S SEAT, SEAT CONTROL SWITCH
- 3) SEAT HEIGHT SWITCH
    - 0) OFF
    - 1) UP
    - 2) DOWN
  - 5) SEATBACK SWITCH
    - 0) OFF
    - 1) FRONT
    - 2) BACK
  - 6) SEAT CUSHION TILT SWITCH
    - 0) OFF
    - 1) UP
    - 2) DOWN
  - 7) SEAT POSITION SWITCH
    - 0) OFF
    - 1) FRONT
    - 2) BACK



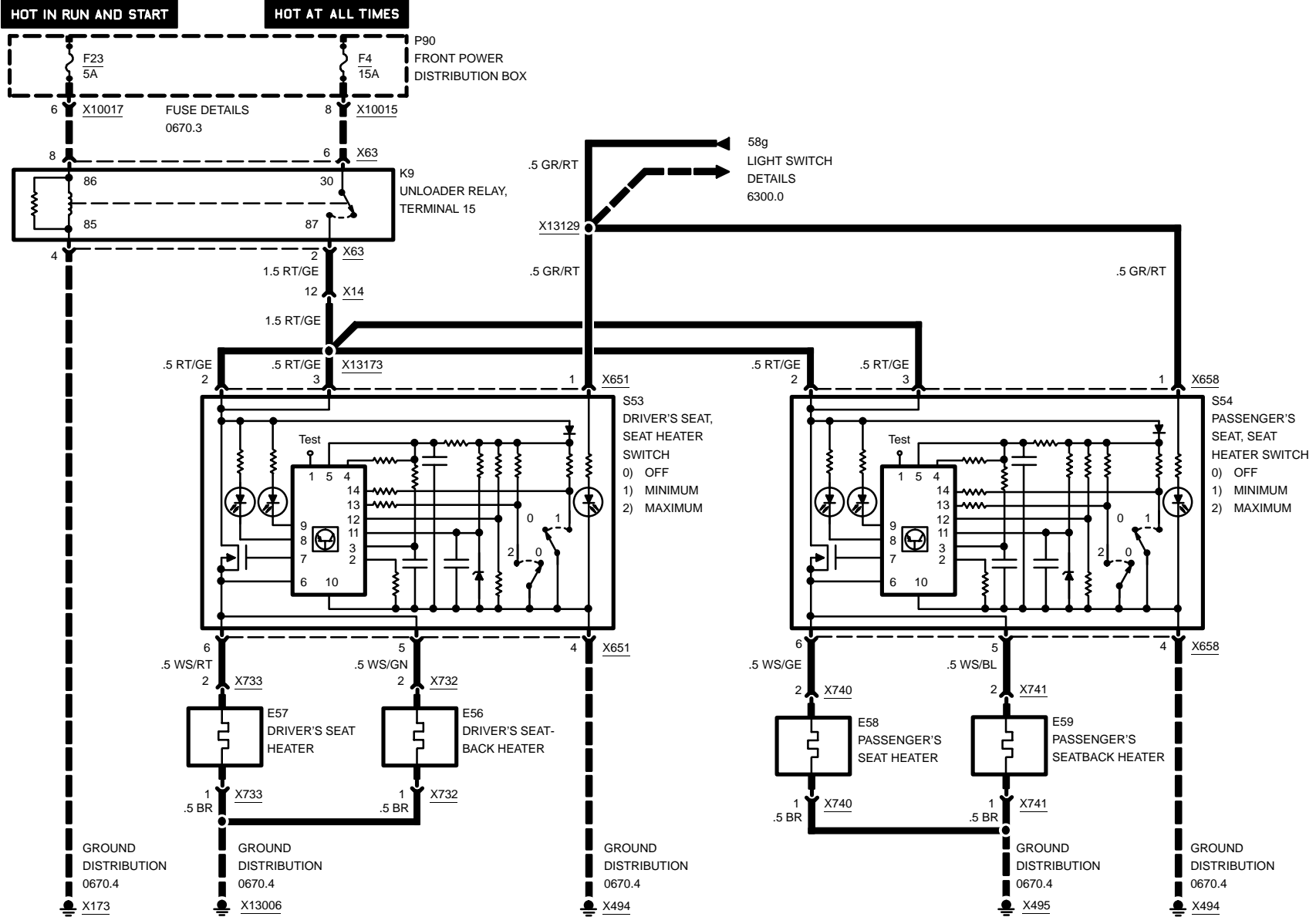
# POWER SEATS AND LUMBAR SUPPORT

## DRIVER'S SIDE – LUMBAR SUPPORT





# 5203.0 HEATED SEATS



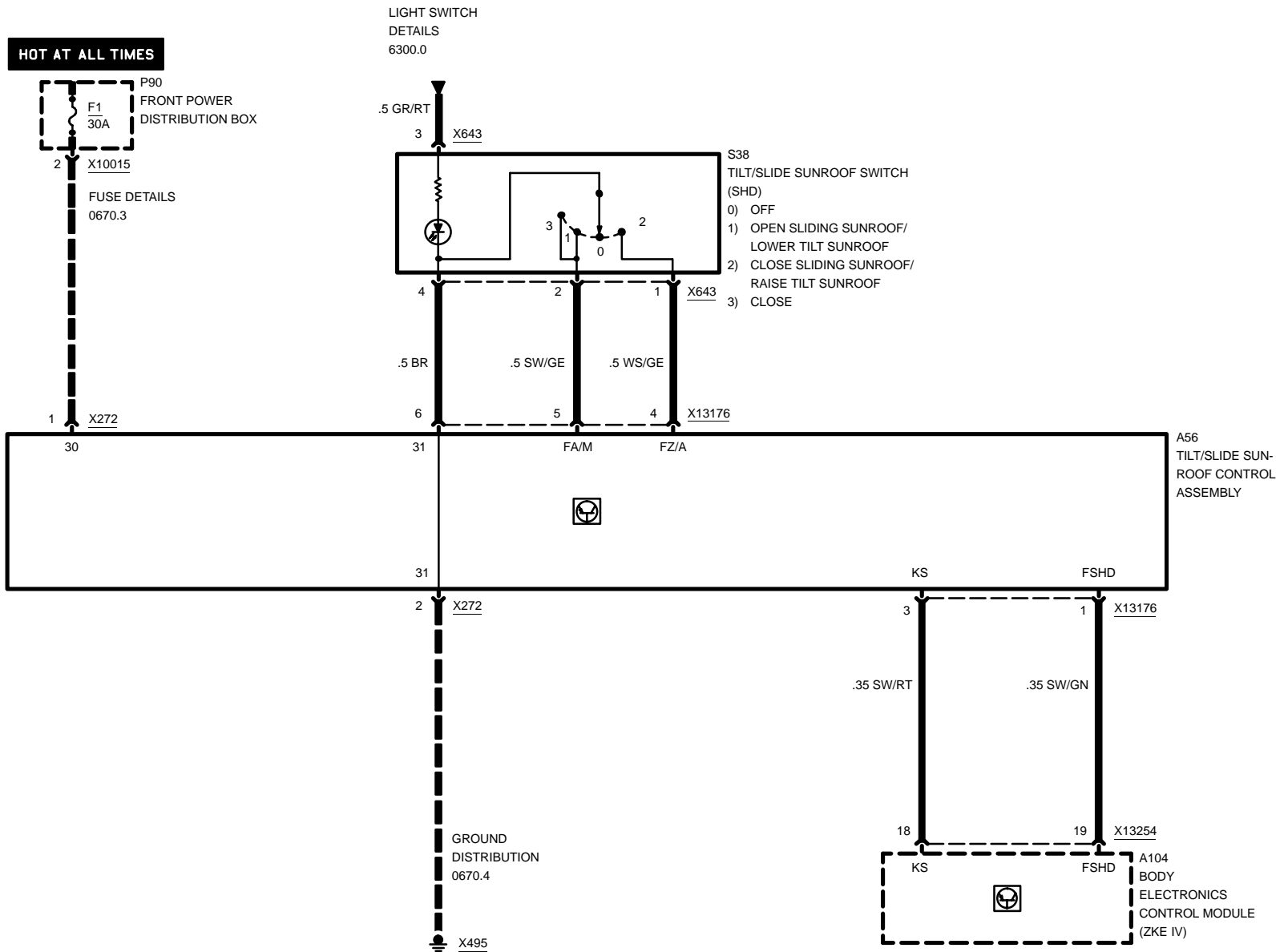
03/00

5203.0-00

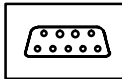
1999



# 5410.1 POWER TILT/SLIDE SUNROOF (SHD)







## Pin Assignments

A = X13156	10 Pins, black
B = X13157	6 Pins, black
C = X13159	26 Pins, black
D = X11390	12 Pins, black

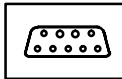
### X13156

Pin	Type	Description/Function	Connection
1		Not used	
2		Not used	
3	E/A	Activate engine	Windscreen cowl panel locking (automatic convertible top)
4	E/A	Control signal	Convertible top motor
5	E/A	Control signal	Convertible top storage lid motor
6	M	Ground	Ground
7	E/A	Activate engine	Windscreen cowl panel locking (automatic convertible top)
8	E/A	Control signal	Convertible top motor
9	E/A	Control signal	Convertible top storage lid motor
10	E	Plus supply 12V	Fuse 49

### X13157

Pin	Type	Description/Function	Connection
1	A	Plus supply	Position sensor (convertible top storage lid motor)
2	E	Position signal	Convertible top position micro switch
3	E	Position signal	Convertible top end position micro switch (semi-automatic convertible top)
4	E	Component ground	Position sensor (convertible top storage lid motor)
5	E	Position signal	Convertible top position micro switch
6	E	Control signal	Position sensor (convertible top storage lid motor)

E = Input, A = Output, M = Ground



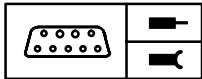
## Pin Assignments

### X13159

Pin	Type	Description/Function	Connection
1	E	Top open signal	Convertible top actuating switch
2		Not used	
3		Not used	
4	E/A	TxD data signal	Data link connector
5	M	Ground	Hard top connector 1
6	E	Power supply	Front power distribution box
7		Not used	
8	E	Rear window blower signal	Rear window blower micro switch
9		Not used	
10	A	Data signal	Body electronics control module
11		Not used	
12		Not used	
13	A	Speed signal	Instrument cluster
14	E	Top closed signal	Convertible top actuating switch
15		Not used	
16	A	RxD data signal	Data link connector
17	A	LED	Convertible top actuating switch
18		Not used	
19		Not used	
20	E	Trunk lid signal	Trunk lid micro switch
21		Not used	
22	A	Data signal	Body electronics control module
23		Not used	
24		Not used	
25	M	Ground	Ground
26	E	Power supply	Front power distribution box

E = Input, A = Output, M = Ground





## Pin Assignments

### X11390

Pin	Type	Description/Function	Connection
1		Not used	
2		Not used	
3		Not used	
4		Not used	
5		Not used	
6		Not used	
7		Not used	
8		Not used	
9	E/A	Windscreen cowl panel locked	Windscreen cowl panel lock microswitch (automatic convertible top)
10	E/A	Windscreen cowl panel unlocked	Windscreen cowl panel UNLOCKED (automatic convertible top)
11	E/A	Comfort closing	Body electronics control module (ZKE IV) (automatic convertible top)
12		Not used	

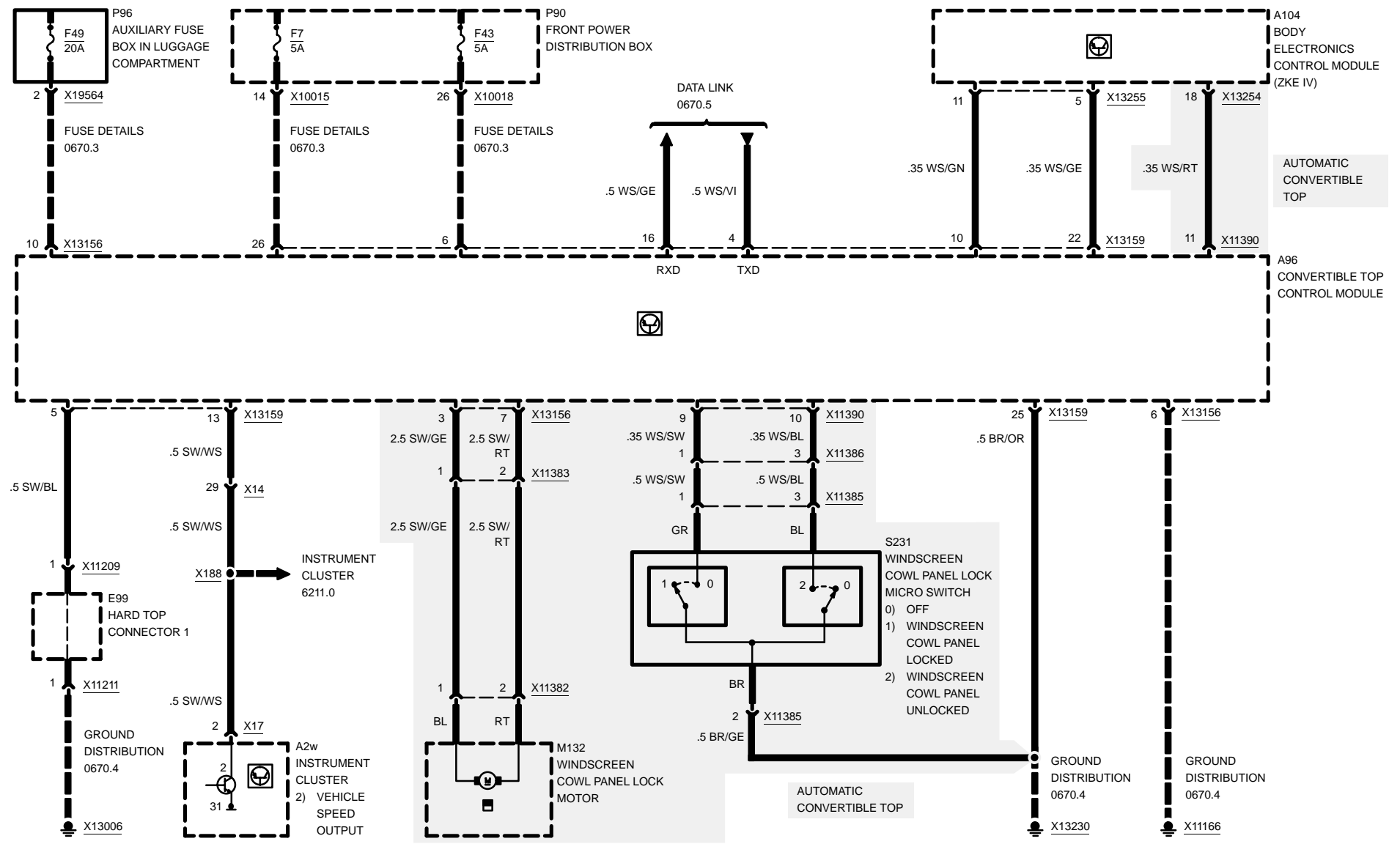


# ELECTRICAL CONVERTIBLE TOP

**HOT AT ALL TIMES**

**HOT AT ALL TIMES**

**HOT IN ACCY, RUN AND START**

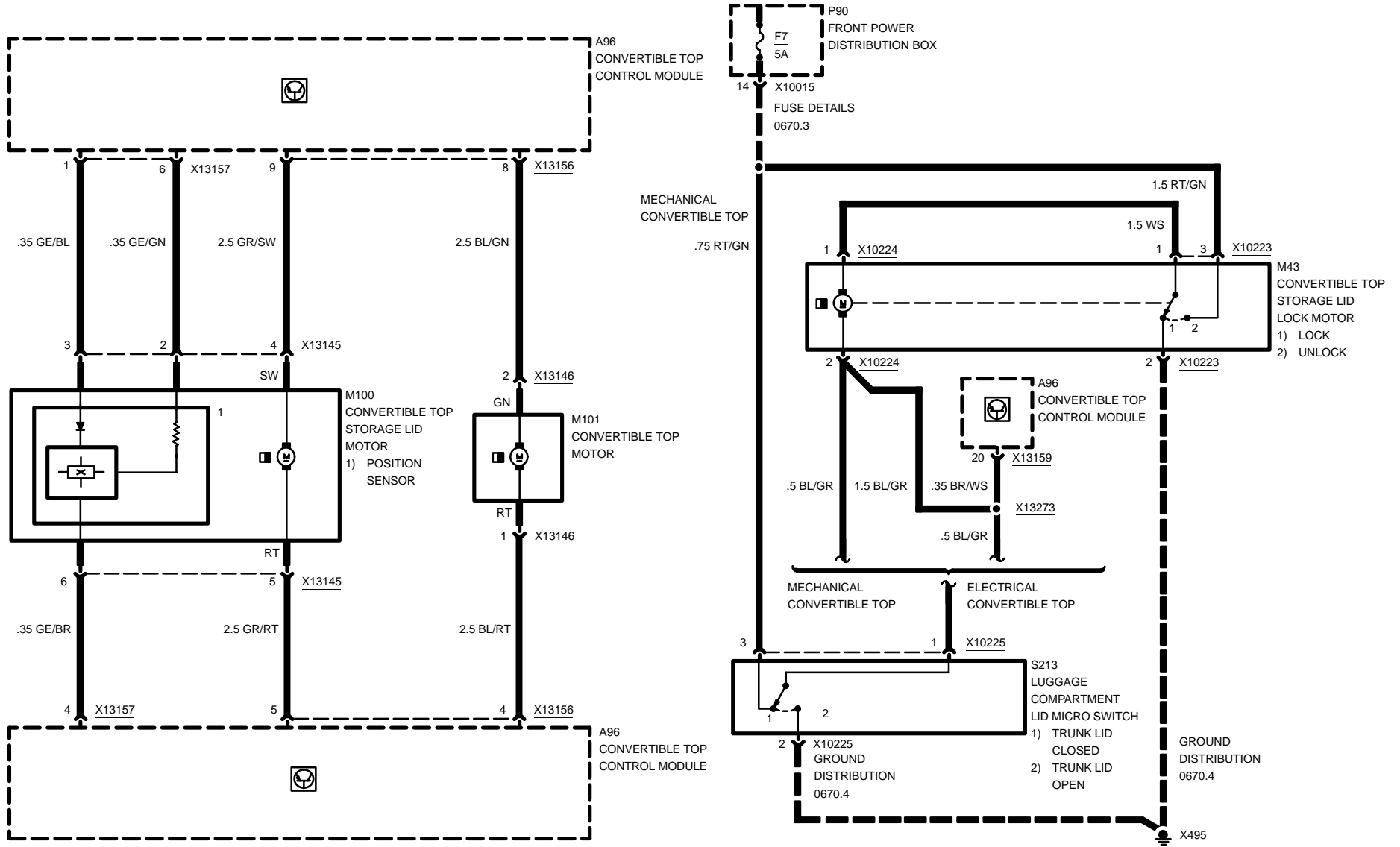






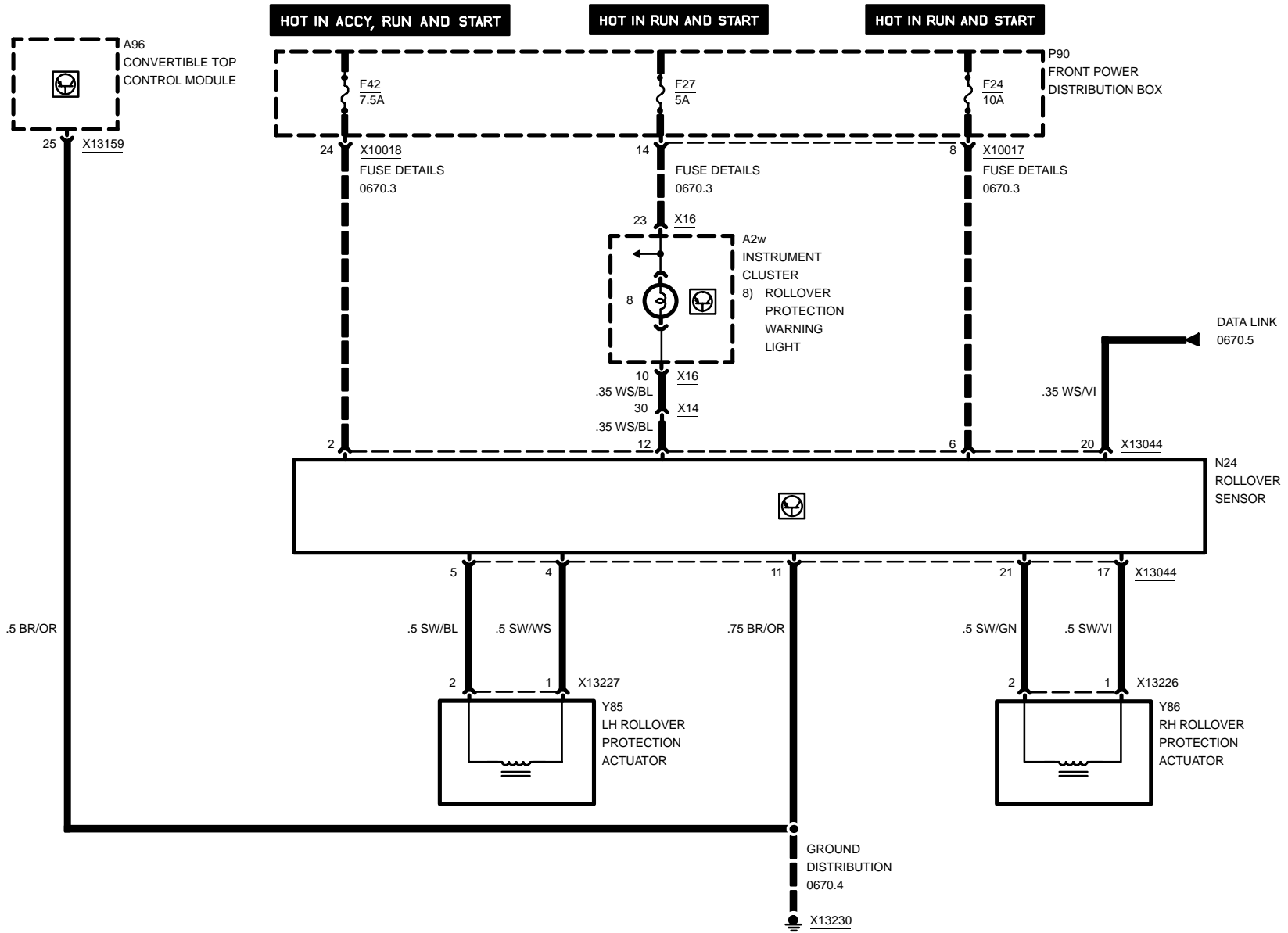
# ELECTRICAL CONVERTIBLE TOP

**HOT AT ALL TIMES**

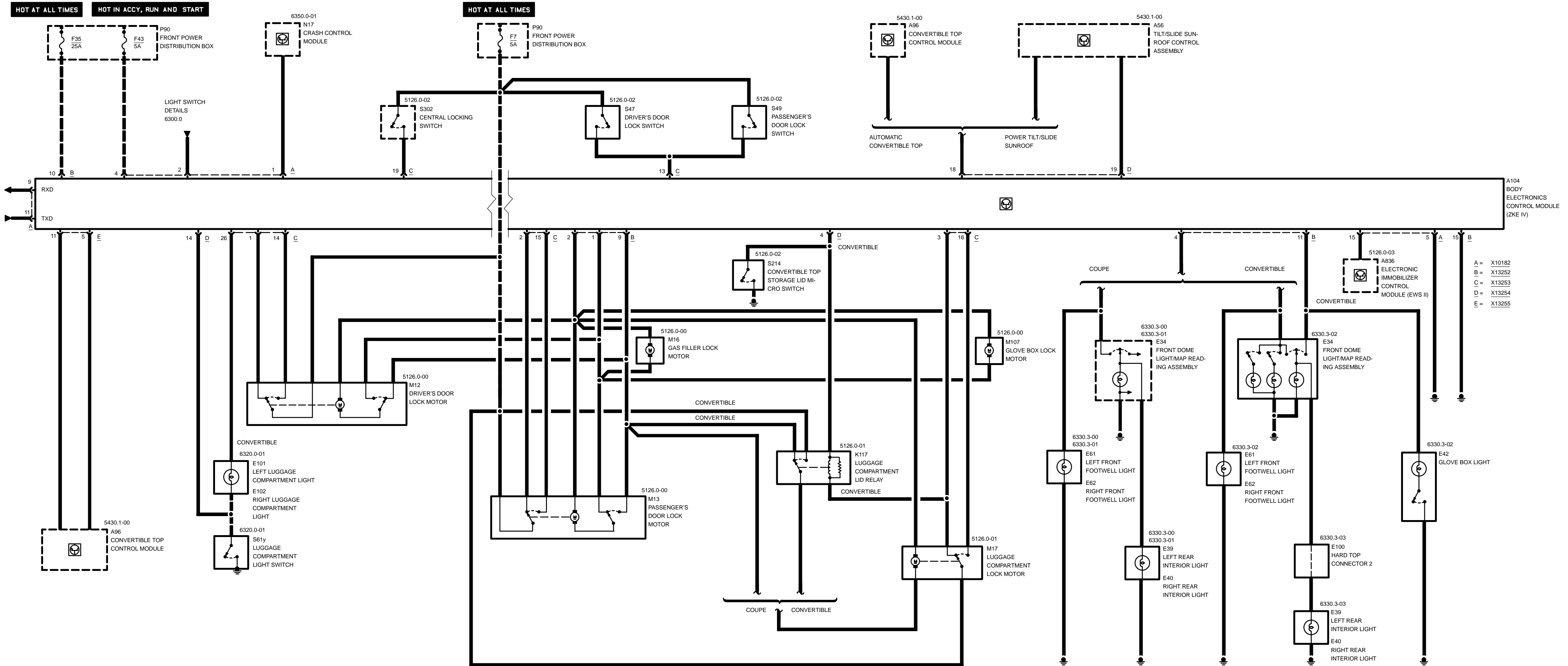


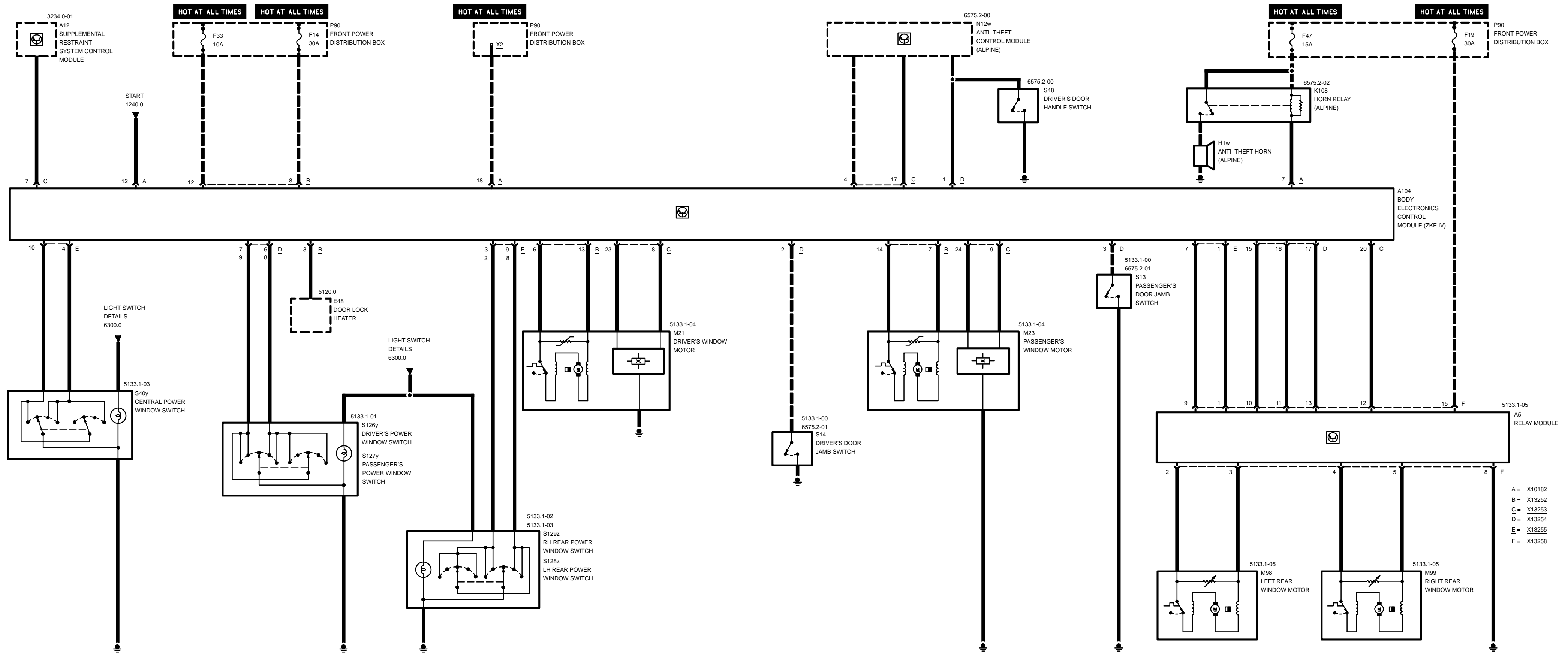


# ELECTRICAL CONVERTIBLE TOP ROLLOVER SENSOR

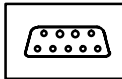












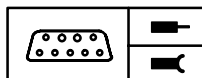
## Pin Assignments

E = X10182	18 Pins, black
F = X13252	15 Pins, black
G = X13253	26 Pins, yellow
H = X13254	26 Pins, green
I = X13255	26 Pins, nature
J = X13258	15 Pins, white

### X10182

Pin	Type	Description/Function	Connection
1	E	Crash signal	Crash control unit
2	E	Light signal	Light switch
3		Not used	
4	E	Voltage supply, terminal R	Front power distribution box, fuse 43
5	M	Ground	Ground
6		Not used	
7	A	Activate relay	Horn relay (Alpine)
8		Not used	
9	A	Diagnosis RxD signal	Data link connector
10		Not used	
11	E/A	Diagnosis TxD signal	Data link connector
12	E	Start signal	Starter
13		Not used	
14		Not used	
15	A	Drive-away protection	Electronic immobilizer control module (EWS II)
16		Not used	
17		Not used	
18	E	Power supply	Front power distribution box

E = Input, A = Output, M = Ground



## Pin Assignments

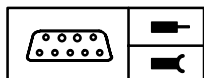
### X13252

Pin	Type	Description/Function	Connection
1	E	Power lock signal	Door lock motors
2	A	Voltage supply	All lock motors
3	A	Power supply	Door lock heating
4	E	Automatic interior light signal	Interior light
5		Not used	
6	A	Voltage supply	Power window motor driver's door
7	A	Voltage supply	Power window motor passenger's door
8	E	Power supply	Front power distribution box, fuse 14
9	E	Lock signal	Lock motor & luggage compartment lid relay
10	E	Power supply	Front power distribution box, fuse 35
11	A	Voltage supply	Interior lights, engine compartment light, glove box light
12	E	Power supply	Front power distribution box, fuse 33
13	E	Motor signal	Power window motor driver's door
14	E	Motor signal	Power window motor passenger's door
15	M	Ground	Ground

### X13253

Pin	Type	Description/Function	Connection
1	E	Position signal	Door lock motor driver's door
2	E	Position signal	Door lock motor passenger's door
3	E	Lock signal luggage compartment lid	Luggage compartment lid lock motor, luggage compartment lid relay
4	E	Data signal	Anti-theft system control module (Alpine)
5		Not used	
6		Not used	
7	E	Crash signal	Inertia switch
8	E	Revolution signal	Power window motor driver's door
9	E	Revolution signal	Power window motor passenger's door

E = Input, A = Output, M = Ground



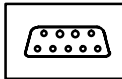
## Pin Assignments

Pin	Type	Description/Function	Connection
10		Not used	
11		Not used	
12		Not used	
13	E	Central arrest signal	Door lock switches
14	E	Lock signal driver's door	Door lock motor driver's door
15	E	Lock signal passenger's door	Door lock motor passenger's door
16	E	Lock signal luggage compartment lid	Luggage compartment lid lock motor
17	E	Data signal	Anti-theft system control module (Alpine)
18		Not used	
19	E	Central locking signal	Central locking switch
20	E/A	Data signal	Relay module
21		Not used	
22		Not used	
23	A	Plus supply (revolution)	Power window's motor driver's side
24	A	Voltage supply (revolution)	Power window's motor passenger's side
25		Not used	
26	A	Voltage supply	Luggage compartment lights

### X13254

Pin	Type	Description/Function	Connection
1	E	Door signal	Driver's door handle switch
2	E	Door signal	Door jamb switch driver's door
3	E	Door signal	Door jamb switch passenger's door
4	E	Convertible: Luggage compartment lid signal	Luggage compartment lid switch/luggage compartment lid relay
5		Not used	
6	E	OPEN signal	Power window switch driver's door
7	E	CLOSE signal	Power window switch driver's door
8	E	OPEN signal	Power window switch passenger's door
9	E	CLOSE signal	Power window switch passenger's door
10		Not used	

E = Input, A = Output, M = Ground



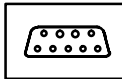
## Pin Assignments

Pin	Type	Description/Function	Connection
11		Not used	
12		Not used	
13		Not used	
14	E	Luggage compartment lid signal	Luggage compartment lid switch
15	A	Data signal	Relay module
16	A	Data signal	Relay module
17	A	Data signal	Relay module
18	A	Comfort closing	Tilt/slide sunroof control unit
19	A	Comfort relay	Tilt/slide sunroof control unit
20		Not used	
21		Not used	
22		Not used	
23		Not used	
24		Not used	
25		Not used	
26		Not used	

### X13255

Pin	Type	Description/Function	Connection
1	A	Data signal	Relay module
2	E	OPEN signal	Power window switch left rear
3	E	OPEN signal	Power window switch right rear
4	E	Convertible: OPEN signal	Main power window switch
5	E	Convertible: Data signal	Convertible top control module
6		Not used	
7	A	Data signal	Relay module
8	E	CLOSE signal	Power window switch left rear
9	E	CLOSE signal	Power window switch right rear
10	E	Convertible: CLOSE signal	Main power window switch
11	E	Convertible: Data signal	Convertible top control module
12		Not used	

E = Input, A = Output, M = Ground



## Pin Assignments

Pin	Type	Description/Function	Connection
13		Not used	
14		Not used	
15		Not used	
16		Not used	
17		Not used	
18		Not used	
19		Not used	
20		Not used	
21		Not used	
22		Not used	
23		Not used	
24		Not used	
25		Not used	
26		Not used	

### X13258

Pin	Type	Description/Function	Connection
1	E	Data signal	Central body electronic module
2	A	Voltage supply (motor)	Power window motor right rear
3	E	Signal	Power window motor right rear
4	E	Signal	Power window motor left rear
5	A	Voltage supply (motor)	Power window motor left rear
6		Not used	
7		Not used	
8	M	Ground	Ground
9	E	Data signal	Central body electronic module
10	E/A	Data signal	Central body electronic module
11	E/A	Data signal	Central body electronic module
12	E	Data signal	Central body electronic module
13	E/A	Data signal	Central body electronic module

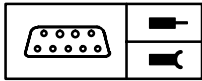
E = Input, A = Output, M = Ground



03/00

6100.0-f

1999



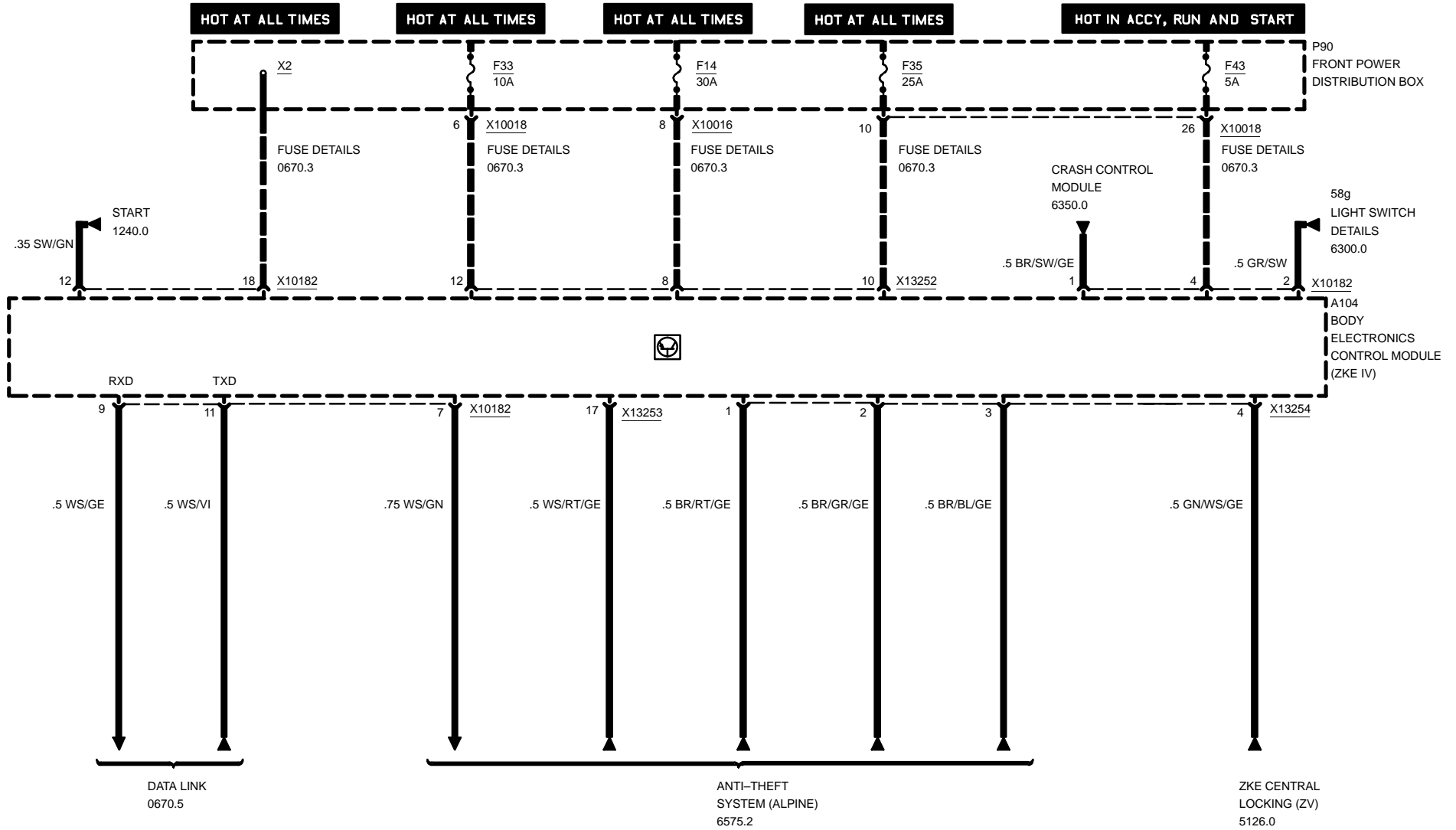
## Pin Assignments

Pin	Type	Description/Function	Connection
14		Not used	
15	E	Power supply	Front power distribution box

E = Input, A = Output, M = Ground

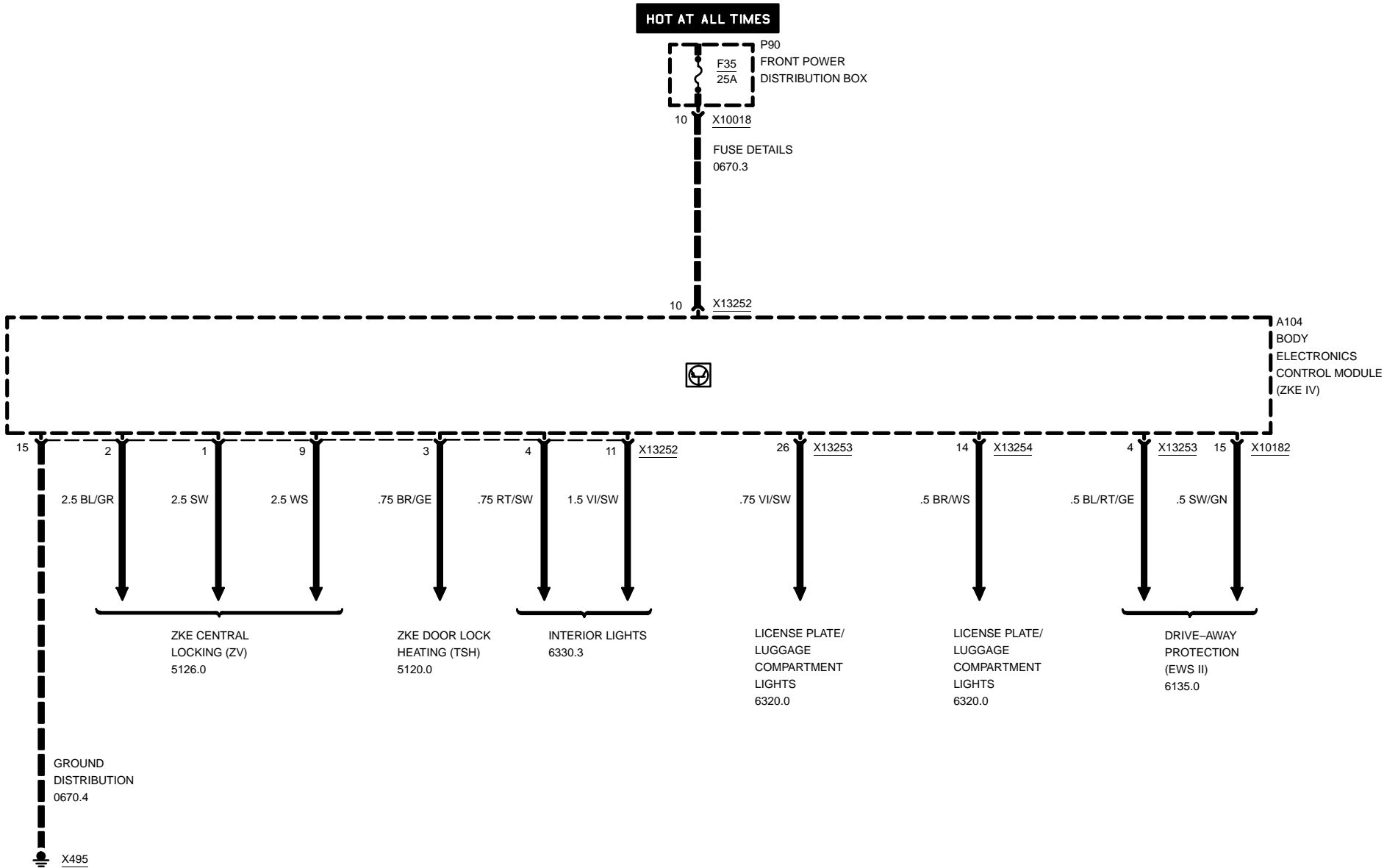


# CENTRAL BODY ELECTRONICS (ZKE IV)





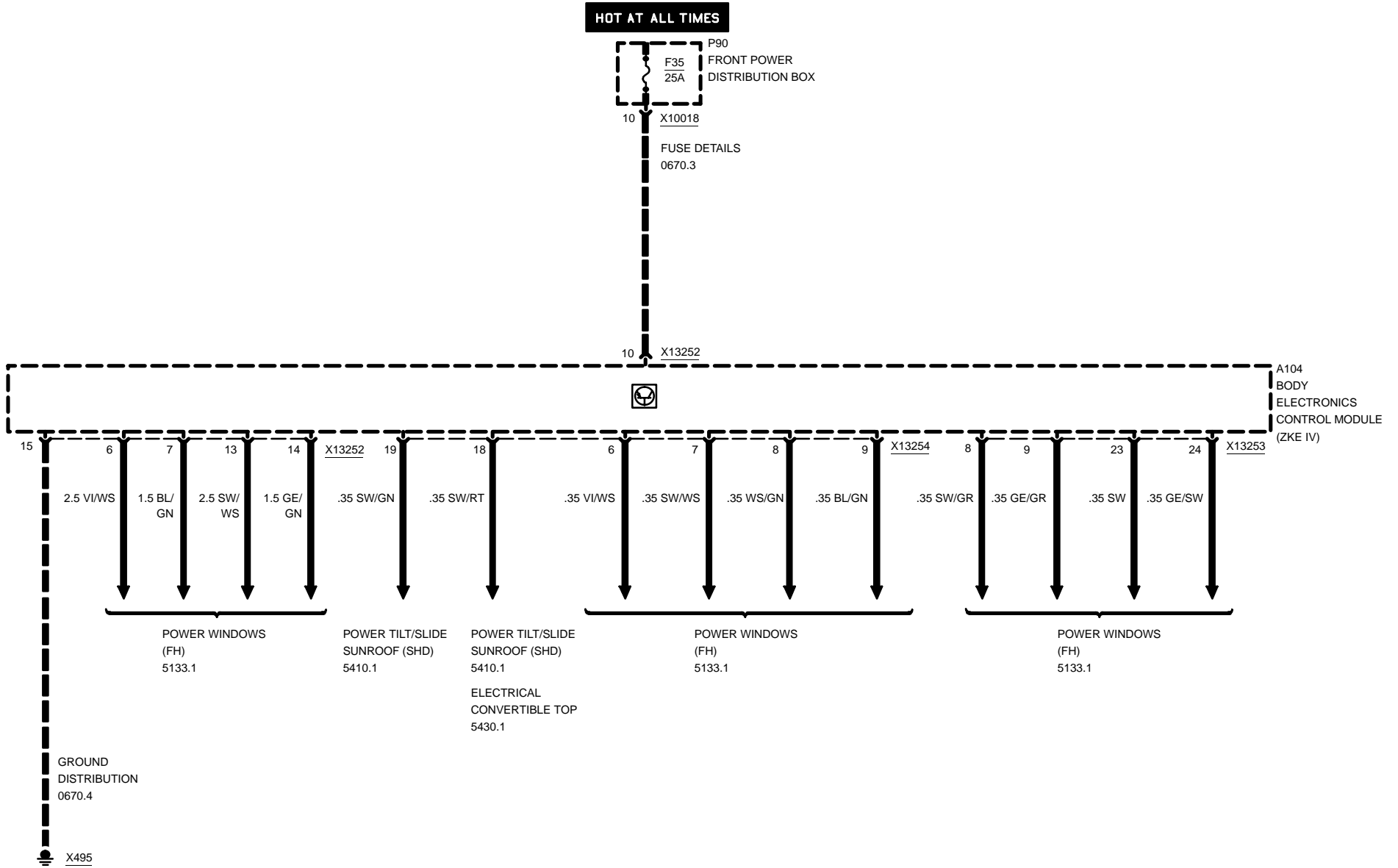
# CENTRAL BODY ELECTRONICS (ZKE IV)





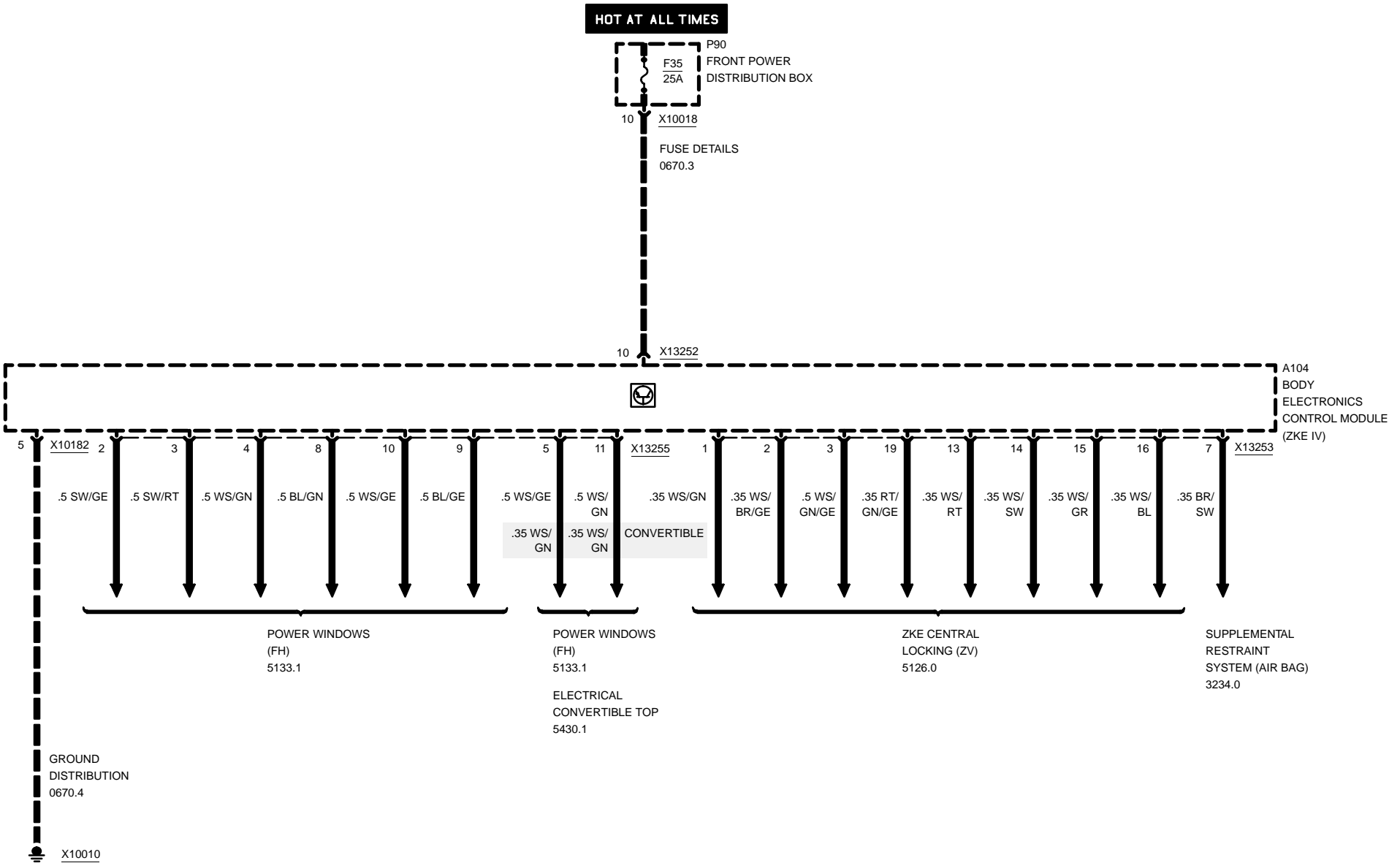


# CENTRAL BODY ELECTRONICS (ZKE IV)





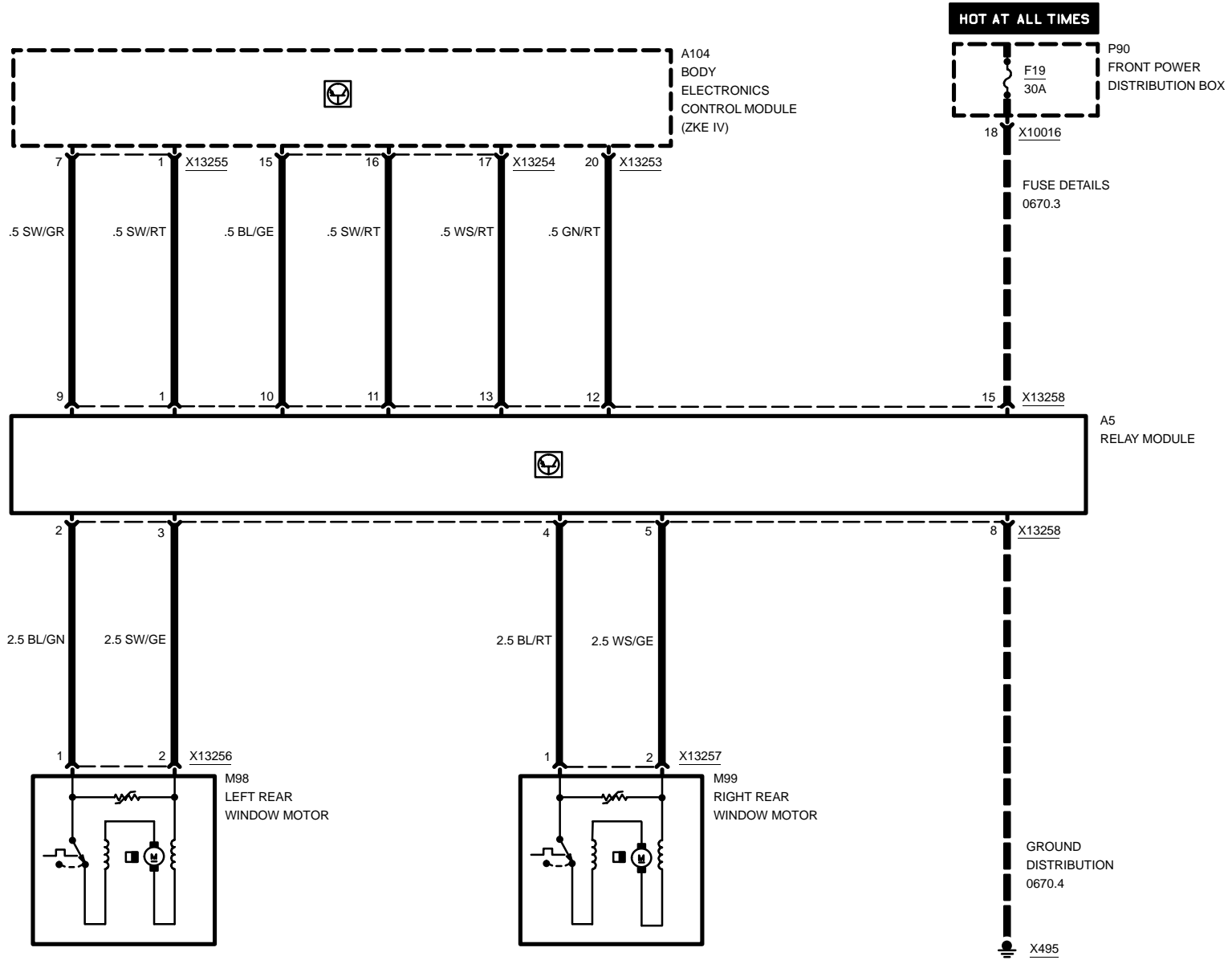
# CENTRAL BODY ELECTRONICS (ZKE IV)





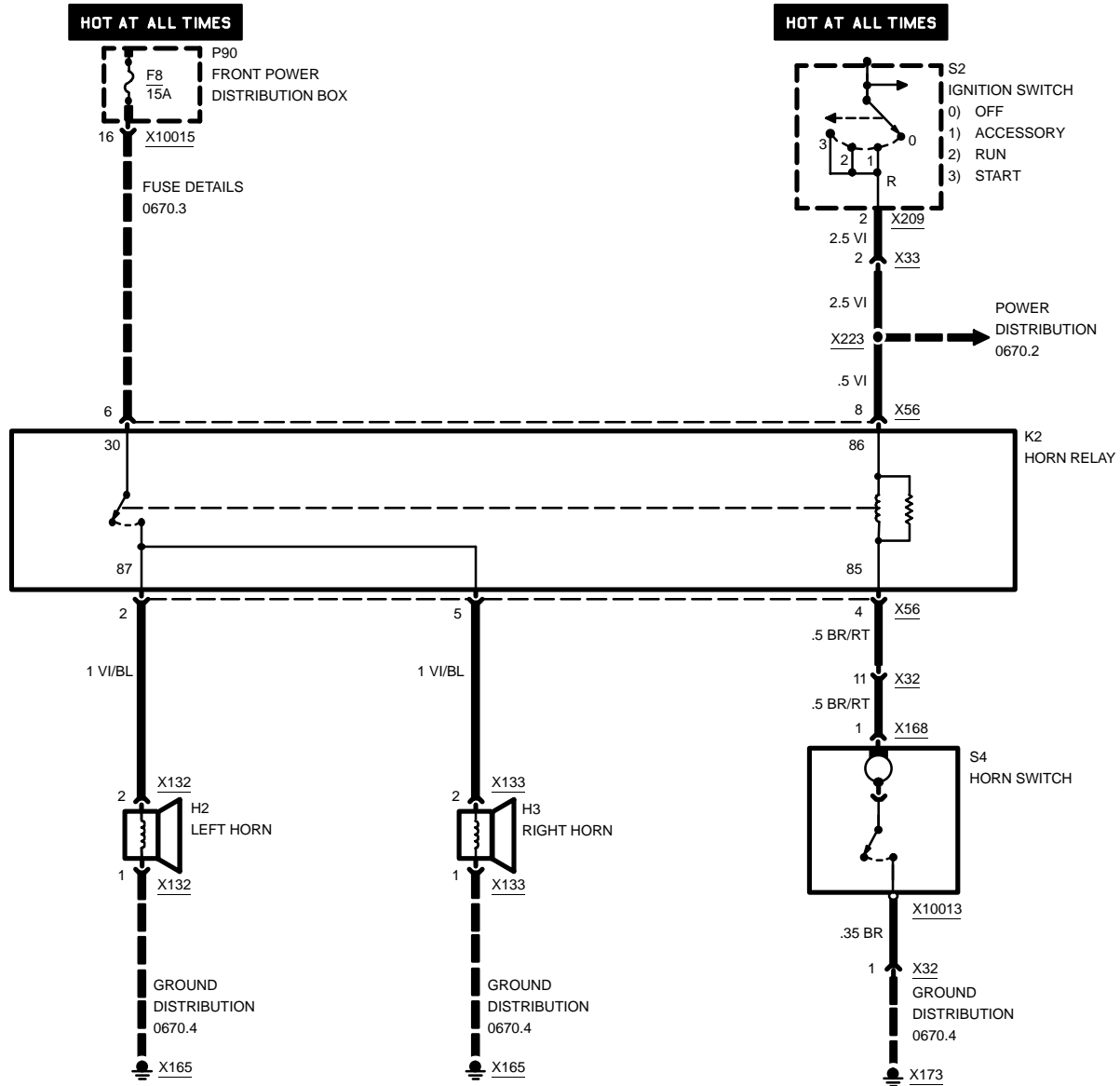
# CENTRAL BODY ELECTRONICS (ZKE IV)

## CONVERTIBLE





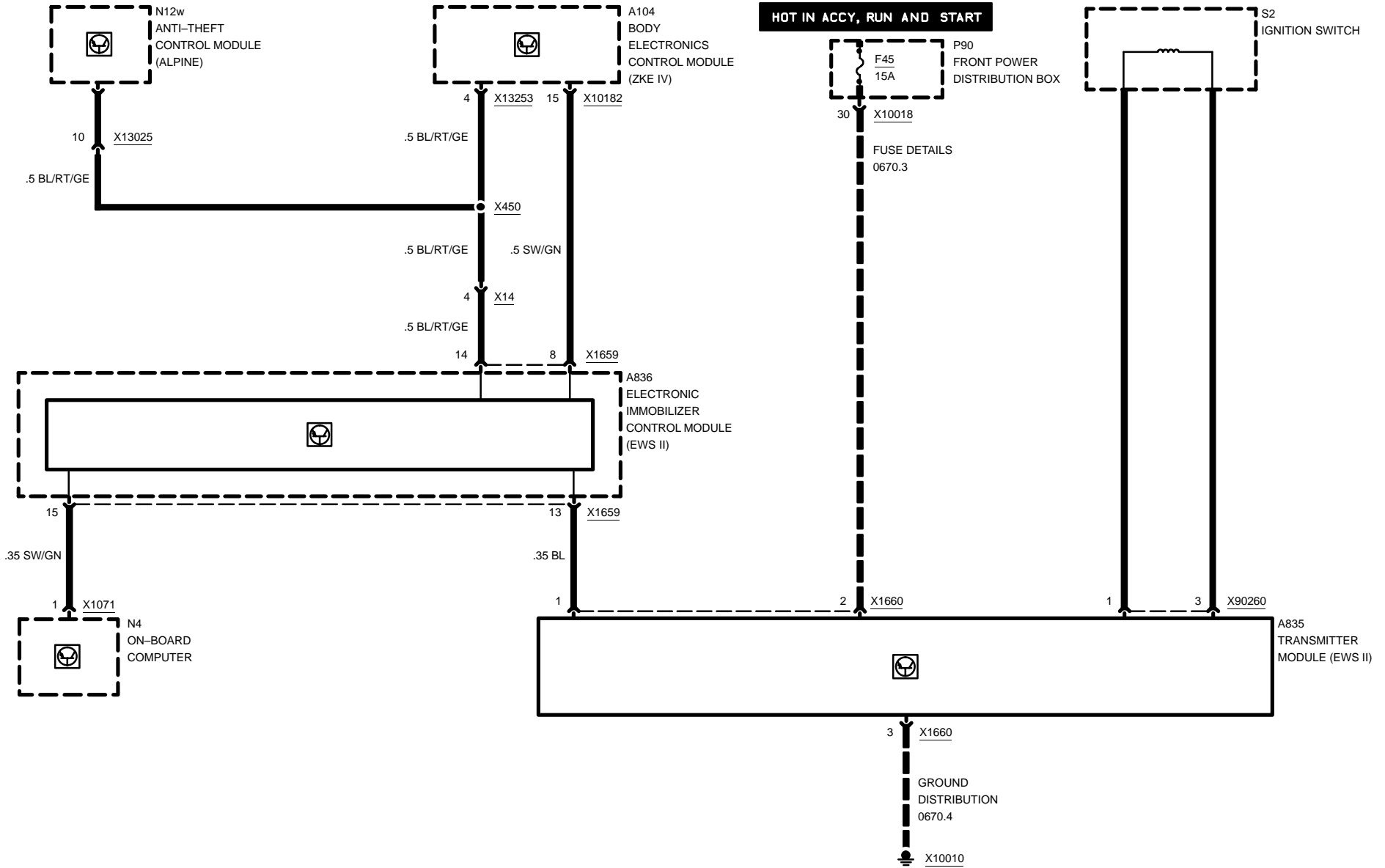
# 6133.0 HORN







# DRIVE-AWAY PROTECTION (EWS II)

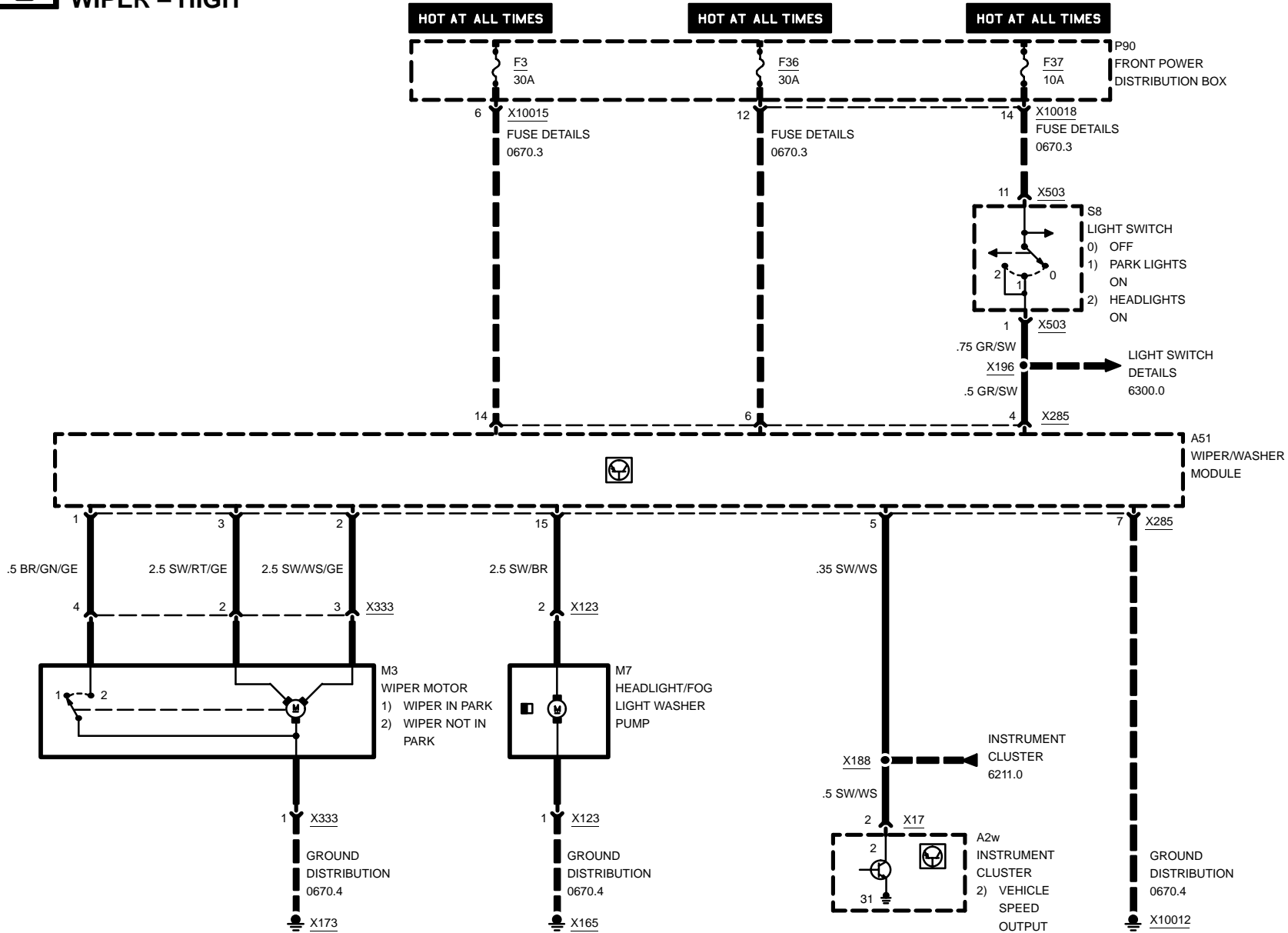






# WIPER/WASHER MODULE (WWM)

## WIPER - HIGH

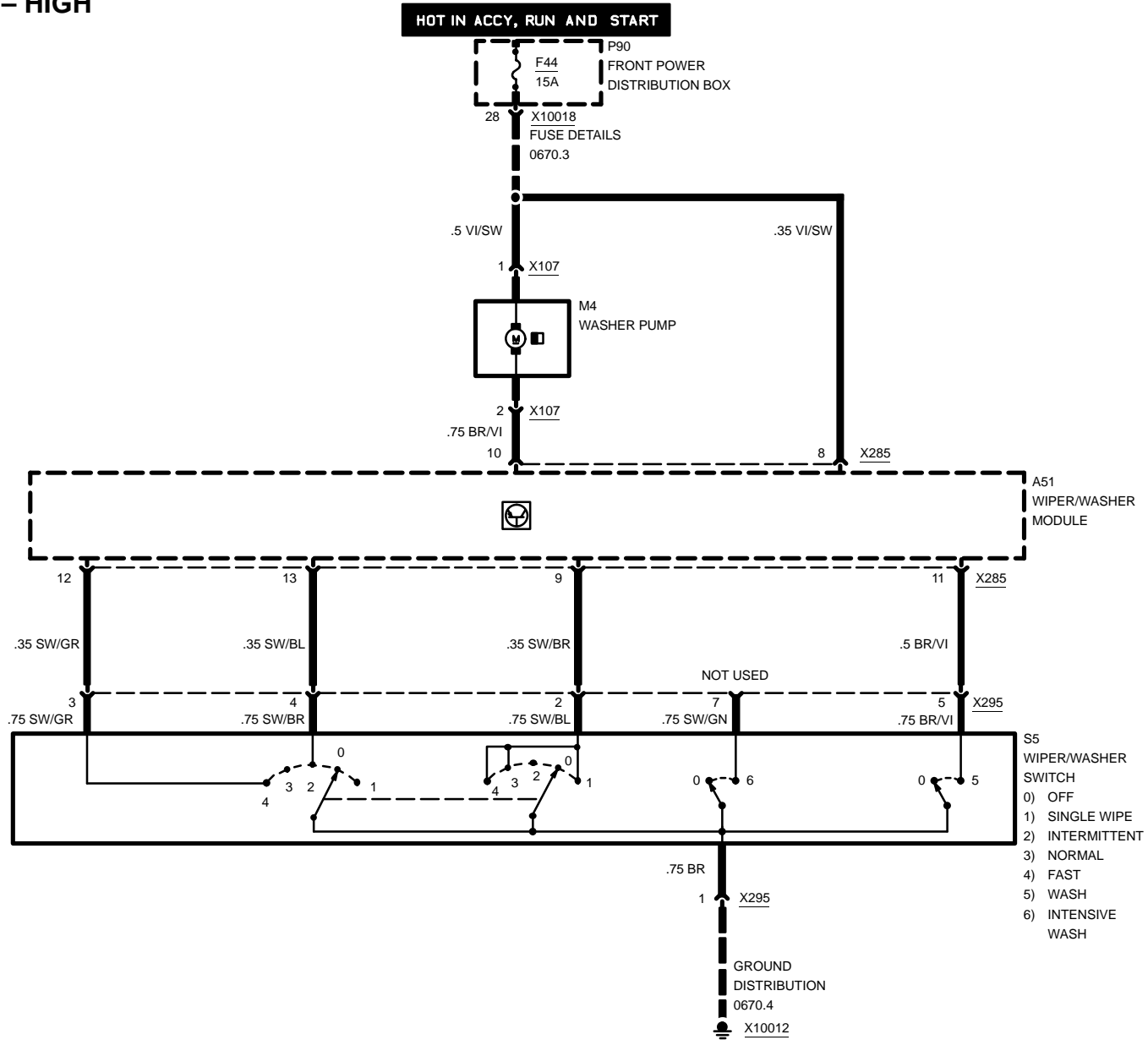






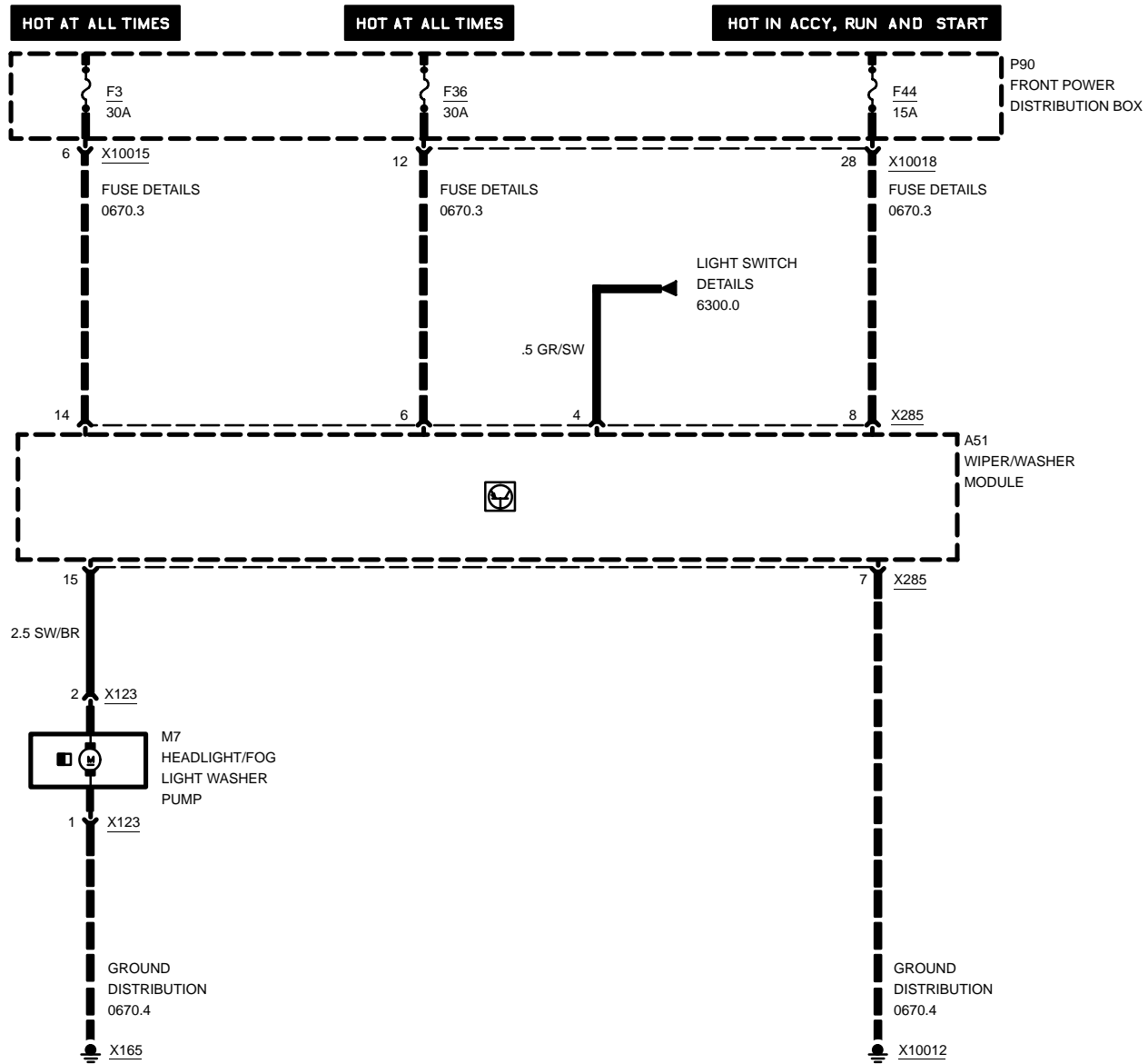
# WIPER/WASHER MODULE (WWM)

## WASHER – HIGH



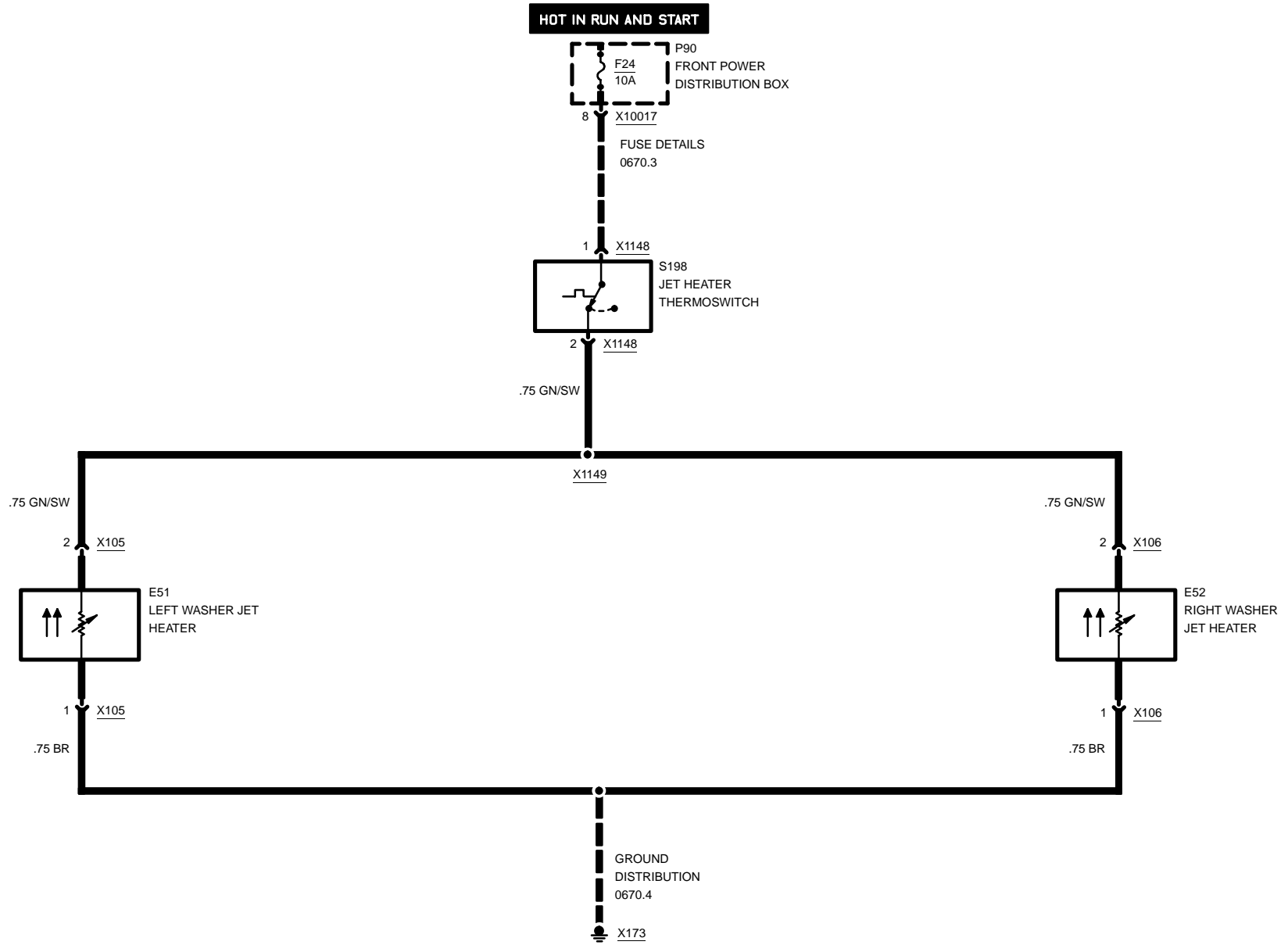


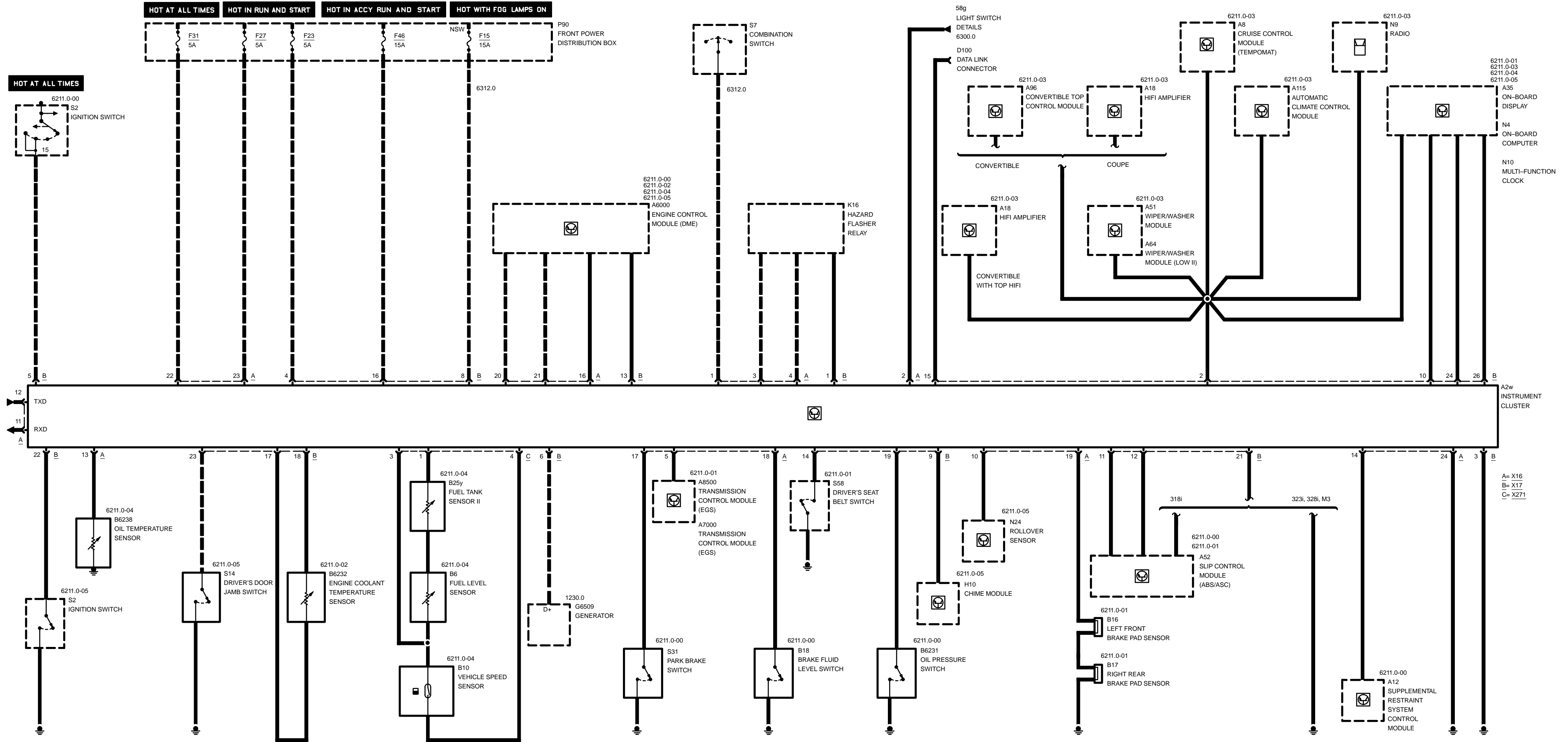
# 6167.1 HEADLIGHT WASHER (SRA)

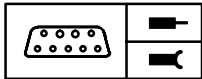




# 6169.0 WINDSHIELD WASHER JET HEATERS





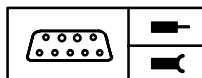


## Pin Assignments

### X16

Pin	Type	Description/Function	Connection
1	E	High beam indicator control	Combination switch
2	E	Terminal 58g, instrument illumination power	Dimmer
3	E	Right turn signal indicator control	Hazard flasher relay
4	E	Left turn signal indicator control	Hazard flasher relay
5	E	Warning lamp for EGS fault (information signal transmission oil temperature)	Transmission control module (EGS)
6		Not used	
7		Not used	
8		Not used	
9		Not used	
10	E	Convertible: Rollover signal	Rollover sensor
11	A	RxD diagnostic data link	Data link connector
12	E/A	TxD diagnostic data link	Data link connector
13	E	Oil temperature	Engine oil temperature sensor
14	E	Airbag warning lamp (SRS) control	Supplemental restraint system control module
15		Not used	
16	E	"Check engine" indicator control	Engine control module (DME)
17	E	Park brake warning lamp control	Park brake switch
18	E	Brake fluid warning lamp control	Brake fluid level switch
19	E	Brake pad wear warning lamp control	Brake pad sensors
20	E	Crankshaft RPM speed signal TD	Engine control module (DME)
21	E	Fuel consumption signal + KVA	Engine control module (DME)
22	E	Voltage supply, terminal 30	Front power distribution box, fuse 31
23	E	Voltage supply, terminal 15 for indicator and warning lamps	Front power distribution box, fuse 27
24	M	Ground supply, terminal 31 for instrument cluster electronics	Ground point
25		Not used	
26		Not used	

E = Input, A = Output, M = Ground

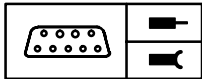


## Pin Assignments

### X17

Pin	Type	Description/Function	Connection
1	E	Trailer turn signal indicator control	Hazard flasher relay
2	A	Vehicle speed signal	Various control modules
3	M	Ground supply, terminal 31 for indicator and warning lamps	Ground point
4	E	Voltage supply, terminal 15 for instrument cluster electronics	Front power distribution box, fuse 23
5	E	Voltage supply, terminal 15 for battery charge indicator	Ignition switch, terminal 15
6	E	Ground supply, terminal 61 for battery charge indicator	Generator
7		Not used	
8	E	Fog light indicator control	Front power distribution box, fuse 15
9	A	Sound tone signal	Chime module
10	A	Information signal, fuel tank content	On-board computer
11	E	Slip control system warning lamp (ABS/ASC) control	Slip control module (ABS/ASC) (323i, 328i, M3)
12	E	ASC signal	ASC control module
13	A	TI-measurement signal (fuel consumption)	Engine control module (DME)
14	E	Seat belt warning lamp control	Driver's seat belt switch
15	E	SIA reset/service interval indicator reset	Data link connector
16	E	Voltage supply, terminal R	Front power distribution box, fuse 46
17	A	Coolant temperature sensor	Coolant temperature sensor
18	E	Coolant temperature sensor	Coolant temperature sensor
19	E	Oil pressure warning lamp control	Oil pressure switch
20		Not used	
21	E	Ground	Ground point (323i, 328i, M3)
21	E	Slip control system warning lamp (ABS/ASC) control	Slip control module (ABS/ ASC) (318i)
22	E	Ignition key warning/audible ignition key warning	Ignition switch
23	E	Driver's door open	Driver's door jamb switch

E = Input, A = Output, M = Ground



## Pin Assignments

Pin	Type	Description/Function	Connection
24	A	Dimmer signal/brightness information signal for connected control modules	On-board computer or multi-function clock
25		Not used	
26	E	Central indicator lamp/check-control	On-board computer or multi-function clock

### X271

Pin	Type	Description/Function	Connection
1	A	Fuel level sensor	Fuel tank sensors
2		Not used	
3	A	Ground supply for fuel tank sensors and vehicle speed sensor	Fuel tank sensors and vehicle speed sensor
4	E	Position signal TW	Vehicle speed sensor
5		Not used	
6		Not used	
7		Not used	
8		Not used	
9		Not used	
10		Not used	
11		Not used	
12		Not used	

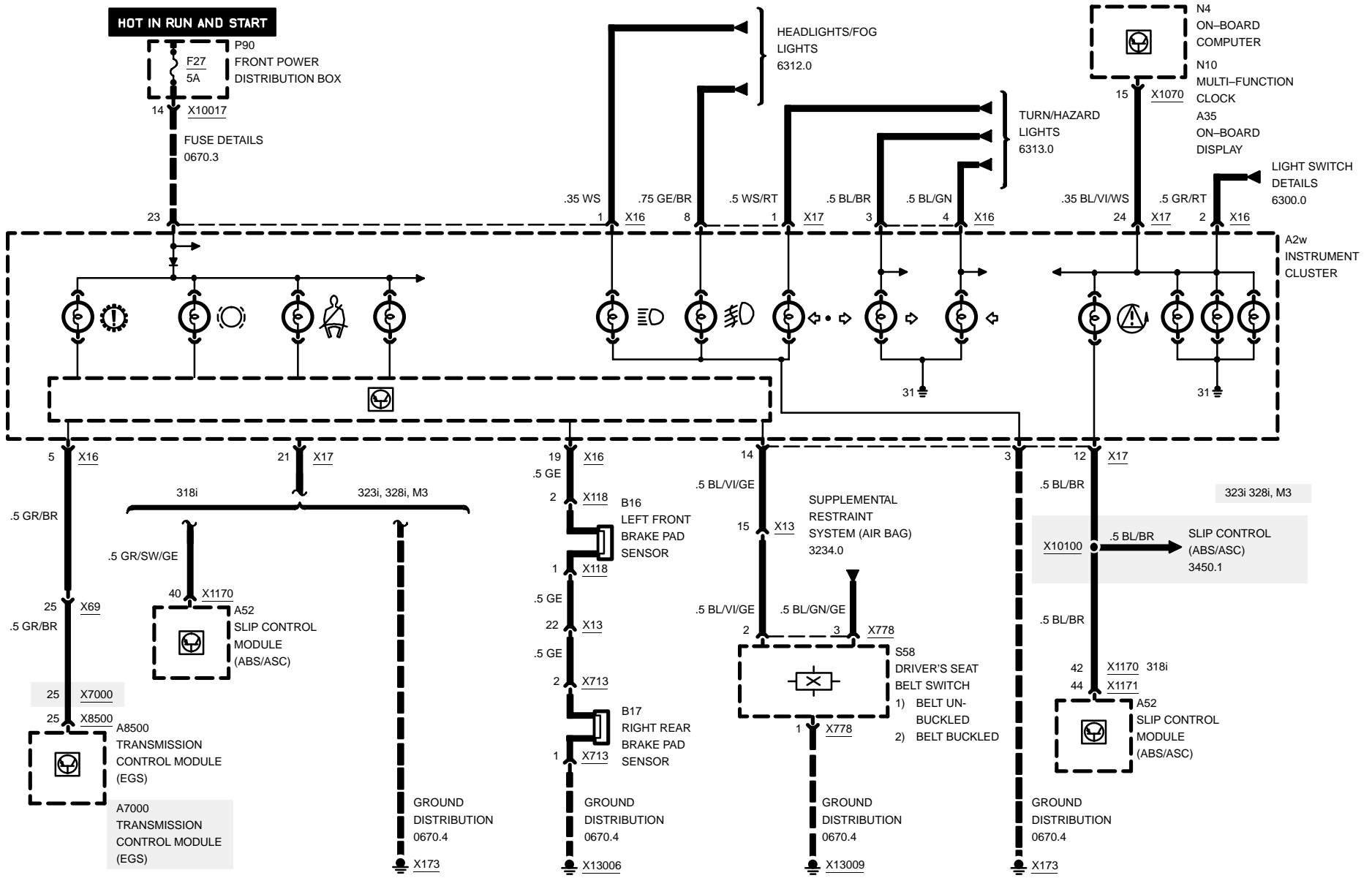






# INSTRUMENT CLUSTER

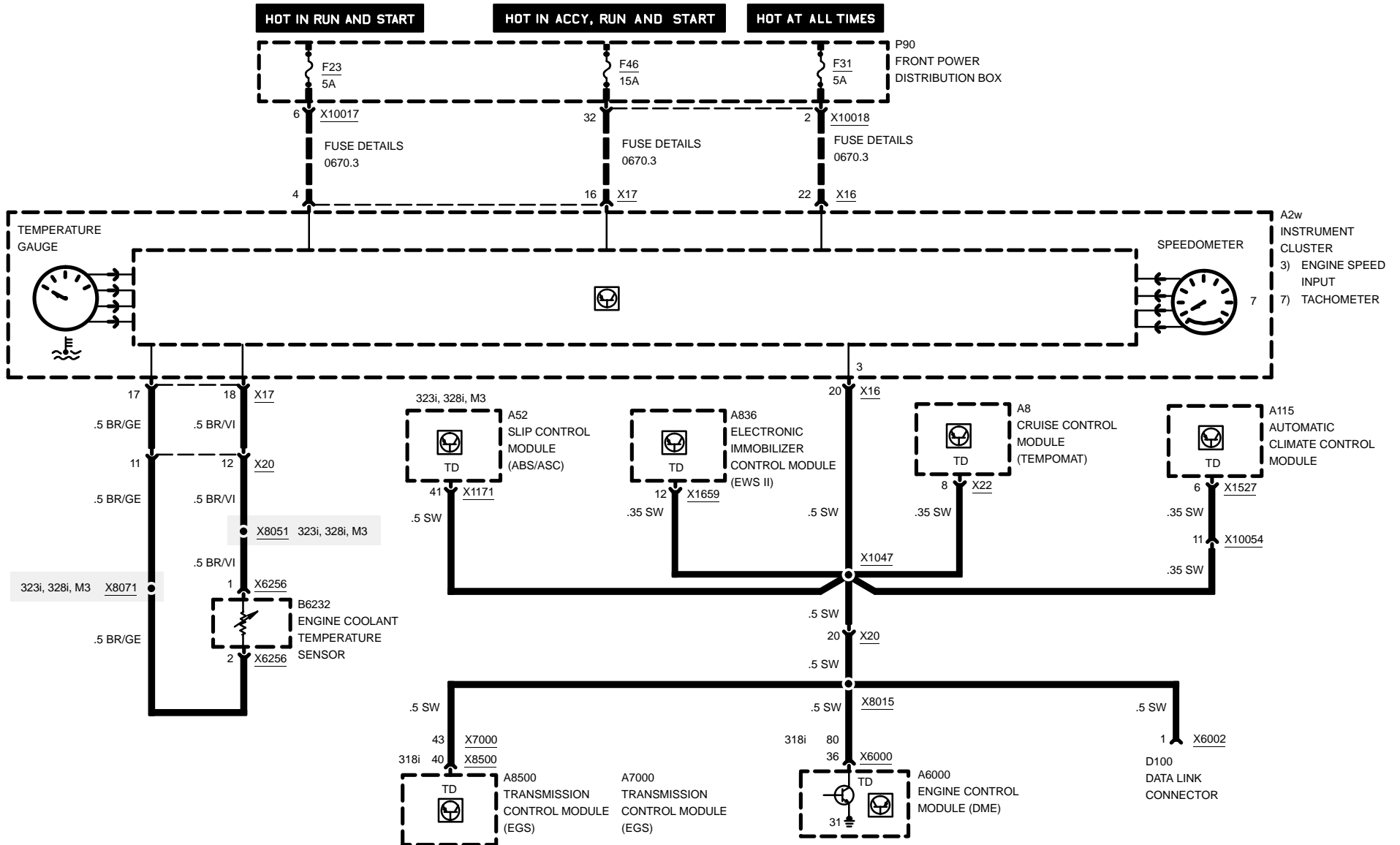
## INDICATORS





# INSTRUMENT CLUSTER

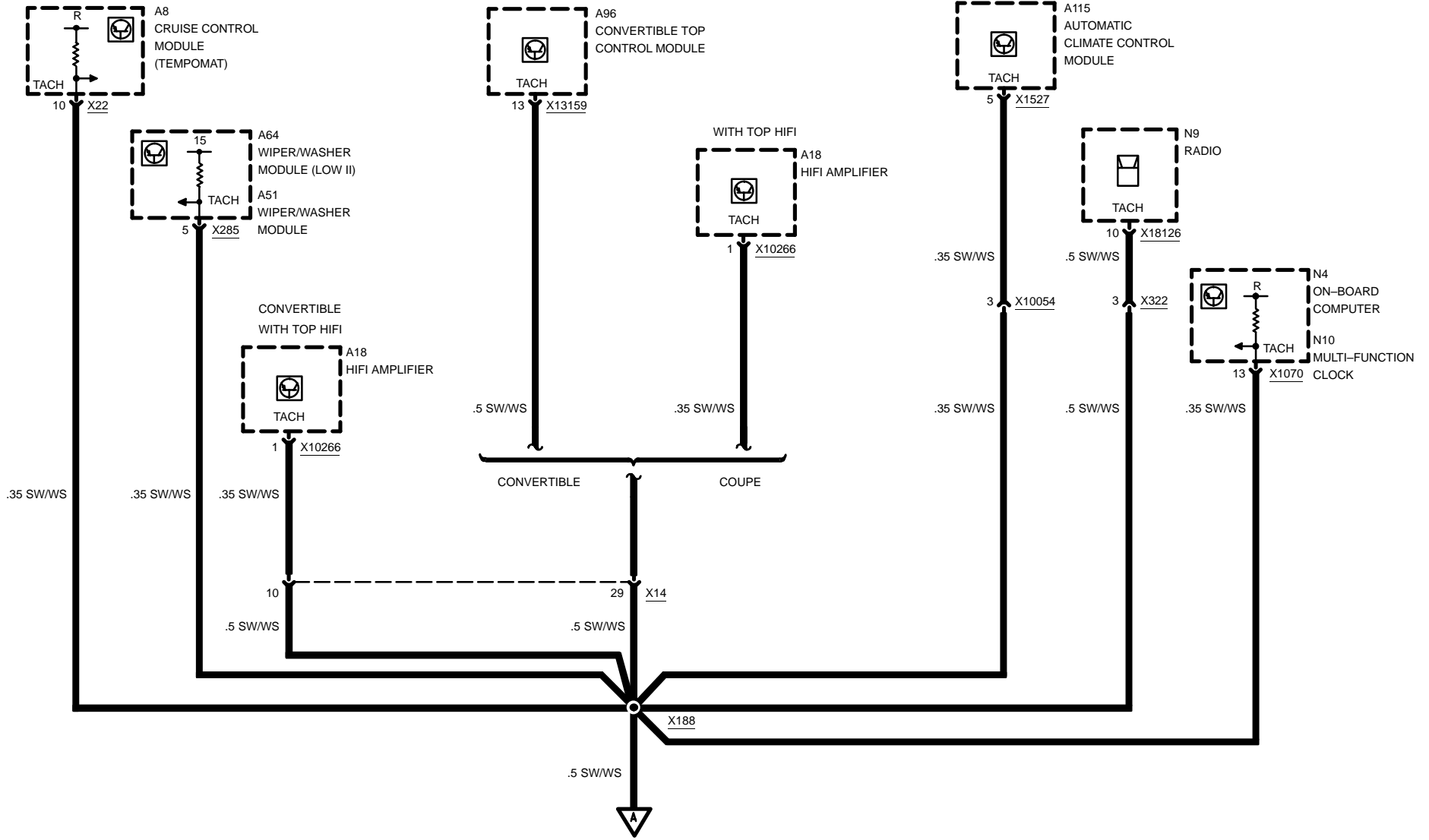
## INDICATORS





# INSTRUMENT CLUSTER

## SIGNAL-OUTPUT SPEEDOMETER



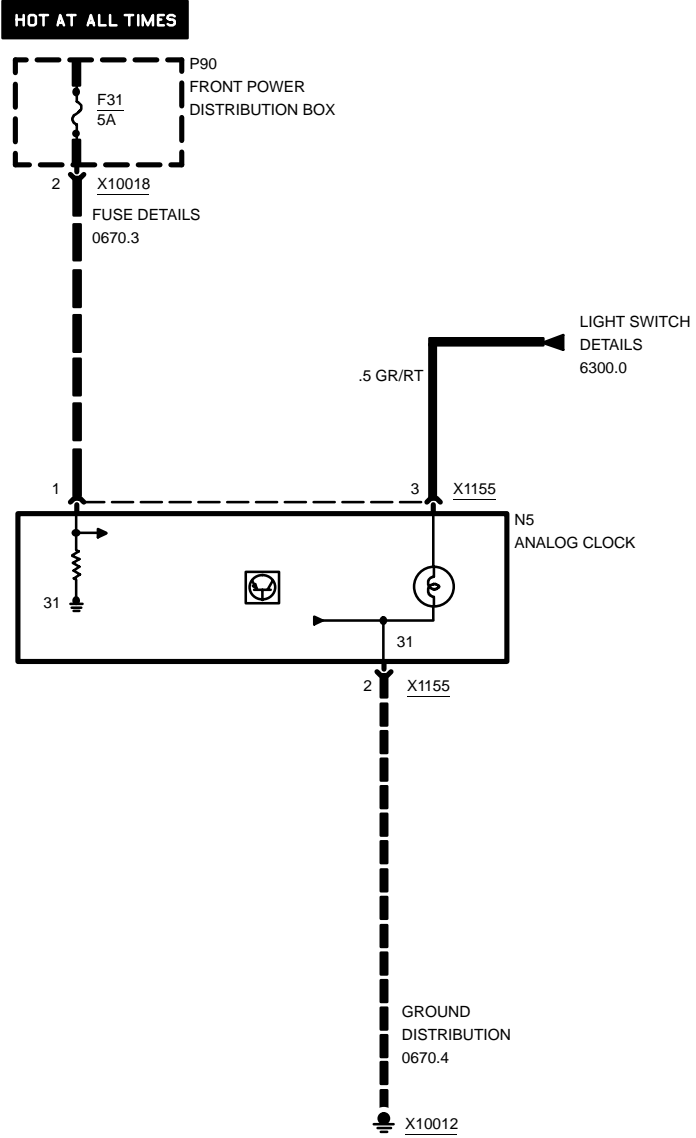
6211.0-04





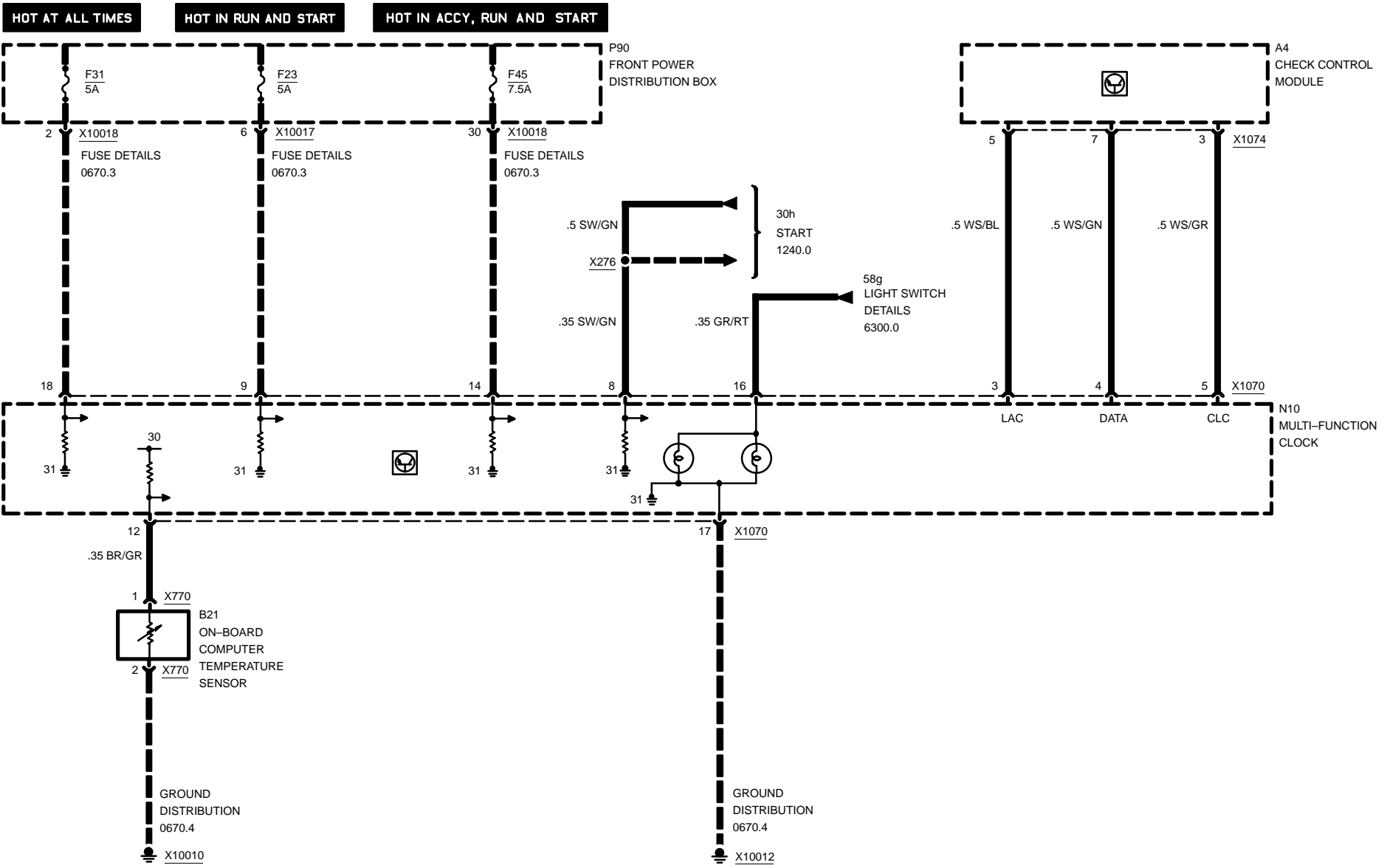


# 6213.1 ANALOG CLOCK





# 6113.2 MULTI-FUNCTION CLOCK



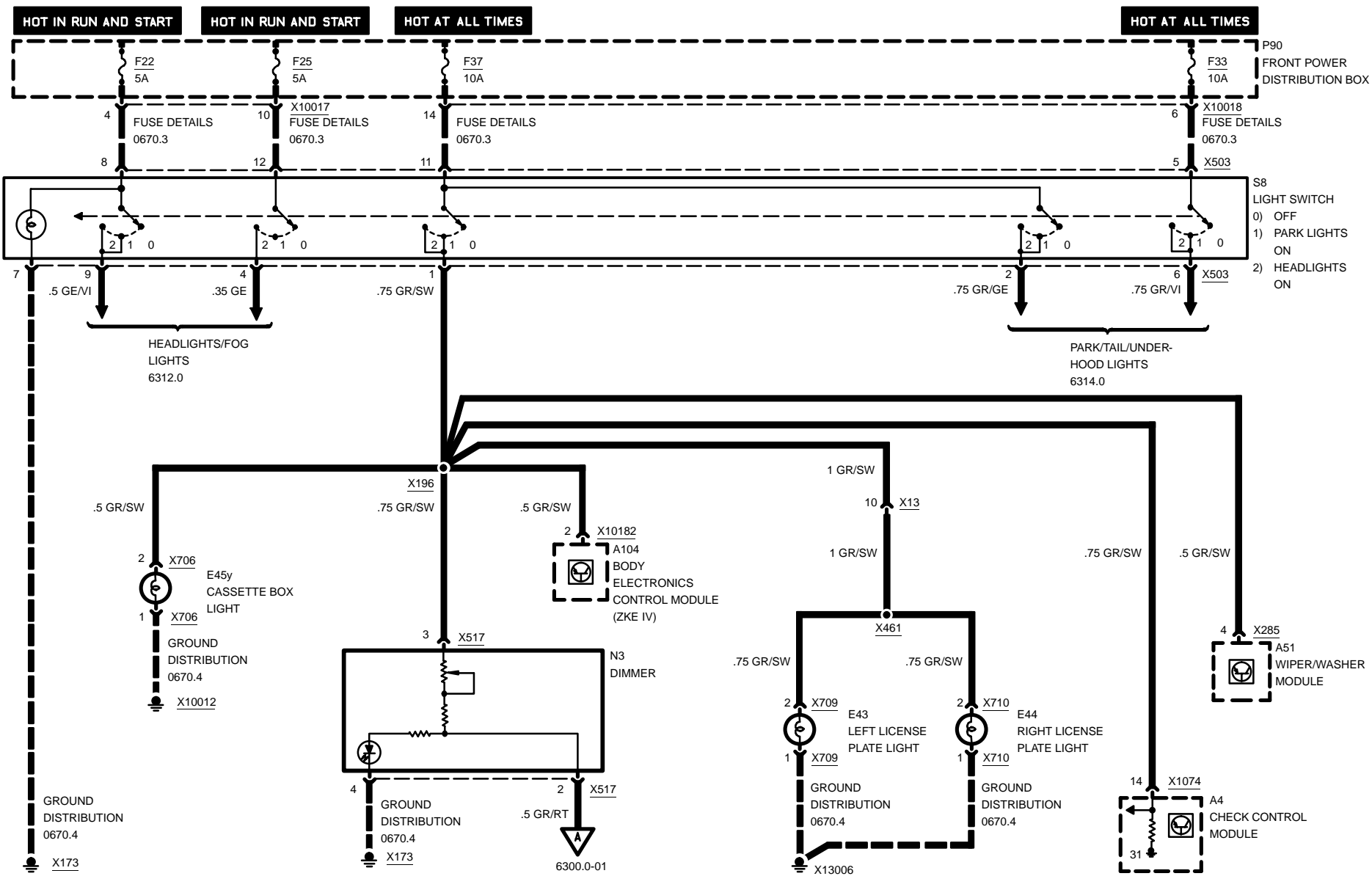








# 6300.0 LIGHT SWITCH DETAILS



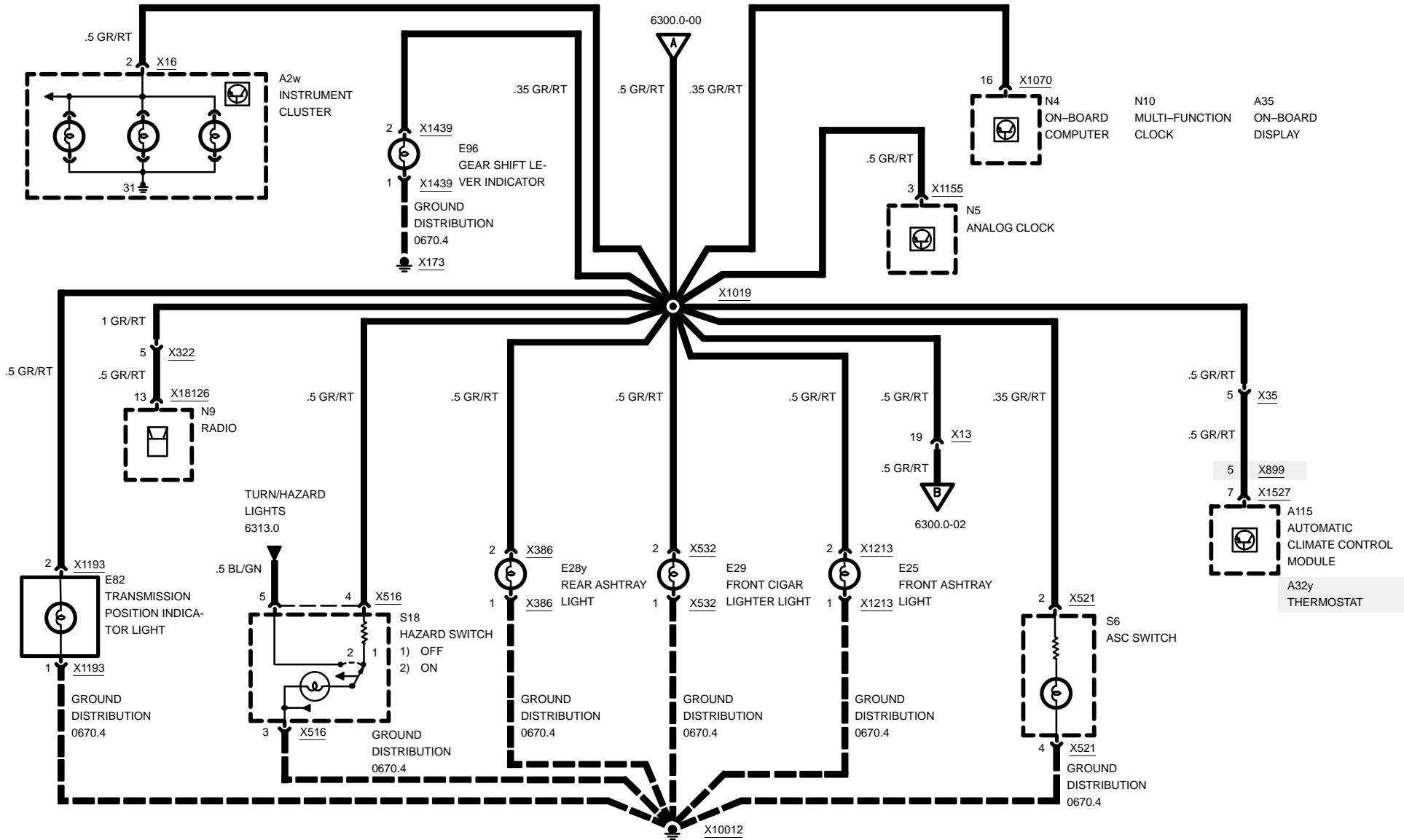
03/00

6300.0-00

1999



# LIGHT SWITCH DETAILS



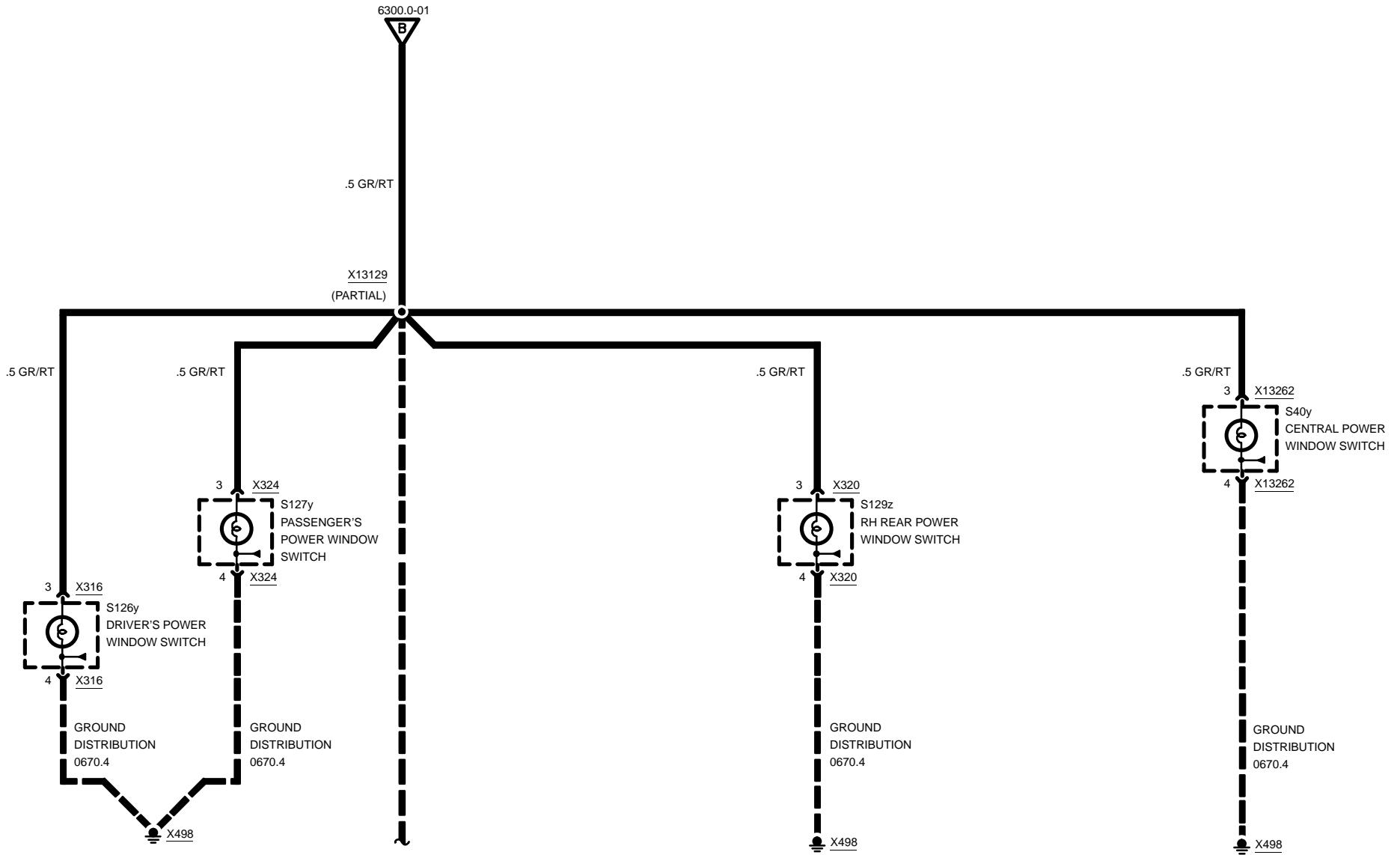
03/00

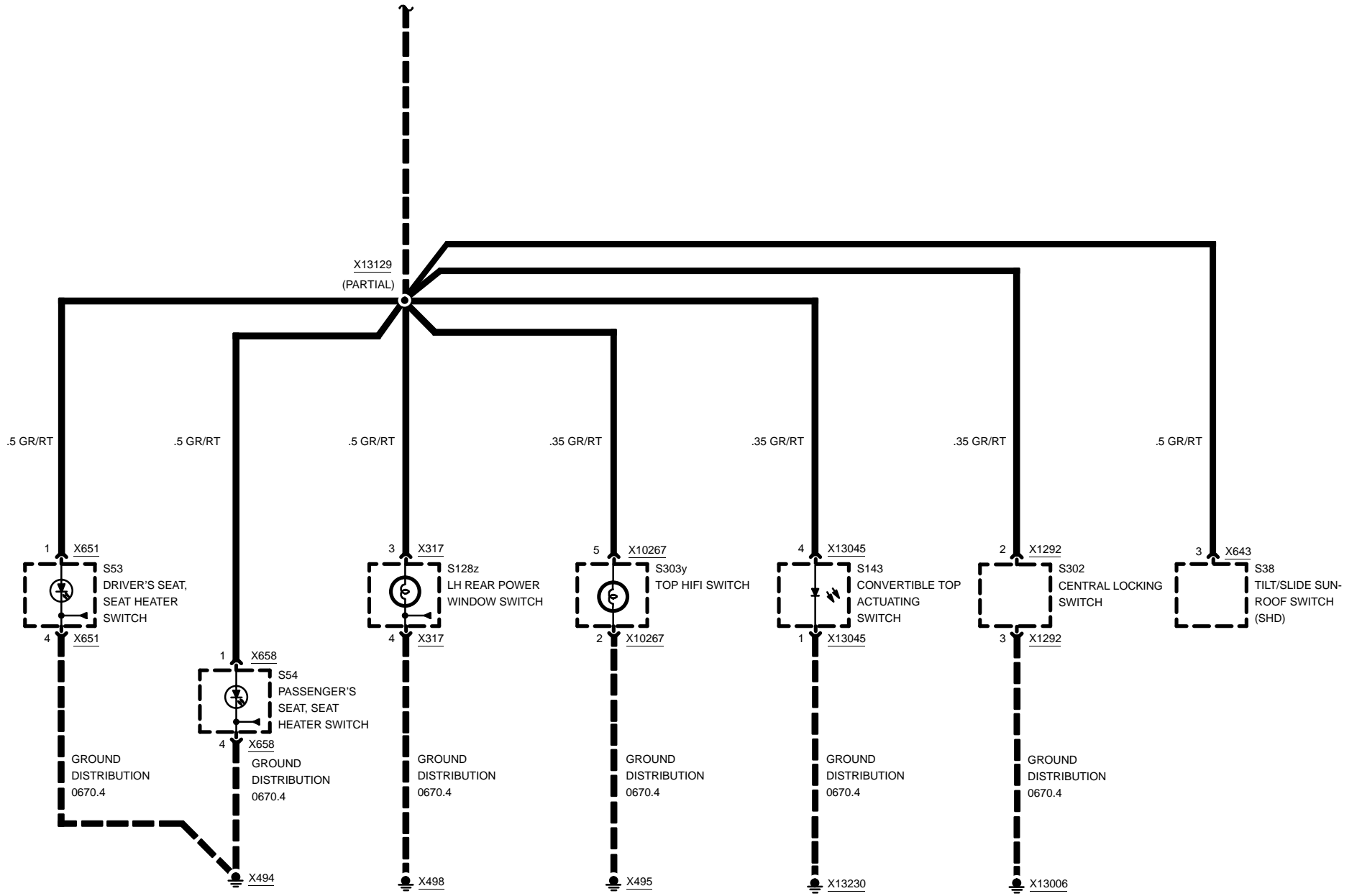
6300.0-01

1999



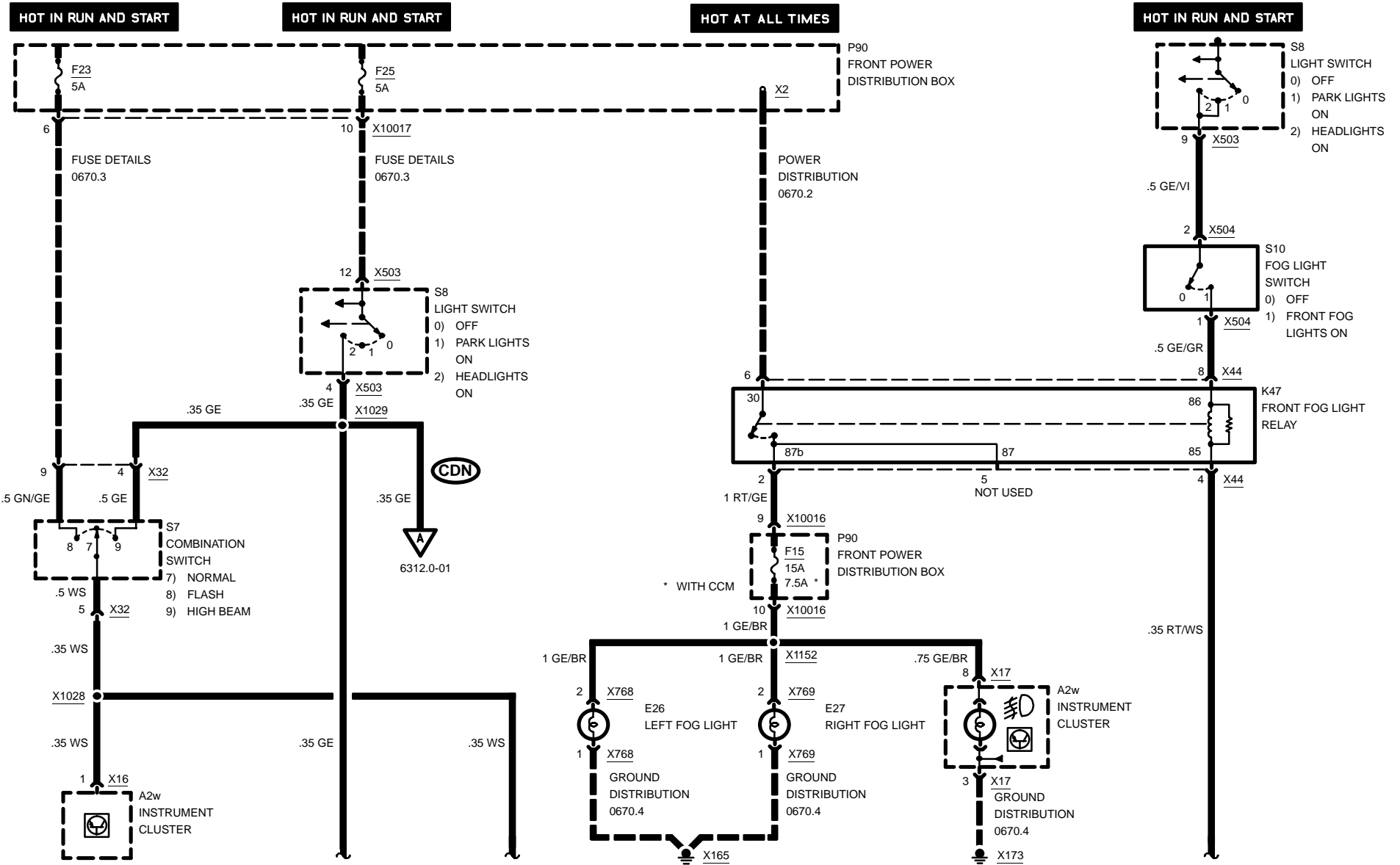
# LIGHT SWITCH DETAILS

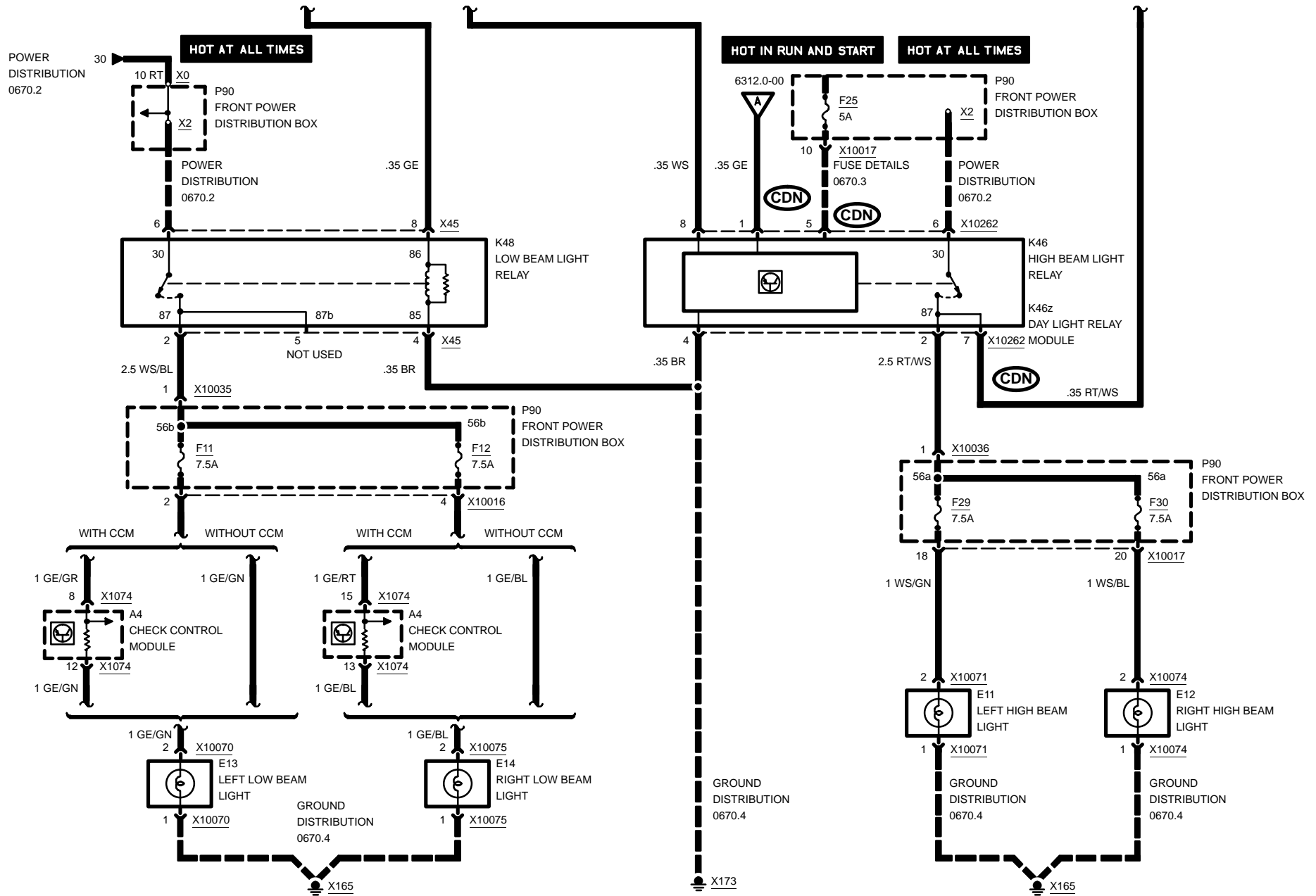






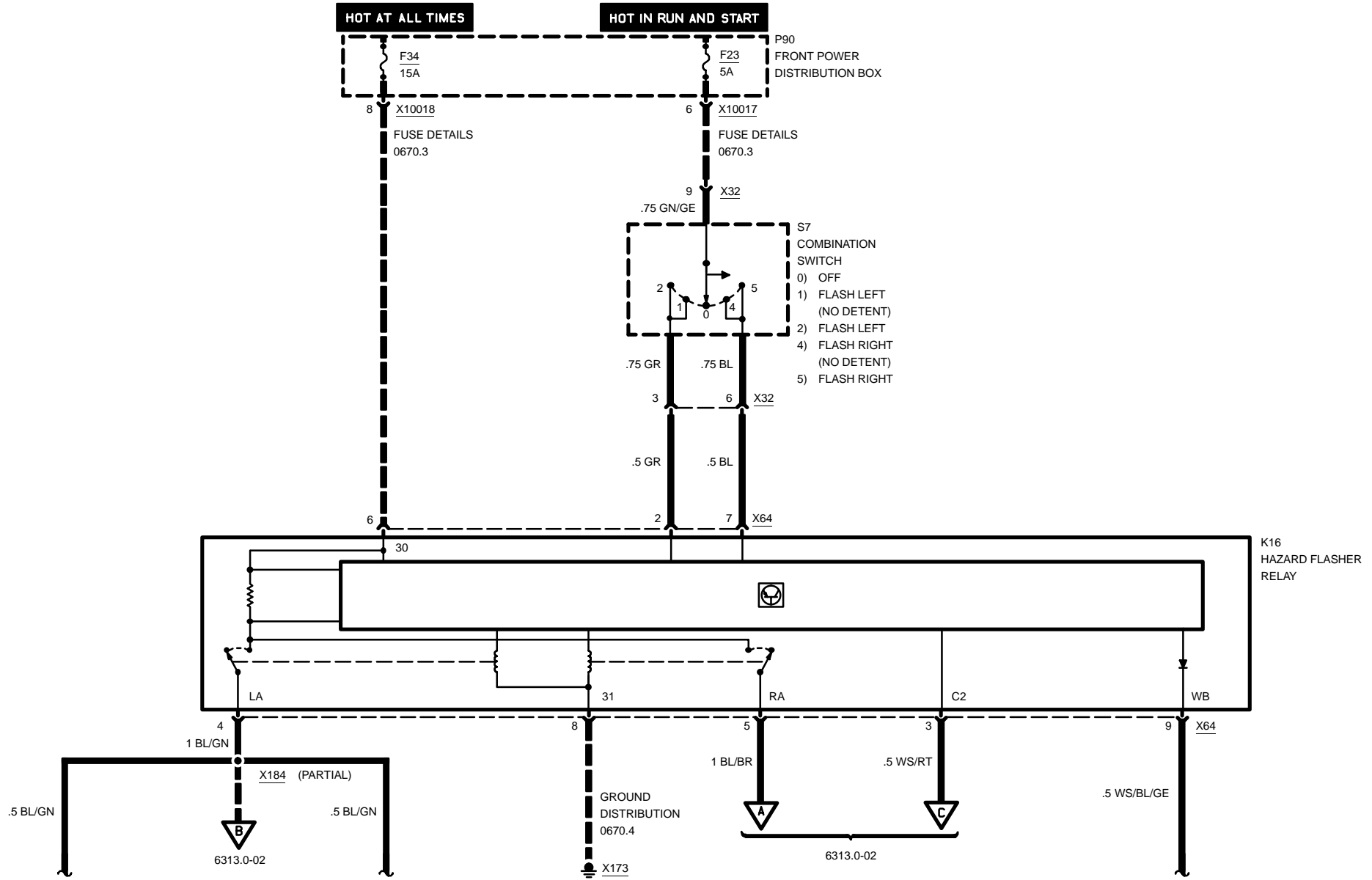
# 6312.0 HEADLIGHTS/FOG LIGHTS



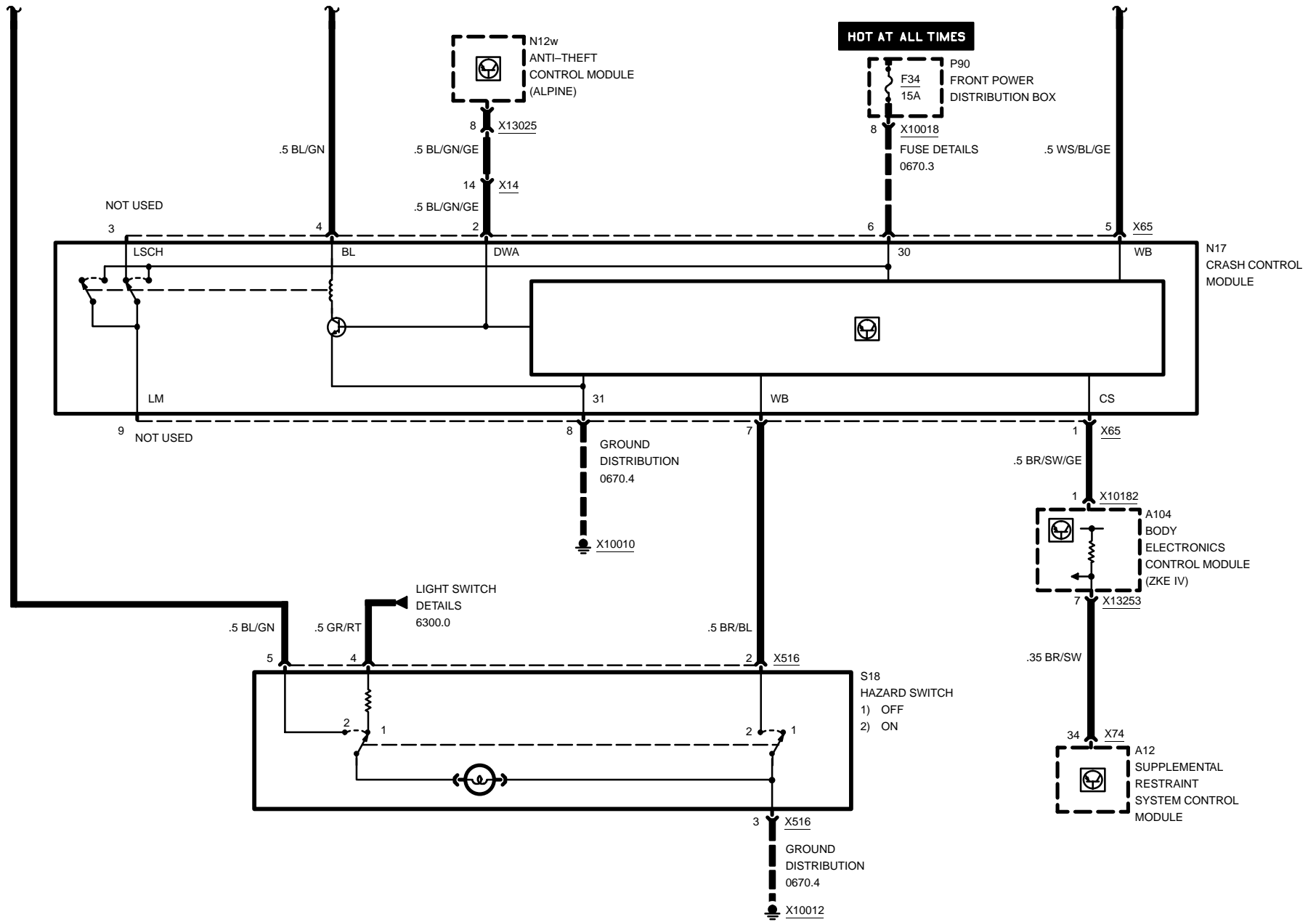




# 6313.0 TURN/HAZARD LIGHTS

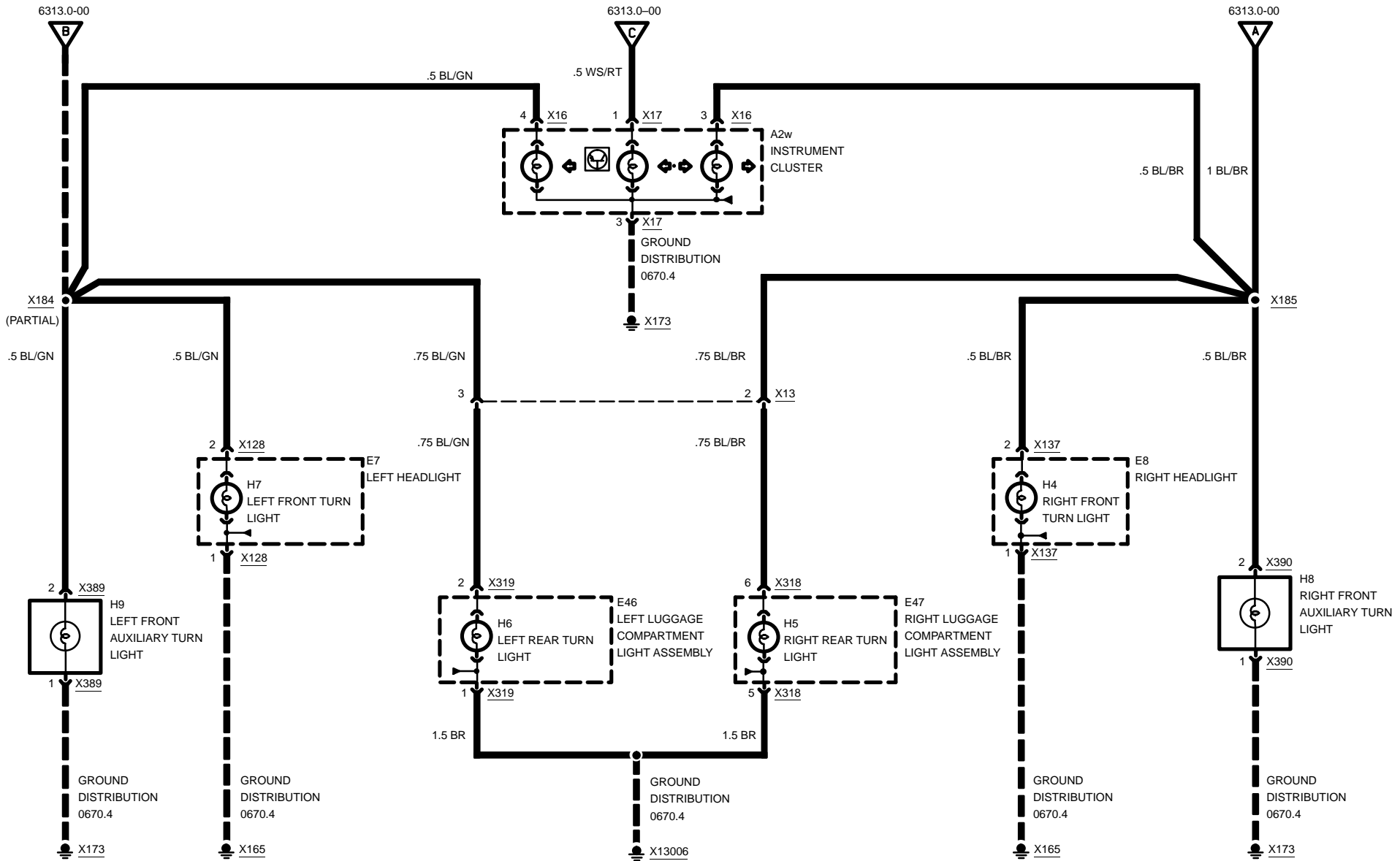








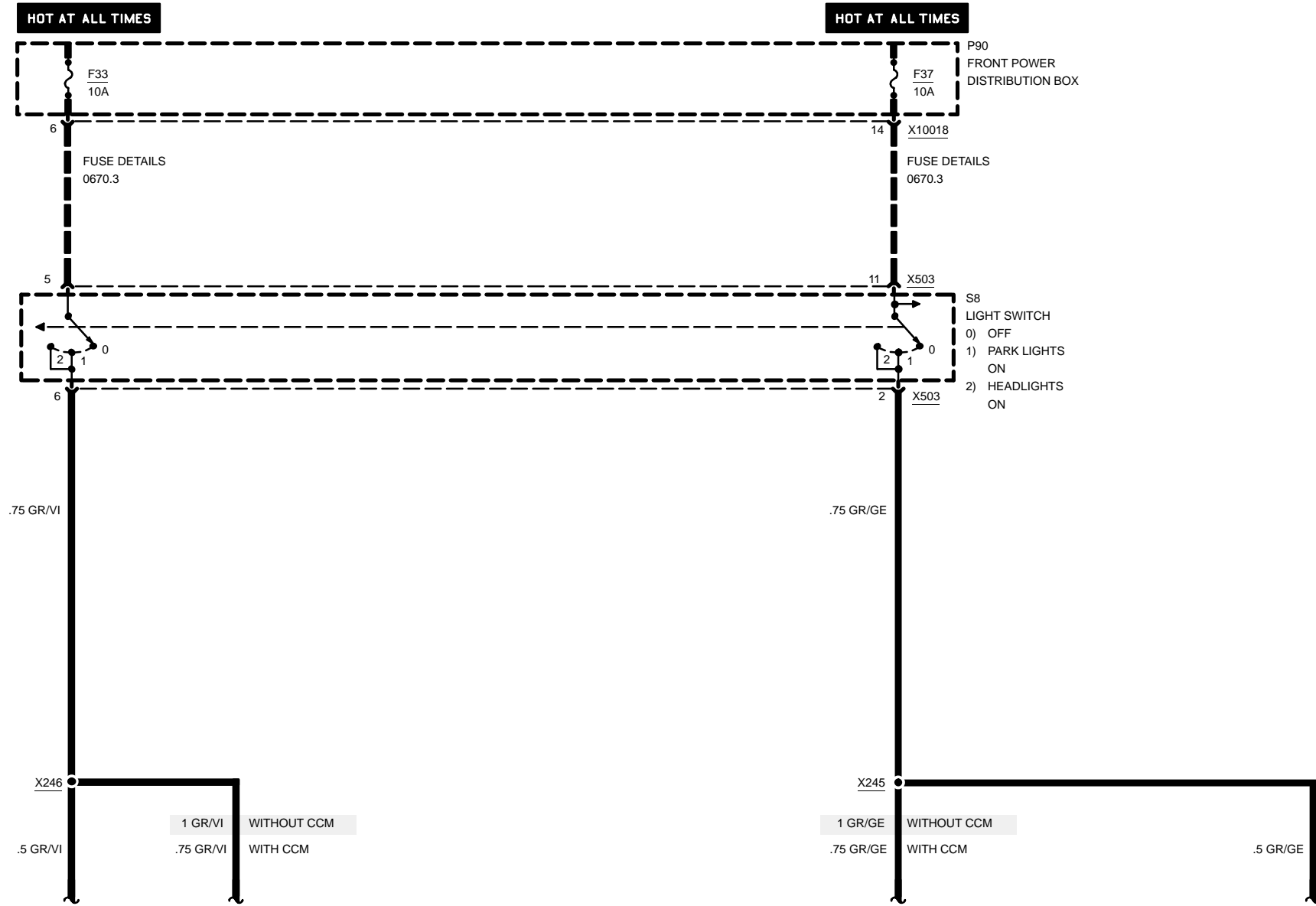
# TURN/HAZARD LIGHTS

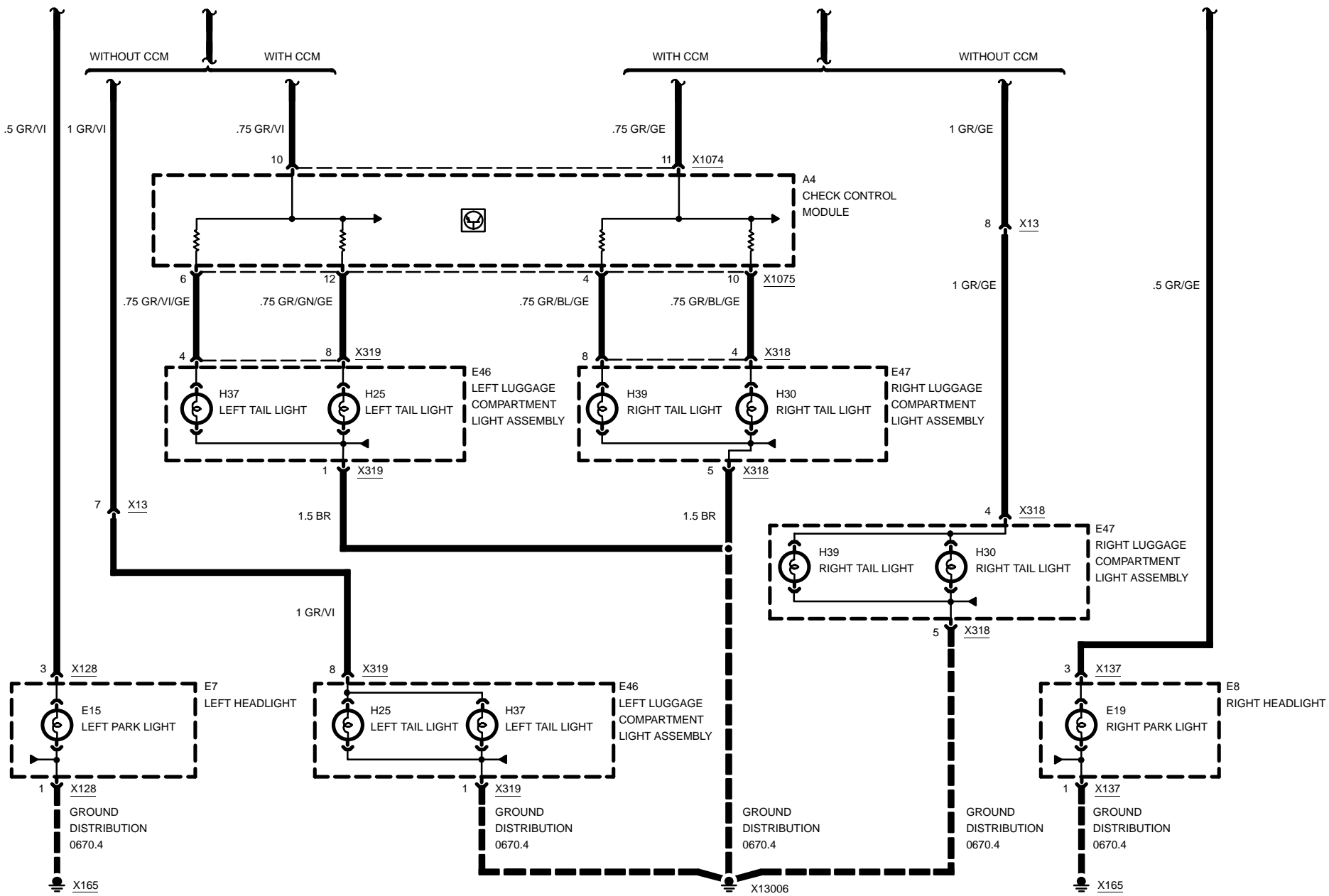


03/00  
6313.0-02  
1999



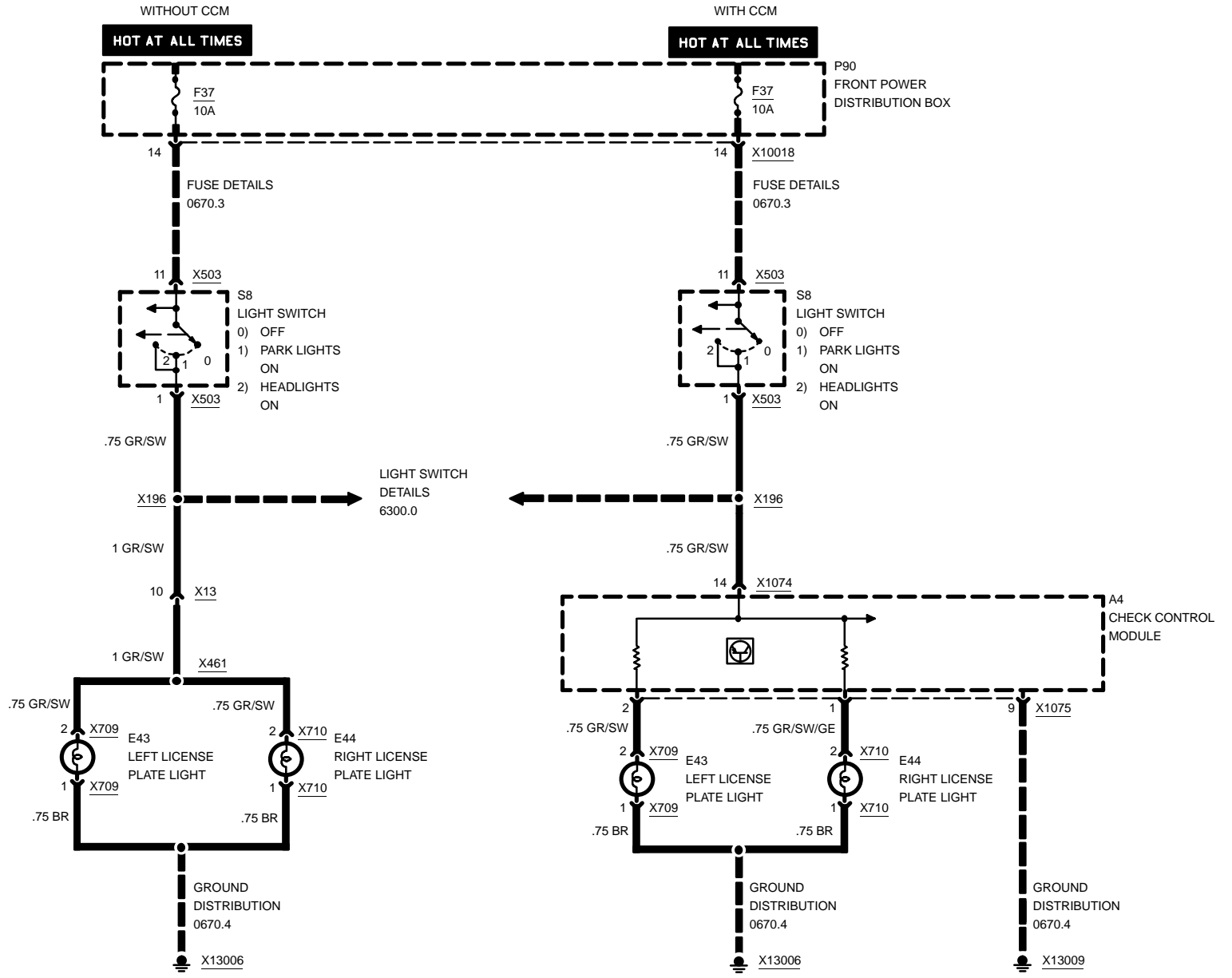
# 6314.0 PARK/TAIL LIGHTS





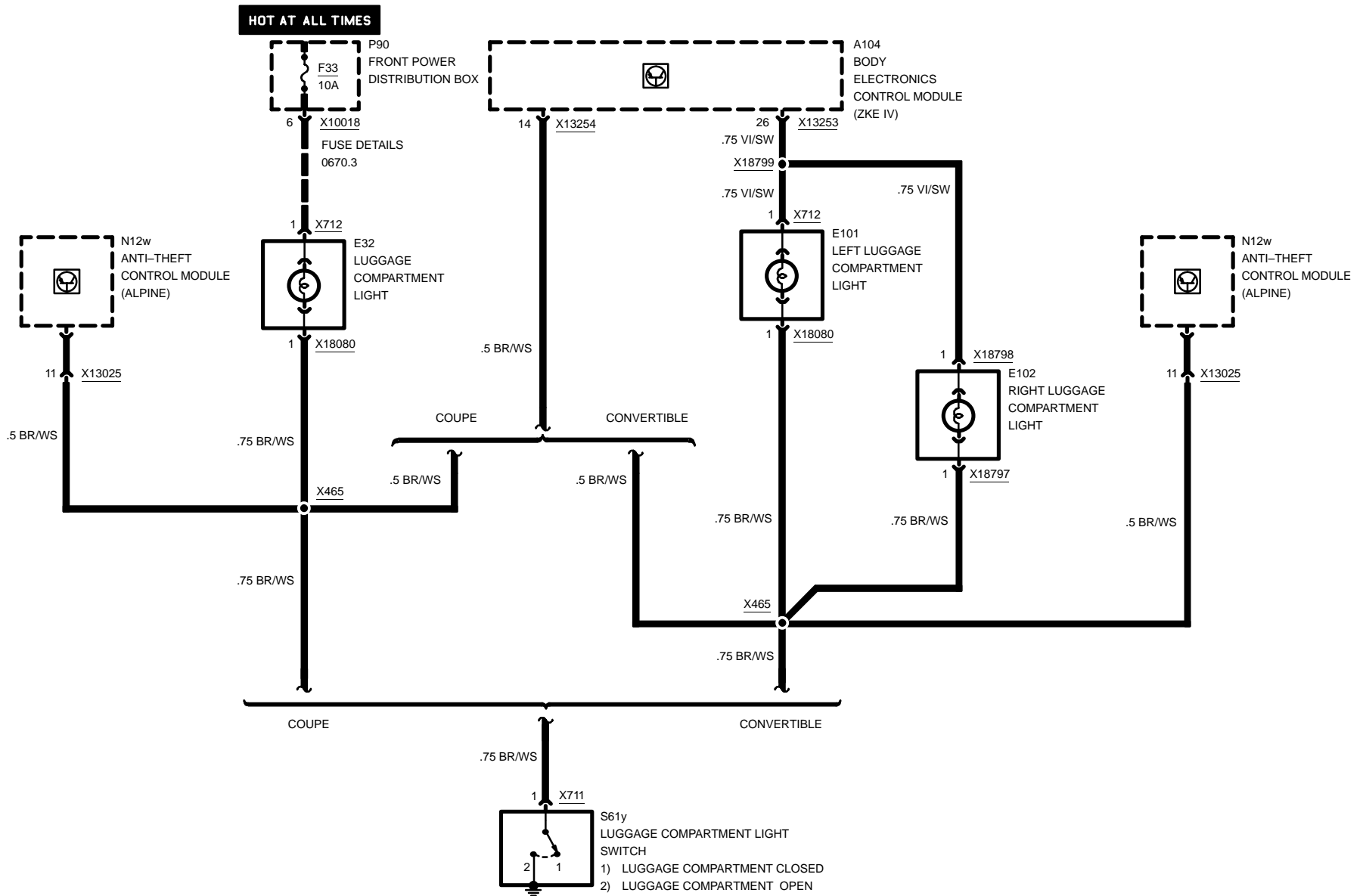


# 6320.0 LICENSE PLATE/LUGGAGE COMPARTMENT LIGHTS





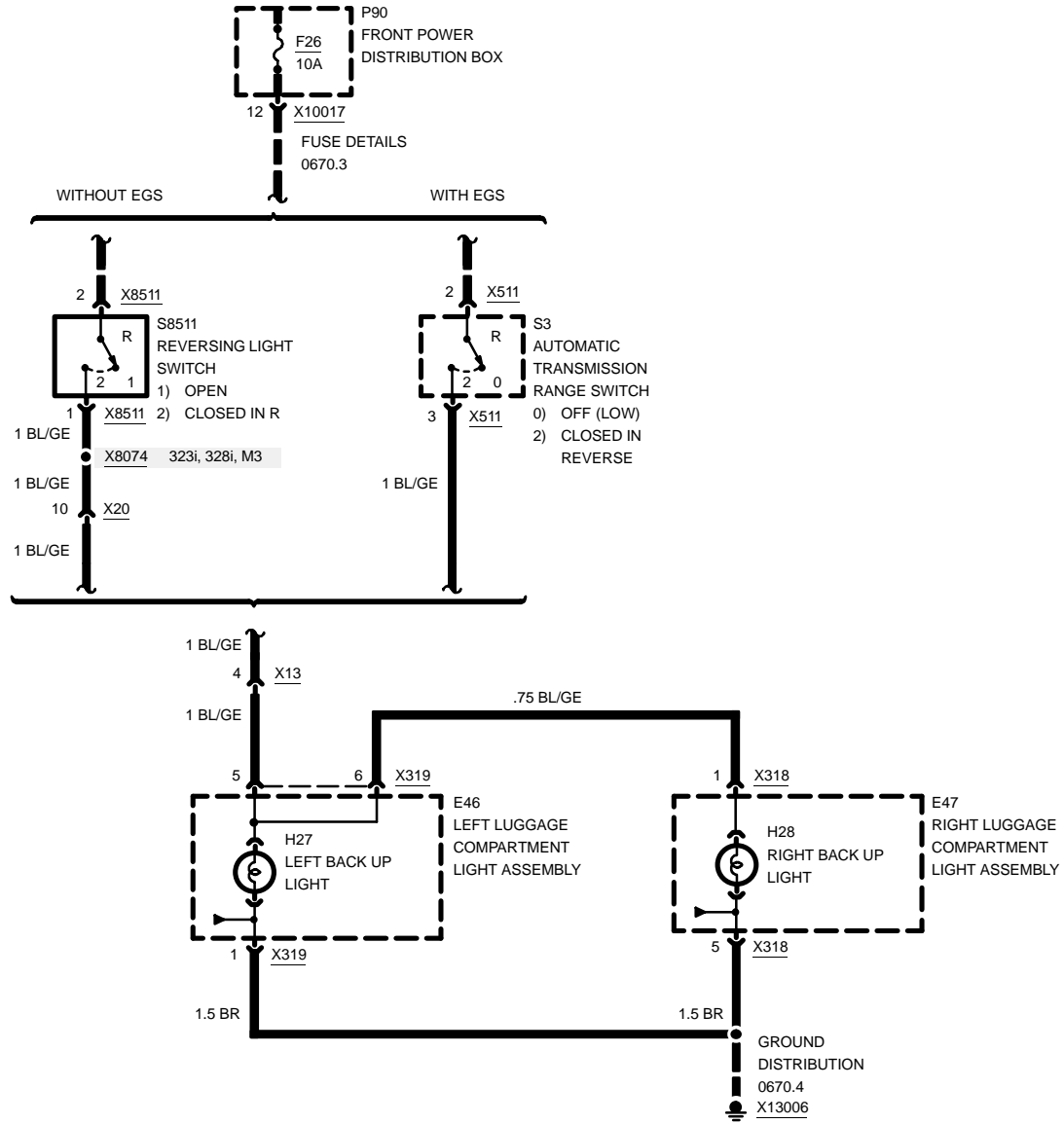
# LICENSE PLATE/LUGGAGE COMPARTMENT LIGHTS





# 6322.0 BACK UP LIGHTS

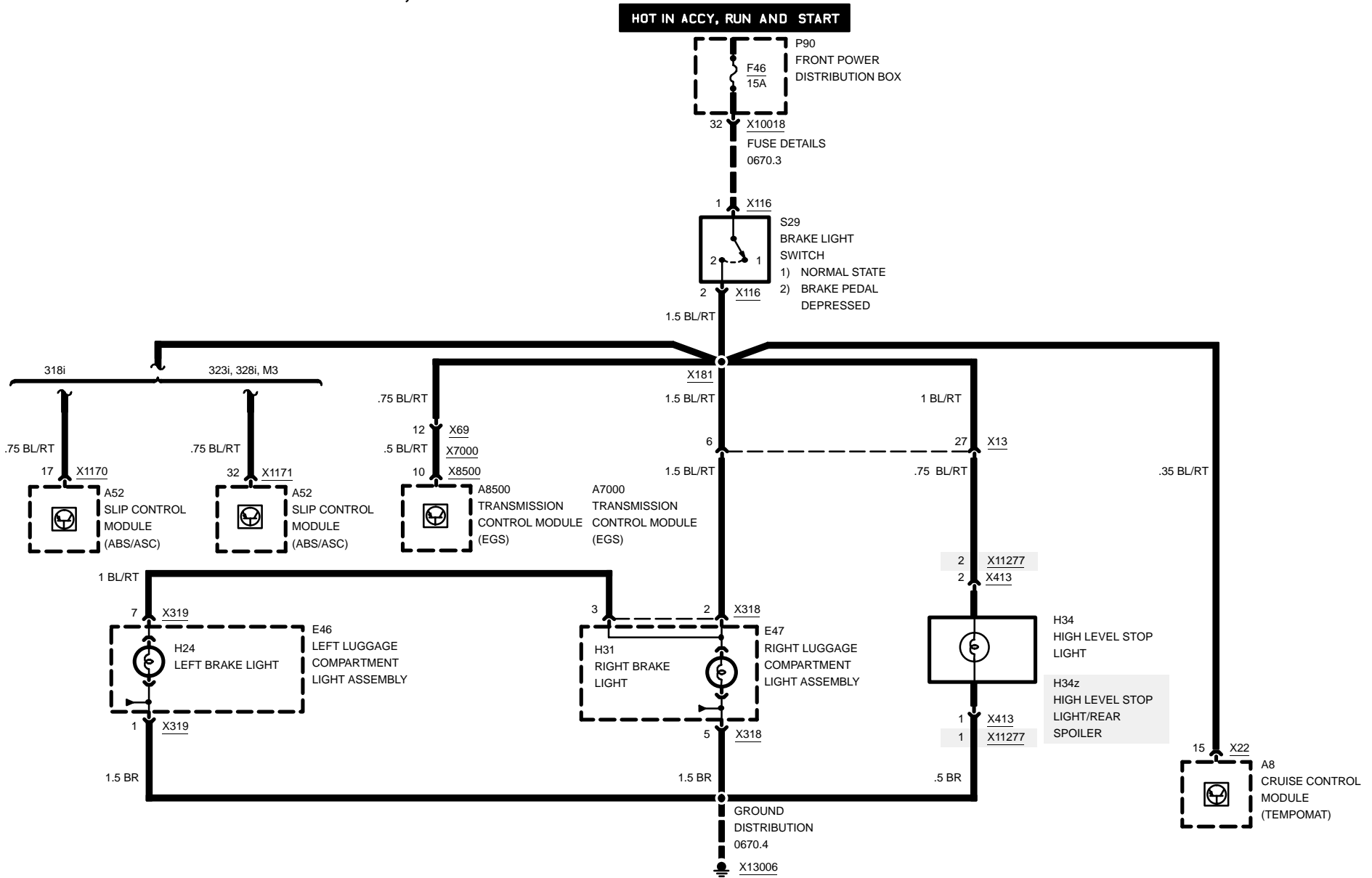
## HOT IN RUN AND START





# 6325.0 BRAKE LIGHTS

## BRAKE LIGHTS CONNECTOR, 2 PINS

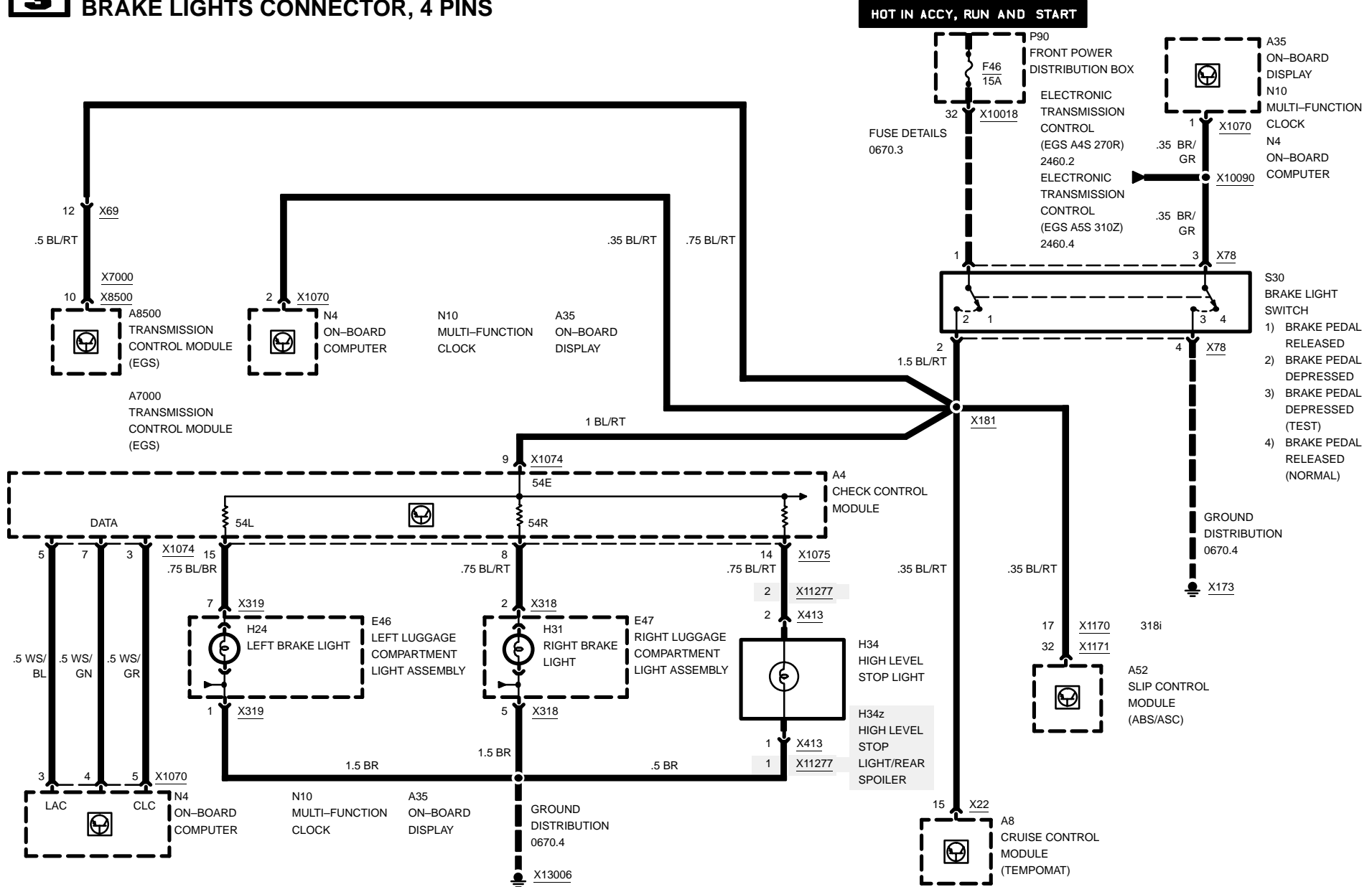






# BRAKE LIGHTS

## BRAKE LIGHTS CONNECTOR, 4 PINS



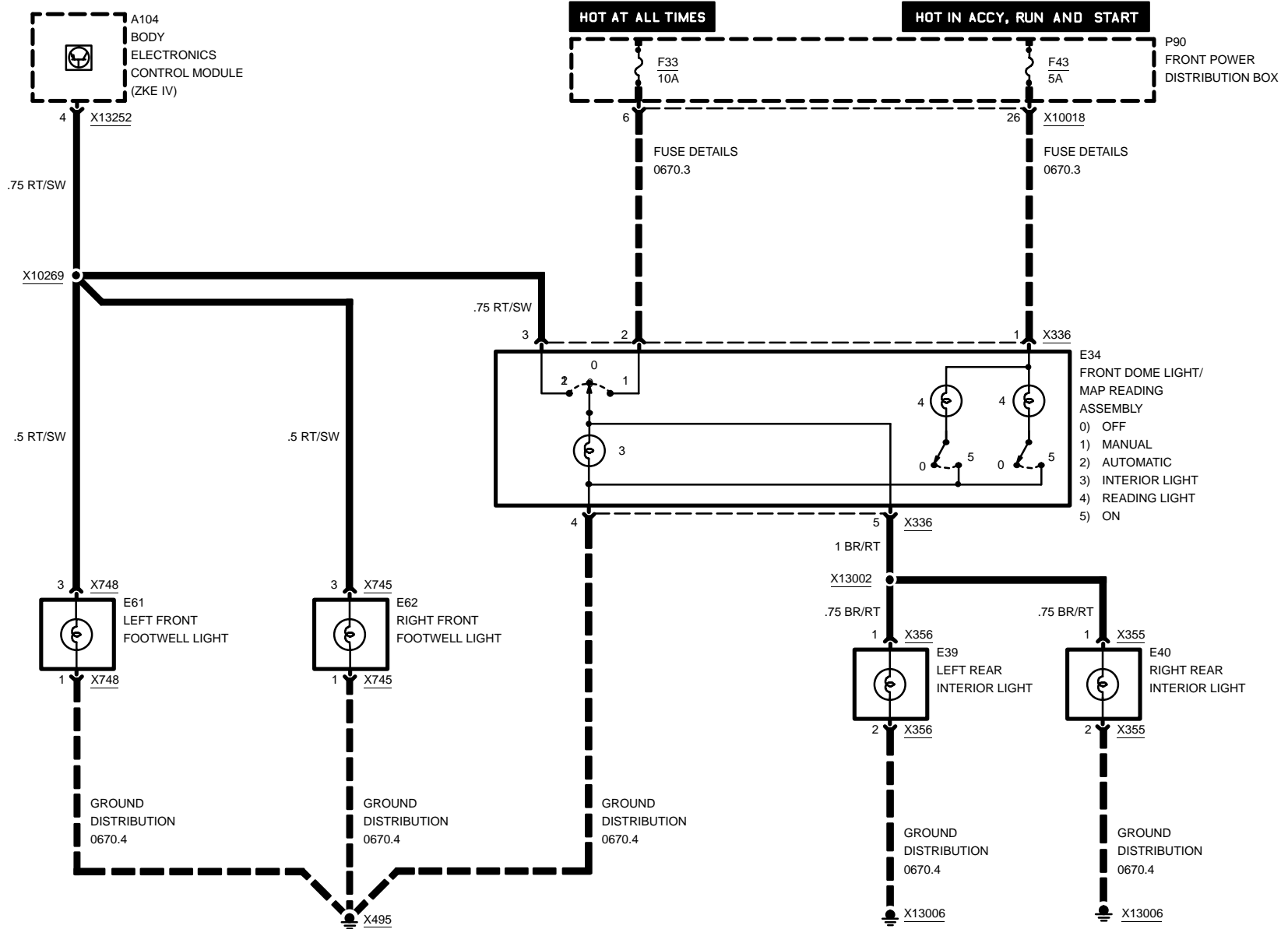
03/00

6325.0-01

1999

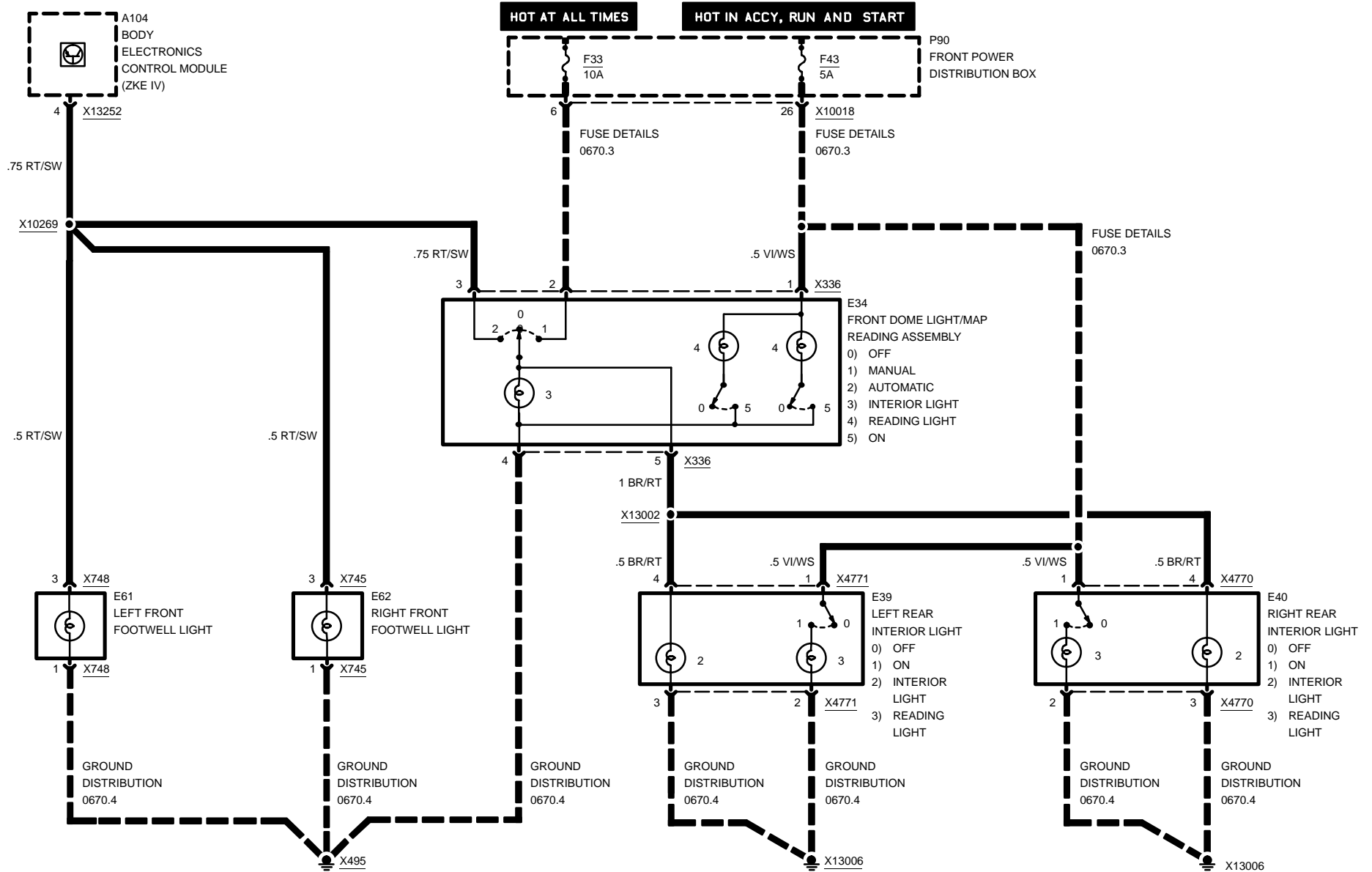


# 6330.3 INTERIOR LIGHTS WITHOUT REAR READING LIGHT

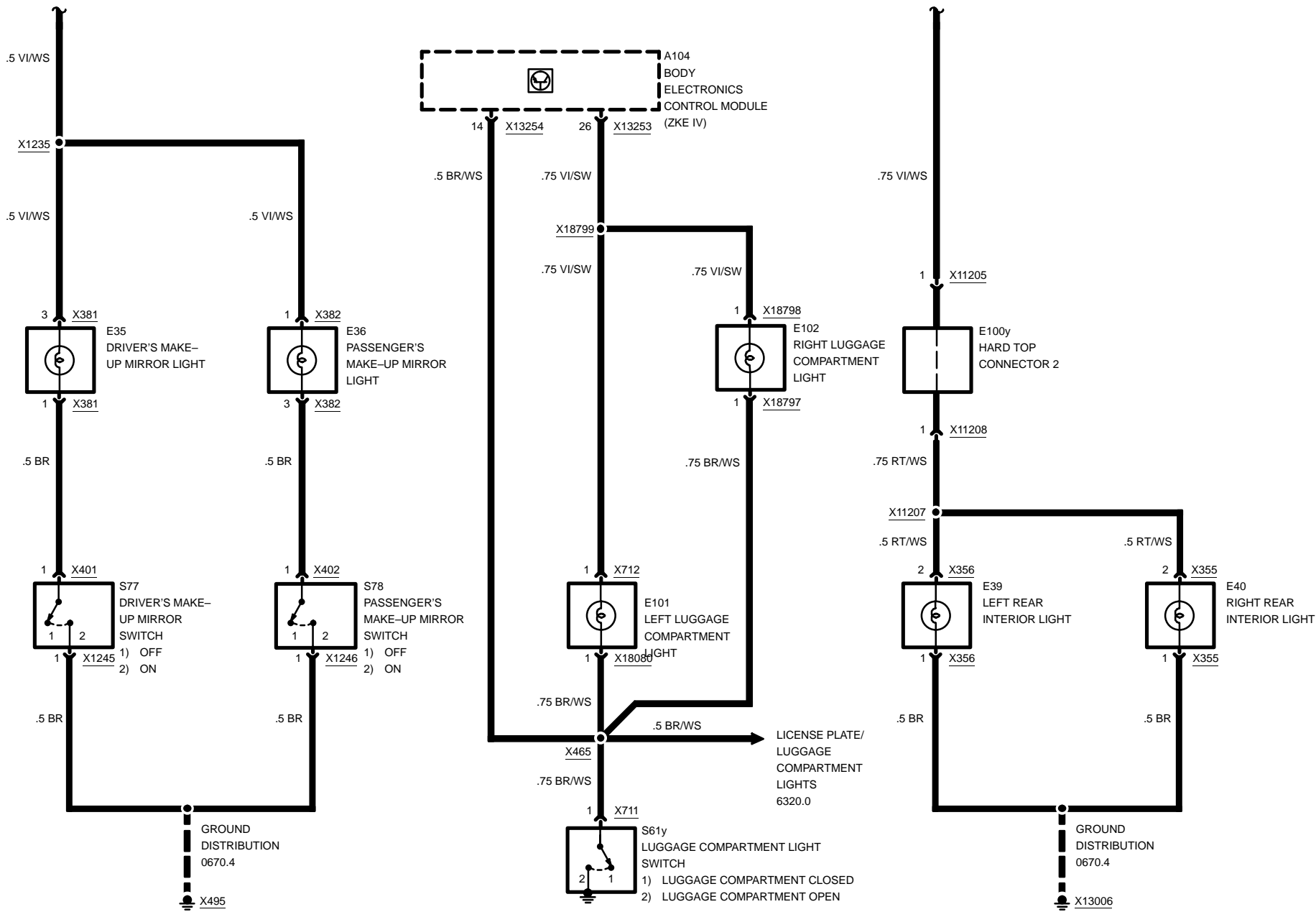




# INTERIOR LIGHTS WITH REAR READING LIGHT

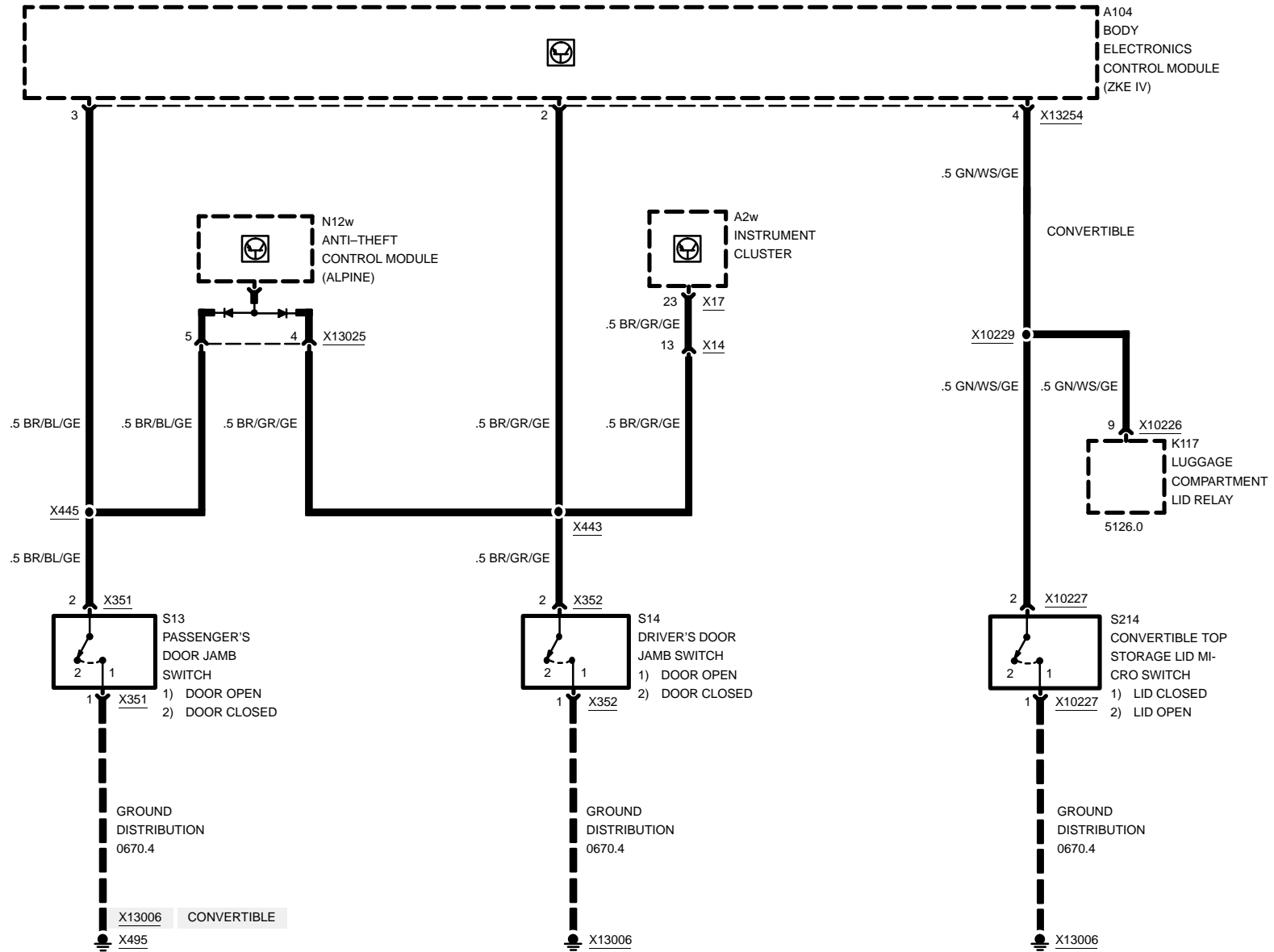






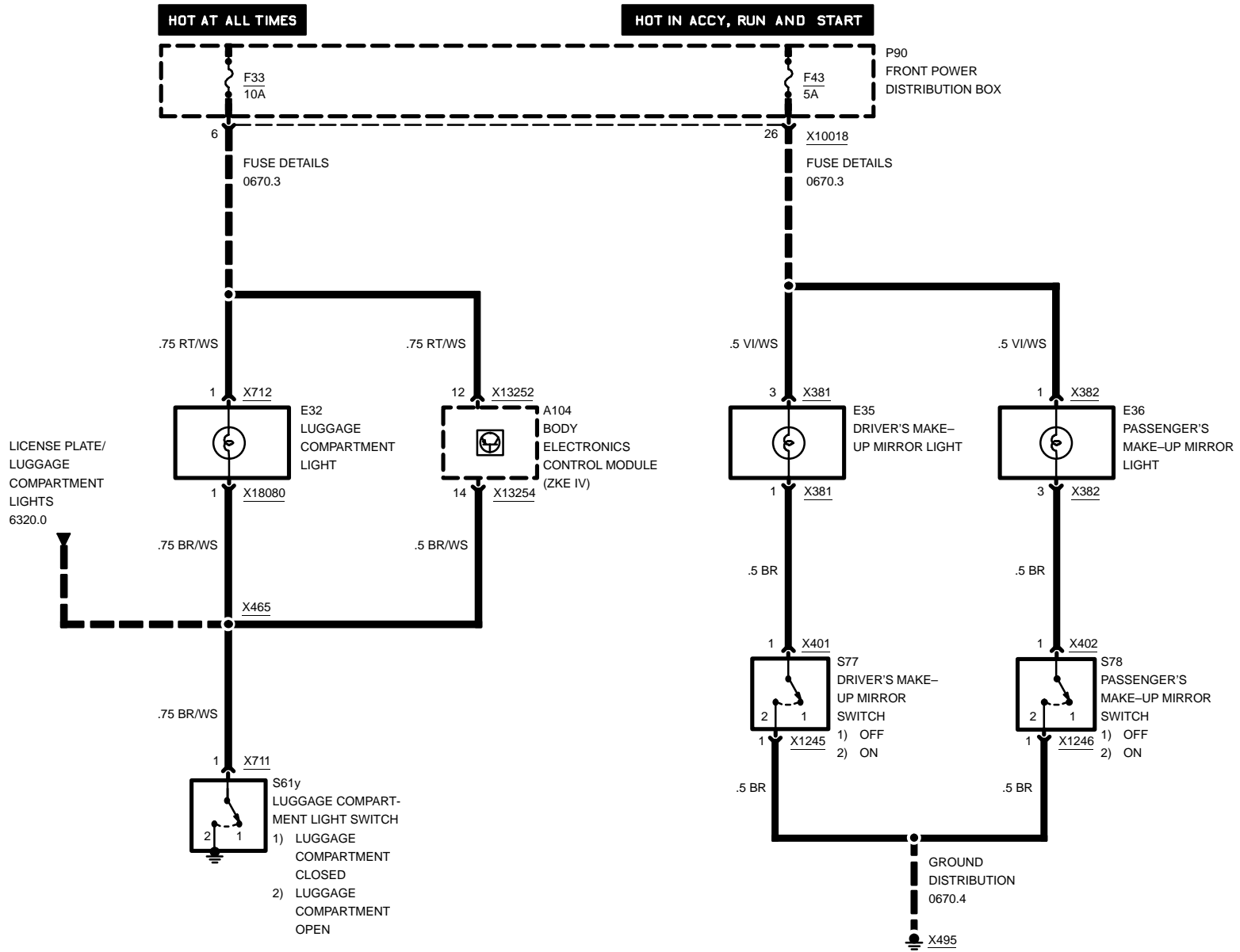


# INTERIOR LIGHTS





# INTERIOR LIGHTS

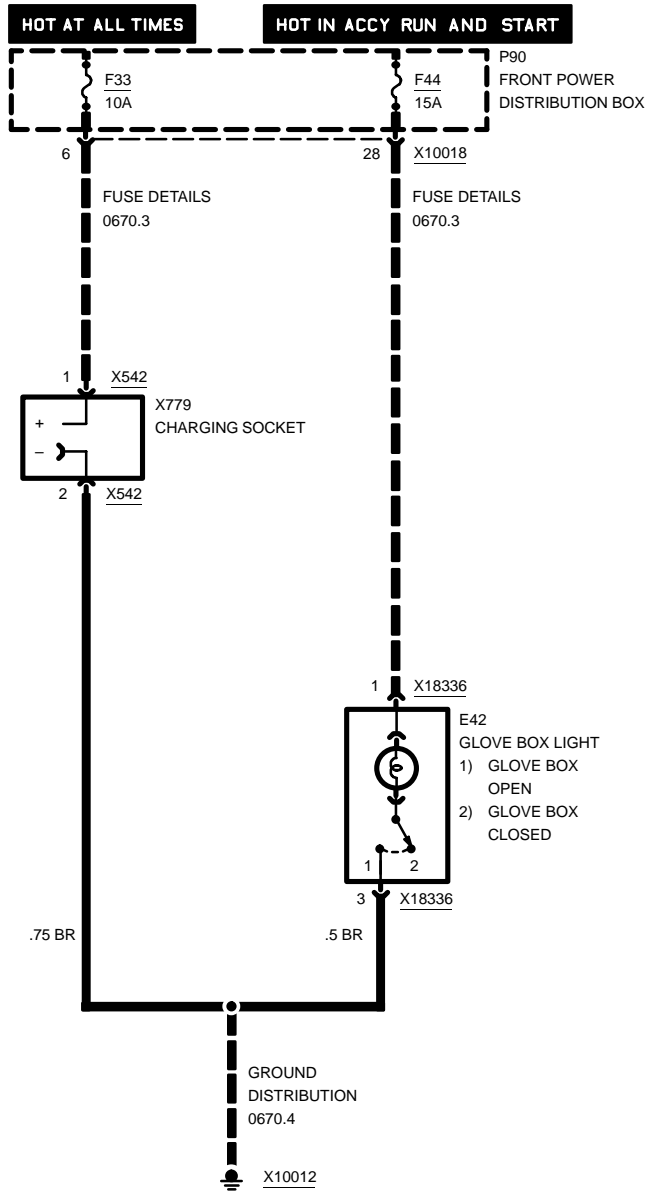




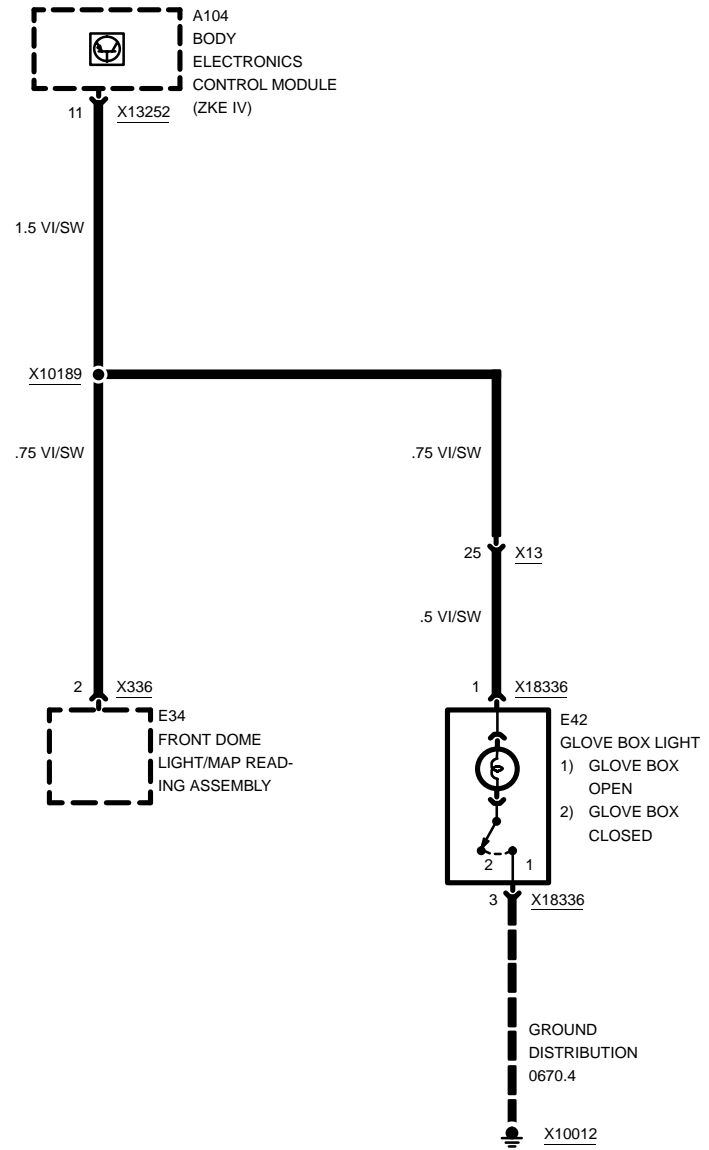




# GLOVE BOX LIGHT/CASSETTE BOX/ASHTRAY LIGHT/CHARGING SOCKET/CIGAR LIGHTER

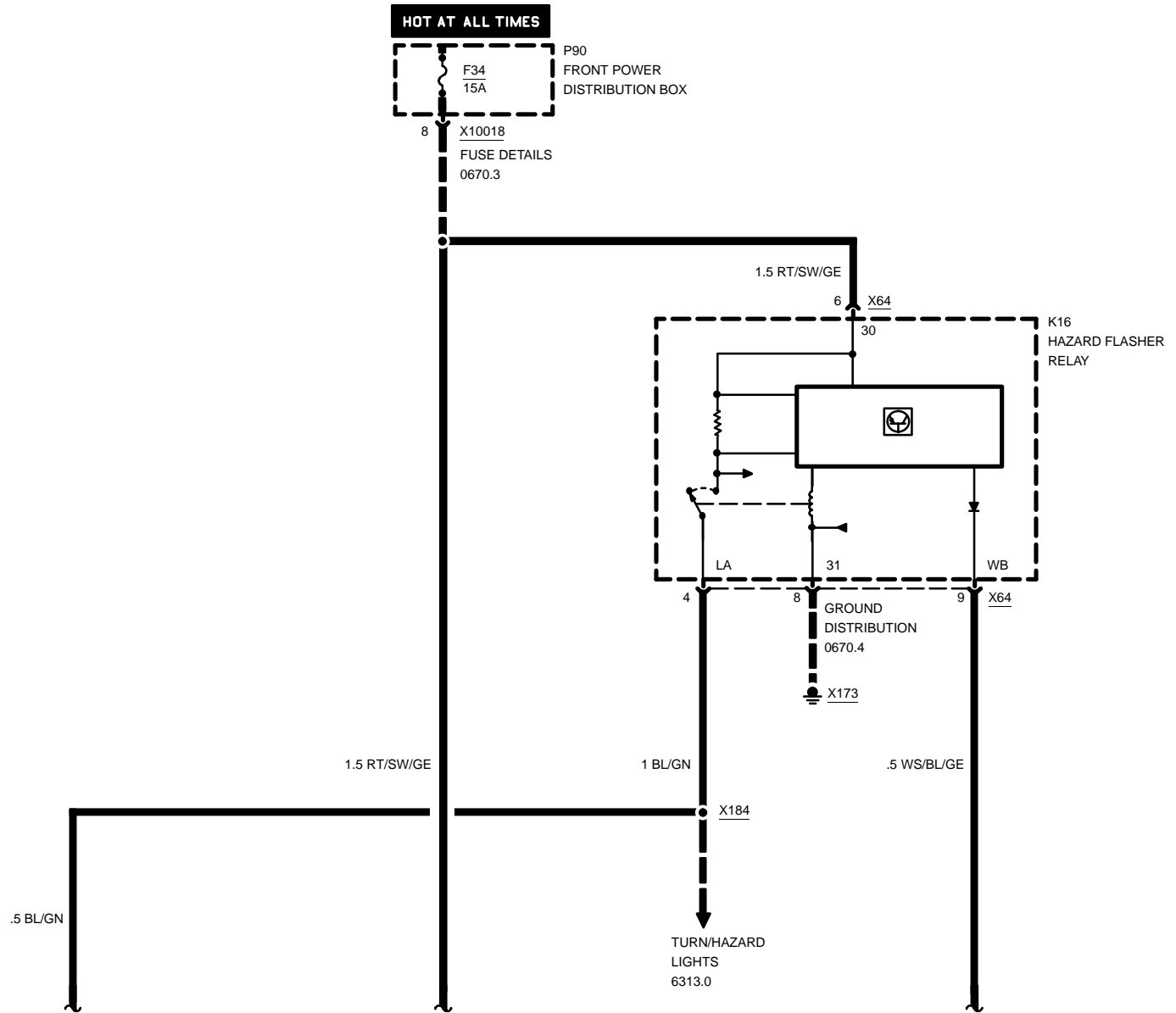


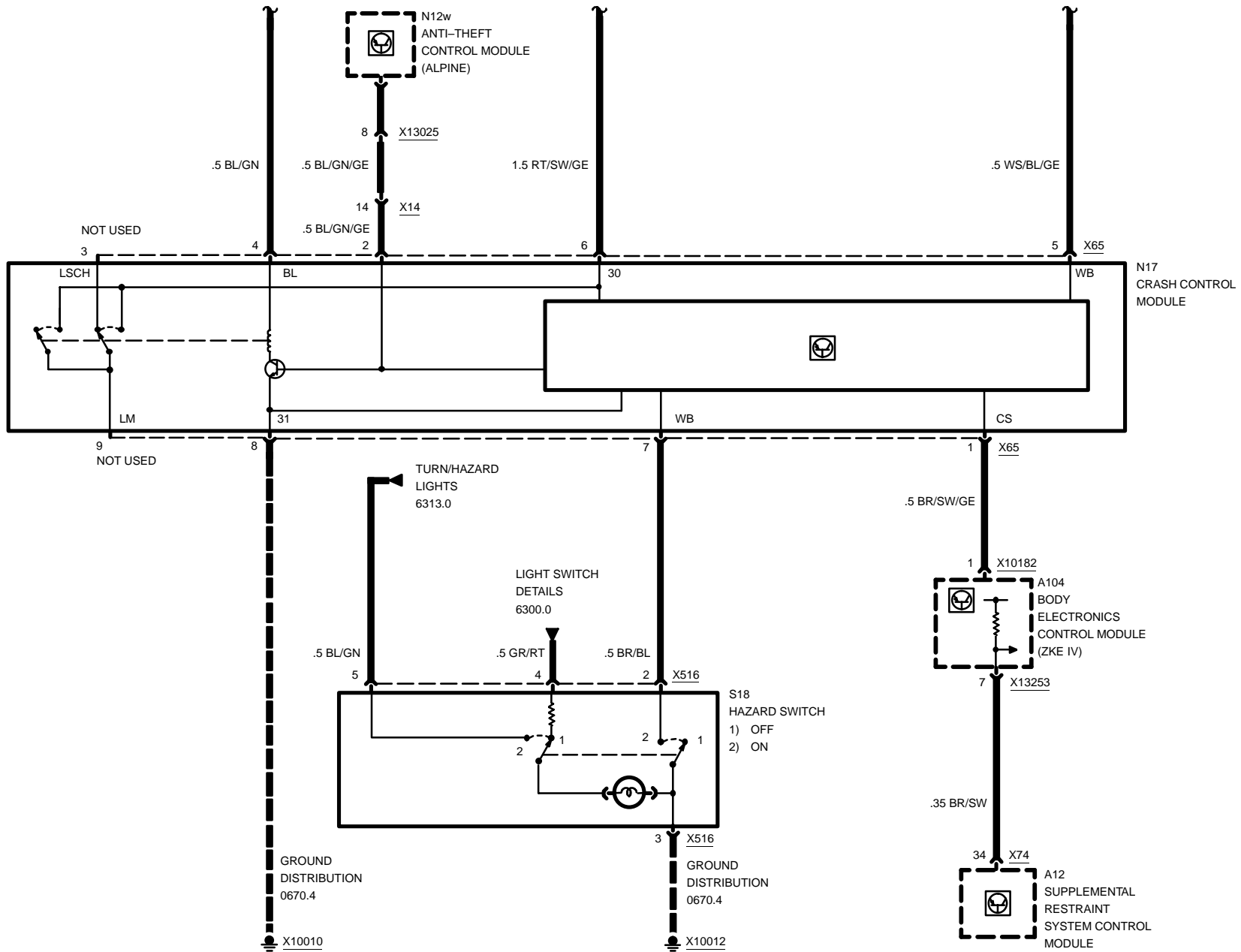
## CONVERTIBLE





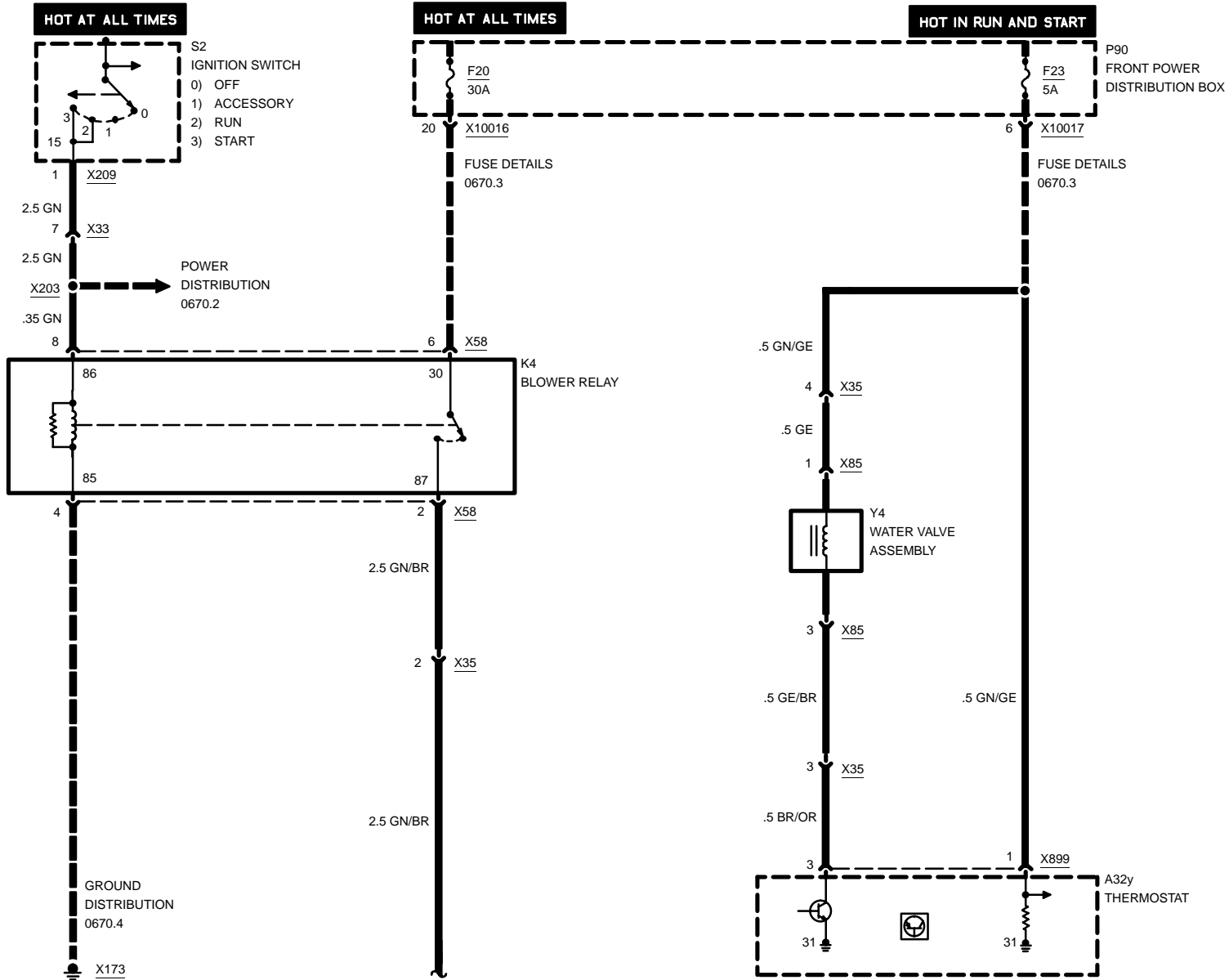
# 6350.0 CRASH CONTROL MODULE

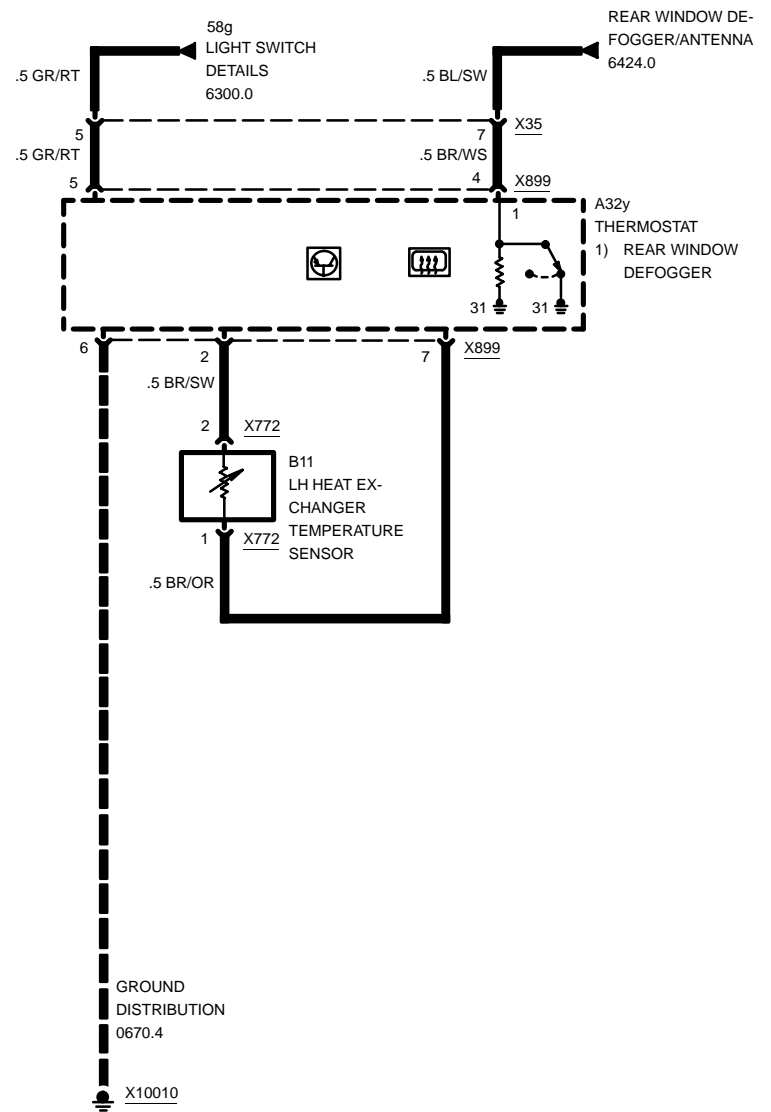
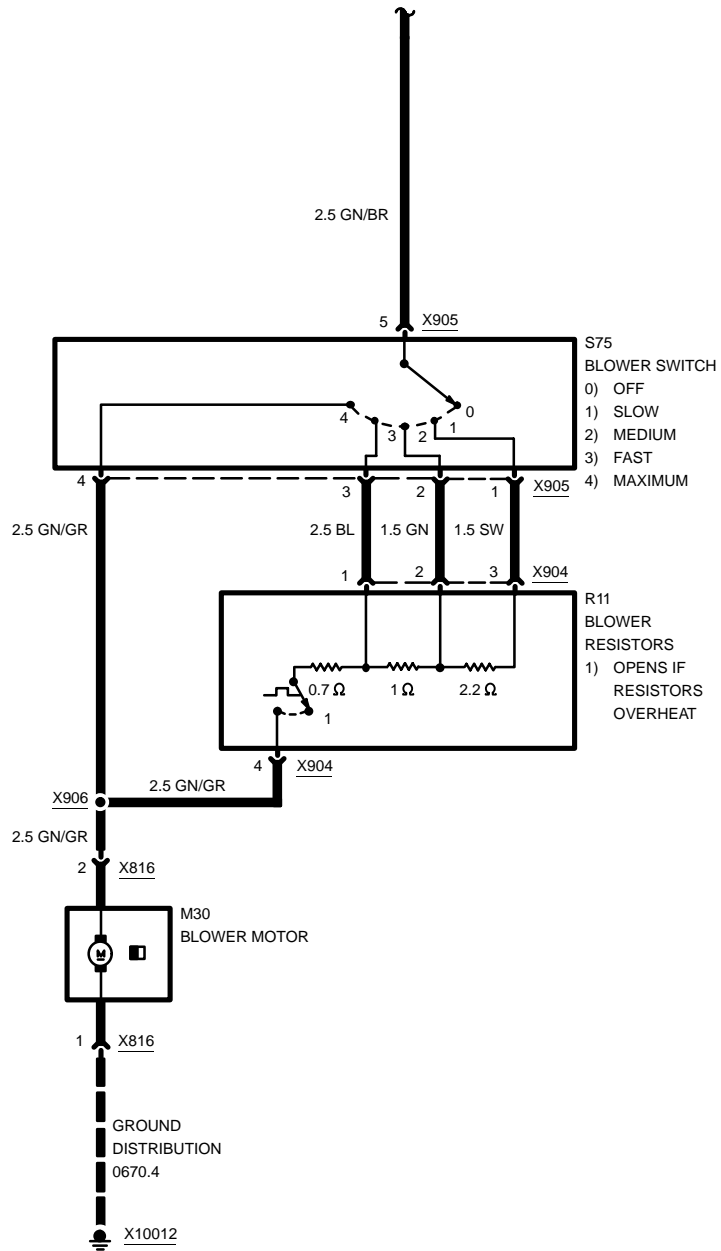






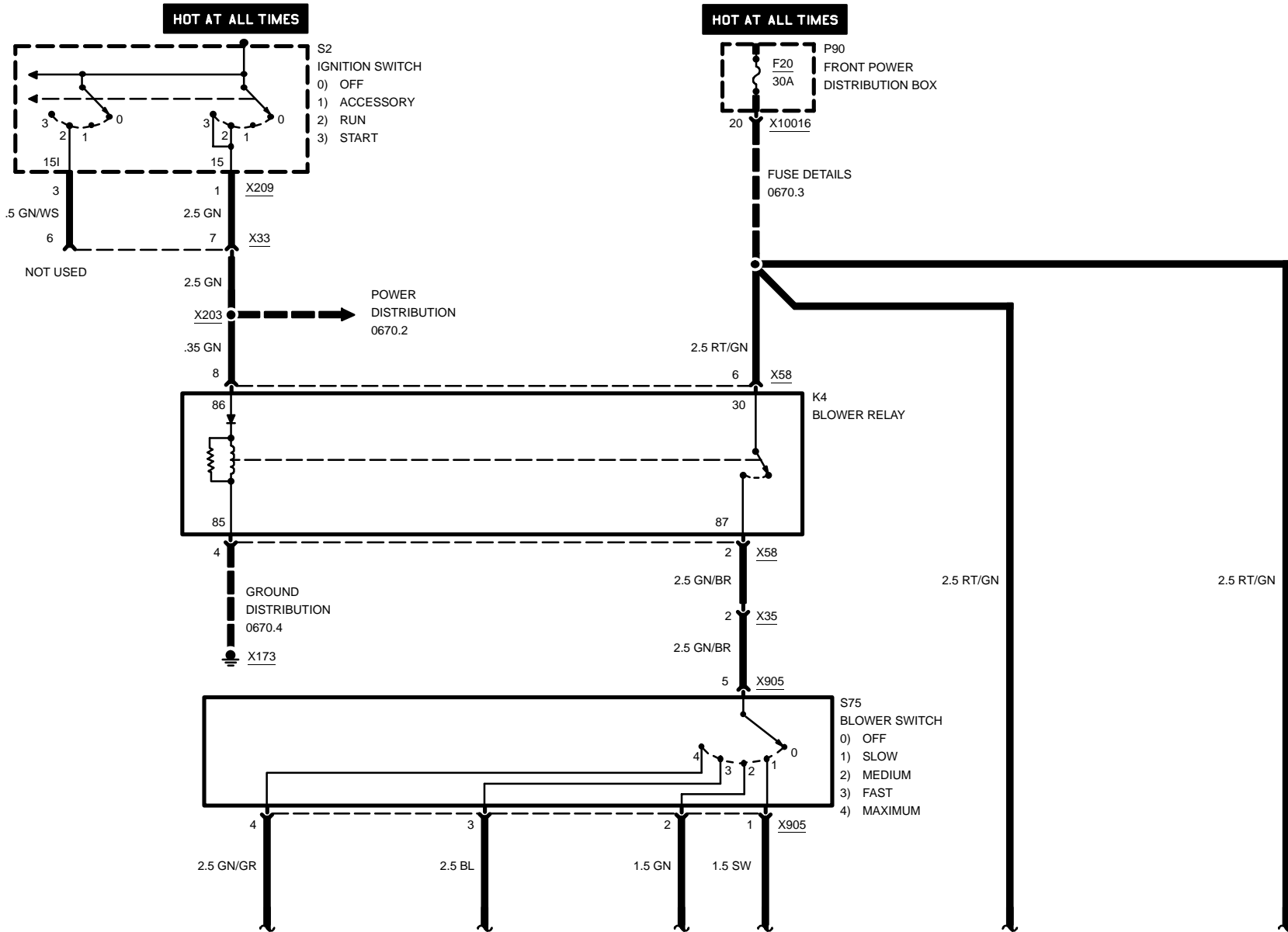
# 6410.5 HEATING CONTROL (HR)

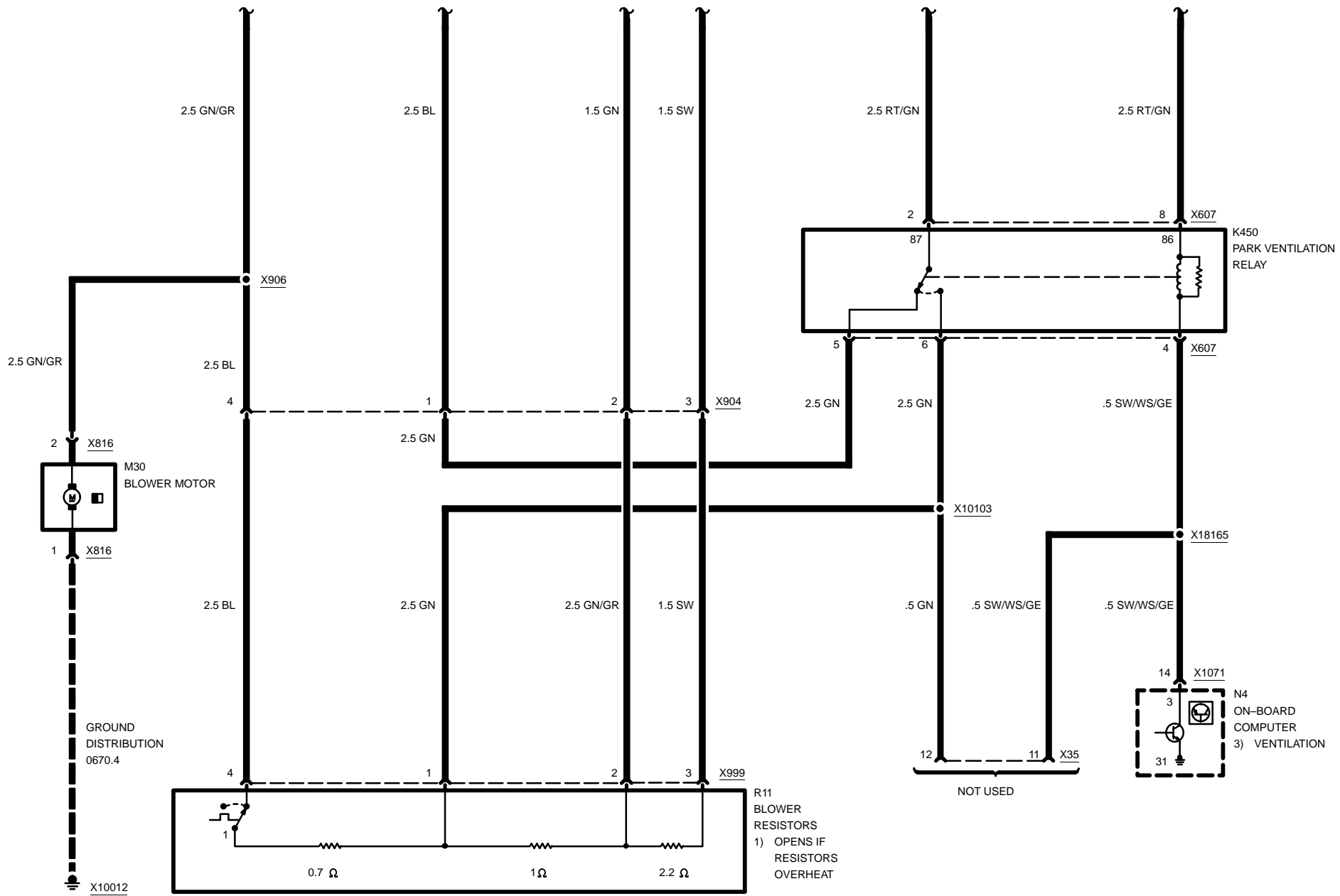






# 6412.10 PARK VENTILATION WITH HR



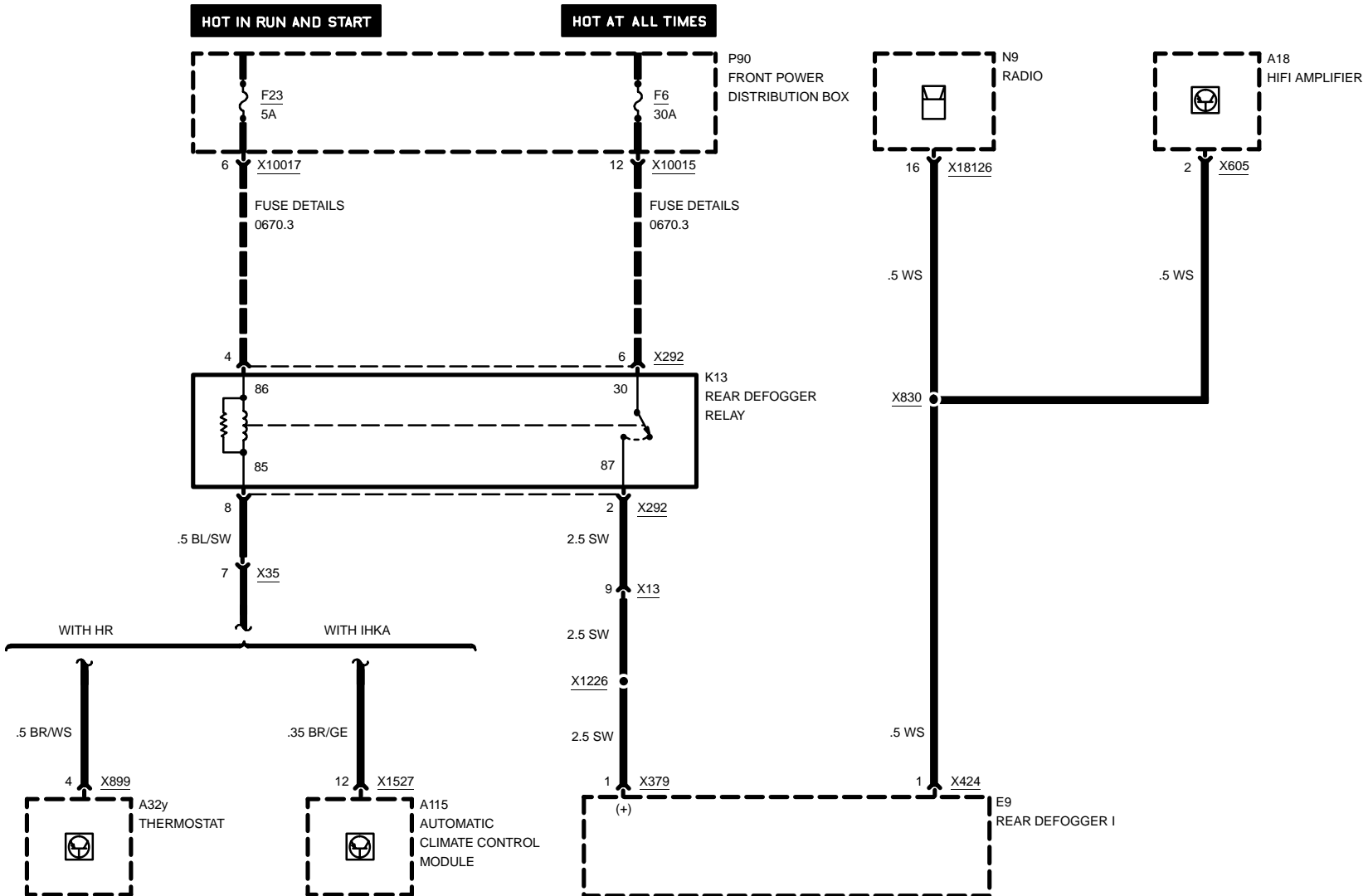








# 6424.0 REAR WINDOW DEFOGGER/ANTENNA

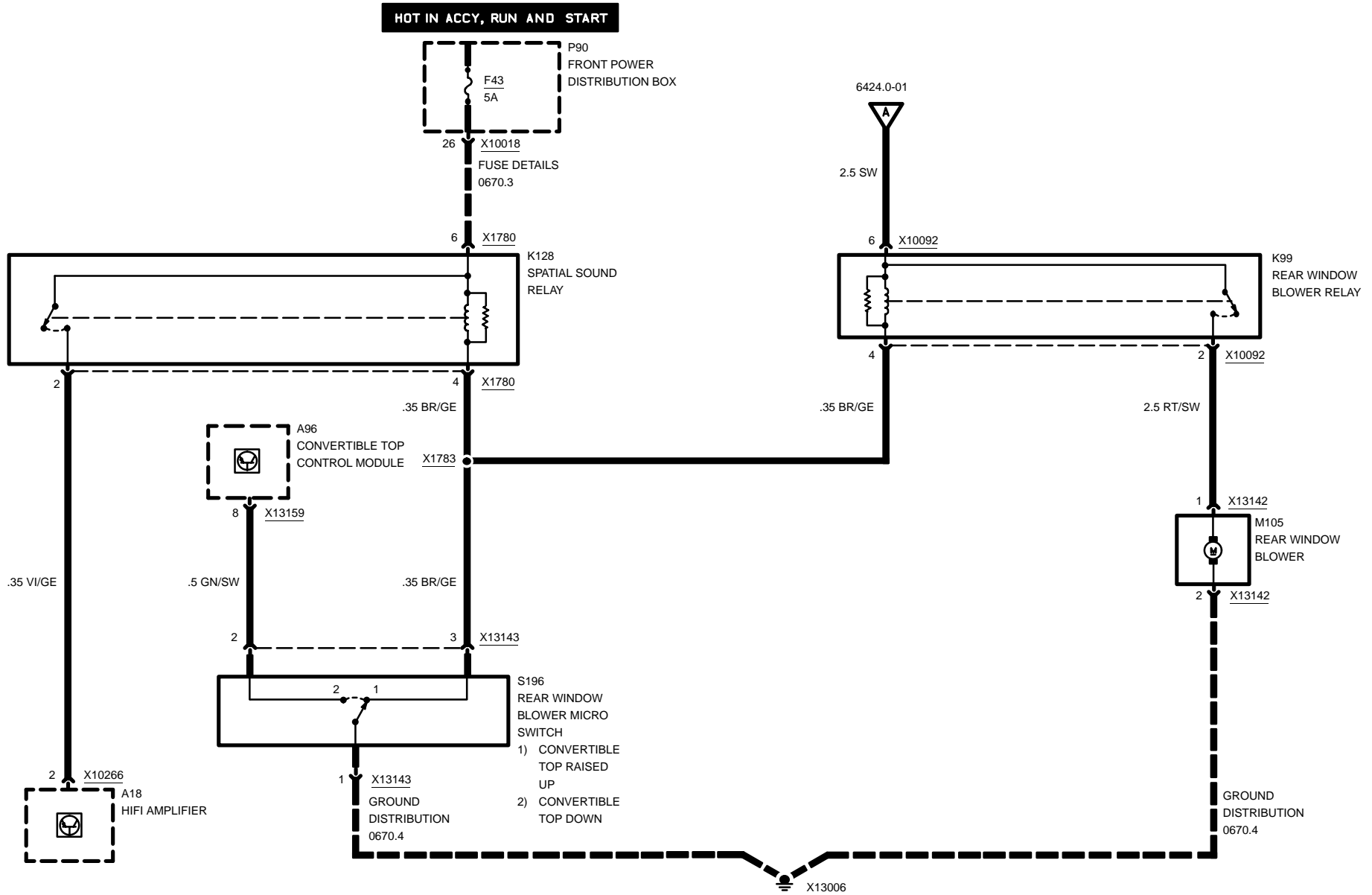






# REAR WINDOW DEFOGGER/ANTENNA

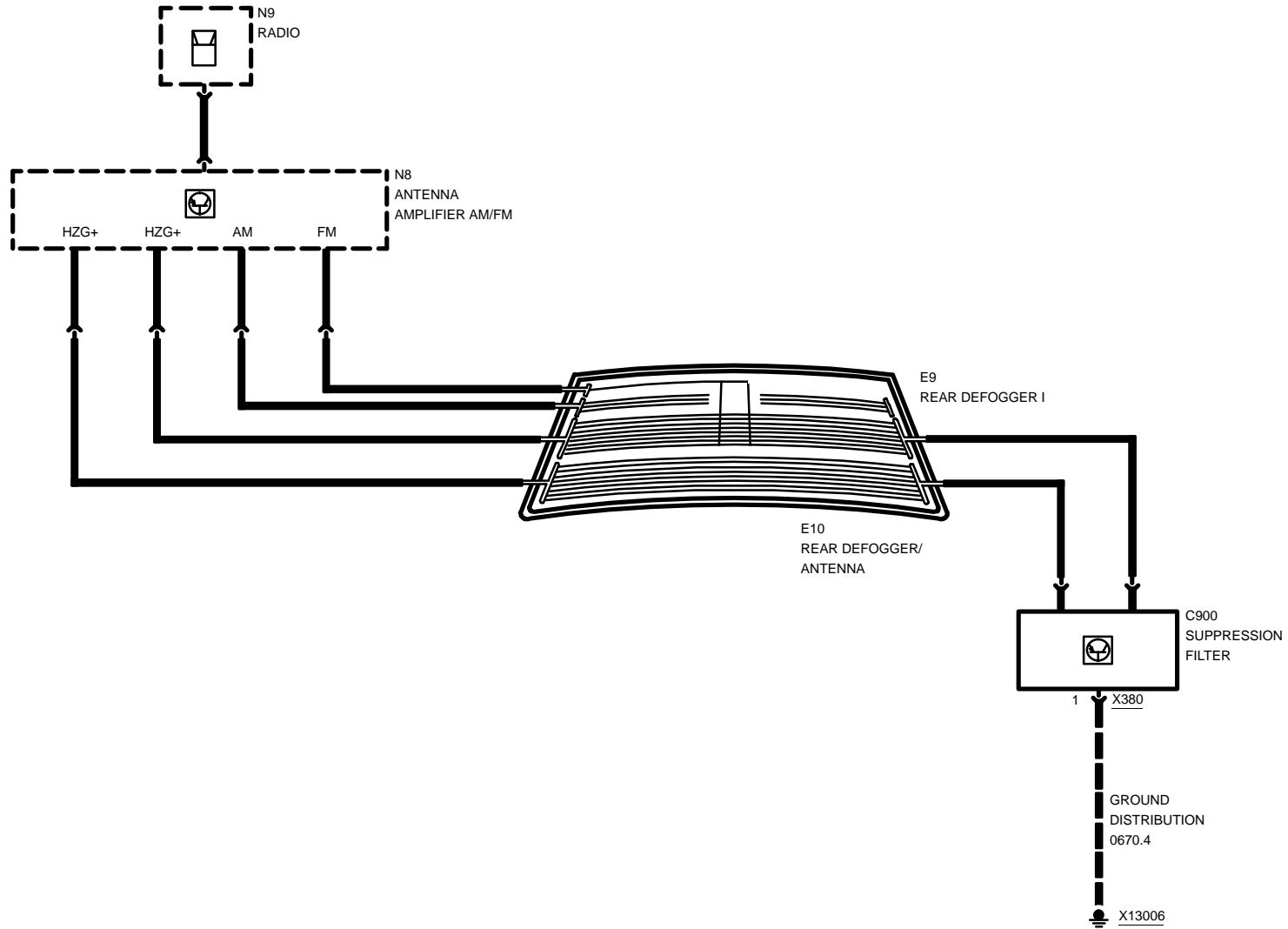
# CONVERTIBLE





# REAR WINDOW DEFOGGER/ANTENNA

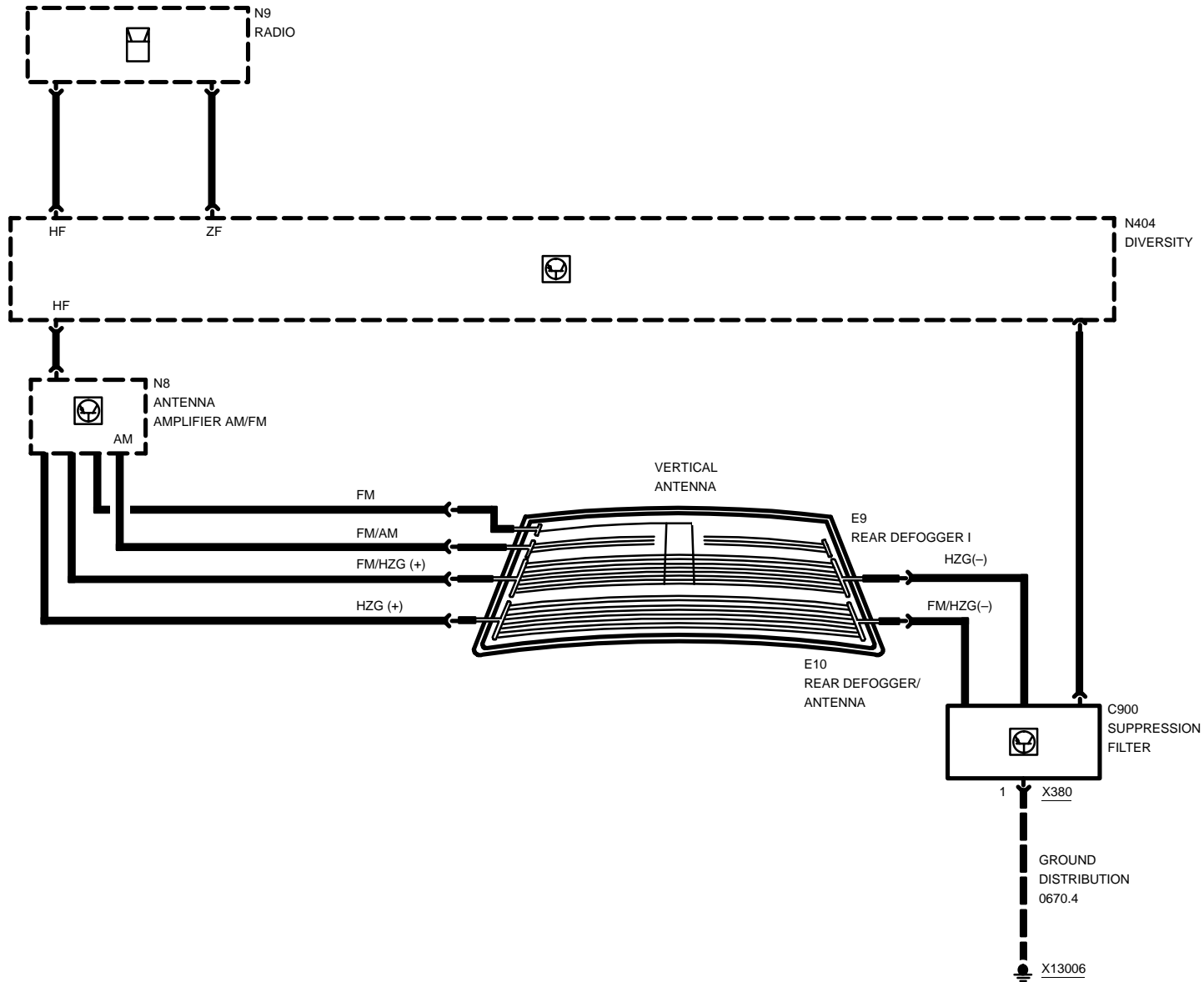
## REAR WINDOW ANTENNA

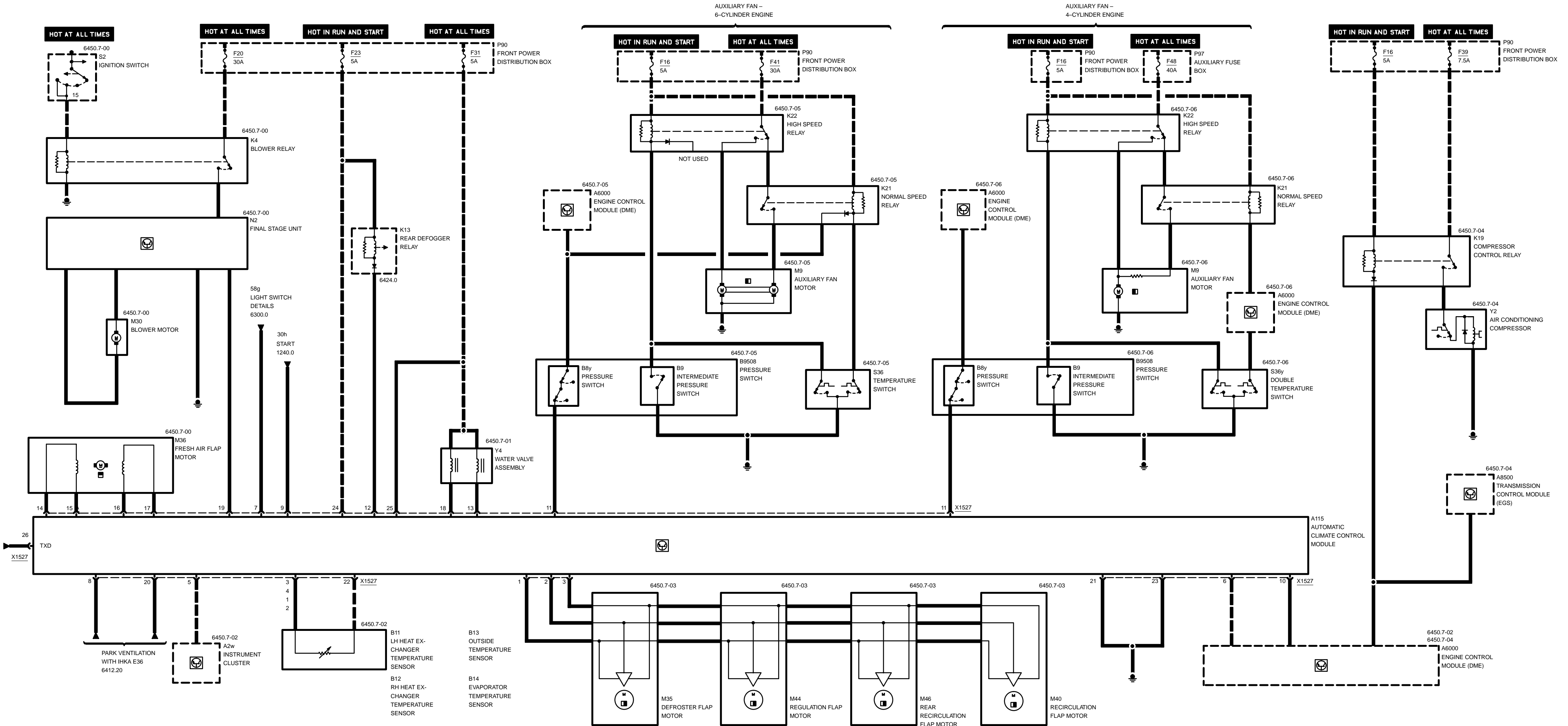


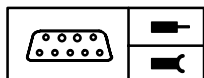


# REAR WINDOW DEFOGGER/ANTENNA

## 3-ANTENNA-DIVERSITY







## Pin Assignments

### X1527

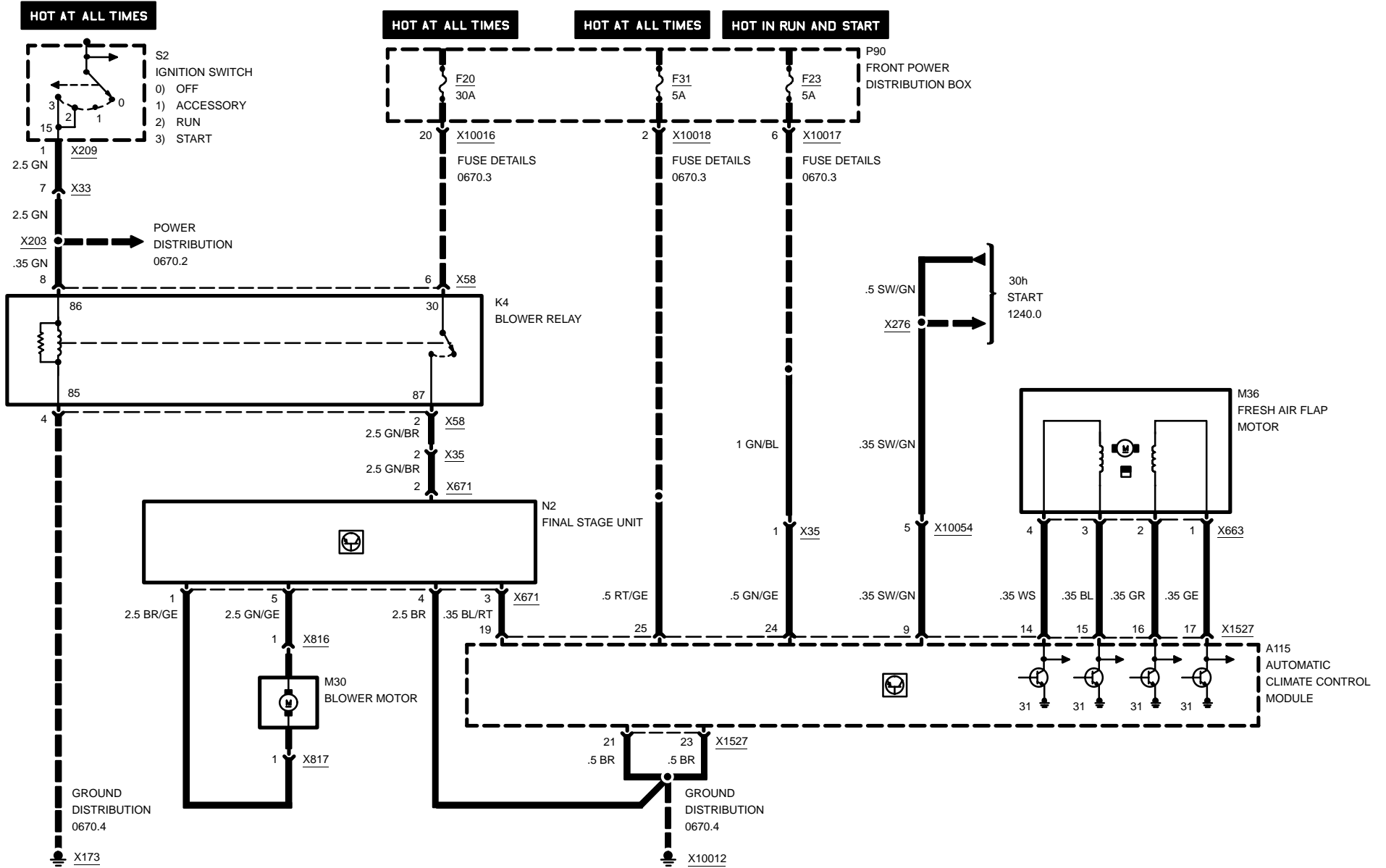
Pin	Type	Description/Function	Connection
1	E	Outside temperature	Outside temperature sensor
2	E	Evaporator temperature	Evaporator temperature sensor
3	E	Heater temperature, left	Left heat exchanger temperature sensor
4	E	Heater temperature, right	Right heat exchanger temperature sensor
5	E	Vehicle speed signal (Speedometer output signal)	Instrument cluster
6	E	RPM speed signal TD	Engine control module (DME)
7	E	Illumination input	Illumination
8	A	Output signal	On-board computer
9	E	Terminal 50	Starter
10	A	RPM speed increase	Engine control module (DME)
11	A	A/C compressor activation	Pressure switch
12	A	Rear window signal	Rear window
13	A	Water valve activation, right	Right water valve
14	A	Fresh air flap motor activation	Fresh air flap motor
15	A	Fresh air flap motor activation	Fresh air flap motor
16	A	Fresh air flap motor activation	Fresh air flap motor
17	A	Fresh air flap motor activation	Fresh air flap motor
18	A	Water valve activation, left	Left water valve
19	A	A/C fan activation	A/C fan final stage
20	E	Independent ventilation	Relay box
21	M	Ground	Control panel
22	M	Ground	Mixing actuator
23	M	Ground	Control panel
24	E	Terminal 15	Fuse
25	E	Terminal 30	Fuse
26	E/A	Diagnostic data link	Data link connector

E = Input, A = Output, M = Ground



# INTEGRATED CLIMATE REGULATION (IHKA E36)

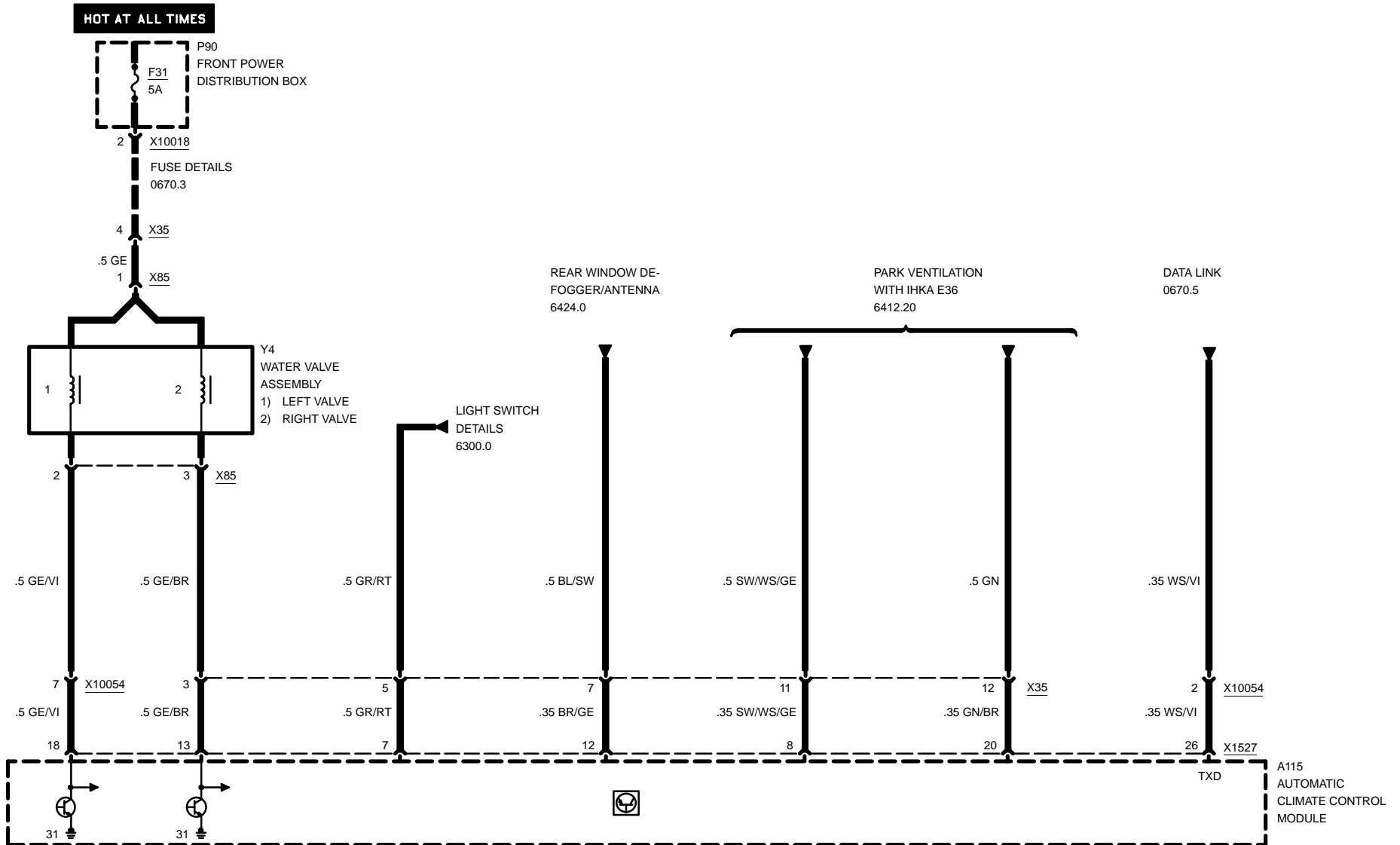
## POWER, AIR FLOW CONTROL







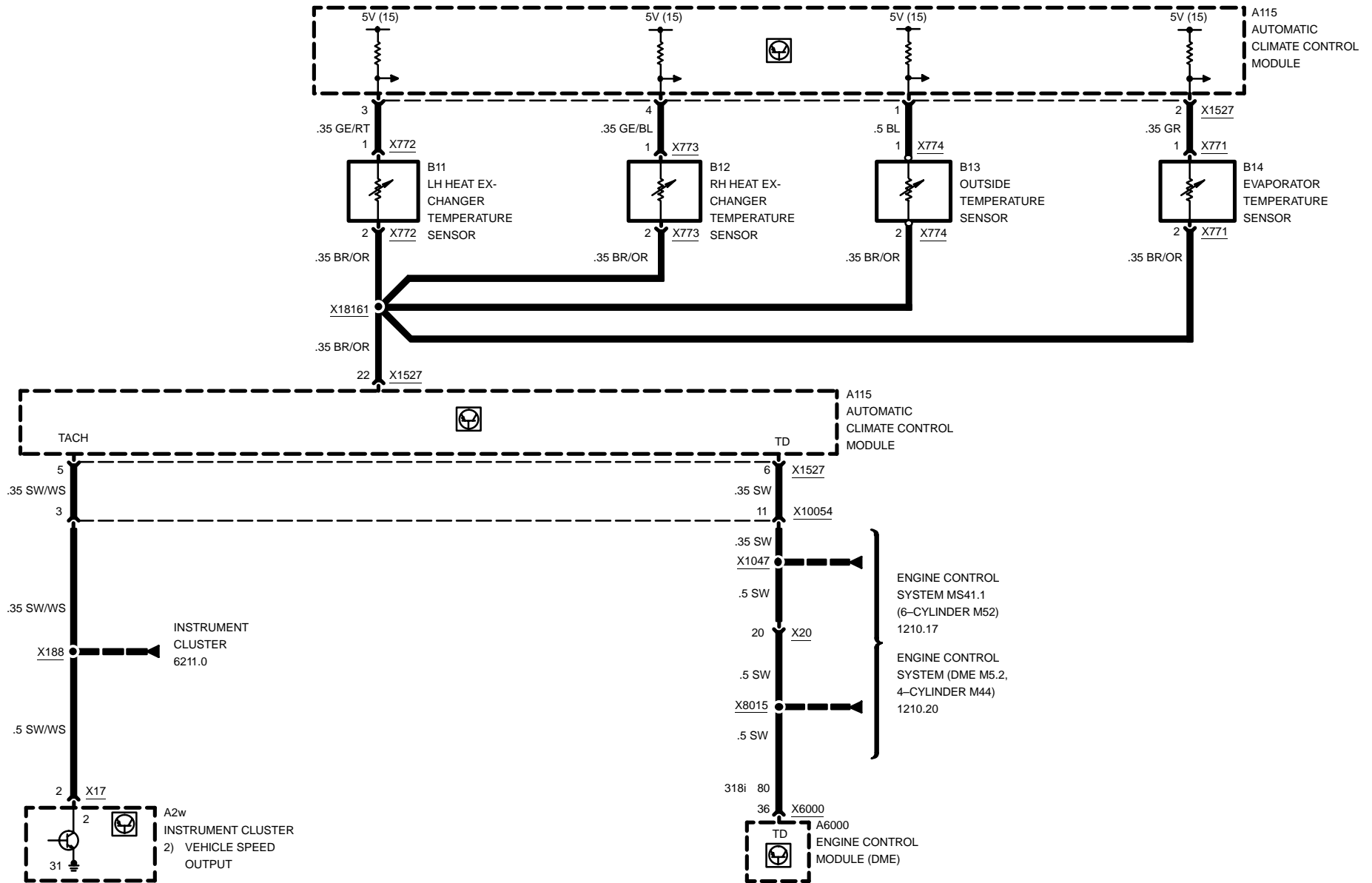
# INTEGRATED CLIMATE REGULATION (IHKA E36)





# INTEGRATED CLIMATE REGULATION (IHKA E36)

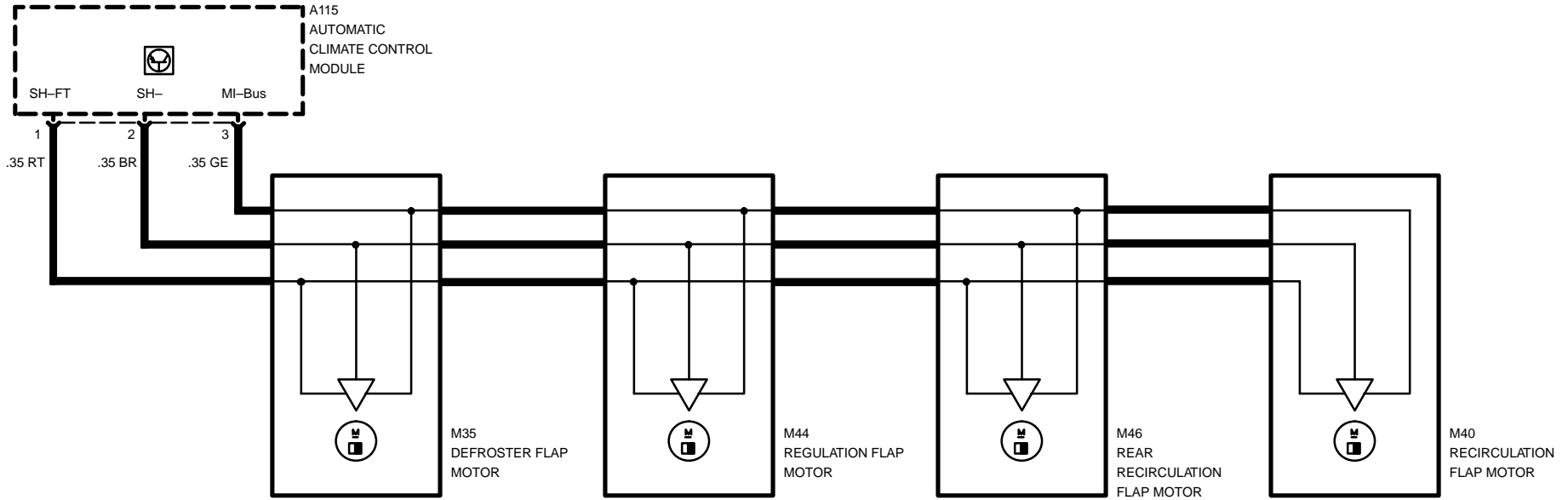
## TEMPERATURE CONTROL





# INTEGRATED CLIMATE REGULATION (IHKA E36)

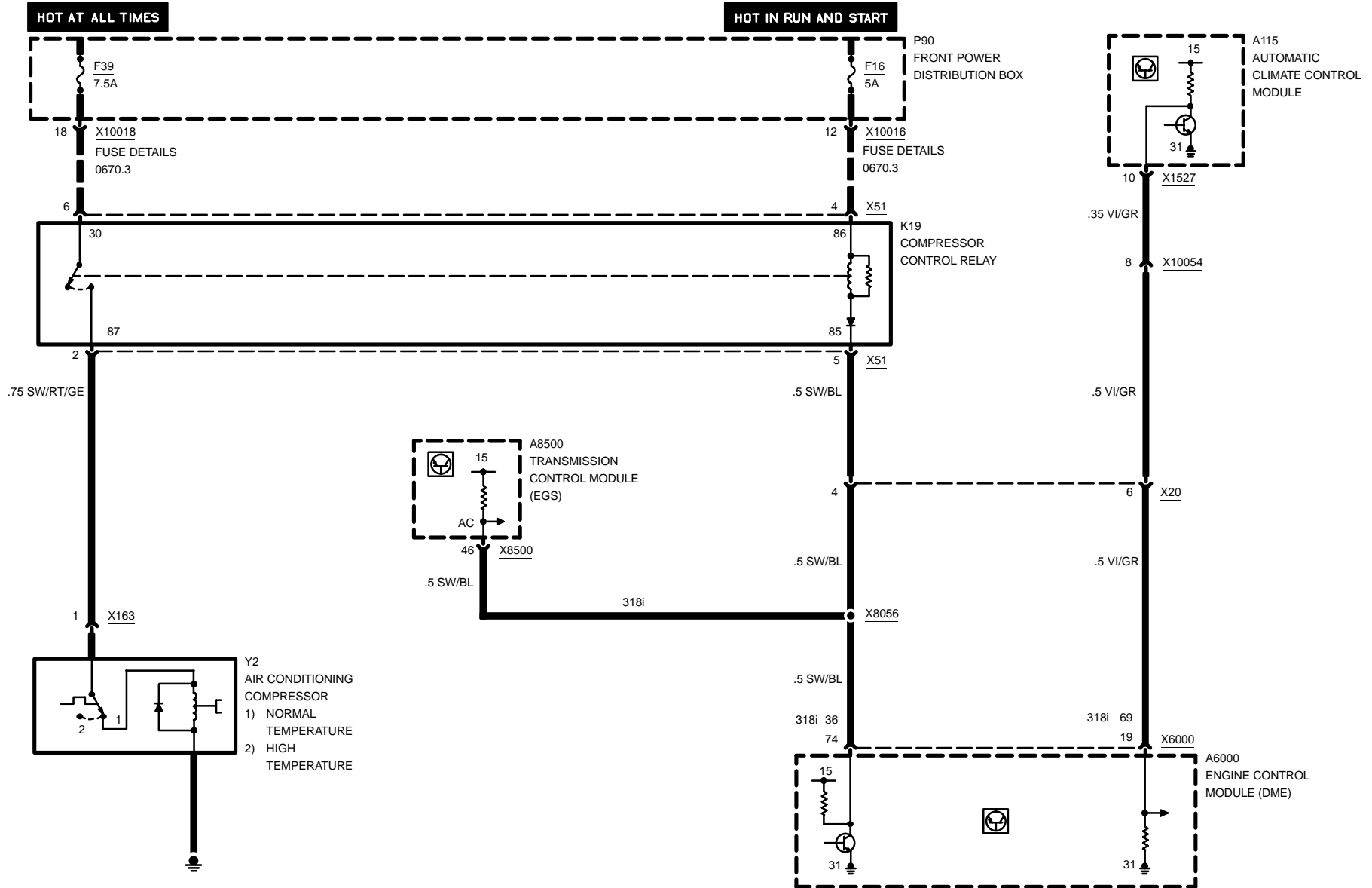
## AIR DELIVERY





# INTEGRATED CLIMATE REGULATION (IHKA E36)

## COMPRESSOR CONTROLS

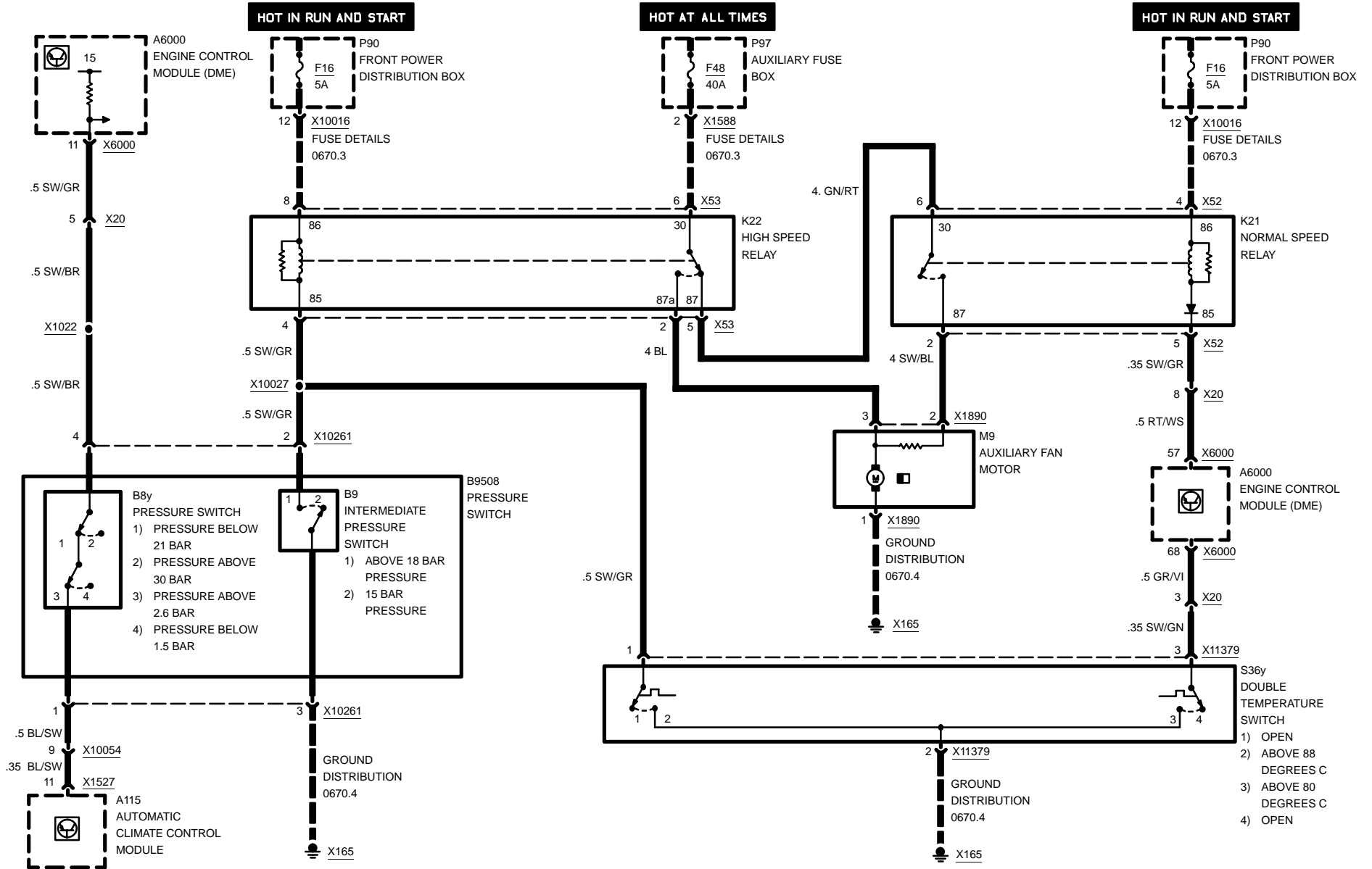






# INTEGRATED CLIMATE REGULATION (IHKA E36)

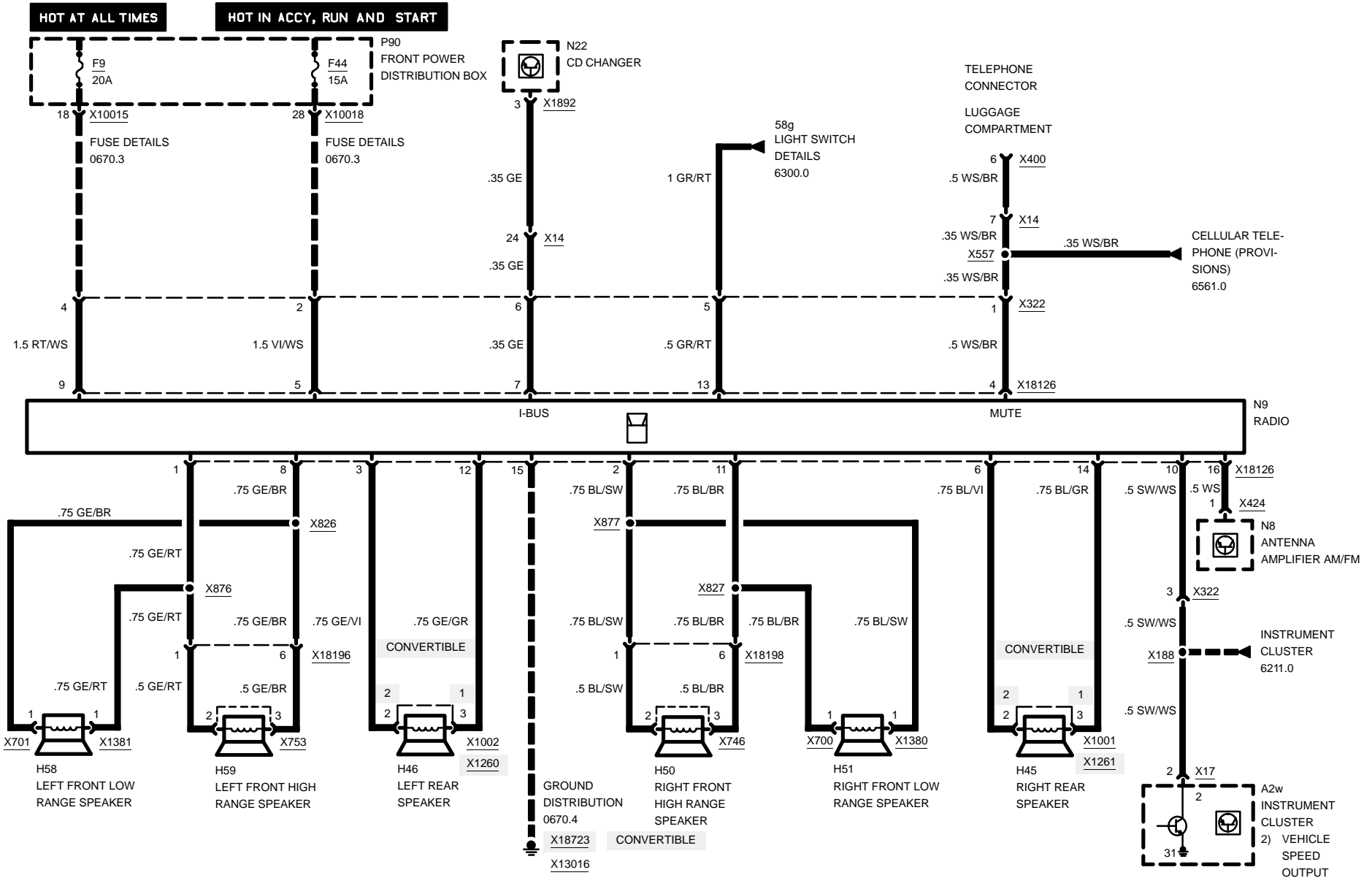
## AUXILIARY FAN - 4-CYLINDER ENGINE





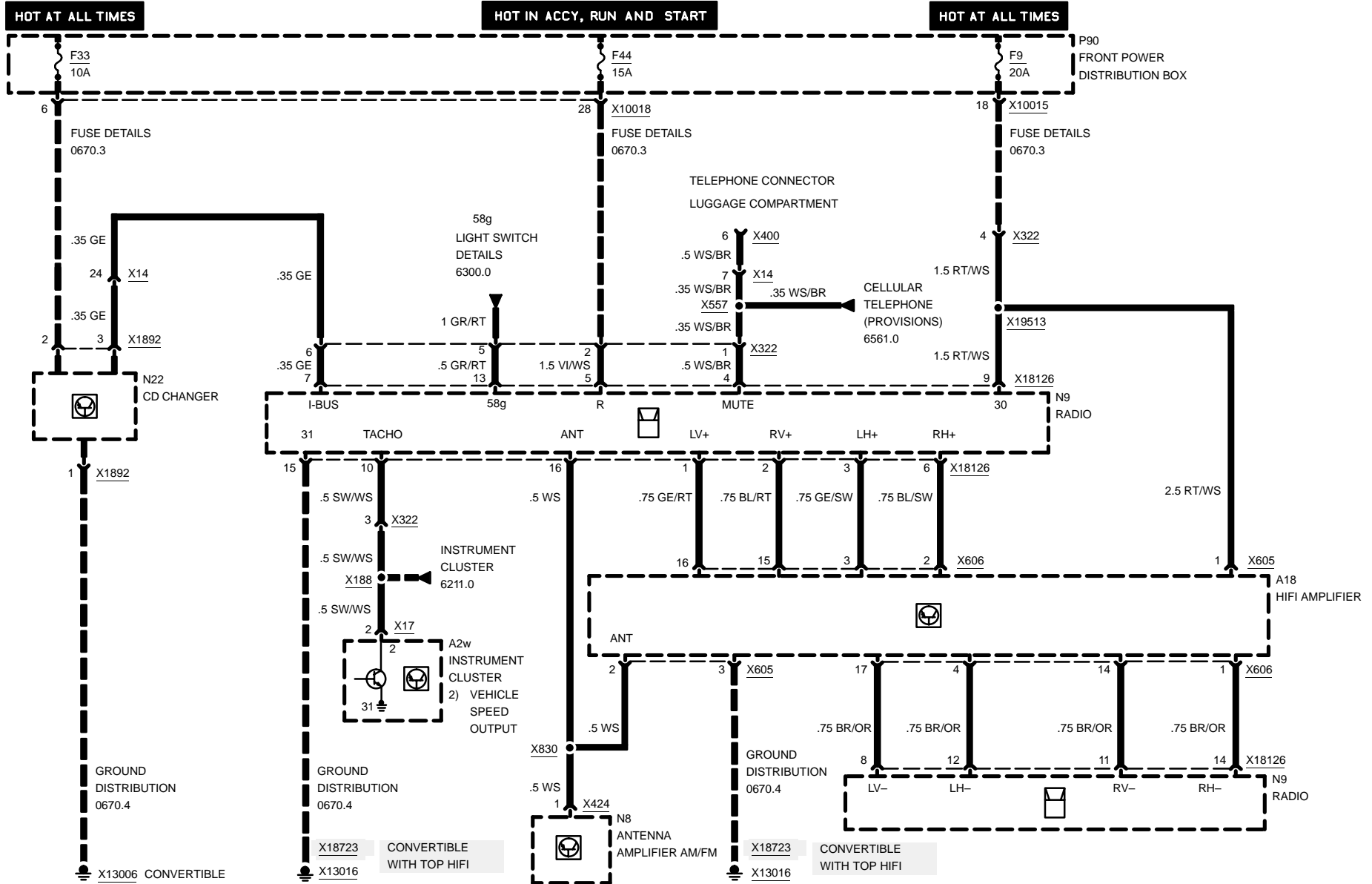
# 6510.0 RADIO/STEREO

## STEREO, 6-SPEAKER SYSTEM





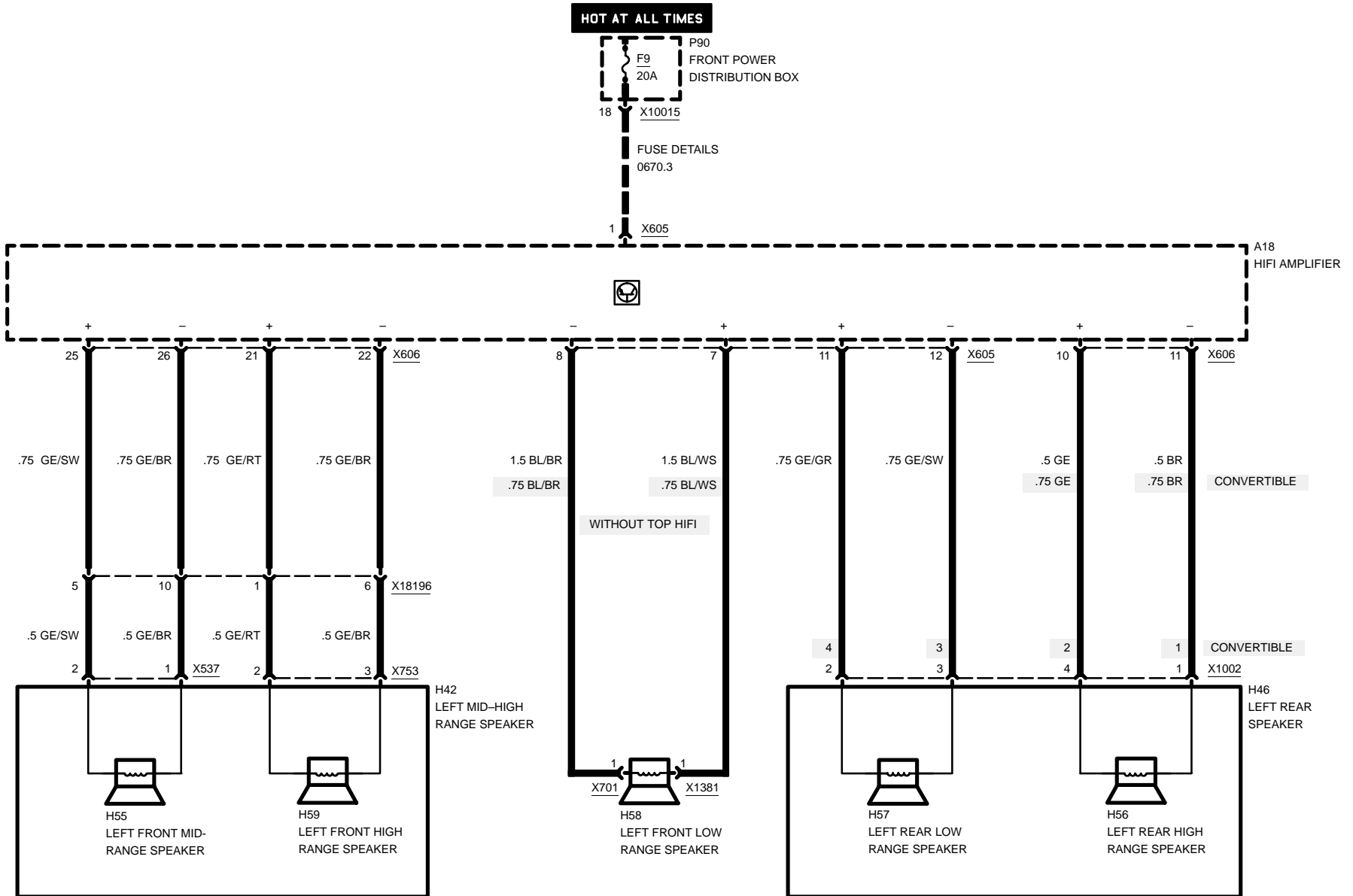
# 6510.1 RADIO/HIFI/TOP HIFI





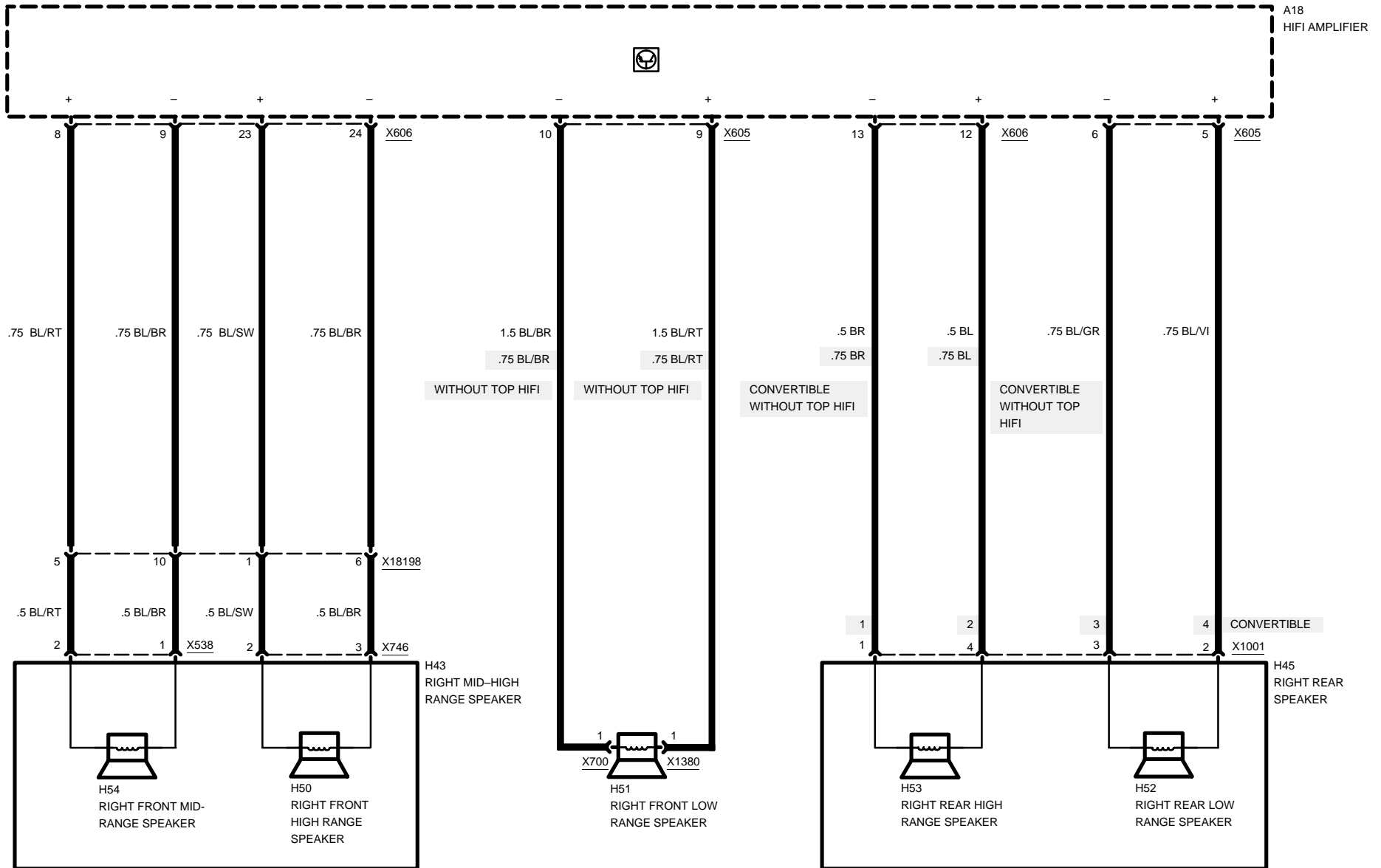


# RADIO/HIFI/TOP HIFI





# RADIO/HIFI/TOP HIFI



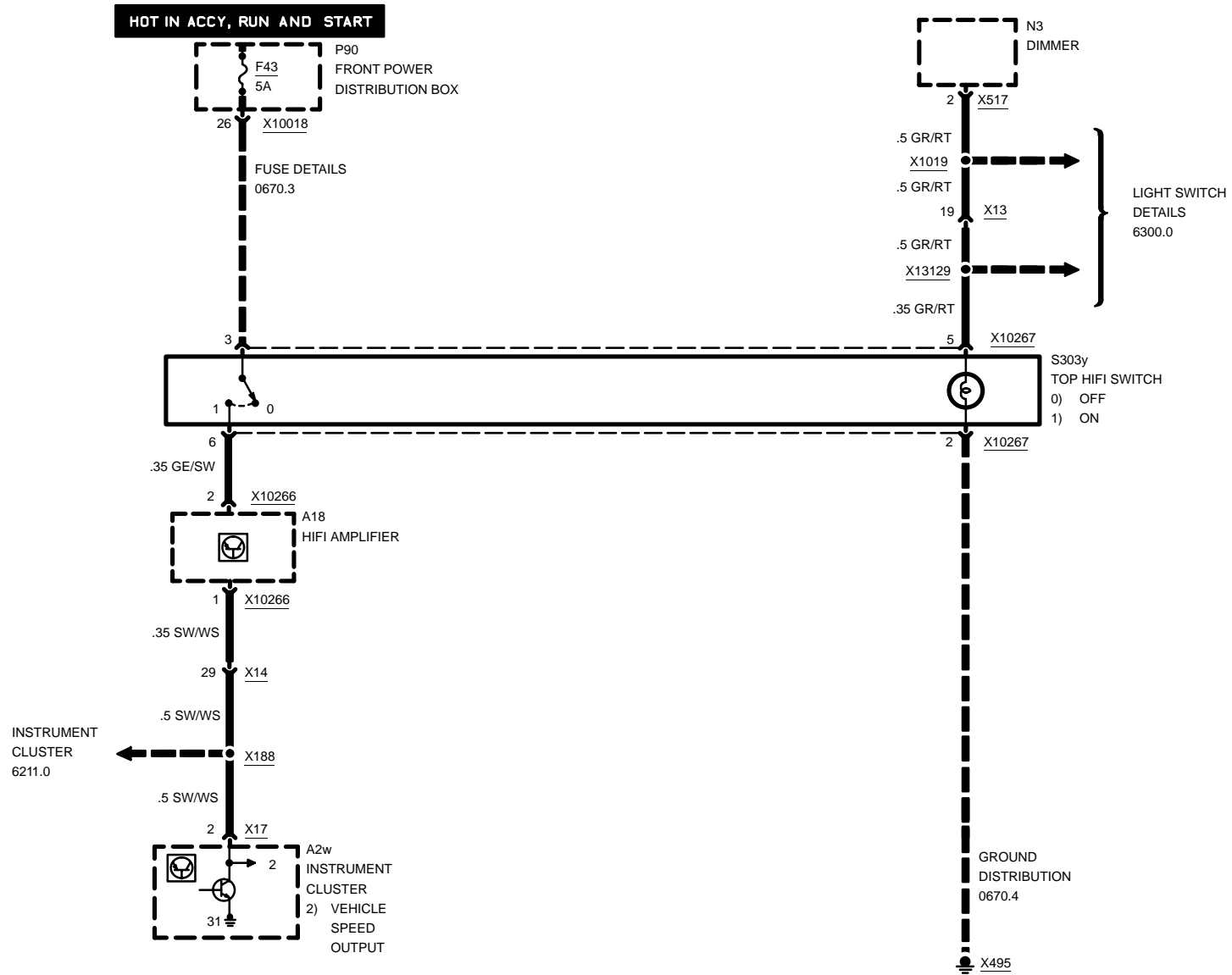




# RADIO/HIFI/TOP HIFI

## TOP HIFI

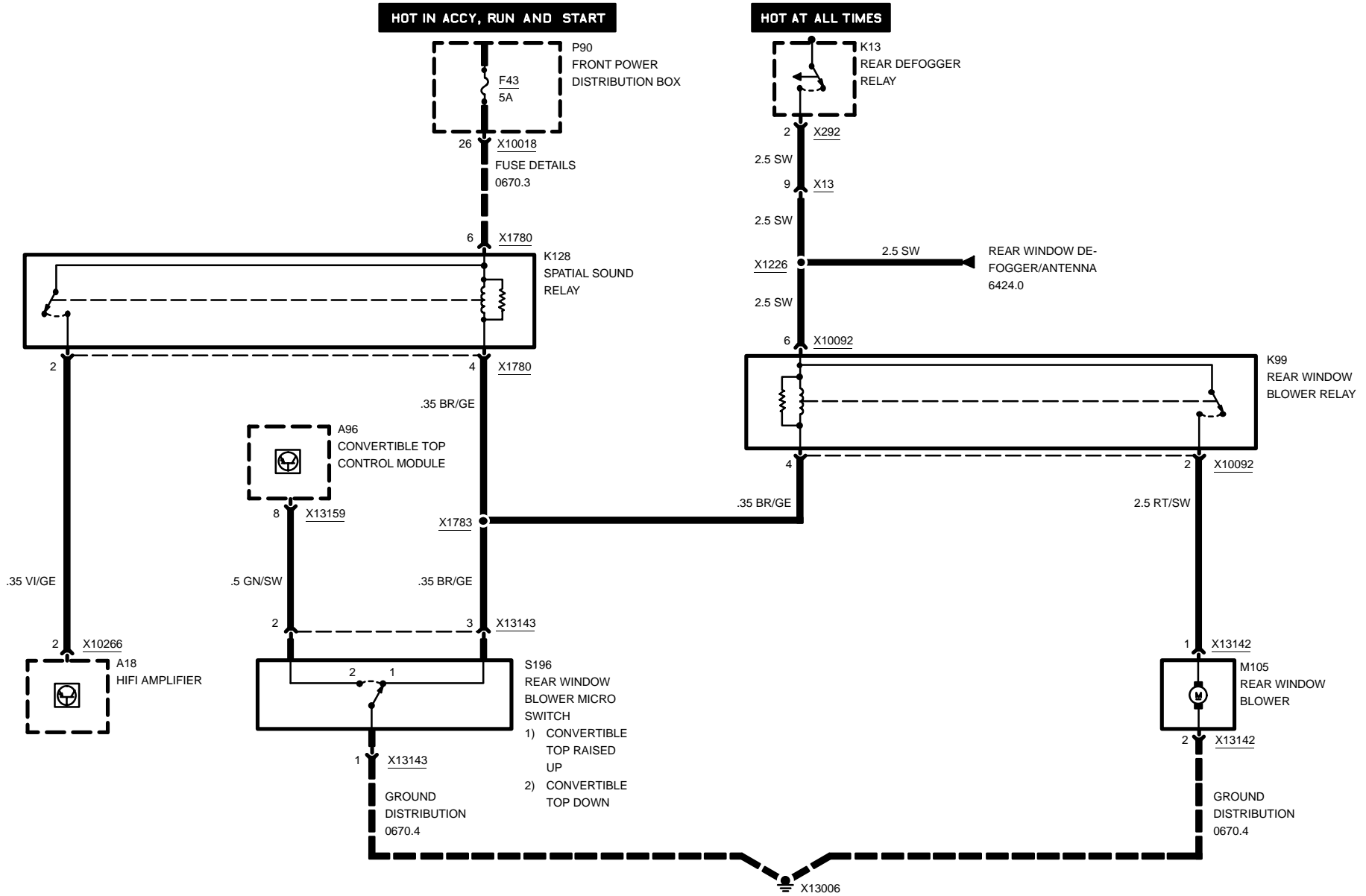
# COUPE





**RADIO/HIFI/TOP HIFI**  
**TOP HIFI**

**CONVERTIBLE**

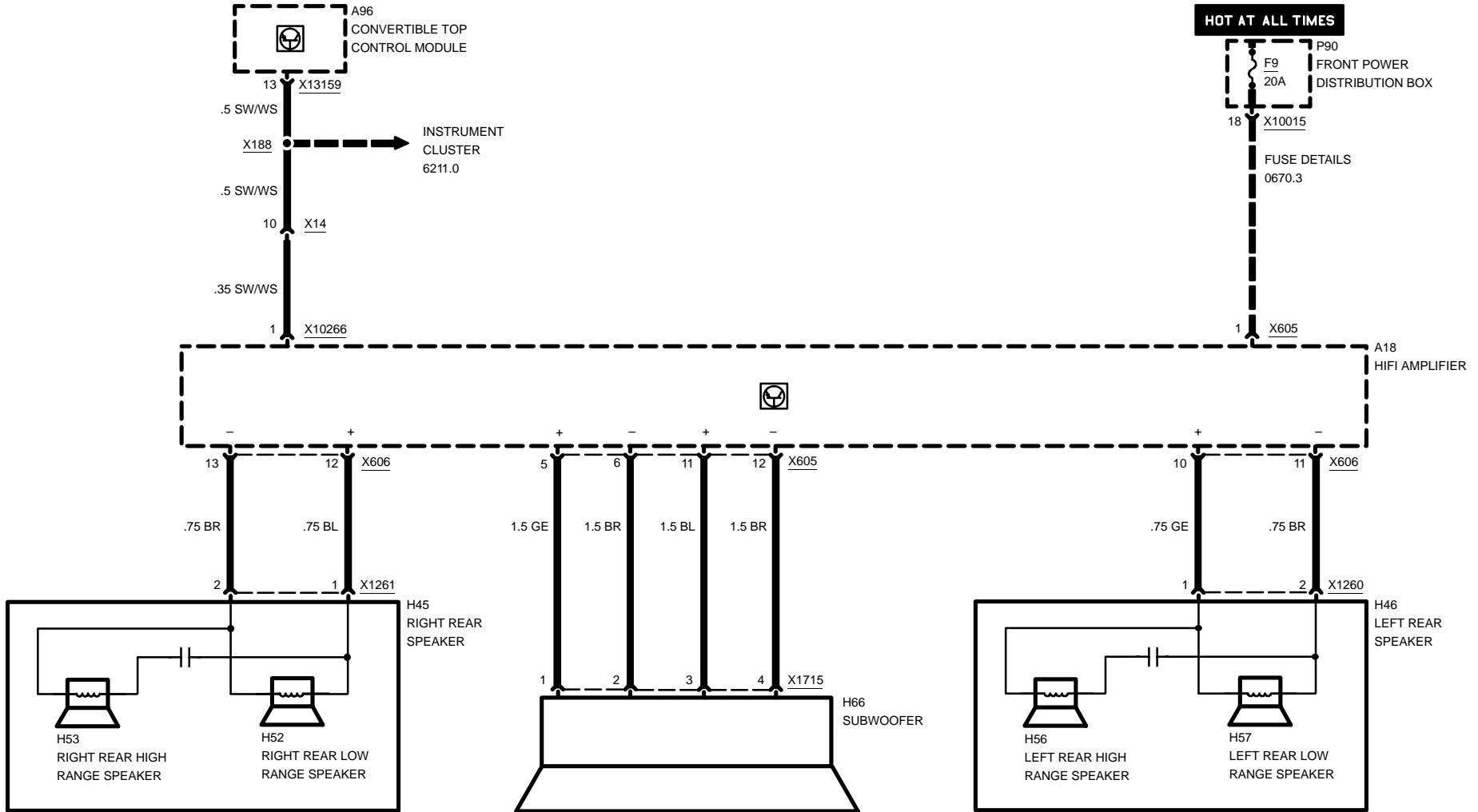




# RADIO/HIFI/TOP HIFI

## TOP HIFI

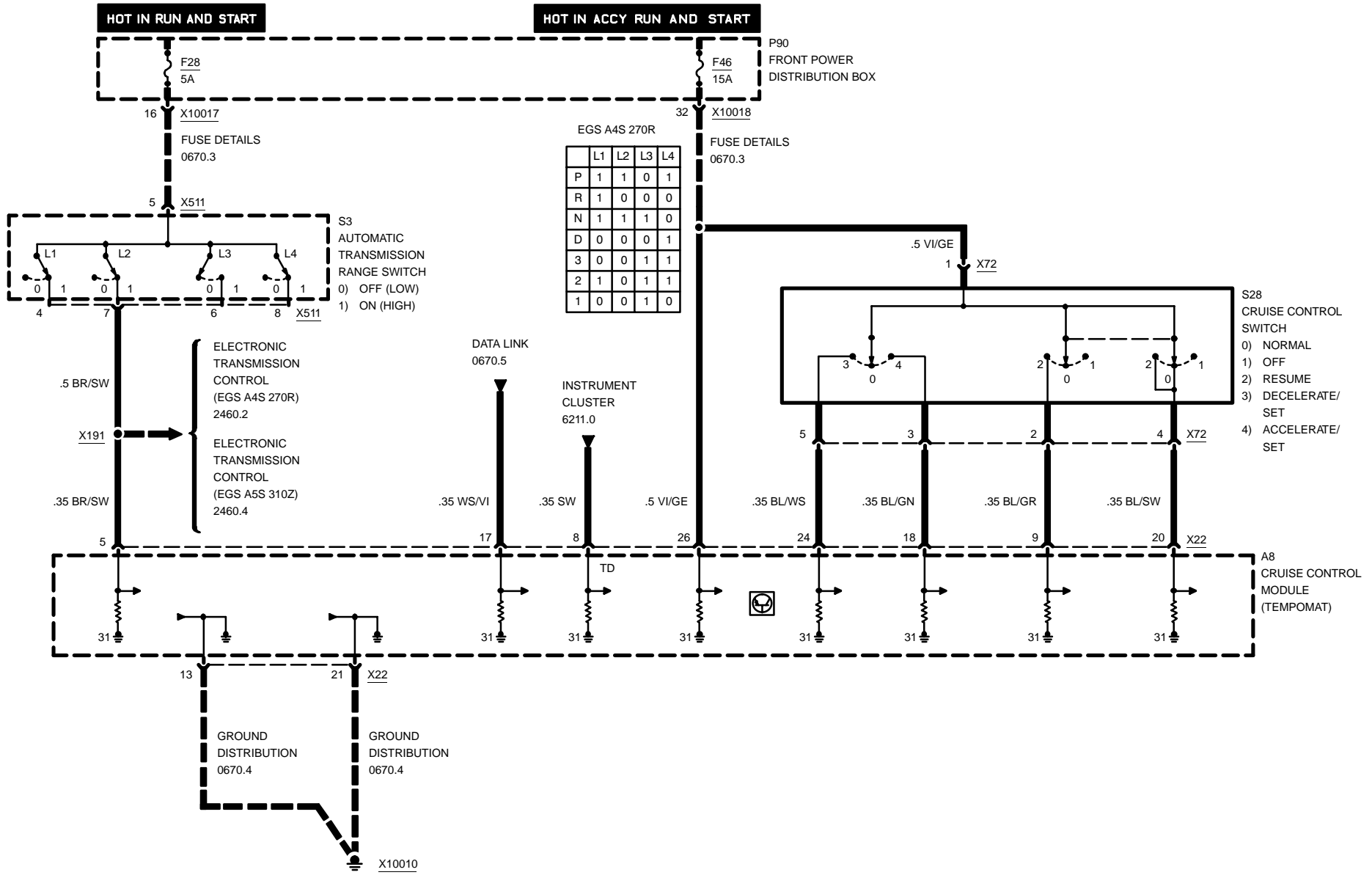
# CONVERTIBLE







# 6571.0 CRUISE CONTROL (TEMPOMAT)

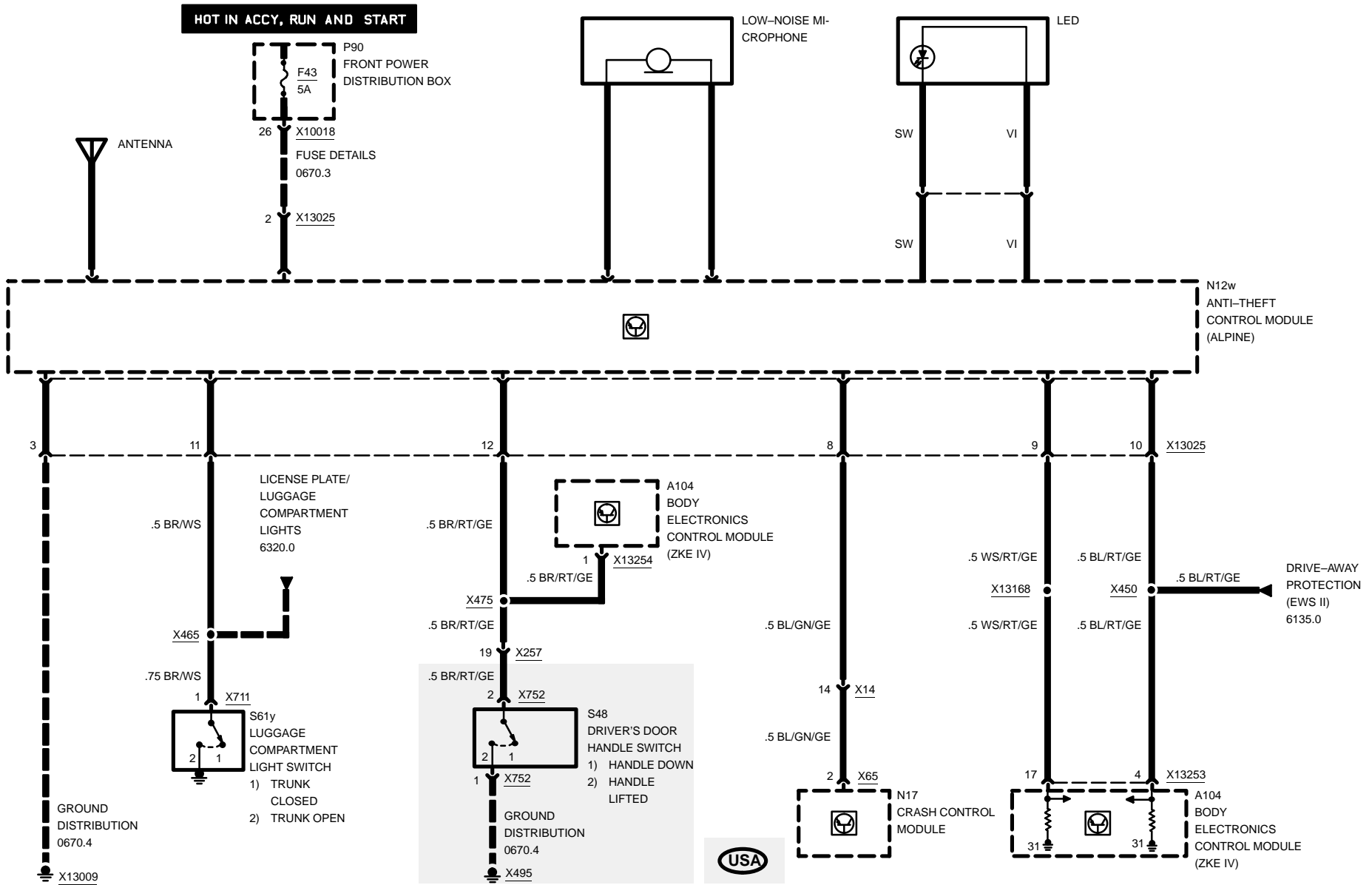








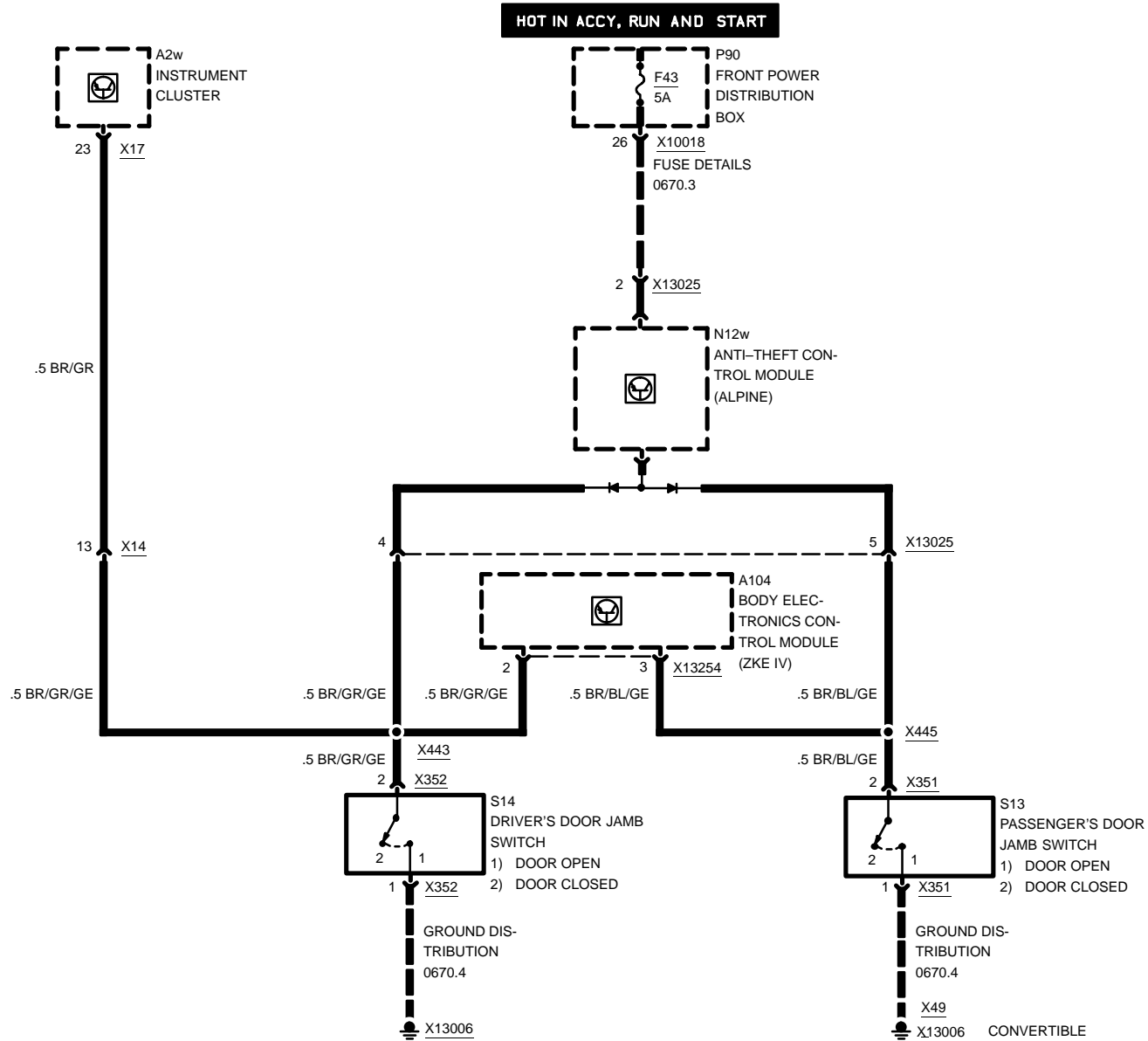
# 6575.2 ANTI-THEFT SYSTEM (ALPINE)





# ANTI-THEFT SYSTEM (ALPINE)

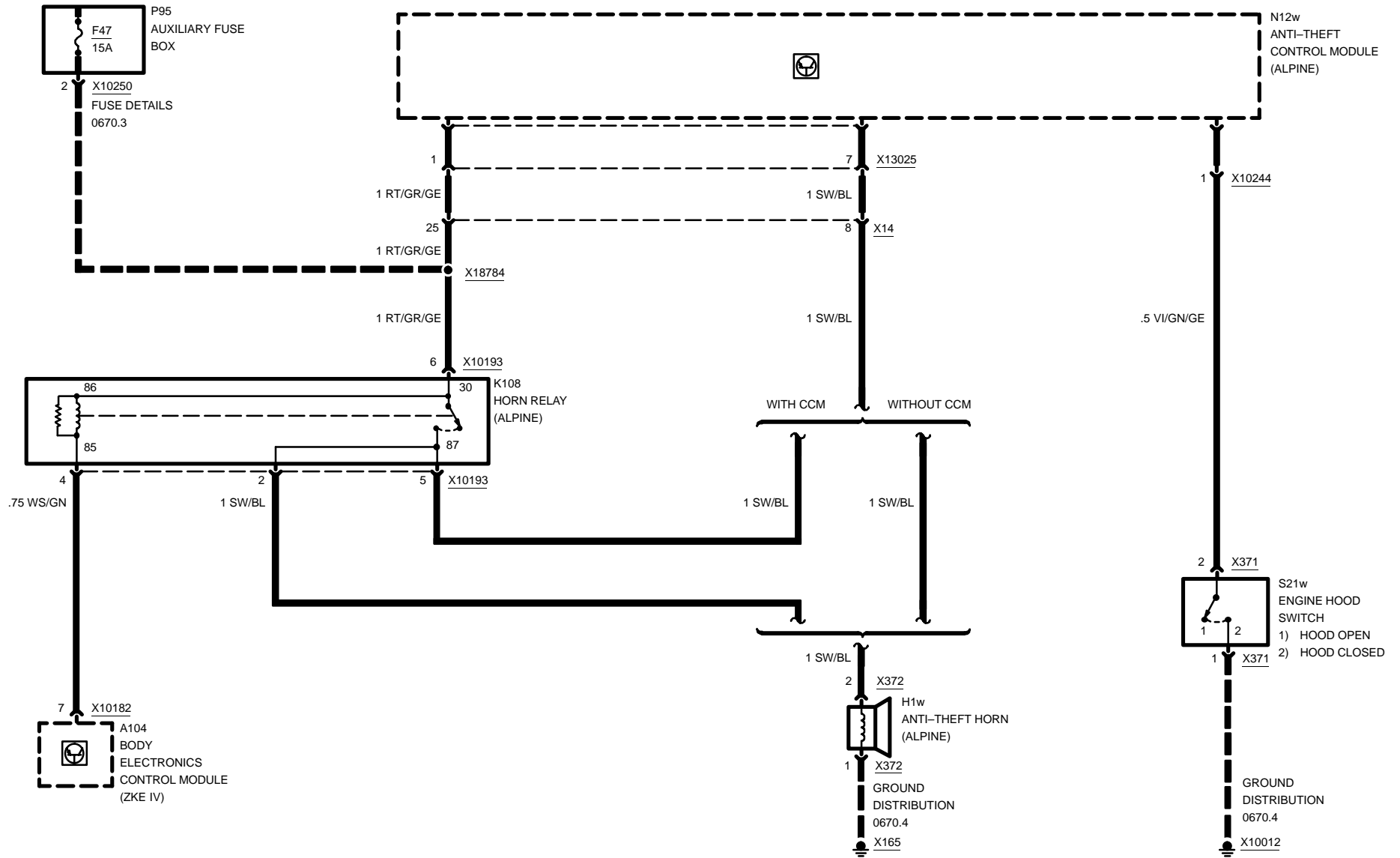
## FRONT AND REAR DOOR JAMB SWITCHES





# ANTI-THEFT SYSTEM (ALPINE)

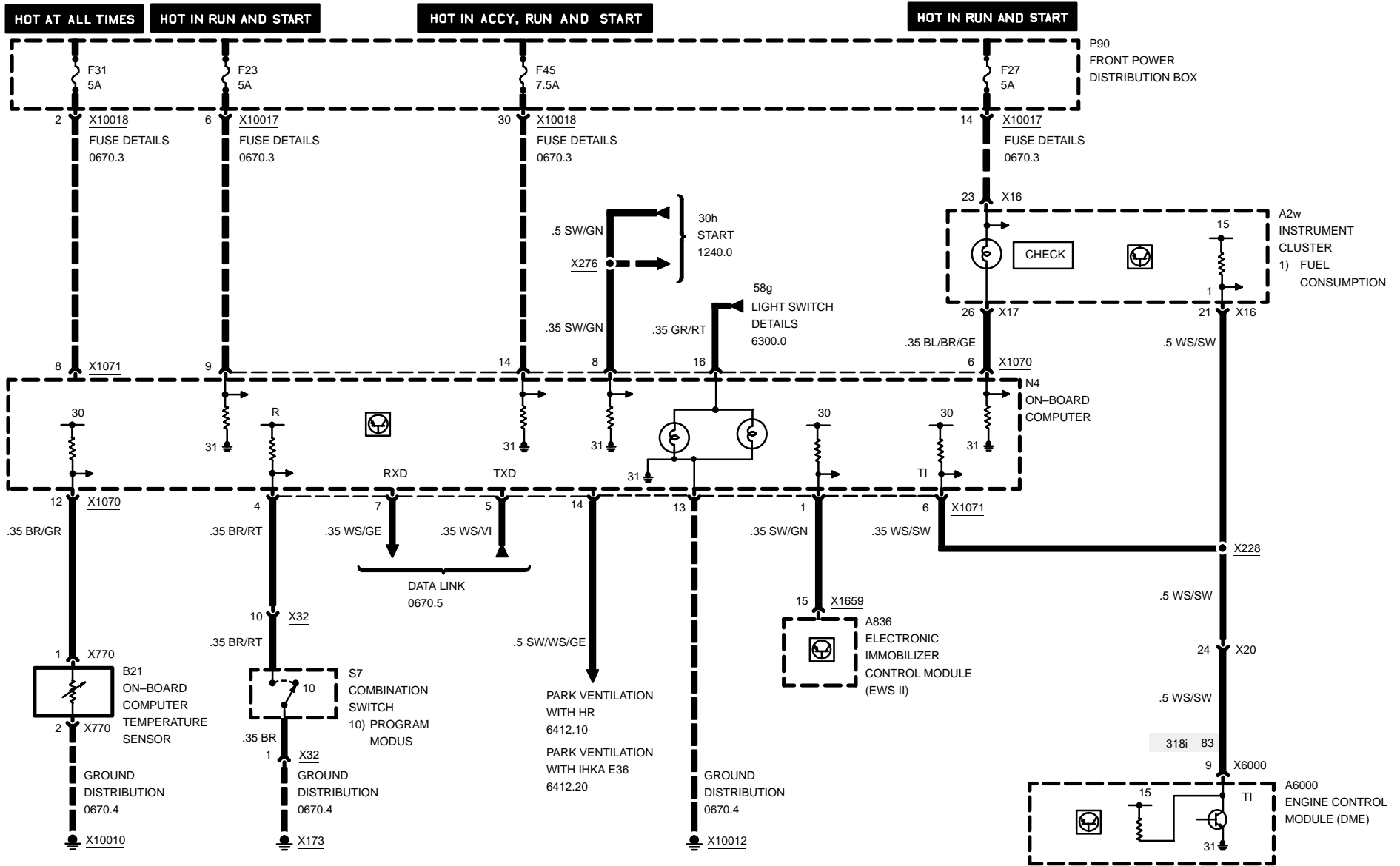
**HOT AT ALL TIMES**





# 6581.2 ON-BOARD COMPUTER (BC V)

## POWER

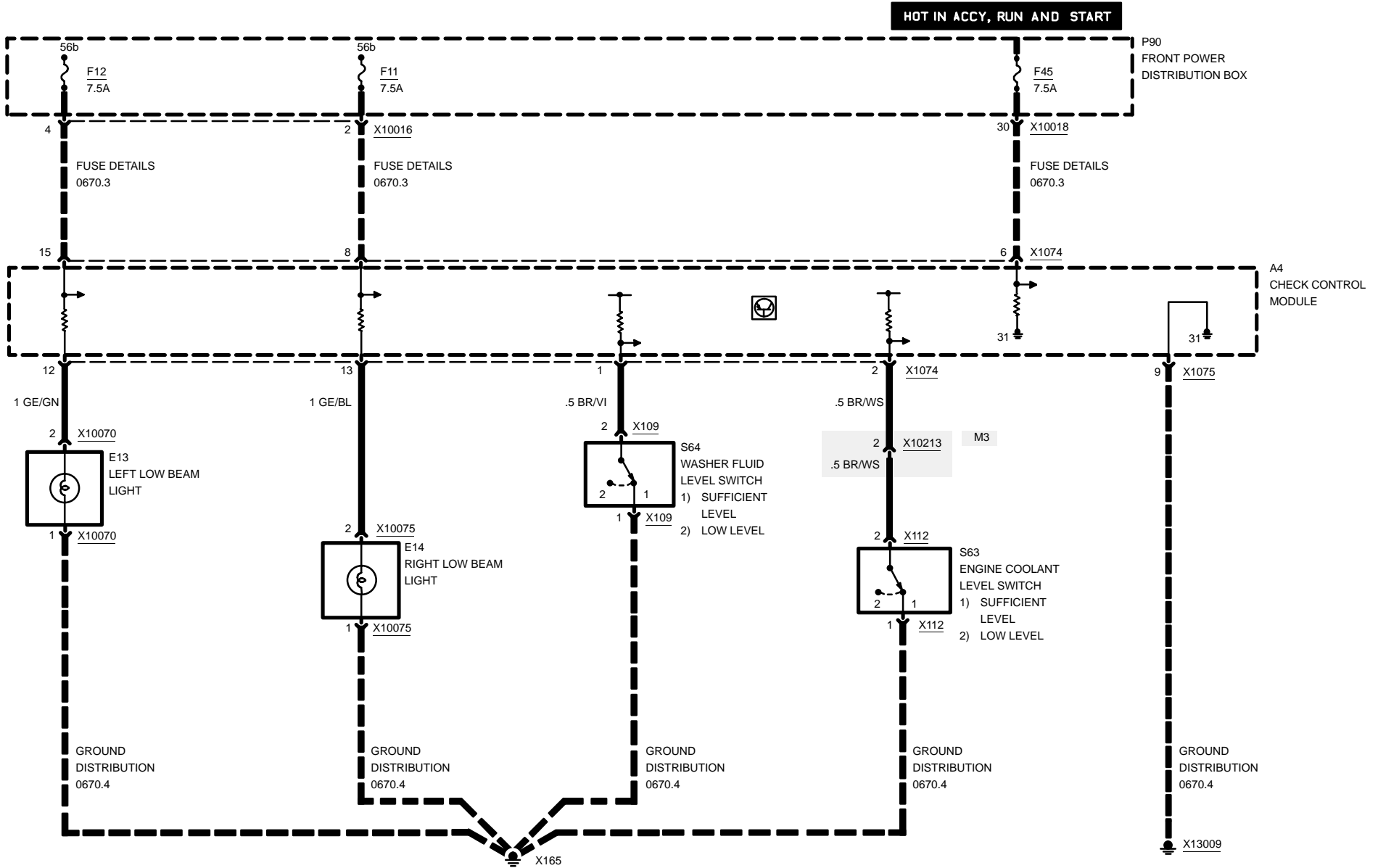






# ON-BOARD COMPUTER (BC V)

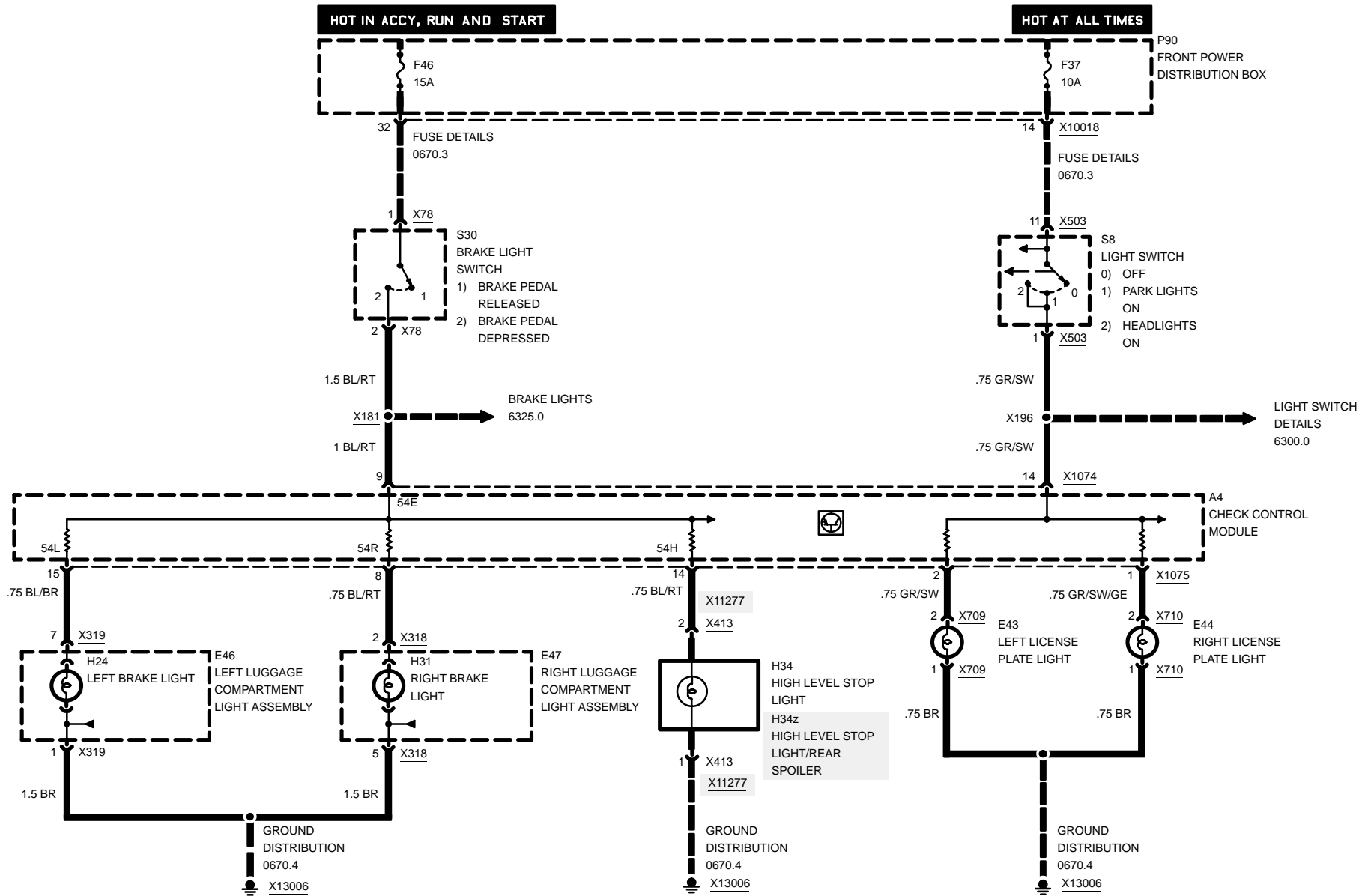
## CHECK CONTROL





# ON-BOARD COMPUTER (BC V)

## CHECK CONTROL

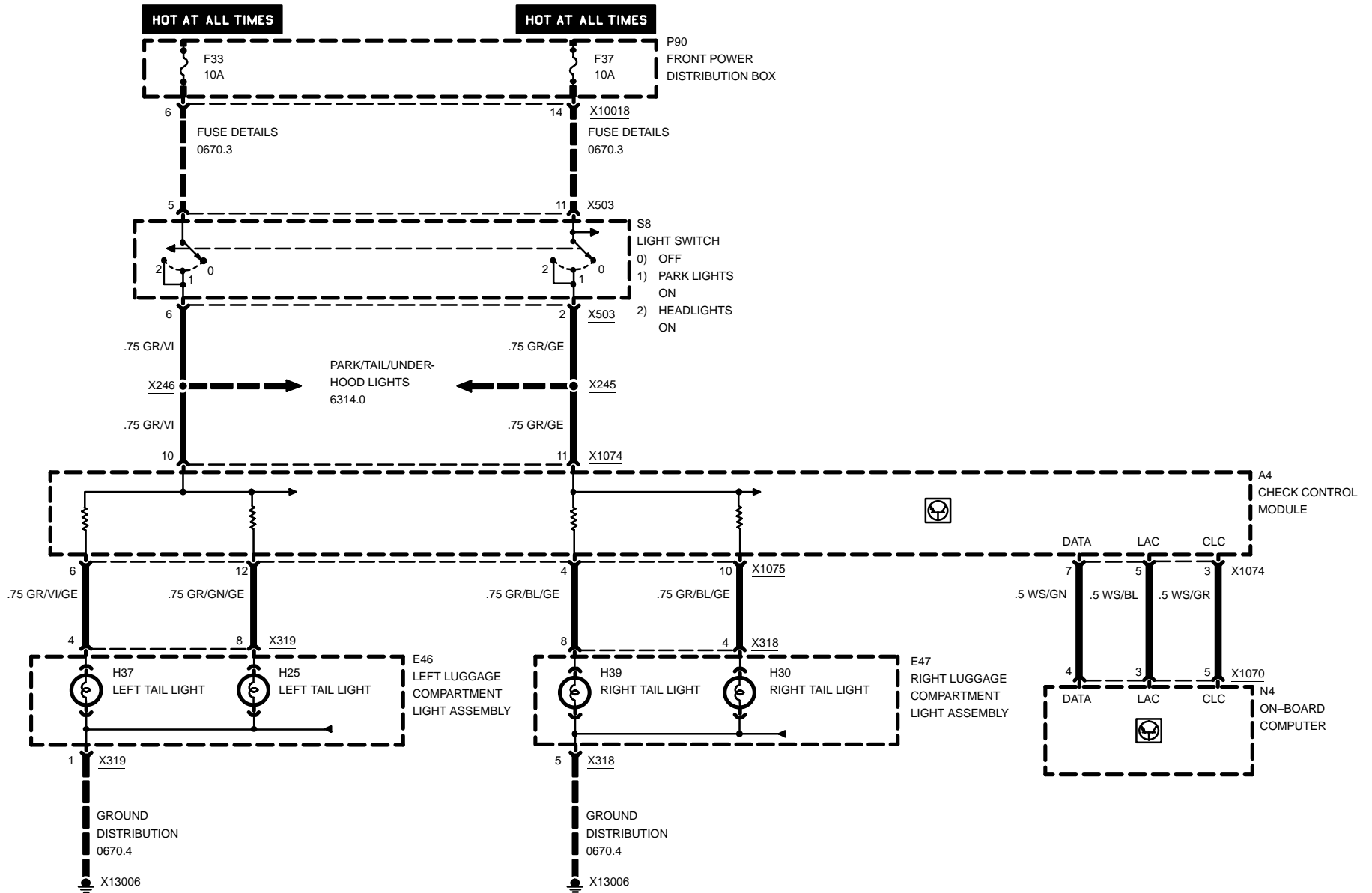






# ON-BOARD COMPUTER (BC V)

## CHECK CONTROL





# 7000.0 COMPONENT LOCATION CHART

COMP.	DESCRIPTION	LOCATION	7100.0	8500.0
A2w ..	INSTRUMENT CLUSTER .....	LH side of dash .....	28-3	
A4 ....	CHECK CONTROL MODULE .....	below LH side of dash .....	00-3	
A5 ....	RELAY MODULE .....	behind glove box		
A8 ....	CRUISE CONTROL MODULE (TEMPOMAT) .....	RH side of dash behind glove box .....	01-2	
A12 ..	SUPPLEMENTAL RESTRAINT SYSTEM CONTROL MODULE .....	below rear seat .....	00-2	
A18 ..	HIFI AMPLIFIER .....	below RH side of rear seat (Convertible) .....	02-3	
A18 ..	HIFI AMPLIFIER .....	in LH side of luggage compartment .....	04-1	
A32y	THERMOSTAT .....	center of dashboard		
A35 ..	ON-BOARD DISPLAY .....	center of dash center console		
A51 ..	WIPER/WASHER MODULE .....	behind glove box (glove box removed) .....	01-1	
A52 ..	SLIP CONTROL MODULE (ABS/ASC) .....	behind glove box (glove box removed) .....	01-3	
A56 ..	TILT/SLIDE SUNROOF CONTROL ASSEMBLY .....	under roof center panel .....	04-2	
A64 ..	WIPER/WASHER MODULE (LOW II) .....	behind glove box (glove box removed) .....	01-1	
A96 ..	CONVERTIBLE TOP CONTROL MODULE ..	in lower LH C-pillar behind side panel .....	02-1	
A104 .	BODY ELECTRONICS CONTROL MODULE (ZKE IV) .....	behind glove box (glove box removed) .....	01-1	
A113..	SEAT OCCUPANCY DETECTOR .....	under RH front seat		
A115..	AUTOMATIC CLIMATE CONTROL MODULE .....	behind center console .....	03-2	
A835 .	TRANSMITTER MODULE (EWS II) .....	RH side of steering column .....	04-3	



# COMPONENT LOCATION CHART

COMP.	DESCRIPTION	LOCATION	7100.0	8500.0
A836	ELECTRONIC IMMOBILIZER CONTROL MODULE (EWS II)	RH side of dash behind glove box	38-3	
A6000	ENGINE CONTROL MODULE (DME)	rear RH side of engine compartment	00-1	
A7000	TRANSMISSION CONTROL MODULE (EGS)	rear RH side of engine compartment	00-1	
A8500	TRANSMISSION CONTROL MODULE (EGS)	rear RH side of engine compartment	00-1	
B1	RIGHT FRONT SPEED SENSOR – ABS	on RH front wheel, above brake caliper	08-3	
B2	LEFT FRONT SPEED SENSOR – ABS	on LH front wheel, above brake caliper	08-3	
B3	RIGHT REAR SPEED SENSOR – ABS	on RH rear wheel, above brake caliper		
B4	LEFT REAR SPEED SENSOR – ABS	on LH rear wheel, above brake caliper		
B6	FUEL LEVEL SENSOR	below LH side of rear seat	21-2	
B8y	PRESSURE SWITCH	near RH headlight assembly		
B9	INTERMEDIATE PRESSURE SWITCH	near RH headlight assembly		
B10	VEHICLE SPEED SENSOR	under rear of car on differential	08-1	
B11	LH HEAT EXCHANGER TEMPERATURE SENSOR	center console		
B12	RH HEAT EXCHANGER TEMPERATURE SENSOR	center console		
B13	OUTSIDE TEMPERATURE SENSOR	rear of engine compartment behind RH fresh air cowl	15-2	
B14	EVAPORATOR TEMPERATURE SENSOR	RH side of LH footwell LH side of IHKA Plenum	28-1	
B16	LEFT FRONT BRAKE PAD SENSOR	on LH front wheel, above brake caliper	08-3	
B17	RIGHT REAR BRAKE PAD SENSOR	behind RH rear wheel		
B18	BRAKE FLUID LEVEL SWITCH	rear LH side of engine compartment top of brake fluid reservoir	18-3	



# COMPONENT LOCATION CHART

COMP.	DESCRIPTION	LOCATION	7100.0	8500.0
B21	ON-BOARD COMPUTER TEMPERATURE SENSOR	front RH side of engine compartment	20-1	
B25y	FUEL TANK SENSOR II	top of fuel tank		
B72	FUEL TANK PRESSURE SENSOR	RH rear wheel well behind trim panel	14-1	
B78	DRIVER'S SIDE IMPACT SENSOR	in lower LH B-pillar	39-2	
B79	PASSENGER'S SIDE IMPACT SENSOR	in lower RH B-pillar		
B6203	CRANKSHAFT POSITION/RPM SENSOR	front of engine below	10-3	
B6204	CAMSHAFT POSITION SENSOR (CYLINDER IDENTIFICATION)	front of engine below intake manifold	12-2	
B6204	CAMSHAFT POSITION SENSOR (CYLINDER IDENTIFICATION)	front of engine below intake manifold	11-1	
B6205	INTAKE AIR TEMPERATURE SENSOR	front LH side of engine compartment (318i)	18-2	
B6205	INTAKE AIR TEMPERATURE SENSOR	LH side of engine near oil level stick	36-3	
B6207	HOT FILM AIR MASS METER	LH side of engine	12-1	
B6209	HALL EFFECT CAMSHAFT SENSOR	front of engine (318i)		
B6217	HOT FILM AIR MASS METER	top front of engine	18-2	
B6231	OIL PRESSURE SWITCH	front of engine below intake manifold	11-1	
B6231	OIL PRESSURE SWITCH	front of engine below intake manifold (318i)	17-1	
B6232	ENGINE COOLANT TEMPERATURE SENSOR	front of engine below intake manifold	11-3	
B6232	ENGINE COOLANT TEMPERATURE SENSOR	front of engine below intake manifold (318i)	17-2	
B6236	ENGINE COOLANT TEMPERATURE SENSOR	front of engine	11-3	



# COMPONENT LOCATION CHART

COMP.	DESCRIPTION	LOCATION	7100.0	8500.0
B6238	OIL TEMPERATURE SENSOR	LH side of engine		
B6240	KNOCK SENSOR	top front of engine	11-2	
B6256	DUAL TEMPERATURE SENSOR (COOLANT TEMPERATURE)	RH front of engine below intake manifold	11-1	
B9508	PRESSURE SWITCH	front RH side of engine compartment near RH headlight assembly	09-3	
B62001	OXYGEN SENSOR (IN FRONT OF CATALYTIC CONVERTER)	on catalytic converter	37-1	
B62002	OXYGEN SENSOR (BEHIND CATALYTIC CONVERTER)	on catalytic converter (318i)	37-2	
B62101	OXYGEN SENSOR I (IN FRONT OF CATALYTIC CONVERTER)	on catalytic converter	38-2	
B62102	OXYGEN SENSOR I (BEHIND CATALYTIC CONVERTER)	on catalytic converter		
B62201	OXYGEN SENSOR II (IN FRONT OF CATALYTIC CONVERTER)	on catalytic converter	38-2	
B62202	OXYGEN SENSOR II (BEHIND CATALYTIC CONVERTER)	on catalytic converter		
C101	CONTACT RING	top of steering column	24-2	
C900	SUPPRESSION FILTER	in upper RH C-pillar	33-2	
D100	DATA LINK CONNECTOR	rear RH side of engine compartment	05-1	
D110	OBD II CONNECTOR	below LH side of dash		
E7	LEFT HEADLIGHT	front LH side of engine compartment		
E8	RIGHT HEADLIGHT	front RH side of engine compartment		
E9	REAR DEFOGGER I	in rear window		



# COMPONENT LOCATION CHART

COMP.	DESCRIPTION	LOCATION	7100.0	8500.0
E10	.. REAR DEFOGGER/ANTENNA .....	in rear window		
E11	... LEFT HIGH BEAM LIGHT .....	near LH headlight assembly		
E12	.. RIGHT HIGH BEAM LIGHT .....	near RH headlight assembly		
E13	.. LEFT LOW BEAM LIGHT .....	near LH headlight assembly		
E14	.. RIGHT LOW BEAM LIGHT .....	near RH headlight assembly		
E15	.. LEFT PARK LIGHT .....	front of vehicle		
E19	.. RIGHT PARK LIGHT .....	front of vehicle		
E25	.. FRONT ASHTRAY LIGHT .....	center console .....	31-2	
E26	.. LEFT FOG LIGHT .....	under LH front bumper .....	08-2	
E27	.. RIGHT FOG LIGHT .....	under RH front bumper .....	08-2	
E28	.. FRONT CIGAR LIGHTER .....	near gearshift lever		
E28y	.. REAR ASHTRAY LIGHT .....	below center console .....	31-2	
E29	.. FRONT CIGAR LIGHTER LIGHT .....	center console		
E32	.. LUGGAGE COMPARTMENT LIGHT .....	in luggage compartment		
E34	.. FRONT DOME LIGHT/MAP READING ASSEMBLY .....	under roof center panel .....	04-2	
E35	.. DRIVER'S MAKE-UP MIRROR LIGHT ....	above LH sun visor .....	38-1	
E36	.. PASSENGER'S MAKE-UP MIRROR LIGHT	above RH sun visor .....	23-1	
E39	.. LEFT REAR INTERIOR LIGHT .....	in upper LH C-pillar .....	33-1	
E40	.. RIGHT REAR INTERIOR LIGHT .....	in upper RH C-pillar .....	33-2	
E42	.. GLOVE BOX LIGHT .....	LH side of glove box .....	25-1	
E43	.. LEFT LICENSE PLATE LIGHT .....	underside of luggage compartment lid, near license plate .....	09-1	



# COMPONENT LOCATION CHART

COMP.	DESCRIPTION	LOCATION	7100.0	8500.0
E44	RIGHT LICENSE PLATE LIGHT	underside of luggage compartment lid, near license plate	09-1	
E45y	CASSETTE BOX LIGHT	center of dash		
E46	LEFT LUGGAGE COMPARTMENT LIGHT ASSEMBLY	in LH rear side of luggage compartment		
E47	RIGHT LUGGAGE COMPARTMENT LIGHT ASSEMBLY	in RH rear side of luggage compartment	03-3	
E48	DOOR LOCK HEATER	LH front door		
E51	LEFT WASHER JET HEATER	on underside of engine hood		
E52	RIGHT WASHER JET HEATER	on underside of engine hood		
E56	DRIVER'S SEATBACK HEATER	in upper LH front seatback	23-3	
E57	DRIVER'S SEAT HEATER	under LH front seat	23-3	
E58	PASSENGER'S SEAT HEATER	underside of RH front seat		
E59	PASSENGER'S SEATBACK HEATER	in upper RH front seatback		
E61	LEFT FRONT FOOTWELL LIGHT	LH footwell		
E62	RIGHT FRONT FOOTWELL LIGHT	right footwell		
E82	TRANSMISSION POSITION INDICATOR LIGHT	center console		
E96	GEAR SHIFT LEVER INDICATOR	center console		
E99	HARD TOP CONNECTOR 1	in convertible top compartment		
E100y	HARD TOP CONNECTOR 2	in convertible top compartment		
E101	LEFT LUGGAGE COMPARTMENT LIGHT	in LH rear side of luggage compartment (Convertible)		
E102	RIGHT LUGGAGE COMPARTMENT LIGHT	in RH rear side of luggage compartment (Convertible)		
F97	FUSIBLE LINK	in RH side of luggage compartment		



## COMPONENT LOCATION CHART

COMP.	DESCRIPTION	LOCATION	7100.0	8500.0
G1 ...	BATTERY .....	rear RH side of engine compartment (318i)		
G1 ...	BATTERY .....	in RH rear side of luggage compartment		
G5 ...	DRIVER'S AIR BAG GAS GENERATOR ...	behind steering wheel .....	24-2	
G6 ...	PASSENGER'S AIR BAG GAS GENERATOR .....	RH side of dash .....	27-2	
G12 ..	DRIVER'S SIDE PYROTECHNICAL BELT TENSIONER .....	driver's seat right		
G13 ..	PASSENGER'S SIDE PYROTECHNICAL BELT TENSIONER .....	passenger's seat left		
G14 ..	LEFT SIDE AIR BAG GAS GENERATOR ..	in driver's door .....	39-3	
G15 ..	RIGHT SIDE AIR BAG GAS GENERATOR ..	in passenger's door		
G6430	B+ JUMP START JUNCTION POINT .....	rear RH side of engine compartment back of RH side shock tower .....	05-1	
G6509	GENERATOR .....	front LH side of engine compartment .....	05-2	
H2 ...	LEFT HORN .....	front of engine compartment		
H3 ...	RIGHT HORN .....	front of engine compartment		
H4 ...	RIGHT FRONT TURN LIGHT .....	front of vehicle		
H5 ...	RIGHT REAR TURN LIGHT .....	RH side of body rear end		
H6 ...	LEFT REAR TURN LIGHT .....	LH side of body rear end		
H7 ...	LEFT FRONT TURN LIGHT .....	front of vehicle		
H8 ...	RIGHT FRONT AUXILIARY TURN LIGHT ..	front of vehicle		
H9 ...	LEFT FRONT AUXILIARY TURN LIGHT ...	front of vehicle		
H10 ..	CHIME MODULE .....	below LH side of dash		
H1w ..	ANTI-THEFT HORN (ALPINE) .....	front RH side of engine compartment		





# COMPONENT LOCATION CHART

COMP.	DESCRIPTION	LOCATION	7100.0	8500.0
H24	.. LEFT BRAKE LIGHT .....	LH side of body rear end		
H25	.. LEFT TAIL LIGHT .....	LH side of body rear end		
H26	.. LEFT REAR FOG LIGHT .....	LEFT LUGGAGE COMPARTMENT LIGHT ASSEMBLY		
H27	.. LEFT BACK UP LIGHT .....	LEFT LUGGAGE COMPARTMENT LIGHT ASSEMBLY		
H28	.. RIGHT BACK UP LIGHT .....	LEFT LUGGAGE COMPARTMENT LIGHT ASSEMBLY		
H30	.. RIGHT TAIL LIGHT .....	RIGHT LUGGAGE COMPARTMENT LIGHT ASSEMBLY		
H31	.. RIGHT BRAKE LIGHT .....	RIGHT LUGGAGE COMPARTMENT LIGHT ASSEMBLY		
H34	.. HIGH LEVEL STOP LIGHT .....	at back of rear window shelf		
H34z	.. HIGH LEVEL STOP LIGHT/REAR SPOILER	in rear spoiler		
H37	.. LEFT TAIL LIGHT .....	RIGHT LUGGAGE COMPARTMENT LIGHT ASSEMBLY		
H39	.. RIGHT TAIL LIGHT .....	right rear light assembly		
H42	.. LEFT MID-HIGH RANGE SPEAKER .....	in upper LH front door		
H43	.. RIGHT MID-HIGH RANGE SPEAKER .....	in upper RH front door		
H45	.. RIGHT REAR SPEAKER .....	under rear window shelf		
H46	.. LEFT REAR SPEAKER .....	under rear window shelf		
H50	.. RIGHT FRONT HIGH RANGE SPEAKER ..	in upper RH front door		
H51	.. RIGHT FRONT LOW RANGE SPEAKER ..	in lower RH A-pillar		
H52	.. RIGHT REAR LOW RANGE SPEAKER .....	under rear window shelf		
H53	.. RIGHT REAR HIGH RANGE SPEAKER ...	under rear window shelf		
H54	.. RIGHT FRONT MIDRANGE SPEAKER .....	in upper RH front door		
H55	.. LEFT FRONT MIDRANGE SPEAKER .....	in upper LH front door		
H56	.. LEFT REAR HIGH RANGE SPEAKER .....	under rear window shelf		



# COMPONENT LOCATION CHART

COMP.	DESCRIPTION	LOCATION	7100.0	8500.0
H57	.. LEFT REAR LOW RANGE SPEAKER .....	under rear window shelf		
H58	.. LEFT FRONT LOW RANGE SPEAKER .....	in lower LH A-pillar		
H59	.. LEFT FRONT HIGH RANGE SPEAKER ...	in upper LH front door		
H66	.. SUBWOOFER .....	behind trim panel		
I1008	.. SEAT MAT .....	in passenger's seat area		
K2	.... HORN RELAY .....	rear LH side of engine compartment in Power Distribution Box .....	19-2	
K4	.... BLOWER RELAY .....	rear LH side of engine compartment in Power Distribution Box .....	19-2	
K9	.... UNLOADER RELAY, TERMINAL 15 .....	behind LH footwell trim .....	25-3	
K10	.. ABS RELAY .....	rear LH side of engine compartment in Power Distribution Box .....	19-1	
K13	.. REAR DEFOGGER RELAY .....	rear LH side of engine compartment in Power Distribution Box .....	19-1	
K16	.. HAZARD FLASHER RELAY .....	rear LH side of engine compartment in Power Distribution Box .....	19-2	
K19	.. COMPRESSOR CONTROL RELAY .....	rear LH side of engine compartment in Power Distribution Box .....	19-1	
K21	.. NORMAL SPEED RELAY .....	rear LH side of engine compartment in Power Distribution Box .....	19-3	
K22	.. HIGH SPEED RELAY .....	rear LH side of engine compartment in Power Distribution Box .....	19-3	
K46	.. HIGH BEAM LIGHT RELAY .....	LH side of dash behind instrument cluster .....	02-2	
K46z	.. DAY LIGHT RELAY MODULE .....	below LH side of dash .....	02-2	
K47	.. FRONT FOG LIGHT RELAY .....	rear LH side of engine compartment in Power Distribution Box .....	19-2	
K48	.. LOW BEAM LIGHT RELAY .....	rear LH side of engine compartment in Power Distribution Box .....	19-2	
K99	.. REAR WINDOW BLOWER RELAY .....	behind glove box left .....	25-2	
K108	.. HORN RELAY (ALPINE) .....	behind glove box left .....	01-2	
K117	.. LUGGAGE COMPARTMENT LID RELAY ..	behind glove box right		
K125	.. ABS PUMP MOTOR RELAY, TIMED .....	rear LH side of engine compartment in Power Distribution Box (318i) .....	19-3	



## COMPONENT LOCATION CHART

COMP.	DESCRIPTION	LOCATION	7100.0	8500.0
K128	SPATIAL SOUND RELAY	footwell, driver's side behind trim panel		
K450	PARK VENTILATION RELAY	below LH side of dash	02-2	
K6300	ENGINE CONTROL MODULE RELAY	rear LH side of engine compartment in Power Distribution Box	19-3	
K6301	CYL. 1-6 FUEL PUMP RELAY	rear LH side of engine compartment in Power Distribution Box	19-3	
K6301w	FUEL PUMP RELAY	rear LH side of engine compartment in Front Power Distribution Box	19-1	
K6304	SECONDARY AIR PUMP RELAY	rear LH side of engine compartment in Power Distribution Box	19-3	
K6326	UNLOADER RELAY, TERMINAL 15	rear RH side of engine compartment	39-1	
M2	FUEL PUMP	below RH side of rear seat	20-2	
M3	WIPER MOTOR	rear of engine compartment below center of cowl	16-1	
M4	WASHER PUMP	front RH side of engine compartment on washer fluid reservoir	10-1	
M7	HEADLIGHT/FOG LIGHT WASHER PUMP	front RH side of engine compartment on washer fluid reservoir	10-2	
M9	AUXILIARY FAN MOTOR	behind front grille behind trim panel	18-1	
M12	DRIVER'S DOOR LOCK MOTOR	in upper LH front door behind trim panel		
M13	PASSENGER'S DOOR LOCK MOTOR	in upper RH front door behind trim panel		
M16	GAS FILLER LOCK MOTOR	in RH rear side of luggage compartment	03-3	
M17	LUGGAGE COMPARTMENT LOCK MOTOR	rear side of luggage compartment in lift gate	34-2	
M21	DRIVER'S WINDOW MOTOR	LH front door behind door panel	31-3	
M23	PASSENGER'S WINDOW MOTOR	RH front door behind door panel	32-1	
M25	CRUISE CONTROL ACTUATOR (TEMPOMAT)	front LH side of engine compartment	18-2	
M30	BLOWER MOTOR	rear of engine compartment behind RH fresh air cowl	15-2	



# COMPONENT LOCATION CHART

COMP.	DESCRIPTION	LOCATION	7100.0	8500.0
M35	DEFROSTER FLAP MOTOR	RH side of IHKA Plenum	29-2	
M36	FRESH AIR FLAP MOTOR	below LH side of dash RH side of IHKA Plenum	29-3	
M40	RECIRCULATION FLAP MOTOR	below LH side of dash RH side of IHKA Plenum	29-2	
M43	CONVERTIBLE TOP STORAGE LID LOCK MOTOR	in convertible top compartment left	22-1	
M44	REGULATION FLAP MOTOR	RH side of IHKA Plenum		
M46	REAR RECIRCULATION FLAP MOTOR	RH side of IHKA Plenum		
M50	DRIVER'S SEAT CUSHION TILT MOTOR	under LH front seat	23-3	
M51	DRIVER'S SEAT MOVEMENT MOTOR	under LH front seat	23-3	
M52	DRIVER'S SEAT HEIGHT MOTOR	under LH front seat	23-3	
M53	DRIVER'S SEATBACK RECLINER MOTOR	under LH front seat	23-3	
M55z	DRIVER'S SEAT LUMBAR SUPPORT MOTOR/VALVE	under LH front seat		
M58	PASSENGER'S SEATBACK RECLINER MOTOR	under RH front seat		
M59	PASSENGER'S SEAT HEIGHT MOTOR	under RH front seat		
M60	PASSENGER'S SEAT MOVEMENT MOTOR	under RH front seat		
M61	PASSENGER'S SEAT CUSHION TILT MOTOR	under RH front seat		
M93	AUXILIARY THROTTLE POSITION MOTOR (ADS)	front of engine compartment		
M98	LEFT REAR WINDOW MOTOR	left from LH rear seat behind trim panel	22-2	
M99	RIGHT REAR WINDOW MOTOR	RH side of RH rear seat behind trim panel	22-2	



# COMPONENT LOCATION CHART

COMP.	DESCRIPTION	LOCATION	7100.0	8500.0
M100	CONVERTIBLE TOP STORAGE LID MOTOR	in LH side of luggage compartment	34-1	
M101	CONVERTIBLE TOP MOTOR	in LH side of luggage compartment	34-3	
M105	REAR WINDOW BLOWER	behind rear seats	21-3	
M107	GLOVE BOX LOCK MOTOR	RH side of dash behind glove box		
M132	WINDSCREEN COWL PANEL LOCK MOTOR	front cover	35-1	
M6510	STARTER	rear LH side of engine compartment		
N2	FINAL STAGE UNIT	behind LH side of dash		
N3	DIMMER	LH side of dash	26-1	
N4	ON-BOARD COMPUTER	center console	03-1	
N5	ANALOG CLOCK	center console		
N8	ANTENNA AMPLIFIER AM/FM	in upper LH C-pillar	33-1	
N9	RADIO	center console		
N10	MULTI-FUNCTION CLOCK	center console		
N12w	ANTI-THEFT CONTROL MODULE (ALPINE)	behind glove box (glove box removed)	01-3	
N17	CRASH CONTROL MODULE	LH side of dash behind instrument cluster	02-2	
N22	CD CHANGER	in LH forward side of luggage compartment		
N24	ROLLOVER SENSOR	in lower LH C-pillar behind side panel	02-3	
N404	DIVERSITY	C-pillar		
P90	FRONT POWER DISTRIBUTION BOX	rear LH side of engine compartment	05-3	
P95	AUXILIARY FUSE BOX	footwell, driver's side		



## COMPONENT LOCATION CHART

COMP.	DESCRIPTION	LOCATION	7100.0	8500.0
P96 ..	AUXILIARY FUSE BOX IN LUGGAGE COMPARTMENT .....	in RH side of luggage compartment behind trim panel		
P97 ..	AUXILIARY FUSE BOX .....	LH side of dash behind instrument cluster .....	02-2	
R11 ...	BLOWER RESISTORS .....	behind center of dashboard left .....	29-1	
R31	AUXILIARY THROTTLE POSITION SENSOR .....	LH side of engine		
R6252	THROTTLE POSITION SENSOR .....	LH side of engine near oil level stick .....	13-3	
R6252	THROTTLE POSITION SENSOR .....	LH side of engine compartment (318i) .....	17-3	
R6255z	THROTTLE POSITION SENSOR (ASC) ...	LH side of engine compartment		
R8554	RESISTOR .....	front of engine compartment		
S2 ....	IGNITION SWITCH .....	RH side of steering column .....	24-3	
S3 ....	AUTOMATIC TRANSMISSION RANGE SWITCH .....	center console .....	30-3	
S4 ....	HORN SWITCH .....	top of steering column .....	24-2	
S5 ....	WIPER/WASHER SWITCH .....	LH side of dash RH side of steering column above		
S6 ....	ASC SWITCH .....	center console .....	30-2	
S7 ....	COMBINATION SWITCH .....	on steering column .....	24-3	
S8 ....	LIGHT SWITCH .....	LH side of dash .....	26-1	
S10 ..	FOG LIGHT SWITCH .....	LH side of dash		
S13 ..	PASSENGER'S DOOR JAMB SWITCH ...	in upper RH B-pillar .....	33-3	
S14 ..	DRIVER'S DOOR JAMB SWITCH .....	in upper LH B-pillar .....	33-3	
S17 ..	MIRROR CONTROL SWITCH .....	in upper LH front door		
S18 ..	HAZARD SWITCH .....	center console near gearshift lever .....	30-3	



# COMPONENT LOCATION CHART

COMP.	DESCRIPTION	LOCATION	7100.0	8500.0
S21w	ENGINE HOOD SWITCH	front RH side of engine compartment	10-2	
S28	CRUISE CONTROL SWITCH	on steering column	24-3	
S29	BRAKE LIGHT SWITCH	LH footwell on brake pedal support bracket behind LH footwell trim	26-3	
S30	BRAKE LIGHT SWITCH	LH footwell on brake pedal support bracket behind LH footwell trim	26-2	
S31	PARK BRAKE SWITCH	center console on rear of park brake lever	31-2	
S32	CLUTCH SWITCH	LH footwell on clutch pedal support bracket behind LH footwell trim	26-3	
S36	TEMPERATURE SWITCH	front RH side of engine compartment near RH headlight assembly	09-3	
S36y	DOUBLE TEMPERATURE SWITCH	RH top of radiator	09-3	
S38	TILT/SLIDE SUNROOF SWITCH (SHD)	roof		
S40y	CENTRAL POWER WINDOW SWITCH	center console		
S47	DRIVER'S DOOR LOCK SWITCH	LH front door, in door at key lock assembly		
S48	DRIVER'S DOOR HANDLE SWITCH	in driver's door		
S49	PASSENGER'S DOOR LOCK SWITCH	RH front door, in door at key lock assembly		
S51	DRIVER'S SEAT, SEAT CONTROL SWITCH	LH front seat		
S52	DRIVER'S SEAT LUMBAR SWITCH	LH front seat		
S53	DRIVER'S SEAT, SEAT HEATER SWITCH	center console near gearshift lever	30-2	
S54	PASSENGER'S SEAT, SEAT HEATER SWITCH	center console near gearshift lever	30-1	
S56	PASSENGER'S SEAT, SEAT CONTROL SWITCH	under RH front seat		
S58	DRIVER'S SEAT BELT SWITCH	in LH front seat belt buckle		
S59	PASSENGER'S SEAT BELT SWITCH	in RH front seat belt buckle		



# COMPONENT LOCATION CHART

COMP.	DESCRIPTION	LOCATION	7100.0	8500.0
S61y	LUGGAGE COMPARTMENT LIGHT SWITCH	underside of luggage compartment lid left	34-2	
S63	ENGINE COOLANT LEVEL SWITCH	front RH side of engine compartment	18-1	
S64	WASHER FLUID LEVEL SWITCH	front RH side of engine compartment on washer fluid reservoir	10-1	
S75	BLOWER SWITCH	center of dash		
S77	DRIVER'S MAKE-UP MIRROR SWITCH	above LH sun visor	38-1	
S78	PASSENGER'S MAKE-UP MIRROR SWITCH	above RH sun visor	23-1	
S123	ABS PEDAL TRAVEL SENSOR	near brake master cylinder (M3)	18-3	
S126y	DRIVER'S POWER WINDOW SWITCH	center console near gearshift lever	31-1	
S127y	PASSENGER'S POWER WINDOW SWITCH	center console near gearshift lever	31-1	
S128z	LH REAR POWER WINDOW SWITCH	center console		
S129z	RH REAR POWER WINDOW SWITCH	center console		
S143	CONVERTIBLE TOP ACTUATING SWITCH	center console		
S164	CONVERTIBLE TOP END-POSITION MICRO SWITCH	at convertible top linkage		
S165	CONVERTIBLE TOP POSITION MICRO SWITCH	at convertible top linkage		
S196	REAR WINDOW BLOWER MICRO SWITCH	in convertible top compartment, left	35-2	
S198	JET HEATER THERMOSWITCH	front LH side of engine compartment	37-3	
S213	LUGGAGE COMPARTMENT LID MICRO SWITCH	underside of luggage compartment lid		





# COMPONENT LOCATION CHART

COMP.	DESCRIPTION	LOCATION	7100.0	8500.0
S214	CONVERTIBLE TOP STORAGE LID MICRO SWITCH	at convertible top linkage		
S231	WINDSCREEN COWL PANEL LOCK MICRO SWITCH	front cover	35-1	
S235	STARTER IMMOBILIZATION SWITCH	LH footwell underside of steering column		
S302	CENTRAL LOCKING SWITCH	center console		
S303y	TOP HIFI SWITCH	center console		
S8503	PROGRAM SWITCH	center console		
S8507	KICK-DOWN SWITCH	LH footwell		
S8511	REVERSING LIGHT SWITCH	under front of car LH side of transmission		
T6151	CYL. 1 IGNITION COIL	top RH side of engine	13-1	
T6151	CYL. 1 IGNITION COIL	RH side of engine compartment (318i)	17-3	
T6152	CYL. 2 IGNITION COIL	top RH side of engine	13-1	
T6152	CYL. 2 IGNITION COIL	RH side of engine compartment (318i)	17-3	
T6153	CYL. 3 IGNITION COIL	top RH side of engine	13-1	
T6153	CYL. 3 IGNITION COIL	RH side of engine compartment (318i)	17-3	
T6154	CYL. 4 IGNITION COIL	top RH side of engine	13-1	
T6154	CYL. 4 IGNITION COIL	RH side of engine compartment (318i)	17-3	
T6155	CYL. 5 IGNITION COIL	top RH side of engine	13-1	
T6156	CYL. 6 IGNITION COIL	top RH side of engine	13-1	
V6	UNCOUPLING DIODE	rear LH side of engine compartment in Power Distribution Box		
V7	ASC DIODE	top LH side of engine compartment in Front Power Distribution Box		



# COMPONENT LOCATION CHART

COMP.	DESCRIPTION	LOCATION	7100.0	8500.0
X0	B+ JUNCTION POINT	rear LH side of engine compartment	05-3	
X2	BATTERY B+ START POINT	rear LH side of engine compartment	05-3	
X9	B+ JUNCTION POINT	rear LH side of engine compartment	05-3	
X13	(30 PINS, BLACK)	behind LH footwell kickpanel	16-3	00-4
X14	(30 PINS, NATURAL)	behind LH footwell kickpanel	16-3	00-4
X16	(26 PINS, NATURAL)	LH side of dash rear side of instrument cluster, A2w	28-3	00-2
X17	(26 PINS, BLUE)	LH side of dash rear side of instrument cluster, A2w	28-3	00-2
X20	(25 PINS, BLACK)	rear LH side of engine compartment	18-3	05-2
X22	(26 PINS, GRAY)	RH side of dash behind glove box	01-2	00-2
X32	(12 PINS, NATURAL)	LH footwell underside of steering column	27-3	04-6
X33	(12 PINS, BLACK)	LH footwell underside of steering column behind LH footwell trim	27-3	04-6
X35	(12 PINS, NATURAL)	below LH side of dash RH side of steering column	27-3	04-6
X35	(12 PINS, NATURAL)	below LH side of dash RH side of steering column	28-1	04-6
X44	(9 PINS, BLACK)	Power Distribution Box rear LH side of engine compartment		03-6
X45	(9 PINS, BLACK)	Power Distribution Box rear LH side of engine compartment		03-6
X51	(9 PINS, BLACK)	Power Distribution Box rear LH side of engine compartment		03-6
X52	(9 PINS, BLACK)	Power Distribution Box rear LH side of engine compartment		03-6
X53	(9 PINS, BLACK)	Power Distribution Box rear LH side of engine compartment		03-6
X54	(9 PINS, BLACK)	Power Distribution Box rear LH side of engine compartment		03-6
X56	(9 PINS, BLACK)	Power Distribution Box rear LH side of engine compartment		03-6
X58	(9 PINS, BLACK)	Power Distribution Box rear LH side of engine compartment		03-6
X63	(9 PINS, BLACK)	behind LH footwell speaker grille		03-6



# COMPONENT LOCATION CHART

COMP.	DESCRIPTION	LOCATION	7100.0	8500.0
X64	.. (9 PINS, BLACK)	Power Distribution Box rear LH side of engine compartment		03-6
X65	.. (9 PINS, BLACK)	below LH side of dash		03-6
X69	.. (25 PINS, GRAY)	rear LH side of engine compartment	18-3	05-2
X70	.. (8 PINS, BLACK)	front LH side of engine compartment	18-2	02-2
X72	.. (6 PINS, NATURAL)	footwell, driver's side	27-3	04-2
X74	.. (50 PINS, YELLOW)	below rear seat	00-2	02-1
X78	.. (4 PINS, BLACK)	LH footwell on brake pedal support bracket behind LH footwell trim	26-2	03-3
X82	.. (3 PINS, BLACK)	front of engine compartment on auxiliary fan	18-1	08-1
X85	.. (3 PINS, BLACK)	rear LH side of engine compartment	16-2	06-3
X87	.. (3 PINS, BLACK)	front RH side of engine compartment RH top of radiator	09-3	06-3
X105	.. (2 PINS, BLACK)	on underside of engine hood		
X106	.. (2 PINS, BLACK)	on underside of engine hood		
X107	.. (2 PINS, BLACK)	front RH side of engine compartment on washer fluid reservoir	10-1	
X109	.. (2 PINS, BLACK)	front RH side of engine compartment on washer fluid reservoir	10-1	
X111	.. (2 PINS, BLACK)	rear LH side of engine compartment top of brake fluid reservoir	18-3	
X112	.. (2 PINS, BLACK)	front RH side of engine compartment	18-1	
X113	.. (3 PINS, GRAY)	wheel well right	09-2	05-6
X114	.. (3 PINS, GRAY)	wheel well left	09-2	05-6
X116	.. (2 PINS, BLACK)	LH footwell near brake pedal	26-3	
X118	.. (2 PINS, BLACK)	wheel well left	09-2	
X121	.. (2 PINS, NATURAL)	LH footwell on clutch pedal	26-3	
X123	.. (2 PINS, GRAY)	front RH side of engine compartment on washer fluid reservoir	10-2	



# COMPONENT LOCATION CHART

COMP.	DESCRIPTION	LOCATION	7100.0	8500.0
X128	(2 PINS, BLACK)	front RH side of engine compartment		
X132	(2 PINS, BLACK)	front of engine compartment		
X133	(2 PINS, BLACK)	front of engine compartment		
X137	(2 PINS, BLACK)	front LH side of engine compartment		
X142	(3 PINS, GRAY)	under rear of car near differential		05-6
X143	(3 PINS, GRAY)	under rear of car near differential	08-1	05-6
X163	(3 PINS, BLACK)	front RH side of engine compartment on washer fluid reservoir	10-1	06-3
X165	GROUND	front LH side of engine compartment	06-3	
X168	(1 PIN, BLACK)	LH side of steering column		
X173	GROUND	below LH side of dash	07-1	
X209	(12 PINS, BLACK)	LH footwell underside of steering column		
X256	(26 PINS, BLACK)	ahead of RH front door in lower RH A-pillar	32-1	04-1
X257	(26 PINS, BLACK)	ahead of LH front door in lower LH A-pillar		04-1
X271	(12 PINS, BLACK)	LH side of dash rear side of instrument cluster, A2w	28-3	01-3
X272	(2 PINS, NATURAL)	under roof center panel		
X273	(12 PINS, BLACK)	in lower LH B-pillar	21-1	01-2
X274	(12 PINS, BLACK)	in lower RH B-pillar	21-1	01-2
X275	(4 PINS, NATURAL)	under LH front seat	23-2	03-3
X279	(4 PINS, NATURAL)	under RH front seat	32-3	03-3
X285	(15 PINS, BLUE)	behind glove box	25-2	00-3
X292	(9 PINS, BLACK)	Power Distribution Box rear LH side of engine compartment		03-6
X295	(8 PINS, BLACK)	LH footwell underside of steering column behind LH footwell trim	27-3	03-5



# COMPONENT LOCATION CHART

COMP.	DESCRIPTION	LOCATION	7100.0	8500.0
X311	(3 PINS, BLACK)	underside of luggage compartment lid left	34-2	01-1
X312	(2 PINS, BLACK)	in RH rear side of luggage compartment behind RH rear light assembly	03-3	
X315	(2 PINS, BLACK)	underside of luggage compartment lid left	34-2	
X316	(4 PINS, VIOLET)	center console near gearshift lever	31-1	09-1
X317	(4 PINS, NATURAL)	center console near gearshift lever	30-3	09-1
X318	(8 PINS, BLACK)	in RH rear side of luggage compartment behind RH rear light assembly	03-3	01-4
X319	(8 PINS, BLACK)	in LH rear side of luggage compartment behind LH rear light assembly		01-4
X320	(6 PINS, WHITE)	center console near gearshift lever	30-3	07-1
X322	(6 PINS, BLACK)	LH footwell	28-2	04-2
X324	(4 PINS, VIOLET)	center console near gearshift lever	31-1	09-1
X333	(4 PINS, NATURAL)	rear of engine compartment below center of cowl	16-1	08-6
X336	(6 PINS, BLACK)	under roof center panel	04-2	08-4
X351	(2 PINS, BLACK)	in upper RH B-pillar		
X352	(3 PINS, BLACK)	in lower LH C-pillar behind side panel	35-3	01-1
X355	(2 PINS, BLACK)	in upper RH C-pillar	33-2	
X356	(2 PINS, BLACK)	in upper LH C-pillar	33-1	
X371	(2 PINS, BLACK)	front RH side of engine compartment on washer fluid reservoir	10-2	
X372	(2 PINS, GRAY)	rear RH side of engine compartment back of RH side shock tower		
X379	(1 PIN, BLACK)	in upper LH C-pillar	33-1	
X380	(1 PIN, BLACK)	in upper RH C-pillar	33-2	
X381	(3 PINS, BLACK)	above LH sun visor	38-1	01-1
X382	(3 PINS, BLACK)	above RH sun visor	23-1	01-1



# COMPONENT LOCATION CHART

COMP.	DESCRIPTION	LOCATION	7100.0	8500.0
X383	(2 PINS, BLACK)	under rear of car on differential	08-1	
X386	(2 PINS, BLACK)	REAR ASHTRAY LIGHT		
X389	(2 PINS, BLACK)	rear LH side of engine compartment		
X390	(2 PINS, BLACK)	RH side of dash behind glove box		
X400	(8 PINS, BLACK)	in LH rear side of luggage compartment		03-5
X401	(1 PIN, BLACK)	above LH sun visor	38-1	
X402	(1 PIN, BLACK)	above RH sun visor	23-1	
X413	(3 PINS, NATURAL)	at back of rear window shelf		01-1
X423	(1 PIN, NATURAL)	below center console on rear of park brake lever		
X424	(1 PIN, BROWN)	in upper LH C-pillar	33-1	
X494	GROUND	under LH front seat under carpet left	39-2	
X495	GROUND	behind RH footwell trim	07-3	
X498	GROUND	under LH front seat under carpet left	39-2	
X503	(12 PINS, WHITE)	LH side of dash	26-1	01-6
X504	(4 PINS, NATURAL)	LH side of dash	26-1	03-3
X511	(8 PINS, BLACK)	center console	30-3	01-4
X516	(5 PINS, BLACK)	center console	30-3	03-2
X517	(4 PINS, BLACK)	LH side of dash	26-1	03-3
X518	(4 PINS, BLACK)	LH footwell	28-2	03-3
X521	(6 PINS, BLUE)	center console		04-5
X522	(3 PINS, NATURAL)	LH footwell	28-2	01-1
X531	(1 PIN, NATURAL)	center console near gearshift lever	30-2	



# COMPONENT LOCATION CHART

COMP.	DESCRIPTION	LOCATION	7100.0	8500.0
X532	(2 PINS, BLACK)	center console near gearshift lever	30-2	
X537	(3 PINS, BLACK)	in upper LH front door behind door panel	31-3	01-1
X538	(3 PINS, BLACK)	RH front door behind door panel	32-1	01-1
X542	(2 PINS, BLACK)	LH side of glove box, CHARGING SOCKET	25-1	
X603	(12 PINS, BLACK)	LH front seat		04-6
X604	(12 PINS, BLACK)	RH front seat		04-6
X605	(12 PINS, BLACK)	below RH side of rear seat (Convertible)	02-3	03-4
X605	(12 PINS, BLACK)	in LH side of luggage compartment	04-1	03-4
X606	(26 PINS, BLACK)	below RH side of rear seat (Convertible)	02-3	00-2
X606	(26 PINS, BLACK)	in LH side of luggage compartment	04-1	00-2
X607	(9 PINS, BLACK)	below LH side of dash	02-2	03-6
X623	(4 PINS, BLACK)	in upper LH front door behind door panel		09-1
X624	(4 PINS, BLACK)	in upper RH front door behind door panel	32-1	09-1
X625	(6 PINS, WHITE)	LH front door	31-3	05-1
X638	(2 PINS, BLACK)	below RH side of rear seat	20-2	
X641	(6 PINS, BLACK)	RH front door behind door panel		08-2
X643	(4 PINS, VIOLET)	in roof panel		09-1
X651	(6 PINS, VIOLET)	center console	30-2	05-3
X652	(6 PINS, BLACK)	driver's seat left		05-1
X658	(6 PINS, VIOLET)	center console	30-1	05-3
X660	(6 PINS, BLACK)	LH front door in door at key lock assembly		05-4
X663	(6 PINS, GRAY)	RH side of IHKA Plenum	29-3	07-1



# COMPONENT LOCATION CHART

COMP.	DESCRIPTION	LOCATION	7100.0	8500.0
X671	(5 PINS, BLACK)	behind LH side of dash		04-3
X679	(2 PINS, NATURAL)	below RH side of rear seat	20-2	
X700	(1 PIN, NATURAL)	behind RH footwell speaker grille		
X701	(1 PIN, NATURAL)	behind LH footwell kickpanel		
X706	(2 PINS, BLACK)	center console	31-2	
X709	(2 PINS, BLACK)	underside of luggage compartment lid, near license plate	09-1	
X710	(2 PINS, BLACK)	underside of luggage compartment lid, near license plate	09-1	
X711	(1 PIN, NATURAL)	underside of luggage compartment lid left	34-2	
X712	(1 PIN, NATURAL)	underside of luggage compartment lid left		
X713	(2 PINS, BLACK)	under rear of car near differential on differential	08-1	
X726	(2 PINS, —)	under LH front seat	23-2	
X727	(2 PINS, —)	under LH front seat	23-2	
X728	(2 PINS, —)	under LH front seat	23-2	
X729	(2 PINS, —)	under LH front seat	23-2	
X732	(4 PINS, BLACK)	under LH front seat under carpet		03-3
X733	(4 PINS, BLACK)	under LH front seat under carpet		03-3
X734	(2 PINS, —)	under RH front seat		
X735	(2 PINS, —)	under RH front seat		
X736	(2 PINS, —)	under RH front seat		
X737	(2 PINS, —)	under RH front seat		
X740	(4 PINS, BLACK)	under RH front seat	24-1	03-3
X741	(4 PINS, BLACK)	under RH front seat	24-1	03-3





# COMPONENT LOCATION CHART

COMP.	DESCRIPTION	LOCATION	7100.0	8500.0
X742	(2 PINS, YELLOW)	RH front door in door at key lock assembly		
X744	(4 PINS, GRAY)	RH front door behind door panel	32-1	08-5
X745	(3 PINS, BLACK)	above RH footwell dash panel		01-1
X746	(3 PINS, NATURAL)	RH front door behind door panel	32-1	01-1
X747	(2 PINS, YELLOW)	LH front door in door at key lock assembly	32-2	
X748	(3 PINS, BLACK)	footwell, driver's side, behind trim panel		01-1
X749	(4 PINS, BLACK)	in upper LH front door	31-3	08-5
X751	(2 PINS, NATURAL)	LH front door	32-2	
X752	(2 PINS, GRAY)	LH front door in door at key lock assembly	32-2	
X753	(3 PINS, NATURAL)	LH front door		01-1
X768	(2 PINS, WHITE)	in the engine compartment near LH headlight assembly	08-2	
X769	(2 PINS, WHITE)	in the engine compartment near RH headlight assembly	08-2	
X770	(2 PINS, YELLOW)	front RH side of engine compartment	20-1	
X771	(2 PINS, BLACK)	RH side of LH footwell LH side of IHKA Plenum	28-1	
X772	(2 PINS, WHITE)	center console		
X773	(2 PINS, WHITE)	center console		
X774	(1 PIN, GRAY)	rear of engine compartment behind RH fresh air cowl		
X778	(4 PINS, BLACK)	under LH front seat	23-2	09-1
X779	(2 PINS, BLACK)	LH side of glove box	25-1	
X782	(3 PINS, ORANGE)	below RH side of dash	27-2	09-3
X783	(3 PINS, BLACK)	underside of steering column		09-3
X816	(2 PINS, BLACK)	rear of engine compartment behind RH fresh air cowl		



# COMPONENT LOCATION CHART

COMP.	DESCRIPTION	LOCATION	7100.0	8500.0
X817	(1 PIN, BLACK)	rear of engine compartment behind RH fresh air cowl		
X899	(12 PINS, BLACK)	behind center of dashboard		01-3
X904	(4 PINS, BLACK)	LH side of IHKA Plenum	29-1	03-3
X905	(5 PINS, BLACK)	behind center of dashboard		
X999	(4 PINS, BLACK)	behind center of dashboard left		03-3
X1001	(4 PINS, NATURAL)	RIGHT REAR SPEAKER		03-3
X1002	(4 PINS, NATURAL)	LEFT REAR SPEAKER		03-3
X1014	(1 PIN, BLACK)	center console near gearshift lever	30-2	
X1070	(18 PINS, BLACK)	center console	03-1	01-5
X1071	(18 PINS, NATURAL)	center console	03-1	01-5
X1074	(15 PINS, NATURAL)	below LH side of dash	00-3	00-3
X1075	(15 PINS, BLACK)	below LH side of dash	00-3	00-3
X1148	(2 PINS, BLACK)	front LH side of engine compartment, JET HEATER THERMOSWITCH	37-3	
X1155	(3 PINS, BLACK)	center console		01-1
X1162	(2 PINS, BLACK)	near brake master cylinder	18-3	
X1165	GROUND	below LH side of dash	07-1	
X1166	GROUND	behind RH footwell trim	07-3	
X1170	(42 PINS, BLACK)	behind glove box (glove box removed)	01-3	09-4
X1171	(55 PINS, BLACK)	behind glove box (glove box removed)	01-3	00-1
X1176	(25 PINS, BLACK)	LH side of engine compartment		05-2
X1178	(2 PINS, NATURAL)	below center console LH side of gearshift selector		
X1193	(3 PINS, BLACK)	center console RH side of gearshift selector		01-1



# COMPONENT LOCATION CHART

COMP.	DESCRIPTION	LOCATION	7100.0	8500.0
X1213	(2 PINS, BLACK)	center console	31-2	
X1241	(2 PINS, NATURAL)	below LH side of rear seat	21-2	
X1245	(1 PIN, BLACK)	in sun visor		
X1246	(1 PIN, BLACK)	in sun visor		
X1260	(2 PINS, BLACK)	behind side panel left		
X1261	(2 PINS, BLACK)	behind side panel right		
X1292	(4 PINS, NATURAL)	center console		09-1
X1380	(1 PIN, NATURAL)	behind RH footwell speaker grille		
X1381	(1 PIN, NATURAL)	behind LH footwell kickpanel		
X1405	(1 PIN, NATURAL)	rear LH side of engine compartment in Power Distribution Box		
X1406	(1 PIN, WHITE)	rear LH side of engine compartment in Power Distribution Box		
X1439	(2 PINS, BLACK)	center console		
X1441	GROUND	below rear seat	00-2	
X1527	(26 PINS, BLUE)	behind center console	03-2	00-2
X1588	(2 PINS, BLACK)	below LH side of dash		
X1659	(15 PINS, VIOLET)	RH side of dash behind glove box	38-3	00-3
X1660	(3 PINS, WHITE)	RH side of steering column	04-3	01-1
X1715	(4 PINS, NATURAL)	behind trim panel, SUBWOOFER		03-3
X1780	(9 PINS, BLACK)	footwell, driver's side behind trim panel		03-6
X1883	(3 PINS, YELLOW)	in driver's door		
X1884	(3 PINS, YELLOW)	in passenger's door		01-1
X1885	(3 PINS, BLACK)	in lower LH B-pillar	39-2	05-5



# COMPONENT LOCATION CHART

COMP.	DESCRIPTION	LOCATION	7100.0	8500.0
X1886	(3 PINS, BLACK)	in lower RH B-pillar		05-5
X1890	(3 PINS, BLACK)	behind front grille behind trim panel		01-1
X1892	(3 PINS, BLACK)	in RH rear side of luggage compartment		01-1
X4770	(4 PINS, NATURAL)	in upper RH C-pillar		09-1
X4771	(4 PINS, NATURAL)	in upper LH C-pillar		09-1
X6000	(88 PINS, BLACK)	rear RH side of engine compartment	00-1	06-1
X6002	(20 PINS, BLACK)	rear RH side of engine compartment	05-1	04-4
X6031	(12 PINS, BLACK)	rear LH side of engine compartment		01-6
X6101	(2 PINS, BLACK)	top center of engine	36-1	
X6102	(2 PINS, BLACK)	top center of engine	36-1	
X6103	(2 PINS, BLACK)	top center of engine	36-1	
X6104	(2 PINS, BLACK)	top center of engine	36-1	
X6105	(2 PINS, BLACK)	top center of engine	36-1	
X6106	(2 PINS, BLACK)	top center of engine	36-1	
X6120	(2 PINS, BLACK)	LH side of engine compartment right of LH side shock tower	15-1	
X6120	(2 PINS, BLACK)	LH side of engine compartment right of LH side shock tower	20-3	
X6130	(3 PINS, GRAY)	front of engine below intake manifold	11-3	09-2
X6130	(2 PINS, BLACK)	rear LH side of engine compartment	11-2	
X6131	(2 PINS, BLACK)	rear LH side of engine compartment	36-2	
X6133	(2 PINS, BLACK)	front of engine compartment		
X6150	(12 PINS, BLACK)	front RH side of engine compartment	05-1	01-6
X6151	(3 PINS, GRAY)	top RH side of engine		07-4



# COMPONENT LOCATION CHART

COMP.	DESCRIPTION	LOCATION	7100.0	8500.0
X6152	(3 PINS, GRAY)	top RH side of engine		07-4
X6153	(3 PINS, GRAY)	top RH side of engine		07-4
X6154	(3 PINS, GRAY)	top RH side of engine		07-4
X6155	(3 PINS, GRAY)	top RH side of engine		07-4
X6156	(3 PINS, GRAY)	top RH side of engine		07-4
X6163	(2 PINS, BLACK)	RH side of engine		
X6203	(3 PINS, BLACK)	front of engine below intake manifold		09-3
X6204	(3 PINS, BLACK)	front of engine below intake manifold		07-3
X6205	(2 PINS, BLACK)	front LH side of engine compartment (318i)	18-2	
X6205	(2 PINS, BLACK)	LH side of engine near oil level stick	36-3	
X6207	(4 PINS, BLACK)	LH side of engine	12-1	07-2
X6209	(3 PINS, BLACK)	front of engine, HALL EFFECT CAMSHAFT SENSOR		07-5
X6217	(4 PINS, GRAY)	top front of engine	18-2	07-2
X6231	(2 PINS, BLACK)	LH side of engine compartment near oil level stick	11-1	
X6231	(2 PINS, BROWN)	front of engine below intake manifold (318i)	17-1	
X6238	(2 PINS, BLACK)	LH side of engine (M3)		
X6240	(4 PINS, BLACK)	LH side of engine near starter		07-2
X6252	(3 PINS, BLACK)	LH side of engine	13-3	07-3
X6252	(3 PINS, BLACK)	LH side of engine near oil level stick	12-1	09-2
X6255	(3 PINS, BLACK)	LH side of engine compartment		09-2
X6256	(4 PINS, BLACK)	front of engine	11-1	07-2
X6256	(4 PINS, BLACK)	front of engine	17-2	



# COMPONENT LOCATION CHART

COMP.	DESCRIPTION	LOCATION	7100.0	8500.0
X6263	(2 PINS, BLACK)	under LH center of car		
X6275	(2 PINS, BLACK)	top center of engine	12-2	
X6300	(9 PINS, BLACK)	rear LH side of engine compartment		03-6
X6301	(9 PINS, BLACK)	rear LH side of engine compartment		03-6
X6304	(9 PINS, BLACK)	rear LH side of engine compartment		03-6
X6326	(9 PINS, BLACK)	rear RH side of engine compartment in E-Box	39-1	03-6
X6430	CABLE SOCKET B+ JUMP START JUNCTION POINT	rear RH side of engine compartment		
X6431	CABLE SOCKET B+ JUMP START JUNCTION POINT	rear RH side of engine compartment		
X6432	CABLE SOCKET B+ JUMP START JUNCTION POINT	rear RH side of engine compartment		
X6433	CABLE SOCKET B+ JUMP START JUNCTION POINT	rear RH side of engine compartment		
X6437	CABLE SOCKET B+ JUMP START JUNCTION POINT	rear RH side of engine compartment		
X6454	GROUND	rear RH side of engine compartment back of RH side shock tower	06-2	
X6455	GROUND	LH side of engine compartment		
X6456	GROUND	on cylinder head	07-2	
X6509	CABLE SOCKET ALTERNATOR B+	front LH side of engine compartment	05-2	
X6510	CABLE SOCKET STARTER, TERMINAL 50	rear LH side of engine compartment below intake manifold		
X6511	CABLE SOCKET STARTER, TERMINAL 30h	rear LH side of engine compartment below intake manifold		
X6512	CABLE SOCKET STARTER, TERMINAL 30	rear LH side of engine compartment below intake manifold		



# COMPONENT LOCATION CHART

COMP.	DESCRIPTION	LOCATION	7100.0	8500.0
X6550	(2 PINS, BLACK)	under LH center of car behind trim panel	27-1	
X7000	(88 PINS, BLACK)	rear RH side of engine compartment	00-1	06-1
X7509	CABLE SOCKET ALTERNATOR, TERMINAL D+	front LH side of engine compartment below		
X8500	(88 PINS, BLACK)	rear RH side of engine compartment	00-1	06-1
X8503	(10 PINS, WHITE)	center console RH side of gearshift selector	31-1	02-4
X8505	(16 PINS, BLACK)	on RH side of transmission		03-1
X8507	(1 PIN, BLACK)	below LH side of dash		
X8511	(2 PINS, BLACK)	under front of car LH side of transmission		
X8516	(3 PINS, BLACK)	under center of car above		09-2
X9997	(2 PINS, ORANGE)	behind steering wheel	24-2	
X10010	GROUND	behind RH footwell trim		
X10012	GROUND	behind RH footwell trim	07-3	
X10013	(1 PIN, —)	top of steering column		
X10054	(12 PINS, BLACK)	below LH side of dash RH side of steering column	28-1	04-6
X10070	(2 PINS, GRAY)	near LH headlight assembly	13-2	
X10071	(2 PINS, BLACK)	near LH headlight assembly	13-2	
X10074	(2 PINS, BLACK)	near LH headlight assembly		
X10075	(2 PINS, GRAY)	near RH headlight assembly		
X10092	(9 PINS, BLACK)	behind glove box left	25-2	03-6
X10094	(2 PINS, BLACK)	LH side of engine compartment	12-1	
X10098	(1 PIN, —)	front RH side of engine compartment		



# COMPONENT LOCATION CHART

COMP.	DESCRIPTION	LOCATION	7100.0	8500.0
X10099	(1 PIN, —)	front RH side of engine compartment		
X10182	(18 PINS, BLACK)	behind glove box (glove box removed)		01-5
X10193	(9 PINS, BLACK)	behind glove box (glove box removed)	01-2	03-6
X10213	(2 PINS, BLACK)	front RH side of engine compartment		
X10216	(2 PINS, YELLOW)	driver's seat right		
X10217	(2 PINS, YELLOW)	passenger's seat left		
X10218	(3 PINS, NATURAL)	under RH front seat	24-1	01-1
X10223	(3 PINS, BLACK)	in convertible top compartment left	22-1	01-1
X10224	(2 PINS, BLACK)	in convertible top compartment left	22-1	
X10225	(3 PINS, NATURAL)	underside of luggage compartment lid		01-1
X10226	(9 PINS, BLACK)	behind glove box	25-2	03-6
X10227	(4 PINS, VIOLET)	in convertible top compartment		07-6
X10239	(3 PINS, BLACK)	LH side of engine compartment	12-1	07-3
X10244	(1 PIN, BLACK)	below RH side of dash		
X10250	(2 PINS, BLACK)	behind LH footwell speaker grille		
X10261	(4 PINS, BLACK)	front RH side of engine compartment near RH headlight assembly	09-3	08-5
X10262	(9 PINS, BLACK)	below LH side of dash		03-6
X10266	(6 PINS, BLACK)	below RH side of rear seat (Convertible)		05-3
X10267	(6 PINS, BLACK)	center console		05-3
X10273	(2 PINS, BLACK)	LH side of dash behind instrument cluster		
X11166	GROUND	in lower LH C-pillar behind side panel	35-3	
X11205	(2 PINS, BLACK)	behind rear seats right	22-3	





# COMPONENT LOCATION CHART

COMP.	DESCRIPTION	LOCATION	7100.0	8500.0
X11208	(2 PINS, BLACK)	hard top		
X11209	(2 PINS, BLACK)	behind rear seats left behind side panel	35-3	
X11211	(2 PINS, —)	in convertible top compartment		
X11277	(3 PINS, VIOLET)	on lift gate in rear spoiler		01-1
X11289	(3 PINS, VIOLET)	under LH front seat		01-1
X11290	(3 PINS, VIOLET)	under RH front seat		01-1
X11335	(3 PINS, YELLOW)	in driver's door	39-3	01-1
X11336	(3 PINS, YELLOW)	in passenger's door		01-1
X11379	(3 PINS, NATURAL)	RH top of radiator	09-3	06-3
X11382	(2 PINS, BLUE)	front cover	35-1	
X11383	(2 PINS, BLUE)	in lower LH C-pillar behind side panel	35-3	
X11385	(3 PINS, BLACK)	front cover	35-1	01-1
X11386	(3 PINS, BLUE)	in lower LH C-pillar behind side panel	35-3	01-1
X11390	(12 PINS, BLACK)	in lower LH C-pillar behind side panel	02-1	01-3
X11393	(9 PINS, BLACK)	Power Distribution Box rear LH side of engine compartment		03-6
X11395	(5 PINS, BLACK)	behind glove box (glove box removed)		04-3
X13004	GROUND	in upper RH rear seatback	06-1	
X13006	GROUND	in upper LH rear seatback		
X13009	GROUND	behind RH footwell trim	07-3	
X13016	GROUND	below LH side of dash	07-1	
X13025	(12 PINS, BLACK)	behind glove box (glove box removed)	01-3	04-6
X13044	(26 PINS, BLACK)	in lower LH C-pillar behind side panel	02-1	00-2



# COMPONENT LOCATION CHART

COMP.	DESCRIPTION	LOCATION	7100.0	8500.0
X13045	(6 PINS, NATURAL)	center console		05-3
X13079	(3 PINS, VIOLET)	behind rear seats		01-1
X13142	(2 PINS, WHITE)	behind rear seats	21-3	
X13143	(3 PINS, BLACK)	behind rear seats behind side panel	35-3	01-1
X13145	(6 PINS, BLACK)	in LH side of luggage compartment	34-3	04-2
X13146	(2 PINS, BLACK)	in LH side of luggage compartment	34-1	
X13152	(4 PINS, BLACK)	in LH side of luggage compartment	34-1	09-1
X13156	(10 PINS, BLACK)	in lower LH C-pillar behind side panel	02-1	06-2
X13157	(6 PINS, BLACK)	in lower LH C-pillar behind side panel	02-1	05-3
X13159	(26 PINS, BLACK)	in lower LH C-pillar behind side panel	02-1	00-2
X13170	(2 PINS, BLACK)	in spare-wheel well	14-3	
X13171	(3 PINS, NATURAL)	RH rear wheel well behind trim panel	14-1	06-4
X13172	(2 PINS, BLACK)	in LH rear side of luggage compartment	14-2	
X13176	(6 PINS, NATURAL)	under roof center panel		05-3
X13226	(2 PINS, BLACK)	behind rear seats		
X13227	(2 PINS, BLACK)	behind rear seats		
X13230	GROUND	behind RH footwell trim above (Convertible)		
X13252	(15 PINS, BLACK)	behind glove box (glove box removed)	01-1	00-3
X13253	(26 PINS, VIOLET)	behind glove box (glove box removed)	01-1	00-2
X13254	(26 PINS, GREEN)	behind glove box (glove box removed)	01-1	00-2
X13255	(12 PINS, NATURAL)	behind glove box (glove box removed)		01-3
X13256	(2 PINS, GRAY)	left from LH rear seat behind trim panel	22-2	



# COMPONENT LOCATION CHART

COMP.	DESCRIPTION	LOCATION	7100.0	8500.0
X13257	(2 PINS, GRAY)	RH side of RH rear seat behind trim panel	22-2	
X13258	(15 PINS, NATURAL)	behind glove box (glove box removed)	25-2	00-3
X13262	(4 PINS, BLUE)	center console		09-1
X13263	(2 PINS, BLACK)	behind glove box		
X13305	(8 PINS, BLACK)	center console		01-4
X18080	(1 PIN, NATURAL)	in luggage compartment		
X18126	(17 PINS, BLACK)	center console behind radio		02-3
X18135	(4 PINS, —)	under driver's seat		
X18196	(10 PINS, BLACK)	driver's door, LEFT FRONT HIGH RANGE SPEAKER		02-4
X18198	(10 PINS, BLACK)	passenger's door, RIGHT FRONT HIGH RANGE SPEAKER		02-4
X18279	(2 PINS, GRAY)	in lower LH front door behind trim panel		
X18280	(2 PINS, GRAY)	in lower RH side of front door behind trim panel		
X18296	(2 PINS, YELLOW)	in lower LH B-pillar behind trim panel	32-2	
X18336	(3 PINS, BLACK)	LH side of glove box (glove box removed)	25-1	01-1
X18518	(4 PINS, BLACK)	under RH front seat		09-1
X18520	(10 PINS, —)	center console, RADIO		
X18521	(10 PINS, —)	RH side of luggage compartment, CD CHANGER		
X18723	GROUND	below LH side of dash		
X18797	(1 PIN, NATURAL)	in RH rear side of luggage compartment		
X18798	(1 PIN, NATURAL)	in RH rear side of luggage compartment		
X18994	(3 PINS, VIOLET)	rear LH side of engine compartment below		01-1
X19527	(16 PINS, BLACK)	below LH side of dash		08-3



# COMPONENT LOCATION CHART

COMP.	DESCRIPTION	LOCATION	7100.0	8500.0
X19561	(6 PINS, BLACK)	on RH side of transmission		05-3
X19564	(2 PINS, BLACK)	in RH side of luggage compartment behind trim panel		
X62001	(4 PINS, BLACK)	under center of car (318i)	37-1	07-2
X62002	(4 PINS, BLACK)	under center of car (318i)	37-2	07-2
X62101	(4 PINS, BLACK)	top center of engine	15-3	07-2
X62102	(4 PINS, BLACK)	under center of car on catalytic converter		07-2
X62201	(4 PINS, BLACK)	top center of engine	15-3	07-2
X62202	(4 PINS, BLACK)	under center of car on catalytic converter		07-2
X90260	(3 PINS, BLACK)	RH side of steering column	04-3	01-1
X91009	(2 PINS, BLACK)	under passenger's seat		
Y1	ABS HYDRAULIC UNIT	rear LH side of engine compartment back of LH side shock tower	16-2	
Y1w	ABS HYDRAULIC UNIT	LH side of engine compartment		
Y2	AIR CONDITIONING COMPRESSOR	front of engine		
Y4	WATER VALVE ASSEMBLY	rear LH side of engine compartment	16-2	
Y5	DRIVER'S SIDE MIRROR	in upper LH front door		
Y6	PASSENGER'S SIDE MIRROR	in upper RH front door		
Y19	SHIFT-LOCK	center console RH side of gearshift selector		
Y85	LH ROLLOVER PROTECTION ACTUATOR	behind rear seats (Convertible)	02-3	
Y86	RH ROLLOVER PROTECTION ACTUATOR	behind rear seats (Convertible)	02-3	
Y198	EXHAUST GAS FLAP VALVE	in LH rear side of luggage compartment	14-2	
Y199	CARBON CANISTER VALVE	in spare-wheel well	14-3	
Y6101	CYL. 1 FUEL INJECTION VALVE	RH front of engine	12-3	



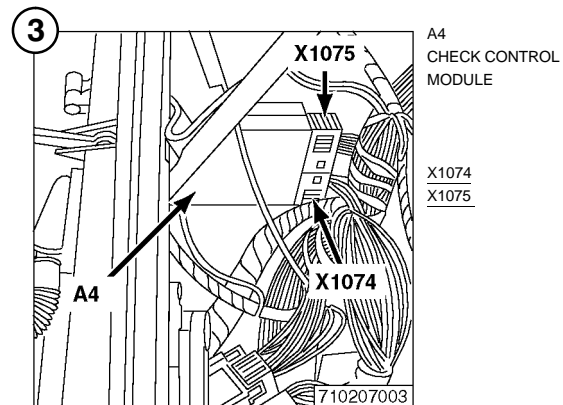
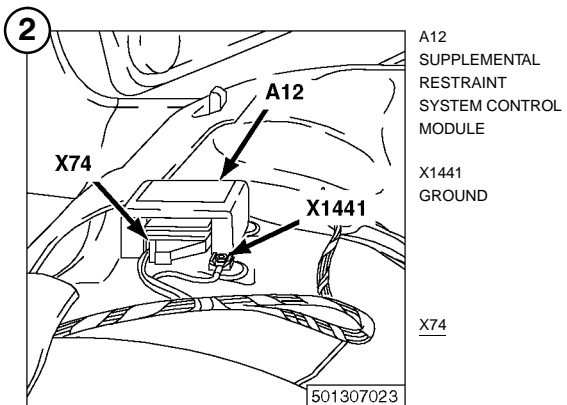
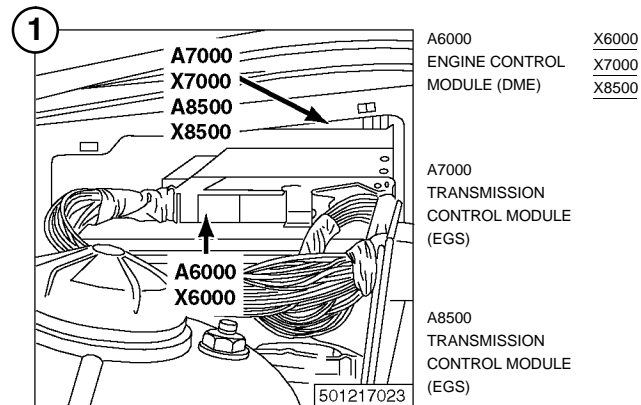
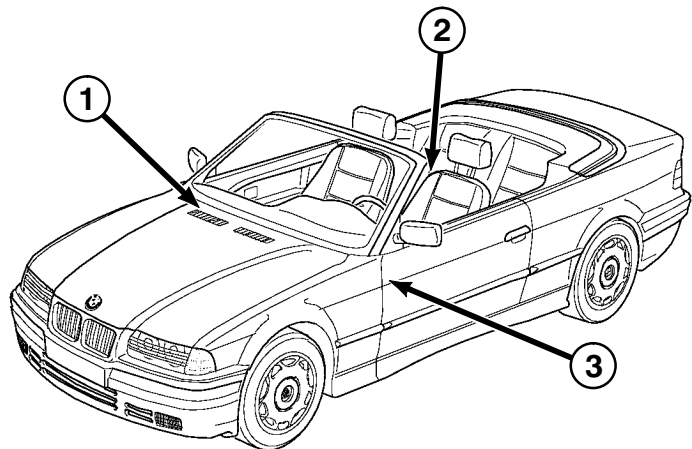
# COMPONENT LOCATION CHART

COMP.	DESCRIPTION	LOCATION	7100.0	8500.0
Y6102	CYL. 2 FUEL INJECTION VALVE .....	top center of engine .....	12-3	
Y6103	CYL. 3 FUEL INJECTION VALVE .....	top center of engine .....	12-3	
Y6104	CYL. 4 FUEL INJECTION VALVE .....	top center of engine .....	12-3	
Y6105	CYL. 5 FUEL INJECTION VALVE .....	top center of engine .....	12-3	
Y6106	CYL. 6 FUEL INJECTION VALVE .....	top center of engine .....	12-3	
Y6120	EVAPORATIVE EMISSION VALVE .....	front LH side of engine compartment right of LH side shock tower .....	15-1	
Y6120	EVAPORATIVE EMISSION VALVE .....	LH side of engine compartment right of LH side shock tower .....	20-3	
Y6130	IDLE SPEED CONTROL VALVE .....	front of engine below intake manifold .....	11-3	
Y6130	IDLE SPEED CONTROL VALVE .....	rear LH side of engine compartment .....	11-2	
Y6131	INTAKE AIR RESONANCE CHANGEOVER VALVE .....	rear LH side of engine compartment .....	36-2	
Y6133	AIR PUMP .....	front of engine compartment .....	05-1	
Y6163	SECONDARY AIR PUMP VALVE .....	RH side of engine		
Y6263	FUEL CHANGEOVER VALVE .....	under LH center of car		
Y6275	VARIABLE CAMSHAFT CONTROL VALVE 1 .....	top center of engine .....	12-2	
Y6550	SOLENOID VALVE ("RUNNING LOSSES") .	under LH center of car		
Y8505	TRANSMISSION VALVE UNIT .....	on LH side of transmission		
Y8505y	TRANSMISSION VALVE UNIT .....	on LH side of transmission		



# 7100.0 COMPONENT LOCATION VIEWS

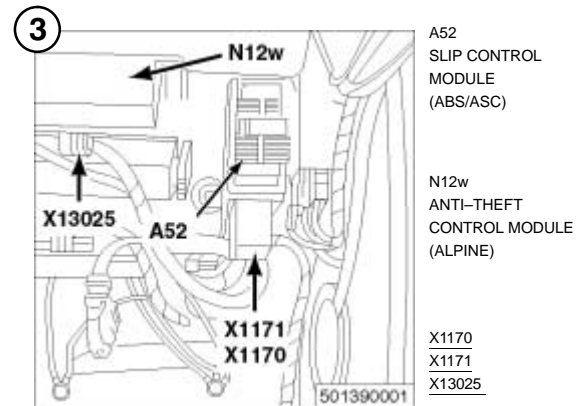
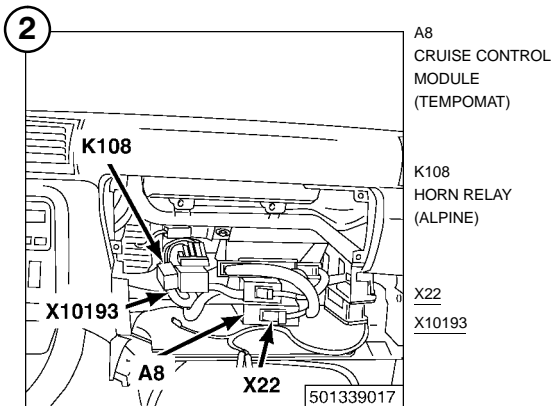
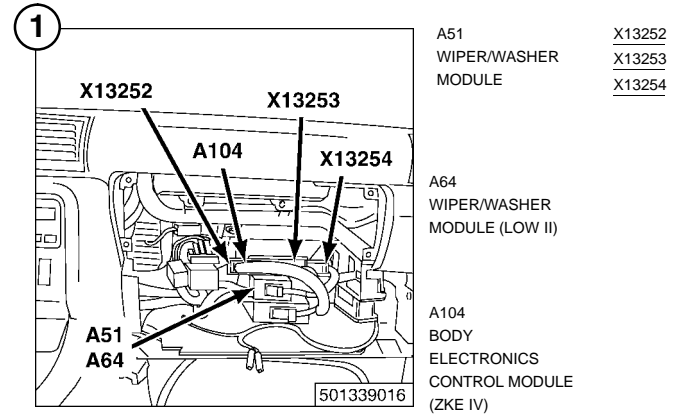
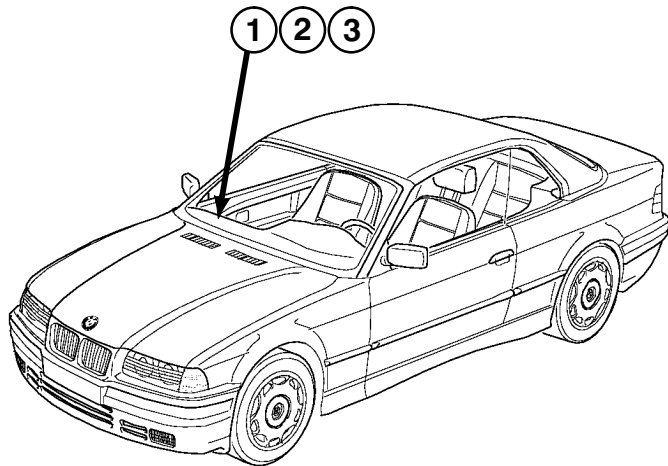
## ELECTRICAL CONTROL MODULE LOCATIONS





# COMPONENT LOCATION VIEWS

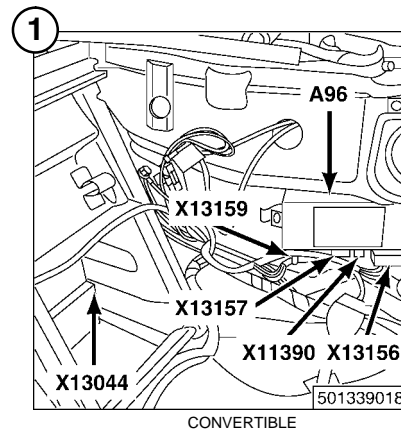
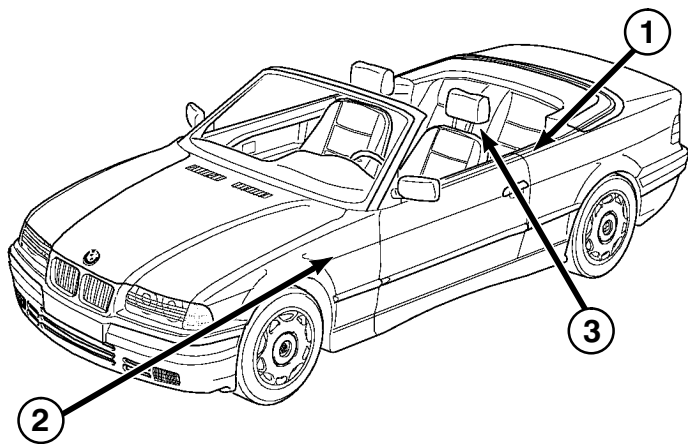
## ELECTRICAL CONTROL MODULE LOCATIONS





# COMPONENT LOCATION VIEWS

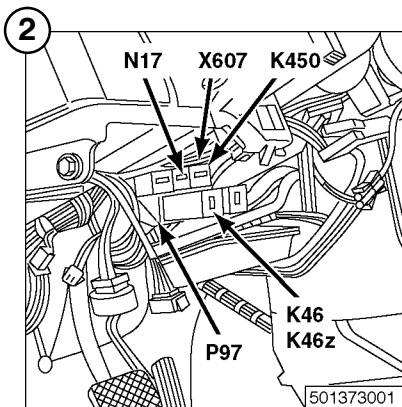
## ELECTRICAL CONTROL MODULE LOCATIONS



A96  
CONVERTIBLE TOP  
CONTROL MODULE

X11390  
X13044  
X13156  
X13157  
X13159

CONVERTIBLE



K46  
HIGH BEAM LIGHT  
RELAY

K46z  
DAY LIGHT RELAY  
MODULE

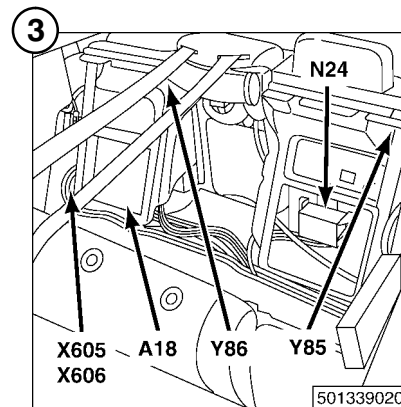
K450  
PARK VENTILATION  
RELAY

N17  
CRASH CONTROL  
MODULE

P97  
AUXILIARY FUSE  
BOX

X607

501373001



A18  
HI FI AMPLIFIER

N24  
ROLLOVER  
SENSOR

Y85  
LH ROLLOVER  
PROTECTION  
ACTUATOR

Y86  
RH ROLLOVER  
PROTECTION  
ACTUATOR

X605  
X606

CONVERTIBLE

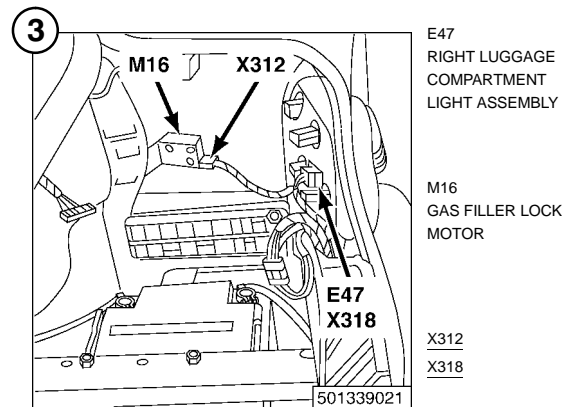
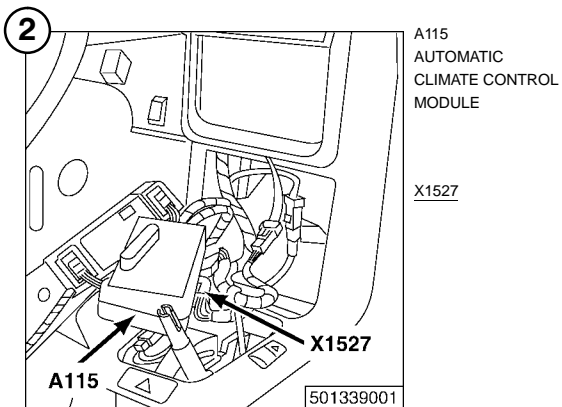
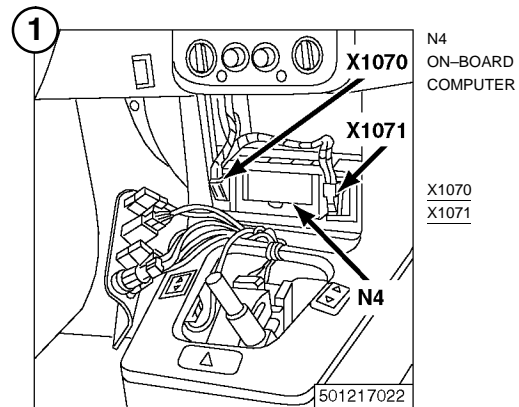
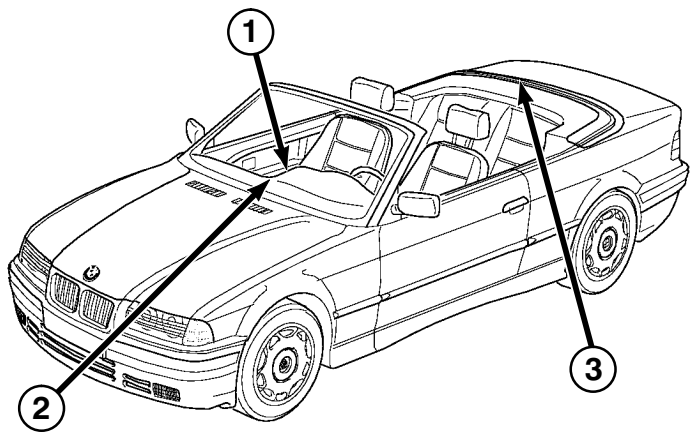
501339020





# COMPONENT LOCATION VIEWS

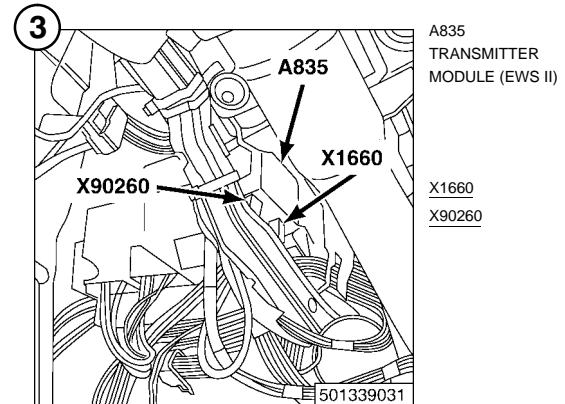
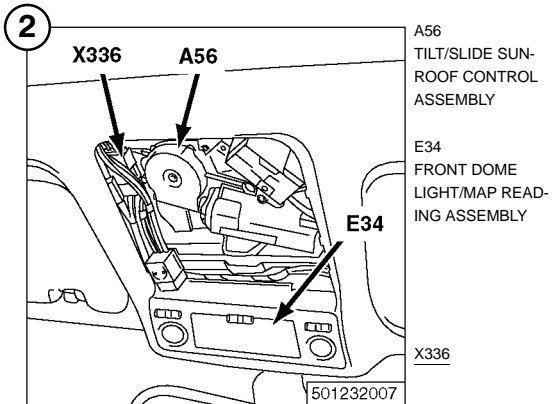
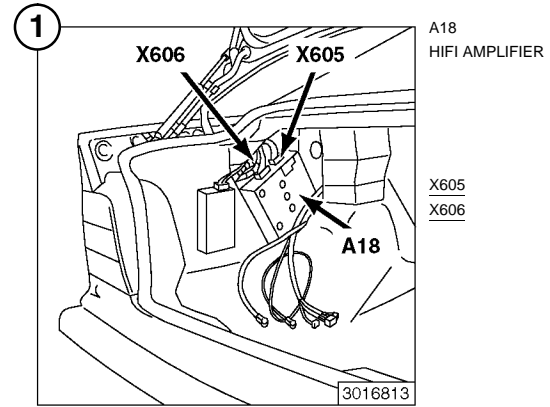
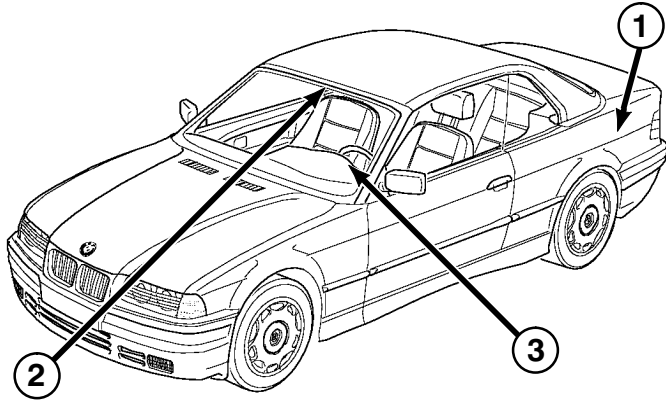
## ELECTRICAL CONTROL MODULE LOCATIONS





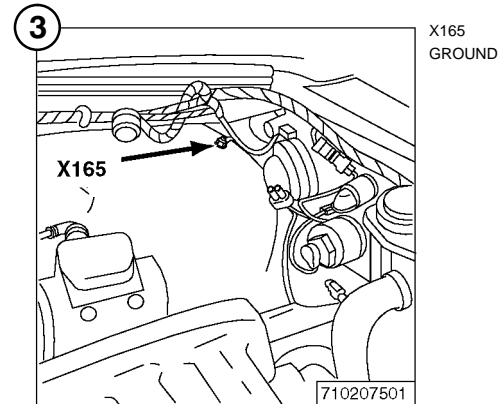
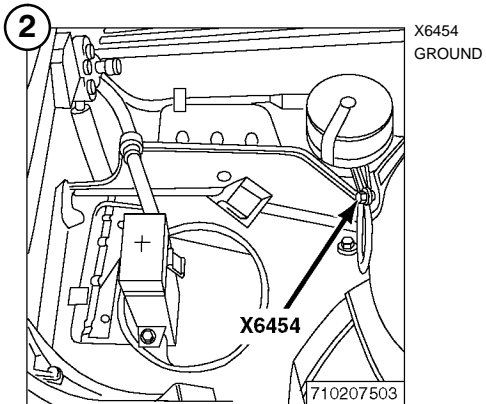
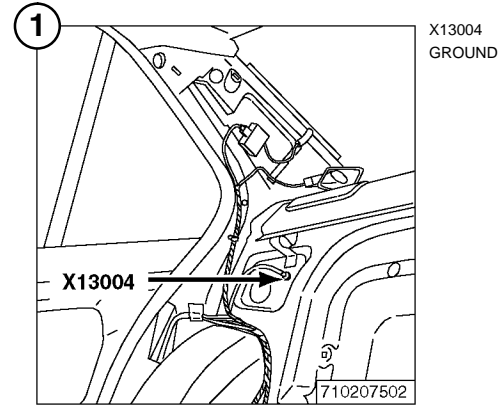
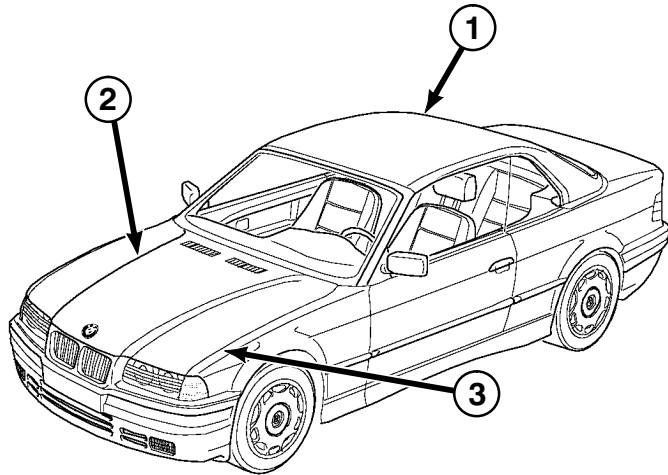
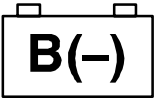
# COMPONENT LOCATION VIEWS

## ELECTRICAL CONTROL MODULE LOCATIONS





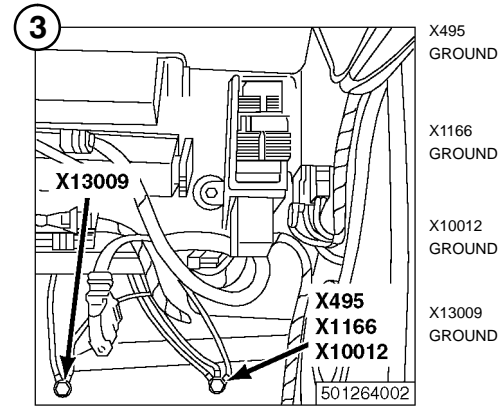
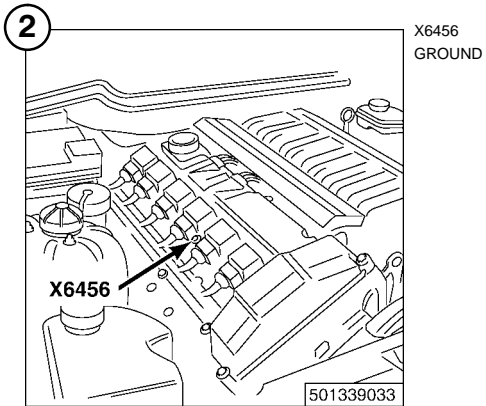
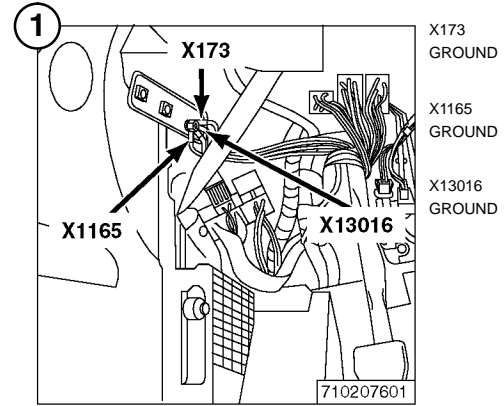
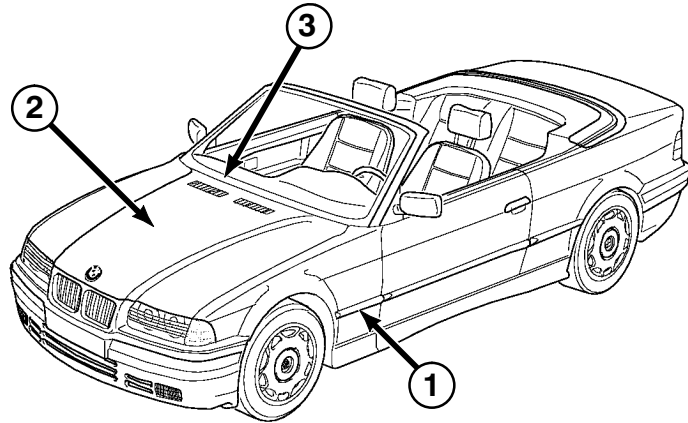
# COMPONENT LOCATION VIEWS





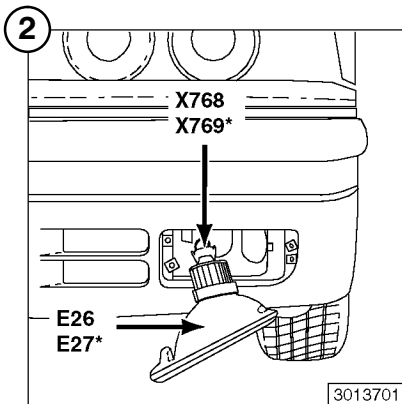
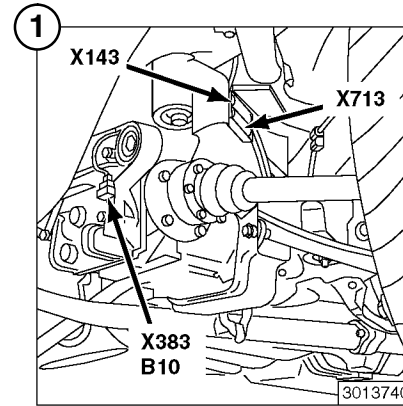
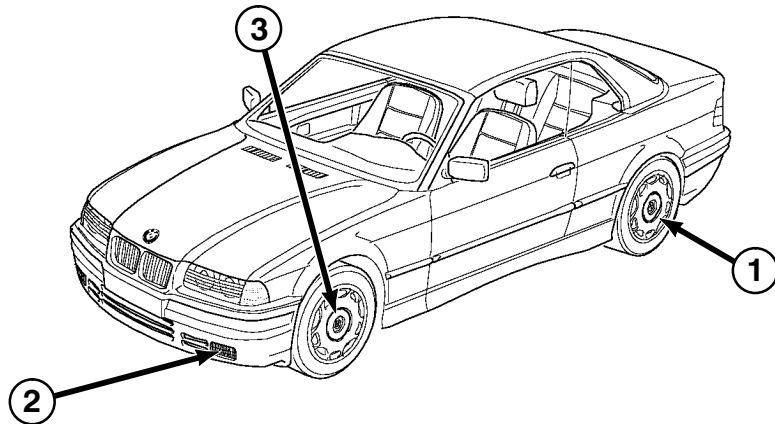
# COMPONENT LOCATION VIEWS

**B(-)**

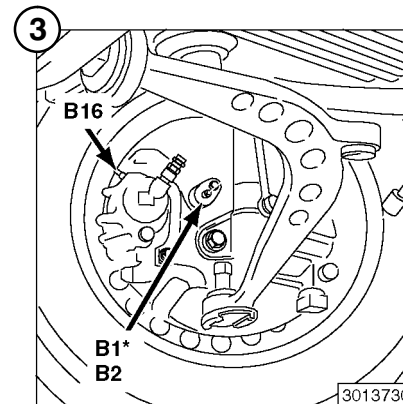




# COMPONENT LOCATION VIEWS



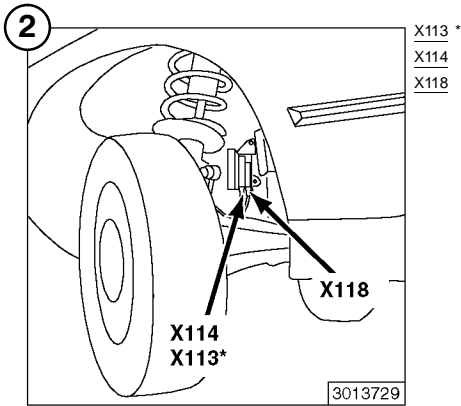
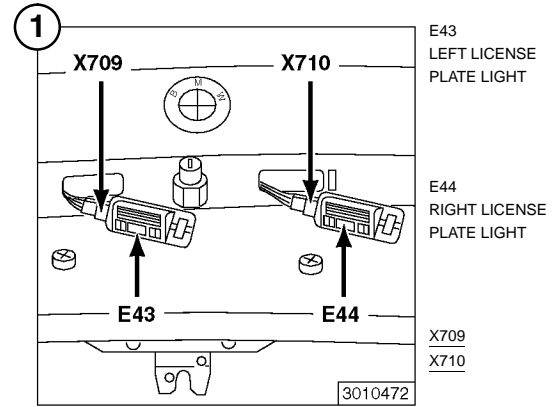
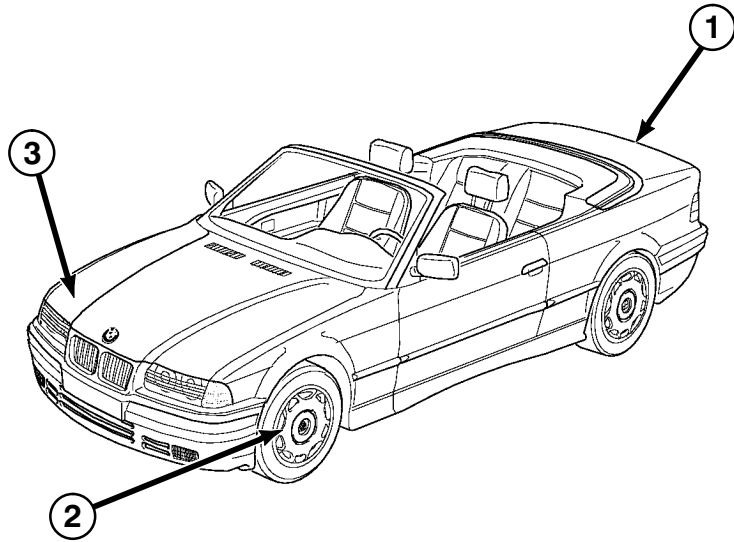
\* RH SIMILAR



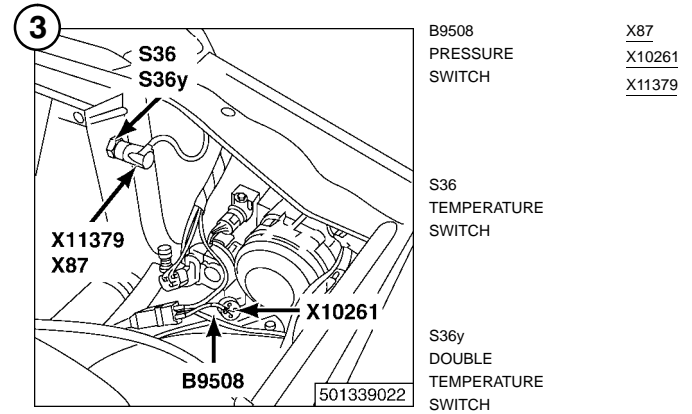
\* RH SIMILAR



# COMPONENT LOCATION VIEWS

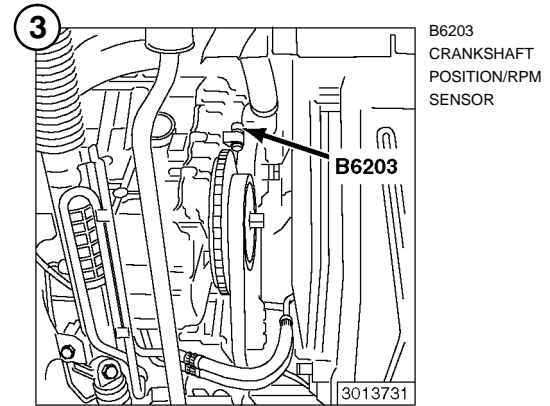
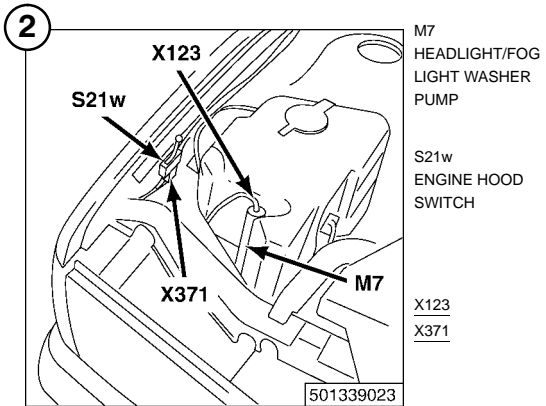
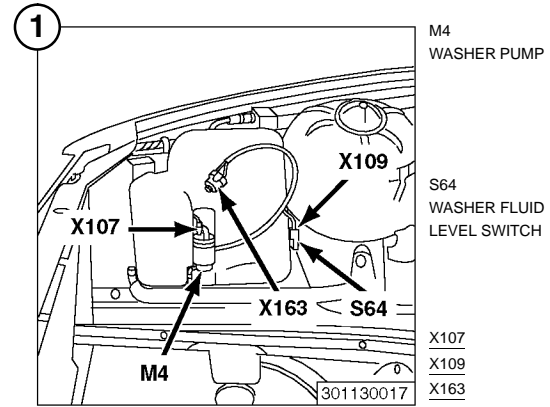
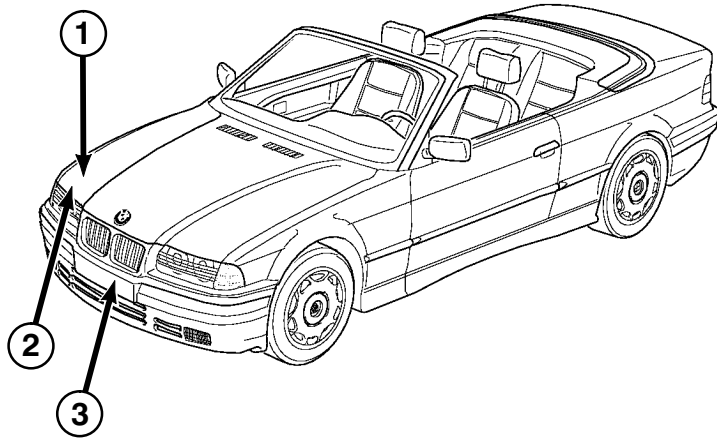


\* RH SIMILAR



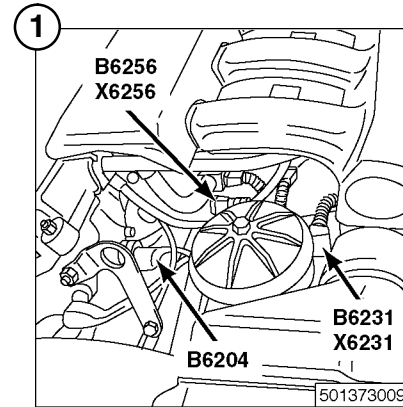
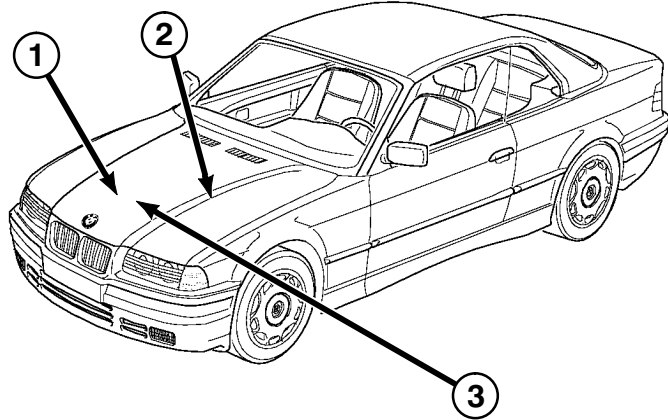


# COMPONENT LOCATION VIEWS





# COMPONENT LOCATION VIEWS



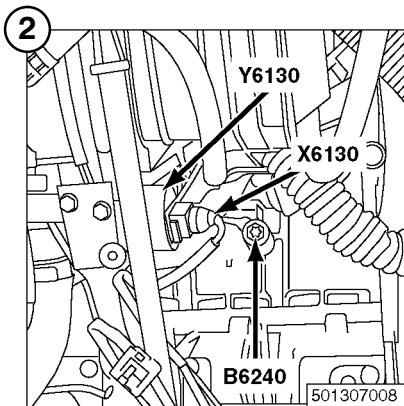
**B6204**  
CAMSHAFT  
POSITION SENSOR  
(CYLINDER  
IDENTIFICATION)

**B6231**  
OIL PRESSURE  
SWITCH

**B6256**  
DUAL  
TEMPERATURE  
SENSOR  
(COOLANT  
TEMPERATURE)

**X6231**  
X6256

501373009



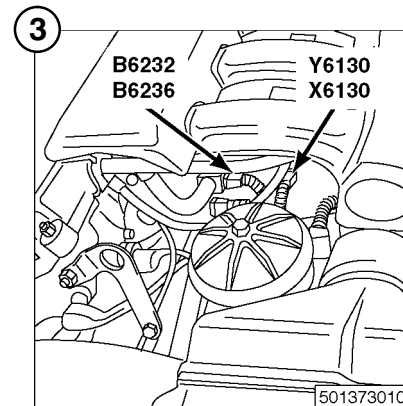
**B6240**  
KNOCK SENSOR

**Y6130**  
IDLE SPEED  
CONTROL VALVE

**X6130**

**B6240**

501307008



**B6232**  
ENGINE COOLANT  
TEMPERATURE  
SENSOR

**B6236**  
ENGINE COOLANT  
TEMPERATURE  
SENSOR

**Y6130**  
IDLE SPEED  
CONTROL VALVE

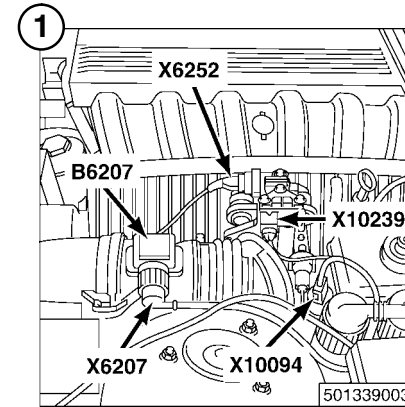
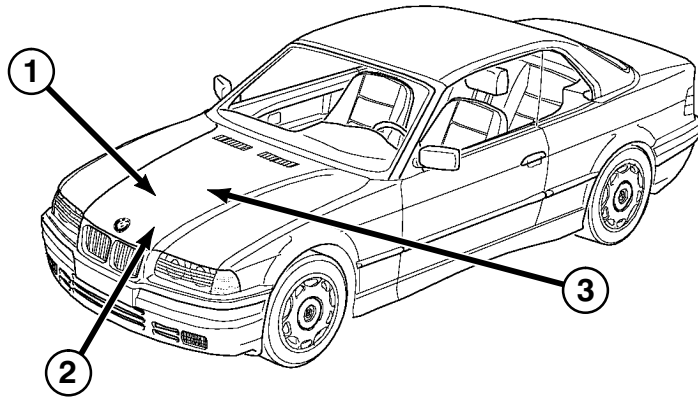
**X6130**

501373010





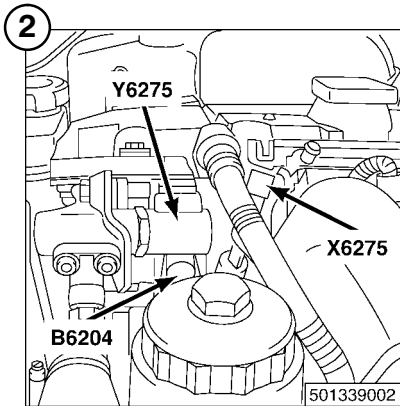
# COMPONENT LOCATION VIEWS



B6207  
HOT FILM AIR  
MASS METER

X6207  
X6252  
X10094  
X10239

501339003

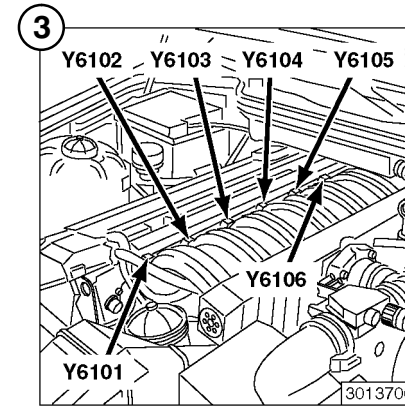


B6204  
CAMSHAFT  
POSITION SENSOR  
(CYLINDER  
IDENTIFICATION)

Y6275  
VARIABLE CAM-  
SHAFT CONTROL  
VALVE 1

X6275

501339002



Y6101  
CYL. 1 FUEL  
INJECTION VALVE

Y6104  
CYL. 4 FUEL  
INJECTION VALVE

Y6102  
CYL. 2 FUEL  
INJECTION VALVE

Y6105  
CYL. 5 FUEL  
INJECTION VALVE

Y6103  
CYL. 3 FUEL  
INJECTION VALVE

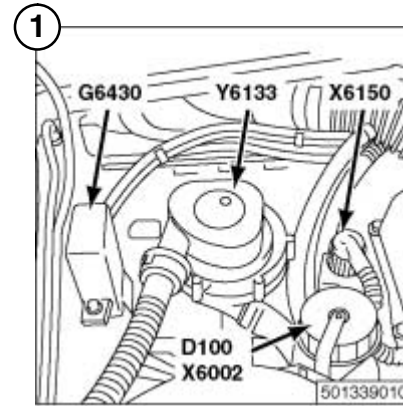
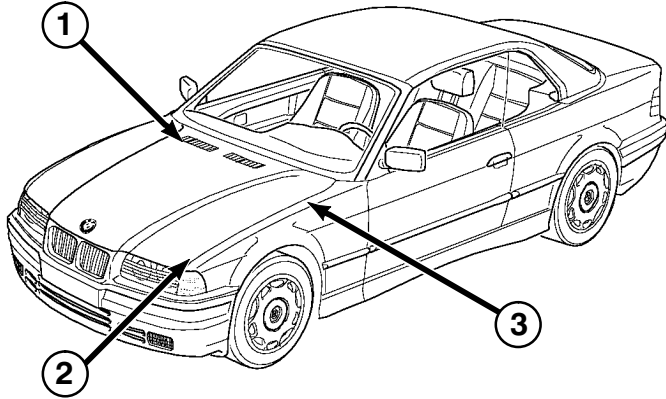
Y6106  
CYL. 6 FUEL  
INJECTION VALVE

3013706



# COMPONENT LOCATION VIEWS

**B(+)**

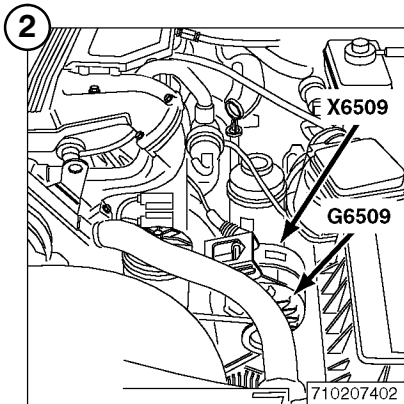


D100  
DATA LINK  
CONNECTOR

X6002  
X6150

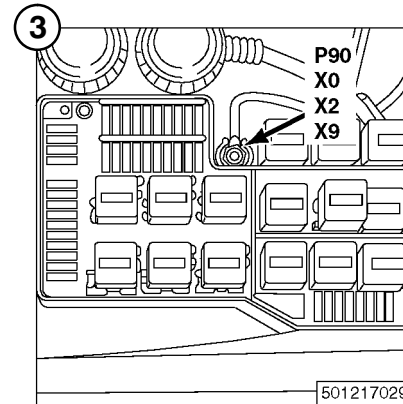
G6430  
B+ JUMP START  
JUNCTION POINT

Y6133  
AIR PUMP



G6509  
GENERATOR

X6509  
CABLE SOCKET AL-  
TERNATOR B+



P90  
FRONT POWER  
DISTRIBUTION BOX

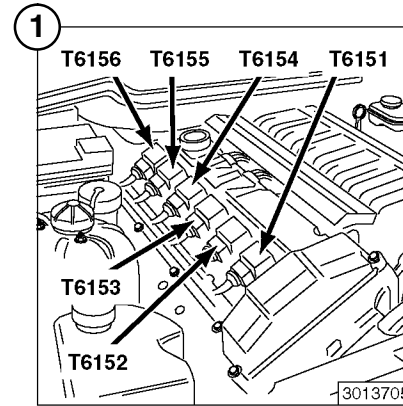
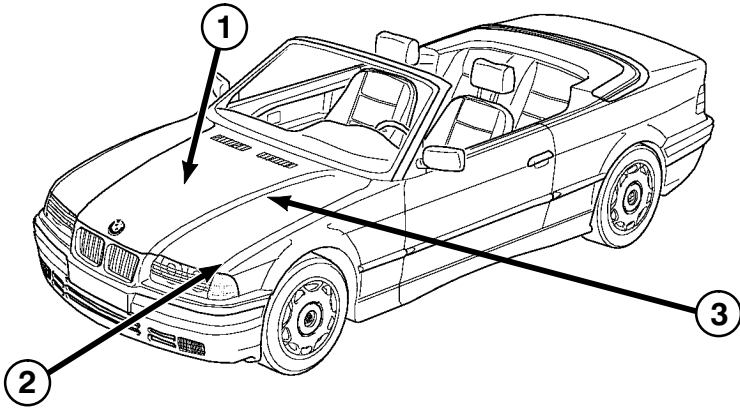
X0  
B+ JUNCTION  
POINT

X2  
BATTERY B+  
START POINT

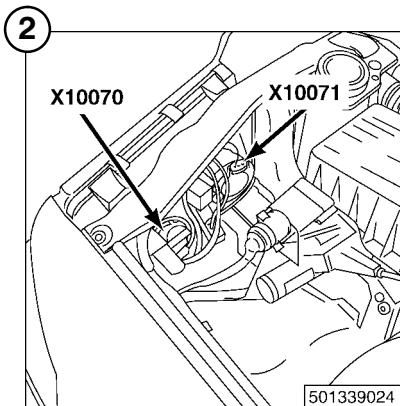
X9  
B+ JUNCTION  
POINT



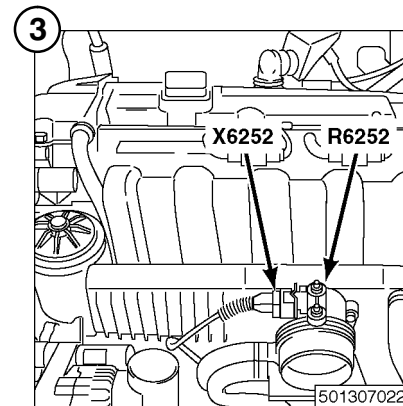
# COMPONENT LOCATION VIEWS



- |                                  |                                  |
|----------------------------------|----------------------------------|
| T6151<br>CYL. 1 IGNITION<br>COIL | T6154<br>CYL. 4 IGNITION<br>COIL |
| T6152<br>CYL. 2 IGNITION<br>COIL | T6155<br>CYL. 5 IGNITION<br>COIL |
| T6153<br>CYL. 3 IGNITION<br>COIL | T6156<br>CYL. 6 IGNITION<br>COIL |



- X10070
- X10071

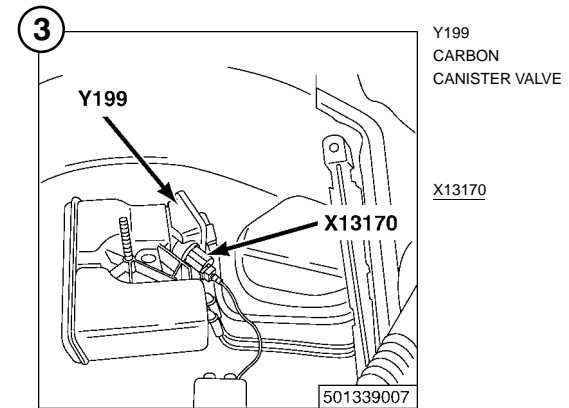
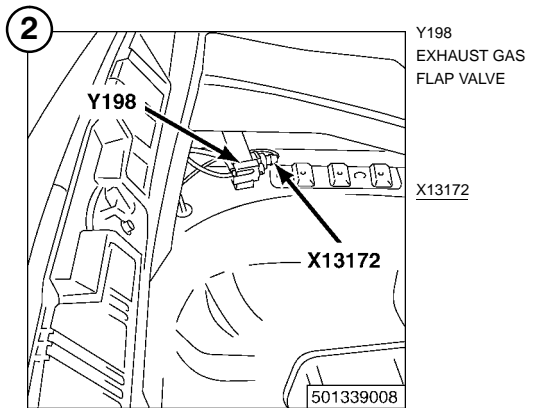
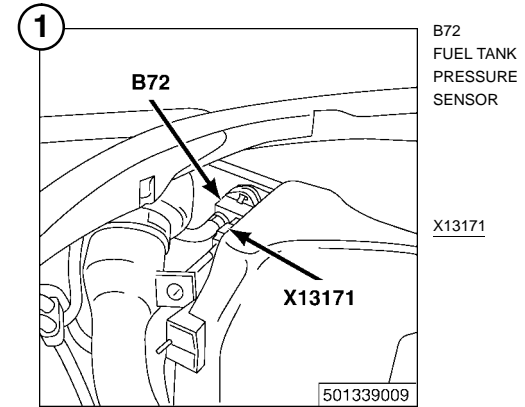
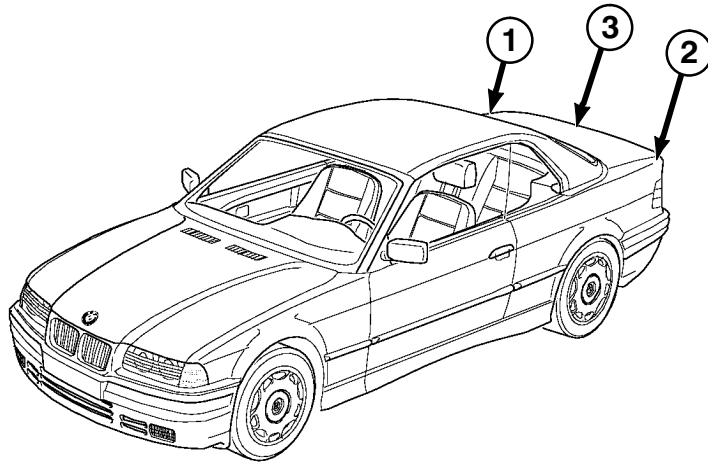


- R6252  
THROTTLE  
POSITION SENSOR

X6252

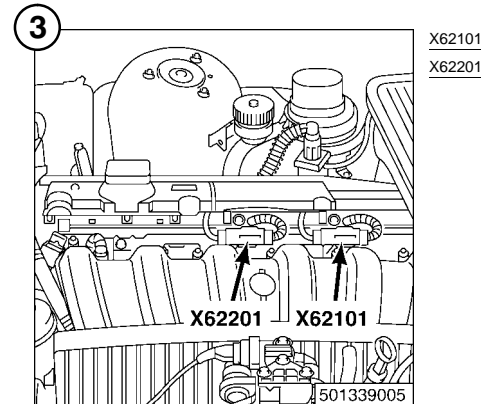
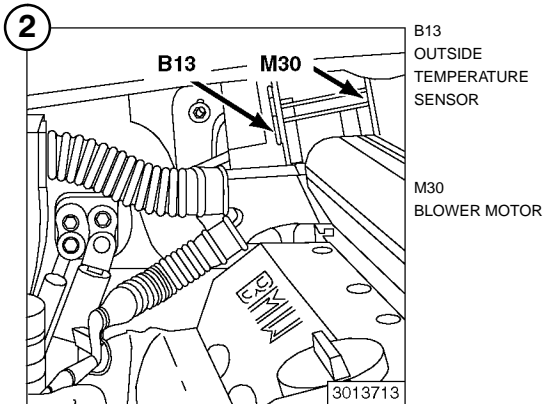
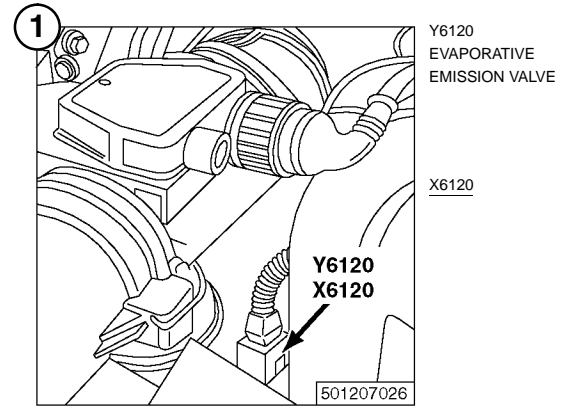
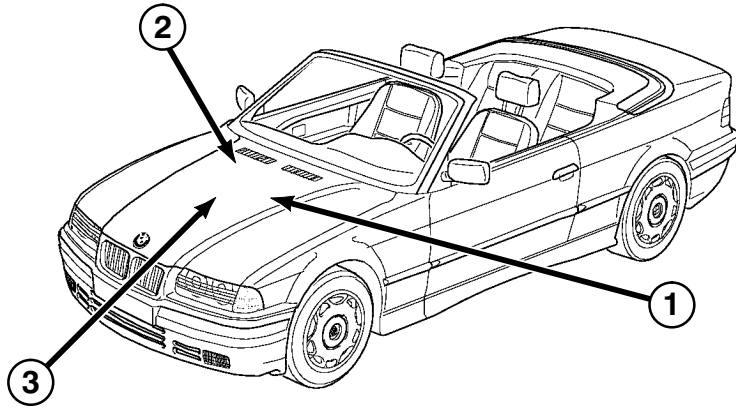


# COMPONENT LOCATION VIEWS



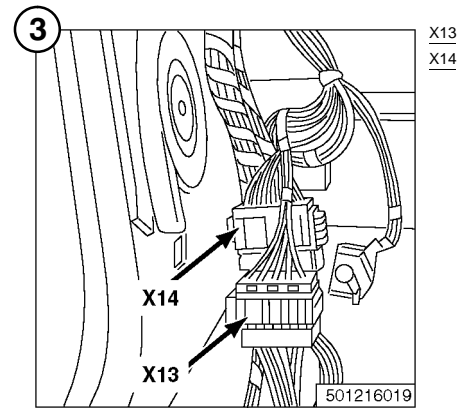
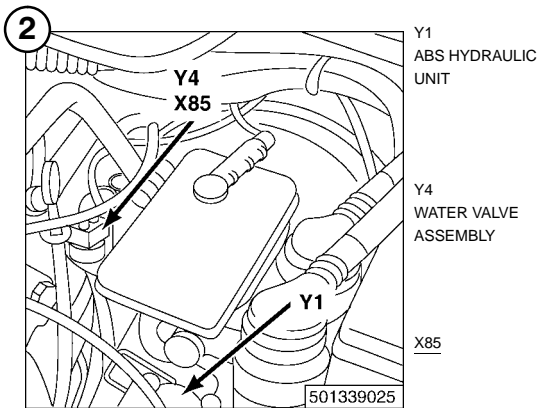
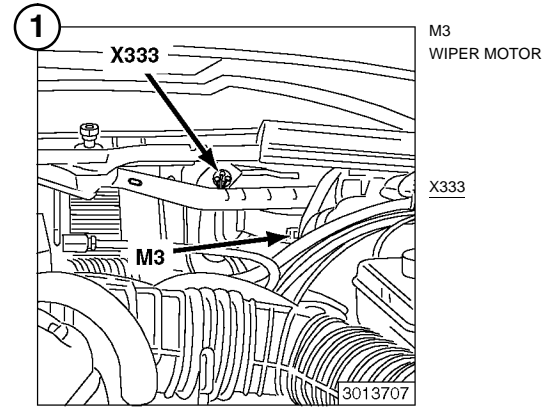
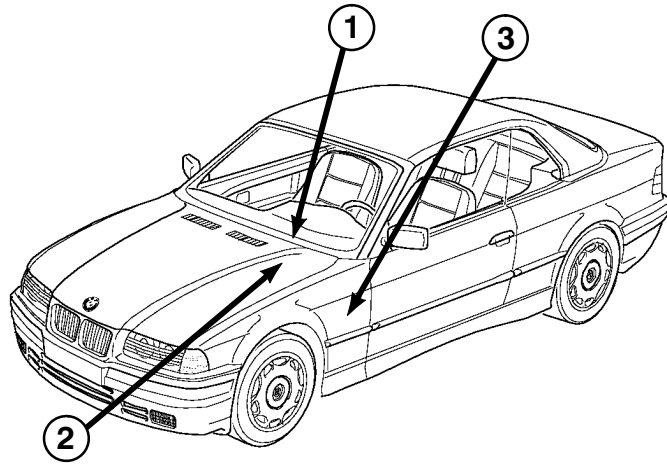


# COMPONENT LOCATION VIEWS



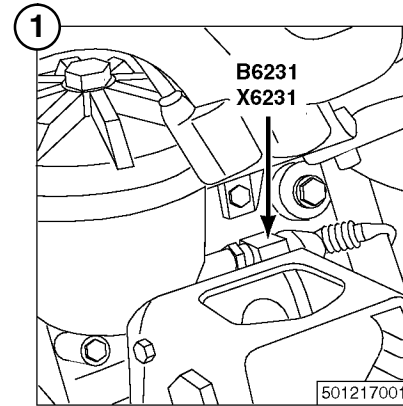
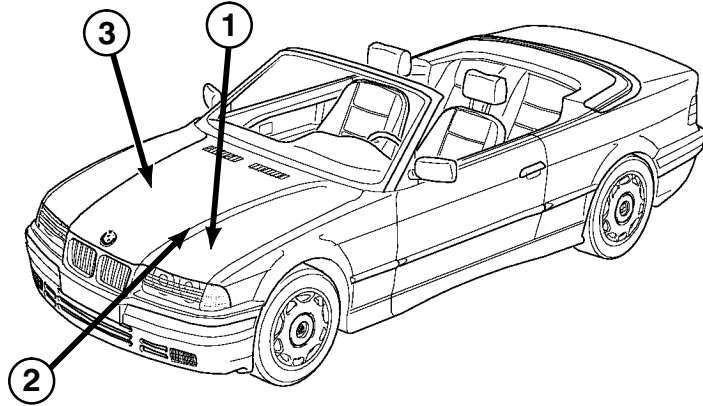


# COMPONENT LOCATION VIEWS





# COMPONENT LOCATION VIEWS

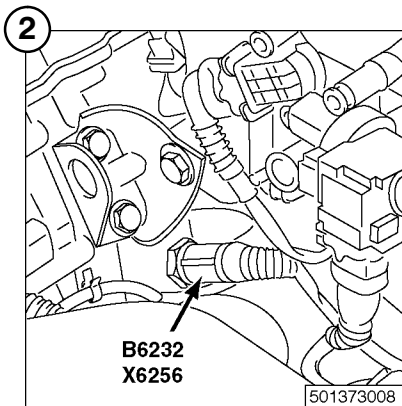


B6231  
OIL PRESSURE  
SWITCH

X6231

501217001

318i



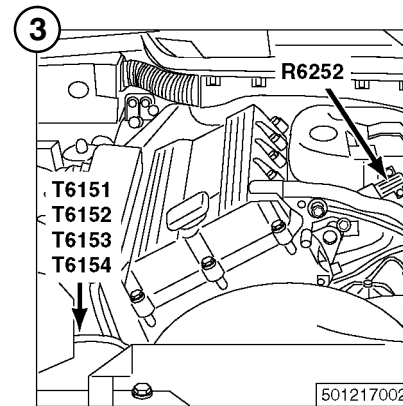
B6232  
ENGINE COOLANT  
TEMPERATURE  
SENSOR

X6256

B6232  
X6256

501373008

318i



R6252  
THROTTLE  
POSITION SENSOR

T6153  
CYL. 3 IGNITION  
COIL

T6151  
T6152  
T6153  
T6154

T6151  
CYL. 1 IGNITION  
COIL

T6154  
CYL. 4 IGNITION  
COIL

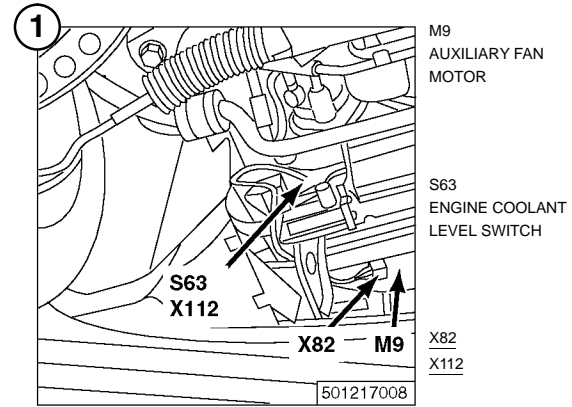
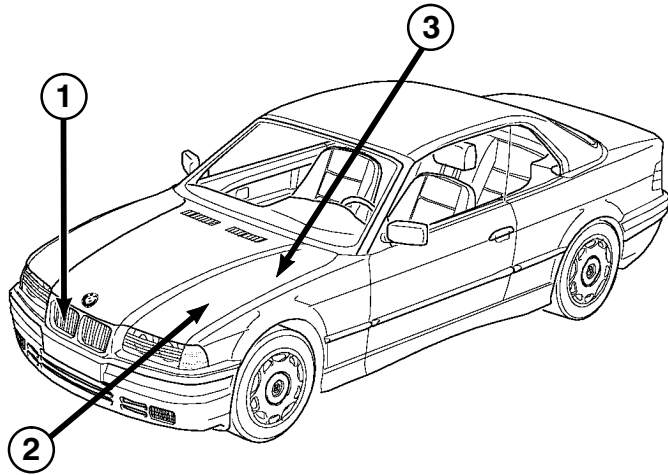
T6152  
CYL. 2 IGNITION  
COIL

501217002

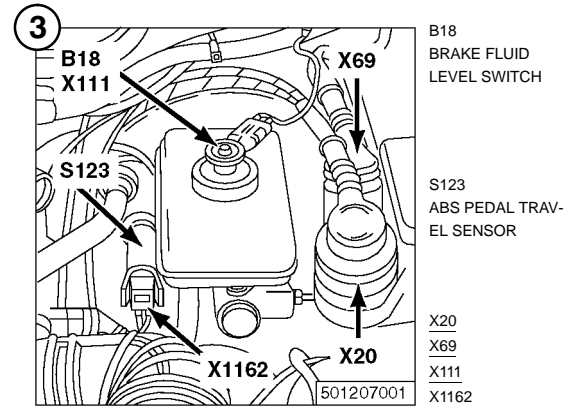
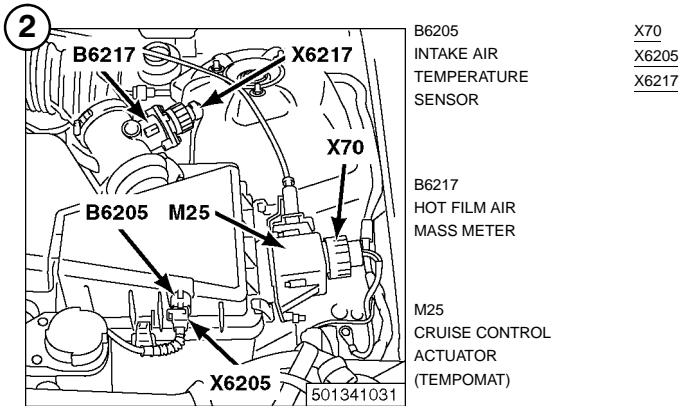
318i



# COMPONENT LOCATION VIEWS



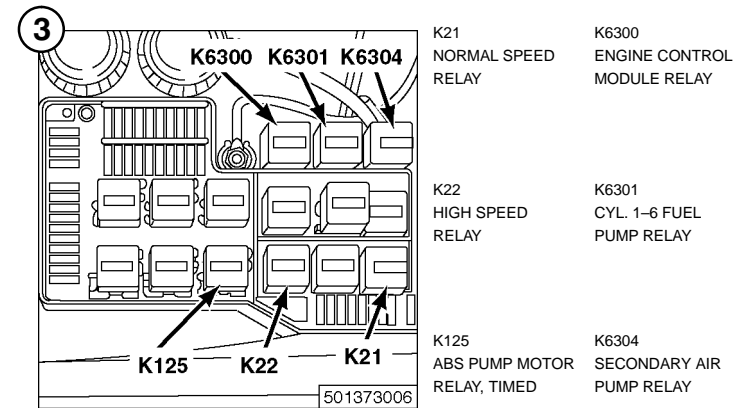
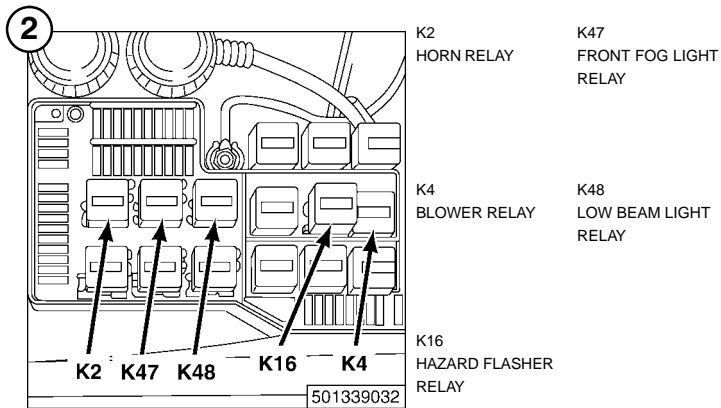
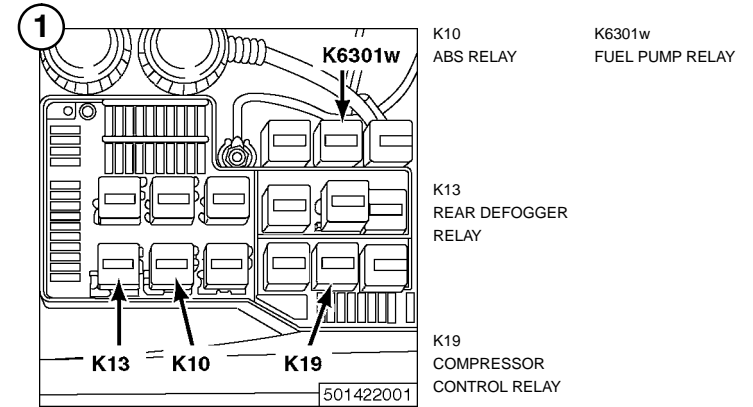
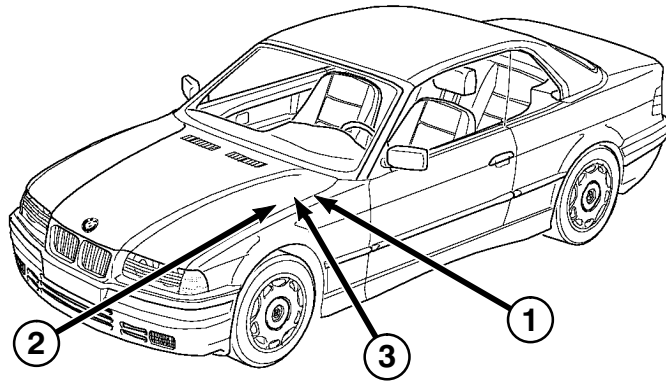
318i





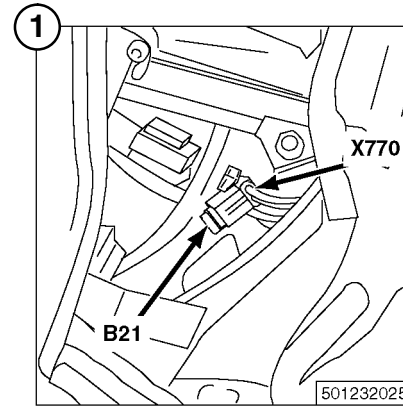
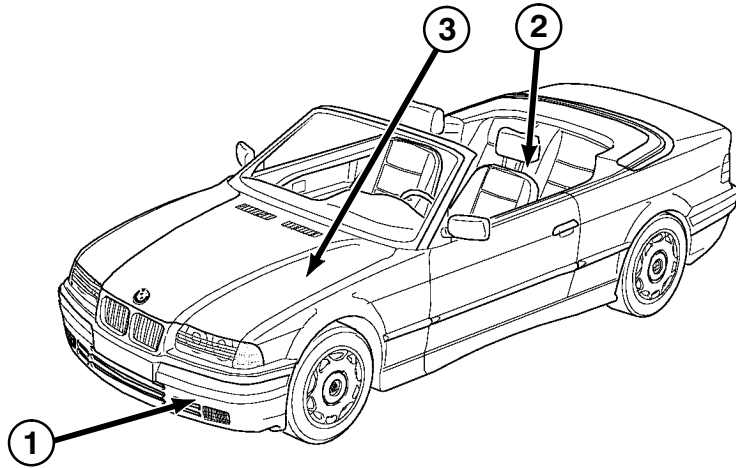


# COMPONENT LOCATION VIEWS





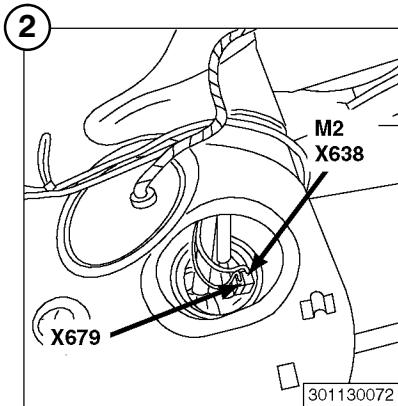
# COMPONENT LOCATION VIEWS



B21  
ON-BOARD  
COMPUTER  
TEMPERATURE  
SENSOR

X770

501232025



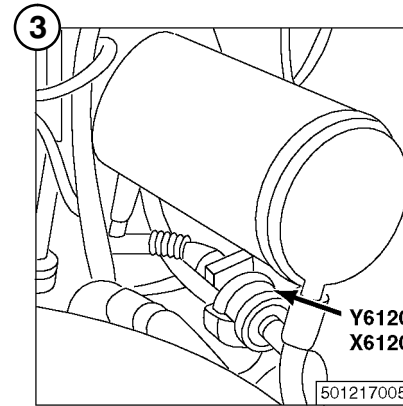
M2  
FUEL PUMP

M2  
X638

X638  
X679

X679

301130072



Y6120  
EVAPORATIVE  
EMISSION VALVE

X6120

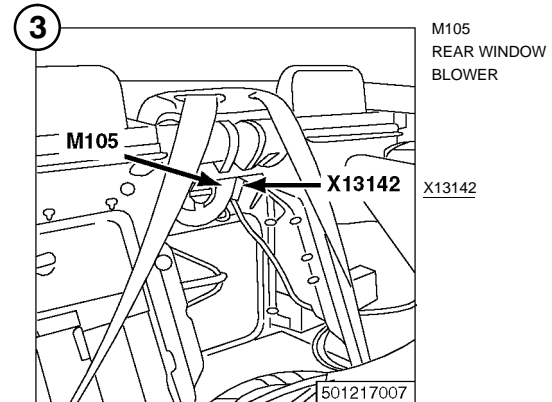
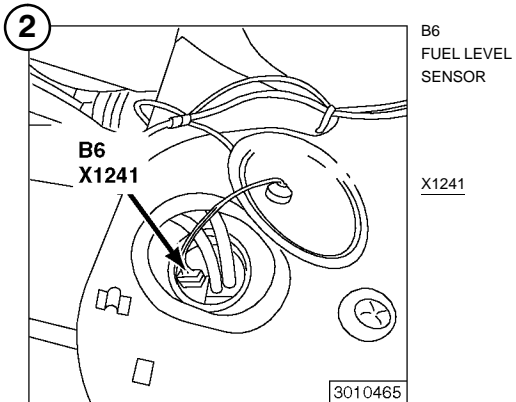
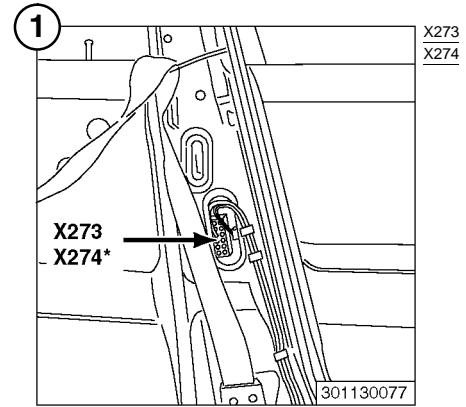
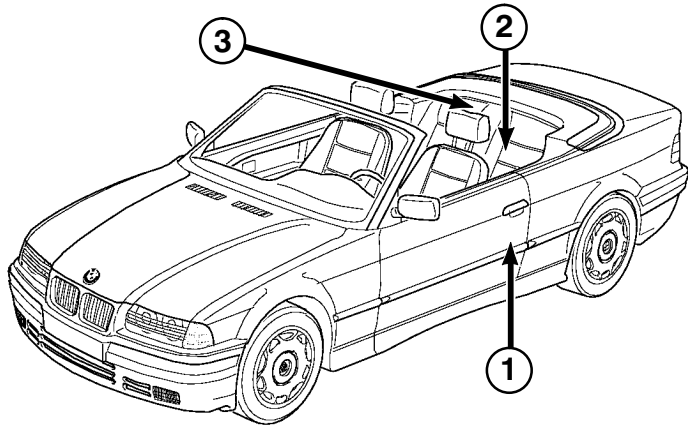
Y6120  
X6120

501217005

318i

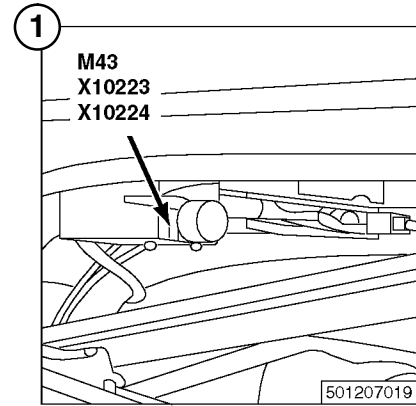
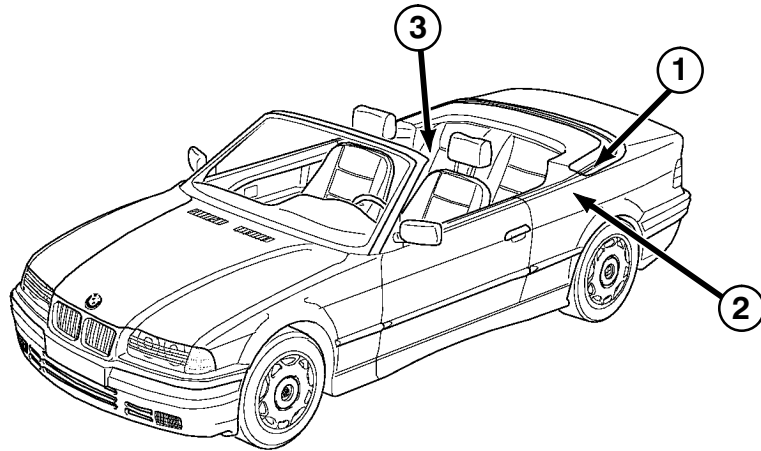


# COMPONENT LOCATION VIEWS





# COMPONENT LOCATION VIEWS

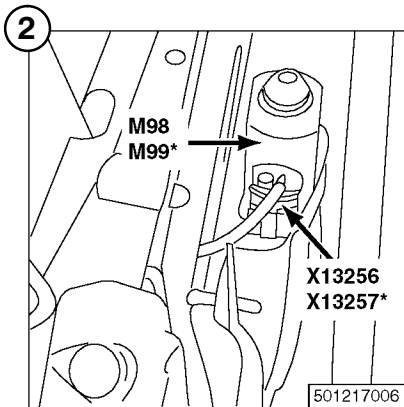


M43  
X10223  
X10224

M43  
CONVERTIBLE TOP  
STORAGE LID  
LOCK MOTOR

X10223  
X10224

501207019



M98  
M99\*

M98  
LEFT REAR  
WINDOW MOTOR

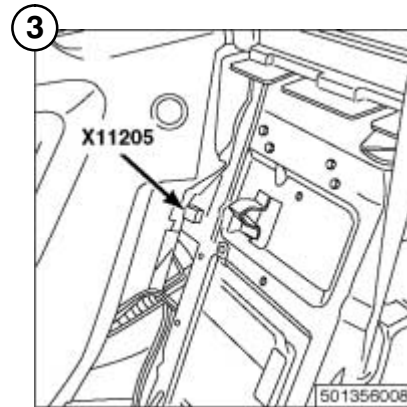
M99 \*  
RIGHT REAR  
WINDOW MOTOR

X13256  
X13257\*

X13256  
X13257 \*

501217006

\* RH SIMILAR



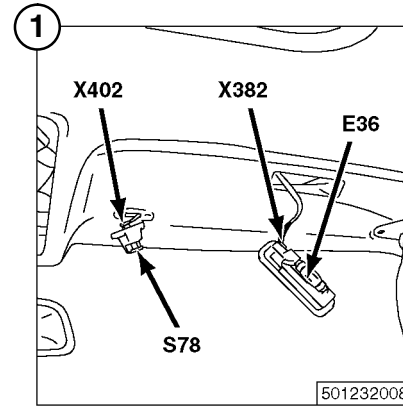
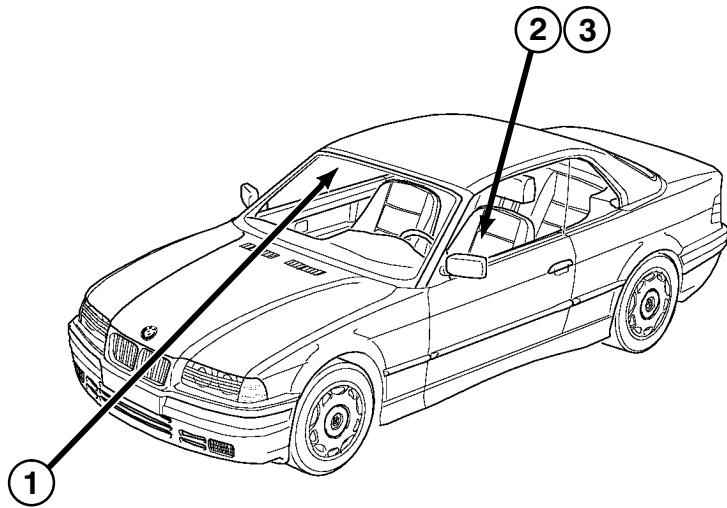
X11205

X11205

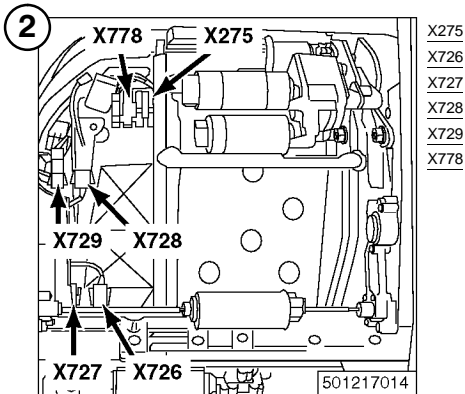
501356008



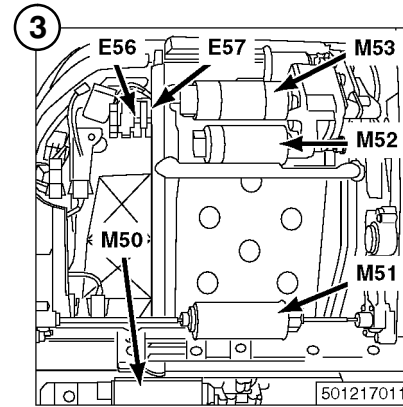
# COMPONENT LOCATION VIEWS



- E36 PASSENGER'S MAKE-UP MIRROR LIGHT
- S78 PASSENGER'S MAKE-UP MIRROR SWITCH
- X382
- X402



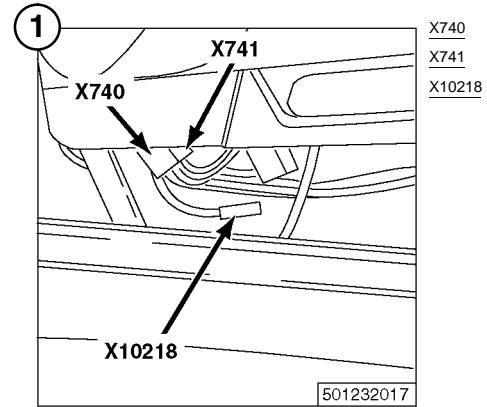
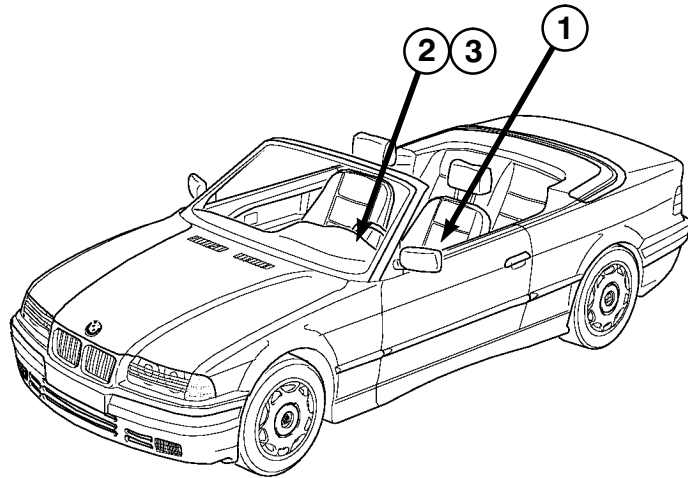
- X275
- X726
- X727
- X728
- X729
- X778



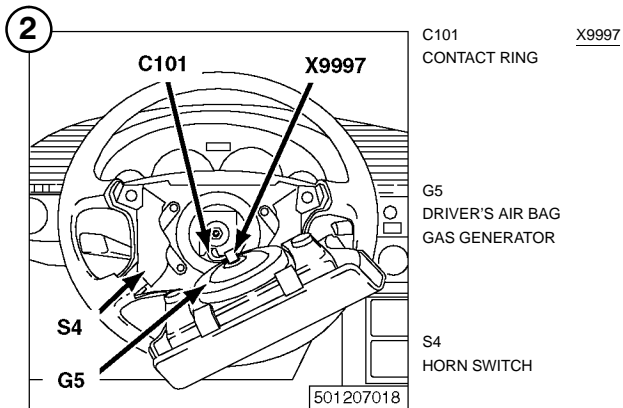
- E56 DRIVER'S SEAT-BACK HEATER
- E57 DRIVER'S SEAT HEATER
- M50 DRIVER'S SEAT CUSHION TILT MOTOR
- M51 DRIVER'S SEAT MOVEMENT MOTOR
- M52 DRIVER'S SEAT HEIGHT MOTOR
- M53 DRIVER'S SEAT-BACK RECLINER MOTOR



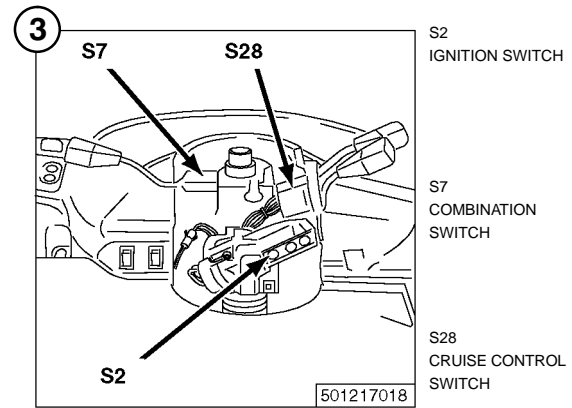
# COMPONENT LOCATION VIEWS



X740  
X741  
X10218



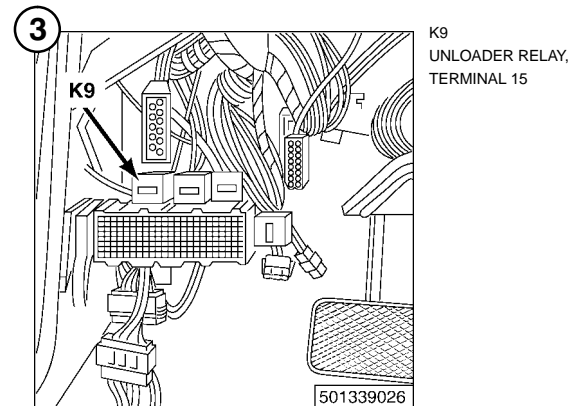
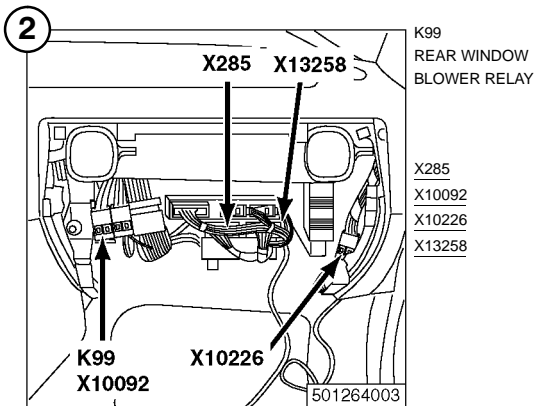
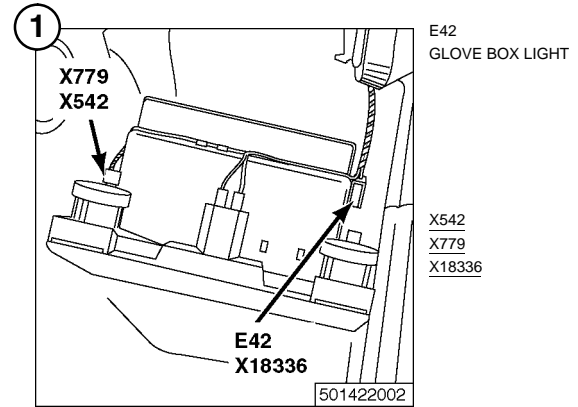
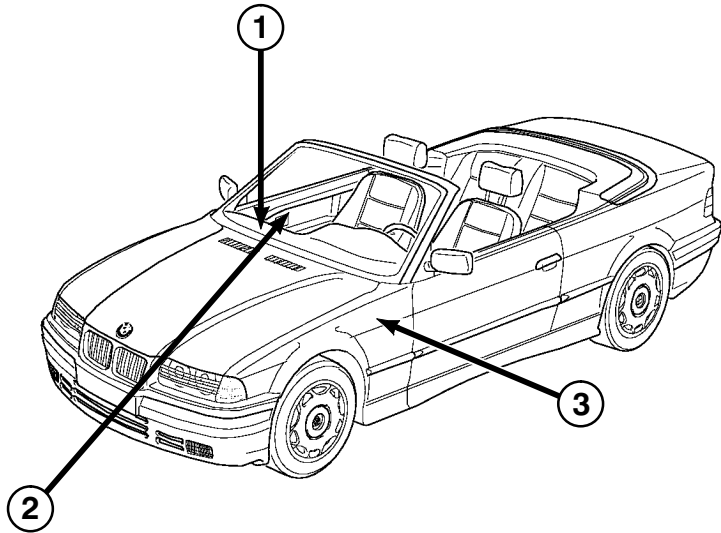
C101 CONTACT RING X9997  
G5 DRIVER'S AIR BAG GAS GENERATOR  
S4 HORN SWITCH



S2 IGNITION SWITCH  
S7 COMBINATION SWITCH  
S28 CRUISE CONTROL SWITCH

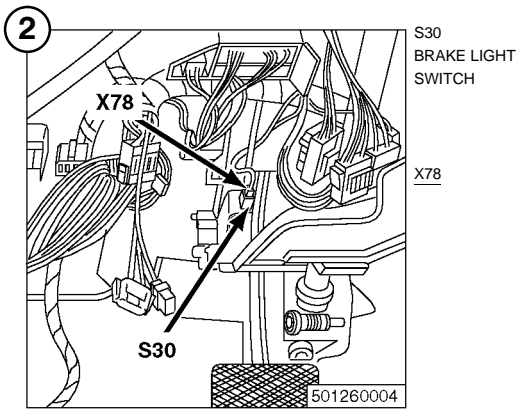
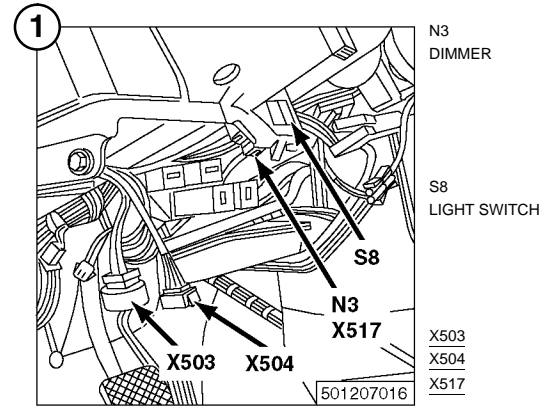
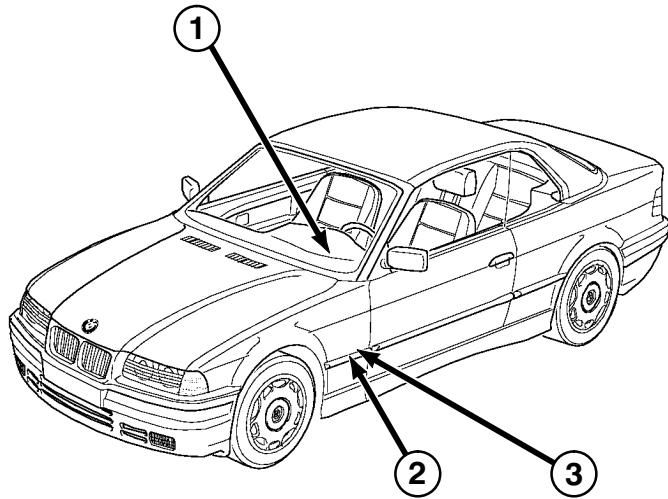


# COMPONENT LOCATION VIEWS

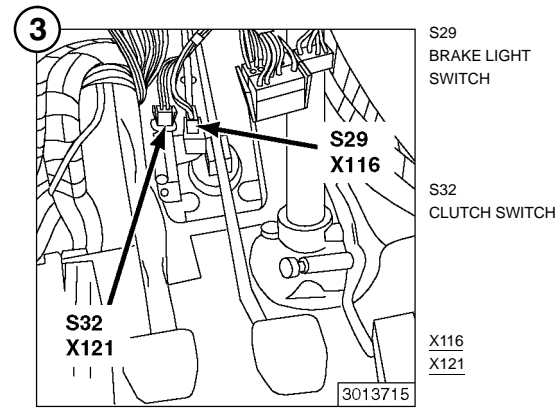




# COMPONENT LOCATION VIEWS



AUTOMATIC

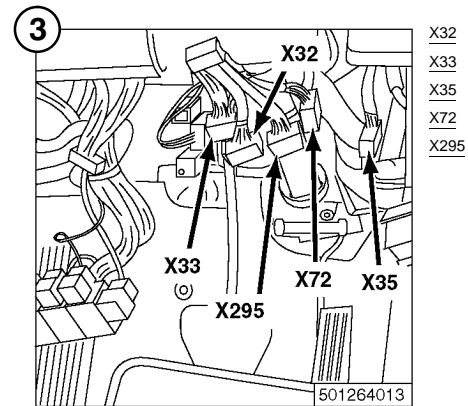
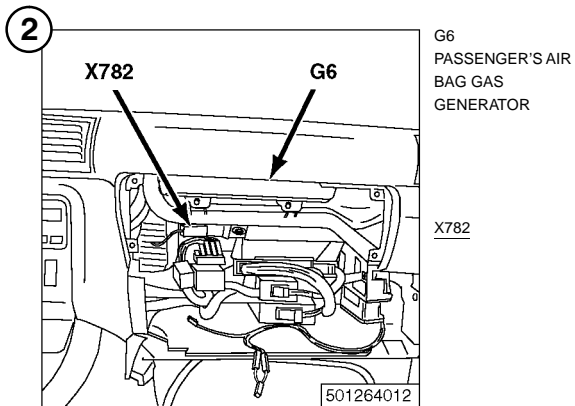
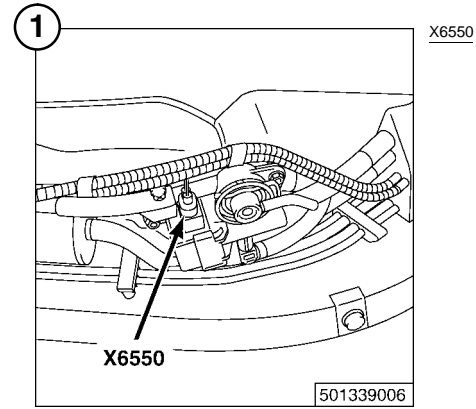
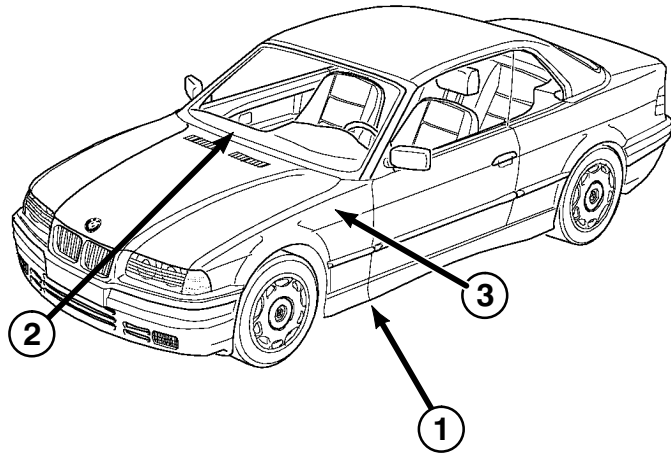


MANUAL



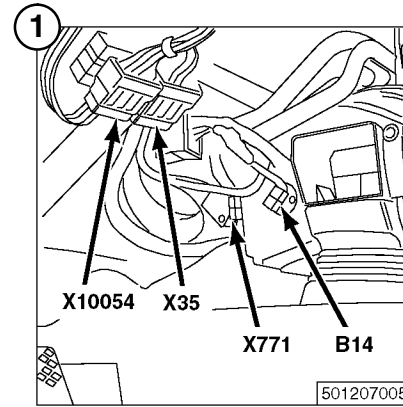
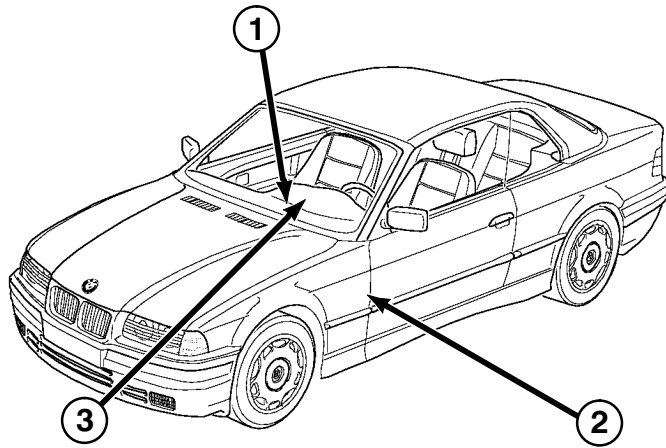


# COMPONENT LOCATION VIEWS





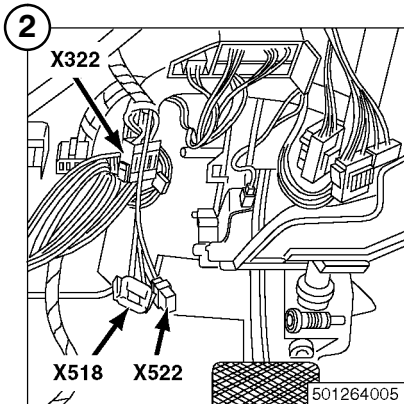
# COMPONENT LOCATION VIEWS



B14  
EVAPORATOR  
TEMPERATURE  
SENSOR

X35  
X771  
X10054

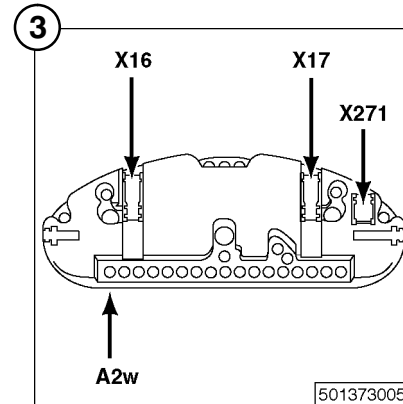
501207005



X322  
X518  
X522

X518 X522

501264005



A2w  
INSTRUMENT  
CLUSTER

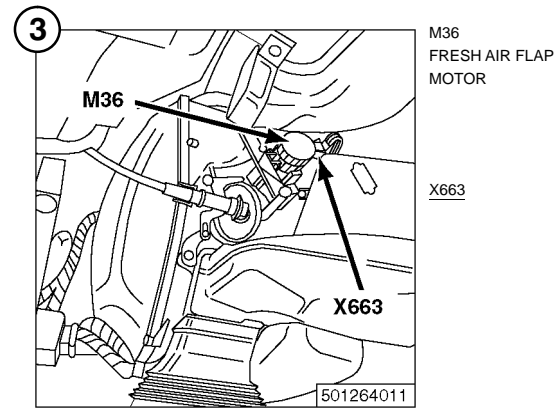
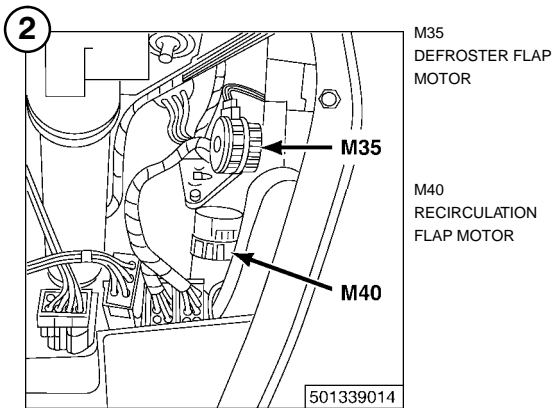
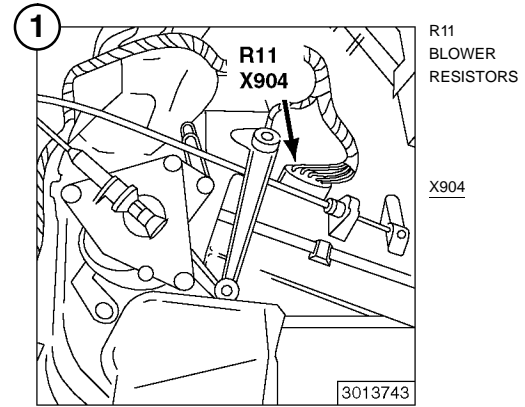
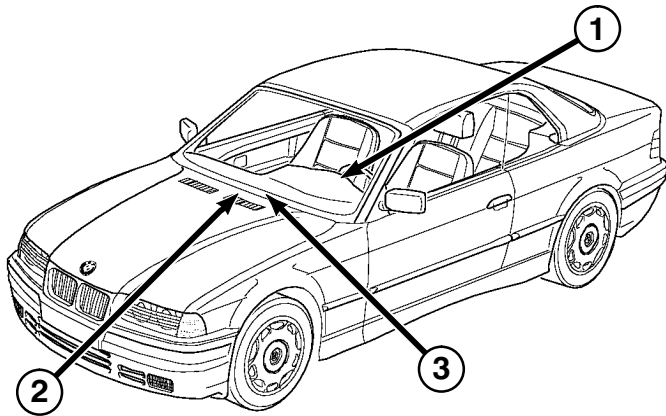
X16  
X17  
X271

A2w

501373005

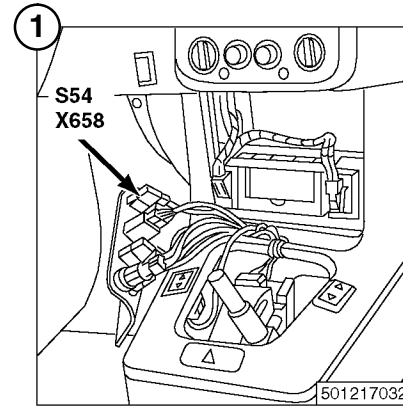
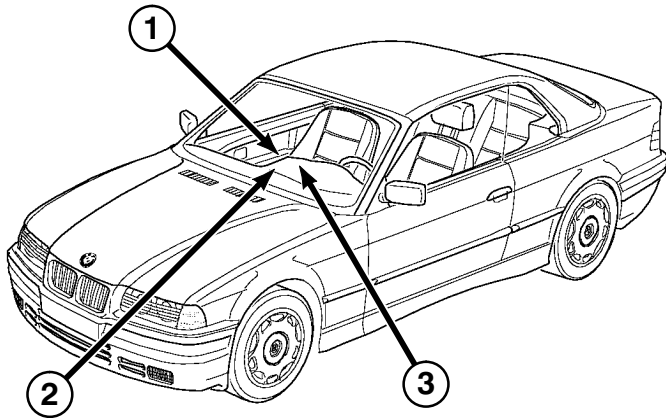


# COMPONENT LOCATION VIEWS





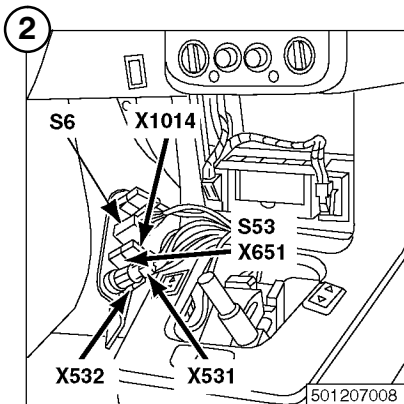
# COMPONENT LOCATION VIEWS



S54  
PASSENGER'S  
SEAT, SEAT  
HEATER SWITCH

X658

501217032

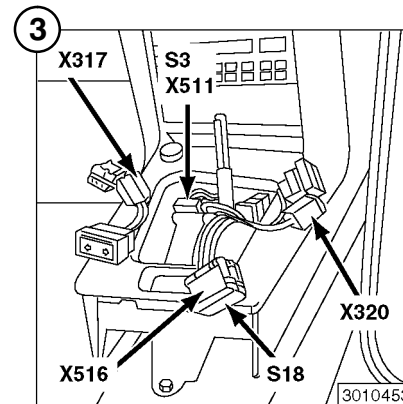


S6  
ASC SWITCH

S53  
DRIVER'S SEAT,  
SEAT HEATER  
SWITCH

X531  
X532  
X651  
X1014

501207008



S3  
AUTOMATIC  
TRANSMISSION  
RANGE SWITCH

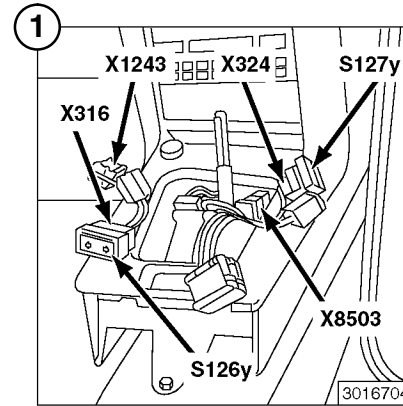
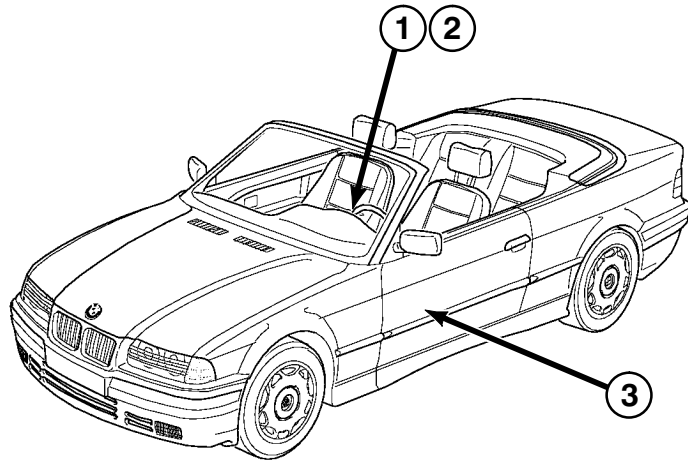
S18  
HAZARD SWITCH

X317  
X320  
X511  
X516

3010453



# COMPONENT LOCATION VIEWS

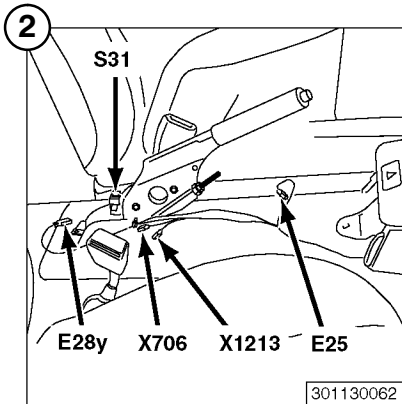


S126y  
DRIVER'S POWER  
WINDOW SWITCH

S127y  
PASSENGER'S  
POWER WINDOW  
SWITCH

X316  
X324  
X1243  
X8503

3016704



E25  
FRONT ASHTRAY  
LIGHT

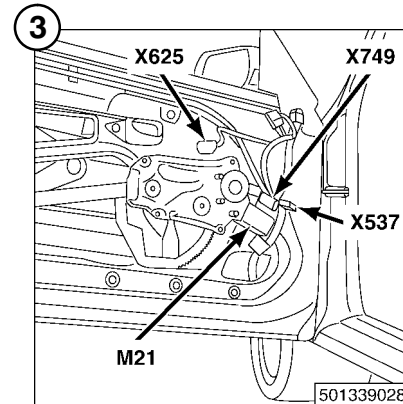
X706  
X1213

E28y  
REAR ASHTRAY  
LIGHT

E28y X706 X1213 E25

S31  
PARK BRAKE  
SWITCH

301130062



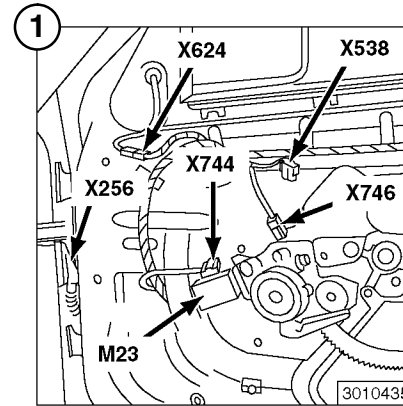
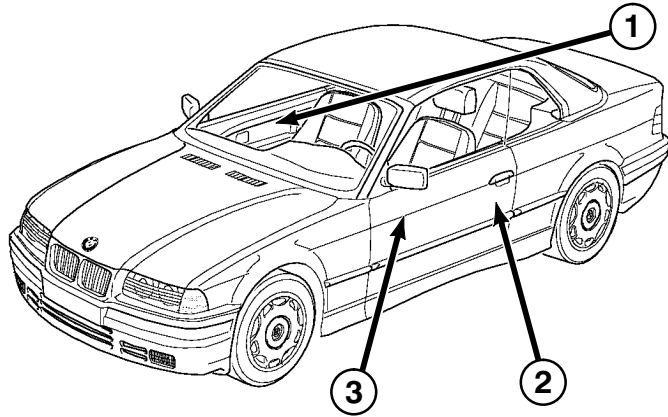
M21  
DRIVER'S WINDOW  
MOTOR

X537  
X625  
X749

501339028

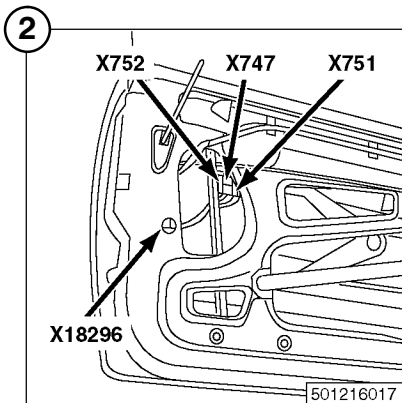


# COMPONENT LOCATION VIEWS

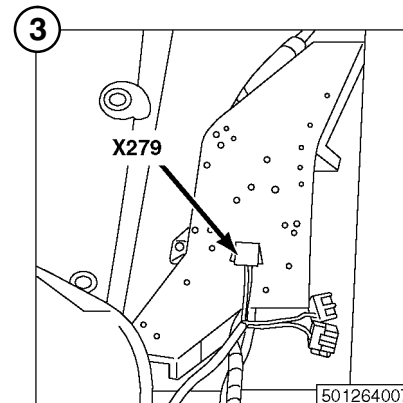


M23  
PASSENGER'S  
WINDOW MOTOR

X256  
X538  
X624  
X744  
X746



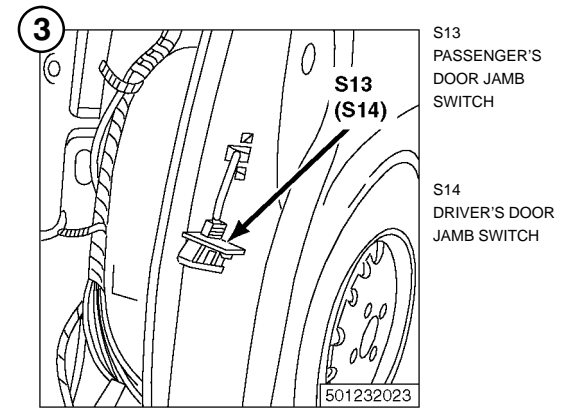
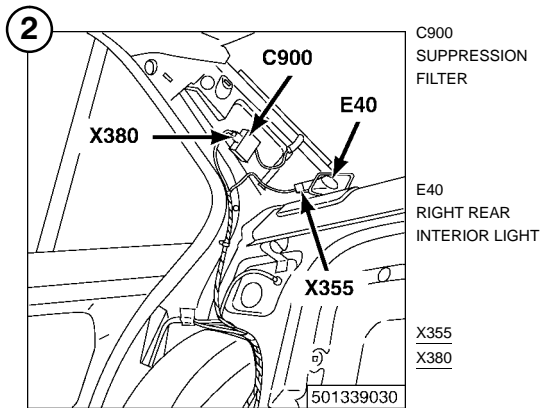
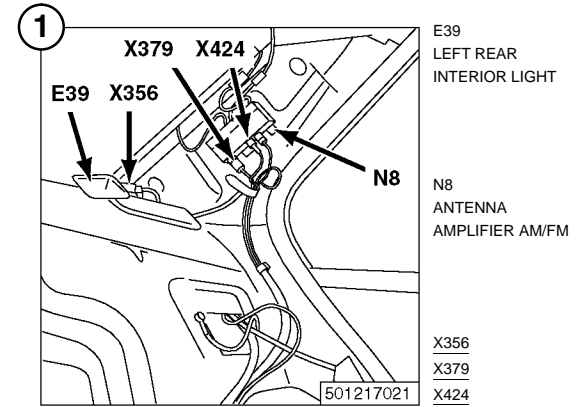
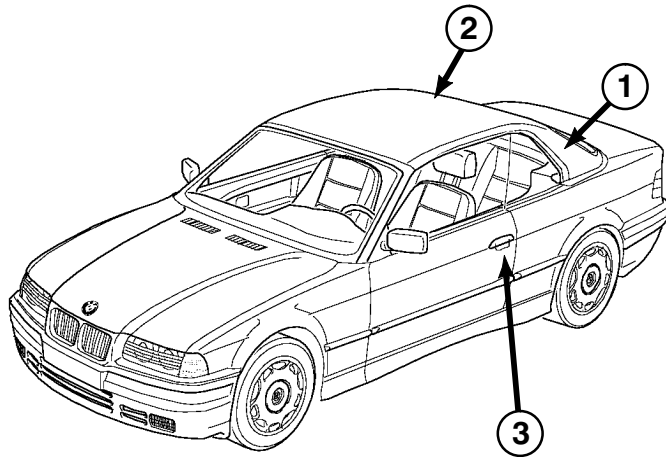
X747  
X751  
X752  
X18296



X279

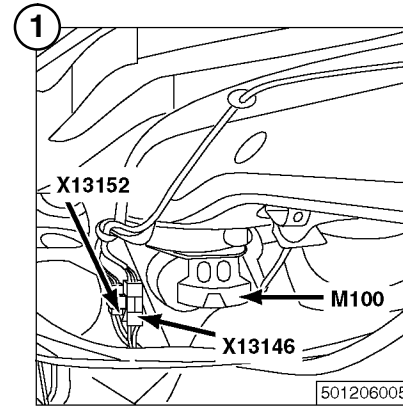
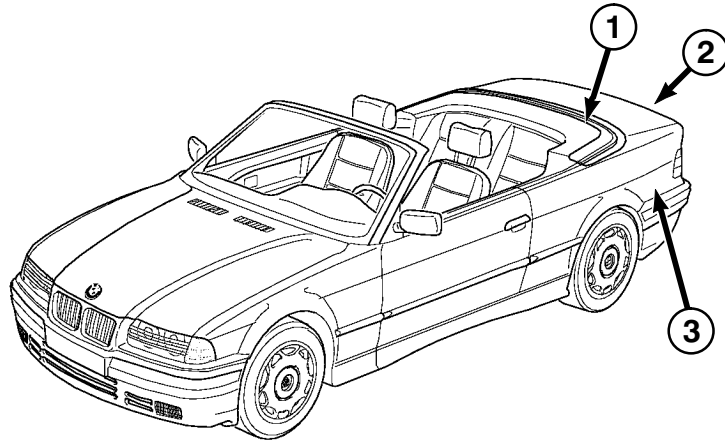


# COMPONENT LOCATION VIEWS



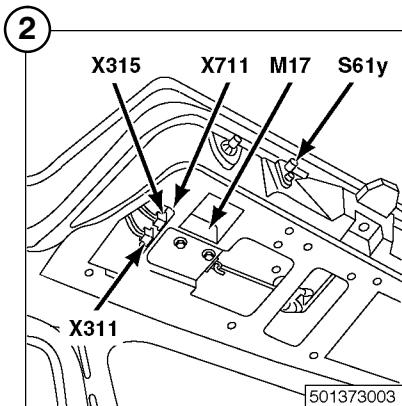


# COMPONENT LOCATION VIEWS



M100  
CONVERTIBLE TOP  
STORAGE LID  
MOTOR

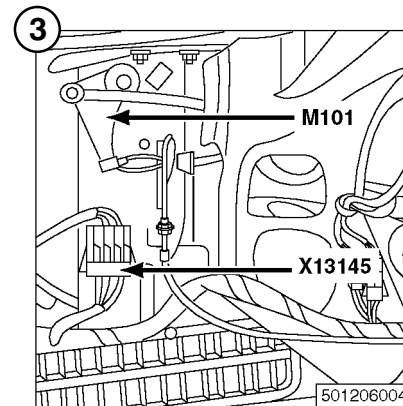
X13146  
X13152



M17  
LUGGAGE  
COMPARTMENT  
LOCK MOTOR

S61y  
LUGGAGE  
COMPARTMENT  
LIGHT SWITCH

X311  
X315  
X711



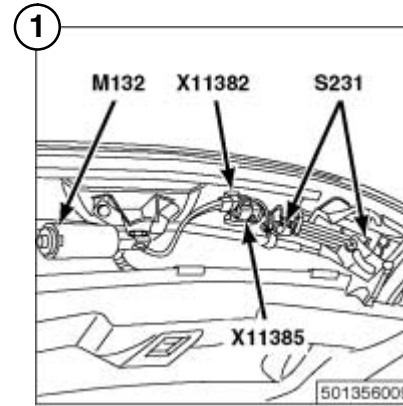
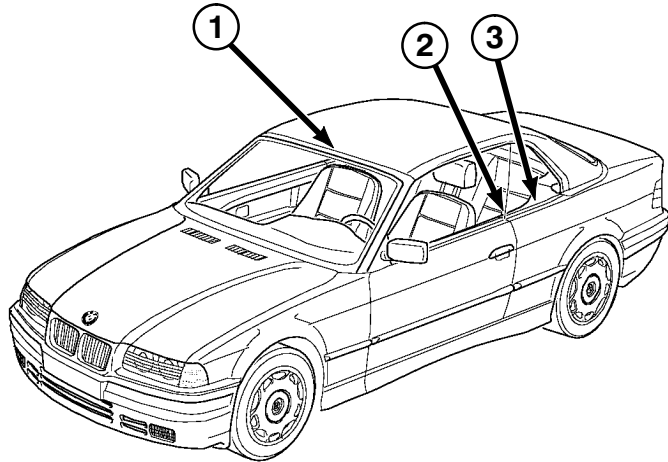
M101  
CONVERTIBLE TOP  
MOTOR

X13145





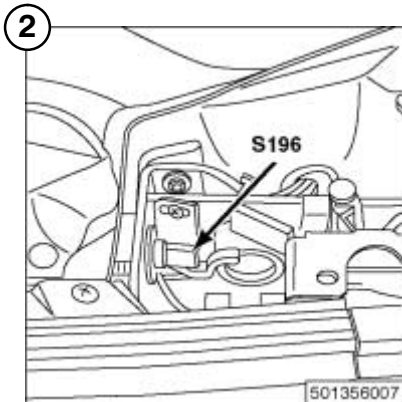
# COMPONENT LOCATION VIEWS



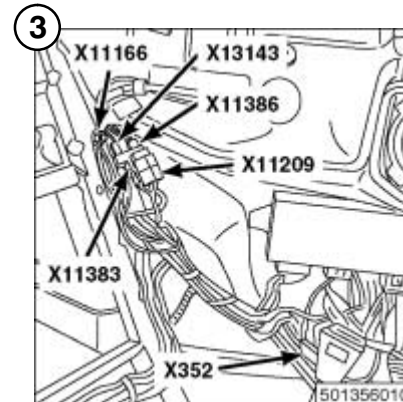
M132  
WINDSCREEN  
COWL PANEL LOCK  
MOTOR

S231  
WINDSCREEN  
COWL PANEL LOCK  
MICRO SWITCH

X11382  
X11385



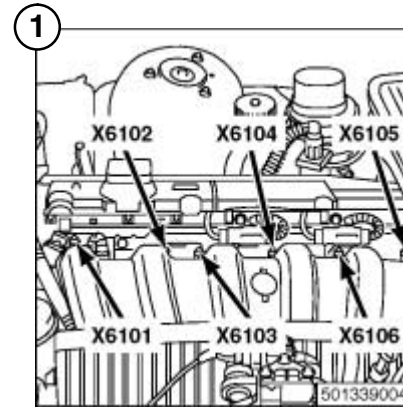
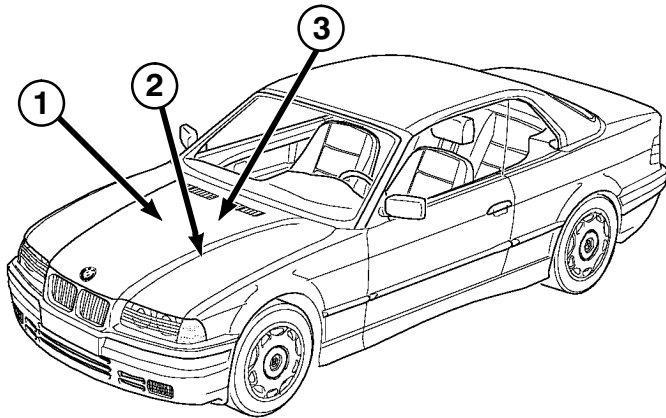
S196  
REAR WINDOW  
BLOWER MICRO  
SWITCH



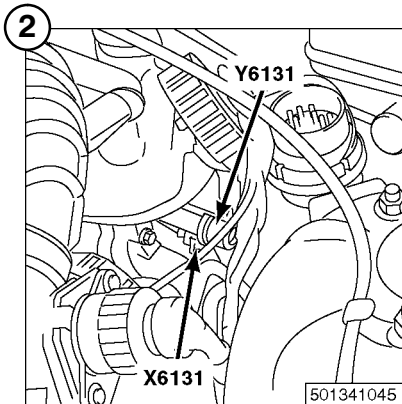
X352  
X11166  
X11209  
X11383  
X11386  
X13143



# COMPONENT LOCATION VIEWS

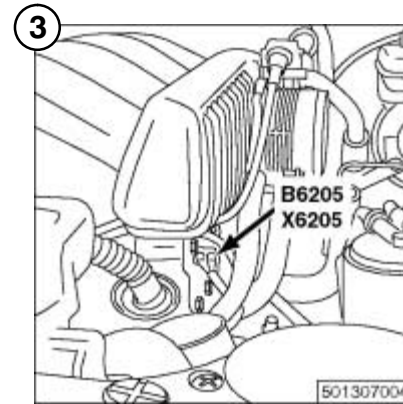


- X6101
- X6102
- X6103
- X6104
- X6105
- X6106



Y6131  
INTAKE AIR RES-  
ONANCE CHANGE-  
OVER VALVE

X6131

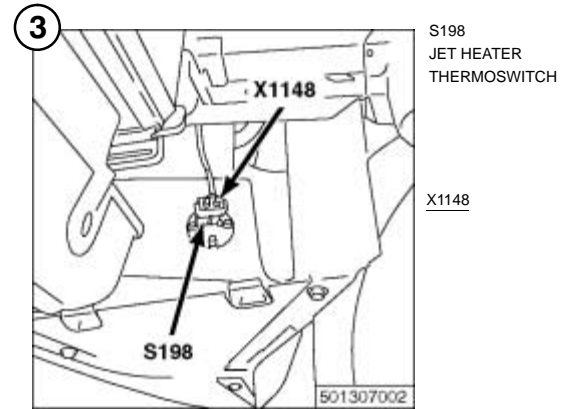
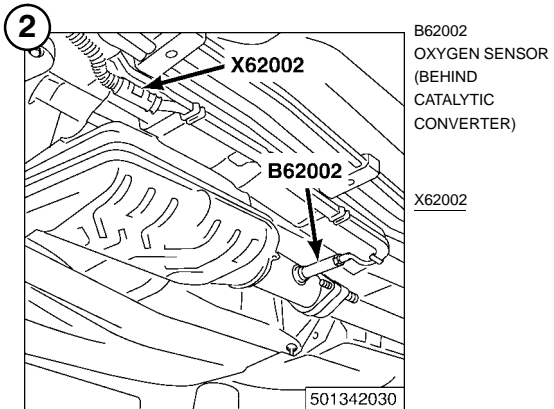
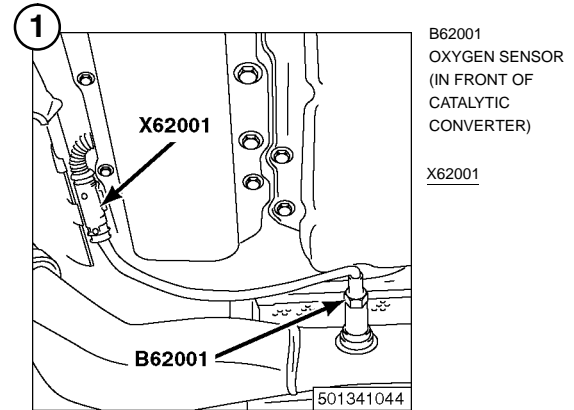
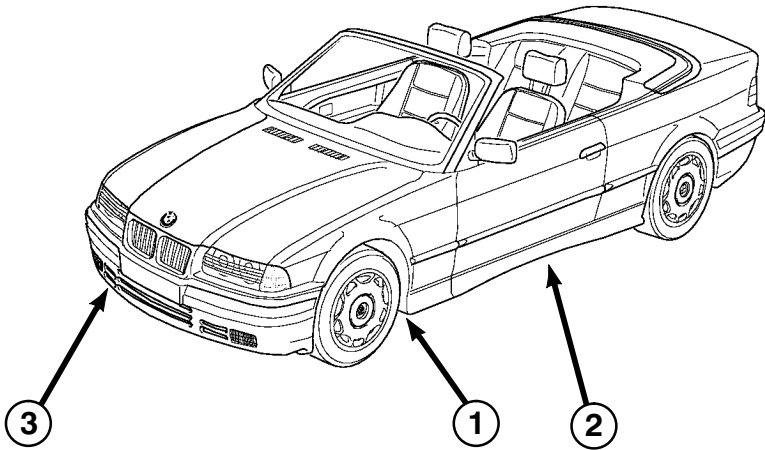


B6205  
INTAKE AIR  
TEMPERATURE  
SENSOR

X6205

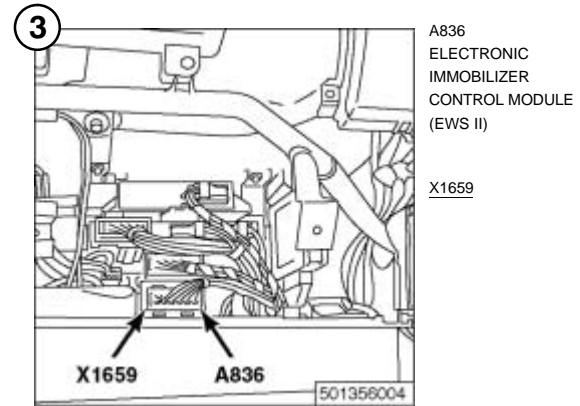
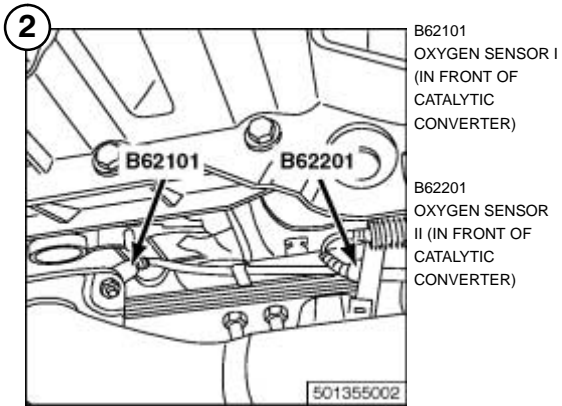
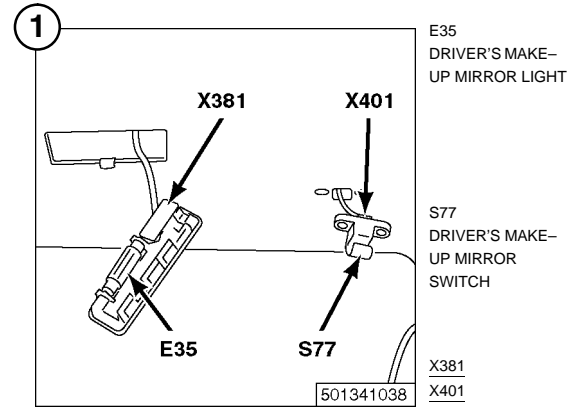
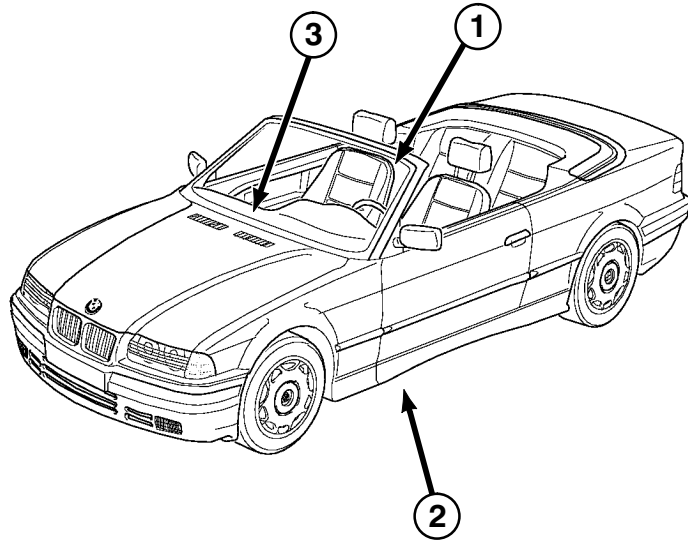


# COMPONENT LOCATION VIEWS



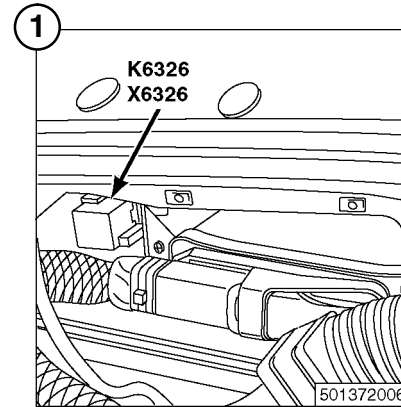
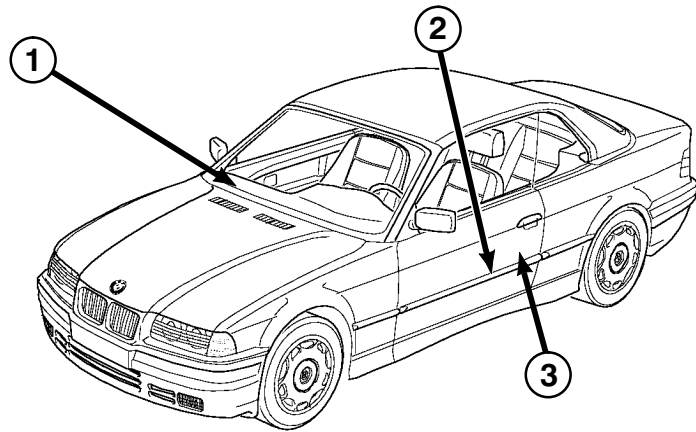


# COMPONENT LOCATION VIEWS





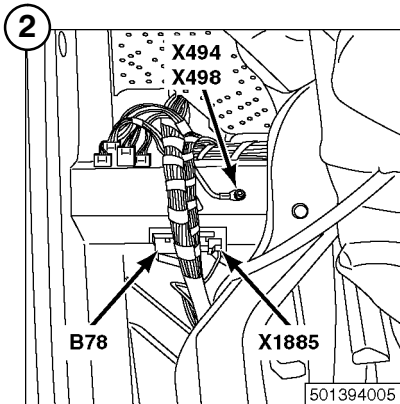
# COMPONENT LOCATION VIEWS



K6326  
UNLOADER RELAY,  
TERMINAL 15

X6326

501372006



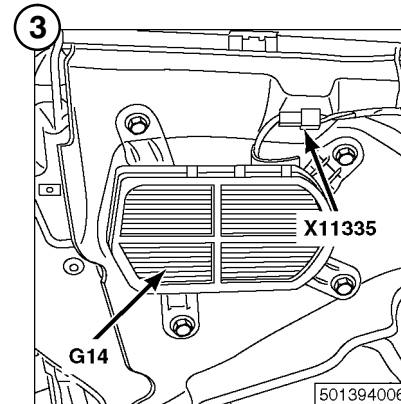
B78  
DRIVER'S SIDE IM-  
PACT SENSOR

X494  
GROUND

X498  
GROUND

X1885

501394005



G14  
LEFT SIDE AIR BAG  
GAS GENERATOR

X11335

501394006



## 8000.0 SPLICE LOCATION VIEWS

SPLICE	HARNESS	PAGE NUMBER	SPLICE	HARNESS	PAGE NUMBER
X181-X276	FRONT	8000.0-02	X1263-X1299	REAR	8000.0-03
X313-X314	REAR	8000.0-03	X1382-X1383	RADIO	NOT SHOWN
X313-X314	REAR, CONVERTIBLE	8000.0-04	X1387-X1396	REAR	8000.0-03
X428-X481	REAR	8000.0-03	X1387-X1396	REAR, CONVERTIBLE	8000.0-04
X428-X481	REAR, CONVERTIBLE	8000.0-04	X1396	REAR	8000.0-03
X530-X595	FRONT	8000.0-02	X1541-X1693	FRONT	8000.0-02
X805	REAR	8000.0-03	X1783	REAR, CONVERTIBLE	8000.0-04
X805	REAR, CONVERTIBLE	8000.0-04	X1894-X2152	REAR	8000.0-03
X818	IHKA	NOT SHOWN	X2152	REAR	8000.0-04
X824-X830	RADIO	NOT SHOWN	X6410-X6492	M44 ENGINE	8000.0-05
X834	LH REAR DOOR	NOT SHOWN	X6411-X6492	M3 ENGINE	8000.0-06
X835	RH REAR DOOR	NOT SHOWN	X6411-X6492	M52 ENGINE	8000.0-07
X840	DRIVER'S SEAT	NOT SHOWN	X6810-X6900	M3 ENGINE	8000.0-06
X849-X851	DRIVER'S DOOR	NOT SHOWN	X6810-X6900	M52 ENGINE	8000.0-07
X876-X878	RADIO	NOT SHOWN	X6820-X6900	M44 ENGINE	8000.0-05
X897	RIGHT REAR	NOT SHOWN	X7845-X7846	M44 ENGINE	8000.0-05
X906	IHKA	NOT SHOWN	X8000-X8576	M3 ENGINE	8000.0-06
X942	PASSENGER'S DOOR	NOT SHOWN	X8000-X8776	M52 ENGINE	8000.0-07
X1015-X1164	FRONT	8000.0-02	X8004-X8576	M44 ENGINE	8000.0-05
X1149	FRONT	8000.0-02	X10007-X10104	FRONT	8000.0-02
X1167	REAR	8000.0-03	X10020	FRONT	8000.0-02
X1168-X1192	FRONT	8000.0-02	X10118	REAR	8000.0-03
X1212-X1218	REAR	8000.0-03	X10118	REAR, CONVERTIBLE	8000.0-04
X1212-X1235	REAR, CONVERTIBLE	8000.0-04	X10120-X10123	FRONT	8000.0-02
X1225-X1233	FRONT	8000.0-02	X10169	M44 ENGINE	8000.0-05
X1226-X1235	REAR	8000.0-03	X10189	REAR, CONVERTIBLE	8000.0-04
X1258	FRONT	8000.0-02	X10191-X10192	FRONT	8000.0-02
X1263	REAR, CONVERTIBLE	8000.0-04	X10228-X10292	REAR, CONVERTIBLE	8000.0-04



## SPLICE LOCATION VIEWS

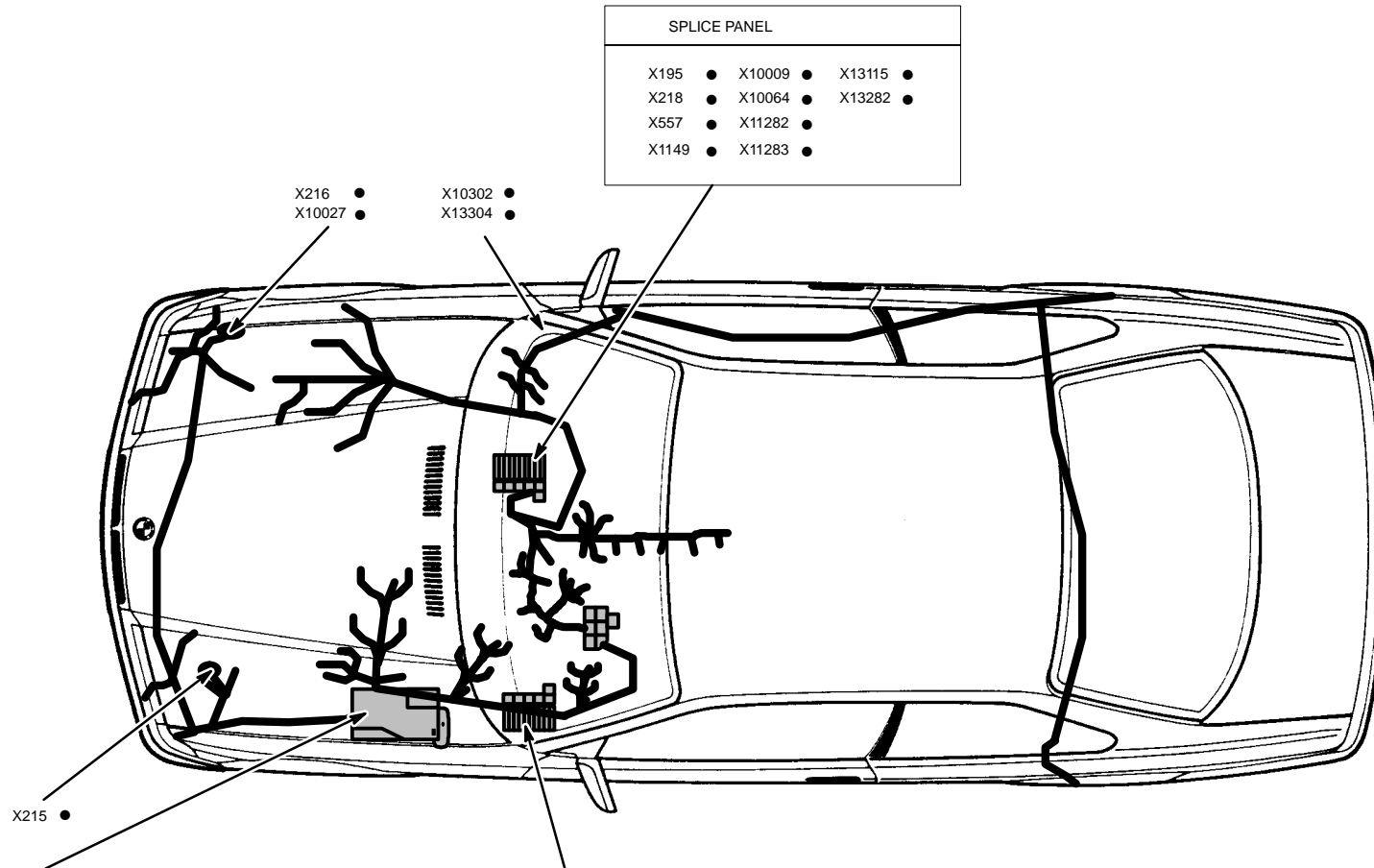
---

SPLICE	HARNESS	PAGE NUMBER
X10231-X10252	FRONT	8000.0-02
X10269	REAR	8000.0-03
X10269	REAR, CONVERTIBLE	8000.0-04
X10302	FRONT	8000.0-02
X11207	HARD TOP	NOT SHOWN
X11210	HARD TOP	NOT SHOWN
X11264	FRONT	8000.0-02
X11269	REAR	8000.0-03
X11279	REAR, CONVERTIBLE	8000.0-04
X11282-X11381	FRONT	8000.0-02
X13000	FRONT	8000.0-02
X13002-X13011	REAR	8000.0-03
X13002-X13011	REAR, CONVERTIBLE	8000.0-04
X13021-X13115	FRONT	8000.0-02
X13127-X13273	REAR, CONVERTIBLE	8000.0-04
X13129-X13173	REAR	8000.0-03
X13282	FRONT	8000.0-02
X13289	REAR	8000.0-03
X13289	REAR, CONVERTIBLE	8000.0-04
X13300-X13304	FRONT	8000.0-02
X13309	REAR	8000.0-03
X13309	REAR, CONVERTIBLE	8000.0-04
X13311-X13313	FRONT	8000.0-02
X18160-X18161	IHKA	NOT SHOWN
X18165	FRONT	8000.0-02
X18195	DRIVER'S SEAT	NOT SHOWN
X18784	FRONT	8000.0-02
X18785-X18799	REAR, CONVERTIBLE	8000.0-04
X19513-X19515	RADIO	NOT SHOWN



# SPLICE LOCATION VIEWS

## FRONT HARNESS



SPLICE PANEL					
X195	●	X10009	●	X13115	●
X218	●	X10064	●	X13282	●
X557	●	X11282	●		
X1149	●	X11283	●		

SPLICE PANEL											
X184	●	X246	●	X1036	●	X1164	●	X10007	●	X11284	●
X185	●	X276	●	X1055	●	X1168	●	X10020	●	X13000	●
X186	●	X530	●	X1068	●	X1172	●	X10021	●	X13300	●
X187	●	X595	●	X1073	●	X1177	●	X10022	●	X13302	●
X203	●	X1015	●	X1076	●	X1186	●	X10055	●	X18783	●
X223	●	X1022	●	X1077	●	X1192	●	X10029	●	X18784	●
X238	●	X1027	●	X1152	●	X1233	●	X10100	●		
X245	●	X1028	●	X1163	●	X1541	●	X10192	●		

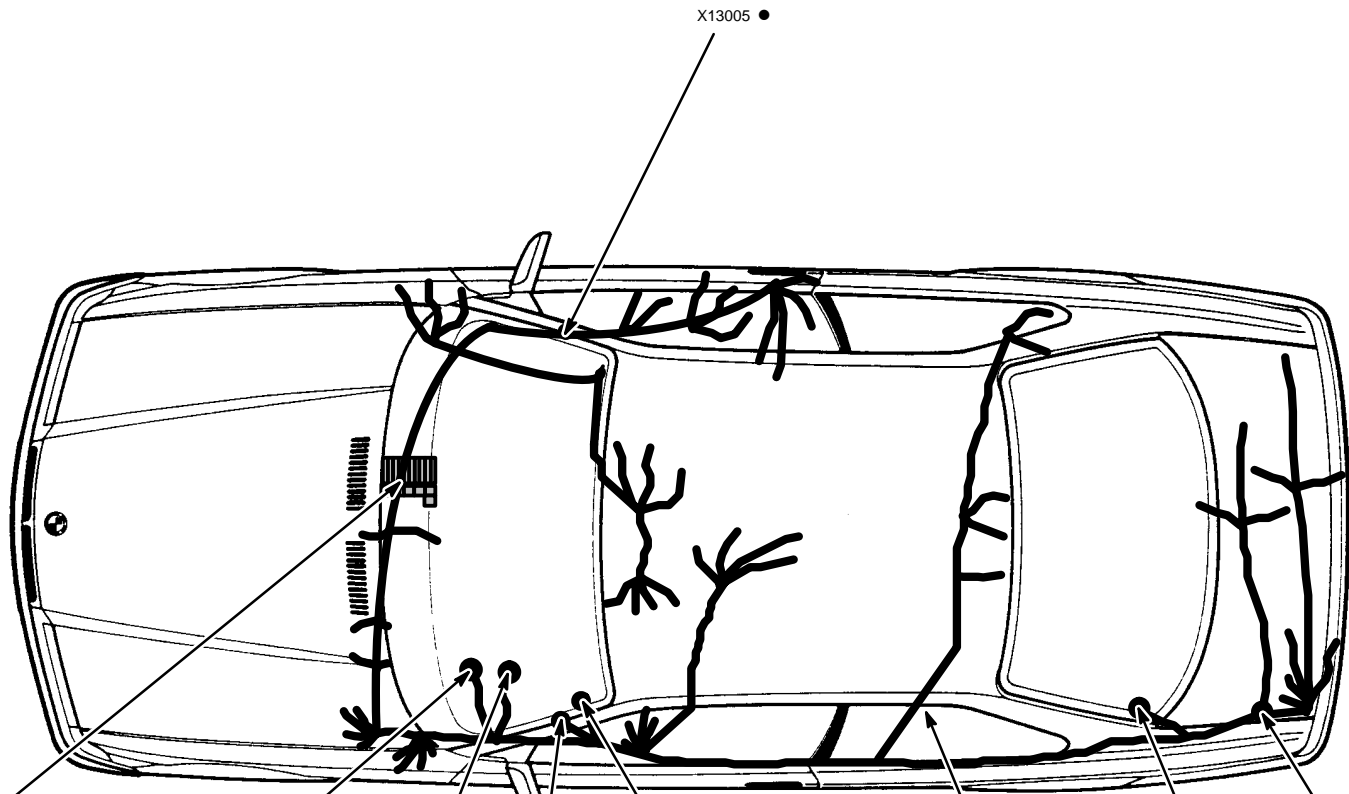
SPLICE PANEL													
X181	●	X228	●	X1079	●	X1686	●	X10028	●	X10191	●	X13313	●
X182	●	X1019	●	X1080	●	X1687	●	X10060	●	X10231	●	X18165	●
X183	●	X1029	●	X1085	●	X1689	●	X10061	●	X10252	●		
X188	●	X1047	●	X1179	●	X1691	●	X10090	●	X11264	●		
X191	●	X1065	●	X1182	●	X1693	●	X10103	●	X11381	●		
X196	●	X1066	●	X1225	●	X10008	●	X10104	●	X13021	●		
X197	●	X1067	●	X1258	●	X10011	●	X10120	●	X13311	●		
X213	●	X1069	●	X1682	●	X10024	●	X10123	●	X13312	●		





# SPLICE LOCATION VIEWS

## REAR HARNESS



SPLICE PANEL			
X441	●	X462	●
X442	●	X475	●
X443	●	X481	●
X444	●	X1212	●
X445	●	X1235	●
X449	●	X1263	●
X450	●	X1299	●
X453	●	X1387	●
X455	●	X1396	●
X1894	●	X10118	●
X1895	●	X11269	●
X13129	●	X13002	●
X13132	●	X13003	●
X13164	●	X13010	●
X13164	●	X13011	●
X13168	●		
X13173	●		
X13289	●		
X13309	●		

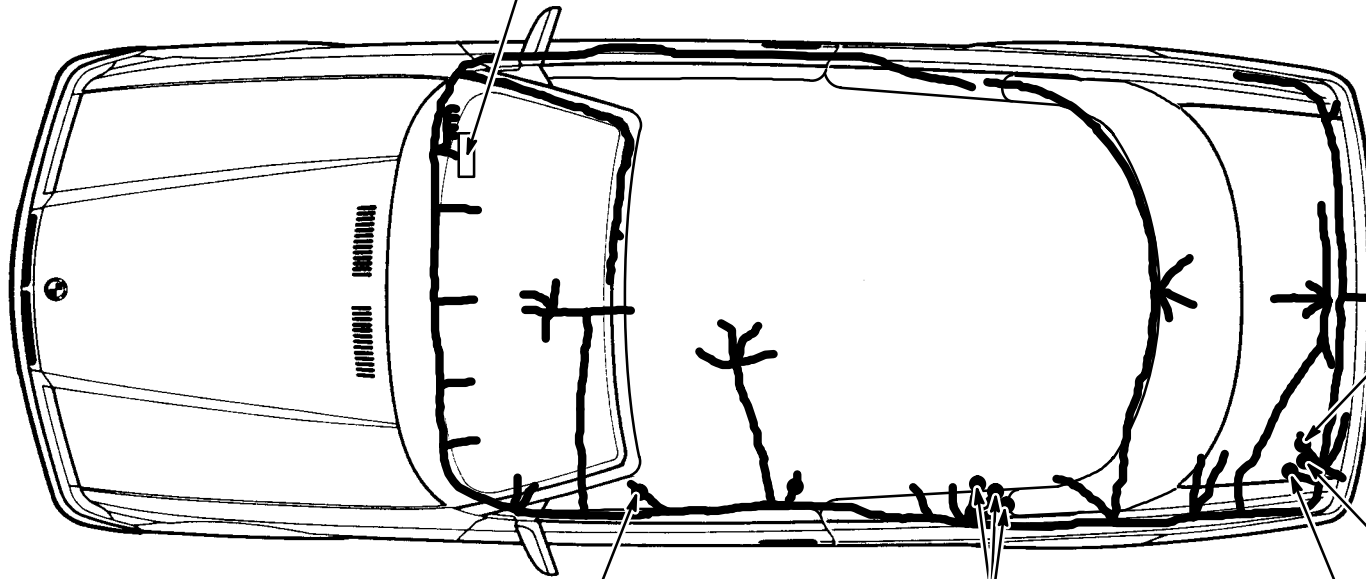
X313	●
X314	●
X428	●
X1214	●
X1215	●
X1218	●
X1226	●
X1232	●
X2152	●



# SPLICE LOCATION VIEWS

## REAR WIRING HARNESS – CONVERTIBLE

SPLICE PANEL				
X441 ●	X453 ●	X1263 ●	X10229 ●	X13127 ●
X442 ●	X455 ●	X1387 ●	X10269 ●	X13129 ●
X443 ●	X462 ●	X1396 ●	X11279 ●	X13132 ●
X444 ●	X475 ●	X1783 ●	X13002 ●	X13168 ●
X445 ●	X481 ●	X10118 ●	X13003 ●	X13173 ●
X449 ●	X1212 ●	X10189 ●	X13010 ●	X13289 ●
X450 ●	X1235 ●	X10228 ●	X13011 ●	X13309 ●



- X461 ●
- X1218 ●
- X1232 ●
- X2152 ●

- X805 ●
- X1234 ●
- X1214 ●

- X465 ●
- X13229 ●
- X1226 ●
- X18785 ●
- X13007 ●

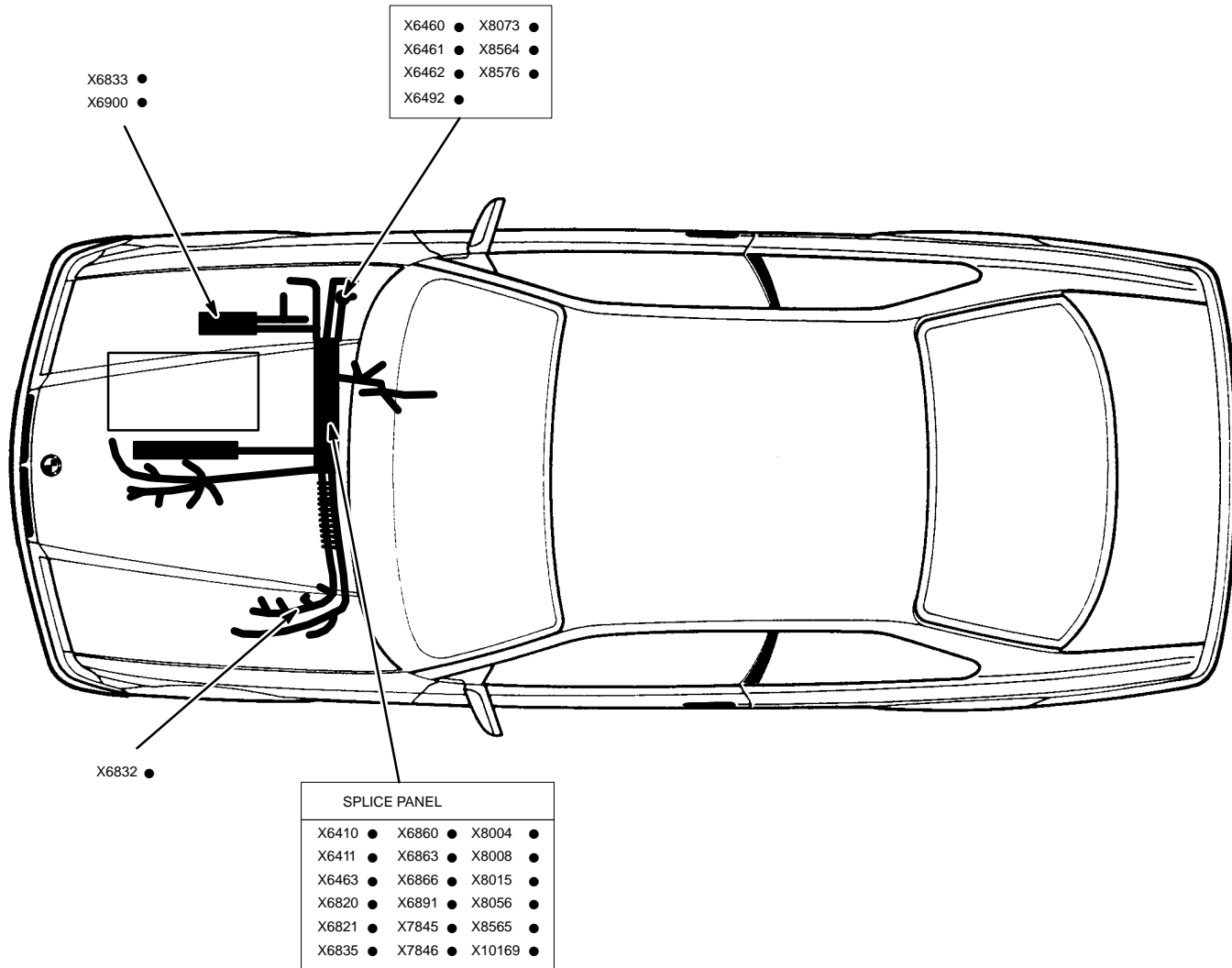
- X314 ●
- X18799 ●
- X13273 ●

- X313 ●
- X1215 ●
- X428 ●



# SPLICE LOCATION VIEWS

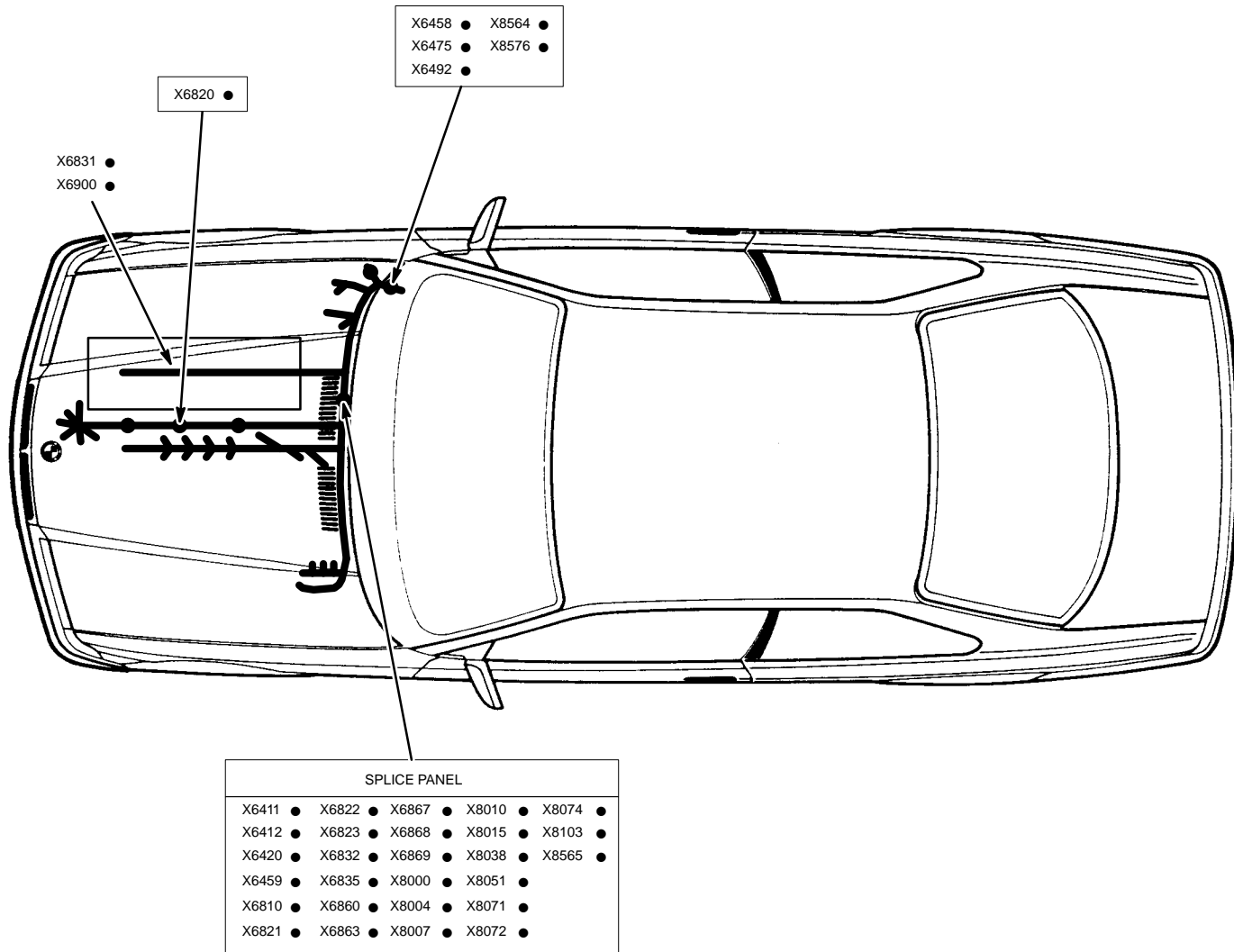
## ENGINE HARNESS M44





# SPLICE LOCATION VIEWS

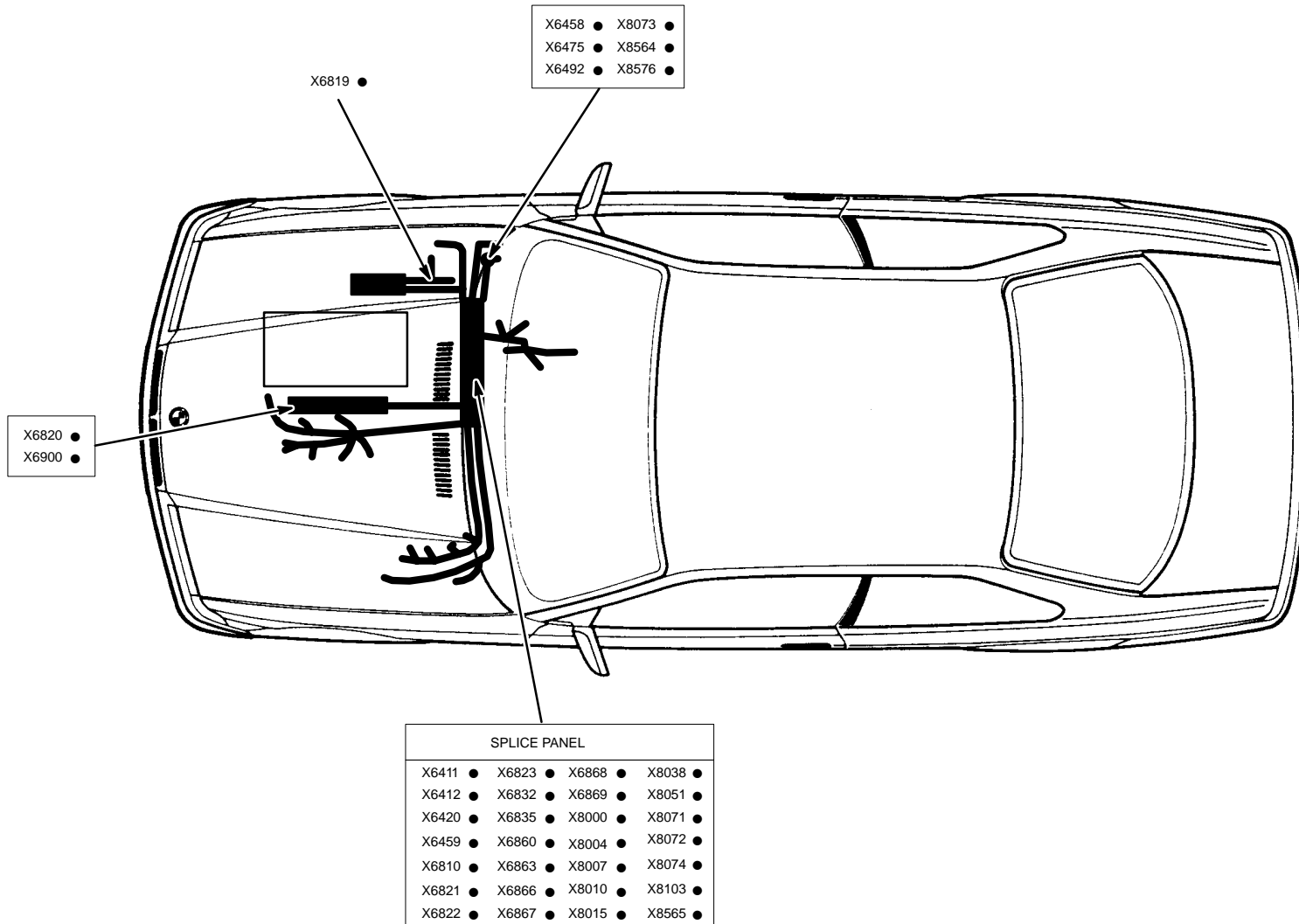
## ENGINE HARNESS M3





# SPLICE LOCATION VIEWS

## ENGINE HARNESS M52



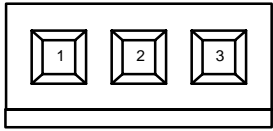




# CONNECTOR VIEWS

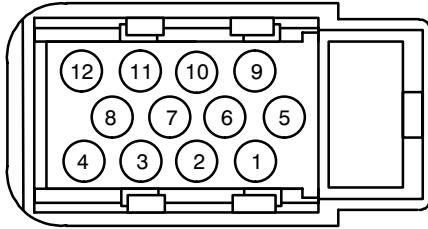
**FIG. 1**

B030024



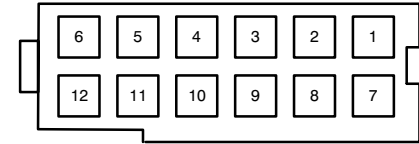
**FIG. 2**

B120003.00



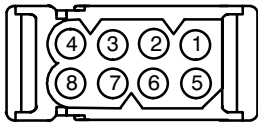
**FIG. 3**

B120001.00



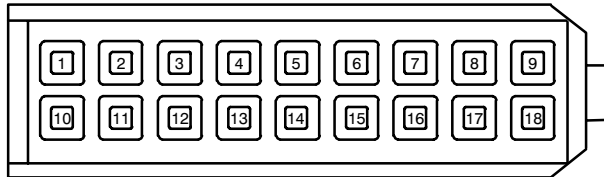
**FIG. 4**

B080002.00



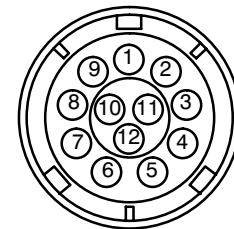
**FIG. 5**

B180000.00



**FIG. 6**

B120015

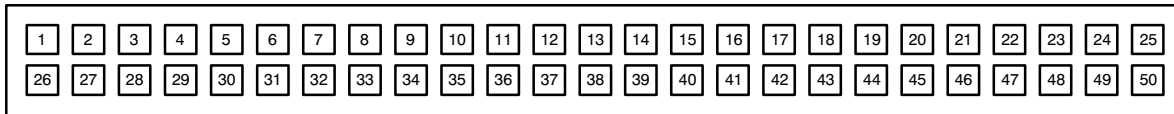




# CONNECTOR VIEWS

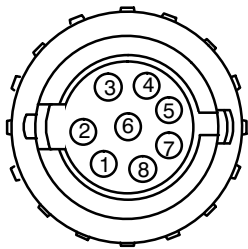
**FIG. 1**

B500000.00



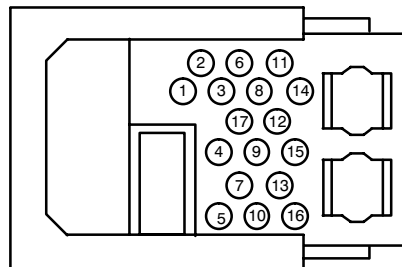
**FIG. 2**

B080003.00



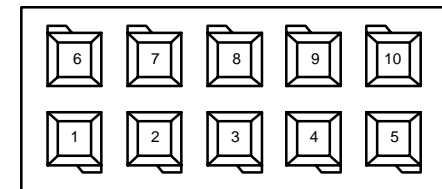
**FIG. 3**

B170001.00



**FIG. 4**

B100008.00







# CONNECTOR VIEWS

FIG. 1

B160001.00

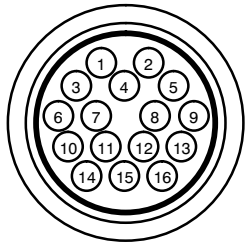


FIG. 2

B050003.00

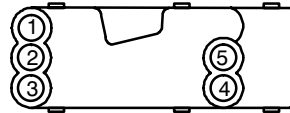


FIG. 3

B040004.00

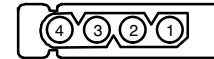


FIG. 4

B120002.02

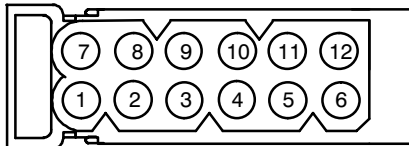


FIG. 5

B080001.00

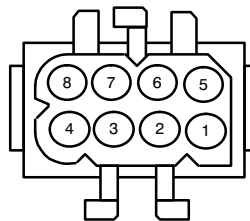
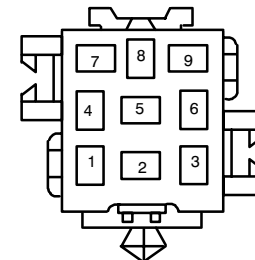


FIG. 6

B090002.00

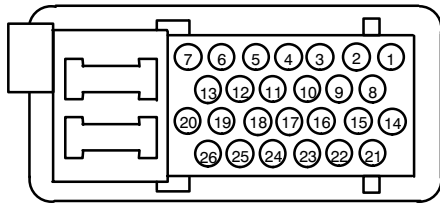




# CONNECTOR VIEWS

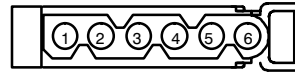
**FIG. 1**

B260002.01



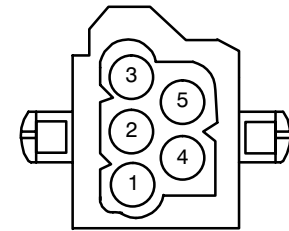
**FIG. 2**

B060001.02



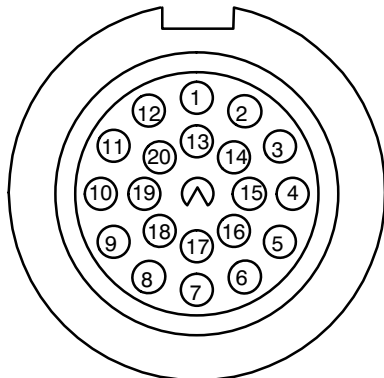
**FIG. 3**

B050005.00



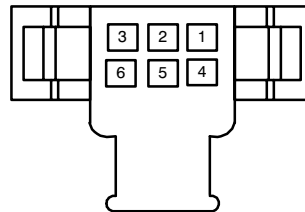
**FIG. 4**

B200003.00



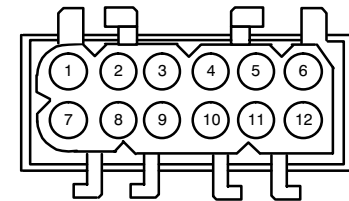
**FIG. 5**

B060010.01



**FIG. 6**

B120004.01

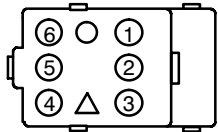




# CONNECTOR VIEWS

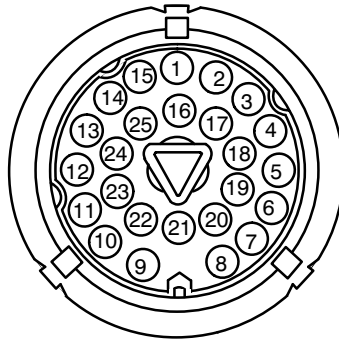
**FIG. 1**

B060008.00



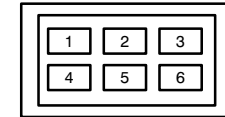
**FIG. 2**

B250001.01



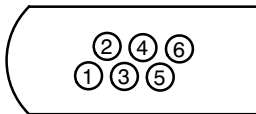
**FIG. 3**

B060019.02



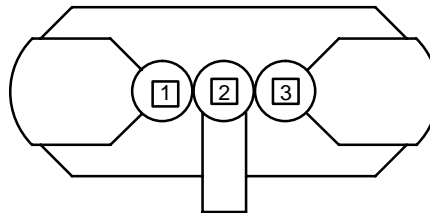
**FIG. 4**

B060037.00



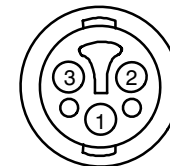
**FIG. 5**

B030048a



**FIG. 6**

B030013.00





# CONNECTOR VIEWS

FIG. 1

B880001.00

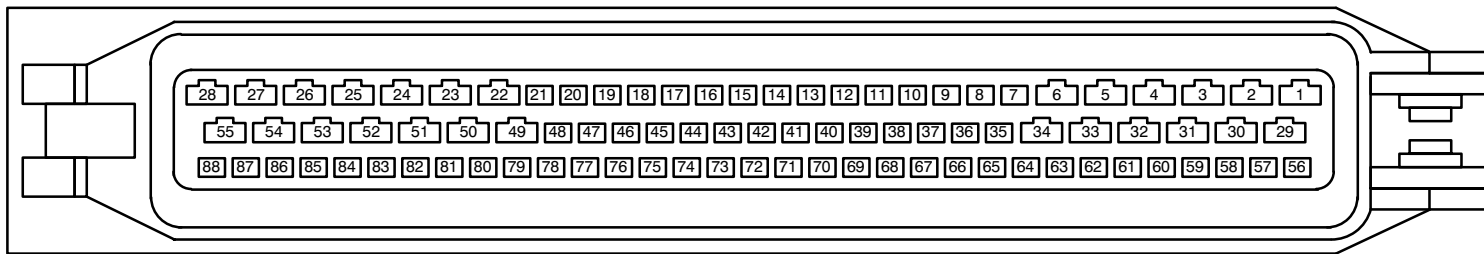


FIG. 2

B100007.00

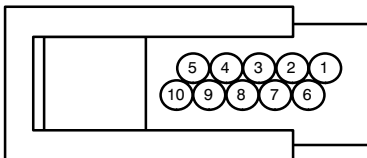


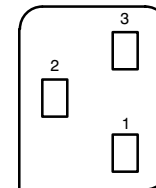
FIG. 3

B030006.00



FIG. 4

B030004.01

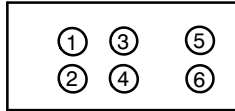




# CONNECTOR VIEWS

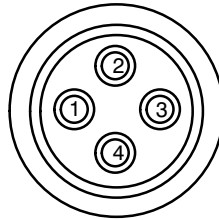
**FIG. 1**

B060012.00



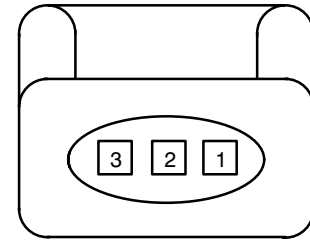
**FIG. 2**

B040023.01



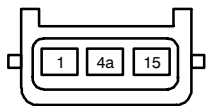
**FIG. 3**

B030018.00



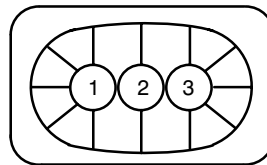
**FIG. 4**

B030015.08



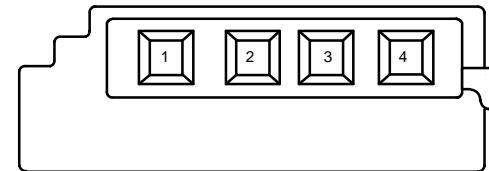
**FIG. 5**

B030023.00



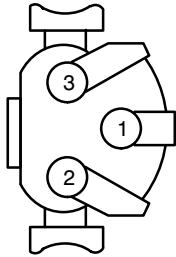
**FIG. 6**

B040020.00



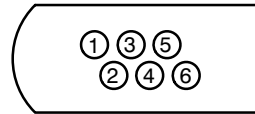
**FIG. 1**

B030025.00



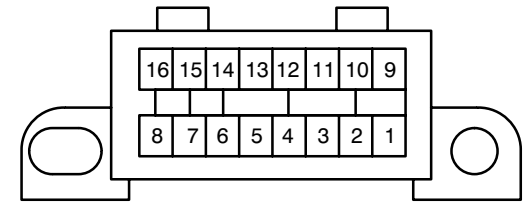
**FIG. 2**

B060037.01



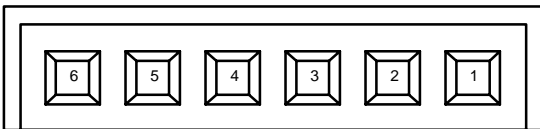
**FIG. 3**

B160003.00



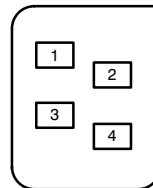
**FIG. 4**

B060042



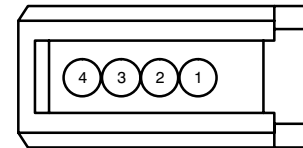
**FIG. 5**

B040027.00



**FIG. 6**

B040029.00

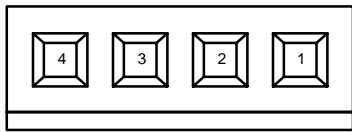




# CONNECTOR VIEWS

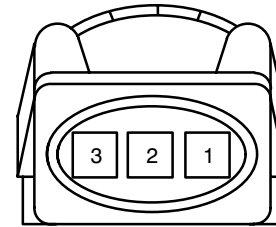
**FIG. 1**

B040021



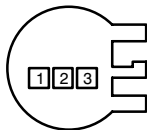
**FIG. 2**

B030018.01



**FIG. 3**

B030042.01



**FIG. 4**

B420000.00

