

**1999**

**BMW**

**318ti**

**(E36/5)**

**Electrical**

**Troubleshooting**

**Manual**

Vehicles produced 9/98 thru 08/99



## ELECTRICAL TROUBLESHOOTING MANUAL

### SERIES 3 – E36/5 (318ti)

#### SCHEMATICS

#### MODEL YEAR 1999

0100.0	INDEX	6211.0	INSTRUMENT CLUSTER
0110.0	INTRODUCTION	6213.0	DIGITAL CLOCK
0140.0	SYMBOLS	6300.0	LIGHT SWITCH DETAILS
0670.0	POWER DISTRIBUTION CHART	6312.0	HEADLIGHTS/FOG LIGHTS
0670.1	FUSE CHART	6313.0	TURN/HAZARD LIGHTS
0670.2	POWER DISTRIBUTION	6314.0	PARK/TAIL/UNDERHOOD LIGHTS
0670.3	FUSE DETAILS	6320.0	LICENSE PLATE/LUGGAGE COMPARTMENT LIGHTS
0670.4	GROUND DISTRIBUTION	6322.0	BACK UP LIGHTS
0670.5	DATA LINK	6325.0	BRAKE LIGHTS
1210.20	ENGINE CONTROL SYSTEM (DME M5.2, 4-CYLINDER M44)	6330.3	INTERIOR LIGHTS
1230.0	CHARGING SYSTEM	6332.0	INTERIOR ACCESSORIES
1240.0	START	6350.0	CRASH CONTROL MODULE
2460.2	ELECTRONIC TRANSMISSION CONTROL (EGS A4S 270R)	6410.7	HEATING CONTROL (HS)
3234.0	SUPPLEMENTAL RESTRAINT SYSTEM (AIR BAG)	6424.0	REAR WINDOW DEFOGGER
3450.1	SLIP CONTROL (ABS/ASC)	6450.6	INTEGRATED HEATING- AND CLIMATE CONTROL
5116.0	POWER MIRRORS	6510.0	RADIO/STEREO
5126.0	ZKE CENTRAL LOCKING (ZV)	6510.1	RADIO/HIFI
5133.0	ZKE POWER WINDOWS (FH)	6561.0	CELLULAR TELEPHONE (PROVISIONS)
5200.0	POWER SEATS	6571.0	CRUISE CONTROL (TEMPOMAT)
5203.0	HEATED SEATS	6575.2	ANTI-THEFT SYSTEM (ALPINE)
5410.1	POWER TILT/SLIDE SUNROOF (SHD)	6581.3	BOARD COMPUTER (BC – LOW)
5410.4	ELECTRIC FOLDING SUNROOF	7000.0	COMPONENT LOCATION CHART
6100.0	CENTRAL BODY ELECTRONICS (ZKE IV)	7100.0	COMPONENT LOCATION VIEWS
6133.0	HORN	8000.0	SPLICE LOCATION VIEWS
6135.1	DRIVE-AWAY PROTECTION (EWS III)	8500.0	CONNECTOR VIEWS
6160.1	WIPER/WASHER MODULE (WWM)		
6169.0	WINDSHIELD WASHER JET HEATERS		



## 0100.0 INDEX

ABS HYDRAULIC UNIT, Y1 .....	3450.1-01
ABS PUMP MOTOR RELAY, TIMED, K125 .....	3450.1-00
AIR BAG GAS GENERATOR, DRIVER'S, G5 .....	3234.0-00
AIR BAG GAS GENERATOR, LEFT SIDE, G14 .....	3234.0-01
AIR BAG GAS GENERATOR, PASSENGER'S, G6 .....	3234.0-00
AIR BAG GAS GENERATOR, RIGHT SIDE, G15 .....	3234.0-01
AIR CONDITIONING COMPRESSOR, Y2 .....	6450.6-02
AIR PUMP, Y6133 .....	1210.20-08
ANTENNA AMPLIFIER AM/FM, N8 .....	6424.0-01
ANTI-THEFT CONTROL MODULE (ALPINE), N12w .....	6575.2
ANTI-THEFT HORN (ALPINE), H1w .....	6575.2-01
ANTI-THEFT SYSTEM (ALPINE) .....	6575.2
ASC SWITCH, S6 .....	3450.1-02
AUTOMATIC TRANSMISSION RANGE SWITCH, S3 .....	2460.2-01
AUXILIARY FAN MOTOR, M9 .....	6450.6-03
AUXILIARY FUSE BOX, P95 .....	0670.2-02
AUXILIARY FUSE BOX, P97 .....	0670.2-01
AUXILIARY THROTTLE POSITION MOTOR (ADS), M93 .....	3450.1-02
AUXILIARY TURN LIGHT, LEFT FRONT, H9 .....	6313.0-02
AUXILIARY TURN LIGHT, RIGHT FRONT, H8 .....	6313.0-02
BACK UP LIGHT, LEFT, H27 .....	6322.0-00
BACK UP LIGHT, RIGHT, H28 .....	6322.0-00
BACK UP LIGHTS .....	6322.0
BATTERY, G1 .....	0670.2-00
BLOWER MOTOR, M30 .....	6410.7-01
BLOWER MOTOR, M30 .....	6450.6-00
BLOWER RELAY, K4 .....	6410.7-00
BLOWER RELAY, K4 .....	6450.6-00
BLOWER RESISTORS, R11 .....	6410.7-01
BLOWER RESISTORS, R11 .....	6450.6-00
BLOWER SWITCH, S75 .....	6410.7-01
BLOWER SWITCH, S75 .....	6450.6-00

BOARD COMPUTER (BC – LOW) .....	6581.3
BOARD COMPUTER (BC – LOW), A35y .....	6581.3-00
BODY ELECTRONICS CONTROL MODULE (ZKE IV), A104 .....	6100.0
BRAKE FLUID LEVEL SWITCH, B18 .....	6211.0-00
BRAKE LIGHT SWITCH, S29 .....	6325.0-00
BRAKE LIGHT SWITCH, S30 .....	2460.2-04
BRAKE LIGHT SWITCH, S30 .....	6325.0-00
BRAKE LIGHT, LEFT, H24 .....	6325.0-00
BRAKE LIGHT, RIGHT, H31 .....	6325.0-00
BRAKE LIGHTS .....	6325.0
BRAKE PAD SENSOR, LEFT FRONT, B16 .....	6211.0-01
BRAKE PAD SENSOR, RIGHT REAR, B17 .....	6211.0-01
CARBON CANISTER VALVE, Y199 .....	1210.20-08
CD CHANGER, N22 .....	6510.0-00
CD CHANGER, N22 .....	6510.1
CELLULAR TELEPHONE (PROVISIONS) .....	6561.0
CENTER INTERIOR LIGHT, REAR, E32z .....	6330.3-00
CENTRAL BODY ELECTRONICS (ZKE IV) .....	6100.0
CENTRAL LOCKING SWITCH, S302 .....	5126.0-00
CHARGING SYSTEM .....	1230.0
CHIME MODULE, H10 .....	6211.0-05
CIGAR LIGHTER LIGHT, FRONT, E29 .....	6332.0-00
CIGAR LIGHTER, FRONT, E28 .....	6332.0-00
CLIMATE CONTROL SWITCH ILLUMINATION, E103 ..	6424.0-00
CLIMATE CONTROL SWITCH ILLUMINATION, E103 ..	6450.6-00
CLOCK .....	6213.0
CLUTCH SWITCH, S32 .....	6571.0-01
COMBINATION SWITCH, S7 .....	6312.0
COMBINATION SWITCH, S7 .....	6313.0-00
COMBINATION SWITCH, S7 .....	6581.3-00
COMPONENT LOCATION CHART .....	7000.0



# INDEX

COMPONENT LOCATION VIEWS .....	7100.0
COMPRESSOR CONTROL RELAY, K19 .....	6450.6-02
CONNECTOR VIEWS .....	8500.0
CONTACT RING, C101 .....	3234.0-00
CRANKSHAFT POSITION/RPM SENSOR, B6203 ....	1210.20-03
CRASH CONTROL MODULE .....	6350.0
CRASH CONTROL MODULE, N17 .....	6350.0-00
CRUISE CONTROL (TEMPOMAT) .....	6571.0
CRUISE CONTROL ACTUATOR (TEMPOMAT), M25 ...	6571.0-01
CRUISE CONTROL MODULE (TEMPOMAT), A8 .....	6571.0
CRUISE CONTROL SWITCH, S28 .....	6571.0-00
DATA LINK .....	0670.5
DATA LINK CONNECTOR, D100 .....	0670.5
DAY LIGHT RELAY MODULE, K46z .....	6312.0-04
DEFOGGER I, REAR, E9 .....	6424.0
DEFOGGER RELAY, REAR, K13 .....	6424.0-00
DEFOGGER SWITCH, REAR, S218 .....	6424.0-00
DIGITAL CLOCK, A110 .....	6213.0-00
DOME LIGHT/MAP READING ASSEMBLY, FRONT, E34	6330.3-00
DOOR JAMB SWITCH, DRIVER'S, S14 .....	6100.0-02
DOOR JAMB SWITCH, DRIVER'S, S14 .....	6330.3-01
DOOR JAMB SWITCH, DRIVER'S, S14 .....	6575.2-01
DOOR JAMB SWITCH, PASSENGER'S, S13 .....	6100.0-02
DOOR JAMB SWITCH, PASSENGER'S, S13 .....	6330.3-01
DOOR JAMB SWITCH, PASSENGER'S, S13 .....	6575.2-01
DOOR LOCK MOTOR, DRIVER'S, M12 .....	5126.0-02
DOOR LOCK MOTOR, PASSENGER'S, M13 .....	5126.0-02
DOOR LOCK SWITCH, DRIVER'S, S47 .....	5126.0-00
DOOR LOCK SWITCH, PASSENGER'S, S49 .....	5126.0-00
DOUBLE TEMPERATURE SWITCH, S36y .....	6450.6-03
DRIVE-AWAY PROTECTION (EWS III) .....	6135.1
ELECTRIC FOLDING SUNROOF .....	5410.4

ELECTRONIC IMMOBILIZER CONTROL MODULE (EWS III), A837 .....	6135.1
ELECTRONIC TRANSMISSION CONTROL (EGS A4S 270R) .....	2460.2
ENGINE CONTROL MODULE (DME), A6000 .....	1210.20
ENGINE CONTROL MODULE RELAY, K6300 .....	1210.20-00
ENGINE CONTROL SYSTEM (DME M5.2, 4-CYLINDER M44) .....	1210.20
ENGINE COOLANT TEMPERATURE SENSOR, B6232	1210.20-04
ENGINE HOOD SWITCH, S21w .....	6575.2-01
EVAPORATIVE EMISSION VALVE, Y6120 .....	1210.20-01
EVAPORATOR TEMPERATURE SENSOR, B14 .....	6450.6-01
EWS TOROIDAL COIL, L1 .....	6135.1-00
FOG LIGHT RELAY, FRONT, K47 .....	6312.0
FOG LIGHT SWITCH ILLUMINATION, E98 .....	6312.0-00
FOG LIGHT SWITCH, S82y .....	6312.0-00
FOG LIGHT, LEFT, E26 .....	6312.0
FOG LIGHT, RIGHT, E27 .....	6312.0
FOLDING SUNROOF COMFORT RELAY, K45 .....	5410.4-00
FOLDING SUNROOF MOTOR, M24z .....	5410.4-00
FOLDING SUNROOF SWITCH, S238 .....	5410.4-00
FOOTWELL LIGHT, LEFT FRONT, E61 .....	6330.3-00
FOOTWELL LIGHT, RIGHT FRONT, E62 .....	6330.3-00
FRESH AIR RECIRCULATION MOTOR, M111 .....	6450.6-01
FUEL CHANGEOVER VALVE, Y6263 .....	1210.20-08
FUEL INJECTION VALVE, CYL. 1, Y6101 .....	1210.20-01
FUEL INJECTION VALVE, CYL. 1, Y6102 .....	1210.20-01
FUEL INJECTION VALVE, CYL. 3, Y6103 .....	1210.20-01
FUEL INJECTION VALVE, CYL. 4, Y6104 .....	1210.20-01
FUEL LEVEL SENSOR, B6 .....	6211.0-04
FUEL LEVEL SENSOR, B6 .....	6581.3-00
FUEL PUMP RELAY, K6301w .....	1210.20-03



# INDEX

FUEL PUMP, M2	1210.20-03
FUEL TANK PRESSURE SENSOR, B72	1210.20-04
FUEL TANK SENSOR II, B25y	6211.0-04
FUEL TANK SENSOR II, B25y	6581.3-00
FUSE CHART	0670.1
FUSE DETAILS	0670.3
FUSIBLE LINK, F97	0670.2-00
GAS FILLER LOCK MOTOR, M16	5126.0-03
GENERATOR, G6509	1230.0-00
GLOVE BOX LIGHT SWITCH, S37	6332.0-00
GLOVE BOX LIGHT, E42	6332.0-00
GROUND DISTRIBUTION	0670.4
HALL EFFECT CAMSHAFT SENSOR, B6209	1210.20-03
HAZARD FLASHER RELAY, K16	6313.0-00
HAZARD SWITCH, S18	6313.0-01
HEADLIGHT, LEFT, E7	6312.0
HEADLIGHT, RIGHT, E8	6312.0
HEADLIGHT/FOG LIGHT WASHER PUMP, M7	6160.1-03
HEADLIGHTS/FOG LIGHTS	6312.0
HEATED SEATS	5203.0
HEATING CONTROL (HS)	6410.7
HIFI AMPLIFIER, A18	6510.1
HIGH BEAM LIGHT RELAY, K46	6312.0-02
HIGH BEAM LIGHT, LEFT, E11	6312.0
HIGH BEAM LIGHT, RIGHT, E12	6312.0
HIGH LEVEL STOP LIGHT, H34	6325.0-00
HIGH RANGE SPEAKER, LEFT FRONT, H59	6510.0-00
HIGH RANGE SPEAKER, LEFT FRONT, H59	6510.1-03
HIGH RANGE SPEAKER, LEFT REAR, H56	6510.1-01
HIGH RANGE SPEAKER, RIGHT FRONT, H50	6510.0-00
HIGH RANGE SPEAKER, RIGHT FRONT, H50	6510.1-03
HIGH RANGE SPEAKER, RIGHT REAR, H53	6510.1-02

HIGH SPEED RELAY, K22	6450.6-03
HORN	6133.0
HORN RELAY, K2	6133.0-00
HORN SWITCH, S4	6133.0-00
HORN, LEFT, H2	6133.0-00
HORN, RIGHT, H3	6133.0-00
HOT FILM AIR MASS METER, B6217	1210.20-05
IDLE SPEED CONTROL VALVE, Y6130	1210.20-01
IGNITION COIL, CYL. 1, T6151	1210.20-02
IGNITION COIL, CYL. 2, T6152	1210.20-02
IGNITION COIL, CYL. 3, T6153	1210.20-02
IGNITION COIL, CYL. 4, T6154	1210.20-02
IGNITION SWITCH, S2	0670.2-03
IGNITION SWITCH, S2	6211.0-05
IHKS CONTROL SWITCH, S530	6450.6-01
INDEX	0100.0
INSTRUMENT CLUSTER	6211.0
INSTRUMENT CLUSTER, A2w	6211.0
INTAKE AIR RESONANCE CHANGEOVER VALVE, Y6131	1210.20-01
INTAKE AIR TEMPERATURE SENSOR, B6205	1210.20-04
INTEGRATED HEATING— AND CLIMATE CONTROL MODULE, A107	6450.6
INTEGRATED HEATING— AND CLIMATE CONTROL	6450.6
INTERIOR ACCESSORIES	6332.0
INTERIOR LIGHTS	6330.3
INTERMEDIATE PRESSURE SWITCH, B9	6450.6-03
INTRODUCTION	0110.0
JET HEATER THERMOSWITCH, S198	6169.0-00
KICK-DOWN SWITCH, S8507	2460.2-04
KNOCK SENSOR, B6240	1210.20-04
LICENSE PLATE LIGHT, LEFT, E43	6320.0-00



# INDEX

LICENSE PLATE LIGHT, RIGHT, E44	6320.0-00
LICENSE PLATE/LUGGAGE COMPARTMENT LIGHTS	6320.0
LIGHT SWITCH DETAILS	6300.0
LIGHT SWITCH ILLUMINATION, E97	6300.0-00
LIGHT SWITCH, S8	6300.0-00
LOW BEAM LIGHT RELAY, K48	6312.0
LOW BEAM LIGHT, LEFT, E13	6312.0
LOW BEAM LIGHT, RIGHT, E14	6312.0
LOW RANGE SPEAKER, LEFT FRONT, H58	6510.0-00
LOW RANGE SPEAKER, LEFT FRONT, H58	6510.1-01
LOW RANGE SPEAKER, LEFT REAR, H57	6510.1-01
LOW RANGE SPEAKER, RIGHT FRONT, H51	6510.0-00
LOW RANGE SPEAKER, RIGHT FRONT, H51	6510.1-02
LOW RANGE SPEAKER, RIGHT REAR, H52	6510.1-02
LUGGAGE COMPARTMENT LIGHT ASSEMBLY, LEFT, E46	0670.4-17
LUGGAGE COMPARTMENT LIGHT ASSEMBLY, RIGHT, E47	0670.4-17
LUGGAGE COMPARTMENT LIGHT SWITCH, S61y	6320.0-01
LUGGAGE COMPARTMENT LIGHT, RIGHT, H91	6320.0-01
LUGGAGE COMPARTMENT LOCK MOTOR, M17	5126.0-03
MAKE-UP MIRROR LIGHT, DRIVER'S, E35	6330.3-00
MAKE-UP MIRROR LIGHT, PASSENGER'S, E36	6330.3-00
MAKE-UP MIRROR SWITCH, DRIVER'S, S77	6330.3-00
MAKE-UP MIRROR SWITCH, PASSENGER'S, S78	6330.3-00
MID-HIGH RANGE SPEAKER, LEFT, H42	6510.1-03
MID-HIGH RANGE SPEAKER, RIGHT, H43	6510.1-03
MIDRANGE SPEAKER, LEFT FRONT, H55	6510.1-03
MIDRANGE SPEAKER, RIGHT FRONT, H54	6510.1-03
MIRROR CONTROL SWITCH, S17	5116.0-00
MIRROR, DRIVER'S SIDE, Y5	5116.0-01
MIRROR, PASSENGER'S SIDE, Y6	5116.0-01

NORMAL SPEED RELAY, K21	6450.6-03
OBD II CONNECTOR, D110	0670.5-09
OIL PRESSURE SWITCH, B6231	6211.0-02
ON-BOARD COMPUTER TEMPERATURE SENSOR, B21	6581.3-00
OXYGEN SENSOR (BEHIND CATALYTIC CONVERTER), B62002	1210.20-03
OXYGEN SENSOR (IN FRONT OF CATALYTIC CONVERTER), B62001	1210.20-03
PARK BRAKE SWITCH, S31	6211.0-00
PARK LIGHT, LEFT, E15	6314.0-00
PARK LIGHT, RIGHT, E19	6314.0-00
PARK/TAIL/UNDERHOOD LIGHTS	6314.0
POWER DISTRIBUTION	0670.2
POWER DISTRIBUTION BOX, FRONT, P90	0670.2
POWER DISTRIBUTION CHART	0670.0
POWER MIRRORS	5116.0
POWER SEATS	5200.0
POWER TILT/SLIDE SUNROOF (SHD)	5410.1
POWER WINDOW SWITCH, DRIVER'S, S126y	5133.0-01
POWER WINDOW SWITCH, PASSENGER'S, S127y	5133.0-01
PRESSURE SWITCH, B8y	1210.20-07
PRESSURE SWITCH, B8y	6450.6-03
PRESSURE SWITCH, B9508	6450.6-03
PROGRAM SWITCH, S8503	2460.2-00
PYROTECHNICAL BELT TENSIONER, PASSENGER'S SIDE, G13	3234.0-02
PYROTECHNICAL BELT TENSIONER, DRIVER'S SIDE, G12	3234.0-02
RADIO, N9	6510.0-00
RADIO, N9	6510.1
RADIO/HIFI	6510.1



# INDEX

RADIO/STEREO .....	6510.0
REVERSING LIGHT SWITCH, S8511 .....	6322.0-00
SEAT BELT SWITCH, DRIVER'S, S58 .....	3234.0-02
SEAT BELT SWITCH, PASSENGER'S, S59 .....	3234.0-02
SEAT CONTROL SWITCH, DRIVER'S SEAT, S51 .....	5200.0-00
SEAT CONTROL SWITCH, PASSENGER'S SEAT, S56 ..	5200.0-01
SEAT CUSHION TILT MOTOR, DRIVER'S, M50 .....	5200.0-00
SEAT CUSHION TILT MOTOR, PASSENGER'S, M61 ..	5200.0-01
SEAT HEATER SWITCH, DRIVER'S SEAT, S53 .....	5203.0-00
SEAT HEATER SWITCH, PASSENGER'S SEAT, S54 ..	5203.0-00
SEAT HEATER, DRIVER'S, E57 .....	5203.0-00
SEAT HEATER, PASSENGER'S, E58 .....	5203.0-00
SEAT HEIGHT MOTOR, DRIVER'S, M52 .....	5200.0-00
SEAT HEIGHT MOTOR, PASSENGER'S, M59 .....	5200.0-01
SEAT MAT, I1008 .....	3234.0-03
SEAT MOVEMENT MOTOR, DRIVER'S, M51 .....	5200.0-00
SEAT MOVEMENT MOTOR, PASSENGER'S, M60 ....	5200.0-01
SEAT OCCUPANCY DETECTOR, A113 .....	3234.0-03
SEATBACK HEATER, DRIVER'S, E56 .....	5203.0-00
SEATBACK HEATER, PASSENGER'S, E59 .....	5203.0-00
SEATBACK RECLINER MOTOR, DRIVER'S, M53 .....	5200.0-00
SEATBACK RECLINER MOTOR, PASSENGER'S, M58	5200.0-01
SECONDARY AIR PUMP RELAY, K6304 .....	1210.20-08
SECONDARY AIR PUMP VALVE, Y6163 .....	1210.20-08
SHIFT-LOCK, Y19 .....	2460.2-03
SIDE IMPACT SENSOR, DRIVER'S, B78 .....	3234.0-01
SIDE IMPACT SENSOR, PASSENGER'S, B79 .....	3234.0-01
SLIP CONTROL (ABS/ASC) .....	3450.1
SLIP CONTROL MODULE (ABS/ASC), A52 .....	3450.1
SPEAKER, LEFT REAR, H46 .....	6510.0-00
SPEAKER, LEFT REAR, H46 .....	6510.1-01
SPEAKER, RIGHT REAR, H45 .....	6510.0-00

SPEAKER, RIGHT REAR, H45 .....	6510.1-02
SPEED SENSOR – ABS, LEFT FRONT, B2 .....	3450.1-03
SPEED SENSOR – ABS, LEFT REAR, B4 .....	3450.1-03
SPEED SENSOR – ABS, RIGHT FRONT, B1 .....	3450.1-03
SPEED SENSOR – ABS, RIGHT REAR, B3 .....	3450.1-03
SPLICE LOCATION VIEWS .....	8000.0
START .....	1240.0
STARTER IMMOBILIZATION SWITCH, S235 .....	6135.1-00
STARTER, M6510 .....	1240.0-01
SUBWOOFER, H66 .....	6510.1
SUPPLEMENTAL RESTRAINT SYSTEM (AIR BAG) .....	3234.0
SUPPLEMENTAL RESTRAINT SYSTEM CONTROL MODULE, A12 .....	3234.0
SYMBOLS .....	0140.0
TAIL LIGHT, LEFT, H25 .....	6314.0-00
TAIL LIGHT, LEFT, H37 .....	6314.0-00
TAIL LIGHT, RIGHT, H30 .....	6314.0-00
TAIL LIGHT, RIGHT, H39 .....	6314.0-00
TELEPHONE CONNECTOR .....	6561.0-00
TEMPERATURE WHEEL SWITCH, S531 .....	6450.6-01
THROTTLE POSITION SENSOR (ASC), R6255z .....	3450.1-00
THROTTLE POSITION SENSOR, R6252 .....	1210.20-04
TILT/SLIDE SUNROOF CONTROL ASSEMBLY, A56 .....	5410.1
TILT/SLIDE SUNROOF SWITCH (SHD), S38 .....	5410.1-01
TRANSMISSION CONTROL MODULE (EGS), A8500 .....	2460.2
TRANSMISSION POSITION INDICATOR LIGHT, E82 ..	6300.0-01
TRANSMISSION VALVE UNIT, Y8505y .....	2460.2-03
TURN LIGHT, LEFT FRONT, H7 .....	6313.0-02
TURN LIGHT, LEFT FRONT, H7 .....	6314.0-00
TURN LIGHT, LEFT REAR, H6 .....	6313.0-03
TURN LIGHT, RIGHT FRONT, H4 .....	6313.0-02
TURN LIGHT, RIGHT FRONT, H4 .....	6314.0-00



## INDEX

---

TURN LIGHT, RIGHT REAR, H5 .....	6313.0-03
TURN/HAZARD LIGHTS .....	6313.0
UNLOADER RELAY, TERMINAL 15 K6326 .....	1210.20-02
UNLOADER RELAY, TERMINAL 15, K9 .....	5203.0-00
VEHICLE SPEED SENSOR, B10 .....	6211.0-04
WASHER JET HEATER, LEFT, E51 .....	6169.0-00
WASHER JET HEATER, RIGHT, E52 .....	6169.0-00
WASHER PUMP, M4 .....	6160.1
WATER VALVE, Y4z .....	6450.6-01
WINDOW DEFOGGER/ANTENNA, REAR, .....	6424.0
WINDOW MOTOR, DRIVER'S, M21 .....	5133.0-02
WINDOW MOTOR, PASSENGER'S, M23 .....	5133.0-02
WINDSHIELD WASHER JET HEATERS .....	6169.0
WIPER MOTOR, M3 .....	6160.1
WIPER/WASHER INTERVAL CONTROL MODULE, REAR, A36 .....	6160.1
WIPER/WASHER MODULE (LOW II), A64 .....	6160.1-00
WIPER/WASHER MODULE (WWM) .....	6160.1
WIPER/WASHER MODULE, A51 .....	6160.1
WIPER/WASHER SWITCH, S5 .....	6160.1
ZKE CENTRAL LOCKING (ZV) .....	5126.0
ZKE POWER WINDOWS (FH) .....	5133.0





# 0110.0 INTRODUCTION

compact

## Schematics

The schematics divide the entire vehicle electrical system into individual circuits. Interacting electrical components are shown on one common schematic.

Switches and other components are represented in such a way that their general layout and function are self-explicit. They are arranged on the sheet such that the current path can be followed from positive (top) to negative (bottom).

**Important:** The components and wires are not drawn to scale. For instance, a lead with a length of over 1m can be shown as a lead that is only a few cm long. To ensure clear arrangement, all connectors, lines branches and connected components from the fuses to the component and from the component to ground connection are not shown within the individual cells. If required, reference can be made to cells **0670.3 Fuse Details** and **0670.4 Ground Distribution** where all lines are illustrated with all plug connections, line branches and connected components.

All circuit symbols used are listed and explained in cell **0140.0 Symbols**.

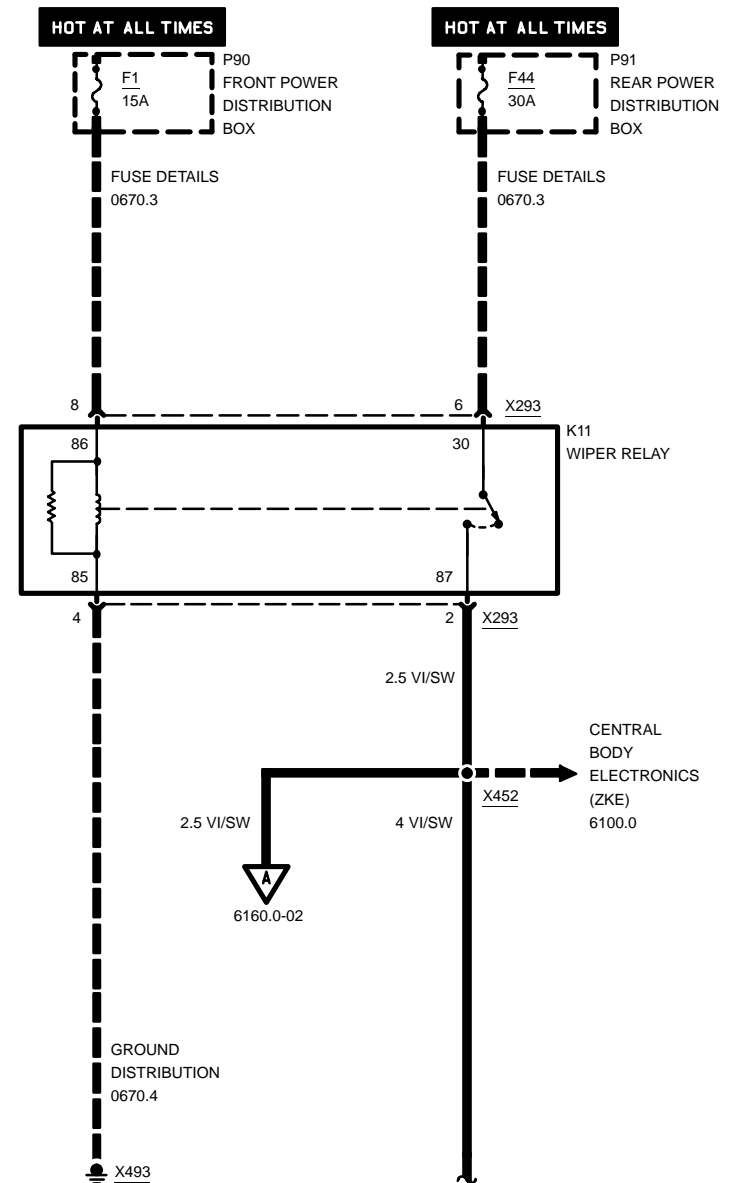
In cell **7000.0 Component Location Chart** all important connectors, ground points and components are listed in tabular form. It provides a precise description of the component locations in the vehicle.

In cell **7100.0 Component Location Views** the location of connectors and components which are difficult to locate are shown in line arts or illustrations. In cell **8000.0 Splice Location Views** all splices are listed in numerical order and illustrations are provided to assist in locating splices on larger harnesses. In cell **8500.0 Connector Views** diagrams of connectors with more than 2 pins are illustrated.

Included in this ETM are foldout block diagrams. These are overviews of the entire system (EGS, ABS, AC etc.) which helps understand the relationships between various components and control unit of the system being diagnosed.

### Example

General conventions can be explained based on the following schematic example.





## INTRODUCTION

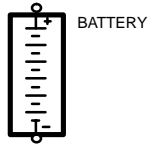
---

compact

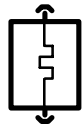
### General Conventions

1. Switches and relays are always shown in rest position (e.g. K11).
2. A component shown in a dashed frame signifies that the component is illustrated only in part (e.g. P90 and P91).
3. A component shown in a completely drawn frame signifies that the component is illustrated in full (e.g. K11).
4. The dashed line between pin 8 and pin 6 of connector X293 indicates that both pins belong to connector X293.
5. The dashed line from fuse F1 to pin 8 of connector X293 shows the positive supply of relay K11. If required, refer to cell **0670.3 Fuse Details** at fuse F1 for the complete line progressing with plug connections, line branches, wire colors and cross sections.
6. The dashed line with an arrow at splice X452 indicates that several wires lead to splice X452. All lines leading to the connection are illustrated in cell **6100.0 Central Body Electronics (ZKE)**. An interrupted line with an arrow indicates that only this one wire leads to another circuit.
7. The dashed line from pin 4 of connector X293 to ground X493 shows the ground supply for relay K11. If required, refer to cell **0670.4 Ground Distribution** at ground X493 for the complete line progression with all plug connections, line branches, wire colors and cross sections.
8. The interrupted line from splice X452 with an **A** in the open arrow is continued on page 6160.0-02. Termination of wire 4 VI/SW from splice X452 with a wavy line indicates that the wire is continued on the opposite page.

# 0140.0 SYMBOLS



BATTERY



HEATING ELEMENT



VARIABLE RESISTANCE SENSOR  
VARIABLE CONTACT IS MOVED BY AN EXTERNAL FORCE



ANTENNA



FUSE DETAILS



LOUDSPEAKER OR HORN



VARIABLE RESISTOR  
RESISTANCE IS CHANGED BY TEMPERATURE OR PRESSURE



CONTROL/POWER ELECTRONICS



FUSIBLE LINK



LIGHT



DIODE CURRENT CAN FLOW ONLY IN DIRECTION OF ARROW



HALL EFFECT SENSOR



RADIO



CIRCUIT BREAKER



PERMANENT MAGNET MOTOR ONE SPEED



ZENER DIODE TO REGULATE VOLTAGE



TRANSISTORIZED SWITCH



THERMO SWITCH



PERMANENT MAGNET MOTOR TWO SPEEDS



LIGHT EMITTING DIODE



INDUCTIVE SENSOR



SOLENOID



KNOCK SENSOR



OXYGEN SENSOR



VEHICLE SPEED SENSOR



SOLENOID CONTROLLED VALVE OR CLUTCH SOLENOID

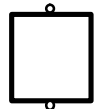
# SYMBOLS



ENTIRE COM-  
PONENT SHOWN



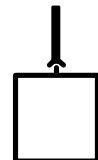
PART OF COM-  
PONENT SHOWN



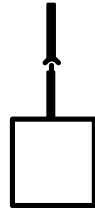
COMPONENT WITH  
SCREW TERMI-  
NALS



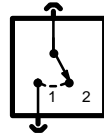
COMPONENT CASE  
ATTACHED DI-  
RECTLY TO METAL  
PART OF CAR  
(GROUNDED)



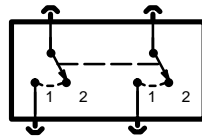
CONNECTOR AT-  
TACHED TO COM-  
PONENT



CONNECTOR AT-  
TACHED TO COM-  
PONENT LEAD  
(PIGTAIL)



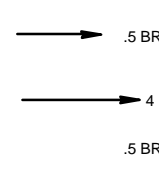
ONE POLE, TWO  
POSITION SWITCH



SWITCHES THAT  
MOVE TOGETHER  
DASHED LINE  
SHOWS A ME-  
CHANICAL CON-  
NECTION  
BETWEEN  
SWITCHES

WIRE COLOR	
BL	BLUE
BR	BROWN
GE	YELLOW
GN	GREEN
GR	GRAY
OR	ORANGE
RS	PINK
RT	RED
SW	BLACK
VI	VIOLET
WS	WHITE
TR	TRANSPARENT

WIRE INSULATION  
IS ONE COLOR

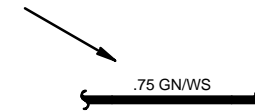


PIN NUMBER

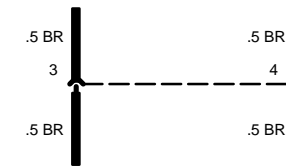
X270

CONNECTOR REF-  
ERENCE NUMBER  
FOR COMPONENT  
LOCATION CHART

WIRE INSULATION  
IS ONE COLOR  
WITH ANOTHER  
COLOR STRIPE  
(GREEN WITH  
WHITE)



A WAVY LINE  
MEANS WIRE IS  
CONTINUED



X270

TWO CONNEC-  
TIONS (PINS) IN  
THE SAME  
CONNECTOR

DASHED LINE INDI-  
CATES TERMINALS  
OF THE SAME  
CONNECTOR

WIRE SIZE IN MM  
SQUARED



X165

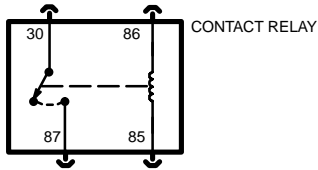
WIRE ATTACHED  
TO METAL PART  
OF CAR  
(GROUNDED)

GROUND NUM-  
BERED FOR REF-  
ERENCE ON COM-  
PONENT LOCATION  
CHART

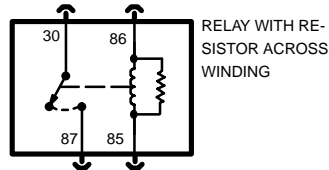


# SYMBOLS

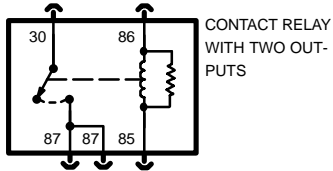
compact



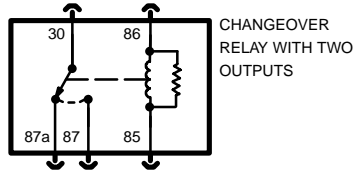
CONTACT RELAY



RELAY WITH RESISTOR ACROSS WINDING



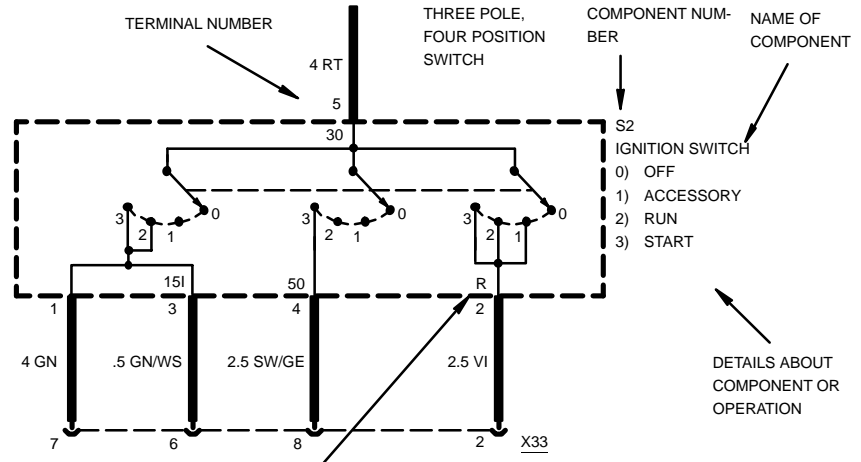
CONTACT RELAY WITH TWO OUTPUTS



CHANGEOVER RELAY WITH TWO OUTPUTS

TERMINAL NUMBER DESCRIPTION

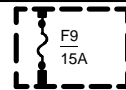
30	RELAY INPUT
85	RELAY OUTPUT (WINDING)
86	RELAY INPUT (WINDING)
87	RELAY OUTPUT (ENERGIZED)
87a	RELAY OUTPUT (AT REST)



"R" IS ENERGIZED IN ACCY, RUN, OR START

TERMINAL NUMBER	DESCRIPTION	TERMINAL NUMBER	DESCRIPTION
50	VOLTAGE: IGNITION SWITCH IN START	15I	VOLTAGE: IGNITION SWITCH IN RUN
30	VOLTAGE: SUPPLIED AT ALL TIMES	R	VOLTAGE: IGNITION SWITCH IN ACCESSORY, RUN OR START
15	VOLTAGE: IGNITION SWITCH IN RUN OR START	31	GROUND

**HOT AT ALL TIMES**



INDICATES THAT FUSE 9 IS SUPPLIED WITH POWER AT ALL TIMES

POWER STATUS

**HOT AT ALL TIMES**

**HOT IN RUN AND START**

**HOT IN ACCY, RUN AND START**

DESCRIPTION

VOLTAGE: SUPPLIED AT ALL TIMES

VOLTAGE: IGNITION SWITCH IN RUN OR START

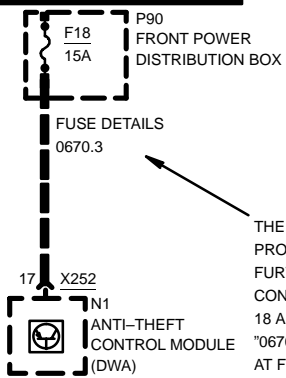
VOLTAGE: IGNITION SWITCH IN ACCESSORY, RUN OR START



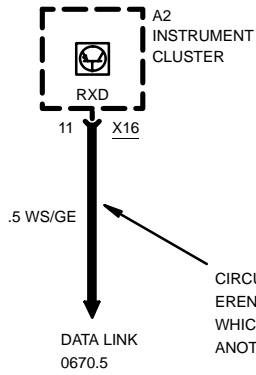
# SYMBOLS

compact

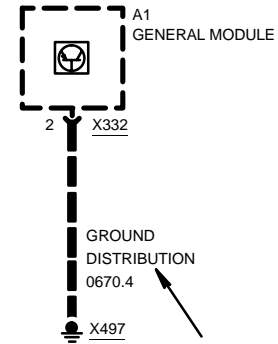
## HOT IN ACCY, RUN AND START



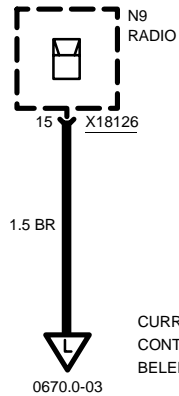
THE COMPLETE WIRE  
PROGRESSION AND  
FURTHER CIRCUITS  
CONNECTED TO FUSE  
18 ARE SHOWN IN CELL  
"0670.3 FUSE DETAILS"  
AT FUSE 18



CIRCUIT REF-  
ERENCE-A WIRE  
WHICH CONNECTS TO  
ANOTHER CIRCUIT



THE COMPLETE  
WIRE PROGRES-  
SION AND FUR-  
THER CIRCUITS  
CONNECTED TO  
GROUND X497 ARE  
SHOWN IN CELL  
"0670.4 GROUND  
DISTRIBUTION" AT  
GROUND X497



CURRENT PATH IS  
CONTINUED AS LA-  
BELED

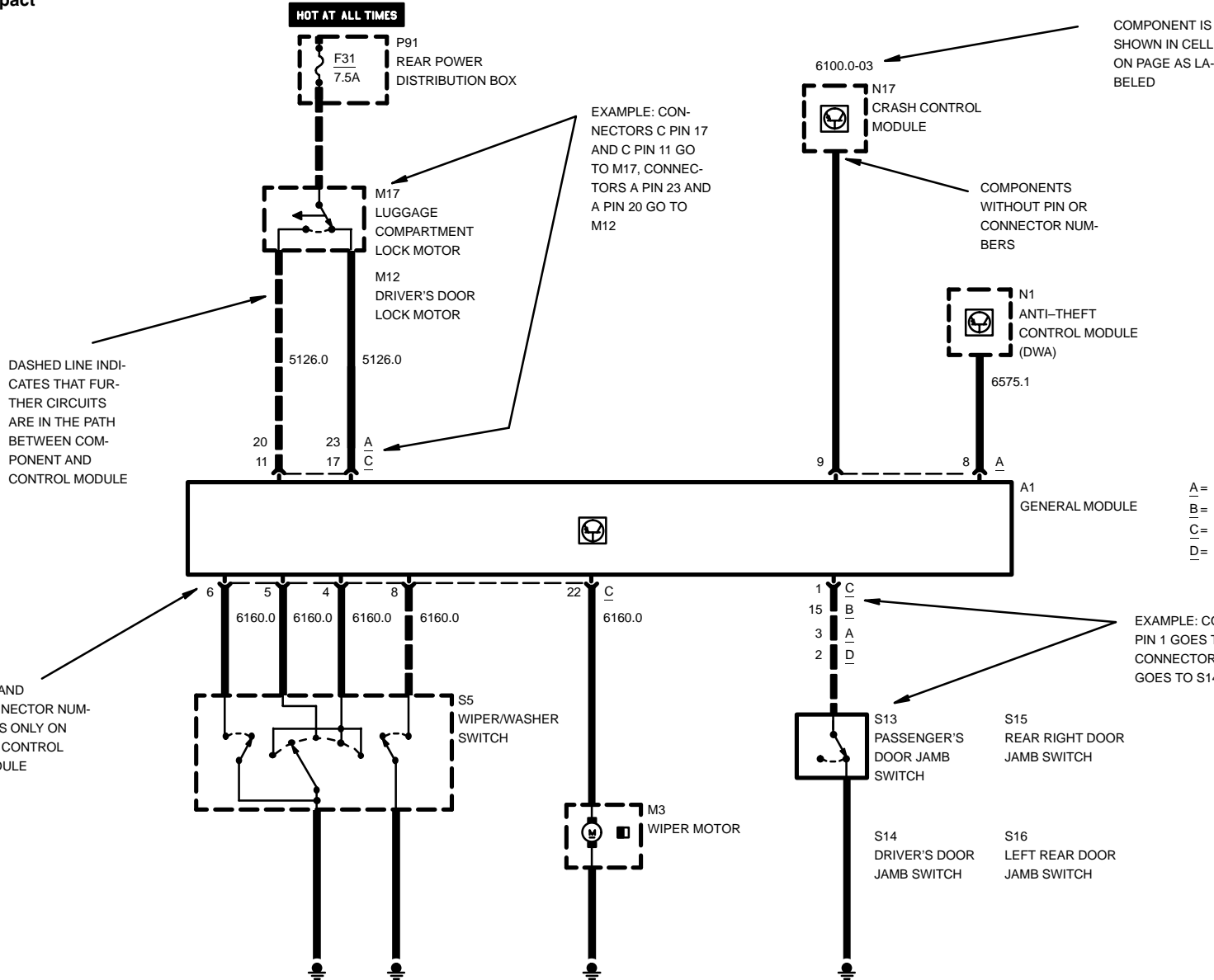


ARROW SHOWS  
DIRECTION OF  
CURRENT FLOW  
AND IS REPEATED  
WHERE CURRENT  
PATH CONTINUES



# SYMBOLS

## BLOCK DIAGRAM



THIS CELL CONTAINS A DETAILED INFORMATION OF THE PATH BETWEEN COMPONENT AND CONTROL MODULE

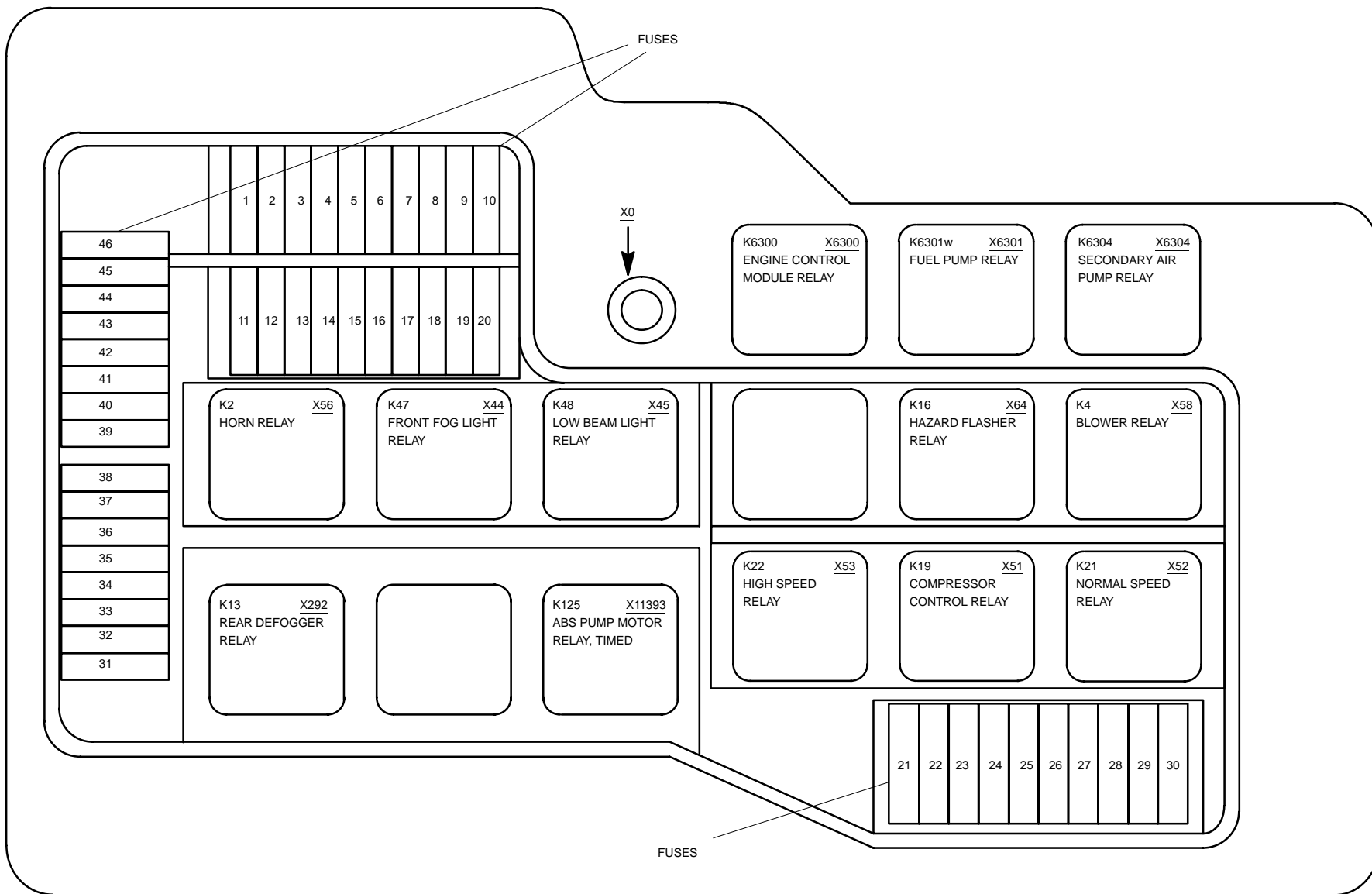
- A = X253 DESCRIPTION OF THE CONTROL MODULE
- B = X254 DESCRIPTION OF THE CONTROL MODULE
- C = X255 CONNECTORS
- D = X332 CONNECTORS

EXAMPLE: CONNECTOR C PIN 1 GOES TO S13, CONNECTOR B PIN 15 GOES TO S14



# 0670.0 POWER DISTRIBUTION CHART

## FRONT POWER DISTRIBUTION BOX

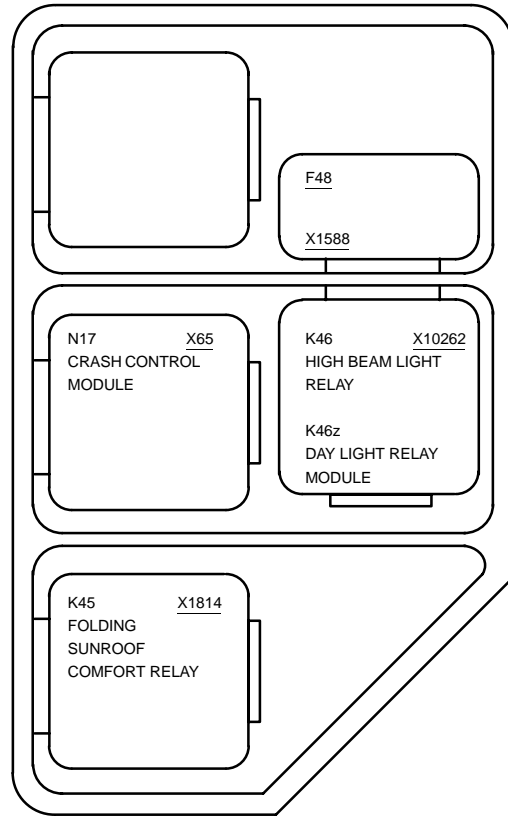






# POWER DISTRIBUTION CHART

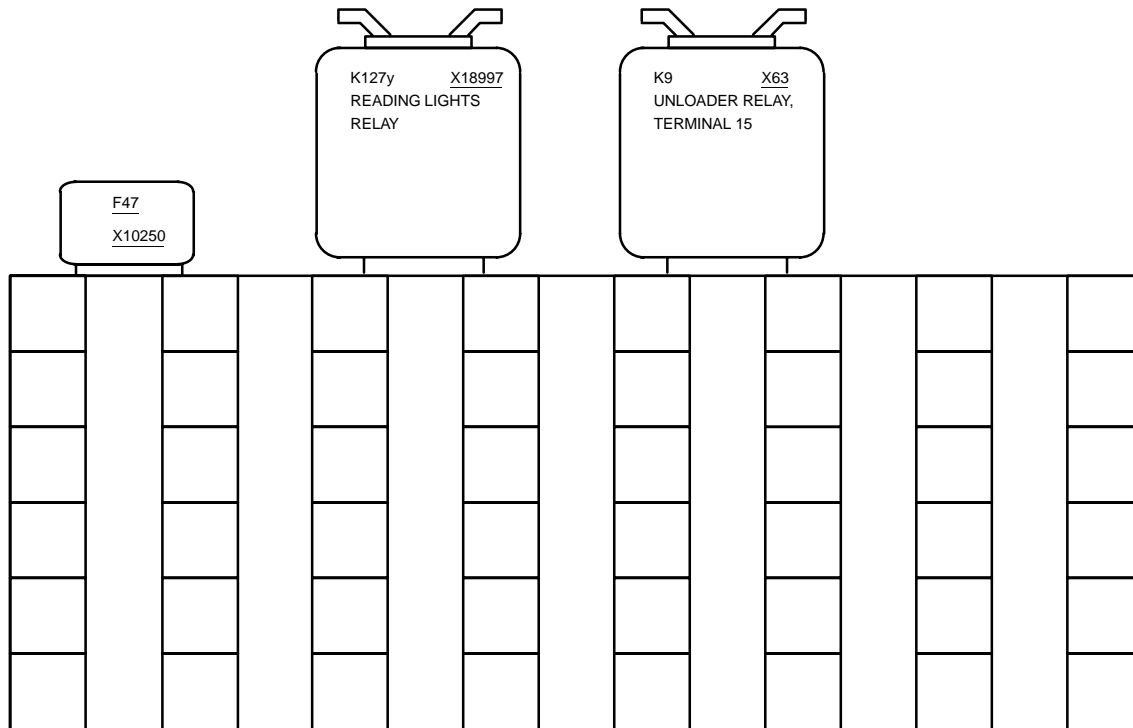
## RELAY PANEL UNDER LH SIDE OF DASHBOARD





# POWER DISTRIBUTION CHART

## SPLICE PANEL UNDER LH SIDE OF DASHBOARD





# 0670.1 FUSE CHART

compact

## FUSES 1 TO 29

	FUSE NUMBER																													
	1	2	3	4	5	6	7	8	9	10	11	12	13	14	15	16	17	18	19	20	21	22	23	24	25	26	27	28	29	
	30A	5A	30A	15A	30A	30A	5A	15A	20A	30A	7.5A	7.5A		30A	15A	5A	15A		30A	5A	5A	5A	10A	5A	10A	5A	5A	7.5A		
<b>1210.20</b> ENGINE CONTROL SYSTEM (DME M5.2, 4-CYLINDER M44)		●														●		●												
<b>1230.0</b> CHARGING SYSTEM																														
<b>1240.0</b> START																													●	
<b>2460.2</b> ELECTRONIC TRANSMISSION CONTROL (EGS A4S 270R)																											●	●	●	
<b>3234.0</b> SUPPLEMENTAL RESTRAINT SYSTEM (AIR BAG)																												●		
<b>3450.1</b> SLIP CONTROL (ABS/ASC)											●											●						●		
<b>5116.0</b> POWER MIRRORS																									●					
<b>5126.0</b> ZKE CENTRAL LOCKING (ZV)										●																			●	
<b>5133.0</b> ZKE POWER WINDOWS (FH)																														
<b>5200.0</b> POWER SEATS																														
<b>5203.0</b> HEATED SEATS																														
<b>5410.1</b> POWER TILT/SLIDE SUNROOF (SHD)																														
<b>5410.4</b> ELECTRIC FOLDING SUNROOF																														
<b>6100.0</b> CENTRAL BODY ELECTRONICS (ZKE IV)																														
<b>6133.0</b> HORN																														
<b>6135.1</b> DRIVE-AWAY PROTECTION (EWS III)																														
<b>6160.1</b> WIPER/WASHER MODULE (WWM)																														
<b>6169.0</b> WINDSHIELD WASHER JET HEATERS																														
<b>6211.0</b> INSTRUMENT CLUSTER																														
<b>6213.0</b> CLOCK																														







# FUSE CHART

## FUSES 30 TO 48

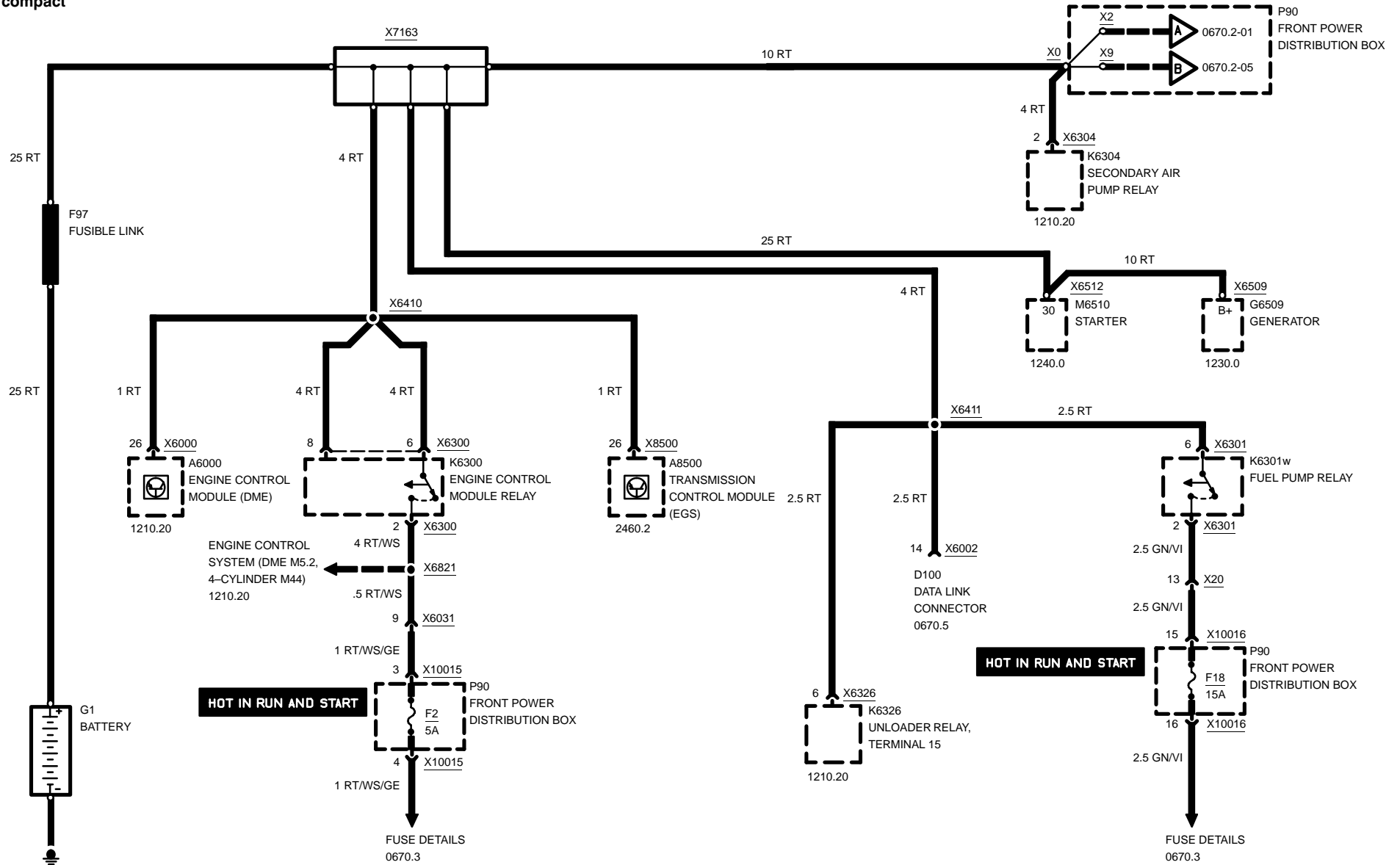
compact

	FUSE NUMBER																		
	30	31	32	33	34	35	36	37	38	39	40	41	42	43	44	45	46	47	48
	7.5A	5A	30A	10A	15A	25A	30A	10A	30A	7.5A	30A		7.5A	5A	15A	7.5A	15A	15A	40A
<b>6300.0</b> LIGHT SWITCH DETAILS				●				●											
<b>6312.0</b> HEADLIGHTS/FOG LIGHTS	●																		
<b>6313.0</b> TURN/HAZARD LIGHTS					●														
<b>6314.0</b> PARK/TAIL/UNDERHOOD LIGHTS				●				●											
<b>6320.0</b> LICENSE PLATE/LUGGAGE COMPARTMENT LIGHTS				●				●										●	
<b>6322.0</b> BACK UP LIGHTS																			
<b>6325.0</b> BRAKE LIGHTS																	●		
<b>6330.3</b> INTERIOR LIGHTS				●										●					
<b>6332.0</b> INTERIOR ACCESSORIES			●					●							●				
<b>6350.0</b> CRASH CONTROL MODULE					●														
<b>6410.7</b> HEATING CONTROL (HS)																			
<b>6424.0</b> REAR WINDOW DEFOGGER																			
<b>6450.6</b> INTEGRATED HEATING- AND CLIMATE CONTROL											●								●
<b>6510.0</b> RADIO/CD PLAYER (PROVISIONS)				●											●				
<b>6510.1</b> RADIO/HIFI				●											●				
<b>6561.0</b> CELLULAR TELEPHONE (PROVISIONS)				●										●					
<b>6571.0</b> CRUISE CONTROL (TEMPOMAT)																	●		
<b>6575.2</b> ANTI-THEFT SYSTEM (ALPINE)														●				●	
<b>6581.3</b> BOARD COMPUTER (BC - LOW)		●															●		



# 0670.2 POWER DISTRIBUTION

compact



03/00

0670.2-00

1999

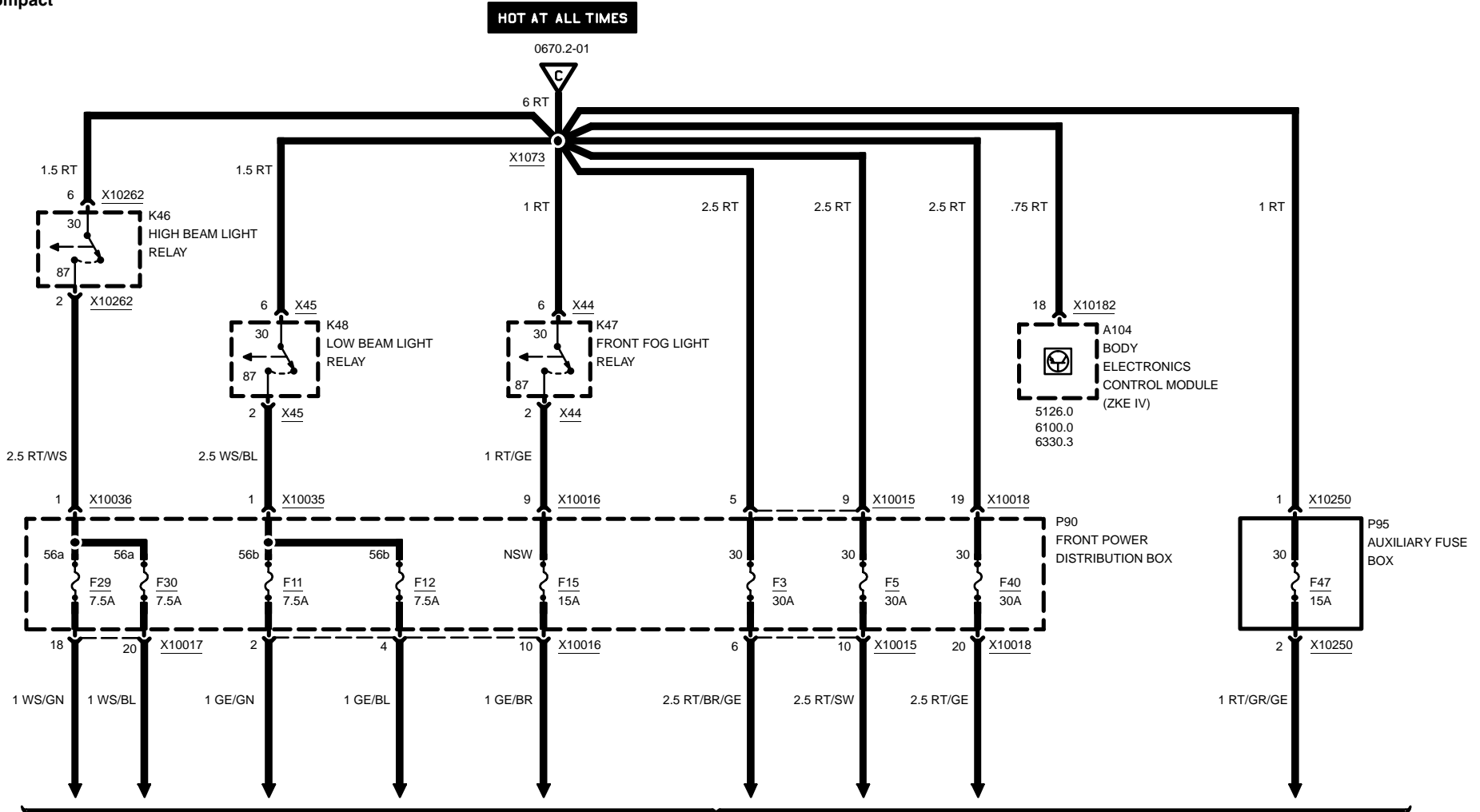






# POWER DISTRIBUTION

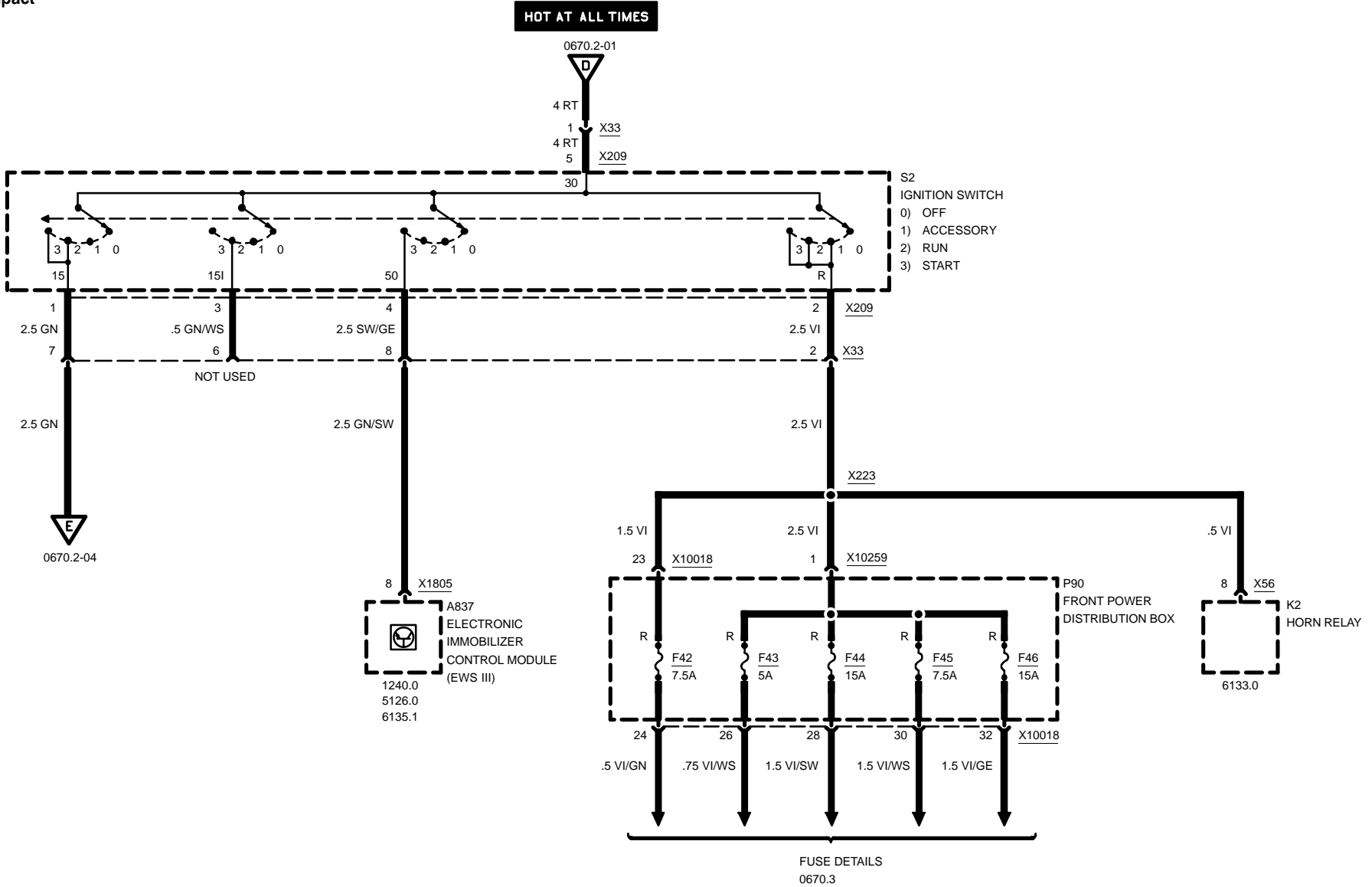
compact



FUSE DETAILS  
0670.3



# POWER DISTRIBUTION



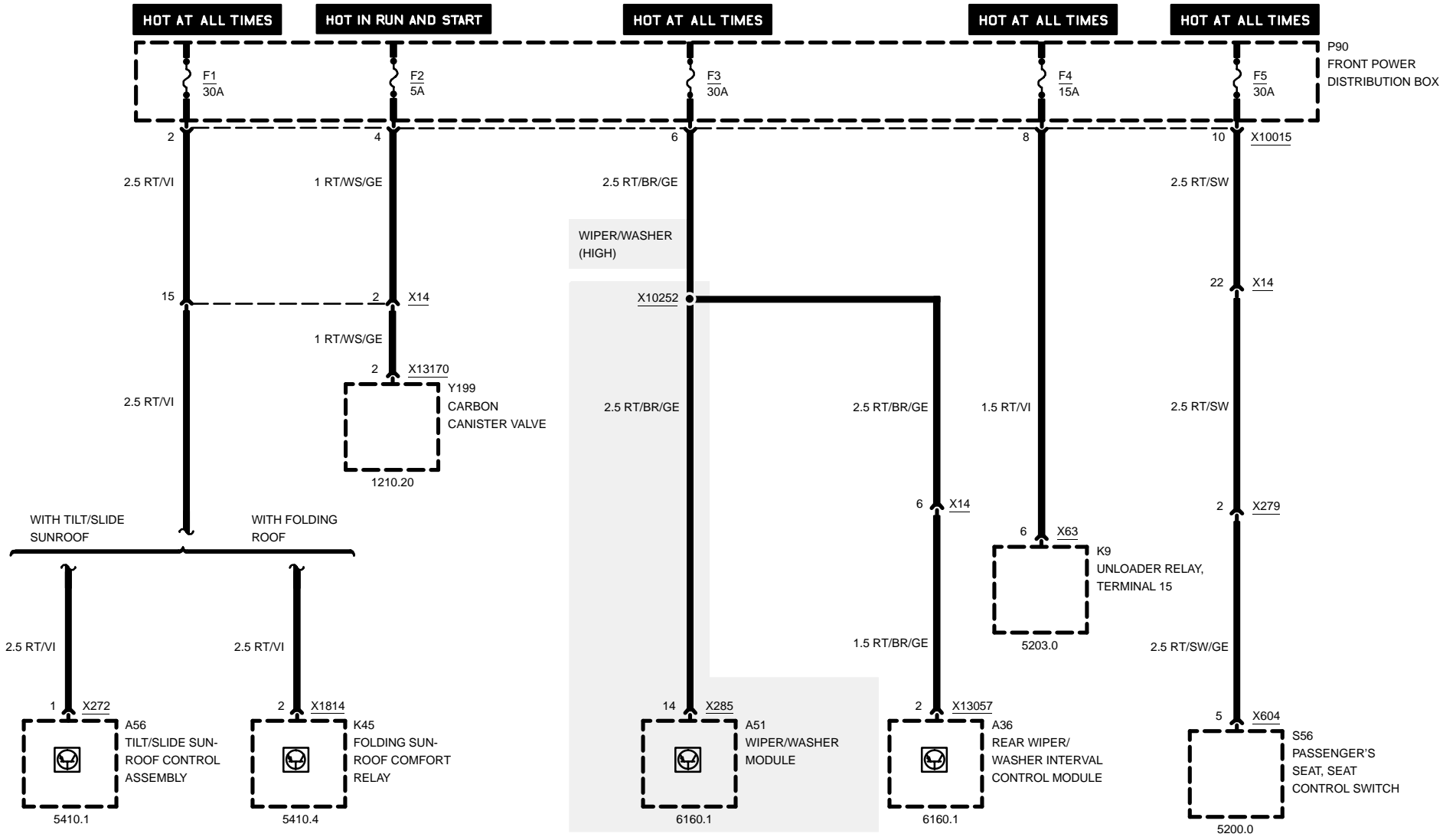






# 0670.3 FUSE DETAILS

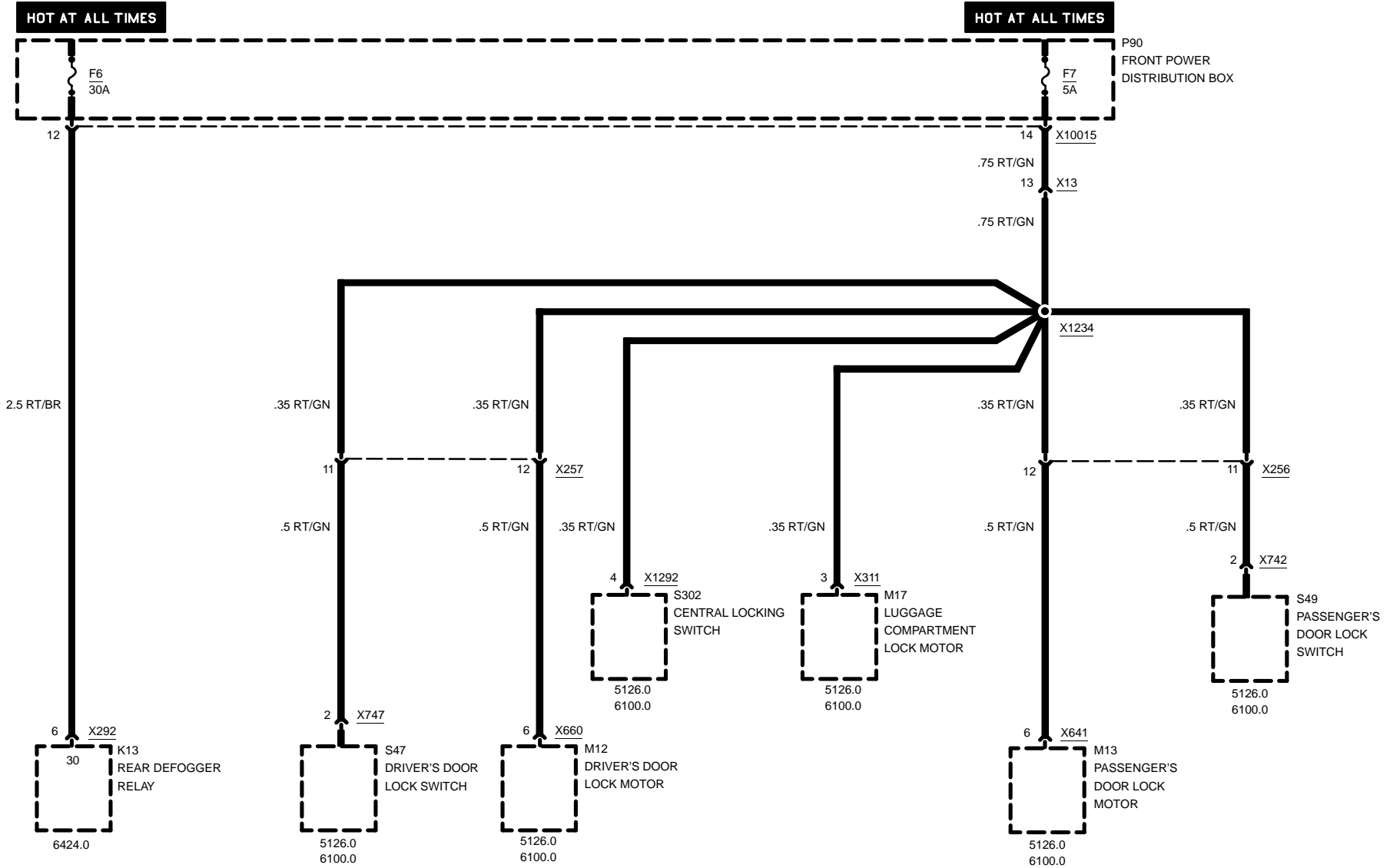
## FUSES 1, 2, 3, 4, AND 5





# FUSE DETAILS

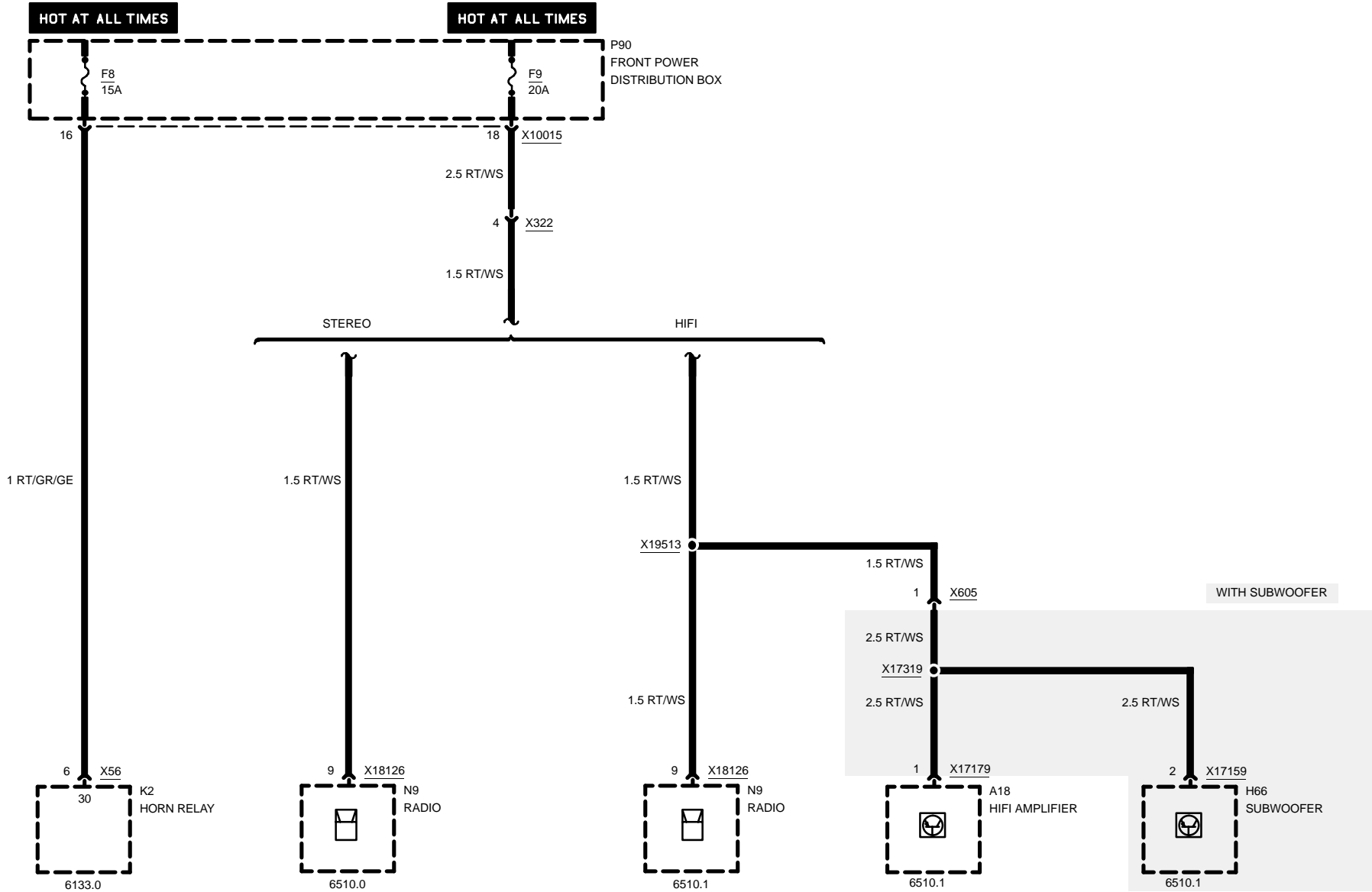
## FUSES 6 AND 7





# FUSE DETAILS

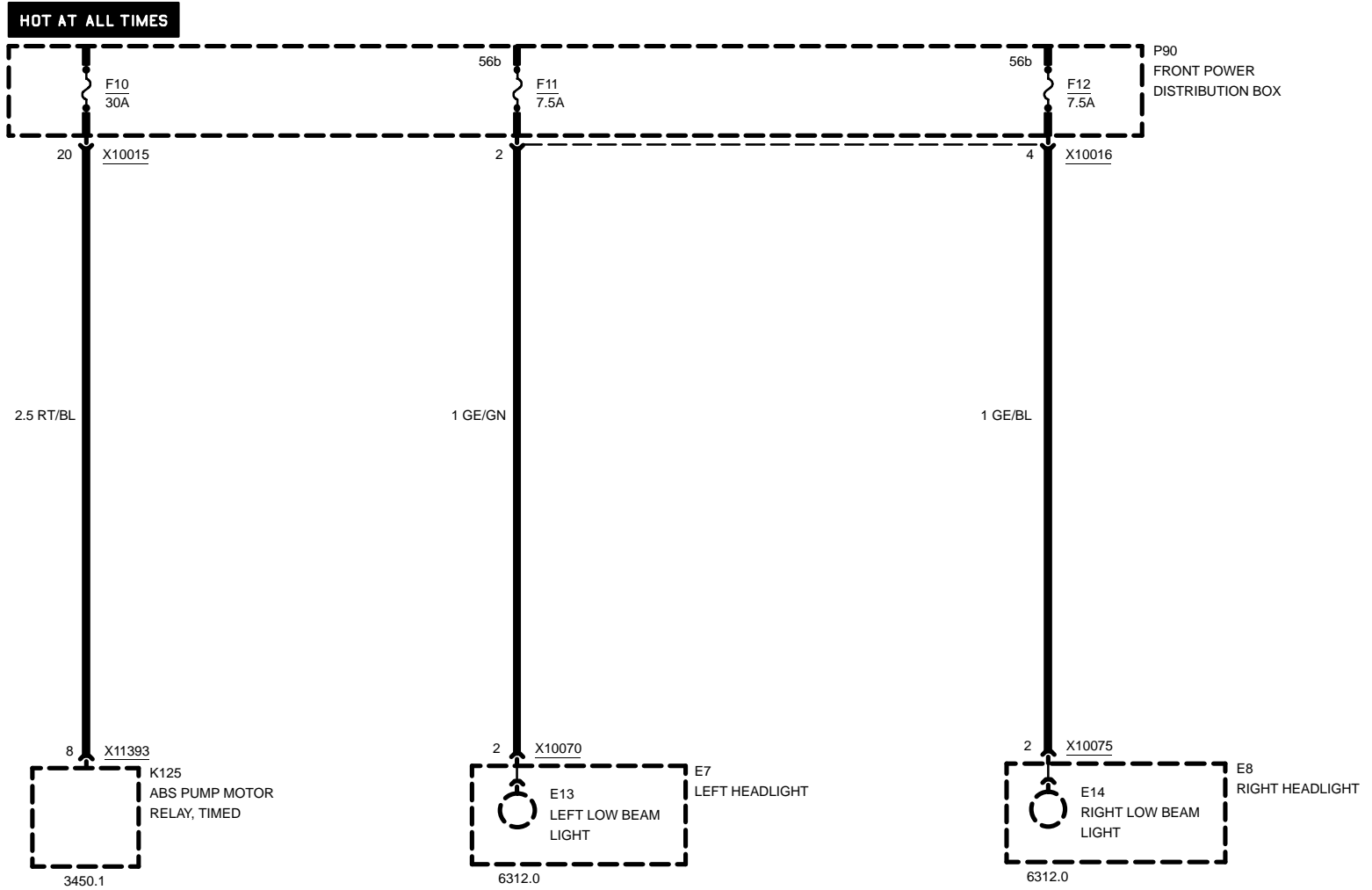
## FUSES 8 AND 9





# FUSE DETAILS

## FUSES 10, 11, AND 12

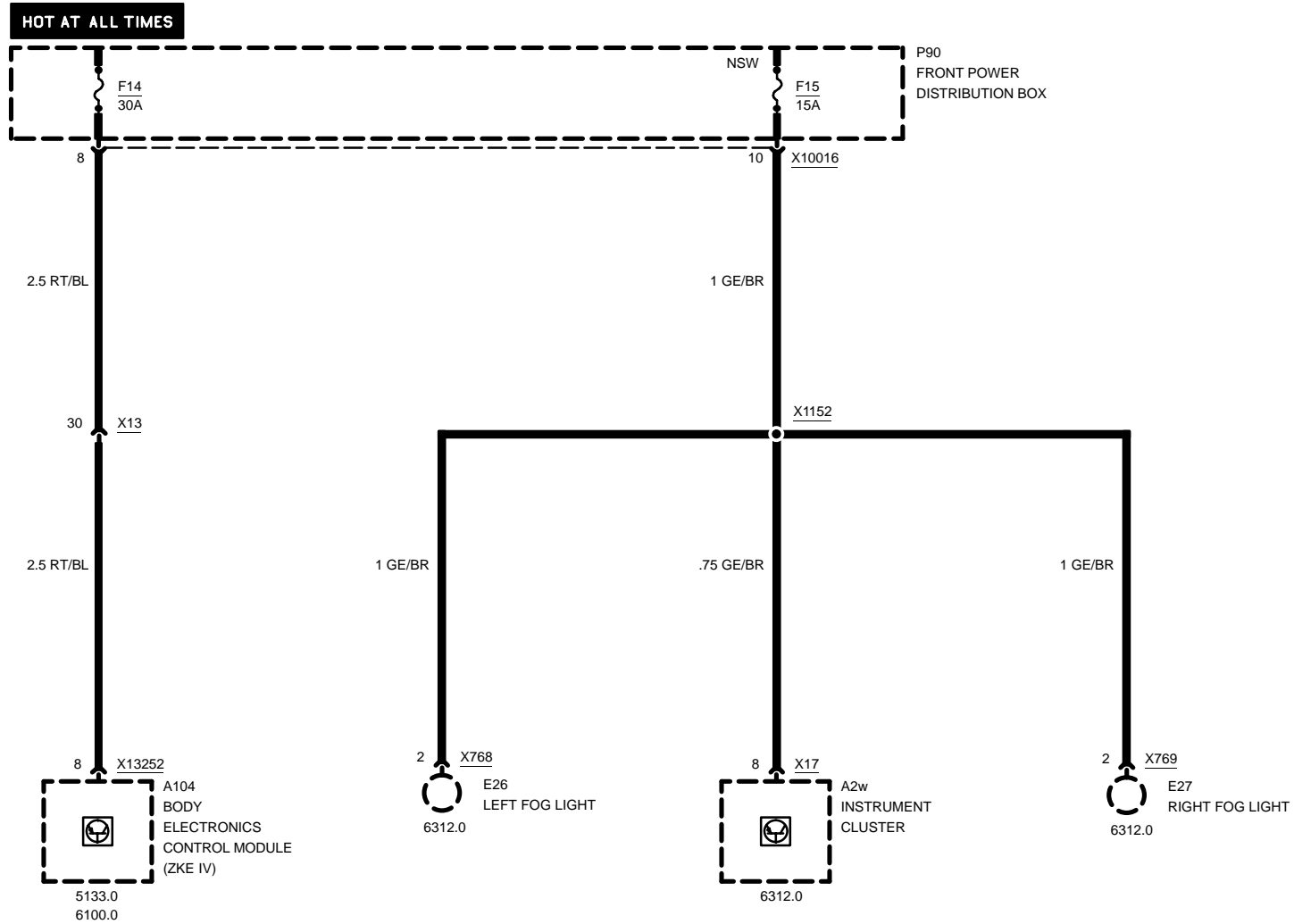






# FUSE DETAILS

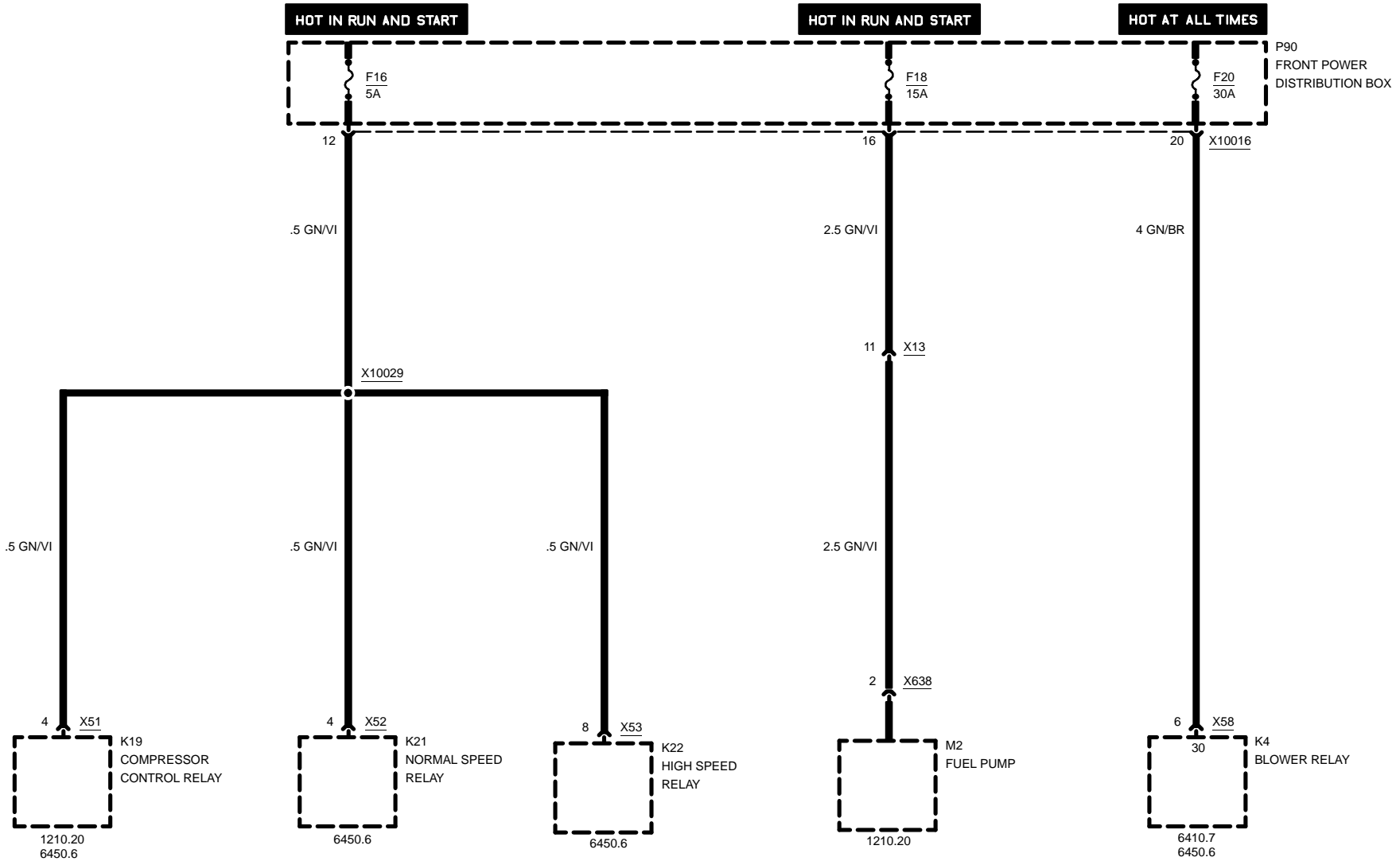
## FUSES 14 AND 15





# FUSE DETAILS

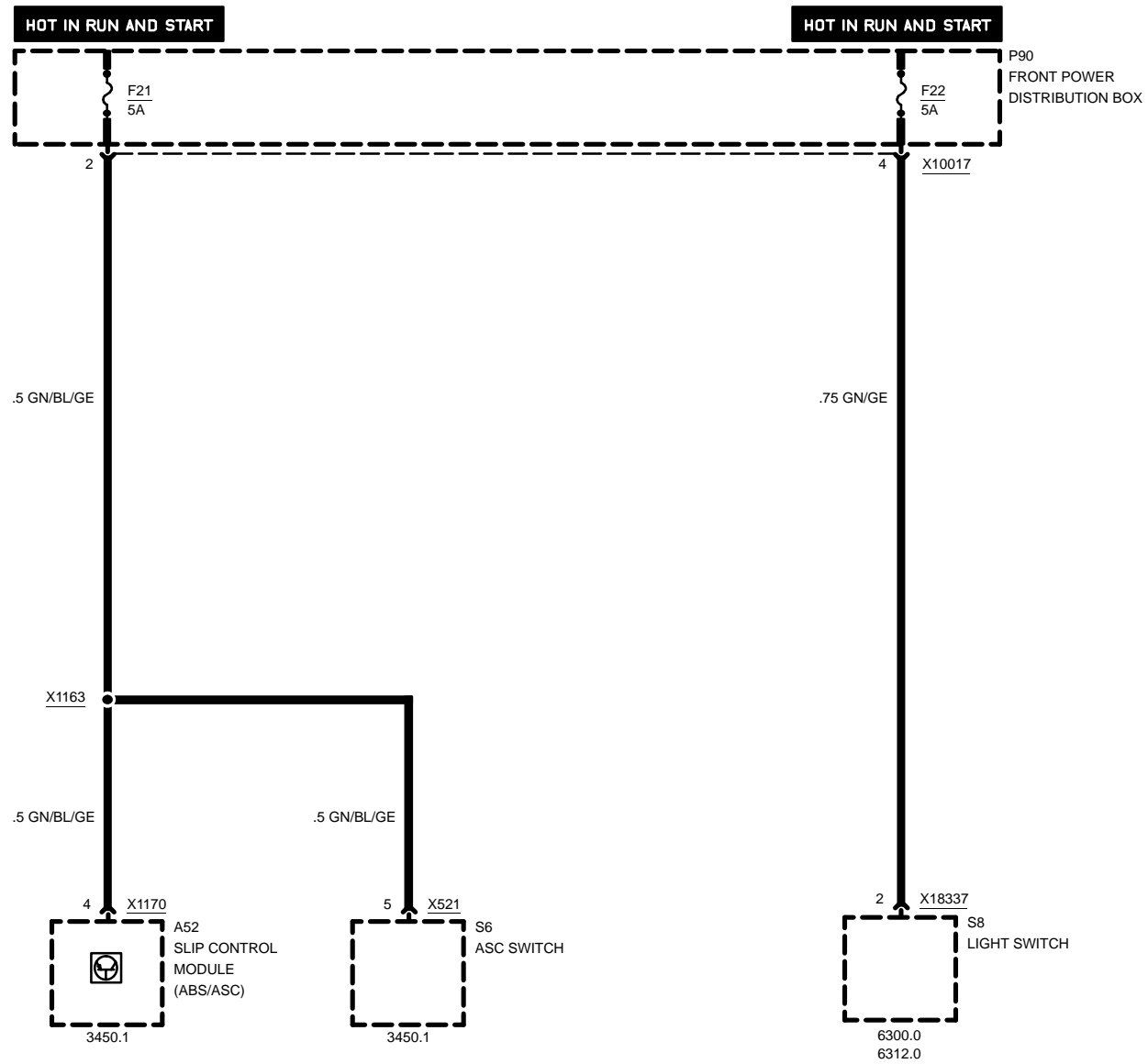
## FUSES 16, 18, AND 20





# FUSE DETAILS

## FUSES 21 AND 22

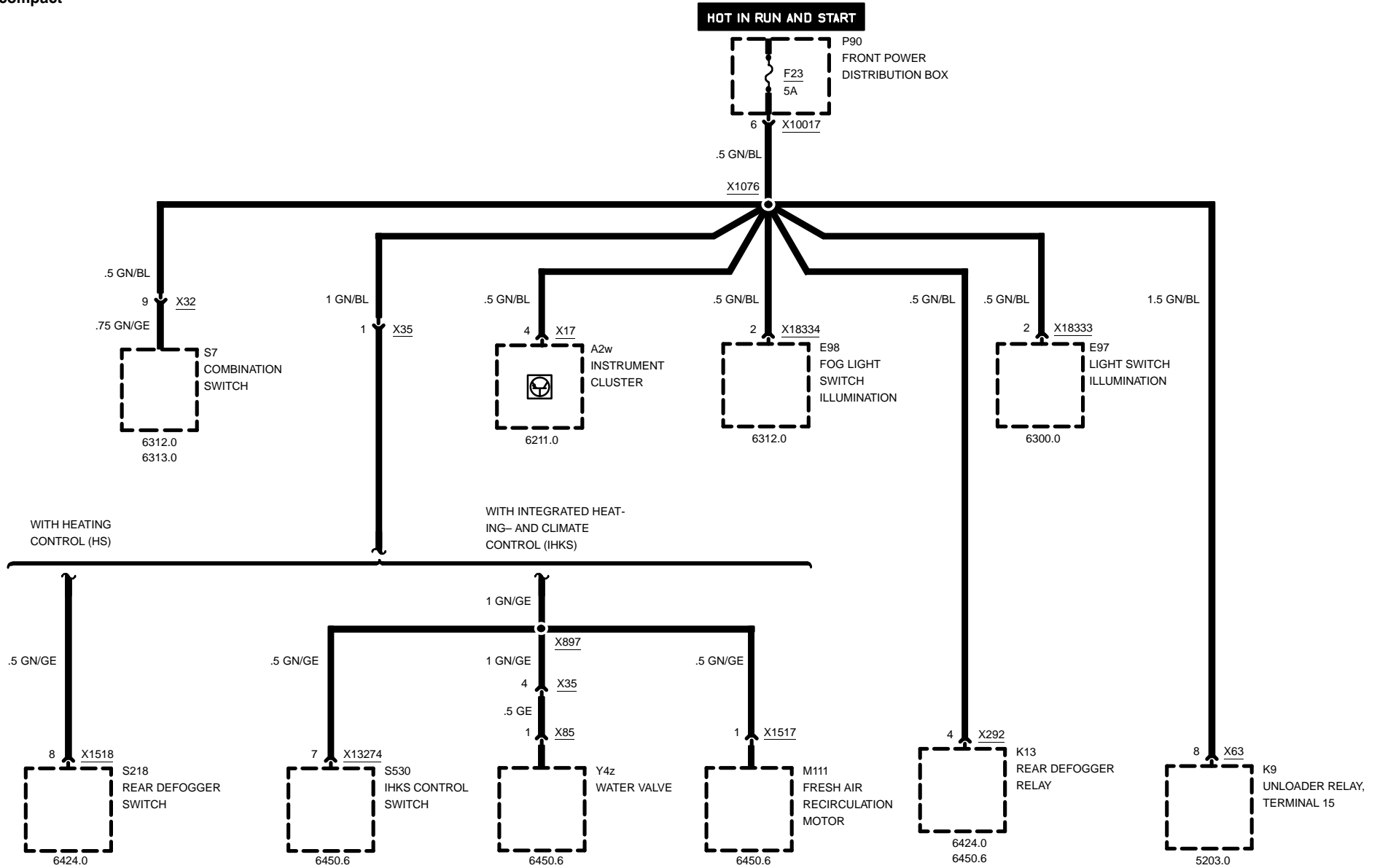




# FUSE DETAILS

## FUSE 23

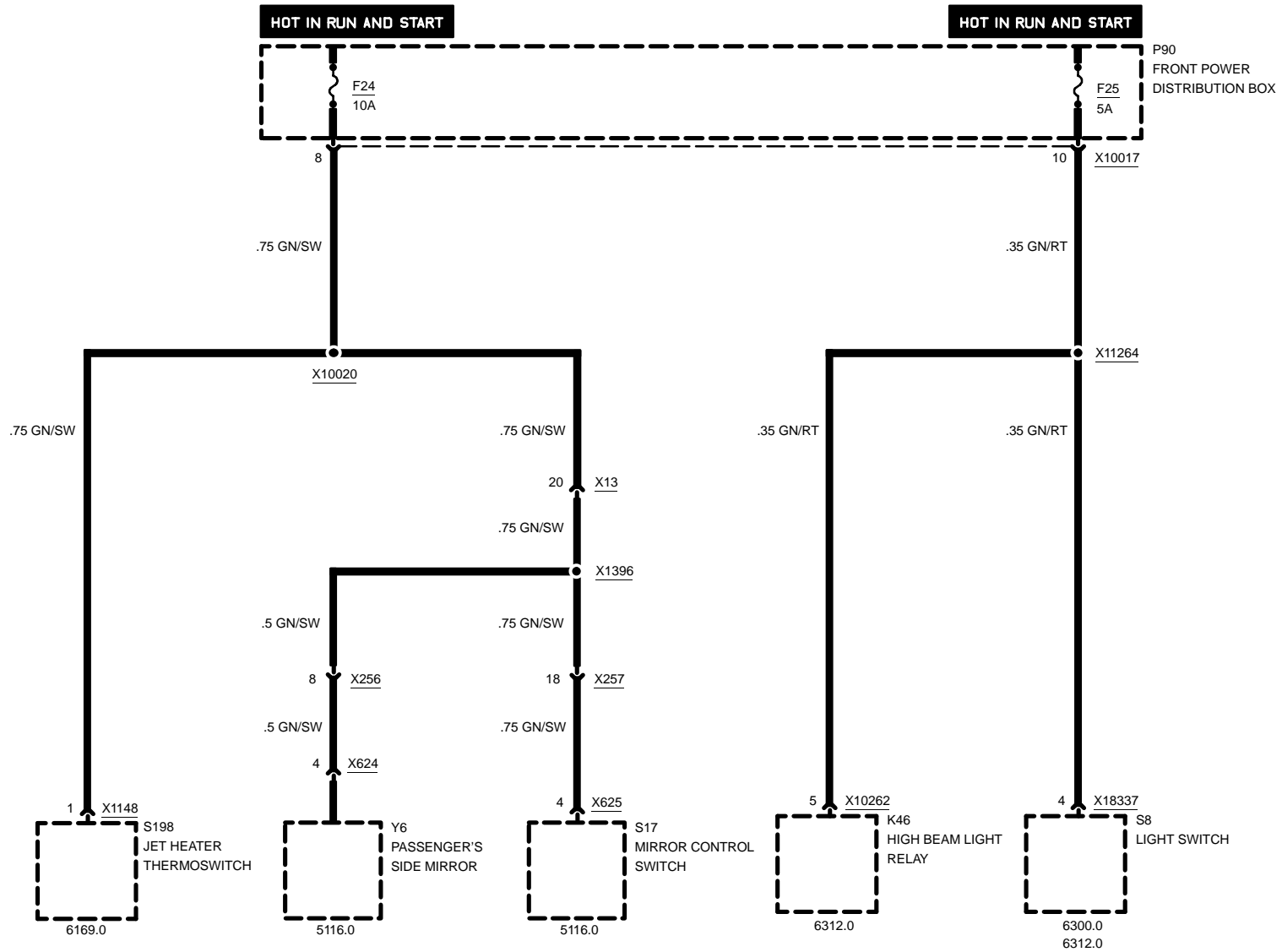
compact





# FUSE DETAILS

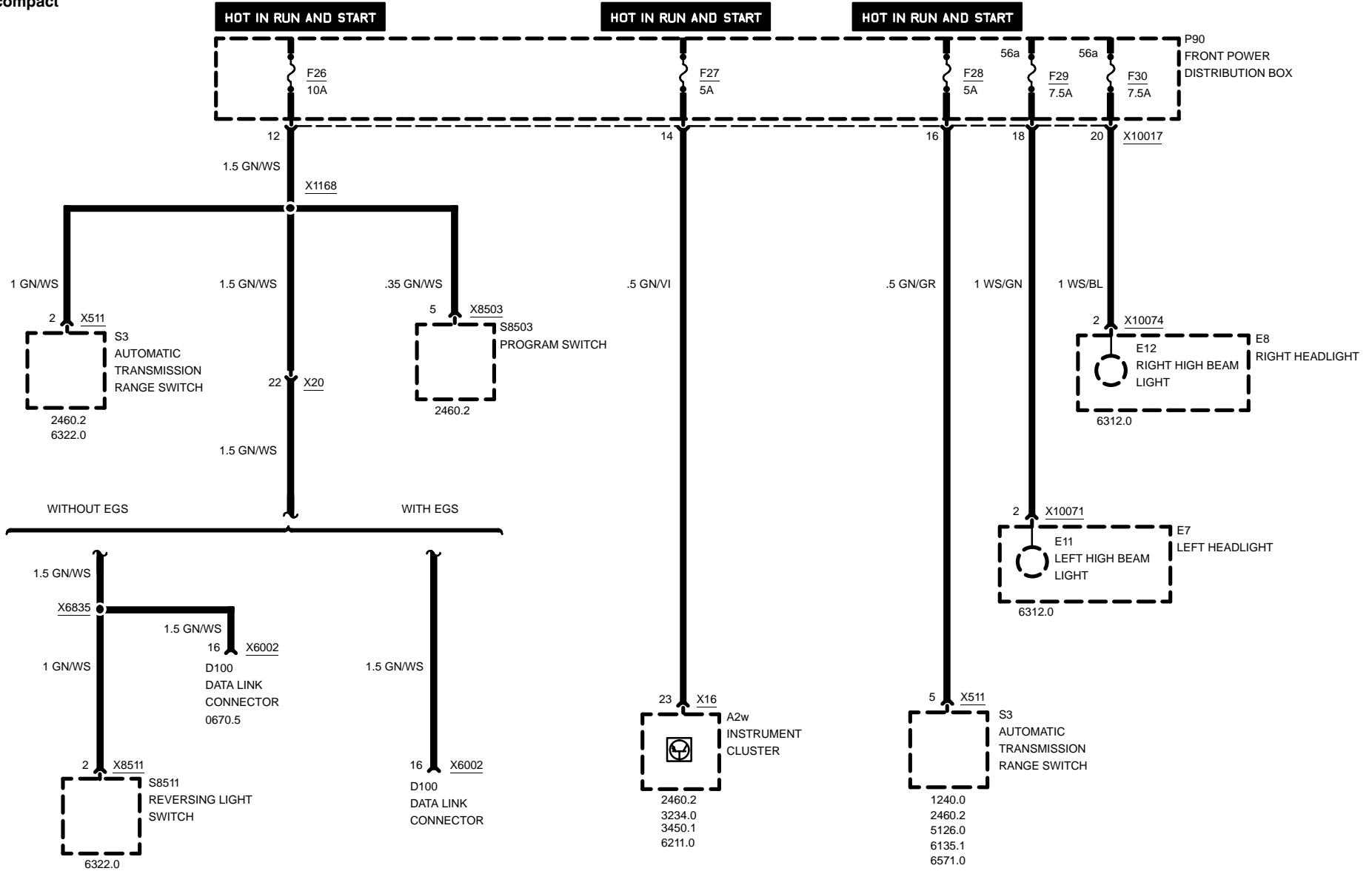
## FUSES 24 AND 25





# FUSE DETAILS

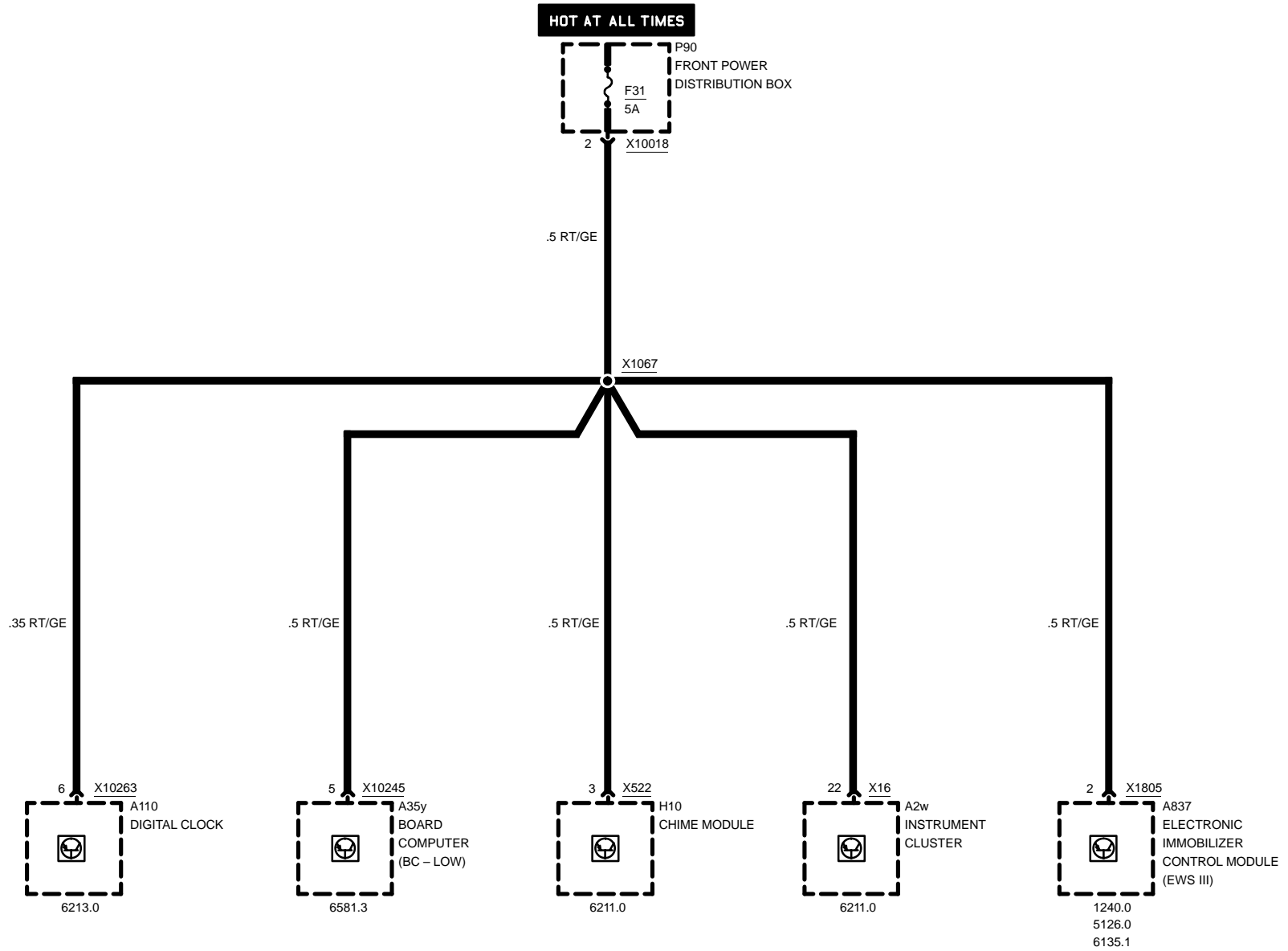
## FUSES 26, 27, 28, 29, AND 30





# FUSE DETAILS

## FUSE 31

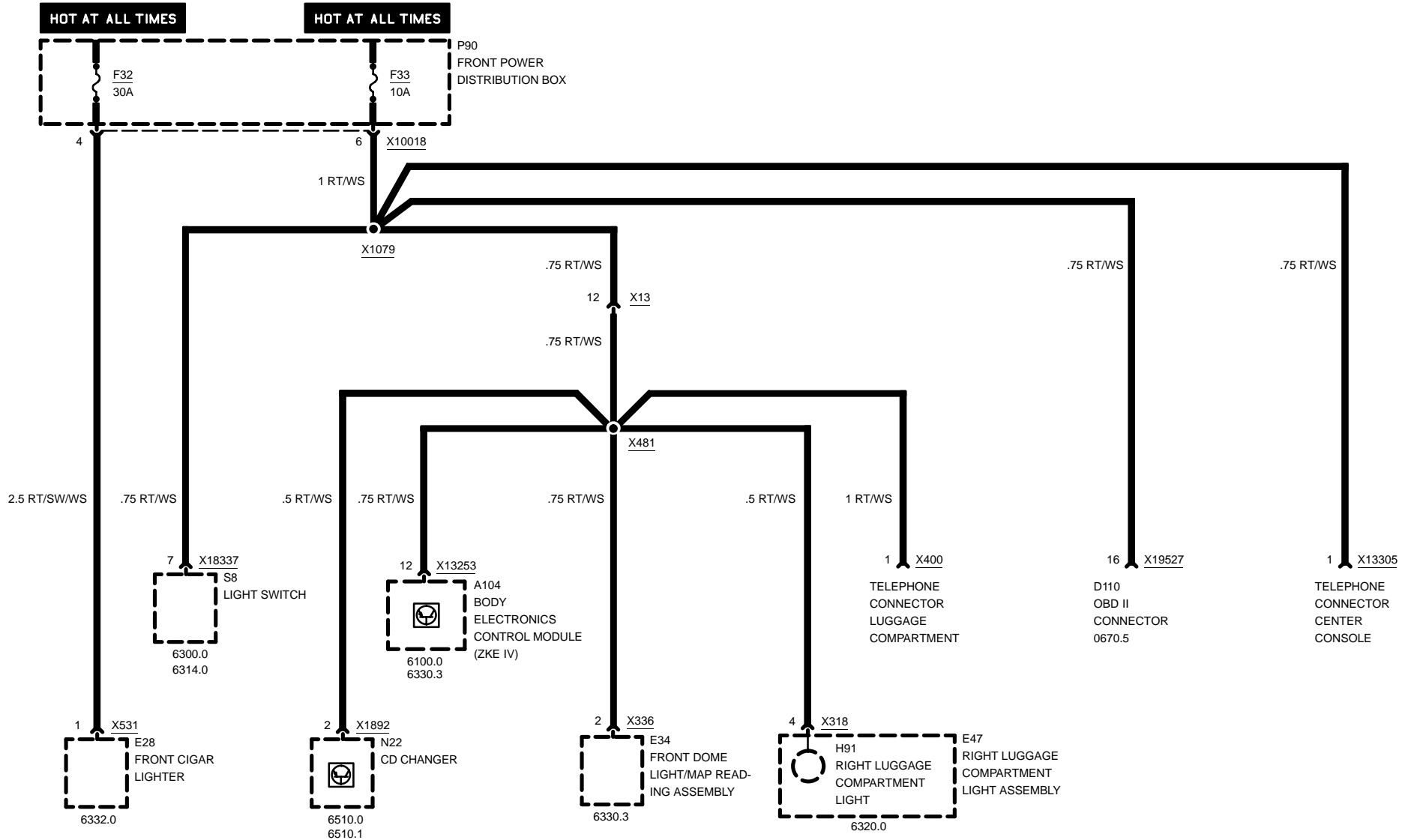




# FUSE DETAILS

## FUSES 32 AND 33

compact

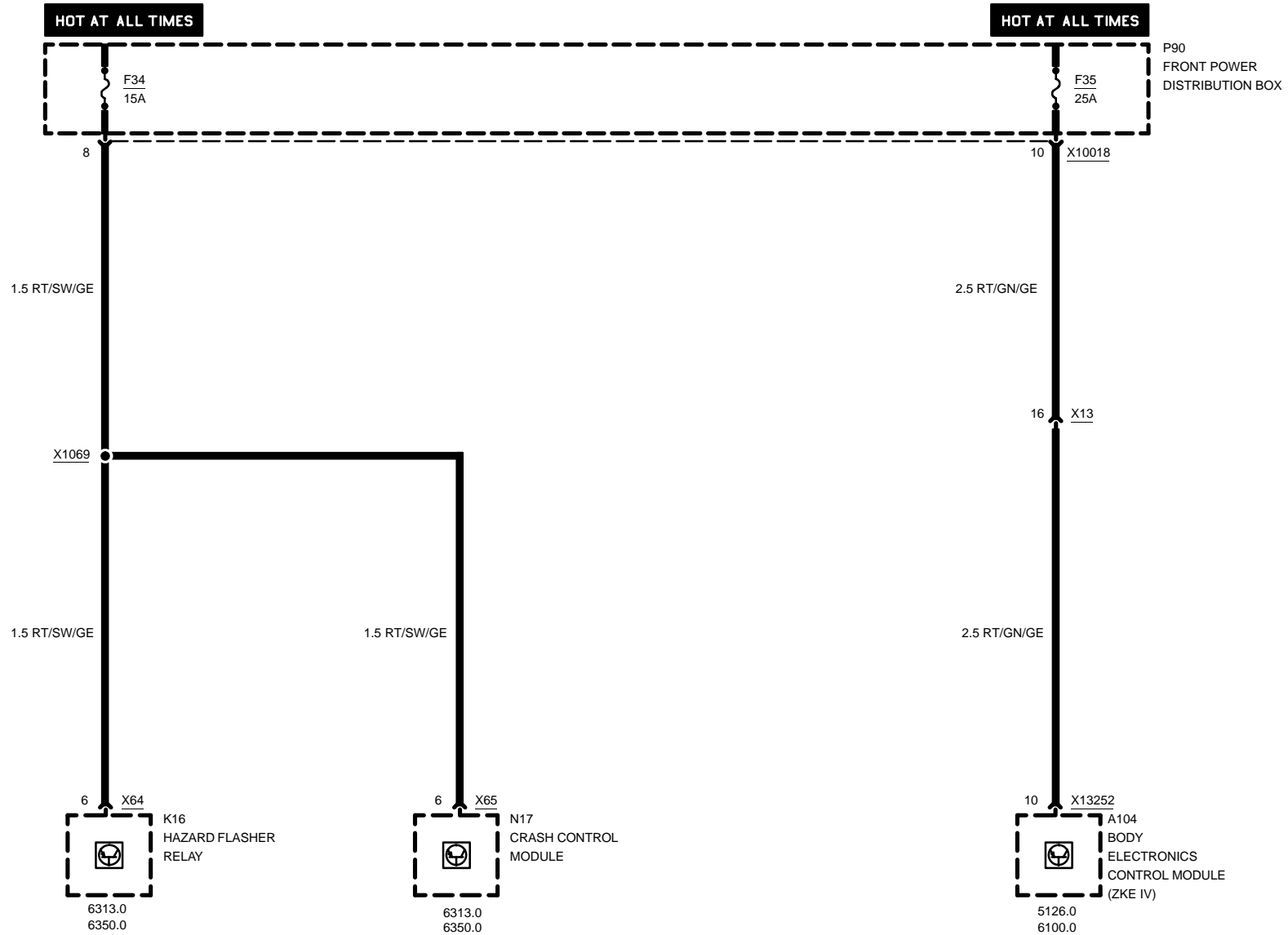






# FUSE DETAILS

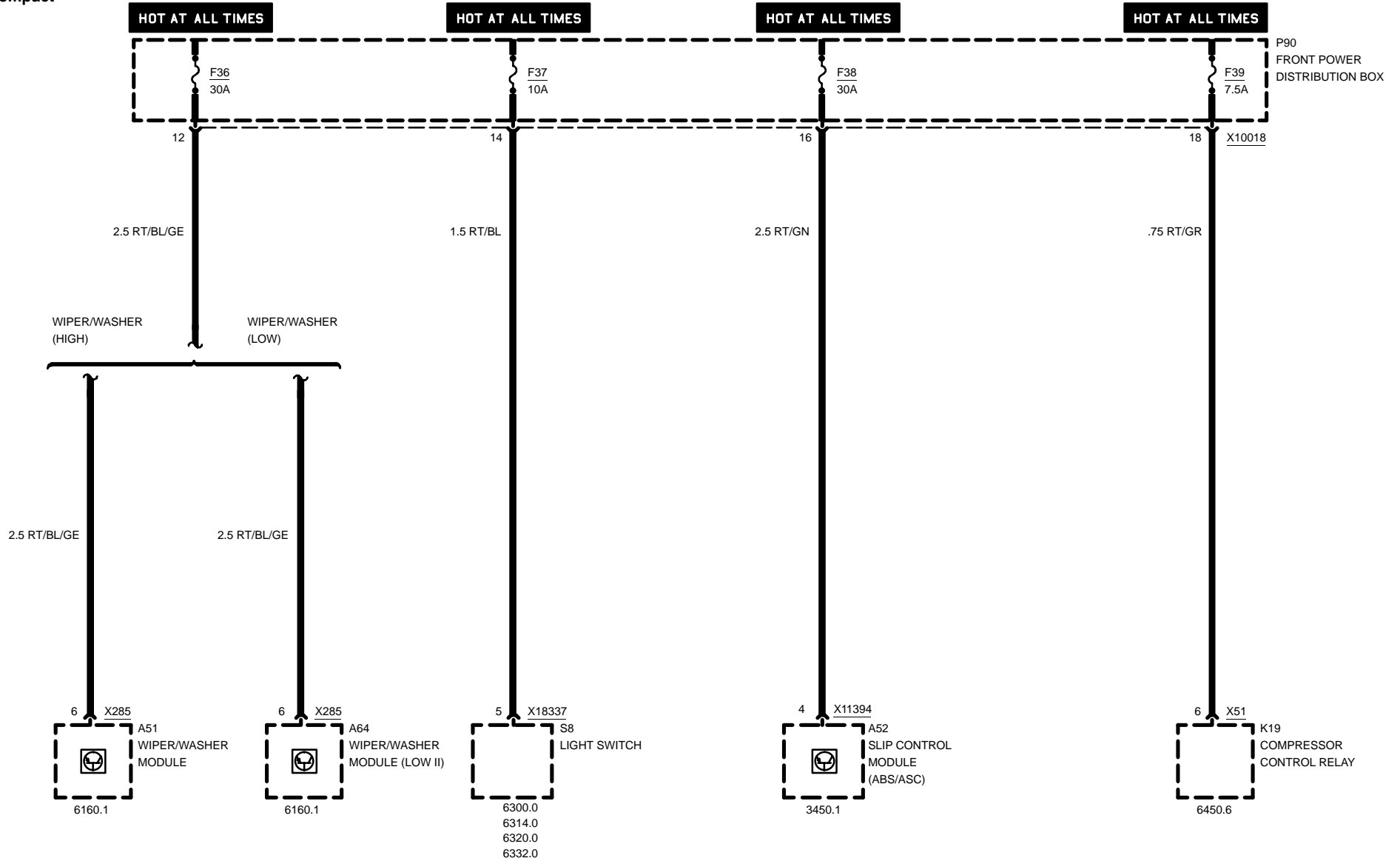
## FUSES 34 AND 35





# FUSE DETAILS

## FUSES 36, 37, 38, AND 39

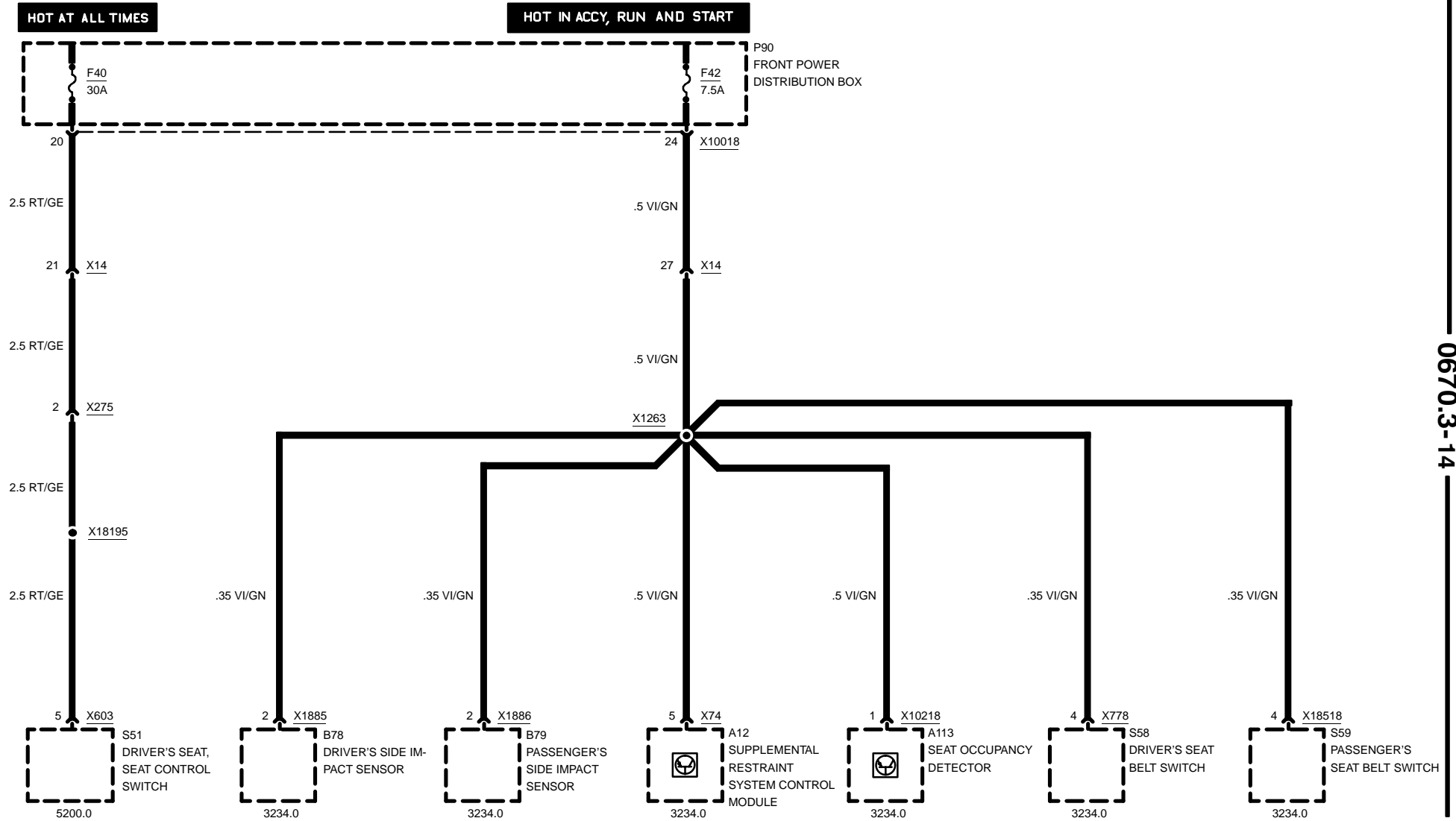




# FUSE DETAILS

## FUSES 40 AND 42

compact

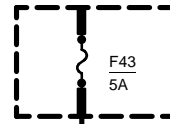




# FUSE DETAILS

## FUSE 43

HOT IN ACCY, RUN AND START



P90  
FRONT POWER  
DISTRIBUTION BOX

26 X10018

.75 VI/WS

X10191

.75 VI/WS

21

X13

.5 VI/WS

X1235

.5 VI/WS

X336

1

E34

FRONT DOME  
LIGHT/MAP READ-  
ING ASSEMBLY

6330.3

.5 VI/WS

5

X400

TELEPHONE  
CONNECTOR  
LUGGAGE  
COMPARTMENT

.75 VI/WS

2

X13025

1

E36

PASSENGER'S  
MAKE-UP MIRROR  
LIGHT

6330.3

.5 VI/WS

5

X13305

TELEPHONE  
CONNECTOR  
CENTER  
CONSOLE

.75 VI/WS

4

X10182

A104  
BODY  
ELECTRONICS  
CONTROL MODULE  
(ZKE IV)

6100.0

.5 VI/WS

3

X381

E35  
DRIVER'S MAKE-  
UP MIRROR LIGHT

6330.3

.5 VI/WS

1

X382

E36  
PASSENGER'S  
MAKE-UP MIRROR  
LIGHT

6330.3

1

E34

FRONT DOME  
LIGHT/MAP READ-  
ING ASSEMBLY

6330.3

1

E34

FRONT DOME  
LIGHT/MAP READ-  
ING ASSEMBLY

6330.3

1

E34

FRONT DOME  
LIGHT/MAP READ-  
ING ASSEMBLY

6330.3

1

E34

FRONT DOME  
LIGHT/MAP READ-  
ING ASSEMBLY

6330.3

1

E34

FRONT DOME  
LIGHT/MAP READ-  
ING ASSEMBLY

6330.3

1

E34

FRONT DOME  
LIGHT/MAP READ-  
ING ASSEMBLY

6330.3

1

E34

FRONT DOME  
LIGHT/MAP READ-  
ING ASSEMBLY

6330.3

1

E34

FRONT DOME  
LIGHT/MAP READ-  
ING ASSEMBLY

6330.3

1

E34

FRONT DOME  
LIGHT/MAP READ-  
ING ASSEMBLY

6330.3

1

E34

FRONT DOME  
LIGHT/MAP READ-  
ING ASSEMBLY

6330.3

1

E34

FRONT DOME  
LIGHT/MAP READ-  
ING ASSEMBLY

6330.3

1

E34

FRONT DOME  
LIGHT/MAP READ-  
ING ASSEMBLY

6330.3

1

E34

FRONT DOME  
LIGHT/MAP READ-  
ING ASSEMBLY

6330.3

1

E34

FRONT DOME  
LIGHT/MAP READ-  
ING ASSEMBLY

6330.3

1

E34

FRONT DOME  
LIGHT/MAP READ-  
ING ASSEMBLY

6330.3

1

E34

FRONT DOME  
LIGHT/MAP READ-  
ING ASSEMBLY

6330.3

1

E34

FRONT DOME  
LIGHT/MAP READ-  
ING ASSEMBLY

6330.3

1

E34

FRONT DOME  
LIGHT/MAP READ-  
ING ASSEMBLY

6330.3

1

E34

FRONT DOME  
LIGHT/MAP READ-  
ING ASSEMBLY

6330.3

1

E34

FRONT DOME  
LIGHT/MAP READ-  
ING ASSEMBLY

6330.3

1

E34

FRONT DOME  
LIGHT/MAP READ-  
ING ASSEMBLY

6330.3

1

E34

FRONT DOME  
LIGHT/MAP READ-  
ING ASSEMBLY

6330.3

1

E34

FRONT DOME  
LIGHT/MAP READ-  
ING ASSEMBLY

6330.3

1

E34

FRONT DOME  
LIGHT/MAP READ-  
ING ASSEMBLY

6330.3

1

E34

FRONT DOME  
LIGHT/MAP READ-  
ING ASSEMBLY

6330.3

1

E34

FRONT DOME  
LIGHT/MAP READ-  
ING ASSEMBLY

6330.3

1

E34

FRONT DOME  
LIGHT/MAP READ-  
ING ASSEMBLY

6330.3

1

E34

FRONT DOME  
LIGHT/MAP READ-  
ING ASSEMBLY

6330.3

1

E34

FRONT DOME  
LIGHT/MAP READ-  
ING ASSEMBLY

6330.3

1

E34

FRONT DOME  
LIGHT/MAP READ-  
ING ASSEMBLY

6330.3

1

E34

FRONT DOME  
LIGHT/MAP READ-  
ING ASSEMBLY

6330.3

1

E34

FRONT DOME  
LIGHT/MAP READ-  
ING ASSEMBLY

6330.3

1

E34

FRONT DOME  
LIGHT/MAP READ-  
ING ASSEMBLY

6330.3

1

E34

FRONT DOME  
LIGHT/MAP READ-  
ING ASSEMBLY

6330.3

1

E34

FRONT DOME  
LIGHT/MAP READ-  
ING ASSEMBLY

6330.3

1

E34

FRONT DOME  
LIGHT/MAP READ-  
ING ASSEMBLY

6330.3

1

E34

FRONT DOME  
LIGHT/MAP READ-  
ING ASSEMBLY

6330.3

1

E34

FRONT DOME  
LIGHT/MAP READ-  
ING ASSEMBLY

6330.3

1

E34

FRONT DOME  
LIGHT/MAP READ-  
ING ASSEMBLY

6330.3

1

E34

FRONT DOME  
LIGHT/MAP READ-  
ING ASSEMBLY

6330.3

1

E34

FRONT DOME  
LIGHT/MAP READ-  
ING ASSEMBLY

6330.3

1

E34

FRONT DOME  
LIGHT/MAP READ-  
ING ASSEMBLY

6330.3

1

E34

FRONT DOME  
LIGHT/MAP READ-  
ING ASSEMBLY

6330.3

1

E34

FRONT DOME  
LIGHT/MAP READ-  
ING ASSEMBLY

6330.3

1

E34

FRONT DOME  
LIGHT/MAP READ-  
ING ASSEMBLY

6330.3

1

E34

FRONT DOME  
LIGHT/MAP READ-  
ING ASSEMBLY

6330.3

1

E34

FRONT DOME  
LIGHT/MAP READ-  
ING ASSEMBLY

6330.3

1

E34

FRONT DOME  
LIGHT/MAP READ-  
ING ASSEMBLY

6330.3

1

E34

FRONT DOME  
LIGHT/MAP READ-  
ING ASSEMBLY

6330.3

1

E34

FRONT DOME  
LIGHT/MAP READ-  
ING ASSEMBLY

6330.3

1

E34

FRONT DOME  
LIGHT/MAP READ-  
ING ASSEMBLY

6330.3

1

E34

FRONT DOME  
LIGHT/MAP READ-  
ING ASSEMBLY

6330.3

1

E34

FRONT DOME  
LIGHT/MAP READ-  
ING ASSEMBLY

6330.3

1

E34

FRONT DOME  
LIGHT/MAP READ-  
ING ASSEMBLY

6330.3

1

E34

FRONT DOME  
LIGHT/MAP READ-  
ING ASSEMBLY

6330.3

1

E34

FRONT DOME  
LIGHT/MAP READ-  
ING ASSEMBLY

6330.3

1

E34

FRONT DOME  
LIGHT/MAP READ-  
ING ASSEMBLY

6330.3

1

E34

FRONT DOME  
LIGHT/MAP READ-  
ING ASSEMBLY

6330.3

1

E34

FRONT DOME  
LIGHT/MAP READ-  
ING ASSEMBLY

6330.3

1

E34

FRONT DOME  
LIGHT/MAP READ-  
ING ASSEMBLY

6330.3

1

E34

FRONT DOME  
LIGHT/MAP READ-  
ING ASSEMBLY

6330.3

1

E34

FRONT DOME  
LIGHT/MAP READ-  
ING ASSEMBLY

6330.3

1

E34

FRONT DOME  
LIGHT/MAP READ-  
ING ASSEMBLY

6330.3

1

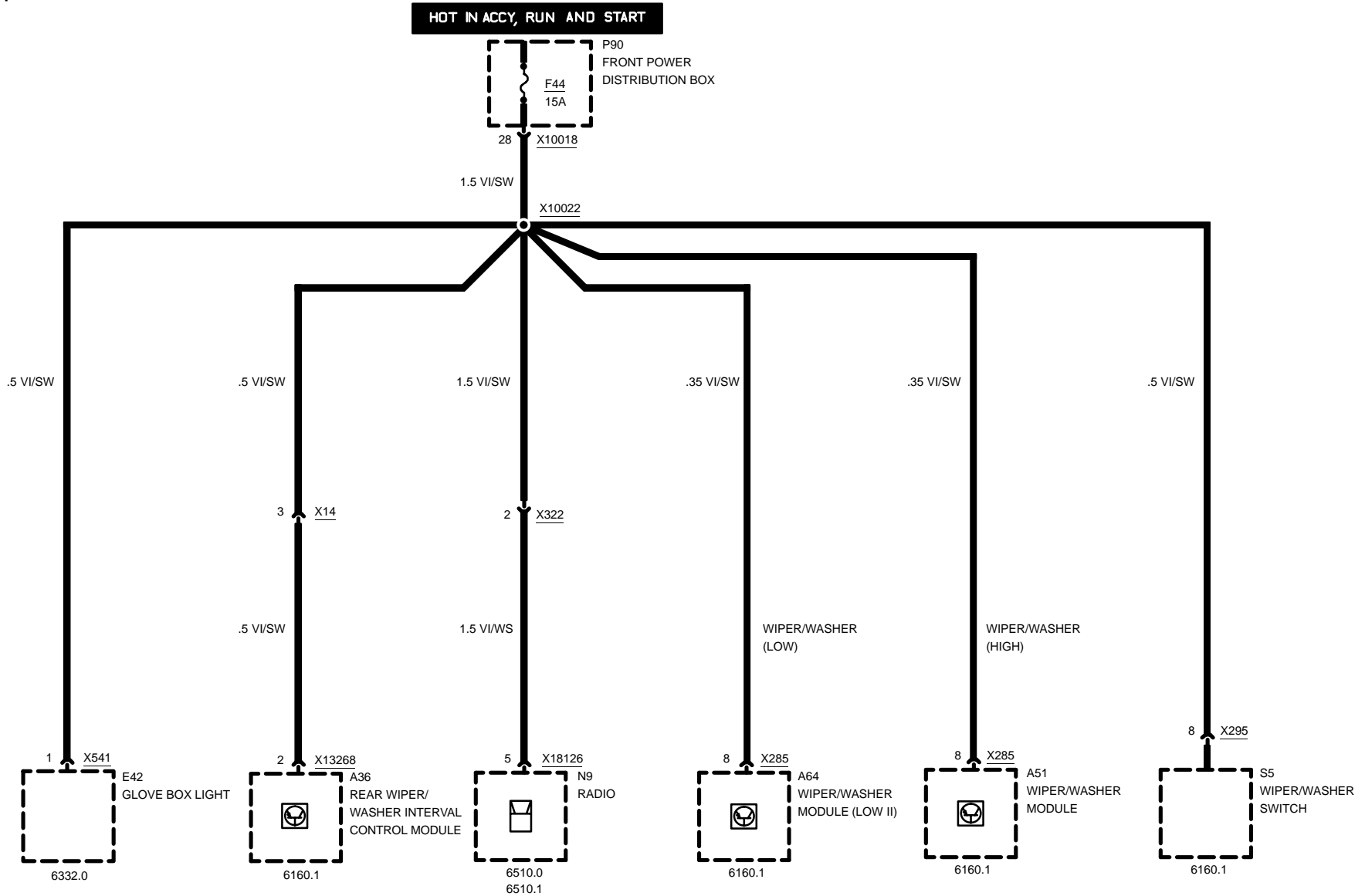
E34

FRONT DOME  
LIGHT/MAP READ-  
ING ASSEMBLY



# FUSE DETAILS

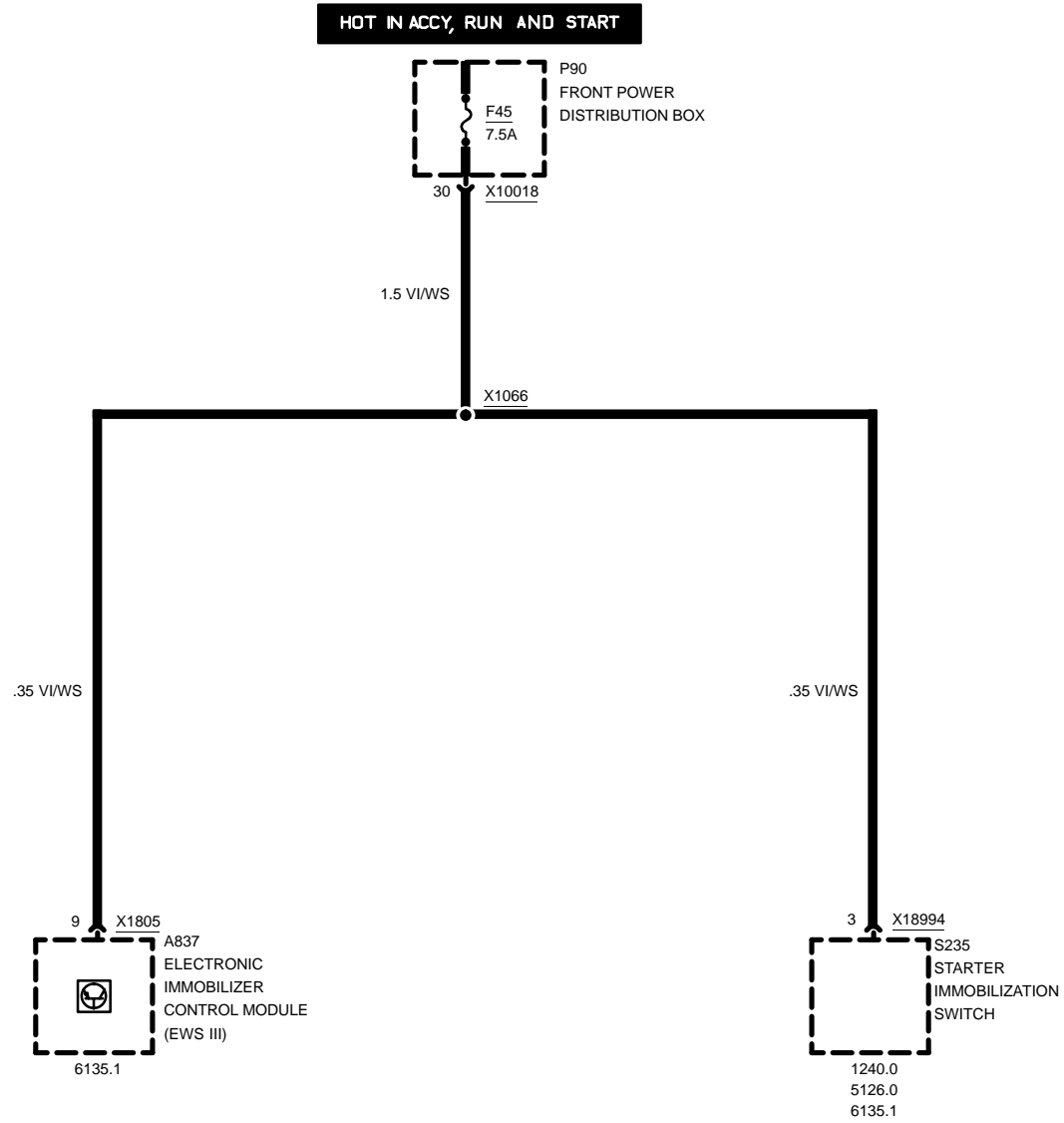
## FUSE 44





# FUSE DETAILS

## FUSE 45

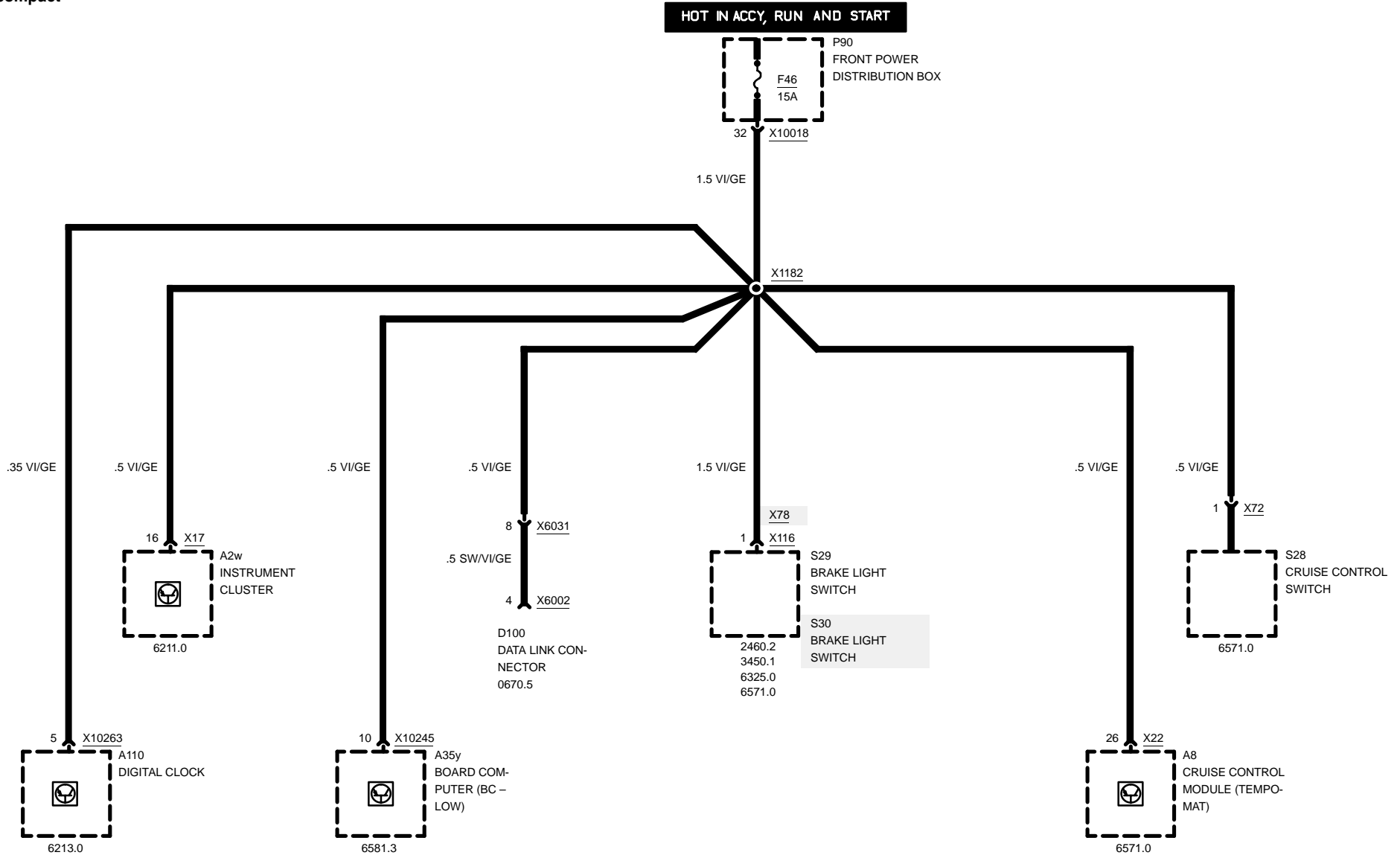




# FUSE DETAILS

## FUSE 46

compact



03/00

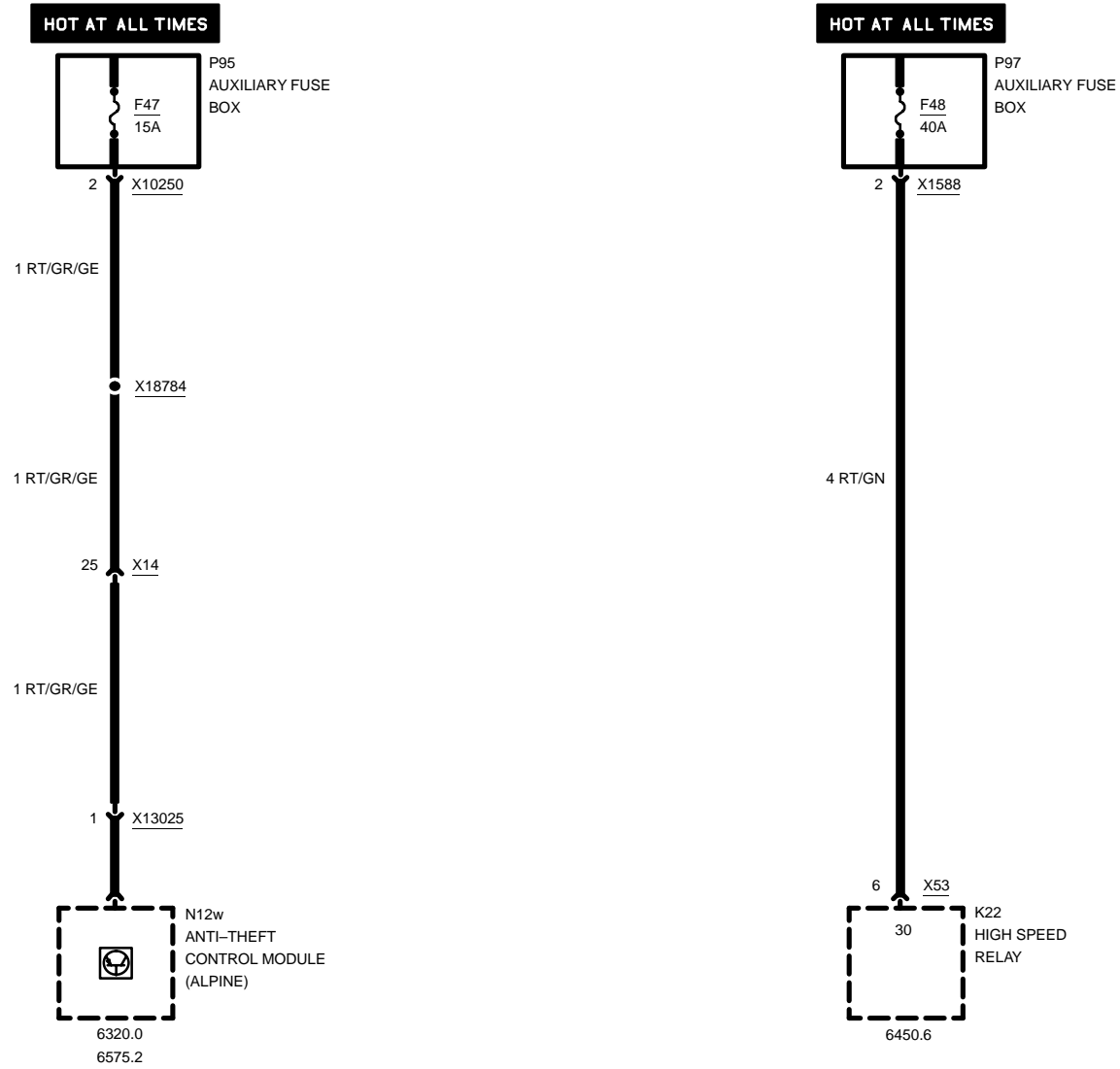
0670.3-18

1999



# FUSE DETAILS

## FUSES 47 AND 48



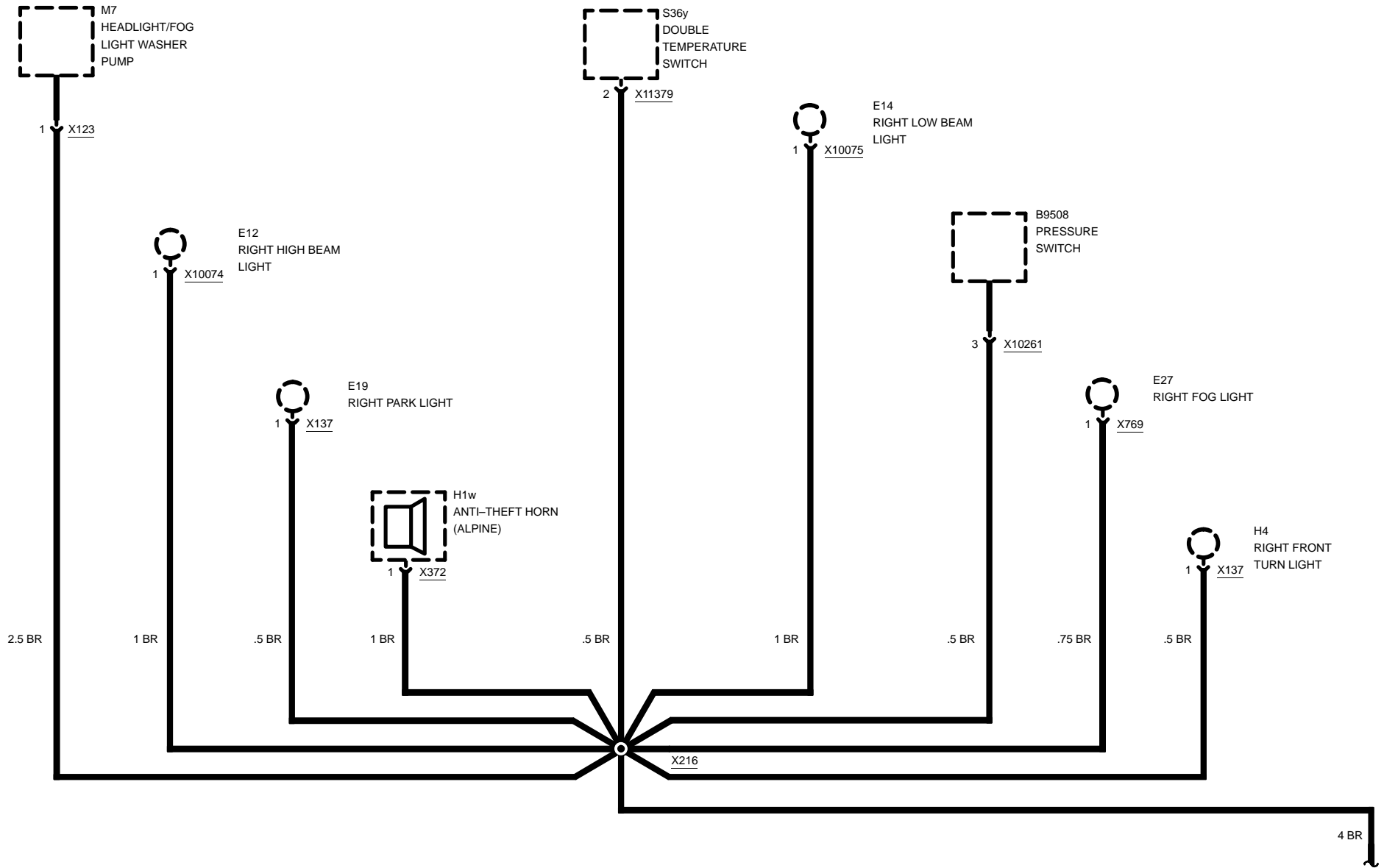




# 0670.4 GROUND DISTRIBUTION

## GROUND X165

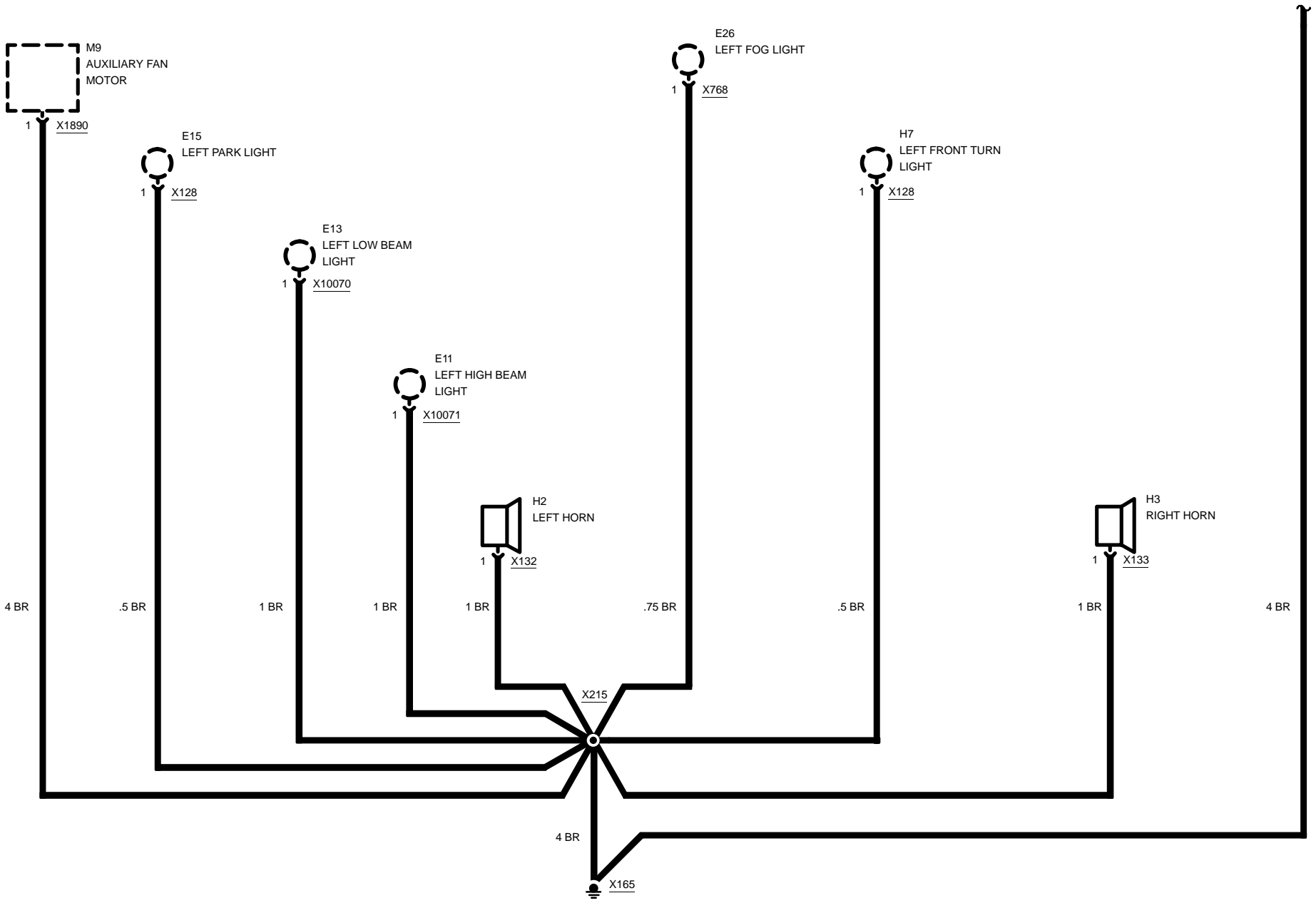
compact



03/00

0670.4-00

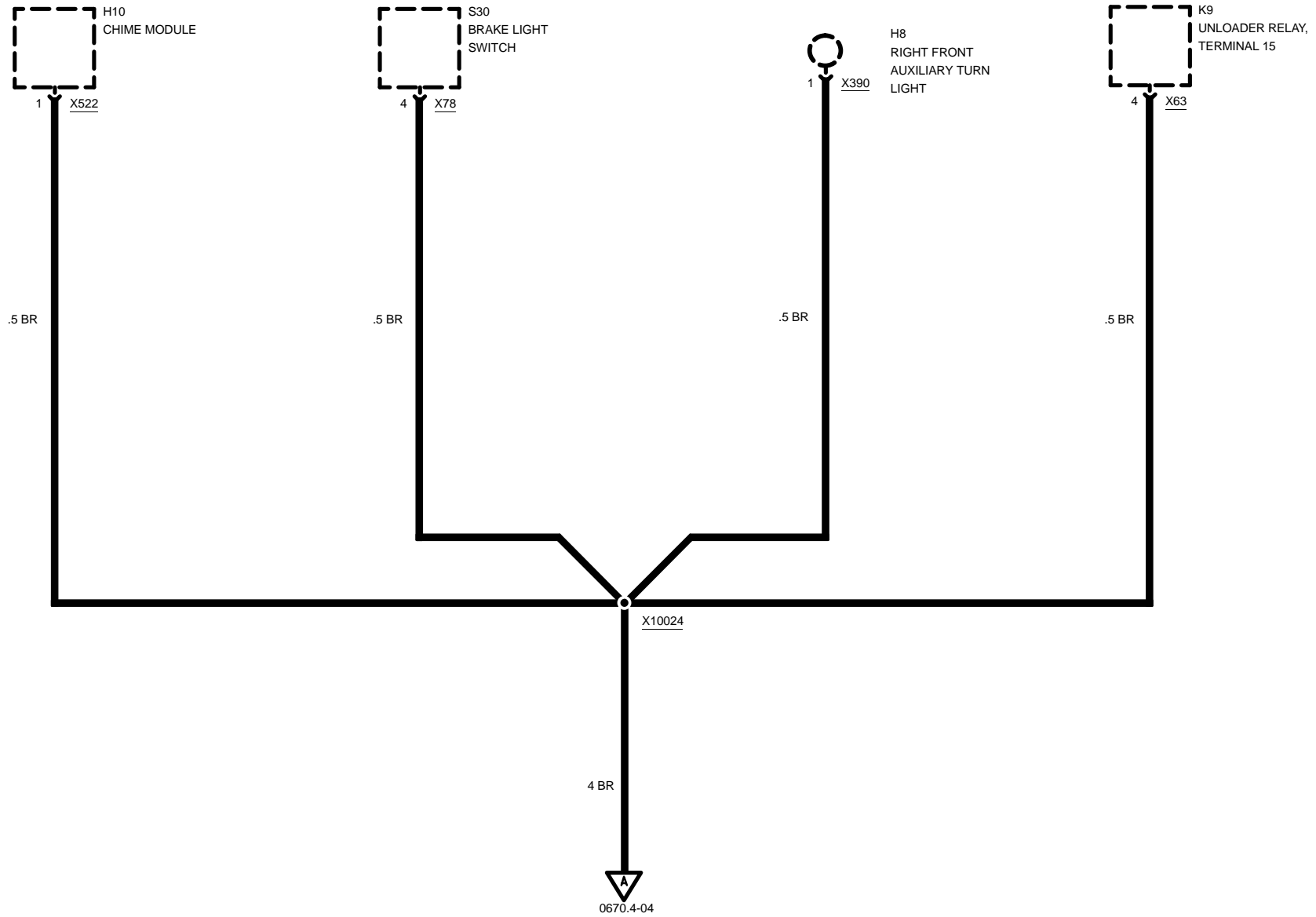
1999





# GROUND DISTRIBUTION

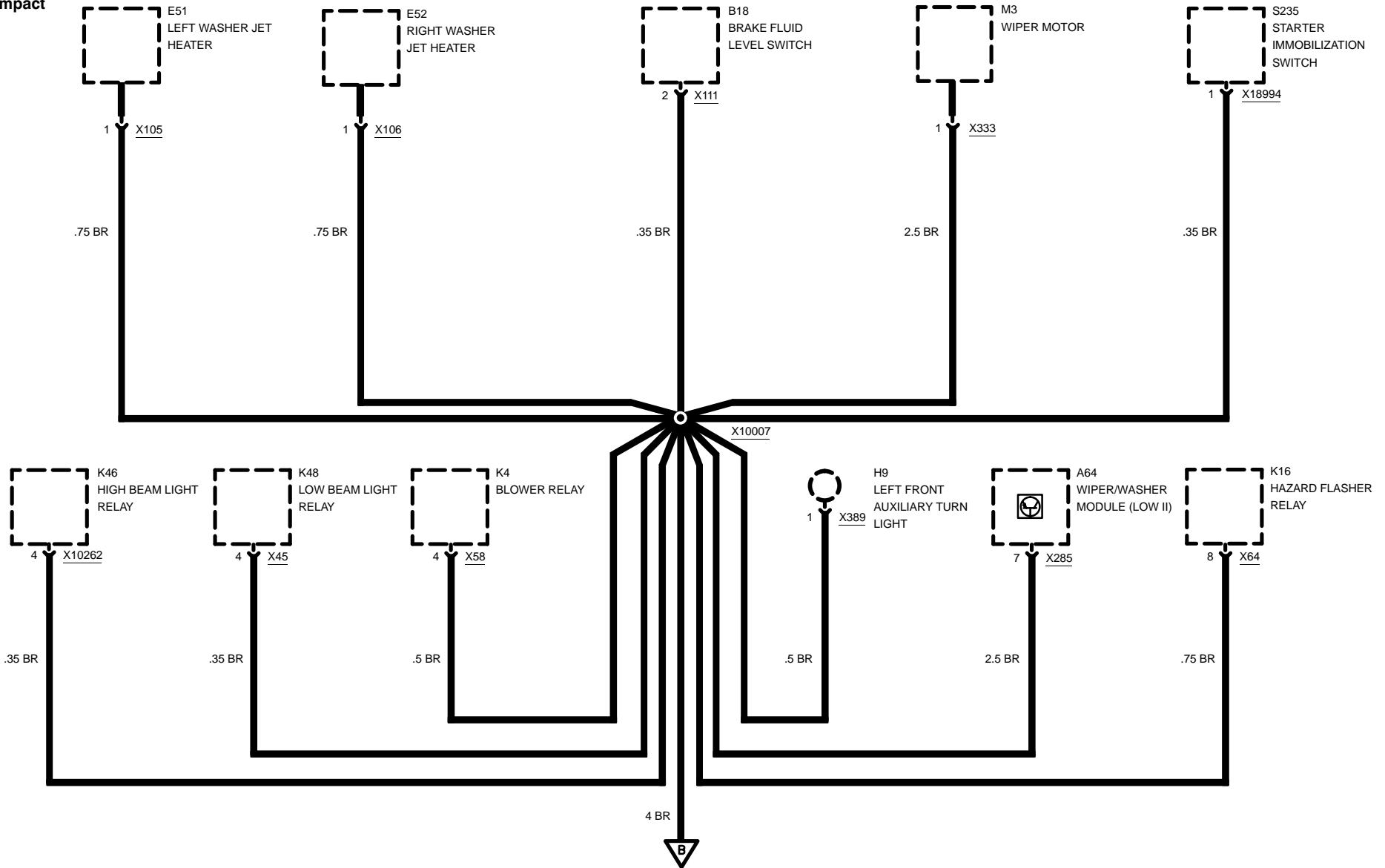
## GROUND X173





# GROUND DISTRIBUTION

## GROUND X173



0670.4-04

03/00

0670.4-03

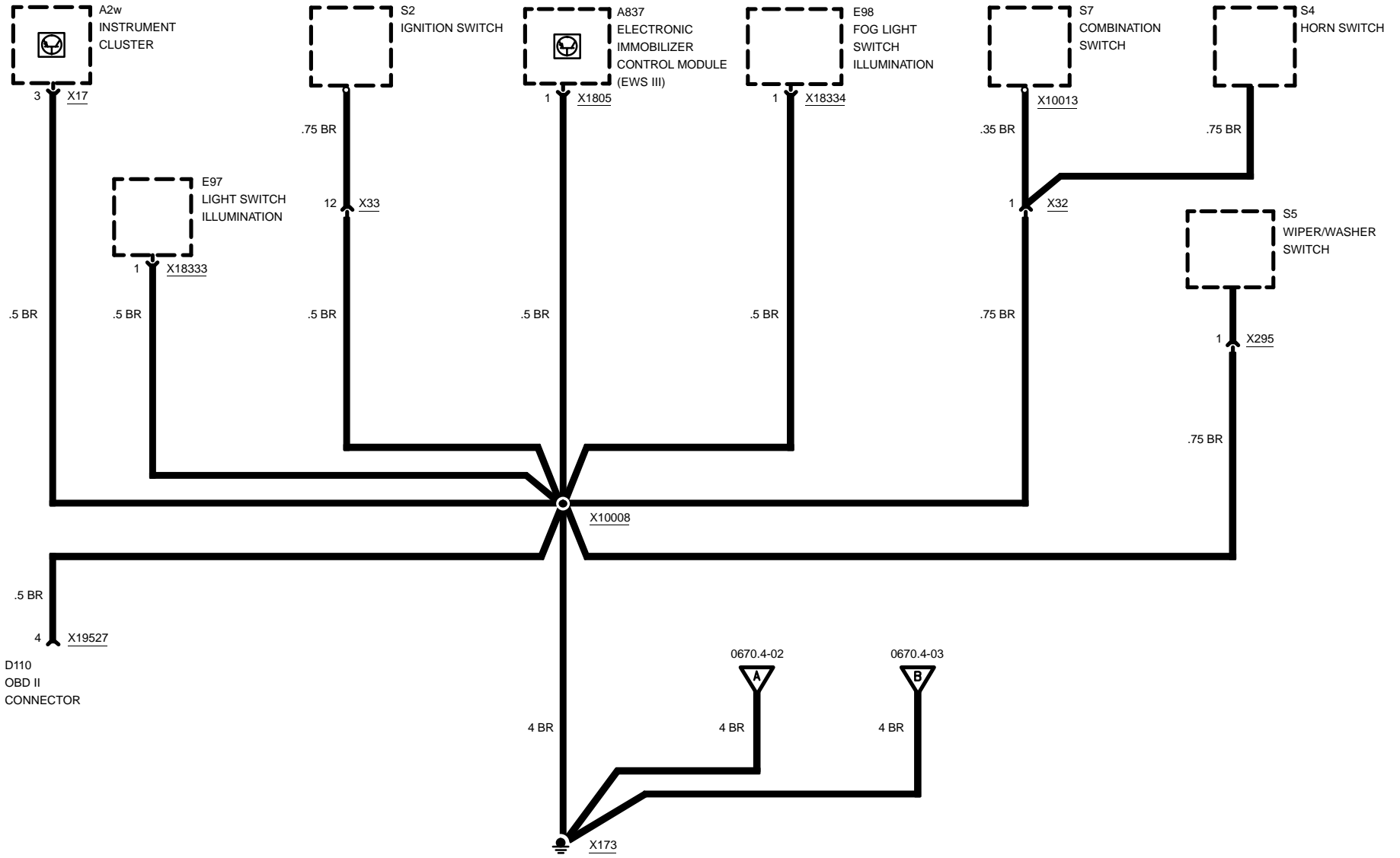
1999



# GROUND DISTRIBUTION

## GROUND X173

compact



03/00

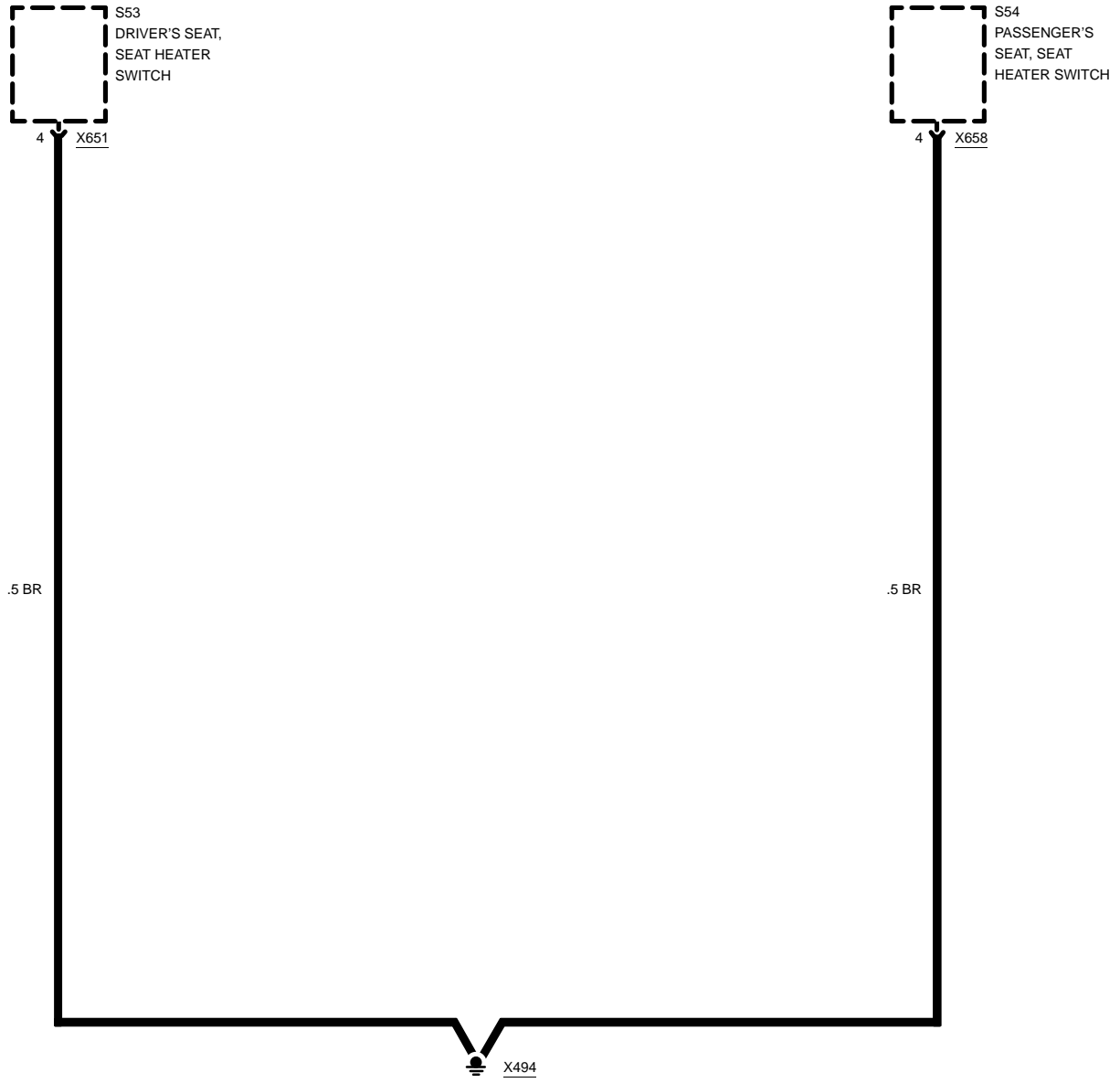
0670.4-04

1999



# GROUND DISTRIBUTION

## GROUND X494



03/00

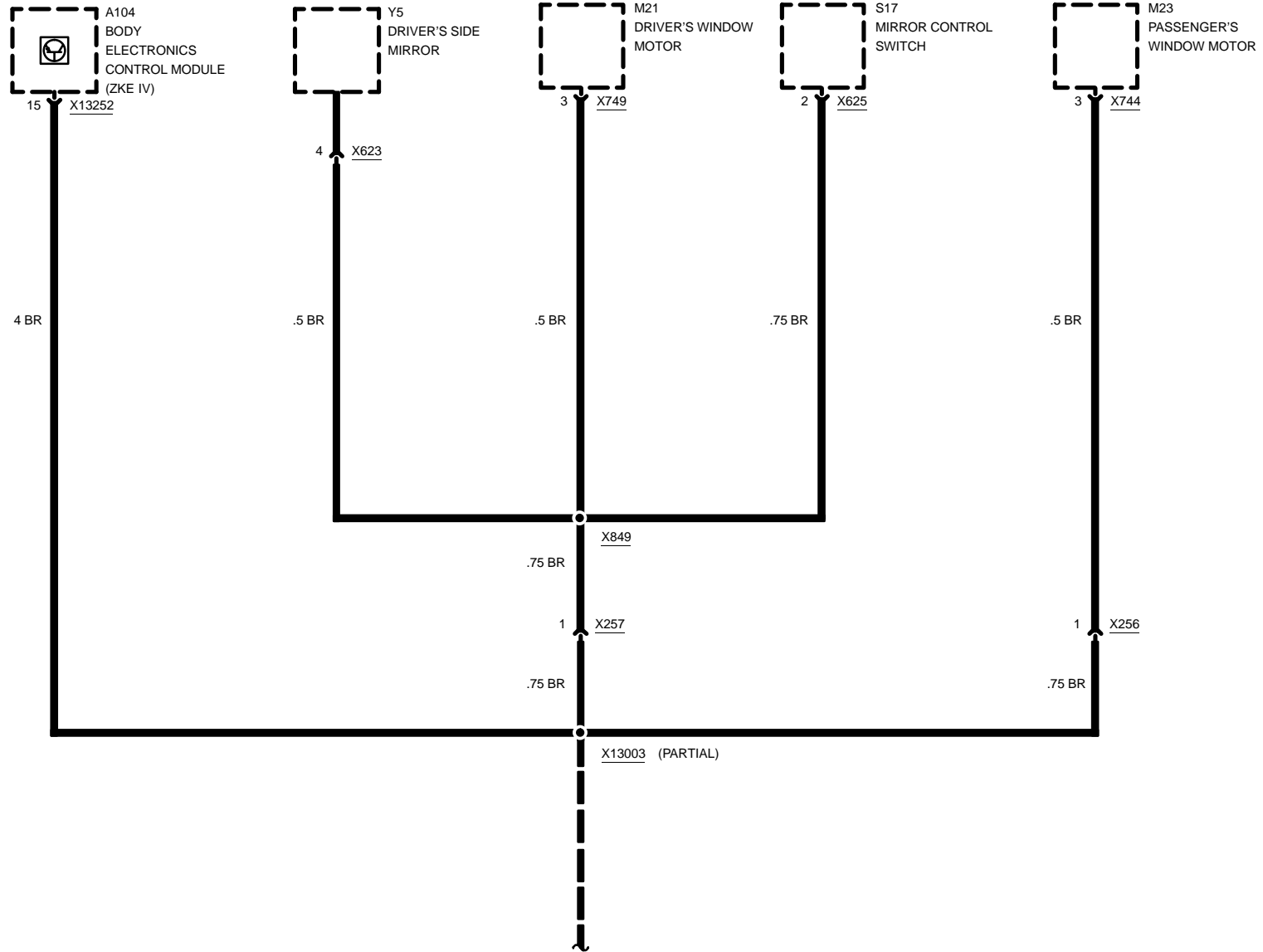
0670.4-05

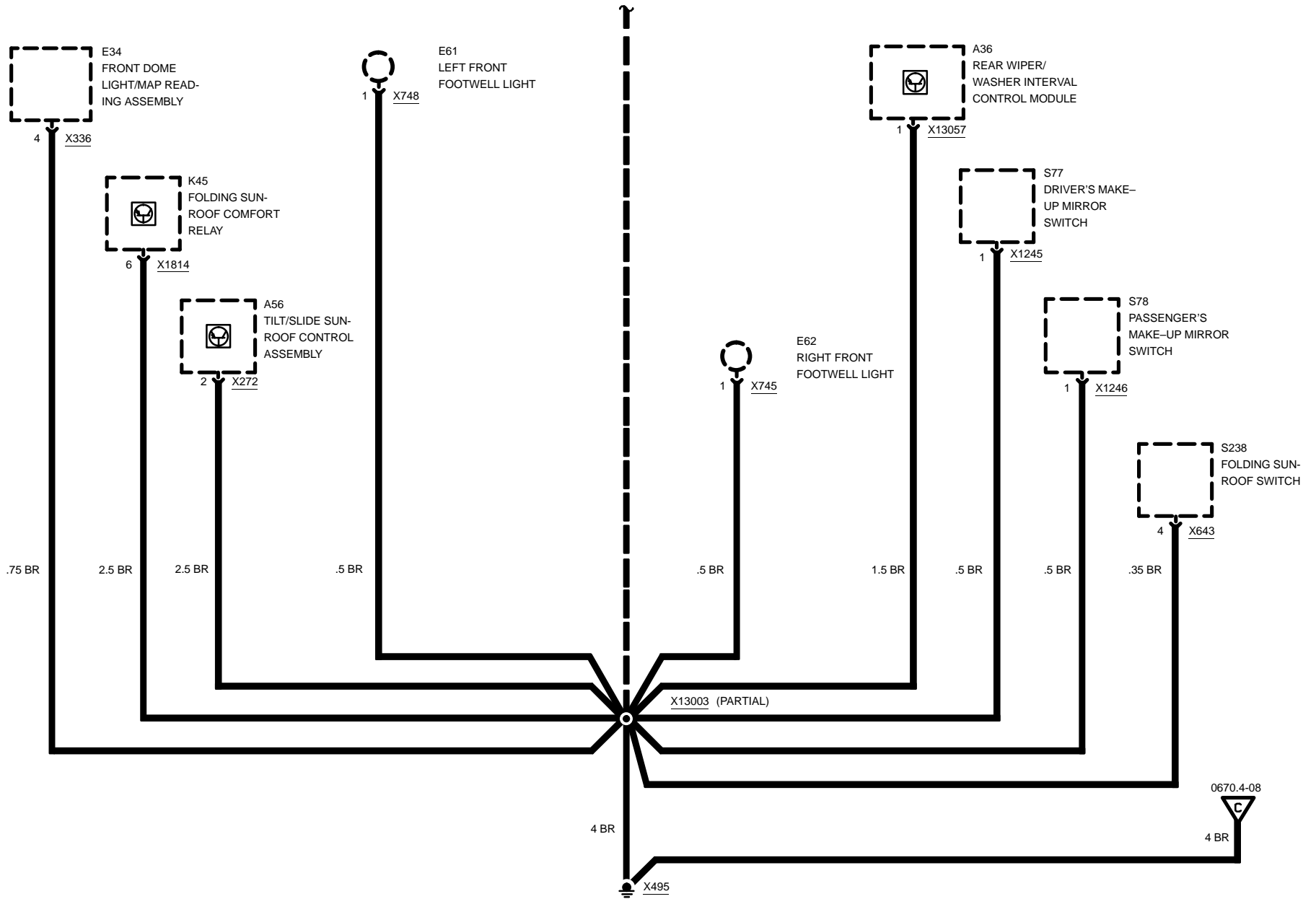
1999



# GROUND DISTRIBUTION

## GROUND X495



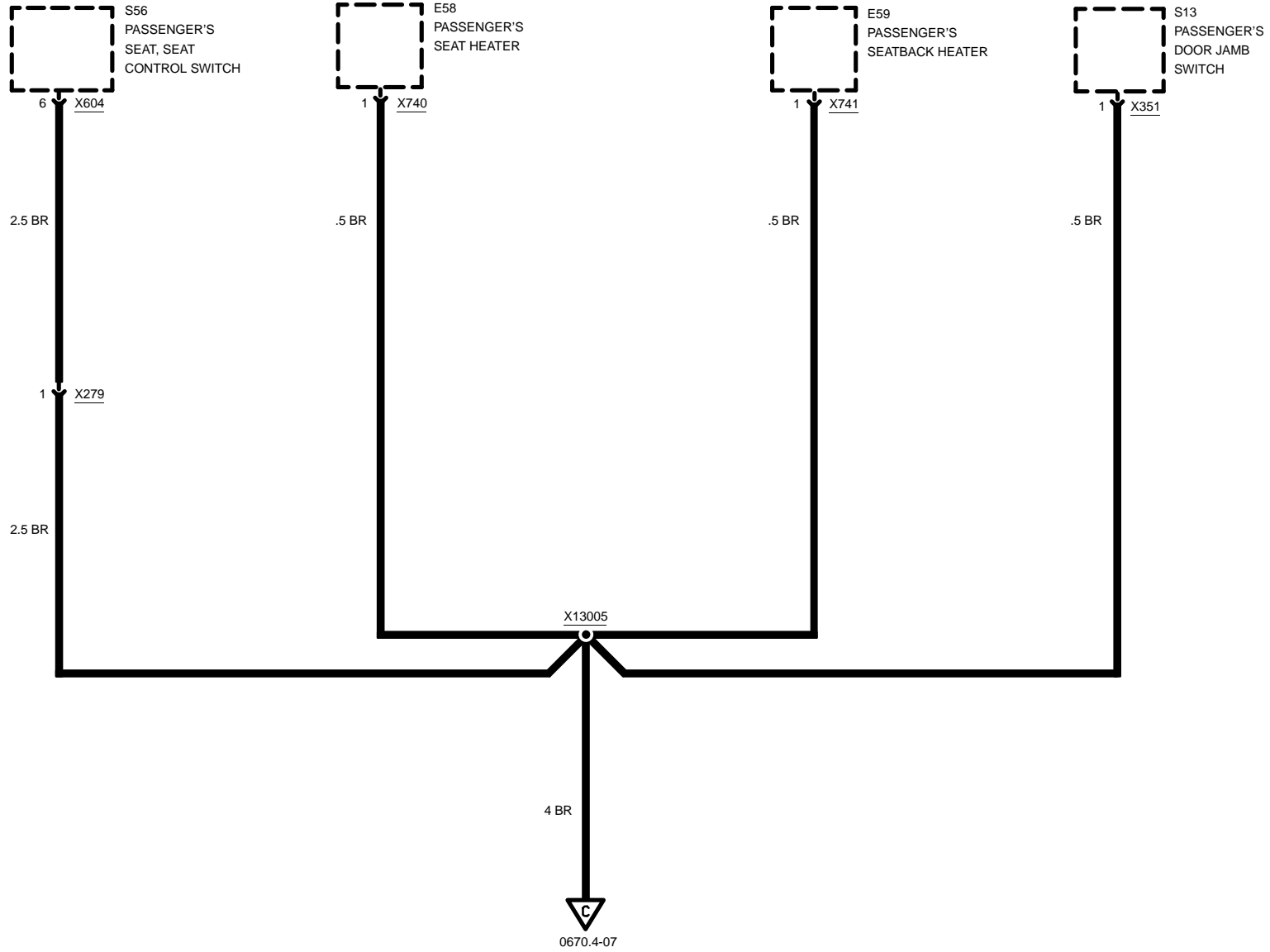






# GROUND DISTRIBUTION

## GROUND X495

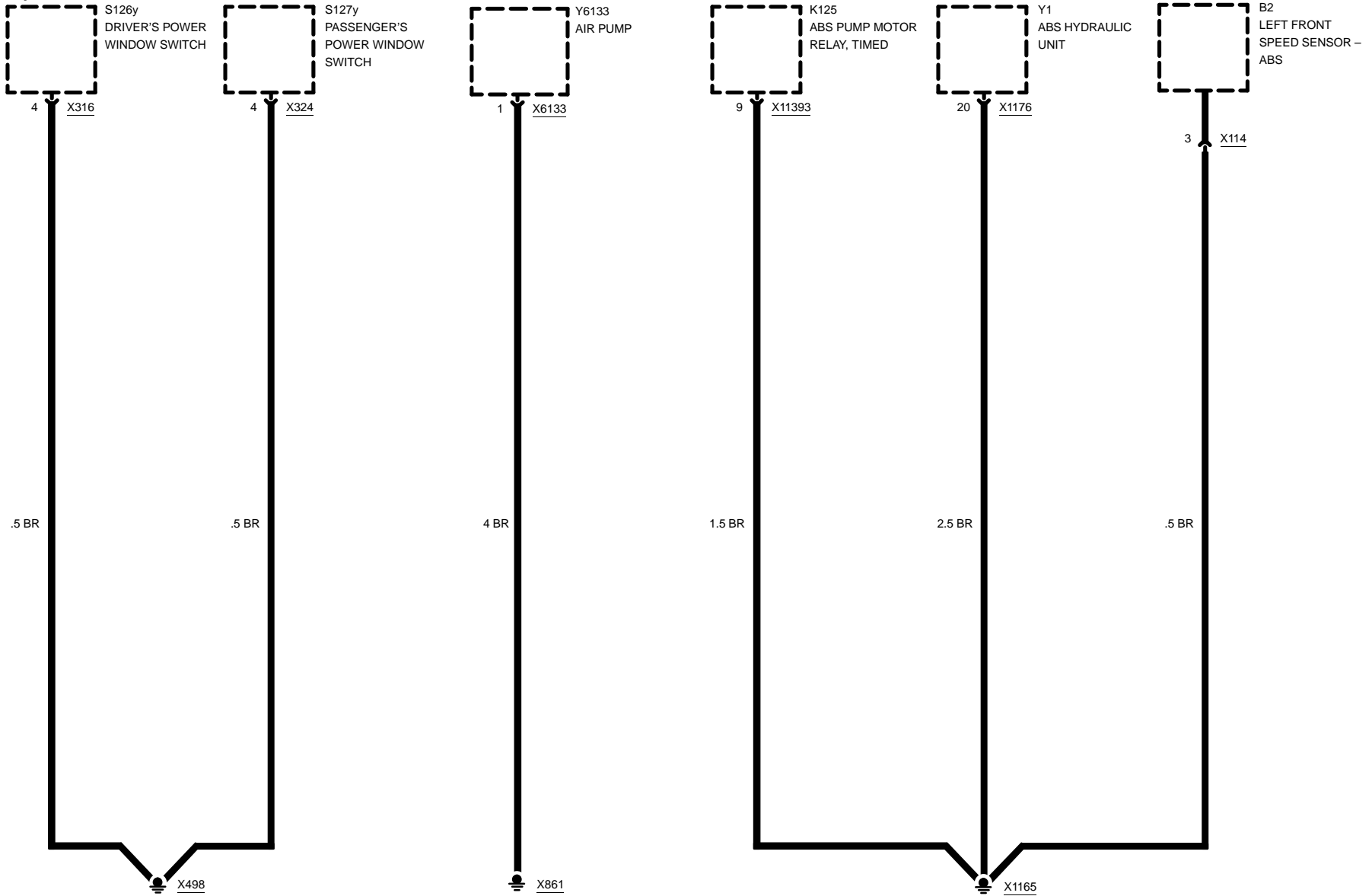




compact

# GROUND DISTRIBUTION

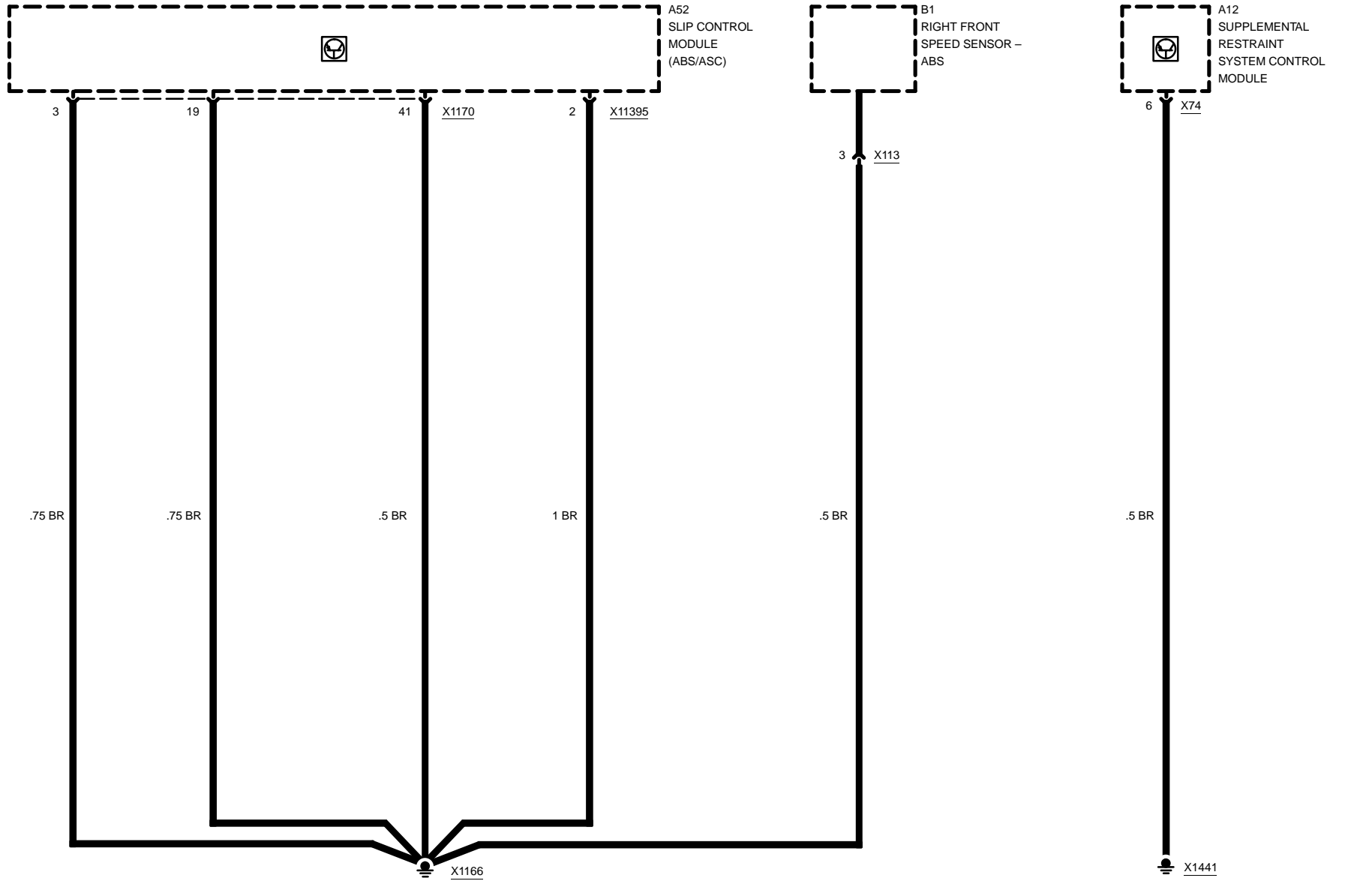
## GROUNDS X498, X861, AND X1165





# GROUND DISTRIBUTION

## GROUNDS X1166 AND X1441

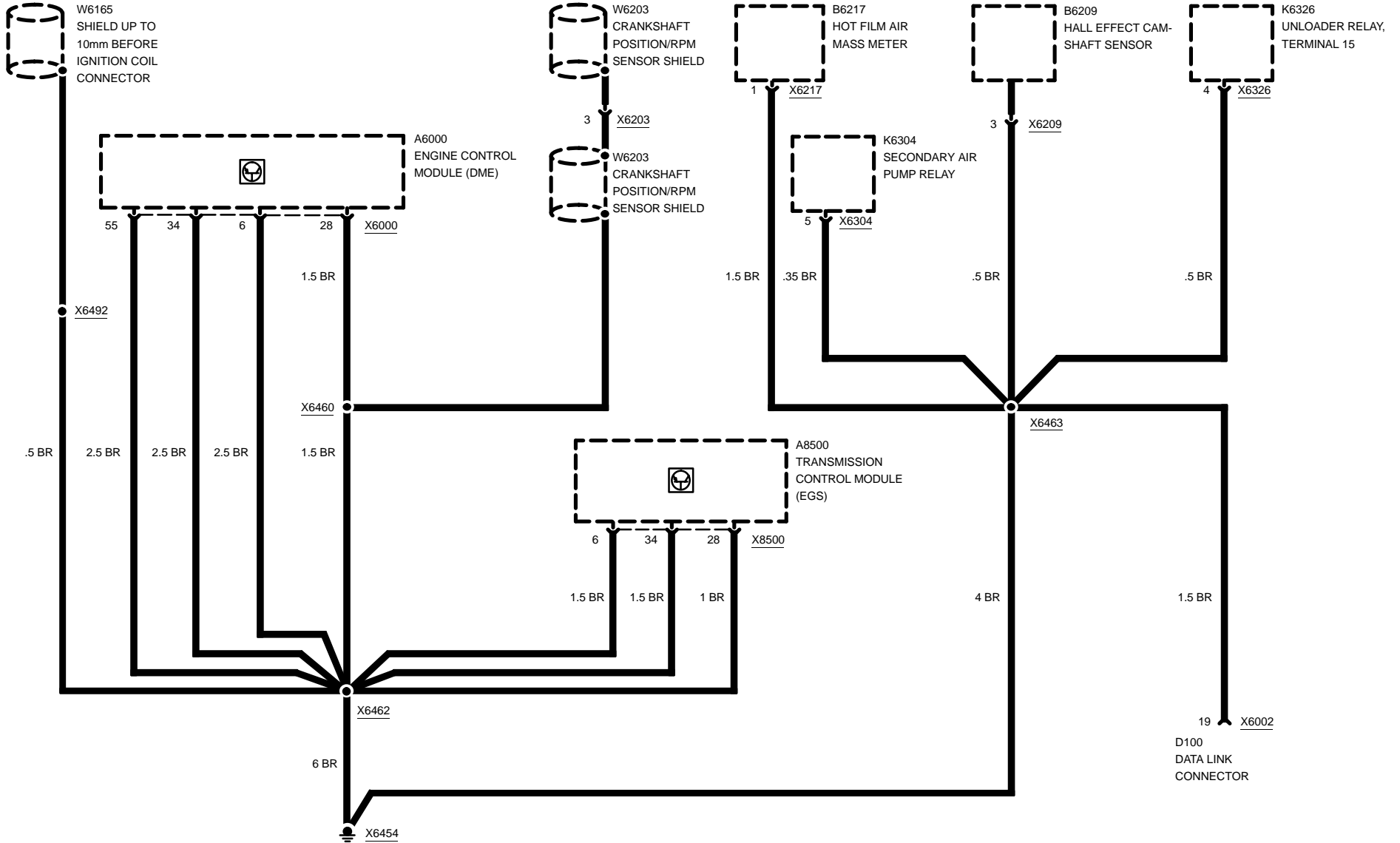




compact

# GROUND DISTRIBUTION

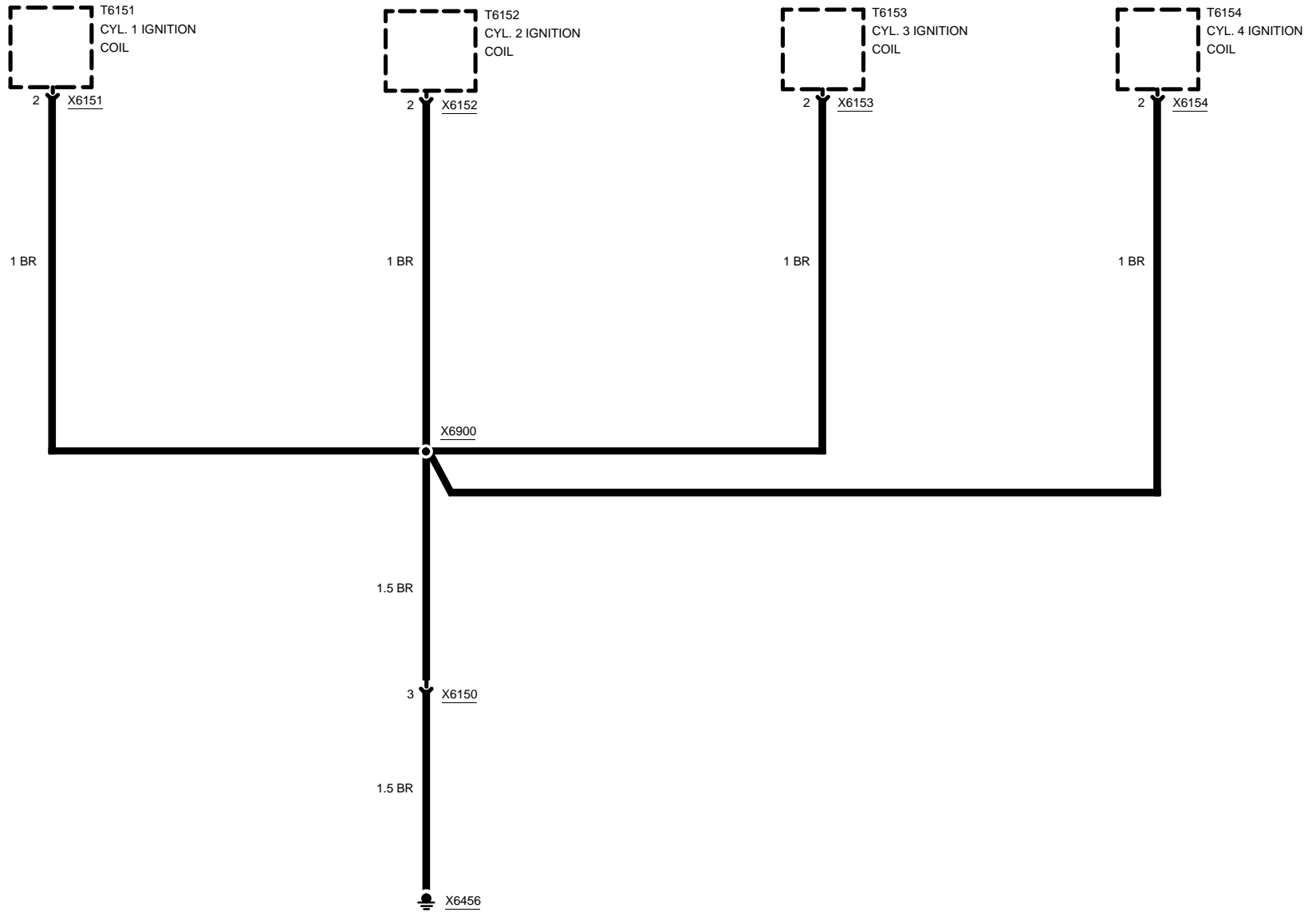
## GROUND X6454





# GROUND DISTRIBUTION

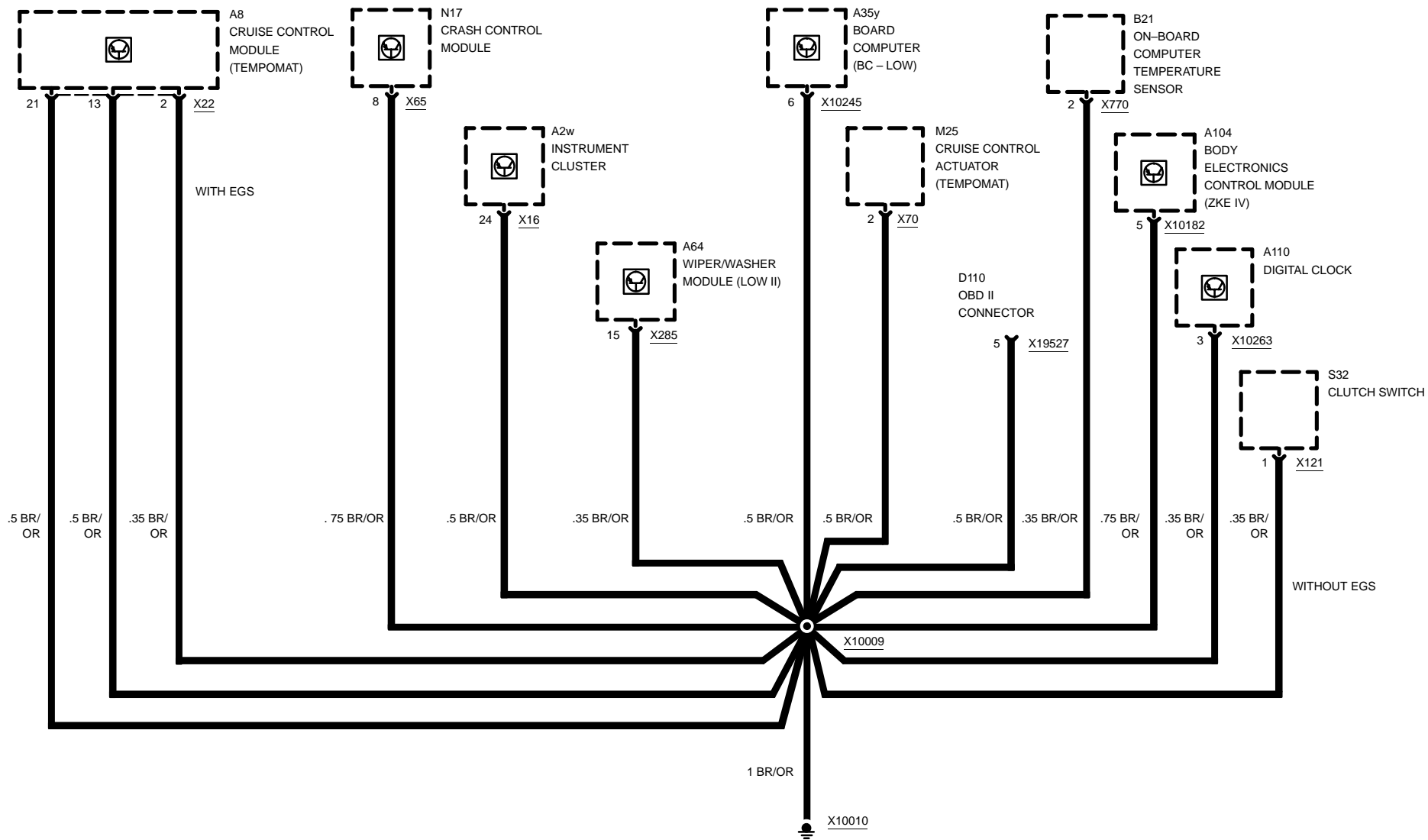
## GROUND X6456





# GROUND DISTRIBUTION

## GROUND X10010

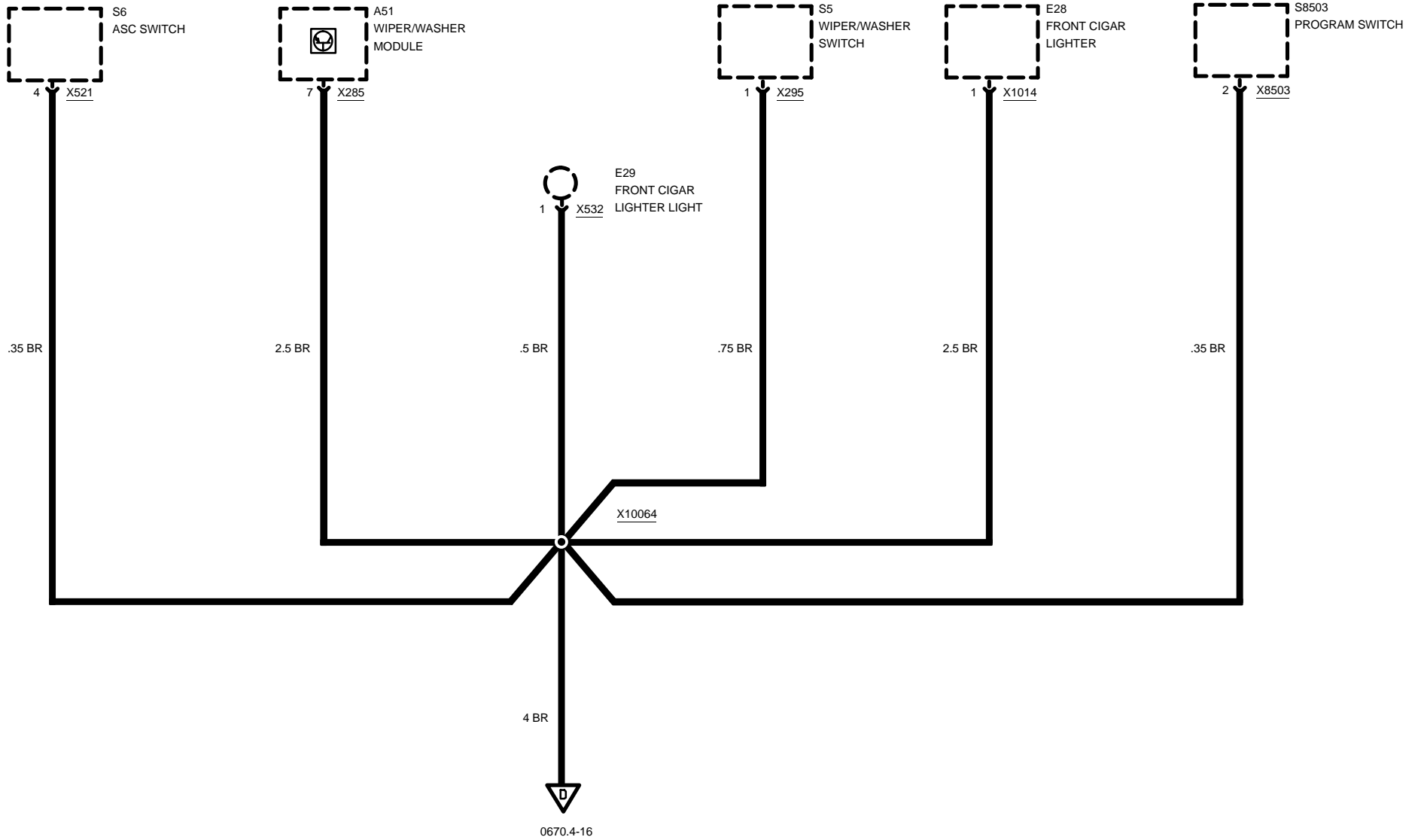




# GROUND DISTRIBUTION

## GROUND X10012

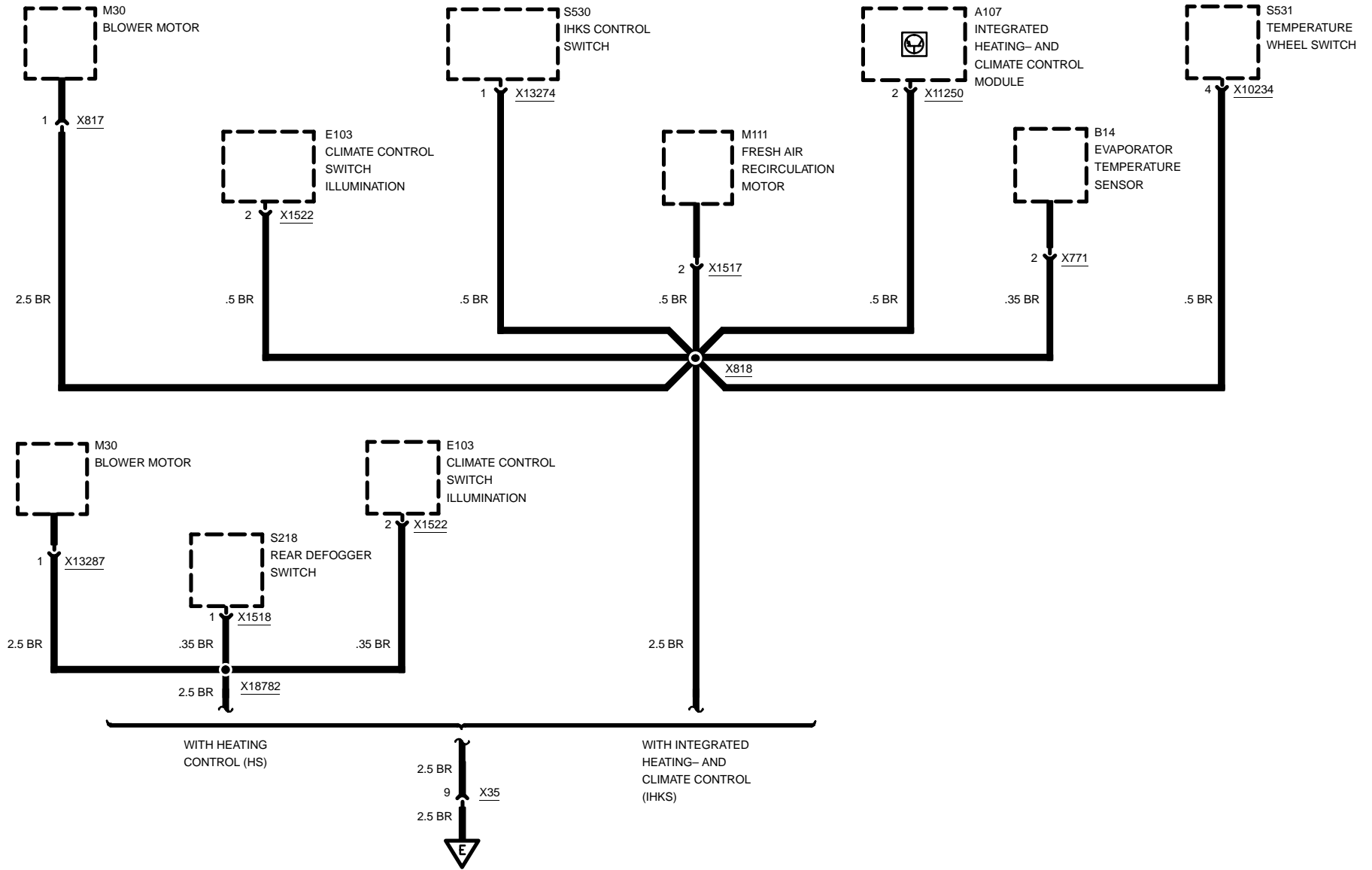
compact





# GROUND DISTRIBUTION

## GROUND X10012



0670.4-16





# GROUND DISTRIBUTION

## GROUND X10012

compact



S37  
GLOVE BOX LIGHT  
SWITCH

0670.4-15

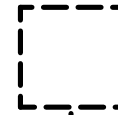


S18  
HAZARD SWITCH

TELEPHONE  
CONNECTOR  
CENTER CONSOLE



S21w  
ENGINE HOOD  
SWITCH



E82  
TRANSMISSION  
POSITION INDICA-  
TOR LIGHT

1 X540

3 X516

2 X13305

1 X371

1 X1193

.5 BR

2.5 BR

.5 BR

.75 BR

.5 BR

.5 BR

X218

4 BR

0670.4-14



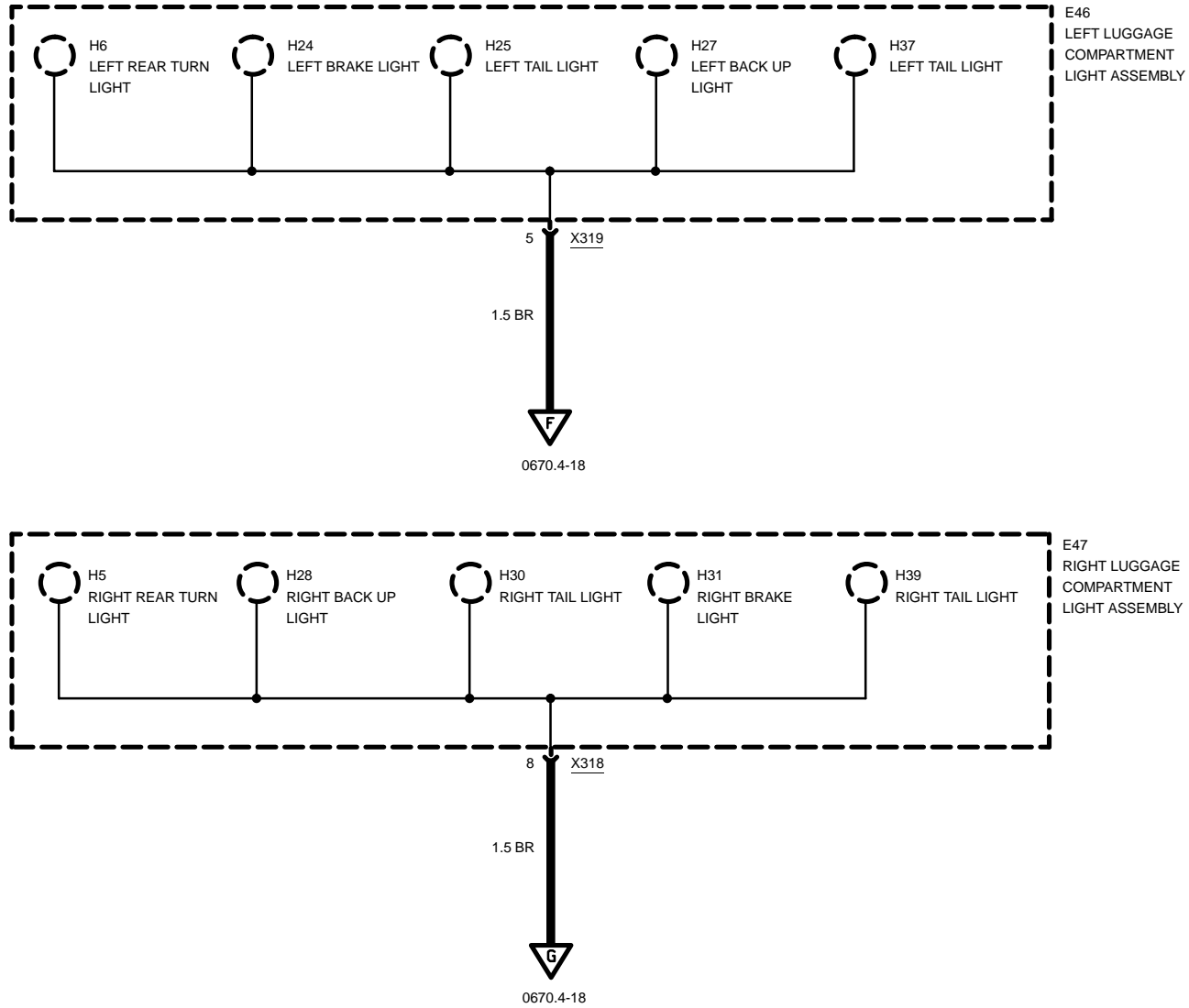
4 BR

X10012



# GROUND DISTRIBUTION

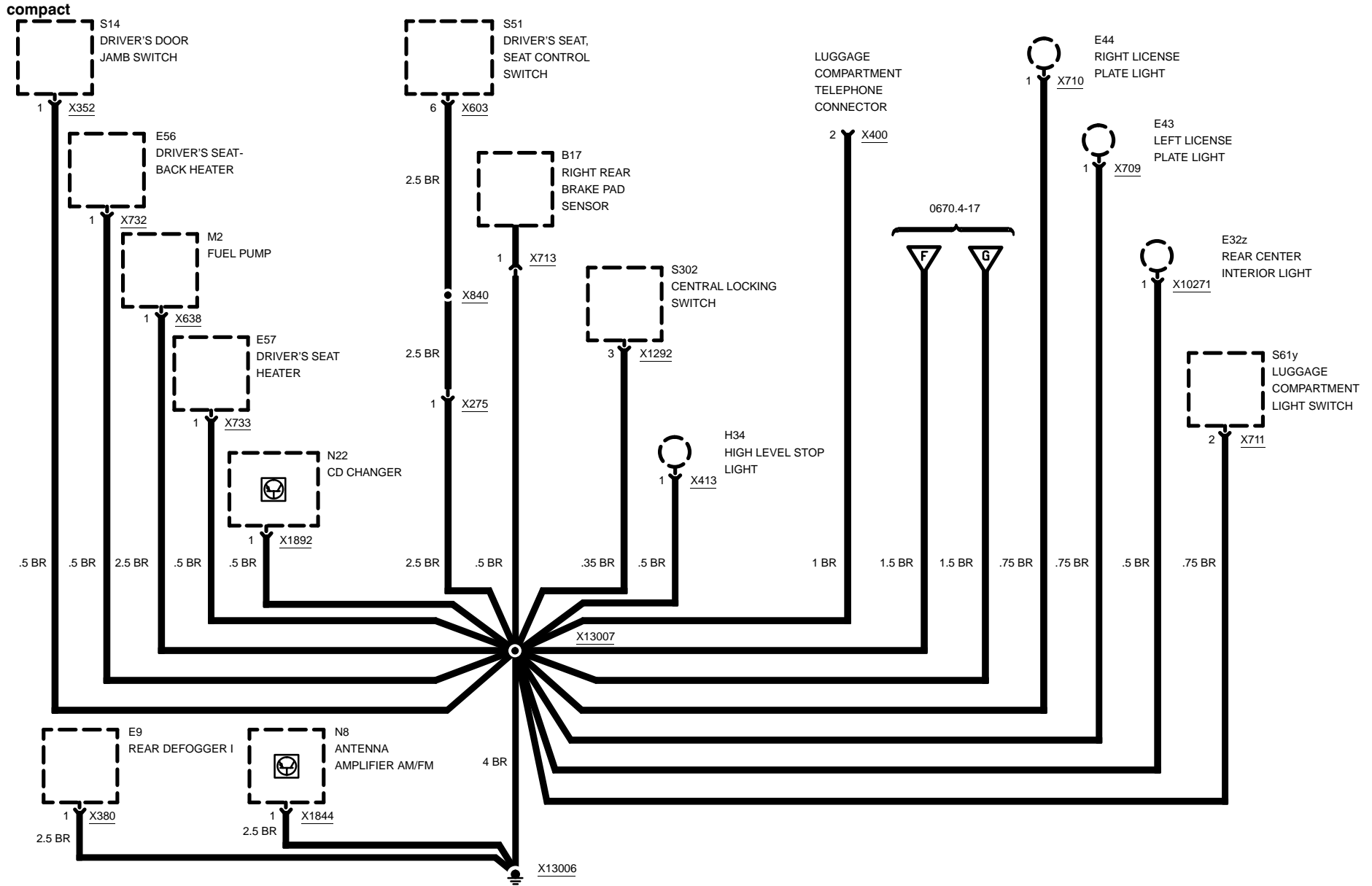
## GROUND X13006





# GROUND DISTRIBUTION

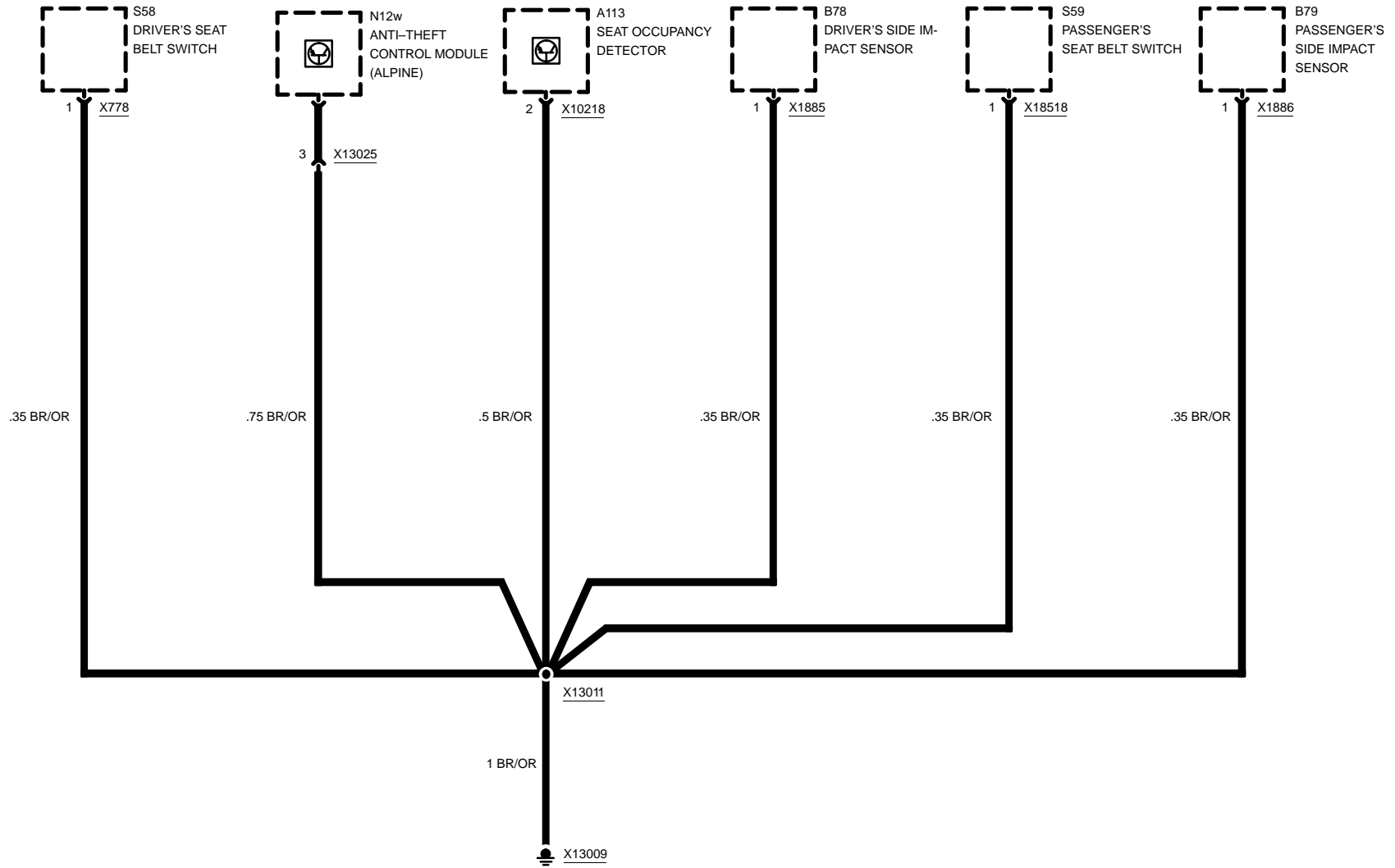
## GROUND X13006





# GROUND DISTRIBUTION

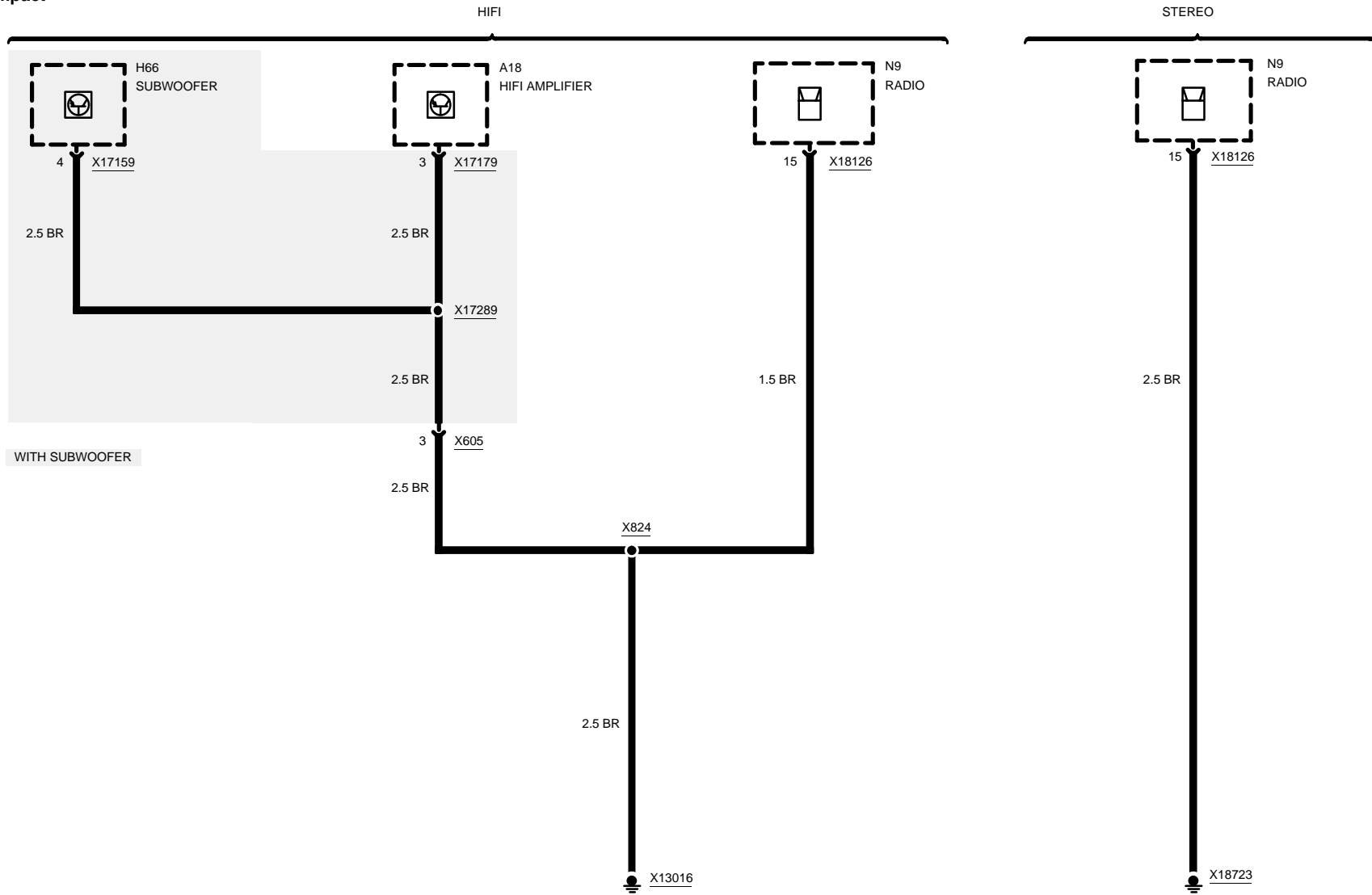
## GROUND X13009





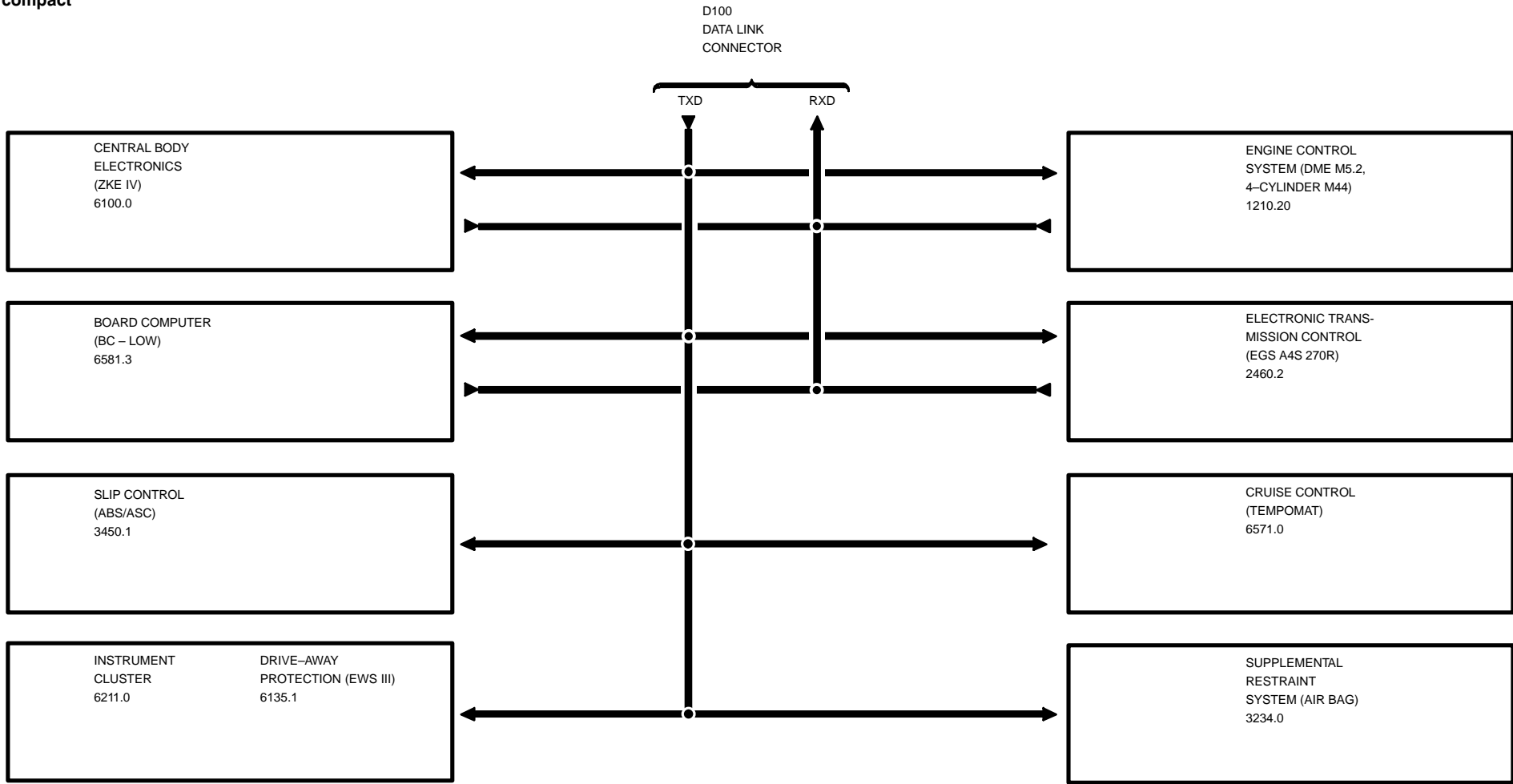
# GROUND DISTRIBUTION

## GROUNDS X13016 AND X18723





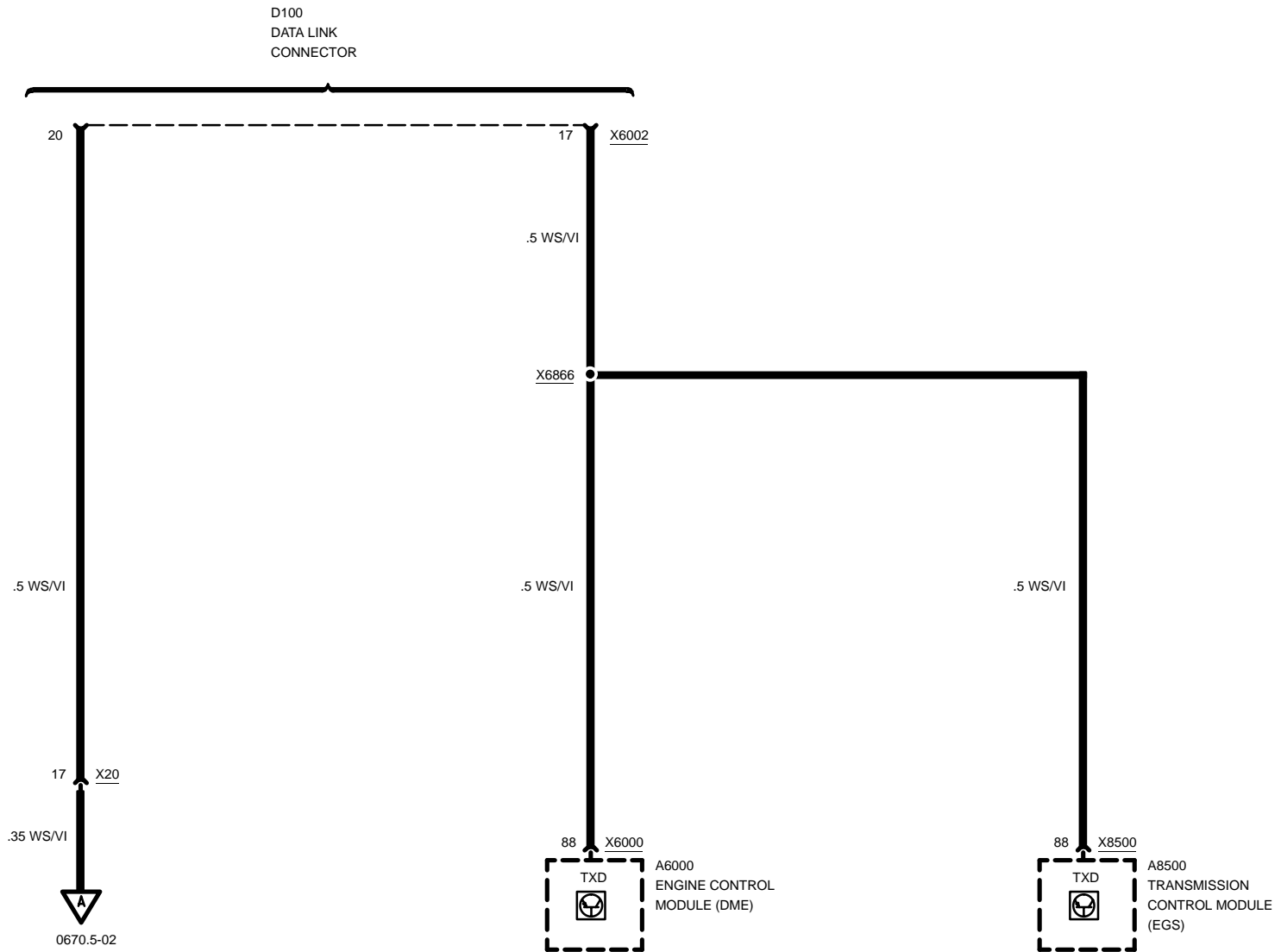
# 0670.5 DATA LINK BLOCK DIAGRAM





# DATA LINK

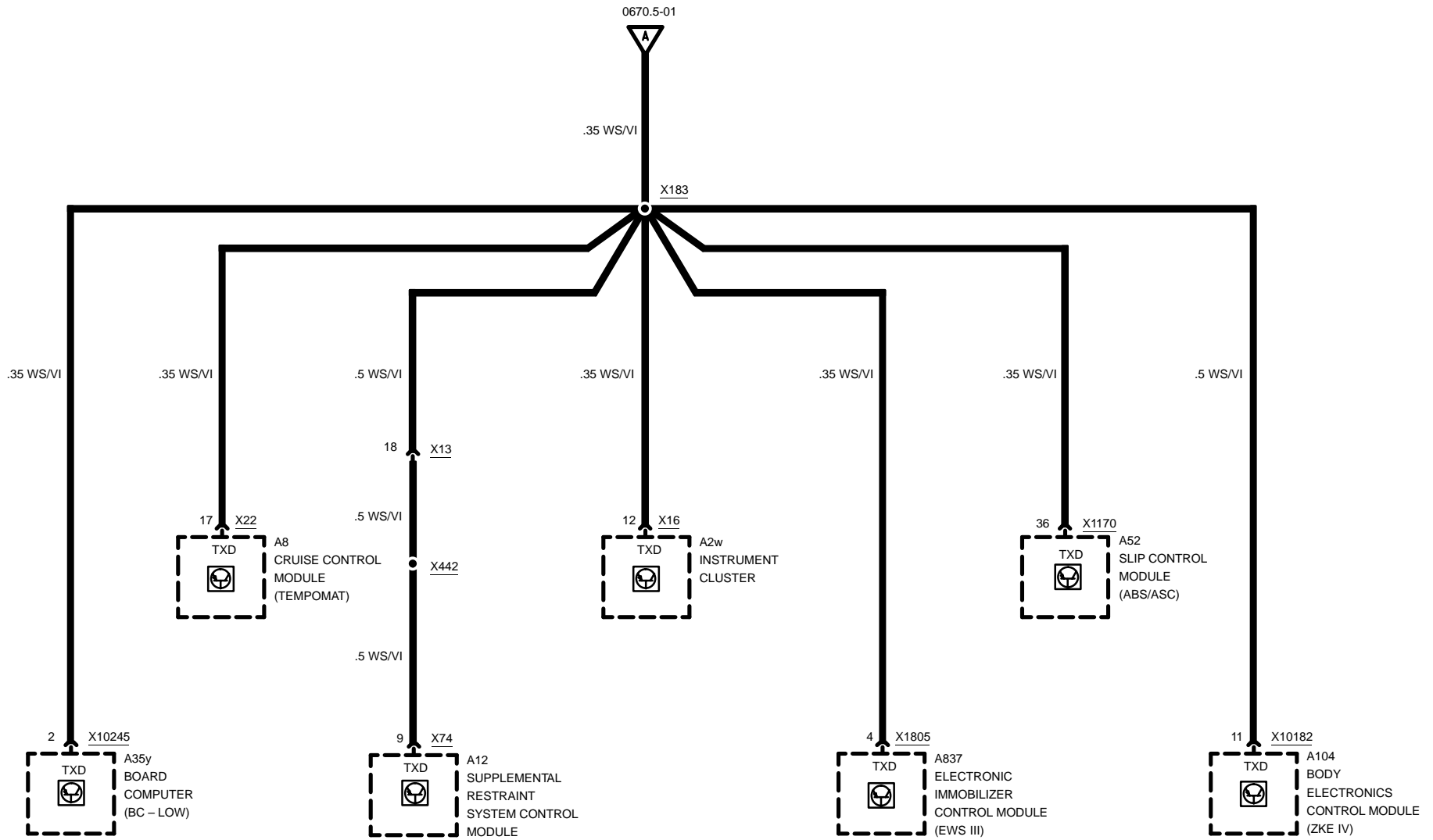
## TXD, DATA LINK CONNECTOR, PINS 17 AND 20





# DATA LINK

## TXD

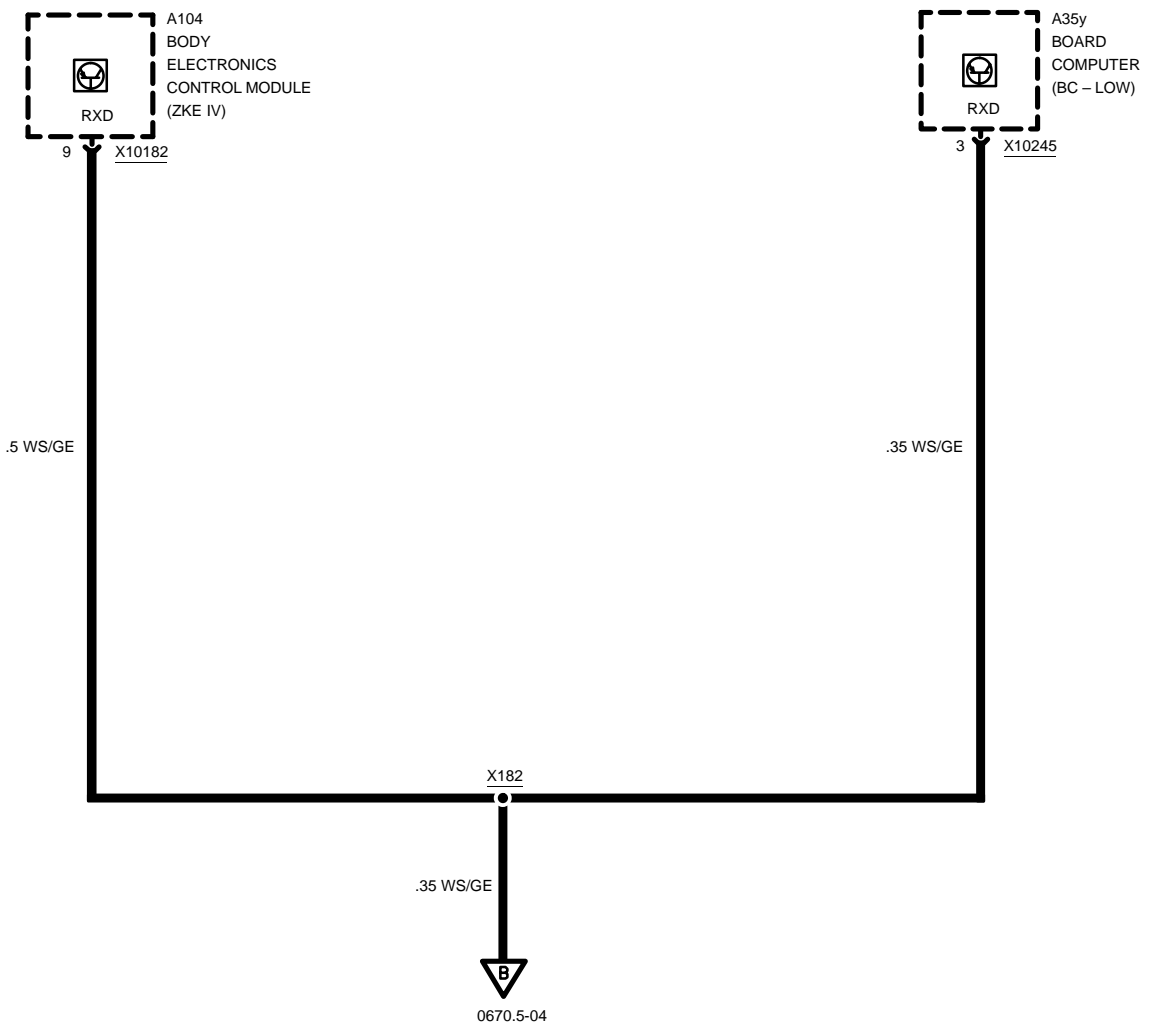






# DATA LINK

## RXD



03/00

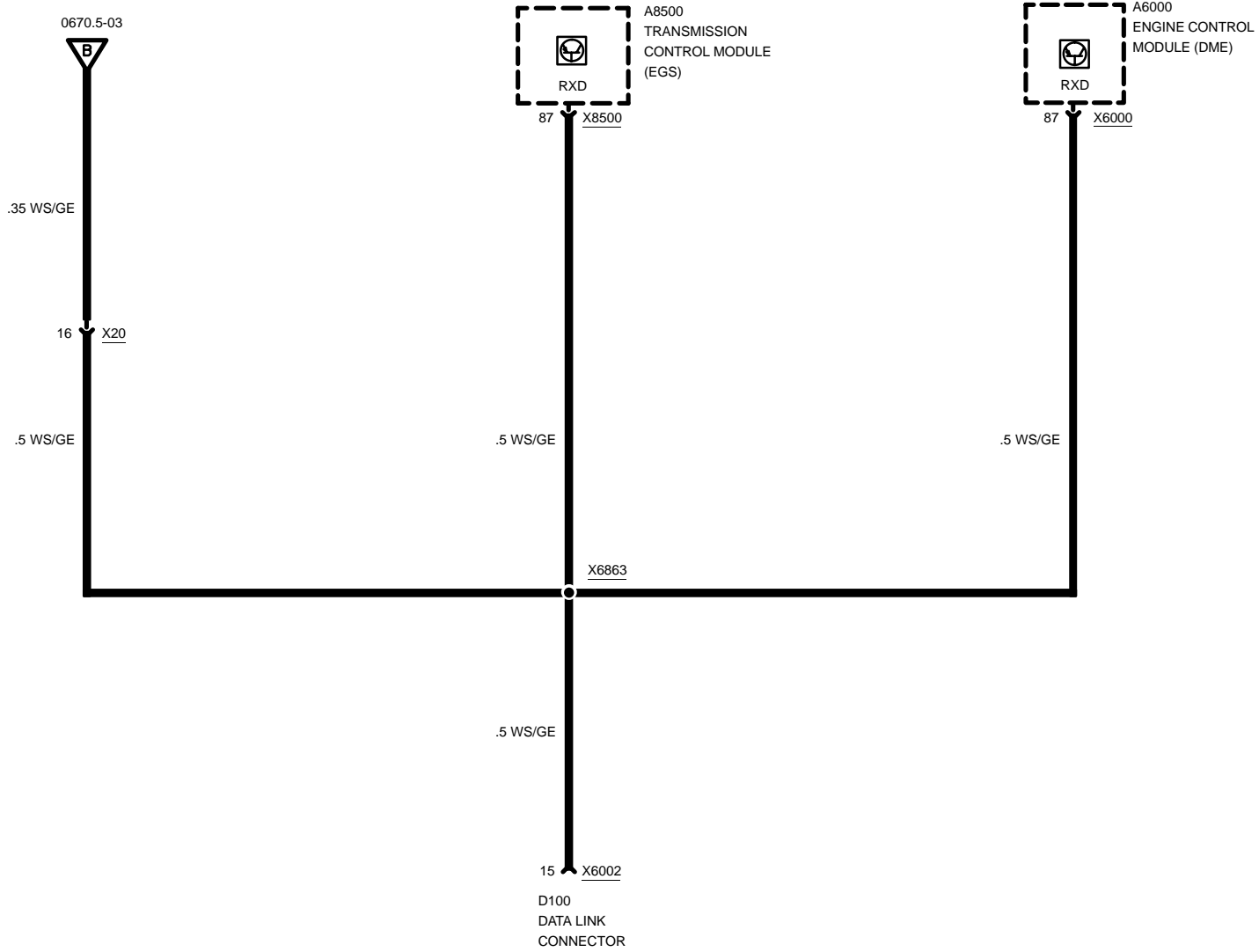
0670.5-03

1999



# DATA LINK

## RXD, DATA LINK CONNECTOR, PIN 15

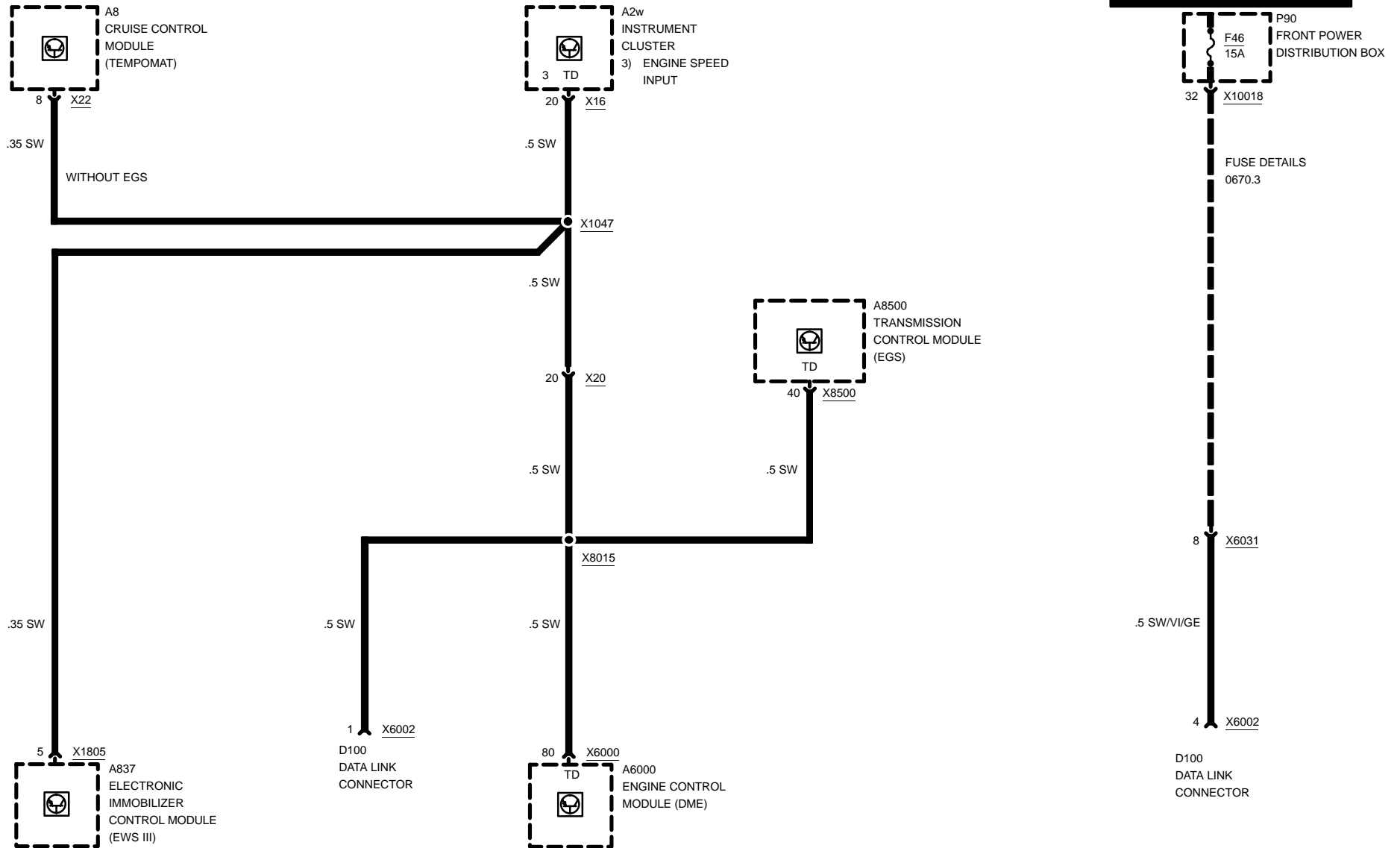




# DATA LINK

## DATA LINK CONNECTOR, PINS 1 AND 4

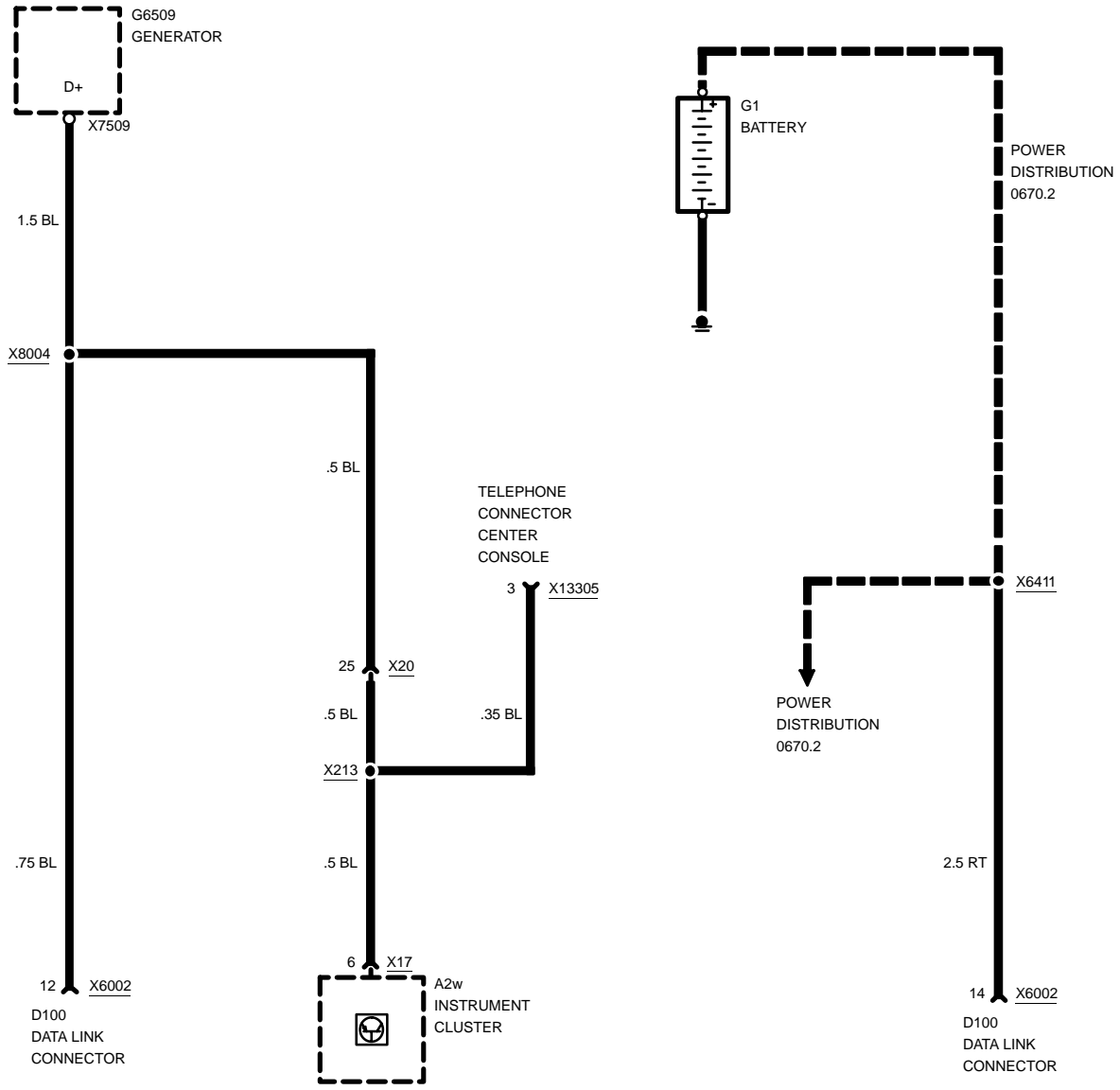
compact





# DATA LINK

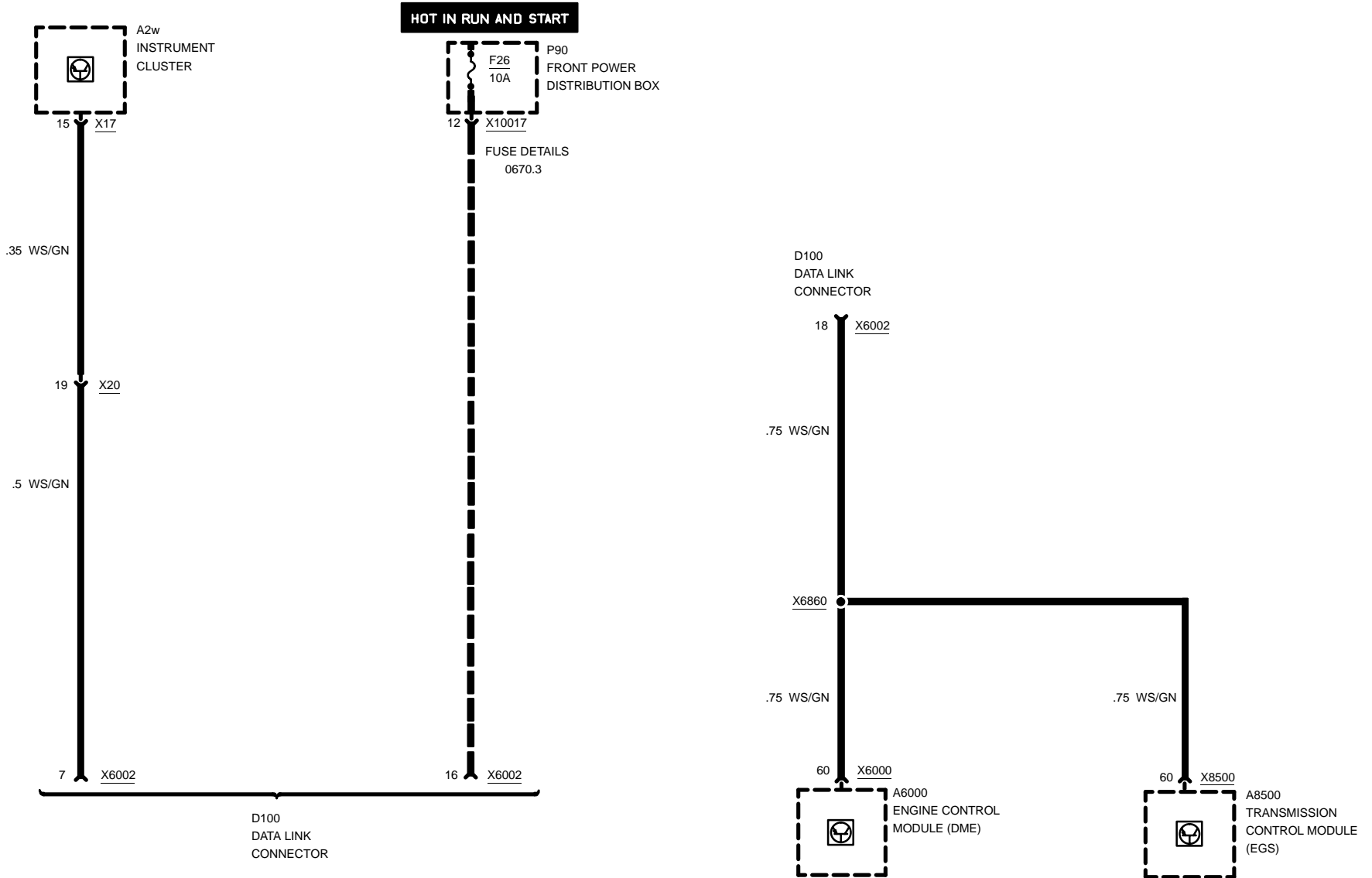
## DATA LINK CONNECTOR, PINS 12 AND 14





# DATA LINK

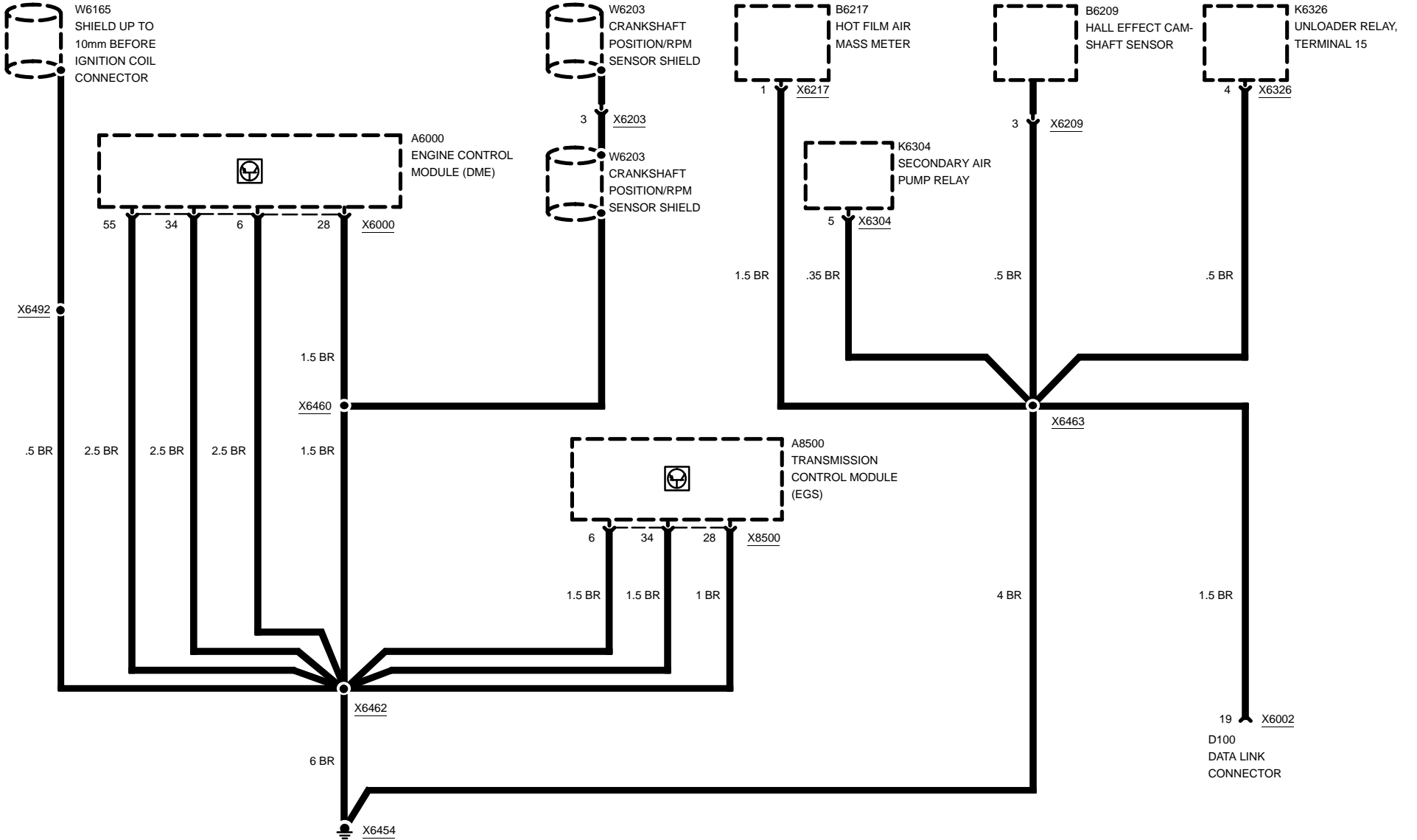
## DATA LINK CONNECTOR, PINS 7, 16, AND 18





# DATA LINK

## DATA LINK CONNECTOR, PIN 19

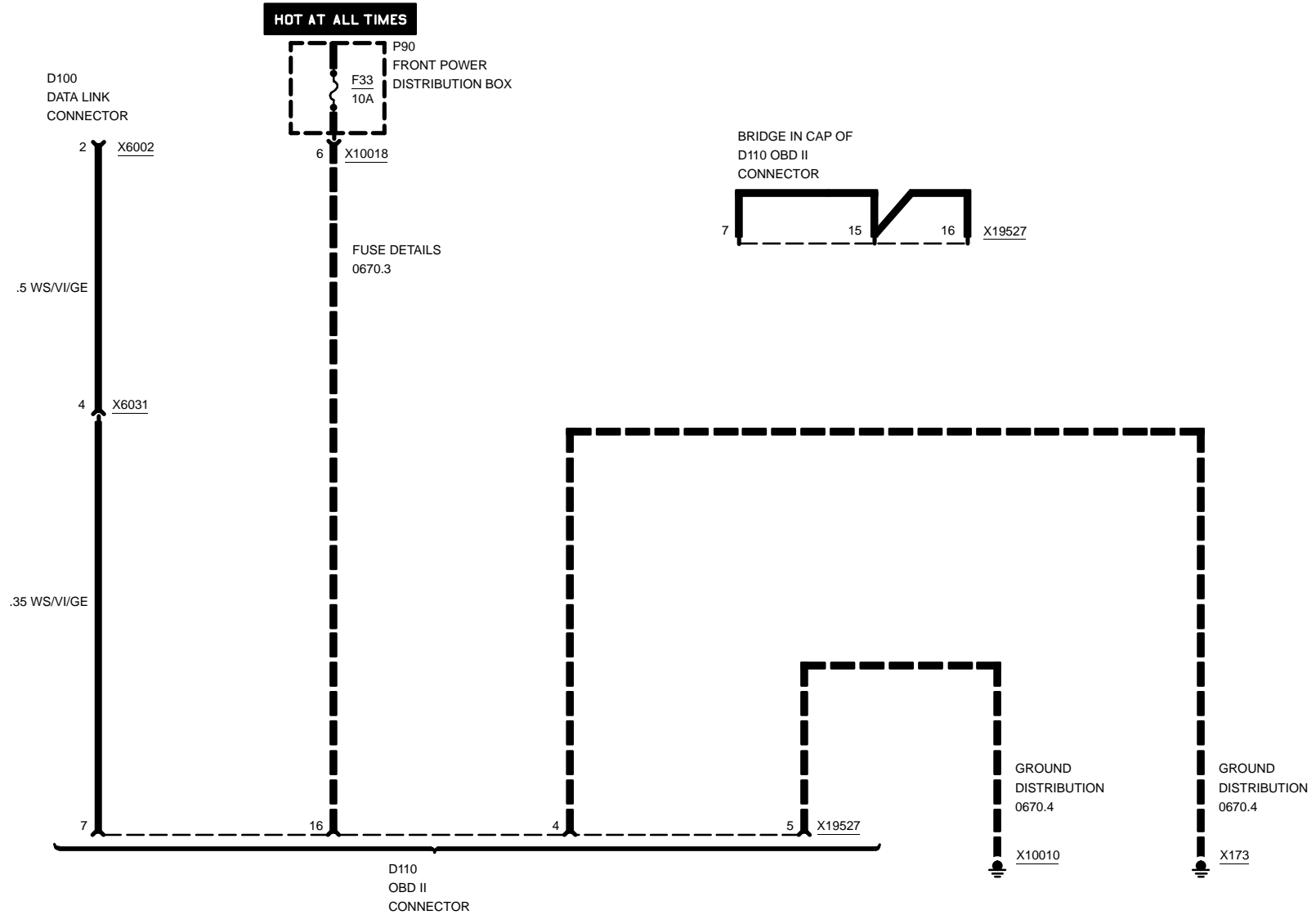




compact

# DATA LINK

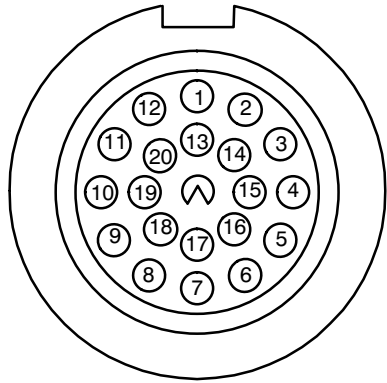
## DATA LINK CONNECTOR, PIN 2 AND OBD II CONNECTOR



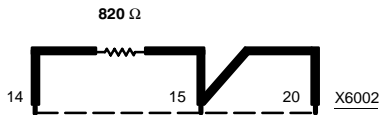


# DATA LINK

## DATA LINK CONNECTOR (X6002)



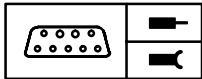
BRIDGES IN CAP OF D100 DATA LINK CONNECTOR



PIN NUMBER	TERMINAL NUMBER	TERMINAL DESCRIPTION	WIRE COLOR
1	TD	ENGINE	SW
2	TXD2	DIAGNOSTIC DATA LINK	WS/VI/GE
3	—	NOT OCCUPIED	
4	R	VOLTAGE: HOT IN ACCY, RUN AND START	SW/VI/GE
5	—	NOT OCCUPIED	
6	—	NOT OCCUPIED	
7	SI	SERVICE INTERVAL RESET	WS/GN
8	—	NOT OCCUPIED	
9	—	NOT OCCUPIED	
10	—	NOT OCCUPIED	
11	—	NOT OCCUPIED	
12	61(D+)	GENERATOR CHARGE INDICATOR	BL
13	—	NOT OCCUPIED	
14	30	VOLTAGE: HOT AT ALL TIMES	RT
15	RXD	DIAGNOSTIC DATA LINK	WS/GE
16	15S	VOLTAGE: IGNITION SWITCH IN RUN AND START	GN/WS
17	TXD	DIAGNOSTIC DATA LINK	WS/VI
18	PGSP	PROGRAM SELECT FOR ENGINE CONTROL MODULE (DME)	WS/GN
19	31	GROUND	BR
20	TXD	DIAGNOSTIC DATA LINK	WS/VI







## Pin Assignments

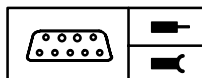
### X6000

Pin	Type	Description/Function	Connection
1	A	Oxygen sensor heating (-)	Oxygen sensor (behind catalytic converter)
2	A	Activate valve	Idle speed control valve
3	A	Activate valve	Cyl. 1 fuel injection valve
4	A	Activate valve	Cyl. 4 fuel injection valve
5		Not used	
6	M	Ground, fuel injection valve output stages	Ground point
7		Not used	
8	A	"Check engine" indicator control	Instrument cluster
9		Not used	
10	E	Drive away protection signal	Electronic immobilizer control module (EWS III)
11	E	Activate A/C	Pressure switch
12		Not used	
13		Not used	
14		Not used	
15		Not used	
16	E	Intake air temperature	Intake air temperature sensor
17	E	Signal input	Hot film air mass meter
18		Not used	
19	E	Oxygen sensor signal	Oxygen sensor (in front of catalytic converter)
20	E	Crankshaft position/RPM	Crankshaft position/RPM sensor
21	E	Camshaft position	Hall effect camshaft sensor
22	A	Cyl. 3 ignition coil control	Cyl. 3 ignition coil
23	A	Cyl. 4 ignition coil control	Cyl. 4 ignition coil
24		Not used	
25		Not used	
26	E	Battery voltage	B+ junction point
27	A	Engine control module relay control	Engine control module relay, terminal 85
28	M	Ground for electronics and shielding of sensors	Ground point

E = Input, A = Output, M = Ground



compact



## Pin Assignments

Pin	Type	Description/Function	Connection
29	A	Idle speed control valve control	Idle speed control valve
30	A	Oxygen sensor heating (-)	Oxygen sensor (in front of catalytic converter)
31	A	Activate valve	Cyl. 3 fuel injection valve
32	A	Activate valve	Cyl. 2 fuel injection valve
33		Not used	
34	M	Ground, remaining output stages (except for ignition and fuel injection valves)	Ground point
35		Not used	
36	A	A/C compressor cut-out	Compressor control relay
37		Not used	
38		Not used	
39		Not used	
40	E	Cyl. 3-4 knock sensor	Knock sensor
41		Not used	
42	E	TI-measurement signal (fuel consumption)	Instrument cluster
43		Not used	
44	E	Throttle position	Throttle position sensor
45	M	Ground	Hot film air mass meter
46	M	Sensor ground	Oxygen sensors
47		Not used	
48		Not used	
49	A	Cyl. 1 ignition coil control	Cyl. 1 ignition coil
50	A	Cyl. 2 ignition coil control	Cyl. 2 ignition coil
51		Not used	
52		Not used	
53	A	Component supply (+)	Throttle position sensor/Fuel tank pressure sensor
54	E	Battery voltage from engine control module relay	Engine control module relay, terminal 87
55	M	Ground, ignition	Ground point
56	E	Ignition switch, terminal 15	Ignition switch, terminal 15
57	A	Activate auxiliary fan	Normal speed relay

E = Input, A = Output, M = Ground

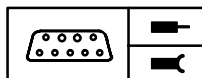


compact

03/00

1210.20-c

1999



## Pin Assignments

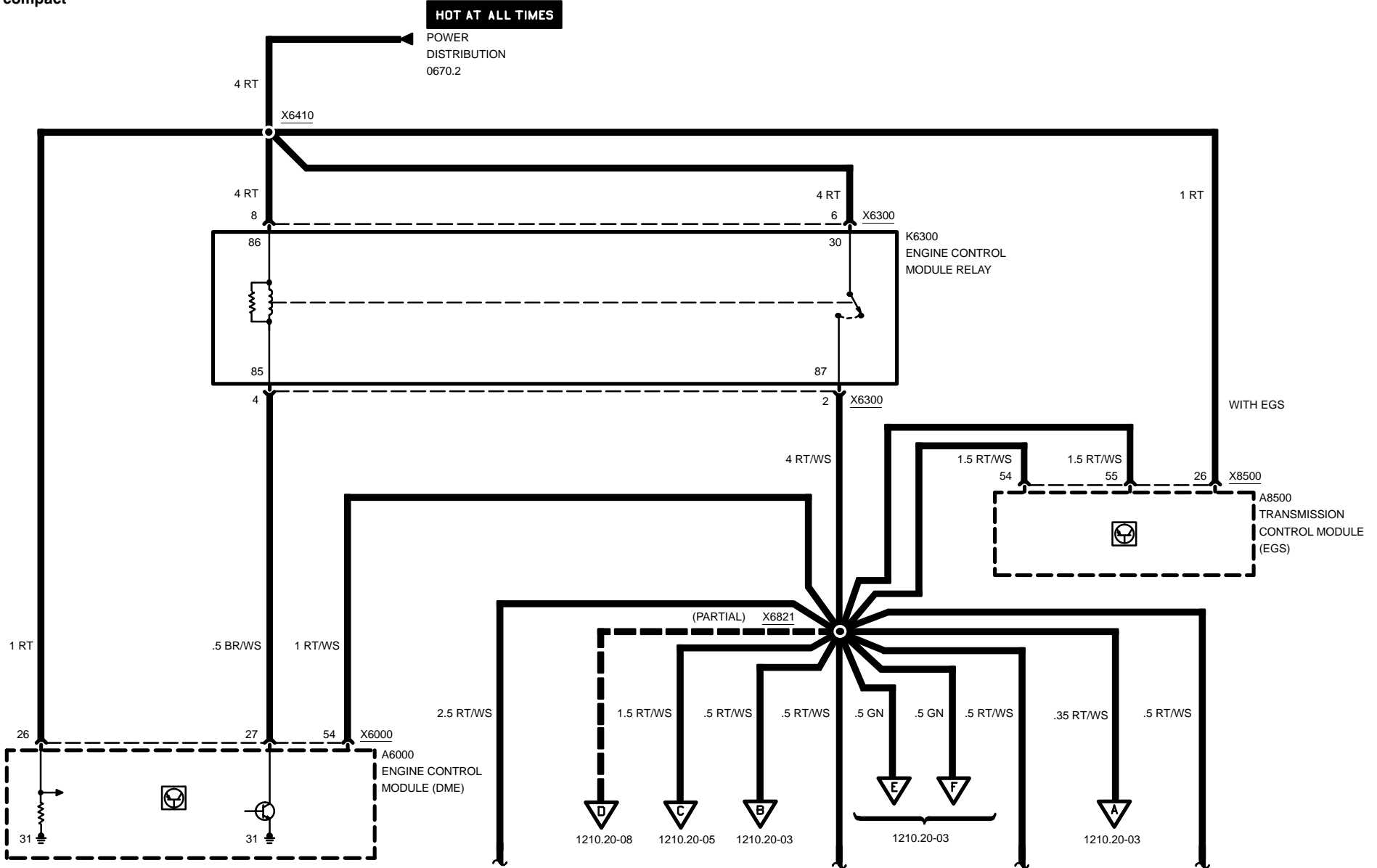
Pin	Type	Description/Function	Connection
58	A	Activate valve	Intake air resonance changeover valve
59		Not used	
60	E	Programming voltage	Data link connector
61	A	Activate valve	Evaporation emission valve
62		Not used	
63	A	Activate relay	Fuel pump relay
64	A	Activate relay/valve	Secondary air pump relay/Secondary air pump valve
65	A	Activate valve	Carbon canister valve
66	A	Activate valve	Fuel changeover valve
67		Not used	
68	E	Signal above 80°C	Double temperature switch
69	E	A/C-ON-signal	Air conditioning operating unit
70	E	Cyl 1-2 knock sensor	Knock sensor
71	M	Ground for sensors	Temperature-/ knock-/ throttle position-sensors
72	E	Fuel tank pressure signal	Fuel tank pressure sensor
73		Not used	
74	E	Temperature signal	Engine coolant temperature sensor
75		Not used	
76		Not used	
77	E	Oxygen sensor signal	Oxygen sensor (behind catalytic converter)
78	E	Crankshaft position/RPM	Crankshaft position/RPM sensor
79	E	Speed signal right rear	ABS/ASC control module
80	E	Crankshaft RPM speed signal TD	Instrument cluster
81		Not used	
82		Not used	
83	E	Vehicle speed signal	On-board computer
84		Not used	
85	E/A	CAN-LOW	EGS/ASC control module
86	E/A	CAN-HIGH	EGS/ASC control module
87	A	RxD diagnosis data line	Data link connector
88	E/A	TxD diagnosis data line	Data link connector

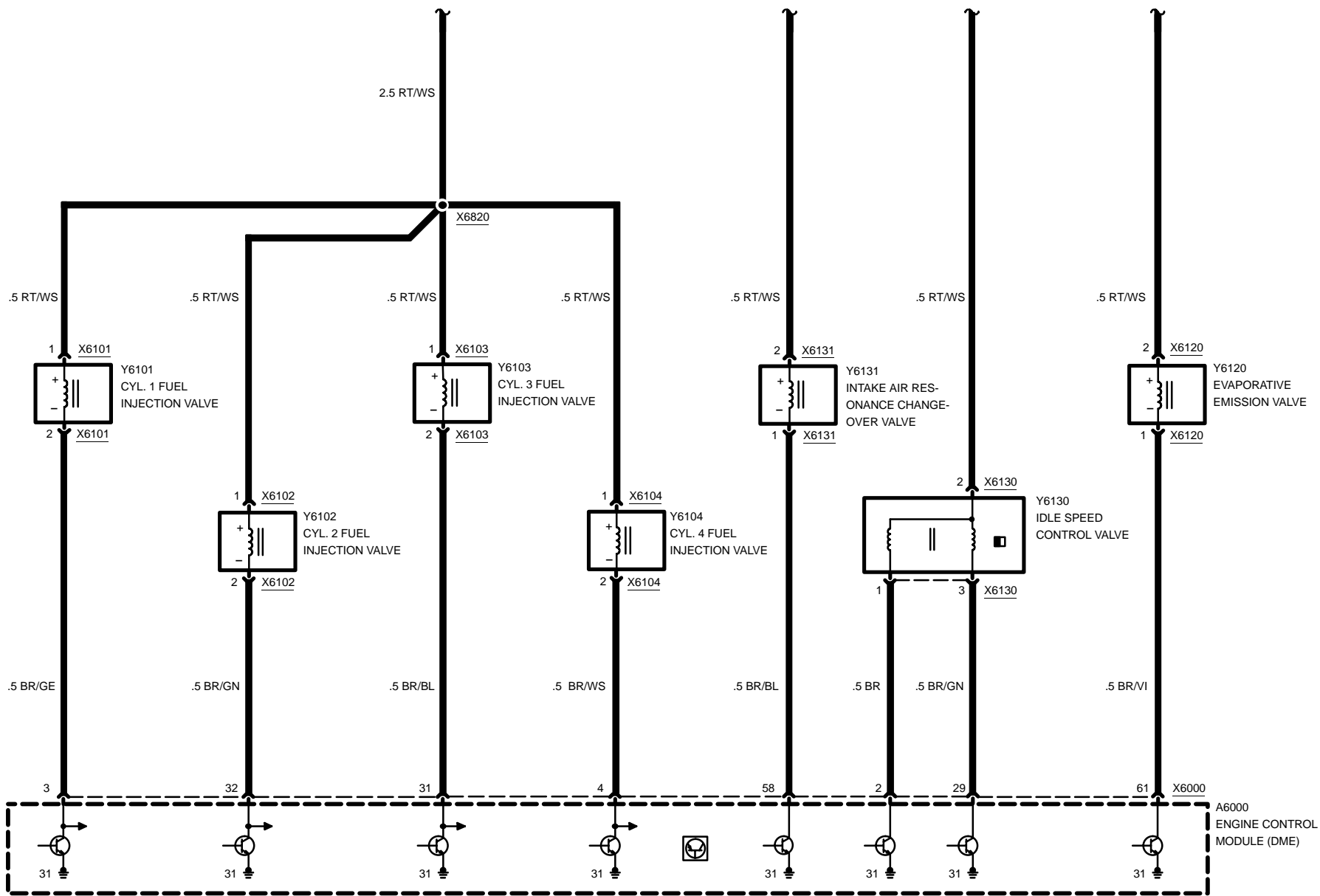
E = Input, A = Output, M = Ground



# ENGINE CONTROL SYSTEM (DME M5.2, 4-CYLINDER M44)

## POWER, FUEL INJECTION VALVES



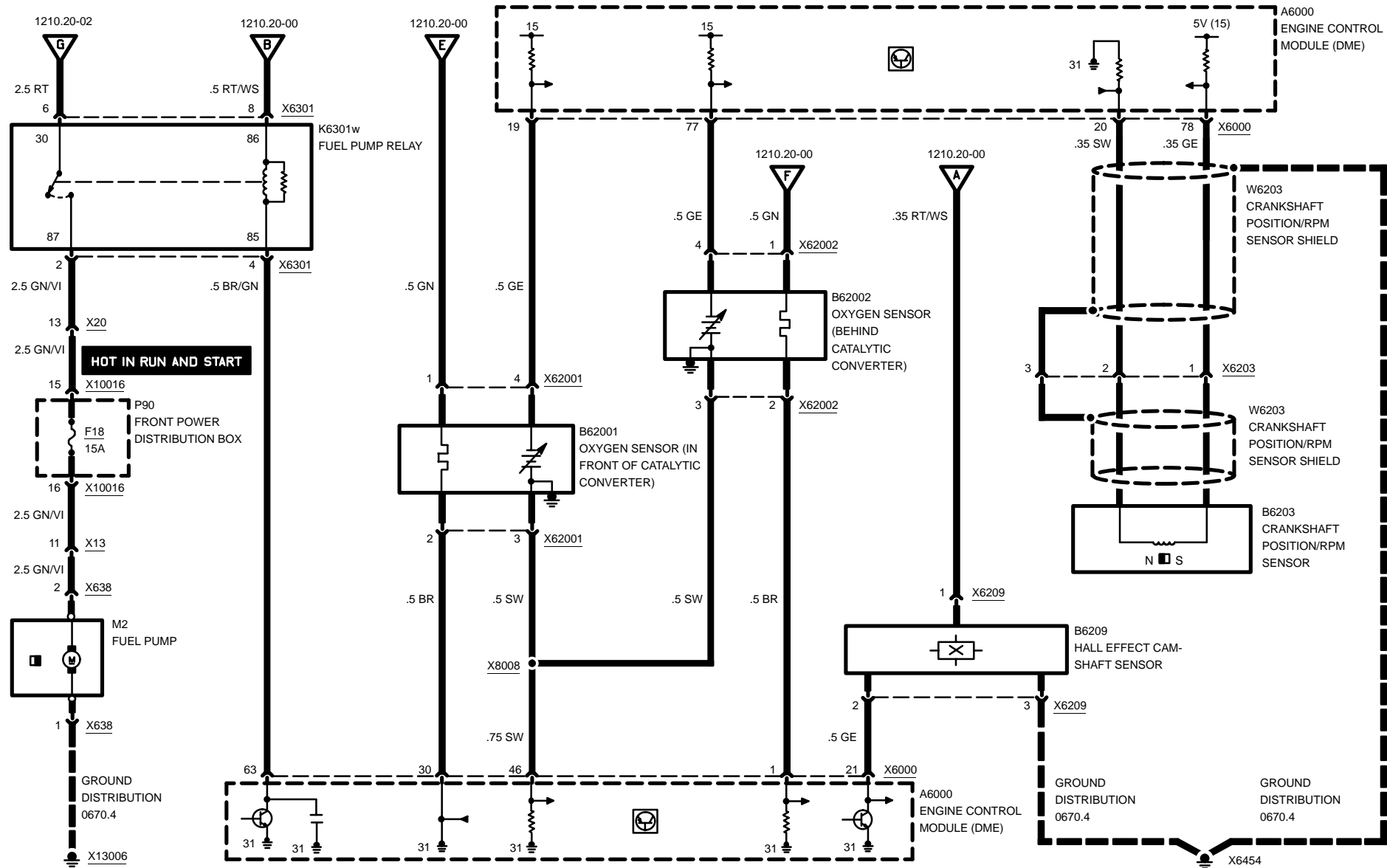






# ENGINE CONTROL SYSTEM (DME M5.2, 4-CYLINDER M44)

## FUEL PUMP, HEATED OXYGEN SENSOR, CRANKSHAFT SENSORS



03/00

1210.20-03

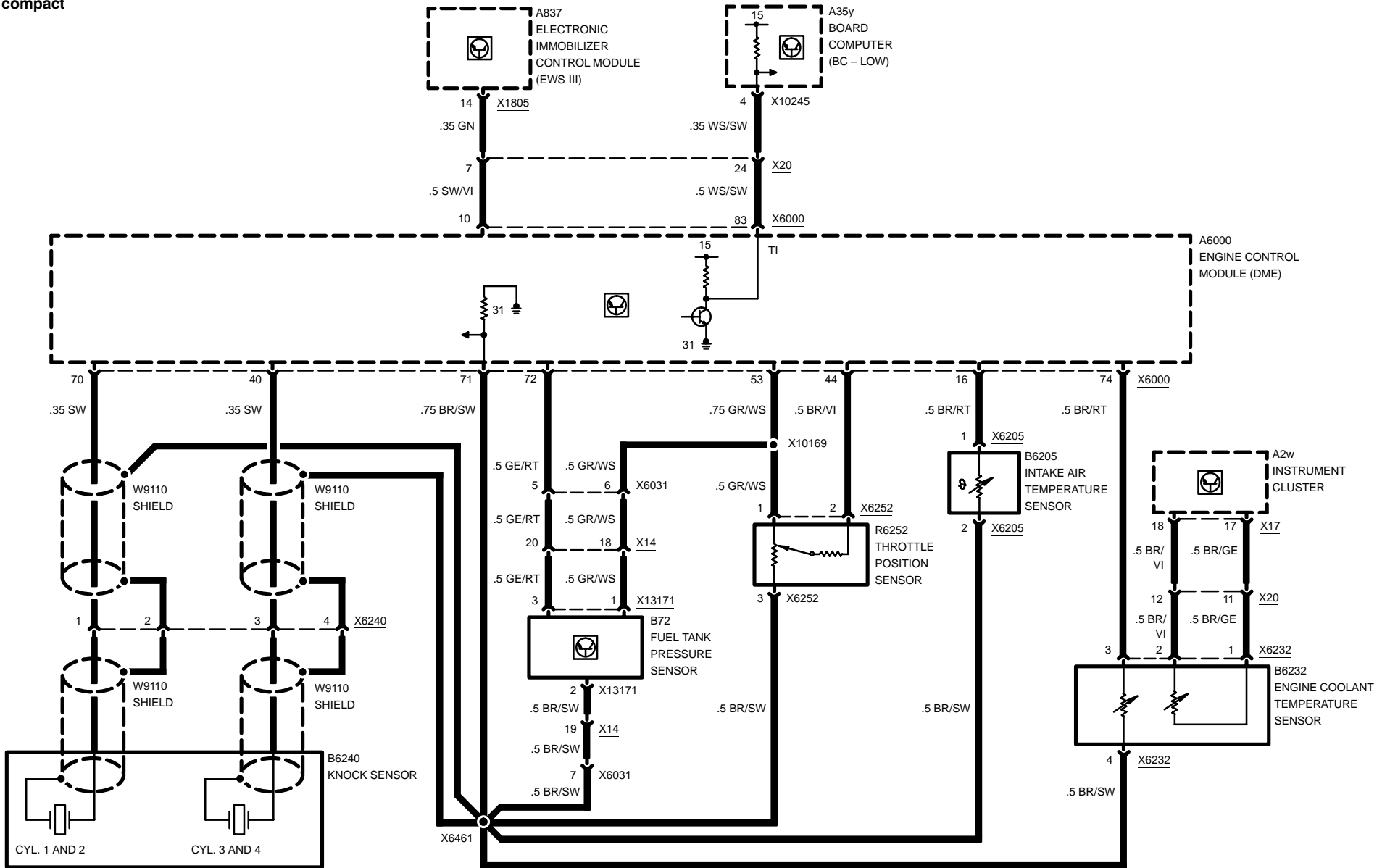
1999





# ENGINE CONTROL SYSTEM (DME M5.2, 4-CYLINDER M44)

compact

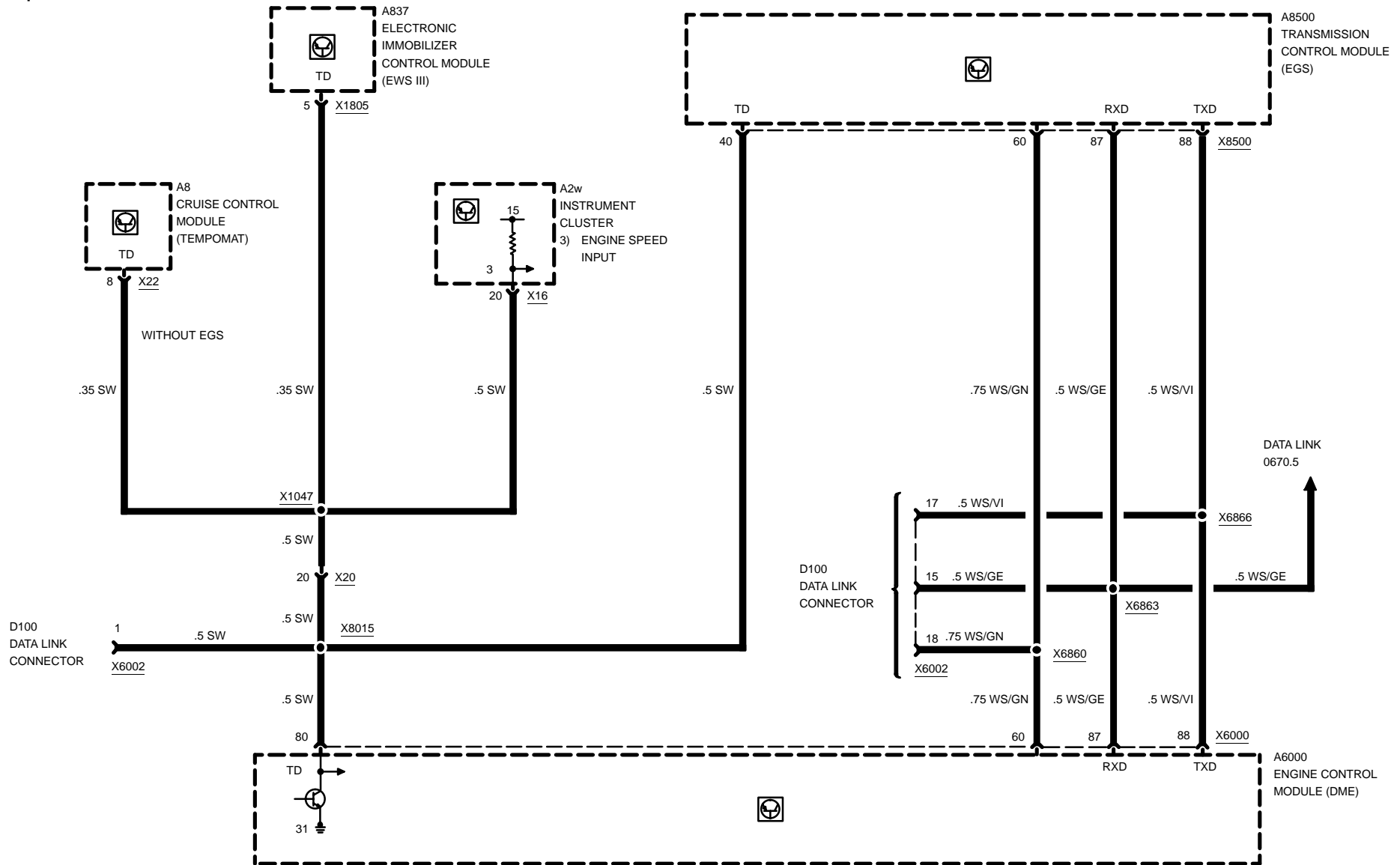




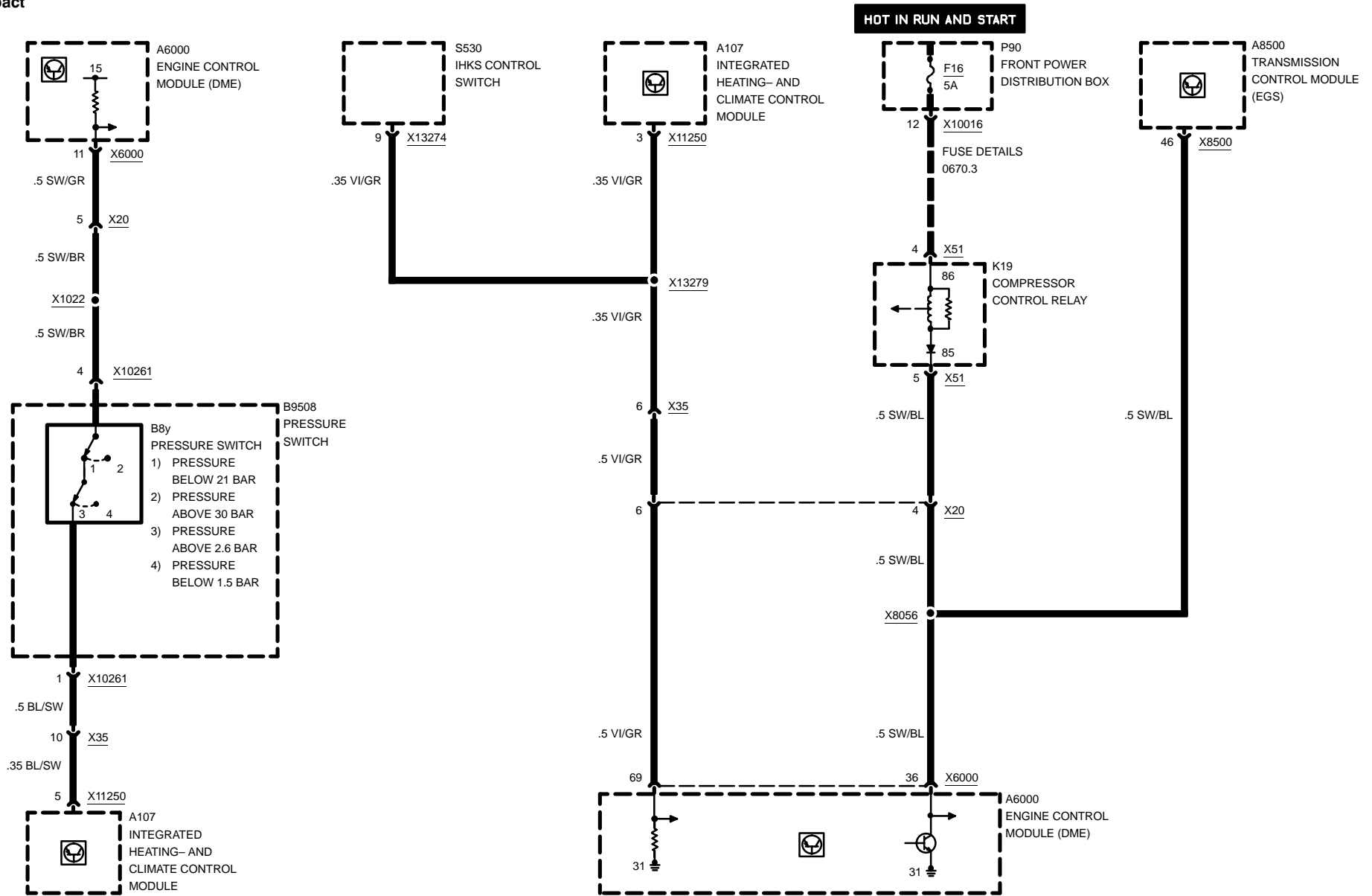


# ENGINE CONTROL SYSTEM (DME M5.2, 4-CYLINDER M44)

## DATA LINK

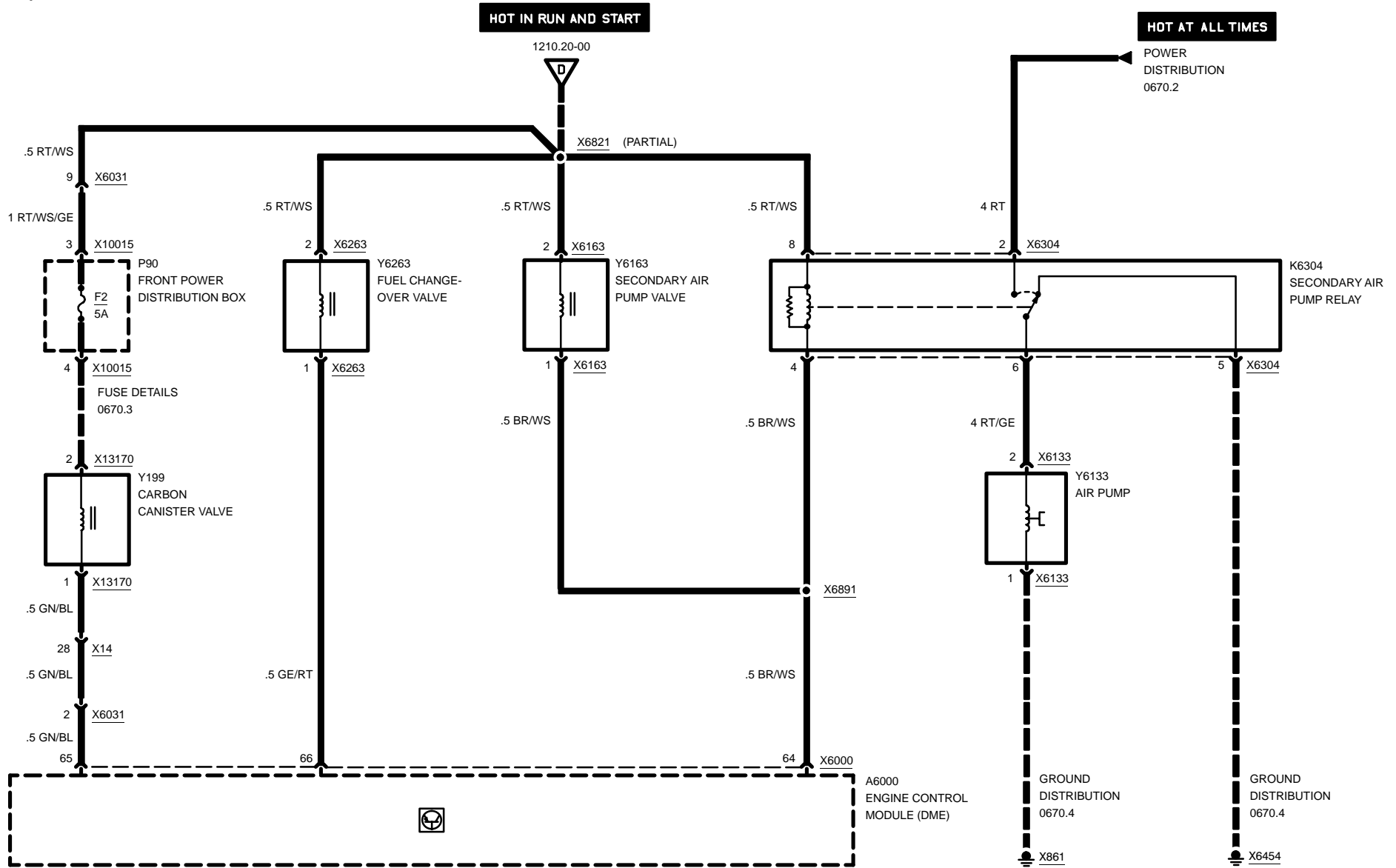


# ENGINE CONTROL SYSTEM (DME M5.2, 4-CYLINDER M44)



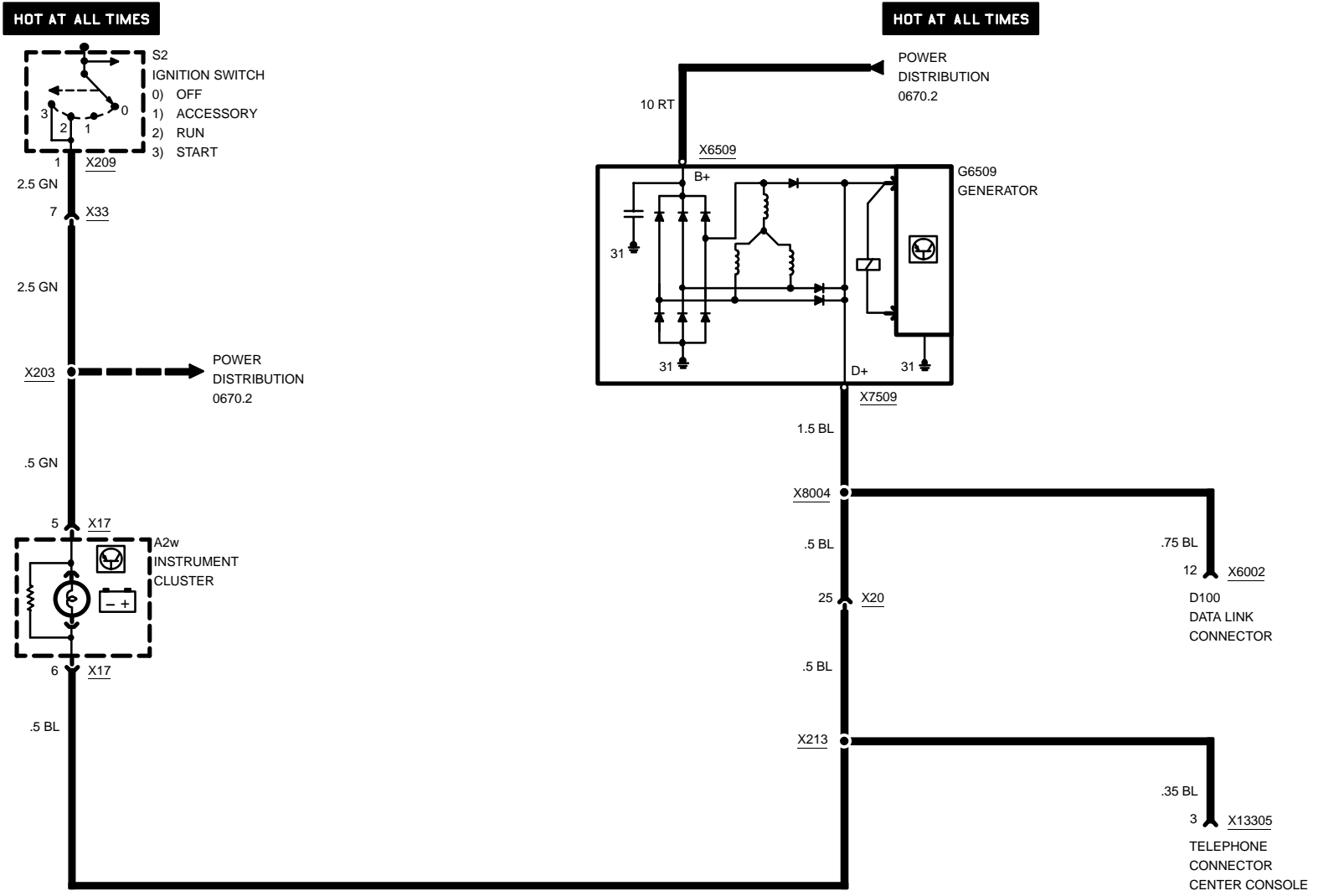


# ENGINE CONTROL SYSTEM (DME M5.2, 4-CYLINDER M44)



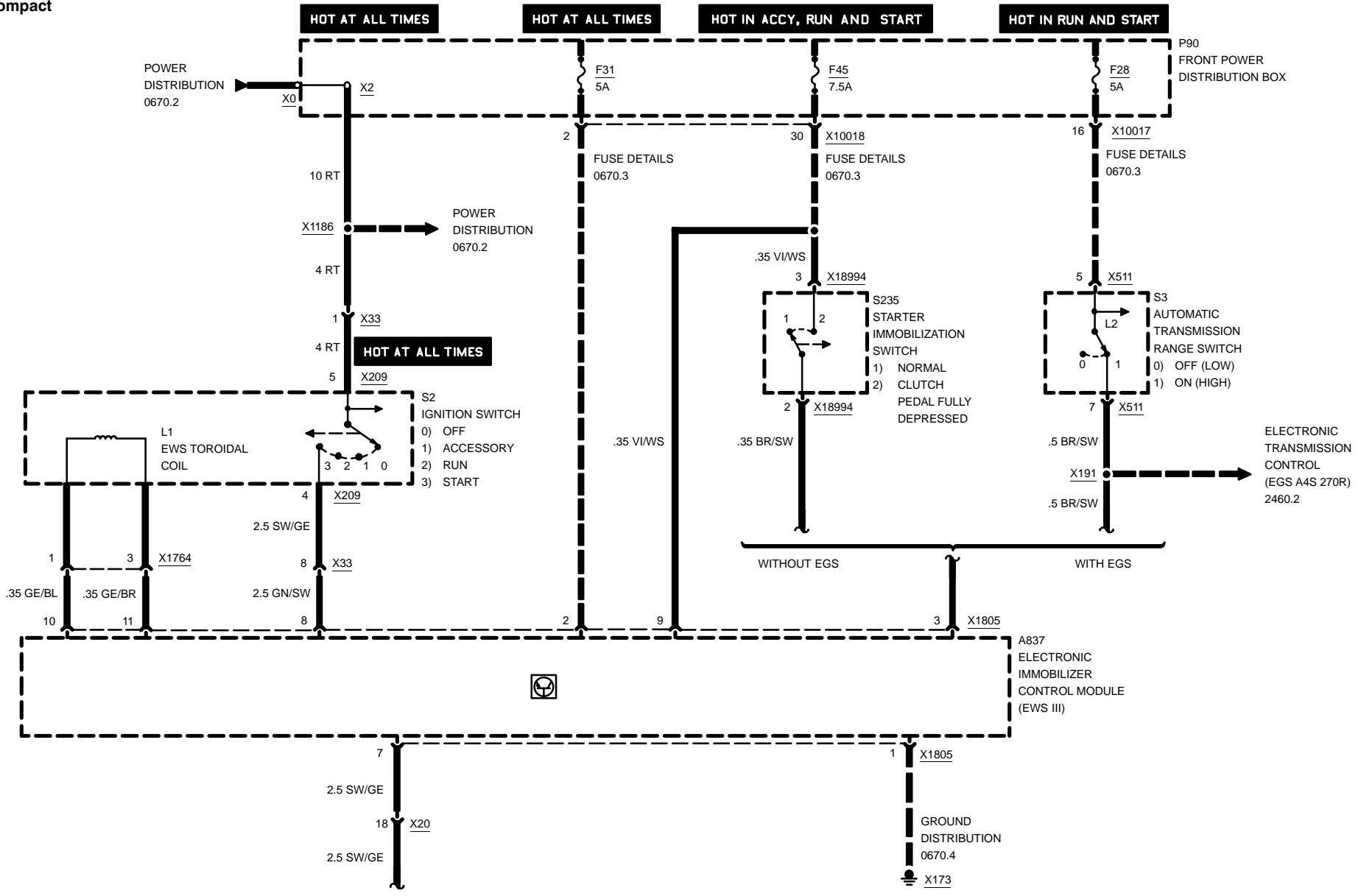


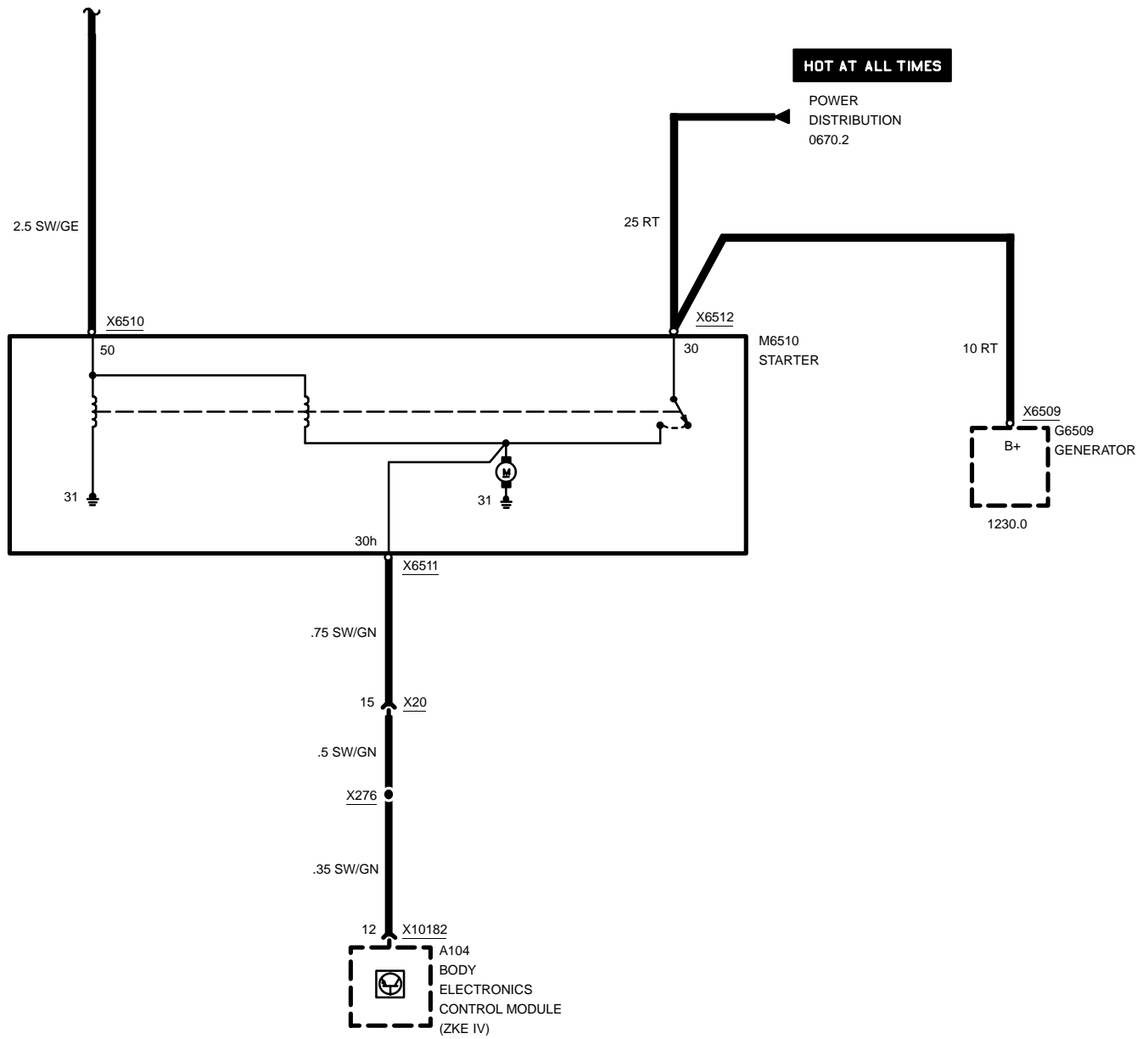
# 1230.0 CHARGING SYSTEM



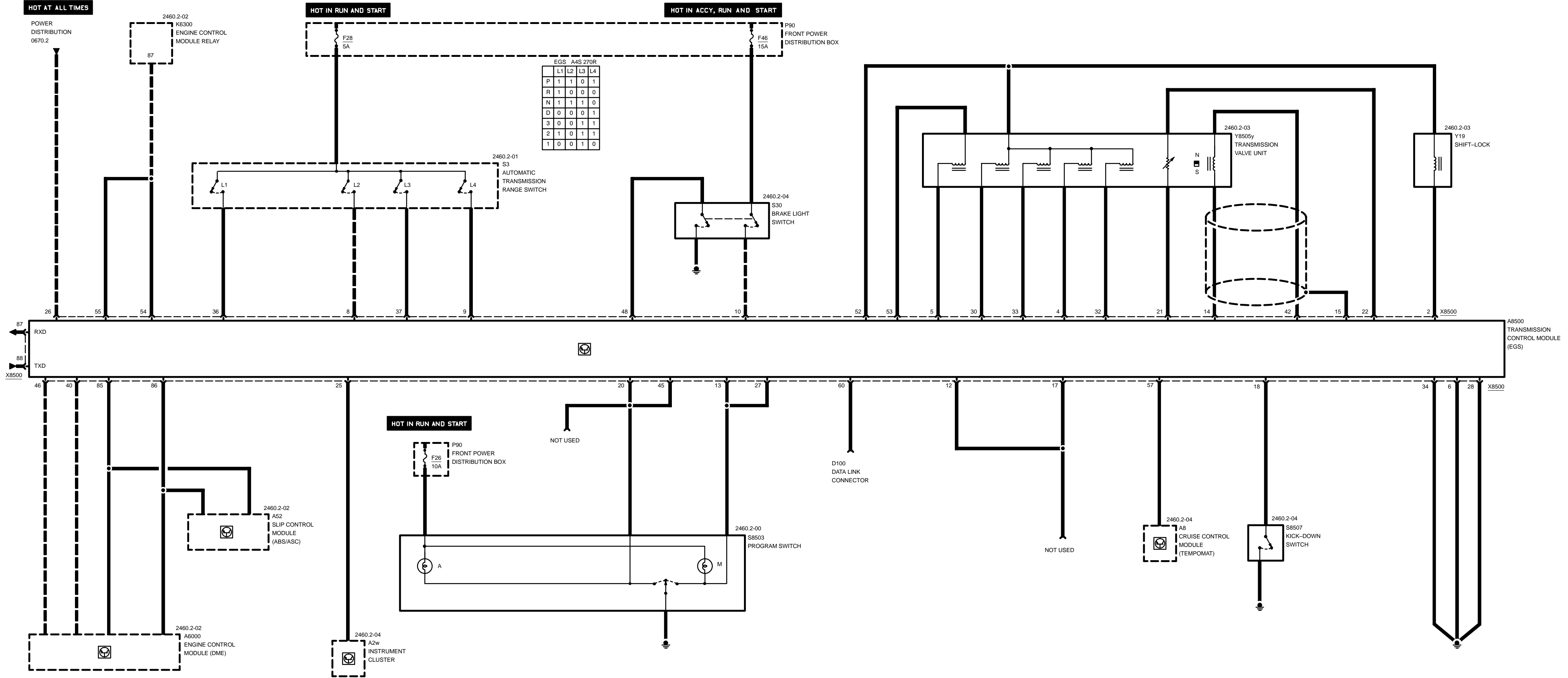


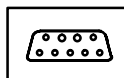
# 1240.0 START











## Pin Assignments

### X8500

Pin	Type	Description/Function	Connection
89		Not used	
90	A	Shift-lock solenoid control	Shift-lock
91		Not used	
92	A	Solenoid valve band control (-)	Transmission valve unit
93	A	Hydraulic pressure regulator control (-)	Transmission valve unit
94	M	Ground	Ground point
95		Not used	
96	E	Gear range signal L2	Automatic transmission range switch
97	E	Gear range signal L4	Automatic transmission range switch
98	E	Brake pedal position	Brake light switch
99		Not used	
100	E	Sport mode signal	Not used
101	E	Manual mode signal	Program switch
102	E	Output speed (-)	Transmission valve unit
103	M	Ground for shield	Shield for speed sensor
104		Not used	
105	E	S-program indication	Not used
106	E	Kick-down signal	Kick-down switch
107		Not used	
108	E	Automatic mode signal	Program switch
109	E	Oil temperature signal (-)	Transmission valve unit
110	E	Oil temperature signal (+)	Transmission valve unit
111		Not used	
112		Not used	
113	A	Fault indicator signal	Instrument cluster
114	E	Battery voltage	B+ junction point
115	E	M-program indication	Program switch
116	M	Ground	Ground point
117		Not used	
118	A	Solenoid valve 1 control (-)	Transmission valve unit

E = Input, A = Output, M = Ground

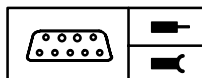


compact

03/00

2460.2-b

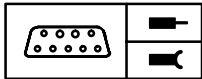
1999



## Pin Assignments

Pin	Type	Description/Function	Connection
119		Not used	
120	A	Torque converter clutch solenoid valve control (-)	Transmission valve unit
121	A	Solenoid valve 2 control (-)	Transmission valve unit
122	M	Ground	Ground point
123		Not used	
124	E	Gear range signal L1	Automatic transmission range switch
125	E	Gear range signal L3	Automatic transmission range switch
126		Not used	
127		Not used	
128	E	RPM speed signal TD	Engine control module
129		Not used	
130	E	Output speed (+)	Transmission valve unit
131		Not used	
132		Not used	
133	E	A-program indication	Program switch
134	E	A/C compressor-ON-signal	Engine control module
135		Not used	
136	E	Brake switch test signal	Brake light switch
137		Not used	
138		Not used	
139		Not used	
140	A	Voltage supply	Shift-lock/Transmission valve unit
141	E	Voltage pressure regulator	Transmission valve unit
142	E	Voltage supply, terminal 87	Engine control module relay
143	E	Voltage supply, terminal 87	Engine control module relay
144		Not used	
145	E	Cruise control signal	Cruise control module
146		Not used	
147		Not used	
148	E	Programming voltage	Data link connector
149		Not used	

E = Input, A = Output, M = Ground



## Pin Assignments

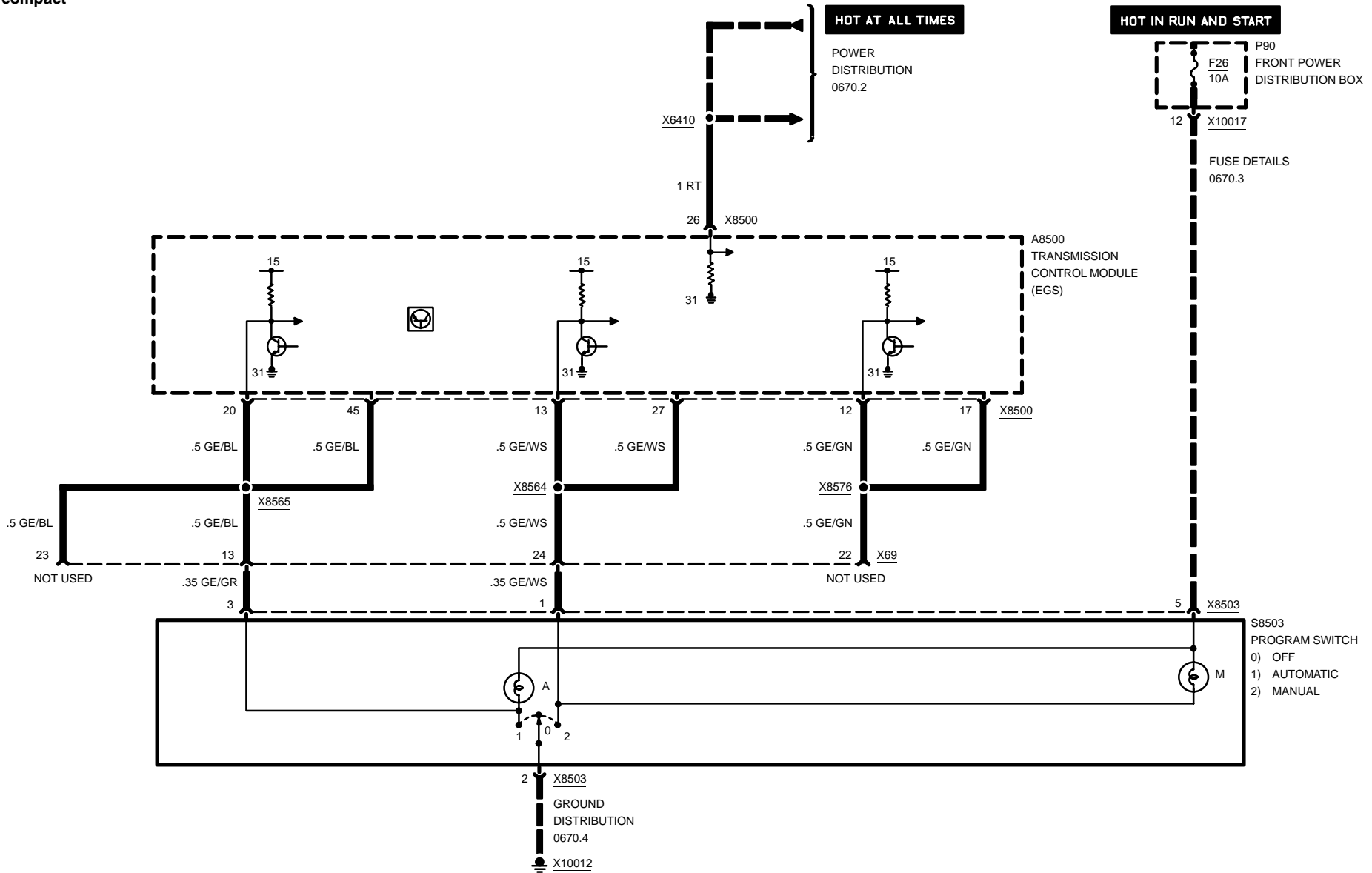
Pin	Type	Description/Function	Connection
150		Not used	
151		Not used	
152		Not used	
153		Not used	
154		Not used	
155		Not used	
156		Not used	
157		Not used	
158		Not used	
159		Not used	
160		Not used	
161		Not used	
162		Not used	
163		Not used	
164		Not used	
165		Not used	
166		Not used	
167		Not used	
168		Not used	
169		Not used	
170		Not used	
171		Not used	
172		Not used	
173	E/A	Can-Low	Engine control module/Slip control module
174	E/A	Can-High	Engine control module/Slip control module
175	A	RxD diagnostic data link	Data link connector
176	E/A	TxD diagnostic data link	Data link connector

E = Input, A = Output, M = Ground



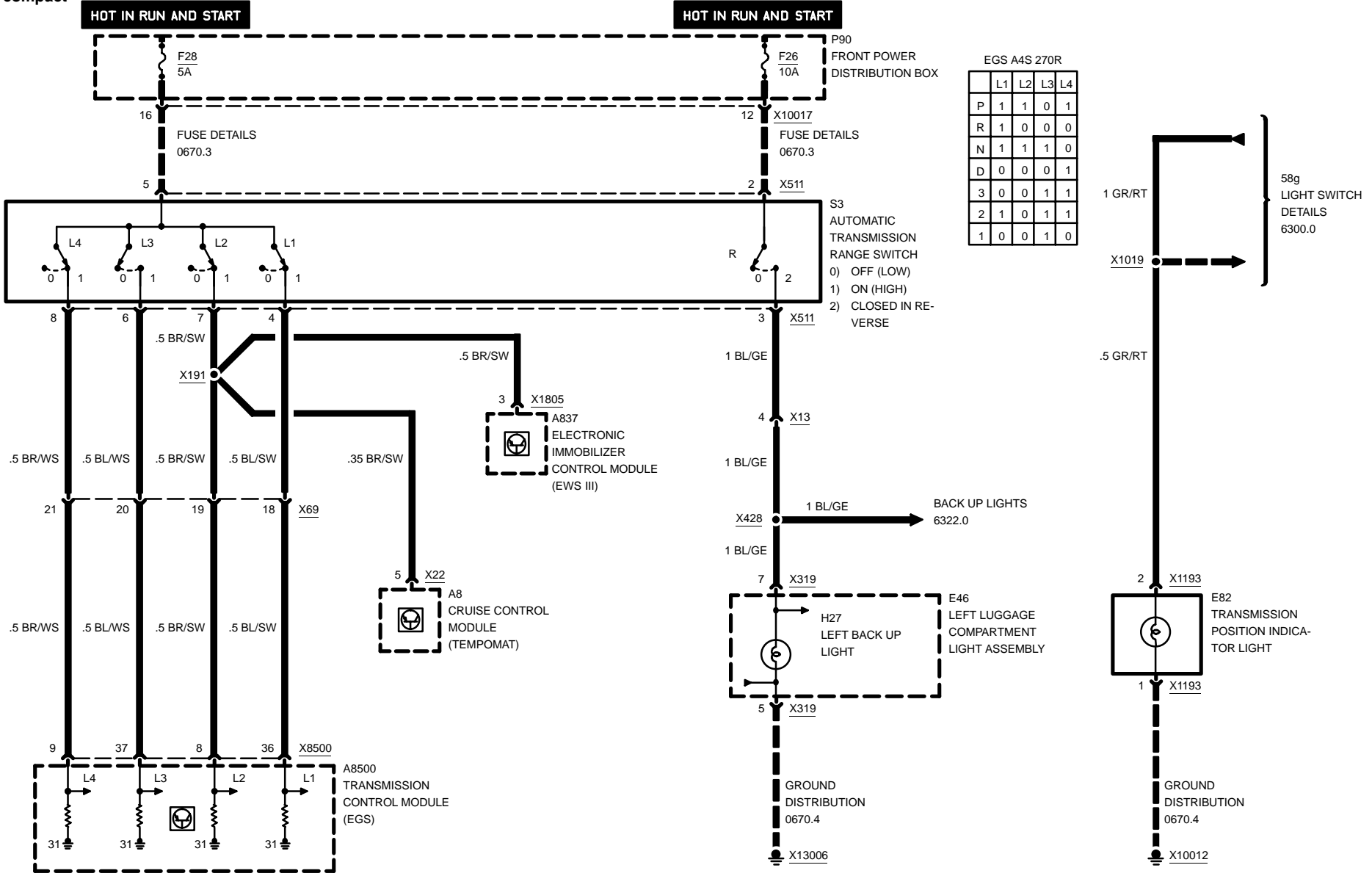
# ELECTRONIC TRANSMISSION CONTROL (EGS A4S 270R)

## POWER, PROGRAM SWITCH





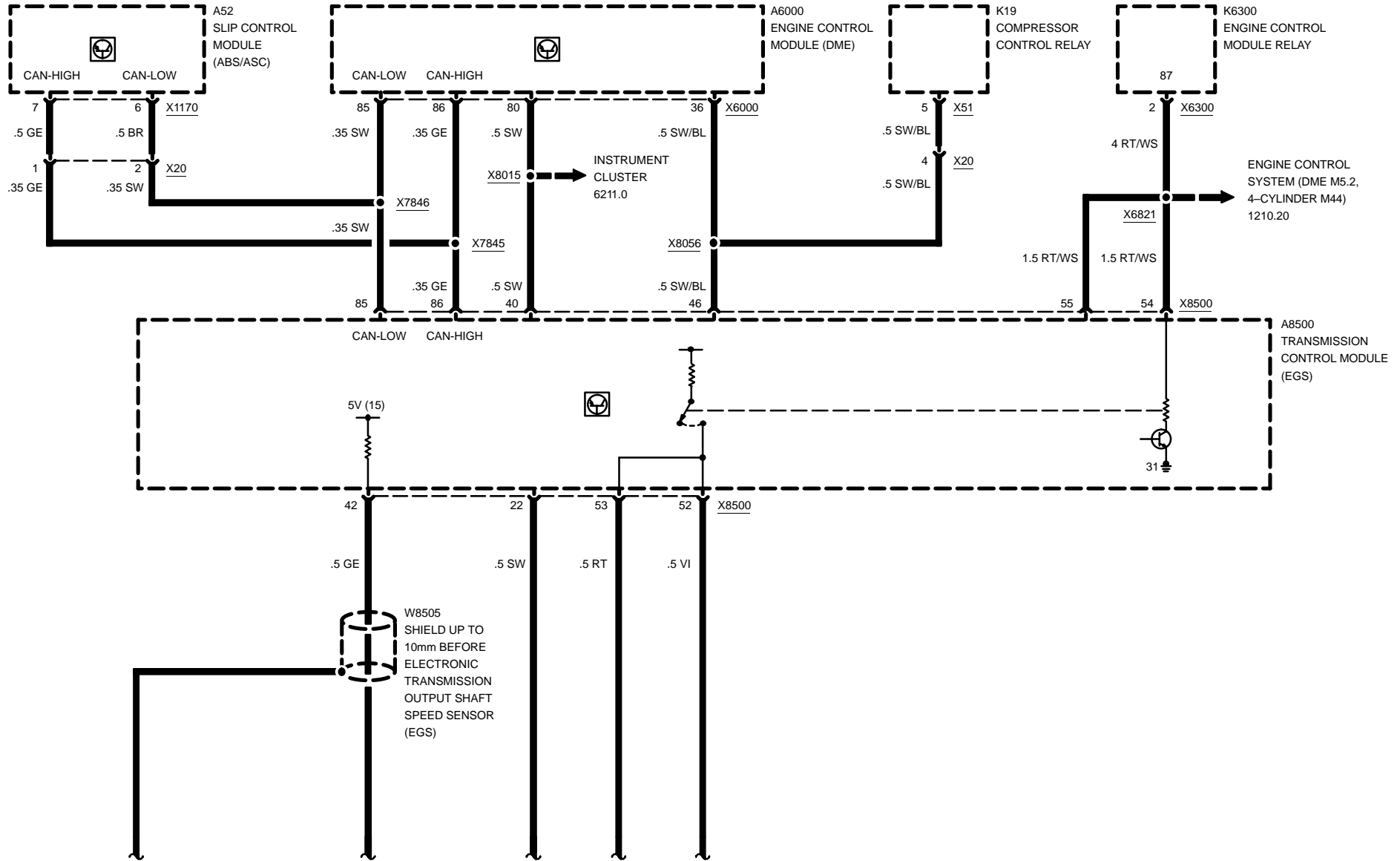
# ELECTRONIC TRANSMISSION CONTROL (EGS A4S 270R) GEAR SELECTOR SWITCH





# ELECTRONIC TRANSMISSION CONTROL (EGS A4S 270R)

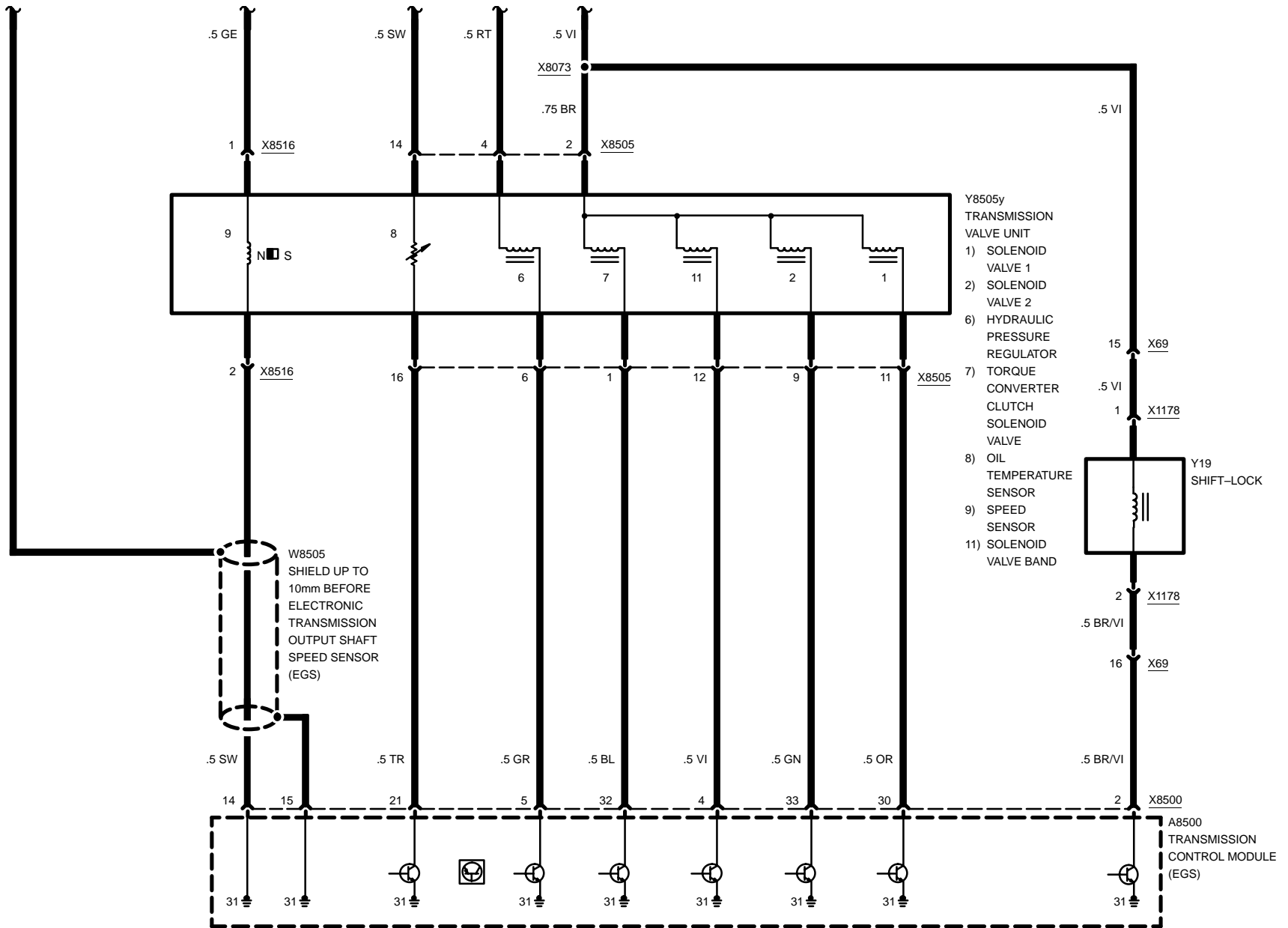
compact



03/00

2460.2-02

1999

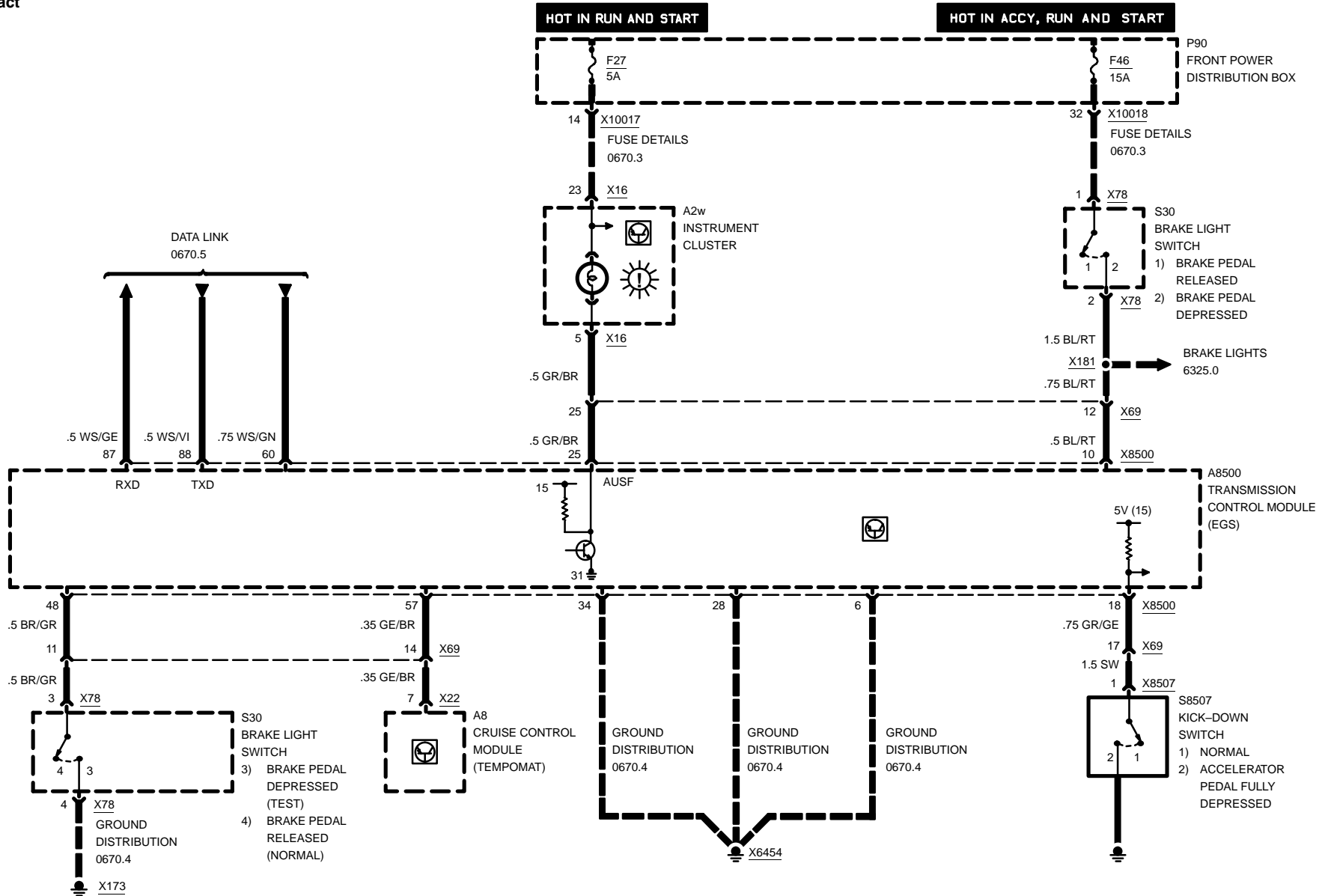


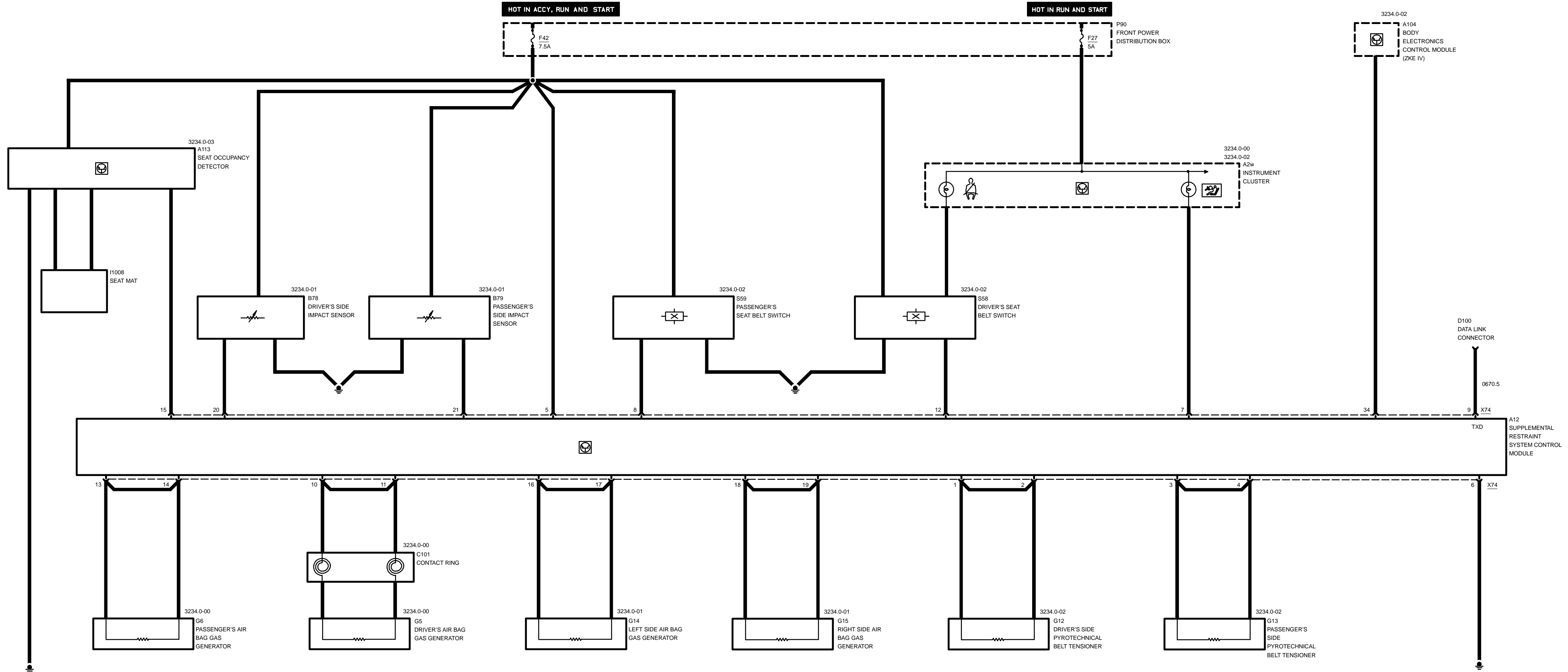


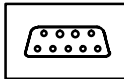


# ELECTRONIC TRANSMISSION CONTROL (EGS A4S 270R)

## SHIFT LOCK, DATA LINK, KICK-DOWN SWITCH





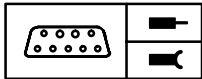


## Pin Assignments

### X74

Pin	Type	Description/Function	Connection
1	A	Pyrotechnical belt tensioner	Driver's side pyrotechnical belt tensioner
2	A	Pyrotechnical belt tensioner	Driver's side pyrotechnical belt tensioner
3	A	Pyrotechnical belt tensioner	Passenger's side pyrotechnical belt tensioner
4	A	Pyrotechnical belt tensioner	Passenger's side pyrotechnical belt tensioner
5	E	Power supply	Front power distribution box, fuse 42
6	M	Ground	Ground point
7	A	Air bag warning indicator	Instrument cluster
8	E	Belt switch	Passenger's seat belt switch
9	E/A	TxD diagnostic data line	Data link connector
10	A	Air bag (+)	Driver's air bag gas generator
11	A	Air bag (-)	Driver's air bag gas generator
12	E	Belt switch	Driver's seat belt switch
13	A	Air bag (+)	Passenger's air bag gas generator
14	A	Air bag (-)	Passenger's air bag gas generator
15	E	Seat occupancy detector	Seat occupancy detector
16	A	Gas generator	Gas generator, left side air bag
17	A	Gas generator	Gas generator, left side air bag
18	A	Gas generator	Gas generator, right side air bag
19	A	Gas generator	Gas generator, right side air bag
20	E	Impact sensor	Driver's side impact sensor
21	E	Impact sensor	Passenger's side impact sensor
22		Not used	
23		Not used	
24		Not used	
25		Not used	
26		Not used	
27		Not used	
28		Not used	
29		Not used	

E = Input, A = Output, M = Ground

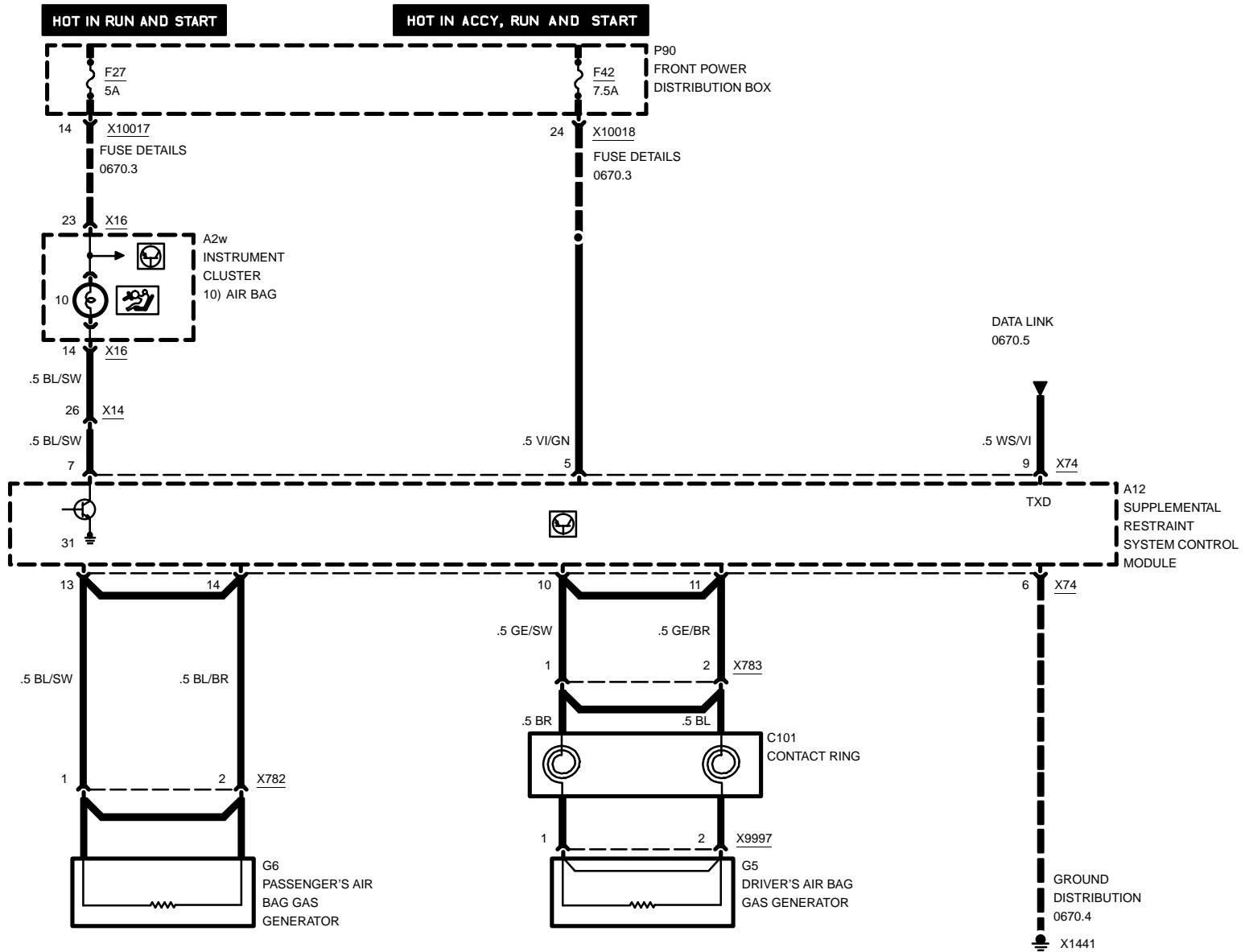


## Pin Assignments

Pin	Type	Description/Function	Connection
30		Not used	
31		Not used	
32		Not used	
33		Not used	
34	A	Crash signal	Body electronics control module (ZKE IV)
35		Not used	
36		Not used	
37		Not used	
38		Not used	
39		Not used	
40		Not used	
41		Not used	
42		Not used	
43		Not used	
44		Not used	
45		Not used	
46		Not used	
47		Not used	
48		Not used	
49		Not used	
50		Not used	



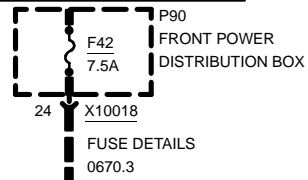
# SUPPLEMENTAL RESTRAINT SYSTEM (AIR BAG)





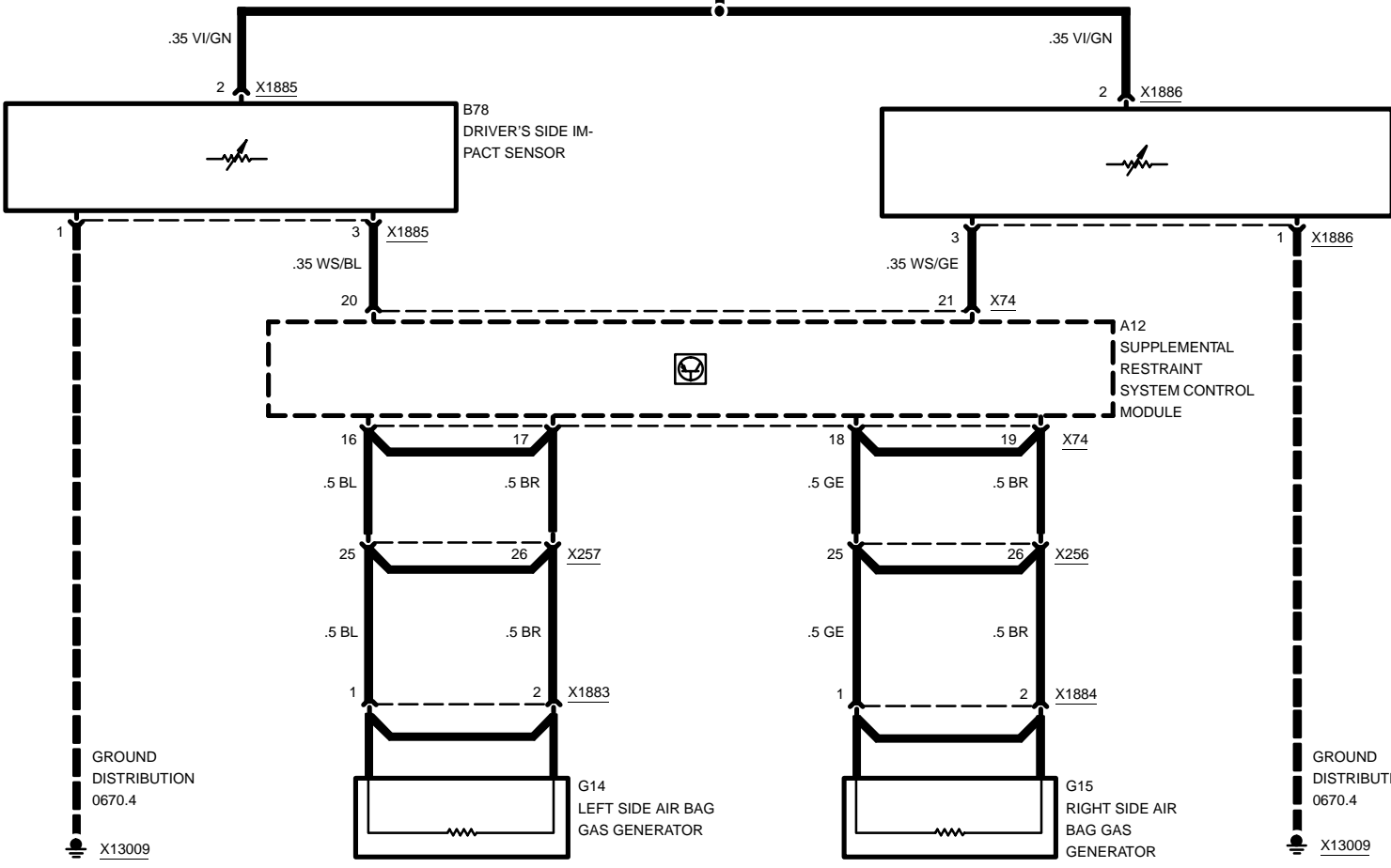
# SUPPLEMENTAL RESTRAINT SYSTEM (AIR BAG)

**HOT IN ACCY, RUN AND START**



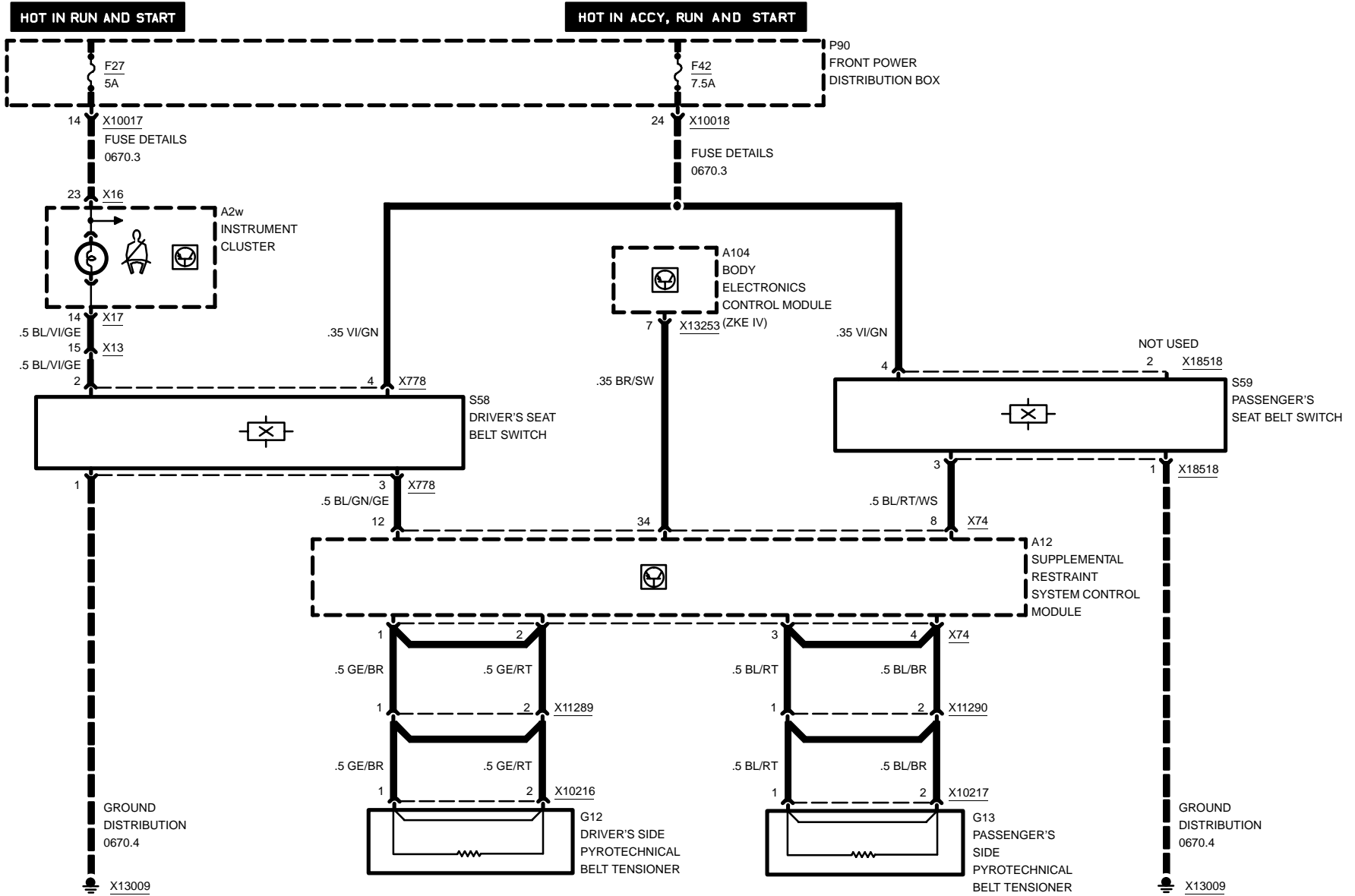
THE DRIVER'S AND PASSENGER'S AND SIDE AIR BAG GENERATORS ARE FITTED WITH SHORTING BRIDGES.

THE BRIDGES SHORT THE GENERATOR LEADS TOGETHER TO PREVENT UNINTENTIONAL TRIGGERING OF THE IGNITER WHEN WORKING ON THE AIR BAG SYSTEM.



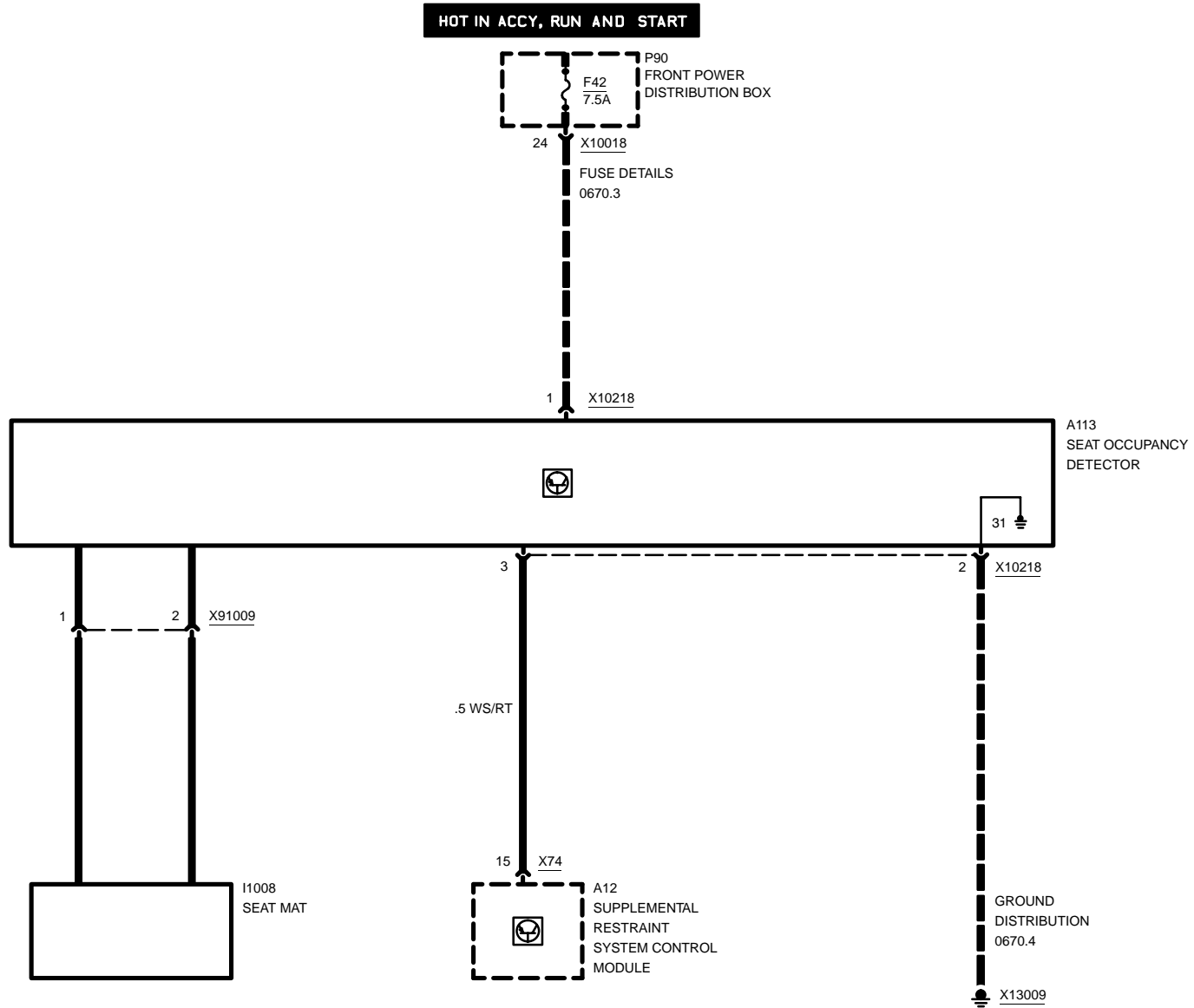


# SUPPLEMENTAL RESTRAINT SYSTEM (AIR BAG)

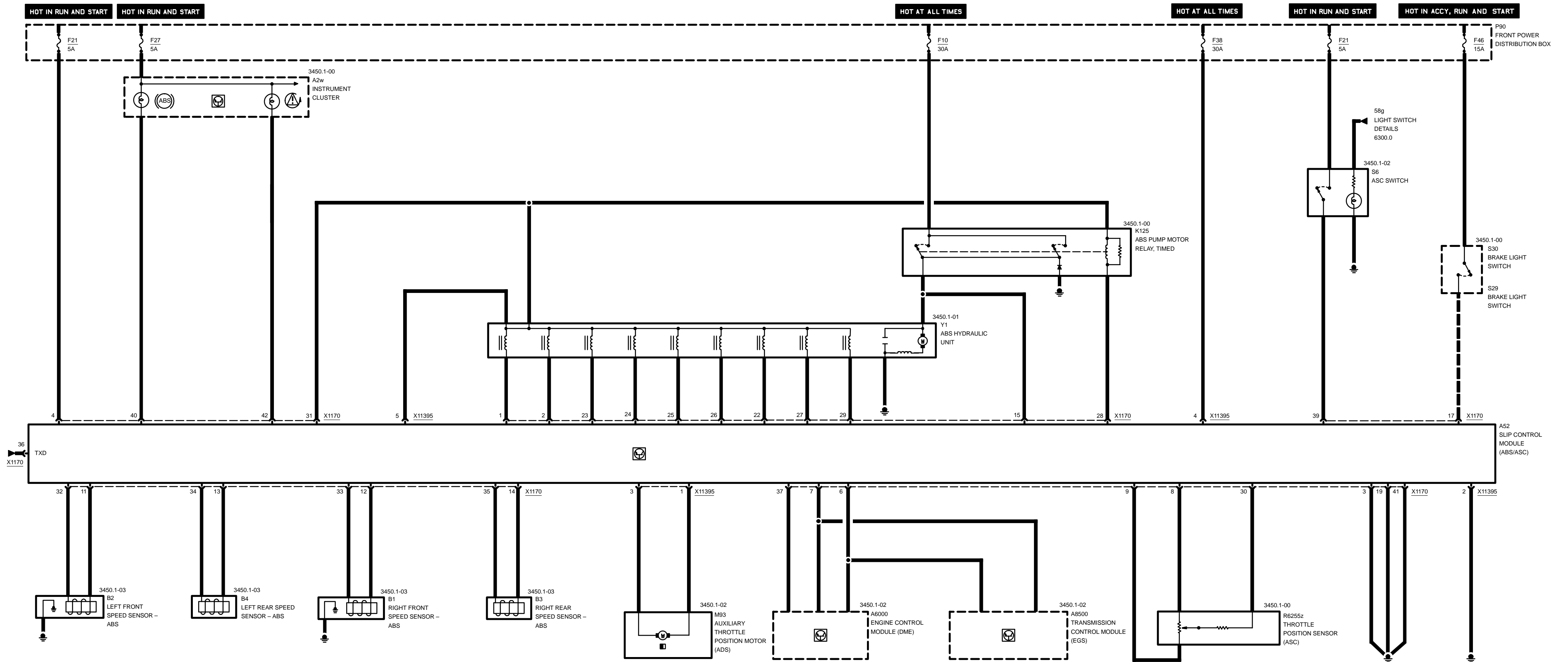


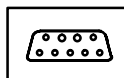


# SUPPLEMENTAL RESTRAINT SYSTEM (AIR BAG)







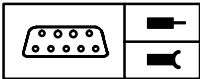


## Pin Assignments

### X1170

Pin	Type	Description/Function	Connection
1	A	Left front outlet valve	ABS hydraulic unit
2	A	Left front inlet valve	ABS hydraulic unit
3	M	Ground	Ground point
4	E	Voltage supply	Fuse 21
5		Not used	
6	E/A	CAN-LOW	DME/EGS module
7	E/A	CAN-HIGH	DME/EGS module
8	A	Accelerator pedal position, voltage	Accelerator pedal position sensor (ASC)
9	M	Accelerator pedal position, ground	Accelerator pedal position sensor (ASC)
10		Not used	
11	E	Speed signal	Left front speed sensor ABS
12	E	Speed signal	Right front speed sensor ABS
13	E	Speed signal	Left rear speed sensor ABS
14	E	Speed signal	Right rear speed sensor ABS
15	E	Signal pump motor	ABS pump motor relay, timed
16		Not used	
17	E	Brake pedal position	Brake light switch
18		Not used	
19	M	Ground	Ground point
20		Not used	
21		Not used	
22	A	Right rear outlet valve	ABS hydraulic unit
23	A	Right front inlet valve	ABS hydraulic unit
24	A	Right front outlet valve	ABS hydraulic unit
25	A	Left rear outlet valve	ABS hydraulic unit
26	A	Left rear inlet valve	ABS hydraulic unit
27	A	Right rear inlet valve	ABS hydraulic unit
28	A	Activate relay	ABS pump motor relay, timed
29	A	Seperator valve	ABS hydraulic unit
30	E	Accelerator pedal position, signal	Accelerator pedal position sensor (ASC)

E = Input, A = Output, M = Ground



## Pin Assignments

Pin	Type	Description/Function	Connection
31	A	ABS signal	ABS pump motor relay/Hydraulic unit
32	A	Sensor ground	Left front speed sensor ABS
33	A	Sensor ground	Right front speed sensor ABS
34	A	Sensor ground	Left rear speed sensor ABS
35	A	Sensor ground	Right rear speed sensor ABS
36	E/A	TxD diagnostic data link	Data link connector
37	A	Speed signal, right rear	DME module
38		Not used	
39	E	ASC signal	ASC switch
40	A	ABS signal	Instrument cluster
41	M	Ground	Ground point
42	A	ASC signal	Instrument cluster

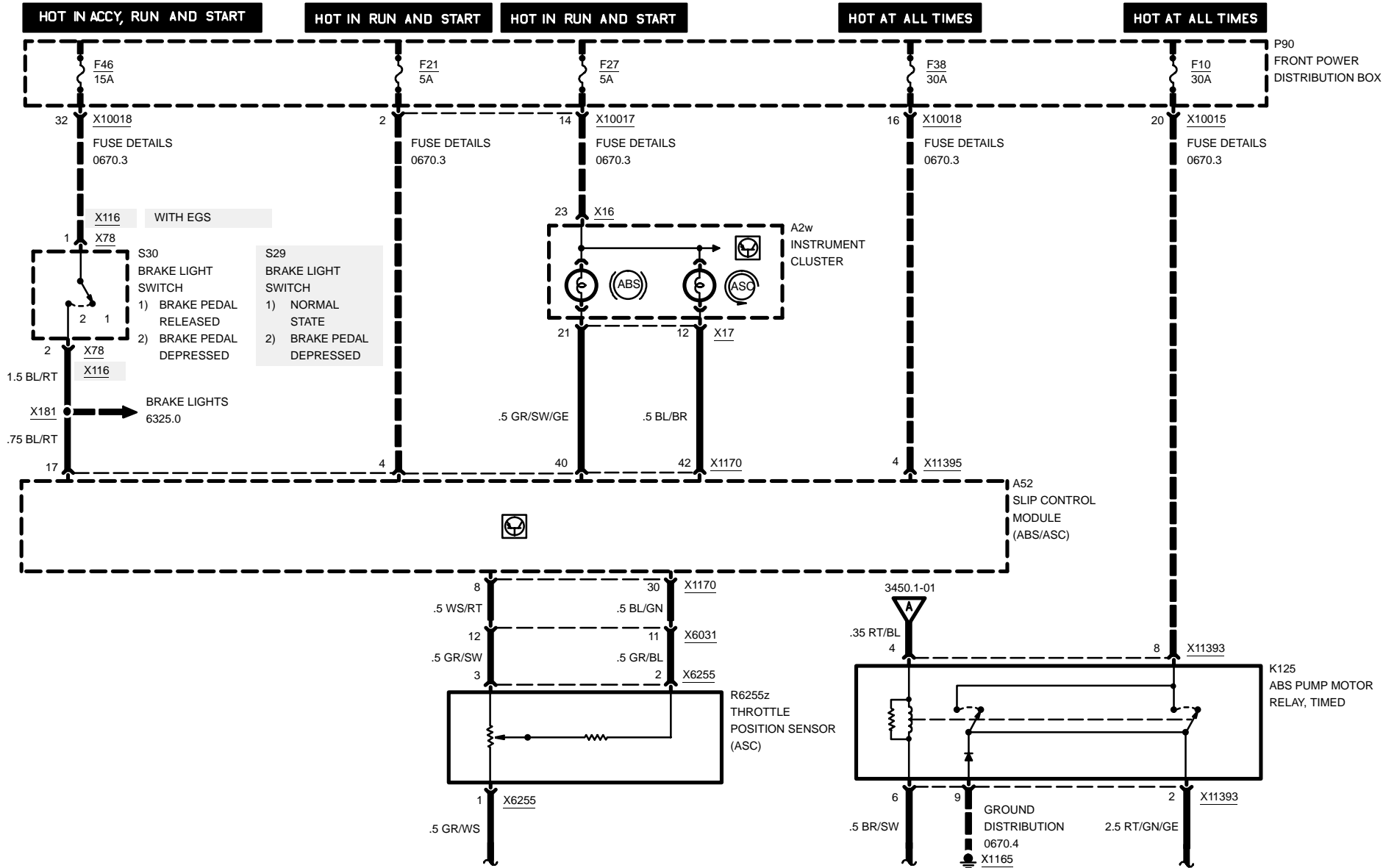
### X11395

Pin	Type	Description/Function	Connection
1	A	Auxiliary throttle position, voltage	Auxiliary throttle position motor (ADS)
2	M	Ground	Ground point
3	A	Auxiliary throttle position, ground	Auxiliary throttle position motor (ADS)
4	E	Voltage supply	Fuse 38
5	A	ABS signal	ABS hydraulic unit



# SLIP CONTROL (ABS/ASC)

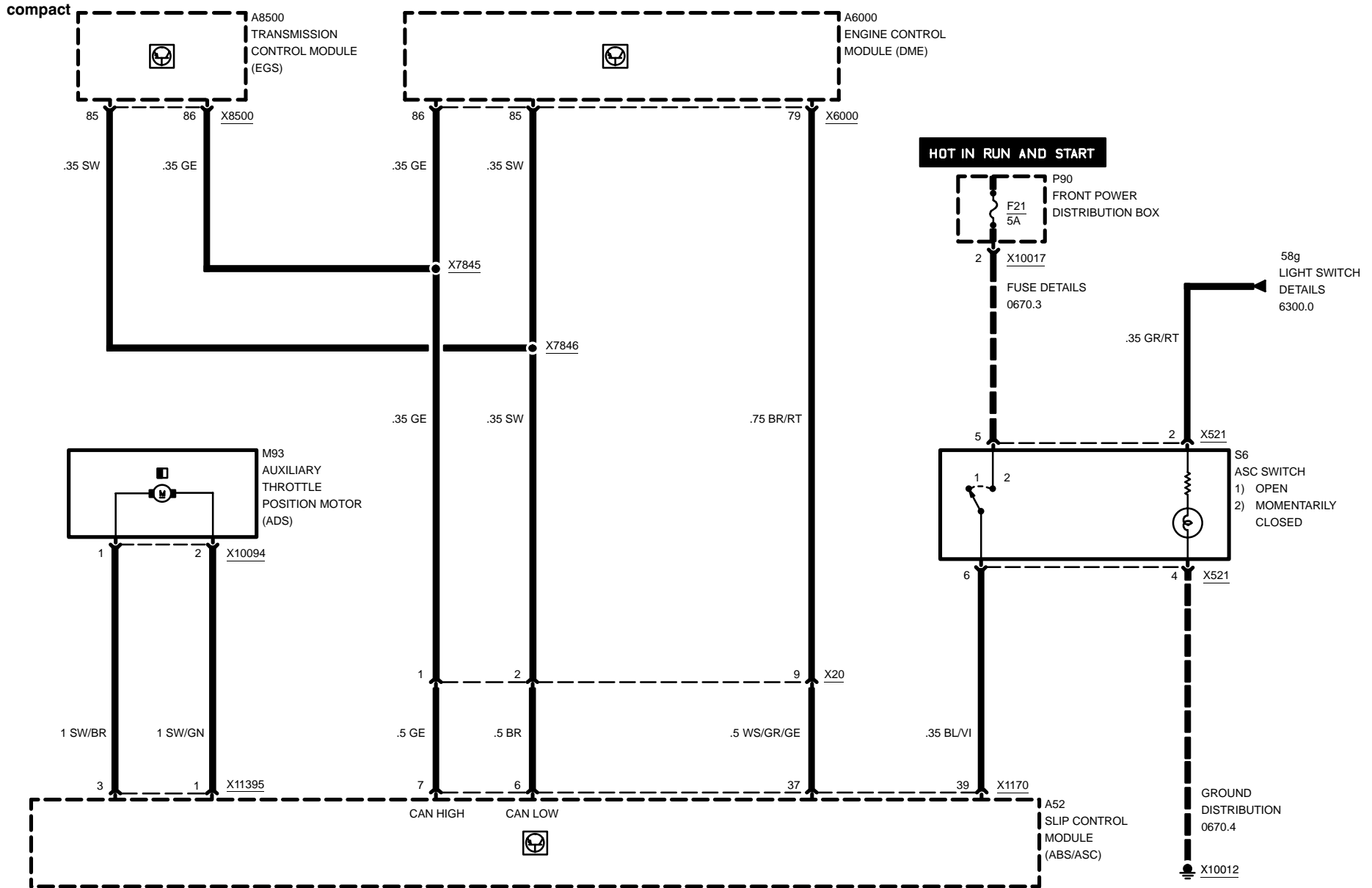
compact



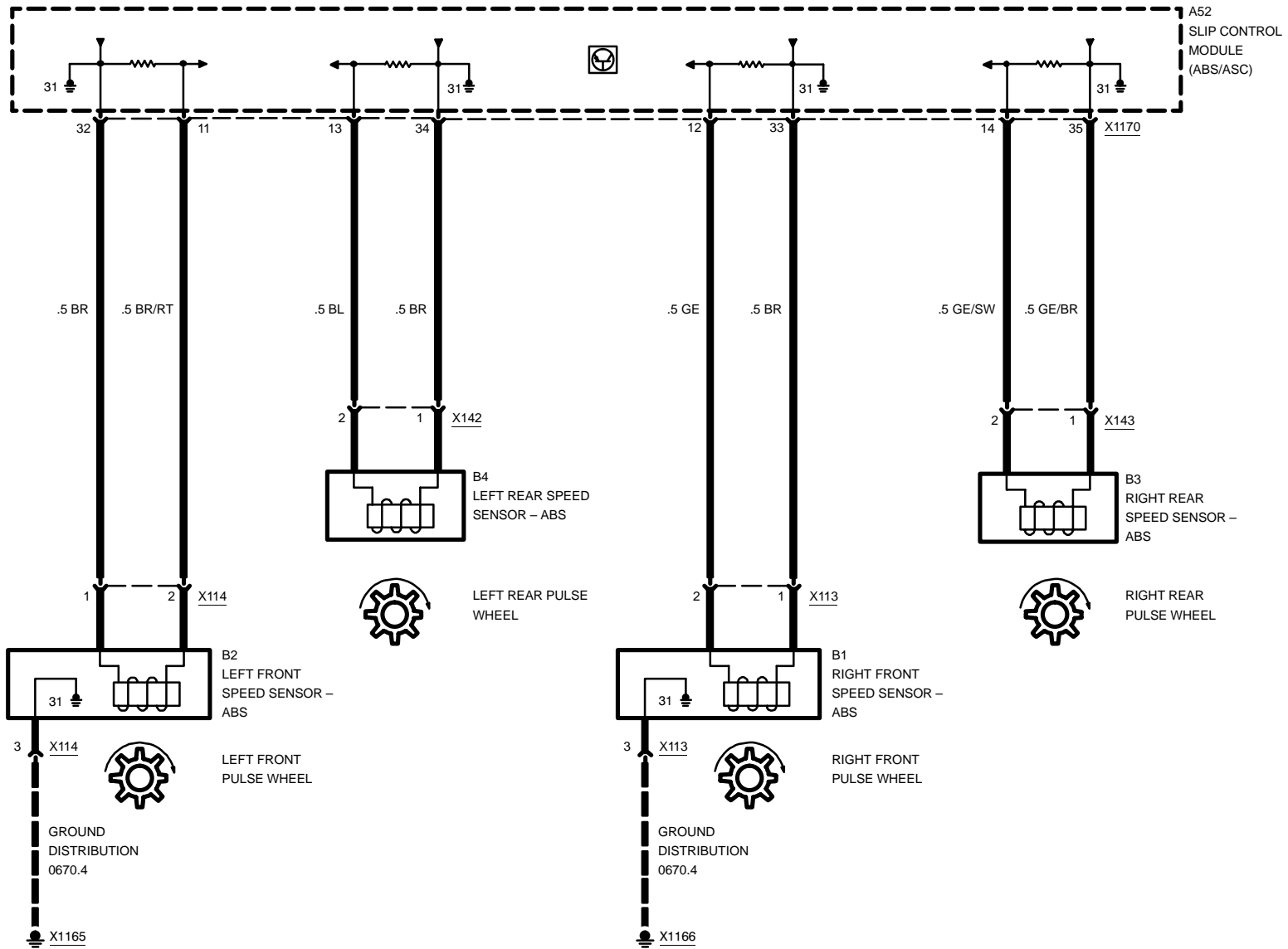




# SLIP CONTROL (ABS/ASC)



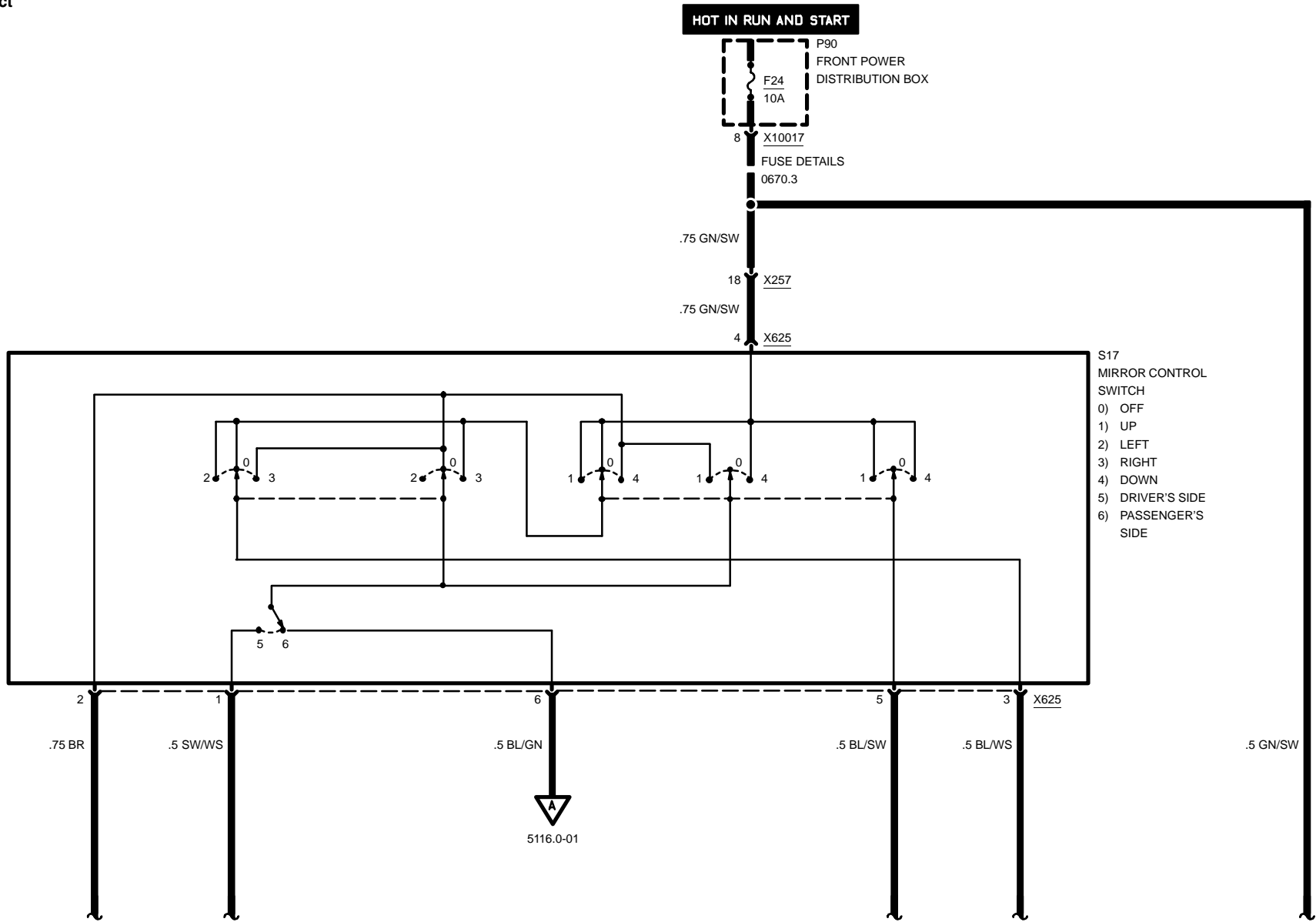
# SLIP CONTROL (ABS/ASC)



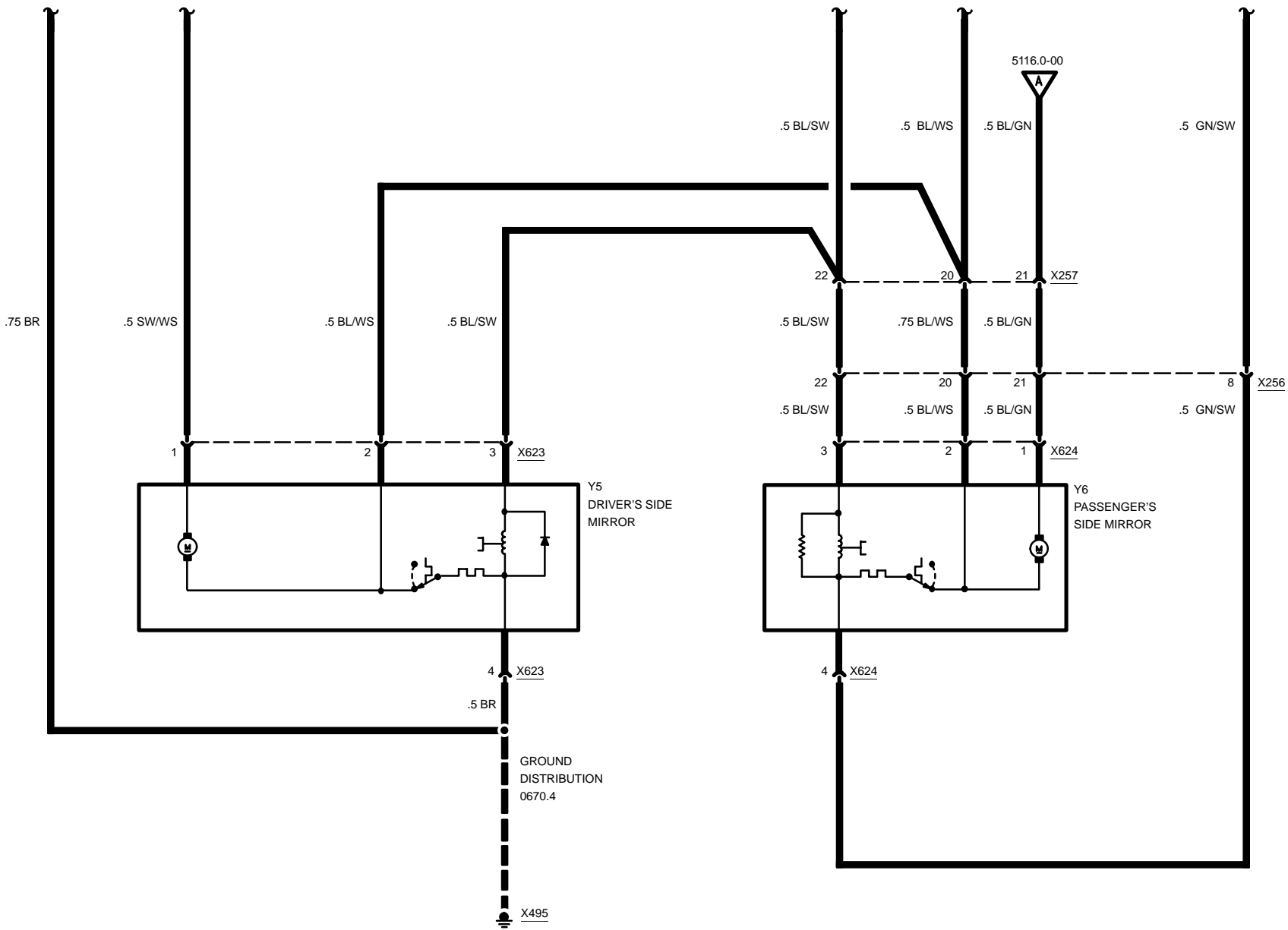


# 5116.0 POWER MIRRORS

## OUTSIDE MIRROR





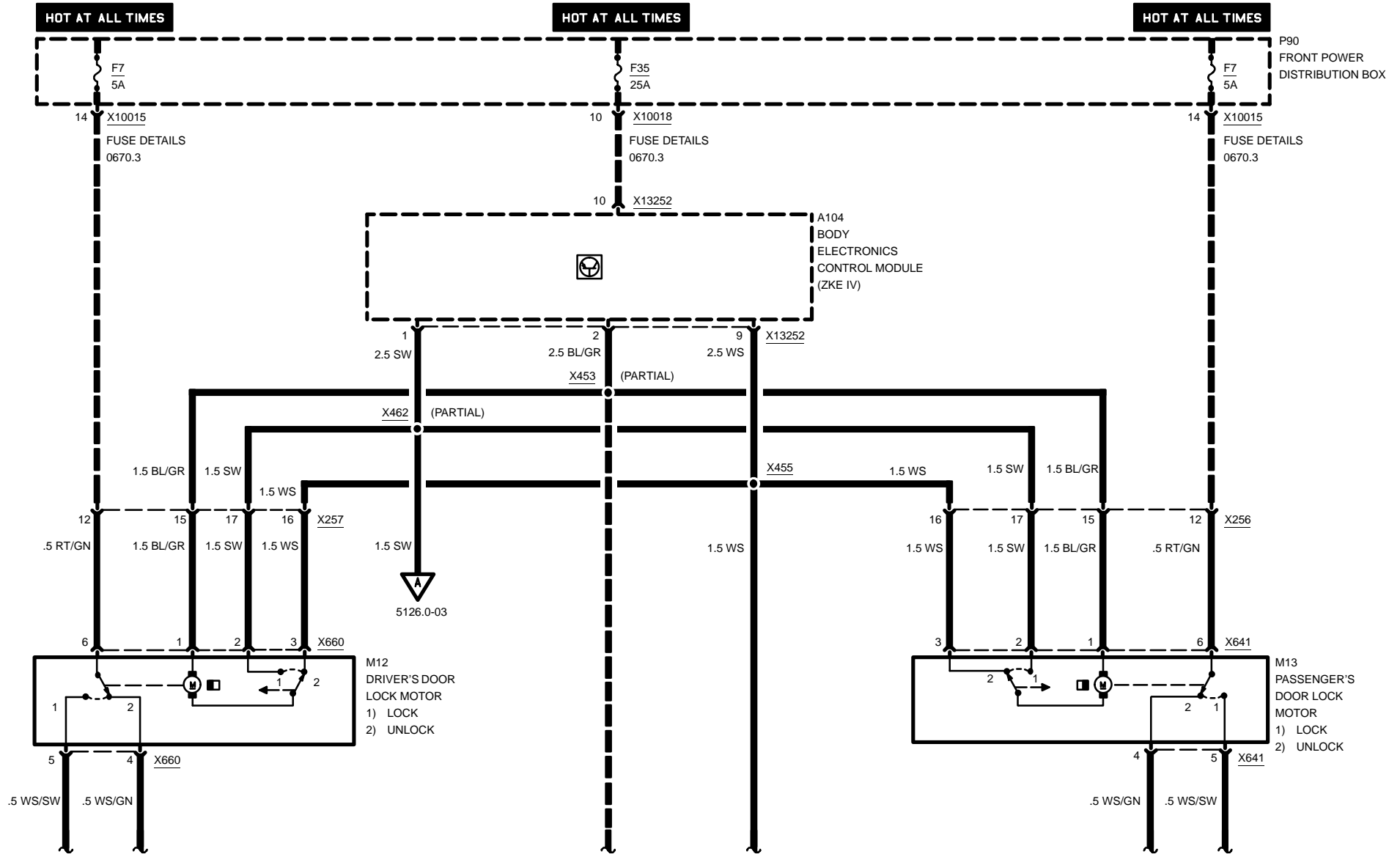


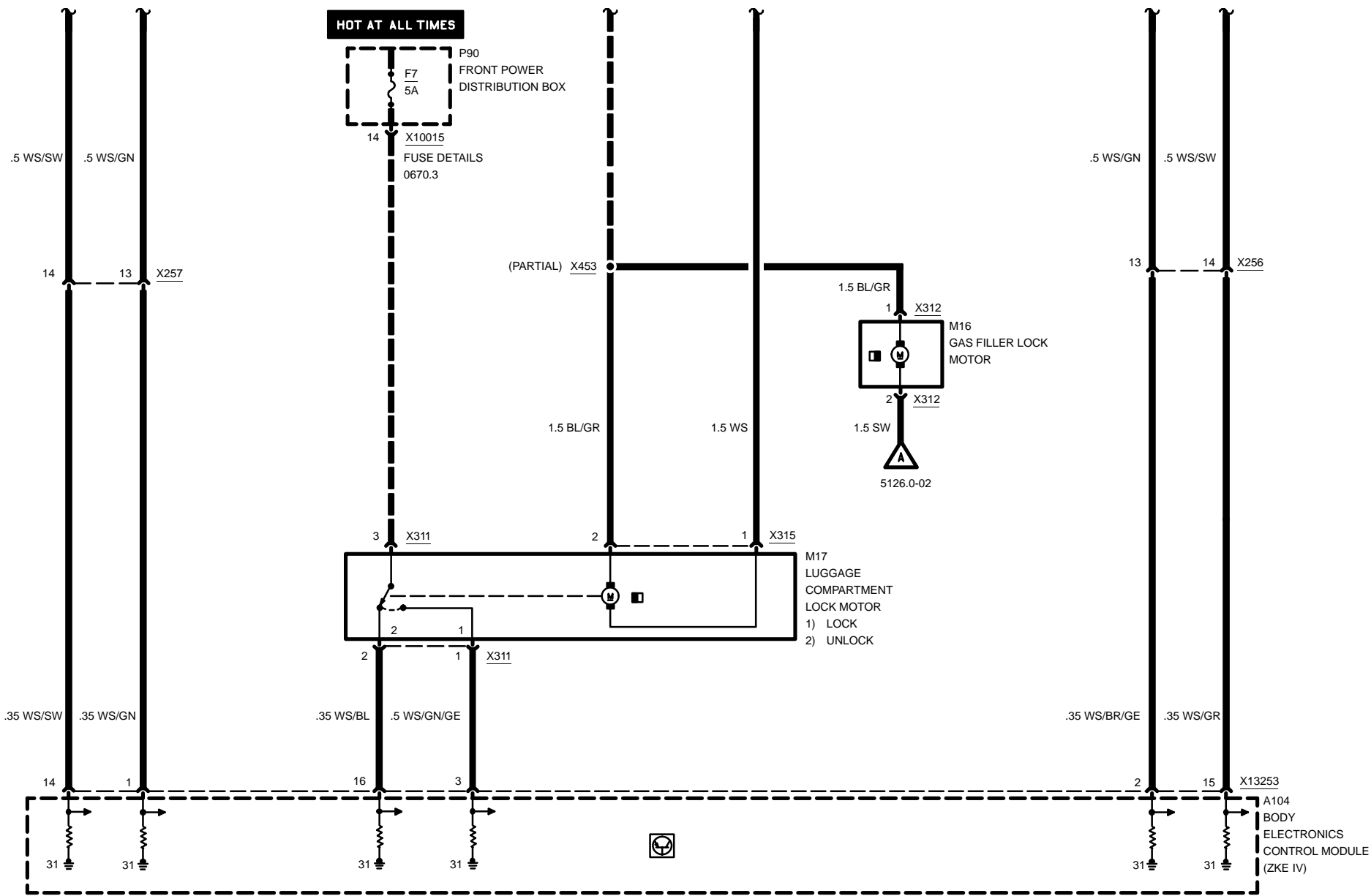






# ZKE CENTRAL LOCKING (ZV) OUTPUT DETAILS

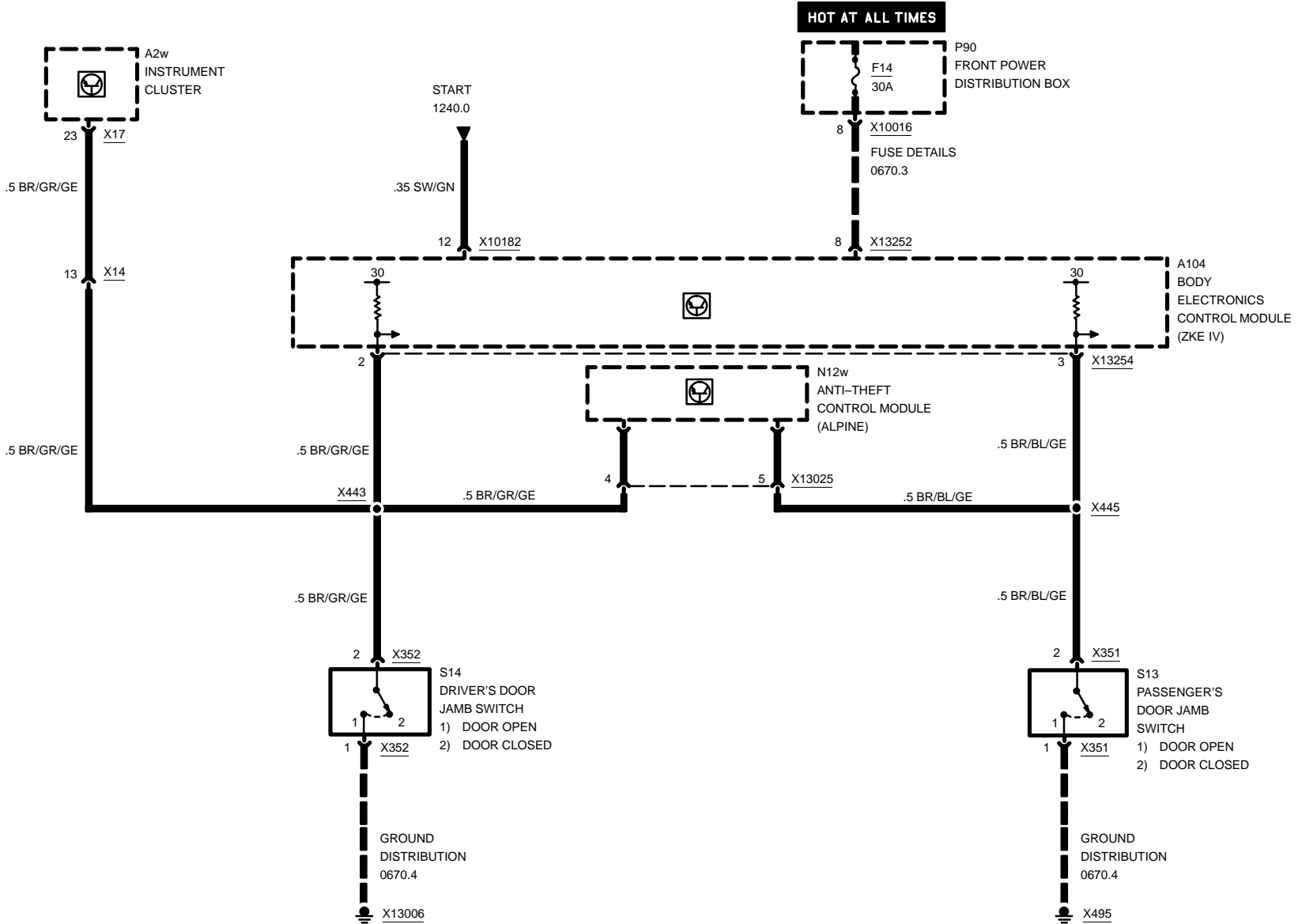






# 5133.0 POWER WINDOWS (FH)

## INPUT DETAILS

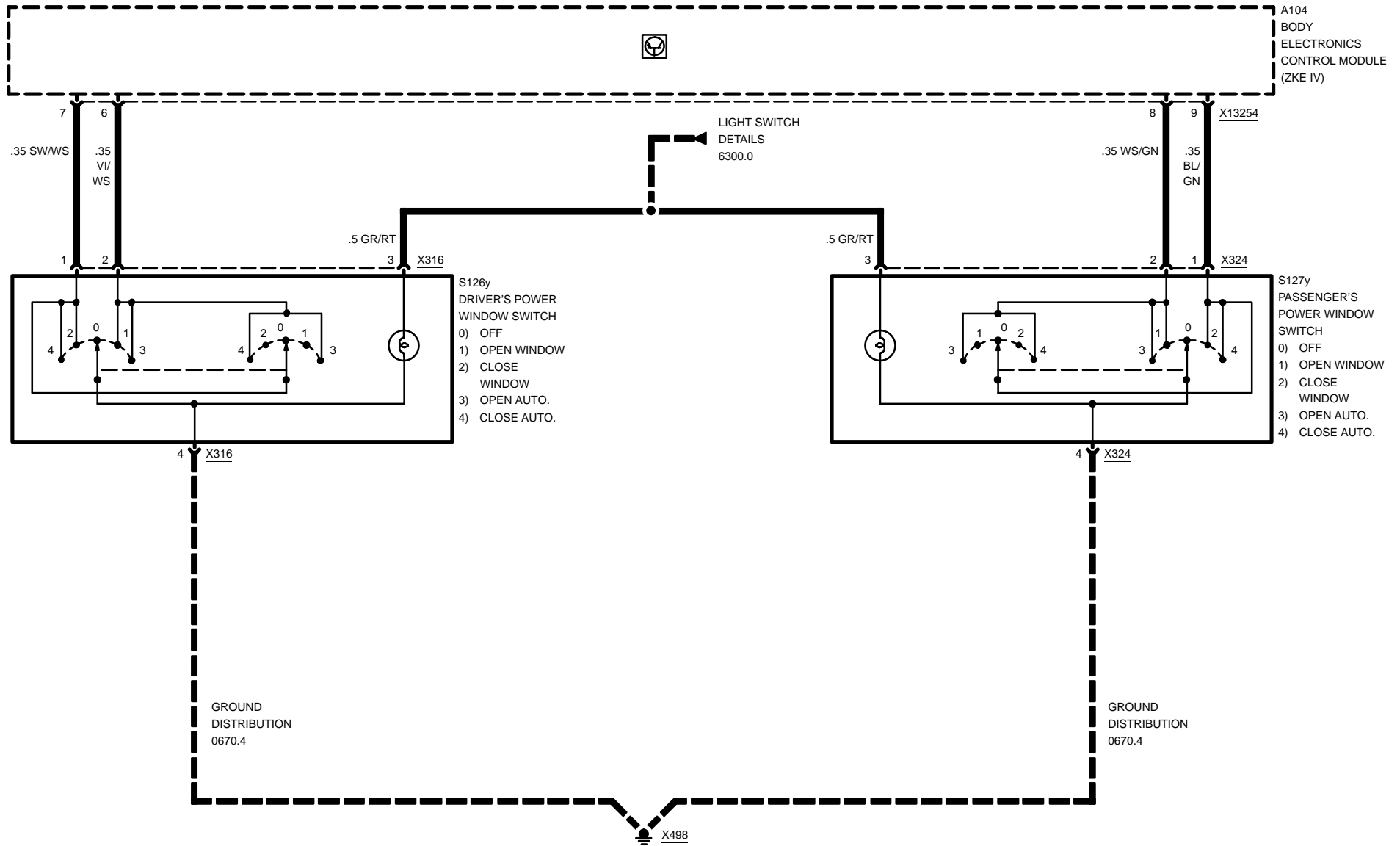




# POWER WINDOWS (FH)

## INPUT DETAILS

compact



03/00

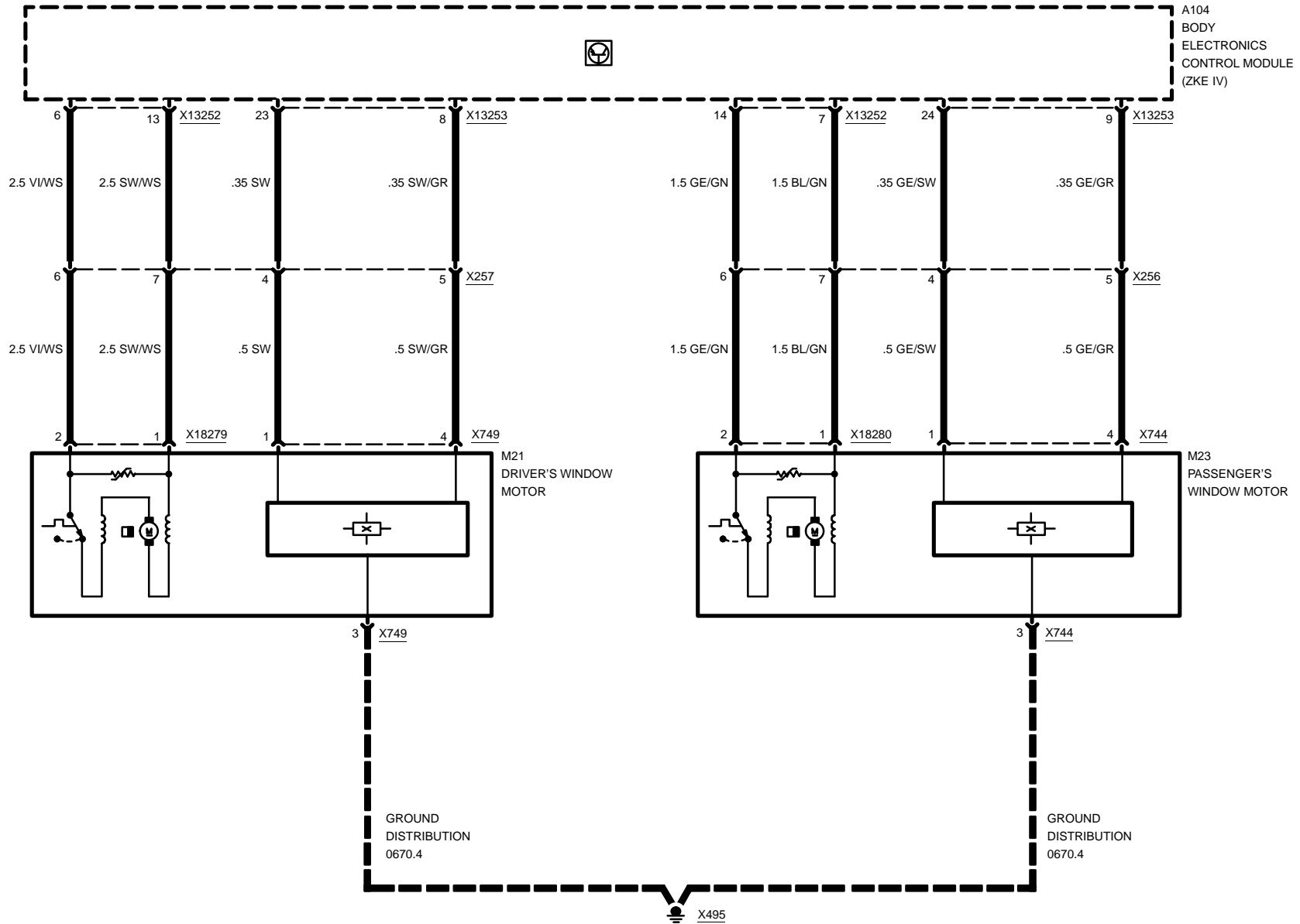
5133.0-01

1999



# POWER WINDOWS (FH)

## OUTPUT DETAILS

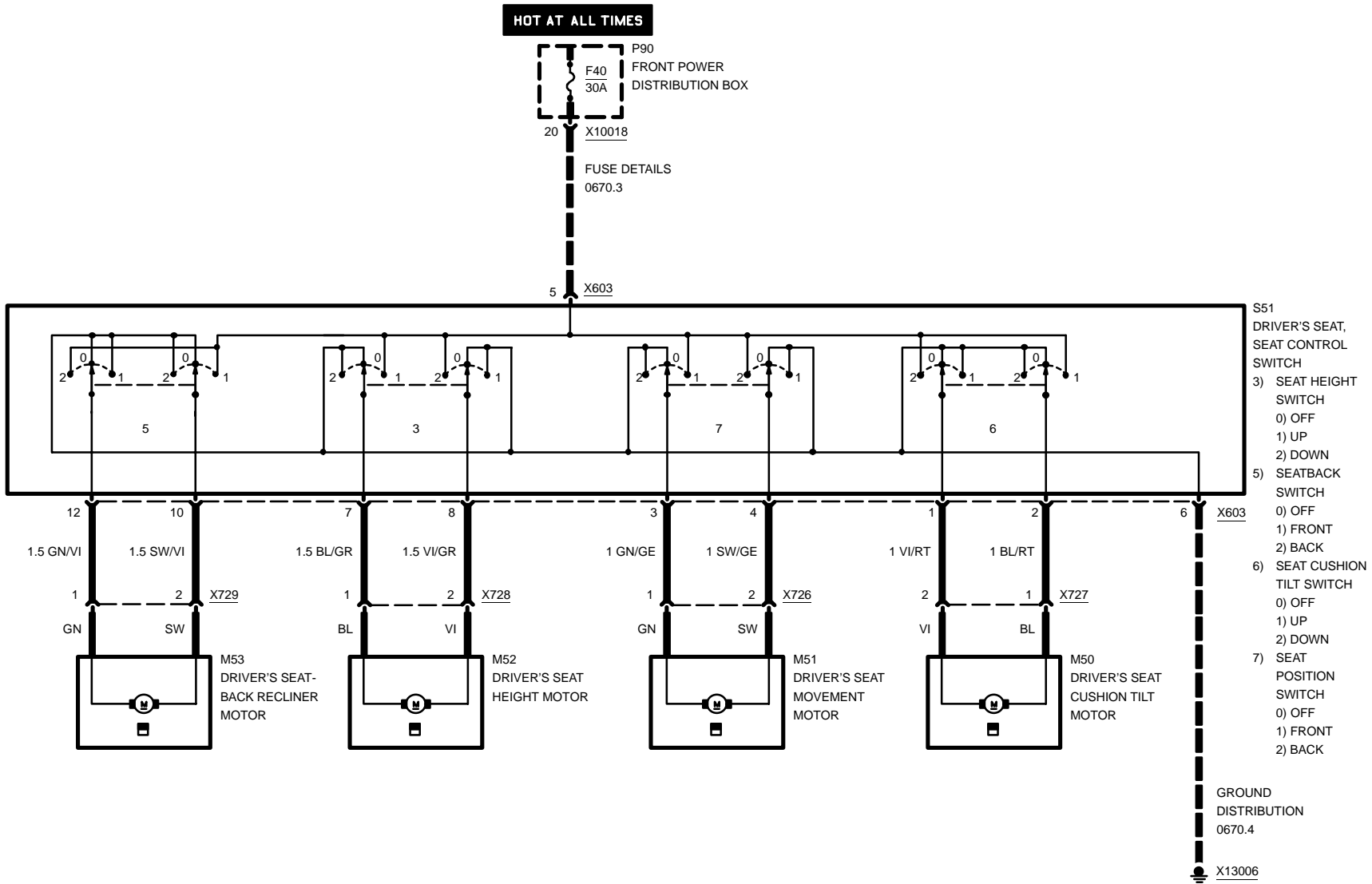






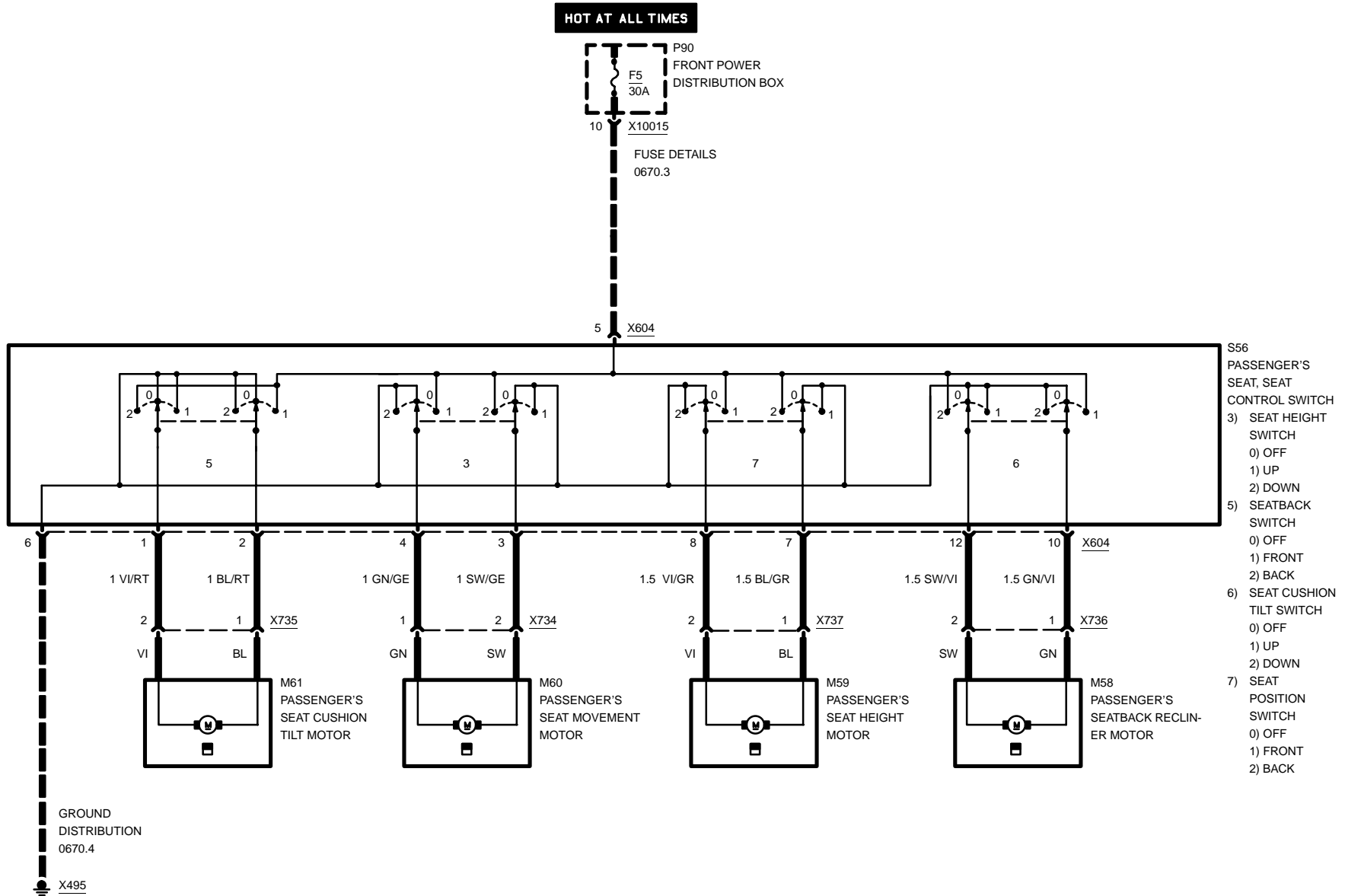
# 5200.0 POWER SEATS

## DRIVER'S SEAT



# POWER SEATS

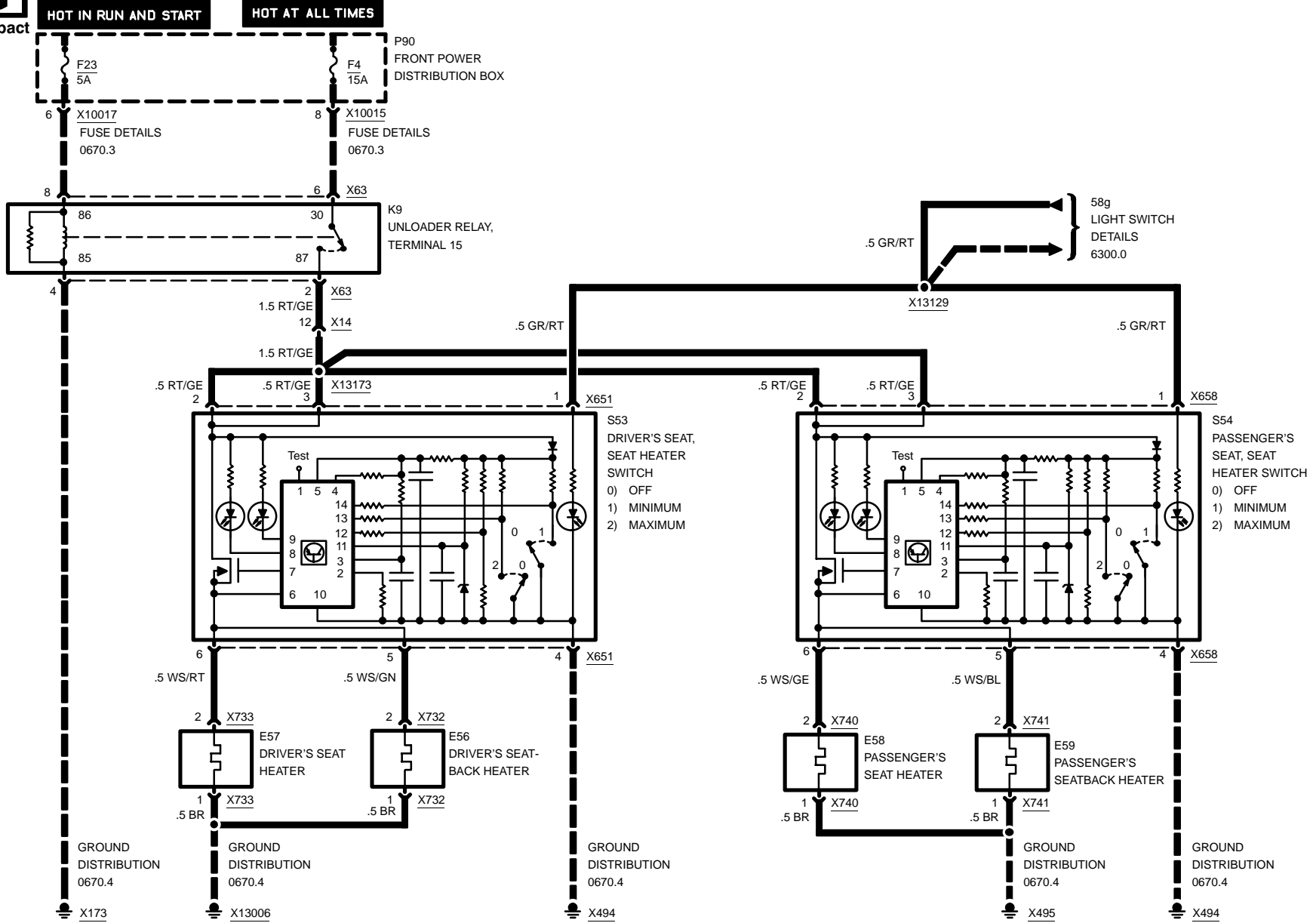
## PASSENGER'S SEAT





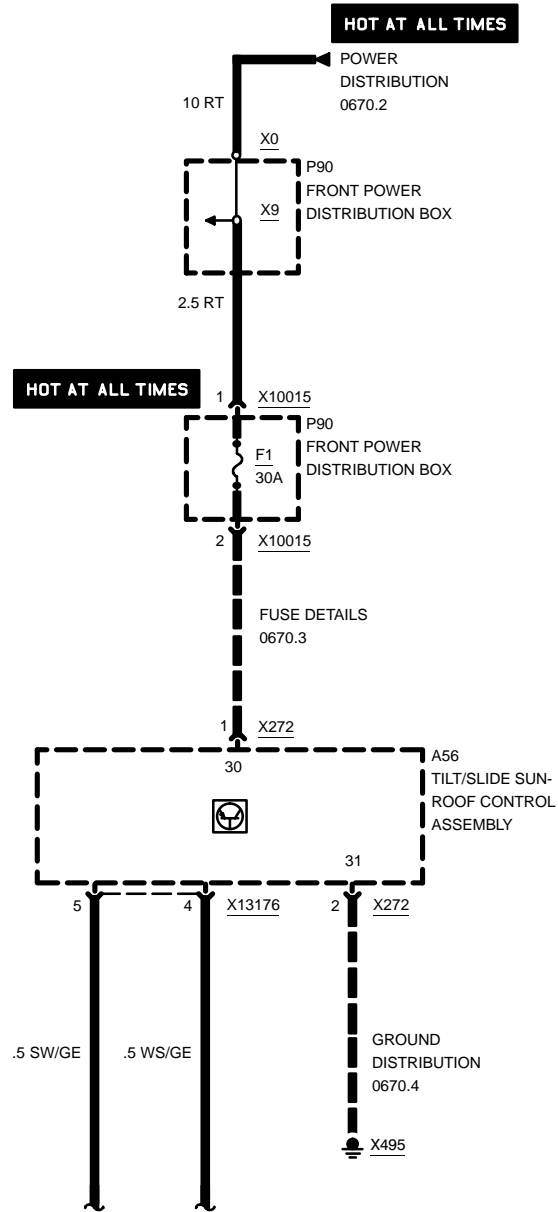
# 5203.0 HEATED SEATS

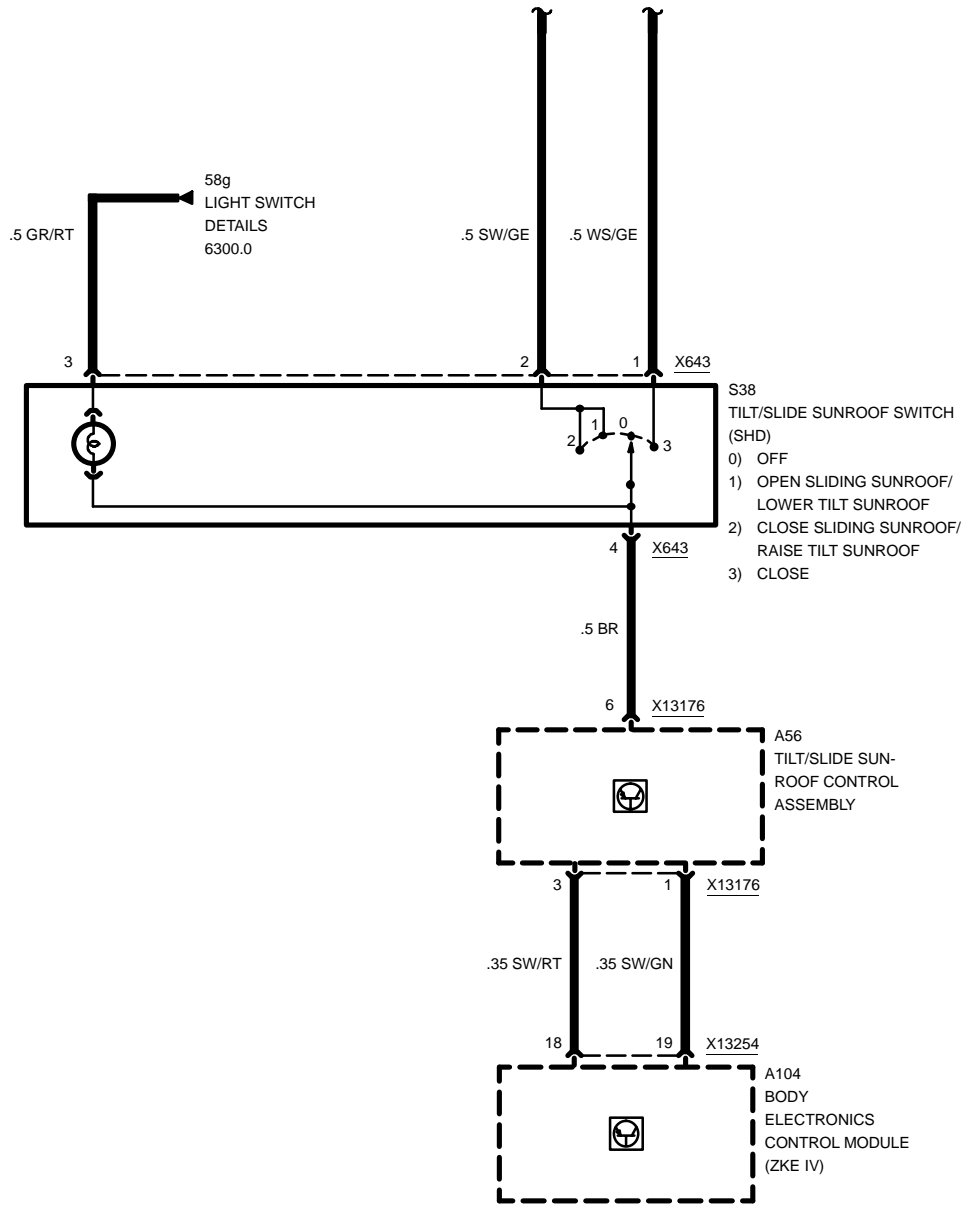
compact



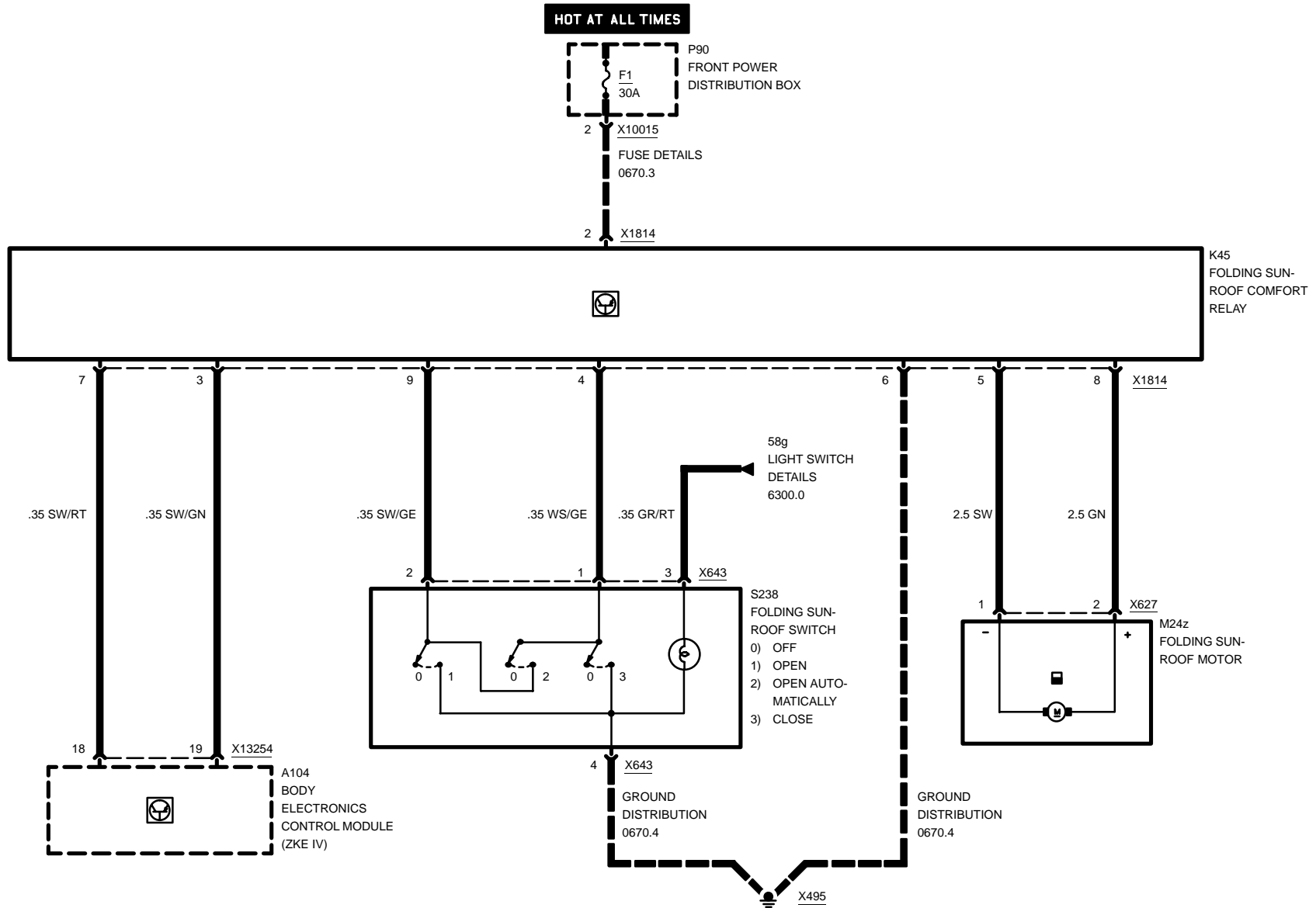


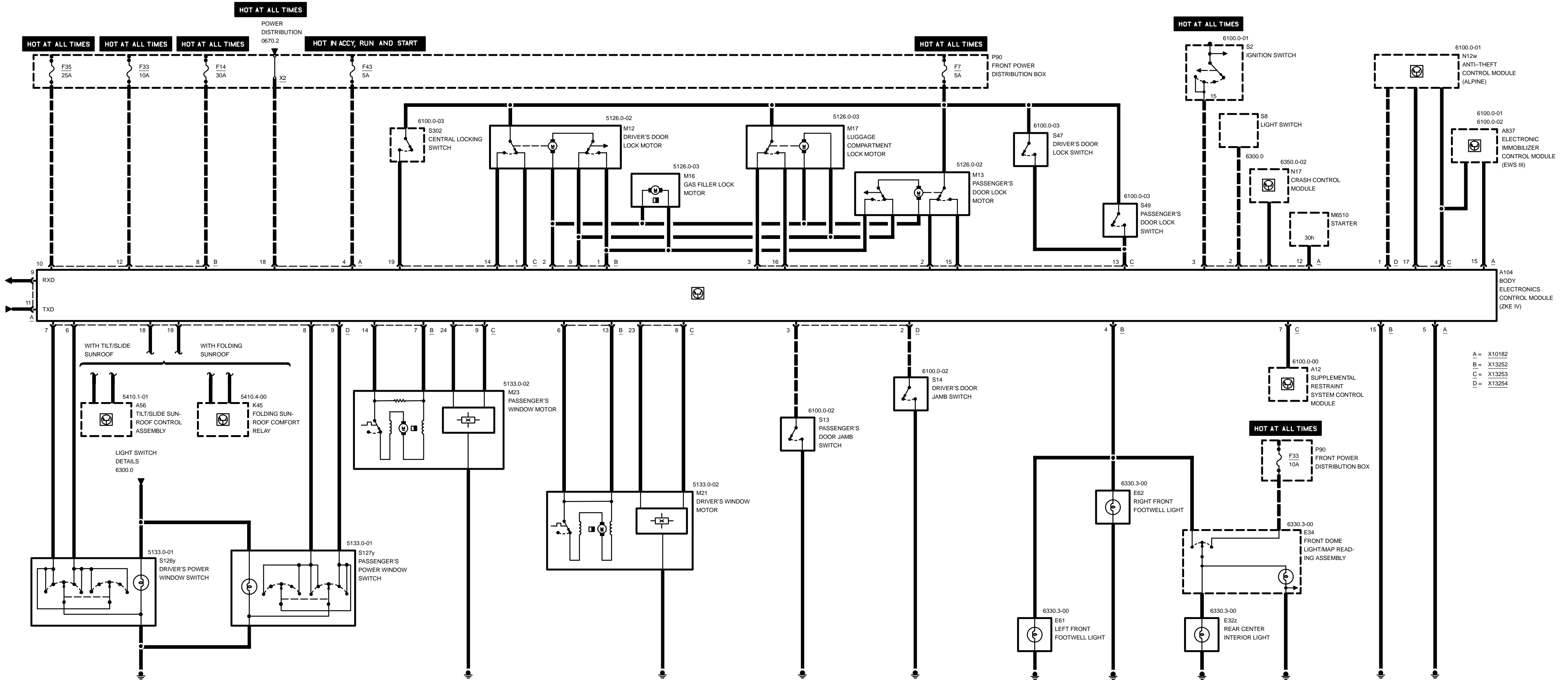
# 5410.1 POWER TILT/SLIDE SUNROOF (SHD)





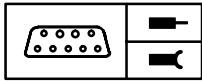
# 5410.4 ELECTRIC FOLDING SUNROOF







compact



## Pin Assignments

A = X10182	18-Pins, black
B = X13252	15-Pins, black
C = X13253	26-Pins, yellow
D = X13254	26-Pins, green

### X10182

Pin	Type	Description/Function	Connection
1	E	Crash signal	Crash control unit
2	E	Light signal	Light switch
3	E	Ignition switch, terminal 15	Ignition switch, terminal 15
4	E	Power supply	Front power distribution box, fuse 43
5	M	Ground	Ground point
6		Not used	
7		Not used	
8		Not used	
9	A	Diagnosis RxD-signal	Data link connector
10		Not used	
11	E/A	Diagnosis TxD-signal	Data link connector
12	E	Start signal	Starter
13		Not used	
14		Not used	
15	A	Drive-away protection	Electronic immobilizer control module (EWS III)
16		Not used	
17		Not used	
18	E	Power supply	Front power distribution box

E = Input, A = Output, M = Ground



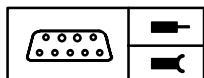


compact

03/00

6100.0-b

1999



## Pin Assignments

### X13252

Pin	Type	Description/Function	Connection
1	A	Central arrest signal	Lock motors
2	A	Unlock signal	Lock motors
3		Not used	
4	A	Automatic interior light voltage supply	Interior lights
5		Not used	
6	A	Voltage supply	Power window motor, driver's door
7	A	Voltage supply	Power window motor, passenger's door
8	E	Power supply	Front power distribution box, fuse 14
9	A	Lock signal	Lock motors
10	E	Power supply	Front power distribution box, fuse 35
11		Not used	
12	E	Power supply	Front power distribution box, fuse 33
13	E	Motor signal	Power window motor, driver's door
14	E	Motor signal	Power window motor, passenger's door
15	M	Ground	Ground point

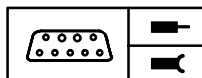
### X13253

Pin	Type	Description/Function	Connection
1	E	Unlock signal	Door lock motor, driver's door
2	E	Unlock signal	Door lock motor, passenger's door
3	E	Unlock signal	Luggage compartment motor
4	E	Data signal	Anti-theft system control module (Alpine)
5		Not used	
6		Not used	
7	A	Crash signal	Supplemental restraint system control module
8	E	Revolution signal	Power window motor, driver's door
9	E	Revolution signal	Power window motor, passenger's door
10		Not used	

E = Input, A = Output, M = Ground



compact



## Pin Assignments

Pin	Type	Description/Function	Connection
11		Not used	
12		Not used	
13	E	Central arrest signal	Door lock switches
14	E	Lock signal	Door lock motor, driver's door
15	E	Lock signal	Door lock motor, passenger's door
16	E	Lock signal	Luggage compartment motor
17	E	Data signal	Anti-theft system control module (Alpine)
18		Not used	
19	E	Lock signal	Central locking switch
20		Not used	
21		Not used	
22		Not used	
23	A	Voltage supply (revolution)	Driver's window motor
24	A	Voltage supply (revolution)	Passenger's window motor
25		Not used	
26		Not used	

### X13254

Pin	Type	Description/Function	Connection
1	E	Door handle contact	Anti-theft system control module (Alpine)
2	E	Door signal	Door jamb switch, driver's door
3	E	Door signal	Door jamb switch, passenger's door
4		Not used	
5		Not used	
6	E	OPEN signal	Power window switch, driver's door
7	E	CLOSE signal	Power window switch, driver's door
8	E	OPEN signal	Power window switch, passenger's door
9	E	CLOSE signal	Power window switch, passenger's door
10		Not used	
11		Not used	
12		Not used	

E = Input, A = Output, M = Ground

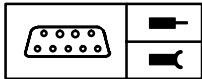


compact

03/00

6100.0-d

1999



## Pin Assignments

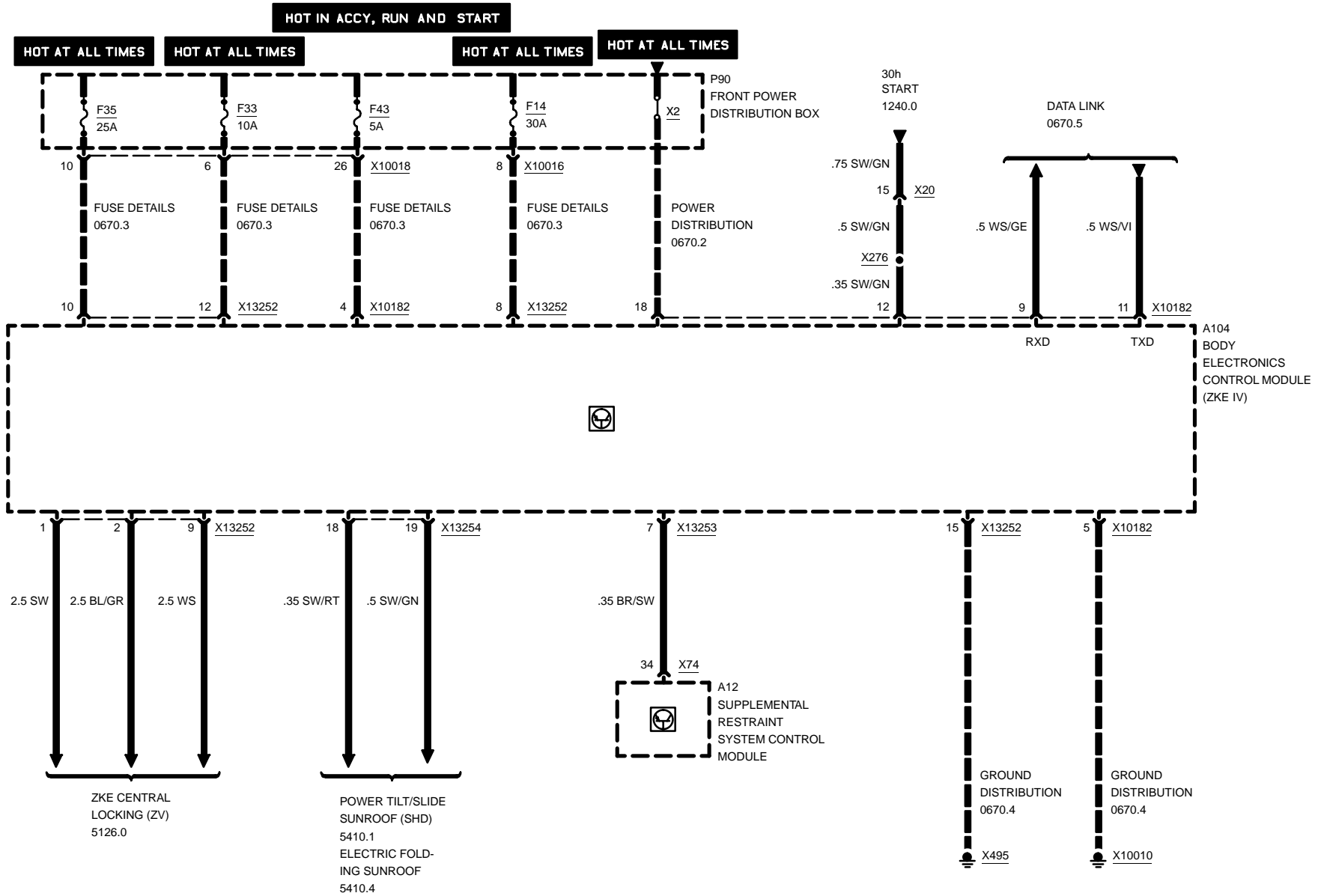
Pin	Type	Description/Function	Connection
13		Not used	
14		Not used	
15		Not used	
16		Not used	
17		Not used	
18	A	Comfortable closing	Sunroof control assembly/Comfort relay, Folding sunroof
19	A	Folding sunroof release	Sunroof control assembly/Comfort relay, Folding sunroof
20		Not used	
21		Not used	
22		Not used	
23		Not used	
24		Not used	
25		Not used	
26		Not used	

E = Input, A = Output, M = Ground



compact

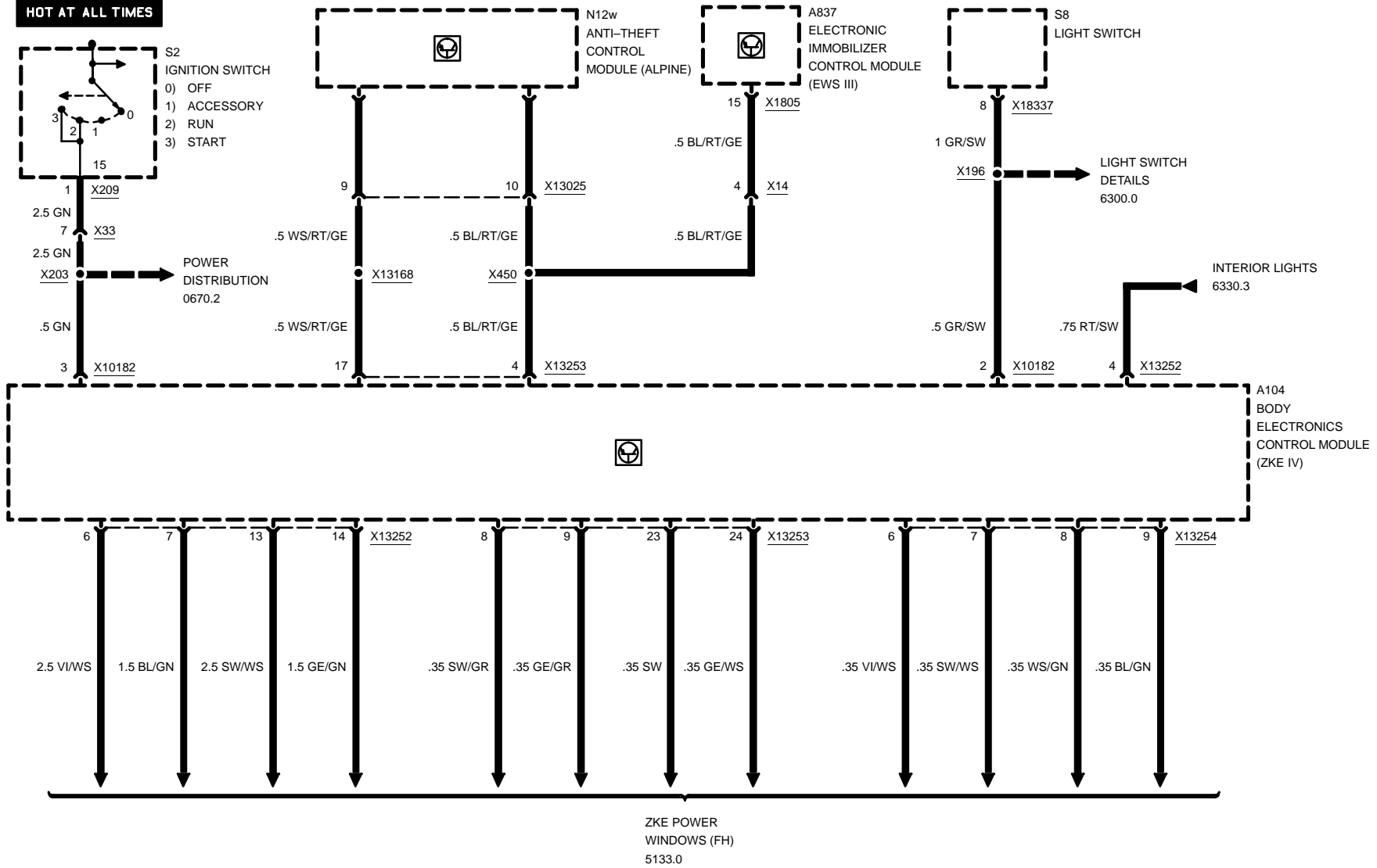
# CENTRAL BODY ELECTRONICS (ZKE IV)





# CENTRAL BODY ELECTRONICS (ZKE IV)

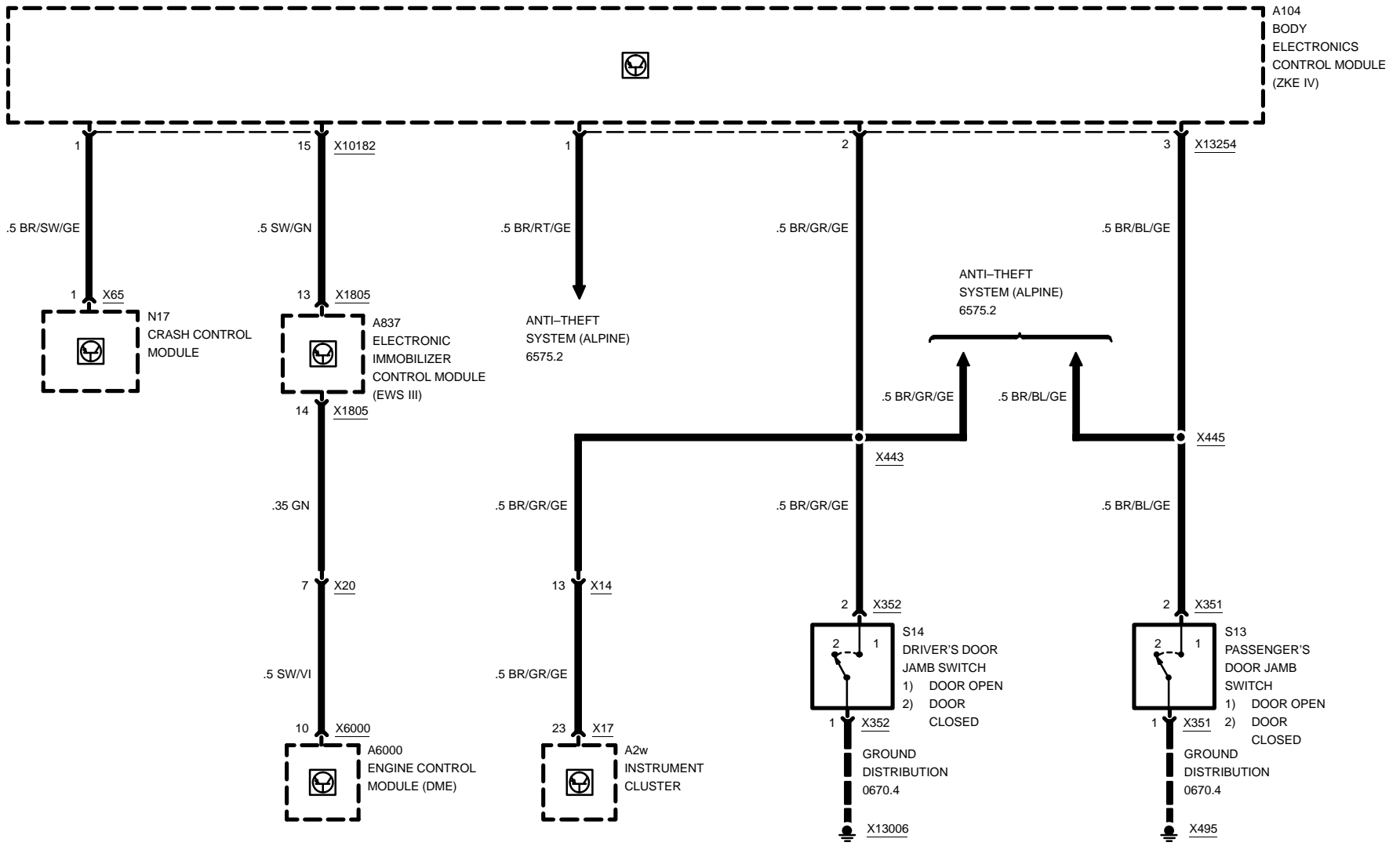
**HOT AT ALL TIMES**





compact

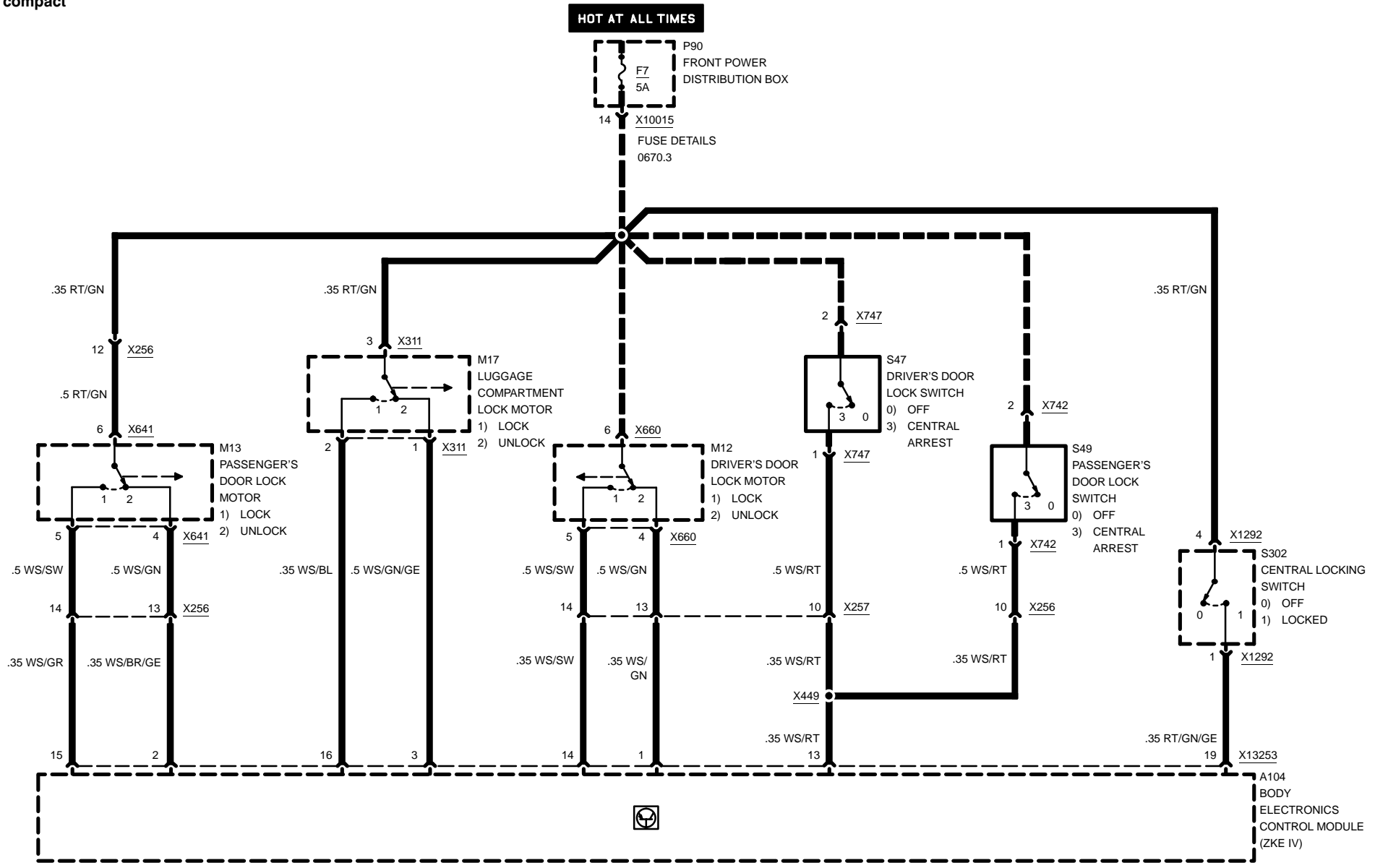
# CENTRAL BODY ELECTRONICS (ZKE IV)



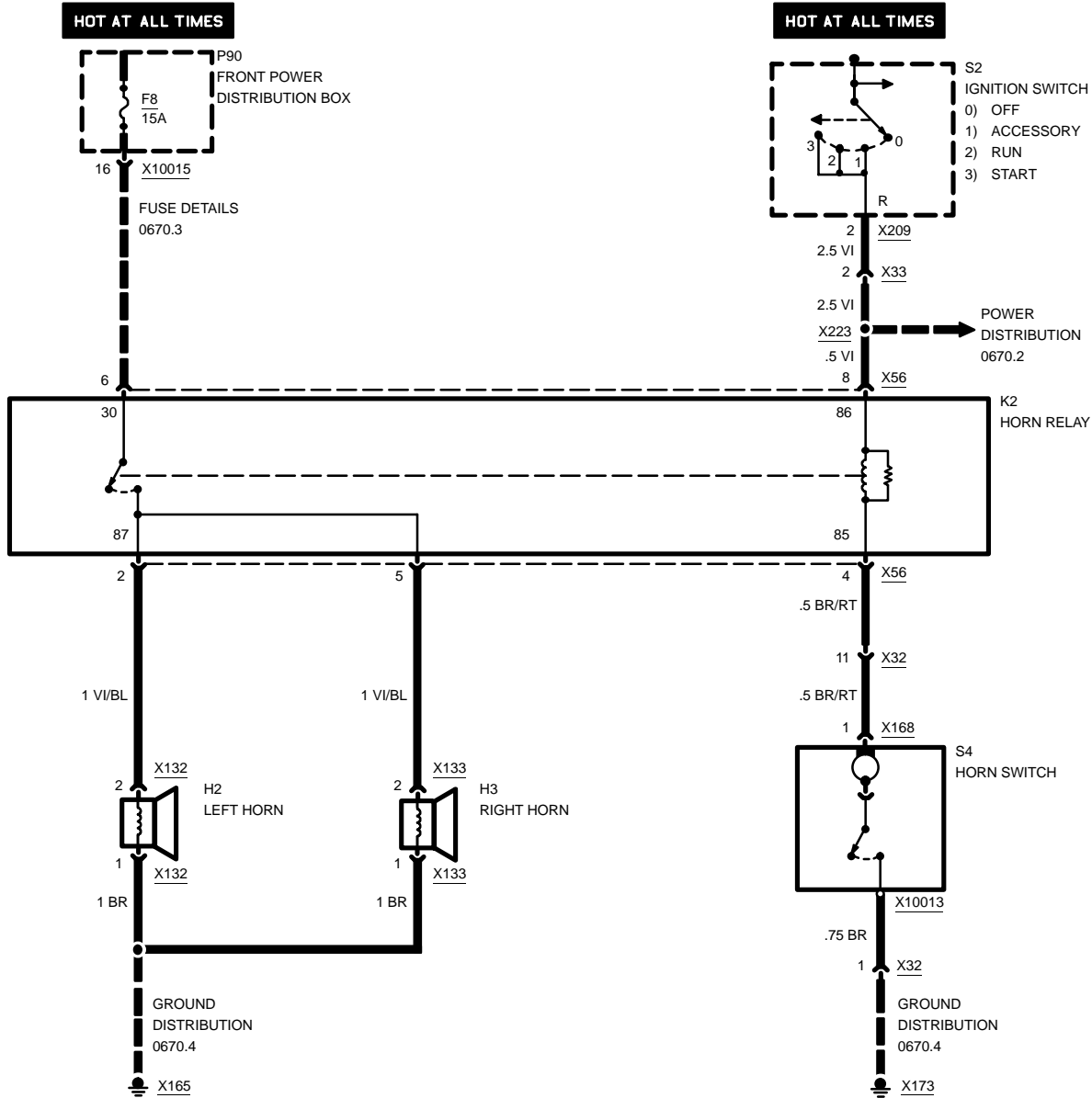


# CENTRAL BODY ELECTRONICS (ZKE IV)

## LUGGAGE COMPARTMENT LID, DRIVER'S AND PASSENGER'S DOOR INPUT SIGNALS



# 6133.0 HORN





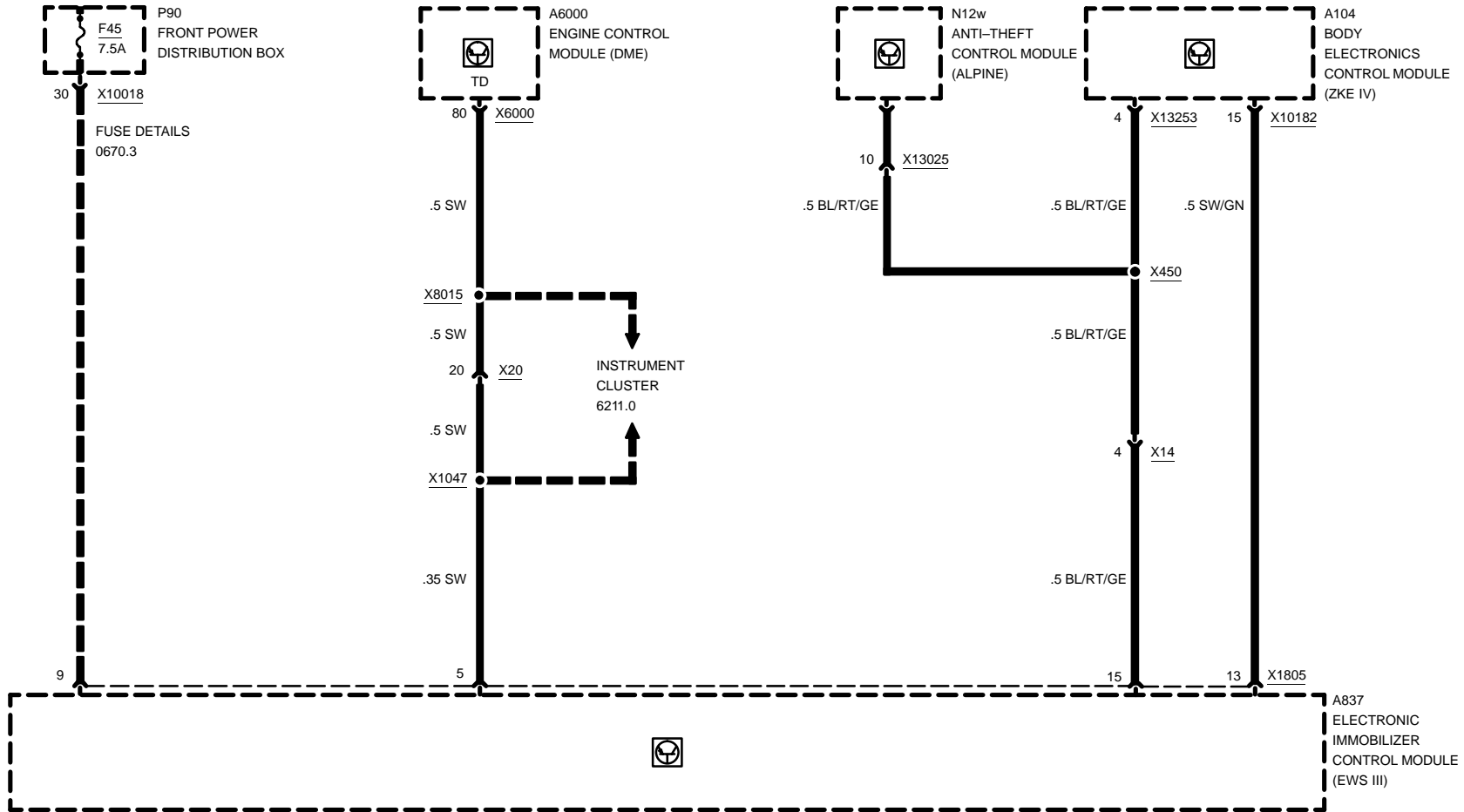




# DRIVE-AWAY PROTECTION (EWS III)

compact

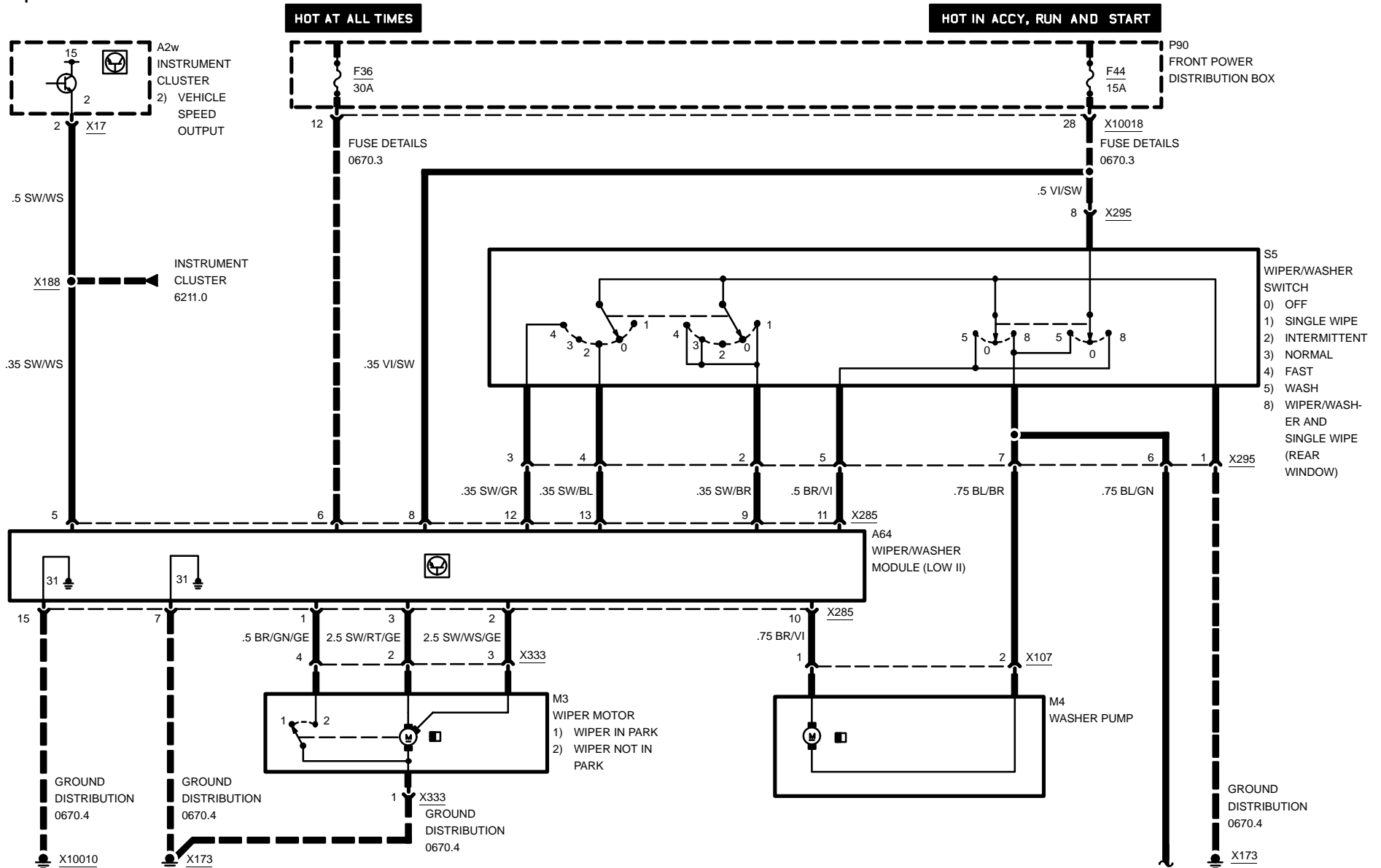
**HOT IN ACCY, RUN AND START**

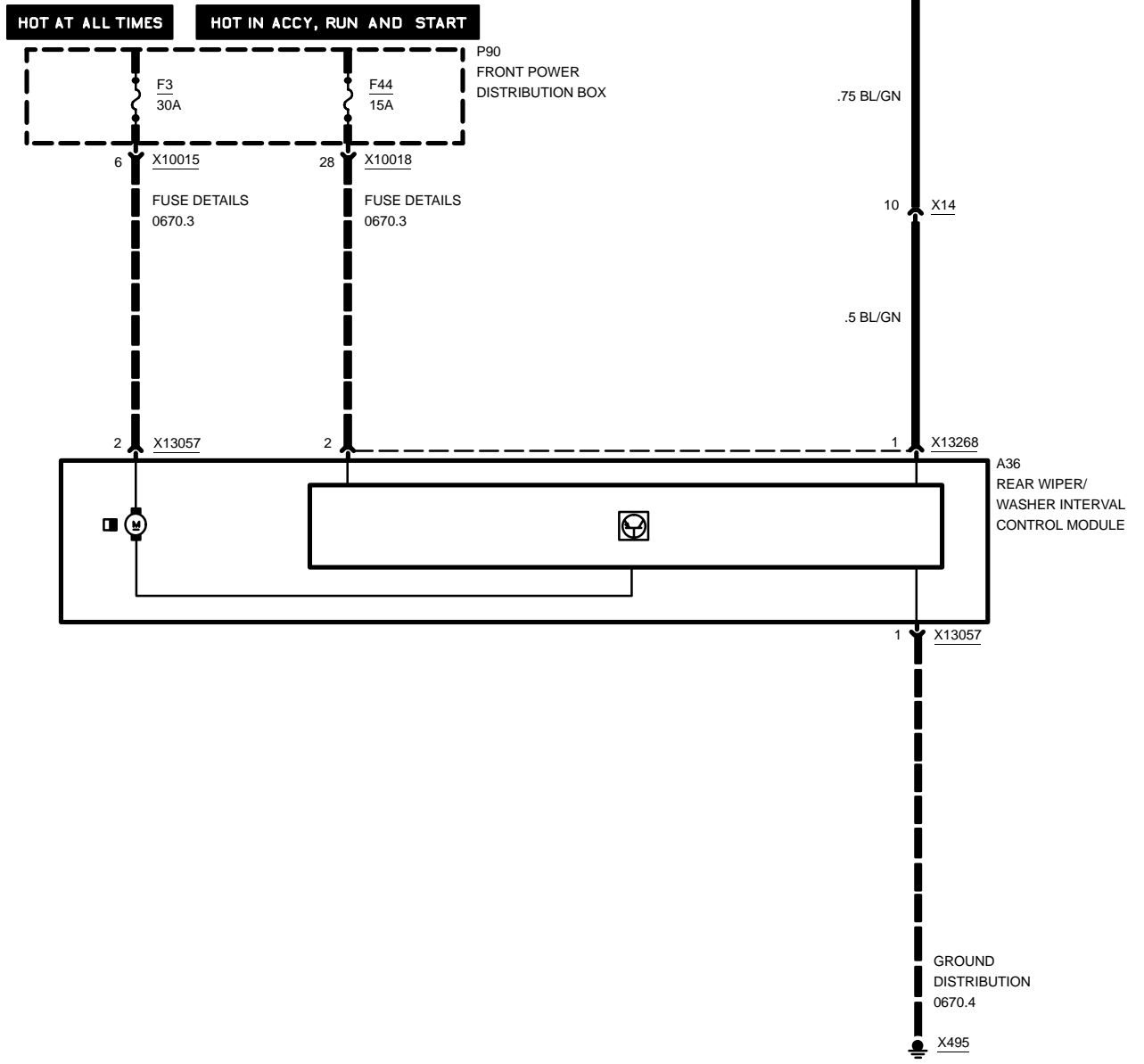




# 6160.1 WIPER/WASHER MODULE (WWM)

## WIPER/WASHER (LOW)

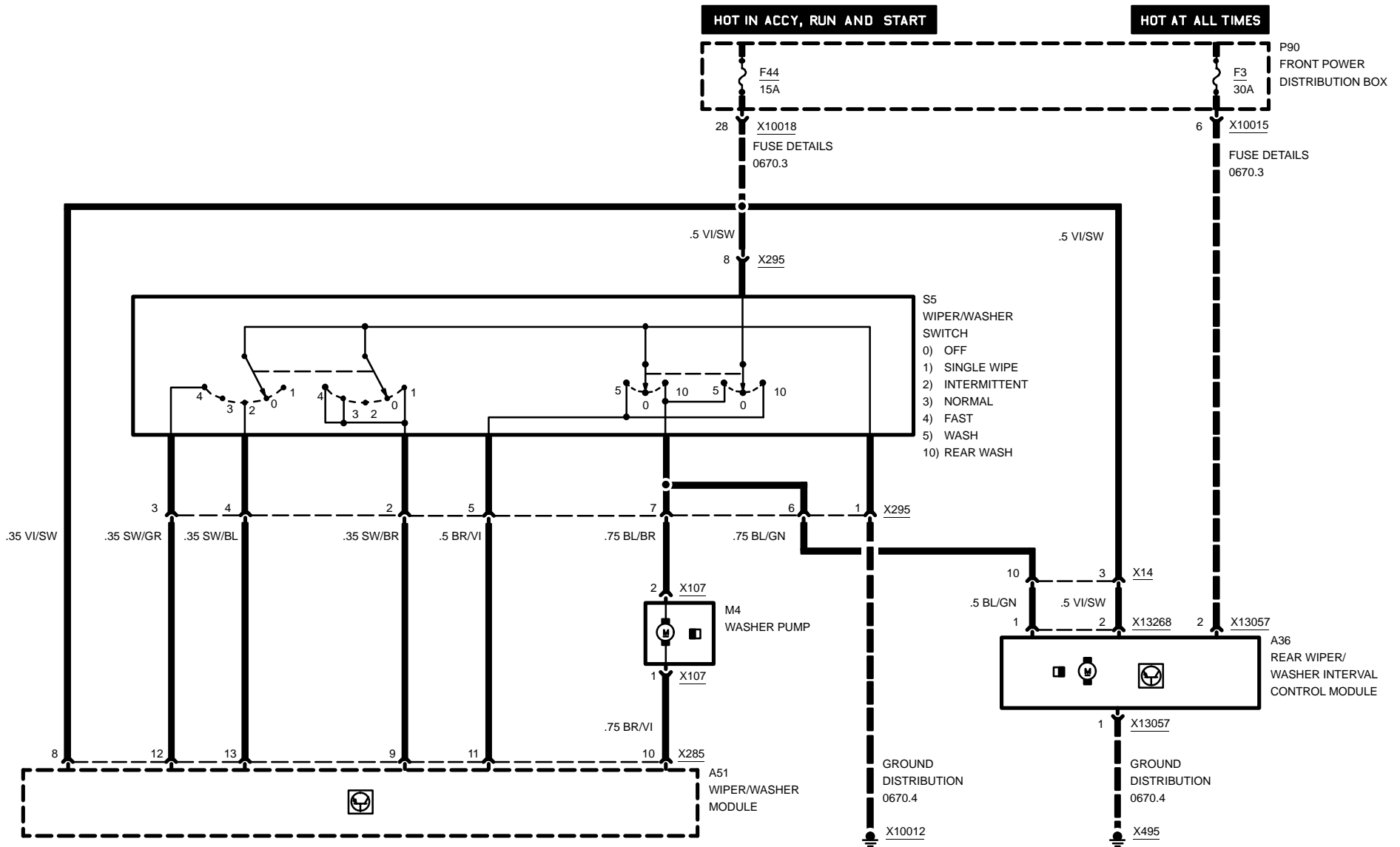






# WIPER/WASHER MODULE (WWM)

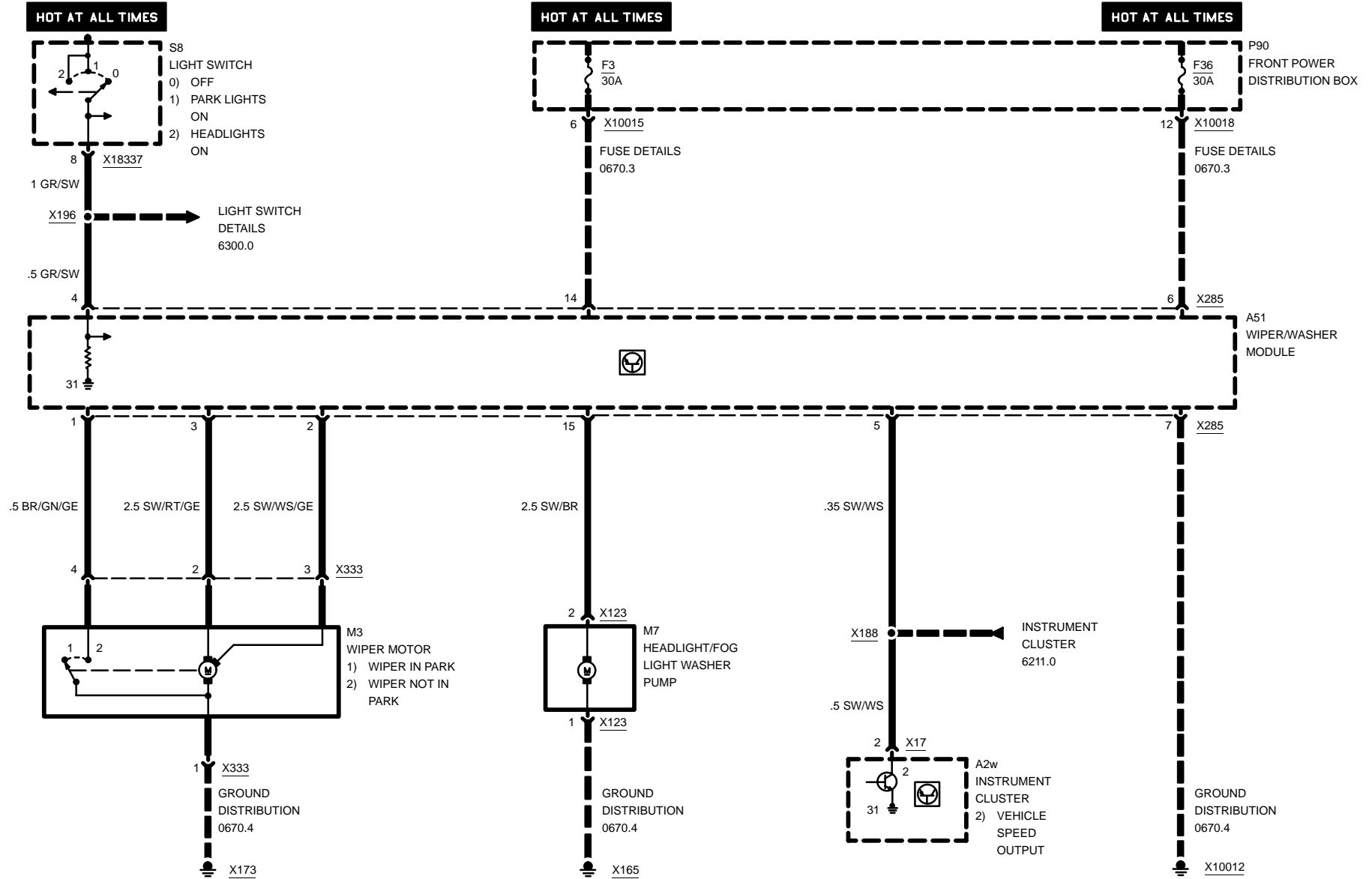
## WIPER/WASHER (HIGH)





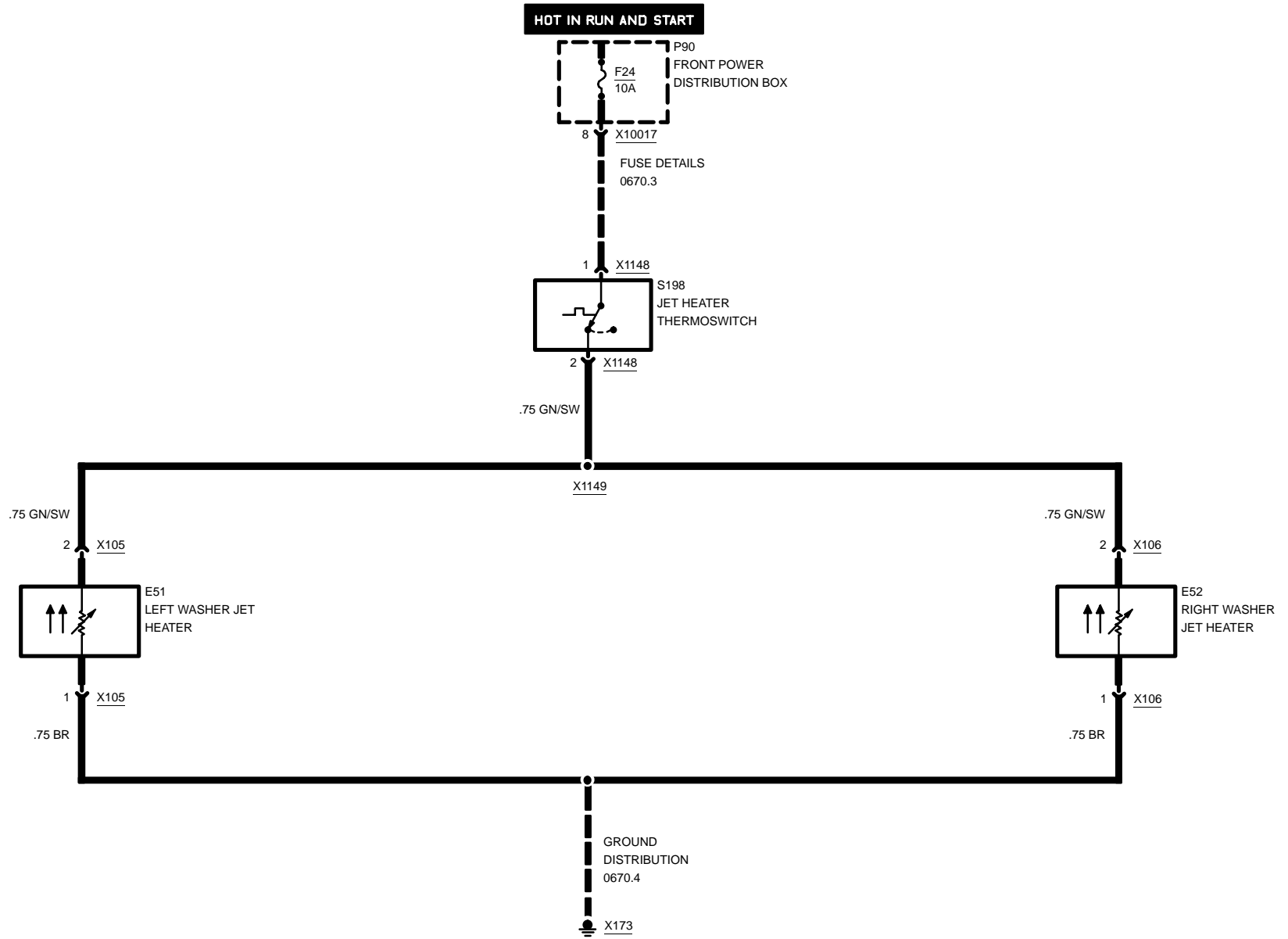
# WIPER/WASHER MODULE (WWM)

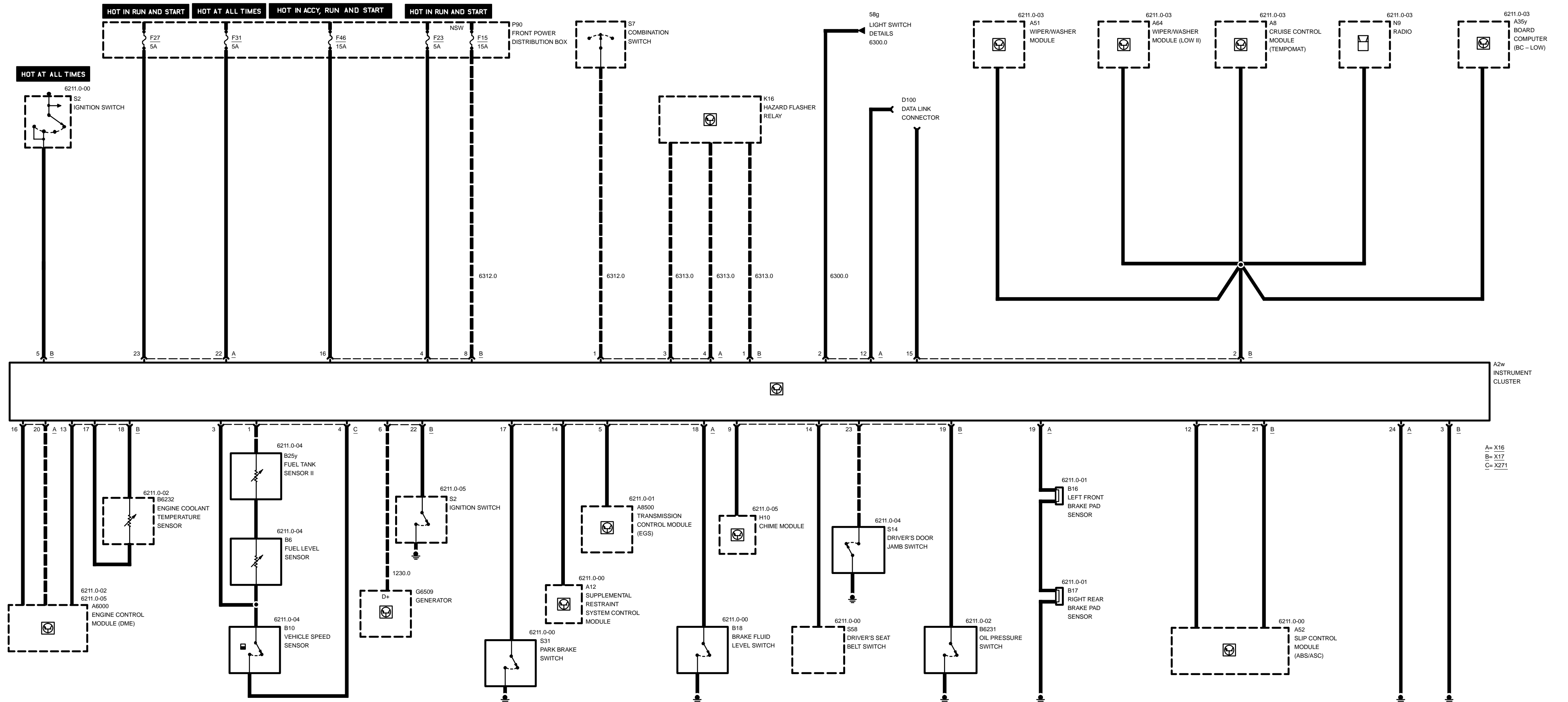
## WIPER/WASHER (HIGH)



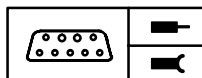


# 6169.0 WINDSHIELD WASHER JET HEATERS







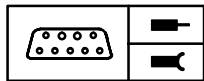


## Pin Assignments

### X16

Pin	Type	Description/Function	Connection
1	E	High beam indicator control	Combination switch
2	E	Terminal 58g, instrument illumination power	Dimmer
3	E	Right turn signal indicator control	Hazard flasher relay
4	E	Left turn signal indicator control	Hazard flasher relay
5	E	Warning lamp for EGS fault (information signal transmission oil temperature)	Transmission control module (EGS)
6		Not used	
7		Not used	
8		Not used	
9		Not used	
10		Not used	
11		Not used	
12	E/A	TxD diagnostic data link	Data link connector
13		Not used	
14	E	Airbag warning lamp (SRS) control	Supplemental restraint system control module
15		Not used	
16	E	"Check engine" indicator control	Engine control module (DME)
17	E	Park brake warning lamp control	Park brake switch
18	E	Brake fluid warning lamp control	Brake fluid level switch
19	E	Brake pad wear warning lamp control	Brake pad sensors
20	E	Crankshaft RPM speed signal TD	Engine control module (DME)
21		Not used	
22	E	Voltage supply, terminal 30	Front power distribution box, fuse 31
23	E	Voltage supply, terminal 15 for indicator and warning lamps	Front power distribution box, fuse 27
24	M	Ground supply, terminal 31 for instrument cluster electronics	Ground point
25		Not used	
26		Not used	

E = Input, A = Output, M = Ground

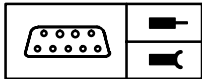


## Pin Assignments

### X17

Pin	Type	Description/Function	Connection
1	E	Trailer turn signal indicator control	Hazard flasher relay
2	A	Vehicle speed signal	Various control modules
3	M	Ground supply, terminal 31 for indicator and warning lamps	Ground point
4	E	Voltage supply, terminal 15 for instrument cluster electronics	Front power distribution box, fuse 23
5	E	Voltage supply, terminal 15 for battery charge indicator	Ignition switch, terminal 15
6	E	Ground supply, terminal 61 for battery charge indicator	Generator
7		Not used	
8	E	Fog light indicator control	Front power distribution box, fuse 15
9	A	Sound tone signal	Chime module
10		Not used	
11		Not used	
12	E	ASC signal	ASC control module
13	A	TI-measurement signal (fuel consumption)	Engine control module (DME)
14	E	Seat belt warning lamp control	Driver's seat belt switch
15	E	SIA reset/service interval indicator reset	Data link connector
16	E	Voltage supply, terminal R	Front power distribution box, fuse 46
17	A	Coolant temperature sensor (-)	Coolant temperature sensor
18	E	Coolant temperature sensor (+)	Coolant temperature sensor
19	E	Oil pressure warning lamp control	Oil pressure switch
20		Not used	
21	E	ABS warning lamp (ABS)	ABS control module/hydraulic unit/slip control module (ABS/ASC)
22	E	Ignition key warning/audible ignition key warning	Ignition switch
23	E	Driver's door open	Driver's door jamb switch
24		Not used	

E = Input, A = Output, M = Ground



## Pin Assignments

Pin	Type	Description/Function	Connection
25		Not used	
26		Not used	

### X271

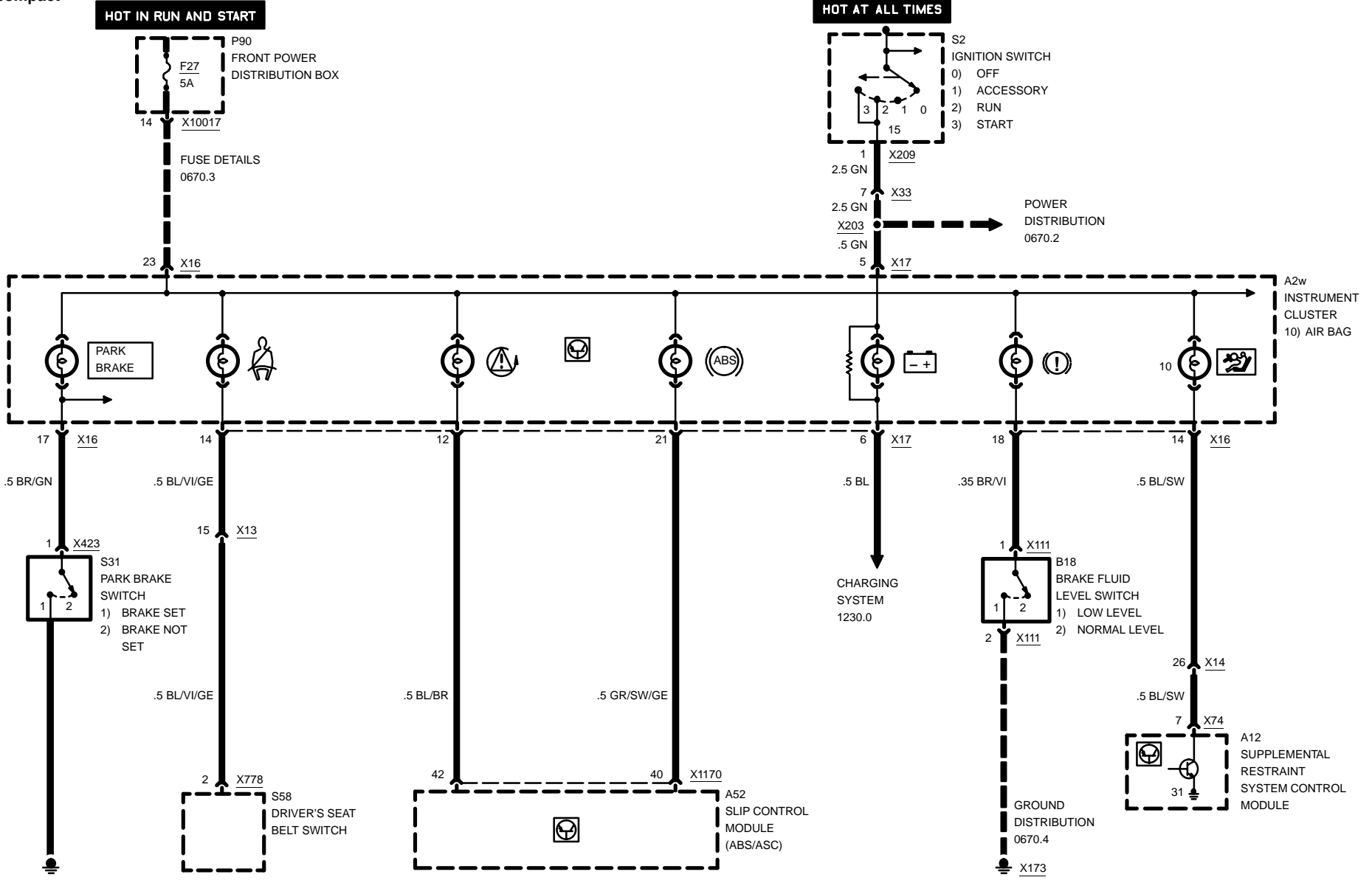
Pin	Type	Description/Function	Connection
1	A	Fuel level sensor	Fuel tank sensors
2		Not used	
3	A	Ground supply for fuel tank sensors and vehicle speed sensor	Fuel tank sensors and vehicle speed sensor
4	E	Position signal TW	Vehicle speed sensor
5		Not used	
6		Not used	
7		Not used	
8		Not used	
9		Not used	
10		Not used	
11		Not used	
12		Not used	



# INSTRUMENT CLUSTER

## INDICATORS

compact



03/00

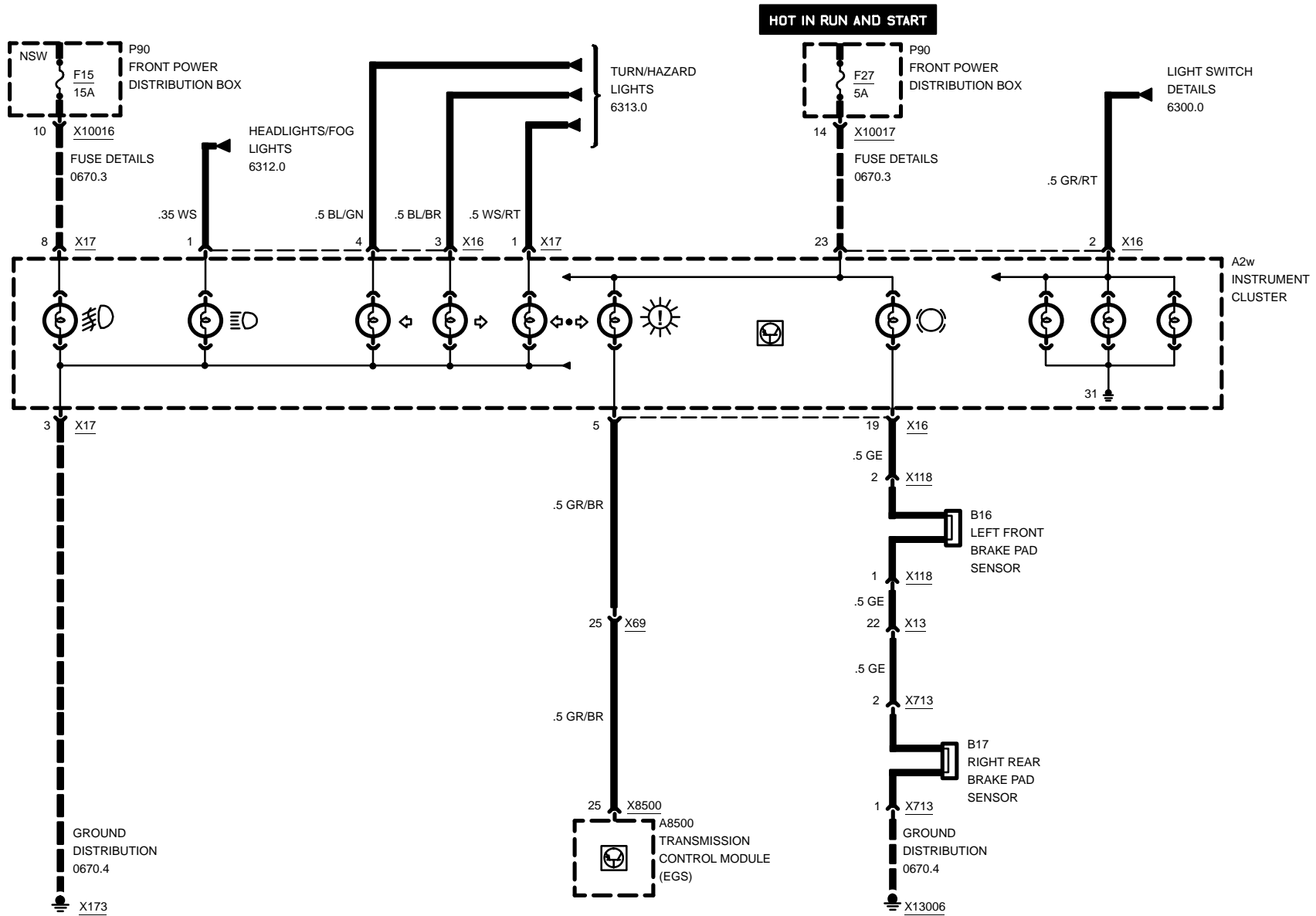
6211.0-00

1999



# INSTRUMENT CLUSTER

## INDICATORS

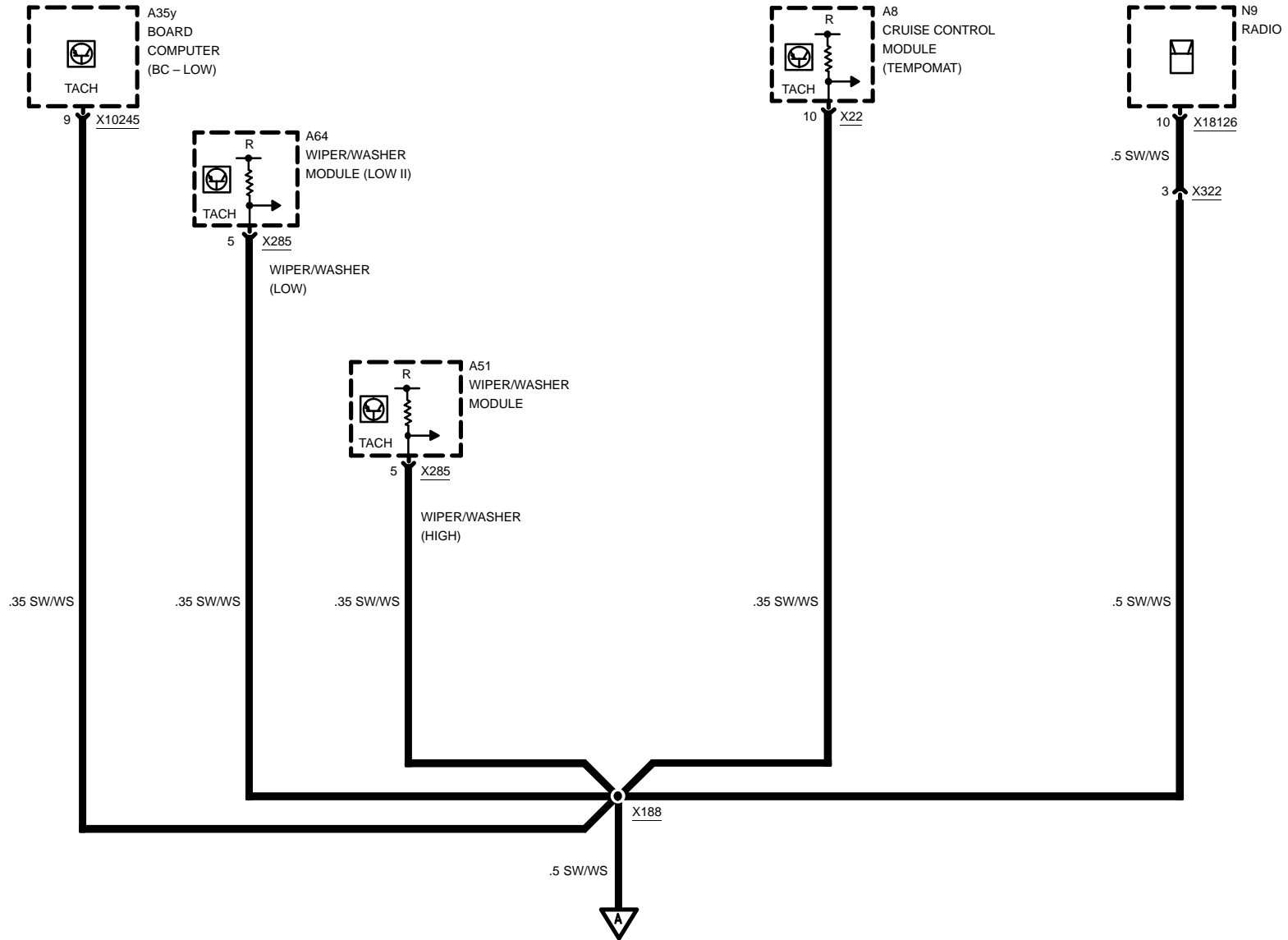






# INSTRUMENT CLUSTER

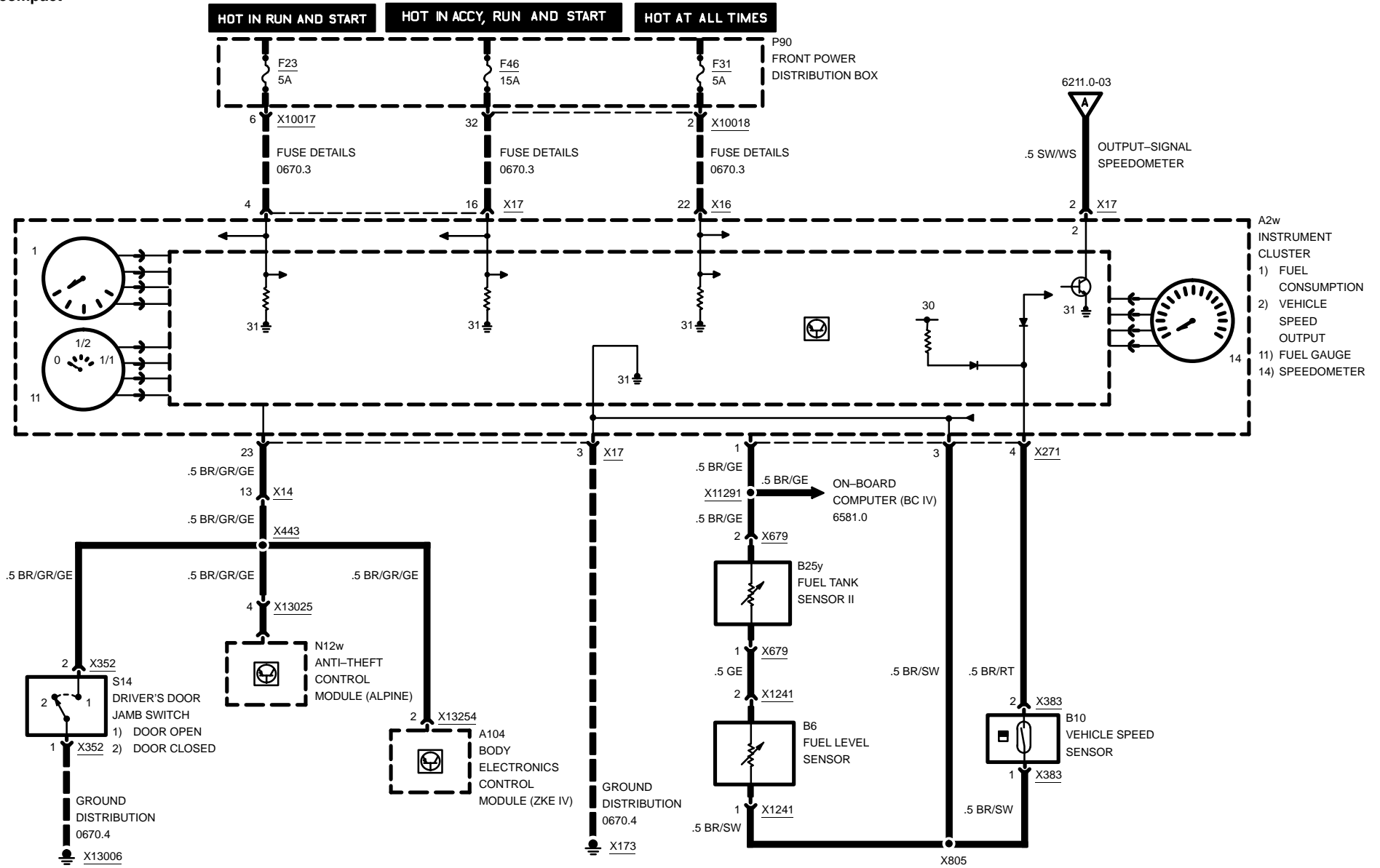
## SIGNAL-OUTPUT SPEEDOMETER



6211.0-04



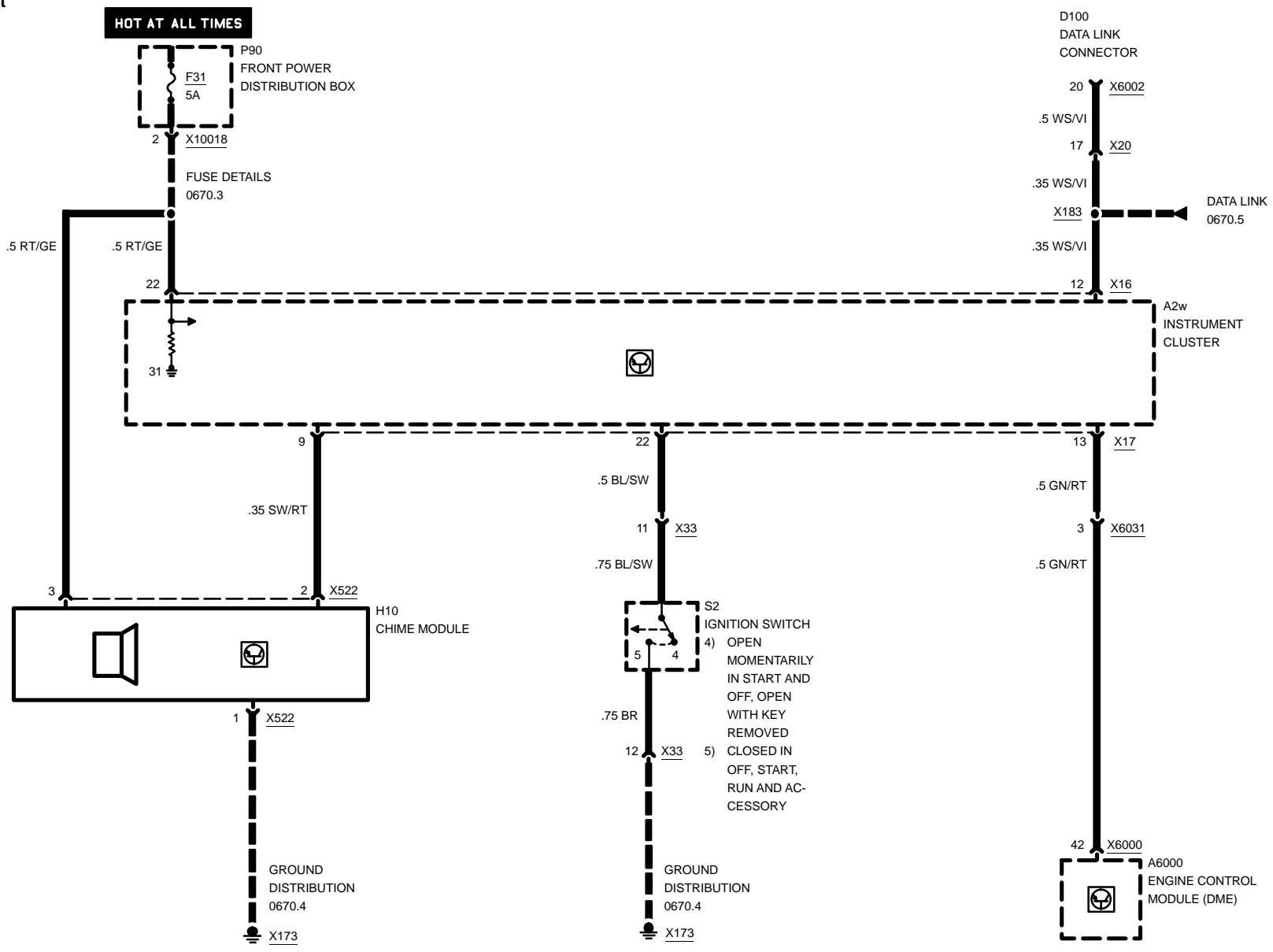
# INSTRUMENT CLUSTER INDICATORS





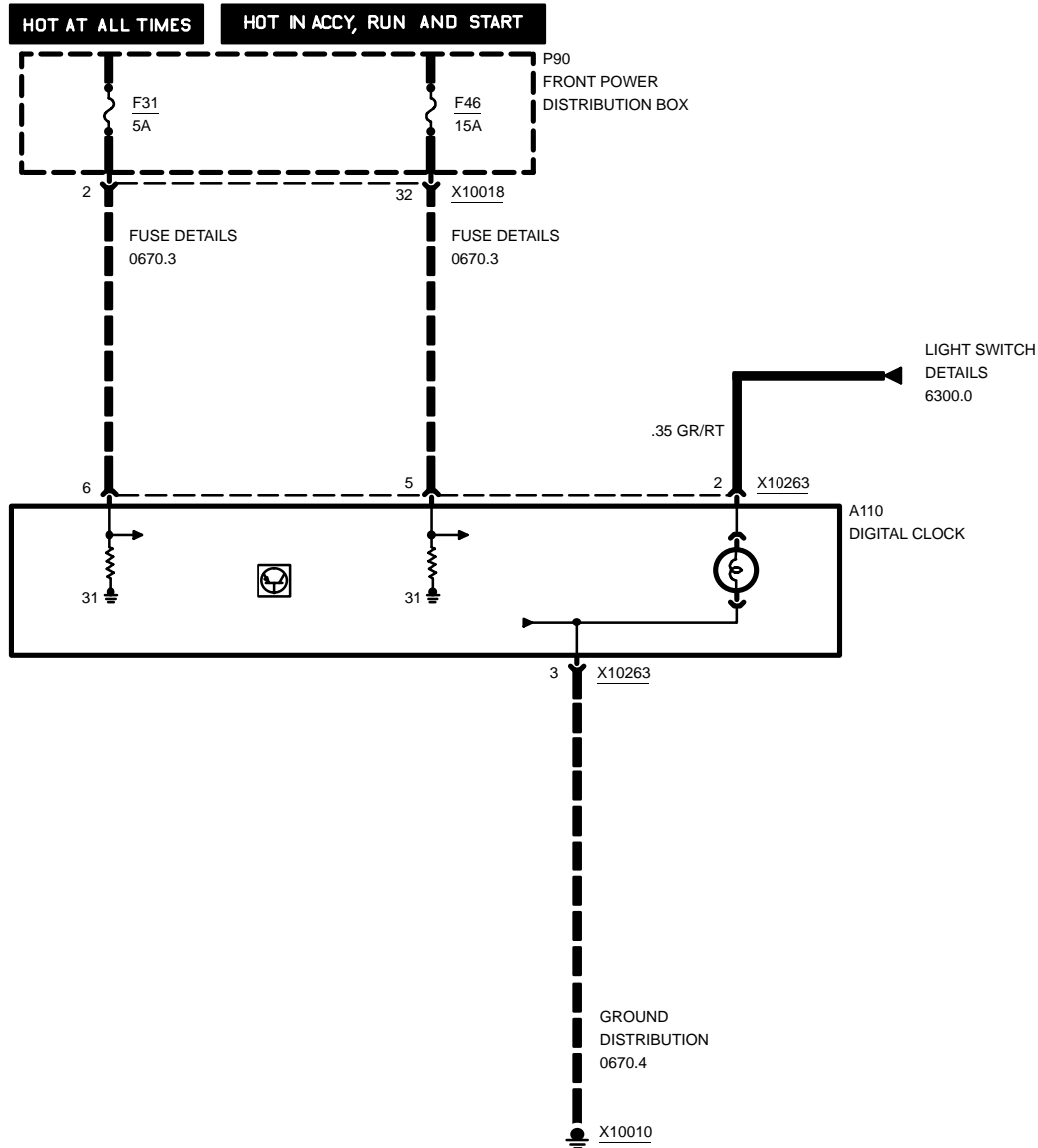


# INSTRUMENT CLUSTER





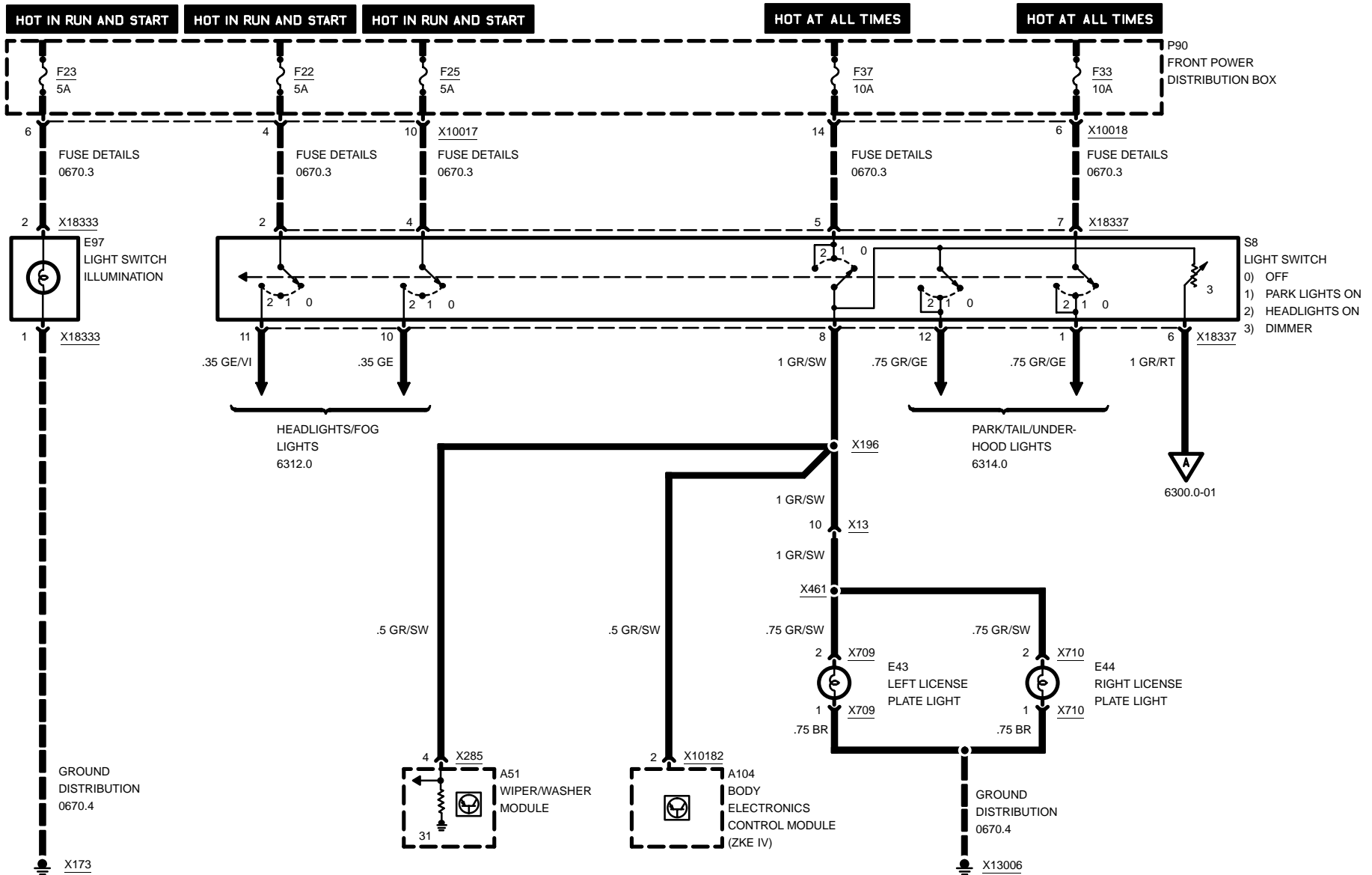
# 6213.0 CLOCK





# 6300.0 LIGHT SWITCH DETAILS

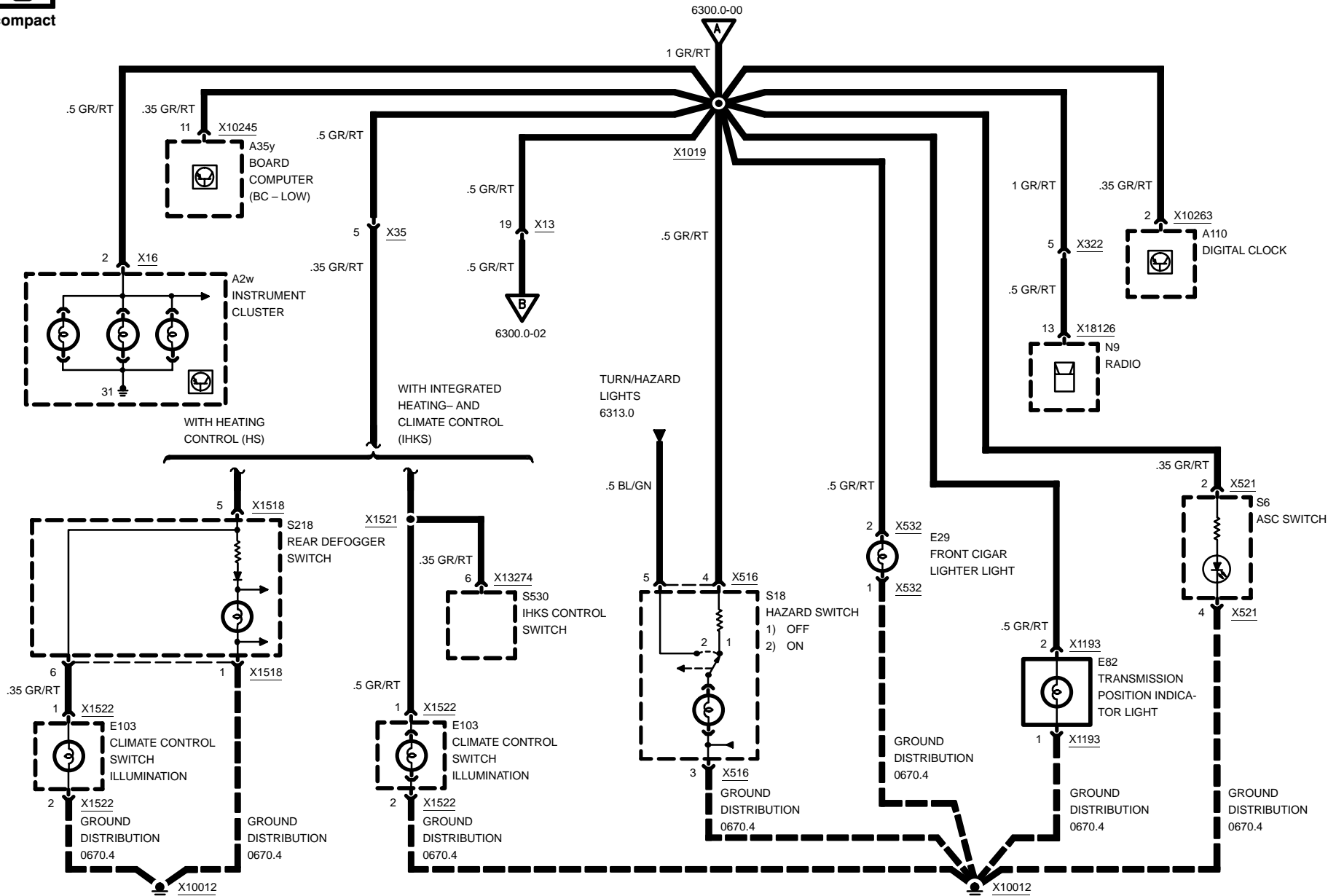
compact





# LIGHT SWITCH DETAILS

compact



03/00

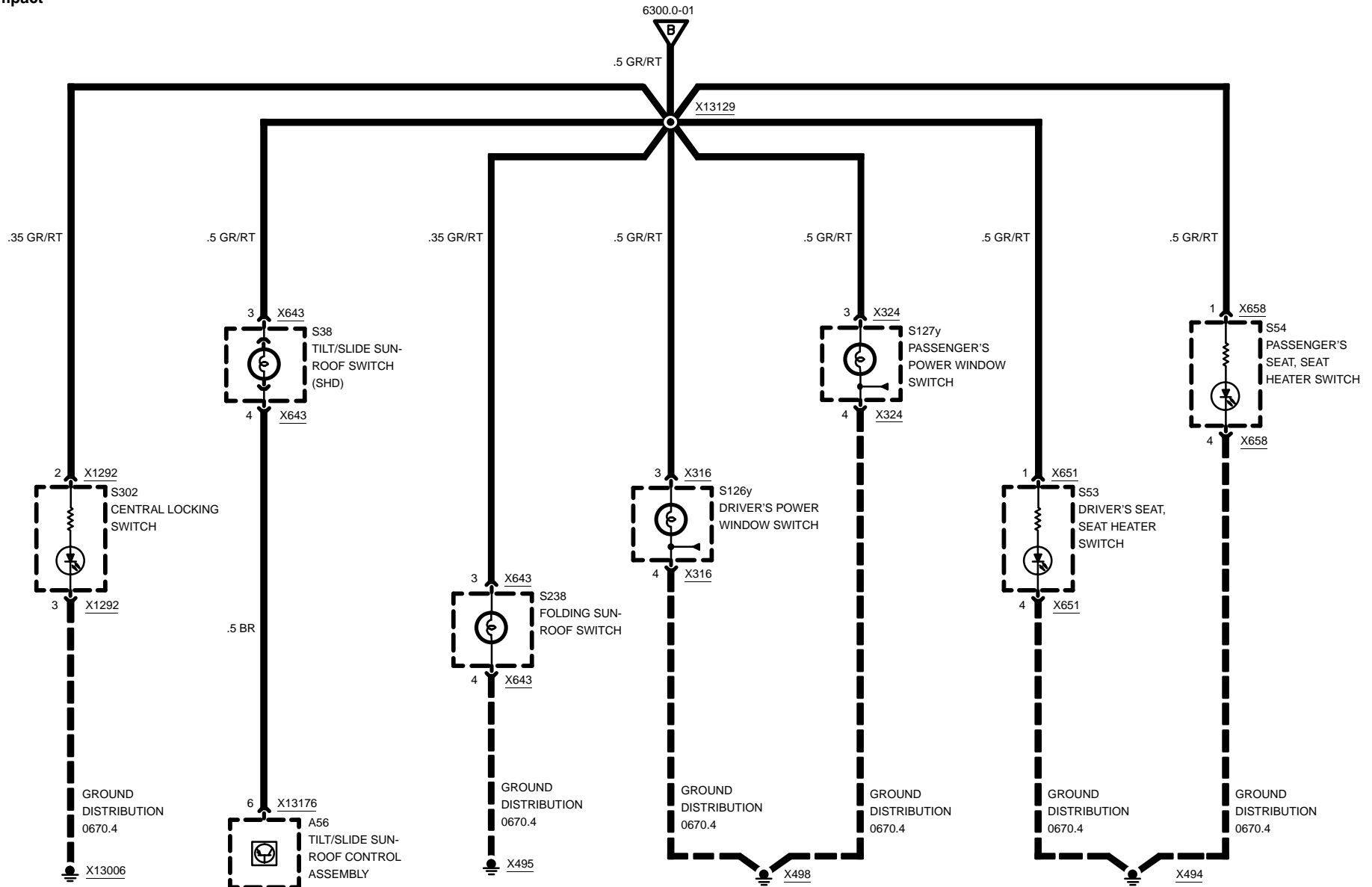
6300.0-01

1999



# LIGHT SWITCH DETAILS

compact

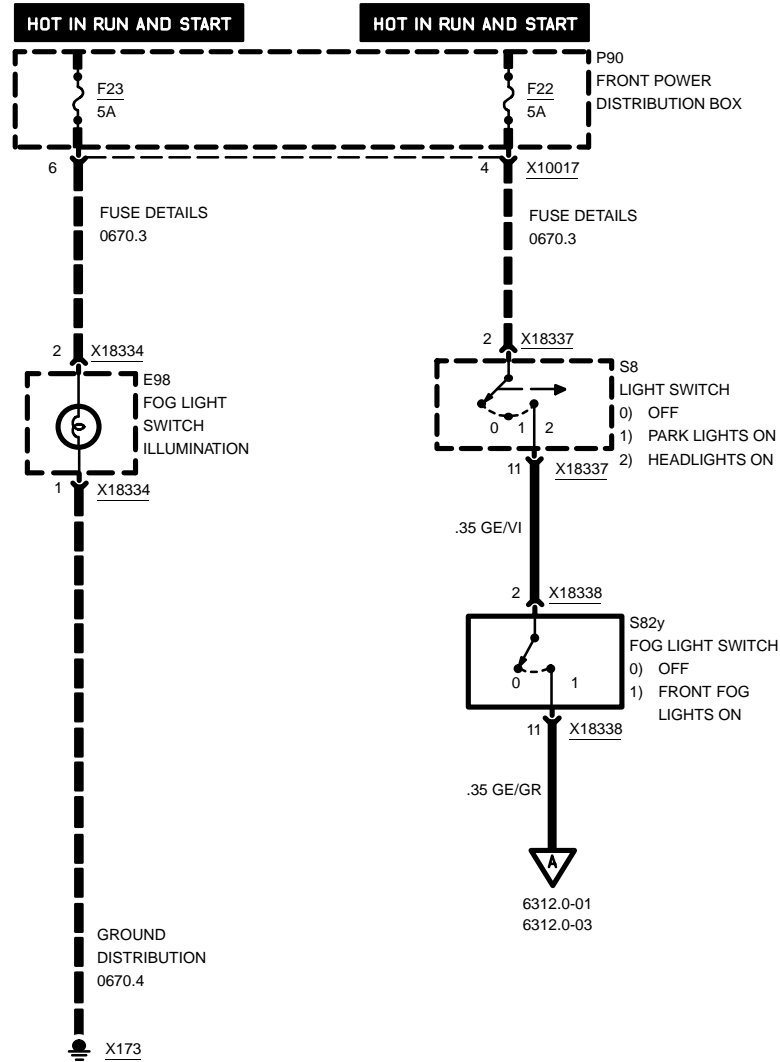


03/00

6300.0-02

1999

# 6312.0 HEADLIGHTS/FOG LIGHTS

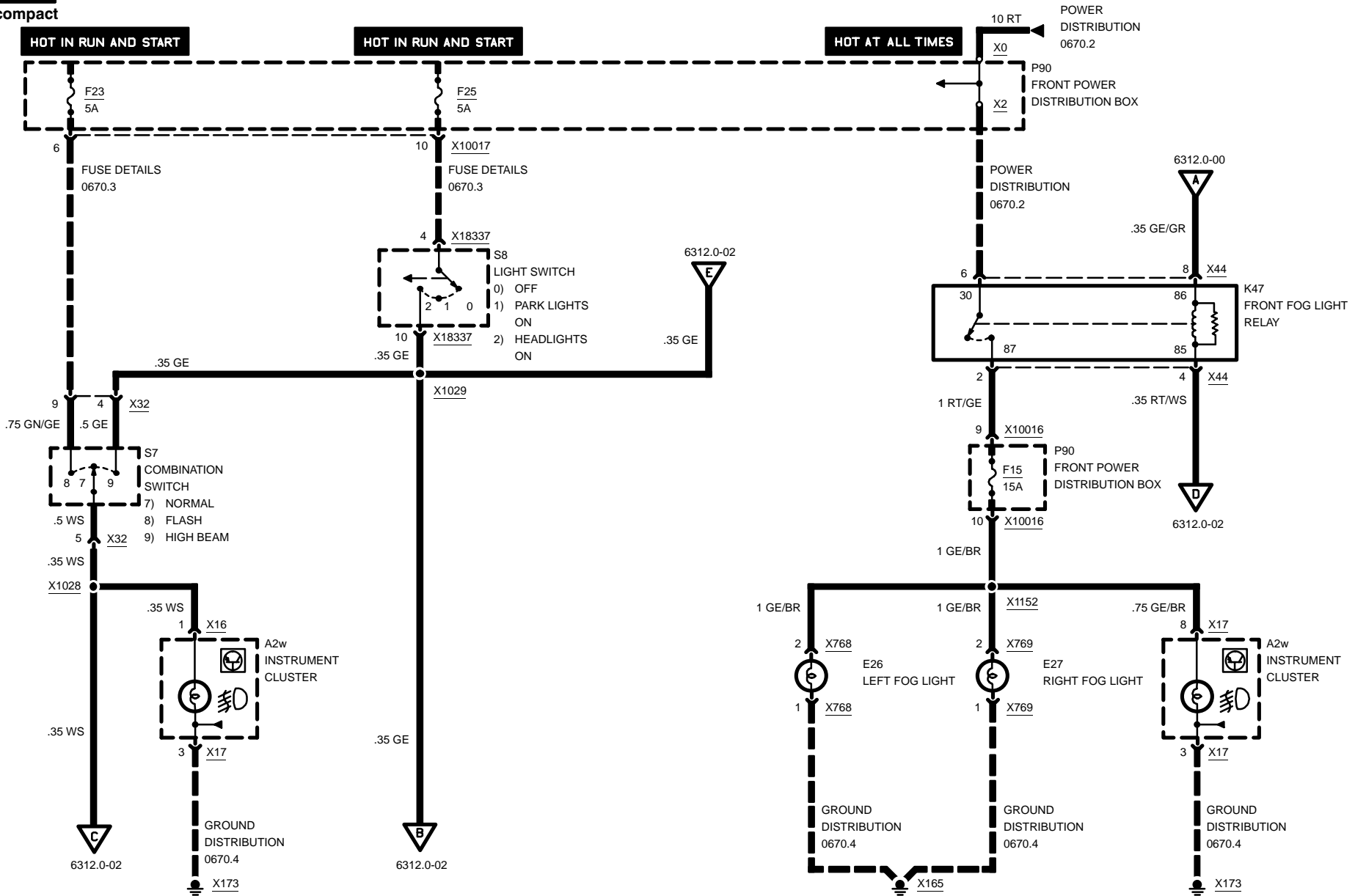




# HEADLIGHTS/FOG LIGHTS



compact



03/00

6312.0-01

1999



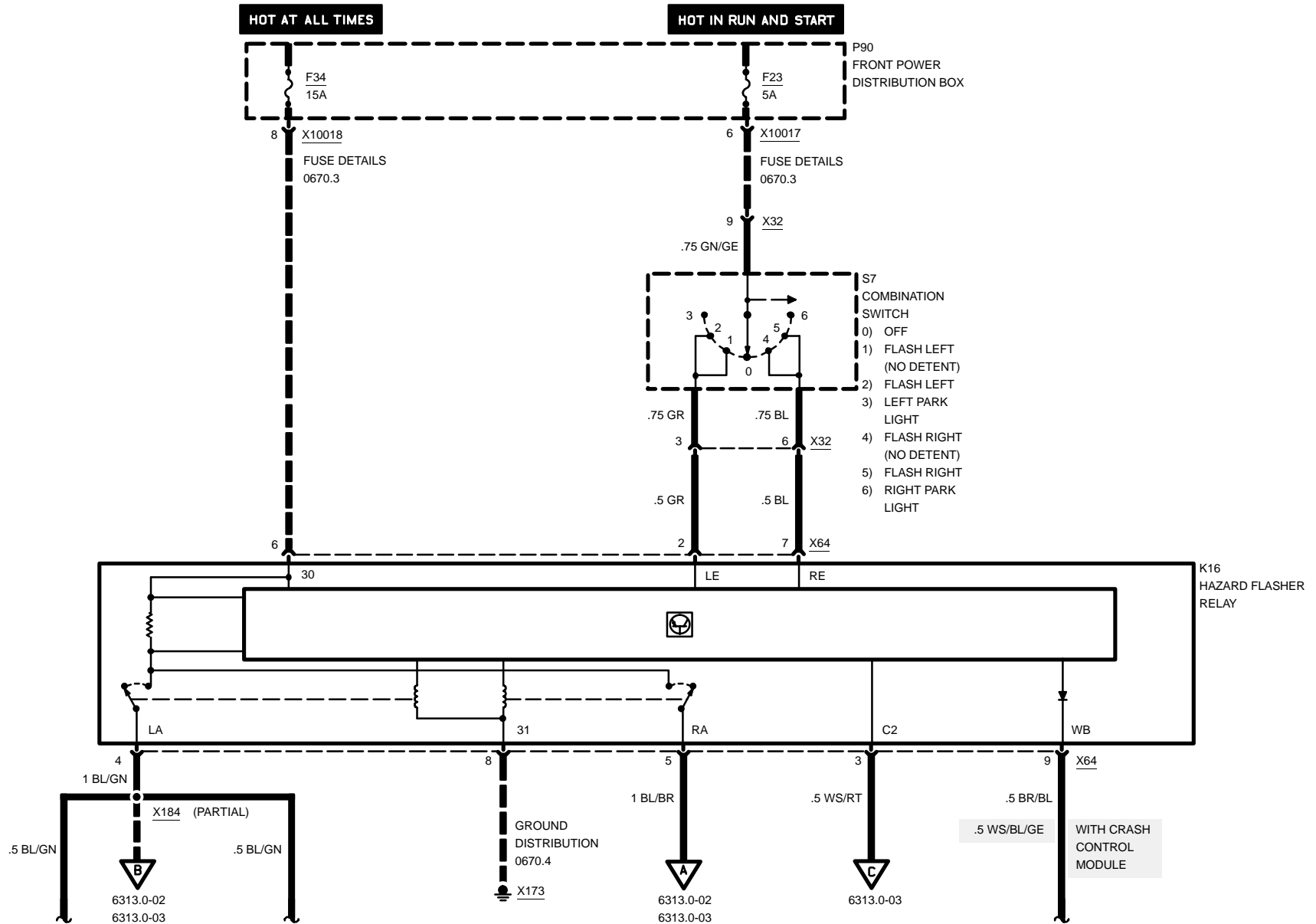


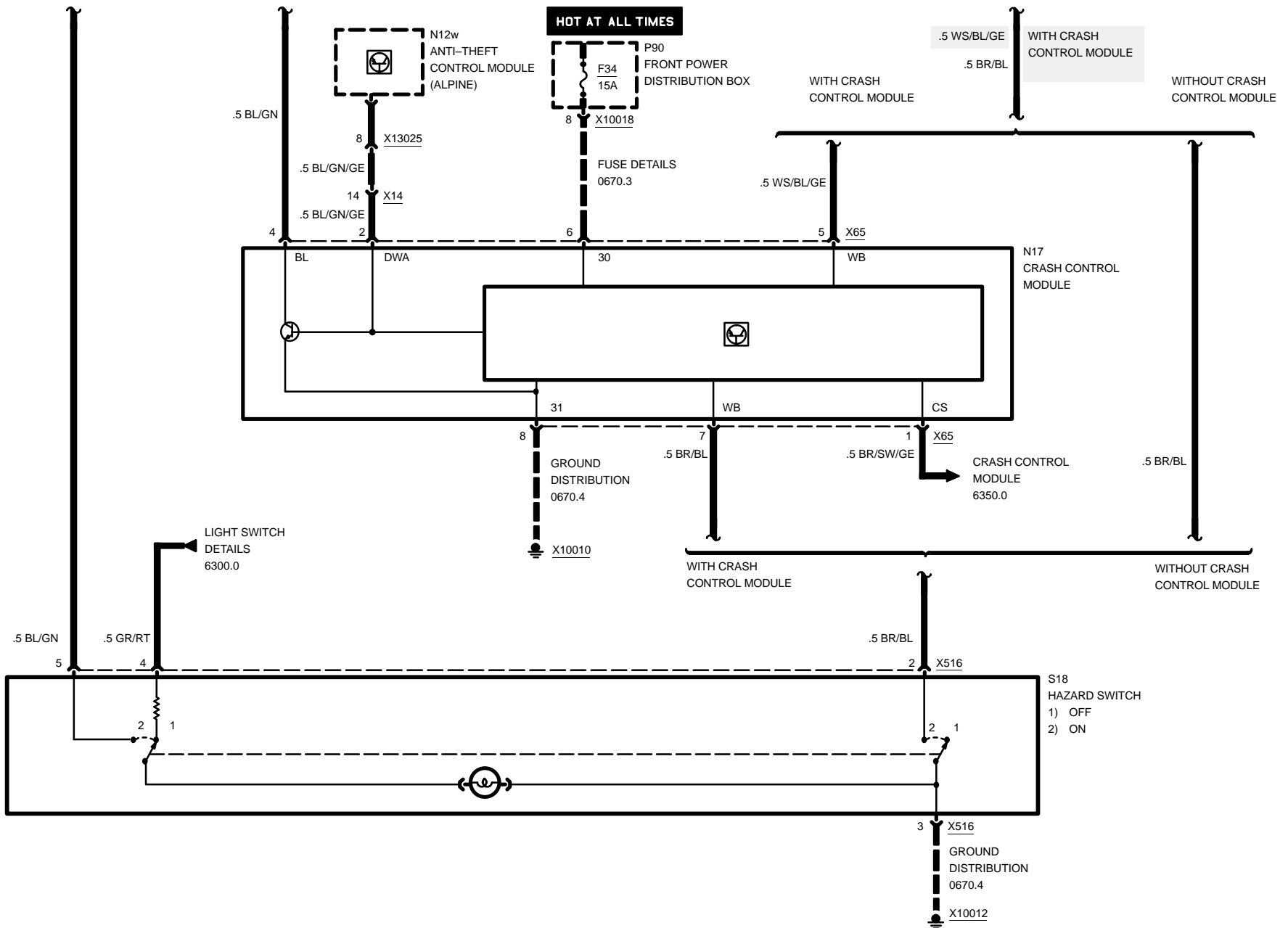






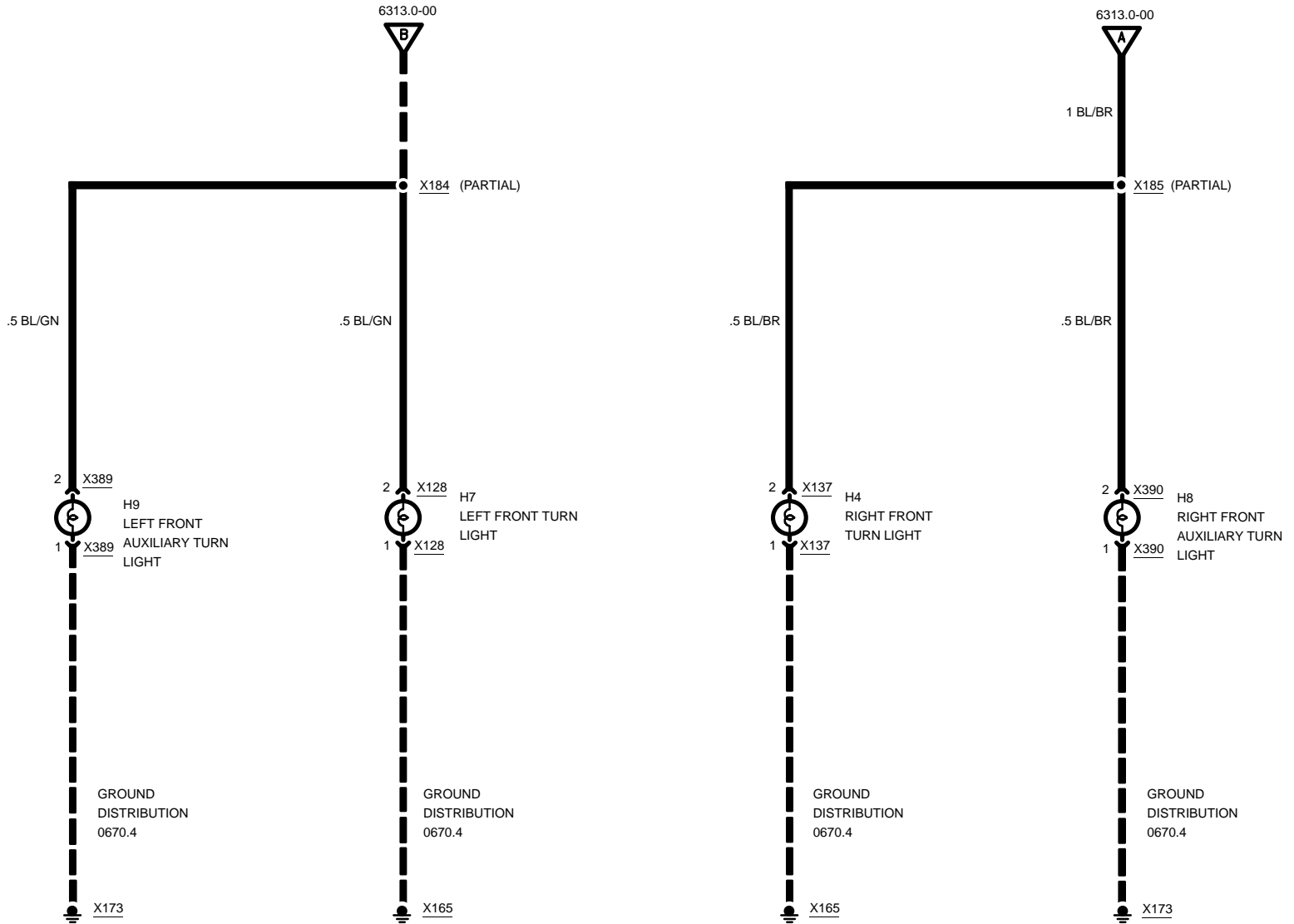
# 6313.0 TURN/HAZARD LIGHTS





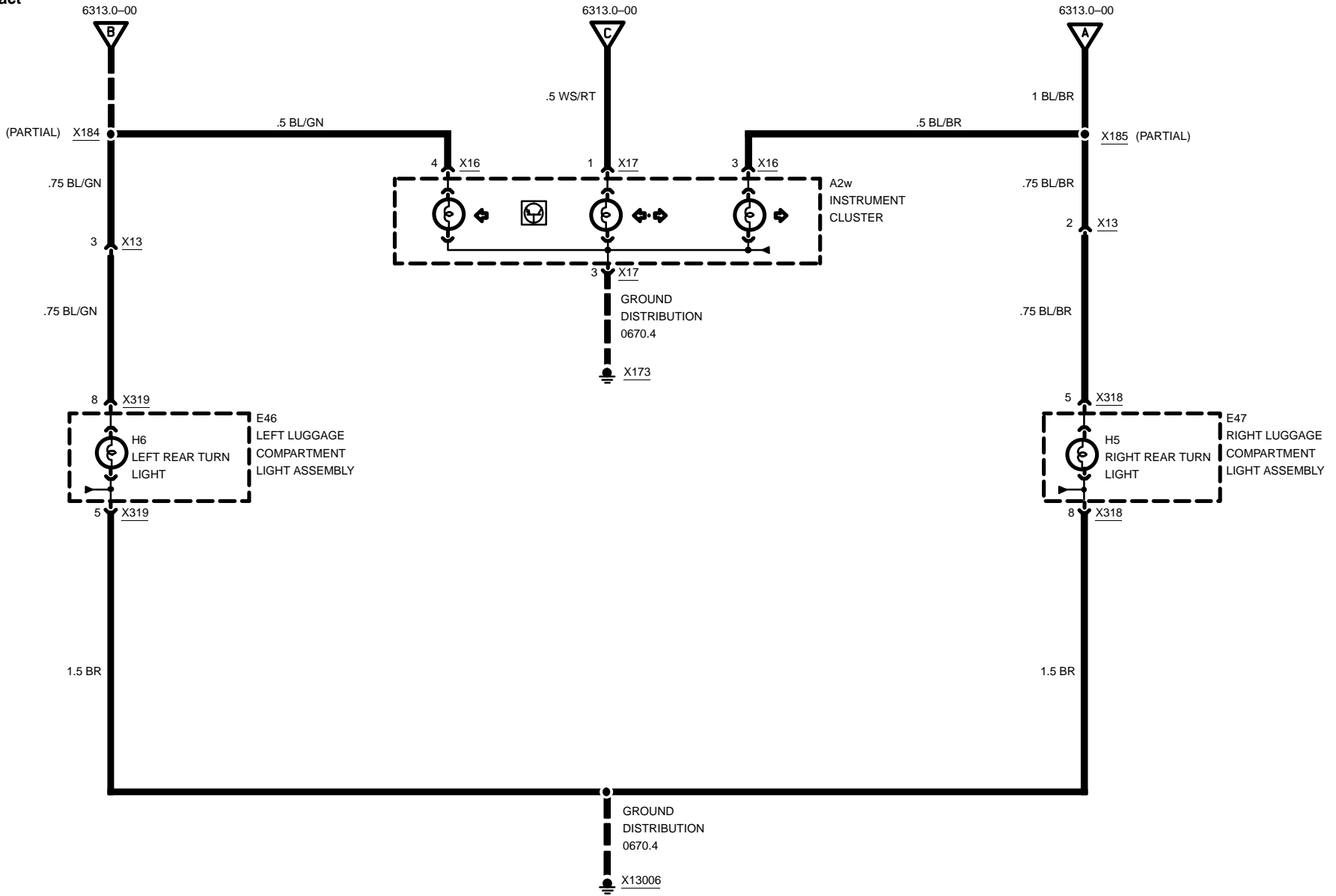


# TURN/HAZARD LIGHTS





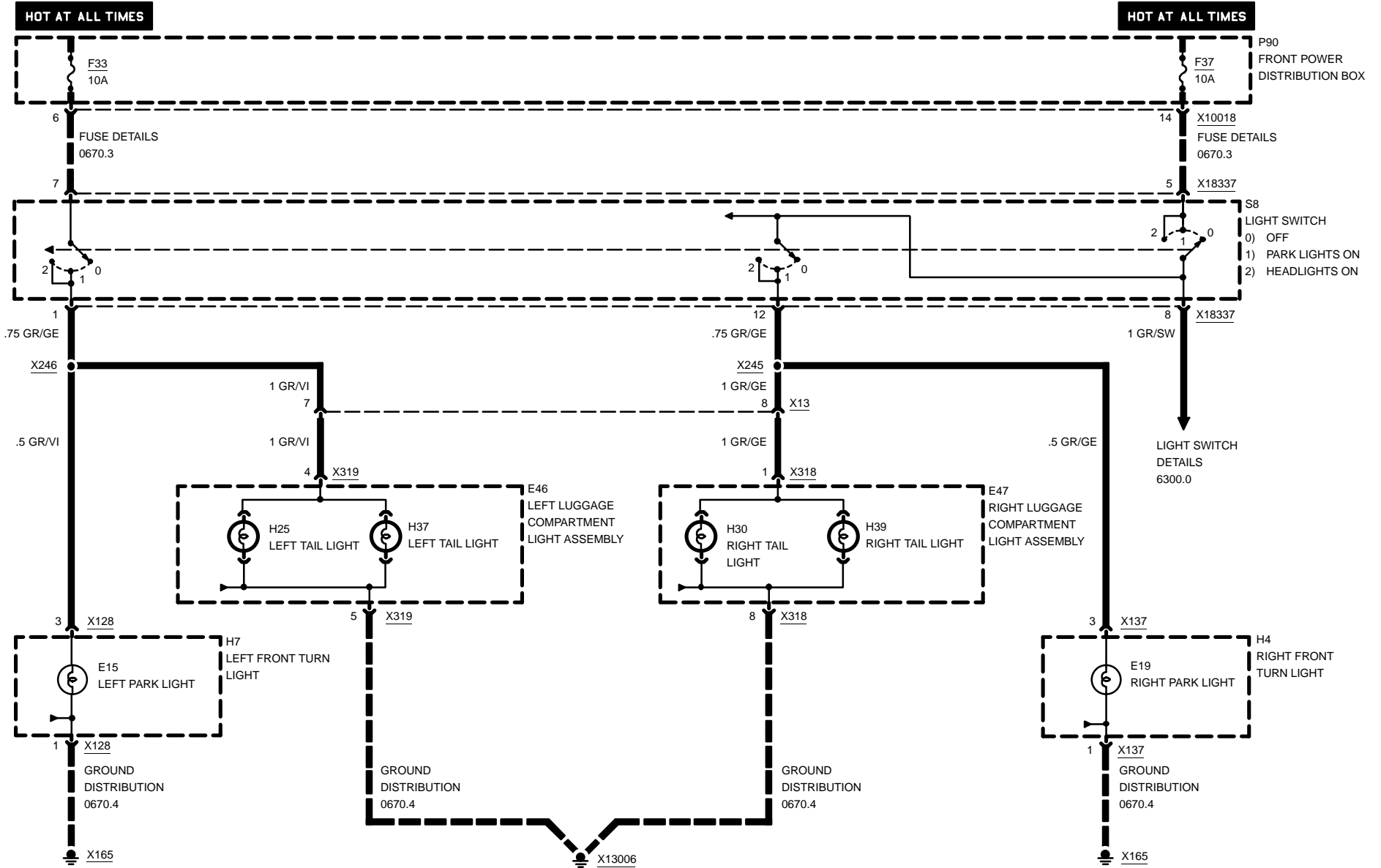
# TURN/HAZARD LIGHTS





# 6314.0 PARK/TAIL/UNDERHOOD LIGHTS

compact



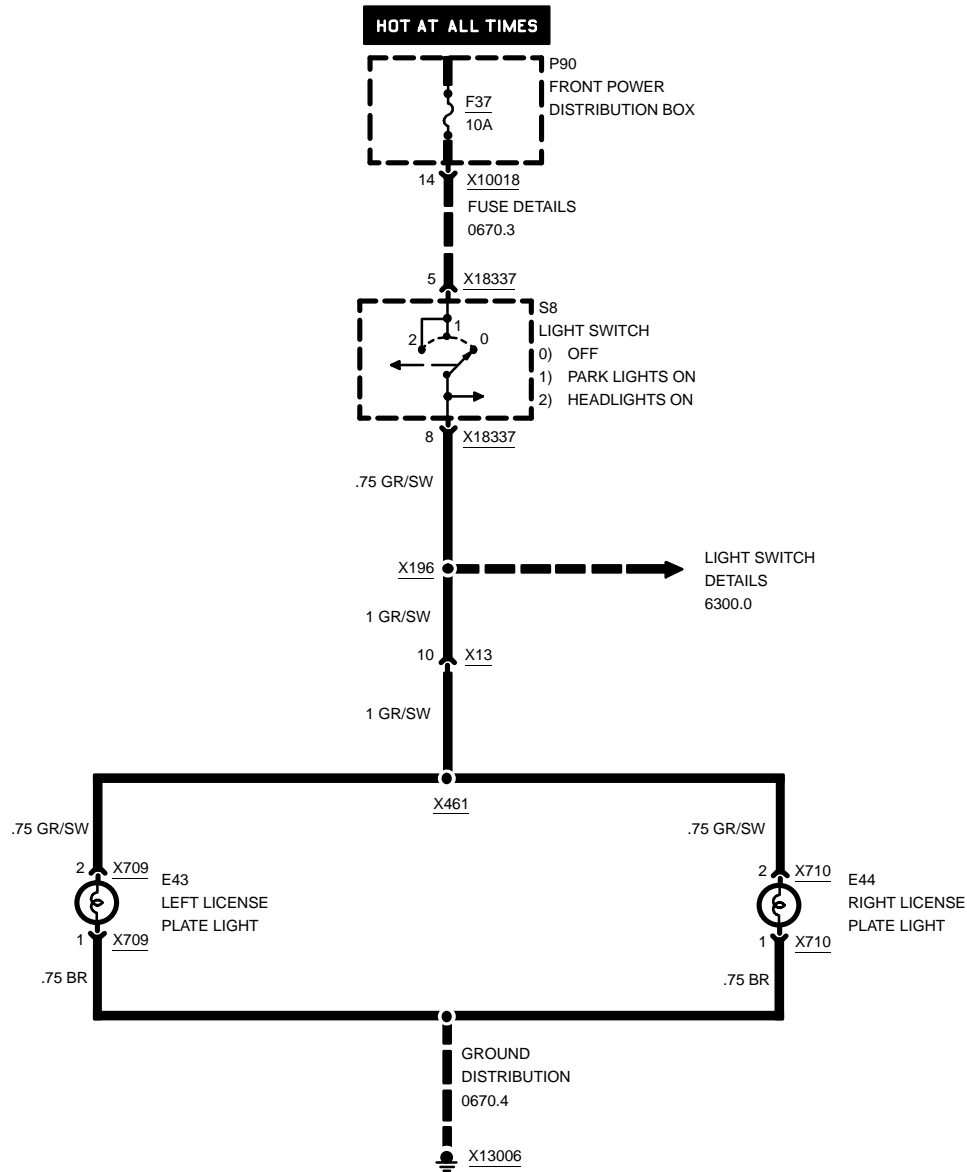
03/00

6314.0-00

1999



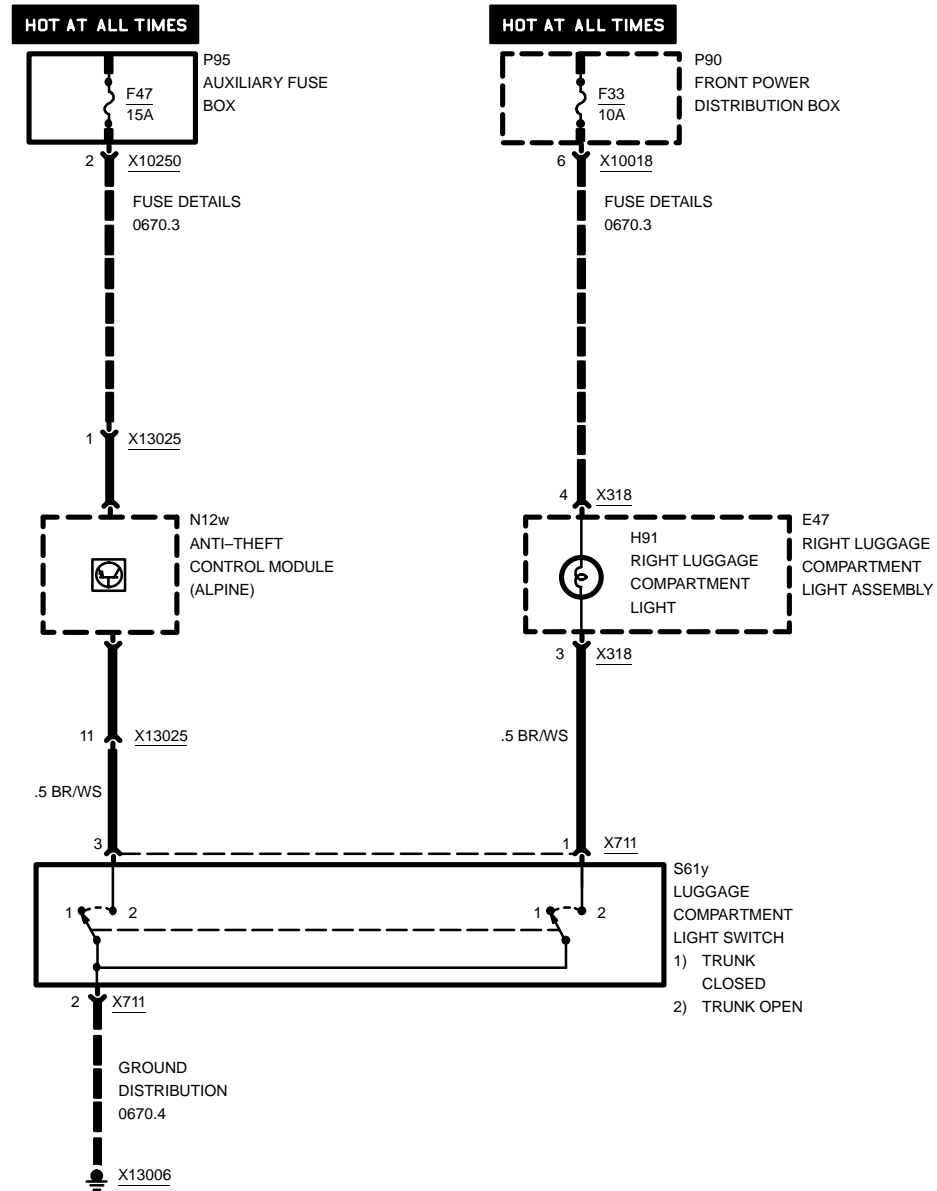
# 6320.0 LICENSE PLATE/LUGGAGE COMPARTMENT LIGHTS







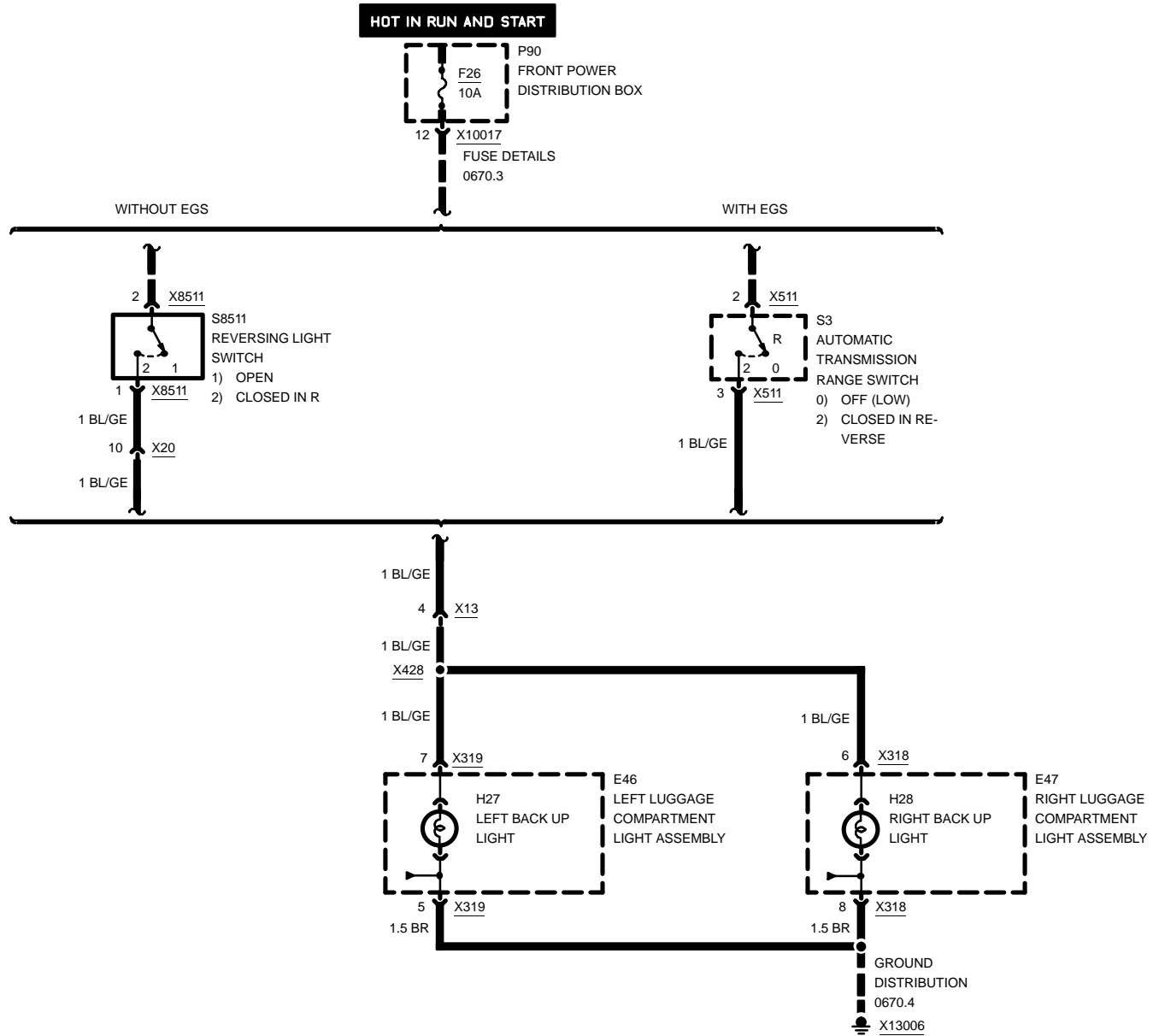
# LICENSE PLATE/LUGGAGE COMPARTMENT LIGHTS





compact

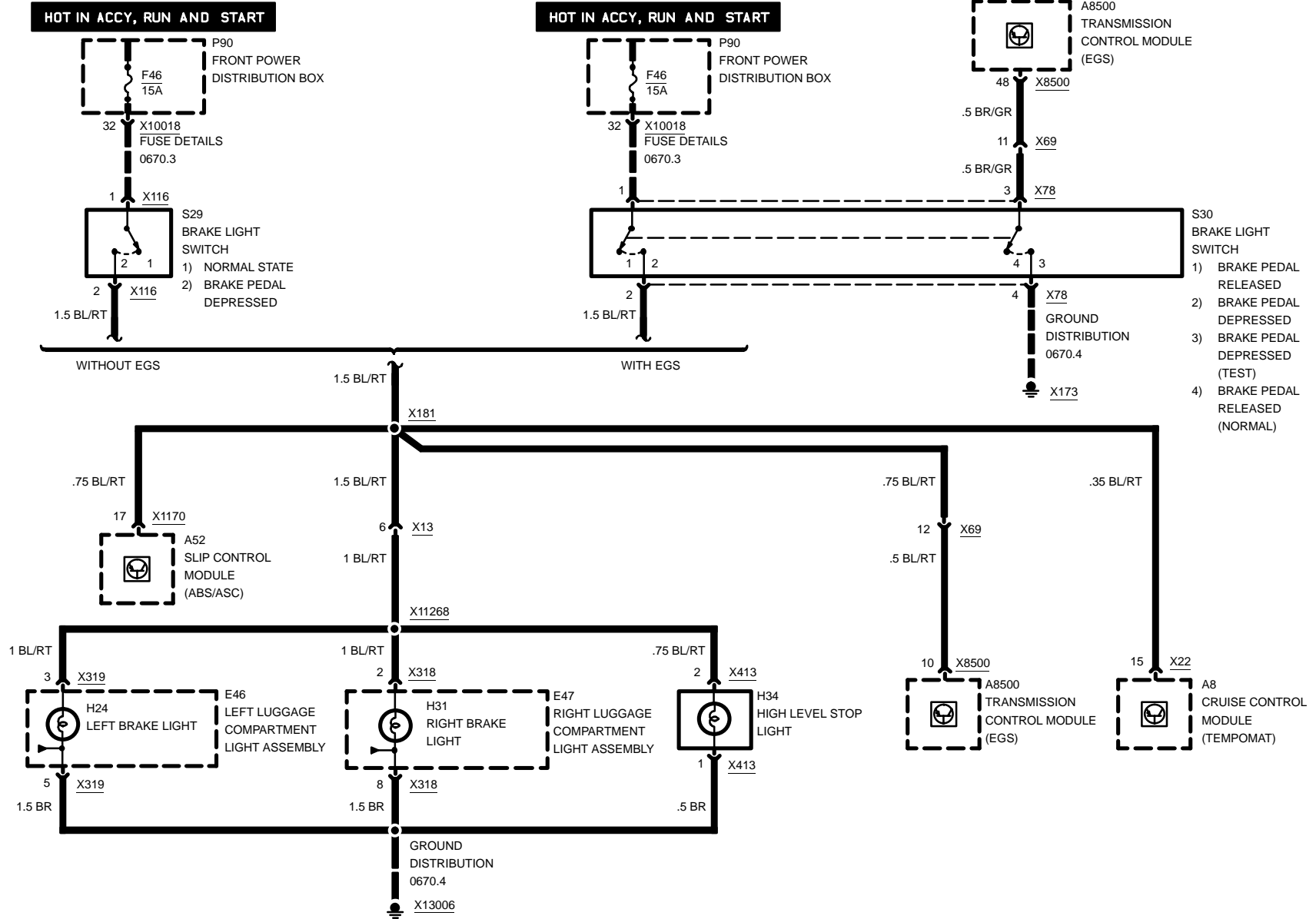
# 6322.0 BACK UP LIGHTS





compact

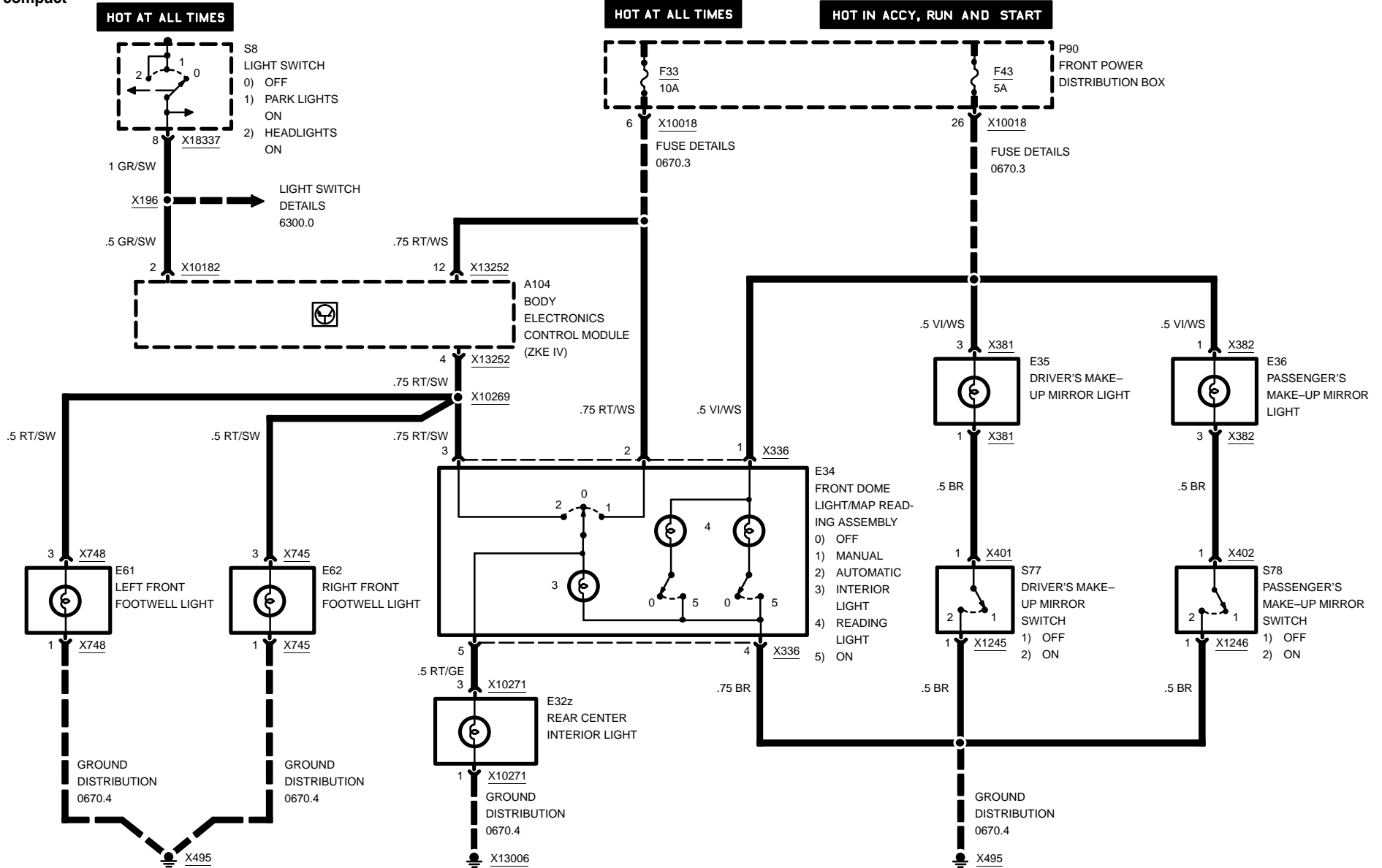
# 6325.0 BRAKE LIGHTS





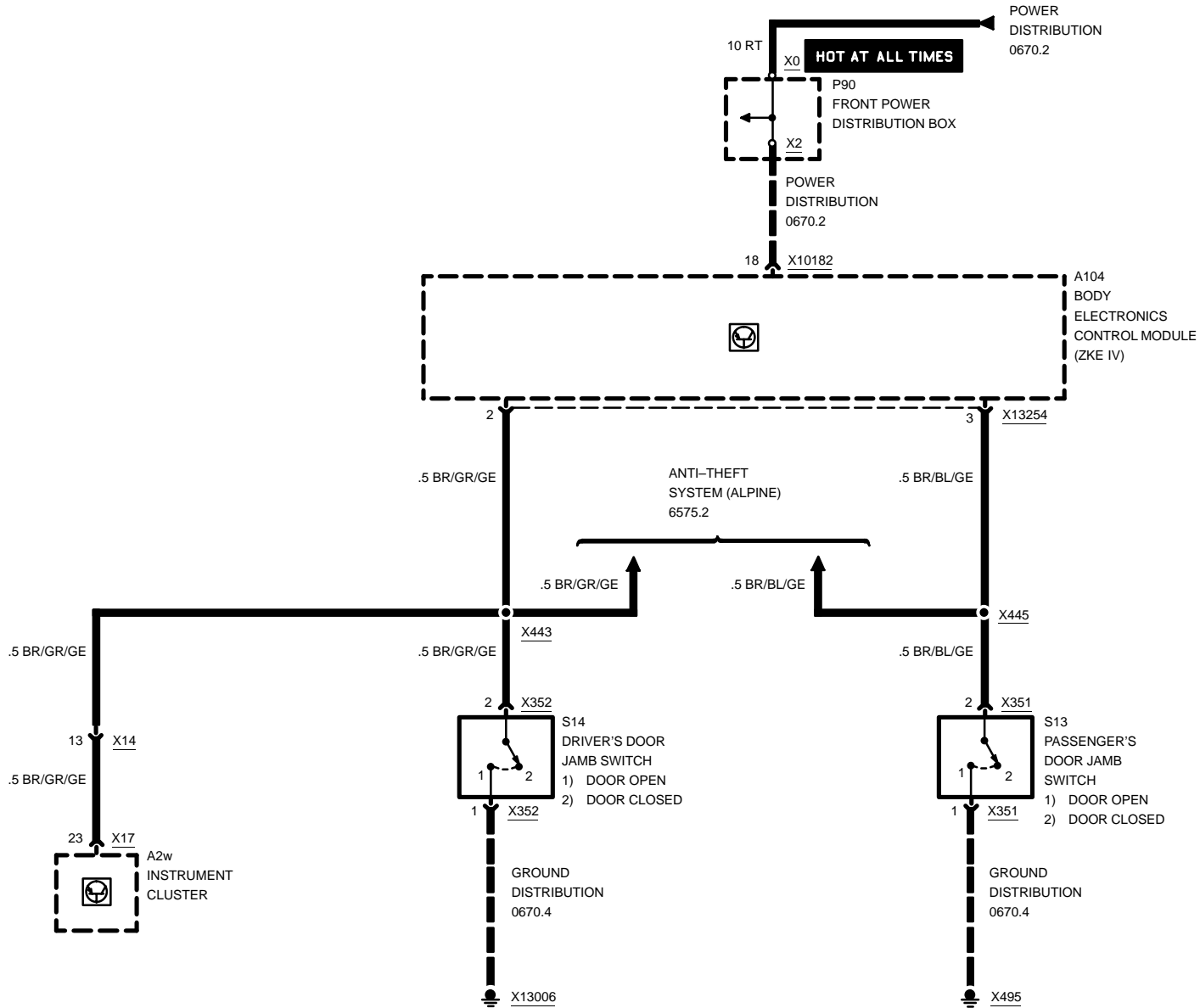
# 6330.3 INTERIOR LIGHTS

compact





# INTERIOR LIGHTS

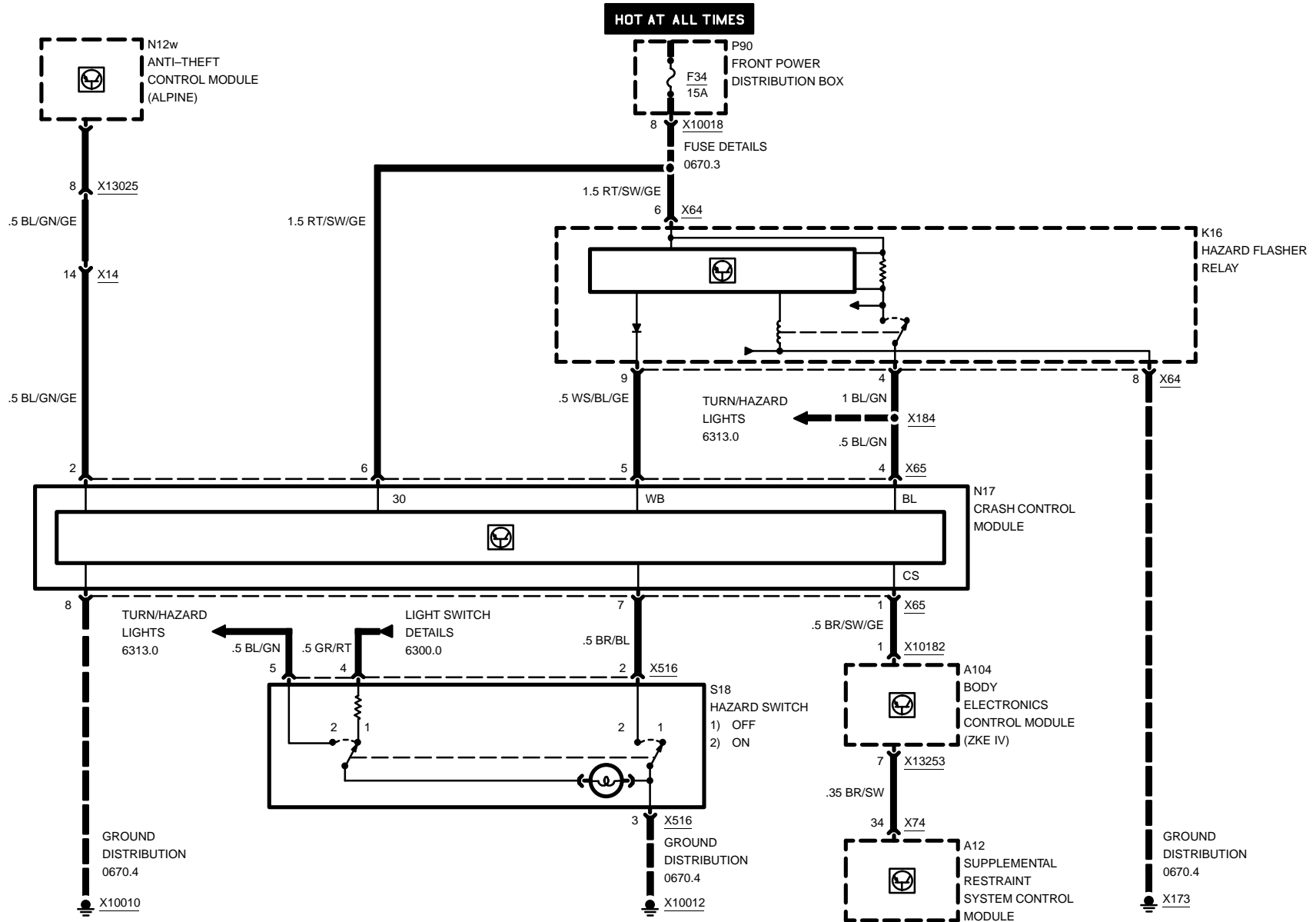






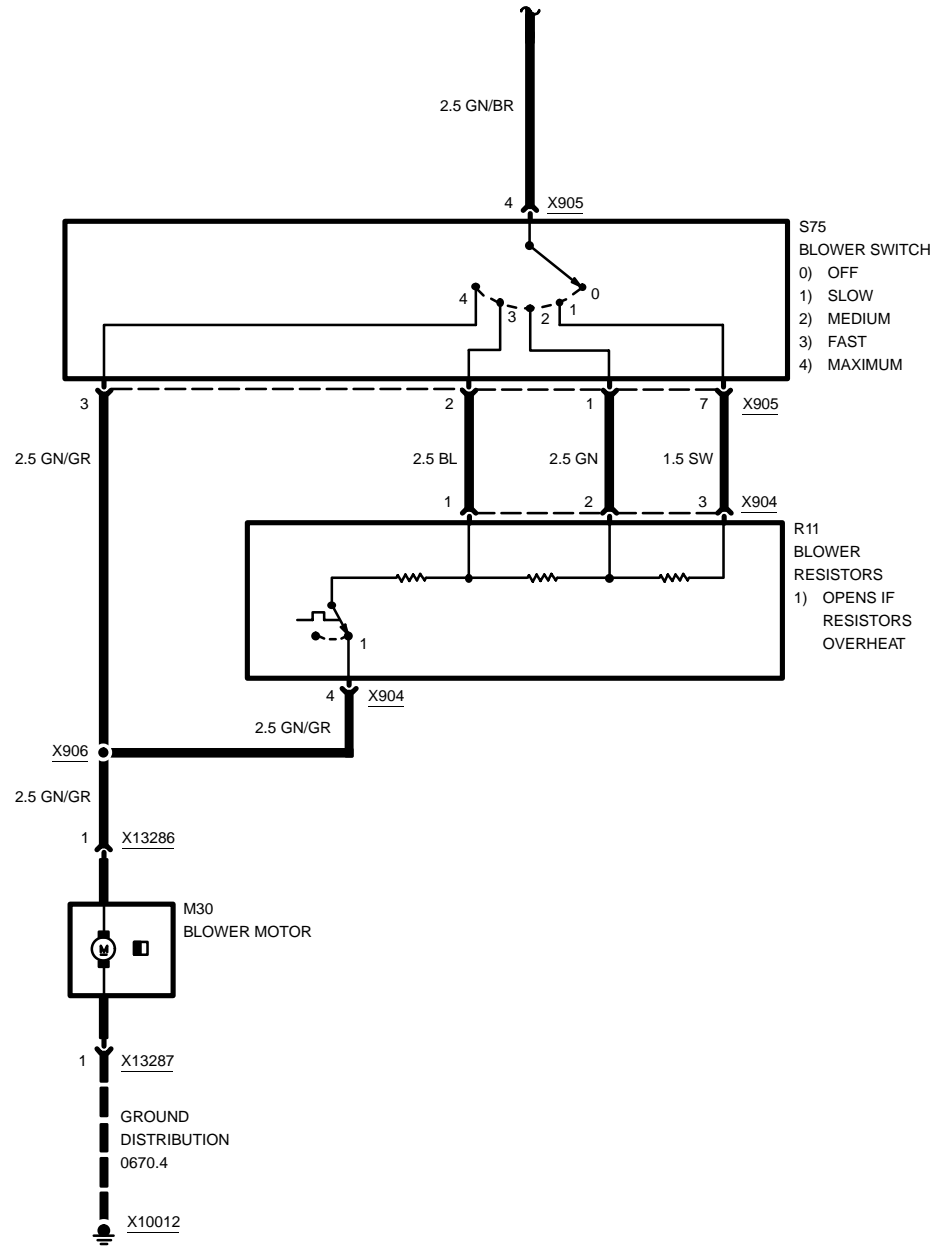
# 6350.0 CRASH CONTROL MODULE

compact



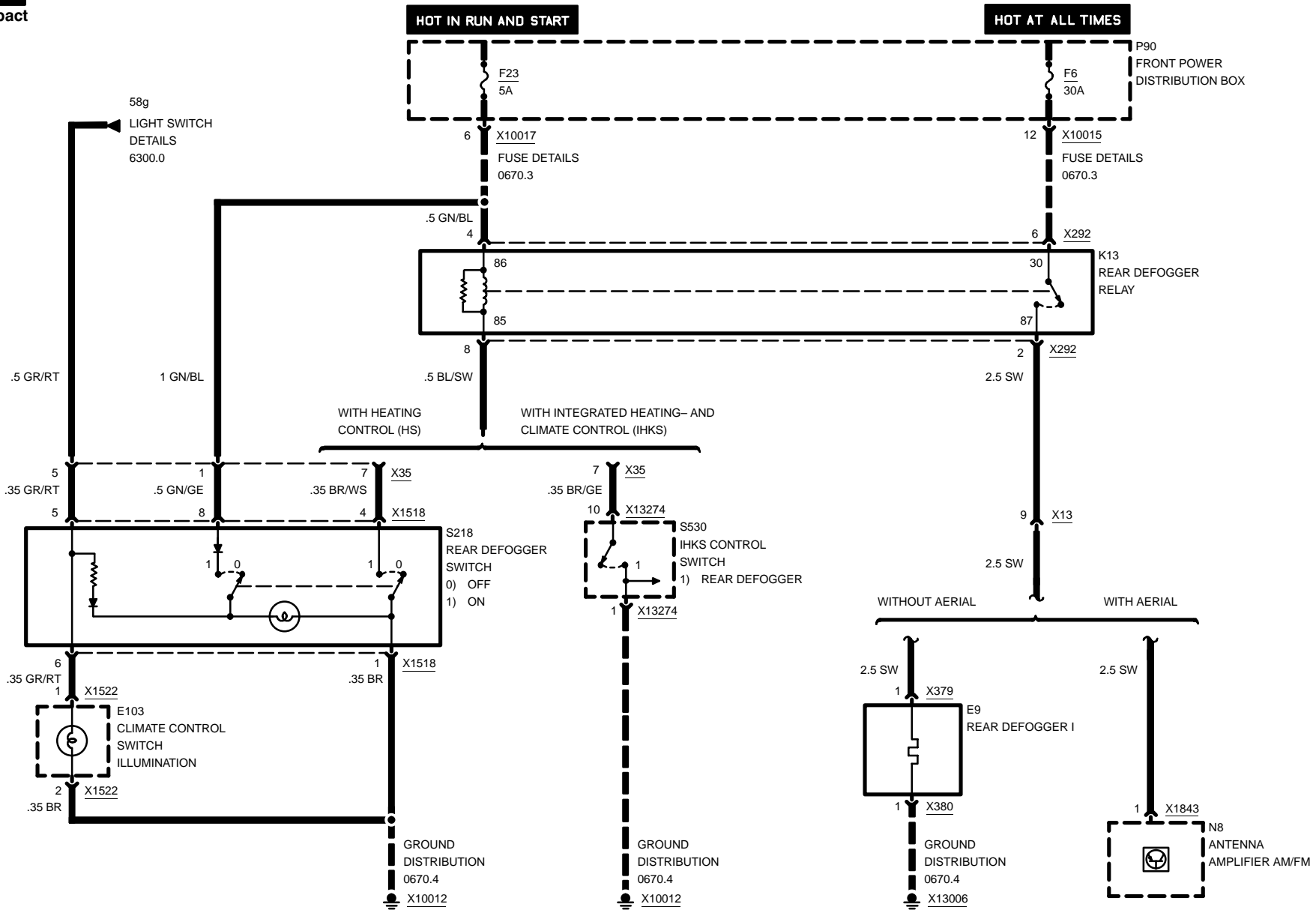






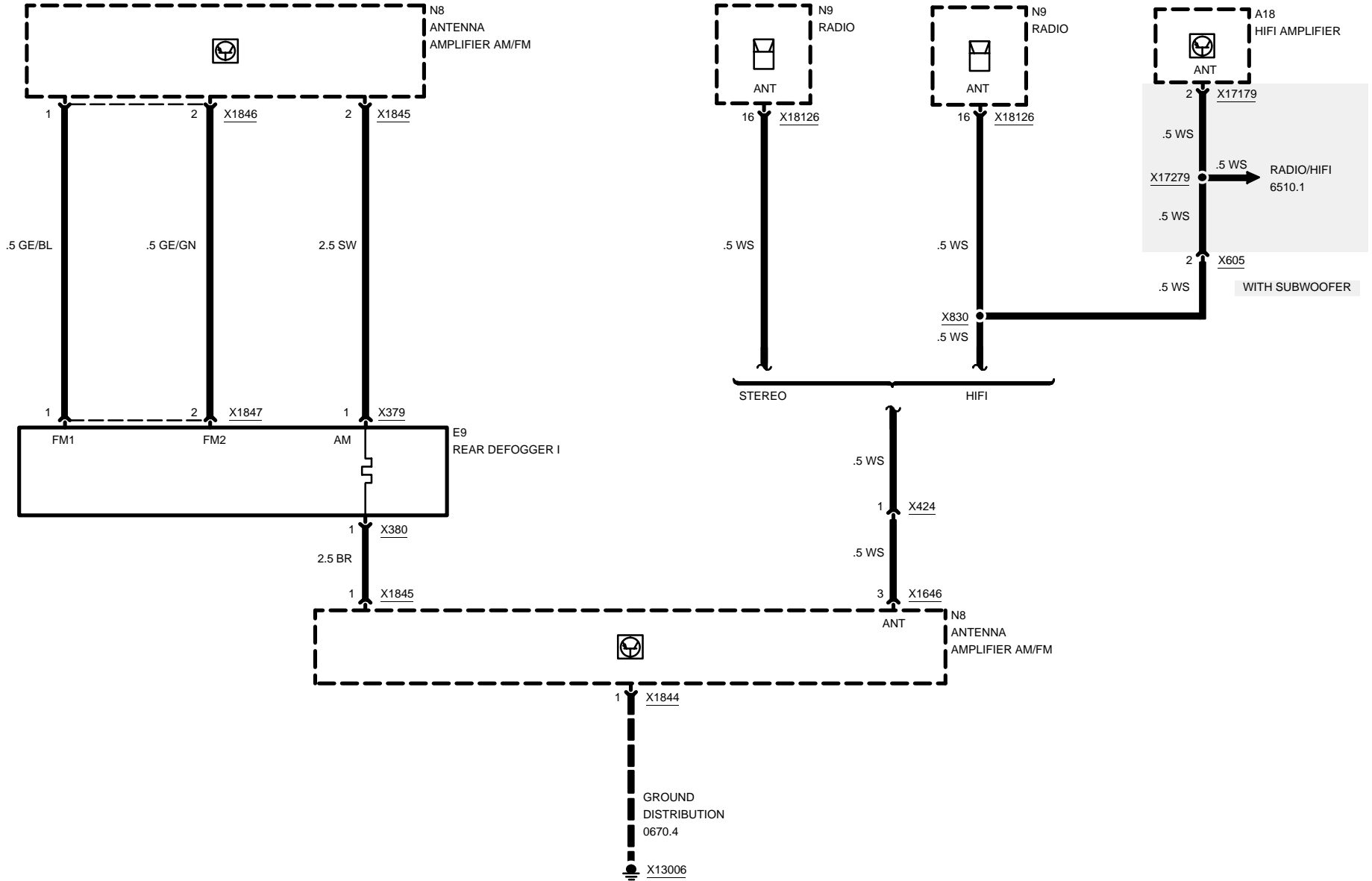


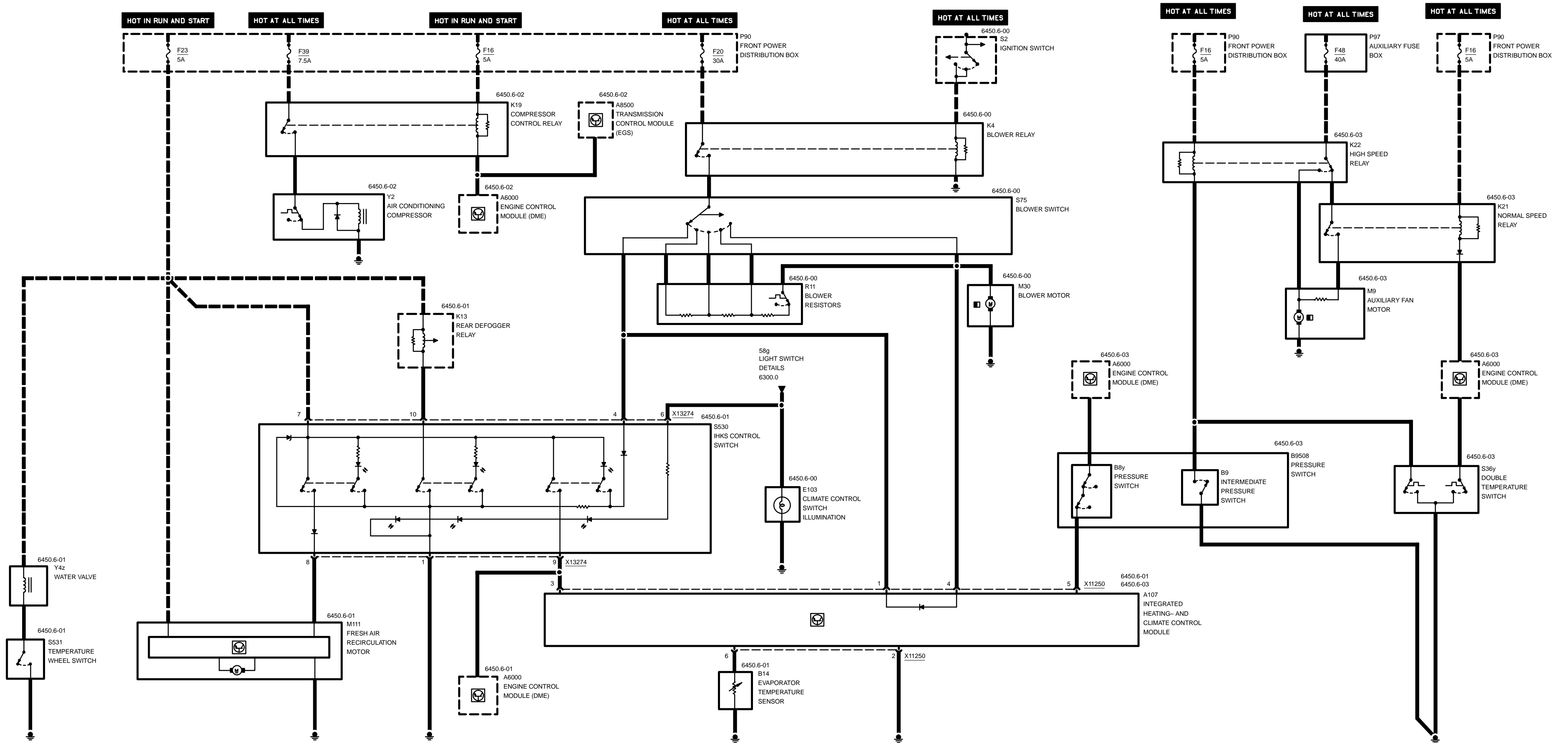
# 6424.0 REAR WINDOW DEFOGGER/ANTENNA

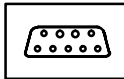




# REAR WINDOW DEFOGGER/ANTENNA







## Pin Assignments

X11250	6-Pins, black
X13274	10-Pins, black

### X11250

Pin	Type	Description/Function	Connection
1	E	Air recirculation signal	Blower switch
2	M	Ground	Ground point
3	E	Function signal	IHKS switch, engine control module (DME)
4	E	Air recirculation signal	Blower switch
5	E	Pressure signal	Pressure switch
6	E	Evaporative temperature	Evaporative temperature sensor

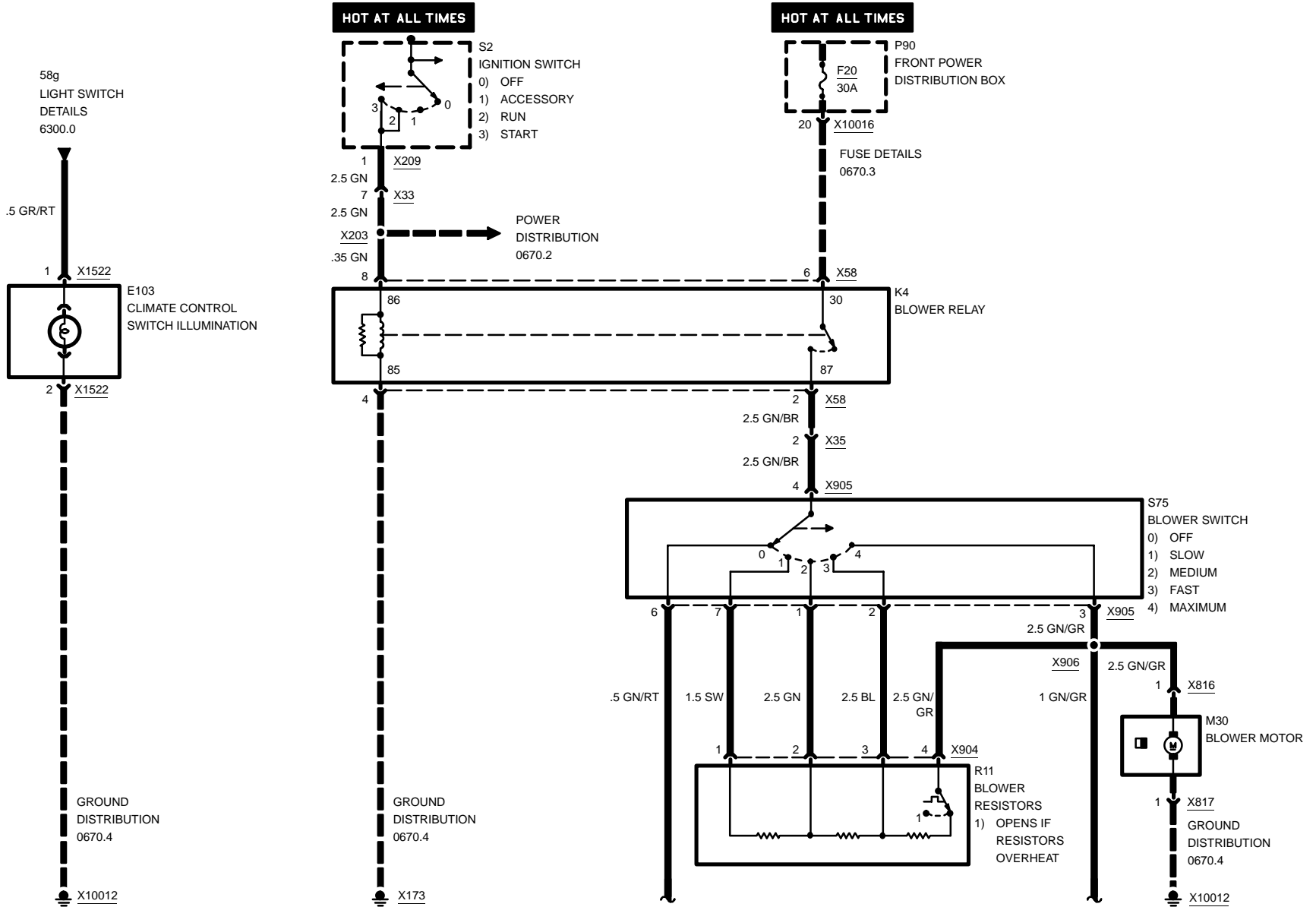
### X13274

Pin	Type	Description/Function	Connection
1	M	Ground	Ground point
2		Not used	
3		Not used	
4	E	Air-recirculation signal	Blower switch
5		Not used	
6	E	Terminal 58g	Light switch
7	E	Terminal 15	Front power distribution box, fuse 23
8	A	Air recirculation signal	Fresh air recirculation motor
9	A	Function signal	IHKS-control module, engine control module (DME)
10	A	Rear defogger signal	Rear window defogger relay



# INTEGRATED HEATING- AND CLIMATE CONTROL

## POWER, AIR FLOW CONTROL

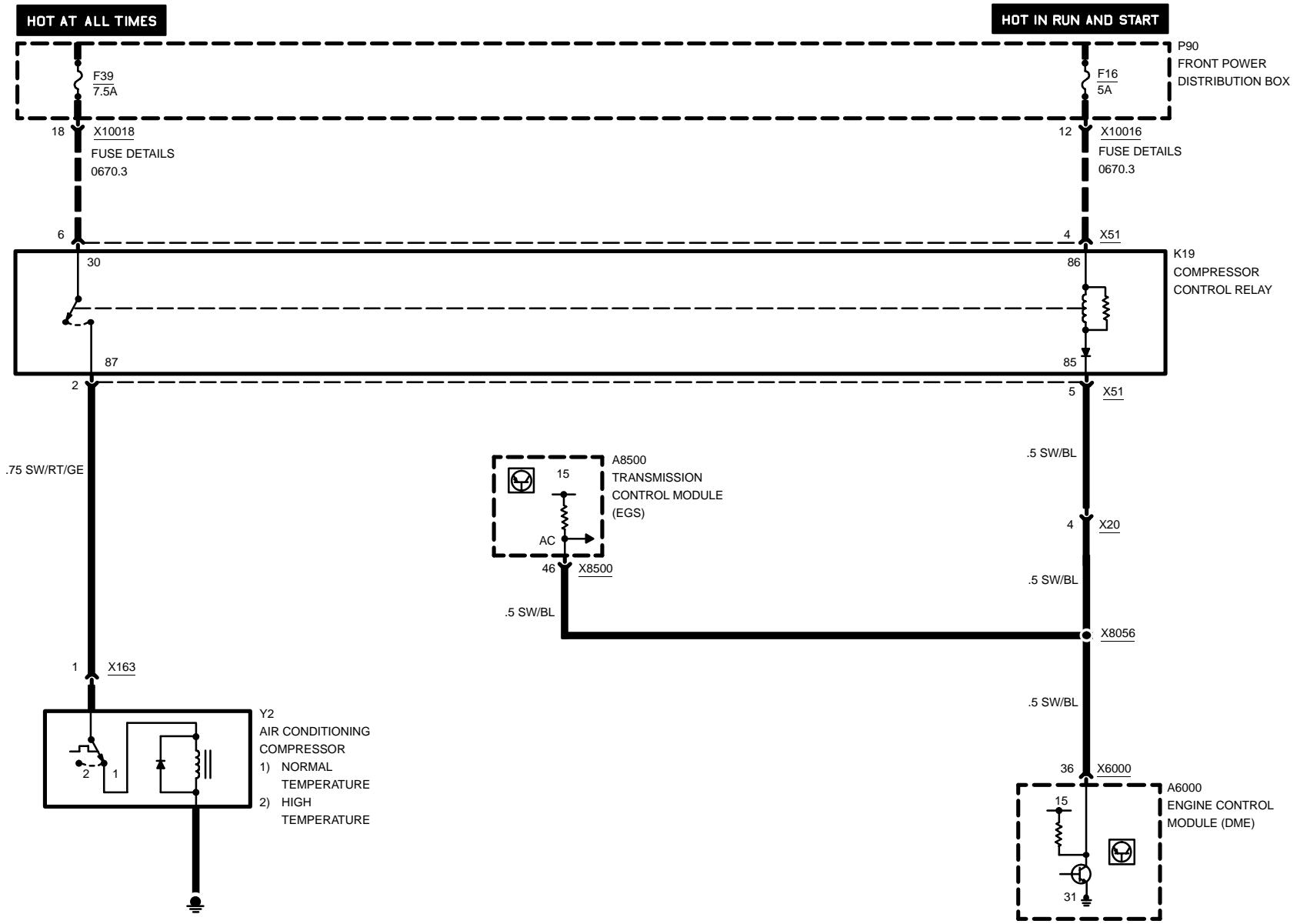






# INTEGRATED HEATING- AND CLIMATE CONTROL

## COMPRESSOR CONTROLS



03/00

6450.6-02

1999

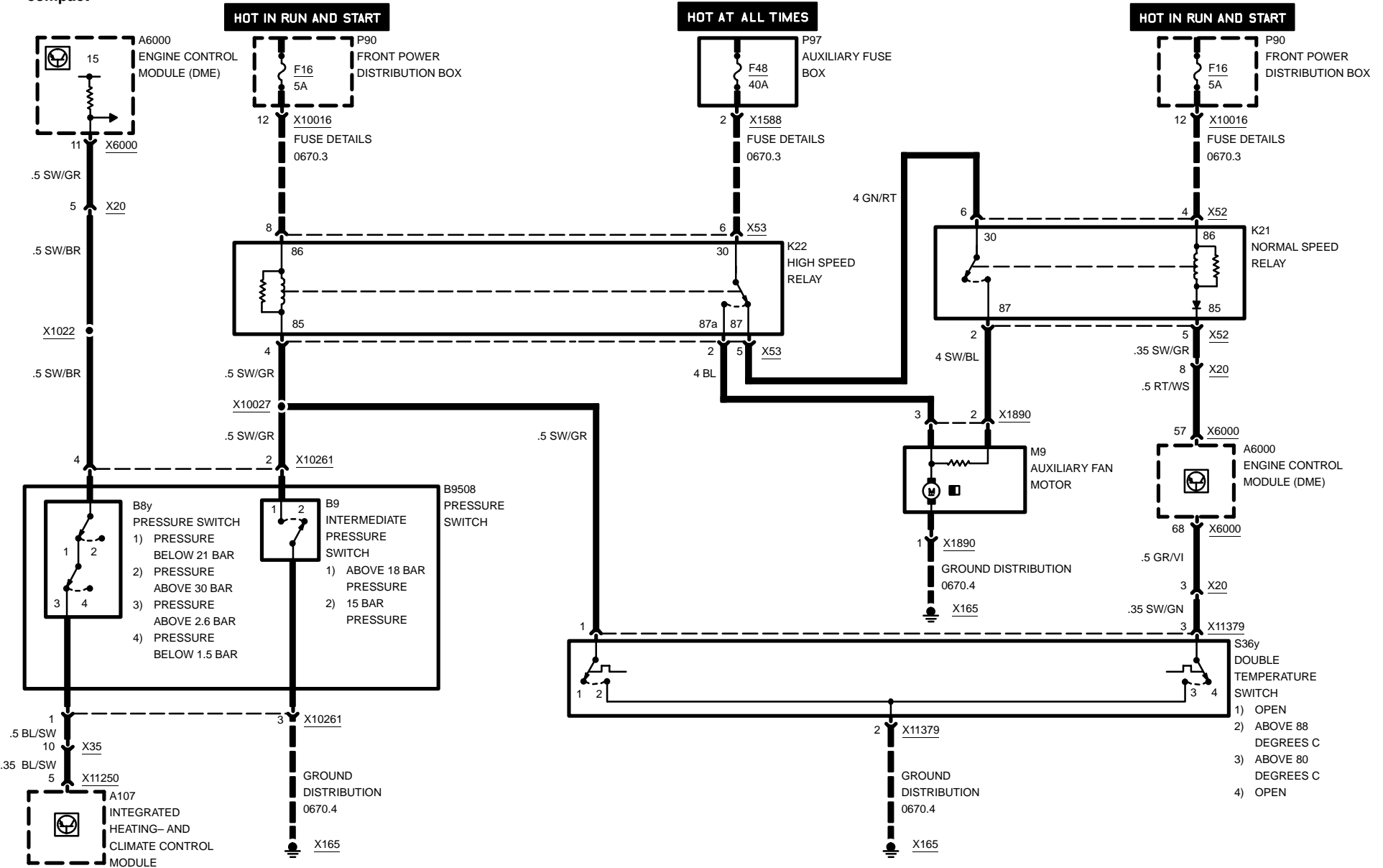




# INTEGRATED HEATING- AND CLIMATE CONTROL

## AUXILIARY FAN

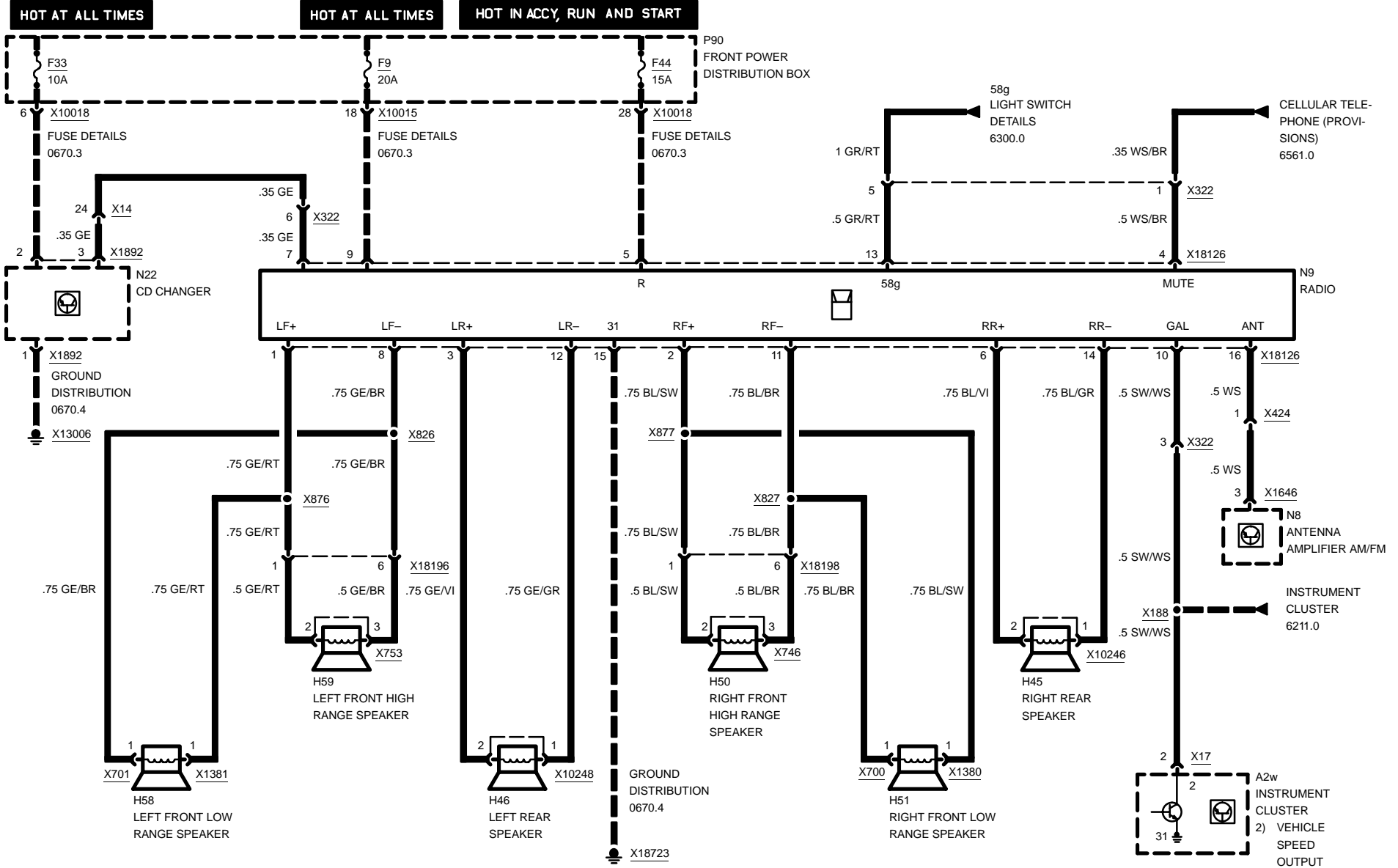
compact





# 6510.0 RADIO/STEREO

compact



03/00

6510.0-00

1999



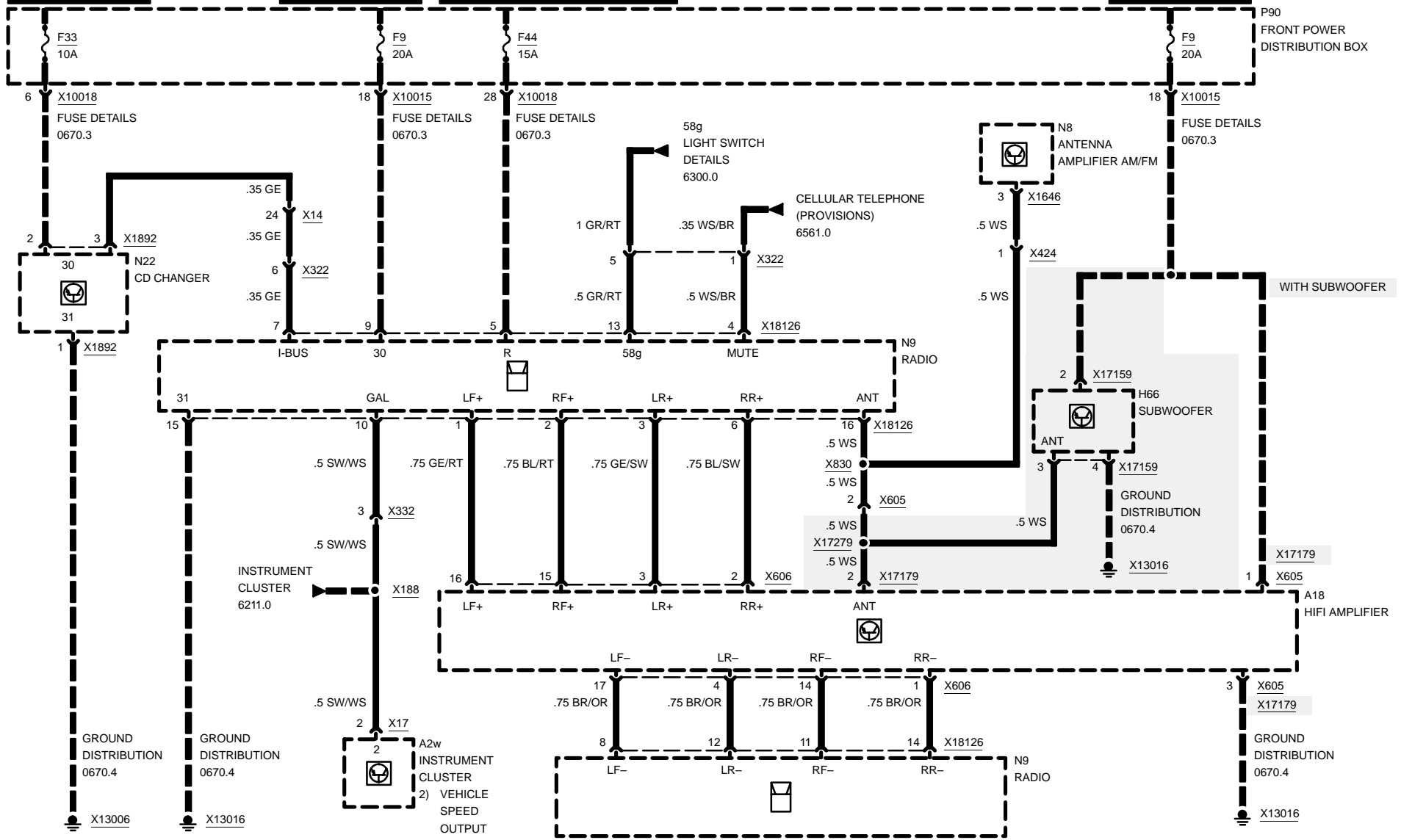
# 6510.1 RADIO/HIFI

**HOT AT ALL TIMES**

**HOT AT ALL TIMES**

**HOT IN ACCY, RUN AND START**

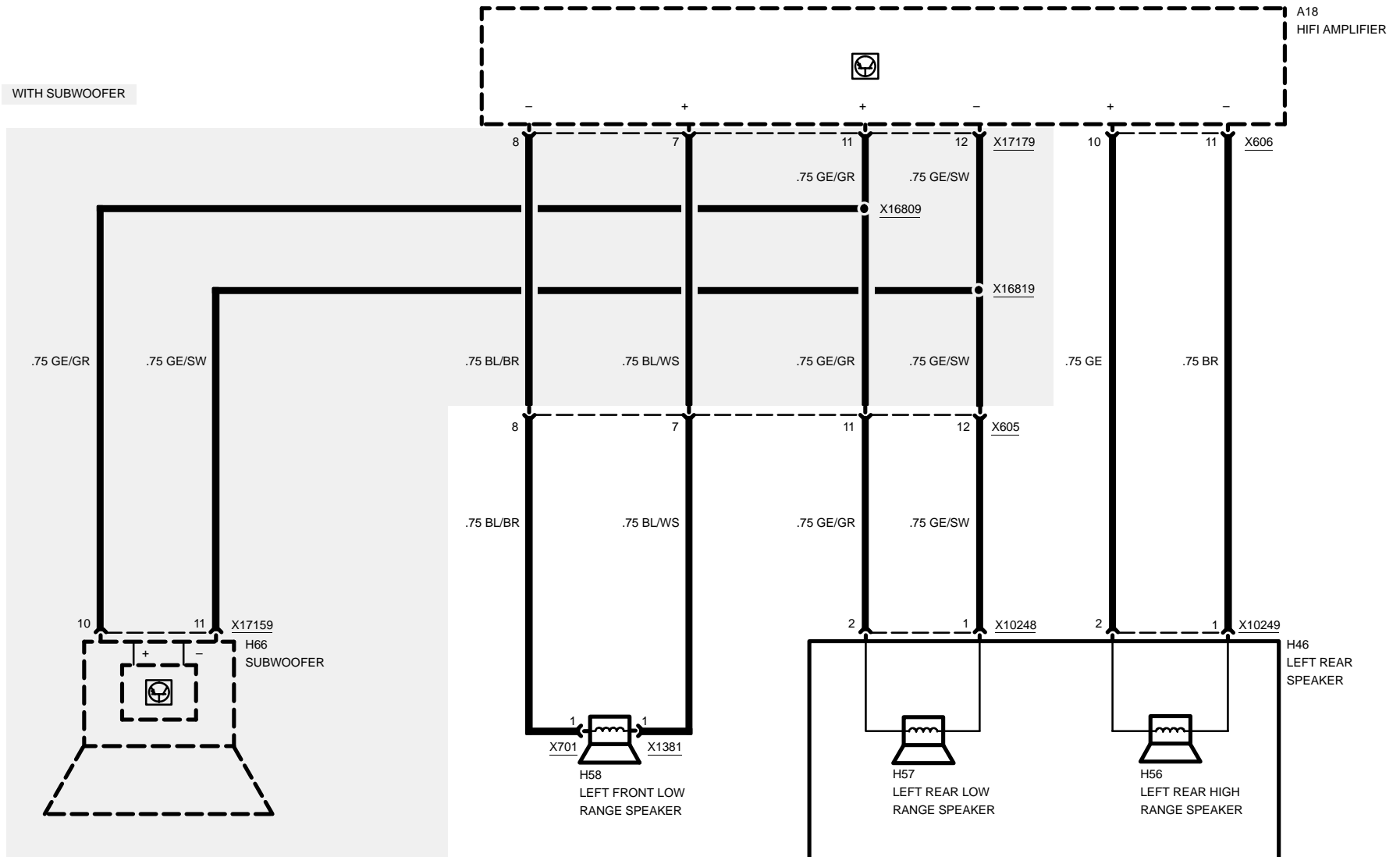
**HOT AT ALL TIMES**





# RADIO/HIFI

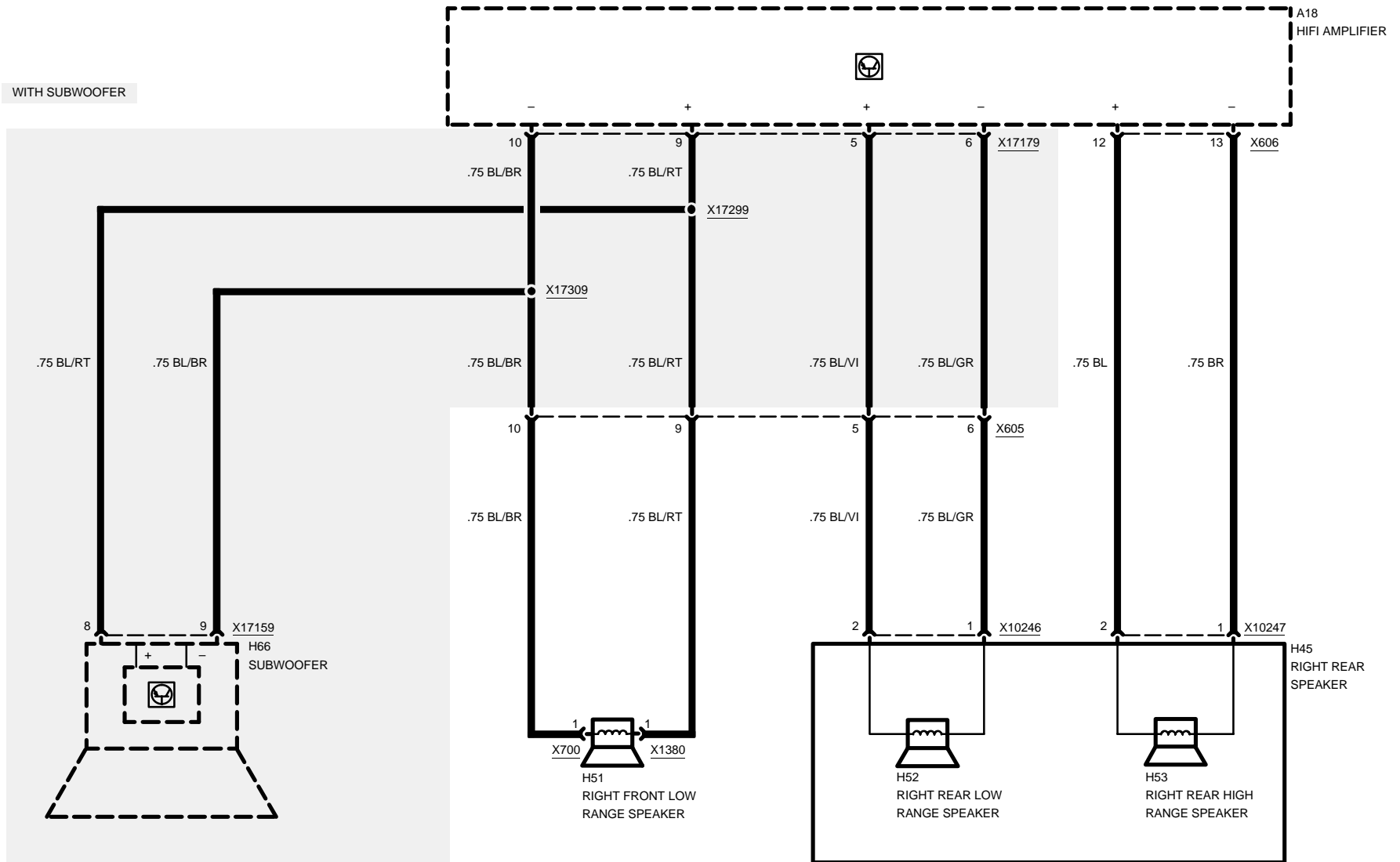
WITH SUBWOOFER





# RADIO/HIFI

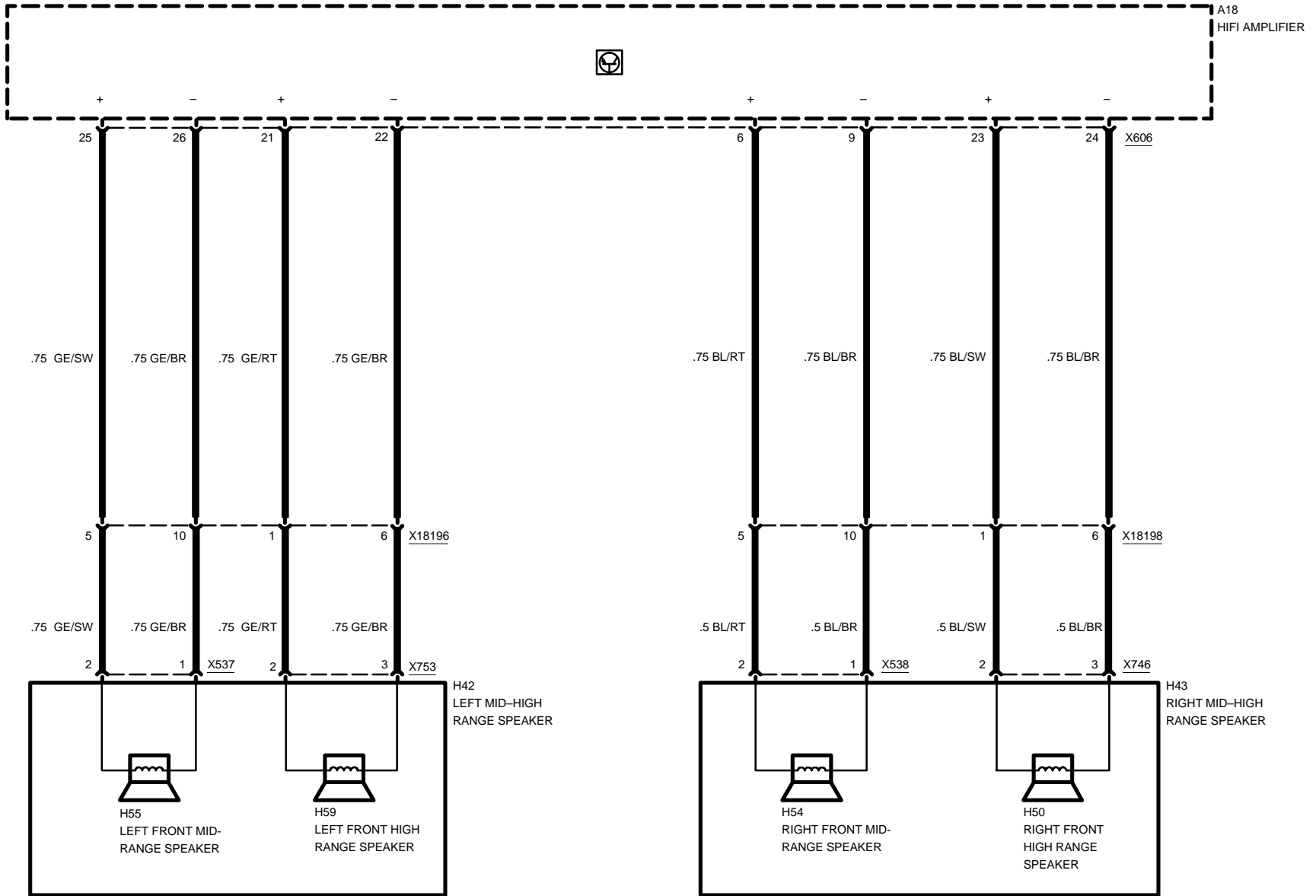
WITH SUBWOOFER





# RADIO/HIFI

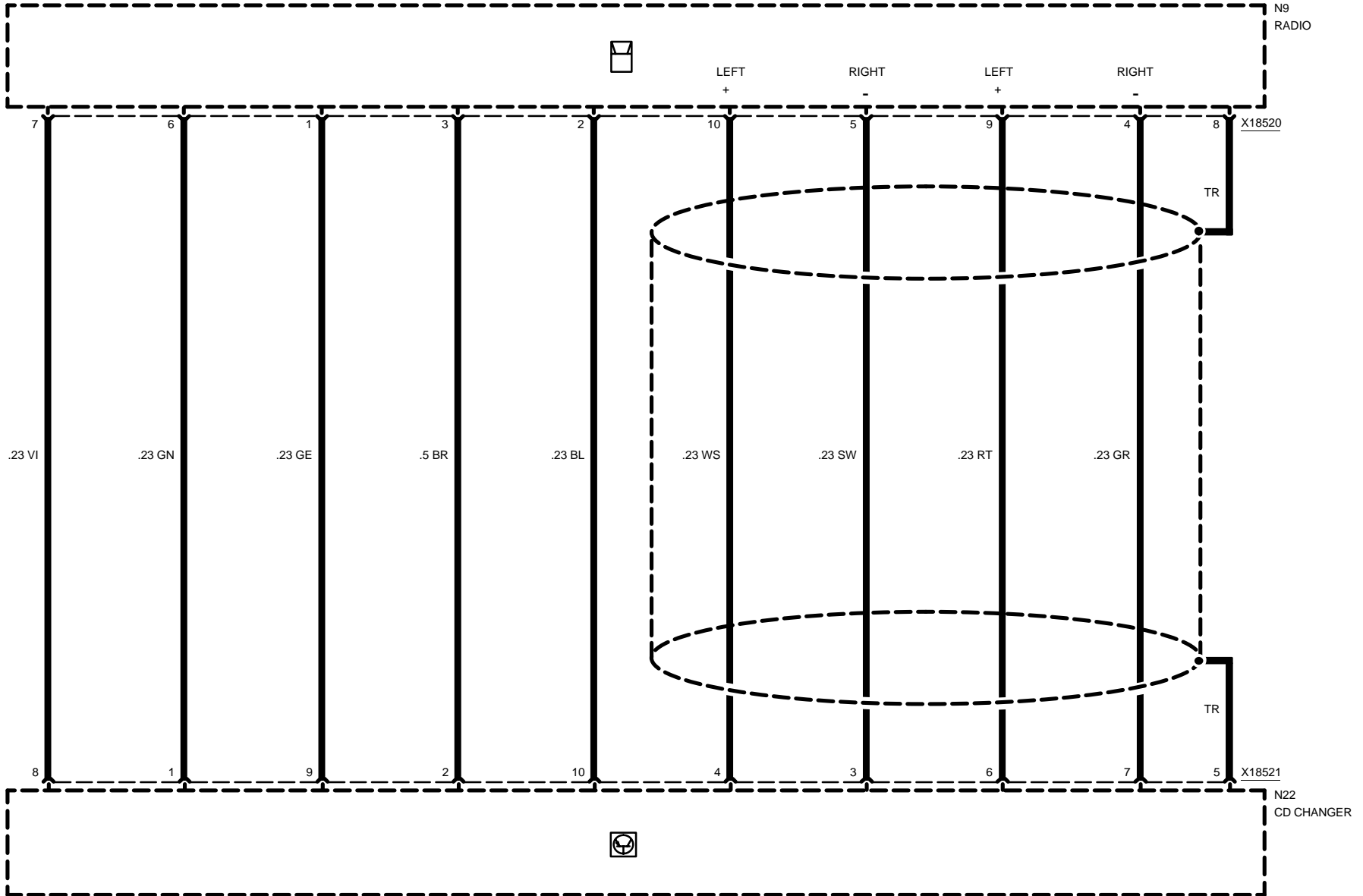
compact





# RADIO/HIFI

compact

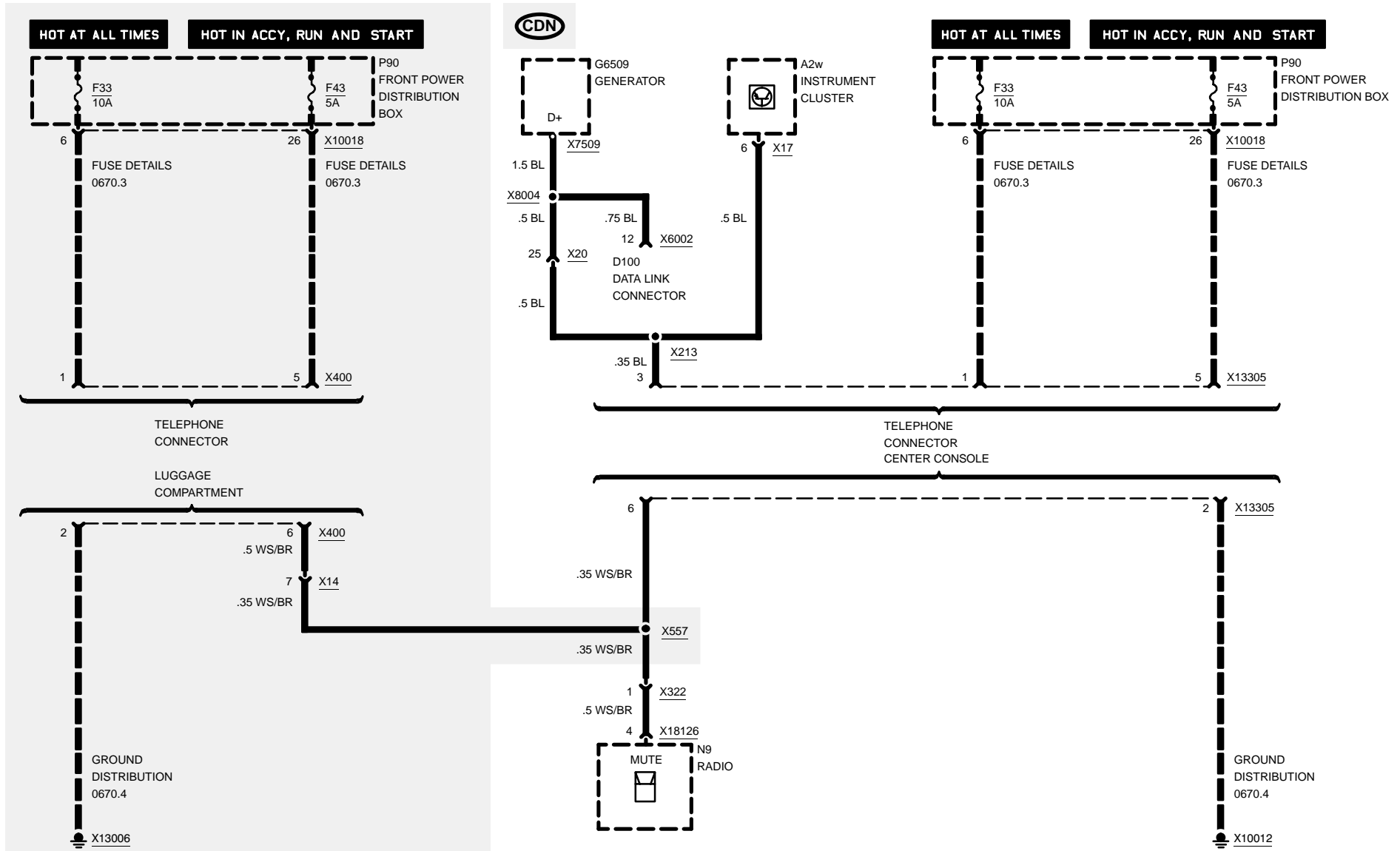




# 6561.0 CELLULAR TELEPHONE (PROVISIONS)

## PROVISIONS

compact



03/00

6561.0-00

1999





# 6571.0 CRUISE CONTROL (TEMPOMAT)

compact

**HOT IN RUN AND START**

**HOT IN ACCY, RUN AND START**

P90  
FRONT POWER  
DISTRIBUTION BOX

F28  
5A

F46  
15A

16 X10017

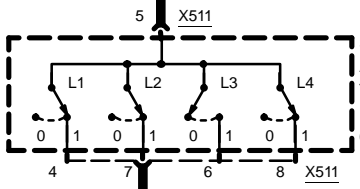
32 X10018

FUSE DETAILS  
0670.3

FUSE DETAILS  
0670.3

EGS A4S 270R

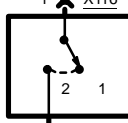
	L1	L2	L3	L4
P	1	1	0	1
R	1	0	0	0
N	1	1	1	0
D	0	0	0	1
3	0	0	1	1
2	1	0	1	1
1	0	0	1	0



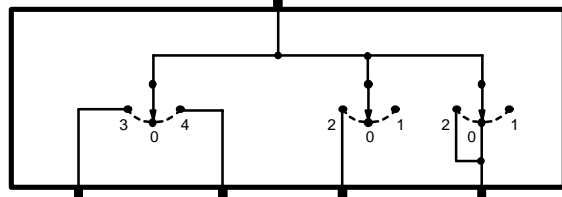
1.5 VI/GE

.5 VI/GE

X78 WITH EGS



S30  
BRAKE LIGHT SWITCH  
1) BRAKE PEDAL RELEASED  
2) BRAKE PEDAL DEPRESSED



S28  
CRUISE CONTROL SWITCH  
0) NORMAL  
1) OFF  
2) RESUME  
3) DECELERATE/SET  
4) ACCELERATE/SET

.5 BR/SW



ELECTRONIC TRANSMISSION CONTROL (EGS A4S 270R) 2460.2

ENGINE CONTROL SYSTEM (DME M5.2, 4-CYLINDER M44) 1210.20

BRAKE LIGHTS 6325.0

.35 BR/SW

.35 SW

.35 BL/RT

.5 VI/GE

.35 BL/WS

.35 BL/GN

.35 BL/GR

.35 BL/SW

A8  
CRUISE CONTROL MODULE (TEMPOMAT)

03/00

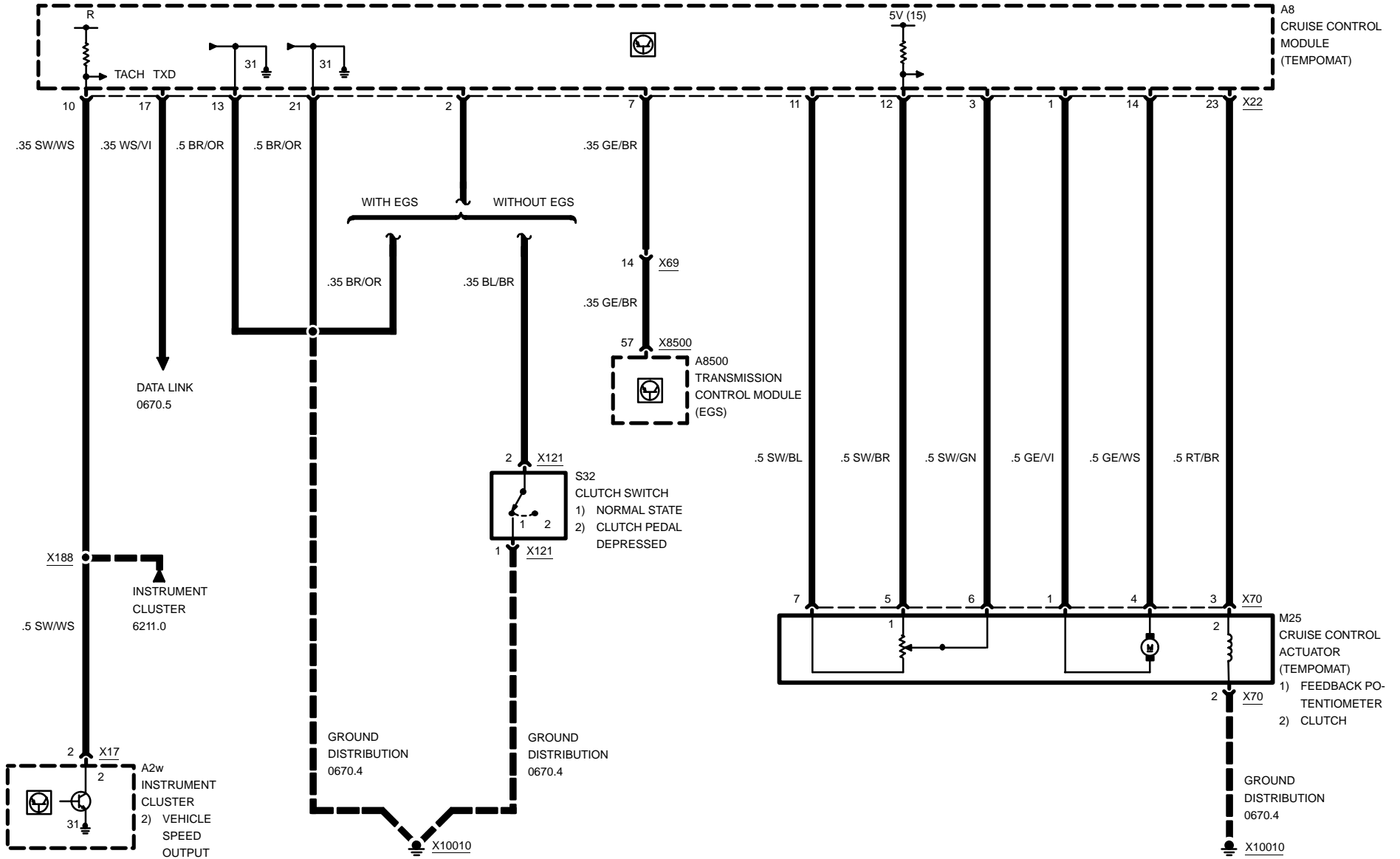
6571.0-00

1999



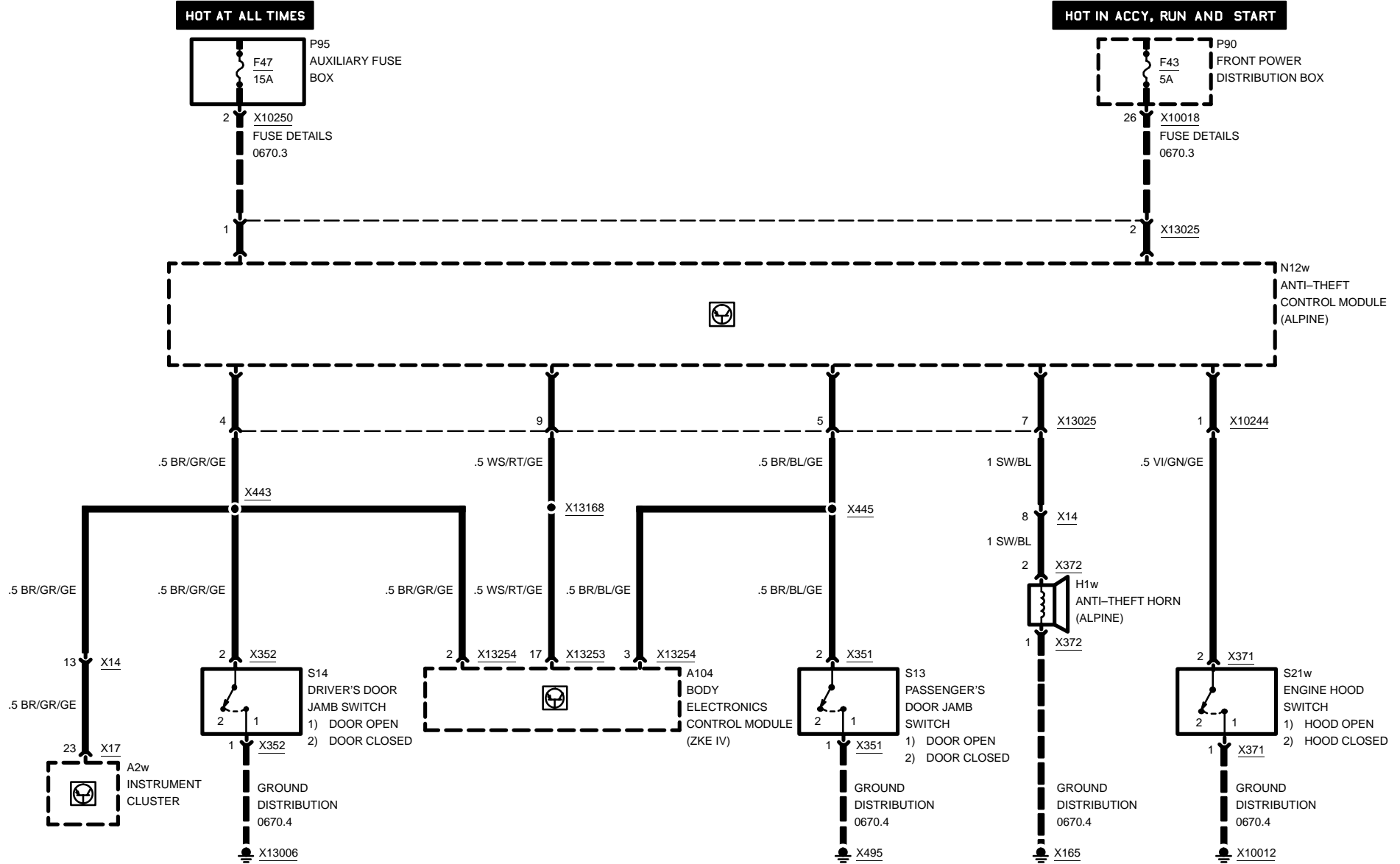
# CRUISE CONTROL (TEMPOMAT)

compact





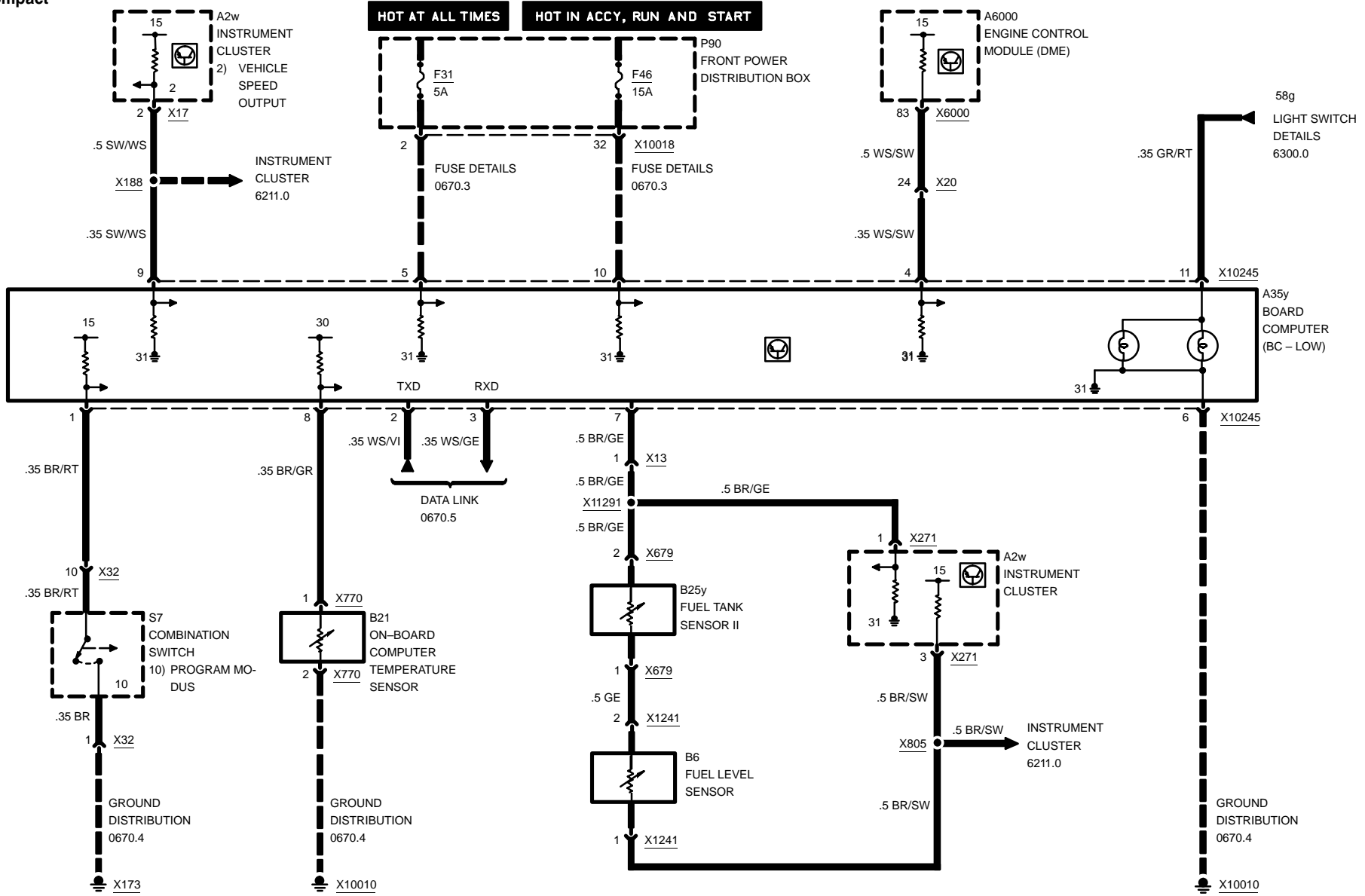
# ANTI-THEFT SYSTEM (ALPINE)





# 6581.3 BOARD COMPUTER (BC - LOW)

compact





## 7000.0 COMPONENT LOCATION CHART

COMP.	DESCRIPTION	LOCATION	7100.0	8500.0
A2w	INSTRUMENT CLUSTER	LH side of dash	17-3	
A8	CRUISE CONTROL MODULE (TEMPOMAT)	behind glove box	01-2	
A12	SUPPLEMENTAL RESTRAINT SYSTEM CONTROL MODULE	below rear seat	01-3	
A18	HIFI AMPLIFIER	in LH side of luggage compartment behind trim panel	00-2	
A35y	BOARD COMPUTER (BC – LOW)	center of dash center console		
A36	REAR WIPER/WASHER INTERVAL CONTROL MODULE	in lift gate	02-1	
A51	WIPER/WASHER MODULE	behind glove box	02-3	
A52	SLIP CONTROL MODULE (ABS/ASC)	behind glove box	01-2	
A56	TILT/SLIDE SUNROOF CONTROL ASSEMBLY	in roof panel	00-3	
A64	WIPER/WASHER MODULE (LOW II)	behind glove box	02-3	
A104	BODY ELECTRONICS CONTROL MODULE (ZKE IV)	behind glove box	01-1	
A107	INTEGRATED HEATING– AND CLIMATE CONTROL MODULE	center of dash center console	02-2	
A110	DIGITAL CLOCK	center of dash center console		
A113	SEAT OCCUPANCY DETECTOR	under RH front seat		
A837	ELECTRONIC IMMOBILIZER CONTROL MODULE (EWS III)	below LH side of dash		
A6000	ENGINE CONTROL MODULE (DME)	rear RH side of engine compartment	00-1	

03/00

7000.0-0

1999



## COMPONENT LOCATION CHART

COMP.	DESCRIPTION	LOCATION	7100.0	8500.0
A8500	TRANSMISSION CONTROL MODULE (EGS)	rear RH side of engine compartment	00-1	
B1	RIGHT FRONT SPEED SENSOR – ABS	on RH front wheel, above brake caliper	06-3	
B2	LEFT FRONT SPEED SENSOR – ABS	on LH front wheel, above brake caliper	06-3	
B3	RIGHT REAR SPEED SENSOR – ABS	on RH rear wheel, above brake caliper		
B4	LEFT REAR SPEED SENSOR – ABS	on LH rear wheel, above brake caliper		
B6	FUEL LEVEL SENSOR	below LH side of rear seat	13-1	
B8y	PRESSURE SWITCH	near RH headlight assembly		
B9	INTERMEDIATE PRESSURE SWITCH	near RH headlight assembly		
B10	VEHICLE SPEED SENSOR	on differential	26-1	
B14	EVAPORATOR TEMPERATURE SENSOR	RH side of LH footwell	17-1	
B16	LEFT FRONT BRAKE PAD SENSOR	on LH front wheel, above brake caliper	06-3	
B17	RIGHT REAR BRAKE PAD SENSOR	behind RH rear wheel		
B18	BRAKE FLUID LEVEL SWITCH	rear LH side of engine compartment top of brake fluid reservoir	09-2	
B21	ON-BOARD COMPUTER TEMPERATURE SENSOR	in the engine compartment lower LH side of engine compartment	14-1	
B25y	FUEL TANK SENSOR II	below RH side of rear seat		
B72	FUEL TANK PRESSURE SENSOR	RH rear wheel well, behind trim panel	29-1	
B78	DRIVER'S SIDE IMPACT SENSOR	LH B-pillar	29-3	



## COMPONENT LOCATION CHART

COMP.	DESCRIPTION	LOCATION	7100.0	8500.0
B79	PASSENGER'S SIDE IMPACT SENSOR	RH B-pillar		
B6203	CRANKSHAFT POSITION/RPM SENSOR	under RH front of car rear of radiator	08-1	
B6205	INTAKE AIR TEMPERATURE SENSOR	LH side of engine near oil level stick	09-3	
B6209	HALL EFFECT CAMSHAFT SENSOR	front of engine	10-2	
B6217	HOT FILM AIR MASS METER	top front of engine	09-3	
B6231	OIL PRESSURE SWITCH	LH front of engine below intake manifold	10-1	
B6232	ENGINE COOLANT TEMPERATURE SENSOR	behind RH fresh air cowl below intake manifold	28-1	
B6240	KNOCK SENSOR	top front of engine	26-2	
B9508	PRESSURE SWITCH	near RH headlight assembly	08-3	
B62001	OXYGEN SENSOR (IN FRONT OF CATALYTIC CONVERTER)	under center of car	25-1	
B62002	OXYGEN SENSOR (BEHIND CATALYTIC CONVERTER)	under center of car	26-3	
C101	CONTACT RING	top of steering column	16-1	
D100	DATA LINK CONNECTOR	rear LH side of engine compartment	09-2	
D110	OBD II CONNECTOR	center console right	24-3	
E7	LEFT HEADLIGHT	front LH side of engine compartment		
E8	RIGHT HEADLIGHT	front RH side of engine compartment		
E9	REAR DEFOGGER I	on lift gate		





# COMPONENT LOCATION CHART

COMP.	DESCRIPTION	LOCATION	7100.0	8500.0
E11	LEFT HIGH BEAM LIGHT	near LH headlight assembly		
E12	RIGHT HIGH BEAM LIGHT	near RH headlight assembly		
E13	LEFT LOW BEAM LIGHT	near LH headlight assembly		
E14	RIGHT LOW BEAM LIGHT	near RH headlight assembly		
E15	LEFT PARK LIGHT	front of vehicle		
E19	RIGHT PARK LIGHT	front of vehicle		
E26	LEFT FOG LIGHT	under LH front bumper	06-2	
E27	RIGHT FOG LIGHT	under RH front bumper	06-2	
E28	FRONT CIGAR LIGHTER	center console		
E29	FRONT CIGAR LIGHTER LIGHT	center console		
E32z	REAR CENTER INTERIOR LIGHT	in roof panel		
E34	FRONT DOME LIGHT/MAP READING ASSEMBLY	in roof panel	00-3	
E35	DRIVER'S MAKE-UP MIRROR LIGHT	in sun visor	24-1	
E36	PASSENGER'S MAKE-UP MIRROR LIGHT	in sun visor	15-1	
E42	GLOVE BOX LIGHT	RH side of glove box		
E43	LEFT LICENSE PLATE LIGHT	underside of luggage compartment lid, near license plate	07-1	
E44	RIGHT LICENSE PLATE LIGHT	underside of luggage compartment lid, near license plate	07-1	
E46	LEFT LUGGAGE COMPARTMENT LIGHT ASSEMBLY	in LH rear side of luggage compartment		



## COMPONENT LOCATION CHART

COMP.	DESCRIPTION	LOCATION	7100.0	8500.0
E47 ..	RIGHT LUGGAGE COMPARTMENT LIGHT ASSEMBLY .....	in RH rear side of luggage compartment		
E51 ..	LEFT WASHER JET HEATER .....	on underside of engine hood		
E52 ..	RIGHT WASHER JET HEATER .....	on underside of engine hood		
E56 ..	DRIVER'S SEATBACK HEATER .....	in upper LH front seatback		
E57 ..	DRIVER'S SEAT HEATER .....	under LH front seat		
E58 ..	PASSENGER'S SEAT HEATER .....	underside of RH front seat		
E59 ..	PASSENGER'S SEATBACK HEATER .	in upper RH front seatback		
E61 ..	LEFT FRONT FOOTWELL LIGHT .....	LH footwell .....	24-3	
E62 ..	RIGHT FRONT FOOTWELL LIGHT ...	right footwell		
E82 ..	TRANSMISSION POSITION INDICATOR LIGHT .....	center console		
E97 ..	LIGHT SWITCH ILLUMINATION .....	LH side of dash		
E98 ..	FOG LIGHT SWITCH ILLUMINATION .	on instrument cluster		
E103 .	CLIMATE CONTROL SWITCH ILLUMINATION .....	center console		
F97 ...	FUSIBLE LINK .....	rear of engine compartment		
G1 ...	BATTERY .....	rear RH side of engine compartment .....	03-3	
G5 ...	DRIVER'S AIR BAG GAS GENERATOR	behind steering wheel .....	16-1	
G6 ...	PASSENGER'S AIR BAG GAS GENERATOR .....	behind glove box above .....	18-3	



## COMPONENT LOCATION CHART

COMP.	DESCRIPTION	LOCATION	7100.0	8500.0
G12 ..	DRIVER'S SIDE PYROTECHNICAL BELT TENSIONER .....	driver's seat right		
G13 ..	PASSENGER'S SIDE PYROTECHNICAL BELT TENSIONER .....	passenger's seat left		
G14 ..	LEFT SIDE AIR BAG GAS GENERATOR .....	in driver's door .....	29-2	
G15 ..	RIGHT SIDE AIR BAG GAS GENERATOR .....	in passenger's door		
G6509	GENERATOR .....	front LH side of engine compartment .....	03-1	
H1w ..	ANTI-THEFT HORN (ALPINE) .....	in RH front bumper .....	07-3	
H2 ...	LEFT HORN .....	front of engine compartment .....	13-3	
H3 ...	RIGHT HORN .....	front of engine compartment .....	13-3	
H4 ...	RIGHT FRONT TURN LIGHT .....	RH front of vehicle		
H5 ...	RIGHT REAR TURN LIGHT .....	RH side of body rear end		
H6 ...	LEFT REAR TURN LIGHT .....	LH side of body rear end		
H7 ...	LEFT FRONT TURN LIGHT .....	LH front of vehicle		
H8 ...	RIGHT FRONT AUXILIARY TURN LIGHT .....	RH front of vehicle		
H9 ...	LEFT FRONT AUXILIARY TURN LIGHT	LH front of vehicle		
H10 ..	CHIME MODULE .....	above LH footwell dash panel .....	24-3	
H24 ..	LEFT BRAKE LIGHT .....	LEFT LUGGAGE COMPARTMENT LIGHT ASSEMBLY		
H25 ..	LEFT TAIL LIGHT .....	LEFT LUGGAGE COMPARTMENT LIGHT ASSEMBLY		



# COMPONENT LOCATION CHART

COMP.	DESCRIPTION	LOCATION	7100.0	8500.0
H27	LEFT BACK UP LIGHT	LEFT LUGGAGE COMPARTMENT LIGHT ASSEMBLY		
H28	RIGHT BACK UP LIGHT	RIGHT LUGGAGE COMPARTMENT LIGHT ASSEMBLY		
H30	RIGHT TAIL LIGHT	RIGHT LUGGAGE COMPARTMENT LIGHT ASSEMBLY		
H31	RIGHT BRAKE LIGHT	RIGHT LUGGAGE COMPARTMENT LIGHT ASSEMBLY		
H34	HIGH LEVEL STOP LIGHT	at back of rear window shelf		
H37	LEFT TAIL LIGHT	LEFT LUGGAGE COMPARTMENT LIGHT ASSEMBLY		
H39	RIGHT TAIL LIGHT	RIGHT LUGGAGE COMPARTMENT LIGHT ASSEMBLY		
H42	LEFT MID-HIGH RANGE SPEAKER	in upper LH front door		
H43	RIGHT MID-HIGH RANGE SPEAKER	in upper RH front door		
H45	RIGHT REAR SPEAKER	in RH side of luggage compartment		
H46	LEFT REAR SPEAKER	in LH side of luggage compartment		23-2
H50	RIGHT FRONT HIGH RANGE SPEAKER	in upper RH front door		
H51	RIGHT FRONT LOW RANGE SPEAKER	in lower RH A-pillar		
H52	RIGHT REAR LOW RANGE SPEAKER	under rear window shelf		
H53	RIGHT REAR HIGH RANGE SPEAKER	under rear window shelf		
H54	RIGHT FRONT MIDRANGE SPEAKER	in upper RH front door		
H55	LEFT FRONT MIDRANGE SPEAKER	in upper LH front door		
H56	LEFT REAR HIGH RANGE SPEAKER	under rear window shelf		
H57	LEFT REAR LOW RANGE SPEAKER	under rear window shelf		



# COMPONENT LOCATION CHART

COMP.	DESCRIPTION	LOCATION	7100.0	8500.0
H58	LEFT FRONT LOW RANGE SPEAKER	in lower LH A-pillar		
H59	LEFT FRONT HIGH RANGE SPEAKER	in upper LH front door		
H66	SUBWOOFER	at back of rear window shelf		
H91	RIGHT LUGGAGE COMPARTMENT LIGHT	right rear light assembly		
I1008	SEAT MAT	passenger's seat		
K2	HORN RELAY	rear LH side of engine compartment in Power Distribution Box	12-2	
K4	BLOWER RELAY	rear LH side of engine compartment in Power Distribution Box	12-2	
K9	UNLOADER RELAY, TERMINAL 15	below LH side of dash	20-1	
K13	REAR DEFOGGER RELAY	rear LH side of engine compartment in Power Distribution Box	12-1	
K16	HAZARD FLASHER RELAY	rear LH side of engine compartment in Power Distribution Box	12-2	
K19	COMPRESSOR CONTROL RELAY	rear LH side of engine compartment in Power Distribution Box	12-1	
K21	NORMAL SPEED RELAY	rear LH side of engine compartment in Power Distribution Box	12-1	
K22	HIGH SPEED RELAY	rear LH side of engine compartment in Power Distribution Box	12-1	
K45	FOLDING SUNROOF COMFORT RELAY	below LH side of dash	18-1	
K46	HIGH BEAM LIGHT RELAY	below LH side of dash	18-1	
K46z	DAY LIGHT RELAY MODULE	below LH side of dash	18-1	
K47	FRONT FOG LIGHT RELAY	rear LH side of engine compartment in Power Distribution Box	12-2	
K48	LOW BEAM LIGHT RELAY	rear LH side of engine compartment in Power Distribution Box	12-2	
K125	ABS PUMP MOTOR RELAY, TIMED	Power Distribution Box rear LH side of engine compartment	12-1	



## COMPONENT LOCATION CHART

COMP.	DESCRIPTION	LOCATION	7100.0	8500.0
K6300	ENGINE CONTROL MODULE RELAY .	rear LH side of engine compartment in Power Distribution Box . . . . .	12-3	
K6301w	FUEL PUMP RELAY . . . . .	rear LH side of engine compartment in Power Distribution Box . . . . .	12-3	
K6304	SECONDARY AIR PUMP RELAY . . . . .	rear LH side of engine compartment in Power Distribution Box . . . . .	12-3	
K6326	UNLOADER RELAY, TERMINAL 15 . . .	rear RH side of engine compartment . . . . .	27-1	
L1 . . . .	EWS TOROIDAL COIL . . . . .	at ignition switch		
M2 . . .	FUEL PUMP . . . . .	below RH side of rear seat . . . . .	14-2	
M3 . . .	WIPER MOTOR . . . . .	rear of engine compartment below center of cowl . . . . .	09-1	
M4 . . .	WASHER PUMP . . . . .	front RH side of engine compartment on washer fluid reservoir . . . . .	07-3	
M7 . . .	HEADLIGHT/FOG LIGHT WASHER PUMP . . . . .	front RH side of engine compartment on washer fluid reservoir . . . . .	14-3	
M9 . . .	AUXILIARY FAN MOTOR . . . . .	behind front grille behind trim panel . . . . .	11-1	
M12 . .	DRIVER'S DOOR LOCK MOTOR . . . . .	in lower LH front door behind trim panel		
M13 . .	PASSENGER'S DOOR LOCK MOTOR	in lower RH side of front door behind trim panel		
M16 . .	GAS FILLER LOCK MOTOR . . . . .	in RH rear side of luggage compartment behind trim panel . . . . .	29-1	
M17 . .	LUGGAGE COMPARTMENT LOCK MOTOR . . . . .	rear side of luggage compartment behind trim panel . . . . .	23-1	
M21 . .	DRIVER'S WINDOW MOTOR . . . . .	LH front door behind door panel . . . . .	22-1	
M23 . .	PASSENGER'S WINDOW MOTOR . . . .	RH front door behind door panel . . . . .	21-2	
M24z .	FOLDING SUNROOF MOTOR . . . . .	in roof panel		
M25 . .	CRUISE CONTROL ACTUATOR (TEMPOMAT) . . . . .	front LH side of engine compartment . . . . .	09-3	
M30 . .	BLOWER MOTOR . . . . .	rear of engine compartment behind RH fresh air cowl		



# COMPONENT LOCATION CHART

COMP.	DESCRIPTION	LOCATION	7100.0	8500.0
M50 ..	DRIVER'S SEAT CUSHION TILT MOTOR .....	under driver's seat		
M51 ..	DRIVER'S SEAT MOVEMENT MOTOR	under driver's seat		
M52 ..	DRIVER'S SEAT HEIGHT MOTOR ....	under driver's seat		
M53 ..	DRIVER'S SEATBACK RECLINER MOTOR .....	under driver's seat		
M58 ..	PASSENGER'S SEATBACK RECLINER MOTOR .....	under passenger's seat		
M59 ..	PASSENGER'S SEAT HEIGHT MOTOR	under passenger's seat		
M60 ..	PASSENGER'S SEAT MOVEMENT MOTOR .....	under passenger's seat		
M61 ..	PASSENGER'S SEAT CUSHION TILT MOTOR .....	under passenger's seat		
M93 ..	AUXILIARY THROTTLE POSITION MOTOR (ADS) .....	LH side of engine compartment .....	27-3	
M111 .	FRESH AIR RECIRCULATION MOTOR	behind center of dashboard		
M6510	STARTER .....	rear LH side of engine compartment		
N8 ...	ANTENNA AMPLIFIER AM/FM .....	on lift gate .....	22-3	
N9 ...	RADIO .....	center console		
N12w .	ANTI-THEFT CONTROL MODULE (ALPINE) .....	RH side of dash behind glove box		
N17 ..	CRASH CONTROL MODULE .....	behind instrument cluster .....	18-1	
N22 ..	CD CHANGER .....	in LH forward side of luggage compartment		



## COMPONENT LOCATION CHART

COMP.	DESCRIPTION	LOCATION	7100.0	8500.0
P90 ..	FRONT POWER DISTRIBUTION BOX	rear LH side of engine compartment .....	03-2	
P95 ..	AUXILIARY FUSE BOX .....	below LH side of dash .....	20-1	
P97 ..	AUXILIARY FUSE BOX .....	below LH side of dash .....	18-1	
R11 ..	BLOWER RESISTORS .....	behind center of dashboard .....	18-2	
R6252	THROTTLE POSITION SENSOR .....	LH side of engine compartment .....	10-2	
R6255z	THROTTLE POSITION SENSOR (ASC)	LH side of engine compartment .....	27-2	
S2 ....	IGNITION SWITCH .....	LH side of dash .....	16-3	
S3 ....	AUTOMATIC TRANSMISSION RANGE SWITCH .....	center console .....	19-1	
S4 ....	HORN SWITCH .....	on steering wheel .....	16-1	
S5 ....	WIPER/WASHER SWITCH .....	LH side of dash RH side of steering column above		
S6 ....	ASC SWITCH .....	center console		
S7 ....	COMBINATION SWITCH .....	LH side of dash LH side of steering column above .....	16-3	
S8 ....	LIGHT SWITCH .....	LH side of dash		
S13 ..	PASSENGER'S DOOR JAMB SWITCH	RH front door jamb .....	21-1	
S14 ..	DRIVER'S DOOR JAMB SWITCH .....	front LH door pillar .....	21-1	
S17 ..	MIRROR CONTROL SWITCH .....	in upper LH front door		
S18 ..	HAZARD SWITCH .....	below front of console .....	19-1	
S21w .	ENGINE HOOD SWITCH .....	front RH side of engine compartment .....	14-3	
S28 ..	CRUISE CONTROL SWITCH .....	LH side of dash RH side of steering column above .....	16-3	
S29 ..	BRAKE LIGHT SWITCH .....	LH footwell on brake pedal support bracket behind LH footwell trim .....	15-3	





## COMPONENT LOCATION CHART

COMP.	DESCRIPTION	LOCATION	7100.0	8500.0
S30	BRAKE LIGHT SWITCH	LH footwell on clutch pedal support bracket behind LH footwell trim	15-3	
S31	PARK BRAKE SWITCH	center console on rear of park brake lever	15-2	
S32	CLUTCH SWITCH	LH footwell underside of steering column	15-3	
S36y	DOUBLE TEMPERATURE SWITCH	front RH side of engine compartment near RH headlight assembly	08-3	
S37	GLOVE BOX LIGHT SWITCH	in glove box		
S38	TILT/SLIDE SUNROOF SWITCH (SHD)	in roof panel		
S47	DRIVER'S DOOR LOCK SWITCH	LH front door in door at key lock assembly		
S49	PASSENGER'S DOOR LOCK SWITCH	RH front door in door at key lock assembly		
S51	DRIVER'S SEAT, SEAT CONTROL SWITCH	under driver's seat		
S53	DRIVER'S SEAT, SEAT HEATER SWITCH	center console		
S54	PASSENGER'S SEAT, SEAT HEATER SWITCH	center console	19-1	
S56	PASSENGER'S SEAT, SEAT CONTROL SWITCH	under passenger's seat	19-1	
S58	DRIVER'S SEAT BELT SWITCH	in LH front seat belt buckle		
S59	PASSENGER'S SEAT BELT SWITCH	in RH front seat belt buckle		
S61y	LUGGAGE COMPARTMENT LIGHT SWITCH	underside of luggage compartment lid	22-2	
S75	BLOWER SWITCH	center of dash		
S77	DRIVER'S MAKE-UP MIRROR SWITCH	above LH sun visor in sun visor bracket	24-1	



## COMPONENT LOCATION CHART

COMP.	DESCRIPTION	LOCATION	7100.0	8500.0
S78	PASSENGER'S MAKE-UP MIRROR SWITCH	above RH sun visor in sun visor bracket	15-1	
S82y	FOG LIGHT SWITCH	on instrument cluster		
S126y	DRIVER'S POWER WINDOW SWITCH	center console near gearshift lever	19-2	
S127y	PASSENGER'S POWER WINDOW SWITCH	center console near gearshift lever	19-2	
S198	JET HEATER THERMOSWITCH	front LH side of engine compartment	24-2	
S218	REAR DEFOGGER SWITCH	center console		
S235	STARTER IMMOBILIZATION SWITCH	LH footwell underside of steering column	23-3	
S238	FOLDING SUNROOF SWITCH	in roof panel		
S302	CENTRAL LOCKING SWITCH	center console near gearshift lever	19-2	
S530	IHKS CONTROL SWITCH	center of dash		
S531	TEMPERATURE WHEEL SWITCH	center of dash		
S8503	PROGRAM SWITCH	center console		
S8507	KICK-DOWN SWITCH	LH footwell		
S8511	REVERSING LIGHT SWITCH	under front of car LH side of transmission	25-3	
T6151	CYL. 1 IGNITION COIL	RH side of engine compartment	10-3	
T6152	CYL. 2 IGNITION COIL	RH side of engine compartment	10-3	
T6153	CYL. 3 IGNITION COIL	RH side of engine compartment	10-3	
T6154	CYL. 4 IGNITION COIL	RH side of engine compartment	10-3	
X0	B+ JUNCTION POINT	rear LH side of engine compartment	03-2	



## COMPONENT LOCATION CHART

COMP.	DESCRIPTION	LOCATION	7100.0	8500.0
X2 . . . .	BATTERY B+ START POINT . . . . .	rear LH side of engine compartment . . . . .	03-2	
X9 . . . .	B+ JUNCTION POINT . . . . .	rear LH side of engine compartment . . . . .	03-2	
X13 ..	(30 PINS, BLACK) . . . . .	LH side of LH footwell . . . . .	16-2	00-4
X14 ..	(30 PINS, NATURAL) . . . . .	LH side of LH footwell . . . . .	16-2	00-4
X16 ..	(26 PINS, NATURAL) . . . . .	LH side of dash rear side of instrument cluster, A2w . . . . .	17-3	00-2
X17 ..	(26 PINS, BLUE) . . . . .	LH side of dash rear side of instrument cluster, A2w . . . . .	17-3	00-2
X20 ..	(25 PINS, BLACK) . . . . .	rear LH side of engine compartment . . . . .	09-2	04-2
X22 ..	(26 PINS, GRAY) . . . . .	behind glove box . . . . .	01-2	00-2
X32 ..	(12 PINS, NATURAL) . . . . .	LH footwell underside of steering column . . . . .	20-2	02-4
X33 ..	(12 PINS, BLACK) . . . . .	LH footwell underside of steering column . . . . .	20-2	02-4
X35 ..	(12 PINS, NATURAL) . . . . .	below LH side of dash RH side of steering column . . . . .	20-2	02-4
X44 ..	(9 PINS, BLACK) . . . . .	Power Distribution Box rear LH side of engine compartment . . . . .		03-4
X45 ..	(9 PINS, BLACK) . . . . .	Power Distribution Box rear LH side of engine compartment . . . . .		03-4
X51 ..	(9 PINS, BLACK) . . . . .	Power Distribution Box rear LH side of engine compartment . . . . .		03-4
X52 ..	(9 PINS, BLACK) . . . . .	Power Distribution Box rear LH side of engine compartment . . . . .		03-4
X53 ..	(9 PINS, BLACK) . . . . .	Power Distribution Box rear LH side of engine compartment . . . . .		03-4
X56 ..	(9 PINS, BLACK) . . . . .	Power Distribution Box rear LH side of engine compartment . . . . .		03-4
X58 ..	(9 PINS, BLACK) . . . . .	Power Distribution Box rear LH side of engine compartment . . . . .		03-4
X63 ..	(9 PINS, BLACK) . . . . .	below LH side of dash . . . . .		03-4
X64 ..	(9 PINS, BLACK) . . . . .	Power Distribution Box rear LH side of engine compartment . . . . .		03-4
X65 ..	(9 PINS, BLACK) . . . . .	below LH side of dash . . . . .		03-4



## COMPONENT LOCATION CHART

COMP.	DESCRIPTION	LOCATION	7100.0	8500.0
X69	(25 PINS, GRAY)	rear LH side of engine compartment	09-2	04-2
X70	(7 PINS, BLACK)	front LH side of engine compartment	09-3	05-2
X72	(6 PINS, NATURAL)	LH footwell underside of steering column	20-2	03-6
X74	(50 PINS, YELLOW)	below rear seat	01-3	04-1
X78	(4 PINS, BLACK)	LH footwell on clutch pedal support bracket behind LH footwell trim	15-3	03-1
X85	(3 PINS, BLACK)	rear LH side of engine compartment	11-3	05-3
X105	(2 PINS, BLACK)	on underside of engine hood		
X106	(2 PINS, BLACK)	on underside of engine hood		
X107	(2 PINS, BLACK)	front RH side of engine compartment on washer fluid reservoir	07-3	
X111	(2 PINS, BLACK)	rear LH side of engine compartment top of brake fluid reservoir	09-2	
X113	(3 PINS, GRAY)	above RH front wheel well behind RH front wheel	07-2	09-2
X114	(3 PINS, GRAY)	above LH front wheel well behind LH front wheel	07-2	09-2
X116	(2 PINS, BLACK)	LH footwell on clutch pedal support bracket behind LH footwell trim	15-3	
X118	(2 PINS, BLACK)	above LH front wheel well behind LH front wheel	07-2	
X121	(2 PINS, WHITE)	LH footwell underside of steering column	15-3	
X123	(2 PINS, GRAY)	front RH side of engine compartment on washer fluid reservoir	14-3	
X128	(3 PINS, BLACK)	LH front of vehicle		05-3
X132	(2 PINS, BLACK)	front of engine compartment		
X133	(2 PINS, BLACK)	front of engine compartment		
X137	(3 PINS, BLACK)	RH front of vehicle		05-3
X142	(3 PINS, GRAY)	under rear of car LH side of on differential		09-2



# COMPONENT LOCATION CHART

COMP.	DESCRIPTION	LOCATION	7100.0	8500.0
X143	(3 PINS, GRAY)	under rear of car RH side of RH footwell	06-1	09-2
X163	(3 PINS, BLACK)	front RH side of engine compartment	07-3	05-3
X165	GROUND	front LH side of engine compartment	04-1	
X168	(1 PIN, —)	top of steering column		
X173	GROUND	below LH side of dash	04-3	
X256	(26 PINS, BLACK)	ahead of RH front door in lower RH A-pillar	21-2	03-5
X257	(26 PINS, BLACK)	ahead of LH front door in lower LH A-pillar		03-5
X271	(12 PINS, BLACK)	LH side of dash rear side of instrument cluster, A2w	17-3	01-3
X272	(2 PINS, WHITE)	under roof center panel		
X285	(15 PINS, BLUE)	below RH side of dash behind glove box	02-3	00-3
X292	(9 PINS, BLACK)	Power Distribution Box rear LH side of engine compartment		03-4
X295	(8 PINS, BLACK)	LH footwell underside of steering column	20-2	03-3
X311	(3 PINS, BLACK)	underside of luggage compartment lid left	23-1	01-1
X312	(2 PINS, BLACK)	in RH rear side of luggage compartment behind RH rear light assembly	29-1	
X315	(2 PINS, BLACK)	underside of luggage compartment lid left	23-1	
X316	(4 PINS, YELLOW)	center console near gearshift lever	19-2	07-1
X318	(8 PINS, BLACK)	in RH rear side of luggage compartment behind RH rear light assembly		01-4
X319	(8 PINS, BLACK)	in LH side of luggage compartment behind trim panel	22-3	01-4
X322	(6 PINS, BLACK)	below LH side of dash	20-1	03-6
X324	(4 PINS, YELLOW)	center console near gearshift lever	19-2	07-1
X333	(4 PINS, NATURAL)	rear of engine compartment below center of cowl	09-1	06-3



## COMPONENT LOCATION CHART

COMP.	DESCRIPTION	LOCATION	7100.0	8500.0
X336	(6 PINS, NATURAL)	under roof center panel	00-3	03-6
X351	(2 PINS, BLACK)	in upper RH B-pillar		
X352	(2 PINS, BLACK)	in upper LH B-pillar	28-3	
X371	(2 PINS, BLACK)	front RH side of engine compartment	14-3	
X372	(2 PINS, GRAY)	in RH front bumper		
X379	(1 PIN, NATURAL)	on lift gate		
X380	(1 PIN, NATURAL)	on lift gate		
X381	(3 PINS, BLACK)	under roof center panel	24-1	01-1
X382	(3 PINS, BLACK)	above RH sun visor	15-1	01-1
X383	(2 PINS, BLACK)	under rear of car LH side of on differential	26-1	
X389	(2 PINS, BLACK)	rear LH side of engine compartment		
X390	(2 PINS, BLACK)	RH side of dash behind glove box		
X400	(8 PINS, BLACK)	in LH rear side of luggage compartment		01-4
X401	(1 PIN, BLACK)	above LH sun visor	24-1	
X402	(1 PIN, BLACK)	above RH sun visor	15-1	
X413	(3 PINS, BLACK)	at back of rear window shelf		01-1
X423	(1 PIN, —)	below center console on rear of park brake lever	15-2	
X424	(1 PIN, WHITE)	in LH side of luggage compartment behind trim panel	22-3	
X494	GROUND	under driver's seat left	29-3	
X495	GROUND	RH side of glove box	04-2	
X498	GROUND	under driver's seat left	29-3	



# COMPONENT LOCATION CHART

COMP.	DESCRIPTION	LOCATION	7100.0	8500.0
X511	(8 PINS, BLACK)	center console near gearshift lever	19-1	01-4
X516	(5 PINS, BLACK)	center console	19-1	02-6
X521	(6 PINS, BLUE)	center console		04-3
X522	(3 PINS, NATURAL)	above LH footwell dash panel	24-3	04-4
X531	(1 PIN, NATURAL)	center console near gearshift lever		
X532	(2 PINS, BLACK)	center console near gearshift lever		
X537	(3 PINS, BLACK)	LH front door behind door panel	22-1	01-1
X538	(3 PINS, BLACK)	RH front door behind door panel	21-2	01-1
X540	(2 PINS, BLACK)	LH side of glove box	18-3	
X541	(3 PINS, BLACK)	LH side of glove box	18-3	01-1
X603	(12 PINS, BLACK)	under driver's seat		02-4
X604	(12 PINS, BLACK)	under passenger's seat		02-4
X605	(12 PINS, BLACK)	in LH side of luggage compartment behind trim panel	00-2	08-3
X606	(26 PINS, BLACK)	in LH side of luggage compartment behind trim panel	00-2	00-2
X623	(4 PINS, BLACK)	in upper LH front door behind door panel		07-1
X624	(4 PINS, BLACK)	in upper RH front door behind door panel	21-2	07-1
X625	(6 PINS, BLACK)	LH front door behind door panel	22-1	02-1
X627	(2 PINS, BLACK)	in roof panel		
X638	(2 PINS, GRAY)	below RH side of rear seat	14-2	
X641	(6 PINS, BLACK)	RH front door behind door panel		06-5
X643	(4 PINS, YELLOW)	in roof panel		07-1



## COMPONENT LOCATION CHART

COMP.	DESCRIPTION	LOCATION	7100.0	8500.0
X651	(6 PINS, YELLOW)	center console		04-3
X658	(6 PINS, YELLOW)	center console		04-3
X660	(6 PINS, BLACK)	LH front door behind door panel	21-3	06-5
X679	(2 PINS, YELLOW)	below RH side of rear seat	14-2	
X700	(1 PIN, —)	behind RH footwell speaker grille		
X701	(1 PIN, —)	behind LH footwell kickpanel		
X709	(2 PINS, BLACK)	underside of luggage compartment lid, near license plate	07-1	
X710	(2 PINS, BLACK)	underside of luggage compartment lid, near license plate	07-1	
X711	(3 PINS, BLACK)	underside of luggage compartment lid	22-2	01-1
X713	(2 PINS, BLACK)	under rear of car LH side of on differential	06-1	
X726	(2 PINS, —)	under driver's seat		
X727	(2 PINS, —)	under driver's seat		
X728	(2 PINS, —)	under driver's seat		
X729	(2 PINS, —)	under driver's seat		
X732	(4 PINS, BLACK)	under LH front seat under carpet		03-1
X733	(4 PINS, BLACK)	under LH front seat under carpet		03-1
X734	(2 PINS, —)	under passenger's seat		
X735	(2 PINS, —)	under passenger's seat		
X736	(2 PINS, —)	under passenger's seat		
X737	(2 PINS, —)	under passenger's seat		
X740	(4 PINS, BLACK)	under RH front seat	20-3	03-1





## COMPONENT LOCATION CHART

COMP.	DESCRIPTION	LOCATION	7100.0	8500.0
X741	(4 PINS, BLACK)	under RH front seat	20-3	03-1
X742	(2 PINS, YELLOW)	RH front door in door at key lock assembly		
X744	(4 PINS, GRAY)	RH front door behind door panel	21-2	08-1
X745	(3 PINS, BLACK)	right footwell		01-1
X746	(3 PINS, NATURAL)	RH front door behind door panel		01-1
X747	(2 PINS, YELLOW)	LH front door behind door panel	21-3	
X748	(3 PINS, BLACK)	LH footwell	24-3	01-1
X749	(4 PINS, GRAY)	LH front door behind door panel	22-1	08-1
X753	(3 PINS, NATURAL)	LH front door		01-1
X768	(2 PINS, WHITE)	in the engine compartment near LH headlight assembly	06-2	
X769	(2 PINS, WHITE)	in the engine compartment near RH headlight assembly	06-2	
X770	(2 PINS, YELLOW)	in the engine compartment near LH headlight assembly	14-1	
X771	(2 PINS, BLACK)	RH side of LH footwell	17-1	
X778	(4 PINS, BLACK)	in LH front seat belt buckle		07-1
X782	(3 PINS, ORANGE)	LH side of glove box	18-3	09-1
X783	(3 PINS, BLACK)	underside of steering column		09-1
X816	(1 PIN, —)	rear of engine compartment behind RH fresh air cowl		
X817	(1 PIN, —)	rear of engine compartment behind RH fresh air cowl		
X861	GROUND	LH side of engine compartment	05-3	
X904	(4 PINS, BLACK)	behind center of dashboard	18-2	03-1
X905	(7 PINS, BLACK)	behind center of dashboard		08-2

03/00

7000.0-19

1999



## COMPONENT LOCATION CHART

COMP.	DESCRIPTION	LOCATION	7100.0	8500.0
X1014	(1 PIN, BLACK) . . . . .	center console near gearshift lever		
X1148	(2 PINS, BLACK) . . . . .	front LH side of engine compartment . . . . .	24-2	
X1165	GROUND . . . . .	below LH side of dash . . . . .	04-3	
X1166	GROUND . . . . .	RH side of glove box . . . . .	04-2	
X1170	(42 PINS, BLACK) . . . . .	behind glove box . . . . .	01-2	07-3
X1176	(25 PINS, BLACK) . . . . .	rear LH side of engine compartment back of LH side shock tower . . . . .	11-3	04-2
X1178	(2 PINS, WHITE) . . . . .	below center console LH side of gearshift selector	19-3	
X1193	(3 PINS, BLACK) . . . . .	center console RH side of gearshift selector . . . . .		01-1
X1241	(2 PINS, BLACK) . . . . .	below LH side of rear seat . . . . .	13-1	
X1245	(1 PIN, BLACK) . . . . .	above LH sun visor		
X1246	(1 PIN, BLACK) . . . . .	above RH sun visor		
X1292	(4 PINS, NATURAL) . . . . .	center console near gearshift lever . . . . .		07-1
X1380	(1 PIN, —) . . . . .	behind RH footwell speaker grille		
X1381	(1 PIN, —) . . . . .	behind LH footwell kickpanel		
X1441	GROUND . . . . .	under RH rear seat . . . . .	01-3	
X1517	(3 PINS, BLACK) . . . . .	center of dash center console . . . . .		06-2
X1518	(8 PINS, BLACK) . . . . .	behind center of dashboard . . . . .		01-4
X1522	(2 PINS, BLACK) . . . . .	behind center of dashboard		
X1588	(2 PINS, BLACK) . . . . .	below LH side of dash . . . . .	18-1	
X1646	(3 PINS, BLACK) . . . . .	on lift gate . . . . .		01-1
X1764	(3 PINS, BLACK) . . . . .	below LH side of dash . . . . .		01-1



## COMPONENT LOCATION CHART

COMP.	DESCRIPTION	LOCATION	7100.0	8500.0
X1805	(15 PINS, NATURAL)	below LH side of dash		00-3
X1814	(9 PINS, BLACK)	below LH side of dash		03-4
X1843	(1 PIN, BLACK)	on lift gate		
X1844	(1 PIN, WHITE)	on lift gate		
X1845	(2 PINS, BLACK)	on lift gate		
X1846	(3 PINS, YELLOW)	on lift gate		01-1
X1847	(3 PINS, BLACK)	on lift gate		07-2
X1883	(3 PINS, YELLOW)	in driver's door	29-2	07-2
X1884	(3 PINS, YELLOW)	in passenger's door		07-2
X1885	(3 PINS, BLACK)	under driver's seat left	29-3	01-1
X1886	(3 PINS, BLACK)	under passenger's seat right		01-1
X1890	(3 PINS, BLACK)	front of engine compartment on auxiliary fan	11-1	06-4
X1892	(3 PINS, BLACK)	in LH forward side of luggage compartment		01-1
X6000	(88 PINS, NATURAL)	rear RH side of engine compartment		05-1
X6002	(20 PINS, BLACK)	rear LH side of engine compartment	09-2	00-1
X6031	(12 PINS, BLACK)	rear LH side of engine compartment	05-3	01-6
X6101	(2 PINS, BLACK)	top center of engine		
X6102	(2 PINS, BLACK)	top center of engine		
X6103	(2 PINS, BLACK)	top center of engine		
X6104	(2 PINS, BLACK)	top center of engine		
X6120	(2 PINS, BLACK)	LH side of engine compartment	13-2	



## COMPONENT LOCATION CHART

COMP.	DESCRIPTION	LOCATION	7100.0	8500.0
X6130	(3 PINS, BLACK)	rear LH side of engine compartment	10-2	03-2
X6131	(2 PINS, BLACK)	rear LH side of engine compartment	11-2	
X6133	(2 PINS, YELLOW)	LH side of engine compartment	13-2	
X6150	(7 PINS, BLACK)	RH side of engine compartment	10-3	08-4
X6151	(3 PINS, GRAY)	top RH side of engine		08-5
X6152	(3 PINS, GRAY)	top RH side of engine		08-5
X6153	(3 PINS, GRAY)	top RH side of engine		08-5
X6154	(3 PINS, GRAY)	top RH side of engine		08-5
X6163	(2 PINS, BLACK)	LH side of engine compartment	13-2	
X6203	(3 PINS, BLACK)	front of engine below intake manifold		03-2
X6205	(2 PINS, BLACK)	LH side of engine near oil level stick	09-3	
X6209	(3 PINS, BLACK)	front of engine HALL EFFECT CAMSHAFT SENSOR		03-2
X6217	(4 PINS, GRAY)	top front of engine	09-3	06-1
X6231	(2 PINS, BLACK)	LH front of engine below intake manifold	10-1	
X6232	(4 PINS, BLACK)	LH front of engine below intake manifold	26-2	06-1
X6240	(4 PINS, BLACK)	top front of engine		06-1
X6252	(3 PINS, BLACK)	LH side of engine compartment	10-2	03-2
X6255	(3 PINS, BLACK)	LH side of engine compartment	27-2	03-2
X6263	(2 PINS, BLACK)	under LH center of car	28-2	
X6300	(9 PINS, BLACK)	rear LH side of engine compartment in Power Distribution Box		03-4
X6301	(9 PINS, BLACK)	rear LH side of engine compartment in Power Distribution Box		03-4



## COMPONENT LOCATION CHART

COMP.	DESCRIPTION	LOCATION	7100.0	8500.0
X6304	(9 PINS, BLACK) .....	rear LH side of engine compartment in Power Distribution Box .....		03-4
X6326	(9 PINS, WHITE) .....	rear RH side of engine compartment .....	27-1	03-4
X6454	GROUND .....	rear RH side of engine compartment back of RH side shock tower .....	05-2	
X6456	GROUND .....	rear RH side of engine compartment back of RH side shock tower .....	05-2	
X6509	CABLE SOCKET ALTERNATOR B+ ...	front LH side of engine compartment .....	03-1	
X6510	CABLE SOCKET STARTER, TERMINAL 50 .....	rear LH side of engine compartment below intake manifold		
X6511	CABLE SOCKET STARTER, TERMINAL 30h .....	rear LH side of engine compartment below intake manifold		
X6512	CABLE SOCKET STARTER, TERMINAL 30 .....	rear LH side of engine compartment below intake manifold		
X7509	CABLE SOCKET ALTERNATOR, TERMINAL D+ .....	front LH side of engine compartment		
X8500	(88 PINS, NATURAL) .....	rear RH side of engine compartment in E-Box .....		05-1
X8503	(10 PINS, NATURAL) .....	center console RH side of gearshift selector .....	19-2	02-3
X8505	(16 PINS, BLACK) .....	on RH side of transmission .....		09-5
X8507	(1 PIN, BLACK) .....	below LH side of dash		
X8511	(2 PINS, BLACK) .....	under front of car LH side of transmission .....	25-3	
X8516	(2 PINS, BLACK) .....	on RH side of transmission .....	25-2	
X9997	(2 PINS, ORANGE) .....	behind steering wheel .....	16-1	
X10010	GROUND .....	RH side of glove box .....	04-2	
X10012	GROUND .....	RH side of glove box .....	04-2	



## COMPONENT LOCATION CHART

COMP.	DESCRIPTION	LOCATION	7100.0	8500.0
X10013	(1 PIN, —)	top of steering column		
X10070	(2 PINS, GRAY)	front LH side of engine compartment	13-3	
X10071	(2 PINS, BLACK)	front LH side of engine compartment	13-3	
X10074	(2 PINS, BLACK)	near RH headlight assembly		
X10075	(2 PINS, GRAY)	near RH headlight assembly		
X10094	(2 PINS, BLACK)	LH side of engine compartment	27-3	
X10182	(18 PINS, BLACK)	behind glove box		01-5
X10216	(2 PINS, YELLOW)	driver's seat right		
X10217	(2 PINS, YELLOW)	passenger's seat left		
X10218	(3 PINS, NATURAL)	under RH front seat	20-3	01-1
X10234	(4 PINS, —)	center of dash center console		03-1
X10244	(1 PIN, BLACK)	below RH side of dash behind glove box		
X10245	(12 PINS, BLACK)	behind center of dashboard		01-3
X10246	(2 PINS, BLACK)	in RH side of luggage compartment		
X10247	(2 PINS, WHITE)	in RH side of luggage compartment		
X10248	(2 PINS, BLACK)	in LH side of luggage compartment	23-2	
X10249	(2 PINS, WHITE)	in LH side of luggage compartment		
X10250	(2 PINS, BLACK)	below LH side of dash	20-1	
X10261	(4 PINS, BLACK)	front RH side of engine compartment	08-3	08-1
X10262	(9 PINS, BLACK)	below LH side of dash		03-4
X10263	(6 PINS, BLACK)	behind center of dashboard		04-3

03/00

7000.0-24

1999



## COMPONENT LOCATION CHART

COMP.	DESCRIPTION	LOCATION	7100.0	8500.0
X10271	(3 PINS, BLACK)	in roof panel		01-1
X11250	(6 PINS, BLACK)	behind center console	02-2	01-2
X11289	(3 PINS, BLACK)	under LH front seat		01-1
X11290	(3 PINS, BLACK)	under RH front seat		01-1
X11379	(3 PINS, NATURAL)	front RH side of engine compartment near RH headlight assembly	08-3	05-3
X11393	(9 PINS, BLACK)	Power Distribution Box rear LH side of engine compartment		03-4
X11395	(5 PINS, BLACK)	behind glove box		02-5
X13006	GROUND	in LH side of luggage compartment	05-1	
X13009	GROUND	behind glove box right		
X13016	GROUND	below LH side of dash	04-3	
X13025	(12 PINS, BLACK)	RH side of dash behind glove box		02-4
X13057	(2 PINS, BLACK)	in lift gate	02-1	
X13170	(2 PINS, BLACK)	behind side panel, right from RH rear seat	28-3	
X13171	(3 PINS, NATURAL)	RH rear wheel well, behind trim panel	29-1	09-4
X13176	(6 PINS, NATURAL)	in roof panel		04-3
X13252	(15 PINS, BLACK)	behind glove box	01-1	00-3
X13253	(26 PINS, YELLOW)	behind glove box	01-1	00-2
X13254	(26 PINS, GREEN)	behind glove box	01-1	00-2
X13268	(3 PINS, BLACK)	in lift gate	02-1	01-1
X13274	(10 PINS, BLACK)	center of dash center console		02-3
X13286	(1 PIN, BLACK)	center of dash behind center console		

03/00

7000.0-25

1999



# COMPONENT LOCATION CHART

COMP.	DESCRIPTION	LOCATION	7100.0	8500.0
X13287	(1 PIN, WHITE)	center of dash behind center console		
X13305	(8 PINS, BLACK)	center console		01-4
X17159	(12 PINS, —)	at back of rear window shelf		08-3
X17179	(12 PINS, —)	in LH side of luggage compartment behind trim panel		08-3
X18126	(17 PINS, BLACK)	center console behind radio		02-2
X18196	(10 PINS, BLACK)	behind LH footwell speaker grille		02-3
X18198	(10 PINS, BLACK)	behind RH footwell speaker grille		02-3
X18279	(2 PINS, GRAY)	LH front door behind door panel	22-1	
X18280	(2 PINS, GRAY)	RH front door behind door panel	21-2	
X18333	(2 PINS, BLACK)	on instrument cluster	17-2	
X18334	(2 PINS, BLACK)	on instrument cluster	17-2	
X18337	(12 PINS, BLACK)	on instrument cluster	17-2	09-3
X18338	(12 PINS, BLACK)	on instrument cluster	17-2	09-3
X18518	(4 PINS, BLACK)	under RH front seat		07-1
X18520	(10 PINS, —)	center console RADIO		02-3
X18521	(10 PINS, —)	RH side of luggage compartment CD CHANGER		02-3
X18723	GROUND	below LH side of dash	04-3	
X18994	(3 PINS, YELLOW)	LH footwell underside of steering column	23-3	01-1
X19527	(16 PINS, BLACK)	center console right	24-3	05-4
X62001	(4 PINS, BLACK)	under center of car	25-1	06-1
X62002	(4 PINS, BLACK)	under center of car	26-3	06-1

03/00

7000.0-26

1999





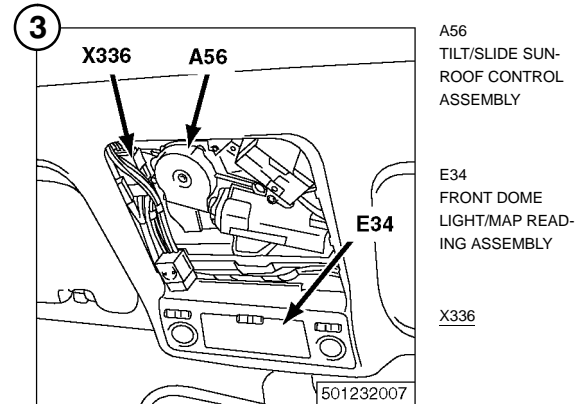
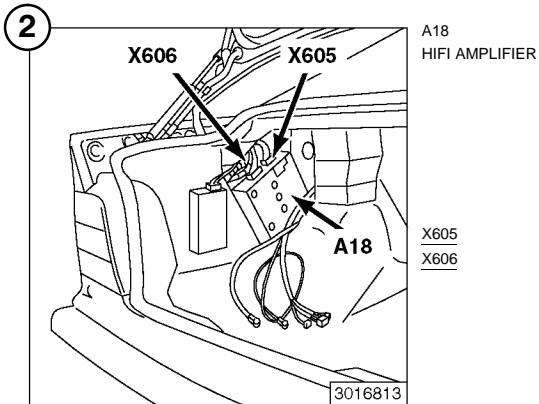
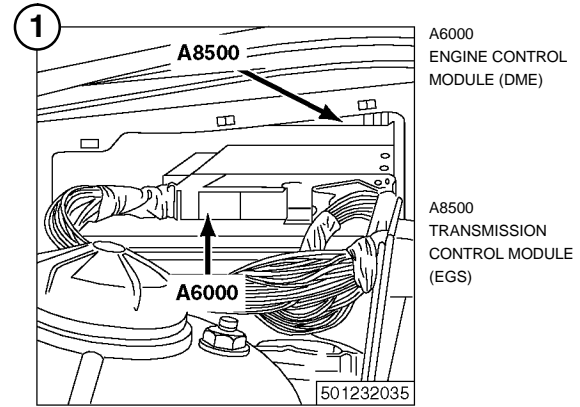
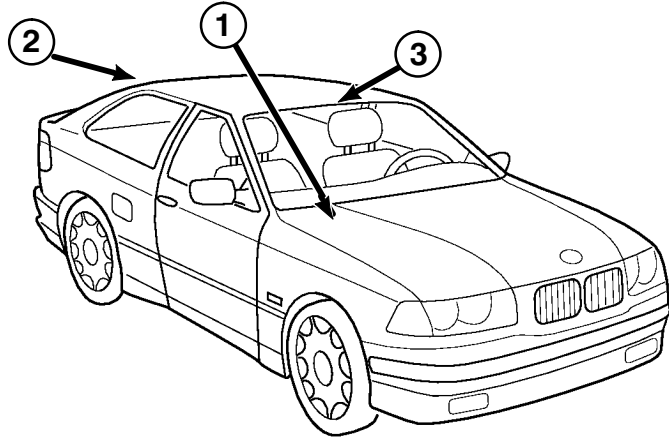
## COMPONENT LOCATION CHART

COMP.	DESCRIPTION	LOCATION	7100.0	8500.0
X91009	(2 PINS, BLACK) .....	under passenger's seat		
Y1	ABS HYDRAULIC UNIT .....	rear LH side of engine compartment back of LH side shock tower .....	11-3	
Y2	AIR CONDITIONING COMPRESSOR .	front RH side of engine compartment		
Y4z	WATER VALVE .....	rear LH side of engine compartment .....	11-3	
Y5	DRIVER'S SIDE MIRROR .....	in upper LH front door		
Y6	PASSENGER'S SIDE MIRROR .....	in upper RH front door		
Y19	SHIFT-LOCK .....	center console .....	19-3	
Y199	CARBON CANISTER VALVE .....	behind side panel, right from RH rear seat .....	28-3	
Y6101	CYL. 1 FUEL INJECTION VALVE .....	on cylinder head .....	08-2	
Y6102	CYL. 2 FUEL INJECTION VALVE .....	on cylinder head .....	08-2	
Y6103	CYL. 3 FUEL INJECTION VALVE .....	on cylinder head .....	08-2	
Y6104	CYL. 4 FUEL INJECTION VALVE .....	on cylinder head .....	08-2	
Y6120	EVAPORATIVE EMISSION VALVE ....	LH side of engine compartment .....	13-2	
Y6130	IDLE SPEED CONTROL VALVE .....	rear LH side of engine compartment .....	10-2	
Y6131	INTAKE AIR RESONANCE CHANGE- OVER VALVE .....	rear LH side of engine compartment .....	11-2	
Y6133	AIR PUMP .....	LH side of engine compartment .....	13-2	
Y6163	SECONDARY AIR PUMP VALVE .....	LH side of engine compartment .....	13-2	
Y6263	FUEL CHANGEOVER VALVE .....	under LH center of car .....	28-2	
Y8505y	TRANSMISSION VALVE UNIT .....	on RH side of transmission		



# 7100.0 COMPONENT LOCATION VIEWS

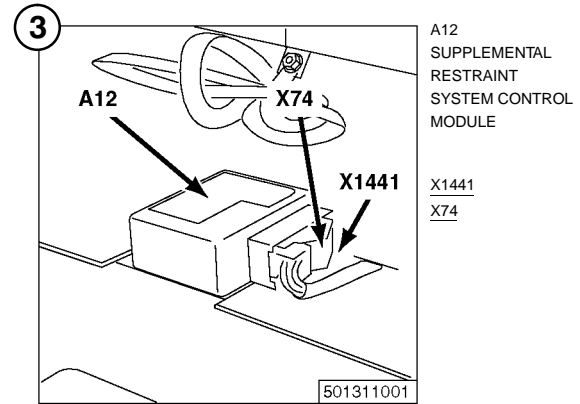
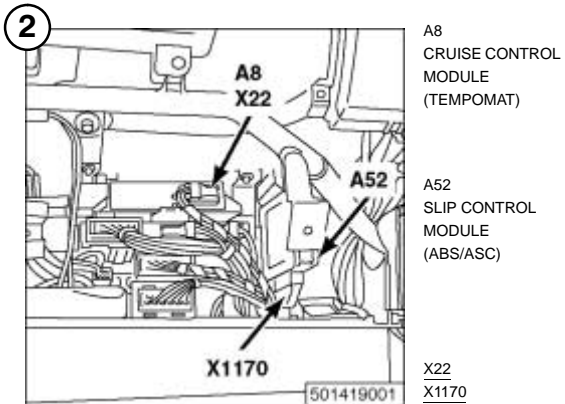
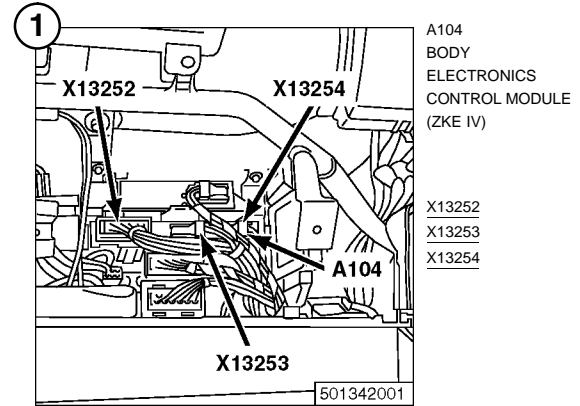
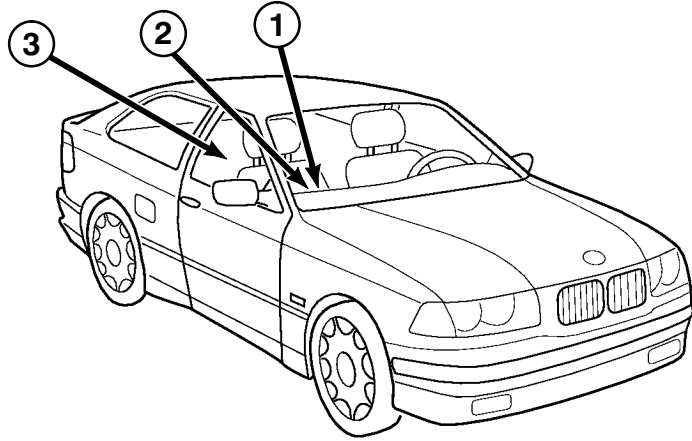
## ELECTRICAL CONTROL MODULE LOCATIONS





# COMPONENT LOCATION VIEWS

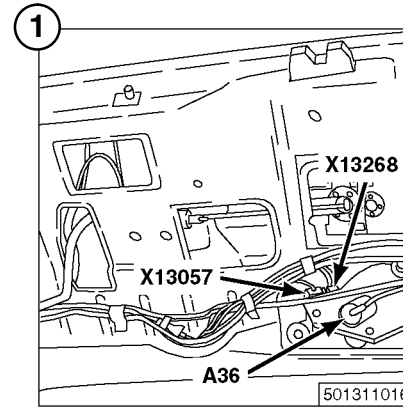
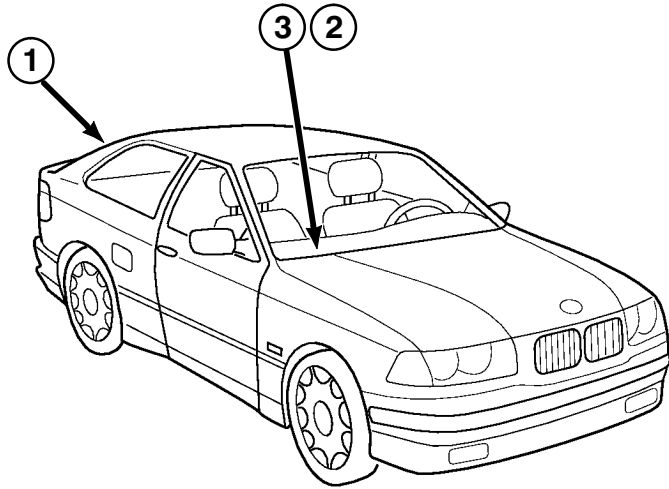
## ELECTRICAL CONTROL MODULE LOCATIONS





# COMPONENT LOCATION VIEWS

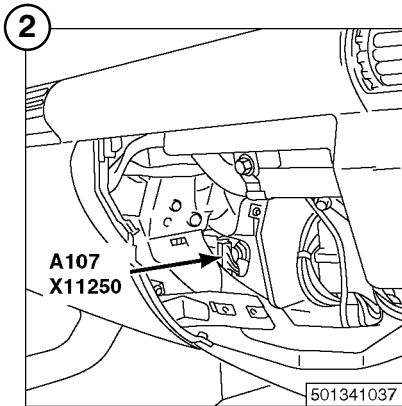
## ELECTRICAL CONTROL MODULE LOCATIONS



A36  
REAR WIPER/  
WASHER INTERVAL  
CONTROL MODULE

X13057  
X13268

501311016

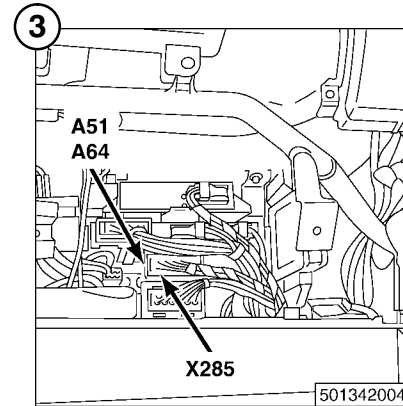


A107  
INTEGRATED  
HEATING- AND  
CLIMATE CONTROL  
MODULE

X11250

A107  
X11250

501341037



A51  
WIPER/WASHER  
MODULE

A64  
WIPER/WASHER  
MODULE (LOW II)

X285

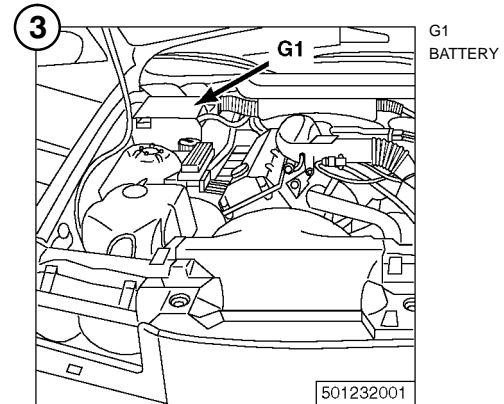
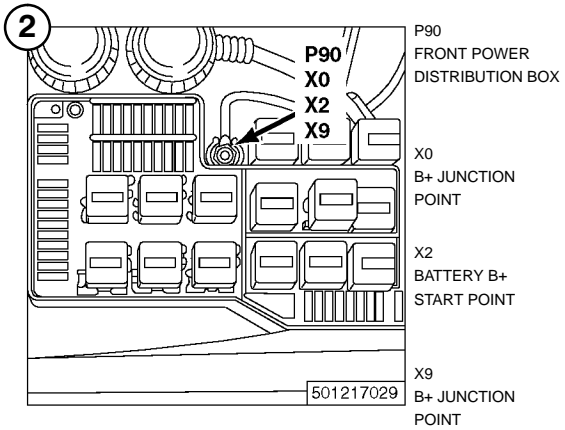
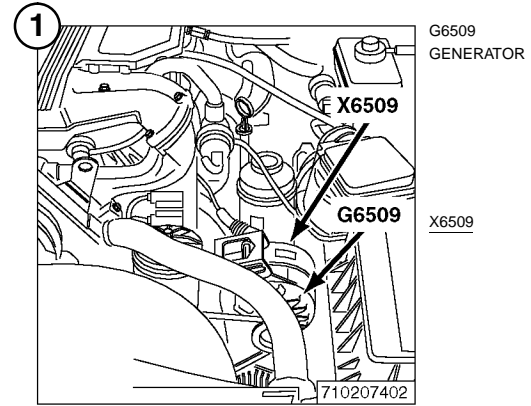
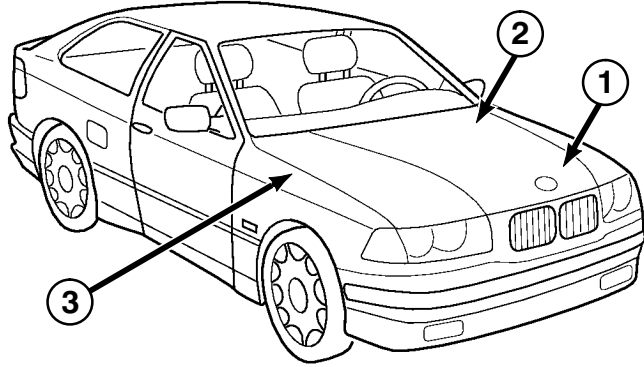
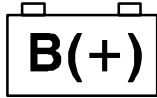
X285

501342004



# COMPONENT LOCATION VIEWS

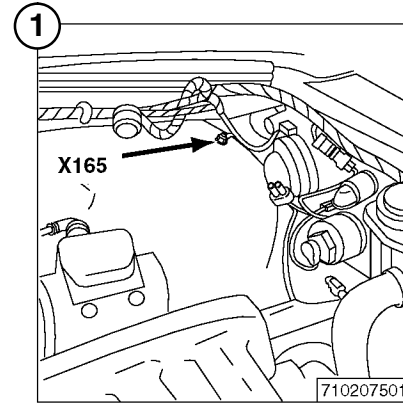
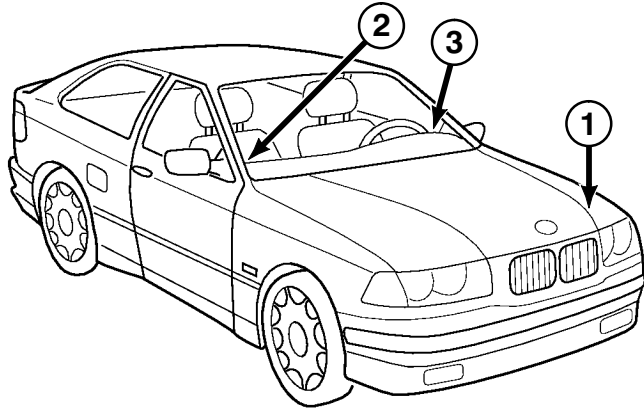
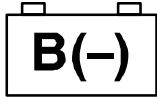
compact





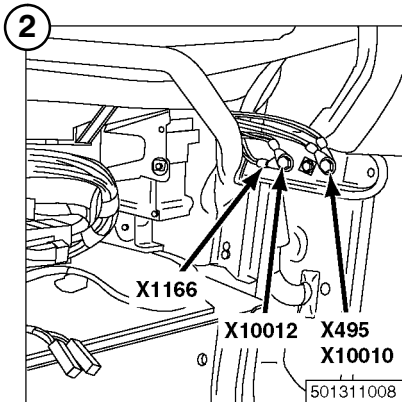
# COMPONENT LOCATION VIEWS

compact



X165  
GROUND

710207501



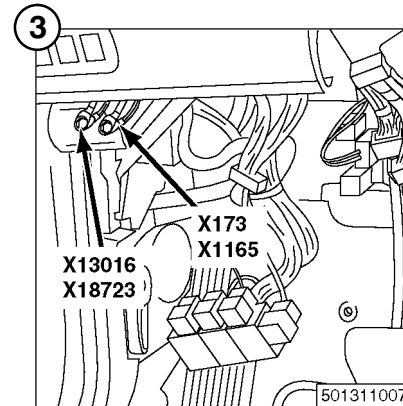
X495  
GROUND

X1166  
GROUND

X10010  
GROUND

X10012  
GROUND

501311008



X173  
GROUND

X1165  
GROUND

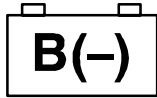
X13016  
GROUND

X18723  
GROUND

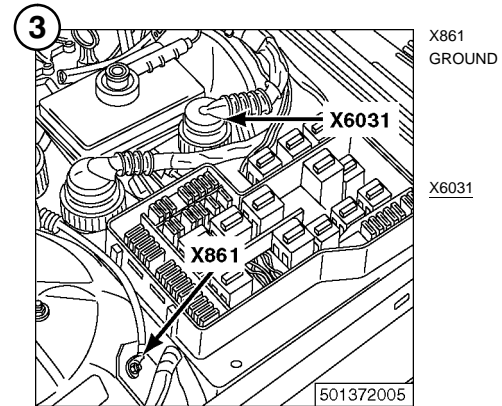
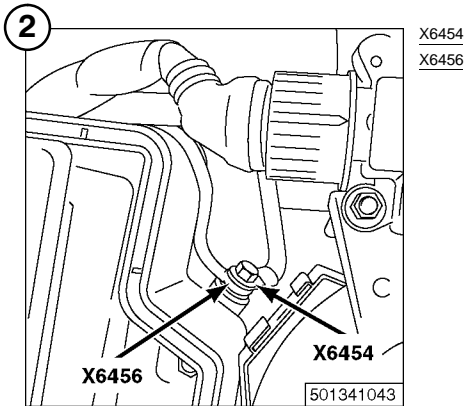
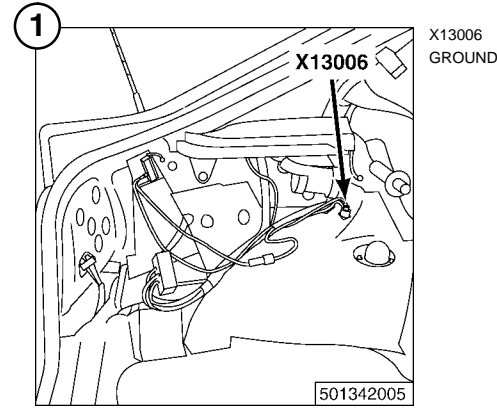
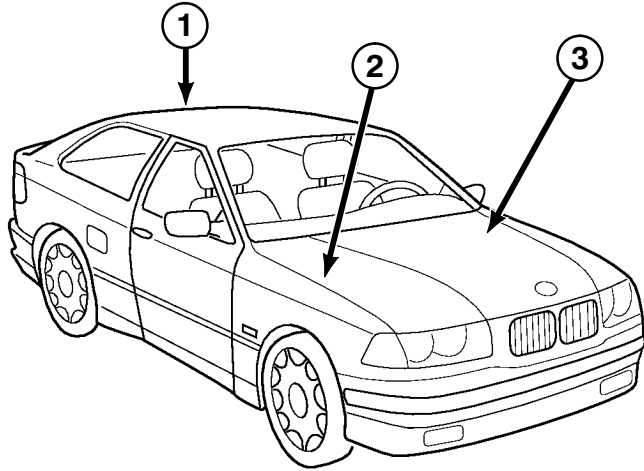
501311007



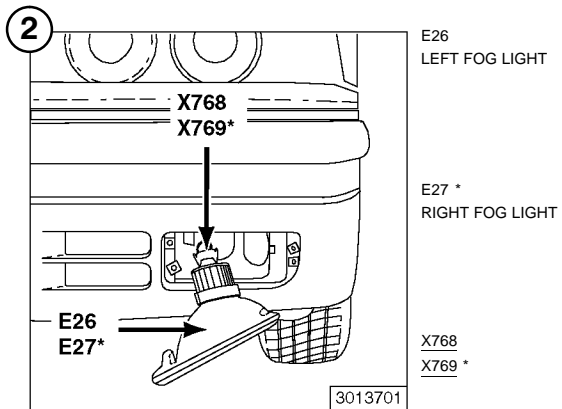
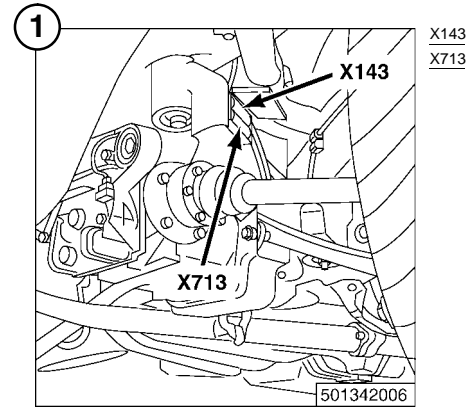
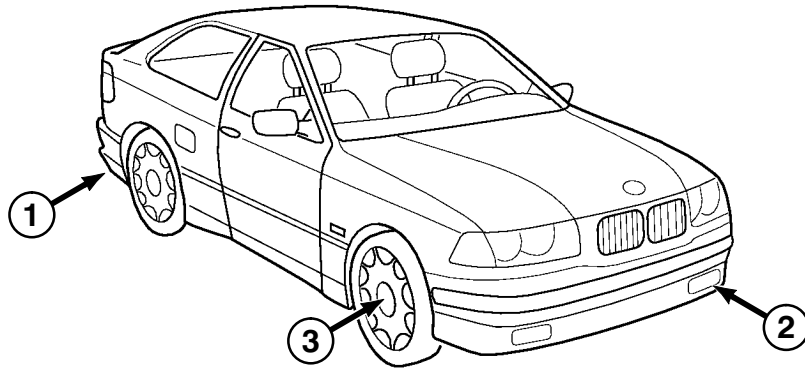
compact



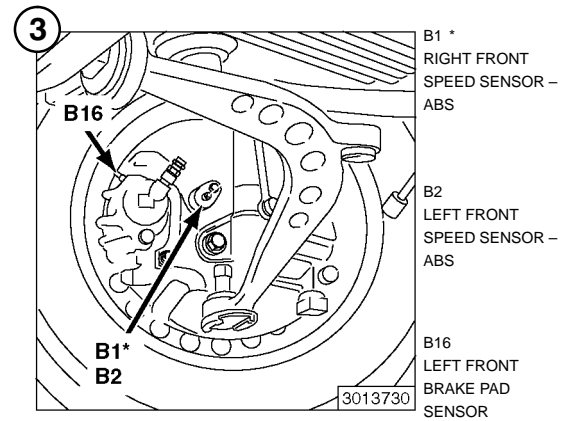
# COMPONENT LOCATION VIEWS



# COMPONENT LOCATION VIEWS



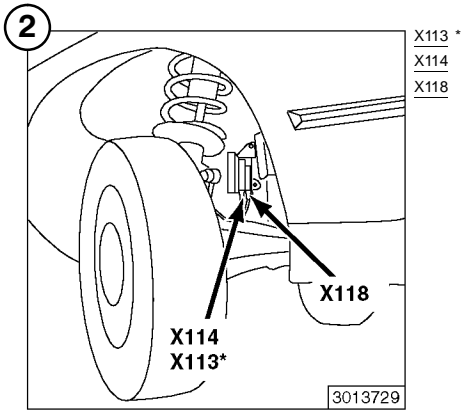
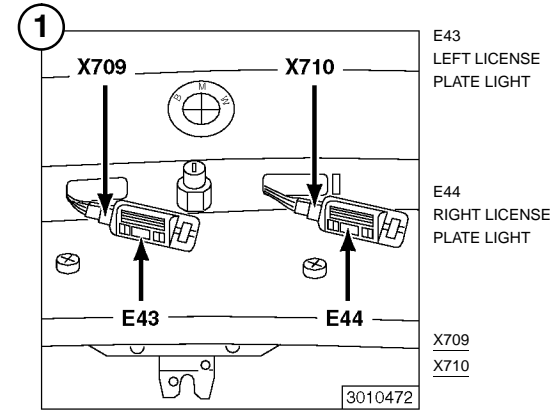
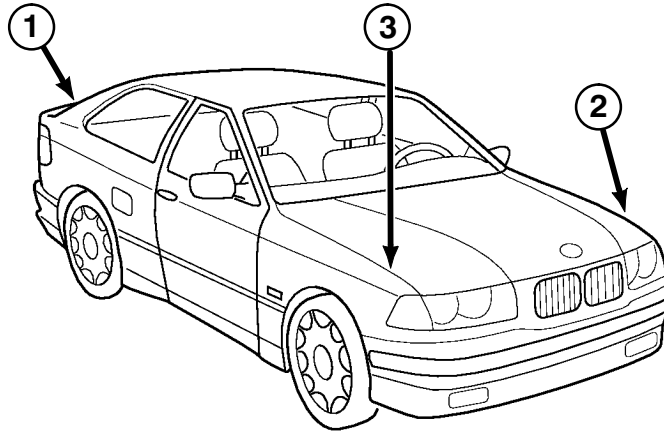
\* RH SIMILAR



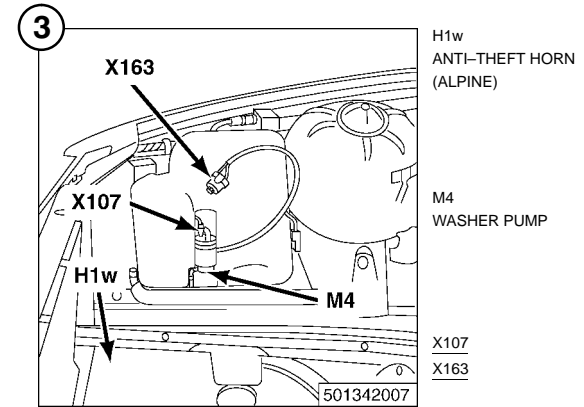
\* RH SIMILAR



# COMPONENT LOCATION VIEWS

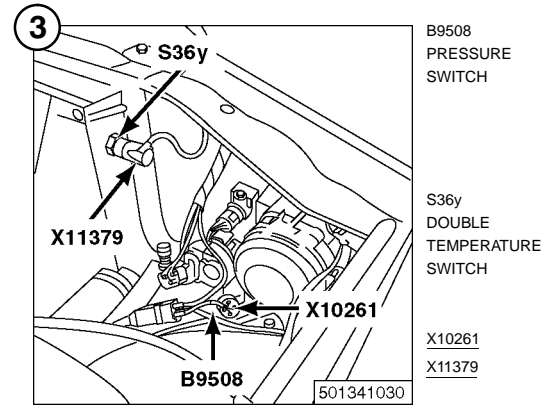
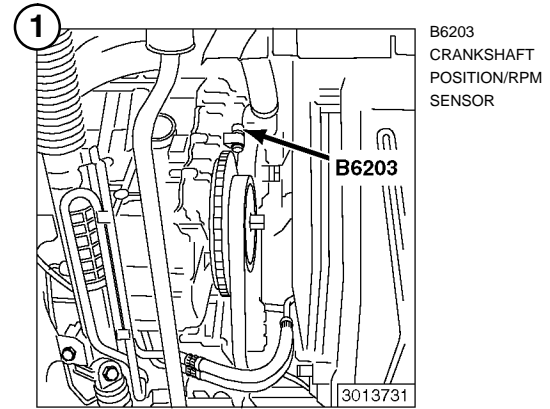
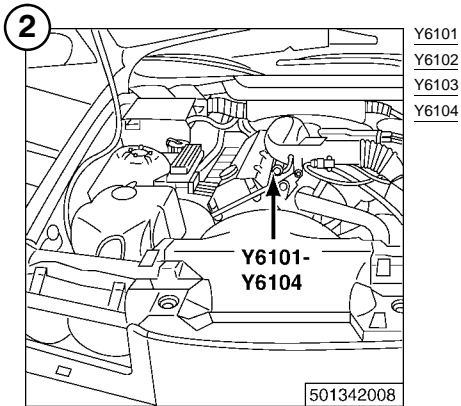
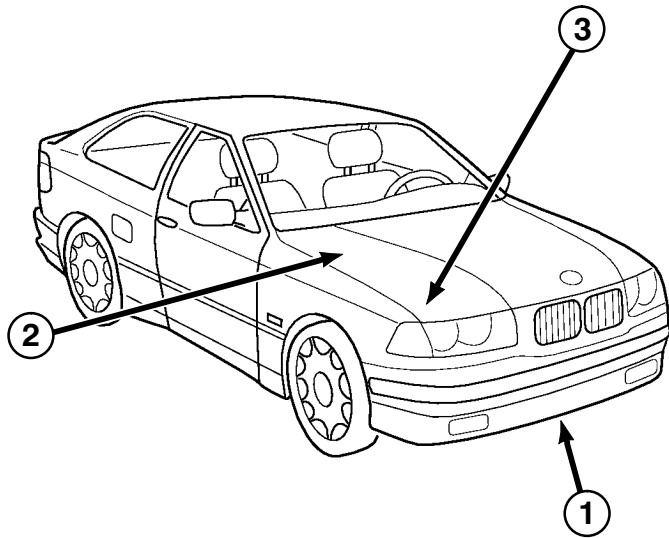


\* RH SIMILAR

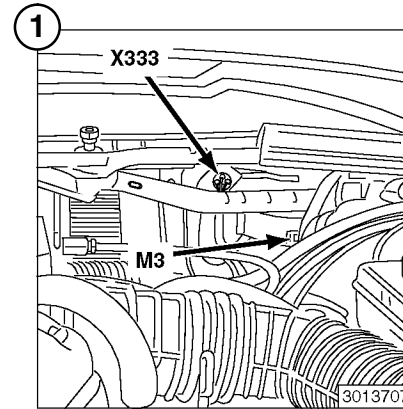
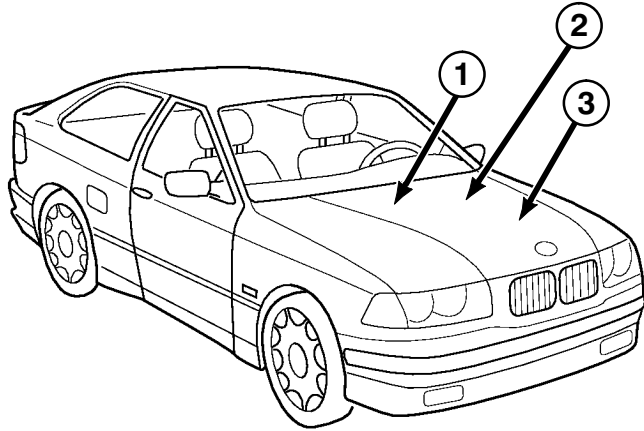




# COMPONENT LOCATION VIEWS

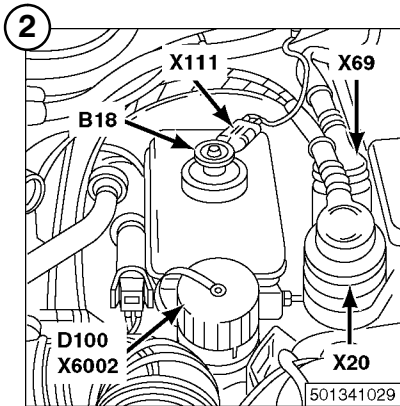


# COMPONENT LOCATION VIEWS



M3  
WIPER MOTOR

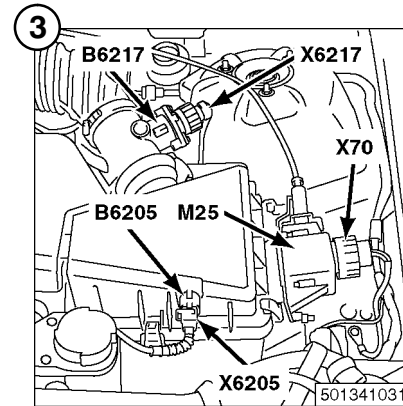
X333



B18  
BRAKE FLUID  
LEVEL SWITCH

D100  
DATA LINK  
CONNECTOR

X20  
X69  
X111  
X6002



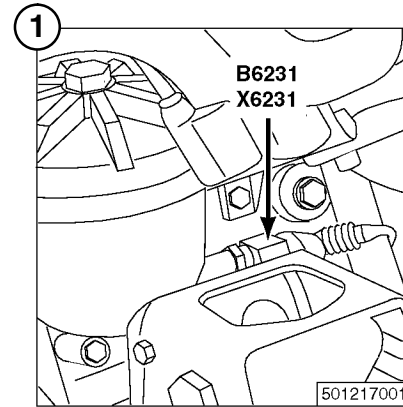
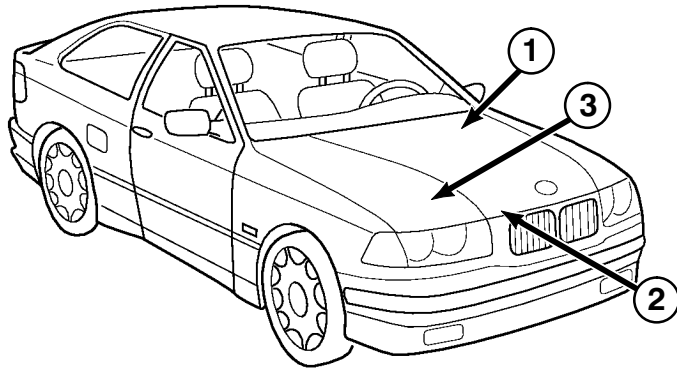
B6205  
INTAKE AIR  
TEMPERATURE  
SENSOR

B6217  
HOT FILM AIR  
MASS METER

M25  
CRUISE CONTROL  
ACTUATOR  
(TEMPOMAT)

X70  
X6205  
X6217

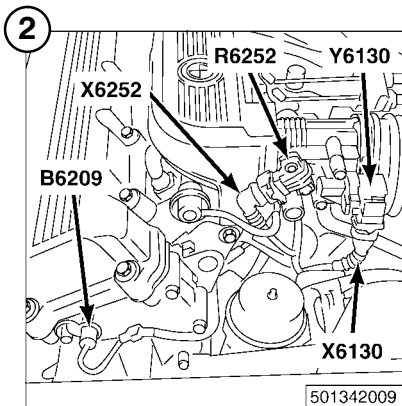
# COMPONENT LOCATION VIEWS



B6231  
OIL PRESSURE  
SWITCH

X6231

501217001



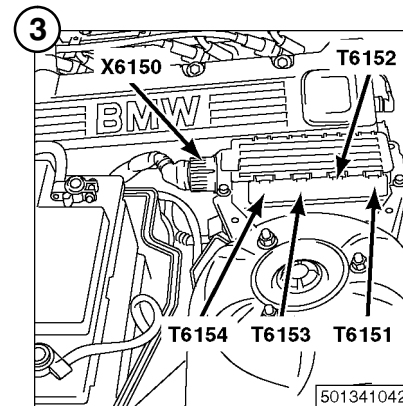
B6209  
HALL EFFECT CAM-  
SHAFT SENSOR

X6130  
X6252

R6252  
THROTTLE  
POSITION SENSOR

Y6130  
IDLE SPEED  
CONTROL VALVE

501342009



T6151  
CYL. 1 IGNITION  
COIL

T6154  
CYL. 4 IGNITION  
COIL

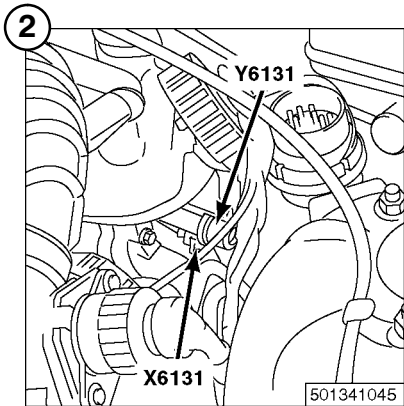
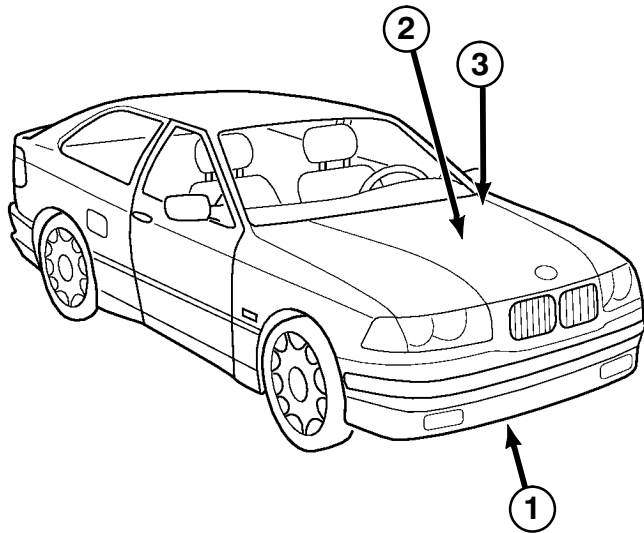
T6152  
CYL. 2 IGNITION  
COIL

X6150

T6153  
CYL. 3 IGNITION  
COIL

501341042

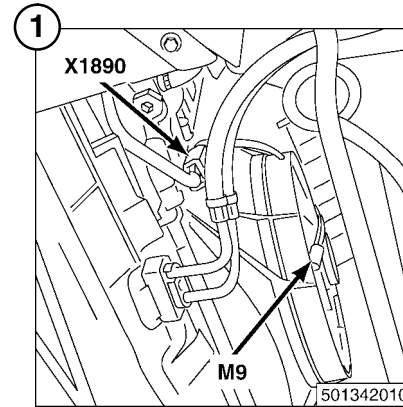
# COMPONENT LOCATION VIEWS



Y6131  
INTAKE AIR RES-  
ONANCE CHANGE-  
OVER VALVE

X6131

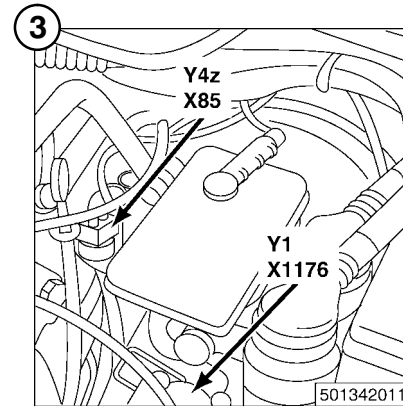
501341045



M9  
AUXILIARY FAN  
MOTOR

X1890

501342010



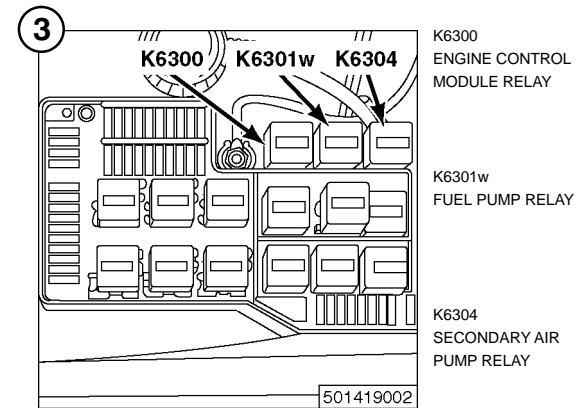
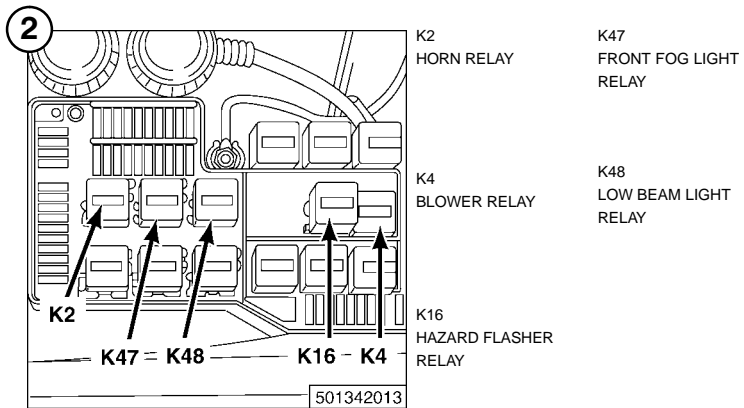
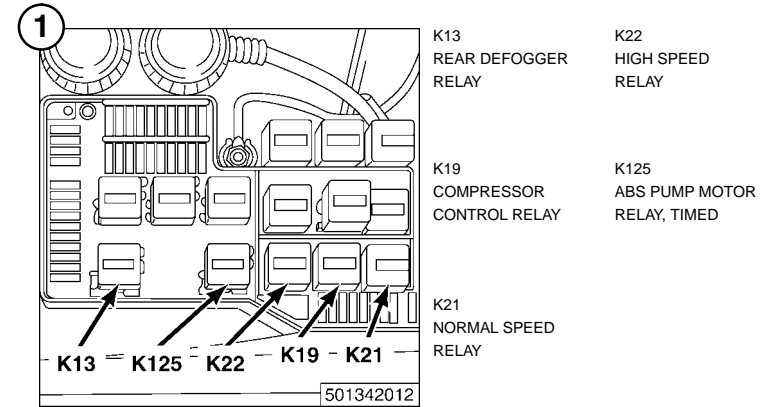
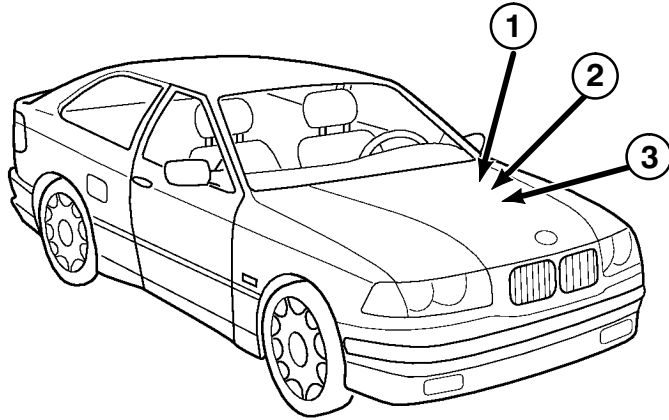
Y1  
ABS HYDRAULIC  
UNIT

Y4z  
WATER VALVE

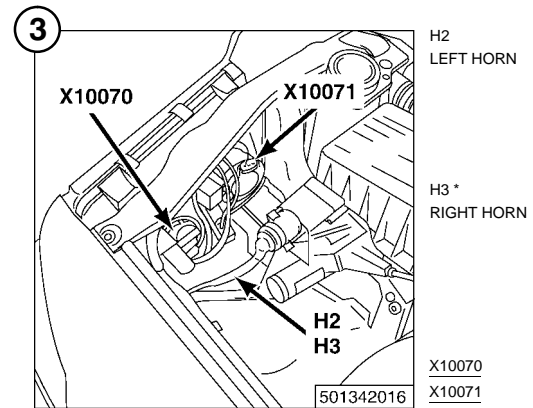
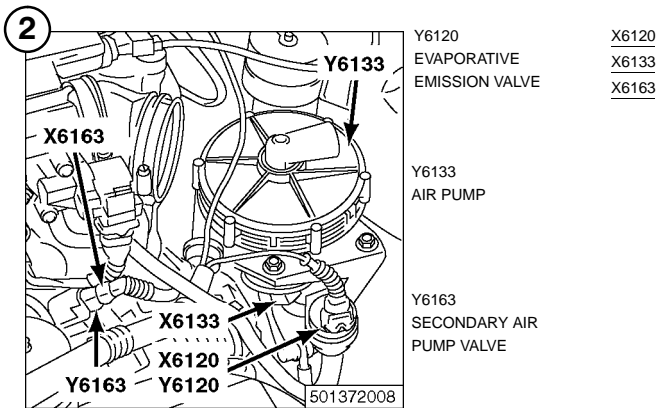
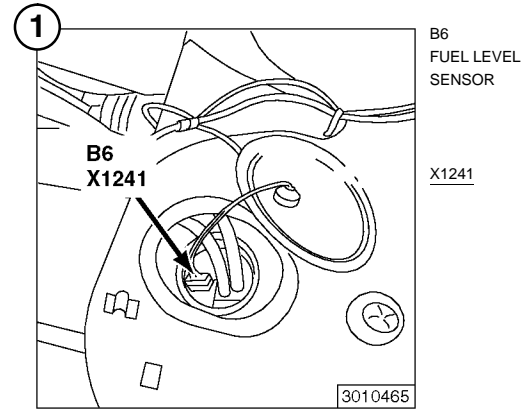
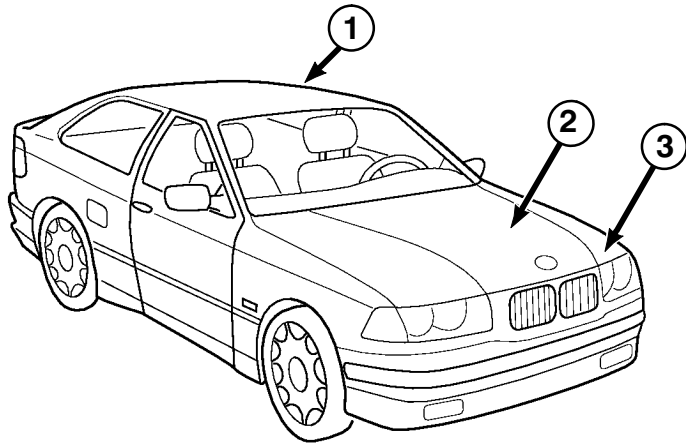
X85  
X1176

501342011

# COMPONENT LOCATION VIEWS

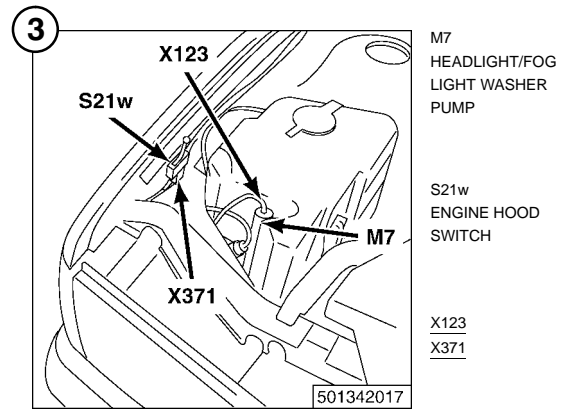
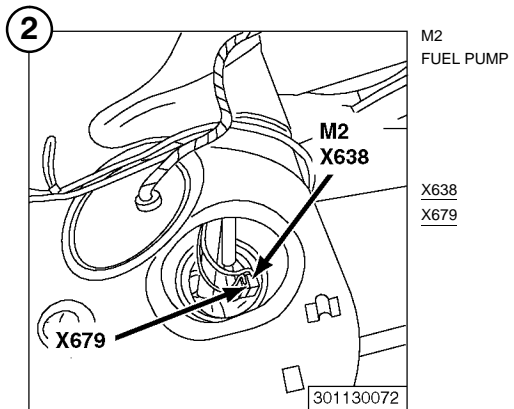
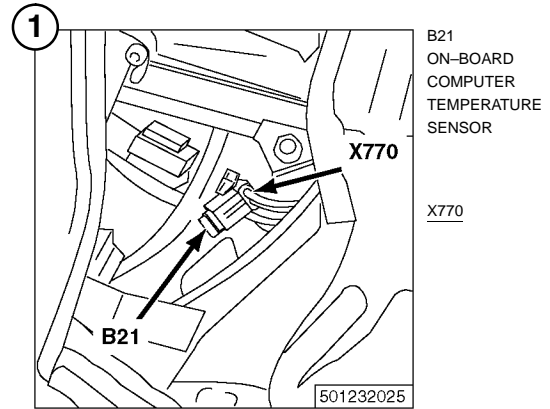
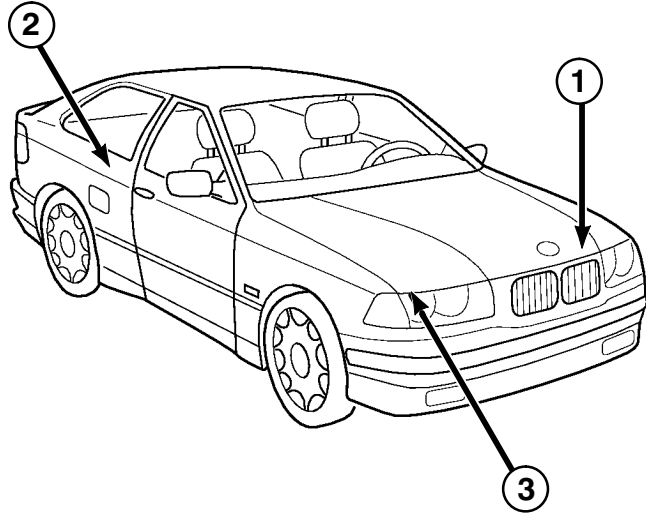


# COMPONENT LOCATION VIEWS



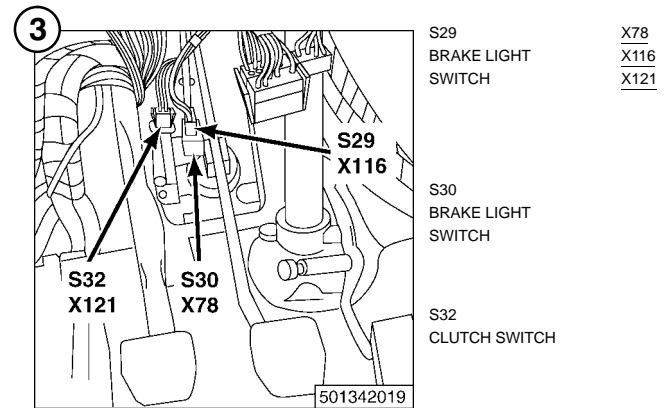
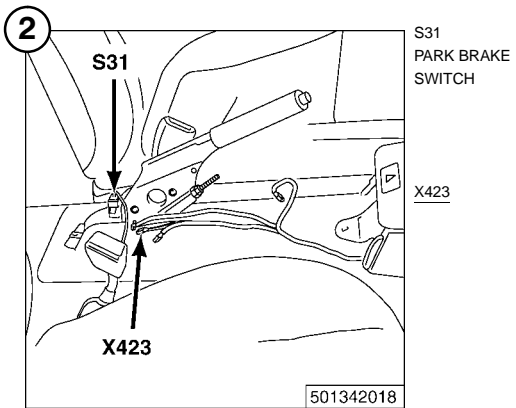
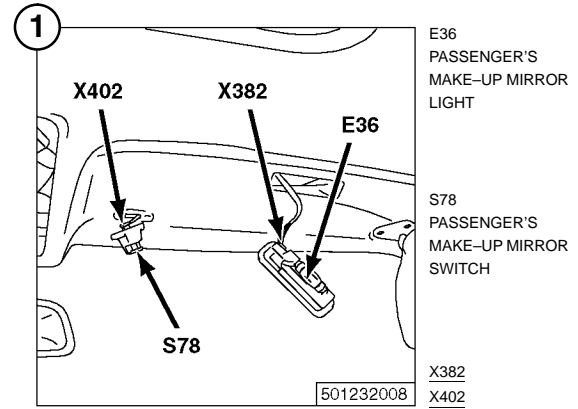
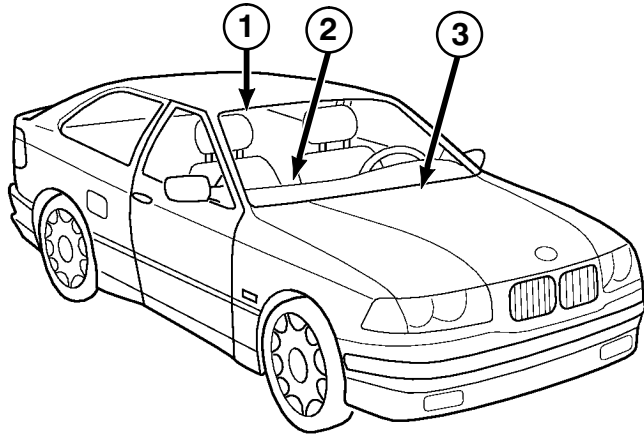
\* RH SIMILAR

# COMPONENT LOCATION VIEWS

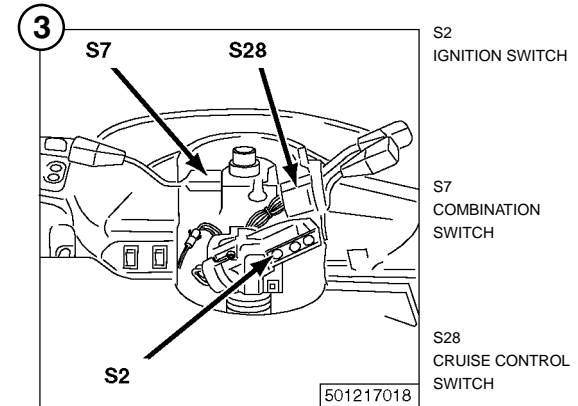
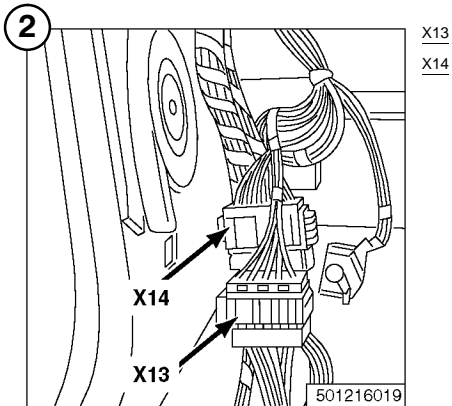
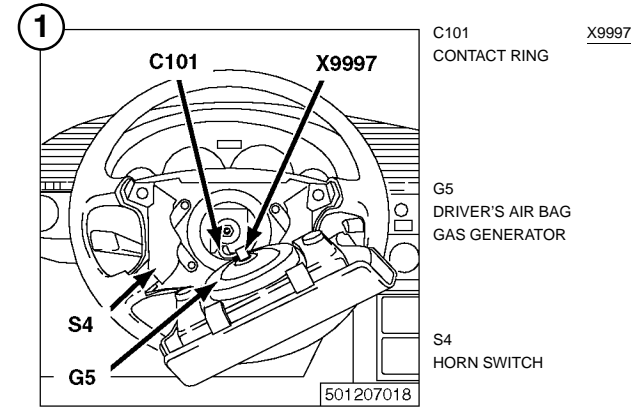
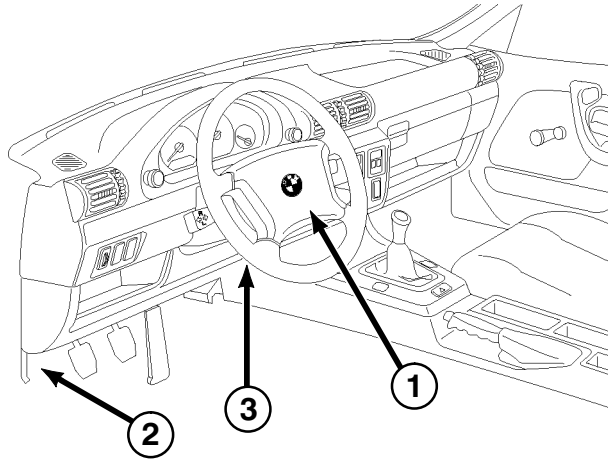




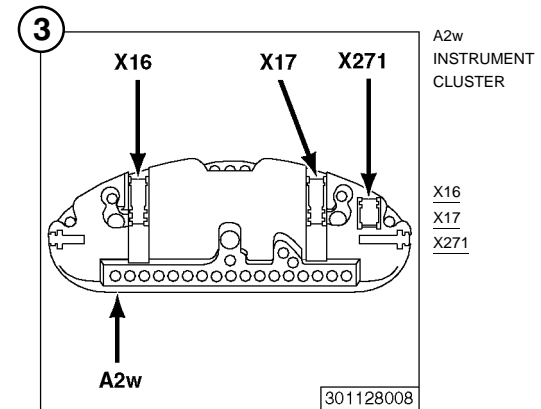
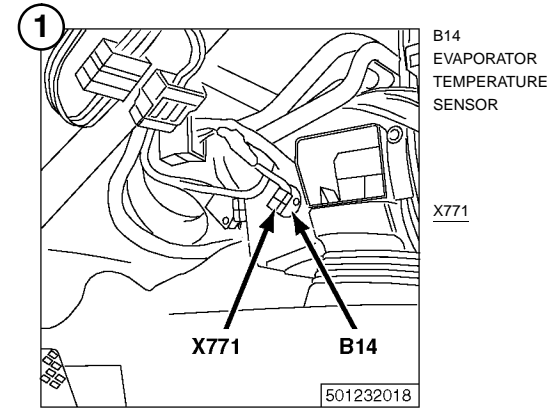
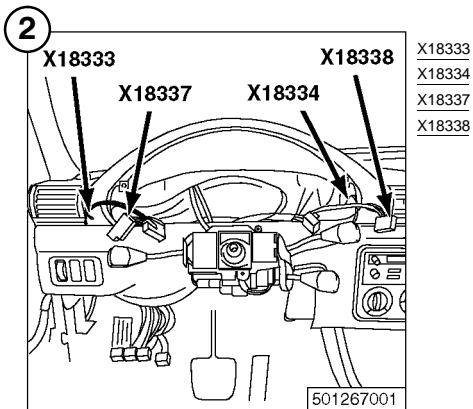
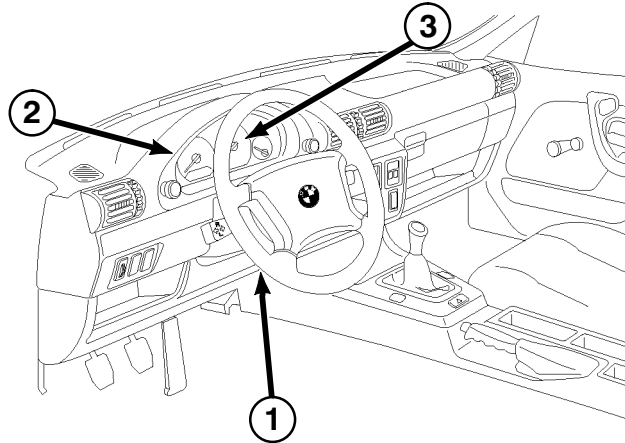
# COMPONENT LOCATION VIEWS



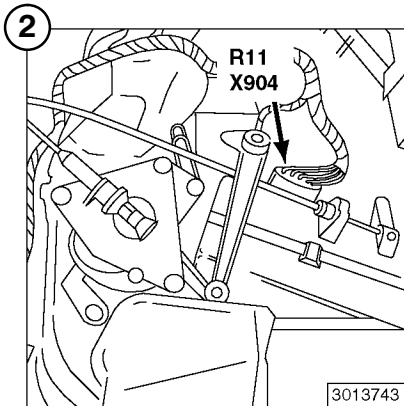
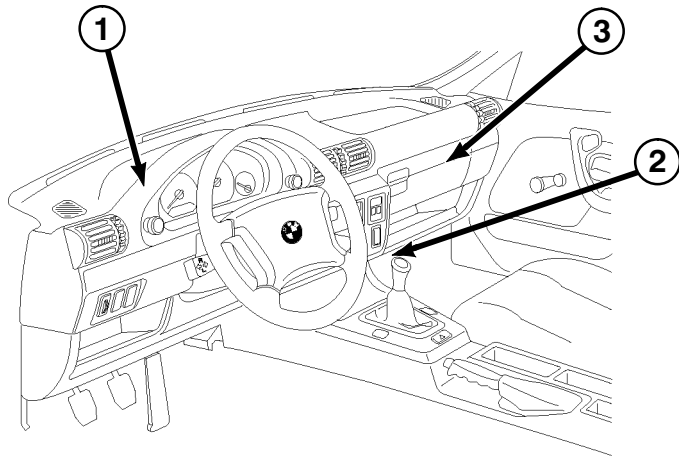
# COMPONENT LOCATION VIEWS



# COMPONENT LOCATION VIEWS



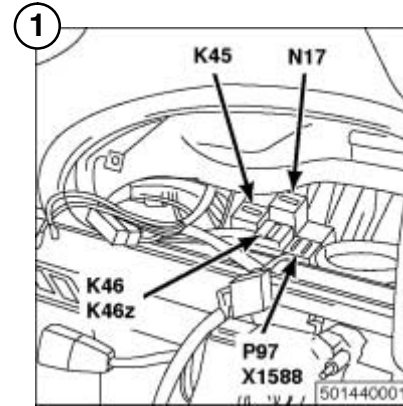
# COMPONENT LOCATION VIEWS



R11  
BLOWER  
RESISTORS

X904

3013743



K45  
FOLDING SUN-  
ROOF COMFORT  
RELAY

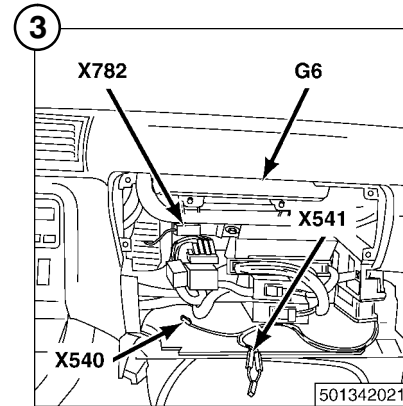
N17  
CRASH CONTROL  
MODULE

K46  
HIGH BEAM LIGHT  
RELAY

P97  
AUXILIARY FUSE  
BOX

K46z  
DAY LIGHT RELAY  
MODULE

X1588



G6  
PASSENGER'S AIR  
BAG GAS  
GENERATOR

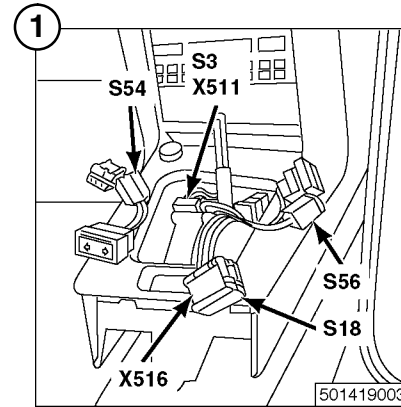
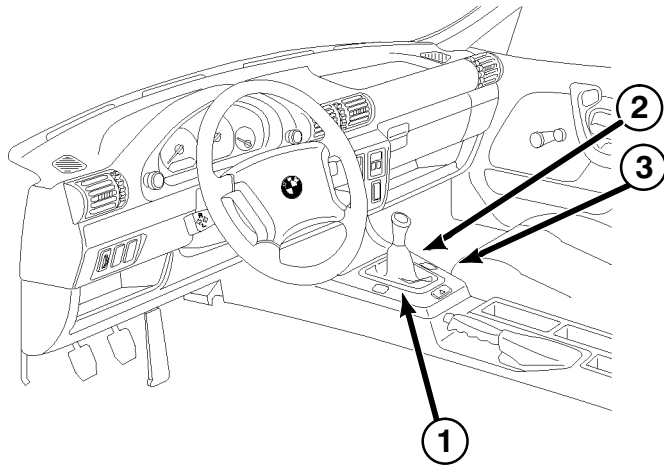
X540

X541

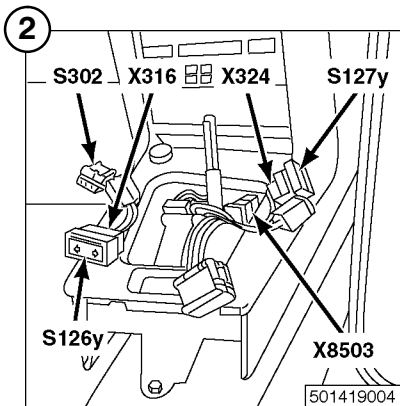
X782

501342021

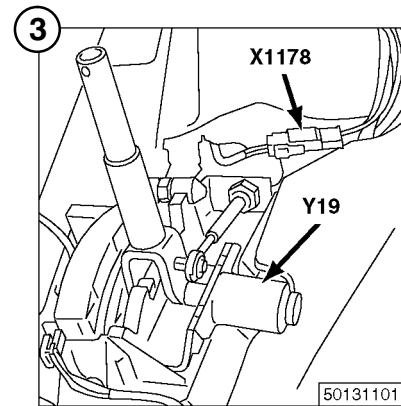
# COMPONENT LOCATION VIEWS



- S3  
AUTOMATIC  
TRANSMISSION  
RANGE SWITCH
- S56  
PASSENGER'S  
SEAT, SEAT  
CONTROL SWITCH
- S18  
HAZARD SWITCH
- X511  
X516
- S54  
PASSENGER'S  
SEAT, SEAT  
HEATER SWITCH

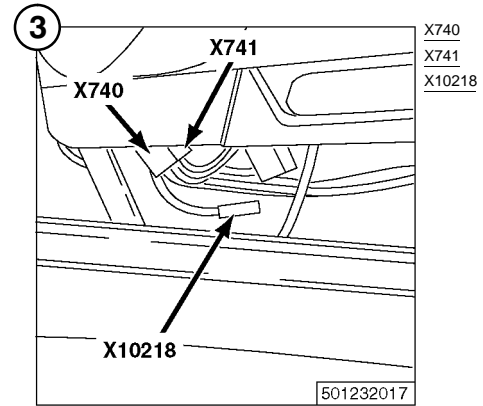
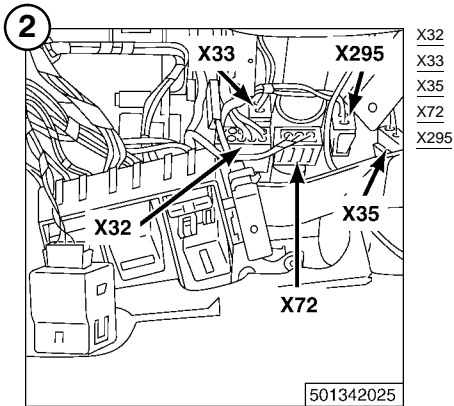
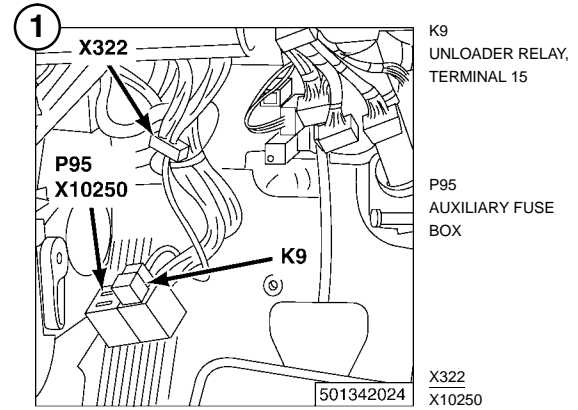
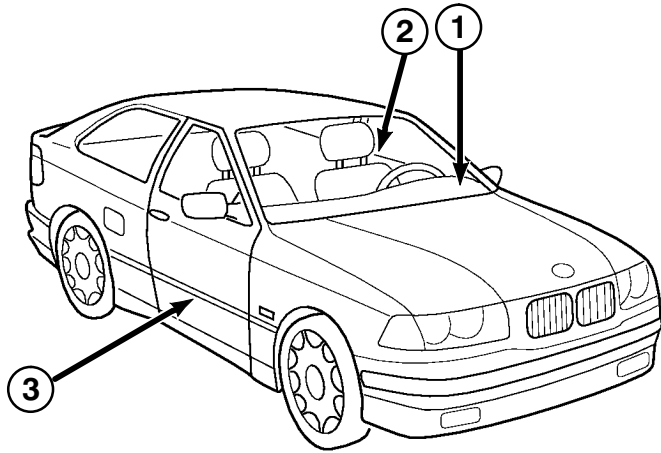


- S126y  
DRIVER'S POWER  
WINDOW SWITCH
- X316
- X324
- X8503
- S127y  
PASSENGER'S  
POWER WINDOW  
SWITCH
- S302  
CENTRAL LOCKING  
SWITCH

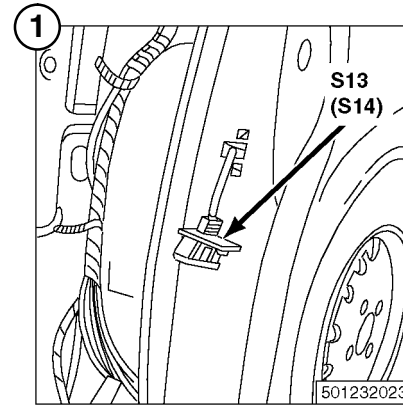
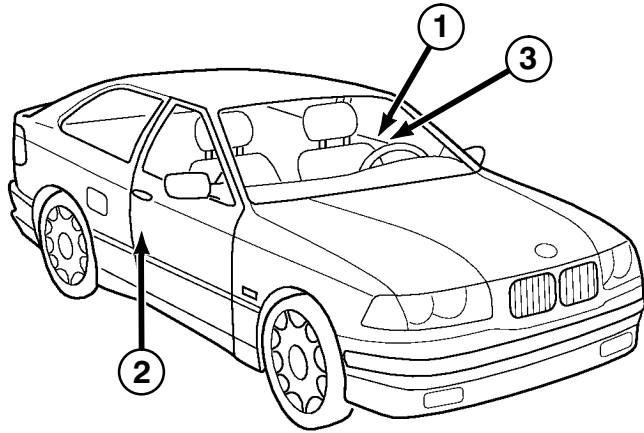


- Y19  
SHIFT-LOCK
- X1178

# COMPONENT LOCATION VIEWS



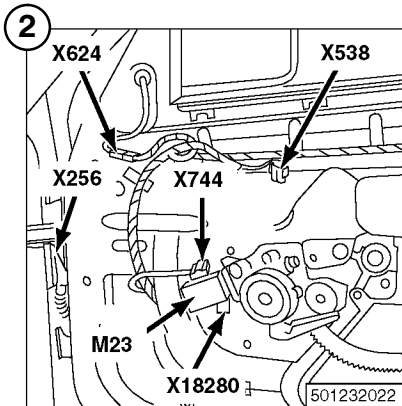
# COMPONENT LOCATION VIEWS



S13  
PASSENGER'S  
DOOR JAMB  
SWITCH

S14  
DRIVER'S DOOR  
JAMB SWITCH

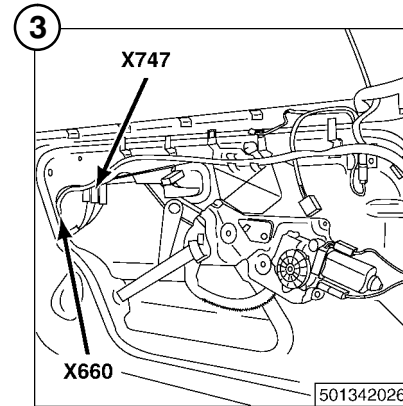
501232023



M23  
PASSENGER'S  
WINDOW MOTOR

- X256
- X538
- X624
- X744
- X18280

501232022

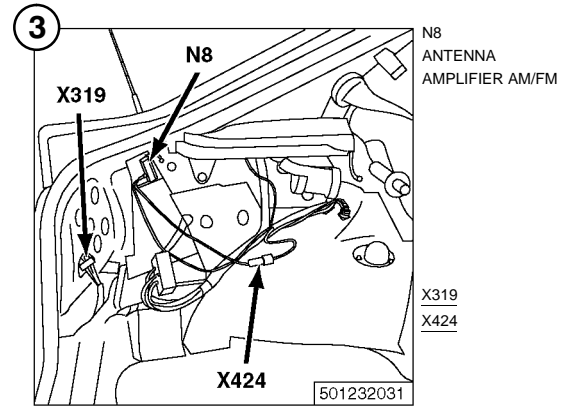
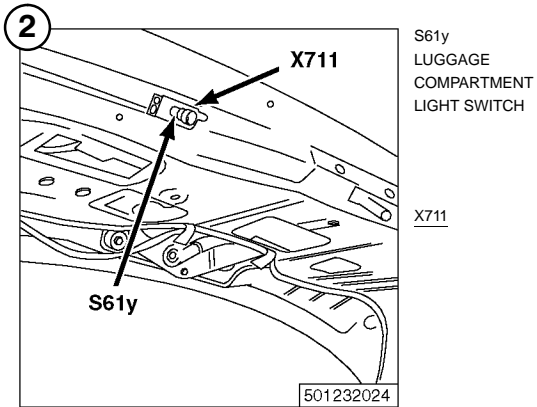
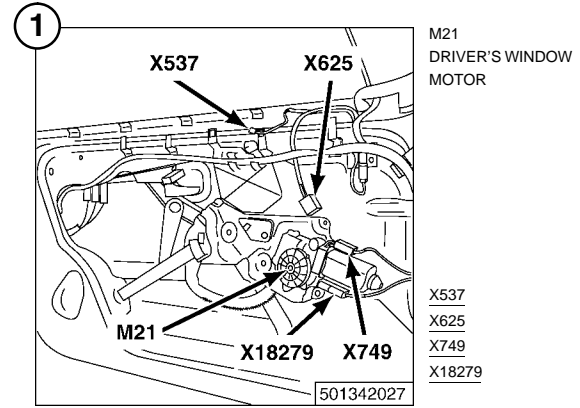
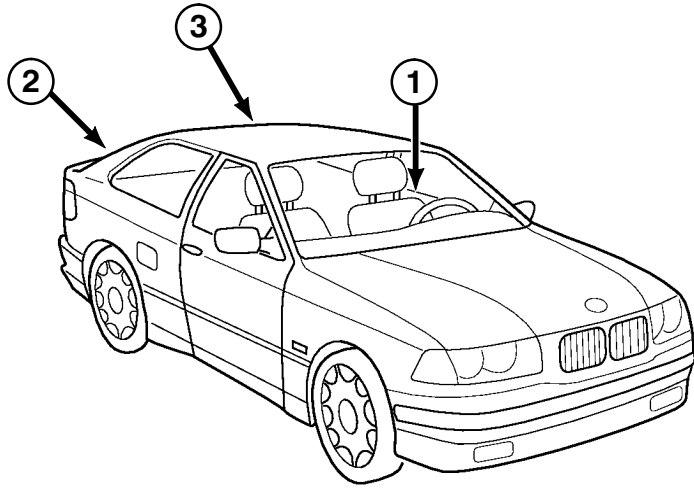


X660  
X747

501342026

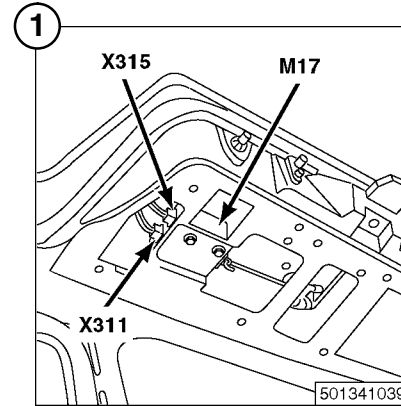
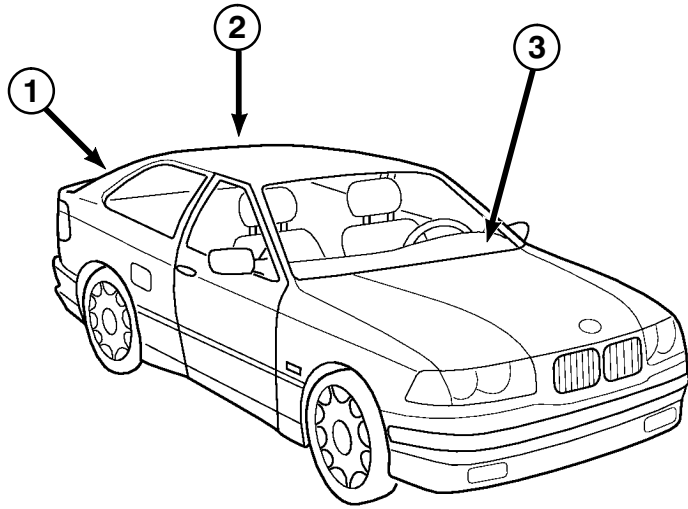


# COMPONENT LOCATION VIEWS





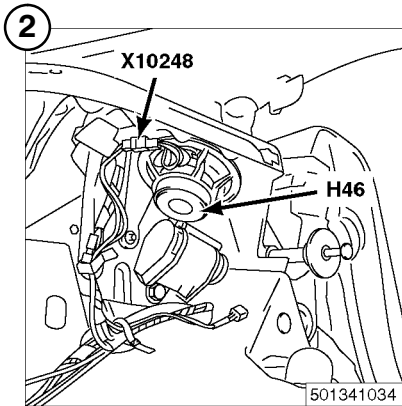
# COMPONENT LOCATION VIEWS



M17  
LUGGAGE  
COMPARTMENT  
LOCK MOTOR

X311  
X315

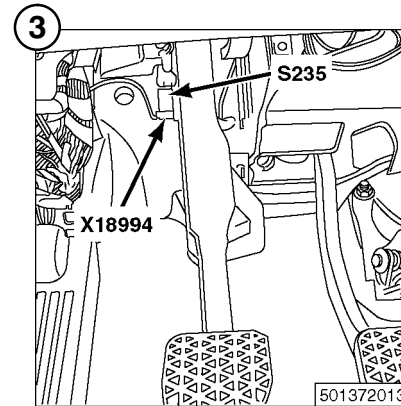
501341039



H46  
LEFT REAR  
SPEAKER

X10248

501341034

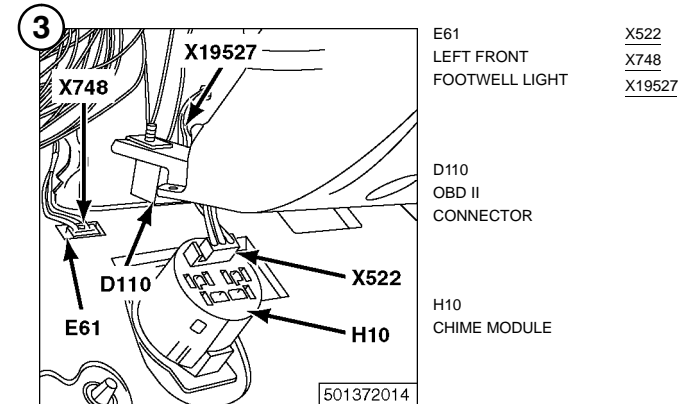
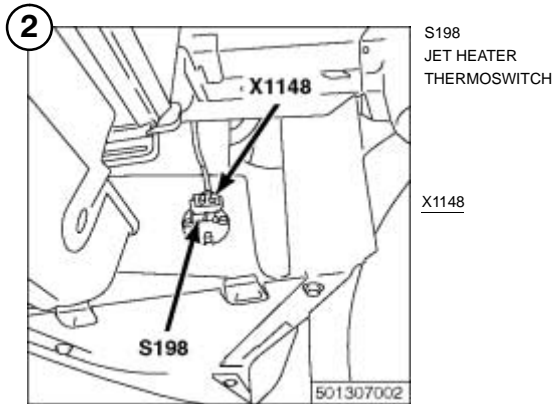
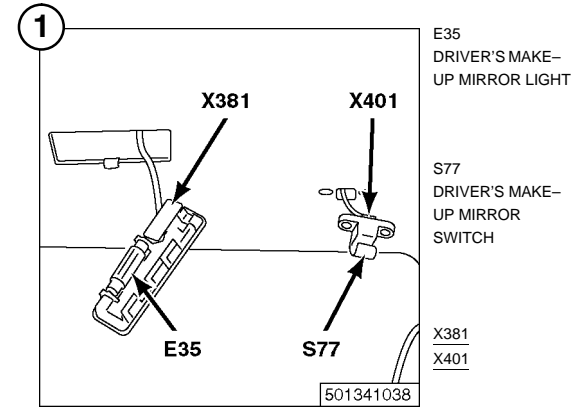
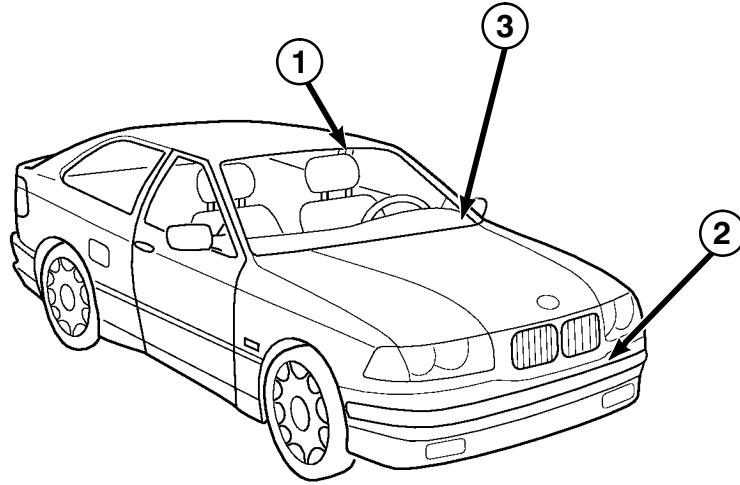


S235  
STARTER  
IMMOBILIZATION  
SWITCH

X18994

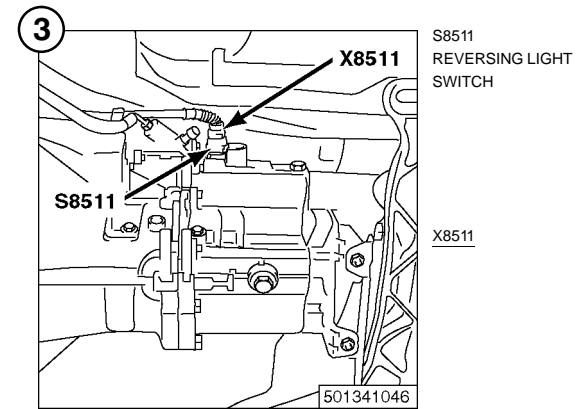
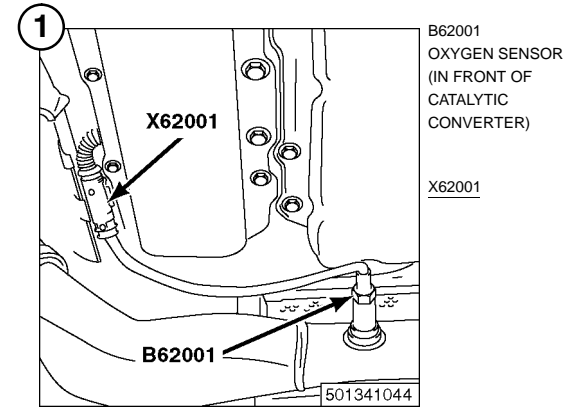
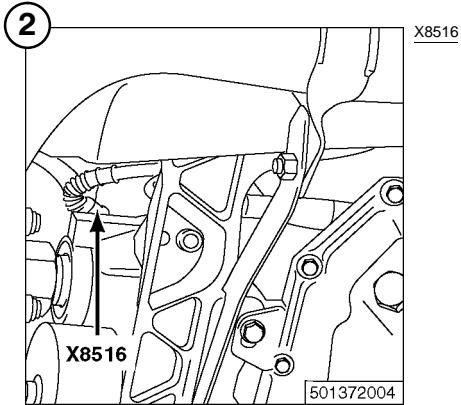
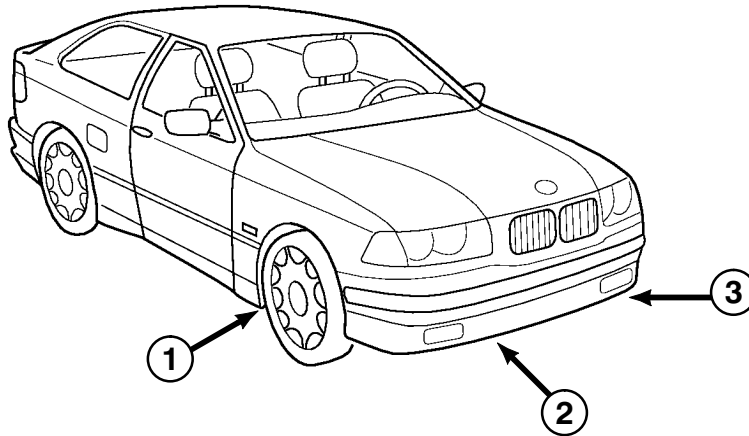
501372013

# COMPONENT LOCATION VIEWS

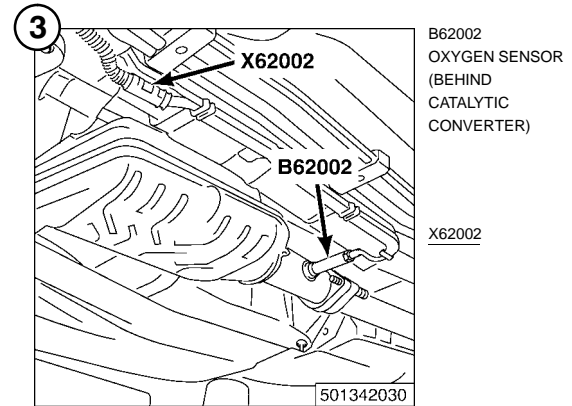
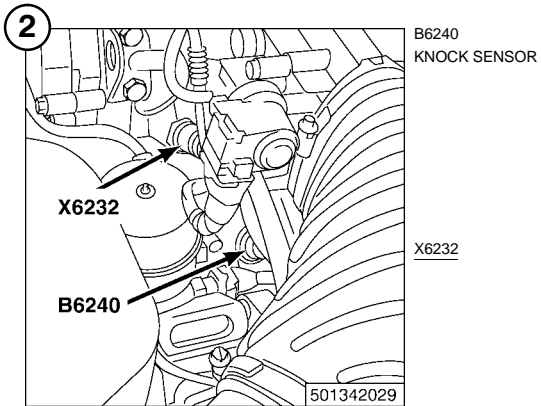
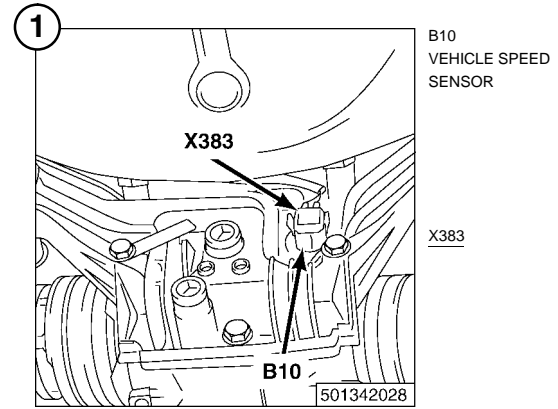
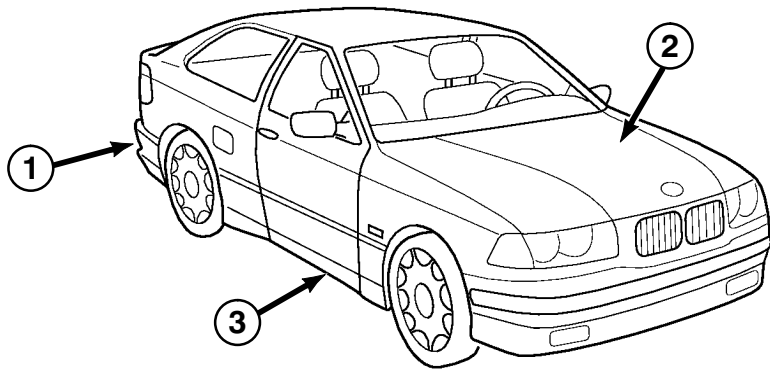




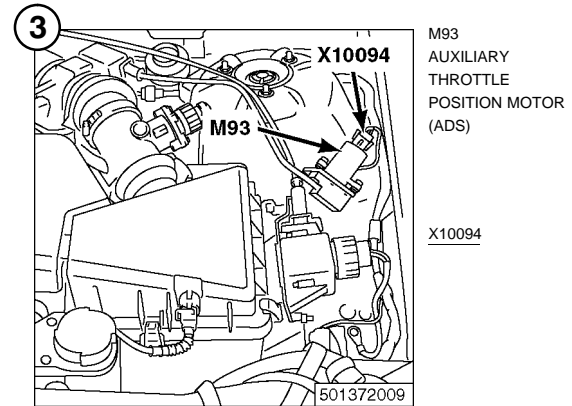
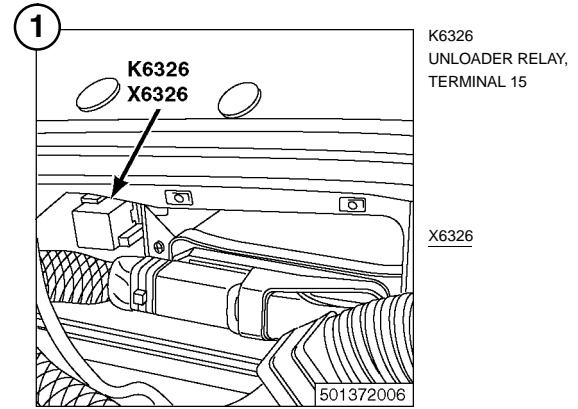
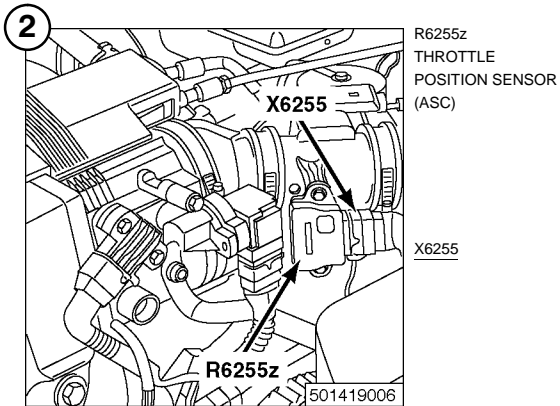
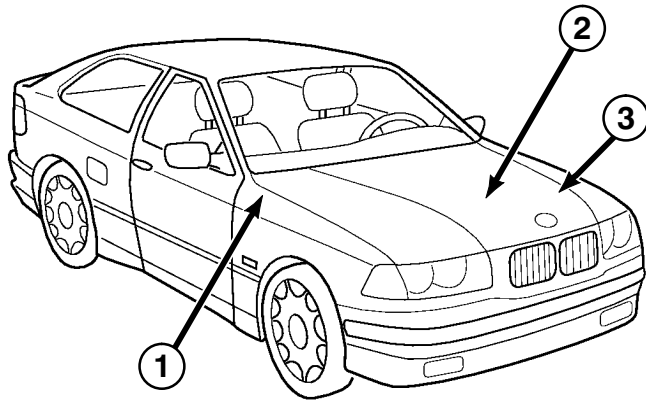
# COMPONENT LOCATION VIEWS



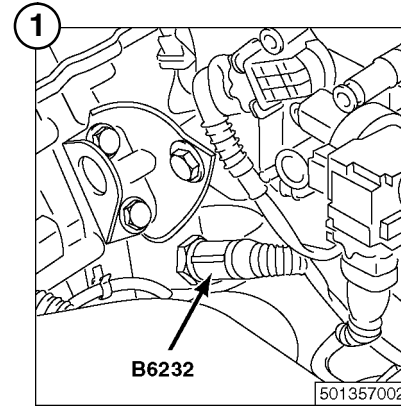
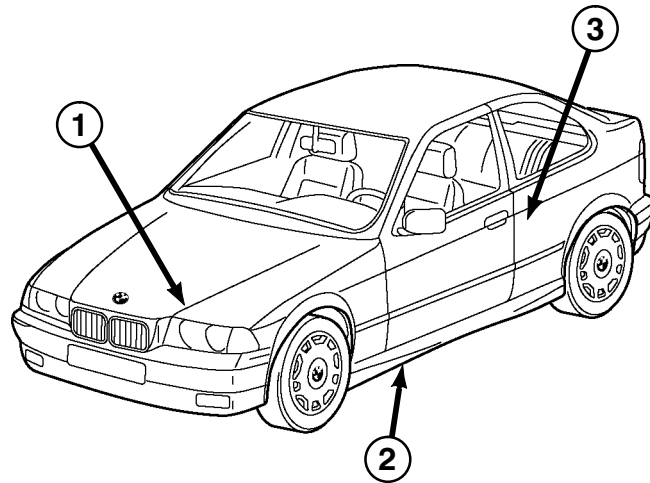
# COMPONENT LOCATION VIEWS



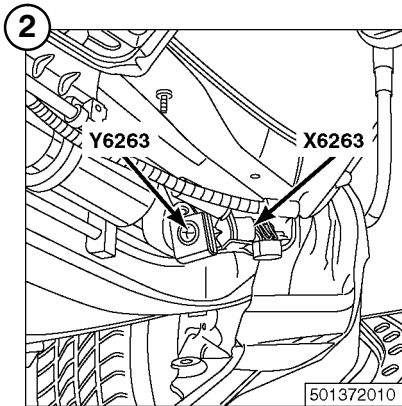
# COMPONENT LOCATION VIEWS



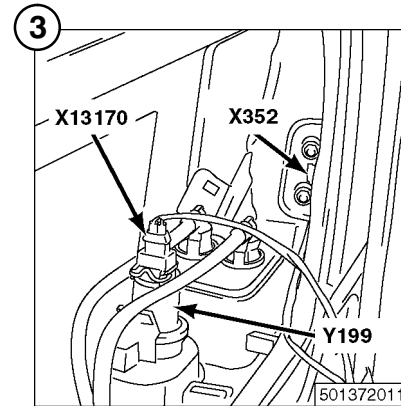
# COMPONENT LOCATION VIEWS



B6232  
ENGINE COOLANT  
TEMPERATURE  
SENSOR

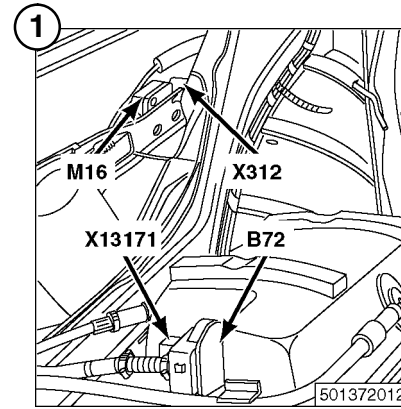
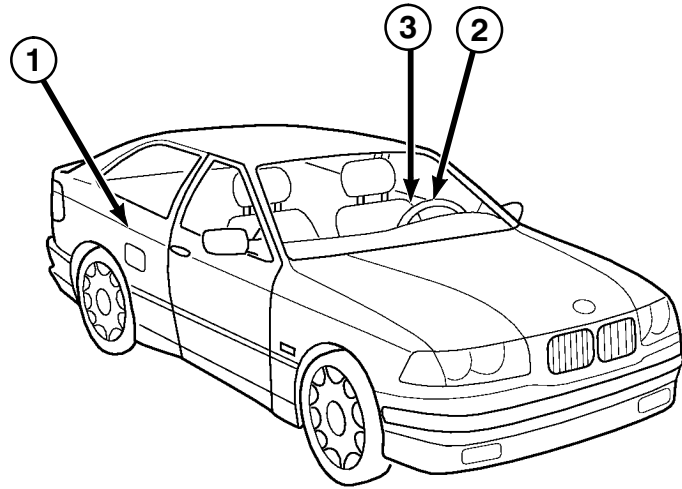


Y6263  
FUEL CHANGE-  
OVER VALVE



Y199  
CARBON  
CANISTER VALVE

# COMPONENT LOCATION VIEWS



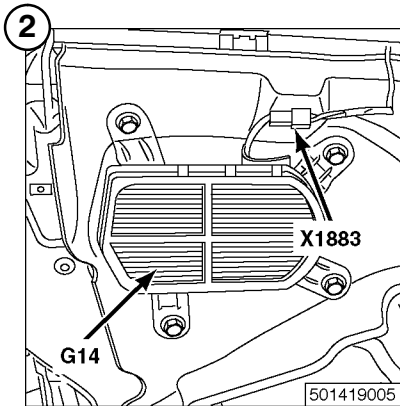
B72  
FUEL TANK  
PRESSURE  
SENSOR

M16  
GAS FILLER LOCK  
MOTOR

X312

X13171

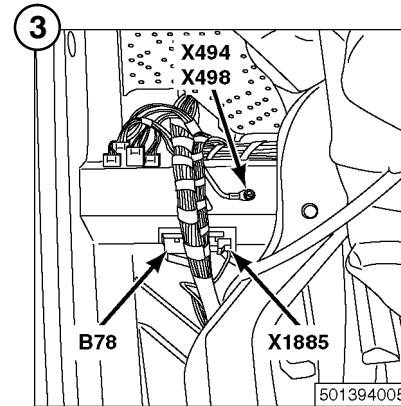
501372012



G14  
LEFT SIDE AIR BAG  
GAS GENERATOR

X1883

501419005



B78  
DRIVER'S SIDE IM-  
PACT SENSOR

X1885

X494  
GROUND

X498  
GROUND

501394005



## 8000.0 SPLICE LOCATION VIEWS

SPLICE	HARNESS	PAGE NUMBER	SPLICE	HARNESS	PAGE NUMBER
X181-X276	FRONT	8000.0-01	X7845-X7846	M44 ENGINE	8000.0-03
X428-X481	REAR	8000.0-02	X8004-X8576	M44 ENGINE	8000.0-03
X530-X595	FRONT	8000.0-01	X10007-X10090	FRONT	8000.0-01
X805	REAR	8000.0-02	X10118	REAR	8000.0-02
X818	IHKS	NOT SHOWN	X10120-X10123	FRONT	8000.0-01
X824-X830	RADIO	NOT SHOWN	X10169	M44 ENGINE	8000.0-03
X849	DRIVER'S DOOR	NOT SHOWN	X10191-X10231	FRONT	8000.0-01
X876-X877	RADIO	NOT SHOWN	X10233	IHKS	NOT SHOWN
X897	IHKS	NOT SHOWN	X10252	FRONT	8000.0-01
X906	HS/IHKS	NOT SHOWN	X10269-X10310	REAR	8000.0-02
X942	PASSENGER'S DOOR	NOT SHOWN	X11264	FRONT	8000.0-01
X1015-X1164	FRONT	8000.0-01	X11268	REAR	8000.0-02
X1167	REAR	8000.0-02	X11282-X11284	FRONT	8000.0-01
X1168-X1192	FRONT	8000.0-01	X11291-X11380	REAR	8000.0-02
X1212-X1214	REAR	8000.0-02	X11381	FRONT	8000.0-01
X1225	FRONT	8000.0-01	X13000	FRONT	8000.0-01
X1226	REAR	8000.0-02	X13002-X13011	REAR	8000.0-02
X1233	FRONT	8000.0-01	X13021-X13115	FRONT	8000.0-01
X1234-1238	REAR	8000.0-02	X13118-X13173	REAR	8000.0-02
X1258	FRONT	8000.0-01	X13279	IHKS	NOT SHOWN
X1263	REAR	8000.0-02	X13282	FRONT	8000.0-01
X1387-X1396	REAR	8000.0-02	X13289	REAR	8000.0-02
X1541-X1542	FRONT	8000.0-01	X13300-X13304	FRONT	8000.0-01
X1682-X1693	FRONT	8000.0-01	X13309	REAR	8000.0-02
X1896	REAR	8000.0-02	X13311-X13313	FRONT	8000.0-01
X6410-X6411	M44 ENGINE	8000.0-03	X16809-X17319	RADIO	NOT SHOWN
X6460-X6492	M44 ENGINE	8000.0-03	X18165	FRONT	8000.0-01
X6820-X6900	M44 ENGINE	8000.0-03	X18782	HS	NOT SHOWN





# SPLICE LOCATION VIEWS

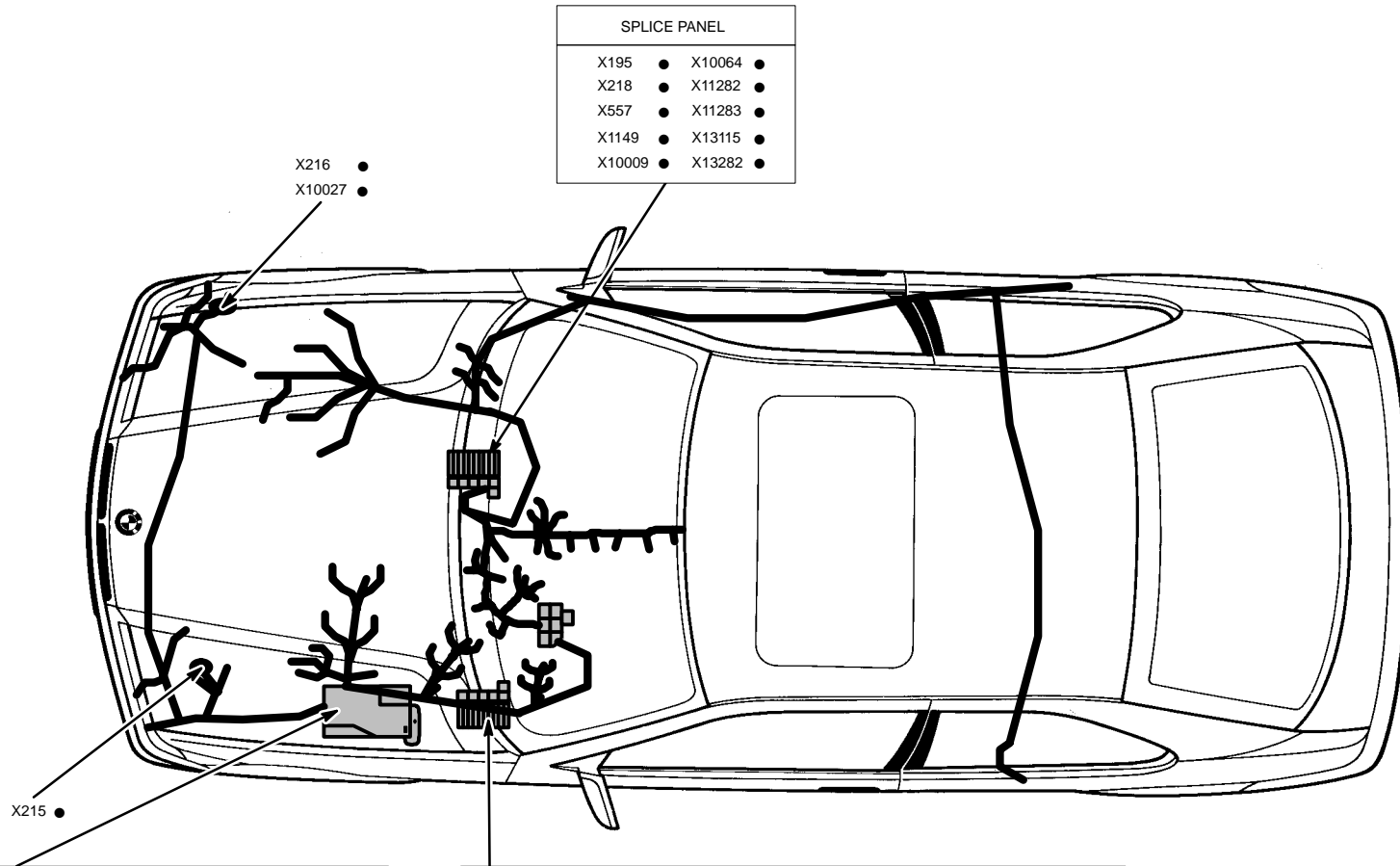
---

SPLICE	HARNESS	PAGE NUMBER
X18783-X18784	FRONT	8000.0-01
X19513	RADIO	NOT SHOWN



# SPLICE LOCATION VIEWS

## FRONT HARNESS



SPLICE PANEL			
X195	●	X10064	●
X218	●	X11282	●
X557	●	X11283	●
X1149	●	X13115	●
X10009	●	X13282	●

X216 ●  
X10027 ●

X215 ●

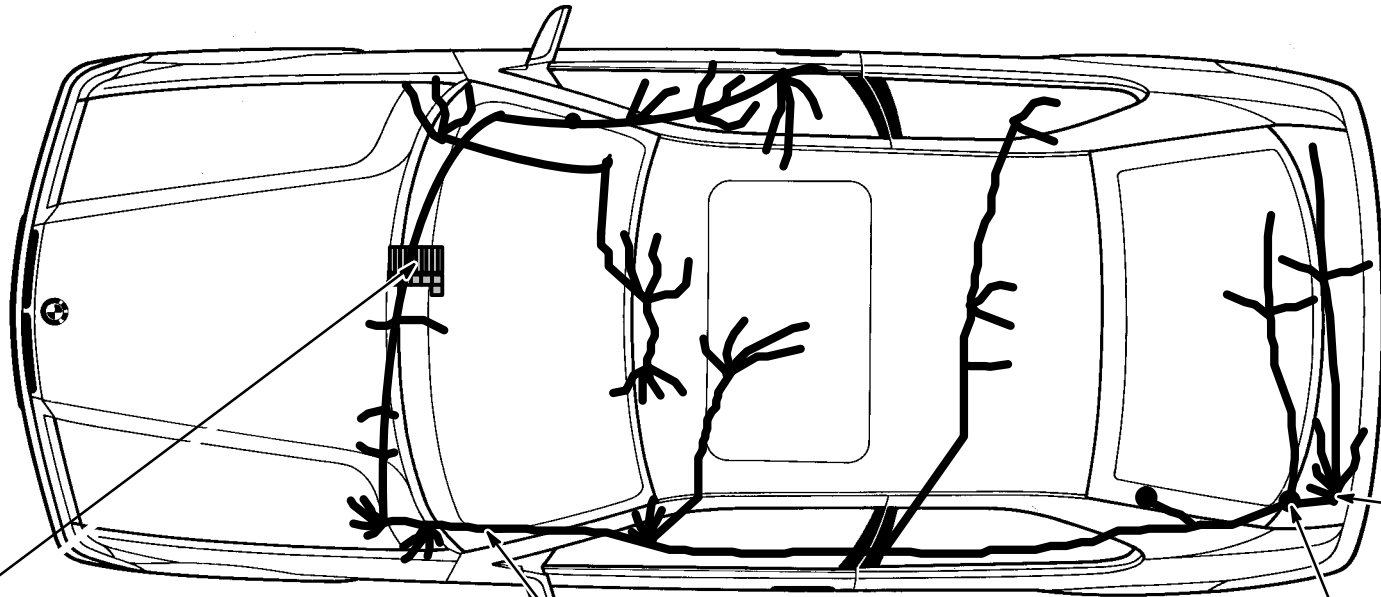
SPLICE PANEL													
X184	●	X245	●	X1027	●	X1077	●	X1186	●	X10022	●	X13300	●
X185	●	X246	●	X1028	●	X1152	●	X1192	●	X10029	●	X13302	●
X186	●	X276	●	X1036	●	X1163	●	X1233	●	X10055	●	X18783	●
X187	●	X530	●	X1055	●	X1164	●	X1541	●	X10100	●	X18784	●
X203	●	X595	●	X1068	●	X1168	●	X10007	●	X10192	●		
X223	●	X1015	●	X1073	●	X1172	●	X10020	●	X11284	●		
X238	●	X1022	●	X1076	●	X1177	●	X10021	●	X13000	●		

SPLICE PANEL													
X181	●	X228	●	X1079	●	X1542	●	X10011	●	X10120	●	X13021	●
X182	●	X1019	●	X1080	●	X1682	●	X10024	●	X10123	●	X13311	●
X183	●	X1029	●	X1085	●	X1686	●	X10028	●	X10191	●	X13312	●
X188	●	X1047	●	X1169	●	X1687	●	X10060	●	X10231	●	X13313	●
X191	●	X1065	●	X1179	●	X1689	●	X10061	●	X10252	●	X18165	●
X196	●	X1066	●	X1182	●	X1691	●	X10090	●	X11264	●		
X197	●	X1067	●	X1225	●	X1693	●	X10103	●	X11381	●		
X213	●	X1069	●	X1258	●	X10008	●	X10104	●				



# SPLICE LOCATION VIEWS

## REAR HARNESS



SPLICE PANEL					
X441	●	X455	●	X1236	●
X442	●	X456	●	X1237	●
X443	●	X460	●	X1238	●
X444	●	X462	●	X1263	●
X445	●	X475	●	X1387	●
X449	●	X481	●	X1396	●
X450	●	X1212	●	X1896	●
X453	●	X1235	●	X10118	●
X454	●			X13002	●
				X13003	●
				X13005	●
				X13010	●
				X13011	●
				X11269	●
				X11291	●
				X11380	●
				X13118	●
				X13127	●
				X13129	●
				X13132	●
				X13168	●
				X13173	●
				X13289	●
				X13309	●

- X805
- X1167
- X1214
- X1234

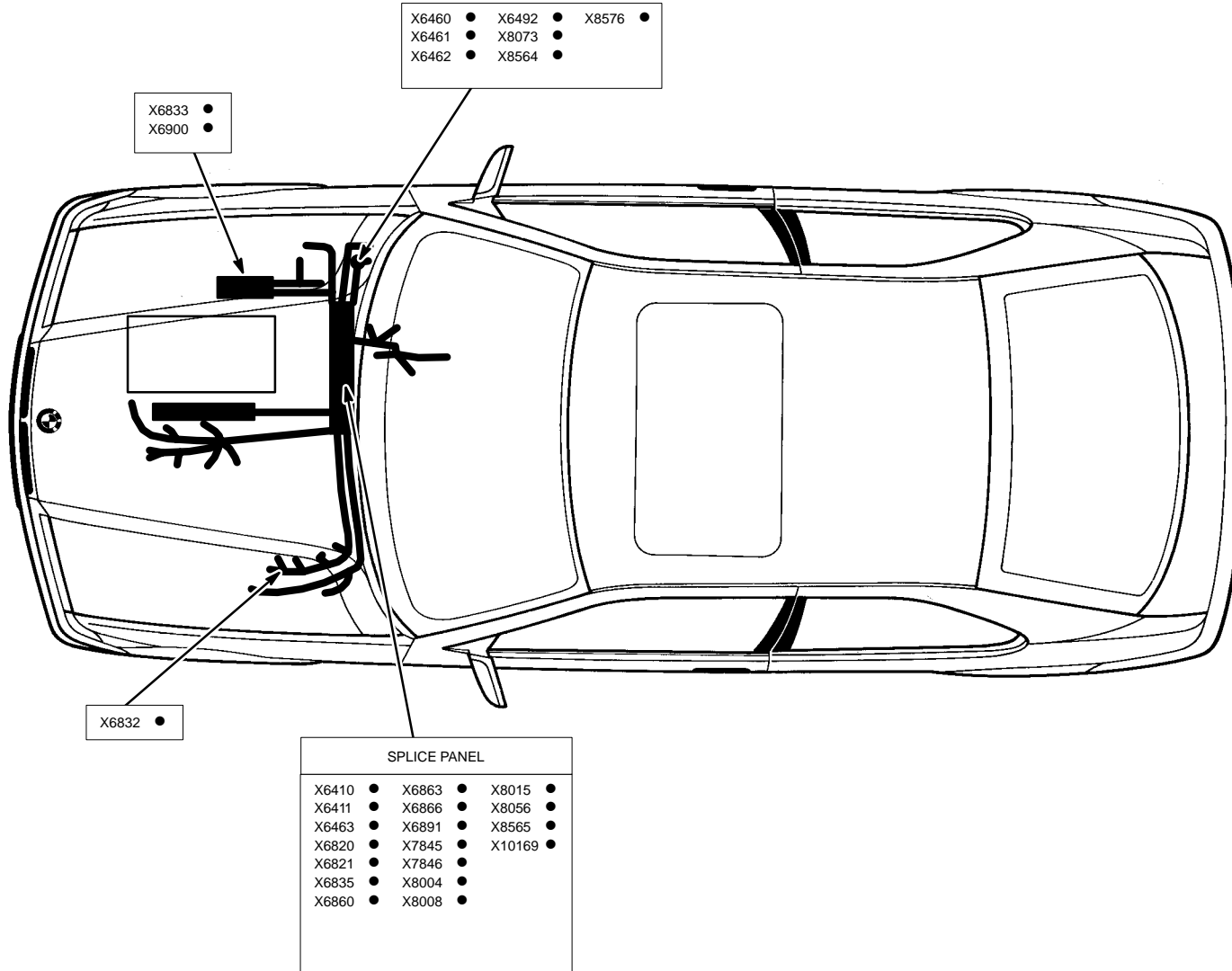
- X1226
- X13007

- X428
- X461
- X11268



# SPLICE LOCATION VIEWS

## ENGINE HARNESS

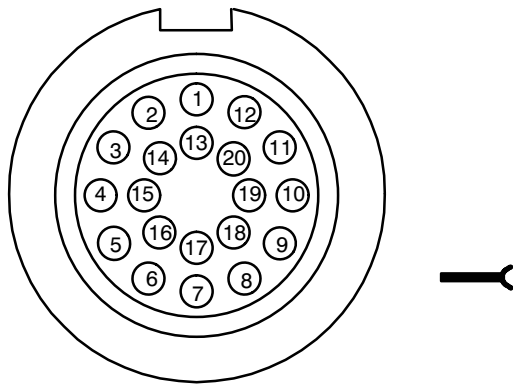




# 8500.0 CONNECTOR VIEWS

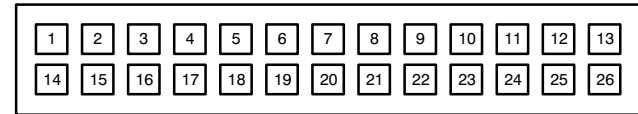
**FIG. 1**

B200003.02



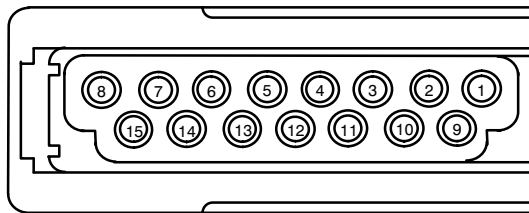
**FIG. 2**

B260005.01



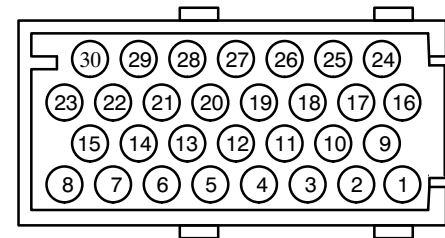
**FIG. 3**

B150003.00



**FIG. 4**

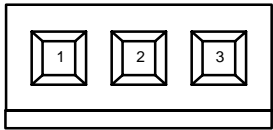
B300001.00



# CONNECTOR VIEWS

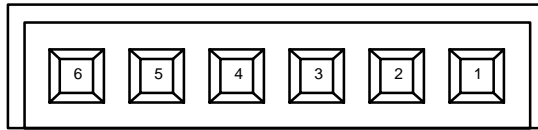
**FIG. 1**

B030024



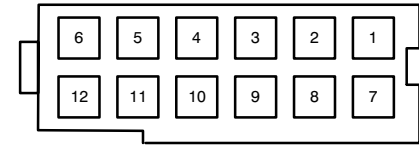
**FIG. 2**

B060042



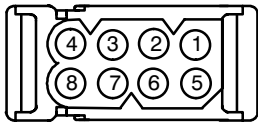
**FIG. 3**

B120001.00



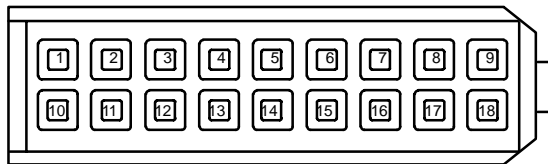
**FIG. 4**

B080002.00



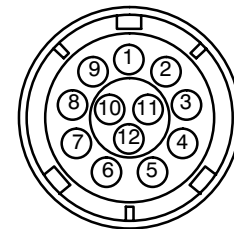
**FIG. 5**

B180000.00



**FIG. 6**

B120015



# CONNECTOR VIEWS

FIG. 1

B060046.00

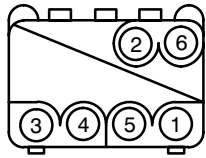


FIG. 2

B170001.00

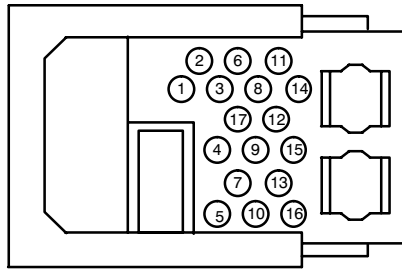


FIG. 3

B100008.00

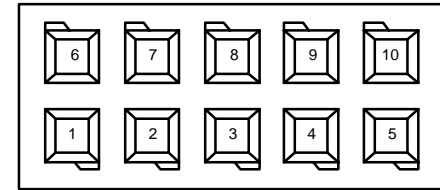


FIG. 4

B120004.01

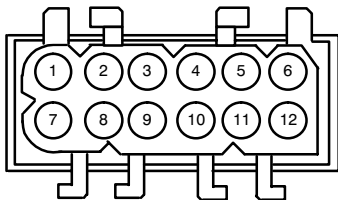


FIG. 5

B050005.00

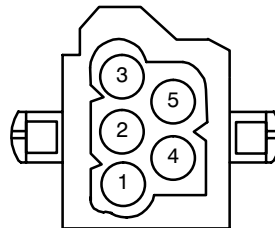
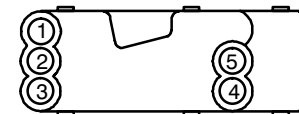


FIG. 6

B050003.00



# CONNECTOR VIEWS

FIG. 1

B040004.00

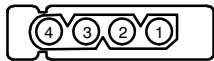


FIG. 2

B030018.02

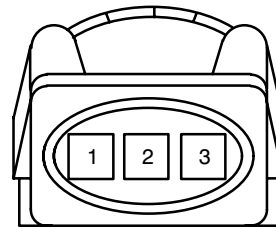


FIG. 3

B080001.00

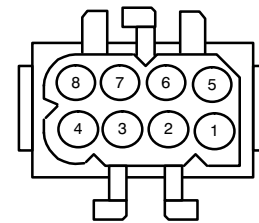


FIG. 4

B090002.00

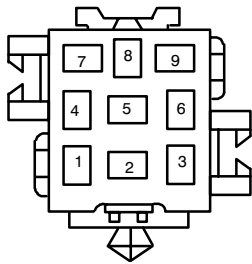


FIG. 5

B210002.00

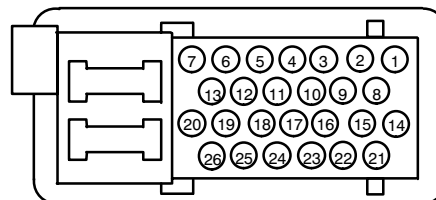
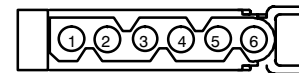


FIG. 6

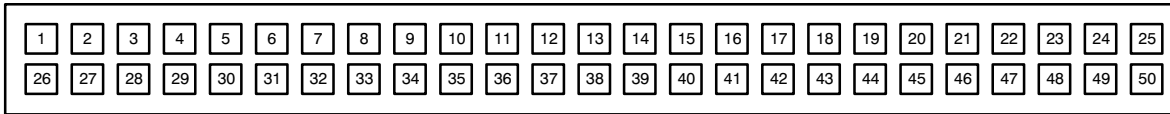
B060001.02





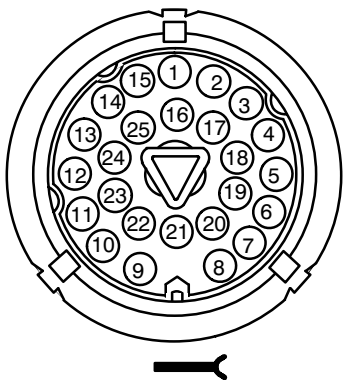
**FIG. 1**

B500000.00



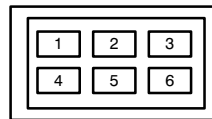
**FIG. 2**

B250001.01



**FIG. 3**

B060019.02



**FIG. 4**

B030029.00

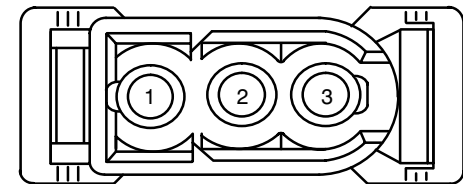


FIG. 1

B880001.00

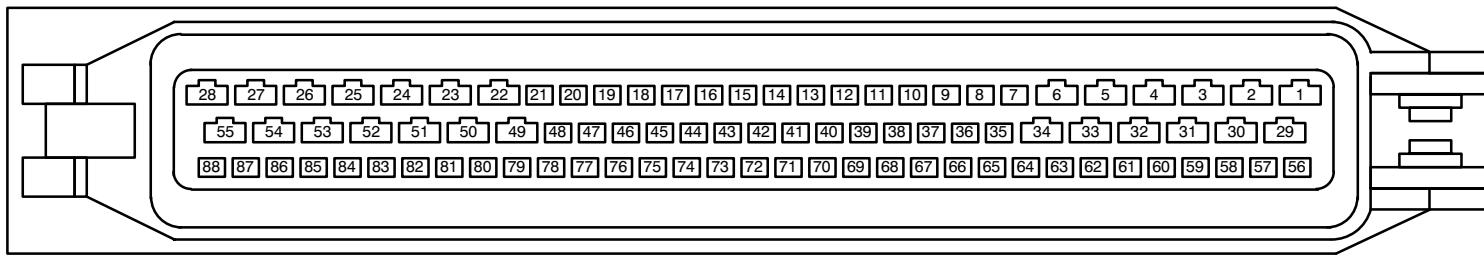


FIG. 2

B070013.00

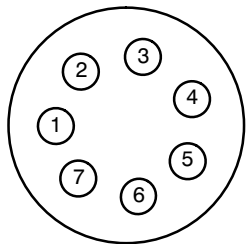


FIG. 3

B030006.00

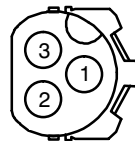
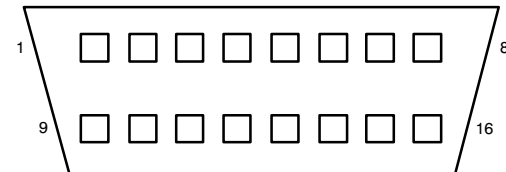


FIG. 4

B160002.00



# CONNECTOR VIEWS

FIG. 1

B040023.03

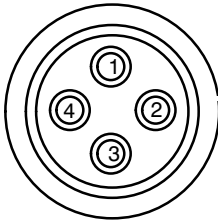


FIG. 2

B030003.02



FIG. 3

B040029.01

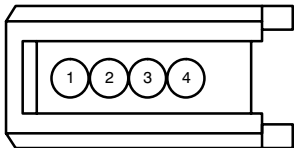


FIG. 4

B030025.00

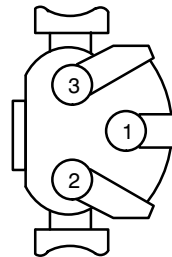


FIG. 5

B060041.00

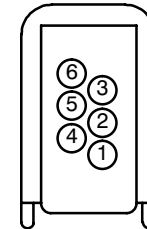


FIG. 1

B040026

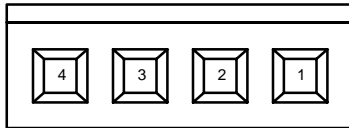


FIG. 2

B030036.01

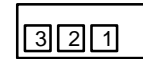
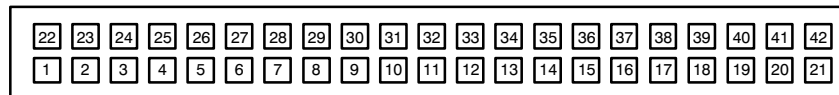


FIG. 3

B420000.00



# CONNECTOR VIEWS

FIG. 1

B040027.00

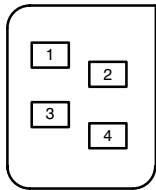


FIG. 2

B070012.00

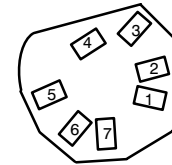


FIG. 3

B120002.02

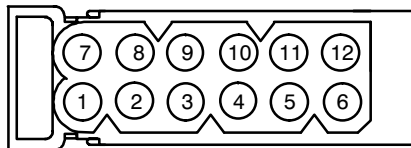


FIG. 4

B070005.00

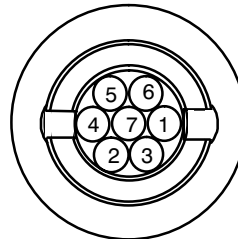
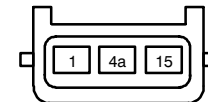


FIG. 5

B030015.08



# CONNECTOR VIEWS

FIG. 1

B030042.00

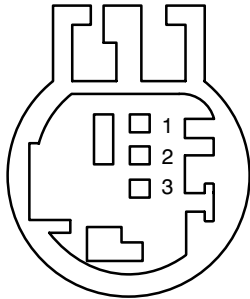


FIG. 2

B030022.00

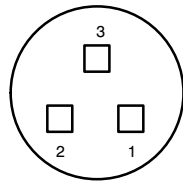


FIG. 3

B120006.00

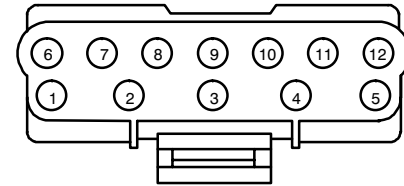


FIG. 4

B030004.01

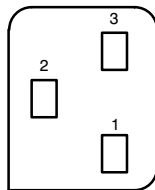


FIG. 5

B160001.00

