

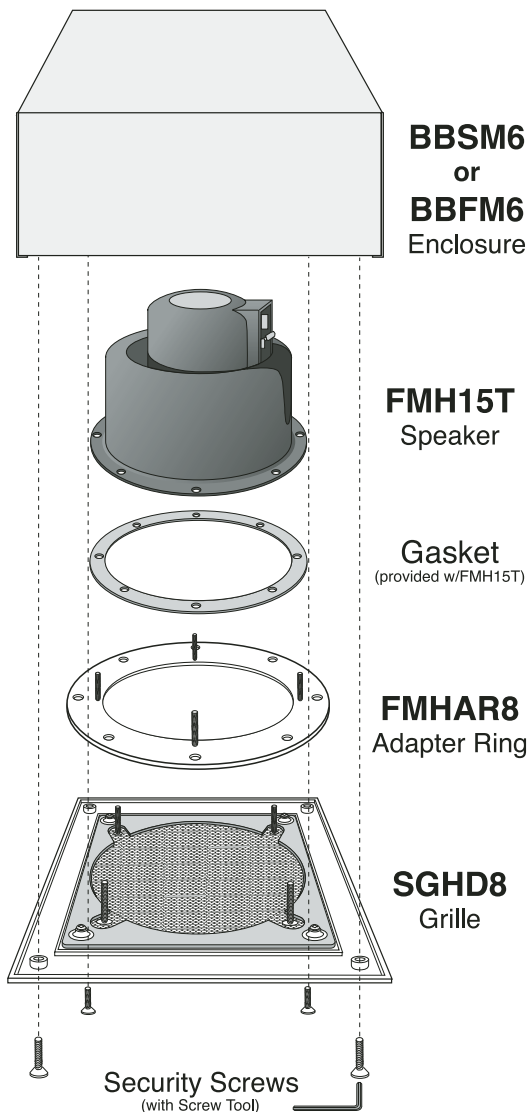


# Components Assembly

## Models BBSM6, BBFM6, FMHAR8, & SGHD8

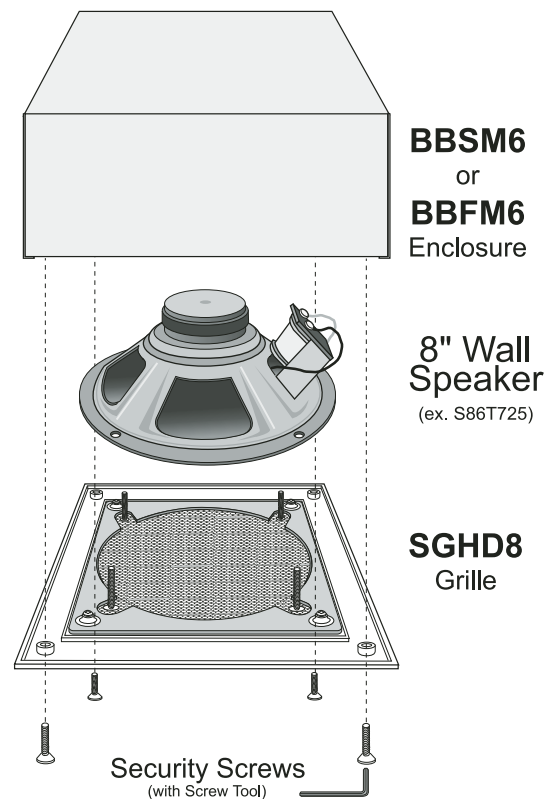
### For use with FMH15T horn loudspeaker

- 1) Place gasket supplied with FMH15T onto FMHAR8 Adapter Ring over the studs. Then mount FMH15T to FMHAR8 Adapter Ring, sliding flange hole over adapter ring studs and secure with nuts supplied with adapter ring.
- 2) Slide FMH15T/FMHAR8 assembly over studs in SGHD8 Grille and secure with nuts supplied with grille.
- 3) Mount BBSM6 or BBFM6 enclosure as necessary.
- 4) Use 4 white security screws and tool supplied with SGHD8 Grille to mount the speaker/grille assembly onto the enclosure.



### For use with 8" cone loudspeakers

- 1) Slide 8" cone speaker over studs in SGHD8 Grille and secure with nuts supplied with grille.
- 2) Mount BBSM6 or BBFM6 enclosure as necessary.
- 3) Use 4 white security screws and tool supplied with SGHD8 Grille to mount the speaker/grille assembly onto the enclosure.



## Limited Warranty

The BBSM6, BBFM6, FMHAR8, and SGHD8 are warranted to be free from defects in material or workmanship for two (2) years from the date of sale to the original purchaser. Any part of the product covered by this warranty that, with normal installation and use, becomes defective will be repaired or replaced by Bogen, at our option, provided the product is shipped insured and prepaid to: Bogen Factory Service Department, 50 Spring Street, Ramsey, NJ 07446, USA. The product will be returned to you freight prepaid. This warranty does not extend to any of our products that have been subjected to abuse, misuse, improper storage, neglect, accident, improper installation or have been modified or repaired or altered in any manner whatsoever, or where the serial number or date code has been removed or defaced.

**THE FOREGOING LIMITED WARRANTY IS BOGEN'S SOLE AND EXCLUSIVE WARRANTY AND THE PURCHASER'S SOLE AND EXCLUSIVE REMEDY. BOGEN MAKES NO OTHER WARRANTIES OF ANY KIND, EITHER EXPRESS OR IMPLIED, AND ALL IMPLIED WARRANTIES OF MERCHANTABILITY OR FITNESS FOR A PARTICULAR PURPOSE ARE HEREBY DISCLAIMED AND EXCLUDED TO THE MAXIMUM EXTENT ALLOWABLE BY LAW.** Bogen's liability arising out of the manufacture, sale or supplying of products or their use or disposition, whether based upon warranty, contract, tort or otherwise, shall be limited to the price of the product. In no event shall Bogen be liable for special, incidental or consequential damages (including, but not limited to, loss of profits, loss of data or loss of use damages) arising out of the manufacture, sale or supplying of products, even if Bogen has been advised of the possibility of such damages or losses. Some States do not allow the exclusion or limitation of incidental or consequential damages, so the above limitation or exclusion may not apply to you. This warranty gives you specific legal rights, and you may also have other rights which vary from State to State.

Products that are out of warranty will also be repaired by the Bogen Factory Service Department -- same address as above or call 201-934-8500. The parts and labor involved in these repairs are warranted for 90 days when repaired by the Bogen Factory Service Department. All shipping charges in addition to parts and labor charges will be at the owner's expense. All returns require a Return Authorization number.

08/10/2004

**BOGEN<sup>®</sup>**  
**COMMUNICATIONS, INC.**

50 Spring Street, Ramsey, NJ 07446, U.S.A.  
201-934-8500; Fax: 201-934-9832  
[www.bogen.com](http://www.bogen.com)