



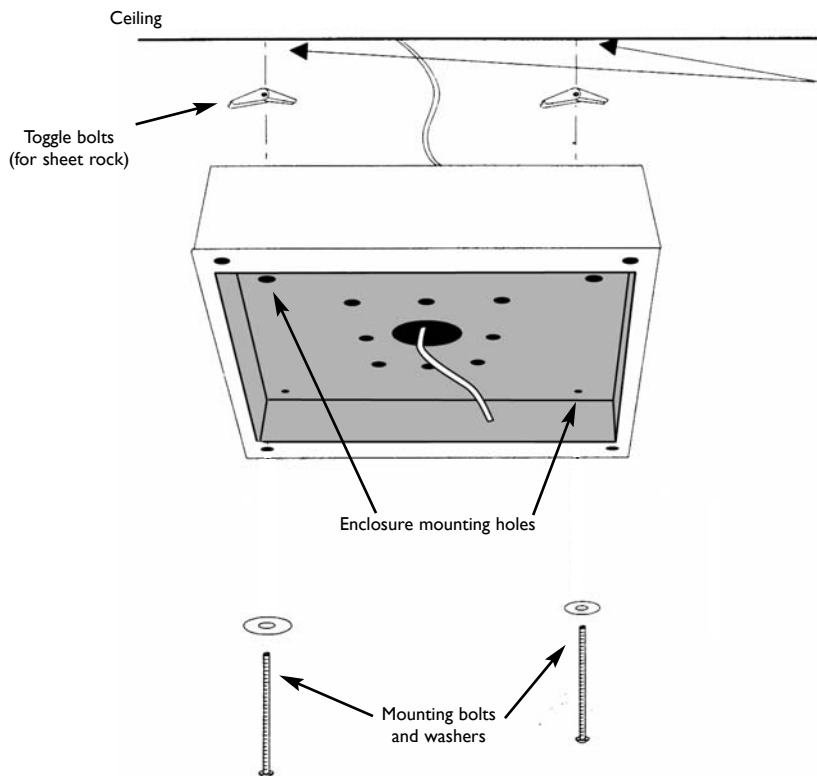
# MB8TSL, MB8TSQ, MB8TSLVR, MB8TSQVR

## 70V/25V Metal Box Speakers

For Surface Mounting to Walls and Ceilings

### Installation Instructions

1. Determine where the speaker(s) will be mounted. Ensure power is not connected to speaker wires prior to installation. Follow all local safety and building codes and route speaker wires to desired wall or ceiling location. Pull approximately 12" of wire through opening in mounting surface.
2. Pull speaker wire through the back of the large opening of the speaker enclosure. Using the supplied mounting hardware, secure the enclosure to the mounting surface. Note that two toggle bolt/screws (for sheet rock surfaces) and two wood screws (for securing to solid wood/beams) have been included. Utilize the two washers (supplied) as shown in *Figure 1* with either toggle bolts, wood screws, or other user supplied hardware.



Use two of the enclosure mounting holes as a template (diagonally opposed), and mark screw hole locations. If toggle bolts will be used, drill two, 1/2" diameter holes in the mounting surface, otherwise drill a hole appropriate for hardware being used.

Figure 1 - Sheet rocked ceiling mount example

### Package Contents:

- Back box enclosure
- Two crimp-type connectors
- Two wood screws
- Four 1" screws for attaching grille assembly
- Grille with speaker assembly
- Two toggle bolt/screws
- Two washers

- Attach the speaker wires to the appropriate transformer tap wires (See Figure 2 and chart below).

Connect the desired power tap wire (use supplied crimp-type connector) to the (+) side of the paging system.

Connect the (-) side of the paging system (use supplied crimp-type connector) to the black common lead.

The speaker will also work perfectly well with these connections reversed. However, it is important to be consistent in the wiring of the speakers in the system. If adjacent speakers have reversed wiring connections, they will tend to cancel each other's bass response, diminishing the sound quality.

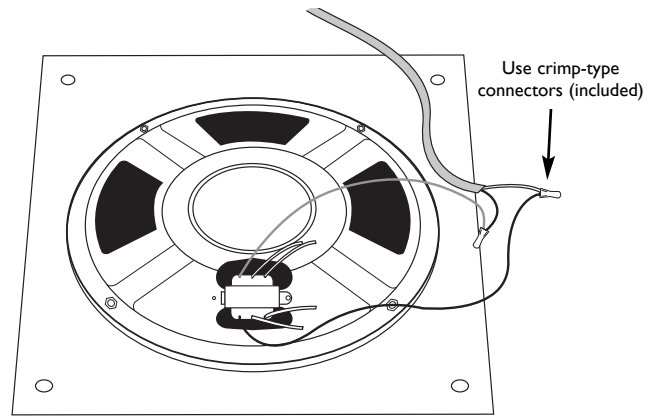


Figure 2

		Amp Voltage	
		70V	25V
Wire Color	BLACK	COMMON	
	BROWN	DO	4W
	RED	NOT	2W
	ORANGE	USE	1W
	YELLOW	4W	1/2W
	GREEN	2W	1/4W
	BLUE	1W	1/8W
	VIOLET	1/2W	—
	GREY	1/4W	—
	WHITE	1/8W	—

- Individually clip each tip of exposed wire on the unused power taps and place them neatly around the speaker housing. This will ensure that unused tap leads will not cause shorting problems.
- Secure the speaker/faceplate assembly to the mounted enclosure. Use four 1" screws (included). See Figure 3.
- Speaker volume can be attenuated via front panel recessed volume control (VR versions only).

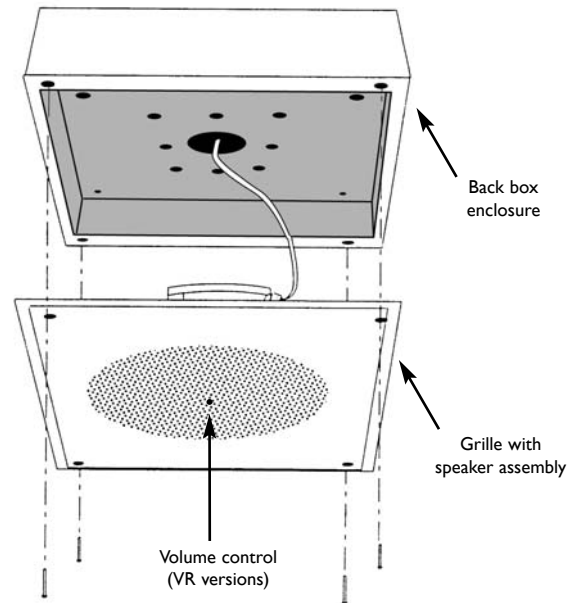


Figure 3

## Limited Warranty

The MB8TSL, MB8TSQ, MB8TSLVR, and MB8TSQVR are warranted to be free from defects in material or workmanship for two (2) years from the date of sale to the original purchaser. Any part of the product covered by this warranty that, with normal installation and use, becomes defective will be repaired or replaced by Bogen, at our option, provided the product is shipped insured and prepaid to: Bogen Factory Service Department, 50 Spring Street, Ramsey, NJ 07446, USA. The product will be returned to you freight prepaid. This warranty does not extend to any of our products that have been subjected to abuse, misuse, improper storage, neglect, accident, improper installation or have been modified or repaired or altered in any manner whatsoever, or where the serial number or date code has been removed or defaced.

**THE FOREGOING LIMITED WARRANTY IS BOGEN'S SOLE AND EXCLUSIVE WARRANTY AND THE PURCHASER'S SOLE AND EXCLUSIVE REMEDY. BOGEN MAKES NO OTHER WARRANTIES OF ANY KIND, EITHER EXPRESS OR IMPLIED, AND ALL IMPLIED WARRANTIES OF MERCHANTABILITY OR FITNESS FOR A PARTICULAR PURPOSE ARE HEREBY DISCLAIMED AND EXCLUDED TO THE MAXIMUM EXTENT ALLOWABLE BY LAW.** Bogen's liability arising out of the manufacture, sale or supplying of products or their use or disposition, whether based upon warranty, contract, tort or otherwise, shall be limited to the price of the product. In no event shall Bogen be liable for special, incidental or consequential damages (including, but not limited to, loss of profits, loss of data or loss of use damages) arising out of the manufacture, sale or supplying of products, even if Bogen has been advised of the possibility of such damages or losses. Some States do not allow the exclusion or limitation of incidental or consequential damages, so the above limitation or exclusion may not apply to you. This warranty gives you specific legal rights, and you may also have other rights which vary from State to State.

Products that are out of warranty will also be repaired by the Bogen Factory Service Department -- same address as above or call 201-934-8500. The parts and labor involved in these repairs are warranted for 90 days when repaired by the Bogen Factory Service Department. All shipping charges in addition to parts and labor charges will be at the owner's expense. All returns require a Return Authorization number.

08/10/2004

**BOGEN®**  
COMMUNICATIONS, INC.

50 Spring Street, Ramsey, NJ 07446, U.S.A.  
201-934-8500; Fax: 201-934-9832  
www.bogen.com