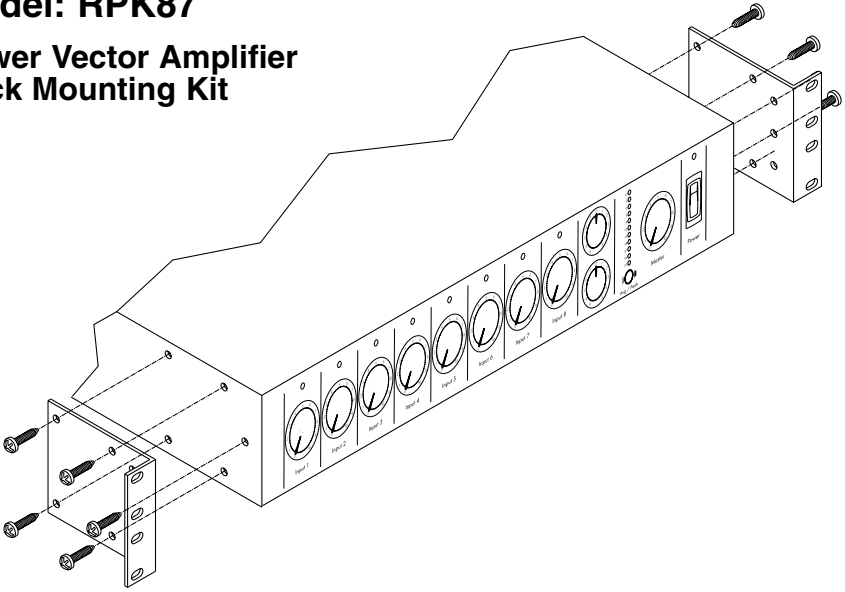


Model: RPK87

Power Vector Amplifier Rack Mounting Kit



Installation

Power Vector amplifiers may be mounted in 19" racks using the RPK87 rack mounting kit. After having attached the rack ears, place the amplifier into the rack and secure it to the rack with appropriate hardware (not included).

To Attach the Rack Ears:

1. If any feet have been attached to the bottom of the amplifier, remove them before proceeding.
2. Remove and save the five cover screws from the chassis of the amplifier.
3. Position the rack ears as shown in the drawing above.
4. Replace and tighten the cover screws to secure the rack attachments.