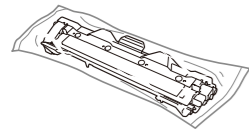
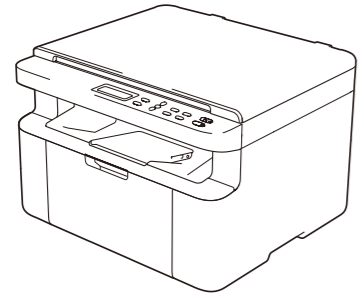
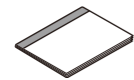


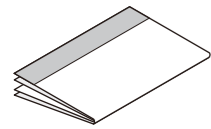
1 检查组件 Checking the components



墨粉盒¹
Toner cartridge¹



使用说明书
User's Guide



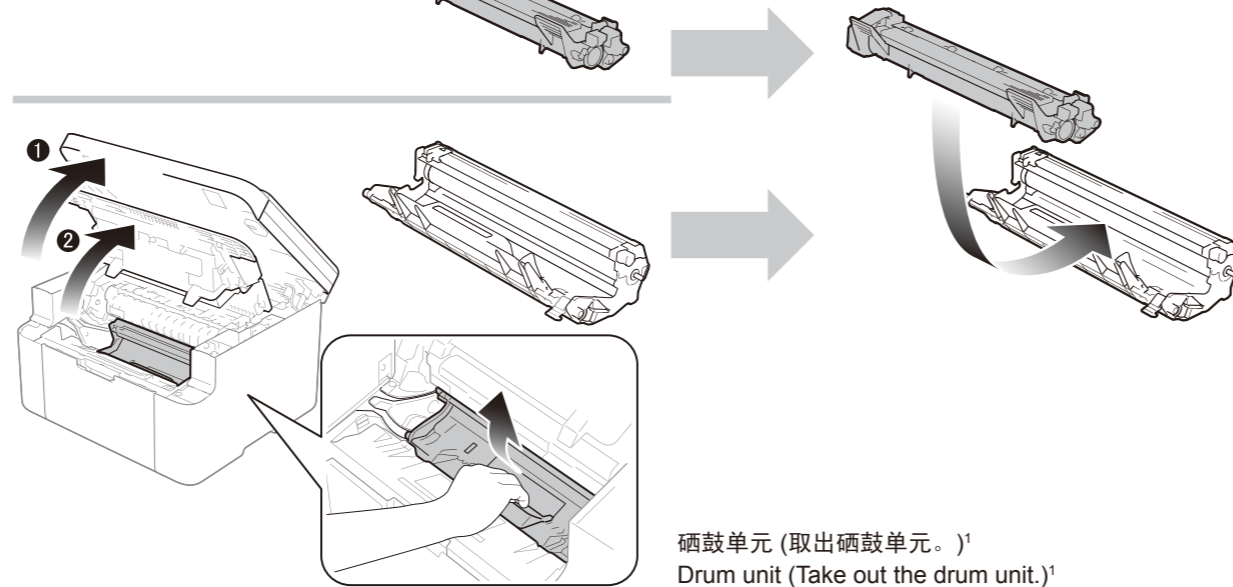
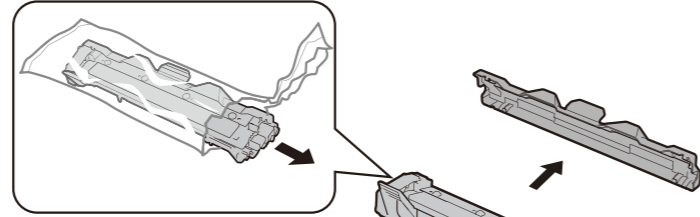
快速安装指南
Quick Setup Guide



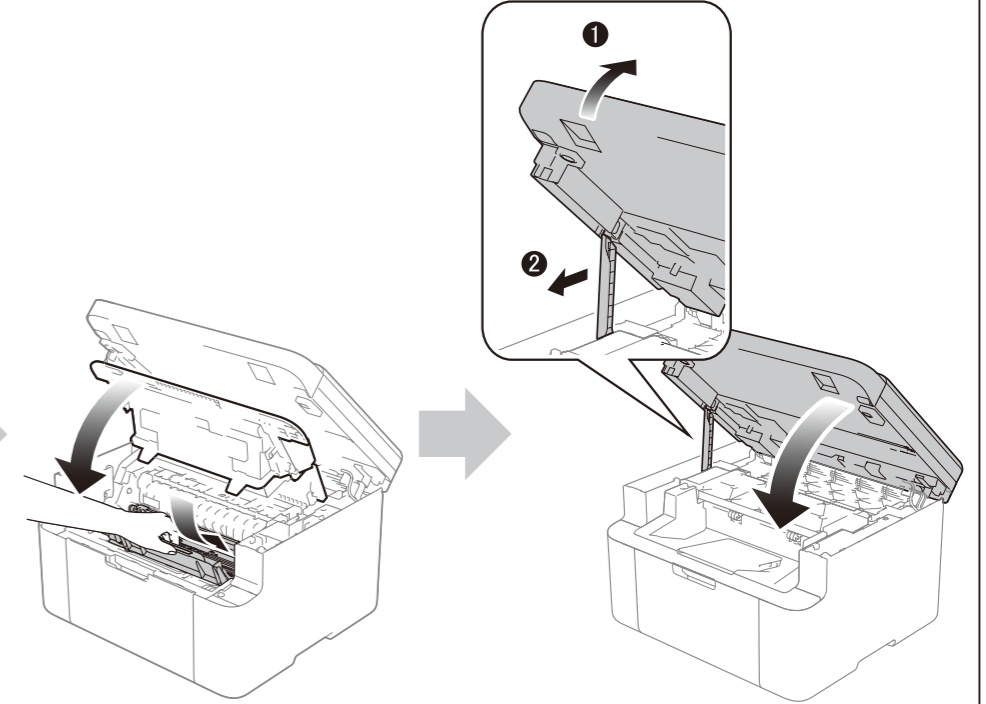
产品安全手册
Product Safety Guide



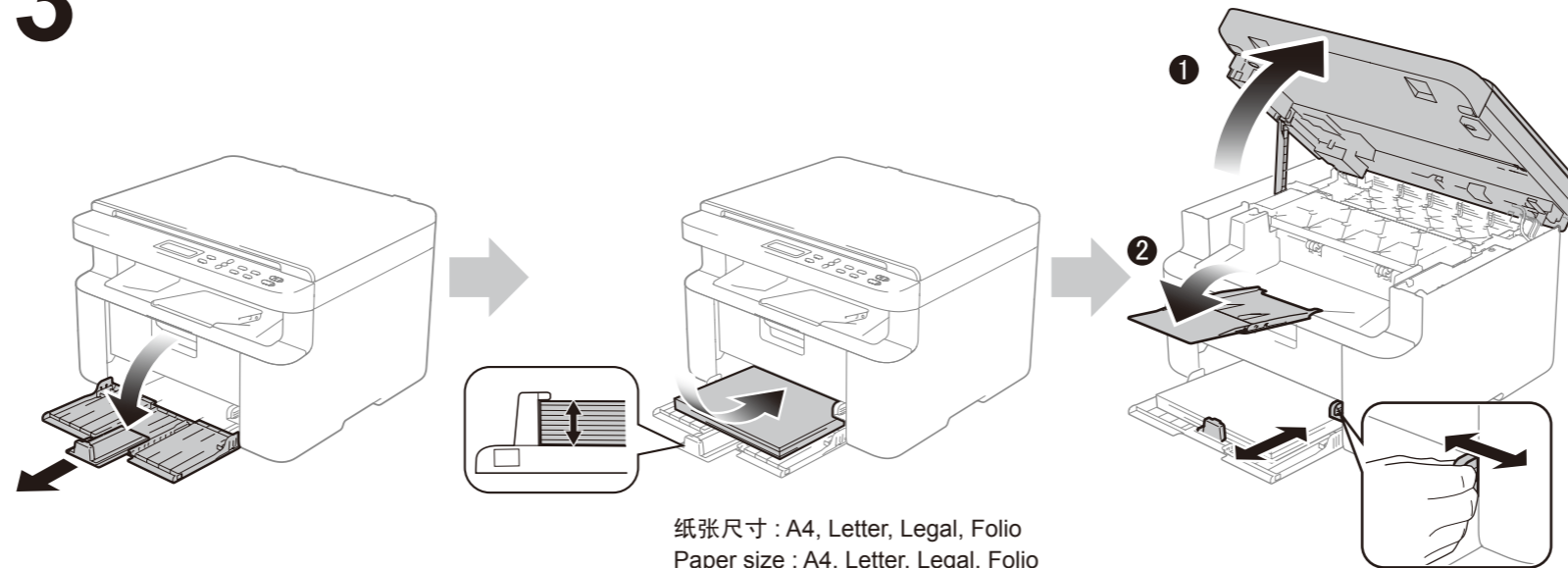
2 安装硒鼓和墨粉盒 / Installing the toner and drum



硒鼓单元 (取出硒鼓单元。)¹
Drum unit (Take out the drum unit.)¹



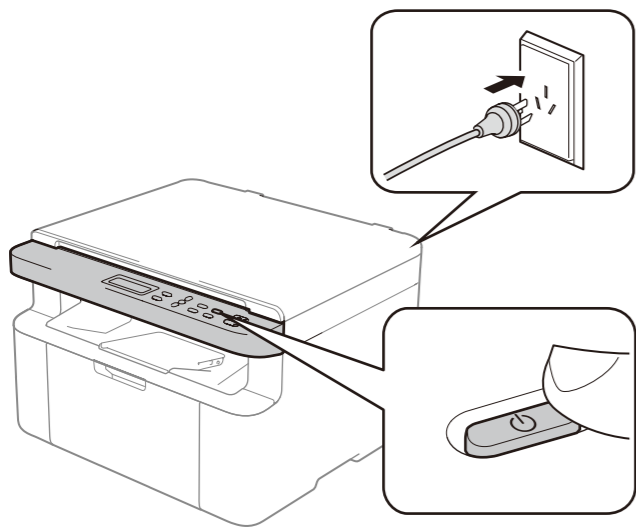
3 装入纸张 / Loading paper



纸张尺寸 : A4, Letter, Legal, Folio
Paper size : A4, Letter, Legal, Folio



4 设置国家和语言(设备默认语言为中文) / Setting your country and language (The machine shows Chinese as default)



初始化时, 可能需要设置您所在的国家并选择所需语言 (具体取决于产品型号)。如有需要, 请遵循屏幕提示完成设置。

At initialization, you may be required to set your country and / or choose your language (depending on your product). If required, follow the on-screen instructions.

若要使用菜单键设置语言 (如有需要) 和任何其他设置或信息
To set your language using the menu keys (if needed) and any other settings or information

使用说明书
User's Guide

5 安装完整的驱动程序和软件包 (MFL-Pro Suite) / Installing the full driver and software package (MFL-Pro Suite)

Windows®



请遵循屏幕提示完成安装。
Please follow the on-screen instructions to complete the setup.

(仅适用于 Windows® 8)

使用 Adobe® Reader® 打开随机光盘上的 PDF 说明书。

如果安装了 Adobe® Reader® 却无法打开 PDF 文件, 请在控制面板中将 “.pdf” 文件关联更改为 “Adobe® Reader®”。

(For Windows® 8 only)

Use Adobe® Reader® to open the PDF manuals on the CD-ROM.

If Adobe® Reader® is installed but you cannot open the files, change the “.pdf” file association to “Adobe® Reader®” from the control panel.

Windows® (不带 CD 光驱) 或 Macintosh / Windows® (without a CD drive) or Macintosh

可登录 Brother Solutions Center (Brother 解决方案中心) 网站 <http://solutions.brother.com/> 或 <http://www.95105369.com/> 下载驱动程序、软件和说明书。
You can download the driver, software and manuals by visiting the Brother Solutions Center at <http://solutions.brother.com/> or <http://www.95105369.com/>.