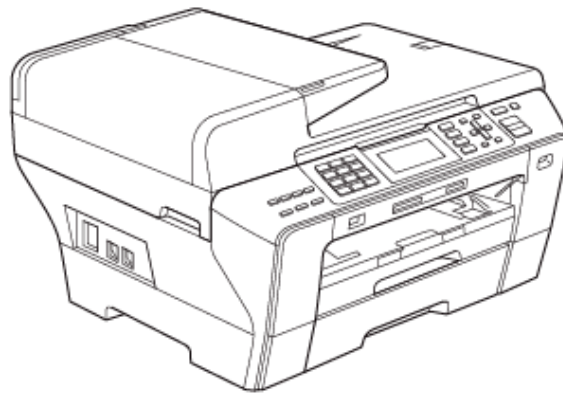




Inkjet DCP/MFC **PARTS REFERENCE LIST**

**MODEL: MFC-6490CW
MFC-6890CDW
DCP-6690CW**



Read this list thoroughly before maintenance work.

Keep this list in a convenient place for quick and easy reference at all times.

NOTE FOR USING THIS PARTS REFERENCE LIST

1. In the case of ordering parts, it is necessary to mention the following items;

- (1) Code
- (2) Q'ty
- (3) Description
- (4) Symbol (PCB No. etc)

Note: Orders without Parts Code or Tool No. can not be accepted.

< Example >

REF.NO.	(1) CODE	(2) Q'TY	(3) DESCRIPTION	(4) SYMBOL	REMARK

2. Design-changed parts :

If any of the parts is changed, one of the following symbols is indicated in the REMARK column.

CHG(chg) : The parts is changed to a new parts.

ADD(add) : The parts is newly added.

DEL(del) : The parts is deleted.

Symbol in capital letters indicates the latest parts change information in the page.

3. Parts change will be informed by the Parts change information.

4. Parts are subject to change in design without prior notice.

COUNTRIES

U.S.A ---- US

CANADA ---- CAN

GERMANY ---- GER

UNITED KINGDOM ---- UK

FRANCE ---- FRA

BELGUIM ---- BEL

NETHERLAND ---- NLD

SWITZERLAND ---- CHE

AUSTRIA ---- AUS

SPAIN ---- SPA

ITALY ---- ITA

ISRAEL ---- ISR

PORTUGAL ---- POR

CHINA ---- CHN

ARGENTINA --- ARG

ASIA (SINGAPORE & GULF) ---- ASA

RUSSIA ---- RUS

GENERAL ---- GNR

OCEANIA (AUSTRALIA/NEW ZEALAND) ---- OCE

PAN NORDIC

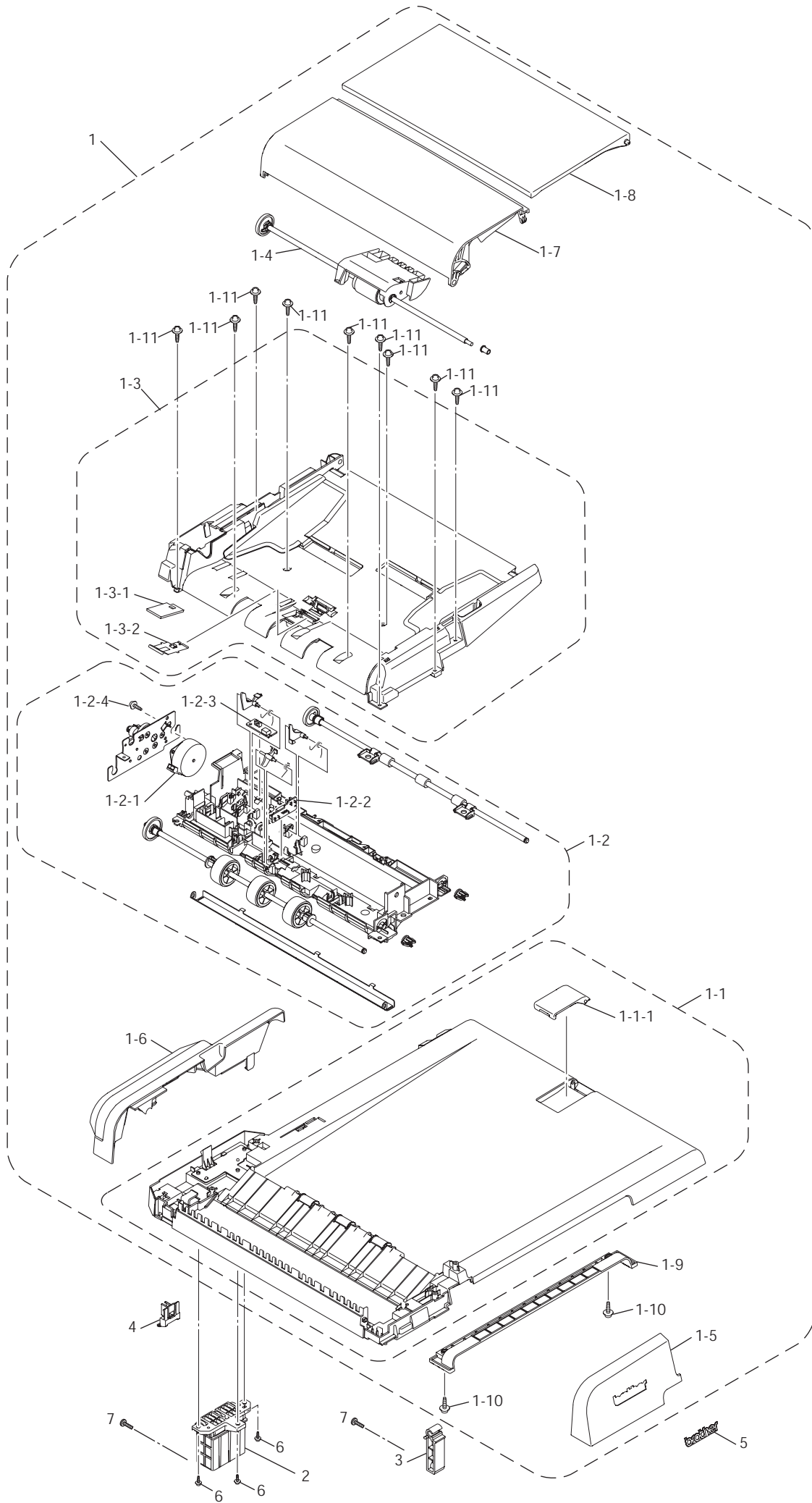
(NORWAY/FINLAND/DENMARK/SWEDEN) ---- PND

IBERIA (SPAIN & PORTUGAL) ---- IBR

CONTENTS

1.	<u>ADF</u>	1
2.	<u>SCANNER</u>	3
3.	<u>ENGINE</u>	5
4.	<u>CARTRIDGE CASE</u>	7
5.	<u>HEAD</u>	9
6.	<u>PAPER TRAY</u>	11
7.	<u>LOWER TRAY</u>	13
8.	<u>COVER</u>	15
9.	<u>PANEL</u>	17
10.	<u>PCB</u>	20
11.	<u>ACCESSORIES</u>	22
12.	<u>PRINTED MATERIALS</u>	24
13.	<u>PACKAGING</u>	26
14.	<u>OTHERS</u>	28

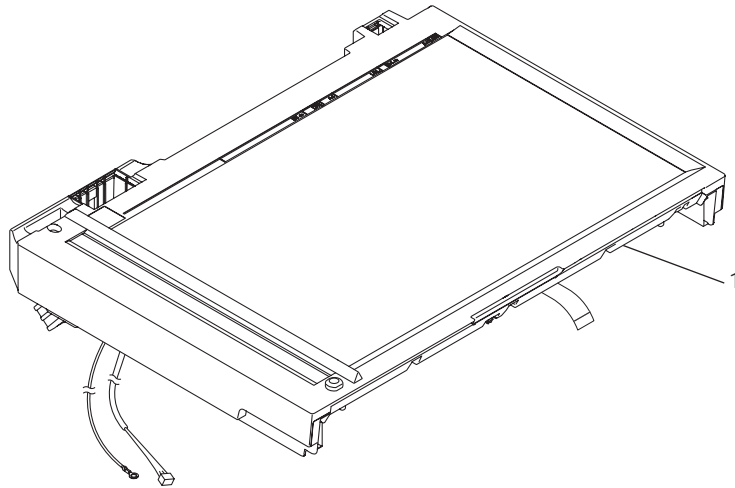
1 ADF



List1(ADF)

REF No.	CODE	QTY	DESCRIPTION	RECOMMEND	SYMBOL	REMARKS
1	LS5928001	1	ADF UNIT ASSY (SP)	√		
1-1	LS4565001	1	DOCUMENT COVER ASSY			
1-1-1	LS4574005	1	DOCUMENT STOPPER			
1-2	LX0325001	1	LOWER ADF CHUTE ASSY (SP)			chg
1-2-1	LS4586001	1	ADF MOTOR			
1-2-2	LT0293001	1	DOCUMENT SENSOR PCB ASSY		B53K964	
1-2-3	LT0297001	1	DOCUMENT WIDTH SENSOR PCB ASSY		B53K966	
1-2-4	087311016	1	TAPTITE CUP B M3X10			
1-3	LX0329001	1	UPPER ADF CHUTE ASSY (SP)			chg
1-3-1	LS4615001	1	SEPARATION RUBBER			
1-3-2	LS4617001	1	SEPERATION PLATE			
1-3-3	087311016	9	TAPTITE CUP B M3X10			DEL
1-4	LS4622001	1	DOCUMENT PULL-IN/SEPERATION ROLLER ASSY			
1-5	LS4635005	1	ADF FRONT COVER			
1-6	LS4636005	1	ADF REAR COVER			
1-7	LS4637001	1	ADF COVER ASSY			
1-8	LS4641004	1	DOCUMENT SUPPORT			
1-9	LS4642005	1	ADF HANDLE COVER			
1-10	087311016	2	TAPTITE CUP B M3X10			
1-11	087311016	9	TAPTITE CUP B M3X10			ADD
2	LS4643001	1	HINGE ARM L			
3	LS6871005	1	HINGE ARM R			chg
4	LS4644001	1	HARNESS SUPPORT			
5	LX1347001	1	EMBLEM BROTHER			chg
6	087321016	3	TAPTITE CUP S M3X10			
7	LS5772001	2	TAPTITE BIND B M4X12 M9			

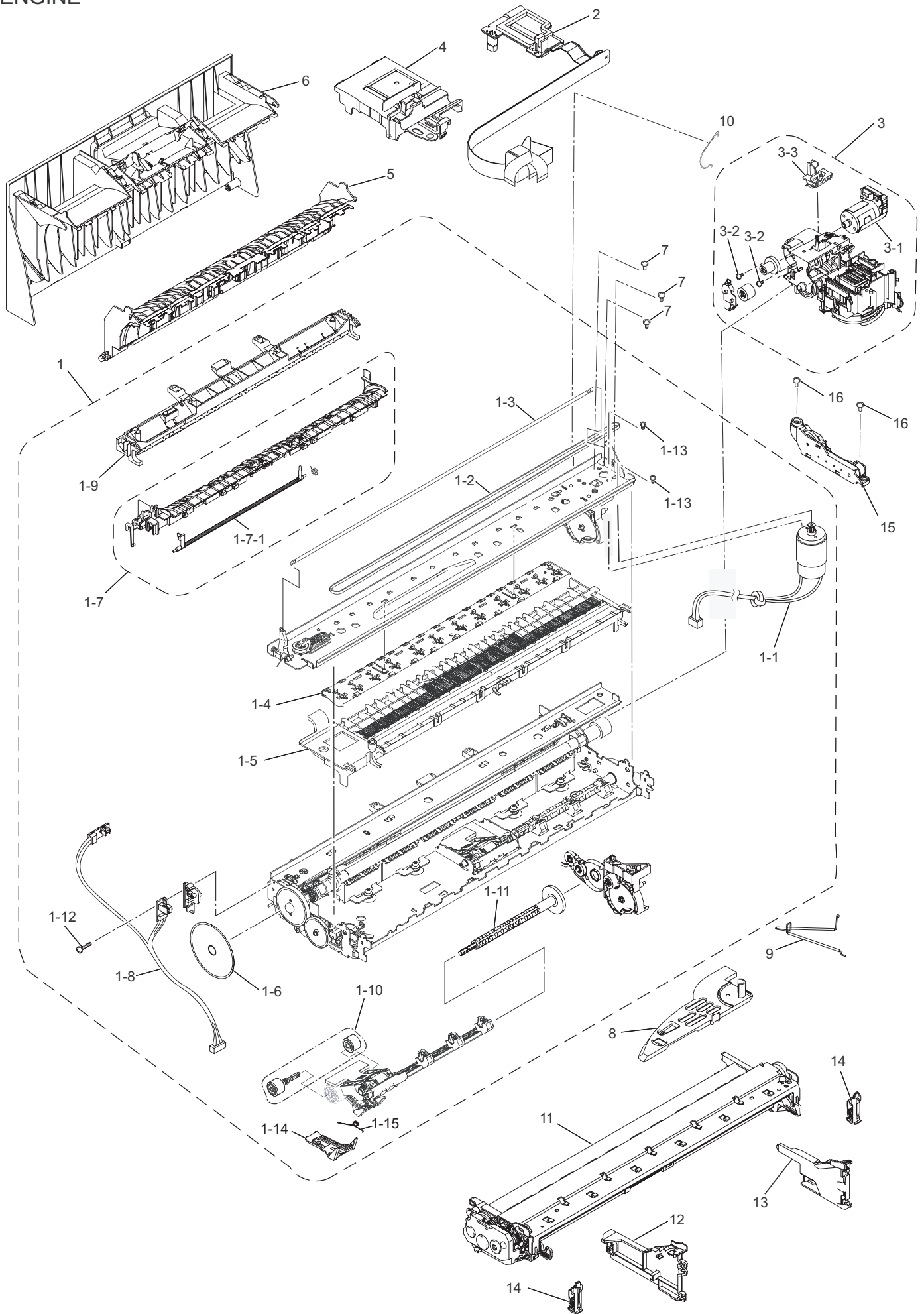
2 SCANNER



List2(SCANNER)

REF No.	CODE	Q'TY	DESCRIPTION	RECOMMEND	REMARKS
1	LS5921001	1	SCANNER UNIT ASSY (SP)	√	

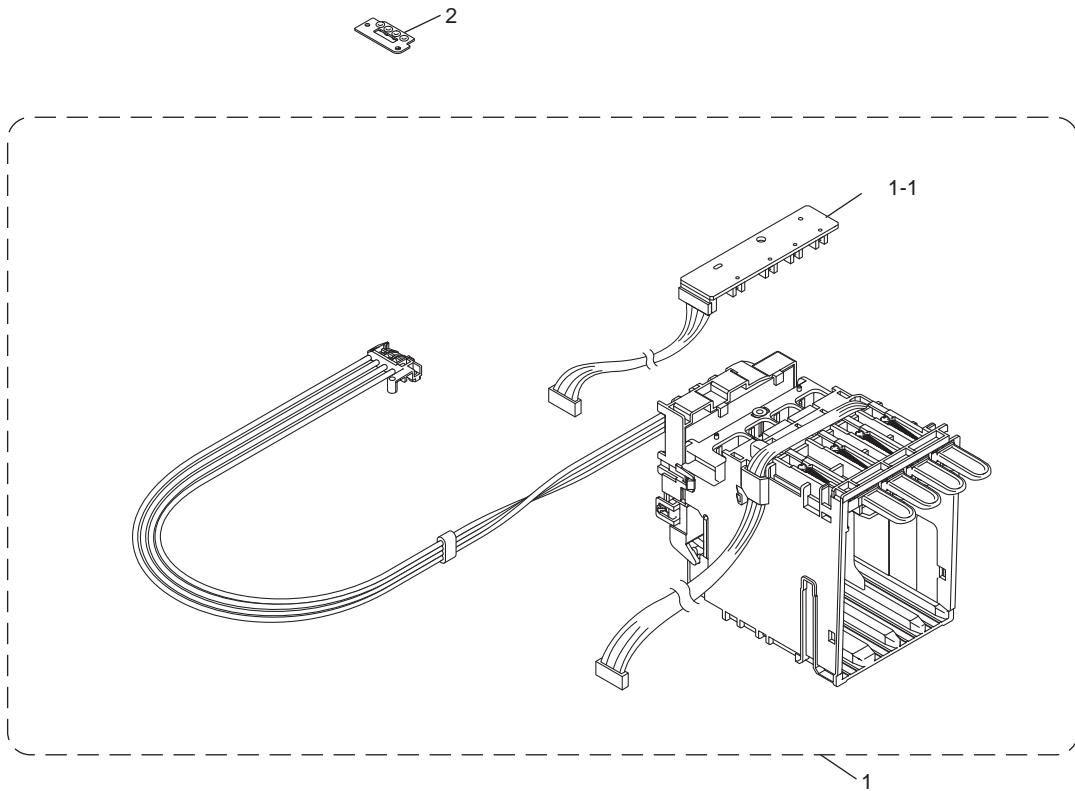
3 ENGINE



List3(ENGINE)

REF No.	CODE	QTY	DESCRIPTION	RECOMMEND	REMARKS
1	LS5936001	1	ENGINE UNIT ASSY (SP), DCP6690CW/MFC6490CW		
1	LX1017001	1	ENGINE UNIT DX ASSY (SP), MFC6890CDW		
1-1	LS4376001	1	CARRIAGE MOTOR ASSY		
1-2	LS4001001	1	TIMING BELT		
1-3	LS4379001	1	CR ENCODER STRIP		
1-4	LS4302001	1	STAR WHEEL HOLDER ASSY		
1-5	LS4305001	1	PLATEN ASSY		
1-6	LP1471001	1	PF ENCODER DISK		
1-7	LS4033001	1	INNER CHUTE ASSY		
1-7-1	LS4036001	1	REGISTRATION SENSOR ACTUATOR		
1-8	LT0350001	1	PF ENCODER/REGISTRATION SENSOR HARNESS		
1-9	LS4038005	1	SUB INNER BACK COVER		
4-10	LS4904004	4	PAPER PULL-IN ROLLER ASSY, DCP6690CW/MFC6490CW		DEL
1-10	LX0126001	1	PAPER PULL-IN ROLLER ASSY		
1-11	LS4060001	1	ASF GEAR SHAFT OUTER A3		add
1-12	000021206	1	SCREW BIND M2X12		
1-13	000300606	2	SCREW BIND M3X6		
1-14	LS4120001	1	PE ACTUATOR 9 ASSY, DCP6690CW/MFC6490CW		ADD
1-15	LS4075001	1	PE ACTUATOR SPRING, DCP6690CW/MFC6490CW		ADD
2	LS5946001	1	CARRIAGE PCB UNIT ASSY (SP)		
3	LS5945001	1	MAINTENANCE UNIT ASSY (SP), DCP6690CW/MFC6490CW		
3	LX1019001	1	MAINTENANCE UNIT DX ASSY (SP), MFC6890CDW		
3-1	LS4091001	1	ASF MOTOR ASSY		
3-2	LS4375001	2	SCREW PAN (S/P WASHER) M3X5		
3-3	LS4098001	1	SWITCHING LEVER GUIDE		
4	LS4383001	1	HEAD COVER ASSY		
5	LS4040001	1	INNER BACK COVER, DCP6690CW/MFC6490CW		
5	LS6600001	1	INNER BACK DX COVER, MFC6890CDW		
6	LS4054001	1	OUTER BACK COVER		
7	087311016	3	TAPTITE CUP B M3X10		
8	LS4386001	1	TUBE SUPPORT PLATE		
9	LS4387001	1	TUBE SUPPORT WIRE		
10	LS5775001	1	EARTH SPRING		add
11	LS5205001	1	DUPLEX UNIT, MFC6890CDW		
12	LS5268005	1	DX INNER COVER L, MFC6890CDW		
13	LS5269005	1	DX INNER COVER R, MFC6890CDW		
14	LS5259001	2	DX SPRING LOCK, MFC6890CDW		
15	LS5262001	1	LINK GEAR HOLDER DX ASSY, MFC6890CDW		
16	087311016	2	TAPTITE CUP B M3X10		

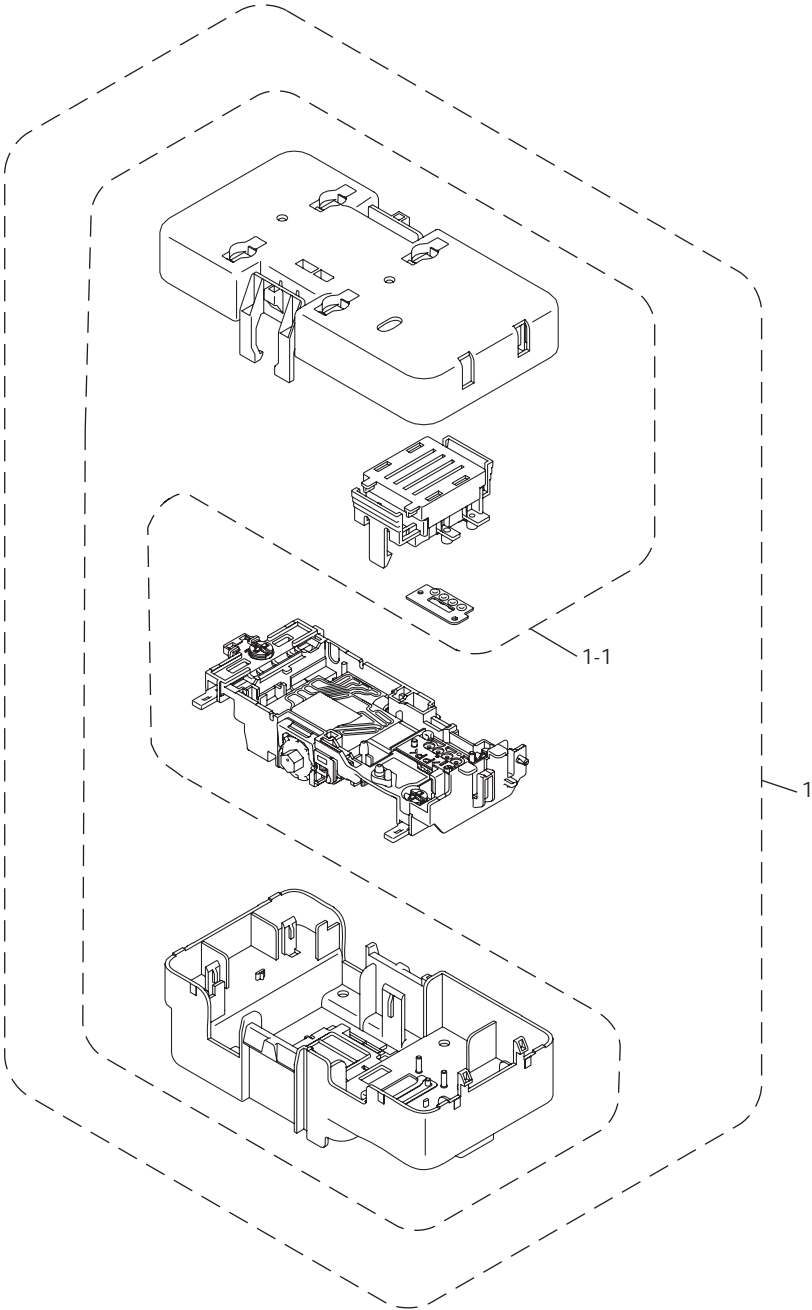
4 CARTRIDGE CASE



List4(CARTRIDGE CASE)

REF No.	CODE	QTY	DESCRIPTION	RECOMMEND	SYMBOL	REMARKS
1	LK3552001	1	INK REFILL ASSY (SP)	√		
1-1	LK3329001	1	INK CARTRIDGE DETECTION SENSOR PCB		B57C002	ADD
2	LK3555001	1	HEAD JOINT RUBBER (SP)			chg

5 HEAD

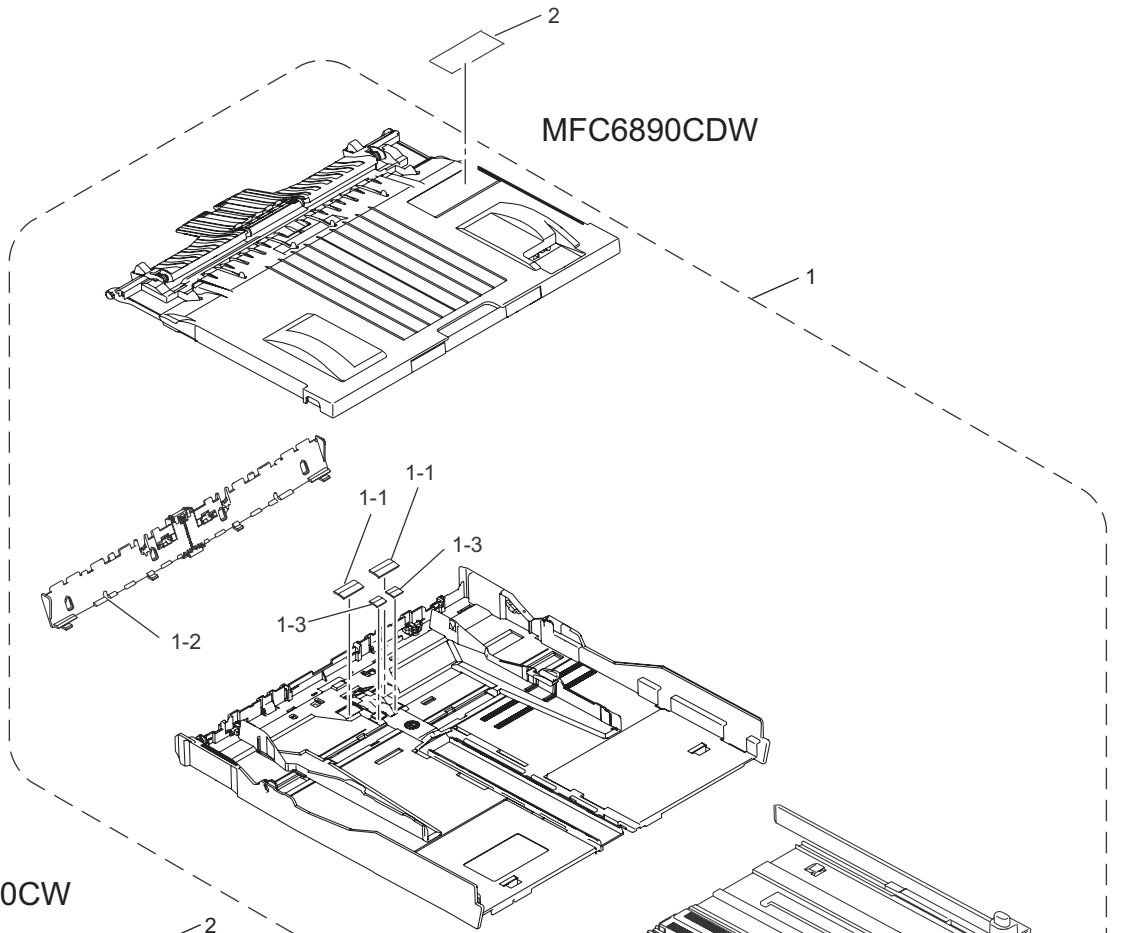


List5(HEAD)

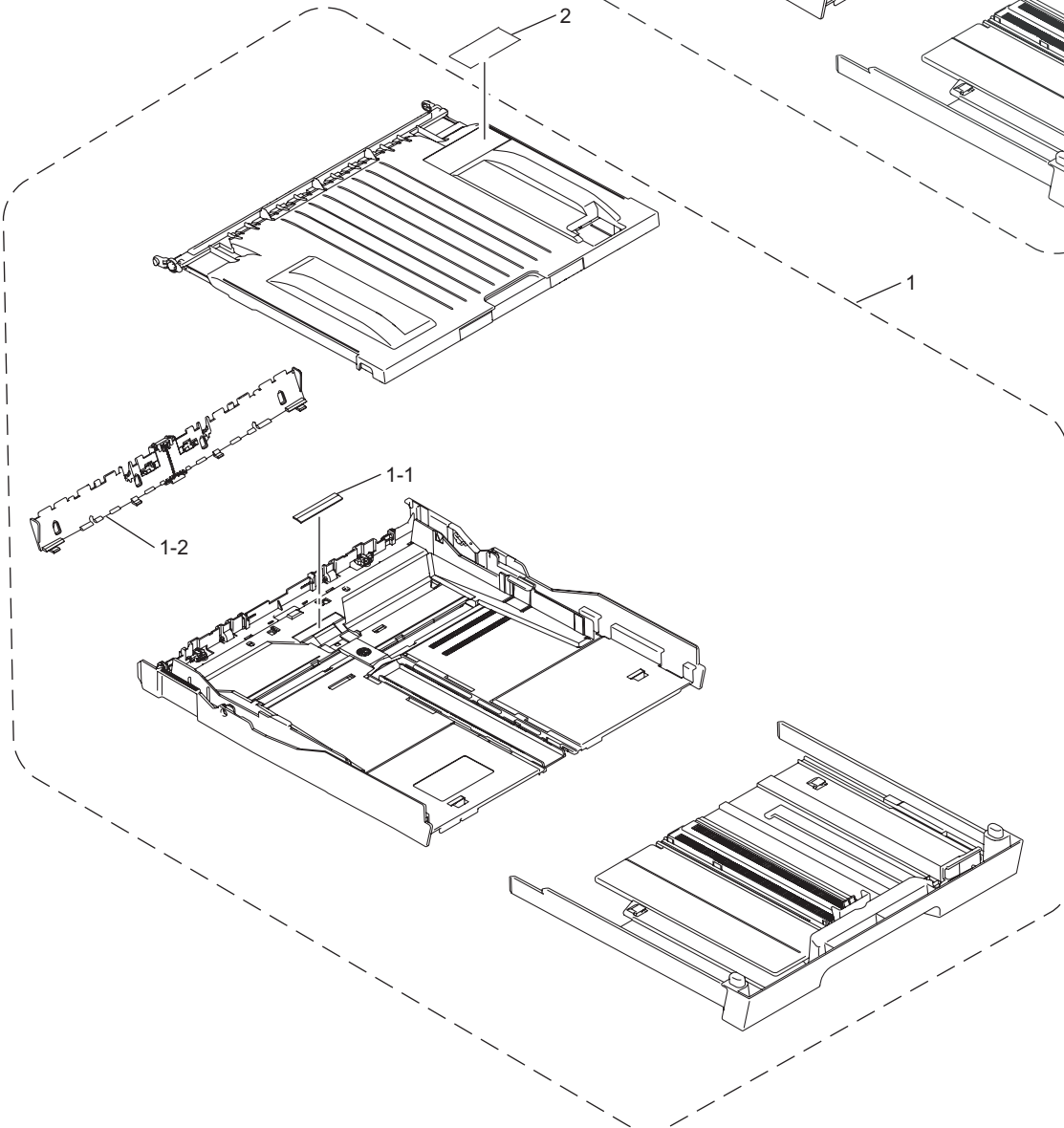
REF No.	CODE	Q'TY	DESCRIPTION	RECOMMEND	REMARKS
1	LK3197001	1	HEAD/CARRIAGE UNIT SUPPLY ASSY (without CARRIAGE PCB ASSY)		
1-1	LK3215001	1	PROTECTOR PARTS SUPPLY ASSY(SP)		

6 PAPER TRAY

MFC6890CDW



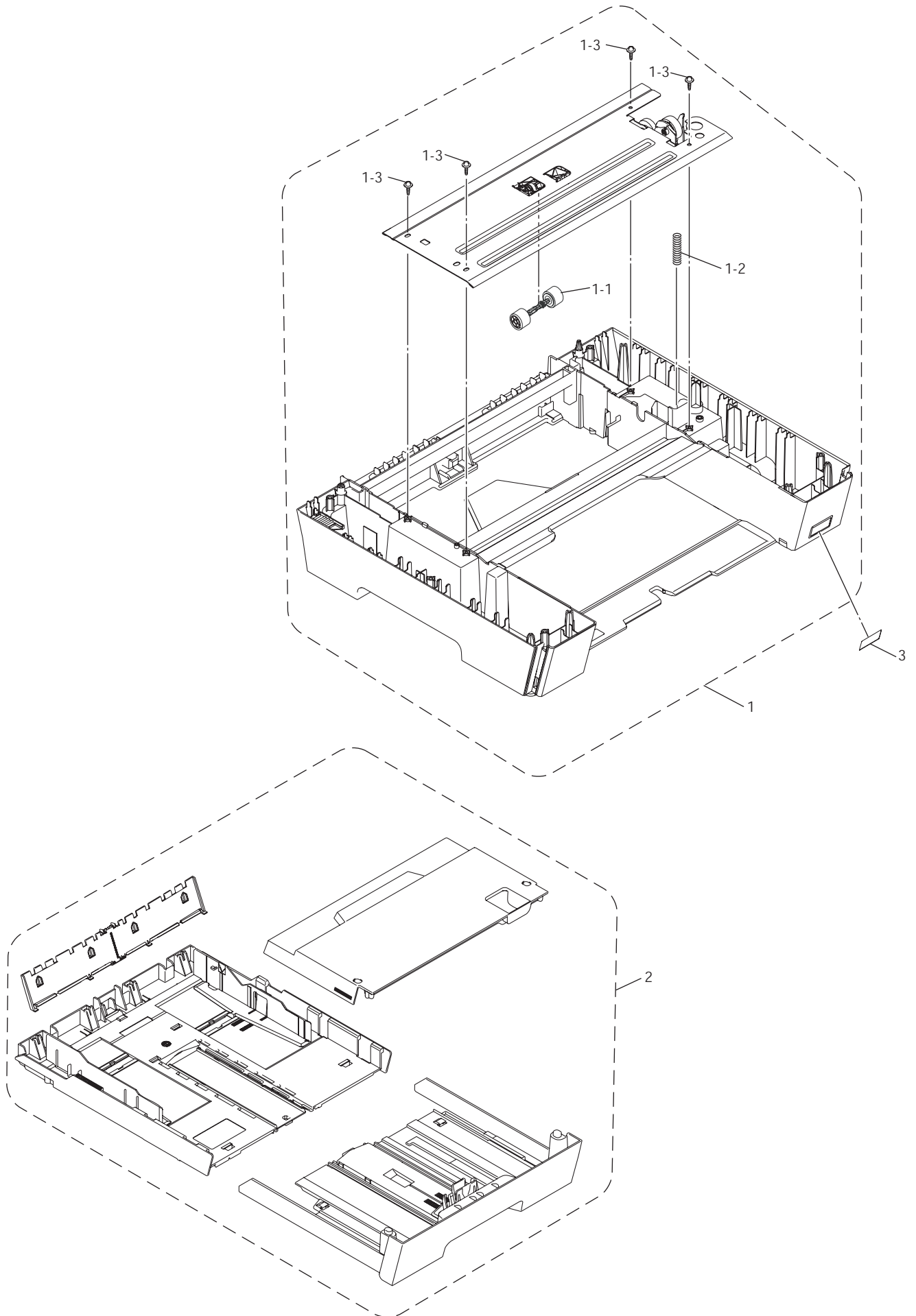
MFC6490CW/DCP6690CW



List6(PAPER TRAY)

REF No.	CODE	Q'TY	DESCRIPTION	RECOMMEND	REMARKS
1	LS5890001	1	PAPER TRAY A3 ASSY(SP), DCP6690CW/MFC6490CW		
1	LX1020001	1	PAPER TRAY A3 DX ASSY(SP), MFC6890CDW		
1-1	LP1575001	1	BASE PAD, DCP6690CW/MFC6490CW		
1-1	LS5204001	2	BASE PAD, MFC6890CDW		
1-2	LS4115001	1	BANK ASSY, DCP6690CW/MFC6490CW		
1-2	LS6602001	1	BANK ASSY, MFC6890CDW		
1-3	LS6832001	2	TRAY FLAP PAD, MFC6890CDW		
2	LS5475001	1	EXIT INSTRUCTION LABEL		

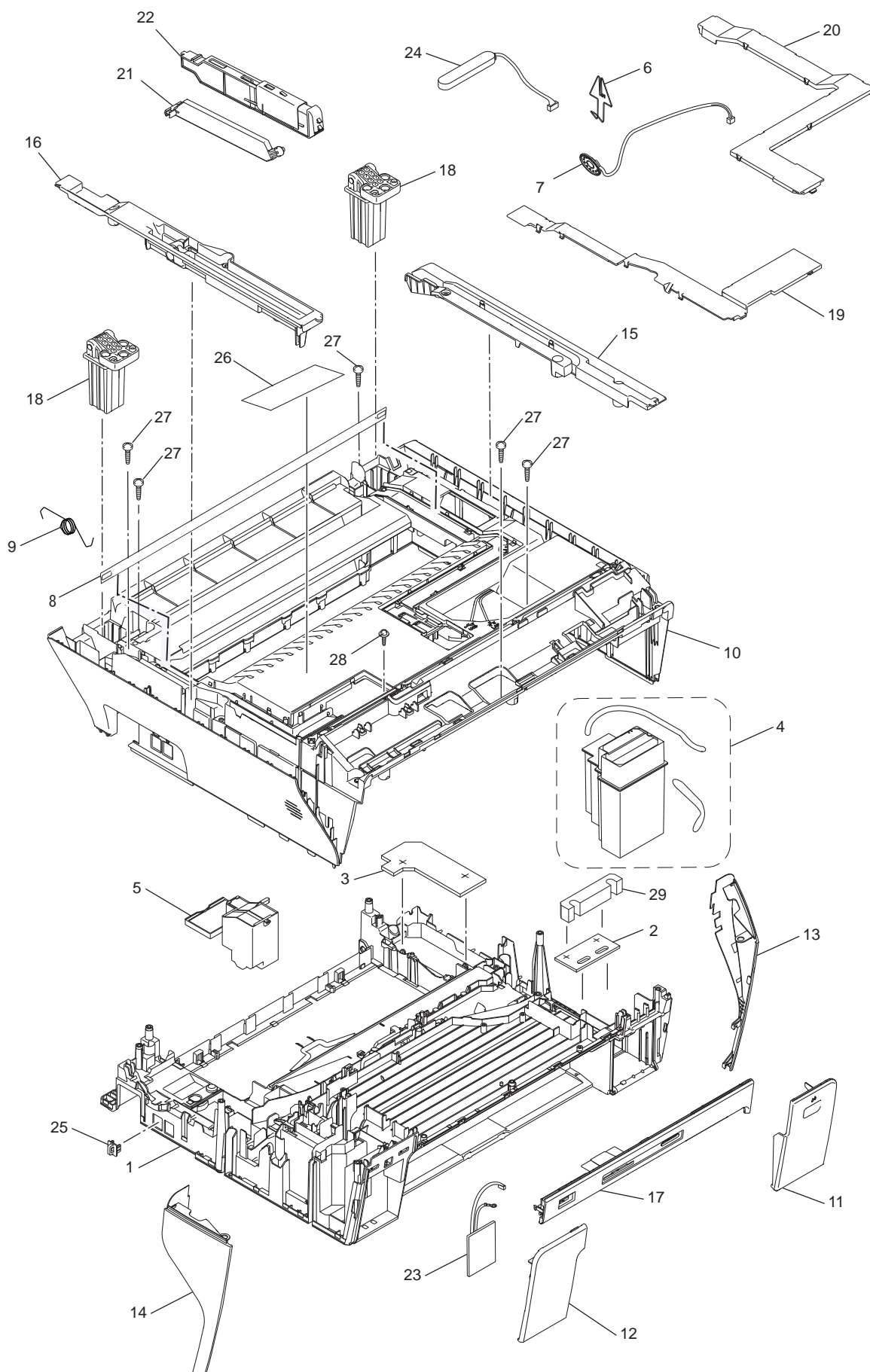
7 LOWER TRAY



List7(LOWER TRAY)

REF	CODE	Q'TY	DESCRIPTION	RECOMMEND	REMARK
1	LS4168001	1	LT COVER ASSY		
1-1	LP1094001	1	LT PAPER PULL-IN ROLLER ASSY		
1-2	LP5185001	1	TORQUE SPRING LT		
1-3	087311016	4	TAPTITE CUP B M3X10		
2	LS5891001	1	PAPER TRAY ASSY LT(SP)		
3	LS5371001	1	INNOBELLA LABEL FOR US		ADD
3	LS5370001	1	INNOBELLA LABEL EXCEPT FOR US		ADD

8 COVER

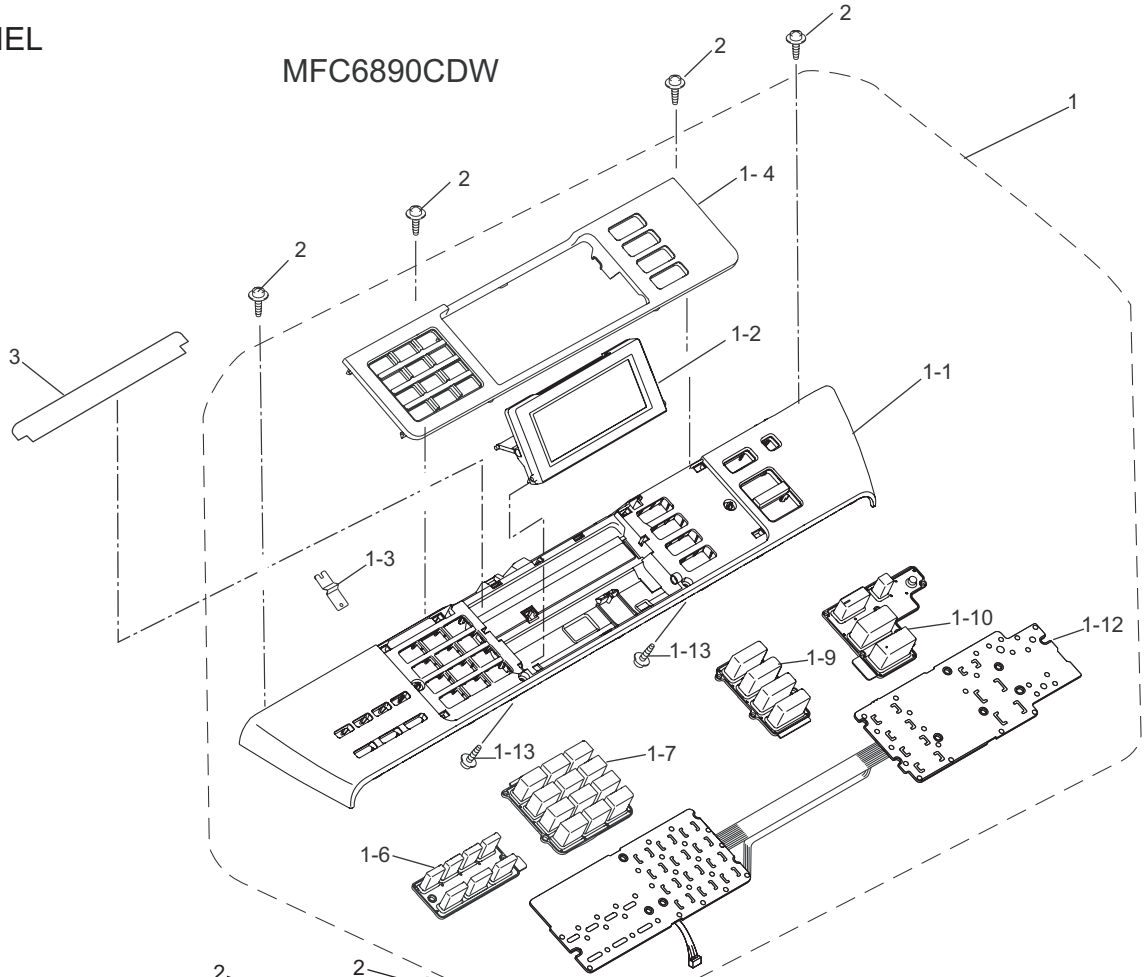


List8(COVER)

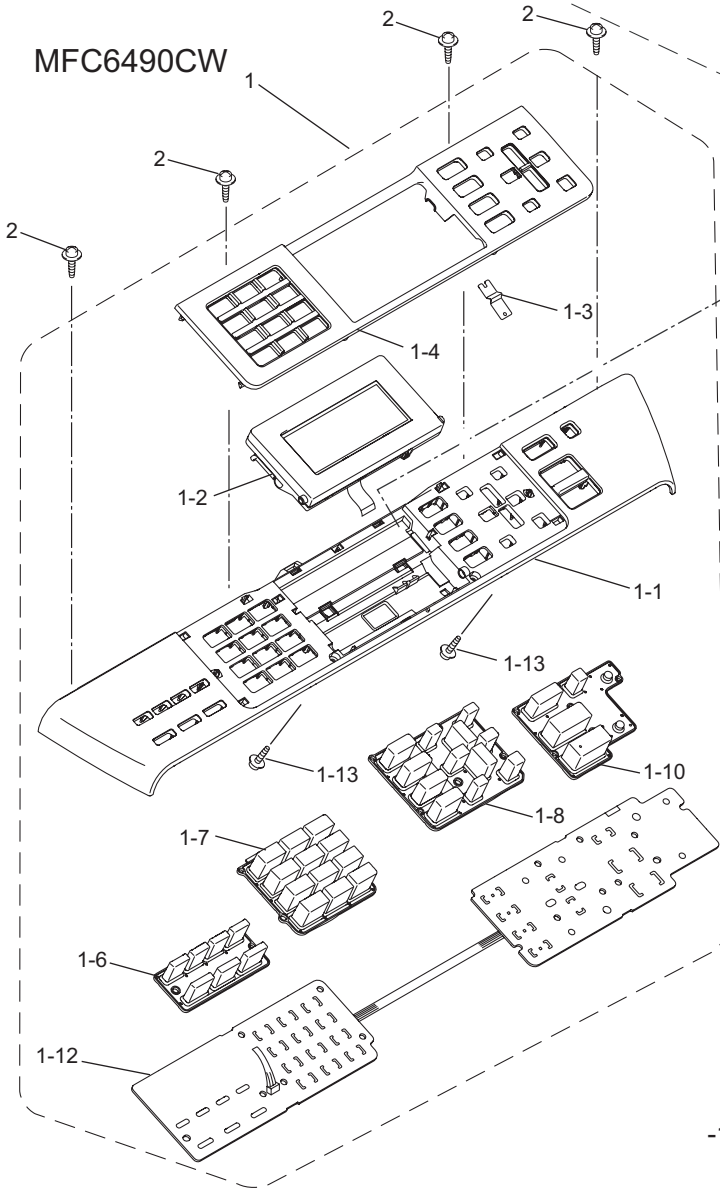
REF No.	CODE	Q'TY	DESCRIPTION	RECOMMEND	SYMBOL	REMARKS
1	LS4698005	1	LOWER COVER, DCP6690CW/MFC6490CW			
1	LS5391005	1	LOWER COVER, MFC6890CDW			
2	LS4699001	1	INK ABSORBER FELT			
3	LS4700001	1	INK FOAM M			
4	LX1372001	1	INK ABSORBER TUBE ASSY (SP)			chg
5	LS4707001	1	FLUSHING BOX ASSY	√		
6	LS4714001	1	SPEAKER SPRING			
7	LT0375001	1	SPEAKER UNIT			
8	LS5901001	1	ENCODER GUARD FILM A3			
9	LS5902001	1	ENCODER GUARD SPRING			
10	LS4718005	1	UPPER COVER, MFC6490CW/MFC6890CDW			
10	LS4739005	1	UPPER COVER, DCP6690CW			
11	LS4719005	1	INK CARTRIDGE COVER			chg
44	LS6307004	4	INK CARTRIDGE COVER LABEL ASSY EXCEPT FOR US			del
12	LS4720005	1	FRONT COVER			
13	LS4721006	1	SIDE COVER R			
14	LS4722006	1	SIDE COVER L			
15	LS4723005	1	EDGE COVER R			
16	LS4724005	1	EDGE COVER L			
17	LS4725005	1	MEDIA MODULE COVER, MFC6490CW FOR ALL COUNTRIES DCP6690CW EXCEPT FOR ASA/OCE, MFC6890CDW FOR CHN			
17	LS6128005	1	MEDIA MODULE COVER, MFC6890CDW EXCEPT FOR CHN, DCP6690CW FOR ASA/OCE			
18	LS4727001	2	FB HINGE			
19	LS4728005	1	HARNESS COVER			
20	LS4729005	1	CIS FLAT CABLE COVER			
21	LS4731007	1	SCANNER COVER SUPPORT			
22	LS4733001	1	SCANNER COVER DAMPER			
23	LT0962001	1	WLAN PCB, DCP6690CW/MFC6490CW/MFC6890CDW			chg
23	LT0697004	4	WLAN PCB, MFC6890CDW			del
24	LT0319001	1	BACKUP BATTERY, MFC6490CW/MFC6890CDW EXCEPT FOR OCE			
24	LT0319002	1	BACKUP BATTERY, MFC6490CW/MFC6890CDW FOR OCE			
25	LE8842001	1	EXT CAP, MFC6490CW/MFC6890CDW FOR US/CAN/NLD/CHE/SPA/ISR/POR/CHN/ARG/ASA/OCE/GNR/PND			
25	UF5745000	1	MJ COVER EXT, MFC6490CW/MFC6890CDW FOR GER/UK/FRA/BEL/AUS/ITA			
26	LS5867001	1	ENCODER CAUTION LABEL			
27	085411216	5	TAPTITE BIND B M4X12			
28	087311016	1	TAPTITE CUP B M3X10			
29	LX6286001	1	INK ABSORBER FELT(INK ABSORBER BOX UPPER)			ADD

9 PANEL

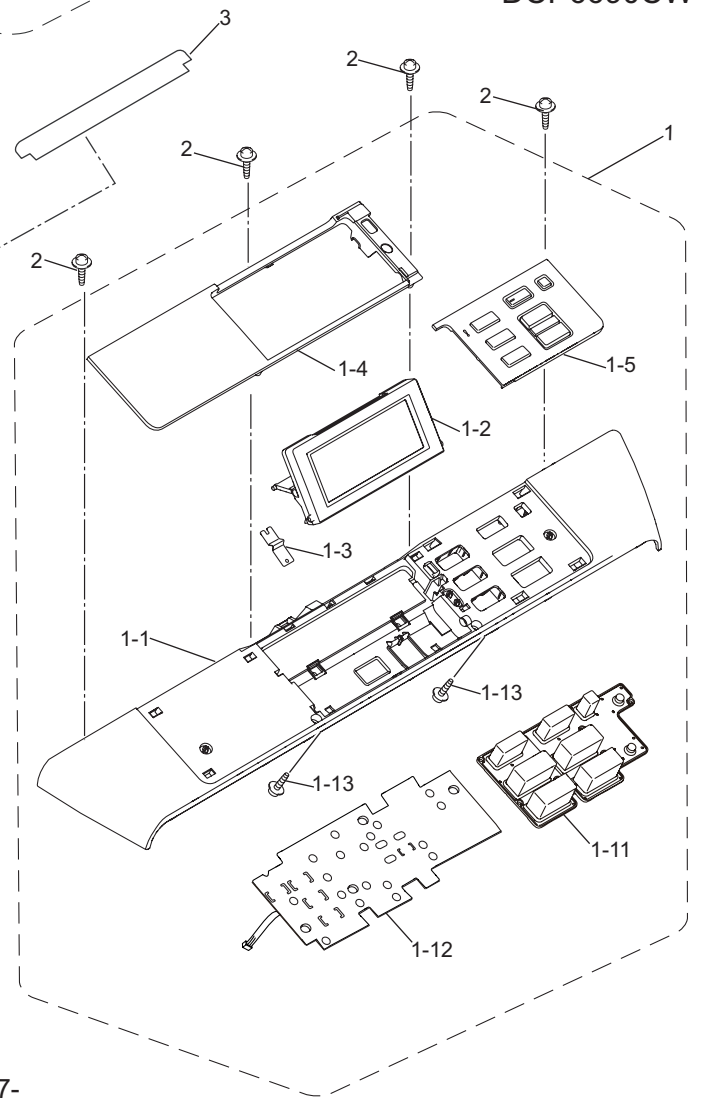
MFC6890CDW



MFC6490CW



DCP6690CW



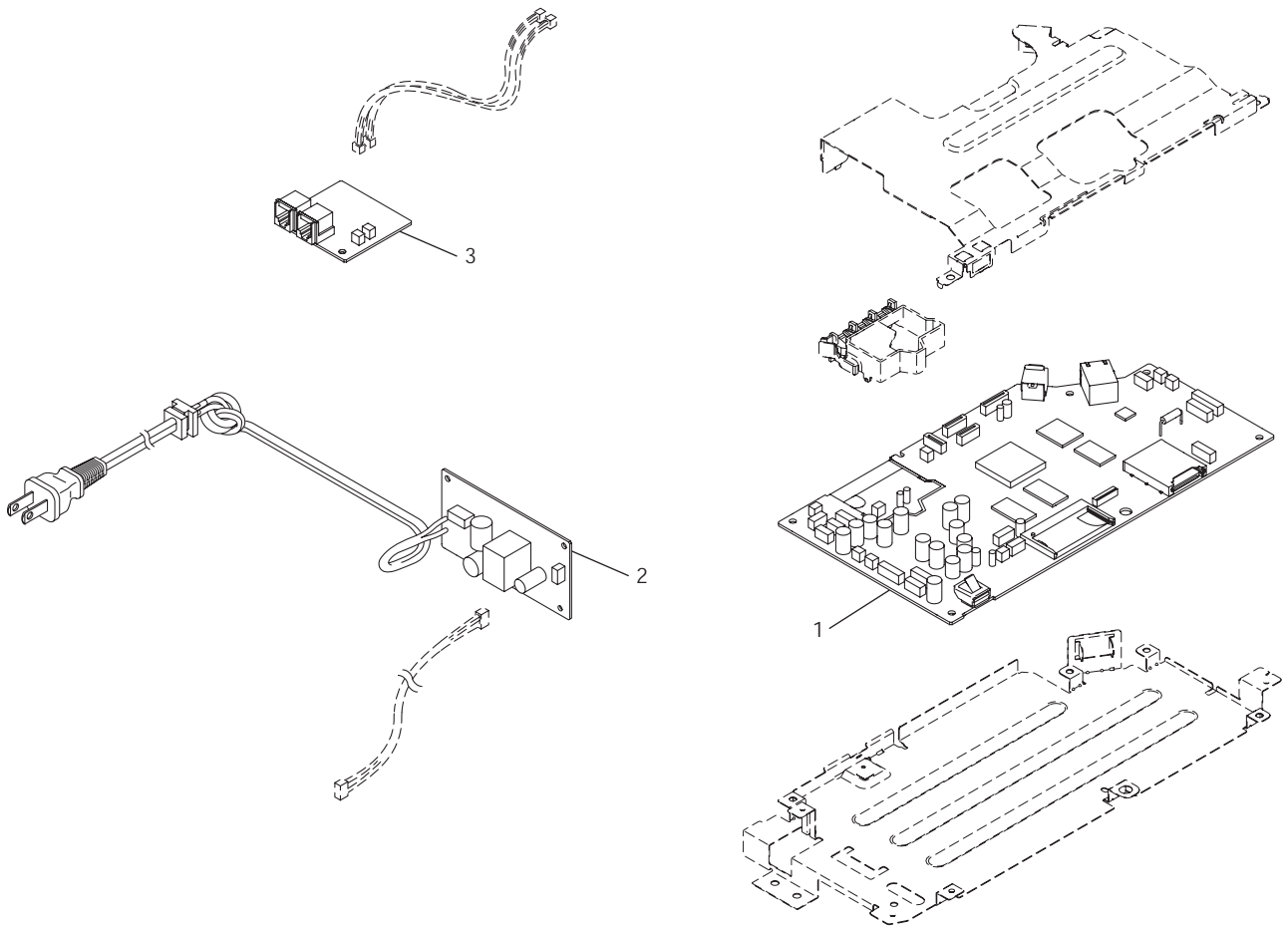
List9(PANEL)

REF No.	CODE	Q'TY	DESCRIPTION	RECOMMEND	SYMBOL	REMARKS
1	LS4738001	1	CONTROL PANEL ASSY, MFC6490CW FOR US/CAN	√		
1	LS5689001	1	CONTROL PANEL ASSY, MFC6890CDW FOR US/CAN	√		
1	LS5949001	1	CONTROL PANEL ASSY, DCP6690CW FOR GER	√		
1	LS5785001	1	CONTROL PANEL ASSY, MFC6490CW FOR GER	√		
1	LX1114001	1	CONTROL PANEL ASSY, MFC6890CDW FOR GER/AUS	√		
1	LS5003001	1	CONTROL PANEL ASSY, DCP6690CW FOR UK/PND	√		
1	LS5319001	1	CONTROL PANEL ASSY, MFC6490CW FOR UK/BEL/CHE/GNR	√		
1	LX0295001	1	CONTROL PANEL ASSY, MFC6890CDW FOR UK/BEL/CHE/ISR/GNR	√		
1	LS5972001	1	CONTROL PANEL ASSY, DCP6690CW FOR FRA/BEL/CHE/GNR/IBR	√		
1	LS5813001	1	CONTROL PANEL ASSY, MFC6490CW FOR FRA	√		
1	LX1143001	1	CONTROL PANEL ASSY, MFC6890CDW FOR FRA	√		
1	LS5814001	1	CONTROL PANEL ASSY, MFC6490CW FOR NLD	√		
1	LX1412001	1	CONTROL PANEL ASSY, MFC6890CDW FOR NLD	√		
1	LS5815001	1	CONTROL PANEL ASSY, MFC6490CW FOR SPA	√		
1	LX1148001	1	CONTROL PANEL ASSY, MFC6890CDW FOR SPA	√		
1	LS6113001	1	CONTROL PANEL ASSY, DCP6690CW FOR ITA	√		
1	LS5816001	1	CONTROL PANEL ASSY, MFC6490CW FOR ITA	√		
1	LX1147001	1	CONTROL PANEL ASSY, MFC6890CDW FOR ITA	√		
1	LS5817001	1	CONTROL PANEL ASSY, MFC6490CW FOR POR	√		
1	LX1415001	1	CONTROL PANEL ASSY, MFC6890CDW FOR POR	√		
1	LX0634001	1	CONTROL PANEL ASSY, DCP6690CW FOR CHN	√		
1	LX0524001	1	CONTROL PANEL ASSY, MFC6490CW FOR CHN	√		
1	LX1376001	1	CONTROL PANEL ASSY, MFC6890CDW FOR CHN	√		
1	LX1037001	1	CONTROL PANEL ASSY, MFC6490CW FOR ARG	√		
1	LX0174001	1	CONTROL PANEL ASSY, DCP6690CW FOR ASA/OCE	√		
1	LX0137001	1	CONTROL PANEL ASSY, MFC6490CW FOR ASA/OCE	√		
1	LX1352001	1	CONTROL PANEL ASSY, MFC6890CDW FOR ASA/OCE	√		
1	LS6117001	1	CONTROL PANEL ASSY, DCP6690CW FOR RUS	√		
1	LS5818001	1	CONTROL PANEL ASSY, MFC6490CW FOR PND	√		
1	LX1418001	1	CONTROL PANEL ASSY, MFC6890CDW FOR PND	√		
1-1	LS5004006	1	CONTROL PANEL BASE, DCP6690CW			
1-1	LS4740001	1	CONTROL PANEL BASE, MFC6490CW FOR US/CAN			
1-1	LS5670001	1	CONTROL PANEL BASE, MFC6890CDW FOR US/CAN			
1-1	LS5786001	1	CONTROL PANEL BASE, MFC6490CW FOR GER			
1-1	LX1115001	1	CONTROL PANEL BASE, MFC6890CDW FOR GER/AUS			
1-1	LS5320001	1	CONTROL PANEL BASE, MFC6490CW FOR UK/BEL/CHE/GNR/PND			
1-1	LX0296001	1	CONTROL PANEL BASE, MFC6890CDW FOR UK/BEL/CHE/ISR/GNR/PND			
1-1	LS5819001	1	CONTROL PANEL BASE, MFC6490CW FOR FRA			
1-1	LX1149001	1	CONTROL PANEL BASE, MFC6890CDW FOR FRA			
1-1	LS5820001	1	CONTROL PANEL BASE, MFC6490CW FOR NLD			
1-1	LX1413001	1	CONTROL PANEL BASE, MFC6890CDW FOR NLD			
1-1	LX1416001	1	CONTROL PANEL BASE, MFC6890CDW FOR POR			
1-1	LS5821001	1	CONTROL PANEL BASE, MFC6490CW FOR SPA			
1-1	LX1151001	1	CONTROL PANEL BASE, MFC6890CDW FOR SPA			
1-1	LS5822001	1	CONTROL PANEL BASE, MFC6490CW FOR ITA			
1-1	LX1150001	1	CONTROL PANEL BASE, MFC6890CDW FOR ITA			
1-1	LS5823001	1	CONTROL PANEL BASE, MFC6490CW FOR POR			
1-1	LX0525001	1	CONTROL PANEL BASE, MFC6490CW FOR CHN			
1-1	LX1377001	1	CONTROL PANEL BASE, MFC6890CDW FOR CHN			
1-1	LX1038001	1	CONTROL PANEL BASE, MFC6490CW FOR ARG			
1-1	LS6388001	1	CONTROL PANEL BASE, MFC6490CW FOR ASA/OCE			
1-1	LX0829001	1	CONTROL PANEL BASE, MFC6890CDW FOR ASA/OCE			
1-2	LS5005001	1	COLOR LCD UNIT, DCP6690CW EXCEPT FOR ASA/OCE/CHN			
1-2	LX0173001	1	COLOR LCD UNIT, DCP6690CW FOR ASA/OCE/CHN			
1-2	LS4754001	1	COLOR LCD UNIT, MFC6490CW EXCEPT FOR CHN			
1-2	LX0526001	1	COLOR LCD UNIT, MFC6490CW FOR CHN			
1-2	LS5690001	1	COLOR LCD UNIT, MFC6890CDW EXCEPT FOR CHN			
1-2	LX1378001	1	COLOR LCD UNIT, MFC6890CDW FOR CHN			
1-3	LS5015001	1	LATCH SPRING, DCP6690CW/MFC6890CDW			
1-3	LS4760001	1	LATCH SPRING, MFC6490CW			
1-4	LS5016001	1	PRINTED PANEL PLATE, DCP6690CW EXCEPT FOR CHN/ASA/OCE			
1-4	LX0717001	1	PRINTED PANEL PLATE, DCP6690CW FOR CHN			
1-4	LX0175001	1	PRINTED PANEL PLATE, DCP6690CW FOR ASA/OCE			
1-4	LS4761001	1	PRINTED PANEL PLATE, MFC6490CW FOR US/CAN			
1-4	LS5672001	1	PRINTED PANEL PLATE, MFC6890CDW FOR US/CAN/UK/BEL/CHE/ISR/ASA/GNROCE			
1-4	LS5787001	1	PRINTED PANEL PLATE, MFC6490CW FOR GER			
1-4	LX1116001	1	PRINTED PANEL PLATE, MFC6890CDW FOR GER/AUS			
1-4	LS5321001	1	PRINTED PANEL PLATE, MFC6490CW FOR UK/BEL/CHE/ASA/GNR/OCE			
1-4	LS5825001	1	PRINTED PANEL PLATE, MFC6490CW FOR FRA			
1-4	LX1152001	1	PRINTED PANEL PLATE, MFC6890CDW FOR FRA			

List9(PANEL)

REF No.	CODE	Q'TY	DESCRIPTION	RECOMMEND	SYMBOL	REMARKS
1-4	LS5826001	1	PRINTED PANEL PLATE, MFC6490CW FOR NLD			
1-4	LX1414001	1	PRINTED PANEL PLATE, MFC6890CDW FOR NLD			
1-4	LS5827001	1	PRINTED PANEL PLATE, MFC6490CW FOR SPA/ARG			
1-4	LX1154001	1	PRINTED PANEL PLATE, MFC6890CDW FOR SPA			
1-4	LS5828001	1	PRINTED PANEL PLATE, MFC6490CW FOR ITA			
1-4	LX1153001	1	PRINTED PANEL PLATE, MFC6890CDW FOR ITA			
1-4	LS5829001	1	PRINTED PANEL PLATE, MFC6490CW FOR POR			
1-4	LX1417001	1	PRINTED PANEL PLATE, MFC6890CDW FOR POR			
1-4	LX0660001	1	PRINTED PANEL PLATE, MFC6490CW FOR CHN			
1-4	LX1380001	1	PRINTED PANEL PLATE, MFC6890CDW FOR CHN			
1-4	LS5830001	1	PRINTED PANEL PLATE, MFC6490CW FOR PND			
1-4	LX1419001	1	PRINTED PANEL PLATE, MFC6890CDW FOR PND			
1-5	LS5984001	1	EX PLATE, DCP6690CW FOR GER/CHE/GNR (GERMAN)			
1-5	LS5985001	1	EX PLATE, DCP6690CW FOR UK/ASA/GNR/OCE/PND (ENGLISH)			
1-5	LS5628001	1	EX PLATE, DCP6690CW FOR ITA			
1-5	LS5955001	1	EX PLATE, DCP6690CW FOR FRA/BEL/CHE (FRENCH)			
1-5	LS5958001	1	EX PLATE, DCP6690CW FOR FRA/BEL (DUTCH)			
1-5	LX0635001	1	EX PLATE, DCP6690CW FOR CHN			
1-5	LS5994001	1	EX PLATE, DCP6690CW FOR RUS			
1-5	LS5986001	1	EX PLATE, DCP6690CW FOR IBR (SPANISH)			
1-5	LS5987001	1	EX PLATE, DCP6690CW FOR IBR (PORTUGUESE)			
1-6	LS4742001	1	PRINTED RUBBER KEY M9 FUNCTION, MFC6490CW			
1-6	LX0465001	1	PRINTED RUBBER KEY M9 FUNCTION, MFC6890CDW			
1-7	LS4744001	1	PRINTED RUBBER KEY M9 TEN, MFC6490CW/MFC6890CDW			
1-8	LS4746001	1	PRINTED RUBBER KEY MENU, MFC6490CW			
1-9	LS5673001	1	PRINTED RUBBER KEY MODE, MFC6890CDW			
1-10	LS4748001	1	PRINTED RUBBER KEY M9 ON/OFF, MFC6490CW/MFC6890CDW			
1-11	LS5019001	1	RUBBER KEY PAD, DCP6690CW			
1-12	LT0337001	1	CONTROL PANEL PCB ASSY, DCP6690CW		B53K972	
1-12	LT0432001	1	CONTROL PANEL PCB ASSY, MFC6490CW		B53K975	
1-12	LT0490001	1	CONTROL PANEL PCB ASSY, MFC6890CDW			
1-13	085310816	2	TAPTITE BIND B M3X8			
2	087311016	4	TAPTITE CUP B M3X10			
3	LS6303001	1	LCD BACK FILM, MFC6490CW			ADD
3	LS6390001	1	LCD BACK FILM, MFC6890CDW			ADD

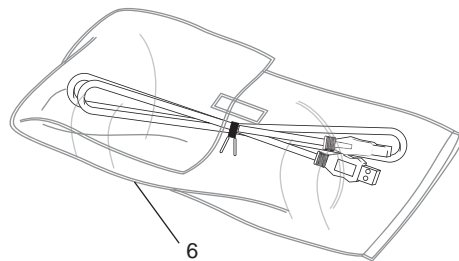
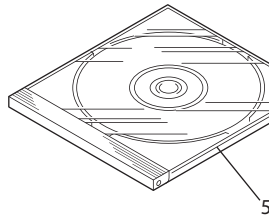
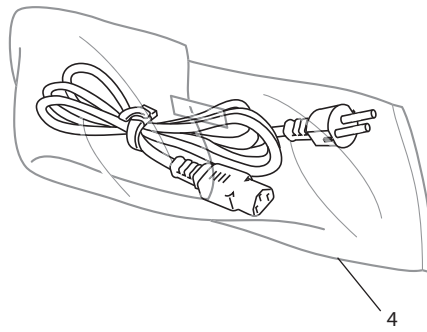
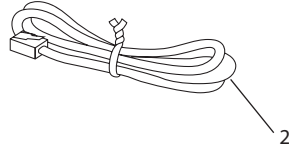
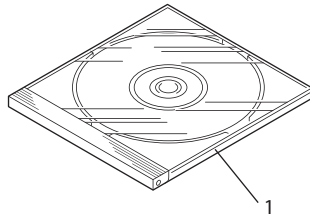
10 PCB



List10(PCB)

REF No.	CODE	Q'TY	DESCRIPTION	RECOMMEND	SYMBOL	REMARKS
1	LT0315033	1	MAIN PCB ASSY, DCP6690CW	√	B53K959	
4	LT0315035	4	MAIN PCB ASSY, DCP6690CW FOR CHN	√	B53K959	DEL
1	LT0314021	1	MAIN PCB ASSY, MFC6490CW	√	B53K959	
4	LT0314025	4	MAIN PCB ASSY, MFC6490CW FOR CHN	√	B53K959	DEL
1	LT0316041	1	MAIN PCB ASSY, MFC6890CDW	√	B53K959	
4	LT0316045	4	MAIN PCB ASSY, MFC6890CDW FOR CHN	√	B53K959	DEL
2	LT0416001	1	POWER SUPPLY PCB ASSY, MFC6490CW/MFC6890CDW FOR US/CAN (INCLUDING AC CORD)	√		
2	LT0485001	1	POWER SUPPLY PCB ASSY, MFC6490CW/MFC6890CDW/DCP6690CW EXCEPT FOR US/CAN/CHN/ASA/RUS (EXCLUDING AC CORD)	√		
2	LT0586001	1	POWER SUPPLY PCB ASSY, MFC6490CW/MFC6890CDW/DCP6690CW FOR CHN	√		
2	LT0660001	1	POWER SUPPLY PCB ASSY, MFC6490CW/MFC6890CDW/DCP6690CW FOR ASA/RUS (EXCLUDING AC CORD)	√		
3	LT0405001	1	MJ PCB ASSY, MFC6490CW/MFC6890CDW FOR US/CAN/CHN/ARG/ASA/OCE	√	B53K967	
3	LT0405004	1	MJ PCB ASSY, MFC6490CW/MFC6890CDW EXCEPT FOR US/CAN/CHN/ARG/ASA/OCE	√	B53K967	

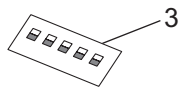
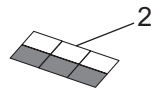
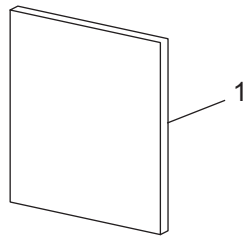
11 ACCESSORIES



List11(Accessories)

REF No.	CODE	QTY	DESCRIPTION	RECOMMEND	REMARKS
1	LS4878001	1	CD-ROM ASSY, MFC6490CW FOR US/CAN		
1	LS5034001	1	CD-ROM ASSY, MFC6890CDW FOR US/CAN		
1	LS4982001	1	CD-ROM ASSY, DCP6690CW FOR GER/UK/CHE/ASA/GNR/OCE		
1	LS5103001	1	CD-ROM ASSY, DCP6690CW FOR FRA/BEL		
1	LS5098001	1	CD-ROM ASSY, MFC6490CW FOR GER/UK/FRA/CHE/ASA/GNR/OCE		
1	LS5105001	1	CD-ROM ASSY, MFC6890CDW FOR GER/UK/FRA/CHE/AUS/ISR/ASA/GNR/OCE		
1	LS5100001	1	CD-ROM ASSY, MFC6490CW FOR BEL/NLD		
1	LX0065001	1	CD-ROM ASSY, MFC6890CDW FOR BEL/NLD		
1	LS5102001	1	CD-ROM ASSY, DCP6690CW FOR ITA/IBR		
1	LS5099001	1	CD-ROM ASSY, MFC6490CW FOR SPA/ITA/POR/ARG		
1	LS5106001	1	CD-ROM ASSY, MFC6890CDW FOR SPA/ITA/POR		
1	LS5305001	1	CD-ROM ASSY, DCP6690CW FOR CHN		
1	LS5304001	1	CD-ROM ASSY, MFC6490CW FOR CHN		
1	LS5306001	1	CD-ROM ASSY, MFC6890CDW FOR CHN		
1	LS5118001	1	CD-ROM ASSY, DCP6690CW FOR RUS		
4	LS5104001	4	CD-ROM ASSY, DCP6690CW FOR PND (Windows)		del
4	LS6112001	4	CD-ROM ASSY, DCP6690CW FOR PND (Macintosh)		del
1	LX3564001	1	CD-ROM ASSY, DCP6690CW FOR PND (Windows/Macintosh)		add
1	LS5101001	1	CD-ROM ASSY, MFC6490CW FOR PND (Windows)		
1	LS5914001	1	CD-ROM ASSY, MFC6490CW FOR PND (Macintosh)		
1	LS5107001	1	CD-ROM ASSY, MFC6890CDW FOR PND (Windows)		
1	LS6120001	1	CD-ROM ASSY, MFC6890CDW FOR PND (Macintosh)		
2	UG3625001	1	TELEPHONE LINE CORD, MFC6490CW/MFC6890CDW FOR GER		
2	UG3626001	1	TELEPHONE LINE CORD, MFC6490CW/MFC6890CDW FOR UK		
2	LG3077001	1	TELEPHONE LINE CORD, MFC6490CW/MFC6890CDW FOR US/CAN/UK/NLD/SPA/ISR/POR/ARG/CHN/ASA/GNR/OCE		
2	UG3634001	1	TELEPHONE LINE CORD, MFC6490CW/MFC6890CDW FOR ITA		
2	UG3627001	1	TELEPHONE LINE CORD, MFC6490CW/MFC6890CDW FOR FRA		
2	UG1575001	1	TELEPHONE LINE CORD, MFC6490CW/MFC6890CDW FOR BEL		
2	LG7202001	1	TELEPHONE LINE CORD, MFC6490CW/MFC6890CDW FOR CHE		
2	UG3290001	1	TELEPHONE LINE CORD, MFC6490CW/MFC6890CDW FOR OCE		
2	LG5827001	1	TELEPHONE LINE CORD, MFC6490CW/MFC6890CDW FOR PND		
2	UG4205001	1	TELEPHONE LINE CORD, MFC6890CDW FOR AUS		
(3)	LG3622001	1	TELEPHONE PLUG DUT, MFC6490CW/MFC6890CDW FOR NLD		
(3)	LG6573001	1	TELEPHONE PLUG ARL, MFC6490CW/MFC6890CDW FOR OCE		chg
(3)	LG5830001	1	TELEPHONE PLUG SWE, MFC6490CW/MFC6890CDW FOR PND		
(3)	LG5829001	1	TELEPHONE PLUG FIN, MFC6490CW/MFC6890CDW FOR PND		
(3)	LG5828001	1	TELEPHONE PLUG DEN, MFC6490CW/MFC6890CDW FOR PND		
4	LG5717001	1	AC CORD BAG ASSY LF VDE		
4	LG5692001	1	AC CORD BAG ASSY LF UK		
4	LG5732001	1	AC CORD BAG ASSY LF SEV		
4	LG5736001	1	AC CORD BAG ASSY LF DEMKO		
4	LG5734001	1	AC CORD BAG ASSY LF SAA		
4	LT1404001	1	AC CORD BAG ASSY LF CCC 60227		CHG
4	LT0921001	1	AC CORD BAG ASSY LF ARG IRAM		
4	LG7005001	1	AC CORD BAG ASSY LF ISRAEL		
5	LX3172001	1	CD-ROM ASSY, MFC6490CW/MFC6890CDW FOR US/CAN (Windows 7)		add
5	LX3173001	1	CD-ROM ASSY, DCP6690CW/MFC6490CW/MFC6890CDW FOR GER/UK/FRA/CHE/AUS/ISR/ASA/GNR/OCE (Windows 7)		add
5	LX3174001	1	CD-ROM ASSY, DCP6690CW/MFC6490CW/MFC6890CDW FOR SPA/ITA/POR/ARG/IBR (Windows 7)		add
5	LX3175001	1	CD-ROM ASSY, DCP6690CW/MFC6490CW/MFC6890CDW FOR FRA/BEL/NLD (Windows 7)		add
5	LX3176001	1	CD-ROM ASSY, DCP6690CW/MFC6490CW/MFC6890CDW FOR PND (Windows 7)		add
5	LX3177001	1	CD-ROM ASSY, DCP6690CW FOR RUS (Windows 7)		add
5	LX3178001	1	CD-ROM ASSY, DCP6690CW/MFC6490CW/MFC6890CDW FOR CHN (Windows 7)		add
6	LP0001001	1	USB CABLE 2.0		

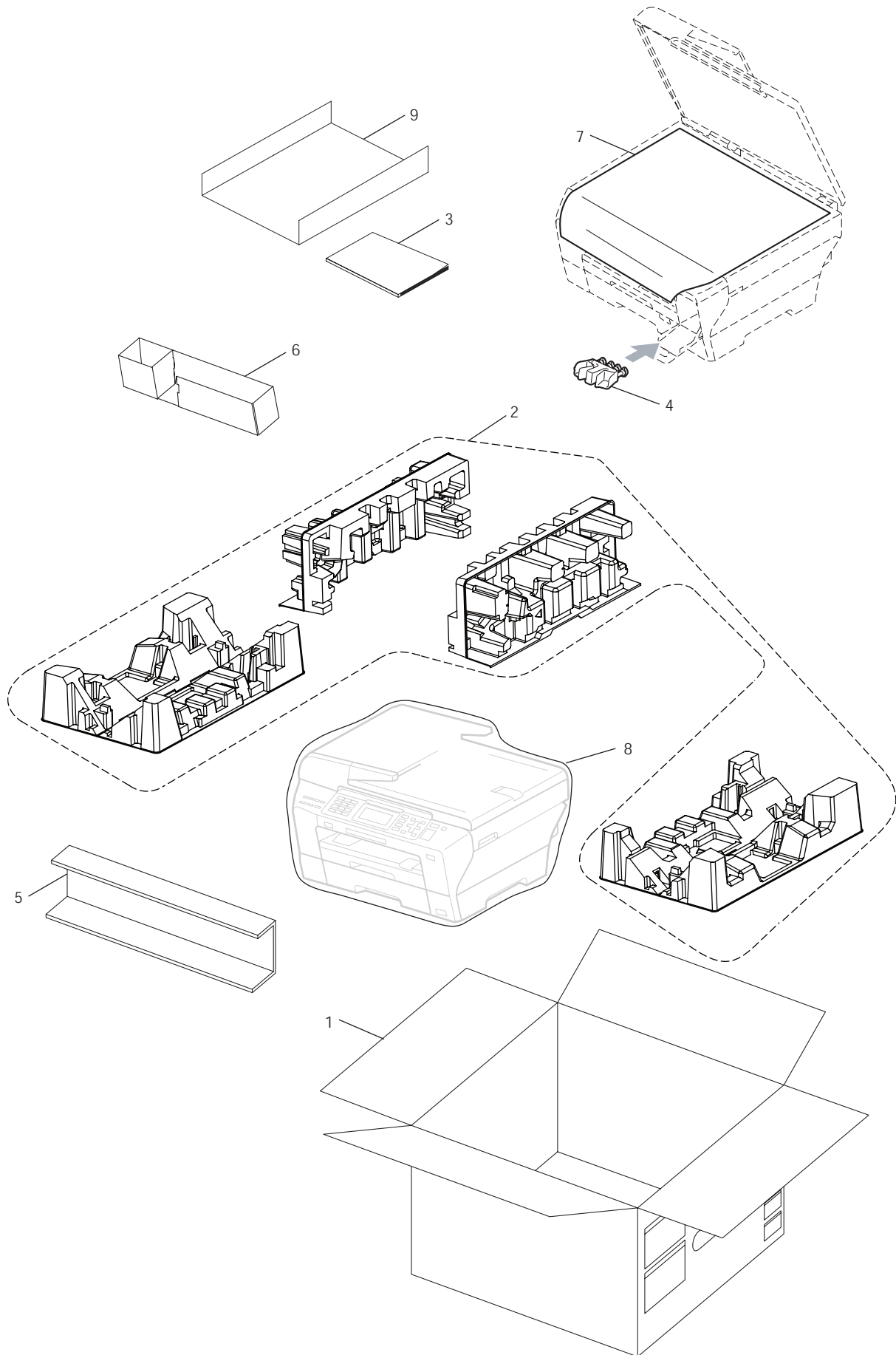
12 PRINTED MATERIALS



List12(PRINTED MATERIALS)

REF No.	CODE	Q'TY	DESCRIPTION	RECOMMEND	REMARKS
1	LS6555001	1	USER'S GUIDE, MFC6490CW FOR US/CAN (ENGLISH)		chg
1	LX0886001	1	USER'S GUIDE, MFC6890CDW FOR US/CAN (ENGLISH)		
1	LX7054002	1	USER'S GUIDE, MFC6490CW FOR CAN (FRENCH)		CHG
1	LX0886002	1	USER'S GUIDE, MFC6890CDW FOR CAN (FRENCH)		
1	LS5831003	1	USER'S GUIDE, DCP6690CW FOR GER/CHE/GNR (GERMAN)		
1	LX7196003	1	USER'S GUIDE, MFC6490CW FOR GER		CHG
1	LX1118003	1	USER'S GUIDE, MFC6890CDW FOR GER/AUS		
1	LS5831004	1	USER'S GUIDE, DCP6690CW FOR UK/GNR		
1	LX7196004	1	USER'S GUIDE, MFC6490CW FOR UK/GNR		CHG
1	LX1118004	1	USER'S GUIDE, MFC6890CDW FOR UK/ISR/GNR		
1	LS5831005	1	USER'S GUIDE, DCP6690CW FOR FRA/BEL/CHE (FRENCH)		
1	LS5831009	1	USER'S GUIDE, DCP6690CW FOR FRA/BEL (DUTCH)		
1	LX7196005	1	USER'S GUIDE, MFC6490CW FOR FRA		CHG
1	LX1118005	1	USER'S GUIDE, MFC6890CDW FOR FRA		
1	LX7196008	1	USER'S GUIDE, MFC6490CW FOR BEL (DUTCH)		CHG
1	LX1118008	1	USER'S GUIDE, MFC6890CDW FOR BEL (DUTCH)		
1	LX7196058	1	USER'S GUIDE, MFC6490CW FOR BEL/CHE (FRENCH)		CHG
1	LX1118058	1	USER'S GUIDE, MFC6890CDW FOR BEL/CHE (FRENCH)		
1	LX7196009	1	USER'S GUIDE, MFC6490CW FOR NLD		CHG
1	LX1118009	1	USER'S GUIDE, MFC6890CDW FOR NLD		
1	LX7196010	1	USER'S GUIDE, MFC6490CW FOR CHE (GERMAN)		CHG
1	LX1118010	1	USER'S GUIDE, MFC6890CDW FOR CHE (GERMAN)		
4	LS6734015	4	USER'S GUIDE, MFC6490CW FOR SPA		del
1	LX7196015	1	USER'S GUIDE, MFC6490CW FOR SPA		ADD
1	LX1118015	1	USER'S GUIDE, MFC6890CDW FOR SPA		
1	LS5831016	1	USER'S GUIDE, DCP6690CW FOR ITA		
1	LX7196016	1	USER'S GUIDE, MFC6490CW FOR ITA		CHG
1	LX1118016	1	USER'S GUIDE, MFC6890CDW FOR ITA		
1	LX7196018	1	USER'S GUIDE, MFC6490CW FOR POR		CHG
1	LX1118018	1	USER'S GUIDE, MFC6890CDW FOR POR		chg
1	LX0632020	1	USER'S GUIDE, DCP6690CW FOR CHN		
1	LX0486020	1	USER'S GUIDE, MFC6490CW FOR CHN		
1	LX1382020	1	USER'S GUIDE, MFC6890CDW FOR CHN		
1	LS6734031	1	USER'S GUIDE, MFC6490CW FOR SPA/ARG		
1	LS5831040	1	USER'S GUIDE, DCP6690CW FOR ASA/OCE		
1	LS6734040	1	USER'S GUIDE, MFC6490CW FOR ASA/OCE		
1	LX1118040	1	USER'S GUIDE, MFC6890CDW FOR ASA/OCE		
1	LS5831048	1	USER'S GUIDE, DCP6690CW FOR RUS		
1	LS6111007	1	USER'S GUIDE, DCP6690CW FOR PND (NORWEGIAN/SWEDISH)		
1	LS6111013	1	USER'S GUIDE, DCP6690CW FOR PND (FINNISH/DANISH)		
1	LX7520007	1	USER'S GUIDE, MFC6490CW FOR PND (NORWEGIAN/SWEDISH)		CHG
1	LX7520013	1	USER'S GUIDE, MFC6490CW FOR PND (FINNISH/DANISH)		CHG
1	LX1410007	1	USER'S GUIDE, MFC6890CDW FOR PND (NORWEGIAN/SWEDISH)		
1	LX1410013	1	USER'S GUIDE, MFC6890CDW FOR PND (FINNISH/DANISH)		
1	LS5831015	1	USER'S GUIDE, DCP6690CW FOR IBR (SPANISH)		
1	LS5831018	1	USER'S GUIDE, DCP6690CW FOR IBR (PORTUGUESE)		
2	LS5575001	1	ADDRESS LABEL		
3	LS5749001	1	FRENCH SEAL, MFC6490CW FOR CAN		
3	LX0897001	1	FRENCH SEAL, MFC6890CDW FOR CAN		

13 PACKAGING



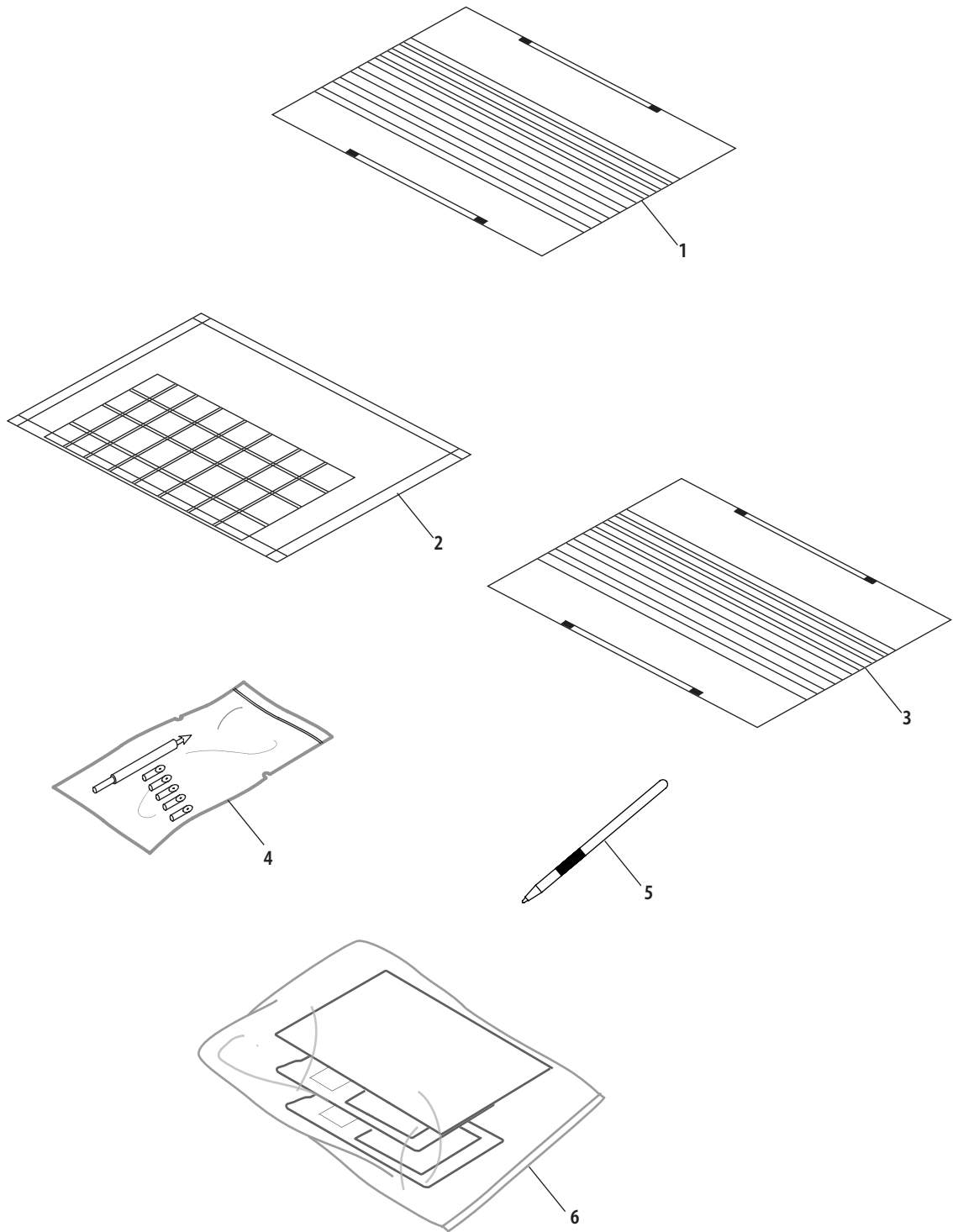
List13(PACKAGING)

REF No.	CODE	Q'TY	DESCRIPTION	RECOMMEND	REMARKS
1	LS5744001	1	CARTON BROTHER, MFC6490CW FOR US	√	
1	LX0887001	1	CARTON BROTHER, MFC6890CDW FOR US	√	
1	LS5753001	1	CARTON BROTHER, MFC6490CW FOR CAN	√	
1	LX0894001	1	CARTON BROTHER, MFC6890CDW FOR CAN	√	
1	LS5824001	1	CARTON BROTHER, DCP6690CW FOR GER/UK/FRA/BEL/CHE/ITA/RUS/GNR/PND/IBR	√	
1	LS5800001	1	CARTON BROTHER, MFC6490CW FOR GER/UK/FRA/BEL/NLD/CHE/SPA/ITA/POR/GNR/PND	√	
1	LX1123001	1	CARTON BROTHER, MFC6890CDW FOR GER/UK/FRA/SPA/ITA/BEL/NLD/CHE/AUS/ISR/POR/GNR/PND	√	
1	LS6795001	1	CARTON BROTHER, DCP6690CW FOR CHN	√	
1	LS6794001	1	CARTON BROTHER, MFC6490CW FOR CHN	√	
1	LS6796001	1	CARTON BROTHER, MFC6890CDW FOR CHN	√	
1	LX1041001	1	CARTON BROTHER, MFC6490CW FOR ARG	√	
1	LX0247001	1	CARTON BROTHER, DCP6690CW FOR ASA/OCE	√	
1	LX0145001	1	CARTON BROTHER, MFC6490CW FOR ASA/OCE	√	
1	LX1355001	1	CARTON BROTHER, MFC6890CDW FOR ASA/OCE	√	
2	LS4770001	1	PULP CUSHION ASSY		
3	LS5745001	1	QUICK SETUP GUIDE, MFC6490CW FOR US/CAN(ENGLISH)		
3	LX0888001	1	QUICK SETUP GUIDE, MFC6890CDW FOR US/CAN(ENGLISH)		
3	LS5745002	1	QUICK SETUP GUIDE, MFC6490CW FOR CAN (FRENCH)		
3	LX0888002	1	QUICK SETUP GUIDE, MFC6890CDW FOR CAN (FRENCH)		
3	LS5832003	1	QUICK SETUP GUIDE, DCP6690CW FOR GER/CHE/GNR (GERMAN)		
3	LS5799003	1	QUICK SETUP GUIDE, MFC6490CW FOR GER		
3	LX1122003	1	QUICK SETUP GUIDE, MFC6890CDW FOR GER/AUS		
3	LS5832004	1	QUICK SETUP GUIDE, DCP6690CW FOR UK/ GNR		
3	LS5799004	1	QUICK SETUP GUIDE, MFC6490CW FOR UK/ GNR		
3	LX1122004	1	QUICK SETUP GUIDE, MFC6890CDW FOR UK/ISR/ GNR		
3	LS5832005	1	QUICK SETUP GUIDE, DCP6690CW FOR FRA/BEL/CHE (FRENCH)		
3	LS5832009	1	QUICK SETUP GUIDE, DCP6690CW FOR FRA/BEL (DUTCH)		
3	LS5799005	1	QUICK SETUP GUIDE, MFC6490CW FOR FRA		
3	LX1122005	1	QUICK SETUP GUIDE, MFC6890CDW FOR FRA		
3	LS5799008	1	QUICK SETUP GUIDE, MFC6490CW FOR BEL (DUTCH)		
3	LX1122008	1	QUICK SETUP GUIDE, MFC6890CDW FOR BEL (DUTCH)		
3	LS5799058	1	QUICK SETUP GUIDE, MFC6490CW FOR BEL/CHE (FRENCH)		
3	LX1122058	1	QUICK SETUP GUIDE, MFC6890CDW FOR BEL/CHE (FRENCH)		
3	LS5799009	1	QUICK SETUP GUIDE, MFC6490CW FOR NLD		
3	LX1122009	1	QUICK SETUP GUIDE, MFC6890CDW FOR NLD		
3	LS5799010	1	QUICK SETUP GUIDE, MFC6490CW FOR CHE (GERMAN)		
3	LX1122010	1	QUICK SETUP GUIDE, MFC6890CDW FOR CHE (GERMAN)		
3	LS5799015	1	QUICK SETUP GUIDE, MFC6490CW FOR SPA		
3	LX1122015	1	QUICK SETUP GUIDE, MFC6890CDW FOR SPA		
3	LS5832016	1	QUICK SETUP GUIDE, DCP6690CW FOR ITA		
3	LS5799016	1	QUICK SETUP GUIDE, MFC6490CW FOR ITA		
3	LX1122016	1	QUICK SETUP GUIDE, MFC6890CDW FOR ITA		
3	LS5799018	1	QUICK SETUP GUIDE, MFC6490CW FOR POR		
3	LX1122018	1	QUICK SETUP GUIDE, MFC6890CDW FOR POR		
3	LX0633020	1	QUICK SETUP GUIDE, DCP6690CW FOR CHN		
3	LX0533020	1	QUICK SETUP GUIDE, MFC6490CW FOR CHN		
3	LX1384020	1	QUICK SETUP GUIDE, MFC6890CDW FOR CHN		
3	LS5799031	1	QUICK SETUP GUIDE, MFC6490CW FOR ARG		
3	LS5832040	1	QUICK SETUP GUIDE, DCP6690CW FOR ASA/OCE		
3	LS5799040	1	QUICK SETUP GUIDE, MFC6490CW FOR ASA/OCE		
3	LX1122040	1	QUICK SETUP GUIDE, MFC6890CDW FOR ASA/OCE		
3	LX0624037	1	QUICK SETUP GUIDE, DCP6690CW FOR GNR(CZECH/HUNGARIAN/POLISH)		add
3	LX0624059	1	QUICK SETUP GUIDE, DCP6690CW GNR(ENGLISH/BULGARIAN/ROMANIAN/SLOVAK)		add
3	LX0623037	1	QUICK SETUP GUIDE, MFC6490CW FOR GNR(CZECH/HUNGARIAN/POLISH)		add
3	LX0623059	1	QUICK SETUP GUIDE, MFC6490CW FOR GNR (ENGLISH/BULGARIAN/ROMANIAN/SLOVAK)		add
3	LX1807037	1	QUICK SETUP GUIDE, MFC6890CDW FOR GNR(CZECH/HUNGARIAN/POLISH)		ADD
3	LX1807059	1	QUICK SETUP GUIDE, MFC6890CDW FOR GNR (ENGLISH/BULGARIAN/ROMANIAN/SLOVAK)		ADD
3	LS5832048	1	QUICK SETUP GUIDE, DCP6690CW FOR RUS		
3	LS5832007	1	QUICK SETUP GUIDE, DCP6690CW FOR PND (NORWEGIAN)		
3	LS5832012	1	QUICK SETUP GUIDE, DCP6690CW FOR PND (FINNISH)		
3	LS5832013	1	QUICK SETUP GUIDE, DCP6690CW FOR PND (DANISH)		
3	LS5832026	1	QUICK SETUP GUIDE, DCP6690CW FOR PND (SWEDISH)		
3	LS5799007	1	QUICK SETUP GUIDE, MFC6490CW FOR PND (NORWEGIAN)		
3	LS5799012	1	QUICK SETUP GUIDE, MFC6490CW FOR PND (FINNISH)		
3	LS5799013	1	QUICK SETUP GUIDE, MFC6490CW FOR PND (DANISH)		
3	LS5799026	1	QUICK SETUP GUIDE, MFC6490CW FOR PND (SWEDISH)		
3	LX1122007	1	QUICK SETUP GUIDE, MFC6890CDW FOR PND (NORWEGIAN)		
3	LX1122012	1	QUICK SETUP GUIDE, MFC6890CDW FOR PND (FINNISH)		
3	LX1122013	1	QUICK SETUP GUIDE, MFC6890CDW FOR PND (DANISH)		
3	LX1122026	1	QUICK SETUP GUIDE, MFC6890CDW FOR PND (SWEDISH)		
3	LS5832015	1	QUICK SETUP GUIDE, DCP6690CW FOR IBR (SPANISH)		
3	LS5832018	1	QUICK SETUP GUIDE, DCP6690CW FOR IBR (PORTUGUESE)		
4	LK4424001	1	PROTECT CTG SUPPLY ASSY(SP)		chg
5	LS5001001	1	PAPER TRAY PAD		
6	LS4776001	1	ACCESSORIES SHEET		
7	LS4777001	1	SHEET 540X540		
8	LS4778001	1	PE BAG 1200X1000H		
9	LS6182001	1	ACCESSORIES TRAY A3 EXCEPT FOR US/ARG/CHN/ASA/OCE		

8CAF11/8CAF17/8CAF33/
8CAF41/8CAF47

DCP6690CW/MFC6490CW/MFC6890CDW

14 OTHERS



List14(OTHERS)

REF No.	CODE	Q'TY	DESCRIPTION	RECOMMEND	REMARKS
1	UF8263001	1	TEST CHART-027		
2	UF9258001	1	COLOR TEST CHART CTC-001		
3	UF4600001	1	CONTRAST CHART TC-023		
4	ZA0310001	1	HEAD CLEANER STICK ASSY		
5	XA9940051	1	STYLUS		add
6	LX1390001	1	CLEANING SHEET, MFC6890CDW		ADD