

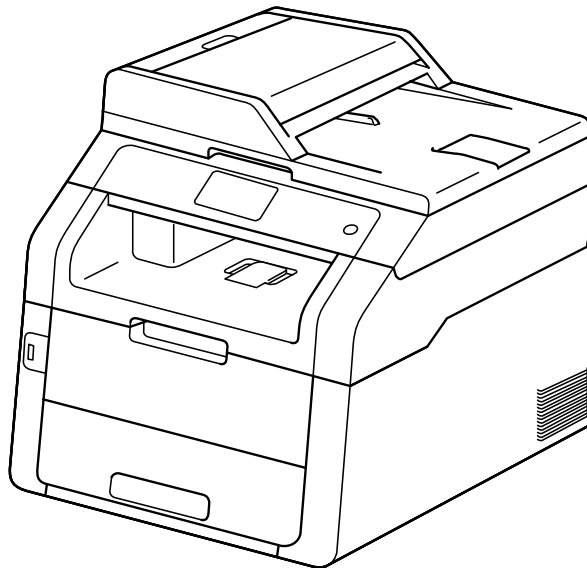


## Color FAX/MFC **PARTS REFERENCE LIST**

---

---

**MODEL: DCP-9015CDW/9015CDWE/  
9017CDW/9020CDN/9020CDW,  
HL-3180CDW,  
MFC-9130CW/9140CDN/  
9330CDW/9335CDW/9340CDW**



Read this list thoroughly before maintenance work.

Keep this list in a convenient place for quick and easy reference at all times.

## NOTE FOR USING THIS PARTS REFERENCE LIST

1. In the case of ordering parts, it is necessary to mention the following items:

- (1) Code
- (2) Q'ty
- (3) Description

<Example>

	(1)	(2)	(3)			
REFNo.	CODE	Q'TY	DESCRIPTION	MODEL	SPEC	REMARKS

2. Design-changed parts:

If any of the parts code is changed in this Parts List, one of the following symbols is indicated in the REMARKS column.

- CHG (chg): The part code is changed for a new one in this Parts List.
- ADD (add): The part code is newly added in this Parts List.
- DEL (del) : The part code is deleted in this Parts List.

Symbol in capital letters indicates the latest parts change information in the page.

- 3. Parts change will be informed by the Parts change information.
- 4. Parts are subject to change in design without prior notice.

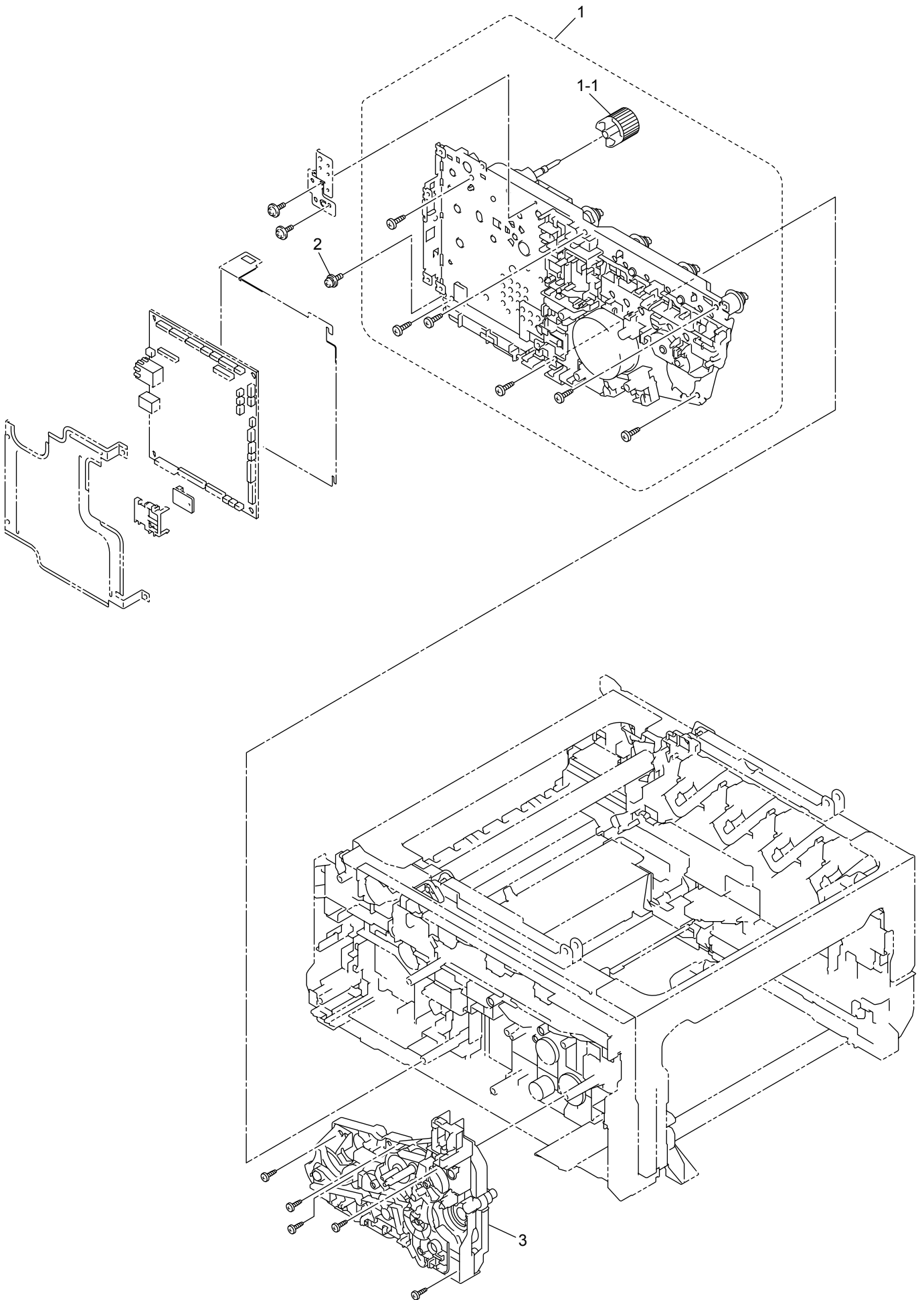
## COUNTRIES & AREAS

ARG ----- ARGENTINA	IBR ----- IBERIA (SPAIN/PORTUGAL)
ARL/NZ ----- AUSTRALIA/NEW ZEALAND	IND ----- INDIA
ASA ----- ASIA (SINGAPORE/GULF)	ITA ----- ITALY
BRA ----- BRAZIL	KOR ----- KOREA
CAN ----- CANADA	PHL ----- PHILIPPINES
CEE ----- CEE GENERAL	PND ----- PAN-NORDIC
CHE ----- SWITZERLAND	(NORWAY/FINLAND/DENMARK/SWEDEN)
CHL ----- CHILE	RUS ----- RUSSIA
CHN ----- CHINA	TWN ----- TAIWAN
FRA/BEL/NLD -----	UK ----- UNITED KINGDOM
FRANCE/BELGIUM/NETHERLANDS	US ----- U.S.A.
GER ----- GERMANY	
GUL ----- GULF	

# CONTENTS

1.	<u>FRAME L &amp; DRIVE UNIT</u> .....	1
2.	<u>FRAME R UNIT</u> .....	3
3.	<u>FRAME</u> .....	5
4.	<u>LED JOINT COVER</u> .....	7
5.	<u>PAPER FEEDER</u> .....	10
6.	<u>DUPLEX</u> .....	12
7.	<u>PAPER TRAY</u> .....	14
8.	<u>FUSER UNIT</u> .....	16
9.	<u>PAPER EJECT</u> .....	18
10.	<u>COVERS &amp; LABELS</u> .....	20
11.	<u>DOCUMENT SCANNER</u> .....	24
12.	<u>ADF &amp; DOCUMENT COVER</u> .....	26
13.	<u>PANEL</u> .....	31
14.	<u>PCB</u> .....	33
15.	<u>ACCESSORIES</u> .....	36
16.	<u>PRINTED MATERIALS</u> .....	39
17.	<u>PACKING MATERIALS</u> .....	43
18.	<u>PERIODICAL MAINTENANCE PARTS</u> .....	46

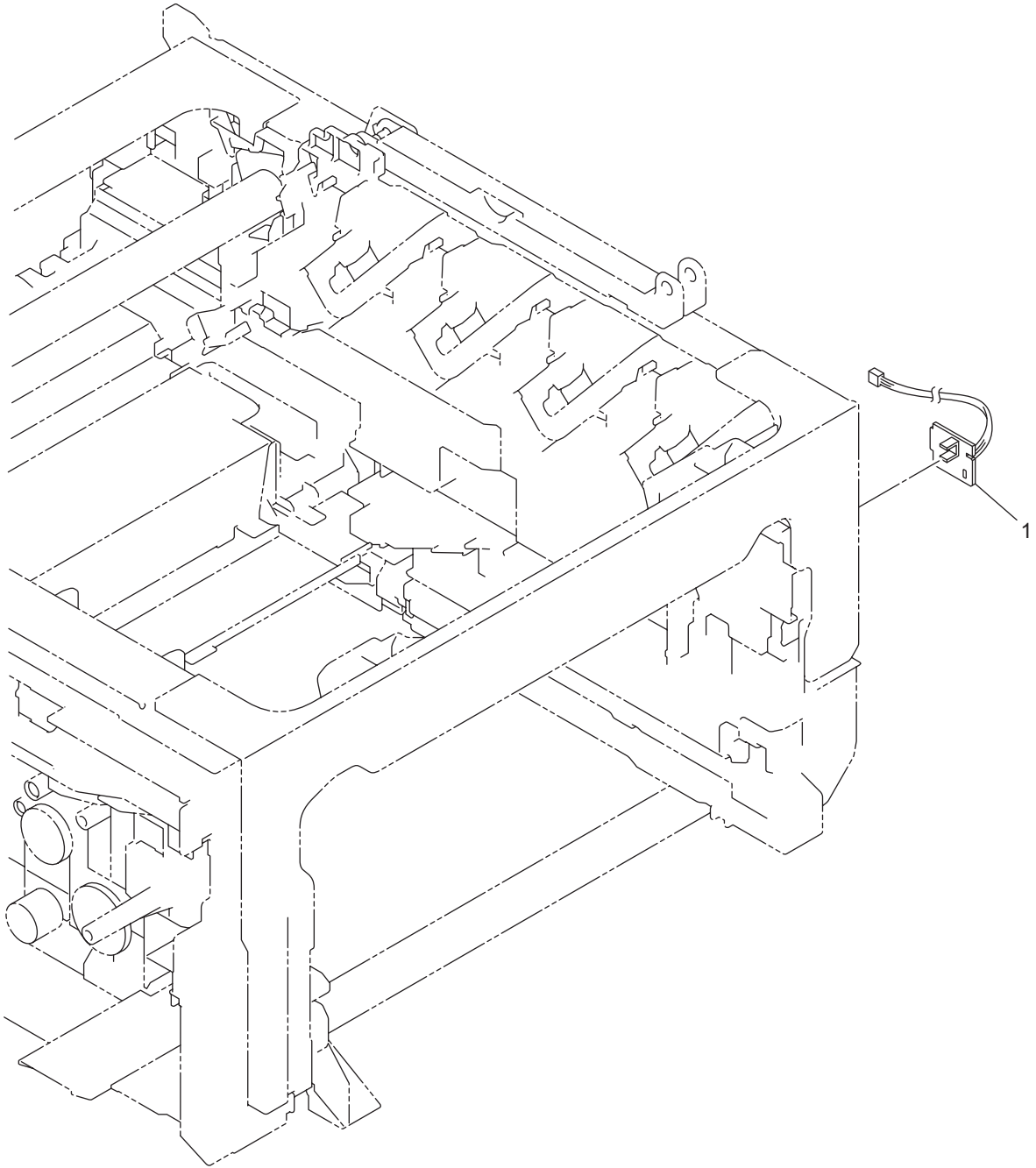
1.FRAME L & DRIVE UNIT



1. FRAME L & DRIVE UNIT

REF No.	CODE	Q'T Y	DESCRIPTION	MODEL	SPEC	REMARKS
1	LEF006001	1	PROCESS DRIVE UNIT			
1-1	LY0233001	1	FUSER DRIVE GEAR Z25			
2	LU6109001	1	TAPTITE PAN B M4X12DA			
3	LY6100001	1	MAIN DRIVE UNIT			

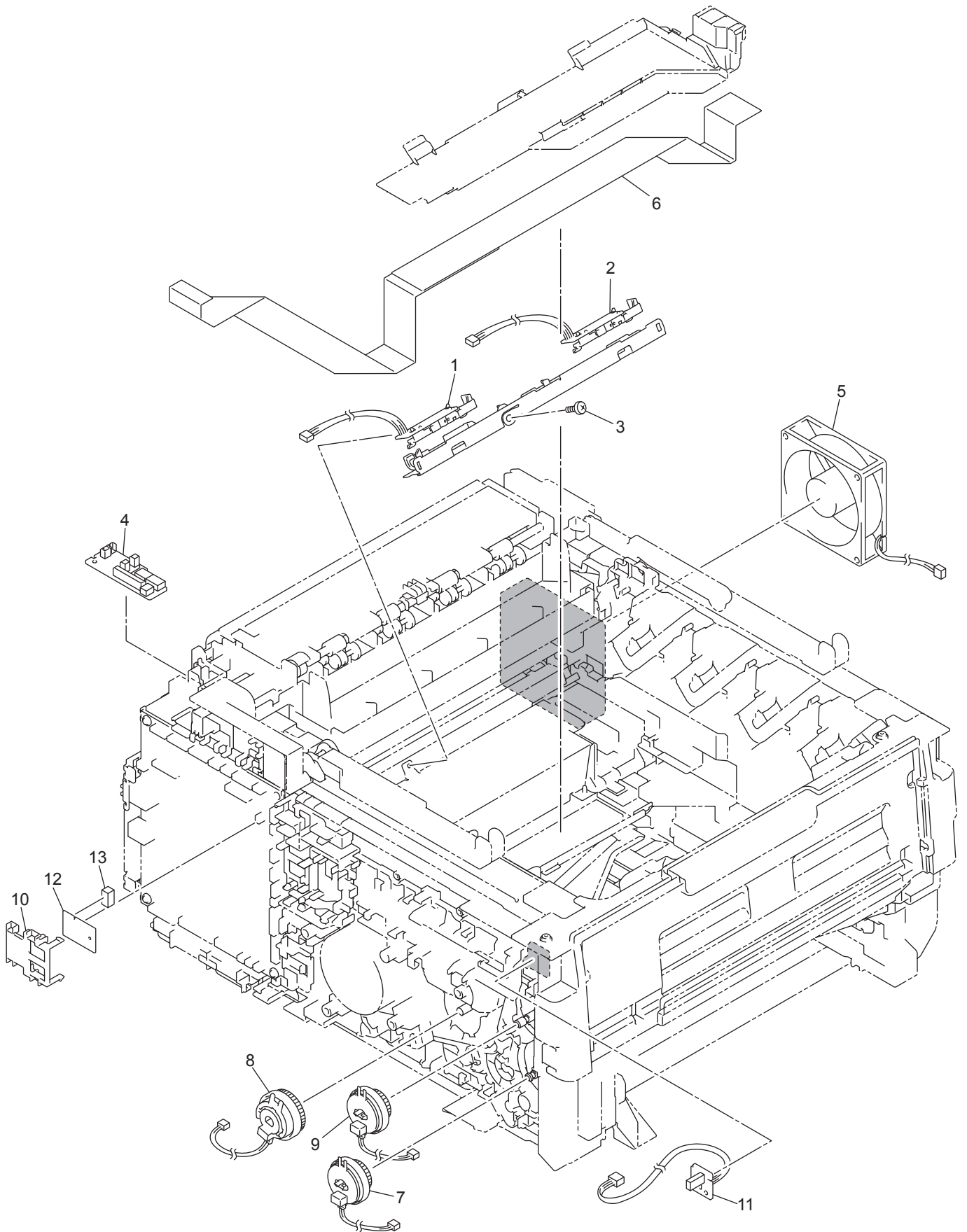
## 2.FRAME R UNIT



2. FRAME R UNIT

REF No.	CODE	Q'T Y	DESCRIPTION	MODEL	SPEC	REMARKS
1	LV0885001	1	DEVELOP RELEASE SENSOR PCB ASSY			

### 3.FRAME

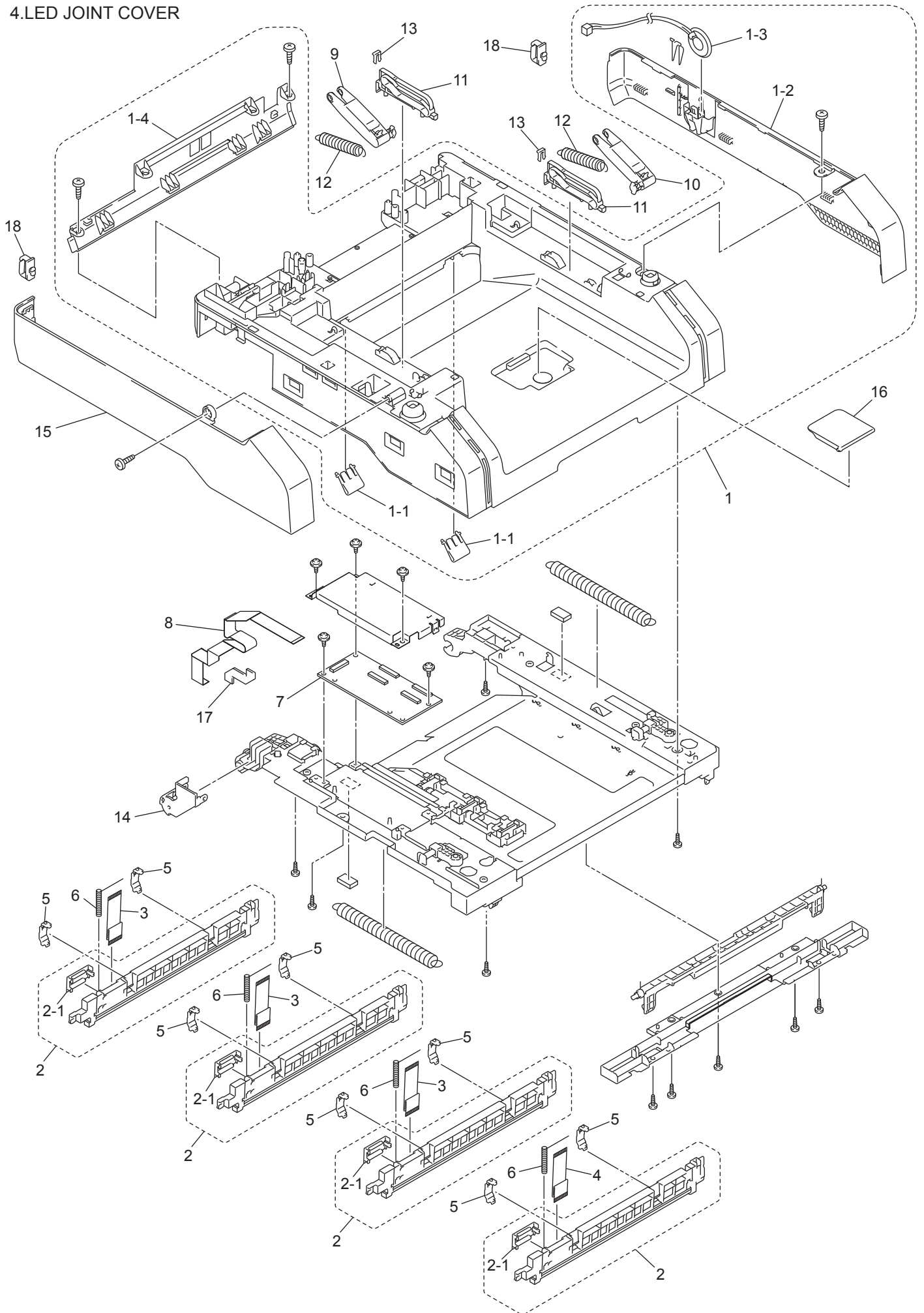




3. FRAME

REF No.	CODE	Q'T Y	DESCRIPTION	MODEL	SPEC	REMARKS
1	LV0905001	1	REGISTRATION MARK L PCB ASSY			
2	LV0903001	1	REGISTRATION MARK R PCB ASSY			
3	085320516	1	TAPTITE BIND S M3X5			
4	LV0890001	1	EJECT SENSOR PCB ASSY			
5	LY6770001	1	MAIN FAN			
6	LV0918001	1	HVPS FLAT CABLE			
7	LY6134001	1	PAPER FEED CLUTCH			
8	LR2302001	1	DEVELOP RELEASE CLUTCH			CHG
9	LY6136001	1	REGISTRATION CLUTCH			
10	LY6139001	1	WIRELESS LAN CAP	DCP-9015CDW		
10	LY6139001	1	WIRELESS LAN CAP	DCP-9015CDWE		
10	LY6139001	1	WIRELESS LAN CAP	DCP-9017CDW		
10	LY6139001	1	WIRELESS LAN CAP	DCP-9020CDW		
10	LY6139001	1	WIRELESS LAN CAP	DCP-9022CDW		
10	LY6139001	1	WIRELESS LAN CAP	HL-3180CDW		
10	LY6139001	1	WIRELESS LAN CAP	MFC-9130CW		
10	LY6139001	1	WIRELESS LAN CAP	MFC-9330CDW		
10	LY6139001	1	WIRELESS LAN CAP	MFC-9332CDW		
10	LY6139001	1	WIRELESS LAN CAP	MFC-9335CDW		
10	LY6139001	1	WIRELESS LAN CAP	MFC-9340CDW		
10	LY6139001	1	WIRELESS LAN CAP	MFC-9342CDW		
11	LV0942001	1	EXTERNAL TEMPERATURE/ HUMIDITY SENSOR PCB ASSY			
12	LT3808001	1	WIRELESS LAN PCB ASSY	DCP-9015CDW		
12	LT3808001	1	WIRELESS LAN PCB ASSY	DCP-9015CDWE		
12	LT3808001	1	WIRELESS LAN PCB ASSY	DCP-9017CDW		
12	LT3808001	1	WIRELESS LAN PCB ASSY	DCP-9020CDW		chg
12	LT3808001	1	WIRELESS LAN PCB ASSY	DCP-9022CDW		chg
12	LT3808001	1	WIRELESS LAN PCB ASSY	HL-3180CDW		
12	LT3808001	1	WIRELESS LAN PCB ASSY	MFC-9130CW		chg
12	LT3808001	1	WIRELESS LAN PCB ASSY	MFC-9330CDW		chg
12	LT3808001	1	WIRELESS LAN PCB ASSY	MFC-9332CDW		chg
12	LT3808001	1	WIRELESS LAN PCB ASSY	MFC-9335CDW		
12	LT3808001	1	WIRELESS LAN PCB ASSY	MFC-9340CDW		chg
12	LT3808001	1	WIRELESS LAN PCB ASSY	MFC-9342CDW		chg
13	LT2604001	1	SPACER SPONGE	DCP-9015CDW		
13	LT2604001	1	SPACER SPONGE	DCP-9015CDWE		
13	LT2604001	1	SPACER SPONGE	DCP-9017CDW		
13	LT2604001	1	SPACER SPONGE	DCP-9020CDW		
13	LT2604001	1	SPACER SPONGE	DCP-9022CDW		
13	LT2604001	1	SPACER SPONGE	HL-3180CDW		
13	LT2604001	1	SPACER SPONGE	MFC-9130CW		
13	LT2604001	1	SPACER SPONGE	MFC-9330CDW		
13	LT2604001	1	SPACER SPONGE	MFC-9332CDW		
13	LT2604001	1	SPACER SPONGE	MFC-9335CDW		
13	LT2604001	1	SPACER SPONGE	MFC-9340CDW		
13	LT2604001	1	SPACER SPONGE	MFC-9342CDW		

# 4.LED JOINT COVER



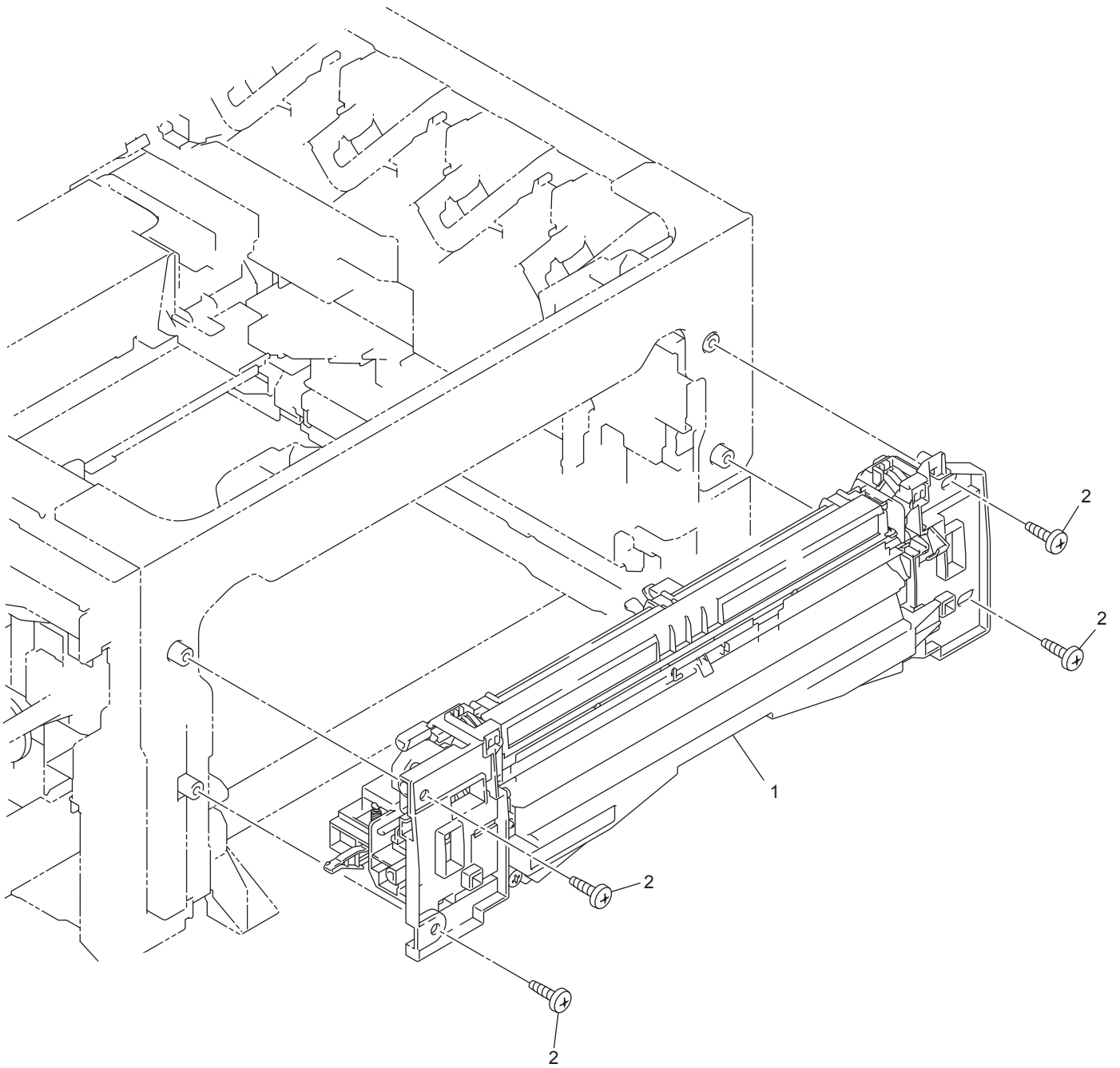
4. LED JOINT COVER

REF No.	CODE	Q'T Y	DESCRIPTION	MODEL	SPEC	REMARKS
1	LEF319001	1	JOINT COVER ASSY (SP)	DCP-9015CDW		
1	LEF319001	1	JOINT COVER ASSY (SP)	DCP-9015CDWE		
1	LEF319001	1	JOINT COVER ASSY (SP)	DCP-9017CDW		
1	LEF319001	1	JOINT COVER ASSY (SP)	DCP-9020CDN		
1	LEF319001	1	JOINT COVER ASSY (SP)	DCP-9020CDW		
1	LEF319001	1	JOINT COVER ASSY (SP)	DCP-9022CDW		
1	LEF319001	1	JOINT COVER ASSY (SP)	HL-3180CDW		
1	LEF321001	1	JOINT COVER ASSY (SP)	MFC-9130CW		
1	LEF320001	1	JOINT COVER ASSY (SP)	MFC-9140CDN		
1	LEF320001	1	JOINT COVER ASSY (SP)	MFC-9142CDN		
1	LEF320001	1	JOINT COVER ASSY (SP)	MFC-9330CDW		
1	LEF320001	1	JOINT COVER ASSY (SP)	MFC-9332CDW		
1	LEF320001	1	JOINT COVER ASSY (SP)	MFC-9335CDW		
1	LEF320001	1	JOINT COVER ASSY (SP)	MFC-9340CDW		
1	LEF320001	1	JOINT COVER ASSY (SP)	MFC-9342CDW		
1-1	LY6255001	2	PAPER STACK LEVER			
1-2	LEF104001	1	JOINT COVER SIDE R	DCP-9015CDW		
1-2	LEF104001	1	JOINT COVER SIDE R	DCP-9015CDWE		
1-2	LEF104001	1	JOINT COVER SIDE R	DCP-9017CDW		
1-2	LEF104001	1	JOINT COVER SIDE R	DCP-9020CDN		
1-2	LEF104001	1	JOINT COVER SIDE R	DCP-9020CDW		
1-2	LEF104001	1	JOINT COVER SIDE R	DCP-9022CDW		
1-2	LEF104001	1	JOINT COVER SIDE R	HL-3180CDW		
1-2	LEF032001	1	JOINT COVER SIDE R	MFC-9130CW		
1-2	LEF032001	1	JOINT COVER SIDE R	MFC-9140CDN		
1-2	LEF032001	1	JOINT COVER SIDE R	MFC-9142CDN		
1-2	LEF032001	1	JOINT COVER SIDE R	MFC-9330CDW		
1-2	LEF032001	1	JOINT COVER SIDE R	MFC-9332CDW		
1-2	LEF032001	1	JOINT COVER SIDE R	MFC-9335CDW		
1-2	LEF032001	1	JOINT COVER SIDE R	MFC-9340CDW		
1-2	LEF032001	1	JOINT COVER SIDE R	MFC-9342CDW		
1-3	LT2218001	1	SPEAKER UNIT			
1-4	LEF105001	1	JOINT COVER BACK	DCP-9015CDW		
1-4	LEF105001	1	JOINT COVER BACK	DCP-9015CDWE		
1-4	LEF105001	1	JOINT COVER BACK	DCP-9017CDW		
1-4	LEF105001	1	JOINT COVER BACK	DCP-9020CDN		
1-4	LEF105001	1	JOINT COVER BACK	DCP-9020CDW		
1-4	LEF105001	1	JOINT COVER BACK	DCP-9022CDW		
1-4	LEF105001	1	JOINT COVER BACK	HL-3180CDW		
1-4	LEF033001	1	JOINT COVER BACK	MFC-9130CW		
1-4	LEF033001	1	JOINT COVER BACK	MFC-9140CDN		
1-4	LEF033001	1	JOINT COVER BACK	MFC-9142CDN		
1-4	LEF033001	1	JOINT COVER BACK	MFC-9330CDW		
1-4	LEF033001	1	JOINT COVER BACK	MFC-9332CDW		
1-4	LEF033001	1	JOINT COVER BACK	MFC-9335CDW		
1-4	LEF033001	1	JOINT COVER BACK	MFC-9340CDW		
1-4	LEF033001	1	JOINT COVER BACK	MFC-9342CDW		
2	LY7951001	4	LED ASSY (SP)			CHG
2-1	LY6272001	4	FLAT CABLE COVER			
3	LV0921001	3	LED FLAT CABLE			
4	LV0945001	1	LED(Y) FLAT CABLE			
5	LY6277001	8	HOLDER HOOK			
6	LY6274001	4	Z SPRING L			
7	LV0907001	1	LED CONTROL PCB ASSY			
8	LT2220001	1	LED CONTROL FLAT CABLE			
9	LP2727001	1	PULL ARM L			
10	LP2728001	1	PULL ARM R			
11	LS7023001	2	PULL ARM GUIDE			
12	LX4020001	2	PULL ARM SPRING			
13	LF6148001	2	LOCK CLAW			
14	LEF050001	1	FLAT CABLE HOLDER COVER			
15	LEF106001	1	JOINT COVER SIDE L	DCP-9015CDW		
15	LEF106001	1	JOINT COVER SIDE L	DCP-9015CDWE		
15	LEF106001	1	JOINT COVER SIDE L	DCP-9017CDW		
15	LEF106001	1	JOINT COVER SIDE L	DCP-9020CDN		
15	LEF106001	1	JOINT COVER SIDE L	DCP-9020CDW		
15	LEF106001	1	JOINT COVER SIDE L	DCP-9022CDW		
15	LEF106001	1	JOINT COVER SIDE L	HL-3180CDW		
15	LEF051001	1	JOINT COVER SIDE L	MFC-9130CW		
15	LEF051001	1	JOINT COVER SIDE L	MFC-9140CDN		
15	LEF051001	1	JOINT COVER SIDE L	MFC-9142CDN		
15	LEF051001	1	JOINT COVER SIDE L	MFC-9330CDW		
15	LEF051001	1	JOINT COVER SIDE L	MFC-9332CDW		
15	LEF051001	1	JOINT COVER SIDE L	MFC-9335CDW		
15	LEF051001	1	JOINT COVER SIDE L	MFC-9340CDW		
15	LEF051001	1	JOINT COVER SIDE L	MFC-9342CDW		
16	LY6250002	1	SUPPORT FLAP	DCP-9015CDW		

4. LED JOINT COVER

REF No.	CODE	Q'T Y	DESCRIPTION	MODEL	SPEC	REMARKS
16	LY6250002	1	SUPPORT FLAP	DCP-9015CDWE		
16	LY6250002	1	SUPPORT FLAP	DCP-9017CDW		
16	LY6250002	1	SUPPORT FLAP	DCP-9020CDN		
16	LY6250002	1	SUPPORT FLAP	DCP-9020CDW		
16	LY6250002	1	SUPPORT FLAP	DCP-9022CDW		
16	LY6250002	1	SUPPORT FLAP	HL-3180CDW		
16	LY6250002	1	SUPPORT FLAP	MFC-9130CW		
16	LY6250001	1	SUPPORT FLAP	MFC-9140CDN		
16	LY6250001	1	SUPPORT FLAP	MFC-9142CDN		
16	LY6250001	1	SUPPORT FLAP	MFC-9330CDW		
16	LY6250001	1	SUPPORT FLAP	MFC-9332CDW		
16	LY6250001	1	SUPPORT FLAP	MFC-9335CDW		
16	LY6250001	1	SUPPORT FLAP	MFC-9340CDW		
16	LY6250001	1	SUPPORT FLAP	MFC-9342CDW		
17	LEF117001	1	FLAT CABLE SPONGE1			
18	LP2612002	2	CORD HOOK	MFC-9130CW		
18	LP2612002	2	CORD HOOK	MFC-9140CDN		
18	LP2612002	2	CORD HOOK	MFC-9142CDN		
18	LP2612002	2	CORD HOOK	MFC-9330CDW		
18	LP2612002	2	CORD HOOK	MFC-9332CDW		
18	LP2612002	2	CORD HOOK	MFC-9335CDW		
18	LP2612002	2	CORD HOOK	MFC-9340CDW		
18	LP2612002	2	CORD HOOK	MFC-9342CDW		

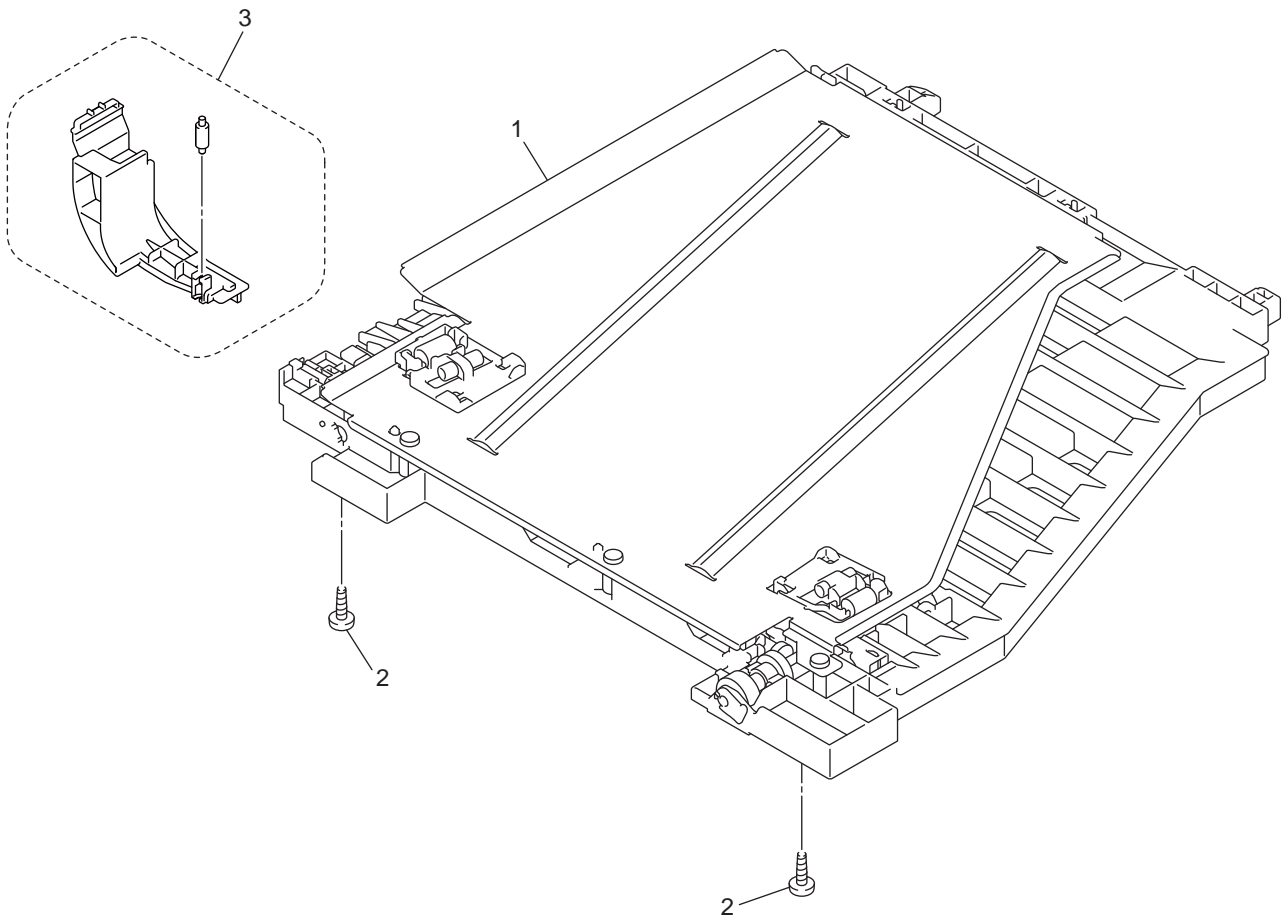
## 5.PAPER FEEDER



5. PAPER FEEDER

REF No.	CODE	Q'T Y	DESCRIPTION	MODEL	SPEC	REMARKS
1	LY7536002	1	PAPER FEED UNIT (SP)	DCP-9015CDW		
1	LY7536002	1	PAPER FEED UNIT (SP)	DCP-9015CDWE		
1	LY7536002	1	PAPER FEED UNIT (SP)	DCP-9017CDW		
1	LY7536002	1	PAPER FEED UNIT (SP)	DCP-9020CDN		
1	LY7536002	1	PAPER FEED UNIT (SP)	DCP-9020CDW		
1	LY7536002	1	PAPER FEED UNIT (SP)	DCP-9022CDW		
1	LY7536002	1	PAPER FEED UNIT (SP)	HL-3180CDW		
1	LY7536002	1	PAPER FEED UNIT (SP)	MFC-9130CW		
1	LY7536001	1	PAPER FEED UNIT (SP)	MFC-9140CDN		
1	LY7536001	1	PAPER FEED UNIT (SP)	MFC-9142CDN		
1	LY7536001	1	PAPER FEED UNIT (SP)	MFC-9330CDW		
1	LY7536001	1	PAPER FEED UNIT (SP)	MFC-9332CDW		
1	LY7536001	1	PAPER FEED UNIT (SP)	MFC-9335CDW		
1	LY7536001	1	PAPER FEED UNIT (SP)	MFC-9340CDW		
1	LY7536001	1	PAPER FEED UNIT (SP)	MFC-9342CDW		
2	LU5693001	4	TAPTITE BIND B M4X12			

## 6.DUPLEX

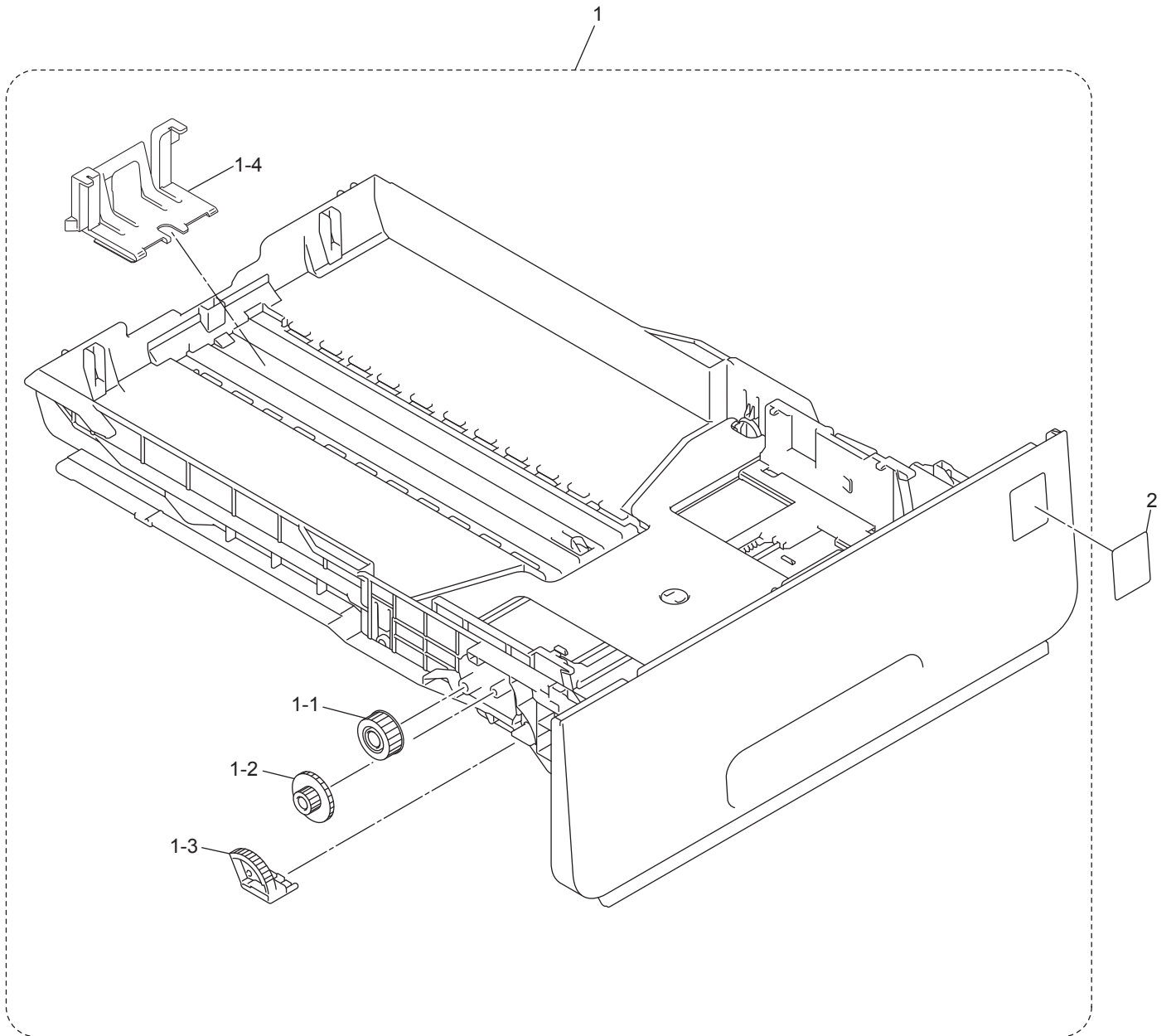


6. DUPLEX

REF No.	CODE	Q'T Y	DESCRIPTION	MODEL	SPEC	REMARKS
1	LR2158001	1	DUPLEX TRAY A4	DCP-9015CDW		
1	LR2158001	1	DUPLEX TRAY A4	DCP-9015CDWE		
1	LR2158001	1	DUPLEX TRAY A4	DCP-9017CDW		
1	LR2158001	1	DUPLEX TRAY A4	DCP-9020CDN	FOR CHN	CHG
1	LR2155001	1	DUPLEX TRAY LTR	DCP-9020CDN	FOR ARG/CHL/BRA	CHG
1	LR2158001	1	DUPLEX TRAY A4	DCP-9020CDW		CHG
1	LR2158001	1	DUPLEX TRAY A4	DCP-9022CDW		CHG
1	LR2155001	1	DUPLEX TRAY LTR	HL-3180CDW		
1	LR2155001	1	DUPLEX TRAY LTR	MFC-9140CDN	FOR PHL	CHG
1	LR2158001	1	DUPLEX TRAY A4	MFC-9140CDN	EXCEPT FOR PHL	CHG
1	LR2158001	1	DUPLEX TRAY A4	MFC-9142CDN		CHG
1	LR2155001	1	DUPLEX TRAY LTR	MFC-9330CDW	FOR US/CAN/PHL/CHL/BRA	CHG
1	LR2158001	1	DUPLEX TRAY A4	MFC-9330CDW	FOR GER/UK/CHE/ITA/IBR/ TWN/ASA/GUL/RUS/FRA/BEL/ NLD/ARL/PND	CHG
1	LR2158001	1	DUPLEX TRAY A4	MFC-9332CDW		CHG
1	LR2158001	1	DUPLEX TRAY A4	MFC-9335CDW		
1	LR2155001	1	DUPLEX TRAY LTR	MFC-9340CDW	FOR US/CAN	CHG
1	LR2158001	1	DUPLEX TRAY A4	MFC-9340CDW	FOR GER/UK/CHE/ITA/IBR/CHN/ FRA/BEL/NLD/ARL/NZ/CEE	CHG
1	LR2158001	1	DUPLEX TRAY A4	MFC-9342CDW		CHG
2	LU5693001	2	TAPTITE BIND B M4X12	DCP-9015CDW		
2	LU5693001	2	TAPTITE BIND B M4X12	DCP-9015CDWE		
2	LU5693001	2	TAPTITE BIND B M4X12	DCP-9017CDW		
2	LU5693001	2	TAPTITE BIND B M4X12	DCP-9020CDN		
2	LU5693001	2	TAPTITE BIND B M4X12	DCP-9020CDW		
2	LU5693001	2	TAPTITE BIND B M4X12	DCP-9022CDW		
2	LU5693001	2	TAPTITE BIND B M4X12	HL-3180CDW		
2	LU5693001	2	TAPTITE BIND B M4X12	MFC-9140CDN		
2	LU5693001	2	TAPTITE BIND B M4X12	MFC-9142CDN		
2	LU5693001	2	TAPTITE BIND B M4X12	MFC-9330CDW		
2	LU5693001	2	TAPTITE BIND B M4X12	MFC-9332CDW		
2	LU5693001	2	TAPTITE BIND B M4X12	MFC-9335CDW		
2	LU5693001	2	TAPTITE BIND B M4X12	MFC-9340CDW		
2	LU5693001	2	TAPTITE BIND B M4X12	MFC-9342CDW		
3	LR2161001	1	DUPLEX TRAY SIDE GUIDE A4	DCP-9015CDW		
3	LR2161001	1	DUPLEX TRAY SIDE GUIDE A4	DCP-9015CDWE		
3	LR2161001	1	DUPLEX TRAY SIDE GUIDE A4	DCP-9017CDW		
3	LR2161001	1	DUPLEX TRAY SIDE GUIDE A4	DCP-9020CDN	FOR CHN	ADD
3	LR2160001	1	DUPLEX TRAY SIDE GUIDE LTR	DCP-9020CDN	FOR ARG/CHL/BRA	ADD
3	LR2161001	1	DUPLEX TRAY SIDE GUIDE A4	DCP-9020CDW		ADD
3	LR2161001	1	DUPLEX TRAY SIDE GUIDE A4	DCP-9022CDW		ADD
3	LR2160001	1	DUPLEX TRAY SIDE GUIDE LTR	HL-3180CDW		
3	LR2160001	1	DUPLEX TRAY SIDE GUIDE LTR	MFC-9140CDN	FOR PHL	ADD
3	LR2161001	1	DUPLEX TRAY SIDE GUIDE A4	MFC-9140CDN	EXCEPT FOR PHL	ADD
3	LR2161001	1	DUPLEX TRAY SIDE GUIDE A4	MFC-9142CDN		ADD
3	LR2160001	1	DUPLEX TRAY SIDE GUIDE LTR	MFC-9330CDW	FOR US/CAN/PHL/CHL/BRA	ADD
3	LR2161001	1	DUPLEX TRAY SIDE GUIDE A4	MFC-9330CDW	FOR GER/UK/CHE/ITA/IBR/TWN/ ASA/GUL/RUS/FRA/BEL/NLD/ ARL/PND	ADD
3	LR2161001	1	DUPLEX TRAY SIDE GUIDE A4	MFC-9332CDW		ADD
3	LR2161001	1	DUPLEX TRAY SIDE GUIDE A4	MFC-9335CDW		
3	LR2160001	1	DUPLEX TRAY SIDE GUIDE LTR	MFC-9340CDW	FOR US/CAN	ADD
3	LR2161001	1	DUPLEX TRAY SIDE GUIDE A4	MFC-9340CDW	FOR GER/UK/CHE/ITA/IBR/CHN/ FRA/BEL/NLD/ARL/NZ/CEE	ADD
3	LR2161001	1	DUPLEX TRAY SIDE GUIDE A4	MFC-9342CDW		ADD



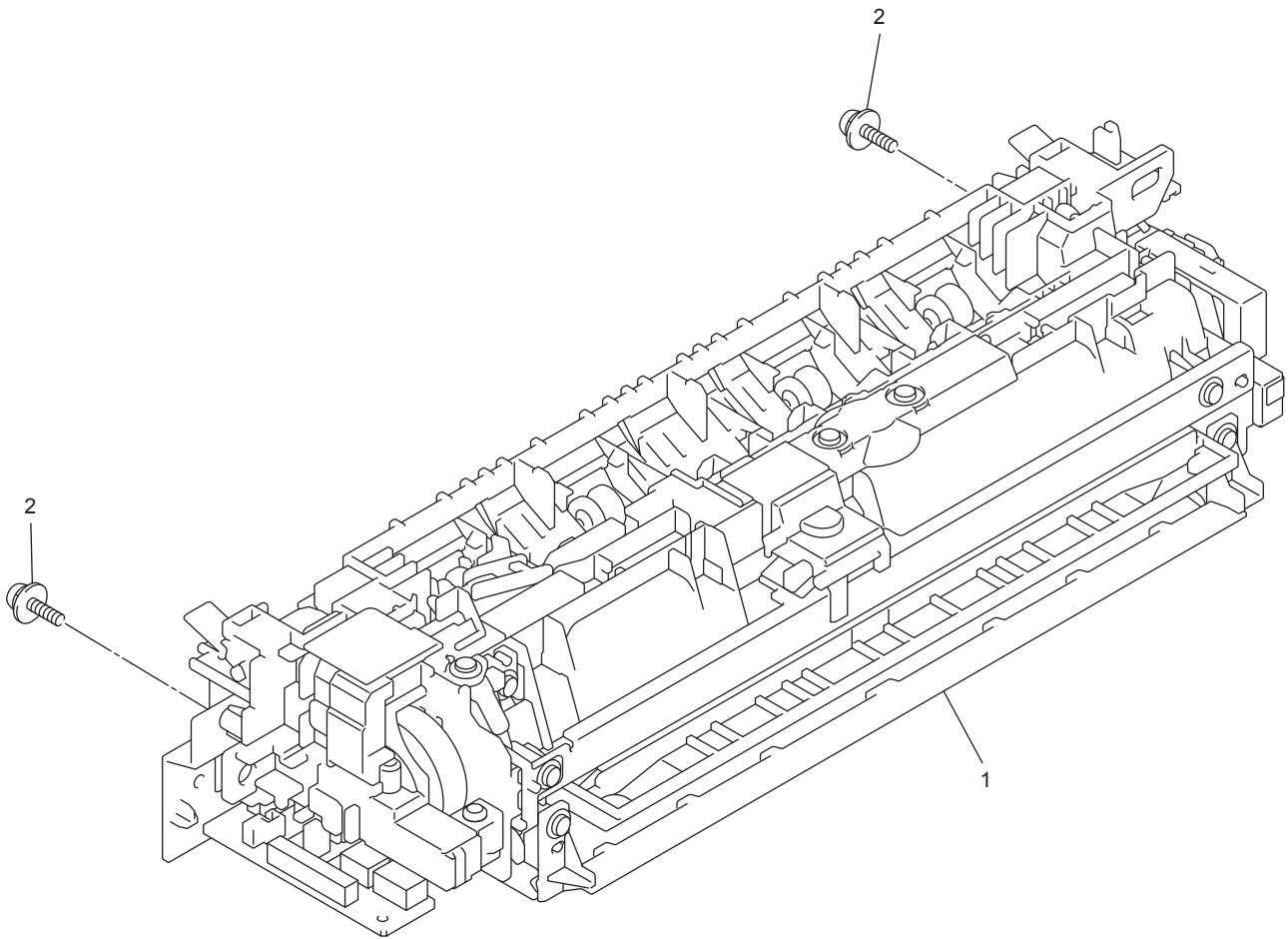
## 7.PAPER TRAY



7. PAPER TRAY

REF No.	CODE	Q'T Y	DESCRIPTION	MODEL	SPEC	REMARKS
1	LY6602002	1	PAPER TRAY	DCP-9015CDW		
1	LY6602002	1	PAPER TRAY	DCP-9015CDWE		
1	LY6602002	1	PAPER TRAY	DCP-9017CDW		
1	LY6602002	1	PAPER TRAY	DCP-9020CDN		
1	LY6602002	1	PAPER TRAY	DCP-9020CDW		
1	LY6602002	1	PAPER TRAY	DCP-9022CDW		
1	LY6602002	1	PAPER TRAY	HL-3180CDW		
1	LY6342002	1	PAPER TRAY	MFC-9130CW		
1	LEF482001	1	PAPER TRAY	MFC-9140CDN	FOR KOR	
1	LY6602001	1	PAPER TRAY	MFC-9140CDN	EXCEPT FOR KOR	
1	LY6602001	1	PAPER TRAY	MFC-9142CDN		
1	LY6602001	1	PAPER TRAY	MFC-9330CDW		
1	LY6602001	1	PAPER TRAY	MFC-9332CDW		
1	LY6602001	1	PAPER TRAY	MFC-9335CDW		
1	LY6602001	1	PAPER TRAY	MFC-9340CDW		
1	LY6602001	1	PAPER TRAY	MFC-9342CDW		
1-1	LR0252001	1	GEAR Z19M10			
1-2	LR0253001	1	GEAR Z23M10Z14M75			
1-3	LY2202001	1	LIFT GEAR 46			
1-4	LY2204001	1	PAPER REAR GUIDE			ADD
2	LY6986001	1	COLOR LABEL	DCP-9015CDW		
2	LY6986001	1	COLOR LABEL	DCP-9015CDWE		
2	LY6986001	1	COLOR LABEL	DCP-9017CDW		
2	LY6986001	1	COLOR LABEL	DCP-9020CDN		
2	LY6986001	1	COLOR LABEL	DCP-9020CDW		
2	LY6986001	1	COLOR LABEL	DCP-9022CDW		
2	LY6986001	1	COLOR LABEL	HL-3180CDW		
2	LY6986001	1	COLOR LABEL	MFC-9130CW		
2	LY6423001	1	COLOR LABEL	MFC-9140CDN		
2	LY6423001	1	COLOR LABEL	MFC-9142CDN		
2	LY6423001	1	COLOR LABEL	MFC-9330CDW		
2	LY6423001	1	COLOR LABEL	MFC-9332CDW		
2	LY6423001	1	COLOR LABEL	MFC-9335CDW		
2	LY6423001	1	COLOR LABEL	MFC-9340CDW		
2	LY6423001	1	COLOR LABEL	MFC-9342CDW		

## 8.FUSER UNIT

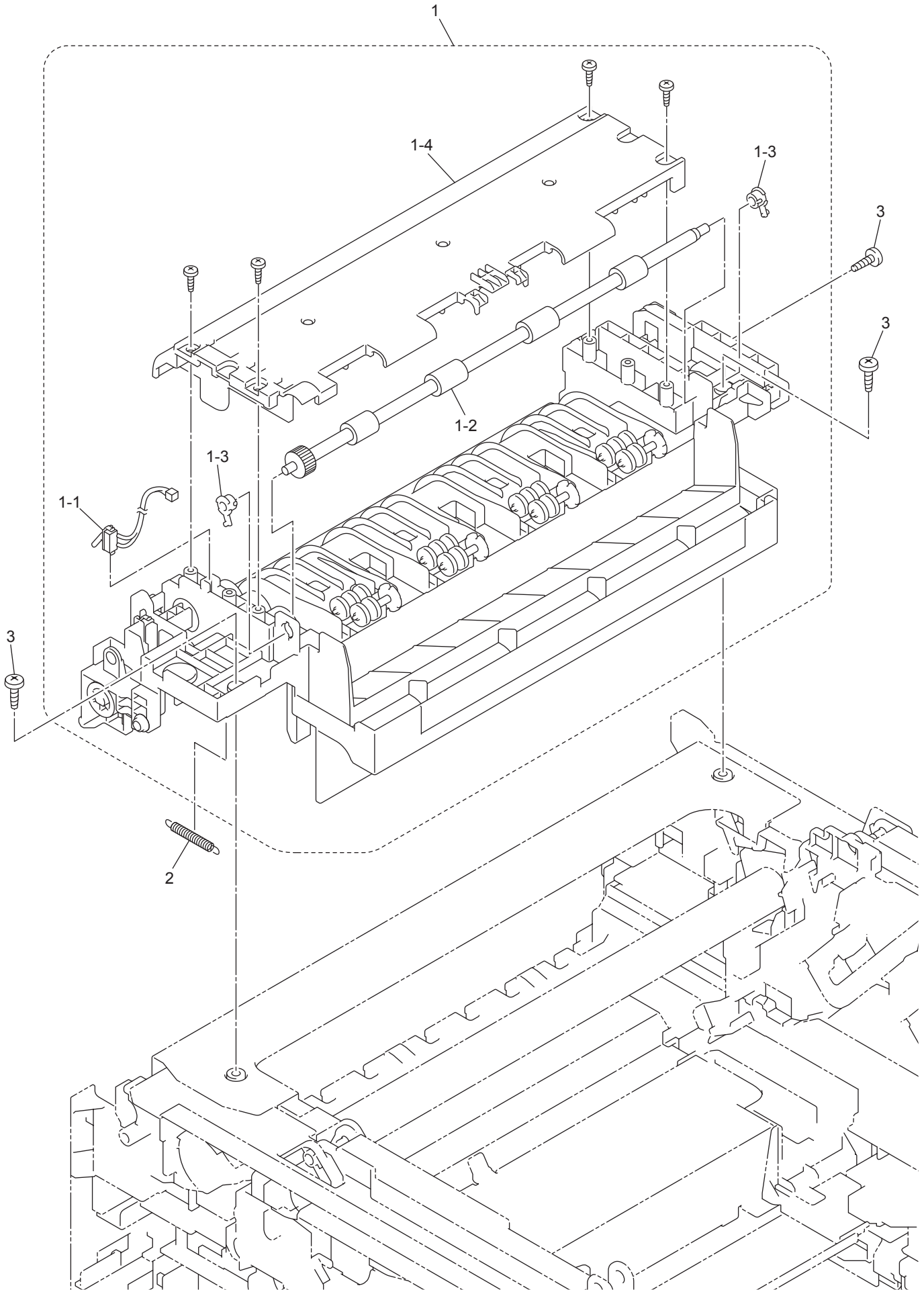


8. FUSER UNIT

REF No.	CODE	Q'T Y	DESCRIPTION	MODEL	SPEC	REMARKS
1	LR2232001	1	FUSER UNIT 230V (SP)*	DCP-9015CDW		
1	LR2233001	1	FUSER UNIT 230V (SP)*	DCP-9015CDWE		
1	LR2233001	1	FUSER UNIT 230V (SP)	DCP-9017CDW		
1	LR2232001	1	FUSER UNIT 230V (SP)*	DCP-9020CDN	FOR CHN/ARG/CHL	CHG
1	LR2231001	1	FUSER UNIT 115V (SP)*	DCP-9020CDN	FOR BRA	CHG
1	LR2232001	1	FUSER UNIT 230V (SP)*	DCP-9020CDW		CHG
1	LR2233001	1	FUSER UNIT 230V (SP)	DCP-9022CDW		CHG
1	LR2231001	1	FUSER UNIT 115V (SP)*	HL-3180CDW		
1	LR2231001	1	FUSER UNIT 115V (SP)*	MFC-9130CW		CHG
1	LR2232001	1	FUSER UNIT 230V (SP)*	MFC-9140CDN		CHG
1	LR2233001	1	FUSER UNIT 230V (SP)	MFC-9142CDN		CHG
1	LR2231001	1	FUSER UNIT 115V (SP)*	MFC-9330CDW	FOR US/CAN/TWN/BRA	CHG
1	LR2232001	1	FUSER UNIT 230V (SP)*	MFC-9330CDW	FOR GER/UK/CHE/ITA/IBR/PHL/ CHL/ASA/GUL/RUS/FRA/BEL/ NLD/ARL/PND	CHG
1	LR2233001	1	FUSER UNIT 230V (SP)	MFC-9332CDW		CHG
1	LR2232001	1	FUSER UNIT 230V (SP)*	MFC-9335CDW		
1	LR2231001	1	FUSER UNIT 115V (SP)*	MFC-9340CDW	FOR US/CAN	CHG
1	LR2232001	1	FUSER UNIT 230V (SP)*	MFC-9340CDW	FOR GER/UK/CHE/ITA/IBR/CHN/ FRA/BEL/NLD/ARL/NZ/CEE	CHG
1	LR2233001	1	FUSER UNIT 230V (SP)	MFC-9342CDW		CHG
2	LU6109001	2	TAPTITE PAN(WASHER)B M4X12DA			

\*Please update the Main firmware to the following Ver.:  
 (Except for China) Ver.L or later  
 (For China) Ver.F or later  
 (Improvement of heater control of the Fuser Unit)

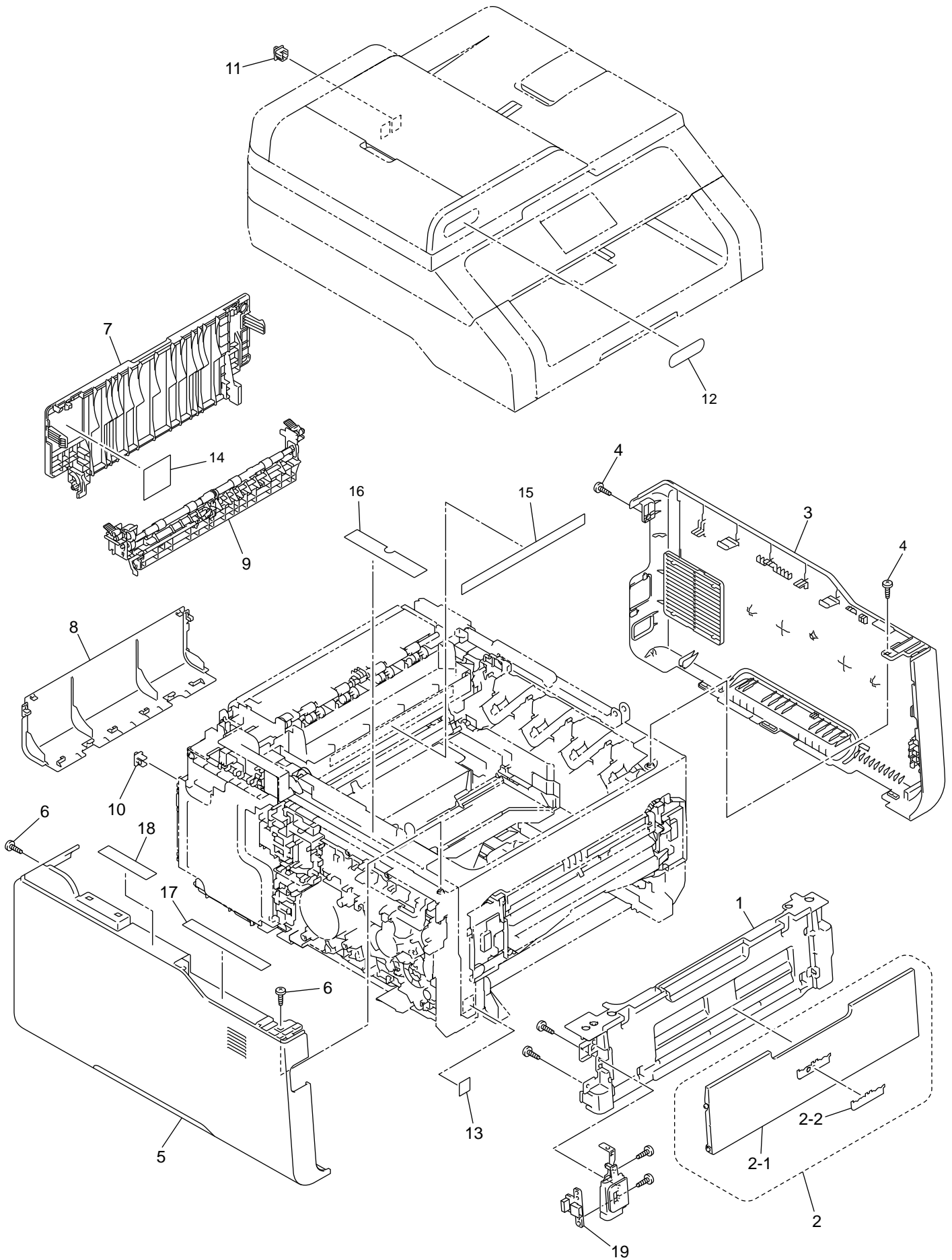
9.PAPER EJECT



9. PAPER EJECT

REF No.	CODE	Q'T Y	DESCRIPTION	MODEL	SPEC	REMARKS
1	LY6603002	1	PAPER EJECT ASSY	DCP-9015CDW		
1	LY6603002	1	PAPER EJECT ASSY	DCP-9015CDWE		
1	LY6603002	1	PAPER EJECT ASSY	DCP-9017CDW		
1	LY6603002	1	PAPER EJECT ASSY	DCP-9020CDN		
1	LY6603002	1	PAPER EJECT ASSY	DCP-9020CDW		
1	LY6603002	1	PAPER EJECT ASSY	DCP-9022CDW		
1	LY6603002	1	PAPER EJECT ASSY	HL-3180CDW		
1	LY6385002	1	PAPER EJECT ASSY	MFC-9130CW		
1	LY6603001	1	PAPER EJECT ASSY	MFC-9140CDN		
1	LY6603001	1	PAPER EJECT ASSY	MFC-9142CDN		
1	LY6603001	1	PAPER EJECT ASSY	MFC-9330CDW		
1	LY6603001	1	PAPER EJECT ASSY	MFC-9332CDW		
1	LY6603001	1	PAPER EJECT ASSY	MFC-9335CDW		
1	LY6603001	1	PAPER EJECT ASSY	MFC-9340CDW		
1	LY6603001	1	PAPER EJECT ASSY	MFC-9342CDW		
1-1	LV0927001	1	BACK COVER SENSOR HARNESS ASSY			
1-2	LY6397001	1	EJECT ROLLER ASSY			
1-3	LY0790001	2	EXIT ROLLER BUSHING R			
1-4	LY6401001	1	BACK COVER UPPER			
2	LY6964001	1	COOLING ROLLER SPRING L	DCP-9015CDW		
2	LY6964001	1	COOLING ROLLER SPRING L	DCP-9015CDWE		
2	LY6964001	1	COOLING ROLLER SPRING L	DCP-9017CDW		
2	LY6964001	1	COOLING ROLLER SPRING L	DCP-9020CDN		
2	LY6964001	1	COOLING ROLLER SPRING L	DCP-9020CDW		
2	LY6964001	1	COOLING ROLLER SPRING L	DCP-9022CDW		
2	LY6964001	1	COOLING ROLLER SPRING L	HL-3180CDW		
2	LY6964001	1	COOLING ROLLER SPRING L	MFC-9140CDN		
2	LY6964001	1	COOLING ROLLER SPRING L	MFC-9142CDN		
2	LY6964001	1	COOLING ROLLER SPRING L	MFC-9330CDW		
2	LY6964001	1	COOLING ROLLER SPRING L	MFC-9332CDW		
2	LY6964001	1	COOLING ROLLER SPRING L	MFC-9335CDW		
2	LY6964001	1	COOLING ROLLER SPRING L	MFC-9340CDW		
2	LY6964001	1	COOLING ROLLER SPRING L	MFC-9342CDW		
3	LU5693001	3	TAPTITE BIND B M4X12			

# 10. COVERS & LABELS



10. COVERS & LABELS

REF No.	CODE	Q'T Y	DESCRIPTION	MODEL	SPEC	REMARKS
1	LEF053002	1	INNER FRONT COVER	DCP-9015CDW		
1	LEF053002	1	INNER FRONT COVER	DCP-9015CDWE		
1	LEF053002	1	INNER FRONT COVER	DCP-9017CDW		
1	LEF053002	1	INNER FRONT COVER	DCP-9020CDN		
1	LEF053002	1	INNER FRONT COVER	DCP-9020CDW		
1	LEF053002	1	INNER FRONT COVER	DCP-9022CDW		
1	LEF053002	1	INNER FRONT COVER	HL-3180CDW		
1	LEF053002	1	INNER FRONT COVER	MFC-9130CW		
1	LEF053001	1	INNER FRONT COVER	MFC-9140CDN		
1	LEF053001	1	INNER FRONT COVER	MFC-9142CDN		
1	LEF053001	1	INNER FRONT COVER	MFC-9330CDW		
1	LEF053001	1	INNER FRONT COVER	MFC-9332CDW		
1	LEF053001	1	INNER FRONT COVER	MFC-9335CDW		
1	LEF053001	1	INNER FRONT COVER	MFC-9340CDW		
1	LEF053001	1	INNER FRONT COVER	MFC-9342CDW		
2	LY7419002	1	FRONT COVER ASSY (SP)	DCP-9015CDW		
2	LY7419002	1	FRONT COVER ASSY (SP)	DCP-9015CDWE		
2	LY7419002	1	FRONT COVER ASSY (SP)	DCP-9017CDW		
2	LY7419002	1	FRONT COVER ASSY (SP)	DCP-9020CDN		
2	LY7419002	1	FRONT COVER ASSY (SP)	DCP-9020CDW		
2	LY7419002	1	FRONT COVER ASSY (SP)	DCP-9022CDW		
2	LY7419002	1	FRONT COVER ASSY (SP)	HL-3180CDW		
2	LY7419002	1	FRONT COVER ASSY (SP)	MFC-9130CW		
2	LY7419001	1	FRONT COVER ASSY (SP)	MFC-9140CDN		
2	LY7419001	1	FRONT COVER ASSY (SP)	MFC-9142CDN		
2	LY7419001	1	FRONT COVER ASSY (SP)	MFC-9330CDW		
2	LY7419001	1	FRONT COVER ASSY (SP)	MFC-9332CDW		
2	LY7419001	1	FRONT COVER ASSY (SP)	MFC-9335CDW		
2	LY7419001	1	FRONT COVER ASSY (SP)	MFC-9340CDW		
2	LY7419001	1	FRONT COVER ASSY (SP)	MFC-9342CDW		
2-1	LY6403002	1	MANUAL FEED SLOT COVER ASSY	DCP-9015CDW		
2-1	LY6403002	1	MANUAL FEED SLOT COVER ASSY	DCP-9015CDWE		
2-1	LY6403002	1	MANUAL FEED SLOT COVER ASSY	DCP-9017CDW		
2-1	LY6403002	1	MANUAL FEED SLOT COVER ASSY	DCP-9020CDN		
2-1	LY6403002	1	MANUAL FEED SLOT COVER ASSY	DCP-9020CDW		
2-1	LY6403002	1	MANUAL FEED SLOT COVER ASSY	DCP-9022CDW		
2-1	LY6403002	1	MANUAL FEED SLOT COVER ASSY	HL-3180CDW		
2-1	LY6403002	1	MANUAL FEED SLOT COVER ASSY	MFC-9130CW		
2-1	LY6403001	1	MANUAL FEED SLOT COVER ASSY	MFC-9140CDN		
2-1	LY6403001	1	MANUAL FEED SLOT COVER ASSY	MFC-9142CDN		
2-1	LY6403001	1	MANUAL FEED SLOT COVER ASSY	MFC-9330CDW		
2-1	LY6403001	1	MANUAL FEED SLOT COVER ASSY	MFC-9332CDW		
2-1	LY6403001	1	MANUAL FEED SLOT COVER ASSY	MFC-9335CDW		
2-1	LY6403001	1	MANUAL FEED SLOT COVER ASSY	MFC-9340CDW		
2-1	LY6403001	1	MANUAL FEED SLOT COVER ASSY	MFC-9342CDW		
2-2	LY4852004	1	EMBLEM BROTHER SHEET	DCP-9015CDW		
2-2	LY4852004	1	EMBLEM BROTHER SHEET	DCP-9015CDWE		
2-2	LY4852004	1	EMBLEM BROTHER SHEET	DCP-9017CDW		
2-2	LY4852004	1	EMBLEM BROTHER SHEET	DCP-9020CDN		
2-2	LY4852004	1	EMBLEM BROTHER SHEET	DCP-9020CDW		
2-2	LY4852004	1	EMBLEM BROTHER SHEET	DCP-9022CDW		
2-2	LY4852004	1	EMBLEM BROTHER SHEET	HL-3180CDW		
2-2	LY4852004	1	EMBLEM BROTHER SHEET	MFC-9130CW		
2-2	LY4852002	1	EMBLEM BROTHER SHEET	MFC-9140CDN		
2-2	LY4852002	1	EMBLEM BROTHER SHEET	MFC-9142CDN		
2-2	LY4852002	1	EMBLEM BROTHER SHEET	MFC-9330CDW		
2-2	LY4852002	1	EMBLEM BROTHER SHEET	MFC-9332CDW		
2-2	LY4852002	1	EMBLEM BROTHER SHEET	MFC-9335CDW		
2-2	LY4852002	1	EMBLEM BROTHER SHEET	MFC-9340CDW		
2-2	LY4852002	1	EMBLEM BROTHER SHEET	MFC-9342CDW		
2-3	LT2224004	4	USB HOST PCB ASSY	MFC-9330CDW		
2-3	LT2224004	4	USB HOST PCB ASSY	MFC-9332CDW		
2-3	LT2224004	4	USB HOST PCB ASSY	MFC-9340CDW		
2-3	LT2224004	4	USB HOST PCB ASSY	MFC-9342CDW		
2-4	LU5694004	2	TAPTITE BIND B M3X10	MFC-9330CDW		DEL
2-4	LU5694004	2	TAPTITE BIND B M3X10	MFC-9332CDW		DEL
2-4	LU5694004	2	TAPTITE BIND B M3X10	MFC-9340CDW		DEL
2-4	LU5694004	2	TAPTITE BIND B M3X10	MFC-9342CDW		DEL
3	LEF057001	1	SIDE COVER R			
4	LU5693001	2	TAPTITE BIND B M4X12			
5	LEF108001	1	SIDE COVER L	DCP-9015CDW		
5	LEF108001	1	SIDE COVER L	DCP-9015CDWE		
5	LEF108001	1	SIDE COVER L	DCP-9017CDW		
5	LEF110001	1	SIDE COVER L	DCP-9020CDN		
5	LEF110001	1	SIDE COVER L	DCP-9020CDW		
5	LEF110001	1	SIDE COVER L	DCP-9022CDW		
5	LEF108001	1	SIDE COVER L	HL-3180CDW		



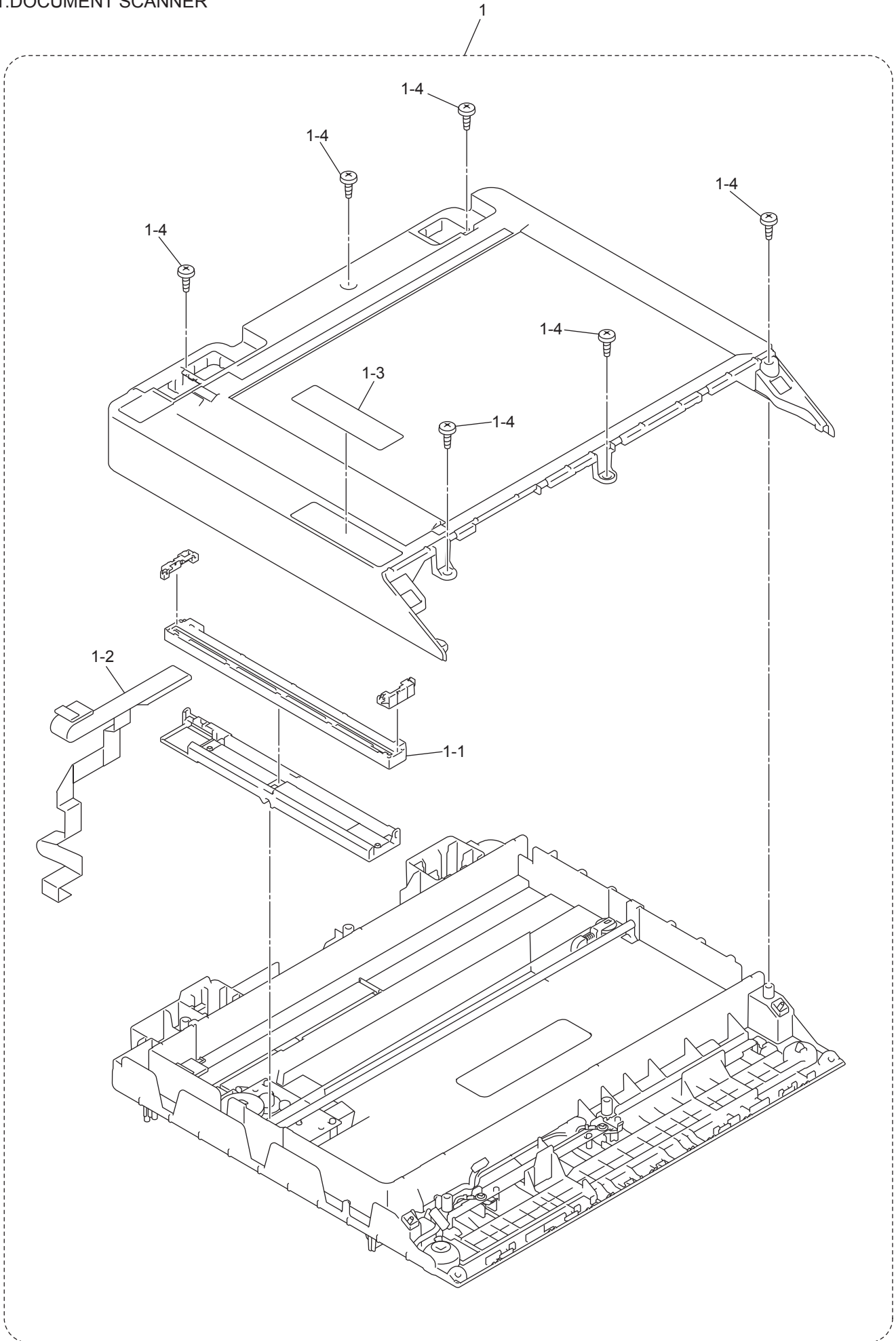
10. COVERS & LABELS

REF No.	CODE	Q'T Y	DESCRIPTION	MODEL	SPEC	REMARKS
5	LEF108001	1	SIDE COVER L	MFC-9130CW		
5	LEF110001	1	SIDE COVER L	MFC-9140CDN		
5	LEF110001	1	SIDE COVER L	MFC-9142CDN		
5	LEF059001	1	SIDE COVER L	MFC-9330CDW		
5	LEF059001	1	SIDE COVER L	MFC-9332CDW		
5	LEF059001	1	SIDE COVER L	MFC-9335CDW		
5	LEF059001	1	SIDE COVER L	MFC-9340CDW		
5	LEF059001	1	SIDE COVER L	MFC-9342CDW		
6	LU5693001	2	TAPTITE BIND B M4X12			
7	LY6613001	1	BACK COVER ASSY	DCP-9015CDW		
7	LY6613001	1	BACK COVER ASSY	DCP-9015CDWE		
7	LY6613001	1	BACK COVER ASSY	DCP-9017CDW		
7	LY6613001	1	BACK COVER ASSY	DCP-9020CDN		
7	LY6613001	1	BACK COVER ASSY	DCP-9020CDW		
7	LY6613001	1	BACK COVER ASSY	DCP-9022CDW		
7	LY6613001	1	BACK COVER ASSY	HL-3180CDW		
7	LY6409001	1	BACK COVER ASSY	MFC-9130CW		
7	LY6613001	1	BACK COVER ASSY	MFC-9140CDN		
7	LY6613001	1	BACK COVER ASSY	MFC-9142CDN		
7	LY6613001	1	BACK COVER ASSY	MFC-9330CDW		
7	LY6613001	1	BACK COVER ASSY	MFC-9332CDW		
7	LY6613001	1	BACK COVER ASSY	MFC-9335CDW		
7	LY6613001	1	BACK COVER ASSY	MFC-9340CDW		
7	LY6613001	1	BACK COVER ASSY	MFC-9342CDW		
8	LY6412001	1	BACK COVER LOWER			
9	LY6413001	1	FUSER COVER ASSY			
10	LY0872001	1	LAN PORT CAP	DCP-9020CDN		
10	LY0872001	1	LAN PORT CAP	DCP-9020CDW		
10	LY0872001	1	LAN PORT CAP	DCP-9022CDW		
10	LY0872001	1	LAN PORT CAP	MFC-9140CDN		
10	LY0872001	1	LAN PORT CAP	MFC-9142CDN		
10	LY0872001	1	LAN PORT CAP	MFC-9330CDW		
10	LY0872001	1	LAN PORT CAP	MFC-9332CDW		
10	LY0872001	1	LAN PORT CAP	MFC-9335CDW		
10	LY0872001	1	LAN PORT CAP	MFC-9340CDW		
10	LY0872001	1	LAN PORT CAP	MFC-9342CDW		
11	LE8842001	1	EXT CAP	MFC-9130CW		
11	LE8842001	1	EXT CAP	MFC-9140CDN	FOR CHE/PHL/ASA/GUL/KOR/ IND/ARL/NZ/IBR/CEE FOR GER/UK/ITA/CHN/FRA/BEL/NLD	
11	UF5745000	1	MJ COVER EXT	MFC-9140CDN		
11	UF5745000	1	MJ COVER EXT	MFC-9142CDN		
11	LE8842001	1	EXT CAP	MFC-9330CDW	FOR US/CAN/CHE/PHL/TWN/CHL/ ASA/GUL/BRA/RUS/ARL/PND FOR GER/UK/ITA/IBR/FRA/BEL/NLD	
11	UF5745000	1	MJ COVER EXT	MFC-9330CDW		
11	UF5745000	1	MJ COVER EXT	MFC-9332CDW		
11	LE8842001	1	EXT CAP	MFC-9335CDW		
11	LE8842001	1	EXT CAP	MFC-9340CDW	FOR US/CAN/CHE/ARL/NZ/CEE FOR GER/UK/ITA/IBR/CHN/ FRA/BEL/NLD	
11	UF5745000	1	MJ COVER EXT	MFC-9342CDW		
12	LX4197003	1	DCP EMBLEM	DCP-9020CDN		
12	LX4197003	1	DCP EMBLEM	DCP-9020CDW		
12	LX4197003	1	DCP EMBLEM	DCP-9022CDW		
12	LX4202004	1	MFC EMBLEM	MFC-9130CW		
12	LX4196001	1	MFC EMBLEM	MFC-9140CDN		
12	LX4196001	1	MFC EMBLEM	MFC-9142CDN		
12	LX4202001	1	MFC EMBLEM	MFC-9330CDW	FOR US/CAN/CHL/BRA FOR GER/UK/CHE/ITA/IBR/PHL/ TWN/ASA/GUL/RUS/FRA/BEL/ NLD/ARL/PND	
12	LX4196001	1	MFC EMBLEM	MFC-9330CDW		
12	LX4196001	1	MFC EMBLEM	MFC-9332CDW		
12	LX4196001	1	MFC EMBLEM	MFC-9335CDW		
12	LX4202001	1	MFC EMBLEM	MFC-9340CDW	FOR US/CAN FOR GER/UK/CHE/ITA/IBR/CHN/ FRA/BEL/NLD/ARL/NZ/CEE	
12	LX4196001	1	MFC EMBLEM	MFC-9340CDW		
12	LX4196001	1	MFC EMBLEM	MFC-9342CDW		
12	LX4196001	1	MFC EMBLEM	MFC-9342CDW		
13	LY6425001	1	LABEL FRONT JAM 25X21			
14	LY6426001	1	LABEL H/SP CAUTION REAR 44X41			
15	LY6780001	1	LABEL HEAT CAUTION F200	DCP-9015CDW		
15	LY6780001	1	LABEL HEAT CAUTION F200	DCP-9015CDWE		
15	LR2032001	1	LABEL HEAT CAUTION F200	DCP-9017CDW		
15	LY6782001	1	LABEL HEAT CAUTION F200	DCP-9020CDN	FOR CHN	
15	LY6427001	1	LABEL HEAT CAUTION F200	DCP-9020CDN	FOR ARG/CHL/BRA	
15	LY6780001	1	LABEL HEAT CAUTION F200	DCP-9020CDW		
15	LR2032001	1	LABEL HEAT CAUTION F200	DCP-9022CDW		
15	LY6427001	1	LABEL HEAT CAUTION F200	HL-3180CDW		
15	LY6427001	1	LABEL HEAT CAUTION F200	MFC-9130CW		

10. COVERS & LABELS

REF No.	CODE	Q'T Y	DESCRIPTION	MODEL	SPEC	REMARKS
15	LY6781001	1	LABEL HEAT CAUTION F200	MFC-9140CDN	FOR ARL/NZ	add
15	LY6780001	1	LABEL HEAT CAUTION F200	MFC-9140CDN	EXCEPT FOR CHN/PHL/ASA/ GUL/KOR/IND/ARL/NZ	
15	LY6782001	1	LABEL HEAT CAUTION F200	MFC-9140CDN	FOR CHN	
15	LY6824001	1	LABEL HEAT CAUTION F200	MFC-9140CDN	FOR PHL/ASA/GUL/KOR/IND	
15	LR2032001	1	LABEL HEAT CAUTION F200	MFC-9142CDN		
15	LY6427001	1	LABEL HEAT CAUTION F200	MFC-9330CDW	FOR US/CAN/CHL/BRA	
15	LY6780001	1	LABEL HEAT CAUTION F200	MFC-9330CDW	FOR GER/UK/CHE/ITA/IBR/RUS/ FRA/BEL/NLD/ <del>ARL</del> /PND	
15	LY6824001	1	LABEL HEAT CAUTION F200	MFC-9330CDW	FOR PHL/TWN/ASA/GUL	
15	LY6781001	1	LABEL HEAT CAUTION F200	MFC-9330CDW	FOR ARL	add
15	LR2032001	1	LABEL HEAT CAUTION F200	MFC-9332CDW		
15	LY6781001	1	LABEL HEAT CAUTION F200	MFC-9335CDW		
15	LY6427001	1	LABEL HEAT CAUTION F200	MFC-9340CDW	FOR US/CAN	
15	LY6780001	1	LABEL HEAT CAUTION F200	MFC-9340CDW	FOR GER/UK/CHE/ITA/IBR/FRA/ BEL/NLD/CEE	
15	LY6782001	1	LABEL HEAT CAUTION F200	MFC-9340CDW	FOR CHN	
15	LY6781001	1	LABEL HEAT CAUTION F200	MFC-9340CDW	FOR ARL/NZ	
15	LR2032001	1	LABEL HEAT CAUTION F200	MFC-9342CDW		
16	LY6428001	1	LABEL DR OPERATION 118X24			
17	LEF142001	1	LABEL SPRAY CAUTION 115			
18	LEF143001	1	LABEL BELT OPERATION 89X20			
19	LT2221001	1	USB HOST PCB ASSY	MFC-9330CDW		
19	LT2221001	1	USB HOST PCB ASSY	MFC-9332CDW		
19	LT2221001	1	USB HOST PCB ASSY	MFC-9335CDW		
19	LT2221001	1	USB HOST PCB ASSY	MFC-9340CDW		
19	LT2221001	1	USB HOST PCB ASSY	MFC-9342CDW		

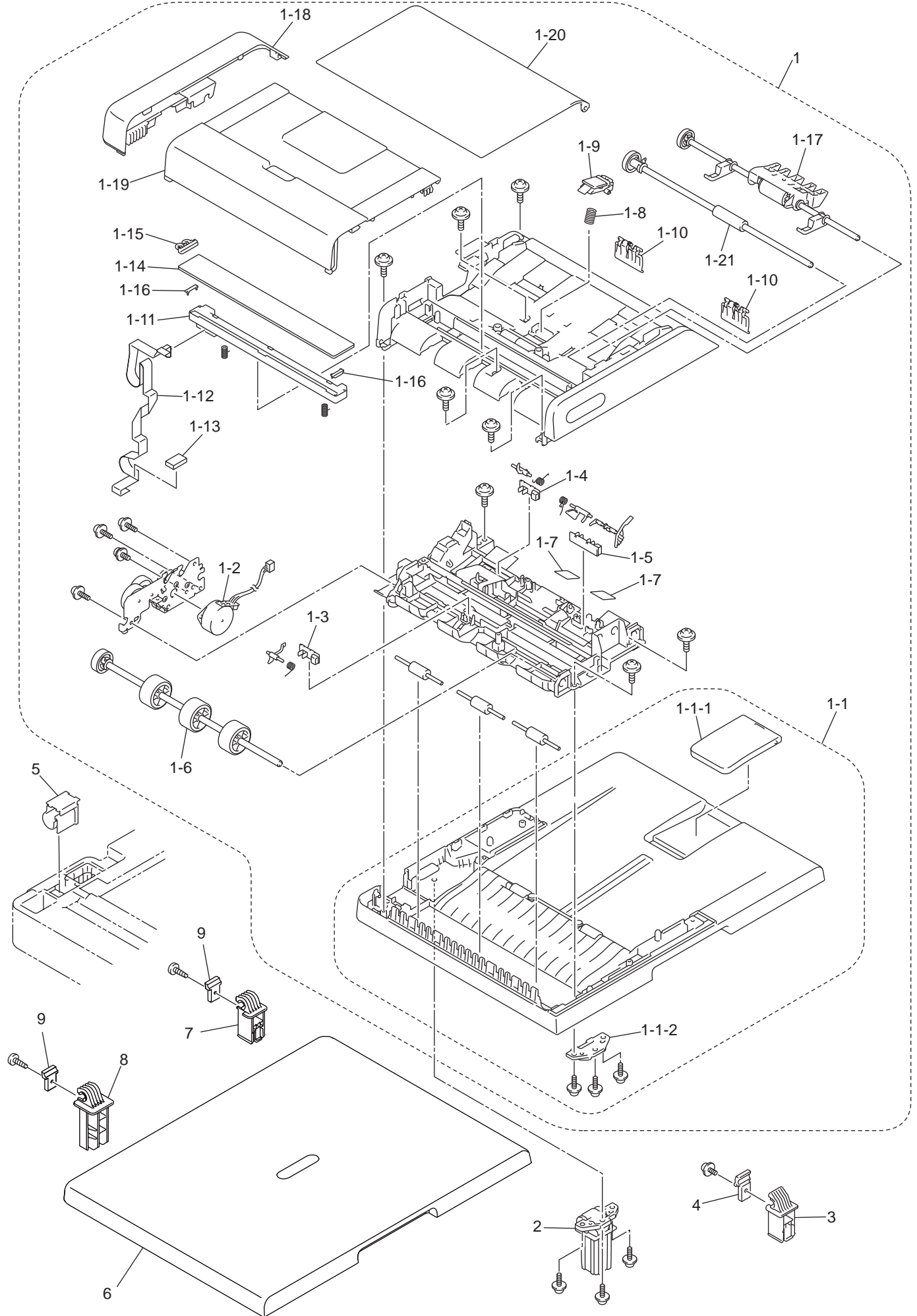
11.DOCUMENT SCANNER



11. DOCUMENT SCANNER

REF No.	CODE	Q'T Y	DESCRIPTION	MODEL	SPEC	REMARKS
1	LEF638002	1	DOCUMENT SCANNER UNIT (SP)	DCP-9015CDW		
1	LEF638002	1	DOCUMENT SCANNER UNIT (SP)	DCP-9015CDWE		
1	LEF638002	1	DOCUMENT SCANNER UNIT (SP)	DCP-9017CDW		
1	LEF378002	1	DOCUMENT SCANNER UNIT (SP)	DCP-9020CDN		
1	LEF378002	1	DOCUMENT SCANNER UNIT (SP)	DCP-9020CDW		
1	LEF378002	1	DOCUMENT SCANNER UNIT (SP)	DCP-9022CDW		
1	LEF638002	1	DOCUMENT SCANNER UNIT (SP)	HL-3180CDW		
1	LEF378002	1	DOCUMENT SCANNER UNIT (SP)	MFC-9130CW		
1	LEF378001	1	DOCUMENT SCANNER UNIT (SP)	MFC-9140CDN		
1	LEF378001	1	DOCUMENT SCANNER UNIT (SP)	MFC-9142CDN		
1	LEF378001	1	DOCUMENT SCANNER UNIT (SP)	MFC-9330CDW		
1	LEF378001	1	DOCUMENT SCANNER UNIT (SP)	MFC-9332CDW		
1	LEF378001	1	DOCUMENT SCANNER UNIT (SP)	MFC-9335CDW		
1	LEF381001	1	DOCUMENT SCANNER UNIT (SP)	MFC-9340CDW		
1	LEF378001	1	DOCUMENT SCANNER UNIT (SP)	MFC-9342CDW		
1-1	LT3667001	1	FIRST SIDE CIS UNIT			
1-2	LT2224001	1	FIRST SIDE CIS FLAT CABLE			CHG
1-3	LX5186001	1	ADF CLEAN UP LABEL	DCP-9020CDN		
1-3	LX5186001	1	ADF CLEAN UP LABEL	DCP-9020CDW		
1-3	LX5186001	1	ADF CLEAN UP LABEL	DCP-9022CDW		
1-3	LX5186001	1	ADF CLEAN UP LABEL	MFC-9130CW		
1-3	LX5186001	1	ADF CLEAN UP LABEL	MFC-9140CDN		
1-3	LX5186001	1	ADF CLEAN UP LABEL	MFC-9142CDN		
1-3	LX5186001	1	ADF CLEAN UP LABEL	MFC-9330CDW		
1-3	LX5186001	1	ADF CLEAN UP LABEL	MFC-9332CDW		
1-3	LX5186001	1	ADF CLEAN UP LABEL	MFC-9335CDW		
1-3	LX7422001	1	ADF CLEAN UP LABEL	MFC-9340CDW		
1-3	LX7422001	1	ADF CLEAN UP LABEL	MFC-9342CDW		
1-4	LU5693001	6	TAPTITE BIND B M4X12			

12.ADF & DOCUMENT COVER



12. ADF & DOCUMENT COVER

REF No.	CODE	Q'T Y	DESCRIPTION	MODEL	SPEC	REMARKS
1	LEF374001	1	ADF UNIT (SP)	DCP-9020CDN		
1	LEF374001	1	ADF UNIT (SP)	DCP-9020CDW		
1	LEF374001	1	ADF UNIT (SP)	DCP-9022CDW		
1	LEF374001	1	ADF UNIT (SP)	MFC-9130CW		
1	LEF374001	1	ADF UNIT (SP)	MFC-9140CDN		
1	LEF374001	1	ADF UNIT (SP)	MFC-9142CDN		
1	LEF374001	1	ADF UNIT (SP)	MFC-9330CDW		
1	LEF374001	1	ADF UNIT (SP)	MFC-9332CDW		
1	LEF374001	1	ADF UNIT (SP)	MFC-9335CDW		
1	LEF377001	1	ADF UNIT (SP)	MFC-9340CDW		
1	LEF377001	1	ADF UNIT (SP)	MFC-9342CDW		
1-1	LEF125001	1	DOCUMENT COVER ASSY	DCP-9020CDN		
1-1	LEF125001	1	DOCUMENT COVER ASSY	DCP-9020CDW		
1-1	LEF125001	1	DOCUMENT COVER ASSY	DCP-9022CDW		
1-1	LEF125001	1	DOCUMENT COVER ASSY	MFC-9130CW		
1-1	LEF125001	1	DOCUMENT COVER ASSY	MFC-9140CDN		
1-1	LEF125001	1	DOCUMENT COVER ASSY	MFC-9142CDN		
1-1	LEF125001	1	DOCUMENT COVER ASSY	MFC-9330CDW		
1-1	LEF125001	1	DOCUMENT COVER ASSY	MFC-9332CDW		
1-1	LEF125001	1	DOCUMENT COVER ASSY	MFC-9335CDW		
1-1	LEF125001	1	DOCUMENT COVER ASSY	MFC-9340CDW		
1-1	LEF125001	1	DOCUMENT COVER ASSY	MFC-9342CDW		
1-1-1	LX4184001	1	ADF DOCUMENT OUTPUT SUPPORT FLAP	DCP-9020CDN		
1-1-1	LX4184001	1	ADF DOCUMENT OUTPUT SUPPORT FLAP	DCP-9020CDW		
1-1-1	LX4184001	1	ADF DOCUMENT OUTPUT SUPPORT FLAP	DCP-9022CDW		
1-1-1	LX4184001	1	ADF DOCUMENT OUTPUT SUPPORT FLAP	MFC-9130CW		
1-1-1	LX4184001	1	ADF DOCUMENT OUTPUT SUPPORT FLAP	MFC-9140CDN		
1-1-1	LX4184001	1	ADF DOCUMENT OUTPUT SUPPORT FLAP	MFC-9142CDN		
1-1-1	LX4184001	1	ADF DOCUMENT OUTPUT SUPPORT FLAP	MFC-9330CDW		
1-1-1	LX4184001	1	ADF DOCUMENT OUTPUT SUPPORT FLAP	MFC-9332CDW		
1-1-1	LX4184001	1	ADF DOCUMENT OUTPUT SUPPORT FLAP	MFC-9335CDW		
1-1-1	LX4184001	1	ADF DOCUMENT OUTPUT SUPPORT FLAP	MFC-9340CDW		
1-1-1	LX4184001	1	ADF DOCUMENT OUTPUT SUPPORT FLAP	MFC-9342CDW		
1-1-2	LS8141001	1	HINGE ARM R	DCP-9020CDN		
1-1-2	LS8141001	1	HINGE ARM R	DCP-9020CDW		
1-1-2	LS8141001	1	HINGE ARM R	DCP-9022CDW		
1-1-2	LS8141001	1	HINGE ARM R	MFC-9130CW		
1-1-2	LS8141001	1	HINGE ARM R	MFC-9140CDN		
1-1-2	LS8141001	1	HINGE ARM R	MFC-9142CDN		
1-1-2	LS8141001	1	HINGE ARM R	MFC-9330CDW		
1-1-2	LS8141001	1	HINGE ARM R	MFC-9332CDW		
1-1-2	LS8141001	1	HINGE ARM R	MFC-9335CDW		
1-1-2	LS8141001	1	HINGE ARM R	MFC-9340CDW		
1-1-2	LS8141001	1	HINGE ARM R	MFC-9342CDW		
1-2	LX4064001	1	ADF MOTOR	DCP-9020CDN		
1-2	LX4064001	1	ADF MOTOR	DCP-9020CDW		
1-2	LX4064001	1	ADF MOTOR	DCP-9022CDW		
1-2	LX4064001	1	ADF MOTOR	MFC-9130CW		
1-2	LX4064001	1	ADF MOTOR	MFC-9140CDN		
1-2	LX4064001	1	ADF MOTOR	MFC-9142CDN		
1-2	LX4064001	1	ADF MOTOR	MFC-9330CDW		
1-2	LX4064001	1	ADF MOTOR	MFC-9332CDW		
1-2	LX4064001	1	ADF MOTOR	MFC-9335CDW		
1-2	LX4064001	1	ADF MOTOR	MFC-9340CDW		
1-2	LX4064001	1	ADF MOTOR	MFC-9342CDW		
1-3	LG6753001	1	FIRST SIDE DOCUMENT SCANNING POSITION SENSOR PCB ASSY	DCP-9020CDN		
1-3	LG6753001	1	FIRST SIDE DOCUMENT SCANNING POSITION SENSOR PCB ASSY	DCP-9020CDW		
1-3	LG6753001	1	FIRST SIDE DOCUMENT SCANNING POSITION SENSOR PCB ASSY	DCP-9022CDW		
1-3	LG6753001	1	FIRST SIDE DOCUMENT SCANNING POSITION SENSOR PCB ASSY	MFC-9130CW		
1-3	LG6753001	1	FIRST SIDE DOCUMENT SCANNING POSITION SENSOR PCB ASSY	MFC-9140CDN		

12. ADF & DOCUMENT COVER

REF No.	CODE	Q'T Y	DESCRIPTION	MODEL	SPEC	REMARKS
1-3	LG6753001	1	FIRST SIDE DOCUMENT SCANNING POSITION SENSOR PCB ASSY	MFC-9142CDN		
1-3	LG6753001	1	FIRST SIDE DOCUMENT SCANNING POSITION SENSOR PCB ASSY	MFC-9330CDW		
1-3	LG6753001	1	FIRST SIDE DOCUMENT SCANNING POSITION SENSOR PCB ASSY	MFC-9332CDW		
1-3	LG6753001	1	FIRST SIDE DOCUMENT SCANNING POSITION SENSOR PCB ASSY	MFC-9335CDW		
1-4	LG6753001	1	SECOND SIDE DOCUMENT SCANNING POSITION SENSOR PCB	MFC-9340CDW		
1-4	LG6753001	1	SECOND SIDE DOCUMENT SCANNING POSITION SENSOR PCB	MFC-9342CDW		
1-5	LT1120001	1	ADF COVER/DOCUMENT DETECTION SENSOR PCB ASSY	DCP-9020CDN		
1-5	LT1120001	1	ADF COVER/DOCUMENT DETECTION SENSOR PCB ASSY	DCP-9020CDW		
1-5	LT1120001	1	ADF COVER/DOCUMENT DETECTION SENSOR PCB ASSY	DCP-9022CDW		
1-5	LT1120001	1	ADF COVER/DOCUMENT DETECTION SENSOR PCB ASSY	MFC-9130CW		
1-5	LT1120001	1	ADF COVER/DOCUMENT DETECTION SENSOR PCB ASSY	MFC-9140CDN		
1-5	LT1120001	1	ADF COVER/DOCUMENT DETECTION SENSOR PCB ASSY	MFC-9142CDN		
1-5	LT1120001	1	ADF COVER/DOCUMENT DETECTION SENSOR PCB ASSY	MFC-9330CDW		
1-5	LT1120001	1	ADF COVER/DOCUMENT DETECTION SENSOR PCB ASSY	MFC-9332CDW		
1-5	LT1120001	1	ADF COVER/DOCUMENT DETECTION SENSOR PCB ASSY	MFC-9335CDW		
1-5	LT1120001	1	ADF COVER/DOCUMENT DETECTION SENSOR PCB ASSY	MFC-9340CDW		
1-5	LT1120001	1	ADF COVER/DOCUMENT DETECTION SENSOR PCB ASSY	MFC-9342CDW		
1-6	LX8675001	1	DOCUMENT FEED ROLLER ASSY2	DCP-9020CDN		
1-6	LX8675001	1	DOCUMENT FEED ROLLER ASSY2	DCP-9020CDW		
1-6	LX8675001	1	DOCUMENT FEED ROLLER ASSY2	DCP-9022CDW		
1-6	LX8675001	1	DOCUMENT FEED ROLLER ASSY2	MFC-9130CW		
1-6	LX8675001	1	DOCUMENT FEED ROLLER ASSY2	MFC-9140CDN		
1-6	LX8675001	1	DOCUMENT FEED ROLLER ASSY2	MFC-9142CDN		
1-6	LX8675001	1	DOCUMENT FEED ROLLER ASSY2	MFC-9330CDW		
1-6	LX8675001	1	DOCUMENT FEED ROLLER ASSY2	MFC-9332CDW		
1-6	LX8675001	1	DOCUMENT FEED ROLLER ASSY2	MFC-9335CDW		
1-6	LX8675001	1	DOCUMENT FEED ROLLER ASSY2	MFC-9340CDW		
1-6	LX8675001	1	DOCUMENT FEED ROLLER ASSY2	MFC-9342CDW		
1-7	LX5477001	2	EJECT FILM	DCP-9020CDN		
1-7	LX5477001	2	EJECT FILM	DCP-9020CDW		
1-7	LX5477001	2	EJECT FILM	DCP-9022CDW		
1-7	LX5477001	2	EJECT FILM	MFC-9130CW		
1-7	LX5477001	2	EJECT FILM	MFC-9140CDN		
1-7	LX5477001	2	EJECT FILM	MFC-9142CDN		
1-7	LX5477001	2	EJECT FILM	MFC-9330CDW		
1-7	LX5477001	2	EJECT FILM	MFC-9332CDW		
1-7	LX5477001	2	EJECT FILM	MFC-9335CDW		
1-7	LX5477001	2	EJECT FILM	MFC-9340CDW		
1-7	LX5477001	2	EJECT FILM	MFC-9342CDW		
1-8	LX4095001	1	ADF SEPARATION PAD SPRING	DCP-9020CDN		
1-8	LX4095001	1	ADF SEPARATION PAD SPRING	DCP-9020CDW		
1-8	LX4095001	1	ADF SEPARATION PAD SPRING	DCP-9022CDW		
1-8	LX4095001	1	ADF SEPARATION PAD SPRING	MFC-9130CW		
1-8	LX4095001	1	ADF SEPARATION PAD SPRING	MFC-9140CDN		
1-8	LX4095001	1	ADF SEPARATION PAD SPRING	MFC-9142CDN		
1-8	LX4095001	1	ADF SEPARATION PAD SPRING	MFC-9330CDW		
1-8	LX4095001	1	ADF SEPARATION PAD SPRING	MFC-9332CDW		
1-8	LX4095001	1	ADF SEPARATION PAD SPRING	MFC-9335CDW		
1-8	LX4095001	1	ADF SEPARATION PAD SPRING	MFC-9340CDW		
1-8	LX4095001	1	ADF SEPARATION PAD SPRING	MFC-9342CDW		
1-9	LX9751001	1	ADF SEPARATION PAD HOLDER	DCP-9020CDN		
1-9	LX9751001	1	ADF SEPARATION PAD HOLDER	DCP-9020CDW		
1-9	LX9751001	1	ADF SEPARATION PAD HOLDER	DCP-9022CDW		
1-9	LX9751001	1	ADF SEPARATION PAD HOLDER	MFC-9130CW		
1-9	LX9751001	1	ADF SEPARATION PAD HOLDER	MFC-9140CDN		
1-9	LX9751001	1	ADF SEPARATION PAD HOLDER	MFC-9142CDN		
1-9	LX9751001	1	ADF SEPARATION PAD HOLDER	MFC-9330CDW		
1-9	LX9751001	1	ADF SEPARATION PAD HOLDER	MFC-9332CDW		
1-9	LX9751001	1	ADF SEPARATION PAD HOLDER	MFC-9335CDW		
1-9	LX9751001	1	ADF SEPARATION PAD HOLDER	MFC-9340CDW		

12. ADF & DOCUMENT COVER

REF No.	CODE	Q'T Y	DESCRIPTION	MODEL	SPEC	REMARKS
1-9	LX9751001	1	ADF SEPARATION PAD HOLDER	MFC-9342CDW		
1-10	LX4188001	2	PAPER STACK LEVER	DCP-9020CDN		
1-10	LX4188001	2	PAPER STACK LEVER	DCP-9020CDW		
1-10	LX4188001	2	PAPER STACK LEVER	DCP-9022CDW		
1-10	LX4188001	2	PAPER STACK LEVER	MFC-9130CW		
1-10	LX4188001	2	PAPER STACK LEVER	MFC-9140CDN		
1-10	LX4188001	2	PAPER STACK LEVER	MFC-9142CDN		
1-10	LX4188001	2	PAPER STACK LEVER	MFC-9330CDW		
1-10	LX4188001	2	PAPER STACK LEVER	MFC-9332CDW		
1-10	LX4188001	2	PAPER STACK LEVER	MFC-9335CDW		
1-10	LX4188001	2	PAPER STACK LEVER	MFC-9340CDW		
1-10	LX4188001	2	PAPER STACK LEVER	MFC-9342CDW		
1-11	LT3309001	1	SECOND SIDE CIS UNIT*	MFC-9340CDW		CHG
1-11	LT3309001	1	SECOND SIDE CIS UNIT*	MFC-9342CDW		
1-12	LT2236001	1	SECOND SIDE CIS FLAT CABLE	MFC-9340CDW		
1-12	LT2236001	1	SECOND SIDE CIS FLAT CABLE	MFC-9342CDW		
1-13	LEF118001	1	FLAT CABLE SPONGE2	MFC-9340CDW		
1-13	LEF118001	1	FLAT CABLE SPONGE2	MFC-9342CDW		
1-14	LX4097001	1	CIS GLASS	MFC-9340CDW		
1-14	LX4097001	1	CIS GLASS	MFC-9342CDW		
1-15	LX4098001	1	CIS GLASS STOPPER	MFC-9340CDW		
1-15	LX4098001	1	CIS GLASS STOPPER	MFC-9342CDW		
1-16	LX9030001	2	CIS SPACER	MFC-9340CDW		
1-16	LX9030001	2	CIS SPACER	MFC-9342CDW		
1-17	LX9296001	1	DOCUMENT SEPARATE ROLLER	DCP-9020CDN		
1-17	LX9296001	1	DOCUMENT SEPARATE ROLLER	DCP-9020CDW		
1-17	LX9296001	1	DOCUMENT SEPARATE ROLLER	DCP-9022CDW		
1-17	LX9296001	1	DOCUMENT SEPARATE ROLLER	MFC-9130CW		
1-17	LX9296001	1	DOCUMENT SEPARATE ROLLER	MFC-9140CDN		
1-17	LX9296001	1	DOCUMENT SEPARATE ROLLER	MFC-9142CDN		
1-17	LX9296001	1	DOCUMENT SEPARATE ROLLER	MFC-9330CDW		
1-17	LX9296001	1	DOCUMENT SEPARATE ROLLER	MFC-9332CDW		
1-17	LX9296001	1	DOCUMENT SEPARATE ROLLER	MFC-9335CDW		
1-17	LX9297001	1	DOCUMENT SEPARATE ROLLER	MFC-9340CDW		
1-17	LX9297001	1	DOCUMENT SEPARATE ROLLER	MFC-9342CDW		
1-18	LEF077001	1	GEAR COVER	DCP-9020CDN		
1-18	LEF077001	1	GEAR COVER	DCP-9020CDW		
1-18	LEF077001	1	GEAR COVER	DCP-9022CDW		
1-18	LEF077001	1	GEAR COVER	MFC-9130CW		
1-18	LEF077001	1	GEAR COVER	MFC-9140CDN		
1-18	LEF077001	1	GEAR COVER	MFC-9142CDN		
1-18	LEF077001	1	GEAR COVER	MFC-9330CDW		
1-18	LEF077001	1	GEAR COVER	MFC-9332CDW		
1-18	LEF077001	1	GEAR COVER	MFC-9335CDW		
1-18	LEF077001	1	GEAR COVER	MFC-9340CDW		
1-18	LEF077001	1	GEAR COVER	MFC-9342CDW		
1-19	LX5042002	1	ADF COVER ASSY	DCP-9020CDN		
1-19	LX5042002	1	ADF COVER ASSY	DCP-9022CDW		
1-19	LX5042002	1	ADF COVER ASSY	DCP-9020CDW		
1-19	LX5042002	1	ADF COVER ASSY	MFC-9130CW		
1-19	LX5042002	1	ADF COVER ASSY	MFC-9140CDN		
1-19	LX5042002	1	ADF COVER ASSY	MFC-9142CDN		
1-19	LX5042002	1	ADF COVER ASSY	MFC-9330CDW		
1-19	LX5042002	1	ADF COVER ASSY	MFC-9332CDW		
1-19	LX5042002	1	ADF COVER ASSY	MFC-9335CDW		
1-19	LEF144001	1	ADF COVER ASSY	MFC-9340CDW		
1-19	LEF144001	1	ADF COVER ASSY	MFC-9342CDW		
1-20	LX5371001	1	ADF DOCUMENT SUPPORT	DCP-9020CDN		
1-20	LX5371001	1	ADF DOCUMENT SUPPORT	DCP-9020CDW		
1-20	LX5371001	1	ADF DOCUMENT SUPPORT	DCP-9022CDW		
1-20	LX5371001	1	ADF DOCUMENT SUPPORT	MFC-9130CW		
1-20	LX5371001	1	ADF DOCUMENT SUPPORT	MFC-9140CDN		
1-20	LX5371001	1	ADF DOCUMENT SUPPORT	MFC-9142CDN		
1-20	LX5371001	1	ADF DOCUMENT SUPPORT	MFC-9330CDW		
1-20	LX5371001	1	ADF DOCUMENT SUPPORT	MFC-9332CDW		
1-20	LX5371001	1	ADF DOCUMENT SUPPORT	MFC-9335CDW		
1-20	LX5371001	1	ADF DOCUMENT SUPPORT	MFC-9340CDW		
1-20	LX5371001	1	ADF DOCUMENT SUPPORT	MFC-9342CDW		
1-21	LX9168001	1	DOCUMENT FEED ROLLER ASSY1	MFC-9340CDW		
1-21	LX9168001	1	DOCUMENT FEED ROLLER ASSY1	MFC-9342CDW		
2	LX5255003	1	HINGE ASSY L	DCP-9020CDN		
2	LX5255003	1	HINGE ASSY L	DCP-9020CDW		
2	LX5255003	1	HINGE ASSY L	DCP-9022CDW		
2	LX5255003	1	HINGE ASSY L	MFC-9130CW		
2	LX5255003	1	HINGE ASSY L	MFC-9140CDN		
2	LX5255003	1	HINGE ASSY L	MFC-9142CDN		
2	LX5255003	1	HINGE ASSY L	MFC-9330CDW		

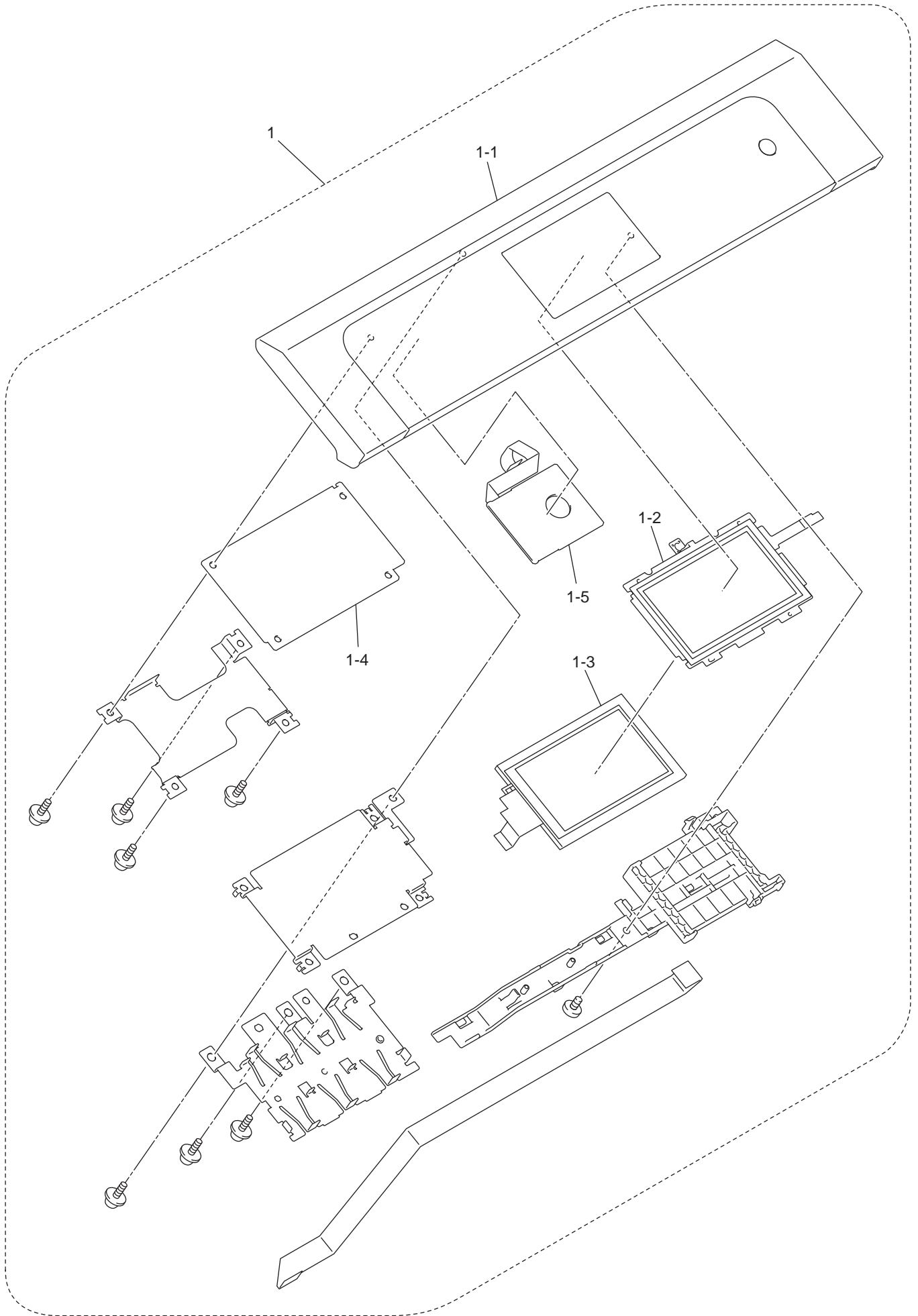


12. ADF & DOCUMENT COVER

REF No.	CODE	Q'T Y	DESCRIPTION	MODEL	SPEC	REMARKS
2	LX5255003	1	HINGE ASSY L	MFC-9332CDW		
2	LX5255003	1	HINGE ASSY L	MFC-9335CDW		
2	LX4126001	1	HINGE ASSY L	MFC-9340CDW		
2	LX4126001	1	HINGE ASSY L	MFC-9342CDW		
3	LX5180010	1	HINGE R	DCP-9020CDN		
3	LX5180010	1	HINGE R	DCP-9020CDW		
3	LX5180010	1	HINGE R	DCP-9022CDW		
3	LX5180010	1	HINGE R	MFC-9130CW		
3	LX5180010	1	HINGE R	MFC-9140CDN		
3	LX5180010	1	HINGE R	MFC-9142CDN		
3	LX5180010	1	HINGE R	MFC-9330CDW		
3	LX5180010	1	HINGE R	MFC-9332CDW		
3	LX5180010	1	HINGE R	MFC-9335CDW		
3	LX5180010	1	HINGE R	MFC-9340CDW		
3	LX5180010	1	HINGE R	MFC-9342CDW		
4	LS8155001	1	HINGE R SUPPORT	DCP-9020CDN		
4	LS8155001	1	HINGE R SUPPORT	DCP-9020CDW		
4	LS8155001	1	HINGE R SUPPORT	DCP-9022CDW		
4	LS8155001	1	HINGE R SUPPORT	MFC-9130CW		
4	LS8155001	1	HINGE R SUPPORT	MFC-9140CDN		
4	LS8155001	1	HINGE R SUPPORT	MFC-9142CDN		
4	LS8155001	1	HINGE R SUPPORT	MFC-9330CDW		
4	LS8155001	1	HINGE R SUPPORT	MFC-9332CDW		
4	LS8155001	1	HINGE R SUPPORT	MFC-9335CDW		
4	LS8155001	1	HINGE R SUPPORT	MFC-9340CDW		
4	LS8155001	1	HINGE R SUPPORT	MFC-9342CDW		
5	LEF322001	1	FLAT CABLE HOLDER ASSY (SP)			
6	LEF636001	1	DOCUMENT COVER ASSY (SP)	DCP-9015CDW		
6	LEF636001	1	DOCUMENT COVER ASSY (SP)	DCP-9015CDWE		
6	LEF636001	1	DOCUMENT COVER ASSY (SP)	DCP-9017CDW		
6	LEF639001	1	DOCUMENT COVER ASSY (SP)	HL-3180CDW		
7	LX5182008	1	HINGE R	DCP-9015CDW		
7	LX5182008	1	HINGE R	DCP-9015CDWE		
7	LX5182008	1	HINGE R	DCP-9017CDW		
7	LX5182008	1	HINGE R	HL-3180CDW		
8	LX5089008	1	HINGE L	DCP-9015CDW		
8	LX5089008	1	HINGE L	DCP-9015CDWE		
8	LX5089008	1	HINGE L	DCP-9017CDW		
8	LX5089008	1	HINGE L	HL-3180CDW		
9	LS1690008	2	HINGE L SUPPORT	DCP-9015CDW		
9	LS1690008	2	HINGE L SUPPORT	DCP-9015CDWE		
9	LS1690008	2	HINGE L SUPPORT	DCP-9017CDW		
9	LS1690008	2	HINGE L SUPPORT	HL-3180CDW		

\*If you replace the old part with the new one, please upgrade the Main Firmware Version.  
Please refer to Parts Change Information ; 1000042298 for the detail.

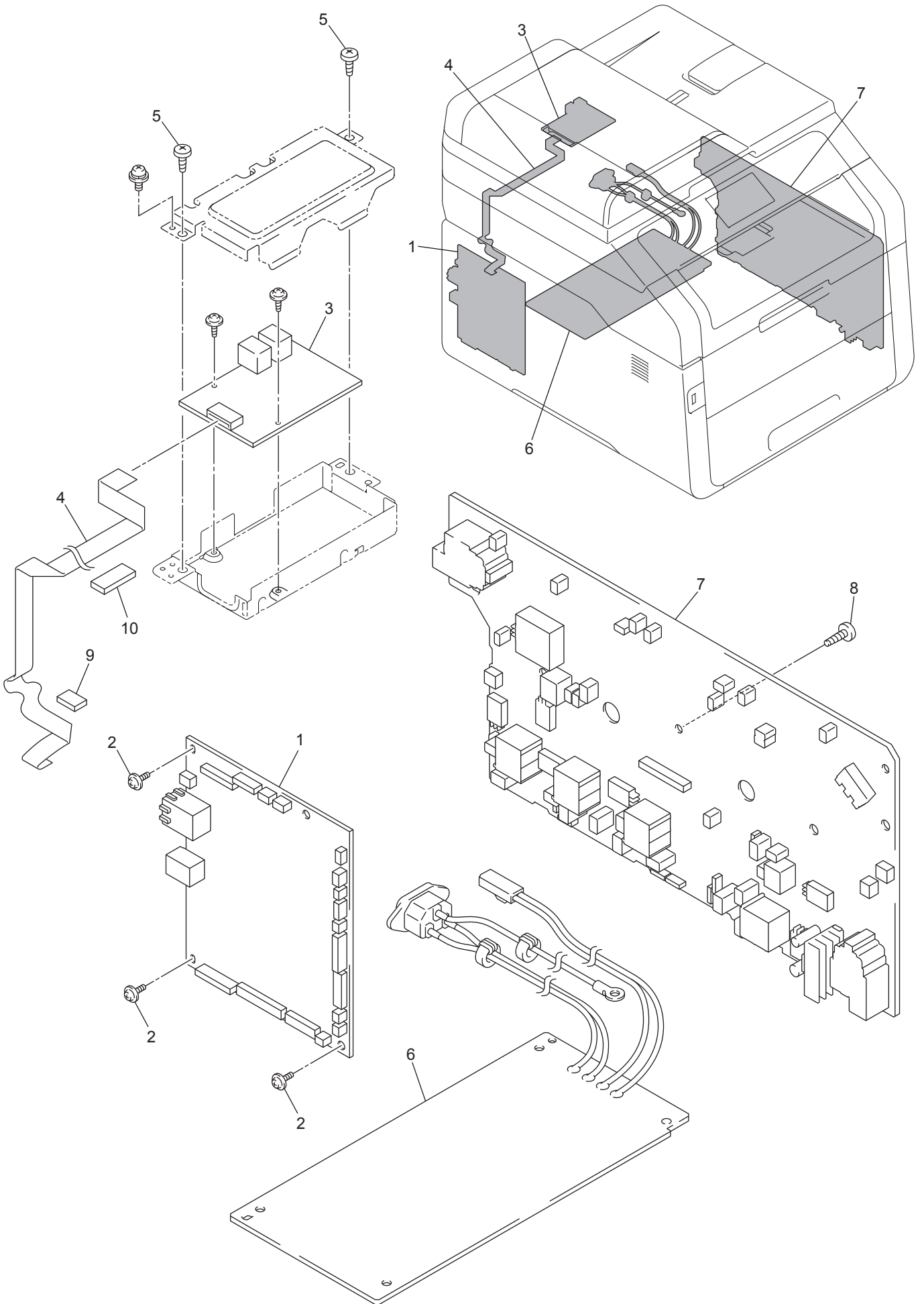
13.PANEL



## 13. PANEL

REF No.	CODE	Q'T Y	DESCRIPTION	MODEL	SPEC	REMARKS
1	LEF563001	1	CONTROL PANEL ASSY	DCP-9015CDW		
1	LEF647001	1	CONTROL PANEL ASSY	DCP-9015CDWE		
1	LEF569001	1	CONTROL PANEL ASSY	DCP-9017CDW		
1	LEF171001	1	CONTROL PANEL ASSY	DCP-9020CDN	FOR CHN	
1	LEF171002	1	CONTROL PANEL ASSY	DCP-9020CDN	FOR ARG/CHL/BRA	
1	LEF129001	1	CONTROL PANEL ASSY	DCP-9020CDW		
1	LEF529001	1	CONTROL PANEL ASSY	DCP-9022CDW		
1	LEF574001	1	CONTROL PANEL ASSY	HL-3180CDW		
1	LEF131001	1	CONTROL PANEL ASSY	MFC-9130CW		
1	LEF173001	1	CONTROL PANEL ASSY	MFC-9140CDN	FOR CHN	
1	LEF133001	1	CONTROL PANEL ASSY	MFC-9140CDN	EXCEPT FOR CHN	
1	LEF531001	1	CONTROL PANEL ASSY	MFC-9142CDN		
1	LEF174001	1	CONTROL PANEL ASSY	MFC-9330CDW		
1	LEF533001	1	CONTROL PANEL ASSY	MFC-9332CDW		
1	LEF630001	1	CONTROL PANEL ASSY	MFC-9335CDW		
1	LEF176001	1	CONTROL PANEL ASSY	MFC-9340CDW	FOR CHN	
1	LEF078001	1	CONTROL PANEL ASSY	MFC-9340CDW	EXCEPT FOR CHN	
1	LEF535001	1	CONTROL PANEL ASSY	MFC-9342CDW		
1-1	LEF632001	1	PANEL COVER ASSY (SP)	DCP-9015CDW		
1-1	LEF649001	1	PANEL COVER ASSY (SP)	DCP-9015CDWE		
1-1	LEF633001	1	PANEL COVER ASSY (SP)	DCP-9017CDW		
1-1	LEF314001	1	PANEL COVER ASSY (SP)	DCP-9020CDN		
1-1	LEF313001	1	PANEL COVER ASSY (SP)	DCP-9020CDW		
1-1	LEF540001	1	PANEL COVER ASSY (SP)	DCP-9022CDW		
1-1	LEF634001	1	PANEL COVER ASSY (SP)	HL-3180CDW		
1-1	LEF315001	1	PANEL COVER ASSY (SP)	MFC-9130CW		
1-1	LEF316001	1	PANEL COVER ASSY (SP)	MFC-9140CDN		
1-1	LEF541001	1	PANEL COVER ASSY (SP)	MFC-9142CDN		
1-1	LEF317001	1	PANEL COVER ASSY (SP)	MFC-9330CDW		
1-1	LEF542001	1	PANEL COVER ASSY (SP)	MFC-9332CDW		
1-1	LEF635001	1	PANEL COVER ASSY (SP)	MFC-9335CDW		
1-1	LEF318001	1	PANEL COVER ASSY (SP)	MFC-9340CDW		
1-1	LEF543001	1	PANEL COVER ASSY (SP)	MFC-9342CDW		
1-2	LEF083001	1	TOUCH PANEL ASSY			
1-3	A63291001	1	LCD			
1-4	LT2237001	1	PANEL CONTROL PCB ASSY	DCP-9015CDW		
1-4	LT2237001	1	PANEL CONTROL PCB ASSY	DCP-9015CDWE		
1-4	LT2237001	1	PANEL CONTROL PCB ASSY	DCP-9017CDW		
1-4	LT2237021	1	PANEL CONTROL PCB ASSY	DCP-9020CDN	FOR CHN	
1-4	LT2237001	1	PANEL CONTROL PCB ASSY	DCP-9020CDN	FOR ARG/CHL/BRA	
1-4	LT2237001	1	PANEL CONTROL PCB ASSY	DCP-9020CDW		
1-4	LT2237001	1	PANEL CONTROL PCB ASSY	DCP-9022CDW		
1-4	LT2237001	1	PANEL CONTROL PCB ASSY	HL-3180CDW		
1-4	LT2237001	1	PANEL CONTROL PCB ASSY	MFC-9130CW		
1-4	LT2237021	1	PANEL CONTROL PCB ASSY	MFC-9140CDN	FOR CHN	
1-4	LT2237001	1	PANEL CONTROL PCB ASSY	MFC-9140CDN	EXCEPT FOR CHN	
1-4	LT2237001	1	PANEL CONTROL PCB ASSY	MFC-9142CDN		
1-4	LT2237001	1	PANEL CONTROL PCB ASSY	MFC-9330CDW		
1-4	LT2237001	1	PANEL CONTROL PCB ASSY	MFC-9332CDW		
1-4	LT2237002	1	PANEL CONTROL PCB ASSY	MFC-9335CDW		
1-4	LT2237021	1	PANEL CONTROL PCB ASSY	MFC-9340CDW	FOR CHN	
1-4	LT2237001	1	PANEL CONTROL PCB ASSY	MFC-9340CDW	EXCEPT FOR CHN	
1-4	LT2237001	1	PANEL CONTROL PCB ASSY	MFC-9342CDW		
1-5	LT2354004	1	NFC PCB ASSY	MFC-9335CDW		

14.PCB



## 14. PCB

REF No.	CODE	Q'T Y	DESCRIPTION	MODEL	SPEC	REMARKS
1	LT3849001	1	MAIN PCB B57T054 ASSY7 DCLFB	DCP-9015CDW		
1	LT3849001	1	MAIN PCB B57T054 ASSY7 DCLFB	DCP-9015CDWE		
1	LT3849002	1	MAIN PCB B57T054 ASSY7 DCLFB	DCP-9017CDW		
1	LT2285020	1	MAIN PCB B57T054 ASSY6 DCLFB	DCP-9020CDN	FOR CHN	
1	LT2285001	1	MAIN PCB B57T054 ASSY6 DCLFB	DCP-9020CDN	FOR ARG/CHL/BRA	
1	LT2481001	1	MAIN PCB B57T054 ASSY5 DCLFB	DCP-9020CDW		
1	LT2481002	1	MAIN PCB B57T054 ASSY5 DCLFB	DCP-9022CDW		
1	LT3850001	1	MAIN PCB B57T054 ASSY8 DCLFB	HL-3180CDW		
1	LT2282001	1	MAIN PCB B57T054 ASSY1 DCLFB	MFC-9130CW		
1	D00EFV020	1	MAIN PCB B57T054 ASSY12 DCLFB	MFC-9140CDN	FOR CHN	CHG
1	D00EFV001	1	MAIN PCB B57T054 ASSY12 DCLFB	MFC-9140CDN	EXCEPT FOR CHN	CHG
1	D00EFV002	1	MAIN PCB B57T054 ASSY12 DCLFB	MFC-9142CDN		CHG
1	D00EFW001	1	MAIN PCB B57T054 ASSY13 DCLFB	MFC-9330CDW		CHG
1	D00EFW002	1	MAIN PCB B57T054 ASSY13 DCLFB	MFC-9332CDW		CHG
1	D00EFW001	1	MAIN PCB B57T054 ASSY13 DCLFB	MFC-9335CDW		CHG
1	D00EFX020	1	MAIN PCB B57T054 ASSY14 DCLFB	MFC-9340CDW	FOR CHN	CHG
1	D00EFX001	1	MAIN PCB B57T054 ASSY14 DCLFB	MFC-9340CDW	EXCEPT FOR CHN	CHG
1	D00EFX002	1	MAIN PCB B57T054 ASSY14 DCLFB	MFC-9342CDW		CHG
2	LP2378001	3	TAPTITE CUP S M3X8 SR			
3	LT2758021	1	MODEM PCB B57T093 ASSY	MFC-9130CW		
3	LT2759031	1	MODEM PCB B57T093 ASSY	MFC-9140CDN	FOR GER/UK/CHE/ITA/GUL/FRA/ BEL/NLD/CEE/IBR	
3	LT2714001	1	MODEM PCB B57T055 ASSY	MFC-9140CDN	FOR CHN	
3	LT2758021	1	MODEM PCB B57T093 ASSY	MFC-9140CDN	FOR PHL/ASA/KOR/IND/ARL/NZ	
3	LT2759031	1	MODEM PCB B57T093 ASSY	MFC-9142CDN		
3	LT2758021	1	MODEM PCB B57T093 ASSY	MFC-9330CDW	FOR US/CAN/PHL/TWN/CHL/ ASA/BRA/ARL	
3	LT2759031	1	MODEM PCB B57T093 ASSY	MFC-9330CDW	FOR GER/UK/CHE/ITA/IBR/GUL/ RUS/FRA/BEL/NLD/PND	
3	LT2759031	1	MODEM PCB B57T093 ASSY	MFC-9332CDW		
3	LT2758021	1	MODEM PCB B57T093 ASSY	MFC-9335CDW		
3	LT2758021	1	MODEM PCB B57T093 ASSY	MFC-9340CDW	FOR US/CAN/ARL/NZ	
3	LT2759031	1	MODEM PCB B57T093 ASSY	MFC-9340CDW	FOR GER/UK/CHE/ITA/IBR/ FRA/BEL/NLD/CEE	
3	LT2714001	1	MODEM PCB B57T055 ASSY	MFC-9340CDW	FOR CHN	
3	LT2759031	1	MODEM PCB B57T093 ASSY	MFC-9342CDW		
4	LT2246001	1	MODEM FLAT CABLE	MFC-9130CW		
4	LT2246001	1	MODEM FLAT CABLE	MFC-9140CDN		
4	LT2246001	1	MODEM FLAT CABLE	MFC-9142CDN		
4	LT2246001	1	MODEM FLAT CABLE	MFC-9330CDW		
4	LT2246001	1	MODEM FLAT CABLE	MFC-9332CDW		
4	LT2246001	1	MODEM FLAT CABLE	MFC-9335CDW		
4	LT2246001	1	MODEM FLAT CABLE	MFC-9340CDW		
4	LT2246001	1	MODEM FLAT CABLE	MFC-9342CDW		
5	LU5693001	2	TAPTITE BIND B M4X12	MFC-9130CW		
5	LU5693001	2	TAPTITE BIND B M4X12	MFC-9140CDN		
5	LU5693001	2	TAPTITE BIND B M4X12	MFC-9142CDN		
5	LU5693001	2	TAPTITE BIND B M4X12	MFC-9330CDW		
5	LU5693001	2	TAPTITE BIND B M4X12	MFC-9332CDW		
5	LU5693001	2	TAPTITE BIND B M4X12	MFC-9335CDW		
5	LU5693001	2	TAPTITE BIND B M4X12	MFC-9340CDW		
5	LU5693001	2	TAPTITE BIND B M4X12	MFC-9342CDW		
6	LT2249001	1	LOW-VOLTAGE POWER SUPPLY PCB ASSY 230V	DCP-9015CDW		
6	LT2249001	1	LOW-VOLTAGE POWER SUPPLY PCB ASSY 230V	DCP-9015CDWE		
6	LT2249001	1	LOW-VOLTAGE POWER SUPPLY PCB ASSY 230V	DCP-9017CDW		
6	LT2686001	1	LOW-VOLTAGE POWER SUPPLY PCB ASSY 230V	DCP-9020CDN	FOR CHN	
6	LT2249001	1	LOW-VOLTAGE POWER SUPPLY PCB ASSY 230V	DCP-9020CDN	FOR ARG/CHL	
6	LT2247001	1	LOW-VOLTAGE POWER SUPPLY PCB ASSY 115V	DCP-9020CDN	FOR BRA	
6	LT2686001	1	LOW-VOLTAGE POWER SUPPLY PCB ASSY 230V	DCP-9020CDW	FOR RUS	
6	LT2249001	1	LOW-VOLTAGE POWER SUPPLY PCB ASSY 230V	DCP-9020CDW	EXCEPT FOR RUS	
6	LT2249001	1	LOW-VOLTAGE POWER SUPPLY PCB ASSY 230V	DCP-9022CDW		
6	LT2247001	1	LOW-VOLTAGE POWER SUPPLY PCB ASSY 115V	HL-3180CDW		
6	LT2247001	1	LOW-VOLTAGE POWER SUPPLY PCB ASSY 115V	MFC-9130CW		
6	LT2686001	1	LOW-VOLTAGE POWER SUPPLY PCB ASSY 115V	MFC-9140CDN	FOR CHN/IND	
6	LT2249001	1	LOW-VOLTAGE POWER SUPPLY PCB ASSY 230V	MFC-9140CDN	EXCEPT FOR CHN/IND	

14. PCB

REF No.	CODE	Q'T Y	DESCRIPTION	MODEL	SPEC	REMARKS
6	LT2249001	1	LOW-VOLTAGE POWER SUPPLY PCB ASSY 230V	MFC-9142CDN		
6	LT2247001	1	LOW-VOLTAGE POWER SUPPLY PCB ASSY 115V	MFC-9330CDW	FOR US/CAN/TWN/BRA	
6	LT2249001	1	LOW-VOLTAGE POWER SUPPLY PCB ASSY 230V	MFC-9330CDW	FOR GER/UK/CHE/ITA/IBR/PHL/CHL/ASA/GUL/FRA/BEL/NLD/ARL/PND	
6	LT2686001	1	LOW-VOLTAGE POWER SUPPLY PCB ASSY 230V	MFC-9330CDW	FOR RUS	add
6	LT2249001	1	LOW-VOLTAGE POWER SUPPLY PCB ASSY 230V	MFC-9332CDW		
6	LT2249001	1	LOW-VOLTAGE POWER SUPPLY PCB ASSY 230V	MFC-9335CDW		
6	LT2247001	1	LOW-VOLTAGE POWER SUPPLY PCB ASSY 115V	MFC-9340CDW	FOR US/CAN	
6	LT2249001	1	LOW-VOLTAGE POWER SUPPLY PCB ASSY 230V	MFC-9340CDW	FOR GER/UK/CHE/ITA/IBR/FRA/BEL/NLD/ARL/NZ/CEE	
6	LT2686001	1	LOW-VOLTAGE POWER SUPPLY PCB ASSY 230V	MFC-9340CDW	FOR CHN	
6	LT2249001	1	LOW-VOLTAGE POWER SUPPLY PCB ASSY 230V	MFC-9342CDW		
7	LV0928001	1	HIGHT-VOLTAGE POWER SUPPLY PCB ASSY			
8	LU5693001	1	TAPTITE BIND B M4X12			
9	LEF118001	1	FLAT CABLE SPONGE2	MFC-9130CW		
9	LEF118001	1	FLAT CABLE SPONGE2	MFC-9140CDN		
9	LEF118001	1	FLAT CABLE SPONGE2	MFC-9142CDN		
9	LEF118001	1	FLAT CABLE SPONGE2	MFC-9330CDW		
9	LEF118001	1	FLAT CABLE SPONGE2	MFC-9332CDW		
9	LEF118001	1	FLAT CABLE SPONGE2	MFC-9335CDW		
9	LEF118001	1	FLAT CABLE SPONGE2	MFC-9340CDW		
9	LEF118001	1	FLAT CABLE SPONGE2	MFC-9342CDW		
10	LEF164001	1	FLAT CABLE SPONGE3	MFC-9130CW		
10	LEF164001	1	FLAT CABLE SPONGE3	MFC-9140CDN		
10	LEF164001	1	FLAT CABLE SPONGE3	MFC-9142CDN		
10	LEF164001	1	FLAT CABLE SPONGE3	MFC-9330CDW		
10	LEF164001	1	FLAT CABLE SPONGE3	MFC-9332CDW		
10	LEF164001	1	FLAT CABLE SPONGE3	MFC-9335CDW		
10	LEF164001	1	FLAT CABLE SPONGE3	MFC-9340CDW		
10	LEF164001	1	FLAT CABLE SPONGE3	MFC-9342CDW		
(11)	D00DNH001	1	ERP LOT6 INSERTION <sup>†</sup>	MFC-9140CDN	FOR GER/UK/CHE/ITA/IBR/FRA/BEL/NLD/CEE	ADD
(11)	D00GNS001	1	ERP LOT6 INSERTION <sup>†</sup>	MFC-9140CDN	FOR GUL	ADD
(11)	D00DNH001	1	ERP LOT6 INSERTION <sup>†</sup>	MFC-9142CDN		ADD
(11)	D00DNH001	1	ERP LOT6 INSERTION <sup>†</sup>	MFC-9330CDW	FOR GER/UK/CHE/ITA/IBR/RUS/FRA/BEL/NLD/ARL/PND	ADD
(11)	D00GNS001	1	ERP LOT6 INSERTION <sup>†</sup>	MFC-9330CDW	FOR GUL	ADD
(11)	D00DNH001	1	ERP LOT6 INSERTION <sup>†</sup>	MFC-9332CDW		ADD
(11)	D00DNH001	1	ERP LOT6 INSERTION <sup>†</sup>	MFC-9335CDW		ADD
(11)	D00DNH001	1	ERP LOT6 INSERTION <sup>†</sup>	MFC-9340CDW	FOR GER/UK/CHE/ITA/IBR/FRA/BEL/NLD/CEE	ADD
(11)	D00DNH001	1	ERP LOT6 INSERTION <sup>†</sup>	MFC-9342CDW		ADD

<sup>†</sup>When replacing the Main PCB UNIT for Europe and Turkey production before September 2016, please use ERP LOT6 INSERTION together.

Contents of these insertions are below in multiple language.

"Auto Power Off Mode

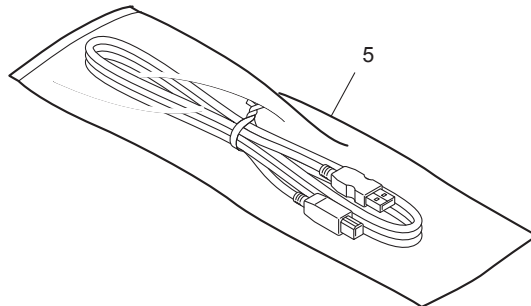
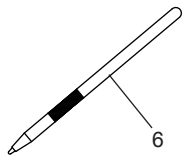
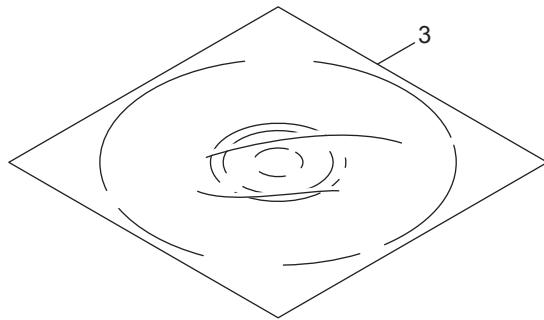
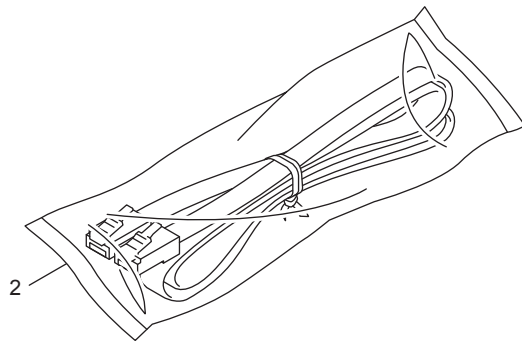
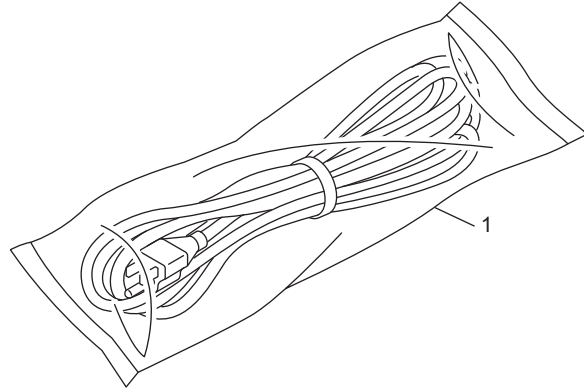
Auto Power Off Mode is available with your machine. If the machine is idle for a certain length of time, it will turn off automatically. You can change the Auto Power Off settings from the *eco*logy menu. Auto Power Off Mode is not available when your machine is connected to either a network or a telephone line.

This is because Auto Power Off Mode turns ON in default to comply with EU eco-design directive(ErP Lot6 Tier2) after production in October, 2016. (Only Russia is OFF in default) This function is available with the latest firmware and entering three spec code by Maintenance 74.

Table 1. Correspondence to ErP Lot6 Tier

MODEL	SPEC	MAIN PCB ASSY before September, 2016	MAIN PCB ASSY after October, 2016
MFC-9140CDN	FOR CHN	LT2283020	D00EFV020
MFC-9140CDN	EXCEPT FOR CHN	LT2283001	D00EFV001
MFC-9142CDN		LT2283002	D00EFV002
MFC-9330CDW MFC-9335CDW		LT2284001	D00EFW001
MFC-9332CDW		LT2284002	D00EFW002
MFC-9340CDW	FOR CHN	LT2242020	D00EFX020
MFC-9340CDW	EXCEPT FOR CHN	LT2242001	D00EFX001
MFC-9342CDW		LT2242002	D00EFX002

15. ACCESSORIES



15. ACCESSORIES

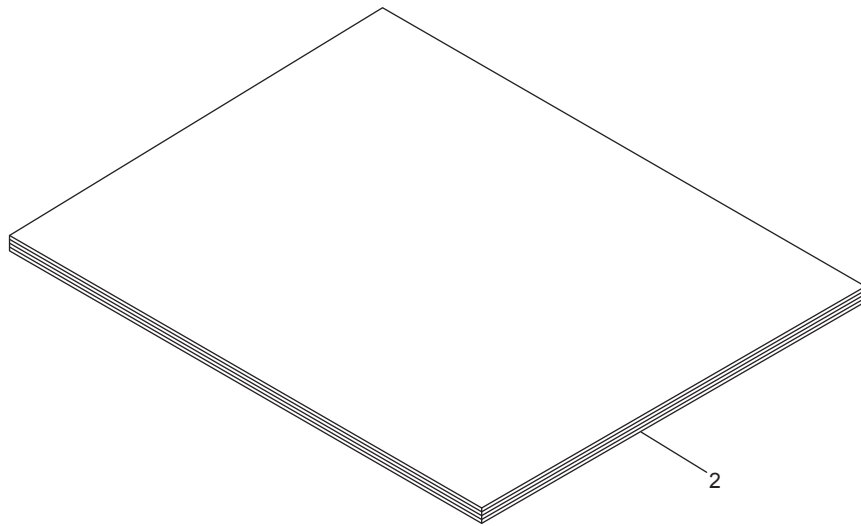
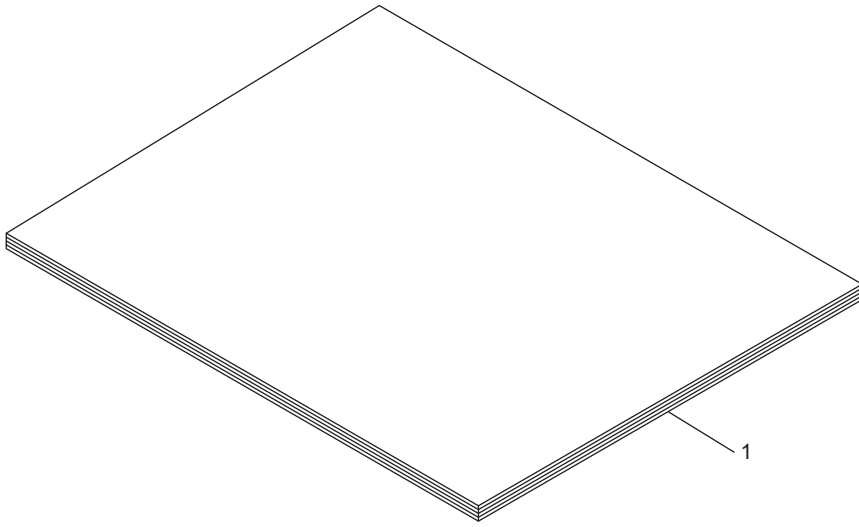
REF No.	CODE	Q'T Y	DESCRIPTION	MODEL	SPEC	REMARKS
1	LV0368001	1	AC CORD BAG ASSY LF BS/PSB S	DCP-9015CDW	FOR UK	
1	LT2259001	1	AC CORD BAG ASSY LF SEV	DCP-9015CDW	FOR CHE	
1	LV0364001	1	AC CORD BAG ASSY LF VDE S	DCP-9015CDW	FOR ITA/IBR/FRA/BEL/NLD/PND/CEE	
1	LV0364001	1	AC CORD BAG ASSY LF VDE S	DCP-9015CDWE		
1	LV0364001	1	AC CORD BAG ASSY LF VDE S	DCP-9017CDW		
1	LV1093001	1	AC CORD BAG ASSY LF CHN S/BRO	DCP-9020CDN	FOR CHN	
1	LT0925001	1	AC CORD BAG ASSY LF IRAM	DCP-9020CDN	FOR ARG	
1	LG6207001	1	AC CORD BAG ASSY LF CHILE	DCP-9020CDN	FOR CHL	
1	LT2346001	1	AC CORD BAG ASSY LF BRZ	DCP-9020CDN	FOR BRA	
1	LV0388001	1	AC CORD BAG ASSY LF PERU	DCP-9020CDN	FOR CHL/PER	add
1	LV0364001	1	AC CORD BAG ASSY LF VDE S	DCP-9020CDW	FOR GER/ITA/IBR/RUS/FRA/ BEL/NLD/PND/CEE	
1	LV0368001	1	AC CORD BAG ASSY LF BS/PSB S	DCP-9020CDW	FOR UK	
1	LT2259001	1	AC CORD BAG ASSY LF SEV	DCP-9020CDW	FOR CHE	
4	<del>LG4720004</del>	4	<del>AC CORD BAG ASSY LF DEMKO</del>	<del>DCP-9020CDW</del>	<del>FOR PND</del>	del
1	LV0364001	1	AC CORD BAG ASSY LF SEV	DCP-9022CDW		
1	LM9362001	1	AC CORD BAG ASSY LF UL/CSA	HL-3180CDW		
1	LM9362001	1	AC CORD BAG ASSY LF UL/CSA	MFC-9130CW		
1	LV0364001	1	AC CORD BAG ASSY LF VDE S	MFC-9140CDN	FOR GER/ITA/IBR/PHL/ASA/ GUL/FRA/BEL/NLD/CEE/IBR	
1	LV0368001	1	AC CORD BAG ASSY LF BS/PSB S	MFC-9140CDN	FOR UK/ASA/GUL	
1	LT2259001	1	AC CORD BAG ASSY LF SEV	MFC-9140CDN	FOR CHE	
1	LV1093001	1	AC CORD BAG ASSY LF CHN S/BRO	MFC-9140CDN	FOR CHN	
1	LG6404001	1	AC CORD BAG ASSY LF SAF	MFC-9140CDN	FOR GUL	
1	LT0935001	1	AC CORD BAG ASSY LF KOR S	MFC-9140CDN	FOR KOR	chg
1	LT0613001	1	AC CORD BAG ASSY LF IND	MFC-9140CDN	FOR IND	
1	LV0366001	1	AC CORD BAG ASSY LF SAA S	MFC-9140CDN	FOR ARL/NZ	
1	LV0364001	1	AC CORD BAG ASSY LF VDE S	MFC-9142CDN		
1	LM9362001	1	AC CORD BAG ASSY LF UL/CSA	MFC-9330CDW	FOR US/CAN	
1	LV0364001	1	AC CORD BAG ASSY LF VDE S	MFC-9330CDW	FOR GER/ITA/IBR/PHL/ASA/ GUL/RUS/FRA/BEL/NLD/PND	
1	LV0368001	1	AC CORD BAG ASSY LF BS/PSB S	MFC-9330CDW	FOR UK/ASA/GUL	
1	LT2259001	1	AC CORD BAG ASSY LF SEV	MFC-9330CDW	FOR CHE	
1	LT1833001	1	AC CORD BAG ASSY LF TWN	MFC-9330CDW	FOR TWN	
1	LV0366001	1	AC CORD BAG ASSY LF SAA S	MFC-9330CDW	FOR ARL	
1	LG6207001	1	AC CORD BAG ASSY LF CHILE	MFC-9330CDW	FOR CHL	
1	LG6404001	1	AC CORD BAG ASSY LF SAF	MFC-9330CDW	FOR GUL	
1	LT2346001	1	AC CORD BAG ASSY LF BRZ	MFC-9330CDW	FOR BRA	
4	<del>LG4720004</del>	4	<del>AC CORD BAG ASSY LF DEMKO</del>	<del>MFC-9330CDW</del>	<del>FOR PND</del>	del
1	LV0388001	1	AC CORD BAG ASSY LF PERU	MFC-9330CDW	FOR PER	add
1	LV0364001	1	AC CORD BAG ASSY LF VDE S	MFC-9332CDW		
1	LV0366001	1	AC CORD BAG ASSY LF SAA S	MFC-9335CDW		
1	LM9362001	1	AC CORD BAG ASSY LF UL/CSA	MFC-9340CDW	FOR US/CAN	
1	LV0364001	1	AC CORD BAG ASSY LF VDE S	MFC-9340CDW	FOR	
1	LV0368001	1	AC CORD BAG ASSY LF BS/PSB S	MFC-9340CDW	FOR UK	
1	LT2259001	1	AC CORD BAG ASSY LF SEV	MFC-9340CDW	FOR CHE	
1	LV1093001	1	AC CORD BAG ASSY LF CHN S/BRO	MFC-9340CDW	FOR CHN	
1	LV0366001	1	AC CORD BAG ASSY LF SAA S	MFC-9340CDW	FOR ARL/NZ	
1	LV0364001	1	AC CORD BAG ASSY LF VDE S	MFC-9342CDW		
2	LG3077001	1	TELEPHONE LINE CORD CSA	MFC-9130CW		
2	LG3077001	1	TELEPHONE LINE CORD CSA	MFC-9140CDN	FOR UK/CHN/PHL/ASA/GUL/KOR/ IND/FRA/BEL/NLD/ARL/NZ/IBR/CEE	
2	<del>LT3878004</del>	4	<del>TELEPHONE LINE CORD KOR</del>	<del>MFC-9140CDN</del>	<del>FOR KOR</del>	DEL
2	UG3625001	1	TELEPHONE LINE CORD ASSY GER	MFC-9140CDN	FOR GER	
2	LG7202001	1	TELEPHONE LINE CORD ASSY SWI	MFC-9140CDN	FOR CHE	
2	UG3634001	1	TELEPHONE LINE CORD ITA	MFC-9140CDN	FOR ITA	
2	UG4205001	1	TELEPHONE LINE CORD ASSY AUS	MFC-9140CDN	FOR GER	
2	UG3626001	1	TELEPHONE LINE CORD UK6P	MFC-9140CDN	FOR UK	
2	UG3627001	1	TELEPHONE LINE CORD ASSY FRA	MFC-9140CDN	FOR FRA/BEL/NLD	
2	UG3290001	1	TELEPHONE LINE CORD NZ	MFC-9140CDN	FOR ARL/NZ	
2	UG3625001	1	TELEPHONE LINE CORD GER	MFC-9142CDN		
2	UG4205001	1	TELEPHONE LINE CORD AUS	MFC-9142CDN		
2	LG3077001	1	TELEPHONE LINE CORD CSA	MFC-9330CDW	FOR US/CAN/UK/ITA/IBR/PHL/ TWN/CHL/ASA/GUL/BRA/RUS/ FRA/BEL/NLD/ARL	
2	UG3625001	1	TELEPHONE LINE CORD ASSY GER	MFC-9330CDW	FOR GER	
2	LG7202001	1	TELEPHONE LINE CORD ASSY SWI	MFC-9330CDW	FOR CHE	
2	UG3634001	1	TELEPHONE LINE CORD ITA	MFC-9330CDW	FOR ITA/IBR	
2	UG4205001	1	TELEPHONE LINE CORD ASSY AUS	MFC-9330CDW	FOR GER	
2	UG3626001	1	TELEPHONE LINE CORD UK6P	MFC-9330CDW	FOR UK	
2	UG3627001	1	TELEPHONE LINE CORD ASSY FRA	MFC-9330CDW	FOR FRA/BEL/NLD	
2	LG5827001	1	TELEPHONE LINE CORD RJ45	MFC-9330CDW	FOR PND	
2	UG3625001	1	TELEPHONE LINE CORD GER	MFC-9332CDW		
2	UG4205001	1	TELEPHONE LINE CORD AUS	MFC-9332CDW		
2	LG3077001	1	TELEPHONE LINE CORD CSA	MFC-9335CDW		
2	LG3077001	1	TELEPHONE LINE CORD CSA	MFC-9340CDW	FOR US/CAN/UK/ITA/IBR/CHN/ FRA/BEL/NLD/ARL/NZ/CEE	



15. ACCESSORIES

REF No.	CODE	Q'T Y	DESCRIPTION	MODEL	SPEC	REMARKS
2	UG3625001	1	TELEPHONE LINE CORD ASSY GER	MFC-9340CDW	FOR GER	
2	LG7202001	1	TELEPHONE LINE CORD ASSY SWI	MFC-9340CDW	FOR CHE	
2	UG3634001	1	TELEPHONE LINE CORD ITA	MFC-9340CDW	FOR ITA/IBR	
2	UG4205001	1	TELEPHONE LINE CORD ASSY AUS	MFC-9340CDW	FOR GER	
2	UG3626001	1	TELEPHONE LINE CORD UK6P	MFC-9340CDW	FOR UK	
2	UG3627001	1	TELEPHONE LINE CORD ASSY FRA	MFC-9340CDW	FOR FRA/BEL/NLD	
2	UG3290001	1	TELEPHONE LINE CORD NZ	MFC-9340CDW	FOR ARL/NZ	
2	UG3625001	1	TELEPHONE LINE CORD GER	MFC-9342CDW		
2	UG4205001	1	TELEPHONE LINE CORD AUS	MFC-9342CDW		
3	LEF555001	1	CDROM ASSY	DCP-9015CDW	FOR UK/CHE/ITA/IBR/FRA/BEL/NLD	
3	LEF557001	1	CDROM ASSY	DCP-9015CDW	FOR PND	
3	LEF558001	1	CDROM ASSY	DCP-9015CDW	FOR CEE	
3	LEF644001	1	CDROM ASSY	DCP-9015CDWE		
3	LEF551001	1	CDROM ASSY	DCP-9017CDW		
3	LEF160001	1	CDROM ASSY	DCP-9020CDN	FOR CHN	
3	LEF151001	1	CDROM ASSY	DCP-9020CDN	FOR ARG/CHL/BRA	
3	LEF159001	1	CDROM ASSY	DCP-9020CDW	FOR GER/UK/CHE/ITA/IBR/ FRA/BEL/NLD	
3	LEF157001	1	CDROM ASSY	DCP-9020CDW	FOR RUS/CEE	
3	LEF155001	1	CDROM ASSY	DCP-9020CDW	FOR PND	
3	LEF511001	1	CDROM ASSY	DCP-9022CDW		
3	LEF553001	1	CDROM ASSY	HL-3180CDW	FOR US	
3	LEF554001	1	CDROM ASSY	HL-3180CDW	FOR CAN	
3	LEF152001	1	CDROM ASSY	MFC-9130CW	FOR US	
3	LEF422001	1	CDROM ASSY	MFC-9130CW	FOR CAN	
3	LEF153001	1	CDROM ASSY	MFC-9140CDN	FOR GER/UK/CHE/ITA/ FRA/BEL/NLD/IBR	
3	LEF160001	1	CDROM ASSY	MFC-9140CDN	FOR CHN	
3	LEF162001	1	CDROM ASSY	MFC-9140CDN	FOR ASA/GUL	
3	LEF161001	1	CDROM ASSY	MFC-9140CDN	FOR KOR	
3	LEF421001	1	CDROM ASSY	MFC-9140CDN	FOR PHL/IND/ARL/NZ	
3	LEF156001	1	CDROM ASSY	MFC-9140CDN	FOR CEE	
3	LEF511001	1	CDROM ASSY	MFC-9142CDN		
3	LEF152001	1	CDROM ASSY	MFC-9330CDW	FOR US	
3	LEF422001	1	CDROM ASSY	MFC-9330CDW	FOR CAN/CHL/BRA	
3	LEF153001	1	CDROM ASSY	MFC-9330CDW	FOR GER/UK/CHE/ITA/IBR/ FRA/BEL/NLD	
3	LEF156001	1	CDROM ASSY	MFC-9330CDW	FOR RUS	
3	LEF421001	1	CDROM ASSY	MFC-9330CDW	FOR PHL/ARL	
3	LEF371001	1	CDROM ASSY	MFC-9330CDW	FOR TWN	
3	LEF162001	1	CDROM ASSY	MFC-9330CDW	FOR ASA/GUL	
3	LEF154001	1	CDROM ASSY	MFC-9330CDW	FOR PND	
3	LEF511001	1	CDROM ASSY	MFC-9332CDW		
3	LEF559001	1	CDROM ASSY	MFC-9335CDW		
3	LEF152001	1	CDROM ASSY	MFC-9340CDW	FOR US	
3	LEF422001	1	CDROM ASSY	MFC-9340CDW	FOR CAN	
3	LEF153001	1	CDROM ASSY	MFC-9340CDW	FOR GER/UK/CHE/ITA/IBR/ FRA/BEL/NLD	
3	LEF160001	1	CDROM ASSY	MFC-9340CDW	FOR CHN	
3	LEF421001	1	CDROM ASSY	MFC-9340CDW	FOR ARL/NZ	
3	LEF156001	1	CDROM ASSY	MFC-9340CDW	FOR CEE	
3	LEF511001	1	CDROM ASSY	MFC-9342CDW		
(4)	UG1575001	1	TELEPHONE LINE CORD BEL	MFC-9140CDN	FOR FRA/BEL/NLD	
(4)	<del>LG3622001</del>	4	<del>TELEPHONE PLUG DUT</del>	<del>MFC-9140CDN</del>	<del>FOR FRA/BEL/NLD</del>	del
(4)	LT3927001	1	TELEPHONE PLUG ARL	MFC-9140CDN	FOR ARL/NZ	chg
(4)	UG1575001	1	TELEPHONE LINE CORD BEL	MFC-9330CDW	FOR FRA/BEL/NLD	
(4)	<del>LG3622001</del>	4	<del>TELEPHONE PLUG DUT</del>	<del>MFC-9330CDW</del>	<del>FOR FRA/BEL/NLD</del>	del
(4)	LT3927001	1	TELEPHONE PLUG ARL	MFC-9330CDW	FOR ARL	chg
(4)	LG5829001	1	TELEPHONE PLUG FIN	MFC-9330CDW	FOR PND	
(4)	LG5828001	1	TELEPHONE PLUG DEN	MFC-9330CDW	FOR PND	
(4)	LG5830001	1	TELEPHONE PLUG SWE	MFC-9330CDW	FOR PND	
(4)	LT3927001	1	TELEPHONE PLUG ARL	MFC-9335CDW		chg
(4)	UG1575001	1	TELEPHONE LINE CORD BEL	MFC-9340CDW	FOR FRA/BEL/NLD	
(4)	<del>LG3622001</del>	4	<del>TELEPHONE PLUG DUT</del>	<del>MFC-9340CDW</del>	<del>FOR FRA/BEL/NLD</del>	del
(4)	LT3927001	1	TELEPHONE PLUG ARL	MFC-9340CDW	FOR ARL/NZ	chg
5	LJ9803001	1	USB CABLE 2.0		FOR US/CAN/GER/UK/CHE/ITA/ CHN/PHL/TWN/ARG/CHL/ASA/ GUL/KOR/BRA/IND/RUS/FRA/ BEL/NLD/ARL/NZ/PND/IBR/CEE	
5	<del>LV1518001</del>	4	<del>USB CABLE 2.0 KOR</del>		<del>FOR KOR</del>	DEL
6	XA9940051	1	STYRUS			

16. PRINTED MATERIALS



## 16. PRINTED MATERIALS

REF No.	CODE	Q'T Y	DESCRIPTION	MODEL	SPEC	REMARKS
1	LEF348020	1	USER'S GUIDE (CHINESE)	DCP-9020CDN	FOR CHN	
1	LEF335031	1	USER'S GUIDE (SPANISH)	DCP-9020CDN	FOR ARG/CHL	
1	LEF335042	1	USER'S GUIDE (PORTUGUESE)	DCP-9020CDN	FOR BRA	
1	LEF596001	1	USER'S GUIDE (ENGLISH)	HL-3180CDW		
1	LEF596002	1	USER'S GUIDE (FRENCH)	HL-3180CDW	FOR CAN	
1	LEF333001	1	USER'S GUIDE (ENGLISH)	MFC-9130CW		
1	LEF333002	1	USER'S GUIDE (FRENCH)	MFC-9130CW	FOR CAN	
1	LEF516003	1	USER'S GUIDE (GERMAN)	MFC-9140CDN	FOR GER/CHE	chg
1	LEF337004	1	USER'S GUIDE (ENGLISH)	MFC-9140CDN	FOR UK	
1	LEF337005	1	USER'S GUIDE (FRENCH)	MFC-9140CDN	FOR CHE/FRA/BEL/NLD	
1	LEF337016	1	USER'S GUIDE (ITALIAN)	MFC-9140CDN	FOR ITA/IBR	chg
1	LEF343020	1	USER'S GUIDE (CHINESE)	MFC-9140CDN	FOR CHN	
1	LEF340040	1	USER'S GUIDE (ENGLISH)	MFC-9140CDN	FOR PHL/ASA/IND/ARL/NZ	
1	LEF342030	1	USER'S GUIDE (THAI)	MFC-9140CDN	FOR ASA	
1	LEF340025	1	USER'S GUIDE (TURKISH)	MFC-9140CDN	FOR GUL	
1	LEF340032	1	USER'S GUIDE (ARABIC)	MFC-9140CDN	FOR GUL	
1	LEF340041	1	USER'S GUIDE (ENGLISH)	MFC-9140CDN	FOR GUL	
1	LEF340044	1	USER'S GUIDE (KOREAN)	MFC-9140CDN	FOR KOR	
1	LEF337009	1	USER'S GUIDE (DUTCH)	MFC-9140CDN	FOR FRA/BEL/NLD	
1	LEF337015	1	USER'S GUIDE (SPANISH)	MFC-9140CDN	FOR IBR	
1	LEF337018	1	USER'S GUIDE (PORTUGUESE)	MFC-9140CDN	FOR IBR	
1	LEF516003	1	USER'S GUIDE (GERMAN)	MFC-9142CDN		
1	LEF333001	1	USER'S GUIDE (ENGLISH)	MFC-9330CDW	FOR US/CAN	
1	LEF333002	1	USER'S GUIDE (FRENCH)	MFC-9330CDW	FOR CAN	
1	LEF516003	1	USER'S GUIDE (GERMAN)	MFC-9330CDW	FOR GER/CHE	chg
1	LEF337004	1	USER'S GUIDE (ENGLISH)	MFC-9330CDW	FOR UK	
1	LEF337005	1	USER'S GUIDE (FRENCH)	MFC-9330CDW	FOR CHE/FRA/BEL/NLD	
1	LEF337009	1	USER'S GUIDE (DUTCH)	MFC-9330CDW	FOR FRA/BEL/NLD	
1	LEF339007	1	USER'S GUIDE (NORWEGIAN/SWEDISH)	MFC-9330CDW	FOR PND	
1	LEF339013	1	USER'S GUIDE (DANISH/FINNISH)	MFC-9330CDW	FOR PND	
1	LEF337015	1	USER'S GUIDE (SPANISH)	MFC-9330CDW	FOR ITA/IBR	
1	LEF337016	1	USER'S GUIDE (ITALIAN)	MFC-9330CDW	FOR ITA/IBR	
1	LEF337018	1	USER'S GUIDE (PORTUGUESE)	MFC-9330CDW	FOR ITA/IBR	
1	LEF340040	1	USER'S GUIDE (ENGLISH)	MFC-9330CDW	FOR PHL/ASA/ARL	
1	LEF340023	1	USER'S GUIDE (CHINESE)	MFC-9330CDW	FOR TWN	
1	LEF333031	1	USER'S GUIDE (SPANISH)	MFC-9330CDW	FOR CHL	
1	LEF342030	1	USER'S GUIDE (THAI)	MFC-9330CDW	FOR ASA	
1	LEF340025	1	USER'S GUIDE (TURKISH)	MFC-9330CDW	FOR GUL	
1	LEF340032	1	USER'S GUIDE (ARABIC)	MFC-9330CDW	FOR GUL	
1	LEF340041	1	USER'S GUIDE (ENGLISH)	MFC-9330CDW	FOR GUL	
1	LEF333042	1	USER'S GUIDE (PORTUGUESE)	MFC-9330CDW	FOR BRA	
1	LEF337048	1	USER'S GUIDE (RUSSIAN)	MFC-9330CDW	FOR RUS	
1	LEF516003	1	USER'S GUIDE (GERMAN)	MFC-9332CDW		
1	LEF340040	1	USER'S GUIDE (ENGLISH)	MFC-9335CDW		
1	LEF333001	1	USER'S GUIDE (ENGLISH)	MFC-9340CDW	FOR US/CAN	
1	LEF333002	1	USER'S GUIDE (FRENCH)	MFC-9340CDW	FOR CAN	
1	LEF516003	1	USER'S GUIDE (GERMAN)	MFC-9340CDW	FOR GER/CHE	chg
1	LEF337004	1	USER'S GUIDE (ENGLISH)	MFC-9340CDW	FOR UK	
1	LEF337005	1	USER'S GUIDE (FRENCH)	MFC-9340CDW	FOR CHE/FRA/BEL/NLD	
1	LEF343020	1	USER'S GUIDE (CHINESE)	MFC-9340CDW	FOR CHN	
1	LEF340040	1	USER'S GUIDE (ENGLISH)	MFC-9340CDW	FOR ARL/NZ	
1	LEF337009	1	USER'S GUIDE (DUTCH)	MFC-9340CDW	FOR FRA/BEL/NLD	
1	LEF337015	1	USER'S GUIDE (SPANISH)	MFC-9340CDW	FOR ITA/IBR	
1	LEF337016	1	USER'S GUIDE (ITALIAN)	MFC-9340CDW	FOR ITA/IBR	
1	LEF337018	1	USER'S GUIDE (PORTUGUESE)	MFC-9340CDW	FOR ITA/IBR	
1	LEF516003	1	USER'S GUIDE (GERMAN)	MFC-9342CDW		
2	LEF583004	1	QUICK SETUP GUIDE (ENGLISH)	DCP-9015CDW	FOR UK	
2	LEF582003	1	QUICK SETUP GUIDE (GERMAN)	DCP-9015CDW	FOR CHE	
2	LEF583005	1	QUICK SETUP GUIDE (FRENCH)	DCP-9015CDW	FOR CHE/FRA/BEL/NLD	
2	LEF583016	1	QUICK SETUP GUIDE (ITALIAN)	DCP-9015CDW	FOR CHE/ITA/IBR	
2	LEF583015	1	QUICK SETUP GUIDE (SPANISH)	DCP-9015CDW	FOR ITA/IBR	
2	LEF583018	1	QUICK SETUP GUIDE (PORTUGUESE)	DCP-9015CDW	FOR ITA/IBR	
2	LEF583009	1	QUICK SETUP GUIDE (DUTCH)	DCP-9015CDW	FOR FRA/BEL/NLD	
2	LEF583007	1	QUICK SETUP GUIDE (NORWEGIAN/SWEDISH)	DCP-9015CDW	FOR PND	
2	LEF583012	1	QUICK SETUP GUIDE (FINNISH)	DCP-9015CDW	FOR PND	
2	LEF583013	1	QUICK SETUP GUIDE (DANISH)	DCP-9015CDW	FOR PND	
2	LEF583026	1	QUICK SETUP GUIDE (SWEDISH)	DCP-9015CDW	FOR PND	
2	LEF583037	1	QUICK SETUP GUIDE (ENGLISH/CZECH/HUNGARIAN/POLISH)	DCP-9015CDW	FOR CEE	
2	LEF583059	1	QUICK SETUP GUIDE (BULGARIAN/ROMANIAN/SLOVAK)	DCP-9015CDW	FOR CEE	
2	LEF583007	1	QUICK SETUP GUIDE (NORWEGIAN)	DCP-9015CDWE	FOR PND	
2	LEF583012	1	QUICK SETUP GUIDE (FINNISH)	DCP-9015CDWE	FOR PND	
2	LEF583013	1	QUICK SETUP GUIDE (DANISH)	DCP-9015CDWE	FOR PND	

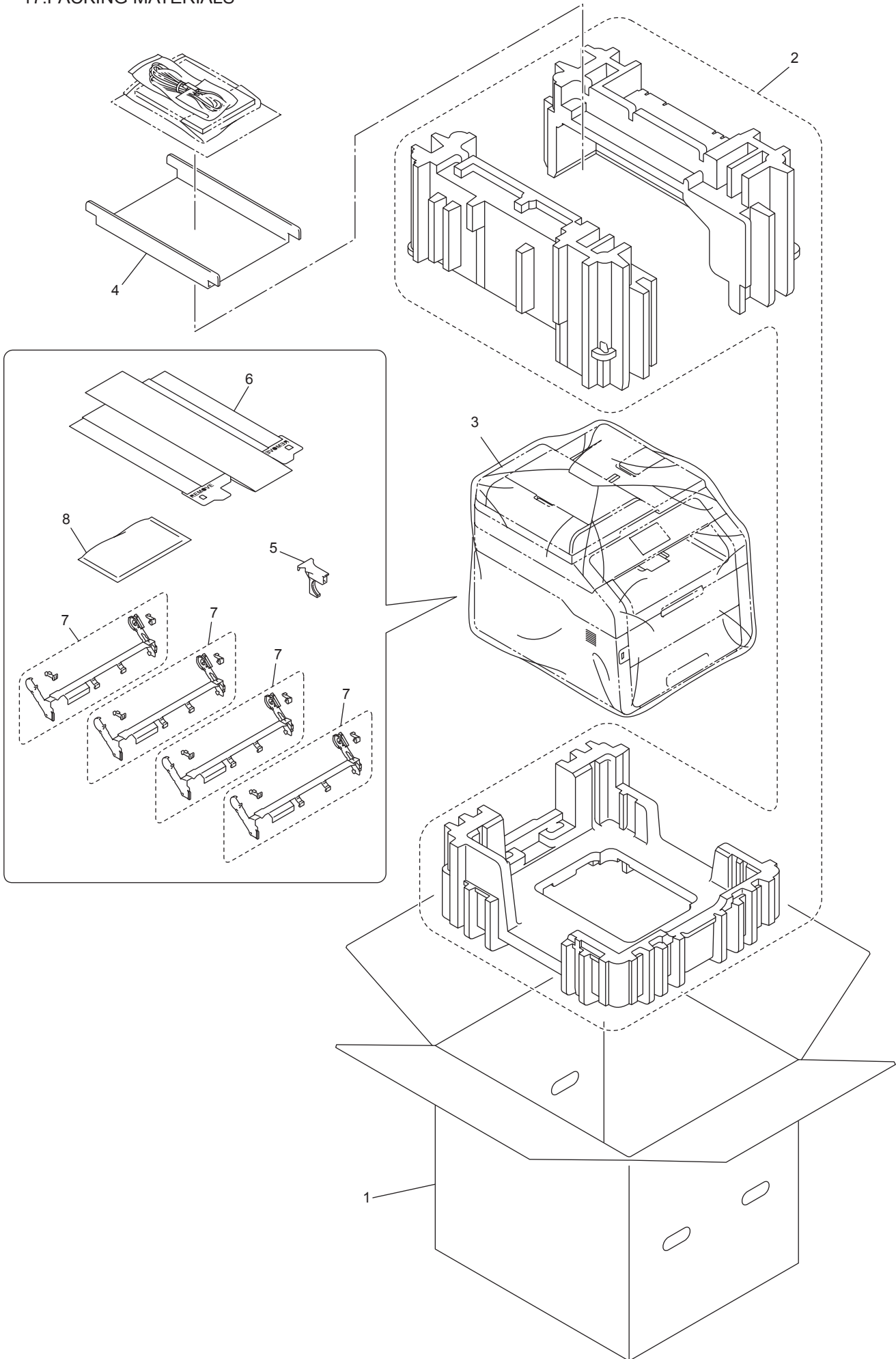
## 16. PRINTED MATERIALS

REF No.	CODE	Q'T Y	DESCRIPTION	MODEL	SPEC	REMARKS
2	LEF583026	1	QUICK SETUP GUIDE (SWEDISH)	DCP-9015CDWE	FOR PND	
2	LEF582003	1	QUICK SETUP GUIDE (GERMAN)	DCP-9017CDW		
2	LEF349020	1	QUICK SETUP GUIDE (CHINESE)	DCP-9020CDN	FOR CHN	
2	LEF336031	1	QUICK SETUP GUIDE (SPANISH)	DCP-9020CDN	FOR ARG/CHL	
2	LEF336042	1	QUICK SETUP GUIDE (PORTUGUESE)	DCP-9020CDN	FOR BRA	
2	LEF582003	1	QUICK SETUP GUIDE (GERMAN)	DCP-9020CDW	FOR GER/CHE	CHG
2	LEF583004	1	QUICK SETUP GUIDE (ENGLISH)	DCP-9020CDW	FOR UK	CHG
2	LEF583005	1	QUICK SETUP GUIDE (FRENCH)	DCP-9020CDW	FOR CHE/FRA/BEL/NLD	CHG
2	LEF347048	1	QUICK SETUP GUIDE (RUSSIAN)	DCP-9020CDW	FOR RUS	
2	LEF544048	1	QUICK SETUP GUIDE (KAZAKH/BELARUSIAN)	DCP-9020CDW	FOR RUS	chg
2	LEF583007	1	QUICK SETUP GUIDE (NORWEGIAN)	DCP-9020CDW	FOR PND	CHG
2	LEF583012	1	QUICK SETUP GUIDE (FINNISH)	DCP-9020CDW	FOR PND	CHG
2	LEF583013	1	QUICK SETUP GUIDE (DANISH)	DCP-9020CDW	FOR PND	CHG
2	LEF583026	1	QUICK SETUP GUIDE (SWEDISH)	DCP-9020CDW	FOR PND	CHG
2	LEF583009	1	QUICK SETUP GUIDE (DUTCH)	DCP-9020CDW	FOR FRA/BEL/NLD	CHG
2	LEF583015	1	QUICK SETUP GUIDE (SPANISH)	DCP-9020CDW	FOR ITA/IBR	CHG
2	LEF583016	1	QUICK SETUP GUIDE (ITALIAN)	DCP-9020CDW	FOR CHE/ITA/IBR	CHG
2	LEF583018	1	QUICK SETUP GUIDE (PORTUGUESE)	DCP-9020CDW	FOR ITA/IBR	CHG
2	LEF583037	1	QUICK SETUP GUIDE (ENGLISH/CZECH/HUNGARIAN/POLISH)	DCP-9020CDW	FOR CEE	CHG
2	LEF583059	1	QUICK SETUP GUIDE (BULGARIAN/ROMANIAN/SLOVAK)	DCP-9020CDW	FOR CEE	CHG
2	LEF582003	1	QUICK SETUP GUIDE (GERMAN)	DCP-9022CDW		CHG
2	LEF597001	1	QUICK SETUP GUIDE (ENGLISH)	HL-3180CDW		
2	LEF597002	1	QUICK SETUP GUIDE (FRENCH)	HL-3180CDW	FOR CAN	
2	LEF334001	1	QUICK SETUP GUIDE (ENGLISH)	MFC-9130CW		
2	LEF334002	1	QUICK SETUP GUIDE (FRENCH)	MFC-9130CW	FOR CAN	
2	LEF517003	1	QUICK SETUP GUIDE (GERMAN)	MFC-9140CDN	FOR GER/CHE	chg
2	LEF338004	1	QUICK SETUP GUIDE (ENGLISH)	MFC-9140CDN	FOR UK	
2	LEF338005	1	QUICK SETUP GUIDE (FRENCH)	MFC-9140CDN	FOR CHE/FRA/BEL/NLD	
2	LEF344020	1	QUICK SETUP GUIDE (CHINESE)	MFC-9140CDN	FOR CHN	
2	LEF338009	1	QUICK SETUP GUIDE (DUTCH)	MFC-9140CDN	FOR FRA/BEL/NLD	
2	LEF338015	1	QUICK SETUP GUIDE (SPANISH)	MFC-9140CDN	FOR IBR	
2	LEF338016	1	QUICK SETUP GUIDE (ITALIAN)	MFC-9140CDN	FOR CHE/ITA	
2	LEF338018	1	QUICK SETUP GUIDE (PORTUGUESE)	MFC-9140CDN	FOR IBR	
2	LEF341040	1	QUICK SETUP GUIDE (ENGLISH)	MFC-9140CDN	FOR PHL/ASA/IND/ARL/NZ	
2	LEF341025	1	QUICK SETUP GUIDE (TURKISH)	MFC-9140CDN	FOR GUL	
2	LEF341032	1	QUICK SETUP GUIDE (ARABIC)	MFC-9140CDN	FOR GUL	
2	LEF341041	1	QUICK SETUP GUIDE (ENGLISH)	MFC-9140CDN	FOR GUL	
2	LEF341044	1	QUICK SETUP GUIDE (KOREAN)	MFC-9140CDN	FOR KOR	
2	LEF338037	1	QUICK SETUP GUIDE (ENGLISH/CZECH/HUNGARIAN/POLISH)	MFC-9140CDN	FOR CEE	
2	LEF338059	1	QUICK SETUP GUIDE (BULGARIAN/ROMANIAN/SLOVAK)	MFC-9140CDN	FOR CEE	
2	LEF341045	1	QUICK SETUP GUIDE (INDONESIAN/THAI/VIETNAMESE)	MFC-9140CDN	FOR ASA	
2	LEF517003	1	QUICK SETUP GUIDE (GERMAN)	MFC-9142CDN		
2	LEF334001	1	QUICK SETUP GUIDE (ENGLISH)	MFC-9330CDW	FOR US/CAN	
2	LEF334002	1	QUICK SETUP GUIDE (FRENCH)	MFC-9330CDW	FOR CAN	
2	LEF517003	1	QUICK SETUP GUIDE (GERMAN)	MFC-9330CDW	FOR GER/CHE	chg
2	LEF338004	1	QUICK SETUP GUIDE (ENGLISH)	MFC-9330CDW	FOR UK	
2	LEF338005	1	QUICK SETUP GUIDE (FRENCH)	MFC-9330CDW	FOR CHE/FRA/BEL/NLD	
2	LEF338007	1	QUICK SETUP GUIDE (NORWEGIAN)	MFC-9330CDW	FOR PND	
2	LEF338012	1	QUICK SETUP GUIDE (FINNISH)	MFC-9330CDW	FOR PND	
2	LEF338013	1	QUICK SETUP GUIDE (DANISH)	MFC-9330CDW	FOR PND	
2	LEF338026	1	QUICK SETUP GUIDE (SWEDISH)	MFC-9330CDW	FOR PND	
2	LEF338009	1	QUICK SETUP GUIDE (DUTCH)	MFC-9330CDW	FOR FRA/BEL/NLD	
2	LEF338015	1	QUICK SETUP GUIDE (SPANISH)	MFC-9330CDW	FOR ITA/IBR	
2	LEF338016	1	QUICK SETUP GUIDE (ITALIAN)	MFC-9330CDW	FOR CHE/ITA/IBR	
2	LEF338018	1	QUICK SETUP GUIDE (PORTUGUESE)	MFC-9330CDW	FOR ITA/IBR	
2	LEF338048	1	QUICK SETUP GUIDE	MFC-9330CDW	FOR RUS	
2	LEF545048	1	QUICK SETUP GUIDE (KAZAKH/BELARUSIAN)	MFC-9330CDW	FOR RUS	chg
2	LEF341040	1	QUICK SETUP GUIDE (ENGLISH)	MFC-9330CDW	FOR PHL/ASA/ARL	
2	LEF341023	1	QUICK SETUP GUIDE (CHINESE)	MFC-9330CDW	FOR TWN	
2	LEF341045	1	QUICK SETUP GUIDE (INDONESIAN/THAI/VIETNAMESE)	MFC-9330CDW	FOR ASA	
2	LEF341025	1	QUICK SETUP GUIDE (TURKISH)	MFC-9330CDW	FOR GUL	
2	LEF341032	1	QUICK SETUP GUIDE (ARABIC)	MFC-9330CDW	FOR GUL	
2	LEF341041	1	QUICK SETUP GUIDE (ENGLISH)	MFC-9330CDW	FOR GUL	

## 16. PRINTED MATERIALS

REF No.	CODE	Q'T Y	DESCRIPTION	MODEL	SPEC	REMARKS
2	LEF334042	1	QUICK SETUP GUIDE (PORTUGUESE)	MFC-9330CDW	FOR BRA	
2	LEF334031	1	QUICK SETUP GUIDE (SPANISH)	MFC-9330CDW	FOR CHL	
2	LEF517003	1	QUICK SETUP GUIDE (GERMAN)	MFC-9332CDW		
2	LEF341040	1	QUICK SETUP GUIDE (ENGLISH)	MFC-9335CDW		
2	LEF341040	1	QUICK SETUP GUIDE (ENGLISH)	MFC-9340CDW	FOR ARL/NZ	
2	LEF334001	1	QUICK SETUP GUIDE (ENGLISH)	MFC-9340CDW	FOR US/CAN	
2	LEF334002	1	QUICK SETUP GUIDE (FRENCH)	MFC-9340CDW	FOR CAN	
2	LEF517003	1	QUICK SETUP GUIDE (GERMAN)	MFC-9340CDW	FOR GER/CHE	chg
2	LEF338004	1	QUICK SETUP GUIDE (ENGLISH)	MFC-9340CDW	FOR UK	
2	LEF344020	1	QUICK SETUP GUIDE (CHINESE)	MFC-9340CDW	FOR CHN	
2	LEF338005	1	QUICK SETUP GUIDE (FRENCH)	MFC-9340CDW	FOR CHE/FRA/BEL/NLD	
2	LEF338009	1	QUICK SETUP GUIDE (DUTCH)	MFC-9340CDW	FOR FRA/BEL/NLD	
2	LEF338015	1	QUICK SETUP GUIDE (SPANISH)	MFC-9340CDW	FOR ITA/IBR	
2	LEF338016	1	QUICK SETUP GUIDE (ITALIAN)	MFC-9340CDW	FOR CHE/ITA/IBR	
2	LEF338018	1	QUICK SETUP GUIDE (PORTUGUESE)	MFC-9340CDW	FOR ITA/IBR	
2	LEF338037	1	QUICK SETUP GUIDE (ENGLISH/CZECH/HUNGARIAN/POLISH)	MFC-9340CDW	FOR CEE	
2	LEF338059	1	QUICK SETUP GUIDE (BULGARIAN/ROMANIAN/SLOVAK)	MFC-9340CDW	FOR CEE	
2	LEF517003	1	QUICK SETUP GUIDE (GERMAN)	MFC-9342CDW		

17.PACKING MATERIALS



17. PACKING MATERIALS

REF No.	CODE	Q'T Y	DESCRIPTION	MODEL	SPEC	REMARKS
1	LEF566001	1	CARTON BROTHER	DCP-9015CDW		
1	LEF641001	1	CARTON BROTHER	DCP-9015CDWE		
1	LEF572001	1	CARTON BROTHER	DCP-9017CDW		
1	LEF501001	1	CARTON BROTHER	DCP-9020CDN	FOR CHN	chg
1	LEF181001	1	CARTON BROTHER	DCP-9020CDN	FOR ARG/CHL	
1	LEF178001	1	CARTON BROTHER	DCP-9020CDN	FOR BRA	
1	LEF214001	1	CARTON BROTHER	DCP-9020CDW		
1	LEF512001	1	CARTON BROTHER	DCP-9022CDW		
1	LEF607001	1	CARTON BROTHER	HL-3180CDW	FOR US	
1	LEF610001	1	CARTON BROTHER	HL-3180CDW	FOR CAN	
1	LEF183001	1	CARTON BROTHER	MFC-9130CW	FOR US	
1	LEF492001	1	CARTON BROTHER	MFC-9130CW	FOR CAN	chg
1	LEF215001	1	CARTON BROTHER	MFC-9140CDN	FOR GER/UK/CHE/ITA/FRA/BEL/ NLD/IBR/CEE	
1	LEF504001	1	CARTON BROTHER	MFC-9140CDN	FOR CHN	chg
1	LEF222001	1	CARTON BROTHER	MFC-9140CDN	FOR PHL/ASA/GUL/KOR/IND	
1	LEF232001	1	CARTON BROTHER	MFC-9140CDN	FOR ARL/NZ	
1	LEF513001	1	CARTON BROTHER	MFC-9142CDN		
1	LEF188001	1	CARTON BROTHER	MFC-9330CDW	FOR US	
1	LEF496001	1	CARTON BROTHER	MFC-9330CDW	FOR CAN	chg
1	LEF216001	1	CARTON BROTHER	MFC-9330CDW	FOR GER/UK/CHE/ITA/IBR/RUS/ FRA/BEL/NLD/PND	
1	LEF226001	1	CARTON BROTHER	MFC-9330CDW	FOR PHL/TWN/ASA/GUL	
1	LEF194001	1	CARTON BROTHER	MFC-9330CDW	FOR CHL	
1	LEF193001	1	CARTON BROTHER	MFC-9330CDW	FOR BRA	
1	LEF236001	1	CARTON BROTHER	MFC-9330CDW	FOR ARL	
1	LEF514001	1	CARTON BROTHER	MFC-9332CDW		
1	LEF626001	1	CARTON BROTHER	MFC-9335CDW		
1	LEF196001	1	CARTON BROTHER	MFC-9340CDW	FOR US	
1	LEF494001	1	CARTON BROTHER	MFC-9340CDW	FOR CAN	chg
1	LEF218001	1	CARTON BROTHER	MFC-9340CDW	FOR GER/UK/CHE/ITA/IBR/FRA/ BEL/NLD/CEE	
1	LEF507001	1	CARTON BROTHER	MFC-9340CDW	FOR CHN	chg
1	LEF240001	1	CARTON BROTHER	MFC-9340CDW	FOR ARL/NZ	
1	LEF515001	1	CARTON BROTHER	MFC-9342CDW		
2	LEF567001	1	POLYSTYRENE PAD ASSY	DCP-9015CDW		
2	LEF567001	1	POLYSTYRENE PAD ASSY	DCP-9015CDWE		
2	LEF567001	1	POLYSTYRENE PAD ASSY	DCP-9017CDW		
2	LEF262001	1	POLYSTYRENE PAD ASSY	DCP-9020CDN	FOR CHN	
2	LEF092001	1	POLYSTYRENE PAD ASSY	DCP-9020CDN	FOR ARG/CHL/BRA	
2	LEF092001	1	POLYSTYRENE PAD ASSY	DCP-9020CDW		
2	LEF092001	1	POLYSTYRENE PAD ASSY	DCP-9022CDW		
2	LEF567001	1	POLYSTYRENE PAD ASSY	HL-3180CDW		
2	LEF092001	1	POLYSTYRENE PAD ASSY	MFC-9130CW		
2	LEF262001	1	POLYSTYRENE PAD ASSY	MFC-9140CDN	FOR CHN	
2	LEF092001	1	POLYSTYRENE PAD ASSY	MFC-9140CDN	EXCEPT FOR CHN	
2	LEF092001	1	POLYSTYRENE PAD ASSY	MFC-9142CDN		
2	LEF092001	1	POLYSTYRENE PAD ASSY	MFC-9330CDW		
2	LEF092001	1	POLYSTYRENE PAD ASSY	MFC-9332CDW		
2	LEF092001	1	POLYSTYRENE PAD ASSY	MFC-9335CDW		
2	LEF262001	1	POLYSTYRENE PAD ASSY	MFC-9340CDW	FOR CHN	
2	LEF092001	1	POLYSTYRENE PAD ASSY	MFC-9340CDW	EXCEPT FOR CHN	
2	LEF092001	1	POLYSTYRENE PAD ASSY	MFC-9342CDW		
3	LY1721001	1	PE BAG 1000X1000			
4	LEF096001	1	OPTION CARTON			
5	LU6110001	1	CLEANER LOCK			
6	LY6767001	1	REMOVE SHEET ASSY			
7	LU6840001	4	DRUM STOPPER ASSY			chg
8	LY6785001	1	SILICA GEL	DCP-9015CDW		
8	LY6785001	1	SILICA GEL	DCP-9015CDWE		
8	LY6785001	1	SILICA GEL	DCP-9017CDW		
8	LY6785001	1	SILICA GEL	DCP-9020CDN	FOR CHN	
8	LY6670001	1	SILICA GEL	DCP-9020CDN	FOR ARG/CHL/BRA	
8	LY6785001	1	SILICA GEL	DCP-9020CDW		
8	LY6785001	1	SILICA GEL	DCP-9022CDW		
8	LY6670001	1	SILICA GEL	HL-3180CDW		
8	LY6670001	1	SILICA GEL	MFC-9130CW		
8	LY6785001	1	SILICA GEL	MFC-9140CDN		
8	LY6785001	1	SILICA GEL	MFC-9142CDN		
8	LY6670001	1	SILICA GEL	MFC-9330CDW	FOR US/CAN/CHL/BRA	
8	LY6785001	1	SILICA GEL	MFC-9330CDW	FOR GER/UK/CHE/ITA/IBR/PHL/ TWN/ASA/GUL/RUS/FRA/BEL/ NLD/ARL/PND	
8	LY6785001	1	SILICA GEL	MFC-9332CDW		
8	LY6785001	1	SILICA GEL	MFC-9335CDW		
8	LY6670001	1	SILICA GEL	MFC-9340CDW	FOR US/CAN	

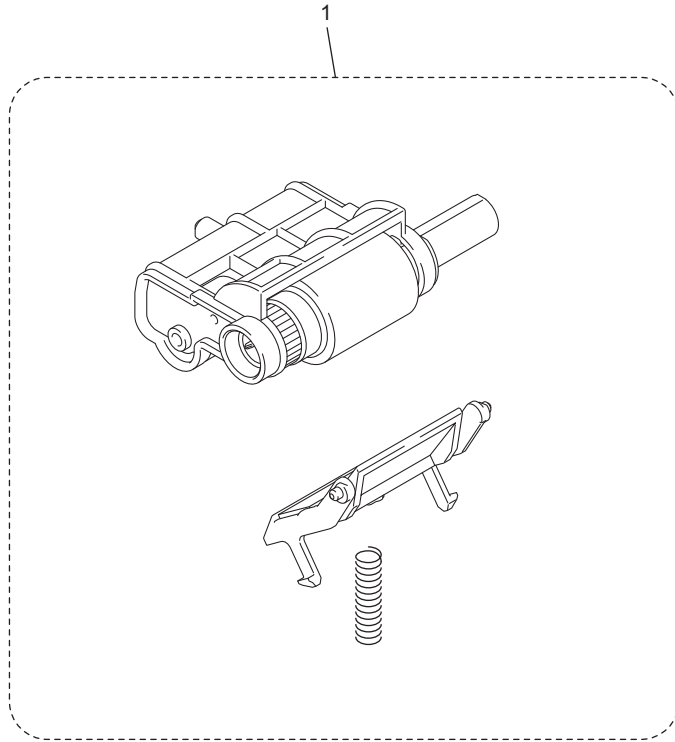
17. PACKING MATERIALS

REF No.	CODE	Q'T Y	DESCRIPTION	MODEL	SPEC	REMARKS
8	LY6785001	1	SILICA GEL	MFC-9340CDW	FOR GER/UK/CHE/ITA/IBR/CHN/ FRA/BEL/NLD/ARL/NZ/CEE	
8	LY6785001	1	SILICA GEL	MFC-9342CDW		
(9)*	D00E95001	1	CHINA ENERGY LABEL	DCP-9020CDN	FOR CHN	CHG
(9)*	D00E96001	1	CHINA ENERGY LABEL	MFC-9140CDN	FOR CHN	CHG
(9)*	D00E97001	1	CHINA ENERGY LABEL	MFC-9340CDW	FOR CHN	CHG
(10)	LEF471001	1	CARTON LABEL	MFC-9330CDW	FOR TWN	chg

\*Please upgrade the Main firmware to the Ver. J (change of default sleep time) or later.



18.PERIODICAL MAINTENANCE PARTS



18.PERIODICAL MAINTENANCE PARTS

REF No.	CODE	Q'T Y	DESCRIPTION	MODEL	SPEC	REMARKS
1	LY7418001	1	PAPER FEEDING KIT (SP)			