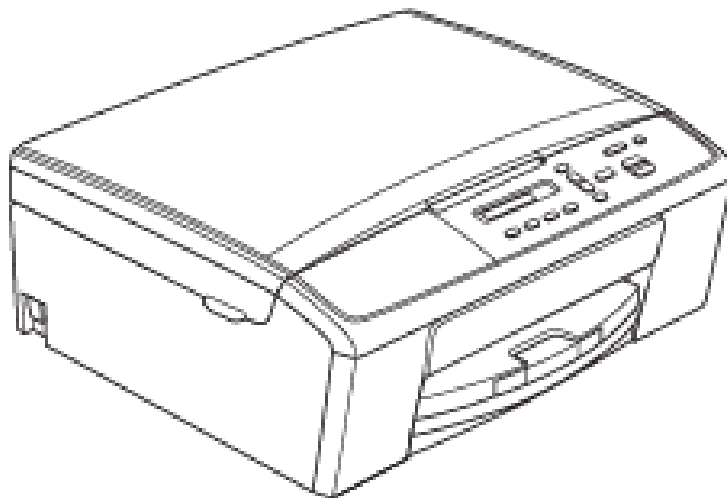




Inkjet MFC

PARTS REFERENCE LIST

**MODEL:
DCP-J140W**



Read this list thoroughly before maintenance work.

Keep this list in a convenient place for quick and easy reference at all times.

March 2012
PL-FAX196
8CAP*
Ver. 1

NOTE FOR USING THIS PARTS REFERENCE LIST

1. In the case of ordering parts, it is necessary to mention the following items;

- (1) Code
- (2) Q'ty
- (3) Description

Note: Orders without Parts Code or Tool No. can not be accepted.

< Example >

	(1) CODE	(2) Q'TY	(3) DESCRIPTION	
REF.NO.				REMARK

2. Design-changed parts :

If any of the parts is changed, one of the following symbols is indicated in the REMARK column.

CHG(chg) : The parts is changed to a new parts.

ADD(add) : The parts is newly added.

DEL(del) : The parts is deleted.

Symbol in capital letters indicates the latest parts change information in the page.

3. Parts change will be informed by the Parts change information.

4. Parts are subject to change in design without prior notice.

COUNTRIES AND AREAS

US ---- U.S.A

GER ---- GERMANY

UK ---- UNITED KINGDOM

FRA ---- FRANCE

CHE ---- SWITZERLAND

ITA ---- ITALY

ZAF ---- SOUTH AFRICA

HK ---- HONG KONG

IDN ---- INDONESIA

ARG ---- ARGENTINA

CHL ---- CHILE

ASA ---- ASIA (SINGAPORE/GULF)

BRA ---- BRAZIL

KOR ---- KOREA

IND ---- INDIA

OCE ---- OCEANIA (AUSTRALIA/NEW ZEALAND)

PND ---- PAN NORDIC

(NORWAY/FINLAND/DENMARK/SWEDEN)

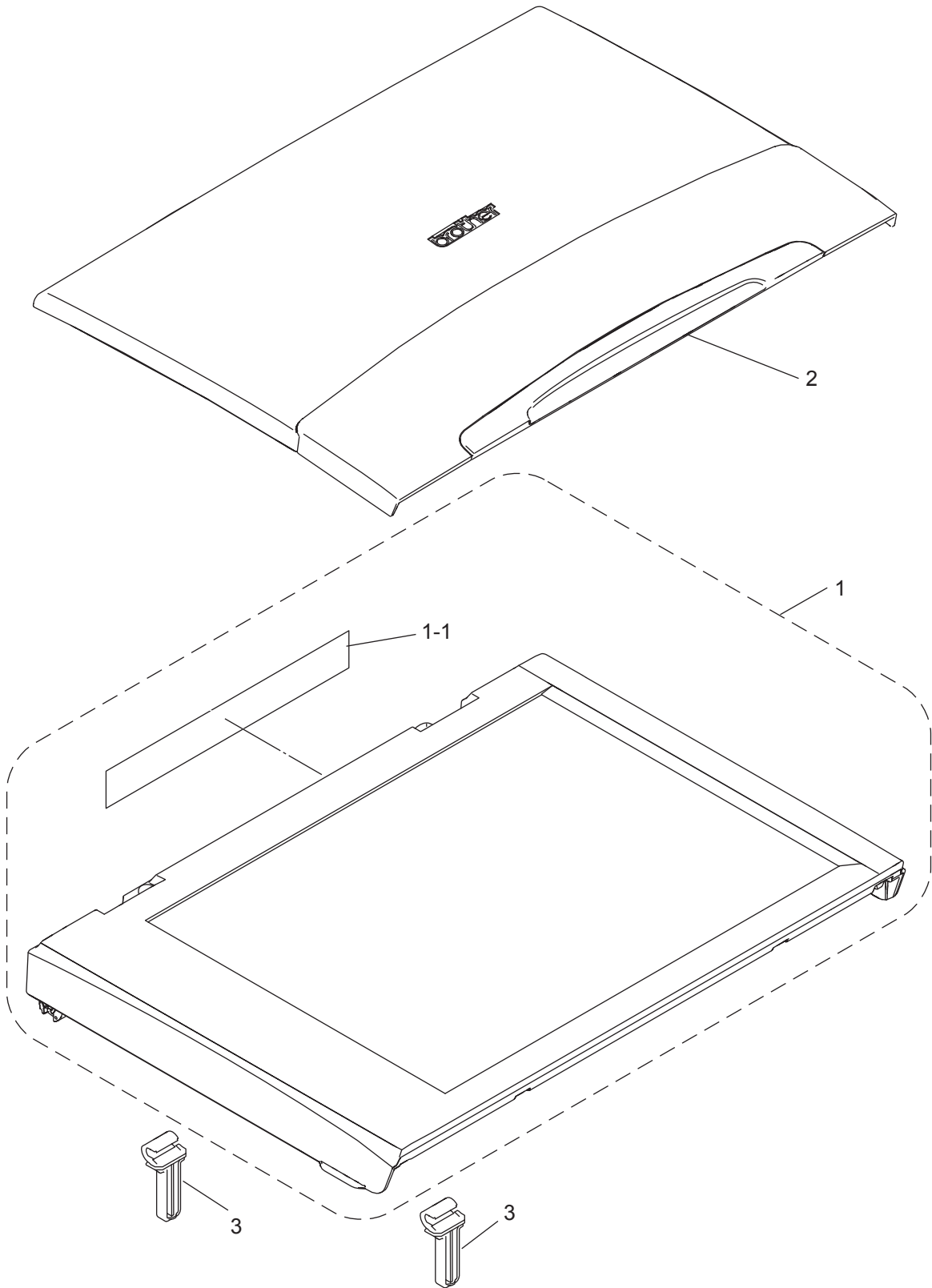
IBR ---- IBERIA (SPAIN/PORTUGAL)

CEE ---- CEE GENERAL

CONTENTS

- 1. DOCUMENT COVER ASSY..... 1
- 2. CARTRIDGE CASE..... 3
- 3. ENGINE..... 5
- 4. HEAD..... 7
- 5. PAPER TRAY..... 9
- 6. COVERS & LABELS..... 11
- 7. PANEL..... 13
- 8. PCB 15
- 9. ACCESSORIES..... 17
- 10. PRINTED MATERIALS 19
- 11. PACKING MATERIALS..... 21
- 12. OTHERS..... 23

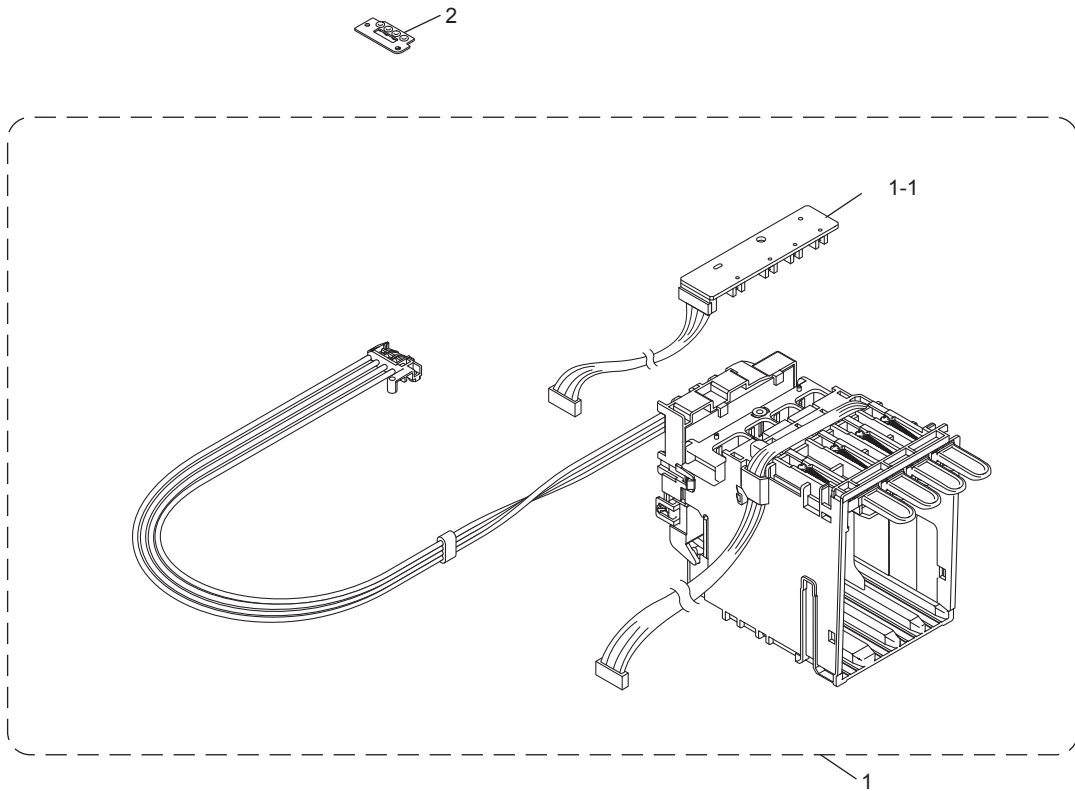
1. DOCUMENT COVER ASSY



1. DOCUMENT COVER ASSY

REF No.	CODE	Q'TY	DESCRIPTION	REMARKS
1	LEG189001	1	SCANNER COVER ASSY (SP)	
1-1	LS5965001	1	PAPER JAM INST. LABEL	
2	LEG188001	1	DOCUMENT COVER ASSY (SP)	
3	LS4537007	2	HINGE	

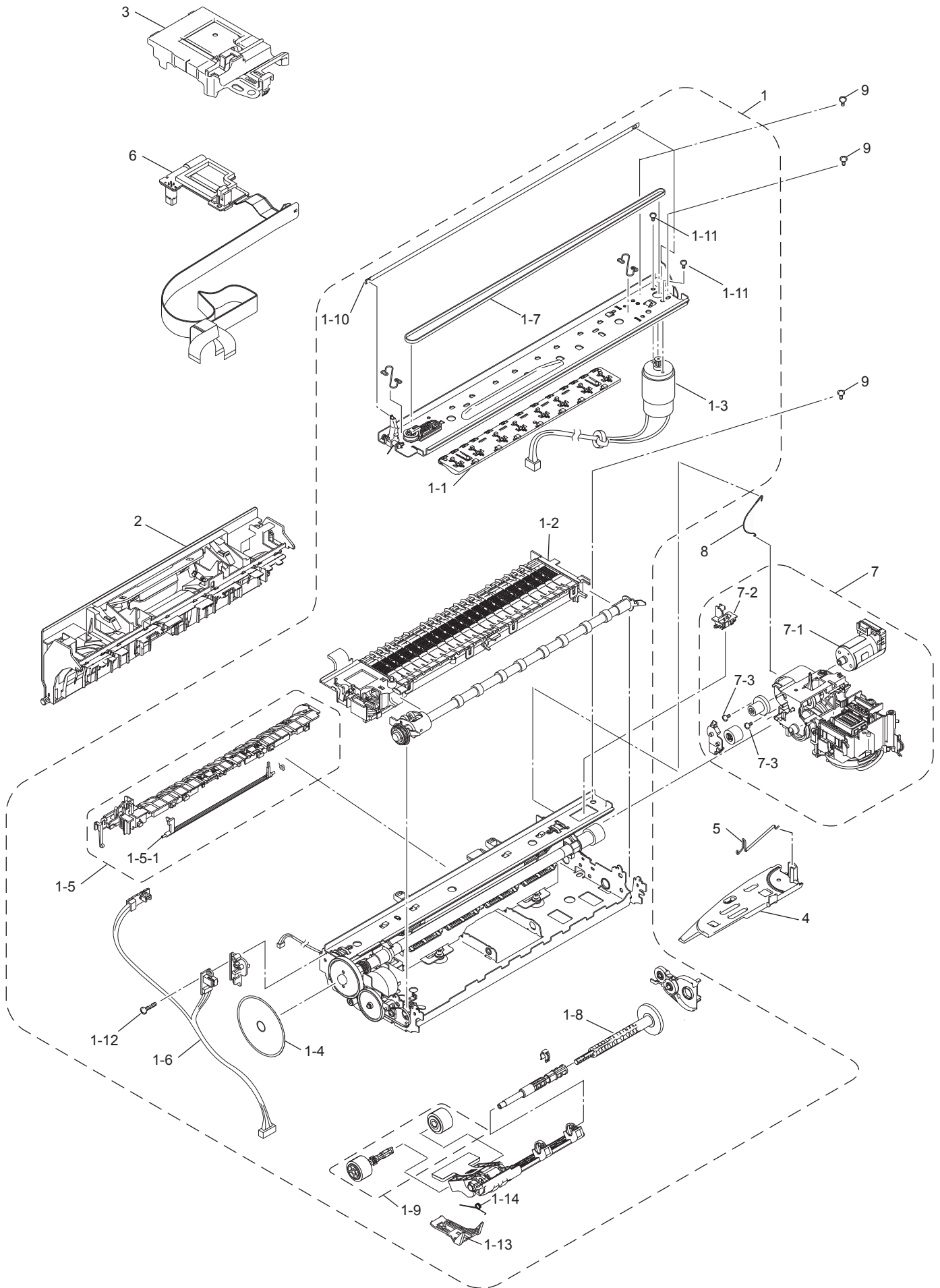
2. CARTRIDGE CASE



2. CARTRIDGE CASE

REF No.	CODE	Q'TY	DESCRIPTION	REMARKS
1	LK3553001	1	INK REFILL ASSY (SP) FOR US/ARG/CHL/BRA	
1	LK4680001	1	INK REFILL ASSY (SP) EXCEPT FOR US/ARG/CHL/BRA	
1-1	LK3329001	1	CARTRIDGE PCB	
2	LK3555001	1	HEAD JOINT RUBBER (SP)	

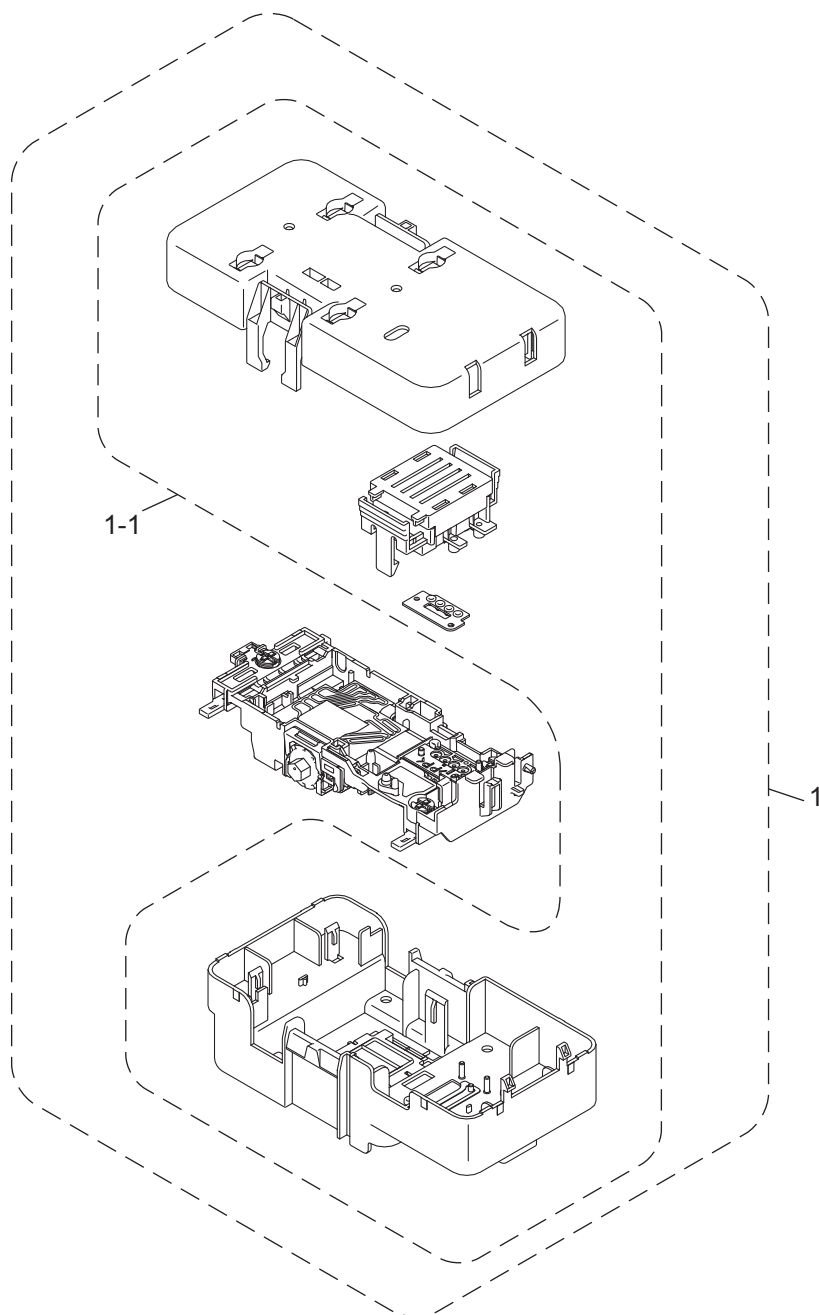
3. ENGINE



3. ENGINE

REF No.	CODE	QTY	DESCRIPTION	REMARKS
1	LS6537001	1	ENGINE UNIT (SP)	
1-1	LS4301001	1	STAR WHEEL HOLDER	
1-2	LS4303001	1	PLATEN F ASSY	
1-3	LX3629001	1	CARRIAGE MOTOR	
1-4	LP1471001	1	PF ENCODER DISK	
1-5	LS4249001	1	INNER CHUTE ASSY	
1-5-1	LS4251001	1	REGISTRATION SENSOR ACTUATOR	
1-6	LT0466001	1	SENSOR HARNESS UNIT	
1-7	LS4198001	1	TIMING BELT	
1-8	LS4260001	1	ASF GEAR SHAFT OUTER	
1-9	LEK558001	1	ASF ROLLER 9 UNIT ASSY	CHG
1-10	LS4467001	1	ENCODER STRIP	
1-11	000300606	2	SCREW BIND M3X6	
1-12	000021206	1	SCREW BIND M2X12	
1-13	LS4120001	1	PE ACTUATOR 9 ASSY	
1-14	LS4075001	1	PE ACTUATOR SPRING	
2	LS4253003	1	JAM CLEAR COVER	
3	LS4383001	1	HEAD COVER	
4	LX0376001	1	TUBE SUPPORT PLATE	
5	LS4469001	1	TUBE SUPPORT WIRE	
6	LS6543001	1	CARRIAGE PCB ASSY (SP)	
7	LS6544001	1	MAINTENANCE UNIT (SP)	
7-1	LS4091001	1	ASF MOTOR	
7-2	LS4098001	1	SWITCHING LEVER GUIDE	
7-3	LS4375001	2	SCREW PAN (S/P WASHER) M3X5	
8	LS5775001	1	EARTH SPRING	
9	087311016	3	TAPTITE CUP B M3X10	

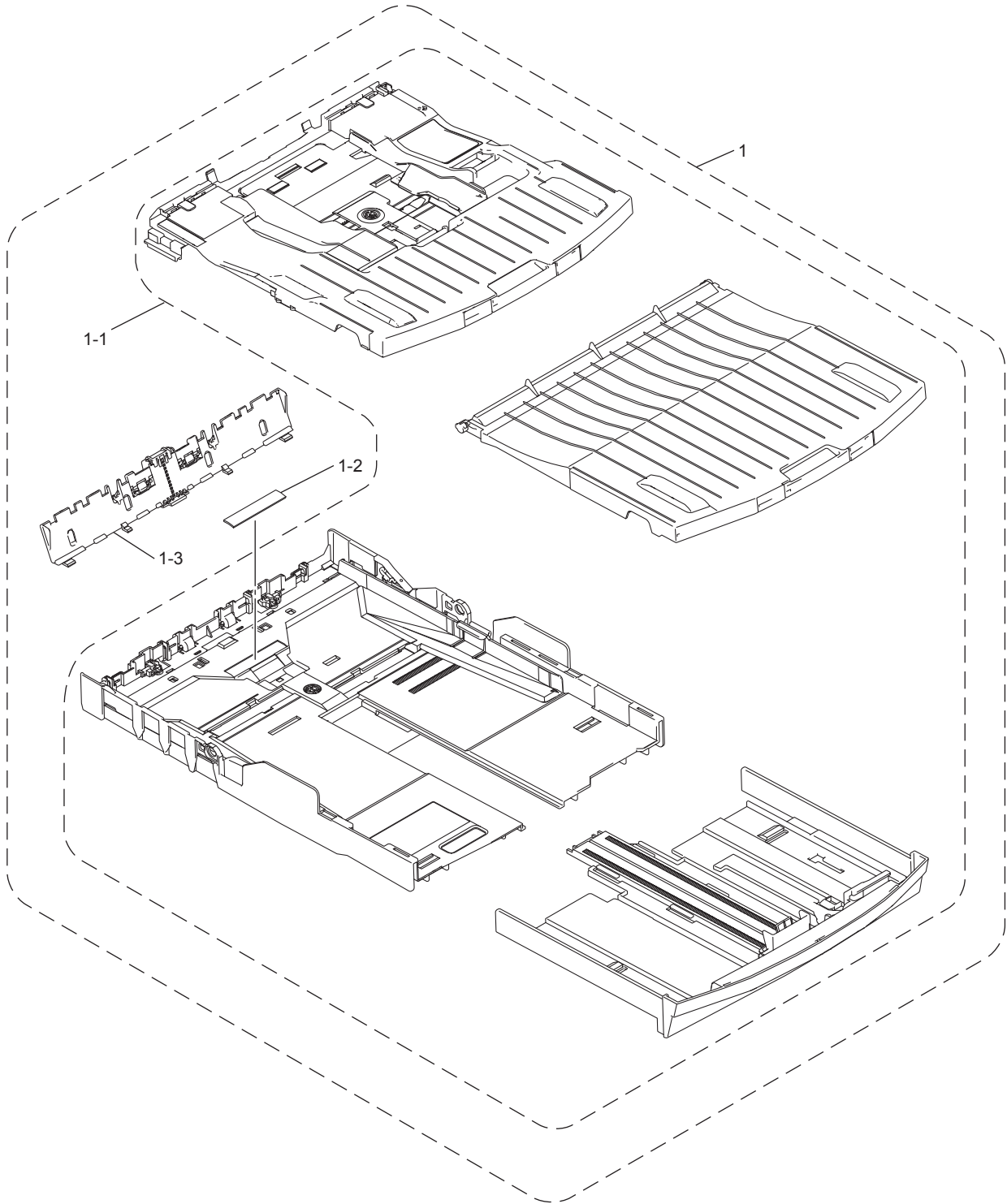
4. HEAD



4. HEAD

REF No.	CODE	Q'TY	DESCRIPTION	REMARKS
1	LK7134001	1	HEAD/CARRIAGE UNIT (SP)	
1-1	LK3216001	1	HEAD CASING ASSY (SP)	

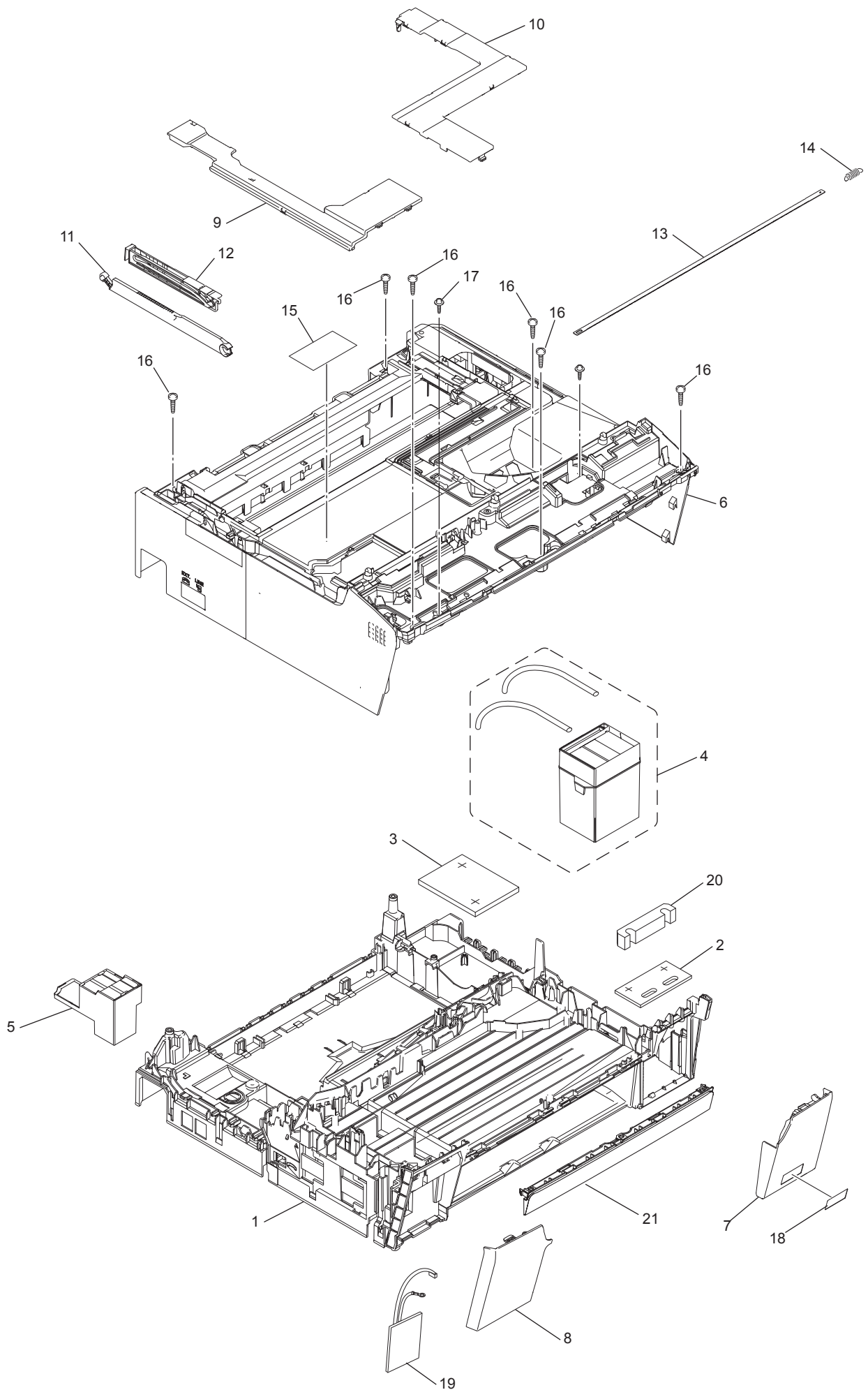
5. PAPER TRAY



5. PAPER TRAY

REF No.	CODE	Q'TY	DESCRIPTION	REMARKS
1	LS6841004	1	PAPER TRAY ASSY (SP)	
1-1	LS6839004	1	OUTPUT PAPER TRAY COVER (SP)	
1-2	LP1575001	1	BASE PAD	
1-3	LS4269001	1	BANK ASSY	

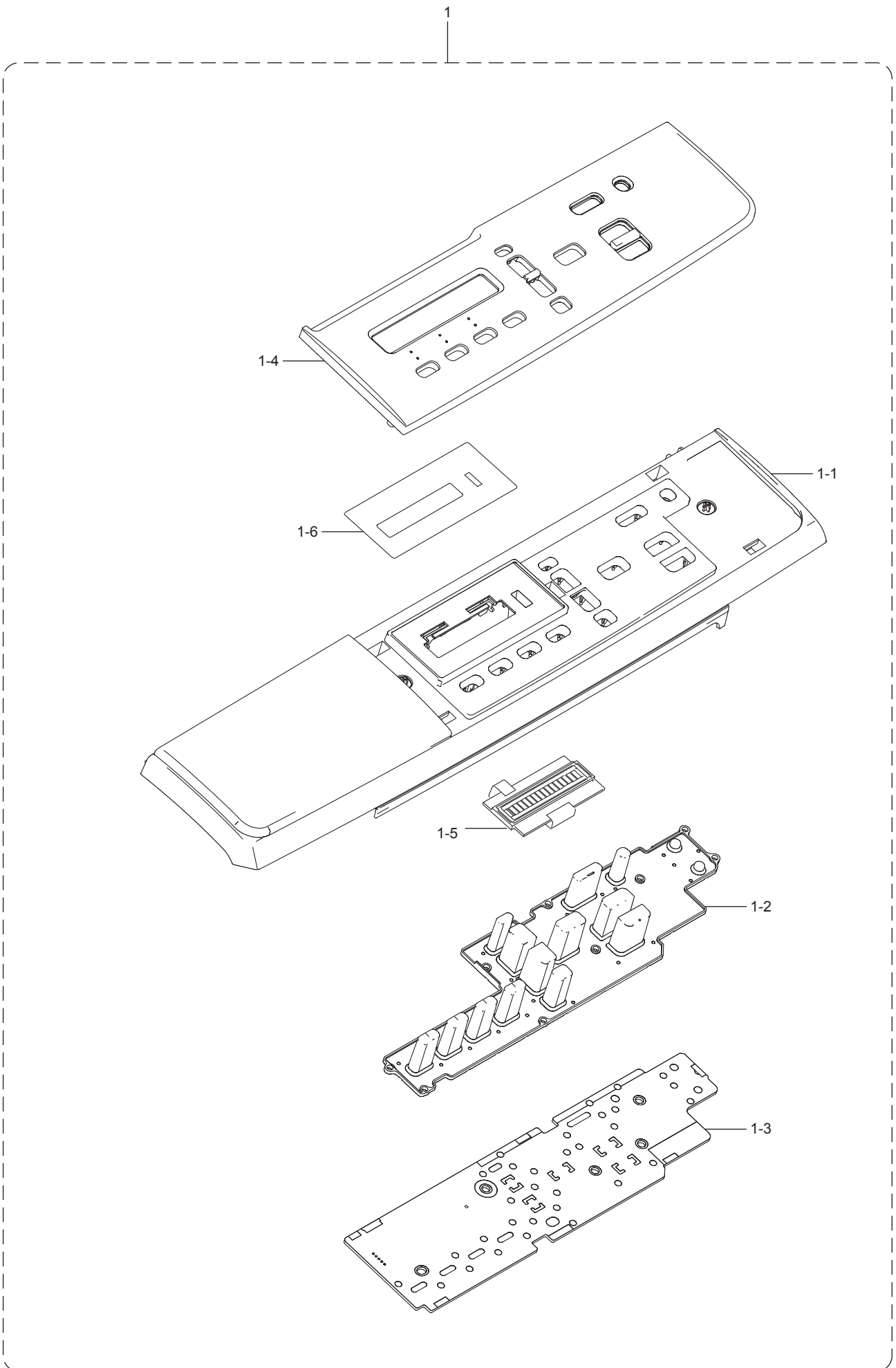
6. COVERS & LABELS



6. COVERS & LABELS

REF No.	CODE	Q'TY	DESCRIPTION	REMARKS
1	LS5134001	1	LOWER COVER	
2	LS4699001	1	INK ABSORBER FELT (INK ABSORBER BOX)	
3	LS5136001	1	INK ABSORBER FELT (MAINTENANCE UNIT)	
4	LS6842001	1	INK ABSORBER TUBE ASSY (SP)	
5	LS5141001	1	FLUSHING BOX	
6	LS6843007	1	UPPER COVER (SP)	
7	LX1976007	1	INK CARTRIDGE COVER	
8	LX1977007	1	FRONT COVER	
9	LS5154007	1	HARNESS COVER	
10	LS5155007	1	CIS FLAT CABLE COVER	
11	LS5156002	1	SCANNER COVER SUPPORT	
12	LS5159001	1	SCANNER COVER DAMPER	
13	LS6316001	1	ENCODER GUARD FILM	
14	LS6317001	1	ENCODER GUARD SPRING	
15	LS5964001	1	ENCODER CAUTION LABEL	
16	085411216	6	TAPTITE BIND B M4X12	
17	087311016	1	TAPTITE CUP B M3X10	
18	LX3721001	1	INNOBELLA LABEL FOR US	
18	LX3722001	1	INNOBELLA LABEL EXCEPT FOR US	
19	LT2155001	1	WLAN PCB	
20	LX6286001	1	INK ABSORBER FELT (INK ABSORBER BOX UPPER)	
21	LX8960007	1	MEDIA MODULE COVER	

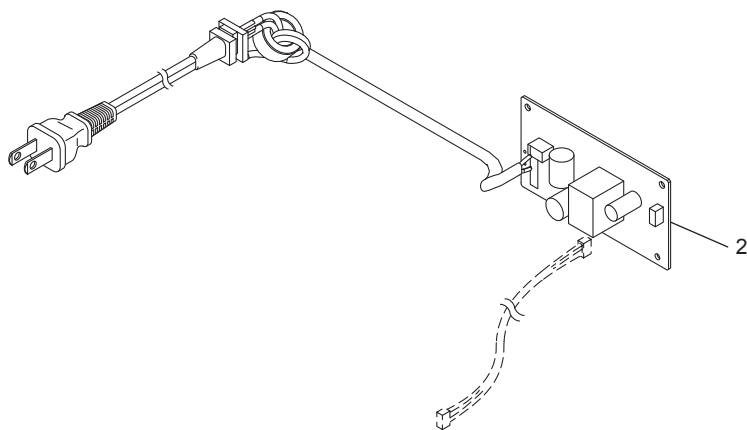
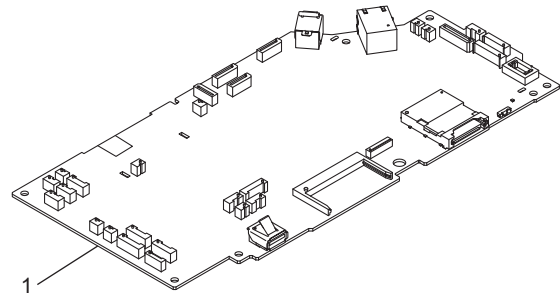
7. PANEL



7. PANEL

REF No.	CODE	QTY	DESCRIPTION	REMARKS
1	LED697001	1	CONTROL PANEL ASSY FOR US	
1	LEG257001	1	CONTROL PANEL ASSY FOR GER	
1	LED707001	1	CONTROL PANEL ASSY FOR UK/ZAF/IDN/ASA/IND/OCE/PND	
1	LEG271001	1	CONTROL PANEL ASSY FOR FRA/CHE/CEE	
1	LEG281001	1	CONTROL PANEL ASSY FOR ITA	
1	LEG586001	1	CONTROL PANEL ASSY FOR HK	
1	LEG864001	1	CONTROL PANEL ASSY FOR ARG/CHL	
1	LEG869001	1	CONTROL PANEL ASSY FOR BRA	
1	LEK917001	1	CONTROL PANEL ASSY FOR KOR	
1	LEG373001	1	CONTROL PANEL ASSY FOR IBR	
1-1	LX8846001	1	PRINTED PANEL PLATE	
1-2	LX8848001	1	RUBBER KEYPAD	
1-3	LT1872001	1	CONTROL PANEL PCB ASSY	
1-4	LX8850001	1	PRINTED EX PANEL FOR US	
1-4	LEG342001	1	PRINTED EX PANEL FOR GER/CHE (GERMAN)	
1-4	LEG348001	1	PRINTED EX PANEL FOR UK/CEE (ENGLISH)	
1-4	LEG272001	1	PRINTED EX PANEL FOR FRA/CHE (FRENCH)	
1-4	LEG275001	1	PRINTED EX PANEL FOR FRA (DUTCH)	
1-4	LEG282001	1	PRINTED EX PANEL FOR ITA	
1-4	LED708001	1	PRINTED EX PANEL FOR ZAF/IDN/ASA/IND/OCE/PND (ENGLISH)	
1-4	LEG587001	1	PRINTED EX PANEL FOR HK	
1-4	LEK877001	1	PRINTED EX PANEL FOR ARG/CHL	CHG
1-4	LEK882001	1	PRINTED EX PANEL FOR BRA	CHG
1-4	LEK916001	1	PRINTED EX PANEL FOR KOR	
1-4	LEG374001	1	PRINTED EX PANEL FOR IBR	
1-4	LEG350001	1	PRINTED EX PANEL FOR CEE (POLISH)	
1-5	LT0498001	1	LCD UNIT	
1-6	LX8852001	1	PRINTED LCD SHEET	

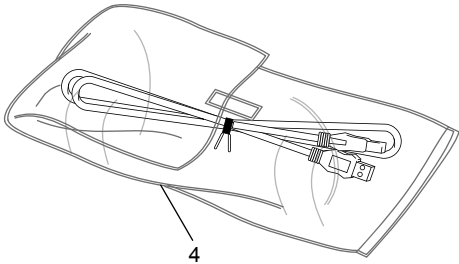
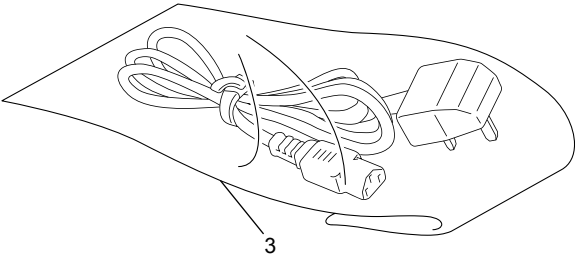
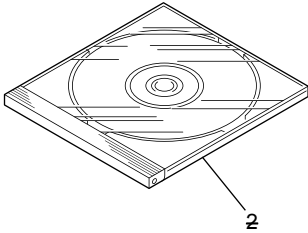
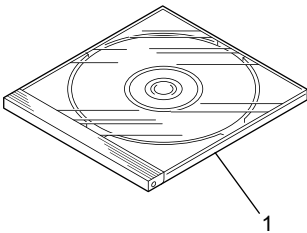
8. PCB



8. PCB

REF No.	CODE	QTY	DESCRIPTION	REMARKS
1	LT1825001	1	MAIN PCB	
2	LT1075001	1	POWER SUPPLY PCB FOR US	
2	LT0485001	1	POWER SUPPLY PCB FOR GER/UK/FRA/CHE/ITA/HK/ARG/CHL/ ASA/KOR/OCE/PND/IBR/CEE	
2	LT0660001	1	POWER SUPPLY PCB FOR ZAF	
2	LT0586001	1	POWER SUPPLY PCB FOR IDN/IND	
2	LT2351001	1	POWER SUPPLY PCB FOR BRA	

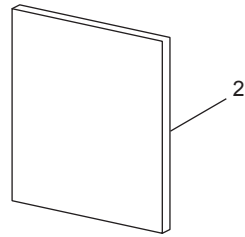
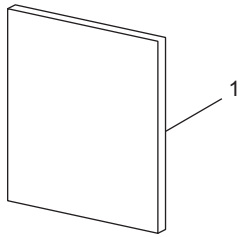
9. ACCESSORIES



9. ACCESSORIES

REF No.	CODE	QTY	DESCRIPTION	REMARKS
1	LEK665001	1	CD-ROM ASSY FOR US/ARG/CHL/BRA	chg
1	LEK666001	1	CD-ROM ASSY FOR GER/UK/FRA/CHE/ITA/ZAF/IDN/ASA/IND/OCE/IBR	chg
1	LEK669001	1	CD-ROM ASSY FOR HK	chg
1	LEK670001	1	CD-ROM ASSY FOR KOR	
1	LEK667001	1	CD-ROM ASSY FOR PND	chg
1	LEK668001	1	CD-ROM ASSY FOR CEE	chg
2	LED593004	4	CD USER'S GUIDE	
3	LG5717001	1	AC CORD BAG ASSY LF VDE FOR GER/FRA/ITA/IDN/ASA/PND/IBR/CEE	
3	LG5692001	1	AC CORD BAG ASSY LF UK FOR UK/HK/ASA	
3	LT2260001	1	AC CORD BAG ASSY LF SEV FOR CHE	
3	LG6404001	1	AC CORD BAG ASSY LF SAF FOR ZAF	
3	LT0921001	1	AC CORD BAG ASSY LF ARG IRAM FOR ARG	
3	LG6426001	1	AC CORD BAG ASSY LF CHILE FOR CHL	
3	LT0935001	1	AC CORD BAG ASSY LF KOR S FOR KOR	
3	LT0613001	1	AC CORD BAG ASSY LF IND FOR IND	
3	LG5734001	1	AC CORD BAG ASSY LF SAA FOR OCE	
3	LG5736004	4	AC CORD BAG ASSY LF DEMKO FOR PND	DEL
4	LJ9803001	1	USB CABLE 2.0	chg

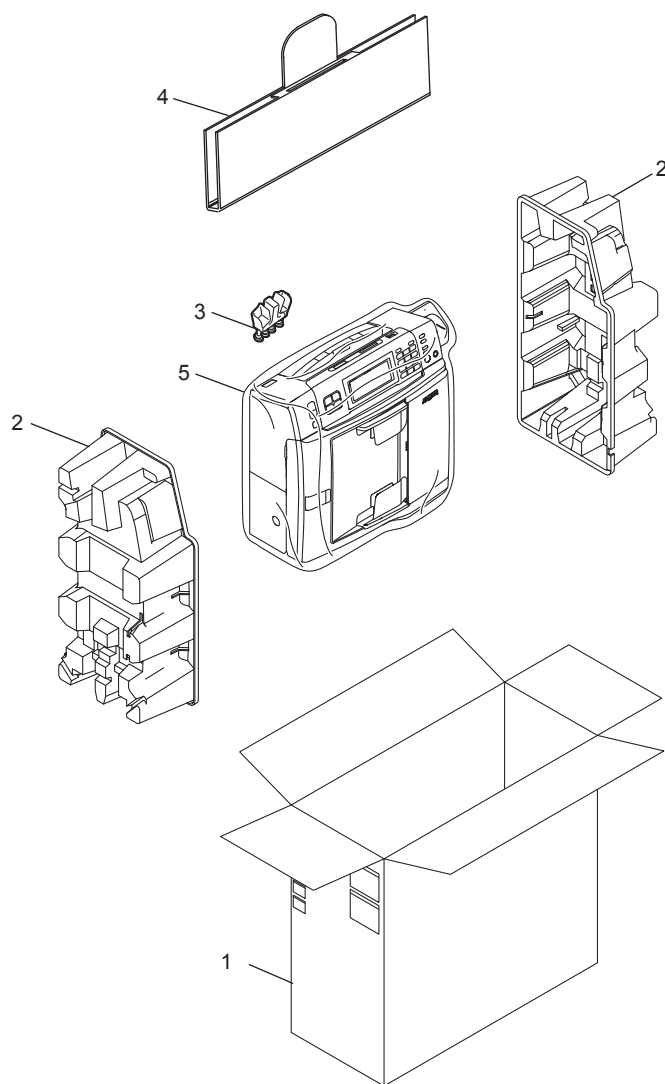
10. PRINTED MATERIALS



10. PRINTED MATERIALS

REF No.	CODE	Q'TY	DESCRIPTION	REMARKS
1	LEG182001	1	USER'S GUIDE FOR US	
1	LEG265003	1	USER'S GUIDE FOR GER/CHE (GERMAN)	
1	LEG265004	1	USER'S GUIDE FOR UK	
1	LEG265005	1	USER'S GUIDE FOR FRA/CHE (FRENCH)	
1	LEG265009	1	USER'S GUIDE FOR FRA (DUTCH)	
1	LEG265016	1	USER'S GUIDE FOR ITA	
1	LEG265040	1	USER'S GUIDE FOR ZAF/HK/IDN/ASA/IND/OCE (ENGLISH)	
1	LEG265028	1	USER'S GUIDE FOR HK (CANTONESE)	
1	LEG265031	1	USER'S GUIDE FOR ARG/CHL	
1	LEG265042	1	USER'S GUIDE FOR BRA	
1	LEG265044	1	USER'S GUIDE FOR KOR	
1	LEG293007	1	USER'S GUIDE FOR PND (NORWEGIAN/SWEDISH)	
1	LEG293013	1	USER'S GUIDE FOR PND (FINNISH/DANISH)	
1	LEG293065	1	USER'S GUIDE FOR IBR	
2	LEG185001	1	QUICK SETUP GUIDE FOR US	
2	LEG268003	1	QUICK SETUP GUIDE FOR GER/CHE (GERMAN)	
2	LEG268004	1	QUICK SETUP GUIDE FOR UK	
2	LEG268005	1	QUICK SETUP GUIDE FOR FRA/CHE (FRENCH)	
2	LEG268009	1	QUICK SETUP GUIDE FOR FRA (DUTCH)	
2	LEG268016	1	QUICK SETUP GUIDE FOR ITA/CHE (ITALIAN)	
2	LEG268030	1	QUICK SETUP GUIDE FOR ASA (THAI)	
2	LEG268040	1	QUICK SETUP GUIDE FOR ZAF/HK/IDN/ASA/IND/OCE (ENGLISH)	
2	LEG268028	1	QUICK SETUP GUIDE FOR HK (CANTONESE)	
2	LEG268029	1	QUICK SETUP GUIDE FOR IDN (INDONESIAN)	
2	LEG268031	1	QUICK SETUP GUIDE FOR ARG/CHL	
2	LEG268042	1	QUICK SETUP GUIDE FOR BRA	
2	LEG268044	1	QUICK SETUP GUIDE FOR KOR	
2	LEG268007	1	QUICK SETUP GUIDE FOR PND (NORWEGIAN/SWEDISH)	
2	LEG268013	1	QUICK SETUP GUIDE FOR PND (FINNISH/DANISH)	
2	LEG268065	1	QUICK SETUP GUIDE FOR IBR	
2	LEG268037	1	QUICK SETUP GUIDE FOR CEE (CZECH/HUNGARIAN/POLISH/ENGLISH)	
2	LEG268059	1	QUICK SETUP GUIDE FOR CEE (BULGARIAN/ROMANIAN/SLOVAK)	

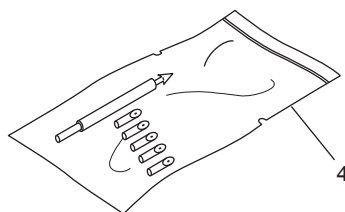
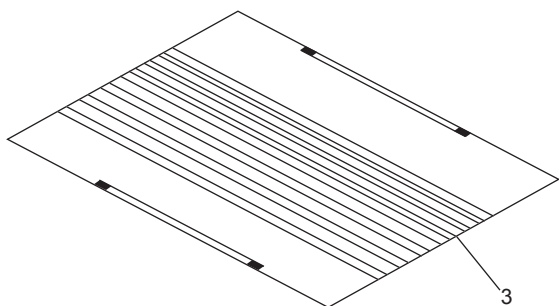
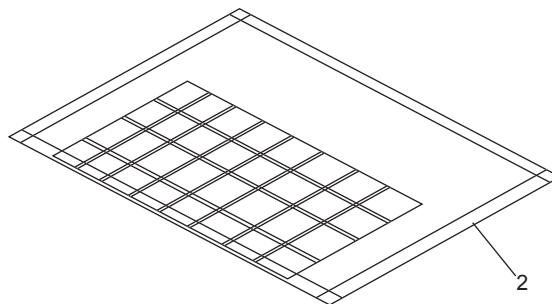
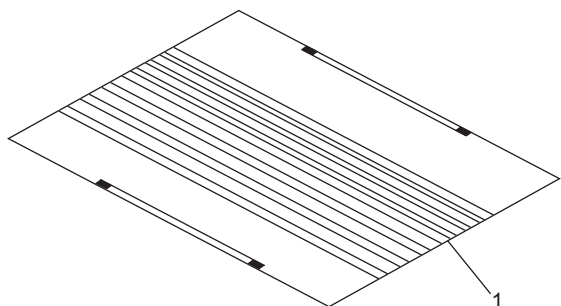
11. PACKING MATERIALS



11. PACKING MATERIALS

REF No.	CODE	QTY	DESCRIPTION	REMARKS
1	LEG184001	1	CARTON BROTHER FOR US	
1	LEG266001	1	CARTON BROTHER FOR GER/CHE	
1	LEG270001	1	CARTON BROTHER FOR UK/PND/CEE	
1	LEG279001	1	CARTON BROTHER FOR FRA	
1	LEG284001	1	CARTON BROTHER FOR ITA/IBR	
1	LEK802001	1	CARTON BROTHER FOR ARG/CHL	
1	LEG358001	1	CARTON BROTHER FOR ZAF/HK/IDN/ASA/KOR/IND/OCE	
1	LEG872001	1	CARTON BROTHER FOR BRA	
2	LX3671001	1	PULP CUSHION ASSY	
3	LK4424001	1	PROTECT CTG ASSY CLEANING (SP)	
4	LS5185001	1	ACCESSORIES SHEET EXCEPT FOR US/BRA	
5	LX7874001	1	PE BAG 580X650H	

12. OTHERS



12. OTHERS

REF No.	CODE	Q'TY	DESCRIPTION	REMARKS
1	UF8263001	1	TEST CHART-027	
2	UF9258001	1	COLOR TEST CHART CTC-001	
3	UF4600001	1	CONTRAST CHART TC-023	
4	ZA0310001	1	HEAD CLEANER STICK ASSY	