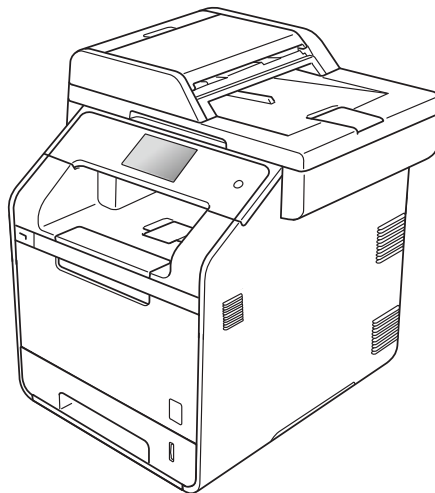




Color FAX/MFC **PARTS REFERENCE LIST**

MODEL:
DCP-L8400CDN/L8450CDW
MFC-L8600CDW/L8650CDW
MFC-L8850CDW/L9550CDW



Read this list thoroughly before maintenance work.

Keep this list in a convenient place for quick and easy reference at all times.

NOTE FOR USING THIS PARTS REFERENCE LIST

1. In the case of ordering parts, it is necessary to mention the following items:

- (1) Code
- (2) Q'ty
- (3) Description

<Example>

	(1)	(2)	(3)			
REFNo.	CODE	Q'TY	DESCRIPTION	MODEL	SPEC	REMARKS

2. Design-changed parts:

If any of the parts is changed, one of the following symbols is indicated in the REMARKS column.

CHG (chg): The part is changed for a new one.

ADD (add): The part is newly added.

DEL (del): The part is deleted.

Symbol in capital letters indicates the latest parts change information in the page.

3. Parts change will be informed by the Parts change information.

4. Parts are subject to change in design without prior notice.

COUNTRIES & AREAS

US ----- U.S.A.

CAN ----- CANADA

GER ----- GERMANY

UK ----- UNITED KINGDOM

CHE ----- SWITZERLAND

ITA ----- ITALY

ARG ----- ARGENTINA

CHL ----- CHILE

ASA ----- ASIA (SINGAPORE/GULF)

GUL ----- GULF

BRA ----- BRAZIL

RUS----- RUSSIA

FRA/BEL/NLD -----

FRANCE/BELGIUM/NETHERLANDS

ARL/NZ ----- AUSTRALIA/NEW ZEALAND

PND ----- PAN-NORDIC

(NORWAY/FINLAND/DENMARK/SWEDEN)

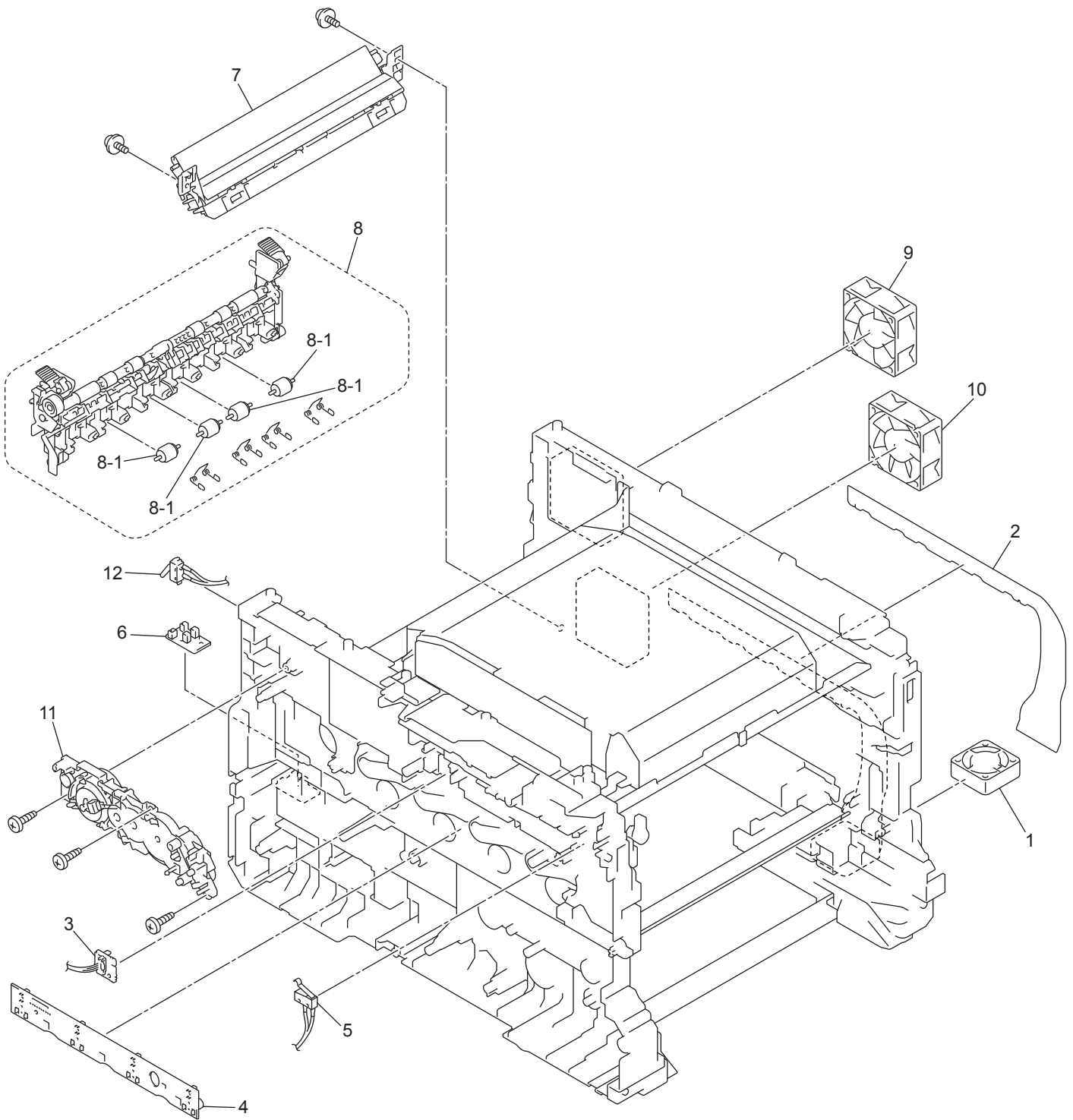
IBR ----- IBERIA (SPAIN/PORTUGAL)

CEE ----- CEE GENERAL

CONTENTS

1.	<u>FRAME</u>	1
2.	<u>DRIVE</u>	3
3.	<u>LASER UNIT</u>	5
4.	<u>PAPER FEEDER</u>	7
5.	<u>MP UNIT</u>	9
6.	<u>DUPLEX</u>	11
7.	<u>PAPER TRAY</u>	13
8.	<u>FUSER UNIT</u>	15
9.	<u>PAPER EJECT</u>	17
10.	<u>COVERS & LABELS</u>	19
11.	<u>DOCUMENT SCANNER</u>	23
12.	<u>ADF</u>	25
13.	<u>PANEL</u>	28
14.	<u>PCB</u>	30
15.	<u>ACCESSORIES</u>	32
16.	<u>PRINTED MATERIALS</u>	35
17.	<u>PACKING MATERIALS</u>	39
18.	<u>PERIODICAL MAINTENANCE PARTS</u>	41

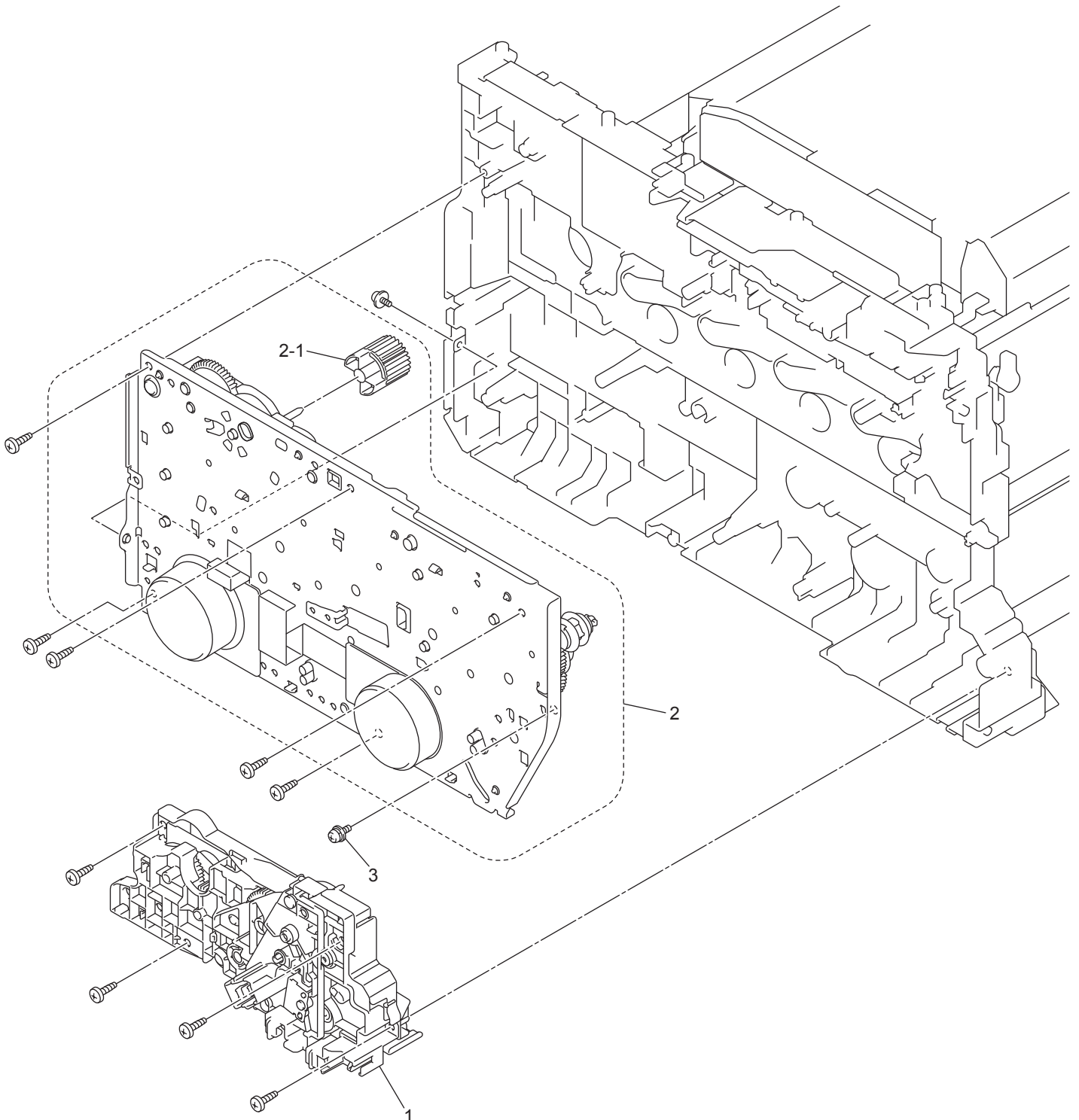
1.FRAME



1.FRAME

REF No.	CODE	Q'TY	DESCRIPTION	MODEL	SPEC	REMARKS
1	LY0101001	1	BLOWER			
2	LY7613001	1	AIR DUCT FILM			
3	LV0489001	1	DEVELOP RELEASE SENSOR PCB ASSY			
4	LY7724001	1	TONER/NEW SENSOR PCB ASSY			
5	LV1177001	1	FRONT COVER SENSOR			
6	LV1201001	1	EJECT SENSOR PCB ASSY			
6	LV1412001	1	EJECT SENSOR PCB ASSY		FOR US/CAN/BRA FOR GER/UK/CHE/ITA/IBR/ARG/CHL/ ASA/GUL/RUS/FRA/BEL/NLD/OCE/ PND/CEE/ITA CONSIP	ADD
7	LY7726001	1	REGISTRATION MARK SENSOR UNIT			
8	LY7727001	1	FUSER COVER ASSY			
8-1	LY0634001	4	CLEANER PINCH ROLLER S ASSY			
9	LY7625001	1	FUSER FAN			
10	LY7719001	1	POWER FAN			
11	LEN019001	1	DEVELOP RELEASE DRIVE UNIT			
12	LT2941001	1	BACK COVER SENSOR ASSY			

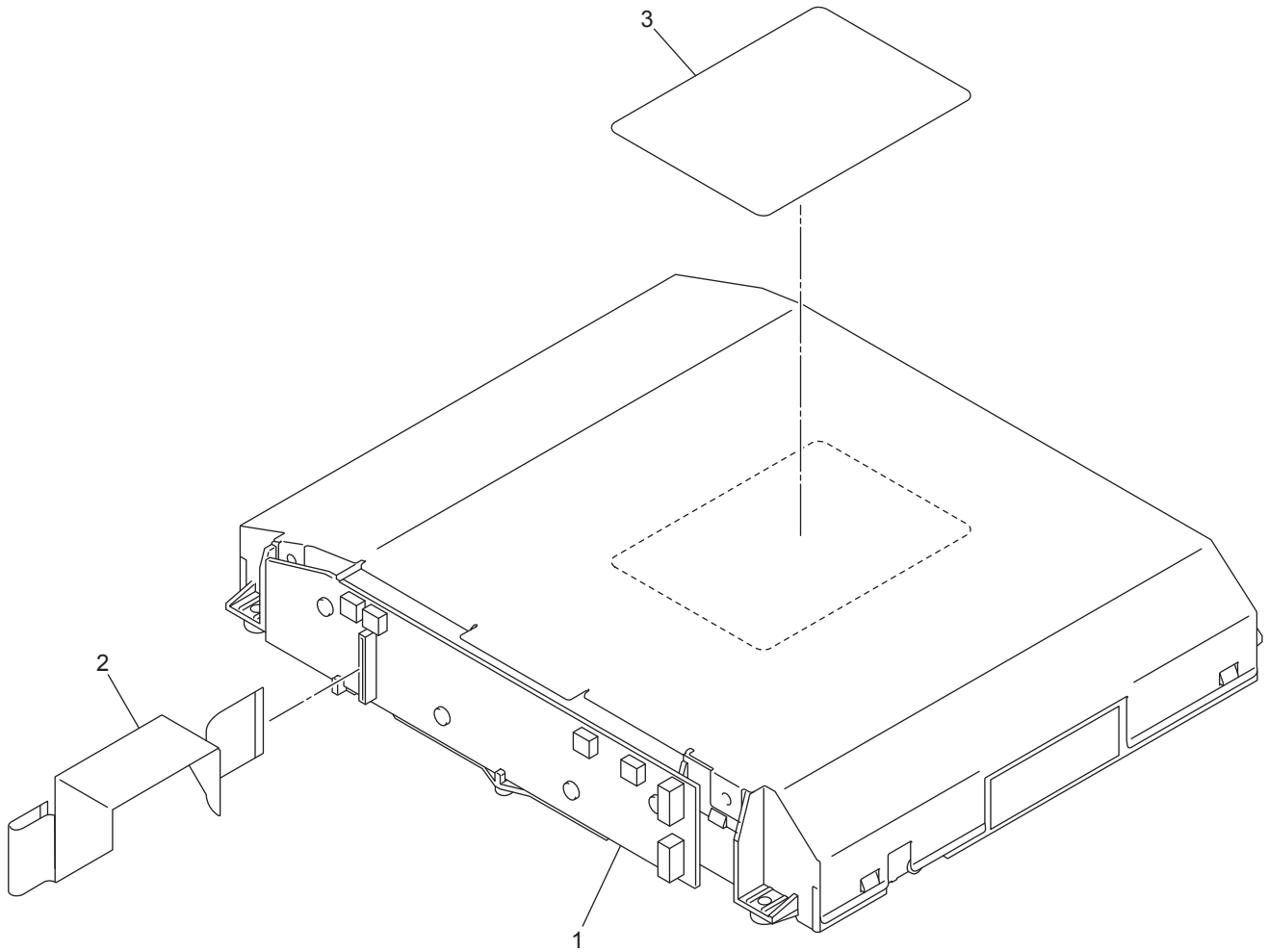
2.DRIVE



2.DRIVE

REF No.	CODE	Q'TY	DESCRIPTION	MODEL	SPEC	REMARKS
1	LY7731001	1	MAIN DRIVE UNIT			
2	LU4923001	1	PROCESS DRIVE UNIT (SP)			
2-1	LY0233001	1	FUSER DRIVE GEAR Z25			
3	LU6109001	1	TAPTITE PAN(WASHER)B M4X12DA			

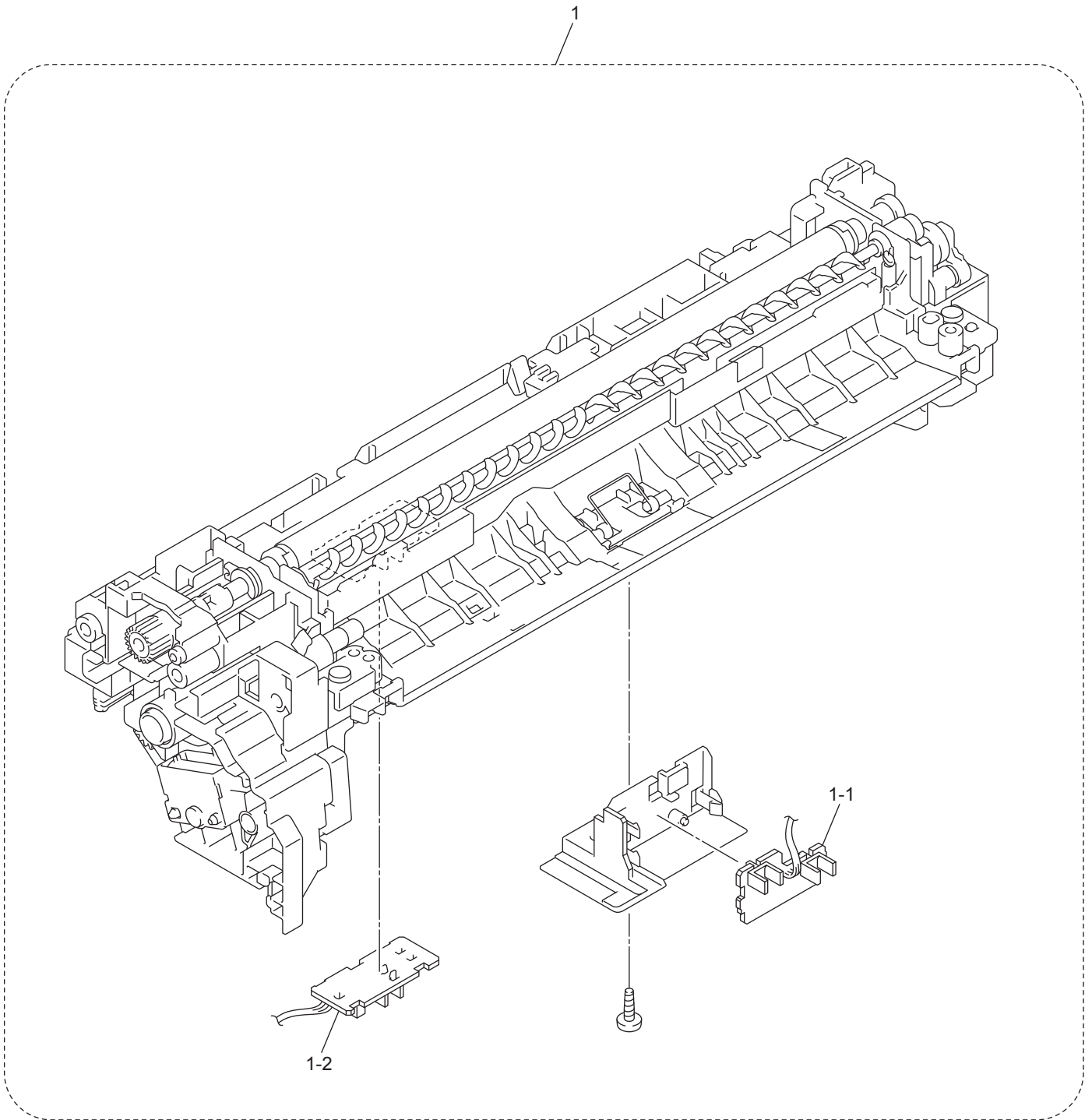
3.LASER UNIT



3.LASER UNIT

REF No.	CODE	Q'TY	DESCRIPTION	MODEL	SPEC	REMARKS
1	LU6918001	1	LASER UNIT (SP)			
2	LV1174001	1	LASER UNIT FLAT CABLE			
3	LU1259001	1	LABEL LASER CAUTION			

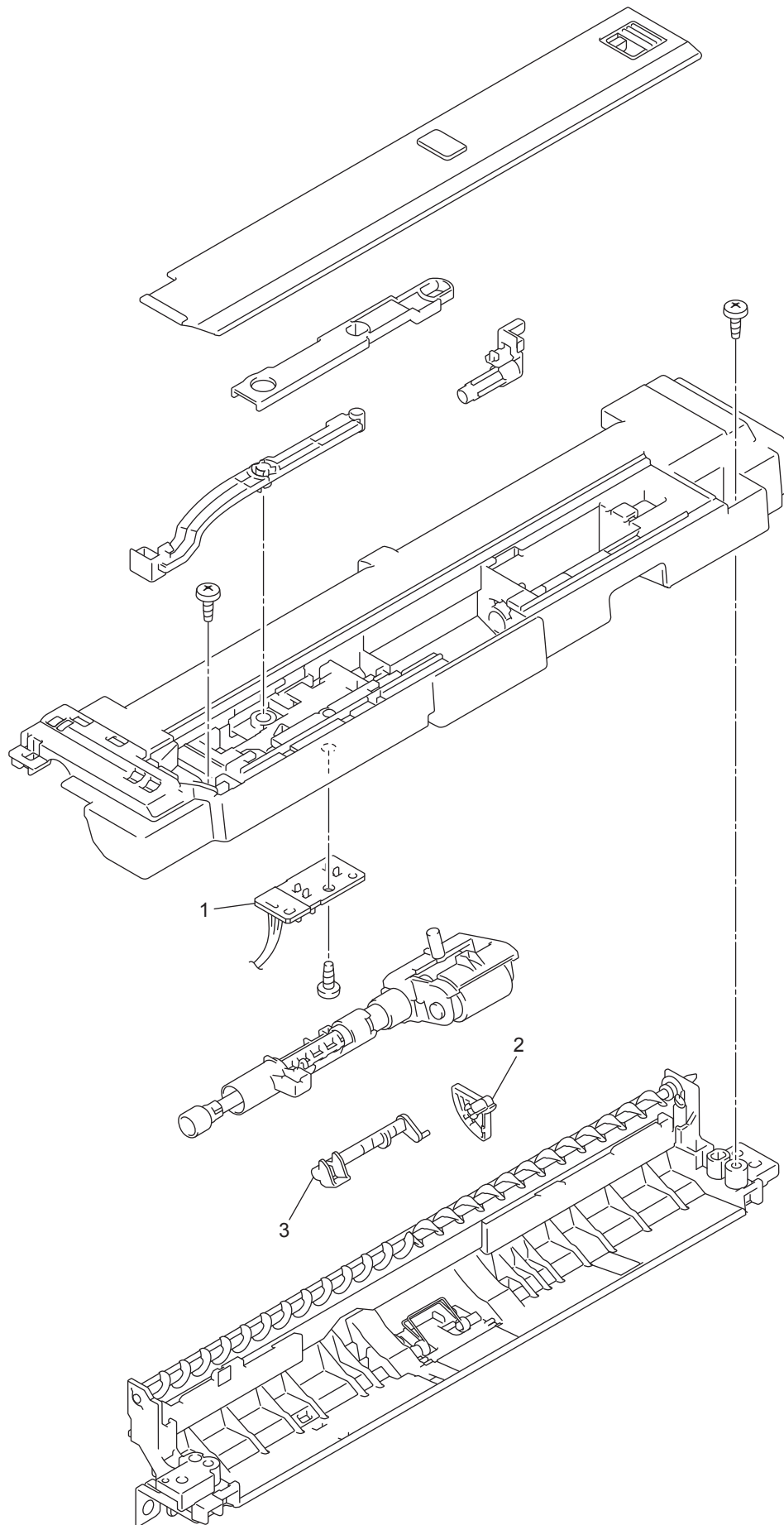
4.PAPER FEEDER



4.PAPER FEEDER

REF No.	CODE	Q'TY	DESCRIPTION	MODEL	SPEC	REMARKS
1	LY7743001	1	PAPER FEED UNIT			
1-1	LV1208001	1	REGISTRATION FRONT/REAR SENSOR PCB ASSY			
1-2	LV1210001	1	T1 PAPER FEED SENSOR PCB ASSY			

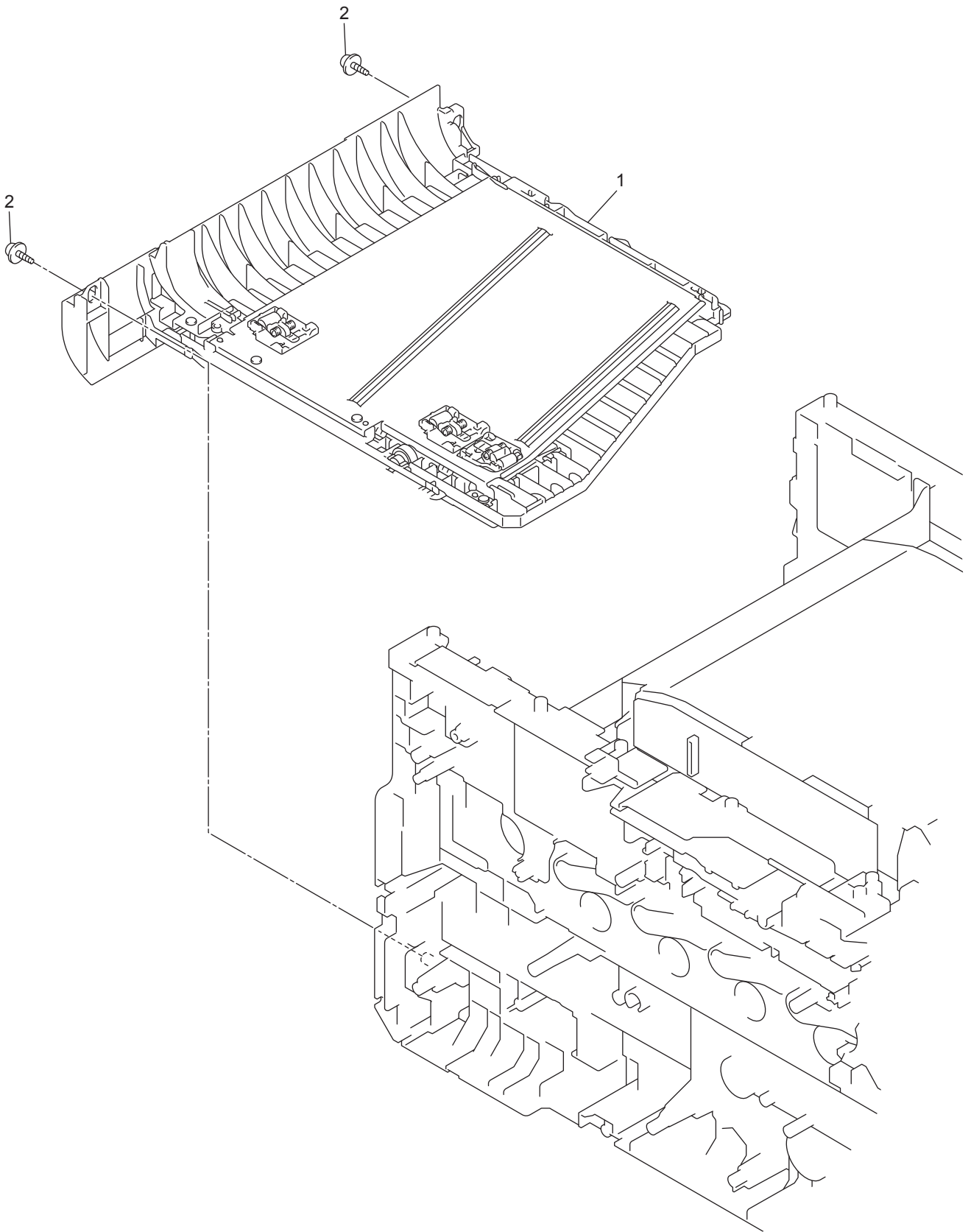
5.MP UNIT



5.MP UNIT

REF No.	CODE	Q'TY	DESCRIPTION	MODEL	SPEC	REMARKS
1	LV1212001	1	MP PAPER EMPTY/REGISTRATION FRONT SENSOR PCB ASSY			
2	LY0873001	1	MP PAPER EMPTY ACUTUATOR A ASSY			
3	LY0304001	1	MP PAPER EMPTY ACUTUATOR B			

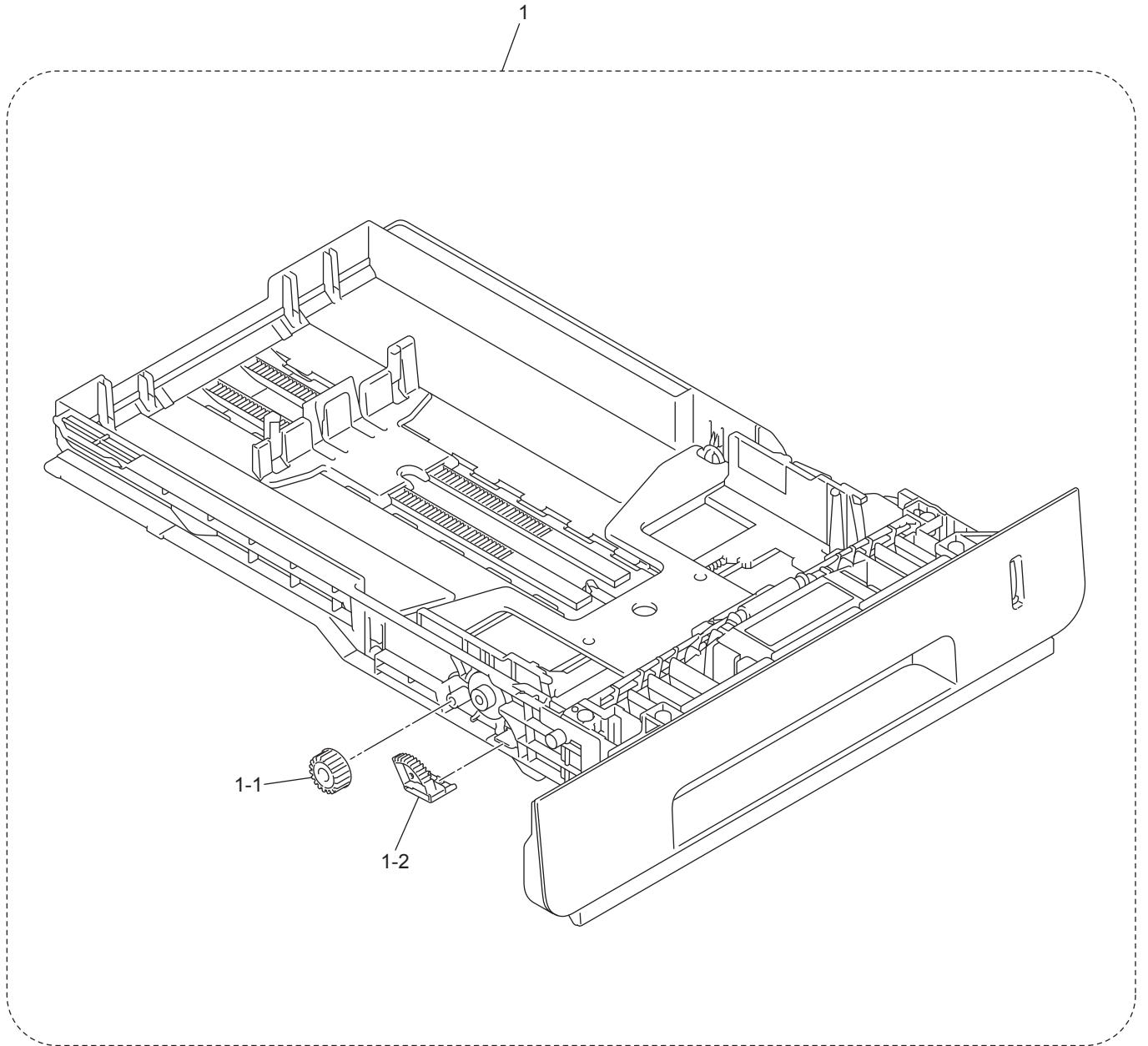
6.DUPLEX



6.DUPLEX

REF No.	CODE	Q'TY	DESCRIPTION	MODEL	SPEC	REMARKS
1	LU4929001	1	DX FEED ASSY A4 (SP)	DGP-L8400CDN		
1	LU4929001	1	DX FEED ASSY A4 (SP)	DGP-L8450CDW		
1	LU4929001	1	DX FEED ASSY A4 (SP)	MFC-L8600CDW	FOR GUL/ARL/NZ	
1	LU4929001	1	DX FEED ASSY A4 (SP)	MFC-L8650CDW		
1	LU4929001	1	DX FEED ASSY A4 (SP)	MFC-L8850CDW	FOR	
					GER/UK/CHE/ITA/IBR/ASA/GUL/FRA/ BEL/NLD/ARL/NZ/PND/CEE	
1	LU4929001	1	DX FEED ASSY A4 (SP)	MFC-L9550CDW	FOR	
					GER/UK/CHE/ITA/IBR/RUS/FRA/BEL/ NLD/PND/CEE	
1	LU4928001	1	DX FEED ASSY LTR (SP)	MFC-L8600CDW	FOR US/CAN/USFS	
1	LU4928001	1	DX FEED ASSY LTR (SP)	MFC-L8850CDW	FOR US/CAN/ARG/CHL/BRZ/USFS	
1	LU4928001	1	DX FEED ASSY LTR (SP)	MFC-L9550CDW	FOR US/CAN	
2	LY1163001	2	TAPTITE CUP B M3X12			

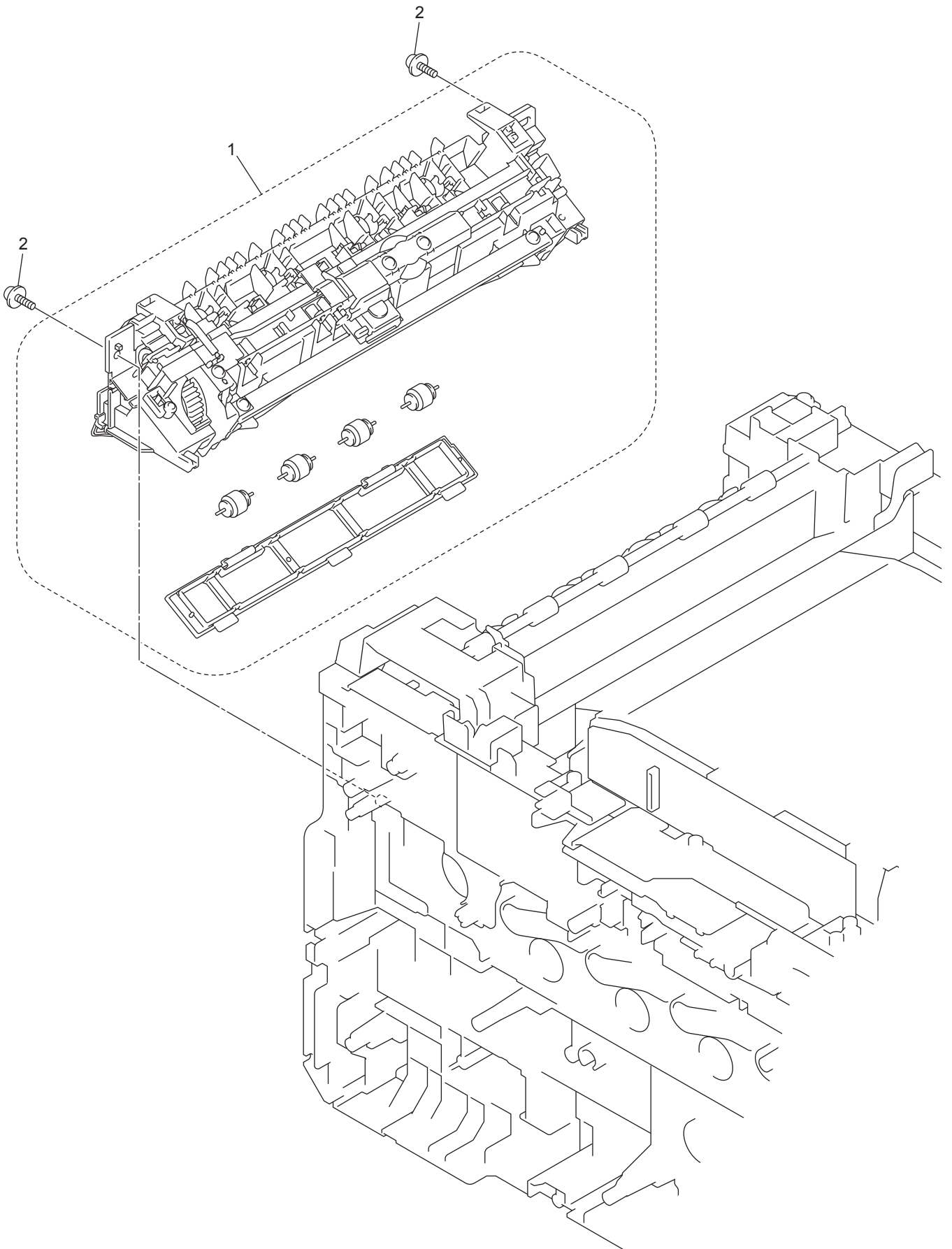
7.PAPER TRAY



7.PAPER TRAY

REF No.	CODE	Q'TY	DESCRIPTION	MODEL	SPEC	REMARKS
1	LY7750001	1	PAPER TRAY 1	DCP-L8400CDN		
1	LY7750001	1	PAPER TRAY 1	DCP-L8450CDW		
1	LY7750001	1	PAPER TRAY 1	MFC-L8600CDW		
1	LY7750001	1	PAPER TRAY 1	MFC-L8650CDW		
1	LY7750001	1	PAPER TRAY 1	MFC-L8850CDW		
1	LY7750002	1	PAPER TRAY 1	MFC-L9550CDW		
1-1	LR0252001	1	GEAR Z19M10			
1-2	LY2202001	1	LIFT GEAR 46			

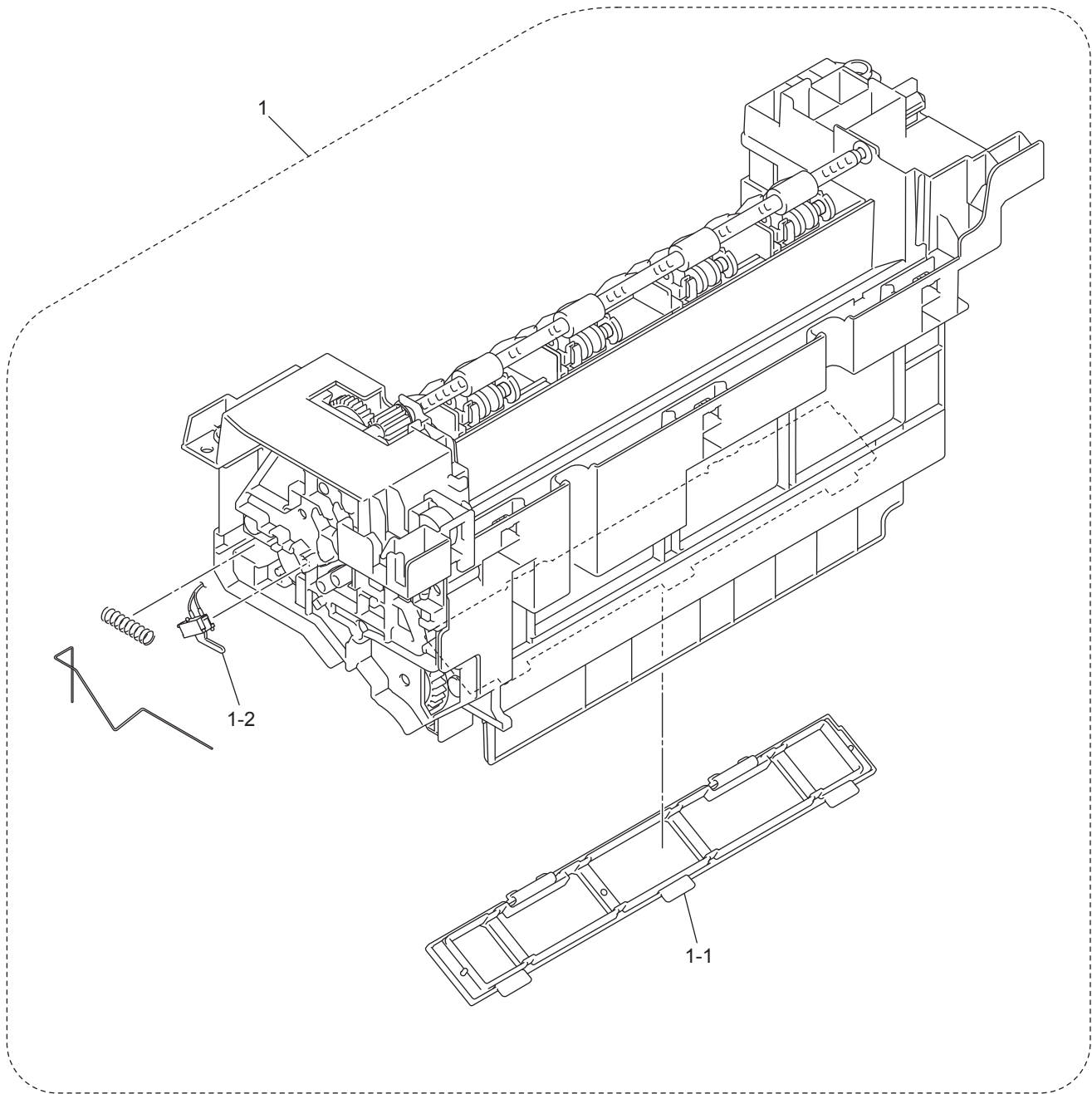
8.FUSER UNIT



8.FUSER UNIT

REF No.	CODE	Q'TY	DESCRIPTION	MODEL	SPEC	REMARKS
1	LY7902001	1	FUSER UNIT 230V(SP)	DCP-L8400CDN		
1	LY7902001	1	FUSER UNIT 230V(SP)	DCP-L8450CDW		
1	LY7902001	1	FUSER UNIT 230V(SP)	MFC-L8600CDW	FOR GUL/ARL/NZ	
1	LY7902001	1	FUSER UNIT 230V(SP)	MFC-L8650CDW		
1	LY7902001	1	FUSER UNIT 230V(SP)	MFC-L8850CDW	FOR GER/UK/CHE/ITA/IBR/ARG/CHL/ ASA/GUL/FRA/BEL/NLD/ARL/NZ/ PND/CEE	
1	LY7902001	1	FUSER UNIT 230V(SP)	MFC-L9550CDW	FOR GER/UK/CHE/ITA/IBR/RUS/FRA/BEL/ NLD/PND/CEE	
1	LY7901001	1	FUSER UNIT 115V(SP)	MFC-L8600CDW	FOR US/CAN/USFS	
1	LY7901001	1	FUSER UNIT 115V(SP)	MFC-L8850CDW	FOR US/CAN/USFS	
1	LY7901001	1	FUSER UNIT 115V(SP)	MFC-L9550CDW	FOR US/CAN	
1	LU4697001	1	FUSER UNIT 127V(SP)	MFC-L8850CDW	FOR BRZ	
2	LJ0395001	2	TAPTITE PAN B M4X14			

9.PAPER EJECT



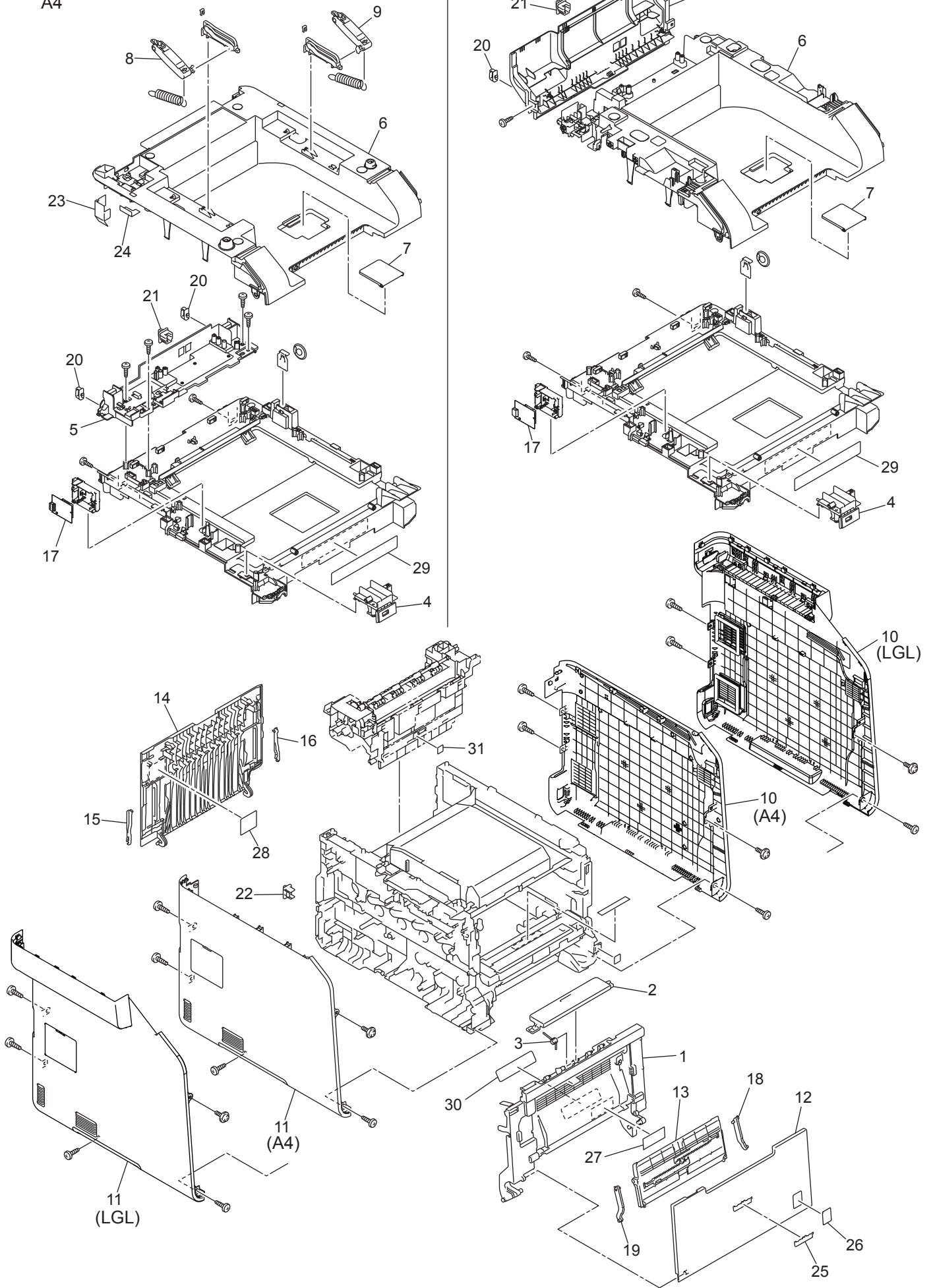
9 PAPER EJECT

REF No.	CODE	Q'TY	DESCRIPTION	MODEL	SPEC	REMARKS
1	LEN207001	1	PAPER EJECT BC2FB ASSY(SP)			
1-1	LY7841001	1	TONER FILTER ASSY			
1-2	LV1281001	1	PAPER EJECT ORIGIN SENSOR			

10. COVERS & LABELS

A4

LGL



10 COVERS & LABELS

REF No.	CODE	Q'TY	DESCRIPTION	MODEL	SPEC	REMARKS
1	LX4924001	1	FRONT COVER	DCP-L8400CDN		
1	LX4924001	1	FRONT COVER	DCP-L8450CDW		
1	LX4924001	1	FRONT COVER	MFC-L8600CDW		
1	LX4924001	1	FRONT COVER	MFC-L8650CDW		
1	LX4924001	1	FRONT COVER	MFC-L8850CDW		
1	LX4924002	1	FRONT COVER	MFC-L9550CDW		
2	LY1910002	1	FRONT COVER RELEASE BUTTON	DCP-L8400CDN		
2	LY1910002	1	FRONT COVER RELEASE BUTTON	DCP-L8450CDW		
2	LY1910002	1	FRONT COVER RELEASE BUTTON	MFC-L8600CDW		
2	LY1910002	1	FRONT COVER RELEASE BUTTON	MFC-L8650CDW		
2	LY1910002	1	FRONT COVER RELEASE BUTTON	MFC-L8850CDW		
2	LY1910003	1	FRONT COVER RELEASE BUTTON	MFC-L9550CDW		
3	LY1911001	1	FRONT COVER RELEASE BUTTON SPRING			
4	LX4925001	1	JOINT COVER USB ASSY	DCP-L8400CDN		
4	LX4925001	1	JOINT COVER USB ASSY	DCP-L8450CDW		
4	LX4925001	1	JOINT COVER USB ASSY	MFC-L8600CDW		
4	LX4925001	1	JOINT COVER USB ASSY	MFC-L8650CDW		
4	LX4925001	1	JOINT COVER USB ASSY	MFC-L8850CDW		
4	LX4925002	1	JOINT COVER USB ASSY	MFC-L9550CDW		
5	LEN004001	1	BACK COVER UPPER	DCP-L8400CDN		
5	LEN005001	1	BACK COVER UPPER	DCP-L8450CDW		
5	LX4928001	1	BACK COVER UPPER	MFC-L8600CDW		
5	LX4928001	1	BACK COVER UPPER	MFC-L8650CDW		
5	LX4946001	1	BACK COVER UPPER	MFC-L8850CDW		
5	LX4946001	1	BACK COVER UPPER	MFC-L9550CDW		
6	LX4929001	1	JOINT COVER TOP	DCP-L8400CDN		
6	LX4947001	1	JOINT COVER TOP	DCP-L8450CDW		
6	LX4929001	1	JOINT COVER TOP	MFC-L8600CDW		
6	LX4929001	1	JOINT COVER TOP	MFC-L8650CDW		
6	LX4947001	1	JOINT COVER TOP	MFC-L8850CDW		
6	LX4947002	1	JOINT COVER TOP	MFC-L9550CDW		
7	LY0428001	1	SUPPORT FLAP	DCP-L8400CDN		
7	LY0428001	1	SUPPORT FLAP	DCP-L8450CDW		
7	LY0428001	1	SUPPORT FLAP	MFC-L8600CDW		
7	LY0428001	1	SUPPORT FLAP	MFC-L8650CDW		
7	LY0428001	1	SUPPORT FLAP	MFC-L8850CDW		
7	LY0428004	1	SUPPORT FLAP	MFC-L9550CDW		
8	LP2727001	1	PULL ARM L	DCP-L8400CDN		
8	LP2727001	1	PULL ARM L	MFC-L8600CDW		
8	LP2727001	1	PULL ARM L	MFC-L8650CDW		
9	LP2728001	1	PULL ARM R	DCP-L8400CDN		
9	LP2728001	1	PULL ARM R	MFC-L8600CDW		
9	LP2728001	1	PULL ARM R	MFC-L8650CDW		
10	LEN006001	1	SIDE COVER R	DCP-L8400CDN		
10	LX4948001	1	SIDE COVER R	DCP-L8450CDW		
10	LX4948001	1	SIDE COVER R	MFC-L8850CDW		
10	LX4948001	1	SIDE COVER R	MFC-L9550CDW		
10	LX4931001	1	SIDE COVER R	MFC-L8600CDW		
10	LX4931001	1	SIDE COVER R	MFC-L8650CDW		
11	LEN119001	1	SIDE COVER L	DCP-L8400CDN		
11	LX4952001	1	SIDE COVER L	DCP-L8450CDW		
11	LX4932001	1	SIDE COVER L	MFC-L8600CDW		
11	LX4932001	1	SIDE COVER L	MFC-L8650CDW		
11	LX4952001	1	SIDE COVER L	MFC-L8850CDW		
11	LX4952001	1	SIDE COVER L	MFC-L9550CDW		
12	LY0452003	1	MP COVER ASSY	DCP-L8400CDN		
12	LY0452003	1	MP COVER ASSY	DCP-L8450CDW		
12	LY0452003	1	MP COVER ASSY	MFC-L8600CDW		
12	LY0452003	1	MP COVER ASSY	MFC-L8650CDW		
12	LY0452003	1	MP COVER ASSY	MFC-L8850CDW		
12	LY0452004	1	MP COVER ASSY	MFC-L9550CDW		
13	LY0456003	1	MP PAPER GUIDE ASSY	DCP-L8400CDN		
13	LY0456003	1	MP PAPER GUIDE ASSY	DCP-L8450CDW		
13	LY0456003	1	MP PAPER GUIDE ASSY	MFC-L8600CDW		
13	LY0456003	1	MP PAPER GUIDE ASSY	MFC-L8650CDW		
13	LY0456003	1	MP PAPER GUIDE ASSY	MFC-L8850CDW		
13	LY0456004	1	MP PAPER GUIDE ASSY	MFC-L9550CDW		
14	LY1868001	1	BACK COVER			
15	LY0450001	1	BACK COVER STOPPER ARM L			
16	LY0451001	1	BACK COVER STOPPER ARM R			
17	LT2155001	1	WIRELESS LAN PCB	DCP-L8450CDW		

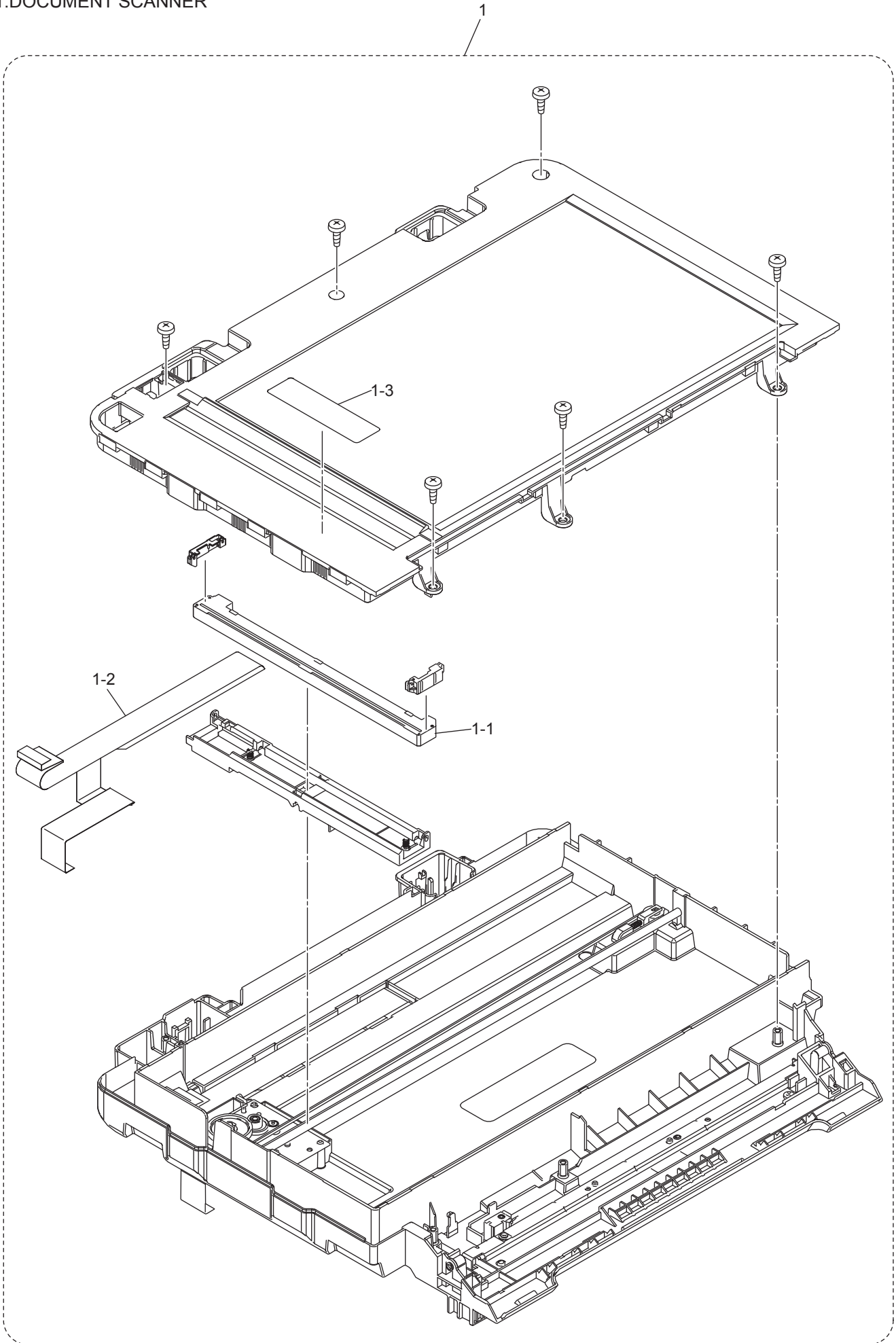
10 COVERS & LABELS

REF No.	CODE	QTY	DESCRIPTION	MODEL	SPEC	REMARKS
17	LT2155001	1	WIRELESS LAN PCB	MFC-L8600CDW		
17	LT2155001	1	WIRELESS LAN PCB	MFC-L8650CDW		
17	LT2155001	1	WIRELESS LAN PCB	MFC-L8850CDW		
17	LT2155001	1	WIRELESS LAN PCB	MFC-L9550CDW		
18	LY1929003	1	MP LINK R	DCP-L8400CDN		
18	LY1929003	1	MP LINK R	DCP-L8450CDW		
18	LY1929003	1	MP LINK R	MFC-L8600CDW		
18	LY1929003	1	MP LINK R	MFC-L8650CDW		
18	LY1929003	1	MP LINK R	MFC-L8850CDW		
18	LY1929004	1	MP LINK R	MFC-L9550CDW		
19	LY0460003	1	MP LINK L	DCP-L8400CDN		
19	LY0460003	1	MP LINK L	DCP-L8450CDW		
19	LY0460003	1	MP LINK L	MFC-L8600CDW		
19	LY0460003	1	MP LINK L	MFC-L8650CDW		
19	LY0460003	1	MP LINK L	MFC-L8850CDW		
19	LY0460004	1	MP LINK L	MFC-L9550CDW		
20	LX9044003	2	CODE HOOK	MFC-L8600CDW		
20	LX9044003	2	CODE HOOK	MFC-L8650CDW		
20	LX9044003	2	CODE HOOK	MFC-L8850CDW		
20	LX9044003	2	CODE HOOK	MFC-L9550CDW		
21	LE8842001	1	EXT CAP	MFC-L8600CDW		
21	LE8842001	1	EXT CAP	MFC-L8650CDW	FOR CHE/ITA/IBR/RUS/PND/CEE	
21	LE8842001	1	EXT CAP	MFC-L8850CDW	FOR	
					US/CAN/CHE/ITA/IBR/ARG/CHL/ASA/	
					GUL/BRZ/USFS/ARL/NZ/PND/CEE	
					FOR	
21	LE8842001	1	EXT CAP	MFC-L9550CDW	FOR	
					US/CAN/CHE/ITA/IBR/RUS/PND/CEE	
21	UF5745000	1	MJ COVER EXT	MFC-L8650CDW	FOR GER/UK/FRA/BEL/NLD	
21	UF5745000	1	MJ COVER EXT	MFC-L8850CDW	FOR GER/UK/FRA/BEL/NLD	
21	UF5745000	1	MJ COVER EXT	MFC-L9550CDW	FOR GER/UK/FRA/BEL/NLD	
22	LY0872001	1	LAN PORT CAP			
23	LX4971001	1	JOINT FILM	DCP-L8400CDN		
23	LX4971001	1	JOINT FILM	MFC-L8600CDW		
23	LX4971001	1	JOINT FILM	MFC-L8650CDW		
24	LEN065001	1	JOINT FILM2	DCP-L8400CDN		
24	LEN065001	1	JOINT FILM2	MFC-L8600CDW		
25	LY4852002	1	EMBLEM BROTHER SHEET	DCP-L8400CDN		
25	LY4852002	1	EMBLEM BROTHER SHEET	DCP-L8450CDW		
25	LY4852002	1	EMBLEM BROTHER SHEET	MFC-L8600CDW		
25	LY4852002	1	EMBLEM BROTHER SHEET	MFC-L8650CDW		
25	LY4852002	1	EMBLEM BROTHER SHEET	MFC-L8850CDW		
25	LY4852005	1	EMBLEM BROTHER SHEET	MFC-L9550CDW		
26	LY7850001	1	COLOR LASER LABEL	DCP-L8400CDN		
26	LY7850001	1	COLOR LASER LABEL	DCP-L8450CDW		
26	LY7850001	1	COLOR LASER LABEL	MFC-L8600CDW		
26	LY7850001	1	COLOR LASER LABEL	MFC-L8650CDW		
26	LY7850001	1	COLOR LASER LABEL	MFC-L8850CDW		
26	LY7850002	1	COLOR LASER LABEL	MFC-L9550CDW		
27	LY7886001	1	MP SET INSTRUCTION LABEL			
28	LY7888001	1	LABEL H/SP CAUTION REAR 49X45	DCP-L8400CDN		
28	LY7888001	1	LABEL H/SP CAUTION REAR 49X45	DCP-L8450CDW		
28	LY7888001	1	LABEL H/SP CAUTION REAR 49X45	MFC-L8600CDW		
28	LY7888001	1	LABEL H/SP CAUTION REAR 49X45	MFC-L8650CDW		
28	LY7888001	1	LABEL H/SP CAUTION REAR 49X45	MFC-L8850CDW	FOR	
					US/CAN/GER/UK/CHE/ITA/IBR/ARG/	
					CHL/ASA/BRZ/USFS/FRA/BEL/NLD/	
					ARL/NZ/PND/CEE	
					FOR	
28	LY7888001	1	LABEL H/SP CAUTION REAR 49X45	MFC-L9550CDW	FOR	
					GER/UK/CHE/ITA/IBR/RUS/FRA/BEL/	
					NLD/PND/CEE	
29	LY7889001	1	LABEL DR OPERATION			
30	LY7892001	1	LABEL H/SP CAUTION	DCP-L8400CDN		
30	LY7893001	1	LABEL H/SP CAUTION	DCP-L8450CDW		
30	LY7891001	1	LABEL H/SP CAUTION	MFC-L8600CDW	FOR US/CAN/USFS	
30	LU6853001	1	LABEL H/SP CAUTION	MFC-L8600CDW	FOR GUL	
30	LY7984001	1	LABEL H/SP CAUTION	MFC-L8600CDW	FOR ARL/NZ	
30	LY7892001	1	LABEL H/SP CAUTION	MFC-L8650CDW		
30	LY7893001	1	LABEL H/SP CAUTION	MFC-L8850CDW	FOR	
					GER/UK/CHE/ITA/IBR/FRA/BEL/NLD/	
					PND/CEE	
30	LY7891001	1	LABEL H/SP CAUTION	MFC-L8850CDW	FOR US/CAN/USFS	
30	LU6853001	1	LABEL H/SP CAUTION	MFC-L8850CDW	FOR GUL	

10 COVERS & LABELS

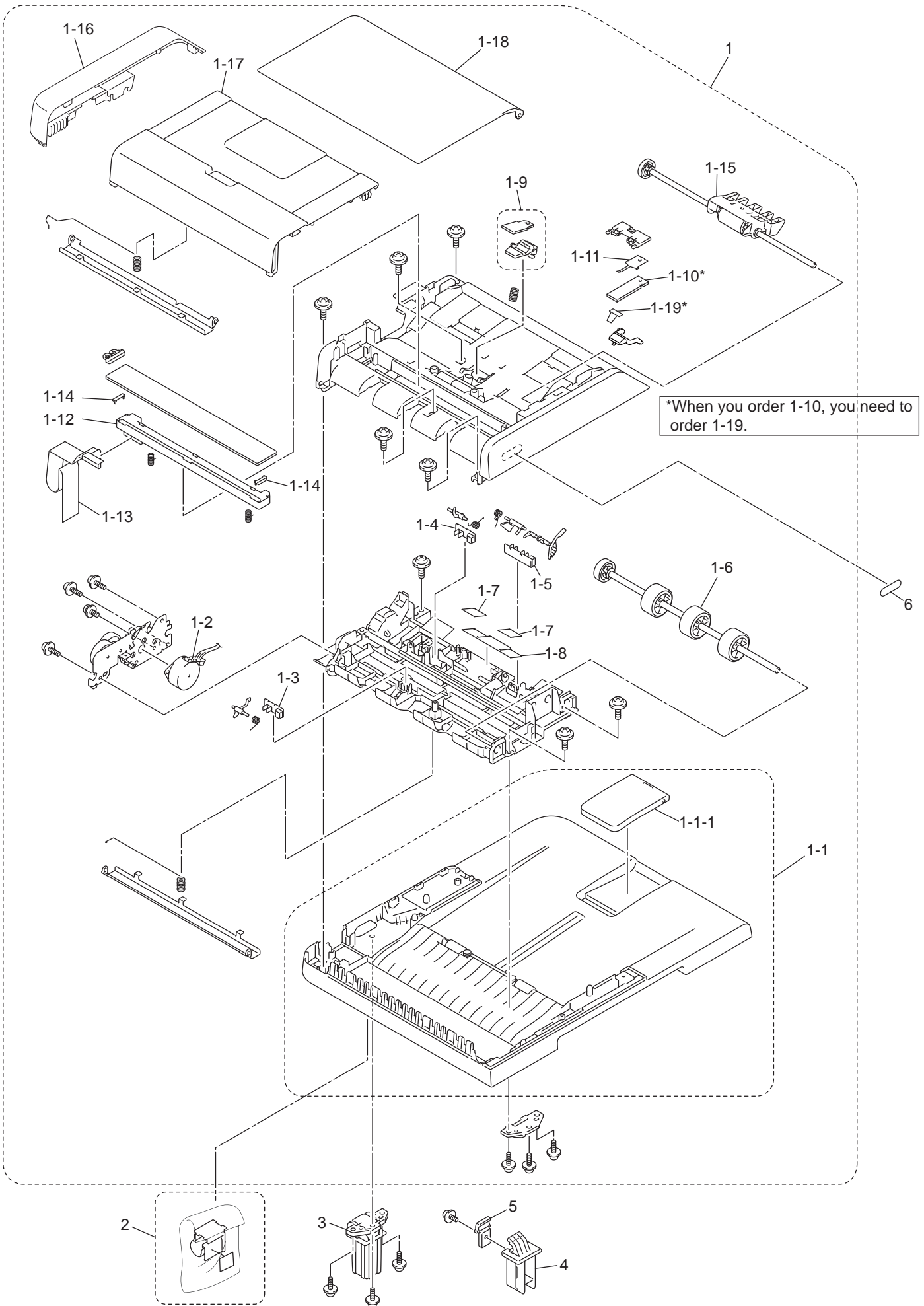
REF No.	CODE	Q'TY	DESCRIPTION	MODEL	SPEC	REMARKS
30	LY7984001	1	LABEL H/SP CAUTION	MFC-L8850CDW	FOR ARL/NZ	
30	LY7982001	1	LABEL H/SP CAUTION	MFC-L8850CDW	FOR ARG/CHL/BRZ	
30	LY7986001	1	LABEL H/SP CAUTION	MFC-L8850CDW	FOR ASA	
30	LY7981001	1	LABEL H/SP CAUTION	MFC-L9550CDW	FOR US/CAN	
30	LY7983001	1	LABEL H/SP CAUTION	MFC-L9550CDW	FOR GER/UK/CHE/ITA/IBR/RUS/FRA/BEL/ NLD/PND/CEE	
31	LY1430001	1	LABEL HIGH TEMP 13.9X13.4			

11.DOCUMENT SCANNER



11.DOCUMENT SCANNER

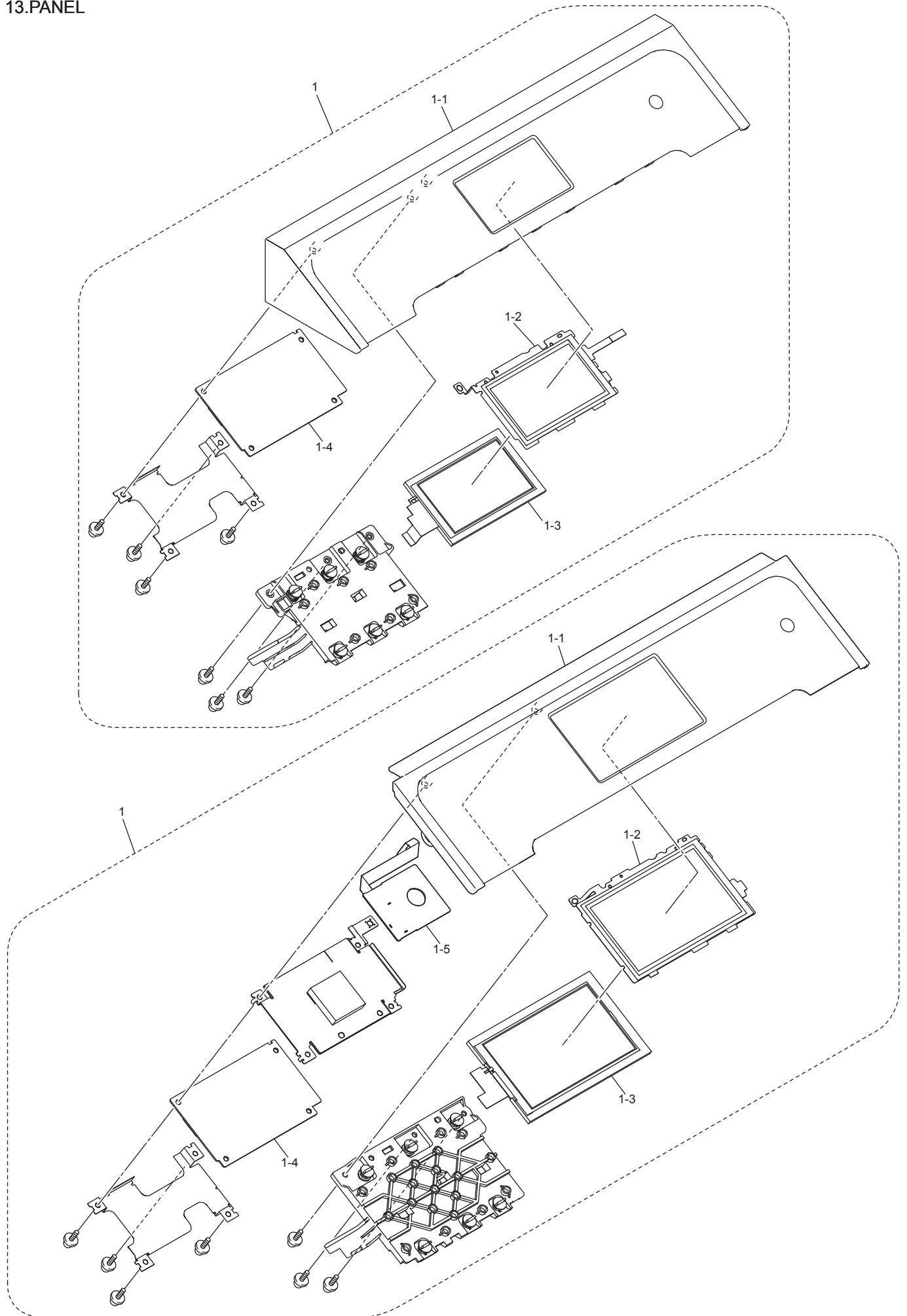
REF No.	CODE	Q'TY	DESCRIPTION	MODEL	SPEC	REMARKS
1	LEN205001	1	DOCUMENT SCANNER UNIT(SP)	DCP-L8400CDN		
1	LEN206001	1	DOCUMENT SCANNER UNIT(SP)	DCP-L8450CDW		
1	LEN205001	1	DOCUMENT SCANNER UNIT(SP)	MFC-L8600CDW		
1	LEN205001	1	DOCUMENT SCANNER UNIT(SP)	MFC-L8650CDW		
1	LEN206001	1	DOCUMENT SCANNER UNIT(SP)	MFC-L8850CDW		
1	LEN206002	1	DOCUMENT SCANNER UNIT(SP)	MFC-L9550CDW		
1-1	LT3225001	1	FIRST SIDE CIS UNIT			
1-2	LT2944001	1	FIRST SIDE CIS FLAT CABLE	DCP-L8400CDN		
1-2	LT2946001	1	FIRST SIDE CIS FLAT CABLE	DCP-L8450CDW		
1-2	LT2944001	1	FIRST SIDE CIS FLAT CABLE	MFC-L8600CDW		
1-2	LT2944001	1	FIRST SIDE CIS FLAT CABLE	MFC-L8650CDW		
1-2	LT2946001	1	FIRST SIDE CIS FLAT CABLE	MFC-L8850CDW		
1-2	LT2946001	1	FIRST SIDE CIS FLAT CABLE	MFC-L9550CDW		
1-3	LX5186001	1	ADF CLEAN UP LABEL	DCP-L8400CDN		
1-3	LX7422001	1	ADF CLEAN UP LABEL	DCP-L8450CDW		
1-3	LX5186001	1	ADF CLEAN UP LABEL	MFC-L8600CDW		
1-3	LX7422001	1	ADF CLEAN UP LABEL	MFC-L8650CDW		
1-3	LX7422001	1	ADF CLEAN UP LABEL	MFC-L8850CDW		
1-3	LX7422001	1	ADF CLEAN UP LABEL	MFC-L9550CDW		



REF No.	CODE	QTY	DESCRIPTION	MODEL	SPEC	REMARKS
1	LEN202001	1	ADF UNIT (SP)	DCP-L8400CDN		
1	LEN204001	1	ADF UNIT (SP)	DCP-L8450CDW		
1	LEN202001	1	ADF UNIT (SP)	MFC-L8600CDW		
1	LEN203001	1	ADF UNIT (SP)	MFC-L8650CDW		
1	LEN204001	1	ADF UNIT (SP)	MFC-L8850CDW		
1	LEN204001	1	ADF UNIT (SP)	MFC-L9550CDW		
1-1	LX4939001	1	DOCUMENT COVER ASSY	DCP-L8400CDN		
1-1	LX4959001	1	DOCUMENT COVER ASSY	DCP-L8450CDW		
1-1	LX4939001	1	DOCUMENT COVER ASSY	MFC-L8600CDW		
1-1	LX4939001	1	DOCUMENT COVER ASSY	MFC-L8650CDW		
1-1	LX4959001	1	DOCUMENT COVER ASSY	MFC-L8850CDW		
1-1	LX4959001	1	DOCUMENT COVER ASSY	MFC-L9550CDW		
1-1-1	LX4184001	1	ADF DOCUMENT OUTPUT STOPPER FLAP	DCP-L8400CDN		
1-1-1	LX4267001	1	ADF DOCUMENT OUTPUT STOPPER FLAP	DCP-L8450CDW		
1-1-1	LX4184001	1	ADF DOCUMENT OUTPUT STOPPER FLAP	MFC-L8600CDW		
1-1-1	LX4184001	1	ADF DOCUMENT OUTPUT STOPPER FLAP	MFC-L8650CDW		
1-1-1	LX4267001	1	ADF DOCUMENT OUTPUT STOPPER FLAP	MFC-L8850CDW		
1-1-1	LX4267001	1	ADF DOCUMENT OUTPUT STOPPER FLAP	MFC-L9550CDW		
1-2	LX4977001	1	ADF MOTOR	DCP-L8400CDN		
1-2	LX9215001	1	ADF MOTOR	DCP-L8450CDW		
1-2	LX4977001	1	ADF MOTOR	MFC-L8600CDW		
1-2	LX4977001	1	ADF MOTOR	MFC-L8650CDW		
1-2	LX9215001	1	ADF MOTOR	MFC-L8850CDW		
1-2	LX9215001	1	ADF MOTOR	MFC-L9550CDW		
1-3	LG6753001	1	FIRST SIDE DOCUMENT SCANNING POSITION SENSOR PCB ASSY			
1-4	LG6753001	1	SECOND SIDE DOCUMENT SCANNING POSITION SENSOR PCB ASSY	DCP-L8450CDW		
1-4	LG6753001	1	SECOND SIDE DOCUMENT SCANNING POSITION SENSOR PCB ASSY	MFC-L8650CDW		
1-4	LG6753001	1	SECOND SIDE DOCUMENT SCANNING POSITION SENSOR PCB ASSY	MFC-L8850CDW		
1-4	LG6753001	1	SECOND SIDE DOCUMENT SCANNING POSITION SENSOR PCB ASSY	MFC-L9550CDW		
1-5	LT1120001	1	ADF COVER/DOCUMENT DETECTION			
1-6	LX4080001	1	DOCUMENT FEED ROLLER ASSY2	DCP-L8400CDN		
1-6	LX4241001	1	DOCUMENT FEED ROLLER ASSY2	DCP-L8450CDW		
1-6	LX4080001	1	DOCUMENT FEED ROLLER ASSY2	MFC-L8600CDW		
1-6	LX4080001	1	DOCUMENT FEED ROLLER ASSY2	MFC-L8650CDW		
1-6	LX4241001	1	DOCUMENT FEED ROLLER ASSY2	MFC-L8850CDW		
1-6	LX4241001	1	DOCUMENT FEED ROLLER ASSY2	MFC-L9550CDW		
1-7	LX5477001	2	EJECTION FILM	DCP-L8400CDN		
1-7	LX5477001	2	EJECTION FILM	MFC-L8600CDW		
1-7	LX5477001	2	EJECTION FILM	MFC-L8650CDW		
1-8	LX4363001	1	EJECTION FILM	DCP-L8450CDW		
1-8	LX4363001	1	EJECTION FILM	MFC-L8850CDW		
1-8	LX4363001	1	EJECTION FILM	MFC-L9550CDW		
1-9	LX9751001	1	ADF SEPARATION PAD HOLDER ASSY	DCP-L8400CDN		
1-9	LX9751001	1	ADF SEPARATION PAD HOLDER ASSY	MFC-L8600CDW		
1-9	LX9751001	1	ADF SEPARATION PAD HOLDER ASSY	MFC-L8650CDW		
1-10	LX9748001	1	ADF SEPARATION PAD	DCP-L8450CDW		
1-10	LX9748001	1	ADF SEPARATION PAD	MFC-L8850CDW		
1-10	LX9748001	1	ADF SEPARATION PAD	MFC-L9550CDW		
1-11	LX4777001	1	SEPARATION SUPPORT FILM	DCP-L8450CDW		
1-11	LX4777001	1	SEPARATION SUPPORT FILM	MFC-L8850CDW		
1-11	LX4777001	1	SEPARATION SUPPORT FILM	MFC-L9550CDW		
1-12	LT3225001	1	SECOND SIDE CIS UNIT	DCP-L8450CDW		
1-12	LT3225001	1	SECOND SIDE CIS UNIT	MFC-L8650CDW		

REF No.	CODE	QTY	DESCRIPTION	MODEL	SPEC	REMARKS
1-12	LT3225001	1	SECOND SIDE CIS UNIT	MFC-L8850CDW		
1-12	LT3225001	1	SECOND SIDE CIS UNIT	MFC-L9550CDW		
1-13	LT2947001	1	SECOND SIDE CIS FLAT CABLE	DCP-L8450CDW		
1-13	LT2945001	1	SECOND SIDE CIS FLAT CABLE	MFC-L8650CDW		
1-13	LT2947001	1	SECOND SIDE CIS FLAT CABLE	MFC-L8850CDW		
1-13	LT2947001	1	SECOND SIDE CIS FLAT CABLE	MFC-L9550CDW		
1-14	LX4100001	2	CIS SPACER	DCP-L8450CDW		
1-14	LX4100001	2	CIS SPACER	MFC-L8650CDW		
1-14	LX4100001	2	CIS SPACER	MFC-L8850CDW		
1-14	LX4100001	2	CIS SPACER	MFC-L9550CDW		
1-15	LX4994001	1	DOCUMENT SEPARATE ROLLER ASSY	DCP-L8400CDN		
1-15	LX4256001	1	DOCUMENT SEPARATE ROLLER ASSY	DCP-L8450CDW		
1-15	LX4994001	1	DOCUMENT SEPARATE ROLLER ASSY	MFC-L8600CDW		
1-15	LX4109001	1	DOCUMENT SEPARATE ROLLER ASSY	MFC-L8650CDW		
1-15	LX4256001	1	DOCUMENT SEPARATE ROLLER ASSY	MFC-L8850CDW		
1-15	LX4256001	1	DOCUMENT SEPARATE ROLLER ASSY	MFC-L9550CDW		
1-16	LX4117001	1	GEAR COVER	DCP-L8400CDN		
1-16	LX4264001	1	GEAR COVER	DCP-L8450CDW		
1-16	LX4117001	1	GEAR COVER	MFC-L8600CDW		
1-16	LX4117001	1	GEAR COVER	MFC-L8650CDW		
1-16	LX4264001	1	GEAR COVER	MFC-L8850CDW		
1-16	LX4264001	1	GEAR COVER	MFC-L9550CDW		
1-17	LX5042002	1	ADF COVER ASSY	DCP-L8400CDN		
1-17	LEN001001	1	ADF COVER ASSY	DCP-L8450CDW		
1-17	LX5042002	1	ADF COVER ASSY	MFC-L8600CDW		
1-17	LEF144001	1	ADF COVER ASSY DX	MFC-L8650CDW		
1-17	LEN001001	1	ADF COVER ASSY	MFC-L8850CDW		
1-17	LEN001001	1	ADF COVER ASSY	MFC-L9550CDW		
1-18	LX5371001	1	ADF DOCUMENT SUPPORT	DCP-L8400CDN		
1-18	LX4268001	1	ADF DOCUMENT SUPPORT	DCP-L8450CDW		
1-18	LX5371001	1	ADF DOCUMENT SUPPORT	MFC-L8600CDW		
1-18	LX5371001	1	ADF DOCUMENT SUPPORT	MFC-L8650CDW		
1-18	LX4268001	1	ADF DOCUMENT SUPPORT	MFC-L8850CDW		
1-18	LX4268001	1	ADF DOCUMENT SUPPORT	MFC-L9550CDW		
1-19	LX4652001	1	SEPARATE SUPPORT FILM	DCP-L8450CDW		ADD
1-19	LX4652001	1	SEPARATE SUPPORT FILM	MFC-L8850CDW		ADD
1-19	LX4652001	1	SEPARATE SUPPORT FILM	MFC-L9550CDW		ADD
2	LX4649001	1	FFC HOLDER ASSY(SP)			
3	LX5255003	1	HINGE ASSY L	DCP-L8400CDN		
3	LX4269001	1	HINGE ASSY L	DCP-L8450CDW		
3	LX5255003	1	HINGE ASSY L	MFC-L8600CDW		
3	LX4126001	1	HINGE ASSY L	MFC-L8650CDW		
3	LX4269001	1	HINGE ASSY L	MFC-L8850CDW		
3	LX4269001	1	HINGE ASSY L	MFC-L9550CDW		
4	LS8154001	1	HINGE R			
5	LS8155001	1	HINGE R SUPPORT			
6	LX4197001	1	DCP EMBLEM	DCP-L8400CDN		
6	LX4197001	1	DCP EMBLEM	DCP-L8450CDW		
6	LX4202001	1	MFC EMBLEM	MFC-L8600CDW	FOR US/CAN/USFS	
6	LX4196001	1	MFC EMBLEM	MFC-L8600CDW	FOR GUL/ARL/NZ	
6	LX4196001	1	MFC EMBLEM	MFC-L8650CDW		
6	LX4202001	1	MFC EMBLEM	MFC-L8850CDW	FOR US/CAN/ARG/CHL/BRZ/USFS	
6	LX4196001	1	MFC EMBLEM	MFC-L8850CDW	FOR	
					GER/UK/CHE/ITA/IBR/ASA/GUL/FRA/	
					BEL/NLD/ARL/NZ/PND/CEE	
6	LX4202004	1	MFC EMBLEM	MFC-L9550CDW	FOR US/CAN	
6	LX4196005	1	MFC EMBLEM	MFC-L9550CDW	FOR	
					GER/UK/CHE/ITA/IBR/RUS/FRA/BEL/	
					NLD/PND/CEE	

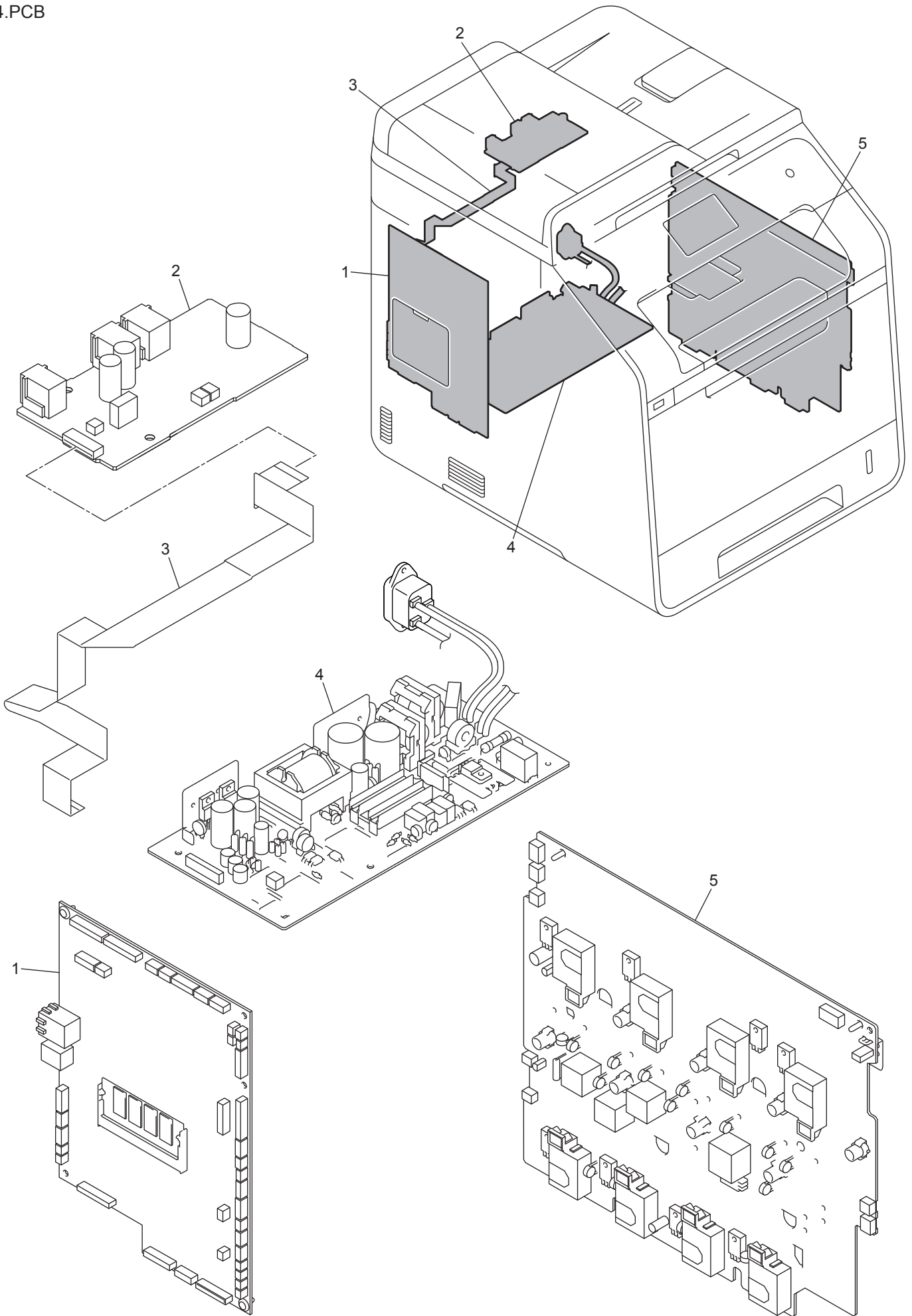
13.PANEL



13.PANEL

REF No.	CODE	Q'TY	DESCRIPTION	MODEL	SPEC	REMARKS
1	LEN066001	1	CONTROL PANEL ASSY	DCP-L8400CDN		
1	LEN067001	1	CONTROL PANEL ASSY	DCP-L8450CDW		
1	LX4941001	1	CONTROL PANEL ASSY	MFC-L8600CDW		
1	LEN056001	1	CONTROL PANEL ASSY	MFC-L8650CDW		
1	LX4961001	1	CONTROL PANEL ASSY	MFC-L8850CDW		
1	LEN038001	1	CONTROL PANEL ASSY	MFC-L9550CDW		
1-1	LEN158001	1	PANEL COVER ASSY (SP)	DCP-L8400CDN		
1-1	LEN159001	1	PANEL COVER ASSY (SP)	DCP-L8450CDW		
1-1	LEN160001	1	PANEL COVER ASSY (SP)	MFC-L8600CDW		
1-1	LEN161001	1	PANEL COVER ASSY (SP)	MFC-L8650CDW		
1-1	LEN162001	1	PANEL COVER ASSY (SP)	MFC-L8850CDW		
1-1	LEN163001	1	PANEL COVER ASSY (SP)	MFC-L9550CDW		
1-2	LX4984001	1	TOUCH PANEL ASSY	DCP-L8400CDN		
1-2	LX4966001	1	TOUCH PANEL ASSY	DCP-L8450CDW		
1-2	LX4984001	1	TOUCH PANEL ASSY	MFC-L8600CDW		
1-2	LX4984001	1	TOUCH PANEL ASSY	MFC-L8650CDW		
1-2	LX4966001	1	TOUCH PANEL ASSY	MFC-L8850CDW		
1-2	LX4966001	1	TOUCH PANEL ASSY	MFC-L9550CDW		
1-3	A63291001	1	LCD	DCP-L8400CDN		
1-3	A62246001	1	LCD	DCP-L8450CDW		
1-3	A63291001	1	LCD	MFC-L8600CDW		
1-3	A63291001	1	LCD	MFC-L8650CDW		
1-3	A62246001	1	LCD	MFC-L8850CDW		
1-3	A62246001	1	LCD	MFC-L9550CDW		
1-4	LT3084003	1	PANEL PCB UNIT	DCP-L8400CDN		
1-4	LT3084002	1	PANEL PCB UNIT	DCP-L8450CDW		
1-4	LT3084003	1	PANEL PCB UNIT	MFC-L8600CDW		
1-4	LT3084003	1	PANEL PCB UNIT	MFC-L8650CDW		
1-4	LT3084002	1	PANEL PCB UNIT	MFC-L8850CDW		
1-4	LT3084001	1	PANEL PCB UNIT	MFC-L9550CDW		
1-5	LT2354004	1	NFC PCB ASSY	MFC-L9550CDW		

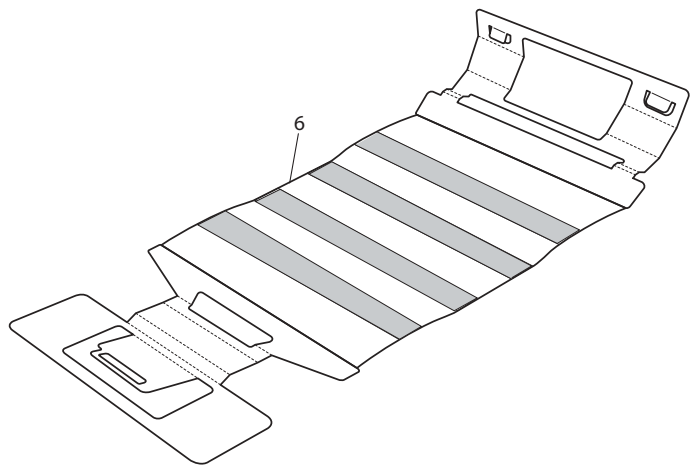
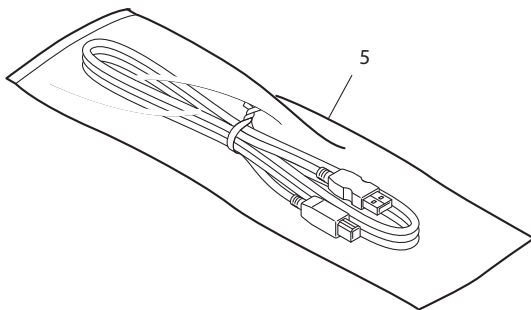
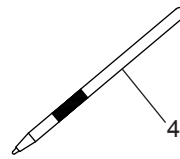
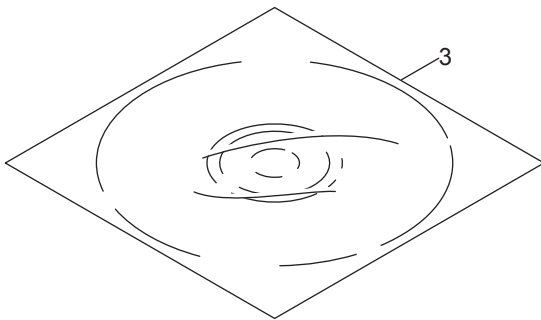
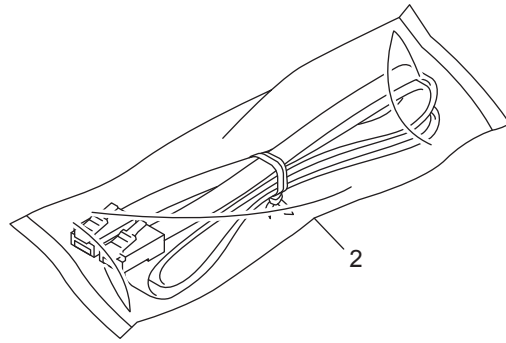
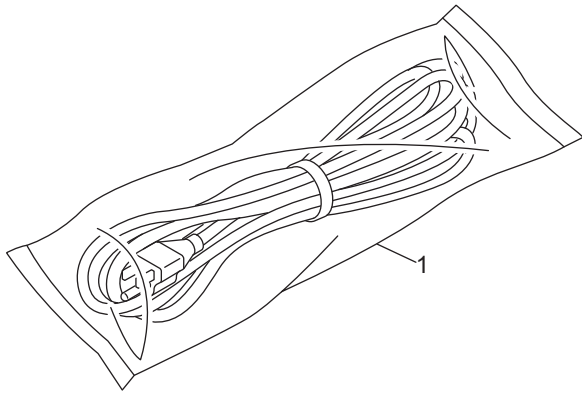
14.PCB



14.PCB

REF No.	CODE	Q'TY	DESCRIPTION	MODEL	SPEC	REMARKS
1	LT3242001	1	MAIN PCB ASSY	DCP-L8400CDN		
1	LT3241001	1	MAIN PCB ASSY	DCP-L8450CDW		
1	LT2993001	1	MAIN PCB ASSY	MFC-L8600CDW	FOR US/CAN/GUL/ARL/NZ	
1	LT2993051	1	MAIN PCB ASSY	MFC-L8600CDW	FOR USFS	
1	LT3060001	1	MAIN PCB ASSY	MFC-L8650CDW		
1	LT2997051	1	MAIN PCB ASSY	MFC-L8850CDW	FOR USFS	
1	LT2997001	1	MAIN PCB ASSY	MFC-L8850CDW	FOR US/CAN/GER/UK/CHE/ITA/IBR/ ARG/CHL/ASA/GUL/BRZ/FRA/BEL/ NLD/ARL/NZ/PND/CEE	
1	LT2997001	1	MAIN PCB ASSY	MFC-L9550CDW		
2	LT3296041	1	MODEM PCB ASSY	MFC-L8600CDW	FOR US/CAN/USFS	
2	LT3297042	1	MODEM PCB ASSY	MFC-L8600CDW	FOR GUL	
2	LT3298043	1	MODEM PCB ASSY	MFC-L8600CDW	FOR ARL/NZ	
2	LT3297042	1	MODEM PCB ASSY	MFC-L8650CDW		
2	LT3296041	1	MODEM PCB ASSY	MFC-L8850CDW	FOR	
2	LT3297042	1	MODEM PCB ASSY	MFC-L8850CDW	FOR	
					GER/UK/CHE/ITA/IBR/GUL/FRA/BEL/ NLD/PND/CEE	
2	LT3298043	1	MODEM PCB ASSY	MFC-L8850CDW	FOR ARL/NZ	
2	LT3296041	1	MODEM PCB ASSY	MFC-L9550CDW	FOR US/CAN	
2	LT3297042	1	MODEM PCB ASSY	MFC-L9550CDW	FOR	
					GER/UK/CHE/ITA/IBR/RUS/FRA/BEL/ NLD/PND/CEE	
3	LT2973001	1	MODEM FLAT CABLE	MFC-L8600CDW		
3	LT2973001	1	MODEM FLAT CABLE	MFC-L8650CDW		
3	LT2973001	1	MODEM FLAT CABLE	MFC-L8850CDW		
3	LT2973001	1	MODEM FLAT CABLE	MFC-L9550CDW		
4	LT2764001	1	LOWP-VOLTAGE POWER SUPPLY PCB UNIT	DCP-L8400CDN		
4	LT2764001	1	LOWP-VOLTAGE POWER SUPPLY PCB UNIT	DCP-L8450CDW		
4	LT2764001	1	LOWP-VOLTAGE POWER SUPPLY PCB UNIT	MFC-L8600CDW	FOR GUL/ARL/NZ	
4	LT2763001	1	LOWP-VOLTAGE POWER SUPPLY PCB UNIT	MFC-L8600CDW	FOR US/CAN/USFS	
4	LT2764001	1	LOWP-VOLTAGE POWER SUPPLY PCB UNIT	MFC-L8650CDW	FOR	
					GER/UK/CHE/ITA/IBR/FRA/BEL/NLD/ PND/CEE	
4	LT3083001	1	LOWP-VOLTAGE POWER SUPPLY PCB UNIT	MFC-L8650CDW	FOR RUS	
4	LT2764001	1	LOWP-VOLTAGE POWER SUPPLY PCB UNIT	MFC-L8850CDW	FOR	
					GER/UK/CHE/ITA/IBR/ARG/CHL/ASA/ GUL/FRA/BEL/NLD/ARL/NZ/PND/CEE	
4	LT2763001	1	LOWP-VOLTAGE POWER SUPPLY PCB UNIT	MFC-L8850CDW	FOR US/CAN/USFS	
4	LT3250001	1	LOWP-VOLTAGE POWER SUPPLY PCB UNIT	MFC-L8850CDW	FOR BRZ	
4	LT2764001	1	LOWP-VOLTAGE POWER SUPPLY PCB UNIT	MFC-L9550CDW	FOR	
					GER/UK/CHE/ITA/IBR/FRA/BEL/NLD/ PND/CEE	
4	LT2763001	1	LOWP-VOLTAGE POWER SUPPLY PCB UNIT	MFC-L9550CDW	FOR US/CAN	
4	LT3083001	1	LOWP-VOLTAGE POWER SUPPLY PCB UNIT	MFC-L9550CDW	FOR RUS	
5	LY7790001	1	HIGH-VOLTAGE POWER SUPPLY PCB UNIT			

15. ACCESSORIES



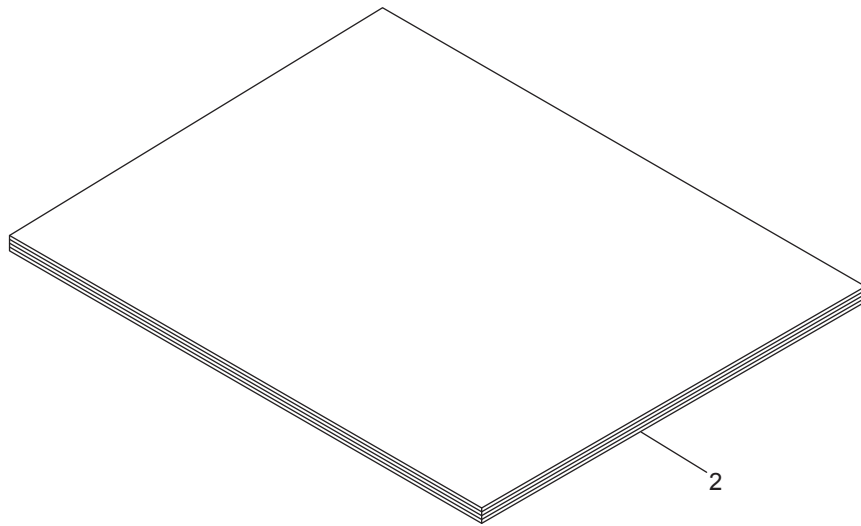
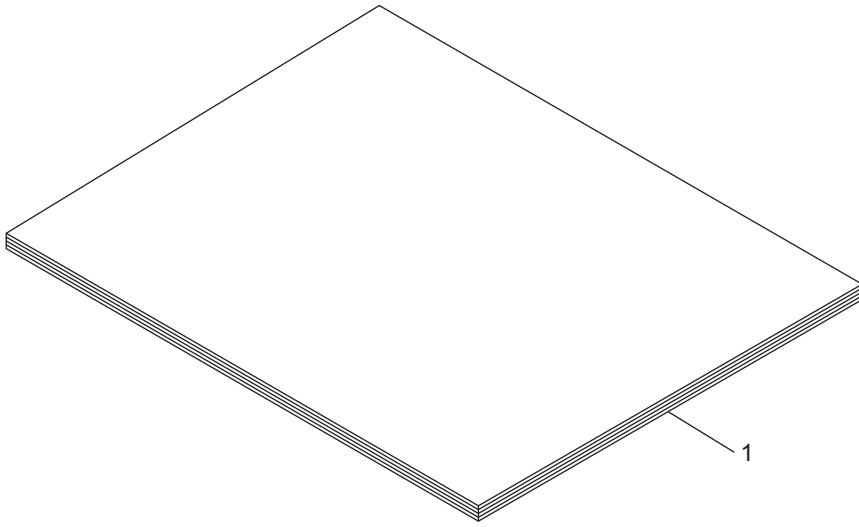
15.ACCESSORIES

REF No.	CODE	Q'TY	DESCRIPTION	MODEL	SPEC	REMARKS
1	LV0364001	1	AC CORD BAG ASSY LF VDE S	DCP-L8400CDN	FOR GER/ITA/IBR/FRA/BEL/NLD/PND/CEE	
1	LV0368001	1	AC CORD BAG ASSY LF BS/PSB S	DCP-L8400CDN	FOR UK	
1	LT2259001	1	AC CORD BAG ASSY LF SEV	DCP-L8400CDN	FOR CHE	
1	LG4720001	1	AC CORD BAG ASSY LF DEMKO	DCP-L8400CDN	FOR PND	
1	LV0364001	1	AC CORD BAG ASSY LF VDE S	DCP-L8450CDW	FOR GER/ITA/IBR/FRA/BEL/NLD/PND/CEE/ ITA CONSIP	
1	LV0368001	1	AC CORD BAG ASSY LF BS/PSB S	DCP-L8450CDW	FOR UK	
1	LT2259001	1	AC CORD BAG ASSY LF SEV	DCP-L8450CDW	FOR CHE	
1	LG4720001	1	AC CORD BAG ASSY LF DEMKO	DCP-L8450CDW	FOR PND	
1	LM9362001	1	AC CORD BAG ASSY LF UL/CSA 13A	MFC-L8600CDW	FOR US/CAN/USFS	
1	LV0364001	1	AC CORD BAG ASSY LF VDE S	MFC-L8600CDW	FOR GUL	
1	LV0368001	1	AC CORD BAG ASSY LF BS/PSB S	MFC-L8600CDW	FOR GUL	
1	LG6404001	1	AC CORD BAG ASSY LF SAF	MFC-L8600CDW	FOR GUL	
1	LV0366001	1	AC CORD BAG ASSY LF SAA S	MFC-L8600CDW	FOR ARL/NZ	
1	LV0364001	1	AC CORD BAG ASSY LF VDE S	MFC-L8650CDW	FOR GER/ITA/IBR/RUS/FRA/BEL/NLD/PND/ CEE	
1	LV0368001	1	AC CORD BAG ASSY LF BS/PSB S	MFC-L8650CDW	FOR UK	
1	LT2259001	1	AC CORD BAG ASSY LF SEV	MFC-L8650CDW	FOR CHE	
1	LG4720001	1	AC CORD BAG ASSY LF DEMKO	MFC-L8650CDW	FOR PND	
1	LV0364001	1	AC CORD BAG ASSY LF VDE S	MFC-L8850CDW	FOR GER/ITA/IBR/ASA/GUL/FRA/BEL/NLD/ PND/CEE	
1	LM9362001	1	AC CORD BAG ASSY LF UL/CSA 13A	MFC-L8850CDW	FOR US/CAN/USFS	
1	LV0368001	1	AC CORD BAG ASSY LF BS/PSB S	MFC-L8850CDW	FOR UK/ASA/GUL	
1	LT0925001	1	AC CORD BAG ASSY LF IRAM	MFC-L8850CDW	FOR ARG	
1	LT2346001	1	AC CORD BAG ASSY LF BRZ	MFC-L8850CDW	FOR BRZ	
1	LG6207001	1	AC CORD BAG ASSY LF CHILE	MFC-L8850CDW	FOR CHL	
1	LT2259001	1	AC CORD BAG ASSY LF SEV	MFC-L8850CDW	FOR CHE	
1	LG6404001	1	AC CORD BAG ASSY LF SAF	MFC-L8850CDW	FOR GUL	
1	LV0366001	1	AC CORD BAG ASSY LF SAA S	MFC-L8850CDW	FOR ARL/NZ	
1	LG4720001	1	AC CORD BAG ASSY LF DEMKO	MFC-L8850CDW	FOR PND	
1	LV0364001	1	AC CORD BAG ASSY LF VDE S	MFC-L9550CDW	FOR GER/ITA/IBR/RUS/FRA/BEL/NLD/PND/ CEE	
1	LM9362001	1	AC CORD BAG ASSY LF UL/CSA 13A	MFC-L9550CDW	FOR US/CAN	
1	LV0368001	1	AC CORD BAG ASSY LF BS/PSB S	MFC-L9550CDW	FOR UK	
1	LT2259001	1	AC CORD BAG ASSY LF SEV	MFC-L9550CDW	FOR CHE	
1	LG4720001	1	AC CORD BAG ASSY LF DEMKO	MFC-L9550CDW	FOR PND	
2	LG3077001	1	TELEPHONE LINE CORD CSA	MFC-L8600CDW	FOR US/CAN/GUL/USFS	
2	LT3317001	1	TELEPHONE LINE CORD CSA2	MFC-L8600CDW	FOR ARL/NZ	
2	LG3077001	1	TELEPHONE LINE CORD CSA	MFC-L8650CDW	FOR UK/RUS/FRA/BEL/NLD/CEE	
2	UG3625001	1	TELEPHONE LINE CORD GER	MFC-L8650CDW	FOR GER	
2	UG4205001	1	TELEPHONE LINE CORD AUS	MFC-L8650CDW	FOR GER	
2	UG3626001	1	TELEPHONE LINE CORD UK6P	MFC-L8650CDW	FOR UK	
2	LG7202001	1	TELEPHONE LINE CORD SWI	MFC-L8650CDW	FOR CHE	
2	LT2144001	1	TELEPHONE LINE CORD ITA	MFC-L8650CDW	FOR ITA/IBR	
2	UG1575001	1	TELEPHONE LINE CORD BEL	MFC-L8650CDW	FOR FRA/BEL/NLD	
2	UG3627001	1	TELEPHONE LINE CORD FRA	MFC-L8650CDW	FOR FRA/BEL/NLD	
2	LG5827001	1	TELEPHONE LINE CORD RJ45	MFC-L8650CDW	FOR PND	
2	LG3077001	1	TELEPHONE LINE CORD CSA	MFC-L8850CDW	FOR US/CAN/UK/ARG/CHL/ASA/GUL/BRZ/ USFS/FRA/BEL/NLD/CEE	
2	UG3625001	1	TELEPHONE LINE CORD GER	MFC-L8850CDW	FOR GER	
2	UG4205001	1	TELEPHONE LINE CORD AUS	MFC-L8850CDW	FOR GER	
2	UG3626001	1	TELEPHONE LINE CORD UK6P	MFC-L8850CDW	FOR UK	
2	LG7202001	1	TELEPHONE LINE CORD SWI	MFC-L8850CDW	FOR CHE	
2	LT2144001	1	TELEPHONE LINE CORD ITA	MFC-L8850CDW	FOR ITA/IBR	
2	UG1575001	1	TELEPHONE LINE CORD BEL	MFC-L8850CDW	FOR FRA/BEL/NLD	
2	UG3627001	1	TELEPHONE LINE CORD FRA	MFC-L8850CDW	FOR FRA/BEL/NLD	
2	LT3317001	1	TELEPHONE LINE CORD CSA2	MFC-L8850CDW	FOR ARL/NZ	
2	UG3290001	1	TELEPHONE LINE CORD NZ	MFC-L8850CDW	FOR ARL/NZ	
2	LG5827001	1	TELEPHONE LINE CORD RJ45	MFC-L8850CDW	FOR PND	
2	LG3077001	1	TELEPHONE LINE CORD CSA	MFC-L9550CDW	FOR US/CAN/UK/RUS/FRA/BEL/NLD/CEE	
2	UG3625001	1	TELEPHONE LINE CORD GER	MFC-L9550CDW	FOR GER	
2	UG4205001	1	TELEPHONE LINE CORD AUS	MFC-L9550CDW	FOR GER	
2	UG3626001	1	TELEPHONE LINE CORD UK6P	MFC-L9550CDW	FOR UK	
2	LG7202001	1	TELEPHONE LINE CORD SWI	MFC-L9550CDW	FOR CHE	
2	LT2144001	1	TELEPHONE LINE CORD ITA	MFC-L9550CDW	FOR ITA/IBR	

15.ACCESSORIES

REF No.	CODE	Q'TY	DESCRIPTION	MODEL	SPEC	REMARKS
2	UG1575001	1	TELEPHONE LINE CORD BEL	MFC-L9550CDW	FOR FRA/BEL/NLD	
2	UG3627001	1	TELEPHONE LINE CORD FRA	MFC-L9550CDW	FOR FRA/BEL/NLD	
2	LG5827001	1	TELEPHONE LINE CORD RJ45	MFC-L9550CDW	FOR PND	
3	LEN043001	1	CDROM ASSY	DCP-L8400CDN	FOR GER/UK/CHE/FRA/BEL/NLD	
3	LEN132001	1	CDROM ASSY	DCP-L8400CDN	FOR ITA/IBR	
3	LEN045001	1	CDROM ASSY	DCP-L8400CDN	FOR PND	
3	LEN048001	1	CDROM ASSY	DCP-L8400CDN	FOR CEE	
3	LEN043001	1	CDROM ASSY	DCP-L8450CDW	FOR GER/UK/CHE/FRA/BEL/NLD	
3	LEN132001	1	CDROM ASSY	DCP-L8450CDW	FOR ITA/IBR/ITA CONSIP	
3	LEN045001	1	CDROM ASSY	DCP-L8450CDW	FOR PND	
3	LEN048001	1	CDROM ASSY	DCP-L8450CDW	FOR CEE	
3	LEN040001	1	CDROM ASSY	MFC-L8600CDW	FOR US/USFS	
3	LEN041001	1	CDROM ASSY	MFC-L8600CDW	FOR CAN	
3	LEN055001	1	CDROM ASSY	MFC-L8600CDW	FOR GUL/ARL/NZ	
3	LEN044001	1	CDROM ASSY	MFC-L8650CDW	FOR GER/UK/CHE/FRA/BEL/NLD	
3	LEN133001	1	CDROM ASSY	MFC-L8650CDW	FOR ITA/IBR	
3	LEN047001	1	CDROM ASSY	MFC-L8650CDW	FOR RUS	
3	LEN046001	1	CDROM ASSY	MFC-L8650CDW	FOR PND	
3	LEN049001	1	CDROM ASSY	MFC-L8650CDW	FOR CEE	
3	LEN040001	1	CDROM ASSY	MFC-L8850CDW	FOR US/USFS	
3	LEN041001	1	CDROM ASSY	MFC-L8850CDW	FOR CAN/ARG/CHL/BRZ	
3	LEN044001	1	CDROM ASSY	MFC-L8850CDW	FOR GER/UK/CHE/FRA/BEL/NLD	
3	LEN133001	1	CDROM ASSY	MFC-L8850CDW	FOR ITA/IBR	
3	LEN054001	1	CDROM ASSY	MFC-L8850CDW	FOR ASA	
3	LEN055001	1	CDROM ASSY	MFC-L8850CDW	FOR GUL/ARL/NZ	
3	LEN046001	1	CDROM ASSY	MFC-L8850CDW	FOR PND	
3	LEN049001	1	CDROM ASSY	MFC-L8850CDW	FOR CEE	
3	LEN040001	1	CDROM ASSY	MFC-L9550CDW	FOR US	
3	LEN041001	1	CDROM ASSY	MFC-L9550CDW	FOR CAN	
3	LEN044001	1	CDROM ASSY	MFC-L9550CDW	FOR GER/UK/CHE/FRA/BEL/NLD	
3	LEN133001	1	CDROM ASSY	MFC-L9550CDW	FOR ITA/IBR	
3	LEN047001	1	CDROM ASSY	MFC-L9550CDW	FOR RUS	
3	LEN046001	1	CDROM ASSY	MFC-L9550CDW	FOR PND	
3	LEN049001	1	CDROM ASSY	MFC-L9550CDW	FOR CEE	
4	XA9940051	1	STYRUS			
5	LJ9803001	1	USB CABLE 2.0	MFC-L8600CDW	FOR GUL	
5	LJ9803001	1	USB CABLE 2.0	MFC-L8850CDW	FOR ASA/GUL	
6	LU6915001	1	DRM CLN SHEET KIT (SP)			
(7)	LG6573001	1	TELEPHONE PLUG ARL	MFC-L8600CDW	FOR ARL/NZ	
(7)	LG5828001	1	TELEPHONE PLUG DEN	MFC-L8650CDW	FOR PND	
(7)	LG5829001	1	TELEPHONE PLUG FIN	MFC-L8650CDW	FOR PND	
(7)	LG5830001	1	TELEPHONE PLUG SWE	MFC-L8650CDW	FOR PND	
(7)	LG6573001	1	TELEPHONE PLUG ARL	MFC-L8850CDW	FOR ARL/NZ	
(7)	LG5828001	1	TELEPHONE PLUG DEN	MFC-L8850CDW	FOR PND	
(7)	LG5829001	1	TELEPHONE PLUG FIN	MFC-L8850CDW	FOR PND	
(7)	LG5830001	1	TELEPHONE PLUG SWE	MFC-L8850CDW	FOR PND	
(7)	LG5828001	1	TELEPHONE PLUG DEN	MFC-L9550CDW	FOR PND	
(7)	LG5829001	1	TELEPHONE PLUG FIN	MFC-L9550CDW	FOR PND	
(7)	LG5830001	1	TELEPHONE PLUG SWE	MFC-L9550CDW	FOR PND	

16. PRINTED MATERIALS



16.PRINTED MATERIALS

REF No.	CODE	Q'TY	DESCRIPTION	MODEL	SPEC	REMARKS
1	LEN137001	1	USER'S GUIDE (ENGLISH)	MFC-L8600CDW	FOR US/CAN/USFS	
1	LEN137001	1	USER'S GUIDE (ENGLISH)	MFC-L8850CDW	FOR US/CAN/USFS	
1	LEN137001	1	USER'S GUIDE (ENGLISH)	MFC-L9550CDW	FOR US/CAN	
1	LEN137002	1	USER'S GUIDE (FRENCH)	MFC-L8600CDW	FOR CAN	
1	LEN137002	1	USER'S GUIDE (FRENCH)	MFC-L8850CDW	FOR CAN	
1	LEN137002	1	USER'S GUIDE (FRENCH)	MFC-L9550CDW	FOR CAN	
1	LEN137031	1	USER'S GUIDE (SPANISH)	MFC-L8850CDW	FOR ARG/CHL	
1	LEN137042	1	USER'S GUIDE (POLTUGUESE)	MFC-L8850CDW	FOR BRZ	
1	LEN140003	1	USER'S GUIDE (GERMAN)	MFC-L8650CDW	FOR GER/CHE	
1	LEN140003	1	USER'S GUIDE (GERMAN)	MFC-L8850CDW	FOR GER/CHE	
1	LEN140003	1	USER'S GUIDE (GERMAN)	MFC-L9550CDW	FOR GER/CHE	
1	LEN140004	1	USER'S GUIDE (ENGLISH)	MFC-L8650CDW	FOR UK	
1	LEN140004	1	USER'S GUIDE (ENGLISH)	MFC-L8850CDW	FOR UK	
1	LEN140004	1	USER'S GUIDE (ENGLISH)	MFC-L9550CDW	FOR UK	
1	LEN140005	1	USER'S GUIDE (FRENCH)	MFC-L8650CDW	FOR CHE/FRA/BEL/NLD	
1	LEN140005	1	USER'S GUIDE (FRENCH)	MFC-L8850CDW	FOR CHE/FRA/BEL/NLD	
1	LEN140005	1	USER'S GUIDE (FRENCH)	MFC-L9550CDW	FOR CHE/FRA/BEL/NLD	
1	LEN140009	1	USER'S GUIDE (DUTCH)	MFC-L8650CDW	FOR FRA/BEL/NLD	
1	LEN140009	1	USER'S GUIDE (DUTCH)	MFC-L8850CDW	FOR FRA/BEL/NLD	
1	LEN140009	1	USER'S GUIDE (DUTCH)	MFC-L9550CDW	FOR FRA/BEL/NLD	
1	LEN140016	1	USER'S GUIDE (ITALIAN)	MFC-L8650CDW	FOR ITA/IBR	
1	LEN140016	1	USER'S GUIDE (ITALIAN)	MFC-L8850CDW	FOR ITA/IBR	
1	LEN140016	1	USER'S GUIDE (ITALIAN)	MFC-L9550CDW	FOR ITA/IBR	
1	LEN140048	1	USER'S GUIDE (RUSSIAN)	MFC-L8650CDW	FOR RUS	
1	LEN140048	1	USER'S GUIDE (RUSSIAN)	MFC-L9550CDW	FOR RUS	
1	LEN142025	1	USER'S GUIDE (TURKISH)	MFC-L8600CDW	FOR GUL	
1	LEN142025	1	USER'S GUIDE (TURKISH)	MFC-L8850CDW	FOR GUL	
1	LEN142041	1	USER'S GUIDE (ENGLISH)	MFC-L8600CDW	FOR GUL	
1	LEN142041	1	USER'S GUIDE (ENGLISH)	MFC-L8850CDW	FOR GUL	
1	LEN144030	1	USER'S GUIDE (THAI)	MFC-L8850CDW	FOR ASA	
1	LEN214007	1	USER'S GUIDE (NORWEGIAN/SWEDISH)	MFC-L8650CDW	FOR PND	
1	LEN214007	1	USER'S GUIDE (NORWEGIAN/SWEDISH)	MFC-L8850CDW	FOR PND	
1	LEN214007	1	USER'S GUIDE (NORWEGIAN/SWEDISH)	MFC-L9550CDW	FOR PND	
1	LEN214013	1	USER'S GUIDE (DANISH/FINNISH)	MFC-L8650CDW	FOR PND	
1	LEN214013	1	USER'S GUIDE (DANISH/FINNISH)	MFC-L8850CDW	FOR PND	
1	LEN214013	1	USER'S GUIDE (DANISH/FINNISH)	MFC-L9550CDW	FOR PND	
1	LEN214015	1	USER'S GUIDE (SPANISH)	MFC-L8650CDW	FOR ITA/IBR	
1	LEN214015	1	USER'S GUIDE (SPANISH)	MFC-L8850CDW	FOR ITA/IBR	
1	LEN214015	1	USER'S GUIDE (SPANISH)	MFC-L9550CDW	FOR ITA/IBR	
1	LEN287040	1	USER'S GUIDE (ENGLISH)	MFC-L8600CDW	FOR ARL/NZ	
1	LEN287040	1	USER'S GUIDE (ENGLISH)	MFC-L8850CDW	FOR ASA/ARL/NZ	
1	LEN295032	1	USER'S GUIDE (ARABIC)	MFC-L8600CDW	FOR GUL	
1	LEN295032	1	USER'S GUIDE (ARABIC)	MFC-L8850CDW	FOR GUL	
2	LEN138001	1	QUICK SETUP GUIDE (ENGLISH)	MFC-L8600CDW	FOR US/CAN/USFS	
2	LEN138001	1	QUICK SETUP GUIDE (ENGLISH)	MFC-L8850CDW	FOR US/CAN/USFS	
2	LEN138001	1	QUICK SETUP GUIDE (ENGLISH)	MFC-L9550CDW	FOR US/CAN	
2	LEN138002	1	QUICK SETUP GUIDE (FRENCH)	MFC-L8600CDW	FOR CAN	
2	LEN138002	1	QUICK SETUP GUIDE (FRENCH)	MFC-L8850CDW	FOR CAN	
2	LEN138002	1	QUICK SETUP GUIDE (FRENCH)	MFC-L9550CDW	FOR CAN	
2	LEN138031	1	QUICK SETUP GUIDE (SPANISH)	MFC-L8850CDW	FOR ARG/CHL	
2	LEN138042	1	QUICK SETUP GUIDE (PORTUGUESE)	MFC-L8850CDW	FOR BRZ	
2	LEN141003	1	QUICK SETUP GUIDE (GERMAN)	DCP-L8400CDN	FOR GER/CHE	
2	LEN141003	1	QUICK SETUP GUIDE (GERMAN)	DCP-L8450CDW	FOR GER/CHE	
2	LEN141003	1	QUICK SETUP GUIDE (GERMAN)	MFC-L8650CDW	FOR GER/CHE	
2	LEN141003	1	QUICK SETUP GUIDE (GERMAN)	MFC-L8850CDW	FOR GER/CHE	
2	LEN141003	1	QUICK SETUP GUIDE (GERMAN)	MFC-L9550CDW	FOR GER/CHE	
2	LEN141004	1	QUICK SETUP GUIDE (ENGLISH)	DCP-L8400CDN	FOR UK/CEE	
2	LEN141004	1	QUICK SETUP GUIDE (ENGLISH)	DCP-L8450CDW	FOR UK/CEE	
2	LEN141004	1	QUICK SETUP GUIDE (ENGLISH)	MFC-L8650CDW	FOR UK/CEE	
2	LEN141004	1	QUICK SETUP GUIDE (ENGLISH)	MFC-L8850CDW	FOR UK/CEE	
2	LEN141004	1	QUICK SETUP GUIDE (ENGLISH)	MFC-L9550CDW	FOR UK/CEE	
2	LEN141005	1	QUICK SETUP GUIDE (FRENCH)	DCP-L8400CDN	FOR CHE/FRA/BEL/NLD	
2	LEN141005	1	QUICK SETUP GUIDE (FRENCH)	DCP-L8450CDW	FOR CHE/FRA/BEL/NLD	
2	LEN141005	1	QUICK SETUP GUIDE (FRENCH)	MFC-L8650CDW	FOR CHE/FRA/BEL/NLD	
2	LEN141005	1	QUICK SETUP GUIDE (FRENCH)	MFC-L8850CDW	FOR CHE/FRA/BEL/NLD	
2	LEN141005	1	QUICK SETUP GUIDE (FRENCH)	MFC-L9550CDW	FOR CHE/FRA/BEL/NLD	
2	LEN141007	1	QUICK SETUP GUIDE (NORWEGIAN)	DCP-L8400CDN	FOR PND	
2	LEN141007	1	QUICK SETUP GUIDE (NORWEGIAN)	DCP-L8450CDW	FOR PND	

16.PRINTED MATERIALS

REF No.	CODE	Q'TY	DESCRIPTION	MODEL	SPEC	REMARKS
2	LEN141007	1	QUICK SETUP GUIDE (NORWEGIAN)	MFC-L8650CDW	FOR PND	
2	LEN141007	1	QUICK SETUP GUIDE (NORWEGIAN)	MFC-L8850CDW	FOR PND	
2	LEN141007	1	QUICK SETUP GUIDE (NORWEGIAN)	MFC-L9550CDW	FOR PND	
2	LEN141009	1	QUICK SETUP GUIDE (DUTCH)	DCP-L8400CDN	FOR FRA/BEL/NLD	
2	LEN141009	1	QUICK SETUP GUIDE (DUTCH)	DCP-L8450CDW	FOR FRA/BEL/NLD	
2	LEN141009	1	QUICK SETUP GUIDE (DUTCH)	MFC-L8650CDW	FOR FRA/BEL/NLD	
2	LEN141009	1	QUICK SETUP GUIDE (DUTCH)	MFC-L8850CDW	FOR FRA/BEL/NLD	
2	LEN141009	1	QUICK SETUP GUIDE (DUTCH)	MFC-L9550CDW	FOR FRA/BEL/NLD	
2	LEN141012	1	QUICK SETUP GUIDE (FINNISH)	DCP-L8400CDN	FOR PND	
2	LEN141012	1	QUICK SETUP GUIDE (FINNISH)	DCP-L8450CDW	FOR PND	
2	LEN141012	1	QUICK SETUP GUIDE (FINNISH)	MFC-L8650CDW	FOR PND	
2	LEN141012	1	QUICK SETUP GUIDE (FINNISH)	MFC-L8850CDW	FOR PND	
2	LEN141012	1	QUICK SETUP GUIDE (FINNISH)	MFC-L9550CDW	FOR PND	
2	LEN141013	1	QUICK SETUP GUIDE (DANISH)	DCP-L8400CDN	FOR PND	
2	LEN141013	1	QUICK SETUP GUIDE (DANISH)	DCP-L8450CDW	FOR PND	
2	LEN141013	1	QUICK SETUP GUIDE (DANISH)	MFC-L8650CDW	FOR PND	
2	LEN141013	1	QUICK SETUP GUIDE (DANISH)	MFC-L8850CDW	FOR PND	
2	LEN141013	1	QUICK SETUP GUIDE (DANISH)	MFC-L9550CDW	FOR PND	
2	LEN141015	1	QUICK SETUP GUIDE (SPANISH)	DCP-L8400CDN	FOR ITA/IBR	
2	LEN141015	1	QUICK SETUP GUIDE (SPANISH)	DCP-L8450CDW	FOR ITA/IBR	
2	LEN141015	1	QUICK SETUP GUIDE (SPANISH)	MFC-L8650CDW	FOR ITA/IBR	
2	LEN141015	1	QUICK SETUP GUIDE (SPANISH)	MFC-L8850CDW	FOR ITA/IBR	
2	LEN141015	1	QUICK SETUP GUIDE (SPANISH)	MFC-L9550CDW	FOR ITA/IBR	
2	LEN141016	1	QUICK SETUP GUIDE (ITALIAN)	DCP-L8400CDN	FOR CHE/ITA/IBR	
2	LEN141016	1	QUICK SETUP GUIDE (ITALIAN)	DCP-L8450CDW	FOR CHE/ITA/IBR/ITA CONSP	
2	LEN141016	1	QUICK SETUP GUIDE (ITALIAN)	MFC-L8650CDW	FOR CHE/ITA/IBR	
2	LEN141016	1	QUICK SETUP GUIDE (ITALIAN)	MFC-L8850CDW	FOR CHE/ITA/IBR	
2	LEN141016	1	QUICK SETUP GUIDE (ITALIAN)	MFC-L9550CDW	FOR CHE/ITA/IBR	
2	LEN141018	1	QUICK SETUP GUIDE (PORTUGUESE)	DCP-L8400CDN	FOR ITA/IBR	
2	LEN141018	1	QUICK SETUP GUIDE (PORTUGUESE)	DCP-L8450CDW	FOR ITA/IBR	
2	LEN141018	1	QUICK SETUP GUIDE (PORTUGUESE)	MFC-L8650CDW	FOR ITA/IBR	
2	LEN141018	1	QUICK SETUP GUIDE (PORTUGUESE)	MFC-L8850CDW	FOR ITA/IBR	
2	LEN141018	1	QUICK SETUP GUIDE (PORTUGUESE)	MFC-L9550CDW	FOR ITA/IBR	
2	LEN141026	1	QUICK SETUP GUIDE (SWEDISH)	DCP-L8400CDN	FOR PND	
2	LEN141026	1	QUICK SETUP GUIDE (SWEDISH)	DCP-L8450CDW	FOR PND	
2	LEN141026	1	QUICK SETUP GUIDE (SWEDISH)	MFC-L8650CDW	FOR PND	
2	LEN141026	1	QUICK SETUP GUIDE (SWEDISH)	MFC-L8850CDW	FOR PND	
2	LEN141026	1	QUICK SETUP GUIDE (SWEDISH)	MFC-L9550CDW	FOR PND	
2	LEN141033	1	QUICK SETUP GUIDE (ROMANIAN)	DCP-L8400CDN	FOR CEE	
2	LEN141033	1	QUICK SETUP GUIDE (ROMANIAN)	DCP-L8450CDW	FOR CEE	
2	LEN141033	1	QUICK SETUP GUIDE (ROMANIAN)	MFC-L8650CDW	FOR CEE	
2	LEN141033	1	QUICK SETUP GUIDE (ROMANIAN)	MFC-L8850CDW	FOR CEE	
2	LEN141033	1	QUICK SETUP GUIDE (ROMANIAN)	MFC-L9550CDW	FOR CEE	
2	LEN141034	1	QUICK SETUP GUIDE (SLOVAK)	DCP-L8400CDN	FOR CEE	
2	LEN141034	1	QUICK SETUP GUIDE (SLOVAK)	DCP-L8450CDW	FOR CEE	
2	LEN141034	1	QUICK SETUP GUIDE (SLOVAK)	MFC-L8650CDW	FOR CEE	
2	LEN141034	1	QUICK SETUP GUIDE (SLOVAK)	MFC-L8850CDW	FOR CEE	
2	LEN141034	1	QUICK SETUP GUIDE (SLOVAK)	MFC-L9550CDW	FOR CEE	
2	LEN141037	1	QUICK SETUP GUIDE (CZECH)	DCP-L8400CDN	FOR CEE	
2	LEN141037	1	QUICK SETUP GUIDE (CZECH)	DCP-L8450CDW	FOR CEE	
2	LEN141037	1	QUICK SETUP GUIDE (CZECH)	MFC-L8650CDW	FOR CEE	
2	LEN141037	1	QUICK SETUP GUIDE (CZECH)	MFC-L8850CDW	FOR CEE	
2	LEN141037	1	QUICK SETUP GUIDE (CZECH)	MFC-L9550CDW	FOR CEE	
2	LEN141038	1	QUICK SETUP GUIDE (HUNGARIAN)	DCP-L8400CDN	FOR CEE	
2	LEN141038	1	QUICK SETUP GUIDE (HUNGARIAN)	DCP-L8450CDW	FOR CEE	
2	LEN141038	1	QUICK SETUP GUIDE (HUNGARIAN)	MFC-L8650CDW	FOR CEE	
2	LEN141038	1	QUICK SETUP GUIDE (HUNGARIAN)	MFC-L8850CDW	FOR CEE	
2	LEN141038	1	QUICK SETUP GUIDE (HUNGARIAN)	MFC-L9550CDW	FOR CEE	
2	LEN141039	1	QUICK SETUP GUIDE (POLISH)	DCP-L8400CDN	FOR CEE	
2	LEN141039	1	QUICK SETUP GUIDE (POLISH)	DCP-L8450CDW	FOR CEE	
2	LEN141039	1	QUICK SETUP GUIDE (POLISH)	MFC-L8650CDW	FOR CEE	
2	LEN141039	1	QUICK SETUP GUIDE (POLISH)	MFC-L8850CDW	FOR CEE	
2	LEN141039	1	QUICK SETUP GUIDE (POLISH)	MFC-L9550CDW	FOR CEE	
2	LEN141048	1	QUICK SETUP GUIDE (RUSSIAN)	MFC-L8650CDW	FOR RUS	
2	LEN141048	1	QUICK SETUP GUIDE (RUSSIAN)	MFC-L9550CDW	FOR RUS	
2	LEN141059	1	QUICK SETUP GUIDE (BULGARIAN)	DCP-L8400CDN	FOR CEE	
2	LEN141059	1	QUICK SETUP GUIDE (BULGARIAN)	DCP-L8450CDW	FOR CEE	

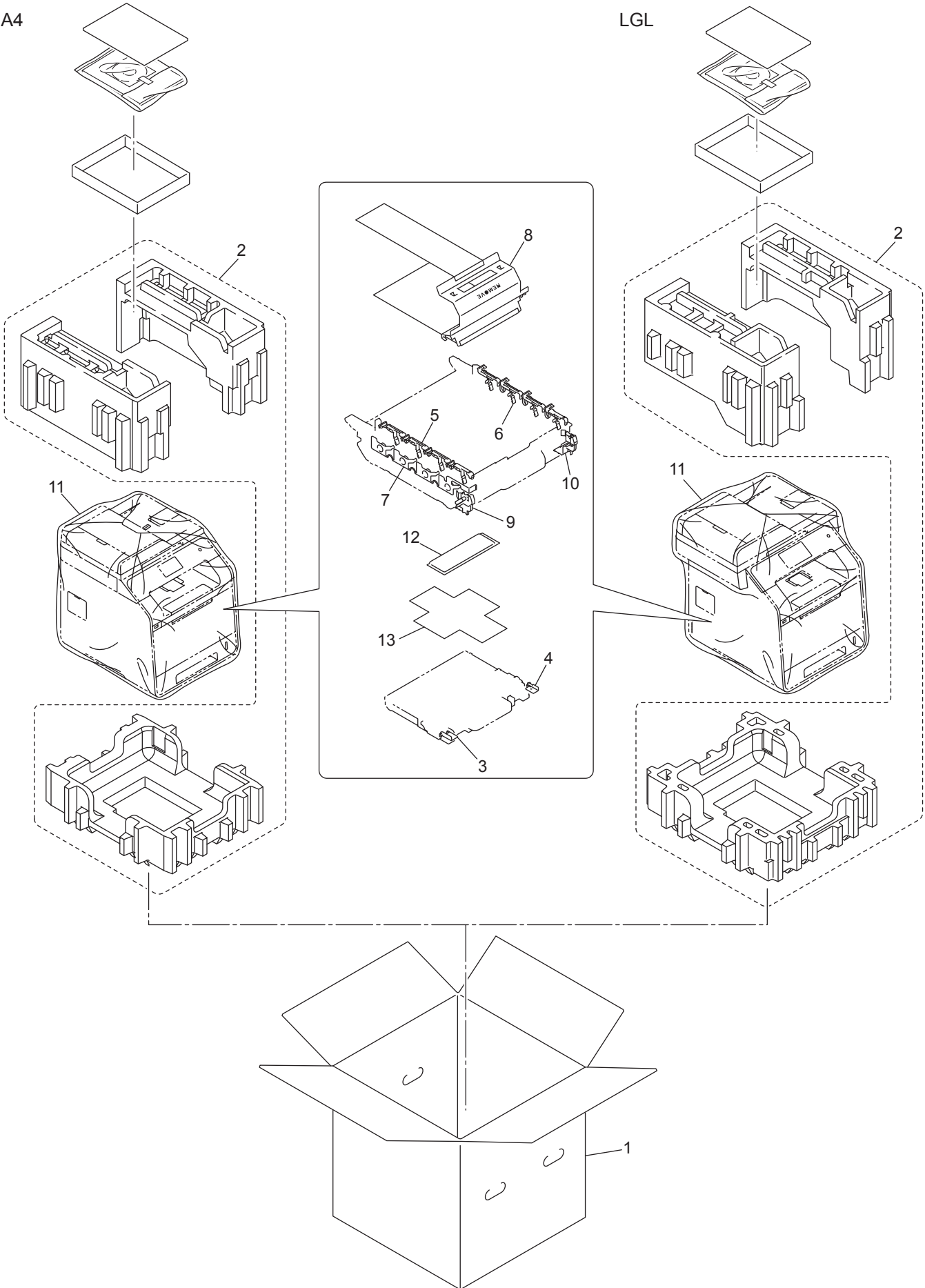
16.PRINTED MATERIALS

REF No.	CODE	Q'TY	DESCRIPTION	MODEL	SPEC	REMARKS
2	LEN141059	1	QUICK SETUP GUIDE (BULGARIAN)	MFC-L8650CDW	FOR CEE	
2	LEN141059	1	QUICK SETUP GUIDE (BULGARIAN)	MFC-L8850CDW	FOR CEE	
2	LEN141059	1	QUICK SETUP GUIDE (BULGARIAN)	MFC-L9550CDW	FOR CEE	
2	LEN141060	1	QUICK SETUP GUIDE (BELARUSIAN)	MFC-L8650CDW	FOR RUS	
2	LEN141060	1	QUICK SETUP GUIDE (BELARUSIAN)	MFC-L9550CDW	FOR RUS	
2	LEN141061	1	QUICK SETUP GUIDE (KAZAKH)	MFC-L8650CDW	FOR RUS	
2	LEN141061	1	QUICK SETUP GUIDE (KAZAKH)	MFC-L9550CDW	FOR RUS	
2	LEN143019	1	QUICK SETUP GUIDE (VIETNAMESE)	MFC-L8850CDW	FOR ASA	
2	LEN143025	1	QUICK SETUP GUIDE (TURKISH)	MFC-L8600CDW	FOR GUL	
2	LEN143025	1	QUICK SETUP GUIDE (TURKISH)	MFC-L8850CDW	FOR GUL	
2	LEN143029	1	QUICK SETUP GUIDE (INDNESIAN)	MFC-L8850CDW	FOR ASA	
2	LEN143032	1	QUICK SETUP GUIDE (ARABIC)	MFC-L8600CDW	FOR GUL	
2	LEN143032	1	QUICK SETUP GUIDE (ARABIC)	MFC-L8850CDW	FOR GUL	
2	LEN143041	1	QUICK SETUP GUIDE (ENGLISH)	MFC-L8600CDW	FOR GUL	
2	LEN143041	1	QUICK SETUP GUIDE (ENGLISH)	MFC-L8850CDW	FOR GUL	
2	LEN145030	1	QUICK SETUP GUIDE (THAI)	MFC-L8850CDW	FOR ASA	
2	LEN234040	1	QUICK SETUP GUIDE (ENGLISH)	MFC-L8600CDW	FOR ARL/NZ	
2	LEN234040	1	QUICK SETUP GUIDE (ENGLISH)	MFC-L8850CDW	FOR ASA/ARL/NZ	

17.PACKING MATERIALS

A4

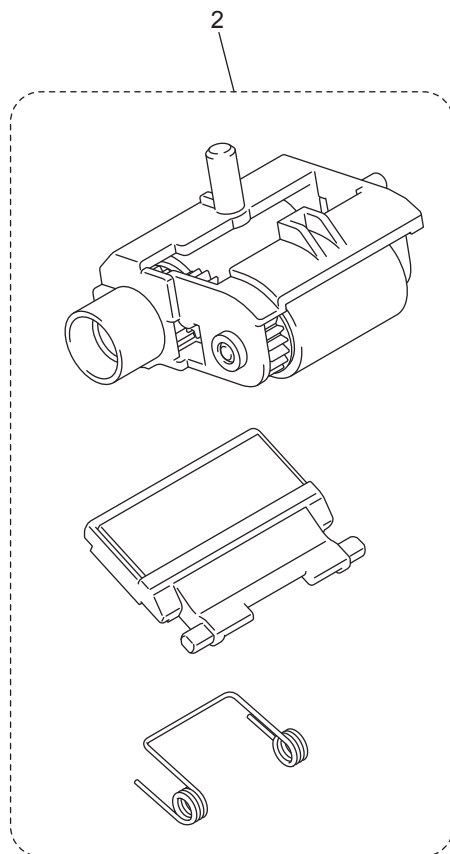
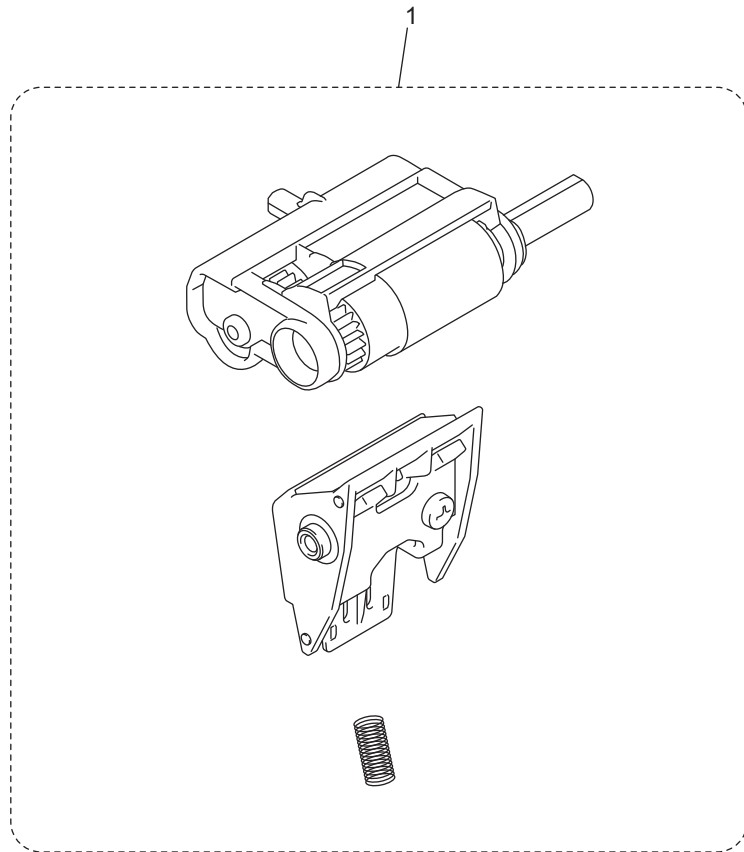
LGL



17.PACKING MATERIALS

REF No.	CODE	QTY	DESCRIPTION	MODEL	SPEC	REMARKS
1	LEN071001	1	CARTON BROTHER	MFC-L8850CDW	FOR US/USFS	
1	LEN075001	1	CARTON BROTHER	MFC-L8850CDW	FOR CAN	
1	LEN077001	1	CARTON BROTHER	MFC-L8850CDW	FOR BRZ	
1	LEN078001	1	CARTON BROTHER	MFC-L8850CDW	FOR ARG/CHL	
1	LEN079001	1	CARTON BROTHER	MFC-L8600CDW	FOR US/USFS	
1	LEN083001	1	CARTON BROTHER	MFC-L8600CDW	FOR CAN	
1	LEN086001	1	CARTON BROTHER	MFC-L9550CDW	FOR US/CAN	
1	LEN097001	1	CARTON BROTHER	DCP-L8400CDN		
1	LEN098001	1	CARTON BROTHER	DCP-L8450CDW	FOR GER/CHE/ITA/IBR/FRA/BEL/NLD/ PND/CEE	
1	LEN099001	1	CARTON BROTHER	MFC-L8650CDW		
1	LEN100001	1	CARTON BROTHER	MFC-L8850CDW	FOR GER/UK/CHE/ITA/IBR/FRA/BEL/NLD/ PND/CEE	
1	LEN101001	1	CARTON BROTHER	MFC-L9550CDW	FOR GER/UK/CHE/ITA/IBR/RUS/FRA/BEL/ NLD/PND/CEE	
1	LEN105001	1	CARTON BROTHER	MFC-L8850CDW	FOR ASA	
1	LEN108001	1	CARTON BROTHER	MFC-L8850CDW	FOR ARL/NZ	
1	LEN258001	1	CARTON BROTHER	MFC-L8850CDW	FOR GUL	
1	LEN267001	1	CARTON BROTHER	DCP-L8450CDW	FOR ITA CONSIP	
1	LEN276001	1	CARTON BROTHER	MFC-L8600CDW	FOR GUL	
1	LEN277001	1	CARTON BROTHER	MFC-L8600CDW	FOR ARL/NZ	
2	LEN026001	1	POLYSTYRENE PAD ASSY	DCP-L8400CDN		
2	LEN026001	1	POLYSTYRENE PAD ASSY	MFC-L8600CDW		
2	LEN026001	1	POLYSTYRENE PAD ASSY	MFC-L8650CDW		
2	LEN033001	1	POLYSTYRENE PAD ASSY	DCP-L8450CDW		
2	LEN033001	1	POLYSTYRENE PAD ASSY	MFC-L8850CDW		
2	LEN033001	1	POLYSTYRENE PAD ASSY	MFC-L9550CDW		
3	LY0908001	1	CLEANER LOCK L			
4	LY0909001	1	CLEANER LOCK R			
5	LY0896001	1	DEVELOP SPACER L			
6	LY0897001	1	DEVELOP SPACER R			
7	LY0898001	1	DEVELOP STOPPER			
8	LY7999001	1	REMOVE SHEET ASSY			
9	LY0903001	1	DRM STOPPER L			
10	LU6891001	1	DRM STOPPER R	DCP-L8400CDN		
10	LU6891001	1	DRM STOPPER R	DCP-L8450CDW		
10	LU6891001	1	DRM STOPPER R	MFC-L8600CDW		
10	LU6891001	1	DRM STOPPER R	MFC-L8650CDW		
10	LU6891001	1	DRM STOPPER R	MFC-L8850CDW		
10	LU6891001	1	DRM STOPPER R	MFC-L9550CDW		
11	LX4625001	1	BAG 1100X1200			
12	LY1678001	1	SILICA GEL	MFC-L8600CDW	FOR US/CAN/USFS	
12	LY1678001	1	SILICA GEL	MFC-L8850CDW	FOR US/CAN/ARG/CHL/BRZ/USFS	
12	LY1678001	1	SILICA GEL	MFC-L9550CDW	FOR US/CAN	
12	LY1679001	1	SILICA GEL	DCP-L8400CDN		
12	LY1679001	1	SILICA GEL	DCP-L8450CDW		
12	LY1679001	1	SILICA GEL	MFC-L8600CDW	FOR GUL/ARL/NZ	
12	LY1679001	1	SILICA GEL	MFC-L8650CDW		
12	LY1679001	1	SILICA GEL	MFC-L8850CDW	FOR GER/UK/CHE/ITA/IBR/ASA/GUL/FRA/ BEL/NLD/ARL/NZ/PND/CEE	
12	LY1679001	1	SILICA GEL	MFC-L9550CDW	FOR GER/UK/CHE/ITA/IBR/RUS/FRA/BEL/ NLD/PND/CEE	
13	LY1395001	1	SILICA GEL SHEET			

18.PERIODICAL MAINTENANCE



18.PERIODICAL MAINTENANCE PARTS

REF No.	CODE	Q'TY	DESCRIPTION	MODEL	SPEC	REMARKS
1	LU4978001	1	PAPER FEEDING KIT 1			
2	LU4979001	1	MP PAPER FEEDING KIT			