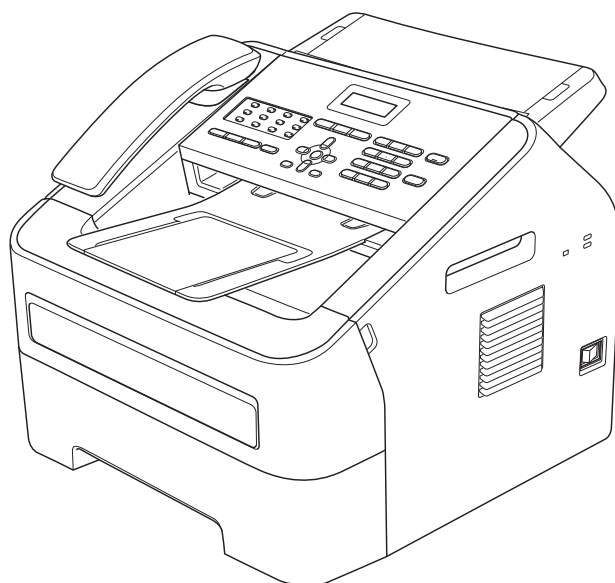




Laser FAX **PARTS REFERENCE LIST**

**MODEL: FAX-2840/2845/2845R/
2890/2940/2940R/2950/2990
MFC-7240/7290**



Read this list thoroughly before maintenance work.

Keep this list in a convenient place for quick and easy reference at all times.

NOTE FOR USING THIS PARTS REFERENCE LIST

1. In the case of ordering parts, it is necessary to mention the following items:

- (1) Code
- (2) Q'ty
- (3) Description

<Example>

	(1) CODE	(2) Q'TY	(3) DESCRIPTION	
REF.NO.	CODE	Q'TY	DESCRIPTION	REMARKS

2. Design-changed parts:

If any of the parts is changed, one of the following symbols is indicated in the REMARKS column.

CHG (chg): The part is changed for a new one.

ADD (add): The part is newly added.

DEL (del): The part is deleted.

Symbol in capital letters indicates the latest parts change information in the page.

3. Parts change will be informed by the Parts change information.

4. Parts are subject to change in design without prior notice.

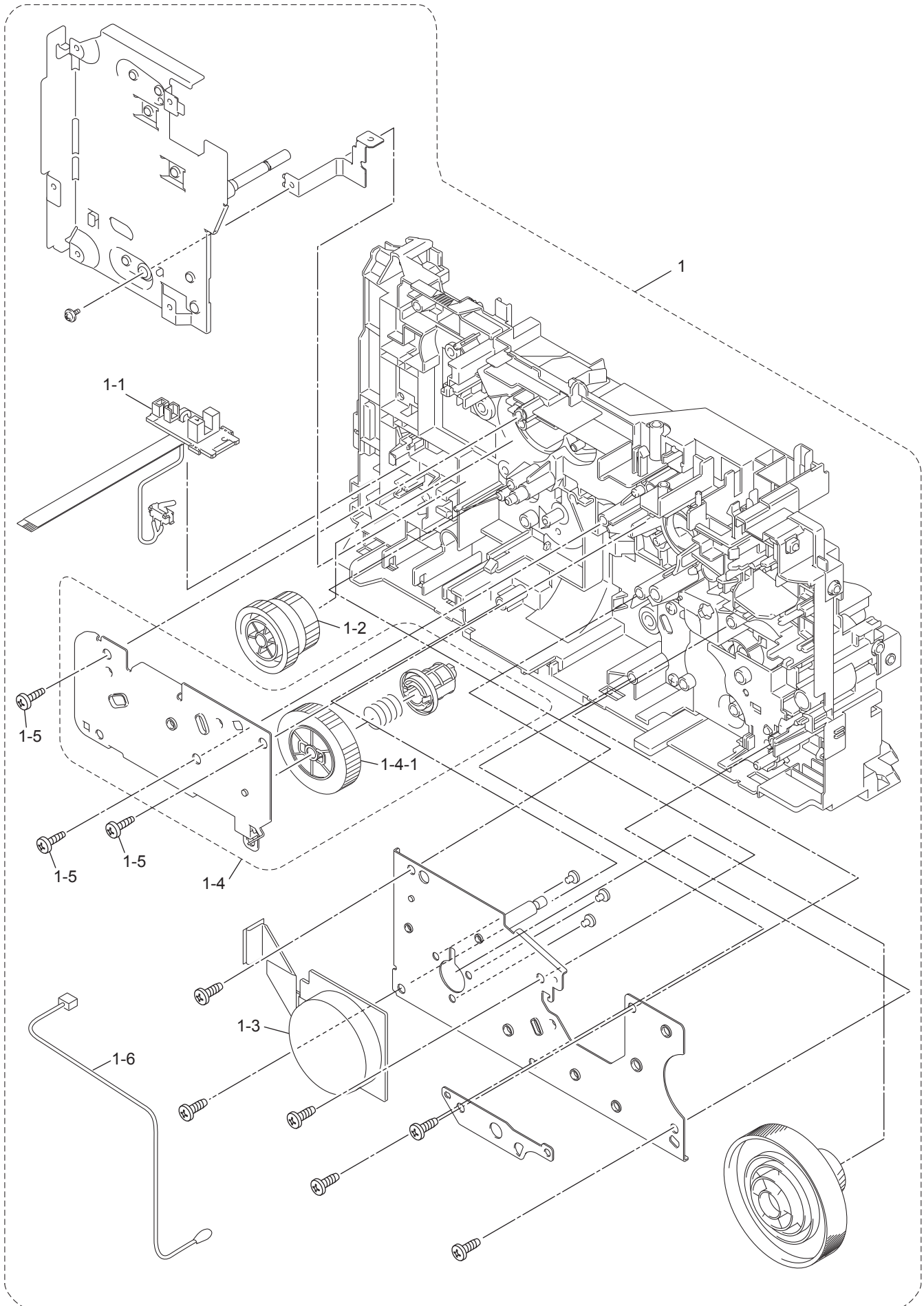
COUNTRIES & AREAS

ARG ----- ARGENTINA	ISR ----- ISRAEL
ASA ----- ASIA	ITA ----- ITALY
BEL ----- BELGIUM	KOR ----- KOREA
BRA ----- BRAZIL	NLD ----- NETHERLANDS
CAN ----- CANADA	OCE ----- OCEANIA
CEE ----- CEE GENERAL	(AUSTRALIA/NEW ZEALAND)
CHE ----- SWITZERLAND	PND ----- PAN-NORDIC
CHL ----- CHILE	(NORWAY/FINLAND/DENMARK/SWEDEN)
CHN ----- CHINA	RUS ----- RUSSIA
FRA ----- FRANCE	TWN ----- TAIWAN
GER ----- GERMANY	UK ----- UNITED KINGDOM
GUL ----- GULF	US ----- U.S.A.
IBR ----- IBERIA (SPAIN/PORTGUL)	ZAF ----- SOUTH AFRICA
IND ----- INDIA	

CONTENTS

1.	<u>FRAME L & DRIVE UNIT</u>	1
2.	<u>PAPER FEEDER</u>	3
3.	<u>FRAME</u>	5
4.	<u>LASER UNIT</u>	7
5.	<u>PAPER TRAY</u>	9
6.	<u>FUSER UNIT</u>	11
7.	<u>COVERS & LABELS</u>	13
8.	<u>TOP COVER</u>	15
9.	<u>PANEL</u>	17
10.	<u>PCB</u>	20
11.	<u>ACCESSORIES</u>	22
12.	<u>PRINTED MATERIALS</u>	24
13.	<u>PACKING MATERIALS</u>	26
14.	<u>PERIODICAL MAINTENANCE PARTS</u>	28

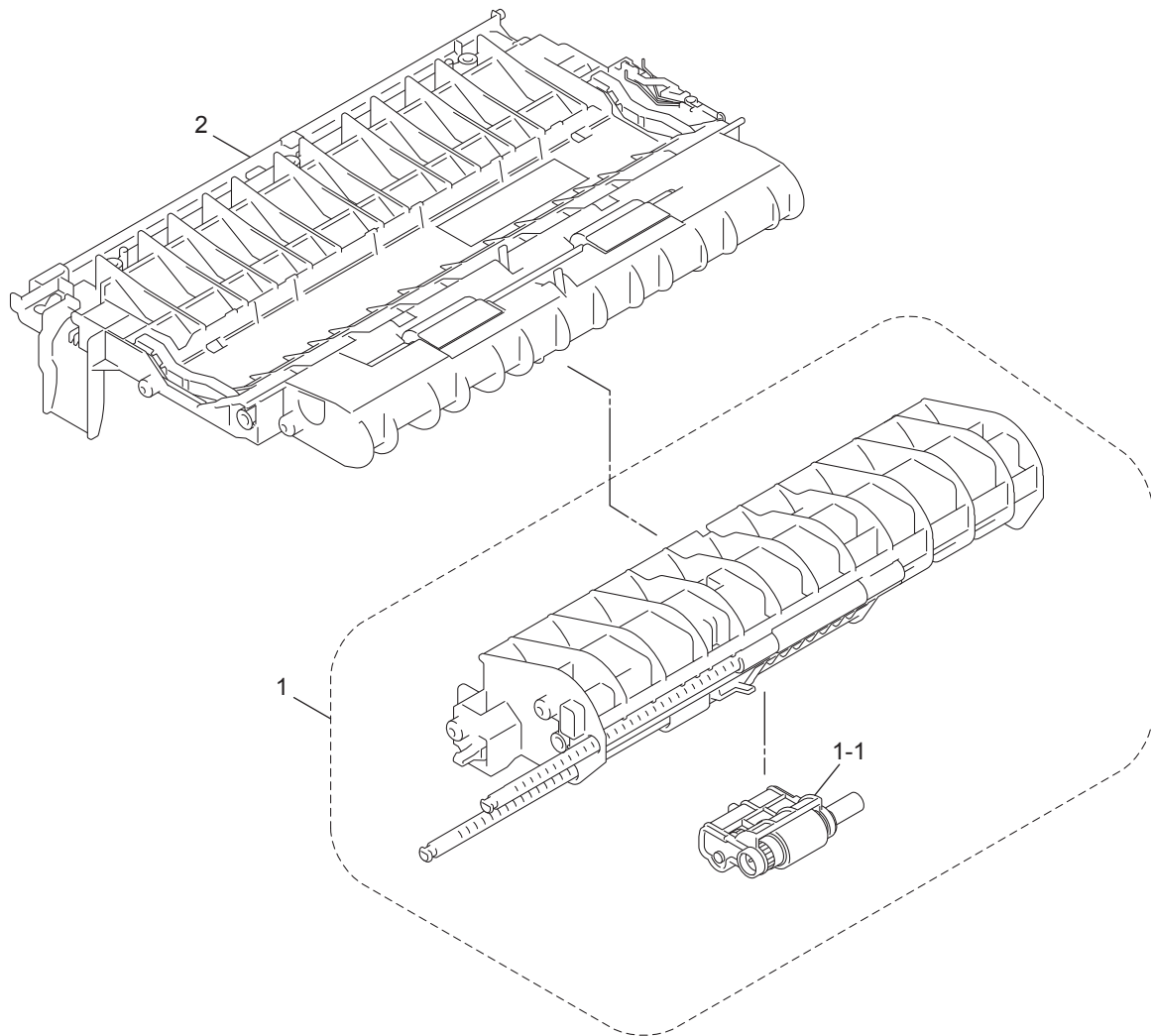
1. FRAME L & DRIVE UNIT



1. FRAME L & DRIVE UNIT

REF No.	CODE	Q'TY	DESCRIPTION	REMARKS
1	LEA786001	1	MAIN FRAME L ASSY	
1-1	LV0579001	1	EJECT SENSOR PCB ASSY	
1-2	LY2010001	1	FUSER GEAR 28/34	
1-3	LY2054001	1	MAIN MOTOR	
1-4	LY2067001	1	DEVELOP DRIVE SUB ASSY	
1-4-1	LY2070001	1	DEVELOP GEAR JOINT/52	
1-5	LU5693001	3	TAPTITE BIND B M4X12	
1-6	LT1130001	1	INTERNAL TEMPERATURE THERMISTOR	

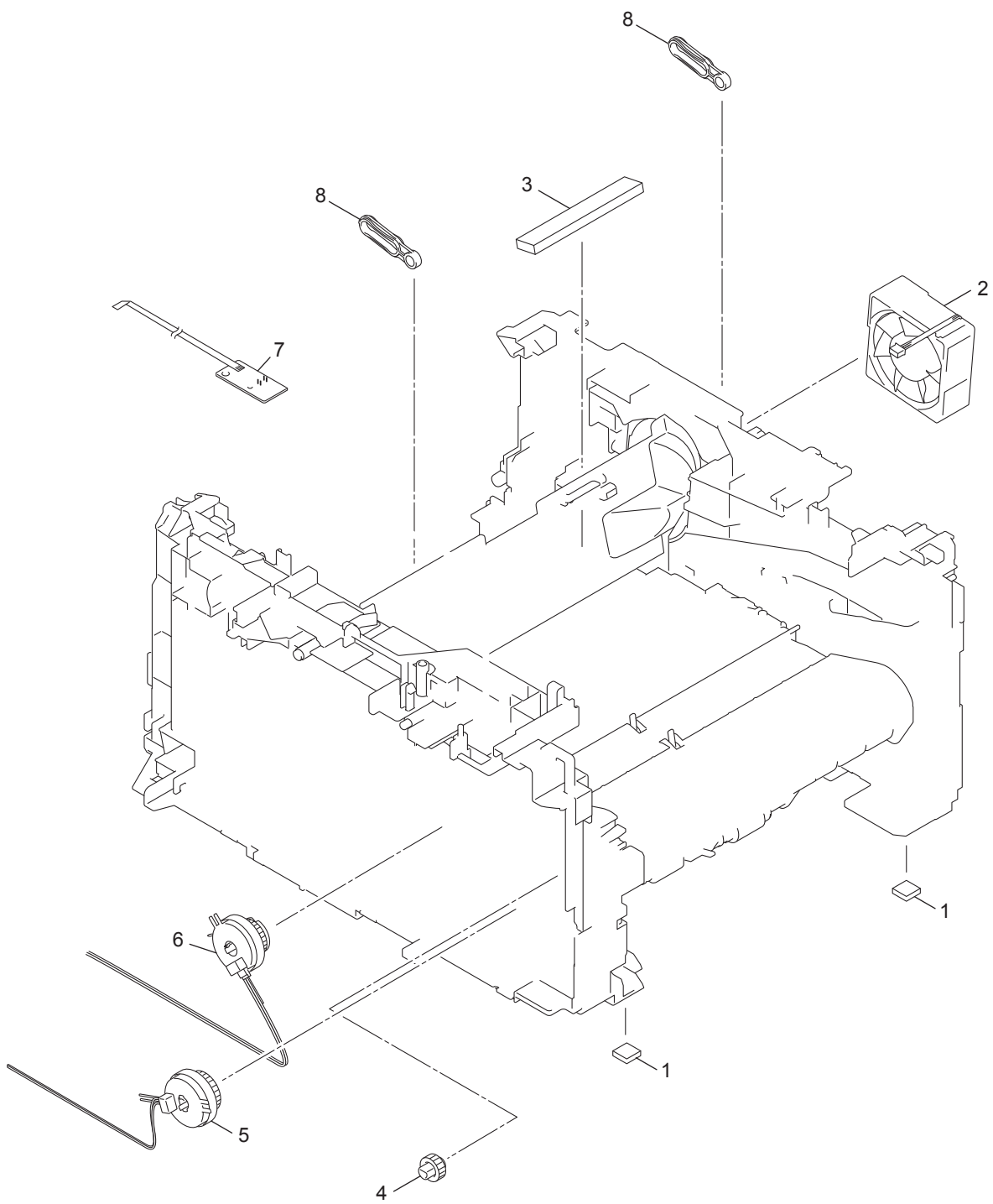
2. PAPER FEEDER



2. PAPER FEEDER

REF No.	CODE	Q'TY	DESCRIPTION	REMARKS
1	LY2087001	1	PF FRAME ASSY	
1-1	LY2093001	1	PICK-UP ROLLER ASSY	
2	LY2482001	1	REGIST FRAME ASSY	

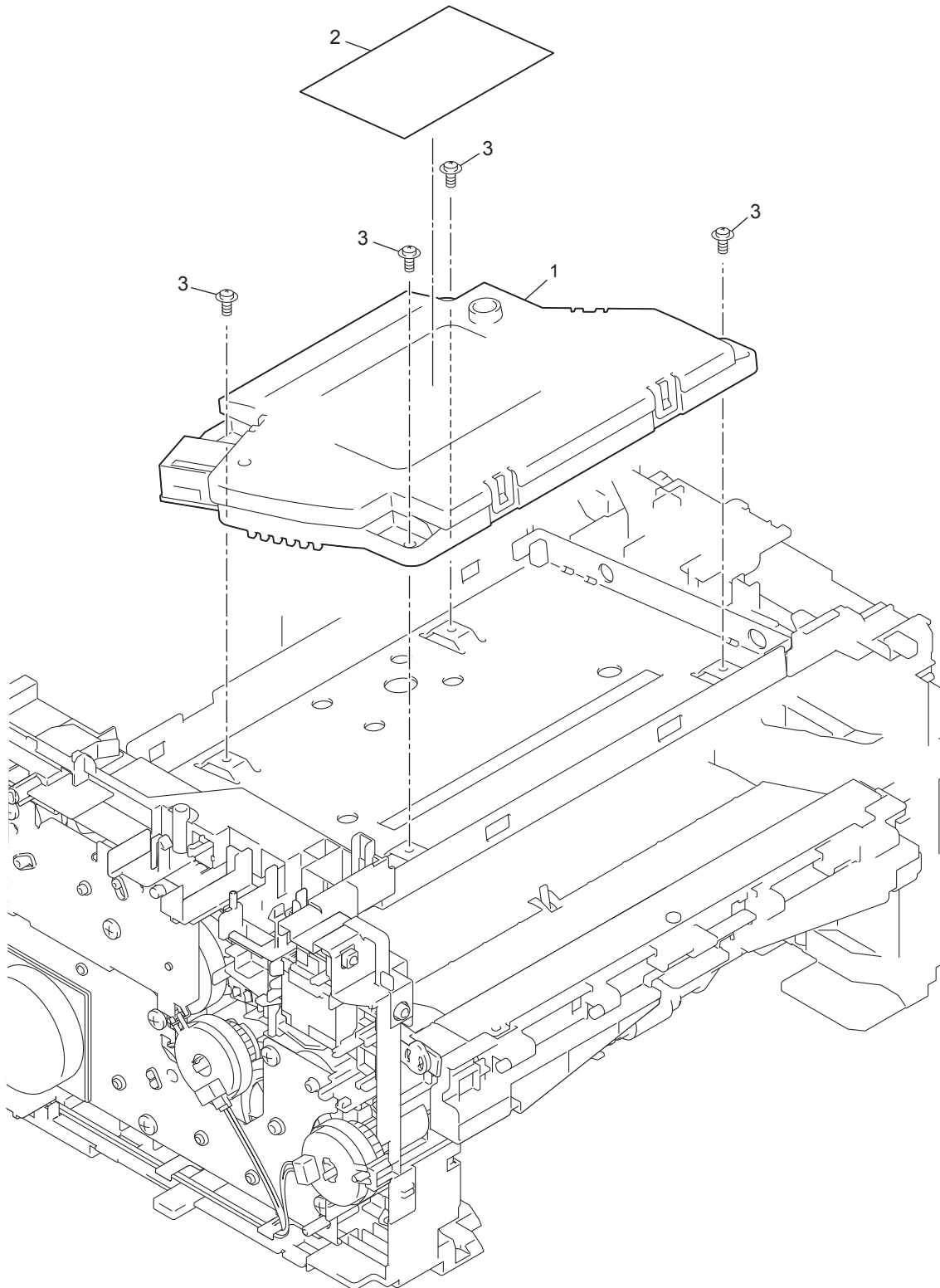
3. FRAME



3. FRAME

REF No.	CODE	Q'TY	DESCRIPTION	REMARKS
1	LJ7403001	2	RUBBER FOOT	
2	LY2136001	1	MAIN FAN	
3	LY2141001	1	FILTER	
4	LY2584001	1	FEEDER GEAR17	
5	LY2144001	1	T1 CLUTCH ASSY	
6	LY2150001	1	REGISTRATION CLUTCH ASSY	
7	LT1475001	1	NEW TONER SENSOR PCB ASSY	
8	LEA389001	2	CONTROL PANEL COVER LINK	

4. LASER UNIT

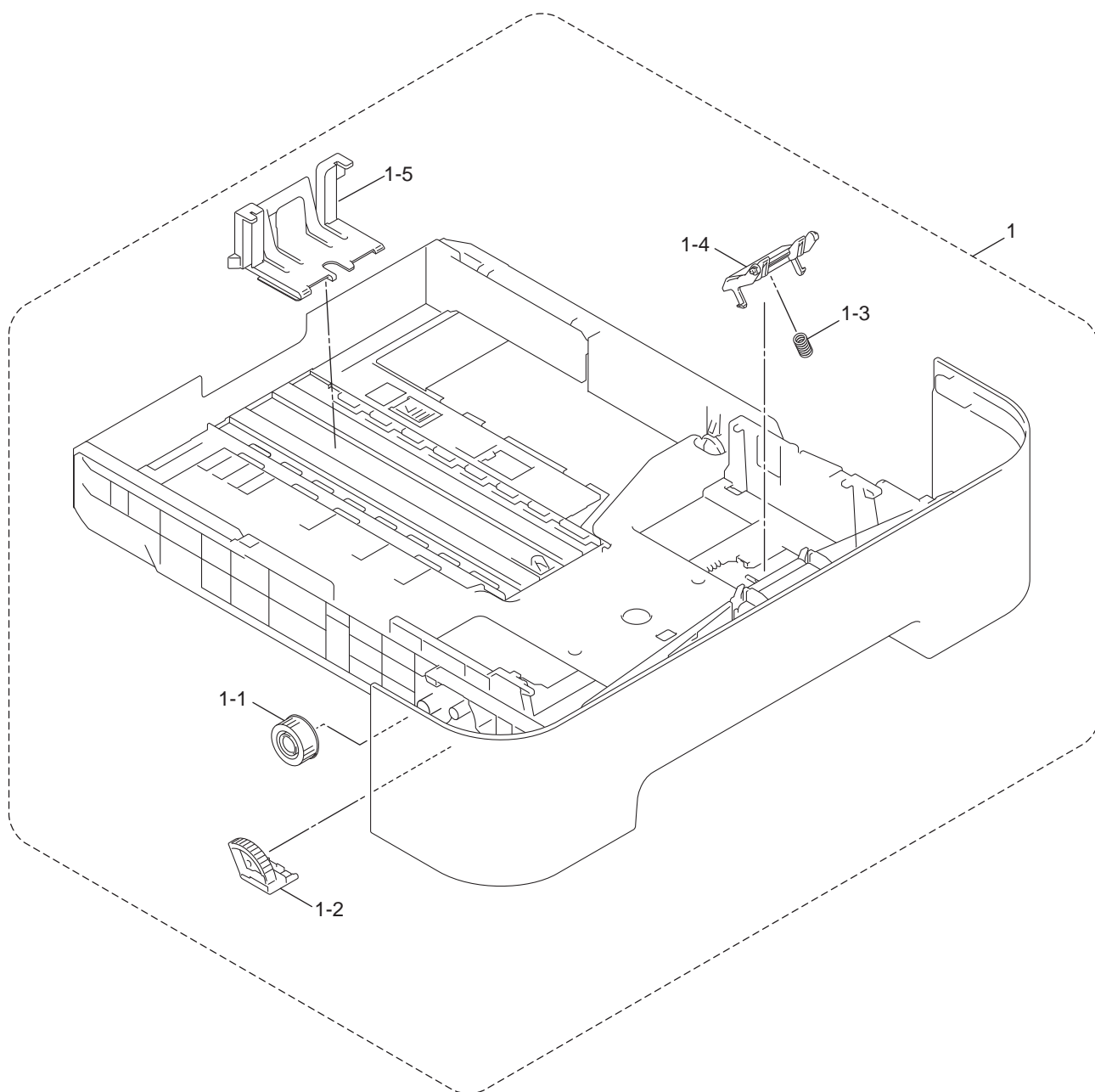


4. LASER UNIT

REF No.	CODE	Q'TY	DESCRIPTION	REMARKS
1	LEJ073001	1	LASER UNIT (SP) (SK type), FAX-2840/2845/2845R/2940R/MFC-7240, FAX-2940 EXCEPT FOR US	CHG
1	LU9801001	1	LASER UNIT (SP) (SG type) (SJ type) ^{*1} , FAX-2890/2950/2990/MFC-7290, FAX-2940 FOR US	CHG
2	LU1259001	1	LABEL LASER CAUTION	
3	LP2378001	4	TAPTITE CUP S M3X8 SR	

^{*1} SG type Laser unit is compatible with SJ type.

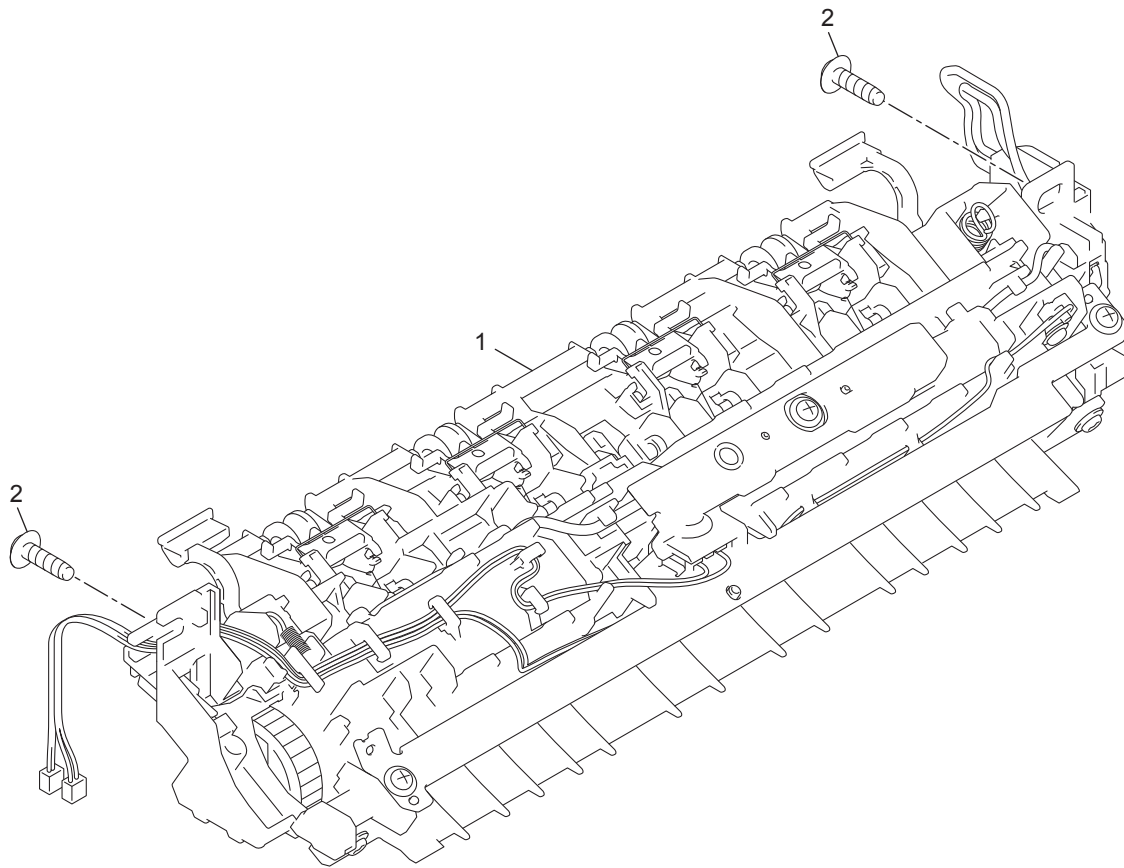
5. PAPER TRAY



5. PAPER TRAY

REF No.	CODE	Q'TY	DESCRIPTION	REMARKS
1	LY2190003	1	PAPER TRAY FOR US/CAN/TWN/ZAF/ARG/CHL/ASA/GUL/BRA/KOR/IND	
1	LY2567003	1	PAPER TRAY EXCEPT FOR US/CAN/TWN/ZAF/ARG/CHL/ASA/GUL/BRA/KOR/IND	
1	LEJ314003	1	PAPER TRAY FOR KOR	add
1-1	LR0252001	1	GEAR Z19M10	
1-2	LY2202001	1	LIFT GEAR46	
1-3	LY2207001	1	SEPARATION PAD SPRING	
1-4	LY2208001	1	SEPARATION PAD ASSY	
1-5	LY2204001	1	PAPER REAR GUIDE	ADD

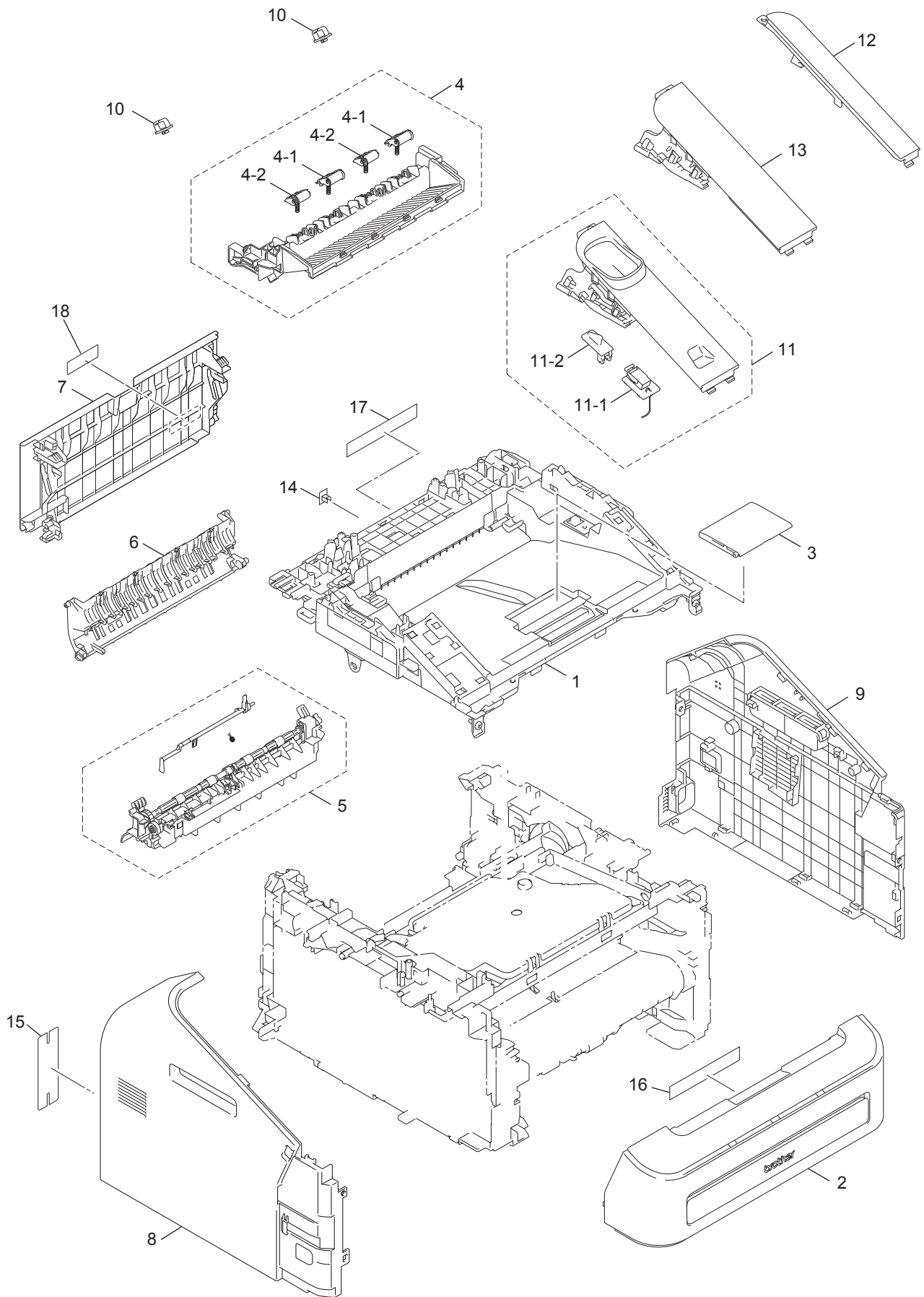
6. FUSER UNIT



6. FUSER UNIT

REF No.	CODE	Q'TY	DESCRIPTION	REMARKS
1	LY2487001	1	FUSER UNIT 115V (SP) FOR US/CAN/TWN/BRA	
1	LY3704001	1	FUSER UNIT 230V (SP) EXCEPT FOR US/CAN/CHN/TWN/BRA	
1	LY3454001	1	FUSER UNIT 230V (SP) FOR CHN	
2	LJ0395001	2	TAPTITE PAN B M4X14	

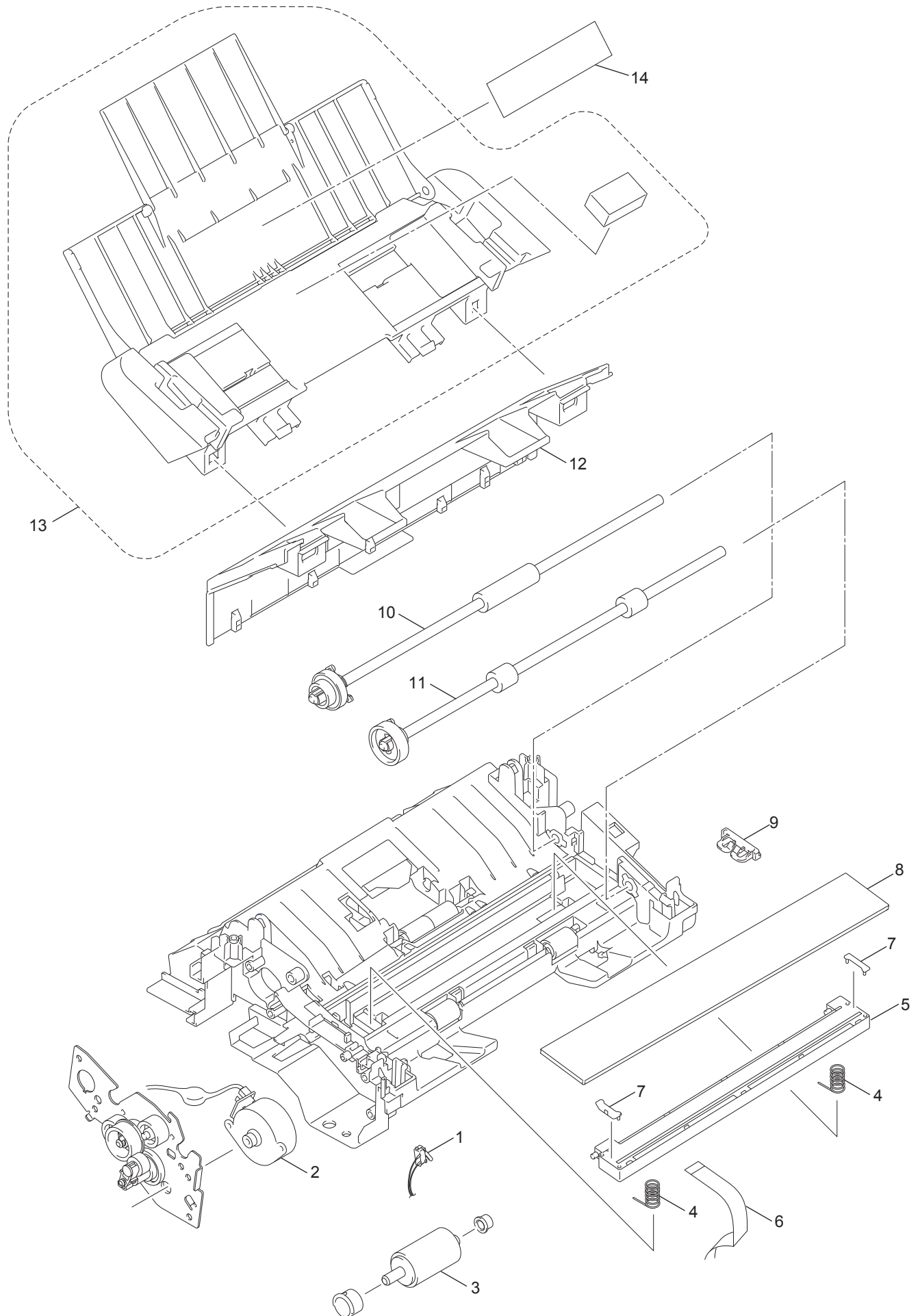
7. COVERS & LABELS



7. COVERS & LABELS

REF No.	CODE	Q'TY	DESCRIPTION	REMARKS
1	LEA327001	1	INNER CHUTE COVER ASSY, FAX-2840/2845/2845R/2890/2940/2940R/2950/2990	
1	LEA327002	1	INNER CHUTE COVER ASSY, MFC-7240/7290	
2	LEA329001	1	FRONT COVER ASSY, FAX-2840/2845/2940/2950 FOR US/CAN/GER/UK/FRA/BEL/NLD/CHE/ITA/ISR/TWN/BRA/OCE/PND/IBR/CEE	
2	LEA511002	1	FRONT COVER ASSY, MFC-7290 FOR CHN	
2	LEA501001	1	FRONT COVER ASSY, FAX-2840/2950 FOR ZAF/ASA/GUL/KOR/IND	
2	LEA501002	1	FRONT COVER ASSY, MFC-7290 FOR ASA	
2	LEJ079001	1	FRONT COVER ASSY, FAX-2845R/2940R	
2	LEA511001	1	FRONT COVER ASSY, FAX-2890/2990	
2	LEA329002	1	FRONT COVER ASSY, MFC-7240, MFC-7290 FOR TWN	
3	LEA332001	1	UNFOLD SUPPORT FLAP, FAX-2840/2845/2845R/2890/2940/2940R/2950/2990	
3	LEA332002	1	UNFOLD SUPPORT FLAP, MFC-7240/7290	
4	LY2275002	1	INNER CHUTE ASSY, FAX-2840/2845/2845R/2890/2940/2940R/2950/2990	
4	LY2275001	1	INNER CHUTE ASSY, MFC-7240/7290	
4-1	LU2234001	2	EJECT PINCH ROLLER R ASSY	
4-2	LU2237001	2	EJECT PINCH ROLLER L ASSY	
5	LY2317001	1	FUSER UNIT COVER ASSY	
6	LY2285001	1	OUTER CHUTE ASSY	
7	LX5318003	1	BACK COVER ASSY	
8	LEA335001	1	SIDE COVER L, FAX-2840/MFC-7290 FOR ASA/KOR	
8	LEJ421001	1	SIDE COVER L, EXCEPT FOR FAX-2840/MFC-7290 FOR ASA/KOR	ADD
9	LEA336001	1	SIDE COVER R	
10	LX9044002	2	CORD HOOK	
11	LEA338001	1	HANDSET HOLDER, FAX-2840/2845/2845R/2890/2940/2940R/2950/2990	
11	LEA338002	1	HANDSET HOLDER, MFC-7240/7290	
11-1	LT1764001	1	HOOK SWITCH PCB ASSY, FAX-2840/2845/2845R/2890/2940/2940R/2950/2990/ MFC-7240/7290 EXCEPT FOR ISR	
11-2	LS0018008	1	HOOK ACTUATOR, FAX-2840/2845/2845R/2890/2940/2940R/2950/2990/ MFC-7240/7290 EXCEPT FOR ISR	
12	LEA340001	1	UPPER COVER R, FAX-2840/2845/2845R/2890/2940/2940R/2950/2990	
12	LEA340002	1	UPPER COVER R, MFC-7240/7290	
13	LEA341001	1	UPPER COVER L, FAX-2840/2940 EXCEPT FOR US/CAN/ASA/GUL/IND/OCE	
14	LE8842001	1	EXT CAP FOR US/CAN/NLD/CHE/ISR/TWN/ZAF/ARG/CHL/ASA/GUL/BRA/KOR/IND/RUS/OCE/ PND/IBR/CEE	
14	UF5745000	1	MJ COVER EXT FOR GER/UK/FRA/BEL/ITA/CHN	
15	LEA422001	1	USB BLIND FILM, FAX-2840/2845/2845R FOR GER/UK/FRA/BEL/NLD/CHE/ITA/ISR/RUS/PND/IBR/CEE	
16	LEA453001	1	LABEL PROCESS OP US 19x135 FOR US/CAN/ARG/CHL/BRA	
16	LEA454001	1	LABEL PROCESS OP EUR 19X135 EXCEPT FOR US/CAN/CHN/ARG/CHL/BRA	
16	LEA513001	1	LABEL PROCESS OP CHN 19X135 FOR CHN	
17	LY2439001	1	LABEL H CAUTION REAR 13X95	
18	LU9003001	1	LABEL AC CORD CAUTION FOR CHN	

8. TOP COVER

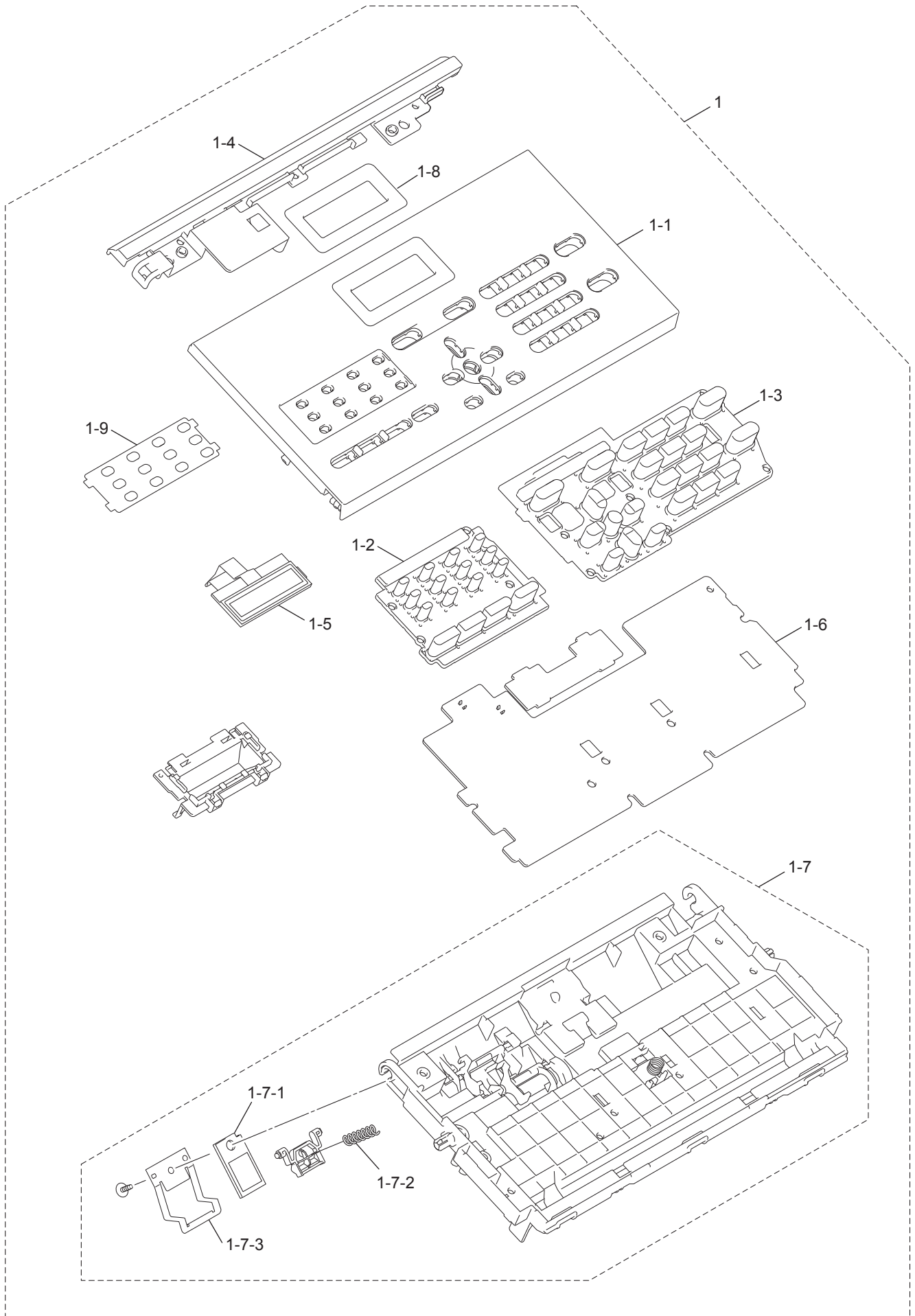


8. TOP COVER

REF No.	CODE	Q'TY	DESCRIPTION	REMARKS
1	LV0538001	1	CONTROL PANEL COVER SENSOR	
2	LEA543001	1	ADF MOTOR	
3	UF5511001	1	DOCUMENT SEPARATE ROLLER	
4	LX4099001	2	CIS SPRING	
5	LT3189001	1	CIS UNIT*	CHG
6	LT2100001	1	CIS FLAT CABLE	
7	LX3856001	2	CIS SPACER	
8	LEA365001	1	CIS GLASS	
9	LX4098001	1	CIS GLASS STOPPER	
10	LEA349001	1	DOCUMENT FEED ROLLER	
11	LEA352001	1	DOCUMENT EJECTION ROLLER	
12	LEA396001	1	UPPER BACK COVER, FAX-2840/2940 FOR US/CAN/TWN/ASA/GUL/BRA/KOR/ IND/OCE, FAX-2845/2845R/2890/2940R/2950/2990/MFC-7240/7290	
12	LEA358001	1	UPPER BACK COVER, FAX-2840/2940 EXCEPT FOR US/CAN/TWN/ASA/GUL/BRA/KOR/IND/OCE	
13	LEJ098001	1	DOCUMENT TRAY ASSY(SP)	
14	LEA407001	1	GLASS CLEANING LABEL	

*If you replace the old part with the new one, please upgrade the MAIN firmware version.
Please refer to Parts Change Information; 1000042513 for the detail.

9. PANEL



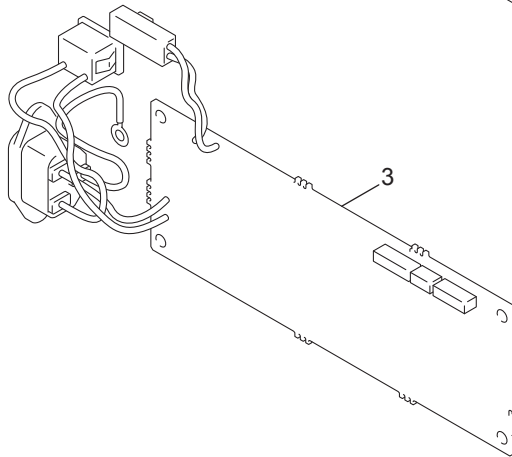
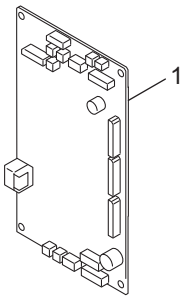
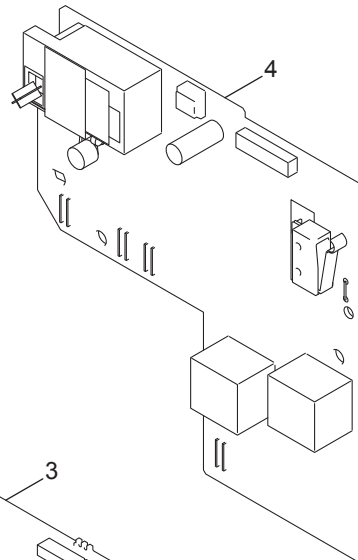
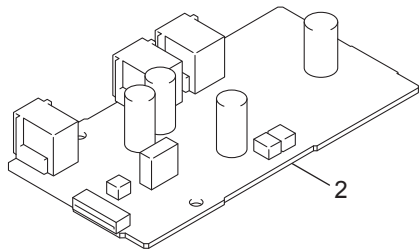
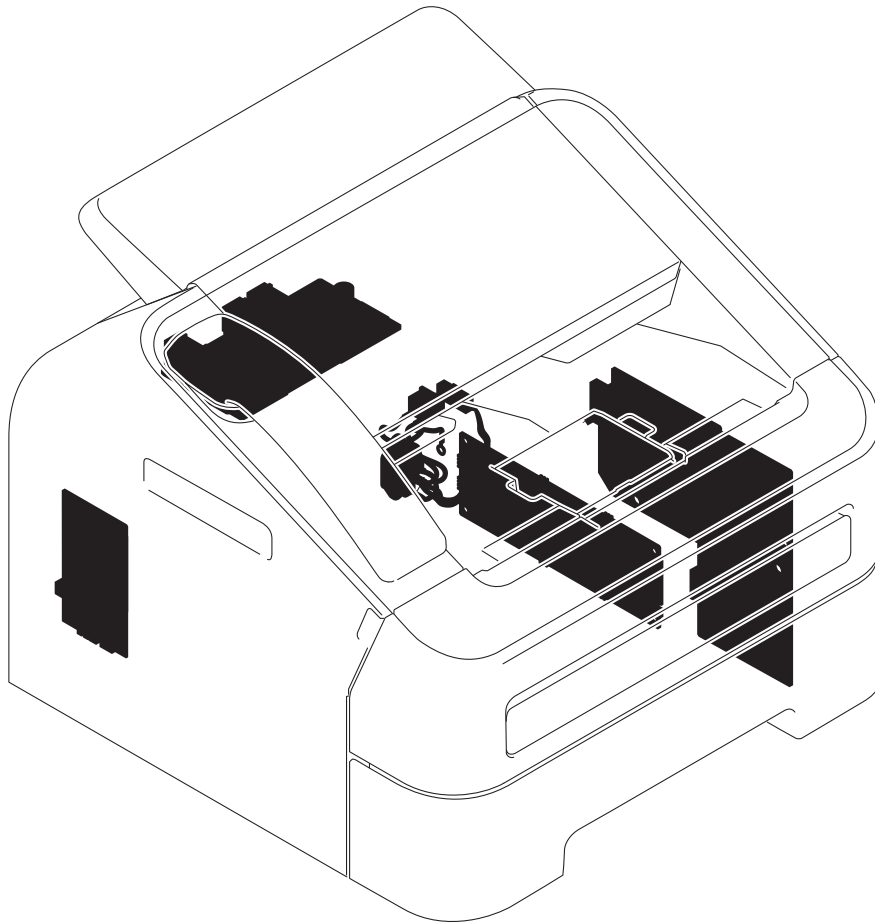
9. PANEL

REF No.	CODE	Q'TY	DESCRIPTION	REMARKS
1	LEA423001	1	CONTROL PANEL ASSY, FAX-2840 FOR US/CAN	
1	LEA438001	1	CONTROL PANEL ASSY, FAX-2940 FOR US	
1	LEA434001	1	CONTROL PANEL ASSY, MFC-7240 FOR US/CAN	
1	LEA845001	1	CONTROL PANEL ASSY, FAX-2840 FOR GER	
1	LEA878001	1	CONTROL PANEL ASSY, FAX-2845 FOR GER	
1	LEA982001	1	CONTROL PANEL ASSY, FAX-2940 FOR GER	
1	LEA499001	1	CONTROL PANEL ASSY, FAX-2840 FOR UK/BEL/CHE/ISR/ZAF	
1	LEA430001	1	CONTROL PANEL ASSY, FAX-2940 FOR UK/CHE	
1	LEA852001	1	CONTROL PANEL ASSY, FAX-2840 FOR FRA	
1	LEA882001	1	CONTROL PANEL ASSY, FAX-2845 FOR FRA	
1	LEA985001	1	CONTROL PANEL ASSY, FAX-2940 FOR FRA	
1	LEA426001	1	CONTROL PANEL ASSY, FAX-2845 FOR BEL/CHE/CEE	
1	LEJ029001	1	CONTROL PANEL ASSY, FAX-2840 FOR NLD	
1	LEJ057001	1	CONTROL PANEL ASSY, FAX-2940 FOR NLD	
1	LEA857001	1	CONTROL PANEL ASSY, FAX-2840 FOR ITA	
1	LEA886001	1	CONTROL PANEL ASSY, FAX-2845 FOR ITA	
1	LEA987001	1	CONTROL PANEL ASSY, FAX-2940 FOR ITA	
1	LEA520001	1	CONTROL PANEL ASSY, MFC-7290 FOR CHN	
1	LEJ119001	1	CONTROL PANEL ASSY, FAX-2840 FOR TWN	
1	LEA524001	1	CONTROL PANEL ASSY, MFC-7290 FOR TWN	
1	LEJ124001	1	CONTROL PANEL ASSY, MFC-7240 FOR ARG/CHL	
1	LEA503001	1	CONTROL PANEL ASSY, FAX-2840 FOR ASA/IND/OCE	
1	LEA442001	1	CONTROL PANEL ASSY, FAX-2950 FOR ASA/OCE	
1	LEA527001	1	CONTROL PANEL ASSY, MFC-7290 FOR ASA	
1	LEJ135001	1	CONTROL PANEL ASSY, FAX-2840 FOR BRA	
1	LEJ145001	1	CONTROL PANEL ASSY, FAX-2840 FOR KOR	
1	LEA510001	1	CONTROL PANEL ASSY, MFC-7240 FOR OCE	
1	LEJ043001	1	CONTROL PANEL ASSY, FAX-2840 FOR GUL	
1	LEJ061001	1	CONTROL PANEL ASSY, FAX-2950 FOR GUL	
1	LEJ050001	1	CONTROL PANEL ASSY, FAX-2840 FOR PND	
1	LEA862001	1	CONTROL PANEL ASSY, FAX-2840 FOR IBR	
1	LEA890001	1	CONTROL PANEL ASSY, FAX-2845 FOR IBR	
1	LEA989001	1	CONTROL PANEL ASSY, FAX-2940 FOR IBR	
1	LEJ081001	1	CONTROL PANEL ASSY, FAX-2845R	
1	LEA514001	1	CONTROL PANEL ASSY, FAX-2890	
1	LEJ089001	1	CONTROL PANEL ASSY, FAX-2940R	
1	LEA518001	1	CONTROL PANEL ASSY, FAX-2990	
1-1	LEA424001	1	CONTROL PANEL COVER, FAX-2840/2940 FOR US/CAN	
1-1	LEA435001	1	CONTROL PANEL COVER, MFC-7240 FOR US/CAN	
1-1	LEA846001	1	CONTROL PANEL COVER, FAX-2840/2940 FOR GER	
1-1	LEA879001	1	CONTROL PANEL COVER, FAX-2845 FOR GER	
1-1	LEA431001	1	CONTROL PANEL COVER, FAX-2840/2940 FOR UK/BEL/CHE/ISR/ZAF	
1-1	LEA853001	1	CONTROL PANEL COVER, FAX-2840/2940 FOR FRA	
1-1	LEA883001	1	CONTROL PANEL COVER, FAX-2845 FOR FRA	
1-1	LEA427001	1	CONTROL PANEL COVER, FAX-2845 FOR BEL/CHE/CEE	
1-1	LEJ030001	1	CONTROL PANEL COVER, FAX-2840/2940 FOR NLD	
1-1	LEA858001	1	CONTROL PANEL COVER, FAX-2840/2940 FOR ITA	
1-1	LEA887001	1	CONTROL PANEL COVER, FAX-2845 FOR ITA	
1-1	LEA521001	1	CONTROL PANEL COVER, MFC-7290 FOR CHN	
1-1	LEJ120001	1	CONTROL PANEL COVER, FAX-2840 FOR TWN	
1-1	LEA525001	1	CONTROL PANEL COVER, MFC-7290 FOR TWN	
1-1	LEJ125001	1	CONTROL PANEL COVER, MFC-7240 FOR ARG/CHL	
1-1	LEA504001	1	CONTROL PANEL COVER, FAX-2840 FOR ASA/IND/OCE	
1-1	LEA443001	1	CONTROL PANEL COVER, FAX-2950 FOR ASA/OCE	
1-1	LEA566002	1	CONTROL PANEL COVER, MFC-7240/7290 FOR ASA/OCE	
1-1	LEJ044001	1	CONTROL PANEL COVER, FAX-2840 FOR GUL	
1-1	LEJ062001	1	CONTROL PANEL COVER, FAX-2950 FOR GUL	
1-1	LEJ136001	1	CONTROL PANEL COVER, FAX-2840 FOR BRA	
1-1	LEJ146001	1	CONTROL PANEL COVER, FAX-2840 FOR KOR	
1-1	LEJ051001	1	CONTROL PANEL COVER, FAX-2840 FOR PND	
1-1	LEA863001	1	CONTROL PANEL COVER, FAX-2840/2940 FOR IBR	
1-1	LEA891001	1	CONTROL PANEL COVER, FAX-2845 FOR IBR	
1-1	LEJ082001	1	CONTROL PANEL COVER, FAX-2845R/2940R	
1-1	LEA515001	1	CONTROL PANEL COVER, FAX-2890/2990	
1-2	LEA371001	1	RUBBER KEY L, FAX-2840/2845/2845R/2890/2940/2940R/2950/2990	
1-2	LEA371002	1	RUBBER KEY L, MFC-7240/7290	
1-3	LEA391001	1	RUBBER KEY R, FAX-2840/2845/2845R/2890/2940/2940R/2990	
1-3	LEA373001	1	RUBBER KEY R, FAX-2950	
1-3	LEA373002	1	RUBBER KEY R, MFC-7240/7290	

9. PANEL

REF No.	CODE	Q'TY	DESCRIPTION	REMARKS
1-4	LEA375001	1	PANEL SUB COVER	
1-5	LT0149001	1	LCD, FAX-2840/2845/2845R/MFC-7240	
1-5	LT0502001	1	LCD, FAX-2890/2990/MFC-7290 FOR CHN	
1-5	LT0533001	1	LCD, FAX-2940/2940R/2950, MFC-7290 EXCEPT FOR CHN	
1-6	LT2095004	1	PANEL PCB ASSY, FAX-2840/2845/2845R	
1-6	LT2211002	1	PANEL PCB ASSY, FAX-2890/2990	
1-6	LT2095002	1	PANEL PCB ASSY, FAX-2940/2940R	
1-6	LT2095001	1	PANEL PCB ASSY, FAX-2950, MFC-7290 EXCEPT FOR CHN	
1-6	LT2095003	1	PANEL PCB ASSY, MFC-7240	
1-6	LT2211001	1	PANEL PCB ASSY, MFC-7290 FOR CHN	
1-7	LEA998001	1	DOCUMENT CHUTE UPPER ASSY (SP)	
1-7-1	LEA748001	1	SEPARATION PAD ASSY	
1-7-2	LEA382001	1	SEPARATION PAD SPRING	
1-7-3	LEA789001	1	FRONT PLATE SPRING ASSY	
1-8	LEA408001	1	LCD SHEET, FAX-2840 FOR US/CAN/BRA	
1-8	LEA500001	1	LCD SHEET, FAX-2840 EXCEPT FOR US/CAN/BRA	
1-8	LEA441001	1	LCD SHEET, FAX-2940 FOR US	
1-8	LEA433001	1	LCD SHEET, FAX-2940 EXCEPT FOR US	
1-8	LEA429001	1	LCD SHEET, FAX-2845	
1-8	LEJ071001	1	LCD SHEET, FAX-2845R	
1-8	LEA517001	1	LCD SHEET, FAX-2890	
1-8	LEJ072001	1	LCD SHEET, FAX-2940R	
1-8	LEA446001	1	LCD SHEET, FAX-2950	
1-8	LEA519001	1	LCD SHEET, FAX-2990	
1-8	LEA437001	1	LCD SHEET, MFC-7240	
1-8	LEA523001	1	LCD SHEET, MFC-7290	
1-9	LEA388001	1	ADDRESS LABEL, FAX-2840/2845/2845R/2940/2940R/2950/MFC-7240/7290 EXCEPT FOR CHN/IBR	
1-9	LEJ132001	1	ADDRESS LABEL, FAX-2840/2845/2940 FOR IBR	
1-9	LEA498001	1	ADDRESS LABEL, FAX-2890/2990/MFC-7290 FOR CHN	

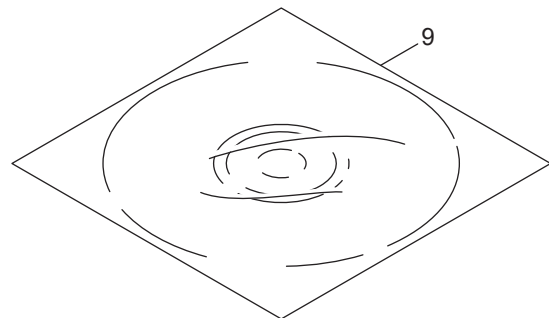
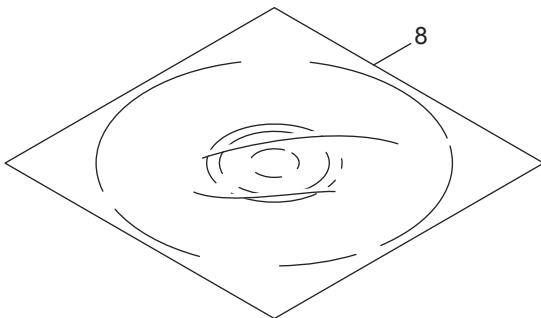
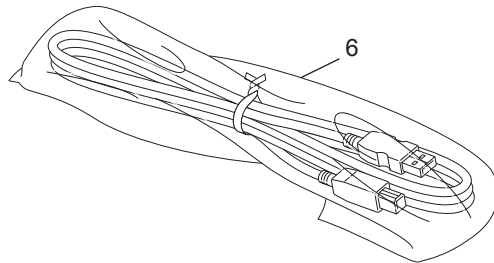
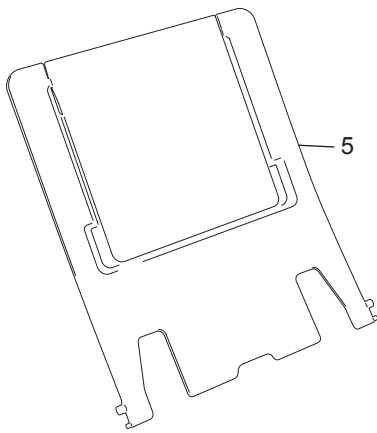
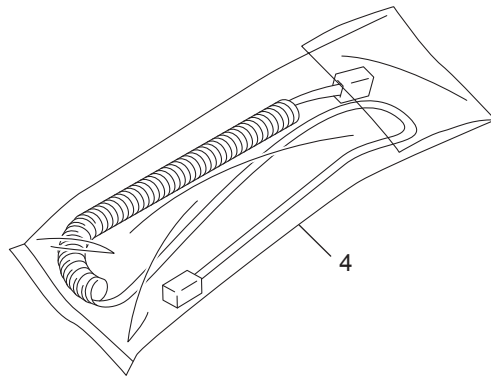
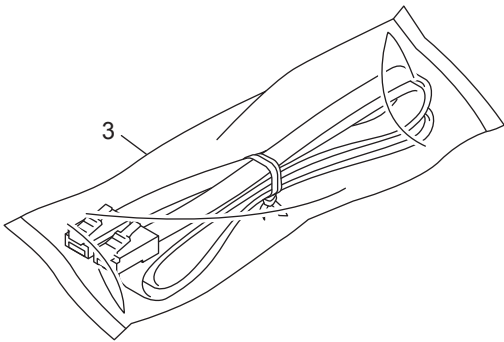
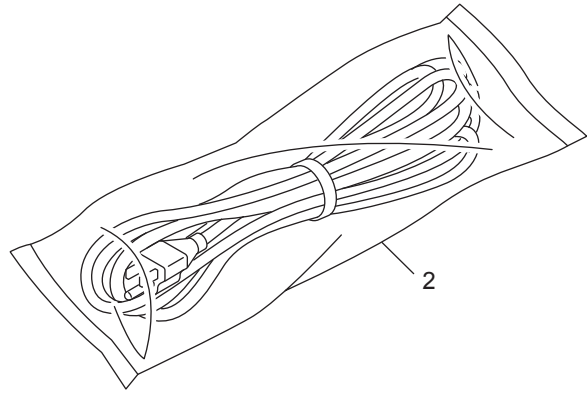
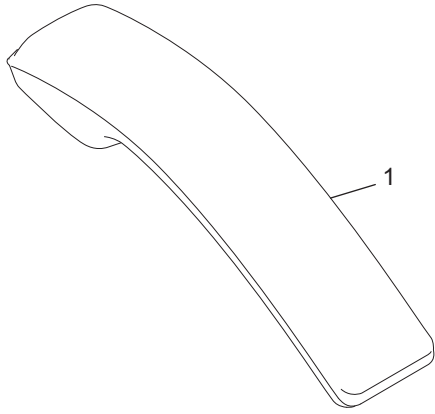
10. PCB



10. PCB

REF No.	CODE	Q'TY	DESCRIPTION	REMARKS
1	LT2134001	1	MAIN PCB ASSY, FAX-2840/MFC-7240 FOR US/CAN/TWN/ARG/CHL/ASA/GUL/BRA/KOR/IND/OCE, FAX-2845/2845R	
1	LT2134002	1	MAIN PCB ASSY, FAX-2840 EXCEPT FOR US/CAN/ASA/GUL/IND/OCE	
1	LT2135001	1	MAIN PCB ASSY, FAX-2940/MFC-7290 FOR US/TWN/ASA, FAX-2950	
1	LT2135002	1	MAIN PCB ASSY, FAX-2940 EXCEPT FOR US	
1	LT2208001	1	MAIN PCB ASSY, FAX-2890	
1	LT2135003	1	MAIN PCB ASSY, FAX-2940R	
1	LT2209001	1	MAIN PCB ASSY, FAX-2990/MFC-7290 FOR CHN	
2	LT3415001	1	MODEM PCB ASSY, FAX-2840/2940/2950/2990/MFC-7290 FOR US/CAN/CHN/TWN/ASA/BRA/KOR/IND/OCE	CHG
2	LT3415001	1	MODEM PCB ASSY, FAX-2990/MFC-7290 FOR CHN	add
2	LT3415002	1	MODEM PCB ASSY, FAX-2890/MFC-7240	CHG
2	LT3415002	1	MODEM PCB ASSY, FAX-2890	add
2	LT1171001	1	MODEM PCB ASSY, FAX-2840/2940 EXCEPT FOR US/CAN/ASA/GUL/IND/OCE	
2	LT2093001	1	MODEM PCB ASSY, FAX-2840/2950 FOR GUL, FAX-2845/2845R/2940R	
3	LT2325001	1	LOW VOLTAGE POWER SUPPLY FOR US/CAN/TWN/BRA	
3	LT1281001	1	LOW VOLTAGE POWER SUPPLY FOR CHN/IND/RUS	
3	LT1812001	1	LOW VOLTAGE POWER SUPPLY EXCEPT FOR US/CAN/CHN/TWN/BRA/IND/RUS	
4	LV0741001	1	HIGH VOLTAGE POWER SUPPLY PCB ASSY FOR BRA	
4	LV0564001	1	HIGH VOLTAGE POWER SUPPLY PCB ASSY EXCEPT FOR BRA	

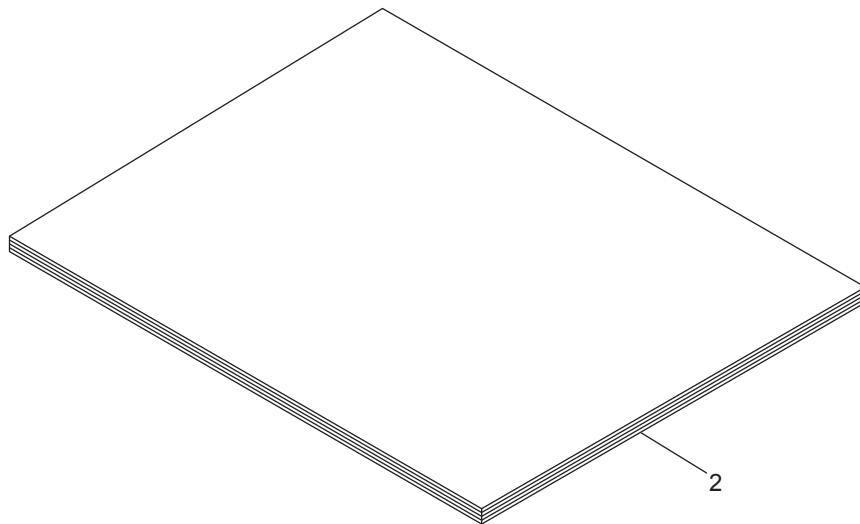
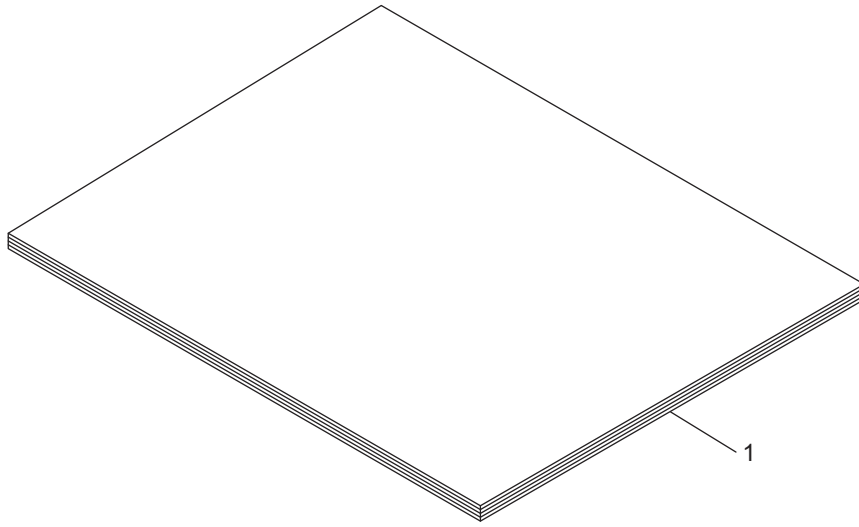
11. ACCESSORIES



11. ACCESSORIES

REF No.	CODE	QTY	DESCRIPTION	REMARKS
1	UF6857016	1	HANDSET WEIGHT ASSY, FAX-2840/2940 FOR US/CAN/TWN/ASA/GUL/KOR/IND/OCE, FAX-2845/2845R/2890/2940R/2950/2990	
1	LEJ288016	1	HANDSET WEIGHT ASSY, FAX-2840 FOR BRA	
1	UF6857017	1	HANDSET WEIGHT ASSY, MFC-7240/7290	
2	LM9362001	1	AC CORD BAG ASSY LF UL/CSA 13A FOR US/CAN	
2	LV0364001	1	AC CORD BAG ASSY LF VDE S FOR GER/FRA/BEL/NLD/ITA/ASA/GUL/ RUS/PND/IBR/CEE	
2	LV0368001	1	AC CORD BAG ASSY LF BS/PSB S FOR UK/ASA/GUL	
2	LT2259001	1	AC CORD BAG ASSY LF SEV FOR CHE	
2	LG7005001	1	AC CORD ASSY LF ISRAEL FOR ISR	
2	LV1093001	1	AC CORD ASSY LF CHN S FOR CHN	chg
2	LT1833001	1	AC CORD ASSY LF TWN FOR TWN	
2	LG6404001	1	AC CORD BAG ASSY LF SAF FOR ZAF	
2	LT0925001	1	AC CORD BAG ASSY LF IRAM FOR ARG	
2	LG6207001	1	AC CORD BAG ASSY LF CHILE FOR CHL	
2	LT2346001	1	AC CORD ASSY LF BRZ FOR BRA	
2	LT0935001	1	AC CORD ASSY LF KOR S FOR KOR	
2	LT0613001	1	AC CORD BAG ASSY LF IND FOR IND	
2	LV0366001	1	AC CORD BAG ASSY LF SAA S FOR OCE	
2	LG4729004	4	AC CORD ASSY LF DEMKO FOR PND	del
3	LG3077001	1	TELEPHONE LINE CORD ASSY FOR US/CAN/UK/NLD/ISR/ CHN /TWN/ZAF/ARG/CHL/ASA/GUL/BRA/KOR/IND/ RUS/OCE/IBR/CEE	
3	UG3625001	1	TELEPHONE LINE CORD ASSY FOR GER	
3	UG3626001	1	TELEPHONE LINE CORD ASSY FOR UK	
3	UG3627001	1	TELEPHONE LINE CORD ASSY FOR FRA	
3	UG1575001	1	TELEPHONE LINE CORD ASSY FOR BEL	
3	LG7202001	1	TELEPHONE LINE CORD ASSY FOR CHE	
3	UG3634001	1	TELEPHONE LINE CORD ASSY FOR ITA	
3	LT3841001	1	TELEPHONE LINE CORD ASSY FOR CHN	ADD
3	UG3290001	1	TELEPHONE LINE CORD ASSY FOR OCE, EXCEPT FOR MFC-7240 FOR OCE	
3	LG5827001	1	TELEPHONE LINE CORD ASSY FOR PND	
4	LG6156005	1	CURLED CORD ASSY, FAX-2840/2940 FOR US/CAN/TWN/ASA/GUL/BRA/KOR/IND/OCE, FAX-2845/2845R/2890/2940R/2950/2990	
4	LG6156006	1	CURLED CORD ASSY, MFC-7240/7290	
5	LEA366001	1	ADF DOCUMENT OUTPUT SUPPORT FLAP, FAX-2840/2845/2845R/2890/2940/2940R/2950/2990	
5	LEA366002	1	ADF DOCUMENT OUTPUT SUPPORT FLAP, MFC-7240/7290	
6	LJ9803001	1	USB CABLE 2.0	
(7)	LG3622001	1	TELEPHONE PLUG DUT, FAX-2840/2940 FOR NLD	
(7)	LG6573001	1	TELEPHONE PLUG ARL, FAX-2840/2950/MFC-7240 FOR OCE	
(7)	LG5830001	1	TELEPHONE PLUG SWE, FAX-2840 FOR PND	
(7)	LG5829001	1	TELEPHONE PLUG FIN, FAX-2840 FOR PND	
(7)	LG5828001	1	TELEPHONE PLUG DEN, FAX-2840 FOR PND	
8	LEA838001	1	CD USER'S GUIDE, FAX-2840/2845/2940 FOR US/CAN/GER/UK/FRA/ITA/ISR/IBR	
8	LEA839001	1	CD USER'S GUIDE, FAX-2840/2940 FOR BEL/NLD/ZAF/ASA/GUL/IND/OCE/PND	
8	LEJ096001	1	CD USER'S GUIDE, FAX-2840 FOR ASA	add
8	LEA840001	1	CD USER'S GUIDE, FAX-2840/2845/2940 FOR BEL/CHE, FAX-2845R/2940R	
8	LEA841001	1	CD USER'S GUIDE, FAX-2840/2845 FOR TWN/BRA/KOR/CEE	
9	LEJ261001	1	CD-ROM ASSY, FAX-2890/2990	
9	LEJ258001	1	CD ROM ASSY, FAX-2950	
9	LEJ257001	1	CD-ROM ASSY, MFC-7240 FOR US/CAN/ARG/CHL	
9	LEJ259001	1	CD-ROM ASSY, MFC-7240 FOR OCE	chg
9	LEJ262001	1	CD-ROM ASSY, MFC-7290 FOR CHN/TWN	
9	LEJ260001	1	CD ROM ASSY, MFC-7290 FOR ASA	

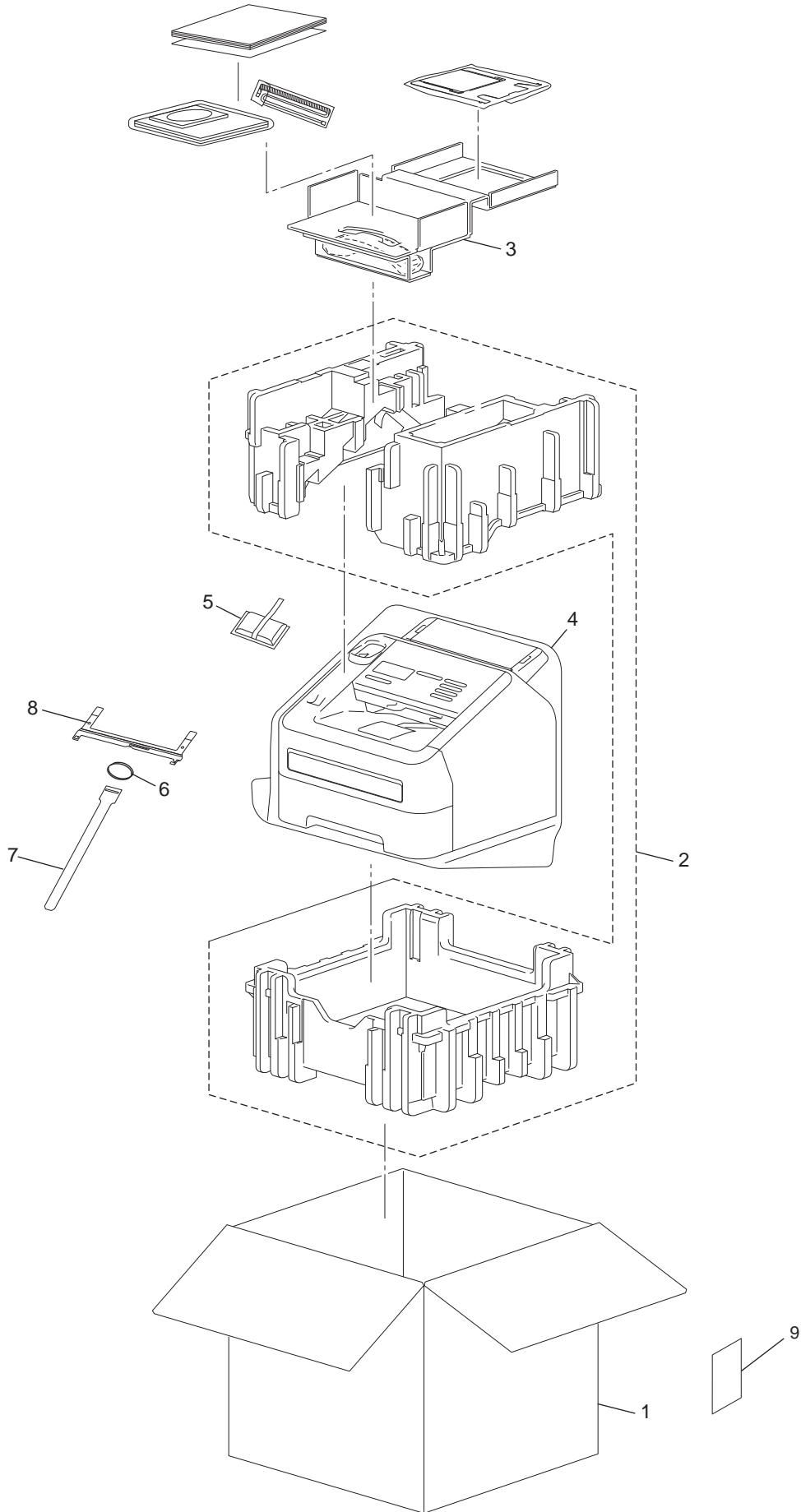
12. PRINTED MATERIALS



12. PRINTED MATERIALS

REF No.	CODE	Q'TY	DESCRIPTION	REMARKS
1	LEA792001	1	USER'S GUIDE, FAX-2840/2940/MFC-7240 FOR US/CAN (ENGLISH)	
1	LEA792002	1	USER'S GUIDE, FAX-2840/MFC-7240 FOR CAN (FRENCH)	
1	LEA866003	1	USER'S GUIDE, FAX-2840/2845/2940 FOR GER	
1	LEA866004	1	USER'S GUIDE, FAX-2840/2940 FOR UK/ISR	
1	LEA866005	1	USER'S GUIDE, FAX-2840/2845/2940 FOR FRA	
1	LEA866008	1	USER'S GUIDE, FAX-2840/2845/2940 FOR BEL/CHE (FRENCH)	
1	LEA866058	1	USER'S GUIDE, FAX-2840/2845 FOR BEL (DUTCH)	
1	LEA866009	1	USER'S GUIDE, FAX-2840/2940 FOR NLD	
1	LEA866010	1	USER'S GUIDE, FAX-2840/2845/2940 FOR CHE (GERMAN)	
1	LEA866016	1	USER'S GUIDE, FAX-2840/2845/2940 FOR ITA	
1	LEA869023	1	USER'S GUIDE, FAX-2840/MFC-7290 FOR TWN	
1	LEA869041	1	USER'S GUIDE, FAX-2840/2950 FOR ZAF/GUL (ENGLISH)	
1	LEA792031	1	USER'S GUIDE, MFC-7240 FOR ARG/CHL	
1	LEA870040	1	USER'S GUIDE, FAX-2840/2950/MFC-7240/7290 FOR ASA/IND/OCE (ENGLISH)	
1	LEA871030	1	USER'S GUIDE, FAX-2840/2950 FOR ASA (THAI)	
1	LEA869025	1	USER'S GUIDE, FAX-2840/2950 FOR GUL (TURKISH)	
1	LEA869032	1	USER'S GUIDE, FAX-2840/2950 FOR GUL (ARABIC)	
1	LEA792042	1	USER'S GUIDE, FAX-2840 FOR BRA	
1	LEA869044	1	USER'S GUIDE, FAX-2840 FOR KOR	
1	LEA867007	1	USER'S GUIDE, FAX-2840 FOR PND (NORWEGIAN/SWEDISH)	
1	LEA867013	1	USER'S GUIDE, FAX-2840 FOR PND (DANISH/FINNISH)	
1	LEA867015	1	USER'S GUIDE, FAX-2840/2845/2940 FOR IBR	
1	LEA871020	1	USER'S GUIDE, FAX-2890/2990/MFC-7290 FOR CHN	
1	LEA866048	1	USER'S GUIDE, FAX-2845R/2940R	
2	LEA793001	1	QUICK SETUP GUIDE, FAX-2840/2940 FOR US/CAN (ENGLISH)	
2	LEA793002	1	QUICK SETUP GUIDE, FAX-2840 FOR CAN (FRENCH)	
2	LEA795001	1	QUICK SETUP GUIDE, MFC-7240 FOR US/CAN (ENGLISH)	
2	LEA795002	1	QUICK SETUP GUIDE, MFC-7240 FOR CAN (FRENCH)	
2	LEA868003	1	QUICK SETUP GUIDE, FAX-2840/2845/2940 FOR GER	
2	LEA868004	1	QUICK SETUP GUIDE, FAX-2840/2940 FOR UK/ISR	
2	LEA868005	1	QUICK SETUP GUIDE, FAX-2840/2845/2940 FOR FRA	
2	LEA868008	1	QUICK SETUP GUIDE, FAX-2840/2845/2940 FOR BEL/CHE (FRENCH)	
2	LEA868058	1	QUICK SETUP GUIDE, FAX-2840/2845 FOR BEL (DUTCH)	
2	LEA868009	1	QUICK SETUP GUIDE, FAX-2840/2940 FOR NLD	
2	LEA868010	1	QUICK SETUP GUIDE, FAX-2840/2845/2940 FOR CHE (GERMAN)	
2	LEA868016	1	QUICK SETUP GUIDE, FAX-2840/2845/2940 FOR CHE/ITA (ITALIAN)	
2	LEA872023	1	QUICK SETUP GUIDE, FAX-2840 FOR TWN	
2	LEA873023	1	QUICK SETUP GUIDE, MFC-7290 FOR TWN	
2	LEA874040	1	QUICK SETUP GUIDE, FAX-2840 FOR ZAF/ASA/GUL/IND/OCE (ENGLISH)	
2	LEA872030	1	QUICK SETUP GUIDE, FAX-2840 FOR ASA (THAI)	add
2	LEA873030	1	QUICK SETUP GUIDE, FAX-2950/MFC-7290 FOR ASA (THAI)	
2	LEA795031	1	QUICK SETUP GUIDE, MFC-7240 FOR ARG/CHL	
2	LEA872025	1	QUICK SETUP GUIDE, FAX-2840/2845/2940 FOR GUL (TURKISH)	
2	LEA872032	1	QUICK SETUP GUIDE, FAX-2840 FOR GUL (ARABIC)	
2	LEA873025	1	QUICK SETUP GUIDE, FAX-2950 FOR GUL (TURKISH)	
2	LEA873032	1	QUICK SETUP GUIDE, FAX-2950 FOR GUL (ARABIAN)	
2	LEA875040	1	QUICK SETUP GUIDE, FAX-2950/MFC-7240/7290 FOR ASA/GUL/OCE (ENGLISH)	
2	LEA793042	1	QUICK SETUP GUIDE, FAX-2840 FOR BRA	
2	LEA872044	1	QUICK SETUP GUIDE, FAX-2840 FOR KOR	
2	LEA868013	1	QUICK SETUP GUIDE, FAX-2840 FOR PND (DANISH)	
2	LEA868012	1	QUICK SETUP GUIDE, FAX-2840 FOR PND (FINNISH)	
2	LEA868007	1	QUICK SETUP GUIDE, FAX-2840 FOR PND (NORWEGIAN)	
2	LEA868026	1	QUICK SETUP GUIDE, FAX-2840 FOR PND (SWEDISH)	
2	LEA868015	1	QUICK SETUP GUIDE, FAX-2840/2845/2940 FOR IBR	
2	LEA868037	1	QUICK SETUP GUIDE, FAX-2845 FOR CEE (CZECH/HUNGARIAN/POLISH/ENGLISH)	
2	LEA868059	1	QUICK SETUP GUIDE, FAX-2845 FOR CEE (BULGARIAN/ROMANIAN/SLOVAK)	
2	LEA876020	1	QUICK SETUP GUIDE, FAX-2890/2990/MFC-7290 FOR CHN	
2	LEA868048	1	QUICK SETUP GUIDE, FAX-2845R/2940R (RUSSIAN)	
2	LEJ557001	1	QUICK SETUP GUIDE, FAX-2845R/2940R (KAZAKH/BELARUSIAN)	ADD

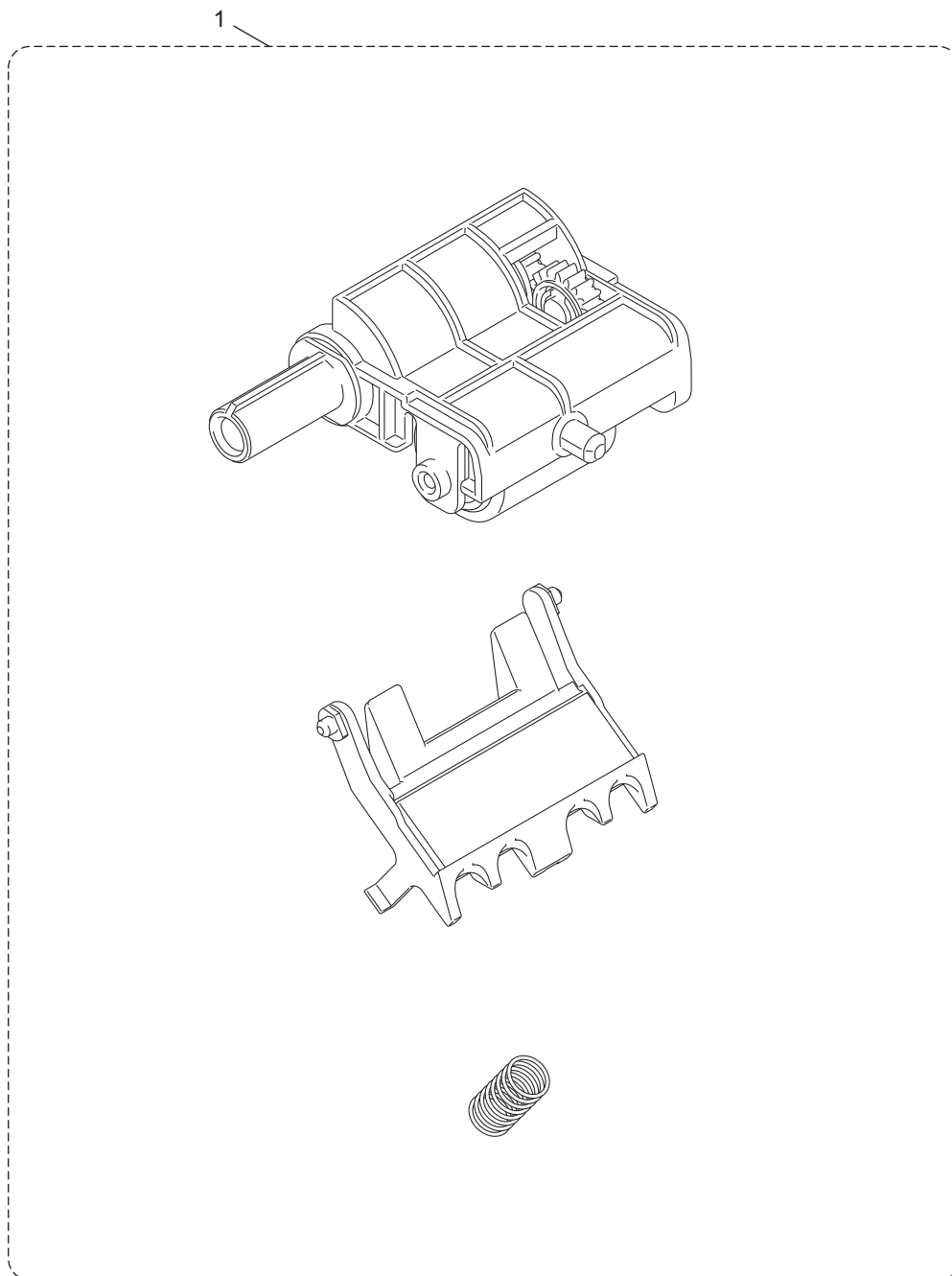
13. PACKING MATERIALS



13. PACKING MATERIALS

REF No.	CODE	Q'TY	DESCRIPTION	REMARKS
1	LEA634001	1	CARTON BROTHER, FAX-2840 FOR US	
1	LEA640001	1	CARTON BROTHER, FAX-2940 FOR US	
1	LEA629001	1	CARTON BROTHER, FAX-2940 EXCEPT FOR US	
1	LEA643001	1	CARTON BROTHER, MFC-7240 FOR US	
1	LEJ428001	1	CARTON BROTHER, FAX-2840 FOR CAN	chg
1	LEJ429001	1	CARTON BROTHER, MFC-7240 FOR CAN	chg
1	LEA623001	1	CARTON BROTHER, FAX-2840 FOR GER/UK/FRA/BEL/NLD/CHE/ITA/ISR/PND/IBR	
1	LEA618001	1	CARTON BROTHER, MFC-7290 FOR CHN	
1	LEA588001	1	CARTON BROTHER, FAX-2840 FOR TWN	
1	LEA606001	1	CARTON BROTHER, MFC-7290 FOR TWN	
1	LEA576001	1	CARTON BROTHER, FAX-2840 FOR ZAF	
1	LEA647001	1	CARTON BROTHER, MFC-7240 FOR ARG/CHL	
1	LEA582001	1	CARTON BROTHER, FAX-2840 FOR ASA/IND	
1	LEA595001	1	CARTON BROTHER, FAX-2950 FOR ASA	
1	LEA602001	1	CARTON BROTHER, MFC-7290 FOR ASA	
1	LEA572001	1	CARTON BROTHER, FAX-2840 FOR GUL	
1	LEA593001	1	CARTON BROTHER, FAX-2950 FOR GUL	
1	LEA639001	1	CARTON BROTHER, FAX-2840 FOR BRA	
1	LEA585001	1	CARTON BROTHER, FAX-2840 FOR KOR	
1	LEA568001	1	CARTON BROTHER, FAX-2840 FOR OCE	
1	LEA591001	1	CARTON BROTHER, FAX-2950 FOR OCE	
1	LEA598001	1	CARTON BROTHER, MFC-7240 FOR OCE	
1	LEA626001	1	CARTON BROTHER, FAX-2845	
1	LEJ553001	1	CARTON BROTHER, FAX-2845R	chg
1	LEA611001	1	CARTON BROTHER, FAX-2890	
1	LEJ556001	1	CARTON BROTHER, FAX-2940R	chg
1	LEJ066001	1	CARTON BROTHER, FAX-2990	
2	LEA411001	1	PAD ASSY	
3	LEA415001	1	OPTION CARTON	
4	LEA703001	1	PE BAG 800x750, FAX-2840 FOR US/CAN/ISR/TWN/ZAF/ASA/GUL/BRA/KOR/IND, FAX-2940 FOR US, FAX-2950 FOR ASA/GUL/OCE, FAX-2990 FOR CHN, MFC-7240 FOR US/CAN/ARG/CHL/OCE, MFC-7290 FOR CHN/TWN/ASA	
4	LEJ499001	1	PE BAG 800x750, FAX-2840/2845/2940 FOR GER/UK/FRA/BEL/NLD/CHE/ITA/PND/IBR/CEE	add
5	LY3886001	1	SILICA GEL FOR US/CAN/ARG/CHL/BRA	
5	LY3887001	1	SILICA GEL EXCEPT FOR US/CAN/ARG/CHL/BRA	
6	LY3797001	1	ELASTIC BAND EXCEPT FOR CHN	
7	LEA416001	1	PAPER STRIP EXCEPT FOR CHN	
7	LU8499001	1	PAPER STRIP FOR CHN	ADD
8	LY3057001	1	PROTECTIVE MATERIAL EXCEPT FOR CHN	
8	LU8502001	1	PROTECTIVE MATERIAL FOR CHN	ADD
9	LEJ564001	1	CHINA ENERGY LABEL, FAX-2890	chg
9	LEJ565001	1	CHINA ENERGY LABEL, FAX-2990	chg
9	LEJ566001	1	CHINA ENERGY LABEL, MFC-7290 FOR CHN	chg

14. PERIODICAL MAINTENANCE PARTS



14. PERIODICAL MAINTENANCE PARTS

REF No.	CODE	Q'TY	DESCRIPTION	REMARKS
1	LY3058001	1	PAPER FEEDING KIT (SP)	