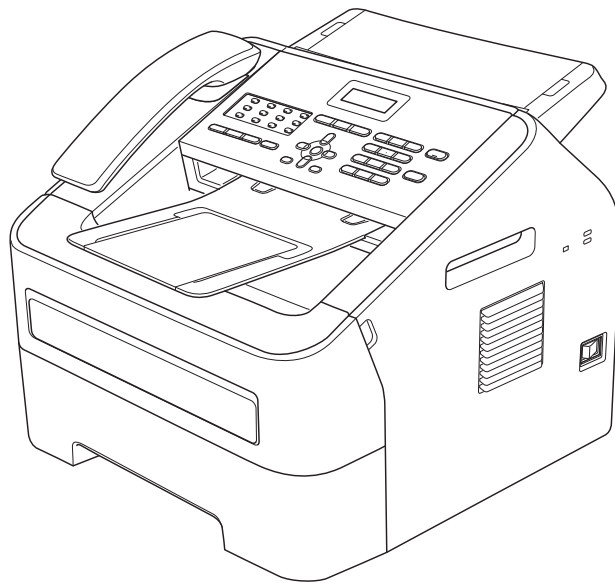




Laser MFC

PARTS REFERENCE LIST

**MODEL: FAX-2840/2845/2940/
MFC-7240**



Read this list thoroughly before maintenance work.

Keep this list in a convenient place for quick and easy reference at all times.

NOTE FOR USING THIS PARTS REFERENCE LIST

1. In the case of ordering parts, it is necessary to mention the following items:

- (1) Code
- (2) Q'ty
- (3) Description

<Example>

	(1) CODE	(2) Q'TY	(3) DESCRIPTION	
REF.NO.	CODE	Q'TY	DESCRIPTION	REMARK

2. Design-changed parts:

If any of the parts is changed, one of the following symbols is indicated in the REMARK column.

CHG (chg): The part is changed for a new one.

ADD (add): The part is newly added.

DEL (del): The part is deleted.

Symbol in capital letters indicates the latest parts change information in the page.

3. Parts change will be informed by the Parts change information.

4. Parts are subject to change in design without prior notice.

COUNTRIES & AREAS

US ----- U.S.A.

CAN ----- CANADA

GER ----- GERMANY

UK ----- UNITED KINGDOM

FRA ----- FRANCE

BEL ----- BELGIUM

NLD ----- NETHERLANDS

CHE ----- SWITZERLAND

ITA ----- ITALY

ZAF ----- SOUTH AFRICA

ASA ----- ASIA

GUL ----- GULF

IND ----- INDIA

OCE ----- OCEANIA

(AUSTRALIA/ NEW ZEALAND)

PND ----- PAN-NORDIC

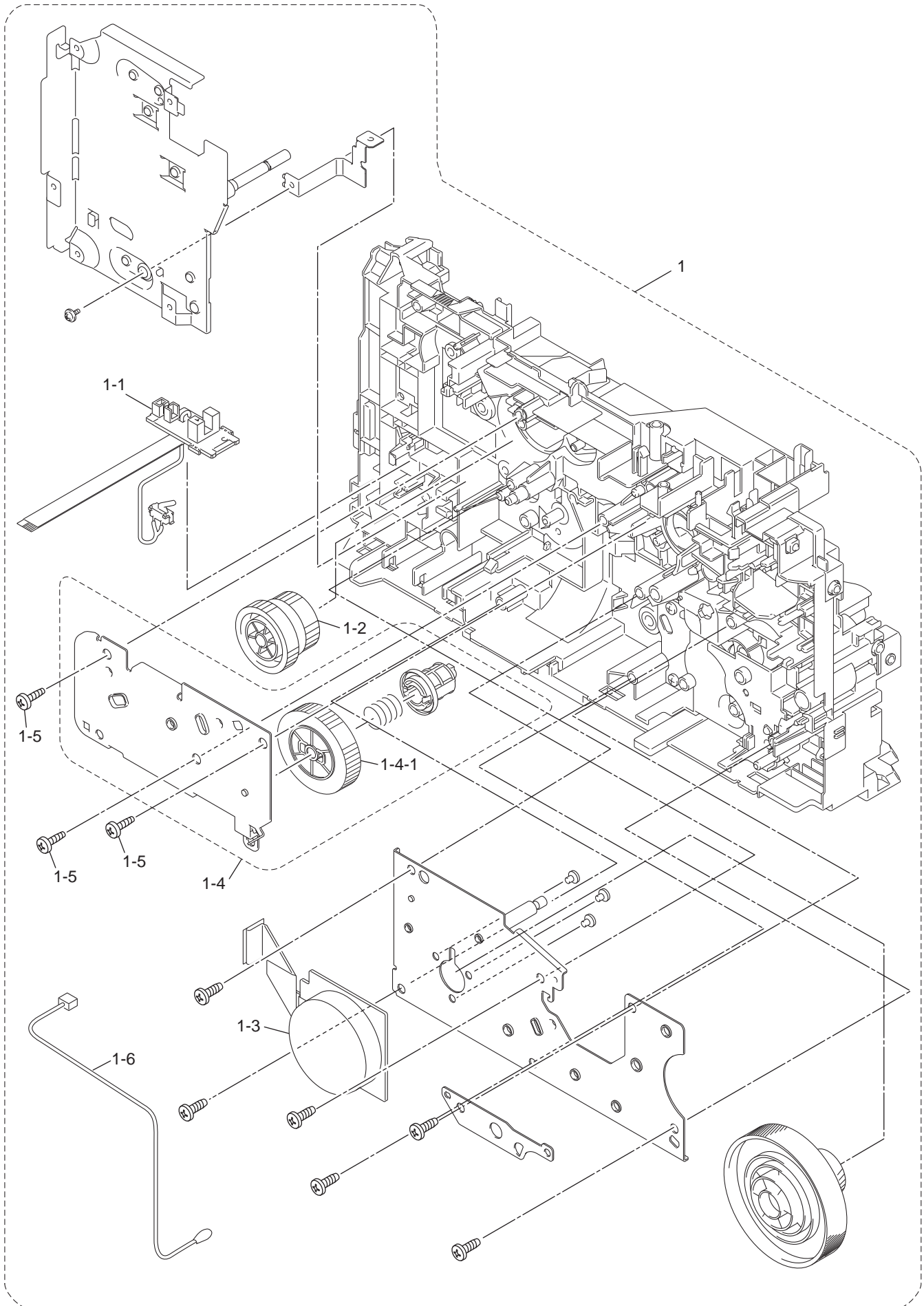
(NORWAY/FINLAND/DENMARK/SWEDEN)

IBR ----- IBERIA (SPAIN/PORTUGAL)

CONTENTS

1.	<u>FRAME L & DRIVE UNIT</u>	1
2.	<u>PAPER FEEDER</u>	3
3.	<u>FRAME</u>	5
4.	<u>LASER UNIT</u>	7
5.	<u>PAPER TRAY</u>	9
6.	<u>FUSER UNIT</u>	11
7.	<u>COVERS & LABELS</u>	13
8.	<u>TOP COVER</u>	15
9.	<u>PANEL</u>	17
10.	<u>PCB</u>	19
11.	<u>ACCESSORIES</u>	21
12.	<u>PRINTED MATERIALS</u>	23
13.	<u>PACKING MATERIALS</u>	25
14.	<u>PERIODICAL MAINTENANCE PARTS</u>	27

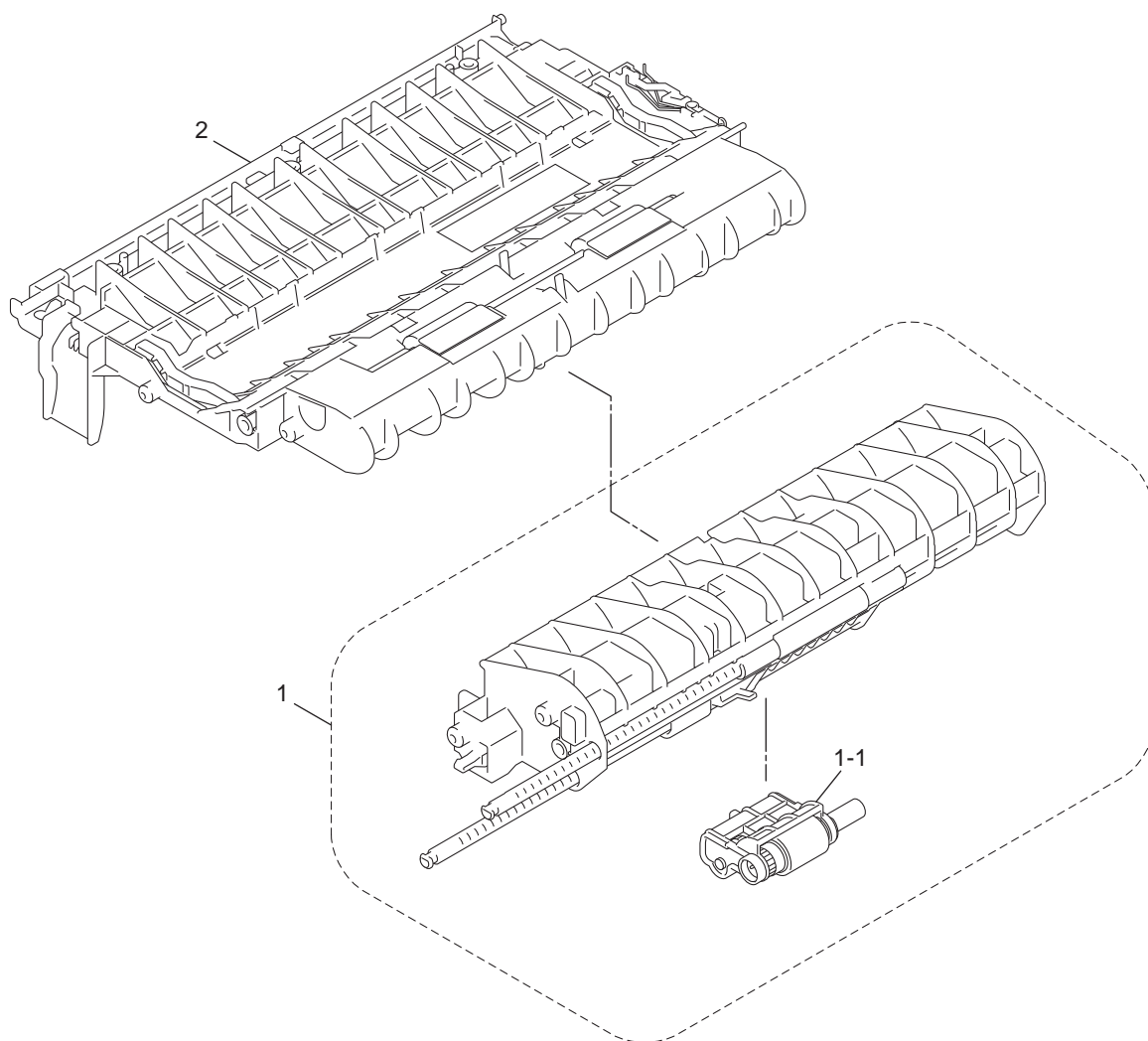
1. FRAME L & DRIVE UNIT



1. FRAME L & DRIVE UNIT

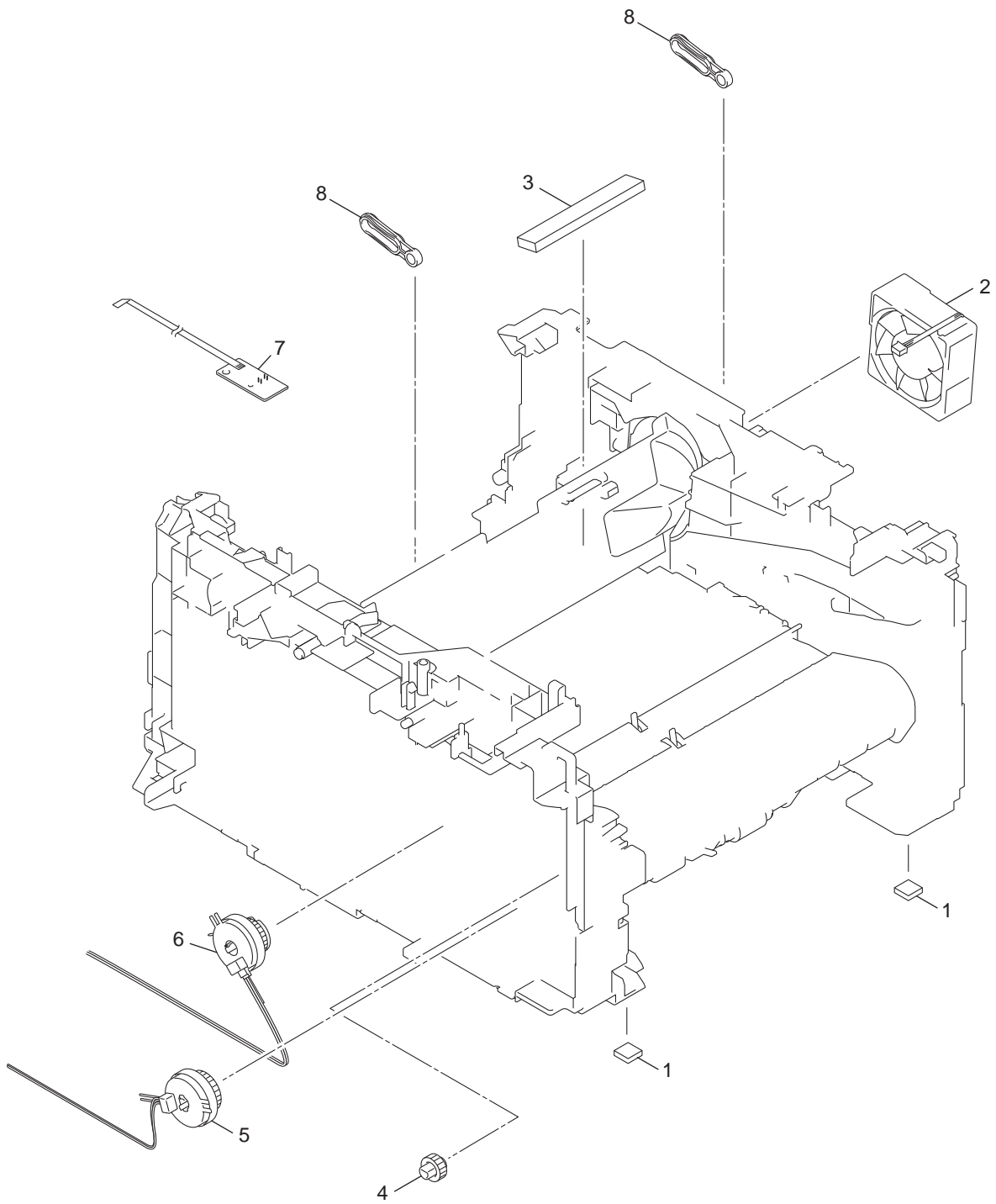
REF No.	CODE	Q'TY	DESCRIPTION	REMARKS
1	LEA786001	1	MAIN FRAME L ASSY	
1-1	LV0579001	1	EJECT SENSOR PCB ASSY	
1-2	LY2010001	1	FUSER GEAR 28/34	
1-3	LY2054001	1	MAIN MOTOR	
1-4	LY2067001	1	DEVELOP DRIVE SUB ASSY	
1-4-1	LY2070001	1	DEVELOP GEAR JOINT/52	
1-5	LU5693001	3	TAPTITE BIND B M4X12	
1-6	LT1130001	1	INTERNAL TEMPERATURE THERMISTOR	

2. PAPER FEEDER



REF No.	CODE	Q'TY	DESCRIPTION	REMARKS
1	LY2087001	1	PF FRAME ASSY	
1-1	LY2093001	1	PICK-UP ROLLER ASSY	
2	LY2482001	1	REGIST FRAME ASSY	

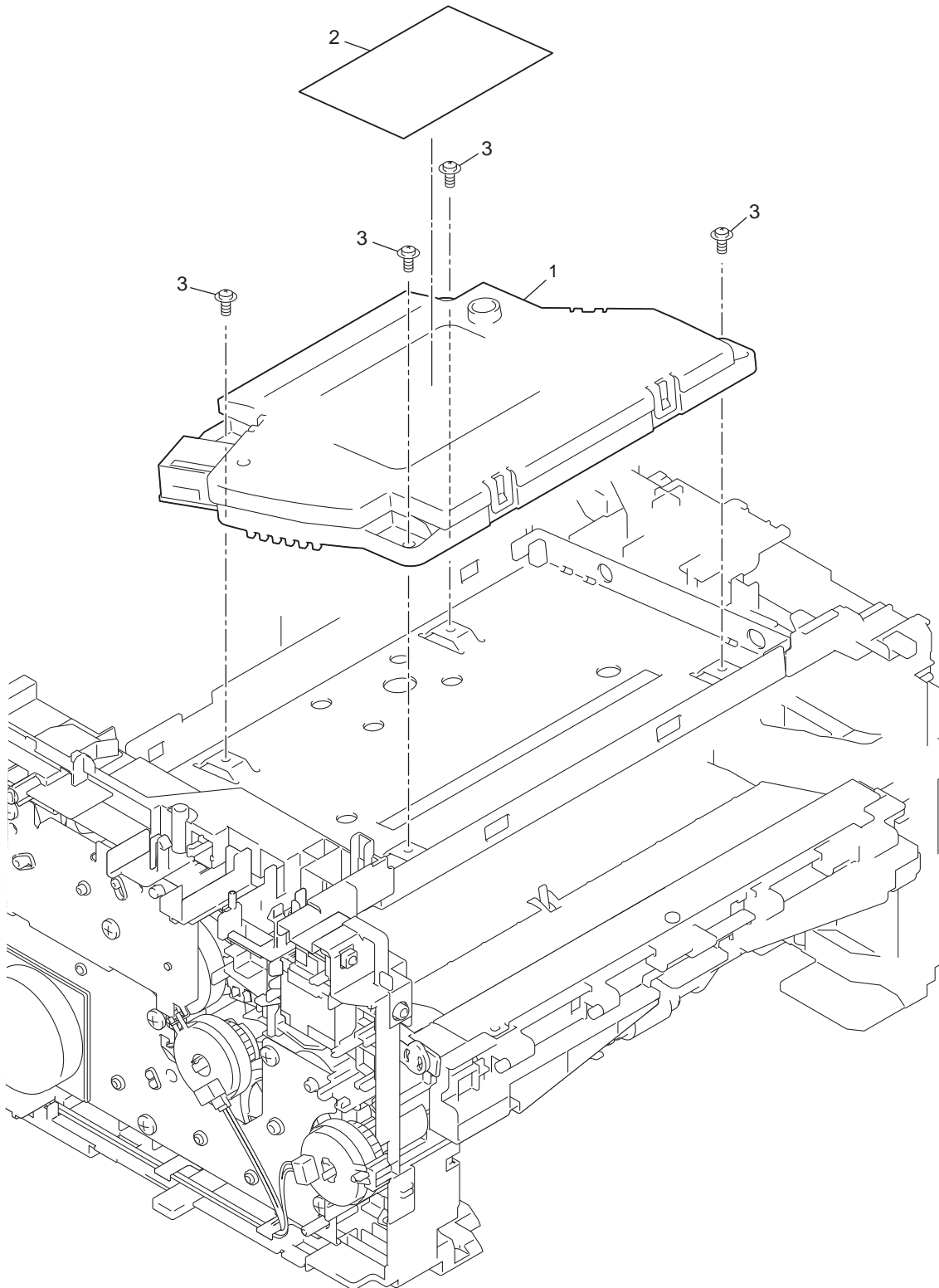
3. FRAME



3. FRAME

REF No.	CODE	Q'TY	DESCRIPTION	REMARKS
1	LJ7403001	2	RUBBER FOOT	
2	LY2136001	1	MAIN FAN	
3	LY2141001	1	FILTER	
4	LY2584001	1	FEEDER GEAR17	
5	LY2144001	1	T1 CLUTCH ASSY	
6	LY2150001	1	REGISTRATION CLUTCH ASSY	
7	LT1475001	1	NEW TONER SENSOR PCB ASSY	
8	LEA389001	2	CONTROL PANEL COVER LINK	

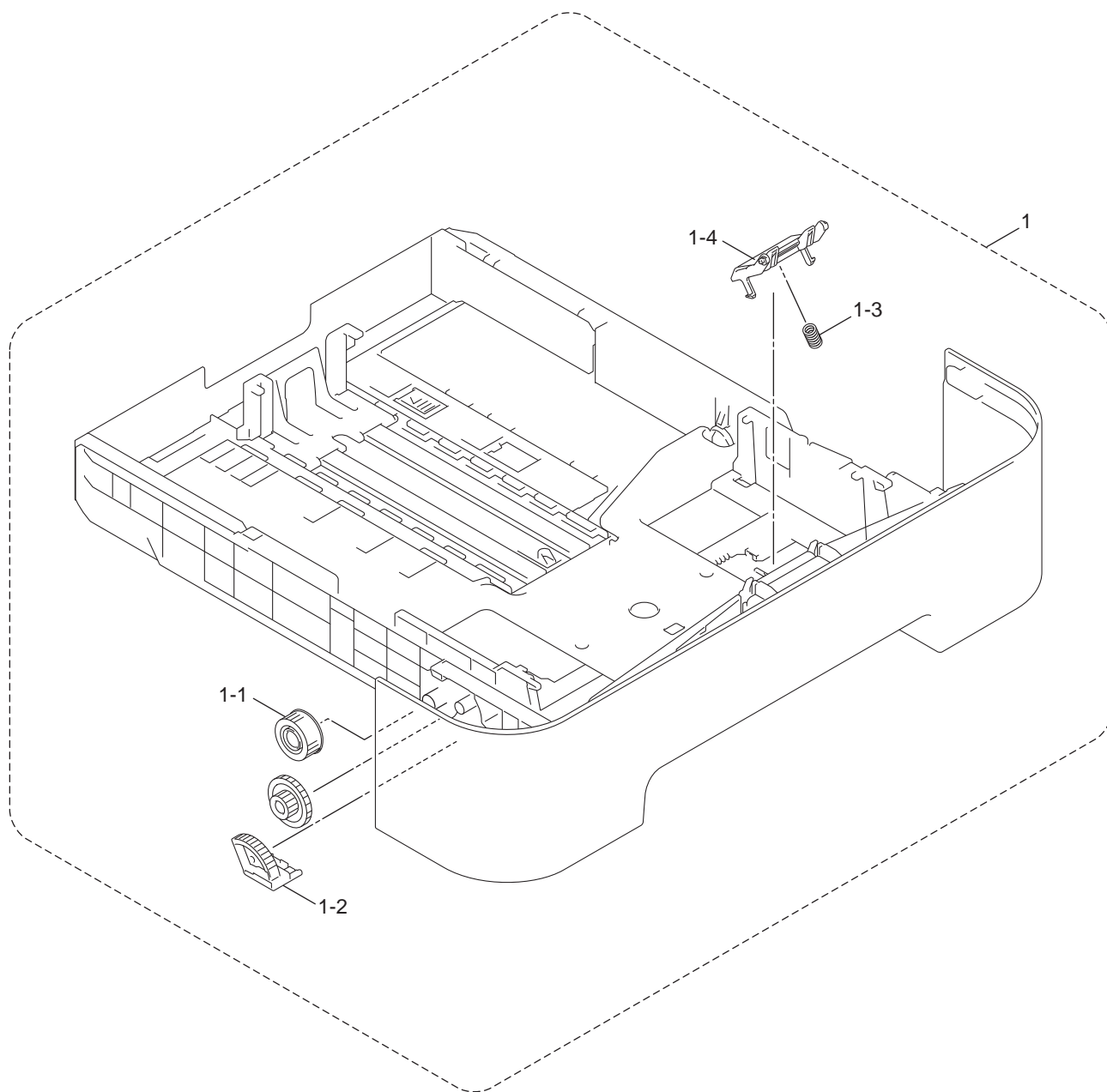
4. LASER UNIT



4. LASER UNIT

REF No.	CODE	Q'TY	DESCRIPTION	REMARKS
1	LEJ073001	1	LASER UNIT (SP), FAX-2840/2845/MFC-7240 FOR ALL COUNTRIES, FAX-2940 EXCEPT FOR US	
1	LX5198001	1	LASER UNIT (SP), FAX-2940 FOR US	
2	LU1259001	1	LABEL LASER CAUTION	
3	LP2378001	4	TAPTITE CUP S M3X8 SR	

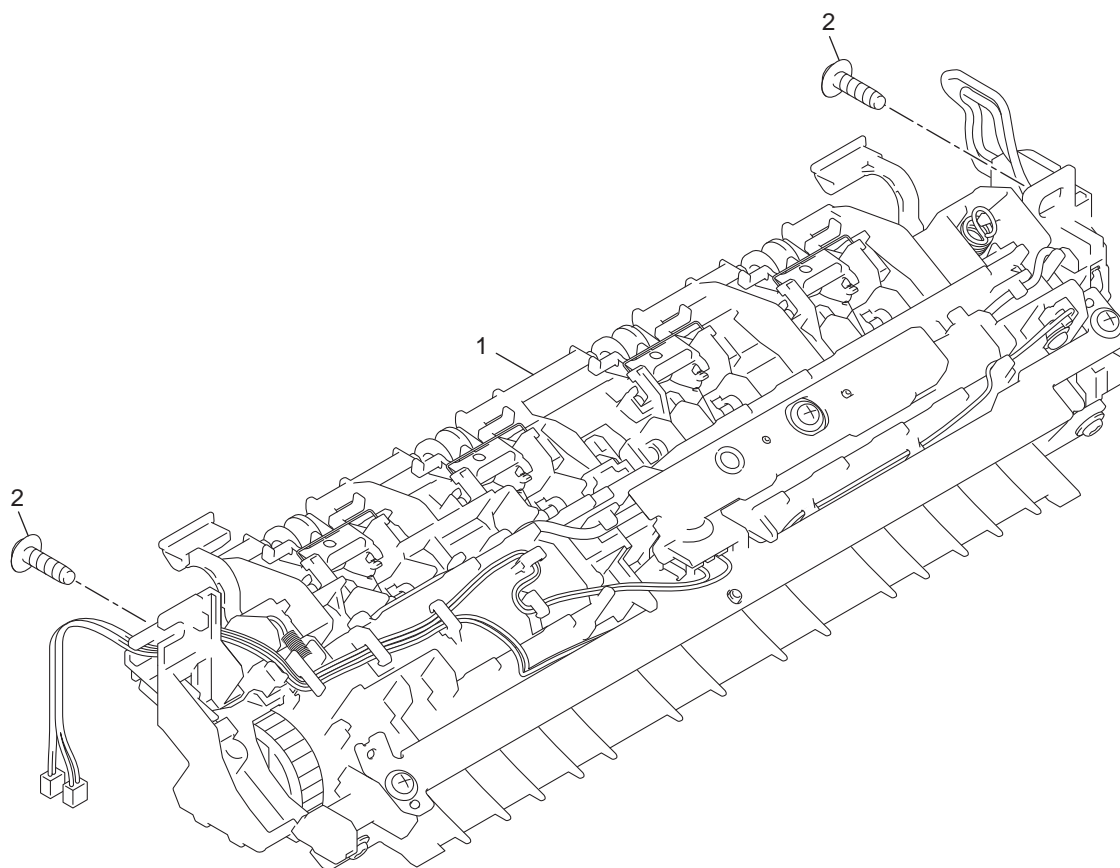
5. PAPER TRAY



5. PAPER TRAY

REF No.	CODE	Q'TY	DESCRIPTION	REMARKS
1	LY2190003	1	PAPER TRAY FOR US/CAN/ZAF/ASA/GUL/IND	
1	LY2567003	1	PAPER TRAY EXCEPT FOR US/CAN/ZAF/ASA/GUL/IND	
1-1	LR0252001	1	GEAR Z19M10	
1-2	LY2202001	1	LIFT GEAR46	
1-3	LY2207001	1	SEPARATION PAD SPRING	
1-4	LY2208001	1	SEPARATION PAD ASSY	

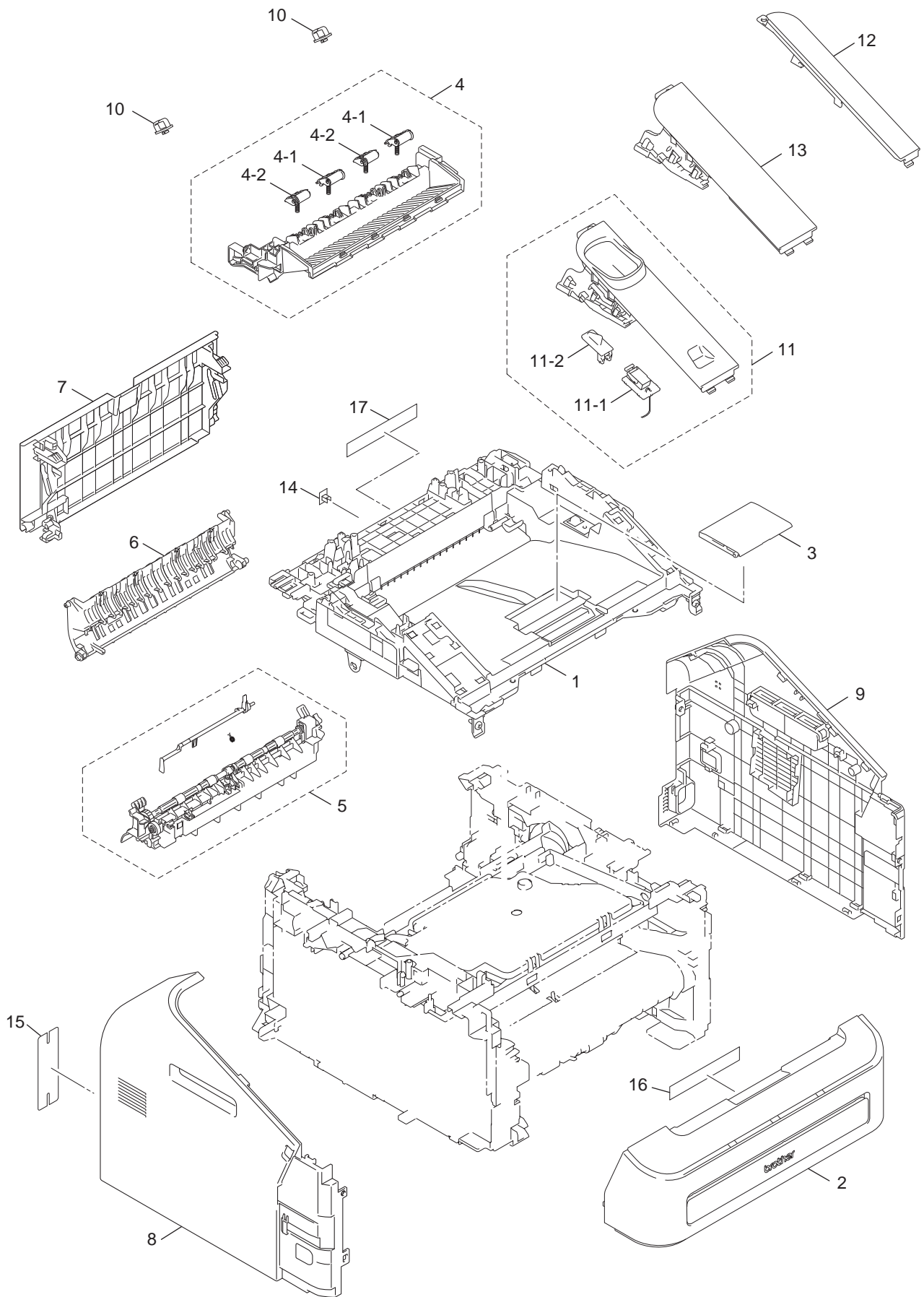
6. FUSER UNIT



6. FUSER UNIT

REF No.	CODE	Q'TY	DESCRIPTION	REMARKS
1	LY2487001	1	FUSER UNIT 115V (SP) FOR US/CAN	
1	LY3704001	1	FUSER UNIT 230V (SP) EXCEPT FOR US/CAN	
2	LJ0395001	2	TAPTITE PAN B M4X14	

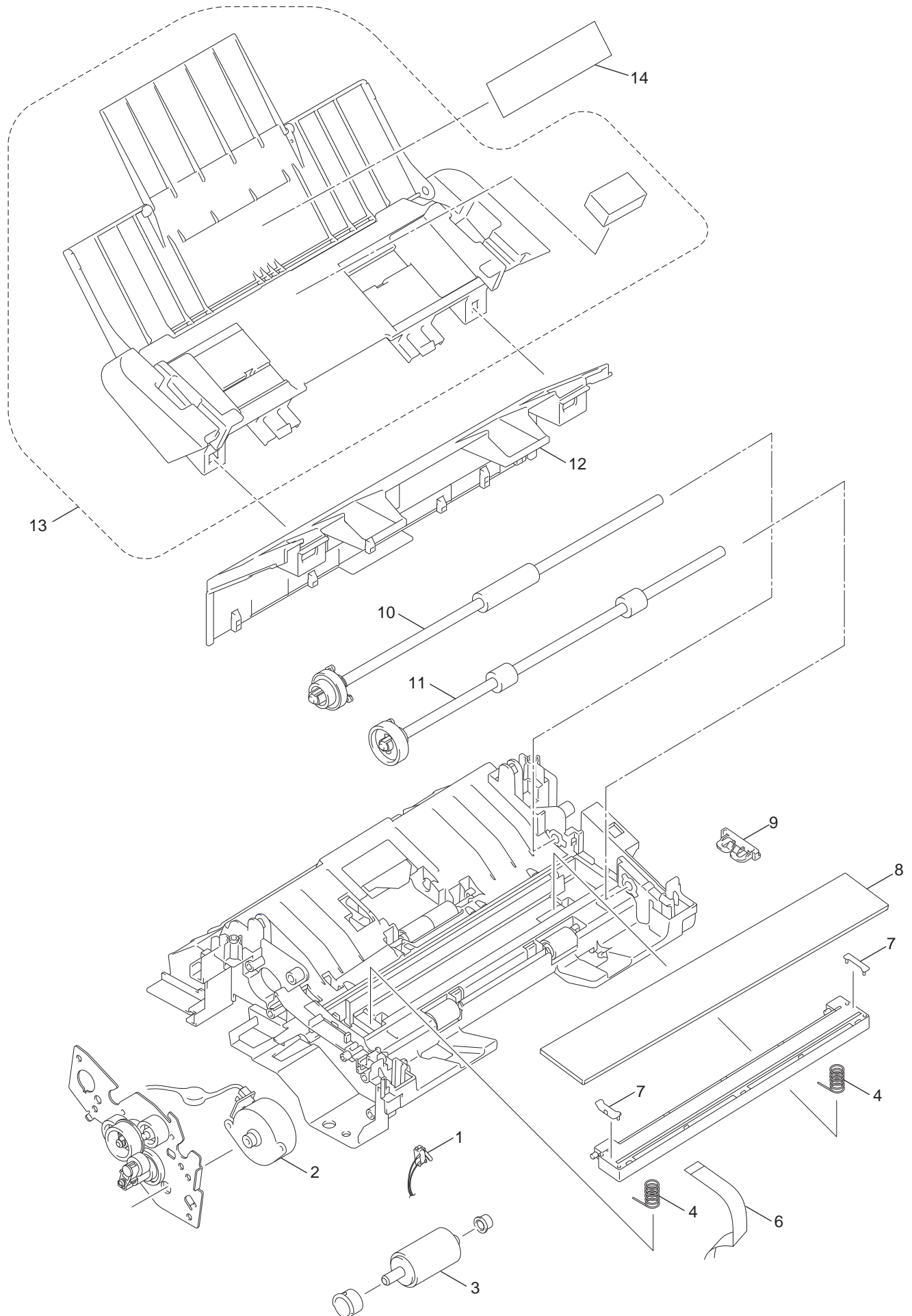
7. COVERS & LABELS



7. COVERS & LABELS

REF No.	CODE	Q'TY	DESCRIPTION	REMARKS
1	LEA327001	1	INNER CHUTE COVER ASSY, FAX-2840/2845/2940	
1	LEA327002	1	INNER CHUTE COVER ASSY, MFC-7240	
2	LEA329001	1	FRONT COVER ASSY, FAX-2840/2845/2940 FOR US/CAN/GER/UK/FRA/BEL/NLD/CHE/ITA/OCE/PND/IBR	
2	LEA501001	1	FRONT COVER ASSY, FAX-2840 FOR ZAF/ASA/GUL/IND	
2	LEA329002	1	FRONT COVER ASSY, MFC-7240	
3	LEA332001	1	UNFOLD SUPPORT FLAP, FAX-2840/2845/2940	
3	LEA332002	1	UNFOLD SUPPORT FLAP, MFC-7240	
4	LY2275002	1	INNER CHUTE ASSY, FAX-2840/2845/2940	
4	LY2275001	1	INNER CHUTE ASSY, MFC-7240	
4-1	LU2234001	2	EJECT PINCH ROLLER R ASSY	
4-2	LU2237001	2	EJECT PINCH ROLLER L ASSY	
5	LY2317001	1	FUSER UNIT COVER ASSY	
6	LY2285001	1	OUTER CHUTE ASSY	
7	LX5318003	1	BACK COVER ASSY	
8	LEA335001	1	SIDE COVER L	
9	LEA336001	1	SIDE COVER R	
10	LX9044002	2	CORD HOOK	
11	LEA338001	1	HANDSET HOLDER, FAX-2840/2940 FOR US/CAN/ASA/GUL/IND/OCE, FAX-2845 FOR ALL COUNTRIES	
11	LEA338002	1	HANDSET HOLDER, MFC-7240	
11-1	LT1764001	1	HOOK SWITCH PCB ASSY, FAX-2840/2940 FOR US/CAN/ASA/GUL/IND/OCE, FAX-2845/MFC-7240 FOR ALL COUNTRIES	
11-2	LS0018008	1	HOOK ACTUATOR, FAX-2840/2940 FOR US/CAN/ASA/GUL/IND/OCE, FAX-2845/MFC-7240 FOR ALL COUNTRIES	
12	LEA340001	1	UPPER COVER R, FAX-2840/2845/2940	
12	LEA340002	1	UPPER COVER R, MFC-7240	
13	LEA341001	1	UPPER COVER L, FAX-2840/2940 EXCEPT FOR US/CAN/ASA/GUL/IND/OCE	
14	LE8842001	1	EXT CAP FOR US/CAN/NLD/CHE/ZAF/ASA/GUL/IND/OCE/PND/IBR	
14	UF5745000	1	MJ COVER EXT FOR GER/UK/FRA/BEL/ITA	
15	LEA422001	1	USB BLIND FILM, FAX-2840/2845 FOR GER/UK/FRA/BEL/NLD/CHE/ITA/PND/IBR	
16	LEA453001	1	LABEL PROCESS OP US 19x135 FOR US/CAN	
16	LEA454001	1	LABEL PROCESS OP EUR 19X135 EXCEPT FOR US/CAN	
17	LY2439001	1	LABEL H CAUTION REAR 13X95	

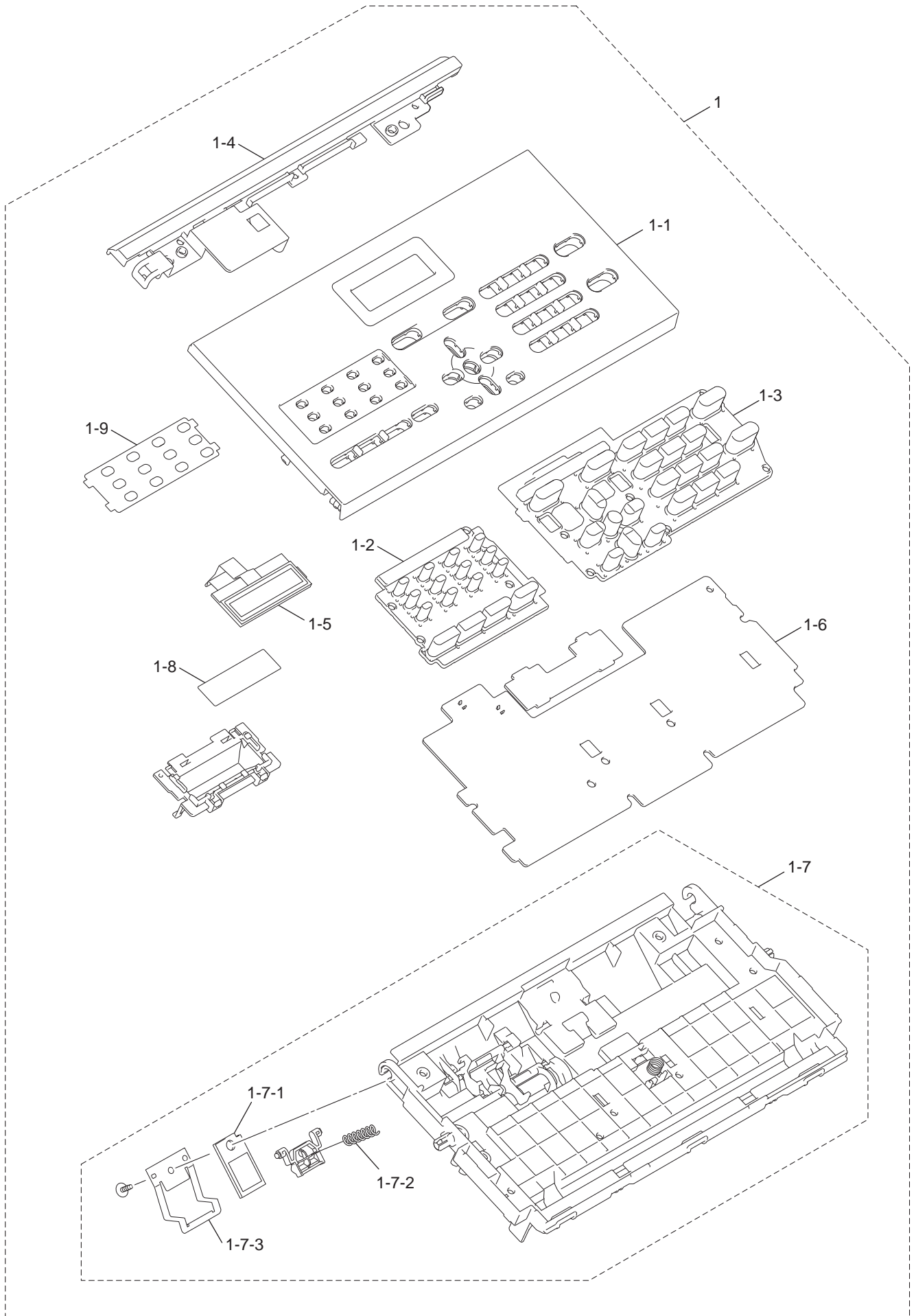
8. TOP COVER



8. TOP COVER

REF No.	CODE	Q'TY	DESCRIPTION	REMARKS
1	LV0538001	1	CONTROL PANEL COVER SENSOR	
2	LEA543001	1	ADF MOTOR	
3	UF5511001	1	DOCUMENT SEPARATE ROLLER	
4	LX4099001	2	CIS SPRING	
5	LT2193001	1	CIS UNIT	
6	LT2100001	1	CIS FLAT CABLE	
7	LX3856001	2	CIS SPACER	
8	LEA365001	1	CIS GLASS	
9	LX4098001	1	CIS GLASS STOPPER	
10	LEA349001	1	DOCUMENT FEED ROLLER	
11	LEA352001	1	DOCUMENT EJECTION ROLLER	
12	LEA396001	1	UPPER BACK COVER, FAX-2840/2940 FOR US/CAN/ASA/GUL/IND/OCE, FAX-2845/MFC-7240 FOR ALL COUNTRIES	
12	LEA358001	1	UPPER BACK COVER, FAX-2840/2940 EXCEPT FOR US/CAN/ASA/GUL/IND/OCE	
13	LEJ098001	1	DOCUMENT TRAY ASSY(SP)	
14	LEA407001	1	GLASS CLEANING LABEL	

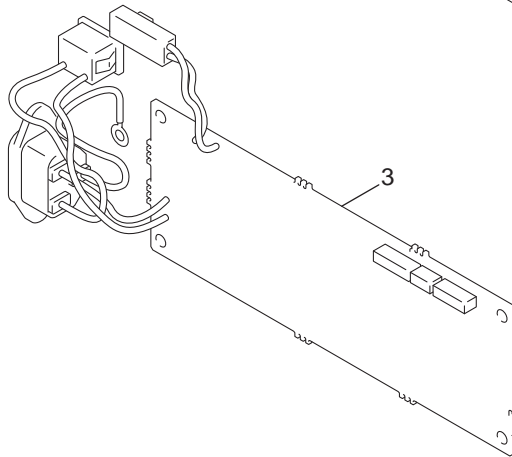
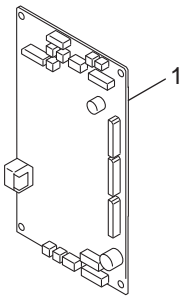
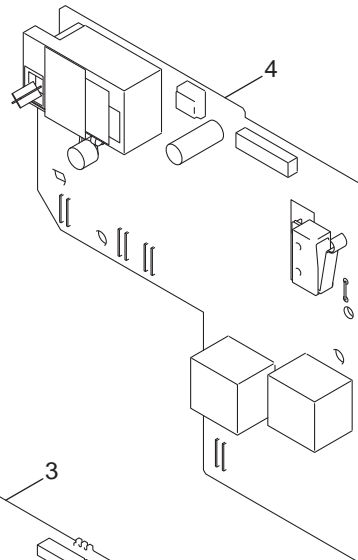
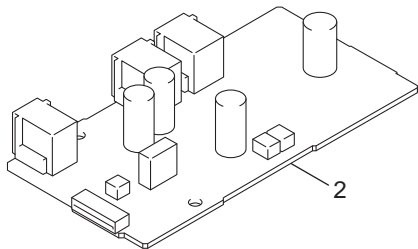
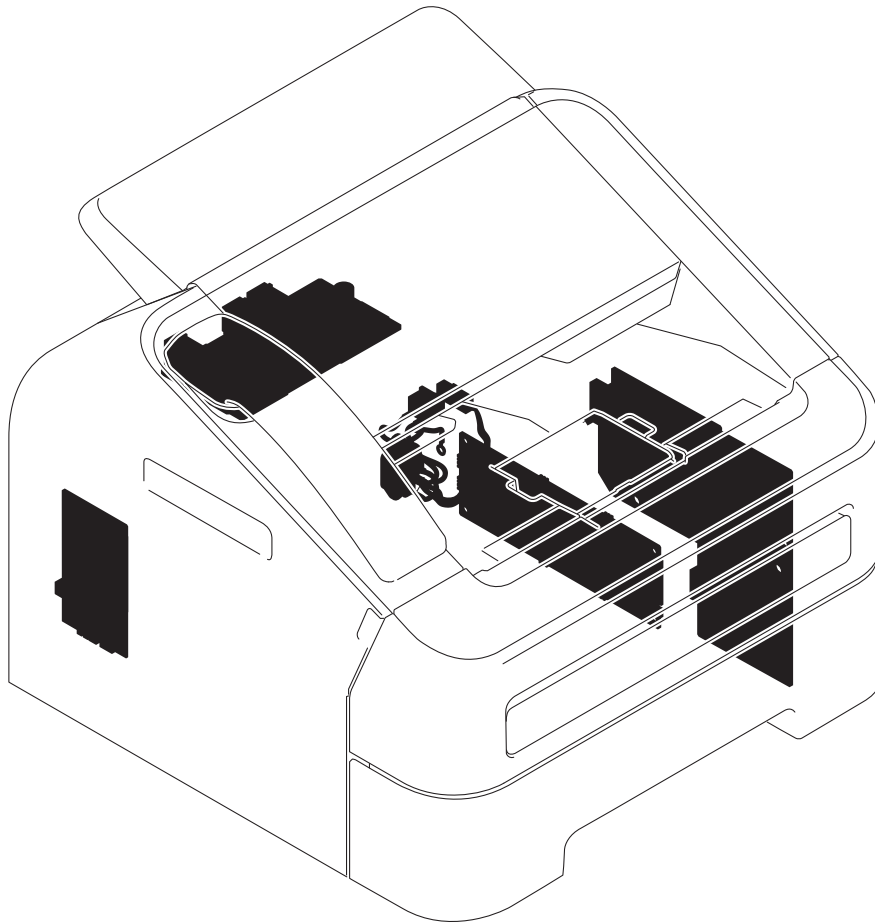
9. PANEL



9. PANEL

REF No.	CODE	Q'TY	DESCRIPTION	REMARKS
1	LEA423001	1	CONTROL PANEL ASSY, FAX-2840 FOR US/CAN	
1	LEA438001	1	CONTROL PANEL ASSY, FAX-2940 FOR US	
1	LEA434001	1	CONTROL PANEL ASSY, MFC-7240 FOR US/CAN	
1	LEA845001	1	CONTROL PANEL ASSY, FAX-2840 FOR GER	
1	LEA878001	1	CONTROL PANEL ASSY, FAX-2845 FOR GER	
1	LEA982001	1	CONTROL PANEL ASSY, FAX-2940 FOR GER	
1	LEA499001	1	CONTROL PANEL ASSY, FAX-2840 FOR UK/BEL/CHE/ZAF	
1	LEA430001	1	CONTROL PANEL ASSY, FAX-2940 FOR UK	
1	LEA852001	1	CONTROL PANEL ASSY, FAX-2840 FOR FRA	
1	LEA882001	1	CONTROL PANEL ASSY, FAX-2845 FOR FRA	
1	LEA985001	1	CONTROL PANEL ASSY, FAX-2940 FOR FRA	
1	LEA426001	1	CONTROL PANEL ASSY, FAX-2845 FOR BEL/CHE	
1	LEJ029001	1	CONTROL PANEL ASSY, FAX-2840 FOR NLD	
1	LEJ057001	1	CONTROL PANEL ASSY, FAX-2940 FOR NLD	
1	LEA857001	1	CONTROL PANEL ASSY, FAX-2840 FOR ITA	
1	LEA886001	1	CONTROL PANEL ASSY, FAX-2845 FOR ITA	
1	LEA987001	1	CONTROL PANEL ASSY, FAX-2940 FOR ITA	
1	LEA503001	1	CONTROL PANEL ASSY, FAX-2840 FOR ASA/IND/OCE	
1	LEJ043001	1	CONTROL PANEL ASSY, FAX-2840 FOR GUL	
1	LEA510001	1	CONTROL PANEL ASSY, MFC-7240 FOR OCE	
1	LEJ050001	1	CONTROL PANEL ASSY, FAX-2840 FOR PND	
1	LEA862001	1	CONTROL PANEL ASSY, FAX-2840 FOR IBR	
1	LEA890001	1	CONTROL PANEL ASSY, FAX-2845 FOR IBR	
1	LEA989001	1	CONTROL PANEL ASSY, FAX-2940 FOR IBR	
1-1	LEA424001	1	CONTROL PANEL COVER, FAX-2840/2940 FOR US/CAN	
1-1	LEA435001	1	CONTROL PANEL COVER, MFC-7240 FOR US/CAN	
1-1	LEA846001	1	CONTROL PANEL COVER, FAX-2840/2940 FOR GER	
1-1	LEA879001	1	CONTROL PANEL COVER, FAX-2845 FOR GER	
1-1	LEA431001	1	CONTROL PANEL COVER, FAX-2840/2940 FOR UK/BEL/CHE/ZAF	
1-1	LEA853001	1	CONTROL PANEL COVER, FAX-2840/2940 FOR FRA	
1-1	LEA883001	1	CONTROL PANEL COVER, FAX-2845 FOR FRA	
1-1	LEA427001	1	CONTROL PANEL COVER, FAX-2845 FOR BEL/CHE	
1-1	LEJ030001	1	CONTROL PANEL COVER, FAX-2840/2940 FOR NLD	
1-1	LEA858001	1	CONTROL PANEL COVER, FAX-2840/2940 FOR ITA	
1-1	LEA887001	1	CONTROL PANEL COVER, FAX-2845 FOR ITA	
1-1	LEA504001	1	CONTROL PANEL COVER, FAX-2840 FOR ASA/IND/OCE	
1-1	LEJ044001	1	CONTROL PANEL COVER, FAX-2840 FOR GUL	
1-1	LEJ051001	1	CONTROL PANEL COVER, FAX-2840 FOR PND	
1-1	LEA566002	1	CONTROL PANEL COVER, MFC-7240 FOR OCE	
1-1	LEA863001	1	CONTROL PANEL COVER, FAX-2840/2940 FOR IBR	
1-1	LEA891001	1	CONTROL PANEL COVER, FAX-2845 FOR IBR	
1-2	LEA371001	1	RUBBER KEY L, FAX-2840/2845/2940	
1-2	LEA371002	1	RUBBER KEY L, MFC-7240	
1-3	LEA391001	1	RUBBER KEY R, FAX-2840/2845/2940	
1-3	LEA373002	1	RUBBER KEY R, MFC-7240	
1-4	LEA375001	1	PANEL SUB COVER	
1-5	LT0149001	1	LCD, FAX-2840/2845/MFC-7240	
1-5	LT0533001	1	LCD, FAX-2940	
1-6	LT2095004	1	PANEL PCB ASSY, FAX-2840/2845	
1-6	LT2095002	1	PANEL PCB ASSY, FAX-2940	
1-6	LT2095003	1	PANEL PCB ASSY, MFC-7240	
1-7	LEA998001	1	DOCUMENT CHUTE UPPER ASSY (SP)	
1-7-1	LEA748001	1	SEPARATION PAD ASSY	
1-7-2	LEA382001	1	SEPARATION PAD SPRING	
1-7-3	LEA789001	1	FRONT PLATE SPRING ASSY	
1-8	LEA408001	1	LCD SHEET, FAX-2840 FOR US/CAN	
1-8	LEA441001	1	LCD SHEET, FAX-2940 FOR US	
1-8	LEA437001	1	LCD SHEET, MFC-7240 FOR US/CAN/OCE	
1-8	LEA500001	1	LCD SHEET, FAX-2840 EXCEPT FOR US/CAN	
1-8	LEA433001	1	LCD SHEET, FAX-2940 EXCEPT FOR US	
1-8	LEA429001	1	LCD SHEET, FAX-2845 FOR ALL COUNTRIES	
1-9	LEA388001	1	ADDRESS LABEL, FAX-2840/2845/2940/MFC-7240 EXCEPT FOR IBR	
1-9	LEJ132001	1	ADDRESS LABEL, FAX-2940 FOR IBR	

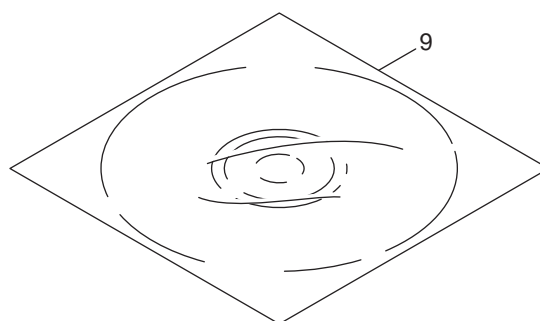
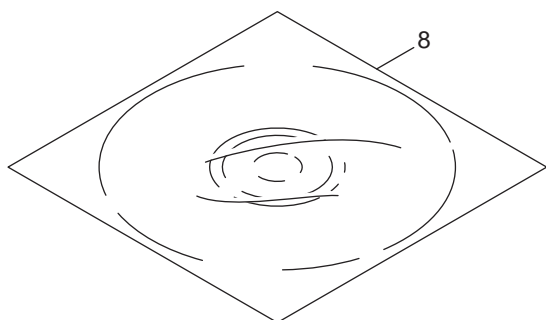
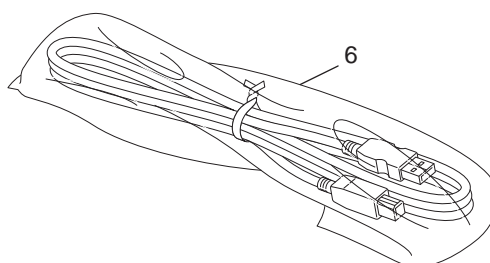
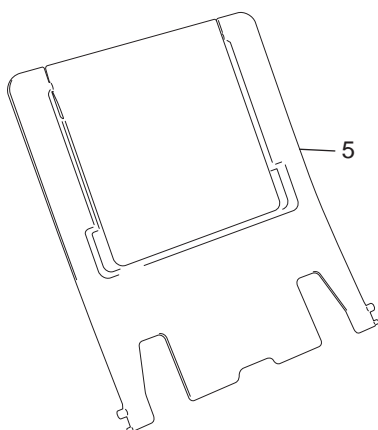
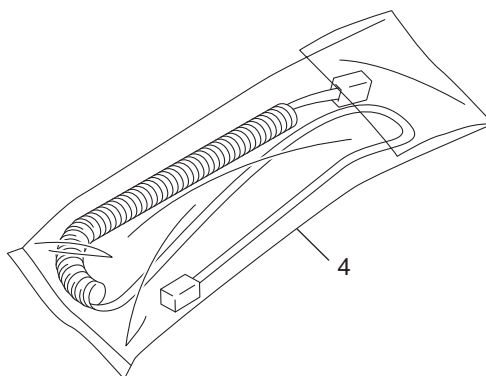
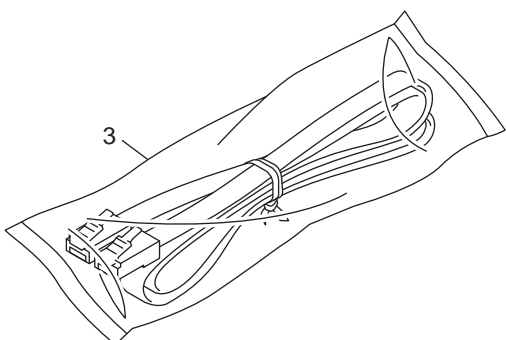
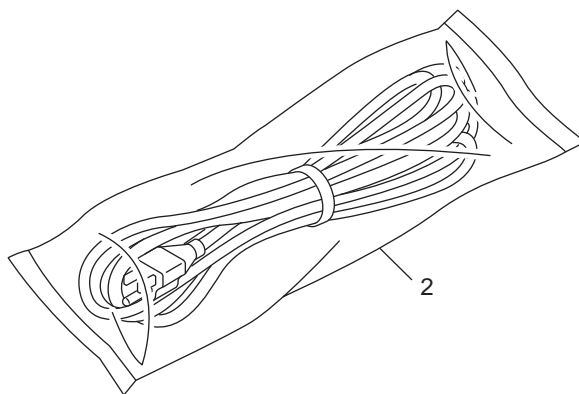
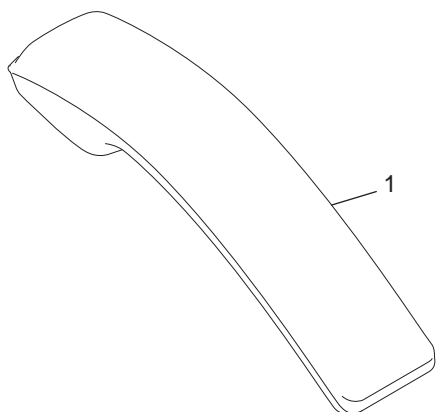
10. PCB



10. PCB

REF No.	CODE	Q'TY	DESCRIPTION	REMARKS
1	LT2134001	1	MAIN PCB ASSY, FAX-2840/MFC-7240 FOR US/CAN/ASA/GUL/IND/OCE, FAX-2845 FOR ALL COUNTRIES	
1	LT2135001	1	MAIN PCB ASSY, FAX-2940 FOR US	
1	LT2134002	1	MAIN PCB ASSY, FAX-2840 EXCEPT FOR US/CAN/ASA/GUL/IND/OCE	
1	LT2135002	1	MAIN PCB ASSY, FAX-2940 EXCEPT FOR US	
2	LT2092001	1	MODEM PCB ASSY, FAX-2840/2940 FOR US/CAN/ASA/IND/OCE	
2	LT2092002	1	MODEM PCB ASSY, MFC-7240 FOR US/CAN/OCE	
2	LT1171001	1	MODEM PCB ASSY, FAX-2840/2940 EXCEPT FOR US/CAN/ASA/GUL/IND/OCE	
2	LT2093001	1	MODEM PCB ASSY, FAX-2840 FOR GUL, FAX-2845 FOR ALLCOUNTRIES	
3	LT2325001	1	LOW VOLTAGE POWER SUPPLY FOR US/CAN	
3	LT1281001	1	LOW VOLTAGE POWER SUPPLY FOR IND	
3	LT1812001	1	LOW VOLTAGE POWER SUPPLY EXCEPT FOR US/CAN/IND	
4	LV0564001	1	HIGH VOLTAGE POWER SUPPLY PCB ASSY	

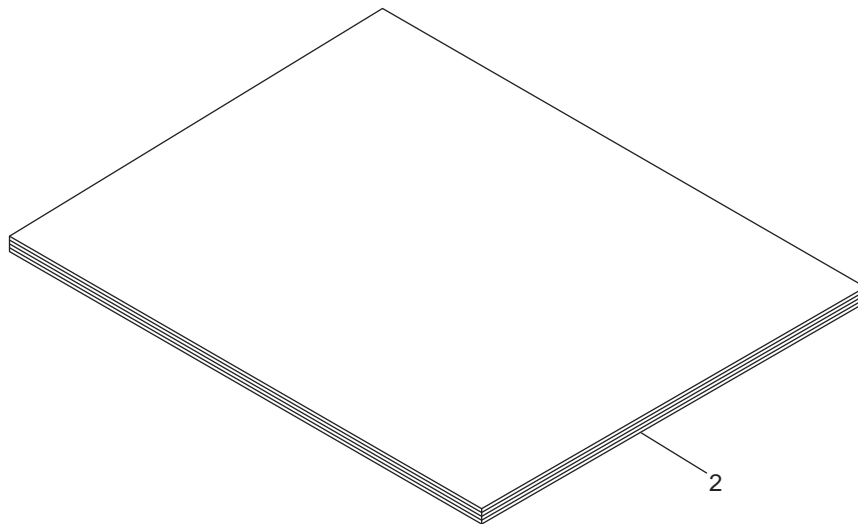
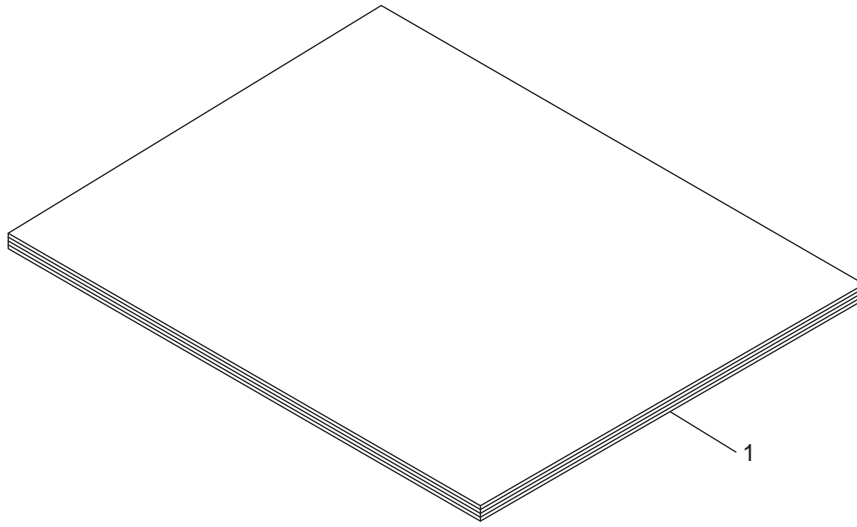
11. ACCESSORIES



11. ACCESSORIES

REF No.	CODE	QTY	DESCRIPTION	REMARKS
1	UF6857016	1	HANDSET WEIGHT ASSY, FAX-2840/2940 FOR US/CAN/ASA/GUL/IND/OCE, FAX-2845 FOR ALL COUNTRIES	
1	UF6857017	1	HANDSET WEIGHT ASSY, MFC-7240 FOR US/CAN/OCE	
2	LM9362001	1	AC CORD BAG ASSY LF UL/CSA 13A FOR US/CAN	
2	LV0364001	1	AC CORD BAG ASSY LF VDE S FOR GER/FRA/BEL/NLD/ITA/ASA/GUL/PND/IBR	
2	LV0368001	1	AC CORD BAG ASSY LF BS/PSB S FOR UK/ASA/GUL	
2	LT2259001	1	AC CORD BAG ASSY LF SEV FOR CHE	
2	LG6404001	1	AC CORD BAG ASSY LF SAF FOR ZAF	
2	LT0613001	1	AC CORD BAG ASSY LF IND FOR IND	
2	LV0366001	1	AC CORD BAG ASSY LF SAA S FOR OCE	
2	LG4720001	1	AC CORD ASSY LF DEMKO FOR PND	
3	LG3077001	1	TELEPHONE LINE CORD ASSY FOR US/CAN/UK/NLD/ZAF/ASA/GUL/IND/OCE/IBR	
3	UG3625001	1	TELEPHONE LINE CORD ASSY FOR GER	
3	UG3626001	1	TELEPHONE LINE CORD ASSY FOR UK	
3	UG3627001	1	TELEPHONE LINE CORD ASSY FOR FRA	
3	UG1575001	1	TELEPHONE LINE CORD ASSY FOR BEL	
3	LG7202001	1	TELEPHONE LINE CORD ASSY FOR CHE	
3	UG3634001	1	TELEPHONE LINE CORD ASSY FOR ITA	
3	UG3290001	1	TELEPHONE LINE CORD ASSY FOR OCE, EXCEPT FOR MFC-7240 FOR OCE	
3	LG5827001	1	TELEPHONE LINE CORD ASSY FOR PND	
4	LG6156005	1	CURLED CORD ASSY, FAX-2840/2940 FOR US/CAN/ASA/GUL/IND/OCE, FAX-2845 FOR ALL COUNTRIES	
4	LG6156006	1	CURLED CORD ASSY, MFC-7240	
5	LEA366001	1	ADF DOCUMENT OUTPUT SUPPORT FLAP, FAX-2840/2845/2940	
5	LEA366002	1	ADF DOCUMENT OUTPUT SUPPORT FLAP, MFC-7240	
6	---		NOT USED	
(7)	LG3622001	1	TELEPHONE PLUG DUT, FAX-2840/2940 FOR NLD	
(7)	LG6573001	1	TELEPHONE PLUG ARL, FAX-2840/MFC-7240 FOR OCE	
(7)	LG5830001	1	TELEPHONE PLUG SWE, FAX-2840 FOR PND	
(7)	LG5829001	1	TELEPHONE PLUG FIN, FAX-2840 FOR PND	
(7)	LG5828001	1	TELEPHONE PLUG DEN, FAX-2840 FOR PND	
8	LEA838001	1	CD USER'S GUIDE, FAX-2840/2845/2940 FOR US/CAN/GER/UK/FRA/ITA/IBR	
8	LEA839001	1	CD USER'S GUIDE, FAX-2840/2940 FOR BEL/NLD/ZAF/ASA/GUL/IND/OCE/PND	
8	LEA840001	1	CD USER'S GUIDE, FAX-2840/2845 FOR BEL/CHE	
9	LEA475001	1	CD-ROM ASSY, MFC-7240 FOR US/CAN	
9	LEA477001	1	CD-ROM ASSY, MFC-7240 FOR OCE	

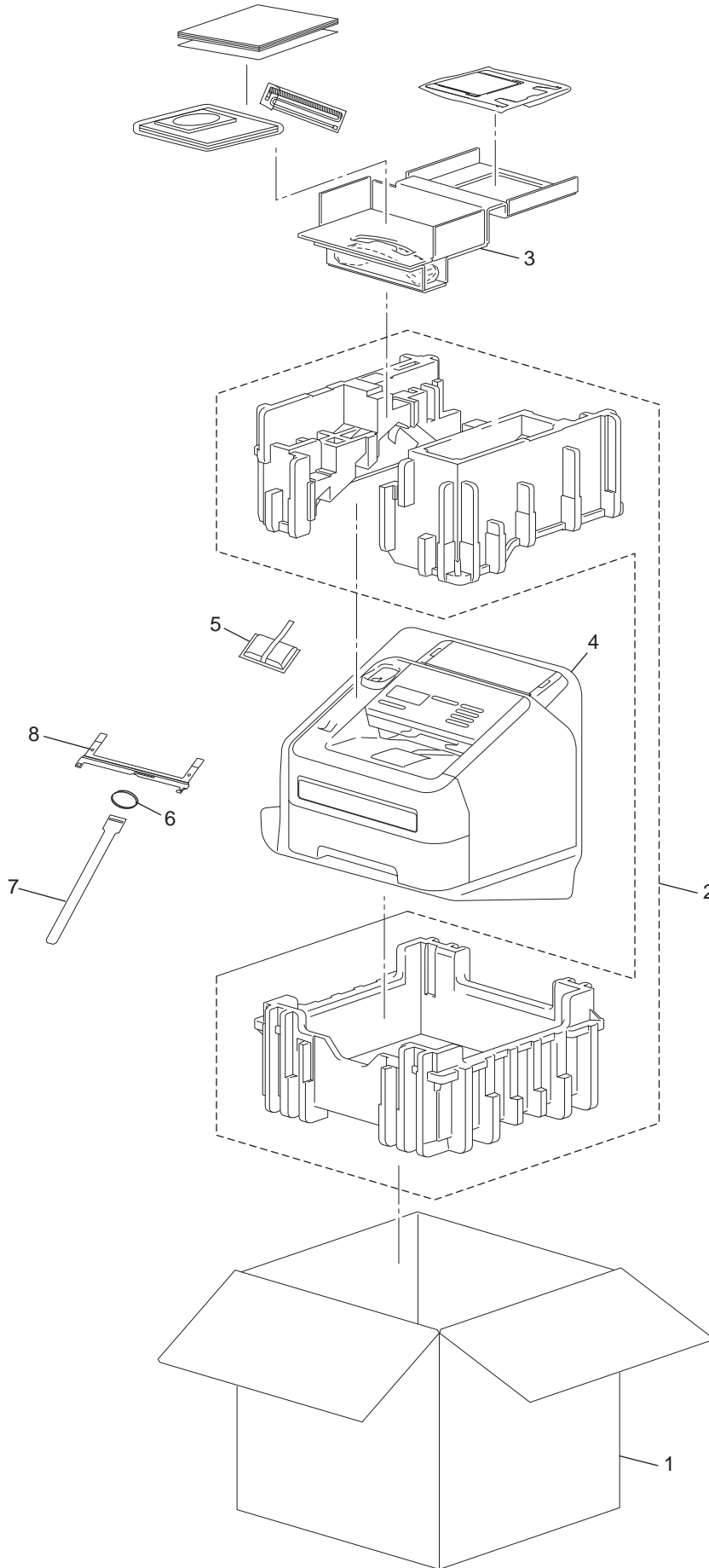
12. PRINTED MATERIALS



12. PRINTED MATERIALS

REF No.	CODE	Q'TY	DESCRIPTION	REMARKS
1	LEA792001	1	USER'S GUIDE, FAX-2840/2940/MFC-7240 FOR US/CAN (ENGLISH)	
1	LEA792002	1	USER'S GUIDE, FAX-2840/MFC-7240 FOR CAN (FRENCH)	
1	LEA866003	1	USER'S GUIDE, FAX-2840/2845/2940 FOR GER	
1	LEA866004	1	USER'S GUIDE, FAX-2840/2940 FOR UK	
1	LEA866005	1	USER'S GUIDE, FAX-2840/2845/2940 FOR FRA	
1	LEA866008	1	USER'S GUIDE, FAX-2840/2845/2940 FOR BEL/CHE (FRENCH)	
1	LEA866058	1	USER'S GUIDE, FAX-2840/2845 FOR BEL (DUTCH)	
1	LEA866009	1	USER'S GUIDE, FAX-2840/2940 FOR NLD	
1	LEA866010	1	USER'S GUIDE, FAX-2840/2845 FOR CHE (GERMAN)	
1	LEA866016	1	USER'S GUIDE, FAX-2840/2845/2940 FOR ITA	
1	LEA869041	1	USER'S GUIDE, FAX-2840 FOR ZAF/GUL (ENGLISH)	
1	LEA870040	1	USER'S GUIDE, FAX-2840/MFC-7240 FOR ASA/IND/OCE (ENGLISH)	
1	LEA869025	1	USER'S GUIDE, FAX-2840 FOR GUL (TURKISH)	
1	LEA869032	1	USER'S GUIDE, FAX-2840 FOR GUL (ARABIC)	
1	LEA867007	1	USER'S GUIDE, FAX-2840 FOR PND (NORWEGIAN/SWEDISH)	
1	LEA867013	1	USER'S GUIDE, FAX-2840 FOR PND (DANISH/FINNISH)	
1	LEA867015	1	USER'S GUIDE, FAX-2840/2845/2940 FOR IBR	
2	LEA793001	1	QUICK SETUP GUIDE, FAX-2840/2940 FOR US/CAN (ENGLISH)	
2	LEA793002	1	QUICK SETUP GUIDE, FAX-2840 FOR CAN (FRENCH)	
2	LEA795001	1	QUICK SETUP GUIDE, MFC-7240 FOR US/CAN (ENGLISH)	
2	LEA795002	1	QUICK SETUP GUIDE, MFC-7240 FOR CAN (FRENCH)	
2	LEA868003	1	QUICK SETUP GUIDE, FAX-2840/2845/2940 FOR GER	
2	LEA868004	1	QUICK SETUP GUIDE, FAX-2840/2940 FOR UK	
2	LEA868005	1	QUICK SETUP GUIDE, FAX-2840/2845/2940 FOR FRA	
2	LEA868008	1	QUICK SETUP GUIDE, FAX-2840/2845 FOR BEL/CHE (FRENCH)	
2	LEA868058	1	QUICK SETUP GUIDE, FAX-2840/2845 FOR BEL (DUTCH)	
2	LEA868009	1	QUICK SETUP GUIDE, FAX-2840/2940 FOR NLD	
2	LEA868010	1	QUICK SETUP GUIDE, FAX-2840/2845 FOR CHE (GERMAN)	
2	LEA868016	1	QUICK SETUP GUIDE, FAX-2840/2845/2940 FOR CHE/ITA (ITALIAN)	
2	LEA874040	1	QUICK SETUP GUIDE, FAX-2840 FOR ZAF/ASA/GUL/IND/OCE	
2	LEA872025	1	QUICK SETUP GUIDE, FAX-2840 FOR GUL (TURKISH)	
2	LEA872032	1	QUICK SETUP GUIDE, FAX-2840 FOR GUL (ARABIC)	
2	LEA875040	1	QUICK SETUP GUIDE, MFC-7240 FOR OCE	
2	LEA868013	1	QUICK SETUP GUIDE, FAX-2840 FOR PND (DANISH)	
2	LEA868012	1	QUICK SETUP GUIDE, FAX-2840 FOR PND (FINNISH)	
2	LEA868007	1	QUICK SETUP GUIDE, FAX-2840 FOR PND (NORWEGIAN)	
2	LEA868026	1	QUICK SETUP GUIDE, FAX-2840 FOR PND (SWEDISH)	
2	LEA868015	1	QUICK SETUP GUIDE, FAX-2840/2845/2940 FOR IBR	

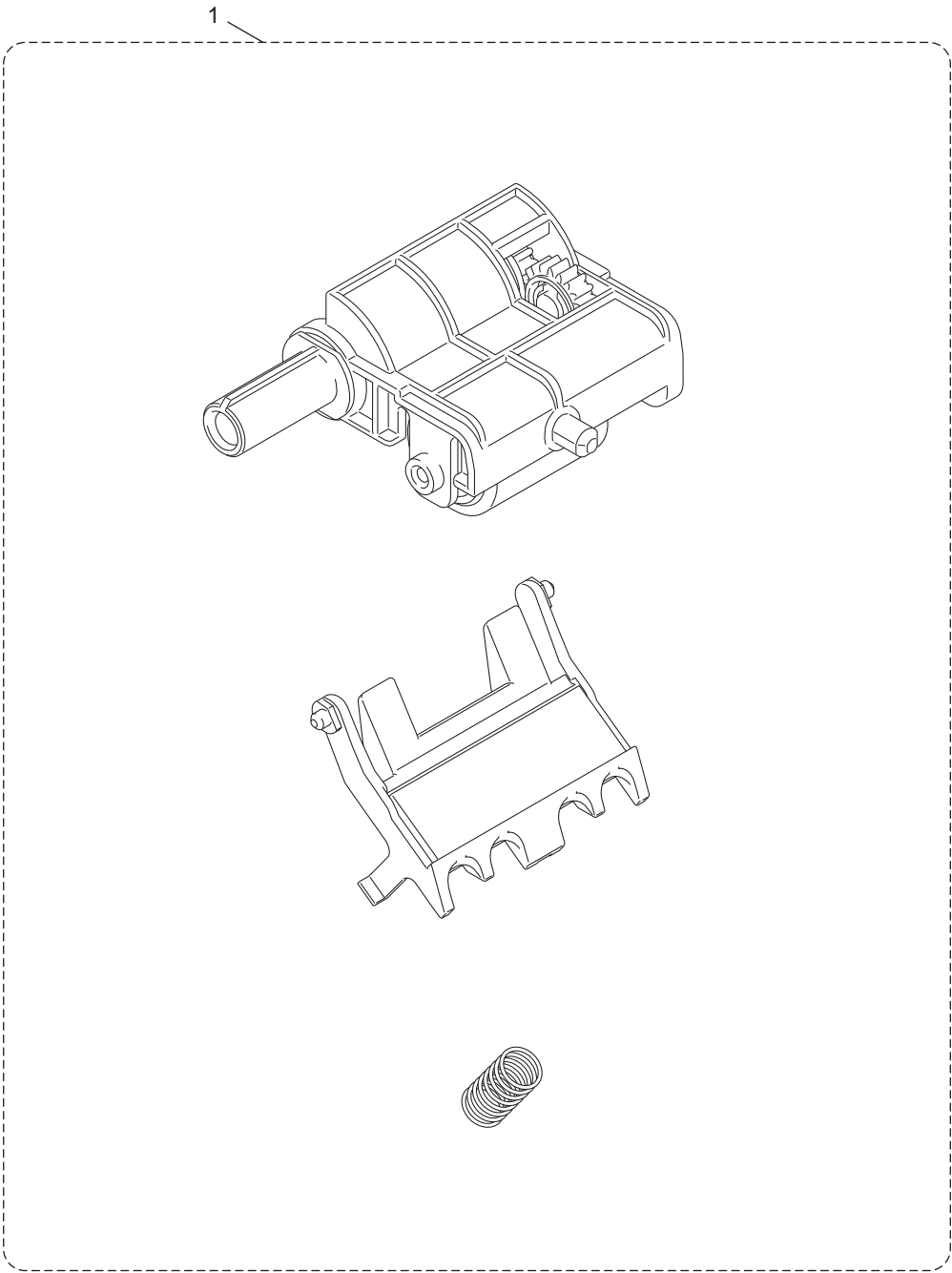
13. PACKING MATERIALS



13. PACKING MATERIALS

REF No.	CODE	Q'TY	DESCRIPTION	REMARKS
1	LEA634001	1	CARTON BROTHER, FAX-2840 FOR US	
1	LEA640001	1	CARTON BROTHER, FAX-2940 FOR US	
1	LEA643001	1	CARTON BROTHER, MFC-7240 FOR US	
1	LEA638001	1	CARTON BROTHER, FAX-2840 FOR CAN	
1	LEA646001	1	CARTON BROTHER, MFC-7240 FOR CAN	
1	LEA623001	1	CARTON BROTHER, FAX-2840 FOR BEL/NLD/CHE/PND	
1	LEA576001	1	CARTON BROTHER, FAX-2840 FOR ZAF	
1	LEA582001	1	CARTON BROTHER, FAX-2840 FOR ASA/IND	
1	LEA572001	1	CARTON BROTHER, FAX-2840 FOR GUL	
1	LEA568001	1	CARTON BROTHER, FAX-2840 FOR OCE	
1	LEA598001	1	CARTON BROTHER, MFC-7240 FOR OCE	
1	LEA626001	1	CARTON BROTHER, FAX-2845 FOR ALL COUNTRIES	
1	LEA629001	1	CARTON BROTHER, FAX-2940 EXCEPT FOR US	
2	LEA411001	1	PAD ASSY	
3	LEA415001	1	OPTION CARTON	
4	LEA703001	1	PE BAG 800x750	
5	LY3886001	1	SILICA GEL FOR US/CAN	
5	LY3887001	1	SILICA GEL EXCEPT FOR US/CAN	
6	LY3797001	1	ELASTIC BAND	
7	LEA416001	1	PAPER STRIP	
8	LY3057001	1	PROTECTIVE MATERIAL	

14. PERIODICAL MAINTENANCE PARTS



14. PERIODICAL MAINTENANCE PARTS

REF No.	CODE	Q'TY	DESCRIPTION	REMARKS
1	LY3058001	1	PAPER FEEDING KIT (SP)	