

# FAX-5750e Quick Setup Guide

brother

## THANK YOU!

CONGRATULATIONS ON PURCHASING THE ULTIMATE BROTHER FAX MACHINE. WE ARE SURE YOU WILL BE THRILLED WITH THE CONVENIENT WAY YOUR NEW FAX MACHINE PERFORMS SO MANY TASKS WITH DAZZLING RESULTS!

Follow these simple instructions in numerical order.

For more details, press **Reports** and **1** on your fax machine or see your Owner's Manual.

If you cannot solve a problem:

See to **Frequently Asked Questions (FAQs)** on Brother World Wide Web;

URL: <http://solutions.brother.com>

Call Brother Customer Service at:

**USA:** 1-800-284-4329 (9AM-5PM EST)

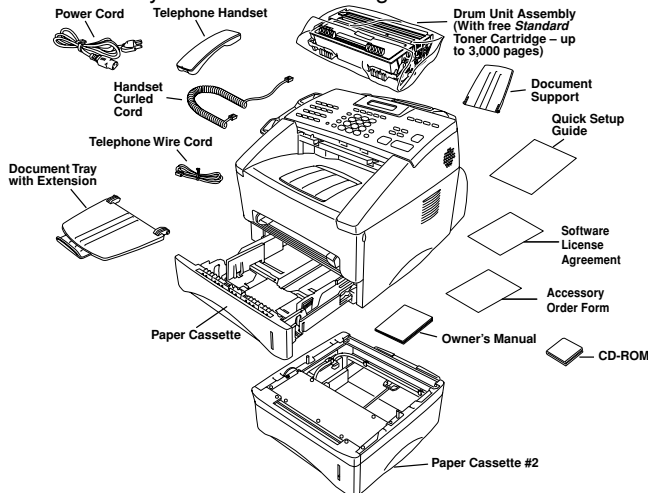
1-800-284-3238 (TTY service for the hearing impaired)

**In Canada:** 1-877-BROTHER (8AM-8PM EST)

(514) 685-6464 (in Montreal)

## 1 Packing List

Make sure you have the following items:



Keep the packing materials for possible future transport. If you do not pack the machine properly, you may void your warranty.

## 2 Install the Drum Unit

**A.** Unpack the drum unit assembly, including the toner cartridge. Gently rock it from side to side five or six times to distribute the toner evenly inside the cartridge.

To prevent damage to the drum, do not expose it to light for longer than a few minutes.

**B.** Remove the protective part.

**C.** Open the front cover of the machine.

**D.** Insert the drum unit assembly into the machine.

**E.** Close the front cover.

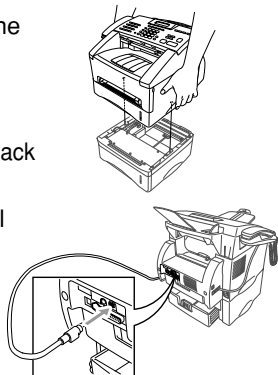
## 3 Install the Paper Cassette #2.

**A.** Carefully pick up the machine and place it on top of Paper Cassette #2.

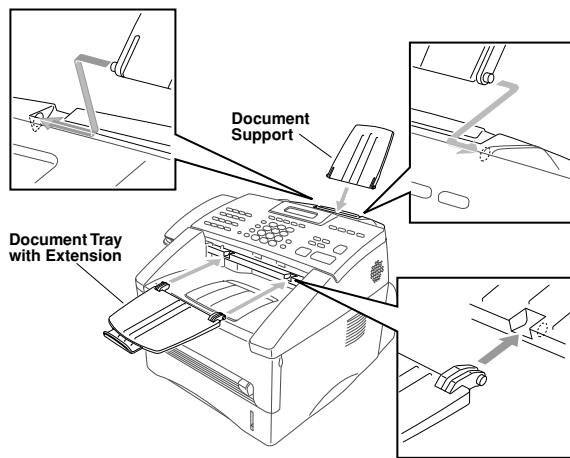
**B.** Plug the modular cable from Cassette #2 into the modular jack on the Brother machine.

To select which cassette will be used for printing, see Chapter 4 in the Owner's Manual.

If you move the machine after connecting Cassette #2, be sure to carefully lift Cassette #2 with the machine because they are not attached.



## 4 Attach Document Tray and Support



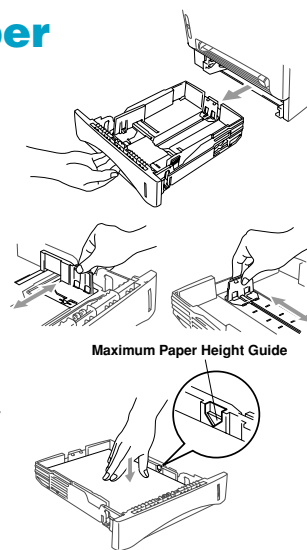
## 5 Load Paper

**A.** Pull the paper cassette completely out of the machine.

**B.** Slide the paper size and length adjusters of paper cassette for the paper size you want.

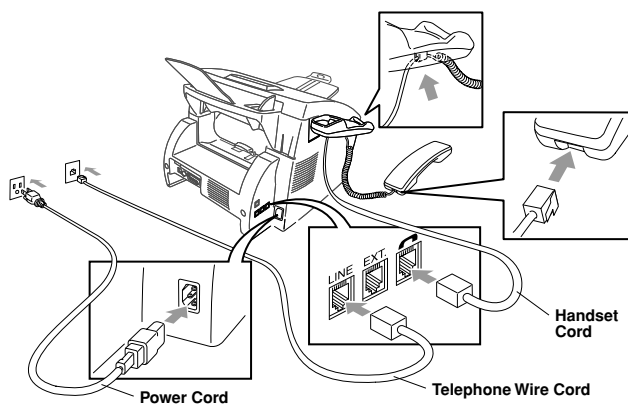
**C.** Load paper in the paper cassette. Press down on the paper to flatten all four corners. Keeping the paper level below the guide.

**D.** Slide the paper cassette into the machine until it locks into place.

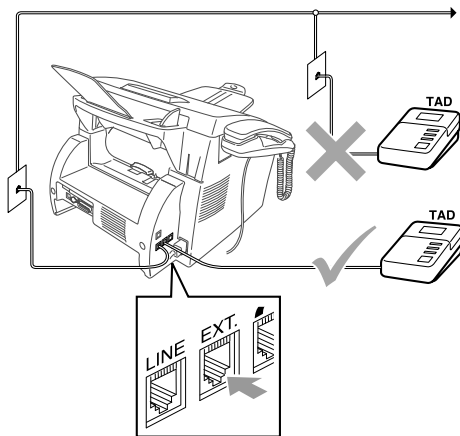


## 6 Install Phone Line, Handset, and Power Cord.

Do Not connect the Parallel or USB Cable.



## 7 If you are sharing one phone line with an external telephone answering device (TAD), connect it now.



## 8 Select a Receive Mode

Choose the mode that best suits your needs by pressing the **Mode** button repeatedly until the FAX and FAX/TEL lights show the setting you want to use.

**Manual**

Fax  
 TAD  
 F/T

You must answer every call yourself. The Brother machine must be started manually to receive faxes.

**Fax**

Fax  
 TAD  
 F/T

For use with a dedicated fax line. Every call is answered as a fax.

**Fax/Tel**

Fax  
 TAD  
 F/T

For receiving fax and voice calls on one line. The FAX answers every call and receives a fax or double rings for you to pick up a voice call.

**TAD**

Fax  
 TAD  
 F/T

For use with an answering device. The TAD answers every call and stores voice messages. Fax messages are printed.

## 9 Set Date and Time

**A.** Press **Menu**, **1**, **2**.

2. DATE/TIME  
YEAR: XX  
ENTER & SET KEY

**B.** Enter the last two digits of the year and press **Set**.

MONTH: XX  
ENTER & SET KEY

**C.** Enter two digits for the month and press **Set**.

DAY: XX  
ENTER & SET KEY

**D.** Enter two digits for the day and press **Set**.

TIME: XX  
ENTER & SET KEY

**E.** Enter the time in 24-hour format and press **Set**, and then **Stop/Exit**.

Note: If you can't move forward, press **Stop/Exit** and start over at Step A.

## 10 Set Station ID

To print your name and fax number on all fax pages.

**A.** For the FAX, press **Menu**, **1**, **3**.

3. STATION ID  
FAX:  
ENTER & SET KEY

**B.** Enter your fax number, and then press **Set**.

TEL:  
ENTER & SET KEY

**C.** Enter your telephone number, and then press **Set**.

NAME:  
ENTER & SET KEY

**D.** Enter your name using the dial pad and the chart below, then press **Set**. Use the right arrow to create spaces.

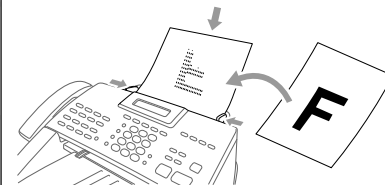
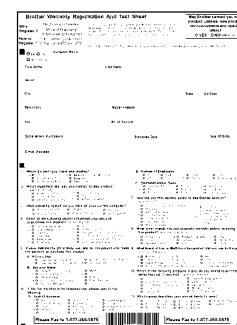
**E.** Press **Stop/Exit**.

For more details, see Chapter 4 in the Owner's Manual.

Note: If you can't move forward, press **Stop/Exit** and start over at Step A.

| Key | once | twice | three times | four times | five times |
|-----|------|-------|-------------|------------|------------|
| 2   | A    | B     | C           | 2          | A          |
| 3   | D    | E     | F           | 3          | D          |
| 4   | G    | H     | I           | 4          | G          |
| 5   | J    | K     | L           | 5          | J          |
| 6   | M    | N     | O           | 6          | M          |
| 7   | P    | Q     | R           | 7          | P          |
| 8   | T    | U     | V           | 8          | T          |
| 9   | W    | X     | Y           | 9          | W          |

## 11 For the USA, complete the Warranty Registration and Test Sheet...



Press Fax Start.

...and fax it to Brother at: 1-877-268-9575

Continue to the back side.

# Setting Up the FAX and PC to Work Together

## Before You begin

- You must set up the hardware and install the drivers before you can use your FAX as a printer and scanner with your applications.
- Please see the README.WRI file in the root directory of the CD-ROM for last-minute important installation and troubleshooting information.
- Please purchase the appropriate interface cable you intend to use. (Parallel, USB or Network)
- If you have any problem with the installation, visit us at <http://solutions.brother.com>.

**!** Use only a shielded parallel interface cable that is IEEE 1284-compliant and/or a USB cable that is no longer than 6 feet long (1.8 meters).

Follow the instructions in this guide for your operating system and interface.

## For Parallel and USB Users

### For Windows® 95/98/98SE/Me/2000

NOTE: If you are using Windows® XP, please see **For Windows® XP Users Quick Setup Guide**.

**Step 1.** Unplug the FAX from the AC outlet. If you already connected an interface cable, disconnect your FAX from your computer.

**Step 2.** Turn on your computer.

For Windows® 2000 Professional, you must be logged on as the Administrator.

**Step 3.** Insert the CD-ROM into the CD-ROM drive. If the model name appears on the screen, click on your model name. The CD-ROM main menu will appear. If the CD-ROM does NOT start automatically, open the executable program file on the CD-ROM from the root directory of your computer.



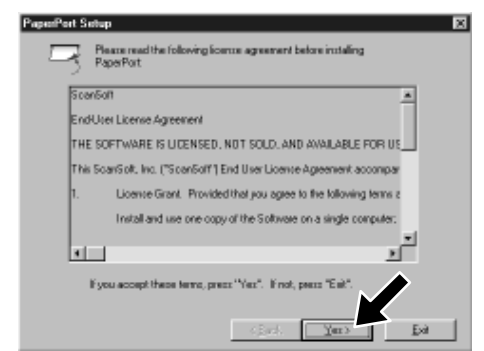
1. Click Install Software.



2. Click Multi-Function Link® Pro Suite in the Main Application. \*1



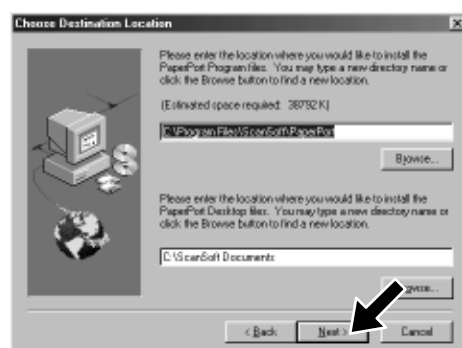
3. Click Install.



4. The InstallShield Wizard Setup window will appear briefly, followed by the PaperPort® Setup window. Click Yes.



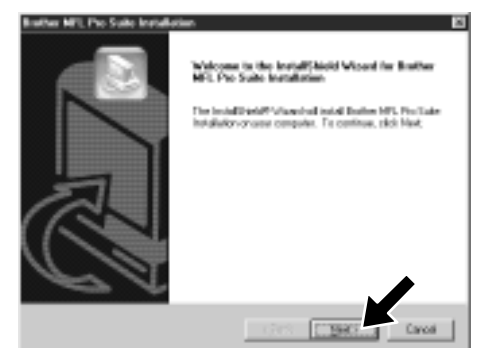
5. When the PaperPort® Setup window displays your Name and Company, either change or accept them, and then click Next.



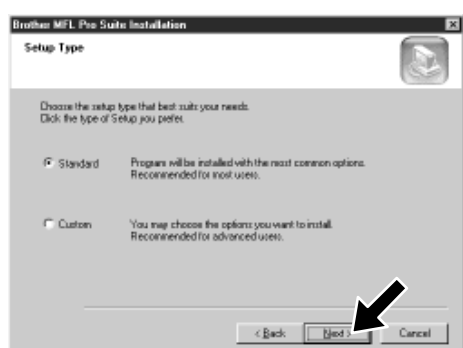
6. When the Choose Destination Location window displays the path where the PaperPort® files will be installed, either change or accept, and then click Next.



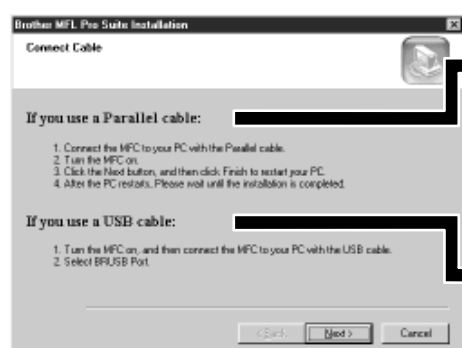
7. When the Register Today screen appears, click Next. This is registration for Paper Port®. Follow the instructions.



8. When the Brother MFL Pro Suite Installation window appears, click Next to begin installing the Multi-Function Link® Pro Suite. \*2

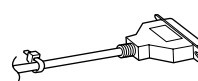


9. When the Setup Type window appears, select Standard, and then click Next. The application files will be copied to your computer.

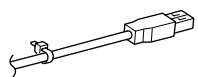


10. The Connect Cable window will appear.

For Parallel



For USB



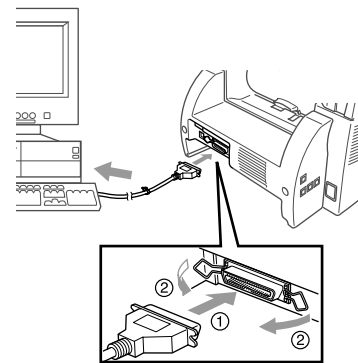
Please see NEXT PAGE

\*1 Multi-Function Link® Pro Suite includes Printer Driver, Scanner Driver, ScanSoft™ PaperPort®, ScanSoft™ Text Bridge®, PC-FAX software, Remote Setup and True Type fonts. PaperPort® is a document management application for viewing incoming faxes and scanned documents. ScanSoft™ TextBridge®, which is integrated into PaperPort®, is an OCR application that converts an image into text and inserts it into your default word processor.

\*2 If an error message appears during the installation process, or you have previously installed MFL Pro Suite, you will first have to uninstall it. From the Start menu, select Programs, Brother, Brother MFL Pro Suite, Uninstall, and then follow the instructions on the screen.

**Step 4. Connect the FAX to your PC with a Parallel Cable.**

- A.** Connect the parallel interface cable to the parallel interface port of the FAX and secure the wire clips.
- B.** Connect the interface cable to the printer port of the computer and secure it with the two screws. For the location of your computer's parallel printer port, see the User's Guide for your computer.



**Step 5. Turn on the FAX by plugging in the power cord.**

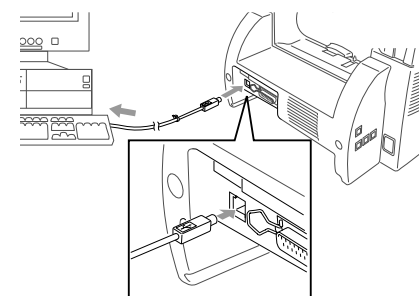
**Step 6. The installation of the Brother driver will automatically start. Follow the instructions on the screen.**

| ( For Windows® 95/98/98SE/Me )  |   | ( For Windows® 2000 Professional )  |  |
|---|---|---|--|
| <p><b>1.</b> In the Connect Cable window, click <b>Next</b>.</p>  | <p><b>2.</b> When the above screen appears, click <b>Finish</b> and wait as the PC restarts Windows® and continues the installation.</p>  | <p><b>1.</b> In the Connect Cable window, click <b>Next</b>.</p>  | <p><b>2.</b> When the above screen appears, Click <b>Finish</b> and wait as the PC restarts Windows® and continues the installation.</p>                       |
| <p><b>3.</b> Click <b>Yes</b> to have the Control Center loaded each time Windows® is started. The Control Center will appear as an icon in the task tray.</p>                      | <p style="text-align: center; border: 1px solid black; padding: 2px;">The Brother PC fax, Printer and Scanner drivers have been installed and the installation is now complete.</p> | <p><b>3.</b> When the <b>Digital Signature Not Found</b> dialog boxes appear, click <b>Yes</b> to install the driver.</p>   | <p><b>4.</b> Click <b>Yes</b> to have the Control Center loaded each time Windows® is started. The Control Center will appear as an icon in the task tray.</p> |
| <p style="text-align: center; border: 1px solid black; padding: 2px;">The Brother PC fax, Printer and Scanner drivers have been installed and the installation is now complete.</p> |   | <p style="text-align: center; border: 1px solid black; padding: 2px;">The Brother PC fax, Printer and Scanner drivers have been installed and the installation is now complete.</p> |  |

**Step 4. Turn on the FAX by plugging in the power cord.**

**Step 5. Connect the FAX to your PC with the USB cable (it will take a few seconds for the installation screen to appear).**

**Step 6. The installation of the Brother driver will automatically start. Follow the instructions on the screen.**



| ( For Windows® 98/98SE/Me )   |   |  | ( For Windows® 2000 )   |   |
|---|---|--|---|---|
| <p><b>1.</b> In the Add Printer Wizard window, select <b>BRUSB: USB Printer Port</b>, and then click <b>Next</b>.</p>   | <p><b>2.</b> Accept the default Printer name by selecting <b>Yes</b>, and then click <b>Next</b>.</p> | <p><b>3.</b> Select <b>Yes (recommended)</b>, and then click <b>Finish</b>. A test page will be printed so you can check the print quality.</p>                | <p><b>1.</b> When the <b>Digital Signature Not Found</b> dialog boxes appear, click <b>Yes</b> to install the driver.</p>   | <p><b>2.</b> Select <b>Finish</b> to restart your computer.</p>   |
| <p><b>4.</b> If the test page is printed correctly, click <b>Yes</b>. If you click <b>No</b>, follow the prompts on the screen to correct the problem.</p>                          | <p><b>5.</b> Select <b>Yes</b> to restart your computer, and then click <b>Finish</b>.</p>            | <p><b>6.</b> Click <b>Yes</b> to have the Control Center loaded each time Windows® is started. The Control Center will appear as an icon in the task tray.</p> | <p><b>3.</b> Click <b>Yes</b> to have the Control Center loaded each time Windows® is started. The Control Center will appear as an icon in the task tray.</p>                      | <p style="text-align: center; border: 1px solid black; padding: 2px;">The Brother PC fax, Printer and Scanner drivers have been installed and the installation is now complete.</p> |
| <p style="text-align: center; border: 1px solid black; padding: 2px;">The Brother PC fax, Printer and Scanner drivers have been installed and the installation is now complete.</p> |   |  | <p style="text-align: center; border: 1px solid black; padding: 2px;">The Brother PC fax, Printer and Scanner drivers have been installed and the installation is now complete.</p> |   |

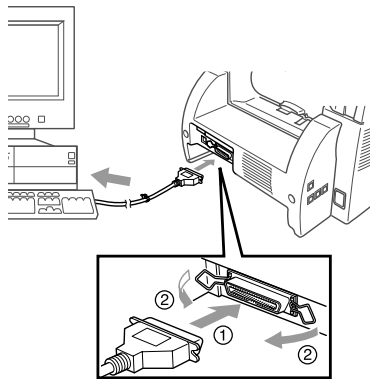
# For Windows NT® Workstation Version 4.0

## Step 1. Check that your computer is turned on.

You must be logged on as the Administrator.

## Step 2. Connect the FAX to your PC with the Parallel Cable.

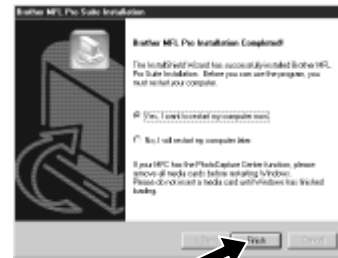
- Connect the parallel interface cable to the parallel interface port of the FAX and secure the wire clips.
- Connect the interface cable to the printer port of the computer and secure it with the two screws. For the location of your computer's parallel printer port, see the Owner's Manual for your computer.



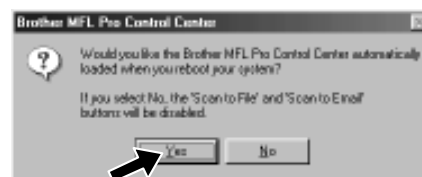
## Step 3. Turn on the FAX by plugging in the power cord.

## Step 4. Insert the CD-ROM into the CD-ROM drive. Then, follow the instructions on the screen.

(Same step as for Windows® 95/98/98SE/Me/2000 **Step 3.** , 1 to 9)



- Select **Yes** to restart your computer, and then click **Finish**.



- Click **Yes** to have the Control Center loaded each time Windows is started. The Control Center will appear as an icon in the task bar.

The Brother PC fax, Printer and Scanner drivers have been installed and the installation is now complete.

# For Apple® Macintosh®

Mac OS 8.5 (Scanner Driver is not available.)  
Mac OS 8.6 - 9.2  
Mac OS X 10/10.1 (Printing only)

## Step 1. Make sure your FAX power cord is unplugged and your Macintosh is turned on.

- Make sure you do NOT connect your FAX to your Macintosh

## Step 2. Insert the CD-ROM into your CD-ROM drive.

Installing MFL Pro Driver

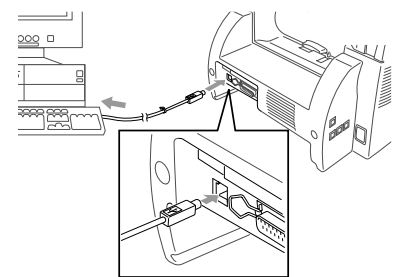


- When the window appears, double-click **MFL-PRO Suite Driver Installer** to install the printer and scanner drivers. After the installation is completed, the screen prompts you to restart your Macintosh.

If you are using Mac OS X:  
Open the Mac OS X folder and follow the instructions in the Readme file.

## Step 3. Restart your Macintosh so it can recognize the new driver.

## Step 4. Connect the FAX to your Macintosh with the USB cable, and then turn on the FAX by plugging in the power cord.



## Step 5. Select the Printer.



- From the Apple menu, open the **Chooser**.
- Click to highlight the printer driver icon you installed. On the right side of the **Chooser**, select the printer you want to print to. Close the **Chooser**.

## Step 6. Install PaperPort.



- Double-click the **PaperPort® 5.5 Installer**. \*1
- Follow the instructions on the screen.

The Brother PC fax, Printer and Scanner drivers have been installed and the installation is now complete.

## What is on the CD-ROM?

### Windows

You can get a variety of information from this CD-ROM.



(For Windows®)

#### Install Software

You can install printer and scanner drivers plus the various applications, including PaperPort® and TextBridge® OCR.

#### On-Line Registration

You will be pointed to a directory on the Brother Product Registration Web page.

#### On-Line Documentation

View the Owner's Manual and other documentation.

#### Brother Support

Get all the contact numbers you need to get in touch with our Customer Service or Brother Authorized Service Centers.

#### Help

Helpful hints.

### Macintosh

You can get a variety of information from this CD-ROM



(For Macintosh®)

#### MFL Pro Driver Installer

You can install the printer and scanner drivers, plus the various utility items.

#### PaperPort 5.5 Installer

You can install a document management application used to view scanned documents. (OS 8.6 - 9.2)

#### ReadMe!

You can get important information and troubleshooting tips.

#### Documentation

View the Owner's Manual and other documentation.

# For Network Users

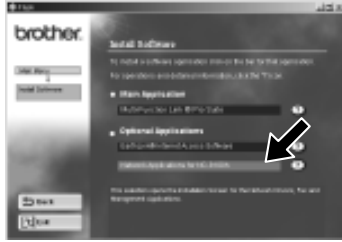
NOTE: If you are going to connect the Fax to your network, we recommend that you contact your system administrator prior to installation.

## Driver Installation (Windows®)

- Step 1.**  **Insert the CD-ROM into the CD-ROM drive. If the model name appears on the screen, click on your model name. The CD-ROM main menu will appear. If the CD-ROM does NOT start automatically, open the executable program file on the CD-ROM from the root directory of your computer.**



1. Click Install Software.



2. Click Network Applications for NC-8100h.

### (To install the Printer Driver)



3. Click Printer Driver.



4. If the **Digital Signature Not Found** dialog boxes appear, click Yes to install the driver.



5. The Printer Driver is installed on the computer.

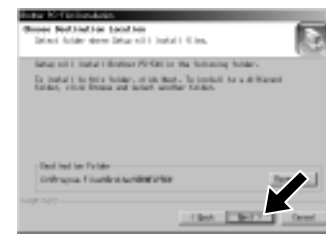
### (To install the Network PC-FAX)



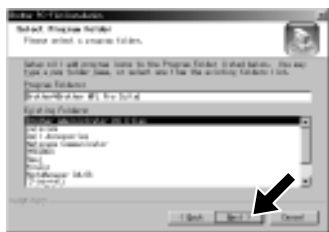
3. Click **Network PC FAX**.



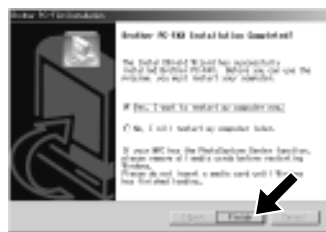
4. When the Brother PC-FAX Installation window appears, click **Next** to begin installing the PC-FAX.



5. When the Choose Destination Location window displays the path where the PC-FAX files will be installed, click **Next**.



6. When the Select Program Folder window displays, either change or accept, and then click **Next**.



7. When the above screen appears, click **Finish** and wait as the PC restarts Windows®.

NOTE: If you have previously installed the non-network version of Brother PC-FAX, steps 5 and 6 will not be displayed.

The Printer and Network PC-FAX drivers are installed completely.

- If you use the scanner or the PC-FAX, please see the NC-8100h Owner's Manual in the CD-ROM.
- PaperPort® and Remote Setup are not available for network users.

## Driver Installation (Mac® OS 8.6 - 9.2)

- Step 1.** **Insert the CD-ROM into your CD-ROM drive.**



1. Click on MFL Pro Suite Installer.



2. When the above screen appears, select Network Interface and click **Install**.

- Step 2.** **Restart your Macintosh so it can recognize the new driver.**

- Step 3.** **Select the printer.**

The Printer and Network PC-FAX drivers are installed completely.

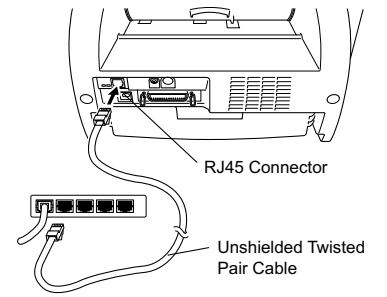


# For Administrator

- Configure your network printer settings referring to the following instructions.
- The default password for the print server is "access". You can use BRAdmin Professional software or a web browser to change this password.

## Step 1. Connecting the NC-8100h to an Unshielded Twisted Pair 10Base-T or 100Base-TX Ethernet Network.

To connect the NC-8100h to a 10Base-T or 100Base-TX Network, you must have an Unshielded Twisted Pair Cable. One side of the cable must be connected to a free port on your Ethernet hub and the other side must be connected to the 10Base-T or 100Base-TX connector (an RJ45 Connector) of the NC-8100h.



### Verifying Successful hardware Installation:

Plug in the AC power cord. After initialization and warm-up (this may take several seconds), the machine will come to a Ready state.

## Step 2. Setting Your FAX IP Address (Using the Control Panel)

To set the fax IP address using the fax control panel, do the following.

1. Press the **Menu**, **5**, **1**, **2**.
2. Select 1 to change the IP address.
3. Enter the IP address.
4. Press **Set** to accept the IP address.
5. Press **Stop/Exit** to exit the configuration menu.

2. IP ADDRESS

## Step 3. Setting Your Subnet Mask (Using the Control Panel)

To set the Subnet Mask using the fax control panel, do the following.

1. Press the **Menu**, **5**, **1**, **3**.
2. Select 1 to change the Subnet Mask.
3. Enter the Subnet Mask address.
4. Press **Set** to accept the Subnet Mask.
5. Press **Stop/Exit** to exit the configuration menu.

3. SUBNET MASK

## Step 4. Setting Your Gateway Address (Using the Control Panel)

To set the Gateway address using the fax control panel, do the following.

1. Press the **Menu**, **5**, **1**, **4**.
2. Select 1 to change the Gateway address.
3. Enter the Gateway address.
4. Press **Set** to accept the Gateway address.
5. Press **Stop/Exit** to exit the configuration menu.

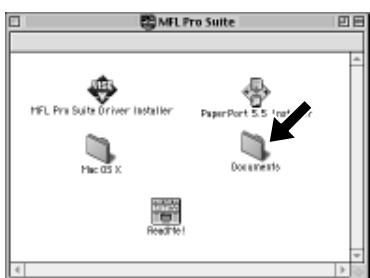
4. GATEWAY

## Step 5. You can install BRAdmin Professional, Network Printer Driver Wizard, Network Print Software and Brother Internet FAX Printing (BFP) Driver. (For Windows® Users Only)



- BRAdmin Professional: This software allows system administrators to view and control the status of their networked Brother and SNMP compliant printers.
- Network Printer Driver Wizard: The Network Printer Driver Wizard guides you through the steps of installing a Brother network printer on a networked Windows PC.
- Network Print Software: Manually install the Internet Print software and the Peer-to-Peer Printing software.
- Brother Internet FAX Printing (BFP) Driver: The Brother Internet FAX Printing Driver allows you to use you networked PC to send a document file as a standard Fax or Internet Fax using E-mail as the transport from your PC.

## Network Owner's Manual Chapter Map



|                           |   |            |            |                               |
|---------------------------|---|------------|------------|-------------------------------|
| Windows® 95/98/Me         | IPP (Internet Printing Protocol)          | TCP/IP     | Chapter 5  | TCP/IP Printing               |
|                           | Peer-to-Peer                              | TCP/IP     | Chapter 6  | Peer to Peer Printing         |
|                           |   | NetBIOS    | Chapter 7  | NetBIOS Peer to Peer Printing |
|                           | Brother Internet Print                    | TCP/IP     | Chapter 8  | Internet Printing             |
| Windows® NT               | Netware                                   | IPX/SPX    | Chapter 9  | Novell Netware Printing       |
|                           | Peer-to-Peer                              | TCP/IP     | Chapter 5  | TCP/IP Printing               |
|                           |   | NetBIOS    | Chapter 7  | NetBIOS Peer to Peer Printing |
|                           |   | DLC/LLC    | Chapter 11 | DLC Printing                  |
|                           | Brother Internet Print (NT® only)         | TCP/IP     | Chapter 8  | Internet Printing             |
| Windows® 2000/XP          | Peer-to-Peer NetBIOS (Windows® 2000 only) | NetBIOS    | Chapter 7  | Peer to Peer Printing         |
|                           |   | DLC/LLC    | Chapter 11 | DLC Printing                  |
|                           | IPP (Internet Printing Protocol)          | TCP/IP     | Chapter 5  | TCP/IP Printing               |
| UNIX/Linux                |   | TCP/IP     | Chapter 12 | Unix Printing                 |
| Macintosh®                |   | Apple Talk | Chapter 10 | Printing from a Macintosh     |
|                           |   | TCP/IP     | Chapter 10 | Printing from a Macintosh     |
| Warp Server<br>LAN Server |   | TCP/IP     | Chapter 5  | TCP/IP Printing               |
|                           |   | NetBIOS    | Chapter 5  | TCP/IP Printing               |

### TEST SWITCH

Short push : Prints a network printer configuration page.

Long push (more than 5 seconds) : Resets the network configuration back to factory default settings.

