



FACSIMILE EQUIPMENT

PARTS REFERENCE LIST

MODEL: FAX775 / 775 SI / 885MC

(For U.S.A. / Canada)

© Copyright Brother 2003

All rights reserved

No part of this publication may be reproduced in any form
or by any means without permission in writing from the
publisher.

Specifications are subject to change without prior notice.

NOTES FOR USING THIS PARTS REFERENCE LIST

1. In the case of ordering parts, it needs mentioning the following items:

- (1) Code
- (2) Q' ty
- (3) Description

Note: No orders without Parts Code or Tool No. can be accepted.

[Example]

	(1)	(2)	(3)		
REF.NO.	CODE	Q' TY	DESCRIPTION	RECOMMEND	REMARKS

2. Design-changed parts:

When the parts are changed, any one of the following symbols is mentioned in the REMARKS column.

CHG (chg.): The part is changed to a new part.

ADD (add): The part is newly added.

DEL (del): The part is deleted.

Symbol in capital letters indicates that the change is the latest one in the page.

3. There are two types of FAX775 series and FAX885MC series with the new establishment of the cost reduction version. The difference between the new and old models can be determined by the character "c" written on the Rating Label affixed to the bottom of the product. New models have the letter "c", while old models do not.

The image at the right shows the label of a new model.

If there is the character "c" in the label, use this parts reference list.



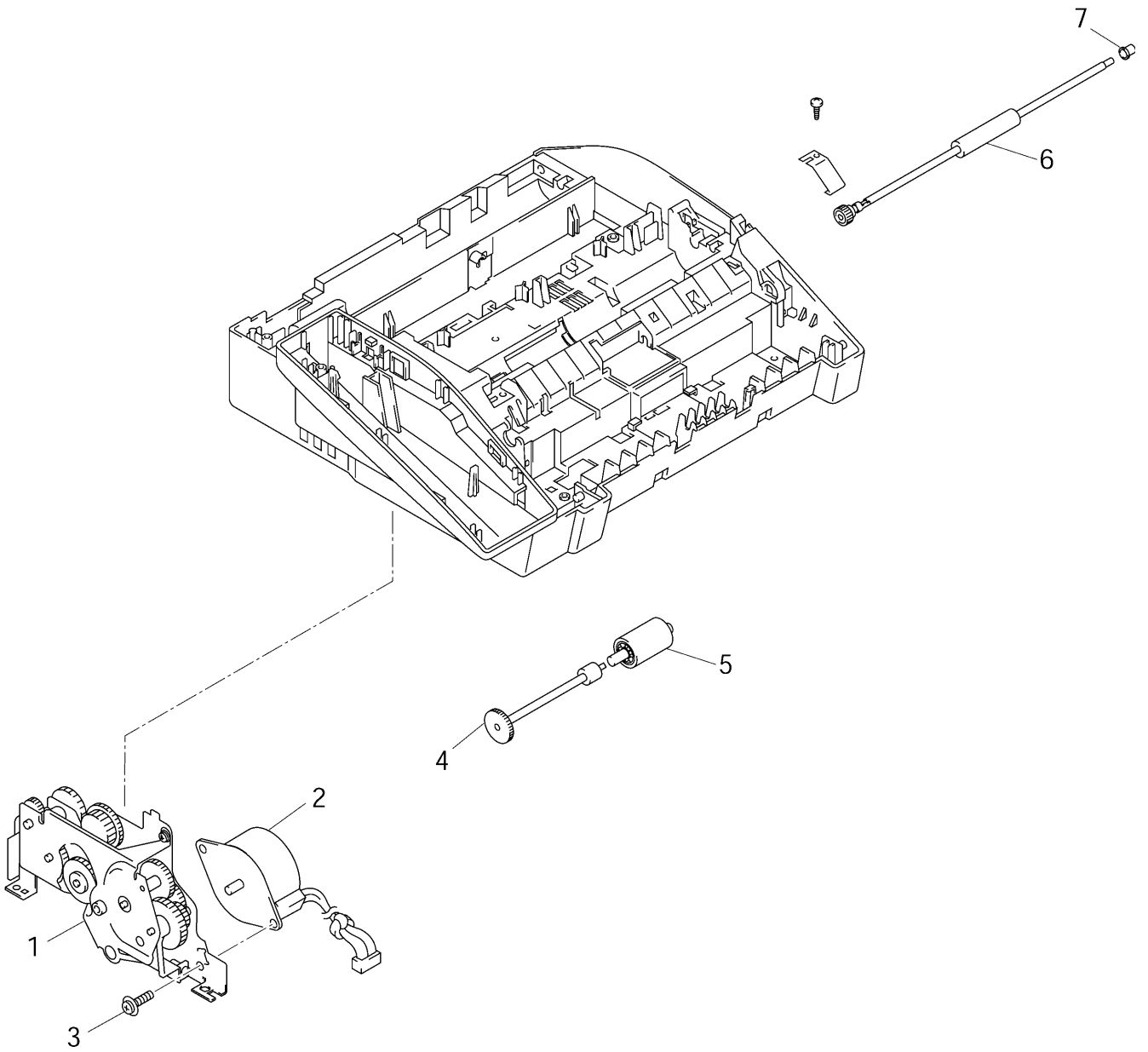
4. Parts change will be informed by the technical information.

COUNTRIES

U.S.A. ---- US

CANADA ---- CAN

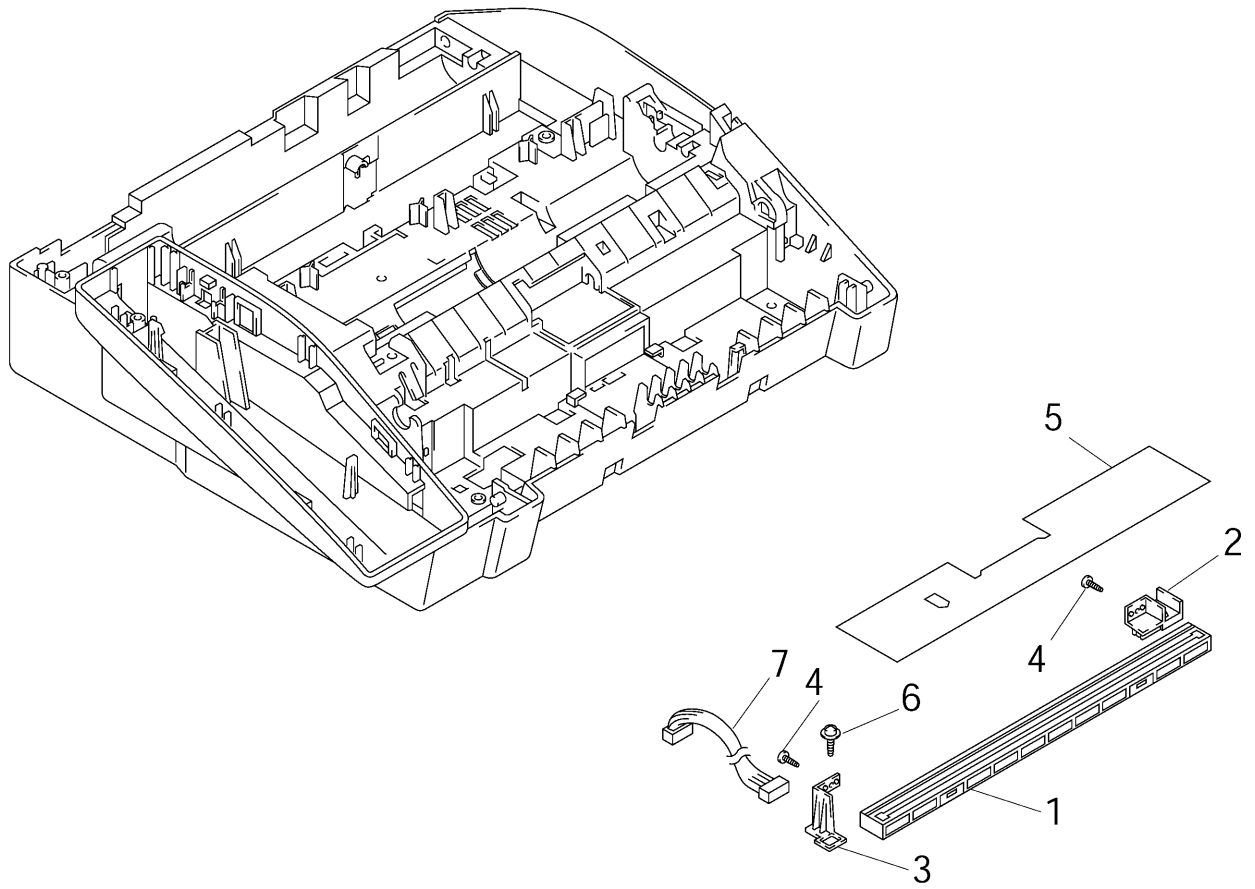
1.DRIVING



LIST1(DRIVING)

REF No.	CODE	Q'TY	DESCRIPTION	RECOMMEND	REMARKS
1	UF9650001	1	DRIVING GEAR FRAME ASSY	√	
2	LE4028003	1	MOTOR		
3	U09759001	1	SCREW, PAN (S/P WASHER) M3X6		
4	UF9693001	1	PAPER FEED ROLLER GEAR		
5	UF6613001	1	SEPARATION ROLLER		
6	UU0244001	1	LF ROLLER ASSY		
7	UF9949001	1	EJECTION ROLLER BUSHING		

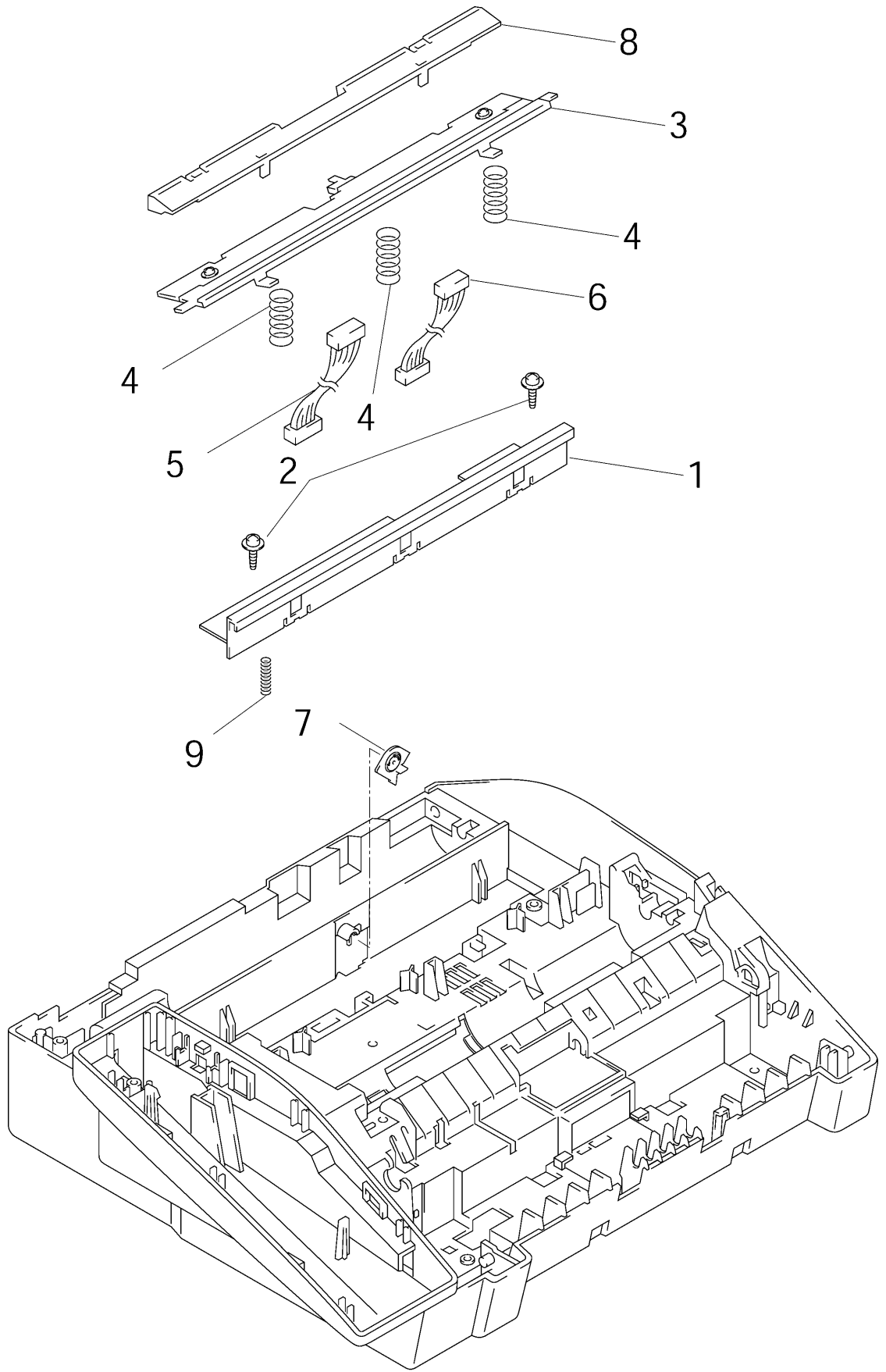
2.SCANNING



LIST2(SCANNING)

REF No.	CODE	Q'TY	DESCRIPTION	RECOMMEND	REMARKS
1	LG5584001	1	CIS UNIT	√	CHG
2	UF9814001	1	CIS HOLDER R		
3	UF9815001	1	CIS HOLDER L		
4	085310815	2	TAPTITE, BIND B M3X8		
5	UF9816001	1	CIS FILM		
6	UU0231001	1	TAPTITE, PAN B M3X8		
7	UG5013001	1	CIS-MAIN HARNESS		

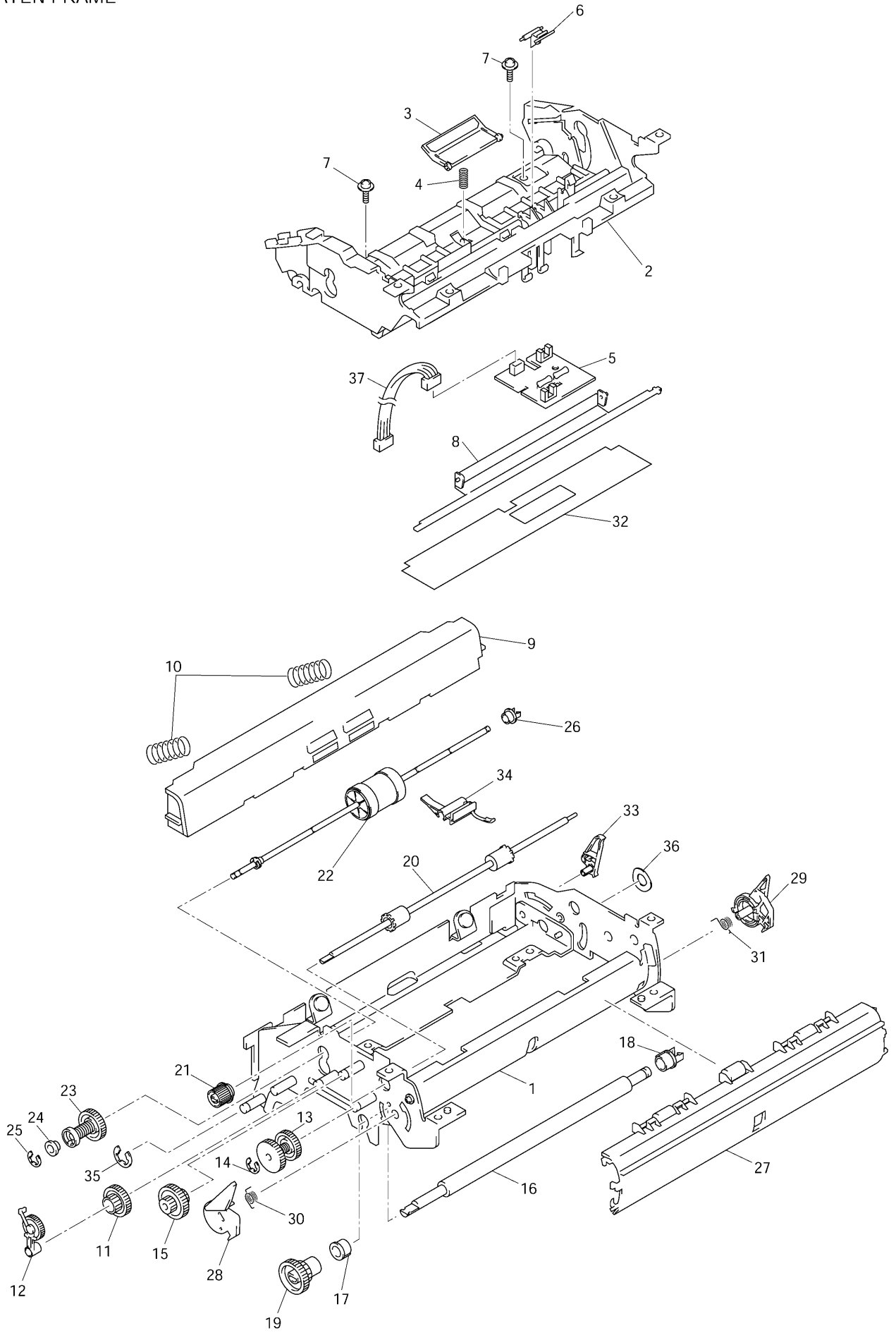
3.RECORDING



LIST3(RECORDING)

REF No.	CODE	Q'TY	DESCRIPTION	RECOMMEND	REMARKS
1	LE0830001	1	RECORDER FRAME		
2	087310815	2	TAPTITE, CUP B M3X8		
3	LF8809001	1	RECORDING HEAD T5/T7 ASSY N	√	CHG
4	UF8072001	3	HEAD SPRING, COMPRESSION		
5	UG6606001	1	MAIN PRINT HARNESS, FAX775/775SI		
5	UG6707001	1	MAIN PRINT HARNESS, FAX885MC		
6	UG6607001	1	PRINT POWER HARNESS		
7	UF9855004	4	HEAD ADJUSTER		del
8	UF9856001	1	HEAD PROTECTOR		
9	UF9857001	1	EARTH SPRING		

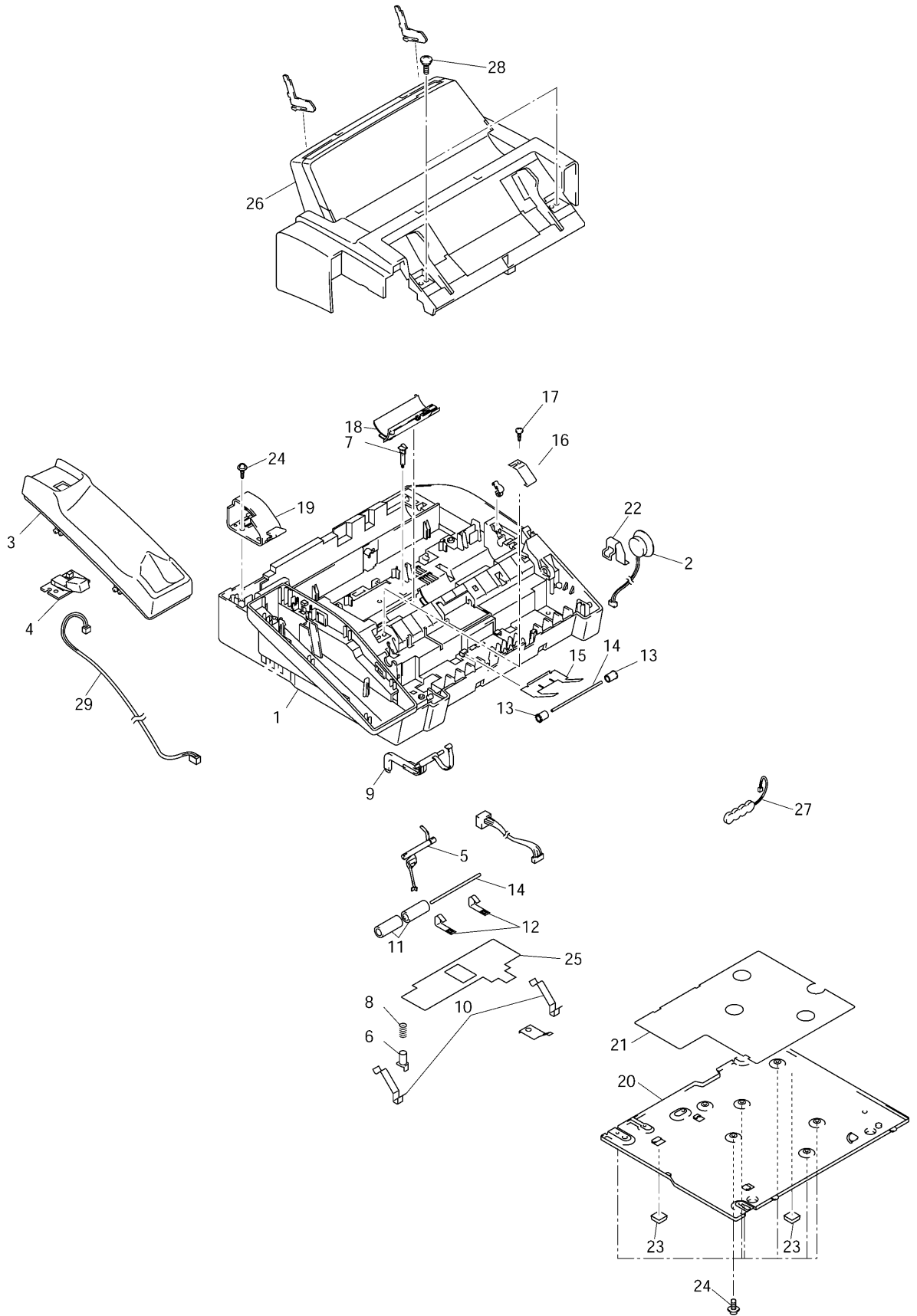
4.PLATEN FRAME



LIST4(PLATEN FRAME)

REF No.	CODE	Q'TY	DESCRIPTION	RECOMMEND	REMARKS
1	UF9701001	1	PLATEN FRAME ASSY		
2	UF9736001	1	PAPER FEED CHUTE		
3	LF3361001	1	SEPARATION PAD HOLDER ASSY N		
4	UF9740001	1	SEPARATION PAD SPRING		
5	LG5156001	1	SENSOR PCB:B53K728 LF ASSY		
6	UF9741001	1	ACTUATOR RF		
7	U24014002	2	TAPTITE, CUP S M3X6		CHG
8	UF9750001	1	PRESSURE PLATE LINK		
9	UF9746001	1	PRESSURE PLATE ASSY		
10	UF9745001	2	PLATE SPRING		
11	UF9712001	1	GEAR, 24/28		
12	UF9713001	1	ARM P ASSY		
13	UF9715001	1	CLUTCH GEAR, 37A ASSY		
14	048030346	1	RETAINING RING, E3		
15	UF9719001	1	GEAR, 19/38		
16	UF9720001	1	PLATEN		
17	UF9722001	1	PLATEN SHAFT BUSHING L		
18	UF9723001	1	PLATEN SHAFT BUSHING R		
19	UF9724001	1	GEAR, 25/27		
20	UF9725001	1	PAPER EJECTION ROLLER		
21	UF9727001	1	EJECTION ROLLER GEAR		
22	LF3363001	1	PAPER FEED ROLLER SHAFT ASSY N		
23	UF9730001	1	GEAR, 43 ASSY		
24	UF9734001	1	COLLAR STOPPER		
25	048040346	1	RETAINING RING, E4		
26	UF0026001	1	RESIN BEARING		
27	UF9751001	1	CHUTE B ASSY		
28	UF9755001	1	LOCK LEVER L, BLUE(6155)		
29	LF3496001	1	LOCK LEVER R, BLUE(6155)		
30	LE0956001	1	LOCK SPRING L/B4		
31	LE0957001	1	LOCK SPRING R/B4		
32	UF9744001	1	SHOOT FILM		
33	UF9792001	1	PRESSURE PLATE RELEASE CAM		
34	UF9873001	1	ACTUATOR P COVER		
35	048050346	1	RETAINING RING, E5		
36	UU0078001	1	SPRING WASHER		
37	LG5158001	1	MAIN SENSOR HARNESS T5C		

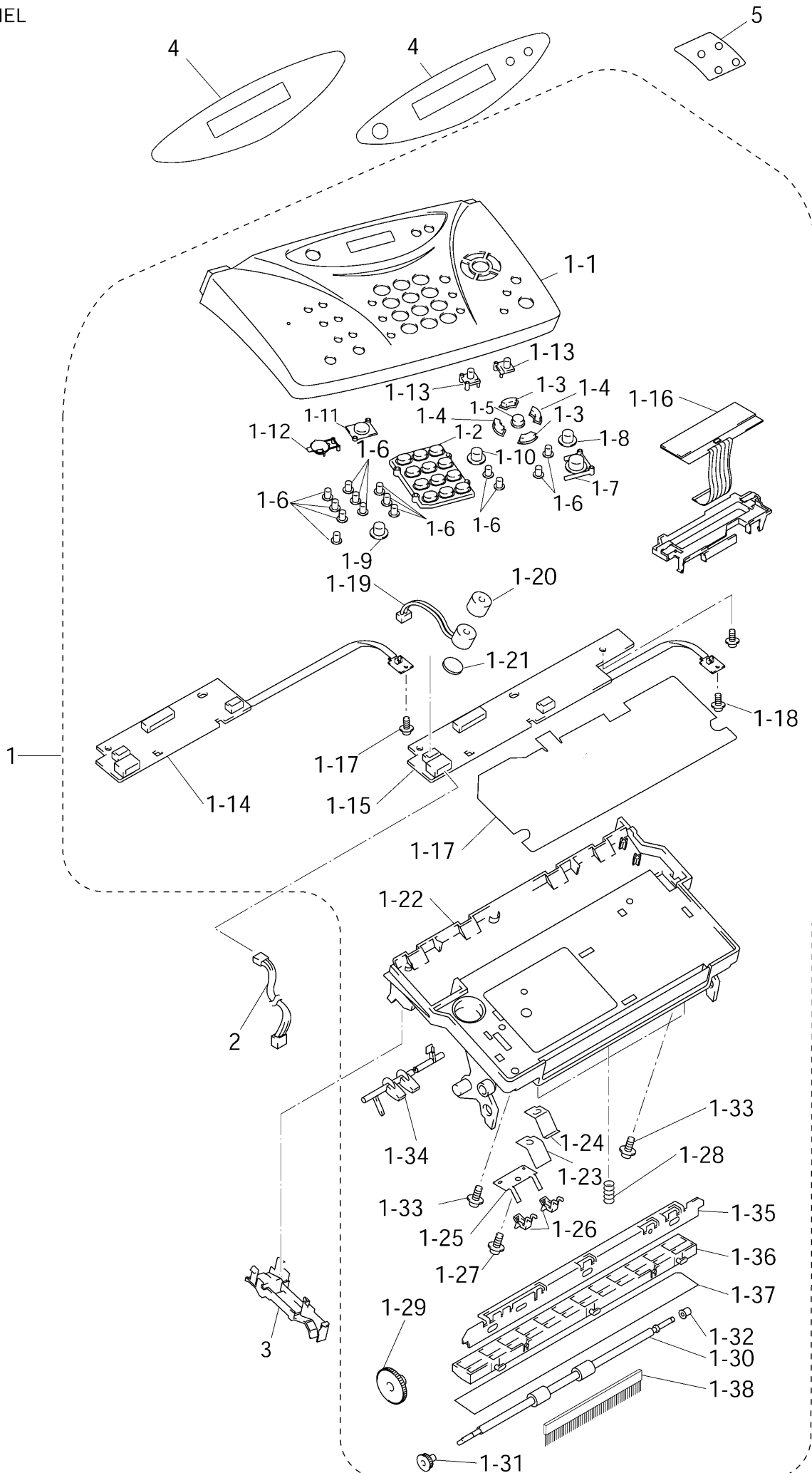
5. COVER



LIST5(COVER)

REF No.	CODE	Q'TY	DESCRIPTION	RECOMMEND	REMARKS
1	LF8641001	1	BOTTOM COVER, GRAY(1473), FAX775/885MC		CHG
1	LF8641008	1	BOTTOM COVER, GRAY(1623), FAX775SI		CHG
2	UG6670001	1	SPEAKER ASSY T5		
3	LE0480010	1	HANDSET HOLDER, GRAY(1495), FAX775/885MC		
3	LE0480008	1	HANDSET HOLDER, GRAY(1623), FAX775SI		
4	LG5159001	1	HOOK PCB B53K343 LF ASSY		
5	UF9802001	1	ACTUATOR RE		
6	UF9803001	1	COVER SWITCH A		
7	UF9817001	1	COVER SWITCH B		
8	UF9818001	1	SPRING COVER SWITCH A		
9	UF9804001	1	RIBBON SW		
10	UF9806001	2	SPRING PLATE, PANEL LOCK		
11	LE4501001	2	LF PRESSURE ROLLER		
12	UF9807001	2	PRESSURE ROLLER SPRING		
13	LF1734001	2	EJECTION PINCH ROLLER		
14	UF6267000	2	PRESSURE ROLLER SHAFT		
15	UF9808001	1	PAPER FEED ROLLER SPRING		
16	UU0074001	1	LF ROLLER SPRING		
17	085310815	1	TAPTITE, BIND B M3X8		
18	UF9809004	1	ROM COVER, GRAY(1267)		
19	UF9810001	1	COVER STOPPER		
20	UF9822001	1	LOWER PLATE		
21	UF9846001	1	INSULATION SHEET		
22	UF9847001	1	SPEAKER HOLDER		
23	UF6761001	2	RUBBER		
24	087310815	8	TAPTITE, CUP B M3X8		
25	UF9824001	1	HARNES GUIDE FILM		
26	LE5849010	1	PAPER FEED COVER ASSY, GRAY(1495), FAX775/885MC		
26	LE5849008	1	PAPER FEED COVER ASSY, GRAY(1623), FAX775SI		
27	LG2861001	1	BATTERY ASSY FOR FAX885MC		
28	UF9823001	2	SHOULDER SCREW		
29	UG6618001	1	HOOK MAIN HARNES		
(30)	UU0456001	1	PROTECTION PAPER		

6.CONTROL PANEL

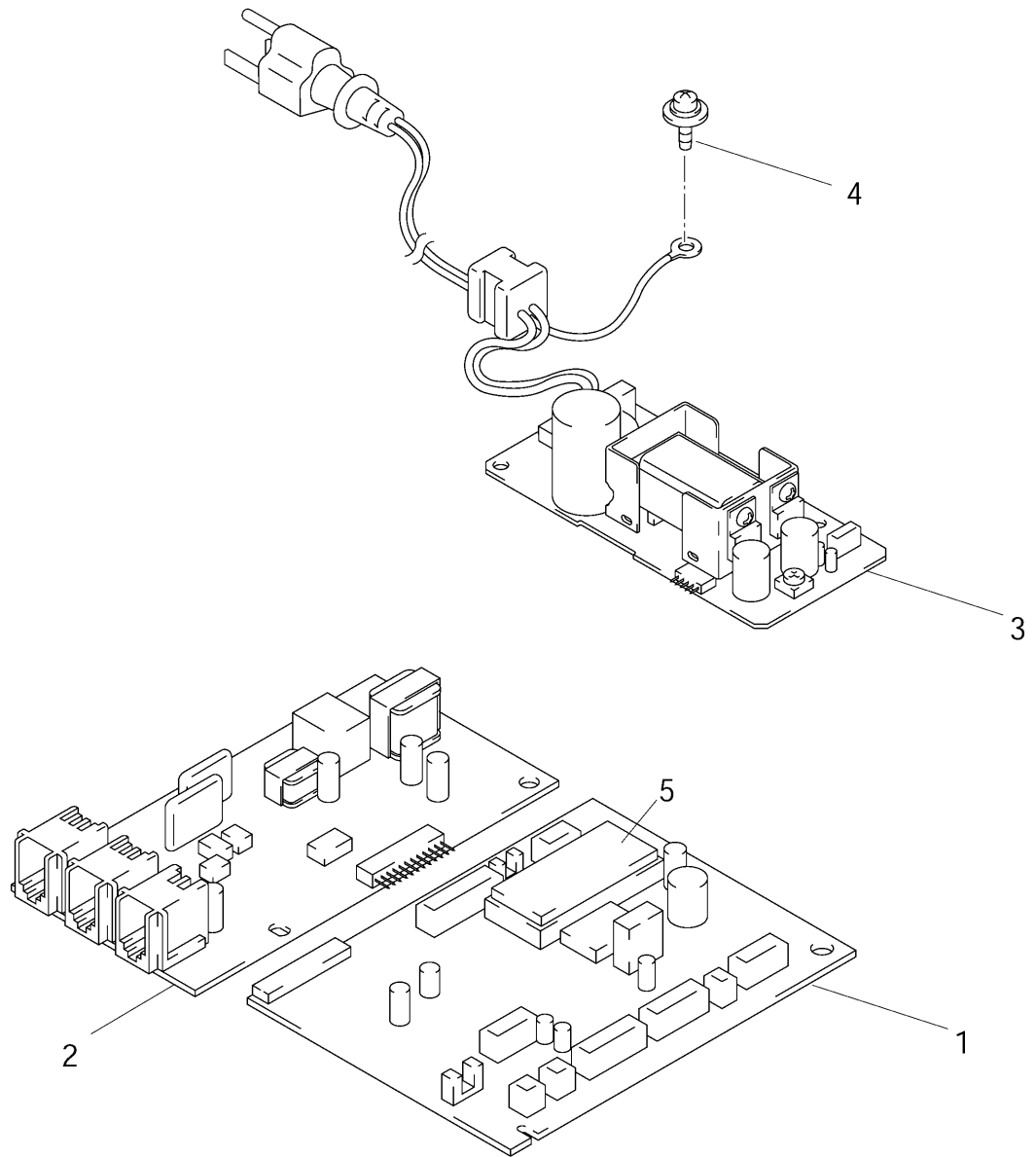


LIST6(CONTROL PANEL)

REF No.	CODE	Q'TY	DESCRIPTION	RECOMMEND	SYMBOL	REMARKS
1	LF3372001	1	CONTROL PANEL ASSY, GRAY(1495), FAX775	√		
1	LF3378001	1	CONTROL PANEL ASSY, GRAY(1495), FAX885MC	√		
1	LF3383001	1	CONTROL PANEL ASSY, SILVER(1562), FAX775SI	√		
1-1	LE5302001	1	PRINTED PANEL ASSY, GRAY(1495), FAX775			
1-1	LE5326001	1	PRINTED PANEL ASSY, GRAY(1495), FAX885MC			
1-1	LF1755001	1	PRINTED PANEL ASSY, SILVER(1562), FAX775SI			
1-2	LS9147003	1	PRINTED KEY TEN ASSY, FAX775/885MC			CHG
1-2	LS9147011	1	PRINTED KEY TEN ASSY, FAX775SI			CHG
1-3	LE6168001	2	KEY, CURSOR L, PURPLE(6255) FAX775/885MC			
1-3	LE6168004	2	KEY, CURSOR L, BLUE(6408), FAX775SI			
1-4	LE6169001	2	KEY, CURSOR S, PURPLE(6255), FAX775/885MC			
1-4	LE6169004	2	KEY, CURSOR S, BLUE(6408), FAX775SI			
1-5	LE6079001	1	KEY, PRINTED OVAL, FAX775SI/885MC			
1-5	LE6079003	1	KEY, PRINTED OVAL, FAX775			
1-6	LE3295001	14	KEY, CYLINDER 6, GRAY(1495), FAX775/885MC			
1-6	LE3295007	14	KEY, CYLINDER 6, GRAY(1581), FAX775SI			
1-7	LJ4285004	1	KEY, START, PURPLE(6255), FAX775/885MC			
1-7	LJ4285007	1	KEY, START, BLUE(6408), FAX775SI			
1-8	LE6171001	1	KEY, CYLINDER9.5, GRAY(1495), FAX775/885MC			
1-8	LE6171012	1	KEY, CYLINDER9.5, GRAY(1581), FAX775SI			
1-9	LE6171002	1	KEY, CYLINDER9.5, GREEN(5159), FAX775/885MC			
1-9	LE6171008	1	KEY, CYLINDER9.5, GRAY(1623), FAX775SI			
1-10	LE6171004	1	KEY, CYLINDER9.5, PINK(2205), FAX775/885MC			
1-10	LE6171011	1	KEY, CYLINDER9.5, PINK(2268), FAX775SI			
1-11	LE4579001	1	KEY, FLASH, FAX885MC			
1-12	LF1457001	1	SUPPORTER N, FLASH KEY, FAX885MC			
1-13	LE4549003	2	KEY, REGISTER, GRAY(1495), FAX885MC			
1-14	LG5157001	1	PANEL PCB LF ASSY FOR FAX775/775SI		B53K576	
1-15	LG5167001	1	PANEL PCB LF ASSY FOR FAX885MC		B53K576	
1-16	LG2567001	1	LCD			
1-17	LG3300001	1	KEY, FPC ASSY			
1-18	087270615	1	TAPTITE, CUP B M2.6X6			
1-19	UG6703001	1	MICROPHONE ASSY FOR FAX885MC			
1-20	UF6916001	1	MIC COVER FOR FAX885MC			
1-21	UF9993001	1	MIC RUBBER FOR FAX885MC			
1-22	LE5305001	1	PANEL REAR COVER			
1-23	UU0145001	1	SEPARATION RUBBER			
1-24	UF9777001	1	ADF SPRING PLATE			
1-25	UF9778001	1	SPRING PLATE, ADF FRONT			
1-26	UF9995001	2	ADF SPRING COVER			
1-27	UF6116001	1	TAPTITE, PAN B M3X6			
1-28	UF9781001	3	SPRING, COMPRESSION			
1-29	UF9782001	1	GEAR, 37			
1-30	LF3376001	1	DOCUMENT EJECTION ROLLER N			
1-31	UF9787001	1	DOCUMENT EJECTION GEAR			

LIST6(CONTROL PANEL)

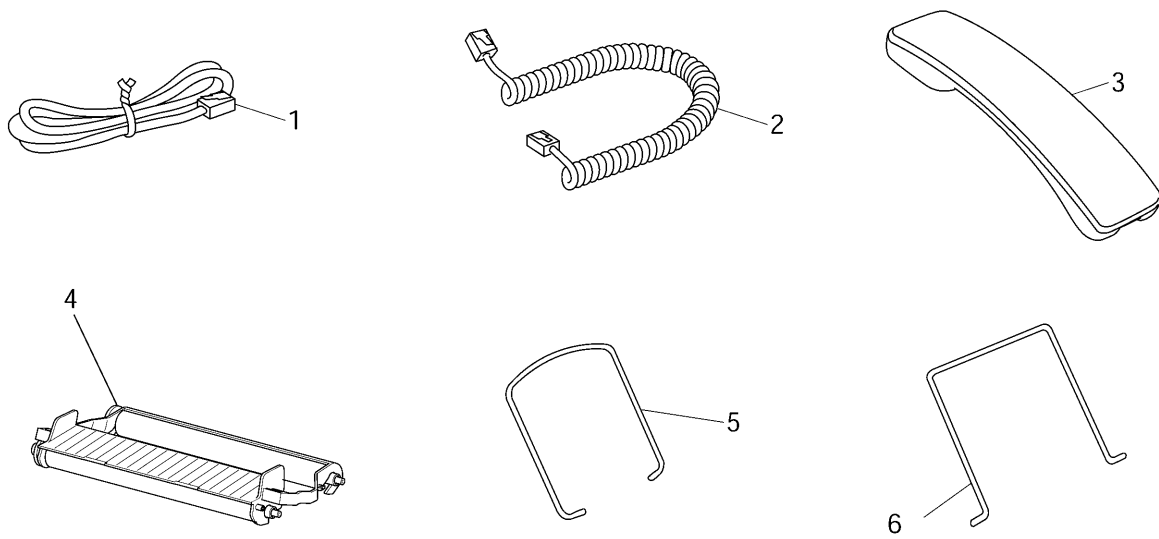
REF No	CODE	Q'TY	DESCRIPTION	RECOMMEND	SYMBOL	REMARKS
1-32	UF9949001	1	EJECTION ROLLER BEARING			
1-33	087310815	2	TAPTITE, CUP B M3X8			
1-34	UF9779001	1	ACTUATOR FR US			
1-35	UF9780001	1	DOCUMENT PRESSURE			
1-36	UF9788001	1	DOCUMENT PRESSURE STIFFENER			
1-37	UF9790001	1	WHITE TAPE			
1-38	UU0243001	1	ANTI-STATIC BRUSH			
2	UG6690001	1	PANEL MAIN HARNESS FOR FAX885MC			
2	LG5160001	1	PANEL MAIN HARNESS FOR FAX775/775SI			
3	UF9963001	1	HARNESS HOLDER			
4	LE5317001	1	LCD SHEET FOR FAX885MC	√		
4	LE5306001	1	LCD SHEET FOR FAX775	√		
4	LF1759001	1	LCD SHEET FOR FAX775SI	√		
5	LE5308001	1	ADDRESS LABEL			



LIST7(PCB)

REF No	CODE	Q'TY	DESCRIPTION	RECOMMEND	SYMBOL	REMARKS
1	LG5162001	1	MAIN PCB LF ASSY FOR FAX775/FAX775SI	√	B53K725	
1	LG5169001	1	MAIN PCB LF ASSY FOR FAX885MC	√	B53K726	
2	LG5164041	1	NCU PCB LF ASSY EXCEPT FOR CAN	√	B53K556	
2	LG5164042	1	NCU PCB LF ASSY FOR CAN	√	B53K556	
3	LG5165001	1	POWER SUPPLY PCB ASSY (INCLUDING AC CODE)	√		
4	UF4444001	1	SCREW, PAN(P WASHER) M4X6			
5	LG0587001	1	OTPROM FOR FAX775/775SI			
5	LG0589001	1	OTPROM FOR FAX885MC			

8.ACCESSORIES



LIST8(Accessories)

REF No.	CODE	Q'TY	DESCRIPTION	RECOMMEND	REMARKS
1	LG3077001	1	TELEPHONE LINE CORD		
2	LG3768011	1	HANDSET CURLED CORD ASSY, GRAY(1495). FAX775/885MC		
2	LG3768007	1	HANDSET CURLED CORD ASSY, GRAY(1251). FAX775SI		
3	LE5803011	1	HANDSET ASSY, GRAY(1495), FAX775/885MC		
3	LF1757001	1	HANDSET ASSY, SILVER(1562), FAX775SI		
4	LE0863001	1	RIBBON CASSETTE ASSY		
(4-1)	UF9862001	1	RIBBON CASSETTE		
(4-2)	LE0659001	1	RIBBON		
5	UF5607000	1	DOCUMENT TRAY		
6	UF9869001	1	PAPER SUPPORT WIRE		
(7)	UF8263001	1	TEST CHART-027		
(8)	LE5605001	1	SUPPORT RIB		

LIST9(PRINTED MATTER)

REF No.	CODE	Q'TY	DESCRIPTION	RECOMMEND	REMARKS
(1)	LF1744001	1	OWNER'S MANUAL ASSY, FAX775/775SI FOR US	√	
(1)	LE5400001	1	OWNER'S MANUAL ASSY FOR FAX885MC	√	
(1)	LE5507002	1	OWNER'S MANUAL ASSY, FAX775 FOR CAN	√	
(1-1)	LF1746001	1	OWNERS MANUAL FOR FAX775/775SI		
(1-1)	LE5509001	1	OWNERS MANUAL FOR CAN<FRENCH>		
(1-1)	LE5329001	1	OWNERS MANUAL FOR FAX885MC		

LIST10(PACKING MATERIALS)

REF No.	CODE	Q'TY	DESCRIPTION	RECOMMEND	REMARKS
(1)	LE5913001	1	CARTON, BROTHER, FAX775 FOR US	√	
(1)	LE5319001	1	CARTON, BROTHER FOR FAX885MC	√	
(1)	LF1747001	1	CARTON, BROTHER FOR FAX775SI	√	
(1)	LE5294001	1	CARTON, BROTHER, FAX775 FOR CAN	√	
(2)	LE0212001	1	SF ASSY X4-4		
(3)	LE5795001	1	BAG, 570X650H P		CHG
(4)	LF1748001	1	START CARD		
(4)	LE5500001	1	START CARD FOR CAN <FRENCH>		

brother®

8X4421
PL-FAX068
Ver. J-1