

brother®

LASER PRINTER

PARTS REFERENCE LIST

MODEL:HL-1660

MECHANISMS & ELECTRONICS

NOTE FOR USING THIS PARTS REFERENCE LIST

1. In the case of ordering parts, it needs mentioning the following items:

- (1) Code
- (2) Q'ty
- (3) Description
- (4) Symbol (PCB No., Revision , and Parts location mounted on the PCB.)

Note : No orders without Parts Code or Tool No. can be accepted.

< Example >

REF.NO.	SYMBOL	CODE	Q'TY	DESCRIPTION	REMARKS

Revision No. : marked on the printed circuit board.

B48K056 - 201A



2. Design-changed parts:

If the parts are changed, any one of the following symbols is indicated in the REMARKS column.

- #A : compatible between old and new
- #B : replaceable from old to new
- #D : incompatible
- # : newly established

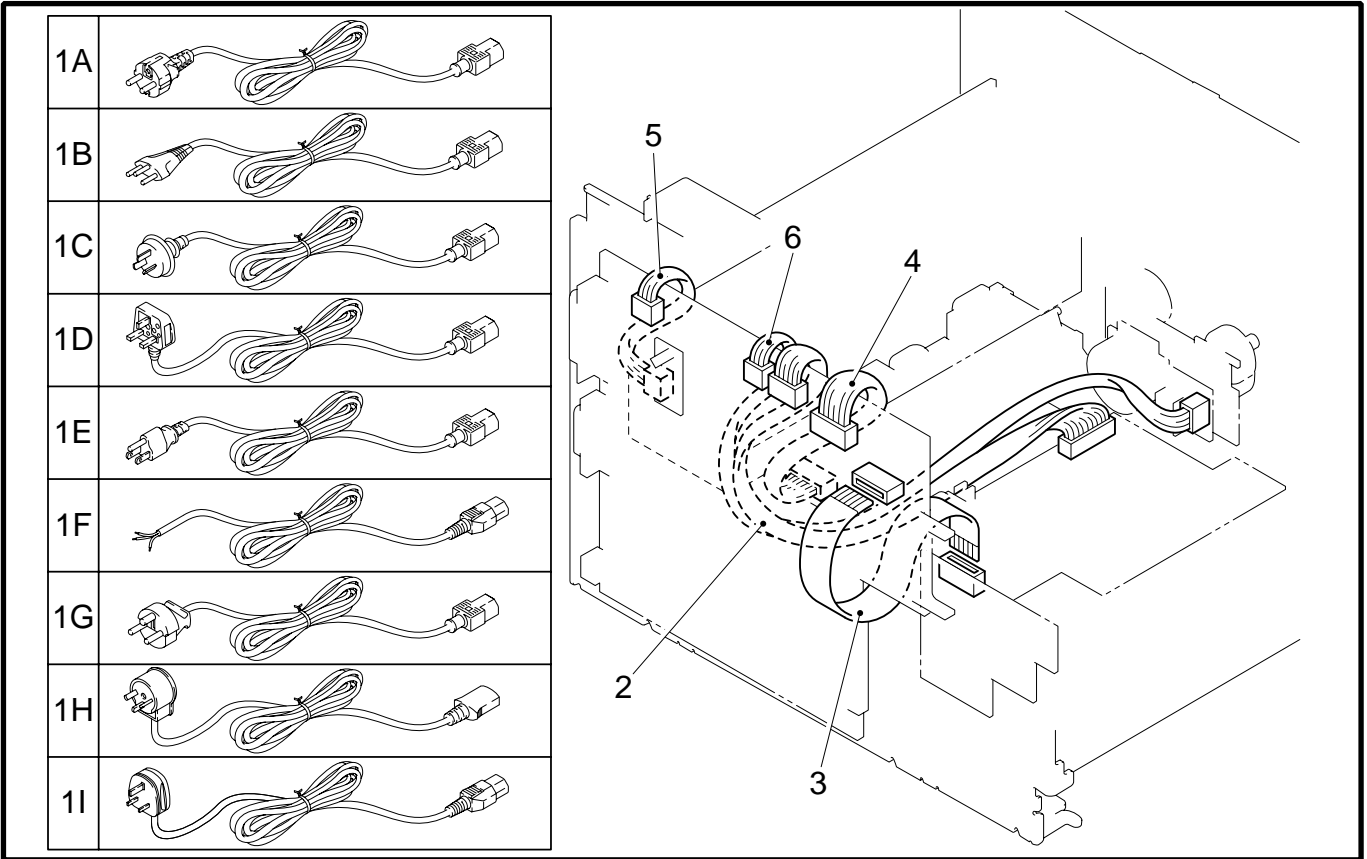
3. The original of this list was made based on the information available in July, 1996.

4. Parts are subject to change in design without prior notice.

CONTENTS

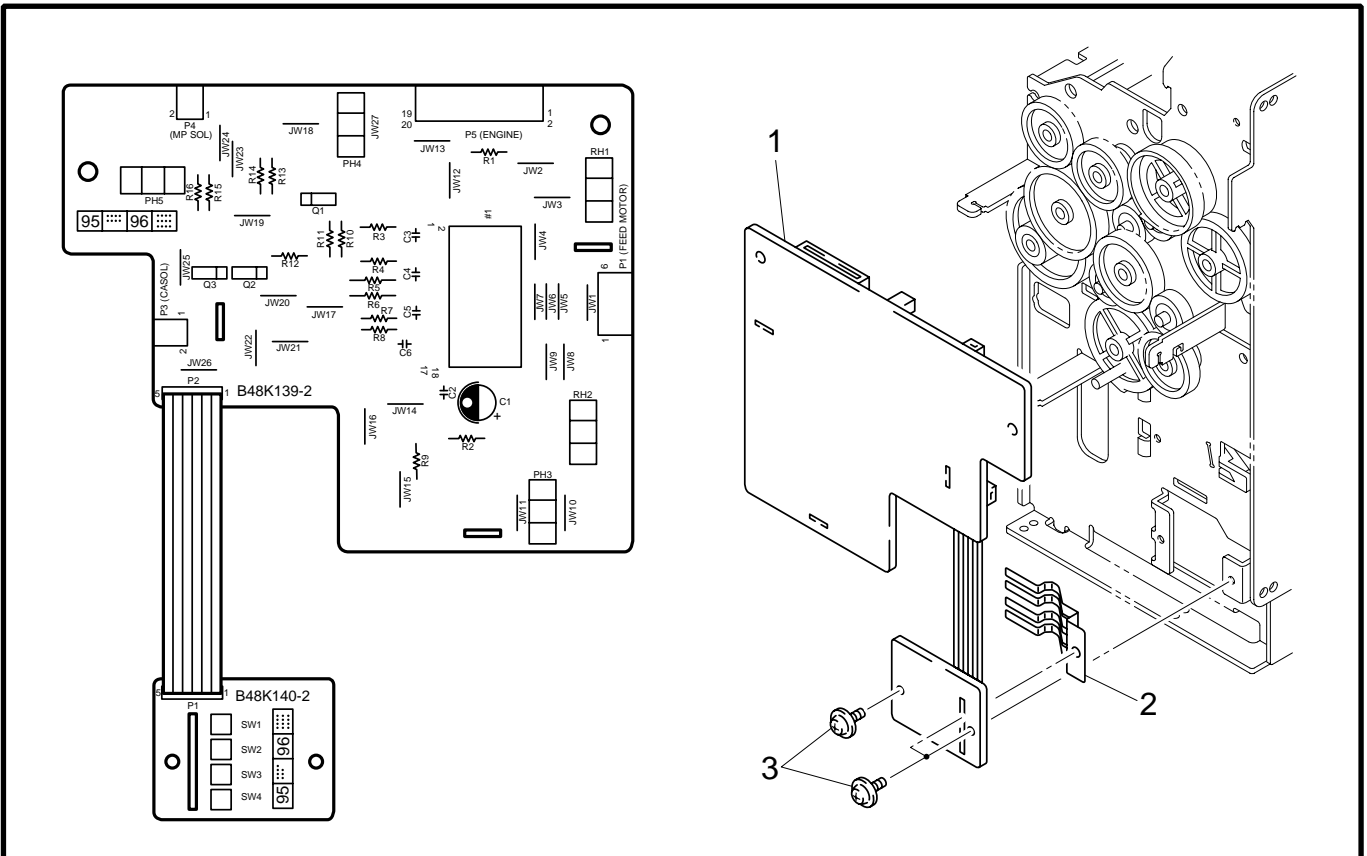
1. POWER CORDS & HARNESSSES	1
2. PAPER FEEDER PCB	1
3. CONTROL PANEL	3
4. PCB ATTACHMENTS	3
5. MAIN PCB	5
6. HIGH-VOLTAGE POWER SUPPLY	7
7. LOW-VOLTAGE POWER SUPPLY	7
8. COVERS	9
9. CHASSIS	9
10. TRANSFER	11
11. PAPER TRAY	11
12. PAPER FEEDER	13
13. SCANNER	15
14. FIXING UNIT, 120V/230V	15
15. DOCUMENTS	17
16. PACKING MATERIALS	19
17. OPTIONAL PARTS SET	19
18. ADJUSTING TOOL KIT	21

1 . POWER CORDS & HARNESSES



MODEL HL-1660/TMT-17 54T-U02-050/070

2 . PAPER FEEDER PCB



MODEL HL-1660/TMT-17 54T-U02-090

1. POWER CORDS & HARNESSSES

REF.NO.	CODE	Q'TY	DESCRIPTION	REMARK
1A	UH1052001	1	AC CORD, VDE	
1B	UH1053001	1	AC CORD, SEV	
1C	UH1055001	1	AC CORD, SAA	
1D	UH1054001	1	AC CORD, BS	
1E	UH1051001	1	AC CORD, UL/CSA	
1F	U34320001	1	AC CORD #4, BS WO/PLUG	
1G	UK4094001	1	AC CORD #5, DEMKO	
1H	U34322001	1	AC CORD #6, ISRAEL	
1I	U34342001	1	AC CORD #8, BS/SINGAPORE	
2	UK2502001	1	HV HARNESS 16P	
3	UK2505000	1	FEED FLAT CABLE 20P	
4	UK2506001	1	LV HARNESS 8P	
5	UK2507001	1	FUSER HARNESS 4P	
6	UK2508001	1	DC MOTOR HARNESS 4P	

MODEL HL-1660/TMT-17 54T-U02-050/070

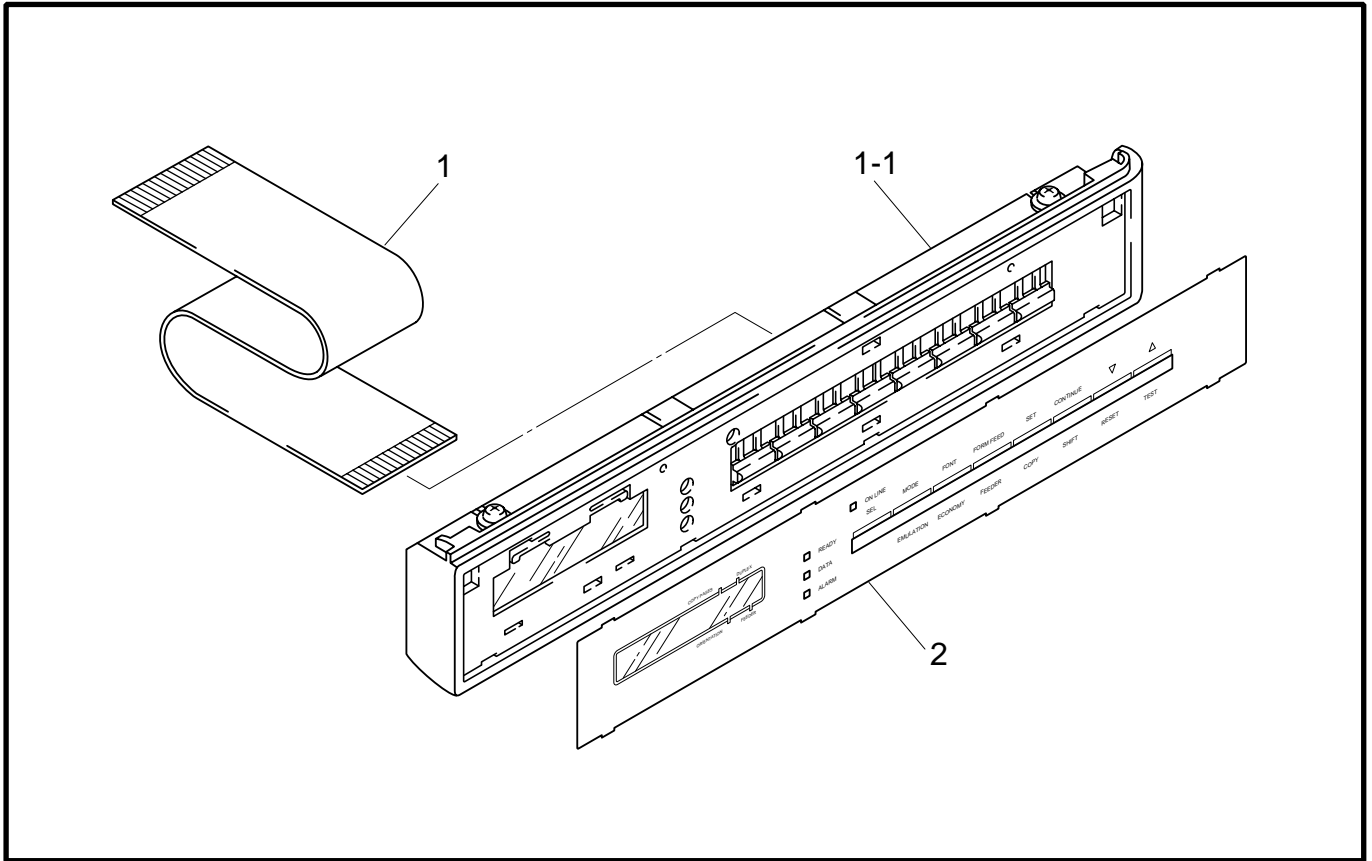
T/I NO. PR98046

2. PAPER FEEDER PCB

REF.NO.	CODE	Q'TY	DESCRIPTION	SYMBOL	REMARK
1	UK2701001	1	P FEED/SIZI-SW PCB ASSY (SP)	B48K139/140-200B/200B	
2	UH2410000	1	SIZE SWITCH SPRING		
3	087320616	2	TAPTITE, CUP S M3X6		

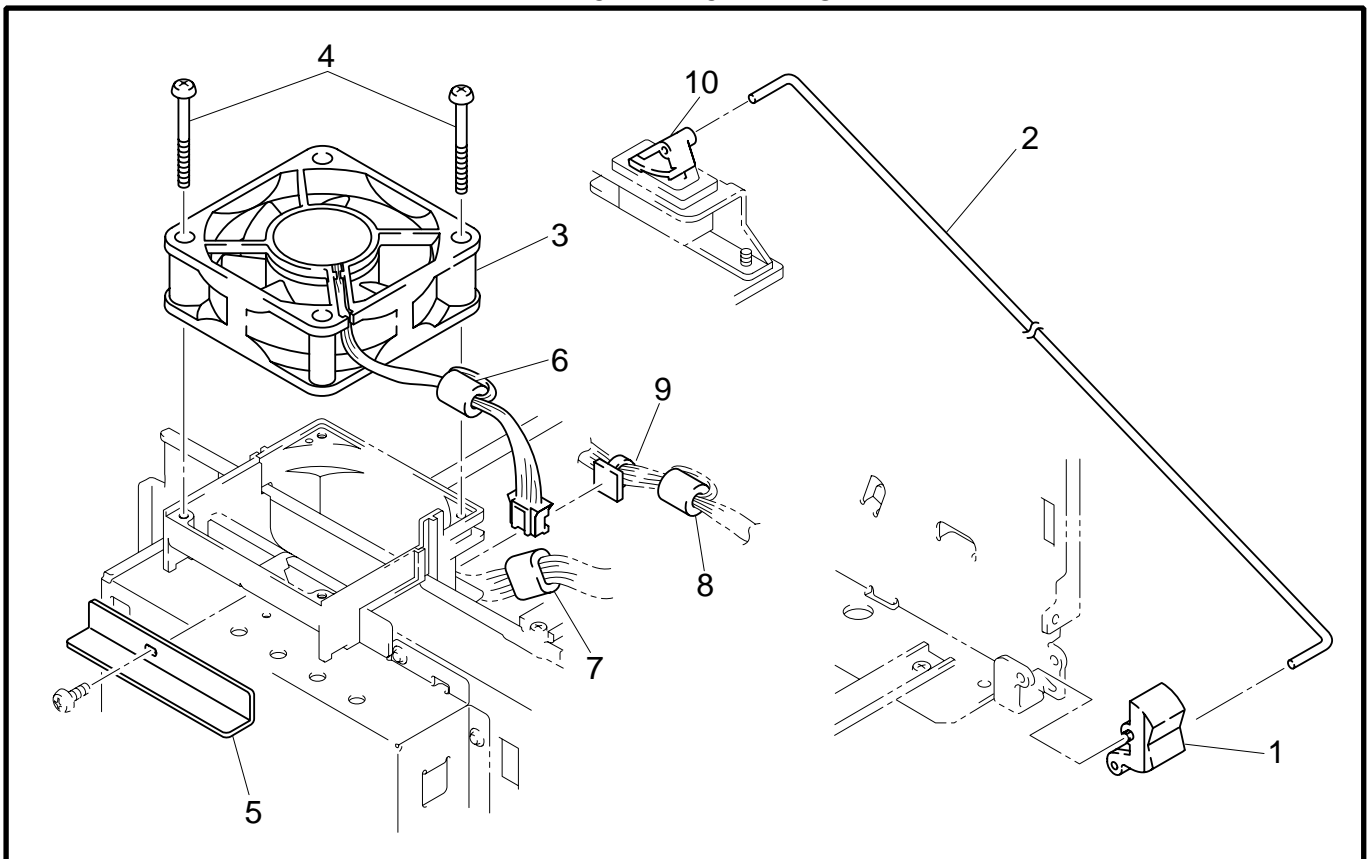
MODEL HL-1660/TMT-17 54T-U02-090

3 . CONTROL PANEL



MODEL HL-1660/TMT-17 54T-U02-150

4 . PCB ATTACHMENTS



MODEL HL-1660/TMT-17 54T-U02-450

3. CONTROL PANEL

REF.NO.	CODE	Q'TY	DESCRIPTION	SYMBOL	REMARK
1-1	UK3024001	1	CONTROL PANEL UNIT (SP)	(B48K143-200B)	
1	UK2500000	1	SWITCH FLAT CABLE 21P		
2	UH2021002	1	PANEL SHEET, HL-1660		
2	UH2019001	1	PANEL SHEET, TMT-17		

MODEL HL-1660/TMT-17 54T-U02-150

TI NO. 96-P074

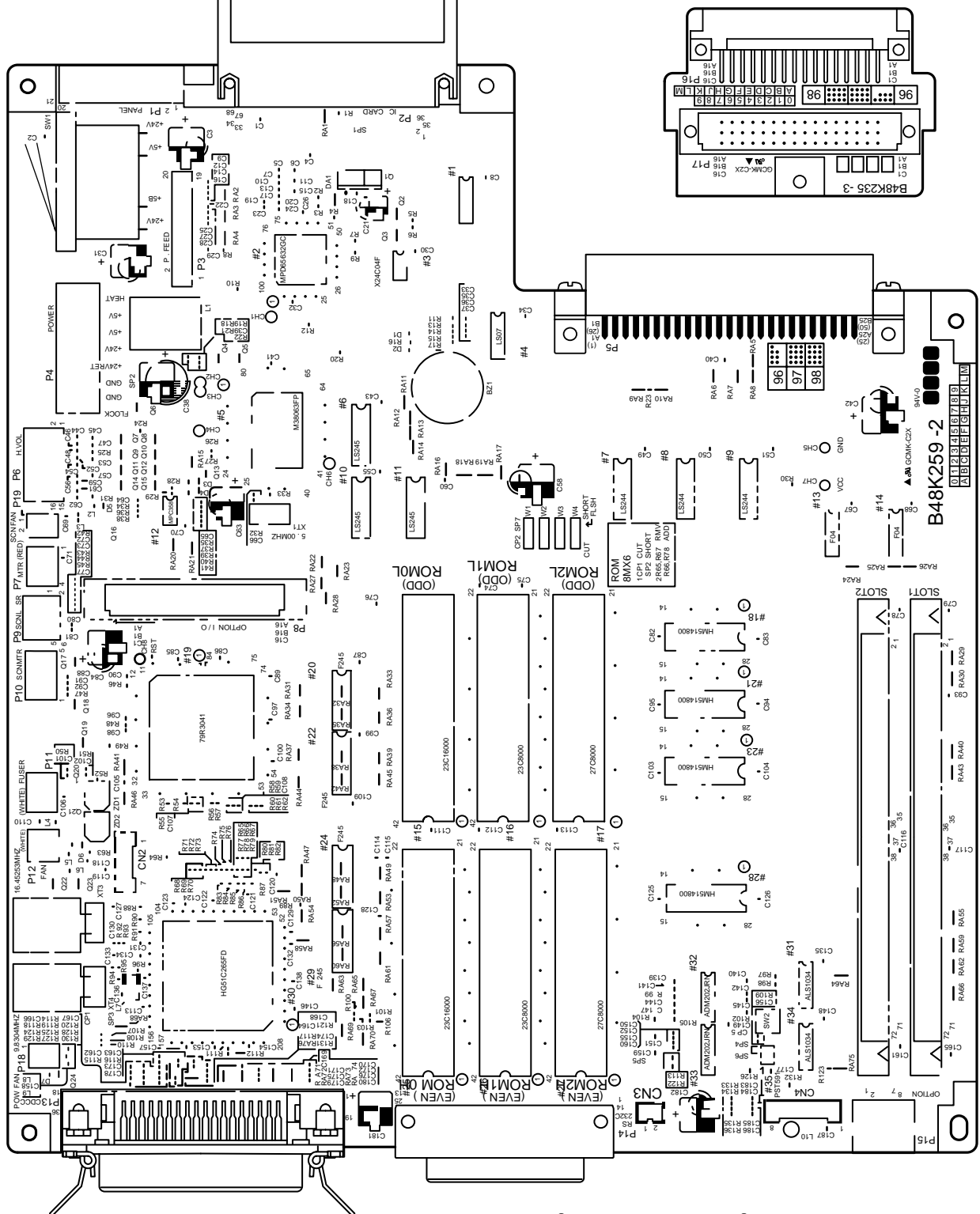
4. PCB ATTACHMENTS

REF.NO.	CODE	Q'TY	DESCRIPTION	REMARK
1	UH2121001	1	REMOTE SWITCH	
2	UH2122000	1	PS SWITCH WIRE	
3	UH2124001	1	DC FAN MOTOR	
4	083313515	2	TAPTITE, PAN B M3X35	
5	UH2144001	1	HOLDER SPACER	
6	UK2826001	1	CORE:RI-12-15-8.5	
7	UK3213000	1	CORE:FPC-16-12	
8	UK3214000	1	CORE:ZCAT1518	
9	UK3215000	1	CABLE CLAMP	
10	UK2123001	1	SWITCH ATTACHMENT	

MODEL HL-1660/TMT-17 54T-U02-450

T/I NO. PR98309

5 . MAIN PCB



SOLDERING ○ OPEN CUT ○ SHORT X

SOLDER POINT	TRANSACTION	CUT POINT	TRANSACTION
SP1	X	CP1	X
SP2	X	CP2	X
SP3	X		
SP4	X		
SP5	X	CP5	X
SP6	X		
SP7	X		

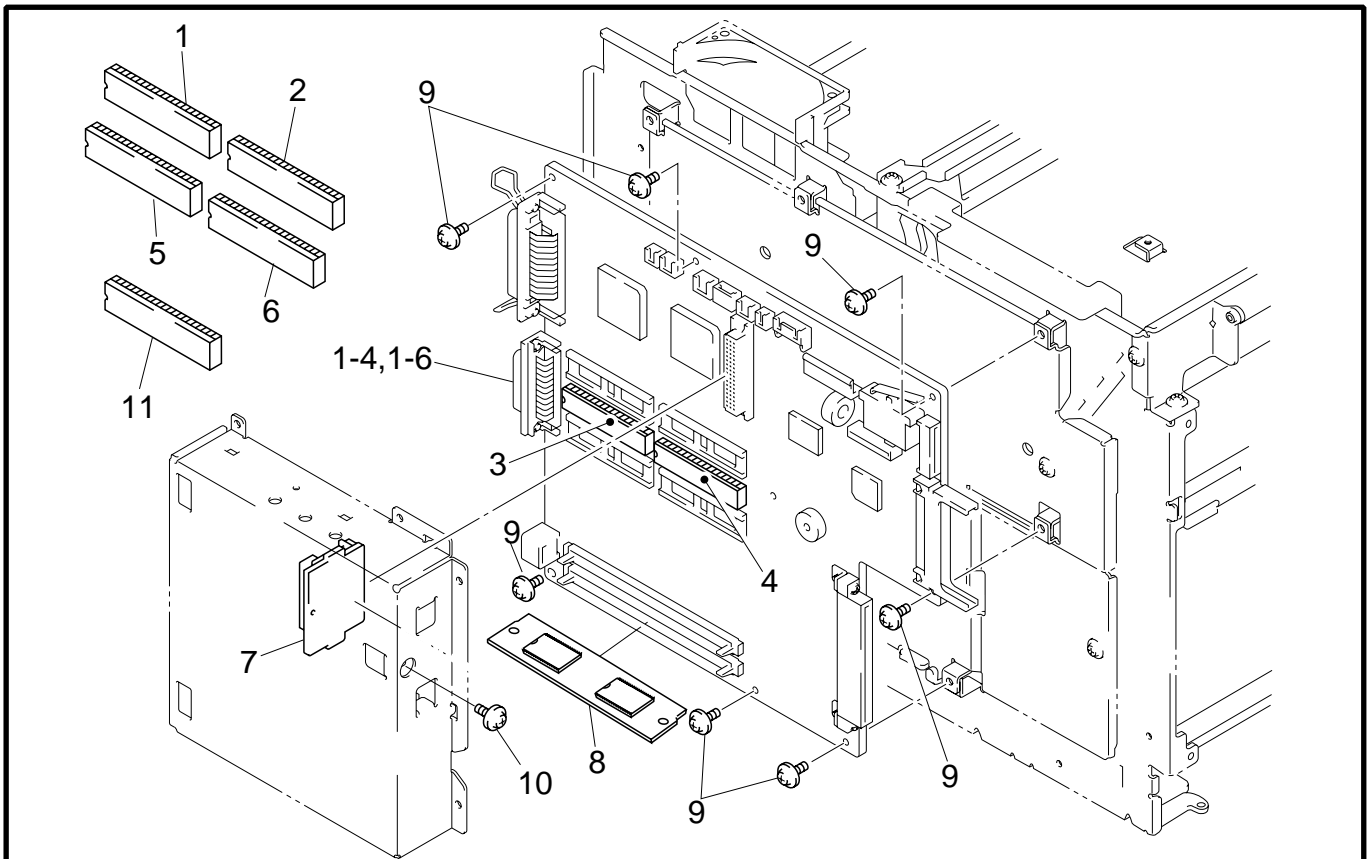
5 . MAIN PCB

REF.NO.	SYMBOL	CODE	Q'TY	DESCRIPTION	REMARKS
1-4	B48K259-202A	UK3298001	1	MAIN PCB ASSY, HL-1660/TMT-17 (SP) (OTHERS)	
1-6	B48K259-203A	UK3524001	1	MAIN PCB ASSY, HEB HL-1660 (SP) (ISRAEL)	
1	#25	UK3668000	1	MASK ROM:23C16000-01	
2	#15	UK3669000	1	MASK ROM:23C16000-02	
3	#26	UK2718000	1	MASK ROM:23C8000-01	
4	#16	UK2719000	1	MASK ROM:23C8000-02	
5	#27	UK2945001	1	PROM ASSY HEB 1	
6	#17	UK2947001	1	PROM ASSY HEB 2	
7	B48K235-300B	UK3169001	1	MIO CONNECTOR PCB ASSY	
8		UK3575001	1	SIMM 2M	
8		UK3738001	1	SIMM 4M	
9		087320616	7	TAPTITE, CUP S M3X6	
10		087320616	1	TAPTITE, CUP S M3X6	
11	(#)	UK2466000	1	EPROM:27C8000DZ (BLANK EPROM) (SP)	

MODEL HL-1660/TMT-17 54T-U02-103/104

TI No.96-P055 / 96-P068 / 96-P078 / 97-P022 / PR97114

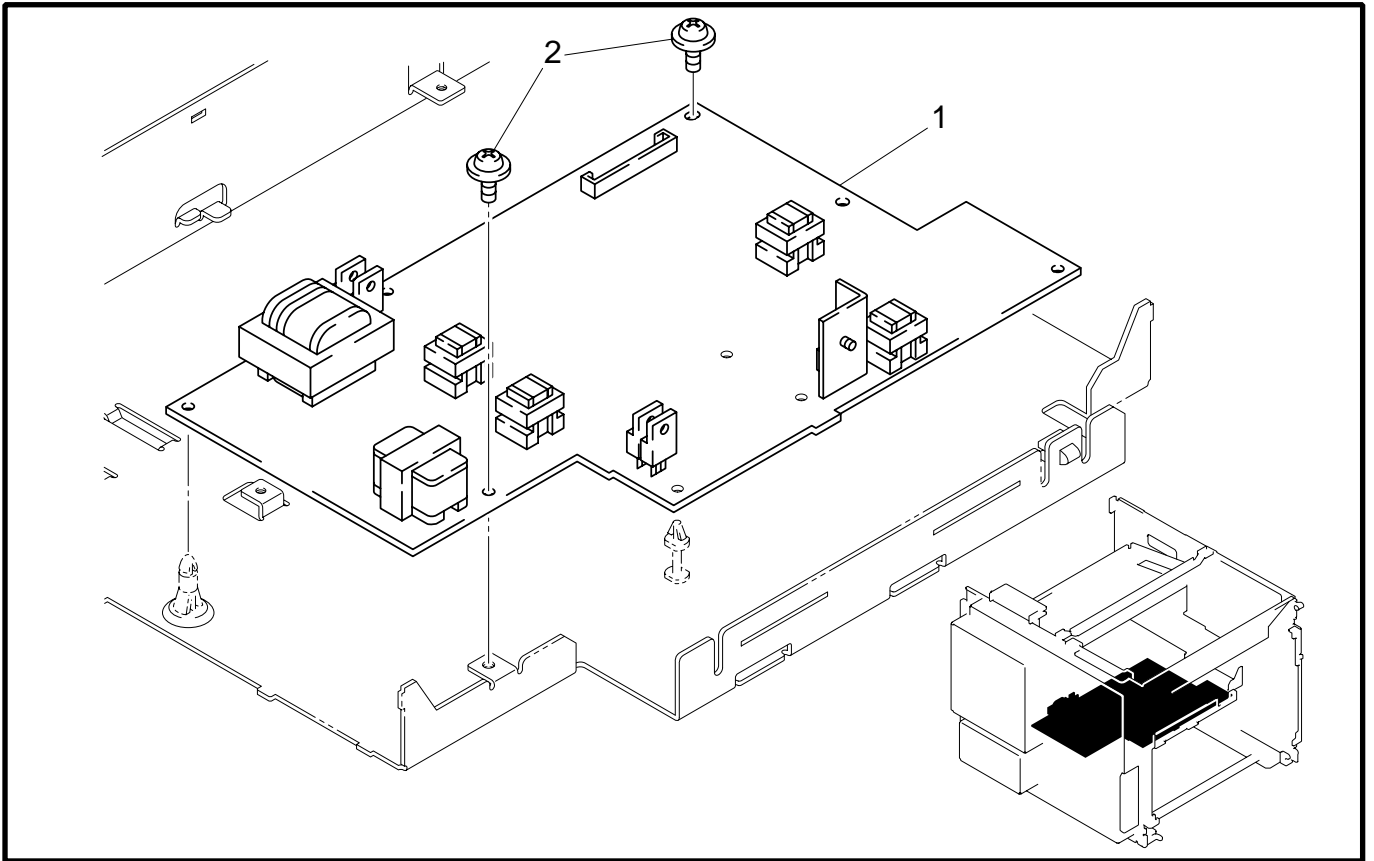
5 . MAIN PCB



MODEL HL-1660/TMT-17 54T-U02-103/104

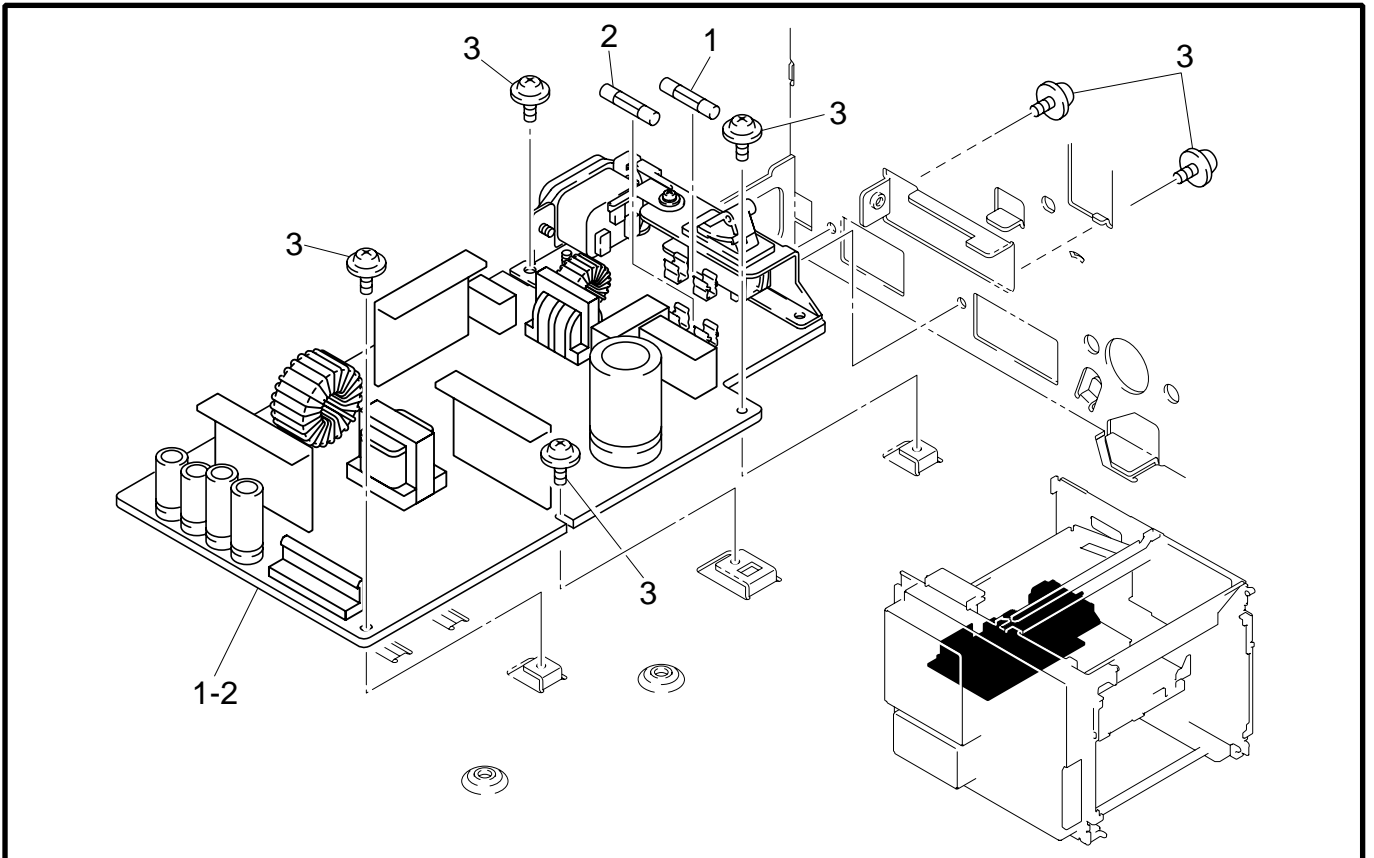
TI No.96-P055

6 . HIGH-VOLTAGE POWER SUPPLY



MODEL HL-1660/TMT-17 54T-U02-200

7 . LOW-VOLTAGE POWER SUPPLY



MODEL HL-1660/TMT-17 54T-U02-300

6. HIGH-VOLTAGE POWER SUPPLY

REF.NO.	CODE	Q'TY	DESCRIPTION	SYMBOL	REMARK
1	UK2702001	1	HIGH-VOLTAGE PS PCB ASSY (SP)	B48K186-300E	
2	087320616	2	TAPTITE, CUP S M3X6		

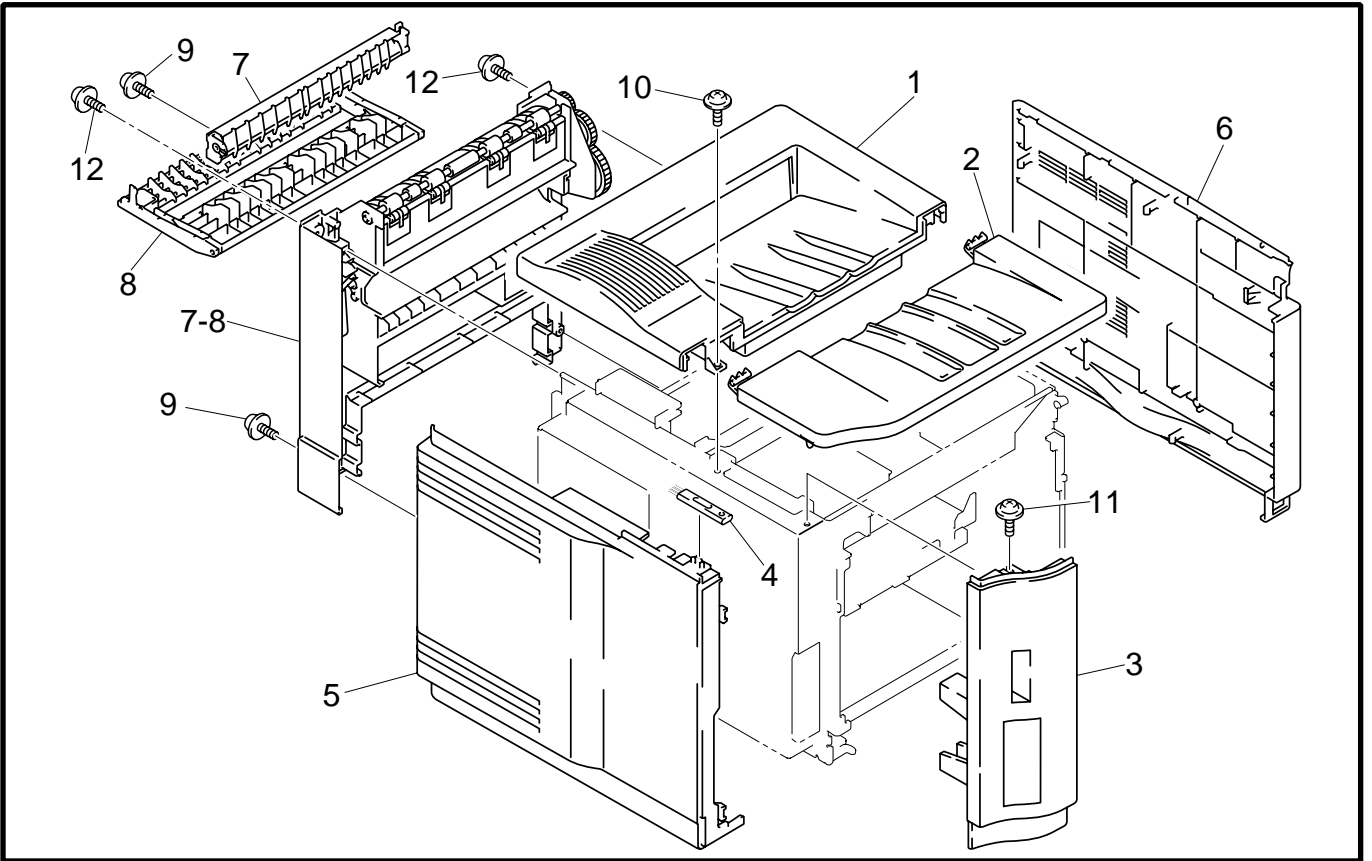
MODEL HL-1660/TMT-17 54T-U02-200

8. LOW-VOLTAGE POWER SUPPLY

REF.NO.	CODE	Q'TY	DESCRIPTION	SYMBOL	REMARK
1-2	UK2753001	1	LOW-VOLT PS PCB ASSY, 115VM(SP)		
1-2	UK2754001	1	LOW-VOLT PS PCB ASSY, 230VM(SP)		
1	UK2756001	1	GLASS FUSE, 10A-125VM (PS PCB 115VM) (SP)	F1	
1	UK2759001	1	GLASS FUSE, 6A-250VM (PS PCB 230VM) (SP)	F1	
2	UK2757001	1	GLASS FUSE, 5A-125VM (PS PCB 115VM) (SP)	F2	
2	UK2760001	1	GLASS FUSE, 3A-250VM (PS PCB 230VM) (SP)	F2	
3	UH2036001	6	TAPTITE, PAN S M3X8		

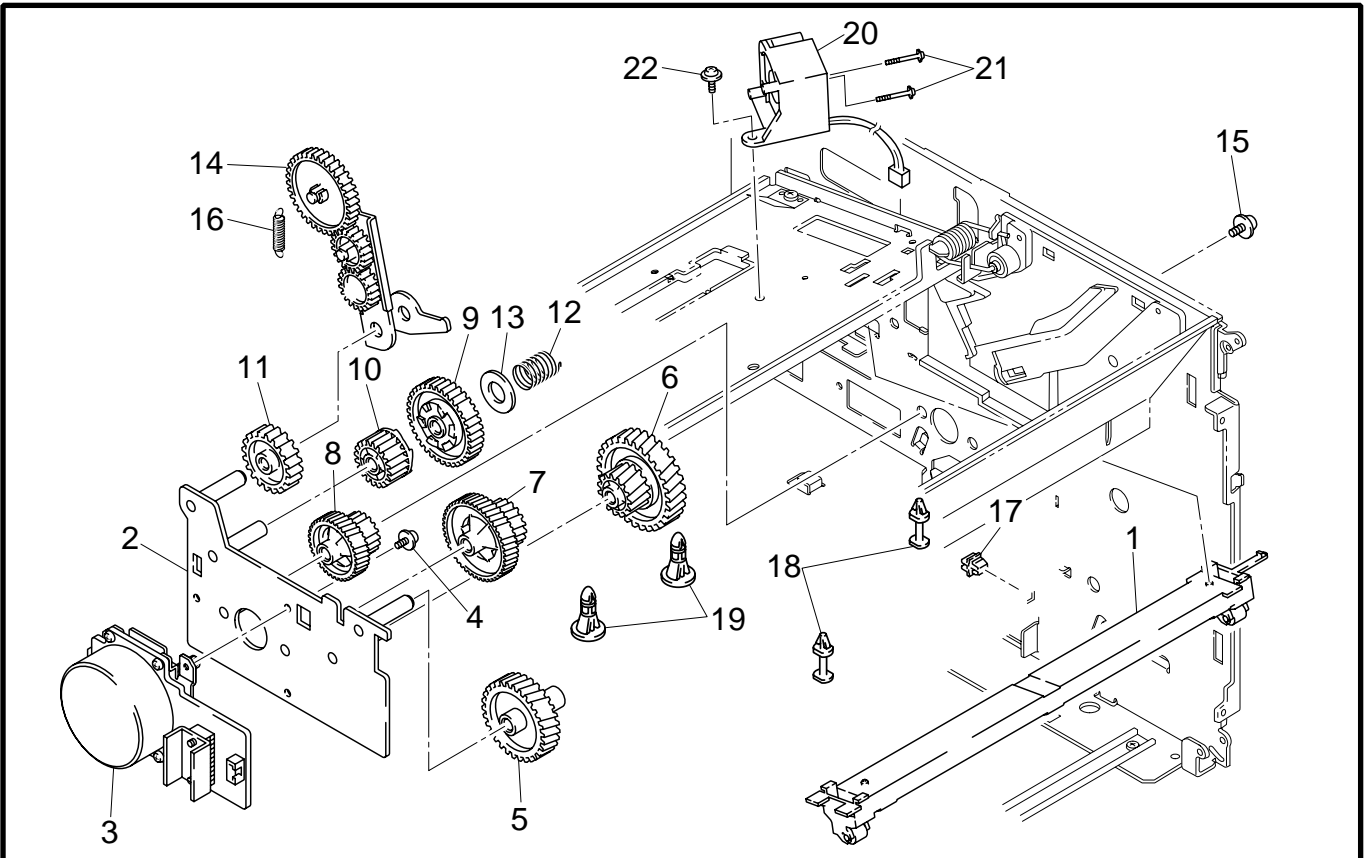
MODEL HL-1660/TMT-17 54T-U02-300

8. COVERS



MODEL HL-1660/TMT-17 54T-U02-400

9. CHASSIS



MODEL HL-1660/TMT-17 54T-U02-500

8. COVERS

REF.NO.	CODE	Q'TY	DESCRIPTION	REMARK
1	UH2065001	1	UPPER COVER ASSY, GRAY1227	
2	UH2071001	1	TONER CARTRIDGE LID, GRAY1227	
3	UH2072001	1	FONT COVER ASSY, GRAY1227	
4	UH2076001	1	CLEANER BRUSH	
5	UH2077001	1	SIDE COVER L, GRAY1227	
6	UH2027001	1	SIDE COVER R2 ASSY, GRAY1227	
7-8	UH2082001	1	REAR COVER ASSY, GRAY1227(HL-1660)	
7-8	UH2104001	1	REAR COVER ASSY, GRAY1227(TMT-17)	
7	UH2085001	1	CHANGEOVER GUIDE, GRAY1227	
8	UH2103001	1	JAM REMOVE COVER, GRAY1227	
9	087320616	2	TAPTITE, CUP S M3X6	
10	087320616	1	TAPTITE, CUP S M3X6	
11	087320616	1	TAPTITE, CUP S M3X6	
12	087321016	2	TAPTITE, CUP S M3X10	

MODEL HL-1660/TMT-17 54T-U01-400

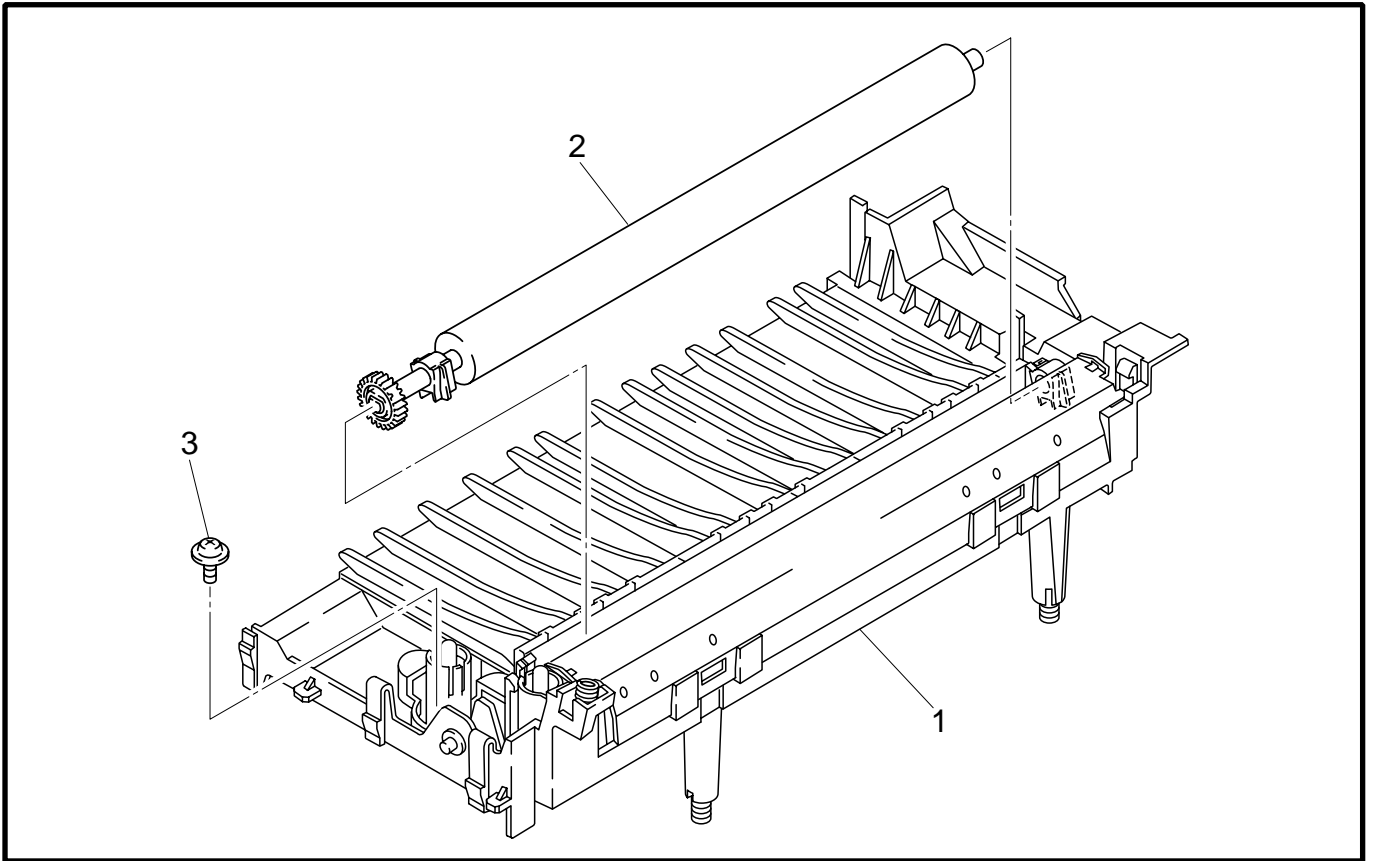
T/I NO. PR98175

10. CHASSIS

REF.NO.	CODE	Q'TY	DESCRIPTION	REMARK
1	UH2229001	1	CARTRIDGE STOPPER ASSY	
2	UH2233001	1	DC GEAR HOLDER ASSY	
3	UH2814001	1	DC MOTOR ASSY 2 (SP)	
4	087320616	3	TAPTITE, CUP S M3X6	
5	UH2238000	1	GEAR 39	
6	UH2239000	1	GEAR 20/50	
7	UH2240000	1	GEAR 24/72	
8	UH2241000	1	GEAR 22/55	
9	UH2242000	1	GEAR 48	
10	UH2243000	1	GEAR 21	
11	UH2244000	1	GEAR 28	
12	UH2245001	1	GEAR 48 SPRING	
13	026100136	1	WASHER, PLAIN S 10	
14	UH2255001	1	PAPER DELIVERY GEAR ASSY	
15	U74234001	4	TAPTITE, CUP M4X5	
16	UH2250001	1	PAPER DELIVERY HOLDER SPRING	
17	UH2252000	1	SPACER 2	
18	UH2254000	2	SPACER 1	
19	T31242001	2	PCB SPACER F	
20	UH2263001	1	SCANNER FAN MOTOR	
21	083313015	2	TAPTITE, PAN B M3X30	
22	087320616	1	TAPTITE, CUP S M3X6	

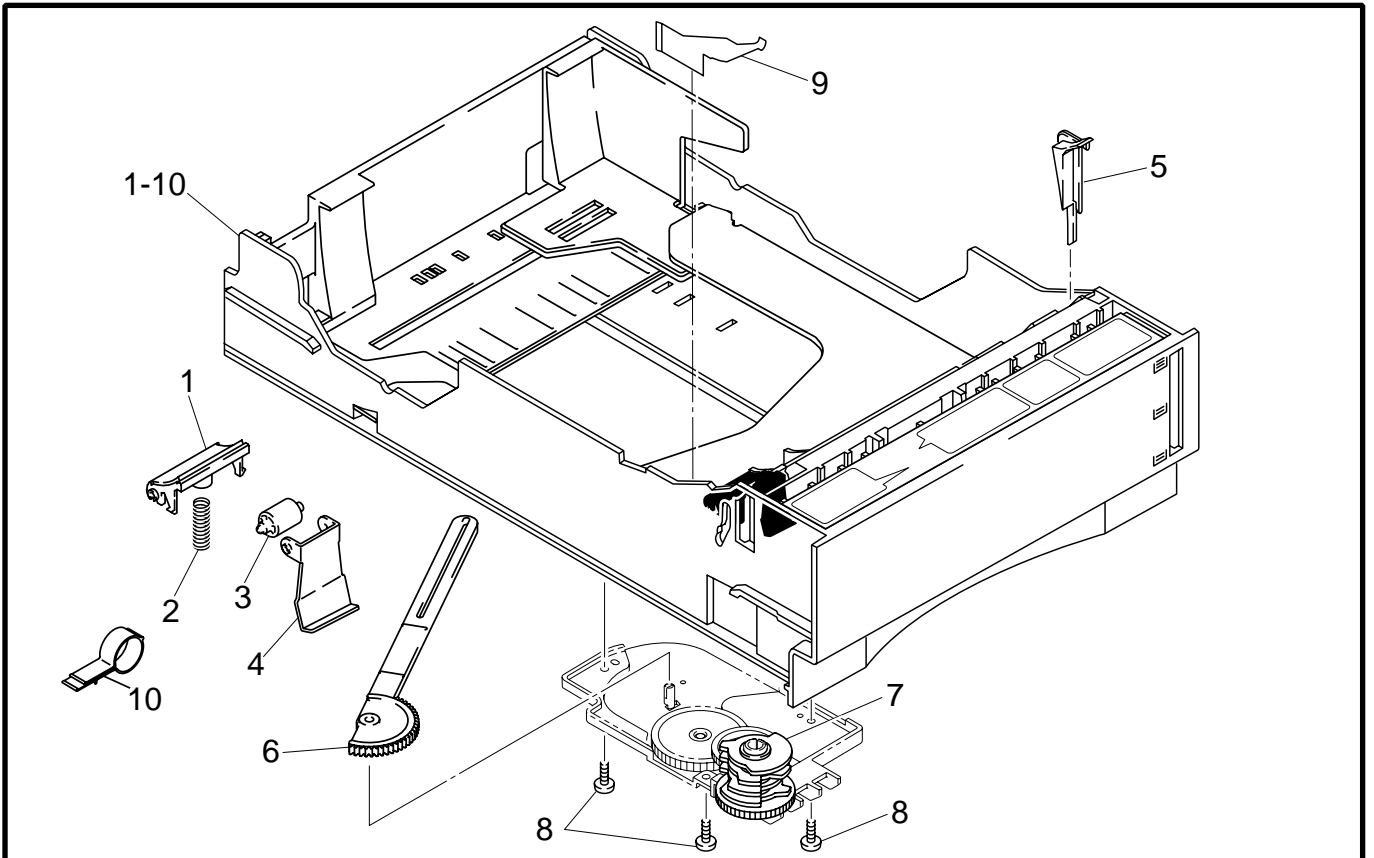
MODEL HL-1660/TMT-17 54T-U02-500

10 . TRANSFER



MODEL HL-1660/TMT-17 54T-U02-600

11 . PAPER TRAY



MODEL HL-1660/TMT-17 54T-U02-650/651

10. TRANSFER

REF.NO.	CODE	Q'TY	DESCRIPTION	REMARK
1	UH2787001	1	TRANSFER BASE ASSY (SP)	
2	UH1834001	1	TRANFER ROLLER A ASSY (SP)	
3	087321016	1	TAPTITE, CUP S M3X10	

MODEL HL-1660/TMT-17 54T-U02-600

T/I NO. PR98174

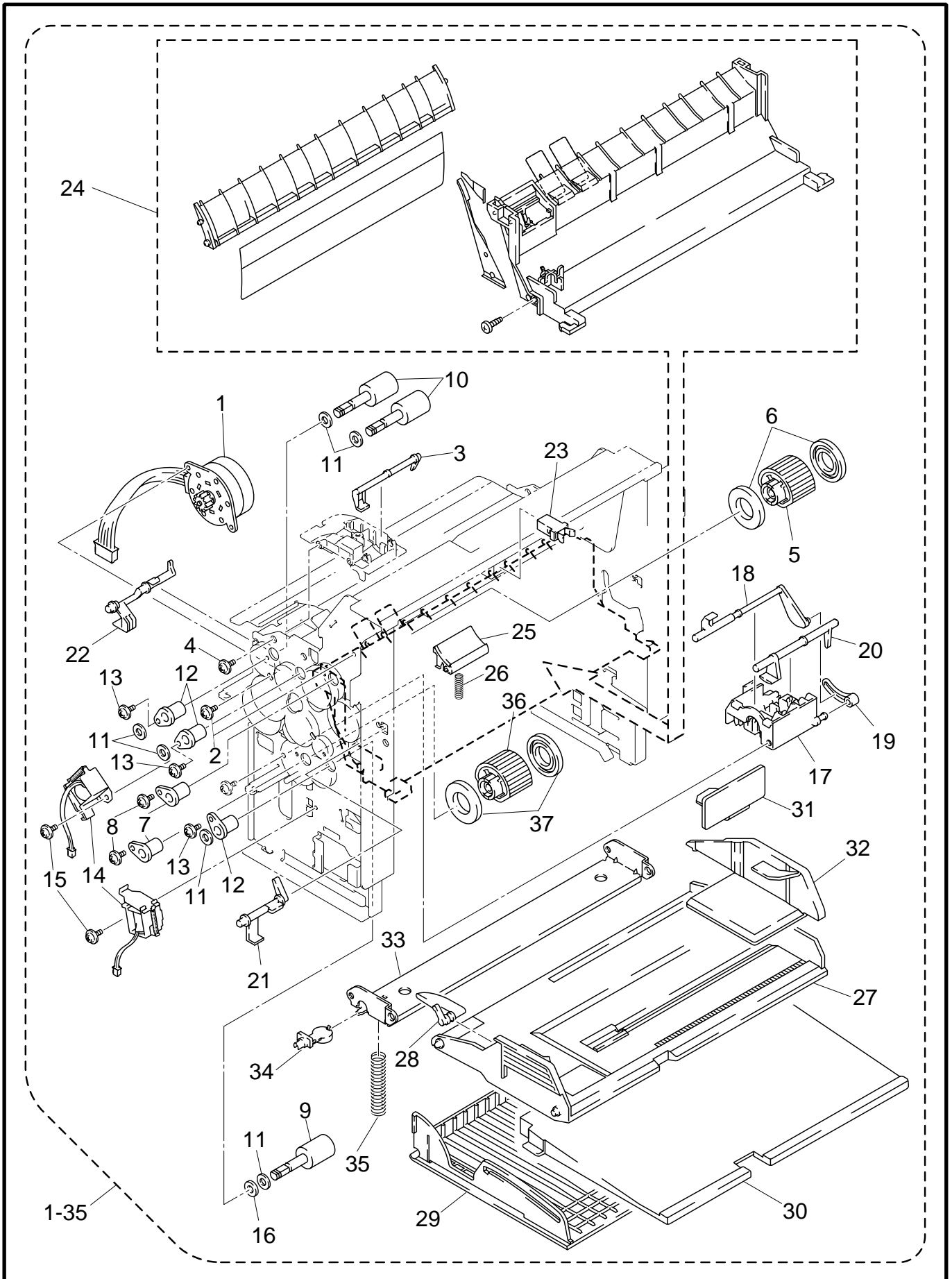
11. PAPER TRAY

REF.NO.	CODE	Q'TY	DESCRIPTION	REMARK
1-10	UH2806001	1	PAPER TRAY UNIT SO, USA (SP) GRAY1227 (HL-1660)	
1-10	UH2802001	1	PAPER TRAY UNIT S, CAN (SP) GRAY1227 (HL-1660)	
1-10	UH2799001	1	PAPER TRAY UNIT S, EUR (SP) GRAY1227 (HL-1660)	
1-10	UH3374001	1	PAPER TRAY UNIT, ADP	
1	UH2487001	1	SEPARATION PAD ASSY T	
2	UH2490001	1	SEPARATION PAD SPRING T	
3	UH2360001	1	ROLLER	
4	UH2459001	1	ROLLER HOLDER	
5	UH2469001	1	PAPER FRONT GUIDE, BLUE6155	
6	UH2463001	1	GEAR 56T LINK	
7	UH2465001	1	SIZE DRUM	
8	085310815	3	TAPTITE, BIND B M3X8	
9	UH2472001	1	TRAY GUIDE PLATE 1	
10	UH2804001	1	ADJUST KNOB STOPPER	

MODEL HL-1660/TMT-17 54T-U02-650/651

TI NO. 96-P069 / 96-P077 / PR98270

12 . PAPER FEEDER



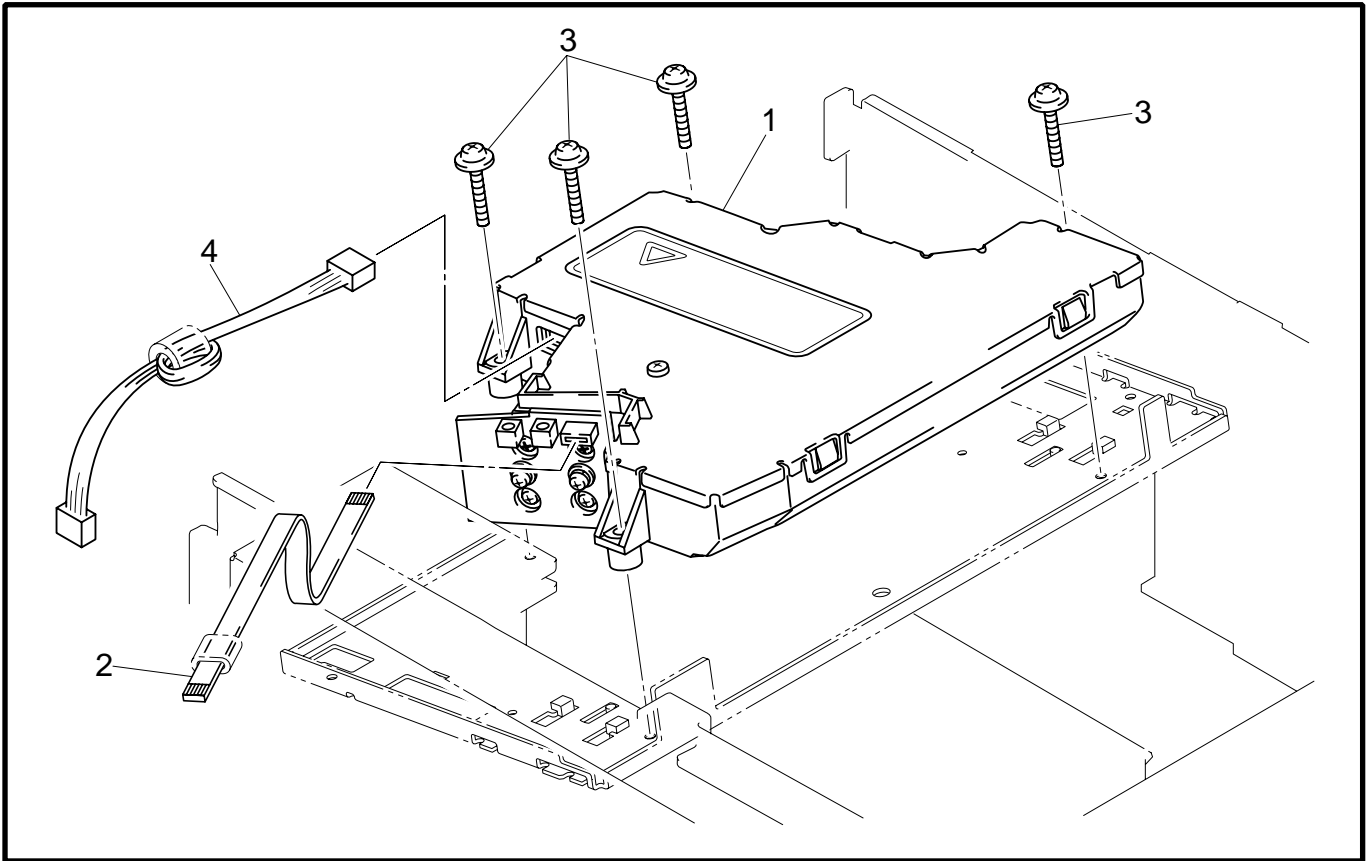
12. PAPER FEEDER

REF.NO.	CODE	Q'TY	DESCRIPTION	REMARK
1-35	UH2824001	1	PAPER FEEDER CHASSIS UNIT 2 (SP) (WITH PCB/SW SPRING/SCREW)	
1	UH2357001	1	PAPER FEED MOTOR ASSY	
2	087320616	2	TAPTITE, CUP S M3X6	
3	UH2359000	1	MP PAPER DETECTION ACTUATOR	
4	085310815	2	TAPTITE, BIND B M3X8	
5	UH2362001	1	PAPER PICK-UP ROLLER ASSY	
6	UH2364001	2	PAPER PICK-UP ROLLER COLLAR	
7	UH2366000	2	BEARING	
8	085320616	2	TAPTITE, BIND S M3X6	
9	UH2416001	1	PAPER FEED ROLLER ASSY 60	
10	UH2367001	2	PAPER FEED ROLLER ASSY 70	
11	UL0633000	6	WASHER, PLAIN	
12	UH2366000	3	BEARING	
13	085320616	3	TAPTITE, BIND S M3X6	
14	UH2369001	2	PAPER PICK-UP SOLENOID	
15	085320416	2	TAPTITE, BIND S M3X4	
16	UH2428000	1	BEARING CALLOR	
17	UH2379000	1	TRAY SENSOR HOLDER	
18	UH2380000	1	PE SENSOR ACTUATOR TRAY	
19	UH2381000	1	PE ACTUATOR LINK	
20	UH2382000	1	DU DETECTION ACTUATOR	
21	UH2383000	1	PE SENSOR ACTUATOR MP	
22	UH2384000	1	REGIST SENSOR ACTUATOR	
23	UH2136001	1	LATCH	
24	UH2797001	1	MP PAPER FEED GUIDE ASSY (SP)	
25	UH2393001	1	SEPARATION PAD ASSY	
26	UH2433001	1	SEPARATION PAD SPRING MP	
27	UH2397001	1	MP TRAY ASSY	
28	UH2400000	1	MP PE SUB ACTUATOR	
29	UH2406000	1	MP TRAY COVER	
30	UH2407000	1	MP EXTENSION TRAY	
31	UH2823001	1	SPACER	
32	UH2401000	1	MP PAPER GUIDE	
33	UH2402000	1	MP RELEASE PLATE	
34	UH2403000	1	MP RELEASE SUPPORTER	
35	UH2404000	1	MP SPRING	
36	UH2821001	1	PAPER PICK-UP ROLLER ASSY 3	
37	UH2822001	2	PAPER PICK-UP ROLLER COLLAR 30	

MODEL HL-1660/TMT-17 54T-U02-630

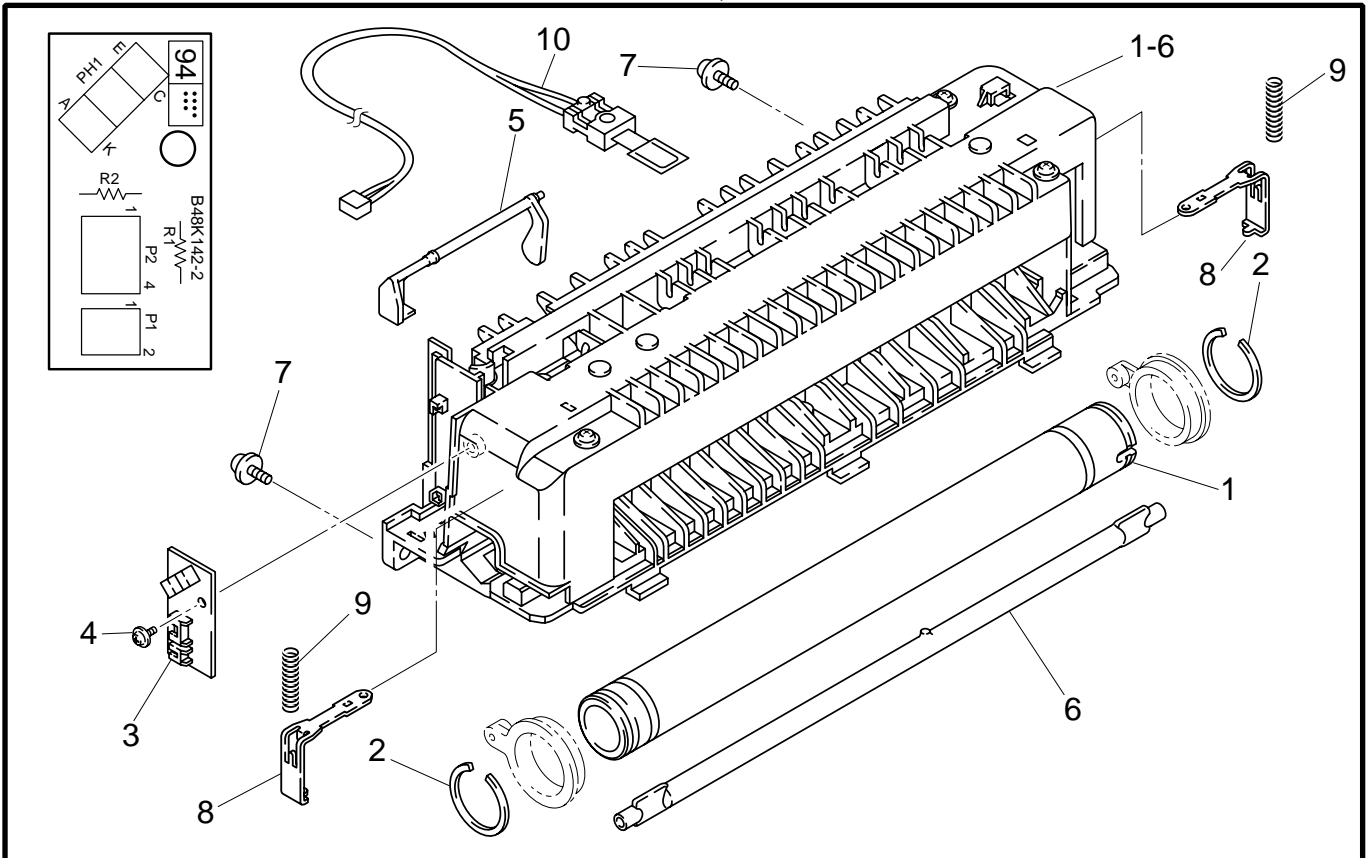
T/I NO. PR97037 / PR97131 / PR98001 / PR98202

13 . SCANNER



MODEL HL-1660/TMT-17 54T-U02-700

14 . FIXING UNIT, 120V/230V



MODEL HL-1660/TMT-17 54T-U02-770/771

13. SCANNER

REF.NO.	CODE	Q'TY	DESCRIPTION	REMARK
1	UH2815001	1	SCANNER UNIT ASSY C (SP)	
2	UK2503000	1	SCN FLAT CABLE 6P	
3	087321616	4	TAPTITE, CUP S M3X16	
4	UK3254001	1	POLYGON HARNESS 5P	

MODEL HL-1660/TMT-17 54T-U02-700

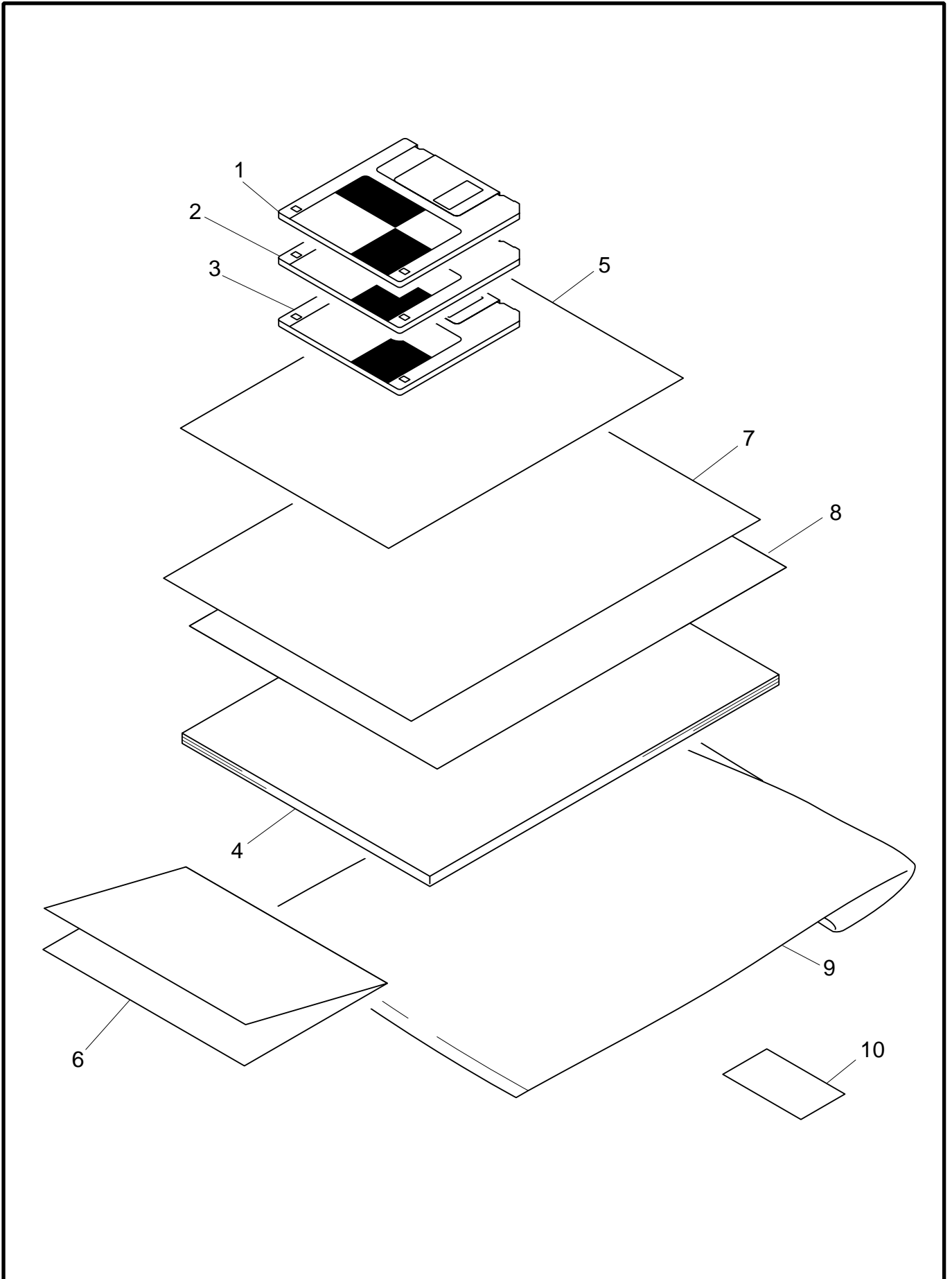
14. FIXING UNIT, 120V/230V

REF.NO.	CODE	Q'TY	DESCRIPTION	SYMBOL	REMARK
1-6	UH2816001	1	FIXING UNIT, 120V C (SP)		
1-6	UH2817001	1	FIXING UNIT, 230V C (SP)		
1	UH2793001	1	HEAT ROLLER (SP)		
2	UH2608001	2	RETAINING RING, 25		
3	UK2451001	1	FIXING PCB ASSY	B48K142-200	
4	085310815	1	TAPTITE, BIND B M3X8		
5	UH2623001	1	PAPER DELIVERY ACTUATOR		
6	UH2794001	1	HALOGEN HEATER, 120V (SP)		
6	UH2795001	1	HALOGEN HEATER, 230V (SP)		
7	087421015	2	TAPTITE, CUP S M4X10		
8	UH2645001	2	HEATER SUPPORT SPRING S		
9	UH2646001	2	HEATER SUPPORT SPRING S #2		
10	UH2628001	1	THERMISTOR ASSY PT7		

MODEL HL-1660/TMT-17 54T-U02-770/771

T/I NO. PR97148, PR98054, PR98061

15 . DOCUMENTS



MODEL HL-1660/TMT-17 54T-U02-920

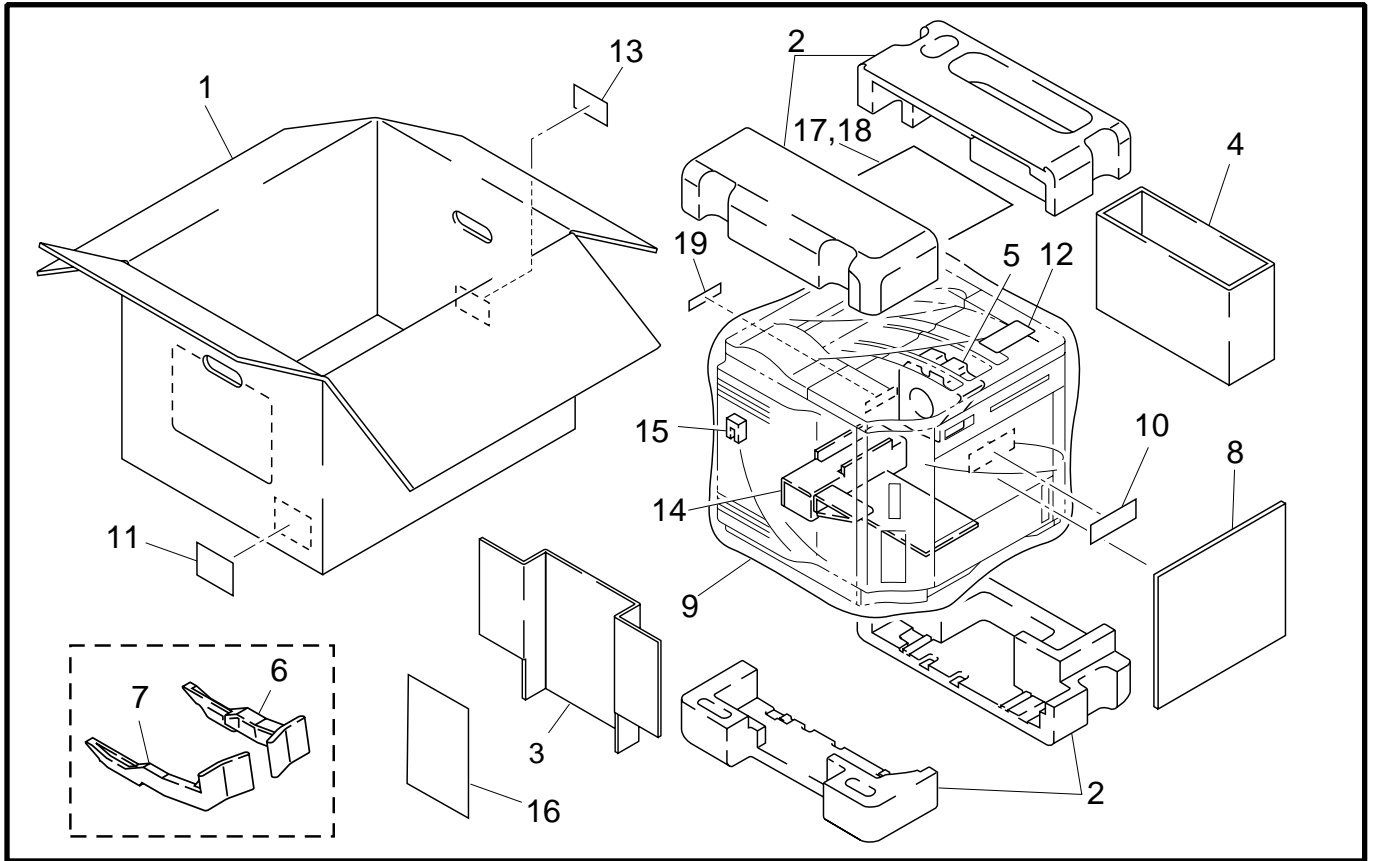
15. DOCUMENTS

REF.NO.	CODE	Q'TY	DESCRIPTION	REMARK
1	UK3464001	1	PR DRIVER DISK #1, HL-1660(FIRST PART 1/2)	
2	UK3466001	1	PR DRIVER DISK #2, HL-1660 (LATTER PART 2/2)	
3	UK3468001	1	OP EXPLANATION DISK, ENG (HL-1660)	
3	UK3470001	1	OP EXPLANATION DISK, GER (HL-1660)	
3	UK3472001	1	OP EXPLANATION DISK, FRA (HL-1660)	
3	UK3474001	1	OP EXPLANATION DISK, DUTCH (HL-1660)	
3	UK3476001	1	OP EXPLANATION DISK, NOR (HL-1660)	
3	UK3559001	1	OP EXPLANATION DISK, ITA (HL-1660)	
4	UH2696001	1	USER'S MANUAL, ENG (HL-1660)	
4	UH2697001	1	USER'S MANUAL, GER (HL-1660)	
4	UH2698001	1	USER'S MANUAL, FRA (HL-1660)	
4	UH2699001	1	USER'S MANUAL, DUTCH (HL-1660)	
4	UH2700001	1	USER'S MANUAL, NOR (HL-1660)	
4	UH2714001	1	USER'S MANUAL, ITA (HL-1660)	
5	UK3478001	1	PR DRIVER SET UP, ENG	
5	UK3479001	1	PR DRIVER SET UP, GER	
5	UK3480001	1	PR DRIVER SET UP, FRA	
5	UK3481001	1	PR DRIVER SET UP, DUTCH	
5	UK3482001	1	PR DRIVER SET UP, NOR	
5	UK3561001	1	PR DRIVER SET UP, ITA	
6	UH2717001	1	WARRANTY CARD, USA	
6	UH2693001	1	WARRANTY CARD, CAN	
6	UL7581001	1	WARRANTY CARD, FRA2	
6	237703001	1	WARRANTY CARD, DUTCH	
7	UH2716001	1	ACCESSORY ORDER FORM	
8	UH3294001	1	ACCESSORY ORDER FORM CANADA	
8	UL7426001	1	SC INSERTION SHEET, USA	
9	UE0331001	1	BAG, 215X350H (USER'S MANUAL)	
10	163528001	1	CAUTION LABEL, BS	

MODEL HL-1660/TMT-17 54T-U02-920

TI NO. 96-P042 / 96-P047 / 96-P050 / 96-P066 / 97-P067 / 97-P002 / 97-P020 / 97-P027 / 97-P038

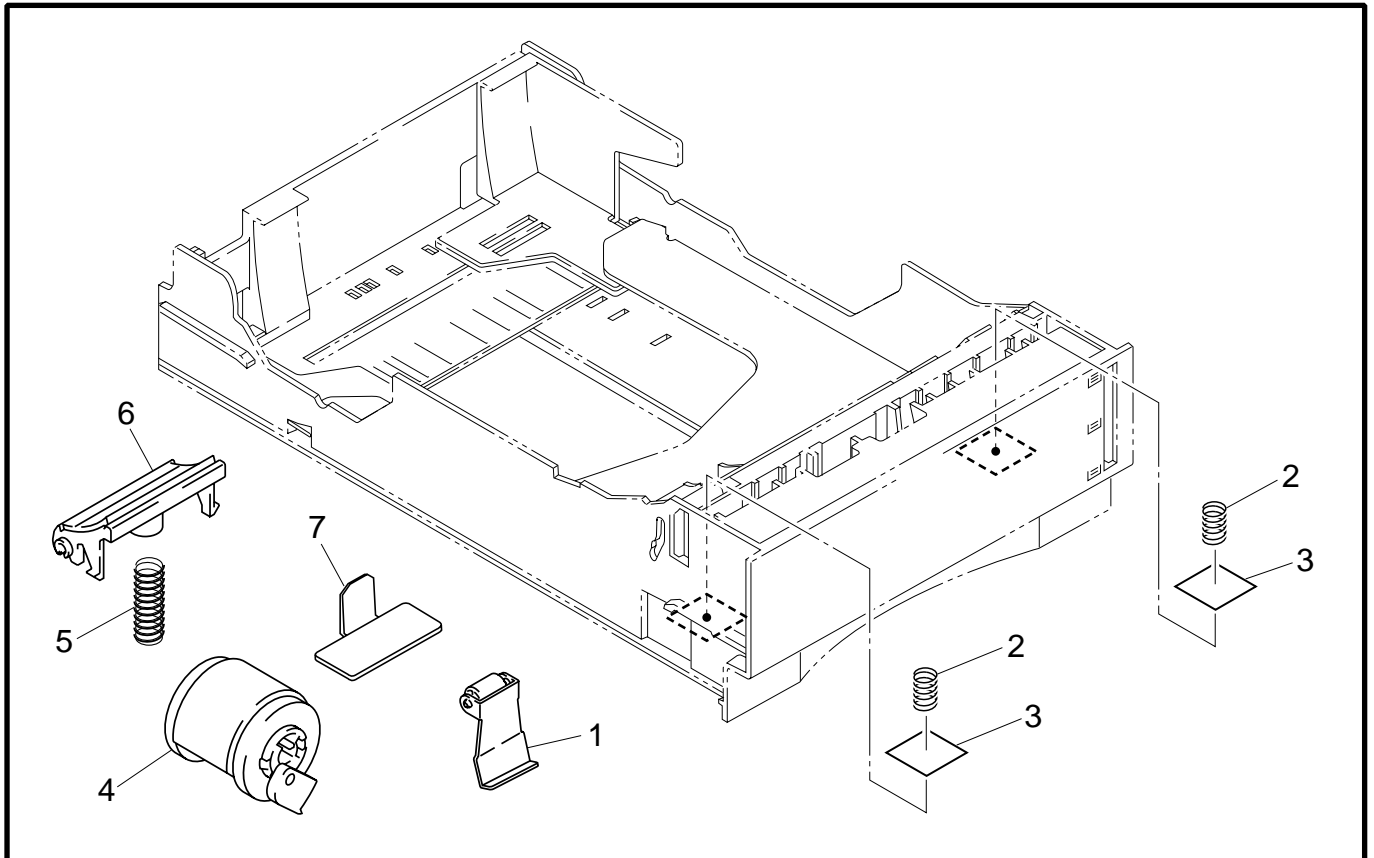
16 . PACKING MATERIALS



MODEL HL-1660/TMT-17 54T-U02-930

TI No.96-P050 / 96-P074 / 97-P019 / 97-P073

17 . OPTIONAL PARTS SET



MODEL HL-1660/TMT-17 54T-U02-940

TI NO. 97-P066

16. PACKING MATERIALS

REF.NO.	CODE	Q'TY	DESCRIPTION	REMARK
1	UE0367000	1	CARTON, C-NO BRAND (TMT-17)	
1	UE0502001	1	CARTON, C-USA H (HL-1660)	
1	UE0503001	1	CARTON, C-EUR H (HL-1660)	
2	UE0370000	1	STYROFOAM PAD ASSY	
3	UE0373000	1	PAD (TMT-17)	
4	UE0374000	1	CARTON, TNR CARTRIDGE (W/EP-ED)	
4	UE0476000	1	CARTON, TNR CARTRIDGE (WO/EP-ED)	
5	UE0376000	1	STYROFOAM PAD (PLATE HOLDER)	
6	UH2735001	1	RELEASE SPACER R	
7	UH2736001	1	RELEASE SPACER L	
8	UE0396000	1	PAD (CONTROL PANEL)	
9	UE0477000	1	BAG, 900X800 (BODY)	
9	U63969000	1	BAG, 900X800 BS W/HOLE (BODY)	
10	U62092001	1	CAUTION LABEL 24, US	
10	163528001	1	CAUTION LABEL, BS	
11	U04510001	1	IMPORTER LABEL, CAN	
12	X60267002	1	RECYCLE LABEL, DEU/FRA	
13	UH2748001	1	BAR CODE LABEL, 524328 UPC USA (HL-1660)	
13	UH2747001	1	BAR CODE LABEL, 525565 EAN EUR (HL-1660)	
13	UH2750001	1	BAR CODE LABEL, 524373 UPC USA (TMT-17)	
13	UH2749001	1	BAR CODE LABEL, 525565 EAN EUR (TMT-17)	
14	UE0405000	1	PAD (LETTER SIZE TRAY)	
14	UE0406000	1	PAD (A4 SIZE TRAY)	
15	UE0425001	1	POSITION FIXING SPONGE	
16	UH2741001	1	INSERTION SHEET	
17	UH3373001	1	NO RTN FORM, USA (HL-1660)	
18	UH3295001	1	RNT FORM, CAN (HL-1660)	
19	UH3297001	1	C-TICK MARK LABEL	

MODEL HL-1660/TMT-17 54T-U02-930

TI NO. 96-P042 / 96-P050 / 96-P074 / 97-P019 / 97-P073

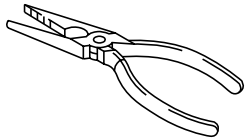
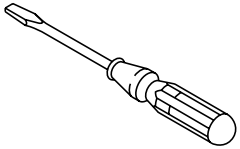
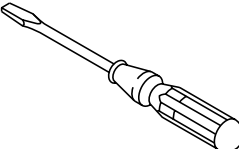
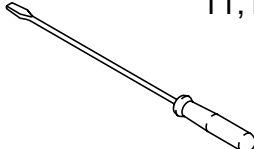
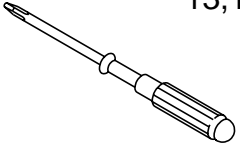
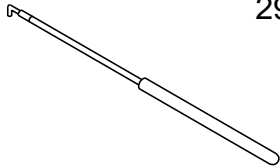
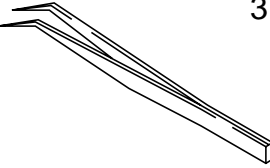
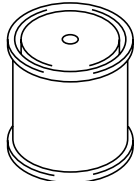
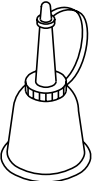
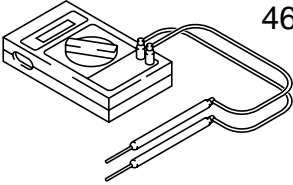
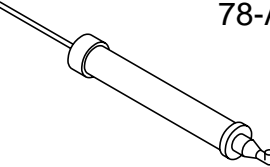
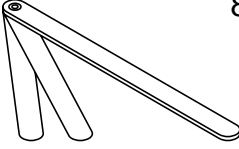
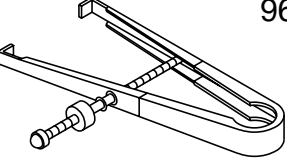
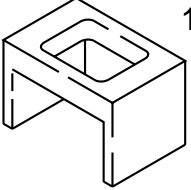
17. OPTIONAL PARTS SET

REF.NO.	CODE	Q'TY	DESCRIPTION	REMARK
1	UH2499001	1	ROLLER HOLDER SO ASSY (SP)	
2	UH2498001	2	TRAY PUSH SPRING ELT (SP)	
3	UH2477000	2	TRAY PUSH SPRING FILM ELT (SP)	
4	UH2820001	1	PAPER PICK-UP ROLLER UNIT 2 (SP)	
5	UH1778000	1	SEPARATION PAD SPRING DX (SP)	
6	UH1772001	1	SEPARATION PAD DX ASSY (SP)	
7	UH2823001	1	SPACER	

MODEL HL-1660/TMT-17 54T-U02-940

TI NO. 97-P066, PR98065

18 .ADJUSTING TOOL KIT

 <p>1</p>	 <p>9</p>	 <p>10</p>	 <p>11,12</p>
 <p>13,14</p>	 <p>29</p>	 <p>31</p>	 <p>43-D,N,O</p>
 <p>44</p>	 <p>46</p>	 <p>78-A</p>	 <p>87</p>
 <p>96</p>	 <p>164</p>		

18. ADJUSTING TOOL KIT

TOOL NO.	TOOL NAME	REMARK
ZX-1	PLIERS (150MM)	
ZX-9	SCREWDRIVER (75MM)	
ZX-10	SCREWDRIVER (70MM)	
ZX-11	SCREWDRIVER (4.7X270MM)	
ZX-12	SCREWDRIVER, (6.2X200MM)	
ZX-13	SCREWDRIVER, PHILLIPS (NO-1)	
ZX-14	SCREWDRIVER, PHILLIPS (NO-2)	
ZX-29	HOOK FOR SPRING	
ZX-31	TWEEZERS (150MM)	
ZX-43D	LUBRICATING GREASE(SILICON G,KS64F 0.1KG)	
ZX-43N	LUBRICATING GREASE(MOLYKOTE EM-30L TKC-0) 1KG	
ZX-43O	LUBRICATING GREASE(MOLYKOTE D110) 1KG	
ZX-44	OILER	
ZX-46	TESTER (MD-200C)	
ZX-78A	BAR TENSION GAUGE (0.1-5KG)	
ZX-87	THICKNESS GAUGE (0.28-0.38MM)	
ZX-96	IC PULL OUT (P42)	
ZX-164	PF UNIT SETTING JIG	

MODEL HL-1660/TMT-17 54T-U02-99A