

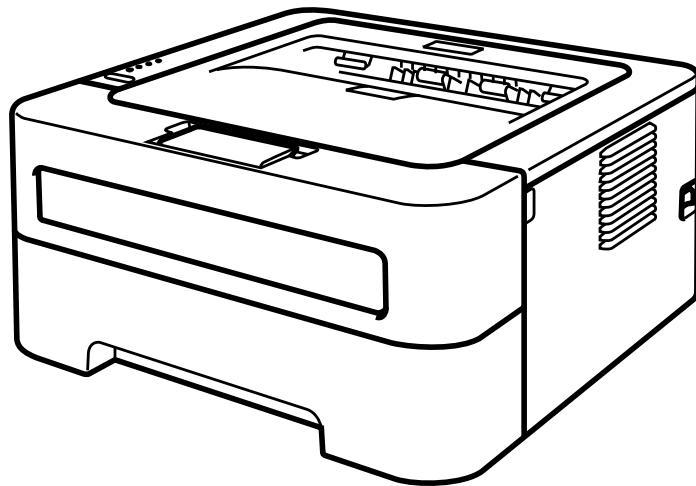


## Laser Printer **PARTS REFERENCE LIST**

---

---

**MODEL:HL-2130/2132/2135W/  
2220/2230/2240/2240D/  
2242D/2250DN/2270DW/2275DW**



Read this list thoroughly before maintenance work.

Keep this list in a convenient place for quick and easy reference at all times.

# NOTE FOR USING THIS PARTS REFERENCE LIST

1. In the case of ordering parts, it is necessary to mention the following items:
  - (1) Code
  - (2) Q'ty
  - (3) Description
  - (4) Symbol (PCB No. etc.)

<Example>

| REF.NO. | (1)<br>CODE | (2)<br>Q'TY | (3)<br>DESCRIPTION | (4)<br>SYMBOL | REMARKS |
|---------|-------------|-------------|--------------------|---------------|---------|
|         |             |             |                    |               |         |

Revision No.: marked on the **main printed circuit board (Main PCB)**  
**B48K056**



2. Design-changed parts:
 

If any of the parts is changed, one of the following symbols is indicated in the REMARKS column.

  - CHG (chg): The part is changed for a new one.
  - ADD (add): The part is newly added.
  - DEL (del): The part is deleted.

Symbol in capital letters indicates the latest parts change information in the page.
3. The original parts reference list is based on the information available in July 2009.
4. Parts are subject to change in design without prior notice.

## COUNTRIES AND AREAS

ARG: Argentina

ARL: Australia

BRA: Brazil

CAN: Canada

CEE: CEE-GENERAL

(Bulgaria/Czech/Hungary/Poland/Romania/  
Slovakia)

CHE: Switzerland

CHL: Chile

CHN: China

FRA/BEL/NLD: France/Belgium/Netherlands

GER: Germany

GUL: Gulf

IBR: Spain/Portugal

IDN: Indonesia

IND: India

ISR: Israel

ITA: Italy

KOR: Korea

MEX: Mexico

NZ: New Zealand

PHL: Philippines

PND: PAN-NOR

(Norway/Finland/Denmark/Sweden)

POL: Poland

RUS: Russia

SGP: Singapore

TWN: Taiwan

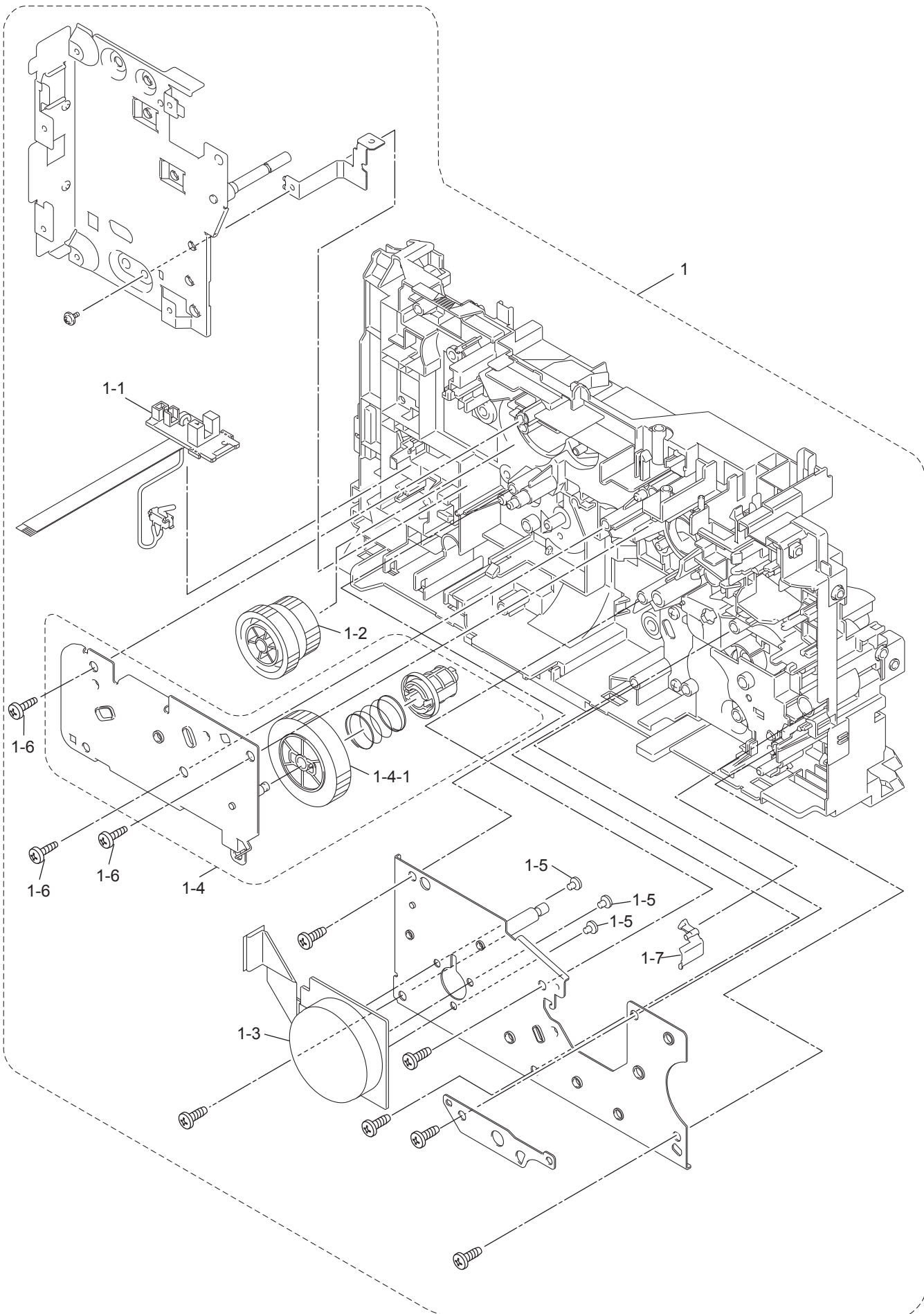
UK: U.K.

US: U.S.A.

# CONTENTS

|     |                                       |    |
|-----|---------------------------------------|----|
| 1.  | <u>FRAME L &amp; DRIVE UNIT</u> ..... | 1  |
| 2.  | <u>PAPER FEEDER</u> .....             | 3  |
| 3.  | <u>FRAME</u> .....                    | 5  |
| 4.  | <u>LASER UNIT</u> .....               | 7  |
| 5.  | <u>DX</u> .....                       | 9  |
| 6.  | <u>PAPER CASSETTE</u> .....           | 11 |
| 7.  | <u>FUSER UNIT</u> .....               | 13 |
| 8.  | <u>COVERS &amp; LABELS</u> .....      | 15 |
| 9.  | <u>MAIN PCB</u> .....                 | 18 |
| 10. | <u>LVPS</u> .....                     | 20 |
| 11. | <u>HVPS</u> .....                     | 22 |
| 12. | <u>AC CORDS</u> .....                 | 24 |
| 13. | <u>ACCESSORIES</u> .....              | 26 |
| 14. | <u>PACKING MATERIALS</u> .....        | 30 |
| 15. | <u>PERIODICAL MAINTENANCE</u> .....   | 33 |

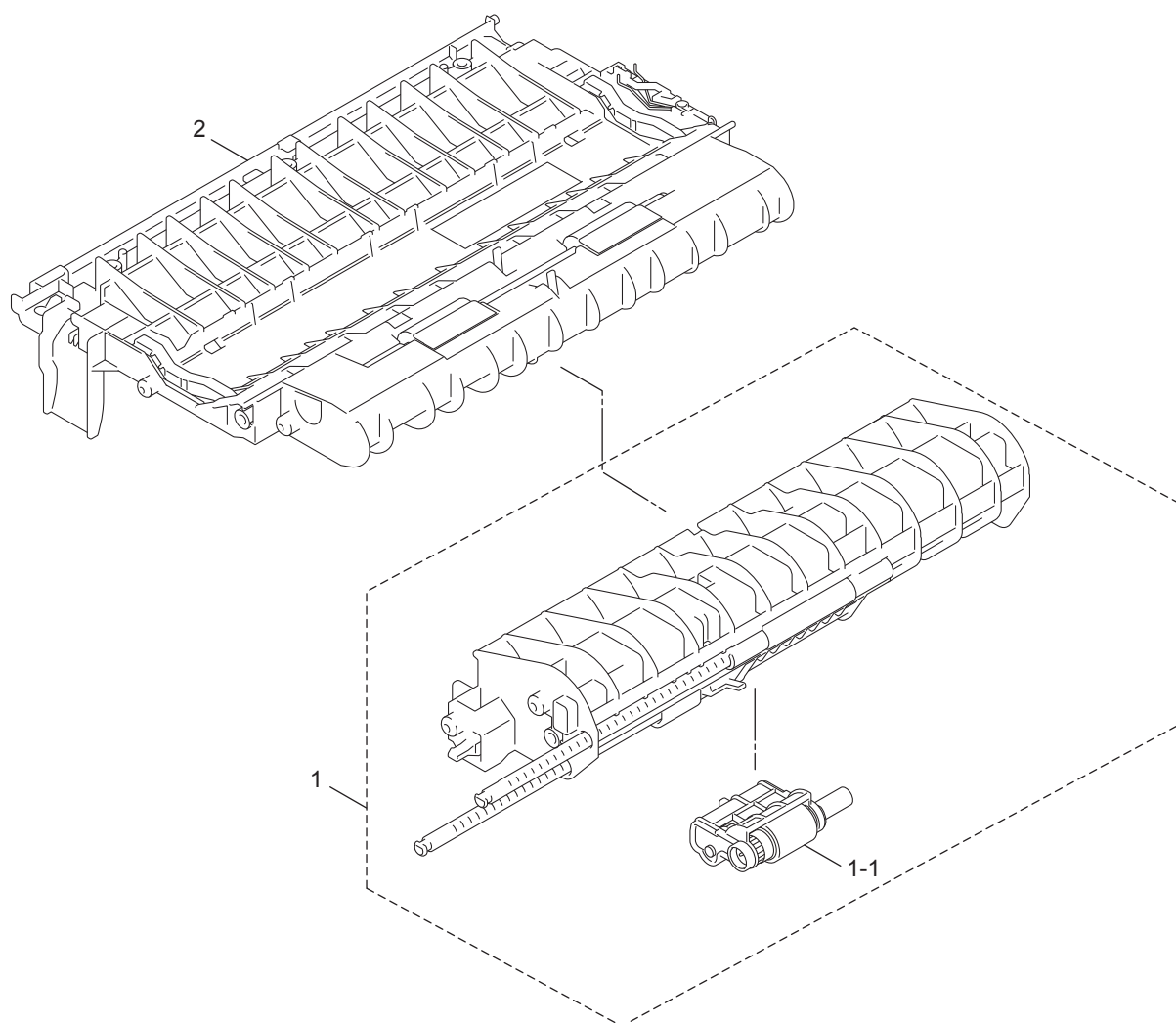
# 1. FRAME L & DRIVE UNIT



1. FRAME L & DRIVE UNIT

| REF No. | CODE      | Q'TY | DESCRIPTION  | REMARKS |
|---------|-----------|------|--|---------|
| 1       | LY2290001 | 1    | MAIN FRAME L ASSY, HL-2130 EXCEPT FOR CHN/RUS,<br>HL-2132/2220/2230/2240 |         |
| 1       | LY3337001 | 1    | MAIN FRAME L ASSY, HL-2130 FOR CHN/RUS                                   |         |
| 1       | LU1483001 | 1    | MAIN FRAME L ASSY, HL-2135W  |         |
| 1       | LY2003001 | 1    | MAIN FRAME L ASSY, HL-2240D/2242D  |         |
| 1       | LY2309001 | 1    | MAIN FRAME L ASSY, HL-2250DN   |         |
| 1       | LY2448001 | 1    | MAIN FRAME L ASSY, HL-2270DW/2275DW                                      |         |
| 1-1     | LV0579001 | 1    | PAPER EJECT SENSOR PCB ASSY  |         |
| 1-2     | LY2010001 | 1    | FUSER GEAR 28/34   |         |
| 1-3     | LY2054001 | 1    | MAIN MOTOR   |         |
| 1-4     | LY2067001 | 1    | DEVELOP DRIVE SUB ASSY   |         |
| 1-4-1   | LY2070001 | 1    | DEV GEAR JOINT/52  |         |
| 1-5     | 000300416 | 3    | SCREW BIND M3X4  |         |
| 1-6     | LU5693001 | 3    | TAPTITE BIND B M4X12   |         |
| 1-7     | LY2579001 | 1    | FEEDER CAM LEVER   | ADD     |

## 2. PAPER FEEDER

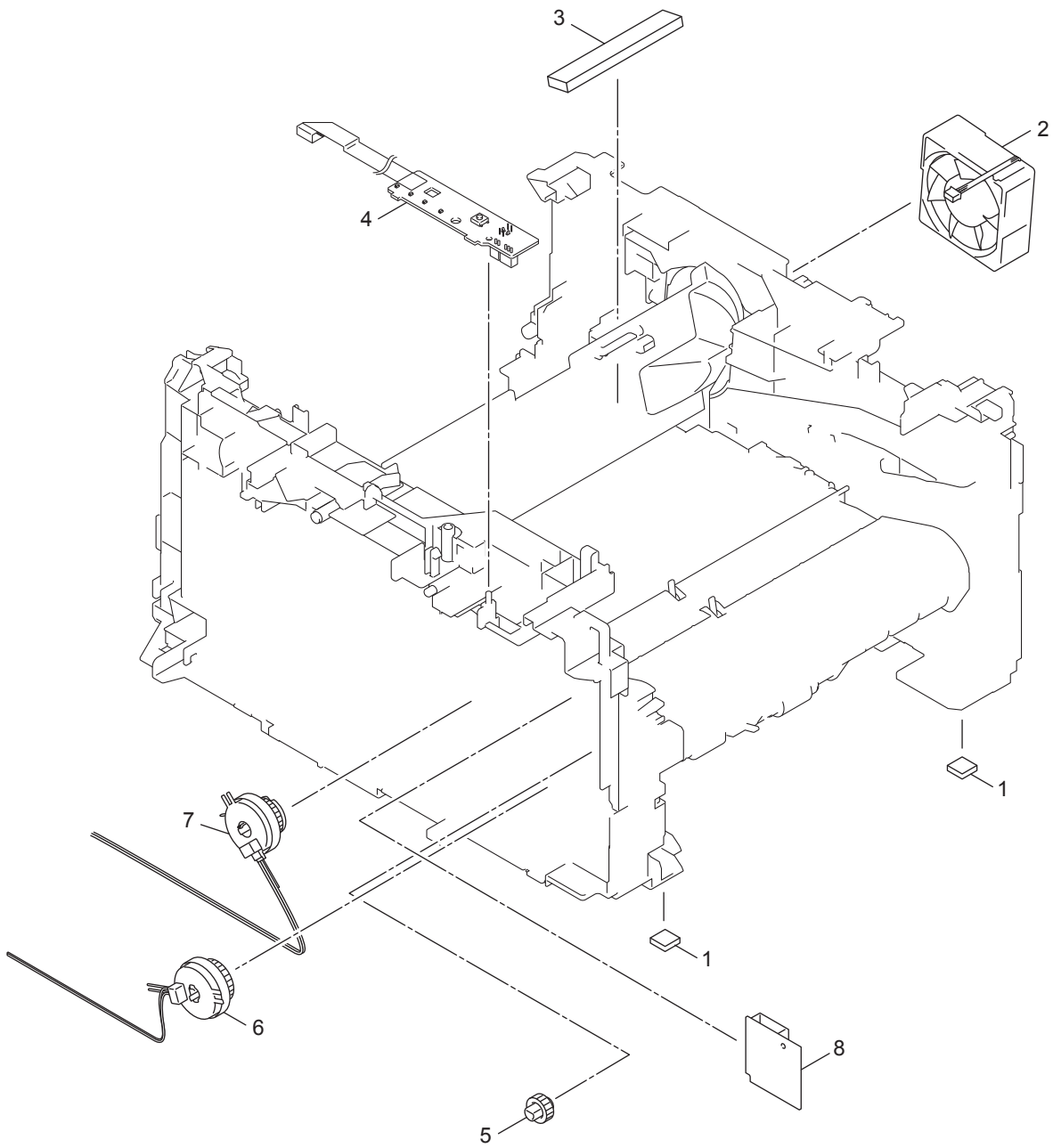


2. PAPER FEEDER

| REF No. | CODE      | Q'TY | DESCRIPTION   | REMARKS |
|---------|-----------|------|---|---------|
| 1       | LY2087001 | 1    | PF FRAME ASSY,<br>HL-2130/2132/2135W/2220/2230/2240/2240D/2242D |         |
| 1       | LY2312001 | 1    | PF FRAME ASSY, HL-2250DN/2270DW/2275DW                          |         |
| 1-1     | LY2093001 | 1    | PICK-UP ROLLER HOLDER ASSY                                      |         |
| 2       | LY2482001 | 1    | REGIST FRAME ASSY,<br>HL-2130/2132/2135W/2220/2230/2240         |         |
| 2       | LY2101001 | 1    | REGIST FRAME ASSY, HL-2240D/2242D/2250DN/2270DW/<br>2275DW      |         |



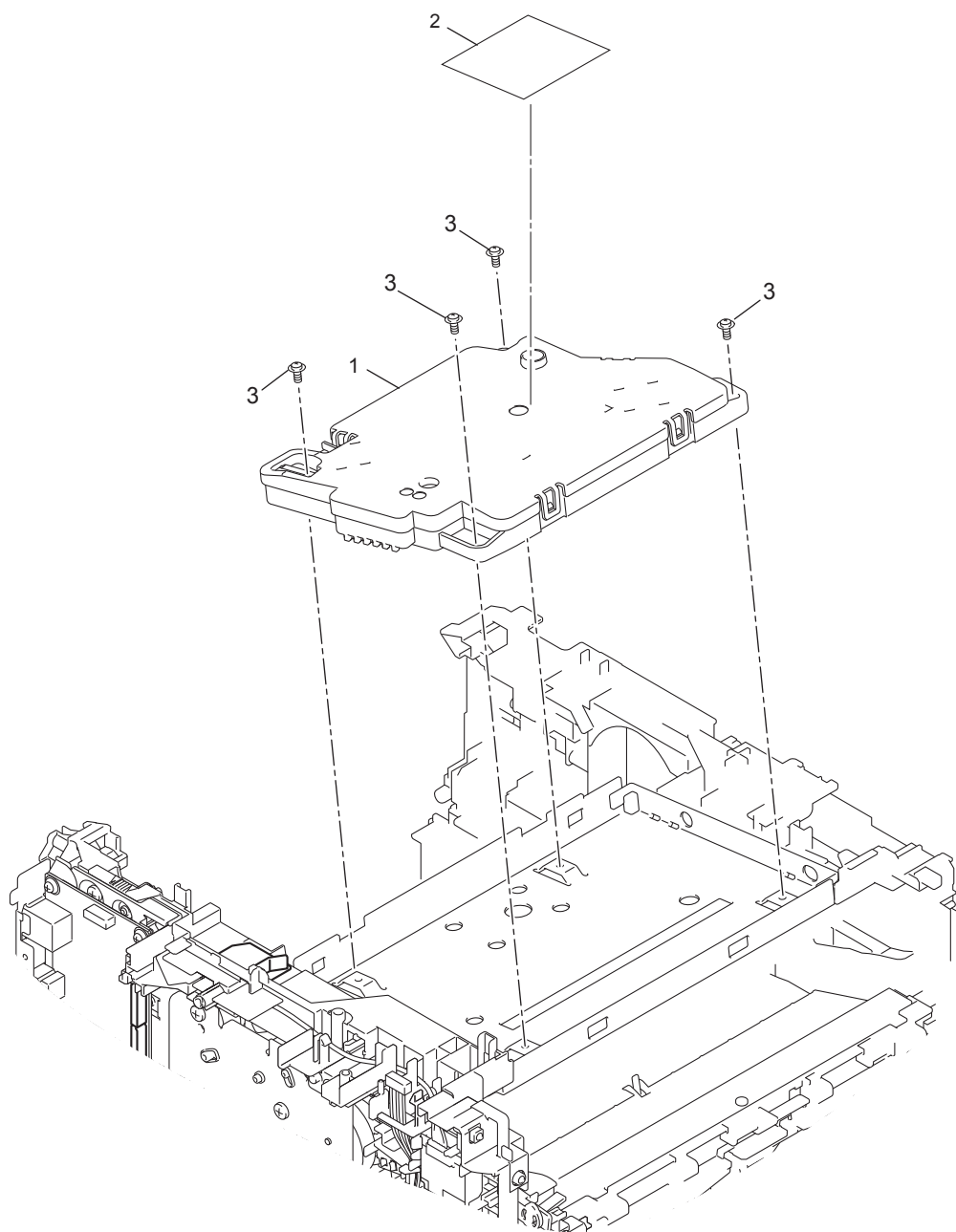
### 3. FRAME



3. FRAME

| REF No. | CODE      | Q'TY | DESCRIPTION  | REMARKS |
|---------|-----------|------|--|---------|
| 1       | LJ7403001 | 2    | RUBBER FOOT  |         |
| 2       | LY2136001 | 1    | FUSER FAN  |         |
| 3       | LY2141001 | 1    | FILTER   |         |
| 4       | LV0664001 | 1    | PANEL PCB ASSY,<br>HL-2130/2132/2135W/2220/2230/2240/2240D/2242D |         |
| 4       | LV0580001 | 1    | PANEL PCB ASSY, HL-2250DN/2270DW/2275DW                          |         |
| 5       | LY2584001 | 1    | FEEDER GEAR 17   |         |
| 6       | LY2144001 | 1    | T1 CLUTCH ASSY   |         |
| 7       | LY2150001 | 1    | REG CLUTCH ASSY  |         |
| 8       | LT2155001 | 1    | WIRELESS LAN PCB ASSY, HL-2135W/2270DW/2275DW                    | CHG     |

#### 4. LASER UNIT



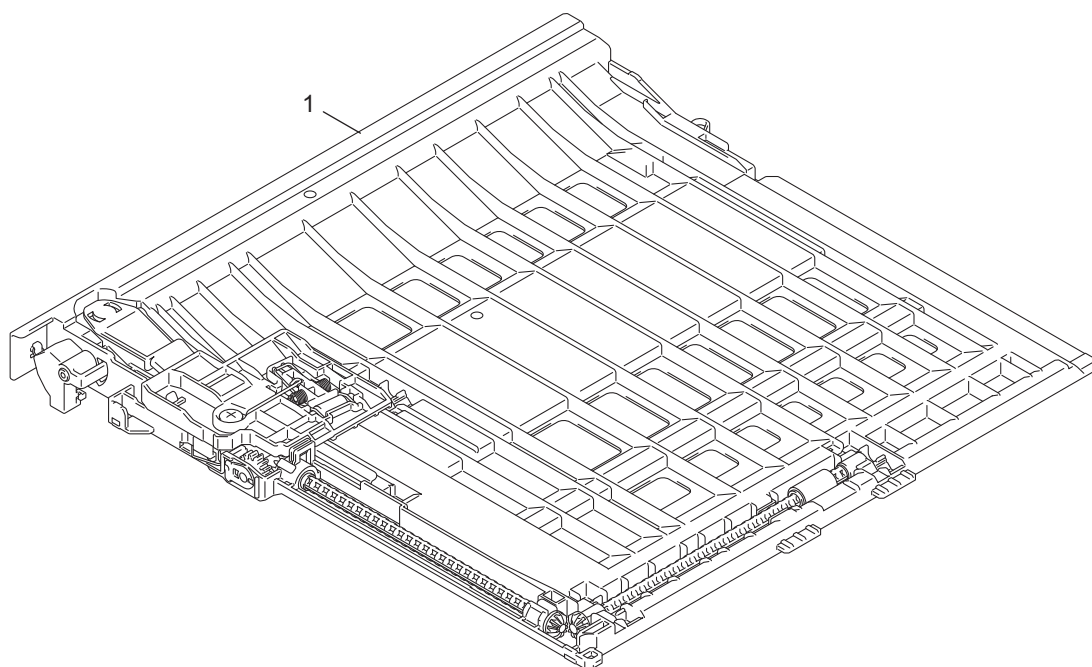
4. LASER UNIT

| REF No. | CODE      | Q'TY | DESCRIPTION   | REMARKS |
|---------|-----------|------|---|---------|
| 1       | LEJ073001 | 1    | LASER UNIT (SP) (SH type)(SK type) *3 *1,<br>HL-2130/2132/2135W/2220                      | CHG     |
| 1       | LY2514001 | 1    | LASER UNIT (SP) (SF type) *1,<br>HL-2230/2240/2240D/2242D/2250DN/2270DW                   |         |
| 1       | LU9801001 | 1    | LASER UNIT (SP) (SG type)(SJ type)*2 *1,<br>HL-2230/2240/2240D/2242D/2250DN/2270DW/2275DW | CHG     |
| 2       | LU1259001 | 1    | LABEL LASER CAUTION 75X100  |         |
| 3       | LP2378001 | 4    | TAPTITE CUP S M3X8 SR   | chg     |

\*1 When replacing the Laser unit, open the front cover of the machine, check the first two characters of the Laser serial label attached on the Laser plate and order the same type of the Laser unit that was attached to the machine.

\*2 SG type Laser unit is compatible with SJ type Laser unit.

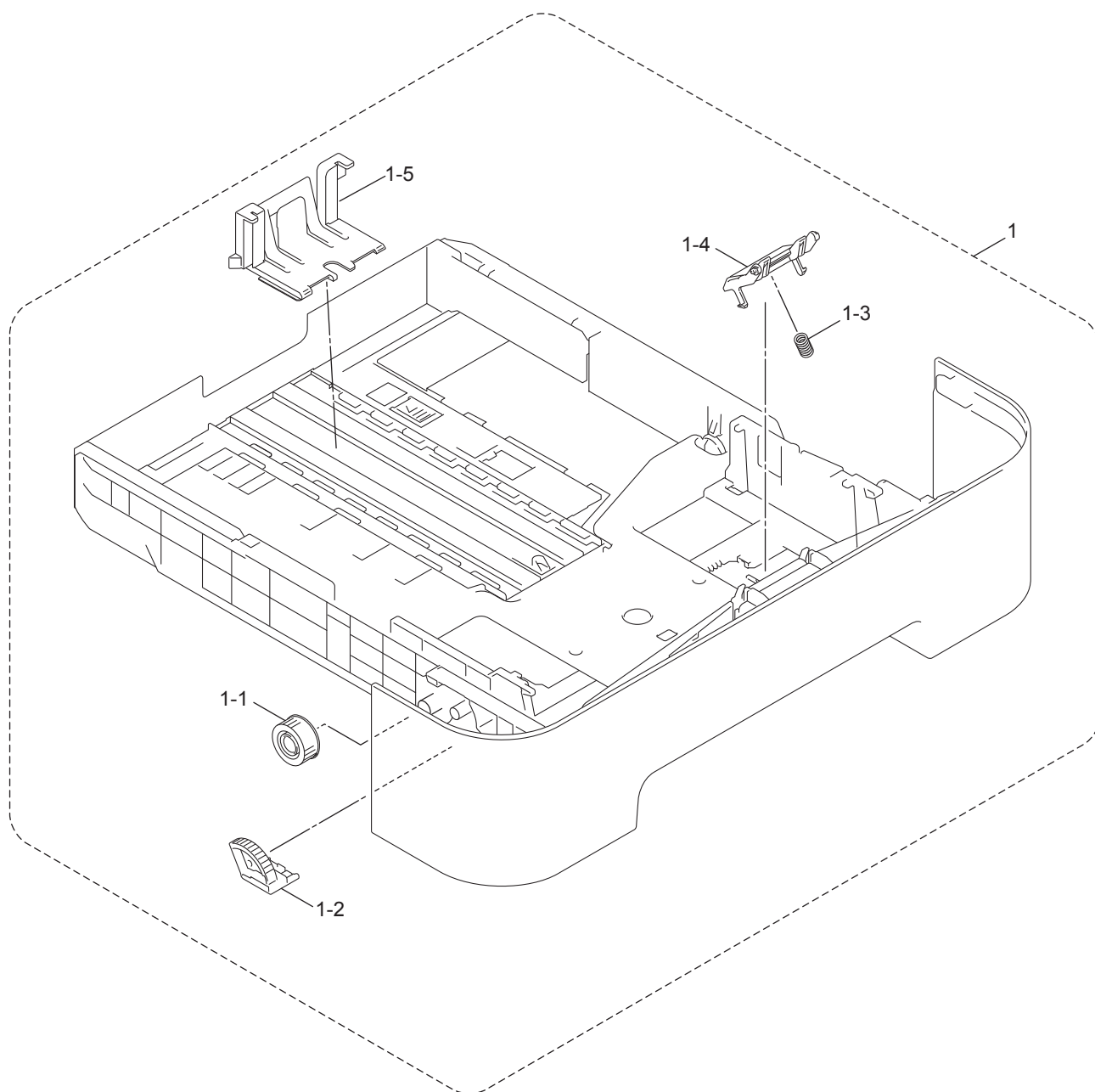
\*3 SH type Laser unit is compatible with SK type Laser unit.



5. DX

| REF No. | CODE      | Q'TY | DESCRIPTION  | REMARKS |
|---------|-----------|------|--|---------|
| 1       | LY2166001 | 1    | DUPLEX TRAY, HL-2240D/2270DW/2275DW<br>FOR US/CAN/PHL/ARG/CHL/BRA              |         |
| 1       | LY2452001 | 1    | DUPLEX TRAY, HL-2240D/2242D/2250DN/2270DW<br>EXCEPT FOR US/CAN/PHL/ARG/CHL/BRA |         |

## 6. PAPER CASSETTE

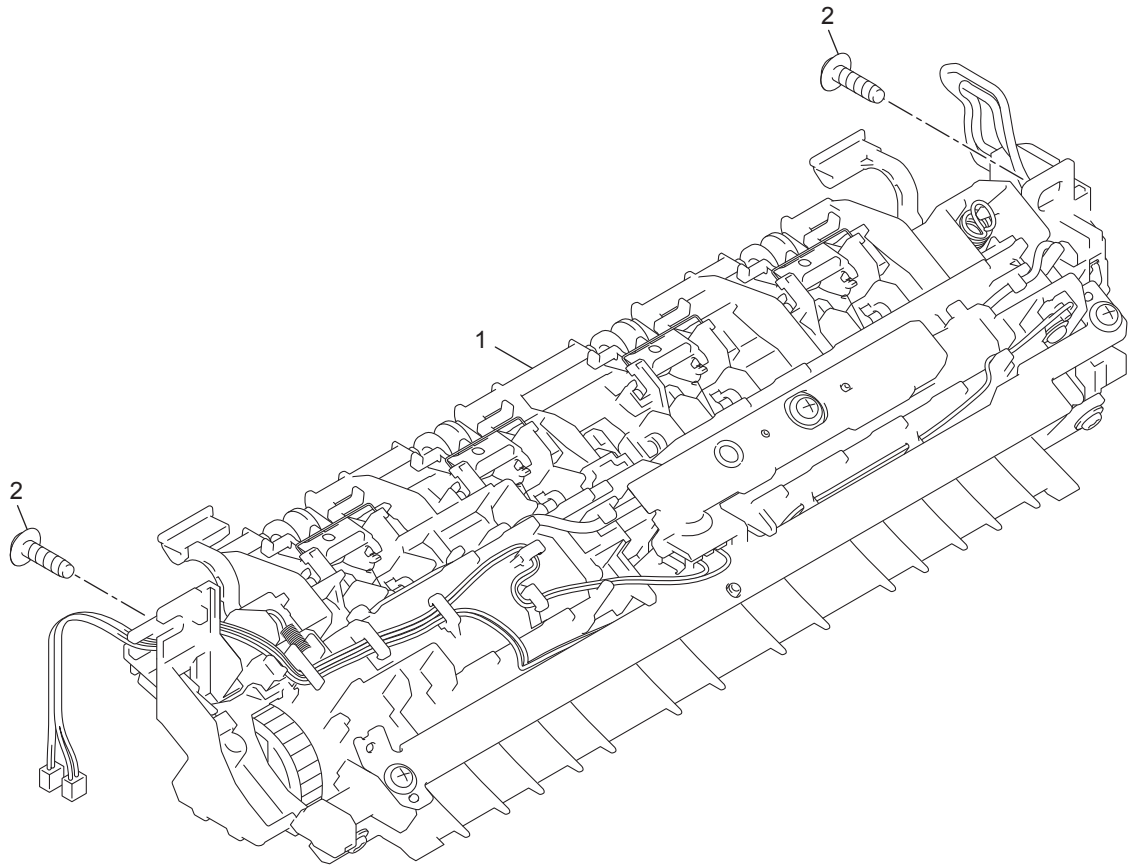


6. PAPER CASSETTE

| REF No. | CODE      | Q'TY | DESCRIPTION   | REMARKS |
|---------|-----------|------|---|---------|
| 1       | LY2567003 | 1    | PAPER TRAY, HL-2130/2132/2135W<br>EXCEPT FOR IDN/ARG/CHL/BRA/SGP/IND/MEX                                    |         |
| 1       | LY2190003 | 1    | PAPER TRAY, HL-2130/2135W/2220<br>FOR US/TWN/IDN/ARG/CHL/BRA/SGP/IND/MEX                                    |         |
| 1       | LY2190001 | 1    | PAPER TRAY, HL-2230/2240/2240D/2250DN/2270DW/2275DW<br>FOR US/CAN/PHL/TWN/IDN/ARG/CHL/BRA/SGP/IND           |         |
| 1       | LY2567001 | 1    | PAPER TRAY, HL-2230/2240/2240D/2242D/2250DN/2270DW<br>EXCEPT FOR US/CAN/PHL/IDN/TWN/ARG/CHL/BRA/SGP/IND/KOR |         |
| 1       | LU9769001 | 1    | PAPER TRAY, HL-2240D/2250DN<br>FOR KOR  | CHG     |
| 1-1     | LR0252001 | 1    | GEAR Z19M10   |         |
| 1-2     | LY2202001 | 1    | LIFT GEAR 46  |         |
| 1-3     | LY2207001 | 1    | SEPARATION PAD SPRING 2   |         |
| 1-4     | LY2208001 | 1    | SEPARATION PAD ASSY   |         |
| 1-5     | LY2204001 | 1    | PAPER REAR GUIDE  | add     |



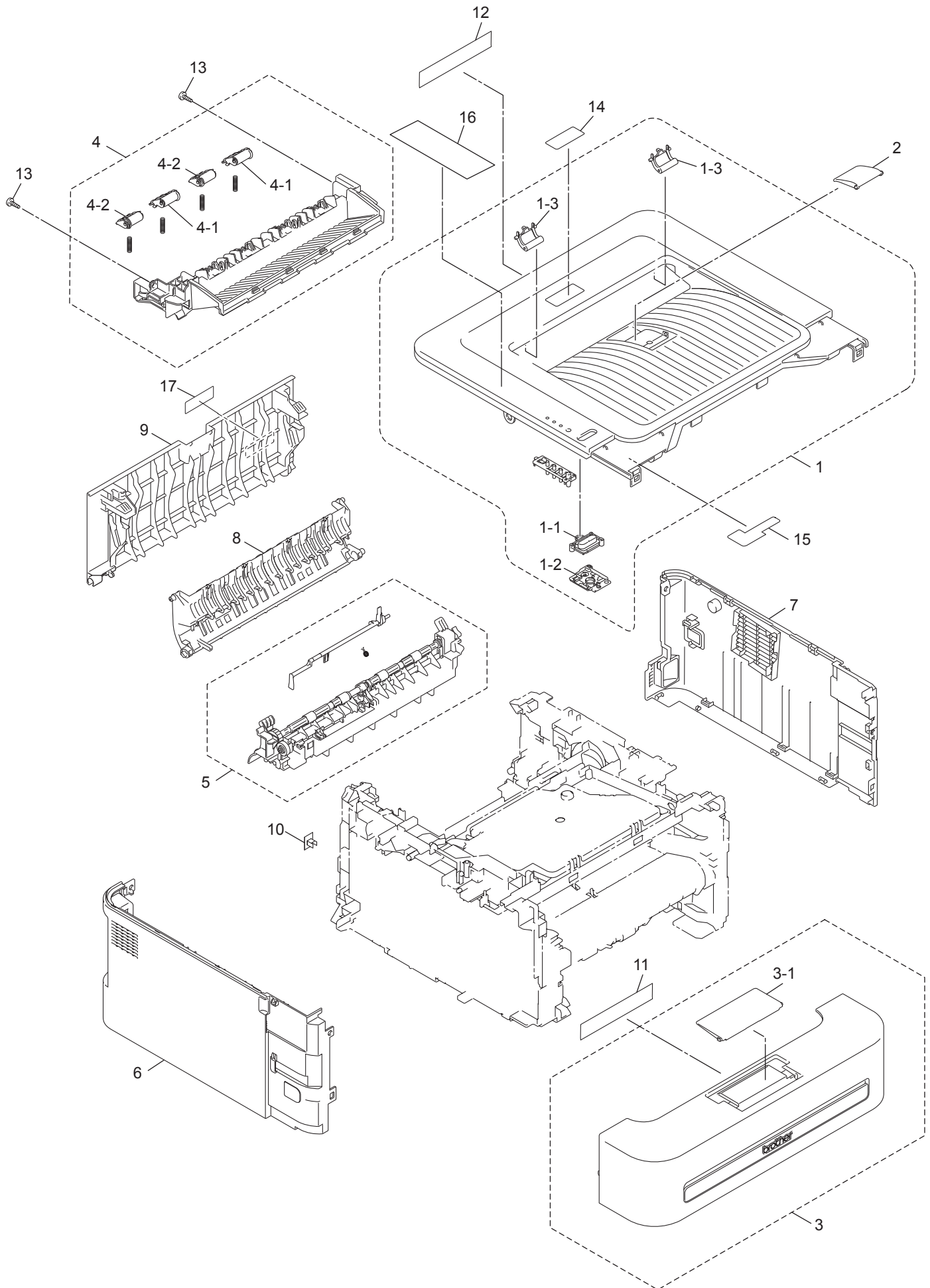
## 7. FUSER UNIT



7. FUSER UNIT

| REF No. | CODE      | Q'TY | DESCRIPTION                         | REMARKS |
|---------|-----------|------|-------------------------------------|---------|
| 1       | LY2487001 | 1    | FUSER UNIT 115V (SP)                |         |
| 1       | LY3704001 | 1    | FUSER UNIT 230V (SP) EXCEPT FOR CHN | CHG     |
| 1       | LY3454001 | 1    | FUSER UNIT 230V (SP) FOR CHN        |         |
| 2       | LJ0395001 | 2    | TAPTITE PAN B M4X14                 |         |

## 8. COVERS & LABELS



8. COVERS&LABELS

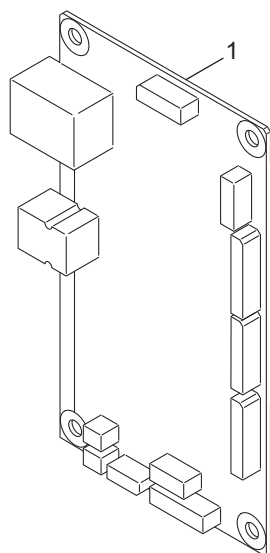
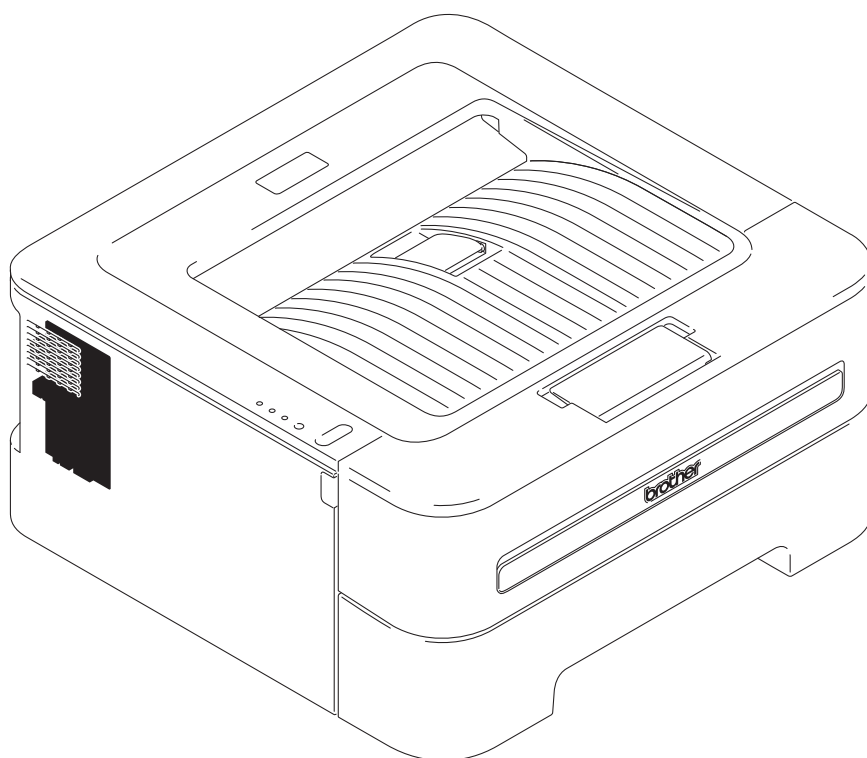
| REF No. | CODE      | Q'TY | DESCRIPTION   | REMARKS |
|---------|-----------|------|---|---------|
| 1       | LY2301001 | 1    | TOP COVER ASSY, HL-2130/2135W   |         |
| 1       | LY3029004 | 1    | TOP COVER ASSY, HL-2132/2220  |         |
| 1       | LY3029003 | 1    | TOP COVER ASSY, HL-2230   |         |
| 1       | LY3029001 | 1    | TOP COVER ASSY, HL-2240   |         |
| 1       | LY2254001 | 1    | TOP COVER ASSY, HL-2240D  |         |
| 1       | LY2254005 | 1    | TOP COVER ASSY, HL-2242D  |         |
| 1       | LY2254002 | 1    | TOP COVER ASSY, HL-2250DN/2270DW/2275DW   |         |
| 1-1     | LY2257003 | 1    | SW KEY, HL-2130/2135W   |         |
| 1-1     | LY2455002 | 1    | SW KEY, HL-2132/2220  |         |
| 1-1     | LY2455001 | 1    | SW KEY, HL-2230/2240/2240D/2242D/2250DN/2270DW/2275DW   |         |
| 1-2     | LY2304001 | 1    | SW KEY HOLDER, HL-2130/2135W  |         |
| 1-3     | LY2262001 | 2    | PAPER STACK LEVER, HL-2130/2132/2135W/2220/2230/2240  |         |
| 1-3     | LY3026001 | 2    | PAPER STACK LEVER, HL-2240D/2242D/2250DN/2270DW/2275DW  |         |
| 2       | LY2266003 | 1    | SUPPORT FLAP 2, HL-2130/2135W/2230/2242D  |         |
| 2       | LY2266001 | 1    | SUPPORT FLAP 2, HL-2132/2220/2240/2240D   |         |
| 2       | LY2266002 | 1    | SUPPORT FLAP 2, HL-2250DN/2270DW/2275DW   |         |
| 3       | LY2305001 | 1    | FRONT COVER ASSY, HL-2130/2132/2135W<br>EXCEPT FOR CHN/IDN/GUL/SGP/KOR/IND/RUS                  |         |
| 3       | LY3287001 | 1    | FRONT COVER ASSY, HL-2130 FOR CHN   |         |
| 3       | LY3289001 | 1    | FRONT COVER ASSY, HL-2130 FOR IDN/GUL/SGP/KOR/IND   |         |
| 3       | LY3793001 | 1    | FRONT COVER ASSY, HL-2130 FOR RUS   |         |
| 3       | LY3447001 | 1    | FRONT COVER ASSY, HL-2132 FOR RUS   |         |
| 3       | LY3082001 | 1    | FRONT COVER ASSY, HL-2220   |         |
| 3       | LY2267001 | 1    | FRONT COVER ASSY, HL-2230/2240/2240D/2242D/2250DN<br>EXCEPT FOR CHN/PHL/IDN/GUL/SGP/KOR/RUS/IND |         |
| 3       | LY3164001 | 1    | FRONT COVER ASSY, HL-2240/2240D/2250DN FOR RUS  |         |
| 3       | LY3284001 | 1    | FRONT COVER ASSY, HL-2240/2240D/2250DN FOR CHN  |         |
| 3       | LY3162001 | 1    | FRONT COVER ASSY,<br>HL-2240D/2250DN FOR PHL/IDN/GUL/SGP/KOR/IND                                |         |
| 3       | LY2435001 | 1    | FRONT COVER ASSY, HL-2270DW/2275DW<br>EXCEPT FOR PHL/GUL/SGP/IND                                |         |
| 3       | LY3160001 | 1    | FRONT COVER ASSY, HL-2270DW FOR PHL/GUL/SGP/IND   |         |
| 3-1     | LY2274003 | 1    | SUPPORT FLAP 1, HL-2130/2132/2135W/2220   |         |
| 3-1     | LY2274001 | 1    | SUPPORT FLAP 1,<br>HL-2230/2240/2240D/2242D/2250DN/2270DW/2275DW                                |         |
| 4       | LY2275003 | 1    | INNER CHUTE ASSY, HL-2130/2135W/2230/2242D  |         |
| 4       | LY2275001 | 1    | INNER CHUTE ASSY, HL-2132/2220/2240/2240D   |         |
| 4       | LY2275002 | 1    | INNER CHUTE ASSY, HL-2250DN/2270DW/2275DW   |         |
| 4-1     | LU2234001 | 2    | EJECT PINCH ROLLER R ASSY   |         |
| 4-2     | LU2237001 | 2    | EJECT PINCH ROLLER L ASSY   |         |
| 5       | LY2317001 | 1    | FUSER COVER   |         |
| 6       | LY2283003 | 1    | SIDE COVER L, HL-2130/2132/2135W/2220   |         |
| 6       | LY2283001 | 1    | SIDE COVER L,<br>HL-2230/2240/2240D/2242D/2250DN/2270DW/2275DW                                  |         |
| 7       | LY2284003 | 1    | SIDE COVER R, HL-2130/2132/2135W/2220   |         |
| 7       | LY2284001 | 1    | SIDE COVER R,<br>HL-2230/2240/2240D/2242D/2250DN/2270DW/2275DW                                  |         |
| 8       | LY2285001 | 1    | OUTER CHUTE ASSY  |         |
| 9       | LY2529001 | 1    | BACK COVER ASSY, HL-2130/2132/2135W/2220  |         |
| 9       | LY2529002 | 1    | BACK COVER ASSY, HL-2230/2240   |         |
| 9       | LY2287001 | 1    | BACK COVER, HL-2240D/2242D/2250DN/2270DW/2275DW   |         |
| 10      | LY0872001 | 1    | LAN PORT CAP, HL-2250DN/2270DW/2275DW   |         |
| 11      | LY3564001 | 1    | LABEL PROCESS OP ARG 19X135,<br>HL-2130/2135W FOR ARG/CHL/BRA/MEX                               |         |
| 11      | LY2713001 | 1    | LABEL PROCESS OP US 19X135, HL-2220/2230/2240/2240D/<br>2270DW/2275DW FOR US/CAN/ARG/CHL/BRA    |         |
| 11      | LY2438001 | 1    | LABEL PROCESS OP EUR 19X135<br>EXCEPT FOR US/CAN/ARG/CHL/BRA                                    |         |
| 12      | LY2439001 | 1    | LABEL H CAUTION REAR 13X95  |         |
| 13      | LU5693001 | 2    | TAPTITE BIND B M4X12  |         |
| 14      | LY2523001 | 1    | MODEL PLATE, HL-2130 EXCEPT FOR RUS   |         |
| 14      | LY3578001 | 1    | MODEL PLATE, HL-2130 FOR RUS  |         |
| 14      | LY3381001 | 1    | MODEL PLATE, HL-2132 EXCEPT FOR RUS   |         |
| 14      | LY3426001 | 1    | MODEL PLATE, HL-2132 FOR RUS  |         |
| 14      | LY3961001 | 1    | MODEL PLATE, HL-2135W   |         |
| 14      | LY2908001 | 1    | MODEL PLATE, HL-2220  |         |
| 14      | LY2562001 | 1    | MODEL PLATE, HL-2230  |         |
| 14      | LY2689001 | 1    | MODEL PLATE, HL-2240 EXCEPT FOR RUS   |         |
| 14      | LY3173001 | 1    | MODEL PLATE, HL-2240 FOR RUS  |         |
| 14      | LY2436001 | 1    | MODEL PLATE, HL-2240D EXCEPT FOR RUS  |         |

HL-2130/2132/2135W/2220/2230/2240/  
2240D/2242D/2250DN/2270DW/2275DW

8. COVERS&LABELS

| REF No. | CODE      | Q'TY | DESCRIPTION  | REMARKS |
|---------|-----------|------|--|---------|
| 14      | LY3172001 | 1    | MODEL PLATE, HL-2240D FOR RUS                                    |         |
| 14      | LY3375001 | 1    | MODEL PLATE, HL-2242D  |         |
| 14      | LY2522001 | 1    | MODEL PLATE, HL-2250DN EXCEPT FOR RUS                            |         |
| 14      | LY3174001 | 1    | MODEL PLATE, HL-2250DN FOR RUS                                   |         |
| 14      | LY2437001 | 1    | MODEL PLATE, HL-2270DW   |         |
| 14      | LY3933001 | 1    | MODEL PLATE, HL-2275DW   |         |
| 15      | LY2518001 | 1    | LABEL TOP COVER FRONT EXCEPT FOR CHN                             | add     |
| 15      | LY3565001 | 1    | LABEL TOP COVER FRONT FOR CHN                                    |         |
| 16      | LY2723001 | 1    | LED LABEL FOR US   | add     |
| 16      | LY3563001 | 1    | LED LABEL, HL-2130/2132/2135W FOR ARL/NZ                         |         |
| 16      | LY3562001 | 1    | LED LABEL, HL-2240D/2242D/2250DN/2270DW FOR ARL/NZ               | add     |
| 16      | LY3559001 | 1    | LED LABEL, HL-2130 FOR CHN                                       |         |
| 16      | LY3558001 | 1    | LED LABEL, HL-2240/2240D/2250DN FOR CHN                          |         |
| 16      | LY3561001 | 1    | LED LABEL, HL-2130 FOR IDN/GUL/SGP/KOR/IND                       |         |
| 16      | LY3560001 | 1    | LED LABEL, HL-2240D/2250DN/2270DW<br>FOR PHL/IDN/GUL/SGP/KOR/IND | add     |
| 17      | LU9003001 | 1    | LABEL AC CORD CAUTION FOR CHN                                    | ADD     |

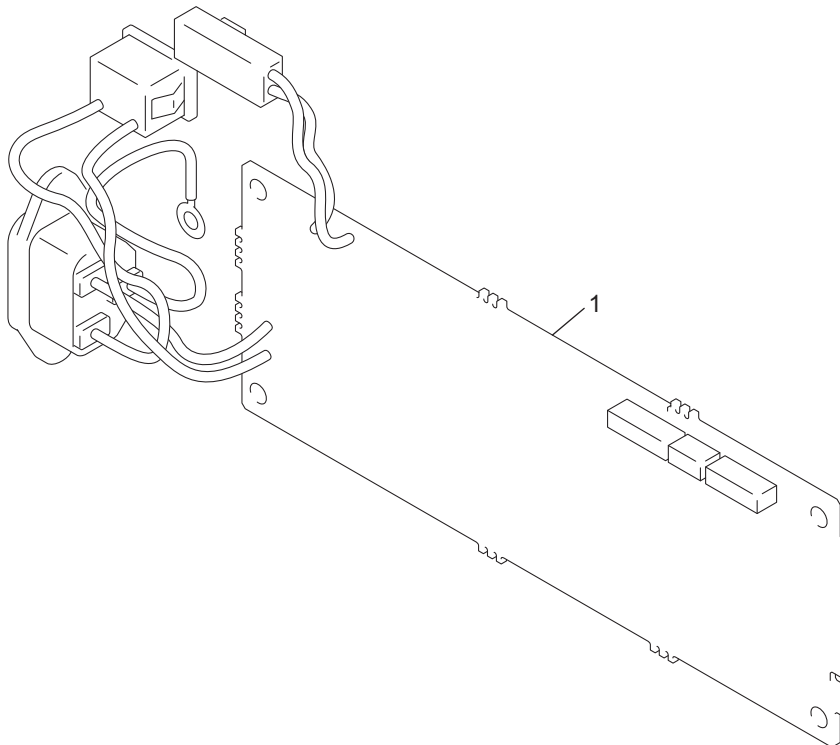
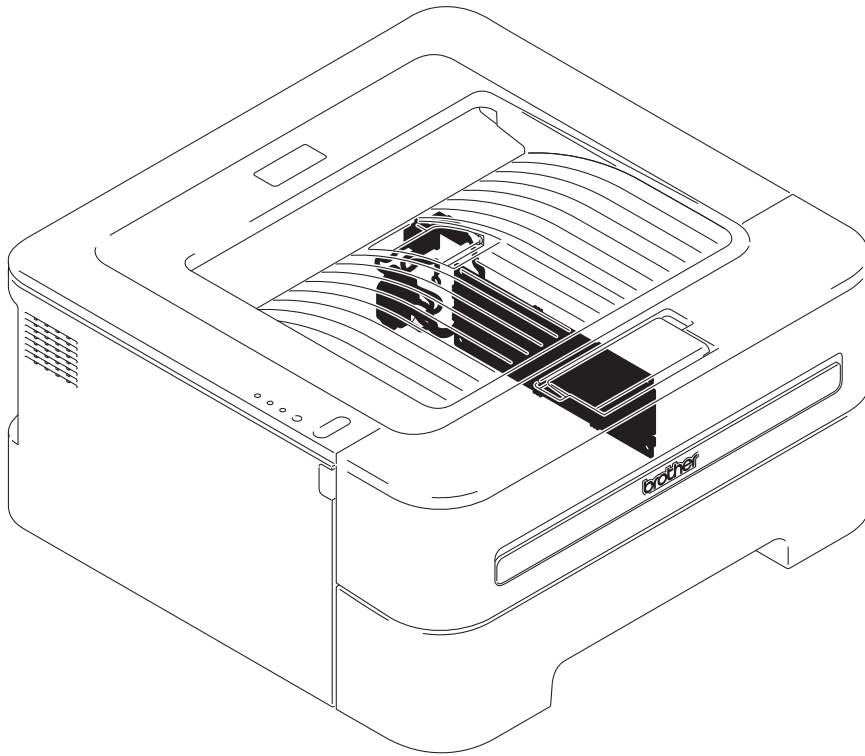
9. MAIN PCB



9. MAIN PCB

| REF No. | CODE      | Q'TY | DESCRIPTION   | SYMBOL  | REMARKS |
|---------|-----------|------|---|---------|---------|
| 1       | LV0608001 | 1    | MAIN PCB ASSY, HL-2130/2132<br>EXCEPT FOR CHN/IDN/GUL/SGP/KOR/IND/RUS | B512309 |         |
| 1       | LV0727001 | 1    | MAIN PCB ASSY,<br>HL-2130 FOR CHN/IDN/GUL/SGP/KOR/IND/RUS             | B512309 |         |
| 1       | LV0971002 | 1    | MAIN PCB ASSY, HL-2135W EXCEPT FOR MEX                                | B512362 |         |
| 1       | LV0971001 | 1    | MAIN PCB ASSY, HL-2135W FOR MEX                                       | B512362 |         |
| 1       | LV0669001 | 1    | MAIN PCB ASSY, HL-2220  | B512309 |         |
| 1       | LV0675001 | 1    | MAIN PCB ASSY, HL-2230  | B512309 |         |
| 1       | LV0662001 | 1    | MAIN PCB ASSY, HL-2240  | B512309 |         |
| 1       | LV0561001 | 1    | MAIN PCB ASSY, HL-2240D/2242D   | B512309 |         |
| 1       | LV0567001 | 1    | MAIN PCB ASSY, HL-2250DN EXCEPT FOR CHN                               | B512314 |         |
| 1       | LV0567004 | 1    | MAIN PCB ASSY, HL-2250DN FOR CHN                                      | B512314 |         |
| 1       | LV0560001 | 1    | MAIN PCB ASSY, HL-2270DW/2275DW<br>FOR US/CAN/BRA                     | B512314 |         |
| 1       | LV0560002 | 1    | MAIN PCB ASSY, HL-2270DW<br>EXCEPT FOR US/CAN/BRA                     | B512314 |         |

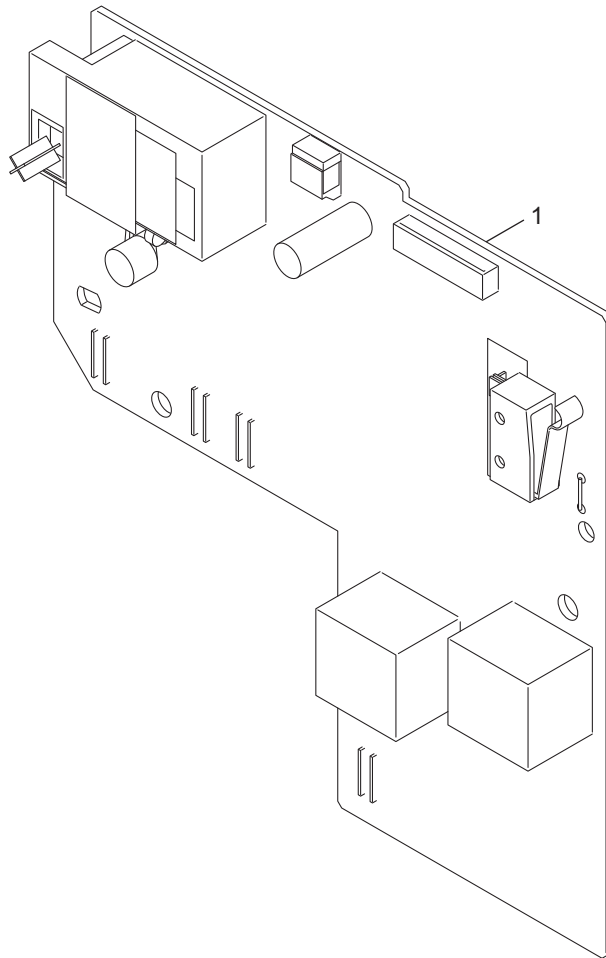
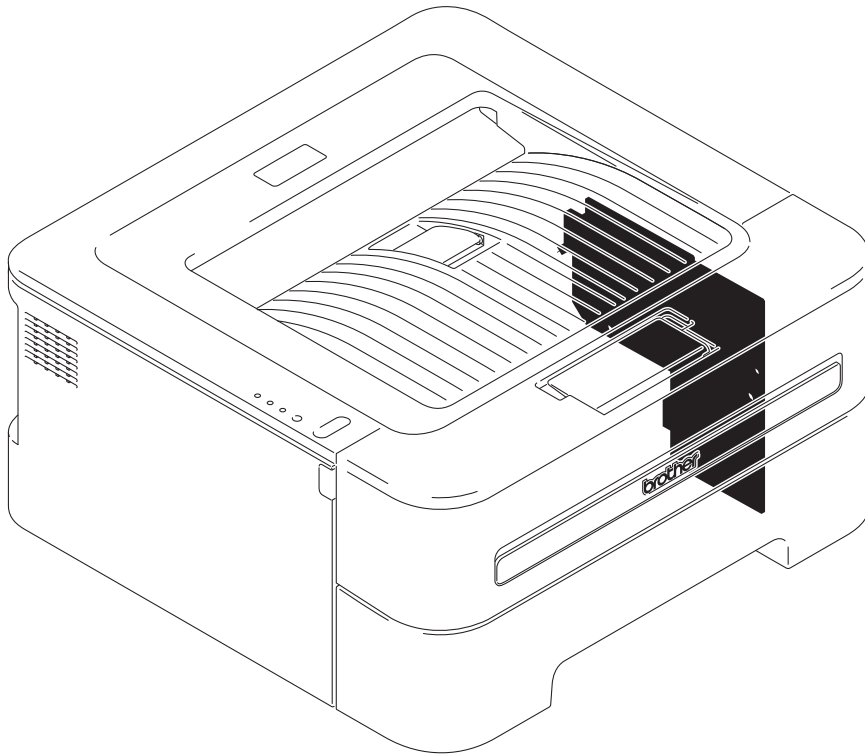
10. LVPS





10. LVPS

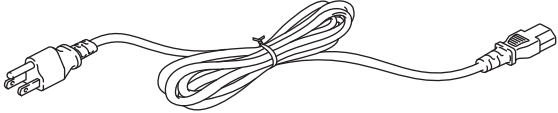



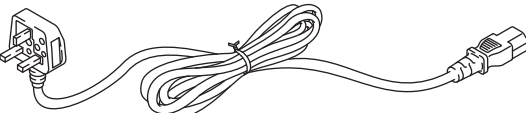


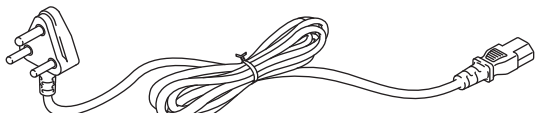






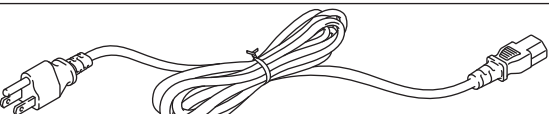
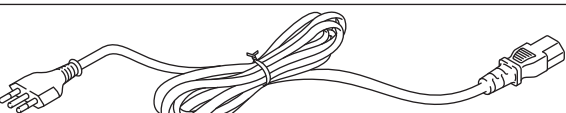
| REF No. | CODE      | Q'TY | DESCRIPTION  | REMARKS |
|---------|-----------|------|--|---------|
| 1       | LV0583001 | 1    | LOW VOLTAGE POWER SUPPLY PCB ASSY 115V<br>EXCEPT FOR TWN         |         |
| 1       | LV0712001 | 1    | LOW VOLTAGE POWER SUPPLY PCB ASSY 115V FOR TWN                   |         |
| 1       | LV0847001 | 1    | LOW VOLTAGE POWER SUPPLY PCB ASSY 230V<br>EXCEPT FOR CHN/IND/RUS | CHG     |
| 1       | LV0630001 | 1    | LOW VOLTAGE POWER SUPPLY PCB ASSY 230V<br>FOR CHN/IND/RUS        |         |



11. HVPS

| REF No. | CODE      | Q'TY | DESCRIPTION   | REMARKS |
|---------|-----------|------|---|---------|
| 1       | LV0564001 | 1    | HIGHT VOLTAGE POWER SUPPLY PCB ASSY<br>EXCEPT FOR HL-2240D/2250DN FOR KOR |         |
| 1       | LV0741001 | 1    | HIGHT VOLTAGE POWER SUPPLY PCB ASSY,<br>HL-2240D/2250DN FOR KOR           | ADD     |

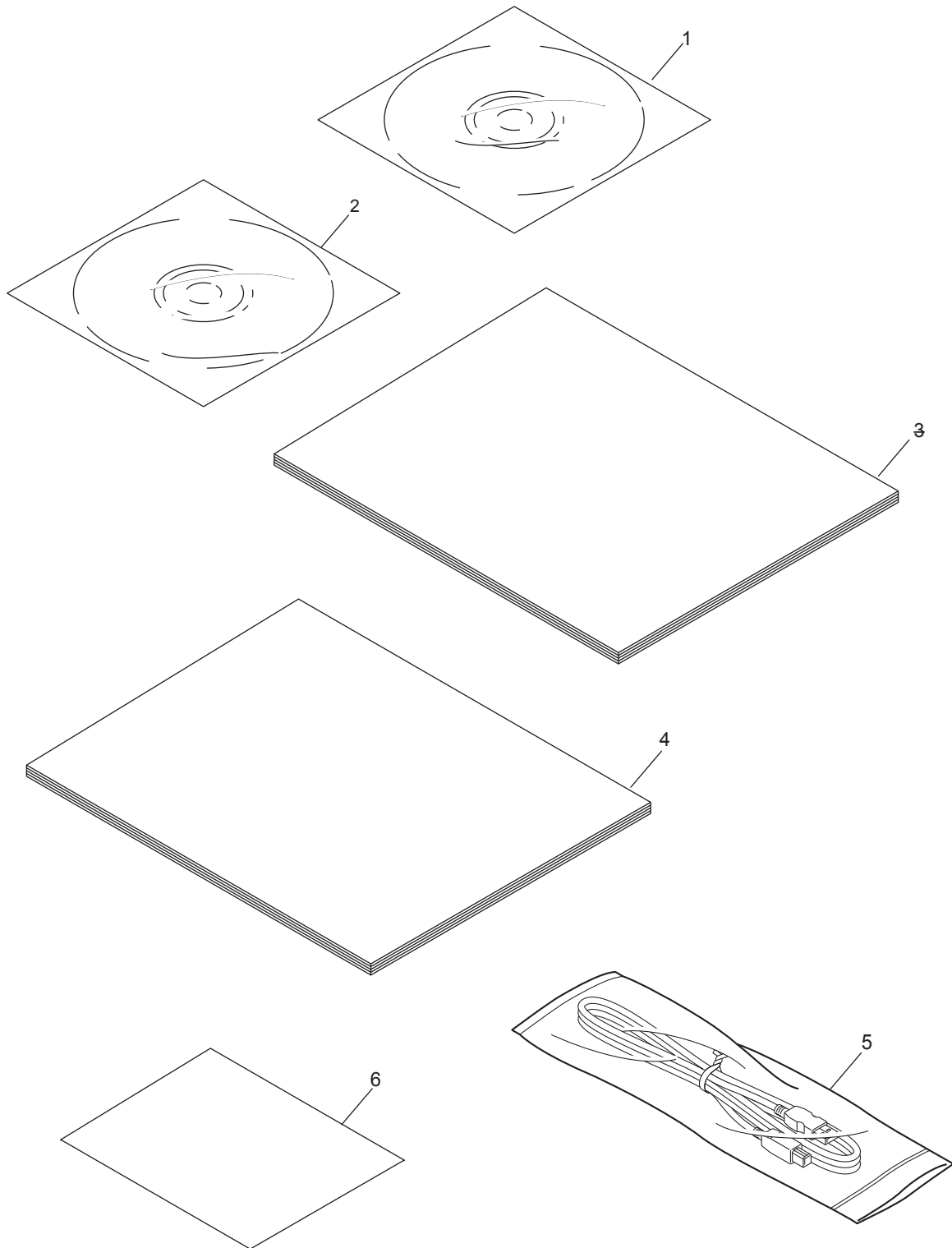
12. AC CORDS

|   |   |    |  |
|---|---|----|--|
| 1 |    | 10 |    |
| 2 |    | 11 |    |
| 3 |    | 12 |    |
| 4 |    | 13 |    |
| 5 |    | 14 |    |
| 6 |    | 15 |    |
| 7 |  | 16 |  |
| 8 |  |    |  |
| 9 |  |    |  |

12. AC CORD

| REF No. | CODE                 | Q'TY | DESCRIPTION                      | REMARKS |
|---------|----------------------|------|----------------------------------|---------|
| 1       | LJ9271001            | 1    | AC CORD ASSY LF UL/CSA 10A       |         |
| 2       | LV0363001            | 1    | AC CORD ASSY LF VDE S            |         |
| 3       | LV0367001            | 1    | AC CORD ASSY LF BS/PSB S         |         |
| 4       | LV0946001            | 1    | AC CORD ASSY LF SEV              | chg     |
| 5       | <del>LJ9256004</del> | 4    | <del>AC CORD ASSY LF DEMKO</del> | DEL     |
| 6       | LV0377001            | 1    | AC CORD ASSY LF IRAM             |         |
| 7       | LJ9294001            | 1    | AC CORD ASSY LF CHILE            |         |
| 8       | LV0388001            | 1    | AC CORD BAG ASSY LF PERU         |         |
| 9       | LT2345001            | 1    | AC CORD ASSY LF BRZ N            | chg     |
| 10      | LV0392001            | 1    | AC CORD ASSY LF KOR S            |         |
| 11      | LV0365001            | 1    | AC CORD LF SAA S                 |         |
| 12      | LM9288001            | 1    | AC CORD ASSY LF ISRAEL           | add     |
| 13      | LV0213001            | 1    | AC CORD ASSY LF IND              |         |
| 14      | LV1092001            | 1    | AC CORD ASSY LF CHN S            | chg     |
| 15      | LJ9295001            | 1    | AC CORD ASSY LF SOUTH AFRICA     |         |
| 16      | LM9147001            | 1    | AC CORD ASSY LF TWN              |         |

13. ACCESSORIES



13. ACCESSORIES

| REF No. | CODE      | Q'TY | DESCRIPTION  | REMARKS |
|---------|-----------|------|--|---------|
| 1       | LY3966001 | 1    | CDROM ASSY, HL-2130/2132/2135W/2220<br>EXCEPT FOR ISR/CHN/TWN/GUL/KOR/RUS/CEE<br>FOR IDN/ARG/CHL/BRA/IND/MEX                                     | chg     |
| 1       | LU9066001 | 1    | CDROM ASSY, HL-2130/2132/2135W/2220<br>FOR US/GER/UK/FRA/ARL/BEL/NLD/CHE/ITA/SGP/MEX/PND/IBR   | add     |
| 1       | LU1456001 | 1    | CDROM ASSY, HL-2130/2135W FOR ISR/GUL/CEE, HL-2132 FOR   | chg     |
| 1       | LU9068001 | 1    | CDROM ASSY, HL-2130/2135W FOR ISR/CEE, HL-2132 FOR RUS   | add     |
| 1       | LY2708001 | 1    | CDROM ASSY, HL-2130 FOR CHN  |         |
| 1       | LY3021001 | 1    | CDROM ASSY, HL-2130 FOR KOR  |         |
| 1       | LU9067001 | 1    | CDROM ASSY, HL-2130 FOR RUS  | chg     |
| 1       | LY3019001 | 1    | CDROM ASSY, HL-2220 FOR TWN  |         |
| 1       | LU9076001 | 1    | CDROM ASSY, HL-2230/2240/2240D/2242D/2250DN/2270DW/2275DW<br>EXCEPT FOR ISR/CHN/TWN/ARG/CHL/POL/GUL/KOR/RUS/CEE                                  | chg     |
| 1       | LU9075001 | 1    | CDROM ASSY, HL-2240/2270DW FOR ARG/CHL   | add     |
| 1       | LU9078001 | 1    | CDROM ASSY, HL-2240/2240D/2250DN/2270DW<br>FOR ISR/POL/GUL/RUS/CEE   | chg     |
| 1       | LU9079001 | 1    | CDROM ASSY, HL-2240/2240D/2250DN FOR CHN/TWN   | chg     |
| 1       | LU9081001 | 1    | CDROM ASSY, HL-2240D/2250DN FOR KOR  | chg     |
| 2       | LY2690004 | 4    | CD USER'S GUIDE, HL-2230/2240/2240D/2240D FOR US   | del     |
| 2       | LY2692004 | 4    | CD USER'S GUIDE, HL-2240/2240D/2250DN<br>EXCEPT FOR US, HL-2270DW EXCEPT FOR US/CAN  | del     |
| 3       | LY3326004 | 4    | SAFETY/LEGAL BOOKLET, HL-2220 FOR US   | DEL     |
| 3       | LY2739004 | 4    | SAFETY/LEGAL BOOKLET, HL-2230/2240/2240D/2270DW<br>FOR US/CAN (ENGLISH)  | DEL     |
| 3       | LY2740004 | 4    | SAFETY/LEGAL BOOKLET, HL-2230/2240/2240D/2270DW<br>FOR CAN (FRENCH)  | DEL     |
| 3       | LY3318004 | 4    | SAFETY/LEGAL BOOKLET, HL-2130 FOR GER/CHE (GERMAN)   | DEL     |
| 3       | LY2778004 | 4    | SAFETY/LEGAL BOOKLET, HL-2240/2240D/2250DN/2270DW<br>FOR GER/CHE (GERMAN)  | DEL     |
| 3       | LY3319004 | 4    | SAFETY/LEGAL BOOKLET, HL-2130/2132 FOR UK  | DEL     |
| 3       | LY2777004 | 4    | SAFETY/LEGAL BOOKLET, HL-2240/2240D/2250DN/2270DW<br>FOR UK/ISR  | DEL     |
| 3       | LY2771004 | 4    | SAFETY/LEGAL BOOKLET FOR ARL/NZ/PHL/SGP  | DEL     |
| 3       | LY3324004 | 4    | SAFETY/LEGAL BOOKLET, HL-2130<br>FOR CHE/FRA/BEL/NLD (FRENCH)  | DEL     |
| 3       | LY2779004 | 4    | SAFETY/LEGAL BOOKLET, HL-2240/2240D/2250DN/2270DW<br>FOR CHE/FRA/BEL/NLD (FRENCH)  | DEL     |
| 3       | LY3322004 | 4    | SAFETY/LEGAL BOOKLET, HL-2130 FOR ITA  | DEL     |
| 3       | LY2780004 | 4    | SAFETY/LEGAL BOOKLET, HL-2240D/2250DN/2270DW FOR ITA   | DEL     |
| 3       | LY2784004 | 4    | SAFETY/LEGAL BOOKLET, HL-2240/2240D/2250DN/2270DW<br>FOR ARG/CHL/IBR (SPANISH)   | DEL     |
| 3       | LY2741004 | 4    | SAFETY/LEGAL BOOKLET FOR BRA   | DEL     |
| 3       | LY2773004 | 4    | SAFETY/LEGAL BOOKLET FOR KOR   | DEL     |
| 3       | LY2785004 | 4    | SAFETY/LEGAL BOOKLET FOR RUS   | DEL     |
| 3       | LY3335004 | 4    | SAFETY/LEGAL BOOKLET, HL-2130 FOR FRA/BEL/NLD (DUTCH)  | DEL     |
| 3       | LY2783004 | 4    | SAFETY/LEGAL BOOKLET, HL-2240/2240D/2250DN/2270DW<br>FOR FRA/BEL/NLD (DUTCH)   | DEL     |
| 3       | LY3324004 | 4    | SAFETY/LEGAL BOOKLET, HL-2130/2132 FOR PND   | DEL     |
| 3       | LY2784004 | 4    | SAFETY/LEGAL BOOKLET, HL-2240/2240D/2250DN/2270DW<br>FOR PND   | DEL     |
| 3       | LY3325004 | 4    | SAFETY/LEGAL BOOKLET, HL-2130 FOR IBR (SPANISH)  | DEL     |
| 3       | LY3336004 | 4    | SAFETY/LEGAL BOOKLET, HL-2130 FOR IBR (PORTUGUESE)   | DEL     |
| 3       | LY2782004 | 4    | SAFETY/LEGAL BOOKLET, HL-2240/2240D/2250DN/2270DW<br>FOR IBR (PORTUGUESE)  | DEL     |
| 3       | LY2786004 | 4    | SAFETY/LEGAL BOOKLET FOR POL/CEE   | DEL     |
| 4       | LY3316004 | 4    | SETUP GUIDE, HL-2130/2132/2220/2230/2240/2240D/2242D/<br>2250DN FOR US/CAN/UK/ARL/NZ/ISR/PHL/IDN/SGP/IND/CEE,<br>HL-2130/2240D FOR GUL (ENGLISH) |         |
| 4       | LY3123004 | 4    | SETUP GUIDE, HL-2230/2240/2240D/2250DN<br>FOR US/CAN/UK/ARL/NZ/ISR/PHL/SGP/CEE (ENGLISH)   | del     |
| 4       | LY3124004 | 4    | SETUP GUIDE, HL-2270DW<br>FOR US/CAN/UK/ARL/NZ/PHL/GUL/SGP/IND (ENGLISH)   | del     |
| 4       | LY3125001 | 1    | SETUP GUIDE, HL-2230/2240/2240D FOR CAN (FRENCH)   |         |
| 4       | LY3126001 | 1    | SETUP GUIDE, HL-2270DW FOR CAN (FRENCH)  |         |
| 4       | LY3315001 | 1    | SETUP GUIDE, HL-2130/2240/2240D/2250DN FOR GER/CHE<br>(GERMAN)   |         |
| 4       | LY3963001 | 1    | SETUP GUIDE, HL-2135W/2270DW FOR GER/CHE (GERMAN)  |         |
| 4       | LY3127004 | 4    | SETUP GUIDE, HL-2240/2240D/2250DN FOR GER/CHE (GERMAN)   | del     |
| 4       | LY3128004 | 4    | SETUP GUIDE, HL-2270DW FOR GER/CHE (GERMAN)  | del     |

HL-2130/2132/2135W/2220/2230/2240/  
2240D/2242D/2250DN/2270DW/2275DW

13. ACCESSORIES

| REF No. | CODE                 | Q'TY | DESCRIPTION   | REMARKS |
|---------|----------------------|------|---|---------|
| 4       | LY3946001            | 1    | SETUP GUIDE, HL-2135W FOR UK/ARL/ISR,<br>HL-2270DW/2275DW FOR US/CAN/UK/ARL/NZ/PHL/GUL/SGP/IND<br>(ENGLISH) |         |
| 4       | LY3327001            | 1    | SETUP GUIDE, HL-2130/2240/2240D/2250DN FOR CHE/FRA/BEL/NLD<br>(FRENCH)                                      |         |
| 4       | <del>LY3129004</del> | 4    | <del>SETUP GUIDE, HL-2240/2240D/2250DN<br/>FOR CHE/FRA/BEL/NLD (FRENCH)</del>                               | del     |
| 4       | <del>LY3130004</del> | 4    | <del>SETUP GUIDE, HL-2270DW FOR CHE/FRA/BEL/NLD (FRENCH)</del>  | del     |
| 4       | LY3328001            | 1    | SETUP GUIDE, HL-2130/2240/2240D/2250DN FOR CHE/ITA (ITALIAN)  | add     |
| 4       | LY3995001            | 1    | SETUP GUIDE, HL-2135W/2270DW FOR CHE/ITA (ITALIAN)  |         |
| 4       | <del>LY3132004</del> | 4    | <del>SETUP GUIDE, HL-2270DW FOR CHE/ITA (ITALIAN)</del>   | del     |
| 4       | <del>LY3131004</del> | 4    | <del>SETUP GUIDE, HL-2240D/2250DN FOR ITA</del>   | del     |
| 4       | <del>LY3571004</del> | 4    | <del>SETUP GUIDE, HL-2130/2240D/2250DN FOR CHN</del>  | del     |
| 4       | LY3953001            | 1    | SETUP GUIDE, HL-2130/2240/2240D/2250DN FOR CHN  |         |
| 4       | LY2789001            | 1    | SETUP GUIDE, HL-2220/2240D FOR TWN  |         |
| 4       | LY3317001            | 1    | SETUP GUIDE, HL-2130/2240/2240D/2250DN FOR ARG/CHL/MEX/IBR<br>(SPANISH)                                     |         |
| 4       | <del>LY3133004</del> | 4    | <del>SETUP GUIDE, HL-2240/2240D/2250DN FOR ARG/CHL/IBR (SPANISH)</del>                                      | del     |
| 4       | <del>LY3134004</del> | 4    | <del>SETUP GUIDE, HL-2270DW FOR ARG/CHL/IBR (SPANISH)</del>   | del     |
| 4       | LY3334001            | 1    | SETUP GUIDE, HL-2130/2240/2240D/2250DN FOR IBR (PORTUGUESE)   |         |
| 4       | <del>LY3135004</del> | 4    | <del>SETUP GUIDE, HL-2240/2240D/2250DN FOR IBR (PORTUGUESE)</del>   | del     |
| 4       | <del>LY3136004</del> | 4    | <del>SETUP GUIDE, HL-2270DW FOR IBR (PORTUGUESE)</del>  | del     |
| 4       | LY3742001            | 1    | SETUP GUIDE, HL-2130/2240D FOR GUL (ARABIC)   |         |
| 4       | LY3455001            | 1    | SETUP GUIDE, HL-2130/2240D/2250DN FOR GUL (TURKISH)   |         |
| 4       | LY2792001            | 1    | SETUP GUIDE, HL-2270DW FOR GUL (TURKISH)  |         |
| 4       | LY3741001            | 1    | SETUP GUIDE, HL-2270DW FOR GUL (ARABIC)   |         |
| 4       | LY2770001            | 1    | SETUP GUIDE, HL-2270DW FOR POL  |         |
| 4       | LY3430001            | 1    | SETUP GUIDE, HL-2130/2240 FOR BRA   | chg     |
| 4       | LY2738001            | 1    | SETUP GUIDE, HL-2270DW FOR BRA  | chg     |
| 4       | LY3570001            | 1    | SETUP GUIDE, HL-2130/2240D/2250DN FOR KOR   | chg     |
| 4       | LY3449001            | 1    | SETUP GUIDE, HL-2130/2132/2240/2240D/2250DN FOR RUS   | chg     |
| 4       | LY3329001            | 1    | SETUP GUIDE, HL-2130/2240/2240D/2250DN FOR FRA/BEL/NLD<br>(DUTCH)   |         |
| 4       | LY3990001            | 1    | SETUP GUIDE, HL-2135W/2270DW FOR CHE/FRA/BEL/NLD<br>(FRENCH)  |         |
| 4       | LY3991001            | 1    | SETUP GUIDE, HL-2135W/2270DW FOR FRA/BEL/NLD (DUTCH)  |         |
| 4       | <del>LY3137004</del> | 4    | <del>SETUP GUIDE, HL-2240/2240D/2250DN FOR FRA/BEL/NLD (DUTCH)</del>  | del     |
| 4       | <del>LY3138004</del> | 4    | <del>SETUP GUIDE, HL-2270DW FOR FRA/BEL/NLD (DUTCH)</del>   | del     |
| 4       | LY3330001            | 1    | SETUP GUIDE, HL-2130/2132/2240/2240D/2250DN FOR PND<br>(NORWEGIAN)  |         |
| 4       | <del>LY3143004</del> | 4    | <del>SETUP GUIDE, HL-2240/2240D/2250DN FOR PND (NORWEGIAN)</del>  | del     |
| 4       | <del>LY3144004</del> | 4    | <del>SETUP GUIDE, HL-2270DW FOR PND (NORWEGIAN)</del>   | del     |
| 4       | LY3331001            | 1    | SETUP GUIDE, HL-2130/2132/2240/2240D/2250DN FOR PND<br>(SWEDISH)  |         |
| 4       | <del>LY3146004</del> | 4    | <del>SETUP GUIDE, HL-2240/2240D/2250DN FOR PND (SWEDISH)</del>  | del     |
| 4       | <del>LY3145004</del> | 4    | <del>SETUP GUIDE, HL-2270DW FOR PND (SWEDISH)</del>   | del     |
| 4       | LY3332001            | 1    | SETUP GUIDE, HL-2130/2132/2240/2240D/2250DN FOR PND<br>(FINNISH)  |         |
| 4       | <del>LY3139004</del> | 4    | <del>SETUP GUIDE, HL-2240/2240D/2250DN FOR PND (FINNISH)</del>  | del     |
| 4       | <del>LY3140004</del> | 4    | <del>SETUP GUIDE, HL-2270DW FOR PND (FINNISH)</del>   | del     |
| 4       | LY3333001            | 1    | SETUP GUIDE, HL-2130/2132/2240/2240D/2250DN FOR PND (DANISH)  |         |
| 4       | LY3998001            | 1    | SETUP GUIDE, HL-2135W/2270DW FOR PND (NORWEGIAN)  |         |
| 4       | LY3999001            | 1    | SETUP GUIDE, HL-2135W/2270DW FOR PND (SWEDISH)  |         |
| 4       | LU1450001            | 1    | SETUP GUIDE, HL-2135W/2270DW FOR PND (FINNISH)  |         |
| 4       | LU1451001            | 1    | SETUP GUIDE, HL-2135W/2270DW FOR PND (DANISH)   |         |
| 4       | <del>LY3141004</del> | 4    | <del>SETUP GUIDE, HL-2240/2240D/2250DN FOR PND (DANISH)</del>   | del     |
| 4       | <del>LY3142004</del> | 4    | <del>SETUP GUIDE, HL-2270DW FOR PND (DANISH)</del>  | del     |
| 4       | LY3983001            | 1    | SETUP GUIDE, HL-2135W/2270DW FOR ARG/CHL/MEX/IBR<br>(SPANISH)   |         |
| 4       | LY3984001            | 1    | SETUP GUIDE, HL-2135W/2270DW FOR IBR (PORTUGUESE)   |         |
| 4       | LY3581001            | 1    | SETUP GUIDE, HL-2130/2240/2240D/2250DN FOR CEE<br>(ROMANIAN/SLOVAK)   | chg     |
| 4       | LY3588001            | 1    | SETUP GUIDE, HL-2130/2240/2240D/2250DN FOR CEE<br>(POLISH/BULGARIAN)  | chg     |
| 4       | LY3582001            | 1    | SETUP GUIDE, HL-2130/2240/2240D/2250DN FOR CEE<br>(CZECH/HUNGARIAN)   | chg     |
| 4       | LU1452001            | 1    | SETUP GUIDE, HL-2135W FOR CEE<br>(BULGARIAN/ROMANIAN/SLOVAK)  |         |
| 4       | LU1453001            | 1    | SETUP GUIDE, HL-2135W FOR CEE<br>(ENGLISH/CZECH/HUNGARIAN/POLISH)   |         |

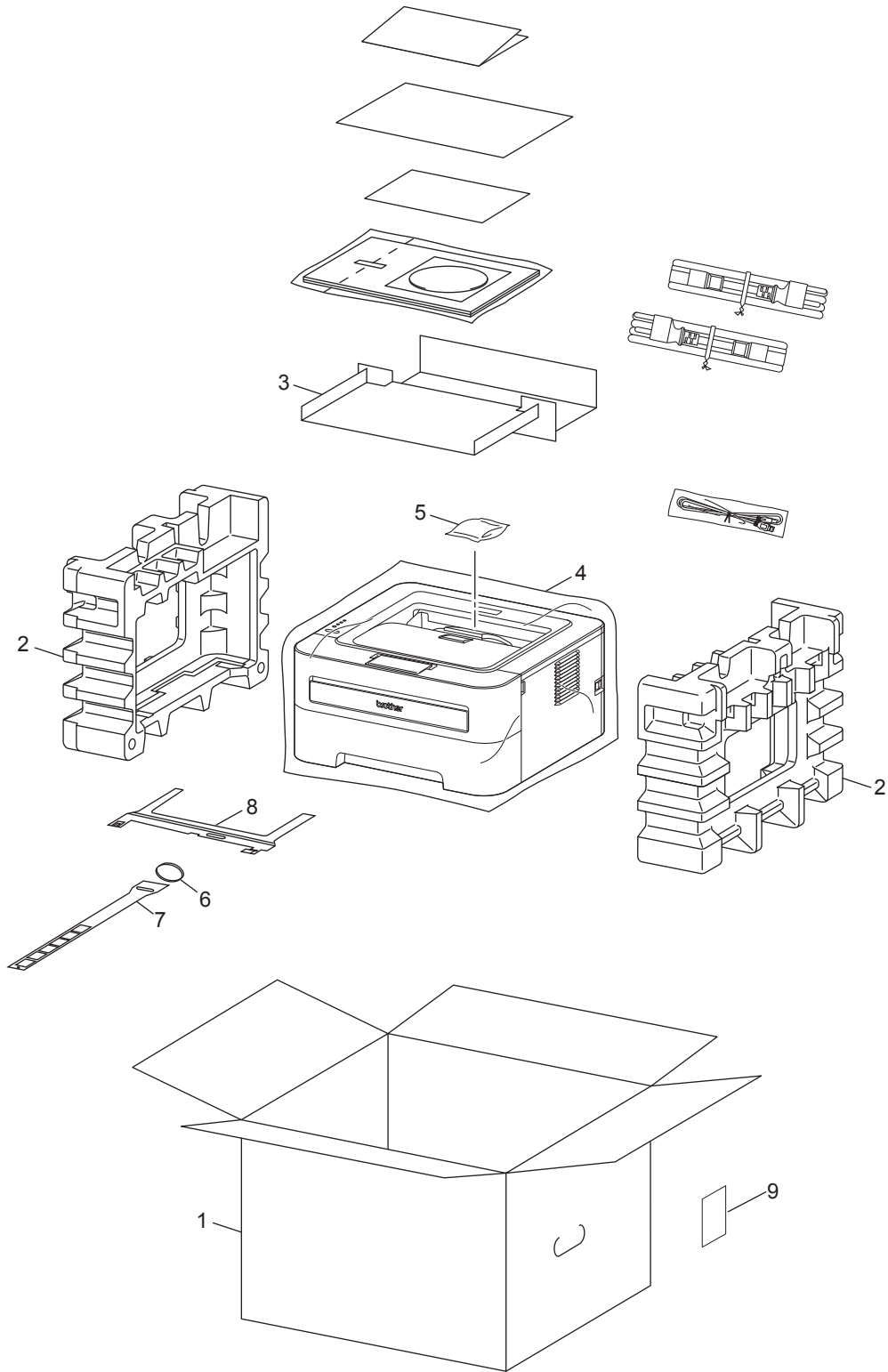
HL-2130/2132/2135W/2220/2230/2240/  
2240D/2242D/2250DN/2270DW/2275DW



13. ACCESSORIES

| REF No. | CODE      | Q'TY | DESCRIPTION                  | REMARKS |
|---------|-----------|------|------------------------------|---------|
| 5       | LJ9803001 | 1    | USB CABLE 2.0                |         |
| 6       | LY3027001 | 1    | FRENCH PANEL STICKER FOR CAN |         |

14. PACKING MATERIALS



14. PACKING MATERIALS

| REF No. | CODE      | Q'TY | DESCRIPTION  | REMARKS |
|---------|-----------|------|--|---------|
| 1       | LY2801001 | 1    | CARTON, HL-2220 FOR US   |         |
| 1       | LY2803001 | 1    | CARTON CN, HL-2230 FOR US  |         |
| 1       | LY3599001 | 1    | CARTON VN, HL-2230 FOR US  | add     |
| 1       | LY2811001 | 1    | CARTON CN, HL-2240 FOR US  |         |
| 1       | LY3603001 | 1    | CARTON VN, HL-2240 FOR US  | add     |
| 1       | LY2807001 | 1    | CARTON CN, HL-2240D FOR US   |         |
| 1       | LY3601001 | 1    | CARTON VN, HL-2240D FOR US   | add     |
| 1       | LY2817001 | 1    | CARTON CN, HL-2270DW FOR US  |         |
| 1       | LY3606001 | 1    | CARTON VN, HL-2270DW FOR US  | add     |
| 1       | LY3936001 | 1    | CARTON, HL-2275DW FOR US   |         |
| 1       | LY2806001 | 1    | CARTON CN, HL-2230 FOR CAN   |         |
| 1       | LY3600001 | 1    | CARTON VN, HL-2230 FOR CAN   | add     |
| 1       | LY2814001 | 1    | CARTON CN, HL-2240 FOR CAN   |         |
| 1       | LY3604001 | 1    | CARTON VN, HL-2240 FOR CAN   | add     |
| 1       | LY2810001 | 1    | CARTON CN, HL-2240D FOR CAN  |         |
| 1       | LY3602001 | 1    | CARTON VN, HL-2240D FOR CAN  | add     |
| 1       | LY2820001 | 1    | CARTON CN, HL-2270DW FOR CAN   |         |
| 1       | LY3608001 | 1    | CARTON VN, HL-2270DW FOR CAN   | add     |
| 1       | LY2825001 | 1    | CARTON, HL-2130 FOR GER/CHE  |         |
| 1       | LY3967001 | 1    | CARTON, HL-2135W FOR GER/CHE   |         |
| 1       | LY2835001 | 1    | CARTON CN, HL-2240 FOR GER/CHE   |         |
| 1       | LY3611001 | 1    | CARTON VN, HL-2240 FOR GER/CHE   | add     |
| 1       | LY2843001 | 1    | CARTON CN, HL-2240D FOR GER/CHE  |         |
| 1       | LY3615001 | 1    | CARTON VN, HL-2240D FOR GER/CHE  | add     |
| 1       | LY2851001 | 1    | CARTON CN, HL-2250DN FOR GER/CHE   |         |
| 1       | LY3619001 | 1    | CARTON VN, HL-2250DN FOR GER/CHE   | add     |
| 1       | LY2857001 | 1    | CARTON CN, HL-2270DW   |         |
| 1       | LY3622001 | 1    | FOR GER/UK/CHE/ITA/IBR/POL/FRA/BEL/NLD/PND<br>CARTON VN, HL-2270DW               | add     |
| 1       | LY2823001 | 1    | FOR GER/UK/CHE/ITA/IBR/POL/FRA/BEL/NLD/PND<br>CARTON, HL-2130 FOR UK/ISR/PND/CEE |         |
| 1       | LY3973001 | 1    | CARTON, HL-2135W FOR UK/ISR/PND/CEE  |         |
| 1       | LY2831001 | 1    | CARTON, HL-2132 FOR UK   |         |
| 1       | LY2833001 | 1    | CARTON CN, HL-2240 FOR UK/ISR/PND/CEE  |         |
| 1       | LY3610001 | 1    | CARTON VN, HL-2240 FOR UK/ISR/PND/CEE  | add     |
| 1       | LY2841001 | 1    | CARTON CN, HL-2240D FOR UK/ISR/PND/CEE   |         |
| 1       | LY3614001 | 1    | CARTON VN, HL-2240D FOR UK/ISR/PND/CEE   | add     |
| 1       | LY2849001 | 1    | CARTON CN, HL-2250DN FOR UK/ISR/PND/CEE  |         |
| 1       | LY3618001 | 1    | CARTON VN, HL-2250DN FOR UK/ISR/PND/CEE  | add     |
| 1       | LU1569001 | 1    | CARTON, HL-2130 FOR ARL/NZ   | chg     |
| 1       | LU1460001 | 1    | CARTON, HL-2135W FOR ARL/NZ  |         |
| 1       | LU1584001 | 1    | CARTON, HL-2132 FOR ARL/NZ   | chg     |
| 1       | LY3034001 | 1    | CARTON CN, HL-2240D FOR ARL/NZ   |         |
| 1       | LU1636001 | 1    | CARTON VN, HL-2240D FOR ARL/NZ   | add     |
| 1       | LY3379001 | 1    | CARTON CN, HL-2242D FOR ARL  |         |
| 1       | LU1634001 | 1    | CARTON VN, HL-2242D FOR ARL  | add     |
| 1       | LY3032001 | 1    | CARTON CN, HL-2250DN FOR ARL/NZ  |         |
| 1       | LU1629001 | 1    | CARTON VN, HL-2250DN FOR ARL/NZ  | add     |
| 1       | LY3059001 | 1    | CARTON CN, HL-2270DW FOR ARL/NZ  |         |
| 1       | LU1631001 | 1    | CARTON VN, HL-2270DW FOR ARL/NZ  | add     |
| 1       | LY2829001 | 1    | CARTON, HL-2130 FOR ITA/IBR  |         |
| 1       | LY3987001 | 1    | CARTON, HL-2135W FOR ITA/IBR   |         |
| 1       | LY2848001 | 1    | CARTON CN, HL-2240D FOR ITA/IBR  |         |
| 1       | LY3617001 | 1    | CARTON VN, HL-2240D FOR ITA/IBR  | add     |
| 1       | LY2855001 | 1    | CARTON CN, HL-2250DN FOR ITA/IBR   |         |
| 1       | LY3621001 | 1    | CARTON VN, HL-2250DN FOR ITA/IBR   | add     |
| 1       | LY3575001 | 1    | CARTON, HL-2130 FOR CHN  |         |
| 1       | LU9373001 | 1    | CARTON, HL-2240 FOR CHN  | chg     |
| 1       | LU9370001 | 1    | CARTON CN, HL-2240D FOR CHN  | chg     |
| 1       | LY3899001 | 1    | CARTON VN, HL-2240D FOR CHN  | add     |
| 1       | LU9372001 | 1    | CARTON, HL-2250DN FOR CHN  | chg     |
| 1       | LY3033001 | 1    | CARTON CN, HL-2240D FOR PHL/IDN/SGP  |         |
| 1       | LU1587001 | 1    | CARTON VN, HL-2240D FOR PHL/IDN/SGP  | add     |
| 1       | LY3063001 | 1    | CARTON CN, HL-2270DW FOR PHL/SGP   |         |
| 1       | LU1602001 | 1    | CARTON VN, HL-2270DW FOR SGP   | add     |
| 1       | LU1602001 | 1    | CARTON VN, HL-2270DW FOR PHL   | add     |
| 1       | LY3444001 | 1    | CARTON, HL-2220 FOR TWN  |         |
| 1       | LY3363001 | 1    | CARTON, HL-2240D FOR TWN   |         |
| 1       | LY2798001 | 1    | CARTON, HL-2130 FOR ARG/CHL  |         |
| 1       | LU9188001 | 1    | CARTON, HL-2130 FOR ARG  | add     |

HL-2130/2132/2135W/2220/2230/2240/  
2240D/2242D/2250DN/2270DW/2275DW

14. PACKING MATERIALS

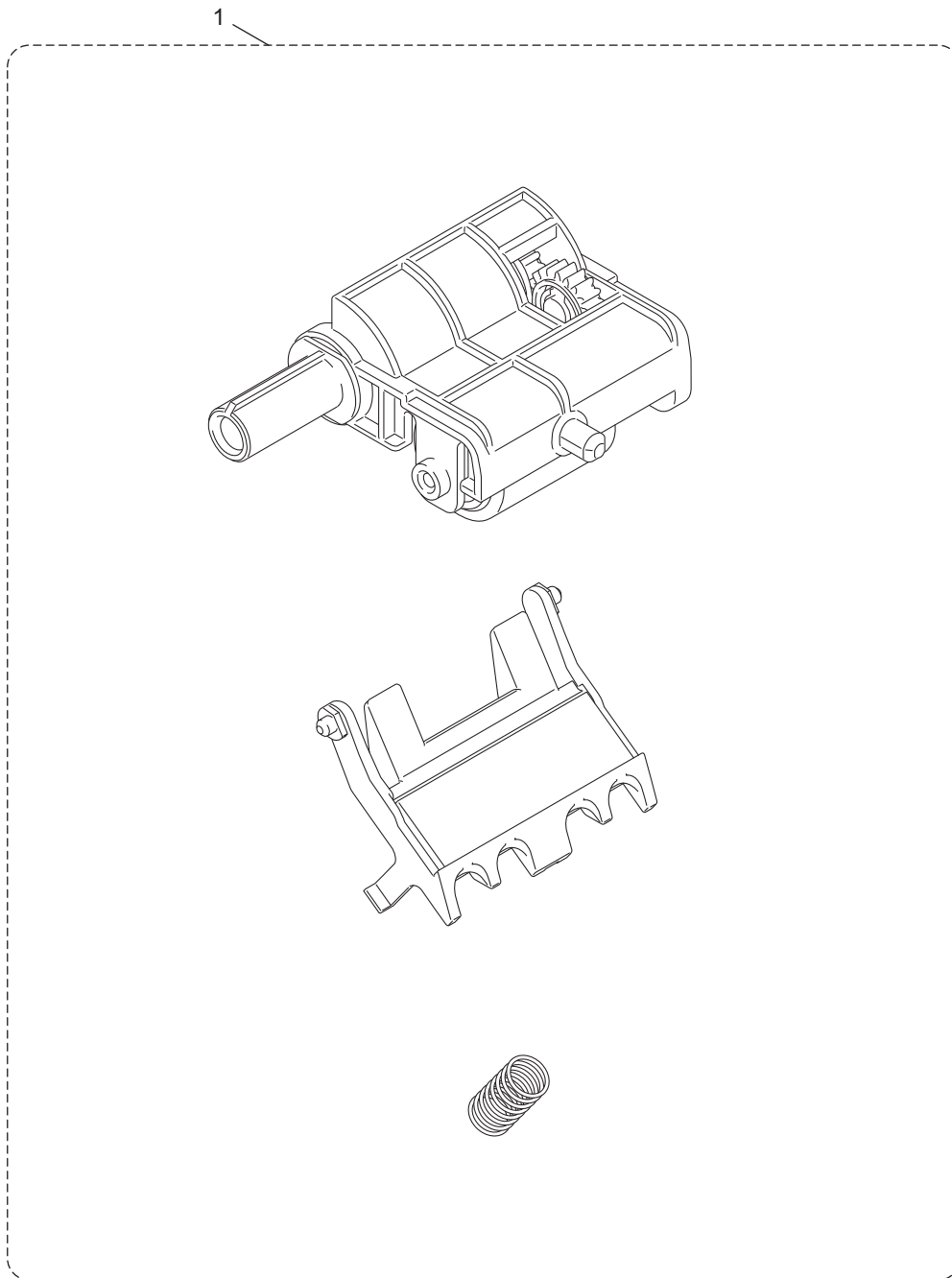
| REF No. | CODE                 | Q'TY | DESCRIPTION                                      | REMARKS |
|---------|----------------------|------|--|---------|
| 1       | LU9189001            | 1    | CARTON, HL-2240 FOR ARG                          | chg     |
| 1       | LU9190001            | 1    | CARTON, HL-2270DW FOR ARG                        | chg     |
| 1       | LY2816001            | 1    | CARTON, HL-2240 FOR CHL                          |         |
| 1       | LY2822001            | 1    | CARTON, HL-2270DW FOR CHL                        |         |
| 1       | LU1578001            | 1    | CARTON, HL-2130 FOR GUL                          | chg     |
| 1       | LY3157001            | 1    | CARTON CN, HL-2240D FOR GUL                      |         |
| 1       | LU1593001            | 1    | CARTON VN, HL-2240D FOR GUL                      | add     |
| 1       | LY3159001            | 1    | CARTON CN, HL-2250DN FOR GUL                     |         |
| 1       | LU1599001            | 1    | CARTON VN, HL-2250DN FOR GUL                     | add     |
| 1       | LY3200001            | 1    | CARTON CN, HL-2270DW FOR GUL                     |         |
| 1       | LU1605001            | 1    | CARTON VN, HL-2270DW FOR GUL                     | add     |
| 1       | LY2797001            | 1    | CARTON, HL-2130 FOR BRA                          |         |
| 1       | LY2815001            | 1    | CARTON CN, HL-2240 FOR BRA                       |         |
| 1       | LY3605001            | 1    | CARTON VN, HL-2240 FOR BRA                       | add     |
| 1       | LY2821001            | 1    | CARTON CN, HL-2270DW FOR BRA                     |         |
| 1       | LY3609001            | 1    | CARTON VN, HL-2270DW FOR BRA                     | add     |
| 1       | LU1572001            | 1    | CARTON, HL-2130 FOR IDN/SGP                      | chg     |
| 1       | LY2968001            | 1    | CARTON CN, HL-2250DN FOR SGP                     |         |
| 1       | LU1596001            | 1    | CARTON VN, HL-2250DN FOR SGP                     | add     |
| 1       | LU1581001            | 1    | CARTON, HL-2130 FOR KOR                          | chg     |
| 1       | LY3359001            | 1    | CARTON, HL-2240D FOR KOR                         |         |
| 1       | LY3361001            | 1    | CARTON, HL-2250DN FOR KOR                        |         |
| 4       | <del>LY3722001</del> | 4    | <del>CARTON, HL-2130 FOR IND</del>               | del     |
| 1       | LY3723001            | 1    | CARTON CN, HL-2240D FOR IND                      |         |
| 1       | LU1590001            | 1    | CARTON VN, HL-2240D FOR IND                      | add     |
| 1       | LY3724001            | 1    | CARTON CN, HL-2250DN FOR IND                     | add     |
| 1       | LU1640001            | 1    | CARTON VN, HL-2250DN FOR IND                     | add     |
| 1       | LY3725001            | 1    | CARTON CN, HL-2270DW FOR IND                     | add     |
| 1       | LU1628001            | 1    | CARTON VN, HL-2270DW FOR IND                     | add     |
| 1       | LY2796001            | 1    | CARTON, HL-2130 FOR MEX                          |         |
| 1       | LU1508001            | 1    | CARTON, HL-2135W FOR MEX                         |         |
| 1       | LY2858001            | 1    | CARTON, HL-2130 FOR RUS                          |         |
| 1       | LY2860001            | 1    | CARTON, HL-2132 FOR RUS                          |         |
| 1       | LY2862001            | 1    | CARTON CN, HL-2240 FOR RUS                       |         |
| 1       | LY3624001            | 1    | CARTON VN, HL-2240 FOR RUS                       | add     |
| 1       | LY2864001            | 1    | CARTON CN, HL-2240D FOR RUS                      |         |
| 1       | LY3625001            | 1    | CARTON VN, HL-2240D FOR RUS                      | add     |
| 1       | LY2866001            | 1    | CARTON CN, HL-2250DN FOR RUS                     |         |
| 1       | LY3626001            | 1    | CARTON VN, HL-2250DN FOR RUS                     | add     |
| 1       | LY2827001            | 1    | CARTON, HL-2130 FOR FRA/BEL/NLD                  |         |
| 1       | LY3979001            | 1    | CARTON, HL-2135W FOR FRA/BEL/NLD                 |         |
| 1       | LY2837001            | 1    | CARTON CN, HL-2240 FOR FRA/BEL/NLD               |         |
| 1       | LY3612001            | 1    | CARTON VN, HL-2240 FOR FRA/BEL/NLD               | add     |
| 1       | LY2845001            | 1    | CARTON CN, HL-2240D FOR FRA/BEL/NLD              |         |
| 1       | LY3616001            | 1    | CARTON VN, HL-2240D FOR FRA/BEL/NLD              | add     |
| 1       | LY2853001            | 1    | CARTON CN, HL-2250DN FOR FRA/BEL/NLD             |         |
| 1       | LY3620001            | 1    | CARTON VN, HL-2250DN FOR FRA/BEL/NLD             | add     |
| 1       | LY3439001            | 1    | CARTON, HL-2132 FOR PND                          |         |
| 1       | LY2839001            | 1    | CARTON CN, HL-2240 FOR IBR                       |         |
| 1       | LY3613001            | 1    | CARTON VN, HL-2240 FOR ITA/IBR                   | add     |
| 2       | LY2444001            | 1    | POLYSTYRENE PAD ASSY                             |         |
| 3       | LY2447001            | 1    | OPTION CARTON                                    |         |
| 4       | LY2688001            | 1    | PE BAG 600X650                                   |         |
| 5       | <del>LY0645001</del> | 4    | <del>SILICA GEL EXCEPT FOR CAN</del>             | del     |
| 5       | LY3886001            | 1    | SILICA GEL FOR US/CAN/ARG/CHL/BRA/MEX            | chg     |
| 5       | LY3887001            | 1    | SILICA GEL FOR EXCEPT FOR US/CAN/ARG/CHL/BRA/MEX | add     |
| 6       | LY3797001            | 1    | ELASTIC BAND EXCEPT FOR CHN                      | chg     |
| 7       | LY2564001            | 1    | PAPER STRIP EXCEPT FOR CHN                       |         |
| 7       | LU8501001            | 1    | PAPER STRIP FOR CHN                              | CHG     |
| 8       | LY3057001            | 1    | PROTECTIVE MATERIAL EXCEPT FOR CHN               | chg     |
| 8       | LU8502001            | 1    | PROTECTIVE MATERIAL FOR CHN                      | CHG     |
| 9       | LY3906001            | 1    | CHINA ENERGY LABEL, HL2130 FOR CHN               | add     |
| 9       | LU9970001            | 1    | CHINA ENERGY LABEL, HL2240 FOR CHN               | chg     |
| 9       | LU9968001            | 1    | CHINA ENERGY LABEL, HL2240D FOR CHN              | chg     |
| 9       | LU9969001            | 1    | CHINA ENERGY LABEL, HL2250DN FOR CHN             | chg     |

\*\*Note\*\*

CARTON CN means the CARTON made in China.  
 CARTON VN means the CARTON made in Vietnam.

HL-2130/2132/2135W/2220/2230/2240/  
 2240D/2242D/2250DN/2270DW/2275DW

15. PERIODICAL MAINTENANCE



15.PERIODICAL MAINTENANCE PARTS

| REF No. | CODE      | Q'TY | DESCRIPTION       | REMARKS |
|---------|-----------|------|-------------------|---------|
| 1       | LY3058001 | 1    | PAPER FEEDING KIT |         |