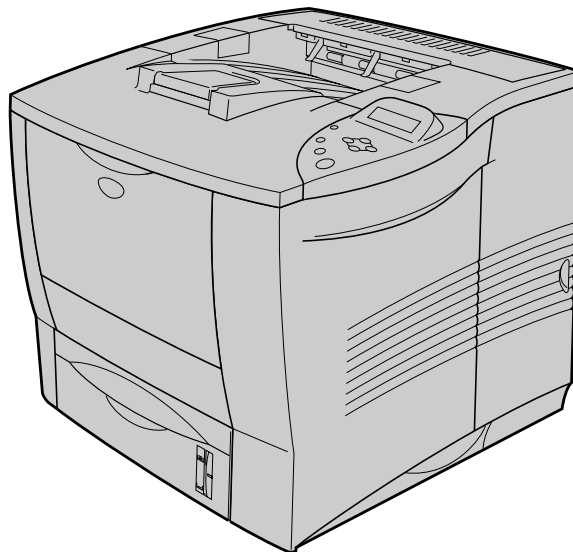




Brother Laser Printer **PARTS REFERENCE LIST**

MODEL: HL-2460 / 2460N



Read this list thoroughly before maintenance work.

Keep this list in a convenient place for quick and easy reference at all times.

NOTE FOR USING THIS PARTS REFERENCE LIST

1. In the case of ordering parts, it needs mentioning the following items:

- (1) Code
- (2) Q'ty
- (3) Description
- (4) Symbol (PCB No., Revision , and Parts location mounted on the PCB.)

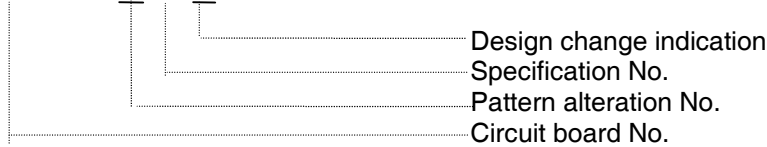
Note: No orders without Parts Code or Tool No. can be accepted.

< Example >

| REF.NO. | CODE | Q'TY | DESCRIPTION | SYMBOL | REMARK |
|---------|------|------|-------------|--------|--------|
| | | | | | |

Revision No.: marked on the **main printed circuit board**.

B48K056 - 201A



Revision No.: marked on the **power supply printed circuit board**.

Rev. A



2. Design-changed parts:

If the parts are changed, any one of the following symbols is indicated in the REMARKS column.

- #A: Compatible between old and new
- #B: Replaceable from old to new
- #D: Incompatible
- #: Newly established

3. The original of this list was made based on the information available in September 2001.

4. Parts are subject to change in design without prior notice.

CONTENTS

| | | |
|-----|--|----|
| 1. | <u>FRAME</u> | 1 |
| 2. | <u>DRIVE</u> | 1 |
| 3. | <u>LASER UNIT</u> | 3 |
| 4. | <u>PAPER EJECT</u> | 3 |
| 5. | <u>PAPER FEED</u> | 5 |
| 6. | <u>MP TRAY</u> | 5 |
| 7. | <u>PAPER TRAY</u> | 7 |
| 8. | <u>FIXING UNIT</u> | 9 |
| 9. | <u>COVERS / LABELS</u> | 11 |
| 10. | <u>SWITCH PANEL</u> | 13 |
| 11. | <u>MAIN PCB</u> | 13 |
| 12. | <u>ENGINE PCB</u> | 15 |
| 13. | <u>HIGH-VOLTAGE POWER SUPPLY PCB</u> | 15 |
| 14. | <u>LOW-VOLTAGE POWER SUPPLY PCB</u> | 17 |
| 15. | <u>AC CORDS</u> | 17 |
| 16. | <u>ACCESSORIES</u> | 19 |
| 17. | <u>PACKING MATERIALS</u> | 21 |
| 18. | <u>PERIODICAL MAINTENANCE PARTS</u> | 23 |
| 19. | <u>NET WORKBOARD</u> | 25 |

1. FRAME

PR2002037

| REF.NO. | CODE | Q'TY | DESCRIPTION | REMARK |
|---------|-----------|------|--------------------------------|--------|
| 1 | LJ8530001 | 1 | EJECT SENSOR PCB ASSY | |
| 2 | LJ0893001 | 1 | TRANSFER ROLLER 52 ASSY | |
| 3 | LJ0149001 | 1 | TRANSFER BASE ASSY | |
| 3-1 | LJ8534001 | 1 | SENSOR RELAID PCB R ASSY | |
| 3-2 | LJ1058001 | 1 | TRANSFER RIB ASSY | |
| 4 | LJ0173001 | 1 | REGIST ROLLER ASSY | |
| 5 | LJ0175001 | 1 | ELECTROMAGNETISM CLUTCH REGIST | |
| 6 | LJ8538001 | 1 | SIZE SW PCB ASSY | |
| 7 | LJ1568001 | 1 | SIZE SW SPRING | chg |
| 8 | LJ0364001 | 1 | GUIDE PLATE SPRING | |
| 9 | UH2208001 | 4 | RUBBER FOOT | |
| 10 | LJ0214001 | 1 | FAN MOTOR 80 | |
| 11 | LJ0259001 | 1 | FAN MOTOR 60 | |
| 12 | LJ0551001 | 1 | CF SLOT | |
| 13 | LJ0670001 | 2 | TAPTITE, PAN B M3X35 | |
| 14 | 087323016 | 2 | TAPTITE, CUP S M3X30 | |
| 15 | 087320616 | 3 | TAPTITE, CUP S M3X6 | |
| 16 | 085320616 | 2 | TAPTITE, BIND S M3X6 | |
| 17 | LJ0822001 | 3 | TAPTITE, CUP S M3X4 | |
| 18 | LJ0183001 | 2 | CHUTE BEARING | ADD |

MODEL HL-2460/2460N 84T-U05/06-500

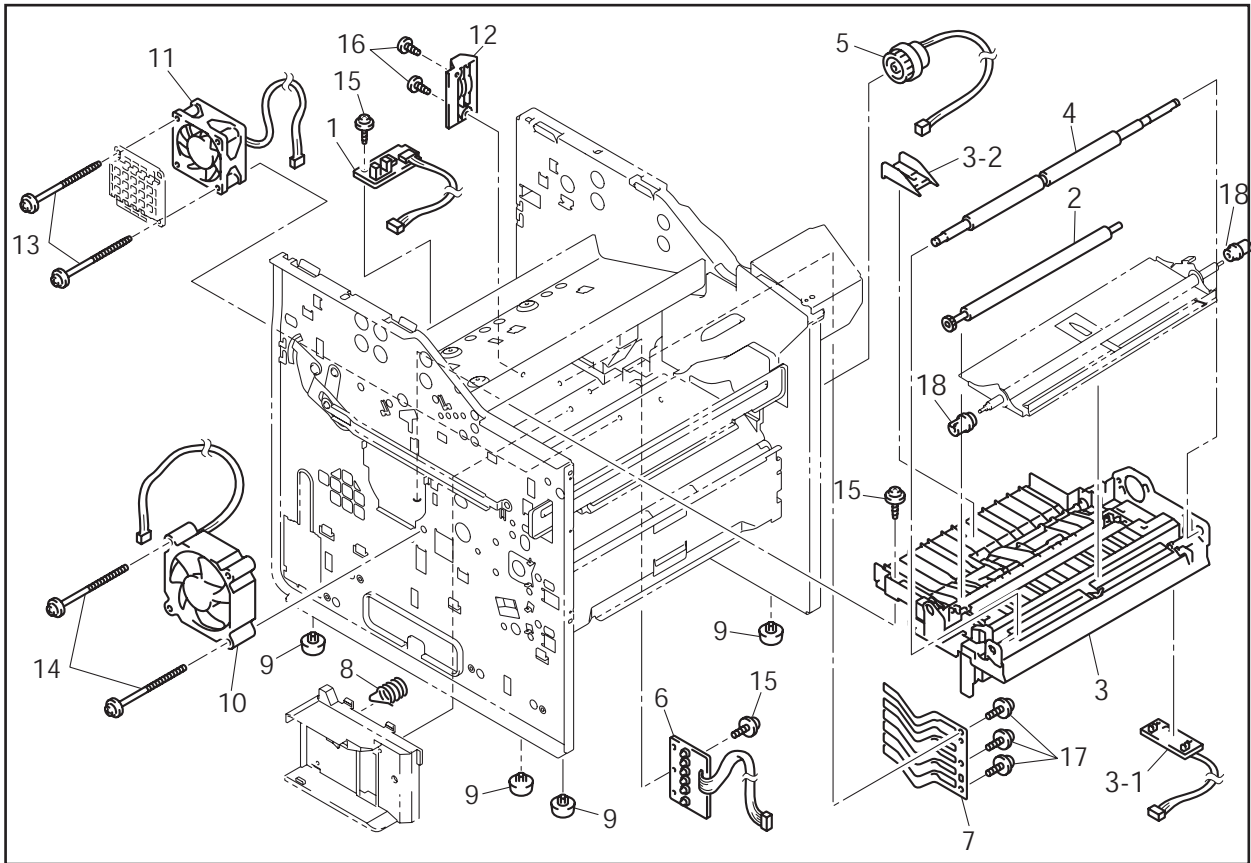
T/I NO. PR2002037

2. DRIVE

| REF.NO. | CODE | Q'TY | DESCRIPTION | REMARK |
|---------|-----------|------|-----------------------|--------|
| 1 | LJ0227001 | 1 | MAIN MOTOR ASSY | |
| 2 | LJ0232001 | 1 | DRUM GEAR LINK | |
| 3 | LJ0244001 | 1 | SOLENOID LEVER | |
| 4 | UH2378000 | 1 | SPRING HOOK | |
| 5 | LJ0247001 | 1 | SECTOR GEAR 35 SPRING | |
| 6 | LJ0264001 | 1 | FRICITION SPRING | |
| 7 | LJ0265001 | 1 | SOLENOID ASSY | |
| 8 | LJ0309001 | 1 | SOLENOID SPRING MP | |
| 9 | LJ0267001 | 1 | FEEDING MOTOR ASSY | |
| 10 | 087320616 | 7 | TAPTITE, CUP S M3X6 | |
| 11 | U11776001 | 1 | SCREW, FLANGED M3X3.5 | |

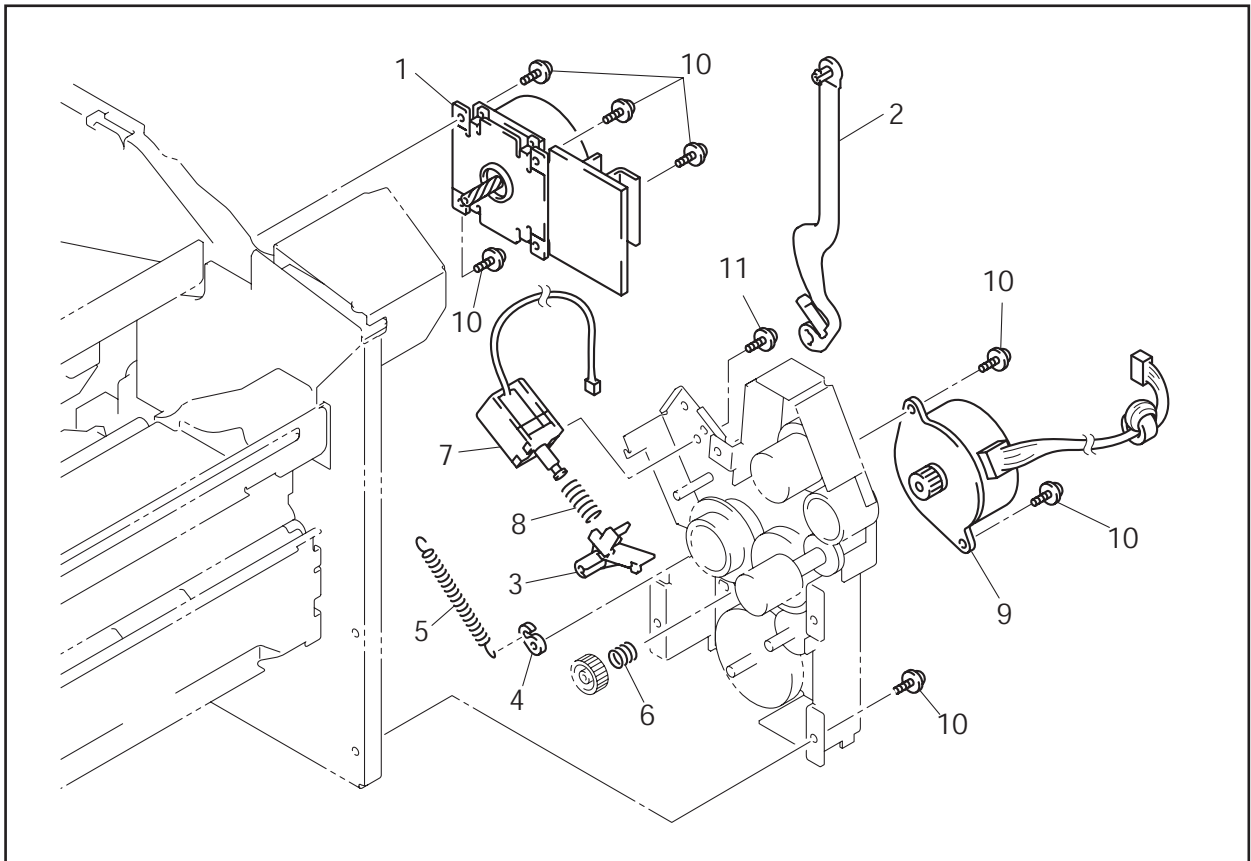
MODEL HL-2460/2460N 84T-U05/06-550

1. FRAME



MODEL HL-2460 / 2460N 84T-U05/06-500

2. DRIVE



MODEL HL-2460 / 2460N 84T-U05/06-550

3. LASER UNIT

| REF.NO. | CODE | Q'TY | DESCRIPTION | REMARK |
|---------|-----------|------|-----------------------|--------|
| 1 | LJ0935001 | 1 | SCANNER UNIT (SP) | ADD |
| 2 | LJ0743001 | 1 | DUST GUARD PLATE ASSY | |
| 3 | LJ0397001 | 1 | SHUTTER LINK | |
| 4 | LJ0914001 | 1 | PLATE | |
| 5 | 087322015 | 4 | TAPTITE, CUP S M3X20 | |
| 6 | LJ0908001 | 1 | LASER CAUTION LABEL B | |

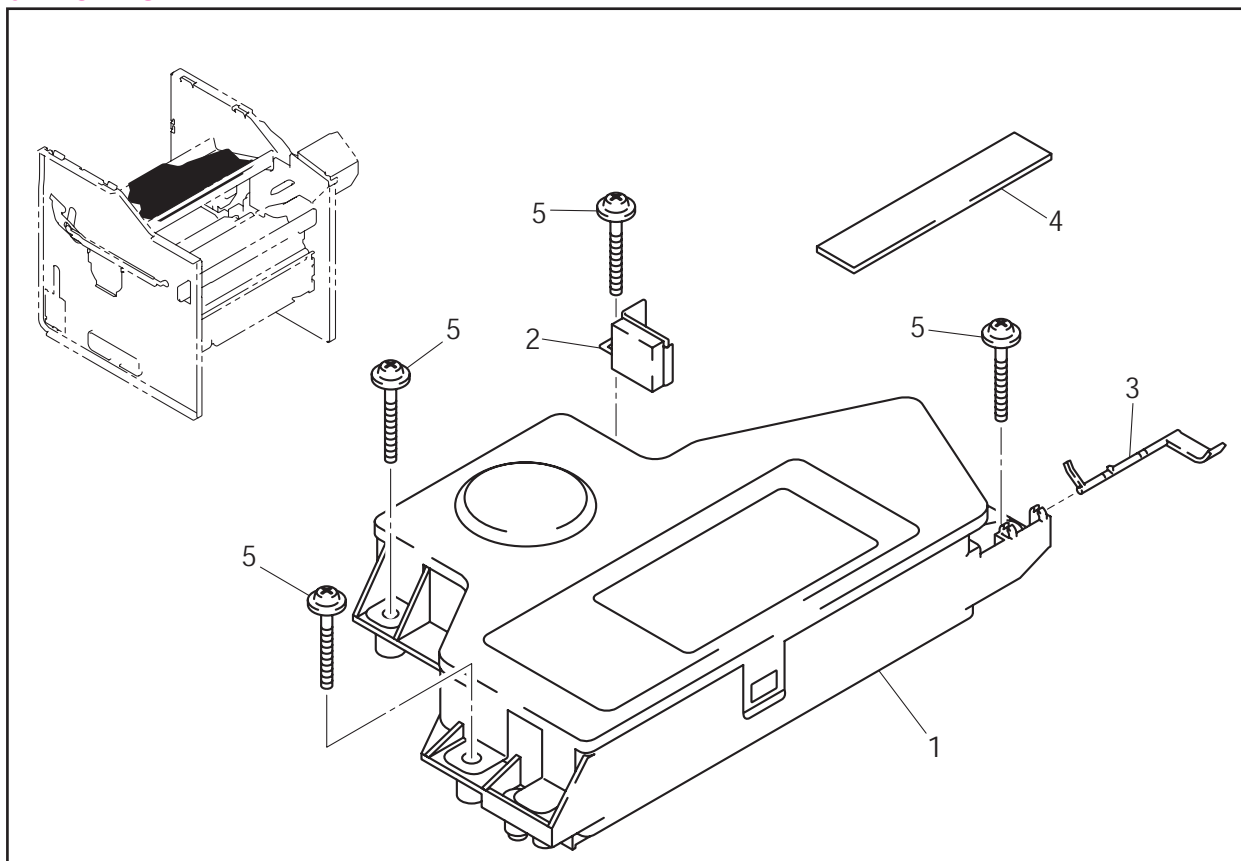
MODEL HL-2460/2460N 84T-U05/06-700

4. PAPER EJECT

| REF.NO. | CODE | Q'TY | DESCRIPTION | REMARK |
|---------|-----------|------|---------------------------|--------|
| 1 | LJ0105001 | 1 | PAPER EJECT UNIT | |
| 1-1 | UH3323001 | 4 | EJECT PINCH ROLLER ASSY | |
| 1-2 | UH3948001 | 4 | PINCH SPRING | |
| 1-3 | LJ0668001 | 2 | EJECT ROLLER ASSY | |
| 1-4 | LJ0657001 | 2 | EJECT ROLLER GROUND PLATE | |
| 1-5 | LJ0477001 | 4 | BEARING 6 | |
| 1-6 | LJ0718001 | 1 | REAR ACTUATOR 4 | |
| 1-7 | LJ0665001 | 1 | REAR TRAY PCB ASSY | |
| 1-8 | LJ0110001 | 1 | REAR ACTUATOR 3 | |
| 1-9 | LJ0111001 | 1 | REAR TRAY ACTUATOR | |
| 1-10 | LJ0112001 | 1 | REAR TRAY ACTUATOR SPRING | |
| 1-11 | 087310815 | 1 | TAPTITE, CUP B M3X8 | |
| 1-12 | 085310815 | 2 | TAPTITE, BIND B M3X8 | |
| 1-13 | 048040346 | 2 | RETAINING RING, E4 | |
| 2 | 087320616 | 2 | TAPTITE, CUP S M3X8 | |

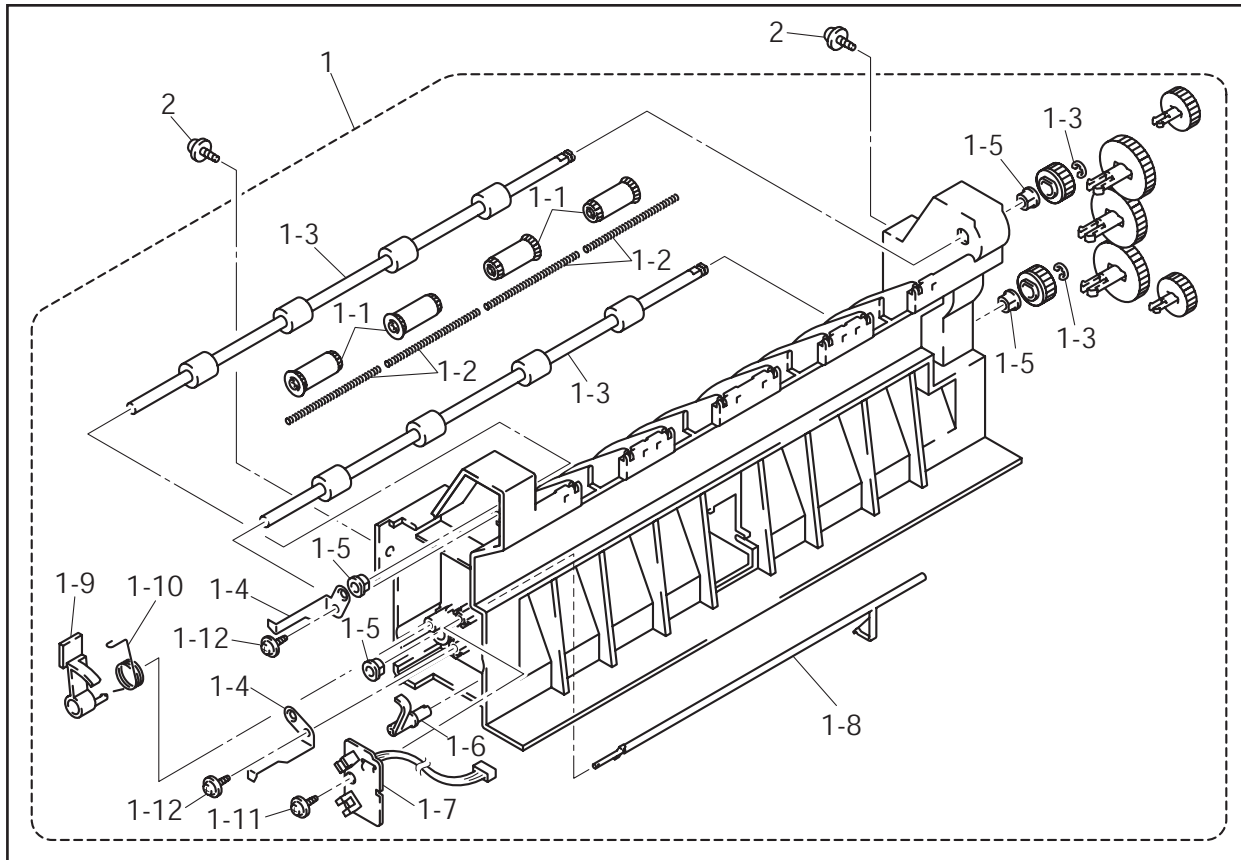
MODEL HL-2460/2460N 84T-U05/06-420

3. LASER UNIT



MODEL HL-2460 / 2460N 84T-U05/06-700

4. PAPER EJECT



MODEL HL-2460 / 2460N 84T-U05/06-420

5. PAPER FEED

| REF.NO. | CODE | Q'TY | DESCRIPTION | REMARK |
|---------|-----------|------|------------------------------|--|
| 1 | LJ0270001 | 1 | PAPER FEED ROLLER ASSY 45 *1 | *1 A component part of the PAPER FEEDING KIT. Refer to "18. PERIODICAL MAINTENANCE PARTS". |
| 2 | LJ0273001 | 1 | PE SENSOR ACTUATOR | |
| 3 | LJ8542001 | 1 | TRAY PE SENSOR PCB ASSY | |
| 4 | LJ0277001 | 2 | PAPER FEED ROLLER ASSY | |
| 5 | LJ0279001 | 6 | BEARING | |
| 6 | LJ0717001 | 1 | ONEWAY CLUTCH | |
| 7 | LJ0284001 | 4 | PAPER FEED ROLLER BEARING | |

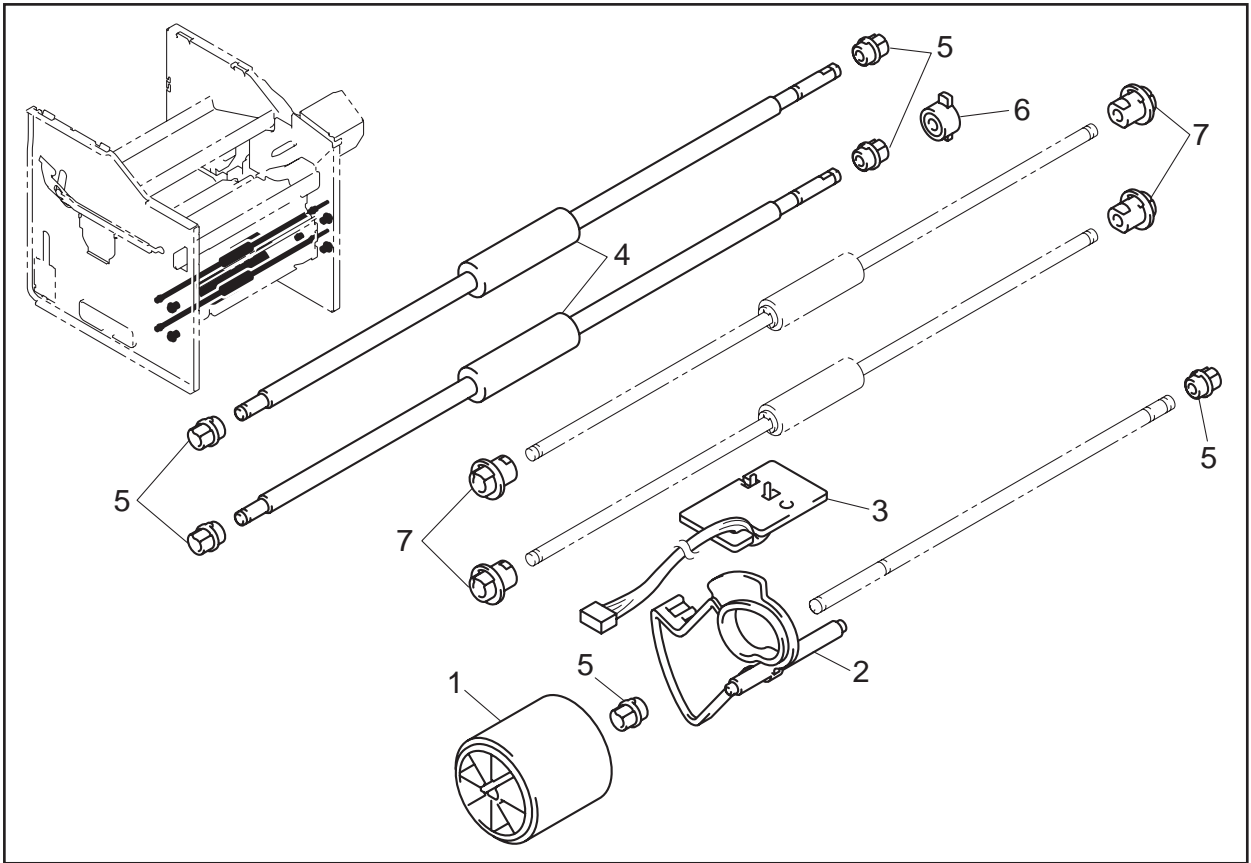
MODEL HL-2460/2460N 84T-U05/06-600

6. MP TRAY

| REF.NO. | CODE | Q'TY | DESCRIPTION | REMARK |
|---------|-----------|------|---------------------------|------------|
| 1 | LJ0295001 | 1 | SEPARATION PLATE ASSY MP | ADD ADD |
| 2 | LJ0298001 | 1 | SEPARATION PAD SPRING MP | |
| 3 | LJ0299001 | 1 | PLATE ASSY MP | |
| 4 | LJ0305001 | 2 | PLATE SPRING MP | |
| 5 | LJ0307001 | 1 | SOLENOID ASSY MP | |
| 6 | LJ0309001 | 1 | SOLENOID SPRING MP | |
| 7 | LJ0311001 | 1 | PAPER FEED ROLLER ASSY MP | |
| 8 | LJ0326001 | 1 | ROLLER COVER ASSY MP | |
| 8-1 | LJ8545001 | 1 | MP PE SENSOR PCB ASSY | |
| 8-2 | LJ0328001 | 1 | PE SENSOR ACTUATOR MP | |
| 8-3 | LJ0329001 | 1 | PE SENSOR ACTUATOR 2 MP | |
| 9 | LJ0330001 | 1 | TRAY ASSY MP | |
| 10 | LJ0334001 | 1 | TRAY COVER ASSY MP | |
| 10-1 | LJ0337001 | 2 | TRAY COVER ROCK SPRING | |
| 11 | 085310815 | 2 | TAPTITE, BIND B M3X8 | |
| 12 | 085320816 | 1 | TAPTITE, BIND S M3X8 | |
| 13 | LJ0317001 | 1 | PLATE CAM MPR | |
| 14 | LJ0323001 | 1 | PLATE CAM L | |

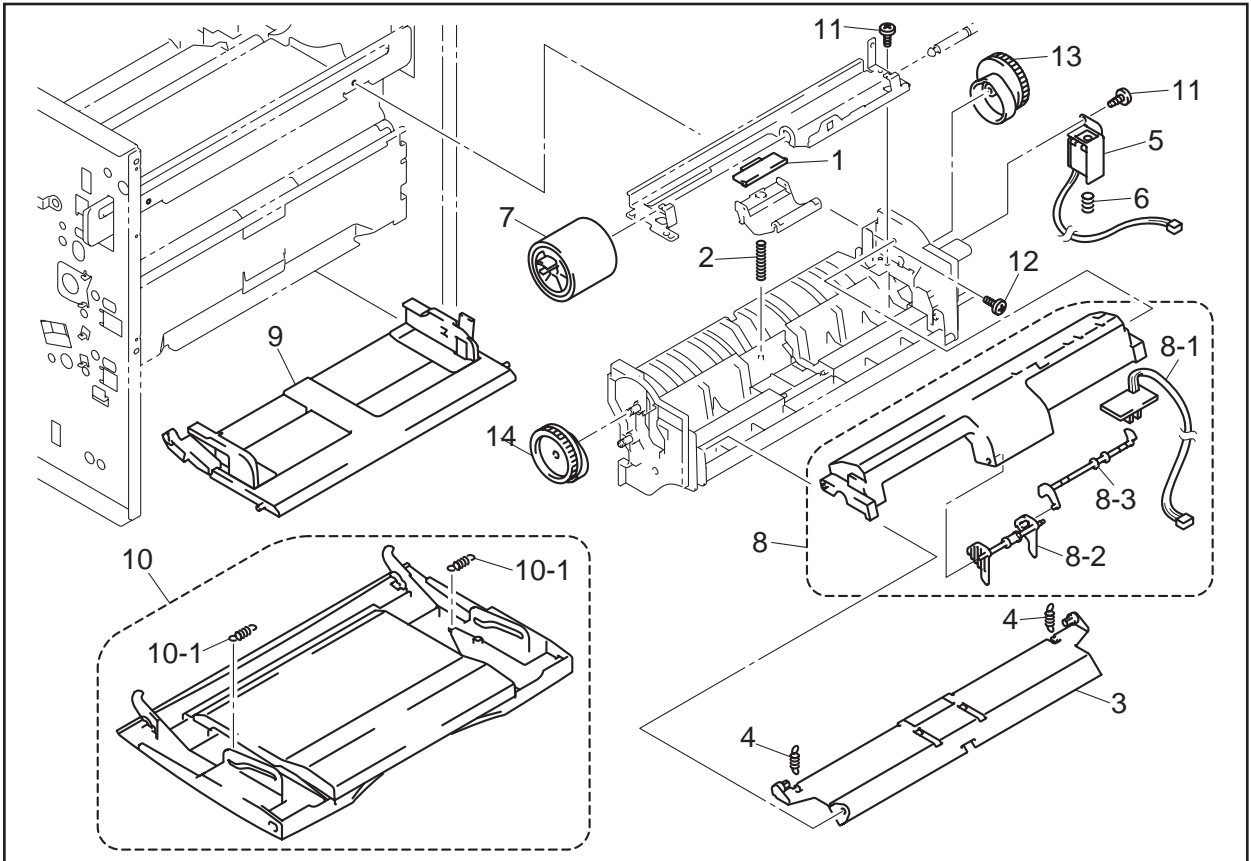
MODEL HL-2460/2460N 84T-U05/06-630

5. PAPER FEED



MODEL HL-2460/2460N 84T-U05/06-600

6. MP TRAY

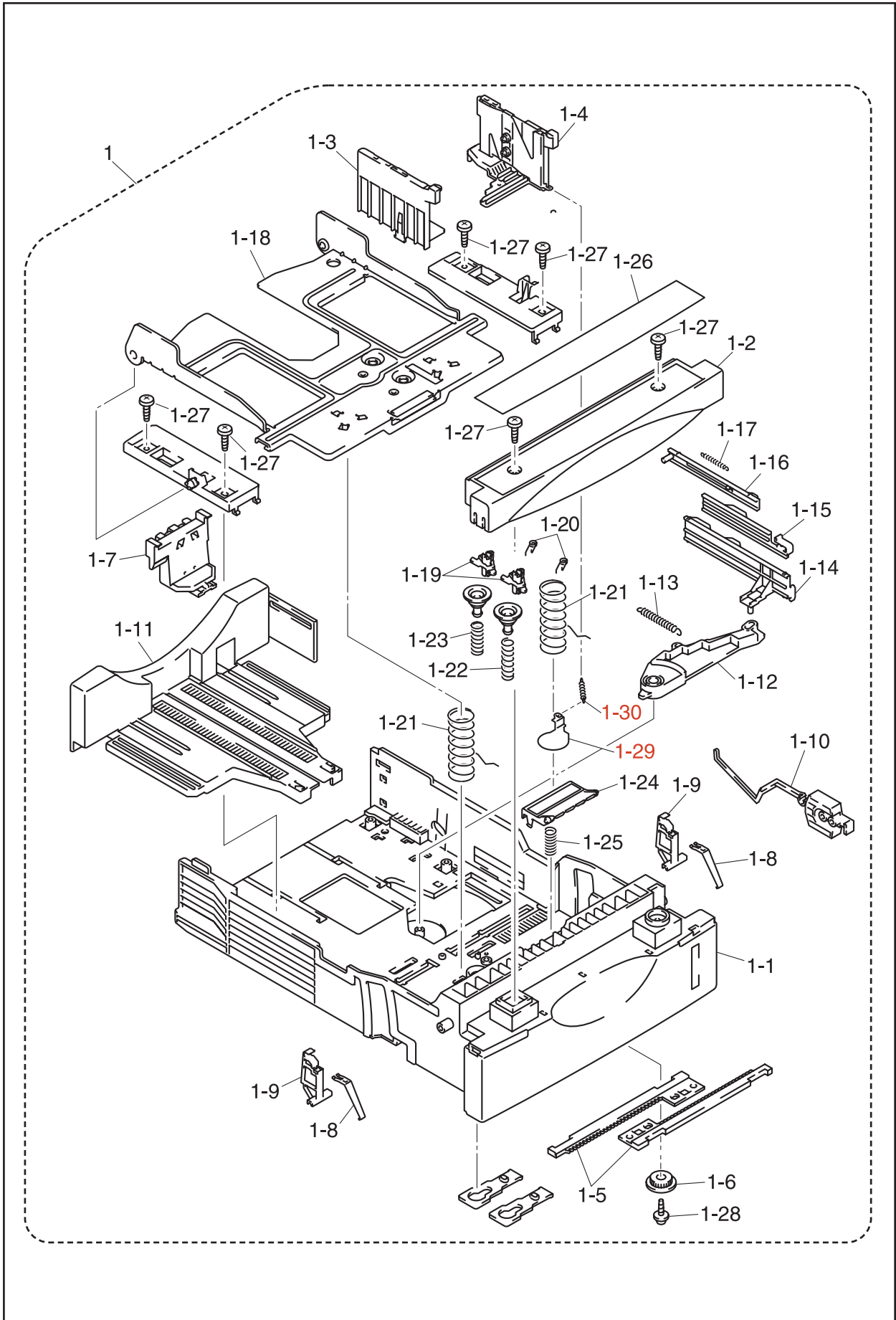


MODEL HL-2460 / 2460N 84T-U05/06-630

7. PAPER TRAY

| REF.NO. | CODE | Q'TY | DESCRIPTION | REMARK |
|---------|-----------|------|------------------------------|---|
| 1 | LJ1732001 | 1 | PAPER TRAY UNIT (SP) | NAME CHG |
| 1-1 | LJ0340001 | 1 | BASE TRAY | |
| 1-2 | LJ0228001 | 1 | PAPER TRAY COVER | |
| 1-3 | LJ0341001 | 1 | SIDE GUIDE L | |
| 1-4 | LJ0729001 | 1 | SIDE GUIDE R ASSY *3 | chg |
| 1-5 | LJ0819001 | 2 | SIDE GUIDE RACK 2 | |
| 1-6 | UL9081001 | 1 | SIDE GUIDE GEAR | |
| 1-7 | LJ1649001 | 1 | REAR GUIDE ASSY 2 | chg |
| 1-8 | LJ0347001 | 2 | SUPPORTER STOPPER SPRING | |
| 1-9 | LJ0348001 | 2 | SUPPORTER STOPPER L | |
| 1-10 | LJ0350001 | 1 | PAPER INDICATOR | |
| 1-11 | LJ0351001 | 1 | EX REAR TRAY | |
| 1-12 | LJ1660001 | 1 | SIZE DETECTION LINK 2 *3 | chg |
| 1-13 | LJ0358001 | 1 | SIZE DETECTION LINK SPRNG | |
| 1-14 | LJ0359001 | 1 | SIZE DETECTION CAM *3 | |
| 1-15 | LJ0360001 | 1 | TRAY 1D DETECTION CAM | |
| 1-16 | LJ0361001 | 1 | LTR/LGL DETECTION CAM | |
| 1-17 | LJ0362001 | 1 | LTR/LGL DETECTION CAM SPRING | |
| 1-18 | LJ1570001 | 1 | PLATE UNIT | |
| 1-19 | LJ0370001 | 2 | PLATE SPRING CHANGEOVER KNOB | |
| 1-20 | LJ0722001 | 2 | PLATE SPRING | |
| 1-21 | LJ0371001 | 2 | PLATE SPRING A | |
| 1-22 | LJ0372001 | 1 | PLATE SPRING C | |
| 1-23 | LJ0373001 | 1 | PLATE SPRING D | |
| 1-24 | LJ0374001 | 1 | SEPARATION PAD ASSY *2 | *2 A component part of the PAPER FEEDING KIT. Refer to "18. PERIODICAL MAINTENANCE PARTS". |
| 1-25 | LJ0377001 | 1 | SEPARATION PAD SPRING | |
| 1-26 | LJ0809001 | 1 | PAPER TRAY LABEL | |
| 1-27 | 085411015 | 6 | TAPTITE, BIND B M4X10 | |
| 1-28 | UU0552001 | 1 | TAPTITE, CUP B 3X8 | |
| 1-29 | LJ1338001 | 1 | SGR GROUND PLATE *3 | *3 When SIDE GUIDE R ASSY needs to be replaced, be sure to replace SIZE DETECTION CAM, SIZE DETECTION LINK 2, SGR GROUND PLATE and SGR EXTENSION SPRING at the same time. |
| 1-30 | LJ1339001 | 1 | SGR EXTENSION SPRING *3 | |

MODEL HL-2460/2460N 84T-U05/06-650



MODEL HL-2460/2460N 84T-U05/06-650

T/I NO. PR2002095

8. FIXING UNIT

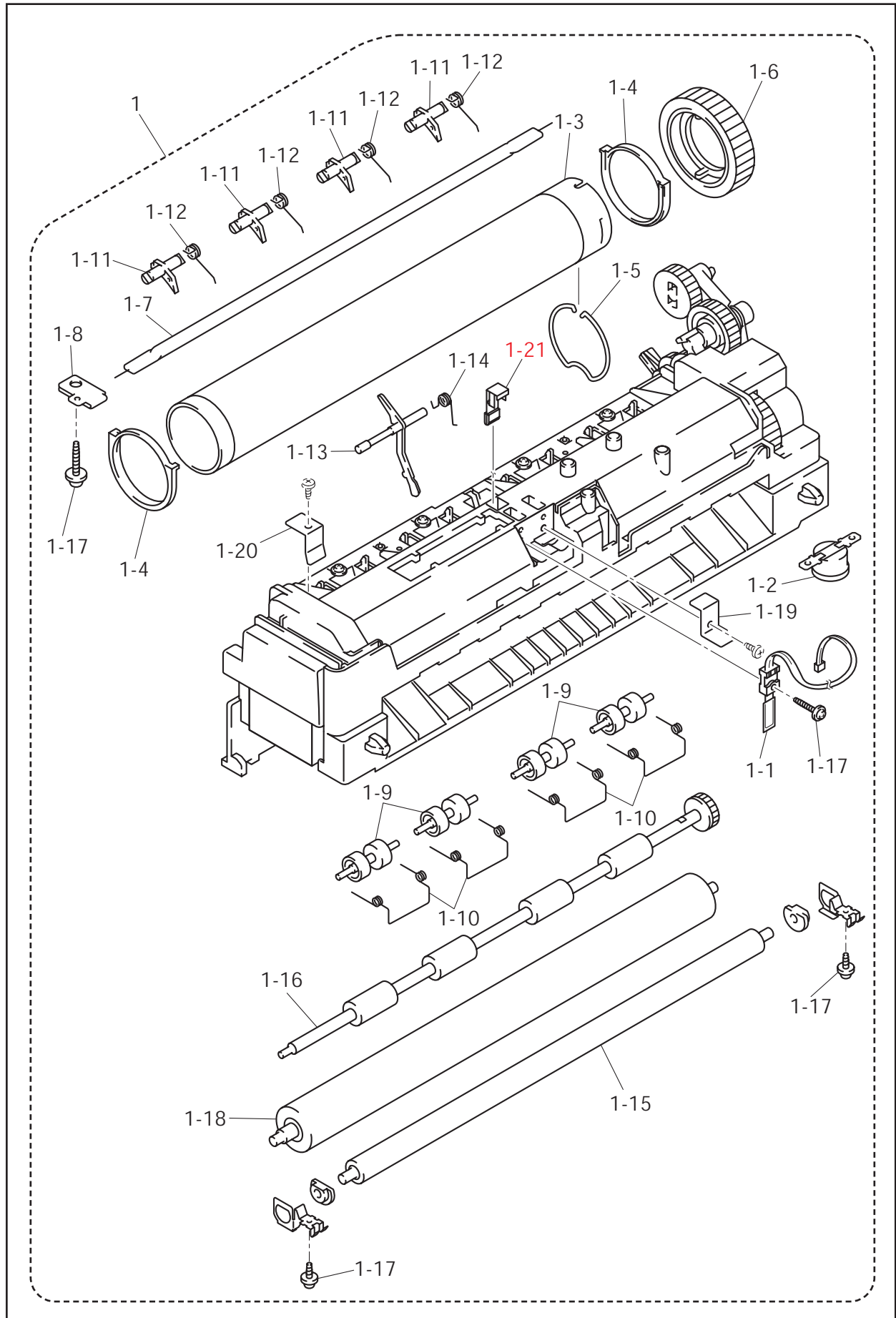
PR2002162

| REF.NO. | CODE | Q'TY | DESCRIPTION | REMARK |
|---------|-----------|------|---------------------------------|--------|
| 1 | LJ0959001 | 1 | FIXING UNIT, 115V (SP) | |
| 1 | LJ0963001 | 1 | FIXING UNIT, 230V (SP) | |
| 1 | LJ1950001 | 1 | FIXING UNIT, 115V NO-TONER (SP) | ADD |
| 1-1 | LJ0994001 | 1 | THERMISTOR ASSY B | |
| 1-2 | LJ0402001 | 1 | THERMOSTAT | |
| 1-3 | LJ1751001 | 1 | HEAT ROLLER 34 (SP) | |
| 1-4 | LJ0411001 | 2 | H/R BEARING 34 | |
| 1-5 | LJ0412001 | 1 | HEAT ROLLER STOP RING | |
| 1-6 | LJ0413001 | 1 | H/R GEAR 30 | |
| 1-7 | LJ0966001 | 1 | FIXING HEATER 115 ASSY (SP) | |
| 1-7 | LJ0967001 | 1 | FIXING HEATER 230 ASSY (SP) | |
| 1-8 | LJ0415001 | 1 | POWER FEED PLATE | |
| 1-9 | LJ0772001 | 4 | EJECT PRESSURE ROLLER F | |
| 1-10 | LJ0424001 | 4 | PRESSURE SPRING | |
| 1-11 | LJ0427001 | 4 | SEPARATE PAWL | |
| 1-12 | LJ0428001 | 4 | SEPARATE PAWL SPRING | |
| 1-13 | LJ0429001 | 1 | FU ACTUATOR | |
| 1-14 | LJ0430001 | 1 | FU ACTUATOR SPRING | |
| 1-15 | LJ0773001 | 1 | CLEANER ROLLER ASSY | |
| 1-16 | LJ0109001 | 1 | EJECT ROLLER ASSY | |
| 1-17 | 087311415 | 2 | TAPTITE, CUP B M3X14 | |
| 1-18 | LJ0435001 | 1 | PRESSURE ROLLER | add |
| 1-19 | LJ1775001 | 1 | CENTER SEAL | add |
| 1-20 | LJ1776001 | 1 | SIDE SEAL | add |
| 1-21 | LJ1902001 | 1 | CLEANER ASSY HR (MICR:US ONLY) | add |

MODEL HL-2460/2460N 84T-U05/06-770

T/I NO. PR2002146 / PR2002162

8. FIXING UNIT

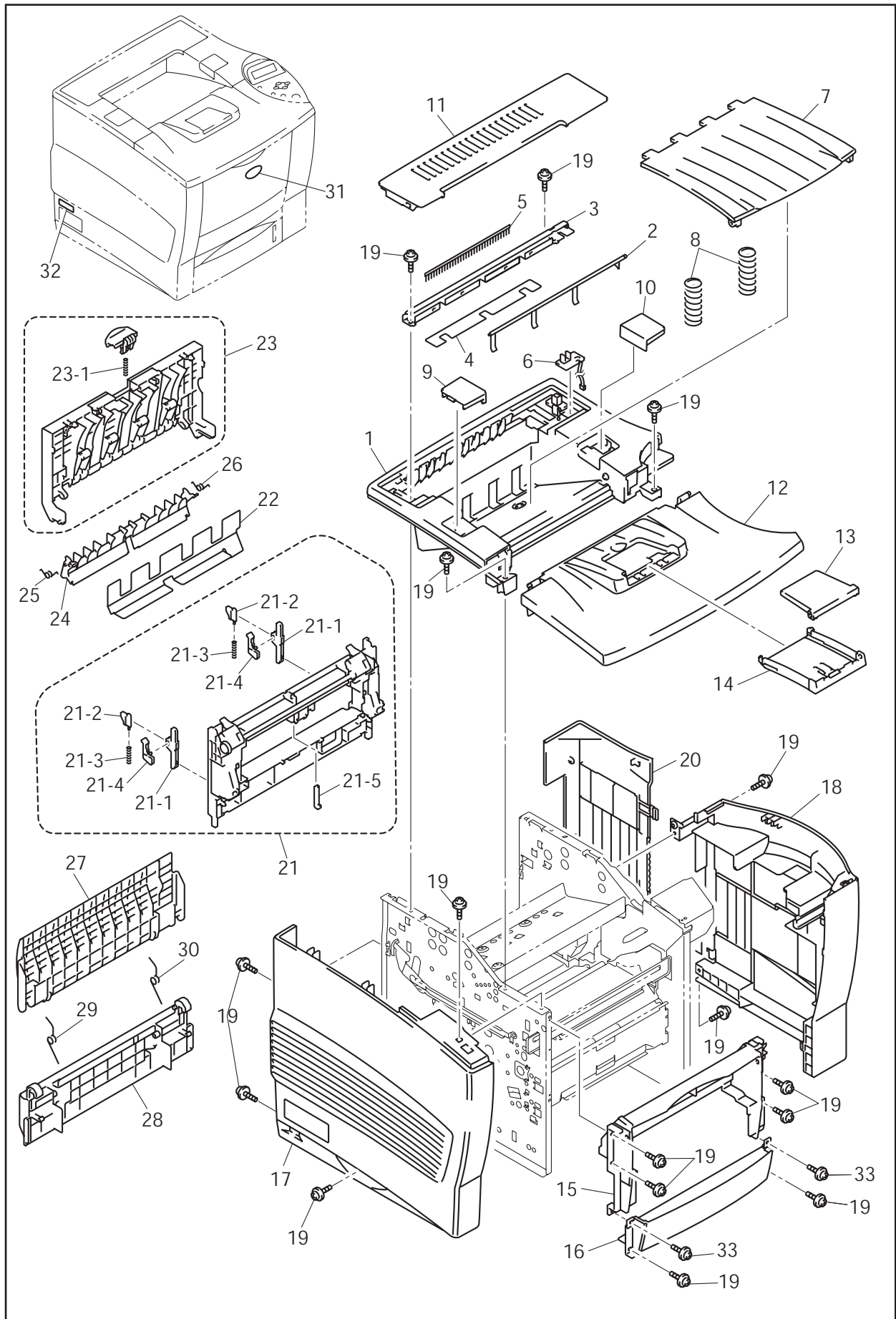


MODEL HL-2460/2460N 84T-U05/06-770

9. COVERS / LABELS

| REF.NO. | CODE | Q'TY | DESCRIPTION | REMARK |
|---------|-----------|------|------------------------------|--------|
| 1 | LJ0062001 | 1 | TOP COVER | |
| 2 | LJ0063001 | 1 | PAPER ACTUATOR | |
| 3 | LJ1779001 | 1 | ACTUATOR PLATE | chng |
| 4 | LJ0830001 | 1 | ACTUATOR PLATE FILM | |
| 5 | LJ0065001 | 1 | EJECT DISCHARGING BRUSH | |
| 6 | LJ8522001 | 1 | FULL SENSOR PCB ASSY | |
| 7 | LJ0066001 | 1 | SWING PAPER TRAY | |
| 8 | LJ0067001 | 2 | SWING PAPER TRAY SPRING | |
| 9 | LJ0068001 | 1 | MX CAP B | |
| 10 | LJ0069001 | 1 | MX CAP C | |
| 11 | LJ0070001 | 1 | MX CAP A | |
| 12 | LJ0071001 | 1 | OPEN COVER | |
| 13 | UH1540001 | 1 | PAPER STOPPER | |
| 14 | UH1541002 | 1 | PAPER STOPPER GUIDE | |
| 15 | LJ0072001 | 1 | FRONT COVER 1 | |
| 16 | LJ0073001 | 1 | FRONT COVER 2 | |
| 17 | LJ0074001 | 1 | SIDE COVER L | |
| 18 | LJ0075001 | 1 | SIDE COVER R 1 | |
| 19 | 087320816 | 16 | TAPTITE, CUP S M3X8 | |
| 20 | LJ0076001 | 1 | SIDE COVER R 2 | |
| 21 | LJ0077001 | 1 | REAR COVER ASSY | |
| 21-1 | LJ0899001 | 2 | RELEASE ROD EVE | |
| 21-2 | LJ0892001 | 2 | SLIDER | |
| 21-3 | LJ0860001 | 2 | EVE SPRING | |
| 21-4 | LJ0940001 | 2 | EVE CHANGE LEVER | |
| 21-5 | LJ1819001 | 1 | REAR ACTUATOR 2P | ADD |
| 22 | LJ0913001 | 1 | REAR FILM | |
| 23 | LJ1602001 | 1 | REAR TRAY ASSY 2 | |
| 23-1 | LJ0093001 | 1 | ROCK SPRING | |
| 24 | LJ0094001 | 1 | FLAP | |
| 25 | LJ0095001 | 1 | FLAP SPRING L | |
| 26 | LJ0096001 | 1 | FLAP SPRING R | |
| 27 | LJ1654001 | 1 | FU PROTECTION COVER UPPER | |
| 28 | LJ1655001 | 1 | FU PROTECTION COVER LOWER | |
| 29 | LJ0806001 | 1 | FU PROTECTION COVER SPRING L | |
| 30 | LJ0807001 | 1 | FU PROTECTION COVER SPRING R | |
| 31 | LJ5030001 | 1 | BROTHER EMBLELM | |
| 32 | UH0905001 | 1 | PATENT LABEL | |
| 32 | LJ4421001 | 1 | MARKING LABEL N/S | |
| 32 | LJ4541001 | 1 | HOT LINE LABEL | |
| 32 | UH3297001 | 1 | C-TICK MARK(HL-2460 only) | |
| 33 | 087321015 | 2 | TAPTITE, CUP S M3X10 | |

9. COVERS / LABELS



MODEL HL-2460/2460N 84T-U05/06-400/670

10. SWITCH PANEL

| REF.NO. | CODE | Q'TY | DESCRIPTION | REMARK |
|---------|-----------|------|------------------------------------|--------|
| 1 | LJ0098001 | 1 | SW PANEL UNIT (HL-2460 only) | |
| 1 | LJ1004001 | 1 | SW PANEL N UNIT (HL-2460N only) | |
| 1 | LJ0982001 | 1 | SW PANEL UNIT NB (HL-2460 only) | |
| 1-1 | LJ0849001 | 1 | PRINTED PANEL COVER | |
| 1-2 | LJ0100001 | 1 | LCD HOLDER | |
| 1-3 | LJ0456001 | 1 | DIFFUSION FILM | |
| 1-4 | LJ5296001 | 1 | PANEL LIGHT GUIDE | |
| 1-5 | LJ5297001 | 1 | KEY | |
| 1-6 | LJ5298001 | 1 | KEY TOP A | |
| 1-7 | LJ5299001 | 1 | KEY TOP B | |
| 1-8 | LJ0103001 | 1 | PANEL REAR COVER | |
| 1-9 | LJ8525001 | 1 | PANEL PCB ASSY | |
| 1-10 | LJ8529001 | 1 | LCD:LMG16D2 | |
| 1-11 | LJ8362001 | 1 | BACK LIGHT PCB ASSY | |
| 1-12 | LJ0730001 | 1 | CLEAR PANEL ASSY (HL-2460 only) | |
| 1-12 | LJ0983001 | 1 | CLEAR PANEL ASSY NB (HL-2460 only) | |
| 1-12 | LJ1005001 | 1 | CLEAR PANEL N ASSY (HL-2460N only) | |
| 1-13 | 087310816 | 5 | TAPTITE, CUP B M3X8 | |

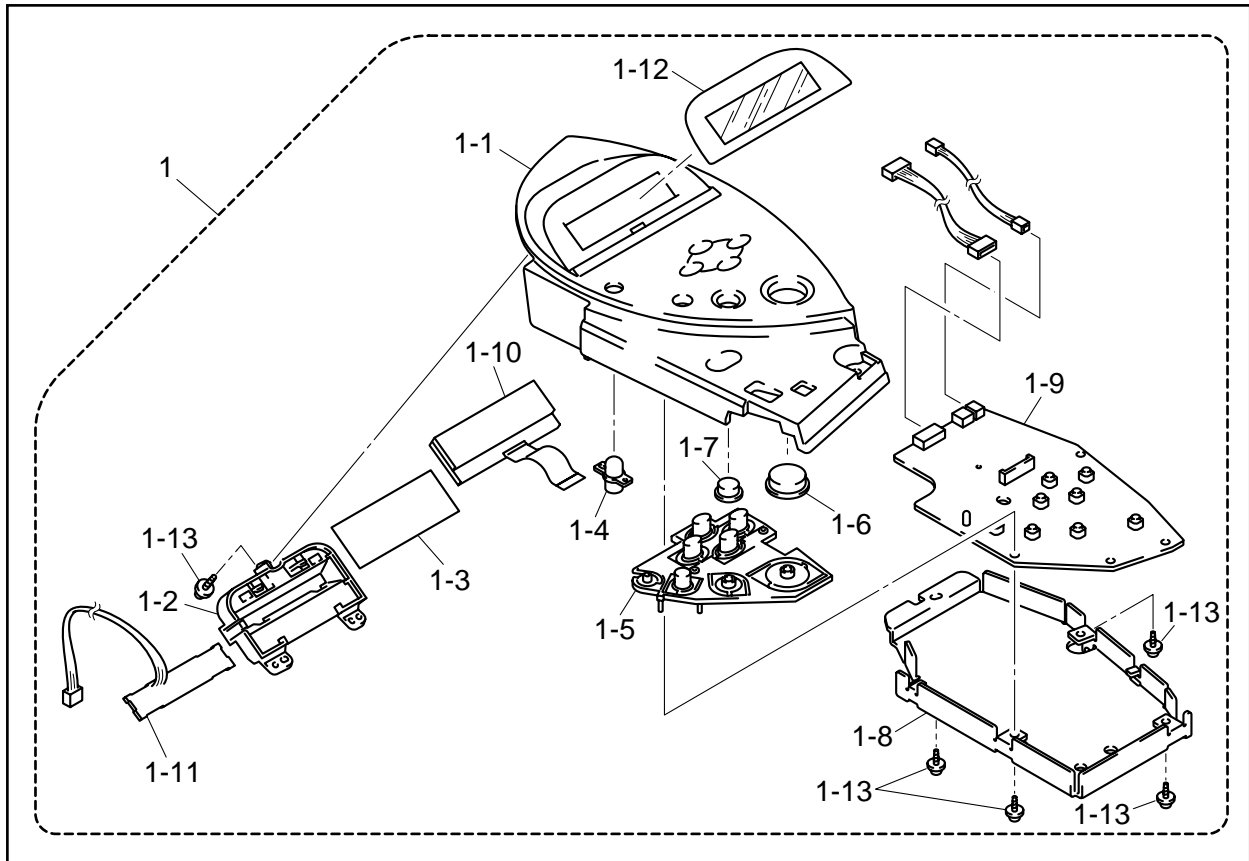
MODEL HL-2460/2460N 84T-U05/06-410

11. MAIN PCB

| REF.NO. | CODE | Q'TY | DESCRIPTION | SYMBOL | REMARK |
|---------|-----------|------|------------------------------|--------------|--------|
| 1 | LJ8926001 | 1 | MAIN PCB ASSY, HL-2460 | B512088-201B | chg |
| 1 | LJ9342001 | 1 | MAIN PCB ASSY FLASH, HL-2460 | B512120 | ADD |
| 2 | LJ8905001 | 1 | DIMM 16M | | |

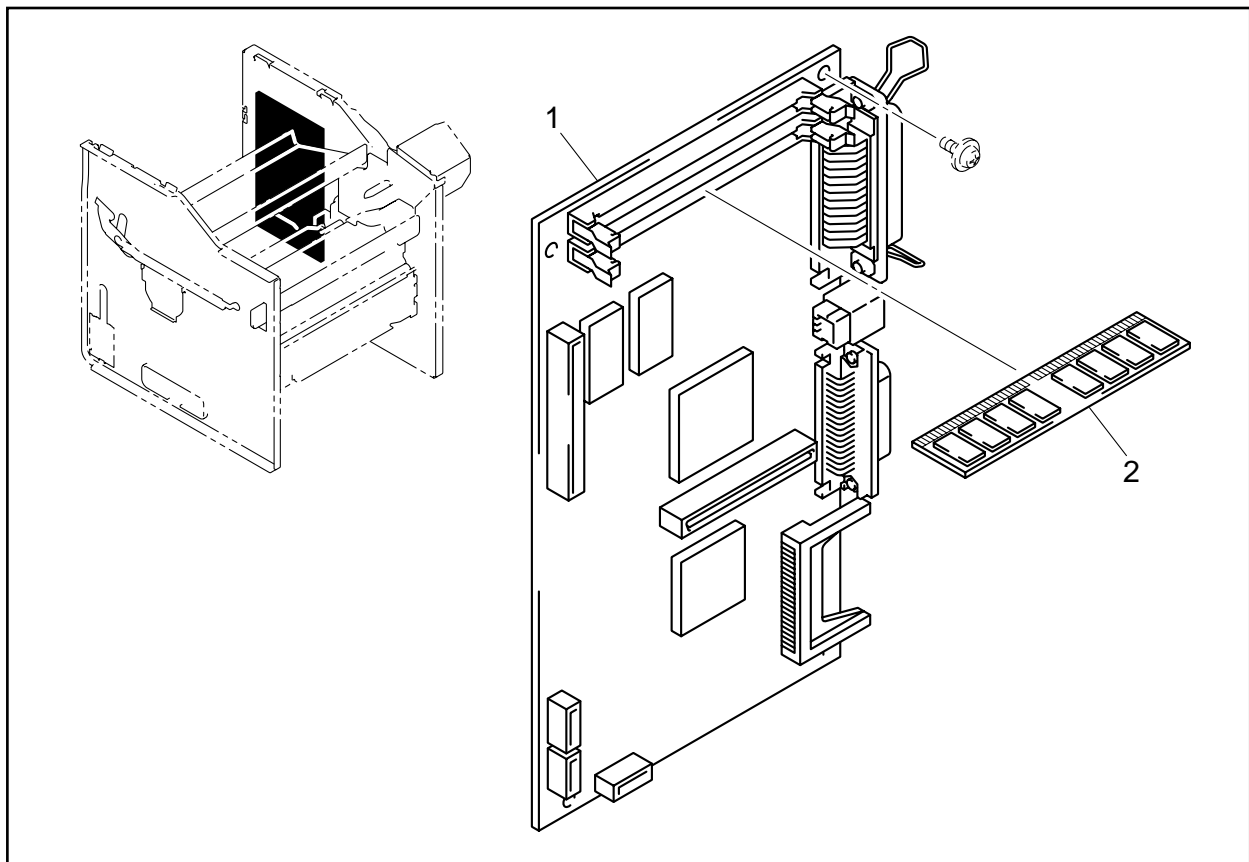
MODEL HL-2460/2460N 84T-U05/06-103

10. SWITCH PANEL



MODEL HL-2460 / 2460N 84T-U05/06-410

11. MAIN PCB



MODEL HL-2460 / 2460N 84T-U05/06-103

12. ENGINE PCB

| REF.NO. | CODE | Q'TY | DESCRIPTION | SYMBOL | REMARK |
|---------|-----------|------|--------------------------------|--------------|----------|
| 1 | LJ8501001 | 1 | ENGINE PCB ASSY, 2460 | B512088-200M | Rev.CHNG |
| 1 | LJ9299001 | 1 | ENGINE PCB ASSY, HL-2460 FLASH | 201A | |
| 2 | LJ0821001 | 1 | ENGINE PCB SUPPORT | | |

MODEL HL-2460/2460N 84T-U05/06-104

PCI No. PrPn020012/

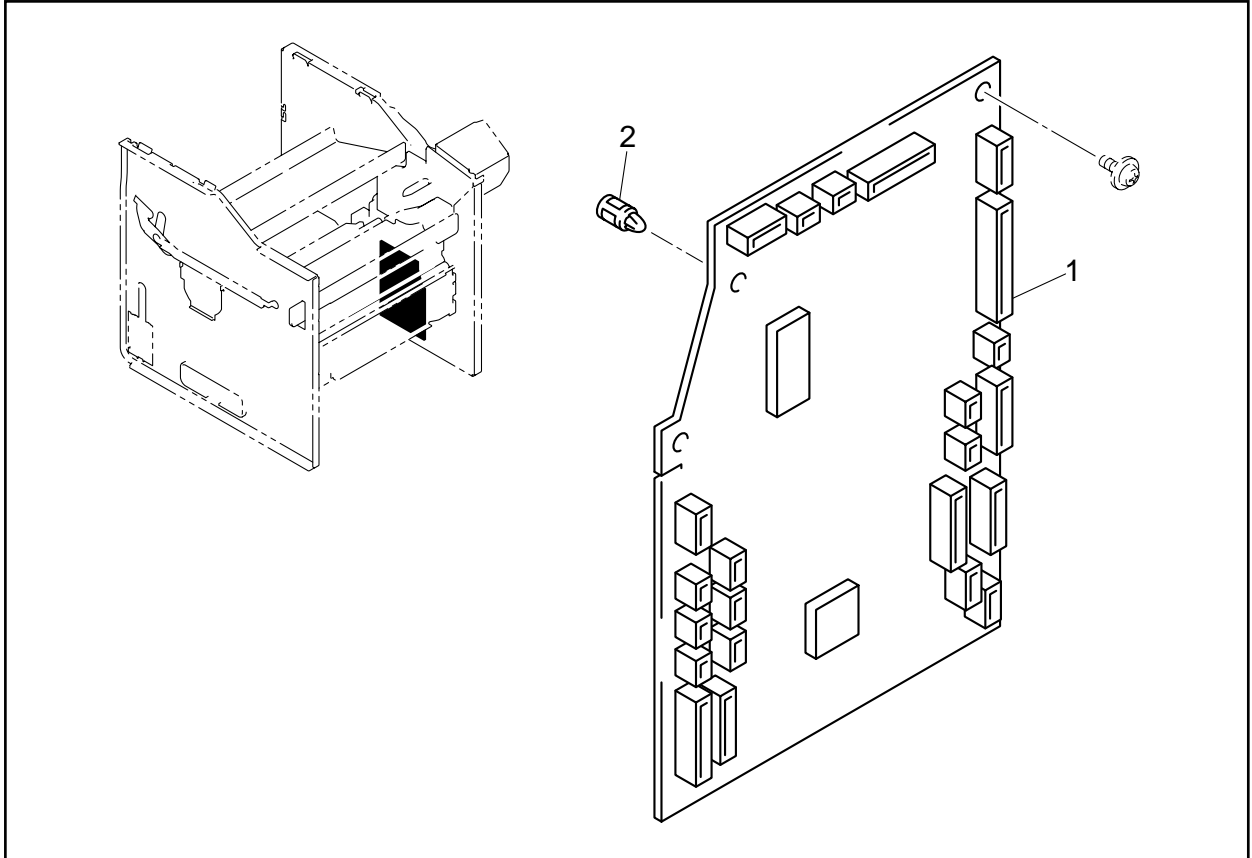
13. HIGH-VOLTAGE POWER SUPPLY PCB

PR2002170

| REF.NO. | CODE | Q'TY | DESCRIPTION | SYMBOL | REMARK |
|---------|-----------|------|-----------------------|--------|----------|
| 1 | LJ8519001 | 1 | HVPS PCB ASSY, 2460 | A | Rev.CHNG |
| 2 | LJ0051001 | 1 | TRANSFER PLATE | | |
| 3 | 087320616 | 1 | TAPTITE, CUP S M3X6 | | |
| 4 | 085411015 | 2 | TAPTITE, BIND B M4X10 | | |

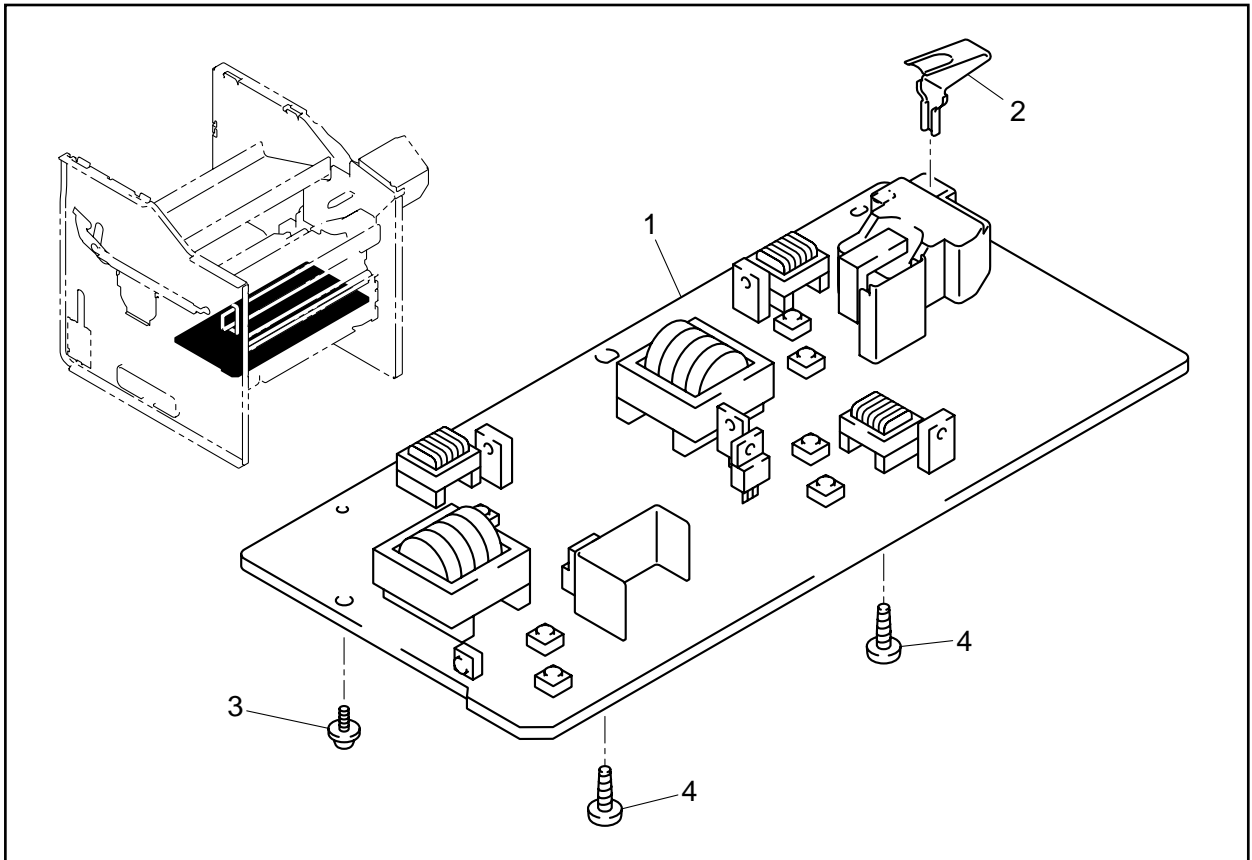
MODEL HL-2460/2460N 84T-U05/06-200

12. ENGINE PCB



MODEL HL-2460/2460N 84T-U05/06-104

13. HIGH-VOLTAGE POWER SUPPLY PCB



MODEL HL-2460/2460N 84T-U05/06-200

14. LOW-VOLTAGE POWER SUPPLY PCB

| REF.NO. | CODE | Q'TY | DESCRIPTION | SYMBOL | REMARK |
|---------|-----------|------|-------------------------------|--------|--------|
| 1 | LJ9134001 | 1 | LVPS PCB ASSY 2460, 115V (SP) | | add |
| 1 | LJ9135001 | 1 | LVPS PCB ASSY 2460, 230V (SP) | | add |
| 1-1 | LJ8551001 | 1 | MAIN LVPS PCB ASSY 2460, 115V | | |
| 1-1 | LJ8520001 | 1 | MAIN LVPS PCB ASSY 2460, 230V | | |
| 1-2 | LJ0457001 | 1 | INLET UNIT 2460, 115V | | |
| 1-2 | LJ0052001 | 1 | INLET UNIT 2460, 230V | | |

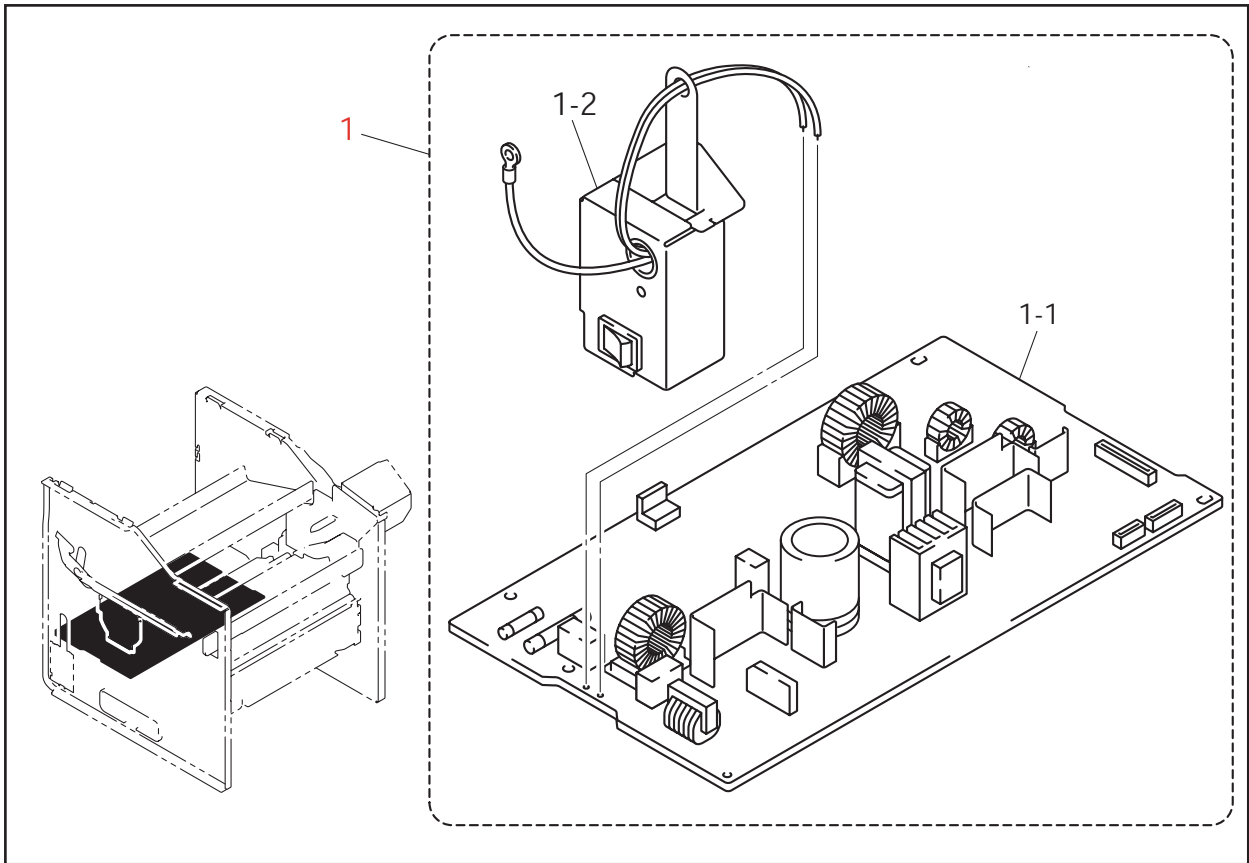
MODEL HL-2460/2460N 84T-U05/06-300

15. AC CORDS

| REF.NO. | CODE | Q'TY | DESCRIPTION | SYMBOL | REMARK |
|---------|-----------|------|---|--------|--------|
| 1A | LJ9271001 | 1 | AC CORD, UL/CSA | | CHG |
| 1B | LJ9666001 | 1 | AC CORD LF, SAA | | chg |
| 1C | UK4502001 | 1 | AC CORD ASSY, SEV | | |
| 1D | UK4099001 | 1 | AC CORD, CHLI (HL-2460 only) | | |
| 1E | UH1054001 | 1 | AC CORD, BS | | |
| 1F | U34322001 | 1 | AC CORD #6, ISRAEL | | |
| 1G | UK4094001 | 1 | AC CORD, DEMKO | | |
| 1H | UK4501001 | 1 | AC CORD ASSY, VDE | | |
| 1I | LJ8288001 | 1 | AC CORD ASSY, SOUTH AFRICA (HL-2460 only) | | |
| 1J | LJ9921001 | 1 | AC CORD ASSY LF, BS/PSB | | chg |

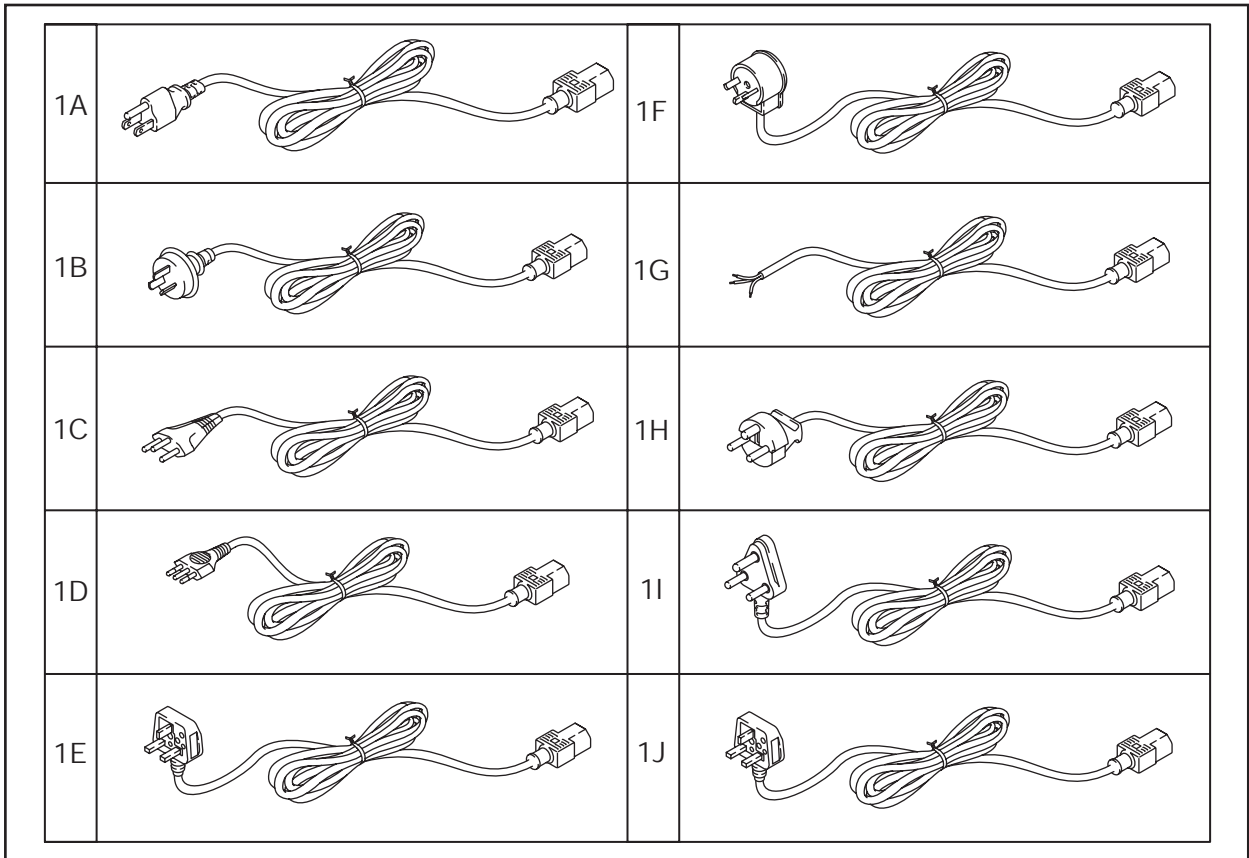
MODEL HL-2460/2460N 84T-U05/06-050

14. LOW-VOLTAGE POWER SUPPLY PCB



MODEL HL-2460/2460N 84T-U05/06-300

15. AC CORDS



MODEL HL-2460/2460N 84T-U05/06-050

16. ACCESSORIES

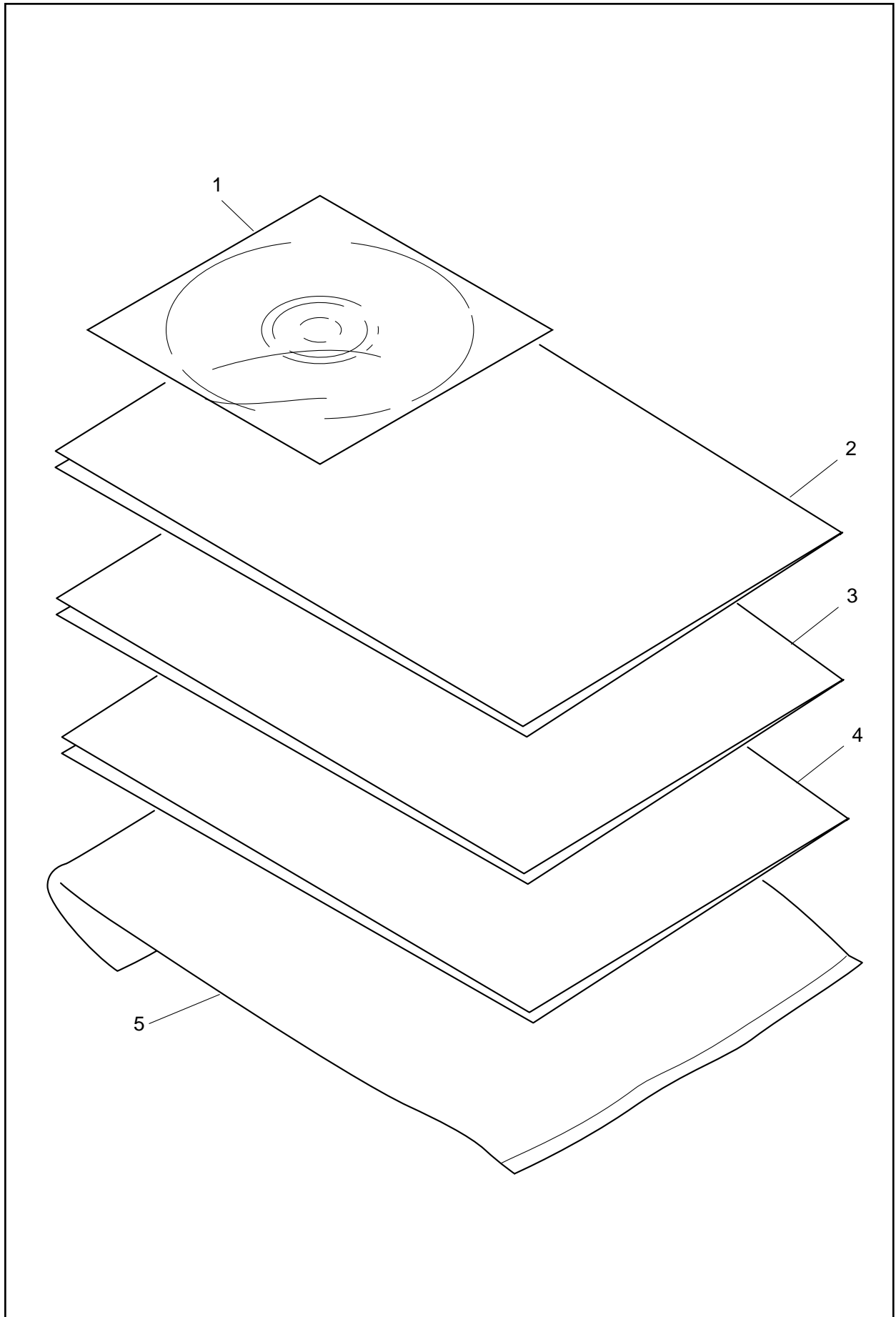
PR2002115

| REF.NO. | CODE | Q'TY | DESCRIPTION | REMARK |
|---------|----------------------|------|---------------------------|--------|
| 1 | LJ1006001 | 1 | CD ASSY | Ver.C |
| 2 | LJ1036001 | 4 | SOFT GUIDE US | DEL |
| 2 | LJ1029001 | 4 | SOFT GUIDE FRA | DEL |
| 2 | LJ1037001 | 4 | SOFT GUIDE GER | DEL |
| 2 | LJ1033001 | 4 | SOFT GUIDE NOR | DEL |
| 2 | LJ1030001 | 4 | SOFT GUIDE NL | DEL |
| 2 | LJ1035001 | 4 | SOFT GUIDE DEN | DEL |
| 2 | LJ1032001 | 4 | SOFT GUIDE SPA | DEL |
| 2 | LJ1031001 | 4 | SOFT GUIDE ITA | DEL |
| 2 | LJ1034001 | 4 | SOFT GUIDE SWE | DEL |
| 2 | LJ1574001 | 1 | SET UP GUIDE USA | ADD |
| 2 | LJ1575001 | 1 | SET UP GUIDE GER | ADD |
| 2 | LJ1576001 | 1 | SET UP GUIDE FRE | ADD |
| 2 | LJ1577001 | 1 | SET UP GUIDE DUT | ADD |
| 2 | LJ1578001 | 1 | SET UP GUIDE ITA | ADD |
| 2 | LJ1579001 | 1 | SET UP GUIDE SPA | ADD |
| 2 | LJ1580001 | 1 | SET UP GUIDE NOR | ADD |
| 2 | LJ1581001 | 1 | SET UP GUIDE SWE | ADD |
| 2 | LJ1582001 | 1 | SET UP GUIDE DEN | ADD |
| 3 | LJ1583001 | 1 | NETWORK SET UP GUIDE US | |
| 3 | LJ1585001 | 1 | NETWORK SET UP GUIDE FRA | |
| 3 | LJ1584001 | 1 | NETWORK SET UP GUIDE GER | |
| 3 | LJ1589001 | 1 | NETWORK SET UP GUIDE NOR | |
| 3 | LJ1591001 | 1 | NETWORK SET UP GUIDE DEN | |
| 3 | LJ1588001 | 1 | NETWORK SET UP GUIDE SPA | |
| 3 | LJ1587001 | 1 | NETWORK SET UP GUIDE ITA | |
| 3 | LJ1590001 | 1 | NETWORK SET UP GUIDE SWE | |
| 3 | LJ1586001 | 1 | NETWORK SET UP GUIDE DUT | |
| 4 | LJ4961001 | 1 | BAG, 215X350H | |

MODEL HL-2460/2460N 84T-U05/06-920

T/I NO. PR2001136 / PR2002079 / PR2002115

16. ACCESSORIES



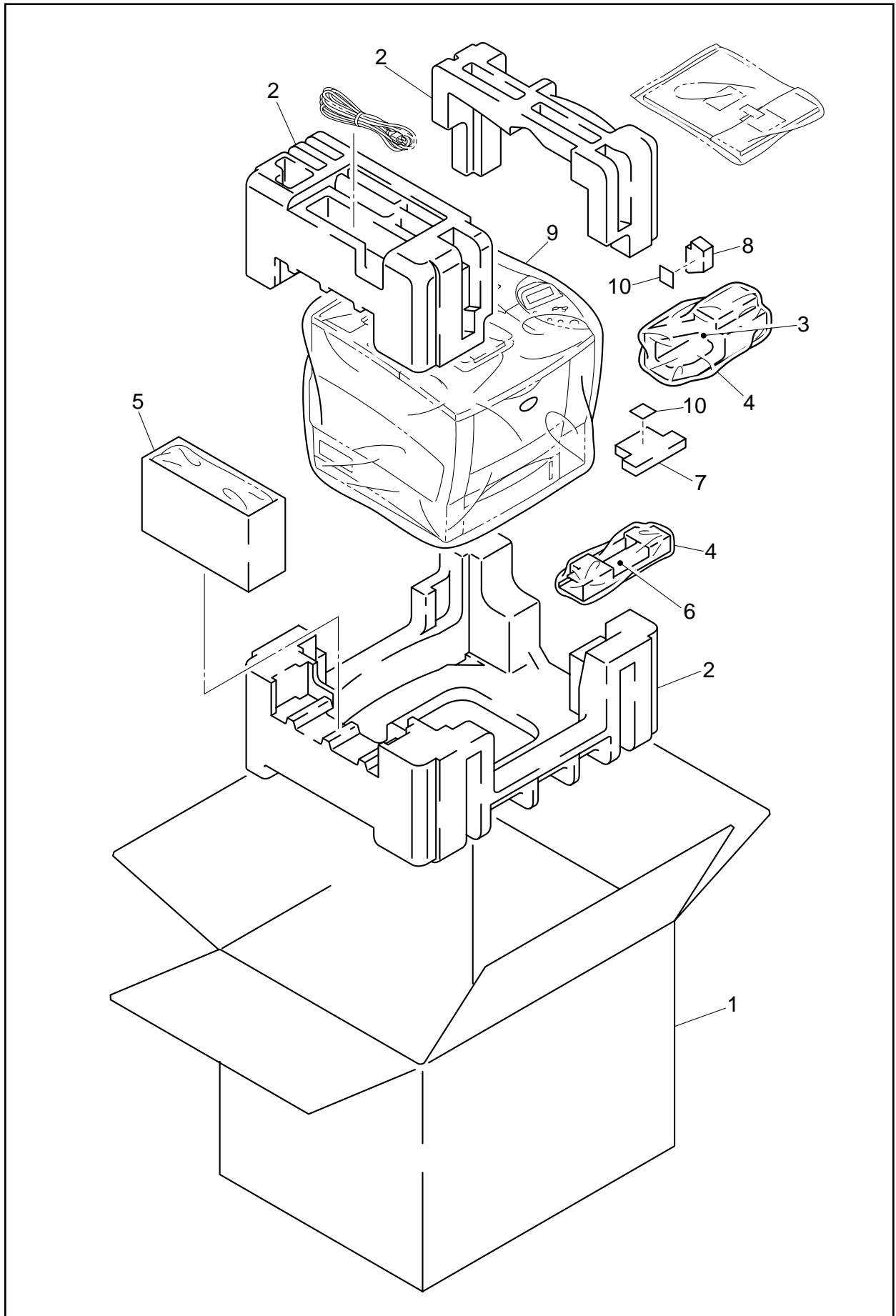
MODEL HL-2460/2460N 84T-U05/06-920

17. PACKING MATERIALS

| REF.NO. | CODE | Q'TY | DESCRIPTION | REMARK |
|---------|-----------|------|-------------------------|--------|
| 1 | LJ0879001 | 1 | CARTON, HL-2460 | |
| 1 | LJ0972001 | 1 | CARTON, HL-2460 NB | |
| 1 | LJ1002001 | 1 | CARTON, HL-2460N | |
| 2 | LJ0445001 | 1 | STYROFOAM ASSY | |
| 3 | LJ0851001 | 1 | PLATE HOLDER SF | |
| 4 | LJ0900001 | 2 | BAG, 300X360H | |
| 5 | LJ0856001 | 1 | CARTRIDGE CARTON | |
| 6 | LJ0449001 | 1 | TRAY HOLD PAD | |
| 7 | LJ0973001 | 1 | SPACER MP | |
| 8 | LJ0852001 | 1 | SWING PAPER TRAY HOLDER | |
| 9 | LJ0763001 | 1 | BAG, 1000X1000H | |
| 10 | X60267002 | 2 | RECYCLE LABEL | |

MODEL HL-2460/2460N 84T-U05/06-930

17. PACKING MATERIALS



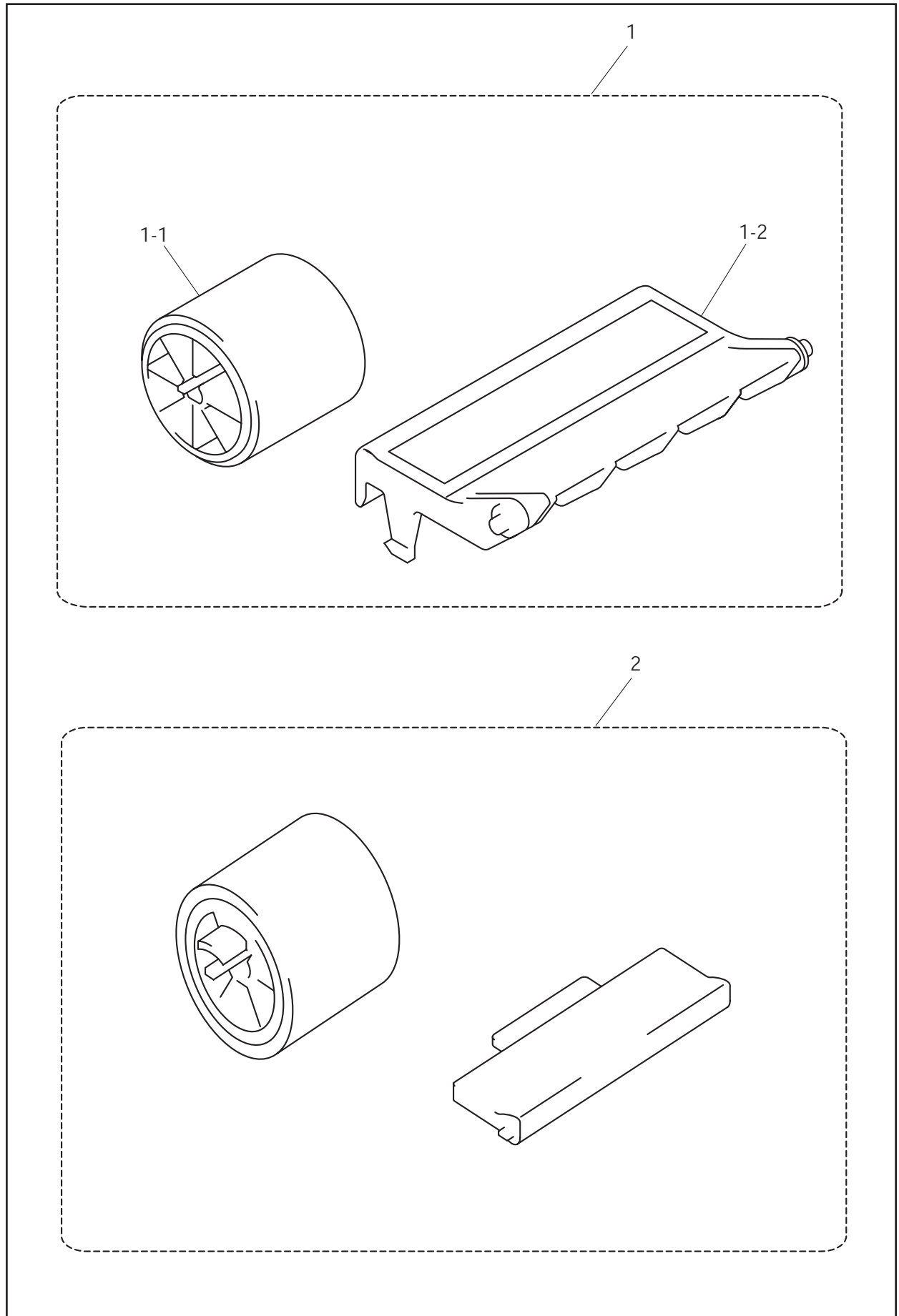
MODEL HL-2460 / 2460N 84T-U05/06-930

18. PERIODICAL MAINTENANCE PARTS

| REF.NO. | CODE | Q'TY | DESCRIPTION | REMARK |
|---------|-----------|------|------------------------------|--------|
| 1 | LJ0977001 | 1 | PAPER FEEDING KIT | ADD |
| 1-1 | LJ0270001 | 1 | PAPER FEED ROLLER ASSY 45 *1 | |
| 1-2 | LJ0374001 | 1 | SEPARATION PAD ASSY *2 | |
| 2 | LJ0991001 | 1 | PAPER FEEDING KIT MP | |
| | | | *1 Refer to "5. PAPER FEED". | |
| | | | *2 Refer to "7. PAPER TRAY". | |

MODEL HL-2460/2460N 84T-U05/06-940

18. PERIODICAL MAINTENANCE PARTS



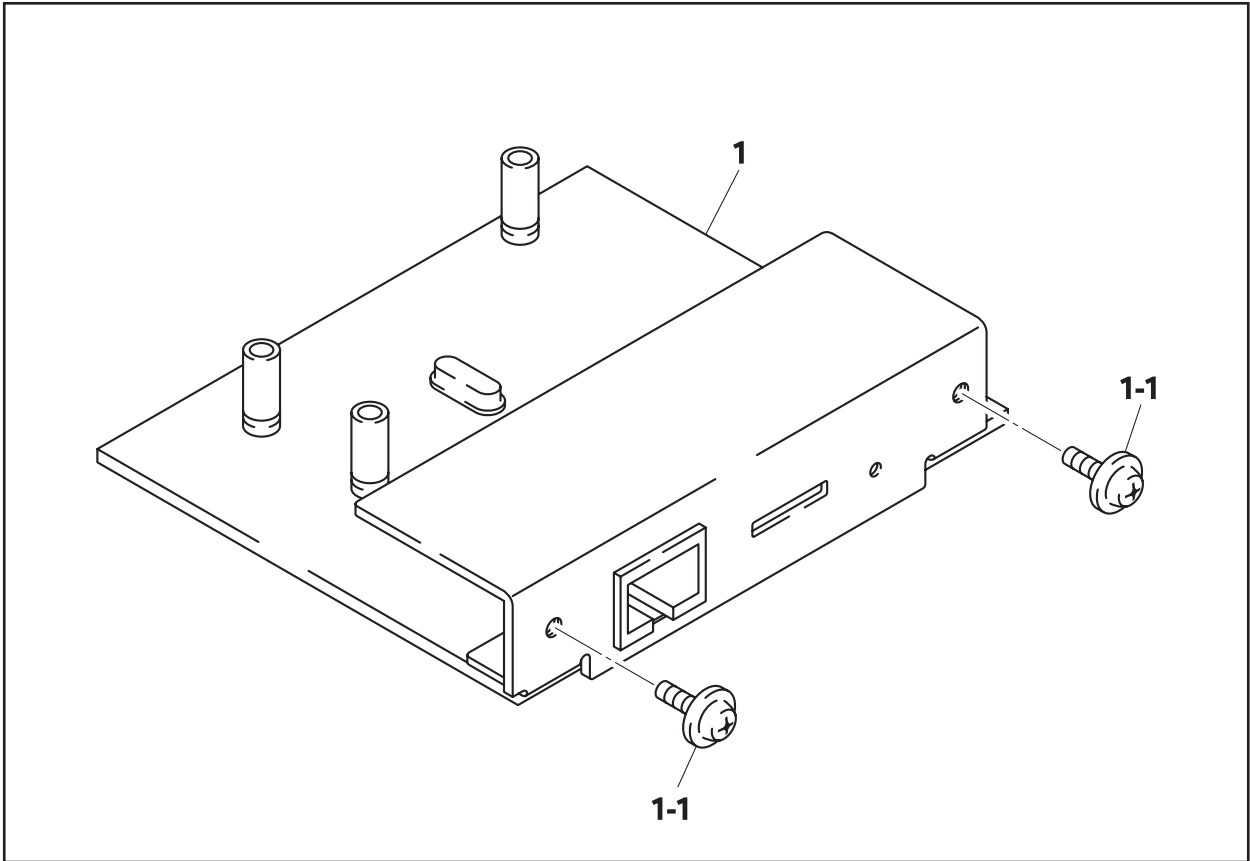
MODEL HL-2460/2460N 84T-U05/06-940

19. NETWORK BOARD

| REF.NO. | CODE | Q'TY | DESCRIPTION | REMARK |
|---------|-----------|------|----------------------|--------|
| 1 | LJ8671001 | 1 | BRNET PCB UNIT 4100H | |
| 1-1 | 002300616 | 1 | SCREW,PAN M3X6 | |

MODEL HL-2460/2460N 84T-U05/06-150

19. NETWORK BOARD



MODEL HL-2460/2460N 84T-U05/06-150