



**FACSIMILE EQUIPMENT**

**PARTS REFERENCE LIST**

**MODEL: MFC5440CN / 5840CN**

**(For Germany / United Kingdom / France /  
Belgium / Netherlands / Switzerland /  
Ireland / Austria / Spain / Italy / Portugal /  
China / Hong Kong / Asia / Oceania /  
Pan-Nordic /Euro Generic)**

© Copyright Brother 2004

All rights reserved

No part of this publication may be reproduced in any form  
or by any means without permission in writing from the  
publisher.

Specifications are subject to change without prior notice.

## NOTES FOR USING THIS PARTS REFERENCE LIST

1. In the case of ordering parts, it needs mentioning the following items:

- (1) Code
- (2) Q' ty
- (3) Description
- (4) Recommend (The  $\checkmark$  mark is attached to recommend parts at this column.)
- (5) Symbol (PCB No., Revision, and Parts location mounted on the PCB.)

Note: No orders without Parts Code or Tool No. can be accepted.

[Example]

	(1)	(2)	(3)	(4)	(5)	
REF.NO.	CODE	Q' TY	DESCRIPTION	RECOMMEND	SYMBOL	REMARKS

2. Design-changed parts:

When the parts are changed, any one of the following symbols is mentioned in the REMARKS column.

CHG (chg): The part is changed to a new part.

ADD (add): The part is newly added.

DEL (del): The part is deleted.

Symbol in capital letters indicates that the change is the latest one in the page.

3. Parts change will be informed by the technical information.

## COUNTRIES

GERMAN ----- GER

UNITED KINGDOM ----- UK

FRANCE ---- FRA

BELGIUM ---- BEL

NETHERLANDS ---- NLD

SWITZERLAND ---- CHE

IRELAND ---- IRE

DENMARK ---- DEN

AUSTRIA ---- AUS

SPAIN ---- SPA

ITALY ---- ITA

PORTUGAL ---- POR

CHINA ---- CHN

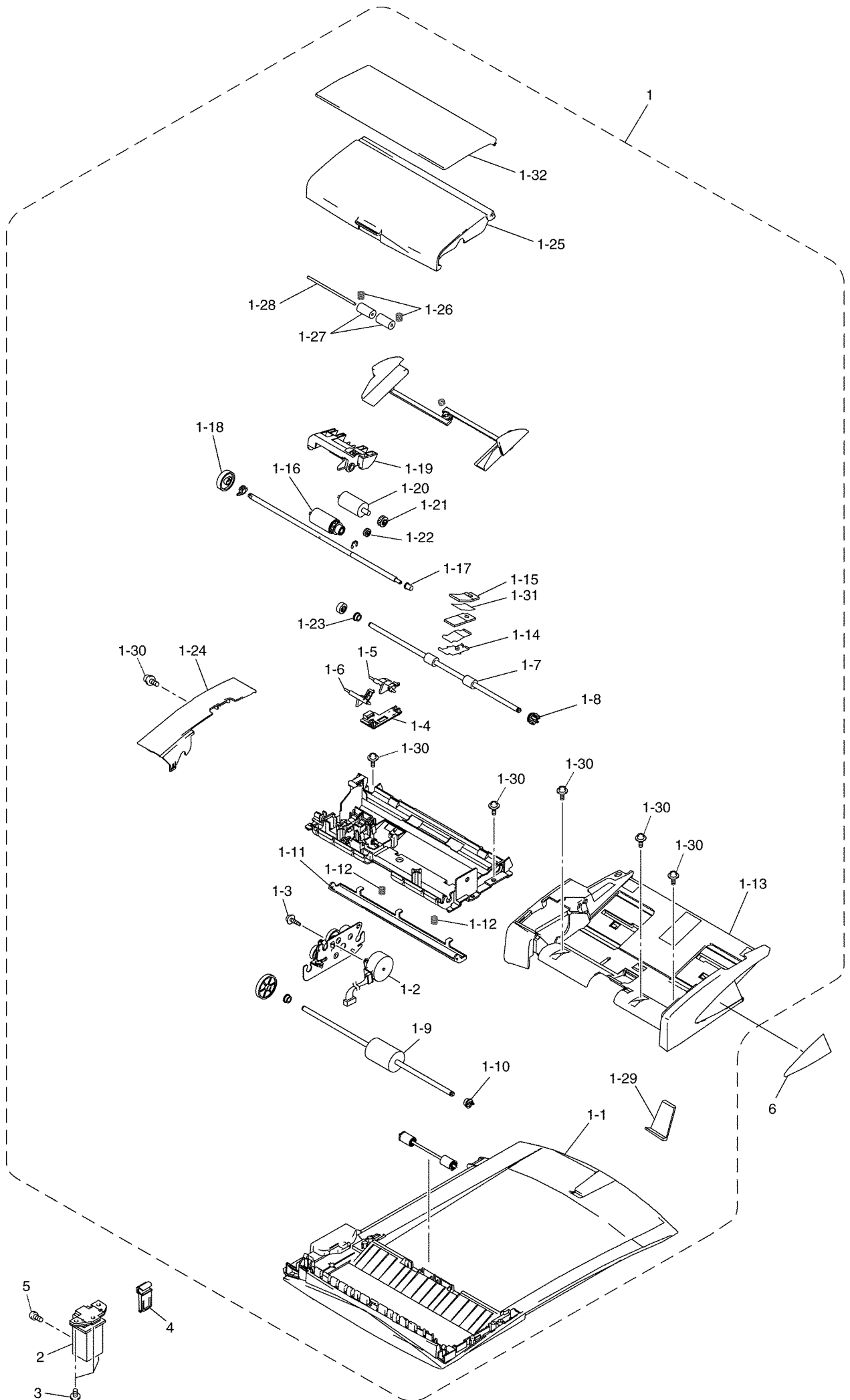
HONG KONG ---- HK

ASIA (SINGAPOLE/GULF) ---- ASA

OCEANIA (ARL & NZ) ---- OCE

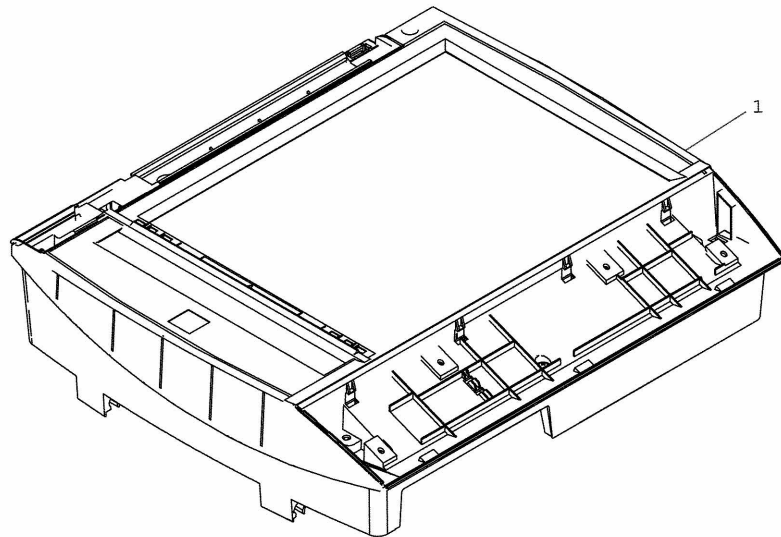
PAN NORDIC ---- PND

EURO GENERIC ---- GNR



## List1(ADF)

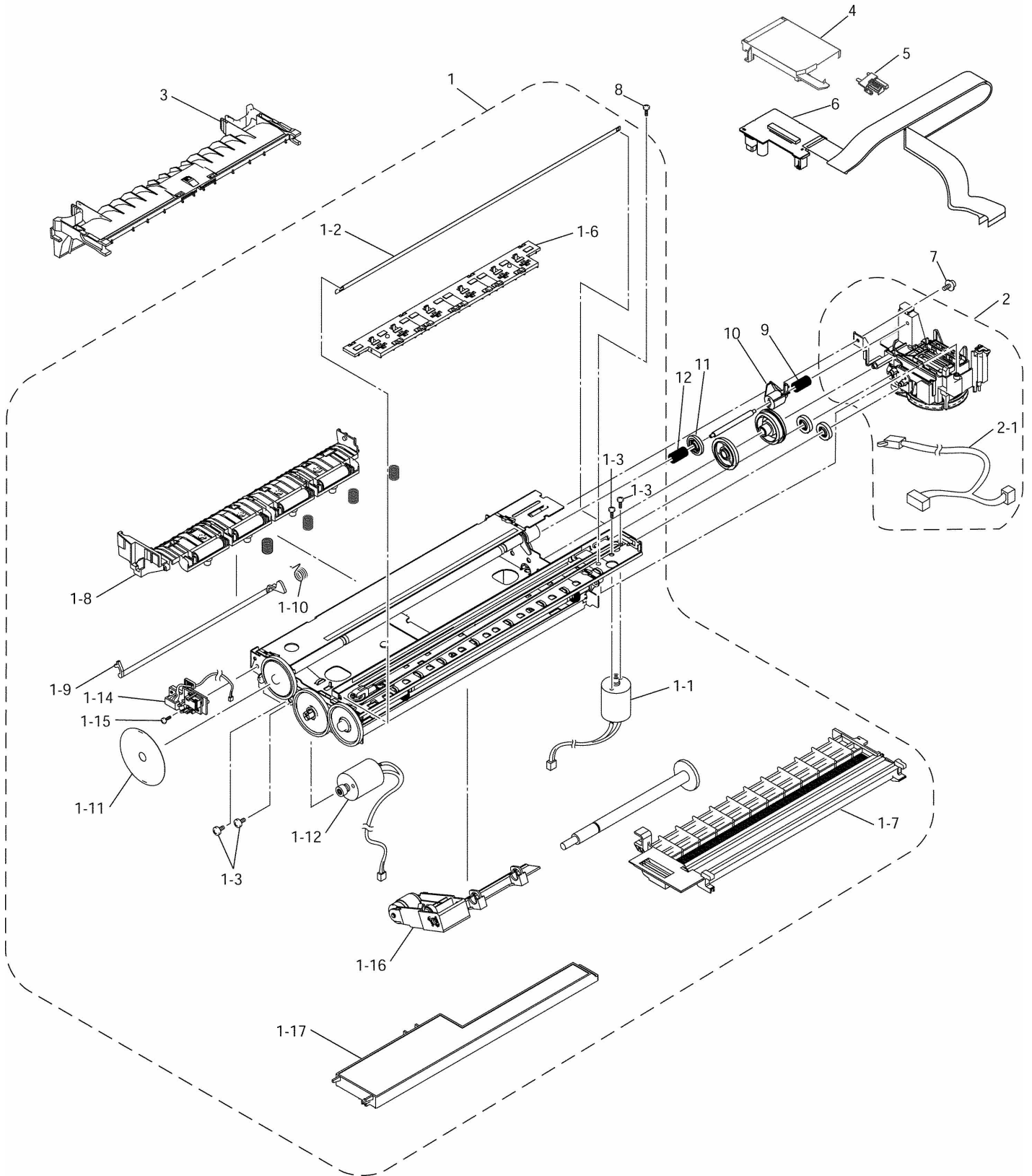
REF No.	CODE	QTY	DESCRIPTION	RECOMMEND	REMARK
1	LF5203001	1	DOCUMENT COVER ASSY	√	
1-1	LF5204001	1	DOCUMENT COVER		
1-2	LF5214001	1	ADF MOTOR		
1-3	0A4300605	1	SCREW, PAN (S/P WASHER) M3X6		
1-4	LG5601001	1	DOCUMENT SENSOR PCB ASSY		
1-5	LF5217001	1	DOCUMENT FRONT SENSOR ACTUATOR		
1-6	LF4967001	1	DOCUMENT REAR SENSOR ACTUATOR		
1-7	LF5219001	1	DOCUMENT EJECTION ROLLER ASSY		
1-8	LF4230001	1	LOCK BUSHING		
1-9	LF5222001	1	DOCUMENT FEED ROLLER		
1-10	UF0026001	1	PAWL BUSHING		
1-11	LF5225001	1	DOCUMENT PRESSURE BAR		
1-12	LF5226001	2	SPRING		
1-13	LF5228001	1	UPPER ADF CHUTE		
1-14	LF5230001	1	SEPARATION PLATE		
1-15	LF7135001	1	SEPARATION RUBBER		
1-16	LF5235001	1	SEPARATE ROLLER		
1-17	LE9872001	1	BUSHING		
1-18	LF5238001	1	SEPARATE ROLLER GEAR		
1-19	LP0015001	1	DOCUMENT PULL-IN ROLLER HOLDER		chg
1-20	LF5243001	1	DOCUMENT PULL-IN ROLLER		
1-21	LF5245001	1	DOCUMENT PULL-IN ROLLER GEAR		
1-22	LF5246001	1	GEAR 23		
1-23	UF9949001	1	BUSHING		
1-24	LF5247001	1	GEAR COVER		
1-25	LF5248001	1	ADF COVER		
1-26	LE2472001	2	GUIDE ROLLER SPRING		
1-27	UF9009001	2	DOCUMENT GUIDE ROLLER		
1-28	LE2471001	1	DOCUMENT GUIDE ROLLER SHAFT		
1-29	LF5208001	1	ADF DOCUMENT OUTPUT SUPPORT FLAP		chg
1-30	087311016	6	TAPTITE, CUP B M3X10		
1-31	LF7738001	1	SEPARATE SUPPORT FILM		
1-32	LF5249001	1	ADF DOCUMENT SUPPORT		add
2	LP0018001	1	HINGE L ASSY		CHG
3	087311016	3	TAPTITE, CUP B M3X10		
4	LF4976002	1	HINGE ARM		
5	085411216	1	TAPTITE, BIND B M4X12		
6	LF5310001	1	EMBLEM		



List2(SCANNER)

REF No.	CODE	QTY	DESCRIPTION	RECOMMEND	REMARK
1	LP0991001	1	SCANNER UNIT SUPPLY ASSY	√	CHG

### 3 ENGINE





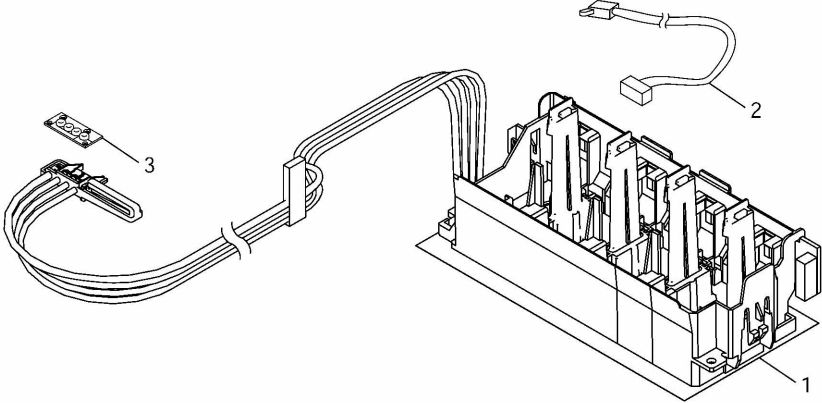
## List3(ENGINE)

REF No.	CODE	QTY	DESCRIPTION	RECOMMEND	REMARK
1	LF7963001	1	ENGINE UNIT SUPPLY ASSY		chg
1-1	LF4764001	1	CARRIAGE MOTOR		
1-2	LF4769001	1	CR ENCODER STRIP		
1-3	000300305	4	SCREW, BIND M3X3		
1-4	-----		NOT USED		
1-5	-----		NOT USED		
1-6	LP0555001	1	STAR WHEEL HOLDER ASSY A		CHG
1-7	LF7525001	1	PLATEN		chg
1-8	LP0021001	1	PAPER PRESSURE HOLDER		chg
1-9	LF4789001	1	REGISTRATION SENSOR ACTUATOR		
1-10	LF4790001	1	SENSOR ACTUATOR SPRING		
1-11	LF4800001	1	PF ENCODER DISK		
1-12	LP0060001	1	PAPER FEED MOTOR		chg
<del>1-13</del>	<del>LF4806004</del>	<del>4</del>	<del>JAM CLEAR COVER</del>		<del>del</del>
1-14	LF4809001	1	PF SENSOR PCB		
1-15	087320616	1	TAPTITE, CUP S M3X6		
1-16	LF4812001	1	PAPER PULL-IN HOLDER		
1-17	LF4818001	1	FLUSHING CASE		
2	LF7036001	1	MAINTENANCE UNIT SUPPLY ASSY, MFC5440CN	√	
2	LF7589001	1	MAINTENANCE UNIT SUPPLY ASSY, MFC5840CN	√	
2-1	LG5780001	1	PURGE CAM SWITCH		
3	LF4806001	1	JAM CLEAR COVER, MFC5440CN		add
4	LF7964001	1	HEAD COVER ASSY (*1)		chg
4	LF7953001	1	HEAD COVER ASSY (*2)		add
5	LP0057001	1	FFC SUPPORT		add
6	LF7954001	1	CARRIAGE PCB SUPPLY ASSY		add
7	087320616	1	TAPTITE, CUP S M3X6		
8	087310815	1	TAPTITE, CUP B M3X8		
9	LF4760001	1	PURGE LEVER SPRING (LONGER)		add
10	LF4759001	1	PURGE LEVER		add
11	LF4762001	1	CLUCH GEAR		add
12	LF4763001	1	CLUCH GEAR SPRING (SHOTER)		add

\*1 : For models with non-detachable carriage PCB on the print head

\*2 : For models with detachable carriage PCB on the print head

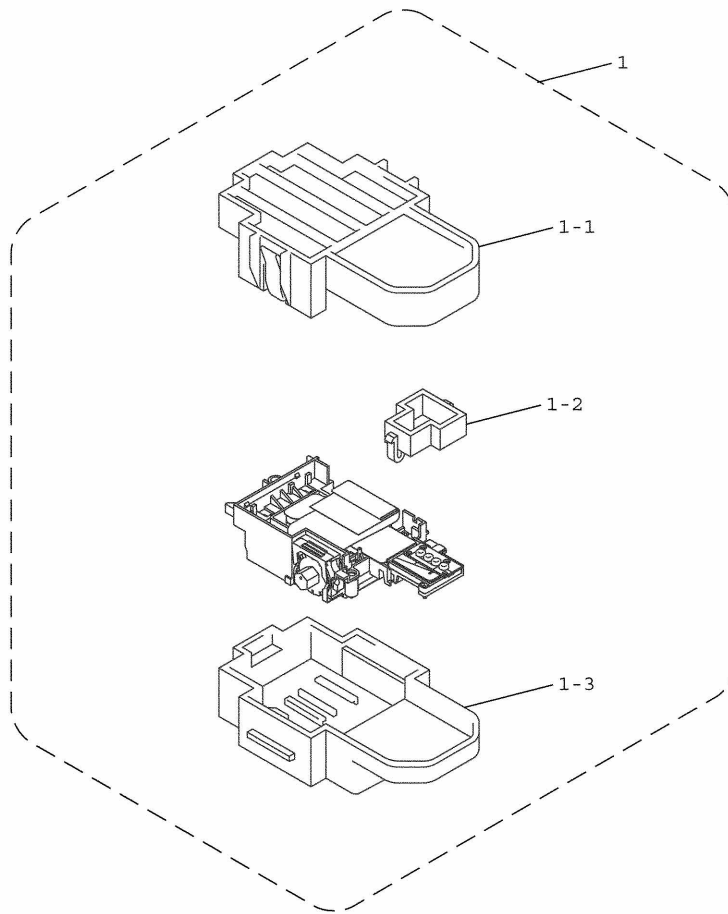
4 CARTRIDGE CASE



## List4(CARTRIDGE CASE)

REF No.	CODE	QTY	DESCRIPTION	RECOMMEND	REMARK
1	LP0472002	1	INK REFILL SUPPLY ASSY EXCEPT FOR CHN	√	CHG
1	LP0472004	1	INK REFILL SUPPLY ASSY FOR CHN	√	CHG
2	LG5513001	1	LARGE VOLUME INK CARTRIDGE SENSOR		
3	LF7590001	1	HEAD JOINT RUBBER SUPPLY ASSY		

# 5 HEAD

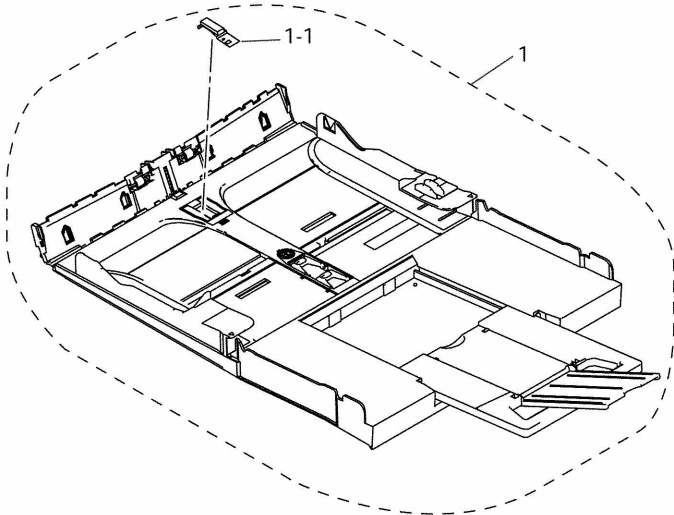
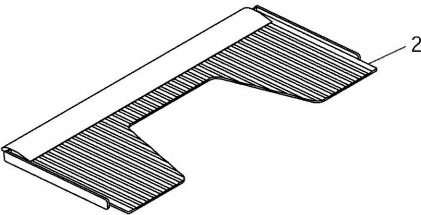


## List5(HEAD)

REF No.	CODE	QTY	DESCRIPTION	RECOMMEND	REMARK
1	LK1866001	1	HEAD/CARRIAGE SUPPLY ASSY (without CARRIAGE PCB ASSY) (*)		CHG
1-1	LK1579001	1	NOZZLE PROTECTOR UPPER		
1-2	LK1581001	1	RUBBER JOINT PROTECTOR		
1-3	LK1580001	1	NOZZLE PROTECTOR LOWER		

\*: Please see List 3, 6; CARRIAGE PCB SUPPLY ASSY

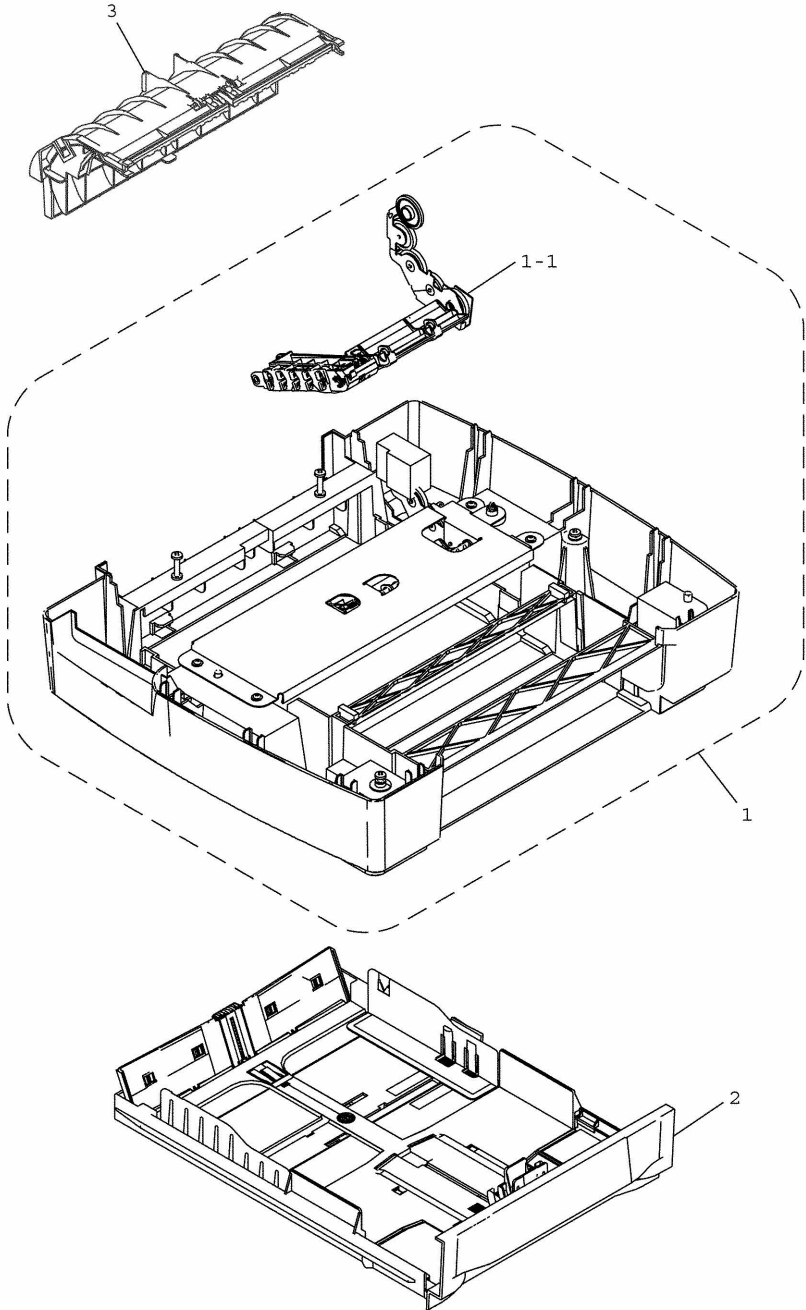
6 PAPER TRAY



## List6(PAPER TRAY)

REF No.	CODE	QTY	DESCRIPTION	RECOMMEND	REMARK
1	LF4855001	1	PAPER TRAY ASSY	√	
1-1	LP0556001	1	BASE PAD ASSY		ADD
2	LF5063001	1	TRAY COVER		

7 LOWER TRAY

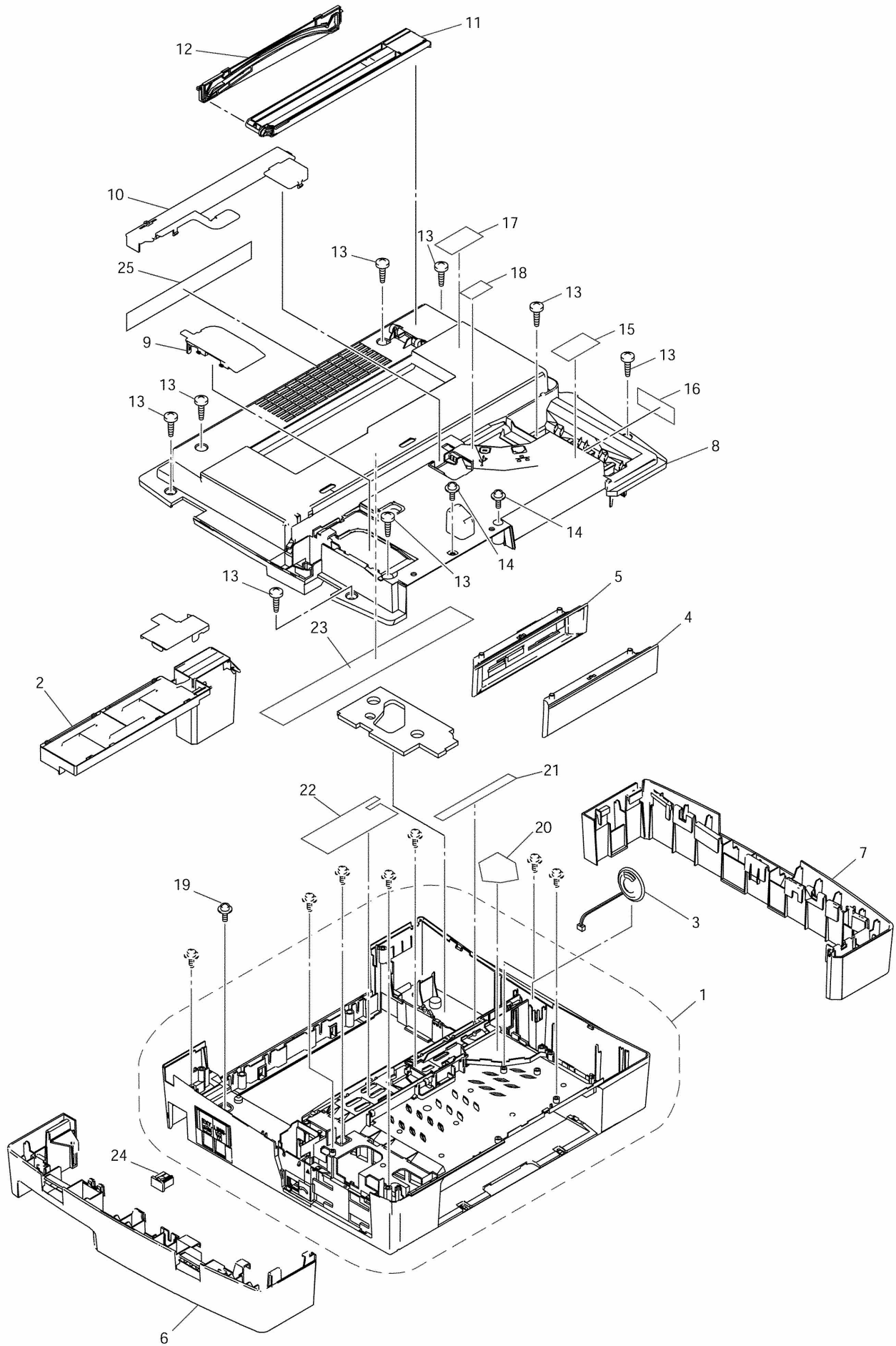




## List7(LOWER TRAY)

REF No.	CODE	QTY	DESCRIPTION	RECOMMEND	REMARK
1	LF5313001	1	LT COVER ASSY, MFC5840CN		
1-1	LF4815001	1	LT GEAR HOLDER ASSY, MFC5840CN		
2	LF5326001	1	PAPER TRAY #2 ASSY, MFC5840CN		
3	LF5338001	1	JAM CLEAR COVER, MFC5840CN		

# 8.COVER



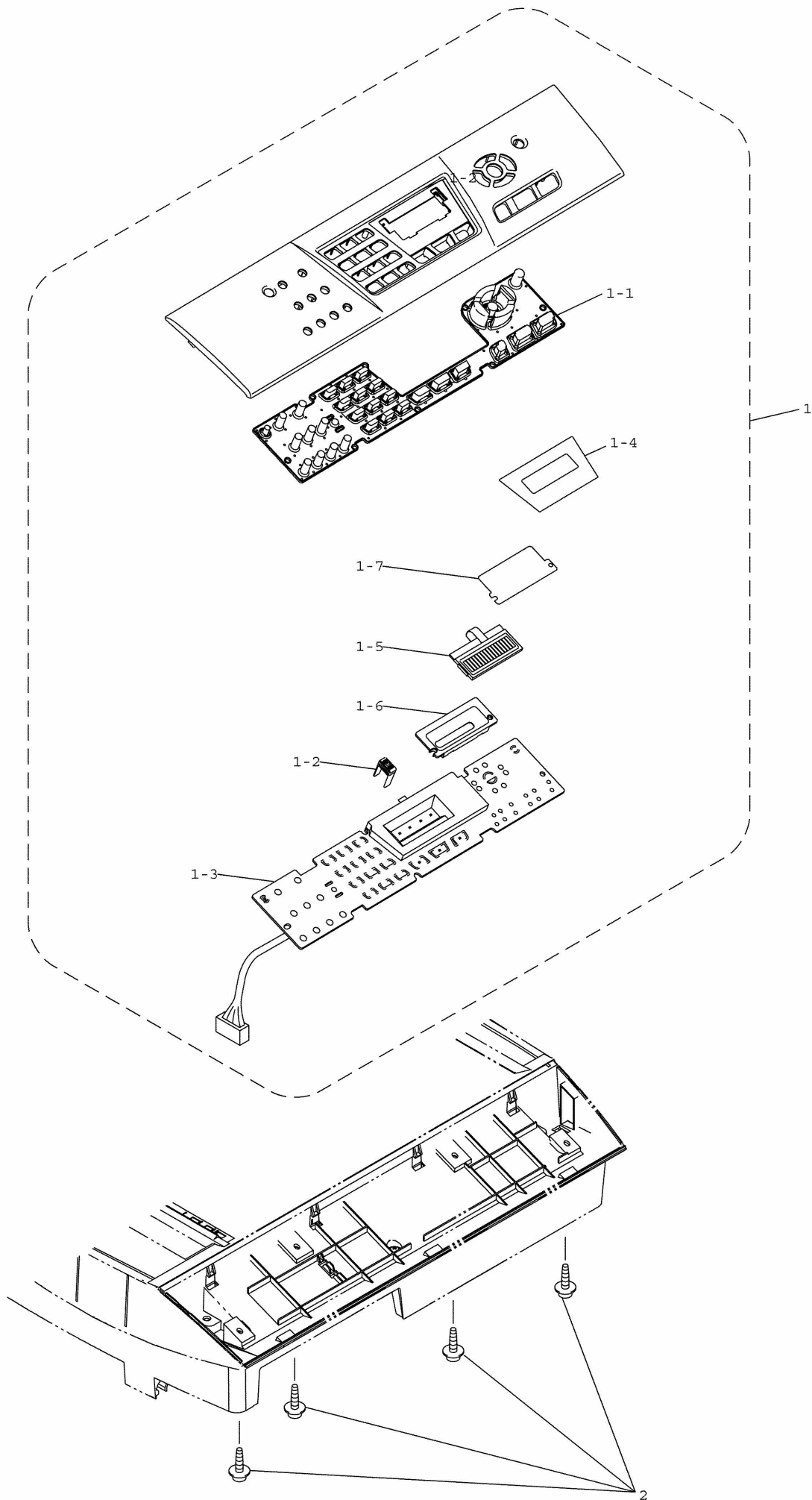
## List8(COVER)

REF No.	CODE	QTY	DESCRIPTION	RECOMMEND	REMARK
1	LF4865001	1	LOWER COVER ASSY, MFC5440CN		
1	LF7220001	1	LOWER COVER ASSY, MFC5840CN		
2	LF7544001	1	INK ABSORBER BOX ASSY, MFC5440CN	√	
2	LF7950001	1	INK ABSORBER BOX ASSY, MFC5840CN	√	
3	LG6024001	1	SPEAKER UNIT		
4	LF5270001	1	FRONT SUB COVER, MFC5440CN		
5	LF5292001	1	MEDIA MODULE COVER, MFC5840CN		
6	LF5271001	1	SIDE COVER L		
7	LF5272001	1	SIDE COVER R		
8	LP0070001	1	UPPER COVER (*1)		
8	LF5273001	1	UPPER COVER (*2)		add
9	LF4879001	1	HARNESS COVER		
10	LF4987001	1	CIS FLAT CABLE COVER		
11	LF7010001	1	SCANNER COVER STOPPER		
12	LF7011001	1	SCANNER COVER DAMPER		
13	085411216	8	TAPTITE, BIND B M4X12		
14	087310815	2	TAPTITE, CUP B M3X8		
15	LP0717001	1	INK REPLACE LABEL		CHG
16	LF5116001	1	CONSUMPTION LABEL FOR GER/UK/FRA/BEL/NLD/CHE/IRE/AUS/SPA/ITA/POR/PND/GNR		
16	LF7833001	1	CONSUMPTION LABEL FOR CHN		
16	LF5941001	1	CONSUMPTION LABEL FOR HK/ASA/OCE		
17	LF5789001	1	COVER OPEN/CLOSE LABEL		
18	LF5179001	1	USB STICKER EXCEPT FOR CHN		
18	LF5191001	1	USB STICKER FOR CHN		
19	0A5300805	1	SCREW, PAN(S/P WASHER) M3X8		
20	LF7105001	1	USB/LAN CONNECTION LABEL		
21	LF7262001	1	FFC GUIDE FILM		
22	LF7445001	1	TUBE GUIDE FILM		
23	LF7321001	1	SLIDE FILM		
24	UF5745000	1	MJ COVER, EXT FOR GER/UK/FRA/BEL/AUS/ITA		
25	LP0582001	1	PAPER JAM INSTRUCTION LABEL/M2, MFC5440CN		chg

\*1 : For models with non-detachable carriage PCB on the print head

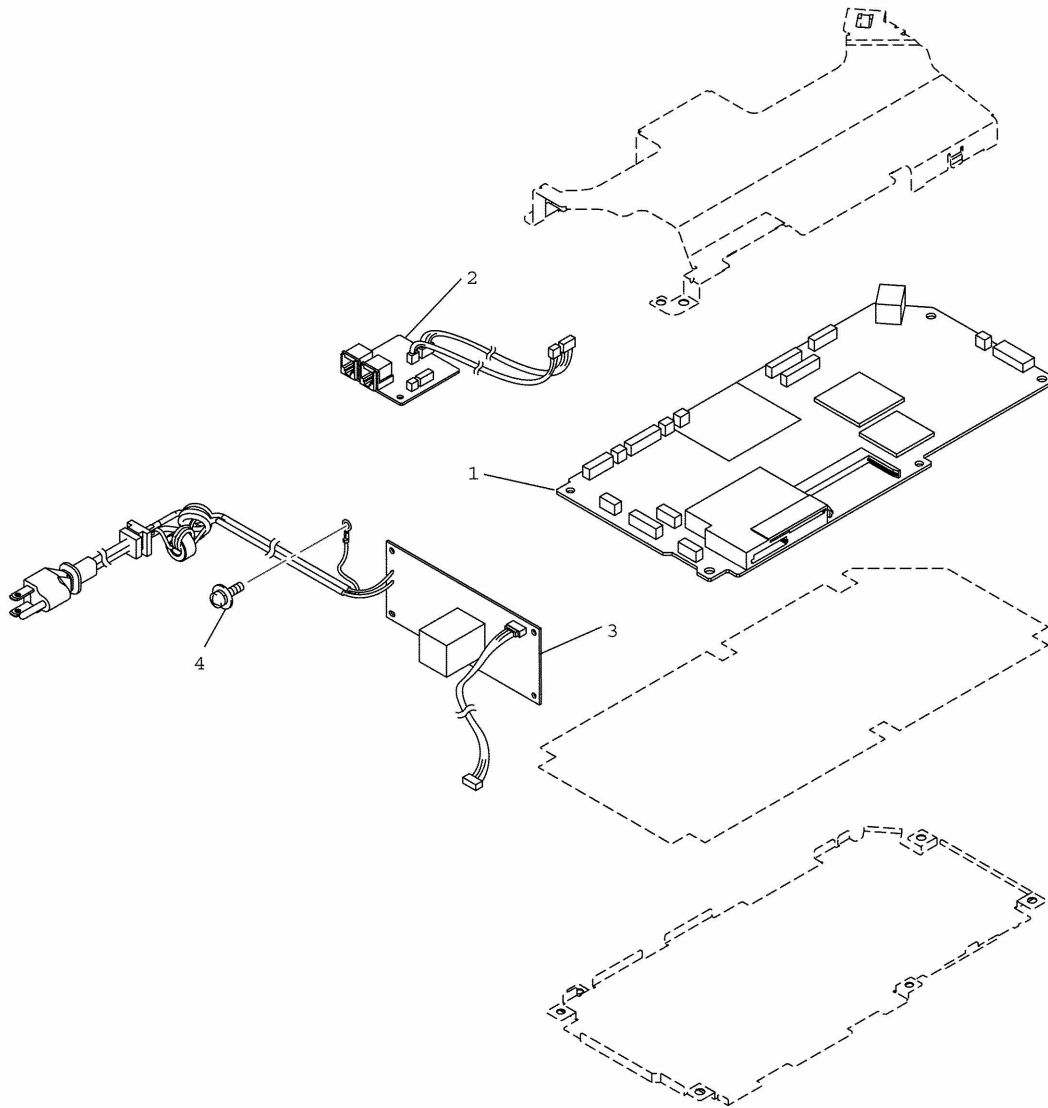
\*2 : For models with detachable carriage PCB on the print head

# 9 PANEL



## List9(PANEL)

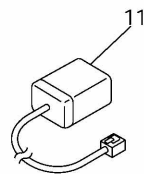
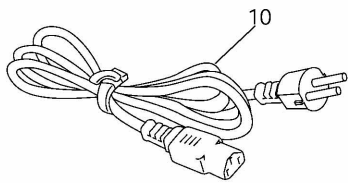
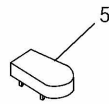
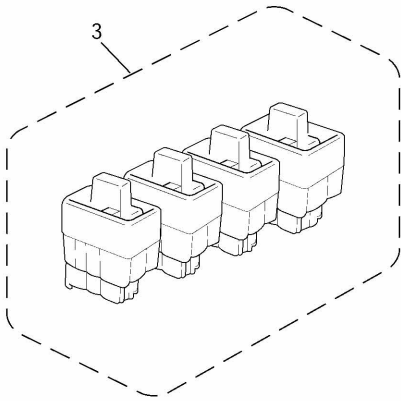
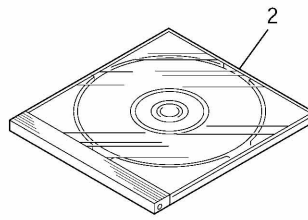
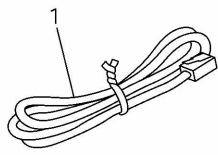
REF No.	CODE	QTY	DESCRIPTION	RECOMMEND	SYMBOL	REMARK
1	LF7111001	1	CONTROL PANEL ASSY, MFC5440CN FOR GER/AUS	√		
1	LF7278001	1	CONTROL PANEL ASSY, MFC5840CN FOR GER/AUS	√		
1	LF7120001	1	CONTROL PANEL ASSY, MFC5440CN FOR UK/BEL/CHE/IRE/GNR	√		
1	LF7283001	1	CONTROL PANEL ASSY, MFC5840CN FOR UK/BEL/CHE	√		
1	LF7156001	1	CONTROL PANEL ASSY, MFC5440CN FOR FRA	√		
1	LF7478001	1	CONTROL PANEL ASSY, MFC5840CN FOR FRA	√		
1	LF7725001	1	CONTROL PANEL ASSY, MFC5440CN FOR NLD	√		
1	LF7484001	1	CONTROL PANEL ASSY, MFC5840CN FOR NLD	√		
1	LF7131001	1	CONTROL PANEL ASSY, MFC5440CN FOR SPA	√		
1	LF7286001	1	CONTROL PANEL ASSY, MFC5840CN FOR SPA	√		
1	LF7142001	1	CONTROL PANEL ASSY, MFC5440CN FOR ITA	√		
1	LF7289001	1	CONTROL PANEL ASSY, MFC5840CN FOR ITA	√		
1	LF7149001	1	CONTROL PANEL ASSY, MFC5440CN FOR POR	√		
1	LF7480001	1	CONTROL PANEL ASSY, MFC5840CN FOR POR	√		
1	LF7824001	1	CONTROL PANEL ASSY, MFC5440CN FOR CHN	√		
1	LF7358001	1	CONTROL PANEL ASSY, MFC5440CN FOR HK/ASA/OCE	√		
1	LF7359001	1	CONTROL PANEL ASSY, MFC5840CN FOR ASA/OCE	√		
1	LF7491001	1	CONTROL PANEL ASSY, MFC5840CN FOR PND	√		
1-1	LF7093001	1	RUBBER KEYPAD, MFC5440CN FOR GER/AUS			
1-1	LF7094001	1	RUBBER KEYPAD, MFC5840CN FOR GER/AUS			
1-1	LF5279001	1	RUBBER KEYPAD, MFC5440CN EXCEPT FOR GER/AUS			
1-1	LF5296001	1	RUBBER KEYPAD, MFC5840CN EXCEPT FOR GER/AUS			
1-2	LF4890001	1	SCANNER OPEN SENSOR ACTUATOR			
1-3	LG5591001	1	CONTROL PANEL PCB ASSY, MFC5440CN		B53K755	
1-3	LG5591002	1	CONTROL PANEL PCB ASSY, MFC5840CN		B53K755	
1-4	LF5979001	1	LCD SHEET, MFC5440CN			
1-4	LF5983001	1	LCD SHEET, MFC5840CN			
1-5	LG6131001	1	LCD, MFC5440CN			
1-5	LG6132001	1	LCD, MFC5840CN			
1-6	LF5092001	1	LCD HOLDER, MFC5840CN			
1-7	LF5093001	1	DIFFUSION FILM, MFC5840CN			
2	087311216	4	TAPTITE, CUP B M3X12			



## List10(PCB)

REF No.	CODE	QTY	DESCRIPTION	RECOMMEN	SYMBOL	REMARK
1	LG5593003	1	MAIN PCB ASSY, MFC5440CN EXCEPT FOR CHN	√	B53K744	
1	LG5595013	1	MAIN PCB ASSY, MFC5840CN	√	B53K744	
1	LG5593004	1	MAIN PCB ASSY, MFC5440CN FOR CHN	√	B53K744	CHG
2	LG5365054	1	MJ PCB ASSY FOR GER/UK/FRA/BEL/ NLD/CHE/IRE/AUS/SPA/ITA/POR/PND/GNR		B53K759	
2	LG5365056	1	MJ PCB ASSY FOR CHN/HK/ASA/OCE		B53K759	
3	LG5544001	1	POWER SUPPLY PCB UNIT EXCEPT FOR CHN/HK/ASA	√		
3	LG6080001	1	POWER SUPPLY PCB UNIT FOR CHN	√		
3	LG5743001	1	POWER SUPPLY PCB UNIT FOR HK/ASA	√		
4	UF6559001	1	SCREW, PAN (WASHER) M4X8DB			

# 11 ACCESSORIES

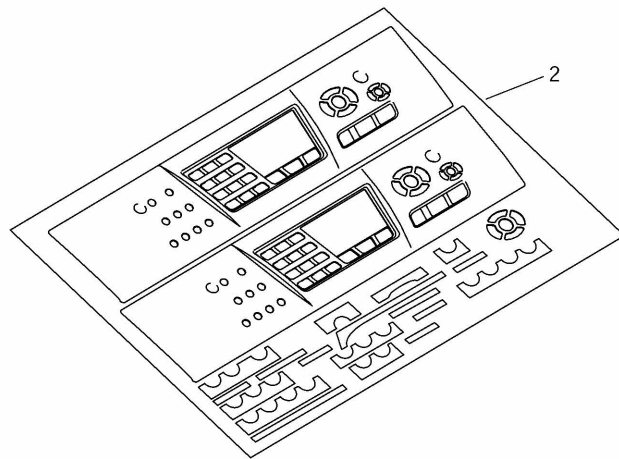
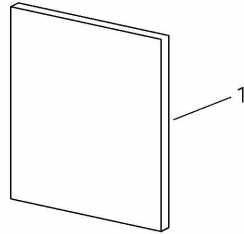




## List11(Accessories)

REF No.	CODE	QTY	DESCRIPTION	RECOMMEND	REMARK
1	UG3625001	1	TELEPHONE LINE CORD FOR GER		
1	UG3626001	1	TELEPHONE LINE CORD FOR UK		
1	UG3627001	1	TELEPHONE LINE CORD FOR FRA		
1	UG1575001	1	TELEPHONE LINE CORD FOR BEL		
1	LG3077001	1	TELEPHONE LINE CORD FOR NLD/IRE/SPA/POR/CHN/ASA/OCE/GNR		
1	UG3469000	1	TELEPHONE LINE CORD FOR CHE		
1	UG4205001	1	TELEPHONE LINE CORD FOR AUS		
1	UG3634001	1	TELEPHONE LINE CORD FOR ITA		
1	LG5827001	1	TELEPHONE LINE CORD FOR PND		
1	UG3290001	1	TELEPHONE LINE CORD FOR HK/ASA/OCE		
2	LF5421001	1	CD-ROM ASSY, WIN, MFC5440CN FOR GER/UK/FRA/CHE/IRE/AUS/HK/ASA/OCE		
2	LF5425001	1	CD-ROM ASSY, WIN, MFC5840CN FOR GER/UK/FRA/CHE/AUS/ASA/OCE		
2	LF5423001	1	CD-ROM ASSY, WIN, MFC5440CN FOR BEL/NLD/GNR		
2	LF5427001	1	CD-ROM ASSY, WIN, MFC5840CN FOR BEL/NLD/PND		
2	LF5422001	1	CD-ROM ASSY, WIN, MFC5440CN FOR SPA/ITA/POR		
2	LF5426001	1	CD-ROM ASSY, WIN, MFC5840CN FOR SPA/ITA/POR		
2	LF7865001	1	CD-ROM ASSY, WIN, MFC5440CN FOR CHN		
2	LF5428001	1	CD-ROM ASSY, WIN, MFC5840CN FOR PND		
2	LF5437001	1	CDROM ASSY, MAC FOR GER/UK/FRA/CHE/IRE/AUS/SPA/ITA/POR/HK/ASA/OCE		
2	LF5438001	1	CDROM ASSY, MAC FOR BEL/NLD/PND/GNR/		
3	LF7986001	1	PROTECT CARTRIDGE SUPPLY ASSY		CHG
4	<del>LF7430004</del>	<del>3</del>	<del>PROTECT CARTRIDGE, COLOR</del>		DEL
5	LG3622001	1	TELEPHONE PLUG FOR NLD		
6	LG3509001	1	TELEPHONE PLUG FOR OCE		
(7)	LG5830001	1	TELEPHONE PLUG FOR PND<SWEDEN>		
(8)	LG5829001	1	TELEPHONE PLUG FOR PND<FINLAND>		
(9)	LG5828001	1	TELEPHONE PLUG FOR PND<DENMARK>		
10	LG5717001	1	AC CORD BAG ASSY, VDE FOR GER/FRA/BEL/NLD/AUS/SPA/ITA/POR/ASA/PND/GNR		
10	LG5692001	1	AC CORD BAG ASSY, BS FOR UK/IRE/HK/ASA		
10	LG5732001	1	AC CORD BAG ASSY, SEV FOR CHE		
10	LG5735001	1	AC CORD BAG ASSY FOR CHN		
10	LG5734001	1	AC CORD BAG ASSY, SAA FOR OCE		
11	UG3468000	1	BT-MJ ADAPTER FOR HK/ASA		

12 PRINTED MATERIALS

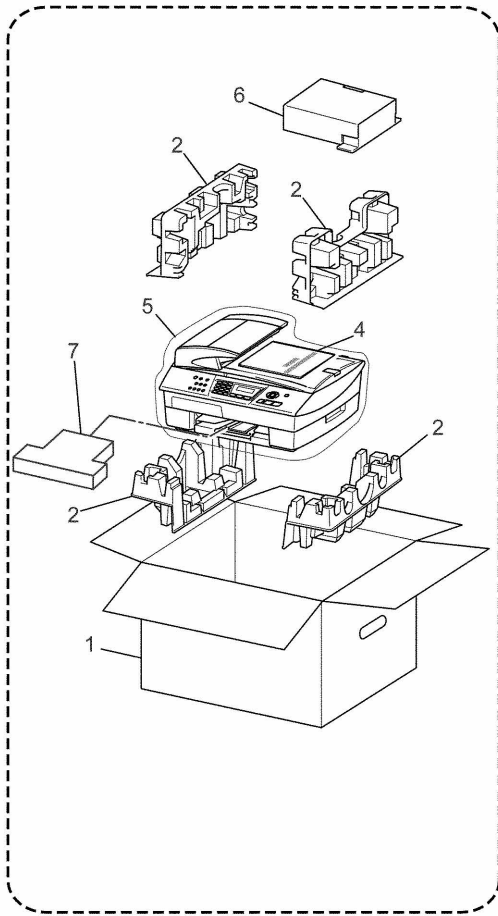


## List12(PRINTED MATERIALS)

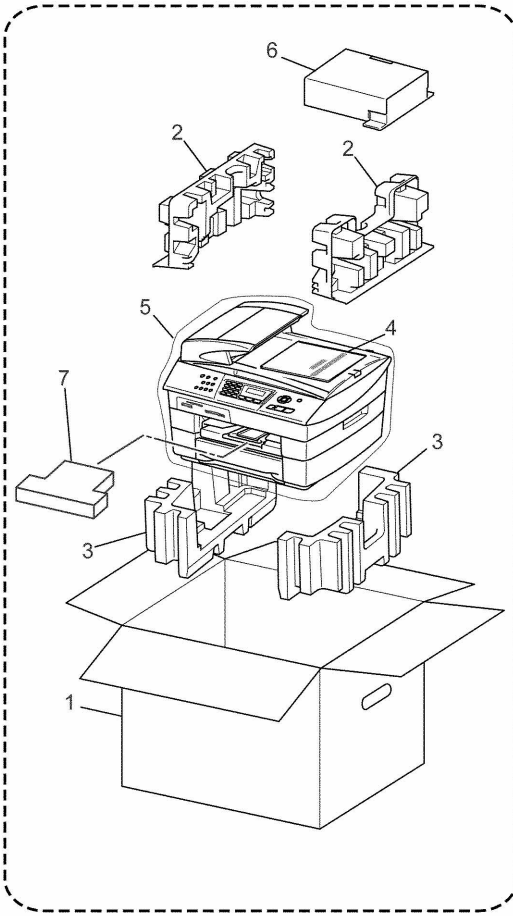
REF No.	CODE	Q'TY	DESCRIPTION	RECOMMEND	REMARK
1	LF7114003	1	OWNER'S GUIDE FOR GER/AUS		
1	LF7114004	1	OWNER'S GUIDE FOR UK/IRE/GNR		
1	LF7114005	1	OWNER'S GUIDE FOR FRA		
1	LF7114008	1	OWNER'S GUIDE FOR BEL <DUTCH>		
1	LF7145008	1	OWNER'S GUIDE FOR BEL/CHE <FRENCH>		
1	LF7114009	1	OWNER'S GUIDE FOR NLD		
1	LF7114010	1	OWNER'S GUIDE FOR CHE <GERMAN>		
1	LF7114015	1	OWNER'S GUIDE FOR SPA		
1	LF7114016	1	OWNER'S GUIDE FOR ITA		
1	LF7922001	1	OWNER'S GUIDE FOR CHN		
1	LF7326001	1	OWNER'S GUIDE FOR HK/ASA/OCE		
1	LF7114018	1	OWNER'S GUIDE FOR POR		
1	LF7114013	1	OWNER'S GUIDE FOR PND <FINNISH, DANISH>		
1	LF7114057	1	OWNER'S GUIDE FOR PND <NORWEGIAN, SWEDISH>		
2	----		NOT USED		

### 13.PACKAGING

MFC -5440CN



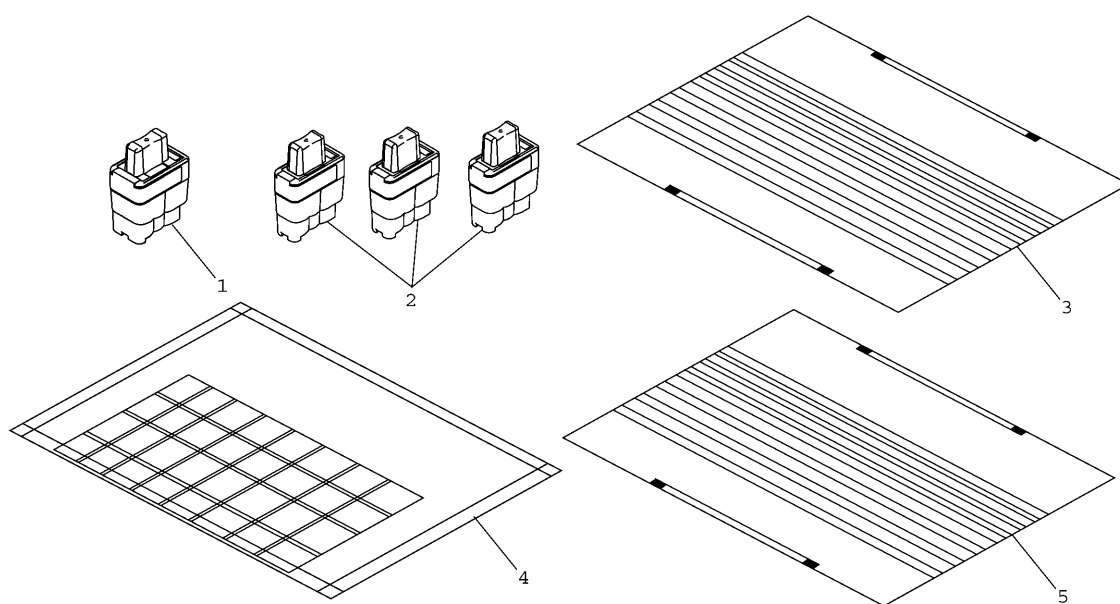
MFC -5840CN



## List13(PACKAGING)

REF No.	CODE	QTY	DESCRIPTION	RECOMMEND	REMARK
1	LF5751001	1	CARTON, BROTHER, MFC5440CN FOR GER/UK/FRA/BEL/NLD/CHE/IRE/AUS/SPA/ITA/POR/GNR	√	
1	LF5754001	1	CARTON, BROTHER, MFC5840CN FOR GER/UK/FRA/BEL/NLD/CHE/AUS/SPA/ITA/POR/PND	√	
1	LF7923001	1	CARTON, BROTHER, MFC5440CN FOR CHN	√	
1	LF7660001	1	CARTON, BROTHER, MFC5440CN FOR HK/ASA/OCE	√	
1	LF7704001	1	CARTON, BROTHER, MFC5840CN FOR ASA/OCE	√	
2	LF5285001	1	PULP CUSHION ASSY, MFC5440CN		
2	LF5299001	1	PULP CUSHION ASSY, MFC5840CN		
3	LF7582001	1	BODY POLYSTYRENE FOAM ASSY, MFC5840CN		
4	LF7119001	1	QUICK SETUP GUIDE FOR GER/AUS		
4	LF7125001	1	QUICK SETUP GUIDE FOR UK/IRE		
4	LF7130001	1	QUICK SETUP GUIDE FOR FRA		
4	LF7328001	1	QUICK SETUP GUIDE FOR BEL <DUTCH>		
4	LF7329001	1	QUICK SETUP GUIDE FOR BEL/CHE <FRENCH>		
4	LF7325001	1	QUICK SETUP GUIDE FOR NLD		
4	LF7330001	1	QUICK SETUP GUIDE FOR CHE <GERMAN>		
4	LF7137001	1	QUICK SETUP GUIDE FOR SPA		
4	LF7148001	1	QUICK SETUP GUIDE FOR ITA		
4	LF7155001	1	QUICK SETUP GUIDE FOR POR		
4	LF7926001	1	QUICK SETUP GUIDE FOR CHN		
4	LF7335001	1	QUICK SETUP GUIDE FOR ASA/OCE		
4	LF7332001	1	QUICK SETUP GUIDE FOR PND <NORWEGIAN>		
4	LF7333001	1	QUICK SETUP GUIDE FOR PND <SWEDISH>		
4	LF7334001	1	QUICK SETUP GUIDE FOR PND <FINNISH>		
4	LF7331001	1	QUICK SETUP GUIDE FOR PND <DANISH>		
4	LP0010001	1	QUICK SETUP GUIDE FOR GNR <CZECH/HUNGARIAN/POLISH>		CHG
4	LP0011001	1	QUICK SETUP GUIDE FOR GNR <ENGLISH/BULGARIAN/ROMANIAN>		ADD
5	LJ0763001	1	PE BAG, 1000X1000H		
6	LF5290001	1	CARTON FOR ACCESSORIES		
7	LF7127001	1	PAD, TRAY COVER		

# 14. OTHERS



## List14(OTHERS)

REF No.	CODE	QTY	DESCRIPTION	RECOMMEND	REMARK
1	LK1349001	1	DUMMY CARTRIDGE, BLACK < For ink drainage >		
2	LK1350001	3	DUMMY CARTRIDGE, COLOR < For ink drainage >		
3	UF8263001	1	TEST CHART-027		
4	UF9258001	1	COLOR TEST CHART CTC-001		
5	UF4600001	1	CONTRAST CHART TC-023		

**brother**<sup>®</sup>