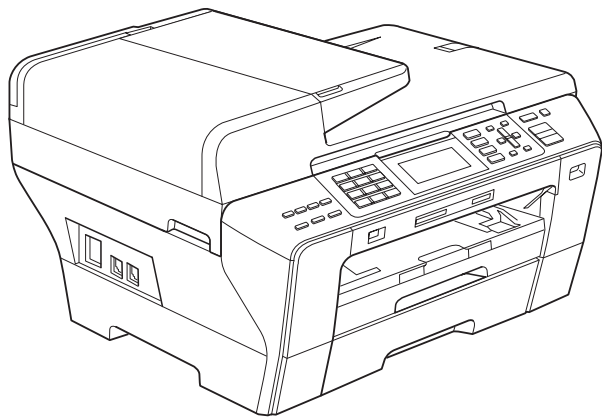


# USER'S GUIDE

---



**MFC-5890CN**  
**MFC-6490CW**

## **If you need to call Customer Service**

**Please complete the following information for future reference:**

**Model Number: MFC-5890CN and MFC-6490CW (Circle your model number)**

**Serial Number: <sup>1</sup> \_\_\_\_\_**

**Date of Purchase: \_\_\_\_\_**

**Place of Purchase: \_\_\_\_\_**

**<sup>1</sup> The serial number is on the back of the unit. Retain this User's Guide with your sales receipt as a permanent record of your purchase, in the event of theft, fire or warranty service.**

**Register your product on-line at**

**<http://www.brother.com/registration/>**

By registering your product with Brother, you will be recorded as the original owner of the product. Your registration with Brother:

- may serve as confirmation of the purchase date of your product should you lose your receipt;
- may support an insurance claim by you in the event of product loss covered by insurance; and,
- will help us notify you of enhancements to your product and special offers.

The most convenient and efficient way to register your new product is on-line at <http://www.brother.com/registration/>

# Brother numbers

## IMPORTANT

For technical help, you must call the country where you bought the machine. Calls must be made **from within** that country.

## Register your product

By registering your product with Brother International Corporation, you will be recorded as the original owner of the product. Your registration with Brother:

- may serve as confirmation of the purchase date of your product should you lose your receipt;
- may support an insurance claim by you in the event of product loss covered by insurance; and,
- will help us notify you of enhancements to your product and special offers.

Please complete and fax the Brother Warranty Registration And Test Sheet or, for your convenience and most efficient way to register your new product, register on-line at

<http://www.brother.com/registration/>

## FAQs (frequently asked questions)

The Brother Solutions Center is our one-stop resource for all your Fax Machine/Multi-Function Center needs. You can download the latest software documents and utilities, read FAQs and troubleshooting tips, and learn how to get the most from your Brother product.

<http://solutions.brother.com/>



### Note

- You can check here for Brother driver updates.
- To keep your machine performance up to date, check here for the latest firmware upgrade (for Windows<sup>®</sup> only).

## For Customer Service

**In USA:** 1-877-BROTHER (1-877-276-8437)  
1-901-379-1215 (fax)

**In Canada:** 1-877-BROTHER  
(514) 685-4898 (fax)

### Service Center Locator (USA only)

For the location of a Brother authorized service center, call 1-877-BROTHER (1-877-276-8437).

### Service Center Locations (Canada only)

For the location of a Brother authorized service center, call 1-877-BROTHER.

# Ordering accessories and supplies

For best quality results use only genuine Brother accessories, which are available at most Brother retailers. If you cannot find the accessory you need and you have a Visa, MasterCard, Discover, or American Express credit card, you can order accessories directly from Brother. (You can visit us online for a complete selection of the Brother accessories and supplies that are available for purchase.)



## Note

In Canada only Visa and MasterCard are accepted.

**In USA:** 1-877-552-MALL (1-877-552-6255)  
1-800-947-1445 (fax)

<http://www.brothermall.com/>

**In Canada:** 1-877-BROTHER

<http://www.brother.ca/>

Description	Item
Ink Cartridge Standard <black>	LC61BK <sup>1</sup>
Ink Cartridge High Yield <black>	LC65HY-BK <sup>1</sup>
Ink Cartridge <cyan> (blue)	LC61C <sup>1</sup>
Ink Cartridge High Yield <cyan> (blue)	LC65HY-C <sup>1</sup>
Ink Cartridge <magenta> (red)	LC61M <sup>1</sup>
Ink Cartridge High Yield <magenta> (red)	LC65HY-M <sup>1</sup>
Ink Cartridge <yellow>	LC61Y <sup>1</sup>
Ink Cartridge High Yield <yellow>	LC65HY-Y <sup>1</sup>
Premium Plus Glossy Finish Photo Paper (Ledger size / 20 sheets)	BP71GLGR
(Letter size / 20 sheets)	BP71GLTR
(4"x6" size / 20 sheets)	BP71GP
Matte Finish Inkjet Paper (Letter size / 25 sheets)	BP60ML (USA only)
Plain Finish Inkjet Paper (Ledger size / 100 sheets)	BP60PLGR (USA only)
(Letter size / 100 sheets)	BP60PL100 (USA only)
Telephone Line Cord	LG3077001 (USA only)
User's Guide	LS6555001 (English for USA and Canada) LS6555002 (French for Canada)

<sup>1</sup> For more information about the replacement consumables, visit us at [www.brother.com/pageyield](http://www.brother.com/pageyield).

## **Notice - Disclaimer of Warranties (USA and Canada)**

BROTHER'S LICENSOR(S), AND THEIR DIRECTORS, OFFICERS, EMPLOYEES OR AGENTS (COLLECTIVELY BROTHER'S LICENSOR) MAKE NO WARRANTIES, EXPRESS OR IMPLIED, INCLUDING WITHOUT LIMITATION THE IMPLIED WARRANTIES OF MERCHANTABILITY AND FITNESS FOR A PARTICULAR PURPOSE, REGARDING THE SOFTWARE. BROTHER'S LICENSOR(S) DOES NOT WARRANT, GUARANTEE OR MAKE ANY REPRESENTATIONS REGARDING THE USE OR THE RESULTS OF THE USE OF THE SOFTWARE IN TERMS OF ITS CORRECTNESS, ACCURACY, RELIABILITY, CURRENTNESS OR OTHERWISE. THE ENTIRE RISK AS TO THE RESULTS AND PERFORMANCE OF THE SOFTWARE IS ASSUMED BY YOU. THE EXCLUSION OF IMPLIED WARRANTIES IS NOT PERMITTED BY SOME STATES IN THE USA AND SOME PROVINCES IN CANADA. THE ABOVE EXCLUSION MAY NOT APPLY TO YOU.

IN NO EVENT WILL BROTHER'S LICENSOR(S) BE LIABLE TO YOU FOR ANY CONSEQUENTIAL, INCIDENTAL OR INDIRECT DAMAGES (INCLUDING DAMAGES FOR LOSS OF BUSINESS PROFITS, BUSINESS INTERRUPTION, LOSS OF BUSINESS INFORMATION, AND THE LIKE) ARISING OUT OF THE USE OR INABILITY TO USE THE SOFTWARE EVEN IF BROTHER'S LICENSOR HAS BEEN ADVISED OF THE POSSIBILITY OF SUCH DAMAGES. BECAUSE SOME STATES IN THE USA AND SOME PROVINCES IN CANADA DO NOT ALLOW THE EXCLUSION OR LIMITATION OF LIABILITY FOR CONSEQUENTIAL OR INCIDENTAL DAMAGES, THE ABOVE LIMITATIONS MAY NOT APPLY TO YOU. IN ANY EVENT BROTHER'S LICENSOR'S LIABILITY TO YOU FOR ACTUAL DAMAGES FROM ANY CAUSE WHATSOEVER, AND REGARDLESS OF THE FORM OF THE ACTION (WHETHER IN CONTRACT, TORT (INCLUDING NEGLIGENCE), PRODUCT LIABILITY OR OTHERWISE), WILL BE LIMITED TO \$50.

## **Compilation and Publication Notice**

Under the supervision of Brother Industries Ltd., this manual has been compiled and published, covering the latest product descriptions and specifications.

The contents of this manual and the specifications of this product are subject to change without notice.

Brother reserves the right to make changes without notice in the specifications and materials contained herein and shall not be responsible for any damages (including consequential) caused by reliance on the materials presented, including but not limited to typographical and other errors relating to the publication.

# Brother® Two-Year Limited Warranty and Replacement Service (USA Only)

## Who is covered:

- This limited warranty (“warranty”) is given only to the original end-user/retail purchaser (referred to in this warranty as “Original Purchaser”) of the accompanying product, consumables and accessories (collectively referred to in this warranty as “this Product”).
- If you purchased a product from someone other than an authorized Brother reseller in the United States or if the product was used (including but not limited to floor models or refurbished product), prior to your purchase you are not the Original Purchaser and the product that you purchased is not covered by this warranty.

## What is covered:

- This Product includes a Machine and Consumable and Accessory Items. Consumable and Accessory Items include but are not limited to print heads, toner, drums, ink cartridges, print cartridges, cordless handset battery, refill ribbons, therma PLUS paper and thermal paper.
- Except as otherwise provided herein, Brother warrants that the Machine and the accompanying Consumable and Accessory Items will be free from defects in materials and workmanship, when used under normal conditions.
- This warranty applies only to products purchased and used in the United States. For products purchased in, but used outside, the United States, this warranty covers only warranty service within the United States (and does not include shipping outside the United States).

## What is the length of the Warranty Periods:

- Machines: two years from the original purchase date.
- Accompanying Consumable and Accessory Items: 90 days from the original purchase date or the rated life of consumable, whichever comes first.

## What is NOT covered:

This warranty does not cover:

- 1 Physical damage to this Product;
- 2 Damage caused by improper installation, improper or abnormal use, misuse, neglect or accident (including but not limited to transporting this Product without the proper preparation and/or packaging);

- 3 Damage caused by another device or software used with this Product (including but not limited to damage resulting from use of non Brother®-brand parts and Consumable and Accessory Items);
- 4 Consumable and Accessory Items that expired in accordance with a rated life;
- 5 Problems arising from other than defects in materials or workmanship; and,
- 6 Normal Periodic Maintenance Items, such as Paper Feeding Kit, Fuser and Laser Units.

This limited warranty is VOID if this Product has been altered or modified in any way (including but not limited to attempted warranty repair without authorization from Brother and/or alteration/removal of the serial number).

## What to do if you think your Product is eligible for warranty service:

Report your issue to either our Customer Service Hotline at 1-877-BROTHER (1-877-276-8437) or to a Brother Authorized Service Center within the applicable warranty period. Supply Brother or the Brother Authorized Service Center with a copy of your dated bill of sale showing that this Product was purchased within the U.S. For the name of local Brother Authorized Service Center(s), call 1-877-BROTHER (1-877-276-8437) or visit [www.brother-usa.com](http://www.brother-usa.com).

## What Brother will ask you to do:

After contacting Brother or a Brother Authorized Service Center, you may be required to deliver (by hand if you prefer) or send the Product properly packaged, freight prepaid, to the Authorized Service Center together with a photocopy of your bill of sale. **You are responsible for the cost of shipping, packing product, and insurance (if you desire). You are also responsible for loss or damage to this Product in shipping.**

## What Brother will do:

If the problem reported concerning your Machine and/or accompanying Consumable and Accessory Items is covered by this warranty and if you first reported the problem to Brother or an Authorized Service Center within the applicable warranty period, Brother or its Authorized Service Center will repair or replace the Machine and/or accompanying Consumable and Accessory Items at no charge to you for parts or labor. The decision as to whether to repair or replace the Machine and/or accompanying Consumable and Accessory Items is made by Brother in its sole

## Brother® Two-Year Limited Warranty and Replacement Service (USA Only)

discretion. Brother reserves the right to supply a refurbished or remanufactured replacement Machine and/or accompanying Consumable and Accessory Items and use refurbished parts provided such replacement products conform to the manufacturer's specifications for new product/parts. The repaired or replacement Machine and/or accompanying Consumable and Accessory Items will be returned to you freight prepaid or made available for you to pick up at a conveniently located Authorized Service Center.

If the Machine and/or accompanying Consumable and Accessory Items are not covered by this warranty (either stage), you will be charged for shipping the Machine and/or accompanying Consumable and Accessory Items back to you and charged for any service and/or replacement parts/products at Brother's then current published rates.

**The foregoing are your sole (i.e., only) and exclusive remedies under this warranty.**

**What happens when Brother elects to replace your Machine:**

When a replacement Machine is authorized by Brother, and you have delivered the Machine to an Authorized Service Center, the Authorized Service Center will provide you with a replacement Machine after receiving one from Brother. If you are dealing directly with Brother's Express Exchange Service Brother will send to you a replacement Machine shipped for receipt within two business days, with the understanding that you will, after receipt of the replacement Machine, supply the required proof of purchase information, together with the Machine that Brother agreed to replace. You are then expected to pack the Machine that Brother agreed to replace in the package from the replacement Machine and return it to Brother using the pre-paid freight bill supplied by Brother in accordance with the instructions provided by Brother. Since you will be in possession of two machines, Brother will require that you provide a valid major credit card number. Brother will issue a hold against the credit card account number that you provide until Brother receives your original Product and determines that your original Product is entitled to warranty coverage. Your credit card will be charged up to the cost of a new Product only if: (i) you do not return your original Product to Brother within five (5) business days; (ii) the problems with your original Product are not covered by the limited warranty; (iii) the proper packaging instructions are not followed and has caused damage to

the product; or (iv) the warranty period on your original Product has expired or has not been sufficiently validated with a copy of the proof of purchase (bill of sale). The replacement Machine you receive (even if refurbished or remanufactured) will be covered by the balance of the limited warranty period remaining on the original Product, plus an additional thirty (30) days. You will keep the replacement Machine that is sent to you and your original Machine shall become the property of Brother. **Retain your original Accessory Items and a copy of the return freight bill, signed by the courier.**

### **Limitations:**

Brother is not responsible for damage to or loss of any equipment, media, programs or data related to the use of this Product. Except for the repair or replacement as described above, Brother shall not be liable for any direct, indirect, incidental or consequential damages or specific relief. Because some states do not allow the exclusion or limitation of consequential or incidental damages, the above limitation may not apply to you.

THIS WARRANTY IS GIVEN IN LIEU OF ALL OTHER WARRANTIES, WRITTEN OR ORAL, WHETHER EXPRESSED BY AFFIRMATION, PROMISE, DESCRIPTION, DRAWING, MODEL OR SAMPLE. ANY AND ALL WARRANTIES OTHER THAN THIS ONE, WHETHER EXPRESS OR IMPLIED, INCLUDING IMPLIED WARRANTIES OF MERCHANTABILITY AND FITNESS FOR A PARTICULAR PURPOSE, ARE HEREBY DISCLAIMED.

- This Limited Warranty is the only warranty that Brother is giving for this Product. It is the *final expression and the exclusive and only statement* of Brother's obligations to you. It replaces all other agreements and understandings that you may have with Brother or its representatives.
- This warranty gives you certain rights and you may also have other rights that may vary from state to state.
- This Limited Warranty (and Brother's obligation to you) may not be changed in any way unless you and Brother sign the same piece of paper in which we (1) refer to this Product and your bill of sale date, (2) describe the change to this warranty and (3) agree to make that change.

**Important:** We recommend that you keep all original packing materials, in the event that you ship this Product.

**BROTHER MULTIFUNCTION CENTER / FAX MACHINE  
LIMITED WARRANTY  
(Canada only)**

Pursuant to the limited warranty of 2 years from the date of purchase for labour and parts, Brother International Corporation (Canada) Ltd. ("Brother"), or its Authorized Service Centres, will repair or replace (at Brother's sole discretion) this MFC/Fax machine free of charge if defective in material or workmanship. This warranty applies only to products purchased and used in Canada. This limited Warranty does not include cleaning, consumables (including, without limitation, ink cartridges, print cartridges, print rolls, thermal paper rolls, toner cartridges, drum units, OPC belts, fixing units, print heads, paper feed rollers, transfer rolls, cleaning rollers, waste toner packs, oil bottles) or damage caused by accident, neglect, misuse or improper installation or operation, any damage caused from service, maintenance, modifications, or tampering by anyone other than a Brother Authorized Service Representative, or if shipped out of the country.

The use of supplies or consumable items that are non-Brother products may void your warranty. This limited warranty ceases when this machine is rented, sold, or otherwise disposed of.

Operation of the MFC/Fax machine in excess of the specifications or with the Serial Number or Rating Label removed shall be deemed abuse and all repairs thereafter shall be the sole liability of the end-user/purchaser.

In order to obtain warranty service, the MFC/Fax machine must be delivered or shipped freight prepaid by the end-user/purchaser to a "Brother" Authorized Service Centre, together with your Canadian Proof of Purchase in the form of a Sales Receipt.

When shipping or transporting your MFC/Fax machine, please refer to your Operation Manual for the proper packaging procedures.

For Laser units: Failure to remove the Toner Cartridge (and Toner Drum Unit, waste toner packs or oil bottles on applicable models) during shipping or transport will cause severe damage to the Laser MFC/Fax machine and will void the Warranty.

For inkjet units: (When shipping your Inkjet MFC/Fax machine remove the ink cartridges and replace them with the original protective parts. If original protective parts are not available, leave ink cartridges installed. Please avoid shipping the unit without original protective parts or ink cartridges.) Damage to your print head resulting from packing the Inkjet MFC/Fax machine without the ink cartridges or the protective parts will void your warranty.

Improper packaging may cause severe damage to the machine during shipping and will void the warranty.

**BROTHER DISCLAIMS ALL OTHER WARRANTIES EXPRESSED OR IMPLIED INCLUDING, WITHOUT LIMITATIONS, ANY IMPLIED WARRANTIES OF MERCHANTABILITY OR FITNESS FOR A PARTICULAR PURPOSE, EXCEPT TO THE EXTENT THAT ANY WARRANTIES IMPLIED BY LAW CANNOT BE VALIDLY WAIVED.**

No oral or written information, advice or representation provided by Brother, its Authorized Service Centres, Distributors, Dealers, Agents or employees, shall create another warranty or modify this warranty. The warranty states Brother's entire liability and your exclusive remedy against Brother for any failure of the MFC/Fax machine to operate properly.

Neither Brother nor anyone else involved in the development, production, or delivery of this MFC/Fax machine shall be liable for any indirect, incidental, special, consequential, exemplary, or punitive damages, including lost profits, arising from the use of or inability to use the product, even if advised by the end user/purchaser of the possibility of such damages. Since some Provinces do not allow the above limitation of liability, such limitation, may not apply to you.

**This Limited Warranty gives you specific legal rights and you may also have other rights which vary from Province to Province.**

**Warranty Service is available at Brother Authorized Service Centres throughout Canada.**

**For Technical Assistance or for the name and location of your nearest Authorized Service Centre call 1-877-BROTHER.**

**Internet support: [support@brother.ca](mailto:support@brother.ca) or browse Brother's Web Site [www.brother.ca](http://www.brother.ca).**

**brother**<sup>®</sup>



# Table of Contents

## Section I General

<b>1</b>	<b>General Information</b>	<b>2</b>
	Using the documentation .....	2
	Symbols and conventions used in the documentation .....	2
	Accessing the Software User's Guide and Network User's Guide .....	2
	Viewing Documentation .....	2
	Accessing Brother Support (For Windows®) .....	5
	MFC-6490CW Control panel overview .....	6
	LCD screen .....	8
	Basic Operations .....	8
<b>2</b>	<b>Loading paper and documents</b>	<b>9</b>
	Loading paper and other print media .....	9
	Loading paper in paper tray #1 .....	9
	Loading paper in paper tray #2 (MFC-6490CW only) .....	12
	Loading envelopes and post cards .....	15
	Removing small printouts from the machine .....	16
	Printable area .....	17
	Acceptable paper and other print media .....	18
	Recommended print media .....	18
	Handling and using print media .....	19
	Choosing the right print media .....	20
	Loading documents .....	22
	Using the ADF .....	22
	Using the scanner glass .....	23
	Scannable area .....	24
<b>3</b>	<b>General setup</b>	<b>25</b>
	On/Off key .....	25
	Turning the machine off .....	25
	Turning the machine on .....	25
	Power Off setting .....	25
	Mode Timer .....	26
	Paper settings .....	26
	Paper Size and Type (MFC-5890CN only) .....	26
	Paper Size and Type (MFC-6490CW only) .....	27
	Tray use in Copy mode (MFC-6490CW only) .....	28
	Tray use in Fax mode (MFC-6490CW only) .....	28
	Secure Paper Feed mode for Ledger size Short Grain Paper .....	29
	Volume Settings .....	29
	Ring Volume .....	29
	Beeper Volume .....	30
	Speaker Volume .....	30
	Automatic Daylight Savings Time .....	31

Sleep Mode.....	31
LCD screen.....	32
LCD Contrast.....	32
Setting the backlight brightness.....	32
Setting the Dim Timer for the backlight .....	32
Setting the Wallpaper .....	32

## **4 Security features 33**

---

Secure Function Lock .....	33
Setting and changing the Administrator Password .....	33
Setting up and changing the Public user .....	34
Setting up and changing restricted users .....	35
Turning Secure Function Lock on/off.....	36
Switching users .....	37
Changing to the Public mode .....	37
Reset all users.....	37

## **Section II Fax**

### **5 Sending a Fax 40**

---

Entering Fax mode .....	40
Faxing from the ADF .....	40
Faxing from the scanner glass .....	41
Setting scanner glass size for faxing (MFC-5890CN only).....	41
Setting scanner glass size for faxing (MFC-6490CW only) .....	42
Color fax transmission .....	42
How to preview an outgoing fax .....	42
Canceling a fax in progress .....	42
Broadcasting (Black & White only) .....	43
Canceling a Broadcast in progress.....	43
Additional sending operations.....	44
Sending faxes using multiple settings .....	44
Contrast .....	44
Changing fax resolution.....	45
Dual access (Black & White only).....	45
Real time transmission .....	45
Overseas Mode .....	46
Delayed Faxing (Black & White only) .....	46
Delayed Batch Transmission (Black & White only) .....	46
Checking and canceling waiting jobs.....	46
Setting your changes as the new default.....	47
Restoring all settings to the factory settings .....	47
Sending a fax manually .....	47
Sending a fax at the end of a conversation .....	47
Out of Memory message .....	48

Receive modes .....	49
Choose the correct Receive Mode .....	49
Using receive modes .....	51
Fax only .....	51
Fax/Tel.....	51
Manual.....	51
External TAD .....	51
Receive mode settings .....	52
Ring Delay .....	52
F/T Ring Time (Fax/Tel mode only).....	52
Easy Receive.....	53
Additional receiving operations.....	53
Printing a reduced incoming fax .....	53
Setting the Receiving Priority .....	54
Receiving a fax at the end of a conversation.....	55
Printing a fax from the memory .....	55
Receiving faxes into memory when the paper tray is empty .....	55
Memory Receive (Black & White only) .....	56
Fax Forwarding.....	56
Paging .....	57
Fax Storage.....	58
PC Fax Receive.....	58
Changing the destination PC.....	59
Turning off Memory Receive Operations.....	60
Changing Memory Receive Operations.....	60
Fax Preview (Black & White only).....	61
How to preview a received fax.....	61
Changing the settings to turn off fax preview .....	63
Remote Retrieval.....	63
Setting a Remote Access Code.....	63
Using your Remote Access Code.....	64
Remote Fax commands .....	65
Retrieving fax messages .....	66
Changing your Fax Forwarding number .....	66

---

## **7 Telephone Services and External devices 67**

---

Voice operations .....	67
Tone or Pulse (Canada only).....	67
Fax/Tel mode when the power key is on .....	67
Fax/Tel mode when the power key is off .....	67
Telephone services.....	68
Voice Mail .....	68
Distinctive Ring.....	69
Caller ID.....	71
Connecting an external TAD (telephone answering device).....	72
Connections.....	73
Recording outgoing message (OGM) on an external TAD .....	74
Special line considerations .....	74
Multi-line connections (PBX) .....	76
External and extension telephones.....	76
Connecting an external or extension telephone .....	76
Using external and extension telephones.....	77
Using a Non-Brother cordless external telephone .....	77
Using remote codes.....	77

---

## **8 Dialing and storing numbers 79**

---

How to Dial .....	79
Manual dialing .....	79
One Touch Dialing .....	79
Speed Dialing .....	79
Search .....	80
Fax Redial .....	80
Outgoing Call.....	81
Caller ID history .....	81
Storing numbers .....	82
Storing a pause .....	82
Storing One Touch Dial numbers .....	82
Storing Speed Dial numbers.....	83
Changing One Touch or Speed Dial names or numbers.....	85
Setting up groups for broadcasting.....	86
Dialing Access codes and credit card numbers.....	88

---

## **9 Printing Reports 89**

---

Fax reports.....	89
Transmission Verification Report.....	89
Fax Journal (activity report) .....	90
Reports .....	90
How to print a report .....	90

**10 Polling 91**

---

Polling overview..... 91  
Polling receive ..... 91  
    Setup to receive polling ..... 91  
    Sequential polling (Black & White only)..... 91  
Polled transmit (Black & White only)..... 92  
    Set up for polled transmit..... 92

## Section III Copy

**11 Making copies 94**

---

How to copy ..... 94  
    Entering Copy mode..... 94  
    Making a single copy ..... 94  
    Making multiple copies ..... 94  
    Stop copying..... 94  
Copy settings ..... 95  
    Changing copy quality ..... 95  
    Enlarging or reducing the image copied ..... 95  
    Making N in 1 copies or a poster (Page Layout) ..... 96  
    Sorting copies using the ADF ..... 98  
    Adjusting Brightness and Contrast ..... 98  
    Paper Options..... 99  
    Skew Adjustment (MFC-6490CW only)..... 100  
    Book Copy ..... 100  
    Watermark Copy..... 101  
    Setting your changes as the new default..... 102  
    Restoring all settings to the factory settings ..... 102  
'Out of Memory' message..... 103

## Section IV Walk-up Photo Printing

### **12 PhotoCapture Center®: Printing photos from a memory card or USB Flash memory drive 106**

---

PhotoCapture Center® Operations .....	106
Printing from a memory card or USB Flash memory drive without a PC.....	106
Scanning to a memory card or USB Flash memory drive without a PC .....	106
Using PhotoCapture Center® from your computer .....	106
Using a memory card or USB Flash memory drive .....	106
Memory cards or a USB Flash memory drive folder structure.....	107
Getting started .....	108
Entering PhotoCapture mode .....	109
Print Images.....	109
View Photo(s) .....	109
Print Index (Thumbnails) .....	110
Printing Photos .....	111
Enhance Photos .....	111
Search by Date .....	114
Print All Photos .....	115
Slide show .....	115
Trimming.....	116
DPOF printing.....	116
PhotoCapture Center® print settings .....	117
Print Quality .....	118
Paper options .....	118
Adjusting Brightness, Contrast and Color.....	119
Cropping .....	120
Borderless printing.....	120
Print Date.....	120
Setting your changes as the new default.....	121
Restoring all settings to the factory settings .....	121
Scan to a memory card or USB Flash memory drive .....	121
Entering Scan mode .....	121
How to scan to a memory card or USB Flash memory drive.....	122
Glass Scan Size (MFC-6490CW only) .....	123
How to change the file name .....	123
How to set a new default .....	123
How to reset to the factory settings .....	123
Understanding the Error Messages .....	124

### **13 Printing photos from a camera 125**

---

Printing photos directly from a PictBridge camera.....	125
PictBridge requirements .....	125
Setting your digital camera .....	125
Printing Images.....	126
DPOF printing .....	126
Printing photos directly from a digital camera (without PictBridge).....	127
Printing Images.....	127
Understanding the Error Messages .....	128

## Section V Software

<b>14</b>	<b>Software and Network features</b>	<b>130</b>
-----------	--------------------------------------	------------

---

## Section VI Appendixes

<b>A</b>	<b>Safety and Legal</b>	<b>132</b>
----------	-------------------------	------------

---

Choosing a location .....	132
To use the machine safely.....	133
Important safety instructions.....	138
Standard telephone and FCC Notices (These notices are in effect on models sold and used in the United States only.) .....	139
Federal Communications Commission (FCC) Declaration of Conformity (USA only).....	141
Industry Canada Compliance Statement (Canada only) .....	142
LAN connection .....	142
International ENERGY STAR® Compliance Statement .....	142
Legal limitations for copying .....	143
Trademarks.....	144

<b>B</b>	<b>Troubleshooting and Routine Maintenance</b>	<b>145</b>
----------	--	------------

---

Troubleshooting .....	145
If you are having difficulty with your machine .....	145
Dial Tone .....	152
Telephone line interference .....	152
Error and Maintenance messages.....	153
Error animation .....	159
Transferring your faxes or Fax Journal report .....	159
Document jam .....	161
Printer jam or paper jam (MFC-5890CN only).....	162
Printer jam or paper jam (MFC-6490CW only) .....	164
Routine maintenance.....	167
Replacing the ink cartridges .....	167
Cleaning the outside of the machine .....	169
Cleaning the scanner.....	170
Cleaning the machine printer platen.....	171
Cleaning the paper pick-up roller.....	171
Cleaning the print head .....	172
Checking the print quality .....	173
Checking the print alignment.....	174
Checking the ink volume .....	174
Machine Information .....	174
Checking the serial number.....	174
Packing and shipping the machine .....	175

<b>C</b>	<b>Menu and Features</b>	<b>178</b>
	On-screen programming .....	178
	Menu table .....	178
	Memory storage .....	178
	Mode and menu keys .....	178
	Menu table .....	179
	Entering Text .....	204
<b>D</b>	<b>Specifications</b>	<b>205</b>
	General .....	205
	Print media .....	207
	Fax .....	208
	Copy .....	210
	PhotoCapture Center® .....	211
	PictBridge .....	212
	Scanner .....	213
	Printer .....	214
	Interfaces .....	215
	Computer requirements .....	216
	Consumable items .....	217
	Network (LAN) .....	218
	Wireless one-push configuration .....	219
<b>E</b>	<b>Glossary</b>	<b>220</b>
<b>F</b>	<b>Index</b>	<b>224</b>





# General

---

<b>General Information</b>	<b>2</b>
<b>Loading paper and documents</b>	<b>9</b>
<b>General setup</b>	<b>25</b>
<b>Security features</b>	<b>33</b>

## Using the documentation

Thank you for buying a Brother machine! Reading the documentation will help you make the most of your machine.

### Symbols and conventions used in the documentation

---

The following symbols and conventions are used throughout the documentation.

<b>Bold</b>	Bold typeface identifies specific keys on the machine's control panel.
<i>Italics</i>	Italicized typeface emphasizes an important point or refers you to a related topic.
Courier New	Text in Courier New font identifies messages on the LCD of the machine.



Warnings tell you what to do to prevent possible personal injury.



Cautions specify procedures you must follow or avoid to prevent possible damage to the machine or other objects.



Electrical Hazard icons alert you to possible electrical shock.



Notes tell you how you should respond to a situation that may arise or give tips about how the operation works with other features.



Improper Setup icons alert you to devices and operations that are not compatible with the machine.

## Accessing the Software User's Guide and Network User's Guide

This User's Guide does not contain all the information about the machine such as how to use the advanced features of the Printer, Scanner, PC Fax and Network. When you are ready to learn detailed information about these operations, read the **Software User's Guide** and **Network User's Guide** that are on the CD-ROM.

### Viewing Documentation

---

#### Viewing Documentation (For Windows®)

To view the documentation, from the **Start** menu, point to **Brother, MFC-XXXX** (where XXXX is your model name) from the programs group, and then choose **User's Guides in HTML format**.

If you have not installed the software, you can find the documentation by following the instructions below:

- 1 Turn on your PC. Insert the Brother CD-ROM into your CD-ROM drive.
- 2 If the model name screen appears, click your model name.

- 3 If the language screen appears, click your language. The CD-ROM main menu will appear.



### Note

If this window does not appear, use Windows® Explorer to run the start.exe program from the root directory of the Brother CD-ROM.

- 4 Click **Documentation**.
- 5 Click the documentation you want to read.

- **HTML documents: Software User's Guide and Network User's Guide** in HTML format.

This format is recommended for viewing on your computer.

- **PDF documents: User's Guide** for stand-alone operations, **Software User's Guide** and **Network User's Guide** in PDF format.

This format is recommended for printing the manuals. Click to go to the Brother Solutions Center, where you can view or download the PDF documents. (Internet access and PDF Reader software are required.)

## How to find Scanning instructions

There are several ways you can scan documents. You can find the instructions as follows:

### Software User's Guide

- **Scanning**  
(For Windows® 2000 Professional/ Windows® XP and Windows Vista®)
- **ControlCenter3**  
(For Windows® 2000 Professional/ Windows® XP and Windows Vista®)
- **Network Scanning**

### ScanSoft™ PaperPort™ 11SE with OCR How-to-Guides

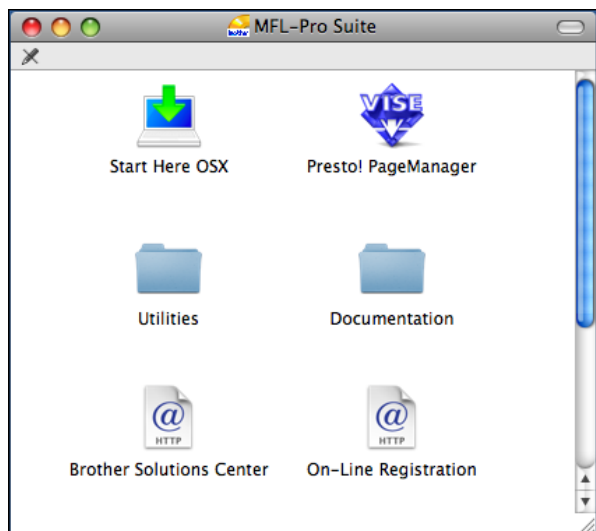
- The complete ScanSoft™ PaperPort™ 11SE with OCR How-to-Guides can be viewed from the Help selection in the ScanSoft™ PaperPort™ 11SE application.

## How to find Network setup instructions (MFC-6490CW only)

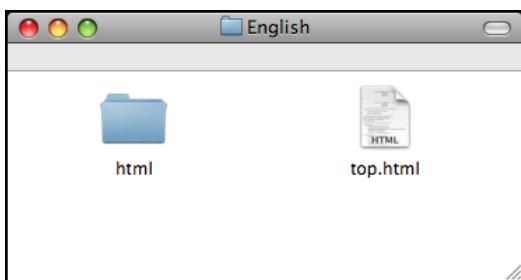
Your machine can be connected to a wireless or wired network. You can find basic setup instructions in the Quick Setup Guide. If your wireless access point supports SecureEasySetup™, Wi-Fi Protected Setup™ or AOSS™, follow the steps in the Quick Setup Guide. For more information about network setup please see the Network User's Guide.

## Viewing Documentation (For Macintosh®)

- 1 Turn on your Macintosh®. Insert the Brother CD-ROM into your CD-ROM drive. The following window will appear.



- 2 Double-click the **Documentation** icon.
- 3 Double-click your language folder.
- 4 Double-click the **top.html** file to view the **Software User's Guide** and **Network User's Guide** in HTML format.



- 5 Click the documentation you want to read:
  - **Software User's Guide**
  - **Network User's Guide**

## How to find Scanning instructions

There are several ways you can scan documents. You can find the instructions as follows:

### Software User's Guide

- *Scanning*  
(For Mac OS® X 10.2.4 or greater)
- *ControlCenter2*  
(For Mac OS® X 10.2.4 or greater)
- *Network Scanning*  
(For Mac OS® X 10.2.4 or greater)

### Presto!® PageManager® User's Guide

- The complete Presto!® PageManager® User's Guide can be viewed from the Help selection in the Presto!® PageManager® application.

## How to find Network setup instructions (MFC-6490CW only)

Your machine can be connected to a wireless or wired network. You can find basic setup instructions in the Quick Setup Guide. If your wireless access point supports SecureEasySetup™, Wi-Fi Protected Setup™ or AOSS™, follow the steps in the Quick Setup Guide. For more information about network setup please see the Network User's Guide.

## Accessing Brother Support (For Windows®)

You can find all the contacts you will need, such as Web support (Brother Solutions Center), Customer Service and Brother Authorized Service Centers in *Brother numbers* on page i and on the Brother CD-ROM.

- Click **Brother Support** on the main menu. The following screen will appear:

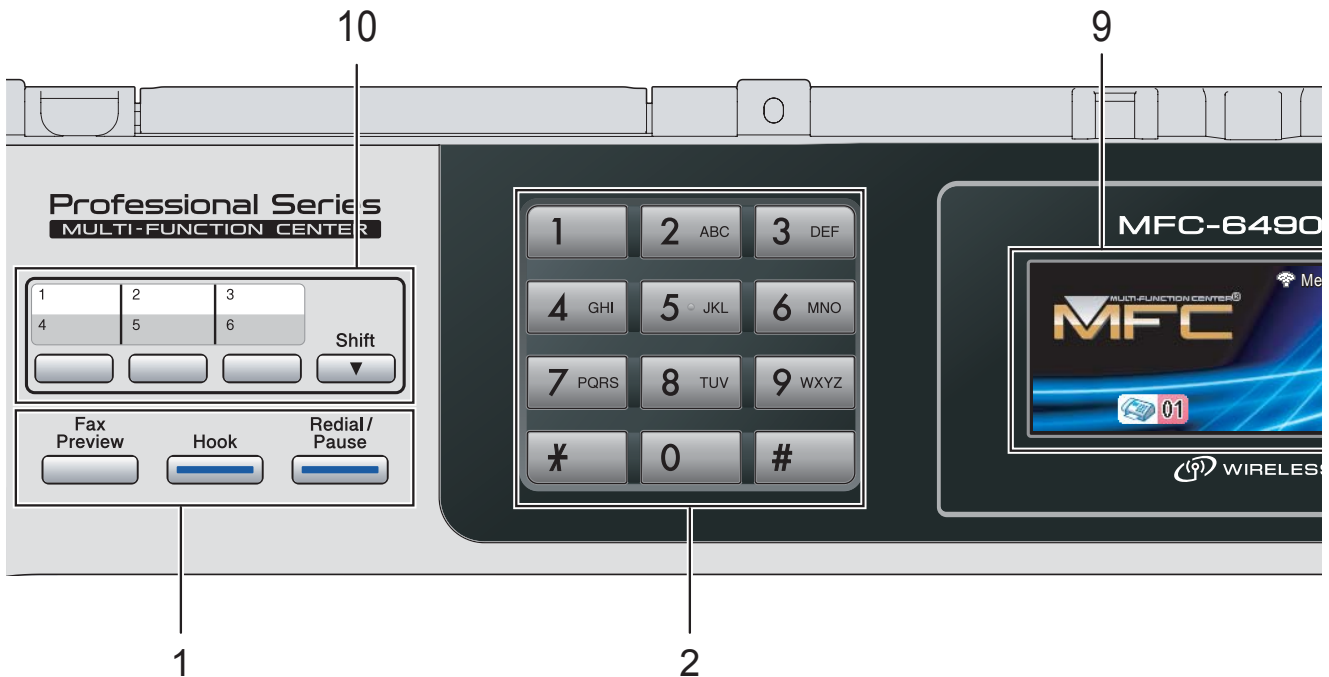


- To access our web site (<http://www.brother.com>), click **Brother Home Page**.
- To view all Brother Numbers, including Customer Service numbers for the USA and Canada, click **Support Information**.
- To access the USA Brother online shopping mall (<http://www.brothermall.com>) for additional product and services information, click **Brother Mall.com**.
- To access Canada's Brother online shopping mall (<http://www.brother.ca>) for additional product and services information, click **Shop Online (Canada)**.
- For the latest news and product support information (<http://solutions.brother.com>), click **Brother Solutions Center**.

- To visit our web site for original/genuine Brother Supplies (<http://www.brother.com/original/>), click **Supplies Information**.
- To access the Brother CreativeCenter (<http://www.brother.com/creativecenter/>) for FREE photo projects and printable downloads, click **Brother CreativeCenter**.
- To return to the main page, click **Back** or if you have finished, click **Exit**.

# MFC-6490CW Control panel overview

The **MFC-5890CN** and **MFC-6490CW** have the same control panel keys.



## Note

Most of the illustrations in this User's Guide show the MFC-6490CW.

### 1 Fax and telephone keys:

#### ■ Fax Preview

Lets you preview incoming and outgoing faxes on the LCD.

#### ■ Hook

Press before dialing if you want to make sure a fax machine will answer, and then press **Black Start** or **Color Start**.

Also, press this key after picking up the handset of an external telephone during the F/T pseudo/double-ring.

#### ■ Redial/Pause

Redials the last 30 numbers called. It also inserts a pause when programming quick dial numbers.

### 2 Dial Pad

Use these keys to dial telephone and fax numbers and as a keyboard for entering information into the machine.

(Canada only) The # key lets you temporarily switch the dialing mode during a telephone call from Pulse to Tone.

### 3 Mode keys:

#### ■ Fax

Lets you access Fax mode.

#### ■ Scan

Lets you access Scan mode.

#### ■ Copy

Lets you access Copy mode.

#### ■ Photo Capture

Lets you access PhotoCapture Center<sup>®</sup> mode.

### 4 Menu keys:

#### ■ Volume keys

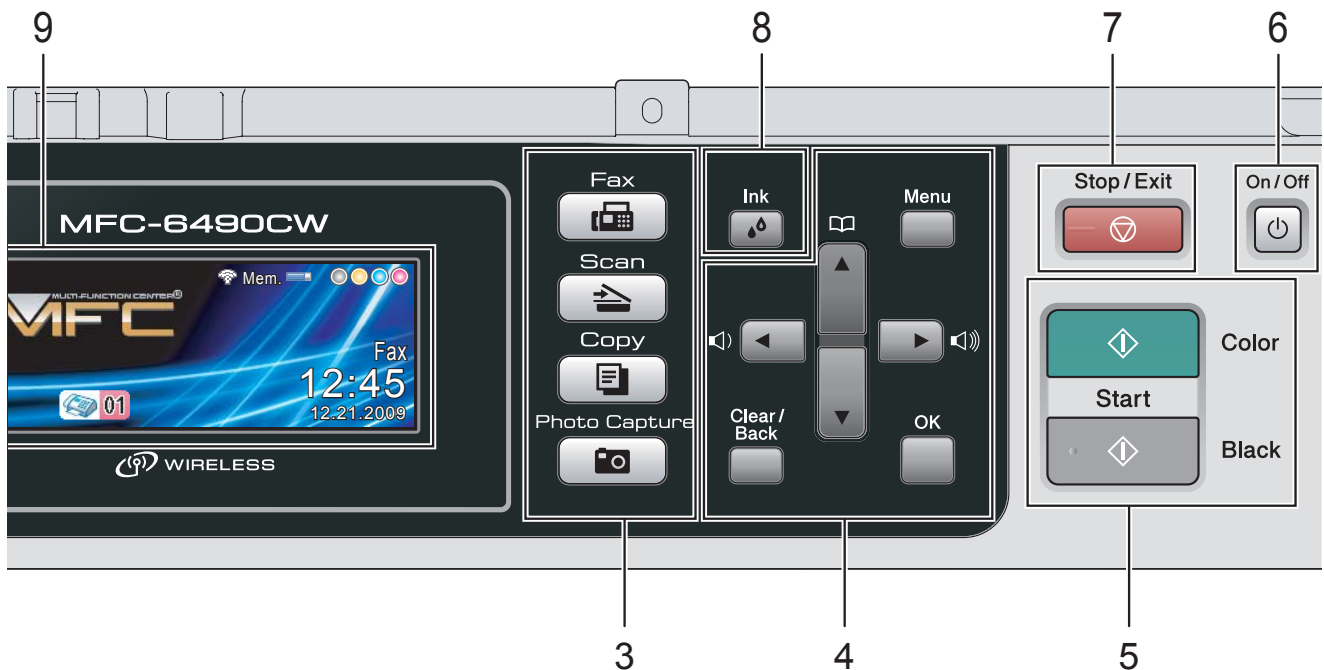


While the machine is idle, you can press these keys to adjust the ring volume.

#### ■ Phone Book key





Press to store One Touch, Speed Dial and Group numbers in the machine's memory. Lets you store, look up, and dial numbers that are stored in the memory.



- ◀ or ▶  
Press to scroll backward or forward to a menu selection.  
Also, press to choose options.
- ▲ or ▼  
Press to scroll through the menus and options.
- **Menu**  
Access the main menu.
- **OK**  
Choose a setting.
- **Clear/Back**  
Press to cancel the current setting.

##### 5 Start keys:

-  **Color Start**  
Lets you start sending faxes or making copies in full color. Also lets you start a scanning operation (in color or black & white, depending on the scanning setting in the ControlCenter software).
-  **Black Start**  
Lets you start sending faxes or making copies in black & white. Also lets you start a scanning operation (in color or black & white depending on the scanning setting in the ControlCenter software).

##### 6 On/Off

You can turn the machine on or off.  
The On/Off key can be customized by changing the Power Off setting.

##### 7 Stop/Exit

Stops an operation or exits from a menu.

##### 8 Ink

Lets you clean the print head, check the print quality, and check the available ink volume.

##### 9 LCD (liquid crystal display)

Displays messages on the screen to help you set up and use your machine.  
Also, you can adjust the angle of the LCD screen by lifting it.

##### 10 One Touch keys

These 3 keys give you instant access to 6 previously stored numbers.

##### Shift

To access One Touch numbers 4 to 6, hold down **Shift** as you press the One Touch key.

## LCD screen

The LCD shows the current machine status when the machine is idle.



- 1 **Wireless Status** (MFC-6490CW only)  
A four level indicator shows the current wireless signal strength if you are using a wireless connection.
  - ▣     ▢     ▤
  - 0                             Max
- 2 **Memory Status**  
Lets you see the available memory in the machine.
- 3 **Ink indicator**  
Lets you see the available ink volume.
- 4 **Current Receive Mode**  
Lets you see the current receive mode.
  - Fax (Fax only)
  - F/T (Fax/Tel)
  - TAD (External TAD)
  - Mnl (Manual)
- 5 **Faxes in memory**  
Shows how many received faxes are in the memory.

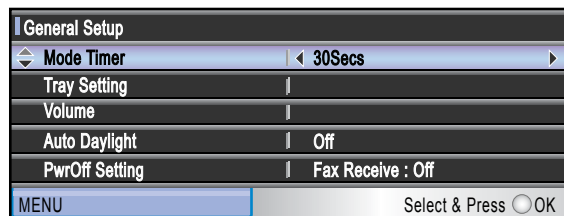
### Note

(MFC-6490CW)  
If you receive a fax containing multiple paper sizes (for example, a Letter size page and a Ledger size page), the machine may create and store a file for each paper size. The LCD may show that more than one fax job has been received.

## Basic Operations

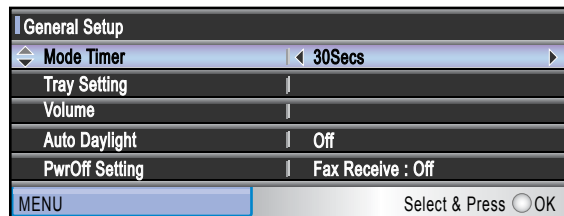
The following steps show how to change a setting in the machine. In this example the Mode Timer setting is changed from 2 minutes to 30 seconds.

- 1 Press **Menu**.
- 2 Press **▲** or **▼** to choose **General Setup**.
- 3 Press **OK**.
- 4 Press **▲** or **▼** to choose **Mode Timer**.
- 5 Press **◀** or **▶** to choose **30Secs**.



Press **OK**.

You can see the current setting on the LCD:



- 6 Press **Stop/Exit**.



# 2

## Loading paper and documents

### Loading paper and other print media



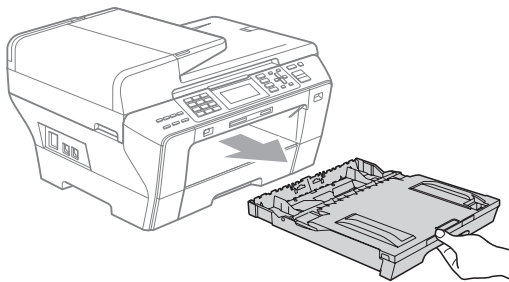
#### Note

(MFC-6490CW only)

- For Tray #2, see *Loading paper in paper tray #2 (MFC-6490CW only)* on page 12.
- If the tray used for Fax mode is set to *Auto Select* you should open and close the scanner cover to reset the machine after refilling paper tray#1.

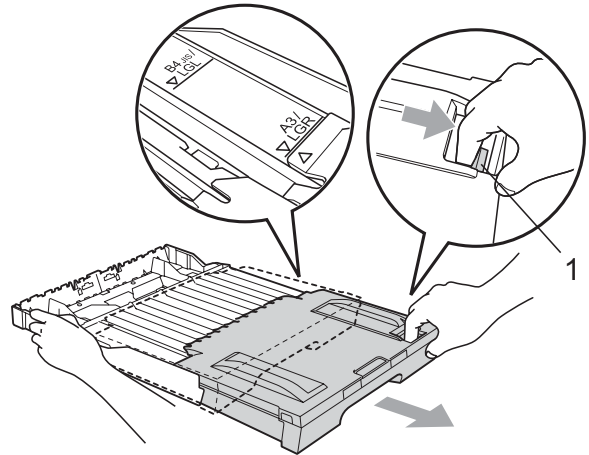
### Loading paper in paper tray #1

- 1 If the paper support flap is open, close it, and then close the paper support. Pull the paper tray completely out of the machine.



#### Note

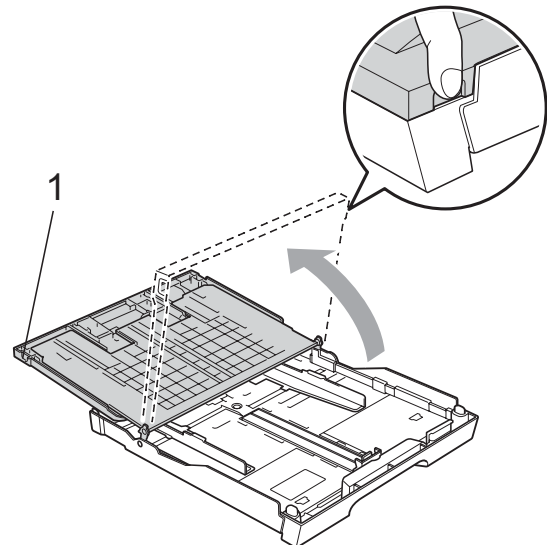
- When you are using Legal, Ledger or A3 size paper, press and hold the universal guide release button (1) as you slide out the front of the paper tray.



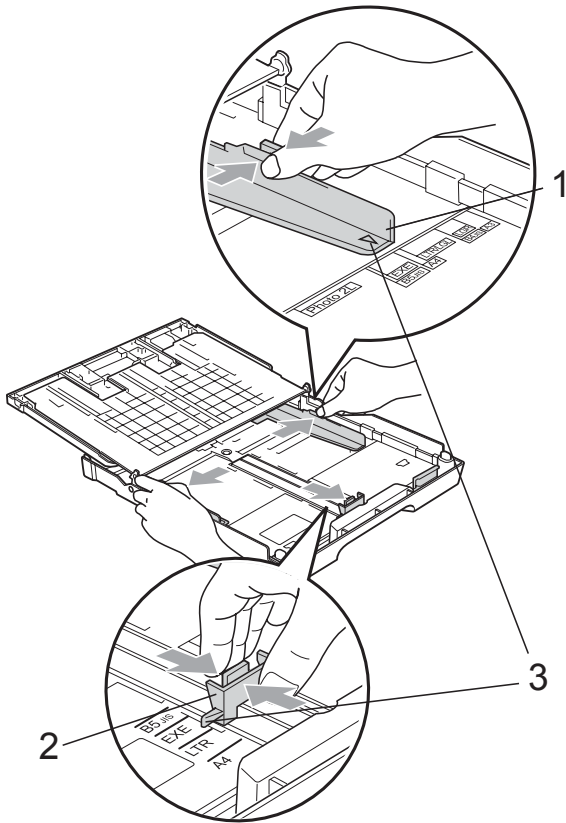
- If you are using A5 or smaller size paper, make sure that the paper tray is not extended.

2

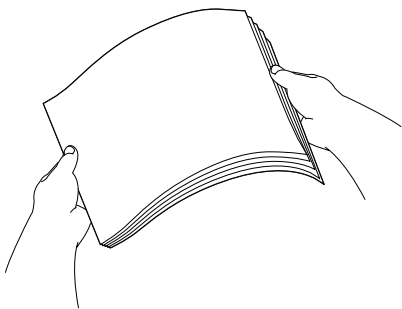
- 2 Open the output paper tray cover (1).



- 3 With both hands, gently press and slide the paper side guides (1) and then the paper length guide (2) to fit the paper size. Make sure that the triangular marks (3) on the paper side guides (1) and paper length guide (2) line up with the mark for the paper size you are using.



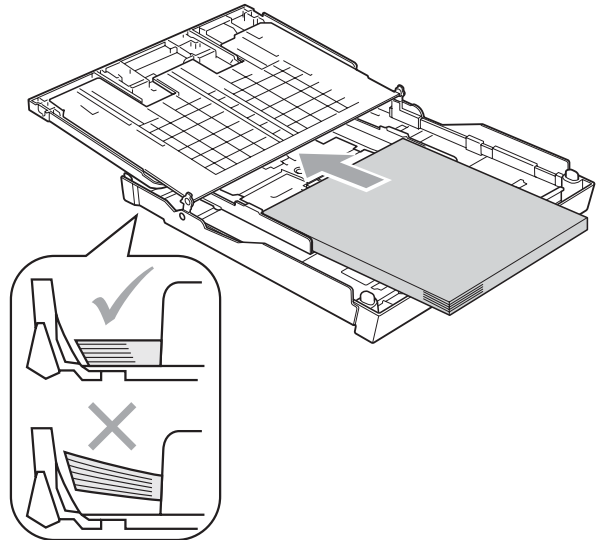
- 4 Fan the stack of paper well to avoid paper jams and misfeeds.



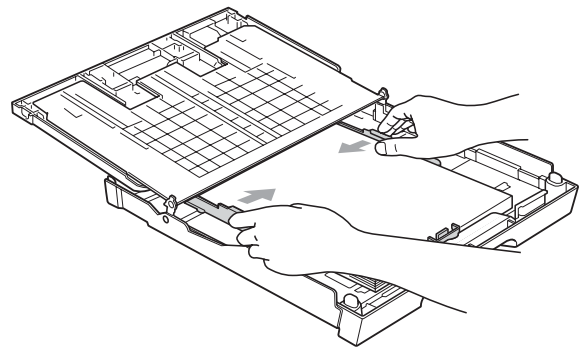
**Note**

Always make sure that the paper is not curled.

- 5 Gently put the paper into the paper tray print side down and top edge in first. Check that the paper is flat in the tray.



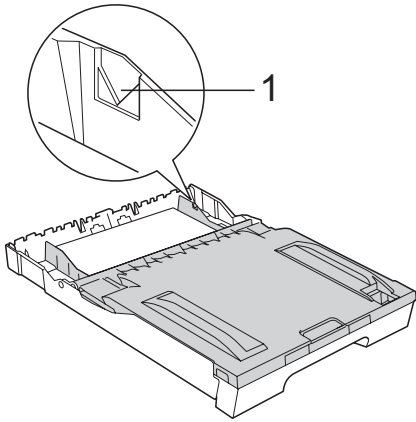
- 6 Gently adjust the paper side guides to fit the paper with both hands. Make sure the paper side guides touch the sides of the paper.



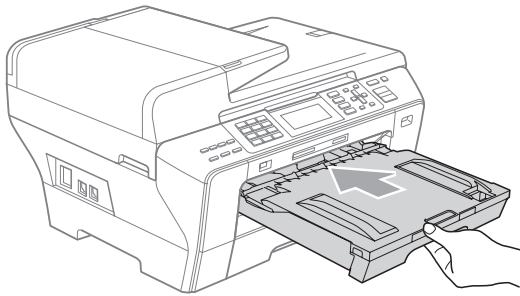
**Note**

Be careful that you do not push the paper in too far; it may lift at the back of the tray and cause feed problems.

- 7 Close the output paper tray cover. Check that the paper is flat in the tray and below the maximum paper mark (1).



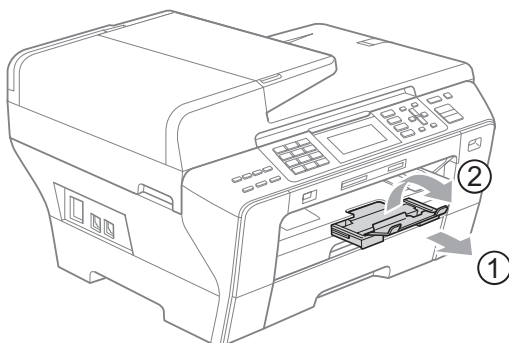
- 8 Slowly push the paper tray completely into the machine.



 **Note**

DO NOT push Tray #1 into the machine too quickly. Doing this may cause injury to your hand by trapping it between Tray #1 and Tray #2. Please push Tray #1 in slowly.

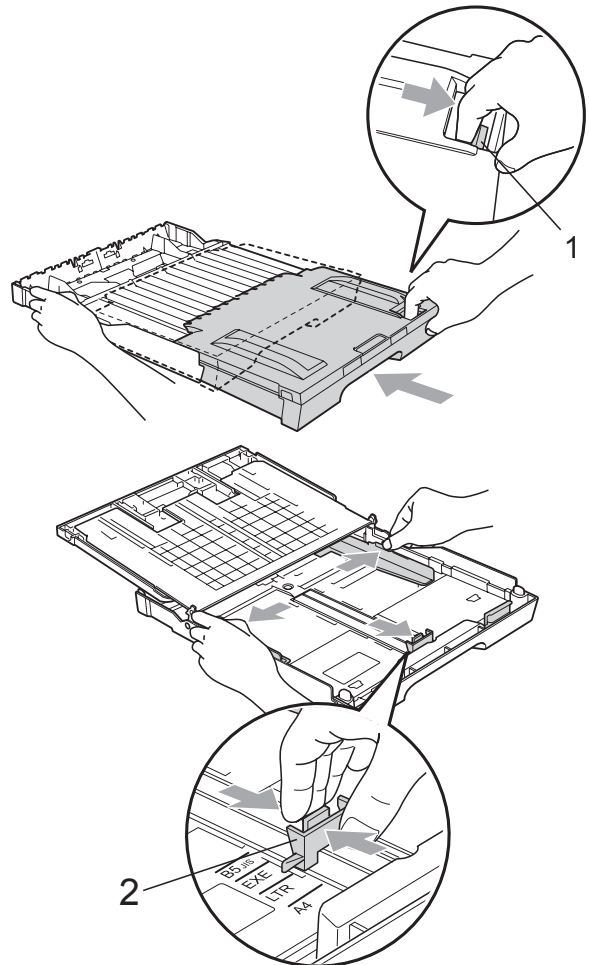
- 9 While holding the paper tray in place, pull out the paper support (1) until it clicks, and then unfold the paper support flap (2).



 **Note**

When you shorten tray#1, take the paper out of tray. Then shorten the tray by pressing the universal guide release button (1).

Adjust the paper length guide (2) to fit the paper size you are using and then put the paper in the tray.

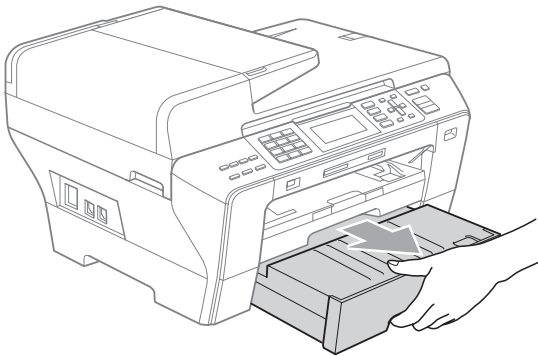


## Loading paper in paper tray #2 (MFC-6490CW only)

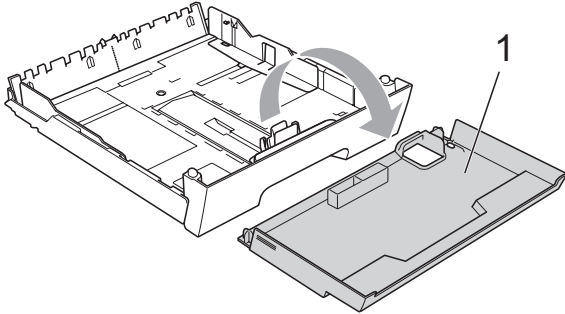
### Note

You can only use plain paper sizes Ledger, Letter, Legal, Executive, A3 or A4 in Tray #2.

- 1 Pull the paper tray completely out of the machine.

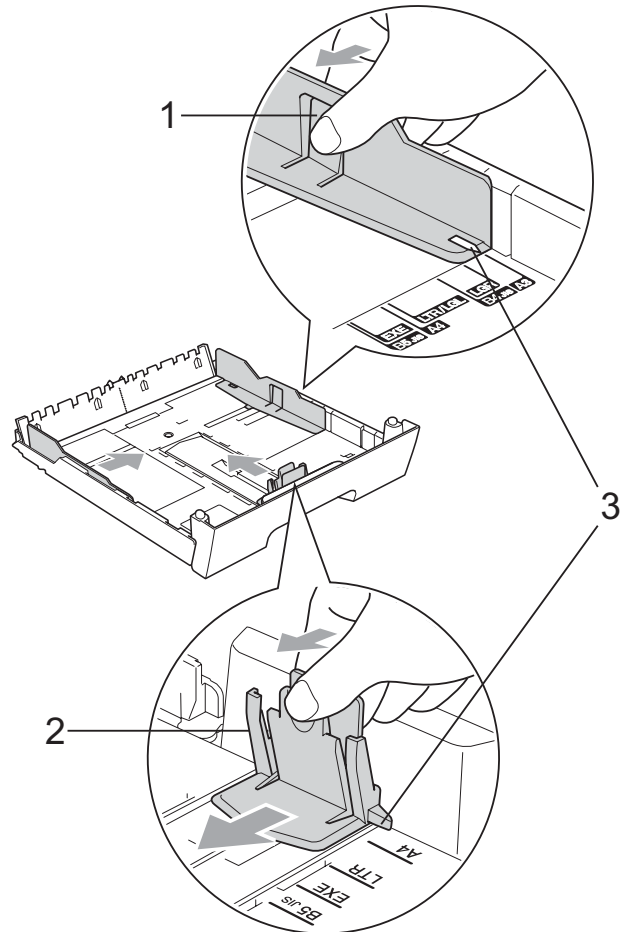


- 2 Take off the paper tray cover (1).



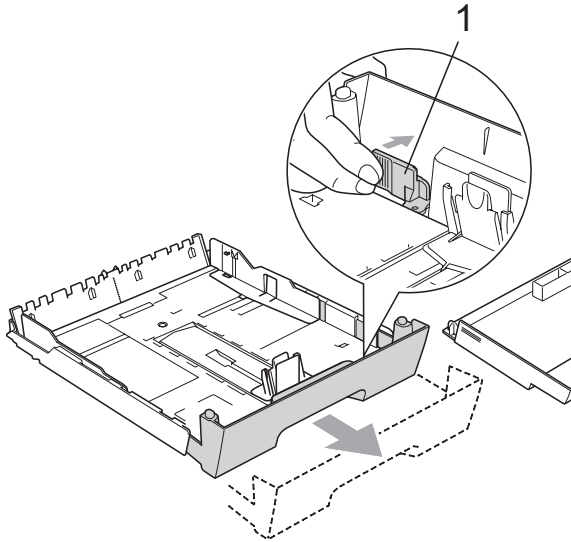
- 3 With both hands, gently press and slide the paper side guides (1) and then the paper length guide (2) to fit the paper size.

Make sure that the triangular marks (3) on the paper side guides (1) and paper length guide (2) line up with the mark for the paper size you are using.



**Note**

If you are using Ledger, Legal or A3 size paper, press and hold the universal guide release button (1) as you slide out the front of the paper tray.

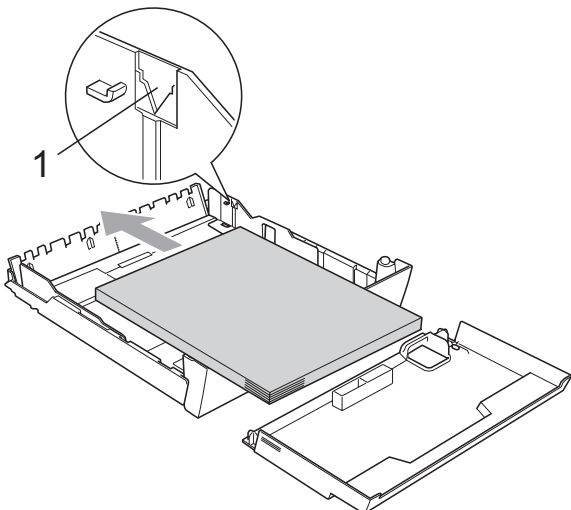


- 4 Fan the stack of paper well to avoid paper jams and misfeeds.

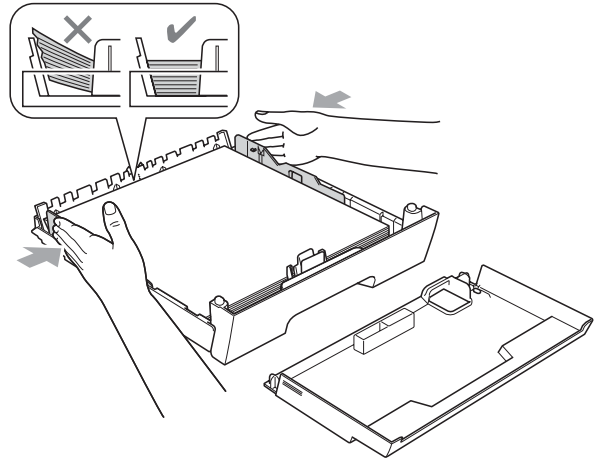
**Note**

Always make sure that the paper is not curled.

- 5 Gently put the paper into the paper tray print side down and top edge in first. Check that the paper is flat in the tray and below the maximum paper mark (1).

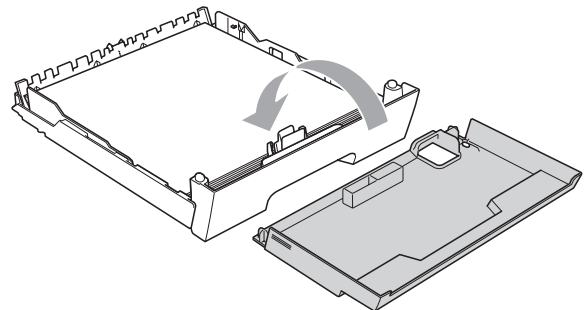


- 6 Gently adjust the paper side guides with both hands to fit the paper stack. Make sure the paper side guides touch the sides of the paper.

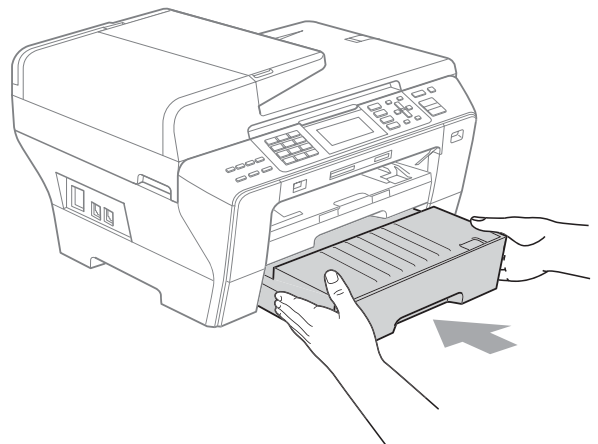
**Note**

Be careful that you do not push the paper in too far; it may lift at the back of the tray and cause feed problems.

- 7 Put on the paper tray cover.

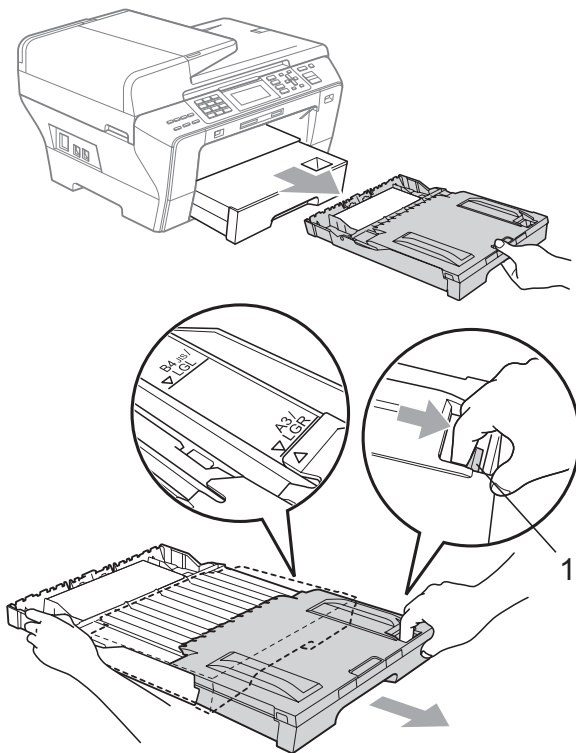


- 8 Slowly push the paper tray back into the machine.

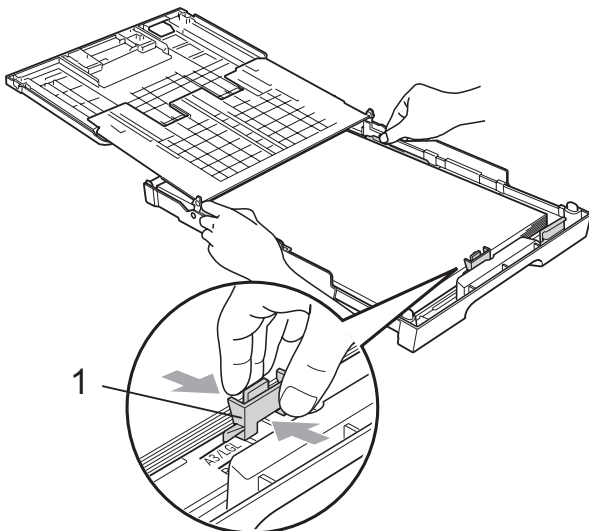


- 9 Do one of the following:
- If you are using Ledger, Legal or A3 size paper, go to step 10.
  - If you are using Letter size paper, go to step 12.

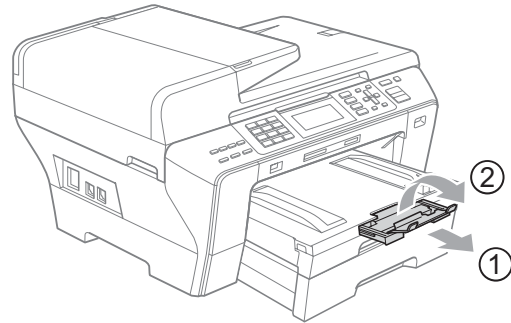
- 10 Pull tray #1 out of the machine. Press and hold the universal guide release button (1) as you slide out the front of the paper tray.



- 11 Open the paper tray cover and adjust the paper length guide (1) for the paper.

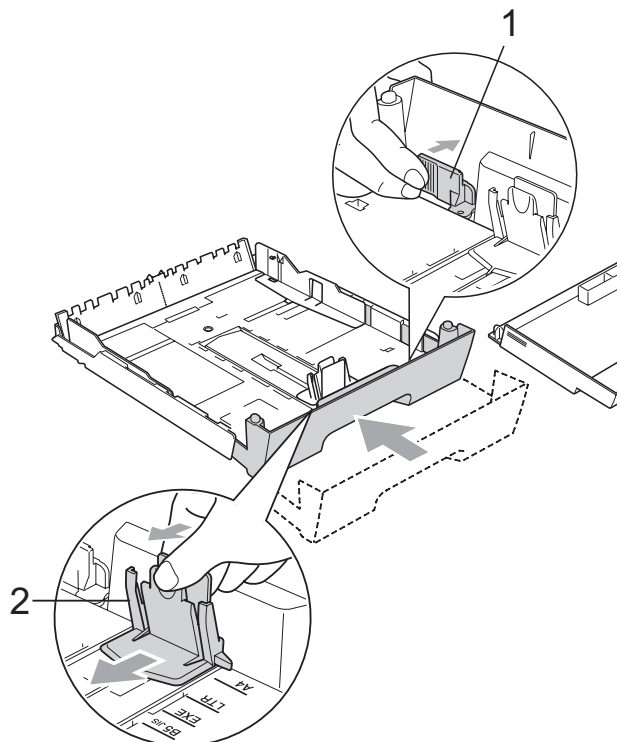


- 12 Slowly close the paper tray cover and push the paper tray into the machine. Pull out the paper support (1) until it clicks and unfold the paper support flap (2).



 **Note**

If you are finished using Ledger, Legal or A3 size paper and want to use a smaller paper size, take the paper out of the tray. Then shorten the tray by pressing the universal guide release button (1). Adjust the paper length guide (2) to fit the paper size you are using and then put the paper in the tray.



## Loading envelopes and post cards



### About envelopes

- Use envelopes that weigh from 20 to 25 lb (80 to 95 g/m<sup>2</sup>).
- Some envelopes need margin settings to be set in the application. Make sure you do a test print first before printing many envelopes.

### ! CAUTION

DO NOT use any of the following types of envelopes, as they will cause paper feed problems:

- That are of a baggy construction.
- That are embossed (have raised writing on them).
- That have clasps or staples.
- That are pre-printed on the inside.

Glue	Double flap
	

Occasionally you may experience paper feed problems caused by the thickness, size and flap shape of the envelopes you are using.

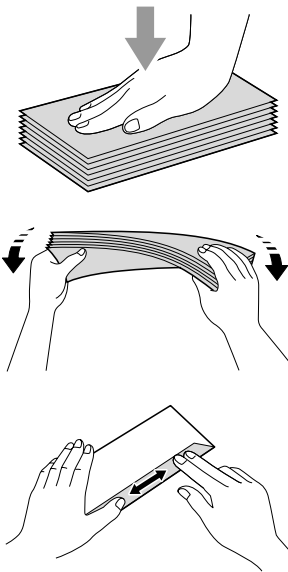
### How to load envelopes and post cards

- 1 Before loading, press the corners and sides of envelopes or post cards to make them as flat as possible.

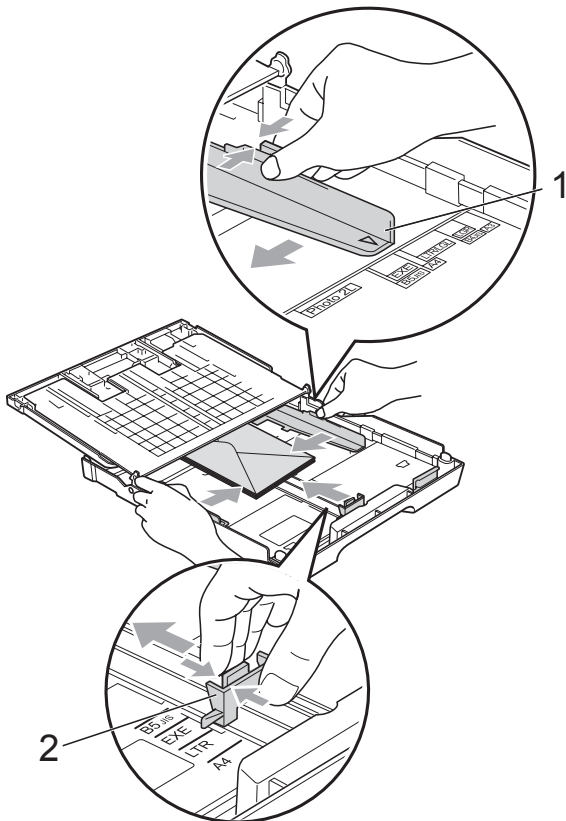


#### Note

If envelopes or post cards are 'double-feeding', put one envelope or post card in the paper tray at a time.

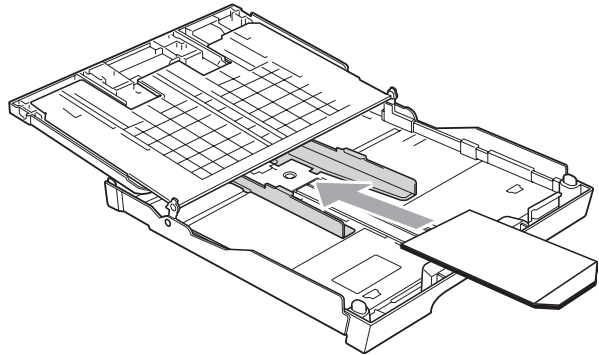


- Put envelopes or post cards in the paper tray with the address side down and the leading edge in first as shown in the illustration. With both hands, gently press and slide the paper side guides (1) and paper length guide (2) to fit the size of the envelopes or post cards.



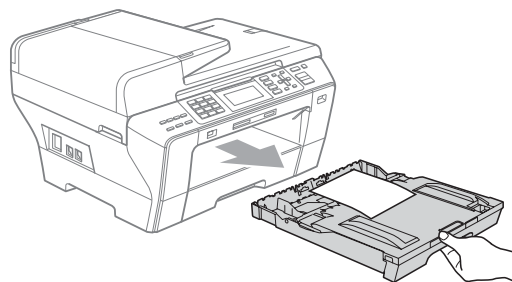
**If you have problems when printing on envelopes, try the following suggestions:**

- Open the envelope flap.
- Make sure the open flap is either to the side of the envelope or to the back edge of the envelope when printing.
- Adjust the size and margin in your application.



## Removing small printouts from the machine

When the machine ejects small paper onto the output paper tray you may not be able to reach it. Make sure printing has finished, and then pull the tray completely out of the machine.

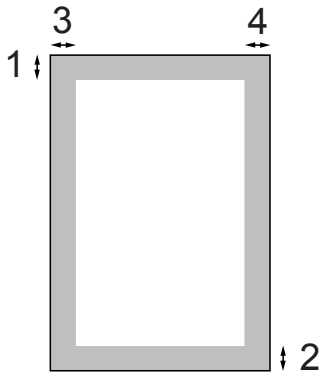




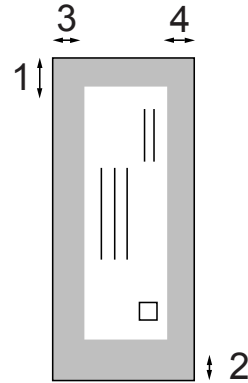
## Printable area

The printable area depends on the settings in the application you are using. The figures below show the unprintable areas on cut sheet paper and envelopes. The machine can only print in the shaded areas when the Borderless print feature is available and turned on.

### Cut Sheet Paper



### Envelopes



	Top (1)	Bottom (2)	Left (3)	Right (4)
Cut Sheet	0.12 in. (3 mm)	0.12 in. (3 mm)	0.12 in. (3 mm)	0.12 in. (3 mm)
Envelopes	0.47 in. (12 mm)	0.95 in. (24 mm)	0.12 in. (3 mm)	0.12 in. (3 mm)



### Note

The Borderless feature is not available for envelopes.

## Acceptable paper and other print media

The print quality can be affected by the type of paper you are using in the machine.

To get the best print quality for the settings you have chosen, always set the Paper Type to match the type of paper you load.

You can use plain paper, inkjet paper (coated paper), glossy paper, transparencies and envelopes.

We recommend testing various paper types before buying large quantities.

For best results, use Brother paper.

- When you print on inkjet paper (coated paper), transparencies and photo paper, be sure to choose the proper print media in the **'Basic'** tab of the printer driver or in the Paper Type setting of the machine's menu. (See *Paper Size and Type (MFC-6490CW only)* on page 27.)
- When you print on Brother Photo paper, load one extra sheet of the same photo paper in the paper tray. An extra sheet has been included in the paper package for this purpose.
- When you use transparencies or photo paper, remove each sheet at once to prevent smudging or paper jams.
- Avoid touching the printed surface of the paper immediately after printing; the surface may not be completely dry and may stain your fingers.

## Recommended print media

To get the best print quality, we suggest using Brother paper. (See table below.)

We recommend using '3M Transparency Film' when you print on transparencies.

### Brother paper

Paper Type	Item
Ledger Plain	BP60PLGR (USA only)
Ledger Glossy Photo	BP71GLGR
Letter Plain	BP60PL100 (USA only)
Letter Glossy Photo	BP71GLTR
Letter Inkjet (Matte)	BP60ML (USA only)
4 × 6 in. Glossy Photo	BP71GP

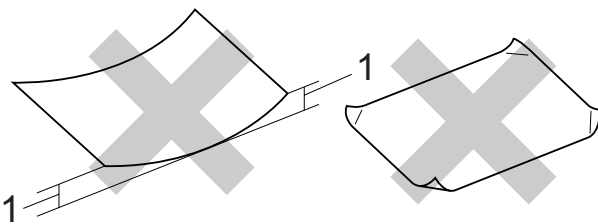
## Handling and using print media

- Store paper in its original packaging, and keep it sealed. Keep the paper flat and away from moisture, direct sunlight and heat.
- Avoid touching the shiny (coated) side of photo paper. Load photo paper with the shiny side facing down.
- Avoid touching either side of transparencies because they absorb water and perspiration easily, and this may cause decreased output quality. Transparencies designed for laser printers/copiers may stain your next document. Use only transparencies recommended for inkjet printing.
- You can only print on both sides of the paper with PC printing. (See *Printing* for Windows® in the Software User's Guide on the CD-ROM.)

### Improper Setup

DO NOT use the following kinds of paper:

- Damaged, curled, wrinkled, or irregularly shaped paper



**1 0.08 in. (2 mm) or greater**

- Extremely shiny or highly textured paper
- Paper that cannot be arranged uniformly when stacked

## Paper capacity of the output paper tray cover

Up to 50 sheets of Letter, Legal or A4 20 lb (80 g/m<sup>2</sup>) paper.

- Transparencies and photo paper must be picked up from the output paper tray cover one page at a time to avoid smudging.

## Choosing the right print media

### Paper type and size for each operation

Paper Type	Paper Size		Usage			
			Fax	Copy	Photo Capture	Printer
Cut Sheet	Ledger	11 × 17 in. (279.4 × 431.8 mm)	Yes	Yes	Yes	Yes
	A3	11.7 × 16.5 in. (297 × 420 mm)	Yes	Yes	Yes	Yes
	Letter	8 1/2 × 11 in. (215.9 × 279.4 mm)	Yes	Yes	Yes	Yes
	A4	8.3 × 11.7 in. (210 × 297 mm)	Yes	Yes	Yes	Yes
	Legal	8 1/2 × 14 in. (215.9 × 355.6 mm)	Yes	Yes	–	Yes
	Executive	7 1/4 × 10 1/2 in. (184 × 267 mm)	–	–	–	Yes
	JIS B4	10.1 × 14.3 in. (257 × 364 mm)	–	–	–	Yes
	JIS B5	7.2 × 10.1 in. (182 × 257 mm)	–	–	–	Yes
	A5	5.8 × 8.3 in. (148 × 210 mm)	–	Yes	–	Yes
	A6	4.1 × 5.8 in. (105 × 148 mm)	–	–	–	Yes
Cards	Photo	4 × 6 in. (10 × 15 cm)	–	Yes	Yes	Yes
	Photo L	3 1/2 × 5 in. (89 × 127 mm)	–	–	–	Yes
	Photo 2L	5 × 7 in. (13 × 18 cm)	–	–	Yes	Yes
	Index Card	5 × 8 in. (127 × 203 mm)	–	–	–	Yes
	Post Card 1	3.9 × 5.8 in. (100 × 148 mm)	–	–	–	Yes
	Post Card 2 (Double)	5.8 × 7.9 in. (148 × 200 mm)	–	–	–	Yes
Envelopes	C5 Envelope	6.4 × 9 in. (162 × 229 mm)	–	–	–	Yes
	DL Envelope	4.3 × 8.7 in. (110 × 220 mm)	–	–	–	Yes
	COM-10	4 1/8 × 9 1/2 in. (105 × 241 mm)	–	–	–	Yes
	Monarch	3 7/8 × 7 1/2 in. (98 × 191 mm)	–	–	–	Yes
	JE4 Envelope	4.1 × 9.3 in. (105 × 235 mm)	–	–	–	Yes
Transparencies	Letter	8 1/2 × 11 in. (215.9 × 279.4 mm)	–	Yes	–	Yes
	A4	8.3 × 11.7 in. (210 × 297 mm)	–	Yes	–	Yes

## Paper weight, thickness and capacity

Paper Type		Weight	Thickness	No. of sheets
Cut Sheet	Plain Paper	17 to 32 lb (64 to 120 g/m <sup>2</sup> )	3 to 6 mil (0.08 to 0.15 mm)	150 <sup>1</sup>
	(Tray #2) Plain Paper	(MFC-6490CW) 17 to 32 lb (64 to 105 g/m <sup>2</sup> )	3 to 6 mil (0.08 to 0.15 mm)	250 <sup>2</sup>
	Inkjet Paper	17 to 53 lb (64 to 200 g/m <sup>2</sup> )	3 to 10 mil (0.08 to 0.25 mm)	20
	Glossy Paper	Up to 58 lb (Up to 220 g/m <sup>2</sup> )	Up to 10 mil (Up to 0.25 mm)	20 <sup>3</sup>
Cards	Photo 4"×6"	Up to 58 lb (Up to 220 g/m <sup>2</sup> )	Up to 10 mil (Up to 0.25 mm)	20 <sup>3</sup>
	Index Card	Up to 32 lb (Up to 120 g/m <sup>2</sup> )	Up to 6 mil (Up to 0.15 mm)	30
	Post Card	Up to 53 lb (Up to 200 g/m <sup>2</sup> )	Up to 10 mil (Up to 0.25 mm)	30
Envelopes		20 to 25 lb (75 to 95 g/m <sup>2</sup> )	Up to 20mil (Up to 0.52 mm)	10
Transparencies		–	–	10

<sup>1</sup> Up to 150 sheets of plain paper 20lb (80 g/m<sup>2</sup>).

<sup>2</sup> Up to 250 sheets of plain paper 20lb (80 g/m<sup>2</sup>).

<sup>3</sup> BP71 69 lb (260 g/m<sup>2</sup>) paper is especially designed for Brother inkjet machines.

## Loading documents

You can send a fax, make copies, and scan from the ADF (automatic document feeder) and from the scanner glass.

### Using the ADF

The ADF can hold up to 50 pages and feeds each sheet individually. Use standard 20 lb (80 g/m<sup>2</sup>) paper and always fan the pages before putting them in the ADF.

### Recommended environment

Temperature:	68 to 86° F (20 to 30° C)
Humidity:	50% to 70%
Paper:	20 lb (80 g/m <sup>2</sup> )

### Document Sizes Supported

Length:	(MFC-5890CN)
	5.8 to 14 in. (148 to 355.6 mm)
Width:	(MFC-6490CW)
	5.8 to 17 in. (148 to 431.8 mm)
Length:	(MFC-5890CN)
	5.8 to 8.5 in. (148 to 215.9 mm)
Width:	(MFC-6490CW)
	5.8 to 11.7 in. (148 to 297 mm)
Weight:	17 to 24 lb (64 to 90 g/m <sup>2</sup> )

## How to load documents

### ! CAUTION

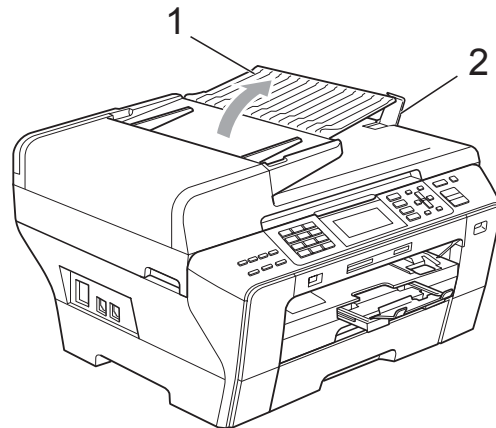
DO NOT pull on the document while it is feeding.

DO NOT use paper that is curled, wrinkled, folded, ripped, stapled, paper clipped, pasted or taped.

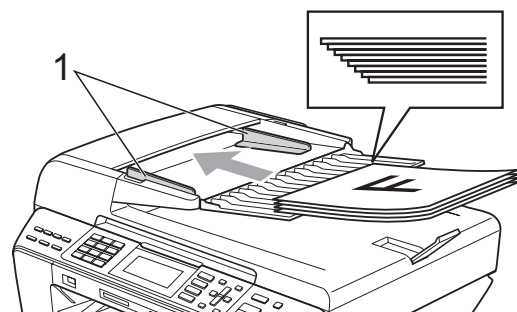
DO NOT use cardboard, newspaper or fabric.

- Make sure documents with ink or liquid correction fluid are completely dry.

- 1 Unfold the ADF Document Support (1) and the ADF Document Output Support Flap (2).



- 2 Fan the pages well.
- 3 Adjust the paper guides (1) to fit the width of your document.

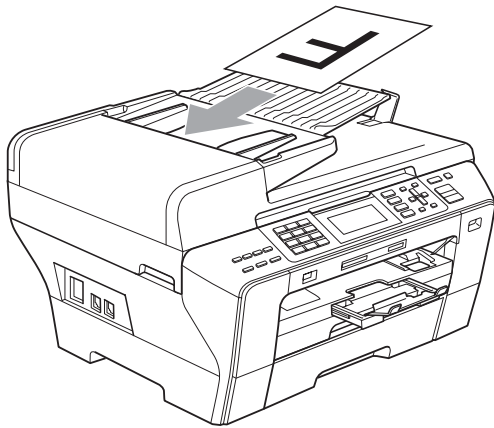


- Place your document, **face up, top edge first** in the ADF until the LCD display shows *ADF Ready* and you feel it touch the feed roller.

#### Note

(MFC-6490CW only)

Insert A4/Letter documents short-edge first.



#### CAUTION

DO NOT leave a thick document on the scanner glass. If you do this, the ADF may jam.

## Using the scanner glass

You can use the scanner glass to fax, copy or scan pages of a book or one page at a time.

### Document Sizes Supported

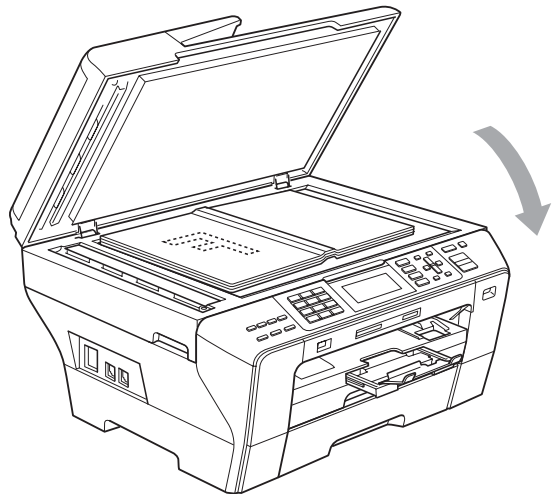
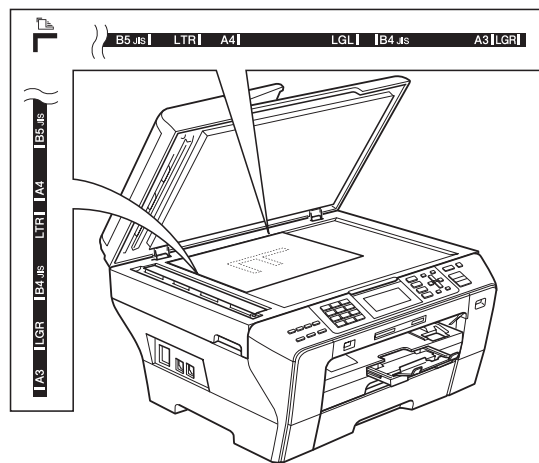
Length:	(MFC-5890CN) Up to 11.7in (297mm) (MFC-6490CW) Up to 17 in. (431.8 mm)
Width:	(MFC-5890CN) Up to 8.5in (215.9mm) (MFC-6490CW) Up to 11.7 in. (297 mm)
Weight:	Up to 4.4 lb (2 kg)

## How to load documents

#### Note

To use the scanner glass, the ADF must be empty.

- Lift the document cover.
- Using the document guidelines on the left and top, place the document in the upper left hand corner, with the document face down on the scanner glass.



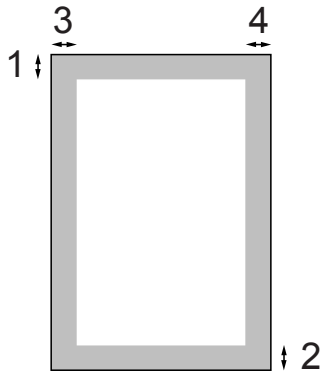
- Close the document cover.

#### CAUTION

If you are scanning a book or thick document, DO NOT slam the cover down or press on it.

## Scannable area

The scannable area depends on the settings in the application you are using. The figures below show the unscannable area.



Usage	Document Size	Top (1) Bottom (2)	Left (3) Right (4)
Fax	Ledger (MFC-6490CW only)	0.12 in. (3 mm)	0.15 in. (3.7 mm)
	A3 (MFC-6490CW only)	0.12 in. (3 mm)	0.18 in. (4.5 mm)
	Letter	0.12 in. (3 mm)	0.16 in. (4 mm)
	A4	0.12 in. (3 mm)	(Scanner Glass) 0.12 in. (3 mm) (ADF) 0.04 in. (1 mm)
	Legal	0.12 in. (3 mm)	0.16 in. (4 mm)
Copy	All paper sizes	0.12 in. (3 mm)	0.12 in. (3 mm)
Scan	All paper sizes	0.12 in. (3 mm)	0.12 in. (3 mm)



## On/Off key

You can turn the machine on and off by pressing the **On/Off** key.



### Note

- If you press the **On/Off** key while the machine is in use it will finish the operation before going into the Off mode.
- If you have connected an external telephone or TAD, it is always available.

## Turning the machine off

- 1 Press and hold down the **On/Off** key until the LCD shows *Shutting Down*. The LCD will stay on for a few seconds before going off.

## Turning the machine on

- 1 Press the **On/Off** key.

## Power Off setting

You can customize the machine's **On/Off** key. The factory setting is *Fax Receive:Off*. Your machine will not work when it is switched off, but it will clean the print head periodically. If you turn this setting to *Fax Receive:On*, you can receive faxes or calls even when the machine is switched off. (See *On/Off key* on this page.)

- 1 Press **Menu**.
- 2 Press **▲** or **▼** to choose *General Setup*. Press **OK**.
- 3 Press **▲** or **▼** to choose *PwrOff Setting*.
- 4 Press **◀** or **▶** to choose *Fax Receive:On* (or *Fax Receive:Off*). Press **OK**.
- 5 Press **Stop/Exit**.

On/Off setting	Receive mode	Available operations
Fax Receive: Off (factory setting)	—	No machine operations will be available.
Fax Receive: On <sup>1</sup>	Fax Only External TAD	Fax Receive Easy Receive Delayed Fax <sup>3</sup> Fax Forward <sup>3</sup> Paging <sup>3</sup> Fax Storage <sup>3</sup> Fax Preview <sup>3</sup> PC Fax Receive <sup>3</sup> Remote Retrieval <sup>3</sup>
	Manual Fax/Tel <sup>2</sup>	Easy Receive Delayed Fax <sup>3</sup>

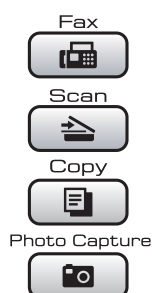
<sup>1</sup> You cannot receive a fax with **Black Start** or **Color Start**.

<sup>2</sup> You cannot receive a fax automatically if you have set the receive mode to *Fax/Tel*.

<sup>3</sup> Set before you switch off the machine.

## Mode Timer

The machine has four temporary mode keys on the control panel: **Fax**, **Scan**, **Copy** and **Photo Capture**. You can change the amount of time the machine takes after the last Scan, Copy or PhotoCapture operation before it returns to Fax mode. If you choose *Off*, the machine stays in the mode you used last.



- 1 Press **Menu**.
- 2 Press **▲** or **▼** to choose **General Setup**. Press **OK**.
- 3 Press **▲** or **▼** to choose **Mode Timer**.
- 4 Press **◀** or **▶** to choose **0Sec**, **30Secs**, **1Min**, **2Mins**, **5Mins** or **Off**. Press **OK**.
- 5 Press **Stop/Exit**.

## Paper settings

### Paper Size and Type (MFC-5890CN only)

---

#### Paper Type

To get the best print quality, set the machine for the type of paper you are using.

- 1 Press **Menu**.
- 2 Press **▲** or **▼** to choose **General Setup**. Press **OK**.
- 3 Press **▲** or **▼** to choose **Paper Type**.
- 4 Press **◀** or **▶** to choose **Plain Paper**, **Inkjet Paper**, **Brother BP71**, **Other Glossy** or **Transparency**. Press **OK**.
- 5 Press **Stop/Exit**.



#### Note

---

The machine ejects paper with printed surfaces face up onto the paper tray in front of the machine. When you use transparencies or glossy paper, remove each sheet at once to prevent smudging or paper jams.

---

## Paper Size

You can use seven sizes of paper for printing copies: Letter, Legal, Ledger, A4, A5, A3 and 4 × 6 in. (10 × 15 cm) and five sizes for printing faxes: Ledger, Letter, Legal, A3 and A4. When you change the size of paper you load in the machine, you will need to change the paper size setting at the same time so your machine can fit an incoming fax on the page.

- 1 Press **Menu**.
- 2 Press **▲** or **▼** to choose **General Setup**. Press **OK**.
- 3 Press **▲** or **▼** to choose **Paper Size**.
- 4 Press **◀** or **▶** to choose **Letter, Legal, Ledger, A4, A5, A3 and 4"x6"**. Press **OK**.
- 5 Press **Stop/Exit**.

## Paper Size and Type (MFC-6490CW only)

To get the best print quality, set the machine for the type of paper you are using.

You can use seven sizes of paper for printing copies: Ledger, Letter, Legal, A3, A4, A5 and 4 × 6 in. (10 × 15 cm) and five sizes for printing faxes: Ledger, Letter, Legal, A3 or A4. When you load a different size of paper in the machine, you will need to change the paper size setting at the same time so your machine can fit an incoming fax on the page.

- 1 Press **Menu**.
- 2 Press **▲** or **▼** to choose **General Setup**. Press **OK**.
- 3 Press **▲** or **▼** to choose **Tray Setting**. Press **OK**.
- 4 Press **▲** or **▼** to choose **Tray#1 or Tray#2**. Press **OK**.

- 5 Do one of the following:
  - If you chose **Tray#1**, press **◀** or **▶** to choose **Plain Paper, Inkjet Paper, Brother BP71, Other Glossy or Transparency**. Press **OK**.  
Press **▲** or **▼** to choose **Paper Size** and press **◀** or **▶** to choose **Letter, Legal, Ledger, A4, A5, A3 or 4"x6"**. Press **OK**.
  - If you chose **Tray#2**, press **▲** or **▼** to choose **Paper Size** and press **◀** or **▶** to choose **Letter, Legal, Ledger, A4 or A3**. Press **OK**.
- 6 Press **Stop/Exit**.



### Note

- You can only use plain paper sizes Ledger, Letter, Legal, A3 or A4 in Tray #2.
- The machine ejects paper with printed surfaces face up onto the paper tray in front of the machine. When you use transparencies or glossy paper, remove each sheet at once to prevent smudging or paper jams.

## Tray use in Copy mode (MFC-6490CW only)

---

You can change the default tray the machine will use for printing copies.

To change the default setting follow the instructions below:

- 1 Press **Menu**.
- 2 Press **▲** or **▼** to choose `General Setup`. Press **OK**.
- 3 Press **▲** or **▼** to choose `Tray Setting`. Press **OK**.
- 4 Press **▲** or **▼** to choose `Tray Use:Copy`.
- 5 Press **◀** or **▶** to choose `Tray#1` or `Tray#2`. Press **OK**.
- 6 Press **Stop/Exit**.



### Note

---

You can change the paper size and tray selection temporarily for the next copy. (See *Paper Size* on page 99 and *Tray Select (MFC-6490CW only)* on page 99.)

---

## Tray use in Fax mode (MFC-6490CW only)

---

You can change the default tray the machine will use for printing received faxes.

`Auto Select` will allow your machine to take paper from Tray #1 first, or from Tray #2 if:

- Tray #1 is out of paper.
- Tray #2 is set to a different paper size that is more suitable for the received faxes.
- Both trays are using the same size paper and Tray #1 is not set to use plain paper.

- 1 Press **Menu**.
- 2 Press **▲** or **▼** to choose `General Setup`. Press **OK**.
- 3 Press **▲** or **▼** to choose `Tray Setting`. Press **OK**.
- 4 Press **▲** or **▼** to choose `Tray Use:Fax`.
- 5 Press **◀** or **▶** to choose `Tray#1`, `Tray#2` or `Auto Select`. Press **OK**.
- 6 Press **Stop/Exit**.

## Secure Paper Feed mode for Ledger size Short Grain Paper

If your printed pages have smudge problems when using Ledger paper, your paper may be short grain paper. Choose LGR - Short Grain and set it to On to avoid this problem.

- 1 Press **Menu**.
- 2 Press **▲** or **▼** to choose General Setup.  
Press **OK**.
- 3 Press **▲** or **▼** to choose LGR - Short Grain.
- 4 Press **◀** or **▶** to choose On.  
Press **OK**.
- 5 Press **Stop/Exit**.





### Note

- If you are not sure about the type of paper you are using, consult the paper packaging or paper manufacturer for paper specifications.
- Printing will be slower when using the LGR - Short Grain setting.

## Volume Settings

### Ring Volume

You can choose a range of ring volume levels, from High to Off.

While the machine is idle, press  **◀** or **▶**  to adjust the volume level. The LCD shows the current setting, and each key press will change the volume to the next level. The machine will keep the new setting until you change it. You can also change the volume through the menu, by following the instructions below:

### Setting the Ring Volume from the menu

- 1 Press **Menu**.
- 2 Press **▲** or **▼** to choose General Setup.  
Press **OK**.
- 3 Press **▲** or **▼** to choose Volume.  
Press **OK**.
- 4 Press **▲** or **▼** to choose Ring.
- 5 Press **◀** or **▶** to choose Low, Med, High or Off.  
Press **OK**.
- 6 Press **Stop/Exit**.

## Beeper Volume

When the beeper is on, the machine will beep when you press a key, make a mistake or after you send or receive a fax.

You can choose a range of volume levels, from *High* to *Off*.



- 1 Press **Menu**.
- 2 Press **▲** or **▼** to choose *General Setup*. Press **OK**.
- 3 Press **▲** or **▼** to choose *Volume*. Press **OK**.
- 4 Press **▲** or **▼** to choose *Beeper*.
- 5 Press **◀** or **▶** to choose *Low*, *Med*, *High* or *Off*. Press **OK**.
- 6 Press **Stop/Exit**.

## Speaker Volume

You can choose a range of speaker volume levels, from *High* to *Off*.

- 1 Press **Menu**.
- 2 Press **▲** or **▼** to choose *General Setup*. Press **OK**.
- 3 Press **▲** or **▼** to choose *Volume*. Press **OK**.
- 4 Press **▲** or **▼** to choose *Speaker*.
- 5 Press **◀** or **▶** to choose *Low*, *Med*, *High* or *Off*. Press **OK**.
- 6 Press **Stop/Exit**.

You can also adjust the speaker volume by pressing **Hook**.

- 1 Press **Hook**.
- 2 Press **▲** and  **◀** or **▶** .
- 3 Press **Hook**.

## Automatic Daylight Savings Time

You can set the machine to change automatically for daylight savings time. It will reset itself forward one hour in the Spring and backward one hour in the Fall. Make sure you have set the correct date and time in the `Date&Time` setting.

The factory setting is `Off`, so you will have to turn on Automatic Daylight Saving Time as follows.

- 1 Press **Menu**.
- 2 Press **▲** or **▼** to choose `General Setup`. Press **OK**.
- 3 Press **▲** or **▼** to choose `Auto Daylight`.
- 4 Press **◀** or **▶** to choose `On` (or `Off`). Press **OK**.
- 5 Press **Stop/Exit**.

## Sleep Mode

You can choose how long the machine must be idle (from 1 to 60 minutes) before it goes into sleep mode. The timer will restart if any operation is carried out on the machine. The default setting is 10 minutes.

- 1 Press **Menu**.
- 2 Press **▲** or **▼** to choose `General Setup`. Press **OK**.
- 3 Press **▲** or **▼** to choose `Sleep Mode`.
- 4 Press **◀** or **▶** to choose `1Min`, `2Mins`, `3Mins`, `5Mins`, `10Mins`, `30Mins` or `60Mins`, which is the length of time the machine is idle before entering sleep mode. Press **OK**.
- 5 Press **Stop/Exit**.

## LCD screen

### LCD Contrast

---

You can adjust the LCD contrast for a sharper and more vivid display. If you are having difficulty reading the LCD, try changing the contrast setting.

- 1 Press **Menu**.
- 2 Press **▲** or **▼** to choose `General Setup`. Press **OK**.
- 3 Press **▲** or **▼** to choose `LCD Settings`. Press **OK**.
- 4 Press **▲** or **▼** to choose `LCD Contrast`.
- 5 Press **◀** or **▶** to choose `Light`, `Med` or `Dark`. Press **OK**.
- 6 Press **Stop/Exit**.

### Setting the backlight brightness

---

You can adjust the brightness of the LCD backlight. If you are having difficulty reading the LCD, try changing the brightness setting.

- 1 Press **Menu**.
- 2 Press **▲** or **▼** to choose `General Setup`. Press **OK**.
- 3 Press **▲** or **▼** to choose `LCD Settings`. Press **OK**.
- 4 Press **▲** or **▼** to choose `Backlight`.
- 5 Press **◀** or **▶** to choose `Light`, `Med` or `Dark`. Press **OK**.
- 6 Press **Stop/Exit**.

### Setting the Dim Timer for the backlight

---

You can set how long the LCD backlight stays on after the last key press.

- 1 Press **Menu**.
- 2 Press **▲** or **▼** to choose `General Setup`. Press **OK**.
- 3 Press **▲** or **▼** to choose `LCD Settings`. Press **OK**.
- 4 Press **▲** or **▼** to choose `Dim Timer`.
- 5 Press **◀** or **▶** to choose `10Secs`, `20Secs`, `30Secs` or `Off`. Press **OK**.
- 6 Press **Stop/Exit**.

### Setting the Wallpaper

---

You can change the wallpaper.

- 1 Press **Menu**.
- 2 Press **▲** or **▼** to choose `General Setup`. Press **OK**.
- 3 Press **▲** or **▼** to choose `LCD Settings`. Press **OK**.
- 4 Press **▲** or **▼** to choose `Wallpaper`. Press **OK**.
- 5 Press **▲** or **▼** to choose your wallpaper from the four available designs. Press **OK**.
- 6 Press **Stop/Exit**.



## Secure Function Lock

Secure Function Lock lets you restrict public access to certain machine functions (Fax, Copy, Scan, Print<sup>1</sup> and PCC).

This feature also prevents users from changing the default settings of the machine by limiting access to the menu settings.

Before using the security features you must first enter an administrator password.

Access to restricted operations can be enabled by creating a restricted user. Restricted users must enter a user password to use the machine.

Make a careful note of your password. If you forget it, please call Brother Customer Service.

<sup>1</sup> Print includes PC-Fax Send as well as all print jobs.

### Note

- Only administrators can set limitations and make changes for each user.
- When Print is disabled, PC print jobs will be lost without notification.
- If Fax Tx is disabled, you cannot use any function in the Fax menu.
- Polling Receive is enabled only when both Fax Tx and Fax Rx are enabled.

## Setting and changing the Administrator Password

### Setting the password

The password you set in these steps is for the administrator. This password is used to set up users and to turn Secure Function Lock on or off. (See *Setting up and changing restricted users* on page 35 and *Turning Secure Function Lock on/off* on page 36.)

- 1 Press **Menu**.
- 2 Press **▲** or **▼** to choose **General Setup**. Press **OK**.
- 3 Press **▲** or **▼** to choose **Function Lock**. Press **OK**.
- 4 Enter a four-digit number for the password using numbers 0-9. Press **OK**.
- 5 Re-enter the password when the LCD shows **Verify:.** Press **OK**.
- 6 Press **Stop/Exit**.

## Changing the password

- 1 Press **Menu**.
- 2 Press **▲** or **▼** to choose `General Setup`. Press **OK**.
- 3 Press **▲** or **▼** to choose `Function Lock`. Press **OK**.
- 4 Press **▲** or **▼** to choose `Set Password`. Press **OK**.
- 5 Enter the registered four-digit password. Press **OK**.
- 6 Enter a four-digit number for the new password. Press **OK**.
- 7 When the LCD shows `Verify:`, re-enter the new password. Press **OK**.
- 8 Press **Stop/Exit**.

## Setting up and changing the Public user

You can set up the Public user. Public users do not need to enter a password. You can set up one Public user.

- 1 Press **Menu**.
- 2 Press **▲** or **▼** to choose `General Setup`. Press **OK**.
- 3 Press **▲** or **▼** to choose `Function Lock`. Press **OK**.
- 4 Press **▲** or **▼** to choose `Setup User`. Press **OK**.
- 5 Enter the administrator password. Press **OK**.

- 6 Press **▲** or **▼** to choose `Public`. Press **OK**.
- 7 Do one of the following:
  - To set up the Public user, press **◀** or **▶** to choose `Enable` or `Disable` for `Fax Tx`. After you have set `Fax Tx`, press **▲** or **▼** to choose the settings for `Fax Rx`, `Copy (Color)`, `Copy (B&W)`, `Scan`, `Print` and `PCC` by repeating this step. Press **OK**.
  - To change the Public user settings, press **▲** or **▼** to choose the setting you want to change. Press **◀** or **▶** to choose `Enable` or `Disable`. Repeat this step until you finish changing settings. Press **OK**.



### Note

You can set PC Print and PhotoCapture Print for only the Public user. If you disable PC Print and PhotoCapture Print for the Public user it will also disable PC Print and PhotoCapture Print for all restricted users.

- 8 Press **Stop/Exit**.

## Setting up and changing restricted users

---

### Setting up restricted users

You can set up users with restrictions and a password. You can set up to 20 individual users with restrictions and a password.

- 1 Press **Menu**.
- 2 Press **▲** or **▼** to choose `General Setup`. Press **OK**.
- 3 Press **▲** or **▼** to choose `Function Lock`. Press **OK**.
- 4 Press **▲** or **▼** to choose `Setup User`. Press **OK**.
- 5 Enter the administrator password. Press **OK**.
- 6 Press **▲** or **▼** to choose `User01`. Press **OK**.
- 7 Use the numeric keys to enter the user name. (See *Entering Text* on page 204.) Press **OK**.
- 8 Enter a four-digit password for the user. Press **OK**.
- 9 Press **◀** or **▶** to choose `Enable` or `Disable` for `Fax Tx`. Press **OK**.  
After you have set `Fax Tx`, press **▲** or **▼** and repeat this step for `Fax Rx`, `Copy (Color)`, `Copy (B&W)` and `Scan`.
- 10 Press **▲** or **▼** to choose `Exit`. Press **OK**.
- 11 Repeat 6 to 10 for entering each additional user and password.
- 12 Press **Stop/Exit**.



#### Note

You cannot use the same password as another user's password.

### Changing user name, password or settings for restricted users

- 1 Press **Menu**.
- 2 Press **▲** or **▼** to choose `General Setup`. Press **OK**.
- 3 Press **▲** or **▼** to choose `Function Lock`. Press **OK**.
- 4 Press **▲** or **▼** to choose `Setup User`. Press **OK**.
- 5 Enter the administrator password. Press **OK**.
- 6 Press **▲** or **▼** to choose the existing restricted user you want to change. Press **OK**.
- 7 Press **▲** or **▼** to choose `Change`. Press **OK**.
- 8 Do one of the following:
  - If you want to change the name press **Clear/Back**, and then enter the new name. (See *Entering Text* on page 204.) Press **OK**.
  - To leave the name unchanged press **OK**.
- 9 Enter a new four-digit password for this user. Press **OK**.
- 10 Press **◀** or **▶** to choose `Enable` or `Disable` for `Fax Tx`. Press **OK**.  
After you have set `Fax Tx`, press **▲** or **▼** and repeat this step for `Fax Rx`, `Copy (Color)`, `Copy (B&W)` and `Scan`.
- 11 Press **▲** or **▼** to choose `Exit`. Press **OK**.
- 12 Repeat 6 to 11 if you want to change more users and settings.
- 13 Press **Stop/Exit**.

## Reset existing restricted users

You can reset restricted users one at a time.

- 1 Press **Menu**.
- 2 Press **▲** or **▼** to choose `General Setup`. Press **OK**.
- 3 Press **▲** or **▼** to choose `Function Lock`. Press **OK**.
- 4 Press **▲** or **▼** to choose `Setup User`. Press **OK**.
- 5 Enter the administrator password. Press **OK**.
- 6 Press **▲** or **▼** to choose the existing restricted user you want to reset. Press **OK**.
- 7 Press **▲** or **▼** to choose `Reset`. Press **OK**.
- 8 Press **1** to choose `Yes`.
- 9 Do one of the following:
  - Set new restricted user. (See *Setting up restricted users* on page 35.)
  - If you do not want to set new restricted user, go to step 10.
- 10 Repeat 6 to 9 if you want to reset more users.
- 11 Press **Stop/Exit**.

## Turning Secure Function Lock on/off



### Note

If you enter the wrong password, the LCD will show `Wrong Password`. Re-enter the correct password.

### Turning Secure Function Lock on

- 1 Press **Menu**.
- 2 Press **▲** or **▼** to choose `General Setup`. Press **OK**.
- 3 Press **▲** or **▼** to choose `Function Lock`. Press **OK**.
- 4 Press **▲** or **▼** to choose `Lock Off→On`. Press **OK**.
- 5 Enter your four-digit administrator password. Press **OK**.

### Turning Secure Function Lock off

- 1 Press **Menu**.
- 2 Press **▲** or **▼** to choose `Lock On→Off`. Press **OK**.
- 3 Enter your four-digit administrator password. Press **OK**.

## Switching users

---

This setting allows a restricted user to log on the machine when Secure Function Lock is turned on.

- 1 Hold down **Shift** as you press **\***. Or, press **Menu**. Then press **▲** or **▼** to choose `Change User` and press **OK**.
- 2 Press **▲** or **▼** to choose your user name and press **OK**.
- 3 Enter your four-digit password. Press **OK**.

## Changing to the Public mode

---

- 1 Press **Menu**.
- 2 Press **▲** or **▼** to choose `Go to Public`. Press **OK**.



### Note

---

After a restricted user has finished using the machine, it will return to the Public setting within the same time as the Mode Timer setting. (See *Mode Timer* on page 26.)

---

## Reset all users

---

You can reset all settings and passwords for the Public user and all restricted users.

- 1 Press **Menu**.
- 2 Press **▲** or **▼** to choose `General Setup`. Press **OK**.
- 3 Press **▲** or **▼** to choose `Function Lock`. Press **OK**.
- 4 Press **▲** or **▼** to choose `Reset All Users`. Press **OK**.
- 5 Enter your four-digit administrator password. Press **OK**.
- 6 Press **1** to reset.
- 7 Press **Stop/Exit**.





# Fax


---

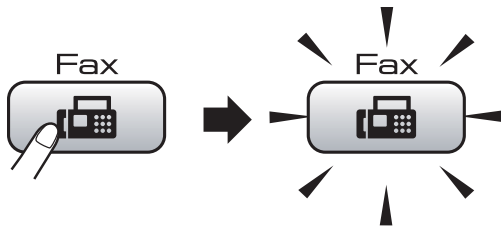
<b>Sending a Fax</b>	40
<b>Receiving a Fax</b>	49
<b>Telephone Services and External devices</b>	67
<b>Dialing and storing numbers</b>	79
<b>Printing Reports</b>	89
<b>Polling</b>	91

# 5

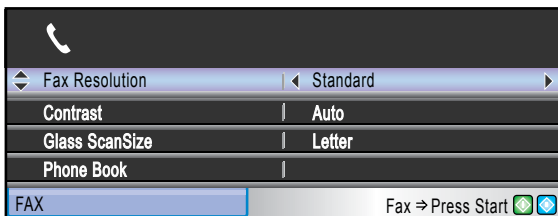
## Sending a Fax

### Entering Fax mode

When the machine is idle, the time appears on the LCD. When you want to send a fax, or change fax send or receive settings, press the  (**Fax**) key to illuminate it in blue.



The LCD shows:




Press **▲** or **▼** to scroll through the **Fax** key options. Some functions are only available when sending black & white faxes.

- Fax Resolution (See page 45.)
- Contrast (See page 44.)
- Glass ScanSize  
(MFC-5890CN: See page 41.)  
(MFC-6490CW: See page 42.)
- Phone Book (See page 79.)
- Outgoing Call (See page 81.)
- Caller ID hist. (See page 81.)
- Broadcasting (See page 43.)
- Delayed Fax (See page 46.)
- Batch TX (See page 46.)
- Real Time TX (See page 45.)
- Polled TX (See page 92.)
- Polling RX (See page 91.)
- Overseas Mode (See page 46.)
- Set New Default (See page 47.)
- Factory Reset (See page 47.)

When the option you want is highlighted, press **OK**.

### Faxing from the ADF

- 1 Press  (**Fax**).
- 2 Place the document face up in the ADF. (See *Using the ADF* on page 22.)
- 3 Enter the fax number using the dial pad, One Touch or Speed Dial or Search. (For details, see *How to Dial* on page 79.)



#### Note

You can preview a fax message before sending it by pressing **Fax Preview**. For details, see *How to preview an outgoing fax* on page 42.

- 4 Press **Black Start** or **Color Start**. The machine starts scanning the document.



#### Note

- To cancel, press **Stop/Exit**.
- If you send a black & white fax while the memory is full it will be sent in real time.
- You can send a color fax that is Letter size or a black & white fax that is Ledger size.




## Faxing from the scanner glass

You can use the scanner glass to fax pages of a book one at a time. The document can be up to Ledger size for MFC-6490CW, and Letter size for MFC-5890CN.

You cannot send color faxes with multiple pages.

### Note

- Since you can only scan one page at a time, it is easier to use the ADF if you are sending a multiple page document.
- (MFC-6490CW only)  
You can send a color fax that is Letter size or a black & white fax that is Ledger size.

- 1 Press  (**Fax**).
- 2 Load your document face down on the scanner glass. (See *Using the scanner glass* on page 23.)
- 3 Enter the fax number using the dial pad, One Touch, Speed Dial or Search.

### Note


You can preview a fax message before sending it by pressing **Fax Preview**. (See *How to preview an outgoing fax* on page 42.)

- 4 Press **Black Start** or **Color Start**.
  - If you press **Black Start**, the machine starts scanning the first page. Go to step 5.
  - If you press **Color Start**, the machine starts sending the document.

- 5 Do one of the following:
  - To send a single page, press **2** to choose **No** (or press **Black Start** again).  
The machine starts sending the document.
  - To send more than one page, press **1** to choose **Yes** and go to step 6.
- 6 Place the next page on the scanner glass.  
Press **OK**.  
The machine starts scanning the page. (Repeat steps 5 and 6 for each additional page.)

## Setting scanner glass size for faxing (MFC-5890CN only)

When documents are A4 size, you need to set the correct scan size to A4. If you do not, the bottom portion of the faxes will be missing.


- 1 Press  (**Fax**).
- 2 Press **▲** or **▼** to choose **Glass ScanSize**.
- 3 Press **◀** or **▶** to choose **A4** (or **Letter**). Press **OK**.

### Note

- You can save the setting you use most often by setting it as default. (See *Setting your changes as the new default* on page 47.)
- This setting is only available for sending documents from the scanner glass.

## Setting scanner glass size for faxing (MFC-6490CW only)

To fax a Legal, Ledger, A3 or A4 size document from the scanner glass, you need to change the `Glass ScanSize` setting. The default setting is Letter.

- 1 Press  (**Fax**).
- 2 Press **▲** or **▼** to choose `Glass ScanSize`.
- 3 Press **◀** or **▶** to choose `Letter`, `Legal`, `Ledger`, `A4` or `A3`. Press **OK**.

### Note

You can save the setting you use most often by setting it as the default. (See *Setting your changes as the new default* on page 47.)


## Color fax transmission

Your machine can send a color fax to machines that support this feature.






Color faxes cannot be stored in the memory. When you send a color fax, the machine will send it in real time (even if `Real Time TX` is set to `Off`).

## How to preview an outgoing fax

You can preview a fax message before you send it. You must set the `Real Time Transmission` and `Polling RX` to `Off` before you use this feature.

- 1 Press  (**Fax**).
- 2 Load the document.
- 3 Enter the fax number using the dial pad, `One Touch` or `Speed Dial`.

- 4 Press **Fax Preview**.  
The machine starts scanning the document and the outgoing fax appears on the LCD. When the fax is open the control panel keys will perform the operations shown below.

Key	Description
	Enlarge the fax.
	Reduce the fax.
<b>▲</b> or <b>▼</b>	Scroll vertically.
<b>◀</b> or <b>▶</b>	Scroll horizontally.
	Rotate the fax clockwise.
	Go back to the previous page.
	Go to the next page.

### Note

If you preview a color fax before it is sent, you will only be able to send it in black & white. To send a color fax do not press the **Fax Preview** key.

- 5 Press **Black Start**.

### Note

The fax message in the memory will be sent and then erased when you press **Black Start**.


## Canceling a fax in progress

If you want to cancel a fax while the machine is scanning, dialing or sending, press **Stop/Exit**.

## Broadcasting (Black & White only)

Broadcasting is when the same fax message is automatically sent to more than one fax number. You can include Groups, One Touch, Speed Dial numbers and up to 50 manually dialed numbers in the same broadcast.

After the broadcast is finished, a Broadcast Report will be printed.

- 1 Press  (**Fax**).
- 2 Load your document.
- 3 Press **▲** or **▼** to choose *Broadcasting*. Press **OK**.
- 4 You can add numbers to the broadcast in the following ways:
  - Press **▲** or **▼** to choose *Add Number* and enter the number using a dial pad. Press **OK**.
  - Press **▲** or **▼** to choose *Phone Book* and **OK**. Press **▲** or **▼** to choose *Alphabetical Order* or *Numerical Order* and **OK**. Press **▲** or **▼** to select a number and **OK**.



### Note

One Touch Dial locations begin with **\***.  
Speed Dial locations begin with **#**.

- 5 After you have entered all the fax numbers by repeating step 4, press **▲** or **▼** to choose *Complete*. Press **OK**.
- 6 Press **Black Start**.



### Note

- If you have not used up any of the numbers for Groups, you can broadcast up to 216 (MFC-5890CN) or 256 (MFC-6490CW) different numbers.
- The available memory will vary depending on the types of jobs in the memory and the number of locations used for broadcasting. If you broadcast to the maximum numbers available, you will not be able to use dual access and delayed fax.
- If the memory is full, press **Stop/Exit** to stop the job. If more than one page has been scanned, press **Black Start** to send the portion that is in the memory.

5

## Canceling a Broadcast in progress

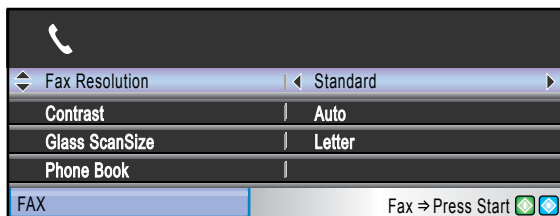
- 1 Press **Menu**.
- 2 Press **▲** or **▼** to choose *Fax*. Press **OK**.
- 3 Press **▲** or **▼** to choose *Remaining Jobs*. Press **OK**.  
The LCD will show the fax number being dialed and the Broadcast job number.
- 4 Press **OK**.  
The LCD will ask you the following message:  
Cancel Job?  
Yes → Press 1  
No → Press 2
- 5 Press **1** to cancel the number being dialed. The LCD will then show the Broadcast job number.
- 6 Press **OK**.  
The LCD will ask you the following message:  
Cancel Job?  
Yes → Press 1  
No → Press 2
- 7 Press **1** to cancel the Broadcast.
- 8 Press **Stop/Exit**.

## Additional sending operations

### Sending faxes using multiple settings

When you send a fax you can choose any combination of these settings: resolution, contrast, glass scan size, overseas mode, delayed fax timer, polling transmission and real time transmission.

- 1 Press  (**Fax**).  
The LCD shows:



- 2 Press ▲ or ▼ to choose a setting you want to change.
- 3 Press ◀ or ▶ to choose an option.  
Press **OK**.
- 4 Repeat steps 2 to 3 to change more settings.


#### Note

- Most settings are temporary and the machine returns to its default settings after you send a fax.
- You can save some of the settings you use most often by setting them as default. These settings will stay until you change them again. (See *Setting your changes as the new default* on page 47.)

### Contrast

If your document is very light or very dark, you may want to change the contrast. For most documents the factory setting **Auto** can be used. It automatically chooses the suitable contrast for your document.

Use **Light** when sending a light document.  
Use **Dark** when sending a dark document.

- 1 Press  (**Fax**).
- 2 Press ▲ or ▼ to choose **Contrast**.
- 3 Press ◀ or ▶ to choose **Auto**, **Light** or **Dark**.  
Press **OK**.


#### Note

Even if you choose **Light** or **Dark**, the machine will send the fax using the **Auto** setting in any of the following conditions:

- When you send a color fax.
- When you choose **Photo** as the Fax Resolution.

## Changing fax resolution

The quality of a fax can be improved by changing the fax resolution.

- 1 Press  (**Fax**).
- 2 Press ▲ or ▼ to choose Fax Resolution.
- 3 Press ◀ or ▶ to choose the resolution you want. Press **OK**.



### Note

You can choose four different resolution settings for black & white faxes and two for color.

Black & White	
Standard	Suitable for most typed documents.
Fine	Good for small print and transmits a little slower than Standard resolution.
S.Fine	Good for small print or artwork and transmits slower than Fine resolution.
Photo	Use when the document has varying shades of gray or is a photograph. This has the slowest transmission.

Color	
Standard	Suitable for most typed documents.
Fine	Use when the document is a photograph. The transmission time is slower than Standard resolution.

If you choose *S.Fine* or *Photo* and then use the **Color Start** key to send a fax, the machine will send the fax using the *Fine* setting.

## Dual access (Black & White only)

You can dial a number and start scanning the fax into memory—even when the machine is sending from memory, receiving faxes or printing PC data. The LCD shows the new job number and available memory.

The number of pages you can scan into the memory will vary depending on the data that is printed on them.



### Note

If the *Out of Memory* message appears while scanning a document, press **Stop/Exit** to cancel or **Black Start** to send the scanned pages.


5

## Real time transmission

When you are sending a fax, the machine will scan the document into the memory before sending. Then, as soon as the telephone line is free, the machine will start dialing and sending.

If the memory is full and you are sending a black & white fax from the ADF, the machine will send the document in real time (even if *Real Time TX* is set to *Off*). Color faxes and faxes from the scanner glass cannot be sent until you clear some of the memory.

Sometimes, you may want to send an important document immediately, without waiting for memory transmission. You can turn on *Real Time TX*.

- 1 Press  (**Fax**).
- 2 Press ▲ or ▼ to choose *Real Time TX*.
- 3 Press ◀ or ▶ to choose *On*. Press **OK**.




### Note

In real time transmission, the automatic redial feature does not work when using the scanner glass.


## Overseas Mode

If you are having difficulty sending a fax overseas due to possible interference on the telephone line, we recommend that you turn on the Overseas mode. After you send a fax using this feature, the feature will turn itself off.

- 1 Press  (Fax).
- 2 Load your document.
- 3 Press ▲ or ▼ to choose Overseas Mode.
- 4 Press ◀ or ▶ to choose On (or Off). Press **OK**.

## Delayed Faxing (Black & White only)

During the day you can store up to 50 faxes in the memory to be sent within 24-hours. These faxes will be sent at the time of day you enter in step 5.

- 1 Press  (Fax).
- 2 Load your document.
- 3 Press ▲ or ▼ to choose Delayed Fax.
- 4 Press ◀ or ▶ to choose On. Press **OK**.
- 5 Enter the time you want the fax to be sent (in 24-hour format). (For example, enter 19:45 for 7:45 PM.) Press **OK**.




### Note

The number of pages you can scan into the memory depends on the amount of data that is printed on each page.

## Delayed Batch Transmission (Black & White only)

Before sending the delayed faxes, your machine will help you economize by sorting all the faxes in the memory by destination and scheduled time. All delayed faxes that are scheduled to be sent at the same time to the same fax number will be sent as one fax to save transmission time.

- 1 Press  (Fax).
- 2 Press ▲ or ▼ to choose Batch TX.
- 3 Press ◀ or ▶ to choose On. Press **OK**.
- 4 Press **Stop/Exit**.


## Checking and canceling waiting jobs

You can check which jobs are still waiting in the memory to be sent and cancel a job. (If there are no jobs, the LCD shows No Jobs Waiting.)

- 1 Press **Menu**.
- 2 Press ▲ or ▼ to choose Fax. Press **OK**.
- 3 Press ▲ or ▼ to choose Remaining Jobs. Press **OK**. Any waiting jobs appear on the LCD.
- 4 Press ▲ or ▼ to scroll through the jobs and choose the job you want to cancel. Press **OK**.
- 5 Do one of the following:
  - To cancel, press 1 to choose Yes. If you want to cancel another job go to step 4.
  - To exit without canceling, press 2 to choose No.
- 6 When you have finished, press **Stop/Exit**.


## Setting your changes as the new default

You can save the fax settings for Fax Resolution, Contrast, Glass ScanSize and Real Time TX you use most often by setting them as default. These settings will stay until you change them again.

- 1 Press  (**Fax**).
- 2 Press ▲ or ▼ to choose the menu setting you want to change, and then press ◀ or ▶ to choose the new option. Press **OK**. Repeat this step for each setting you want to change.
- 3 After changing the last setting, press ▲ or ▼ to choose Set New Default. Press **OK**.
- 4 Press **1** to choose Yes.
- 5 Press **Stop/Exit**.


## Restoring all settings to the factory settings

You can restore all the settings you have changed to the factory settings. These settings will stay until you change them again.

- 1 Press  (**Fax**).
- 2 Press ▲ or ▼ to choose Factory Reset. Press **OK**.
- 3 Press **1** to choose Yes.
- 4 Press **Stop/Exit**.


## Sending a fax manually

Manual transmission lets you hear the dialing, ringing and fax-receiving tones while sending a fax.

- 1 Press  (**Fax**).
- 2 Load your document.
- 3 To listen for a dial tone press **Hook** or pick up the handset of an external telephone.
- 4 Dial the fax number.
- 5 When you hear the fax tone, press **Black Start** or **Color Start**. If you are using the scanner glass press **1** to send a fax.
- 6 If you picked up the handset of an external telephone, replace it.

## Sending a fax at the end of a conversation

At the end of a conversation you can send a fax to the other party before you both hang up.

- 1 Ask the other party to wait for fax tones (beeps) and then to press the Start or Send key before hanging up.
- 2 Press  (**Fax**).
- 3 Load your document.
- 4 Press **Black Start** or **Color Start**.
  - If you are using the scanner glass, press **1** to send a fax.
- 5 Replace the handset of the external phone.

## Out of Memory message

---

If you get an `Out of Memory` message while scanning the first page of a fax, press **Stop/Exit** to cancel the fax.

If you get an `Out of Memory` message while scanning a subsequent page, you will have the option to press **Black Start** or **Color Start** to send the pages scanned so far, or to press **Stop/Exit** to cancel the operation.



### Note

---

If you get an `Out of Memory` message while faxing and you do not want to delete your stored faxes to clear the memory, you can send the fax in real time. (See *Real time transmission* on page 45.)

---



## Receive modes

### Choose the correct Receive Mode

---

The correct Receive mode is determined by the external devices and telephone subscriber services (Voice Mail, Distinctive Ring, etc.) you have (or will be using) on the same line as the Brother machine.

**Will you be using a Distinctive Ring number for receiving faxes?**

Brother uses the term “Distinctive Ring” but different telephone companies may have other names for this service such as Custom Ringing, RingMaster, Personalized Ring, Teen Ring, Ident-A-Ring, Ident-A-Call, Data Ident-A-Call, Smart Ring and SimpleBiz Fax & Alternate Number Ringing. See *Distinctive Ring* on page 69 for instruction on setting up your machine using this feature.

**Will you be using Voice Mail on the same telephone line as your Brother machine?**

If you have Voice Mail on the same telephone line as your Brother machine, there is a strong possibility that Voice Mail and the Brother machine will conflict with each other when receiving incoming calls. See *Voice Mail* on page 68 for instructions on setting up your machine using this service.

**Will you be using a Telephone Answering Device on the same telephone line as your Brother machine?**

Your external telephone answering device (TAD) will automatically answer every call. Voice messages are stored on the external TAD and fax messages are printed. Choose `External TAD` as your receive mode. See *External TAD* on page 51.

**Will you be using your Brother machine on a dedicated fax line?**

Your machine automatically answers every call as a fax. Choose `Fax Only` as your receive mode. See *Fax only* on page 51.

**Will you be using your Brother machine on the same line as your telephone?****Do you want to receive voice calls and faxes automatically?**

The `Fax/Tel` receive mode is used when sharing the Brother machine and your telephone on the same line. Choose `Fax/Tel` as your receive mode. See *Fax/Tel* on page 51.

**Important Note:** You cannot receive voice messages on either Voice Mail or an answering machine with the `Fax/Tel` mode.

**Do you expect to receive very few faxes?**

Choose `Manual` as your receive mode. You control the telephone line and must answer every call yourself. See *Manual* on page 51.

**To set the receive mode follow the instructions below:**

- 1 Press **Menu**.
- 2 Press **▲** or **▼** to choose `Initial Setup`.  
Press **OK**.
- 3 Press **▲** or **▼** to choose `Receive Mode`.
- 4 Press **◀** or **▶** to choose `Fax Only`, `Fax/Tel`, `External TAD` or `Manual`.  
Press **OK**.
- 5 Press **Stop/Exit**.  
The LCD will display the current receive mode.

## Using receive modes

Some receive modes answer automatically (**Fax Only** and **Fax/Tel**). You may want to change the ring delay before using these modes. (See *Ring Delay* on page 52.)

### Fax only

---

Fax only mode will automatically answer every call as a fax call.

### Fax/Tel

---

Fax/Tel mode helps you automatically manage incoming calls, by recognizing whether they are fax or voice calls and handling them in one of the following ways:

- Faxes will be automatically received.
- Voice calls will start the F/T ring to tell you to pick up the line. The F/T ring is a fast pseudo/double-ring made by your machine.

(Also see *F/T Ring Time (Fax/Tel mode only)* on page 52 and *Ring Delay* on page 52.)

### Manual

---

Manual mode turns off all automatic answering functions unless you are using the Distinctive Ring feature.

To receive a fax in manual mode lift the handset of an external telephone or press **Hook**. When you hear fax tones (short repeating beeps), press **Black Start** or **Color Start** and choose *Receive*. You can also use the Easy Receive feature to receive faxes by lifting a handset on the same line as the machine.

(Also see *Easy Receive* on page 53.)

## External TAD

---

External TAD mode lets an external answering device manage your incoming calls. Incoming calls will be handled in one of the following ways:

- Faxes will be automatically received.
- Voice callers can record a message on the external TAD.

(For more information see *Connecting an external TAD (telephone answering device)* on page 72.)

## Receive mode settings

### Ring Delay

The Ring Delay sets the number of times the machine rings before it answers in **Fax Only** or **Fax/Tel** mode. If you have external or extension telephones on the same line as the machine, keep the ring delay setting of 4 rings.

(See *Using external and extension telephones* on page 77 and *Easy Receive* on page 53.)

- 1 Press **Menu**.
- 2 Press **▲** or **▼** to choose **Fax**. Press **OK**.
- 3 Press **▲** or **▼** to choose **Setup Receive**. Press **OK**.
- 4 Press **▲** or **▼** to choose **Ring Delay**.
- 5 Press **◀** or **▶** to choose how many times the line rings before the machine answers. Press **OK**.  
If you choose 0, the line will not ring at all.
- 6 Press **Stop/Exit**.

### F/T Ring Time (Fax/Tel mode only)

When somebody calls your machine, you and your caller will hear the normal telephone ring sound. The number of rings is set by the ring delay setting.

If the call is a fax, then your machine will receive it; however, if it is a voice call the machine will sound the F/T ring (a fast double-ring) for the time you have set in the F/T ring time setting. If you hear the F/T ring it means that you have a voice caller on the line.

Because the F/T ring is made by the machine, extension and external telephones will *not* ring; however, you can still answer the call on any telephone. (For more information see *Using remote codes* on page 77.)

- 1 Press **Menu**.
- 2 Press **▲** or **▼** to choose **Fax**. Press **OK**.
- 3 Press **▲** or **▼** to choose **Setup Receive**. Press **OK**.
- 4 Press **▲** or **▼** to choose **F/T Ring Time**.
- 5 Press **◀** or **▶** to choose how long the machine will ring to alert you that you have a voice call (20, 30, 40 or 70 seconds). Press **OK**.
- 6 Press **Stop/Exit**.



#### Note

Even if the caller hangs up during the pseudo/double-ringing, the machine will continue to ring for the set time.

## Easy Receive

### If Easy Receive is On:

The machine receives a fax call automatically, even if you answer the call. When you see *Receiving* on the LCD or when you hear “chirps” through the handset you are using, just replace the handset. Your machine will do the rest.

### If Easy Receive is Off:

If you are at the machine and answer a call first by lifting a handset, then press **Black Start** or **Color Start**, and then press **2** to receive.

If you answered at an extension telephone press \* **5 1**. (See *Using external and extension telephones* on page 77.)



### Note

- If this feature is set to *On*, but your machine does not connect a fax call when you lift an extension or external telephone handset, press the fax receive code \* **5 1**.
- If you send faxes from a computer on the same telephone line and the machine intercepts them, set Easy Receive to *Off*.

- 1 Press **Menu**.
- 2 Press **▲** or **▼** to choose *Fax*. Press **OK**.
- 3 Press **▲** or **▼** to choose *Setup Receive*. Press **OK**.
- 4 Press **▲** or **▼** to choose *Easy Receive*.
- 5 Press **◀** or **▶** to choose *On* (or *Off*). Press **OK**.
- 6 Press **Stop/Exit**.

## Additional receiving operations

### Printing a reduced incoming fax

If you choose *On*, the machine automatically reduces each page of an incoming fax to fit on one page of Letter, Legal or A4 size paper. The machine calculates the reduction ratio by using the page size of the fax and your Paper Size setting. (See *Paper Size and Type (MFC-5890CN only)* on page 26 or *Paper Size and Type (MFC-6490CW only)* on page 27.)

- 1 Press **Menu**.
- 2 Press **▲** or **▼** to choose *Fax*. Press **OK**.
- 3 Press **▲** or **▼** to choose *Setup Receive*. Press **OK**.
- 4 Press **▲** or **▼** to choose *Auto Reduction*.
- 5 Press **◀** or **▶** to choose *On* (or *Off*). Press **OK**.
- 6 Press **Stop/Exit**.

## Setting the Receiving Priority

When a Ledger Color fax is sent to your machine, your machine will receive *either* a Ledger black & white fax or a Letter Color fax depending on the Receiving Priority setting. If your receiving priority is **B&W (Max. LGR)**, you will receive a Ledger black & white fax. If your receiving priority is **Color (Max. LTR)**, you will receive a Letter Color fax.



### Note

The default setting is **B&W (Max. LGR)**, so the machine cannot receive a color fax unless the receiving priority setting is **Color (Max. LTR)**.

Receiving Priority	Document Sent		Document Received	Fax Preview	Storage OFF	Memory Receive (On)					
						Fax Storage Paging Fax Forward	PC-FAX				
<b>CLR (Max. LTR)</b>	Color	LTR	Color LTR	N/A (Color Printout)	(Color Printout)	N/A (Color Printout)	N/A (Color Printout)				
		LGR	Color LTR <sup>1</sup> (Reduced)								
	B/W	LTR	B/W LTR	Available	(B/W Printout)	Available	Available (Up to LTR/A4 size)				
		LGR	B/W LTR <sup>1</sup> (Reduced)								
<b>B/W (Max. LGR)</b>	Color	LTR	B/W LTR <sup>1</sup>					Available	(B/W Printout)	Available	Available (Up to LTR/A4 size)
		LGR	B/W LGR <sup>1</sup>								
	B/W	LTR	B/W LTR								
		LGR	B/W LGR								

<sup>1</sup> These results may vary depending on the sending machine's ability.

- 1 Press **Menu**.
- 2 Press **▲** or **▼** to choose **Fax**.  
Press **OK**.
- 3 Press **▲** or **▼** to choose **Setup Receive**.  
Press **OK**.
- 4 Press **▲** or **▼** to choose **B&W/Color**.
- 5 Press **◀** or **▶** to choose **B&W (Max. LGR)** or **Color (Max. LTR)**.  
Press **OK**.
- 6 Press **Stop/Exit**.

## Receiving a fax at the end of a conversation

At the end of a conversation you can ask the other party to fax you information before you both hang up.

- 1 Ask the other party to place the document in their machine and to press the Start or Send key.
- 2 When you hear the other machine's CNG tones (slowly repeating beeps), press **Black Start** or **Color Start**.
- 3 Press **2** to receive a fax.
- 4 Replace the handset of the external telephone.

## Printing a fax from the memory

If you have chosen paging or fax storage, you can still print a fax from the memory when you are at your machine. If you have chosen **Fax Preview**, see *Fax Preview (Black & White only)* on page 61.

- 1 Press **Menu**.
- 2 Press **▲** or **▼** to choose `Fax`. Press **OK**.
- 3 Press **▲** or **▼** to choose `Print Fax`. Press **OK**.
- 4 Press **Black Start**.
- 5 Press **Stop/Exit**.



### Note

When you print a fax from the memory, the fax data will be erased.

## Receiving faxes into memory when the paper tray is empty

As soon as the paper tray becomes empty during fax reception, the LCD shows `No Paper Fed` and begins receiving faxes into the machine's memory. Put some paper in the paper tray. (See *Loading paper and other print media* on page 9 and *Printing a fax from the memory* on page 55.)

The machine will carry on receiving the fax, with the remaining pages being stored in memory, if enough memory is available.

Further incoming faxes will also be stored into memory until the memory is full. When the memory is full the machine will stop automatically answering calls. To print the faxes, put fresh paper in the tray.

## Memory Receive (Black & White only)

You can only use one Memory Receive operation at a time:

- Fax Forwarding
- Paging
- Fax Storage
- PC Fax Receive
- Off

You can change your selection at any time. If received faxes are still in the machine's memory when you change the Memory Receive operations, a LCD question will appear on the LCD. (See *Changing Memory Receive Operations* on page 60.)

## Fax Forwarding

When you choose Fax Forwarding, your machine stores the received fax in the memory. The machine will then dial the fax number you have programmed and forward the fax message.

- 1 Press **Menu**.
- 2 Press **▲** or **▼** to choose `Fax`. Press **OK**.
- 3 Press **▲** or **▼** to choose `Setup Receive`. Press **OK**.
- 4 Press **▲** or **▼** to choose `Memory Receive`. Press **OK**.
- 5 Press **▲** or **▼** to choose `Fax Forward`. Press **OK**.
- 6 Enter the forwarding number (up to 20 digits). Press **OK**.
- 7 Press **▲** or **▼** to choose `Backup Print:On` or `Backup Print:Off`. Press **OK**.



### Note

- If you choose `Backup Print:On`, the machine will also print the fax at your machine so you will have a copy. This is the safety feature in case there is a power failure before the fax is forwarded or a problem at the receiving machine. This `Backup Print:On` feature will not work if `Fax Preview` is on.
- The machine can store faxes approximately 24 hours if there is a power failure.
- Color faxes will be stored in the machine's memory *only* if you have chosen `B&W (Max. LGR)` as your `Receiving Priority` setting. (See *Setting the Receiving Priority* on page 54.)

- 8 Press **Stop/Exit**.



## Paging

When you choose Paging, your machine dials the pager number you have programmed, and then dials your PIN (Personal Identification Number). This activates your pager so you will know that you have a fax message in the memory.

If you have set Paging, a backup copy of the received fax will automatically be printed at the machine.

- 1 Press **Menu**.
- 2 Press **▲** or **▼** to choose *Fax*. Press **OK**.
- 3 Press **▲** or **▼** to choose *Setup Receive*. Press **OK**.
- 4 Press **▲** or **▼** to choose *Memory Receive*. Press **OK**.
- 5 Press **▲** or **▼** to choose *Paging*. Press **OK**.
- 6 Enter your pager phone number followed by **##** (up to 20 digits). Press **OK**.  
Do not include the area code if it is the same as that of your machine.  
For example, press:  
**1 8 0 0 5 5 5 1 2 3 4 ##**.

- 7 Do one of the following:

- If your pager needs a PIN, enter the PIN, press **#**, press **Redial/Pause**, and then enter your fax number followed by **##**.

Press **OK**.

For example, press:

**1 2 3 4 5 # Redial/Pause 1 8 0 0 5 5  
5 6 7 8 9 ##**

- If you do not need a PIN, press:

**Redial/Pause**, and then enter your fax number followed by **##**.

Press **OK**.

For example, press:

**Redial/Pause 1 8 0 0 5 5 5 6 7 8 9 ##**

- 8 Press **Stop/Exit**.



### Note

- You cannot change a paging number or PIN remotely.
- Color faxes will be stored in the machine's memory *only* if you have chosen *B&W (Max. LGR)* as your *Receiving Priority* setting. (See *Setting the Receiving Priority* on page 54.)

## Fax Storage

If you choose Fax Storage, your machine stores the received fax in the memory. You will be able to retrieve fax messages from another location using the remote retrieval commands.

If you have set Fax Storage, a backup copy will automatically be printed at the machine.

- 1 Press **Menu**.
- 2 Press **▲** or **▼** to choose *Fax*. Press **OK**.
- 3 Press **▲** or **▼** to choose *Setup Receive*. Press **OK**.
- 4 Press **▲** or **▼** to choose *Memory Receive*. Press **OK**.
- 5 Press **▲** or **▼** to choose *Fax Storage*. Press **OK**.
- 6 Press **Stop/Exit**.



### Note

Color faxes will be stored in the machine's memory *only* if you have chosen B&W (Max. LGR) as your Receiving Priority setting. (See *Setting the Receiving Priority* on page 54.)

## PC Fax Receive

If you turn on the PC-Fax Receive feature your machine will store received faxes in memory and send them to your PC automatically. You can then use your PC to view and store these faxes.

Even if you have turned off your PC (at night or on the weekend, for example), your machine will receive and store your faxes in its memory. The number of received faxes that are stored in the memory will appear at the bottom left side of the LCD.

When you start your PC and the PC-FAX Receiving software runs, your machine transfers your faxes to your PC automatically.

To transfer the received faxes to your PC you must have the PC-FAX Receiving software running on your PC. (For details, see *PC-FAX receiving* in the Software User's Guide on the CD-ROM.)

If you choose *Backup Print:On* the machine will also print the fax.

- 1 Press **Menu**.
- 2 Press **▲** or **▼** to choose *Fax*. Press **OK**.
- 3 Press **▲** or **▼** to choose *Setup Receive*. Press **OK**.
- 4 Press **▲** or **▼** to choose *Memory Receive*. Press **OK**.
- 5 Press **▲** or **▼** to choose *PC Fax Receive*. Press **OK**.
- 6 Press **▲** or **▼** to choose *<USB>* or the PC you want to receive faxes. Press **OK**.
- 7 Press **▲** or **▼** to choose *Backup Print:On* or *Backup Print:Off*. Press **OK**.
- 8 Press **Stop/Exit**.

 **Note**

- PC Fax Receive is not supported in the Mac OS®.
- Before you can set up PC Fax Receive you must install the MFL-Pro Suite software on your PC. Make sure your PC is connected and turned on. (For details see *PC-FAX receiving* in the Software User's Guide on the CD-ROM.)
- In the event of a power failure, the machine will store your faxes in the memory for approximately 24 hours. However, if you choose `Backup Print:On` the machine will print the fax, so you will have a copy if there is a power failure before it is sent to the PC.
- If you get an error message and the machine cannot print the faxes in memory, you can use this setting to transfer your faxes to your PC. (For details, see *Error and Maintenance messages* on page 153.)
- Color faxes will be stored in the machine's memory *only* if you have chosen `B&W (Max. LGR)` as your Receiving Priority setting. (See *Setting the Receiving Priority* on page 54.)

## Changing the destination PC

- 1 Press **Menu**.
- 2 Press **▲** or **▼** to choose `Fax`. Press **OK**.
- 3 Press **▲** or **▼** to choose `Setup Receive`. Press **OK**.
- 4 Press **▲** or **▼** to choose `Memory Receive`. Press **OK**.
- 5 Press **▲** or **▼** to choose `PC Fax Receive`. Press **OK**.
- 6 Press **▲** or **▼** to choose `Change`. Press **OK**.
- 7 Press **▲** or **▼** to choose `<USB>` or the PC you want to receive. Press **OK**.
- 8 Press **▲** or **▼** to choose `Backup Print:On` or `Backup Print:Off`. Press **OK**.
- 9 Press **Stop/Exit**.

## Turning off Memory Receive Operations

- 1 Press **Menu**.
- 2 Press **▲** or **▼** to choose **Fax**. Press **OK**.
- 3 Press **▲** or **▼** to choose **Setup Receive**. Press **OK**.
- 4 Press **▲** or **▼** to choose **Memory Receive**. Press **OK**.
- 5 Press **▲** or **▼** to choose **Off**. Press **OK**.
- 6 Press **Stop/Exit**.



### Note

The LCD will give you more options if there are received faxes still in your machine's memory. (See *Changing Memory Receive Operations* on page 60.)

## Changing Memory Receive Operations

If received faxes are left in your machine's memory when you change the Memory Receive Operations, the LCD will ask you one of the following questions:

### ■ Erase All Fax?

Yes → Press 1

No → Press 2

### ■ Print All Fax?

Yes → Press 1

No → Press 2

- If you press **1**, faxes in the memory will be erased or printed before the setting changes. If a backup copy has already been printed it will not be printed again.
- If you press **2**, faxes in the memory will not be erased or printed and the setting will be unchanged.

If received faxes are left in the machine's memory when you change to **PC Fax Receive** from another option [Fax Forward, Paging or Fax Storage], press **▲** or **▼** to choose the **PC**.

The LCD will ask you the following question:

### ■ Send Fax to PC?

Yes → Press 1

No → Press 2

- If you press **1**, faxes in the memory will be sent to your PC before the setting changes. You will be asked if you want to turn on Backup Print. (For detail, see *PC Fax Receive* on page 58.)
- If you press **2**, faxes in the memory will not be erased or transferred to your PC and the setting will be unchanged.

# Fax Preview (Black & White only)

## How to preview a received fax

You can view received faxes on the LCD by pressing the **Fax Preview** key. When the machine is in Ready mode, a popup message will appear on the LCD to alert you of new faxes.

### Setting Fax Preview

- 1 Press **Fax Preview**.
- 2 Press **1** to choose **Yes**.  
LCD asks you again to make sure that faxes will not be printed.  
Press **1** to choose **OK**.



#### Note

- Color faxes will be stored in the machine's memory *only* if you have chosen **B&W (Max. LGR)** as your **Receiving Priority** setting. (See *Setting the Receiving Priority* on page 54.)
- When Fax Preview is turned on a backup copy of received faxes will not be printed, even if you have set Backup Print to On.
- Fax Preview is not available when Fax Forwarding is turned on.

### Using Fax Preview

When you receive a fax, you will see the popup message on the LCD. (For example:  
New Fax(es) : 02)

- 1 Press **Fax Preview**.  
You can see the new fax list.



#### Note

- (MFC-6490CW)  
If you receive a fax containing multiple paper sizes (for example, a Letter size page and a Ledger size page), the machine may create and store a file for each paper size. The LCD may show that more than one fax job has been received.
- You can also see your old fax list by pressing **\***. Press **#** to go back to your new fax list.

- 2 Press **▲** or **▼** to choose the fax you want to see.  
Press **OK**.












#### Note

- If your fax is large there may be a delay before it is displayed on the LCD.
- The LCD will show the current page number and total pages of the fax message. When your fax message is over 99 pages the total number of pages will be shown as "XX".

### 3 Press **Stop/Exit**.

When a fax is open the control panel keys will perform the operations shown below.

Key	Description
	Enlarge the fax.
	Reduce the fax.
▲ or ▼	Scroll vertically.
◀ or ▶	Scroll horizontally.
	Rotate the fax clockwise.
	Delete the fax. Press <b>1</b> to confirm.
	Go back to the previous page.
	Go to the next page.
	Go to the next step. (Print, Back and Exit are available.)
	Go back to the fax list.
 <b>Black Start</b>	Print the fax. Do one of the following: <ul style="list-style-type: none"> <li>■ Press <b>1</b> to print the whole message.</li> <li>■ Press <b>2</b> to print only the displayed page.</li> <li>■ Press <b>3</b> to print from the displayed page.</li> </ul> (After printing, you can choose to delete or print the fax.)

### How to delete all faxes in the list

- 1 Press **Fax Preview**.
- 2 Press ▲ or ▼ to choose `Delete All`. Press **OK**. Press **1** to confirm.
- 3 Press **Stop/Exit**.

### How to print all faxes in the list

- 1 Press **Fax Preview**.
- 2 Press ▲ or ▼ to choose `Print All`. Press **OK**.
- 3 Press **Stop/Exit**.

## Changing the settings to turn off fax preview

- 1 Press **Fax Preview**.
- 2 Press **▲** or **▼** to choose Fax Preview → Off.  
Press **OK**.  
The LCD will ask you the following message:  
Turn Off Fax Preview and print all future incoming faxes?  
Yes → Press 1  
Cancel → Press 2
- 3 Press **1** to choose Yes.  
The LCD will ask you the following message:  
Continue → 1  
Print all faxes → 2  
Cancel → 3
- 4 Do one of the following:
  - To turn off Fax Preview without printing your stored faxes, press **1**. Press **1** to confirm your faxes will be deleted.
  - To print all your stored faxes before turning off Fax Preview, press **2**.
  - If you want to exit without turning off Fax Preview, press **3**.  
Press **Stop/Exit**.

## Remote Retrieval

You can call your machine from any touch tone telephone or fax machine, then use the remote access code and remote commands to retrieve fax messages.

### Setting a Remote Access Code

The remote access code lets you access the remote retrieval features when you are away from your machine. Before you can use the remote access and retrieval features, you have to set up your own code. The factory default code is inactive code (---\*).

- 1 Press **Menu**.
- 2 Press **▲** or **▼** to choose Fax.  
Press **OK**.
- 3 Press **▲** or **▼** to choose Remote Access.
- 4 Enter a three-digit code using numbers **0-9**, **\***, or **#**.  
Press **OK**. (The preset '\*' cannot be changed.)



#### Note

Do not use the same code as your Fax Receive Code (**\* 5 1**) or Telephone Answer Code (**# 5 1**). (See *Using external and extension telephones* on page 77.)

- 5 Press **Stop/Exit**.



#### Note

You can change your code at any time by entering a new one. If you want to make your code inactive, press **Clear/Back** in step 4 to restore the inactive setting (---\*) and press **OK**.

## Using your Remote Access Code

---

- 1 Dial your fax number from a touch tone telephone or another fax machine.
- 2 When your machine answers, enter your remote access code (3 digits followed by \*) at once.
- 3 The machine signals if it has received messages:
  - **1 long beep — Fax messages**
  - **No beeps — No messages**
- 4 When the machine gives two short beeps, enter a command.  
The machine will hang up if you wait longer than 30 seconds to enter a command.  
The machine will beep three times if you enter an invalid command.
- 5 Press **9 0** to reset the machine when you have finished.
- 6 Hang up.



### Note

---

If your machine is set to `Manual` mode and you want to use the remote retrieval features, wait about 100 seconds after it starts ringing, and then enter the remote access code within 30 seconds.

---



## Remote Fax commands

Follow the commands below to access features when you are away from the machine. When you call the machine and enter your remote access code (3 digits followed by \*), the system will give two short beeps and you must enter a remote command.

Remote commands		Operation details
95	<b>Change the Fax Forwarding, Paging or Fax Storage settings</b>	
	1 OFF	You can choose OFF after you have retrieved or erased all your messages.
	2 Fax Forwarding	One long beep means the change is accepted. If you hear three short beeps, you cannot change because something has not been set up (for example, a Fax Forwarding or Paging number has not been registered). You can register your Fax Forwarding number by entering 4. (See <i>Changing your Fax Forwarding number</i> on page 66.) Once you have registered the number, Fax Forwarding will work.
	3 Paging	
	4 Fax Forwarding number	
6 Fax Storage		
96	<b>Retrieve a fax</b>	
	2 Retrieve all faxes	Enter the number of a remote fax machine to receive stored fax messages. (See <i>Retrieving fax messages</i> on page 66.)
	3 Erase faxes from the memory	If you hear one long beep, fax messages have been erased from the memory.
97	<b>Check the receiving status</b>	
	1 Fax	You can check whether your machine has received any faxes. If yes, you will hear one long beep. If no, you will hear three short beeps.
98	<b>Change the Receive Mode</b>	
	1 External TAD	If you hear one long beep, your change has been accepted.
	2 Fax/Tel	
	3 Fax Only	
90	<b>Exit</b>	Pressing 9 0 allows you to exit remote retrieval. Wait for the long beep, then replace the handset.

## Retrieving fax messages

---

You can call your machine from any touch tone telephone and have your fax messages sent to a machine. Before you use this feature, you have to turn on Fax Storage.

- 1 Dial your fax number.
- 2 When your machine answers, enter your remote access code (3 digits followed by \*) at once. If you hear one long beep, you have messages.
- 3 When you hear two short beeps, press **9 6 2**.
- 4 Wait for the long beep, enter the number (up to 20 digits) of the remote fax machine you want your fax messages sent to using the dial pad, then enter **# #**.



### Note

---

You cannot use \* and # as dial numbers. However, press # if you want to create a pause.

- 5 Hang up after you hear your machine beep. Your machine will call the other fax machine, which will then print your fax messages.

## Changing your Fax Forwarding number

---

You can change the default setting of your fax forwarding number from another touch tone telephone or fax machine.

- 1 Dial your fax number.
- 2 When your machine answers, enter your remote access code (3 digits followed by \*) at once. If you hear one long beep, you have messages.
- 3 When you hear two short beeps, press **9 5 4**.
- 4 Wait for the long beep, enter the new number (up to 20 digits) of the remote fax machine you want your fax messages forwarded to using the dial pad, then enter **# #**.



### Note

---

You cannot use \* and # as dial numbers. However, press # if you want to create a pause.

- 5 Press **9 0** to reset the machine when you have finished.
- 6 Hang up after you hear your machine beep.

## Voice operations

Voice calls can be made either with an external telephone, by dialing manually, or by using Quick Dial numbers.

### Tone or Pulse (Canada only)

---

If you have a Pulse dialing service, but need to send Tone signals (for example, for telephone banking), follow the instructions below:

- 1 Pick up the handset of an external telephone or press **Hook**.
- 2 Press **#** on the machine's control panel. Any digits dialed after this will send tone signals.

When you hang up, the machine will return to the Pulse dialing service.

### Fax/Tel mode when the power key is on

---

When the machine is in Fax/Tel mode, it will use the F/T Ring Time (pseudo/double-ringing) to alert you to pick up a voice call.

If you are at an extension telephone, you'll need to lift the handset during the F/T Ring Time and then press **# 5 1** between the pseudo/double-rings. If no one is on the line, or if someone wants to send you a fax, send the call back to the machine by pressing **\* 5 1**.

If you are at the machine, lift the external telephone's handset, and then press **Hook** to answer.

### Fax/Tel mode when the power key is off

---

You can change the default setting of the **On/Off** key to **Fax Receive: On** so that you can receive faxes when the power key is off. (See *Power Off setting* on page 25.) Fax/Tel mode will work in the following way.

Fax/Tel mode does not work when the power key is off. The machine will not answer telephone or fax calls and will keep ringing. If you are at an external or extension telephone, lift the handset and talk. If you hear fax tones, hold the handset until Easy Receive activates your machine. If the other party says they want to send you a fax, activate the machine by pressing **\* 5 1**.

## Telephone services

Your machine supports the Caller ID and Distinctive Ring subscriber telephone services that some telephone companies offer.

Features like Voice Mail, Call Waiting, Call Waiting/Caller ID, RingMaster, answering services, alarm systems or other custom features on one telephone line may affect the way your machine works. If you have Voice Mail on your telephone line, please read the following carefully.

### Voice Mail

---

If you have Voice Mail on the same telephone line as your Brother machine, Voice Mail and the Brother machine will conflict with each other when receiving incoming calls.

For example, if your Voice Mail is set to answer after 4 rings and your Brother machine is set to answer after 2 rings, then your Brother machine will answer first. This will prevent callers from being able to leave a message in your Voice Mail.

Similarly, if your Brother machine is set to answer after 4 rings and your Voice Mail is set to answer after 2 rings, then your Voice Mail will answer first. This will prevent your Brother machine from being able to receive an incoming fax, since Voice Mail cannot transfer the incoming fax back to the Brother machine.

To avoid conflicts between your Brother machine and your voice mail service, do one of the following:

Get the Distinctive Ring service from your telephone company. Distinctive Ring is a feature of your Brother machine that allows a person with one line to receive fax and voice calls through two different phone numbers on that one line. Brother uses the term 'Distinctive Ring,' but telephone companies market the service under a variety of names, such as Custom Ringing, Personalized Ring, Smart Ring, RingMaster, Ident-A-Ring, Ident-A-Call, Data Ident-A-Call, Teen Ring, and SimpleBiz Fax & Alternate Number Ringing. This service establishes a second telephone number on the same line as your existing telephone number, and each number has its own ring pattern. Typically, the original number rings with the standard ring pattern and is used for receiving voice calls, and the second number rings with a different ring pattern and is used for receiving faxes. (See *Distinctive Ring* on page 69.)

#### OR

Set your Brother machine's Receive Mode to "Manual." Manual Mode requires that you answer every incoming call if you want to be able to receive a fax. If the incoming call is a telephone call, then complete the call as you normally would. If you hear fax sending tones you must transfer the call to the Brother machine. (See *Using external and extension telephones* on page 77.) Unanswered fax and voice calls will go to your Voice Mail. (To set the machine in **MANUAL** Mode, see *Choose the correct Receive Mode* on page 49.)

## Distinctive Ring

---

Distinctive Ring is a function of your Brother machine that allows a person with one line to receive fax and voice calls through two different phone numbers on that one line. Brother uses the term “Distinctive Ring”, but telephone companies market the service under a variety of names, such as Smart Ring, Ring Master or Ident-a-Ring. This service establishes a second telephone number on the same line as your existing telephone number, and each number has its own ring pattern. Typically, the original number rings with the standard ring pattern and is used for receiving voice calls, and the second number rings with a different ring pattern and is used for receiving faxes.

### Note

---

- You must pay for your telephone company's Distinctive Ring service before you program the machine to work with it.
  - Please call your telephone company for availability and rates.
- 

## What does your telephone company's 'Distinctive Ring' do?

Your telephone company's Distinctive Ring service allows you to have more than one number on the same telephone line. **If you need more than one telephone number, it is cheaper than paying for an extra line.** Each telephone number has its own distinctive ring pattern, so you will know which telephone number is ringing. This is one way you can have a separate telephone number for your machine.

## What does Brother's 'Distinctive Ring' do?

The Brother machine has a Distinctive Ring feature that allows you to use your machine to take full advantage of the telephone company's Distinctive Ring service. The new telephone number on your line can just receive faxes.

## Do you have Voice Mail?

If you have Voice Mail on the telephone line that you will install your new machine on, *there is a strong possibility that Voice Mail and the machine will conflict with each other while receiving incoming calls.* **However, the Distinctive Ring feature allows you to use more than one number on your line, so both Voice Mail and the machine can work together without any problems.** If each one has a separate telephone number, neither will interfere with the other's operations.

If you decide to get the Distinctive Ring service from the telephone company, you will need to follow the directions on next page to 'register' the new Distinctive Ring pattern they give you. This is so your machine can recognize its incoming calls.

### Note





---

You can change or cancel the Distinctive Ring pattern at any time. You can switch it off temporarily, and turn it back on later. When you get a new fax number, make sure you reset this feature.

---

## Before you choose the ring pattern to register

You can only register one Distinctive Ring pattern with the machine. Some ring patterns cannot be registered. The ring patterns below are supported by your Brother machine. Register the one your telephone company gives you.

Ring Pattern	Rings	
1	long-long	
2	short-long-short	
3	short-short-long	
4	very long (normal pattern)	

### Note

Ring Pattern #1 is often called short-short and is the most commonly used. If the ring pattern you received is not on this chart, **please call your telephone company and ask for one that is shown.**

- The machine will only answer calls to its registered number.
- The first two rings are silent on the machine. This is because the fax must 'listen' to the ring pattern (to compare it to the pattern that was 'registered'). (Other telephones on the same line will ring.)
- If you program the machine properly, it will recognize the registered ring pattern of the 'fax number' within 2 ring patterns and then answer with a fax tone. When the 'voice number' is called, the machine will not answer.

## Registering the Distinctive Ring pattern

### Very Important!

After you have set the Distinctive Ring feature to On, your Distinctive Ring number will receive faxes automatically. The receive mode is automatically set to `Manual` and you cannot change it to another receive mode while Distinctive Ring is set to On. This ensures the Brother machine will only answer the Distinctive Ring number and not interfere when your main telephone number is called.

- 1 Press **Menu**.
- 2 Press **▲** or **▼** to choose `Fax`. Press **OK**.
- 3 Press **▲** or **▼** to choose `Miscellaneous`. Press **OK**.
- 4 Press **▲** or **▼** to choose `Distinctive`. Press **OK**.
- 5 Press **▲** or **▼** to choose `Set`. Press **OK**.
- 6 Press **▲** or **▼** to choose the stored ring pattern you want to use. Press **OK**.  
(You hear each pattern as you scroll through the four patterns. Make sure you choose the pattern that the telephone company gave you.)
- 7 Press **Stop/Exit**.  
Distinctive Ring is now set to On.

## Turning off Distinctive Ring

- 1 Press **Menu**.
- 2 Press **▲** or **▼** to choose **Fax**. Press **OK**.
- 3 Press **▲** or **▼** to choose **Miscellaneous**. Press **OK**.
- 4 Press **▲** or **▼** to choose **Distinctive**. Press **OK**.
- 5 Press **▲** or **▼** to choose **Off**. Press **OK**.
- 6 Press **Stop/Exit**.



### Note

If you turn off Distinctive Ring, the machine will stay in **Manual receive** mode. You will need to set the **Receive Mode** again. (See *Choose the correct Receive Mode* on page 49.)

## Caller ID

The Caller ID feature lets you use the Caller ID subscriber service offered by many local telephone companies. Call your telephone company for details. This service shows the telephone number, or name if it is available, of your caller as the line rings.

After a few rings, the LCD shows the telephone number of your caller (and name, if available). Once you answer a call, the Caller ID information disappears from the LCD, but the call information stays stored in the Caller ID memory.

You can view the list or choose one of these numbers to fax to, add to Speed Dial or delete from the history. (See *Caller ID history* on page 81.)

- You can see the first 18 characters of the number (or name).
- The # **Unavailable** message means the call originated outside your Caller ID service area.
- The **Private Call** message means the caller has intentionally blocked transmission of information.

You can print a list of the Caller ID information received by your machine. (See *How to print a report* on page 90.)



### Note

- This feature may not be available in certain areas of the USA and Canada.
- The Caller ID service varies with different carriers. Call your local telephone company to find out about the kind of service available in your area.

## Setting up your area code (USA only)

When returning calls from the caller ID history your machine will automatically dial “1” plus the area code for all calls. If your local dialing plan requires that the “1” not be used for calls within your area code enter your area code in this setting. With the area code setting, calls returned from the caller ID history to your area code will be dialed using 10 digits (area code + 7-digit number). If your dialing plan does not follow the standard 1 + area code + 7-digit number dialing system for calling outside your area code, you may experience problems returning calls automatically from the caller ID history. If this is not the procedure followed by your dialing plan, you will not be able to return calls automatically.

- 1 Press **Menu**.
- 2 Press **▲** or **▼** to choose `Fax`. Press **OK**.
- 3 Press **▲** or **▼** to choose `Miscellaneous`. Press **OK**.
- 4 Press **▲** or **▼** to choose `Caller ID`. Press **OK**.
- 5 Use the dial pad to enter your area code. Press **OK**.
- 6 Press **Stop/Exit**.

## Connecting an external TAD (telephone answering device)

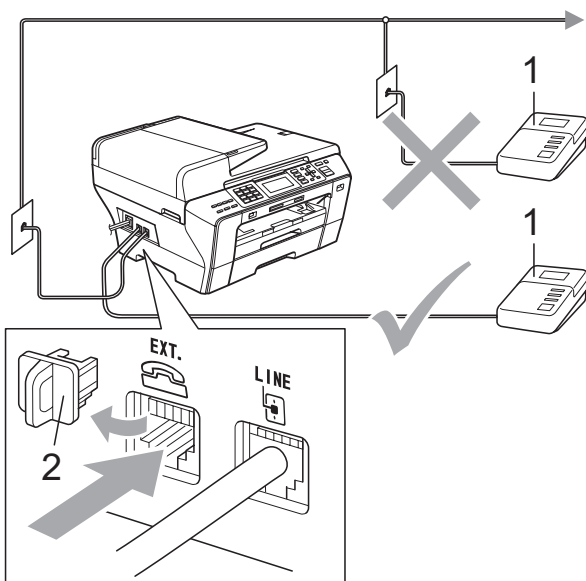
You may choose to connect an external answering device. However, when you have an **external** TAD on the same telephone line as the machine, the TAD answers all calls and the machine ‘listens’ for fax calling (CNG) tones. If it hears them, the machine takes over the call and receives the fax. If it does not hear CNG tones, the machine lets the TAD continue playing your outgoing message so your caller can leave you a voice message.

The TAD must answer within four rings (the recommended setting is two rings). The machine cannot hear CNG tones until the TAD has answered the call, and with four rings there are only 8 to 10 seconds of CNG tones left for the fax ‘handshake’. Make sure you carefully follow the instructions in this guide for recording your outgoing message. We do not recommend using the toll saver feature on your external answering machine if it exceeds five rings.



## Note

- If you do not receive all your faxes, shorten the Ring Delay setting on your external TAD.
- **If You Subscribe to your Telephone company's Distinctive Ring Service:**  
You may connect an external TAD to a separate wall jack only if you subscribe to your telephone company's Distinctive Ring service, have registered the distinctive ring pattern on your machine, and use that number as a fax number. The recommended setting is at least four rings on the external TAD when you have the telephone company's Distinctive Ring Service. You cannot use the Toll Saver setting.
- **If You Do Not Subscribe to Distinctive Ring Service:**  
You must plug your TAD into the EXT. jack of your machine. If your TAD is plugged into a wall jack, both your machine and the TAD will try to control the telephone line. (See the illustration below.)
- Before you connect the external TAD, remove the protective cap (2) from the EXT. jack on the machine.



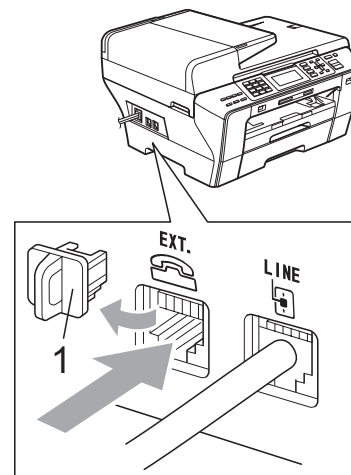
### 1 TAD

When the TAD answers a call, the LCD shows Telephone.

## Connections

The external TAD must be plugged into the jack labeled EXT. Your machine cannot work properly if you plug the TAD into a wall jack (unless you are using Distinctive Ring).

- 1 Plug the telephone line cord from the telephone wall jack into the jack labeled LINE.
- 2 Remove the protective cap (1) from the jack labeled EXT, and then plug the telephone line cord from the external TAD into the EXT. jack. (Make sure this cord is connected to the TAD at the TAD's telephone line jack, and not its handset jack.)



- 3 Set your external TAD to four rings or less. (The machine's Ring Delay setting does not apply.)
- 4 Record the outgoing message on your external TAD.
- 5 Set the TAD to answer calls.
- 6 Set the Receive Mode to External TAD. (See *Choose the correct Receive Mode* on page 49.)

## Recording outgoing message (OGM) on an external TAD

---

Timing is important in recording this message. The message sets up the ways to handle both manual and automatic fax reception.

- 1 Record 5 seconds of silence at the beginning of your message. (This allows your machine time to listen for the fax CNG tones of automatic transmissions before they stop.)
- 2 Limit your speaking to 20 seconds.
- 3 End your 20-second message by giving your Fax Receive Code for people sending manual faxes. For example: 'After the beep, leave a message or send a fax by pressing \* 5 1 and **Start**.'



### Note

---

We recommend beginning your OGM with an initial 5-second silence because the machine cannot hear fax tones over a resonant or loud voice. You may try omitting this pause, but if your machine has trouble receiving, then you must re-record the OGM to include it.

---

## Special line considerations

---

### Roll over telephone lines

A roll over telephone system is a group of two or more separate telephone lines that pass incoming calls to each other if they are busy. The calls are usually passed down or 'rolled over' to the next available telephone line in a preset order.

Your machine can work in a roll over system as long as it is the last number in the sequence, so the call cannot roll away. Do not put the machine on any of the other numbers; when the other lines are busy and a second fax call is received, the fax call will be sent to a line that does not have a fax machine. **Your machine will work best on a dedicated line.**

### Two-line telephone system

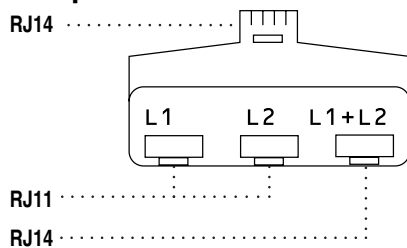
A two-line telephone system is nothing more than two separate telephone numbers on the same wall outlet. The two telephone numbers can be on separate jacks (RJ11) or mixed into one jack (RJ14). Your machine must be plugged into an RJ11 jack. RJ11 and RJ14 jacks may be equal in size and appearance and both may contain four wires (black, red, green, yellow). To test the type of jack, plug in a two-line telephone and see if it can access both lines. If it can, you must separate the line for your machine. (See *Easy Receive* on page 53.)

## Converting telephone wall outlets

There are three ways to convert to an RJ11 jack. The first two ways may require help from the telephone company. You can change the wall outlets from one RJ14 jack to two RJ11 jacks. Or you can have an RJ11 wall outlet installed and slave or jump one of the telephone numbers to it.

The third way is the easiest: Buy a triplex adapter. You can plug a triplex adapter into an RJ14 outlet. It separates the wires into two separate RJ11 jacks (Line 1, Line 2) and a third RJ14 jack (Lines 1 and 2). If your machine is on Line 1, plug the machine into L1 of the triplex adapter. If your machine is on Line 2, plug it into L2 of the triple adapter.

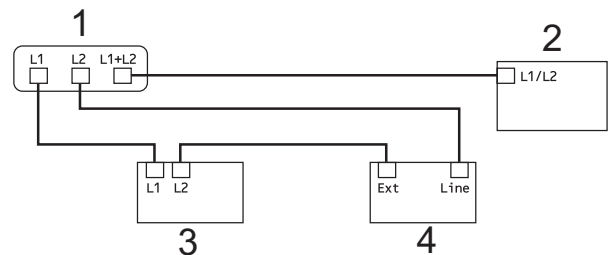
### Triplex Adapter



## Installing machine, external two-line TAD and two-line telephone

When you are installing an external two-line telephone answering device (TAD) and a two-line telephone, your machine must be isolated on one line at both the wall jack and at the TAD. The most common connection is to put the machine on Line 2, which is explained in the following steps. The back of the two-line TAD must have two telephone jacks: one labeled L1 or L1/L2, and the other labeled L2. You will need at least three telephone line cords, the one that came with your machine and two for your external two-line TAD. You will need a fourth line cord if you add a two-line telephone.

- 1 Put the two-line TAD and the two-line telephone next to your machine.
- 2 Plug one end of the telephone line cord for your machine into the L2 jack of the triplex adapter. Plug the other end into the LINE jack on the back of the machine.
- 3 Plug one end of the first telephone line cord for your TAD into the L1 jack of the triplex adapter. Plug the other end into the L1 or L1/L2 jack of the two-line TAD.
- 4 Plug one end of the second telephone line cord for your TAD into the L2 jack of the two-line TAD. Plug the other end into the EXT. jack on the left side of the machine.



- 1 Triplex Adapter
- 2 Two Line Telephone
- 3 External Two Line TAD
- 4 Machine

You can keep two-line telephones on other wall outlets as always. There are two ways to add a two-line telephone to the machine's wall outlet. You can plug the telephone line cord from the two-line telephone into the L1+L2 jack of the triplex adapter. Or you can plug the two-line telephone into the TEL jack of the two-line TAD.

## Multi-line connections (PBX)

We suggest you ask the company who installed your PBX to connect your machine. If you have a multi line system we suggest you ask the installer to connect the unit to the last line on the system. This prevents the machine being activated each time the system receives telephone calls. If all incoming calls will be answered by a switchboard operator we recommend that you set the Receive Mode to `Manual`.

We cannot guarantee that your machine will operate properly under all circumstances when connected to a PBX. Any difficulties with sending or receiving faxes should be reported first to the company who handles your PBX.

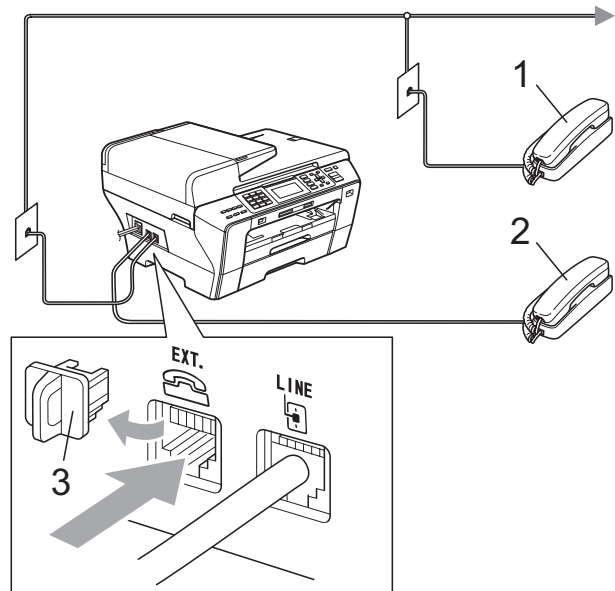
## External and extension telephones

### Connecting an external or extension telephone

You can connect a separate telephone or telephone answering device directly to your machine as shown in the diagram below.

Connect the telephone line cord to the jack labeled `EXT.`

Before you connect the external telephone, remove the protective cap (3) from the `EXT.` jack on the machine.



**1** Extension telephone

**2** External telephone

When you are using an external or extension telephone, the LCD shows `Telephone`.

## Using external and extension telephones

---

### Using extension telephones

If you answer a fax call at an extension telephone, you can make your machine receive the fax by pressing the Fax Receive Code \* 5 1.

If the machine answers a voice call and pseudo/double-rings for you to take over, you can take the call at an extension telephone by pressing the Telephone Answer Code # 5 1. (See *F/T Ring Time (Fax/Tel mode only)* on page 52.)

### Using an external telephone (connected to the EXT. jack of the machine)

If you answer a fax call at the external telephone, you can make the machine receive the fax by pressing **Black Start** and choose *Receive*.

If the machine answers a voice call and pseudo/double-rings for you to take over, you can take the call at the external telephone by pressing **Hook**.

### If you answer a call and no one is on the line:

You should assume that you're receiving a manual fax.

Press \* 5 1 and wait for the chirp or until the LCD shows *Receiving*, and then hang up.



#### Note

You can also use the Easy Receive feature to make your machine automatically take the call. (See *Easy Receive* on page 53.)

---

## Using a Non-Brother cordless external telephone

---

If your non-Brother cordless telephone is connected to the EXT. jack of the machine and you typically carry the cordless handset elsewhere, it is easier to answer calls during the Ring Delay.

If you let the machine answer first, you will have to go to the machine so you can press **Hook** to send the call to the cordless handset.

## Using remote codes

---

### Fax Receive code

If you answer a fax call on an extension telephone, you can tell your machine to receive it by dialing the Fax Receive Code \* 5 1. Wait for the chirping sounds then replace the handset. (See *Easy Receive* on page 53.)

If you answer a fax call at the external telephone, you can make the machine receive the fax by pressing **Black Start** and choose *Receive*.

### Telephone Answer code

If you receive a voice call and the machine is in F/T mode, it will start to sound the F/T (double) ring after the initial ring delay. If you pick up the call on an extension telephone you can turn the F/T ring off by pressing # 5 1 (make sure you press this *between* the rings).

If the machine answers a voice call and pseudo/double-rings for you to take over, you can take the call at the external telephone by pressing **Hook**.

## Changing the remote codes

The preset Fax Receive Code is \* **5 1**. The preset Telephone Answer Code is # **5 1**. If you want to, you can replace them with your own codes.

- 1 Press **Menu**.
- 2 Press ▲ or ▼ to choose **Fax**. Press **OK**.
- 3 Press ▲ or ▼ to choose **Setup Receive**. Press **OK**.
- 4 Press ▲ or ▼ to choose **Remote Codes**.
- 5 Press ◀ or ▶ to choose **On (or Off)**. Press **OK**.
- 6 Enter the new Fax Receive Code. Press **OK**.
- 7 Press ▲ or ▼ to choose **Tel Answer**: and enter the new Telephone Answer Code. Press **OK**.
- 8 Press **Stop/Exit**.



### Note

---

- If you are always disconnected when accessing your external TAD remotely, try changing the Fax Receive Code and Telephone Answer Code to another three-digit code (such as # # # and **9 9 9**).
  - Remote Codes might not work with some telephone systems.
-

## How to Dial

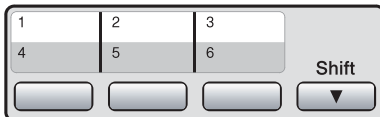
### Manual dialing

Press all of the digits of the fax or telephone number.



### One Touch Dialing

Your machine has 3 One Touch keys where you can store 6 fax or telephone numbers for automatic dialing.



Press the One Touch key that stores the number you want to call. (See *Storing One Touch Dial numbers* on page 82.) To access numbers 4 to 6, hold down **Shift** as you press the One Touch key.

## Speed Dialing

- 1 Press  (Phone Book).



Or, you can press  (**Fax**) and then press **▲** or **▼** to choose Phone Book.

- 2 Press **▲** or **▼** to choose Search. Press **OK**.
- 3 Do one of the following:
  - Press **▲** or **▼** to choose Alphabetical Order or Numerical Order. Press **OK**.
  - Press the two-digit Speed Dial number using the dial pad. (See *Storing Speed Dial numbers* on page 83.)
- 4 Press **▲** or **▼** to choose the number you want to dial. Press **OK**.





### Note

If the LCD shows `Not Registered` when you enter or search a One Touch or Speed Dial number, a number has not been stored at this location.

## Search

---

You can search for names you have stored in the One Touch and Speed Dial memory.

- 1 Press  (**Phone Book**).  
Or, you can press  (**Fax**) and then press ▲ or ▼ to choose `Phone Book`.
- 2 Press ▲ or ▼ to choose `Search`. Press **OK**.
- 3 Press ▲ or ▼ to choose `Alphabetical Order` or `Numerical Order`. Press **OK**.



### Note

---

- Press \* to make the LCD font size larger.
- Press # to make the LCD font size smaller.

- 4 If you chose `Alphabetical Order` in step 3, use the dial pad to enter the first letter of the name, and then press ▲ or ▼ to choose the name and number you want to call. Press **OK**.

## Fax Redial

---

If you are sending a fax manually and the line is busy, press **Redial/Pause**, and then press **Black Start** or **Color Start** to try again. If you want to make a second call to a number you recently dialed, you can press **Redial/Pause** and choose one of the last 30 numbers from the Outgoing Call List.

**Redial/Pause** only works if you dialed from the control panel. *If you are sending a fax automatically* and the line is busy, the machine will automatically redial once after five minutes.

- 1 Press **Redial/Pause**.
- 2 Press ▲ or ▼ to choose the number you want to redial. Press **OK**.
- 3 Press ▲ or ▼ to choose `Send a fax`. Press **OK**.
- 4 Press **Black Start** or **Color Start**.



### Note

---


In Real Time Transmission the automatic redial feature does not work when using the scanner glass.

---



## Outgoing Call


The last 30 numbers you sent a fax to will be stored in the outgoing call history. You can choose one of these numbers to fax to, add to One Touch or Speed Dial, or delete from the history.

- 1 Press **Redial/Pause**.  
You can also choose *Outgoing Call* by pressing  (**Fax**).
- 2 Press **▲** or **▼** to choose the number you want.  
Press **OK**.
- 3 Do one of the following:
  - To send a fax, press **▲** or **▼** to choose *Send a fax*.  
Press **OK**.  
Press **Black Start** or **Color Start**.
  - If you want to store the number, press **▲** or **▼** to choose *Add To Phone Book*.  
Press **OK**.  
(See *Storing One Touch numbers from Outgoing Calls* on page 82 or *Storing Speed Dial numbers from Outgoing Calls* on page 84.)
  - Press **▲** or **▼** to choose *Delete*.  
Press **OK**.  
Press **1** to confirm.
- 4 Press **Stop/Exit**.

## Caller ID history

This feature requires the Caller ID subscriber service offered by many local telephone companies. (See *Caller ID* on page 71.)

The number, or name if available, from the last 30 faxes and telephone calls you received will be stored in the Caller ID history. You can view the list or choose one of these numbers to fax to, add to One Touch or Speed Dial, or delete from the history. When the thirty-first call comes in to the machine, it replaces information about the first call.

- 1 Press  (**Fax**).
- 2 Press **▲** or **▼** to choose *Caller ID hist.*  
Press **OK**.
- 3 Press **▲** or **▼** to choose the number you want.  
Press **OK**.
- 4 Do one of the following:
  - To send a fax, press **▲** or **▼** to choose *Send a fax*.  
Press **OK**.  
Press **Black Start** or **Color Start**.
  - If you want to store the number, press **▲** or **▼** to choose *Add To Phone Book*.  
Press **OK**.  
(See *Storing Speed Dial numbers from Outgoing Calls* on page 84.)
  - Press **▲** or **▼** to choose *Delete*.  
Press **OK**.  
Press **1** to confirm.
- 5 Press **Stop/Exit**.



### Note

- (USA only) If you redial from the Caller ID history outside your area code, you must set up your AREA CODE in advance. (See *Setting up your area code (USA only)* on page 72.)
- You can print the Caller ID List. (See *How to print a report* on page 90.)

## Storing numbers

You can set up your machine to do the following types of easy dialing: One Touch, Speed Dial and Groups for broadcasting faxes. When you dial a Quick Dial number, the LCD shows the name, if you stored it, or the number.



### Note


If you lose electrical power, the Quick Dial numbers that are in the memory will not be lost.

## Storing a pause

Press **Redial/Pause** to put a 3.5-second pause between numbers. If you are dialing overseas, you can press **Redial/Pause** as many times as needed to increase the length of the pause.

## Storing One Touch Dial numbers

Your machine has 3 One Touch keys where you can store 6 fax or telephone numbers for automatic dialing. To access numbers 4 to 6 hold down **Shift** as you press the One Touch key.

- 1 Press the One Touch key where you want to store the number.  
Press **1** to choose *Yes*.  
Press **OK**.  
Or, you can use the  (**Phone Book**) key and choose *Set One Touch Dial* to store numbers.

- 2 Do one of the following:
  - Enter the name (up to 16 characters) using the dial pad.  
Press **OK**.  
(To help you enter letters, see *Entering Text* on page 204.)
  - To store the number without a name, press **OK**.
- 3 Enter the fax or telephone number (up to 20 digits).  
Press **OK**.



### Note


(MFC-6490CW only)

If you want to store an E-mail address to use with Internet fax or Scan to E-mail server, press **▲** to choose *Dial Type*, and then press **◀** or **▶** to change the option to *E-Address*. Press **▼** to choose *FAX/TEL/MAIL*, and then enter the E-mail address and press **OK**. (See *Entering Text* on page 204.)

- 4 Press **▲** or **▼** to choose *Complete*.  
Press **OK**.
- 5 Press **Stop/Exit**.

## Storing One Touch numbers from Outgoing Calls

You can store One Touch numbers from the Outgoing Call history.

- 1 Press **Redial/Pause**.  
You can also choose *Outgoing Call* by pressing  (**Fax**).
- 2 Press **▲** or **▼** to choose the name or number you want to store.  
Press **OK**.
- 3 Press **▲** or **▼** to choose *Add To Phone Book*.  
Press **OK**.

- 4 Press ▲ or ▼ to choose the 2-digit One Touch Dial number where you want to store the number.  
Press **OK**.


**Note**

One Touch Dial numbers begin with \* (for example, \* 0 2).

- 5 Do one of the following:
  - Enter the name using the dial pad (up to 16 characters).  
Press **OK**.  
  
(To help you enter letters, see *Entering Text* on page 204.)
  - To store the number without a name, press **OK**.
- 6 Press **OK** to confirm the fax or telephone number.
- 7 Press **OK** and press ▲ or ▼ to choose *Complete*.  
Press **OK**.
- 8 Press **Stop/Exit**.

### Storing One Touch numbers from the Caller ID history

If you have the Caller ID subscriber service from your telephone company you can also store One Touch numbers from incoming calls in the Caller ID History. (See *Caller ID* on page 71.)

- 1 Press  (**Fax**).
- 2 Press ▲ or ▼ to choose *Caller ID hist.*  
Press **OK**.
- 3 Press ▲ or ▼ to choose the number you want to store.  
Press **OK**.

- 4 Press ▲ or ▼ to choose *Add To Phone Book*.  
Press **OK**.
- 5 Press ▲ or ▼ to choose the 2-digit One Touch location where you want to store the number.  
Press **OK**.

**Note**


One Touch Dial numbers begin with \* (for example, \* 0 2).

- 6 Do one of the following:
  - If you want to store the displayed name, press **OK**.
  - Enter the name (up to 16 characters) using the dial pad.  
Press **OK**.  
  
(To help you enter letters, see *Entering Text* on page 204.)
  - To store the number without a name, press **OK**.
- 7 Press **OK** to confirm the fax or telephone number.
- 8 Press ▲ or ▼ to choose *Complete*.  
Press **OK**.
- 9 Press **Stop/Exit**.

### Storing Speed Dial numbers

You can store up to 80 (MFC-5890CN) or 100 (MFC-6490CW) 2-digit Speed Dial locations with a name, and each name can have two numbers. When you dial you will only have to press a few keys (For example:

 (**Phone Book**), *Search*, **OK**, the two-digit number, and **Black Start** or **Color Start**).

- 1 Press  (**Phone Book**).
- 2 Press ▲ or ▼ to choose *Set Speed Dial*.  
Press **OK**.

- 3 Press ▲ or ▼ to choose the 2-digit Speed Dial location where you want to store the number.  
Press **OK**.
- 4 Do one of the following:
  - Enter the name (up to 16 characters) using the dial pad.  
Press **OK**.  
(To help you enter letters, see *Entering Text* on page 204.)
  - To store the number without a name, press **OK**.
- 5 Enter the fax or telephone number (up to 20 digits).  
Press **OK**.

**Note**


(MFC-6490CW only)

If you want to store an E-mail address to use with Internet fax or Scan to E-mail server, press ▲ to choose *Dial Type*, and then press ◀ or ▶ to change the option to *E-Address*. Press ▼ to choose *FAX/TEL/MAIL*, and then enter the E-mail address and press **OK**. (See *Entering Text* on page 204.)

- 6 Do one of the following:
  - Enter the second fax or telephone number (up to 20 digits).  
Press **OK**.
  - If you do not want to store a second number, press **OK**.
- 7 Press ▲ or ▼ to choose *Complete*.  
Press **OK**.
- 8 Do one of the following:
  - To store another Speed Dial number, go to step 3.
  - To finish the setting, press **Stop/Exit**.

## Storing Speed Dial numbers from Outgoing Calls

You can also store Speed Dial numbers from the Outgoing Call history.

- 1 Press **Redial/Pause**.  
You can also choose *Outgoing Call* by pressing  (**Fax**).
- 2 Press ▲ or ▼ to choose the name or number you want to store.  
Press **OK**.
- 3 Press ▲ or ▼ to choose *Add To Phone Book*.  
Press **OK**.
- 4 Press ▲ or ▼ to choose the 2-digit Speed Dial location you want to store the number in.  
Press **OK**.


**Note**

Speed Dial locations begin with # (for example, # 0 2).

- 5 Do one of the following:
  - Enter the name (up to 16 characters) using the dial pad.  
Press **OK**.  
(To help you enter letters, see *Entering Text* on page 204.)
  - To store the number without a name, press **OK**.
- 6 Press **OK** to confirm the fax or telephone number.
- 7 Do one of the following:
  - Enter the second fax or telephone number (up to 20 digits).  
Press **OK**.
  - If you do not want to store a second number, press **OK**.
- 8 Press ▲ or ▼ to choose *Complete*.  
Press **OK**.
- 9 Press **Stop/Exit**.


## Storing Speed Dial numbers from the Caller ID history

If you have the Caller ID subscriber service from your telephone company you can also store Speed Dial numbers from incoming calls in the Caller ID History. (See *Caller ID* on page 71.)

- 1 Press  (**Fax**).
- 2 Press ▲ or ▼ to choose Caller ID hist.  
Press **OK**.
- 3 Press ▲ or ▼ to choose the number you want to store.  
Press **OK**.
- 4 Press ▲ or ▼ to choose Add To Phone Book.  
Press **OK**.
- 5 Press ▲ or ▼ to choose the 2-digit Speed Dial location you want to store the number in.  
Press **OK**.
- 6 Do one of the following:
  - If you want to store the displayed name, press **OK**.
  - Enter the name (up to 16 characters) using the dial pad.  
Press **OK**.  
(To help you enter letters, see *Entering Text* on page 204.)
  - To store the number without a name, press **OK**.
- 7 Press **OK** to confirm the fax or telephone number.
- 8 Do one of the following:
  - Enter the second fax or telephone number (up to 20 digits).  
Press **OK**.
  - If you do not want to store a second number, press **OK**.
- 9 Press ▲ or ▼ to choose Complete.  
Press **OK**.
- 10 Press **Stop/Exit**.

## Changing One Touch or Speed Dial names or numbers

You can change or delete a One Touch or Speed Dial number that has already been stored.

- 1 Press  (**Phone Book**).
- 2 Press ▲ or ▼ to choose Set One Touch Dial or Set Speed Dial.  
Press **OK**.
- 3 Press ▲ or ▼ to choose the 2-digit One Touch or Speed Dial location you want to change.  
Press **OK**.
- 4 Do one of the following:
  - Press ▲ or ▼ to choose Change.  
Press **OK**.
  - Press ▲ or ▼ to choose Delete.  
Press **OK**.  
Press **1** to confirm.  
Go to step 10.



### Note

*How to change the stored name or number:*

If you want to change a character, press ◀ or ▶ to position the cursor under the character you want to change, and then press **Clear/Back**. Re-enter the character.

- 5 If you want to change the name, press ▲ or ▼ to choose Name, then press ▶ and enter the new name using the dial pad (up to 16 characters).  
Press **OK**.  
(See *Entering Text* on page 204.)

- 6 If you want to change the first Fax/Tel number, press ▲ or ▼ to choose Fax/Tel1:, then press ► and enter the new fax or telephone number using the dial pad (up to 20 digits). Press **OK**.




### Note


For Speed Dial locations you can change Fax/Tel1: and Fax/Tel2:.

- 7 Do one of the following:
- If you are changing a Speed Dial number, go to step 8.
  - If you are changing a One Touch number, go to step 9.
- 8 Do one of the following:
- Enter the second new fax or telephone number (up to 20 digits). Press **OK**.
  - If you do not want to change the second number, press **OK**.
- 9 Press ▲ or ▼ to choose Complete. Press **OK**.
- 10 Press **Stop/Exit**.

## Setting up groups for broadcasting

Groups, which can be stored on a One Touch key or a Speed Dial location, allow you to send the same fax message to many fax numbers by pressing only a One Touch key or  (Phone Book), Search, **OK**, the two-digit location and **Black Start**. First, you'll need to store each fax number in a One Touch key or Speed-Dial location. Then you can include them as numbers in the Group. Each Group uses up a One Touch key or Speed Dial location. You can have up to six Groups, or you can assign up to 165 (MFC-5890CN), 205 (MFC-6490CW) numbers in a large Group.

(See *Storing Speed Dial numbers* on page 83 and *Broadcasting (Black & White only)* on page 43.)

- 1 Press  (Phone Book).
- 2 Press ▲ or ▼ to choose Setup Groups. Press **OK**.
- 3 Press ▲ or ▼ to choose GROUP1, GROUP2, GROUP3, GROUP4, GROUP5 or GROUP6 for the Group name where you will store the fax numbers. Press **OK**.
- 4 Press ▲ or ▼ to choose the 2-digit One Touch or Speed Dial location where you want to store the Group. Press **OK**.
- 5 If you want to change the Group name, press ▲ or ▼ to choose Change Group Name and press **OK**. Then enter the new Group name and press **OK**.
- 6 Press ▲ or ▼ to choose Add Number. Press **OK**.

- 7** To add numbers to the group, press ▲ or ▼ to choose *Alphabetical Order* or *Numerical Order* and press **OK**. Press ▲ or ▼ to select a number and press **OK**.



### Note

One Touch Dial locations begin with \*. Speed Dial locations begin with #.


- 8** Do one of the following:
- To add another number to the group, repeat steps **6** to **7**.
  - If you are finished adding numbers to the group, press ▲ or ▼ to choose *Complete*. Press **OK**.
- 9** Do one of the following:
- To store another Group for broadcasting, repeat steps **3** to **8**.
  - To finish storing Groups for broadcasting, press **Stop/Exit**.



### Note

You can print a list of all the One Touch and Speed Dial numbers. Group numbers will be marked in the GROUP column. (See *Reports* on page 90.)

## Changing a Group name

- 1** Press  (**Phone Book**).
- 2** Press ▲ or ▼ to choose *Setup Groups*. Press **OK**.
- 3** Press ▲ or ▼ to choose the Group name you want to change. Press **OK**.
- 4** Press ▲ or ▼ to choose *Change Group Name*. Press **OK**.




### Note

*How to change the stored name or number:*


If you want to change a character, press ◀ or ▶ to position the cursor under the character you want to change, and then press **Clear/Back**. Re-enter the character.

- 5** Enter the new name (up to 16 characters) using the dial pad. Press **OK**.  
(See *Entering Text* on page 204. For example, type NEW CLIENTS.)
- 6** Press ▲ or ▼ to choose *Complete*. Press **OK**.
- 7** Press **Stop/Exit**.

## Deleting a Group

- 1** Press  (**Phone Book**).
- 2** Press ▲ or ▼ to choose *Setup Groups*. Press **OK**.
- 3** Press ▲ or ▼ to choose the Group you want to delete. Press **OK**.
- 4** Press ▲ or ▼ to choose *Delete*. Press **OK**. Press **1** to confirm.
- 5** Press **Stop/Exit**.


## Deleting a number from a Group

- 1 Press  (**Phone Book**).
- 2 Press **▲** or **▼** to choose *Setup Groups*. Press **OK**.
- 3 Press **▲** or **▼** to choose the Group you want to change. Press **OK**.
- 4 Press **▲** or **▼** to choose the number you want to delete. Press **OK**. Press **1** to confirm.
- 5 Press **▲** or **▼** to choose *Complete*. Press **OK**.
- 6 Press **Stop/Exit**.

## Dialing Access codes and credit card numbers

Sometimes you may want to choose from several long distance carriers when you make a call. Rates may vary depending on the time and destination. To take advantage of low rates, you can store the access codes of long-distance carriers and credit card numbers as One Touch and Speed Dial numbers. You can store these long dialing sequences by dividing them and setting them up as separate One Touch and Speed Dial numbers in any combination. You can even include manual dialing using the dial pad. (See *Storing Speed Dial numbers* on page 83.)

For example, you might have stored '555' on Speed Dial: 03 and '7000' on One Touch: 02. You can use them both to dial '555-7000' if you press the following keys:

- 1 Press  (**Phone Book**).
- 2 Press **▲** or **▼** to choose *Search*. Press **OK**.


- 3 Press **▲** or **▼** to choose *Numerical Order*. Press **OK**.
- 4 Press **▲** or **▼** to choose #03. Press **OK**.



### Note

Speed Dial numbers start with #.  
One Touch numbers start with \*.

- 5 Press **OK** to choose *Send a fax*.
- 6 Press **▲** or **▼** to choose *Phone Book*. Press **OK**.
- 7 Press **▲** or **▼** to choose *Search*. Press **OK**.
- 8 Press **▲** or **▼** to choose *Numerical Order*. Press **OK**.
- 9 Press **▲** or **▼** to choose \*02. Press **OK**.
- 10 Press **OK** to choose *Send a fax*.
- 11 Press **Black Start** or **Color Start**. You will dial '555-7000'.

To temporarily change a number, you can substitute part of the number with manual dialing using the dial pad. For example, to change the number to 555-7001 you could press  (**Phone Book**), choose *Search*, press **03** and then press **7001** using the dial pad.



### Note

If you must wait for another dial tone or signal at any point in the dialing sequence, create a pause in the number by pressing **Redial/Pause**. Each key press adds a 3.5-second delay.



## Fax reports

You need to set up the Transmission Verification Report and Journal Period using the **Menu** keys.

### Transmission Verification Report

You can use the Transmission Verification Report as proof that you sent a fax. This report lists the time and date of transmission and whether the transmission was successful (OK). If you choose *On* or *On+Image*, the report will print for every fax you send.

If you send a lot of faxes to the same place, you may need more than the job numbers to know which faxes you must send again.

Choosing *On+Image*, *Off+Image* or *Off2+Image* (MFC-6490CW) will print a section of the fax's first page on the report to help you remember.

(MFC-5890CN)

When the Transmission Verification Report is set to *Off* or *Off+Image*, the Report will only print if there is a transmission error, and the fax was not sent.

(MFC-6490CW)

When the Transmission Verification Report is set to *Off* or *Off+Image*, the Report will print if there is a transmission error and the fax was not sent. It will also print if the other machine's received fax does not match the fax you sent (for example, if you sent a color fax and the other machine printed it in black & white, or you sent a Ledger size fax and the other machine reduced its size).

When the Transmission Verification Report is set to *Off2* or *Off2+Image*, the Report will only print if there is a transmission error and the fax was not sent.



#### Note

If you choose *On+Image*, *Off+Image* or *Off2+Image*, the image will only appear on the Transmission Verification Report if Real Time Transmission is set to Off. (See *Real time transmission* on page 45.)

- 1 Press **Menu**.
- 2 Press **▲** or **▼** to choose *Fax*. Press **OK**.
- 3 Press **▲** or **▼** to choose *Report Setting*. Press **OK**.
- 4 Press **▲** or **▼** to choose *Transmission*.
- 5 Do one of the following:
  - (MFC-5890CN)  
Press **◀** or **▶** to choose *On*, *On+Image*, *Off* or *Off+Image*. Press **OK**.
  - (MFC-6490CW)  
Press **◀** or **▶** to choose *On*, *On+Image*, *Off*, *Off+Image*, *Off2* or *Off2+Image*. Press **OK**.
- 6 Press **Stop/Exit**.

## Fax Journal (activity report)

You can set the machine to print a journal at specific intervals (every 50 faxes, 6, 12 or 24 hours, 2 or 7 days). If you set the interval to Off, you can still print the report by following the steps in *How to print a report* on page 90. The factory setting is Every 50 Faxes.

- 1 Press **Menu**.
- 2 Press ▲ or ▼ to choose Fax.  
Press **OK**.
- 3 Press ▲ or ▼ to choose Report Setting.  
Press **OK**.
- 4 Press ▲ or ▼ to choose Journal Period.
- 5 Press ◀ or ▶ to choose an interval.  
Press **OK**.  
(If you choose 7 days, the LCD will ask you to choose the first day for the 7-day countdown.)
  - 6, 12, 24 hours, 2 or 7 days  
The machine will print the report at the chosen time and then erase all jobs from its memory. If the machine's memory becomes full with 200 jobs before the time you chose has passed, the machine will print the Journal early and then erase all jobs from the memory. If you want an extra report before it is due to print, you can print it without erasing the jobs from the memory.
  - Every 50 Faxes  
The machine will print the Journal when the machine has stored 50 jobs.
- 6 Enter the time to start printing in 24-hour format.  
Press **OK**.  
(For example: enter 19:45 for 7:45 PM.)
- 7 Press **Stop/Exit**.

## Reports

The following reports are available:

- Transmission  
Prints a Transmission Verification Report for your last transmission.
- Help List  
A help list showing how to program your machine.
- Quick Dial  
Lists names and numbers stored in the One Touch and Speed Dial memory, in alphabetical or numerical order.
- Fax Journal  
Lists information about the last incoming and outgoing faxes. (TX: Transmit.) (RX: Receive.)
- User Settings  
Lists your settings.
- Network Config  
Lists your Network settings.
- Caller ID hist.  
Lists the available Caller ID information about the last 30 received faxes and telephone calls.

## How to print a report

- 1 Press **Menu**.
- 2 Press ▲ or ▼ to choose Print Reports.  
Press **OK**.
- 3 Press ▲ or ▼ to choose the report you want.  
Press **OK**.
- 4 (Quick Dial only) Press ▲ or ▼ to choose Alphabetical Order or Numerical Order.  
Press **OK**.
- 5 Press **Black Start**.
- 6 Press **Stop/Exit**.

# 10 Polling


## Polling overview

Polling lets you set up your machine so other people can receive faxes from you, but they pay for the call. It also lets you call somebody else's fax machine and receive a fax from it, so you pay for the call. The polling feature needs to be set up on both machines for this to work. Not all fax machines support polling.

## Polling receive


Polling receive lets you call another fax machine to receive a fax.

## Setup to receive polling

- 1 Press  (**Fax**).
- 2 Press ▲ or ▼ to choose `Polling RX`.
- 3 Press ◀ or ▶ to choose `On (or Off)`. Press **OK**.
- 4 Enter the fax number you are polling.
- 5 Press **Black Start** or **Color Start**. The LCD shows `Dialing`.

## Sequential polling (Black & White only)

Sequential polling lets you request documents from several fax machines in one operation. Afterwards, a Sequential Polling Report will be printed.

- 1 Press  (**Fax**).
- 2 Press ▲ or ▼ to choose `Polling RX`.
- 3 Press ◀ or ▶ to choose `On (or Off)`. Press **OK**.
- 4 Press ▲ or ▼ to choose `Broadcasting`. Press **OK**.
- 5 Do one of the following:
  - Press ▲ or ▼ to choose `Add Number` and enter the number using a dial pad. Press **OK**.
  - Press ▲ or ▼ to choose `Phone Book` and **OK**. Press ▲ or ▼ to choose `Alphabetical Order` or `Numerical Order` and **OK**. Press ▲ or ▼ to select a number and **OK**.



### Note

One Touch Dial locations begin with \*.  
Speed Dial locations begin with #.

- 6 After you have entered all the fax numbers by repeating step 5, press ▲ or ▼ to choose `Complete`. Press **OK**.
- 7 Press **Black Start**. The machine polls each number or Group number in turn for a document.

Press **Stop/Exit** while the machine is dialing to cancel the polling process.

To cancel all sequential polling receive jobs, see *Checking and canceling waiting jobs* on page 46.


## Polled transmit (Black & White only)

Polled transmit lets you set up your machine to wait with a document so another fax machine can call and retrieve it.

The document will be stored and can be retrieved by any other fax machine until you delete it from the memory. (See *Checking and canceling waiting jobs* on page 46.)

### Set up for polled transmit

---

- 1 Press  (**Fax**).
- 2 Load your document.
- 3 Press ▲ or ▼ to choose **Polled TX**.
- 4 Press ◀ or ▶ to choose **On** (or **Off**).  
Press **OK**.
- 5 Press ▲ or ▼ to choose any settings you want to change.  
Press **OK**.  
After each setting is accepted, you can continue to change more settings.
- 6 Press **Black Start**.
- 7 If you are using the scanner glass, the LCD will prompt you to choose one of the following options.
  - Press **1** to send another page.  
Go to 8.
  - Press **2** or **Black Start** to send the document.
- 8 Place the next page on the scanner glass, press **OK**. Repeat 7 and 8 for each additional page.  
Your machine will automatically send the fax.



# Copy

---

**Making copies**

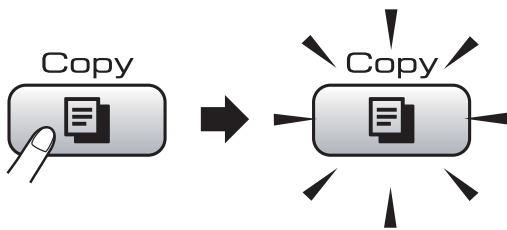
94

## How to copy

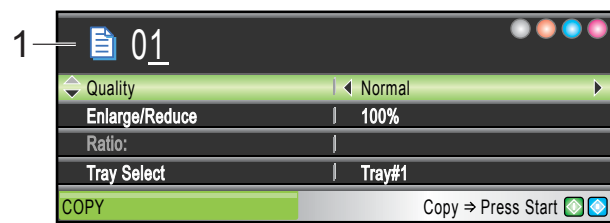
### Entering Copy mode

When you want to make a copy, press

 (**Copy**) to illuminate it in blue.



The LCD shows:



#### 1 No. of Copies


You can enter the number of copies you want by using the dial pad.

Press ▲ or ▼ to scroll through the **Copy** key options.


- Quality (See page 95.)
- Enlarge/Reduce (See page 95.)
- Tray Select (MFC-6490CW) (See page 99.)
- Paper Type (See page 99.)
- Paper Size (See page 99.)
- Brightness (See page 98.)
- Contrast (See page 99.)
- Stack/Sort (See page 98.)
- Page Layout (See page 96.)
- Skew Adjustment (MFC-6490CW) (See page 100.)
- Book Copy (See page 100.)
- Watermark Copy (See page 101.)
- Set New Default (See page 102.)
- Factory Reset (See page 102.)

When the option you want is highlighted, press **OK**.

### Note


- The default setting is Fax mode. You can change the amount of time that the machine stays in Copy mode after the last copy operation. (See *Mode Timer* on page 26.)
- Book Copy and Watermark Copy features are supported by technology from Reallusion, Inc. 

### Making a single copy

- 1 Press  (**Copy**).
- 2 Load your document. (See *Loading documents* on page 22.)
- 3 Press **Black Start** or **Color Start**.

### Making multiple copies

You can make up to 99 copies.

- 1 Press  (**Copy**).
- 2 Load your document. (See *Loading documents* on page 22.)
- 3 Enter the number of copies you want.
- 4 Press **Black Start** or **Color Start**.

### Note

To sort the copies, press ▲ or ▼ to choose Stack/Sort. (See *Sorting copies using the ADF* on page 98.)

### Stop copying

To stop copying, press **Stop/Exit**.

## Copy settings

You can change the copy settings temporarily for the next copy.

These settings are temporary, and the machine returns to its default settings 1 minute after copying, unless you have set the Mode Timer to 30 seconds or less. (See *Mode Timer* on page 26.)

If you have finished choosing settings, press **Black Start** or **Color Start**.

If you want to choose more settings, press ▲ or ▼.

### Note

You can save some of the settings that you use most often by setting them as default. These settings will stay until you change them again. (See *Setting your changes as the new default* on page 102.)

## Changing copy quality

You can choose from a range of quality. The factory setting is *Normal*.

### ■ Fast


Fast copy speed and lowest amount of ink used. Use to save time printing documents to be proof-read, large documents or many copies.

### ■ Normal

Normal is the recommended mode for ordinary printouts. This produces good copy quality with good copy speed.

### ■ Best


Use best mode to copy precise images such as photographs. This provides the highest resolution and slowest speed.

- 1 Press  (**Copy**).
- 2 Load your document.
- 3 Enter the number of copies you want.

- 4 Press ▲ or ▼ to choose *Quality*.
- 5 Press ◀ or ▶ to choose *Fast*, *Normal* or *Best*. Press **OK**.
- 6 If you do not want to change additional settings, press **Black Start** or **Color Start**.

## Enlarging or reducing the image copied

You can choose an enlargement or reduction ratio. If you choose *Fit to Page*, your machine will adjust the size automatically to the paper size you set. (MFC-5890CN only) If you use this setting, use the scanner glass.

- 1 Press  (**Copy**).
- 2 Load your document.
- 3 Enter the number of copies you want.
- 4 Press ▲ or ▼ to choose *Enlarge/Reduce*.
- 5 Press ◀ or ▶ to choose *100%*, *Enlarge*, *Reduce*, *Fit to Page* or *Custom (25-400%)*.
- 6 Do one of the following:
  - If you chose *Enlarge* or *Reduce*, press **OK** and press ◀ or ▶ to choose the enlargement or reduction ratio you want. Press **OK**.
  - If you chose *Custom (25-400%)*, press **OK** and then enter an enlargement or reduction ratio from 25% to 400%. Press **OK**.
  - If you chose *100%* or *Fit to Page*, go to step 7.

100%
198% 4"x6"→A4
186% 4"x6"→LTR
130% LTR→LGR
104% EXE→LTR
97% LTR→A4
93% A4→LTR
83% LGL→A4
78% LGL→LTR
64% LGR→LTR (MFC-6490CW only)
46% LTR→4"x6"
Fit to Page
Custom (25-400%)

- 7** If you do not want to change additional settings, press **Black Start** or **Color Start**.

### Note

- Page Layout and Skew Adjustment are not available with Enlarge/Reduce.
- Book Copy, Sort and Watermark Copy are not available with Fit to Page.
- Fit to Page does not work properly when the document on the scanner glass is skewed more than 3 degrees. Using the document guidelines on the left and top, place your document in the upper left hand corner, with the document face down on the scanner glass.
- Fit to Page is not available for a Legal size document.

## Making N in 1 copies or a poster (Page Layout)

The N in 1 copy feature can help you save paper by letting you copy two or four pages onto one printed page.

(MFC-6490CW) The 1 to 2 feature copies one Ledger or A3 size page onto two Letter or A4 size pages. If you use this setting, use the scanner glass.


You can also produce a poster. When you use the poster feature your machine divides your document into sections, then enlarges the sections so you can assemble them into a poster. If you want to print a poster, use the scanner glass.

### Important

- Please make sure paper size is set to Letter, Ledger, A4 or A3.
- You cannot use the Enlarge/Reduce setting with the N in 1 and Poster features.
- If you are producing multiple color copies, N in 1 copy is not available.
- (P) means Portrait and (L) means Landscape.
- You can only make one poster copy and 1 to 2 copy at a time.

### Note

- Watermark Copy, Book Copy, Sort, Enlarge/Reduce and Skew Adjustment are not available with Page Layout.
- (MFC-5890CN)  
4 in 1 and Poster (3×3) are not available if you are using Ledger or A3 size paper.

- 1 Press  (**Copy**).
- 2 Load your document.
- 3 Enter the number of copies you want.
- 4 Press ▲ or ▼ to choose Page Layout.



- 5 (MFC-5890CN)  
 Press ◀ or ▶ to choose Off (1 in 1),  
 2 in 1 (P), 2 in 1 (L),  
 4 in 1 (P), 4 in 1 (L),  
 Poster (2x2) or Poster (3x3).  
 Press **OK**.

(MFC-6490CW)  
 Press ◀ or ▶ to choose Off (1 in 1),  
 2 in 1 (P), 2 in 1 (L),  
 4 in 1 (P), 4 in 1 (L), 1 to 2,  
 Poster (2x2) or Poster (3x3).  
 Press **OK**.

If you chose 2 in 1 or  
 Poster (2x2) with Ledger or A3, go to  
 step 6 to choose the paper size of your  
 document.  
 If you choose another setting, go to  
 step 7.

- 6 (MFC-6490CW)  
 Do one of the following:
- If you chose 2 in 1 (P) or  
 2 in 1 (L), press ▲ or ▼ to choose  
 Layout Format. Press ◀ or ▶ to  
 choose LGRx2 → LGRx1,  
 LTRx2 → LGRx1, A3x2 → A3x1 or  
 A4x2 → A3x1.
  - If you chose Poster (2x2), press  
 ▲ or ▼ to choose Layout Format.  
 Press ◀ or ▶ to choose  
 LGRx1 → LGRx4,  
 LTRx1 → LGRx4, A3x1 → A3x4 or  
 A4x1 → A3x4.

- 7 If you do not want to change additional  
 settings, press **Black Start** or  
**Color Start** to scan the page.  
 If you are making a poster or placed the  
 document in the ADF, the machine  
 scans the pages and starts printing.  
**If you are using the scanner glass, go  
 to step 8.**

- 8 After the machine scans the page,  
 press 1 to scan the next page.

- 9 Place the next page on the scanner  
 glass.  
 Press **OK**.  
 Repeat steps 8 and 9 for each page of  
 the layout.

- 10 After all the pages have been scanned,  
 press 2 to finish.



**Note**

If photo paper has been chosen in the  
 Paper Type setting for N in 1 copies, the  
 machine will print the images as if Plain  
 paper had been chosen.

**If you are copying from the ADF, insert the  
 document face up in the direction shown  
 below:**

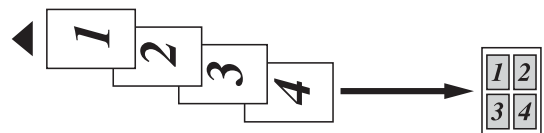
- 2 in 1 (P)



- 2 in 1 (L)



- 4 in 1 (P)



- 4 in 1 (L)



If you are copying from the scanner glass, place the document face down in the direction shown below:

■ **2 in 1 (P)**



■ **2 in 1 (L)**



■ **1 to 2 (MFC-6490CW)**



■ **4 in 1 (P)**

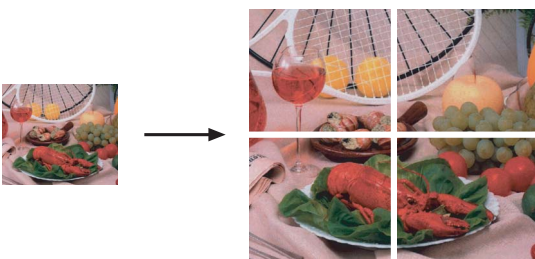


■ **4 in 1 (L)**



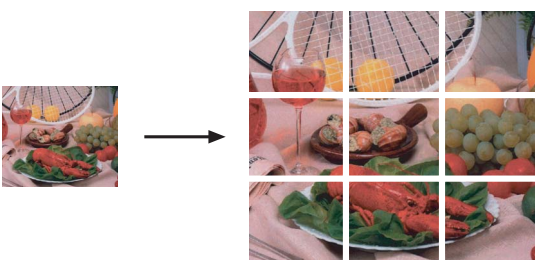
■ **Poster (2 x 2)**

You can make a poster size copy of a photograph.




■ **Poster (3 x 3) (MFC-6490CW)**

You can make a poster size copy of a photograph.



## Sorting copies using the ADF

You can sort multiple copies. Pages will be stacked in the order 321, 321, 321, and so on.

- 1 Press  (**Copy**).
- 2 Load your document.
- 3 Enter the number of copies you want.
- 4 Press ▲ or ▼ to choose *Stack/Sort*.
- 5 Press ◀ or ▶ to choose *Sort*. Press **OK**.
- 6 If you do not want to change additional settings, press **Black Start** or **Color Start**.




### Note

*Fit to Page*, *Page Layout* and *Book Copy* are not available with *Sort*.

## Adjusting Brightness and Contrast


### Brightness

You can adjust the copy brightness to make copies darker or lighter.

- 1 Press  (**Copy**).
- 2 Load your document.
- 3 Enter the number of copies you want.
- 4 Press ▲ or ▼ to choose *Brightness*.
- 5 Press ◀ to make a darker copy or press ▶ to make a lighter copy. Press **OK**.
- 6 If you do not want to change additional settings, press **Black Start** or **Color Start**.

## Contrast

You can adjust the copy contrast to help an image look sharper and more vivid.


- 1 Press  (**Copy**).
- 2 Load your document.
- 3 Enter the number of copies you want.
- 4 Press ▲ or ▼ to choose **Contrast**.
- 5 Press ► to increase the contrast or press ◀ to decrease the contrast. Press **OK**.
- 6 If you do not want to change additional settings, press **Black Start** or **Color Start**.

## Paper Options

---


### Paper Type

If you are copying on special paper, set the machine for the type of paper you are using to get the best print quality.

- 1 Press  (**Copy**).
- 2 Load your document.
- 3 Enter the number of copies you want.
- 4 Press ▲ or ▼ to choose **Paper Type**.
- 5 Press ◀ or ► to choose **Plain Paper**, **Inkjet Paper**, **Brother BP71**, **Other Glossy** or **Transparency**. Press **OK**.
- 6 If you do not want to change additional settings, press **Black Start** or **Color Start**.

### Paper Size

If copying on paper other than Letter size, you will need to change the paper size setting. You can copy only on Ledger, A3, Letter, Legal, A4, A5 or Photo 4 in. × 6 in. (10 cm × 15 cm) paper.

- 1 Press  (**Copy**).
- 2 Load your document.
- 3 Enter the number of copies you want.
- 4 Press ▲ or ▼ to choose **Paper Size**.
- 5 Press ◀ or ► to choose **Letter**, **Legal**, **Ledger**, **A4**, **A5**, **A3** or **4"x6"**. Press **OK**.
- 6 If you do not want to change additional settings, press **Black Start** or **Color Start**.


### Tray Select (MFC-6490CW only)

You can change the tray that will be used for next copy *only*. To change the default tray see *Tray use in Copy mode (MFC-6490CW only)* on page 28.

- 1 Make sure you are in Copy mode.
- 2 Load your document.
- 3 Enter the number of copies you want.
- 4 Press ▲ or ▼ to choose **Tray Select**.
- 5 Press ◀ or ► to choose **Tray#1** or **Tray#2**. Press **OK**.
- 6 If you do not want to change additional settings, press **Black Start** or **Color Start**.

## Skew Adjustment (MFC-6490CW only)

If your copy is scanned skewed, your machine can correct the data automatically. This setting is only available when using the scanner glass and Enlarge/Reduce is set to 100%.


- 1 Press  (**Copy**).
- 2 Load your document.
- 3 Enter the number of copies you want.
- 4 Press ▲ or ▼ to choose *Skew Adjustment*.
- 5 Press ◀ or ▶ to choose *Auto* (or *Off*). Press **OK**.
- 6 If you do not want to change additional settings, press **Black Start** or **Color Start**.

### Note

- Page Layout, Enlarge/Reduce, Book Copy and Watermark Copy are not available with *Skew Adjustment*.
- You cannot use this setting with Ledger, A3 or paper that is smaller than 2.52 in. × 3.58 in. (64 mm × 91 mm).
- This setting is only available for paper that is rectangular or square.
- You cannot use this setting with a thick document, such as a book.
- Skew Adjustment is only available if the document is skewed by less than 3 degrees.

## Book Copy

Book copy corrects dark borders and skew when copying from the scanner glass. Your machine can correct the data automatically or you can make specific corrections.

- 1 Press  (**Copy**).
- 2 Load your document.
- 3 Enter the number of copies you want.
- 4 Press ▲ or ▼ to choose *Book Copy*.
- 5 Do one of the following:
  - If you want to correct the data yourself, press ◀ or ▶ to choose *On (Preview)*.  
Press **Black Start** or **Color Start** and go to step 6.
  - If you want the machine to correct the data automatically, press ◀ or ▶ to choose *On* and go to step 7.
- 6 Adjust the skewed data using # or \*. Remove the shadows by using ▲ or ▼.
- 7 If you have finished making corrections, press **Black Start** or **Color Start**.

### Note

Book Copy is not available with Page Layout, Sort, Fit to Page, Skew Adjustment and Watermark Copy.

## Watermark Copy


You can place a logo or text into your document as a Watermark. You can select one of the template watermarks (CONFIDENTIAL, DRAFT, or COPY), data from your media cards or USB Flash memory drive, or scanned data.




### Note

Watermark Copy is not available with Fit to Page, Page Layout, Skew Adjustment and Book Copy.

### Using template

- 1 Press  (Copy).
- 2 Load your document.
- 3 Enter the number of copies you want.
- 4 Press ▲ or ▼ to choose Watermark Copy. Press **OK**.
- 5 Press ◀ or ▶ to choose On.
- 6 Press ▲ or ▼ to choose Current Setting. Press **OK**.
- 7 Press ▲ or ▼ to choose Template. Press **OK**.
- 8 If you want to change any of the displayed settings, press ▲ or ▼ to choose the setting, and then press ◀ or ▶ to choose the option you want.
- 9 When you are finished changing settings, press ▲ or ▼ to choose Apply. Press **OK**.
- 10 Press **Black Start** or **Color Start**.


### Using data from a media card or USB Flash memory drive

- 1 Press  (Copy).
- 2 Load your document.
- 3 Enter the number of copies you want.
- 4 Press ▲ or ▼ to choose Watermark Copy. Press **OK**.
- 5 Press ◀ or ▶ to choose On.
- 6 Press ▲ or ▼ to choose Current Setting. Press **OK**.
- 7 Insert a media card or USB Flash memory drive. Press ▲ or ▼ to choose Media. Press **OK**.
- 8 Press ◀ or ▶ to choose the data you want to use for the watermark. Press **OK**.
- 9 If you want to change any of the displayed settings, press ▲ or ▼ to choose the setting, and then press ◀ or ▶ to choose the option you want.
- 10 When you are finished changing settings, press ▲ or ▼ to choose Apply. Press **OK**.
- 11 Press **Black Start** or **Color Start**.

### CAUTION

DO NOT take out the memory card or USB Flash memory drive while **Photo Capture** is blinking to avoid damaging the card, USB Flash memory drive or data stored on the card.

## Using a scanned paper document as your watermark

- 1 Press  (**Copy**).
- 2 Enter the number of copies you want.
- 3 Press ▲ or ▼ to choose `Watermark Copy`. Press **OK**.
- 4 Press ◀ or ▶ to choose `On`.
- 5 Press ▲ or ▼ to choose `Current Setting`. Press **OK**.
- 6 Press ▲ or ▼ to choose `Scan`. Press **OK**. Then place the page that you want to use for the watermark on the scanner glass.
- 7 Press **Black Start** or **Color Start**.
- 8 Take out the watermark document you scanned and load the document you want to copy.
- 9 Press ◀ or ▶ to change the `Transparency` of the watermark. Press **OK**.
- 10 Press **Black Start** or **Color Start**.




### Note

You cannot enlarge or reduce the scanned watermark.


## Setting your changes as the new default

You can save the copy settings for `Quality`, `Enlarge/Reduce`, `Tray Select` (MFC-6490CW only), `Brightness`, `Contrast`, `Page Layout` or `Skew Adjustment` (MFC-6490CW only) that you use most often by setting them the default settings. These settings will stay until you change them again.

- 1 Press  (**Copy**).
- 2 Press ▲ or ▼ to choose your new setting. Press **OK**. Repeat this step for each setting you want to change.
- 3 After changing the last setting, press ▲ or ▼ to choose `Set New Default`. Press **OK**.
- 4 Press **1** to choose `Yes`.
- 5 Press **Stop/Exit**.

## Restoring all settings to the factory settings

You can restore all the settings you have changed to the factory settings. These settings will stay until you change them again.

- 1 Press  (**Copy**).
- 2 Press ▲ or ▼ to choose `Factory Reset`. Press **OK**.
- 3 Press **1** to choose `Yes`.
- 4 Press **Stop/Exit**.

## 'Out of Memory' message

If the `Out of Memory` message appears while scanning document, press **Stop/Exit** to cancel or **Black Start** or **Color Start** to copy the scanned pages.

You will need to clear some jobs from the memory before you can continue.

To free up extra memory, do the following:

- Turn off Fax Storage. (See *Fax Storage* on page 58.)
- Print the faxes that are in the memory. (See *Printing a fax from the memory* on page 55.)

When you get an `Out of Memory` message, you may be able to make copies if you first print incoming faxes in the memory to restore the memory to 100%.







# Walk-up Photo Printing

---

<b>PhotoCapture Center<sup>®</sup>:</b>	
<b>Printing photos from a memory card or USB Flash memory drive</b>	<b>106</b>
<b>Printing photos from a camera</b>	<b>125</b>

# PhotoCapture Center<sup>®</sup>: Printing photos from a memory card or USB Flash memory drive

## PhotoCapture Center<sup>®</sup> Operations

### Printing from a memory card or USB Flash memory drive without a PC

Even if your machine is not connected to your computer, you can print photos directly from digital camera media or a USB Flash memory drive. (See *Print Images* on page 109.)

### Scanning to a memory card or USB Flash memory drive without a PC

You can scan documents and save them directly to a memory card or USB Flash memory drive. (See *Scan to a memory card or USB Flash memory drive* on page 121.)

### Using PhotoCapture Center<sup>®</sup> from your computer

You can access a memory card or USB Flash memory drive that is inserted in the front of the machine from your computer.

(See *PhotoCapture Center<sup>®</sup> for Windows<sup>®</sup> or Remote Setup & PhotoCapture Center<sup>®</sup> for Macintosh<sup>®</sup>* in the Software User's Guide on the CD-ROM.)

## Using a memory card or USB Flash memory drive

Your Brother machine has media drives (slots) for use with the following popular digital camera media: CompactFlash<sup>®</sup>, Memory Stick<sup>®</sup>, Memory Stick Pro<sup>™</sup>, SD, SDHC, xD-Picture Card<sup>™</sup> and USB Flash memory drives.



CompactFlash<sup>®</sup>



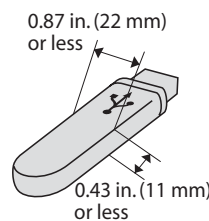
Memory Stick<sup>®</sup>  
Memory Stick Pro<sup>™</sup>



SD, SDHC



xD-Picture Card<sup>™</sup>



USB Flash memory drive

- miniSD<sup>™</sup> can be used with a miniSD<sup>™</sup> adapter.
- microSD can be used with a microSD adapter.
- Memory Stick Duo<sup>™</sup> can be used with a Memory Stick Duo<sup>™</sup> adapter.
- Memory Stick Pro Duo<sup>™</sup> can be used with a Memory Stick Pro Duo<sup>™</sup> adapter.
- Memory Stick Micro(M2) can be used with a Memory Stick Micro(M2) adapter.
- Adapters are not included with the machine. Contact a third party supplier for adapters.

The PhotoCapture Center<sup>®</sup> feature lets you print digital photos from your digital camera at high resolution to get photo quality printing.

## Memory cards or a USB Flash memory drive folder structure

Your machine is designed to be compatible with modern digital camera image files and memory cards or USB Flash memory drive; however, please read the points below to avoid errors:

- The image file extension must be .JPG (Other image file extensions like .JPEG, .TIF, .GIF and so on will not be recognized).
- Walk-up PhotoCapture Center<sup>®</sup> printing must be performed separately from PhotoCapture Center<sup>®</sup> operations using the PC. (Simultaneous operation is not available.)
- IBM Microdrive<sup>™</sup> is not compatible with the machine.
- The machine can read up to 999 files (including the folder inside media) on a memory card or USB Flash memory drive.
- CompactFlash<sup>®</sup> Type II is not supported.
- This product supports xD-Picture Card<sup>™</sup> Type M / Type M<sup>+</sup> / Type H (Large Capacity).
- The DPOF file on the memory cards must be in a valid DPOF format. (See *DPOF printing* on page 116.)

Please be aware of the following:

- When printing Print Index or Print Images, the PhotoCapture Center<sup>®</sup> will print all valid images, even if one or more images have been corrupted. Corrupted images will not be printed.

### ■ (memory card users)

Your machine is designed to read memory cards that have been formatted by a digital camera.

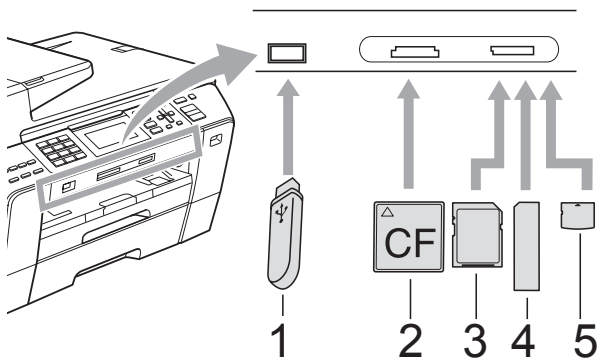
When a digital camera formats a memory card it creates a special folder into which it copies image data. If you need to modify the image data stored on a memory card with your PC, we recommend that you do not modify the folder structure created by the digital camera. When saving new or modified image files to the memory card we also recommend you use the same folder your digital camera uses. If the data is not saved to the same folder, the machine may not be able to read the file or print the image.

### ■ (USB Flash memory drive users)

This machine supports USB Flash memory drives that have been formatted by Windows<sup>®</sup>.

## Getting started

Firmly put a memory card or USB Flash memory drive into the proper slot.

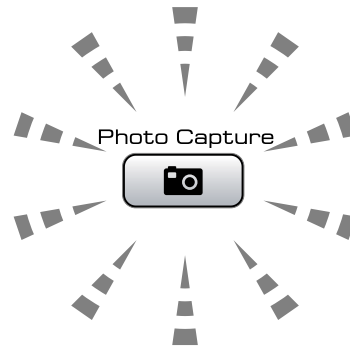


- 1 USB Flash memory drive
- 2 CompactFlash®
- 3 SD, SDHC
- 4 Memory Stick®, Memory Stick Pro™
- 5 xD-Picture Card™

### ! CAUTION

The USB direct interface supports only a USB Flash memory drive, a PictBridge compatible camera, or a digital camera that uses the USB mass storage standard. Any other USB devices are not supported.

Photo Capture key lights:



- **Photo Capture** light is on, the memory card or USB Flash memory drive is properly inserted.
- **Photo Capture** light is off, the memory card or USB Flash memory drive is not properly inserted.
- **Photo Capture** light is blinking, memory card or USB Flash memory drive is being read or written to.


### ! CAUTION

DO NOT unplug the power cord or remove the media from the media drive (slot) or USB direct interface while the machine is reading or writing to the media (the **Photo Capture** key is blinking). **You will lose your data or damage the card.**

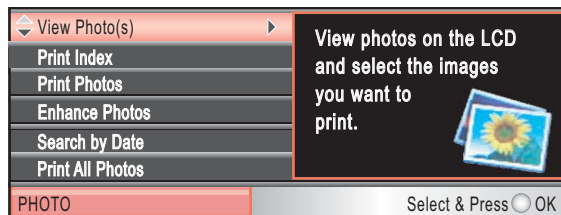
The machine can only read one memory card or USB Flash memory drive at a time so do not put more than one device in the machine at a time.

## Entering PhotoCapture mode

After you insert the memory card or USB Flash memory drive, press the

 (**Photo Capture**) key to illuminate it in blue and display the PhotoCapture options on the LCD.

The LCD shows:



Press ▲ or ▼ to scroll through the PhotoCapture key options.

- View Photo(s) (See page 109.)
- Print Index (See page 110.)
- Print Photos (See page 111.)
- Enhance Photos (See page 111.)
- Search by Date (See page 114.)
- Print All Photos (See page 115.)
- Slide show (See page 115.)
- Trimming (See page 116.)

### Note


If your digital camera supports DPOF printing, see *DPOF printing* on page 116.

When the option you want is highlighted, press **OK**.

## Print Images

### View Photo(s)

You can preview your photos on the LCD before you print them. If your photos are large files there may be a delay before each photo is displayed on the LCD.

- 1 Make sure you have put a memory card or USB Flash memory drive in the proper slot.  
Press  (**Photo Capture**).
- 2 Press ▲ or ▼ to choose View Photo(s).  
Press **OK**.
- 3 Press ◀ or ▶ to choose your photo.



### Note

Instead of scrolling through your photos, you can use the dial pad to enter the number of the image from the index page. (See *Print Index (Thumbnails)* on page 110.)

- 4 Press ▲ or ▼ to increase or decrease the number of copies.
- 5 Repeat step 3 and step 4 until you have chosen all the photos.



### Note

Press **Clear/Back** to go back to the previous level.

- 6 After you have chosen all the photos, do one of the following:
  - Press **OK** and change the print settings. (See page 117.)
  - If you do not want to change any settings, press **Color Start** to print.

## Print Index (Thumbnails)

The PhotoCapture Center® assigns numbers for images (such as No.1, No.2, No.3, and so on).




→ NO.1  
DEI.JPG      01.01.2009  
100KB

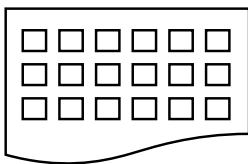
The PhotoCapture Center® does not recognize any other numbers or file names that your digital camera or computer has used to identify the pictures. You can print a thumbnail page. This will show all the pictures on the memory card or USB Flash memory drive.



### Note

Only file names that are 8 characters or less will be printed correctly on the index sheet.

- 1 Make sure you have put the memory card or USB Flash memory drive in the proper slot.  
Press  (**Photo Capture**).
- 2 Press ▲ or ▼ to choose **Print Index**.  
Press **OK**.
- 3 Press ▲ or ▼ to choose **Layout Format**. Press ◀ or ▶ to choose **6 Images/Line** or **5 Images/Line**.  
Press **OK**.



6 Images/Line




5 Images/Line

Print time for 5 Images/Line will be slower than 6 Images/Line, but the quality is better.

- 4 Do one of the following:
  - Press ▲ or ▼ to choose **Paper Type**, and press ◀ or ▶ to choose the type of paper you are using, **Plain Paper**, **Inkjet Paper**, **Brother BP71** or **Other Glossy**.  
Press **OK**.
  - Press ▲ or ▼ to choose **Paper Size** and press ◀ or ▶ to choose the paper size you are using, **Letter** or **A4**.  
Press **OK**.
  - If you do not want to change the paper settings, go to ⑤.
- 5 Press **Color Start** to print.

## Printing Photos

Before you can print an individual image, you have to know the image number.

- 1 Make sure you have put a memory card or USB Flash memory drive in the proper slot. Press  (**Photo Capture**).
- 2 Print the Index. (See *Print Index (Thumbnails)* on page 110.)
- 3 Press ▲ or ▼ to choose *Print Photos*. Press **OK**.
- 4 Enter the image number that you want to print from the Index page (Thumbnails). Press **OK**.
- 5 Repeat step 4 until you have entered all the image numbers that you want to print.



### Note

- You can enter multiple numbers at one time by using the \* key for a comma or the # key for a hyphen. For example, Enter 1, \*, 3, \*, 6 to print images No.1, No.3 and No.6. Enter 1, #, 5 to print images No.1 to No.5.
- You can enter up to 12 characters (including commas) for the image numbers you want to print.

- 6 After you have chosen all the image numbers, press **OK** again.
- 7 Enter the number of copies you want using the dial pad.
- 8 Do one of the following:
  - Change the print settings. (See page 117.)
  - If you do not want to change any settings, press **Color Start** to print.

## Enhance Photos

You can edit and add effects to your photos and view them on the LCD before printing.




### Note

- After adding each effect, you can enlarge the view of the image by pressing \*. To go back to the original size, press \* again.
- The Enhance Photos feature is supported by technology from Reallusion, Inc.



## Auto Correct

Auto Correct is available for most photos. The machine decides the suitable effect for your photo.

- 1 Make sure you have put a memory card or USB Flash memory drive in the proper slot. Press  (**Photo Capture**).
- 2 Press ▲ or ▼ to choose *Enhance Photos*. Press **OK**.
- 3 Press ◀ or ▶ to choose your photo. Press **OK**.
- 4 Press ▲ or ▼ to choose *Auto Correct*. Press **OK**.
- 5 Press **OK** and ▲ or ▼ to increase or decrease the number of copies.
- 6 Do one of the following.
  - Press **OK** and change the print settings. (See page 117.)
  - If you do not want to change any settings, press **Color Start** to print.




### Note

If *Remove Red-Eye* appears on the LCD, press # to attempt to remove red-eye from your photo.

## Enhance Skin-Tone

Enhance Skin-Tone is best used for adjusting portrait photographs. It detects human skin color in your photos and adjusts the image.

- 1 Make sure you have put a memory card or USB Flash memory drive in the proper slot.  
Press  (**Photo Capture**).
- 2 Press ▲ or ▼ to choose Enhance Photos.  
Press **OK**.
- 3 Press ◀ or ▶ to choose your photo.  
Press **OK**.
- 4 Press ▲ or ▼ to choose Enhance Skin-Tone.  
Press **OK**.




### Note

You can also adjust the effect level manually, by pressing ▲ or ▼.

- 5 Press **OK** and ▲ or ▼ to increase or decrease the number of copies.
- 6 Do one of the following.
  - Press **OK** and change the print settings. (See page 117.)
  - If you do not want to change any settings, press **Color Start** to print.

## Enhance Scenery

Enhance Scenery is best used for adjusting landscape photographs. It highlights green and blue areas in your photo, so that the landscape looks more sharp and vivid.

- 1 Make sure you have put the memory card or USB Flash memory drive in the proper slot.  
Press  (**Photo Capture**).
- 2 Press ▲ or ▼ to choose Enhance Photos.  
Press **OK**.
- 3 Press ◀ or ▶ to choose your photo.  
Press **OK**.
- 4 Press ▲ or ▼ to choose Enhance Scenery.  
Press **OK**.



### Note

You can also adjust the effect level manually, by pressing ▲ or ▼.

- 5 Press **OK** and ▲ or ▼ to increase or decrease the number of copies.
- 6 Do one of the following.
  - Press **OK** and change the print settings. (See page 117.)
  - If you do not want to change any settings, press **Color Start** to print.



## Remove Red-Eye


The machine detects eyes in your photos and will attempt to remove red-eye from your photo.



### Note

There are some cases when red-eye may not be removed.

- When the face is too small in the image.
- When the face is turned too far up, down, left or right.

- 1 Make sure you have put a memory card or USB Flash memory drive in the proper slot.  
Press  (**Photo Capture**).
- 2 Press ▲ or ▼ to choose *Enhance Photos*.  
Press **OK**.
- 3 Press ◀ or ▶ to choose your photo.  
Press **OK**.
- 4 Press ▲ or ▼ to choose *Remove Red-Eye*.  
Press **OK**.
  - When *Remove Red-Eye* is successful, the photo with the effect is shown. The adjusted part is shown in a red frame.
  - When *Remove Red-Eye* is unsuccessful, *Unable to Detect* is shown.  
Press **OK** to go back to the previous level.




### Note

Press # to try *Remove Red-Eye* once again.

- 5 Press **OK** and ▲ or ▼ to increase or decrease the number of copies.
- 6 Do one of the following.
  - Press **OK** and change the print settings. (See page 117.)
  - If you do not want to change any settings, press **Color Start** to print.


## Monochrome

You can convert your photo to black & white.

- 1 Make sure you have put a memory card or USB Flash memory drive in the proper slot.  
Press  (**Photo Capture**).
- 2 Press ▲ or ▼ to choose *Enhance Photos*.  
Press **OK**.
- 3 Press ◀ or ▶ to choose your photo.  
Press **OK**.
- 4 Press ▲ or ▼ to choose *Monochrome*.  
Press **OK**.
- 5 Press **OK** and ▲ or ▼ to increase or decrease the number of copies.
- 6 Do one of the following.
  - Press **OK** and change the print settings. (See page 117.)
  - If you do not want to change any settings, press **Color Start** to print.


## Sepia

You can convert the color of your photo to sepia.

- 1 Make sure you have put a memory card or USB Flash memory drive in the proper slot.  
Press  (**Photo Capture**).
- 2 Press ▲ or ▼ to choose *Enhance Photos*.  
Press **OK**.
- 3 Press ◀ or ▶ to choose your photo.  
Press **OK**.
- 4 Press ▲ or ▼ to choose *Sepia*.  
Press **OK**.
- 5 Press **OK** and ▲ or ▼ to increase or decrease the number of copies.
- 6 Do one of the following.
  - Press **OK** and change the print settings. (See page 117.)
  - If you do not want to change any settings, press **Color Start** to print.

## Search by Date

You can find your photos based on date.

- 1 Make sure you have put a memory card or USB Flash memory drive in the proper slot.  
Press  (**Photo Capture**).
- 2 Press ▲ or ▼ to choose *Search by Date*.  
Press **OK**.
- 3 Press ▲ or ▼ to choose the date that you want to search from.  
Press **OK**.
- 4 Press ◀ or ▶ to choose your photo.



### Note


You can view photos with other dates by pressing ◀ or ▶ continuously. Press ◀ to view an older photo and ▶ to view a more recent photo.

- 5 Press ▲ or ▼ to increase or decrease the number of copies.
- 6 Repeat step 4 and step 5 until you have chosen all your photos.
- 7 After you have chosen all your photos, do one of the following:
  - Press **OK** and change the print settings. (See page 117.)
  - If you do not want to change any settings, press **Color Start** to print.

## Print All Photos

---


You can print all the photos on your memory card or USB Flash memory drive.

- 1 Make sure you have put a memory card or USB Flash memory drive in the proper slot.  
Press  (**Photo Capture**).
- 2 Press ▲ or ▼ to choose *Print All Photos*.  
Press **OK**.
- 3 Enter the number of copies you want using the dial pad.
- 4 Do one of the following:
  - Change the print settings. (See page 117.)
  - If you do not want to change any settings, press **Color Start** to print.

## Slide show

---

You can view all your photos on the LCD using *Slide show*. You can also choose a photo during the operation.

- 1 Make sure you have put a memory card or USB Flash memory drive in the proper slot.  
Press  (**Photo Capture**).
- 2 Press ▲ or ▼ to choose *Slide show*.  
Press **OK**.
- 3 Press **Stop/Exit** to finish *Slide show*.

### Printing a photo during a Slide show


- 1 Press **OK** to stop at one image while *Slide show* is operating.
- 2 Press ▲ or ▼ to increase or decrease the number of copies.
- 3 Do one of the following:
  - Press **OK** and change the print settings. (See page 117.)
  - If you do not want to change any settings, press **Color Start** to print.

## Trimming

You can trim your photo and print a part of the image.



If your photo is very small or an irregular shape you may not be able to trim the photo. The LCD will display  
Image Too Small. or  
Image Too Long.

- 1 Make sure you have put a memory card or USB Flash memory drive in the proper slot.  
Press  (**Photo Capture**).
- 2 Press ▲ or ▼ to choose `Trimming`. Press **OK**.
- 3 Press ◀ or ▶ to choose your photo. Press **OK**.
- 4 Adjust the red frame on your photo. The part inside of the red frame will be printed.
  - Press \* or # to enlarge or reduce the frame size.
  - Press each arrow key to move the position of the frame.
  - Press 0 to rotate the frame.
  - Press **OK** when you have finished the frame setting.
- 5 Press ▲ or ▼ to increase or decrease the number of copies.
- 6 Do one of the following:
  - Press **OK** and change the print settings. (See page 117.)
  - If you do not want to change any settings, press **Color Start** to print.


## DPOF printing

DPOF stands for Digital Print Order Format.

Major digital camera manufacturers (Canon Inc., Eastman Kodak Company, Fuji Photo Film Co. Ltd., Matsushita Electric Industrial Co. Ltd. and Sony Corporation) created this standard to make it easier to print images from a digital camera.

If your digital camera supports DPOF printing, you will be able to choose on the digital camera display the images and number of copies you want to print.

When the memory card (CompactFlash<sup>®</sup>, Memory Stick<sup>®</sup>, Memory Stick Pro<sup>™</sup>, SD, SDHC or xD-Picture Card<sup>™</sup>) with DPOF information is put into your machine, you can print the chosen image easily.

- 1 Make sure you have put a memory card in the proper slot.  
Press  (**Photo Capture**). The machine will ask you if you want to use DPOF setting.
- 2 Press 1 to choose `Yes`.
- 3 Do one of the following:
  - Change the print settings. (See page 117.)
  - If you do not want to change any settings, press **Color Start** to print.



An Invalid DPOF File error can occur if the print order that was created on the camera has been corrupted. Delete and recreate the print order using your camera to correct this problem. For instructions on how to delete or recreate the print order, refer to your camera manufacturer's support website or accompanying documentation.

# PhotoCapture Center® print settings

You can change the print settings temporarily for the next printing.

These settings are temporary, and the machine returns to its default settings 3 minutes after printing, unless you have set the Mode Timer to 2 minutes or less. (See *Mode Timer* on page 26.)

 **Note**

You can save the print settings you use most often by setting them as default. (See *Setting your changes as the new default* on page 121.)



## 1 No. of prints

(For View Photo(s), Search by Date, Slide Show)

You can see the total number of photos that will be printed.

(For Print All Photos, Print Photos, Enhance Photos, Trimming)

You can see the number of copies of each photo that will be printed.

(For DPOF printing) This does not appear.

Menu Selections	Options 1	Options 2	Page
Print Quality (Does not appear for DPOF printing)	Normal/Photo	—	118
Paper Type	Plain Paper/Inkjet Paper/ Brother BP71/Other Glossy	—	118
Paper Size	4"x 6"/5"x 7"/Letter/ Ledger/A4/A3	(When A4 or Letter is chosen)  3"x 4"/3.5"x 5"/ 4"x 6"/ 5"x 7"/ 6"x 8"/Max. Size	118
Brightness (Does not appear when Enhance Photos is chosen.)	◀ 0 Dark ——— ——— Light ▶	—	119
Contrast (Does not appear when Enhance Photos is chosen.)	◀ 0 ——— ——— ▶	—	119

Menu Selections	Options 1	Options 2	Page
True2Life (Does not appear when Enhance Photos is chosen.)	On/Off White Balance ◀0-———— ————▶ Sharpness ◀0-———— ————▶ Color Density ◀0-———— ————▶ Exit	—	119
Cropping	On/Off	—	120
Borderless	On/Off	—	120
Print Date (Does not appear when DPOF Print is chosen.)	On/Off	—	120
Set New Default	Yes/No	—	121
Factory Reset	Yes/No	—	121

## Print Quality

- 1 Press ▲ or ▼ to choose Print Quality.
- 2 Press ◀ or ▶ to choose Normal or Photo.  
Press **OK**.
- 3 If you do not want to change additional settings, press **Color Start** to print.

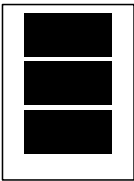
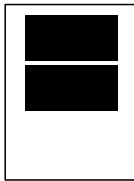
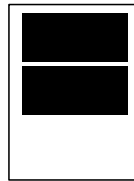
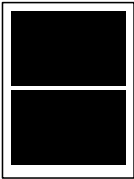
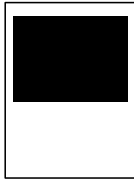

## Paper options

### Paper Type

- 1 Press ▲ or ▼ to choose Paper Type.
- 2 Press ◀ or ▶ to choose the paper type you are using, Plain Paper, Inkjet Paper, Brother BP71 or Other Glossy.  
Press **OK**.
- 3 If you do not want to change additional settings, press **Color Start** to print.

### Paper and print size

- 1 Press ▲ or ▼ to choose Paper Size.
- 2 Press ◀ or ▶ to choose the paper size you are using, 4"x 6", 5"x 7", Letter, Ledger, A4 or A3.  
Press **OK**.
- 3 If you chose Letter or A4, press ◀ or ▶ to choose the Print Size.  
Press **OK**.

Example: Printed Position for Letter paper		
1 3"x 4" 	2 3.5"x 5" 	3 4"x 6" 
4 5"x 7" 	5 6"x 8" 	6 Max. Size 

- 4 If you do not want to change additional settings, press **Color Start** to print.

## Adjusting Brightness, Contrast and Color

---

### Brightness

- 1 Press ▲ or ▼ to choose **Brightness**.
- 2 Press ◀ to make a darker print or press ▶ to make a lighter print. Press **OK**.
- 3 If you do not want to change additional settings, press **Color Start** to print.

### Contrast

You can choose the contrast setting. More contrast will make an image look sharper and more vivid.

- 1 Press ▲ or ▼ to choose **Contrast**.
- 2 Press ▶ to increase the contrast or press ◀ to decrease the contrast. Press **OK**.
- 3 If you do not want to change additional settings, press **Color Start** to print.

### Color Enhancement (True2Life®)

You can turn on the color enhancement (True2Life®) feature to print more vivid images. Printing time will be slower.

- 1 Press ▲ or ▼ to choose **True2Life**. Press **OK**.
- 2 Do one of the following:
  - If you want to customize the **White Balance**, **Sharpness** or **Color Density**, press ◀ or ▶ to choose **On**, and then go to step 3.
  - If you do not want to customize, press ◀ or ▶ to choose **Off**. Press **OK** and then go to step 6.

- 3 Press ▲ or ▼ to choose **White Balance**, **Sharpness** or **Color Density**.
- 4 Press ◀ or ▶ to adjust the degree of the setting. Press **OK**.
- 5 Do one of the following:
  - If you want to customize another color enhancement, press ▲ or ▼ to choose another option.
  - If you want to change other settings, press ▲ or ▼ to choose **Exit**, and then press **OK**.
- 6 If you do not want to change additional settings, press **Color Start** to print.



### Note

---

#### • **White Balance**

This setting adjusts the hue of the white areas of an image. Lighting, camera settings and other influences will effect the appearance of white. The white areas of a picture may be slightly pink, yellow or some other color. By using this setting, you can correct that effect and bring the white areas back to pure white.

#### • **Sharpness**

This setting enhances the detail of an image, similar to adjusting the fine focus on a camera. If the image is not in true focus and you cannot see the fine details of the picture, then adjust the sharpness.

#### • **Color Density**

This setting adjusts the total amount of color in the image. You can increase or decrease the amount of color in an image to improve a washed out or weak picture.

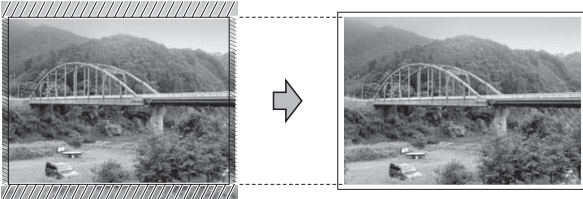
## Cropping

If your photo is too long or wide to fit the available space on your chosen layout, part of the image will automatically be cropped.

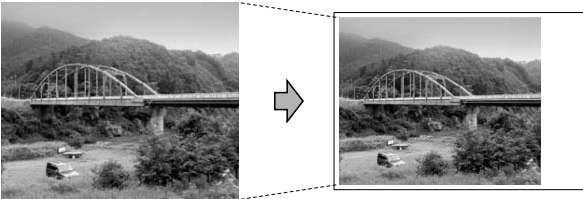
The factory setting is *On*. If you want to print the whole image, turn this setting to *Off*. If you are also using the *Borderless* setting, turn *Borderless* to *Off*. (See *Borderless printing* on pages 120.)

- 1 Press ▲ or ▼ to choose *Cropping*.
- 2 Press ◀ or ▶ to choose *Off* (or *On*). Press **OK**.
- 3 If you do not want to change additional settings, press **Color Start** to print.

### Cropping: On



### Cropping: Off



## Borderless printing

This feature expands the printable area to the edges of the paper. Printing time will be slightly slower.

- 1 Press ▲ or ▼ to choose *Borderless*.
- 2 Press ◀ or ▶ to choose *Off* (or *On*). Press **OK**.
- 3 If you do not want to change additional settings, press **Color Start** to print.

## Print Date

You can print the date if it is already in the data on your photo. The date will be printed on the lower right corner. If the data doesn't have the date information, you cannot use this function.

- 1 Press ▲ or ▼ to choose *Print Date*.
- 2 Press ◀ or ▶ to choose *On* (or *Off*). Press **OK**.
- 3 If you do not want to change additional settings, press **Color Start** to print.



### Note

The DPOF setting on your camera must be turned off to use the *Print Date* feature.



## Setting your changes as the new default

You can save the print settings you use most often by setting them as the default settings. These settings will stay until you change them again.

- 1 Press ▲ or ▼ to choose your new setting. Press **OK**. Repeat this step for each setting you want to change.
- 2 After changing the last setting, press ▲ or ▼ to choose `Set New Default`. Press **OK**.
- 3 Press **1** to choose `Yes`.
- 4 Press **Stop/Exit**.

## Restoring all settings to the factory settings

You can restore all the settings you have changed to the factory settings. These settings will stay until you change them again.

- 1 Press ▲ or ▼ to choose `Factory Reset`. Press **OK**.
- 2 Press **1** to choose `Yes`.
- 3 Press **Stop/Exit**.

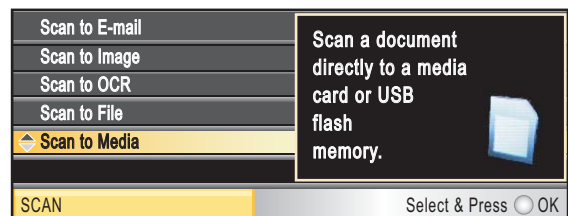
## Scan to a memory card or USB Flash memory drive

### Entering Scan mode

When you want to scan to a memory card or USB Flash memory drive, press

 (**Scan**).

The LCD shows:



Press ▲ or ▼ to choose `Scan to Media`.

Press **OK**.

If you are not connected to your computer only the `Scan to Media` selection will appear on the LCD.

(See *Scanning for Windows®* or *Macintosh®* in the Software User's Guide on the CD-ROM for details about the other menu options.)

## How to scan to a memory card or USB Flash memory drive


You can scan black & white and color documents into a memory card or USB Flash memory drive. Black & white documents will be stored in PDF (\*.PDF) or TIFF (\*.TIF) file formats. Color documents may be stored in PDF (\*.PDF) or JPEG (\*.JPG) file formats. The factory setting is Color 150 dpi and the default file format is PDF. File names default to the current date that you set using the control panel keys. (For details, see Quick Setup Guide.) For example, the fifth image scanned on July 1, 2009 would be named 07010905.PDF. You can change the color and quality.

Quality	Selectable File Format
Color 150 dpi	JPEG / PDF
Color 300 dpi	JPEG / PDF
Color 600 dpi	JPEG / PDF
B/W 200x100 dpi	TIFF / PDF
B/W 200 dpi	TIFF / PDF

- 1 Insert a CompactFlash<sup>®</sup>, Memory Stick<sup>®</sup>, Memory Stick Pro<sup>™</sup>, SD, SDHC, xD-Picture Card<sup>™</sup> or USB Flash memory drive into your machine.

### ! CAUTION

DO NOT take out the memory card or USB Flash memory drive while **Photo Capture** is blinking to avoid damaging the card or USB Flash memory drive or the data stored on them.

- 2 Load your document.
- 3 Press  (**Scan**).
- 4 Press **▲** or **▼** to choose `Scan to Media`. Press **OK**.

- 5 Do one of the following:
  - To change the quality, press **▲** or **▼** to choose `Quality`.  
Go to step 6.
  - Press **Black Start** or **Color Start** to start scanning without changing additional settings.



### Note

(MFC-6490CW only)

If you are using the scanner glass of the machine you can change the glass scan size.

Press **▲** or **▼** to choose `Glass ScanSize` and **◀** or **▶** to choose `Letter`, `Legal`, `Ledger`, `A3` or `A4`.

- 6 Press **◀** or **▶** to choose `Color 150 dpi`, `Color 300 dpi`, `Color 600 dpi`, `B/W 200x100 dpi` or `B/W 200 dpi`. Press **OK**.
- 7 Do one of the following:
  - To change the file type, go to step 8.
  - Press **Black Start** or **Color Start** to start scanning without changing additional settings.
- 8 Press **▲** or **▼** to choose `File Type`. Press **◀** or **▶** to choose `JPEG`, `PDF` or `TIFF`. Press **OK**.



### Note

- If you chose color in the resolution setting, you cannot choose `TIFF`.
- If you chose black & white in the resolution setting, you cannot choose `JPEG`.

- 9 Do one of the following:
  - To change the file name, go to step 10.
  - Press **Black Start** or **Color Start** to start scanning without changing additional settings.

- 10 The file name is set automatically however, you can set a name of your choice using the dial pad. Press ▲ or ▼ to choose `File Name`. Enter the new name. (See *Entering Text* on page 204.) You can only change the first 6 digits. Press **OK**.




### Note

Press **Clear/Back** to delete the current name.

- 11 Press **Black Start** or **Color Start**.

## Glass Scan Size (MFC-6490CW only)

To scan a Legal, Ledger, A3 or A4 size document, you need to change the `Glass ScanSize` setting. The default setting is `Letter`.

- 1 Press  (**Scan**).
- 2 Press ▲ or ▼ to choose `Scan to Media`. Press **OK**.
- 3 Press ▲ or ▼ to choose `Glass ScanSize`.
- 4 Press ◀ or ▶ to choose `Letter`, `Legal`, `Ledger`, `A3` or `A4`. Press **OK**.




### Note

- You can save the setting you use most often by setting it as the default. (See *Setting your changes as the new default* on page 121.)
- This setting is only available for scanning documents from the scanner glass.


## How to change the file name

You can change the file name.

- 1 Press  (**Scan**).
- 2 Press ▲ or ▼ to choose `Scan to Media`.
- 3 Press ▲ or ▼ to choose `File Name`.
- 4 Enter the new name using the dial pad. You can only change the first 6 digits. (See *Entering Text* on page 204.)


## How to set a new default

You can set your own default settings.

- 1 Press  (**Scan**).
- 2 Press ▲ or ▼ to choose `Scan to Media`. Press **OK**.
- 3 Press ▲ or ▼ to choose `Set New Default`. Press **OK** and **1** to choose `Yes`.
- 4 Press **Stop/Exit**.

## How to reset to the factory settings

You can restore all the settings you have changed to the factory settings.

- 1 Press  (**Scan**).
- 2 Press ▲ or ▼ to choose `Scan to Media`. Press **OK**.
- 3 Press ▲ or ▼ to choose `Factory Reset`. Press **OK** and **1** to choose `Yes`.
- 4 Press **Stop/Exit**.

## Understanding the Error Messages

Once you are familiar with the types of errors that can occur while you are using PhotoCapture Center®, you can easily identify and troubleshoot any problems.

### ■ Hub is Unusable.

This message will appear if a Hub or USB Flash memory drive with a Hub has been put into the USB direct interface.

### ■ Media Error

This message will appear if you put in a memory card that is either bad or not formatted, or when there is a problem with the media drive. To clear this error, take out the memory card.

### ■ No File

This message will appear if you try to access a memory card or USB Flash memory drive in the drive (slot) that does not contain a .JPG file.

### ■ Out of Memory

This message will appear if you are working with images that are too large for the machine's memory. This message will also appear when a memory card or USB Flash memory drive you are using does not have enough space available for the scanned document.

### ■ Media is Full.

This message will appear if you are trying to save more than 999 files in a memory card or USB Flash memory drive.

### ■ Unusable Device

This message will appear if a USB device or USB Flash memory drive that is not supported has been connected to the USB direct interface. For more information, visit us at <http://solutions.brother.com>. This message will also appear if you connect a broken device to the USB direct interface.

## Printing photos directly from a PictBridge camera



Your Brother machine supports the PictBridge standard, allowing you to connect to and print photos directly from any PictBridge compatible digital camera.

If your camera is using the USB Mass Storage standard, you can also print photos from a digital camera without PictBridge. (See *Printing photos directly from a digital camera (without PictBridge)* on page 127.)

### PictBridge requirements

To avoid errors, remember the following points:

- The machine and the digital camera must be connected using a suitable USB cable.
- The image file extension must be .JPG (other image file extensions like .JPEG, .TIF, .GIF and so on will not be recognized).
- PhotoCapture Center<sup>®</sup> operations are not available when using the PictBridge feature.

### Setting your digital camera

Make sure your camera is in PictBridge mode. The following PictBridge settings may be available from the LCD of your PictBridge compatible camera.

Depending on your camera some of these settings may not be available.

Camera Menu Selections	Options
Paper Size	Ledger, Letter, A3, A4, 4"×6", Printer Settings (Default setting) <sup>2</sup>
Paper Type	Plain Paper, Glossy Paper, Inkjet Paper, Printer Settings (Default setting) <sup>2</sup>
Layout	Borderless: On, Borderless: Off, Printer Settings (Default setting) <sup>2</sup>
DPOF setting <sup>1</sup>	-
Print Quality	Normal, Fine, Printer Settings (Default setting) <sup>2</sup>
Color Enhancement	On, Off, Printer Settings (Default setting) <sup>2</sup>
Print Date	On, Off, Printer Settings (Default setting) <sup>2</sup>

<sup>1</sup> See *DPOF printing* on page 126 for more details.

<sup>2</sup> If your camera is set to use the Printer Settings (Default setting), the machine will print your photo using the following settings.

Settings	Options
Paper Size	4"×6"
Paper Type	Glossy Paper
Layout	Borderless: On
Print Quality	Fine
Color Enhancement	Off
Print Date	Off

- When your camera does not have any menu selections, these settings are also used.
- The names and availability of each setting depends on the specification of your camera.

Please refer to the documentation supplied with your camera for more detailed information on changing PictBridge settings.

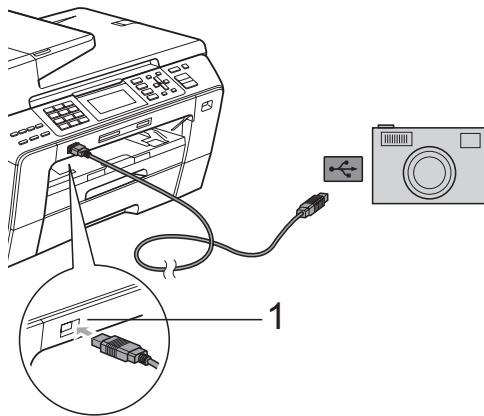
## Printing Images



### Note

Remove any memory cards or USB Flash memory drive from the machine before connecting a digital camera.

- 1 Make sure that your camera is turned off. Connect your camera to the USB direct interface (1) on the machine using the USB cable.



#### 1 USB direct interface

- 2 Turn on the camera. When the machine has recognized the camera, the LCD shows `Camera Connected`.
- 3 Choose the photo you want to print following the instructions from your camera. When the machine starts printing a photo, the LCD will show `Printing`.



### CAUTION

To prevent damage to your machine, do not connect any device other than a digital camera or USB Flash memory drive to the USB direct interface.

## DPOF printing

DPOF stands for Digital Print Order Format.

Major digital camera manufacturers (Canon Inc., Eastman Kodak Company, Fuji Photo Film Co. Ltd., Matsushita Electric Industrial Co. Ltd. and Sony Corporation) created this standard to make it easier to print images from a digital camera.

If your digital camera supports DPOF printing, you will be able to choose on the digital camera display the images and number of copies you want to print.



### Note

An Invalid DPOF File error can occur if the print order that was created on the camera has been corrupted. Delete and recreate the print order using your camera to correct this problem. For instructions on how to delete or recreate the print order, refer to your camera manufacturer's support website or accompanying documentation.

## Printing photos directly from a digital camera (without PictBridge)

If your camera is using the USB Mass Storage standard, you can connect your camera in storage mode. This enables you to print photos from your camera.

(If you would like to print photos in PictBridge mode, see *Printing photos directly from a PictBridge camera* on page 125.)

### Note

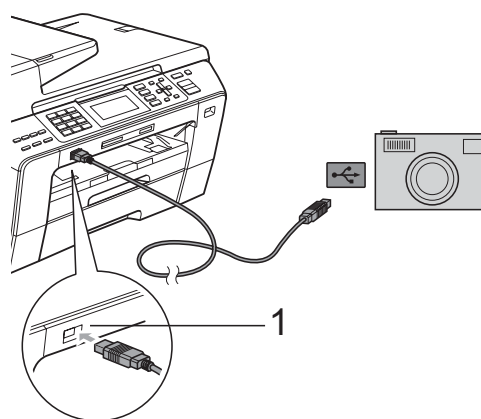
The name, availability and operation differ among digital cameras. Please refer to the documentation supplied with your camera for detailed information, such as how to switch from PictBridge mode to USB mass storage mode.

## Printing Images

### Note

Remove any memory cards or USB Flash memory drive from the machine before connecting a digital camera.

- 1 Make sure that your camera is turned off. Connect your camera to the USB direct interface (1) on the machine using the USB cable.



1 USB direct interface

- 2 Turn on the camera.
- 3 Follow the steps in *Print Images* on page 109.

### CAUTION

To prevent damage to your machine, do not connect any device other than a digital camera or USB Flash memory drive to the USB direct interface.

## Understanding the Error Messages

Once you are familiar with the types of errors that can occur while you are printing from a camera, you can easily identify and troubleshoot any problems.

### ■ Out of Memory

This message will appear if you are working with images that are too large for the machine's memory.

### ■ Unusable Device

This message will appear if you connect a camera that is not using the USB Mass Storage standard. This message will also appear if you connect a broken device to the USB direct interface.

(For more detailed solutions see *Error and Maintenance messages* on page 153.)





# Software

---

**Software and Network features**

130

# 14

## Software and Network features

The CD-ROM includes the Software User's Guide and Network User's Guide for features available when connected to a computer (for example, printing and scanning). These guides have easy to use links that, when clicked, will take you directly to a particular section.

You can find information on these features:

- Printing
- Scanning
- ControlCenter3 (for Windows®)
- ControlCenter2 (for Macintosh®)
- Remote Setup
- Faxing from your computer
- PhotoCapture Center®
- Network Printing
- Network Scanning
- Wired and Wireless Network

### How to read HTML User's Guide

This is a quick reference for using the HTML User's Guide.

(For Windows®)



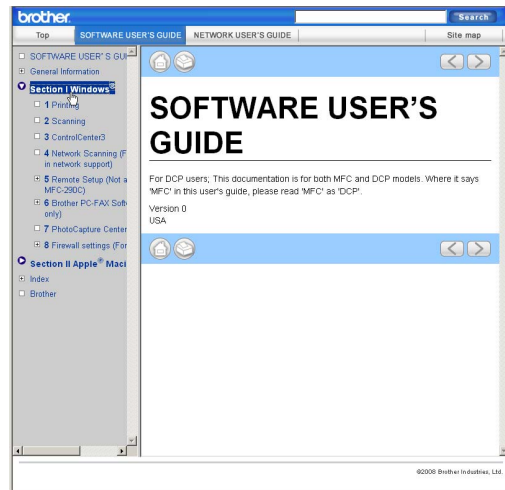
#### Note

If you have not installed the software, see *Viewing Documentation* on page 2.

- 1 From the **Start** menu, point to **Brother**, **MFC-XXXX** (where XXXX is your model number) from the programs group, then click **User's Guides in HTML format**.
- 2 Click **SOFTWARE USER'S GUIDE** (or **NETWORK USER'S GUIDE**) from the top menu.

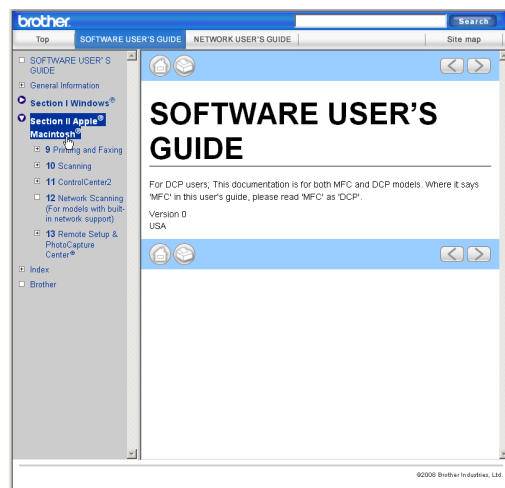


- 3 Click the heading you would like to view from the list at the left of the window.



(For Macintosh®)

- 1 Make sure your Macintosh® is turned on. Insert the Brother CD-ROM into your CD-ROM drive.
- 2 Double-click the **Documentation** icon.
- 3 Double-click your language folder, and then double-click the top.html file.
- 4 Click **SOFTWARE USER'S GUIDE** (or **NETWORK USER'S GUIDE**) in the top menu, and then click the heading you would like to read from the list at the left of the window.





# Appendixes

---

<b>Safety and Legal</b>	132
<b>Troubleshooting and Routine Maintenance</b>	145
<b>Menu and Features</b>	178
<b>Specifications</b>	205
<b>Glossary</b>	220

# A

## Safety and Legal

### Choosing a location

Put your machine on a flat, stable surface that is free of vibration and shocks, such as a desk. Put the machine near a telephone wall jack and a standard AC power outlet. Choose a location where the temperature remains between 50° F and 95° F (10° C and 35° C).



#### WARNING

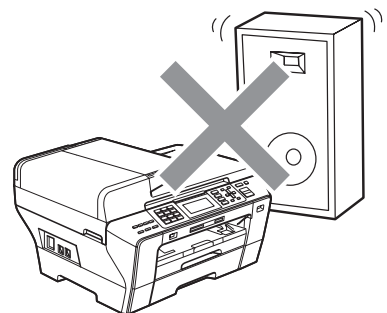
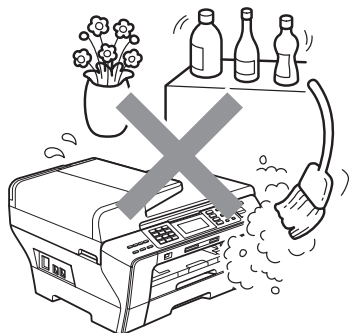
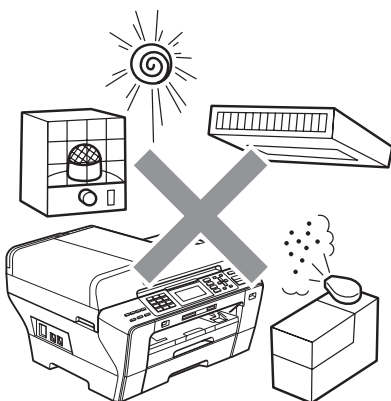
DO NOT put the machine near heaters, air conditioners, refrigerators, medical equipment, chemicals or water.

DO NOT connect your machine to AC power outlets controlled by wall switches or automatic timers.



#### CAUTION

- Avoid placing your machine in a high-traffic area.
- Avoid placing your machine on a carpet.
- DO NOT expose the machine to direct sunlight, excessive heat, moisture, or dust.
- Disruption of power can wipe out information in the machine's memory.
- DO NOT connect your machine to AC power outlets on the same circuit as large appliances or other equipment that might disrupt the power supply.
- Avoid interference sources, such as speakers or the base units of non-Brother cordless telephones.



## To use the machine safely

Please keep these instructions for later reference and read them before attempting any maintenance.

### Note

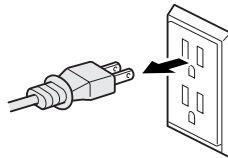
If there are faxes in the machine's memory, you need to print them or save them before you unplug the machine from the AC power outlet for more than 24 hours. (To print the faxes in memory, see *Printing a fax from the memory* on page 55. To save the faxes in memory, see *Transferring faxes to another fax machine* on page 159 or *Transferring faxes to your PC* on page 160.)



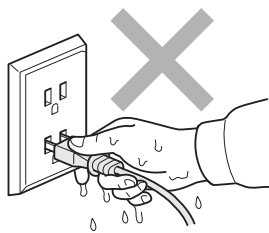
### WARNING



There are high voltage electrodes inside the machine. Before you clean the inside of the machine, make sure you have unplugged the telephone line cord first and then the power cord from the AC power outlet. Doing this will prevent an electrical shock.



DO NOT handle the plug with wet hands. Doing this might cause an electrical shock.



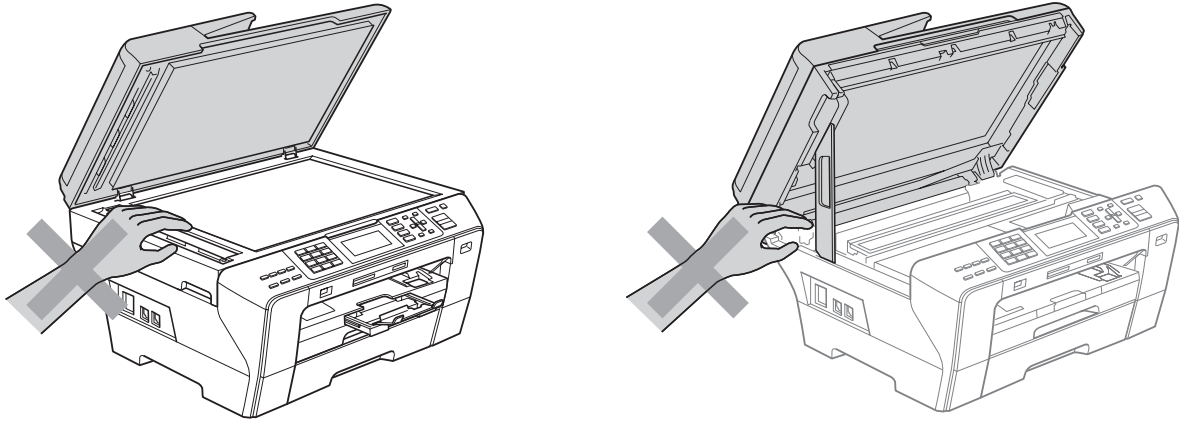
Always make sure the plug is fully inserted.



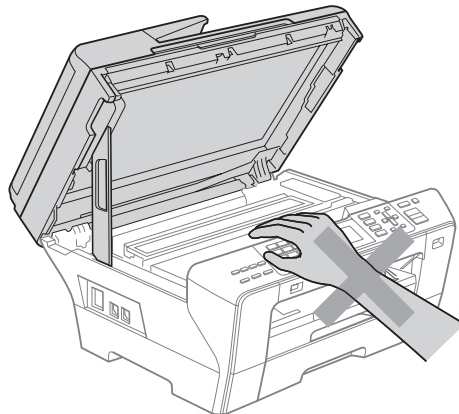
DO NOT pull on the middle of the AC power cord. Doing this might cause an electrical shock.



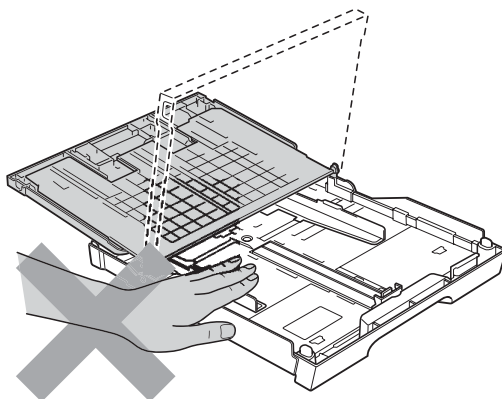
DO NOT put your hands on the edge of the machine under the document cover or the scanner cover. Doing this may cause injury.



DO NOT put your hands in front of the machine under the scanner cover. Doing this may cause injury.

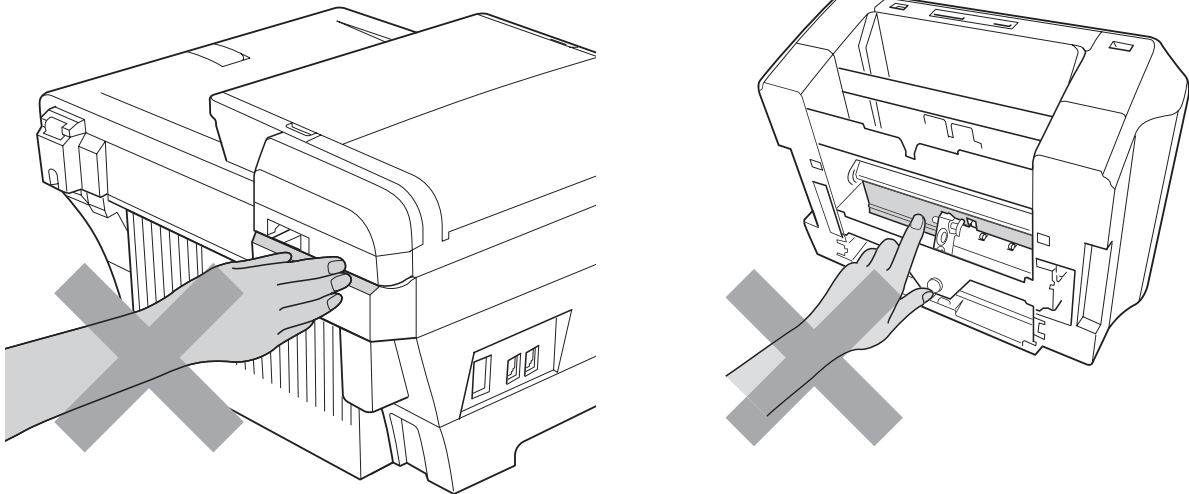


DO NOT put your hands on the edge of the paper tray under the paper tray cover. Doing this may cause injury.





DO NOT touch the area shaded in the illustration. Doing this may cause injury.



When moving the machine you must lift it from the base, by placing a hand at each side of the unit as shown in the illustration. Do not carry the machine by holding the scanner cover or the Jam Clear Cover.



DO NOT use flammable substances or any type of spray to clean the inside or outside of the machine. Doing this may cause a fire or electrical shock.





Unplug this product from the wall outlet before cleaning the inside of the machine. DO NOT use liquid or aerosol cleaners. Use a damp cloth for cleaning.

---



If the machine becomes hot, releases smoke, or generates any strong smells, immediately unplug the machine from the AC power outlet. Call Brother Customer Service. (See *Brother numbers* on page i.)

---



If metal objects, water or other liquids get inside the machine, immediately unplug the machine from the AC power outlet. Call Brother Customer Service. (See *Brother numbers* on page i.)

---



Use caution when installing or modifying telephone lines. Never touch telephone wires or terminals that are not insulated unless the telephone line has been unplugged at the wall jack. Never install telephone wiring during a lightning storm. Never install a telephone wall jack in a wet location.

---



This product must be installed near an AC power outlet that is easily accessible. In case of an emergency, you must unplug the power cord from the AC power outlet to shut off the power completely.

---



This product should be connected to an AC power source within the range indicated on the rating label. DO NOT connect it to a DC power source or inverter. If you are not sure, contact a qualified electrician.

---



Always make sure the plug is fully inserted.

---



To reduce the risk of shock or fire, use only a No. 26 AWG or larger telecommunication line cord.

---



 **CAUTION**

Lightning and power surges can damage this product! We recommend that you use a quality surge protection device on the AC power line and on the telephone line, or unplug the cords during a lightning storm.

 **WARNING****IMPORTANT SAFETY INSTRUCTIONS**

When using your telephone equipment, basic safety precautions should always be followed to reduce the risk of fire, electric shock and injury to people, including the following:

- 1 DO NOT use this product near water, for example, near a bath tub, wash bowl, kitchen sink or washing machine, in a wet basement or near a swimming pool.
- 2 Avoid using this product during an electrical storm. There may be a remote risk of electric shock from lightning.
- 3 DO NOT use this product to report a gas leak in the vicinity of the leak.
- 4 DO NOT dispose of batteries in a fire. They may explode. Check with local codes for possible special disposal instructions.
- 5 Use only the power cord provided with the machine.

## Important safety instructions

---

- 1 Read all of these instructions.
- 2 Save them for later reference.
- 3 Follow all warnings and instructions marked on the product.
- 4 DO NOT use this product near water.
- 5 DO NOT place this product on an unstable cart, stand, or table. The product may fall, causing serious damage to the product.
- 6 Slots and openings in the cabinet and the back or bottom are provided for ventilation. To ensure reliable operation of the product and to protect it from overheating, these openings must not be blocked or covered. The openings should never be blocked by placing the product on a bed, sofa, rug, or other similar surface. This product should never be placed near or over a radiator or heater. This product should never be placed in a built-in installation unless proper ventilation is provided.
- 7 DO NOT allow anything to rest on the power cord. DO NOT place this product where people can walk on the cord.
- 8 If an extension cord is used with this product, make sure that the total ampere ratings of the products plugged into the extension cord do not exceed the extension cord ampere rating. Also, make sure that the total of all products plugged into the AC power outlet does not exceed 15 amperes (USA only).
- 9 DO NOT place anything in front of the machine that will block received faxes. DO NOT place anything in the path of received faxes.
- 10 Wait until pages have exited the machine before picking them up.
- 11 Never push objects of any kind into this product through cabinet slots, since they may touch dangerous voltage points or short out parts resulting in the risk of fire or electric shock. Never spill liquid of any kind on the product. DO NOT attempt to service this product yourself because opening or removing covers may expose you to dangerous voltage points and other risks and may void your warranty. Refer all servicing to a Brother Authorized Service Center. For the location of your nearest Brother Authorized Service Center, please call the following:  
**In USA:** 1-877-BROTHER (1-877-276-8437)  
**In Canada:** 1-877-BROTHER
- 12 Unplug this product from the AC power outlet and refer all servicing to Brother Authorized Service Personnel under the following conditions:
  - When the power cord is damaged or frayed.
  - If liquid has been spilled into the product.
  - If the product has been exposed to rain or water.
  - If the product does not operate normally when the operating instructions are followed, adjust only those controls that are covered by the operating instructions. Improper adjustment of other controls may result in damage and will often require extensive work by a qualified technician to restore the product to normal operation.
  - If the product has been dropped or the cabinet has been damaged.
  - If the product exhibits a distinct change in performance, indicating a need for service.

- 13 To protect your product against power surges, we recommend the use of a power protection device (Surge Protector).
- 14 To reduce the risk of fire, electric shock and injury to people, note the following:
- DO NOT use this product near appliances that use water, a swimming pool, or in a wet basement.
  - DO NOT use the machine during an electrical storm (there is the remote possibility of an electrical shock) or to report a gas leak in the vicinity of the leak.
- 15 Caution - To reduce the risk of fire, use only No.26 AWG or larger telecommunication line cord.

## **Standard telephone and FCC Notices (These notices are in effect on models sold and used in the United States only.)**

### **When programming emergency numbers or making test calls to emergency numbers:**

- Remain on the line and briefly explain to the dispatcher the reason for the call before hanging up.
- Perform these activities in the off-peak hours, such as early morning or late evening.

This equipment complies with Part 68 of the FCC rules and the requirements adopted by the ACTA. On the backside of this equipment is a label that contains, among other information, a product identifier in the format US: AAAEQ##TXXXX. If requested, this number must be provided to the telephone company.

You may safely connect this equipment to the telephone line by means of a standard modular jack, USOC RJ11C.

A plug and jack used to connect this equipment to the premises wiring and telephone network must comply with the applicable FCC Part 68 rules and requirements adopted by the ACTA. A compliant telephone cord and modular plug is provided with this product. It is designed to be connected to a compatible modular jack that is also compliant. See installation instructions for details.

The REN is used to determine the number of devices that may be connected to a telephone line. Excessive RENs on a telephone line may result in the devices not ringing in response to an incoming call. In most but not all areas, the sum of RENs should not exceed five (5.0). To be certain of the number of devices that may be connected to a line, as determined by the total RENs, contact the local telephone company. For products approved after July 23, 2001, the REN for this product is part of the product identifier that has the format US:AAAEQ##TXXXX. The digits represented by ## are the REN without a decimal point (e.g., 06 is a REN of 0.6). For earlier products, the REN is separately shown on the label.

If this equipment causes harm to the telephone network, the telephone company will notify you in advance that temporary discontinuance of service may be required. But if advance notice isn't practical, the telephone company will notify the customer as soon as possible. Also, you will be advised of your right to file a complaint with the FCC if you believe it is necessary.

The telephone company may make changes in its facilities, equipment, operations or procedures that could affect the operation of the equipment. If this happens the telephone company will provide advance notice in order for you to make necessary modifications to maintain uninterrupted service.

If trouble is experienced with this equipment, for repair or warranty information, please contact Brother Customer Service. (See *Brother numbers* on page i.) If the equipment is causing harm to the telephone network, the telephone company may request that you disconnect the equipment until the problem is resolved.

Connection to party line service is subject to state tariffs. Contact the state public utility commission, public service commission or corporation commission for information.

If your home has specially wired alarm equipment connected to the telephone line, ensure the installation of this equipment does not disable your alarm equipment. If you have questions about what will disable alarm equipment, call your telephone company or a qualified installer.

If you are not able to solve a problem with your machine, call Brother Customer Service. (See *Brother numbers* on page i.)



## WARNING

For protection against the risk of electrical shock, always disconnect all cables from the wall outlet before servicing, modifying or installing the equipment.

---

This equipment may not be used on coin service lines provided by the telephone company or connected to party lines.

**Brother cannot accept any financial or other responsibilities that may be the result of your use of this information, including direct, special or consequential damages. There are no warranties extended or granted by this document.**

**This machine has been certified to comply with FCC standards, which are applied to the USA only.**

## Federal Communications Commission (FCC) Declaration of Conformity (USA only)

---

Responsible Party: Brother International Corporation  
100 Somerset Corporate Boulevard  
Bridgewater, NJ 08807-0911 USA  
TEL: (908) 704-1700

declares, that the products

Product Name: MFC-5890CN and MFC-6490CW

comply with Part 15 of the FCC Rules. Operation is subject to the following two conditions: (1) This device may not cause harmful interference, and (2) this device must accept any interference received, including interference that may cause undesired operation.

This equipment has been tested and found to comply with the limits for a Class B digital device, pursuant to Part 15 of the FCC Rules. These limits are designed to provide reasonable protection against harmful interference in a residential installation. This equipment generates, uses, and can radiate radio frequency energy and, if not installed and used in accordance with the instructions, may cause harmful interference to radio communications. However, there is no guarantee that interference will not occur in a particular installation. If this equipment does cause harmful interference to radio or television reception, which can be determined by turning the equipment off and on, the user is encouraged to try to correct the interference by one or more of the following measures:

- Reorient or relocate the receiving antenna.
- Increase the separation between the equipment and receiver.
- Connect the equipment into an outlet on a circuit different from that to which the receiver is connected.
- Call the dealer or an experienced radio/TV technician for help.
- This transmitter must not be co-located or operated in conjunction with any other antenna or transmitter.

### IMPORTANT

Changes or modifications not expressly approved by Brother Industries, Ltd. could void the user's authority to operate the equipment.

## Industry Canada Compliance Statement (Canada only)

---

This Class B digital apparatus complies with Canadian ICES-003.

Cet appareil numérique de la classe B est conforme à la norme NMB-003 du Canada.

## LAN connection

---

### CAUTION

DO NOT connect this product to a LAN connection that is subject to over-voltages.

## International ENERGY STAR® Compliance Statement

---

The purpose of the International ENERGY STAR® Program is to promote the development and popularization of energy-efficient office equipment.

As an ENERGY STAR® Partner, Brother Industries, Ltd. has determined that this product meets the ENERGY STAR® guidelines for energy efficiency.



## Legal limitations for copying

Color reproductions of certain documents are illegal and may result in either criminal or civil liability. This memorandum is intended to be a guide rather than a complete listing of every possible prohibition. In case of doubt, we suggest that you check with counsel as to any particular questionable documents.

The following documents issued by the United States/Canadian Government or any of its Agencies may not be copied:

- Money
- Bonds or other certificates of indebtedness
- Certificates of Deposit
- Internal Revenue Stamps (canceled or uncanceled)
- Selective Service or draft papers
- Passports
- United States/Canadian Postage Stamps (canceled or uncanceled)
- Food Stamps
- Immigration Papers
- Checks or drafts drawn by Governmental agencies
- Identifying badges or insignias

Copyrighted works cannot be copied. Sections of a copyrighted work can be copied for 'fair use'. Multiple copies would indicate improper use.

Works of art should be considered the equivalent of copyrighted works.

Licenses and Certificates of Title to motor vehicles may not be copied under certain state/provincial laws.

# Trademarks

The Brother logo is a registered trademark of Brother Industries, Ltd.

Brother is a registered trademark of Brother Industries, Ltd.

Multi-Function Link is a registered trademark of Brother International Corporation.

© 2008 Brother Industries, Ltd. All rights reserved.

Windows Vista is either a registered trademark or a trademark of Microsoft Corporation in the United States and other countries.

Microsoft, Windows and Windows Server are registered trademarks of Microsoft Corporation in the United States and/or other countries.

Macintosh and TrueType are registered trademarks of Apple Inc.

Nuance, the Nuance logo, PaperPort and ScanSoft are trademarks or registered trademarks of Nuance Communications, Inc. or its affiliates in the United States and/or other countries.

Presto! PageManager is a registered trademark of NewSoft Technology Corporation.

Microdrive is a trademark of International Business Machines Corporation.

CompactFlash is a registered trademark of SanDisk Corporation.

Memory Stick is a registered trademark of Sony Corporation.

SanDisk is a licensee of the SD and miniSD trademarks.

xD-Picture Card is a trademark of Fujifilm Co. Ltd., Toshiba Corporation and Olympus Optical Co. Ltd.

PictBridge is a trademark.

Memory Stick Pro, Memory Stick Pro Duo, Memory Stick Duo and MagicGate are trademarks of Sony Corporation.

BROADCOM, SecureEasySetup and the SecureEasySetup logo are trademarks or registered trademarks of Broadcom Corporation in the United States and/or other countries.

AOSS is a trademark of Buffalo Inc.

Wi-Fi, WPA and WPA2 are registered trademarks and Wi-Fi Protected Setup is a trademark of Wi-Fi Alliance.

FaceFilter Studio is a trademark of Reallusion, Inc.

Each company whose software title is mentioned in this manual has a Software License Agreement specific to its proprietary programs.

**All other brand and product names mentioned in this User's Guide are registered trademarks of their respective companies.**



## Troubleshooting

### IMPORTANT

For technical help, you must call the country where you bought the machine. Calls must be made **from within** that country.

If you think there is a problem with your machine, check the chart below and follow the troubleshooting tips.

Most problems can be easily resolved by yourself. If you need additional help, the Brother Solutions Center offers the latest FAQs and troubleshooting tips. Visit us at <http://solutions.brother.com>.

## If you are having difficulty with your machine

### Printing

Difficulty	Suggestions
No printout	Check the interface cable or wireless connection on both the machine and your computer. (See the <i>Quick Setup Guide</i> .)
	Check that the machine is plugged in and that the <b>On/Off</b> key is on.
	Check to see if the LCD is showing an error message. (See <i>Error and Maintenance messages</i> on page 153.)
	If the LCD says <code>Cannot Print</code> and <code>Replace Ink</code> , see <i>Replacing the ink cartridges</i> on page 167.
	Check that the correct printer driver has been installed and chosen.
	Make sure that the machine is online. Click <b>Start</b> and then <b>Printers and Faxes</b> . Choose <b>Brother MFC-XXXX</b> (where XXXX is your model name), and make sure that <b>Use Printer Offline</b> is unchecked.
	When you choose the <b>Print Odd Pages</b> and <b>Print Even Pages</b> settings, you may see a print error message on your computer, as the machine pauses during the printing process. The error message will disappear after the machine re-starts printing.

## Printing (continued)

Difficulty	Suggestions
Poor print quality	Check the print quality. (See <i>Checking the print quality</i> on page 173.)
	Make sure that the Media Type setting in the printer driver or the Paper Type setting in the machine's menu matches the type of paper you are using. (See <i>Printing for Windows</i> <sup>®</sup> or <i>Printing and Faxing for Macintosh</i> <sup>®</sup> in the Software User's Guide on the CD-ROM and <i>Paper Size and Type (MFC-6490CW only)</i> on page 27.)
	Make sure that your ink cartridges are fresh. The following may cause ink to clog: <ul style="list-style-type: none"> <li>■ The expiration date written on the cartridge package has passed. (Cartridges stay usable for up to two years if kept in their original packaging.)</li> <li>■ The ink cartridge was in your machine over six months.</li> <li>■ The ink cartridge may not have been stored properly before use.</li> </ul>
	Make sure you are using Brother Original ink cartridges.
	Try using the recommended types of paper. (See <i>Acceptable paper and other print media</i> on page 18.)
	The recommended environment for your machine is between 68° F to 91° F (20° C to 33° C).
White horizontal lines appear in text or graphics.	Clean the print head. (See <i>Cleaning the print head</i> on page 172.)
	Make sure you are using Brother Original ink cartridges.
	Try using the recommended types of paper. (See <i>Acceptable paper and other print media</i> on page 18.)
The machine prints blank pages.	Clean the print head. (See <i>Cleaning the print head</i> on page 172.)
	Make sure you are using Brother Original ink cartridges.
Characters and lines are stacked.	Check the printing alignment. (See <i>Checking the print alignment</i> on page 174.)
Printed text or images are skewed.	Make sure the paper is loaded properly in the paper tray and the paper side guides are adjusted correctly. (See <i>Loading paper and other print media</i> on page 9.)
	(MFC-6490CW) Make sure the Inner Back Cover and Outer Back Cover are closed properly.
	(MFC-5890CN) Make sure the Jam Clear Cover is closed properly.
Smudged stain at the top center of the printed page.	Make sure the paper is not too thick or curled. (See <i>Acceptable paper and other print media</i> on page 18.)
	Make sure the paper is not curled when you print on the back side of the paper with the <b>Print Odd Pages</b> and <b>Print Even Pages</b> settings.
Smudged stain at the right or left corner of the printed page.	Make sure the paper is not curled when you print on the back side of the paper with the <b>Print Odd Pages</b> and <b>Print Even Pages</b> settings.
Printing appears dirty or ink seems to run.	Make sure you are using the recommended types of paper. (See <i>Acceptable paper and other print media</i> on page 18.) Don't handle the paper until the ink is dry.
	Make sure you are using Brother Original ink cartridges.
	If you are using photo paper, make sure that you have set the correct paper type. If you are printing a photo from your PC, set the <b>Media Type</b> in the <b>Basic</b> tab of the printer driver.

## Printing (continued)

Difficulty	Suggestions
Stains appear on the reverse side or at the bottom of the page.	Make sure the printer platen is not dirty with ink. (See <i>Cleaning the machine printer platen</i> on page 171.)
	Make sure you are using Brother Original ink cartridges.
	Make sure you are using the paper support flap. (See <i>Loading paper and other print media</i> on page 9.)
The machine prints dense lines on the page.	Check <b>Reverse Order</b> in the <b>Basic</b> tab of the printer driver.
The printouts are wrinkled.	In the printer driver <b>Advanced</b> tab, click <b>Color Settings</b> , and uncheck <b>Bi-Directional Printing</b> for Windows® or <b>Bi-Directional Printing</b> for Macintosh®.
	Make sure you are using Brother Original ink cartridges.
Cannot perform 'Page Layout' printing.	Check that the paper size setting in the application and in the printer driver are the same.
Print speed is too slow.	Try changing the printer driver setting. The highest resolution needs longer data processing, sending and printing time. Try the other quality settings in the printer driver <b>Advanced</b> tab. Also, click <b>Color Settings</b> , and make sure you uncheck <b>Color Enhancement (True2Life®)</b> .
	Turn the borderless feature off. Borderless printing is slower than normal printing. (See <i>Printing for Windows®</i> or <i>Printing and Faxing for Macintosh®</i> in the Software User's Guide on the CD-ROM.)
True2Life® is not working properly.	If the image data is not full color in your application (such as 256 color), True2Life® will not work. Use at least 24 bit color data with the True2Life® feature.
Photo paper does not feed properly.	When you print on Brother Photo paper, load one extra sheet of the same photo paper in the paper tray. An extra sheet has been included in the paper package for this purpose.
	Clean the paper pick-up roller. (See <i>Cleaning the paper pick-up roller</i> on page 171.)
Machine feeds multiple pages.	Make sure the paper is loaded properly in the paper tray. (See <i>Loading paper and other print media</i> on page 9.)
	Check that more than two types of paper are not loaded in the paper tray at any one time.
Printed pages are not stacked neatly.	Make sure you are using the paper support flap. (See <i>Loading paper and other print media</i> on page 9.)
Machine does not print from Adobe Illustrator.	Try to reduce the print resolution. (See <i>Printing for Windows®</i> or <i>Printing and Faxing for Macintosh®</i> in the Software User's Guide on the CD-ROM.)

B

## Printing Received Faxes

Difficulty	Suggestions
Condensed print and white streaks across the page or the top and bottom of sentences are cut off.	You probably had a bad connection, with static or interference on the telephone line. Ask the other party to send the fax again.
Vertical black lines when receiving.	The sender's scanner may be dirty. Ask the sender to make a copy to see if the problem is with the sending machine. Try receiving from another fax machine.
Received color fax prints only in black & white.	Replace the color ink cartridges that have reached the end of their life, and then ask the other person to send the color fax again. (See <i>Replacing the ink cartridges</i> on page 167.)
	Check that the Receiving Priority is set to Color (Max.LTR). With this setting your Ledger color faxes will be reduced to Letter size. (See <i>Setting the Receiving Priority</i> on page 54.)
Left and Right margins are cut off or a single page is printed on two pages.	Turn on Auto Reduction. (See <i>Printing a reduced incoming fax</i> on page 53.)


## Telephone Line or Connections

Difficulty	Suggestions
Dialing does not work. (No dial tone)	Check that the machine is plugged in and that the <b>On/Off</b> key is on.
	Check all line cord connections. Make sure the telephone line cord is plugged into the telephone wall jack and the LINE jack of the machine.
	(Canada only) Change Tone/Pulse setting. (See the <i>Quick Setup Guide</i> .)
	Send a fax manually and wait to hear the fax receiving tones before you press <b>Black Start</b> or <b>Color Start</b> . (See <i>Sending a fax manually</i> on page 47.)
The machine does not answer when called.	Make sure the machine is in the correct receiving mode for your setup. (See <i>Choose the correct Receive Mode</i> on page 49.) Check for a dial tone. If possible, call your machine to hear it answer. If there is still no answer, check the telephone line cord connection to make sure it is plugged into the correct jack on the machine. If there is no ringing when you call your machine, ask your telephone company to check the line.

## Receiving Faxes

Difficulty	Suggestions
Cannot receive a fax.	Check all line cord connections. Make sure the telephone line cord is plugged into the telephone wall jack and the LINE jack of the machine.
	Make sure the machine is in the correct receiving mode for your setup. (See <i>Receive mode settings</i> on page 52.)
	If you often have interference on the telephone line, try changing the menu setting of Compatibility to <i>Basic (for VoIP)</i> . (See <i>Telephone line interference</i> on page 152.)


## Sending Faxes

Difficulty	Suggestions
Cannot send a fax.	Check all line cord connections. Make sure the telephone line cord is plugged into the telephone wall jack and the LINE jack of the machine.
	Make sure that the Fax  key is illuminated. (See <i>Entering Fax mode</i> on page 40.)
	Ask the other party to check that the receiving machine has paper.
	Print the Transmission Verification Report and check for an error. (See <i>Reports</i> on page 90.)
Transmission Verification Report says 'Result:NG'.	There is probably temporary noise or static on the line. Try sending the fax again. If you send a PC FAX message and get 'Result:NG' on the Transmission Verification Report, your machine may be out of memory. To gain extra memory, you can turn off Memory Receive (see <i>Turning off Memory Receive Operations</i> on page 60), print fax messages in memory (see <i>Printing a fax from the memory</i> on page 55) or cancel a Delayed Fax or Polling Job (see <i>Canceling a fax in progress</i> on page 42). If the problem continues, ask the telephone company to check your telephone line.
	If you often get transmission errors due to possible interference on the telephone line, try changing the menu setting of Compatibility to <code>Basic(for VoIP)</code> . (See <i>Telephone line interference</i> on page 152.)
Poor fax send quality.	Try changing your resolution to <code>Fine</code> or <code>S. Fine</code> . Make a copy to check your machine's scanner operation. If the copy quality is not good, clean the scanner. (See <i>Cleaning the scanner</i> on page 170.)
Vertical black lines when sending.	Black vertical lines on faxes you send are typically caused by dirt or correction fluid on the glass strip. Clean the glass strip. (See <i>Cleaning the scanner</i> on page 170.)

## Handling Incoming Calls

Difficulty	Suggestions
The machine 'Hears' a voice as a CNG Tone.	If Easy Receive is set to On, your machine is more sensitive to sounds. It may mistakenly interpret certain voices or music on the line as a fax machine calling and respond with fax receiving tones. Deactivate the machine by pressing <b>Stop/Exit</b> . Try avoiding this problem by turning Easy Receive off. (See <i>Easy Receive</i> on page 53.)
Sending a fax call to the machine.	If you answered on an extension telephone, press your Fax Receive Code (the factory setting is * 5 1). If you answer on an external telephone (connected to the EXT jack), press Start to receive the fax. When your machine answers, hang up.
Custom features on a single line.	If you have Call Waiting, Call Waiting/Caller ID, Voice Mail, an alarm system or other custom feature on a single telephone line with your machine, it may create a problem sending or receiving faxes.  <b>For example:</b> If you subscribe to Call Waiting or some other custom service and its signal comes through the line while your machine is sending or receiving a fax, the signal can temporarily interrupt or disrupt the faxes. Brother's ECM feature should help overcome this problem. This condition is related to the telephone system industry and is common to all devices that send and receive information on a single, shared line with custom features. If avoiding a slight interruption is crucial to your business, a separate telephone line with no custom features is recommended.

## Copying Difficulties

Difficulty	Suggestions
Cannot make a copy.	Make sure that the Copy  key is illuminated. (See <i>Entering Copy mode</i> on page 94.)
Poor copy results when using the ADF.	Try using the scanner glass. (See <i>Using the scanner glass</i> on page 23.)
Vertical black lines or streaks appear in copies.	Vertical black lines or streaks on copies are typically caused by dirt or correction fluid on the scanner. Clean the glass strip and scanner glass and the white bar and white plastic above them. (See <i>Cleaning the scanner</i> on page 170.)
Fit to Page does not work properly.	Make sure the document is not skewed on the scanner glass.

## Scanning Difficulties

Difficulty	Suggestions
TWAIN/WIA errors appear when starting to scan.	Make sure the Brother TWAIN/WIA driver is chosen as the primary source. In PaperPort™ 11SE with OCR, click <b>File, Scan</b> and choose the Brother TWAIN/WIA driver.
Poor scanning results when using the ADF.	Try using the scanner glass. (See <i>Using the scanner glass</i> on page 23.)
OCR does not work.	Try increasing the scanner resolution.

## Software Difficulties

Difficulty	Suggestions
Cannot install software or print.	Run the <b>Repair MFL-Pro Suite</b> program on the CD-ROM. This program will repair and reinstall the software.
'Device Busy'	Make sure the machine is not showing an error message on the LCD.
Cannot print images from FaceFilter Studio.	To use FaceFilter Studio, you must install the FaceFilter Studio application from the CD-ROM supplied with your machine. To install FaceFilter Studio see the <i>Quick Setup Guide</i> .  Also, before you start FaceFilter Studio for the first time, you must make sure your Brother machine is turned On, and connected to your computer. This will allow you to access all the functions of FaceFilter Studio.

## PhotoCapture Center® Difficulties

Difficulty	Suggestions
Removable Disk does not work properly.	<ol style="list-style-type: none"> <li>1 Have you installed the Windows® 2000 update? If not, do the following:                             <ol style="list-style-type: none"> <li>1) Unplug the USB cable.</li> <li>2) Install the Windows® 2000 update using one of the following methods.                                     <ul style="list-style-type: none"> <li>■ Install MFL-Pro Suite from the CD-ROM. (See the <i>Quick Setup Guide</i>.)</li> <li>■ Download the latest service pack from the Microsoft Web site.</li> </ul> </li> <li>3) Wait about 1 minute after you restart the PC, and then connect the USB cable.</li> </ol> </li> <li>2 Take out the memory card or USB Flash memory drive and put it back in again.</li> <li>3 If you have tried 'Eject' from within Windows®, take out the memory card or USB Flash memory drive before you continue.</li> <li>4 If an error message appears when you try to eject the memory card or USB Flash memory drive, it means the card is being accessed. Wait a while and then try again.</li> <li>5 If all of the above do not work, turn off your PC and machine, and then turn them on again. (You will have to unplug the power cord of the machine to turn it off.)</li> </ol>
Cannot access Removable Disk from Desktop icon.	Make sure that you have correctly inserted the memory card or USB Flash memory drive.
Part of my photo is missing when printed.	Make sure that Borderless Printing and Cropping are turned off. (See <i>Borderless printing</i> on page 120 and <i>Cropping</i> on page 120.)

## Network Difficulties

Difficulty	Suggestions
Cannot print over the Network.	<p>Make sure that your machine is powered on and is online and in Ready mode. Print a Network Configuration list (see <i>Reports</i> on page 90.) and check the current Network settings printed in this list. Reconnect the LAN cable to the hub to verify that the cabling and network connections are good. If possible, try connecting the machine to a different port on your hub using a different cable. If the connections are good, the machine shows LAN Active for 2 seconds.</p> <p>(If you are using a wireless connection or are having Network problems, see the Network User's Guide for more information.)</p>
The network scanning feature does not work.	<p>(For Windows® users only) Firewall settings on your PC may be rejecting the necessary network connection. Follow the instructions below to configure the Firewall. If you are using a personal Firewall software, see the User's Guide for your software or contact the software manufacturer.</p> <p>For Windows® XP SP2 and Windows Vista® users, see <i>Firewall settings</i> in the Software User's Guide on the CD-ROM.</p> <p>For Windows® XP SP1 user's, please visit the Brother Solutions Center. (<a href="http://solutions.brother.com">http://solutions.brother.com</a>)</p>
The network PC-Fax Receive feature does not work.	
Your computer cannot find your machine.	<p>&lt;Windows® users&gt;                      Firewall settings on you PC may be rejecting the necessary network connection. For detail, see the instruction above.</p> <p>&lt;Macintosh® users&gt;                      Re-select your machine in the Device Selector application located in Macintosh HD/Library/Printers/Brother/Utilities/DeviceSelector or from the model list in ControlCenter2.</p>

## Dial Tone

---

Setting the dial tone to Detection will shorten the dial detect pause.

- 1 Press **Menu**.
- 2 Press **▲** or **▼** to choose Initial Setup.  
Press **OK**.
- 3 Press **▲** or **▼** to choose Dial Tone.
- 4 Press **◀** or **▶** to choose Detection or No Detection.  
Press **OK**.
- 5 Press **Stop/Exit**.

## Telephone line interference

---

If you are having problems sending or receiving a fax due to possible interference on the telephone line, we recommend that you adjust the Equalization for compatibility to reduce the modem speed for fax operations.

- 1 Press **Menu**.
- 2 Press **▲** or **▼** to choose Fax.  
Press **OK**.
- 3 Press **▲** or **▼** to choose Miscellaneous.  
Press **OK**.
- 4 Press **▲** or **▼** to choose Compatibility.
- 5 Press **◀** or **▶** to choose High, Normal or Basic (for VoIP).
  - Basic (for VoIP) reduces the modem speed to 9600 bps. Unless interference is a recurring problem on your telephone line, you may prefer to use it only when needed.
  - Normal sets the modem speed at 14400 bps.
  - High increases the modem speed to 33600 bps. (factory setting)Press **OK**.
- 6 Press **Stop/Exit**.



### Note

---

When you change the compatibility to Basic (for VoIP), the ECM feature is only available for color fax sending.

---



## Error and Maintenance messages

As with any sophisticated office product, errors may occur. If this happens, your machine identifies the error and shows an error message. The most common error and maintenance messages are shown below.

You can correct most errors and routine maintenance messages by yourself. If you need more help, the Brother Solutions Center offers the latest FAQs and troubleshooting tips.

Visit us at <http://solutions.brother.com>.

Error Message	Cause	Action
B&W Print Only	<p>One or more of the color ink cartridges have reached the end of their life.</p> <p>While this message appears on the LCD, each operation works in the following way:</p> <ul style="list-style-type: none"> <li>■ <b>Printing</b> If you click <b>Grayscale</b> in the Advanced tab of the printer driver you can use the machine as a black &amp; white printer for approximately four weeks depending on the number of pages you print.</li> <li>■ <b>Copying</b> If the paper type is set to Plain Paper or Inkjet Paper you can make copies in black &amp; white.</li> <li>■ <b>Faxing</b> If the paper type is set to Plain Paper, Inkjet Paper or Transparency the machine will receive and print the faxes in black &amp; white.  If a sending machine has a color fax, the machine's 'handshake' will ask that the fax be sent as black &amp; white.</li> </ul> <p>If the paper type is set to Other Glossy or Brother BP71, the machine will stop all print operations. If you unplug the machine, or take out the ink cartridge, you cannot use the machine until you change to a new ink cartridge.</p>	<p>Replace the ink cartridges. (See <i>Replacing the ink cartridges</i> on page 167.)</p>

Error Message	Cause	Action
Cannot Detect	You installed a new ink cartridge too quickly and the machine did not detect it.	Take out the new ink cartridge and re-install it slowly until it clicks.
	If you are not using genuine Brother Innobella™ ink the machine may not detect the ink cartridge.	Use a new Genuine Brother Innobella™ Ink Cartridge. If the error is not cleared, call Brother Customer Service.
	An ink cartridge is not installed properly.	Take out the new ink cartridge and re-install it slowly until it clicks. (See <i>Replacing the ink cartridges</i> on page 167.)
Cannot Print	One or more of the ink cartridges have reached the end of their life. The machine will stop all print operations. While memory is available, black & white faxes will be stored in the memory. If a sending machine has a color fax, the machine's 'handshake' will ask that the fax be sent as black & white. If the sending machine has the ability to convert it, the color fax will be stored in the memory as a black & white fax.	Replace the ink cartridges. (See <i>Replacing the ink cartridges</i> on page 167.)
Comm.Error	Poor telephone line quality caused a communication error.	Send the fax again or connect the machine to another telephone line. If the problem continues, call the telephone company and ask them to check your telephone line.
Connection Fail	You tried to poll a fax machine that is not in Polled Waiting mode.	Check the other fax machine's polling setup.
Cover is Open	The scanner cover is not closed completely.	Lift the scanner cover and then close it again.
	The ink cartridge cover is not completely closed.	Firmly close the ink cartridge cover until it clicks.
Data Remaining	Print data is left in the machine's memory.	Press <b>Stop/Exit</b> . The machine will cancel the job and clear it from the memory. Try to print again.
Disconnected	The other person or other person's fax machine stopped the call.	Try to send or receive again.
Document Jam	The document was not inserted or fed properly, or the document scanned from the ADF was too long.	See <i>Using the ADF</i> on page 22. See <i>Document jam</i> on page 161.
DR Mode in Use	The machine is set to Distinctive Ring mode. You cannot change the Receive Mode from Manual to another mode.	Set Distinctive Ring to off. (See <i>Turning off Distinctive Ring</i> on page 71.)
High Temperature	The print head is too warm.	Allow the machine to cool down.

Error Message	Cause	Action
Hub is Unusable.	A Hub or USB Flash memory drive with Hub has been connected to the USB direct interface.	A Hub or USB Flash memory drive with Hub are not supported. Unplug the device from the USB direct interface.
Image Too Long.	The proportions of your photo are irregular so effects could not be added.	Choose a regularly proportioned image.
Image Too Small.	The size of your photo is too small to trim.	Choose a larger image.
Ink low	One or more of the ink cartridges are running out of ink. If a sending machine has a color fax, your machine's 'handshake' will ask that the fax be sent as black & white. If the sending machine has the ability to convert it, the color fax will be printed at your machine as a black & white fax.	Order a new ink cartridge. You can continue printing until the LCD shows <i>Cannot Print</i> . (See <i>Ordering accessories and supplies</i> on page ii and <i>Replacing the ink cartridges</i> on page 167.)
Low Temperature	The print head is too cold.	Allow the machine to warm up.
Media Error	The memory card is either corrupted, improperly formatted, or there is a problem with the card.	Put the card firmly into the slot again to make sure it is in the correct position. If the error remains, check the media drive (slot) of the machine by putting in another memory card that you know is working.
Media is Full.	The memory card or USB flash memory drive you are using already contains 999 files.	Your machine can only save to your memory card or USB flash memory drive if it contains less than 999 files. Try deleting unused files to free some space and try again.
No Caller ID	There is no incoming call history. You did not receive calls or you have not subscribed to the Caller ID service from your telephone company.	If you want to use the Caller ID feature call your telephone company. (See <i>Caller ID</i> on page 71.)
No Cartridge	An ink cartridge is not installed properly.	Take out the new ink cartridge and re-install it slowly until it clicks. (See <i>Replacing the ink cartridges</i> on page 167.)
No File	The memory card or USB Flash memory drive in the media drive does not contain a .JPG file.	Put the correct memory card or USB Flash memory drive into the slot again.

Error Message	Cause	Action
No Paper Fed	The machine is out of paper or paper is not properly loaded in the paper tray.	Do one of the following: <ul style="list-style-type: none"> <li>■ Refill the paper in the paper tray, and then press <b>Black Start</b> or <b>Color Start</b>.</li> <li>■ Remove the paper and load it again and then press <b>Black Start</b> or <b>Color Start</b>. (See <i>Loading paper and other print media</i> on page 9.)</li> </ul>
	The paper is jammed in the machine.	Remove the jammed paper by following the steps in <i>Printer jam or paper jam (MFC-5890CN only)</i> on page 162 or <i>Printer jam or paper jam (MFC-6490CW only)</i> on page 164.
	The jam clear cover (MFC-5890CN) or the outer back cover or inner back cover (MFC-6490CW) may not be closed properly.	(MFC-5890CN) Open the jam clear cover and then close it. Make sure the jam clear cover is closed properly.  (MFC-6490CW) Open the outer back cover and inner back cover. Then close the inner back cover and outer back cover. Make sure they are closed properly.
No Response/Busy	The number you dialed does not answer or is busy.	Verify the number and try again.
Not Registered	You tried to access a One Touch or Speed Dial number that is not programmed.	Set up the One Touch or Speed Dial number. (See <i>Storing Speed Dial numbers</i> on page 83.)
Out of Memory	The machine's memory is full.	<b>Fax sending or copy operation in progress</b> Do one of the following: <ul style="list-style-type: none"> <li>■ Press <b>Stop/Exit</b> and wait until the other operations in progress finish and then try again.</li> <li>■ Clear the data in the memory. To gain extra memory, you can turn off Memory Receive. (See <i>Receiving faxes into memory when the paper tray is empty</i> on page 55.)</li> <li>■ Print the faxes that are in the memory. (See <i>Printing a fax from the memory</i> on page 55.)</li> </ul>
	The memory card or USB flash memory drive you are using does not have enough free space to scan the document.	Delete unused files from your memory card or USB Flash memory drive to make some free space and then try again.

Error Message	Cause	Action
Paper Jam	Paper is jammed in the machine.	(MFC-6490CW) Remove the jammed paper by following the steps in <i>Printer jam or paper jam (MFC-6490CW only)</i> on page 164.
		(MFC-5890CN) Remove the jammed paper by following the steps in <i>Printer jam or paper jam (MFC-5890CN only)</i> on page 162.
		Make sure the paper length guide is set to the paper size. Do not extend the paper tray when you load A5 or smaller size paper.
Replace Ink	One or more of the ink cartridges have reached the end of their life.	Replace the ink cartridges. (See <i>Replacing the ink cartridges</i> on page 167.)
Unable to Clean XX	The machine has a mechanical problem.  —OR—  A foreign object such as a clip or ripped paper is in the machine.	Open the scanner cover and look inside the machine for foreign objects and paper scraps. If the error message continues, disconnect the machine from the power for several minutes, then reconnect it. (The machine can be turned off for approximately 24 hours without losing faxes stored in the memory. See <i>Transferring your faxes or Fax Journal report</i> on page 159.)
Unable to Init. XX	The machine has a mechanical problem.  —OR—  A foreign object such as a clip or ripped paper is in the machine.	Open the scanner cover and look inside the machine for foreign objects and paper scraps. If the error message continues, disconnect the machine from the power for several minutes, then reconnect it. (The machine can be turned off for approximately 24 hours without losing faxes stored in the memory. See <i>Transferring your faxes or Fax Journal report</i> on page 159.)
Unable to Print XX	The machine has a mechanical problem.  —OR—  A foreign object such as a clip or ripped paper is in the machine.	Open the scanner cover and look inside the machine for foreign objects and paper scraps. If the error message continues, disconnect the machine from the power for several minutes, then reconnect it. (The machine can be turned off for approximately 24 hours without losing faxes stored in the memory. See <i>Transferring your faxes or Fax Journal report</i> on page 159.)

Error Message	Cause	Action
Unable to Scan XX	The machine has a mechanical problem.  —OR— A foreign object such as a clip or ripped paper is in the machine.	Open the scanner cover and look inside the machine for foreign objects and paper scraps. If the error message continues, disconnect the machine from the power for several minutes, then reconnect it. (The machine can be turned off for approximately 24 hours without losing faxes stored in the memory. See <i>Transferring your faxes or Fax Journal report</i> on page 159.)
Unusable Device Disconnect device from front connector & turn machine off & then on	A broken device has been connected to the USB direct interface.	Unplug the device from the USB direct interface, then press <b>On/Off</b> to turn the machine off and then on again.
Unusable Device Please Disconnect USB Device.	A USB device or USB Flash memory drive that is not supported has been connected to the USB direct interface.  (For more information, visit us at <a href="http://solutions.brother.com">http://solutions.brother.com</a> .)	Unplug the device from the USB direct interface.
Wrong Paper Size	Paper is not the correct size.	(MFC-5890CN) Check that the machine's Paper Size setting matches the size of paper in the tray. (See <i>Paper Size</i> on page 27.)  (MFC-6490CW) Make sure the machine's Paper Size setting matches the size of paper in the tray. (See <i>Paper Size and Type (MFC-6490CW only)</i> on page 27.) Also, check that the machine is set to use the tray with the paper size you want. (See <i>Tray use in Copy mode (MFC-6490CW only)</i> on page 28 and <i>Tray use in Fax mode (MFC-6490CW only)</i> on page 28.)

## Error animation

Error animation displays step-by-step instructions when paper gets jammed. You can read the steps at your own pace by pressing **▶** to see the next step and **◀** to go backward. If you do not press a key after 1 minute the animation starts running automatically again.



### Note

You can press **◀**, **▶** or **OK** to pause the auto-animation and go back to step-by-step mode.

## Transferring your faxes or Fax Journal report

If the LCD shows:

- Unable to Clean XX
- Unable to Init. XX
- Unable to Print XX
- Unable to Scan XX

We recommend transferring your faxes to another fax machine or to your PC. (See *Transferring faxes to another fax machine* on page 159 or *Transferring faxes to your PC* on page 160.)

You can also transfer the Fax Journal report to see if there are any faxes you need to transfer. (See *Transferring Fax Journal report to another fax machine* on page 160.)



### Note

If there is an error message on the machine's LCD, after the faxes have been transferred, disconnect the machine from the power source for several minutes, and then reconnect it.

## Transferring faxes to another fax machine

If you have not set up your Station ID, you cannot enter fax transfer mode. (See *Set your station ID* in the Quick Setup Guide.)

- 1 Press **Stop/Exit** to interrupt the error temporarily.
- 2 Press **Menu**.
- 3 Press **▲** or **▼** to choose `Service`. Press **OK**.
- 4 Press **▲** or **▼** to choose `Data Transfer`. Press **OK**.
- 5 Press **▲** or **▼** to choose `Fax Transfer`. Press **OK**.
- 6 Do one of the following:
  - If the LCD shows `No Data`, there are no faxes left in the machine's memory. Press **Stop/Exit**.
  - Enter the fax number to which faxes will be forwarded.
- 7 Press **Black Start**.

## Transferring faxes to your PC

You can transfer the faxes from your machine's memory to your PC. The machine can store faxes for approximately 24 hours if there is a power failure.

- 1 Press **Stop/Exit** to interrupt the error temporarily.
- 2 Make sure you have installed **MFL-Pro Suite** on your PC, and then turn on **PC FAX Receiving** on the PC. (For details see *PC- FAX receiving for Windows®* in the Software User's Guide on the CD-ROM.)
- 3 Make sure you have set PC Fax Receive on the machine. (See *PC Fax Receive* on page 58.) If faxes are in the machine's memory when you set up PC Fax Receive, the LCD will ask if you want to transfer the faxes to your PC.
- 4 Do one of the following:
  - To transfer all faxes to your PC, press **1**. You will be asked if you want to also turn on backup print.
  - To exit and leave the faxes in the memory, press **2**.
- 5 Press **Stop/Exit**.

## Transferring Fax Journal report to another fax machine

If you have not set up your Station ID, you cannot enter fax transfer mode. (See *Set your station ID* in the Quick Setup Guide.)

- 1 Press **Stop/Exit** to interrupt the error temporarily.
- 2 Press **Menu**.
- 3 Press **▲** or **▼** to choose *Service*. Press **OK**.
- 4 Press **▲** or **▼** to choose *Data Transfer*. Press **OK**.
- 5 Press **▲** or **▼** to choose *Report Trans.* Press **OK**.
- 6 Enter the fax number to which the Fax Journal report will be forwarded.
- 7 Press **Black Start**.

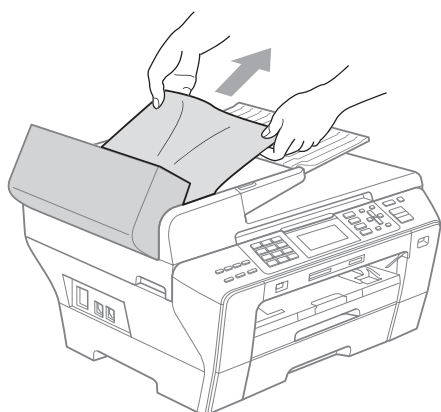


## Document jam

Documents can jam in the ADF unit if they are not inserted or fed properly, or if they are too long. Follow the steps below to clear a document jam.

### Document is jammed in the top of the ADF unit

- 1 Take out any paper from the ADF that is not jammed.
- 2 Open the ADF cover.
- 3 Pull the jammed document out to the right.



- 4 Close the ADF cover.
- 5 Press **Stop/Exit**.

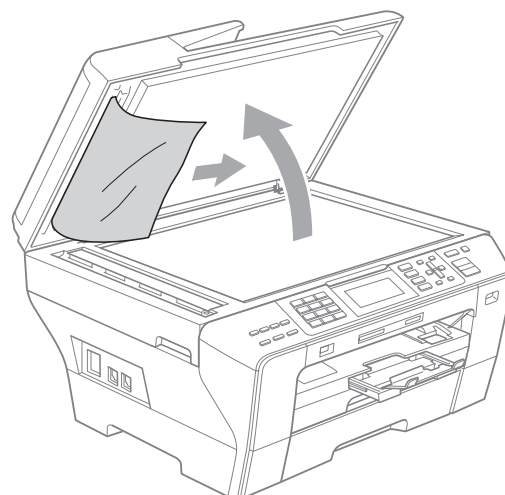


#### Note

To avoid future document jams close the ADF cover properly by pressing it down gently in the middle.

### Document is jammed inside the ADF unit

- 1 Take out any paper from the ADF that is not jammed.
- 2 Lift the document cover.
- 3 Pull the jammed document out to the right.

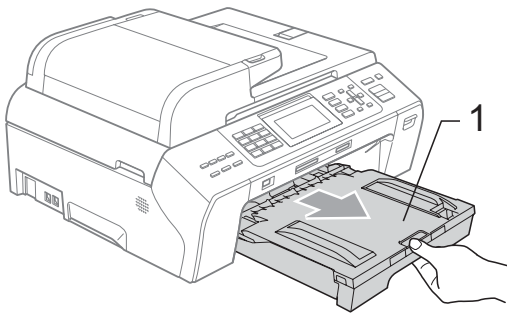


- 4 Close the document cover.
- 5 Press **Stop/Exit**.

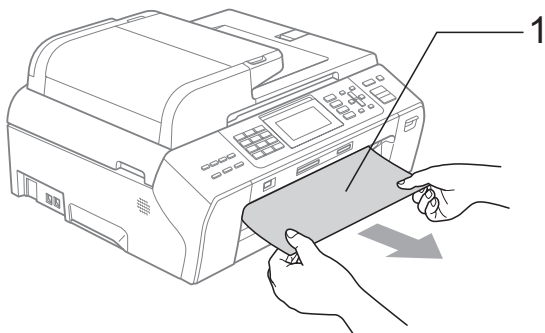
## Printer jam or paper jam (MFC-5890CN only)

Take out the jammed paper depending on where it is jammed in the machine.

- 1 Pull the paper tray (1) out of the machine.



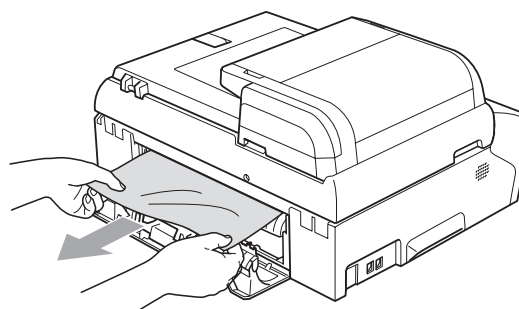
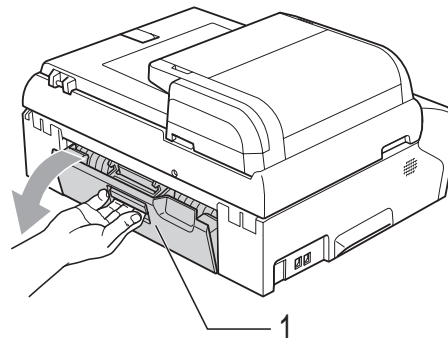
- 2 Pull out the jammed paper (1) and press Stop/Exit.



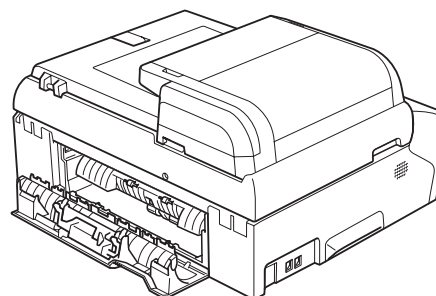
- 3 Reset the machine by lifting the scanner cover from the front of the machine and then closing it.

- If you cannot remove the jammed paper from the front of the machine, or the error message still appears on the LCD after you have removed the jammed paper, please go to the next step.

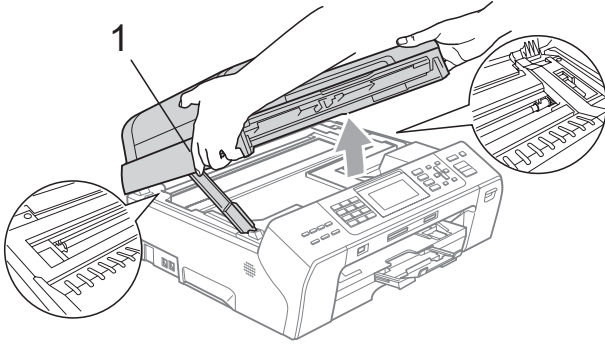
- 4 Open the Jam Clear Cover (1) at the back of the machine. Pull the jammed paper out of the machine.



- 5 Close the Jam Clear Cover. Make sure the cover is closed properly.

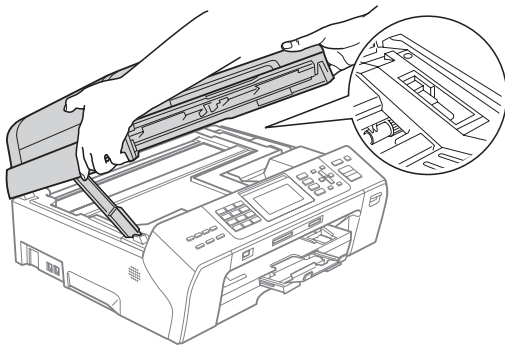


- 6 Lift the scanner cover (1) from the front side of the machine until it locks securely into the open position. Make sure that there is no jammed paper left inside the machine.



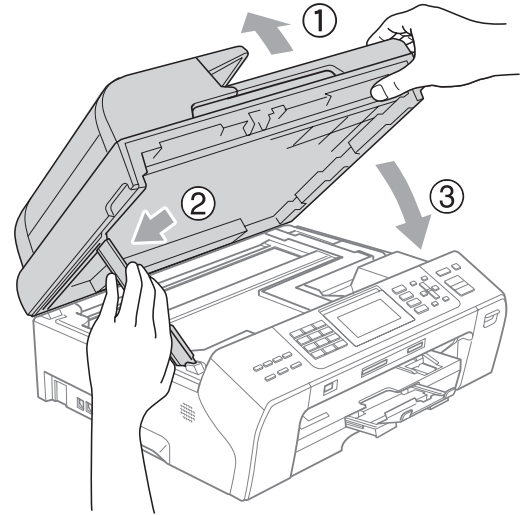
 **Note**

- If the paper is jammed under the print head, unplug the machine from the power source, and then move the print head to take out the paper.
- If the print head is at the right corner as shown in the illustration, you cannot move the print head. Press **Stop/Exit** until the print head moves to the middle. Then unplug the machine from the power source and take out the paper.



- If ink gets on your skin or clothing immediately wash it off with soap or detergent.

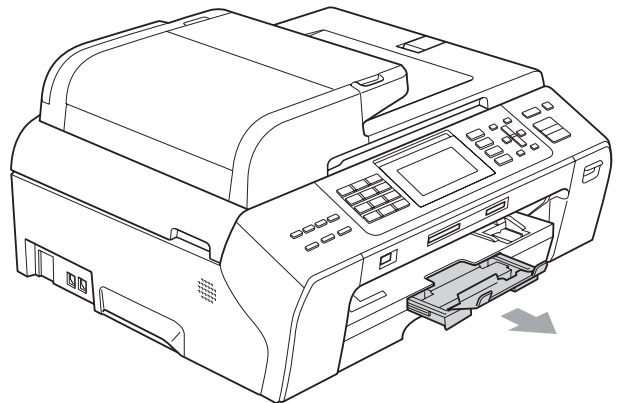
- 7 Lift the scanner cover to release the lock (1). Gently push the scanner cover support down (2) and close the scanner cover (3) using both hands.



- 8 Push the paper tray firmly back into the machine.

 **Note**

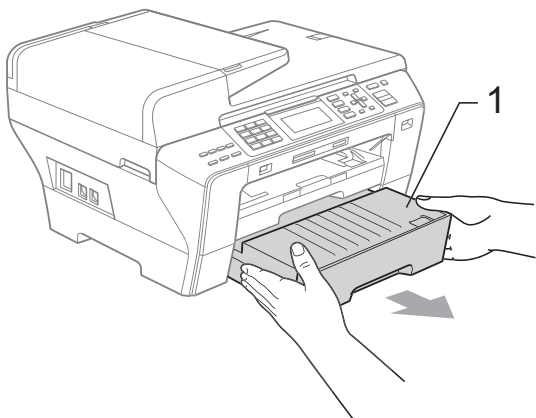
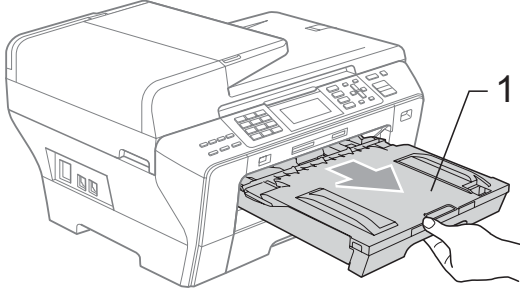
Make sure you pull out the paper support until it clicks.



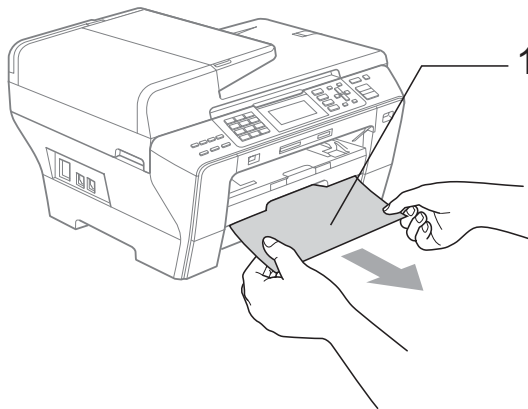
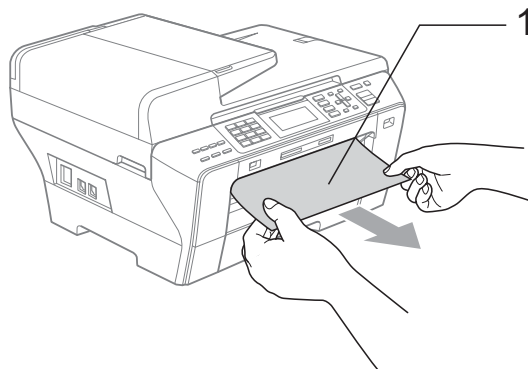
## Printer jam or paper jam (MFC-6490CW only)

Take out the jammed paper depending on where it is jammed in the machine.

- 1 Pull the paper trays (1) out of the machine.



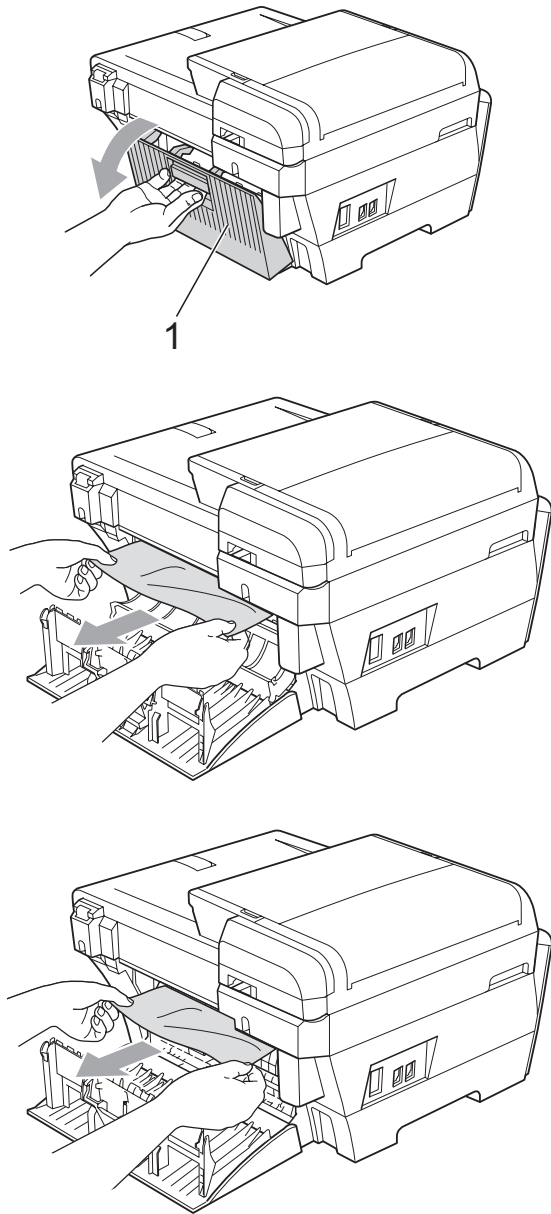
- 2 Pull out the jammed paper (1) and press Stop/Exit.



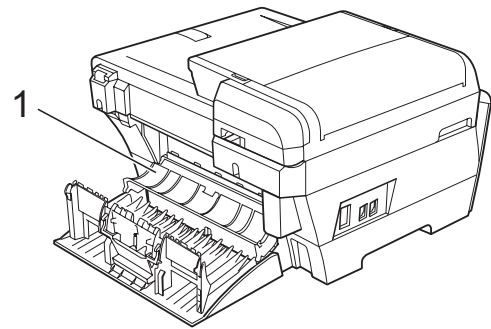
- 3 Reset the machine by lifting the scanner cover from the front of the machine and then closing it.

- If you cannot remove the jammed paper from the front of the machine, or the error message still appears on the LCD after you have removed the jammed paper, please go to the next step.

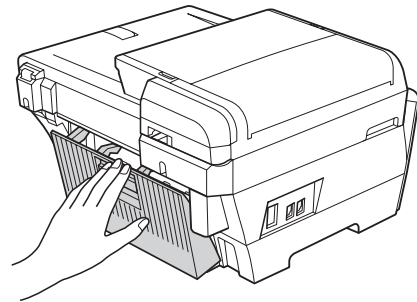
- 4** Open the Outer Back Cover (1) at the back of the machine. Pull the jammed paper out of the machine.



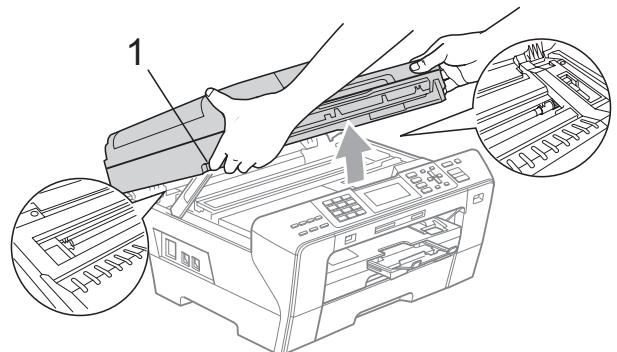
- 5** Close the Inner Back Cover (1) if it is open as shown in the illustration.



- 6** Close the Outer Back Cover. Make sure the Outer Back Cover is closed properly.

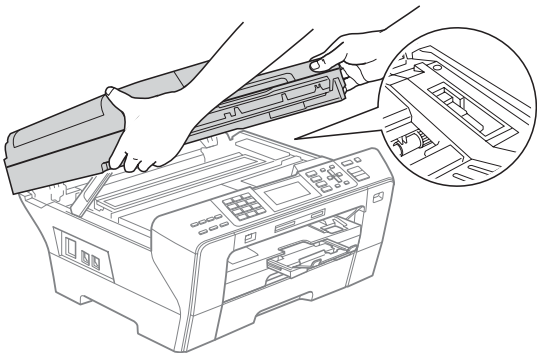


- 7** Using both hands, use the plastic tabs on both sides of the machine to lift the Scanner Cover (1) into the open position. Make sure that there is no jammed paper left inside the machine.



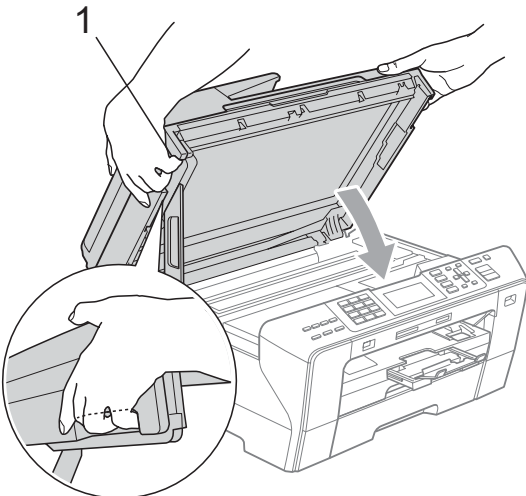
 **Note**

- If the paper is jammed under the print head, unplug the machine from the power source, and then move the print head to take out the paper.
- If the print head is at the right corner as shown in the illustration, you cannot move the print head. Press **Stop/Exit** until the print head moves to the middle. Then unplug the machine from the power source, and take out the paper.



- If ink gets on your skin or clothing immediately wash it off with soap or detergent.


- 8** Gently close the scanner cover using the finger holds on both sides of it as you push down on the Scanner Cover Support (1).

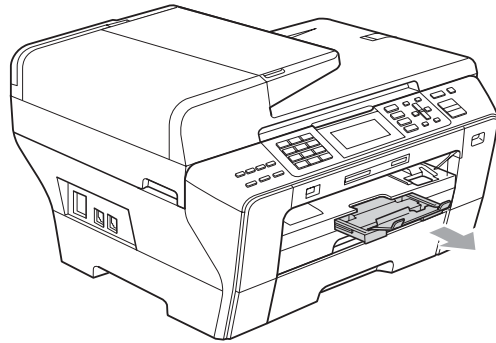


 **WARNING**

Be careful not to trap your fingers under the scanner cover.  
Always use the finger holds provided on both sides of the scanner cover when opening and closing it.

- 9** Push paper tray #1 and paper tray #2 firmly back into the machine.

-  **Note**  
Make sure you pull out the paper support until it clicks.



# Routine maintenance

## Replacing the ink cartridges

Your machine is equipped with an ink dot counter. The ink dot counter automatically monitors the level of ink in each of the 4 cartridges. When the machine detects an ink cartridge is running out of ink, the machine will tell you with a message on the LCD.

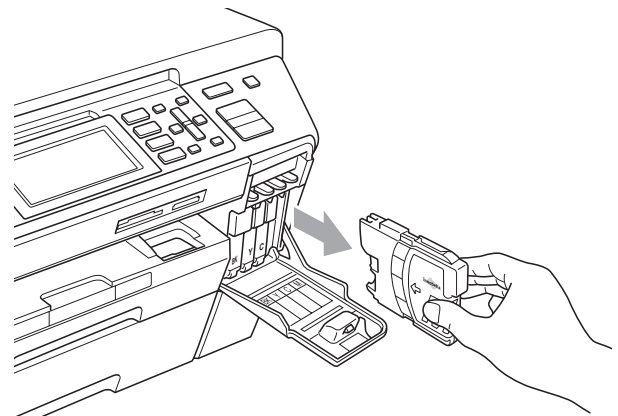
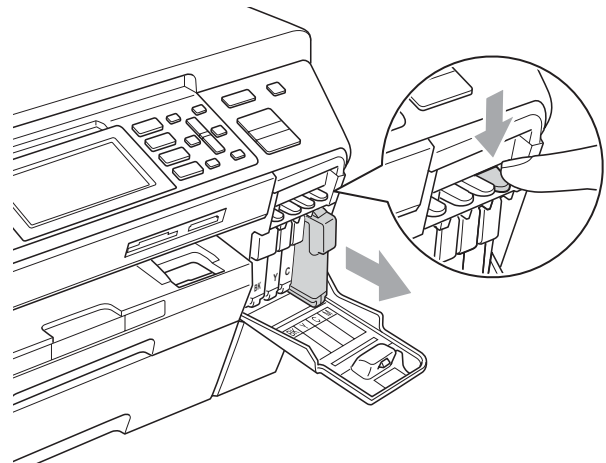
The LCD will tell you which ink cartridge is low or needs replacing. Be sure to follow the LCD prompts to replace the ink cartridges in the correct order.

Even though the machine tells you to replace an ink cartridge, there will be a small amount of ink left in the ink cartridge. It is necessary to keep some ink in the ink cartridge to prevent air from drying out and damaging the print head assembly.

### ! CAUTION

Brother strongly recommends that you do not refill the ink cartridges provided with your machine. We also strongly recommend that you continue to use only Genuine Brother Brand replacement ink cartridges. Use or attempted use of potentially incompatible ink and/or cartridges in the Brother machine may cause damage to the machine and/or may result in unsatisfactory print quality. Our warranty coverage does not apply to any problem that is caused by the use of unauthorized third party ink and/or cartridges. To protect your investment and obtain premium performance from the Brother machine, we strongly recommend the use of Genuine Brother Supplies.

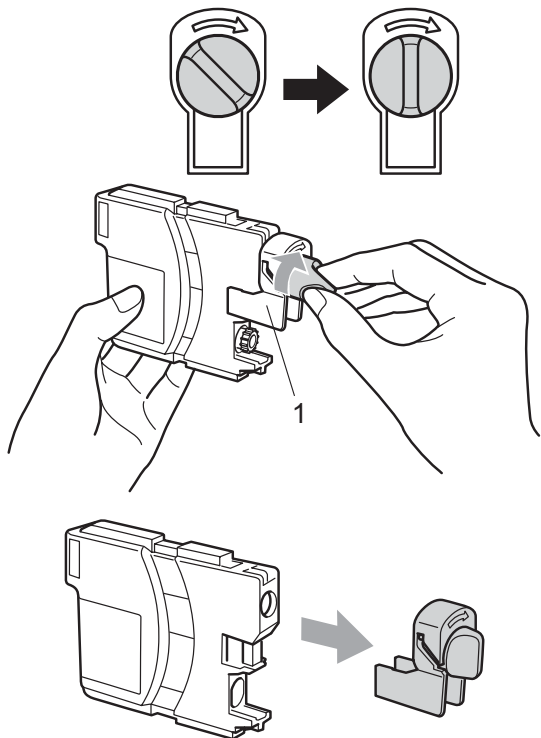
- 1 Open the ink cartridge cover. If one or more ink cartridges have reached the end of their life, for example Black, the LCD shows `Cannot Print`.
- 2 Press down to unlock the release lever and take out the ink cartridge for the color shown on the LCD.



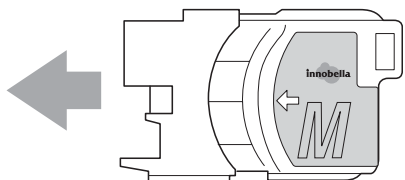
- 3 Open the new ink cartridge bag for the color shown on the LCD, and then take out the ink cartridge.

B

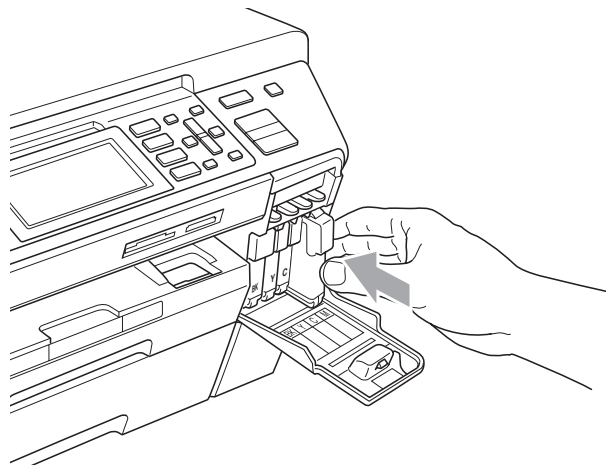
- 4 Turn the green knob on the protective yellow cap clockwise until clicks to release the vacuum seal, then remove the cap (1).



- 5 Each color has its own correct position. Insert the ink cartridge in the direction of the arrow on the label.



- 6 Gently push the ink cartridge in until it clicks, and then close the ink cartridge cover.



- 7 The machine will automatically reset the ink dot counter.



#### Note

- If you replaced an ink cartridge, for example Black, the LCD may ask you to verify that it was a brand new one (for example, Did You Change **BK** Black). For each new cartridge you installed, press **1** (Yes) to automatically reset the ink dot counter for that color. If the ink cartridge you installed is not a brand new one, be sure to press **2** (No).
- If the LCD shows No Cartridge or Cannot Detect after you install the ink cartridges, check that the ink cartridges are installed properly.



#### WARNING

If ink gets in your eyes, wash them out with water at once and call a doctor if you are concerned.



**! CAUTION**

DO NOT take out ink cartridges if you do not need to replace them. If you do so, it may reduce the ink quantity and the machine will not know the quantity of ink left in the cartridge.

DO NOT touch the cartridge insertion slots. If you do so, the ink may stain your skin.

If ink gets on your skin or clothing immediately wash it off with soap or detergent.

If you mix the colors by installing an ink cartridge in the wrong position, clean the print head several times after correcting the cartridge installation.

Once you open an ink cartridge, install it in the machine and use it up within six months of installation. Use unopened ink cartridges by the expiration date written on the cartridge package.

DO NOT dismantle or tamper with the ink cartridge, this can cause the ink to leak out of the cartridge.

## Cleaning the outside of the machine

B

**! CAUTION**

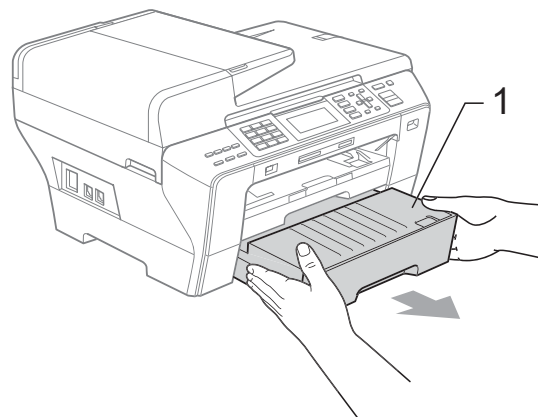
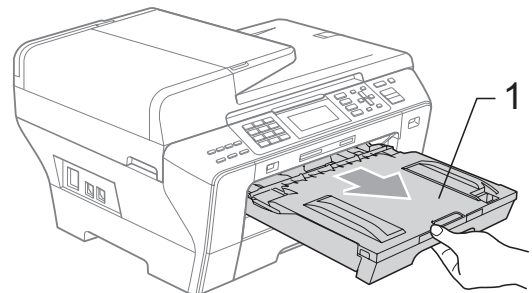
Use neutral detergents. Cleaning with volatile liquids such as thinner or benzene will damage the outside surface of the machine.

DO NOT use cleaning materials that contain ammonia.

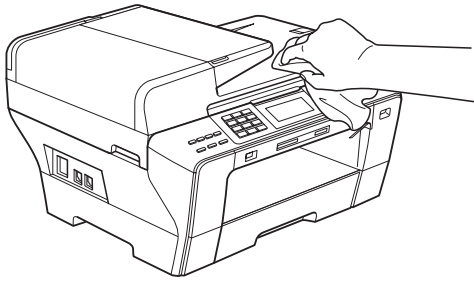
DO NOT use isopropyl alcohol to remove dirt from the control panel. It may crack the panel.

### Clean the outside of the machine as follows:

- 1 Pull the paper trays (1) completely out of the machine.

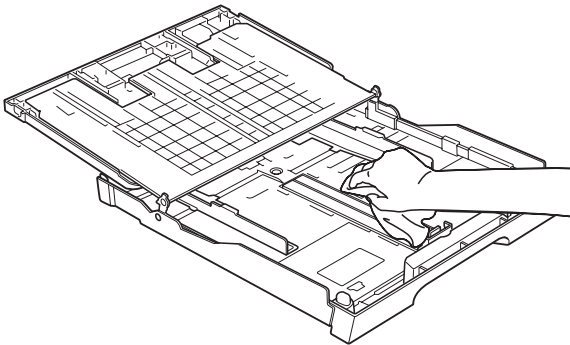


- 2 Wipe the outside of the machine with a soft cloth to remove dust.



- 3 Remove anything that is stuck inside the paper tray.

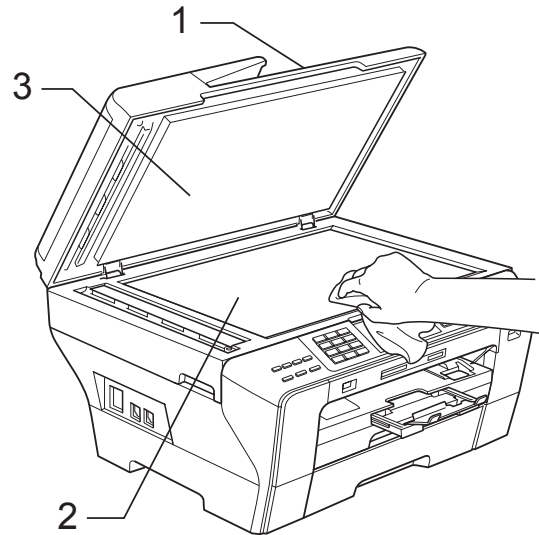
- 4 Wipe the paper trays with a soft cloth to remove dust.



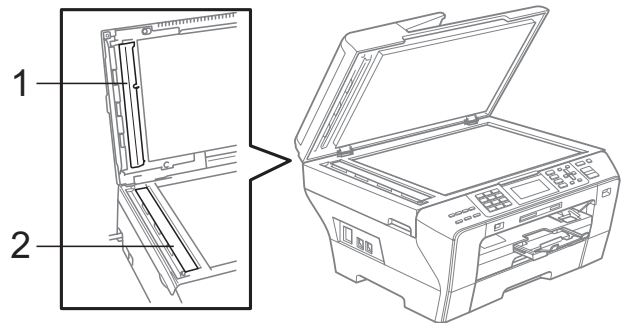
- 5 Put the paper trays firmly back in the machine.

## Cleaning the scanner

- 1 Lift the document cover (1). Clean the scanner glass (2) and the white plastic (3) with a soft lint-free cloth moistened with a non-flammable glass cleaner.



- 2 In the ADF unit, clean the white bar (1) and the glass strip (2) with a lint-free cloth moistened with a non-flammable glass cleaner.



### Note

In addition to cleaning the scanner glass and glass strip with a non-flammable glass cleaner, run your finger tip over the glass to see if you can feel anything on it. If you feel dirt or debris, clean the glass again concentrating on that area. You may need to repeat the cleaning process three or four times. To test, make a copy after each cleaning.

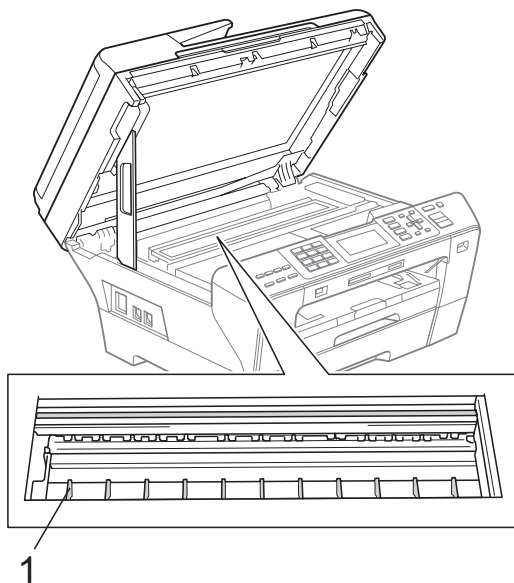
## Cleaning the machine printer platen



### WARNING

Be sure to unplug the machine from the AC power outlet before cleaning the printer platen (1).

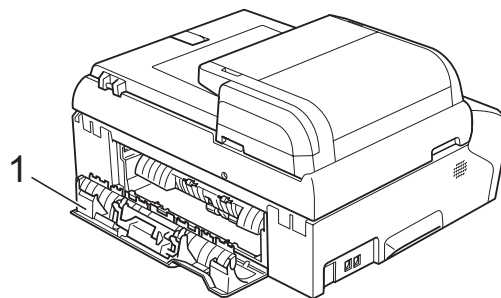
- 1 Using both hands, use the plastic tabs on both sides of the machine to lift the scanner cover until it locks securely into the open position.
- 2 Clean the machine printer platen (1) and the area around it, wiping off any scattered ink with a soft, dry lint-free cloth.



## Cleaning the paper pick-up roller

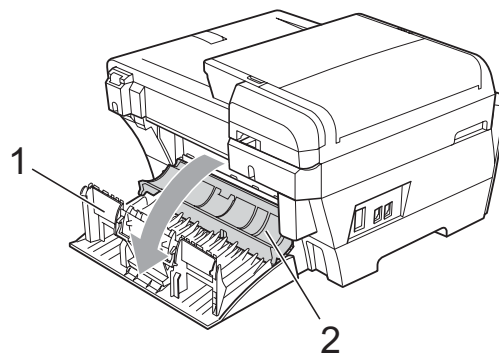
B

- 1 Pull the paper trays completely out of the machine.
- 2 (MFC-5890CN)  
Unplug the machine from the AC power outlet and open the Jam Clear Cover (1) at the back of the machine.

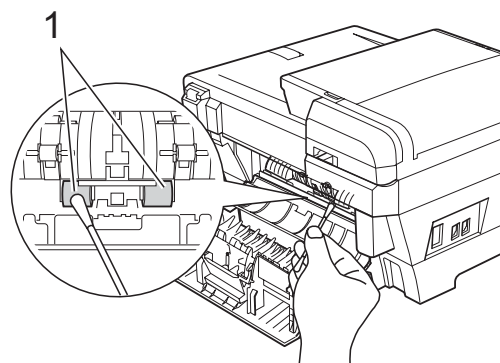


(MFC-6490CW)

Unplug the machine from the AC power outlet and open the Outer Back Cover (1) and Inner Back Cover (2) at the back of the machine.



- 3 Clean the Paper Pick-up Roller (1) with isopropyl alcohol on a cotton swab.



- 4 (MFC-5890CN)  
Close the Jam Clear Cover properly.

(MFC-6490CW)  
Close the Inner Back Cover and the Outer Back Cover.  
Make sure the Outer Back Cover is closed properly.

- 5 Put the paper trays firmly back in the machine.

- 6 Re-connect the power cord.

## Cleaning the print head

To maintain good print quality, the machine will automatically clean the print head. You can start the cleaning process manually if there is a print quality problem.

Clean the print head and ink cartridges if you get a horizontal line or blank text in the text or graphics on your printed pages. You can clean Black only, three colors at a time (Cyan/Yellow/Magenta), or all four colors at once.

Cleaning the print head consumes ink. Cleaning too often uses ink unnecessarily.

### CAUTION

DO NOT touch the print head. Touching the print head may cause permanent damage and may void the print head's warranty.

- 1 Press **Ink**.
- 2 Press **▲** or **▼** to choose **Cleaning**. Press **OK**.
- 3 Press **▲** or **▼** to choose **Black**, **Color** or **All**. Press **OK**.  
The machine cleans the print head. When cleaning is finished, the machine will go back to standby mode automatically.



### Note

If you clean the print head at least five times and the print has not improved, try installing a new Genuine Brother Brand replacement cartridge for each problem color. Try cleaning the print head again up to five more times. If the print has not improved call Brother Customer Service (see *Brother numbers* on page i).

## Checking the print quality

If faded or streaked colors and text appear on your output, some of the nozzles may be clogged. You can check this by printing the Print Quality Check Sheet and looking at the nozzle check pattern.

- 1 Press **Ink**.
- 2 Press **▲** or **▼** to choose `Test Print`. Press **OK**.
- 3 Press **▲** or **▼** to choose `Print Quality`. Press **OK**.
- 4 Press **Color Start**. The machine begins printing the Print Quality Check Sheet.
- 5 Check the quality of the four color blocks on the sheet.
- 6 The LCD asks you if the print quality is OK. Do one of the following:
  - If all lines are clear and visible, press **1 (Yes)** to finish the Print Quality check and go to step 10.
  - If you can see missing short lines as shown below, press **2** to choose `No`.

<Black>

OK



Poor



<Color>

OK



Poor



- 7 The LCD asks you if the print quality is OK for black and the three colors. Press **1 (Yes)** or **2 (No)**.

- 8 The LCD asks you if you want to start cleaning. Press **1 (Yes)**. The machine starts cleaning the print head.
- 9 After cleaning is finished, press **Color Start**. The machine starts printing the Print Quality Check Sheet again and then return to step 5.
- 10 Press **Stop/Exit**. If you repeat this procedure at least five times and the print quality is still poor, replace the ink cartridge for the clogged color. After replacing the ink cartridge, check the print quality. If the problem still exists, repeat the cleaning and test print procedures at least five times for the new ink cartridge. If ink is still missing, call Brother Customer Service. (See *Brother numbers* on page i.)

### ! CAUTION

DO NOT touch the print head. Touching the print head may cause permanent damage and may void the print head's warranty.

### Note



When a print head nozzle is clogged the printed sample looks like this.



After the print head nozzle is cleaned, the horizontal lines are gone.

## Checking the print alignment

---

You may need to adjust the print alignment after transporting the machine or if your printed text becomes blurred or images become faded.

- 1 Press **Ink**.
- 2 Press **▲** or **▼** to choose `Test Print`. Press **OK**.
- 3 Press **▲** or **▼** to choose `Alignment`. Press **OK**.
- 4 Press **Black Start** or **Color Start**. The machine starts printing the Alignment Check Sheet.
- 5 Check the 600 dpi and 1200 dpi test prints to see if number 5 most closely matches number 0.
- 6 Do one of the following:
  - If the number 5 samples of both the 600 dpi and 1200 dpi test prints are the best matches, press **1** (`Yes`) to finish the Alignment Check and go to step 9.
  - If another test print number is a better match for either 600 dpi or 1200 dpi, press **2** (`No`) to choose it.
- 7 For 600 dpi, press the number of the test print that most closely matches the number 0 sample (1-8).
- 8 For 1200 dpi, press the number of the test print that most closely matches the number 0 sample (1-8).
- 9 Press **Stop/Exit**.

## Checking the ink volume

---

Although an ink volume icon appears on the LCD, you can use the **Ink** key to see a large graph showing the ink that is left in each cartridge.

- 1 Press **Ink**.
- 2 Press **▲** or **▼** to choose `Ink Volume`. Press **OK**. The LCD shows the ink volume.
- 3 Press **Stop/Exit**.



### Note

---

You can check the ink volume from your computer. (See *Printing for Windows*<sup>®</sup> or *Printing and Faxing for Macintosh*<sup>®</sup> in the Software User's Guide on the CD-ROM.)

---

## Machine Information

### Checking the serial number

---

You can see the machine's serial number on the LCD.

- 1 Press **Menu**.
- 2 Press **▲** or **▼** to choose `Machine Info`. Press **OK**.
- 3 Press **▲** or **▼** to choose `Serial No`. Press **OK**.
- 4 Press **Stop/Exit**.

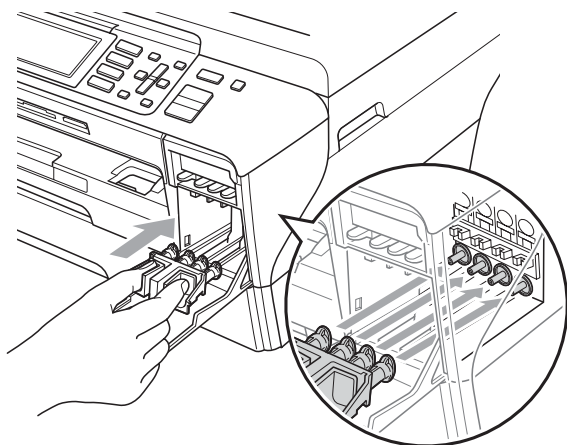
## Packing and shipping the machine

When you transport the machine, use the packing materials that came with your machine. If you do not pack the machine properly, any damage that may occur in transit will not be covered by your warranty.

### ! CAUTION

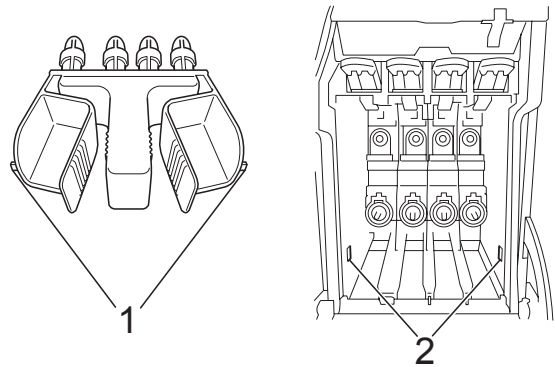
It is important to allow the machine to 'park' the print head after a print job. Listen carefully to the machine before unplugging it to make sure that all mechanical noise has stopped. Not allowing the machine to finish this parking process may lead to print problems and possible damage to the print head.

- 1 Open the ink cartridge cover.
- 2 Press the lock release lever to release the ink cartridge and take out all the ink cartridges. (See *Replacing the ink cartridges* on page 167.)
- 3 Install the green protective part and then close the ink cartridge cover.



### ! CAUTION

Make sure that the plastic tabs on both sides of the green protective part (1) have securely clicked into place (2).



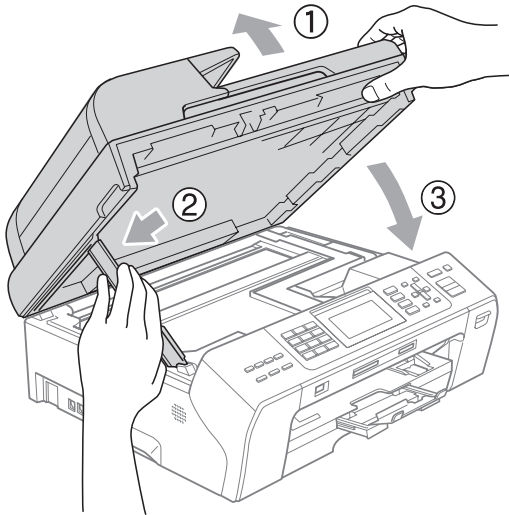
If you are not able to find the green protective part, DO NOT remove the ink cartridges before shipping. It is essential that the machine be shipped with either the green protective part or the ink cartridges in position. Shipping without them will cause damage to your machine and may void your warranty.

- 4 Unplug the machine from the telephone wall jack and take the telephone line cord out of the machine.
- 5 Unplug the machine from the AC power outlet.
- 6 (MFC-5890CN)  
Using both hands, use the plastic tabs on both sides of the machine to lift the scanner cover until it locks securely into the open position. Then unplug the interface cable from the machine, if it is connected.

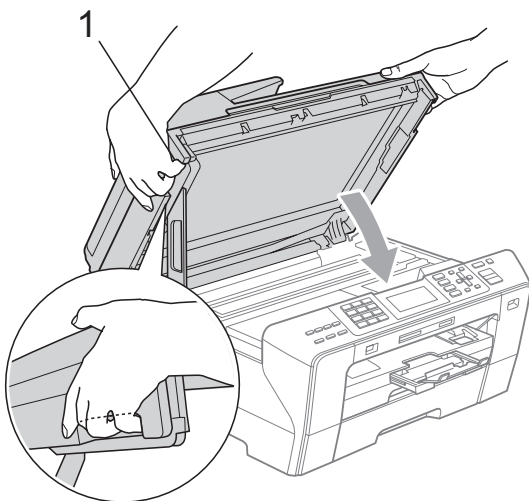
(MFC-6490CW)

Using both hands, use the plastic tabs on both sides of the machine to lift the scanner cover into the open position. Then unplug the interface cable from the machine, if it is connected.

- 7** (MFC-5890CN)  
Lift the scanner cover (1) to release the lock. Gently push the scanner cover support down (2) and close the scanner cover (3) using both hands.



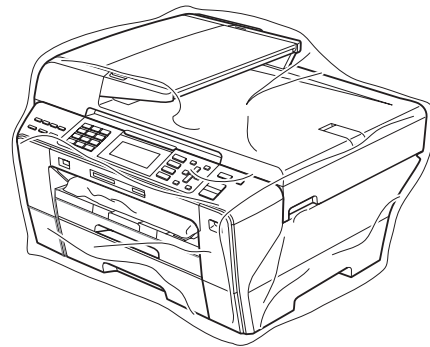
- (MFC-6490CW)  
Gently close the scanner cover using the finger holds on both sides of it as you push down on the Scanner Cover Support (1).



**! WARNING**

Be careful not to trap your fingers under the scanner cover.  
Always use the finger holds provided on both sides of the scanner cover when opening and closing it.

- 8** Wrap the machine in the bag.

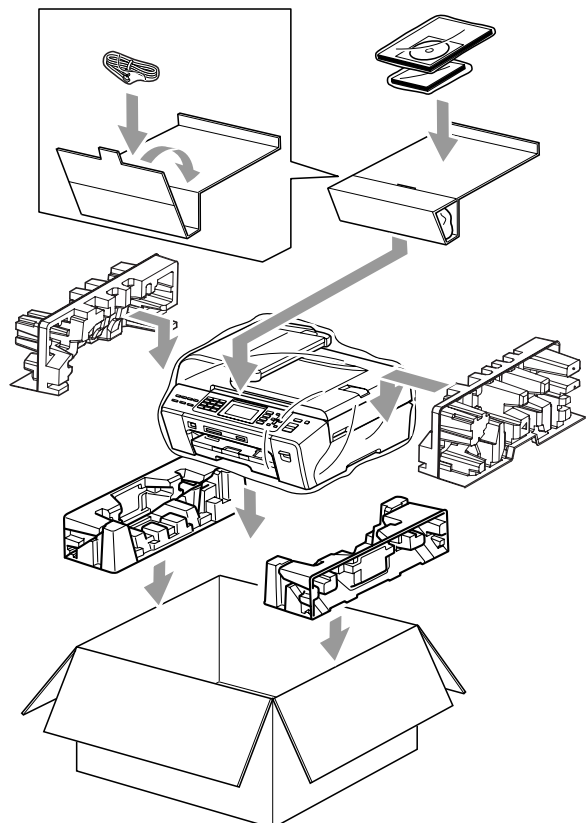


- 9** Pack the machine and the printed materials in the original carton with the original packing material as shown below. Do not pack the used ink cartridges in the carton.

**Note**

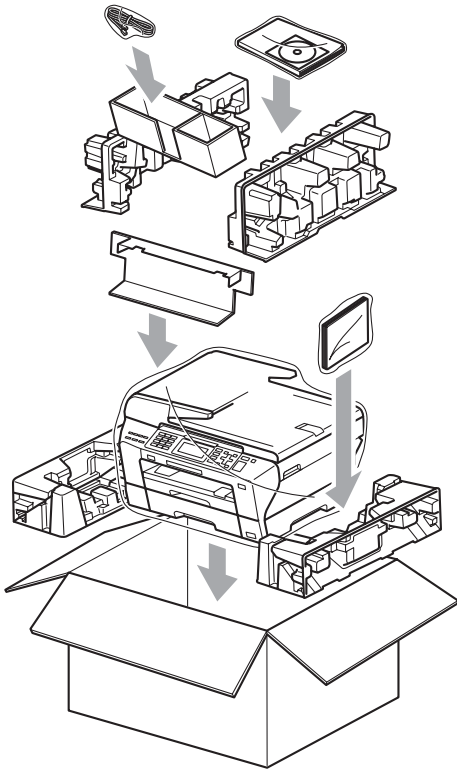
If you are returning your machine to Brother as part of the Exchange Service, pack *only* the machine. Keep all separate parts and printed materials to use with your 'Exchange' machine.

(MFC-5890CN)





(MFC-6490CW)



- 10 Close the carton and tape it shut.

## On-screen programming

Your machine is designed to be easy to operate with LCD on-screen programming using the menu keys. User-friendly programming helps you take full advantage of all the menu selections your machine has to offer.

Since your programming is done on the LCD, we have created step-by-step on-screen instructions to help you program your machine. All you need to do is follow the instructions as they guide you through the menu selections and programming options.

### Menu table

You can program your machine by using the Menu table that begins on page 179. These pages list the menu selections and options.









### Memory storage

Even if there is a power failure, you will not lose the settings you have chosen using the Menu key because they are stored permanently. Also, you will not lose your settings in the PhotoCapture, Fax and Copy mode key menus if you have chosen *Set New Default*. You may have to reset the date and time.

#### Note

During a power failure the machine will retain messages that are in the memory for approximately 24 hours.


## Mode and menu keys


	Access the main menu.
   	Access the mode and its menu of temporary settings.
▲ ▼	Scroll through the current menu level.
◀	Go back to the previous menu level.
▶	Go to the next menu level.
OK 	<ul style="list-style-type: none"> <li>■ Go to the next menu level.</li> <li>■ Accept an option.</li> </ul>
Clear / Back 	<ul style="list-style-type: none"> <li>■ Cancel the current operation.</li> <li>■ Go back to the previous menu level.</li> </ul>
Stop / Exit 	<ul style="list-style-type: none"> <li>■ Stop the current operation.</li> </ul>


## Menu table


The menu table will help you understand the menu selections and options that are found in the machine's programs. The factory settings are shown in Bold with an asterisk.


Menu (  )

Level1	Level2	Level3	Options	Descriptions	Page
<b>General Setup</b>	<b>Mode Timer</b>	—	Off 0Sec 30Secs 1Min <b>2Mins*</b> 5Mins	Sets the time to return to Fax mode.	26
	<b>Paper Type</b> (MFC-5890CN)	—	<b>Plain Paper*</b> Inkjet Paper Brother BP71 Other Glossy Transparency	Sets the type of paper in the paper tray.	26
	<b>Paper Size</b> (MFC-5890CN)	—	<b>Letter*</b> Legal Ledger A4 A5 A3 4"x6"	Sets the size of the paper in the paper tray.	27
 The factory settings are shown in Bold with an asterisk.					


Level1	Level2	Level3	Options	Descriptions	Page
General Setup (Continued)	Tray Setting (MFC-6490CW)	Tray#1	<b>Paper Type</b> (Options) <b>Plain Paper*</b> Inkjet Paper Brother BP71 Other Glossy Transparency	Sets the size and type of paper in paper tray #1.	27
			<b>Paper Size</b> (Options) <b>Letter*</b> Legal Ledger A4 A5 A3 4"x6"		27
		Tray#2	<b>Paper Type</b> (Option) <b>Plain Paper</b>	Sets the size of the paper in the paper tray #2.	27
			<b>Paper Size</b> (Options) <b>Letter*</b> Legal Ledger A4 A3		
		Tray Use:Copy	<b>Tray#1*</b> Tray#2	Choose the tray that will be used for Copy mode.	28
		Tray Use:Fax	Tray#1 Tray#2 <b>Auto Select*</b>	Choose the tray that will be used for Fax mode.	28
 The factory settings are shown in Bold with an asterisk.					

Level1	Level2	Level3	Options	Descriptions	Page	
General Setup (Continued)	Volume	Ring	Off Low <b>Med*</b> High	Adjusts the ring volume.	29	
		Beeper	Off <b>Low*</b> Med High	Adjusts the volume level of the beeper.	30	
		Speaker	Off Low <b>Med*</b> High	Adjusts the speaker volume.	30	
	Auto Daylight	—	On <b>Off*</b>	Change this setting to <b>On</b> if you want the machine to change automatically for Daylight Savings Time.	31	
	PwrOff Setting	—	Fax Receive:On <b>Fax Receive:Off*</b>	Customizes the <b>On/Off</b> key to receive faxes even in off mode.	25	
	LCD Settings	LCD Contrast	Light <b>Med*</b> Dark	Adjusts the contrast of the LCD.	32	
		Backlight	<b>Light*</b> Med Dark	You can adjust the brightness of the LCD backlight.	32	
		Dim Timer	Off 10Secs 20Secs <b>30Secs*</b>	You can set how long the LCD backlight stays on after the last key press.	32	
		Wallpaper	—	You can choose the wallpaper of the LCD.	32	
	Sleep Mode	—	1Min 2Mins 3Mins 5Mins <b>10Mins*</b> 30Mins 60Mins	You can choose how long the machine must be idle before it goes into sleep mode.	31	
	LGR - Short Grain	—	On <b>Off*</b>	Turn on this setting when you use Ledger short grain paper.	29	
	 The factory settings are shown in Bold with an asterisk.					


Level1	Level2	Level3	Options	Descriptions	Page
General Setup (Continued)	Function Lock	Set Password Lock Off-On Setup User Reset All Users	—	You can restrict selected machine operation for up to 20 restricted users and for all other non-authorized Public users.	33
Fax	Setup Receive	Ring Delay	0 1 2 3 <b>4*</b>	Sets the number of rings before the machine answers in Fax Only or Fax/Tel mode.	52
		F/T Ring Time	<b>20Secs*</b> 30Secs 40Secs 70Secs	Sets the pseudo/double-ring time in Fax/Tel mode.	52
		Easy Receive	<b>On*</b> Off	Receives fax messages without pressing the <b>Black Start</b> or <b>Color Start</b> key.	53
		Remote Codes	<b>On*</b> (*51, #51) Off	Allows you to answer all calls at an extension telephone and use codes to turn the machine on or off. You can personalize these codes.	77
		B&W/Color	<b>B&amp;W (Max. LGR) *</b> Color (Max. LTR)	Set your priority for received faxes, which can be either black & white ledger size or color letter size.	54
		Auto Reduction	<b>On*</b> Off	Reduces the size of incoming faxes.	53
		Memory Receive	<b>Off*</b> Fax Forward Paging Fax Storage PC Fax Receive	You can set the machine to either forward fax messages, call your pager, store incoming faxes in the memory (so you can retrieve them while you are away from your machine), or send faxes to your PC.  If you choose Fax Forward or PC Fax Receive, you can turn on the safety feature Backup Print.	56
 The factory settings are shown in Bold with an asterisk.					

Level1	Level2	Level3	Options	Descriptions	Page
Fax (Continued)	Report Setting	Transmission (MFC-5890CN)	On On+Image <b>Off*</b> Off+Image	Initial setup for Transmission Verification Report and Fax Journal Report.	89
		Transmission (MFC-6490CW)	On On+Image <b>Off*</b> Off+Image Off2 Off2+Image		
		Journal Period	Off <b>Every 50 Faxes*</b> Every 6 Hours Every 12 Hours Every 24 Hours Every 2 Days Every 7 Days		90
	Print Fax	—	—	Prints incoming faxes stored in the memory.	55
	Remote Access	—	---*	Set your own code for Remote Retrieval.	63
	Remaining Jobs	—	—	Check which jobs are in the memory and lets you cancel chosen jobs.	46
	Miscellaneous	Compatibility	<b>High*</b> Normal Basic(for VoIP)	Adjusts the modem speed to help resolve transmission problems.	152
		Distinctive	<b>Off*</b> Set (On)	Uses the Telephone company's Distinctive Ring subscriber service to register the ring pattern with the machine.	69
		Caller ID (USA only)	Area Code	View or print a list of the last 30 Caller IDs stored in the memory.  Set up your 3-digit area code only if you do not dial it within your own area code.	71
	 The factory settings are shown in Bold with an asterisk.				

## Network menu

Level1	Level2	Level3	Level4	Options	Descriptions
Network	Wired LAN	TCP/IP	<b>BOOT Method</b>	<b>Auto*</b> Static RARP BOOTP DHCP	Chooses the BOOT method that best suits your needs.
			<b>IP Address</b>	[000-255]. [000-255]. [000-255]. [000-255]	Enter the IP address.
			<b>Subnet Mask</b>	[000-255]. [000-255]. [000-255]. [000-255]	Enter the Subnet mask.
			<b>Gateway</b>	[000-255]. [000-255]. [000-255]. [000-255]	Enter the Gateway address.
			<b>Node Name</b>	BRNXXXXXXXXXXXX	Enter the Node name.
			<b>WINS Config</b>	<b>Auto*</b> Static	Chooses the WINS configuration mode.
			<b>WINS Server</b>	(Primary) 000.000.000.000 (Secondary) 000.000.000.000	Specifies the IP address of the primary or secondary server.
			<b>DNS Server</b>	(Primary) 000.000.000.000 (Secondary) 000.000.000.000	Specifies the IP address of the primary or secondary server.
			<b>APIPA</b>	<b>On*</b> Off	Automatically allocates the IP address from the link-local address range.
See <i>Network User's Guide</i> on the CD-ROM					
 The factory settings are shown in Bold with an asterisk.					



Level1	Level2	Level3	Level4	Options	Descriptions
Network (Continued)	Wired LAN (Continued)	TCP/IP (Continued)	IPv6	On <b>Off*</b>	Enable or Disable the IPv6 protocol. If you want to use the IPv6 protocol, visit <a href="http://solutions.brother.com">http://solutions.brother.com</a> for more information.
		Ethernet	—	<b>Auto*</b> 100B-FD 100B-HD 10B-FD 10B-HD	Chooses the Ethernet link mode.
	WLAN (MFC-6490CW)	TCP/IP	BOOT Method	<b>Auto*</b> Static RARP BOOTP DHCP	Chooses the BOOT method that best suits your needs.
			IP Address	[000-255]. [000-255]. [000-255]. [000-255]	Enter the IP address.
			Subnet Mask	[000-255]. [000-255]. [000-255]. [000-255]	Enter the Subnet mask.
			Gateway	[000-255]. [000-255]. [000-255]. [000-255]	Enter the Gateway address.
			Node Name	BRWXXXXXXXXXXXX	Enter the Node name.
			WINS Config	<b>Auto*</b> Static	Chooses the WINS configuration mode.
			WINS Server	(Primary) 000.000.000.000 (Secondary) 000.000.000.000	Specifies the IP address of the primary or secondary server.
			See <i>Network User's Guide on the CD-ROM</i>		
	The factory settings are shown in Bold with an asterisk.				

Level1	Level2	Level3	Level4	Options	Descriptions
Network (Continued)	WLAN (MFC-6490CW) (Continued)	TCP/IP (Continued)	DNS Server	(Primary) 000.000.000.000  (Secondary) 000.000.000.000	Specifies the IP address of the primary or secondary server.
			APIPA	On*  Off	Automatically allocates the IP address from the link-local address range.
			IPv6	On  Off*	Sets the IPv6 protocol On.
		Setup Wizard	—	—	You can configure your print server.
		SES/WPS/AOSS	—	—	You can easily configure your wireless network settings using the one-button push method.
		WPS w/PIN Code	—	—	You can easily configure your wireless network settings using WPS with a PIN code.
		WLAN Status	Status	—	You can see the current wireless network status.
			Signal	—	You can see the current wireless network signal strength.
			SSID	—	You can see the current SSID.
			Comm. Mode	—	You can see the current Communication Mode.

See *Network User's Guide on the CD-ROM*



The factory settings are shown in Bold with an asterisk.

Level1	Level2	Level3	Level4	Options	Descriptions
Network (Continued)	E-mail/IFAX (MFC-6490CW)  (Available as a download for MFC-5890CN)	Mail Address	Mail Address	—	Enter the mail address. (Up to 60 characters)
		Setup Server	SMTP Server	Name (Up to 30 characters)	Enter the SMTP server address.
				IP Address [000-255]. [000-255]. [000-255]. [000-255]	
			SMTP Port	[00001-65535]	Enter the SMTP port number.
			Auth. for SMTP	None SMTP-AUTH POP bef.SMTP	Selects the Security method for E-mail notification
			POP3 Server	Name (Up to 30 characters)	Enter the POP3 server address.
				IP Address [000-255]. [000-255]. [000-255]. [000-255]	
			POP3 Port	[00001-65535]	Enter the POP3 port number.
			Mailbox Name	—	Enter the mail box name. (Up to 20 characters)
			Mailbox Pwd	—	Enter the password to login to the POP3 server. (Up to 20 characters)
			APOP	On <b>Off*</b>	Enables or disables APOP.
		Setup Mail RX	Auto Polling	<b>On*</b> Off	Automatically checks the POP3 server for new messages.
			Poll Frequency	10Min (s)	Sets the interval for checking for new messages on the POP3 server.
			Header	All Subject+From+To <b>None*</b>	Selects the contents of the mail header to be printed.

See *Network User's Guide on the CD-ROM*




The factory settings are shown in Bold with an asterisk.

Level1	Level2	Level3	Level4	Options	Descriptions	
Network (Continued)	E-mail/IFAX (MFC-6490CW)  (Available as a download for MFC-5890CN)  (Continued)	Setup Mail RX (Continued)	Del Error Mail	On* Off	Deletes error mails automatically.	
			Notification	On MDN Off*	Receives notification messages.	
			Setup Mail TX	Sender Subject	—	Displays the subject that is attached to the Internet Fax data.
				Size Limit	On Off*	Limits the size of E-mail documents.
				Notification	On Off*	Sends notification messages.
		Setup Relay	Rly Broadcast	On Off*	Relays a document to another fax machine.	
			Relay Domain	—	Registers the Domain name.	
			Relay Report	On Off*	Prints the Relay Broadcast Report.	
		Scan to FTP	Passive Mode	Off On*	—	You can set Passive Mode to OFF or ON depending on your FTP server and network firewall configuration.
			Port Number	—	—	You can change the port number used to access the FTP server.
			File Name1	—	—	In addition to the seven preset file names, you can store two user defined file names that can be used for creating an FTP Server Profile.
			File Name2	—	—	
			Setup Profile	Not Registered	—	You can set up your FTP Profile.


See *Network User's Guide on the CD-ROM*




The factory settings are shown in Bold with an asterisk.


Level1	Level2	Level3	Level4	Options	Descriptions
<b>Network</b> (Continued)	<b>Time Zone</b> (MFC-6490CW)  (Available as a download for MFC-5890CN)	—	UTC+XX:XX	—	Sets the time zone for your country.
	<b>Network I/F</b> (MFC-6490CW)	—	<b>Wired LAN*</b>  WLAN	—	You can choose the network connection type.
	<b>Factory Reset</b>	—	—	—	Restores all wired and wireless network settings to the factory default.
<i>See Network User's Guide on the CD-ROM</i>					
 The factory settings are shown in Bold with an asterisk.					

Menu (  ) (continued)

Level1	Level2	Level3	Options	Descriptions	Page
Print Reports	Transmission	—	—	Prints these lists and reports.	90
	Help List	—	—		
	Quick Dial	—	Alphabetical Order Numerical Order		
	Fax Journal	—	—		
	User Settings	—	—		
	Network Config	—	—		
	Caller ID hist.	—	—		
Machine Info.	Serial No.	—	—	Lets you check the serial number of your machine.	174
Initial Setup	Receive Mode	—	<b>Fax Only*</b> Fax/Tel External TAD Manual	Choose the receive mode that best suits your needs.	49
	Date&Time	—	—	Puts the date and time on the LCD and in headings of faxes you send.	See <i>Quick Setup Guide</i>
	Station ID	—	Fax: Name:	Set your name and fax number to appear on each page you fax.	
	Tone/Pulse (Canada only)	—	<b>Tone*</b> Pulse	Choose the dialing mode.	
	Dial Tone	—	Detection <b>No Detection*</b>	You can shorten the dial tone detect pause.	152
	Local Language (US only)	—	<b>English*</b> Spanish	Allows you to change the LCD language.	See <i>Quick Setup Guide</i>
	Local Language (Canada only)	—	<b>English*</b> French	Allows you to change the LCD language.	
 The factory settings are shown in Bold with an asterisk.					


Fax (  )

Level1	Level2	Level3	Options	Descriptions	Page
Fax Resolution	—	—	<b>Standard*</b> Fine S.Fine Photo	Sets the resolution for outgoing faxes.	45
Contrast	—	—	<b>Auto*</b> Light Dark	Changes the lightness or darkness of faxes you send.	44
Glass ScanSize (MFC-6490CW)	—	—	<b>Letter*</b> Legal Ledger A4 A3	To fax a Legal, Ledger, A3 or A4 size document, you'll need to change the Glass ScanSize setting.	42
Phone Book	Search	—	Alphabetical Order Numerical Order	You can dial by pressing only a few keys (and <b>Start</b> ).	80
	Set One Touch Dial	—	—	You can store One Touch numbers, so you can dial by pressing only the One Touch key (and <b>Start</b> ).	82
	Set Speed Dial	—	—	You can store Speed Dial numbers, so you can dial by pressing only a few keys (and <b>Start</b> ).	83
	Setup Groups	—	—	Sets up a Group number for Broadcasting.	86
Outgoing Call	Send a fax	—	—	You can choose a number from the Outgoing Call history and then make a telephone call to it, send a fax to it, add it to Speed Dial, or delete it.	81
	Add To Phone Book	—	—		
	Delete	—	—		
Caller ID hist.	Send a fax	—	—	You can choose a number from the Caller ID history and then send a fax to it, add it to Speed Dial, or delete it.	81
	Add To Phone Book	—	—		
	Delete	—	—		
Broadcasting	Add Number	—	—	You can send the same fax message to more than one fax number.	43
	Phone Book	—	—		
	Complete	—	—		
Delayed Fax	—	—	On (00:00) <b>Off*</b>	Sets the time of day in 24-hour format that the delayed faxes will be sent.	46
 The factory settings are shown in Bold with an asterisk.					

Level1	Level2	Level3	Options	Descriptions	Page
Batch TX	—	—	On <b>Off*</b>	Combines delayed faxes to the same fax number at the same time of day into one transmission.	46
Real Time TX	—	—	On <b>Off*</b>	You can send a fax without using the memory.	45
Polled TX	—	—	On <b>Off*</b>	Sets up your machine with an document to be retrieved by another fax machine.	92
Polling RX	—	—	On <b>Off*</b>	Sets up your machine to poll another fax machine.	91
Overseas Mode	—	—	On <b>Off*</b>	If you are having difficulty sending faxes overseas, set this to On.	46
Glass ScanSize (MFC-5890CN)	—	—	<b>Letter*</b> A4	Adjust the scan area of the scanner glass to the size of the document.	41
Set New Default	—	—	Yes No	You can save your fax settings.	47
Factory Reset	—	—	Yes No	You can restore all settings to the factory settings.	47
 The factory settings are shown in Bold with an asterisk.					




Scan (  )

Level1	Option1	Option2	Option3	Descriptions	Page	
Scan to E-mail	PC	—	—	You can scan a black & white or a color document into your E-mail application.	See <i>Software User's Guide on the CD-ROM</i>	
	<b>E-mail Server</b> (MFC-6490CW)  (Available as a download for MFC-5890CN)	<b>Phone Book</b>		Alphabetical Order Numerical Order		You can for search E-mail addresses you have stored in your machine.
		<b>Quality</b>		<b>Color 150 dpi*</b> Color 300 dpi Color 600 dpi B/W 200x100 dpi B/W 200 dpi		Choose the file format to send the scanned data as an E-mail attachment.
		<b>File Type</b>		(If you chose color option in Quality setting) <b>PDF*</b> JPEG		
				(If you chose B&W option in Quality setting) <b>PDF*</b> TIFF		
		<b>Glass ScanSize</b> (MFC-6490CW)		<b>Letter*</b> Legal Ledger A4 A3		To scan a Legal, Ledger, A3 or A4 size document, you'll need to change the Glass ScanSize setting.
		<b>Set New Default</b>		Yes No		You can save your scan settings as the default settings.
		<b>Factory Reset</b>		Yes No		You can restore all settings to the original factory default settings.
Scan to Image	—	—	—	You can scan a color picture into your graphics application.		
Scan to OCR	—	—	—	You can have your text document converted to an editable text file.		
Scan to File	—	—	—	You can scan a black & white or a color document into your computer.		
 The factory settings are shown in Bold with an asterisk.						


Level1	Option1	Option2	Option3	Descriptions	Page
Scan to Media (when a memory card or USB Flash memory drive is inserted)	Quality	—	Color 150 dpi* Color 300 dpi Color 600 dpi B/W 200x100 dpi B/W 200 dpi	You can choose the scan resolution, file format and enter a file name for your document.	122
	File Type	—	(If you chose color option in Quality setting) <b>PDF*</b> JPEG		
			(If you chose B&W option in Quality setting) <b>PDF*</b> TIFF		
	Glass ScanSize (MFC-6490CW)	—	<b>Letter*</b> Legal Ledger A4 A3	To scan a Legal, Ledger, A3 or A4 size document, you'll need to change the Glass ScanSize setting.	123
	File Name	—	—	You can rename the file.	123
	Set New Default	—	Yes No	You can save your scan settings as the default settings.	123
	Factory Reset	—	Yes No	You can restore all settings to the original factory default settings.	123

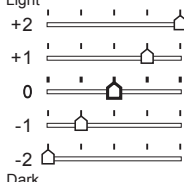
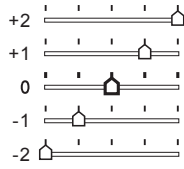


The factory settings are shown in Bold with an asterisk.

Level1	Option1	Option2	Option3	Descriptions	Page
Scan to FTP	(Profile Name)	—	—	Enter the name that you want to use for the profile of the FTP server. This name will be displayed on the LCD screen.	See <i>Software User's Guide on the CD-ROM</i>
	Manual	Quality	Color 150 dpi*	Choose the file format to send the scanned data as an E-mail attachment.	
			Color 300 dpi		
		Color 600 dpi			
		B/W 200x100 dpi			
		B/W 200 dpi			
		File Type	(If you chose color option in Quality setting)		
			PDF*		
JPEG					
(If you chose B&W option in Quality setting)					
PDF*					
TIFF					
Glass ScanSize (MFC-6490CW)	Letter*	To scan a Legal, Ledger, A3 or A4 size document, you'll need to change the Glass ScanSize setting.			
	Legal				
	Ledger				
	A4				
	A3				
File Name	—	You can rename the file.			
Set New Default	Yes	You can save your scan settings as the default settings.			
	No				
Factory Reset	Yes	You can restore all settings to the original factory default settings.			
	No				
 The factory settings are shown in Bold with an asterisk.					

## Copy ( )

Level1	Level2	Level3	Options	Descriptions	Page
Quality	—	—	Fast <b>Normal*</b> Best	Choose the Copy resolution for your type of document.	95
Enlarge/Reduce	100%*	—	—	—	95
	Enlarge	—	104% EXE→LTR 130% LTR→LGR 186% 4"x6"→LTR 198% 4"x6"→A4	You can choose the enlargement ratio for your type of document.	95
	Reduce	—	46% LTR→4"x6" 64% LGR→LTR <b>(MFC-6490CW)</b> 78% LGL→LTR 83% LGL→A4 93% A4→LTR 97% LTR→A4	You can choose the reduction ratio for your type of document.	95
	Fit to Page	—	—	Your machine will adjust the size automatically to the paper size you set.	95
	Custom(25-400%)	—	—	You can enter an enlargement or reduction ratio.	95
Tray Select (MFC-6490CW)	—	—	<b>Tray#1*</b> Tray#2	Choose the tray that will be used for Copy mode.	99
Paper Type	—	—	<b>Plain Paper*</b> Inkjet Paper Brother BP71 Other Glossy Transparency	Choose the paper type that matches the paper in the tray.	99
Paper Size	—	—	<b>Letter*</b> Legal Ledger A4 A5 A3 4"x 6"	Choose the paper size that matches the paper in the tray.	99
 The factory settings are shown in Bold with an asterisk.					

Level1	Level2	Level3	Options	Descriptions	Page
<b>Brightness</b>	—	—	Light  Dark	Adjusts the brightness of copies.	98
<b>Contrast</b>	—	—		Adjusts the contrast of copies.	99
<b>Stack/Sort</b>	—	—	<b>Stack*</b> Sort	You can choose to stack or sort multiple copies.	98
<b>Page Layout</b>	—	<b>Off (1 in 1)*</b> 2 in 1 (P) 2 in 1 (L) 4 in 1 (P) 4 in 1 (L) 1 to 2 (MFC-6490CW) Poster (2x2) Poster (3x3)	(MFC-6490CW) (When 2 in 1 is chosen) LGRx2 → LGRx1 LTRx2 → LGRx1 A3x2 → A3x1 A4x2 → A3x1 (When poster 2x2 is chosen) LGRx1 → LGRx4 LTRx1 → LGRx4 A3x1 → A3x4 A4x1 → A3x4	You can make N in 1, 1 to 2 or Poster copies.	96
<b>Skew Adjustment</b> (MFC-6490CW)	—	—	<b>Auto*</b> Off	If your scanned copy is skewed, your machine can correct the data automatically.	100
<b>Book Copy</b>	On	—	—	Corrects dark borders and skew when copying from the scanner glass.	100
	On (Preview)	<b>Skew Adjustment</b> <b>Shadow Revise</b>	—		
	<b>Off*</b>	—	—		
<b>Watermark Copy</b>	<b>Watermark Copy</b>	On <b>Off*</b>	(If you choose On, see the watermark copy settings in the following table.)	You can place a logo or text into your document as a Watermark.	101
	<b>Current Setting</b>	—			
	<b>Exit</b>	—			
<b>Set New Default</b>	—	—	Yes No	You can save your copy settings.	102
<b>Factory Reset</b>	—	—	Yes No	You can restore all settings to the factory settings.	102




The factory settings are shown in Bold with an asterisk.

## Watermark Copy Settings

Option1	Option2	Option3	Option4	Descriptions	Page
Template	—	<b>Text</b>	<b>CONFIDENTIAL*</b> DRAFT COPY	Uses a template to place text into your document as a Watermark.	101
		<b>Position</b>	A B C D <b>E*</b> F G H I Pattern		
		<b>Size</b>	Small <b>Medium*</b> Large		
		<b>Angle</b>	-90° <b>-45°*</b> 0° 45° 90°		
		<b>Transparency</b>	-2 -1 <b>0*</b> +1 +2		
		<b>Color</b>	Red Orange Yellow Blue Green Purple <b>Black*</b>		
		<b>Apply</b>	—		



The factory settings are shown in Bold with an asterisk.

Option1	Option2	Option3	Option4	Descriptions	Page
<b>Media</b>	(Select image from media)	<b>Position</b>	A	Places a logo or text into your document as a Watermark using an image from removable media.	101
			B		
			C		
			D		
		<b>E*</b>			
		<b>Size</b>	Small		
			<b>Medium*</b>		
			Large		
		<b>Angle</b>	-90°		
			<b>-45°*</b>		
			0°		
			45°		
		<b>Transparency</b>	90°		
			-2		
			-1		
			<b>0*</b>		
			+1		
			+2		
		<b>Apply</b>	—		
<b>Scan</b>	(Set watermark document and press <b>Start</b> .)	<b>Transparency</b>	-2	You can choose the level of transparency of the watermark as you scan it from a paper document.	102
			-1		
			<b>0*</b>		
			+1		
			+2		
		<b>Apply</b>	—		
 The factory settings are shown in Bold with an asterisk.					

## Photo Capture ( )

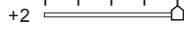
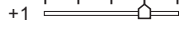
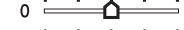








Level1	Level2	Level3	Options	Descriptions	Page
View Photo(s)	—	—	See the print settings in the following table.	You can preview your photos on the LCD.	109
Print Index	—	Layout Format	<b>6 Images/Line*</b> 5 Images/Line	You can print a thumbnail page.	110
		Paper Type	<b>Plain Paper*</b> Inkjet Paper Brother BP71 Other Glossy		
		Paper Size	<b>Letter*</b> A4		
Print Photos	—	—	See the print settings in the following table.	You can print an individual image.	111
Enhance Photos	Auto Correct Enhance Skin-Tone Enhance Scenery Remove Red-Eye Monochrome Sepia	—		You can adjust your photos with these settings.	111
Search by Date	—	—	—	You can search your photos from date.	114
Print All Photos	—	—	See the print settings in the following table.	You can print all photos in your memory card or USB Flash memory drive.	115
Slide show	—	—	—	The machine starts a slide show of your photos.	115
Trimming	—	—	—	You can trim your photo and print a part of the image.	116


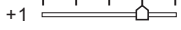


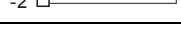

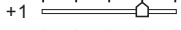


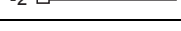
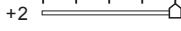



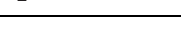



The factory settings are shown in Bold with an asterisk.




## Print Settings menu


Option1	Option2	Option3	Option4	Descriptions	Page
<b>Print Quality</b> (Does not appear when DPOF Print is chosen.)	Normal <b>Photo*</b>	—	—	Choose the print quality.	118
<b>Paper Type</b>	Plain Paper Inkjet Paper Brother BP71 <b>Other Glossy*</b>	—	—	Choose the paper type.	118
<b>Paper Size</b>	<b>4"x 6"*</b> 5"x 7" Letter Ledger A4 A3	(When A4 or Letter is chosen) 3"x 4" 3.5"x 5" 4"x 6" 5"x 7" 6"x 8" <b>Max. Size*</b>	—	Choose the paper and print size.	118
<b>Brightness</b> (Does not appear when Enhance Photos is chosen.)	Light +2  +1  0  -1  -2  Dark	—	—	Adjusts the brightness.	119
<b>Contrast</b> (Does not appear when Enhance Photos is chosen.)	+2  +1  0  -1  -2 	—	—	Adjusts the contrast.	119
	The factory settings are shown in Bold with an asterisk.				

Option1	Option2	Option3	Option4	Descriptions	Page
<b>True2Life</b> (Does not appear when Enhance Photos is chosen.)	On <b>Off*</b>	White Balance	+2  +1  0  -1  -2 	Adjusts the hue of the white areas.	119
		Sharpness	+2  +1  0  -1  -2 	Enhances the detail of the image.	
		Color Density	+2  +1  0  -1  -2 	Adjusts the total amount of color in the image.	
<b>Cropping</b>	<b>On*</b> Off	—	—	Crops the image around the margin to fit the paper size or print size. Turn this feature off if you want to print whole images or prevent unwanted cropping.	120
<b>Borderless</b>	<b>On*</b> Off	—	—	Expands the printable area to fit the edges of the paper.	120
<b>Print Date</b> (Does not appear when DPOF Print is chosen.)	On <b>Off*</b>	—	—	Prints the date on your photo.	120
<b>Set New Default</b>	—	—	Yes No	You can save your print settings.	121
<b>Factory Reset</b>	—	—	Yes No	You can restore all the settings to factory settings.	121
 The factory settings are shown in Bold with an asterisk.					

## Phone Book

Level1	Level2	Level3	Options	Descriptions	Page
<b>Search</b>	—	—	Alphabetical Order Numerical Order	You can dial by pressing only a few keys (and <b>Start</b> ).	80
<b>Set One Touch Dial</b>	—	—	—	You can set up One Touch Dial numbers, so you can dial by pressing only a few keys (and <b>Start</b> ).	82
<b>Set Speed Dial</b>	—	—	—	You can set up Speed Dial numbers, so you can dial by pressing only a few keys (and <b>Start</b> ).	83
<b>Setup Groups</b>	—	—	—	You can set up Group numbers for Broadcasting.	86
 The factory settings are shown in Bold with an asterisk.					

## Fax Preview

Level1	Level2	Level3	Options	Descriptions	Page
Fax Preview	—	—	On <b>Off*</b>	You can view outgoing and received faxes on the LCD screen.	61
 The factory settings are shown in Bold with an asterisk.					

## Entering Text

When you are setting certain menu selections, such as the Station ID, you may need to enter text into the machine. Most dial pad keys have three or four letters printed on keys. The keys for **0**, **#** and **\*** do not have printed letters because they are used for special characters.

By pressing the proper dial pad key repeatedly, you can access the character you want.

Press Key	one time	two times	three times	four times
<b>2</b>	A	B	C	2
<b>3</b>	D	E	F	3
<b>4</b>	G	H	I	4
<b>5</b>	J	K	L	5
<b>6</b>	M	N	O	6
<b>7</b>	P	Q	R	S
<b>8</b>	T	U	V	8
<b>9</b>	W	X	Y	Z

(MFC-6490CW only)

You can enter the lower case characters to set a E-mail address. Press **Shift+3** to change between upper case and lower case.

### Inserting spaces

To enter a space in a fax number, press ► once between numbers. To enter a space in a name, press ► twice between characters.

### Making corrections

If you entered an incorrect letter and want to change it, press ◀ to move the cursor under the incorrect character. Then press **Clear/Back**. Re-enter the correct character. You can also back up and insert letters.

### Repeating letters

If you need to enter a letter that is on the same key as the letter before, press ► to move the cursor to the right before you press the key again.

### Special characters and symbols

Press **\***, **#** or **0**, repeatedly until you see the special character or symbol you want.

Press **\*** for (space) ! " # \$ % & ' ( ) \* + , - . / €

Press **#** for ; < = > ? @ [ ] ^ \_

Press **0** for USA: À Á É Ó Í Ú Ñ Ü 0

Canada: É À È Ê Î Ç Ë Ö 0

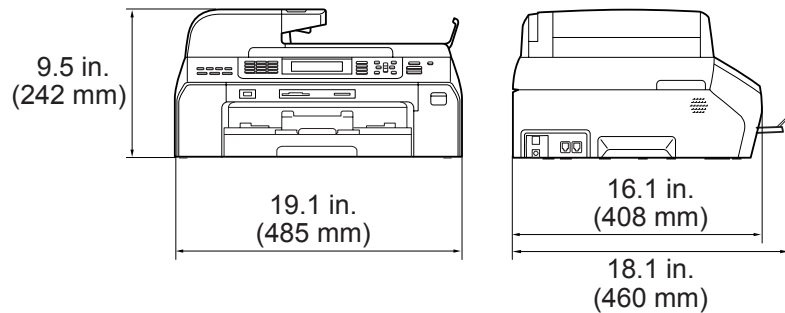
## General

<b>Printer Type</b>	Inkjet	
<b>Print Method</b>	Black:	Piezo with 94 × 2 nozzle
	Color:	Piezo with 94 × 3 nozzles
<b>Memory Capacity</b>	64 MB	
<b>LCD (liquid crystal display)</b>	Wide 3.3 in. (83.8 mm) Color LCD <sup>1</sup>	
<b>Power Source</b>	AC 100 to 120 V 50/60 Hz	
<b>Power Consumption</b>	(MFC-5890CN)	
	Off Mode:	Average 0.8 W
	Sleep Mode:	Average 4 W
	Standby:	Average 6 W
	Operating:	Average 27 W
	(MFC-6490CW)	
	Off Mode:	Average 0.9 W
	Sleep Mode:	Average 4 W
	Standby:	Average 6 W
	Operating:	Average 28 W

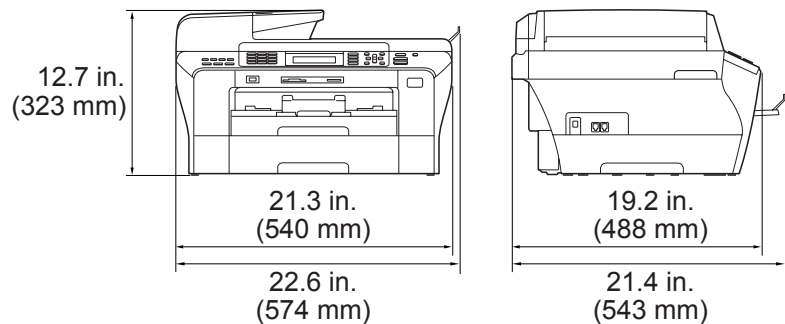
<sup>1</sup> Measured diagonally

## Dimensions

(MFC-5890CN)



(MFC-6490CW)



<b>Weight</b>	(MFC-5890CN)	23.6 lb (10.7 kg)
	(MFC-6490CW)	34.4 lb (15.6 kg)
<b>Noise</b>	Operating:	50 dB or less <sup>1</sup>
<b>Temperature</b>	Operating:	50° F to 95° F (10 to 35° C)
	Best Print Quality:	68° F to 91° F (20 to 33° C)
<b>Humidity</b>	Operating:	20 to 80% (without condensation)
	Best Print Quality:	20 to 80% (without condensation)
<b>ADF (automatic document feeder)</b>	For best results we recommend:	
	Up to 50 pages	
	Temperature: 68° F - 86° F (20° C - 30° C)	
	Humidity: 50% - 70%	
	Paper: 20 lb (80 g/m <sup>2</sup> )	
<b>Paper Tray #1</b>	150 Sheets 20 lb (80 g/m <sup>2</sup> ) (MFC-5890CN and MFC-6490CW)	
<b>Paper Tray #2</b>	250 Sheets 20 lb (80 g/m <sup>2</sup> ) (MFC-6490CW)	

<sup>1</sup> This depends on printing conditions.

# Print media

## Paper Input

### Paper Tray

- Paper type:

Plain paper, inkjet paper (coated paper), glossy paper<sup>2</sup>, transparencies<sup>1 2</sup> and envelopes

- Paper size:

Ledger, A3, Letter, Legal, Executive, A4, A5, A6, JIS B4, JIS B5, envelopes (commercial No.10, DL, C5, Monarch, JE4), Photo 4"×6", Photo L 3.5"×5", Photo 2L 5"×7", Index card and Post card<sup>3</sup>.

Width: 3.5 in. (89 mm) - 11.7 in. (297 mm)

Length: 5.0 in. (127 mm) - 17.0 in. (431.8 mm)

For more details, see *Paper weight, thickness and capacity* on page 21.

- Maximum paper tray capacity: Approx. 150 sheets of 20 lb (80 g/m<sup>2</sup>) plain paper

### Paper Tray #2 (MFC-6490CW)

- Paper type:

Plain paper

- Paper size:

Ledger, A3, Letter, Legal, A4, JIS B5, JIS B4, EXE

Width: 7.2 in. (182 mm) - 11.7 in. (297 mm)

Length: 10.1 in. (257 mm) - 17.0 in. (431.8 mm)

For more details, see *Paper weight, thickness and capacity* on page 21.

- Maximum paper tray capacity: Approx. 250 sheets of 20 lb (80 g/m<sup>2</sup>) plain paper

## Paper Output

Up to 50 sheets of 20 lb (80 g/m<sup>2</sup>) plain paper (face up print delivery to the output paper tray)<sup>2</sup>

<sup>1</sup> Use only transparencies recommended for inkjet printing.

<sup>2</sup> For glossy paper or transparencies, we recommend removing printed pages from the output paper tray immediately after they exit the machine to avoid smudging.

<sup>3</sup> See *Paper type and size for each operation* on page 20.

# Fax

<b>Compatibility</b>	ITU-T Super Group 3
<b>Coding System</b>	MH/MR/MMR/JPEG
<b>Modem Speed</b>	Automatic Fallback 33600 bps
<b>Document Size</b>	(MFC-5890CN) ADF Width: 5.8 in. to 8.5 in. (148mm to 215.9 mm) ADF Length: 5.8 in. to 14 in. (148mm to 355.6 mm) Scanner Glass Width: Max. 8.5 in. (215.9 mm) Scanner Glass Length: Max. 11.7 in. (297 mm) (MFC-6490CW) ADF Width: 5.8 in. to 11.7 in. (148 mm to 297 mm) ADF Length: 5.8 in. to 17 in. (148 mm to 431.8 mm) Scanner Glass Width: Max. 11.7 in. (297 mm) Scanner Glass Length: Max. 17 in. (431.8 mm) (See <i>Setting the Receiving Priority</i> on page 54.)
<b>Scanning Width</b>	(MFC-5890CN) 8.2 in. (208 mm) (Letter paper) 8.11 in. (204 mm) (A4 paper) (MFC-6490CW) 11.3 in. (288 mm)
<b>Printing Width</b>	11.5 in. (291 mm)
<b>Gray Scale</b>	256 levels
<b>Polling Types</b>	Standard, Sequential: (Black only)
<b>Contrast Control</b>	Automatic/Light/Dark (manual setting)



<b>Resolution</b>	<ul style="list-style-type: none"> <li>■ Horizontal 203 dot/in. (8 dot/mm)</li> <li>■ Vertical <ul style="list-style-type: none"> <li>Standard <ul style="list-style-type: none"> <li>98 line/in. (3.85 line/mm) (Black)</li> <li>196 line/in. (7.7 line/mm) (Color)</li> </ul> </li> <li>Fine <ul style="list-style-type: none"> <li>196 line/in. (7.7 line/mm) (Black/Color)</li> </ul> </li> <li>Photo <ul style="list-style-type: none"> <li>196 line/in. (7.7 line/mm) (Black)</li> </ul> </li> <li>Superfine <ul style="list-style-type: none"> <li>392 line/in. (15.4 line/mm) (Black)</li> </ul> </li> </ul> </li> </ul>
<b>One Touch Dial</b>	6 (3 × 2)
<b>Speed Dial</b>	80 stations × 2 numbers (MFC-5890CN) 100 stations × 2 numbers (MFC-6490CW)
<b>Groups</b>	Up to 6
<b>Broadcasting</b> <sup>3</sup>	216 stations (MFC-5890CN) 256 stations (MFC-6490CW)
<b>Automatic Redial</b>	1 time after 5 minutes
<b>Ring Delay</b>	0, 1, 2, 3 or 4 rings
<b>Communication Source</b>	Public switched telephone network.
<b>Memory Transmission</b>	Up to 480 <sup>1</sup> /400 <sup>2</sup> pages
<b>Out of Paper Reception</b>	Up to 480 <sup>1</sup> /400 <sup>2</sup> pages

<sup>1</sup> 'Pages' refers to the 'Brother Standard Chart No. 1' (a typical business letter, Standard resolution, MMR code). Specifications and printed materials are subject to change without prior notice.

<sup>2</sup> 'Pages' refers to the 'ITU-T Test Chart #1' (a typical business letter, Standard resolution, MMR code). Specifications and printed materials are subject to change without prior notice.

<sup>3</sup> Black & White only

# Copy

## Color/Black

Yes/Yes

## Document Size

(MFC-5890CN)

ADF Width: 5.8 in. to 8.5 in. (148 mm to 215.9 mm)

ADF Length: 5.8 in to 14 in. (148 mm to 355.6 mm)

Scanner Glass Width: Max. 8.5 in. (215.9 mm)

Scanner Glass Length: Max. 11.7 in. (297 mm)

Copy Width: Max. 8.26 in. (210 mm)

(MFC-6490CW)

ADF Width: 5.8 in. to 11.7 in. (148 mm to 297 mm)

ADF Length: 5.8 in. to 17 in. (148 mm to 431.8 mm)

Scanner Glass Width: Max. 11.7 in. (297 mm)

Scanner Glass Length: Max. 17 in. (431.8 mm)

Copy Width: Max. 11.46 in. (291 mm)

## Multiple Copies

Stacks/Sorts up to 99 pages

## Enlarge/Reduce

25% to 400% (in increments of 1%)

## Resolution

■ Scans up to 1200×1200 dpi

■ Prints up to 1200×1200 dpi

# PhotoCapture Center®

## Compatible Media <sup>1</sup>

CompactFlash®  
(Type I only)  
(Microdrive™ is not compatible)  
(Compact I/O cards such as Compact LAN card and Compact Modem card are not supported.)

Memory Stick®  
Memory Stick Pro™  
(Not available for music data with MagicGate™)

Memory Stick Duo™ with adapter  
Memory Stick Micro (M2) with adapter

SD <sup>2</sup>

SDHC <sup>3</sup>

microSD with adapter  
miniSD™ with adapter

xD-Picture Card™ <sup>4</sup>

USB Flash memory drive <sup>5</sup>

## Resolution

Up to 1200 × 2400 dpi

## File Extension

(Media Format)

(Image Format)

DPOF, EXIF, DCF

Photo Print: JPEG <sup>6</sup>

Scan to Media: JPEG, PDF (Color)

TIFF, PDF (Black)

## Color Enhancement

True2Life®

## Photo Enhance

Auto Correct, Enhance Skin-Tone, Enhance Scenery, Trimming, Slide Show, Remove Red-Eye, Monochrome and Sepia

## Number of Files

Up to 999 files

(The folder inside memory cards or USB Flash memory drive is also counted)

## Folder

File must be stored in the 4th folder level of the memory card or USB Flash memory drive.

## Borderless

Ledger, A3, Letter, A4, Photo 4" × 6", Photo 5" × 7" <sup>7</sup>

<sup>1</sup> Memory cards, adapters and USB Flash memory drive are not included.

<sup>2</sup> 16MB to 2GB

<sup>3</sup> 4GB to 8GB

<sup>4</sup> xD-Picture Card™ Conventional Card from 16MB to 512MB

xD-Picture Card™ Type M from 256MB to 2GB

xD-Picture Card™ Type M+ 1GB and 2GB

xD-Picture Card™ Type H from 256MB to 2GB

<sup>5</sup> USB 2.0 Standard

USB Mass Storage standard from 16 MB to 8 GB

Support format: FAT12/FAT16/FAT32

<sup>6</sup> Progressive JPEG format is not supported.

<sup>7</sup> See *Paper type and size for each operation* on page 20.

# PictBridge

## **Compatibility**

Supports the Camera & Imaging Products Association PictBridge standard CIPA DC-001.

Visit <http://www.cipa.jp/pictbridge> for more information.

## **Interface**

USB direct interface

# Scanner

<b>Color/Black</b>	Yes/Yes
<b>TWAIN Compliant</b>	Yes (Windows® 2000 Professional/XP/XP Professional x64 Edition/Windows Vista®) Mac OS® X 10.2.4 or greater
<b>WIA Compliant</b>	Yes (Windows® XP <sup>1</sup> /Windows Vista®)
<b>Color Depth</b>	48 bit color Processing (Input) 24 bit color Processing (Output)
<b>Resolution</b>	Up to 19200 × 19200 dpi (interpolated) <sup>2</sup> Up to 1200 × 2400 dpi (optical) (Scanner Glass) Up to 1200 × 600 dpi (optical) (ADF)
<b>Document Size</b>	(MFC-5890CN) ADF Width: 5.8 in. to 8.5 in. (148 mm to 215.9 mm) ADF Length: 5.8 in. to 14 in. (148 mm to 355.6 mm) Scanner Glass Width: Max. 8.5 in. (215.9 mm) Scanner Glass Length: Max. 11.7 in. (297 mm) (MFC-6490CW) ADF Width: 5.8 in. to 11.7 in. (148 mm to 297 mm) ADF Length: 5.8 in. to 17 in. (148 mm to 431.8 mm) Scanner Glass Width: Max. 11.7 in. (297 mm) Scanner Glass Length: Max. 17 in. (431.8 mm)
<b>Scanning Width</b>	(MFC-5890CN) Up to 8.27 in. (210 mm) (MFC-6490CW) Up to 11.46 in. (291 mm)
<b>Gray Scale</b>	256 levels

<sup>1</sup> Windows® XP in this User's Guide includes Windows® XP Home Edition, Windows® XP Professional, and Windows® XP Professional x64 Edition.

<sup>2</sup> Maximum 1200 × 1200 dpi scanning when using the WIA Driver for Windows® XP and Windows Vista® (resolution up to 19200 × 19200 dpi can be selected by using the Brother scanner utility)

# Printer

<b>Printer Driver</b>	Windows® 2000 Professional/XP/XP Professional x64 Edition/Windows Vista® driver supporting Brother Native Compression mode
<b>Resolution</b>	Mac OS® X 10.2.4 or greater: Brother Ink Driver Up to 1200 × 6000 dpi 1200 × 2400 dpi 1200 × 1200 dpi 600 × 600 dpi 600 × 300 dpi 600 × 150 dpi (Color) 450 × 300 dpi (Black & White)
<b>Printing Width</b>	10.76 in. [11 in. (borderless) <sup>1</sup> ] (Ledger size) 8.26 in. [8.5 in. (borderless) <sup>1</sup> ] (Letter size)
<b>Borderless</b>	Ledger, A3, Letter, A4, A6, B4, Photo 4"×6", Index Card, Photo L 3.5"×5", Photo 2L 5"×7", Post Card <sup>2</sup>

<sup>1</sup> When you set the Borderless feature to On.

<sup>2</sup> See *Paper type and size for each operation* on page 20.

# Interfaces

**USB**<sup>1 2</sup>

A USB 2.0 interface cable that is no longer than 6 feet (2.0 m).

**LAN cable**<sup>3</sup>

Ethernet UTP cable category 5 or greater.

**Wireless LAN  
(MFC-6490CW)**

Your machine supports IEEE 802.11b/g wireless communication with your wireless LAN using Infrastructure mode or a wireless Peer-to-Peer connection in Ad-hoc Mode.

- <sup>1</sup> Your machine has a USB 2.0 Hi-speed interface. The machine can also be connected to a computer that has a USB 1.1 interface.
- <sup>2</sup> Third party USB ports are not supported for Macintosh®.
- <sup>3</sup> See *Network (LAN)* on page 218 and the *Network User's Guide* for detailed network specifications.

# Computer requirements

SUPPORTED OPERATING SYSTEMS AND SOFTWARE FUNCTIONS								
Computer Platform & Operating System Version		Supported PC Software Functions	PC Interface	Processor Minimum Speed	Minimum RAM	Recommended RAM	Hard Disk Space to install	
							For Drivers	For Applications
Windows® Operating System <sup>1</sup>	2000 Professional <sup>5</sup>	Printing, PC Fax <sup>4</sup> , Scanning, Removable Disk	USB, 10/100 BaseTx (Ethernet), Wireless 802.11b/g (MFC-6490CW only)	Intel® Pentium® II or equivalent	64 MB	256 MB	110 MB	340 MB
	XP Home <sup>2 5</sup>				128 MB		110 MB	340 MB
	XP Professional <sup>2 5</sup>			256 MB	512 MB	110 MB	340 MB	
	XP Professional x64 Edition <sup>2</sup>			512 MB	1 GB	600 MB	530 MB	
	Windows Vista® <sup>2</sup>			64-bit (Intel®64 or AMD64) supported CPU	64-bit (Intel®64 or AMD64) supported CPU			
Macintosh® Operating System <sup>6</sup>	Mac OS® X 10.2.4 - 10.4.3	Printing, PC FaxSend <sup>4</sup> , Scanning, Removable Disk	USB <sup>3</sup> , 10/100 BaseTx (Ethernet), Wireless 802.11b/g (MFC-6490CW only)	PowerPC G4/G5	128 MB	256 MB	80 MB	400 MB
	Mac OS® X 10.4.4 or greater			PowerPC G3 350MHz	512 MB			
				PowerPC G4/G5				
				Intel® Core™ Processor				

## Conditions:

- <sup>1</sup> Microsoft® Internet Explorer 5.5 or greater.
- <sup>2</sup> For WIA, 1200 x 1200 resolution. Brother Scanner Utility enables to enhance up to 19200 x 19200 dpi.
- <sup>3</sup> Third party USB ports are not supported.
- <sup>4</sup> PC Fax supports black and white only, and does not support Ledger/A3 size paper.
- <sup>5</sup> PaperPort™ 11SE supports Microsoft® SP4 or higher for Windows® 2000 and SP2 or higher for XP.
- <sup>6</sup> Presto!® PageManager® on the CD-ROM supports Mac OS® X 10.3.9 or higher. For Mac OS® X 10.2.4-10.3.8 Presto!® PageManager® is available as a download from the Brother Solutions Center.

For the latest driver updates, visit:

(in US) [www.brother.com](http://www.brother.com)

(in Canada) [www.brother.ca](http://www.brother.ca)

All trademarks, brand and product names are property of their respective companies.



## Consumable items

<b>Ink</b>	The machine uses individual Black, Yellow, Cyan and Magenta ink cartridges that are separate from the print head assembly.
<b>Service Life of Ink Cartridge</b>	The first time you install the ink cartridges the machine will use extra ink to fill the ink delivery tubes. This is a one-time process that enables high quality printing. Afterward, replacement ink cartridges will print the specified number of pages.  For more information about the replacement consumables, visit us at <a href="http://www.brother.com/pageyield">www.brother.com/pageyield</a> .
<b>Replacement Consumables</b>	<ul style="list-style-type: none"> <li>&lt;High Yield Black&gt; LC65HY-BK</li> <li>&lt;High Yield Cyan&gt; LC65HY-C</li> <li>&lt;High Yield Magenta&gt; LC65HY-M</li> <li>&lt;High Yield Yellow&gt; LC65HY-Y</li> <li>&lt;Standard Black&gt; LC61BK</li> <li>&lt;Standard Cyan&gt; LC61C</li> <li>&lt;Standard Magenta&gt; LC61M</li> <li>&lt;Standard Yellow&gt; LC61Y</li> </ul>

### What is Innobella™?

Innobella™ is a range of genuine consumables offered by Brother. The name "Innobella™" derives from the words "Innovation" and "Bella" (meaning "Beautiful" in Italian) and is a representation of the "innovative" technology providing you with "beautiful" and "long lasting" print results.

When you print photo images, Brother recommends Innobella™ glossy photo paper (BP71 series) for high quality. Brilliant prints are made easier with Innobella™ Ink and paper.



# Network (LAN)

<b>LAN</b>	You can connect your machine to a network for Network Printing, Network Scanning, PC Fax Send, PC Fax Receive (Windows® only) and Remote Setup <sup>1</sup> . Also included is Brother BRAdmin Light <sup>2</sup> Network Management software.	
<b>Support for</b>	Windows® 2000 Professional/XP/XP Professional x64 Edition/Windows Vista®  Mac OS® X 10.2.4 or greater  Ethernet 10/100 BASE-TX Auto Negotiation (Wired LAN)  IEEE 802.11 b/g (Wireless LAN)	
<b>Protocols</b>	TCP/IP for IPv4:	ARP, RARP, BOOTP, DHCP, APIPA (Auto IP), NetBIOS/WINS, LPR/LPD, Custom Raw Port/Port9100, DNS Resolver, mDNS, FTP Server, TELNET, SNMPv1, TFTP, Scanner Port, LLTD responder, Web Services, SMTP Client, POP before SMTP, SMTP-AUTH, POP3, APOP, FTP Client
	TCP/IP for IPv6:	(Turned off as default) NDP, RA, LPR/LPD, Custom Raw Port/Port9100, mDNS, FTP Server, TELNET, SNMPv1, TFTP, Scanner Port, LLTD responder, Web Services, SMTP Client, POP before SMTP, SMTP-AUTH, POP3, APOP, FTP Client
<b>Network Security</b>	SSID/ESSID, 128 (104) / 64 (40) bit WEP, WPA/WPA2-PSK (TKIP/AES)	
<b>Setup Support Utility (one-push configuration) (MFC-6490CW only)</b>	<b>SecureEasySetup™</b>	Yes (simple setup with your SecureEasySetup™-capable access point/router)
	<b>AOSS™</b>	Yes (simple setup with your AOSS™-capable access point/router)
	<b>WPS</b>	Yes (simple setup with your Wi-Fi Protected Setup™-capable access point/router)

<sup>1</sup> See the Computer Requirements chart on page 216.

<sup>2</sup> If you require more advanced printer management, use the latest Brother BRAdmin Professional utility version that is available as a download from <http://solutions.brother.com>.

## Wireless one-push configuration

---

If your wireless access point supports either SecureEasySetup™, Wi-Fi Protected Setup™ (PBC<sup>1</sup>) or AOSS™, you can configure the machine easily without a computer. By pushing a button on the wireless LAN router / access point and the machine, you can set up the wireless network and security settings. See the users guide for your wireless LAN router / access point for instructions on how to access one-push mode.

<sup>1</sup> Push Button Configuration



### Note

---

Routers or access points that support SecureEasySetup™, Wi-Fi Protected Setup™ or AOSS™ have the symbols shown below.



# E

## Glossary

This is a comprehensive list of features and terms that appear in Brother manuals. Availability of these features depends on the model you purchased.

### **ADF (automatic document feeder)**

The document can be placed in the ADF and scanned one page at a time automatically.

### **Auto Reduction**

Reduces the size of incoming faxes.

### **Automatic Redial**

A feature that enables your machine to redial the last fax number after five minutes if the fax did not go through because the line was busy.

### **Backup Print**

Your machine prints a copy of every fax that is received and stored in memory. This is a safety feature so you will not lose messages during a power failure.

### **Batch Transmission**

(Black & white faxes only) As a cost saving feature, all delayed faxes to the same fax number can be sent as one transmission.

### **Beeper Volume**

Volume setting for the beep when you press a key or make an error.

### **Brightness**

Changing the Brightness makes the whole image lighter or darker.

### **Broadcasting**

The ability to send the same fax message to more than one location.

### **Caller ID**

A service purchased from the telephone company that lets you see the number (or name) of the party calling you.

### **CNG tones**

The special tones (beeps) sent by fax machines during automatic transmission to tell the receiving machine that a fax machine is calling.

### **Coding method**

Method of coding the information contained in the document. All fax machines must use a minimum standard of Modified Huffman (MH). Your machine is capable of greater compression methods, Modified Read (MR), Modified Modified Read (MMR) and JPEG, if the receiving machine has the same capability.

### **Communication error (Comm. Error)**

An error during fax sending or receiving, usually caused by line noise or static.

### **Compatibility group**

The ability of one fax unit to communicate with another. Compatibility is assured between ITU-T Groups.

### **Contrast**

Setting to compensate for dark or light documents, by making faxes or copies of dark documents lighter and light documents darker.

### **Delayed Fax**

Sends your fax at a specified time later.

### **Distinctive Ring**

A subscriber service purchased from the telephone company that gives you another telephone number on an existing telephone line. The Brother machine uses the new number to simulate a dedicated fax line.

**Dual Access**

Your machine can scan outgoing faxes or scheduled jobs into memory at the same time it is sending a fax from memory or receiving or printing an incoming fax.

**Easy Receive**

Enables your machine to respond to CNG tones if you interrupt a fax call by answering it.

**ECM (Error Correction Mode)**

Detects errors during fax transmission and resends the pages of the fax that had an error.

**Extension telephone**

A telephone using the same line as your fax but plugged into a separate wall jack.

**External telephone**

A telephone that is plugged into the EXT jack of your machine.

**F/T Ring Time**

The length of time that the Brother machine rings (when the Receive Mode setting is Fax/Tel) to notify you to pick up a voice call that it answered.

**Fax Forwarding**

Sends a fax received into the memory to another pre-programmed fax number.

**Fax Journal**

Lists information about the last 200 incoming and outgoing faxes. TX means Transmit. RX means Receive.

**Fax Preview**

If you turn on Fax Preview you will be able to view incoming and outgoing faxes on the LCD screen by pressing the **Fax Preview** key.

**Fax Receive Code**

Press this code (\* 5 1) when you answer a fax call on an extension or external telephone.

**Fax Storage**

You can store received faxes in memory.

**Fax tones**

The signals sent by sending and receiving fax machines while communicating information.

**Fax/Tel**

You can receive faxes and telephone calls. Do not use this mode if you are using a telephone answering device (TAD).

**Fine resolution**

Resolution is 203 × 196 dpi. It is used for small print and graphs.

**Gray Scale**

The shades of gray available for copying, scanning and faxing photographs.

**Group number**

A combination of One Touch and Speed Dial numbers that are stored on a One Touch key or in a Speed Dial location for Broadcasting.

**Help list**

A printout of the complete Menu table that you can use to program your machine when you do not have the User's Guide with you.

**Innobella™**

Innobella™ is a range of genuine consumables offered by Brother. For best quality results Brother recommends Innobella™ Ink and Paper.

**Journal Period**

The pre-programmed time period between automatically printed Fax Journal Reports. You can print the Fax Journal on demand without interrupting the cycle.

**LCD (liquid crystal display)**

The display screen on the machine that shows interactive messages during On-Screen Programming and shows the date and time when the machine is idle.

### **Manual fax**

You can lift the handset of the external telephone or you can press **Hook** to hear the receiving fax machine answer before you press **Black Start** or **Color Start** to begin sending.

### **Menu mode**

Programming mode for changing your machine's settings.

### **OCR (optical character recognition)**

The bundled ScanSoft™ PaperPort™ 11SE with OCR or Presto!®

PageManager® software application converts an image of text to text you can edit.

### **One Touch**

Keys on the machine's control panel where you can store numbers for easy dialing. You can store a second number on each key if you hold down **Shift** as you press the One Touch key.

### **Out of Paper Reception**

Receives faxes into the machine's memory when the machine is out of paper.

### **Overseas Mode**

Makes temporary changes to the fax tones to accommodate noise and static on overseas telephone lines.

### **Paging**

This feature enables your machine to call your pager when a fax is received into its memory. The machine will also page for voice messages.

### **Pause**

Allows you to place a 3.5 second delay in the dialing sequence while you are dialing using the dial pad or while you are storing One Touch and Speed Dial numbers. Press **Redial/Pause** as many times as needed for longer pauses.

### **Photo resolution (B&W only)**

A resolution setting that uses varying shades of gray for the best representation of photographs.

### **PhotoCapture Center®**

Allows you to print digital photos from your digital camera at high resolution for photo quality printing.

### **PictBridge**

Allows you to print photos directly from your digital camera at high resolution for photo quality printing.

### **Polling**

The process of a fax machine calling another fax machine to retrieve waiting fax messages.

### **Pulse (Canada only)**

A form of rotary dialing on a telephone line.

### **Quick Dial List**

A listing of names and numbers stored in One Touch and Speed Dial memory, in numerical order.

### **Real Time Transmission**

When memory is full, you can send faxes in real time.

### **Remaining jobs**

You can check which jobs are waiting in memory and cancel jobs individually.

### **Remote Access Code**

Your own four-digit code (---\*) that allows you to call and access your machine from a remote location.

### **Remote Retrieval Access**

The ability to access your machine remotely from a touch tone telephone.

### **Resolution**

The number of vertical and horizontal lines per inch. See: Standard, Fine, Super Fine and Photo.

### **Ring Delay**

The number of rings before the machine answers in *Fax Only* and *Fax/Tel* modes.

### **Ring Volume**

Volume setting for the machine's ring.

**Scan to Media**

You can scan a black & white or color document into a memory card or USB Flash memory drive. Black & white images can be in TIFF or PDF file format and color images can be in PDF or JPEG file format.

**Scanning**


The process of sending an electronic image of a paper document into your computer.

**Search**

An electronic, numerical or alphabetical listing of stored One Touch, Speed Dial and Group numbers.

**Speed Dial**

A pre-programmed number for easy dialing. You must press

 (**Phone Book**), the two digit code, and **Black Start** or **Color Start** to start the dialing process.

**Standard resolution**

203 × 97 dpi. It is used for regular size text and quickest transmission.

**Station ID**

The stored information that appears on the top of faxed pages. It includes the sender's name and fax number.

**Super Fine resolution (B&W)**

392 × 203 dpi. Best for very small print and line art.

**TAD (telephone answering device)**

You can connect an external device or answering machine to the EXT. jack of your machine.

**Telephone Answer Code  
(For Fax/Tel mode only)**

When the machine answers a voice call, it pseudo/double-rings. You can pick up at an extension telephone by pressing this code (**# 5 1**).

**Temporary settings**

You can choose certain options for each fax transmission and copy without changing the default settings.

**Tone**

A form of dialing on the telephone line used for Touch Tone telephones.

**Transmission**

The process of sending faxes over the phone lines from your machine to the receiving fax machine.

**Transmission Verification Report**

A listing for the last fax sent, that shows its date, time and number.

**True2Life®**

Adjusts the color in the image for better print quality by improving sharpness, white balance and color density.

**User Settings**

A printed report that shows the current settings of the machine.

# F

# Index

<b>A</b>	
Access codes, storing and dialing .....	88
Accessories and supplies .....	ii
ADF (automatic document feeder) ....	22, 40
Answering machine (TAD) .....	72
connecting .....	73
Apple® Macintosh®	
See Software User's Guide on the	
CD-ROM. ....	
Automatic	
fax receive .....	49
Easy Receive .....	53
<b>B</b>	
Broadcasting .....	43
setting up Groups for .....	86
Brother	
accessories and supplies .....	ii
Brother numbers .....	i
Customer Service .....	i
FAQs (frequently asked questions) .....	i
product support .....	i
service centers .....	i
Solutions Center .....	i
warranties .....	iii, iv, vi
<b>C</b>	
Caller ID .....	71
Caller ID history .....	81
Caller ID History report .....	90
setting up your area code .....	72
Canceling	
Fax Forwarding .....	65
jobs awaiting redial .....	46
Paging .....	65
Cleaning	
paper pick-up roller .....	171
print head .....	172
printer platen .....	171
scanner .....	170
Connecting	
external TAD	
(answering machine) .....	72, 73
external telephone .....	76
two-line external TAD or telephone .....	75
Consumable items .....	217
Control panel overview .....	6
ControlCenter	
See Software User's Guide on the	
CD-ROM. ....	
Copy	
book .....	100
brightness .....	98
contrast .....	99
enlarge/reduce .....	95
enter Copy mode .....	94
multiple .....	94
out of memory .....	103
page layout (N in 1) .....	96
paper size .....	99
paper type .....	99
quality .....	95
return to factory settings .....	102
set new default .....	102
single .....	94
sort (ADF only) .....	98
tray use .....	28
using ADF .....	22, 98
using scanner glass .....	23
watermark .....	101
using a media card .....	101
using a paper document .....	102
using a template .....	101
using a USB Flash memory drive ....	101
Cordless telephone (non-Brother) .....	77
Custom Ringing .....	69
Custom telephone features on a single	
line .....	149
<b>D</b>	
Data Ident-A-Call .....	69
Dialing	
a pause .....	82
access codes and credit card	
numbers .....	88
Caller ID history .....	81
Groups .....	43
manual .....	79
One Touch .....	79
Outgoing Call .....	81
Speed Dial .....	79



Direct printing	
from a non-PictBridge camera	127
from a PictBridge camera	125
Distinctive Ring	69
setting ring pattern	70
turning off	71
Document	
loading	22, 23
Dual Access	45

## E

Easy Receive	53
Envelopes	15, 20, 21
Error messages on LCD	153
B&W Print Only	153
Cannot Detect	154
Cannot Print	154
Comm. Error	154
Ink low	155
No Cartridge	155
No Paper Fed	156
Not Registered	79, 156
Out of Memory	156
while scanning a document	103
Unable to Clean	157
Unable to Init.	157
Unable to Print	157
Unable to Scan	158
Extension telephone, using	77
External telephone, connecting	76

## F

Fax codes	
changing	63, 78
Fax Receive Code	53, 77
Remote Access Code	63
Telephone Answer Code	77
using	77
Fax Forwarding	
changing remotely	65, 66
programming a number	56
Fax Storage	58
printing from memory	55
turning off	60
turning on	58
Fax, from PC	
See Software User's Guide on the CD-ROM.	

Fax, stand-alone	
receiving	49
at end of conversation	51, 55
difficulties	145, 148
Easy Receive	53
F/T Ring Time, setting	52
Fax Forwarding	65
Fax Preview	61, 62
from extension telephone	77
from external telephone	77
into PC	58
into the memory	55
out of paper reception	55
Paging	57
printing from memory	55
reducing to fit on paper	53
retrieving from a remote site	65, 66
Ring Delay, setting	52
telephone line interference	152
tray use	28
sending	40, 91
at end of conversation	47
Broadcasting	43
canceling from memory	46
changing scanner glass size	41, 42
color fax	42
contrast	44
delayed batch transmission	46
delayed fax	46
enter Fax mode	40
from ADF	40
from memory (Dual Access)	45
from scanner glass	41
manual	47
overseas	46
Real Time Transmission	45
Resolution	45
return to factory setting	47
set new default	47
telephone line interference	152
Fax/Tel mode	
answering at extension telephones	77
Fax Receive Code	77
Ring Delay	52
Telephone Answer Code	77
FCC notices	139
Function Lock	33

## G

---

- Gray scale ..... 208, 213
- Groups for Broadcasting .....86

## H

---

- Help
  - LCD messages .....178
    - using Mode and menu keys .....178
  - Menu Table ..... 178, 179
- Hook key .....6

## I

---

- Ident-A-Call .....69
- Ident-A-Ring .....69
- Ink cartridges
  - checking ink volume .....174
  - ink dot counter .....167
  - replacing .....167
- Innobella™ .....217

## J

---

- Jacks
  - Convert to RJ11 jack triplex adapter .....74
  - EXT
    - External telephone .....76
    - TAD .....75
- Jams
  - document .....161
  - paper ..... 162, 164

## L

---

- LCD (liquid crystal display) ..... 7, 178
  - Brightness .....32
  - Contrast .....32
  - Dim Timer .....32
  - Help List .....90

## M

---

- Macintosh®
  - See Software User's Guide on the CD-ROM. ....
- Maintenance, routine
  - replacing ink cartridges ..... 167
- Manual
  - dialing ..... 79
  - receive ..... 49
  - transmission ..... 47
- Memory Storage .....178
- Menu Table ..... 178
- Mode, entering
  - Copy ..... 94
  - Fax ..... 40
  - PhotoCapture .....6, 109
  - Scan ..... 6
- Multi-line connections (PBX) ..... 76

## N

---

- Network
  - Printing
    - See Network User's Guide on the CD-ROM. ....
  - Scanning
    - See Software User's Guide on the CD-ROM. ....

## O

---

- On/Off key ..... 25
  - On/Off setting ..... 25
- One touch
  - setting up ..... 82
- Out of Area (Caller ID) ..... 71

## P

---

- Packing the machine ..... 175
- Paging ..... 57
- Paper .....15, 18, 207
  - capacity ..... 21
  - loading .....9, 12, 15
  - printable area ..... 17
  - size ..... 27
  - size of document ..... 22
  - type .....20, 26, 27

PaperPort™ 11SE with OCR	
See Software User's Guide on the	
CD-ROM and Help in the PaperPort™	
11SE application to access	
How-to-Guides .....	
Personalized Ring .....	69
PhotoCapture Center®	
Borderless .....	120
CompactFlash® .....	106
Cropping .....	120
DPOF printing .....	116
Enhance Photos	
Auto Correct .....	111
Enhance Scenery .....	112
Enhance Skin-Tone .....	112
Monochrome .....	113
Remove Red-Eye .....	113
Sepia .....	114
from PC	
See Software User's Guide on the	
CD-ROM. ....	
Memory Stick Pro™ .....	106
Memory Stick® .....	106
Preview photos .....	109
Print settings	
Brightness .....	119
Contrast .....	119
Paper type & size .....	118
Quality .....	117, 118
Return to factory setting .....	121
Set new default .....	121
Printing	
all photos .....	115
index .....	110
photos .....	111
Scan to memory card .....	121
Scan to USB flash memory .....	121
SD .....	106
SDHC .....	106
Search by Date .....	114
Slide-Show .....	115
specifications .....	211
Trimming .....	116
xD-Picture Card™ .....	106
PictBridge	
DPOF Printing .....	126
Power failure .....	178
Presto!® PageManager®	
See Help in Presto!® PageManager®	
application .....	

Print	
checking alignment .....	174
checking quality .....	173
difficulties .....	145, 148
drivers .....	214
fax from memory .....	55
paper jams .....	162, 164
printable area .....	17
report .....	90
resolution .....	214
specifications .....	214
Printing	
on small paper .....	16
See Software User's Guide on the	
CD-ROM. ....	
Programming your machine .....	178

## Q

Quick Dial .....	82
Access codes and credit card	
numbers .....	88
Broadcasting .....	43
using Groups .....	43
Group dial	
changing .....	82, 83, 84, 85
setting up Groups for Broadcasting ...	86
One Touch Dial	
custom scan profile .....	82
setting up .....	82
Search .....	80
Speed Dial	
changing .....	82, 83, 84, 85
setting up by 2-digit location .....	83
setting up from Caller ID	
history .....	83, 85
setting up from outgoing calls ....	82, 84
using .....	79

## R

Receive Mode	
External TAD .....	49
Fax Only .....	49
Fax/Tel .....	49
Manual .....	49
Redial/Pause .....	80
Reducing	
copies .....	95
incoming faxes .....	53
Remote Retrieval .....	63
access code .....	63, 64
commands .....	65
getting your faxes .....	66
Remote Setup	
See Software User's Guide on the CD-ROM. ....	
Reports .....	89
Caller ID History Report .....	90
Fax Journal .....	90
Journal Period .....	90
Help List .....	90
how to print .....	90
Network Configuration .....	90
Quick Dial List .....	90
Transmission Verification .....	89, 90
User Settings .....	90
Resolution	
copy .....	210
fax .....	208
print .....	214
scan .....	213
setting for next fax .....	45
Restricted users .....	35
Ring Delay, setting .....	52
RingMaster .....	69

## S

Safety Instructions .....	133, 138
Scannable area .....	24
Scanning	
See Software User's Guide on the CD-ROM. ....	
Security	
Secure function lock	
administrator password .....	33
Public user .....	34
restricted users .....	35

Serial Number	
how to find .....	See inside front cover
Shipping the machine .....	175
SimpleBiz Fax & Alternative Number	
Ringing .....	69
Sleep time .....	31
Smart Ring .....	69
Speed Dial	
changing .....	82, 83, 84, 85
dialing .....	79
storing .....	83

## T

TAD (telephone answering device),	
external .....	49, 72, 75
connecting .....	72, 73
receive mode .....	49
recording OGM .....	74
with two-line jack .....	75
Teen Ring .....	69
Telephone line	
connections .....	73
difficulties .....	148
interference .....	152
multi-line (PBX) .....	76
roll over lines .....	74
two-line telephone system .....	74
Text, entering .....	204
special characters .....	204
Transferring your faxes or Fax Journal report .....	159
Transparencies .....	18, 19, 20, 21, 207
Tray Select key .....	99
Troubleshooting .....	145
checking ink volume .....	174
document jam .....	161
error messages on LCD .....	153
if you are having difficulty	
copying .....	150
incoming calls .....	149
Network .....	151
phone line or connections .....	148
PhotoCapture Center® .....	151
printing .....	145
printing received faxes .....	148
receiving faxes .....	148
scanning .....	150
software .....	150
paper jam .....	162, 164
Two-line telephone system .....	74

## V

---

Voice Mail .....	68
Volume, setting	
beeper .....	30
ring .....	29
speaker .....	30

## W

---

Warranties .....	iii
Canada .....	vi
Notice-Disclaimer .....	iii
USA .....	iv
Windows®	
See Software User's Guide on the CD-ROM .....	
Wireless Network	
See Quick Setup Guide and Network User's Guide on the CD-ROM. ....	
World Wide Web .....	i

## **EQUIPMENT ATTACHMENT LIMITATIONS (Canada only)**

### **NOTICE**

This product meets the applicable Industry Canada technical specifications.

### **NOTICE**

The Ringer Equivalence Number is an indication of the maximum number of devices allowed to be connected to a telephone interface. The termination on an interface may consist of any combination of devices subject only to the requirement that the sum of the RENs of all the devices does not exceed five.

Brother International Corporation  
100 Somerset Corporate Boulevard  
P.O. Box 6911  
Bridgewater, NJ 08807-0911 USA

Brother International Corporation (Canada) Ltd.  
1 rue Hôtel de Ville,  
Dollard-des-Ormeaux, QC, Canada H9B 3H6

**brother**®

**Visit us on the World Wide Web**  
**<http://www.brother.com>**

These machines are made for use in the USA and Canada only. We cannot recommend using them overseas because it may violate the Telecommunications Regulations of that country and the power requirements of your multi-function center may not be compatible with the power available in foreign countries. **Using USA or Canada models overseas is at your own risk and may void your warranty.**