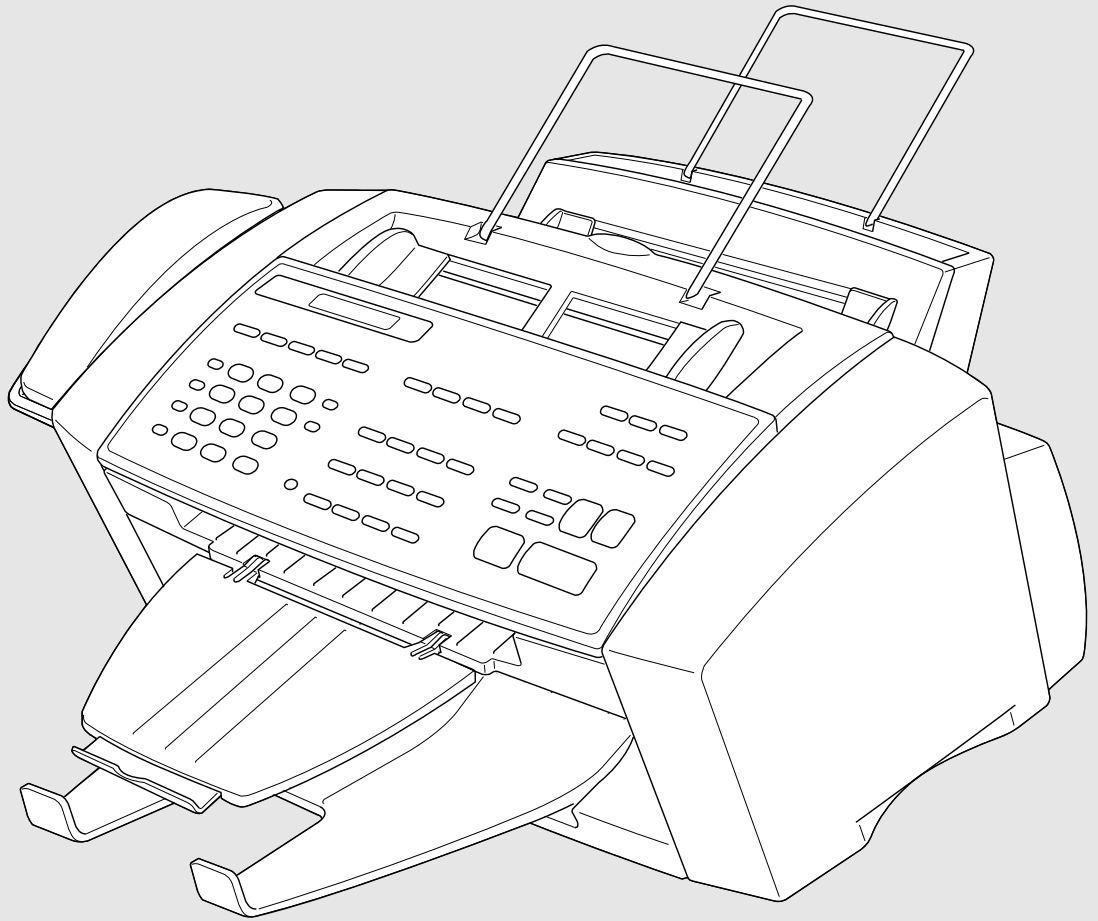


MANUALS
SEARCH
ENGINE



MFC-730

MFC-740

brother

Legal and safety requirements

Telecommunication Authorities (P.T.T.s) require that this product is manufactured specifically for the country into which it is originally imported for sale by Brother. Brother advises that this product may not function correctly and does not offer any warranty should this product be used on any other public exchange equipment other than that of the original country of sale.

Brother also advises that any use of this equipment in other countries may render the user to prosecution according to local regulations.

APPROVED FOR CONNECTION TO TELECOMMUNICATIONS SYSTEMS SPECIFIED IN THE INSTRUCTIONS FOR USE SUBJECT TO THE CONDITIONS SET OUT THEREIN.

**APPROVAL CERTIFICATE NUMBER : 610154 (MFC-730)
608761 (MFC-740)**

IMPORTANT SAFETY WARNING

MAIN APPARATUS PORT (modular socket on "T" - shaped line cord connector for EXTENSION TELEPHONE or ANSWERING MACHINE)

Please ensure that any external device connected into the equipment's external device socket meets the isolation and other safety requirements of BS6301, EN41003 or EN60950 (including Amendment 2). BAPT approval of such external devices indicates compliance with one of these safety standards.

STATUTORY STATEMENTS

Your Brother fax machine (the "series apparatus") may be used in conjunction with additional apparatus (the "main apparatus") supplied separately, such as telephones and/or an answering machine. The total REN must not in any case exceed 4; for an explanation of REN see chap. 2.

No additional series apparatus may be connected between the incoming line and the equipment. The voltage drop at 40mA introduced by the equipment and the PSTN is 0.5V.

In case additional devices are connected downstream of your equipment, difficulties may occasionally be experienced when making calls from such downstream devices. These difficulties may include:

- (a) Difficulty in making calls.
- (b) Problems in conversation being experienced by both parties to a call.

**THIS EQUIPMENT IS NOT DESIGNED FOR MAKING
TELEPHONE CALLS WHEN THE POWER FAILS.
ALTERNATIVE ARRANGEMENTS SHOULD BE MADE
FOR ACCESS TO EMERGENCY SERVICES.**

REQUEST TO INSTALL SOCKETS

This equipment needs to be connected to a new-style modular telephone socket. If your telephone line does not have such a socket, your local Telephone Area Sales Office can fit one for you. If you have extensions that need re-wiring, your Telephone Area Sales Office can also do this for you, or you can do it yourself using one of the many approved extension kits available on the market. Complete the form below and send it to your local Telephone Area Sales Office, whose address you can find in your telephone directory.

Note that a charge is made for this service.

REQUEST TO INSTALL SOCKET(S)

I/we request the installation of new style telephone socket(s).

Customer's name

Address

.....

.....

.....

Postcode

Telephone number

Equipment : BROTHER MFC-730, MFC-740

APPROVAL CERTIFICATE NUMBER : 610154 (MFC-730), 608761 (MFC-740)

Special installation instructions

.....

.....

Customer's signature Date

Ordering Accessories and Supplies

For the best quality results use only genuine Brother accessories. These are available from most Brother dealers or alternatively you can contact our mail order department on telephone number 0161 931 2258 or fax number 0161 931 2218.

Description	Item
Ink Cartridge <black>	LC02BK
Ink Cartridge <cyan>(blue)	LC02C
Ink Cartridge <magenta>(red)	LC02M
Ink Cartridge <yellow>	LC02Y
360 dpi High Quality Coated Paper (200 sheets)	BP36CA
720 dpi High Quality Coated Paper (200 sheets)	BP72CA
Glossy Paper (20 sheets)	BPGLA
Transparancies (ink jet compatible)	_____
Print Head	HD002
2MB Upgrade Memory Board (Only for MFC-740)	ME2000



Brother Coated Paper is Ink Jet Paper.

Table of Contents

1	Introduction	Using This Manual 1	1	
		Finding Information 1	1	
		Symbols Used In This Manual 2	2	
		About Fax Machines 2	2	
		Fax Tones and Handshake 2	2	
		ECM (Error Correction Mode) 3	3	
		MFC-730 Control Panel Overview 4	4	
		MFC-740 Control Panel Overview 6	6	
	2	MFC Setup and Connections	Packing List 9	9
			Choosing a Location 10	10
		Caution 11	11	
		Assembly 11	11	
		IMPORTANT: 11	11	
		Installing the Ink Cartridges 17	17	
		Important 18	18	
		Multi-Line Connections (PABXs) 21	21	
		If you are installing the MFC to work with a PABX: 21	21	
		Ringer Equivalence Number (REN) 21	21	
		Using Extension Telephones 22	22	
		Connecting an External Telephone Answering Device (TAD) 23	23	
		Sequence 23	23	
		Connections 23	23	
		Outgoing Message (OGM) of External TAD 24	24	
	Connecting an External Telephone 24	24		
3	Paper	About Brother Paper 25	25	
		Paper Specifications for Cassette and Manual Slot 26	26	
		Print Area 27	27	
4	On-Screen Programming	User-Friendly Programming 29	29	
		Function Mode 29	29	
		Alternating Displays 30	30	
		Function Selection Table 30	30	

5 Initial Setup

Getting Started	35
Setting the Dialling Mode (Tone/Pulse)	35
Setting the Date and Time	35
Setting the Station ID	36
Entering Text	38
Inserting spaces	38
Making corrections	38
Repeating letters	38
Special characters and symbols	38
Setting the Beeper Volume	39
PABX and TRANSFER	39
Setting PABX	39
Setting the Clock Change	40
Setting the Speaker Volume	40
Setting the Ring Volume	41
Memory Storage	41

6 Setup Receive

Basic Receiving Operations	43
Select Answer Mode	43
Manual Reception (Manual Mode)	44
Automatic Fax Only Reception (Fax Mode)	44
Setting the Ring Delay	45
Setting the F/T (Fax/Tel) Ring Time (For Fax/Tel Mode Only)	45
Recording the Fax/Tel Outgoing Announcement (F/T MESSAGE) (Only for MFC-740)	46
Fax Detect	46
Printing a Reduced Incoming Document	47
Reception into Memory	48
Advanced Receiving Operations	49
Operation from an External or Extension Telephone	49
For Fax/Tel Mode Only	49
Changing Remote Codes	50
To change Remote Codes	50
Printing a Fax from Memory (Only for MFC-730)	50
Caller ID (Caller IDentification) (Only for the UK)	51
Advantages of Caller ID	51
Set the Caller ID to ON	51
How Does the Caller ID Work?	52
The Caller ID Appears on the Display When Your Telephone Rings	52
Helpful Hints	52
The Caller ID is Stored in Your Machine's Memory	52
Selecting a Caller ID from the Memory for Call Reply	53
To Activate Certain Network Services When Using Call Reply	54
Call Reply to DDI numbers via Caller ID	54
Clearing the Caller ID Stored in Memory	55
Printing Caller ID List	55



Polling	55
Secure Polling	55
Setup for Polling Receive	55
Setup for Polling Receive with Secure Code	56
Setup Delayed Polling Receive	57
Sequential Polling	57
Setting PC Interface Mode	58

Before You Begin 59

Resolution	60
Contrast	60
Automatic Transmission	61
Manual Transmission	61
Fax Redial	61
Dual Access	61
Real Time Transmission	62

Basic Sending Operations 63

Composing an Electronic Cover Page	63
Cover Page for Next Fax Only	63
Always Send Cover Page	64
Using a Printed Cover Page	65
Cover Page Message	65
Composing Your Own Comments	65

Advanced Sending Operations 66

Overseas Mode	66
Call Reservation	66
Print Sample Call Back Message	67
Delayed Transmission (Timer)	67
Broadcasting	68
Multiple Resolution Transmission	69
Setup for Polling Transmit	70
Setup for Polling Transmit with Secure Code	70
Cancelling a Job While Scanning the Document	71
Checking Job Status	71
Cancelling a Scheduled Job in Memory	71
Interrupting Delayed Fax and Polling Transmit Jobs	72



Storing Numbers for Easy Dialling 73

Storing One Touch Dial Numbers	73
Storing Speed Dial Numbers	74
Changing One Touch and Speed Dial Numbers	75
Setting Groups for Broadcasting	75

Telephone (Voice) Operation

Making Voice Calls	77
Manual Dialling	77
Full-Duplex Digital Speakerphone (Only for MFC-740)	77
One Touch Dialling	78
Speed Dialling	78
Mute	78
Pause	78
On Hook Dialling	79
Searching Telephone Index	79
Chain Dialling	79
Tone/Pulse	80
Fax/Tel Mode	80
Answering Calls with the Speaker Phone (Only for MFC-740)	80
Tel Key (Only for MFC-730)	80

Remote Fax Options (Only for MFC-730)

Fax Forwarding	81
Programming a Fax Forwarding Number	81
Setting Fax Storage	82
Changing the Remote Access Code	82
Remote Retrieval	83
Using Your Remote Access Code	83
Remote Commands	83
Change Fax Forwarding Setting	84
Retrieve a Fax	84
Check the Receiving Status	84
Change Answer Mode	84
Exit Remote Operation	84
Retrieving the Memory Status List	85
Retrieving Fax Messages	85
Changing the Fax Forwarding Number	86

Copy Operations

Basic Copy Operations	87
Copying One Page	87
Making Multiple Copies	88
Making Enlarged or Reduced Copies (Temporary Setting)	89
Copy Quality – Temporary Settings	89
Using the Copy Quality Key	90
Using the Paper Type Key	91
Using the Brightness Key	91
Copy Quality – Default Settings	92
Changing Default Settings	92
Select Paper Type	94
Select Copy Quality	95
Select Type of Original	95
Colour Adjustment	96



Copy Brightness	96
Copy Contrast	96
Selecting a Single Colour (One Colour)	97
Memory Full Message	97
Legal Limitations	98
Introduction	99
Message Manager Mode	99
Flexible Memory Settings (Message Store)	100
Setting Up Message Manager	100
Setting the Message Store	101
Recording the Message Manager's Outgoing Message (TAD MESSAGE)	101
Listening to the Outgoing Message (OGM)	102
Erasing the Outgoing Message (OGM)	102
Activating Message Manager Mode	102
Message Indicator	103
What Happens When the Memory Is Full... ..	103
Playing Voice Messages and Memos	104
Printing a Fax Message	104
Backup Printing Option	105
Erasing Messages	105
To erase voice messages individually	105
To erase messages all at once	106
Setting the Maximum Time for Incoming Messages	106
Setting the Toll Saver	106
ICM Recording Monitor (Call Screening)	107
Recording a Memo	107
Recording a Conversation	107
Fax Forwarding/Paging	108
Programming a Fax Forwarding Number	108
Recording the Paging Outgoing Message (OGM)	108
Programming the Paging Number	109
Remote Retrieval	109
Using the Remote Access Code	110
Changing the Remote Access Code	110
Remote Control Commands	111
Remote control commands	111
Detail Operation	111
Retrieving the Memory Status List	112
Retrieving Fax Messages	112
Changing the Fax Forwarding Number	112

Using MFC as Printer

Features	115
Printer Driver	116
Choosing the Right Kind of Paper	116
Multi-purpose Sheet Feeder	116
Loading Paper	117
Manual Feed Slot	118
Setup for Envelopes	118
Simultaneous Printing/Fax	119
Printer Operation Keys	119
On/Off Line Key	119
Reset Key	120
Priority Key	120
Ink Management Key	120
Turning Off Bi-directional Printing	120

Walk-Up Video Printing

Getting Started	121
Auto Switch	122
Colour Video Printing	122
Black & White Video Printing	123
Video Print Quality – Temporary Settings	123
Using the Copy Quality Key	123
Using the Paper Type Key	124
Using the Brightness Key	125
Changing Default Settings	125
Setting Paper Type	126
Setting Video Printing Quality	127
Setting Video Type	127
Setting Print Size	128
Video Printing Colour Adjustment	128
Video Printing Brightness	129

Printing Reports

MFC Settings and Journal	131
To Print a Report	132
Transmission Verification (Xmit) Report	132
Journal Period	132

Setting Up the MFC and Computer to Work Together

Before You Begin	135
Connecting the MFC to Your Computer	135
Notice to PC User	136
How to Attach the Filter Core to the Double Shielded Parallel I/F Cable:	136
Computer Requirements	137
Installing Drivers for your MFC -730 in Windows®	137
Software / Drivers	137
Installing MFC-730 Printer Driver	138

17
Optional
Accessories
(Only for MFC-740)

18
PC Printing

If you are using Windows NT® Workstation Version 4.0:	138
If you are using Windows® 3.1 or 3.11:	140
If you are using Windows® 95 or 98:	140
Installing Brother Drivers for your MFC-740 in Windows®	141
Brother Drivers	141
Installing Brother Drivers for your MFC-740 under Windows®	142
Installing the Maintenance Utility on MS-DOS®	143
Installing the MFC-740 Maintenance Utility for DOS	144
Using the MFC-740 Maintenance Utility for DOS	144
Memory Board	147
Optional Memory for the Fax Operations	147
Installing the Optional Memory Board	148
Printer Emulation	151
Using the Maintenance Utility Program for Printing from DOS (Only for MFC-740)	151
Maintenance	151
Data 1	152
Data 2	152
Using the Brother MFC-730/740 Printer Driver	152
The Paper Tab	153
Paper Size	154
User Defined Paper Size	154
Paper Source	155
Feeder	155
Manual Feed	155
Orientation	155
Scaling	155
2 in 1	155
1 in N	155
Copies	156
Collate	156
Reverse Order	156
The Quality/Colour Tab	157
Quality	158
Media	158
Colour/Mono	159
Colour	159
Mono	159
Controlling the Colour	159
Document	160
Custom Setting	160
Colour Matching	160
Halftone Pattern	161
Effect	161

19 Important Information

The Control/Maintenance Tab	162
Monitor Calibration	163
Bi-Directional Printing	163
Maintenance	163
The Cleaning Tab	163
Test Print	163
Cleaning	164
The Printer Adjustment Tab	164
Vertical Alignment	164
Important Safety Instructions	165
BABT Approval	166
Radio Interference (220-240 V Model Only)	167
IMPORTANT-For Your Safety	168
Disconnect device	168

20 Troubleshooting and Maintenance

Troubleshooting	169
Error Messages	169
Document Jam	170
Printer Jam or Paper Jam	171
If You Are Having Difficulty with Your MFC	174
How to Improve Print Quality	176
Test Print	176
Cleaning the Print Head	177
Aligning Ink Cartridges	177
Turning Off Bi-directional Printing	179
Packing and Shipping the MFC	180
Regular Maintenance	183
Cleaning the Scanner	183
Cleaning the MFC Printer Platen	183
Cleaning the Pick-up Roller	184
Replacing the Ink Cartridges	184

21 Specifications

Product Description	189
Fax Specifications	189
Printer Specifications	190
Printing	190
Controller	191
Print Media	191
Compilation and Publication Notice	192
Trademarks	192

Glossary	193
-----------------------	-----

Index	199
--------------------	-----

CHAPTER ONE
.....

Introduction

Using This Manual

Thank you for purchasing a Brother multifunction center (MFC).

This MFC has been designed to be simple to use, with LCD screen prompts to guide you through functions. However, you can use your MFC to its fullest potential by taking a few minutes to read this manual.



Additionally, your MFC has a Help Key for assistance. Press **Help/Broadcast** to print a list of basic operational steps and functions.

Finding Information

All chapter headings and subheadings are listed in the Table of Contents. You will also be able to find information about a specific feature or function by checking the Index at the back of this manual. Also, throughout this manual, you will see special symbols alerting you to important information, cross-references, and warnings. Illustrations of some screen displays also help you choose the correct key-presses.

Symbols Used In This Manual



Note or additional information.



The MFC may be damaged or may not work correctly if this is not observed.



Warning. Damage can result if this is not observed.

About Fax Machines

If you are a first-time fax machine user, fax operation might seem a little mysterious. You will soon get used to the unusual fax tones on your phone line, and be able to send and receive faxes easily.

Fax Tones and Handshake

When someone is sending a fax, the MFC sends fax calling tones, (CNG tones)—soft, intermittent beeps at 4-second intervals. You will hear them when you dial and press **Start**, and they continue for about 40 seconds after dialling. During that time, the sending machine must begin the “handshake” with the receiving machine. Each time you use automatic procedures to send a fax, you are sending CNG tones over the phone line. You will soon learn to listen for these soft beeps each time you answer a phone on your MFC line, so you can know if you are about to receive a fax message.

The receiving fax responds with fax receiving tones—loud, chirping sounds. A receiving fax chirps for about 40 seconds over the phone line, and the screen displays **RECEIVING**. If your MFC is set to the Fax mode, it will answer every call automatically with fax receiving tones. Even if the other party hangs up, your MFC continues to send the “chirps” for about 40 seconds, and the screen continues to display **RECEIVING**. To cancel the receiving mode, press **Stop**.

When your MFC is in Fax/Tel mode, it answers with a short beep. After this beep, the fax machine listens for CNG tones, and then responds with receiving tones if the CNG tones are present. If it is a voice incoming call, the MFC makes an attention sound.

The fax “handshake” is the time in which the sending machine’s CNG tones and the receiving machines “chirps” overlap. This must be for at least 2 to 4 seconds, so the fax machines can understand how each is sending and receiving the fax. The handshake cannot begin until the call is answered, and the CNG tones only last for about 40 seconds after the number is dialled. Therefore, it is important for the receiving machine to answer the call in as few rings as possible. We suggest 2 rings as the standard setting.



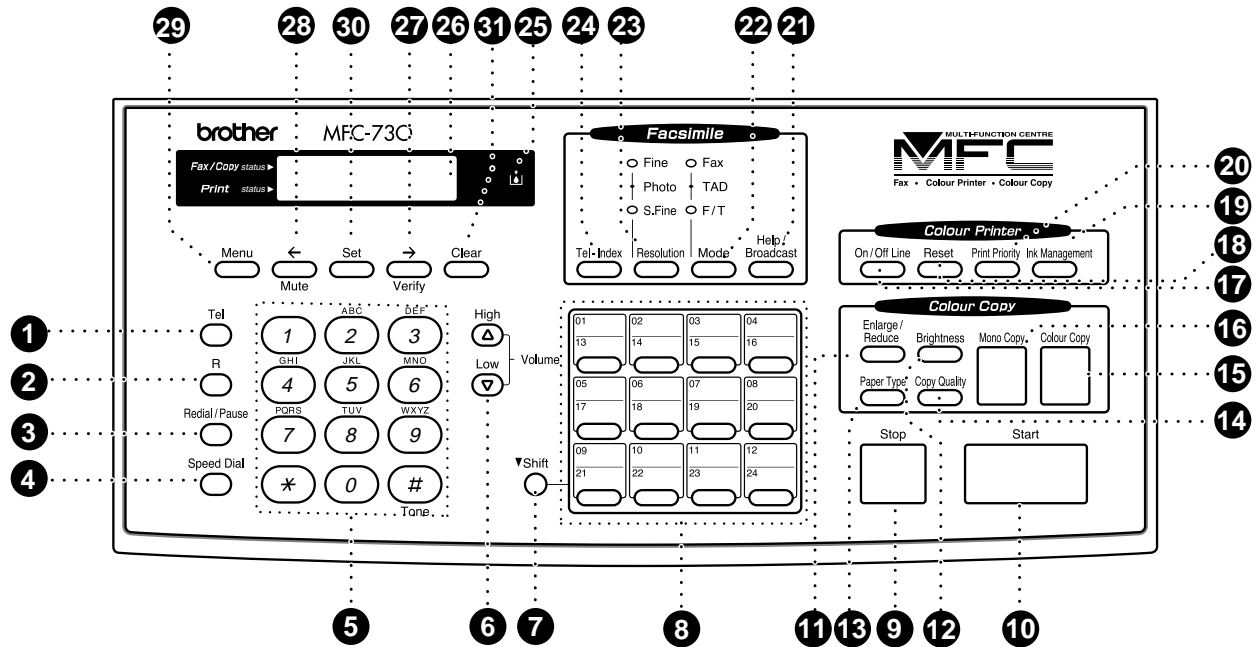
When you have an external telephone answering device (TAD) on your MFC line, your TAD will determine the number of rings before the call is answered. Pay special attention to the directions in the Installation chapter for connecting a TAD (or answering machine) to your MFC.

ECM (Error Correction Mode)



The Error Correction Mode (ECM) is a way for the MFC to check the integrity of a fax transmission while it is in progress. ECM transmissions are possible only between machines that both have the ECM feature. If they do, you may send and receive fax messages that are continuously checked for their integrity. Because of this you should send and receive error free documents, thus avoiding the need to resend.

Sufficient memory must be available in your MFC for this feature to work.

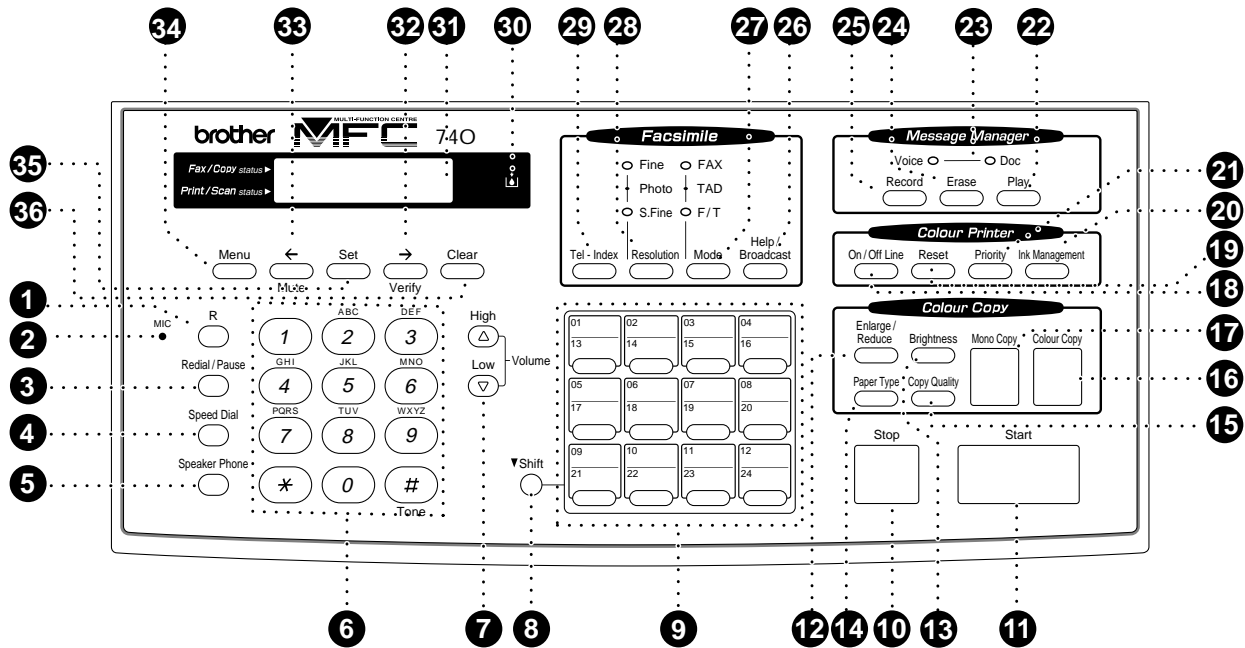
MFC-730 Control Panel Overview



- 1 Tel**
Use to shuttle the line between handset and monitor speaker.
- 2 R (Recall)**
Use this key to gain access to an outside line and/or to recall the operator or transfer a call to another extension when it is connected to a PABX.
- 3 Redial / Pause**
Redials the last number called. Also inserts a pause in autodial numbers.
- 4 Speed Dial**
Lets you dial stored phone numbers by pressing a two-digit number.
- 5 Dial Pad**
Dials phone and fax numbers, and can be used as a keyboard for entering information into the MFC. # key lets you switch the dialling type during a telephone call from "PULSE" to "TONE".
- 6 Volume High / Low**
Adjusts speaker and ring volume.
- 7 Shift**
Use to access memory locations 13 through 24 in the One Touch keys and the Verify and Mute key.
- 8 One Touch Keys**
These 12 keys give you instant access to previously stored phone numbers.
- 9 Stop**
Stops a fax, cancels an operation, or exits from function mode.
- 10 Start**
Starts an operation, such as sending a fax.
- 11 Enlarge/Reduce**
Lets you reduce or enlarge copies depending on the ratio you select.

- 12 Brightness**
Lets you adjust the brightness of the whole image to be lighter or darker.
- 13 Paper Type**
Use this key to temporarily change the paper type setting for Copy and Video Printing modes.
- 14 Copy Quality**
Use this key to temporarily change the quality and type of original for Copy and Video Printing modes.
- 15 Colour Copy**
Makes a full-colour copy.
- 16 Mono Copy**
Makes a black-and-white or one-colour copy.
- 17 On/OffLine**
Use this key to turn the printer online (ready to receive PC data) and offline (not ready to receive PC data) alternately. When the printer is online, the LCD displays **ONLINE**.
- 18 Reset**
Clears data from the printer memory, and then resets and restores to the factory default settings.
- 19 Ink Management**
Cleans the ink print heads and/or resets the ink dot counter after replacing an ink cartridge.
- 20 Priority**
When you press this key the MFC enters printer mode, and will not print faxes on paper. Instead, faxes are stored in the memory until you press Priority again.
- 21 Help/Broadcast**
Press this key whenever you want a quick reference Help List printed. The Help List shows how to perform functions, how to register information, and how to get basic information. Also use this key whenever you want to broadcast faxes to many different locations, maximum of 130.
- 22 Mode**
Use to select how the MFC will handle incoming calls.
- 23 Resolution**
Sets the resolution when you send a fax.
- 24 Tel-Index**
Lets you look up numbers stored in the dialling memory.
- 25 Ink Empty Indicator**
Flashes when ink cartridge is low and stays lit when ink is empty.
- 26 Liquid Crystal**
LCD displays messages to help you set and operate your MFC.
- 27  (Right Arrow) Verify**
Moves the LCD cursor to the right. When the machine is idle, you can also use this key to print the Transmission Verification Report for your last transmission.
- 28  (Left Arrow) Mute**
Moves the LCD cursor to the left. You can also use this key to put calls on hold.
- 29 Menu**
Lets you access the function and programming mode.
- 30 Set**
Stores a function setting in the MFC.
- 31 Clear**
Deletes entered data or backs up one step in function procedure.

MFC-740 Control Panel Overview



1 R (Recall)

Use this key to gain access to an outside line and/or to recall the operator or transfer a call to another extension when it is connected to a PABX.

2 Microphone

Picks up your voice when you speak to another party using speaker phone.

3 Redial / Pause

Redials the last number called. Also inserts a pause in autodial numbers.

4 Speed Dial

Lets you dial stored phone numbers by pressing a two-digit number.

5 Speaker Phone (Handsfree mode)

Lets you speak to the person at the other end and dial telephone and fax numbers without lifting the handset.

6 Dial Pad

Dials phone and fax numbers, and can be used as a keyboard for entering information into the MFC. # key lets you switch the dialling type during a telephone call from "PULSE" to "TONE".

7 Volume High / Low

Adjusts speaker and ring volume. The speaker volume is for message playback and speaker phone conversation.

8 Shift

Use to access memory locations 13 through 24 in the One Touch keys and the **Verify** and **Mute** key.

9 One Touch Keys

These 12 keys give you instant access to previously stored phone numbers.

10 Stop



Stops a fax, cancels an operation, or exits from function mode.

11 Start

Starts an operation, such as sending a fax.

12 Enlarge/Reduce

Lets you reduce or enlarge copies depending on the ratio you select.

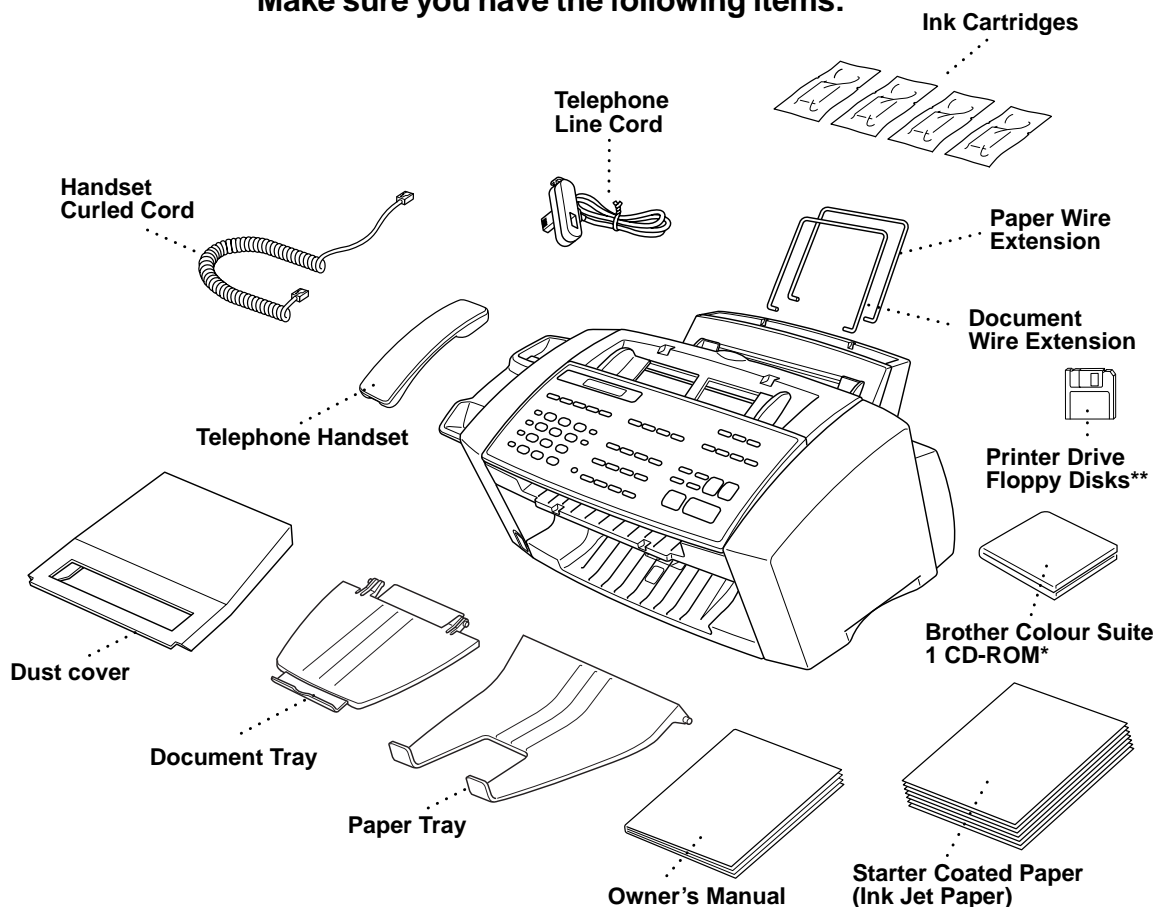
- 13 Brightness**
Lets you adjust the brightness of the whole image to be lighter or darker.
- 14 Paper Type**
Use this key to temporarily change the paper type setting for Copy and Video Printing modes.
- 15 Copy Quality**
Use this key to temporarily change the quality and type of original for Copy and Video Printing modes.
- 16 Colour Copy**
Makes a full-colour copy.
- 17 Mono Copy**
Makes a black-and-white or one-colour copy.
- 18 On/OffLine**
Use this key to turn the printer online (ready to receive PC data) and offline (not ready to receive PC data) alternately. When the printer is online, the LCD displays **ONLINE**.
- 19 Reset**
Clears data from the printer memory, and then resets and restores to the factory default settings.
- 20 Ink Management**
Cleans the ink print heads and/or resets the ink dot counter after replacing an ink cartridge.
- 21 Priority**
When you press this key the MFC enters printer mode, and will not print faxes on paper. Instead, faxes are stored in the memory until you press **Priority** again.
- 22 Play**
Lets you listen to voice messages and outgoing messages.
- 23 Message Indicator Lights**
Notify you that you have voice or fax messages in the memory.
- 24 Erase**
Lets you delete voice messages, and/or fax messages from the memory.
- 25 Record**
Lets you record Outgoing Messages (OGM), memos and telephone calls.
- 26 Help/Broadcast**
Press this key whenever you want a quick reference Help List printed. The Help List shows how to perform functions, how to register information, and how to get basic information. Also use this key whenever you want to broadcast faxes to many different locations, maximum of 174.
- 27 Mode**
Use to select how the MFC will handle incoming calls.
- 28 Resolution**
Sets the resolution when you send a fax.
- 29 Tel-Index**
Lets you look up numbers stored in the dialling memory.
- 30 Ink Empty Indicator**
Flashes when ink cartridge is low and stays lit when ink is empty.
- 31 Liquid Crystal**
LCD displays messages to help you set and operate your MFC.
- 32  (Right Arrow) Verify**
Moves the LCD cursor to the right. When the machine is idle, you can also use this key to print the Transmission Verification Report for your last transmission.
- 33  (Left Arrow) Mute**
Moves the LCD cursor to the left. You can also use this key to put calls on hold.
- 34 Menu**
Lets you access the function and programming mode.
- 35 Set**
Stores a function setting in the MFC.
- 36 Clear**
Deletes entered data or backs up one step in function procedure.

CHAPTER TWO

MFC Setup and Connections

Packing List

Make sure you have the following items:



* ... Only for MFC-740
 ** ... Only for MFC-730

Whenever you transport the MFC, use the packing materials that came with your MFC and pack the MFC correctly.

Choosing a Location

Place your MFC on a flat, stable surface, such as a desk. Select a place that is free of vibration and shocks. Locate the MFC near a telephone socket and a standard, earthed electrical socket. Choose a location where the temperature remains between 10°C and 32°C (50°–90°F).



Avoid placing your MFC where it may be knocked. Do not place near heaters, air conditioners, water, chemicals, or refrigerators. Do not expose the MFC to direct sunlight, excessive heat, moisture, or dust. Do not connect your MFC to electrical outlets controlled by wall switches or automatic timers as disruption of power can wipe out information in the unit's memory. Do not connect your MFC to electrical outlets on the same circuit as large appliances or other equipment that might disrupt the power supply. Avoid interference sources, such as speakers or the base units of cordless phones. Ensure the airflow from the fan on the right hand side of the MFC is not impeded.



Caution

Keep the MFC out of strong light such as direct sunlight.



Caution

- 1 Never touch telephone wires or terminals that are not insulated unless the telephone line has been disconnected at the network interface.
- 2 Use caution when installing or modifying telephone lines.

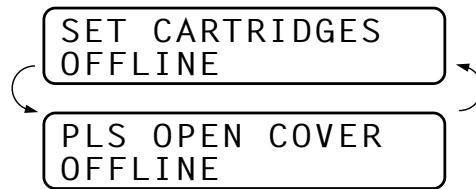
Assembly

1 Connect the handset.

Connect the longer end of the curled handset cord to the MFC and the shorter end to the handset.

2 Connect the power cord.

When you connect the power, the screen alternately displays



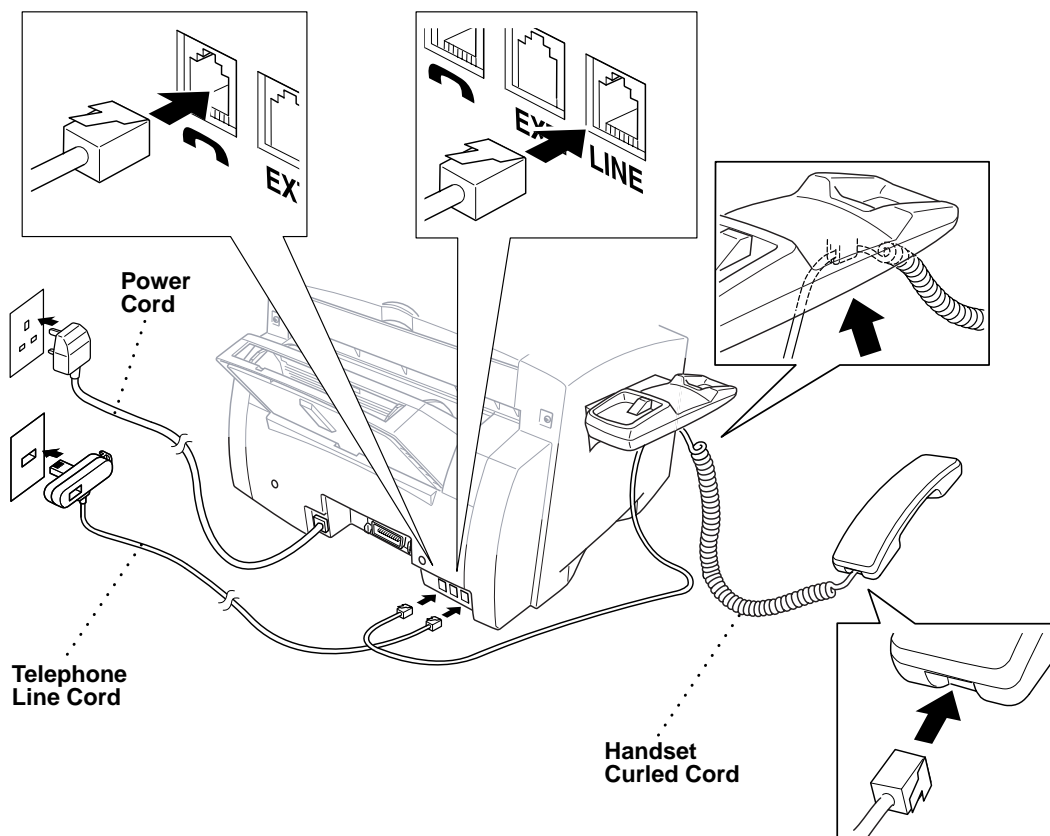
3 Connect the telephone line cord.

Connect one end of the telephone line cord to the socket on the MFC and the other end to a modular wall socket.



Caution

Operating the MFC before you install the ink cartridges will permanently damage the print head.



**NOTICE:**

- The MFC must be fitted with an earthed plug.
- Since the MFC is earthed via the mains plug, you can protect yourself from potentially hazardous electrical conditions on the telephone network by keeping the power to your MFC on when you connect it to a telephone line. Similarly, you can protect yourself when you want to move your MFC, by disconnecting the telephone line first, and then the power cord.

IMPORTANT:

If you need to remove the moulded mains plug in order to fit an appropriate type, you must discard the moulded plug immediately having cut it off, in order that it is not inadvertently inserted into a live socket, thus presenting a shock hazard. The wires in the mains lead of this appliance are coloured in accordance with the following code.

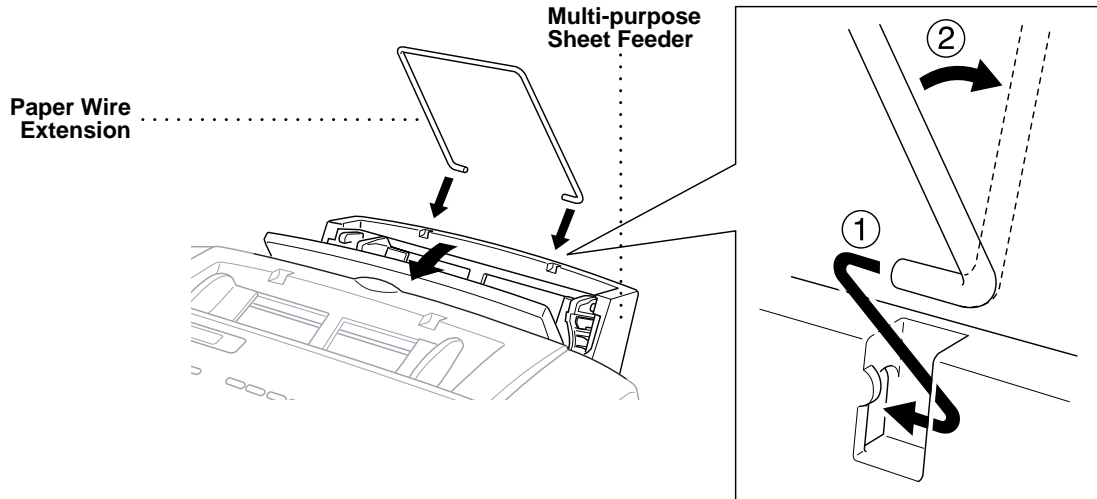
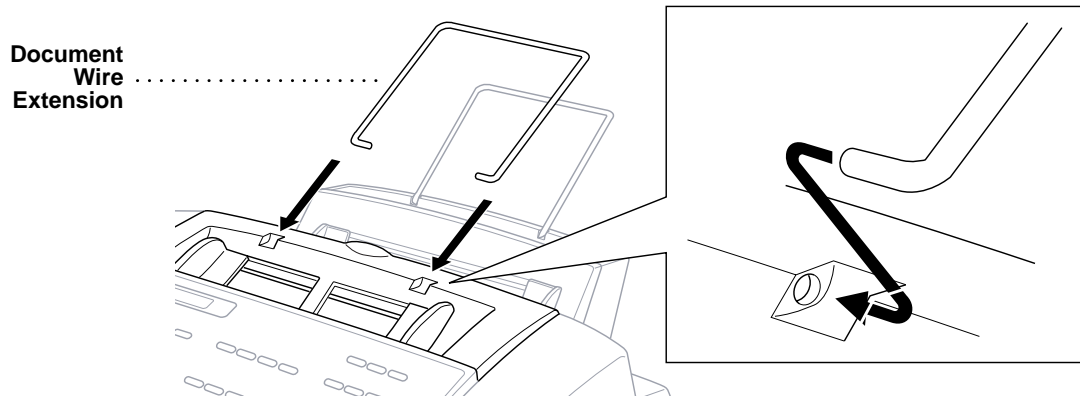
Green-and-yellow : Earth
Blue : Neutral
Brown : Live

As the wires in the mains lead of this apparatus may not correspond with the coloured markings identifying the terminals in your plug, proceed as follows:

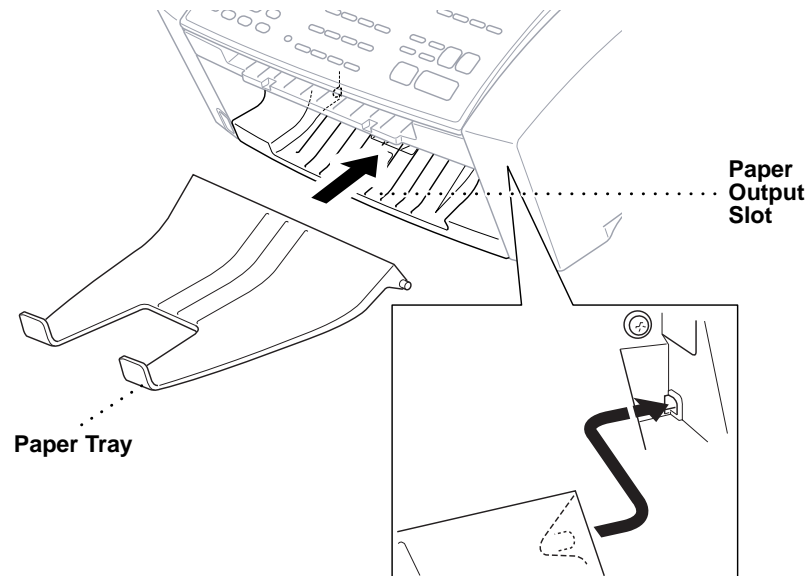
The wire which is coloured green-and-yellow must be connected to the terminal in the plug which is marked by the letter "E" or by the safety earth symbol \perp or coloured green or green-and-yellow.

The wire which is coloured blue must be connected to the terminal which is marked with the letter "N" or coloured black.

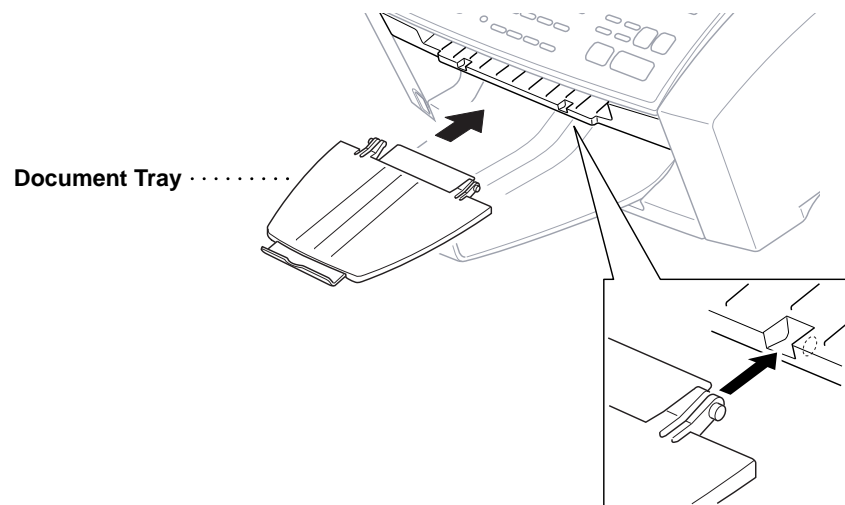
The wire which is coloured brown must be connected to the terminal which is marked with the letter "L" or coloured red.

4 Attach the paper wire extension to the multi-purpose sheet feeder.**5 Attach the document wire extension.**

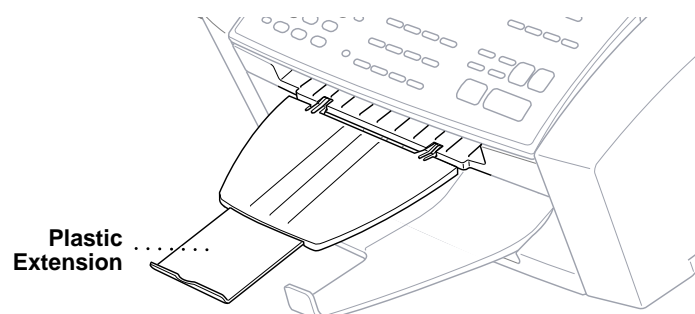
- 6** Attach the paper tray to the paper output slot to prevent paper jams and maintain print quality.



- 7** Attach the document tray.

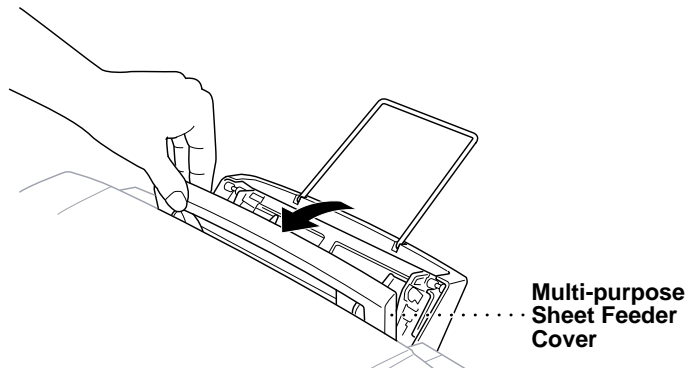


- 8** Pull out the plastic extension of the document tray.

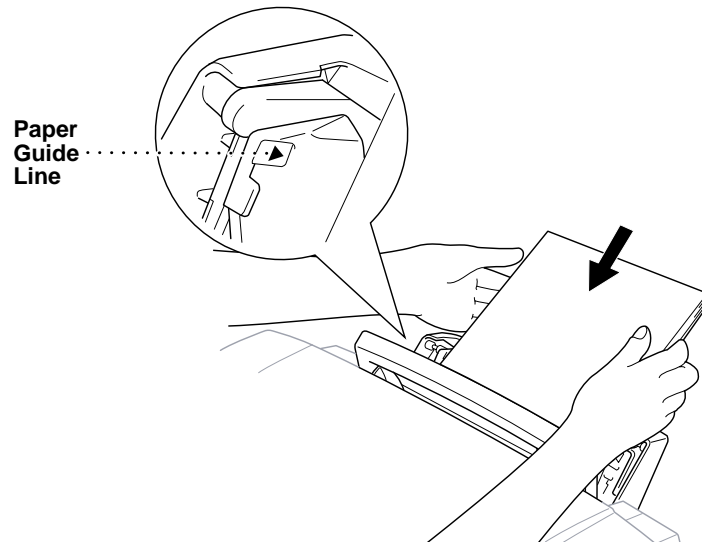


9 Loading paper in the multi-purpose sheet feeder (paper cassette).

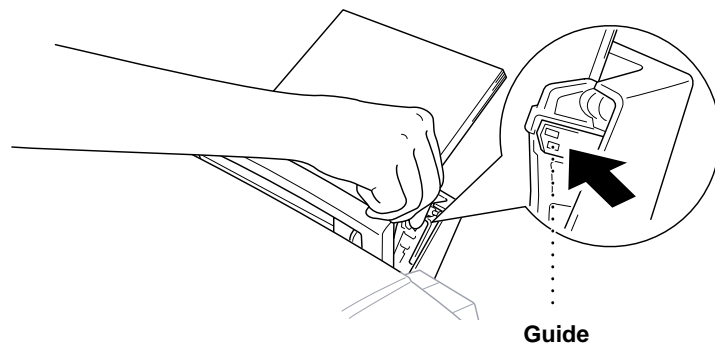
A Open the multi-purpose sheet feeder cover.



B Fan the paper well. Load the paper. Make sure the printing surface is towards you and the paper level is stacked below the paper guide line.

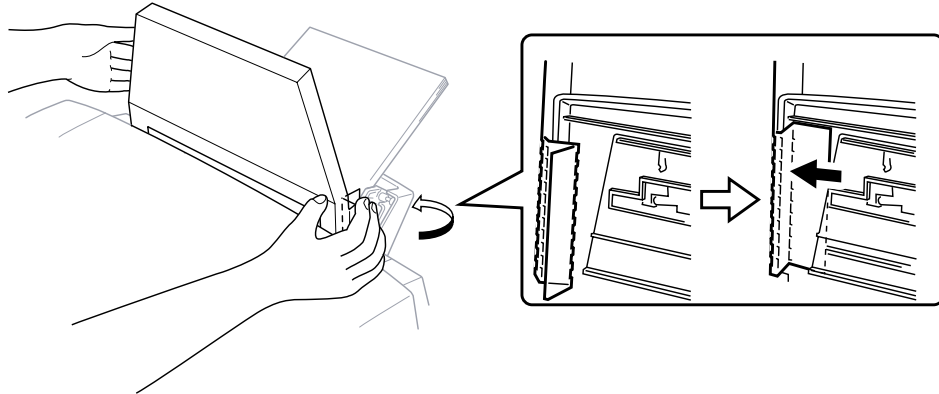


C Adjust the guides to fit the paper width.

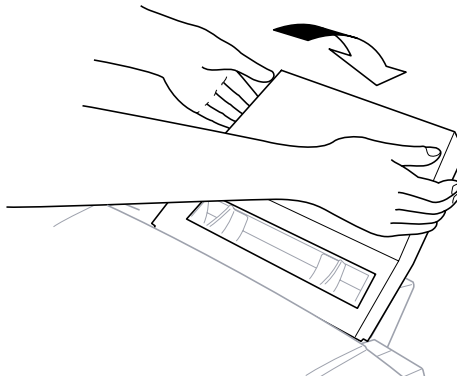


10 Attaching Dust Cover

A Attach the dust cover to the multi-purpose sheet feeder cover, pressing the dust cover sides around the feeder until they snap into place.



B Close the multi-purpose sheet feeder cover.

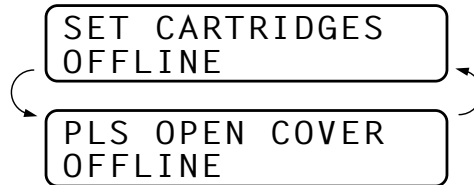


WARNING

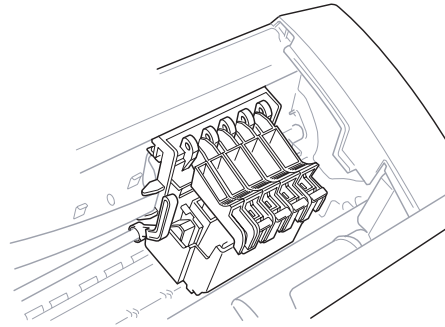
It is essential to keep the dust cover on your MFC to prevent dust from entering the print mechanism. Using the dust cover on your MFC should prolong the life of the print head.

Installing the Ink Cartridges

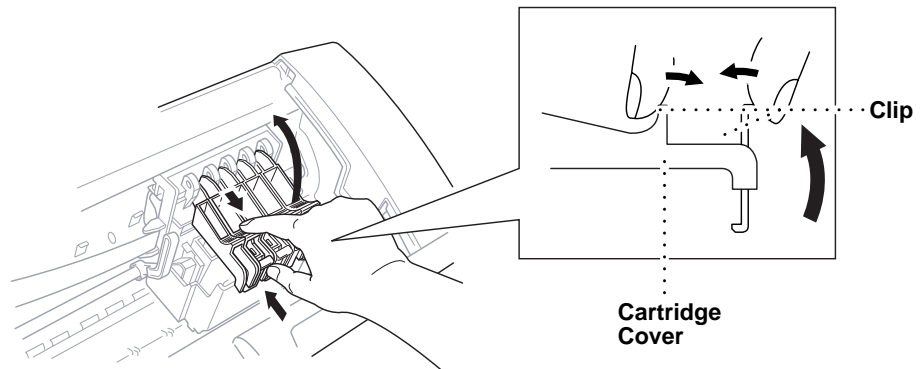
- 1 Be sure that the power is on. The screen alternately displays



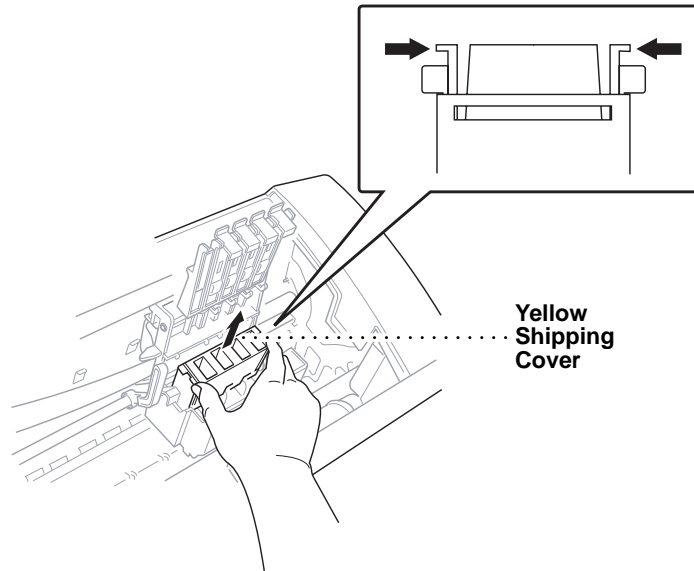
- 2 Open the top cover by pulling it toward you. The print head will move left to its replacement position after a few seconds.



- 3 Open the ink cartridge cover by pinching the clip as shown in the illustration.



- 4 Remove the yellow shipping cover by lifting it up and out.



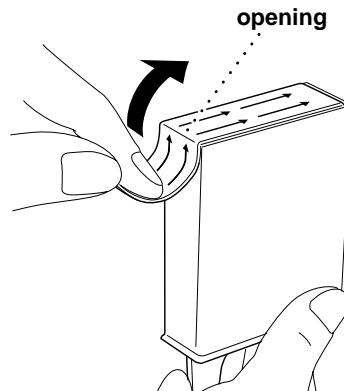
We recommend that you install the ink cartridges from left to right in this order: Black, Yellow, Cyan, Magenta.

Keep the yellow shipping cover in a safe place. You will need it in the future when you replace the print head.

- 5 Open the Black ink cartridge bag and remove the ink cartridge.
- 6 Carefully remove the sealing tape from the side of the ink cartridge. Be sure to peel the tape from the side of the cartridge in the direction away from you.

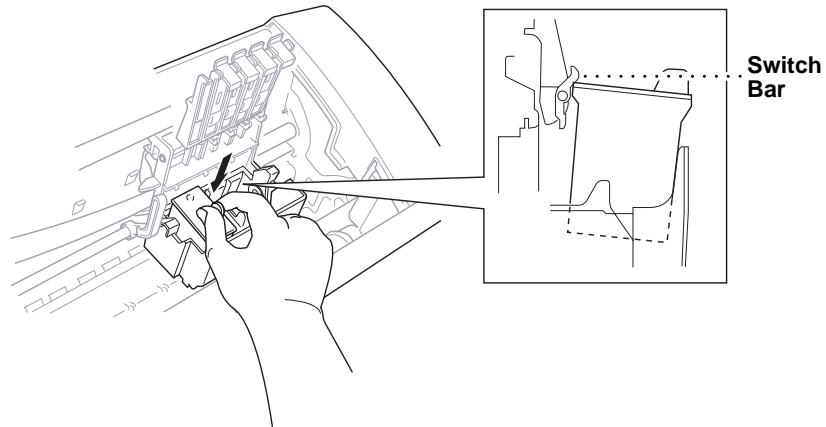
Important

To prevent spilling ink and staining your hands and clothing, remove the sealing tape gently and slowly. Do not touch the ink opening on the cartridge or the removed tape.

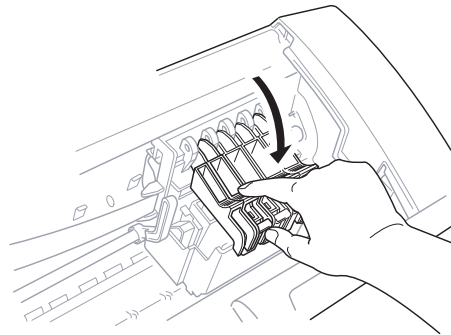


- 7** Each colour has its own correct position. Insert the Black ink cartridge, matching the markings of the colour indicators on the print head as a guide.

Please be careful not to push down the switch bar shown in the right side of the illustration, when inserting a cartridge.



- 8** Repeat Steps 5–7 to install each colour ink cartridge.
- 9** Close the cartridge covers until they click into place.



- 10** After installing all ink cartridges, close the top cover until it clicks into place. Your MFC now prepares for a “head cleaning” and goes online. The MFC will ask you if you changed each colour ink cartridge.

DID YOU CHANGE
BLCK?1.YES 2.NO

- 11** Press **1** on the dial pad for each colour, as prompted (for initial setup only) within 1 minute. The MFC will enter a cleaning cycle for approximately 6 minutes. The screen alternately displays **CLEANING BLACK** and **PLEASE WAIT**. The ink dot counter will be set automatically for each colour, so the MFC can warn you with an error message when ink is running low.

Make sure paper is loaded in the cassette, then press **Start** within 1 minute.

When the MFC completes the cleaning cycle, the MFC starts printing the test sheet.

- 12** Only during initial ink cartridge installation, the screen shows.

PRINT OK?
1 . YES 2 . NO

Check the print quality of the test sheet. If it is not good, clean the print head again, by pressing **2**. The screen will ask you if the print quality is OK for each colour. Press **2** for any colour with a problem. You can choose several colours. After cleaning is finished, press **Start**.

The MFC starts printing Test Sheet No. 2.

- 13** Adjust the Vertical Alignment by following the instructions printed on the Test Print page.



WARNING

If ink gets in your eyes, flush them with water immediately and seek medical attention if required.



Caution

- **DO NOT remove ink cartridges** if you do not need to replace them. If you do so, it may reduce the ink quantity and the MFC will not know the quantity of ink left in the cartridge.
- **DO NOT shake the ink cartridges.** If you do so, the ink may spill when you take off the sealing tape. If ink stains your body or clothing, wash with soap or detergent immediately.
- If you install an ink cartridge in the wrong colour position, you must clean the print head several times after correcting the cartridge installation and before you start printing because the colours were mixed.

- Once you open an ink cartridge, install it in the MFC and use it up within six months of installation. Use unopened ink cartridge by the expiry date printed on the cartridge box.
- DO NOT refill the ink cartridges. Attempting to use refilled cartridges may cause damage to the print head and will void your product warranty.

If the **INK EMPTY XXXX** error message is on the screen display after you have installed the ink cartridges, check and make sure that the ink cartridges are installed correctly.

Multi-Line Connections (PABXs)

Most offices use a central telephone system, or PABX. The MFC will work with most PABX or key systems that allow a two-wire analogue connection. However, we recommend that you have a separate telephone line for your MFC. You can then leave the MFC in Fax Mode to receive faxes any time of day or night.

If you are installing the MFC to work with a PABX:

- 1 It is not guaranteed that the unit will operate correctly under all circumstances with a PABX. Any cases of difficulty should be reported first to the company that handles your PABX.
- 2 If all incoming calls will be answered by a switchboard operator, it is recommended that the Answer Mode be set to Manual. All incoming calls should initially be regarded as telephone calls.
- 3 The unit may be used with either pulse or tone dialling telephone service.

Ringer Equivalence Number (REN)

This equipment has a REN value of 1. A BT line has a “bell ringing” capacity, or REN, of 4. This means that adding downstream-connected extension telephones and/or extension bells to a total REN of greater than 4 may cause a reduction in the bell volume. In extreme cases, it may cause the auto-answer facility of the machine to fail.

Therefore, up to three additional extension telephones (each assuming a REN of 1), may be connected downstream of your machine. For an explanation of “downstream connection, read “Using extension telephones” which follows.

Unless otherwise marked, a telephone provided by BT may be assumed to have a REN value of 1.



Using Extension Telephones

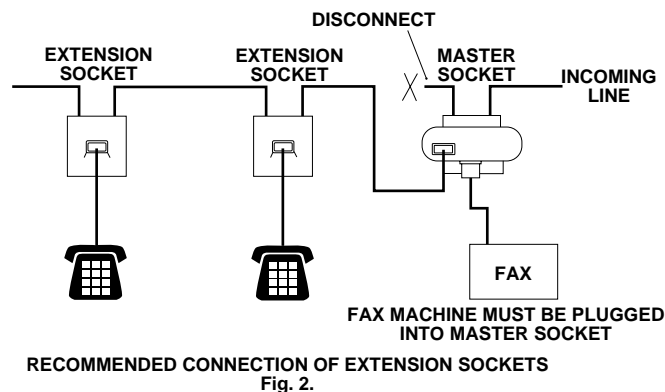
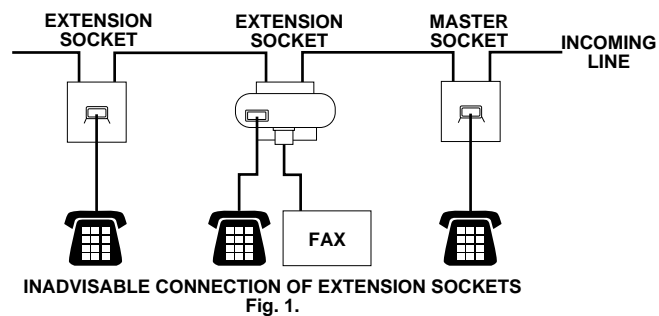
It may be that your premises are already wired with parallel extension telephones, or you intend to add extension telephones to your line, in addition to your machine. While the simplest arrangement is straightforward parallel connection, there are some reasons as to why this arrangement will cause unsatisfactory service, the most obvious of which is inadvertent interruption of a facsimile transmission by someone picking up an extension telephone in order to make an outgoing call. Additionally, remote activation may not operate reliably in such a simple configuration.

This machine may also be set to make a delayed transmission (i.e. a transmission at a pre-set time). This pre-set job may coincide with someone picking up an extension handset.

Such problems can easily be eliminated however, if you arrange modification of your extension wiring circuit, such that extension devices are connected “downstream” of your machine, in a master/slave configuration. In such a configuration, this machine can always detect whether a telephone is in use, thus it will not attempt to seize the line during that time. This is known as “telephone off-hook detection.”

The inadvisable configuration is shown in figure 1 below, and the recommended master/slave configuration is shown in figure 2.

This new connection configuration can be arranged by your contacting BT, Kingston upon Hull Telecommunications, your PABX maintainer or a qualified telephone installation company as appropriate. Simply explained, the extension telephone circuit should be terminated on a normal modular plug (BT 431A style), which in turn should be inserted into the modular socket of the white “T”-shaped connector provided as part of the line cord assembly.



Connecting an External Telephone Answering Device (TAD)

Sequence

You might choose to connect an additional answering machine. When you have an **external** TAD on the same telephone line as the machine, the TAD answers all calls. The MFC “listens” for fax calling (CNG) tones. If it hears them, the MFC takes over the call and receives the fax. If it does not hear the CNG tones, the machine will not answer the call, and messages can be left on the TAD by callers in the normal way.

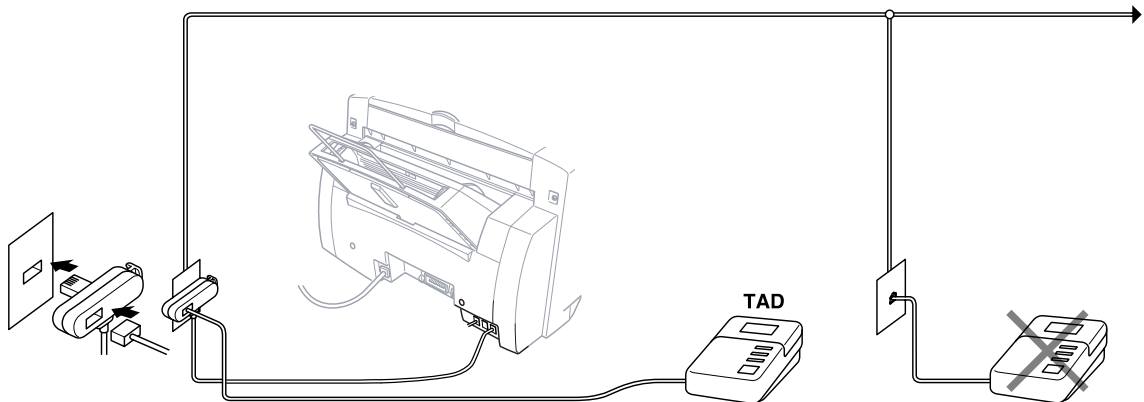
The TAD must answer within a maximum of four rings. However, we recommend two rings as the TAD setting. The MFC cannot hear CNG tones until the TAD has answered the call, and with four rings there are only 8–10 seconds of CNG tones left for the fax “handshake.” Make sure you carefully follow instructions in this manual for recording your outgoing message. Do not use a “toll-saver” ring setting on the TAD.



Do not connect a TAD elsewhere on the same phone line—your machine and TAD will both try to control the line.

Connections

1 You may connect an external TAD to your MFC, as shown below.



- 2 Set your external TAD to two rings or less. (The MFC's Ring Delay setting does not apply).
- 3 Record the outgoing message (see below).
- 4 Set the TAD to answer calls.
- 5 Set Message Storage (**Menu, 1, 8, 1**) to **VOICE:EXT.** (Only for MFC-740)
- 6 Set the Answer Mode to TAD.

Outgoing Message (OGM) of External TAD

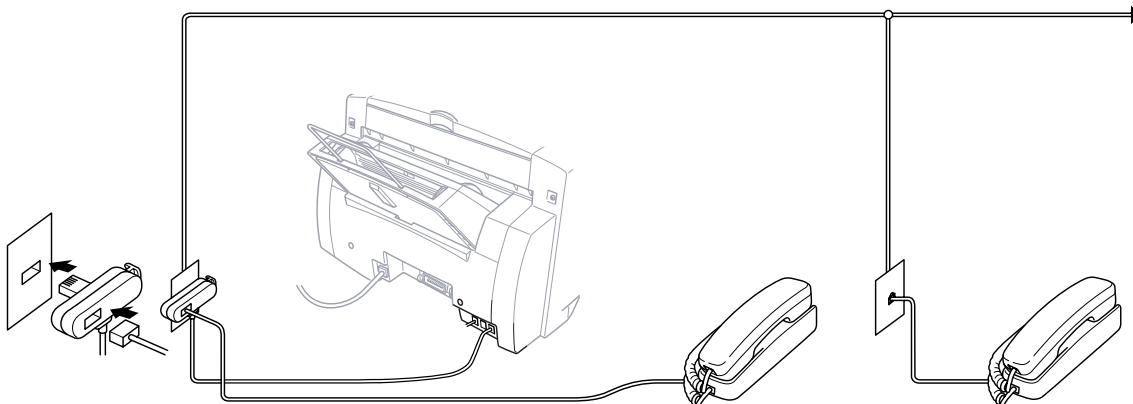
Timing is important in recording this message. The message sets up the ways to handle both manual and automatic fax reception.

- 1 Limit your speaking to 20 seconds.
- 2 Record 5 seconds of silence at the beginning of your message. (This allows your MFC time to listen for the fax CNG tones of automatic transmissions before they stop.)
- 3 End your 20-second message by giving your Remote Activation Code for people sending manual faxes. For example:
“After the beep, leave a message or send a fax manually by pressing *51 and Start.”

Please note that some faxes that are sent manually cannot be received automatically because some fax machines do not send a fax tone in manual mode. In these cases you must inform callers that they must enter the remote activation code to send a fax.

Connecting an External Telephone

Your MFC is equipped with a handset that you can use as a regular phone. However, you can also connect a separate telephone to your MFC, as shown below.



Whenever this external phone (or TAD) is in use, the screen displays **EXT. TEL IN USE**, and, if the MFC's handset is lifted, an alarm sounds. To disconnect the call on the external phone and switch to the MFC, lift the handset and press **Tel** (for MFC 730 only) or **Speaker Phone** (for MFC-740 only).

CHAPTER THREE

Paper

The quality of your document can be affected by the kind of paper you use in the MFC. You can use plain paper, coated paper, transparencies, glossy paper, organizer paper, and envelopes. We recommend testing various papers before purchasing large quantities. For best results, use Brother special coated paper, glossy paper, and transparencies. (See the page next to front page for information about ordering Brother accessories).



When you print on coated paper, transparencies, and glossy paper, be sure to select the correct media in the “Quality/Colour” tab in the printer driver. When using coated paper or transparencies, avoid stacking by removing each page after copying or printing.

About Brother Paper

Brother paper is manufactured specifically for this MFC, to provide you with optimum print quality.

Quality Coated Paper for 360 dpi Colour Ink Jet printing— normal mode (BP36CA for A4)

High Quality Coated Paper for 720 dpi Colour Ink Jet printing— super fine mode (BP72CA for A4)

Colour Ink Jet Transparencies— fine mode (BPTRA for A4)

Colour Ink Jet Glossy Paper— superfine mode (BPGLA for A4)

- Brother coated (ink jet) paper is coated only on one side. Make sure this whiter (coated) side is facing up toward you. Therefore, when loading paper in the paper cassette, make sure that the whiter side (the coated side) is facing up.
- The coated side of glossy paper is shiny. Do not touch the shiny side. Load glossy paper in the feeder with the shiny side facing up toward you.
- DO NOT touch the coated side of the paper or either side of transparencies, because the media absorbs water and perspiration easily, and this might cause decreased output quality.
- For optimum output quality, be sure to use paper appropriate for your resolution setting.
- Store paper in the original bag, and keep it sealed. Keep the paper flat and away from moisture and direct sunlight and heat.
- Transparencies designed for laser printers/copiers may stain your next document. Use only recommended transparencies for ink jet printer.

Paper Specifications for Cassette and Manual Slot

When used as a printer, the MFC can handle paper that has the following specifications:

But please note that you can receive fax messages only on A4 cut sheet

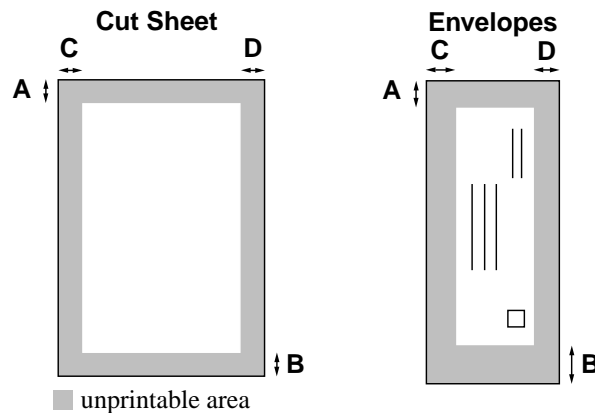
Paper Type	Paper Size	Cassette Capacity
Cut Sheet	A4, Letter, Executive	200 Sheets of 75 g/m ²
	Legal	100 Sheets of 75 g/m ²
Coated Paper	A4, Letter	100 Sheets
Transparencies	A4, Letter	20
Glossy Paper	A4, Letter	20
Envelopes	DL, COM-10, C5, B5, Monarch	10
Organizer	J(Manual Feed Slot only), K, L	10
Paper Capacity for Feeder Cut Sheet Paper Weight 60 to 120 g/m ² Sheet Feeder: Up to 22 mm/Approximately 200 Sheets of 75 g/m ² Output Stacker: Approximately 75 Sheets of 75 g/m ² Transparencies and glossy paper must be picked up from the paper tray page by page.		



- Curled or damaged paper may cause paper jams and misfeeds. If the paper is curled, straighten it as much as possible by rolling it in the opposite direction to the curl.
- For optimum output quality, we recommend you use only genuine Brother paper.
- If paper will not load from the feeder, try the manual feed slot.

Print Area

The Print Area depends on the settings in the application you are using. The figures below show the unprintable areas on cut sheets and envelopes.



Paper Type	Paper Size		A	B	C	D
Cut Sheet	Letter, Legal	Fax	3mm	11mm	3.95mm	3.95mm
		Mono Copy				6.25mm
		Colour Copy				
		Printer				8.75mm
	A4	Fax	3mm	11mm	2mm	2mm
		Mono Copy				4.8mm
		Colour Copy				
		Printer				4.8mm
Executive	Printer	3mm	11mm	3.4mm	3.4mm	
Organizer	J, K, L	Printer	3mm	11mm	3.4mm	3.4mm
Envelopes		Printer	10mm	20mm	3.4mm	3.4mm

Printer depends on the Printer driver.



Do not use the following types of paper and envelopes:

- Damaged, curled, wrinkled, or irregularly shaped paper and envelopes
- Extremely shiny or highly textured paper and envelopes
- Envelopes with clasps
- Envelopes of baggy construction
- Envelopes not sharply creased
- Embossed envelopes
- Paper and envelopes already printed with a laser printer
- Envelopes preprinted on the inside
- Paper and envelopes that cannot be arranged uniformly when stacked

CHAPTER FOUR

On-Screen Programming

User-Friendly Programming

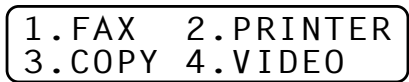
*See
“Using This
Manual”
chap. 1*

We have designed your Multi-Function Center with on-screen programming and a Help key. User-friendly programming helps you take full advantage of all the functions your MFC has to offer.

Since your programming is done on the LCD, we have created step-by-step on-screen prompts to help you program your MFC. All you need to do is follow the prompts as they guide you through the function menu selections and programming options and settings.

Function Mode

The screen displays



Then press **1** for Fax Functions—**OR**—press **2** for Printer Functions—**OR**—press **3** for Copy Functions—**OR**—press **4** for Video Functions.

When you enter the Function Mode, your MFC displays a list of Level One Functions from which you can choose. These function options appear one after the other on the display. Select an option by pressing **Set** when the option appears on the LCD.

You can “scroll” more quickly through options by pressing . When the screen displays your selection, press **Set**. Use to scroll backward if you passed your choice or to save key strokes. Both arrow keys show all options, in the opposite order.

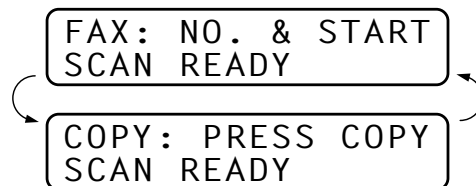
When you finish a function, the screen displays ACCEPTED.

If you want to exit the Function Mode, press **Stop**.



Alternating Displays

The LCD sometimes alternates between the currently selected option, and a help message giving brief instructions about how to proceed. The display you'll probably see most often is shown below, showing you that when you place a document in the feeder, you can either dial a number to send it as a fax or press the **Mono Copy** or **Colour Copy** key to make a copy of the document.



Function Selection Table

If you have a basic understanding of how to program your MFC, you can perform most of the programming settings without the Owner's Manual. To help you understand the function selections, options, and settings that are available, use the Function Selection Table below.

1. Fax Functions

1. INITIAL SETUP			
Function	Description	Factory Set	Chapter
1. TONE/PULSE	Selects the dialling mode.	TONE	5
2. DATE/TIME	Enter date and time for LCD display and to print on transmissions.	01/01 2000 00:00	5
3. STATION ID	Program the name, fax number to appear on each transmitted page.	--	5
4. BEEPER	Adjust the volume level of the beeps when you press a key, an error occurs or a document is sent or received.	LOW	5
5. PBX	Turn on if PABX (Private Automatic Branch Exchange) is connected to your MFC.	OFF	5
6. CLOCK CHANGE	Adjust the MFC's clock by one hour for summer/winter time.	--	5

1. Fax Functions (continued)

2. SETUP RECEIVE

Function	Description	Factory Set	Chapter
1. RING DELAY	Number of rings before the MFC answers in Fax/Tel, Fax or TAD (Message Manager for MFC-740) mode.	RING DELAY:02 TOLL SAVER:OFF (MFC-740)	6
2. F/T RING TIME	Sets the time for "F/T pseudo ring" in Fax/Tel mode.	30	6
3. FAX DETECT	Receive fax messages without pressing the Start key.	ON	6
4. REMOTE CODE	Enter code to activate or deactivate your MFC from a remote location.	OFF (*51, #51)	6
5. REDUCTION	Reduces size of image.	AUTO	6
6. MEM. RECEIVE	Automatically stores any incoming faxes in its memory if it runs out of paper.	ON	6
7. POLLING RX	You call another fax machine to receive a fax from it.	STANDARD	6
8. PC INTERFACE	Turn on if PC is connected to MFC for PC receiving of fax message.	ON	

3. SETUP SEND

Function	Description	Factory Set	Chapter
1. COVERPG SETUP	Automatically sends a programmable cover page or prints a sample coverpage.	OFF	7
2. COVERPAGE NOTE	Program customized message for fax cover page.	--	7
3. CONTRAST	Change the lightness or darkness of a fax you are sending.	AUTO	7
4. RESOLUTION	Allows you to change resolutions page by page.	STANDARD	7
5. OVERSEAS MODE	Special setting for international transmissions.	OFF	7
6. CALL RESERVE	You can send a fax, then speak to the person operating the other fax machine or print a sample call back message.	OFF	7
7. TIMER	Set the MFC to send documents later.	--	7
8. POLLED TX	Set Polled Transmission for someone to poll your MFC to receive a fax from you.	STANDARD	7
9. REAL TIME TX	When memory is full, you can send faxes in real time.	OFF	

1. Fax Functions (continued)**4. REMAINING JOBS**

Function	Description	Factory Set	Chapter
	Check which jobs are in memory or cancel a delayed fax (timer) or polling job.		7

5. INTERRUPT

Function	Description	Factory Set	Chapter
	Send a fax now, even if you have the MFC set to send a fax later, or if you have it set for Polling.		7

6. SET QUICK-DIAL

Function	Description	Factory Set	Chapter
1. ONE-TOUCH DIAL	Dial numbers stored in memory by pressing only one key.	--	8
2. SPEED-DIAL	Dial numbers stored in memory by pressing only three keys.	--	8
3. SETUP GROUPS	Set up a Group number for broadcasting.	--	8

7. PRINT REPORTS

Function	Description	Factory Set	Chapter
1. XMIT REPORT	Print confirmation of transmission after each document is sent.	OFF	15
2. JOURNAL	Lists information about the last 50 incoming and outgoing faxes.	JOURNAL:OFF	15
3. QUICK-DIAL	Lists names and numbers stored in One Touch and Speed Dial memory (in numerical order).	--	15
4. TEL. INDEX	Alphabetical lists of stored numbers.		
5. SYSTEM SETUP	Lists various system settings.	--	15
6. MEMORY STATUS	Lists information about memory use.	--	15

1. Fax Functions (continued)

8. REMOTE FAX OPT (MFC-730 Only)			
Function	Description	Factory Set	Chapter
1. FAX FWD	Set your fax machine to forward faxes.	OFF	10
2. FAX STORAGE	Store incoming faxes into memory for remote retrieval.	OFF	10
3. REMOTE ACCESS	Set code for retrieving faxes.	159*	10
4. PRINT DOCUMENT	Print incoming faxes stored in the memory.	--	6

8. SETUP TAD (MFC-740 Only)			
Function	Description	Factory Set	Chapter
1. MESSAGE STORE	Select if memory will store fax, voice or both.	DOC:OFF VOICE:ON	12
2. BACKUP PRINT	Automatically prints a copy of faxes received into memory.	ON	12
3. OGM	Select/Record outgoing messages.	TAD MESSAGE	6, 12
4. ICM MAX. TIME	Select maximum length of incoming messages.	35 seconds	12
5. ICM REC. MONITR	Select ON or OFF to screen voice messages as they come in.	ON	12
6. FAX FWD/PAGING	Set MFC to forward fax/message — OR — to call your pager.	OFF	12
7. REMOTE ACCESS	Set code for retrieving messages.	159*	12

0. MISCELLANEOUS			
Function	Description	Factory Set	Chapter
1. NOT USED IN THIS MODEL	—	—	—
2. CALLER ID	View and dial back, or print a list of the last 30 Caller IDs stored in memory.	ON	6

2. Printer Functions

Function	Description	Factory Set	Chapter
1. TEST PRINT	Use these functions when you need to adjust the print quality.	—	13
2. VERTICAL ALIGN		—	13
3. BI-DIR PRINT		ON	13

3. Copy Functions

Function	Description	Factory Set	Chapter
1. PAPER TYPE	Identify the type of paper in the cassette.	PLAIN	11
2. QUALITY	Select Draft, Normal or High copy quality.	HIGH	11
3. ORIGINAL TYPE	Select Standard for any original that is not a photograph.	STD	11
4. COLOUR ADJUST	Adjust the amount of Red, Green, or Blue in copies.	—	11
5. BRIGHTNESS	Adjust the brightness.	—	11
6. CONTRAST	Adjust the contrast.	—	11
7. ONE COLOUR	Select a single colour to use, instead of Black, when you use Mono Copy key.	OFF=Black	11

4. Video Functions

Function	Description	Factory Set	Chapter
1. PAPER TYPE	Identify the type of paper in the cassette.	PLAIN	14
2. QUALITY	Select NORMAL or HIGH print	HIGH	14
3. VIDEO TYPE	Select MOVING or STILL video signal.	MOVING	14
4. PRINT SIZE	Select the size you want the captured frame to print.	(14.6x10.8)	14
5. COLOUR ADJUST	Adjust the amount of Red, Green, or Blue in Copies.	—	14
6. BRIGHTNESS	Adjust the brightness	—	14

CHAPTER FIVE

Initial Setup

Getting Started



Setting the Dialling Mode (Tone/Pulse)

Your MFC is initially set to **TONE**. If you are using a **PULSE** dial line, you can change the setting to **PULSE** by following the steps below.

- 1 Press **Menu**, **1**, **1**, **1**. The screen prompts you to select **TONE** or **PULSE**.

DIALLING : TONE

DIALLING : PULSE

- 2 Use  or  to select the dialling mode.
- 3 Press **Set** when the screen displays the dialling mode you want.
- 4 Press **Stop** to exit.

Although this equipment can use either Pulse or Tone signalling, only the performance of the Tone signalling is subject to regulatory requirements for correct operation. It is therefore strongly recommended that the equipment is set to use the Tone signalling for access to public or private emergency services. The Tone signalling also provides faster call set up.

Setting the Date and Time

Your MFC displays the date and time, and prints it on every fax you send.

In the event of a power failure, the MFC maintains date and time information for several hours. All other settings remain unaffected.

- 1 Press **Menu**, **1**, **1**, **2**. The screen prompts you to enter the year.

ENTER YEAR : XX

- 2 Enter the last two digits of the year. (for example, enter 00 for the year 2000)
- 3 Press **Set**. The screen prompts you to enter the month.

ENTER MONTH : XX

- 4 Enter two digits for the month (for example, enter 09 for September, or 10 for October). The screen displays your entry.
- 5 Press **Set**. The screen prompts you to enter the day.

ENTER DAY : XX

- 6 Enter two digits for the day (for example, 06). The screen displays your entry.
- 7 Press **Set**. The screen prompts you to set the time.

ENTER TIME : XX : XX

- 8 Enter the time in 24-hour format (for example, enter 15:25 for 3:25 PM).
- 9 Press **Set**.
- 10 Press **Stop**. The screen now displays the date and time you set, and displays it whenever the MFC is in stand by mode.

Setting the Station ID

*See
“Composing
Electronic
Cover page”
chap. 7*

You can store your name, fax number, and telephone number to be printed on the fax **Cover Page**, on all fax pages that you send.

It is important that you enter the fax and telephone numbers in the internationally standardized format, i.e. in accordance with the following strict sequence:

- The “+” (plus) character (press * key)
- Your Country Code (e.g. “44” for the United Kingdom, “41” for Switzerland)
- Your local area code minus any leading “0” (“9” in Spain)
- A space
- Your number on the local exchange, using spaces to aid readability as appropriate.

As an example, your MFC is installed in the United Kingdom, is to be used for both fax and voice calls, and your national telephone number is 0161-444 5555, then you must set the fax and telephone number parts of your station ID as: +44 161-444 5555

- 1 Press **Menu**, **1**, **1**, **3**. The screen prompts you to enter your fax number.

FAX :

- 2 Enter your fax number (up to 20 digits). The screen displays your entry.

- 3 Press **Set**. The screen prompts you to enter your telephone number.

TEL :

- 4 Enter your telephone number (up to 20 digits). If your telephone number and fax number are the same, enter the same number again. The screen displays your entry.

- 5 Press **Set**. The screen prompts you to enter your name or your company name.


NAME :

- 6 Use the dial pad to enter your name (up to 20 characters). (You can use the following chart to help you enter letters.)

- 7 Press **Set** to confirm.

- 8 Press **Stop**. The screen returns to the date and time.



- The telephone number you entered is used only for the Call Back Message and Cover Page features.
- If you do not enter a fax number, no additional information can be entered.
- To enter a space, press  once between numbers and twice between characters.
- If your Station ID has already been programmed, the screen prompts “1” to make a change, or “2” to exit without changing.

*See
“Entering
Text”
in this
chapter*

Entering Text

When you are setting certain functions, such as the Station ID, you may need to enter text into the MFC. Most keys on the dial pad have three or four letters printed above them. The keys for 0, #, and * don't have printed letters because they are used for special characters.


By pressing the appropriate number on the dial pad the correct number of times, you can access the character you want.

Press Key	one time	two times	three times	four times	five times
2	A	B	C	2	A
3	D	E	F	3	D
4	G	H	I	4	G
5	J	K	L	5	J
6	M	N	O	6	M
7	P	Q	R	S	7
8	T	U	V	8	T
9	W	X	Y	Z	9

Inserting spaces

If you want to enter a blank space, press  twice.

Making corrections

If you entered a letter incorrectly and want to change it, press  to move the cursor after the last correct letter. Then press **Clear**; all letters above and to the right of the cursor are deleted. Re-enter the correct text and/or digits. You can also back up and type over incorrect letters.

Repeating letters

If you need to enter a character assigned to the same key as the previous character, press  to move the cursor to the right.

Special characters and symbols



0 key ----- ÄËÖÜÀÇÈÉ0

* key ----- (space) !"#\$%&'()*+,-./

key ----- ;<=>?@[^_

Setting the Beeper Volume

You can set the beeper to **LOW**, **HIGH** or **OFF**. The MFC comes set to **LOW**. When the beeper is set to **LOW** or **HIGH**, the MFC beeps every time you press a key or make an error, and at the end of sending or receiving a fax.

- 1 Press **Menu**, **1**, **1**, **4**.
- 2 Press  or  to select your setting.
- 3 When the screen displays the setting you want, press **Set**.
- 4 Press **Stop** to exit.

PABX and TRANSFER

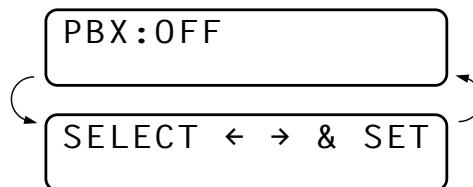
Your MFC is initially set to be connected with PSTN (Public Switched Telephone Network) lines. However, many offices use a central telephone system or Private Automatic Branch Exchange (PABX). Your fax can be connected to most types of PABX. You can easily gain access to the outside line from your MFC connected to PABX by just pressing **R**.



Also, you can transfer a call to another external by pressing **R**.

Setting PABX

If your MFC is connected to a PABX system, set **PBX:ON**. If not, set **OFF**.

- 1 Press **Menu**, **1**, **1**, **5**. The screen displays



- 2 Press  or  to select **ON** (or **OFF**).
- 3 Press **Set** when the screen displays your selection.
- 4 Press **Stop** to exit.



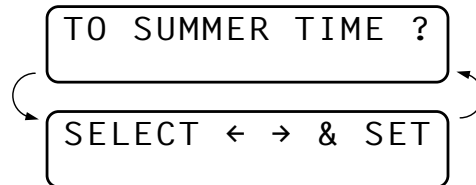
You can programme an **R** keypress as part of a number stored in a One Touch or Speed Dial location. When programming the One Touch or Speed Dial number (Function menu 1-6-1 or 1-6-2) press **R** first (the screen displays “!”), then enter the telephone number. If you do this, you do not need to press **R** each time before you dial using a One Touch or Speed Dial location. (See chap. 8.)

However, if **PBX** is set to **OFF**, you can not use the One Touch or Speed Dial numbers that have **R** keypress programmed in to them.

Setting the Clock Change

You can easily let the MFC's clock gain or lose one hour by using this feature.

- 1 Press **Menu, 1, 1, 6**. The screen displays



- 2 Press or to select Summer Time to gain an hour or Winter time to lose an hour.
- 3 Press **Set**.
- 4 Press **1** to change to Winter Time or Summer Time —**OR**— Press **2** to exit without changing.

Setting the Speaker Volume

You can adjust the speaker volume when your MFC has dialed (on hook dialing), the line is connected and telephone is on the display. You can turn the volume OFF or you can select a volume level.

Press or to adjust the volume level. The display shows the setting you are choosing. Each key press changes the volume to the next setting. The new setting will remain until you change it again.



If you have a MFC-740, you can adjust the speaker volume while you are listening to your OGM (Outgoing Message) and ICMs (incoming messages).



If you turn the Incoming Recording Monitor to **OFF (Menu, 1, 8, 5)**, on the MFC-740, the Speaker for screening calls will be disabled and you will not be able to hear callers leaving messages. The volume for other operations can still be controlled using and .

Setting the Ring Volume

You can adjust the ring volume when your MFC is idle. You can turn the ring **OFF**.

Press  or  to adjust the volume level. With each key press, the MFC rings so you can hear the current setting and the display shows the setting you are choosing. Each key press changes the volume to the next setting.

The new setting will remain until you change it again.

Memory Storage

In the event of a power failure, all settings in the **INITIAL SETUP**, **SETUP RECEIVE**, **SET QUICK-DIAL**, **REMOTE FAX OPT (MFC-730)**, and **SETUP TAD (MFC-740)**, plus the **COVERPG SETUP** and **COVERPAGE NOTE** (from **SETUP SEND**) functions are stored permanently. You may have to reset the date and time.

On the MFC-740, it will retain the data for Out-of-Paper Reception and Message Manager for up to 6 hours after a power interruption.

CHAPTER SIX

Setup Receive

Basic Receiving Operations

Select Answer Mode

Answer Mode		For
(○ means light off. ☀ means light on.)		
1. Manual	○ FAX	You must answer all calls yourself. If you hear fax tones, press Start to begin receiving the fax, then hang up.
	TAD	
	○ F/T	
2. Fax	☀ FAX	The MFC automatically answers every call as a fax call. You cannot receive a voice call, but you can dial out and make a voice call.
	TAD	
	○ F/T	
3. Fax/Tel	○ FAX	The MFC automatically answers every call. If the call is a fax, it prints the fax. If the call is not a fax, it signals you with a F/T pseudo-ring, different from the phone company ringing, to alert you to pick up the call. If you select this setting, you'll need to set the Ring Delay and F/T Ring Time features (on the following pages). You cannot have an answering machine on the same line, even if it is on a separate jack on the same line.
	TAD	
	☀ F/T	

See "Fax/Tel Mode Only" in this chapter

4. **TAD**
(For MFC-
730)



This is the only setting in which you can use an **external** answering machine. Your telephone answering device is connected to your machine, and answers every call. Once the external telephone answering device (TAD) answers, the machine listens for fax tones. If it detects fax tones, Fax messages are printed.

The TAD setting works only with an external telephone answering device (TAD). Ring Delay and F/T Ring Time do not work in this setting.

4. **TAD**
(For MFC-
740)



The MFC provides you with a built-in digital Message Manager for fax and voice. When you set the MFC to answer calls, it will record up to 99 minutes of messages. For more information about Message Manager operation, please see chap. 12.

Manual Reception (Manual Mode)

When you set the Answer Mode to manual, you must answer each incoming call yourself. Here is what you should do when using Manual Mode:

If You Get a...	Then You Should...
1. Regular phone call	Talk as you normally would.
2. Phone call and request to send a fax	Press Start when you have finished talking
	NOTE: Sender must also press Start.
3. Fax tone...	Press Start , and replace the handset.

Automatic Fax Only Reception (Fax Mode)

You can automatically receive all your faxes in Automatic Fax Reception mode (**Fax** light is on). Select this mode by pressing **Mode**.

See
“Operation
from an
External or
Extension
Telephone”
and
“For Fax/Tel
Mode Only”
in this
chapter

Setting the Ring Delay

The Ring Delay setting determines the number of times the MFC rings before it answers.

- 1 Press **Menu**, **1**, **2**, **1**.
- 2 Press **Set**.
- 3 Press or to select how many times the line rings before the MFC answers (01-04).
- 4 Press **Set** when the screen displays your selection.
- 5 Press **Stop** to exit.

Setting the F/T (Fax/Tel) Ring Time (For Fax/Tel Mode Only)

You need to determine how long the MFC will give its special F/T pseudo-ring when you have a voice call. This ringing happens *after* the initial ringing from the phone company. Only the MFC rings, for 20, 30, 40, or 70 seconds; no other phones on the same line ring the special F/T pseudo ring. However, you can answer the call on any extension phone on a separate wall socket on the same line as the MFC.

- 1 Press **Menu**, **1**, **2**, **2**.
- 2 Press or to select how long the MFC will ring to alert you that you have a voice call.
- 3 Press **Set** when the screen displays your selection.

RING TIME : 30 SEC

- 4 Press **Stop** to exit.

Now, when a call comes in and the MFC is set to Fax/Tel Mode, all phones on this line will ring the number of times you selected in Ring Delay.

You can let the MFC pick up and detect if it's a fax or voice call. If it's a fax call, the MFC prints the fax. If it's a voice call, the MFC signals you with an F/T pseudo-ring for the length of time you selected in F/T Ring Time.

Even if the caller hangs up during the F/T pseudo-ringing, the MFC continues the F/T pseudo-ringing for the set time.

Please note that some faxes cannot be received automatically in Fax/Tel mode, because some fax machines do not send the standard Group 3 calling tone (“CNG”).



See
“Operation
from
Extension
Telephone” in
this chapter

IMPORTANT! This MFC does not re-generate ringing conditions to any extension telephones. Any such extension telephones will only ring during the period set on ring delay.

Recording the Fax/Tel Outgoing Announcement (F/T MESSAGE) (Only for MFC-740)

This is the announcement played by your MFC (not an external TAD) when someone calls and your MFC is set to Fax/Tel mode. Although callers hear your announcement, they cannot leave a message. To erase the announcement, follow the directions in chapter 12, “Erasing the Outgoing Message”.

- 1** Press **Menu, 1, 8, 3**. The screen prompts you to choose **F/T MESSAGE, TAD MESSAGE** or **PAGING MSG**.
- 2** Press **←** or **→** to select **F/T MESSAGE**.
- 3** Press **Set**.
- 4** Press **Record**, then pick up the handset to record a message.
- 5** Replace the handset. Your announcement is played.
- 6** Press **Stop** to exit.



It is not necessary to have an outgoing message. The Fax/Tel mode will work fine without one. It is only to help the caller understand the status of your MFC.

For example, you can leave a message that says:



“Hello, please wait, we are trying to connect you. If you wish to send a fax, please wait until you hear a fax tone and press the Start key, or, press *51 (your three-digit remote activation code) and press the Start key.”

Fax Detect

When you use this feature, you don't have to press **Start** when you answer a fax call and hear calling beeps. Just hold the handset and wait for several seconds. When you see **RECEIVING** on the MFC screen or when you hear “chirps” through the handset of an extension phone connected to another wall jack, just replace the handset, and your MFC does the rest. Selecting **ON** allows the MFC to receive fax calls automatically, even if you lift the handset of an extension or external phone. Selecting **SEMI** lets the MFC receive the call only if you've answered it at the MFC. Selecting **OFF** means you'll have to activate the MFC yourself, by pressing **Start** or by pressing * 5 1 if you are not at your MFC.

*See
“Operation
from
Extension
Telephone”
and
“For Fax/Tel
Mode Only”
in this
chapter*

In case Fax Detect does not work, because of a poor phone line connection, just press **Start** or press the Activation Code * 5 1.

- 1 Press **Menu, 1, 2, 3**.
- 2 Use  or  to select **ON, SEMI** or **OFF**.
- 3 Press **Set** when the screen displays your selection.
- 4 Press **Stop** to exit.

If you've set the feature to ON, but your MFC doesn't automatically connect a fax call when you lift an external or extension phone handset, press * 5 1.



At the MFC, lift the handset and press **Start**.

Printing a Reduced Incoming Document

You can always reduce the size of an incoming fax to a fixed percentage with your MFC. If you choose **AUTO**, the MFC chooses the level of reduction for you regardless of the original size of the incoming document.

- 1 Press **Menu, 1, 2, 5**. The screen displays

5 . REDUCTION

- 2 Use  or  to select the reduction ratio you want—**AUTO, 100%, 88%, 83%** or **70%**. Choose **100%** if you don't want a reduction.
- 3 Press **Set** when the screen displays your selection.
- 4 Press **Stop** to exit.



If you receive faxes that are split on two pages, change the reduction to **AUTO** —**OR**— choose a lower reduction percentage.

- NOTE:**
- When you use Auto Reduction to reduce incoming documents to fit on one page of recording paper, you can do so only as long as the original document is not longer than 35 cm. If the original is longer than 35 cm, the data will not be reduced and will carry over to print on a second page.
 - When you use Auto Reduction and you receive an incoming document that is smaller than your recording paper, no reduction will take place, and you will get the same size recorded as the original.

Reception into Memory

As soon as the paper cassette becomes empty during fax reception, the screen will display “**CHECK PAPER**”; please put some paper in the paper cassette (see chap. 2).


If the MEMORY RECEPTION function is ON at this time...

The current fax reception will continue, with the remaining page(s) being stored in memory, subject to available memory. Subsequent incoming faxes will also be stored into memory until the memory is full, following which no further incoming fax calls will be automatically answered; all data will be printed as soon as fresh paper is put in the paper cassette.



If the MEMORY RECEPTION function is OFF at this time...

The current fax reception will continue, with the remaining page(s) being stored in memory, subject to available memory. Subsequent incoming fax calls will not be automatically answered until fresh paper is put in the paper cassette. The last fax received will be printed as soon as fresh paper is put in the cassette.

- 1 Press **Menu**, **1**, **2**, **6**. The screen displays



6 . MEM . RECEIVE

- 2 Use  or  to select **ON** or **OFF**.
- 3 Press **Set** when the screen displays your selection.
- 4 Press **Stop** to exit.

Advanced Receiving Operations

Operation from an External or Extension Telephone

*See
“F/T Ring
Time”
in this
chapter*

An external phone is a telephone that is plugged into your MFC (either into the MFC’s EXT socket or into the back of the connector that plugs into the telephone wall socket).

An extension phone is another phone on the same phone number as your MFC, but plugged into a different telephone wall socket. For example, your MFC may be connected to a phone line in your study, and you may have another phone on the same line (and same phone number) in your kitchen. This feature enables you to answer the phone in the kitchen if it rings while you are making a coffee, knowing that you can transfer the call to your MFC if the incoming call is a fax.

If you answer a fax call on an external or extension phone, you can make your MFC take over by using the Activation Code. When you press the Activation Code *** 5 1**, the MFC starts to receive a fax.

If the MFC answers a voice call and F/T pseudo-rings for you to take over, use the Deactivation Code **# 5 1** to take the call at an extension phone. The Deactivation Code is used only in Fax/Tel mode.

*See
“Outgoing
Message
(OGM) of
External
TAD”
chap. 2*



If you answer a call, and no one is on the line, assume you’re receiving a fax. At the MFC phone, press **Start**, then hang up. At an extension phone, press *** 5 1**, wait for fax receiving tones (chirps), then hang up. At an external phone, press *** 5 1** and wait for the phone to be disconnected (the screen displays **RECEIVING**) before you hang up. (Your caller will have to press Start to send the fax.)

If you accidentally pick up an extension phone when a fax message is being received, you may disrupt the transmission or render some portions unreadable.

The Remote Activation Code also can be used by your callers. When you are using a external TAD, your outgoing message (OGM) should end with the statement “to send a fax, press *** 5 1**”.

For Fax/Tel Mode Only

When the MFC is in Fax/Tel mode, it will use the F/T Ring Time (F/T pseudo-ringing) to alert you to a voice call. If you’re at the MFC, you can lift the handset to answer.

If you're at an extension phone, you'll need to lift the handset during the F/T Ring Time and press **# 5 1** between the F/T pseudo-rings. If no one is on the line, or if someone wants to send you a fax, send the call back to the MFC by pressing *** 5 1**.

Changing Remote Codes

Remote Codes might not work with some telephone systems. The preset Activation Code is *** 5 1**. The preset Deactivation Code is **# 5 1**.



If you are always disconnected when accessing your external TAD remotely, try changing the Activation Code from *** 5 1** to **###** and the Deactivation Code from **# 5 1** to **1 1 1**. You cannot use the same number for the Activation Code and the Deactivation Code.

To change Remote Codes

- 1 Press **Menu**, **1**, **2**, **4**.
- 2 Press or to select **ON** (or **OFF**).

REMOTE ACT. : ON

- 3 Press **Set** when the screen displays the setting you want.
- 4 If you want to, enter a new Remote Activation Code, then press **Set**.

ACT. CODE : *51

- 5 If you want to, enter a new Remote Deactivation Code, then press **Set**.

DEACT. CODE : #51

- 6 Press **Stop** to exit.

Printing a Fax from Memory (Only for MFC-730)

If you have fax storage ON for remote retrieval, you can still print a fax from the machine's memory when you are at your machine:

- 1 Press **Menu**, **1**, **8**, **4**.
- 2 Press **Start**.
- 3 After all the data saved in the memory is printed out. Press **Stop**.

Caller ID (Caller Identification) (Only for the UK)

Caller ID is a telephone service that allows the subscriber to see a display of the caller's phone number as the telephone rings. It is a fast way to screen your calls. You can respond quickly to calls you missed, because Caller IDs are received and stored in your machine's memory. In addition to the standard Caller ID features, you can select a Caller ID and have your machine dial the number for you.

- NOTE:** ■ To get the Caller ID Service: apply for the Caller ID service at your local telephone company, if available.
- To PABX Users :
Calling line identification signals are not generally delivered to your Brother fax machine if it is connected behind a private branch exchange (PBX) system or other call routing device.

Advantages of Caller ID

For Business

All businesses profit from a quicker response to customer calls. Businesses that provide mail order services, money-lending services or provide confidential information, can protect themselves from false orders or acceptance of false identification.

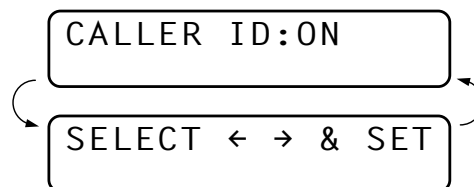
At Home

Residential customers can protect themselves from unwanted calls.

Set the Caller ID to ON

If you have BT Caller ID on your line, then this function should be set to **ON** to display the caller's phone number on the fax LCD as the telephone rings.

- 1 Press **Menu 1, 0, 2**. The screen displays



- 2 Press **←** or **→** to choose **ON**.
- 3 Press **Set**.
- 4 Press **Stop** to exit.

How Does the Caller ID Work?

The Caller ID Appears on the Display When Your Telephone Rings

As your telephone rings, the display shows you the caller's phone number. Once you pick up the handset, the caller's ID disappears. You will see up to the first 16 characters of the number on the display.

Helpful Hints

- If “# UNAVAILABLE” appears on the display, it means that the call came from outside your caller ID service area. *
- If “# WITHHELD” appears on the display, it means the caller intentionally blocked the transmission of his/her ID. *
- If no caller ID was transmitted to your fax machine, “PICK UP PHONE” will remain on the display.

* Depends on network Function.

The Caller ID is Stored in Your Machine's Memory

The machine can store a maximum of the last 30 incoming caller IDs in the memory, along with the time and date of reception. The 31st call will cause the oldest ID to be erased.

The Caller ID information stored in the memory can be used for the following.

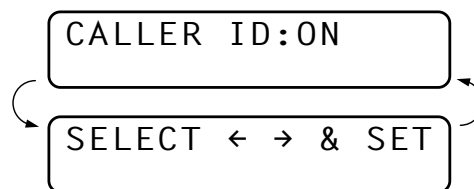
- **Selecting a Caller ID from the Memory for Call Reply.**
You can scroll through the Caller IDs on the display and select one for your machine to dial.
- **Printing the Caller ID List.**
You can review calls you received by checking the Caller IDs in memory. This report will list the Date, Time, Phone Number (Caller ID), and type of call (Comment).

NOTE: Please set up the number of rings to more than 02 in the Ring Delay (see chap.6) before you use the Caller ID. If you set up the number of rings to 01, you cannot receive the Caller ID.

Selecting a Caller ID from the Memory for Call Reply

You can display the caller IDs that are stored in the memory and select the caller you want your machine to dial. Call Reply is a convenient feature whereby your Brother fax can dial back a voice/fax call “on-hook” to the opposite party associated with a Caller ID number which has been captured into memory. This saves you from having to copy and dial back to that number manually. (You can skip to Step 4 below by Pressing the **Shift** and **Tel-Index** simultaneously.)

- 1 Press **Menu 1, 0, 2**. The screen displays



- 2 Press **←** or **→** to select **DISPLAY ID**.
- 3 Press **Set**. The caller ID of the last call will appear on the display. If no ID is stored, the beeper will sound and “**NO CALLER ID**” will appear on the display.
- 4 Press **←** or **→** to scroll through the Caller IDs in the memory.

25)5555151

- 5 Press **Set** to automatically dial the Caller ID number. Wait until the screen prompts you to press the **Start** key.

25)09/11 15:25

PRESS START KEY

- 6 Press **Start**.

DIALLING

TELEPHONE

If you wish to send a fax, insert a document into the feeder.

Then press **Start**.

To cancel the Call Reply (for example, when you selected the Wrong Caller ID), simply press **Stop** and begin again ; the Caller ID will not be lost.



In certain circumstances, you may not be able to use this feature due to the type of CALLER ID service or the type of telephone system you or the other party is using.

To Activate Certain Network Services When Using Call Reply



It may be desired (in order to activate certain network services), to insert a special prefix to be dialled in front of the Caller ID number when using the Call Reply feature. Some examples of such network services are :

* Your outgoing Caller ID withheld

The required prefix, typically three to six digits (including # and * symbols) in length, may be inserted after displaying the desired Caller ID in step 4 on the previous page. (You can enter the prefix up to 20 digits on the machine.) The complete number string including the prefix will then be dialled by pressing **Start**.

(Previous page Step 4.) Select the desired Caller ID, wait 2 seconds until you see the date and time the caller ID was received.

25)09/11 15:25

PRESS START KEY

Enter the prefix by using number keys up to 20 digits.

- The display will be cleared when you press any of the number keys.
- To cancel the prefix (such as when you entered the wrong number), simply press **Stop**.

The display will return to the desired Caller ID you selected.

- If you press **Stop** again, the machine will return to the current date and time display. You are no longer in the call reply mode.
- Any problems or queries in using network services should be raised in the first instance with your network operator(s).
- With Call Reply, automatic redial does not function in cases where the called party is busy or doesn't answer.



Call Reply to DDI numbers via Caller ID

Calls derived from a caller ID number to destinations connected to a "Direct Dial Inward (DDI)" private exchange system may fail to connect, or may be answered in the first instance by the called premises' main switchboard rather than by the intended extension. Brother is not liable for any call charges thus incurred.

Clearing the Caller ID Stored in Memory

For the effective use of the memory, it is recommended that you should clear the Caller ID stored into memory by pressing **Clear** when the display shows the number.

Printing Caller ID List

- 1 Press **Menu 1, 0, 2**.
- 2 Press  or  to select **PRINT REPORT**.
- 3 Press **Set**.
- 4 Press **Start**.

Polling



Polling is the process of retrieving faxes from another machine. You can use your MFC to “poll” other machines, or you can have someone poll your MFC.

All parties involved in polling need to set up their machines to accommodate polling. When someone polls your MFC to receive a fax, they pay for the call; if you poll someone’s fax machine to receive a fax, you pay for the call. (See “Setup for Polling Transmit” in chap. 6.)



Some machines do not respond to the polling function.

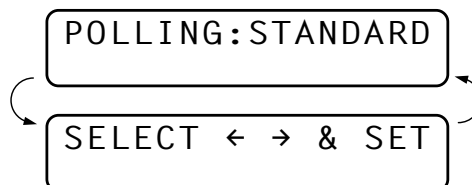
Secure Polling


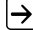
Secure Polling is a way to keep your documents and others’ from falling into the wrong hands while the MFC are set up for polling. You can use Secure Polling only with another Brother fax machine. Your four-digit ID number must be entered on the fax machine that polls for your documents.

Setup for Polling Receive

Polling Receive is when you call another fax machine to receive a fax from it.

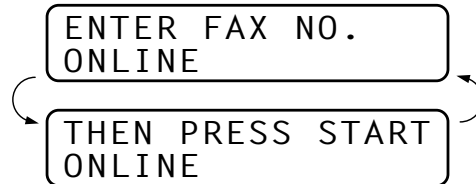
- 1 Press **Menu, 1, 2, 7**. The screen displays



2 Press  or  to choose **STANDARD**.

3 Press **Set**.

The screen prompts you to enter the fax number you want to poll, and then to press **Start**.



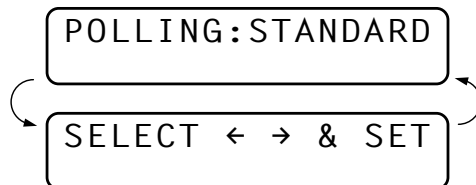
4 Enter the fax number you are polling.

5 Press **Start**. The screen displays **DIALLING**.

Setup for Polling Receive with Secure Code

You need to make sure you are using the same ID number as the other party.

1 Press **Menu, 1, 2, 7**. The screen displays



2 Press  or  to choose **SECURE**.

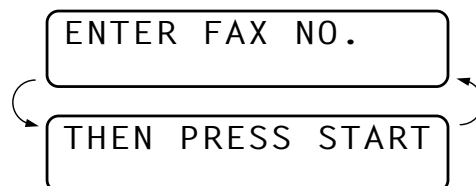
3 Press **Set**.

4 Enter a four-digit number.

This is the same as the security code of the fax machine you are polling.

5 Press **Set**.

The screen prompts you to enter the fax number you want to poll, and then to press **Start**.

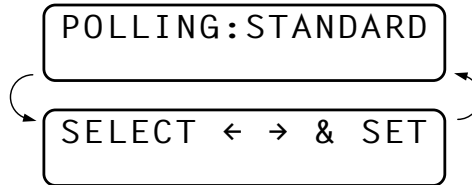


6 Press **Start**.

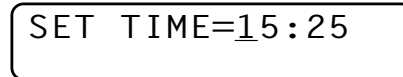
Setup Delayed Polling Receive

You can set your MFC to begin Polling Receive at a later time.

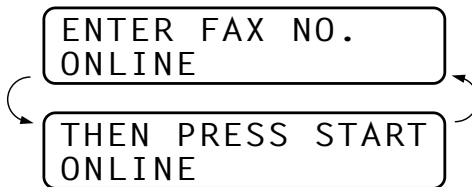
- 1 Press **Menu, 1, 2, 7**. The screen displays



- 2 Press **<** or **>** to choose **TIMER**.
- 3 Press **Set**.
- 4 The screen prompts you to enter the time you want to begin polling.



- 5 Enter the time (in 24-hour format) you want to begin polling. For example, enter 21:45 for 9:45 PM.
- 6 Press **Set**. The screen prompts you to enter the fax number you are polling.



- 7 Enter the fax number (you can use One Touch or Speed Dial, or dial manually).
- 8 Press **Start**. The MFC makes the polling call at the time you entered.

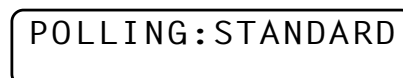


You can set up only one Delayed Polling.

Sequential Polling

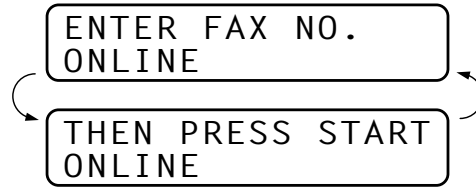
Your MFC can request documents from several fax units in a single operation. You just specify several destinations in Step 5. Afterwards, a Sequential Polling Report will be printed.

- 1 Press **Menu, 1, 2, 7**. The screen displays



- 2 Press **<** or **>** to choose **STANDARD, SECURE** or **TIMER**.
- 3 Press **Set** when the screen displays the setting you want.

- 4 If you selected **STANDARD**, the screen prompts you to enter the fax number you want to poll, and then to press **Start**.



- If you selected **SECURE**, enter a four-digit number and press **Set**.
 - If you selected **TIMER**, enter the time (in 24-hour format) you want to begin polling and press **Set**.
- 5 Specify the destination fax machines, which you wish to poll by using One Touch, Speed Dial, a Group, Tel-Index or the dial pad. You must press **Help/Broadcast** between each location.
- 6 Press **Start**.

Your MFC polls each number or group number in turn for a document.

DIALLING

Setting PC Interface Mode

If you connect your MFC to your PC, you can receive faxes into your PC. After completing all setup for Multi-Function Link Pro for Fax, you can select PC Interface Mode (**ON/OFF**) for routing incoming faxes.

- 1 Press **Menu, 1, 2, 8**.

8 . PC INTERFACE

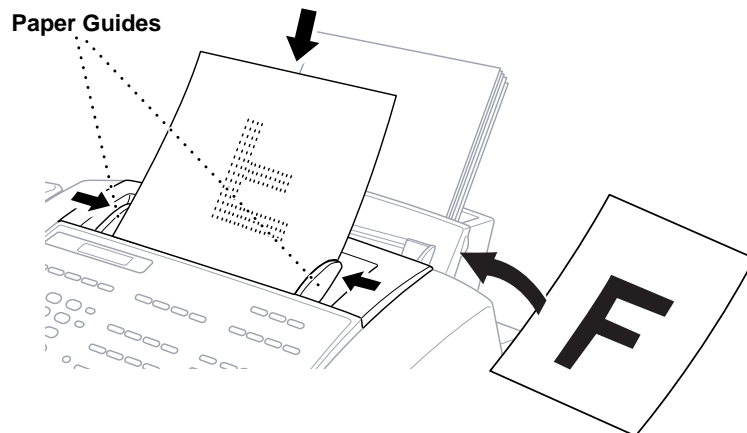
- 2 Press **←** or **→** to select **ON** or **OFF**.
- 3 Press **Set** when the screen displays your selection.
- 4 Press **Stop** to exit.

CHAPTER SEVEN

Setup Send

Before You Begin

- Documents must be between 7.0 and 21.6 cm wide, and 12.7 and 35.6 cm long. Your MFC can only scan an image 20.8 cm wide, regardless of how wide the paper is.
- Make sure you insert documents **face down, top edge first**.
- Adjust the paper guides to fit the width of your document.



See
“Resolution”
in this
chapter



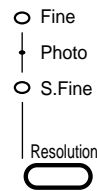
- The automatic document feeder (ADF) can hold up to 20 pages, feeding each one individually through the MFC. Use standard (75 g/m²) paper when using the ADF; if you’re using heavier paper, feed each sheet individually to prevent paper jams.
- Press **Resolution** (before you send the fax) to select the resolution for the document you’re sending.
- **DO NOT** use curled, wrinkled, folded, or ripped paper, or paper with staples, paper clips, paste or tape attached. **DO NOT** use cardboard, newspaper, or fabric.

- Make sure documents written with ink are completely dry.
- To set different resolutions for each page of a multi page document, refer to “Multiple Resolution Transmission”.

*See
“Multiple
Resolution
Transmission”
in this
chapter*

Resolution

When you have a document in the feeder, you can use the **Resolution** key. Press **Resolution** continuously until you see the LEDs change.



- Standard** — Suitable for most typed documents. (**Fine** and **S.Fine** lights are off)
- Fine** — Good for small print; transmits a little slower than Standard resolution. (Only the **Fine** light is ON)
- Super Fine** — Good for very small print or artwork; transmits slower than Fine resolution. (Only the **S.Fine** light is ON)
- Photo** — Use when document has varying shades of grey; slow transmission time. (Both **Fine** and **S.Fine** lights are ON)

Contrast

If your document is very light or very dark, you might want to set the contrast accordingly. Use **LIGHT** to send a light document. Use **DARK** to send a dark document.

- 1 Insert the document, face down, in the feeder.
- 2 Press **Menu, 1, 3, 3**.
- 3 Use **←** or **→** to select **AUTO, LIGHT, or DARK**.
- 4 When the screen displays your selection, press **Set**.
- 5 Press **2** if you are finished choosing settings, and go to Step 6 — **OR**— Press **1** if you want to select additional settings. The display returns to the **SETUP SEND** menu.
- 6 Enter a fax number and press **Start** to send a fax.

Automatic Transmission

This is the easiest way to send a fax.

IMPORTANT: Do **not** pick up the handset —**OR**— press **Speaker Phone** (for MFC-740).

- 1 Insert the document face down in the feeder.
- 2 Enter the fax number using One Touch, Speed Dial, Tel-index or the dial pad.
- 3 Press **Start**. The MFC starts scanning the document and the display indicates the job number and how much memory is available. Then the MFC will start dialling if it is not sending, receiving or printing the other documents.

Manual Transmission

Manual transmission lets you hear the dial tone, ringing and fax receiving tones before sending the fax.

- 1 Insert the document face down in the feeder.
- 2 Pick up the handset and listen for a dial tone —**OR**— press **Speaker Phone** (for MFC-740).
- 3 Enter the fax number you want to call. (You can enter the digits using the dial pad or you can enter a One Touch or Speed Dial number or you can call from the Tel-index.)
- 4 When you hear the fax tone, press **Start**.
- 5 To hang up, replace the handset —**OR**— press **Speaker Phone** (for MFC-740).

*See
“One Touch
Dialling”
chap. 9*

*See
“Speed
Dialling”
chap. 9*

Note: Manual transmission does not use memory.

Fax Redial

If you're sending a fax manually and the line is busy, you can retry the number by pressing **Redial/Pause**.

If you're sending a fax automatically and the line is busy, the MFC will automatically redial up to 4 times at 2 minute intervals.

Dual Access

If the document feeder is empty, you can place a document in the feeder, set temporary settings, dial a number, and begin scanning the fax into memory, even when the MFC is receiving a fax, sending a fax, or printing a fax from memory. The screen displays the new job number and how much memory is available.



See
“One Touch
and Speed
Dial”
chap. 9

If you try to scan in and store a 51st fax, the MFC will send it immediately, without storing it in memory.

If you get a **MEMORY FULL** message while scanning the first page of a fax, press **Stop** to cancel a scan. If you get a **MEMORY FULL** message while scanning in a subsequent page, you'll have the option to press **Start** to transmit the pages scanned so far, or to press **Stop** to cancel the operation.

Real Time Transmission

When memory is full, the MFC cannot continue to scan documents into memory before sending. However, you can turn on **REAL TIME TX**. Then place the documents in the feeder and enter the fax number. As soon as the phone line is free, the MFC starts dialling and sending the fax.

See
“Setting
Station ID”
chap. 5

- 1 Place the document in the feeder.
- 2 Press **Menu, 1, 3, 9**. The screen displays

9 . REAL TIME TX

- 3 To change the default setting, press or to select **ON** (or **OFF**) and press **Set**. Go to Step 5 —**OR**— For the next fax transmission only, press or to select **NEXT FAX ONLY** and press **Set**.
- 4 For the next fax only, press or to select **ON** (or **OFF**) and press **Set**.
- 5 Press **1** if you want to select additional settings. The display returns to the **SETUP SEND** menu —**OR**— Press **2** if you are finished choosing settings and go to Step 6.
- 6 Enter fax number and press **Start**.

Basic Sending Operations

See
“Setup
Quick-Dial
Numbers”
chap. 8

See
“Setting
Station ID”
chap. 5

Composing an Electronic Cover Page

The cover page is sent to the receiving party’s machine. Your cover page includes the name stored in the One Touch or Speed Dial memory, if you have used this feature to start the call.

The cover page indicates the fax is from your Station ID, and the number of pages you’re sending. If you have **COVERPG SETUP** set to **ON** (Function menu 1-3-1), the number of pages remains blank.

You can select a comment to include on your cover page, or you can select **1. NOTE OFF** if you do not wish to include a comment.

1 . NOTE OFF

2 . PLEASE CALL

3 . URGENT

4 . CONFIDENTIAL


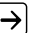
As well as using one of the comments above, you can also enter up to two customized messages, each 27 characters long. Use the chart of “Entering Text” in chap. 5 to help enter characters.




Most of the **SETUP SEND** functions are temporary settings that allow you to make adjustments for each document you send. However, so you can set up your cover page and cover page comments in advance, the Cover Page Setup and Cover Page Message functions will change their default settings.

Cover Page for Next Fax Only

Make sure Station ID is set up (chap. 5). This feature does not work without the Station ID.

You can set the MFC to send a cover page with a particular document. This cover page will include the number of pages in your document.



- 1 Insert the document in the feeder.
- 2 Press **Menu, 1, 3, 1**.
- 3 Press **Set** when the screen displays **NEXT FAX ONLY**.
- 4 Press  or  to select **ON** (or **OFF**).

- 5 Press **Set**.
- 6 Press  or  to view the comment selections.
- 7 Press **Set** when the screen displays your selection.
- 8 Enter two digits to indicate the number of pages you are sending. (Enter 00 to leave the number of pages blank.) If you make a mistake, press  to back up and re-enter the number of pages.
- 9 Press **Set**. The screen displays
- 10 Press **1** if you want to select additional settings. The display returns to the **SETUP SEND** menu —**OR**— Press **2** if you are finished choosing settings, and go to Step 11.
- 11 Enter the fax number .
- 12 Press **Start**.

Always Send Cover Page



Make sure Station ID is set up (chap. 5). This feature does not work without the Station ID.

You can set the MFC to send a cover page whenever you send a fax. The number of pages in your fax is not included when you use this setting.

- 1 Press **Menu, 1, 3, 1**.
- 2 Press  or  to select.

COVERPAGE : OFF

COVERPAGE : ON

- 3 Press **Set** when the screen displays **COVERPAGE:ON**. (If you select **ON**, a coverpage is always sent when you send a fax.)
- 4 If you selected **ON**, the screen displays the cover page comment options. Press  or  to view comment selections.
- 5 Press **Set** when the screen displays your selection. The screen displays.
- 6 Press **1** if you want to select additional settings. The display returns to the **SETUP SEND** menu —**OR**— Press **2** to exit if you are finished choosing settings.

Using a Printed Cover Page

If you prefer using a printed cover page that you can write on, you can print the sample page and attach it to your fax.

- 1 Press **Menu**, **1**, **3**, **1**.
- 2 Press \leftarrow or \rightarrow to select **PRINT SAMPLE**.
- 3 Press **Set** when the screen displays your selection.
- 4 Press **Start**. Your MFC prints a copy of your cover page.

=== COVER PAGE ===

TO: _____

FROM: _____

FAX: _____

TEL: _____

PAGE[S] TO FOLLOW

COMMENT:

Cover Page Message

You can set up two custom comments.

Composing Your Own Comments

- 1 Press **Menu**, **1**, **3**, **2**. The screen displays

2 . COVERPAGE NOTE
- 2 Use \leftarrow or \rightarrow to choose position 5 or 6 for your customized comment.
- 3 Press **Set**.
- 4 Use the dial pad to enter your customized comment.
- 5 Press **Set**.
- 6 Press **1** if you want to select additional settings. The display returns to the **SETUP SEND** menu —OR— Press **2** to exit.

*See
“Entering
Text”
chap. 5*

Advanced Sending Operations



Overseas Mode

Sometimes, when sending a fax to overseas numbers, problems can be experienced. This mode makes the MFC work better for such calls.

After you send a fax using this feature, the feature turns itself off.

- 1 Insert the document.
- 2 Press **Menu, 1, 3, 5.**

5 . OVERSEAS MODE

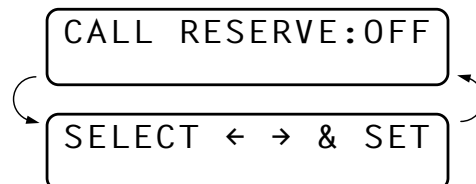
- 3 Press  or  to select **ON** (or **OFF**).
- 4 Press **Set** when the screen displays your selection.
- 5 Press **1** if you want to select additional settings. The display returns to the **SETUP SEND** menu —**OR**— Press **2** if you are finished choosing settings and go to Step 6.
- 6 Enter the fax number you're calling.
- 7 Press **Start**.



Call Reservation

You can send a fax and let the other party know that you want to speak to him after the fax transmission is complete. The other fax machine will ring as if it were receiving a telephone call; if the other party picks up the handset, your MFC will ring. Lift the handset to have a conversation.

If you set Call Reservation and Call Back message to **ON**, your MFC leaves a message if the other party does not answer.

- 1 Insert the document in the feeder.
- 2 Press **Menu, 1, 3, 6.** The screen displays the current setting for Call Reservation.



- 3 Press  or  to select **ON** (or **OFF**).

- 4 If you set Call Reservation to **ON**, press **Set** when the screen displays your selection. The screen displays the current setting for Call Back Message.

CALL MESSAGE : OFF

CALL MESSAGE : ON

- 5 Press **←** or **→** to select **ON** (or **OFF**).
- 6 Press **Set** when the screen displays your selection.
- 7 Press **1** if you want to select additional settings. The display returns to the **SETUP SEND** menu —**OR**— Press **2** if you are finished choosing settings, and go to Step 8. The screen prompts you to enter the fax number you want to call.
- 8 Enter the fax number, and press **Start**.
- 9 If you've set Call Reservation to **ON**, pick up your handset if the MFC rings.



You cannot use auto redial with Call Reservation. You cannot use Call Reservation with Delayed Transmission or with Polling. You must register your Station ID to set Call Back Message to **ON**.

Print Sample Call Back Message

- 1 Press **Menu, 1, 3, 6**.
- 2 Press **←** or **→** to select **PRINT SAMPLE**.
- 3 Press **Set**.
- 4 Press **Start**.

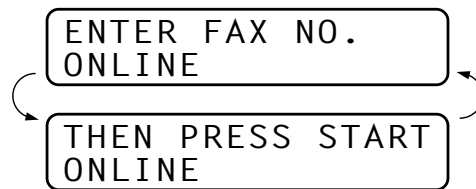
Delayed Transmission (Timer)

You can use this function to send a fax up to 24 hours later.

- 1 Insert the document in the feeder.
- 2 Press **Menu, 1, 3, 7**.
- 3 Enter the time you want the fax to be sent, in 24-hour format (for example, enter 19:45 for 7:45 PM).
- 4 Press **Set**. The screen displays

1 . DOC 2 . MEMORY

- 5 Press **1** to select **DOC** —**OR**— Press **2** to select **MEMORY**. If you select **1.DOC**, the MFC will not start scanning the document until the time it is due to be sent, so the document must be left in the feeder.
- 6 Press **1** if you want to select additional settings. The display returns to the **SETUP SEND** menu —**OR**— Press **2** if you are finished choosing settings and go to Step 7. The screen prompts you to enter the fax number.



- 7 Enter the fax number, and press **Start**. The MFC will wait until the time you have entered to send the fax.

Broadcasting

Broadcasting is automatically sending the same fax message to multiple fax numbers. Using the **Help/Broadcast** key, you can include up to 24 One Touch locations, up to 56 Speed Dial locations (MFC-730) and 100 Speed Dial locations (MFC-740), and up to 50 manually dialled numbers (maximum of 130 locations (MFC-730) and 174 locations (MFC-740) if you did not use up any locations for Groups, access codes or credit card numbers). Real Time Transmission needs to be set to **OFF**.

However, available memory will vary with the types of jobs in memory and numbers of locations used for broadcasting. If you broadcast to more than the maximum locations available, you will not be able to setup transmissions using dual access and the timer.

The easiest way to broadcast is to first combine frequently used One Touch and Speed Dial numbers as a Group, which uses up a One Touch Key. (Remember, you can have up to six Groups and Quick-Dial numbers can be included in more than one Group). Then by pressing **Help/Broadcast** between each location, you can include One Touch, Speed Dial, Groups, and manual dialling (using the dial pad) in the same broadcast. Use the Tel-index to help you choose the numbers easily.

After the broadcast is completed, a Broadcast Report will be printed automatically to let you know the results.

- 1 Insert the document into the feeder.
- 2 Enter a number using One Touch, Speed Dial, Group number, Tel-index or the dial pad.
Example: Group number

See “Setting
Up Groups
for
Broadcasting”
chap. 8





- 3 Press **Help/Broadcast**. You will be prompted to press the next number.
- 4 Enter the next number.
Example: Speed Dial
- 5 Press **Help/Broadcast**.
- 6 Enter the next fax number.
Example: Manual dialling, using the dial pad.
- 7 Press **Start**.

Your MFC will read the documents into memory and then start sending faxes to all the numbers you entered.

- To stop the broadcasting in progress, press **Stop**. The display asks if you want to cancel all locations or just the location that is being sent to.
- Enter the long dialling sequence numbers as you normally would, but keep in mind that each key counts as one location, so the number of locations you can call becomes limited.
- If the line is busy or a connection could not be made for some other reasons while broadcasting, the MFC will redial the number automatically.
- If the memory is full, press **Stop** to abort the job or press **Start** to send the portion that is in the memory (if more than one page has been scanned).

Multiple Resolution Transmission

Use this feature to select separate resolution settings for each page of the fax you're sending. This could be useful if you're sending a fax with photos and letters, or some pages with small print and others with normal print. Resolution settings return to **STANDARD** after the fax is sent.

- 1 Insert documents in feeder, then press **Menu, 1, 3, 4**.
- 2 Use  or  to select resolution for page 1, then press **Set**.
- 3 Repeat Step 2 for subsequent pages. Press **Stop** when you're finished.
- 4 Press **1** if you want to select additional settings. The display returns to the **SETUP SEND** menu —OR— Press **2** if you are finished choosing settings, and go to step 5.
- 5 Enter the fax number you're calling, and press **Start**.

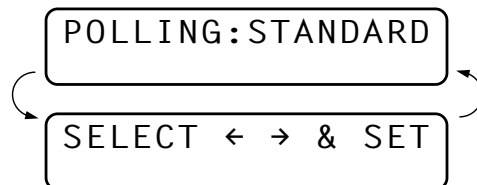


If you want to copy a document using multiple resolutions, press **Mono Copy** and **Colour Copy** in Step 5.

Setup for Polling Transmit

Polling Transmit is when you set up your MFC to wait with a document so another fax machine can retrieve it.

- 1 Place document to be retrieved in feeder.
- 2 Press **Menu, 1, 3, 8**.
- 3 The screen displays



- 4 Press or to choose **STANDARD**.
- 5 Press **Set**. The screen displays

1 . DOC 2 . MEMORY

- 6 Press **1** to select **DOC** if you want your MFC to scan the printed document at the time it is polled —**OR**— Press **2** to select **MEMORY**.
- 7 Press **1** if you want to select additional settings. The display returns to the **SETUP SEND** menu —**OR**— Press **2** if you choosing setting and go to Step 8.
- 8 Press **Start**.

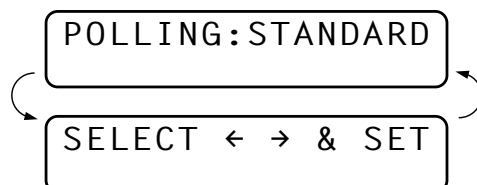
*See
“Interrupting
Timer and
Polling
Transmit
Jobs”
in this
chapter*

If you pressed **1** in Step 5, the printed document remains in the document feeder until your MFC is polled. However, you can “interrupt” it to send another fax.

Setup for Polling Transmit with Secure Code

When you set **POLLING:SECURE** to on, anyone who polls your MFC must enter the polling ID number.

- 1 Place document in feeder.
- 2 Press **Menu, 1, 3, 8**.
- 3 The screen displays



- 4 Press or to choose **SECURE**.

- 5 Enter a four-digit number, and press **Set**.

1 . DOC 2 . MEMORY

- 6 Press **1** to select **DOC** if you want your MFC to scan the printed document as it is polled —**OR**— Press **2** to select **MEMORY**.
- 7 Press **1** if you want to select additional settings. The display returns to the **SETUP SEND** menu —**OR**— Press **2** if you are finished choosing settings and go to Step 8.
- 8 Press **Start** and wait for the fax to be polled.



You can use Secure Polling only with another Brother fax machine.

Cancelling a Job While Scanning the Document

You can cancel a job while you are scanning it into memory by pressing **Stop**. Eject the document by pressing **Stop** again.

Checking Job Status

You can check which jobs are in memory waiting to be sent. Press **Menu, 1, 4** to check it. While the MFC is sending or receiving a fax, press **Stop**. The screen display job numbers. Press **←** or **→** to see them.

Cancelling a Scheduled Job in Memory

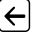

You can cancel tasks you've scheduled, such as Delayed Fax, Delayed Polling Receive or Polling Transmit.

If the MFC is idle,

- 1 Press **Menu, 1, 4**.

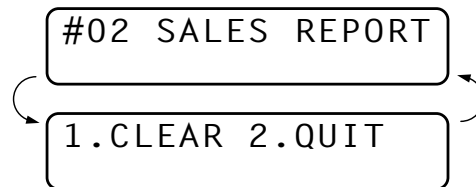
Any waiting jobs appear on the display. If nothing is waiting, the screen displays **NO JOB WAITING**.

4 . REMAINING JOBS

- 2 If you have more than two jobs waiting, use  or  to select the job you want to cancel. Press **Set** when the screen displays your selection.

—OR—

If you have only one job waiting, go to step 3.



- 3 Press **1** to cancel —OR— Press **2** to exit without cancelling. To cancel another job, return to step 2.
- 4 Press **Stop** to exit.



If the MFC is busy, press **Stop**, then follow Steps 2 through 4 to cancel a job.



You can check which jobs are remaining in memory by following Steps 1 and 2 above.

Interrupting Delayed Fax and Polling Transmit Jobs

You can send a fax or make a copy without cancelling the Timer or Poll Waiting with documents in the feeder by “interrupting” it. When you interrupt the Timer to send a “new” set of documents, the MFC will not automatically redial the number if it was busy. Also, you cannot use the function mode if you have interrupted the Timer or Poll Waiting.

- 1 Press **Menu, 1, 5**.
- 2 Wait 2 seconds, then remove the documents that are waiting in the feeder.

INSERT DOCUMENT

- 3 Place the “new” document you want to send now in the feeder.
- 4 Enter the new fax number for the documents you want to send now.
- 5 Press **Start**.
- 6 After the transmission is finished, place the “old” documents back into the feeder.
- 7 Press **Menu, 1, 5**, to restore the Delayed Fax and/or Polling timer.

CHAPTER EIGHT

Setup Quick-Dial Numbers

Storing Numbers for Easy Dialling

You can set up your MFC to do three types of easy dialling: One Touch, Speed Dial and Groups for Broadcasting of faxes.

Storing One Touch Dial Numbers

*See
“One Touch
Dialling”
chap. 9*



You can store 24 fax/phone numbers that you can dial by pressing one key. You can also store names with these numbers. Even if you lose electrical power, numbers stored in memory will not be lost. When you press a One Touch key, the screen displays the name or number as the call is dialled.

*One Touch Dial keys are not the dial pad keys. They are the 12 keys (numbers 1-24) located to the right of the dial pad. One Touch Dial Numbers 13-24 are accessed by holding down **Shift** while you press the appropriate One Touch key.*

- 1 Press **Menu, 1, 6, 1**.
- 2 Press the One Touch Dial key where you want to store a number. The screen displays the location you selected.
- 3 Enter a number (up to 20 digits).
- 4 Press **Set**. The screen prompts you to enter a name for this number.

NAME :

- 5 Use the dial pad to enter the name (up to 15 characters). You can use the chart of Entering Text in chap. 5 to help you enter letters — **OR**— go to Step 6 to store the number without a name.

- 6 Press **Set**. The screen prompts you to select the type of number this is. Use  or  to select the type you want.

FAX	a fax number
TEL	a telephone (voice) number
F/T	both a fax and telephone (voice) number

- 7 Press **Set**.
- 8 Return to Step 2 to store another One Touch Dial number —**OR**— Press **Stop** to exit.

When you dial a One Touch Dial number, the screen displays the name you have stored, or, if you have not stored a name, the number you have stored.

Storing Speed Dial Numbers

*See
“Speed
Dialling”
chap. 9*

You can store Speed Dial numbers, which you dial by pressing only three keys. There are 56 (MFC-730) and 100 (MFC-740) Speed Dial locations. Even if you lose electrical power, numbers stored in memory will not be lost.

- 1 Press **Menu, 1, 6, 2**. The screen prompts you to enter a location.

SPEED-DIAL? #



- 2 Use the dial pad to enter a two-digit location (01–56 for MFC-730) (00–99 for MFC-740).
- 3 Press **Set**. The screen displays your entry, then prompts you to enter the number you’re storing.

#05 :
ENTER & SET

- 4 Enter the number (up to 20 digits).
- 5 Press **Set**. The screen now prompts you to store a name with this number.

NAME :

- 6 Use the dial pad to enter the name (up to 15 characters). You can use the chart of “Entering Text” in chap. 5 to help you enter letters — **OR**— go to Step 7 to store the number without a name.
- 7 Press **Set**.

- 8 The screen prompts you to select the type of number this is. Use  or  to select the type you want.


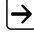
FAX	a fax number
TEL	a telephone (voice) number
F/T	both a fax and telephone number

- 9 Press **Set**.
- 10 Return to Step 2 to store another Speed Dial number —**OR**— Press **Stop** to exit.

Changing One Touch and Speed Dial Numbers

If you try to store a One Touch or Speed Dial number in a location where a number is already stored, the screen displays the current name stored there, then prompts you to either change it or exit.

1 . CHANGE 2 . QUIT

- 1 Press **1** to change the number stored, or press **2** to exit without making a change.
- 2 Enter a new number.
- If you want to erase the number, press **Clear** when the cursor is to the far left of the digits.
 - If you want to change a digit, use  or  to position the cursor under the digit you want to change, then enter it.
- 3 Follow the directions in Storing One Touch Dial or Speed Dial Numbers.

*See
“Storing
One Touch
Dial
Numbers”
and
“Storing
Speed Dial
Numbers”
in this
chapter*

Setting Groups for Broadcasting

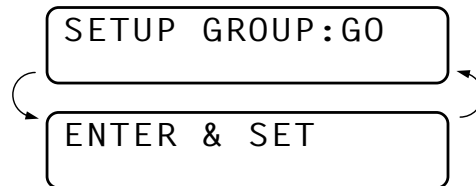
Groups allow you to send the same fax message to many fax numbers by pressing only one One Touch Dial key (This is called Broadcasting.).

First, you'll need to store each fax number as a One Touch or Speed Dial number. **Then**, you can combine them into a Group. Each Group uses up a One Touch Dial key. Finally, you can have up to 6 small Groups, or you can assign up to 79 numbers (MFC-730) and 123 numbers (MFC-740) to one large Group.

- 1 Press **Menu**, **1**, **6**, **3**. The screen displays

SELECT ONE-TOUCH

- 2 Select a One Touch Dial key where you wish to store the number. (For example, press One Touch Dial key **02** to use as a Group.)



- 3 Use the dial pad to enter the Group Number (for example, press **1** for Group 1).
- 4 Press **Set**. To include One Touch or Speed Dial numbers in the Group, enter them as if you were dialling. For example, for One Touch Dial key **05**, press One Touch Dial key **05**. For Speed Dial location 09, press **Speed Dial**, then press **0**, **9** on the dial pad. The LCD shows *05, #09.

G01 : *05#09_

- 5 Press **Set**. The screen prompts you to enter a name.



- 6 Use the dial pad and the chart of “Entering Text” in chap. 5 to enter a name for the group (for example, NEW CLIENTS).
- 7 Press **Set**.
- 8 Press **Stop** to exit.



You can print a list of all One Touch and Speed Dial numbers. Group numbers will be marked in the column of “**GROUP**”. See chap. 15, “Printing Reports”.

CHAPTER NINE

Telephone (Voice) Operation

Making Voice Calls

You can use your MFC to make voice telephone calls, by dialling manually or by using One Touch or Speed Dial memory. You can use the handset, or if you have the MFC-740 you can use the Speaker Phone to make and receive calls.

The “Full-duplex” digital Speaker Phone allows you to operate the phone hands free, or allows more than one person in the room to participate in a two-way phone conversation. When using the Speaker phone, make sure to speak clearly and close to the microphone.

Manual Dialling

Manual dialling is simply pressing all of the digits of the phone number.

- 1 Pick up the handset —OR— press **Speaker Phone**.
- 2 When you hear a dial tone, dial the number, using the dial pad.

On the MFC-740, you can switch from handset to Speaker Phone by pressing **Speaker Phone**, then replacing the handset. You can switch from Speaker Phone to handset by lifting the handset.

- 3 To hang up, replace the handset if you are lifting the handset, —OR— press **Speaker Phone**.

Full-Duplex Digital Speakerphone (Only for MFC-740)

When the MFC rings, instead of lifting the handset, press **Speaker Phone**. Speak clearly, toward the microphone. To end the call, press **Speaker Phone**.

See
“Storing One
Touch Dial
Numbers”
chap. 8



See
“Storing
Speed Dial
Numbers”
chap. 8



One Touch Dialling

- 1 Pick up the handset —OR— press **Speaker Phone**.
- 2 When you hear a dial tone, press the One Touch Dial key of the location you want to call.
- 3 To hang up, replace the handset —OR— press **Speaker Phone**.

If you try to use a One Touch location with no number stored in it, you hear a warning sound, and screen displays **NOT ASSIGNED**. The display returns to normal after 2 seconds.

If you are sending a fax, press **Start** after pressing the One Touch Dial key. If you picked up the handset, press **Start** when the receiving fax machine answers with fax tones.

Speed Dialling

- 1 Pick up the handset —OR— press **Speaker Phone**.
- 2 When you hear a dial tone, press **Speed Dial**, then press the two-digit Speed Dial number.
- 3 To hang up, replace the handset —OR— press **Speaker Phone**.

Mute

- 1 Press **Mute** to put a call on hold.
- 2 You can put down the handset without disconnecting the call.
- 3 Pick up the MFC’s handset or press **Speaker Phone** to release the call from hold. Picking up an extension handset will not release the call from hold.

Pause

Press **Redial/Pause** to insert a pause between digits to be dialled.

If your MFC is connected to a PABX, you may need to insert an additional number prefix (e.g. “9”) and a “pause” before each fax or telephone number to gain access to the outside line. When you press **Redial/Pause**, a dash “-” will appear on the display. By storing a pause, you can create a delay of 3.5 seconds.



On Hook Dialling

- 1 Dial the number by using the dial pad or One Touch Dial key, or **Speed Dial** and then two-digit Speed Dial number.
- 2 The number you are dialling, or the name you have stored for One Touch or Speed Dial is displayed on the LCD.
- 3 Press **Start**.
- 4 Pick up the handset when you hear the other end from the monitor speaker. If you press **Tel** before lifting the handset, the call will be disconnected. (Only for MFC-730).

On MFC-740, you can now speak to the party at the other end of the phone, without lifting the handset when you hear the speaker at the other end. Press **Speaker Phone** when you finish the conversation.

Searching Telephone Index

You can search for names you have stored in One Touch and Speed Dial memories. Names are stored alphabetically.

- 1 Press **Tel-Index**, then enter the first letter of the name you're looking for.
- 2 Press  or  to search the memory.
- 3 When the screen displays the name you want to call, press **Start** to begin dialling.
- 4 Pick up the handset when the other party answers.
- 5 When the call is over, hang up.

*See
"Storing One
Touch Dial
Numbers"
and
"Storing
Speed Dial
Numbers"
chap. 8*

Chain Dialling

You can store very long dialling sequences by dividing them and setting them up as One Touch and Speed Dial numbers. Then while dialling, you can combine two or more One Touch and/or Speed Dial numbers and even include manual dialling using the dial pad. You can use these numbers in any combination. The combined number will be dialled, in the order you entered it, as soon as you press **Start**.

For example:

You store "555" on One Touch Dial key **01** and "7000" on One Touch Dial key **02**. If you press One Touch **01**, **02** and **Start**, you can dial "555-7000". To temporarily change a number, you can substitute part of the number with manual dialling using the dial pad. So, if you press One Touch **01** and press 7001 using the dial pad, you can dial "555-7001".

Using access codes is easy. Sometimes you may want to choose from the among several long distance carriers when you make a call; rates may vary depending upon the time and destination. To take advantage of low rates, you can store the access codes or long-distance carriers as One Touch and Speed Dial numbers.

Tone/Pulse

If you have pulse dialling service, but need to send tone signals (for telephone banking, for example), follow the directions below. If you have touch tone service, you do not need this feature to send tone signals.

- 1 Lift the handset.
- 2 Press #. Any digits dialled after this sends tone signals.
- 3 When you hang up, the machine returns to pulse dialling service.

*See
“Select
Answer
Mode”
chap. 6*

Fax/Tel Mode

When you share one line for your telephone and fax machine, in the Fax/Tel mode, the fax machine can determine whether an incoming call is a fax or a telephone call.

Answering Calls with the Speaker Phone (Only for MFC-740)

When the MFC rings, instead of lifting the handset, press **Speaker Phone**. Speak clearly, toward the microphone. To end the call, press **Speaker Phone**.

If you have a bad telephone line connection, the other party might hear your voice echoed during the call. Hang up and try the call again — **OR**— pick up the handset.

Tel Key (Only for MFC-730)

If you press **Tel** when you are talking lifting the handset with the other end, you can hear the other end from machine’s monitor speaker, but the other end cannot hear you.

CHAPTER TEN

Remote Fax Options

(Only for MFC-730)

This chapter is for Model MFC-730. If you have model MFC-740 your remote fax options are handled by the Message Manager. Please see chapter 12, “Message Manager”.

Fax Forwarding

You cannot use Fax Forwarding when “Fax Storage” is set to **OFF**.

Programming a Fax Forwarding Number

*See
“Changing
the Fax
Forwarding
number”
in this
chapter.*

When Fax Forwarding is set to **ON**, your fax machine stores the received fax in memory, then dials the fax number you’ve programmed, and forwards the fax message.

- 1 Press **Menu, 1, 8, 1**.
- 2 Press **←** or **→** to select **ON** (or **OFF**).

FAX FWD: ON

- 3 Press **Set**. The screen prompts you to enter the number of the fax machine where faxes will be forwarded.

FWD# :

ENTER & SET

- 4 Enter the forwarding number (up to 20 digits).
- 5 Press **Set**.
- 6 Press **Stop** to exit.

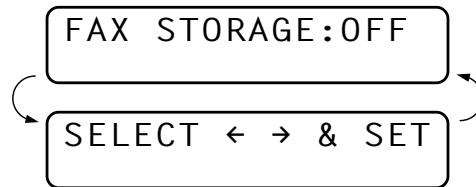
You can also dial into your machine from a remote location to switch this feature on, or to change the number you want your faxes forwarding to.

Setting Fax Storage

If you set Fax Storage to **ON**, you will be able to retrieve fax messages from another location, using Fax Forwarding or Remote Retrieval functions. The screen will indicate when you have a fax stored in memory.

- 1 Press **Menu, 1, 8, 2**.

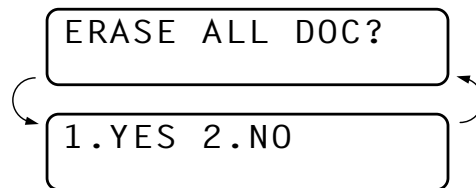
The screen prompts you to choose a fax setting.



- 2 Press **←** or **→** to select **ON** (or **OFF**).
- 3 Press **Set** when the screen displays your selection.
- 4 Press **Stop** to exit.



If there are faxes in memory when you turn the Fax Storage **OFF**, the screen prompts you to erase any faxes in memory.



If you press **1**, all fax data is erased and Fax Storage is turned OFF. If the fax data in the memory has not been printed, it will be printed first and then erased. If you press **2**, data is not erased, and Fax Storage remains ON.

Changing the Remote Access Code

Enter your Remote Access Code when the fax machine picks up your call, so you can access features remotely. The access code is preset to 1 5 9 *, but you can change this.

- 1 Press **Menu, 1, 8, 3**.

- 2 Enter a three-digit number from 000 to 998. The * cannot be changed. Do not use the same digits that appear in your Remote Activation or Deactivation Code.
- 3 Press **Set**.
- 4 Press **Stop** to exit.

Remote Retrieval

Using Your Remote Access Code

To listen to your voice messages, you can call from any touch tone phone. To receive faxes at your location, you must call from a fax machine using touch tone. For convenience, you can retrieve faxes from a touch tone phone by having them sent to a fax machine. For example, if your hotel room does not have a fax machine, you can enter the number of the fax machine at the hotel's Front Desk.

- 1 Dial your fax number from a touch tone phone.
- 2 When your fax machine answers and beeps, immediately enter your Remote Access Code (The factory setting is 159*).
- 3 The fax machine signals the kinds of messages received:
 - 1 long beep—Fax message(s)
 - No long beep—No messages
- 4 The fax machine prompts you with two short beeps to enter a command. If you wait longer than 30 seconds to enter a command, the machine hangs up. If you enter an invalid command, the machine beeps three times.
- 5 Press **9 0** to reset the machine when you finish.
- 6 Hang up.



If your fax machine is set to Manual Mode, you can access your machine remotely by phoning it and letting it ring for about 100 seconds. Your fax machine will answer the phone after about 100 seconds of ringing, and you then have 30 seconds to enter your Remote Access Code.

Remote Commands

Follow the commands below to access features remotely. When you call the fax machine and enter your Remote Access Code (The factory setting is 159*), the system will signal you with two short beeps to enter a remote control command.

Change Fax Forwarding Setting

Press **9 5**

then to

Turn Fax Forwarding OFF—Press **1**.

Turn Fax Forwarding ON—Press **2**.

Program Fax Forward Number—Press **4**. The MFC 730 will automatically turn on Fax Forwarding **ON**.

Turn Fax Storage ON—Press **6**.

Turn Fax Storage OFF—Press **7**. (This is only possible if there are no faxes stored in the memory, or if all faxes have been erased using Remote Control **9 6 3**).

Retrieve a Fax

Press **9 6**

then to

Print a Memory Status List—Press **1**, then enter the number of remote fax machine and then press **# #**. After the beep, hang up and wait.

Retrieve all faxes—Press **2**, then enter the number of remote fax machine and then press **# #**. After the beep, hang up and wait.

Erase all fax messages—Press **3**. If the data stored in the memory has not been printed before, it will be printed first and then erased.

Check the Receiving Status

Press **9 7**

then for

Fax messages—Press **1**.

1 long beep—Received messages.

3 short beeps—No messages.

Change Answer Mode

Press **9 8**

then for

TAD—Press **1**.

Fax/Tel (F/T)—Press **2**.

Fax—Press **3**.

Exit Remote Operation

Press **9 0**

Retrieving the Memory Status List

You can retrieve the Memory Status List from a remote fax machine to see if you have any fax messages.

- 1 Dial your fax machine's number.
- 2 When you hear the beep, immediately enter your Remote Access Code (The factory setting is **1 5 9 ***).
- 3 When you hear two short beeps, use the dial pad to press **9 6 1**.
- 4 Using the dial pad, enter the number (up to 20 digits) of the remote fax machine where you want the Memory Status List forwarded, and then press **# #**.



You cannot use ***** and **#** as dial numbers. However, if you want to store a pause, press **#**.

- 5 After you hear your fax machine beep, hang up and wait.
Your fax machine calls the remote fax machine. Your fax machine then sends the Memory Status List to the fax machine that you are calling from.

Retrieving Fax Messages

- 1 Dial your fax machine's number.
- 2 When you hear the beep, immediately enter your Remote Access Code (The factory setting is **1 5 9 ***).
- 3 As soon as you hear two short beeps, use the dial pad to press **9 6 2**.
- 4 Using the dial pad, enter the number (up to 20 digits) of the remote fax machine where you want your fax messages forwarded, and then press **# #**.



You cannot use ***** and **#** as dial numbers. However, if you want to store a pause, press **#**.

- 5 After you hear your fax machine beep, hang up and wait.
Your fax machine then calls the number of the remote machine that you have just entered, and that machine prints your fax messages.

Changing the Fax Forwarding Number

You can change the default setting of your fax forwarding number from a remote fax machine.

- 1 Dial your fax machine's number.
- 2 When you hear the beep, immediately enter your Remote Access Code (The factory setting is **1 5 9 ***).
- 3 When you hear two short beeps, use the dial pad to press **9 5 4**.
- 4 Enter the new number of the remote fax machine (up to 20 digits) where you want your fax messages forwarded, and then press **# #**.



You cannot use ***** and **#** as dial numbers. However, if you want to store a pause, press **#**. Also, if your fax machine is connected to a PABX, you can press **#** first before the fax machine's number. The **#** works as well as **R** key.

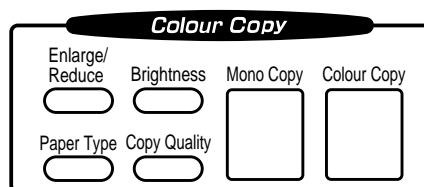
- 5 To retrieve the Memory Status List, when you hear two short beeps, use the dial pad to press **9 6 1**.
- 6 Use the dial pad to enter the number of the remote fax machine (up to 20 digits), and then press **# #**.
- 7 After you hear your fax machine beep, hang up and wait.
Your fax machine calls the remote fax machine. Your fax machine then sends the Memory Status List showing the new forwarding number to the fax machine that you are calling from.
- 8 Check the forwarding number.

If the forwarding number is incorrect, return to Step 1 to reset it.

CHAPTER ELEVEN

Copy Operations

Your Multi-Function Center allows you to make high-quality photocopies and transparencies. Copies can be in black and white, one color, or full color. Always make sure you have paper in the cassette before making copies. Do not pull on the paper while copying is in progress.



Basic Copy Operations

Copying One Page

- 1 Insert the document face down in the feeder.
- 2 Press **Mono Copy** or **Colour Copy** to copy.
- 3 Press **Mono Copy** or **Colour Copy** again. (Make sure it's the same key you pressed in Step 2.) The screen displays

COPYING P.01
 ONLINE

- 4 To stop, press **Stop**. Press **Stop** again to release the original document.

*See
“Memory
Full
Message” in
this chapter*

Making Multiple Copies

You can make multiple copies in black and white or (one colour for MFC-740) using your MFC. When you use **Mono Copy**, you can choose whether the copies will be **STACKED** (all copies of page 1, then all copies of page 2, etc.) or **SORTED** (collated). The **SORT** option (MFC-740) and the multiple copies (MFC-730) are not available when you use **Colour Copy**.

- 1 Place the document face down in the feeder.
- 2 Press **Mono Copy** or **Colour Copy** (MFC-740 only).
- 3 Using the dial pad, enter the number of copies you want (up to 99). For example, press **3, 8** for 38 copies.
- 4 Press **Mono Copy** or **Colour Copy** (MFC-740 only).

NOTE: You must press the same button you pressed in Step 2.

- 5 If you pressed **Mono Copy**, the screen displays

MULTI COPY : STACK
ONLINE

Press  to select **SORT** (or **STACK**),

MULTI COPY : SORT
ONLINE

then press **Mono Copy** again.

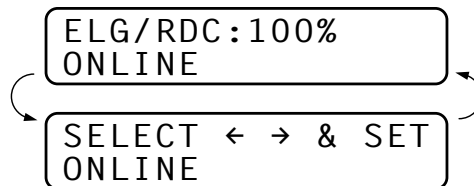


You cannot make multiple colour copies when you are using MFC memory for Memory Transmission or have incoming messages in the Message Center (Only for MFC-740).

If you get a **MEMORY FULL** error message, you may be able to make multiple copies if you first print incoming faxes in memory and restore the memory to 100%.

Making Enlarged or Reduced Copies (Temporary Setting)

- 1 Insert the document face down in the feeder.
- 2 Press **Enlarge/Reduce**. The screen displays



- 3 Press or to choose an enlargement or reduction ratio.

You can reduce to **93%**, **87%**, **75%**, or **50%** of the original size
—OR—
You can enlarge to **120%**, **125%**, **150%**, or **200%**
—OR—
You can select **MANUAL** and press **Set**, then use the dial pad to enter an enlargement or reduction ratio between **50%** and **200%**. For example, press **5, 3** to enter **53%**.
- 4 Press **Set**.
- 5 Press **Mono Copy** or **Colour Copy**.
- 6 Using the dial pad, enter the number of copies
—OR—
Keep the default (01).
- 7 Press **Set**.
- 8 If you pressed **Mono Copy** in Step 5, you can select **SORT** by pressing .
(Only for multiple copies)
- 9 Press **Set**.

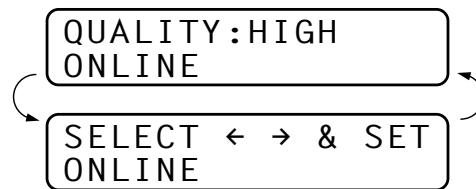
..... *Copy Quality – Temporary Settings*

You can quickly improve the copy quality by using the **Copy Quality**, **Paper Type** and **Brightness** keys. These settings are temporary, and the MFC returns to its default settings when you finish copying. You might want to try different combinations of settings to see which best suits your needs.

Using the Copy Quality Key (This is a temporary setting)

The Copy Quality key changes the settings for quality (**NORMAL**, **HIGH** or **DRAFT**) and type of original document (**STANDARD** or **PHOTO**). Select **DRAFT** when you want a colour copy at the fastest speed. **NORMAL** is a higher quality than **DRAFT** and prints faster than **HIGH**. **HIGH** quality is the highest resolution and slowest to print. For type of original, choose **PHOTO** only for photographs. If line art, graphs, or text are included, choose **STANDARD**. You can make multiple copies, and if you use **Mono Copy** you can sort them.

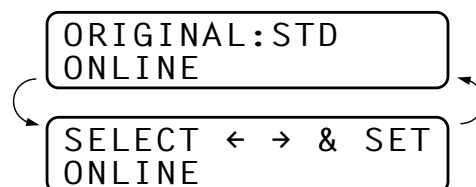
- 1 Place the document to be copied in the feeder.
- 2 Press **Copy Quality**. The screen displays the default setting, for example:





- 3 Press  or  to select copy quality resolution.

QUALITY:NORMAL
QUALITY:HIGH
QUALITY:DRAFT

- 4 When the screen displays your selection, press **Set**. The screen displays a setting for the original, for example:



- 5 Press  or  to select the kind of image you're copying.

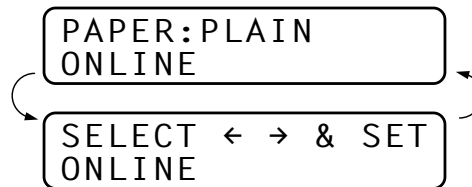
ORIGINAL:STD (text, line art, graphs, or any
combination including photographs)
ORIGINAL:PHOTO(photographs only)

- 6 When the screen displays your selection, press **Set**.

Using the Paper Type Key (This is a temporary setting)

If you use premium paper, the copy quality is improved. You can choose **PLAIN**, **INK JET**, **GLOSSY**, and **TRNSPRNCY**. For best results, we recommend using Brother Special paper.

- 1 Insert the document face down in the feeder.
- 2 Press **Paper Type**. The screen displays the default setting, for example:



- 3 Press or to select a paper type.

PAPER:PLAIN
PAPER:INK JET
PAPER:GLOSSY
PAPER:TRNSPRNCY

If you are using Brother coated paper for 360 dpi (BP36CA) or 720 dpi (BP72CA) or if you are using non-Brother ink jet paper, select **INK JET**.

- 4 Press **Set**. If you did not select **INK JET**, skip to Step 6.
- 5 If you selected **INK JET**, press or to select **360DPI** (Brother 360 x 360), **720DPI** (Brother 720 x 720) or **OTHER** (non-Brother ink jet) paper type.
- 6 Press **Set**.

Using the Brightness Key (This is a temporary setting)

You can choose brightness setting before making a copy.

- 1 Insert the document face down in the feeder.
- 2 Press **Brightness**.
- 3 Press to make a darker copy.
—OR—
Press to make a lighter copy.
- 4 Press **Set** when the screen displays your setting.

Copy Quality – Default Settings

Changing Default Settings

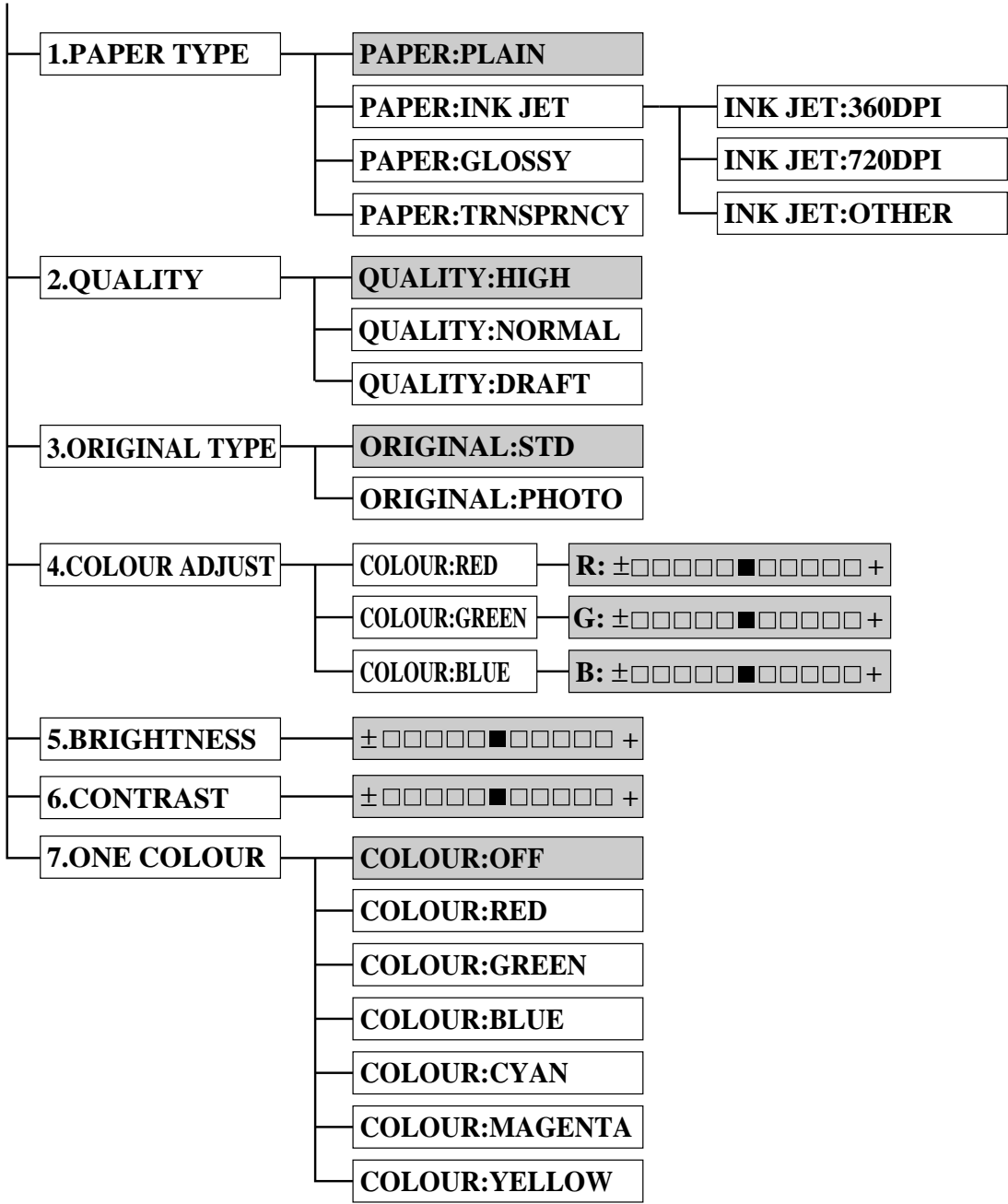
Press **Menu, 3** to change default settings for Copy mode. These settings will remain until you change them again by pressing **Menu**. Adjust the colours using the Colour Adjustment, Brightness, and Contrast settings.

By pressing a number, you can adjust copy settings as shown in the following chart. Press \leftarrow or \rightarrow to move through the selections for each setting. Press **Set** to save your selection. Press **Stop** to exit —OR— Press \rightarrow to select the next setting you want to change.

FACTORY DEFAULT SETTINGS

1. PAPER TYPE	: PLAIN
2. QUALITY	: HIGH
3. ORIGINAL TYPE	: STD
4. COLOUR ADJUST	: R:—□□□□□■□□□□□ + : G:—□□□□□■□□□□□ + : B:—□□□□□■□□□□□ +
5. BRIGHTNESS	: —□□□□□■□□□□□ +
6. CONTRAST	: —□□□□□■□□□□□ +
7. ONE COLOUR	: OFF = Black

Press **Menu** and **3**.





: is default

Select Paper Type (This is a permanent setting)

- 1 Press **Menu**, **3**, **1**. The screen displays

1 . PAPER TYPE

- 2 Press **Set**.

- 3 Press  or  to select your paper setting.

PAPER: PLAIN



PAPER: INK JET

PAPER: GLOSSY

PAPER: TRANSPRNCY

- 4 Press **Set** when the screen displays your selection.

If you use Brother coated paper for 360 dpi (BP36CA) or 720 dpi (BP72CA), select **INK JET**, then select **360DPI** or **720DPI**. If you use non-Brother ink jet paper, select **INK JET**, then select **OTHER**. If you did not select **INK JET**, skip to step 7. (For information on ordering Brother paper, see the page before the Table of Contents.)

- 5 Press  or  to select **360DPI**, **720DPI**, or **OTHER**.



- 6 Press **Set**.

- 7 Press **Stop** to exit.



The MFC ejects paper with printed surfaces face up into the paper tray at the front of the MFC. When you use transparencies, remove each sheet immediately, to prevent a paper jam or curled sheets.

Select Copy Quality (This is a permanent setting)

- 1 Press **Menu**, **3**, **2**.
- 2 Press  or  to select copy quality.

QUALITY : NORMAL



QUALITY : HIGH

QUALITY : DRAFT

- 3 Press **Set** when the screen displays your selection.
- 4 Press **Stop** to exit.

This feature is available only for colour copying.

Select Type of Original (This is a permanent setting)

- 1 Press **Menu**, **3**, **3**. The screen displays
- 2 Press  or  to select your original type.

3 . ORIGINAL TYPE

ORIGINAL : STD

ORIGINAL : PHOTO

- 3 Press **Set** when the screen displays your selection.
- 4 Press **Stop** to exit.

This feature is available only for colour copying.

Colour Adjustment

- 1 Press **Menu**, **3**, **4**.
- 2 Press \leftarrow or \rightarrow to select **RED**, **GREEN**, or **BLUE**.
- 3 Press **Set**.

Light	Dark
<div style="border: 1px solid black; padding: 2px; display: inline-block;"> R: -□□□□□■□□□□□+ </div>	
<div style="border: 1px solid black; padding: 2px; display: inline-block;"> G: -□□□□□■□□□□□+ </div>	
<div style="border: 1px solid black; padding: 2px; display: inline-block;"> B: -□□□□□■□□□□□+ </div>	

- 4 Press \leftarrow or \rightarrow to adjust the degree of colour.
- 5 Press **Set**.
- 6 Return to Step 2 to select the next colour —**OR**—
Press **Stop** to exit.

Copy Brightness

You can choose the brightness setting before making a copy.

- 1 Press **Menu**, **3**, **5**.
- 2 Press \leftarrow to make a darker copy.
—**OR**—
Press \rightarrow to make a lighter copy.
- 3 Press **Set** when the screen displays your setting.
Press **Stop** to exit.



Copy Contrast

You can choose the contrast setting for a copy. Greater contrast can help an image look sharper and more vivid. This feature is available only for color copying.

- 1 Press **Menu**, **3**, **6**.
- 2 Press \leftarrow to decrease contrast
—**OR**—
Press \rightarrow to increase contrast.
- 3 When the screen displays your setting, press **Set**.
- 4 Press **Stop** to exit.

Selecting a Single Colour (One Colour)

For black and white originals, you can select a single colour, instead of black, as the default to be used when you press **Mono Copy**. **OFF** is the setting for Black.

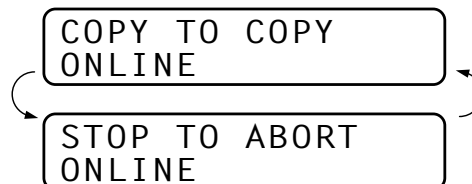
- 1 Press **Menu**, **3**, **7**.
- 2 Press  or  to select a copy colour: The options are OFF, RED, GREEN, BLUE, CYAN, MAGENTA, and YELLOW.
- 3 When the screen displays your selection, press **Set**.
- 4 Press **Stop** to exit.

Memory Full Message

If the memory becomes full while you're making copies, the screen displays

MEMORY FULL P.02
 ONLINE

followed by



If you were scanning the first page of your document, press **Stop** to cancel the job and restart to make a single copy. If you were scanning a subsequent page, press **Mono Copy** or **Colour Copy** to print the pages already scanned—**OR**—Press **Stop** to cancel.

You'll need to clear some fax or voice messages to make some additional memory available before you can continue.



To gain extra memory, you can erase any of the following types of messages:

- To erase incoming messages (ICMs) and memos. See Erasing Messages in chap. 12. (Only for MFC-740)
- To print fax message stored in memory. See Printing a Fax Message in chap. 12. (Only for MFC-740)

Legal Limitations

Colour reproductions of certain documents are illegal and may result in either criminal or civil liability. This Notice is intended to be a guide rather than a complete listing of every possible prohibition. In case of doubt we suggest that you consult with the legal authorities in your individual country as to the legality of any particular questionable documents.

The following are examples of documents which should not be copied:

- Paper money.
- Bonds or other certificates of indebtedness.
- Certificates of Deposit.
- Armed Forces Service or Draft papers.
- Passports.
- Postage stamps (cancelled or uncanceled).
- Immigration papers.
- Welfare documents.
- Cheques or Drafts drawn by Governmental Agencies.
- Identification Documents, badges or insignias.
- Licences and Certificates of Title to motor vehicles.

Copyrighted works cannot be copied: however, sections of a copyrighted work can be copied for “personal use”. Multiple copies would indicate improper use.

Works of art should be considered the equivalent of copyrighted works.

CHAPTER TWELVE

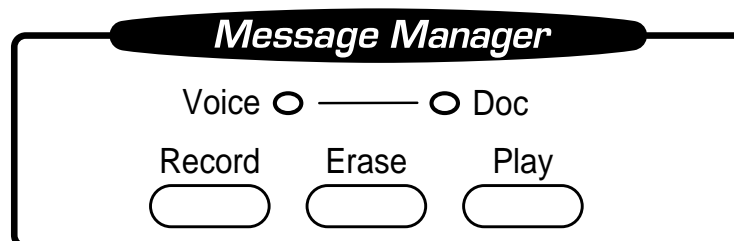
Message Manager

(Only for MFC-740)

Introduction

This section provides you with information about how to operate the Message Manager features of your MFC-740.

Your MFC has been designed to be user friendly. You will find a function chart in chap. 4 that shows you the easy button presses you can perform to access all programmed features.



Message Manager Mode

*See
“Recording
Message
Manager
Outgoing
Message”
in this
chapter*

Message Manager Mode allows you to store incoming fax and voice messages in a flexible memory. The memory stores **99** minutes of voice messages, or up to **300** pages of fax messages. The actual number of pages stored in memory varies depending on the content and the resolution used. Memory is shared between fax and voice messages, which are stored on a “first-come, first-served” basis. Any voice or fax message can be retrieved remotely.

You must record a TAD Outgoing Message in order to use the Message Manager Mode.

Flexible Memory Settings (Message Store)

Message Manager Mode offers you six flexible memory settings, so that you can decide which kinds of messages you want to receive.

- 1. DOC:ON, VOICE:ON** Both voice and fax messages are stored. You can use the Fax Forwarding or Paging features and retrieve voice and fax messages remotely.
- 2. DOC:ON, VOICE:EXT** You need an external answering machine connected to the MFC for this setting. Fax messages are stored in the Message Manager memory, but voice messages are stored in your external answering machine. Retrieve voice messages from the external answering machine. You cannot use the Paging feature for voice message with this setting.
- 3. DOC:ON, VOICE:OFF** All memory is used to store fax messages—no voice messages will be stored.
- 4. DOC:OFF, VOICE:ON** All memory is used to store voice messages—no fax messages will be stored. Incoming faxes will be printed on paper. You can use the Paging feature, and retrieve voice messages remotely.
- 5. DOC:OFF, VOICE:EXT** You need an external answering machine connected to the MFC for this setting. Incoming faxes are not stored in memory, but will be printed on paper. Voice messages are stored in the external answering machine.
- 6. DOC:OFF, VOICE:OFF** Incoming faxes are not stored in memory, but will be printed on paper. Voice calls are not stored in memory.

Setting Up Message Manager

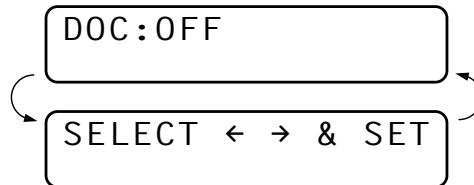
You must set up Message Manager in the following order:

- 1** Set the Message Store.
- 2** Record the Message Manager's Outgoing Message (**TAD MESSAGE**).
- 3** Activate Message Manager (TAD) Mode by pressing the **Mode** key until both **FAX** and **F/T** LEDs are lit.

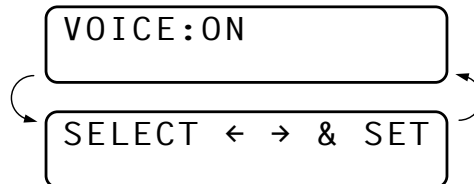
Setting the Message Store

Select the setting from the descriptions of “Flexible Memory Settings”.

- 1 Press **Menu, 1, 8, 1**. The screen prompts you to choose a **DOC:** (Document) setting.



- 2 Press or to select **ON** (or **OFF**).
- 3 Press **Set**. The screen prompts you to choose a **VOICE:** setting.



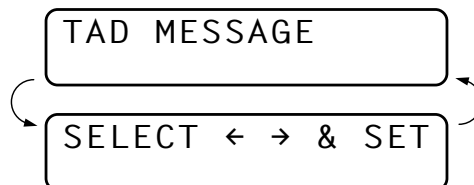
- 4 Press or to select your setting from the list (**ON**, **OFF** or **EXT**).
- 5 Press **Set** when the screen displays your selection.
- 6 Press **Stop** to exit.

Recording the Message Manager's Outgoing Message (TAD MESSAGE)



Recording the Message Manager's Outgoing Message (**TAD MESSAGE**) is the second step you need to follow before you can turn on the Message Manager. Make sure your OGM (Outgoing Message) is less than 20 seconds long.

- 1 Press **Menu, 1, 8, 3**. The screen prompts you to choose an OGM.



- 2 Press or to reach







This is the only setting you can select if you want to turn the Message Manager ON.



See
 “Record
 Fax/Tel
 Outgoing
 Announcement”
 chap. 6

- 3 Press **Set**.
- 4 Press **Record**, then pick up the handset to record a message.
For example: *Hello. We are unable to take your call at this time. Please leave a message after the signal. If you wish to send a fax, please press *51, wait for the fax tones, then press the start button on your machine.*
- 5 Replace the handset. The Message Manager plays your OGM.
- 6 Press **Stop** to exit.

Listening to the Outgoing Message (OGM)

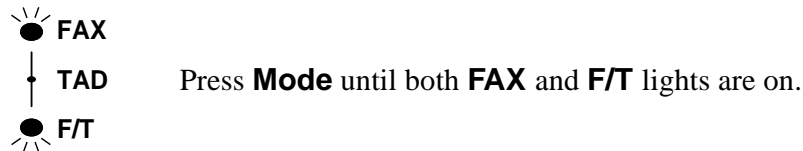
- 1 Press **Menu, 1, 8, 3**.
- 2 Press  or  to select **TAD MESSAGE** (or **F/T MESSAGE** or **PAGING MSG.**).
- 3 Press **Set** when the screen displays your selection.
- 4 Press **Play** to hear the OGM. Adjust volume by pressing Volume  or .
- 5 Press **Stop** to exit.

Erasing the Outgoing Message (OGM)

- 1 Press **Menu, 1, 8, 3**.
- 2 Press  or  to select **TAD MESSAGE** (or **F/T MESSAGE** or **PAGING MSG.**).
- 3 Press **Set** when the screen displays your selection.
- 4 Press **Erase**.
- 5 Press **1** to erase the OGM —OR— Press **2** to exit without erasing.
- 6 Press **Stop** to exit.

Activating Message Manager Mode

To activate Message Manager....

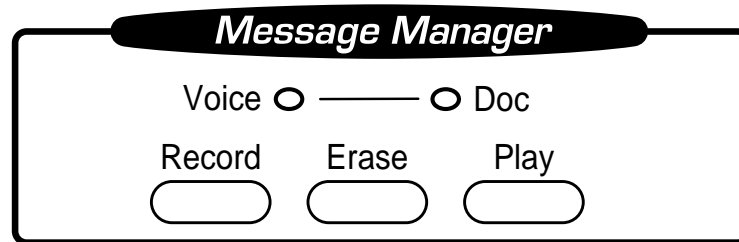


...You can easily identify the Message Manager mode that is activated by viewing the Message Manager indicator lights.

Message Indicator

Once you return home or to the office you can easily and quickly see if any voice or fax messages have been stored in the Message Manager. There are two ways to determine if messages are stored.

If the Voice and / or Fax Indicator lights are flashing, there is a new message stored. Once a new voice message is played, the Voice indicator light stops flashing and stays on. And once a new fax message is printed, the Fax indicator will go off.



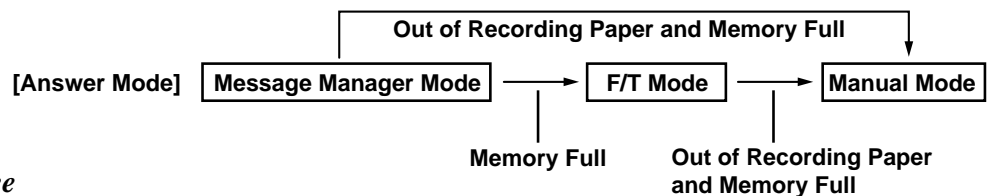
The display will indicate the total number of incoming Voice and/or FAX messages stored in Message Manager memory. The number of Voice includes the Memo messages.

VOICE:03 DOC:02
ONLINE



What Happens When the Memory Is Full...

If the memory becomes full when you have set your MFC to Message Manager mode, the MFC will change to F/T mode automatically. In this mode, the MFC can accept incoming faxes automatically and will print them. Then, if your MFC should run out of paper, the answer mode will shift automatically to manual mode. In manual mode the call is not answered, so your caller will know to try again later.





See
"Printing
Reports and
Lists"
chap. 15

Print the Memory Status List and select the item to be cleared. This will clear space for new messages and faxes to be stored in memory.

Playing Voice Messages and Memos




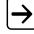
Follow the steps below to listen to voice messages and memos.

- 1 Press **Play**. Adjust volume by pressing  or .

All new messages and memos are played in the order they were recorded. The display shows the number of the current message, and the total number of messages.

If Caller ID information was received, the MFC beeps during the message and displays the Caller ID information for one second.

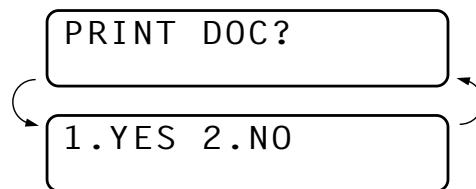
During playback, the screen displays the time and date the message was recorded.

- 2 Press  at the end of the message to repeat a message. Use  to skip to the next message. You can press  and  repeatedly until you reach the message you want to play.
- 3 Press **Stop** to exit.

Printing a Fax Message

Once you print a new fax message stored in memory, it is erased from the memory automatically.

- 1 Press **Play**. After two seconds, the MFC begins to play voice messages.
- 2 After playing voice messages, the display asks if you want to print fax messages that are in the memory. There is no display if there are no faxes.

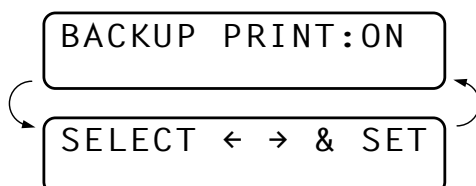


- 3 To print the fax messages, press **1**.
—OR—
Press **2** to exit without printing.

Backup Printing Option

When you choose **DOC:ON** in the Message Manager mode, all incoming fax messages are stored in the available memory for retrieval. To print a backup copy automatically, turn this option ON.

- 1 Press **Menu, 1, 8, 2**. The screen prompts you to select a setting.



- 2 Press or to display **ON** (or **OFF**).
- 3 Press **Set** when the screen displays your selected setting.
- 4 Press **Stop** to exit.

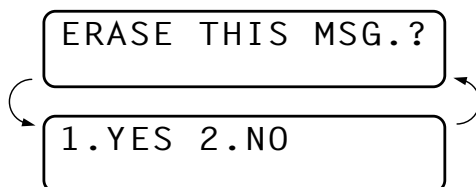
Erasing Messages

If you choose to erase all fax messages, the MFC will print any previously unprinted fax messages before erasing them from memory. Fax messages cannot be erased individually.

You can erase voice messages and memos individually, or all at once.

To erase voice messages individually

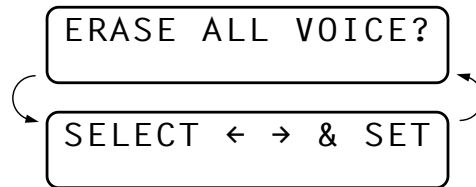
- 1 Press **Play**. The MFC beeps and begins message playback. Each message is preceded by one long beep, and followed by two short beeps.
- 2 To erase a specific message, press **Erase** immediately after the two short beeps, or while the message is playing. The screen prompts



- 3 Press **1** to erase the message.
—OR—
Press **2** to cancel.
- 4 Press **Stop** to exit.

To erase messages all at once

- 1 Press **Erase**. The screen prompts you to choose what kind of messages you want to erase.

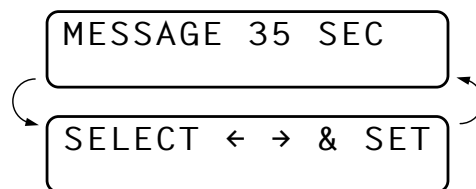


- 2 Press or to select erasing all voice messages (**ERASE ALL VOICE?**), all document messages (**ERASE ALL DOC?**), or all messages—both voice and fax—(**ERASE ALL MSG.?**).
- 3 Press **Set**.
- 4 Press **1** to erase.
—OR—
Press **2** to cancel.

Setting the Maximum Time for Incoming Messages

Your MFC comes set to receive voice messages up to 35 seconds long. You can change this setting to any length from 35 seconds to 60 seconds, in 5-second increments. This setting also applies to Memo.

- 1 Press **Menu, 1, 8, 4**. The screen prompts you to select a maximum time.



- 2 Press or to select the maximum time setting for incoming messages.
- 3 Press **Set** when the screen displays your setting.
- 4 Press **Stop** to exit.

Setting the Toll Saver

When you set the Toll Saver feature, the MFC answers after 4 rings if you don't have messages, and after 2 rings if you do have messages. This way, when you call the MFC, if it rings 3 times, you know you have no messages, and can hang up, avoiding any toll charge.

*See
"Ring Delay"
chap. 6*



When Toll Saver is **ON**, it overrides your Ring Delay setting. Toll Saver must be **OFF** for the MFC to operate using your Ring Delay setting.

- 1 Press **Menu, 1, 2, 1**.
- 2 Press **←** or **→** to select **TOLL SAVER** (or **RING DELAY**).
- 3 Press **Set** when the screen displays your selection.
- 4 Press **←** or **→** to select **ON** (or **OFF**).
- 5 Press **Set**.
- 6 Press **Stop** to exit.

ICM Recording Monitor (Call Screening)

This feature lets you turn **OFF** (or **ON**) the speaker volume for voice messages. When you turn the monitor **OFF**, you will not hear messages as they come in.

- 1 Press **Menu, 1, 8, 5**.
- 2 Use **←** or **→** to select **OFF** (or **ON**).
- 3 Press **Set** when the screen displays your selection.
- 4 Press **Stop** to exit.

Recording a Memo

A memo is stored and played as a voice message.

- 1 Press **Record**.
- 2 When the display prompts you to pick up the handset, speak into the handset to record your memo. Your recording can be as long as the Incoming Message Maximum Time (**Menu, 1, 8, 4**).
- 3 Press **Stop** or replace the handset when you're finished.

Recording a Conversation

You can record a telephone conversation by pressing **Record** during the conversation. Your recording can be as long as the Incoming Message Maximum Time. You and the other party will hear a beep every 15 seconds while recording. You cannot record a conversation using the Speaker Phone.

Fax Forwarding/Paging

When Paging is set to **ON**, your MFC dials the phone number you have programmed and, when connected, plays the Paging OGM message you have recorded. This lets you know you have a fax or voice message in the Message Manager memory.



When Fax Forwarding is set to **ON**, your MFC dials the fax machine phone number you've programmed, and forwards any faxes you've received.



You cannot use Paging and Fax Forwarding at the same time.

Programming a Fax Forwarding Number

1 Press **Menu, 1, 8, 6**.

2 Press  or  until the screen displays

FAX FORWARD

3 Press **Set**. The screen prompts you to enter the number of the fax machine where faxes will be forwarded.

FWD# :

ENTER & SET

4 Enter the forwarding number (up to 20 digits).

5 Press **Set**.

6 Press **Stop** to exit.


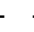
You can change a Fax Forwarding number remotely.


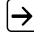
Recording the Paging Outgoing Message (OGM)

Before paging can work, you should first record the Paging OGM.

1 Press **Menu, 1, 8, 3**. The screen prompts you to choose an OGM.

TAD MESSAGE



SELECT   & SET

- 2 Press  or  to reach

PAGING MSG.

- 3 Press **Set**.
 4 Press **Record**, then pick up the handset to record a message.
 5 Press **Stop**. The Message Manager plays your OGM.
 6 Press **Stop**.

Programming the Paging Number

- 1 Press **Menu, 1, 8, 6**.
 2 Press  or  until the screen displays

PAGING

- 3 Press **Set**. The screen prompts you to enter your pager number.

PAG#:

ENTER & SET

- 4 Enter your paging number up to 20 digits. This is the telephone number which your MFC must call.
 5 Press **Set**.
 6 Press **Stop** to exit.



You cannot change a Paging number remotely.

Remote Retrieval

You can call your machine from any fax machine using touch tone and use a Remote Access Code and other button presses to retrieve voice (and fax) messages. You can also program and change some settings for your Message Manager.

Using the Remote Access Code

- 1 Dial your MFC phone number from a touch tone phone.
- 2 When your MFC answers and beeps, immediately enter your Remote Access Code.
- 3 The MFC signals the kinds of messages received:
 - 1 long beep—Fax message(s)
 - 2 long beeps—Voice message(s)
 - 3 long beeps—Fax and Voice message(s)
 - No beeps—No messages
- 4 The MFC then prompts you with two short beeps to enter a command. If you wait longer than 30 seconds to enter a command, the MFC hangs up. If you enter an invalid command, the MFC beeps three times.
- 5 Press **9 0** to exit remote access mode when you have finished.
- 6 Hang up.



If your MFC is set to Manual Mode, you can access the Message Manager remotely by phoning your MFC and letting it ring for about 100 seconds. Your MFC will answer the phone after 100 seconds of ringing, and you then have 30 seconds to enter your Remote Access Code.

Changing the Remote Access Code

Enter your Remote Access Code when the MFC picks up your call, so you can access features remotely. The access code is preset to 159*, but you can change this.

- 1 Press **Menu, 1, 8, 7**.
- 2 Enter a three-digit number from 000 to 998. The * cannot be changed. Do not use the same digits that appear in your Remote Activation or Deactivation Code.
- 3 Press **Set**.
- 4 Press **Stop** to exit.



When you call your MFC and enter the Remote Access Code, you must press the fourth digit (three-digit number plus *).

Remote Control Commands

Follow the commands below to access features remotely. When you call the MFC and enter your Remote Access Code (The factory setting is 159*), the system will signal you with two short beeps to enter a remote control command.

Remote control commands	Detail Operation
91 Playing voice messages	After one long beep, the MFC plays ICM and Memo.
1 ← (Skip back)	Press 1 while listening to an ICM or Memo to play it again. If you press 1 before a message, you will hear the previous message.
2 → (Skip next)	While playing ICM and Memo, you can skip to next message.
9 STOP Playing	Stop playing the ICM and Memo.
92 Record Memo	After one long beep, you can record a memo. You can stop recording by pressing 9 .
93 Erase all ICM & Memo	If you hear one long beep, the erase is accepted. If you hear three short beeps, you cannot erase because all voice messages have not been played, or there is no voice message to erase. *This code erases all recorded messages, not one at a time.
94 Play and Record OGM in memory	
1 Play	1 TAD MSG 2 F/T MSG 3 PAGING MSG
	The MFC plays the selected OGM. You can stop playing OGMs by pressing 9 .
2 Record	1 TAD MSG 2 F/T MSG 3 PAGING MSG
	After one long beep, you can record the selected OGM. You will hear the message played once. You can stop recording the message by pressing 9 .
95 Changing Fax Forwarding/Paging setting	If you hear one long beep, the change is accepted. If you hear three short beeps, you cannot change it because the conditions have not been met (Example: registering paging number). You can register your fax forwarding number by using 4. FAX FWD NO (See “Changing Fax Forwarding Number” in this chapter). Once you have registered the number, the MFC will automatically turn to FAX FWD:ON mode. Then retrieve a Memory Status List by entering 9 6 1 to make sure that the Fax Forwarding number you registered is correct in the List.
1 OFF	
2 Fax Forwarding	
3 Paging	
4 FAX FWD NO.	
96 Retrieve Fax	Enter the number of a remote fax machine to receive a report or stored fax messages. (See “Retrieving the Memory Status List” and “Retrieving Fax Messages”.)
1 Memory Status List	
2 Retrieve all Fax	
3 Erase Fax in the memory	If you hear one long beep, you can erase the fax message from the memory.
97 Check the receiving status	You can check whether your MFC has received any Document or Voice messages. If yes, you will hear one long beep. If no, you will hear three short beeps.
1 Document	
2 Voice	
98 Change Answer Mode	If you hear one long beep, you can change the answer mode. If you hear three short beeps, you cannot change it. (Example: There is no TAD MSG when you want to change to TAD mode.)
1 TAD	
2 Fax/Tel	
3 Fax	
90 Exit	After a long beep, you can exit remote control.

Retrieving the Memory Status List

You can retrieve the Memory Status List from a remote fax machine to see if you have any fax messages.

- 1 Dial your MFC's number.
- 2 When you hear the beep, immediately enter your Remote Access Code (The factory setting is **1 5 9 ***).
- 3 When you hear two short beeps, use the dial pad to press **9 6 1**.
- 4 Using the dial pad, enter the number (up to 20 digits) of the remote fax machine where you want the Memory Status List forwarded, and then press **# #**.



You cannot use * and # as dial numbers. However, if you want to store a pause, press #.

- 5 After you hear your MFC beep, hang up and wait.
Your MFC calls the remote fax machine. Your MFC then sends the Memory Status List to the fax machine that you are calling from.

Retrieving Fax Messages

- 1 Dial your MFC's number.
- 2 When you hear the beep, immediately enter your Remote Access Code (The factory setting is **1 5 9 ***).
- 3 As soon as you hear two short beeps, use the dial pad to press **9 6 2**.
- 4 Using the dial pad, enter the number (up to 20 digits) of the remote fax machine where you want your fax messages forwarded, and then press **# #**.



You cannot use * and # as dial numbers. However, if you want to store a pause, press #.

- 5 After you hear your MFC beep, hang up and wait.
Your MFC calls the remote fax machine. The fax machine that you are calling from prints your fax messages.

Changing the Fax Forwarding Number

You can change the default setting of your fax forwarding number from a remote fax machine.

- 1 Dial your MFC's number.
- 2 When you hear the beep, immediately enter your Remote Access Code (The factory setting is **1 5 9 ***).

- 3 When you hear two short beeps, use the dial pad to press **9 5 4**.
- 4 Enter the new number of the remote fax machine (up to 20 digits) where you want your fax messages forwarded, and then press **# #**.



You cannot use * and # as dial numbers. However, if you want to store a pause, press #. Also, if your MFC is connected to a PABX, you can press # first before the fax machine's number. The # works as well as **R** key.

- 5 To retrieve the Memory Status List, when you hear two short beeps, use the dial pad to press **9 6 1**.
- 6 Use the dial pad to enter the number of the remote fax machine (up to 20 digits), and then press **# #**.
- 7 After you hear your MFC beep, hang up and wait.

Your MFC calls the remote fax machine. Your MFC then sends the Memory Status List showing the new forwarding number to the fax machine that you are calling from.

- 8 Check the forwarding number.

If the forwarding number is incorrect, return to Step 1 to reset it.



There are some fax machines which, having completely received the MEMORY STATUS LIST from your MFC, will give an audible "HANDSET UP" or similar alarm, if you keep the line held in readiness for the next command.

In such cases, it may be possible to clear the alarm and enter the next command (e.g. "962" for the RETRIEVE), by pressing the **Stop** once or twice on the receiving machine during the alarm beeping time. If this doesn't work, simply replace the handset, pause, and redial the call, using then the "962" command after your machine answers and accepts your remote access code.

CHAPTER THIRTEEN

Using MFC as Printer

Features

The Multi-Function Center offers you many features you will find in a high quality ink jet printer.

Fast Printing Speed—Using Draft mode, you can print 4 pages per minute in full colour.

Brilliant 4-Colour Output at 360 dpi—Printing at 360 dpi resolution on special coated paper or glossy paper gives you normal resolution output.

Brilliant 4-Colour Output at 720 dpi—Printing at 720 dpi resolution on special coated paper or glossy paper gives you high resolution output.

Brilliant 4-Colour Output at 1440 dpi—Printing at 1440 dpi resolution on special coated paper or glossy paper gives you highest resolution output.

Low Running Cost—Whenever you run out of a particular colour ink, you will replace only the cartridge that's empty.

Suitable Uses—You can print from both Windows and DOS operating systems. When you print from DOS, the MFC uses ESC/P.

Bi-directional Parallel Interface—The parallel interface allows bi-directional (IEEE 1284 compliant) communication with your computer. This interface allows the MFC to communicate useful information, such as the amount of memory installed and other printing setup conditions, as the supplied Windows® 3.1, 3.11, 95, 98 or NT® Workstation Version 4.0 drivers support bi-directional mode. Printer status is also reported.

Straight Paper Path—The MFC can use various types of paper: plain paper, coated paper, glossy paper, transparencies, and envelopes. Using the appropriate paper reduces the occurrence of paper jams. For complete information about what kinds of paper to use with the MFC, please read Chapter 3 in this manual.

Printer Driver

You can change the following printer settings when you print from your computer:

- Quality - Speed/Media Setting
- Colour Correction Control
- Colour Adjustment
- Brightness/Contrast Adjustment/Halftone Selection
- Start Maintenance Program

(See Chapter 18, PC Printing.)

Choosing the Right Kind of Paper

To achieve high quality printing using your MFC, it's very important to select the right kind of paper. Be sure to read "Paper Specifications" in Chapter 3 in this manual before selecting and purchasing paper for the MFC.

Multi-purpose Sheet Feeder

The multi-purpose sheet feeder can feed plain paper, coated paper, glossy paper, transparencies, envelopes, and organizer paper (K,L). When the MFC receives data from your computer, it begins the print process by loading paper from the multi-purpose sheet feeder.

- 1 Select the print command from your PC.

- 2 Your PC sends a print command and data to the MFC. The screen displays the date and time, and **RECEIVING DATA**.
- 3 If there are more pages, the MFC begins to print the next page automatically.
- 4 When the MFC finishes printing all data, it returns to online status.

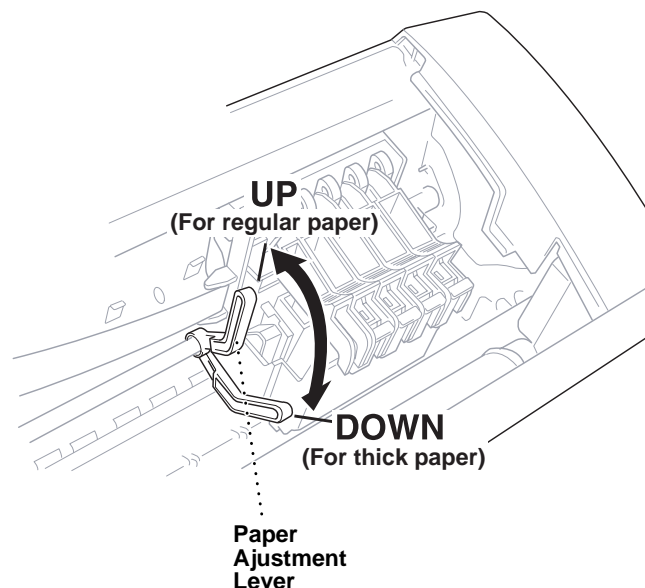


You can select paper source, paper size, and orientation in your application software. If your application software does not support your custom paper size, select the next larger paper size. Then adjust the print area by changing the right and left margins in your application software.

Loading Paper

You can use plain paper, coated paper, transparencies, glossy paper, and envelopes and organiser (K,L) in the multi-purpose sheet feeder. (See Chapter 3 for more information about paper types.)

- 1 Open the top cover of the MFC. Turn the purple paper thickness adjustment lever down toward the platen. When you want to print on regular paper, keep the lever up. When you want to use thick paper, move the lever down. Then, close the top cover.



- 2 Open the feeder. Remove any paper in the feeder, and load the new paper. Fan the stack of paper before loading.
- 3 Load the paper stack with the printing (coated) side upwards. Adjust the paper guide. Make sure the paper is stacked below the arrow. You can load up to approximately 200 sheets of 75g/m² plain paper.

- 4 Close the feeder cover.

Manual Feed Slot

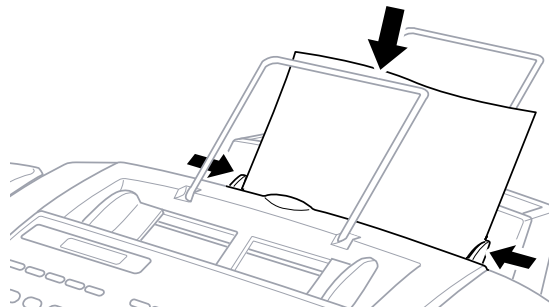
You can use only one sheet at a time in the Manual Feed Slot. Paper loaded in the Manual Feed Slot is printed first, even when there is some paper left in the Feeder.

If you want to print more than one page using the Manual Feed Slot, on your PC, in the printer driver Properties Paper tab, select “manual feed”.

- 1 Load one sheet of paper in the Manual Feed Slot, holding it with both hands. Align the paper in the center of the feeder.
- 2 Gently push the paper all the way down in the slot.
- 3 Adjust the guides to make sure the paper is straight and centered to prevent a paper jam or misfeed.



If you do not insert paper in the manual feed slot, the MFC will print from the cassette.

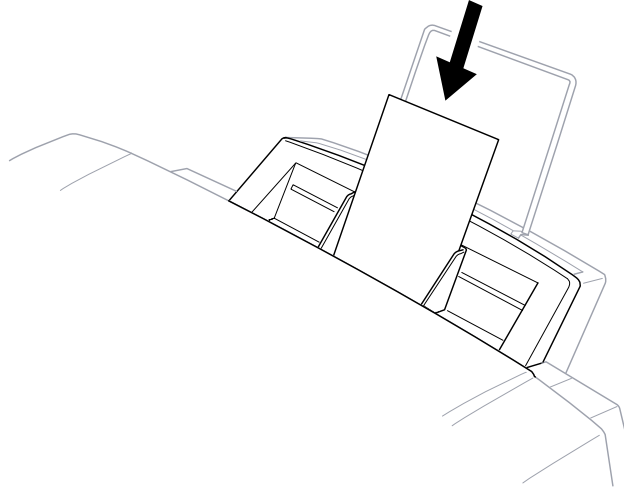


Setup for Envelopes

You can use the manual feed slot to print one envelope at a time.

- 1 Adjust the paper setting in the printer driver.
- 2 Open the top cover.
- 3 Lift the purple paper thickness adjustment lever down panel.
- 4 Close the top cover.
- 5 Insert an envelope into the manual feed slot sideways, with the print side face up.

- 6** From your PC application, tell the MFC to begin printing. On completion, you can place another envelope in the manual feed slot.



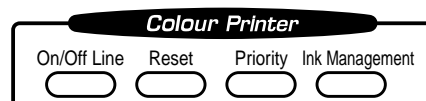
Simultaneous Printing/Fax

Your MFC can print data from your computer while sending or receiving a fax, or while scanning information into the computer. However, when the MFC is copying or receiving a fax on paper, it pauses the PC printing operation, and resumes when copying or fax receiving is complete. Fax sending will continue during PC printing.



Simultaneous Printing/Scanning is not available for MFC-730.

Printer Operation Keys



On/Off Line Key

This key toggles the MFC's Online and Offline print status, which appears on the display. If you press this key while printing, the MFC immediately stops printing and goes offline. Press **On/Off Line** again to resume printing.

Reset Key

If the screen displays **REMAINED DATA**, you can clear data remaining in the printer memory by pressing **On/Off Line**, then pressing **Reset**.

Priority Key

When you press **Priority**, the MFC enters printer mode, and will not print faxes on paper. Instead, faxes are stored in the memory until you press **Priority** again.

Ink Management Key

When you press **Ink Management**, the screen will display

1 . CLEANING

2 . REPLACE INK

If you are having trouble with one of the ink colors, you may need to clean the print head. (See “Troubleshooting and Maintenance” in Chapter 20 .)

If you got an error message **NEAR EMPTY XXXX** or **INK EMPTY XXXX**, you will need to replace the ink cartridge for the appropriate colour. (See Troubleshooting and Maintenance in Chapter 20.)

Turning Off Bi-directional Printing

You can further improve print quality by turning off bi-directional printing and setting the MFC to print in one direction only. However, this will reduce print speed by one half.

➤ Press **Menu**, **2**, **3**. The screen displays

3 . BI - DIR PRINT

➤ Press **2** to select **OFF** (or **1** to select **ON**).

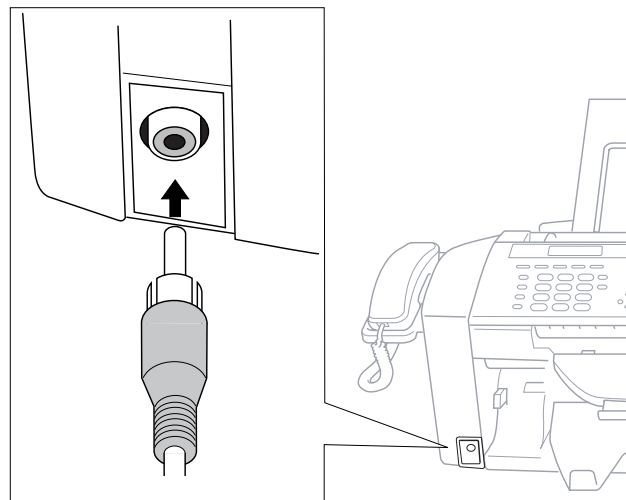
CHAPTER FOURTEEN

Walk-Up Video Printing

Walk-Up Video Printing lets you use your MFC, connected to your camcorder, digital camera, video game, or VCR, to view a video on the attached equipment. The video signal and the output you create from your MFC are PAL compliant. This is not compatible with any other standard.

Getting Started

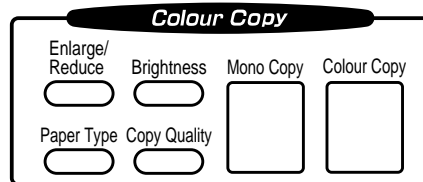
With no documents in the feeder, plug the cable from your video camera's Video Out jack into the MFC's RCA pin jack. Play the video.



Some camcorders, digital cameras, video games or VCRs do not **correctly** conform with PAL standards. Then you would not be able to capture video signals.

Auto Switch

Whenever you connect video equipment to the MFC and turn the video signal on, the MFC **Paper Type** and **Copy Quality** keys automatically switch to video printing mode



and the screen displays

VIDEO:PRESS COPY
CAPTURE READY

As soon as you turn off the video equipment or disconnect it, the MFC returns to normal copy mode for **Paper Type** and **Copy Quality**.



The Auto Switch will not work if you have too much in memory.

Colour Video Printing

- 1 With no documents in the feeder, plug the cable from your video camera's Video Out jack into the MFC's RCA pin jack.
- 2 Play the video. When the MFC begins receiving the video signals, the MFC screen displays

VIDEO:PRESS COPY
CAPTURE READY

- 3 Press **Colour Copy** when you see the picture you want to capture and print. The MFC begins printing, and beeps when printing is complete.



If the MFC is not receiving video signals, **Colour Copy** will not work. However, if there is a document in the feeder, the MFC will print a colour copy of the document.

Black & White Video Printing

For Black and white video printing, follow the steps for Colour Video Printing, using **Mono Copy** instead of **Colour Copy**.

Video Print Quality – Temporary Settings



You can quickly improve the copy quality of video printouts by using the **Copy Quality**, **Paper Type** and **Brightness** keys. These settings are temporary, and the MFC returns to its default settings when you finish printing. You might want to try different combinations of settings to see which best suits your needs.

Using the Copy Quality Key

Your MFC allows you to customize the quality of your video copies by letting you select the video print quality and paper type. You might want to try different combinations of settings to see which best suits your needs. The settings are temporary.

- 1 **Make sure there is no document in the feeder.** Plug the cable from your video camera's Out jack into the MFC's RCA pin jack.
- 2 Press **Copy Quality**. The screen displays the current setting, for example:

QUALITY : HIGH
ONLINE

- 3 Use  or  to select copy quality.



QUALITY:NORMAL
QUALITY:HIGH



If there is too much in memory, the print quality will be reduced.

- 4 When the screen displays your selection, press **Set**. The screen displays a video type setting, for example:

VIDEO : MOVING
ONLINE

- 5 Press  or  to select the video type.

VIDEO:MOVING

VIDEO:STILL

- 6 When the screen displays your selection, press **Set**.
The screen displays

PRESS COPY KEY
ONLINE

- 7 Press **Mono Copy** or **Colour Copy**

The screen shows



PRINTING
ONLINE

Using the Paper Type Key

If you use premium paper, video print quality is improved.

- 1 With no documents in the feeder, plug the cable from your video camera's Out jack into the MFC's RCA pin jack.
- 2 Press **Paper Type**. The screen displays the current setting, for example:

PAPER:PLAIN
ONLINE

SELECT   & SET
ONLINE

- 3 Press  or  to select paper type.

PAPER:PLAIN

PAPER:INK JET

PAPER:GLOSSY

PAPER:TRNSPRNCY

If you are using Brother coated paper for 360 dpi (BP36CL) or 720 dpi (BP72CL), select **INK JET**, then select **360DPI** or **720DPI**. If you are using non-Brother ink jet paper, select **OTHER**.

- 4 When the screen displays your selection, press **Set**.
The screen displays

PRESS COPY KEY
ONLINE

- 5** Press **Mono Copy** or **Colour Copy**.

The screen shows

PRINTING
ONLINE

Using the Brightness Key

You can choose brightness setting before making a video copy.

- 1** With no documents in the feeder, plug the cable from your video camera's Out jack into the MFC's RCA pin jack.
- 2** Press **Brightness**.
- 3** Press to make a darker copy.
—OR—
Press to make a lighter copy.
- 4** Press **Set** when the screen displays your setting.

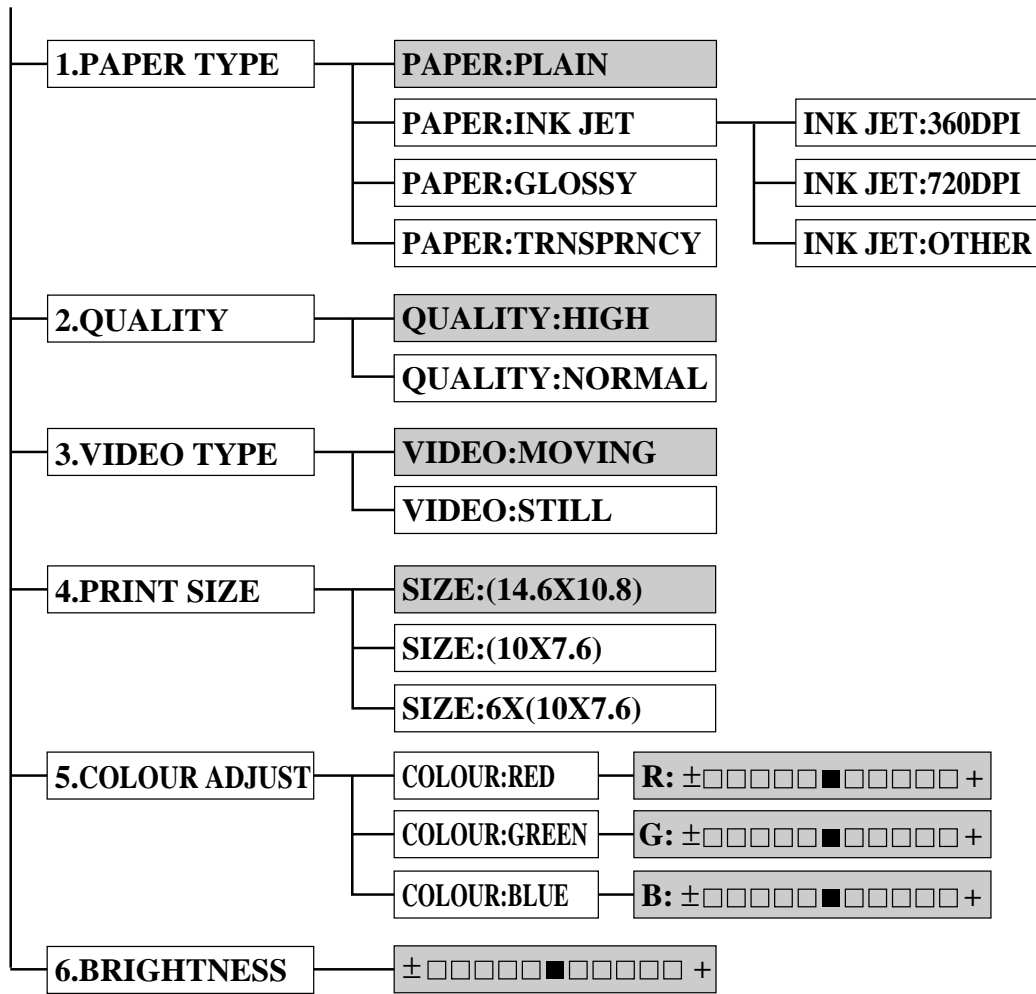
Changing Default Settings


Press **Menu** and **4** to change default settings for video printing.

DEFAULT SETTINGS	
1. PAPER TYPE	PLAIN
2. QUALITY	HIGH
3. VIDEO TYPE	MOVING
4. PRINT SIZE	(14.6 x 10.8)
5. COLOUR ADJUST	R: -□□□□□■□□□□□+
	G: -□□□□□■□□□□□+
	B: -□□□□□■□□□□□+
6. BRIGHTNESS	-□□□□□■□□□□□+

By pressing **Menu**, **4** and a number, you can adjust video printing settings as shown in the following chart. Press or to move through the selection for each setting. Press **Set** to save your selection.

Press **Menu** and **4**.



 is factory default

Setting Paper Type

- 1 Press **Menu**, **4**, **1**.
- 2 The screen displays

PAPER:PLAIN
PAPER:INK JET
PAPER:GLOSSY
PAPER:TRNSPRNCY

- 3** Press or to select a paper type.

If you are using Brother coated paper for 360 dpi (BP36CA) or 720 dpi (BP72CA), select **INK JET**, then select **360DPI** or **720DPI** (in Step 4).

If you are using non-Brother ink jet paper, select **OTHER** (in Step 4).

- 4** When the screen displays your selection, press **Set**.
- 5** Press **Stop** to exit.

Setting Video Printing Quality

- 1** Press **Menu, 4, 2**.

The screen displays **2. QUALITY**.

- 2** Press or to select a quality.

QUALITY:NORMAL

QUALITY:HIGH

- 3** Press **Set** when the screen displays your selection.
- 4** Press **Stop** to exit.

Setting Video Type

Before you turn on the video signal, you must set the MFC to receive either a moving or a still image. You can watch the video play on the video camera and press **Mono Copy** or **Colour Copy** when you see the frame you want to print.

- 1** Press **Menu, 4, 3**. The screen displays

3. VIDEO TYPE

- 2** Press or to select video type.

VIDEO:STILL

VIDEO:MOVING

- 3** Press **Set** when the screen displays your selection.
- 4** Press **Stop** to exit.

Note: You can press **Clear** in steps 2 and 3 return to the previous step.



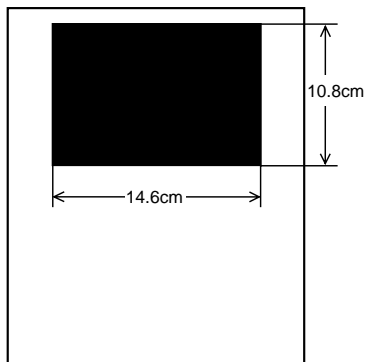
If you don't have enough memory to process the selected video image, the print quality may be poor even for a still frame.

Setting Print Size

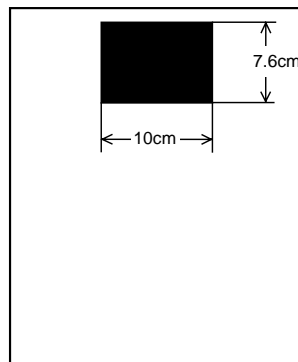
- 1 Press **Menu** , 4, 4.
- 2 Press \leftarrow or \rightarrow to select print size:
SIZE: (14.6 X 10.8)
SIZE: (10 X 7.6)
SIZE: 6 X (10 X 7.6)
- 3 Press **Set** when the screen displays your selection.
- 4 Press **Stop** to exit.

Printed Position

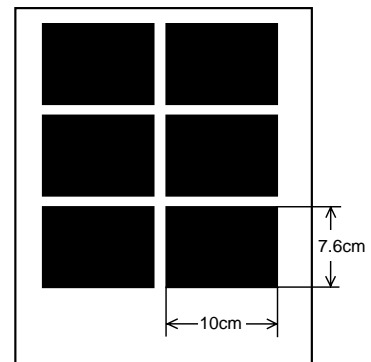
① 14.6cm x 10.8cm
(5.75" x 4.25")



② 10cm x 7.6cm
(4" x 3")



③ 6 x 10cm x 7.6cm
(6 x 4" x 3")



Video Printing Colour Adjustment

- 1 Press **Menu**, 4, 5.
- 2 Press \leftarrow or \rightarrow to select **RED**, **GREEN**, or **BLUE**.
- 3 Press **Set**.


Light	Dark
R: -□□□□□■□□□□□+	
G: -□□□□□■□□□□□+	
B: -□□□□□■□□□□□+	

- 4 Press \leftarrow or \rightarrow to adjust the degree of colour.
- 5 Press **Set**.
- 6 Return to Step 2 to select the next colour —**OR**—
Press **Stop** to exit.


Video Printing Brightness

You can choose brightness setting before making a copy.

1 Press **Menu, 4, 6**.

2 Press  to make a darker copy.

—OR—

Press  to make a lighter copy.

3 Press **Set** when the screen displays your setting.

4 Press **Stop** to exit.

CHAPTER FIFTEEN

Printing Reports

MFC Settings and Journal

You can print the following lists and reports:

1. XMIT REPORT

Choose if Transmission Verification Report is printed after all Faxes are sent.

2. JOURNAL

Journal lists information about the last 50 incoming and outgoing faxes. TX means Transmit; RX means Receive.

3. QUICK-DIAL

Lists names and numbers stored in One Touch and Speed Dial memory, in numerical order.

4. TEL. INDEX

Quick-Dial list (above), in alphabetical order.

5. SYSTEM SETUP

Lists settings for **INITIAL SETUP**, **SETUP RECEIVE**, **SETUP SEND**, **PRINT REPORT**, **REMOTE FAX OPT** (for MFC-730 only) **SETUP TAD** (for MFC-740 only) and **MISCELLANEOUS**.

6. MEMORY STATUS

Lists summary information and amount of occupied memory.

To Print a Report

- 1 Press **Menu**, **1**, **7**.
- 2 Enter the number (see list above) of the report you want to print. For example, press **4** to print the **TEL. INDEX**.
- 3 Press **Start**.
- 4 Press **Stop** to exit.

Transmission Verification (Xmit) Report

You can use the Xmit Report as confirmation that you sent a fax. This report lists the name or fax number of the receiving party, the time and date of transmission, and if the transmission was successful.

When the feature is **OFF**, the report is printed automatically only if there's an error during transmission. If the report indicates **ERROR**, send the document again. If the report indicates you should check the readability of certain pages, resend those pages.

When the feature is **ON**, the report is printed with every fax you send.

- 1 Press **Menu**, **1**, **7**, **1**.
- 2 Press or to select **ON** or **OFF**.
- 3 Press **Set**.
- 4 Press **Stop** to exit.



When the MFC is idle, you can print the Transmission Verification Report by pressing **Verify** when you wish to confirm the last transmission was successful or not.

Journal Period

You can set the MFC to print activity reports at specific intervals (1, 3, 6, 12, 24 hours, 2, 4 or 7 days). If you set the interval to **OFF**, you can print the report by following the steps in the previous section.

- 1 Press **Menu**, **1**, **7**, **2**.
- 2 Press or to display

JOURNAL PERIOD

- 3 Press **Set**.
- 4 Press or to choose your setting. If you choose 7 days, the screen prompts you to choose a day at which to begin the 7-day countdown.

- 5 When the screen displays the setting you want, press **Set**.
- 6 Enter the time to begin printing, in 24-hour format. (For example, enter 19:45 for 7:45 PM).
- 7 Press **Set**.
- 8 Press **Stop** to exit.

CHAPTER SIXTEEN

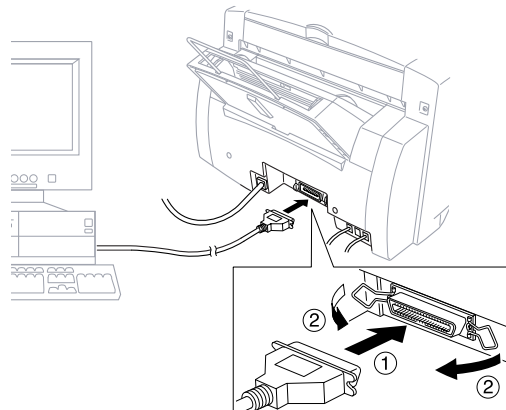
Setting Up the MFC and Computer to Work Together

Before You Begin

- 1 Make sure you have an IEEE 1284 compliant, bi-directional parallel interface cable.
- 2 Disconnect the telephone line cord, then unplug the MFC power cord from the electrical outlet before connecting the parallel interface cable.
- 3 Make sure your computer is unplugged from electrical power before you connect the interface cable.

Connecting the MFC to Your Computer

- 1 Connect the interface cable to the parallel interface port on the back of the MFC, and secure with the wire clips.
- 2 Connect the interface cable to the printer port of your computer, and secure with the two screws. (To locate your computer's printer port, see your computer's user guide.)



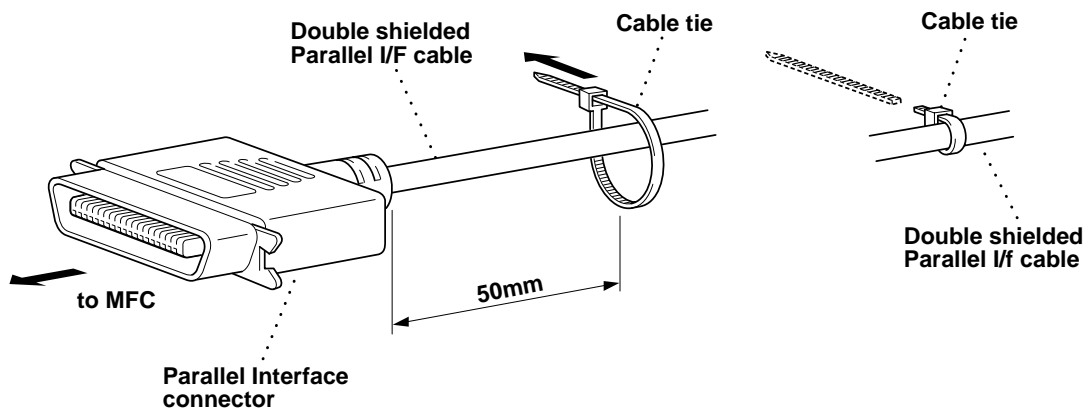
Notice to PC User

A small filter core and cable tie are enclosed in the vinyl bag with your MFC. PLEASE SAVE THESE PARTS. You will need them in the future if you connect MFC with a Personal Computer. And for optimal performance, use the Double Shielded Parallel Interface Cable with enclosed Filter core and Cable tie.

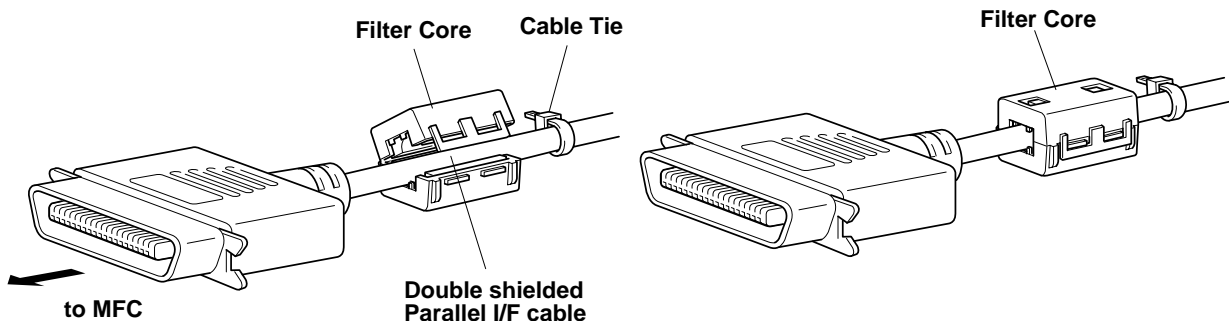
When you use a Personal Computer with your MFC, please attach the enclosed Filter core to Double Shielded Parallel I/F Cable.

How to Attach the Filter Core to the Double Shielded Parallel I/F Cable:

- 1 Attach the Cable tie 50mm or less from Parallel Interface connector.



- 2 Attach the Filter core, pressing until you hear a click, between the Parallel Interface connector and the Cable tie.



Computer Requirements

Recommended system requirements for the communication software suite provided are:

- Windows® 3.1, 3.11, 95, 98, NT® Workstation Version 4.0
- IBM PC Pentium 75 or higher
- 16 MB Ram [32 MB Highly Recommended]
- 50 MB of Hard Disk Space [MFC-740 only]
- Floppy Disk drive [MFC-730 only]
- CD Rom Drive [MFC-740 only]

NOTE: Use only a shielded Interface cable that is IEEE 1284 compliant and less than 2m (6.5 feet) long.

Installing Drivers for your MFC -730 in Windows®

Software / Drivers

The following software is provided to optimize the use of your MFC. The software can run in Windows® 3.1, 3.11, 95, 98 and NT® Workstation Version 4.0.

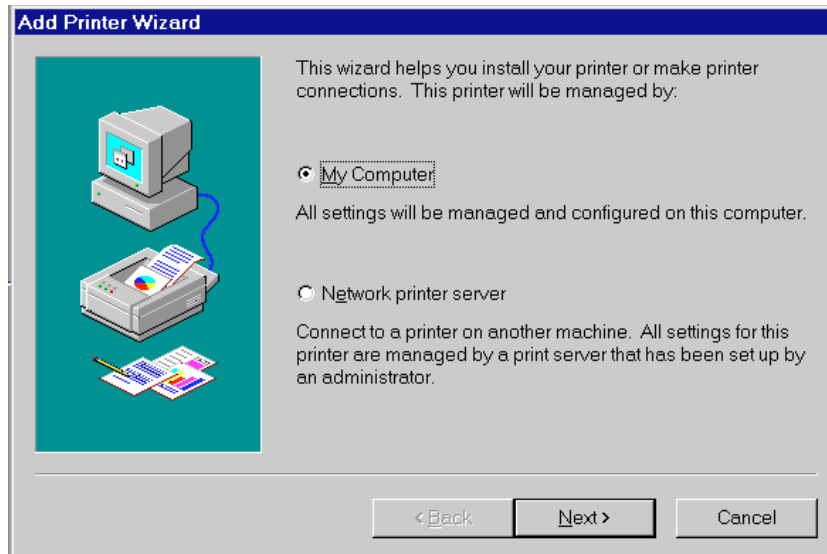
- **Printer Driver***- The printer driver creates the print data from the applications, controls transmission and makes settings for printing. It is necessary to install the MFC-730 printer driver into your PC for printing.

Installing MFC-730 Printer Driver

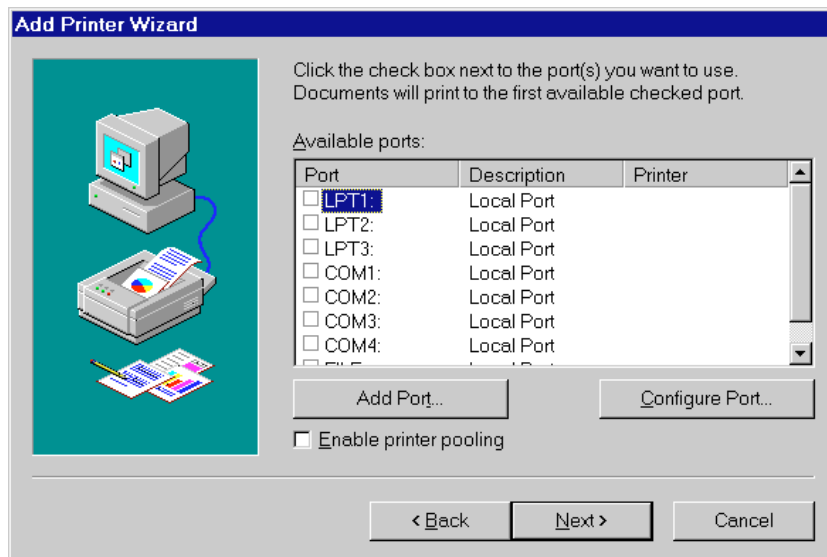
If you are using Windows NT® Workstation Version 4.0:

- 1 Click the Start button in the Taskbar.
- 2 Select *Settings*, then *Printers*.
- 3 Double-click on the *Add Printer* wizard.

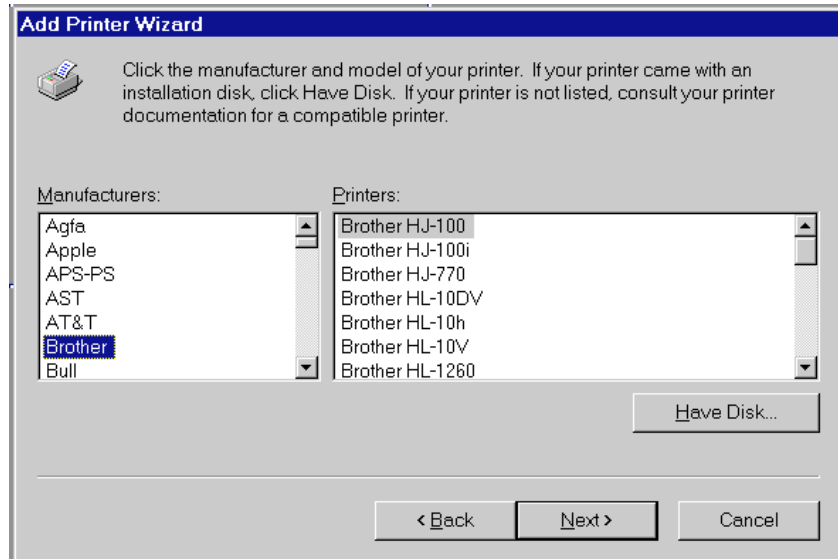
The Add Printer Wizard window appears:



- 4 Select *My Computer* and click the **Next** button.

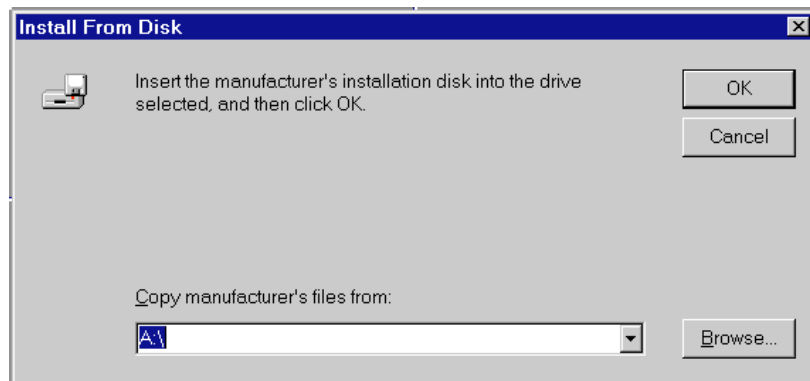


- 5 Select the Port you will use (we recommend LPT1), and click the **Next** button.



- 6 Click the **Have Disk** button.

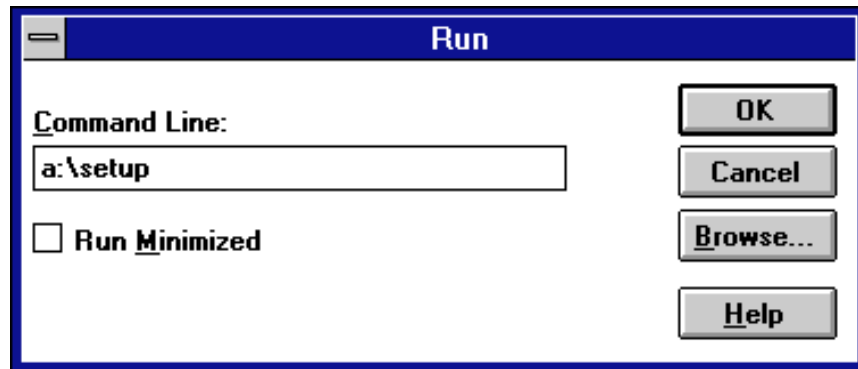
The Install From Disk window appears:



- 7 Insert the floppy disk for the MFC-730 printer driver into drive A, and click the **OK** button. Follow the screen prompts to complete the installation.

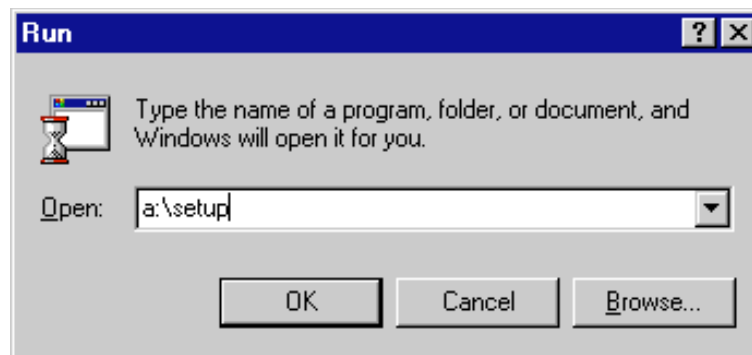
If you are using Windows® 3.1 or 3.11:

- 1 Insert the floppy disk for the MFC-730 printer driver into drive A.
- 2 From the Program Manager, click on File, then Run.
- 3 Enter A:\SETUP.



If you are using Windows® 95 or 98:

- 1 Insert the floppy disk for the MFC-730 printer driver into drive A.
- 2 Click the **Start** button in the Task bar.
- 3 Select Run
- 4 Enter A:\SETUP.



Installing Brother Drivers for your MFC-740 in Windows®

Brother Drivers

The following software is provided to optimize the use of your MFC. The software can run in Windows® 3.1, 3.11, 95, 98 and NT® Workstation Version 4.0.

- **Printer Driver***- The Printer driver creates the print data from applications, controls transmission and makes settings for printing. It is necessary to install the MFC-740 printer driver into your PC for printing.
- **Scanner Driver***- The MFC-740 scanner driver is TWAIN compliant. You can use the scanner directly from TWAIN compliant applications. In the scanner driver, you can make settings for scanning.
- **Maintenance Utility for DOS-**
This is utility software running in MS-DOS. If you are not using Windows, you can use the MFC's ESC/P emulation to print. Some settings which are unique to the MFC and maintenance operations can be done from this utility.
- **MFL Pro Software-**
This software allows you to send and receive faxes with your PC, please refer to MFL-PRO Manual for further information. The Brother Resource Manager must be installed to use this software.

* These drivers are supplied within the Brother Resource Manager.

Installing Brother Drivers for your MFC-740 under Windows®

All the software and drivers are supplied on a single CD. An Auto-Install program will guide you through most of the installation process.

- 1 Make sure that your MFC is connected to your computer and that the MFC is plugged in.
- 2 Turn your computer on and start Windows®.

NOTE: (For Windows® 95)

If “Update Device Driver Wizard” appears, select “Do not install a driver” and click **OK**.

—OR—If “Add New Hardware Wizard” appears, click **Next** to bypass the screens, followed by **Finish**.

(For Windows® 98)

If “Add New Hardware Wizard” appears, follow the instructions on the screen, then click **Next** to bypass the screen, followed by **Finish**.



- 3 Insert the CD-ROM into your CD-ROM Drive. Windows® 95/98/NT4.0 will be detected automatically, and if possible the Auto-Installer will run automatically. If the Auto-Installer does not run after a few seconds, you can run it by:-

Win 3.1/3.11

- A Choose Run from the File menu in Program manager
- B Type “X:\SETUP.EXE” [where X is your CD-ROM Drive] in the command line box.
- C Click on OK.

Win95/98/NT4.0

- A Click the START button and then select RUN from the Start Menu.
- B Type “X:\SETUP.EXE” [where X is your CD-ROM Drive] in the command line box.
- C Click on OK.

YOU CAN EXIT FROM THE AUTO-INSTALLER AT ANYTIME BY CLICKING ON THE ICON IN THE BOTTOM RIGHT HAND CORNER OF YOUR SCREEN.

- 4** From the Auto-Installer select your preferred language by double clicking on it with your mouse.
- 5** The MFC-740 is a parallel colour inkjet device so select this option, again by double clicking.
- 6** Select STEP 1 and install the Brother Resource Manager. You can either install the software now or make floppies* [to install the software on another PC without a CD-ROM Drive]. Follow the onscreen prompts and re-boot your PC when instructed to do so.



If you wish to install MFL Pro, repeat Steps 3 to 5, then select STEP 2 to install MFL Pro. Again following the onscreen prompts and re-booting your PC when instructed to do so.

- 7** When installation is complete remove the CD-ROM from the drive.

Installing the Maintenance Utility on MS-DOS[®] (For MFC 740 only)

The Scanner driver and fax application work only in the Windows environment, they cannot be used in DOS. You can use the MFC as a printer by using an ESC/P printer driver.

To print from your application with the MFC-740, select an Epson ESC/P compatible printer such as Epson LQ-510, LQ-810 or LQ-2550 in your application's printer selection menu. Epson LQ-510 and 810 supports only monochrome printing. The settings for printing can be done in the MAINTENANCE UTILITY for DOS.

Installing the MFC-740 Maintenance Utility for DOS

Before you install the program, make sure you have the following hardware and software to install the program:

DOS	Version 3.3 or later
Monitor	EGA/VGA or compatible
Option	Mouse; the mouse driver must be installed.

(You can also operate the program with the keyboard.)

Follow these steps to install the remote printer console program:

- 1 Make sure your machine is connected to your computer and it is set to Online.
- 2 Start your computer and go to the DOS prompt. If you are in Windows®, exit and return to the DOS prompt.
- 3 Insert the Brother CD-ROM into your CD-ROM drive (substitute your appropriate drive letter for “X”).
- 4 At the DOS prompt (C:\>) type X: (X is the letter of your CD-ROM drive) and press Enter.

```
C:\X:
```

- 5 Type CD DOS\INKJET and press Enter.

```
X:\>CD DOS\INKJET
```

- 6 Type DOSETUP.EXE and press Enter.

```
X:\DOS\INKJET>DOSETUP.EXE
```

- 7 Follow the instructions from the installer.

Using the MFC-740 Maintenance Utility for DOS

- 1 Select the directory you have chosen when you installed the program by typing:

```
C:\>CD directory name
```

- 2 Type MFC7DOS and press the Enter key.

```
C:\directory name>MFC7DOS
```

The main screen will appear on your computer screen.

- NOTE:**
- Make sure that you select the correct paper size in this utility program before printing. Paper alignment is not compatible with Epson printers, you cannot get the correct print output unless you set the paper size in this utility.
 - Do not use this program from a DOS window running under Windows.

CHAPTER SEVENTEEN

Optional Accessories

(Only for MFC-740)

Memory Board

The memory board is installed on the main controller board inside the MFC. When you add the optional memory board, it increases the performance for fax operations.

Optional Memory for the Fax Operations

The MFC can recognize 2MB (ME2000) of Optional Memory using a special Brother memory board that is available from your Brother dealer. Be careful to purchase the appropriate memory board.

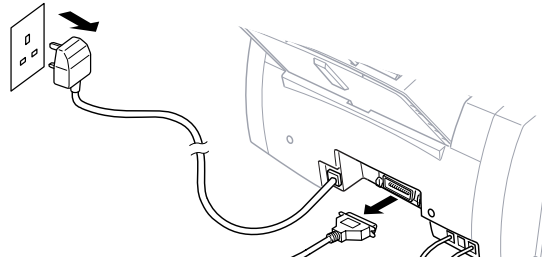
Additional memory for the fax will expand the memory used for sending and receiving faxes.

Model Name	Optional Memory	Total
MFC -740 4 MB (up to 300 pages)	2 MB (for Fax)	6 MB (up to 500 pages)

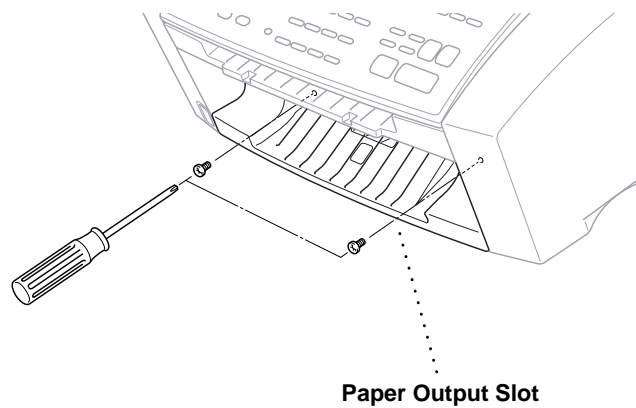
Using Brother #1 chart, with MMR coding and Standard Resolution.

Installing the Optional Memory Board

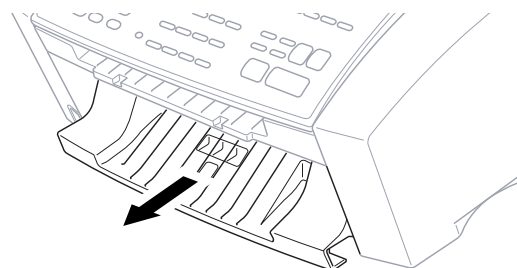
- 1 Disconnect the telephone line cord, then unplug the power cord from the AC socket and disconnect the interface cable.



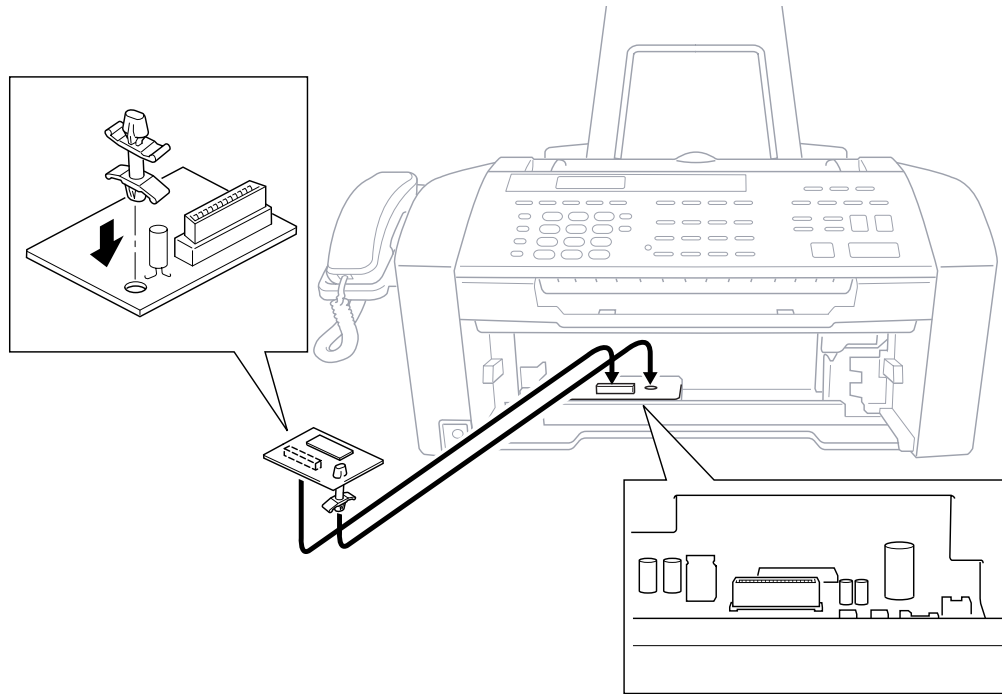
- 2 Remove the two screws securing the paper output slot in the front of the MFC.



- 3 Pull out the paper output slot.



- 4** Hold the edge of the memory board and do not touch its surface. Insert the memory board in the connector on the Main Board and make sure it is securely seated.



- 5** Return the paper output slot to its normal position.
- 6** Secure it with the two screws.
- 7** Reconnect the interface cable.
- 8** Plug the power cord into the AC socket.
- 9** Connect the telephone line cord.

PC Printing

Printer Emulation



If you are printing from the Windows environment, it is best to choose the GDI **Brother MFC-730 or MFC-740 Series** printer driver. Other emulations may reduce performance. If you need to print from DOS, the MFC will emulate EPSON LQ-510, LQ-850 and LQ-2550.

Using the Maintenance Utility Program for Printing from DOS (Only for MFC-740)

Before printing from DOS applications, you must use this DOS utility and select the paper size. You can make the following selections through the utility program.

Maintenance

Cleaning
Black
Yellow
Cyan
Magenta

Data 1

Quality
Page Length
Character Set
Auto LF
Text Print Direction
Condensed

Data 2

Character Pitch
LF Pitch
Auto CR
Zero Font
Paper Size
Black Emphasis
Code Page



Before printing, you must set the paper size in this utility **and** in your DOS application.

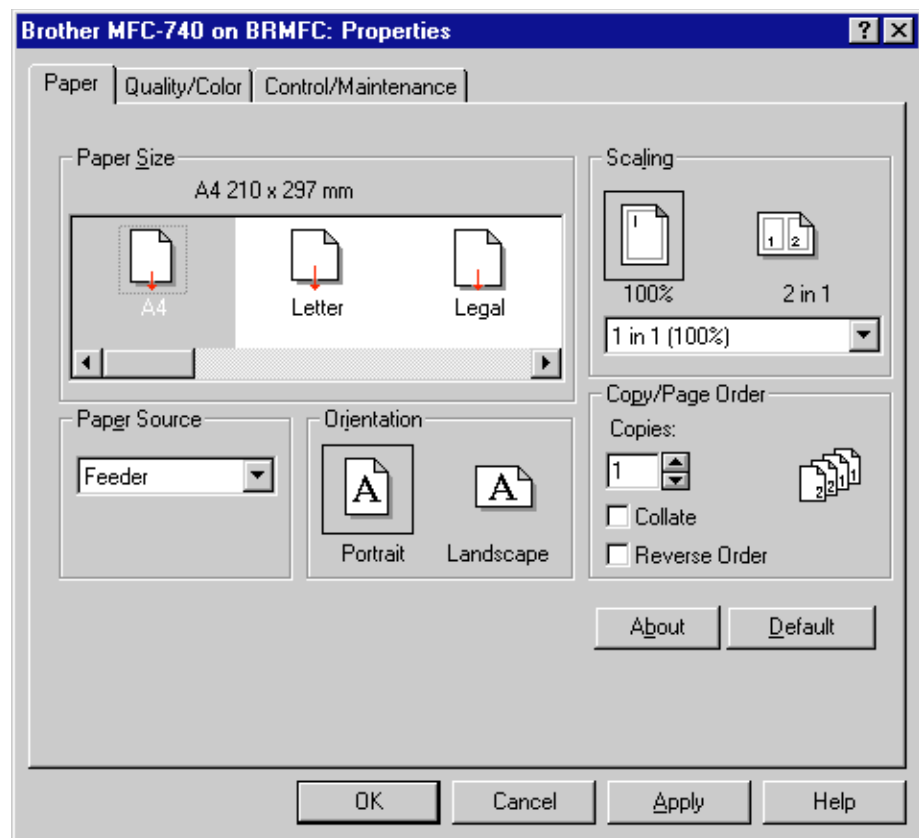
Using the Brother MFC-730/740 Printer Driver

The Brother MFC-730/740 printer driver enables you to change settings and override defaults as you change your paper, document type, and colours for printing. In the Brother MFC-730 or Brother MFC-740: Properties dialog box there are three tabs: Paper, Quality/Colour, and Control/Maintenance, so you can change print properties as needed.

The Paper Tab

The paper tab screen allows you to set up the Paper Size, Paper Source, Orientation, Scaling, and Copies.

To access the Brother printer driver, select **Print** from the File menu. In the Print dialog box, select **Brother MFC-730** or **Brother MFC-740** from the Name drop down list. Click the Properties button. The printer Brother MFC-730 or Brother MFC-740: Properties dialog box will appear:



(MFC-740)

Select the **Apply** button to apply your selected settings.

To return to the default settings, click the **Default** button, then click the **Apply** button.

Paper Size

You can select the size of paper and envelopes and also define other sizes of paper.

A4 (International)	210 x 297 mm (8.3 x 11.7 inches)
Letter (US)	215 x 279.4 mm (8 1/2 x 11 inches)
Legal (US)	215 x 355.6 mm (8 1/2 x 14 inches)
Executive (US)	184.2 x 266.7 mm (7 1/4 x 10 1/2 inches)
A5 (International)	148 x 210 mm (5.8 x 8.3 inches)
Envelopes	
B5 (International envelope)	176 x 250 mm (6.9 x 9.8 inches)
C5 (International envelope)	162 x 229 mm (6.4 x 9 inches)
COM-10	104.8 x 241 mm (4 1/8 x 9 1/2 inches)
DL (International envelope)	110 x 220 mm (4.3 x 8.7 inches)
Monarch (US envelope)	98.4 x 190.5 mm (3 7/8 x 7 1/2 inches)
Organizer J	69.9 x 127 mm (2 3/4 x 5 inches)
Organizer K	95.3 x 171.5 mm (3 3/4 x 6 3/4 inches)
Organizer L	139.7 x 215.9 mm (5 1/2 x 8 1/2 inches)

User Defined Paper Size

The printer can handle any paper size within the following range.

Minimum 70 x 127 mm (2.75 x 5 inches)

Maximum 215.9 x 356 mm (8.5 x 14.02 inches)

In this option, you can specify a custom-sized paper and save it by following this procedure.

- 1 Measure the paper size you want to use.
- 2 Select User Defined... in the paper size option.
- 3 Enter a unique name for your paper in the Custom Paper Size Name box.
- 4 Select either inch or mm for the unit of measure.
- 5 Type in the length and width.
- 6 Click the Save button to store the size. If necessary, you can delete a preset size by choosing the Delete button.



Your Windows application software may override this setting. Make sure you have set the proper paper size in your application software. In addition, check the margin settings when you select the smallest paper size. If they are too large, it may result in nothing being printed.

Paper Source

For the MFC, you can choose Feeder or Manual.

Feeder

The **multi-purpose sheet feeder** is primarily used for printing on standard-size paper and envelopes.

Manual Feed

If your paper has difficulty feeding from the sheet feeder, we recommend using the Manual paper feed method. You will have to load paper sheet by sheet. The MFC stops before printing and the Printer Driver shows “Please load one sheet...” message. Insert a sheet into the manual feed slot and click “OK” to resume printing.

Orientation

Print orientation may be **Portrait** or **Landscape**. Portrait orientation means the page is taller than it is wide when you view the printed text upright. Landscape orientation means the page is wider than it is tall when you view the printed text upright.

Scaling

Use this function to reduce or enlarge your document, from 50% to 200%. We recommend the following percentages for the paper types shown.

141%	A5 -> A4
115%	B5 -> A4
87%	A4 -> B5
71%	A4 -> A5, B4 -> B5

2 in 1

Two pages are printed on one sheet at a reduced size. If you selected the “2 in 1”, you cannot specify the scaling percentage manually.

1 in N

One page is printed on multiple sheets at an enlarged size. If you selected the “1 in N”, you cannot specify the scaling percentage manually.



If your application software contains a similar function to this, both settings will be effective. **Do not use the two selections simultaneously.**

Copies

The **Copies** selection tells Windows how many copies you want to print from a software application.



This setting is independent of the “copies selection” that may be available within the print menus of your software application. **Do not use the two selections simultaneously.**

Collate

In multiple page jobs that are **uncollated**, several copies of Page 1 are printed followed by several copies of Page 2, followed by several copies of Page 3, etc. For example, for 2 copies of a 3 page document, the MFC prints Page 1, Page 1, Page 2, Page 2, Page 3, and Page 3 in order.

In multiple page jobs that are **collated**, a complete set of pages in a job are printed followed by another complete set of pages. For example, printing 2 copies of a 3 page document, the MFC prints Page 1, Page 2, Page 3, then Page 1, Page 2, and Page 3 in order. In this case, the MFC starts printing after processing all the print data so that it takes a longer time for collated printing than uncollated printing.

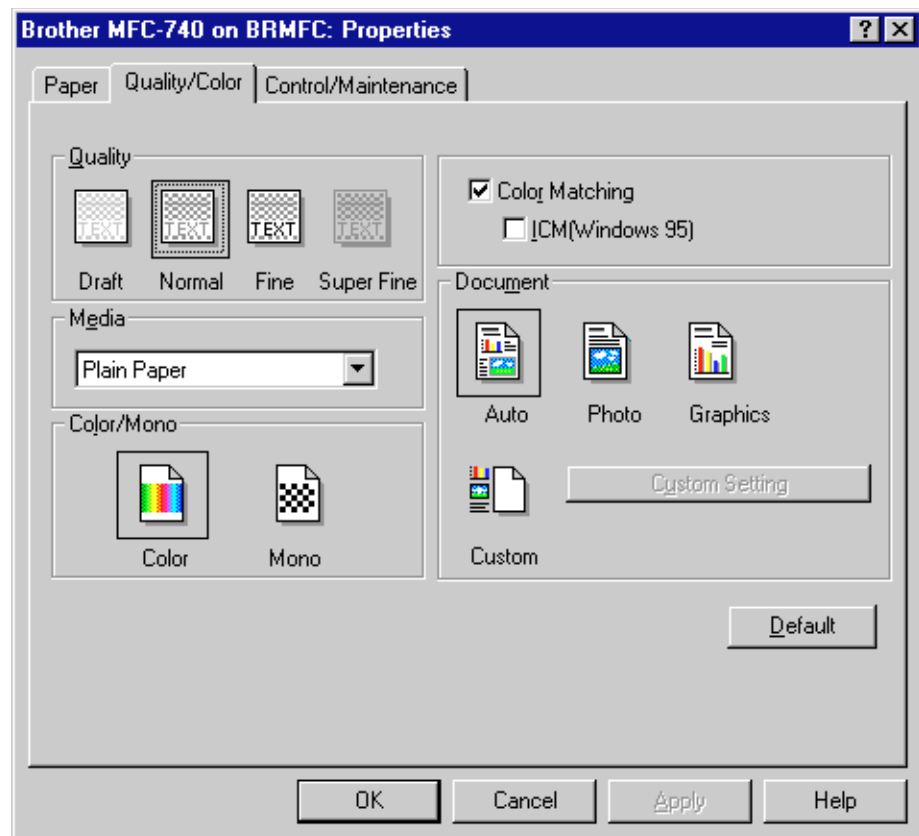
Reverse Order

The MFC normally prints Page 1 and ejects it face-up so that the following pages are stacked on top of previous pages. (Page 5, Page 4, Page 3 Page 1) When you want to get correct-ordered printouts, use this function. The MFC spools the job in your computer and sends the data starting from the last page to the printer. Since the MFC prints from the last page forwards, the printouts are stacked Page 1, 2, 3, ...Page 5. Please note that this function takes more time.

The Quality/Colour Tab

The Quality/Colour tab enables you to select the print quality, media, colours (matched to PC monitor, custom colours, or mono), and document type.

Click the Quality/Colour tab to display this screen:



(MFC-740)

Select the **Apply** button to apply your selected settings.

To return to the default settings, click the **Default** button, then click the **Apply** button.

Quality

Select the print quality. The print quality and speed are related. Higher quality takes a longer time to print.

- Draft :** 360 x 180 dpi. The fastest print mode (approximately two to four times faster than normal mode) and gives lower ink consumption. Use this mode to print large volume documents or a document for proofing.
- Normal :** 360 x 360 dpi. Recommended mode for ordinary printouts. Good print quality with comfortable printing speed.
- Fine :** 720 x 720 dpi for colour. Better print quality than normal and faster print speed than Super Fine.
- Super Fine :** 1440 x 720 dpi. Use this mode to print precise images such as photographs. Since the print data is much larger than normal mode, processing time, data transfer time, and printing time will be longer.

Media

Select the media to print on. The MFC changes the way it places dots depending on the selected media type. To get good print output, make sure to select the correct media type.

Selecting media type changes the print quality selection to the most suitable one as listed below. We recommend that you print with the preset quality for best printing result.

Paper Type	Suitable print quality
Plain Paper	Normal
Coated(360) Paper	Normal
Coated(720) Paper	Fine
Glossy Paper	Super Fine
Transparency	Normal
Transparency (mirror)	Normal



Use only genuine Brother Coated Paper (Ink Jet), or Glossy Paper to get the best print quality. Non-Brother special paper may not produce the best quality.

Colour/Mono

Colour

When your document contains colour and you want to print it in colour, select this mode. Only generic colours will appear on the printout. (Unless you also select colour matching.)

Mono

Select this mode if your document has only black and gray scale text and/or objects. Mono mode makes the print processing speed faster than colour mode. If your document contains colour, selecting Mono mode prints your document in 256 levels of gray scale.

Controlling the Colour

To get accurate colour matched output between the monitor and MFC, the colour data should be adjusted for the MFC before printing.

Colour adjustment is provided by both Windows® 95 / 98 and this printer driver. Using this feature, the colour data is adjusted by Win95 ICM or the Brother MFC-740 printer driver and you can get colours more closely matching those appearing on the PC monitor.

When you are using a software application that has its own colour matching engine, turn this setting off. The colour matching system from that application is then used.

Windows® 95 / 98 has a colour matching engine called “ICM - Image Colour Matching” in its Operating System. ICM uses a profile of each device (monitor, scanner, printer, MFC) to know the characteristics of individual devices and correct the difference between them. When this is set to off, the Brother MFC-730/MFC-740 printer driver will do the colour adjustment. At present, the ICM feature is not supported by all the monitor and printer vendors and if ICM does not have your PC monitor’s profile, then ICM cannot work correctly. Moreover, ICM takes a longer time.

When using Windows® 3.1, 3.11, NT, this selection is not available.

Document

The printer driver will select the most suitable colour matching method depending on your document type. Generally, text and business graphics are printed vividly and photographic images are printed softly.

- **Auto**
The printer driver automatically selects the document type. In most cases, we recommend to use the Auto setting.
- **Photo**
Select this mode for Photographic images.
- **Graphics**
Select this mode for documents that contain text or business graphics such as charts or clip art.
- **Custom**
If you want to select the colour matching method and halftone method manually, select this mode and press the “Custom setting” button to access further settings.

Custom Setting

You can customize your settings by selecting the type of colour matching, half tone, and effect that will be used.

Colour Matching

You can select the colour matching method manually. Since the way of reproducing colour and the reproducible range of colour between the monitor and the MFC are different, colour matching adjusts this difference. There are several ways to adjust colour for your MFC. Select the best one for your document. Execute PC monitor calibration to make these settings and make the result effective.

- **Photo** (Available only when ICM is turned On.)
Suitable for photographic images. When adjusting colour, colour tone is kept as original as possible. All colours are adjusted evenly, so you can get natural colour tones.
- **Graphics** (Available only when ICM is turned On.)
Suitable for Graphics and text. When adjusting colour, colour vividness is kept as much as possible. You can get vivid and clear colour.
- **Logo** (Available only when ICM is turned On.)
When you need an exact colour match such as for company logos etc., use this selection.

- **Match Monitor** (Available only when ICM is turned Off.)
Suitable for photographic images. Colour is adjusted to get the closest colour match to the PC monitor.
- **Vivid Colour** (Available only when ICM is turned Off.)
Suitable for business graphics such as charts, graphs, and text. The colour is adjusted to give more vivid colour.

Halftone Pattern

The MFC can use several methods to arrange where to place dots to express halftones. There are some predefined patterns used to place dots and you can select which one is used for your document. Select the appropriate method.

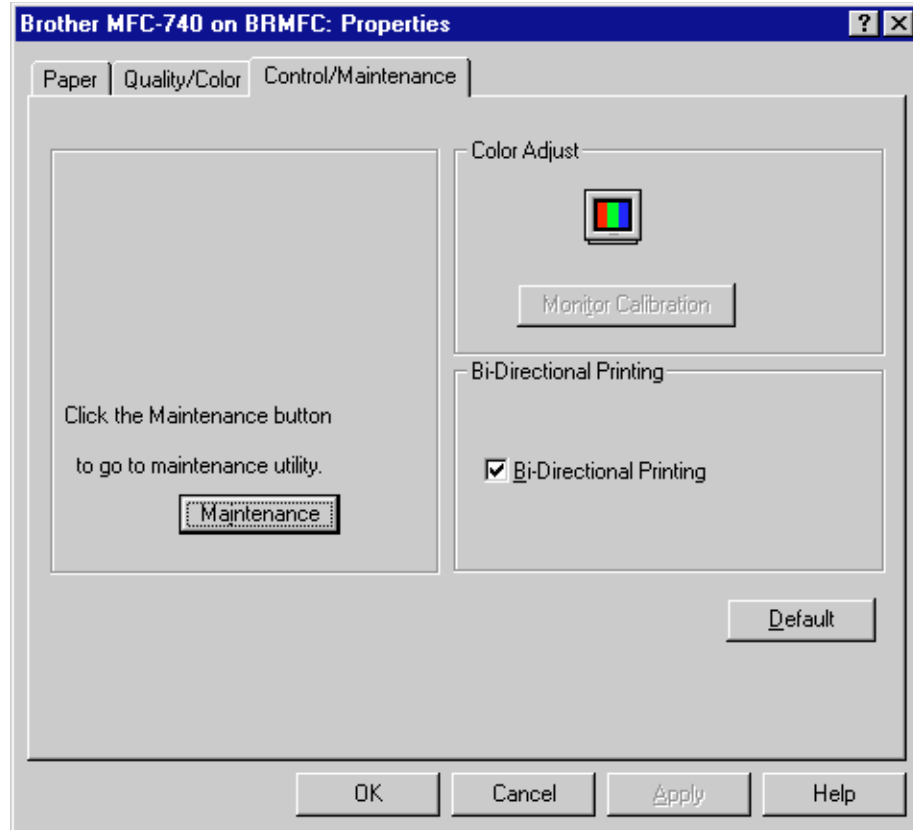
- **Cluster**
This is suitable for business graphics such as charts, graphs and drawings, since this creates more sharp printouts. Moreover, the processing time is shorter.
- **Photo**
This method creates smooth halftones so that this is suitable for photographic images. It takes more time to process data, but this can express more levels of halftones and creates more natural images.

Effect

- **Brightness**
Change the brightness of the whole image lighter or darker. Moving the scroll bar to the left makes your image darker and moving the scroll bar to the right makes your image lighter.
- **Contrast**
Change the contrast of an image. Darker sections will be more dark and lighter sections will be more light as you increase the contrast. Increase the contrast when you want an image to be clearer. Decrease the contrast when you want an image to be more subdued.
- **Red**
Increase the intensity of the Red colour to add red to the whole image.
- **Green**
Increase the intensity of the Green colour to add green to the whole image.
- **Blue**
Increase the intensity of the Blue colour to add blue to the whole image.

The Control/Maintenance Tab

Select the Control/Maintenance tab from the Brother MFC-730/740 printer driver dialog box:



(MFC-740)

Select the **Apply** button to apply your selected settings.

To return to the default settings, click the **Default** button, then click the **Apply** button.

Monitor Calibration

If you want to get the closest colour to your PC monitor on the printouts, calibrate your monitor by clicking this button.

The method used to express colour is different between monitors and the MFC. The PC monitor uses the three primary colours—Red, Green, Blue—to create full colours and the MFC uses four colours—Cyan, Magenta, Yellow, and Black—to create full colours.

To get the closest colour match, the colour matching system should adjust the colour by referring to the monitor's characteristics and MFC's characteristics. To find out the monitor's characteristics, this monitor calibration program is used. As the printer driver knows the MFC's characteristics, it converts the colour on the monitor for the MFC.

Bi-Directional Printing

The MFC prints by moving its print head. Normally, it prints in both directions. By turning this option OFF (default setting is ON), the MFC prints (uni-directional) so that the print speed will be reduced to half.

Sometimes the moving speed of the print head may not be stable due to temperature changes, etc., and the printed vertical line may not be aligned exactly. If you encounter this problem, turn this option off or use the Maintenance menu and adjust the vertical line.

Maintenance

Select the Maintenance button to display the Maintenance screen, where you can do a test print on the MFC to check the colours. If the test print shows a problem, you can clean the print head on the MFC.

The Cleaning Tab

Test Print

When you see some problems on printouts, print the test page by clicking this button to check if any dots are missing or some ink cartridges are empty.

Before printing the test page, make sure that A4 paper is loaded in the MFC. Press the Test Print button to start printing of the test page.

Cleaning

If you see some dots missing on the printout, clean the print head. Print the test page and find out which colour has problems.

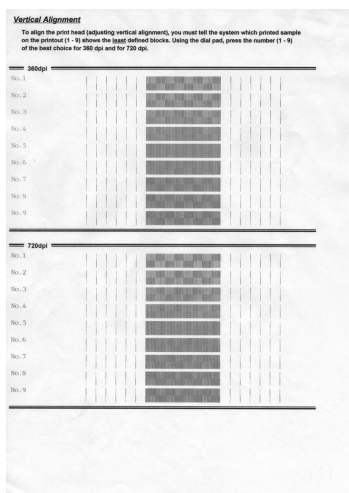
- 1 Select the colour to be cleaned.
- 2 Press the “Clean” button.
The MFC starts cleaning.
Wait until **ONLINE** shows again on the MFC display.

The Printer Adjustment Tab

Vertical Alignment

If you see poor print quality,

- 1 Please ensure that the printer is connected to the PC, turned **ON** and loaded with A4 paper.
- 2 Click the button **Vertical Alignment** to print a set of Vertical Alignment test patterns.



- 3 Select the best aligned print sample (1 to 9) for 360 and 720 dpi by using the Up/Down scroll control.

The best aligned sample is where the printed vertical line is straight and the upper and lower shaded squares are the same.

CHAPTER NINETEEN

Important Information

Important Safety Instructions

- 1** Read all of these instructions.
- 2** Save them for later reference.
- 3** Follow all warnings and instructions marked on the product.
- 4** Unplug this product from the wall outlet before cleaning. Do not use liquid or aerosol cleaners. Use a damp cloth for cleaning.
- 5** Do not place this product on an unstable surface, stand, or table. The product may fall, causing serious damage to the product.
- 6** Slots and openings in the cabinet and the back or bottom are provided for ventilation; to ensure reliable operation of the product and to protect it from overheating, these openings must not be blocked or covered. The openings should never be blocked by placing the product on a bed, sofa, rug, or other similar surface. This product should never be placed near or over a radiator or heater. This product should not be placed in a built-in installation unless proper ventilation is provided.
- 7** This product should be operated from the type of power source indicated on the label. If you are not sure of the type of power available, consult with your dealer or local power company.
- 8** This product is equipped with a 3-wire earthed plug. This plug will fit into only an earthed socket. This is a safety feature. If you are unable to insert the plug into the outlet, contact your electrician to replace your obsolete socket. Do not defeat the purpose of an earthed plug.
- 9** Do not allow anything to rest on the power cord. Do not locate this product where people can walk on the cord.
- 10** Do not place anything in front of the machine that will block received faxes. Do not place anything in the path of received faxes.
- 11** Do not touch a document during printing.

- 12** Never push objects of any kind into this product through cabinet slots, since they may touch dangerous voltage points or short out parts resulting in a risk of fire or electric shock. Never spill liquid of any kind on the product.
- 13** Do not attempt to service this product yourself, because opening or removing covers may expose you to dangerous voltage points and/or other risks. Refer all servicing to service personnel.
- 14** This product has no mains ON/OFF switch. It is therefore highly important that access to the mains plug and the mains socket to which the plug is connected, is never obstructed, in case for some reason the mains power to the machine must be quickly disconnected.
- 15** Unplug this product from the mains power and telephone line sockets, and refer servicing to qualified Service Personnel under the following conditions:
 - A** When the power cord is damaged or frayed.
 - B** If liquid has been spilled into the product.
 - C** If the product has been exposed to rain or water.
 - D** If the product does not operate normally when the operating instructions are followed. Adjust only those controls that are covered by the operating instructions. Improper adjustment of other controls may result in damage and will often require extensive work by a qualified technician to restore the product to normal operation.
 - E** If the product has been dropped or the cabinet has been damaged.
 - F** If the product exhibits a distinct change in performance, indicating a need for service.

BABT Approval

This apparatus has been approved by the British Approvals Board for Telecommunications, for use of the following facilities:

INTEGRAL MODEM IN GROUP 3 FACSIMILE

LOUDSPEAKING FACILITY (CALL PROGRESS MONITOR)

STORAGE OF TELEPHONE NUMBERS FOR RETRIEVAL BY
PREDETERMINED CODE

CONNECTION TO AN APPROVED PBX (PRIVATE BRANCH
EXCHANGE)

OPERATION IN THE ABSENCE OF PROCEED INDICATION

AUTOMATIC STORAGE OF THE LAST NUMBER REDIALLED

SERIES CONNECTION FACILITY

Any other usage will invalidate the approval of the apparatus, if as a result it then ceases to comply with the standards against which approval was granted.

The machine is approved for connection to a single exclusive direct exchange line provided by BT, Kingston-upon-Hull Telecommunications and CATV, and to approved Private Automatic Branch Exchanges (PABXs).

The connection to the BT network must not be hard-wired.

This equipment is NOT approved for connection to the following:

I + I Carrier Systems;

Leased Lines;

Shared Service (“Party”) Lines;

As an extension to a Payphone;

Calls to the emergency services (999) DO NOT remain enabled on the handset in the absence of mains power.

Stored telephone numbers are retained in the absence of mains power.

The loudspeaking facility (call progress monitor) will not function unless the unit is plugged into the mains and switched on at the power socket of the mains switch if applicable.

This owner’s manual has been provided with your machine to help you make use of the functions provided.

This machine must not be connected in conjunction with parallel extension telephones, unless those telephones are connected downstream of this machine. This means that the cable to which any extension device is connected, should be terminated on a BT modular jack plug type 431A which in turn is inserted into the modular socket of the T-shaped line cord connector of this machine. If these instructions are not followed, the following conditions may occur:

1. The fax machine inadvertently auto-answers in response to outward pulse dialling of an extension telephone.
2. Fax transmissions can be impaired or will fail entirely.
3. Remote activation from extension telephones may not work correctly.

If in doubt about any aspect of telephone extension cabling, contact BT, Kingston upon Hull Telecommunications, your PBX maintainer, your CATV company or a reputable telephone cabling company.

Radio Interference (220-240 V Model Only)

This machine complies with EN55022 (CISPR Publication 22)/Class B.

A shielded interface cable should be used to ensure compatibility with the above specification.

IMPORTANT-For Your Safety

To ensure safe operation the three-pin plug supplied must be inserted only into a standard three-pin power point which is effectively grounded through the normal household wiring.

Extension cords used with the equipment must be three-conductor and be correctly wired to provide connection to ground. Incorrectly wired extension cords are a major cause of fatalities.

The fact that the equipment operates satisfactorily does not imply that the power is grounded and that the installation is completely safe. For your safety, if in any doubt about the effective grounding of the power, consult a qualified electrician.

Disconnect device

This machine must be installed near a power outlet, which is easily accessible. In case of emergencies, you must disconnect the power cord from the power outlet in order to shut off power completely.

CHAPTER TWENTY

Troubleshooting and Maintenance

Troubleshooting

Error Messages

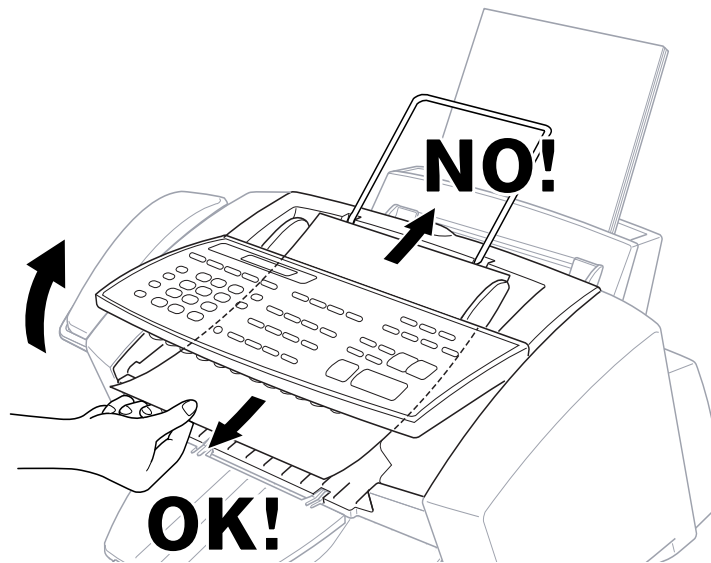
As with any sophisticated office product, errors may sometimes occur. If this happens, your MFC often identifies the problem and displays an error message. The table below explains the most common error messages.

ERROR MESSAGES		
ERROR MESSAGE	CAUSE	ACTION
CHECK CASSETTE	MFC cassette cover is open or MFC cassette is not installed properly.	Close cassette cover or install cassette properly.
CHECK PAPER	MFC is out of paper.	Add paper to cassette, or install cassette properly.
CHECK PAPER SIZE	Paper Size is improper for fax receiving or copying.	Load A4 paper in cassette.
COMM. ERROR	Poor phone line quality caused communication error.	Try the call again. If problem continues, call Telephone Company to check your phone line.
CONNECTION FAIL	You tried to poll a fax machine that is not in Polled Waiting mode.	Verify the other party's polling setup.
COOLING DOWN	The print head has overheated.	Unplug the MFC and wait 30 minutes for it to cool.
COVER OPEN	Top cover is not closed completely.	Open, then close, each cover.
DISCONNECTED	The other party or other party's fax machine terminated the call.	Try to transmit, calling the other party to see what happened or receive again.
DOCUMENT JAM	Documents were not inserted or fed properly, or document was longer than 40".	See Document Jam in this chapter.
INK EMPTY XXXX	One or more of the ink cartridges is out of ink.	Replace the ink cartridges. See Replacing the Ink Cartridges in this chapter.

ERROR MESSAGE	CAUSE	ACTION
MACHINE ERROR XX	MFC has a mechanical problem	Cut the power off. Then contact your Brother dealer for service.
MEMORY FULL	You can't store data in the memory.	See Memory Full Message in chap. 10.
NEAR EMPTY XXXX	One or more of the ink cartridges is running out of ink.	Order a new ink cartridge now.
NO RESPONSE/BUSY	The number you dialled does not answer or is busy.	Verify the number and try again.
NOT ASSIGNED	You tried to access a One Touch or Speed Dial number that is not programmed.	Set up the One Touch or Speed Dial number. See chap. 8.
PRINTER JAM	The recording paper is jammed in the MFC.	See Printer Jam in this chapter.
SET CARTRIDGES	An ink cartridge is not installed properly.	Re-install the ink, seating it properly. See Replacing Ink Cartridges in this chapter.
WARMING UP	The print head detects low temperature.	Wait until the MFC warms up.

Document Jam

If the original document is jammed, follow the steps as below.

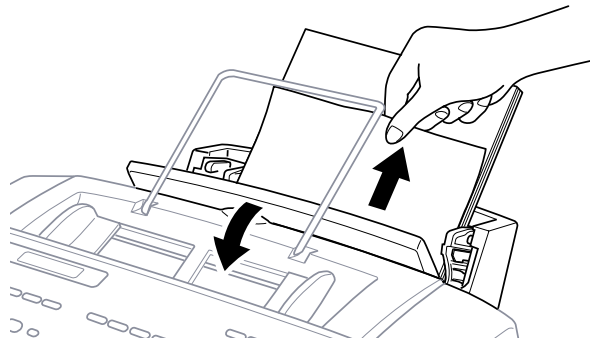


- 1 Remove any paper from the document feeder that is not jammed.
- 2 Lift the control panel cover.
- 3 Pull the jammed document out toward the front of the machine.
- 4 Close the cover.
- 5 Press **Stop**.

Printer Jam or Paper Jam

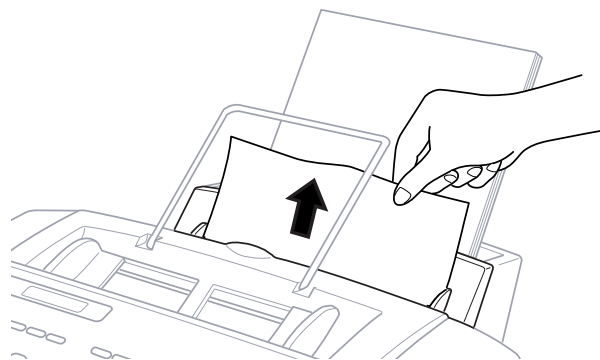
Remove the jammed paper depending on where it is jammed in the MFC.

Paper is jammed in the multi-purpose sheet feeder.

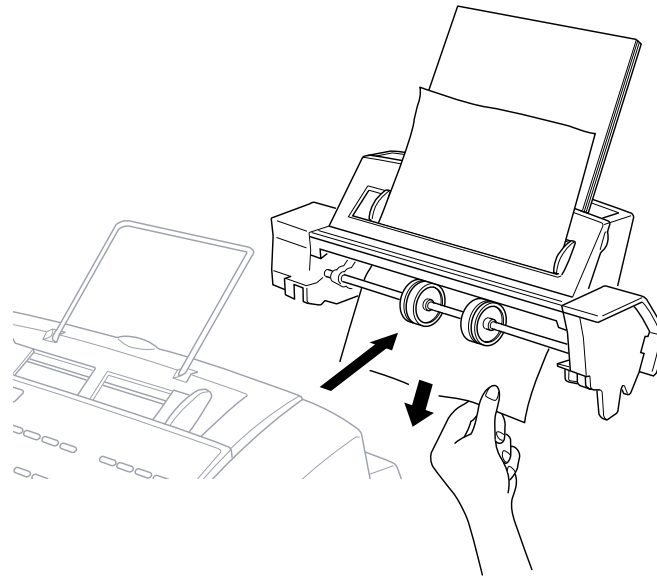


- 1 Open the cassette cover and pull the jammed paper upwards and remove it.
- 2 If the paper cannot be pulled out easily, remove the multi-purpose sheet feeder.
- 3 Open the cassette and remove the paper from the multi-purpose sheet feeder in the easiest direction.

Paper is jammed in the manual feed tray.



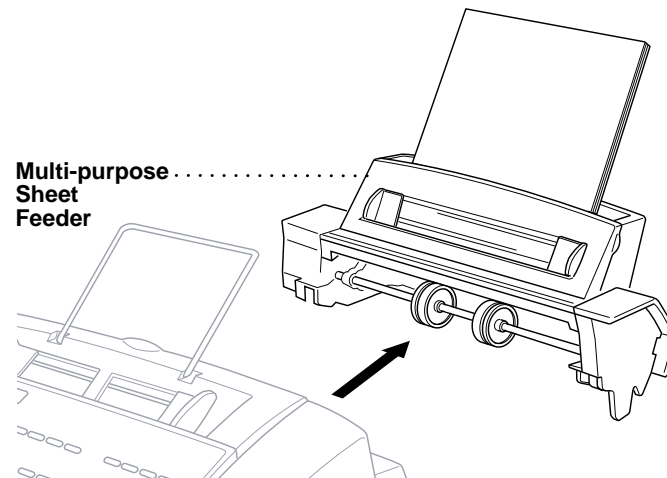
- 1 Pull the jammed paper upward and remove it.
- 2 If the paper cannot be pulled out easily, remove the multi-purpose sheet feeder.



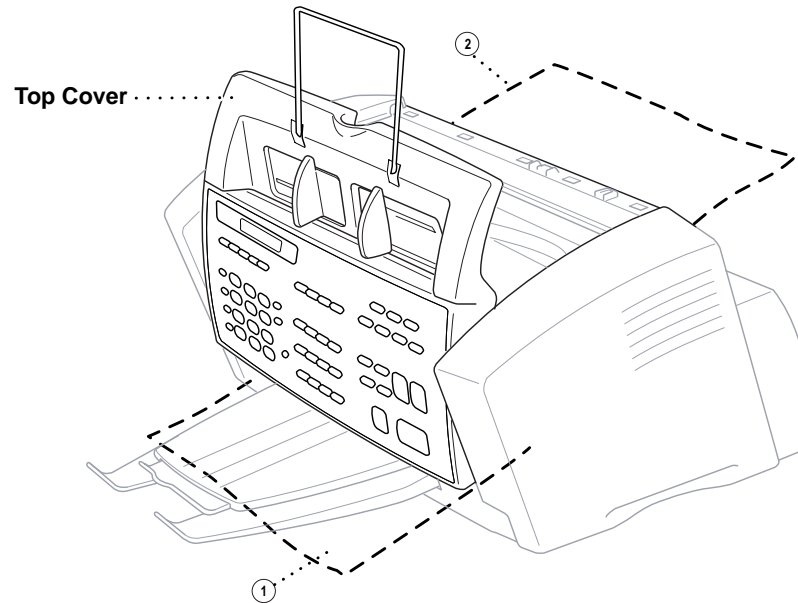
- 3 Holding the cassette, pull the jammed paper out of the multi-purpose sheet feeder from underneath the cassette.

Paper is jammed inside the MFC.

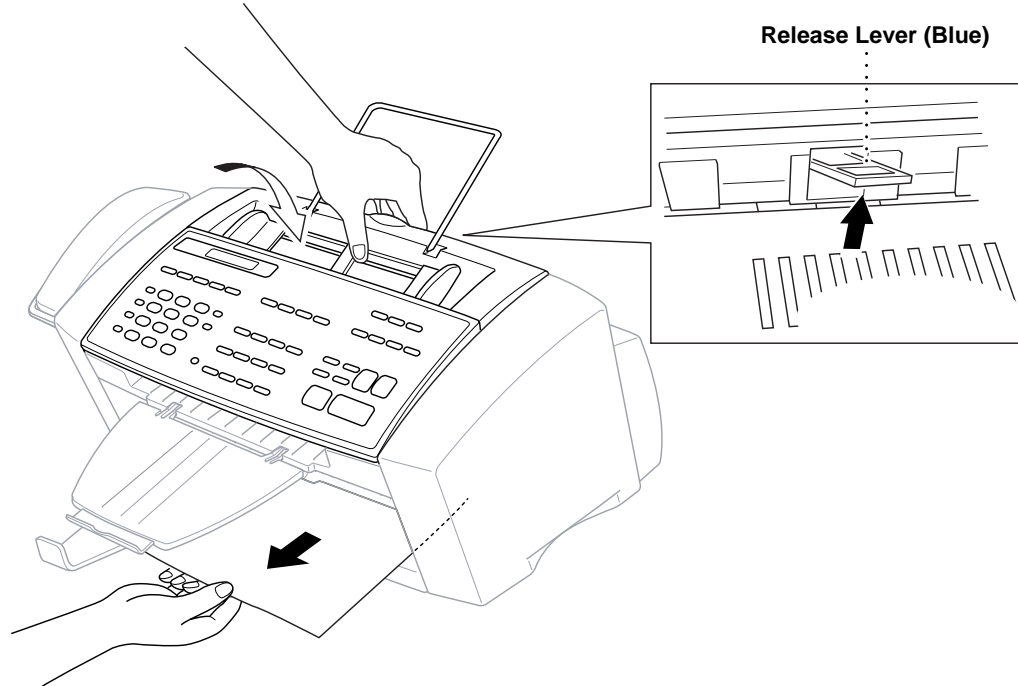
- 1 Remove the multi-purpose sheet feeder.



- 2 Lift the top cover and make sure where the paper is jammed.



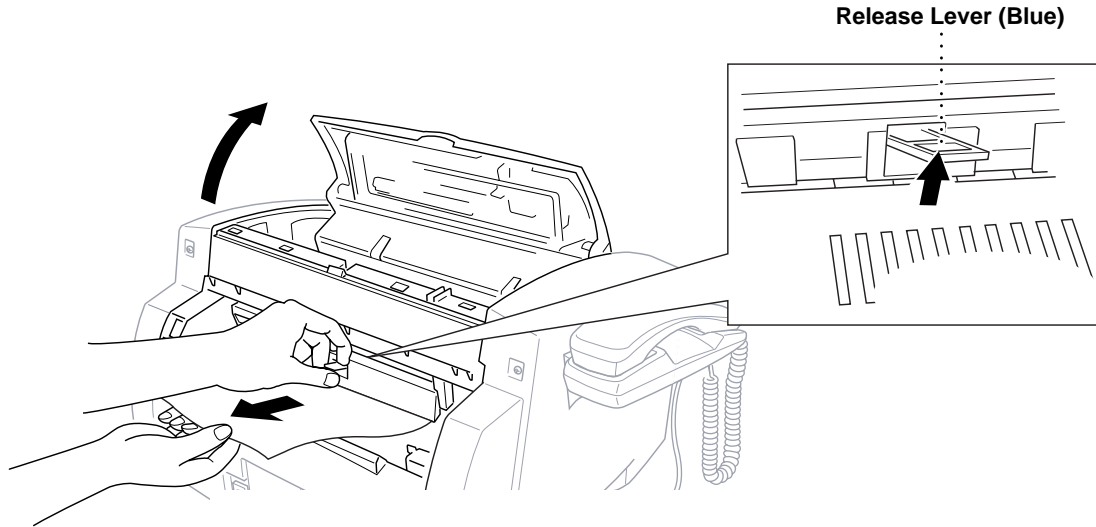
Paper is jammed inside the front of the MFC.



- 1 Close the top cover.
- 2 Pull the paper towards you while you hold up the release lever at the rear of the MFC.

Replace the multi-purpose sheet feeder.

Paper is jammed inside the back of the MFC.



- 1 Pull the paper out of the back of the MFC while holding up the release lever at the rear of the MFC.
- 2 Close the Top Cover.
- 3 Replace the multi-purpose sheet feeder.

If You Are Having Difficulty with Your MFC

If you think there is a problem with your MFC, make a copy first. If the copy looks good, the problem is probably not your MFC. Check the chart below and follow the troubleshooting tips.

DIFFICULTY	SUGGESTIONS
Printing or Receiving Faxes	
Condensed Print and Horizontal Streaks / Top and Bottom of Sentences Are Cut Off	If your copy looks good, you probably had a bad connection, with interference on the phone line.
Poor Quality Print	Make sure the Printer Driver matches the type of paper you are using (see PrintMedia on chap.18). If you are using plain paper, try using recommended special paper (see Chapter 3). Don't handle the paper until the ink is dry. Adjust the Vertical Alignment (see chap.18).
Printing Too Dark or Too Light	Make sure your ink cartridges are fresh and within their expiry dates. Cartridge expiry dates are printed on the package. Make sure the Printer Driver matches the type of paper you are using (see Print Media on chap.18). Try using recommended special paper (see Chapter 3). The recommended environment for your MFC is between 15 °C to 30 °C.
Printing Appears Dirty or Ink Seems to Run	Make sure you are using the recommended paper (see Chapter 3). Don't handle the paper until the ink is dry. The recommended environment for your MFC is between 15 °C to 30 °C.

DIFFICULTY	SUGGESTIONS
White Lines in Text or Graphics	Clean the print head (see Cleaning the Print Head in this chapter).
Stains Appear on the Reverse Side or at the Bottom of the Page	Make sure the Printer Platen and Pick Up Roller are not dirty with ink mist. (See Regular Maintenance in this chapter).
Vertical Black Lines When Receiving	The sender's scanner may be dirty. Ask the sender to make a copy to see if the problem is with the sending machine. Try receiving from another fax machine.
Phone Line or Connections	
MFC Does Not Answer When Called	Make sure the MFC is in the correct receiving mode for your setup (either Fax, Fax/Tel). Check for dial tone. If possible, call your MFC to hear it answer. If there is still no answer, check the telephone line cord connection. Connect a standard telephone handset to the MFC telephone socket. If there is no ringing when you call your MFC, call your Telephone Company to check the line.
No Dial Tone on the Handset	Lift the handset. If you hear no dial tone, check telephone line cord connections at the MFC and wall jack. Check that the handset is connected to the MFC's handset jack. Test the wall jack with another single line telephone. If no dial tone on the wall outlet, call your Telephone Company.
Sending Faxes	
Poor Transmitting Quality	Try changing your resolution to FINE or S.FINE . Make a copy to verify your MFC's scanner operation.
Transmission Verification Report says "Result:NG" again.	There is probably temporary noise or static on the line. Try sending the fax. If the problem continues, call the Telephone Company to check your phone line.
Vertical Black Lines When Sending	If the copy you made shows the same problem, your scanner is dirty (see Cleaning the Scanner in this chapter).
Handling Incoming Calls	
Pseudo Ring in F/T Mode	The MFC knows the incoming call is not a fax so it is signaling you to answer the telephone call. Pick up the MFC handset or answer from an extension phone and press your MFC's Remote Deactivation Code (default setting is #51).
Transferring a Fax Call to the MFC	If you answered at the MFC, press Start and hang up immediately. If you answered at an extension phone, press your Remote Activation Code (default setting is *51). When your MFC answers, hang up.
Custom Features on a Single Line	If you have, Caller ID, RingMaster, Voice Mail, an answering machine, alarm system or any other on a single phone line with your MFC, it may create a problem sending or receiving fax data. For example: If you are sending or receiving a fax message while a custom feature signal comes through on the line, the signal can temporarily interrupt or disrupt the fax data. Brother's ECM feature should help overcome this problem. This condition is related to the telephone system industry, and is common to all devices that send and receive information on a single, shared line with custom features. If avoiding a slight interruption is crucial to your business, a separate line with no custom features is recommended.

DIFFICULTY	SUGGESTIONS
Printer Difficulties	
Horizontal lines appear in Text or Graphics.	Clean the print head (see Cleaning the Print Head in this chapter).
You see the “New Hardware Found” message on your PC screen (although you have already installed the drivers in Windows® 95/98).	Click on the ‘Do not install a driver. (Windows® will not prompt you again)’ and click ‘OK’.
The MFC does not print the data in the correct position.	Select the correct paper size using the DOS Utility program. Since paper adjustment is different between ESC/P (right) and the MFC (center), the printing position should be adjusted for the MFC.
Cannot perform ‘2 in 1’ printing.	Check if the paper size setting in the application and in the printer driver are the same.
Cannot print when using Paint Brush.	Try setting the Display setting to ‘256 colours’.
Cannot print when using Adobe Illustrator.	Try to reduce the printing resolution.
Thick line and thin line appear alternately.	Turn OFF ‘Bi-Directional Printing’ from the ‘Control/Maintenance’ tab in the printer driver.
There are some dense lines.	Turn ON ‘Reverse Order’ from the ‘Paper’ tab in the printer driver.
When using ATM fonts, some characters are missing or some are printed in the same place.	If you are using Windows®95/98, select ‘Printer Settings’ from the ‘Start’ menu. Open ‘Brother MFC-730’ or ‘Brother MFC-740’ properties. Click ‘Spool Setting’ on the characters ‘Details’ tab. Select ‘RAW’ from ‘Spool Data Format’.
When using Power Point or Excel, hatch pattern is not what you are expecting.	Open the ‘Quality/Colour’ tab in the printer driver, and change the ‘Document’ type to ‘Photo’.
Video Capture	
LCD does not show “ VIDEO: PRESS COPY CAPTURE READY ”	Check the video cable connection to the MFC’s RCA pin jack. Check that the video equipment is sending a signal (video equipment is turned on and set to the correct setting).

How to Improve Print Quality

Test Print

If the quality is not satisfactory, first print a test page to help you identify settings you may want to change.

- 1 Press **Menu**, **2**, **1**. The screen displays

1 . TEST PRINT

- 2 Press **Set**.

3 Press **Start**. The MFC begins printing.

4 Press **Stop** to exit.

Cleaning the Print Head

Clean the print head if you get a horizontal line in the text or graphics on your printed documents. You can clean the four colour (black, cyan, yellow, magenta) print heads (or a single colour) using the Ink Management key or from the printer driver.



Caution

Do NOT clean the print head by touching it with your hand or a cloth.

1 Press **Ink Management**.

2 Press **1** to choose **1.CLEANING**.

3 Press **←** or **→** to choose the colour you want to clean.

4 Press **Set** to clean the print head automatically.

When cleaning is finished, the MFC will go back online automatically.



WARNING

Do NOT touch the print head unless you are replacing it. Touching the print head may cause permanent damage and may void the print head's warranty.

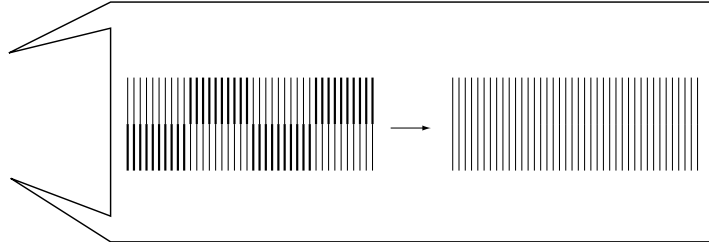
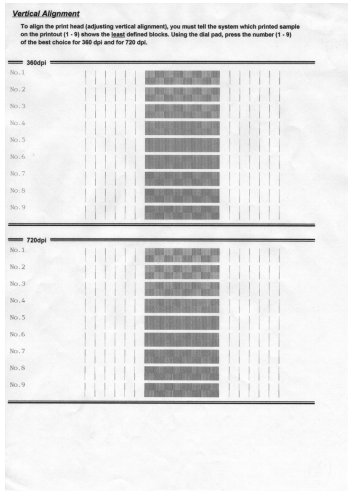
Aligning Ink Cartridges

This feature allows you to check and align the ink cartridges to assure best print quality. Make sure there is paper in the cassette before you start the alignment procedure.

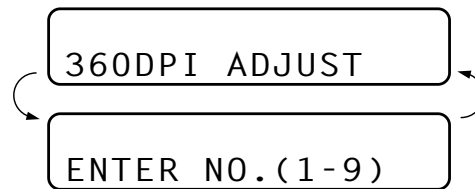
1 Press **Menu, 2, 2**. The screen displays

2.VERTICAL ALIGN

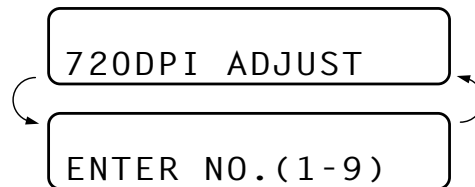
- 2 Press **Start**. The MFC prints a sample page.



Study the alignment page and decide which sample numbers show the most evenly printed ink lines for 360 and 720 dpi. The screen displays



- 3 Using the dial pad, enter the level of adjustment needed for 360 dpi (1 to 9).
- 4 The screen displays




- 5 Using the dial pad, enter the level of adjustment needed for 720 dpi (1 to 9).
- 6 Print another sample Test Print and check it (see chap.18).
- 7 Press **Stop** to exit.

Turning Off Bi-directional Printing

You can further improve print quality by turning off bi-directional printing and setting the MFC to print in one direction only. However, this will reduce print speed by one half.

- 1 Press **Menu**, **2**, **3**. The screen displays



3. BI-DIR PRINT

- 2 Press **2** to select **OFF** (or **1** to select **ON**).

Don't handle the paper until the ink is dry

Special ink jet, glossy and transparency paper will take longer to dry than plain paper, so do not touch the printed copy until the ink has dried.

Packing and Shipping the MFC

Whenever you transport the MFC, use the packing materials that came with your MFC. If you do not pack the MFC correctly, you could void your warranty.

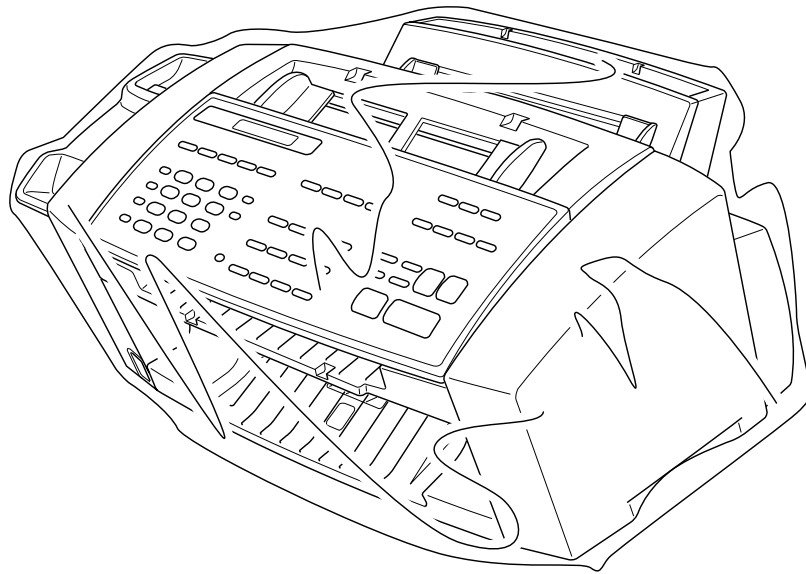
1 Unplug the MFC from telephone wall socket.

2 Unplug the MFC from the AC outlet.

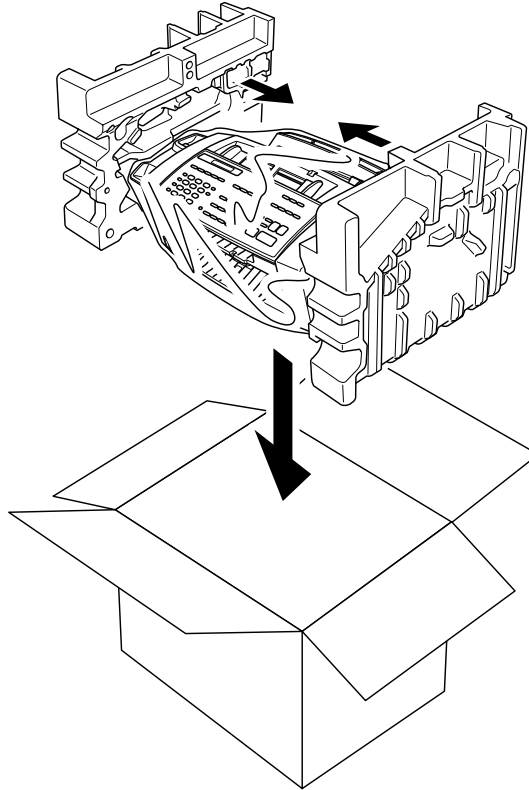
NOTE: Do not unplug the MFC after a print job until you hear the final click.

3 Remove the recording paper wire extension, recording paper support, document tray, document plastic extension, and handset, and pack them.

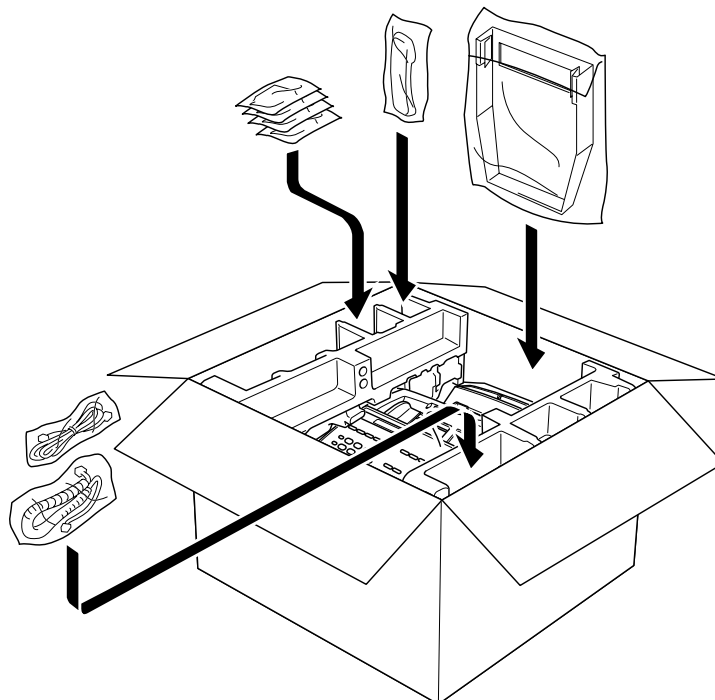
NOTE: Please remove the ink cartridges and fit the yellow shipping cover. Damage to your print head resulting from packing without the yellow shipping cover will void your warranty.

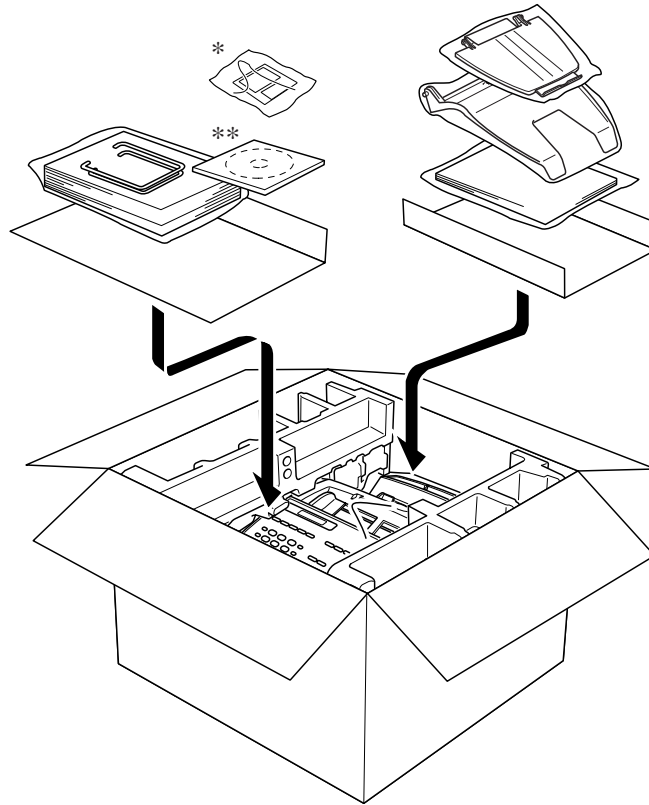


- 4 Wrap the MFC in the plastic bag and place it in the original carton with the original packing material.



- 5 Place additional parts (such as cords and trays) and documents (such as your manual) into the carton.





* ... Only for MFC-730

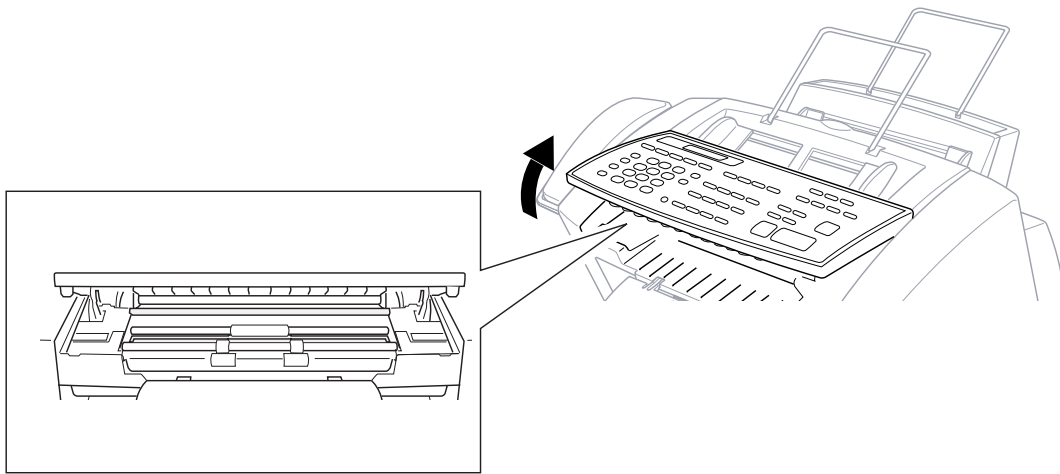
** ... Only for MFC-740

6 Close the carton.

Regular Maintenance

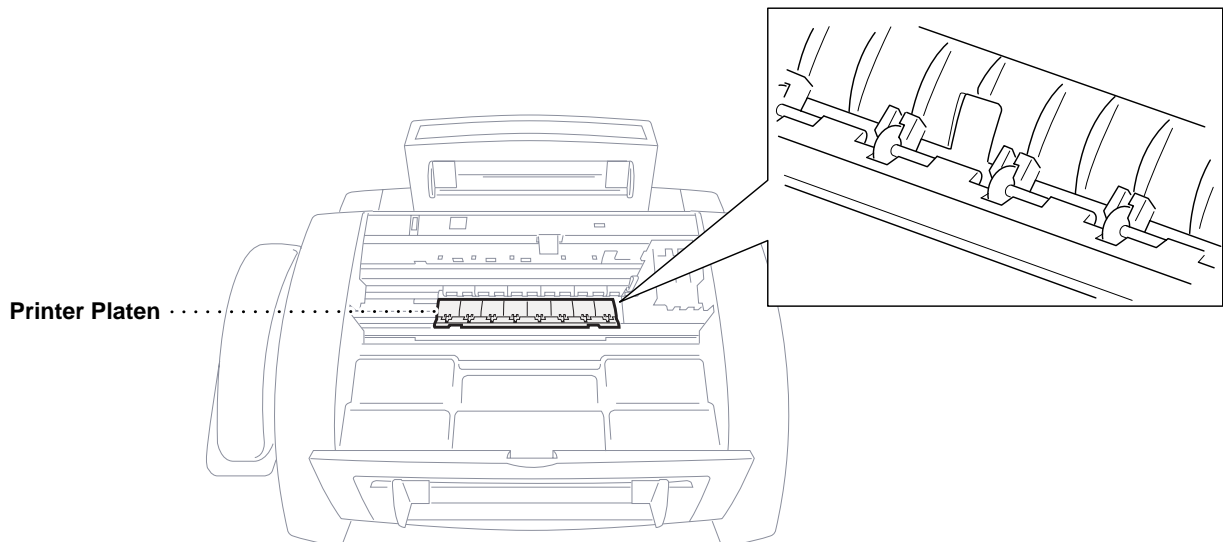
Cleaning the Scanner

Unplug the MFC and open the control panel cover. Clean the flat white pressure bar and the glass strip under the bar with isopropyl alcohol on a lint-free cloth. If the screen still displays a scanner error, please contact your Brother dealer for service.



Cleaning the MFC Printer Platen

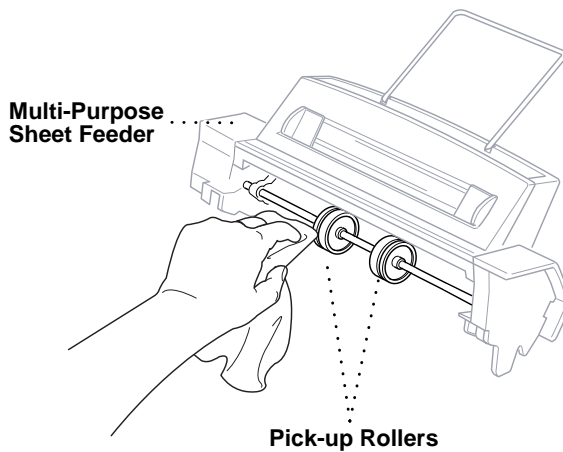
When you want to clean your MFC printer platen, wipe it with a lint free cloth that is dry or lightly moistened with isopropyl alcohol.



Printer Platen

Cleaning the Pick-up Roller

- 1 Remove the Feeder from the printer platen.
- 2 Wipe the pick-up rollers with a cloth moistened with isopropyl alcohol.



- 3 Refit the Feeder to the printer platen.



WARNING

- Be sure to unplug the MFC from the main power outlet before cleaning the printer platen and pick-up roller.
- Be careful not to touch the paper feed star wheels and flat cable.

Replacing the Ink Cartridges

Your MFC is equipped with an ink dot counter that automatically monitors the ink level in each colour cartridge. When the counter detects an ink cartridge is running out of ink, the MFC will notify you by lighting the “Ink Empty” LED.

- Ink Empty LED Blinking = One or more Ink Cartridges are low.
 Ink Empty LED On = One or more Ink Cartridges are empty.

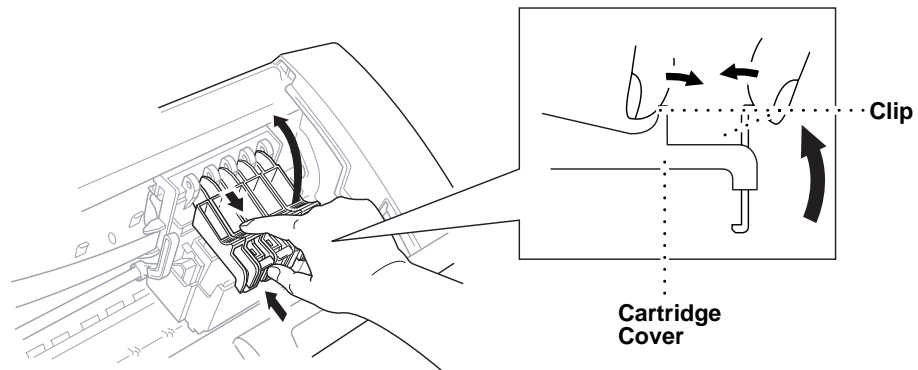
The display shows you which colour cartridges are low or empty. Be sure to follow the display prompts so you replace the colour cartridges in the appropriate order.

When the ink cartridges are running low, you must use Ink Management to begin the cartridge replacement (Steps 1–3). If the ink is empty, skip to Step 4.

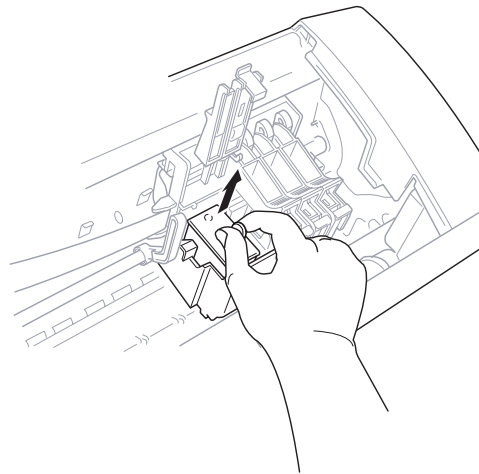
- 1 Press **Ink Management**.
- 2 Press \leftarrow or \rightarrow to choose **2. REPLACE INK**.
- 3 Press **Set**.

If one or more ink cartridges are empty, for example Black, the screen displays **INK EMPTY BLACK** and **PLS OPEN COVER**.

- 4 Open the top cover.
- 5 Open the cartridge covers by pinching the clips as shown in the illustration.

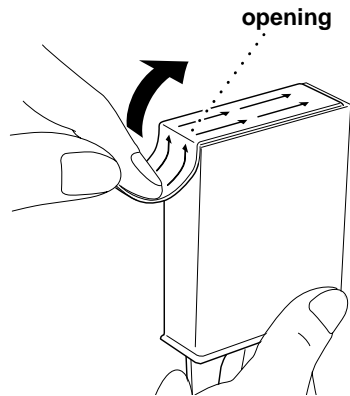


- 6 Remove the ink cartridge by lifting it up and then out of the print head.



- 7 Open the new ink cartridge bag for the colour on the display and remove the ink cartridge.

- 8** Hold the ink cartridge as shown in the illustration, and remove the sealing tape from the side of the ink cartridge. Carefully peel the tape in the direction away from you..

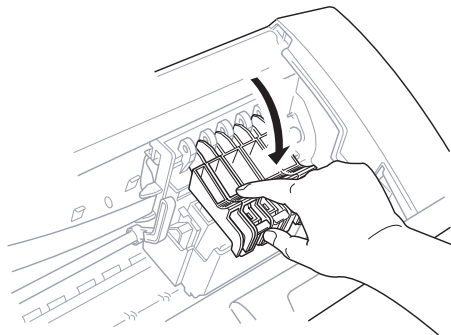


IMPORTANT: To prevent spilling ink and staining your hands and clothing, remove the sealing tape gently.

- 9** Each colour has its own correct position. Insert each new ink cartridge into the carriage using the colour indicator on the print head as a guide.

Please be careful not to push down the switch bar.

- 10** Close the cartridge cover until it clicks into place.



- 11** After installing the ink cartridges, close the top cover. Your MFC prepares for a “head cleaning” and goes online. The display screen prompts you to verify a new ink cartridge was inserted for each color you removed. Example: **DID YOU CHANGE BLCK 1. YES 2. NO.**

If the ink cartridge you installed is not a brand new one, please make sure to select 2.

- 12** For each new cartridge, press **1** on the keypad to reset the ink dot counter for that colour automatically. (The ink dot counter enables the MFC to notify you when a colour is running low.)

The MFC will enter a cleaning cycle for approximately two minutes for each replaced cartridge. The display screen alternately shows **CLEANING** and **PLEASE WAIT**.

When the MFC completes the cleaning cycle, the display returns to Standby mode (date and time).



WARNING

If ink gets in your eyes, irrigate them with water immediately and consult a doctor if you are concerned.



Caution

- DO NOT remove ink cartridges if you do not need to replace them. If you do so, it may reduce the ink quantity and the printer will not know the quantity of ink left in the cartridge.
- DO NOT shake the ink cartridges. If you do so, the ink may spill when you take off the sealing tape.
- If ink stains your body or clothing, wash with soap or detergent immediately.
- If you install an ink cartridge in the wrong colour position, you must clean the print head several times before you start printing, after correcting the cartridge installation, because the colours were mixed.
- Once you open an ink cartridge, install it in the MFC and use it up within six months of installation. Use unopened ink cartridges within two years of production.
- DO NOT refill the ink cartridges. Attempting to use refilled cartridges may cause damage to the print head and will void your warranty.

Note: If the **INK EMPTY XXXX** error message is on the display after you have installed ink cartridges, check that the ink cartridges are installed correctly.

CHAPTER TWENTY - ONE

Specifications

Fax Specifications

Compatibility	ITU-T Group 3
Coding system	MH/MR/MMR
Modem speed	14400/12000/9600/7200/4800/2400; Automatic Fallback
Document input width	70 mm to 216 mm
Document input length	127 mm to 356 mm
Scanning/Printing width	208 mm
Paper Cassette	200 Sheets (75 g/m ²)
Printer type	Ink Jet
Grey scale	256 levels (Error Diffusion)
Display	LCD, 16 characters x 2
Polling types	Standard, Secure, Delayed, Sequential
Contrast control	Automatic/Light/Dark (manual setting)
Resolution	<ul style="list-style-type: none"> • Horizontal 8 dot/mm • Vertical Standard—3.85 line/mm <ul style="list-style-type: none"> Fine, Photo—7.7 line/mm Superfine, Photo (copy)—15.4 line/mm
Memory Capacity	2MB (up to 70 pages) (MFC-730) 4MB (up to 300 pages) (MFC-740)
One Touch Dial	12 x 2 stations
Speed Dial	56 stations (MFC-730) 100 stations (MFC-740)
Automatic redial	4 times at 2 minute intervals

Speaker type	Full Duplex (Only for MFC-740)
Auto answer	1, 2, 3 or 4 rings
Communication source	Public switched telephone network
Operating environment	10-35°C (50-95°F)
Best Print Quality	20-33°C (68-91°F)
Power source	220 ~ 240V AC 50/60 Hz
Power consumption	Standby: under 6 watts Peak: under 75 watts
Dimensions	540 x 390 x 247 (mm)
Weight	9kg

* “Pages” refers to the “Brother Standard Chart No. 1” (a typical business letter, Standard resolution). Specifications and printed materials are subject to change for improvement without prior notice.

Printer Specifications

Printing

Print method	Piezo with 64 x 4 nozzles
Resolution	Monochrome/Colour Printing: 1440 x 720 dots per inch (DPI) 720 x 720 dots per inch (DPI) 360 x 360 dots per inch (DPI) 360 x 180 dots per inch (DPI)
Print speed	up to 6 pages / minute (Mono) up to 4 pages /minute (Colour)
Print width	203.2 mm (8 inches)
Resident fonts	Bitmap fonts ■ Roman 10, 12, 15, PS
Disk-based fonts	35 (Only for MFC-740)

Controller

Emulations	GDI/EPSON ESC/P (LQ-510, LQ-850, LQ-2550)
Interface	A shielded cable to IEEE 1284 (bi-directional) specification less than 2 m (6.5 feet) long should be used.

Print Media

Paper input Automatic loading from the Feeder or manual loading from the Manual Feed Slot

- Paper type:
Plain paper, coated paper, glossy paper, transparencies, organizer paper and envelopes.
- Paper size:
A4, A5, B5, Letter, Legal Executive, envelopes (commercial No. 10, DL, C4, C5) organizer (J, K, L) organizer J only from the Manual Feed Slo

Width	70–216 mm (2.75–8.5")
Length	127–356 mm (5–14")
Weight	60–120 g/m ² (16–32 lb)

- Maximum feeder capacity: Approx. 200 sheets of 75 g/m² plain paper.

Paper output Approximately 75 sheets of plain paper (Face up print delivery to the paper output tray)

It is recommended that printed sheets are taken from the paper output tray immediately after printing.

Ink Black and 3 individual colour ink cartridges separate from the print head

Service life of ink cartridge Approximately 750 pages/Black cartridge at 5% coverage
Approximately 400 pages/Colour cartridge at 5% coverage

Compilation and Publication Notice

Under the supervision of Brother Industries Ltd., this manual has been compiled and published, covering the latest product's descriptions and specifications.

The contents of this manual and the specifications of this product are subject to change without notice.

Brother reserves the right to make changes without notice in the specifications and materials contained herein and shall not be responsible for any damages (including consequential) caused by reliance on the materials presented, including but not limited to typographical and other errors relating to the publication.

Trademarks

Multi-Function Link Pro is a trademark of Brother Industries, Ltd.

Brother is a registered trademark of Brother Industries, Ltd.

Windows is a registered trademark of Microsoft in the U.S. and other countries.

MS-DOS is a registered trademark of Microsoft in the U.S. and other companies.

Each company whose software title is mentioned in this manual has a Software License Agreement specific to its proprietary programs.

The brother logo is a registered trademark of Brother Industries, Ltd.

Epson is a registered trademark and LQ-510, LQ-850 and LQ-2550 are trademarks of Seiko Epson Corporation.

IBM, IBM PC and Proprinter are registered trademarks of International Business Machines Corporation.

All other brand and product names mentioned in this User's Guide are registered trademarks of their respective companies.

Glossary

ADF (Automatic Document Feeder Capacity) Refers to the number of pages that can be placed in the document feeder and fed one at a time automatically.

Automatic Fax Transmission Sending a fax without picking up the handset or pressing **Speaker Phone**.

Automatic Redial A feature that enables your fax machine to redial the last fax number if the original fax did not go through because the line was busy or there was no answer.

Backup Print Sets your MFC to print a copy of faxes that are received and stored in memory.

Beeper The sound the keys make when they are pressed, an error occurs or a document has been received or transmitted.

Beeper Volume Volume setting for the beep when you press a key or make an error.

Brightness Changing the Brightness makes the whole image lighter or darker.

Broadcasting The ability to send the same fax message to more than one location.

Call Back Message Allows you to send a fax and then leave a message for the other party to call you back.

Call Reservation Allows you send a fax and then at the end of transmission, you can talk with the other party.

Caller ID A service purchased from the Telephone Company that lets you see the number (or name) of the party calling you.

Cancel Job Cancels a programmed job, like Delayed Fax or Polling.

CNG tones The special tones (beeps) sent by fax machines during automatic transmission to tell the receiving machine that they are from a fax machine.

COMM. ERROR (Communication error) An error during fax sending or receiving, usually caused by line noise or static.

Coding Method Method of coding the information contained in a document. All fax machines must use a minimum standard of Modified Huffman (MH). Your fax machine is capable of greater compression method, Modified Read (MR) and Modified Modified Read (MMR), if the receiving machine has the same capability.

- Compatibility Group** The ability of one fax unit to communicate with another. Compatibility is assured between ITU-T Group.
- Contrast** Setting to compensate for dark or light documents, by lightening dark documents or darkening light documents.
- Cover Page** Prints a page at the other party's machine, that contains the sender and recipient's name and fax number, number of pages and comment. You can generate an electronic cover page at the other end with pre-programmed information from memory or you can print a sample cover page to fax with your document.
- Cover Page Message** The comment that is on the Cover Page. This is a programmable feature.
- Delayed Transmission** Sends your fax at a later time that day.
- Dual Access** Your machine can scan outgoing faxes or scheduled jobs into memory at the same time it is sending a fax or receiving or printing an incoming fax.
- ECM (Error Correction Mode)** Detects errors during fax transmission and resends the parts of the document that had errors.
- Electronic Cover Page** A preprogrammed cover page that is transmitted from the fax machine's memory, eliminating the need for making up cover pages manually.
- Extension Phone** A telephone on the fax number that is plugged into a separate wall jack.
- External Phone** A TAD (telephone answering device) or telephone that is plugged into the socket on the telephone line cord of your MFC.
- F/T Ring Time** The length of time the MFC rings (when the answer mode setting is Fax/Tel) to notify you to pick up a voice call that has been automatically answered.
- Fax/Tel mode** You can receive faxes and telephone calls. Do not use Fax/Tel if you are using an external answering machine.
- Fax Forwarding** Sends a fax received in memory to another preprogrammed fax number.
- fax tones** The signals sent by sending and receiving fax machines while communicating information.
- Fine Mode** Resolution is 196 x 203 dpi. It is used for small print and graphs.
- Function Mode** The programming mode for changing the setting of your MFC.
- grey scale** The shades of grey available for copying and faxing photographs.
- group number** A combination of One Touch and/or Speed Dial numbers that are stored on a One Touch Dial key for Broadcasting.

- ICM (incoming message)** A recorded voice message received into an external answering machine or the MFC-740's digital Message Manager.
- Ink Management button** Cleans the print head and / or resets the ink dot counter after replacing an ink cartridge.
- Interrupt** Temporarily puts a waiting job on hold while you perform another operation.
- Journal** Lists information about the last 50 incoming and outgoing faxes. TX means Transmit. RX means Receive.
- Journal Period** The preprogrammed time period between automatically printed Journal Reports. You can print Journal on demand without interrupting this cycle.
- LCD (Liquid crystal display)** The display screen on the MFC that shows interactive messages during On-Screen Programming and defaults to the date and time when the machine is idle.
- manual fax** When you press Speaker Phone —OR— lift the MFC's/ external telephone's handset so you can hear the receiving fax machine answer before you press **Start** to begin transmission.
- Memory Status List** Shows how much memory is being used, how much is left, and the type of messages in memory.
- Memory usage** Instructs the MFC how to allocate the memory.
- Message Manager (Only for MFC-740)** The Message Manager is an electronic messaging facility for faxes and voice mail. Callers can send you faxes or leave voice messages for you, and you can retrieve these from a remote location.
- OGM (Outgoing Message)** The message callers hear when you call your Message Manager (MFC-740) or external answering machine.
- One Touch Dial** Keys on the MFC control panel where you can store numbers for easy dialling. You must use a separate key for each number.
- Out of Paper Reception** Receives faxes into the MFC's memory when the machine is out of paper.
- Overseas Mode** Makes temporary changes to the fax tones to accommodate noise and static on overseas phone lines.
- Paging (Only for MFC-740)** Enables your MFC to call a programmed phone number and play a pre-recorded message when a fax and/or a voice message is received into its memory.
- Pause** Allows you to place a 3.5 second delay in the dialling sequence stored.
- Photo Mode** A resolution setting that uses varying shades of grey for the best representation of photographs.

- Polling** The process of a fax machine calling another fax machine to retrieve waiting fax messages.
- Pulse** A form of dialling on a telephone line.
- Print reduction** reduces the size of incoming faxes.
- Quick-Dial List** A listing of names and numbers stored in One Touch and Speed Dial memory, in numerical order.
- Real Time transmission** When memory is full, you can send documents in real time.
- Remaining Jobs** You can check which jobs are waiting in memory and cancel jobs individually.
- Remote access** The ability to access your MFC remotely from a touch tone phone.
- Remote activation** allows you to transfer a fax call, answered at an extension phone, to the MFC.
- Remote access code** The four-digit code that allows you to call and access your MFC from a remote location.
- Resolution** The number of vertical and horizontal lines per inch. See: Standard, Fine, Super Fine, Photo.
- Ring Delay** The number of telephone rings before the MFC answers a call in F/T or Fax mode.
- Ring Volume** Volume setting for the fax machine's ring.
- Scanning** The process of sending an electronic image of an original paper document into your computer.
- Speaker Volume** You can set the volume when your machine is on hook.
- Speed dial** A preprogrammed number for easy dialling. You must press the Speed dial key and then two digit code to start the dialling process.
- Standard resolution** 98 x 203 dpi. It is used for regular size text and quickest transmission.
- Station ID** The stored information that appears on the top of faxed pages. It includes the sender's name and fax number.
- Super fine resolution** 392 x 203 dpi. Best for very small print and line art.
- System Setup List** A printed report that shows the current setting of your machine.
- Tel-Index** An electronic, alphabetical listing of stored One Touch, Speed Dial and Group numbers.
- Temporary Setting** You can select certain options for each fax transmission without changing the default settings.

Timer A feature that lets you program a fax to go out at a certain time, such as Delayed Fax or Delayed Polling Receive.

Toll Saver (Only for MFC-740) A Message Manager setting that allows the MFC to answer after two ring when a message(s) was received and after four rings when there are no messages. The caller can hang up (after two rings) without paying for the call if there are no messages to retrieve.

Tone A form of dialling on the telephone line used for Touch Tone telephones.

Transmission The process of sending documents over the phone lines from your MFC to the receiving fax machine.

Xmit Report (Transmission Report) A listing of each transmission, showing caller ID, date, time, and number of pages.

Index

A	
Activation Code	49
Alternating Displays	30
Answer Mode	43
Answering Machine	23, 99
Assembly	11
Automatic Transmission	61
B	
Backup Printing	105
Beeper Volume	39
Bi-Directional Printing	163
Bi-directional Printing	120, 179
Brightness	91
Broadcasting (Set Up Group)	75
Brother Drivers	141
C	
Call Back Message (Print)	67
Call Reservation	66
Call Screening	107
Caller ID	51
Caller ID (Call Replay)	53
Caller ID (Clearing)	55
Caller ID (Printing Lists)	55
Caller ID (Set)	51
Cancelling Job	71
Cassette Capacity	26
Chain Dialling	79
CHECK PAPER	169
Cleaning	183
Cleaning (Print Head)	177
Cleaning Tab	163
Coated Paper	25
Collate	156
Colour Adjustment	96
COMM. ERROR	169
Computer Requirements	137
Connect (External Telephone Answering Machine)	23
Connect (External Telephone)	24
Connect (Power Cord)	11
Connect (Telephone line cord)	12
Connecting (Computer)	135
Connections	9
Contrast	60
Control Panel	4, 6
Control/Maintenance Tab	162
Controller	191
COOLING DOWN	169
Copies (Printing)	156
Copy (Enlarging)	89
Copy (Multiple)	88
Copy (One Page)	87
Copy (Reducing)	89
Copy (Single Colour)	97
Copy Brightness	96
Copy Contrast	96
Copy Operations	87
Copy Quality	89, 95
Copy Quality (Default Settings)	92
corrections	38
COVER OPEN	169
Cover Page	63
Cover Page (composing)	63
Cover Page Message	65

- D**
- Date and Time 35
- Deactivation Code 49
- Dialling Mode 35
- Document 160
- Document Jam 170
- Document Tray 14
- Document Wire Extension 13
- Documents (Size) 59
- DOS 144
- Drivers 137
- Dual Access 61
- Dust Cover 16
- E**
- ECM (Error Correction Mode) 3
- Entering Text 38
- Envelopes 118
- Erasing Messages 105
- Error Messages 169
- Extension Telephone 49
- Extension Telephones 22
- External Telephone 49
- External Telephone Answering Device
(TAD) 23
- F**
- F/T (FAX/TEL) Mode 43
- F/T (Fax/Tel) Ring Time 45
- F/T Ring Time 49
- Fax Detect 46
- Fax Forwarding 81, 108
- Fax Forwarding (Changing Number)
(MFC 740) 112
- Fax Mode 43, 44
- Fax Redial 61
- Fax Storage (MFC 730) 82
- Fax Tones and Handshake 2
- Fax/Tel Mode 80
- Feeder 155
- Fine (Resolution) 60
- Flexible memory settings 100
- Full-Duplex Digital Speakerphone 77
- Function Mode 29
- Function Selection Table 30
- G**
- Glossy Paper 25
- Grey scale 189
- H**
- Halftone 161
- Help 1
- Hold 5
- I**
- ICM Recording Monitor 107
- Important Safety Instructions 165
- Ink Cartridges 17, 184
- Ink Management Key 120
- Inserting Spaces 38
- International Calls 66
- Interrupting 70, 72
- J**
- Job Status 71
- JOURNAL 131
- Journal Period 132
- L**
- Legal Limitations 98
- Loading Paper 15
- M**
- Maintenance 163, 169, 183
- Manual Dialling 77
- Manual Feed Slot 118, 155
- Manual Mode 43, 44
- Manual Transmission 61
- Maximum Message Time 106
- Media 158
- Memory Board 147

- MEMORY FULL 170
Memory Full Message 97
MEMORY STATUS 131
Memory Status List 112
Memory Storage 41
Message Indicator 103
Message Manager Mode 99
Message Store 100
Monitor Calibration 163
Multi-Line Connections 21
Multi-purpose Sheet Feeder 13, 116
Multiple Resolution Transmission 69
Mute 78
- N**
- NO RESPONSE/BUSY 170
NOT ASSIGNED 170
- O**
- On Hook Dialling 79
On-Screen Programming 29
On/Off Line Key 119
One Touch Dial (Changing) 75
One Touch Dial (Storing) 73
One Touch Dialling 78
Optional Memory 147
Outgoing Message 24
Outgoing Message (Erasing) 102
Outgoing Message (Listening) 102
Outgoing Message (Recording) 101
Overseas Mode 66
- P**
- PABX 39
Packing and Shipping 180
Packing List 9
Paging 108
Paper 25
Paper (Loading) 15, 117
Paper Jam 171
Paper Size 26, 154
Paper Source 155
Paper Specifications 26
Paper Tab 153
Paper Tray 14
Paper Type 26, 91, 94
Pause 78
PC Printing 151
Photo (Resolution) 60
Pick-up Roller 184
Plastic Extension 14
Polling (Receive) 55
Polling (Transmit) 70
Print (Fax in Memory) (MFC 730) 50
Print a Report 132
Print Area 27
Print Media 191
Print Quality 176
Printer 115
Printer Adjustment Tab 164
Printer Driver 116, 138
PRINTER JAM 170
Printer Jam 171
Printer Operation 119
Printer Platen 183
Printing a Fax Message 104
Priority Key 120
Product Description 189
- Q**
- Quality 158
Quality/Colour Tab 157
QUICK-DIAL (list) 131
- R**
- Real Time Transmission 62
Reception into Memory 48
Recording a Conversation 107
Recording a Memo 107
Reduction (Printing) 47
Remote Access Code 82, 83, 110
Remote Code (changing) 50

- Remote Commands 83, 111
 Remote Retrieval 83, 109
 Reports 131
 Reset Key 120
 Resolution 60
 Resolution (Multiple) 69
 Reverse Order 156
 Ring Delay 45
 Ring Volume 41
 Ringer Equivalence Number 21
- S**
- Safety Instructions 165
 Scaling 155
 Scroll 29
 Setup 9
 Simultaneous Printing/Fax 119
 Software 137
 SORTING 88
 Speaker Phone 80
 Speaker Volume 40
 Special characters 38
 Specifications 189
 Speed Dial 74
 Speed Dial (Changing) 75
 Speed Dialling 78
 STACKED 88
 Standard (Resolution) 60
 Station ID 36
 Storing telephone number 73
 Super Fine (Resolution) 60
 SYSTEM SETUP 131
- T**
- TAD 44
 TAD Message (Recording) 101
 Tel Key 80
 TEL. INDEX 131
 Telephone Index 79
 Toll Saver 106
 Tone/Pulse 35, 80
- Trademarks 192
 Transmission Verification (Xmit) Report 132
 Transparencies 25
 Troubleshooting 169
 Type of Original 95
- V**
- Vertical Black Lines 175
 Video Printing 121
 Video Printing (Black & White) 123
 Video Printing (Brightness) 125, 129
 Video Printing (Changing Default Settings).
 125
 Video Printing (Colour Adjustment) 128
 Video Printing (Colour) 122
 Video Printing (Paper Type) 124
 Video Printing (Setting Paper Type) 126
 Video Printing (Setting Print Size) 128
 Video Printing (Setting Quality) 127
 Video Printing (Setting Video Type) 127
 Voice Calls 77
 Voice Messages (Playing) 104
- W**
- WARMING UP 170
- X**
- XMIT REPORT 131

(For MFC-730) →

Change Answer Mode

Press **9 8**
 then for **TAD**, press **1**.
Fax/Tel (F/T), press **2**.
Fax, press **3**.

Exit Remote Operation

Press **9 0**.

Change Remote Access Code

- 1 Press **Menu, 1, 8, 3**.
- 2 Enter the 3-digit number. The * cannot be changed.
- 3 Press **Set**.
- 4 Press **Stop** to exit.

(For MFC-740)



Retrieve all faxes press **2**, then enter the number of remote fax machine, and then **##**. After the beep, hang up and wait.
Erase all fax messages press **3**.

Check Receiving Status

Press **9 7**
 then for **Fax message**, press **1**.
Voice message, press **2**.
1 long beep — received messages
3 short beeps — no messages

Change Answer Mode

Press **9 8**
 then for **Message Manager (TAD mode)**, press **1**.
Fax/Telephone (F/T), press **2**.
Fax Only, press **3**.

Exit Remote Operation

Press **9 0**.

REMOTE CONTROL ACCESS CARD**Using Remote Access Code**

- 1 Dial your machine phone number from a touch tone phone.
- 2 Enter your Remote Control Access Code (159*) after the beep.
- 3 Your machine signals the kinds of messages received:
1 long beep — Fax message(s)
No beeps — no messages
- 4 After 2 short beeps, enter a command.
- 5 Press **9 0** to reset your machine when you finish.
- 6 Hang up.

**MESSAGE MANAGER
REMOTE CONTROL ACCESS CARD****Using Remote Access Code**

- 1 Dial your MFC phone number from a touch tone phone.
- 2 Enter your Remote Control Access Code (159*) after the beep.
- 3 The MFC signals the kinds of messages received:
1 long beep — Fax message(s)
2 long beeps — Voice message(s)
3 long beeps — Fax and Voice message(s)
No beeps — no messages
- 4 After 2 short beeps, enter a command.
- 5 Press **9 0** to reset the MFC when you finish.
- 6 Hang up.

Remote Commands

Change Fax Forwarding Setting

Press **9 5**

- then to*
- Turn feature off** press **1**.
 - Enter Fax Forwarding** press **2**.
 - Program Fax Forward Number** press **4**. Enter the new number of the remote fax machine where you want your fax message forwarded and then press **# #**. Press **9 6 1** after two short beeps, then enter the number of remote fax machine, and then **# #** to retrieve Memory Status List.
 - Turn Fax Storage on** press **6**.
 - Turn Fax Storage off** press **7**.

2

Retrieve a Fax

Press **9 6**

then to **Print a Memory Status List** press **1**, then enter the number of remote fax machine, and then **# #**. After the beep, hang up and wait.

Retrieve all faxes press **2**, then enter the number of remote fax machine, and then **# #**. After the beep, hang up and wait.

Erase all fax messages press **3**.

Check the Receiving Status

Press **9 7 1**.

- 1 long beep** — Fax message(s)
- 3 short beeps** — no messages

3

Changing Remote Access Code

- 1** Press **Menu**, **1**, **8**, **7**.
- 2** Enter a three-digit number from 000 to 998. The ***** cannot be used.
- 3** Press **Set**.
- 4** Press **Stop** to exit.

Remote Commands

Listen to Voice Messages

Press **9 1**

- then to*
- Repeat a message** press **1**.
 - Skip to next message** press **2**.
 - Stop playing the message** press **9**.

Record a Memo

Press **9 2**.

- Wait for the beep, then speak.
then to **Stop recording** — Press **9**.

2

Erase All Messages

Press **9 3**. If you hear three beeps, all messages have not yet been heard, and the messages will not be erased.

Play/Record Outgoing Message

Press **9 4**

- then to*
- Play Message Manager OGM** press **1 1**.
 - Play F/T OGM** press **1 2**.
 - Play Paging OGM** press **1 3**.
 - Record new Message Manager OGM** press **2 1**, then speak after beep. Press **9** to stop.
 - Record new F/T OGM** press **2 2**, then speak after beep. Press **9** to stop.
 - Record new Paging OGM** press **2 3**, then speak after beep. Press **9** to stop.

3

Change Paging/Fax Forwarding Setting

Press **9 5**

- then to*
- Turn feature off** press **1**.
 - Enter Fax Forwarding** press **2**.
 - Enter Paging** press **3**.
 - Program Fax Forward Number** press **4**. Enter the new number of the remote fax machine where you want your fax messages forwarded and then press **# #**. Press **9 6 1** after two short beeps, then enter the number of remote fax machine, and then **# #** to retrieve Memory Status List.

Retrieve a Fax

Press **9 6**

- then to* **Print a Memory Status List** press **1**, then enter the number of remote fax machine, and then **# #**. After the beep, hang up and wait.

4

Declaration of Conformity

We Brother International Europe Ltd.
 Brother House,
 1, Tame Street,
 Audenshaw,
 Manchester, M34 5JE
 United Kingdom

declare that this product is in conformity with the following normative documents:

Safety: EN 60950 : 1993
EMC: EN55022 1987 Class B
 EN50082-1:1992

following the provisions of the Low Voltage Directive 73/23/EEC and the Electromagnetic Compatibility Directive 89/336/EEC (as amended by 91/263/EEC and 92/31/EEC)

brother®

This machine is approved for use in the country of purchase only, local Brother companies or their dealers will only support fax machines purchased in their own countries.

* Manufactured by Brother Industries Ltd., whose quality system is registered by BSI and JQA.

BSI Certificate of registration No. FM27214
JQA Certificate of registration No. JQA-0367

UK
UU1362004③
PRINTED IN JAPAN