



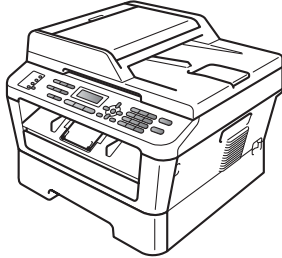
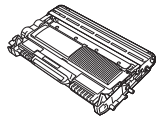

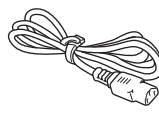
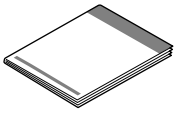

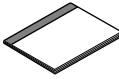
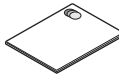
Please read the Safety and Legal booklet first before you set up your machine. Then, please read this Quick Setup Guide for the correct setup and installation.

To view the Quick Setup Guide in other languages, please visit <http://solutions.brother.com/>.

 <b>WARNING</b>	<b>WARNING</b> indicates a potentially hazardous situation which, if not avoided, could result in death or serious injuries.
 <b>CAUTION</b>	<b>CAUTION</b> indicates a potentially hazardous situation which, if not avoided, may result in minor or moderate injuries.

# 1

## Unpack the machine and check the components

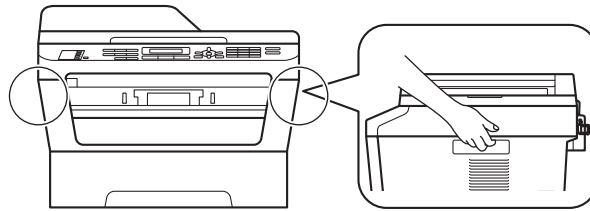
		 <b>Drum Unit and Toner Cartridge Assembly</b> (pre-installed)	
 <b>Installation CD-ROM, Documentation CD-ROM</b>	 <b>AC Power Cord</b>	 <b>Quick Setup Guide</b>	
 (For U.K.)      (For Others) <b>Telephone Line Cord</b>	 <b>Basic User's Guide</b>	 <b>Safety and Legal booklet</b>	

### **WARNING**

Plastic bags are used in the packaging of your machine. Plastic bags are not toys. To avoid danger of suffocation, please keep these bags away from babies and children and dispose of them correctly.

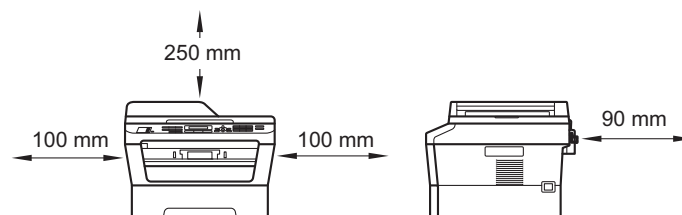
## ⚠ CAUTION

When you move the machine, grasp the side handholds that are under the scanner. DO NOT carry the machine by holding it at the bottom.



### Note

- Keep a minimum gap around the machine as shown in the illustration.



- The components included in the box may differ depending on your country.
- Please save the original packaging should you need to ship the machine in future.
- If for any reason you must ship your machine, carefully repack the machine in the original packaging to avoid any damage during transit. The machine should be adequately insured with the carrier. For how to repack the machine, see *Packing and shipping the machine* in the *Advanced User's Guide*.
- The interface cable is not a standard accessory. Buy the appropriate interface cable for the interface you want to use (USB or Network).

#### **USB cable**

- It is recommended to use a USB 2.0 cable (Type A/B) that is no longer than 2 metres.
- DO NOT connect the interface cable at this time. Connecting the interface cable is done during the MFL-Pro installation process.

#### **Network cable**

Use a straight-through Category5 (or greater) twisted-pair cable for 10BASE-T or 100BASE-TX Fast Ethernet Network.

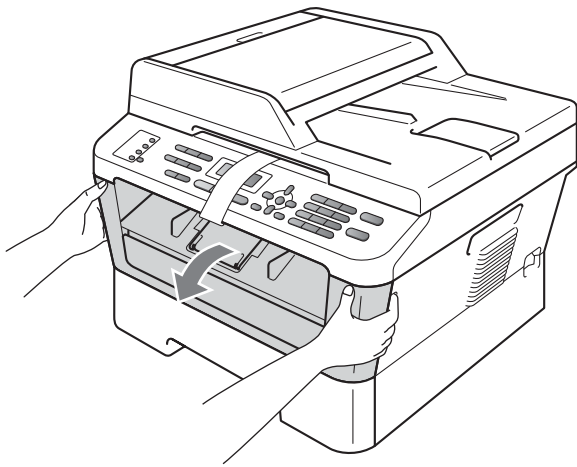
## 2 Remove the packing material from the machine

### ! IMPORTANT

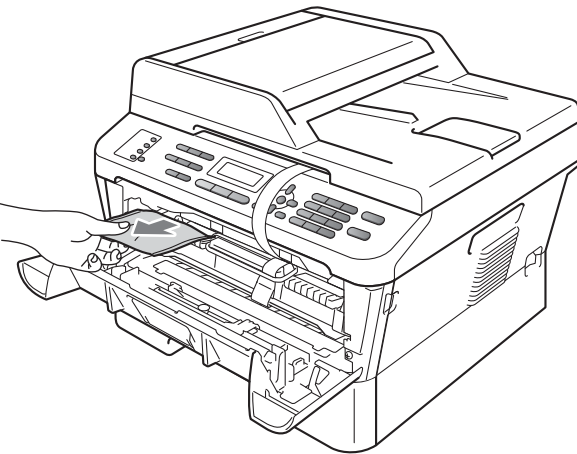
DO NOT connect the AC power cord yet.

**a** Remove the packing tape from the outside of the machine and the film covering the scanner glass.

**b** Open the front cover.



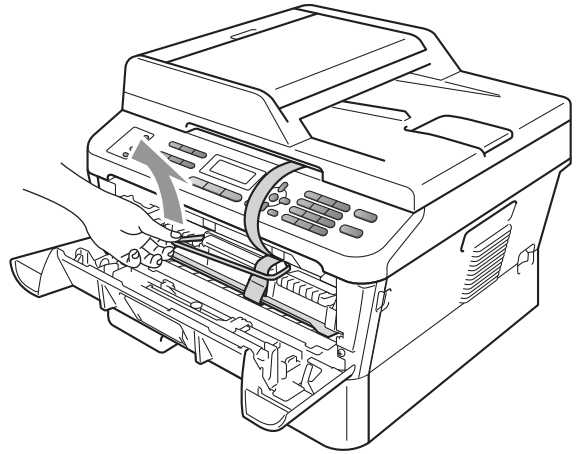
**c** Remove the Silica Pack from the inside of the machine.



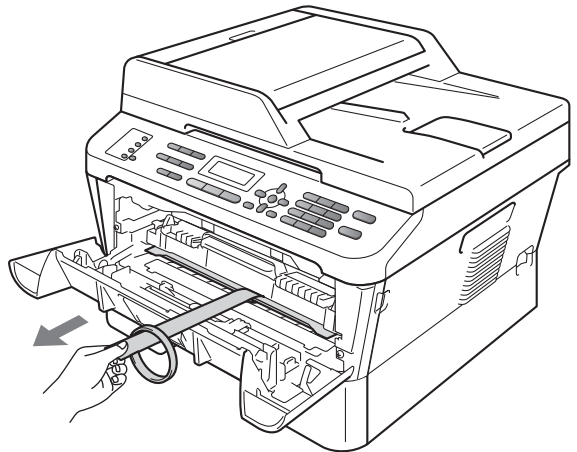
### ! CAUTION

DO NOT eat the Silica Pack. Please discard. If ingested seek medical attention immediately.

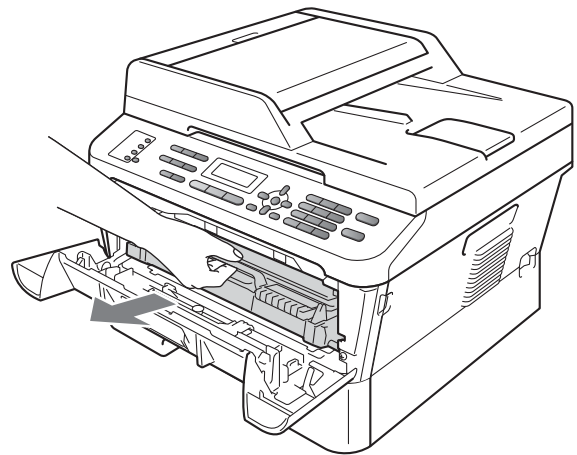
**d** Lift the elastic band off the drum.



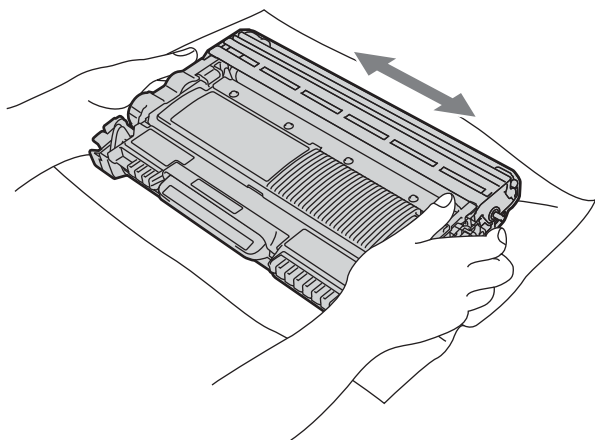
**e** Pull the paper strip to remove the protective material as shown in the illustration.



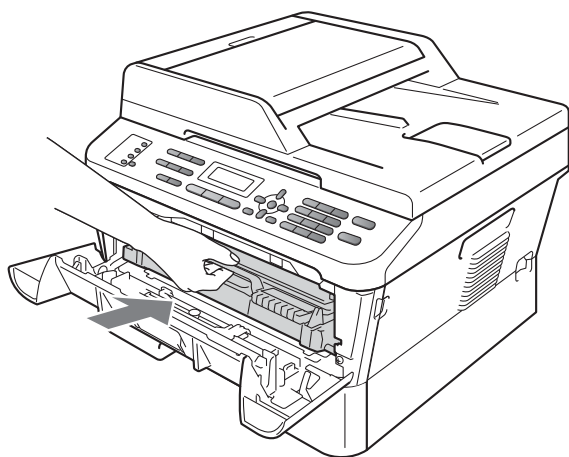
**f** Take out the drum unit and toner cartridge assembly.



- g** Gently shake it from side to side several times to distribute the toner evenly inside the assembly.



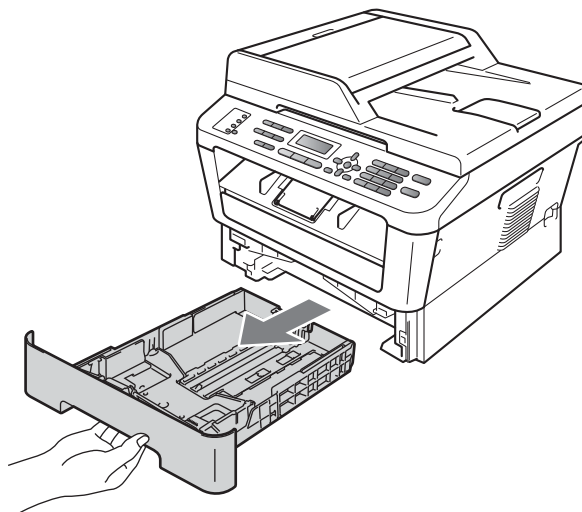
- h** Put the drum unit and toner cartridge assembly back in the machine.



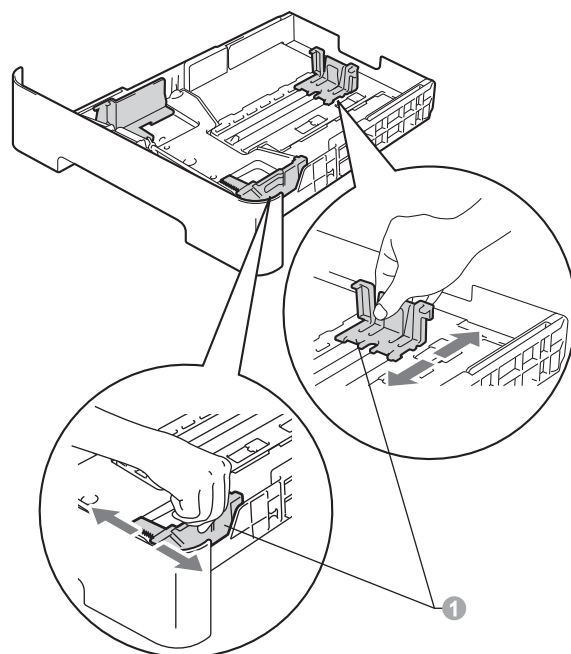
- i** Close the front cover of the machine.

## **3** Load paper in the paper tray

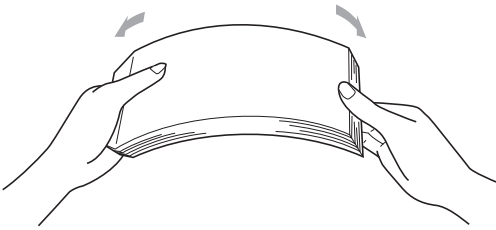
- a** Pull the paper tray completely out of the machine.



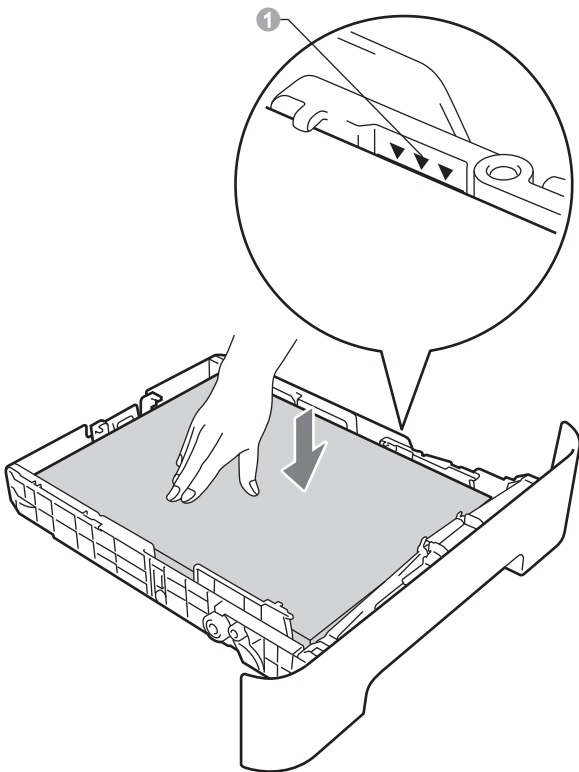
- b** While pressing the green paper-guide release lever ①, slide the paper guides to fit the paper size you are loading in the tray. Make sure that the guides are firmly in the slots.




- c** Fan the stack of paper well to avoid paper jams and misfeeds.



- d** Put paper in the tray and make sure:
- The paper is below the maximum paper mark (▼▼▼) ①.
- Over filling the paper tray will cause paper jams.
- The side to be printed on must be face down.
  - The paper guides touch the sides of the paper so it will feed correctly.



- e** Put the paper tray firmly back in the machine. Make sure that it is completely inserted into the machine.

 For more information about recommended paper, see *Recommended paper and print media* in the *Basic User's Guide*.

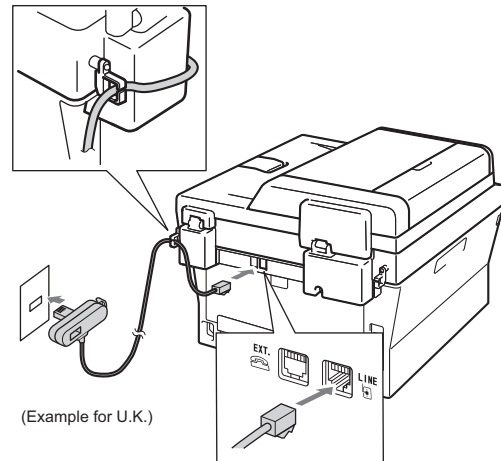
## 4 Connect the power cord and telephone line

### ! IMPORTANT

**DO NOT** connect the interface cable yet.



- Connect the AC power cord to the machine, and then plug it into an electrical socket.
- Turn on the machine's power switch.
- Connect the telephone line cord. Connect one end of the telephone line cord to the socket on the machine marked **LINE** and the other end to a telephone wall socket.



### ! IMPORTANT

The telephone line cord **MUST** be connected to the socket on the machine marked **LINE**.

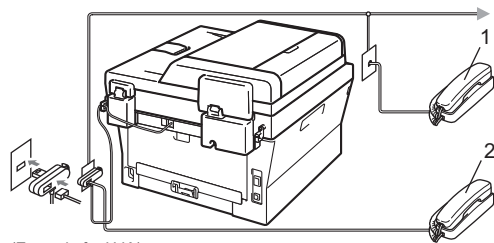
### ! WARNING

The machine must be grounded using an earthed plug.

Since the machine is grounded through the electrical socket, you can protect yourself from potentially hazardous electrical conditions on the telephone network by keeping the power cord connected to your machine when you connect it to a telephone line. Similarly, you can protect yourself when you want to move your machine by disconnecting the telephone line first and then the power cord.

**Note**

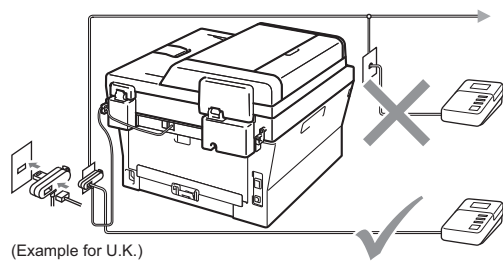
If you are sharing one telephone line with an external telephone, connect it as shown below.



- 1 Extension telephone
- 2 External telephone

**Note**

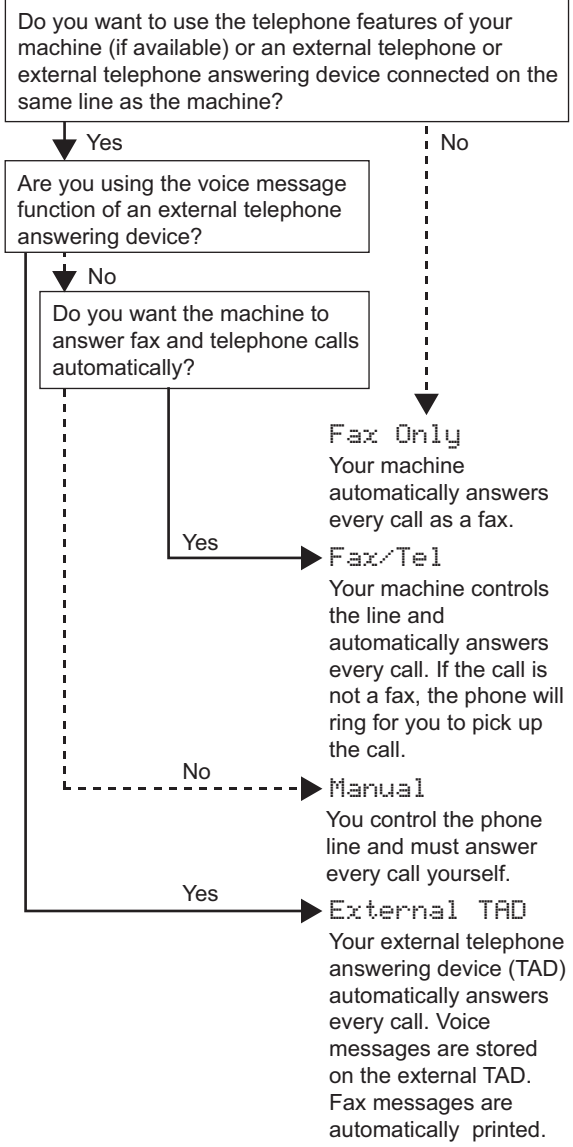
If you are sharing one telephone line with an external telephone answering machine, connect it as shown below.



Set the receive mode to **External TAD** if you have an external answering machine. See *Choose a Receive Mode* on page 6. For additional details, see *Connecting an external TAD* in the *Basic User's Guide*.

# 5 Choose a Receive Mode

There are four possible receive modes: **Fax Only**, **Fax/Tel**, **Manual** and **External TAD**.



- a** Press **Menu, 0, 1**.
  - b** Press **▲** or **▼** to choose the receive mode. Press **OK**.
  - c** Press **Stop/Exit**.
- For more details, see *Using receive modes* in the *Basic User's Guide*.

## 6 Set the LCD contrast (if needed)

If you are having difficulty reading the LCD, try changing the contrast setting.

- a** Press **Menu**, **1**, **5**.
- b** Press **▶** to increase the contrast.  
—OR—  
Press **◀** to decrease the contrast.  
Press **OK**.
- c** Press **Stop/Exit**.

## 7 Set the date and time

The machine displays the time, and if you set up the station ID the date and time will be added to each fax you send.

- a** Press **Menu**, **0**, **2**, **1**.
- b** Enter the last two digits of the year on the dial pad, and then press **OK**.
- c** Enter the two digits for the month on the dial pad, and then press **OK**.

```
Date&Time
Year:2011
```

(e.g. Enter **1**, **1** for 2011.)

```
Date&Time
Month:03
```

(e.g. Enter **0**, **3** for March.)

- d** Enter the two digits for the day on the dial pad, and then press **OK**.

```
Date&Time
Day:25
```

(e.g. Enter **2**, **5** for 25th.)

- e** Enter the time in 24-hour format on the dial pad, and then press **OK**.

```
Date&Time
Time:15:25
```

(e.g. Enter **1**, **5**, **2**, **5** for 3:25 P.M.)

- f** Press **Stop/Exit**.

# 8

## Enter personal information (station ID)

The machine displays the date and time, and if you set up the station ID, it will add it to each fax you send.

**a** Press **Menu**, **0**, **3**.

**b** Enter your fax number (up to 20 digits) on the dial pad, and then press **OK**.

```
Station ID
Fax:
```

**c** Enter your telephone number (up to 20 digits) on the dial pad, and then press **OK**. If your telephone number and fax number are the same, enter the same number again.

```
Station ID
Tel:
```

**d** Use the dial pad to enter your name (up to 20 characters), and then press **OK**.

```
Station ID
Name:
```

### Note

- See the following chart for entering your name.
- If you need to enter a character that is on the same key as the last character, press **▶** to move the cursor to the right.
- If you entered a letter incorrectly and want to change it, press **◀** or **▶** to move the cursor to the incorrect character, press **Clear**.

Press key	One time	Two times	Three times	Four times	Five times
2	A	B	C	2	A
3	D	E	F	3	D
4	G	H	I	4	G
5	J	K	L	5	J
6	M	N	O	6	M
7	P	Q	R	S	7
8	T	U	V	8	T
9	W	X	Y	Z	9



For more details, see *Entering text* in the *Basic User's Guide*.

**e** Press **Stop/Exit**.



### Note

If you make a mistake and want to start again, press **Stop/Exit** and go back to step **a**.

# 9

## Fax Transmission Report

Your Brother machine is equipped with a Transmission Verification Report that can be used as confirmation that you sent a fax. This report lists the name or fax number of the receiving party, the date, time, and duration of the transmission, the number of pages transmitted, and whether or not the transmission was successful. If you want to use the Fax Transmission Report feature see *Printing reports* in the *Advanced User's Guide*.



## 10 Set tone or pulse dialling mode

Your machine comes set for Tone dialling service. If you have Pulse dialling service (rotary), you need to change the dialling mode.

- a** Press **Menu**, **0**, **4**.
- b** Press **▲** or **▼** to choose *Pulse* (or *Tone*). Press **OK**.
- c** Press **Stop/Exit**.

## 11 Set the telephone line compatibility

If you are connecting the machine to a VoIP service (over the Internet) you need to change the compatibility setting.

### Note

If you are using an analogue telephone line you can skip this step.

- a** Press **Menu**, **2**, **0**, **1**.
- b** Press **▲** or **▼** to choose *Basic* (for *VoIP*). Press **OK**.
- c** Press **Stop/Exit**.

## 12 Set the telephone line type

If you are connecting the machine to a line that features a PABX (PBX) or ISDN to send and receive faxes, it is also necessary to change the phone line type accordingly by completing the following steps.

- a** Press **Menu**, **0**, **6**.
- b** Press **▲** or **▼** to choose *PBX*, *ISDN* or *Normal*. Press **OK**.  
Do one of the following:
  - If you choose *ISDN* or *Normal*, go to step **f**.
  - If you choose *PBX*, go to step **c**.

- c** Do one of the following:
  - If you want to change the current prefix number, press **1** and go to step **d**.
  - If you do not want to change the current prefix number, press **2** and go to step **f**.

### Note

The default setting is "!". When you press **Tel/R**, "!" will be displayed on the LCD.

- d** Press **Clear** to delete the default setting, then enter the prefix number (up to 5 digits) on the dial pad, and then press **OK**.

### Note

- You can use the number 0 to 9, #, \* and !. (Press **Tel/R** to display "!").
- You cannot use ! with any other numbers or characters.
- If your telephone system requires a timed break recall, press **Tel/R** to enter the break.

- e** Press **▲** or **▼** to choose *On* or *Always* and press **OK**.

### Note

- If you choose *On*, pressing **Tel/R** (the screen displays "!") will let you access an outside line.
- If you choose *Always*, you can access an outside line without pressing **Tel/R**.

- f** Press **Stop/Exit**.

### Note

#### PBX and TRANSFER

The machine is initially set to *Normal*, which lets the machine connect to a standard PSTN (Public Switched Telephone Network) line. However, many offices use a central telephone system or Private Automatic Branch Exchange (PABX). Your machine can be connected to most types of PABX (PBX). The machine's recall feature supports timed break recall only (TBR). TBR will work with most PABX (PBX) systems allowing you to gain access to an outside line, or transfer calls to another extension. The feature works when **Tel/R** is pressed.

# 13

## Automatic Daylight Savings Time

You can set the machine to change automatically for daylight savings time. It will reset itself forward one hour in the Spring and backward one hour in the Autumn.

- a** Press **Menu**, **0**, **2**, **2**.
- b** Press **▲** or **▼** to choose **On** (or **Off**).  
Press **OK**.
- c** Press **Stop/Exit**.

# 14

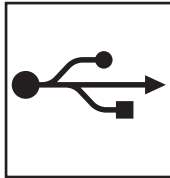
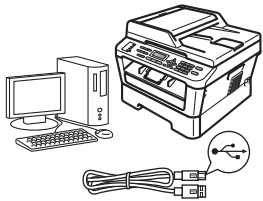
## Choose your connection type

These installation instructions are for Windows® 2000 Professional, Windows® XP Home/Windows® XP Professional, Windows® XP Professional x64 Edition, Windows Vista®, Windows® 7, and Mac OS X (versions 10.4.11, 10.5.x and 10.6.x).



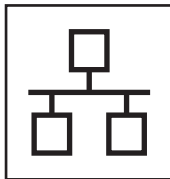
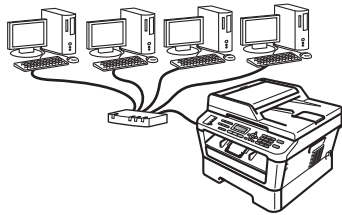
### Note

For Windows Server® 2003/2003 x64 Edition/2008/2008 R2, visit your model page at <http://solutions.brother.com/>.



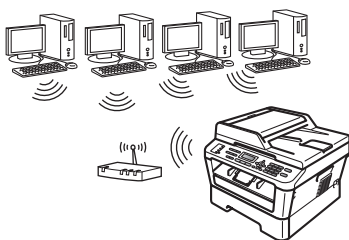
### For USB Interface Users

Windows®, go to page 12  
Macintosh, go to page 14



### For Wired Network

Windows®, go to page 16  
Macintosh, go to page 19



### For Wireless Network

Windows® and Macintosh,  
go to page 21



### Note

You can download the latest drivers and utilities for your machine from the Brother Solutions Center at <http://solutions.brother.com/>.

USB	Windows®
	Macintosh
Wired Network	Windows®
	Macintosh
Wireless Network	Windows®
	Macintosh



## For USB Interface Users

(Windows® 2000 Professional/XP/XP Professional x64 Edition/Windows Vista®/Windows® 7)

### 15 Before you install

- a** Make sure that your computer is ON and you are logged on with Administrator rights.

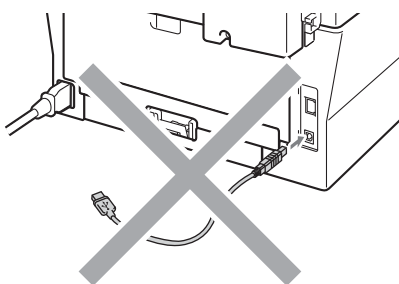
#### ! IMPORTANT

- If there are any programs running, close them.
- The screens may differ depending on your operating system.

#### Note

The installation CD-ROM includes ScanSoft™ PaperPort™ 12SE. This software supports Windows® XP (SP3 or greater), XP Professional x64 Edition (SP2 or greater), Windows Vista® (SP2 or greater) and Windows® 7. Update to the latest Windows® Service Pack before installing MFL-Pro Suite. For Windows® 2000 (SP4 or greater) users, when the ScanSoft™ PaperPort™ 11SE download screen appears during the installation of MFL-Pro Suite, follow the on-screen instructions.

- b** Turn off the machine and make sure the USB interface cable is **NOT** connected to the machine. If you have already connected the cable, disconnect it.



### 16 Install MFL-Pro Suite

- a** Put the installation CD-ROM into your CD-ROM drive. If the model name screen appears, choose your machine. If the language screen appears, choose your language.

#### Note

If the Brother screen does not appear automatically, go to **My Computer (Computer)**, double-click the CD-ROM icon, and then double-click **start.exe**.

- b** Click **Initial Installation** and then **Install MFL-Pro Suite**.



- c** Click **Yes** if you accept the license agreements.


#### Note

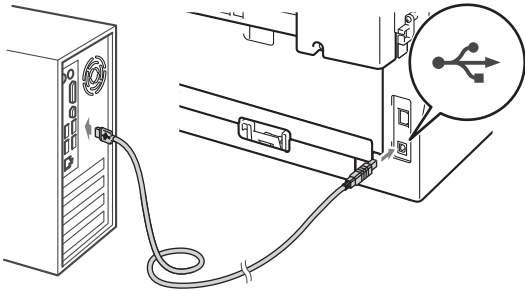
- If the installation does not continue automatically, open the top menu again by ejecting and then reinserting the CD-ROM or double-click the **start.exe** program from the root folder, and continue from step **b** to install MFL-Pro Suite.
- For Windows Vista® and Windows® 7 users, when the **User Account Control** screen appears, click **Allow** or **Yes**.
- If you want to install the PS driver (BR-Script3 printer driver), choose **Custom Install** and then follow the on-screen instructions.

- d** Follow the on-screen instructions until this screen appears.





- e** Connect the USB cable to the USB connector marked with the  symbol on your machine and then connect the cable to your computer.



- f** Turn the machine on, and follow the on-screen instructions to complete setup.

## ! IMPORTANT

**DO NOT cancel any of the screens during the installation. It may take a few seconds for all screens to appear.**

### Note

- For Windows Vista® and Windows® 7 users, when the **Windows Security** screen appears, select the check box and click **Install** to complete the installation correctly.
- If an error message appears during the software installation, run the **Installation Diagnostics** located in **Start/All Programs/Brother/MFC-XXXX** (where MFC-XXXX is your model name).

## Finish

**The installation is now complete.**

### Note

- Depending on your security settings, a Windows Security or antivirus software window may appear when using the machine or its software. Please allow or permit the window to continue.
- **XML Paper Specification Printer Driver**  
The XML Paper Specification Printer Driver is the most suitable driver for Windows Vista® and Windows® 7 when printing from applications that use the XML Paper Specification documents. Please download the latest driver by accessing the Brother Solutions Center at <http://solutions.brother.com/>.



## For USB Interface Users (Mac OS X 10.4.11 - 10.6.x)

### 15 Before you install


- a** Make sure your machine is connected to the power and your Macintosh is ON. You must be logged on with Administrator rights.

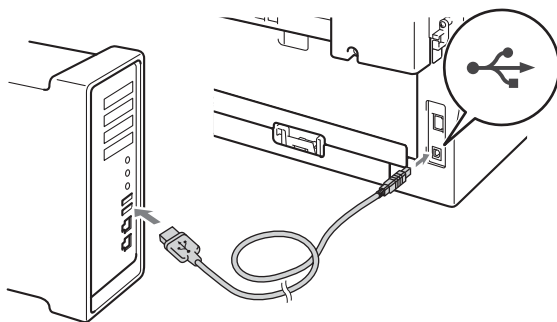
#### IMPORTANT

For Mac OS X 10.4.10 users, upgrade to Mac OS X 10.4.11 - 10.6.x. (For the latest drivers and information on the Mac OS X you are using, visit <http://solutions.brother.com/>.)

#### Note

If you want to install the PS driver (BR-Script3 printer driver), please go to the Brother Solutions Center at <http://solutions.brother.com/>, click Downloads on your model page and visit FAQ's for setup instructions.

- b** Connect the USB cable to the USB connector marked with the  symbol on your machine and then connect the cable to your Macintosh.



- c** Make sure your machine's power switch is on.

### 16 Install MFL-Pro Suite

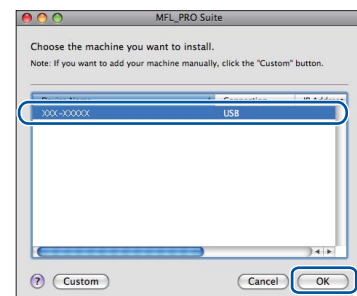
- a** Put the installation CD-ROM into your CD-ROM drive.
- b** Double-click the **Start Here OSX** icon. Follow the on-screen instructions.



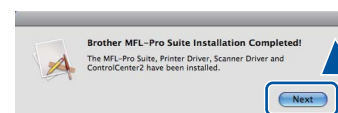
#### Note

It may take a few minutes for installation to complete.

- c** Follow the on-screen instructions until this screen appears. Choose your machine from the list, and then click **OK**.



- d** When this screen appears, click **Next**.



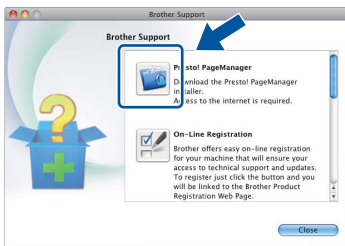
- OK!** The installation of MFL-Pro Suite is now complete. Go to step 17 on page 15.



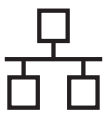
## 17 Download and install Presto! PageManager

When Presto! PageManager is installed OCR capability is added to Brother ControlCenter2. You can easily scan, share and organize photos and documents using Presto! PageManager.

On the **Brother Support** screen, click **Presto! PageManager** and follow the on-screen instructions.



**The installation is now complete.**



## For Wired Network Interface Users

(Windows® 2000 Professional/XP/XP Professional x64 Edition/Windows Vista®/Windows® 7)

### 15 Before you install


- a** Make sure that your computer is ON and you are logged on with Administrator rights.

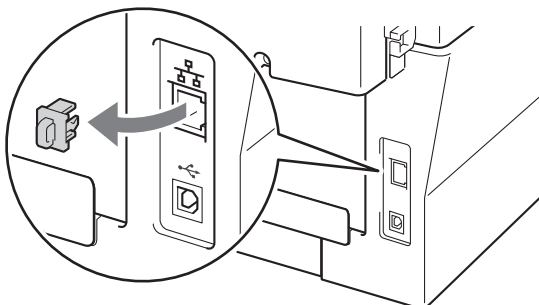
#### ! IMPORTANT

- If there are any programs running, close them.
- The screens may differ depending on your operating system.

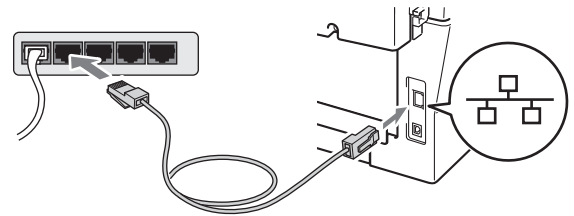
#### Note

- The installation CD-ROM includes ScanSoft™ PaperPort™ 12SE. This software supports Windows® XP (SP3 or greater), XP Professional x64 Edition (SP2 or greater), Windows Vista® (SP2 or greater) and Windows® 7. Update to the latest Windows® Service Pack before installing MFL-Pro Suite. For Windows® 2000 (SP4 or greater) users, when the ScanSoft™ PaperPort™ 11SE download screen appears during the installation of MFL-Pro Suite, follow the on-screen instructions.
- Disable all personal firewall software (other than Windows® Firewall), anti-spyware or antivirus applications for the duration of the installation.

- b** Remove the protective cap from the LAN connector marked with a  symbol.



- c** Connect the network interface cable to the LAN connector and then connect it to a free port on your hub.



- d** Make sure your machine's power switch is on.

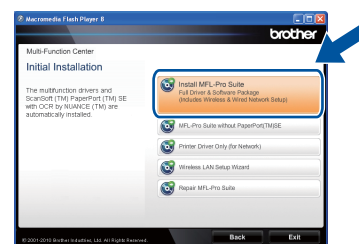
### 16 Install MFL-Pro Suite

- a** Put the installation CD-ROM into your CD-ROM drive. If the model name screen appears, choose your machine. If the language screen appears, choose your language.

#### Note

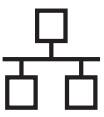
If the Brother screen does not appear automatically, go to **My Computer (Computer)**, double-click the CD-ROM icon, and then double-click **start.exe**.

- b** Click **Initial Installation** and then **Install MFL-Pro Suite**.



- c** Click **Yes** if you accept the license agreements.

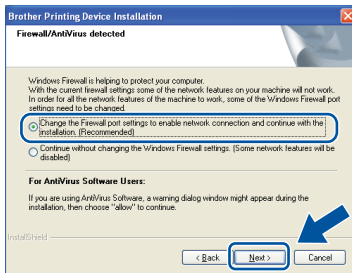




## Note

- If the installation does not continue automatically, open the top menu again by ejecting and then reinserting the CD-ROM or double-click the **start.exe** program from the root folder, and continue from step **b** to install MFL-Pro Suite.
- For Windows Vista® and Windows® 7 users, when the **User Account Control** screen appears, click **Allow** or **Yes**.
- If you want to install the PS driver (BR-Script3 printer driver), choose **Custom Install** and then follow the on-screen instructions.

- d** When the **Firewall/AntiVirus detected** screen appears, choose **Change the Firewall port settings to enable network connection and continue with the installation. (Recommended)** and click **Next**. (Not for Windows® 2000 users)



If you are not using the Windows® Firewall, see the user's guide of your firewall or antivirus software for information on how to add the following network ports.

- For network scanning, add UDP port 54925.
- For network PC-Fax receiving, add UDP port 54926.
- If you still have trouble with your network connection, add UDP port 137.

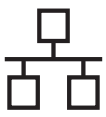
- e** Follow the on-screen instructions to complete setup.

## ! IMPORTANT

**DO NOT cancel any of the screens during the installation. It may take a few seconds for all screens to appear.**

## Note

- If your machine is not found over the network, confirm your settings by following the on-screen instructions.
- You can find your machine's IP address and the node name by printing out the Network Configuration Report. See *Print the Network Configuration Report* on page 37.
- For Windows Vista® and Windows® 7 users, when the **Windows Security** screen appears, select the check box and click **Install** to complete the installation correctly.
- If an error message appears during the software installation, run the **Installation Diagnostics** located in **Start/All Programs/Brother/MFC-XXXX LAN** (where MFC-XXXX is your model name).



## 17 Install MFL-Pro Suite on additional computers (if needed)

If you want to use your machine with multiple computers on the network, install MFL-Pro Suite on each computer. Go to step **16** on page 16.

### Note

#### Network license (Windows®)

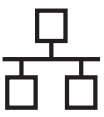
This product includes a PC license for up to 5 users. This license supports the installation of the MFL-Pro Suite including ScanSoft™ PaperPort™ 12SE or ScanSoft™ PaperPort™ 11SE on up to 5 PCs on the network. If you want to use more than 5 PCs with ScanSoft™ PaperPort™ 12SE or ScanSoft™ PaperPort™ 11SE installed, please purchase the Brother NL-5 pack which is a multiple PC license agreement pack for up to 5 additional users. To purchase the NL-5 pack, contact your authorized Brother dealer or contact Brother customer service.

## Finish

The installation is now complete.

### Note

- If you use a specified IP Address for the machine, you must set the Boot Method to Static by using the control panel. For more information, see *Network menu* in the *Network User's Guide*.
- Depending on your security settings, a Windows Security or antivirus software window may appear when using the machine or its software. Please allow or permit the window to continue.
- **XML Paper Specification Printer Driver**  
The XML Paper Specification Printer Driver is the most suitable driver for Windows Vista® and Windows® 7 when printing from applications that use the XML Paper Specification documents. Please download the latest driver by accessing the Brother Solutions Center at <http://solutions.brother.com/>.



## For Wired Network Interface Users (Mac OS X 10.4.11 - 10.6.x)

### 15 Before you install


- a** Make sure your machine is connected to the power and your Macintosh is ON. You must be logged on with Administrator rights.

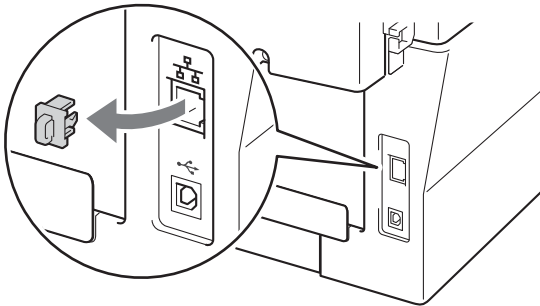
#### IMPORTANT

For Mac OS X 10.4.10 users, upgrade to Mac OS X 10.4.11 - 10.6.x. (For the latest drivers and information on the Mac OS X you are using, visit <http://solutions.brother.com/>.)

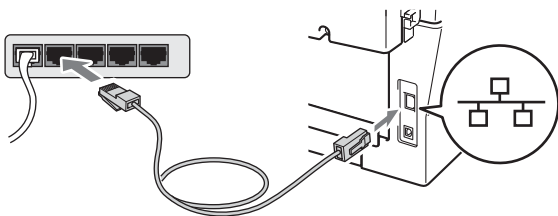
#### Note

If you want to install the PS driver (BR-Script3 printer driver), please go to the Brother Solutions Center at <http://solutions.brother.com/>, click Downloads on your model page and visit FAQ's for setup instructions.

- b** Remove the protective cap from the LAN connector marked with a  symbol.



- c** Connect the network interface cable to the LAN connector and then connect it to a free port on your hub.



- d** Make sure your machine's power switch is on.

### 16 Install MFL-Pro Suite

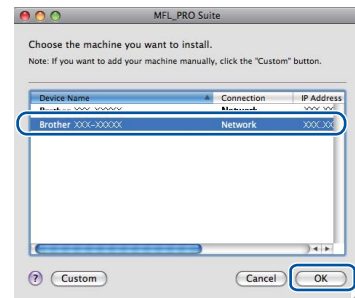
- a** Put the installation CD-ROM into your CD-ROM drive.
- b** Double-click the **Start Here OSX** icon. Follow the on-screen instructions.



#### Note

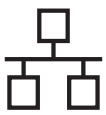
It may take a few minutes for installation to complete.

- c** Follow the on-screen instructions until this screen appears. Choose your machine from the list, and then click **OK**.



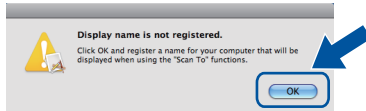
#### Note

If your machine is not found over the network, confirm your network settings.

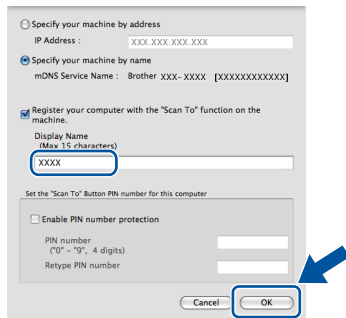



## Note

- You can find your machine's MAC Address (Ethernet Address) and IP Address by printing out the Network Configuration Report. See *Print the Network Configuration Report* on page 37.
- If this screen appears click **OK**.

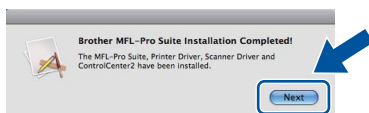


Enter a name for your Macintosh in **Display Name** up to 15 characters long and click **OK**. Go to **d**.



- If you want to use the machine's **SCAN** key to scan over the network, you must check the **Register your computer with the "Scan To" function on the machine box**.
- The name you enter will appear on the machine's LCD when you press  (**SCAN**) and choose a scan option. (For more information, see *Network Scanning* in the *Software User's Guide*.)

**d** When this screen appears, click **Next**.

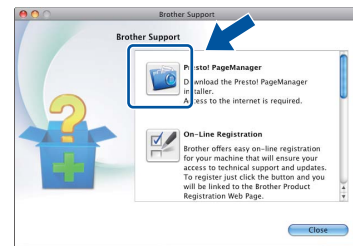


**OK!** The installation of MFL-Pro Suite is now complete. Go to step 17 on page 20.

## 17 Download and install Presto! PageManager

When Presto! PageManager is installed OCR capability is added to Brother ControlCenter2. You can easily scan, share and organize photos and documents using Presto! PageManager.

On the **Brother Support** screen, click **Presto! PageManager** and follow the on-screen instructions.



## 18 Install MFL-Pro Suite on additional computers (if needed)

If you want to use your machine with multiple computers on the network, install MFL-Pro Suite on each computer. Go to step 16 on page 19.

**Finish** The installation is now complete.

## Note

If you use a specified IP Address for the machine, you must set the Boot Method to Static by using the control panel. For more information, see *Network menu* in the *Network User's Guide*.



## For Wireless Network Interface Users

### 15 Before you begin

First you must configure the wireless network settings of your machine to communicate with your network access point/router. After the machine is configured to communicate with your access point/router, computers on your network will have access to the machine. To use the machine from these computers, you will need to install the drivers and software. The following steps will guide you through the configuration and installation process.

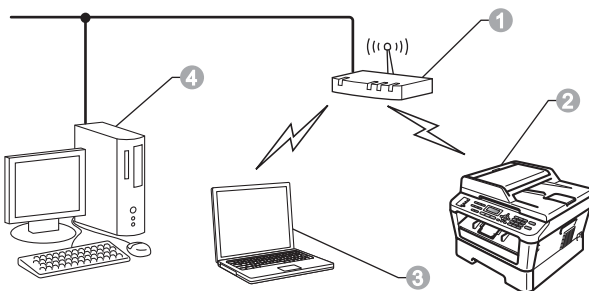
#### ! IMPORTANT

- If you are going to connect the machine to your network, we recommend that you contact your system administrator prior to installation. You must know your wireless network settings before you proceed with this installation.
- If you have previously configured the wireless settings of the machine you must reset the network (LAN) settings before you can configure the wireless settings again.
  1. On your machine, press Menu. Press 6.
  2. Press 0 to choose `Network Reset`.
  3. Press 1 twice for `Yes` to accept the change.

#### Note

- To achieve optimum results with normal everyday document printing, place the Brother machine as close to the network access point/router as possible with minimal obstructions. Large objects and walls between the two devices as well as interference from other electronic devices can affect the data transfer speed of your documents.  
Due to these factors, wireless may not be the best method of connection for all types of documents and applications. If you are printing large files, such as multi-page documents with mixed text and large graphics, you may want to consider choosing wired Ethernet for a faster data transfer or USB for the fastest throughput speed.
- Although the Brother MFC-7860DW can be used in both a wired and wireless network, only one of the connection methods can be used at a time.

#### Infrastructure Mode



- 1 Access point/router
- 2 Wireless Network machine (your machine)
- 3 Wireless capable computer connected to the access point/router
- 4 Wired computer connected to the access point/router



## 16 Choose your wireless install method

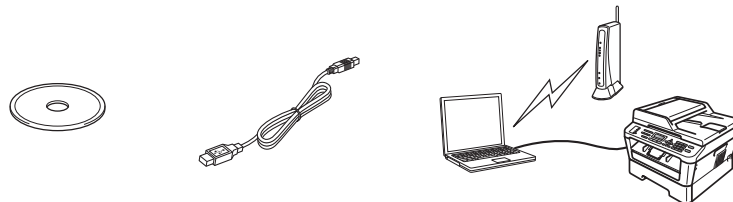
The following instructions will offer three methods for installing your Brother machine in a wireless network environment. Choose the method you prefer for your environment.



### Note

To setup your machine in any other wireless environment, you can find instructions in the *Network User's Guide*.

### a Configuration using the Installation CD-ROM and temporarily using a USB cable (Windows® only)



It is recommended that you use a PC wirelessly connected to your network for this method.

#### ! IMPORTANT

- You need to temporarily use a USB cable during configuration (cable not included).
- For Windows® 2000 and Windows® XP users you will need to know the wireless settings of your network before you proceed. Please write down your wireless network settings in the area below.

Item	Record the current wireless network settings
SSID (Network Name)	
Network Key (Security Key/Encryption Key)	

\* The Network Key may also be described as the Password, Security Key or Encryption Key.

#### ! IMPORTANT

**Please do not contact Brother Customer Service for assistance without the wireless security information. We cannot assist you in locating your network security settings.**



### Note

- If you do not know this information (SSID and Network Key), you cannot continue the wireless setup.
- How can I find this information (SSID and Network Key)?
  1. You should see the documentation provided with your wireless access point/router.
  2. The initial network name could be the manufacturer's name or the model name.
  3. If you do not know the security information, please consult the router manufacturer, your system administrator, or internet provider.

Now go to

page 24



## **b** Manual configuration from the control panel (Windows® and Macintosh)

If your wireless access point/router does not support Wi-Fi Protected Setup (WPS) or AOSS™, **write down the wireless network settings** of your wireless access point/router in the area below.

### **! IMPORTANT**

**Please do not contact Brother Customer Service for assistance without the wireless security information. We cannot assist you in locating your network security settings.**

Item	Record the current wireless network settings
SSID (Network Name)	
Network Key (Security Key/Encryption Key)	

\* The Network Key may also be described as the Password, Security Key or Encryption Key.



### **Note**

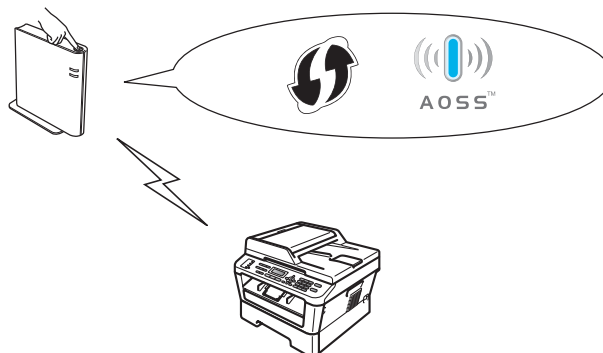
- If you do not know this information (SSID and Network Key), you cannot continue the wireless setup.
- How can I find this information (SSID and Network Key)?
  1. You should see the documentation provided with your wireless access point/router.
  2. The initial network name could be the manufacturer's name or the model name.
  3. If you do not know the security information, please consult the router manufacturer, your system administrator, or internet provider.

**Now go to**

**page 27**

## **c** One push configuration using Wi-Fi Protected Setup or AOSS™ (Windows® and Macintosh)

If your wireless access point/router supports automatic wireless (one-push) setup (Wi-Fi Protected Setup or AOSS™)



**Now go to**

**page 28**



## Configuration using the Installation CD-ROM and temporarily using a USB cable (Windows® only)

### 17 Configure the wireless settings

#### IMPORTANT

- You need to temporarily use a USB cable or Ethernet cable during configuration (cable not included).
- For Windows® 2000 and Windows® XP users you must have the wireless settings you wrote down for your network in step 16 on page 22 before you proceed.

**a** Put the installation CD-ROM into your CD-ROM drive. If prompted, select your model and language.

#### Note

If the Brother screen does not appear automatically, go to **My Computer (Computer)**, double-click the CD-ROM icon, and then double-click **start.exe**.

**b** Click **Initial Installation** and then **Install MFL-Pro Suite**.



**c** Click **Yes** if you accept the license agreement. Follow the on-screen instructions.

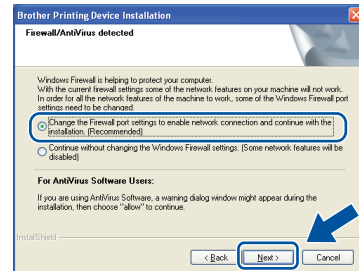
**d** Choose **Wireless Network Connection** and then click **Next**.



#### Note

For Windows Vista® and Windows® 7, when the **User Account Control** screen appears, click **Allow** or **Yes**.

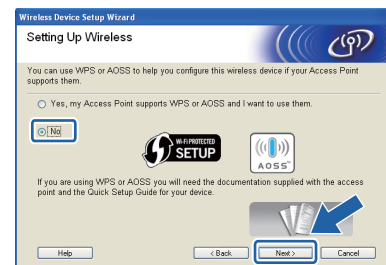
**e** When this screen appears, choose **Change the Firewall port settings to enable network connection and continue with the installation. (Recommended)** and click **Next**. (Not for Windows® 2000 users)



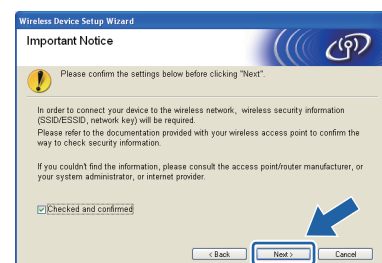
If you are not using the Windows® Firewall, see the user's guide of your firewall or antivirus software for information on how to add the following network ports.

- For network scanning, add UDP port 54925.
- For network PC-Fax receiving, add UDP port 54926.
- If you still have trouble with your network connection, add UDP port 137.

**f** Choose **No** and then click **Next**.



**g** Read the **Important Notice**. Check the box after you confirm the SSID and Network Key, and then click **Next**.



#### Note

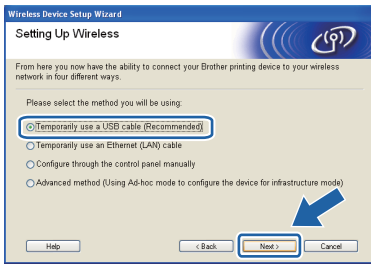
If you are installing from a wireless PC running Windows Vista® or Windows® 7, check the box and then click next. The installer will automatically detect your wireless network settings.





# For Wireless Network Users

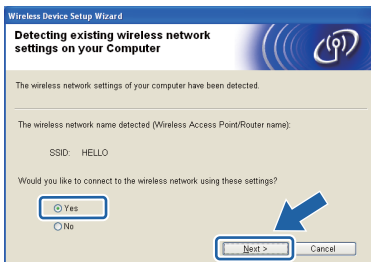
**h** Choose **Temporarily use a USB cable (Recommended)** and then click **Next**.



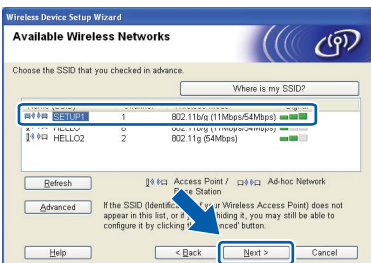
**i** Temporarily connect the USB cable (not included) directly to the computer and the machine.



**j** If the confirmation screen appears, check the box and click **Next**. When the following screen appears, check **Yes** if you want to connect with the listed SSID. Click **Next** and go to **n**.

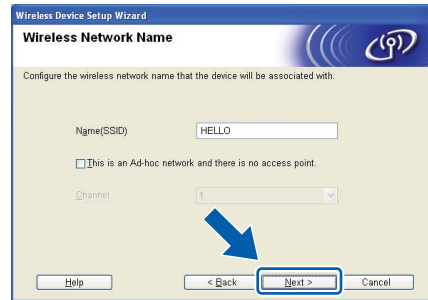


**k** The wizard will search for wireless networks available from your machine. Choose the SSID that you wrote down for your network in step **16** on page 22, and then click **Next**.



## Note

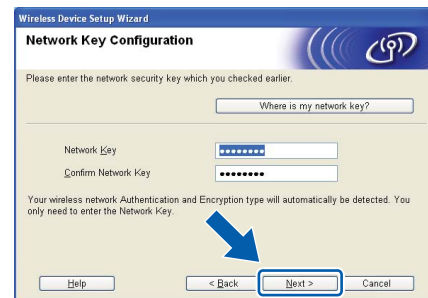
- If the list is blank, check that the access point has power and is broadcasting the SSID, and then see if the machine and the access point are within range for wireless communication. Then, click **Refresh**.
- If your access point is set to not broadcast the SSID you can manually add it by clicking the **Advanced** button. Follow the on-screen instructions for entering the **Name (SSID)**, and then click **Next**.



**l** If your network is not configured for Authentication and Encryption, the following screen will appear. To continue configuration, click **OK** and go to **n**.

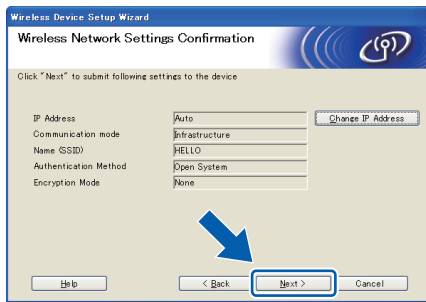


**m** Enter the **Network Key** you wrote down in step **16** on page 22 and then enter the key again in **Confirm Network Key**, then click **Next**.





- n** Click **Next**. The settings will be sent to your machine.



## Note

- The settings will remain unchanged if you click **Cancel**.
- If you want to manually enter the IP address settings of your machine, click **Change IP Address** and enter the necessary IP address settings for your network.
- If the wireless setup failure screen appears, click **Retry** and try starting from step **k** again.

- o** A connection result message appears for 60 seconds on the LCD.
- p** Disconnect the USB cable between the computer and the machine.



**Wireless setup is now complete. A four level indicator at the right of your machine's LCD will show the wireless signal strength of your access point/router.**

**To install MFL-Pro Suite, continue to step **f** on page 34.**

**Now go to  
page 34**



## Manual configuration from the control panel (Windows® and Macintosh)

### 17 Configure the wireless settings

#### ! IMPORTANT

You must have the wireless settings you wrote down for your network in step 16 on page 22 before you proceed.

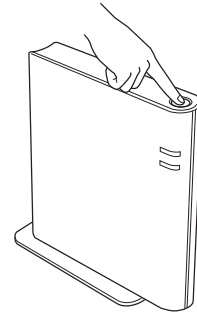
- a** On your machine, press **Menu**, **6** (Network), **2** (WLAN), **2** (Setup Wizard).  
When `WLAN Enable ?` is displayed, press **1** to choose `On`. This will start the wireless setup wizard.  
Otherwise press **Stop/Exit** to exit from the wireless setup wizard.
- b** The machine will search for available SSIDs. If a list of SSIDs is displayed, use the **▲** or **▼** key to choose the SSID you wrote down in step 16 on page 22, then press **OK**.  
If you are using an authentication and encryption method that requires a Network Key, go to **c**.  
If your authentication method is Open System and your encryption mode is None, go to **e**.



#### Note

- It will take several seconds to display a list of available SSIDs.
- If a list of SSIDs is not displayed, make sure your access point is on. Move your machine closer to the access point and try starting from **a** again.
- If your access point is set to not broadcast the SSID you will have to manually add the SSID name. For details, see *Configuring your machine when the SSID is not broadcast* in the *Network User's Guide*.

If your wireless access point/router supports Wi-Fi Protected Setup, Selected access point supports WPS. Use `WPS?` appears. To connect your machine using the automatic wireless mode, press **1** to choose `Yes`. (If you choose `No`, go to **c** to enter the Network Key.) When `Start WPS on your wireless access point/router, then choose Next.` appears, press the `Wi-Fi Protected Setup` button on your wireless access point/router, and then press **1**. Go to **e**.



- c** Enter the Network Key you wrote down in step 16 on page 22 using the dial pad to choose each letter or number. To delete the letters you have entered, press **Clear**.  
For example, to enter the letter `a`, press the **2** key on the dial pad once. To enter the number `3`, press the **3** key on the dial pad seven times. The letters appear in this order: lower case, upper case and then numbers.  
For more information, see *Entering Text for Wireless Settings* on page 32.  
Press **OK** when you have entered all the characters, then press **1** for `Yes` to apply your settings. Go to **d**.
- d** Your machine will now try to connect to your wireless network using the information you have entered.
- e** A connection result message appears on the LCD and a WLAN report will automatically be printed.  
If the connection failed, check the error code on the printed report and refer to *Troubleshooting* on page 29.
- OK!** **Wireless setup is now complete. A four level indicator at the right of your machine's LCD will show the wireless signal strength of your access point/router.**

To install the MFL-Pro Suite, continue to step 18.

For Windows® Users:

Now go to  
page 33

For Macintosh Users:

Now go to  
page 35



## One push configuration using Wi-Fi Protected Setup or AOSS™ (Windows® and Macintosh)

### 17 Configure the wireless settings

- a** Confirm your wireless access point/router has the Wi-Fi Protected Setup or AOSS™ symbol as shown below.



- b** Place the Brother machine within range of your Wi-Fi Protected Setup or AOSS™ access point/router. The range may differ depending on your environment. Refer to the instructions provided with your access point/router.

- c** On your machine, press **Menu**, **6** (Network), **2** (WLAN), **3** (WPS/AOSS).

When **WLAN Enable ?** is displayed, press **1** to choose **On**. This will start the wireless setup wizard.

Otherwise press **Stop/Exit** to exit from the wireless setup wizard.

When **Start WPS/AOSS on your wireless access point/router** appears, press the **Wi-Fi Protected Setup or AOSS™** button on your wireless access point/router. See the user's guide for your wireless access point/router for instructions. And then press **OK**.



This feature will automatically detect which mode (Wi-Fi Protected Setup or AOSS™) your access point/router uses to configure your machine.

#### Note

If your wireless access point/router supports Wi-Fi Protected Setup (PIN Method) and you want to configure your machine using the PIN (Personal Identification Number) Method, see *Using the PIN Method of Wi-Fi Protected Setup* in the *Network User's Guide*.

- d** A connection result message appears on the LCD and a WLAN report will automatically be printed.  
If the connection failed, check the error code on the printed report and refer to *Troubleshooting* on page 29.

**OK!** **Wireless setup is now complete. A four level indicator at the right of your machine's LCD will show the wireless signal strength of your access point/router.**

To install the MFL-Pro Suite, continue to step 18.

For Windows® Users:

**Now go to page 33**

For Macintosh Users:

**Now go to page 35**



## Troubleshooting

### ! IMPORTANT

Please do not contact Brother Customer Service for assistance without the wireless security information. We cannot assist you in locating your network security settings.

### How can I find the wireless settings (SSID and Network Key)

1. You should see the documentation provided with your wireless access point/router.
2. The initial network name could be the manufacturer's name or the model name.
3. If you do not know the security information, please consult the router manufacturer, your system administrator or internet provider.

- \* The Network Key may also be described as the Password, Security Key or Encryption Key.
- \* If the wireless access point/router is set to not broadcast the SSID, the SSID will not automatically be detected. You will have to manually enter the SSID name. See *Configuring your machine when the SSID is not broadcast* in the *Network User's Guide*.

### WLAN report


If the WLAN report that printed shows that the connection failed, check the error code on the printed report and refer to the following instructions.

Error code	Recommended Solutions
TS-01	<p>The wireless setting is not activated, turn the wireless setting to ON.</p> <ul style="list-style-type: none"> <li>- If a LAN cable is connected to your machine, disconnect it and turn the wireless setting of your machine to ON.               <ol style="list-style-type: none"> <li>1. On your machine, press <b>Menu</b>, <b>6</b> (Network), <b>2</b> (WLAN), <b>2</b> (Setup Wizard).</li> <li>2. When WLAN Enable ? is displayed, press <b>1</b> to choose On. This will start the wireless setup wizard.</li> </ol> </li> </ul>
TS-02	<p>The wireless access point/router cannot be detected.</p> <ol style="list-style-type: none"> <li>1. Check the following 4 points.           <ul style="list-style-type: none"> <li>- Make sure that the wireless access point/router is powered on.</li> <li>- Move your machine to an obstruction-free area, or closer to the wireless access point/router.</li> <li>- Temporarily place your machine within about 3.3 feet (one meter) from the wireless access point when you are configuring the wireless settings.</li> <li>- If your wireless access point/router is using MAC address filtering, confirm the MAC address of the Brother machine is allowed in the filter.</li> </ul> </li> <li>2. If you manually entered the SSID and security information (SSID/authentication method/encryption method/Network Key) the information may be incorrect. Reconfirm the SSID and security information and re-enter the correct information as necessary. See <i>How can I find the wireless settings (SSID and Network Key)</i> on page 29 to confirm.</li> </ol>



Error code	Recommended Solutions												
TS-04	<p>The Authentication/Encryption methods used by the selected wireless access point/router are not supported by your machine.</p> <p>For infrastructure mode, change the authentication and encryption methods of the wireless access point/router. Your machine supports the following authentication methods WPA, WPA2, OPEN and Shared key. WPA supports TKIP or AES encryption methods. WPA2 supports AES for the encryption method. OPEN and Shared key correspond to WEP encryption.</p> <p>If your problem is not solved, the SSID or network settings you entered may be incorrect. Reconfirm the wireless network settings.</p> <p>Combined table of authentication and encryption methods</p> <table border="1" data-bbox="411 672 1173 969"> <thead> <tr> <th data-bbox="411 672 794 712">Authentication method</th> <th data-bbox="794 672 1173 712">Encryption method</th> </tr> </thead> <tbody> <tr> <td data-bbox="411 712 794 797" rowspan="2">WPA-Personal</td> <td data-bbox="794 712 1173 752">TKIP</td> </tr> <tr> <td data-bbox="794 752 1173 797">AES</td> </tr> <tr> <td data-bbox="411 797 794 837">WPA2-Personal</td> <td data-bbox="794 797 1173 837">AES</td> </tr> <tr> <td data-bbox="411 837 794 922" rowspan="2">OPEN</td> <td data-bbox="794 837 1173 878">WEP</td> </tr> <tr> <td data-bbox="794 878 1173 922">NONE (without encryption)</td> </tr> <tr> <td data-bbox="411 922 794 969">Shared key</td> <td data-bbox="794 922 1173 969">WEP</td> </tr> </tbody> </table> <p>See <i>How can I find the wireless settings (SSID and Network Key)</i> on page 29 to confirm.</p> <p>For ad-hoc mode, change the authentication and encryption methods of your computer for the wireless setting. Your machine supports OPEN authentication method only, with optional WEP encryption.</p>	Authentication method	Encryption method	WPA-Personal	TKIP	AES	WPA2-Personal	AES	OPEN	WEP	NONE (without encryption)	Shared key	WEP
Authentication method	Encryption method												
WPA-Personal	TKIP												
	AES												
WPA2-Personal	AES												
OPEN	WEP												
	NONE (without encryption)												
Shared key	WEP												
TS-05	<p>The security information (SSID/Network Key) is incorrect. Reconfirm the SSID and security information (Network Key). If your router uses WEP encryption, enter the key used as the first WEP key. Your Brother machine supports the use of the first WEP key only.</p> <p>See <i>How can I find the wireless settings (SSID and Network Key)</i> on page 29 to confirm.</p>												
TS-06	<p>The wireless security information (Authentication method/Encryption method/Network Key) is incorrect. Reconfirm the wireless security information (Authentication method/Encryption method/Network Key) in the table of TS-04. If your router uses WEP encryption, enter the key used as the first WEP key. Your Brother machine supports the use of the first WEP key only.</p> <p>See <i>How can I find the wireless settings (SSID and Network Key)</i> on page 29 to confirm.</p>												



Error code	Recommended Solutions
TS-07	<p>The machine cannot detect a wireless access point/router that has WPS or AOSS™ enabled.</p> <p>If you would like to configure your wireless settings using WPS or AOSS™, you must operate both your machine and the wireless access point/router. Confirm your wireless access point/router supports WPS or AOSS™ and try starting again.</p>  <p>If you do not know how to operate your wireless access point/router using WPS or AOSS™, see the documentation provided with your wireless access point/router, ask the manufacturer of your wireless access point/router or ask your network administrator.</p>
TS-08	<p>Two or more wireless access points that have WPS or AOSS™ enabled are detected.</p> <ul style="list-style-type: none"><li>- Confirm that only one wireless access point/router within range has the WPS or AOSS™ method active and try again.</li><li>- Try starting again after a few minutes in order to avoid interference from other access points.</li></ul>



## Entering Text for Wireless Settings

Most number keys have three or four letters printed on them. The keys for **0**, **#** and **\*** do not have printed letters because they are used for special characters.

By pressing the correct number key repeatedly, you can access the character you want.

### For configuring wireless network settings

Press Key	One time	Two times	Three times	Four times	Five times	Six times	Seven times	Eight times	Nine times
<b>2</b>	a	b	c	A	B	C	2	a	b
<b>3</b>	d	e	f	D	E	F	3	d	e
<b>4</b>	g	h	i	G	H	I	4	g	h
<b>5</b>	j	k	l	J	K	L	5	j	k
<b>6</b>	m	n	o	M	N	O	6	m	n
<b>7</b>	p	q	r	s	P	Q	R	S	7
<b>8</b>	t	u	v	T	U	V	8	t	u
<b>9</b>	w	x	y	z	W	X	Y	Z	9

### Putting spaces

To enter a space in a name, press **▶** twice between characters.

### Making corrections

If you entered a letter incorrectly and want to change it, press **◀** or **▶** to move the cursor under the incorrect character, press **Clear**. Re-enter the correct character. You can also back up and insert letters.

Otherwise press **Clear** to delete the character to the left, and then re-enter the correct character.

### Repeating letters

If you need to enter a letter that is on the same key as the letter before, press **▶** to move the cursor right before you press the key again.

### Special characters and symbols

Press **\***, **#** or **0**, then press **◀** or **▶** to move the cursor to the special character or symbol you want. Press **OK** to choose it.

Press **\*** for (space) ! " # \$ % & ' ( ) \* + , - . /

Press **#** for ; < = > ? @ [ ] ^ \_ \ ~ ` | { }

Press **0** for 0 \ { | } ~

Press **1** for @ . / 1





## Install the Drivers & Software (Windows® 2000 Professional/XP/XP Professional x64 Edition/Windows Vista®/Windows® 7)

### 18 Before you install

Make sure that your computer is ON and you are logged on with Administrator rights.

#### ! IMPORTANT

- If there are any programs running, close them.
- The screens may differ depending on your operating system.

#### Note

- The installation CD-ROM includes ScanSoft™ PaperPort™ 12SE. This software supports Windows® XP (SP3 or greater), XP Professional x64 Edition (SP2 or greater), Windows Vista® (SP2 or greater) and Windows® 7. Update to the latest Windows® Service Pack before installing MFL-Pro Suite. For Windows® 2000 (SP4 or greater) users, when the ScanSoft™ PaperPort™ 11SE download screen appears during the installation of MFL-Pro Suite, follow the on-screen instructions.
- Disable all personal firewall software (other than Windows® Firewall), anti-spyware or antivirus applications for the duration of the installation.

### 19 Install MFL-Pro Suite

- a** Put the installation CD-ROM into your CD-ROM drive. If the model name screen appears, choose your machine. If the language screen appears, choose your language.

#### Note

If the Brother screen does not appear automatically, go to **My Computer (Computer)**, double-click the CD-ROM icon, and then double-click **start.exe**.

- b** Click **Initial Installation** and then **Install MFL-Pro Suite**.



- c** Click **Yes** if you accept the license agreements.

#### Note

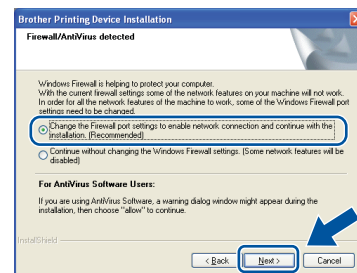
- If the installation does not continue automatically, open the top menu again by ejecting and then reinserting the CD-ROM or double-click the **start.exe** program from the root folder, and continue from step **b** to install MFL-Pro Suite.
- For Windows Vista® and Windows® 7 users, when the **User Account Control** screen appears, click **Allow** or **Yes**.

- d** Choose **Wireless Network Connection** and click **Next**.

#### Note

If you want to install the PS driver (BR-Script3 printer driver), choose **Custom Install** and then follow the on-screen instructions.

- e** When the **Firewall/AntiVirus detected** screen appears, choose **Change the Firewall port settings to enable network connection and continue with the installation. (Recommended)** and click **Next**. (Not for Windows® 2000 users)

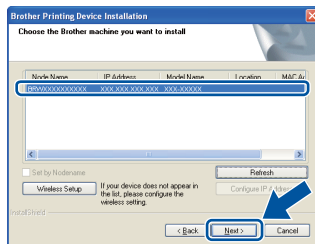




If you are not using the Windows® Firewall, see the user's guide of your firewall or antivirus software for information on how to add the following network ports.

- For network scanning, add UDP port 54925.
- For network PC-Fax receiving, add UDP port 54926.
- If you still have trouble with your network connection, add UDP port 137.

**f** Follow the on-screen instructions until this screen appears. Choose the machine from the list, and then click **Next**.



**Note**

If you are using WEP and the LCD displayed 'Connected' but your machine is not found, make sure you entered the WEP key correctly. The WEP key is case sensitive.

**g** Follow the on-screen instructions to complete setup.

**! IMPORTANT**

**DO NOT cancel any of the screens during the installation. It may take a few seconds for all screens to appear.**

**Note**

- For Windows Vista® and Windows® 7 users, when the **Windows Security** screen appears, select the check box and click **Install** to complete the installation correctly.
- If an error message appears during the software installation, run the **Installation Diagnostics** located in **Start/All Programs/Brother/MFC-XXXX LAN** (where MFC-XXXX is your model name).

## 20 Install MFL-Pro Suite on additional computers (if needed)

If you want to use your machine with multiple computers on the network, install MFL-Pro Suite on each computer. Go to step **19** on page 33.

**Note**

**Network license (Windows®)**

This product includes a PC license for up to 5 users. This license supports the installation of the MFL-Pro Suite including ScanSoft™ PaperPort™ 12SE or ScanSoft™ PaperPort™ 11SE on up to 5 PCs on the network. If you want to use more than 5 PCs with ScanSoft™ PaperPort™ 12SE or ScanSoft™ PaperPort™ 11SE installed, please purchase the Brother NL-5 pack which is a multiple PC license agreement pack for up to 5 additional users. To purchase the NL-5 pack, contact your authorized Brother dealer or contact Brother customer service.

## Finish The installation is now complete.

**Note**

- If you use a specified IP Address for the machine, you must set the Boot Method to Static by using the control panel. For more information, see *Network menu* in the *Network User's Guide*.
- Depending on your security settings, a Windows Security or antivirus software window may appear when using the machine or its software. Please allow or permit the window to continue.
- **XML Paper Specification Printer Driver**  
The XML Paper Specification Printer Driver is the most suitable driver for Windows Vista® and Windows® 7 when printing from applications that use the XML Paper Specification documents. Please download the latest driver by accessing the Brother Solutions Center at <http://solutions.brother.com/>.



## Install the Drivers & Software (Mac OS X 10.4.11 - 10.6.x)

### 18 Before you install

Make sure your machine is connected to the power and your Macintosh is ON. You must be logged on with Administrator rights.

#### ! IMPORTANT

For Mac OS X 10.4.10 users, upgrade to Mac OS X 10.4.11 - 10.6.x. (For the latest drivers and information on the Mac OS X you are using, visit <http://solutions.brother.com/>.)

#### Note

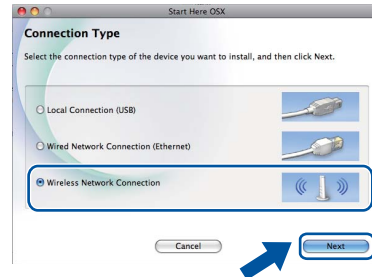
If you want to install the PS driver (BR-Script3 printer driver), please go to the Brother Solutions Center at <http://solutions.brother.com/> and click Downloads on your model page and visit FAQ's for setup instructions.

### 19 Install MFL-Pro Suite

- a Put the installation CD-ROM into your CD-ROM drive.
- b Double-click the **Start Here OSX** icon. Follow the on-screen instructions.



- c Choose **Wireless Network Connection** and click **Next**.



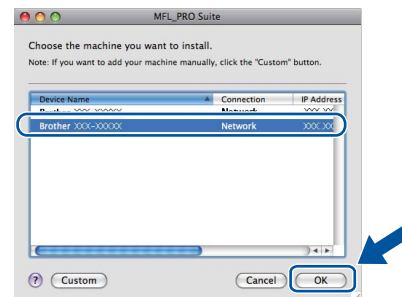
#### ! IMPORTANT

**DO NOT** cancel any of the screens during the installation.

#### Note

- It may take a few minutes for installation to complete.
- If your wireless settings fail, the **Wireless Device Setup Wizard** screen appears. Follow the on-screen instructions to complete the wireless configuration.

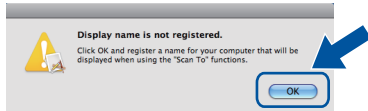
- d Follow the on-screen instructions until this screen appears. Choose your machine from the list, and then click **OK**.



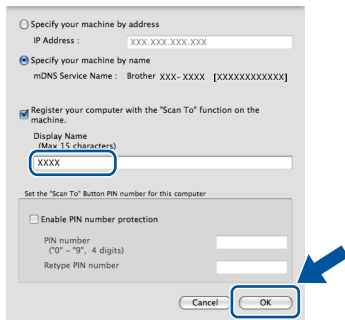


## Note

- You can find your machine's MAC Address (Ethernet Address) and IP Address by printing out the Network Configuration Report. See *Print the Network Configuration Report* on page 37.
- If this screen appears click **OK**.

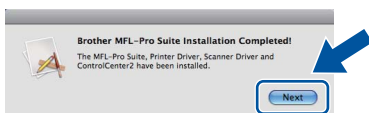


Enter a name for your Macintosh in **Display Name** up to 15 characters long and click **OK**. Go to step **e**.



- If you want to use the machine's **SCAN** key to scan over the network, you must check the **Register your computer with the "Scan To" function on the machine box**.
- The name you enter will appear on the machine's LCD when you press (**SCAN**) and choose a scan option. (For more information, see *Network Scanning* in the *Software User's Guide*.)

**e** When this screen appears, click **Next**.

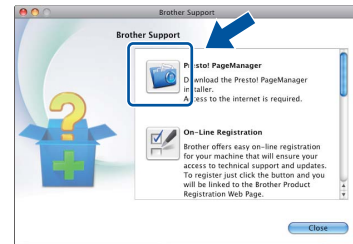


**OK!** **The installation of MFL-Pro Suite is now complete.**  
Go to step **20** on page 36.

## 20 Download and install Presto! PageManager

When Presto! PageManager is installed OCR capability is added to Brother ControlCenter2. You can easily scan, share and organize photos and documents using Presto! PageManager.

On the **Brother Support** screen, click **Presto! PageManager** and follow the on-screen instructions.



## 21 Install MFL-Pro Suite on additional computers (if needed)

If you want to use your machine with multiple computers on the network, install MFL-Pro Suite on each computer. Go to step **19** on page 35.

## Finish

**The installation is now complete.**

## Note

If you use a specified IP Address for the machine, you must set the Boot Method to Static by using the control panel. For more information, see *Network menu* in the *Network User's Guide*.

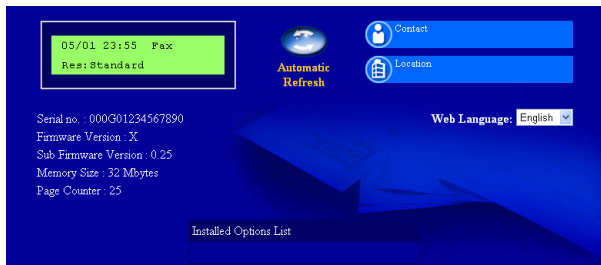
## Web Based Management (web browser)

The Brother print server is equipped with a web server that allows you to monitor its status or change some of its configuration settings, using HTTP (Hyper Text Transfer Protocol).

### Note

- The default User Name is 'admin' and the default password is 'access'. You can use a web browser to change this password.
- We recommend Microsoft® Internet Explorer® 6.0 (or greater) or Firefox 3.0 (or greater) for Windows® and Safari 3.0 (or greater) for Macintosh. Please also make sure that JavaScript and cookies are always enabled in whichever browser you use. To use a web browser, you will need to know the IP address of the print server. The IP address of the print server is listed on the Network Configuration Report.

- a Open your browser.
- b Type "http://machine's IP address/" into your browser's address bar (where "machine's IP address" is the IP address of the printer or the print server name).
  - For example http://192.168.1.2/



See *Web Based Management* in the *Network User's Guide*.

## Print the Network Configuration Report

You can print the Network Configuration Report to confirm the current network settings.

- a Turn the machine on and wait until it is in the Ready state.
- b Press **Menu, 5, 6**.
- c Press **Start**.  
The machine will print the current network settings.
- d Press **Stop/Exit**.

## Restore the network settings to factory default

To restore all network settings of the internal Print/Scan server to factory default, please follow the steps below.

- a Make sure the machine is not operating, then disconnect all the cables from the machine (except the power cord).
- b Press **Menu, 6, 0**.
- c Press **1** to choose **Reset**.
- d Press **1** to choose **Yes**.  
The machine will restart, re-connect cables once this is complete.

## Brother CreativeCenter



Get inspired. If you're using Windows, double-click the Brother CreativeCenter icon on your desktop to access our FREE web site with many ideas and resources for personal and professional use.

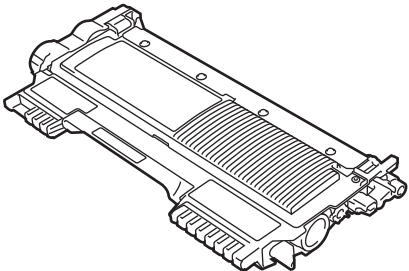
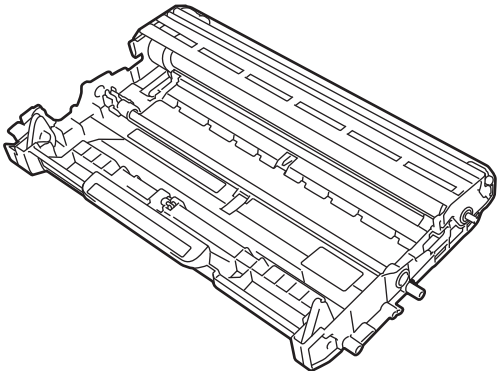



Mac users can access Brother CreativeCenter at this web address:

<http://www.brother.com/creativecenter/>

## Consumables

When the time comes to replace consumable items, an error will be indicated by the LCD on the control panel. For more information about the consumables for your machine, visit us at <http://solutions.brother.com/> or contact your local Brother reseller.

Toner cartridges	Drum unit
Standard Toner: TN-2210 High Capacity Toner: TN-2220	DR-2200
	

 For replacing the consumable items, See *Replacing consumable items* in the *Basic User's Guide*.

## **Trademarks**

The Brother logo is a registered trademark of Brother Industries, Ltd.

Brother is a registered trademark of Brother Industries, Ltd.

Microsoft, Windows, Windows Server and Internet Explorer are registered trademarks of Microsoft Corporation in the United States and/or other countries.

Windows Vista is either a registered trademark or a trademark of Microsoft Corporation in the United States and other countries.

Apple, Macintosh, Safari and TrueType are trademarks of Apple Inc., registered in the United States and other countries.

Mac and the Mac logo are trademarks of Apple Inc., registered in the U.S. and other countries.

Wi-Fi and Wi-Fi Alliance are registered trademarks of the Wi-Fi Alliance.

AOSS is a trademark of Buffalo Inc.

Nuance, the Nuance logo, PaperPort and ScanSoft are trademarks or registered trademarks of Nuance Communications, Inc. or its affiliates in the United States and/or other countries.

**Any trade names and product names of companies appearing on Brother products, related documents and any other materials are all trademarks or registered trademarks of those respective companies.**

## **Compilation and Publication**

Under the supervision of Brother Industries, Ltd., this manual has been compiled and published, covering the latest product descriptions and specifications.

The contents of this manual and the specifications of this product are subject to change without notice.

Brother reserves the right to make changes without notice in the specifications and materials contained herein and shall not be responsible for any damages (including consequential) caused by reliance on the materials presented, including but not limited to typographical and other errors relating to the publication.

## **Copyright and License**

©2010 Brother Industries, Ltd.

This product includes software developed by the following vendors:

©1983-1998 PACIFIC SOFTWARES, INC.

©2010 Devicescape Software, Inc.

This product includes the "KASAGO TCP/IP" software developed by ZUKEN ELMIC, Inc.