



**FACSIMILE EQUIPMENT
PARTS REFERENCE LIST**

MODEL: MFC9420CN

© Copyright Brother 2005

All rights reserved

No part of this publication may be reproduced in any form
or by any means without permission in writing from the
publisher.

Specifications are subject to change without prior notice.

NOTES FOR USING THIS PARTS REFERENCE LIST

1. In the case of ordering parts, it needs mentioning the following items:

- (1) Code
- (2) Q' ty
- (3) Description
- (4) Recommend (The \checkmark mark is attached to recommend parts at this column.)
- (5) Symbol (PCB No., Revision, and Parts location mounted on the PCB.)

Note: No orders without Parts Code or Tool No. can be accepted.

[Example]

	(1)	(2)	(3)	(4)	(5)	
REF.NO.	CODE	Q' TY	DESCRIPTION	RECOMMEND	SYMBOL	REMARKS

2. Design-changed parts:

When the parts are changed, any one of the following symbols is mentioned in the REMARKS column.

CHG (chg): The part is changed to a new part.

ADD (add): The part is newly added.

DEL (del): The part is deleted.

Symbol in capital letters indicates that the change is the latest one in the page.

3. Parts change will be informed by the technical information.

COUNTRIES

U.S.A. ---- US

GERMANY ---- GER

UNITED KINGDOM ---- UK

FRANCE / BELGIUM ---- FRA

SWITZERLAND ---- CHE

SPAIN / PORTUGAL ---- SPA

ITALY ---- ITA

PAN-NORDIC ---- PND

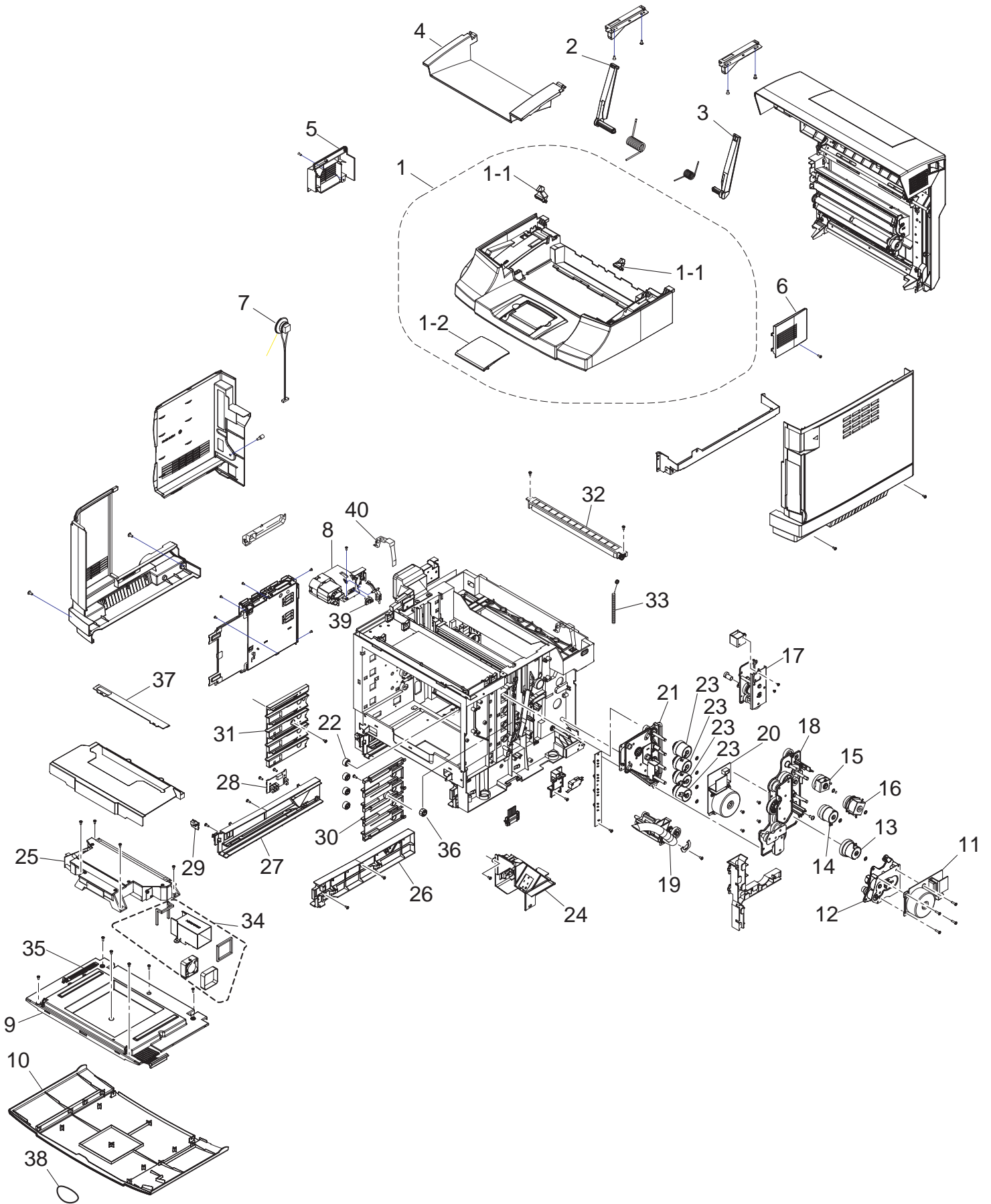
GENERIC ---- GNR

ASIA ---- ASA

OCEANIA ---- OCE

JAPAN ---- JPN

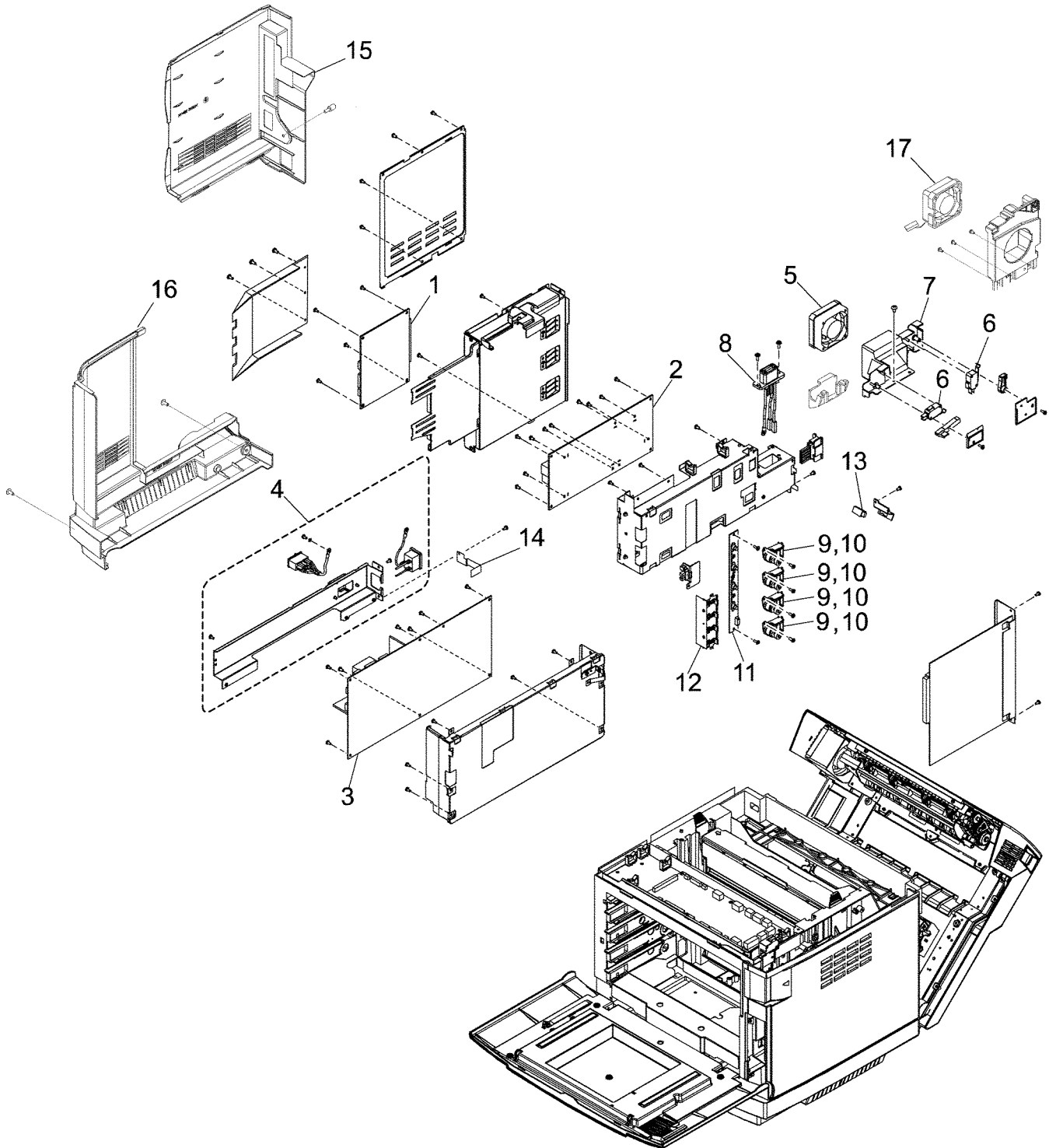
1. TOP AND RIGHT SIDE PARTS



1.TOP AND RIGHT SIDE PARTS

REF.No.	CODE	Q'TY	DESCRIPTION	RECOMMEND	REMARKS
1	LF9921001	1	TOP COVER ASSY		
1-1	LF9924001	2	IS LOCK LEVER ASSY		
1-2	LF9925001	1	TRAY(TP)		
2	LF9922001	1	SCANNER SLIDER L		
3	LF9923001	1	SCANNER SLIDER R		
4	LF9926001	1	CENTER COVER		
5	LF9927001	1	TOP SIDE L		
6	LF9928001	1	TOP SIDE R		
7	LF9933001	1	SPEAKER		chg
8	LF9934001	1	INTER LOCK ASSY		
9	LM0596001	1	INNER FRONT COVER		
10	LM0597001	1	FRONT COVER		
11	LM0600001	1	MAIN MOTOR		
12	LM0601001	1	OPC DRIVE GEAR ASSY		
13	LM0602001	1	PAPER FEED CLUTCH		
14	LM0603001	1	REGISTRATION CLUTCH		
15	LM0604001	1	FUSER CLUTCH		
16	LM0976001	1	TRANSFER ROLLER CLUTCH 2		
17	LM0605001	1	CLEANING ROLLER CLUTCH		
18	LM0606001	1	MAIN DRIVE GEAR ASSY		
19	LM0607001	1	WASTE TONER FEEDER		
20	LM0608001	1	DEVELOPER MOTOR		
21	LM0609001	1	DEVELOPER DRIVE ASSY		
22	LM0610001	1	DEVELOPER GEAR		
23	LM0611001	4	DEVELOPER CLUTCH		
24	LM0612001	1	WASTE TONER HOLDER ASSY		
25	LF9937001	1	LASER ASSY		
26	LM0615001	1	RIGHT TRAY GUIDE		
27	LM0961001	1	LEFT TRAY GUIDE 2		
28	LM0617001	1	PAPER SIZE SENSOR		
29	LM0618001	1	ROOM TEMP THERMISTOR		
30	LM0619001	1	RIGHT TONER GUIDE		
31	LM0620001	1	LEFT TONER GUIDE		
32	LM0621001	1	WASTE TONER AUGER		
33	LM0623001	1	WASTE TONER AGITATOR		
34	LM0624001	1	LASER UNIT FAN ASSY		
35	LM0942001	1	FRONT BAND		
36	LM0941001	1	DD5 DRIVE GEAR R28		
37	LM0975001	1	SCANNER GLASS COVER		
38	LE8812001	1	BROTHER EMBLEM		
39	UH1948001	1	PAPER SENSOR		
40	LP7014001	1	BIAS TERMINAL		ADD

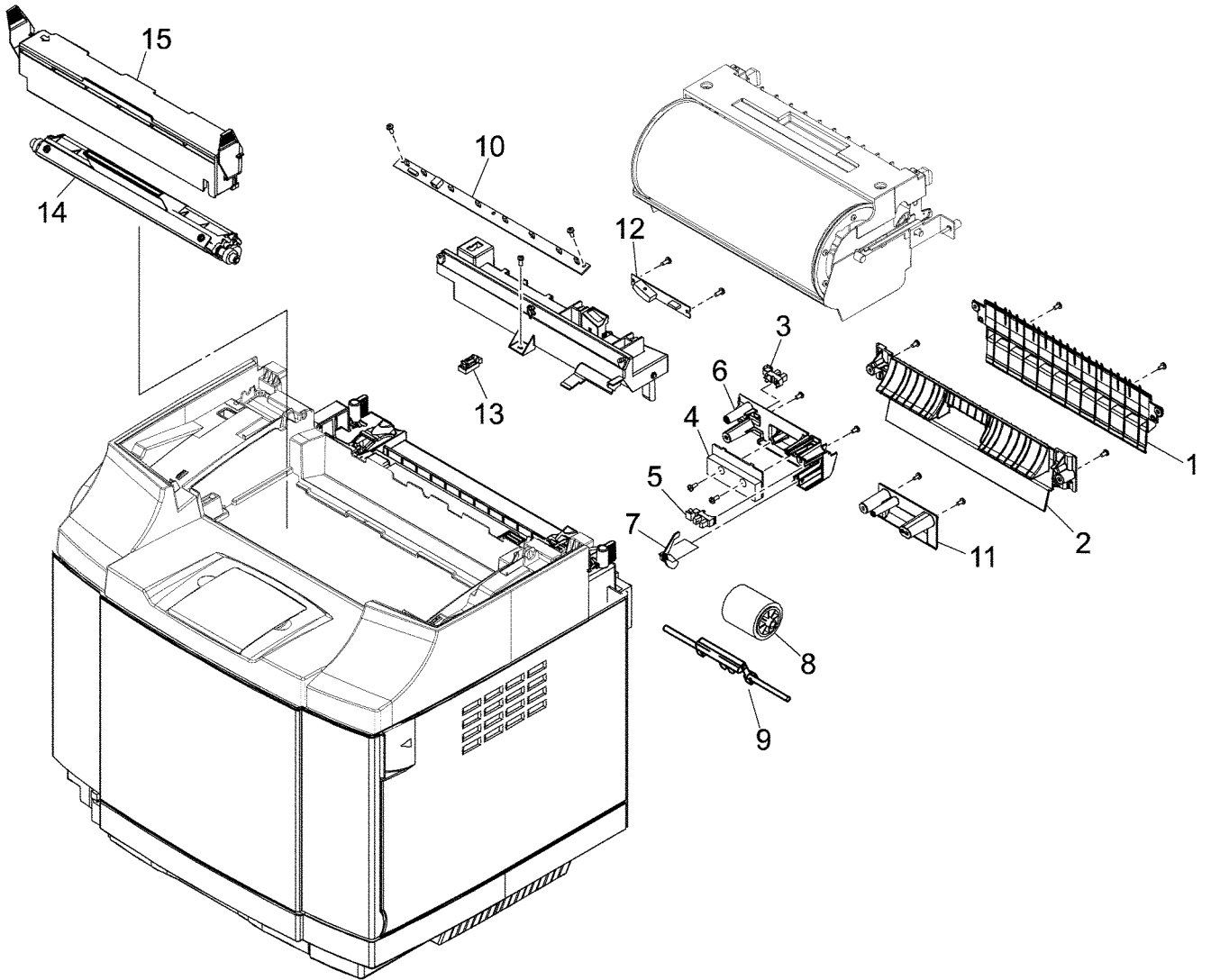
2. LEFT SIDE PARTS



2.LEFT SIDE PARTS

REF.No.	CODE	Q'TY	DESCRIPTION	RECOMMEND	REMARKS
1	LG7366001	1	ENGINE CONTROLLER BOARD		CHG
2	LJ9521001	1	HV POWER SUPPLY		
3	LG6735001	1	LV POWER SUPPLY (110V) FOR US/JPN		
3	LG6736001	1	LV POWER SUPPLY (220V) EXCEPT FOR US/JPN		
4	LM0625001	1	POWER SUPPLY BRACKET (110V) FOR US/JPN		
4	LM0626001	1	POWER SUPPLY BRACKET (220V) EXCEPT FOR US/JPN		
5	LF9970001	1	POWER SUPPLY FAN ASSY		
6	LM0613001	2	INTERLOCK SWITCH		
7	LM0629001	1	POWER SUPPLY FAN DUCT		
8	LM0630001	1	FUSER CONNECTOR		
9	LM0631001	4	TONER RETRACT SOLENOID		
10	LM0632001	4	TONER RETRACT CAM		
11	UH1950001	1	TONER SENSOR ASSY *1		
12	LM0633001	1	TONER PRESENT SENSOR		
13	UH1949001	1	BELT SENSOR		
14	LM0928001	1	EARTH TERMINAL (L)		
15	LF9929001	1	SIDE COVER LR		
16	LF9930001	1	SIDE COVER LF		
17	LF9932001	1	HEATER FAN ASSY		

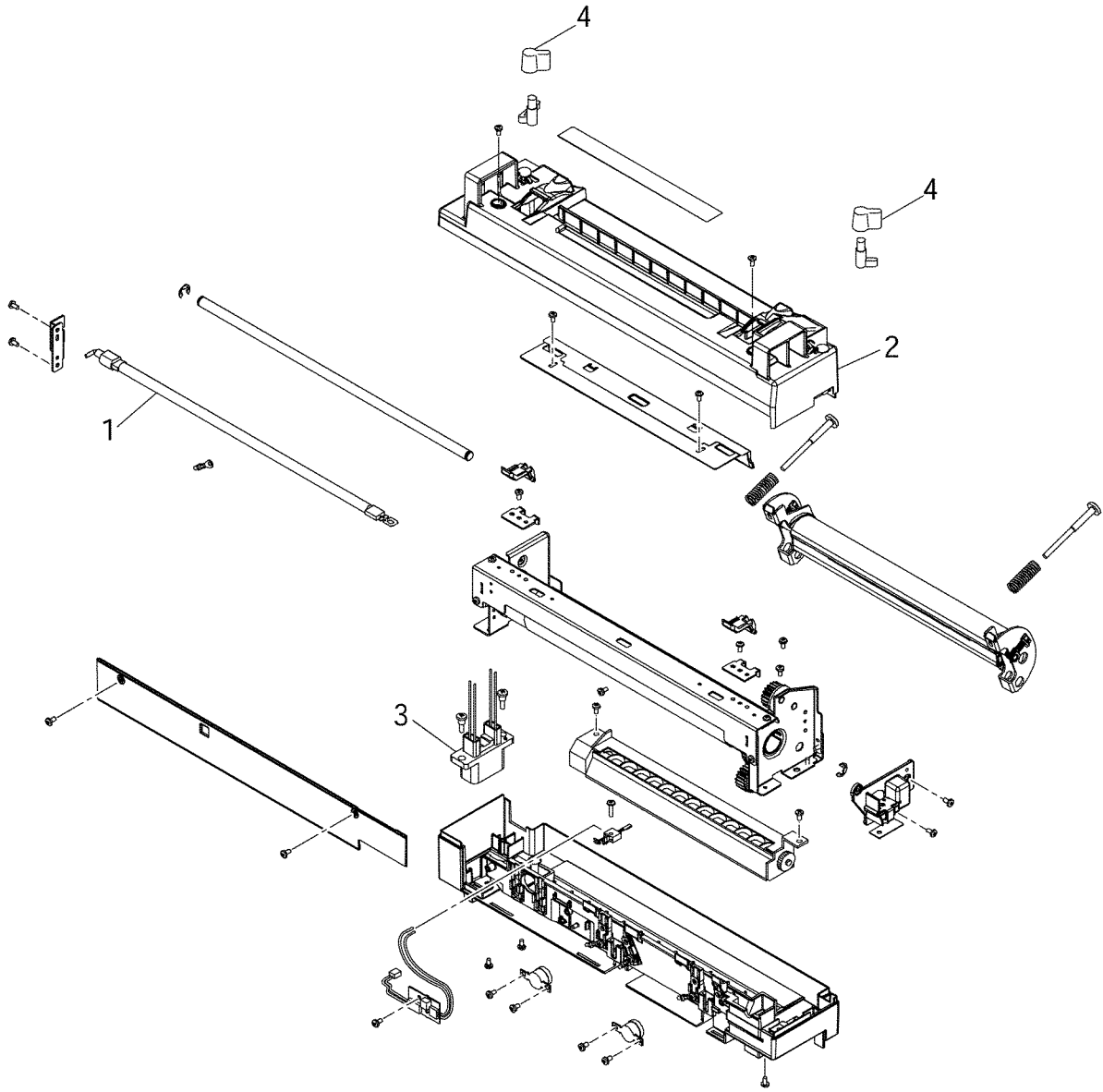
3. REAR SIDE PARTS



3.REAR SIDE PARTS

REF.No.	CODE	Q'TY	DESCRIPTION	RECOMMEND	REMARKS
1	LM0634001	1	PAPER GUIDE (A)		
2	LM0635001	1	PAPER GUIDE (B)		
3	UH1948001	1	PAPER SENSOR		
4	LJ2243001	1	OHP SENSOR		
5	UH1948001	1	PAPER SENSOR		
6	LM0637001	1	PAPER GUIDE		
7	LM0638001	1	TRAY EMPTY ACTUATOR		
8	UH3485001	1	PAPER FEED ROLLER		
9	LM0965001	1	SEPARATOR PAD 5		
10	LM0639001	1	ERASE LAMP		
11	LM0640001	1	PAPER GUIDE (D)		
12	LM0641001	1	TONER DENSITY SENSOR		
13	UH1949001	1	MARKER SENSOR		
14	LM0590001	1	CLEANING ROLLER		
15	LM0591001	1	CLEANING ROLLER COVER		

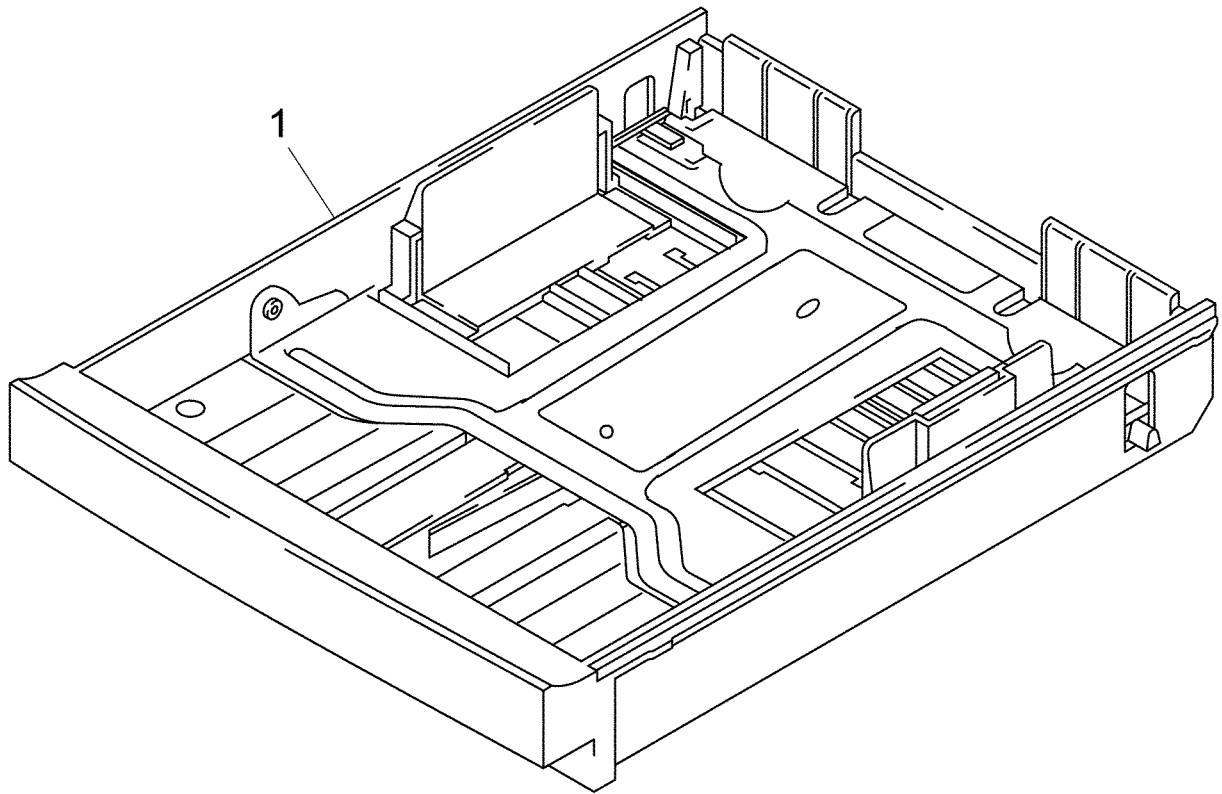
4. FUSER UNIT PARTS



4.FUSER UNIT PARTS

REF.No.	CODE	Q'TY	DESCRIPTION	RECOMMEND	REMARKS
1	LM0643001	1	FUSER LAMP (110V) FOR US/JPN		
1	LM0644001	1	FUSER LAMP (220V) EXCEPT FOR US/JPN		
2	LM0645001	1	TOP FUSER COVER		
3	LM0649001	1	FUSER CONNECTOR		
4	LM0653001	2	LOCK KNOB KIT FU		

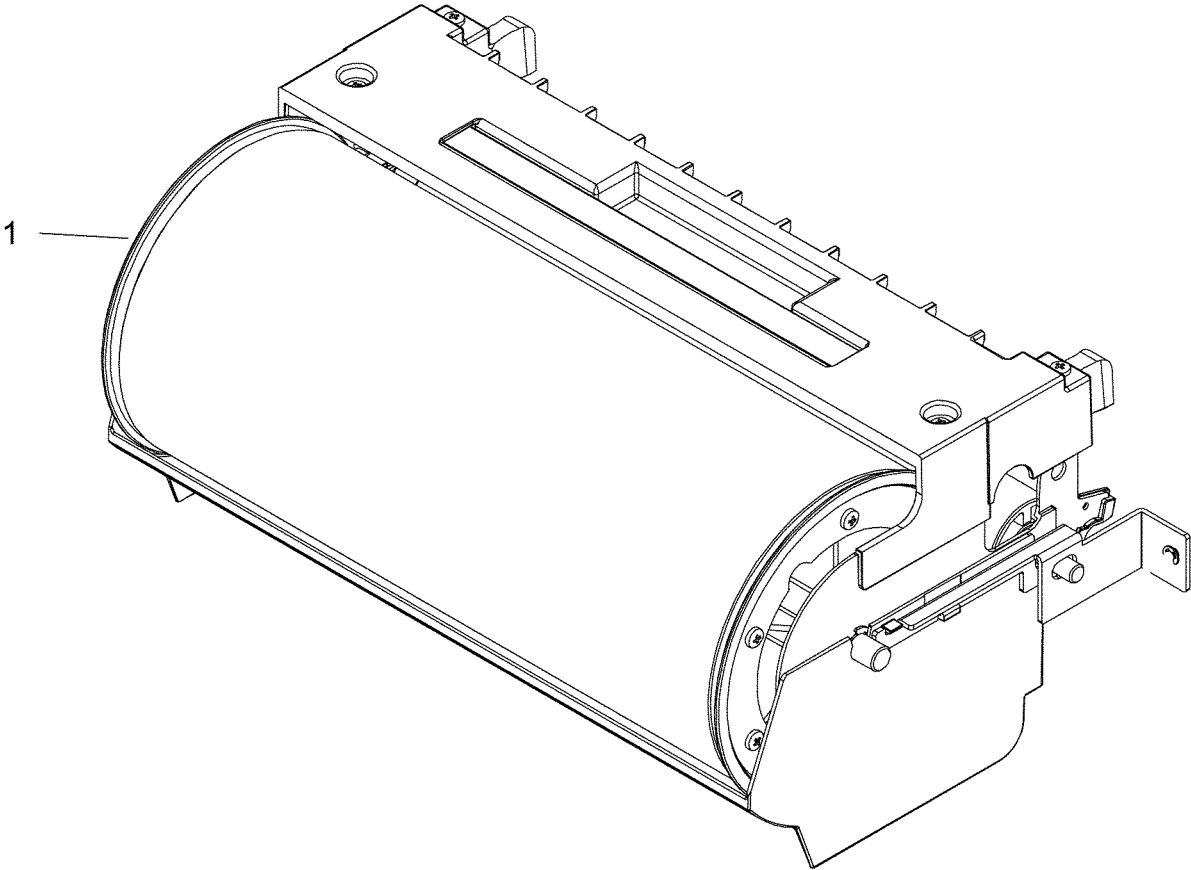
5. PAPER TRAY



5. PAPER TRAY

REF.No.	CODE	Q'TY	DESCRIPTION	RECOMMEND	REMARKS
1	LF9938001	1	PAPER CASSETTE (A4)		

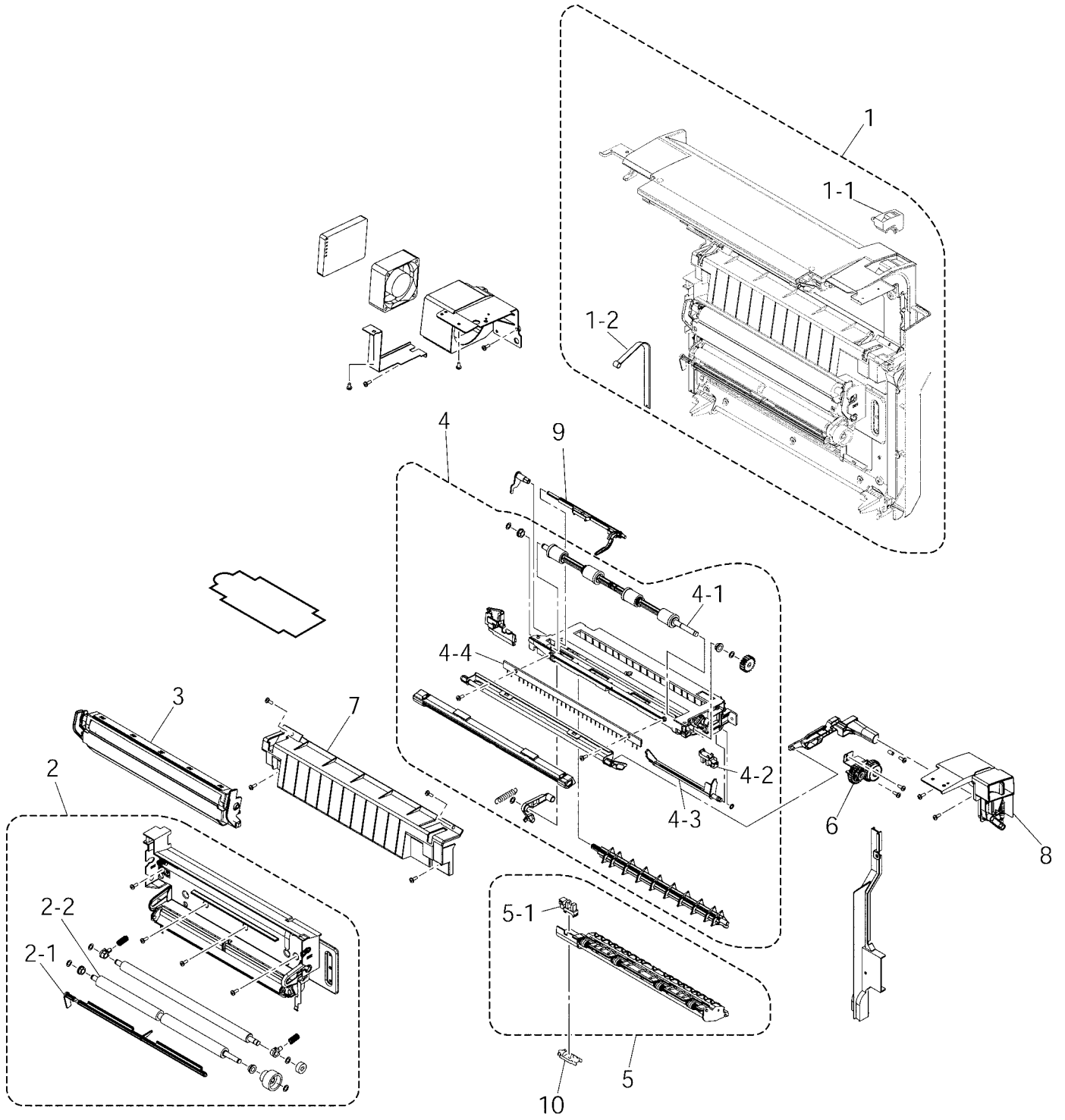
6. TRANSFER UNIT



6. TRANSFER UNIT

REF.No.	CODE	Q'TY	DESCRIPTION	RECOMMEND	REMARKS
1	LM0894001	1	TRANSFER UNIT		

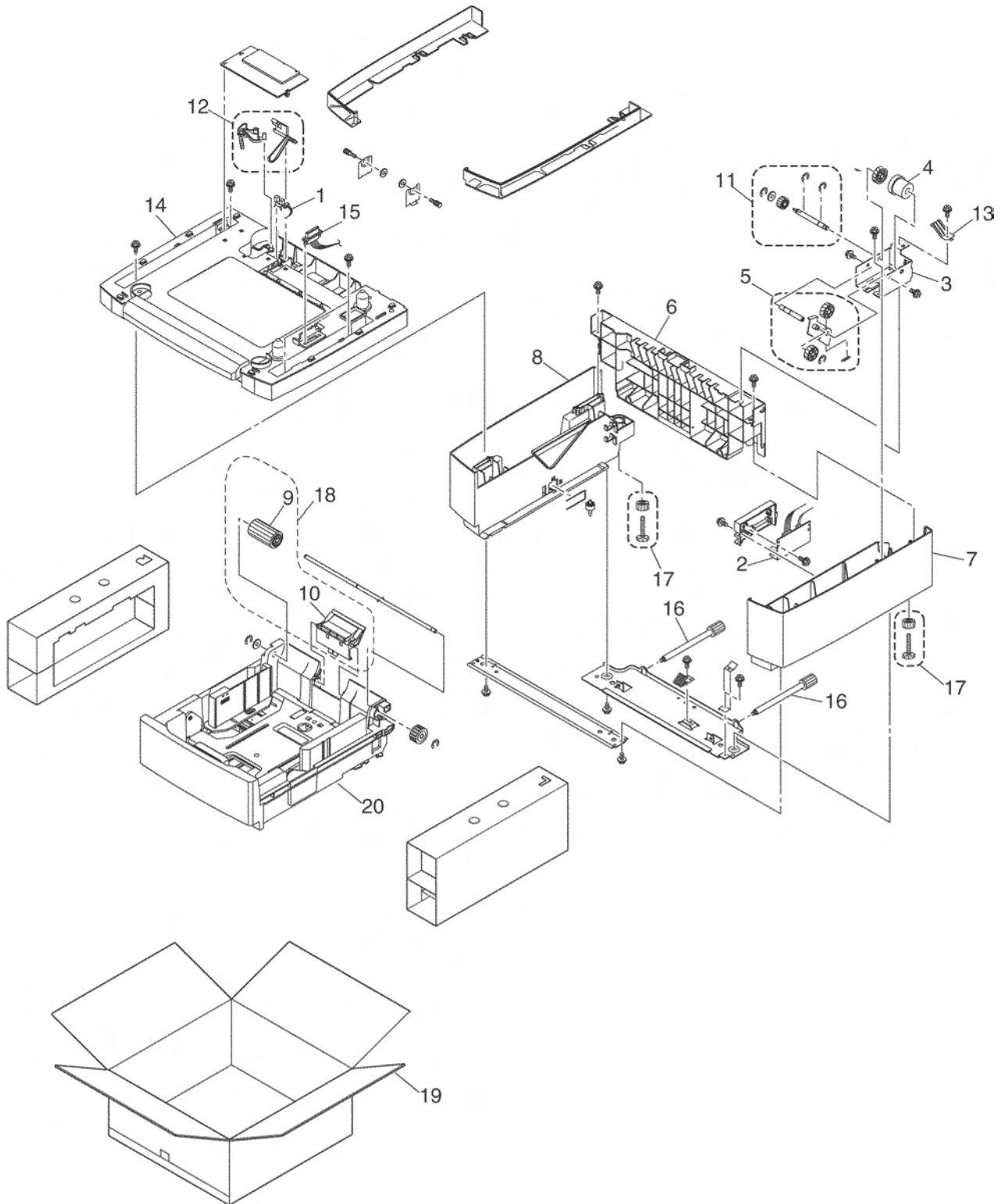
7. PAPER EXIT UNIT PARTS



7.PAPER EXIT UNIT PARTS

REF.No.	CODE	Q'TY	DESCRIPTION	RECOMMEND	REMARKS
1	LF9936001	1	REAR COVER ASSY		
1-1	LP2566001	1	PP HANDLE ASSY		ADD
1-2	LM0943001	1	REAR BAND		ADD
2	LM0657001	1	TRANSFER BASE ASSY		
2-1	LM0658001	1	REGISTRATION ACTUATOR		
2-2	LM0659001	1	REGISTRATION ROLLER ASSY		
3	LM0660001	1	TRANSFER ROLLER ASSY		
4	LM0661001	1	EXIT GUIDE ASSY		
4-1	LM0662001	1	EXIT ROLLER ASSY		
4-2	UH1948001	1	PAPER SENSOR		
4-3	LM0664001	1	FUSER EXIT ACTUATOR		
4-4	UH3463001	1	DISCHARGE BRUSH		
5	LM0665001	1	EXIT IDLE ROLLER ASSY		
5-1	UH1948001	1	PAPER SENSOR		
6	LM0669001	1	EXIT DRIVE ASSY		
7	LM0670001	1	TRANSFER ROLLER GUIDE		
8	---		NOT USED		CHG
9	LM0672001	1	PAPER EXIT ACTUATOR		
10	LM0962001	1	PP5 SENSOR HOLDER 2		
11	LM0943001	1	REAR BAND		DEL

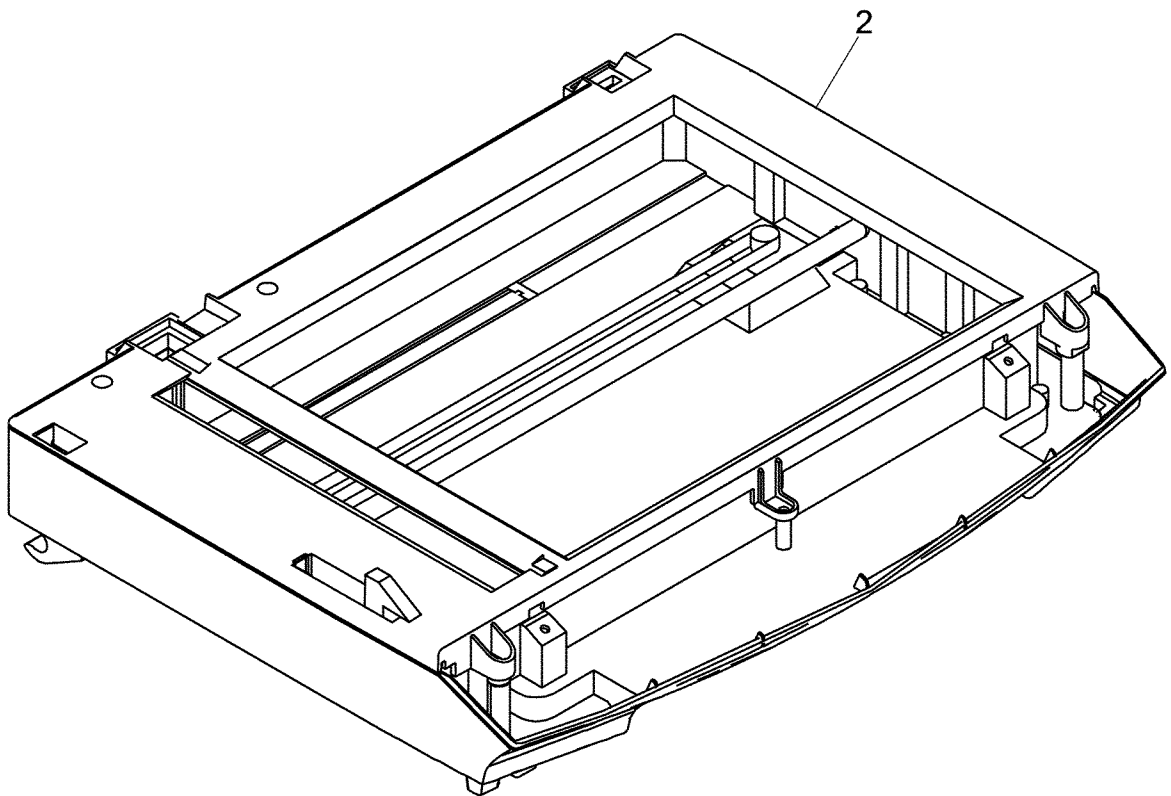
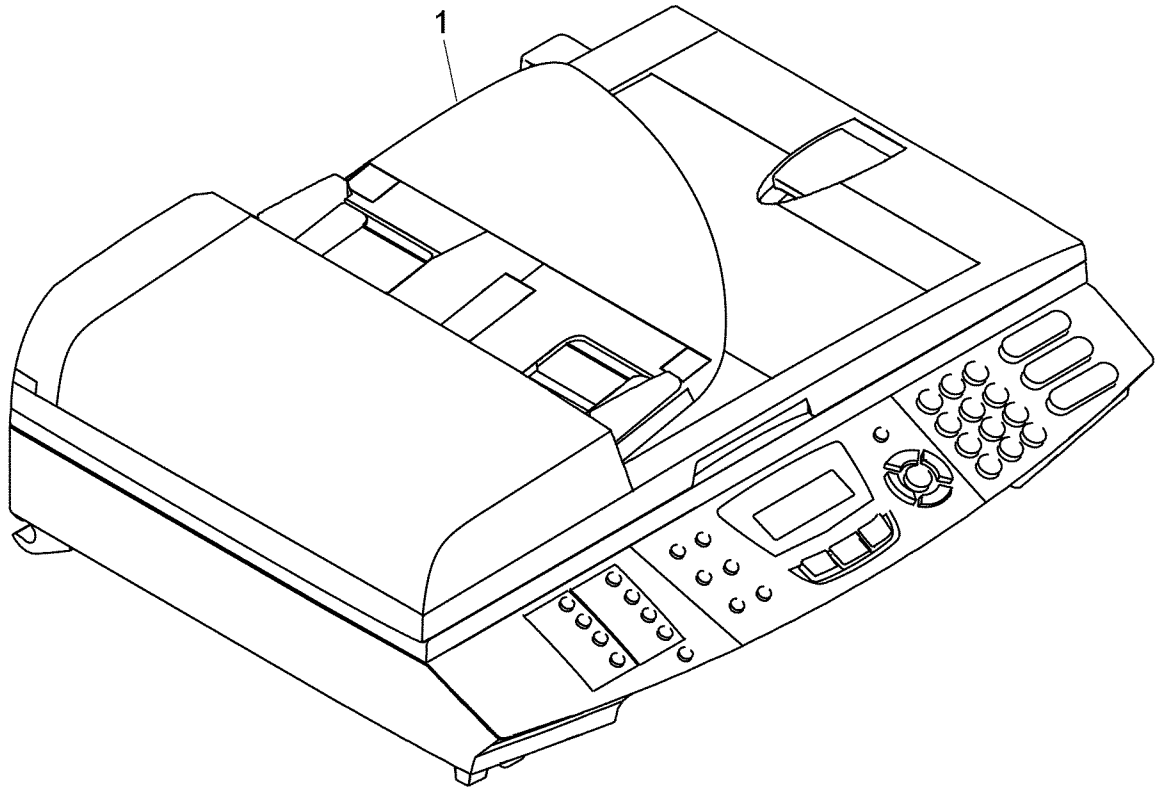
8. LOWER FEEDER



8.LOWER FEEDER

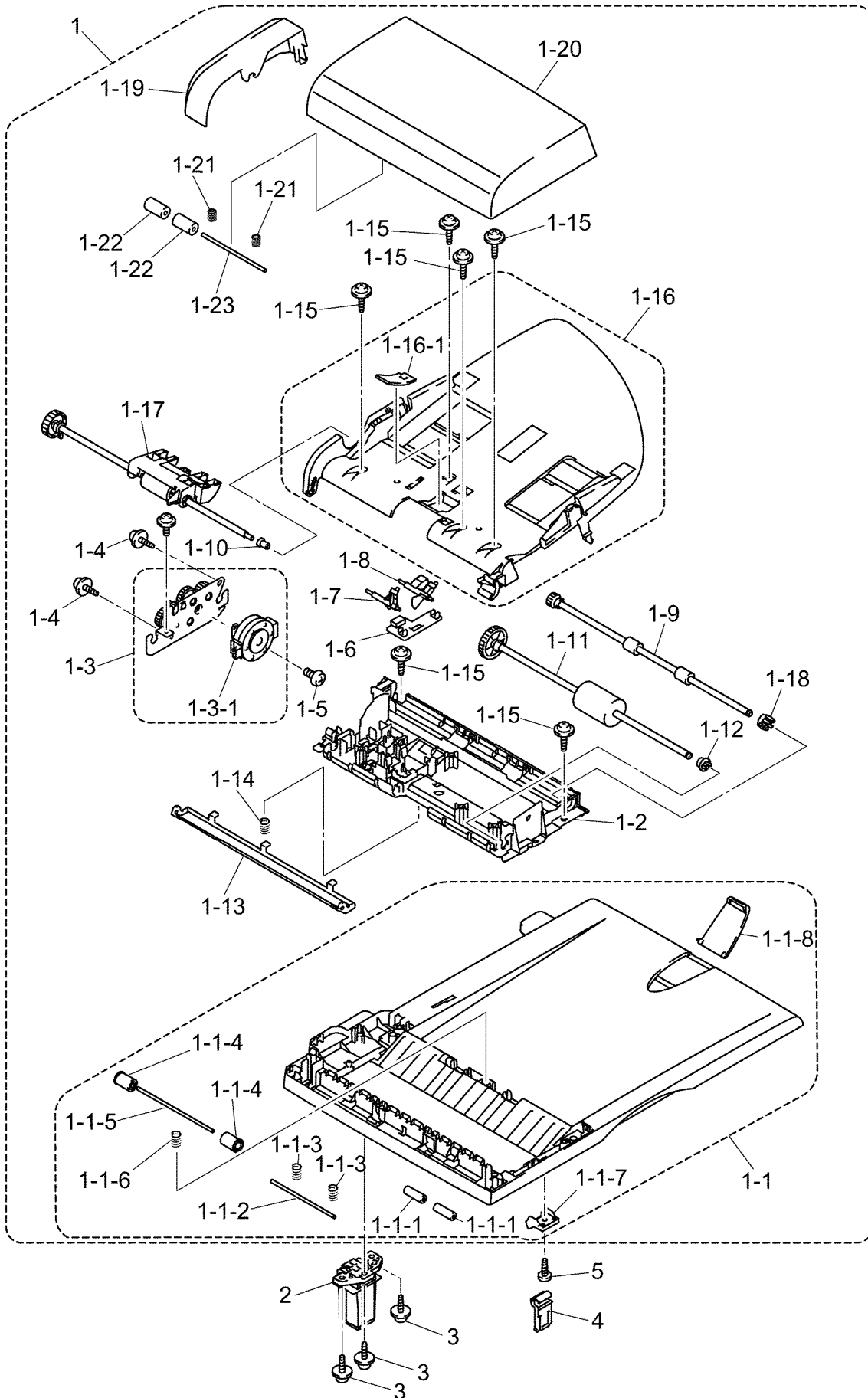
REF.No.	CODE	Q'TY	DESCRIPTION	RECOMMEND	REMARKS
1	LM0702001	1	TRAY EMPTY SENSOR		
2	LM0703001	1	PAPER SIZE SENSOR		
3	LM0704001	1	PAPER FEED ASSY		
4	LM0705001	1	PAPER FEED CLUTCH		
5	LM0706001	1	DRIVE GEAR ASSY		
6	LM0707001	1	REAR COVER		
7	LM0708001	1	RIGHT SIDE COVER		
8	LM0709001	1	LEFT SIDE COVER		
9	LM0710001	1	PAPER FEED ROLLER		
10	LM0711001	1	SEPARATOR PAD		
11	LM0712001	1	PAPER FEED DRIVE		
12	LM0713001	1	TRAY EMPTY LINKAGE		
13	LM0714001	1	GROUND PLATE		
14	LM0715001	1	TOP COVER		
15	LM0716001	1	COMMUNICATION CONNECTOR		
16	LM0717001	2	STABILIZING STUD KIT		
17	LM0718001	2	STABILIZING FOOT KIT		
18	LM0900001	1	PAPER FEED KIT		
19	LM0902001	1	LF OUTER BOX 5(B)		
20	LM0903001	1	LF5 PAPER CASSETTE		

9. DOCUMENT SCANNER



9.DOCUMENT SCANNER

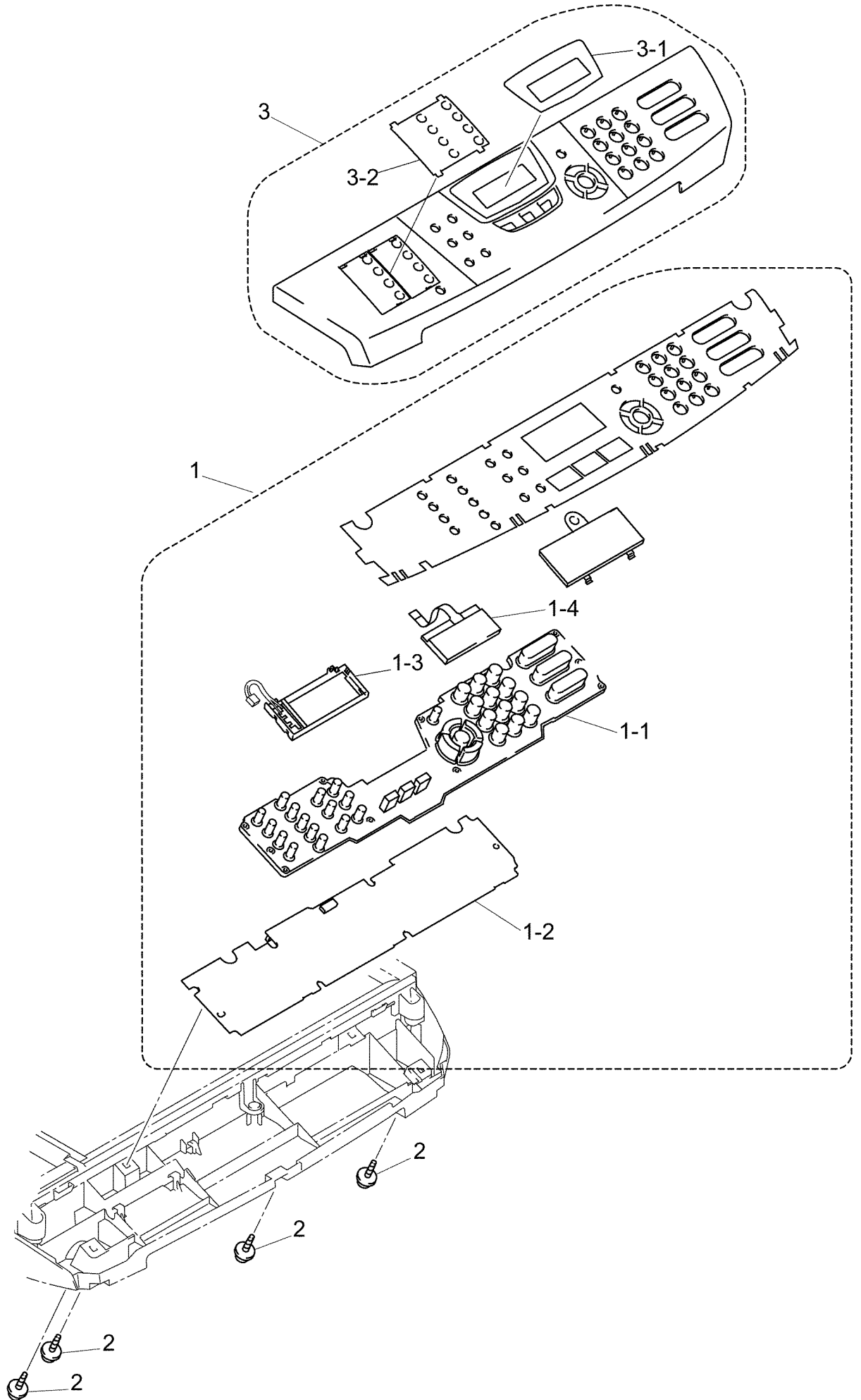
REF No.	CODE	Q'TY	DESCRIPTION	RECOMMEND	REMARKS
1	LF9945001	1	SCANNER-ADF UNIT(SP) <INCLUDING PANEL UNIT>		
2	LF9940001	1	SCANNER UNIT(SP)		



10.ADF

REF No.	CODE	Q'TY	DESCRIPTION	RECOMMEND	REMARKS
1	LF9057001	1	DOCUMENT COVER ASSY	√	
1-1	LF9058001	1	DOCUMENT COVER SUB ASSY		
1-1-1	LE9733001	2	PRESSURE ROLLER		
1-1-2	LE2471001	1	PRESSURE ROLLER SHAFT		
1-1-3	LF5206001	2	LF SPRING		
1-1-4	UL6244002	2	EJECTION ROLLER		
1-1-5	LE9735001	1	PRESSURE ROLLER SHAFT		
1-1-6	LE6206001	1	EJECTION SPRING		
1-1-7	LF6165001	1	HINGE ARM		
1-1-8	LF6166003	1	DOCUMENT STOPPER		
1-2	LF9063001	1	LOWER DOCUMENT CHUTE		
1-3	LF9080001	1	DRIVE FRAME ASSY		
1-3-1	LF9081001	1	ADF MOTOR		
1-4	087311016	2	TAPTITE CUP B M3X10		
1-5	0A4300606	1	SCREW PAN (S/P WASHER) M3X6		
1-6	LG5847001	1	ADF SENSOR PCB ASSY		
1-7	LF5217001	1	ACTUATOR, R		
1-8	LF4967001	1	ACTUATOR, F		
1-9	LF6577001	1	EJECTION ROLLER ASSY		
1-10	LF4230001	1	BUSHING		
1-11	LF6579001	1	LF ROLLER ASSY		
1-12	UF0026001	1	RESIN BEARING		
1-13	LF5225001	1	DOCUMENT HOLD		
1-14	LF5226001	1	DOCUMENT HOLD SPRING		
1-15	087311016	6	TAPTITE CUP B M3X10		
1-16	LF9064001	1	UPPER DOCUMENT CHUTE ASSY		
1-16-1	LF9784001	1	SEPARATION RUBBER		
1-17	LF6582001	1	SEPARATE ROLLER SHAFT ASSY		
1-18	UF9949001	1	EJECTION ROLLER BEARING		
1-19	LF9066001	1	GEAR COVER		
1-20	LF9068001	1	ADF COVER		
1-21	LE2472001	2	LF SPRING		
1-22	UF9009001	2	PRESSER ROLLER		
1-23	LE2471001	1	PRESSURE ROLLER SHAFT		
2	LF6846001	1	HINGE ASSY L		
3	087311016	3	TAPTITE CUP B M3X10		
4	LF4976002	1	HINGE		
5	085411216	1	TAPTITE BIND B M4X12		

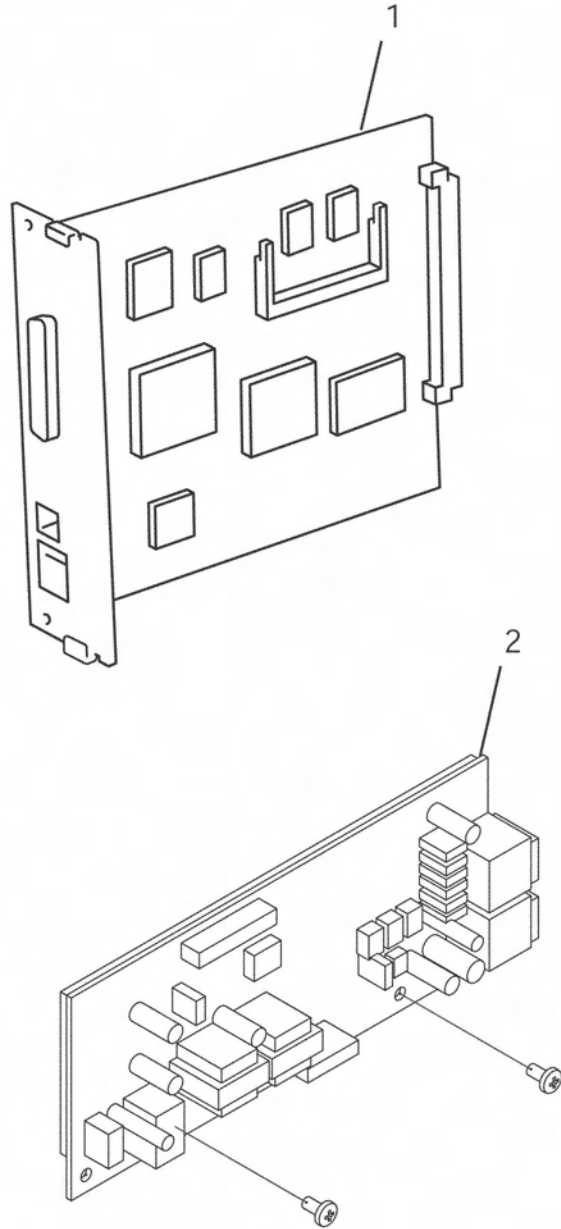
11. PANEL



11.PANEL

REF No	CODE	Q'TY	DESCRIPTION	RECOMMEND	SYMBOL	REMARKS
1	LF9069001	1	PANEL UNIT			
1-1	LF9072001	1	RUBBER KEY, PRINTED			
1-2	LG6255001	1	PANEL PCB ASSY		B53K817	
1-3	LG6257001	1	LCD HOLDER BACK LIGHT MODULE			
1-4	LG6275001	1	LCD			
2	087311016	4	TAPTITE CUP B M3X10			
3	LF9206001	1	PANEL COVER ASSY, FOR US			
3	LF9363001	1	PANEL COVER ASSY, FOR ASA/OCE			
3	LF9208001	1	PANEL COVER ASSY, FOR JPN			
3	LF9451001	1	PANEL COVER ASSY, FOR GER			
3	LF9207001	1	PANEL COVER ASSY, FOR UK/FRA/CHE/GNR <ENGLISH>			
3	LF9459001	1	PANEL COVER ASSY, FOR FRA <FRENCH>			
3	LF9466001	1	PANEL COVER ASSY, FOR SPA <SPANISH>			
3	LF9468001	1	PANEL COVER ASSY, FOR SPA <PORTUGUESE>			
3	LF9472001	1	PANEL COVER ASSY, FOR ITA			
3	LF9475001	1	PANEL COVER ASSY, FOR PND			
3-1	LF9074001	1	LCD SHEET PRINTED FOR US			
3-1	LF9194001	1	LCD SHEET PRINTED FOR ASA/OCE/JPN/GER/UK/FRA/CHE/SPA/ITA/PND/GNR			
3-2	LF9193001	1	ADDRESS LABEL			

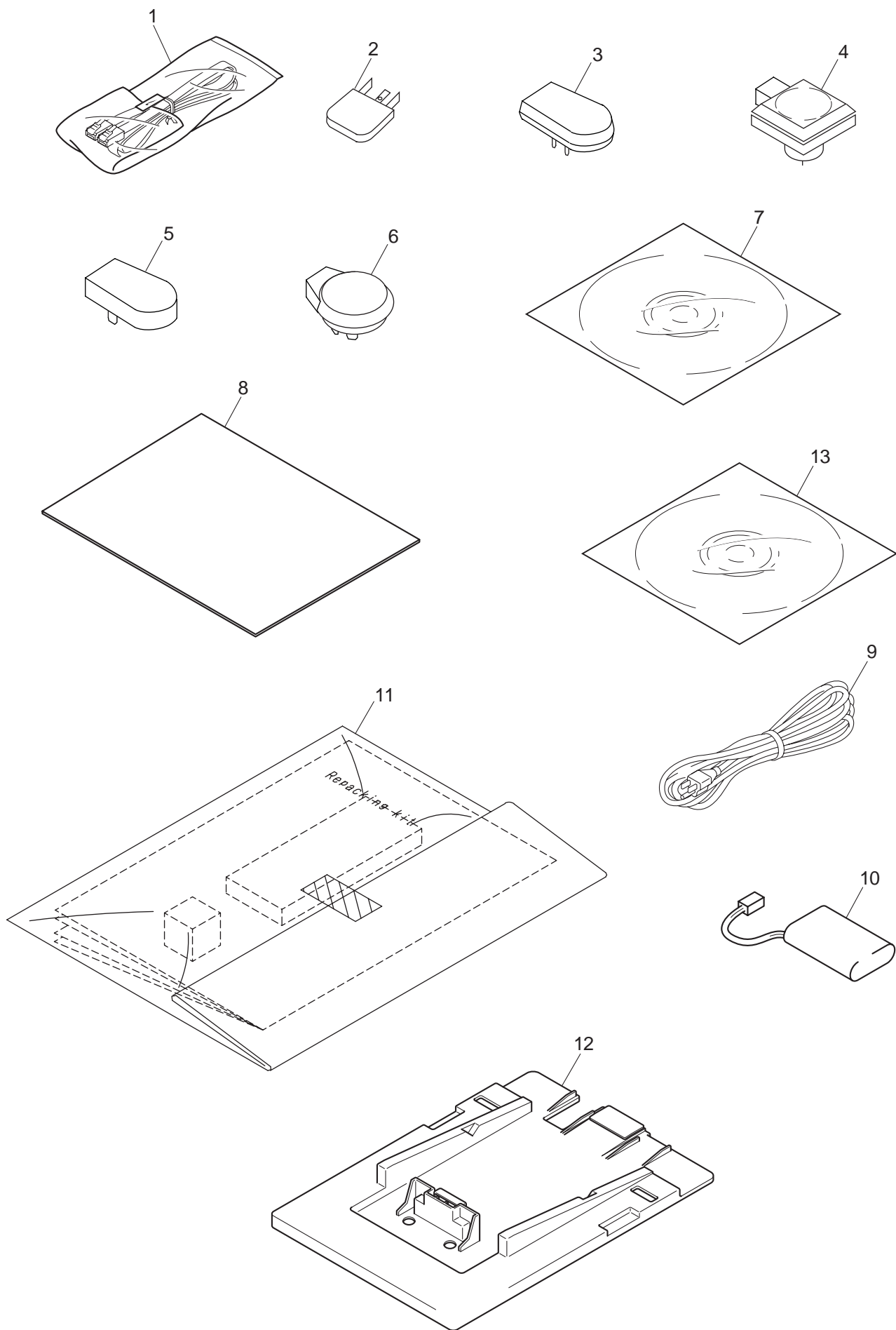
12. MAIN/NCU PCB



12.PCB

REF No	CODE	Q'TY	DESCRIPTION	RECOMMEND	SYMBOL	REMARKS
1	LG6413001	1	MAIN PCB ASSY FOR US	√	B53K792	
1	LG6413004	1	MAIN PCB ASSY FOR ASA/OCE/GER/ UK/FRA/CHE/SPA/ITA/PND/GNR	√	B53K792	
1	LG6415001	1	MAIN PCB ASSY FOR JPN	√	B53K792	
2	LG6268001	1	NCU PCB ASSY FOR US	√	B53K812	
2	LG6414001	1	NCU PCB ASSY FOR ASA	√	B53K812	
2	LG6276001	1	NCU PCB ASSY FOR GER/UK/FRA/CHE/SPA/ITA/PND/GNR	√	B53K812	
2	LG6423001	1	NCU PCB ASSY FOR OCE	√	B53K812	
2	LG6418001	1	NCU PCB ASSY FOR JPN	√	B53K825	

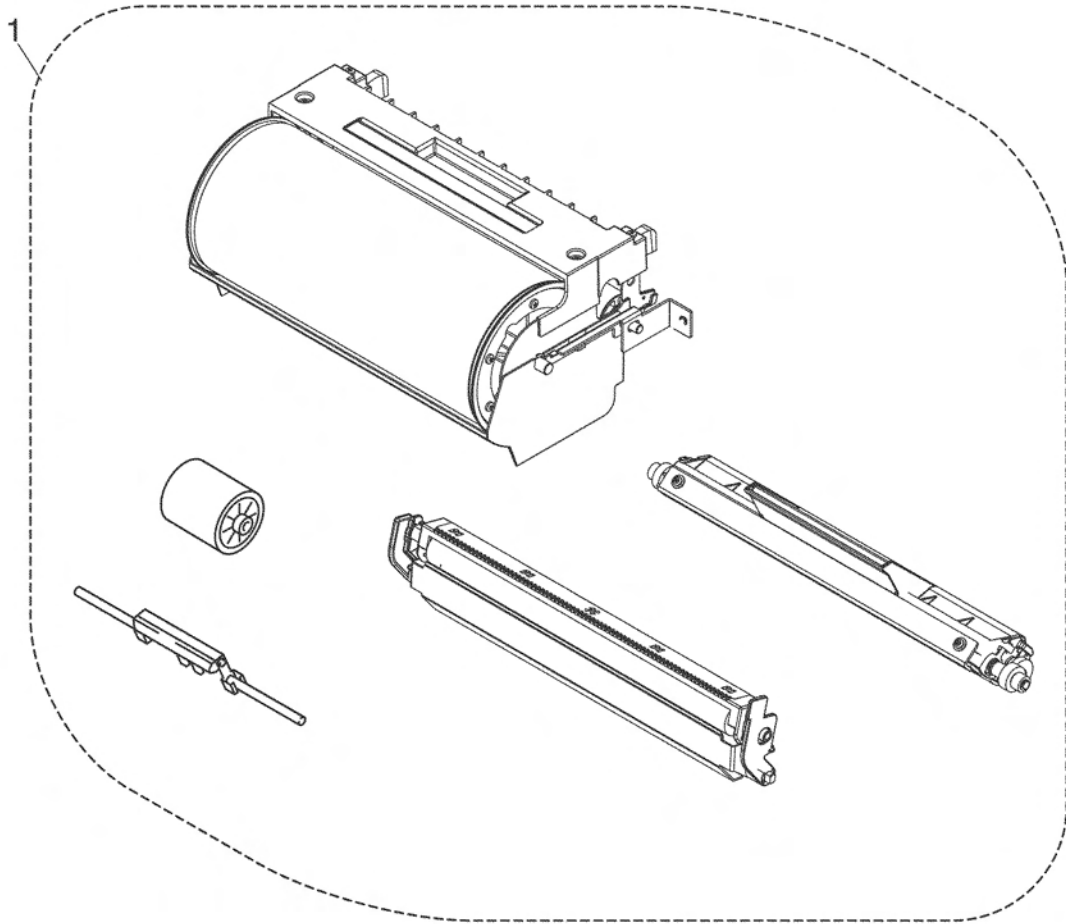
13. ACCESSORIES



13.ACCESSORIES

REF No	CODE	Q'TY	DESCRIPTION	RECOMMEND	REMARKS
1	LG6571001	1	TELEPHONE LINE CORD FOR ASA/OCE/JPN <RJ-11>		
1	LG3077001	1	TELEPHONE LINE CORD FOR US/FRA/SPA/GNR <CSA>		chg
1	LG6572001	1	TELEPHONE LINE CORD FOR OCE <NEW ZEALAND>		
1	UG3625001	1	TELEPHONE LINE CORD FOR GER/PND <GERMAN>		
1	UG4205001	1	TELEPHONE LINE CORD FOR GER <AUSTRIA>		
1	UG3626001	1	TELEPHONE LINE CORD FOR UK		
1	LG3077001	1	TELEPHONE LINE CORD CSA FOR UK		add
1	UG3627001	1	TELEPHONE LINE CORD FOR FRA <FRANCE>		
1	UG1575001	1	TELEPHONE LINE CORD FOR FRA <BELGIUM>		
1	LG7202001	1	TELEPHONE LINE CORD FOR CHE		chg
1	UG3634001	1	TELEPHONE LINE CORD FOR ITA		
1	LG5827001	1	TELEPHONE LINE CORD FOR PND		
2	LG6573001	1	TELEPHONE PLUG FOR OCE		
3	LG3622001	1	TELEPHONE PLUG FOR FRA <NETHERLANDS>		
4	LG5829001	1	TELEPHONE PLUG FOR PND <FINLAND>		
5	LG5828001	1	TELEPHONE PLUG FOR PND <DENMARK>		
6	LG5830001	1	TELEPHONE PLUG FOR PND <SWEDEN>		
7	LF9078001	1	CD-ROM ASSY FOR US <Windows>		
7	LF9079001	4	CD-ROM ASSY FOR US <Macintosh>		del
7	LF9085001	1	CD-ROM ASSY FOR ASA/OCE/GER/UK/CHE/GNR <Windows>		
7	LF9368001	1	CD-ROM ASSY FOR US/ASA/OCE/GER/UK/FRA/CHE/SPA/ITA/PND/GNR <Macintosh>		
7	LF9376001	1	CD-ROM ASSY FOR JPN		
7	LF9463001	1	CD-ROM ASSY FOR FRA/PND <Windows>		
7	LF9471001	1	CD-ROM ASSY FOR SPA/ITA <Windows>		
7	LF9480001	1	CD-ROM ASSY FOR PND <Windows>		
8	LF9339001	1	USER'S GUIDE FOR US <ENGLISH>		
8	LF9339002	1	USER'S GUIDE FOR US <FRENCH>		
8	LF9339040	1	USER'S GUIDE FOR ASA/OCE		
8	LF9339047	1	USER'S GUIDE FOR JPN		
8	LF9963003	1	USER'S GUIDE FOR GER		
8	LF9963004	1	USER'S GUIDE FOR UK/GNR		
8	LF9963005	1	USER'S GUIDE FOR FRA <FRENCH>		
8	LF9462008	1	USER'S GUIDE FOR FRA <FRENCH (BELGIUM/SWITZERLAND)>		
8	LF9963008	1	USER'S GUIDE FOR FRA/CHE <DUTCH>		
8	LF9963010	1	USER'S GUIDE FOR CHE <GERMAN>		
8	LF9963015	1	USER'S GUIDE FOR SPA <SPANISH>		
8	LF9963018	1	USER'S GUIDE FOR SPA <PORTUGUESE>		
8	LF9963016	1	USER'S GUIDE FOR ITA		
8	LF9478007	1	USER'S GUIDE FOR PND <NORWEGIAN/SWEDISH>		
8	LF9479013	1	USER'S GUIDE FOR PND <DANISH/FINNISH>		
9	UH1933001	1	AC CORD, UL/CSA FOR US		
9	LG6514001	1	AC CORD ASSY LF, BS FOR ASA		
9	LG6569001	1	AC CORD BAG ASSY LF, VDE FOR ASA		
9	LG6570001	1	AC CORD LF, SAA FOR OCE		
9	LG6614001	1	AC CORD ASSY LF GY, JPN FOR JPN		
9	LJ9103001	1	AC CORD ASSY LF, VDE FOR GER/FRA/SPA/ITA/PND/GNR		
9	LJ9921001	1	AC CORD ASSY LF, BS/PSB FOR UK		
9	LJ9254001	1	AC CORD ASSY LF, SEV FOR CHE		
9	LJ9256001	1	AC CORD ASSY LF, DEMKO FOR PND		
10	LG6280001	1	BATTERY ASSY EXCEPT FOR JPN		
10	LG6512001	1	BATTERY ASSY FOR JPN		
11	LF9482001	1	REPACKING KIT ASSY FOR US		
11	LF9967001	1	REPACKING KIT ASSY FOR GER/UK/FRA/CHE/SPA/ITA/PND		chg
11	LF9483001	1	REPACKING KIT ASSY FOR ASA/OCE/JPN		add
12	LG7388001	1	POST CARD ADAPTER ASSY B FOR JPN		add
13	LP7012001	1	CD-ROM ASSY VISTA FOR US/ASA/OCE/GER/UK/FRA/CHE/SPA/ITA/PND/GNR		ADD
13	LP7013001	1	CD-ROM ASSY VISTA FOR JPN		ADD

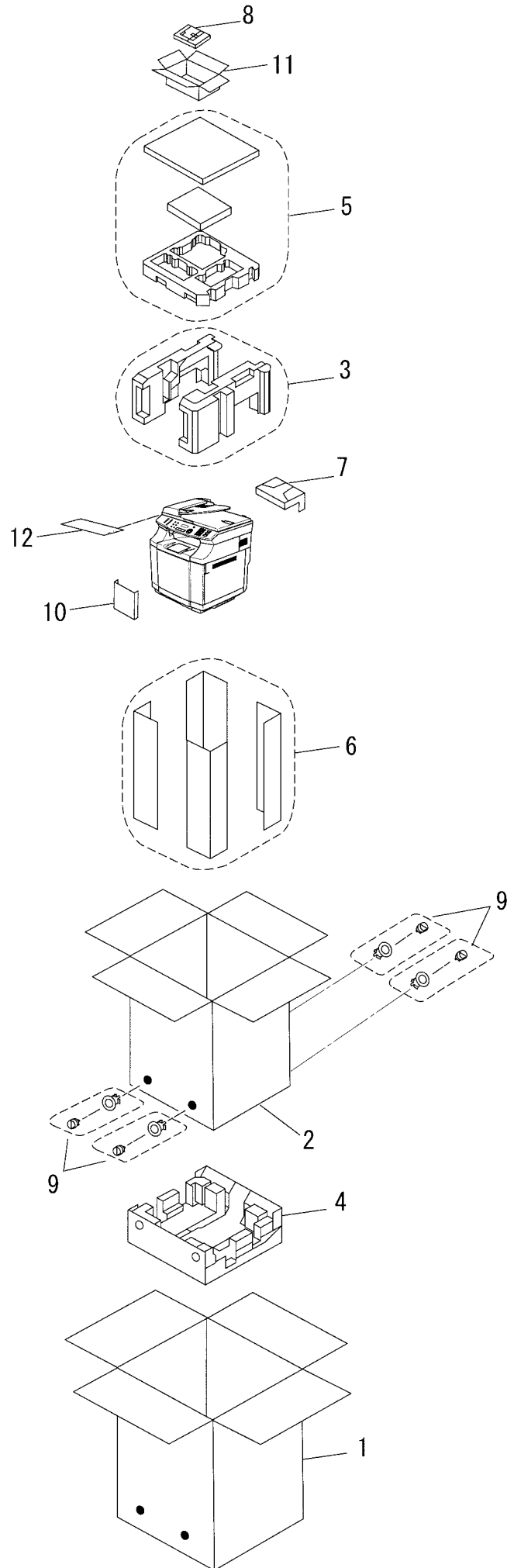
14. REPLACEMENT PARTS



14. REPLACEMENT PARTS

REF.No.	CODE	Q'TY	DESCRIPTION	RECOMMEND	REMARKS
1	LM0895001	1	120K KIT		

15. PACKING MATERIALS



15.PACKING MATERIALS

REF No.	CODE	QTY	DESCRIPTION	RECOMMEND	REMARKS
1	LF9349001	1	OUTER CARTON FOR US	√	
2	LF9352001	1	INNER CARTON FOR US		
2	LF9987001	1	OUTER CARTON FOR ASA/OCE/GER/UK/FRA/CHE/SPA/ITA/PND/GNR	√	chg
2	LF9377001	1	OUTER CARTON FOR JPN	√	
3	LF9913001	1	UPPER CUSHION FOR US		
3	LF9971001	1	UPPER CUSHION FOR GER/UK/FRA/CHE/SPA/ITA/ASA/JPN/PND/GNR/OCE		
4	LF9914001	1	BASE ASSY FOR US		
4	LF9972001	1	BASE ASSY FOR GER/UK/FRA/CHE/SPA/ITA/ASA/JPN/PND/GNR/OCE		
5	LF9915001	1	STARTER CUSHION		
6	LF9916001	1	CORNER PAD(4pcs)		
7	LF9917001	1	REAR PACKING		
8	LF9353001	1	QUICK SETUP GUIDE FOR US <ENGLISH>		
8	LF9353002	1	QUICK SETUP GUIDE FOR US <FRENCH>		
8	LF9353040	1	QUICK SETUP GUIDE FOR ASA/OCE		
8	LF9353047	1	QUICK SETUP GUIDE FOR JPN		
8	LF9964003	1	QUICK SETUP GUIDE FOR GER		
8	LF9964004	1	QUICK SETUP GUIDE FOR UK/GNR		
8	LF9964005	1	QUICK SETUP GUIDE FOR FRA <FRENCH>		
8	LF9964008	1	QUICK SETUP GUIDE FOR FRA <DUTCH>		
8	LF9464008	1	QUICK SETUP GUIDE FOR FRA/CHE <FRENCH (BELGIUM/SWITZERLAND)>		
8	LF9964010	1	QUICK SETUP GUIDE FOR CHE <GERMAN>		
8	LF9964015	1	QUICK SETUP GUIDE FOR SPA <SPANISH>		
8	LF9964018	1	QUICK SETUP GUIDE FOR SPA <PORTUGUESE>		
8	LF9964016	1	QUICK SETUP GUIDE FOR ITA		
8	LF9964007	1	QUICK SETUP GUIDE FOR PND <NORWEGIAN>		
8	LF9964012	1	QUICK SETUP GUIDE FOR PND <DANISH>		
8	LF9964013	1	QUICK SETUP GUIDE FOR PND <FINNISH>		
8	LF9964026	1	QUICK SETUP GUIDE FOR PND <SWEDISH>		
9	LL0488001	4	JOINT		CHG
10	LM0955001	1	FRONT CUSHION		
11	LF9356001	1	ACCESSORY CARTON FOR US		add
11	LF9973001	1	ACCESSORY CARTON FOR ASA/JPN/OCE		chg
11	LF9456001	1	ACCESSORY CARTON FOR GER/UK/FRA/CHE/SPA/ITA/PND/GNR		add
12	LF9492001	1	SHEET 310X445		add

brother®

PL-FAX111
5CS101
Ver. N-1