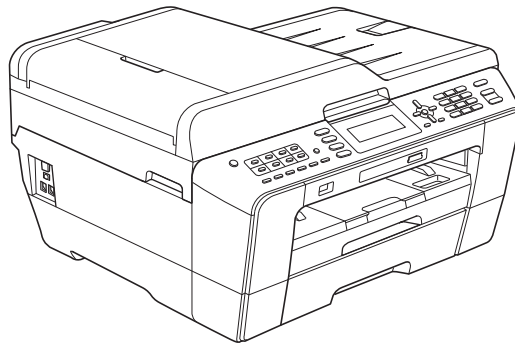




Inkjet MFC

PARTS REFERENCE LIST

**MODEL:
MFC-J6510DW/
MFC-J6710DW/MFC-J6910DW**



Read this list thoroughly before maintenance work.

Keep this list in a convenient place for quick and easy reference at all times.

NOTE FOR USING THIS PARTS REFERENCE LIST

1. In the case of ordering parts, it is necessary to mention the following items;

- (1) Code
- (2) Q'ty
- (3) Description
- (4) Symbol (PCB No. etc)

Note: Orders without Parts Code or Tool No. can not be accepted.

< Example >

| REF.NO. | (1) CODE | (2) Q'TY | (3) DESCRIPTION | (4) SYMBOL | REMARK |
|---------|-------------|-------------|--------------------|---------------|--------|
| | | | | | |

2. Design-changed parts :

If any of the parts is changed, one of the following symbols is indicated in the REMARK column.

CHG(chg) : The parts is changed to a new parts.

ADD(add) : The parts is newly added.

DEL(del) : The parts is deleted.

Symbol in capital letters indicates the latest parts change information in the page.

3. Parts change will be informed by the Parts change information.

4. Parts are subject to change in design without prior notice.

COUNTRIES

U.S.A. ----- US

CANADA ----- CAN

GERMANY ----- GER

UNITED KINGDOM ----- UK

FRANCE ----- FRA

BELGIUM ----- BEL

NETHERLANDS ----- NLD

SWITZERLAND ----- CHE

AUSTRIA ----- AUS

SPAIN ----- SPA

ITALY ----- ITA

CHINA ----- CHN

TAIWAN ----- TWN

SOUTH AFRICA ----- ZAF

HONG KONG ---- HK

INDONESIA ---- IDN

ARGENTINA ---- ARG

CHILE ---- CHL

POLAND ---- POL

SINGAPORE/GULF ---- SIN/GUL

BRAZIL ---- BRA

KOREA ---- KOR

RUSSIA ---- RUS

OCEANIA ---- OCE

PAN NORDIC

(NORWAY/FINLAND/DENMARK/SWEDEN) --- PND

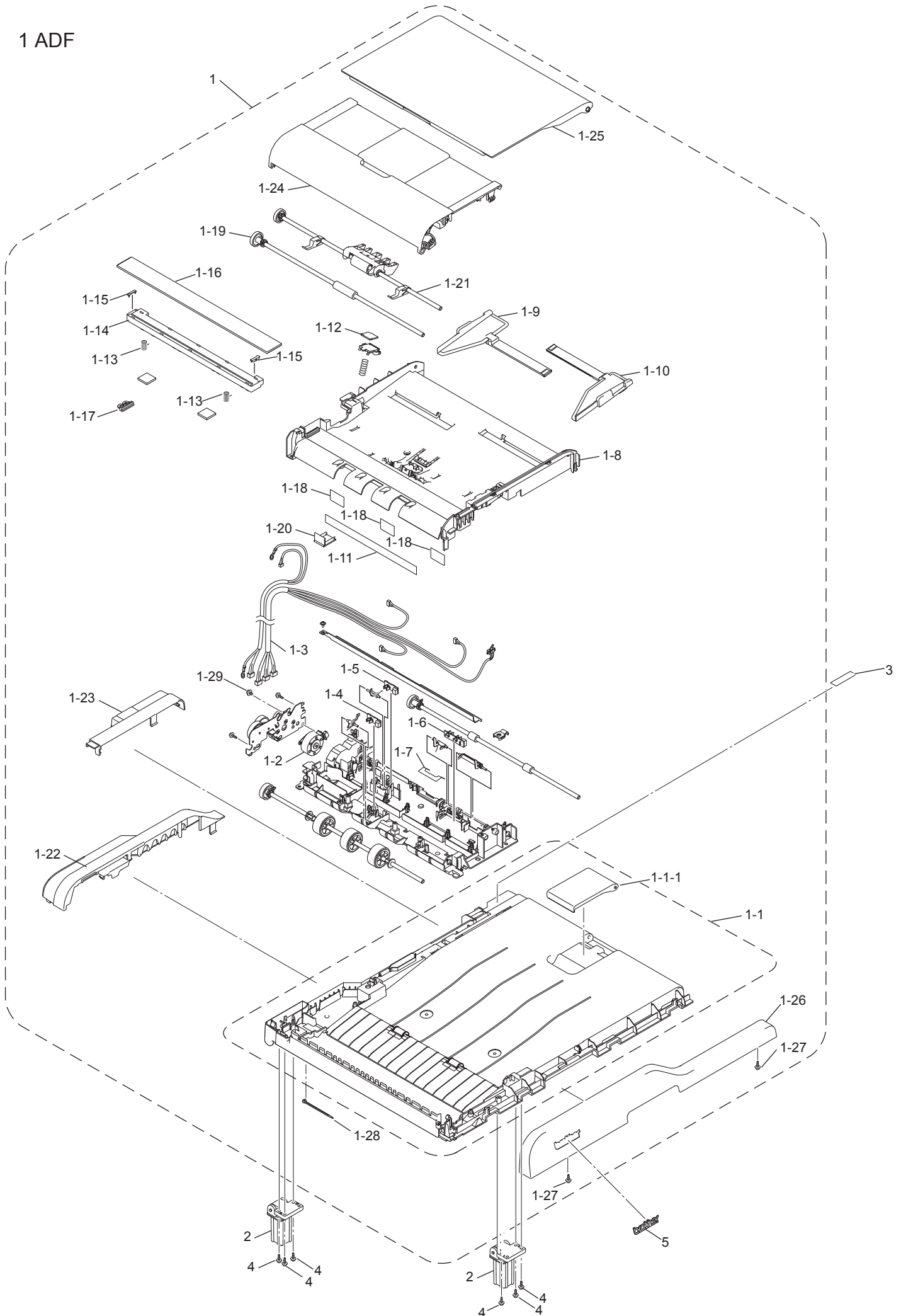
IBERIA (SPAIN & PORTUGAL) ---- IBR

CEE GENERAL --- CEE

CONTENTS

| | | |
|-----|--------------------------------|----|
| 1. | <u>ADF</u> | 1 |
| 2. | <u>SCANNER</u> | 3 |
| 3. | <u>ENGINE</u> | 5 |
| 4. | <u>CARTRIDGE CASE</u> | 7 |
| 5. | <u>HEAD</u> | 9 |
| 6. | <u>PAPER TRAY</u> | 11 |
| 7. | <u>LOWER TRAY</u> | 13 |
| 8. | <u>COVER</u> | 15 |
| 9. | <u>PANEL</u> | 17 |
| 10. | <u>PCB</u> | 20 |
| 11. | <u>ACCESSORIES</u> | 22 |
| 12. | <u>PRINTED MATERIALS</u> | 24 |
| 13. | <u>PACKAGING</u> | 26 |
| 14. | <u>OTHERS</u> | 29 |

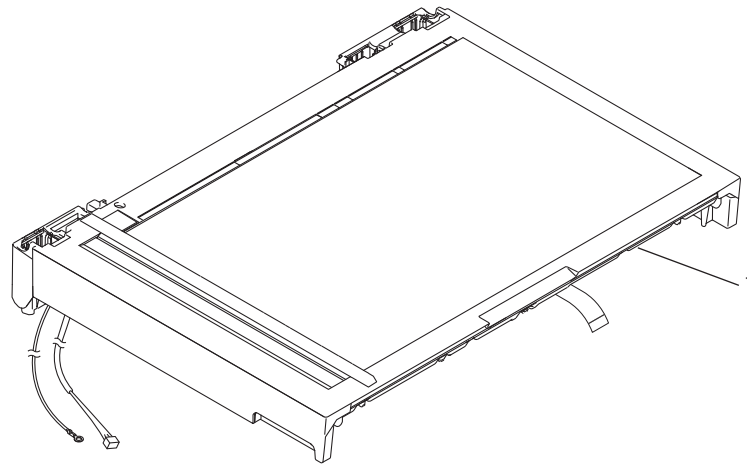
1 ADF



List1(ADF)

| REF No. | CODE | Q'TY | DESCRIPTION | RECOMMEND | SYMBOL | REMARKS |
|---------|-----------|------|--|-----------|---------|---------|
| 1 | LEL661001 | 1 | ADF & DOCUMENT COVER ASSY (SP), MFC-J6510DW/MFC-J6710DW | | | CHG |
| 1 | LEL665001 | 1 | ADF UNIT ASSY (SP), MFC-J6910DW | | | CHG |
| 1-1 | LX3809001 | 1 | DOCUMENT COVER ASSY | | | |
| 1-1-1 | LX3812007 | 1 | DOCUMENT STOPPER | | | |
| 1-2 | LS4414001 | 1 | ADF MOTOR | | | |
| 1-3 | LT1224001 | 1 | ADF HARNESS UNIT, MFC-J6510DW/MFC-J6710DW | | | |
| 1-3 | LT1223001 | 1 | ADF HARNESS UNIT, MFC-J6910DW | | | |
| 1-4 | LG6753001 | 1 | DOCUMENT SCANNING POSITION SENSOR PCB (FIRST SIDE SCANNING) | | B53K928 | |
| 1-5 | LG6753001 | 1 | DOCUMENT SCANNING POSITION SENSOR PCB (SECOND SIDE SCANNING), MFC-J6910DW | | B53K928 | |
| 1-6 | LT1120001 | 1 | DOCUMENT DETECTION/WIDTH SENSOR PCB | | B57U063 | |
| 1-7 | LX3825001 | 1 | EJECTION FILM | | | |
| 1-8 | LX3827007 | 1 | UPPER ADF CHUTE | | | |
| 1-9 | LX3828007 | 1 | DOCUMENT GUIDE R | | | |
| 1-10 | LX3829007 | 1 | DOCUMENT GUIDE F | | | |
| 1-11 | LX3830001 | 1 | ANTISTATIC BRUSH | | | |
| 1-12 | LX3833001 | 1 | SEPARATION PAD | | | |
| 1-13 | LX4099001 | 2 | CIS SPRINGS, MFC-J6910DW | | | |
| 1-14 | LT1031001 | 1 | SECOND SIDE SCANNING CIS, MFC-J6910DW | | | |
| 1-15 | LX3856001 | 2 | CIS SPACER, MFC-J6910DW | | | |
| 1-16 | LX3857001 | 1 | COVER GLASS, MFC-J6910DW | | | |
| 1-17 | LX4098001 | 1 | COVER GLASS STOPPER, MFC-J6910DW | | | |
| 1-18 | LX3835001 | 3 | EJECT SUPPORT FILM | | | |
| 1-19 | LX3837001 | 1 | DOCUMENT FEED ROLLER ASSY 1 | | | |
| 1-20 | LX3858001 | 1 | FFC CAP, MFC-J6910DW | | | |
| 1-21 | LX3840001 | 1 | DOCUMENT PULL-IN SEPARATION ROLLER ASSY | | | |
| 1-22 | LX3843007 | 1 | ADF REAR COVER | | | |
| 1-23 | LX3844007 | 1 | FFC COVER, MFC-6510DW/MFC-6710DW | | | |
| 1-23 | LX3859007 | 1 | FFC COVER, MFC-J6910DW | | | |
| 1-24 | LX3845001 | 1 | ADF COVER ASSY, MFC-J6510DW/MFC-J6710DW | | | |
| 1-24 | LX3860001 | 1 | ADF COVER ASSY, MFC-J6910DW | | | |
| 1-25 | LX3847004 | 1 | DOCUMENT SUPPORT | | | |
| 1-26 | LX3848007 | 1 | ADF FRONT COVER | | | |
| 1-27 | 087311016 | 2 | TAPTITE CUP B M3X10 | | | |
| 1-28 | SA6003001 | 1 | CABLE TIE | | | |
| 1-29 | 0A4300606 | 1 | SCREW PAN (S/P WASHER) M3X6 | | | |
| 2 | LX3851001 | 2 | HINGE | | | |
| 3 | LX6407001 | 1 | BYPASS TRAY LABEL | | | |
| 4 | 087311016 | 6 | TAPTITE CUP B M3X10 | | | |
| 5 | LX7150001 | 1 | EMBLEM BROTHER | | | |

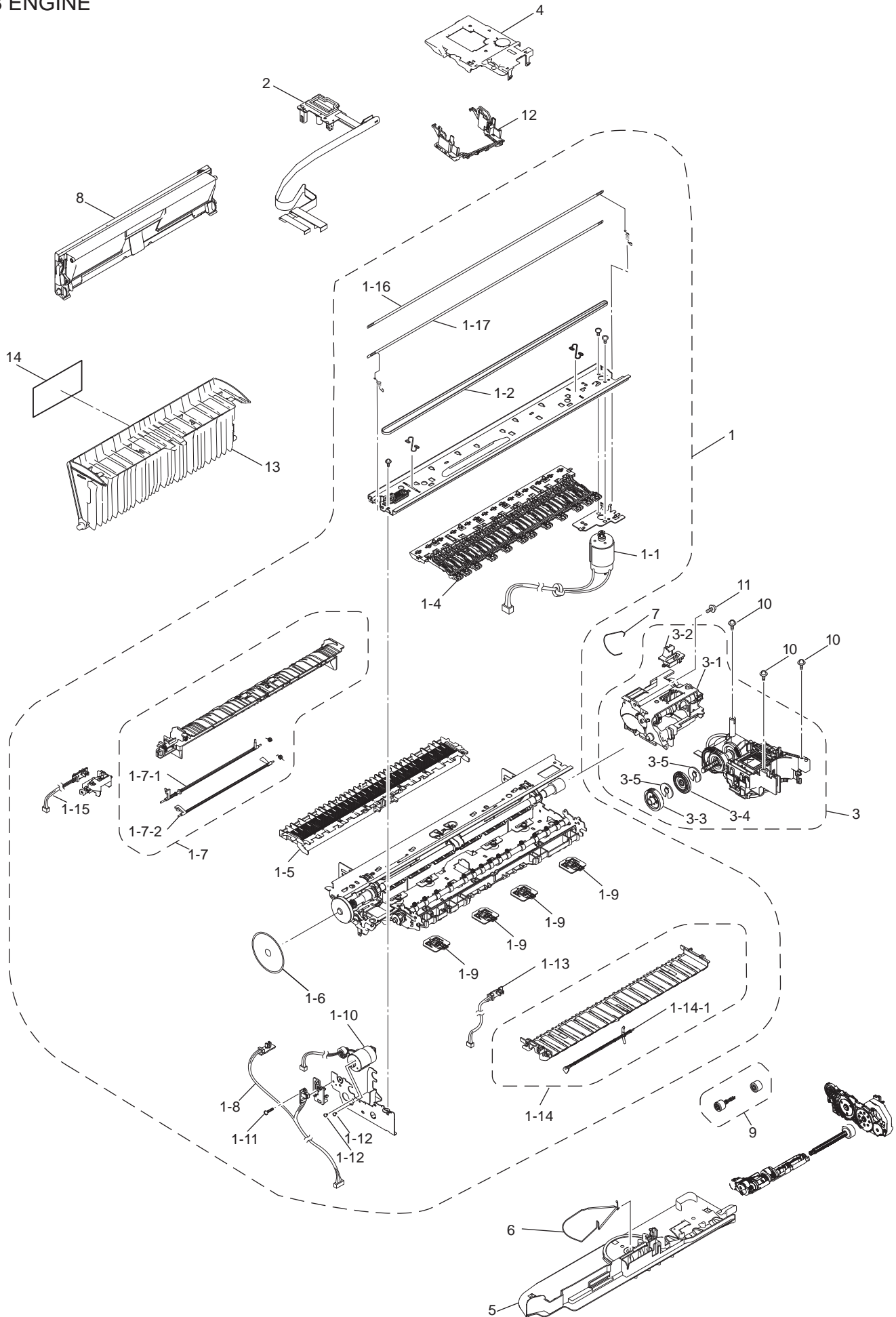
2 SCANNER



List2(SCANNER)

| REF No. | CODE | Q'TY | DESCRIPTION | RECOMMEND | REMARKS |
|---------|-----------|------|---|-----------|---------|
| 1 | LX6874001 | 1 | SCANNER UNIT ASSY (SP), MFC-J6510DW/MFC-J6710DW | | |
| 1 | LX7887001 | 1 | SCANNER UNIT ASSY (SP), MFC-J6910DW | | |

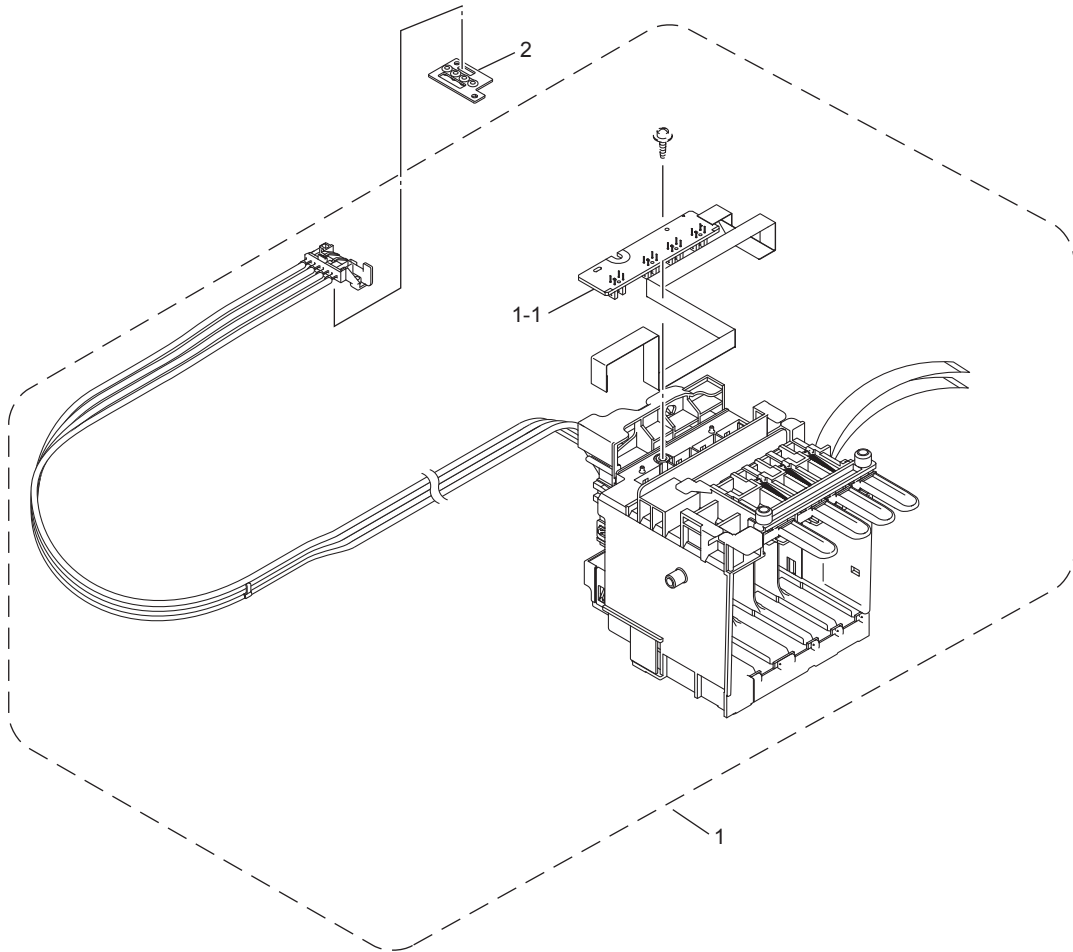
3 ENGINE



List3(ENGINE)

| REF No. | CODE | Q'TY | DESCRIPTION | RECOMMEND | SYMBOL | REMARKS |
|----------------|----------------------|--------------|--------------------------------------|-----------|---------|---------|
| 1 | LX7217001 | 1 | ENGINE UNIT ASSY (SP) | | | |
| 1-1 | LX3323001 | 1 | CARRIAGE MOTOR | | | |
| 1-2 | LX3324001 | 1 | CR TIMING BELT | | | |
| 1-3 | LX3325001 | 4 | CR ENCODER STRIP | | | del |
| 1-4 | LX3245001 | 1 | STAR WHEEL HOLDER ASSY | | | |
| 1-5 | LX3248001 | 1 | PLATEN ASSY | | | |
| 1-6 | LP1471001 | 1 | PF ENCODER DISK | | | |
| 1-7 | LX3424001 | 1 | INNER CHUTE ASSY | | | |
| 1-7-1 | LX3426001 | 1 | REGISTRATION SENSOR ACTUATOR | | | |
| 1-7-2 | LX3428001 | 1 | PAPER FEED SENSOR ACTUATOR | | | |
| 1-8 | LT1060001 | 1 | PF ENCODER / PF SENSOR HARNESS UNIT | | | |
| 1-9 | LX3479001 | 4 | DX CHUTE ROLLER HOLDER ASSY | | | |
| 1-10 | LX3275001 | 1 | PAPER FEED MOTOR UNIT | | | |
| 1-11 | 000021206 | 1 | SCREW BIND M2X12 | | | |
| 1-12 | LS4781001 | 2 | SCREW BIND M2.6X4 | | | |
| 1-13 | LT1062001 | 1 | SWITCHBACK PAPER SENSOR PCB ASSY | | B53K857 | |
| 1-14 | LX3285001 | 1 | INNER PAPER GUIDE ASSY | | | |
| 1-14-1 | LX3287001 | 1 | SWITCH BACK PAPER DETECTION ACTUATOR | | | |
| 1-15 | LT1241001 | 1 | REGISTRATION SENSOR PCB ASSY | | B53K857 | |
| 1-16 | LEG248001 | 1 | ENCODER STRIP GUARD FILM | | | chg |
| 1-17 | LX3325001 | 1 | CR ENCODER STRIP | | | add |
| 2 | LX7223001 | 1 | CARRIAGE PCB ASSY (SP) | | | |
| 3 | LX6875001 | 1 | MAINTENANCE UNIT ASSY (SP) | | | |
| 3-1 | LX3400001 | 1 | ASF DRIVE ASSY | | | |
| 3-2 | LX3422001 | 1 | SWITCHING LEVER GUIDE | | | |
| 3-3 | LX3419001 | 1 | ASF SWITCHING GEAR A | | | |
| 3-4 | LX3420001 | 1 | ASF SWITCHING GEAR B | | | |
| 3-5 | LX3421001 | 2 | RESIN RETAINING RING | | | |
| 4 | LX3339001 | 1 | HEAD COVER ASSY | | | |
| 5 | LX8497007 | 1 | TUBE SUPPORT PLATE | | | chg |
| 6 | LX3344001 | 1 | SUPPORT WIRE ASSY | | | |
| 7 | LX3423001 | 1 | EARTH SPRING | | | |
| 8 | LX3507001 | 1 | MANUAL FEED SLOT COVER ASSY | | | |
| 9 | LEK558001 | 1 | T1 PAPER PULL-IN ROLLER ASSY | | | CHG |
| 10 | 087311016 | 3 | TAPTITE CUP B M3X10 | | | |
| 11 | 087320616 | 1 | TAPTITE CUP S M3X6 | | | |
| 12 | LX8279001 | 1 | LEVELER ROLLER ASSY | | | chg |
| 13 | LX3439007 | 1 | JAM CLEAR COVER | | | |
| 14 | LX6185001 | 1 | JAM CLEAR LABEL | | | |

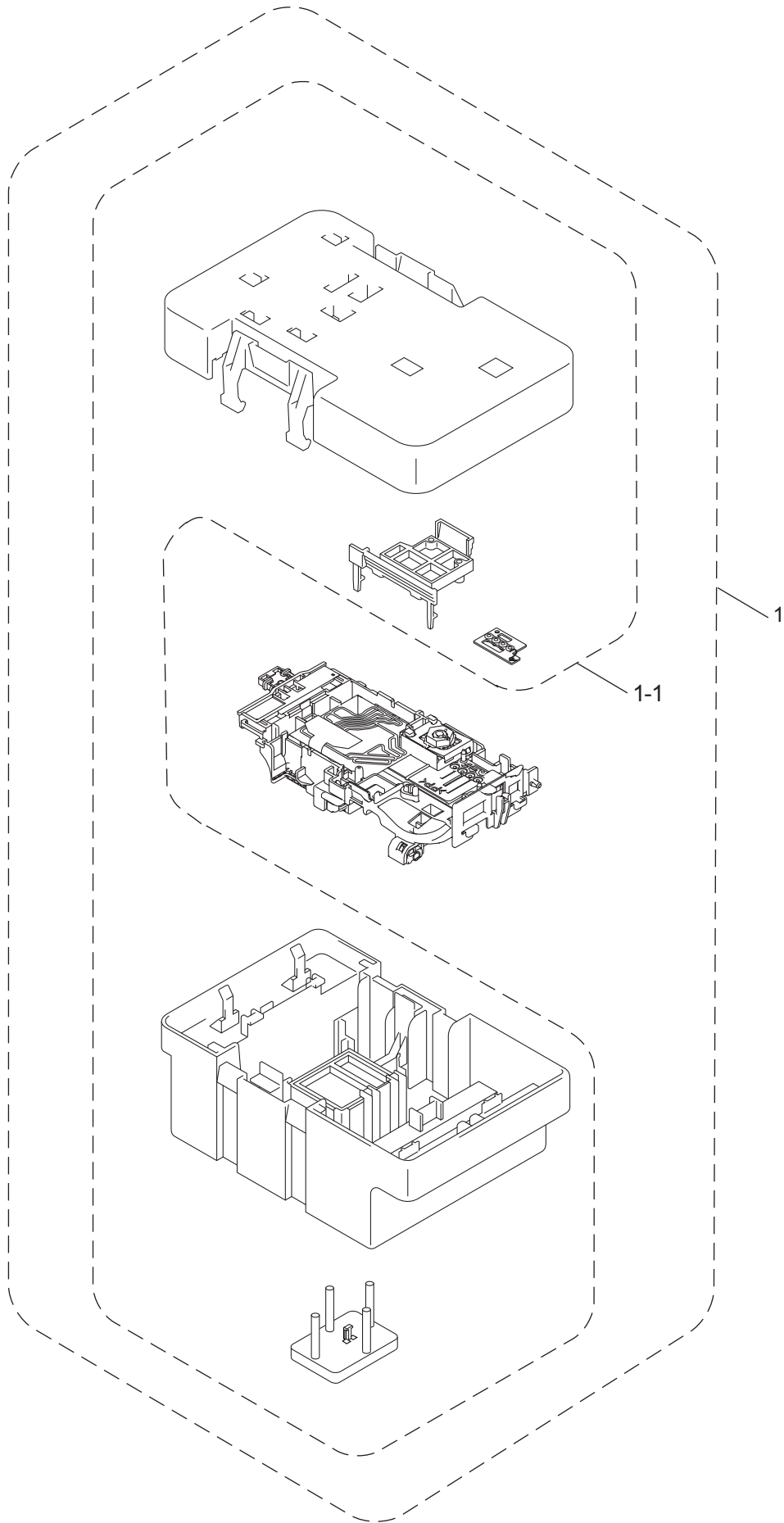
4 CARTRIDGE CASE



List4(CARTRIDGE CASE)

| REF No. | CODE | Q'TY | DESCRIPTION | RECOMMEND | SYMBOL | REMARKS |
|---------|-----------|------|---|-----------|---------|---------|
| 1 | LK5792001 | 1 | INK REFILL ASSY (SP) EXCEPT FOR CHN/IDN | | | |
| 1 | LK6301001 | 1 | INK REFILL ASSY (SP) FOR CHN/IDN | | | |
| 1-1 | LK5136001 | 1 | INK CARTRIDGE DETECTION SENSOR PCB | | B57C014 | |
| 2 | LK5793001 | 1 | HEAD JOINT RUBBER (SP) | | | |

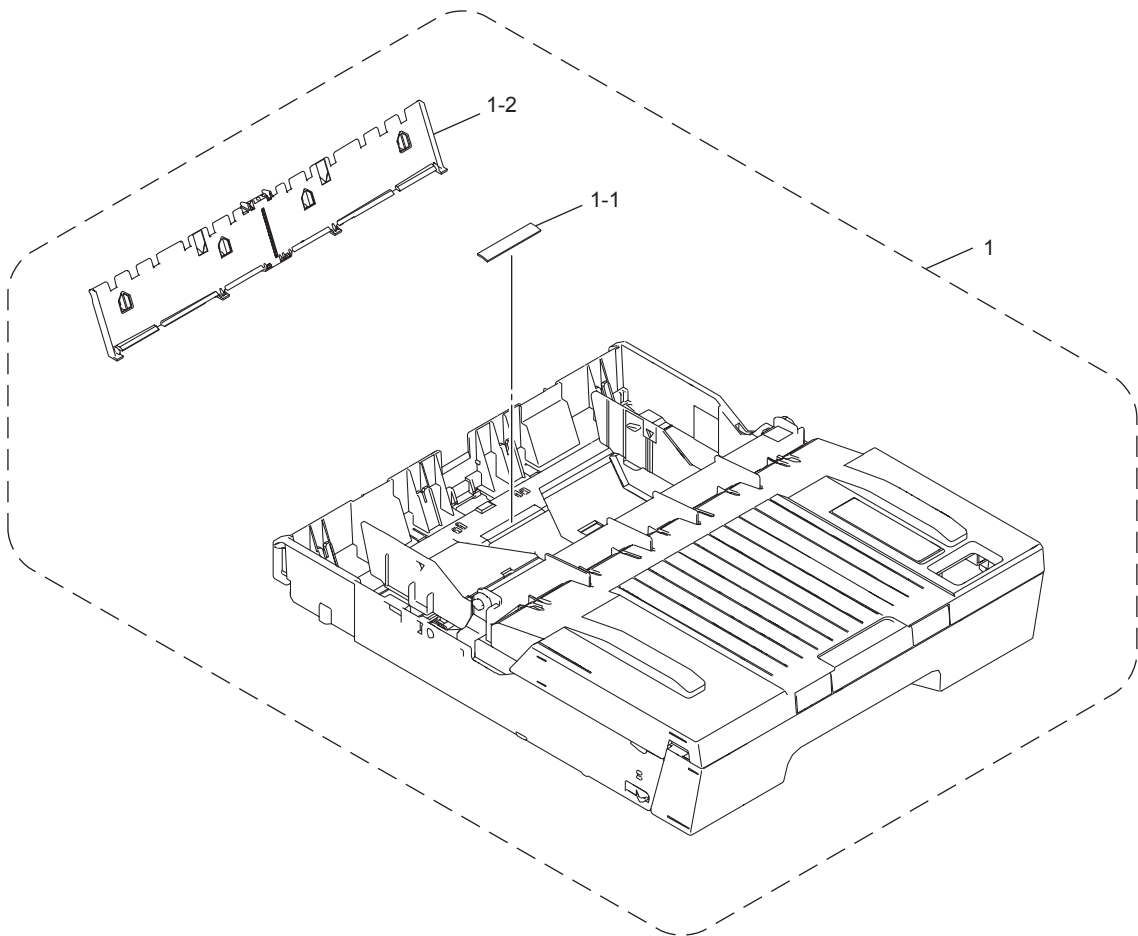
5 HEAD



List5(HEAD)

| REF No. | CODE | Q'TY | DESCRIPTION | RECOMMEND | REMARKS |
|---------|-----------|------|---|-----------|---------|
| 1 | LK5374001 | 1 | HEAD/CARRIAGE UNIT SUPPLY ASSY(SP) (without CARRIAGE PCB ASSY) | | |
| 1-1 | LK5391001 | 1 | PROTECTOR SUPPLY ASSY BH11(SP) | | |

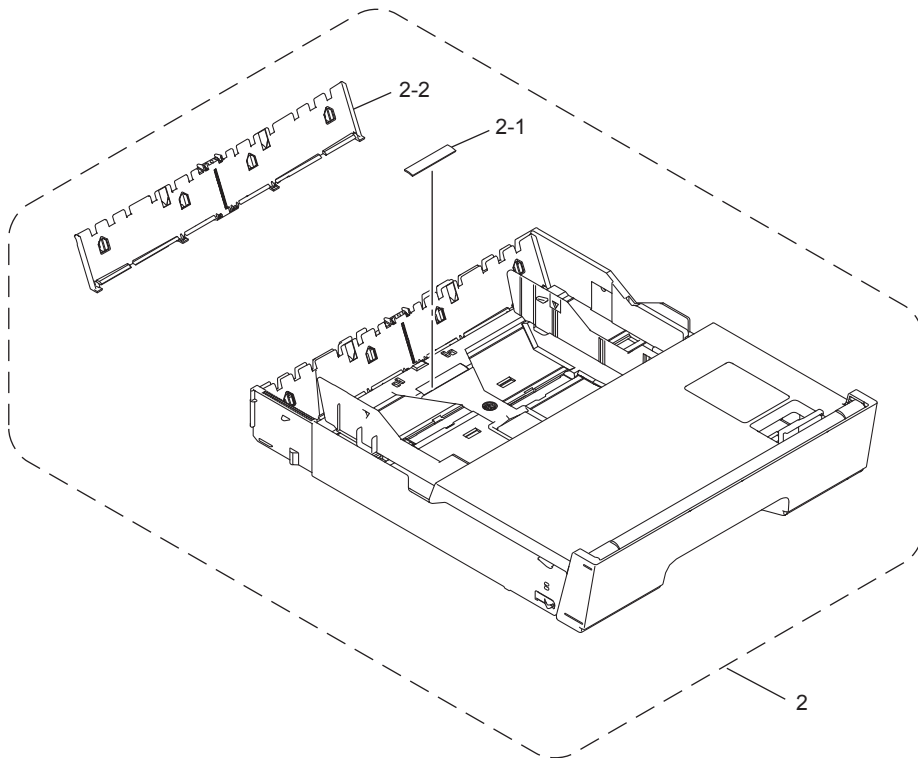
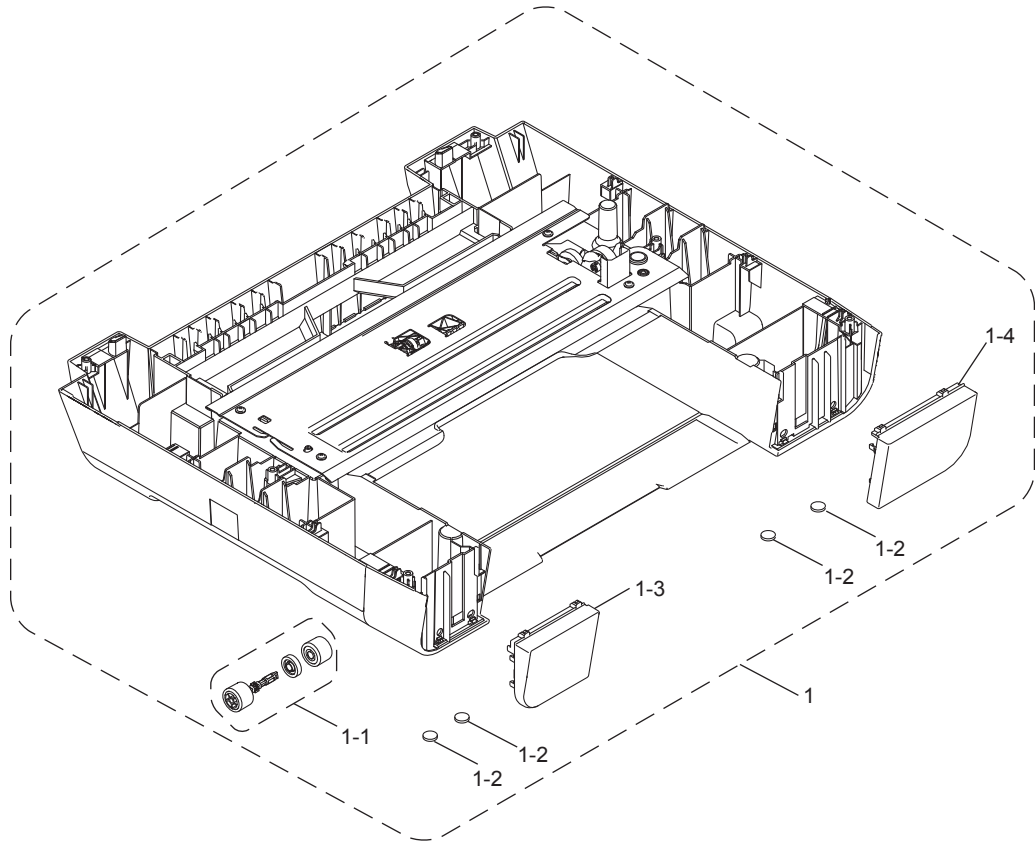
6 PAPER TRAY



List6(PAPER TRAY)

| REF No. | CODE | Q'TY | DESCRIPTION | RECOMMEND | REMARKS |
|---------|-----------|------|-------------------------|-----------|---------|
| 1 | LX6878001 | 1 | PAPER TRAY ASSY #1 (SP) | | CHG |
| 1-1 | LX3530001 | 1 | BASE PAD | | |
| 1-2 | LS4162001 | 1 | BANK ASSY | | |

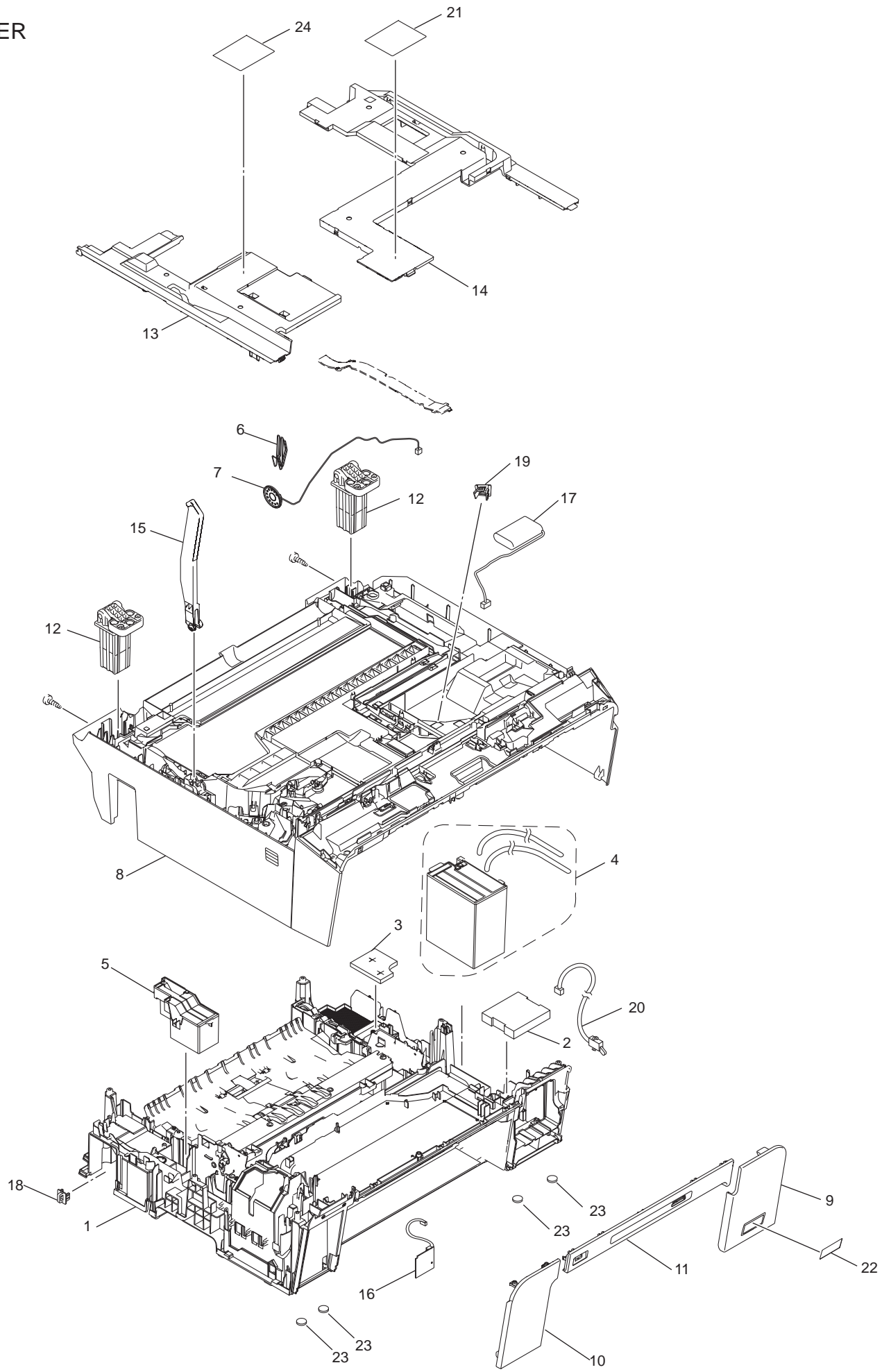
7 LOWER TRAY



List7(LOWER TRAY)

| REF | CODE | Q'TY | DESCRIPTION | RECOMMEND | REMARK |
|-----|-----------|------|---|-----------|--------|
| 1 | LX6480001 | 1 | LT COVER ASSY (SP), MFC-J6710DW/MFC-J6910DW | | |
| 1-1 | LP1094001 | 1 | T2 PAPER PULL-IN ROLLER ASSY, MFC-J6710DW/MFC-J6910DW | | |
| 1-2 | LP1763001 | 4 | BOTTOM RUBBER, MFC-J6710DW/MFC-J6910DW | | |
| 1-3 | LX3242007 | 1 | LT FRONT COVER L, MFC-J6710DW/MFC-J6910DW | | |
| 1-4 | LX3243007 | 1 | LT FRONT COVER R, MFC-J6710DW/MFC-J6910DW | | |
| 2 | LX7012001 | 1 | PAPER TRAY ASSY #2 (SP), MFC-J6710DW/MFC-J6910DW | | CHG |
| 2-1 | LX3530001 | 1 | BASE PAD, MFC-J6710DW/MFC-J6910DW | | |
| 2-2 | LS4162001 | 1 | BANK ASSY, MFC-J6710DW/MFC-J6910DW | | |

8 COVER

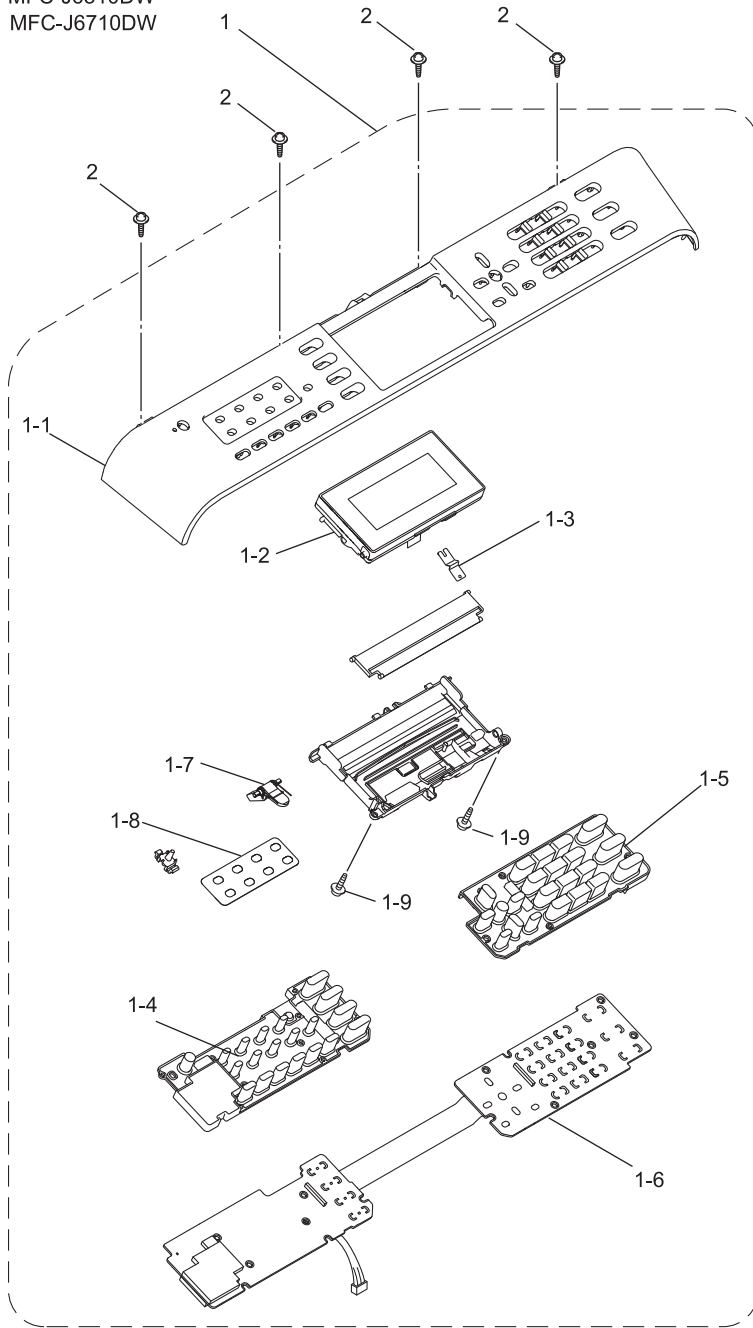


List8(COVER)

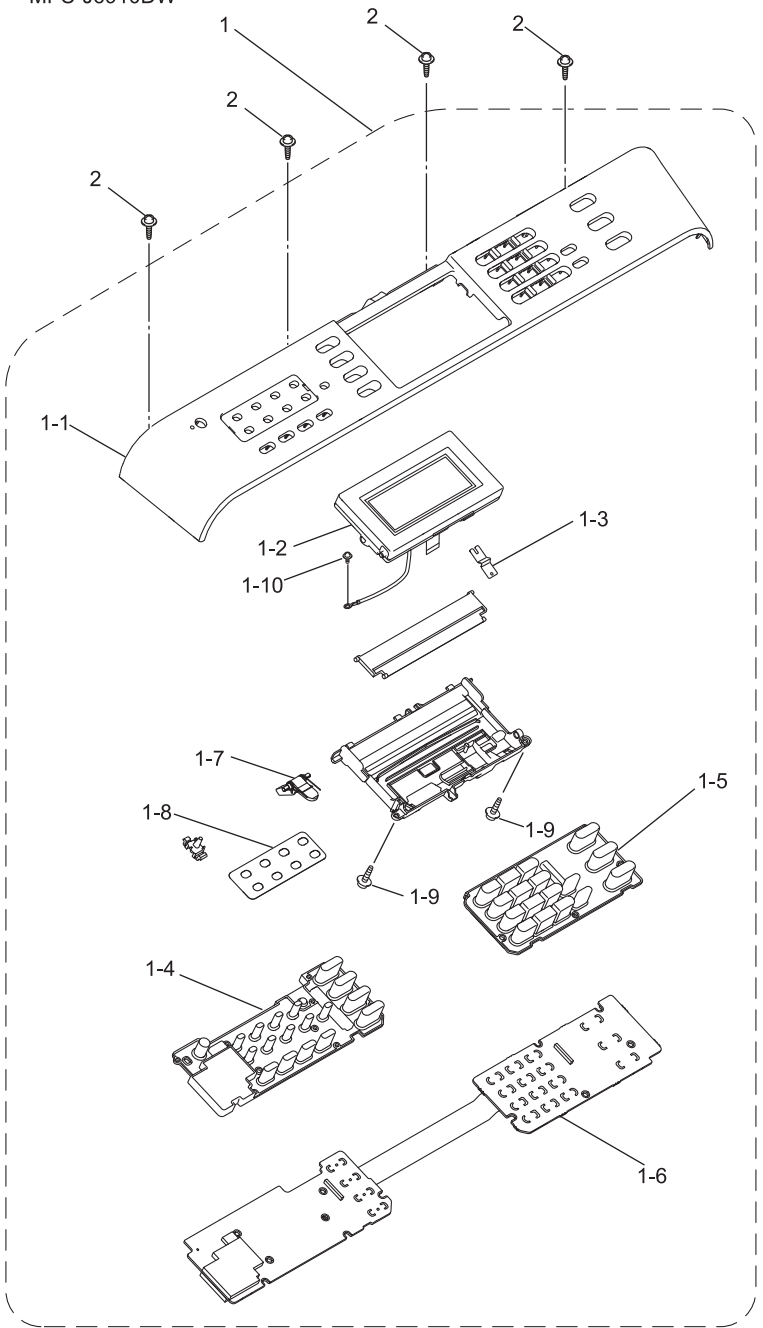
| REF | CODE | Q'TY | DESCRIPTION | RECOMMEND | SYMBOL | REMARKS |
|-----|-----------|------|--|-----------|--------|---------|
| 1 | LX3882007 | 1 | LOWER COVER, MFC-J6510DW | | | |
| 1 | LX3881007 | 1 | LOWER COVER, MFC-J6710DW/MFC-J6910DW | | | |
| 2 | LX3883001 | 1 | INK ABSORBER FELT (INK ABSORBER BOX) | | | |
| 3 | LX3884001 | 1 | INK ABSORBER FELT (MAINTENANCE UNIT) | | | |
| 4 | LX6684001 | 1 | INK ABSORBER TUBE ASSY (SP) | | | |
| 5 | LX3890001 | 1 | FLUSHING BOX | √ | | |
| 6 | LX3897001 | 1 | SPEAKER SPRING | | | |
| 7 | LT1260001 | 1 | SPEAKER | | | |
| 8 | LX3902007 | 1 | UPPER COVER, MFC-J6510DW | | | |
| 8 | LX3901007 | 1 | UPPER COVER, MFC-J6710DW/MFC-J6910DW | | | |
| 9 | LX3903007 | 1 | INK CARTRIDGE COVER | | | |
| 10 | LX3904007 | 1 | FRONT COVER | | | |
| 11 | LX3905001 | 1 | MEDIA MODULE COVER, MFC-J6510DW/MFC-J6710DW | | | |
| 11 | LX7037001 | 1 | MEDIA MODULE COVER, MFC-J6910DW | | | |
| 12 | LX3907001 | 2 | SCANNER HINGE | | | |
| 13 | LX3908007 | 1 | HARNESS COVER | | | |
| 14 | LX3909007 | 1 | CIS FLAT CABLE COVER | | | |
| 15 | LX3911007 | 1 | SCANNER COVER SUPPORT | | | |
| 16 | LT2155001 | 1 | WLAN PCB | √ | | chg |
| 17 | A63131001 | 1 | BACKUP BATTERY EXCEPT FOR OCE | | | |
| 17 | A63137001 | 1 | BACKUP BATTERY FOR OCE | | | |
| 18 | LE8842001 | 1 | EXT CAP FOR US/CAN/NLD/CHE/CHN/TWN/ZAF/HK/IDN/ARG/CHL/POL/SIN/GUL/ BRA/KOR/RUS/OCE/PND/IBR/CEE | | | |
| 18 | UF5745000 | 1 | MJ COVER EXT FOR GER/UK/FRA/BEL/AUS/ITA | | | |
| 19 | LY0872001 | 1 | LAN PORT CAP | | | |
| 20 | LT1165001 | 1 | INK CARTRIDGE COVER SWITCH ASSY | | | |
| 21 | LX6186001 | 1 | FB CLOSE CAUTION LABEL | | | |
| 22 | LX3721001 | 1 | INNOBELLA LABEL FOR US | | | |
| 22 | LX3722001 | 1 | INNOBELLA LABEL EXCEPT FOR US | | | |
| 23 | LP1763001 | 4 | BOTTOM RUBBER, MFC-J6510DW | | | |
| 24 | LEG247001 | 1 | ENCORDER CAUTION LABEL | | | ADD |

9 Panel

MFC-J6510DW
MFC-J6710DW



MFC-J6910DW



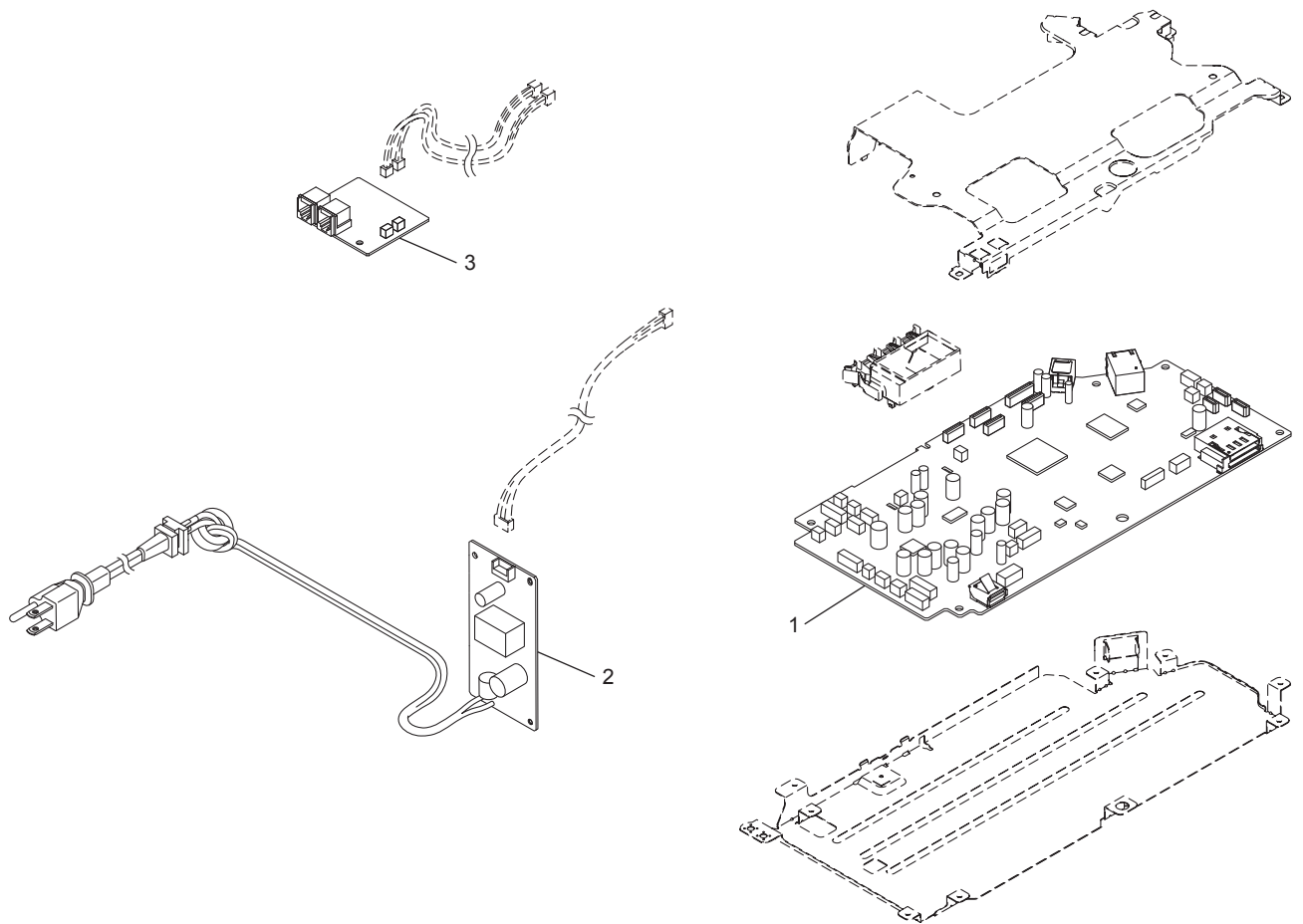
List9(PANEL)

| REF No. | CODE | Q'TY | DESCRIPTION | RECOMMEND | SYMBOL | REMARKS |
|---------|-----------|------|--|-----------|--------|---------|
| 1 | LX6134001 | 1 | CONTROL PANEL ASSY, MFC-J6510DW FOR US/CAN | √ | | |
| 1 | LX3966001 | 1 | CONTROL PANEL ASSY, MFC-J6710DW FOR US/CAN | √ | | |
| 1 | LX6651001 | 1 | CONTROL PANEL ASSY, MFC-J6910DW FOR US/CAN | √ | | |
| 1 | LX7620001 | 1 | CONTROL PANEL ASSY, MFC-J6510DW FOR GER/AUS | √ | | |
| 1 | LX7354001 | 1 | CONTROL PANEL ASSY, MFC-J6710DW FOR GER/AUS | √ | | |
| 1 | LX7641001 | 1 | CONTROL PANEL ASSY, MFC-J6910DW FOR GER/AUS | √ | | |
| 1 | LX6383001 | 1 | CONTROL PANEL ASSY, MFC-J6510DW FOR UK/BEL/CHE/ZAF/CEE | √ | | |
| 1 | LX6389001 | 1 | CONTROL PANEL ASSY, MFC-J6710DW FOR UK/BEL/CHE | √ | | |
| 1 | LX6503001 | 1 | CONTROL PANEL ASSY, MFC-J6910DW FOR UK/BEL/CHE/PND/CEE | √ | | |
| 1 | LX7624001 | 1 | CONTROL PANEL ASSY, MFC-J6510DW FOR FRA | √ | | |
| 1 | LX7364001 | 1 | CONTROL PANEL ASSY, MFC-J6710DW FOR FRA | √ | | |
| 1 | LX7708001 | 1 | CONTROL PANEL ASSY, MFC-J6910DW FOR FRA | √ | | |
| 1 | LX7811001 | 1 | CONTROL PANEL ASSY, MFC-J6510DW FOR NLD | √ | | |
| 1 | LX7778001 | 1 | CONTROL PANEL ASSY, MFC-J6710DW FOR NLD | √ | | |
| 1 | LX7845001 | 1 | CONTROL PANEL ASSY, MFC-J6910DW FOR NLD | √ | | |
| 1 | LX7629001 | 1 | CONTROL PANEL ASSY, MFC-J6510DW FOR ITA | √ | | |
| 1 | LX7713001 | 1 | CONTROL PANEL ASSY, MFC-J6910DW FOR ITA | √ | | |
| 1 | LX8315001 | 1 | CONTROL PANEL ASSY, MFC-J6710DW FOR CHN | √ | | |
| 1 | LX8321001 | 1 | CONTROL PANEL ASSY, MFC-J6910DW FOR CHN | √ | | |
| 1 | LX8220001 | 1 | CONTROL PANEL ASSY, MFC-J6710DW FOR TWN/HK | √ | | |
| 1 | LX8507001 | 1 | CONTROL PANEL ASSY, MFC-J6910DW FOR TWN | √ | | |
| 1 | LX8202001 | 1 | CONTROL PANEL ASSY, MFC-J6710DW FOR IDN/SIN/GUL/OCE | √ | | |
| 1 | LX8204001 | 1 | CONTROL PANEL ASSY, MFC-J6910DW FOR IDN/SIN/GUL/OCE | √ | | |
| 1 | LX8020001 | 1 | CONTROL PANEL ASSY, MFC-J6710DW FOR ARG/CHL | √ | | |
| 1 | LX7895001 | 1 | CONTROL PANEL ASSY, MFC-J6510DW FOR POL | √ | | |
| 1 | LX7970001 | 1 | CONTROL PANEL ASSY, MFC-J6910DW FOR POL | √ | | |
| 1 | LX8200001 | 1 | CONTROL PANEL ASSY, MFC-J6510DW FOR SIN/GUL/OCE | √ | | |
| 1 | LX8064001 | 1 | CONTROL PANEL ASSY, MFC-J6510DW FOR BRA | √ | | |
| 1 | LX8070001 | 1 | CONTROL PANEL ASSY, MFC-J6710DW FOR BRA | √ | | |
| 1 | LX8222001 | 1 | CONTROL PANEL ASSY, MFC-J6710DW FOR KOR | √ | | |
| 1 | LX7904001 | 1 | CONTROL PANEL ASSY, MFC-J6510DW FOR RUS | √ | | |
| 1 | LX7974001 | 1 | CONTROL PANEL ASSY, MFC-J6910DW FOR RUS | √ | | |
| 1 | LX7833001 | 1 | CONTROL PANEL ASSY, MFC-J6510DW FOR PND | √ | | |
| 1 | LX7786001 | 1 | CONTROL PANEL ASSY, MFC-J6710DW FOR PND | √ | | |
| 1 | LX7633001 | 1 | CONTROL PANEL ASSY, MFC-J6510DW FOR IBR | √ | | |
| 1 | LX7369001 | 1 | CONTROL PANEL ASSY, MFC-J6710DW FOR IBR | √ | | |
| 1 | LX7717001 | 1 | CONTROL PANEL ASSY, MFC-J6910DW FOR IBR | √ | | |
| 1-1 | LX6133001 | 1 | CONTROL PANEL BASE, MFC-J6510DW FOR US/CAN | | | |
| 1-1 | LX3733001 | 1 | CONTROL PANEL BASE, MFC-J6710DW FOR US/CAN | | | |
| 1-1 | LX3746001 | 1 | CONTROL PANEL BASE, MFC-J6910DW FOR US/CAN | | | |
| 1-1 | LX7621001 | 1 | CONTROL PANEL BASE, MFC-J6510DW FOR GER/AUS | | | |
| 1-1 | LX7355001 | 1 | CONTROL PANEL BASE, MFC-J6710DW FOR GER/AUS | | | |
| 1-1 | LX7701001 | 1 | CONTROL PANEL BASE, MFC-J6910DW FOR GER/AUS | | | |
| 1-1 | LX6384001 | 1 | CONTROL PANEL BASE, MFC-J6510DW FOR UK/BEL/CHE/ZAF/CEE | | | |
| 1-1 | LX6386001 | 1 | CONTROL PANEL BASE, MFC-J6710DW FOR UK/BEL/CHE | | | |
| 1-1 | LX6501001 | 1 | CONTROL PANEL BASE, MFC-J6910DW FOR UK/BEL/CHE/PND/CEE | | | |
| 1-1 | LX7625001 | 1 | CONTROL PANEL BASE, MFC-J6510DW FOR FRA | | | |
| 1-1 | LX7365001 | 1 | CONTROL PANEL BASE, MFC-J6710DW FOR FRA | | | |
| 1-1 | LX7710001 | 1 | CONTROL PANEL BASE, MFC-J6910DW FOR FRA | | | |
| 1-1 | LX7812001 | 1 | CONTROL PANEL BASE, MFC-J6510DW FOR NLD | | | |
| 1-1 | LX7779001 | 1 | CONTROL PANEL BASE, MFC-J6710DW FOR NLD | | | |
| 1-1 | LX7846001 | 1 | CONTROL PANEL BASE, MFC-J6910DW FOR NLD | | | |
| 1-1 | LX7630001 | 1 | CONTROL PANEL BASE, MFC-J6510DW FOR ITA | | | |
| 1-1 | LX7714001 | 1 | CONTROL PANEL BASE, MFC-J6910DW FOR ITA | | | |
| 1-1 | LX7645001 | 1 | CONTROL PANEL BASE, MFC-J6710DW FOR CHN | | | |
| 1-1 | LX7646001 | 1 | CONTROL PANEL BASE, MFC-J6910DW FOR CHN | | | |
| 1-1 | LX8221001 | 1 | CONTROL PANEL BASE, MFC-J6710DW FOR TWN/HK | | | |
| 1-1 | LX8508001 | 1 | CONTROL PANEL BASE, MFC-J6910DW FOR TWN | | | |
| 1-1 | LX8203001 | 1 | CONTROL PANEL BASE, MFC-J6710DW FOR IDN/SIN/GUL/OCE | | | |
| 1-1 | LX8205001 | 1 | CONTROL PANEL BASE, MFC-J6910DW FOR IDN/SIN/GUL/OCE | | | |
| 1-1 | LX7896001 | 1 | CONTROL PANEL BASE, MFC-J6510DW FOR POL | | | |
| 1-1 | LX7971001 | 1 | CONTROL PANEL BASE, MFC-J6910DW FOR POL | | | |
| 1-1 | LX8201001 | 1 | CONTROL PANEL BASE, MFC-J6510DW FOR SIN/GUL/OCE | | | |
| 1-1 | LX8065001 | 1 | CONTROL PANEL BASE, MFC-J6510DW FOR BRA | | | |
| 1-1 | LX8071001 | 1 | CONTROL PANEL BASE, MFC-J6710DW FOR BRA | | | |
| 1-1 | LX8223001 | 1 | CONTROL PANEL BASE, MFC-J6710DW FOR KOR | | | |
| 1-1 | LX7905001 | 1 | CONTROL PANEL BASE, MFC-J6510DW FOR RUS | | | |
| 1-1 | LX7975001 | 1 | CONTROL PANEL BASE, MFC-J6910DW FOR RUS | | | |
| 1-1 | LX7834001 | 1 | CONTROL PANEL BASE, MFC-J6510DW FOR PND | | | |
| 1-1 | LX7787001 | 1 | CONTROL PANEL BASE, MFC-J6710DW FOR PND | | | |
| 1-1 | LX7634001 | 1 | CONTROL PANEL BASE, MFC-J6510DW FOR IBR | | | |
| 1-1 | LX7370001 | 1 | CONTROL PANEL BASE, MFC-J6710DW FOR IBR | | | |
| 1-1 | LX7718001 | 1 | CONTROL PANEL BASE, MFC-J6910DW FOR IBR | | | |

List9(PANEL)

| REF No. | CODE | Q'TY | DESCRIPTION | RECOMMEND | SYMBOL | REMARKS |
|---------|-----------|------|---|-----------|--------|---------|
| 1-2 | LX6132001 | 1 | LCD UNIT, MFC-J6510DW | | | |
| 1-2 | LX3967001 | 1 | LCD UNIT, MFC-J6710DW | | | |
| 1-2 | LX6500001 | 1 | COLOR LCD UNIT, MFC-J6910DW | | | |
| 1-3 | LX3761001 | 1 | LATCH SPRING | | | |
| 1-4 | LX3738001 | 1 | RUBBER KEY L, MFC-J6510DW/MFC-J6710DW | | | |
| 1-4 | LX3753001 | 1 | RUBBER KEY L, MFC-J6910DW | | | |
| 1-5 | LX3740001 | 1 | RUBBER KEY R, MFC-J6510DW/MFC-J6710DW | | | |
| 1-5 | LX3755001 | 1 | RUBBER KEY R, MFC-J6910DW | | | |
| 1-6 | LT1222001 | 1 | CONTROL PANEL PCB ASSY, MFC-J6510DW/MFC-J6710DW | | | |
| 1-6 | LT1220001 | 1 | CONTROL PANEL PCB ASSY, MFC-J6910DW | | | |
| 1-7 | LS4751001 | 1 | SCANNER COVER SENSOR ACTUATOR | | | |
| 1-8 | LX3984001 | 1 | ADDRESS LABEL | | | |
| 1-9 | 087311016 | 2 | TAPTITE CUP B M3X10 | | | |
| 1-10 | 087320616 | 1 | TAPTITE CUP S M3X6, MFC-J6910DW | | | |
| 2 | 087311016 | 4 | TAPTITE CUP B M3X10 | | | |

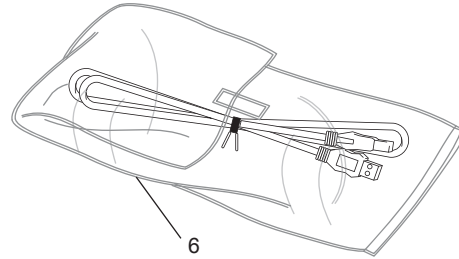
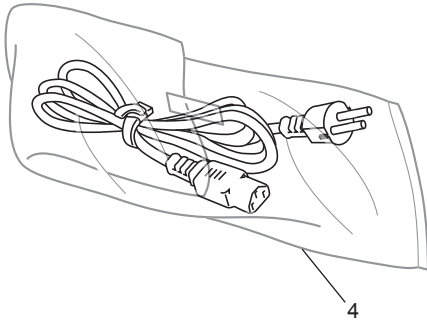
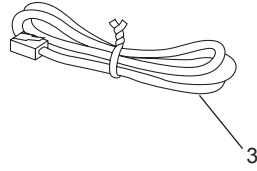
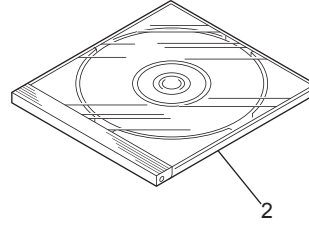
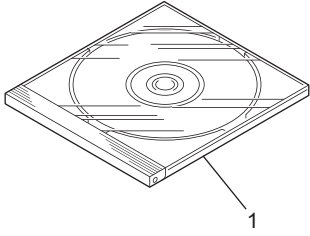
10 PCB



List10(PCB)

| REF | CODE | Q'TY | DESCRIPTION | RECOMMEND | SYMBOL | REMARKS |
|-----|-----------|------|--|-----------|---------|---------|
| 1 | LT2789011 | 1 | MAIN PCB ASSY, MFC-J6510DW/MFC-J6710DW EXCEPT FOR CHN | √ | B57U047 | CHG |
| 1 | LT2791011 | 1 | MAIN PCB ASSY, MFC-J6910DW EXCEPT FOR CHN | √ | B57U048 | CHG |
| 1 | LT1258005 | 1 | MAIN PCB ASSY, MFC-J6710DW CHN | √ | B57U047 | |
| 1 | LT1283005 | 1 | MAIN PCB ASSY, MFC-J6910DW FOR CHN | √ | B57U048 | |
| 2 | LT1264001 | 1 | POWER SUPPLY PCB ASSY FOR US/CAN | √ | | |
| 2 | LT1347001 | 1 | POWER SUPPLY PCB ASSY EXCEPT FOR US/CAN/CHN/TWN/ZAF/IDN/BRA/RUS | √ | | |
| 2 | LT1692001 | 1 | POWER SUPPLY PCB ASSY FOR CHN/IDN | √ | | |
| 2 | LT1686001 | 1 | POWER SUPPLY PCB ASSY FOR TWN | √ | | |
| 2 | LT1672001 | 1 | POWER SUPPLY PCB ASSY FOR ZAF/RUS | √ | | |
| 2 | LT2352001 | 1 | POWER SUPPLY PCB ASSY FOR BRA | √ | | chg |
| 3 | LT1335001 | 1 | MJ PCB ASSY FOR US/CAN/CHN/TWN/HK/IDN/ARG/CHL/SIN/GUL/OCE | | B57U077 | |
| 3 | LT1335004 | 1 | MJ PCB ASSY FOR GER/UK/BEL/NLD/CHE/AUS/ITA/POL/RUS/PND/IBR/CEE | | B57U077 | |
| 3 | LT1335024 | 1 | MJ PCB ASSY FOR ZAF | | B57U077 | |
| 3 | LT1335044 | 1 | MJ PCB ASSY FOR BRA/KOR | | B57U077 | |

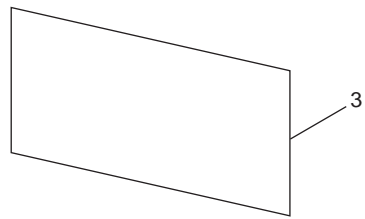
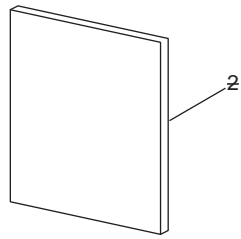
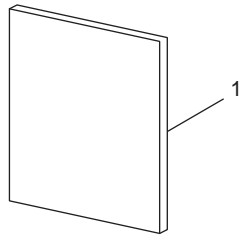
11 ACCESSORIES



List11(Accessories)

| REF No. | CODE | Q'TY | DESCRIPTION | RECOMMEND | REMARKS |
|---------|-----------|------|--|-----------|---------|
| 1 | LEK610001 | 1 | CD-ROM ASSY, MFC-J6510DW FOR US/CAN/BRA | | chg |
| 1 | LEK611001 | 1 | CD-ROM ASSY, MFC-J6710DW FOR US/CAN/ARG/CHL/BRA | | chg |
| 1 | LEK612001 | 1 | CD-ROM ASSY, MFC-J6910DW FOR US/CAN | | chg |
| 1 | LEK613001 | 1 | CD-ROM ASSY, MFC-J6510DW FOR GER/UK/FRA/BEL/NLD/CHE/AUS/ITA/ZAF/SIN/GUL/OCE/PND/IBR | | chg |
| 1 | LEK614001 | 1 | CD-ROM ASSY, MFC-J6710DW FOR GER/UK/FRA/BEL/NLD/CHE/AUS/IDN/SIN/GUL/OCE/PND/IBR | | chg |
| 1 | LEK615001 | 1 | CD-ROM ASSY, MFC-J6910DW FOR GER/UK/FRA/BEL/NLD/CHE/AUS/ITA/IDN/SIN/GUL/OCE/PND/IBR | | chg |
| 1 | LEK621001 | 1 | CD-ROM ASSY, MFC-6710DW FOR CHN/TWN/HK | | chg |
| 1 | LEK622001 | 1 | CD-ROM ASSY, MFC-6910DW FOR CHN/TWN | | chg |
| 1 | LEK623001 | 1 | CD-ROM ASSY, MFC-6710DW FOR KOR | | chg |
| 1 | LEK616001 | 1 | CD-ROM ASSY, MFC-J6510DW FOR POL/RUS/CEE | | chg |
| 1 | LEK617001 | 1 | CD-ROM ASSY, MFC-J6910DW FOR POL/RUS/CEE | | chg |
| 2 | LX7117004 | 4 | CD USER'S GUIDE, MFC-J6510DW/MFC-J6710DW EXCEPT FOR CHN/TWN/HK/KOR | | del |
| 2 | LX7122004 | 4 | CD USER'S GUIDE, MFC-J6910DW EXCEPT FOR CAN | | del |
| 2 | LX7118001 | 1 | CD USER'S GUIDE, MFC-J6510DW/MFC-J6710DW EXCEPT FOR CHN | | |
| 2 | LX7123004 | 4 | CD USER'S GUIDE FOR MFC-J6910DW | | del |
| 2 | LX8095001 | 1 | CD USER'S GUIDE, MFC-J6710DW FOR CHN | | |
| 2 | LX7125001 | 1 | CD USER'S GUIDE, MFC-J6910DW | | |
| 2 | LX7124004 | 4 | CD USER'S GUIDE, MFC-J6910DW FOR TWN | | del |
| 3 | LG3077001 | 1 | TELEPHONE LINE CORD FOR US/CAN/UK/NLD/CHN/TWN/IDN/ZAF/ARG/CHL/POL/SIN/GUL/ BRA/KOR/RUS/OCE/IBR/CEE | | |
| 3 | UG3625001 | 1 | TELEPHONE LINE CORD FOR GER | | |
| 3 | UG3626001 | 1 | TELEPHONE LINE CORD FOR UK | | |
| 3 | UG3627001 | 1 | TELEPHONE LINE CORD FOR FRA | | |
| 3 | UG1575001 | 1 | TELEPHONE LINE CORD FOR BEL | | |
| 3 | LG7202001 | 1 | TELEPHONE LINE CORD FOR CHE | | |
| 3 | UG4205001 | 1 | TELEPHONE LINE CORD FOR AUS | | |
| 3 | UG3634001 | 1 | TELEPHONE LINE CORD FOR ITA | | |
| 3 | UG3290001 | 1 | TELEPHONE LINE CORD FOR HK/OCE | | |
| 3 | LG5827001 | 1 | TELEPHONE LINE CORD FOR PND | | |
| 4 | LG5717001 | 1 | AC CORD BAG ASSY LF VDE FOR GER/FRA/BEL/NLD/AUS/ITA/IDN/POL/SIN/GUL/RUS/PND/IBR/CEE | | |
| 4 | LG5692001 | 1 | AC CORD BAG ASSY LF UK FOR UK/HK/SIN/GUL | | |
| 4 | LT2260001 | 1 | AC CORD BAG ASSY LF SEV FOR CHE | | chg |
| 4 | LT1404001 | 1 | AC CORD BAG ASSY LF CCC FOR CHN | | |
| 4 | LG6404001 | 1 | AC CORD BAG ASSY LF SAF FOR ZAF | | |
| 4 | LT0613001 | 1 | AC CORD BAG ASSY LF IND FOR IDN | | |
| 4 | LT0921001 | 1 | AC CORD BAG ASSY LF ARG IRAM FOR ARG | | |
| 4 | LG6426001 | 1 | AC CORD BAG ASSY LF CHILE FOR CHL | | |
| 4 | LT0935001 | 1 | AC CORD BAG ASSY LF KOR S FOR KOR | | |
| 4 | LG5734001 | 1 | AC CORD BAG ASSY LF SAA FOR OCE | | |
| 4 | LG5736004 | 4 | AC CORD BAG ASSY LF DEMKO FOR PND | | del |
| (5) | LG3622004 | 4 | TELEPHONE PLUG DUT FOR NLD | | DEL |
| (5) | UG3468000 | 1 | TELEPHONE PLUG HK FOR HK | | |
| (5) | LG6573001 | 1 | TELEPHONE PLUG ARL FOR OCE | | |
| (5) | LG5828001 | 1 | TELEPHONE PLUG DEN FOR PND | | |
| (5) | LG5829001 | 1 | TELEPHONE PLUG FIN FOR PND | | |
| (5) | LG5830001 | 1 | TELEPHONE PLUG SWE FOR PND | | |
| 6 | LJ9803001 | 1 | USB CABLE 2.0 | | chg |

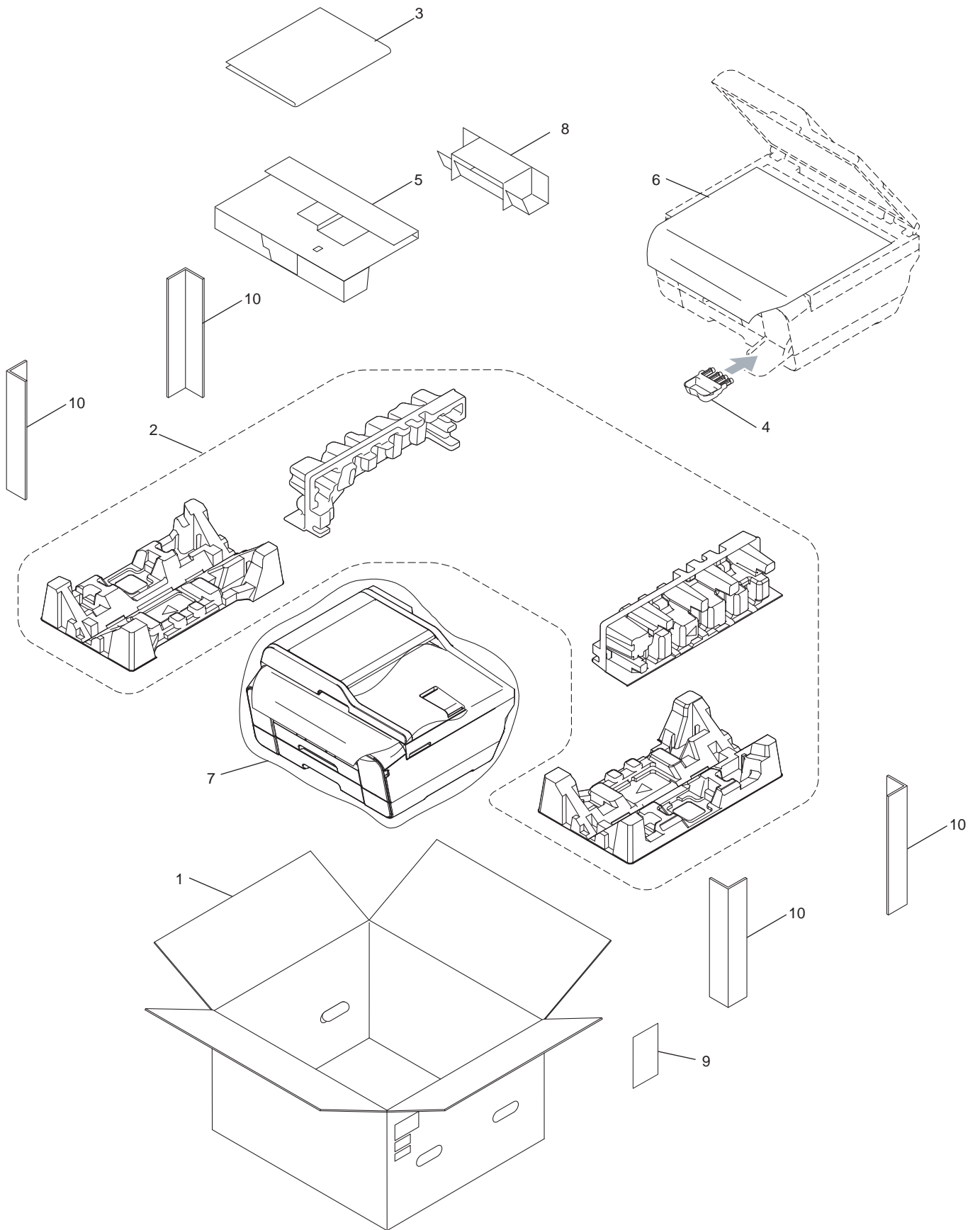
12 PRINTED MATERIALS



List12(PRINTED MATERIALS)

| REF No. | CODE | Q'TY | DESCRIPTION | RECOMMEND | REMARKS |
|---------|-----------|------|---|-----------|---------|
| 1 | LX7144001 | 1 | USER'S GUIDE, MFC-J6510DW/MFC-J6710DW FOR US/CAN (ENGLISH) | | |
| 1 | LX7947001 | 1 | USER'S GUIDE, MFC-J6910DW FOR US/CAN (ENGLISH) | | |
| 1 | LX7144002 | 1 | USER'S GUIDE, MFC-J6510DW/MFC-J6710DW FOR CAN (FRENCH) | | |
| 1 | LX7947002 | 1 | USER'S GUIDE, MFC-J6910DW FOR CAN (FRENCH) | | |
| 1 | LX7357003 | 1 | USER'S GUIDE, MFC-J6510DW/MFC-J6710DW FOR GER/AUS | | |
| 1 | LX7703003 | 1 | USER'S GUIDE, MFC-J6910DW FOR GER/AUS | | |
| 1 | LX7357004 | 1 | USER'S GUIDE, MFC-J6510DW/MFC-J6710DW FOR UK | | |
| 1 | LX7703004 | 1 | USER'S GUIDE, MFC-J6910DW FOR UK | | |
| 1 | LX7357005 | 1 | USER'S GUIDE, MFC-J6510DW/MFC-J6710DW FOR FRA | | |
| 1 | LX7703005 | 1 | USER'S GUIDE, MFC-J6910DW FOR FRA | | |
| 1 | LX7357008 | 1 | USER'S GUIDE, MFC-J6510DW/MFC-J6710DW FOR BEL (DUTCH) | | |
| 1 | LX7703008 | 1 | USER'S GUIDE, MFC-J6910DW FOR BEL (DUTCH) | | |
| 1 | LX7357058 | 1 | USER'S GUIDE, MFC-J6510DW/MFC-J6710DW FOR BEL/CHE (FRENCH) | | |
| 1 | LX7703058 | 1 | USER'S GUIDE, MFC-J6910DW FOR BEL/CHE (FRENCH) | | |
| 1 | LX7357009 | 1 | USER'S GUIDE, MFC-J6510DW/MFC-J6710DW FOR NLD | | |
| 1 | LX7703009 | 1 | USER'S GUIDE, MFC-J6910DW FOR NLD | | |
| 1 | LX7357010 | 1 | USER'S GUIDE, MFC-J6510DW/MFC-J6710DW FOR CHE (GERMAN) | | |
| 1 | LX7703010 | 1 | USER'S GUIDE, MFC-J6910 FOR CHE (GERMAN) | | |
| 1 | LX7357016 | 1 | USER'S GUIDE, MFC-J6510DW/MFC-J6710DW FOR CHE/ITA (ITALIAN) | | |
| 1 | LX7703016 | 1 | USER'S GUIDE, MFC-J6910DW FOR CHE/ITA (ITALIAN) | | |
| 1 | LX7357020 | 1 | USER'S GUIDE, MFC-J6710DW FOR CHN | | |
| 1 | LX7703020 | 1 | USER'S GUIDE, MFC-J6910DW FOR CHN | | |
| 1 | LX7357023 | 1 | USER'S GUIDE, MFC-J6710DW FOR TWN/HK (CANTONESE) | | |
| 1 | LX7703023 | 1 | USER'S GUIDE, MFC-J6910DW FOR TWN (CANTONESE) | | |
| 1 | LX7357024 | 1 | USER'S GUIDE, MFC-J6510DW FOR ZAF | | |
| 1 | LX7357040 | 1 | USER'S GUIDE, MFC-J6510DW/MFC-J6710DW FOR HK/IDN/SIN/GUL/OCE (ENGLISH) | | |
| 1 | LX7703040 | 1 | USER'S GUIDE, MFC-J6910DW FOR IDN/SIN/GUL/OCE | | |
| 1 | LX7357031 | 1 | USER'S GUIDE, MFC-J6710DW FOR ARG/CHL | | |
| 1 | LX7357042 | 1 | USER'S GUIDE, MFC-J6510DW/MFC-J6710DW FOR BRA | | |
| 1 | LX7357044 | 1 | USER'S GUIDE, MFC-J6710DW FOR KOR | | |
| 1 | LX7357048 | 1 | USER'S GUIDE, MFC-J6510DW FOR RUS | | |
| 1 | LX7703048 | 1 | USER'S GUIDE, MFC-J6910DW FOR RUS | | |
| 1 | LX7788007 | 1 | USER'S GUIDE, MFC-J6510DW/MFC-J6710DW FOR PND(NORWEGIAN/SWEDISH) | | |
| 1 | LX7854007 | 1 | USER'S GUIDE, MFC-J6910DW FOR PND (NORWEGIAN/SWEDISH) | | |
| 1 | LX7788013 | 1 | USER'S GUIDE, MFC-J6510DW/MFC-J6710DW FOR PND (FINNISH/DANISH) | | |
| 1 | LX7854013 | 1 | USER'S GUIDE, MFC-J6910DW FOR PND (FINNISH/DANISH) | | |
| 1 | LX7372065 | 1 | USER'S GUIDE, MFC-J6510DW/MFC-J6710DW FOR IBR | | |
| 1 | LX7720065 | 1 | USER'S GUIDE, MFC-J6910DW FOR IBR | | |
| 2 | LX7462054 | 4 | SAFETY/LEGAL BOOKLET FOR US/CAN (ENGLISH) | | DEL |
| 2 | LX7462052 | 4 | SAFETY/LEGAL BOOKLET FOR CAN (FRENCH) | | DEL |
| 2 | LX7462003 | 4 | SAFETY/LEGAL BOOKLET FOR GER/CHE/AUS (GERMAN) | | DEL |
| 2 | LX7462004 | 4 | SAFETY/LEGAL BOOKLET FOR UK | | DEL |
| 2 | LX7462005 | 4 | SAFETY/LEGAL BOOKLET FOR FRA/BEL/CHE (FRENCH) | | DEL |
| 2 | LX7462009 | 4 | SAFETY/LEGAL BOOKLET FOR BEL/NLD (DUTCH) | | DEL |
| 2 | LX7462016 | 4 | SAFETY/LEGAL BOOKLET FOR ITA | | DEL |
| 2 | LX7462031 | 4 | SAFETY/LEGAL BOOKLET FOR ARG/CHL | | DEL |
| 2 | LX7462078 | 4 | SAFETY/LEGAL BOOKLET FOR POL/CEE | | DEL |
| 2 | LX7462042 | 4 | SAFETY/LEGAL BOOKLET FOR BRA | | DEL |
| 2 | LX7462048 | 4 | SAFETY/LEGAL BOOKLET FOR RUS | | DEL |
| 2 | LX7462057 | 4 | SAFETY/LEGAL BOOKLET FOR PND | | DEL |
| 2 | LX7462065 | 4 | SAFETY/LEGAL BOOKLET FOR IBR | | DEL |
| 3 | LX7579001 | 1 | FRENCH SEAL, MFC-J6510DW FOR CAN | | |
| 3 | LX7252001 | 1 | FRENCH SEAL, MFC-J6710DW FOR CAN | | |
| 3 | LX8013001 | 1 | FRENCH SEAL, MFC-J6910DW FOR CAN | | |

13 PACKAGING



List13(PACKAGING)

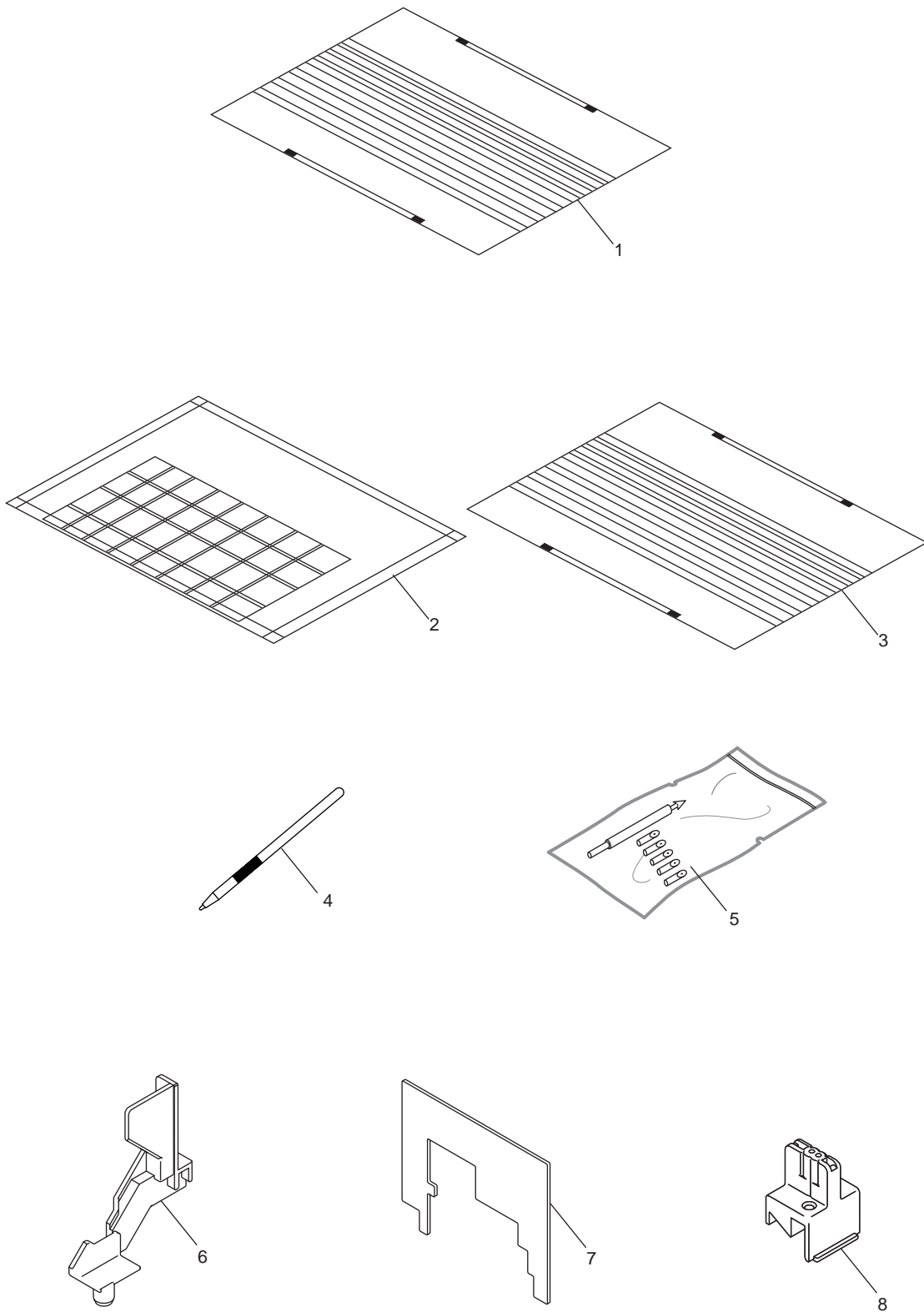
| REF No. | CODE | Q'TY | DESCRIPTION | RECOMMEND | REMARKS |
|---------|-----------|------|---|-----------|---------|
| 1 | LX7572001 | 1 | CARTON BROTHER, MFC-J6510DW FOR US | √ | |
| 1 | LX7255001 | 1 | CARTON BROTHER, MFC-J6710DW FOR US | √ | |
| 1 | LX7993001 | 1 | CARTON BROTHER, MFC-J6910DW FOR US | √ | |
| 1 | LX7576001 | 1 | CARTON BROTHER, MFC-J6510DW FOR CAN | √ | |
| 1 | LX7259001 | 1 | CARTON BROTHER, MFC-J6710DW FOR CAN | √ | |
| 1 | LX8015001 | 1 | CARTON BROTHER, MFC-J6910DW FOR CAN | √ | |
| 1 | LX7622001 | 1 | CARTON BROTHER, MFC-J6510DW FOR GER/UK/FRA/BEL/NLD/CHE/AUS/ITA/POL/RUS/PND/IBR/CEE | √ | |
| 1 | LX7360001 | 1 | CARTON BROTHER, MFC-J6710DW FOR GER/UK/FRA/BEL/NLD/CHE/AUS/PND/IBR | √ | |
| 1 | LX7704001 | 1 | CARTON BROTHER, MFC-J6910DW FOR GER/UK/FRA/BEL/NLD/CHE/AUS/ITA/POL/RUS/PND/IBR/CEE | √ | |
| 1 | LX8275001 | 1 | CARTON BROTHER, MFC-J6710DW FOR CHN | √ | |
| 1 | LX8278001 | 1 | CARTON BROTHER, MFC-J6910DW FOR CHN | √ | |
| 1 | LX8005001 | 1 | CARTON BROTHER, MFC-J6710DW FOR TWN/HK/IDN/SIN/GUL/KOR/OCE | √ | |
| 1 | LX8006001 | 1 | CARTON BROTHER, MFC-J6910DW FOR TWN/IDN/SIN/GUL/OCE | √ | |
| 1 | LX8004001 | 1 | CARTON BROTHER, MFC-J6510DW FOR ZAF/SIN/GUL/OCE | √ | |
| 1 | LEK799001 | 1 | CARTON BROTHER, MFC-J6710DW FOR ARG/CHL | √ | CHG |
| 1 | LX8067001 | 1 | CARTON BROTHER, MFC-J6510DW FOR BRA | √ | |
| 1 | LX8072001 | 1 | CARTON BROTHER, MFC-J6710DW FOR BRA | √ | |
| 2 | LX6124001 | 1 | PULP CUSHION ASSY, MFC-J6510DW | | |
| 2 | LX3969001 | 1 | PULP CUSHION ASSY, MFC-J6710DW/MFC-J6910DW | | |
| 3 | LX7045001 | 1 | QUICK SETUP GUIDE, MFC-J6510DW/MFC-J6710DW FOR US/CAN (ENGLISH) | | |
| 3 | LX7997001 | 1 | QUICK SETUP GUIDE, MFC-J6910DW FOR US/CAN (ENGLISH) | | |
| 3 | LX7045002 | 1 | QUICK SETUP GUIDE, MFC-J6510DW/MFC-J6710DW FOR CAN (FRENCH) | | |
| 3 | LX7997002 | 1 | QUICK SETUP GUIDE, MFC-J6910DW FOR CAN (FRENCH) | | |
| 3 | LX7359003 | 1 | QUICK SETUP GUIDE, MFC-J6510DW/MFC-J6710DW FOR GER/AUS | | |
| 3 | LX7706003 | 1 | QUICK SETUP GUIDE, MFC-J6910DW FOR GER/AUS | | |
| 3 | LX7359004 | 1 | QUICK SETUP GUIDE, MFC-J6510DW/MFC-J6710DW FOR UK | | |
| 3 | LX7706004 | 1 | QUICK SETUP GUIDE, MFC-J6910DW FOR UK | | |
| 3 | LX7359005 | 1 | QUICK SETUP GUIDE, MFC-J6510DW/MFC-J6710DW FOR FRA | | |
| 3 | LX7706005 | 1 | QUICK SETUP GUIDE, MFC-J6910DW FOR FRA | | |
| 3 | LX7359008 | 1 | QUICK SETUP GUIDE, MFC-J6510DW/MFC-J6710DW FOR BEL (DUCTH) | | |
| 3 | LX7706008 | 1 | QUICK SETUP GUIDE, MFC-J6910DW FOR BEL (DUTCH) | | |
| 3 | LX7359058 | 1 | QUICK SETUP GUIDE, MFC-J6510DW/MFC-J6710DW FOR BEL/CHE (FRENCH) | | |
| 3 | LX7706058 | 1 | QUICK SETUP GUIDE, MFC-J6910DW FOR BEL/CHE (FRENCH) | | |
| 3 | LX7359009 | 1 | QUICK SETUP GUIDE, MFC-J6510DW/MFC-J6710DW FOR NLD | | |
| 3 | LX7706009 | 1 | QUICK SETUP GUIDE, MFC-J6910DW FOR NLD | | |
| 3 | LX7359010 | 1 | QUICK SETUP GUIDE, MFC-J6510DW/MFC-J6710DW FOR CHE (GERMAN) | | |
| 3 | LX7706010 | 1 | QUICK SETUP GUIDE, MFC-J6910DW FOR CHE/ (GERMAN) | | |
| 3 | LX7359016 | 1 | QUICK SETUP GUIDE, MFC-J6510DW/MFC-J6710DW FOR CHE/ITA (ITALIAN) | | |
| 3 | LX7706016 | 1 | QUICK SETUP GUIDE, MFC-J6910DW FOR CHE/ITA (ITALIAN) | | |
| 3 | LX7359020 | 1 | QUICK SETUP GUIDE, MFC-J6710DW FOR CHN | | |
| 3 | LX7706020 | 1 | QUICK SETUP GUIDE, MFC-J6910DW FOR CHN | | |
| 3 | LX7359023 | 1 | QUICK SETUP GUIDE, MFC-J6710DW FOR TWN/HK (CANTONESE) | | |
| 3 | LX7706023 | 1 | QUICK SETUP GUIDE, MFC-J6910DW FOR TWN (CANTONESE) | | |
| 3 | LX7359024 | 1 | QUICK SETUP GUIDE, MFC-J6510DW FOR ZAF | | |
| 3 | LX7359040 | 1 | QUICK SETUP GUIDE, MFC-J6510DW/MFC-J6710DW FOR HK/IDN/SIN/GUL/OCE (ENGLISH) | | |
| 3 | LX7706040 | 1 | QUICK SETUP GUIDE, MFC-J6910DW FOR IDN/SIN/GUL/OCE | | |
| 3 | LX7359031 | 1 | QUICK SETUP GUIDE, MFC-J6710DW FOR ARG/CHL | | |
| 3 | LX7359039 | 1 | QUICK SETUP GUIDE, MFC-J6510DW FOR POL | | |
| 3 | LX7706039 | 1 | QUICK SETUP GUIDE, MFC-J6910DW FOR POL | | |
| 3 | LX7359042 | 1 | QUICK SETUP GUIDE, MFC-J6510DW/MFC-J6710DW FOR BRA | | |
| 3 | LX7359044 | 1 | QUICK SETUP GUIDE, MFC-J6710DW FOR KOR | | |
| 3 | LX7359048 | 1 | QUICK SETUP GUIDE, MFC-J6510DW FOR RUS | | |
| 3 | LX7706048 | 1 | QUICK SETUP GUIDE, MFC-J6910DW FOR RUS | | |
| 3 | LX7359007 | 1 | QUICK SETUP GUIDE, MFC-J6510DW/MFC-J6710DW FOR PND (NORWEGIAN/SWEDISH) | | |
| 3 | LX7706007 | 1 | QUICK SETUP GUIDE, MFC-J6910DW FOR PND (NORWEGIAN/SWEDISH) | | |
| 3 | LX7359013 | 1 | QUICK SETUP GUIDE, MFC-J6510DW/MFC-J6710DW FOR PND (FINNISH/DANISH) | | |
| 3 | LX7706013 | 1 | QUICK SETUP GUIDE, MFC-J6910DW FOR PND (FINNISH/DANISH) | | |
| 3 | LX7359065 | 1 | QUICK SETUP GUIDE, MFC-J6510DW/MFC-J6710DW FOR IBR | | |
| 3 | LX7706065 | 1 | QUICK SETUP GUIDE, MFC-J6910DW FOR IBR | | |

MFC-J6510DW/

List13(PACKAGING)

| REF No. | CODE | Q'TY | DESCRIPTION | RECOMMEND | REMARKS |
|---------|-----------|------|---|-----------|---------|
| 3 | LX7359037 | 1 | QUICK SETUP GUIDE, MFC-J6510DW FOR CEE (CZECH/HUNGARIAN/ENGLISH) | | |
| 3 | LX7706037 | 1 | QUICK SETUP GUIDE, MFC-J6910DW FOR CEE (CZECH/HUNGARIAN/ENGLISH) | | |
| 3 | LX7359059 | 1 | QUICK SETUP GUIDE, MFC-J6510DW FOR CEE (BULGARIAN/ROMANIAN/SLOVAK) | | |
| 3 | LX7706059 | 1 | QUICK SETUP GUIDE, MFC-J6910DW FOR CEE (BULGARIAN/ROMANIAN/SLOVAK) | | |
| 4 | LK5912001 | 1 | PROTECT CTG SUPPLY ASSY(SP) | | |
| 5 | LX3974001 | 1 | ACCESSORIES SHEET | | |
| 6 | LX7876001 | 1 | SHEET 620X580 | | chg |
| 7 | LX8038001 | 1 | BAG 1200X1000H, MFC-J6510DW | | |
| 7 | LX8037001 | 1 | BAG 1400X1100H, MFC-J6710DW/MFC-J6910DW | | chg |
| 8 | LX7156001 | 1 | CHUTE COVER PAD, MFC-J6710DW/MFC-J6910DW | | |
| 9 | LED970001 | 1 | CHINA ENERGY LABEL, MFC-J6710DW FOR CHN | | add |
| 9 | LED971001 | 1 | CHINA ENERGY LABEL, MFC-J6910DW FOR CHN | | add |
| 10 | LEK875001 | 4 | CORNER REINFORCE PAD, MFC-J6510DW FOR US/CAN/BRA | | ADD |
| 10 | LEK874001 | 4 | CORNER REINFORCE PAD, MFC-J6710DW/MFC-J6910DW FOR US/CAN/CHN/ARG/CHL/BRA | | ADD |

14.OTHERS



List14(OTHERS)

| REF No. | CODE | Q'TY | DESCRIPTION | RECOMMEND | REMARKS |
|---------|-----------|------|--------------------------|-----------|---------|
| 1 | UF8263001 | 1 | TEST CHART-027 | | |
| 2 | UF9258001 | 1 | COLOR TEST CHART CTC-001 | | |
| 3 | UF4600001 | 1 | CONTRAST CHART TC-023 | | |
| 4 | XA9940051 | 1 | STYLUS, MFC-J6910DW | | |
| 5 | ZA0310001 | 1 | HEAD CLEANER STICK ASSY | √ | |
| 6 | LX6388002 | 1 | LR POSITIONING JIG | | |
| 7 | LX7243001 | 1 | LR FITTING JIG | | |
| 8 | LEL151001 | 1 | ENCODER RECOVERY JIG | | ADD |