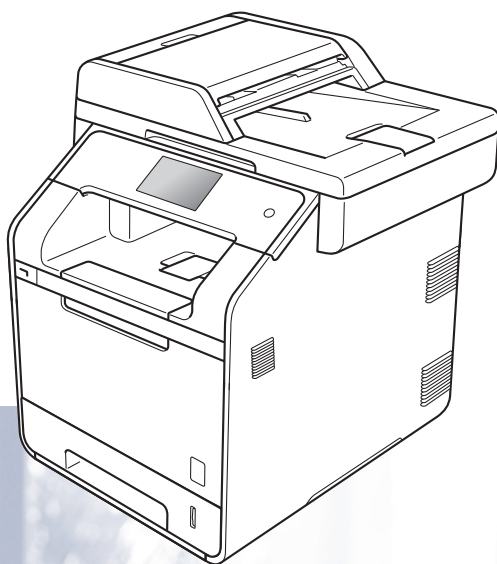


**brother**

# Advanced User's Guide

MFC-L8600CDW  
MFC-L8850CDW  
MFC-L9550CDW



Not all models are available in all countries.

Version 0

USA/CAN

# User's Guides and where do I find them?

Which Guide?	What's in it?	Where is it?
<b>Product Safety Guide</b>	Read this Guide first. Read the Safety Instructions before you set up your machine. See this Guide for trademarks and legal limitations.	Printed / In the Box
<b>Quick Setup Guide</b>	Follow the instructions for setting up your machine and installing the drivers and software for the operating system and connection type you are using.	Printed / In the Box
<b>Basic User's Guide</b>	Learn the basic Fax, Copy, Scan and Direct Print operations and how to replace supplies. See troubleshooting tips.	Printed / In the Box
<b>Advanced User's Guide</b>	Learn more advanced operations: Fax, Copy, security features, printing reports and performing routine maintenance.	For USA: PDF file / Brother Solutions Center <sup>1</sup>  For Other Countries: (Windows®) PDF file / CD-ROM / In the Box (Macintosh) PDF file / Brother Solutions Center <sup>1</sup>
<b>Software and Network User's Guide</b>	This Guide provides instructions for Scanning, Printing and other operations that can be performed by connecting your Brother machine to a computer. You can also find useful information about using the Brother ControlCenter utility, using your machine in a network environment, and frequently used terms.	For USA: HTML file / Brother Solutions Center <sup>1</sup>  For Other Countries: (Windows®) HTML file / CD-ROM / In the Box (Macintosh) HTML file / Brother Solutions Center <sup>1</sup>
<b>Google Cloud Print Guide</b>	This Guide provides information about how to configure your Brother machine to a Google account and use Google Cloud Print™ services for printing over the Internet.	PDF file / Brother Solutions Center <sup>1</sup>
<b>Mobile Print/Scan Guide for Brother iPrint&amp;Scan</b>	This Guide provides useful information about printing from your mobile device and scanning from your Brother machine to your mobile device when connected on a Wi-Fi® network.	PDF file / Brother Solutions Center <sup>1</sup>
<b>Web Connect Guide</b>	This Guide provides information about how to configure and use your Brother machine to scan, load and view images and files on certain Web sites that provide these services.	PDF file / Brother Solutions Center <sup>1</sup>

<sup>1</sup> Visit <http://solutions.brother.com/>.

# Table of Contents

<b>1</b>	<b>General Setup</b>	<b>1</b>
	Memory storage.....	1
	Set tone or pulse dialing mode (Canada only).....	1
	Volume settings .....	2
	Ring volume.....	2
	Beeper volume .....	2
	Speaker volume.....	3
	Automatic Daylight Saving Time.....	3
	Set the Time Zone .....	4
	Ecology features.....	4
	Toner Save .....	4
	Sleep Time .....	5
	Deep Sleep mode.....	5
	Quiet mode feature .....	6
	Quiet mode.....	6
	Touchscreen.....	6
	Setting the backlight brightness.....	6
	Setting the Dim Timer for the backlight .....	7
	Dial Prefix .....	7
	Setting up the prefix number .....	7
	Changing the prefix number .....	8
<b>2</b>	<b>Security features</b>	<b>9</b>
	Secure Function Lock 3.0.....	9
	Before you begin to use Secure Function Lock 3.0.....	10
	Turning Secure Function Lock on/off.....	10
	Configure Secure Function Lock 3.0 Using Web Based Management .....	11
	Setting up the card authentication users (For MFC-L9550CDW).....	12
	Setting up and changing the Public user mode .....	12
	Switching Users.....	13
	Active Directory Authentication.....	14
	Turning Active Directory Authentication Lock on/off.....	14
	IPSec .....	15
	Setting Lock.....	15
	Setting up the administrator password .....	16
	Changing the Setting Lock administrator password .....	16
	Turning Setting Lock on/off.....	17
	Restricting dialing .....	17
	Dial pad restriction.....	17
	Address Book restriction.....	18
	Shortcuts restriction.....	18
	LDAP server restriction.....	18

---

### **3      Sending a fax      19**

---

Additional sending options.....	19
Sending faxes using multiple settings .....	19
Changing a 2-sided fax layout (MFC-L8850CDW and MFC-L9550CDW)....	20
Contrast .....	21
Changing Fax Resolution .....	21
Additional sending operations.....	22
Sending a fax manually .....	22
Sending a fax at the end of a conversation .....	22
Dual access .....	23
Broadcasting.....	23
Real Time Transmission.....	25
Overseas Mode .....	25
Delayed Fax .....	26
Delayed batch transmission .....	26
Checking and canceling waiting jobs.....	27
Setting your changes as the new default.....	27
Restoring all fax settings to the factory settings .....	28
Saving fax options as a Shortcut .....	28
Electronic cover page .....	29
Destination Display .....	31

### **4      Receiving a fax      32**

---

Memory Receive Options .....	32
Fax Forwarding.....	32
Paging .....	33
Fax Storage .....	34
Changing Memory Receive Options .....	34
Turning off Memory Receive Options .....	35
Remote retrieval .....	36
Setting a Remote Access Code.....	36
Using your Remote Access Code.....	36
Remote fax commands.....	37
Retrieving fax messages .....	38
Changing the Fax Forwarding number .....	38
Additional receiving operations.....	39
Printing a reduced incoming fax .....	39
2-sided printing for Fax mode.....	39
Setting the Fax Receive Stamp .....	40
Receiving a fax at the end of a conversation.....	40
Printing a fax from the memory .....	41
Receiving faxes into memory when the paper tray is empty .....	41



<b>5</b>	<b>Dialing and storing numbers</b>	<b>42</b>
	Telephone line services .....	42
	Tone or Pulse (Canada only).....	42
	For Fax/Tel mode only.....	42
	Special line considerations .....	42
	Additional dialing operations.....	44
	Dialing access codes and credit card numbers .....	44
	Additional ways to store numbers.....	45
	Storing Address Book numbers from Outgoing Calls .....	45
	Setting up Groups for Broadcasting .....	45
<b>6</b>	<b>Printing reports</b>	<b>48</b>
	Fax reports.....	48
	Transmission Verification Report.....	48
	Fax Journal (Activity Report) .....	48
	Reports .....	49
	How to print a report.....	50
<b>7</b>	<b>Making copies</b>	<b>51</b>
	Copy settings.....	51
	Stop copying.....	51
	Improving copy quality.....	51
	Enlarging or reducing copies.....	52
	2-sided Copying.....	53
	Tray selection .....	55
	Adjusting Density and Contrast .....	55
	Sorting copies.....	56
	Making N in 1 copies (page layout) .....	57
	2 in 1 ID Copy.....	59
	Adjusting the Color Saturation.....	60
	Making 2-sided N in 1 copies (MFC-L8850CDW and MFC-L9550CDW).....	60
	Removing Background Color.....	61
	Saving copy options as a Shortcut .....	62
	Saving paper .....	62

<b>A</b>	<b>Routine maintenance</b>	<b>63</b>
	Cleaning and checking the machine .....	63
	Cleaning the outside of the machine .....	64
	Cleaning the scanner.....	65
	Cleaning the laser scanner windows .....	67
	Cleaning the corona wires .....	70
	Cleaning the drum unit .....	74
	Cleaning the paper pick-up rollers .....	81
	Calibration .....	82
	Color Registration .....	83
	Auto Correction.....	83
	Printing the Test Print.....	84
	Checking the Page Counters.....	84
	Checking the remaining life of toner cartridges .....	85
	Checking the remaining life of parts .....	85
	Replacing periodic maintenance parts.....	86
	Packing and shipping the machine .....	87
<b>B</b>	<b>Options</b>	<b>90</b>
	Options .....	90
	Optional paper tray (For MFC-L8600CDW and MFC-L8850CDW (LT-320CL)) (For MFC-L9550CDW (LT-325CL)) .....	91
	Memory board.....	91
	SO-DIMM Types.....	91
	Installing extra memory .....	92
<b>C</b>	<b>Glossary</b>	<b>94</b>
<b>D</b>	<b>Index</b>	<b>98</b>

**NOTE**



- This manual shows the LCD messages of the MFC-L9550CDW unless specified.
- Most of the illustrations in this User's Guide show the MFC-L8850CDW.

## Memory storage

Your settings are stored permanently, and in the event of a power failure will *not* be lost. Temporary settings (for example, Contrast and Overseas Mode) *will* be lost. Also, during a power failure the machine will retain the date and time and programmed fax timer jobs (for example, Delayed Fax) for approximately 60 hours. Other fax jobs in the machine's memory will not be lost.

## Set tone or pulse dialing mode (Canada only)



Your machine comes set for a Tone dialing service. If you have a Pulse dialing (rotary) service, you need to change the dialing mode.

- 1 Press .
- 2 Press All Settings.
- 3 Swipe up or down, or press ▲ or ▼ to display Initial Setup. Press Initial Setup.
- 4 Swipe up or down, or press ▲ or ▼ to display Tone/Pulse. Press Tone/Pulse.
- 5 Press Pulse (or Tone).
- 6 Press .

## Volume settings



### Ring volume

You can choose from a range of ring volume levels, from **High** to **Off**.

- 1 Press .
- 2 Press **All Settings**.
- 3 Swipe up or down, or press ▲ or ▼ to display **General Setup**.
- 4 Press **General Setup**.
- 5 Swipe up or down, or press ▲ or ▼ to display **Volume**.
- 6 Press **Volume**.
- 7 Press **Ring**.
- 8 Press **Off, Low, Med or High**.
- 9 Press .



### Beeper volume

When the beeper is on, the machine will make a sound when you press the Touchscreen or Touchpanel, make a mistake, or after you send or receive a fax. You can choose from a range of sound levels, from **High** to **Off**.

- 1 Press .
- 2 Press **All Settings**.
- 3 Swipe up or down, or press ▲ or ▼ to display **General Setup**.
- 4 Press **General Setup**.
- 5 Swipe up or down, or press ▲ or ▼ to display **Volume**.
- 6 Press **Volume**.
- 7 Press **Beep**.
- 8 Press **Off, Low, Med or High**.
- 9 Press .



## Speaker volume

You can choose from a range of speaker volume levels, from **High** to **Off**.

- 1 Press .
- 2 Press **All Settings**.
- 3 Swipe up or down, or press ▲ or ▼ to display **General Setup**.
- 4 Press **General Setup**.
- 5 Swipe up or down, or press ▲ or ▼ to display **Volume**.
- 6 Press **Volume**.
- 7 Press **Speaker**.
- 8 Press **Off**, **Low**, **Med** or **High**.
- 9 Press .




## Automatic Daylight Saving Time

You can set the machine to change automatically for Daylight Saving Time. It will set itself forward one hour in the spring, and back one hour in the fall.

- 1 Press .
- 2 Press  **12:00 AM 01.01.2014**  
(Date & Time).
- 3 Swipe up or down, or press ▲ or ▼ to display **Auto Daylight**.
- 4 Press **Auto Daylight**.
- 5 Press **On** or **Off**.
- 6 Press .

## Set the Time Zone

You can set the time zone on the machine for your location. For example, the time zone for Eastern Standard Time in the USA and Canada is UTC-05:00.



- 1 Press .
- 2 Press  12:00 AM 01.01.2014  
(Date & Time).
- 3 Swipe up or down, or press ▲ or ▼ to display Time Zone.
- 4 Press Time Zone.
- 5 Enter your time zone.  
Press OK.
- 6 Press .

## Ecology features

### Toner Save

---

You can save toner using this feature. When you set Toner Save to On, print appears lighter. The factory setting is Off.

- 1 Press .
- 2 Press All Settings.
- 3 Swipe up or down, or press ▲ or ▼ to display General Setup.
- 4 Press General Setup.
- 5 Swipe up or down, or press ▲ or ▼ to display Ecology.
- 6 Press Ecology.
- 7 Press Toner Save.
- 8 Press On or Off.
- 9 Press .

### NOTE

---

We do not recommend Toner Save for printing Photo or Gray Scale images.



---

## Sleep Time

The Sleep Time setting can reduce power consumption. When the machine is in Sleep mode (Power Save mode) it acts as though it is turned off. The machine will wake up and start printing when it receives a print job.


You can choose how long the machine must be idle before it goes into Sleep mode. The timer will restart if any operation is carried out on the machine, such as receiving a fax or a print job. The factory setting is three minutes.

When the machine goes into Sleep mode, the Touchscreen backlight turns off.

- 1 Press .
- 2 Press All Settings.
- 3 Swipe up or down, or press ▲ or ▼ to display General Setup.
- 4 Press General Setup.
- 5 Swipe up or down, or press ▲ or ▼ to display Ecology.
- 6 Press Ecology.
- 7 Press Sleep Time.
- 8 Using the Touchscreen's keyboard, enter the length of time (0-50 minutes) the machine will remain idle before entering Sleep mode.  
Press OK.
- 9 Press .

## Deep Sleep mode

If the machine is in Sleep mode and does not receive any jobs for a certain length of time, the machine will go into Deep Sleep mode automatically. Deep Sleep mode uses less power than Sleep mode. The machine will wake up when it receives a job or if you press the Touchscreen.

When the machine is in Deep Sleep mode, the Touchscreen backlight turns off and  blinks.





## Quiet mode feature

### Quiet mode

---

The Quiet mode setting can reduce noise while printing. When Quiet Mode is turned **On**, the print speed becomes slower. The default setting is **Off**.



- 1 Press .
- 2 Press **All Settings**.
- 3 Swipe up or down, or press ▲ or ▼ to display **General Setup**.
- 4 Press **General Setup**.
- 5 Swipe up or down, or press ▲ or ▼ to display **Ecology**.
- 6 Press **Ecology**.
- 7 Press **Quiet Mode**.
- 8 Press **On** or **Off**.
- 9 Press .

## Touchscreen

### Setting the backlight brightness



---

You can adjust the brightness of the Touchscreen LCD backlight. If you are having difficulty reading the Touchscreen, try changing the brightness setting.

- 1 Press .
- 2 Press **All Settings**.
- 3 Swipe up or down, or press ▲ or ▼ to display **General Setup**.
- 4 Press **General Setup**.
- 5 Swipe up or down, or press ▲ or ▼ to display **LCD Settings**.
- 6 Press **LCD Settings**.
- 7 Press **Backlight**.
- 8 Press **Light**, **Med** or **Dark**.
- 9 Press .

## Setting the Dim Timer for the backlight


You can set how long the Touchscreen LCD backlight stays on after you go back to your Home screen.

- 1 Press .
- 2 Press All Settings.
- 3 Swipe up or down, or press ▲ or ▼ to display General Setup.
- 4 Press General Setup.
- 5 Swipe up or down, or press ▲ or ▼ to display LCD Settings.
- 6 Press LCD Settings.
- 7 Press Dim Timer.
- 8 Press Off, 10Secs, 20Secs or 30Secs.
- 9 Press .

## Dial Prefix

The Dial Prefix setting will automatically dial a predefined number before every fax number you dial. For example: If your telephone system requires a 9 to dial an outside number, use this setting to automatically dial 9 for every fax you send.

### Setting up the prefix number

- 1 Press .
- 2 Press All Settings.
- 3 Swipe up or down, or press ▲ or ▼ to display Initial Setup.
- 4 Press Initial Setup.
- 5 Swipe up or down, or press ▲ or ▼ to display Dial Prefix.
- 6 Press Dial Prefix.
- 7 Press On (or Off).
- 8 Press Dial Prefix.
- 9 Enter the prefix number (up to 5 digits) using the Touchscreen's keyboard. Press OK.



### NOTE

- You can use the numbers and symbols 0 to 9, #, and \*. (You cannot use ! with any other numbers or symbols.)
- If your telephone system requires a time break recall (hookflash), press ! on the Touchscreen.
- (Canada only) If pulse dialing mode is on, # and \* are not available to use.

- 10 Press .

## Changing the prefix number

---

- 1 Press .
- 2 Press All Settings.
- 3 Swipe up or down, or press ▲ or ▼ to display Initial Setup.
- 4 Press Initial Setup.
- 5 Swipe up or down, or press ▲ or ▼ to display Dial Prefix.
- 6 Press Dial Prefix.
- 7 Press On (or Off).  
You can turn off the prefix number by pressing Off. The prefix number will remain off until you press On.
- 8 Press Dial Prefix.
- 9 Do one of the following using the Touchscreen's keyboard.
  - To change the prefix number, press ◀ or ▶ to position the cursor under the digit to be deleted and press the Back Space button . Then press the correct digit.  
  
Repeat until the prefix number is correct, and then press OK.
  - To exit without making a change, press OK.

### NOTE

---

- You can use the numbers and symbols 0 to 9, #, and \*. (You cannot use ! with any other numbers or symbols.)
- If your telephone system requires a time break recall (hookflash), press ! on the Touchscreen.
- (Canada only) If pulse dialing mode is on, # and \* are not available to use.

- 10 Press .

## Secure Function Lock 3.0

Secure Function Lock lets you restrict Public access to the following machine operations:

- **Fax TX** (Fax Sending)
- **Fax RX** (Fax Receiving)
- **Copy**
- **Scan** (Remote)<sup>1 2</sup>
- **Scan** (Direct)<sup>2 3</sup>
- **USB Direct Print**
- **Print**<sup>4</sup>
- **Web Connect (Upload)**
- **Web Connect (Download)**
- **Color Print**<sup>4 5</sup>
- **Page Limits**<sup>5</sup>

<sup>1</sup> Scan except Scan to USB

<sup>2</sup> Scan includes scan jobs via Brother iPrint&Scan.

<sup>3</sup> Scan to USB

<sup>4</sup> Print and Color Print include print jobs via Google Cloud Print™ and Brother iPrint&Scan.

<sup>5</sup> Available for **Print**, **USB Direct Print**, **Copy** and **Web Connect (Download)**.

This feature also prevents users from changing the default settings of the machine by limiting access to the machine's settings.

Before using the security features you must first enter an administrator password.

The administrator can set up restrictions for individual users along with a user password.

Make a careful note of your password. If you forget it, you will have to reset the password stored in the machine. For information about how to reset the password contact Brother Customer Service.

### NOTE

- Secure Function Lock can be set by using Web Based Management or BRAdmin Professional 3 (Windows® only).
- Only administrators can set limitations and make changes for each user.
- (For MFC-L9550CDW)  
Use card authentication to switch to a different user and access operations, such as sending or receiving faxes, copying, remote<sup>1</sup> or direct<sup>2</sup> scanning, USB Direct Print and Web Connect.

<sup>1</sup> Scanning, except Scan to USB

<sup>2</sup> Scan to USB


## Before you begin to use Secure Function Lock 3.0

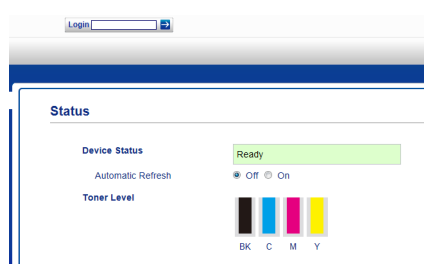
You can configure the Secure Function Lock settings using a web browser. Before configuration, the following preparations are needed.

- 1 Start your web browser.
- 2 Type “http://machine’s IP address/” into your browser’s address bar (where “machine’s IP address” is the IP address of the Brother machine).
  - For example:  
http://192.168.1.2/

### NOTE

You can find the machine’s IP address in the Network Configuration List (see Software and Network User’s Guide).

- 3 Type an Administrator password in the **Login** box. (This is a password to log on to the machine’s web page.) Click .



### NOTE

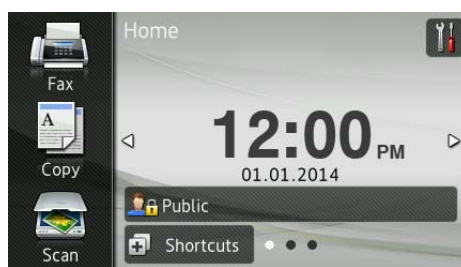
If you are using a web browser to configure the machine’s settings for the first time, set a password (see Software and Network User’s Guide).

## Turning Secure Function Lock on/off

- 1 Click **Administrator**.
- 2 Click **User Restriction Function**.
- 3 Select **Secure Function Lock** or **Off**.
- 4 Click **Submit**.

### NOTE

The Secure Function Lock icon is displayed beneath the time and date.



## Configure Secure Function Lock 3.0 Using Web Based Management

Set up groups with restrictions and users with a password and card ID (NFC ID)<sup>1</sup>. You can set up to 100 restricted groups and 100 users. Configure these settings using a web browser. To set up the web page, see *Before you begin to use Secure Function Lock 3.0* on page 10. Then follow these steps:

<sup>1</sup> For MFC-L9550CDW

- 1 Click **Administrator**.
- 2 Click **Restricted Functions xx-xx**.
- 3 Type an alphanumeric Group name (up to 15 characters) in the **User List / Restricted Functions** field.

- 4 In the **Print** and other columns, clear the check box to restrict access to operations. To configure the maximum page count, select the **On** check box in **Page Limits**, and then type the number in the **Max. Pages** box.
- 5 Click **Submit**.
- 6 Click **User List xx-xx**.
- 7 In the **User List** field, type the user name up to 20 characters.
- 8 In the **PIN Number** box, type a four-digit password.


- 9 (For MFC-L9550CDW)  
In the **Card ID (NFC ID)** box, type the card number (up to 16 characters.)<sup>1</sup>  
<sup>1</sup> You can use numbers from 0 - 9 and letters from A - F (not case-sensitive).
- 10 Select **User List / Restricted Functions** from the drop-down list for each user.

- 11 Click **Submit**.

## Setting up the card authentication users (For MFC-L9550CDW)

Before setting up the card authentication users, you must set up restricted operations and a user list using the web browser.

For more information, see *Configure Secure Function Lock 3.0 Using Web Based Management* on page 11.

- 1 Changing to the restricted user mode using the Touchscreen (for more information, see *Changing to restricted user mode using the Touchscreen* on page 13).
- 2 Press  XXXXX
- 3 Press Register Card.
- 4 Touch the card to the NFC Reader. The Touchscreen displays the card ID.
- 5 Press OK.

### NOTE

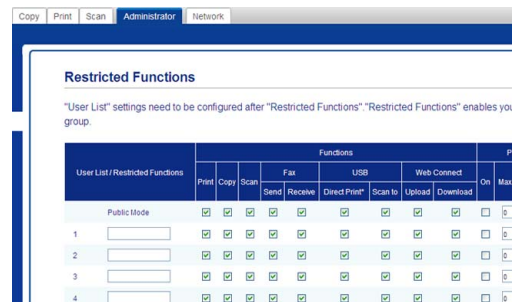
- To change the card ID, touch the new card to the NFC Reader in step 4.
- The NFC Reader may not be able to detect when the card is in a case or cover. Always remove the card from a case or cover when you touch the card to the NFC Reader.

## Setting up and changing the Public user mode

Public user mode restricts the operations that are available for all users who do not have a password.

When you set up restrictions for Public users, you must do it through Web Based Management or BRAdmin Professional 3 (Windows® only) (see Software and Network User's Guide).

- 1 Click **Administrator**.
- 2 Click **Restricted Functions xx-xx**.
- 3 In the **Public Mode** row, clear the check box to restrict the operation in Public user mode. To configure the maximum page count, select the **On** check box in **Page Limits**, and then type the number in the **Max. Pages** box.



- 4 Click **Submit**.



## Switching Users

This setting allows you to switch between registered restricted users or Public mode when Secure Function Lock is turned on.

### Changing to restricted user mode using the Touchscreen

- 1 Press  Public or




(Where xxxxx is the user's name.)

- 2 Press `Change User`.
- 3 Swipe up or down, or press `▲` or `▼` to display your user name.
- 4 Press your user name.
- 5 Enter your four-digit user password using the Touchscreen's keyboard. Press `OK`.

#### NOTE

- If the current ID is restricted for the operation you want, `Access Denied` appears on the Touchscreen.
- If your ID has page limit restrictions and has already reached the maximum number of pages, the Touchscreen displays `Limit Exceeded` or `No Permission` when you try to print. Contact your administrator to check your Secure Function Lock Settings.
- If your ID has **Color Print** restrictions set to disabled, the Touchscreen displays `No Permission` or `Function Locked` when you try to print colored documents.

### Changing to restricted user mode using the NFC Reader (For MFC-L9550CDW)

- 1 Press  to return to the Ready screen.
- 2 Touch the card to the NFC Reader.
- 3 When you have successfully logged in, the Touchscreen displays `Authorization Succeeded`.

#### NOTE

- You can log on by touching the card to the NFC Reader even if the machine is set to Public mode or another user is logged in.
- The NFC Reader may not be able to detect when the card is in a case or cover. Always remove the card from a case or cover when you touch the card to the NFC Reader.

### Changing to Public mode using the Touchscreen

- 1 Press  XXXXXX

(Where xxxxx is the user's name.)

- 2 Press `Go to Public`.

#### NOTE

- After a restricted user has finished using the machine, it returns to Public mode after one minute.
- If the operation you want is restricted for all users, `Access Denied` will appear on the Touchscreen and the `Change User` screen will appear. You cannot access the operation. Contact your administrator to check your Secure Function Lock Settings.
- If **Public Mode** has **Color Print** restrictions set to disabled, the Touchscreen displays `No Permission` or `Function Locked` when you try to print colored documents.

## Active Directory Authentication

Active Directory Authentication restricts the use of the Brother machine. If Active Directory Authentication is enabled, the machine's control panel will be locked. The machine's settings cannot be changed until the user enters the user ID, domain name and password.

Active Directory Authentication includes the following features:

- Store incoming faxes
- Obtain the machine's email address from the LDAP server

You can change the Active Directory Authentication setting using Web Based Management or BRAdmin Professional 3 (Windows®).

For more information about Active Directory Authentication, see Software and Network User's Guide.

## Turning Active Directory Authentication Lock on/off

---

- 1 Start your web browser.
- 2 Type "http://machine's IP address/" into your browser's address bar (where "machine's IP address" is the IP address of the Brother machine).
  - For example:  
http://192.168.1.2/
- 3 Click **Administrator**.
- 4 Click **User Restriction Function**.
- 5 Select **Active Directory Authentication** or **Off**.
- 6 Click **Submit**.

### NOTE

---

- You need to configure Active Directory Server Settings to enable Active Directory Authentication.
  - Control Panel Lock is enabled if Active Directory Server is correctly configured.
-

## IPSec

IPsec (Internet Protocol Security) is a security protocol that uses an optional Internet Protocol function to prevent manipulation and ensure the confidentiality of data transmitted as IP packets. IPsec encrypts data carried over the network, such as print jobs sent from computers to a printer. Because the data is encrypted at the network layer, applications that use a higher-level protocol use IPsec even if the user is not aware of its use.

IPsec supports the following operations:

- IPsec transmissions
- IPsec settings

For more information about IPsec, see *Software and Network User's Guide*.

## Setting Lock

Setting Lock lets you set a password to stop other people from accidentally changing your machine's settings.



Make a careful note of your password. If you forget it, you will have to reset the passwords stored in the machine. Contact your administrator or Brother Customer Service.

While Setting Lock is **On**, you cannot access the machine's settings.

Machine settings cannot be changed through the **Remote Setup** utility while Setting Lock is **On**.



## Setting up the administrator password

---

- 1 Press .
- 2 Press All Settings.
- 3 Swipe up or down, or press ▲ or ▼ to display General Setup.
- 4 Press General Setup.
- 5 Swipe up or down, or press ▲ or ▼ to display Setting Lock.
- 6 Press Setting Lock.
- 7 Enter a four-digit number for the new password using the Touchscreen's keyboard.  
Press OK.
- 8 Re-enter the new password when the Touchscreen displays Verify:.  
Press OK.
- 9 Press .

## Changing the Setting Lock administrator password


---

- 1 Press .
- 2 Press All Settings.
- 3 Swipe up or down, or press ▲ or ▼ to display General Setup.
- 4 Press General Setup.
- 5 Swipe up or down, or press ▲ or ▼ to display Setting Lock.
- 6 Press Setting Lock.
- 7 Press Set Password.
- 8 Enter the old four-digit password using the Touchscreen's keyboard.  
Press OK.
- 9 Enter a four-digit number for the new password using the Touchscreen's keyboard.  
Press OK.
- 10 Re-enter the new password when the Touchscreen displays Verify:.  
Press OK.
- 11 Press .


## Turning Setting Lock on/off

If you enter the wrong password, the Touchscreen displays **Wrong Password**. Enter the correct password.

### Turning Setting Lock on

- 1 Press .
- 2 Press **All Settings**.
- 3 Swipe up or down, or press ▲ or ▼ to display **General Setup**.
- 4 Press **General Setup**.
- 5 Swipe up or down, or press ▲ or ▼ to display **Setting Lock**.
- 6 Press **Setting Lock**.
- 7 Press **Lock Off⇒On**.
- 8 Enter the registered four-digit administrator password using the Touchscreen's keyboard. Press **OK**.

### Turning Setting Lock off

- 1 Press  **Setting Lock** on the Touchscreen.
- 2 Enter the registered four-digit administrator password using the Touchscreen's keyboard. Press **OK**.

## Restricting dialing



This feature is to prevent users from sending a fax or call to a wrong number by mistake. You can set the machine to restrict dialing when you use the dial pad, Address Book and Shortcuts.

If you choose **Off**, the machine does not restrict the dialing method.

If you choose **Enter # Twice**, the machine will prompt you to re-enter the number, and then if you re-enter the same number correctly, the machine will start dialing. If you enter a different number, the Touchscreen displays an error message.



If you choose **On**, the machine will restrict all fax sending and outbound calls for that dialing method.

### Dial pad restriction

- 1 Press .
- 2 Press **All Settings**.
- 3 Swipe up or down, or press ▲ or ▼ to display **Fax**.
- 4 Press **Fax**.
- 5 Swipe up or down, or press ▲ or ▼ to display **Dial Restriction**.
- 6 Press **Dial Restriction**.
- 7 Press **Dial Pad**.
- 8 Press **Enter # Twice, On or Off**.
- 9 Press .



## Address Book restriction

---

- 1 Press .
- 2 Press All Settings.
- 3 Swipe up or down, or press ▲ or ▼ to display Fax.
- 4 Press Fax.
- 5 Swipe up or down, or press ▲ or ▼ to display Dial Restriction.
- 6 Press Dial Restriction.
- 7 Press Address Book.
- 8 Press Enter # Twice, On or Off.
- 9 Press .



## Shortcuts restriction

---

- 1 Press .
- 2 Press All Settings.
- 3 Swipe up or down, or press ▲ or ▼ to display Fax.
- 4 Press Fax.
- 5 Swipe up or down, or press ▲ or ▼ to display Dial Restriction.
- 6 Press Dial Restriction.
- 7 Press Shortcuts.
- 8 Press Enter # Twice, On or Off.
- 9 Press .

## LDAP server restriction

---

- 1 Press .
- 2 Press All Settings.
- 3 Swipe up or down, or press ▲ or ▼ to display Fax.
- 4 Press Fax.
- 5 Swipe up or down, or press ▲ or ▼ to display Dial Restriction.
- 6 Press Dial Restriction.
- 7 Press LDAP Server.
- 8 Press Enter # Twice, On or Off.
- 9 Press .

### NOTE

---

- The Enter # Twice setting will not work if you use an external phone or press Hook before entering the number. You will not be asked to re-enter the number.
  - You cannot restrict dialing when using Redial/Pause.
  - If you chose On or Enter # Twice, you cannot use the Broadcasting feature.
-

# 3

## Sending a fax



### Additional sending options

#### Sending faxes using multiple settings

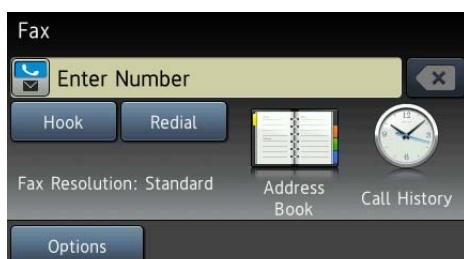
Before you send a fax, you can change any combination of these settings:

- 2-sided Fax<sup>1</sup>
- Contrast
- Fax Resolution
- Real Time TX
- Overseas Mode
- Delayed Fax
- Batch TX
- Coveragepage Message
- Coveragepage Setup
- Broadcasting

<sup>1</sup> For MFC-L8850CDW and MFC-L9550CDW

- 1 Do one of the following:
  - When Fax Preview is set to Off, press  (Fax).
  - When Fax Preview is set to On, press  (Fax) and Sending Fax(es).

The Touchscreen displays:



- 2 Press **Options**.
- 3 Swipe up or down, or press **▲** or **▼** to display the setting you want, and then press the setting.
- 4 Press the option you want.
- 5 Do one of the following:
  - Repeat steps 3 and 4 to change more settings.
  - If you are finished choosing settings, press **OK**. Go to the next step for sending your fax.



#### NOTE

- Most settings are temporary and the machine returns to its default settings after you send a fax.
- You can save some of the settings you use most often by setting them as the default settings. These settings will stay until you change them again (see *Setting your changes as the new default* on page 27).
- You can also save some of the settings you use most often by setting them as a Shortcut (see *Saving fax options as a Shortcut* on page 28).

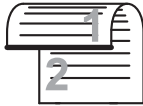





## Changing a 2-sided fax layout (MFC-L8850CDW and MFC-L9550CDW)

You must choose the 2-sided scanning format before you send a 2-sided fax. The format you choose will depend on the layout of your 2-sided document.

- 1 Load your document in the ADF.
- 2 Do one of the following:
  - When Fax Preview is set to *Off*, press  (Fax).
  - When Fax Preview is set to *On*, press  (Fax) and Sending Fax(es).
- 3 Press Options.
- 4 Swipe up or down, or press ▲ or ▼ to display 2-sided Fax.
- 5 Press 2-sided Fax.
- 6 Do one of the following:
  - If your document is flipped on the Long edge, press 2-sided Scan: Long Edge.

- If your document is flipped on the Short edge, press 2-sided Scan: Short Edge.

Short edge	
Portrait	Landscape
	

Long edge	
Portrait	Landscape
	



## Contrast

For most documents the default setting of **Auto** will give the best results. **Auto** automatically chooses the appropriate contrast for your document.

If your document is very light or very dark, changing the contrast may improve the quality of the fax.

Select **Dark** to make the faxed document lighter.

Select **Light** to make the faxed document darker.



- 1 Do one of the following:
  - When Fax Preview is set to **Off**, press  (**Fax**).
  - When Fax Preview is set to **On**, press  (**Fax**) and **Sending Fax(es)**.
- 2 Press **Options**.
- 3 Swipe up or down, or press **▲** or **▼** to display **Contrast**.
- 4 Press **Contrast**.
- 5 Press **Auto**, **Light** or **Dark**.

### NOTE

Even if you choose **Light** or **Dark**, the machine will send the fax using the **Auto** setting if you choose **Photo** as the Fax Resolution.

## Changing Fax Resolution

The quality of a fax can be improved by changing the Fax Resolution. This is a temporary setting that will only be active for your next fax.

- 1 Do one of the following:
  - When Fax Preview is set to **Off**, press  (**Fax**).
  - When Fax Preview is set to **On**, press  (**Fax**) and **Sending Fax(es)**.
- 2 Press **Options**.
- 3 Swipe up or down, or press **▲** or **▼** to display **Fax Resolution**.
- 4 Press **Fax Resolution**.
- 5 Press **Standard**, **Fine**, **S.Fine** or **Photo**.

### NOTE

You can choose four different resolution settings.



Black & white	
Standard	Appropriate for most typed documents.
Fine	Good for small print and transmits a little slower than Standard resolution.
S.Fine	Good for small print or artwork and transmits slower than Fine resolution.
Photo	Use when the document has varying shades of gray or is a photograph. This has the slowest transmission time.

## Additional sending operations

### Sending a fax manually

#### Manual transmission

Manual transmission lets you hear the dialing, ringing and fax-receiving tones while sending a fax.

- 1 Load your document.
- 2 Do one of the following:
  - When Fax Preview is set to *Off*, press  (Fax).
  - When Fax Preview is set to *On*, press  (Fax) and Sending Fax(es).
- 3 Press *Hook* and listen for a dial tone.
- 4 Dial the fax number.
- 5 When you hear the fax tones, press *Fax Start*.
  - If you are using the scanner glass, press *Send*.

### Sending a fax at the end of a conversation

At the end of a conversation you can send a fax to the other party before you both hang up.



- 1 Ask the other party to wait for fax tones (beeps) and then to press the *Start* or *Send* key before hanging up.
- 2 Load your document.
- 3 Press *Fax Start*.
  - If you are using the scanner glass, press *Send*.
- 4 Replace the handset of an external telephone.

## Dual access

You can dial a number and start scanning the fax into memory—even when the machine is sending from memory, receiving faxes or printing computer jobs. The Touchscreen displays the new job number.

The number of pages you can scan into the memory will vary depending on the type of information that is printed on them.

### NOTE

If you get an *Out of Memory* message while scanning the first page of a fax, press  to cancel scanning. If you get an *Out of Memory* message while scanning a subsequent page, you can press *Send Now* to send the pages scanned so far, or press  to cancel the operation.

## Broadcasting

Broadcasting lets you send the same fax message to more than one fax number. You can include Groups, Address Book numbers and up to 50 manually dialed numbers in the same broadcast.





You can broadcast up to 350 different numbers.

### Before you begin the broadcast

Address Book numbers must be stored in the machine's memory before they can be used in a broadcast (see *Basic User's Guide*).

Group numbers must also be stored in the machine's memory before they can be used in a broadcast. Group numbers include many stored Address Book numbers for easier dialing (see *Setting up Groups for Broadcasting* on page 45).


### How to broadcast a fax

- 1 Load your document.
- 2 Do one of the following:
  - When Fax Preview is set to *Off*, press  (Fax).
  - When Fax Preview is set to *On*, press  (Fax) and *Sending Fax(es)*.
- 3 Press *Options*.
- 4 Swipe up or down, or press  or  to display *Broadcasting*.
- 5 Press *Broadcasting*.

- 6 Press **Add Number**.

## NOTE

*If you downloaded Internet Fax:*

If you want to broadcast using an E-mail address, press , enter the E-mail address (see Basic User's Guide), and press **OK**.


- 7 You can add numbers to the broadcast in the following ways:

- Press **Add Number** and enter a number using the Touchscreen's keyboard (see Basic User's Guide). Press **OK**.
- Press **Add from Address book**. Swipe up or down, or press **▲** or **▼** to display the number you want to add to the broadcast. Select the check boxes of the numbers you want to add to the broadcast. After you select all the numbers you want, press **OK**.
- Press **Search in Address book**. Press the first letter of the name, and then press **OK**. Press the name, and then press the number you want to add.

- 8 After you enter all the fax numbers by repeating steps 6 and 7, press **OK**.



- 9 Press **Fax Start**. After the broadcast is finished, the machine will print a broadcast report to let you know the results.

## NOTE

- If you did not use up any of the numbers for Groups, you can broadcast faxes to as many as 350 different numbers.
- The machine's available memory will vary depending on the types of jobs in the memory and the numbers used for broadcasting. If you broadcast to the maximum number available, you will not be able to use dual access and delayed fax.
- If the **Out of Memory** message appears, press  to stop the job. If more than one page has been scanned, press **Send Now** to send the portion that is in the machine's memory.

## Canceling a Broadcast in progress

While broadcasting you can cancel the fax currently being sent or the whole broadcast job.

- 1 Press .
- 2 Do one of the following:
  - To cancel the entire broadcast, press **Entire Broadcast**. Go to step 3.
  - To cancel the current job, press the button that displays the number or name being dialed. Go to step 4.
  - To exit without canceling, press .
- 3 When the Touchscreen asks if you want to cancel the entire broadcast, do one of the following:
  - Press **Yes** to confirm.
  - To exit without canceling, press **No**.
- 4 Do one of the following:
  - To cancel the current job, press **Yes**.
  - To exit without canceling, press **No**.



## Real Time Transmission

When you are sending a fax, the machine will scan the document into the memory before sending it. As soon as the telephone line is free, the machine will start dialing and sending.

Sometimes, you may want to send an important document immediately without waiting for memory transmission. You can turn on `Real Time TX`.

### NOTE



- If the memory is full and you are sending a fax from the ADF, the machine will send the document in real time (even if `Real Time TX` is set to `Off`). If the memory is full, faxes from the scanner glass cannot be sent until you clear some of the memory.
- In Real Time Transmission, the automatic redial feature does not work when using the scanner glass.

- 1 Load your document.
- 2 Do one of the following:
  - When Fax Preview is set to `Off`, press  (Fax).
  - When Fax Preview is set to `On`, press  (Fax) and Sending Fax(es).
- 3 Press `Options`.
- 4 Swipe up or down, or press `▲` or `▼` to display `Real Time TX`.
- 5 Press `Real Time TX`.
- 6 Press `On` (or `Off`).
- 7 Press `OK`.
- 8 Enter the fax number.
- 9 Press `Fax Start`.

## Overseas Mode



If you are having difficulty sending a fax overseas due to a bad connection, then turning on Overseas Mode may help.

This is a temporary setting that will only be active for your next fax.

- 1 Load your document.
- 2 Do one of the following:
  - When Fax Preview is set to `Off`, press  (Fax).
  - When Fax Preview is set to `On`, press  (Fax) and Sending Fax(es).
- 3 Press `Options`.
- 4 Swipe up or down, or press `▲` or `▼` to display `Overseas Mode`.
- 5 Press `Overseas Mode`.
- 6 Press `On`.
- 7 Press `OK`.
- 8 Enter the fax number.
- 9 Press `Fax Start`.

## Delayed Fax

You can store up to 50 faxes in the memory to be sent within a 24-hour period.

- 1 Load your document.
- 2 Do one of the following:
  - When Fax Preview is set to Off, press  (Fax).
  - When Fax Preview is set to On, press  (Fax) and Sending Fax(es).
- 3 Press Options.
- 4 Swipe up or down, or press ▲ or ▼ to display Delayed Fax.
- 5 Press Delayed Fax.
- 6 Press Delayed Fax.
- 7 Press On.
- 8 Press Set Time.
- 9 To enter the time you want the fax to be sent, do one of the following:
  - If you set 12h Clock as the format in the Clock Type setting, enter the time (in 12-hour format) using the Touchscreen's keyboard, and then press AM or PM.  
Press OK.
  - If you set 24h Clock in the Clock Type setting, enter the time (in 24-hour format) using the Touchscreen's keyboard.  
Press OK.  
(For example, enter 19:45 for 7:45 PM.)



### NOTE

The number of pages you can scan into the memory depends on the type of information printed on each page.

## Delayed batch transmission

Before sending the delayed faxes, your machine will help you economize by sorting all the faxes in the memory by destination and scheduled time.



All delayed faxes that are scheduled to be sent at the same time to the same fax number will be sent as one fax to save transmission time.

- 1 Press .
- 2 Press All Settings.
- 3 Swipe up or down, or press ▲ or ▼ to display Fax.
- 4 Press Fax.
- 5 Swipe up or down, or press ▲ or ▼ to display Setup Send.
- 6 Press Setup Send.
- 7 Press Batch TX.
- 8 Press On (or Off).
- 9 Press .






## Checking and canceling waiting jobs

Check which jobs are still waiting in the memory to be sent. If there are no jobs, the Touchscreen displays **No Jobs Waiting**. You can cancel a fax job that is stored and waiting in the memory.

- 1 Press .
- 2 Press **All Settings**.
- 3 Swipe up or down, or press ▲ or ▼ to display **Fax**.
- 4 Press **Fax**.
- 5 Swipe up or down, or press ▲ or ▼ to display **Remaining Jobs**.
- 6 Press **Remaining Jobs**. Jobs that are waiting will appear on the Touchscreen.
- 7 Swipe up or down, or press ▲ or ▼ to scroll through the waiting jobs and press the job you want to cancel.
- 8 Press **Cancel**.
- 9 Do one of the following:
  - To cancel, press **Yes**. If you want to cancel another job repeat step 7.
  - To exit without canceling, press **No**.
- 10 When you have finished canceling jobs, press .




## Setting your changes as the new default

You can save the fax settings for **Fax Resolution**, **Contrast**, **Glass Scan Size**, **Real Time TX**, **Coverpage Setup** and **Overseas Mode** you use most often by setting them as the default. These settings will stay until you change them again.

- 1 Do one of the following:
  - When **Fax Preview** is set to **Off**, press  (**Fax**).
  - When **Fax Preview** is set to **On**, press  (**Fax**) and **Sending Fax(es)**.
- 2 Press **Options**.
- 3 Swipe up or down, or press ▲ or ▼ to choose the setting you want to change, and then press the new option.  
  
Repeat this step for each setting you want to change.
- 4 After changing the last setting, swipe up or down, or press ▲ or ▼ to display **Set New Default**.
- 5 Press **Set New Default**.
- 6 The Touchscreen asks you to confirm the change to the new default settings. Press **Yes** to confirm.
- 7 Press .




## Restoring all fax settings to the factory settings

You can restore all the fax settings you have changed to the factory settings. These settings will stay until you change them again.

- 1 Do one of the following:
  - When Fax Preview is set to *Off*, press  (Fax).
  - When Fax Preview is set to *On*, press  (Fax) and *Sending Fax(es)*.
- 2 Press *Options*.
- 3 After changing the last setting, swipe up or down, or press ▲ or ▼ to display *Factory Reset*.
- 4 Press *Factory Reset*.
- 5 The Touchscreen asks you to confirm to change back to the factory settings. Press *Yes* to confirm.
- 6 Press .

## Saving fax options as a Shortcut

You can store all the new fax options you use frequently by saving them as a Shortcut.

- 1 Do one of the following:
  - When Fax Preview is set to *Off*, press  (Fax).
  - When Fax Preview is set to *On*, press  (Fax) and *Sending Fax(es)*.
- 2 Enter the fax number.
- 3 Press *Options*.
- 4 Swipe up or down, or press ▲ or ▼ to display *Fax Resolution*, *2-sided Fax*<sup>1</sup>, *Contrast*, *Real Time TX*, *Overseas Mode* or *Glass Scan Size*, and then press the setting you want to change. Then press the new option you want. Repeat this step for each setting you want to change.
- 5 When you have finished choosing new options, press *OK*.
- 6 Press *Save as Shortcut*.
- 7 Confirm the displayed list of options you chose for the Shortcut, and then press *OK*.
- 8 Press a tab from 1 to 8.
- 9 Press  where you have not added a Shortcut.
- 10 Enter a name for the Shortcut using the Touchscreen's keyboard. (To help you enter letters, see *Basic User's Guide*.) Press *OK*.
- 11 Press *OK* to confirm.

<sup>1</sup> For MFC-L8850CDW and MFC-L9550CDW

## Electronic cover page

This feature will *not* work unless you have programmed your Station ID (see Basic User's Guide).

You can automatically send a cover page. Your cover page includes your Station ID, a comment, and the name stored in the Address Book.

You can choose one of the following preset comments:

1. Comment Off
2. Please Call
3. Urgent
4. Confidential


Instead of using one of the preset comments, you can enter two personal messages of your own, up to 27 characters long (see Basic User's Guide).

(See *Composing your own comments* on page 29.)

5. (User Defined)
6. (User Defined)




## Composing your own comments

You can set up two comments of your own.

- 1 Press .
- 2 Press All Settings.
- 3 Swipe up or down, or press ▲ or ▼ to display Fax.
- 4 Press Fax.
- 5 Swipe up or down, or press ▲ or ▼ to display Setup Send.
- 6 Press Setup Send.
- 7 Press Coverpage Setting.
- 8 Press Coverpage Message.
- 9 Press 5. or 6. to store your own comment.
- 10 Enter your own comment using the Touchscreen's keyboard. Press OK.  
Press  to choose numbers, letters or special characters (see Basic User's Guide).
- 11 Press .


## Send a cover page for the next fax

If you want to send a cover page for the next fax, you can add the cover page.

- 1 Do one of the following:
  - When Fax Preview is set to *Off*, press  (Fax).
  - When Fax Preview is set to *On*, press  (Fax) and *Sending Fax(es)*.
- 2 Press *Options*.
- 3 Swipe up or down, or press ▲ or ▼ to display *Coverpage Setup*.
- 4 Press *Coverpage Setup*.
- 5 Press *Coverpage Setup*.
- 6 Press *On*.
- 7 Press *Coverpage Message*.
- 8 Swipe up or down, or press ▲ or ▼ to choose the comment you want to use, and then press the comment.  
Press .
- 9 Press *OK*.
- 10 Enter the fax number.
- 11 Press *Fax Start*.

## Using a printed cover page



If you want a printed cover page you can write on, print the sample page and attach it to your fax.

- 1 Press .
- 2 Press *All Settings*.
- 3 Swipe up or down, or press ▲ or ▼ to display *Fax*.
- 4 Press *Fax*.
- 5 Swipe up or down, or press ▲ or ▼ to display *Setup Send*.
- 6 Press *Setup Send*.
- 7 Press *Coverpage Setting*.
- 8 Press *Print Sample*.
- 9 Press *OK*.

## Destination Display

---

When you send a fax, the machine displays the information from the Address Book or the number you dialed. You can set the machine to hide the destination information on the Touchscreen.

- 1 Press .
- 2 Press All Settings.
- 3 Swipe up or down, or press ▲ or ▼ to display Fax.
- 4 Press Fax.
- 5 Swipe up or down, or press ▲ or ▼ to display Setup Send.
- 6 Press Setup Send.
- 7 Press Destination.
- 8 Press Hidden (or Display).
- 9 Press .

# 4

## Receiving a fax

### Memory Receive Options


Memory Receive lets you receive faxes while you are away from the machine.

You can use *only one* Memory Receive option at a time:

- Fax Forwarding
- Paging
- Fax Storage
- Off


### Fax Forwarding

The Fax Forwarding feature lets you automatically forward your received faxes to another machine. If you choose **Backup Print: On**, the machine will also print the fax.

- 1 Press .
- 2 Press **All Settings**.
- 3 Swipe up or down, or press ▲ or ▼ to display **Fax**.
- 4 Press **Fax**.
- 5 Swipe up or down, or press ▲ or ▼ to display **Setup Receive**.
- 6 Press **Setup Receive**.
- 7 Swipe up or down, or press ▲ or ▼ to display **Memory Receive**.
- 8 Press **Memory Receive**.
- 9 Press **Fax Forward**.

- 10 Do one of the following:
  - Press **Manual** to enter the forwarding fax number (up to 20 characters) using the Touchscreen's keyboard (see *Basic User's Guide*).  
Press **OK**.
  - Press **Address Book**.  
  
Swipe up or down, or press ▲ or ▼ to scroll until you find the fax number where you want your faxes forwarded.  
  
Press the fax number or E-mail address you want.

### NOTE

- You can enter an E-mail address by pressing  on the Touchscreen.
- If you choose a Group number from the Address Book, the faxes will be forwarded to multiple fax numbers.

- 11 If **Fax Preview** is set to **Off**, press **Backup Print: On** or **Backup Print: Off**.

### IMPORTANT


- If you choose **Backup Print: On**, the machine will also print received faxes at your machine so you will have a copy.
- When **Fax Preview** is set to **On**, the backup print feature does not work.

- 12 Press .

## Paging

When Paging is chosen, the machine dials the cell phone or pager number you programmed. This activates your cell phone or pager so you will know there is a fax message in the machine's memory.

If you turn on Paging, a backup copy will automatically be printed at the machine.

- 1 Press .
- 2 Press **All Settings**.
- 3 Swipe up or down, or press ▲ or ▼ to display **Fax**.
- 4 Press **Fax**.
- 5 Swipe up or down, or press ▲ or ▼ to display **Setup Receive**.
- 6 Press **Setup Receive**.
- 7 Swipe up or down, or press ▲ or ▼ to display **Memory Receive**.
- 8 Press **Memory Receive**.
- 9 Press **Paging**.
- 10 Enter your cell phone or pager number followed by ## (up to 20 digits) using the Touchscreen's keyboard.  
Press **OK**.  
Do not include the area code if it is the same as that of your machine.  
For example, press  
**1 8 0 0 5 5 5 1 2 3 4 # #**.

- 11 Do one of the following:
  - If you are programming a cell phone number, press **OK**.
  - If your pager needs a PIN, enter the PIN, press **#**, press **Pause**, enter your fax number followed by ##.  
Press **OK**. (For example, press:  
**1 2 3 4 5 # Pause 1 8 0 0 5 5 5 6 7 8 9 # #**)
  - If you do not need a PIN, press **OK**.

- 12 Press .

### NOTE


You cannot change a pager number, cell phone number or PIN remotely.

## Fax Storage

---

The Fax Storage feature lets you store your received faxes in the machine's memory. You can retrieve stored fax messages from a fax machine at another location using the remote retrieval commands (see *Retrieving fax messages* on page 38).

Your machine will print a backup copy of each stored fax.

- 1 Press .
- 2 Press All Settings.
- 3 Swipe up or down, or press ▲ or ▼ to display Fax.
- 4 Press Fax.
- 5 Swipe up or down, or press ▲ or ▼ to display Setup Receive.
- 6 Press Setup Receive.
- 7 Swipe up or down, or press ▲ or ▼ to display Memory Receive.
- 8 Press Memory Receive.
- 9 Press Fax Storage.

### NOTE

---

To turn off Fax Storage, press Off.

---

- 10 Press .

## Changing Memory Receive Options

---

If received faxes are in your machine's memory when you change the Memory Receive operations, the Touchscreen will ask you one of the following questions:

### If received faxes have already been printed

- Erase all faxes?
  - If you press Yes, faxes in the memory will be erased before the setting changes.
  - If you press No, faxes in the memory will not be erased and the setting will be unchanged.

### If unprinted faxes are in the memory

- Print all faxes?
  - If you press Yes, faxes in the memory will be printed before the setting changes. If a backup copy has already been printed.
  - If you press No, faxes in the memory will not be printed and the setting will be unchanged.

### IMPORTANT

---


If you choose Backup Print On, the machine will also print received faxes at your machine so you will have a copy. This is a safety feature in case there is a power failure before the fax is forwarded or a problem at the receiving machine.

---



## Turning off Memory Receive Options

---

- 1 Press .
- 2 Press All Settings.
- 3 Swipe up or down, or press ▲ or ▼ to display Fax.
- 4 Press Fax.
- 5 Swipe up or down, or press ▲ or ▼ to display Setup Receive.
- 6 Press Setup Receive.
- 7 Swipe up or down, or press ▲ or ▼ to display Memory Receive.
- 8 Press Memory Receive.
- 9 Press Off.

### NOTE

---

The Touchscreen will give you more options if there are received faxes still in your machine's memory (see *Changing Memory Receive Options* on page 34).

---


- 10 Press .

## Remote retrieval

You can call your machine from any touch-tone telephone or fax machine and then use the remote access code and remote commands to retrieve fax messages.

### Setting a Remote Access Code

The Remote Access Code lets you access the remote retrieval features when you are away from your machine. Before you can use the remote access and retrieval features, you must set up your own code. The factory default code is the inactive code ( -- \*).


- 1 Press .
- 2 Press `All Settings`.
- 3 Swipe up or down, or press ▲ or ▼ to display `Fax`.
- 4 Press `Fax`.
- 5 Swipe up or down, or press ▲ or ▼ to display `Remote Access`.
- 6 Press `Remote Access`.
- 7 Enter a three-digit code using the numbers 0 to 9, \* or # using the Touchscreen's keyboard. Press `OK`.  
(The preset '\*' cannot be changed.)

#### NOTE

DO NOT use the same code used for your Fax Receive Code (\*51) or Telephone Answer Code (#51) (see Basic User's Guide).

- 8 Press .

#### NOTE

You can change your code at any time. To make your code inactive, press and hold  at step 7 to restore the inactive setting -- \*, and then press `OK`.

### Using your Remote Access Code

- 1 Dial your fax number from a telephone or another fax machine using touch tone.
- 2 When your machine answers, immediately enter your Remote Access Code (3 digits followed by \*).
- 3 The machine signals if it has received messages:
  - 1 long beep -- Fax messages
  - No beeps -- No messages
- 4 When the machine gives two short beeps, enter a command (see *Remote fax commands* on page 37). The machine will hang up if you wait longer than 30 seconds to enter a command. The machine will beep three times if you enter an invalid command.
- 5 Press `9 0` to reset the machine when you are finished.
- 6 Hang up.

#### NOTE

- If your machine is set to `Manual` mode and you want to use the remote retrieval features, wait for about 100 seconds after it starts ringing, and then enter the remote access code within 30 seconds.
- This setting may not be available in some countries or supported by your local telephone company.

## Remote fax commands

Follow the commands in the table to access features when you are away from the machine. When you call the machine and enter your remote access code (3 digits followed by \*), the system will give two short beeps and you must enter a remote command.

Remote commands		Operation details
95	<b>Change the Fax Forwarding, Paging or Fax Storage settings</b>	
	1 OFF	You can choose <i>OFF</i> after you retrieve or erase all your messages.
	2 Fax Forwarding	One long beep means the change is accepted. If you hear three short beeps, you cannot make a change because something has not been set up (for example, a Fax Forwarding or Paging number has not been registered). You can register your Fax Forwarding number by entering 4 (see <i>Changing the Fax Forwarding number</i> on page 38). After you register the number, Fax Forwarding will work.
	3 Paging	
	4 Fax Forwarding number	
6 Fax Storage		
96	<b>Retrieve a fax</b>	
	2 Retrieve all faxes	Enter the number of a remote fax machine to receive stored fax messages (see <i>Retrieving fax messages</i> on page 38).
	3 Erase faxes from the memory	If you hear one long beep, fax messages have been erased from the memory.
97	<b>Check the receiving status</b>	
	1 Fax	You can check whether your machine has received any faxes. If yes, you will hear one long beep. If no, you will hear three short beeps.
98	<b>Change the Receive Mode</b>	
	1 External TAD	If you hear one long beep, your change has been accepted.
	2 Fax/Tel	
	3 Fax Only	
90	<b>Exit</b>	Press <b>9 0</b> to stop remote retrieval. Wait for the long beep, then replace the handset.

## Retrieving fax messages

---

You can call your machine from any touch-tone telephone or fax machine and have your fax messages sent to another machine. Before you use this feature, you have to turn on Fax Storage or Fax Preview (see *Fax Storage* on page 34 or Basic User's Guide).

- 1 Dial your fax number.
- 2 When your machine answers, enter your Remote Access Code (3 digits followed by \*). If you hear one long beep, you have messages.
- 3 When you hear two short beeps, press **9 6 2**.
- 4 Wait for a long beep, and then use the Touchpanel to enter the number of the remote fax machine where you want your fax messages sent, followed by **##** (up to 20 digits).

### NOTE

---

You cannot use \* and # as dial numbers. However, press # if you want to create a pause.

- 5 Hang up after you hear your machine beep. Your machine will call the other fax machine, which will then print your fax messages.

## Changing the Fax Forwarding number

---

You can change your fax forwarding number from another touch-tone telephone or fax machine.

- 1 Dial your fax number.
- 2 When your machine answers, enter your Remote Access Code (3 digits followed by \*). If you hear one long beep, you have messages.
- 3 When you hear two short beeps, press **9 5 4**.
- 4 Wait for the long beep, enter the new number (up to 20 digits) of the remote fax machine you want your fax messages forwarded to using the Touchpanel, then enter **##**.

### NOTE

---

You cannot use \* and # as dial numbers. However, press # if you want to create a pause.



- 5 Press **9 0** to stop Remote Access when you have finished.
- 6 Hang up after you hear your machine beep.

## Additional receiving operations

### Printing a reduced incoming fax

If you choose **On**, the machine reduces each page of an incoming fax to fit on one page of Letter, A4, Legal or Folio sized paper.



The machine calculates the reduction ratio by using the page size of the fax and your Paper Size setting (see Basic User's Guide).

- 1 Press .
- 2 Press **All Settings**.
- 3 Swipe up or down, or press ▲ or ▼ to display **Fax**.
- 4 Press **Fax**.
- 5 Swipe up or down, or press ▲ or ▼ to display **Setup Receive**.
- 6 Press **Setup Receive**.
- 7 Swipe up or down, or press ▲ or ▼ to display **Auto Reduction**.
- 8 Press **Auto Reduction**.
- 9 Press **On (or Off)**.
- 10 Press .

### 2-sided printing for Fax mode

Your machine prints received faxes on both sides of the paper when **2-sided** is set to **On**.

Use Letter, Legal or Folio (8.5 in. × 13 in.) sized paper for this setting [16 to 28 lb (60 to 105 g/m<sup>2</sup>)].

- 1 Press .
- 2 Press **All Settings**.
- 3 Swipe up or down, or press ▲ or ▼ to display **Fax**.
- 4 Press **Fax**.
- 5 Swipe up or down, or press ▲ or ▼ to display **Setup Receive**.
- 6 Press **Setup Receive**.
- 7 Swipe up or down, or press ▲ or ▼ to display **2-sided**.
- 8 Press **2-sided**.
- 9 Press **On (or Off)**.
- 10 Press .

#### NOTE

When **2-sided** is turned on, incoming faxes will automatically be reduced to fit the size of paper in the paper tray.

## Setting the Fax Receive Stamp

You can set the machine to print the received date and time at the top center of each received fax page.

- 1 Press .
- 2 Press **All Settings**.
- 3 Swipe up or down, or press ▲ or ▼ to display **Fax**.
- 4 Press **Fax**.
- 5 Swipe up or down, or press ▲ or ▼ to display **Setup Receive**.
- 6 Press **Setup Receive**.
- 7 Swipe up or down, or press ▲ or ▼ to display **Fax Rx Stamp**.
- 8 Press **Fax Rx Stamp**.
- 9 Press **On (or Off)**.
- 10 Press .

### NOTE

- Make sure you have set the current date and time on the machine (see *Basic User's Guide*).
- *If you downloaded Internet Fax:*  
The received time and date will not appear when using Internet Fax.

## Receiving a fax at the end of a conversation

At the end of a conversation you can ask the other party to send you a fax before you both hang up. Make sure the ADF is empty.

- 1 Ask the other party to place the document in their machine and to press the **Start** or **Send** key.
- 2 When you hear the CNG tones (slowly repeating beeps), press **Fax Start**.



### NOTE

- If the Touchscreen is dark for Sleep mode, touch it to display **Fax Start**.
- If the machine is in Automatic Redial, wait until it is finished and try again.

- 3 Press **Receive** to receive a fax.
- 4 Replace the external handset.

## Printing a fax from the memory

If you choose `Paging` or `Fax Storage`, you can still print a fax from the memory when you are at your machine (see *Fax Storage* on page 34).

- 1 Press .
- 2 Press `All Settings`.
- 3 Swipe up or down, or press ▲ or ▼ to display `Fax`.
- 4 Press `Fax`.
- 5 Press ▲ or ▼ to display `Print Fax`.
- 6 Press `Print Fax`.
- 7 Press `OK`.
- 8 Press .

## Receiving faxes into memory when the paper tray is empty

As soon as the paper tray becomes empty during fax reception, the Touchscreen displays `No Paper` and begins receiving faxes into the machine's memory. Load paper in the paper tray (see *Basic User's Guide*).

Incoming faxes will continue to be stored in the memory until the memory becomes full or paper is loaded in the paper tray. When the memory is full the machine will stop automatically answering calls. To print the faxes, load fresh paper in the tray.



# 5

## Dialing and storing numbers

### Telephone line services

#### Tone or Pulse (Canada only)

If you have a Pulse dialing service, but must send Tone signals (for example, for telephone banking), follow these steps. If you have Touch Tone service, you will not need this feature to send tone signals.

- 1 Do one of the following:
  - When Fax Preview is set to *Off*, press  (Fax).
  - When Fax Preview is set to *On*, press  (Fax) and Sending Fax(es).
- 2 Press *Hook*.
- 3 Press **#** on the machine's Touchpanel. Any digits dialed after this will send tone signals.

When you are finished with the call, the machine will return to the Pulse dialing service.

#### For Fax/Tel mode only

When the machine is in Fax/Tel mode, it will use the F/T Ring Time (pseudo/double-ringing) to alert you to pick up a voice call.

If you are at the machine, lift the external telephone's handset, and then press *Pickup* to answer.

If you are at an extension telephone, lift the handset during the F/T Ring Time and then press **#51** between the pseudo/double rings. If no one is on the line, or if someone wants to send you a fax, send the call back to the machine by pressing **\*51**.

### Special line considerations

#### Roll over telephone lines

A roll over telephone system is a group of two or more separate telephone lines that pass incoming calls to each other if they are busy. The calls are usually passed down or "rolled over" to the next available telephone line in a preset order.

Your machine can work in a roll over system as long as it is the last number in the sequence, so the call cannot roll away. Do not place the machine on any of the other numbers; when the other lines are busy and a second fax call is received, the fax call would be transferred to a line that does not have a fax machine. **Your machine will work best on a dedicated line.**

#### Two-line telephone system

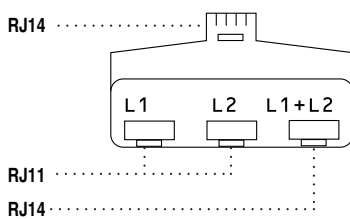
A two-line telephone system is nothing more than two separate telephone numbers on the same wall outlet. The two telephone numbers can be on separate jacks (RJ11) or combined into one jack (RJ14). Your machine must be plugged into an RJ11 jack. RJ11 and RJ14 jacks may be equal in size and appearance and both may contain four wires (black, red, green, yellow). To test the type of jack, plug in a two-line telephone and see if it can access both lines. If it can, you must separate the line for your machine.



## Converting telephone wall outlets

There are three ways to convert to an RJ11 jack. The first two ways may require assistance from the telephone company. You can change the wall outlets from one RJ14 jack to two RJ11 jacks. Or, you can have an RJ11 wall outlet installed and slave or jump one of the telephone numbers to it.

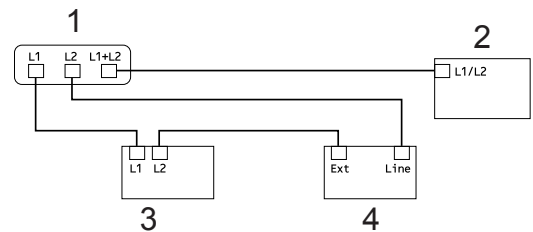
The third way is the easiest: Buy a triplex adapter. You can plug a triplex adapter into an RJ14 outlet. It separates the wires into two separate RJ11 jacks (Line 1, Line 2) and a third RJ14 jack (Lines 1 and 2). If your machine is on Line 1, plug the machine into L1 of the triplex adapter. If your machine is on Line 2, plug it into L2 of the triplex adapter.



## Installing machine, external two-line TAD and two-line telephone

When you are installing an external two-line telephone answering device (TAD) and a two-line telephone, your machine must be isolated on one line at both the wall jack and at the TAD. The most common connection is to place the machine on Line 2, which is explained in the following steps. The back of the two-line TAD must have two telephone jacks: one labeled L1 or L1/L2, and the other labeled L2. You will need at least three telephone line cords, the one that came with your machine and two for your external two-line TAD. You will need a fourth line cord if you add a two-line telephone.

- 1 Place the two-line TAD and the two-line telephone next to your machine.
- 2 Plug one end of the telephone line cord for your machine into the L2 jack of the triplex adapter. Plug the other end into the LINE jack on the back of the machine.
- 3 Plug one end of the first telephone line cord for your TAD into the L1 jack of the triplex adapter. Plug the other end into the L1 or L1/L2 jack of the two-line TAD.
- 4 Plug one end of the second telephone line cord for your TAD into the L2 jack of the two-line TAD. Plug the other end into the EXT. jack on the left side of the machine.



- 1 Triplex Adapter
- 2 Two Line Telephone
- 3 External Two Line TAD
- 4 Machine


You can keep two-line telephones on other wall outlets as always. There are two ways to add a two-line telephone to the machine's wall outlet. You can plug the telephone line cord from the two-line telephone into the L1+L2 jack of the triplex adapter. Or, you can plug the two-line telephone into the TEL jack of the two-line TAD.

## Additional dialing operations

### Dialing access codes and credit card numbers

Sometimes you may want to choose from several long-distance carriers when you send a fax. Rates may vary depending on the time and destination. To take advantage of low rates, you can store the access codes of long-distance carriers and credit card numbers as Address Book numbers. You can store these long dialing sequences by dividing them and setting them up as separate Address Book numbers in any combination. You can even include manual dialing using the dial pad (see Basic User's Guide).

For example, you might have stored '555' on Address Book: Brother 1 and '7000' on Address Book: Brother 2. You can use them both to dial '555-7000' if you press the following:

- 1 Press  (Fax).
- 2 Press Address Book.
- 3 Swipe up or down, or press ▲ or ▼ to display the number of Brother 1.
- 4 Press the number.
- 5 Press Apply.
- 6 Press Address Book.
- 7 Swipe up or down, or press ▲ or ▼ to display the number of Brother 2.
- 8 Press the number.
- 9 Press Apply.
- 10 Press Fax Start. You will dial '555-7000'.

To temporarily change a number, you can substitute part of the number by pressing it on the dial pad. For example, to change the number to '555-7001', you could enter the number (Brother 1: 555) using Address Book, press **Apply** and then press **7001** on the dial pad.



#### NOTE

If you must wait for another dial tone or signal at any point in the dialing sequence, create a pause in the number by pressing **Pause**. Each key press adds a 3.5-second delay. You can press **Pause** as many times as needed to increase the length of the pause.

## Additional ways to store numbers

### Storing Address Book numbers from Outgoing Calls


You can store Address Book numbers from the Outgoing Call history.


- 1 Press  (Fax).
- 2 Press **Call History**.
- 3 Press **Outgoing Call**.
- 4 Press the number.
- 5 Press **Edit**.
- 6 Press **Add to Address Book**.
- 7 Press **Name**.
- 8 Enter the name (up to 15 characters) using the Touchscreen's keyboard. (To help you enter letters, see Basic User's Guide.)  
Press **OK**.
- 9 Press **OK** to confirm the fax or telephone number.
- 10 Press .

### Setting up Groups for Broadcasting

A Group, which can be stored in the Address Book, allows you to send the same fax message to many fax numbers by pressing **Fax**, **Address Book**, **Group name**, **Apply** and **Fax Start**.

First, you must store each fax number in Address Book (see Basic User's Guide). Then you can include them as numbers in the Group. Each Group uses up an Address Book number. You can store up to 20 Groups, or you can assign up to 299 numbers to a large Group. (See *Broadcasting* on page 23.)


- 1 Press  (Fax).
- 2 Press **Address Book**.
- 3 Press **Edit**.
- 4 Press **Setup Groups**.
- 5 Press **Name**.
- 6 Enter the Group name (up to 15 characters) using the Touchscreen's keyboard.  
Press **OK**.
- 7 Press **Add/Delete**.
- 8 Add Address Book numbers to the Group by pressing them to display a red checkmark.  
Press **OK**.
- 9 Read and confirm the displayed list of names and numbers you have chosen, and then press **OK** to save your Group.

- 10 Do one of the following:
- To store another Group for broadcasting, repeat steps 3 - 9.
  - To finish storing Groups for broadcasting, press .

**NOTE**


You can print a list of all the Address Book numbers (see *Reports* on page 49).

**Changing a Group name**

- 1 Press  (Fax).
- 2 Press Address Book.
- 3 Press Edit.
- 4 Press Change.
- 5 Swipe up or down, or press ▲ or ▼ to display the Group you want.
- 6 Press the Group name.
- 7 Press the Name.
- 8 Enter the new Group name (up to 15 characters) using the Touchscreen's keyboard.  
Press OK.



**NOTE**

*How to change the stored name:*



To change a character, press ◀ or ▶ to position the cursor to highlight the incorrect character, and then press . Enter the new character (see Basic User's Guide).

- 9 Press OK.
- 10 Press .

**Deleting a Group**

- 1 Press  (Fax).
- 2 Press Address Book.
- 3 Press Edit.
- 4 Press Delete.
- 5 Swipe up or down, or press ▲ or ▼ to display the Group you want.
- 6 Press the Group name.  
Press OK.
- 7 When the Touchscreen asks Erase this data?, press Yes.
- 8 Press .


## Adding or deleting Group numbers

- 1 Press  (Fax).
- 2 Press Address Book.
- 3 Press Edit.
- 4 Press Change.
- 5 Swipe up or down, or press ▲ or ▼ to display the Group you want.
- 6 Press the Group name.
- 7 Swipe up or down, or press ▲ or ▼ to display Add/Delete.
- 8 Press Add/Delete.
- 9 Swipe up or down, or press ▲ or ▼ to display the number you want to add or delete.
- 10 Do the following for each number you want to change:
  - To add a number to the Group, press the check box of the number to add a check mark.
  - To delete a number from the Group, press the check box of the number to remove the check mark.
- 11 Press OK.
- 12 Press OK.
- 13 Press .

# 6

## Printing reports

### Fax reports

Press  on the Touchscreen to set up the Transmission Verification Report and the Journal Period.


### Transmission Verification Report

You can use the Transmission Verification Report as proof that you sent a fax (see Basic User's Guide).

### Fax Journal (Activity Report)

You can set the machine to print a journal at specific intervals (every 50 faxes, 6, 12 or 24 hours, or 2 or 7 days). The factory setting is *Every 50 Faxes*.

If you set the interval to *Off*, you can still print the report by following the steps in *How to print a report* on page 50.

- 1 Press .
- 2 Press *All Settings*.
- 3 Swipe up or down, or press ▲ or ▼ to display *Fax*.
- 4 Press *Fax*.
- 5 Swipe up or down, or press ▲ or ▼ to display *Report Setting*.
- 6 Press *Report Setting*.
- 7 Press *Journal Period*.
- 8 Press *Journal Period*.

- 9 Swipe up or down, or press ▲ or ▼ to choose an interval.  
If you choose *Every 50 Faxes*, go to step 10.

- 6, 12, 24 hours, 2 or 7 days

The machine will print the report at the chosen time and then erase all jobs from its memory.

If the machine's memory becomes full with 200 jobs before the time you chose has passed, the machine will print the Journal early and then erase all jobs from the memory. If you want an extra report before it is due to print, you can print it without erasing the jobs from the memory.

- *Every 50 Faxes*

The machine will print the Journal when the machine has stored 50 jobs.

- 10 To enter the time to start printing, do one of the following:

- If you have set 12h in the *Date & Time* setting, press *Time* and enter the time (in 12-hour format) using the Touchscreen's keyboard, and then press *AM* or *PM*.

Press *OK*.

- If you have set 24h in the *Date & Time* setting, press *Time* and enter the time (in 24-hour format) using the Touchscreen's keyboard.

Press *OK*.

(For example: enter 19:45 for 7:45 PM.)

- 11 If you chose *Every 7 Days*, press *Day*.

12 Swipe up or down, or press ▲ or ▼ display Every Monday, Every Tuesday, Every Wednesday, Every Thursday, Every Friday, Every Saturday or Every Sunday, and then press the first day of the 7-day countdown.

13 Press .


## Reports

The following reports are available:

- 1 **Transmission**  
Displays the Transmission Verification Report for your last outgoing 200 faxes and prints the last report.
- 2 **Address Book**  
Prints a list of names and numbers stored in the Address Book memory, in alphabetical order.
- 3 **Fax Journal**  
Prints a list of information about your last 200 incoming and outgoing faxes. (TX: transmit.) (RX: receive.)
- 4 **User Settings**  
Prints a list of your current settings.
- 5 **Printer Settings**  
Prints a list of your current printer settings.
- 6 **Network Configuration**  
Prints a list of your current network settings.
- 7 **Drum Dot Print**  
Prints the Drum Dot Check Sheet to troubleshoot a dotted print problem.
- 8 **WLAN Report**  
Prints the result of wireless LAN connectivity diagnosis.

## How to print a report

---

- 1 Press .
- 2 Press All Settings.
- 3 Swipe up or down, or press ▲ or ▼ to display Print Reports.
- 4 Press Print Reports.
- 5 Swipe up or down, or press ▲ or ▼ to display the report you want.
- 6 Press the report name.
- 7 Do one of the following:
  - If you chose Transmission, go to step 8.
  - For other reports, go to step 9.
- 8 Do one of the following:
  - To view the Transmission Verification Report, press View on LCD.
  - To print the Transmission Verification Report, press Print Report.
- 9 Press OK.



## Copy settings

You can change the copy settings for the next copy.

These settings are temporary. The machine returns to its default settings one minute after copying.

Press **Copy** and then press **Options**. Swipe up or down, or press **▲** or **▼** to scroll through the copy settings. When the setting you want is displayed, press it and choose your preferred option.

When you have finished changing settings, press **Color Start** or **Black Start**.


## Stop copying

To stop copying, press .

## Improving copy quality



You can choose from a range of quality settings. The factory setting is *Auto*.

- **Auto**  
Auto is the recommended mode for ordinary printouts. Appropriate for documents that contain both text and photographs.
- **Text**  
Appropriate for documents containing only text.
- **Photo**  
Appropriate for copying photographs.
- **Receipt**  
Appropriate for copying receipts.

- 1 Load your document.
- 2 Press  (**Copy**).
- 3 Enter the number of copies.
- 4 Press **Options**.
- 5 Swipe up or down, or press **▲** or **▼** to display **Quality**.
- 6 Press **Quality**.
- 7 Press **Auto**, **Text**, **Photo** or **Receipt**.
- 8 If you do not want to change additional settings, press **OK**.
- 9 Press **Color Start** or **Black Start**.

## Enlarging or reducing copies

To enlarge or reduce the next copy follow these steps:

- 1 Load your document.
- 2 Press  (Copy).
- 3 Enter the number of copies you want.
- 4 Press **Options**.
- 5 Swipe up or down, or press ▲ or ▼ to display **Enlarge/Reduce**.
- 6 Press **Enlarge/Reduce**.
- 7 Press **100%**, **Enlarge**, **Reduce** or **Custom (25-400%)**.
- 8 Do one of the following:
  - If you chose **Enlarge**, press the enlargement or ratio you want.
  - If you chose **Reduce**, swipe up or down, or press ▲ or ▼ to display the reduction ratio you want and press it.
  - If you chose **Custom (25-400%)**, press  to erase the displayed percentage, or press ◀ to move the cursor, and then enter an enlargement or reduction ratio from 25% to 400% in 1% increments.  
Press **OK**.
  - If you chose **100%**, go to step 9.

<b>100%*</b>
200%
141% A5⇒A4
104% EXE⇒LTR
97% LTR⇒A4
94% A4⇒LTR
91% Full Page
85% LTR⇒EXE
83% LGL⇒A4
78% LGL⇒LTR
70% A4⇒A5
50%
Custom (25-400%) <sup>1</sup>

\* The factory setting is shown in Bold with an asterisk.

<sup>1</sup> Custom (25-400%) allows you to enter a ratio from 25% to 400% in 1% increments.

- 9 If you do not want to change additional settings, press **OK**.
- 10 Press **Color Start** or **Black Start**.

### NOTE

Page Layout is *not* available with **Enlarge/Reduce**.

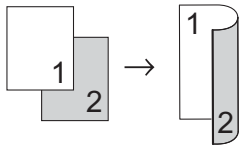
## 2-sided Copying

You must choose a 2-sided copy layout from the following options before you can start 2-sided copying. The layout of your document determines which 2-sided copy layout you should choose.

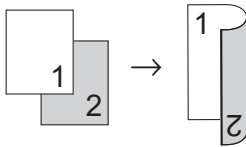
(MFC-L8600CDW)

Portrait

■ **1-sided-2-sided Long Edge Flip**

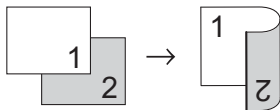


■ **1-sided-2-sided Short Edge Flip**

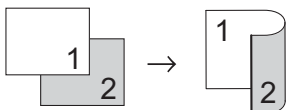


Landscape

■ **1-sided-2-sided Long Edge Flip**



■ **1-sided-2-sided Short Edge Flip**

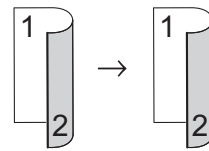


(MFC-L8850CDW and MFC-L9550CDW)

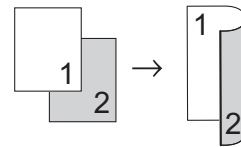
If you want to use the automatic 2-sided copy feature, load your document in the ADF.

Portrait

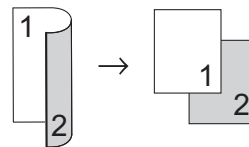
■ **2-sided-2-sided**



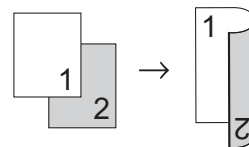
■ **1-sided-2-sided Long Edge Flip**



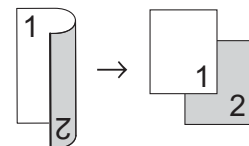
■ **2-sided-1-sided Long Edge Flip**



■ **1-sided-2-sided Short Edge Flip**

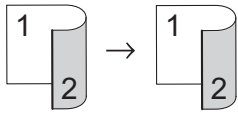


■ **2-sided-1-sided Short Edge Flip**

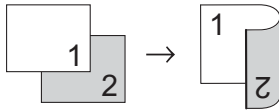


## Landscape

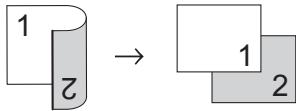
## ■ 2-sided-2-sided



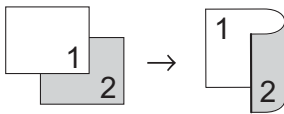
## ■ 1-sided-2-sided Long Edge Flip



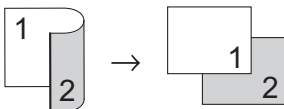
## ■ 2-sided-1-sided Long Edge Flip




## ■ 1-sided-2-sided Short Edge Flip



## ■ 2-sided-1-sided Short Edge Flip



- 1 Load your document.
- 2 Press  (Copy).
- 3 Enter the number of copies.
- 4 Press **Options**.
- 5 Swipe up or down, or press **▲** or **▼** to display **2-sided Copy**.
- 6 Press **2-sided Copy**.

- 7 Swipe up or down, or press **▲** or **▼** to display the following layout options:  
Off,  
2-sided⇒2-sided<sup>1</sup>,  
1-sided⇒2-sided Long Edge Flip,  
2-sided⇒1-sided Long Edge Flip<sup>1</sup>,  
1-sided⇒2-sided Short Edge Flip,  
2-sided⇒1-sided Short Edge Flip<sup>1</sup>


<sup>1</sup> MFC-L8850CDW and MFC-L9550CDW

- 8 Press the option you want.
  - 9 If you do not want to change additional settings, press **OK**.
  - 10 Press **Color Start** or **Black Start** to scan the page.  
If you placed the document in the ADF, the machine scans the pages and starts printing.
- If you are using the scanner glass, go to step 11.**
- 11 After the machine scans the page, press **Scan** to scan the next page.
  - 12 Place the next page on the scanner glass.
  - 13 Press **OK**.  
Repeat steps 11 to 13 for each page of the layout.
  - 14 After scanning all the pages, press **Complete** in step 11 to finish.

## Tray selection

---

You can change the Tray Use option for the next copy.

- 1 Load your document.
- 2 Press  (Copy).
- 3 Enter the number of copies.
- 4 Press Options.
- 5 Swipe up or down, or press ▲ or ▼ to display Tray Use.
- 6 Press Tray Use.
- 7 Press Tray#1 Only, Tray#2 Only<sup>1</sup>, MP Only, MP>T1>T2<sup>1</sup>, MP>T2>T1<sup>1</sup>, T1>T2>MP<sup>1</sup> or T2>T1>MP<sup>1</sup>.
 

<sup>1</sup> T2 and Tray#2 Only appears if Tray 2 is installed.
- 8 If you do not want to change additional settings, press OK.
- 9 Press Color Start or Black Start.

### NOTE

---

To change the default setting for Tray Use, see Basic User's Guide.


---

## Adjusting Density and Contrast

---


### Density

Adjust the copy density to make copies darker or lighter.

- 1 Load your document.
- 2 Press  (Copy).
- 3 Enter the number of copies.
- 4 Press Options.
- 5 Swipe up or down, or press ▲ or ▼ to display Density.
- 6 Press Density.
- 7 Press a level of density, from Light to Dark.
- 8 If you do not want to change additional settings, press OK.
- 9 Press Color Start or Black Start.


## Contrast

Adjust the contrast to help an image look sharper and more vivid.

- 1 Load your document.
- 2 Press  (Copy).
- 3 Enter the number of copies.
- 4 Press `Options`.
- 5 Swipe up or down, or press ▲ or ▼ to display `Contrast`.
- 6 Press `Contrast`.
- 7 Press a level of contrast.
- 8 If you do not want to change additional settings, press `OK`.
- 9 Press `Color Start` or `Black Start`.

## Sorting copies

You can sort multiple copies. Pages will be sorted in the order 1 2 3, 1 2 3, 1 2 3, and so on.

- 1 Load your document.
- 2 Press  (Copy).
- 3 Enter the number of copies.
- 4 Press `Options`.
- 5 Swipe up or down, or press ▲ or ▼ to display `Stack/Sort`.
- 6 Press `Stack/Sort`.
- 7 Press `Sort`.
- 8 Read and confirm the displayed list of settings you have chosen. If you do not want to change any other settings, press `OK`.
- 9 Press `Color Start` or `Black Start` to scan the page.  
If you placed the document in the ADF, the machine scans the pages and starts printing.

**If you are using the scanner glass, go to step 10.**


- 10 After the machine scans the page, press `Yes` to scan the next page.
- 11 Place the next page on the scanner glass.
- 12 Press `OK`.  
Repeat steps 10 to 12 for each page of the layout.
- 13 After scanning all the pages, press `No` in step 10 to finish.

## Making N in 1 copies (page layout)

You can reduce the amount of paper used when copying by using the N in 1 copy feature. This allows you to copy two or four pages onto one page. If you want to copy both sides of an ID card onto one page, see *2 in 1 ID Copy* on page 59.

### IMPORTANT

- Make sure the paper size is set to Letter, A4, Legal, Folio, A5<sup>1</sup> or B5<sup>1</sup>.  
<sup>1</sup> For 2 in 1 ID Copy
- You cannot use the Enlarge/Reduce setting with the N in 1 feature.
- (P) means Portrait and (L) means Landscape.

- 1 Load your document.
- 2 Press  (Copy).
- 3 Enter the number of copies.
- 4 Press Options.
- 5 Swipe up or down, or press ▲ or ▼ to display Page Layout.
- 6 Press Page Layout.
- 7 Swipe up or down, or press ▲ or ▼ to display Off (1in1), 2in1 (P), 2in1 (L), 2in1 (ID)<sup>1</sup>, 4in1 (P) or 4in1 (L).  
<sup>1</sup> For information about 2in1 (ID), see *2 in 1 ID Copy* on page 59.
- 8 Press the option you want.
- 9 If you do not want to change additional settings, press OK.
- 10 Press Color Start or Black Start to scan the page.  
 If you placed the document in the ADF, the machine scans the pages and starts printing.

If you are using the scanner glass, go to step 10.

- 11 After the machine scans the page, press Yes to scan the next page.
- 12 Place the next page on the scanner glass.
- 13 Press OK.  
 Repeat steps 11 to 13 for each page of the layout.
- 14 After scanning all the pages, press No in step 11 to finish.

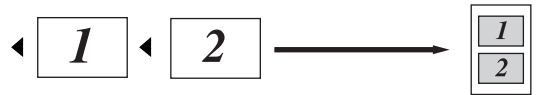
### If you are copying from the ADF:

Place your document *face up* in the direction shown in the illustration:

■ 2in1 (P)



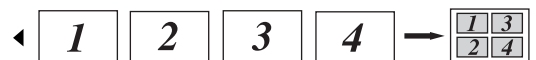
■ 2in1 (L)



■ 4in1 (P)



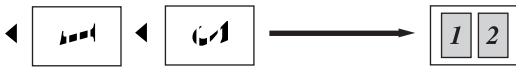
■ 4in1 (L)



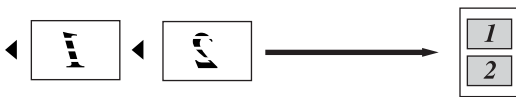
**If you are copying from the scanner glass:**

Place your document *face down* in the direction shown in the illustration:

■ 2in1 (P)



■ 2in1 (L)



■ 4in1 (P)



■ 4in1 (L)





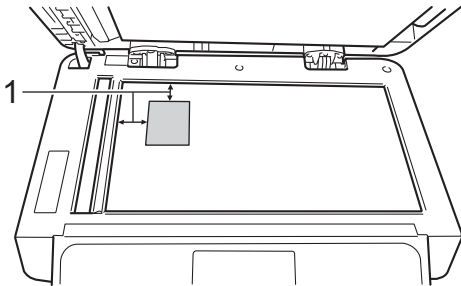
## 2 in 1 ID Copy

You can copy both sides of your identification card onto one page, keeping the original card size.

### NOTE


You can copy an identification card to the extent permitted under applicable laws (see Product Safety Guide).

- 1 Place your identification card *face down* near the left corner of the scanner glass.



#### 1 0.16 in. (4 mm) or greater (top, left)

- Even if a document is placed on the ADF, the machine scans from the scanner glass when in this mode.

- 2 Press  (Copy).
- 3 Enter the number of copies.
- 4 Press *Options*.
- 5 Swipe up or down, or press ▲ or ▼ to display *Page Layout*.
- 6 Press *Page Layout*.
- 7 Swipe up or down, or press ▲ or ▼ to display *2in1 (ID)*.
- 8 Press *2in1 (ID)*.
- 9 Read and confirm the displayed list of settings you have chosen, and then press *OK*.

- 10 Press *Color Start* or *Black Start*. The machine starts scanning one side of the identification card.



- 11 After the machine has scanned one side, press *Yes*. Turn over the identification card and place it near the left corner of the scanner glass, then press *OK* to scan the other side.

### NOTE

When 2 in 1 ID Copy is chosen, the machine sets the quality to *Auto*, the density to +1 and the contrast to 0.

## Adjusting the Color Saturation

You can change the default setting for color saturation.

- 1 Load your document.
- 2 Press  (Copy).
- 3 Enter the number of copies.
- 4 Press Options.
- 5 Swipe up or down, or press ▲ or ▼ to display Color Adjust.
- 6 Press Color Adjust.
- 7 Press Red, Green Or Blue.
- 8 Press a level of color saturation.
- 9 Repeat steps 7 and 8 if you want to adjust the next color.  
After adjusting the color settings, press .
- 10 If you do not want to change additional settings, press OK.
- 11 Press Color Start.

## Making 2-sided N in 1 copies (MFC-L8850CDW and MFC-L9550CDW)


When you make 2-sided N in 1 copies from a 2-sided document, you must choose a layout option in 2-sided Copy Page Layout. You will be able to access 2-sided Copy Page Layout after selecting 2-sided⇒2-sided for 2-sided Copy and any N in 1 layout for Page Layout.

You must select an appropriate option in the table.

Bound Edge of the Document	Edge of the copies to be bound	Option you must choose
Long Edge	Long Edge	LongEdge⇒ LongEdge
	Short Edge	LongEdge⇒ ShortEdge
Short Edge	Long Edge	ShortEdge⇒ LongEdge
	Short Edge	ShortEdge⇒ ShortEdge

### IMPORTANT

- Load your document in the ADF to use the 2-sided Copy Page Layout feature.
- The 2-sided Copy Page Layout feature does not work when you choose 2in1(ID) for Page Layout.

- 1 Load your document in the ADF.
- 2 Press  (Copy).
- 3 Enter the number of copies.
- 4 Press Options.
- 5 Select 2-sided⇒2-sided in 2-sided Copy (see *2-sided Copying* on page 53).


- 6 Select 2in1 (P), 2in1 (L), 4in1 (P) or 4in1 (L) in Page Layout (see *Making N in 1 copies (page layout)* on page 57).
- 7 Swipe up or down, or press ▲ or ▼ to display 2-sided Copy Page Layout.
- 8 Press 2-sided Copy Page Layout.
- 9 Press LongEdge⇒ LongEdge, LongEdge⇒ ShortEdge, ShortEdge⇒ LongEdge or ShortEdge⇒ ShortEdge.
- 10 If you do not want to change additional settings, press OK.
- 11 Press Color Start or Black Start.

## Removing Background Color

Remove Background Color removes the background color of the document when copying. Using this setting will make the copy clearer to read and may save toner.



### NOTE

This setting is for use only when making color copies.

- 1 Load your document.
- 2 Press  (Copy).
- 3 Enter the number of copies.
- 4 Press Options.
- 5 Swipe up or down, or press ▲ or ▼ to display Remove Background Color.
- 6 Press Remove Background Color.
- 7 Press Off, Low, Medium or High.
- 8 If you do not want to change additional settings, press OK.
- 9 Press Color Start.

## Saving copy options as a Shortcut

You can store the copy options you use most often by saving them as a Shortcut.


- 1 Press  (Copy).
- 2 Press **Options**.
- 3 Swipe up or down, or press ▲ or ▼ to display the following settings:  
Quality  
Enlarge/Reduce  
Density  
Contrast  
Stack/Sort  
Page Layout  
Color Adjust  
2-sided Copy  
2-sided Copy Page Layout<sup>1</sup>  
Tray Use  
Remove Background Color  
Then press the setting you want.
- 4 Swipe up or down, or press ▲ or ▼ to display the available options, and then press your new option.  
Repeat steps 3 and 4 for each setting you want to change.
- 5 When you have finished choosing new options, press **Save as Shortcut**.
- 6 Read and confirm the displayed list of options you have chosen for the Shortcut, and then press **OK**.
- 7 Press a tab from 1 to 8.
- 8 Press  where you have not added a Shortcut.
- 9 Enter a name for the Shortcut using the Touchscreen's keyboard.  
(To help you enter letters, see Basic User's Guide.)  
Press **OK**.
- 10 Press **OK** to save your Shortcut.

<sup>1</sup> MFC-L8850CDW and MFC-L9550CDW

## Saving paper

You can use the Paper Save preset to reduce the amount of paper consumed for copies. Paper Save uses the 4 in 1 layout and 2-sided<sup>1</sup> copy options.

<sup>1</sup> MFC-L8850CDW and MFC-L9550CDW

- 1 Load your document.
- 2 Press  (Copy).
- 3 Swipe left or right to display **Paper Save**.
- 4 Press **Paper Save**.
- 5 Enter the number of copies.
- 6 Do one of the following:
  - To change more settings, go to step 7.
  - When you have finished changing settings, go to step 10.
- 7 Press **Options**.
- 8 Swipe up or down, or press ▲ or ▼ to display the available settings, and then press the setting you want.
- 9 Swipe up or down, or press ▲ or ▼ to display the available options, and then press your new option.  
Repeat steps 8 and 9 for each setting you want. When you have finished changing settings, press **OK**.
- 10 Press **Color Start** or **Black Start**.

# A

## Routine maintenance

### Cleaning and checking the machine

Clean the outside and inside of the machine regularly with a dry, lint-free cloth. When you replace the toner cartridge or the drum unit, make sure you clean the inside of the machine. If printed pages are stained with toner, clean the inside of the machine with a dry, lint-free cloth.

#### WARNING



- DO NOT put a toner cartridge into a fire. It could explode, resulting in injuries.
- DO NOT use flammable substances, any type of spray, or an organic solvent/liquid containing alcohol or ammonia to clean the inside or outside of the product. Doing so could cause a fire or electrical shock. Instead, use only a dry, lint-free cloth.

(See Product Safety Guide.)



#### IMPORTANT


- Use neutral detergents. Cleaning with volatile liquids such as thinner or benzene will damage the surface of the machine.
- DO NOT use cleaning materials that contain ammonia.
- DO NOT use isopropyl alcohol to remove dirt from the control panel. It may crack the panel.

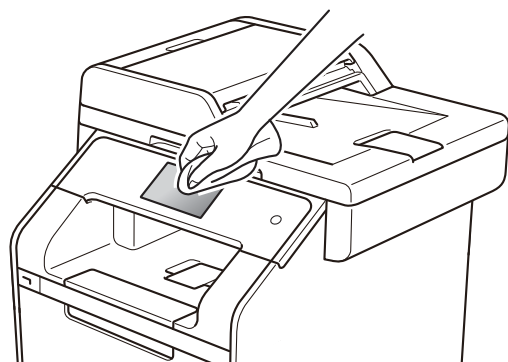
## Cleaning the outside of the machine


### IMPORTANT

DO NOT use any type of liquid cleaners (including ethanol).


#### Clean the Touchscreen as follows:

- 1 Press and hold down  to turn off the machine.
- 2 Clean the Touchscreen with a *dry*, soft lint-free cloth.

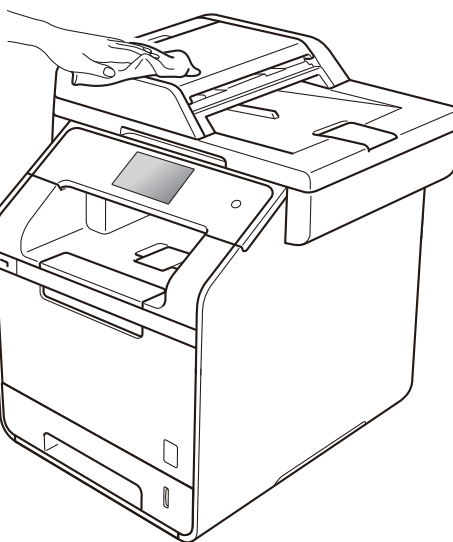


- 3 Press  to turn on the machine.

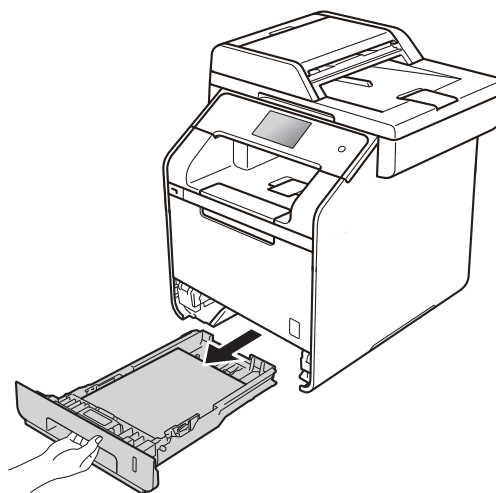
#### Clean the outside of the machine as follows:

- 1 Press and hold down  to turn off the machine.

- 2 Wipe the outside of the machine with a *dry*, lint-free cloth to remove dust.

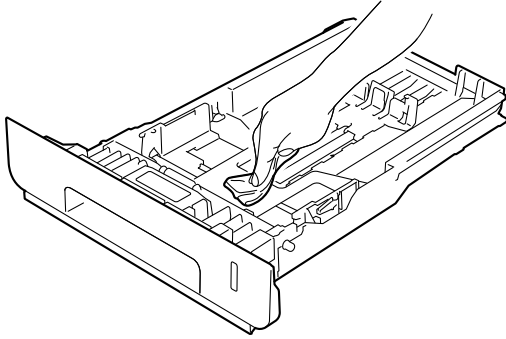


- 3 Pull the paper tray completely out of the machine.




- 4 If paper is loaded in the paper tray, remove it.
- 5 Remove anything that is stuck inside the paper tray.


- 6 Wipe the inside and the outside of the paper tray with a *dry*, lint-free cloth to remove dust.



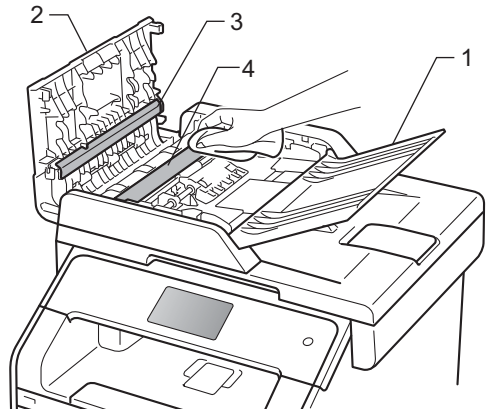
- 7 Re-load the paper and put the paper tray firmly back in the machine.

- 8 Press  to turn on the machine.

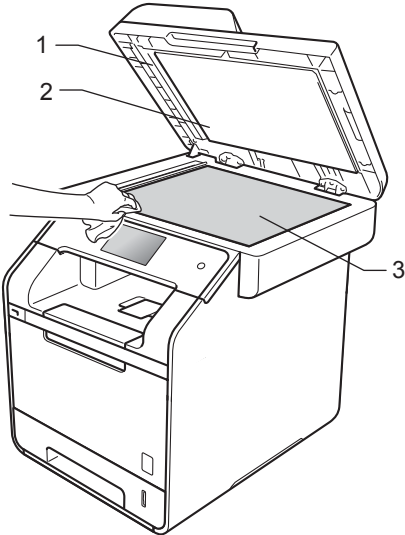
## Cleaning the scanner


- 1 Press and hold down  to turn off the machine.
- 2 (MFC-L8850CDW and MFC-L9550CDW)

Unfold the ADF document support (1) and then open the ADF cover (2). Clean the white bar (3) and the scanner glass strip (4) underneath it with a soft lint-free cloth moistened with water. Close the ADF cover (2) and fold the ADF document support (1).

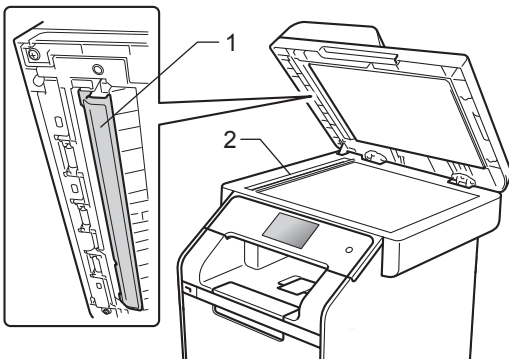


- 3 Lift the document cover (1). Clean the white plastic surface (2) and scanner glass (3) underneath it with a soft lint-free cloth moistened with water.



- 5 Close the document cover.
- 6 Press  to turn on the machine.

- 4 In the ADF unit, clean the white bar (1) and the scanner glass strip (2) underneath it with a soft lint-free cloth moistened with water. Read the NOTE and go to step 5




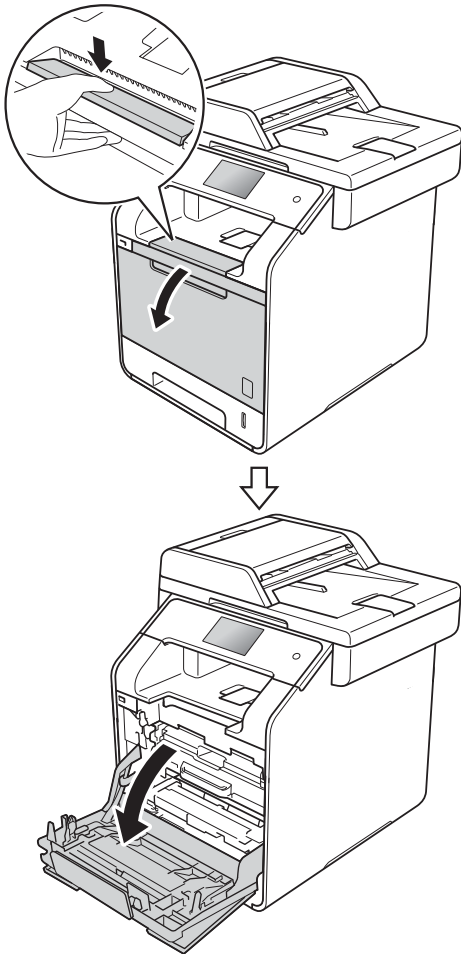
## NOTE

In addition to cleaning the scanner glass and glass strip with a soft lint-free cloth moistened with water, run your finger tip over the glass to see if you can feel anything on it. If you feel dirt or debris, clean the glass again concentrating on that area. You may have to repeat the cleaning process three or four times. To test, make a copy after each cleaning.

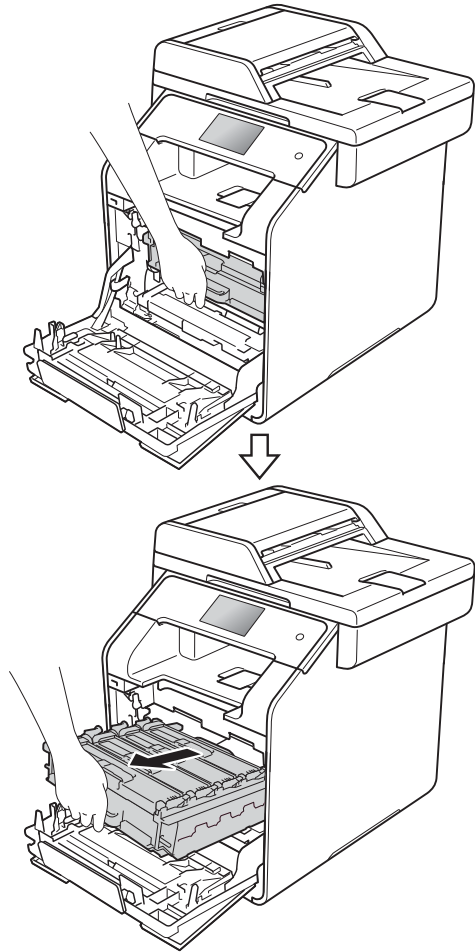


## Cleaning the laser scanner windows

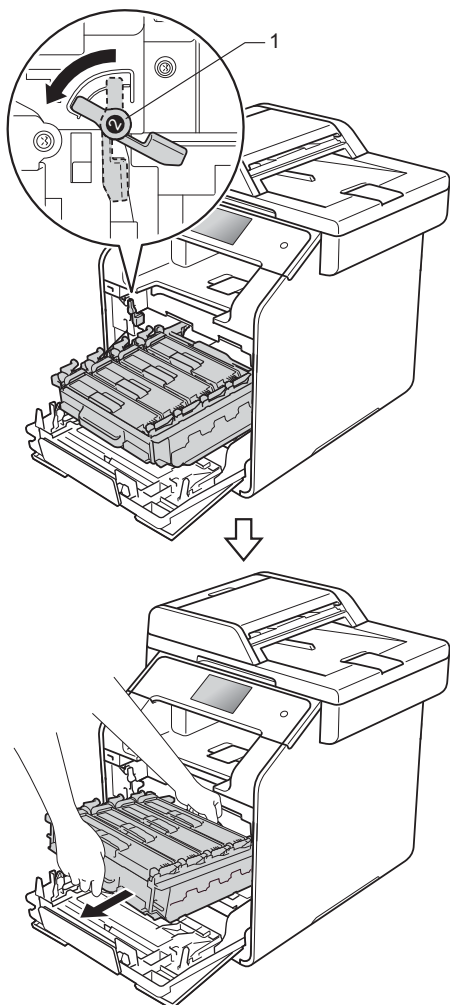
- 1 Press and hold down  to turn off the machine.
- 2 Press the front cover release button and pull open the front cover.



- 3 Hold the blue handle of the drum unit. Pull the drum unit out until it stops.

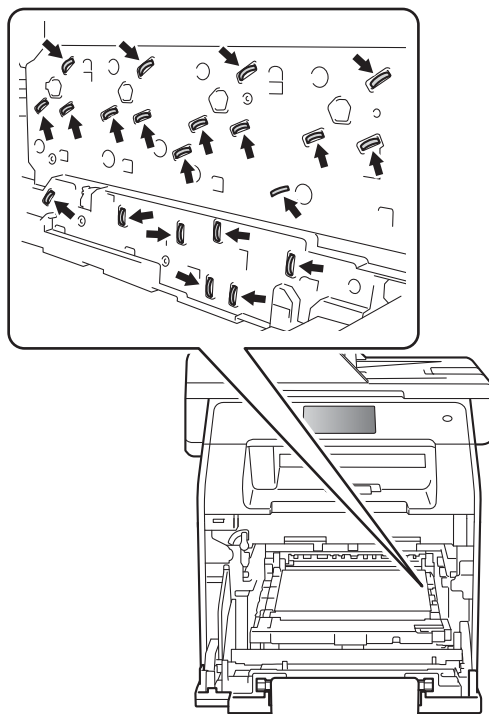


- 4 Turn the blue lock lever (1) at the left of the machine counterclockwise to the release position. Holding the blue handles of the drum unit, lift the front of the drum unit and remove it from the machine.



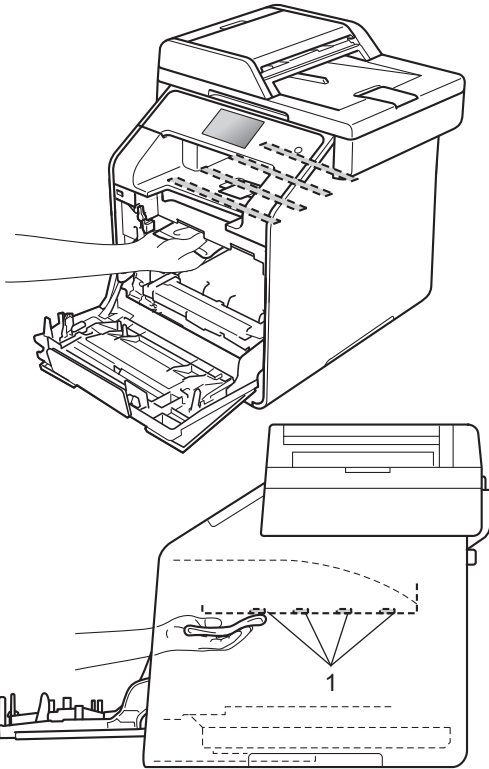
## IMPORTANT

- We recommend that you place the drum unit on a clean, flat surface with a sheet of disposable paper or cloth underneath it in case you accidentally spill or scatter toner.
- To prevent damage to the machine from static electricity, DO NOT touch the electrodes shown in the illustration.

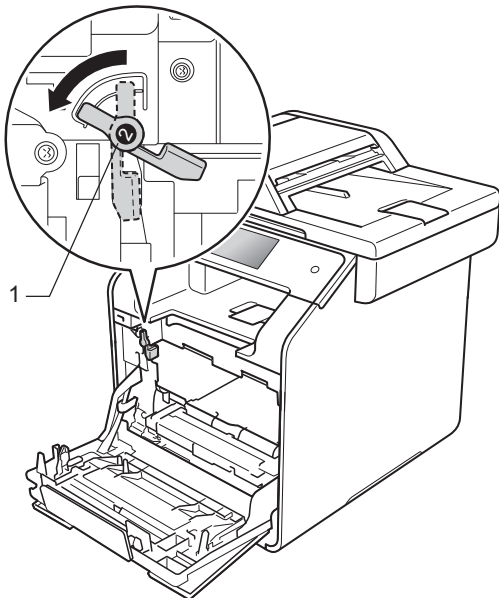


- Hold the blue handles of the drum unit when you carry it. DO NOT hold the sides of the drum unit.

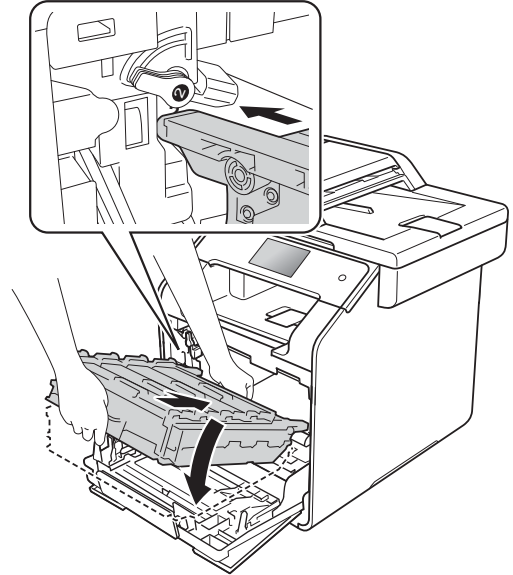
- 5 Wipe the four scanner windows (1) with a dry, lint-free cloth.



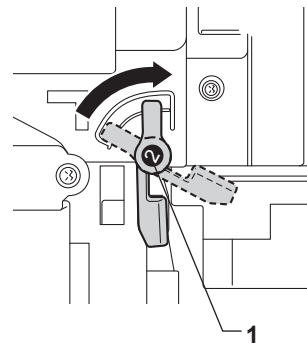
- 6 Make sure the blue lock lever (1) is in the release position as shown in the illustration.



- 7 Gently slide the drum unit into the machine until it stops at the blue lock lever.

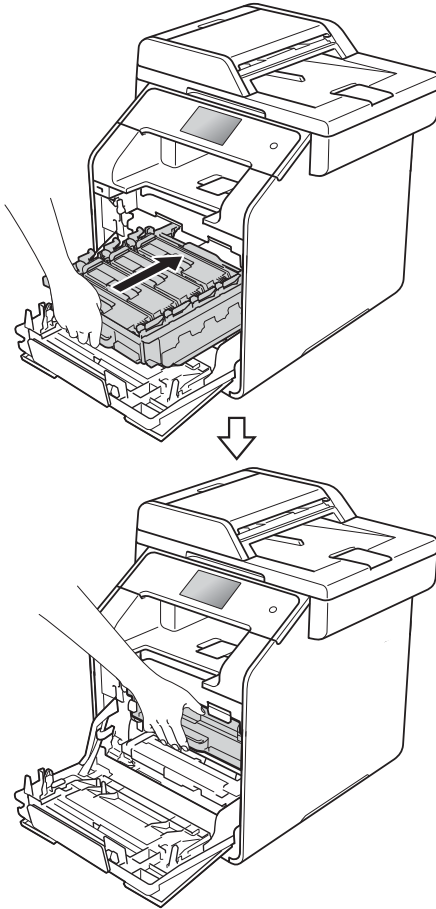


- 8 Turn the blue lock lever (1) clockwise to the lock position.



A

- 9 Push the drum unit in until it stops.

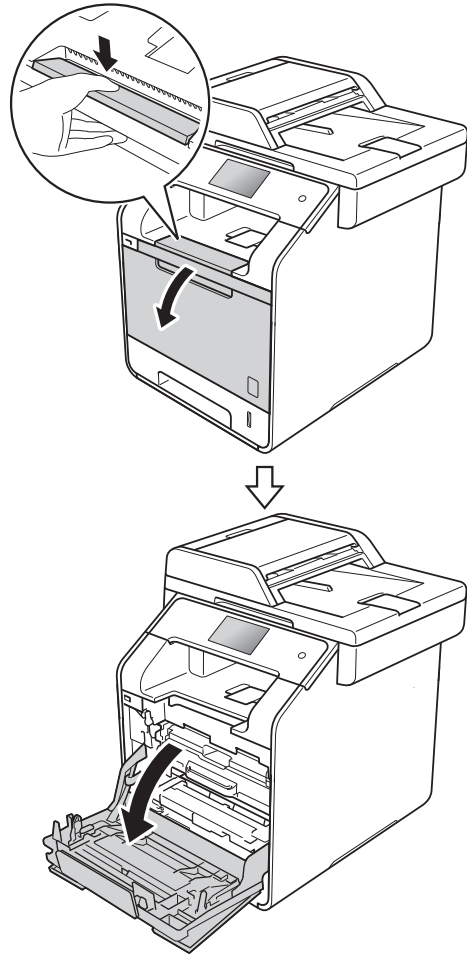


- 10 Close the front cover of the machine.  
11 Turn on the machine's power switch.

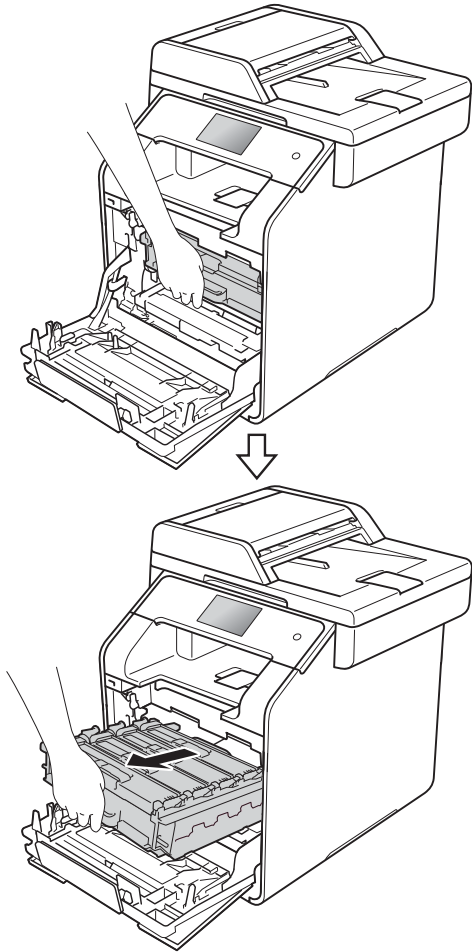
## Cleaning the corona wires

If you have print quality problems or the Touchscreen displays **Drum !**, clean the corona wires as follows:

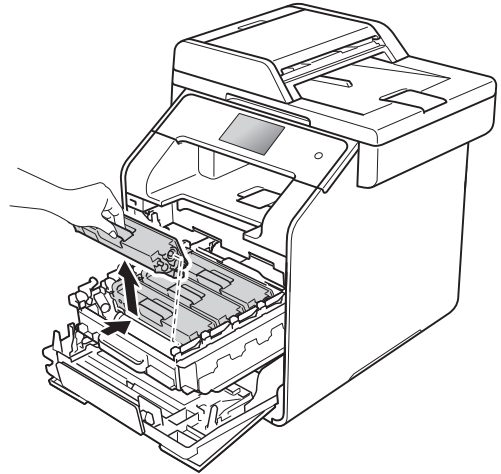
- 1 Make sure that the machine is turned on.
- 2 Press the front cover release button and pull open the front cover.



- 3 Hold the blue handle of the drum unit. Pull the drum unit out until it stops.



- 4 Hold the handle of the toner cartridge and gently push it toward the machine to unlock it. Then pull it out of the drum unit. Repeat this for all the toner cartridges.



### IMPORTANT

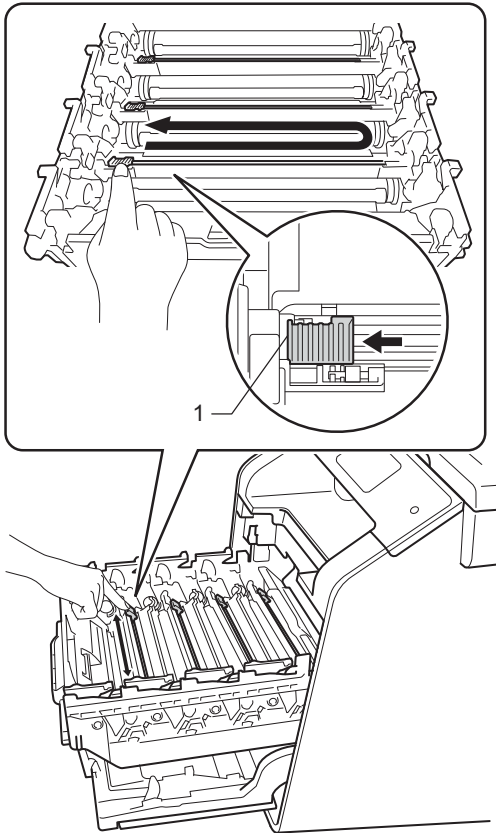
- We recommend that you place the toner cartridges on a clean, flat surface with a sheet of disposable paper or cloth underneath it in case you accidentally spill or scatter toner.
- Handle the toner cartridge carefully. If toner scatters on your hands or clothes, immediately wipe or wash it off with cold water.

A

- 5 Clean the corona wires inside the drum by gently sliding the blue tabs from left to right and right to left several times.

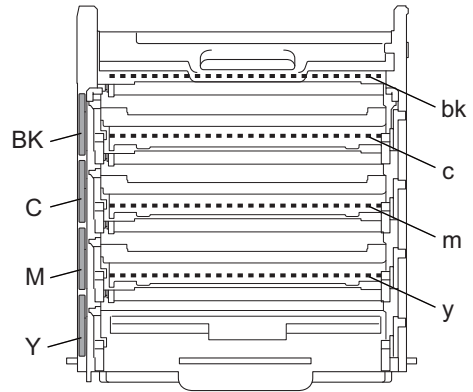
### IMPORTANT

Be sure to return the tab to the home position (1). If you do not, printed pages may have a vertical stripe.



### NOTE

We recommend that you clean the corona wire for each color. If you want to clean only the corona wire of the color that caused the print quality problem, see the illustration below to identify the position of each of the corona wires.



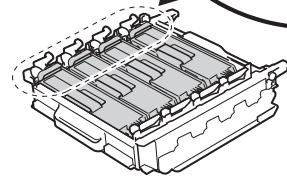
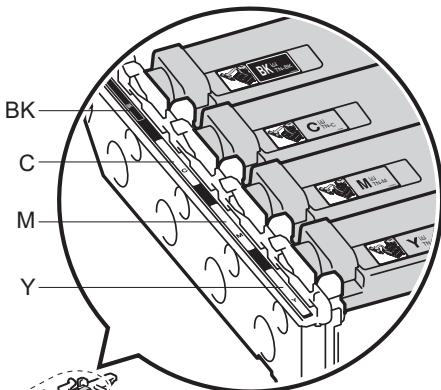
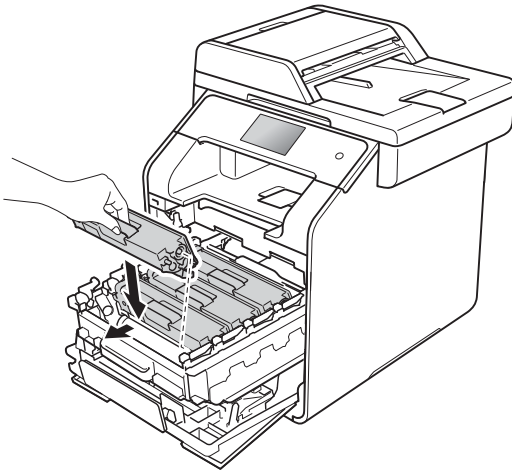
bk: Corona wire for Black  
c: Corona wire for Cyan  
m: Corona wire for Magenta  
y: Corona wire for Yellow

BK: Black toner position label  
C: Cyan toner position label  
M: Magenta toner position label  
Y: Yellow toner position label

The corona wires for cyan, yellow and magenta are located under the next toner cartridge. For example, when you clean the corona wire for yellow, you need to remove the magenta toner cartridge to access the corona wire for yellow.

6 Repeat steps 5 to clean each of three remaining corona wires.

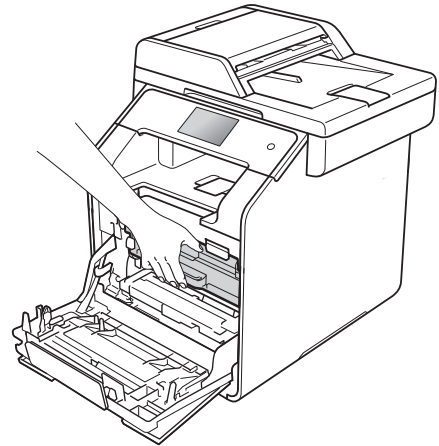
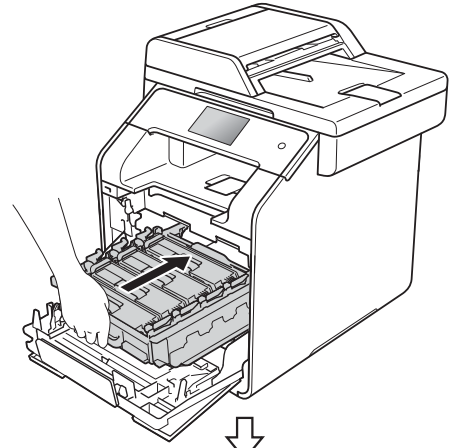
7 Hold the handle of the toner cartridge and slide the toner cartridge into the drum unit, then gently pull it toward you until you hear it lock into place. Make sure that you match the toner cartridge color to the same color label on the drum unit. Repeat this for all the toner cartridges.



BK - Black  
M - Magenta

C - Cyan  
Y - Yellow

8 Push the drum unit in until it stops.






9 Close the front cover of the machine.

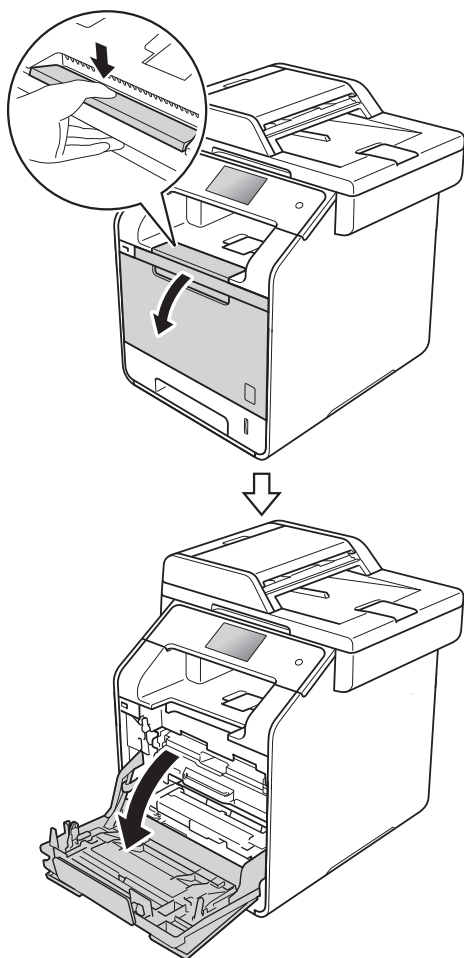
A

## Cleaning the drum unit

If your printout has black or white dots or other repeating marks at 3.7 in. (94 mm) intervals, the drum may have foreign material, such as glue from a label, stuck on the drum surface. Follow these steps to solve the problem:

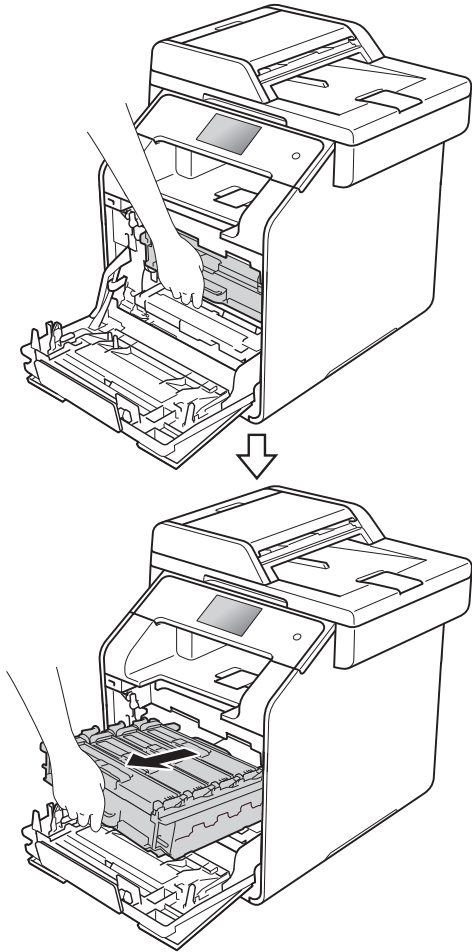
- 1 Make sure the machine is in the Ready mode.
- 2 Press .
- 3 Press All Settings.
- 4 Swipe up or down, or press ▲ or ▼ to display Print Reports.
- 5 Press Print Reports.
- 6 Swipe up or down, or press ▲ or ▼ to display Drum Dot Print.
- 7 Press Drum Dot Print.
- 8 The Touchscreen displays Press [OK]. Press OK.
- 9 The machine will print the Drum Dot Check Sheet. Then press .
- 10 Press and hold down  to turn off the machine.

- 11 Press the front cover release button and pull open the front cover.

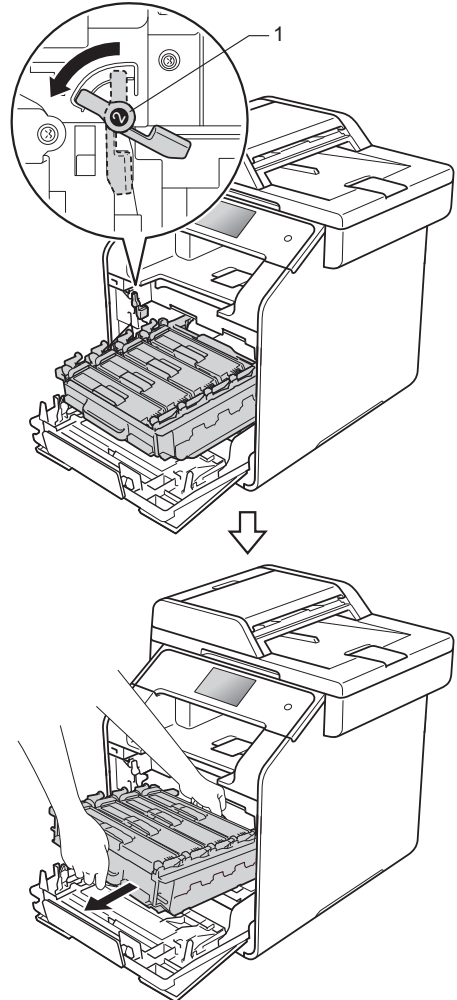




- 12 Hold the blue handle of the drum unit. Pull the drum unit out until it stops.

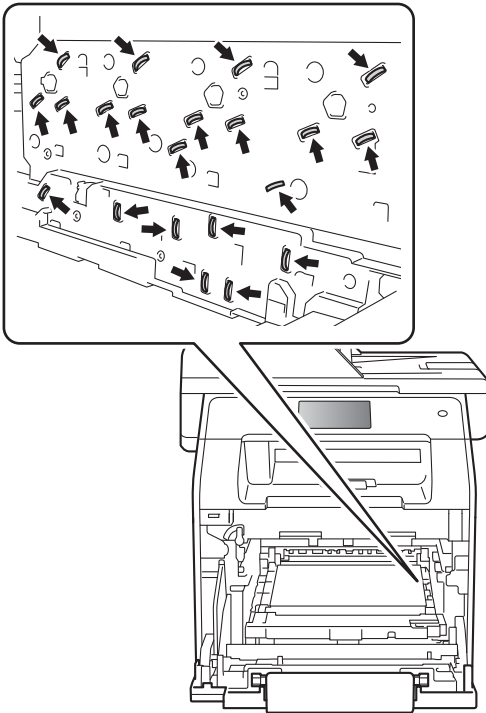


- 13 Turn the blue lock lever (1) at the left of the machine counterclockwise to the release position. Holding the blue handles of the drum unit, lift the front of the drum unit and remove it from the machine.



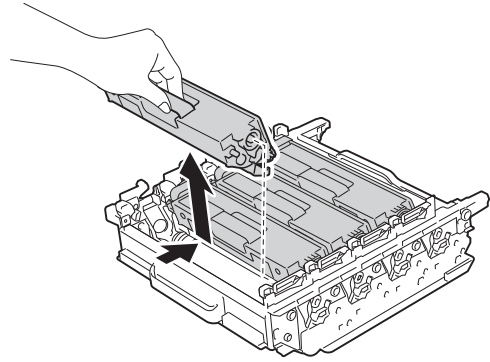
## IMPORTANT

- We recommend that you place the drum unit on a clean, flat surface with a sheet of disposable paper or cloth underneath it in case you accidentally spill or scatter toner.
- To prevent damage to the machine from static electricity, DO NOT touch the electrodes shown in the illustration.



- Hold the blue handles of the drum unit when you carry it. DO NOT hold the sides of the drum unit.

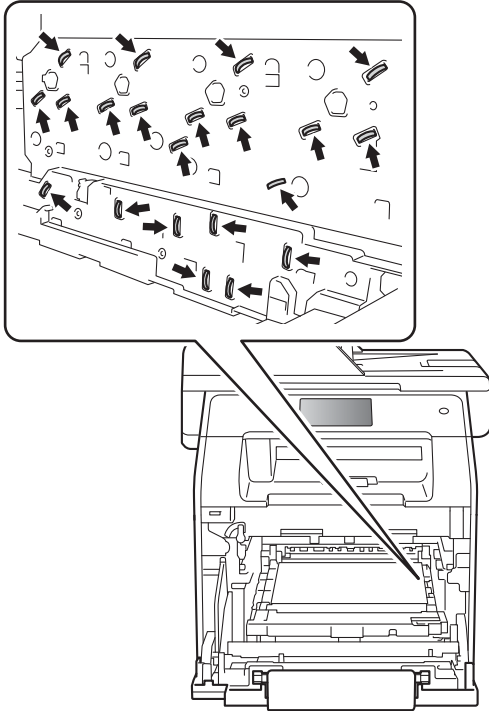
- 14
- Hold the handle of the toner cartridge and gently push it forward to unlock it. Then pull it out of the drum unit. Repeat this for all the toner cartridges.



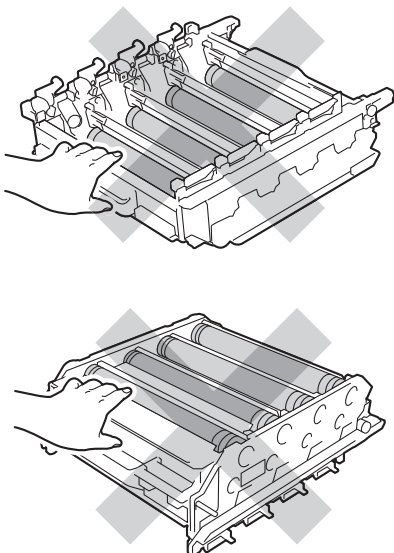
## IMPORTANT

- We recommend that you place the toner cartridges on a clean, flat surface with a sheet of disposable paper or cloth underneath it in case you accidentally spill or scatter toner.
- Handle the toner cartridge carefully. If toner scatters on your hands or clothes, immediately wipe or wash it off with cold water.

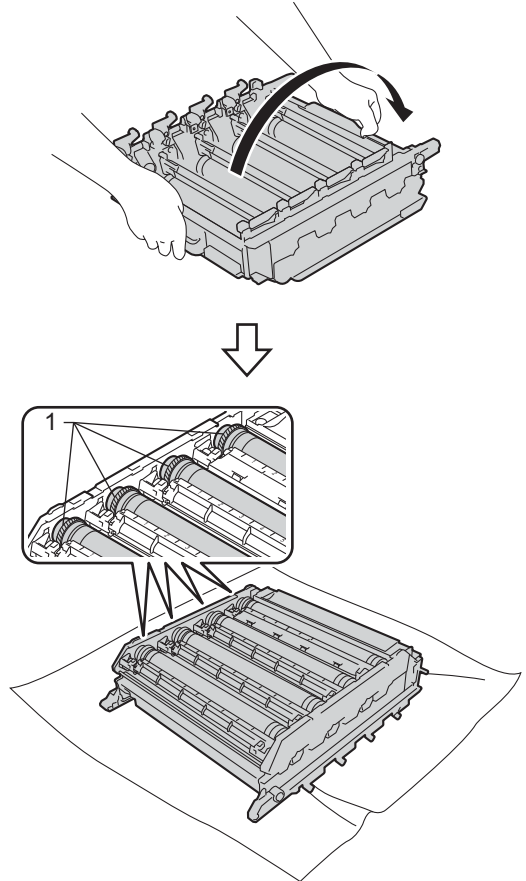
- To prevent damage to the machine from static electricity, **DO NOT** touch the electrodes shown in the illustration.



- To avoid print quality problems, **DO NOT** touch the shaded parts shown in the illustrations.

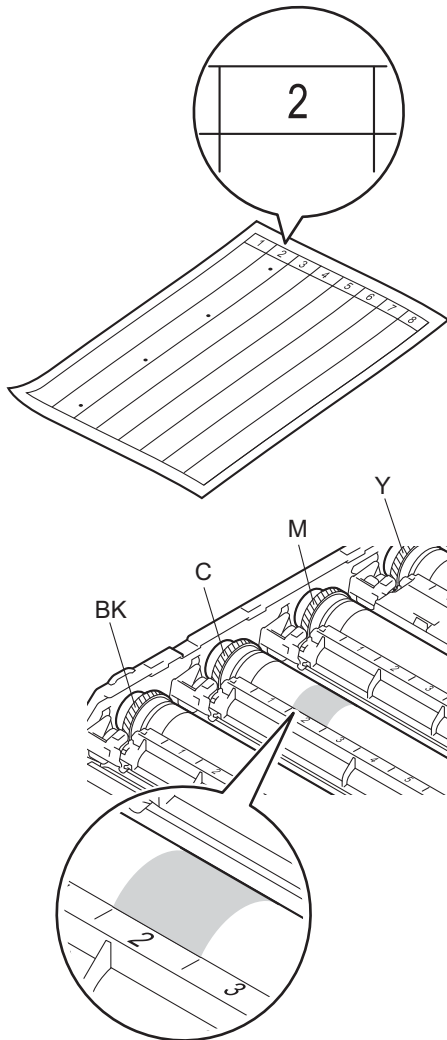


- 15 Turn the drum unit over by holding the blue handles. Make sure that the drum unit gears (1) are on the left hand side.

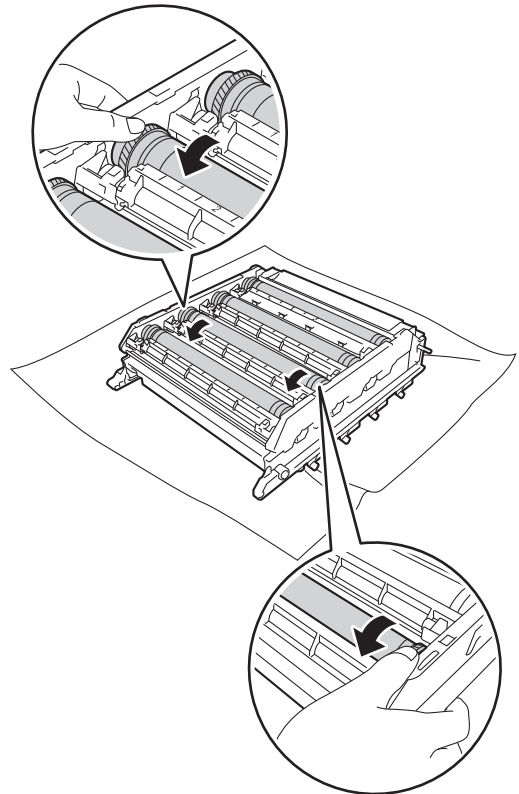


- 16 Read following information from the drum dot check sheet.
  - Dot color problem:  
The color of printed dots is the color of the drum you should clean.
  - Dot location:  
The sheet has eight numbered columns. The number of the column with the printed dots in it is used to find the dot position on the drum.

- 17 Use the numbered markers next to the drum roller to find the mark. For example, a cyan dot in column 2 on the check sheet would mean that there is a mark in the “2” region of the cyan drum.



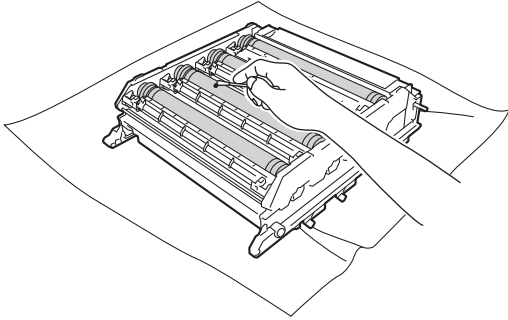
- 18 Identify the drum indicated by the colored dot in step 17. Hold the drum unit frame with both hands, place your left thumb on the drum unit gear, and roll the drum toward you, as illustrated in the drawing below. Look in the numbered area identified in step 17 for any marks or scratches.



## IMPORTANT

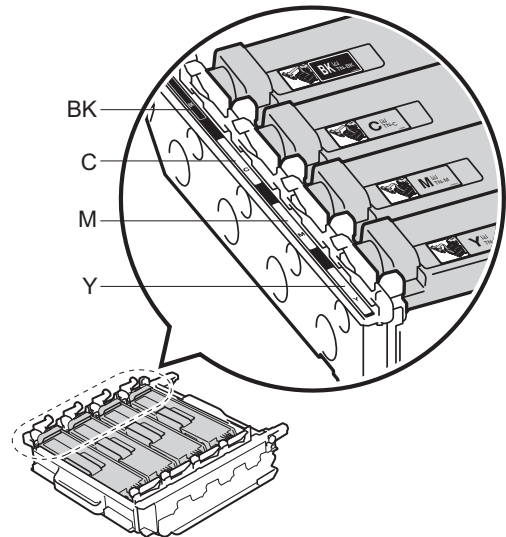
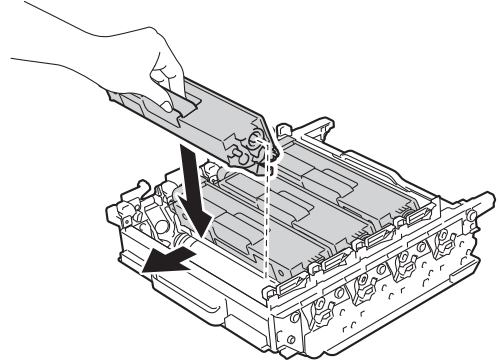
- To avoid print quality problems, DO NOT touch the surface of the drum unit with your bare hands.
- Handle the drum unit gear carefully.
- The drum is photosensitive so DO NOT touch it with your fingers.
- DO NOT clean the surface of the photosensitive drum with a sharp object or any liquids.
- DO NOT use a scrubbing or wiping motion because this might damage the drum.

- 19 When you have found the mark on the drum that matches the drum dot check sheet, wipe the surface of the drum gently with a cotton swab until the mark on the surface comes off.



- 20 Turn the drum unit over by holding the blue handles.

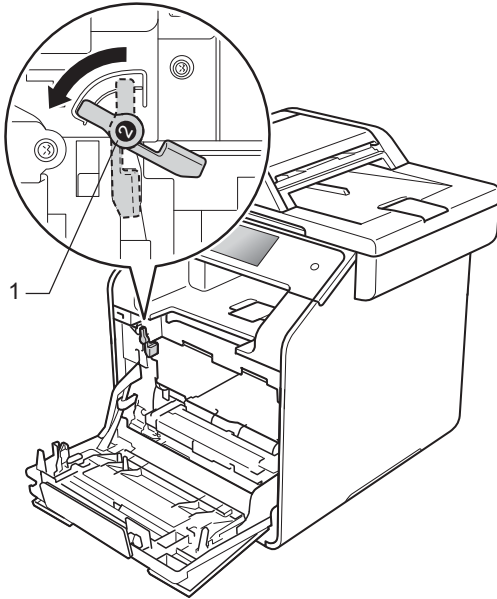
- 21 Hold the handle of the toner cartridge and slide the toner cartridge into the drum unit, then gently pull it toward you until you hear it lock into place. Make sure that you match the toner cartridge color to the same color label on the drum unit. Repeat this for all the toner cartridges.



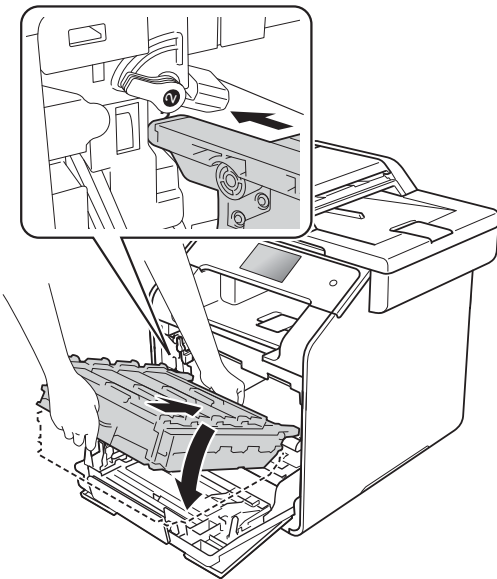
BK - Black  
M - Magenta

C - Cyan  
Y - Yellow

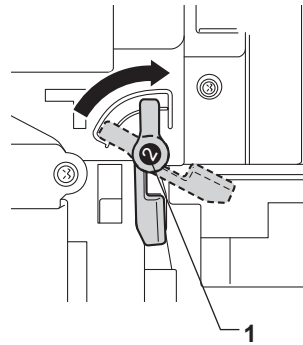
- 22 Make sure the blue lock lever (1) is in the release position as shown in the illustration.



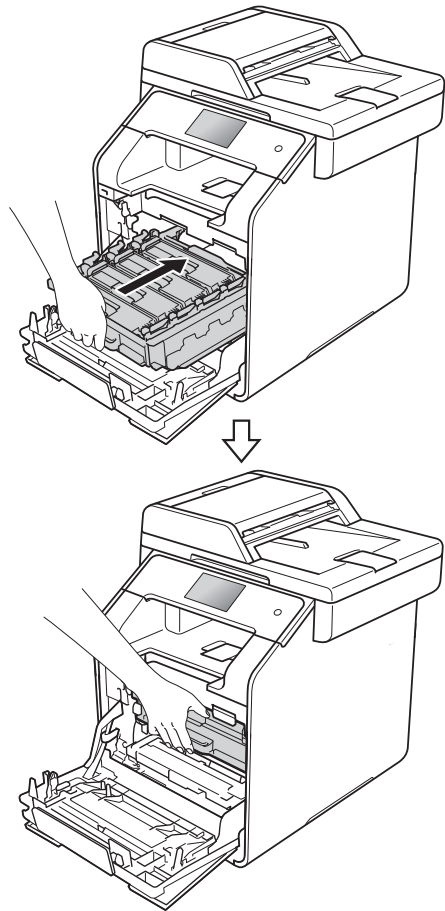
- 23 Gently slide the drum unit into the machine until it stops at the blue lock lever.



- 24 Turn the blue lock lever (1) clockwise to the lock position.



- 25 Push the drum unit in until it stops.




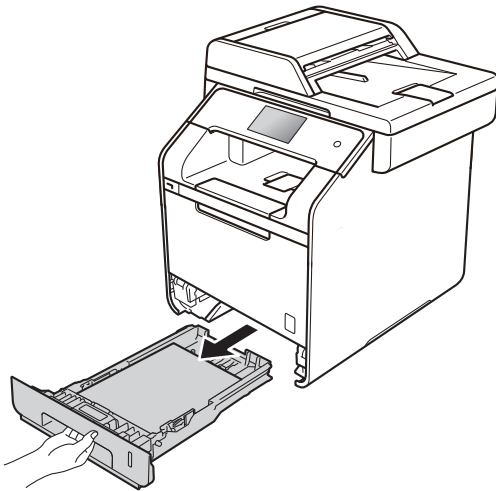
- 26 Close the front cover and turn on the machine's power switch.

## Cleaning the paper pick-up rollers

Cleaning the paper pick-up roller periodically may prevent paper jams by insuring the proper feeding of paper.

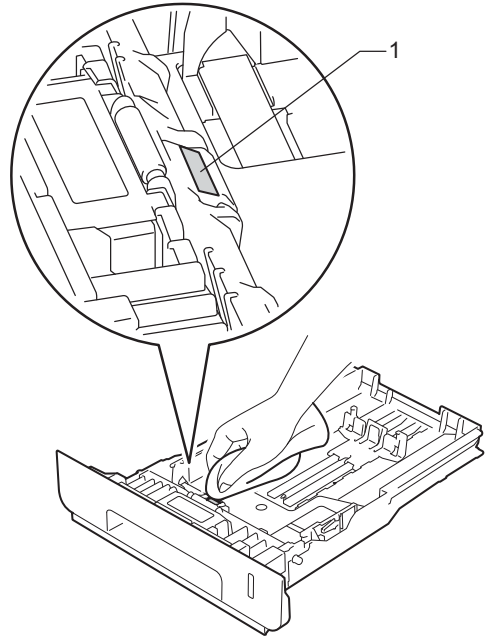
If you have paper feed problems, clean the pick-up rollers as follows:

- 1 Press and hold down  to turn off the machine.
- 2 Pull the paper tray completely out of the machine.

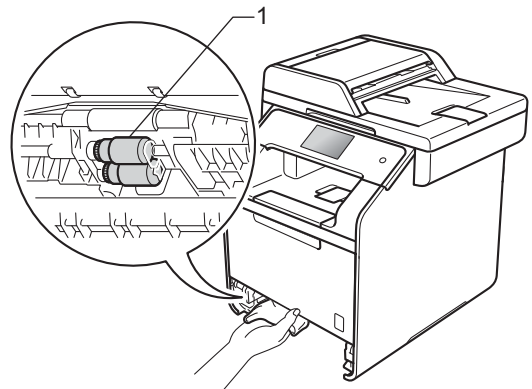



- 3 If paper is loaded or something is stuck inside in the paper tray, remove it.
- 4 Remove anything that is stuck inside the paper tray.

- 5 Tightly wring out a lint-free cloth soaked in lukewarm water, and then wipe the separator pad (1) on the paper tray to remove dust.



- 6 Wipe the two pick-up rollers (1) inside the machine to remove dust.





- 7 Reload the paper and put the paper tray back in the machine.
- 8 Press  to turn on the machine.

A



## Calibration

---

The output density for each color may vary depending on the machine's environment, such as temperature and humidity. Calibration helps you to improve the color density.

- 1 Press .
- 2 Press **Calibration**.
- 3 Press **Calibrate**.
- 4 Press **Yes** to confirm.
- 5 The Touchscreen displays **Completed**.
- 6 Press .

You can reset the calibration parameters back to those set at the factory.

- 1 Press .
- 2 Press **Calibration**.
- 3 Press **Reset**.
- 4 Press **Yes** to confirm.
- 5 The Touchscreen displays **Completed**.
- 6 Press .

## NOTE



---

- If an error message appears, press **OK** and try again.  
(For more information, see **Basic User's Guide**.)
  - If you are using the Windows® printer driver, the driver will get the calibration data automatically if both **Use Calibration Data** and **Get Device Data Automatically** are selected. The factory settings are on (see **Software and Network User's Guide**).
  - If you are using the Macintosh printer driver, you must perform the calibration using the Status Monitor. Turn on the Status Monitor, and then select **Color Calibration** from the **Control** menu (see **Software and Network User's Guide**).
-





## Color Registration

If solid areas of color or images have cyan, magenta or yellow fringes, you can use the auto-registration feature to correct the problem.

- 1 Press .
- 2 Press Registration.
- 3 Press Yes to confirm.
- 4 The Touchscreen displays Completed.
- 5 Press .

## Auto Correction

Set if you want the color correction (Color Calibration and Registration) to occur automatically. The factory setting is On. The color correction process consumes some of the toner.

- 1 Press .
- 2 Press All Settings.
- 3 Swipe up or down, or press ▲ or ▼ to display Printer.
- 4 Press Printer.
- 5 Swipe up or down, or press ▲ or ▼ to display Color Correction.
- 6 Press Color Correction.
- 7 Press Auto Correction.
- 8 Press On or Off.
- 9 Press .

## Printing the Test Print

---



You can print a Test Print page to check your print quality.

- 1 Press .
- 2 Press `Test Print`.
- 3 The Touchscreen displays `Press [OK]`. Press `OK`.  
The machine will print the Test Print page.
- 4 Press .

## Checking the Page Counters



---

You can see the machine's Page Counters for copies, printed pages, reports and lists, faxes or a summary total.

- 1 Press .
- 2 Press `All Settings`.
- 3 Swipe up or down, or press ▲ or ▼ to display `Machine Info..`
- 4 Press `Machine Info..`
- 5 Press `Page Counter`.  
The Touchscreen displays the number of pages for `Total`, `Fax/List`, `Copy` and `Print`.
- 6 Press .



## Checking the remaining life of toner cartridges

You can see the approximate remaining life of each toner cartridge.

- 1 Press .
- 2 Press `Toner Life`.  
The Touchscreen displays the approximate remaining life of the toner cartridges in a bar chart.
- 3 Press .

## Checking the remaining life of parts

You can see the remaining life of the machine's parts on the Touchscreen.

- 1 Press .
- 2 Press `All Settings`.
- 3 Swipe up or down, or press `▲` or `▼` to display `Machine Info..`
- 4 Press `Machine Info..`
- 5 Press `Parts Life`.
- 6 Press `▲` or `▼` to see the approximate remaining parts life of the `Drum, Belt Unit, Fuser, Laser Unit, PF Kit MP, PF Kit 1 and PF Kit 2`<sup>1</sup>.  
<sup>1</sup> When Tray 2 is installed.
- 7 Press .

### NOTE

- The life check will be accurate only if you reset the part counter when you install a new part. It will not be accurate if a part's life counter is reset during the life of the used part.
- The remaining life of the toner cartridge is listed on the User Settings report (see *How to print a report* on page 50).

# Replacing periodic maintenance parts

The periodic maintenance parts must be replaced regularly to maintain the print quality. The parts listed in the table must be replaced after printing approximately 50,000 pages<sup>1</sup> for PF Kit MP and 100,000 pages<sup>1</sup> for PF Kit 1, PF Kit 2<sup>2</sup>, Fuser and Laser. Contact Brother Customer Service when these messages appear on the Touchscreen.

Touchscreen message	Description
Replace Fuser	Replace the fuser unit.
Replace Laser	Replace the laser unit.
Replace PF Kit1	Replace the paper feeding kit for the paper tray.
Replace PF Kit2 <sup>2</sup>	Replace the paper feeding kit for the lower tray (option).
Replace PF Kit MP	Replace the paper feeding kit for the multi-purpose tray.

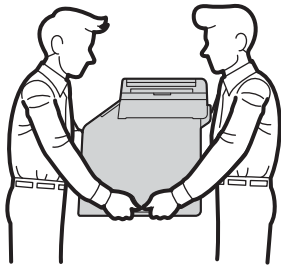
<sup>1</sup> Letter or A4 size single-sided pages.

<sup>2</sup> When Tray 2 is installed.

## Packing and shipping the machine

### **⚠ WARNING**


This machine is heavy and weighs more than 63.5 lb (28.8 kg). To prevent possible injuries, at least two people should lift the machine. One person should hold the front of the machine, and one person should hold the back, as shown in the illustration. Be careful not to trap your fingers when you put the machine down.

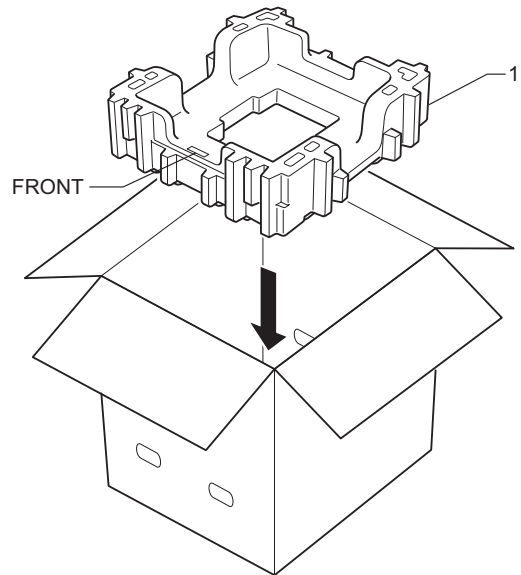


If you use a Lower Tray, DO NOT carry the machine with the Lower Tray as you may be injured or cause damage to the machine because it is not attached to the Lower Tray.

### **NOTE**

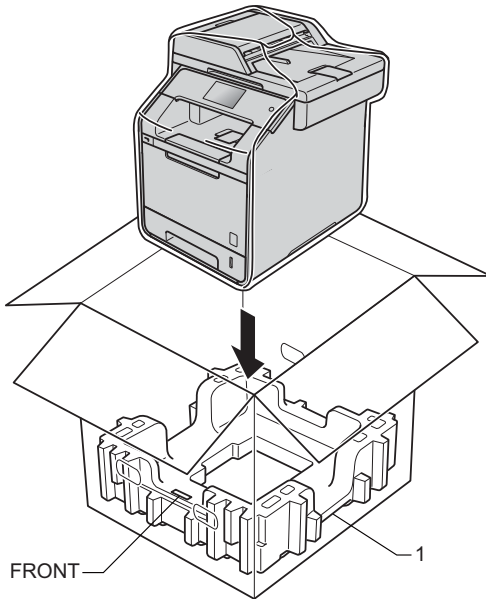
- If for any reason you must ship your machine, carefully repack the machine in the original packaging to avoid any damage during transit. The machine should be adequately insured with the carrier.
- Unless you are returning the machine as part of the Brother Exchange Service, leave the toner cartridges and drum unit inside the machine when you pack and ship it.

- 1 Press and hold down  to turn off the machine. Leave the machine turned off for at least 10 minutes to cool down.
- 2 Disconnect all the cables, and then unplug the power cord from the AC power outlet.
- 3 Place the packing material (1) into the carton.

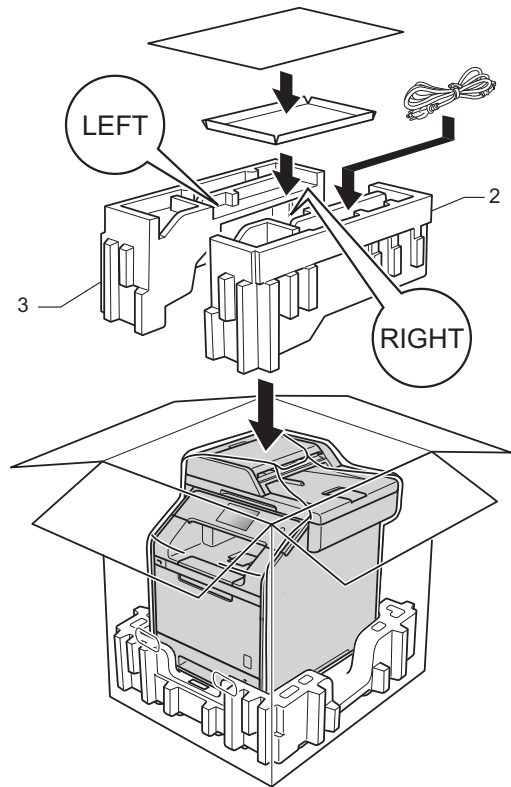


A

- 4 Wrap the machine in a plastic bag, then place it on the bottom packing material (1).



- 5 Place the packing material (2) marked "RIGHT" on the right of the machine. Place the packing material (3) marked "LEFT" on the left of the machine. Place the AC power cord and printed materials in the original carton as shown in the illustration.

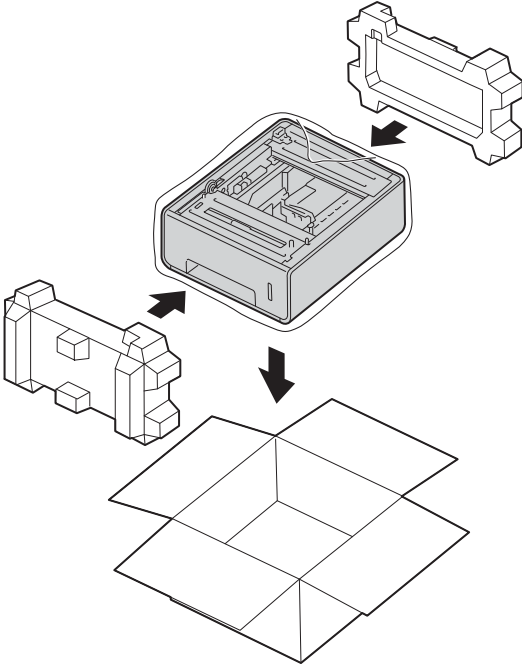


#### NOTE

If you are returning your machine to Brother as part of the Exchange Service, pack only the machine. Keep all separate parts, including the drum unit, toner cartridge, and printed materials to use with your 'Exchange' machine.

- 6 Close the carton and tape it shut.

- 7 <If you have a Lower Tray>  
Repack the lower tray as shown in the illustration.



# B

## Options

### Options

This machine has the following optional accessories. You can increase the capabilities of the machine with these items.

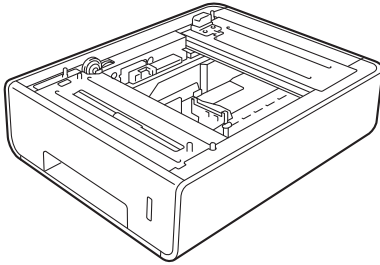
#### Lower tray unit

(For MFC-L8600CDW and MFC-L8850CDW)

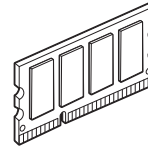
LT-320CL

(For MFC-L9550CDW)

LT-325CL



#### SO-DIMM memory

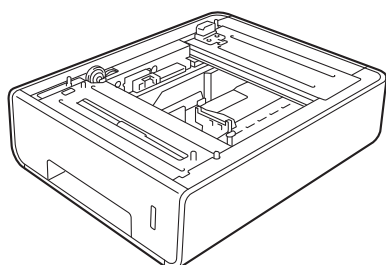




## Optional paper tray (For MFC-L8600CDW and MFC-L8850CDW (LT-320CL)) (For MFC-L9550CDW (LT-325CL))

An optional lower tray can be installed on the MFC-L8600CDW, MFC-L8850CDW and MFC-L9550CDW, and it can hold up to 500 sheets of 20 lb (80 g/m<sup>2</sup>) paper.

When an optional tray is installed, the machine can hold up to 800 sheets of plain paper.



For setup, see the instructions that we have supplied with the lower tray unit.

### **!** WARNING

If you use a Lower Tray, DO NOT carry the machine with the Lower Tray. You may injure yourself or cause damage to the machine because the Lower Tray is not securely attached to the machine.

## Memory board

Your machine has 256 MB of standard memory and one slot for optional memory expansion. You can increase the memory up to maximum of 512 MB by installing one SO-DIMM (Small Outline Dual In-line Memory Module).

### SO-DIMM Types

For information regarding memory for your Brother machine please visit:  
<http://www.brother-usa.com/support/memory/>.

In general, the SO-DIMM must have the following specifications:

Type	144-pin and 16-bit output
CAS latency	4
Clock frequency	267 MHz (533 Mb/S/Pin) or more
Capacity	256 MB
Height	1.18 in. (30.0 mm)
DRAM type	DDR2 SDRAM

### NOTE

- There might be some SO-DIMMs that will not work with the machine.
- For more information, call the dealer you bought the machine from or Brother Customer Service.

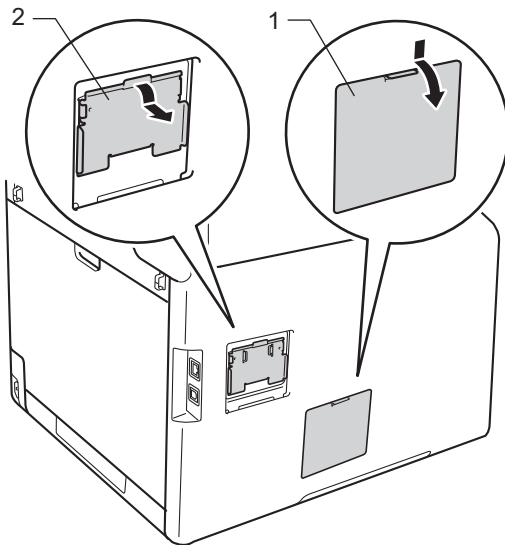
## Installing extra memory

- 1 Turn off the machine's power switch. Unplug the telephone line cord.
- 2 Disconnect the interface cable from the machine, and then unplug the power cord from the AC power outlet.

### NOTE

Be sure to turn off the machine's power switch before you install or remove the SO-DIMM.

- 3 Remove the plastic (1) and then metal (2) SO-DIMM covers.

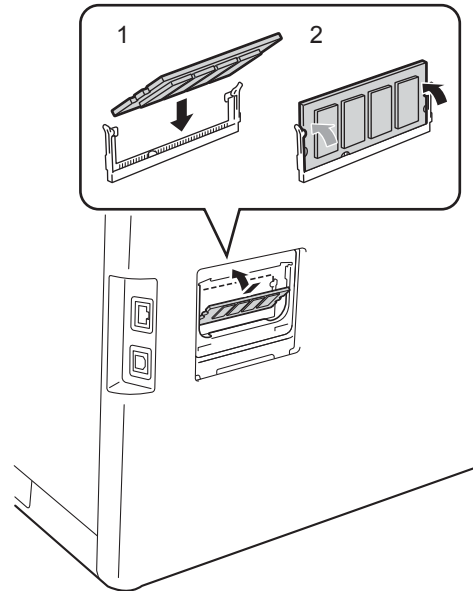


- 4 Unpack the SO-DIMM and hold it by its edges.

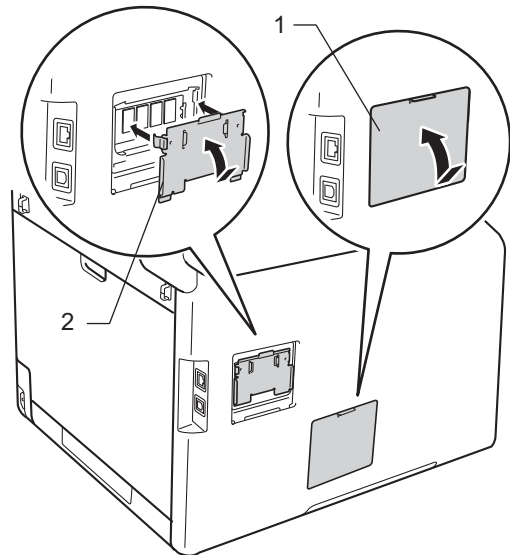
### IMPORTANT

To prevent damage to the machine from static electricity, DO NOT touch the memory chips or the board surface.

- 5 Hold the SO-DIMM by the edges and align the notches in the SO-DIMM with the protrusions in the slot. Insert the SO-DIMM diagonally (1), then tilt it toward the interface board until it locks into place (2).



- 6 Put the metal (2) and then the plastic (1) SO-DIMM covers back on.



- 7 Plug the machine's power cord back into the AC power outlet first, and then connect the interface cable.
- 8 Plug in the telephone line cord. Turn on the machine's power switch.

**NOTE**

---

To make sure that you have installed the SO-DIMM correctly, you can print the User Settings List that shows the current RAM SIZE, (see *How to print a report* on page 50.)

---

# C

## Glossary

This is a comprehensive list of features and terms that appear in Brother manuals. Availability of these features depends on the model you purchased.

### **Address Book**

Names and numbers you have stored for easy dialing.

### **Address Book List**

A listing of names and numbers stored in the Address Book memory, in alphabetical order.

### **ADF (automatic document feeder)**

The document can be placed in the ADF and scanned one page at a time automatically.

### **Auto Reduction**

Reduces the size of incoming faxes.

### **Automatic fax transmission**

Sending a fax without picking up the handset of the external telephone or pressing **Hook**.

### **Automatic Redial**

A feature that enables your machine to redial the last fax number after five minutes if the fax did not go through because the line was busy.

### **Backup Print**

Your machine prints a copy of every fax that is received and stored in memory. This is a safety feature so you will not lose messages during a power failure.

### **Batch Transmission**

As a cost saving feature, all delayed faxes to the same fax number will be sent as one transmission.

### **Beeper Volume**

Volume setting for the sound when you press a key or make an error.

### **Broadcasting**

The ability to send the same fax message to more than one location.

### **Cancel Job**

Cancels a programmed print job and clears it from the machine's memory.

### **CNG tones**

The special tones (beeps) sent by fax machines during automatic transmission to tell the receiving machine that a fax machine is calling.

### **Caller ID**

A service purchased from the telephone company that lets you see the number (or name) of the party calling you.

### **Coding method**

Method of coding the information contained in the document. All fax machines must use a minimum standard of Modified Huffman (MH). Your machine is capable of greater compression methods, Modified Read (MR), Modified Modified Read (MMR) and JBIG, if the receiving machine has the same capability.

### **Communication error (or Comm. Error)**

An error during fax sending or receiving, usually caused by line noise or static.

### **Compatibility group**

The ability of one fax unit to communicate with another. Compatibility is assured between ITU-T Groups.

### **Contrast**

Setting to compensate for dark or light documents, by making faxes or copies of dark documents lighter and light documents darker.

### **Delayed Fax**

Sends your fax at a specified later time that day.

**Density**

Changing the Density makes the whole image lighter or darker.

**Distinctive Ring**

A subscriber service purchased from the telephone company that gives you another telephone number on an existing telephone line. The Brother machine uses the new number to simulate a dedicated fax line.

**Dual Access**

Your machine can scan outgoing faxes or scheduled jobs into memory at the same time it is sending a fax or receiving or printing an incoming fax.

**Easy Receive**

Enables your machine to respond to CNG tones if you interrupt a fax call by answering it.

**ECM (Error Correction Mode)**

Detects errors during fax transmission and resends the pages of the fax that had an error.

**Extension telephone**

A telephone on the fax number that is plugged into a separate telephone wall jack.

**External telephone**

A telephone that is plugged into the EXT jack of your machine.

**F/T Ring Time**

The length of time that the Brother machine pseudo/double-rings (when the Receive Mode setting is Fax/Tel) to notify you to pick up a voice call that it answered.

**Fax Forwarding**

Sends a fax received into the memory to another pre-programmed fax number.

**Fax Journal**

Lists information about the last 200 incoming and outgoing faxes. TX means Transmit. RX means Receive.

**Fax Receive Code  
(Fax/Tel mode only)**

Press this code (\*51) when you answer a fax call on an extension or external telephone.

**Fax Storage**

You can store faxes in the memory.

**Fax tones**

The signals sent by sending and receiving fax machines while communicating information.

**Fax/Tel**

You can receive faxes and telephone calls. Do not use this mode if you are using a telephone answering device (TAD).

**Fine resolution**

Resolution is 203 × 196 dpi. It is used for small print and graphs.

**Gray Scale**

The shades of gray available for copying and faxing photographs.

**Group number**

A combination of Address Book numbers that are stored in Address Book for Broadcasting.

**Journal Period**

The pre-programmed time period between automatically printed Fax Journal Reports. You can print the Fax Journal on demand without interrupting the cycle.

**Manual fax**

When you press **Hook** to hear the receiving fax machine answer before you press **Fax Start** to begin transmission.

**OCR (optical character recognition)**

Nuance™ PaperPort™ 12 SE or Presto! PageManager software application converts an image of text to text you can edit.

**Out of Paper Reception**

Receives faxes into the machine's memory when the machine is out of paper.

### **Overseas Mode**

Makes temporary changes to the fax tones to accommodate noise and static on overseas telephone lines.

### **Paging**

This feature enables your machine to call your cell phone or pager when a fax is received into its memory.

### **Pause**

Allows you to place a 3.5 second delay in the dialing sequence while you are dialing using the dial pad or while you are storing numbers in Address Book. Press **Pause** as many times as needed for longer pauses.

### **Pulse (Canada only)**

A form of rotary dialing on a telephone line.

### **Real Time Transmission**

When memory is full, you can send faxes in real time.

### **Remaining Jobs**

You can check which programmed fax jobs are waiting in the memory and cancel the jobs individually.

### **Remote Access Code**

Your own four-digit code (– – –\*) that allows you to call and access your machine from a remote location.

### **Remote Retrieval Access**

The ability to access your machine remotely from a touch tone telephone.

### **Resolution**

The number of vertical and horizontal lines per inch.

### **Ring Delay**

The number of rings before the machine answers in **Fax** and **Fax/Tel** modes.

### **Ring Volume**

Volume setting for the machine's ring.

### **Scanning**

The process of sending an electronic image of a paper document into your computer.

### **Search**

An alphabetical electronic listing of stored Address Book and Group numbers.

### **Settings Tables**

At-a-glance instructions that show all the settings and options that are available for setting up your machine.

### **Station ID**

The stored information that appears on the top of faxed pages. It includes the sender's name and fax number.

### **TAD (telephone answering device)**

You can connect an external device or answering machine to the EXT. jack of your machine.

### **Telephone Answer Code (Fax/Tel mode only)**

When the machine answers a voice call, it pseudo/double-rings. You can pick up at an extension telephone by pressing this code (**#51**).

### **Temporary settings**

You can choose certain options for each fax transmission and copy without changing the default settings.

### **Tone**

A form of dialing on the telephone line used for Touch Tone telephones.

### **Touchscreen LCD and Touchpanel**

The Touchscreen LCD (Liquid Crystal Display) on the machine displays interactive messages and prompts for using the machine. You can operate the Touchscreen by pressing or swiping on the screen. The Touchpanel, on the right side of the Touchscreen LCD, illuminates its LEDs when they are available for the current operation.

**Transmission**

The process of sending faxes over the telephone lines from your machine to the receiving fax machine.

**Transmission Verification Report**

A report for each transmission, that shows its date, time and number.

**User Settings List**

A printed report that shows the current settings of the machine.

# D

# Index

## Numerics

---

2-sided copy .....53

## A

---

Address Book  
  access codes and credit card numbers ...44  
  broadcasting .....23  
    using Groups .....23  
  Group dial  
    setting up Groups for broadcasting ....45  
Apple Macintosh  
  See Software and Network User's Guide.

## B

---

Broadcasting .....23  
  canceling .....24  
  setting up Groups for .....45

## C

---

Canceling  
  broadcast in process .....24  
  fax jobs in memory .....27  
  fax storage .....34  
  jobs awaiting redial .....27  
  memory receive options .....35  
Cleaning  
  corona wires .....70  
  drum unit .....74  
  scanner .....65  
Connecting  
  two-line external TAD or telephone .....43  
ControlCenter2 (for Macintosh)  
  See Software and Network User's Guide.  
ControlCenter4 (for Windows®)  
  See Software and Network User's Guide.

Copy  
  2 in 1 ID Copy ..... 59  
  2-sided ..... 53  
  button ..... 51  
  contrast ..... 56  
  density ..... 55  
  enlarge/reduce ..... 52  
  N in 1 (page layout) ..... 57  
  quality ..... 51  
  saving paper ..... 62  
  sort ..... 56  
  temporary settings ..... 51  
  using ADF ..... 57  
  using scanner glass ..... 54, 56, 57, 58  
Cover page ..... 29  
  custom comments ..... 29  
  printed form ..... 30

## D

---

Daylight Saving Time ..... 3  
Deep Sleep mode ..... 5  
Delayed batch transmission ..... 26  
Destination Display ..... 31  
Dialing  
  access codes and credit card numbers ... 44  
  dial prefix ..... 7  
  Groups (broadcasting) ..... 23  
  restricting dialing ..... 17  
Drum unit  
  checking (remaining life) ..... 85  
  cleaning ..... 70, 74  
Dual access ..... 23

## E

---

Enlarge/Reduce ..... 52



## F

---

- Fax codes
  - changing .....36
  - remote access code .....36
- Fax forwarding
  - changing remotely ..... 37, 38
  - programming a number .....32
- Fax storage .....34
  - printing from memory .....41
  - turning off .....35
  - turning on .....34
- Fax, stand-alone
  - receiving
    - at end of conversation .....40
    - fax forwarding ..... 32, 37
    - fax receive stamp .....40
    - into memory (fax storage) .....34
    - paging .....33
    - reducing to fit on paper .....39
    - retrieving from a remote site ..... 37, 38
  - sending .....19
    - at end of conversation .....22
    - broadcasting .....23
    - canceling from memory .....27
    - contrast .....21
    - delayed batch .....26
    - delayed fax .....26
    - destination display .....31
    - from memory (dual access) .....23
    - manual .....22
    - overseas .....25
    - real time transmission .....25
    - resolution .....21
- Fax/Tel mode
  - receiving faxes .....42

## G

---

- Groups for broadcasting .....45

## H

---

- Hook .....22

## J

---

- Jacks
  - convert to RJ11 jack
  - triple adapter ..... 42, 43

## M

---

- Machine information
  - checking remaining life of parts ..... 85
  - page counts ..... 84
- Macintosh
  - See Software and Network User's Guide.
- Maintenance, routine ..... 63
  - checking the remaining life of parts ..... 85
- Manual
  - transmission ..... 22
- Memory
  - adding DIMM (option) ..... 91
  - installing ..... 92
  - storage ..... 1

## N

---

- N in 1 (page layout) ..... 57
- Network
  - faxing
    - See Software and Network User's Guide.
  - printing
    - See Software and Network User's Guide.
  - scanning
    - See Software and Network User's Guide.
- Nuance™ PaperPort™ 12SE
  - See Software and Network User's Guide.
  - and Help in the PaperPort™ 12SE application to access How-to-Guides.

## O

---

- Outgoing Calls
  - Add to Address Book ..... 45

## P

---

Page layout (N in 1) .....	57
Paging .....	33
programming your cell number .....	33
programming your pager number .....	33
PC-Fax	
See Software and Network User's Guide.	
Power failure .....	1
Presto! PageManager	
See Software and Network User's Guide.	
See also Help in the Presto! PageManager application.	
Print	
fax from memory .....	41
reports .....	49
Printing	
See Software and Network User's Guide.	

## Q

---

Quality	
copying .....	51
Quiet mode .....	6

## R

---

Redial/Pause .....	44
Reducing	
copies .....	52
incoming faxes .....	39
Remote retrieval .....	36
access code .....	36
commands .....	37
getting your faxes .....	38
Remote setup	
See Software and Network User's Guide.	
Reports .....	48, 49
Address Book .....	49
Drum Dot Print .....	49
Fax Journal .....	48, 49
journal period .....	48
how to print .....	50
Network Configuration .....	49
Printer Settings .....	49
Transmission Verification .....	48
User Settings .....	49
WLAN Report .....	49
Resolution	
fax (standard, fine, superfine, photo) ....	21
setting for next fax .....	21

## S

---

Scanning	
See Software and Network User's Guide.	
Security	
restricting dialing .....	17
Setting lock .....	15
Sleep mode .....	5
Sort .....	56

## T

---

TAD (telephone answering device),	
external .....	43
with two-line jack .....	43
Telephone line	
converting wall outlets .....	42
roll over lines .....	42
two-line telephone system .....	42, 43
Temporary copy settings .....	51
Toner Save .....	4
Touchscreen	
backlight brightness .....	6
Two-line telephone system .....	42, 43

## V

---

Volume, setting	
beeper .....	2
ring .....	2
speaker .....	3

## W

---

Warranties are in the box	
Windows®	
See Software and Network User's Guide.	
Wireless Network	
See Quick Setup Guide and Software and Network User's Guide.	

Brother International Corporation  
200 Crossing Boulevard  
P.O. Box 6911  
Bridgewater, NJ 08807-0911 USA

Brother International Corporation (Canada) Ltd.  
1 rue Hôtel de Ville,  
Dollard-des-Ormeaux, QC, Canada H9B 3H6

# brother

**Visit us on the World Wide Web**  
**<http://www.brother.com/>**

These machines are approved for use in the country of purchase only. Local Brother companies or their dealers will only support machines purchased in their own countries.



[www.brotherearth.com](http://www.brotherearth.com)