

WARNING:
BEFORE USING THIS FIREARM,
READ THROUGH THESE WARNINGS
AND INSTRUCTIONS CAREFULLY
AND THOROUGHLY.

THIS MANUAL SHOULD ALWAYS ACCOMPANY
THIS PISTOL AND BE TRANSFERRED WITH IT
UPON CHANGES OF OWNER OR USER.

PXT LDA Series Pistols

SAFETY and
INSTRUCTION
MANUAL



©2004 Para-Ordnance Mfg., Inc.

THIS MANUAL ONLY APPLIES TO PARA-ORDNANCE
PXT LDA (LIGHT DOUBLE ACTION) SERIES
PISTOLS WITH 5- AND 4.25-INCH BARRELS.

**FIREARMS ARE CLASSIFIED AS DANGEROUS
WEAPONS. THEREFORE THIS PRODUCT IS
POTENTIALLY LETHAL.**

**FAILURE TO READ, UNDERSTAND AND FOLLOW
ANY OF THESE WARNINGS AND INSTRUCTIONS
MAY RESULT IN INJURY, DEATH OR
DAMAGE OF PROPERTY.**



WARNING

CHILDREN ARE ATTRACTED TO AND CAN OPERATE FIREARMS THAT CAN CAUSE SEVERE INJURIES OR DEATH. PREVENT CHILD ACCESS BY ALWAYS KEEPING GUNS LOCKED AWAY AND UNLOADED WHEN NOT IN USE. IF YOU KEEP A LOADED FIREARM WHERE A CHILD OBTAINS AND IMPROPERLY USES IT, YOU MAY BE FINED OR SENT TO PRISON.



ADVERTENCIA

A LOS NIÑOS LOS ATRAEN LAS ARMAS DE FUEGO Y LAS PUEDEN HACER FUNCIONAR ELLOS PUEDEN CAUSARSE LESIONES GRAVES Y LA MUERTE. EVITE QUE LOS NIÑOS TENGAN ACCESO A LAS ARMAS DE FUEGO GUARDANDOLAS SIEMPRE CON LLAVE Y DESCARGADAS CUANDO NO LAS ESTE UTILIZANDO, SI USTED TIENE UNA ARMA DE FUEGO CARGADA EN UN LUGAR EN QUE UN NIÑO TIENE ACCESO A ELLA Y LA USA INDEBIDAMENTE, LE PUEDEN DAR UNA MULTA O ENVIARLO A LA CARCEL.

WARNING: DO NOT MAKE ANY ATTEMPTS TO PRACTICE LOADING, UNLOADING, ETC. WITH LIVE AMMUNITION UNLESS YOU HAVE FULLY UNDERSTOOD THIS MANUAL AND ARE CERTAIN ABOUT THE PROPER HANDLING AND OPERATION OF THIS PRODUCT.

WHERE IN DOUBT ABOUT YOUR ABILITY TO HANDLE OR USE THIS HANDGUN SAFELY, SEEK SUPERVISED INSTRUCTION RUN BY A LOCAL GUN CLUB, GUN DEALER, OR POLICE DEPARTMENT.

FIREARMS SAFETY – ACCIDENT PREVENTION

YOUR RESPONSIBILITY

**WHEN PRESSING THE TRIGGER,
YOU MUST EXPECT THE GUN TO FIRE AND
YOU MUST TAKE FULL
RESPONSIBILITY FOR FIRING IT**

**ALWAYS TREAT A FIREARM
AS IF IT WERE LOADED**

THE BASIC PRINCIPLES OF HANDLING AND OPERATION OF THIS FIREARM MUST BE FULLY UNDERSTOOD AND FOLLOWED EXACTLY. THIS MANUAL IS PROVIDED TO ASSIST YOU IN THE PROPER USE AND MAINTENANCE OF YOUR PARA-ORDNANCE PISTOL. IF YOU HAVE ANY FURTHER QUESTIONS PLEASE CONTACT US DIRECTLY.

MANUALS ARE AVAILABLE
FREE FROM THE FACTORY:



Para

980 TAPSCOTT ROAD
SCARBOROUGH, ONTARIO M1X 1C3
(416) 297-7855 • FAX: (416) 297-1289
www.paraord.com

CONTENTS

	Page
MAIN FEATURES	1
FIREARM SAFETY INSTRUCTIONS	5
FEATURES	
TECHNICAL DATA & AMMO INFO	10
SAFETY FEATURES	
SLIDE LOCK SAFETY	11
GRIP SAFETY	13
PASSIVE SAFETIES	14
OPERATION	
MALFUNCTIONS	16
LOADING	17
UNLOADING	20
FIRING	21
GRIP	22
MAINTENANCE	
DISASSEMBLY	24
REASSEMBLY	28
POWER EXTRACTOR	33
CLEANING PISTOL	34
CLEANING MAGAZINES	35
DISASSEMBLY, CLEANING AND REASSEMBLY OF 10-ROUND PARA-ORDNANCE MAGAZINE	37
TRANSPORTATION & STORAGE	40
SERVICE & REPAIR	40
WARRANTY INFORMATION	42
LIMITS & LIABILITY	42
SPARE PARTS	43
PARTS ILLUSTRATION	44
PARTS LIST	45

MAIN FEATURES - LDA Single Stack



MAIN FEATURES - LDA Single Stack Limited



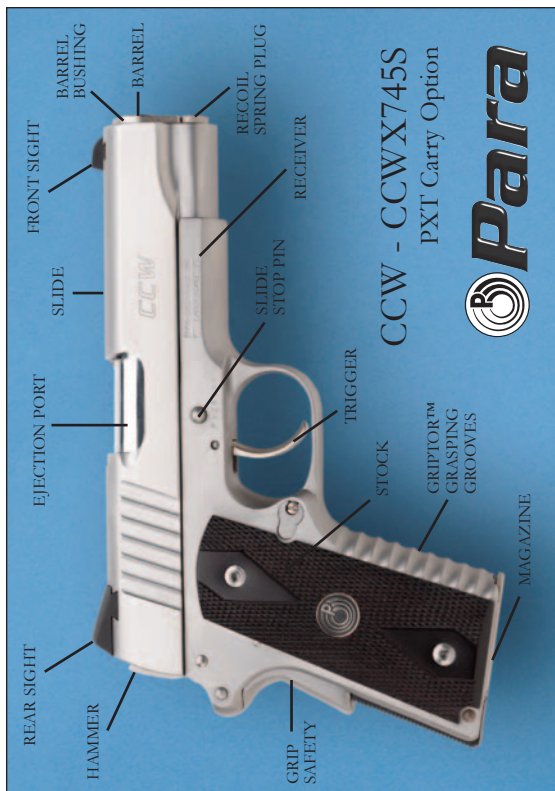
2

MAIN FEATURES - LDA-Series Limited



3

MAIN FEATURES - LDA Single Stack Carry Option



4

FIREARMS SAFETY INSTRUCTIONS

DO NOT USE ANY FIREARM WITHOUT HAVING A FULL AND COMPLETE UNDERSTANDING OF ITS PARTICULAR MECHANICAL AND HANDLING CHARACTERISTICS.

FOR YOUR SAFETY AND THE SAFETY OF OTHERS YOU MUST ENSURE YOUR COMPLETE AND CLEAR UNDERSTANDING OF THIS MANUAL AND YOU MUST FOLLOW ITS SAFETY INSTRUCTIONS EXACTLY.

NEVER ALLOW ANYONE TO USE THIS FIREARM WITHOUT HAVING THAT PERSON READ THIS MANUAL FIRST.

IMPROPER HANDLING OF YOUR PISTOL CAN RESULT IN INJURY, DEATH OR PROPERTY DAMAGE.

CAUTIONS:

1. ALWAYS TREAT EVERY FIREARM AS IF IT WERE LOADED.
2. NEVER – EVER – POINT ANY GUN, LOADED OR UNLOADED, AT ANYTHING YOU DO NOT INTEND TO SHOOT.
3. ALWAYS KEEP YOUR FINGER AWAY FROM THE TRIGGER, OUTSIDE THE TRIGGER GUARD, UNTIL YOU ARE AIMING AT A TARGET AND READY TO SHOOT.

5

4. ALWAYS BE SURE OF YOUR BACKSTOP, WHAT LIES BEYOND YOUR TARGET, AND THE SAFETY OF BYSTANDERS BEFORE YOU CONSIDER SHOOTING YOUR PISTOL. THE BACKSTOP MUST BE ADEQUATE TO STOP AND CONTAIN BULLETS. OTHERWISE, A BULLET IS CAPABLE OF TRAVELING THROUGH OR PAST YOUR TARGET FOR A DISTANCE OF UP TO 1¹/₂ MILES. DO NOT SHOOT IF YOU ARE UNCERTAIN ABOUT WHAT LIES BEYOND YOUR TARGET.
5. ALWAYS MAKE SURE YOUR PISTOL IS UNLOADED AND THE SLIDE IS LATCHED OPEN BEFORE HANDING IT TO ANOTHER PERSON OR LAYING IT DOWN.
6. ALWAYS MAKE SURE THAT YOUR PISTOL HAS NOT BEEN IN ANY WAY DAMAGED AS THE RESULT OF IT HAVING BEEN DROPPED OR ANY OTHER INCIDENT OR CIRCUMSTANCE, INCLUDING CORROSION, THAT MAY HAVE POSSIBLY CAUSED DAMAGE TO SOME PARTS OF THE MECHANISM.
7. ALWAYS HAVE A COMPETENT GUNSMITH INSPECT YOUR PISTOL SO AS TO ENSURE ITS PROPER FUNCTION. REMEMBER, ONLY WEAPONS IN PERFECT WORKING ORDER CAN BE SAFE WEAPONS.
8. NEVER LEAVE A PISTOL COCKED AND READY TO FIRE.

ALWAYS USE YOUR HANDGUN SAFELY AND WISELY. PROTECT YOURSELF AND THOSE AROUND YOU BY TAKING THE PROPER AND NECESSARY PRECAUTIONS PRIOR TO FIRING YOUR PISTOL. REMEMBER, UNSAFE PRACTICES CAN BE THE CAUSE OF INJURY, DEATH, OR PROPERTY DAMAGE.

9. NEVER LEAVE A LOADED PISTOL UNATTENDED.
10. ALWAYS MAKE SURE THAT ANY OTHER SHOOTERS OR BYSTANDERS ARE WELL CLEAR OF YOU WHEN PREPARING TO SHOOT YOUR PISTOL. EJECTED CARTRIDGES CAN CAUSE INJURY TO ANYONE STANDING IN THEIR PATH. NEVER OBSTRUCT THE EJECTION PORT ON YOUR PISTOL BY PLACING YOUR FINGERS IN FRONT OF IT.
11. ALWAYS WEAR ADEQUATE SHOOTING GLASSES AND ENCOURAGE OTHERS TO DO THE SAME. UNPROTECTED EYES MAY BE INJURED BY POWDER GAS, CARBON RESIDUE, LUBRICANT, METALLIC PARTICLES OR SIMILAR DEBRIS THAT CAN DAMAGE EYES AND EVEN CAUSE BLINDNESS.
12. ALWAYS WEAR ADEQUATE EAR PROTECTION AND MAKE SURE THAT OTHERS IN YOUR VICINITY DO THE SAME. REPEATED EXPOSURE TO SHOOTING NOISE CAN LEAD TO CUMULATIVE, PERMANENT HEARING LOSS.
13. ALWAYS CARRY YOUR PISTOL EMPTY WITH THE SLIDE LATCHED OPEN UNTIL PREPARING TO FIRE.

ALWAYS EMPLOY SAFE HANDLING, LOADING, AND SHOOTING METHODS. REMEMBER A LOADED FIREARM HAS THE POTENTIAL TO KILL. INTELLIGENTLY HANDLED IT CAN BE USED SAFELY.

14. NEVER CONSUME ALCOHOL OR TAKE DRUGS PRIOR TO SHOOTING. IF UNDER MEDICATION, SEEK A DOCTOR'S ADVICE TO BE SURE THAT YOU ARE FIT AND ABLE TO HANDLE A GUN SAFELY.

15. NEVER SHOOT AT A FLAT SURFACE OF WATER OR AT ANY HARD SURFACE IN ORDER TO AVOID HAZARDOUS RICOCHETS THAT CAN CAUSE INJURY, DEATH, OR PROPERTY DAMAGE.

ALWAYS USE AMMUNITION THAT COMPLIES WITH THE INDUSTRY PERFORMANCE STANDARD AS ESTABLISHED BY THE SPORTING ARMS AND AMMUNITION MANUFACTURER'S INSTITUTE (SAAMI). TO DO OTHERWISE MAY RESULT IN INJURY, DEATH, OR DAMAGE TO PROPERTY.

16. ALWAYS MAKE SURE THE MUZZLE IS POINTED IN A SAFE DIRECTION.
17. NEVER LOAD YOUR PISTOL UNTIL YOU ARE PROPERLY READY TO USE IT. UNLOAD IT THE MINUTE YOU HAVE COMPLETED SHOOTING.
18. ALWAYS EXAMINE THE BARREL BORE TO BE CERTAIN IT IS CLEAR AND FREE OF ANY OBSTRUCTIONS. ANY OBSTRUCTION, WHETHER IT BE FROM DIRT, CORROSION OR OTHER DEBRIS, EVEN A HEAVY COATING OF OIL OR DROPS OF WATER, MAY RESULT IN DAMAGE TO THE PISTOL THAT CAN CAUSE INJURY, DEATH, OR PROPERTY DAMAGE.
19. ALWAYS USE ONLY CLEAN, DRY, ORIGINAL HIGH QUALITY FACTORY-MADE AMMUNITION THAT IS IN GOOD CONDITION AND OF THE PROPER TYPE AND CALIBER FOR YOUR GUN. IMPROPERLY LOADED AMMUNITION CAN PROVE TO BE EXTREMELY DANGEROUS WHEN CARTRIDGES HAVE BEEN LOADED OUTSIDE THE EXACTING SAFETY LIMITS BUILT INTO YOUR PISTOL.

20. USE OF EXTRA HIGH-PRESSURE AMMUNITION MAY CAUSE RELIABILITY PROBLEMS. AS WITH ANY HANDGUN, PROLONGED USE OF EXTRA HIGH PRESSURE AMMUNITION MAY SHORTEN THE SERVICE LIFE OF THE PISTOL.
21. ALWAYS HAVE THE SAFETY ON UNTIL YOU INTEND TO FIRE.
22. NEVER WALK OR CLIMB WITH A LOADED FIREARM. PISTOLS HAVE SHORT BARRELS AND THEREFORE EXTREME CARE SHOULD BE TAKEN WHEN HANDLING THEM BECAUSE THEIR ATTITUDE AND DIRECTION CAN BE EASILY CHANGED. HOLD YOUR PISTOL SO THAT THE MUZZLE IS CONTROLLABLE.

ALWAYS STORE GUNS AND AMMUNITION SEPARATELY, LOCKED IF POSSIBLE, OUT OF SIGHT, AND BEYOND THE REACH OF CHILDREN AND INEXPERIENCED OR CARELESS ADULTS.

23. ALWAYS MAKE SURE THAT YOUR PISTOL IS NOT LOADED BEFORE CLEANING AND STORING IT.
24. NEVER DRY FIRE YOUR PISTOL WHEN YOU HAVE REMOVED THE SLIDE FROM THE RECEIVER.

LEAD WARNING:

DISCHARGING FIREARMS IN POORLY VENTILATED AREAS, CLEANING FIREARMS, OR HANDLING AMMUNITION MAY RESULT IN EXPOSURE TO LEAD AND OTHER SUBSTANCES KNOWN TO CAUSE BIRTH DEFECTS, REPRODUCTIVE HARM, AND OTHER SERIOUS INJURY. HAVE ADEQUATE VENTILATION AT ALL TIMES. WASH HANDS THOROUGHLY AFTER EXPOSURE.

FEATURES

The LDA-Series semi-automatic pistols are quite similar in appearance while they all function in the same manner. Among themselves, the pistols vary in caliber, size, weight, barrel/barrel bushing configuration, surface finish, and in the type of metal used for their respective receivers (steel or stainless steel).

While this manual uses the Para Limited and Black Watch SSP pistols for its illustrations, the directions apply to the other LDA models unless otherwise noted.

Table 1:

Model	Order No.	Caliber	Rounds	Barrel	Receiver
Hi-Cap .45	DX1445SR	.45 ACP	14*+1	5"	Stainless
Hi-Cap Limited .45	TX1445SR	.45 ACP	14*+1	5"	Stainless
Stealth Hi-Cap .45	DX1445ER	.45 ACP	14*+1	5"	Steel
Stealth Hi-Cap Ltd .45	TX1445ER	.45 ACP	14*+1	5"	Steel
Hi-Cap .40	DX1640SR	.40 S&W	16*+1	5"	Stainless
Hi-Cap Limited .40	TX1640SR	.40 S&W	16*+1	5"	Stainless
Hi-Cap 9	DX189SR	9mm	18*+1	5"	Stainless
Hi-Cap Limited 9	TX189SR	9mm	18*+1	5"	Stainless
Stealth Hi-Cap 9	DX189ER	9mm	18*+1	5"	Steel
Stealth Hi-Cap Ltd 9	TX189ER	9mm	18*+1	5"	Steel
Colonel	DCX1445E	.45 ACP	14*+1	4.25"	Steel
Tac-Four	CTX1345S	.45 ACP	13*+1	4.25"	Stainless
Spec Ops Tac-Four	CTX1345G	.45 ACP	13*+1	4.25"	Stainless
Limited	TX745S	.45 ACP	7+1	5"	Stainless
Stealth Limited	TX745E	.45 ACP	7+1	5"	Steel
SSP LDA	DX745S	.45 ACP	7+1	5"	Stainless
Black Watch SSP	DX745E	.45 ACP	7+1	5"	Steel
Tac-S	DCX745E	.45 ACP	7+1	4.25"	Steel
CCW	CCWX745S	.45 ACP	7+1	4.25"	Stainless

* For recreational use, magazine capacity is restricted to 10 rounds in U.S.A. and Canada.

SAFETY FEATURES

Para-Ordnance LDA-Series Double-Action semi-automatic pistols are equipped with a number of safety devices (some are hand-operated while others are passive) that are designed to minimize accidental discharges.

**NEVER RELY ON A SAFETY MECHANISM
TO JUSTIFY CARELESS HANDLING OR
POOR MAINTENANCE.
ALWAYS POINT YOUR PISTOL
IN A SAFE DIRECTION.**

HAND-OPERATED SAFETIES

These safeties are activated manually.

SLIDE LOCK SAFETY

This safety device can only be activated when the slide is fully forward. (**Figure 1**).



Figure 1

NEVER LEAVE YOUR PISTOL LOADED AND READY TO FIRE. THIS IS AN EXTREMELY DANGEROUS CONDITION WHICH CAN LEAD TO AN ACCIDENTAL DISCHARGE THAT MAY CAUSE INJURY, DEATH, OR PROPERTY DAMAGE.

To engage the Slide Lock Safety push the Slide Lock Safety up until it fully engages the Slide Lock Notch (**Figure 2**). At this point, the slide is prevented from moving rearward. If the cocking cam has been cocked and the trigger re-set, engaging the slide lock safety will disengage the drawbar to prevent the hammer from moving rearward if the trigger is pressed.



Figure 2

GRIP SAFETY

The Grip Safety (**Figure 3**) locks both the hammer and slide. In order to press the trigger and move the hammer, which is necessary to fire the pistol, you must firmly grasp the pistol's receiver, fully depressing the Grip Safety. When you are ready to fire the pistol, the forward pressure of your hand on the Grip Safety disengages this safety device and allows the hammer the necessary freedom for its rearward movement required to fire the pistol when the trigger is pressed.

NEVER COMPROMISE SAFETY. NEVER ALTER OR MODIFY THIS PISTOL IN ANY WAY. THE MANUFACTURER WILL NOT BE RESPONSIBLE FOR ANY UNAUTHORIZED MODIFICATIONS PERFORMED ON THIS GUN.



Figure 3

PASSIVE SAFETIES

THESE SAFETIES ARE ACTIVATED AUTOMATICALLY WITHOUT MANUAL INTERVENTION. DO NOT BYPASS THEM OR RENDER THEM INOPERATIVE.

These mechanisms form parts of a safety system incorporated into your Para-Ordnance pistol and they are designed and installed for the prevention of accidental discharges that could otherwise follow as the result of some commonplace occurrences.

NEVER RELY ON A SAFETY MECHANISM TO JUSTIFY CARELESS HANDLING OF YOUR PISTOL.

Your Para-Ordnance pistol is equipped with the following passive safeties:

Inertia Firing Pin: Size and position of the firing pin, which is held to the rear by a spring, keep the pin from striking the cartridge primer unless the spring force and inertia of the firing pin are overcome by the blow of the hammer.

Firing Pin Lock: To minimize the risk of accidental discharge that may be the result of the pistol being dropped or the muzzle receiving a blow, this safety device prevents the movement of the firing pin until the trigger is intentionally squeezed.

ALWAYS EXPECT THE GUN TO FIRE WHEN YOU PRESS THE TRIGGER.

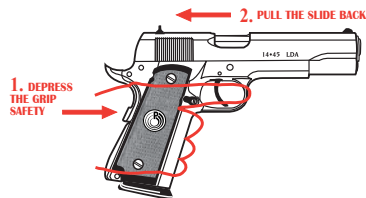
FUNCTION

The action of the LDA-Series pistols is based on a tilting barrel design that locks the barrel and slide together at the moment of firing. After firing, the barrel and slide recoil to the rear for a short distance still locked together. Following this initial movement, the barrel tilts downward from its locked position, permitting full recoil of the slide and the extraction and ejection of the spent cartridge cases.

ALWAYS REMEMBER, THAT WHEN FIRED, A DOUBLE-ACTION PISTOL RELOADS AND RECOCKS ITSELF AUTOMATICALLY AND IS READY TO FIRE AGAIN BY SIMPLY PRESSING THE TRIGGER. ALWAYS KEEP THE PISTOL POINTED IN A SAFE DIRECTION.

OPERATION

The proper method for manually cocking the LDA pistol is by pulling back the slide. To pull back the slide, you must first fully depress the grip safety.



MALFUNCTIONS

In any semi-automatic pistol, stoppages can occur due to mechanical malfunction or ammunition failure. Please perform the following procedures to correctly deal with such malfunctions.

**NEVER FORCE A JAMMED ACTION.
TO DO SO MAY CAUSE AN EXPLOSION THAT
CAN RESULT IN SERIOUS INJURY, DEATH
OR PROPERTY DAMAGE.**

1. STOP SHOOTING IMMEDIATELY if you encounter any mechanical malfunction while firing your pistol, e.g., cartridge has failed to extract, report on firing does not sound right, powder gas is being “spit out,” cartridge primer is punctured or cartridge case is bulged or punctured. HAVE THE FIREARM AND AMMUNITION EXAMINED BY A COMPETENT GUNSMITH.
2. FAILURE TO FIRE: KEEP THE MUZZLE POINTED IN A SAFE DIRECTION and hold it there for 30 seconds to determine if a HANGFIRE (slow ignition) has occurred. If round has not fired within the 30 seconds, remove the magazine, eject the round and examine the primer.
3. In any double-action pistol, an unfired cartridge or fired cartridge case may become jammed between the slide and the barrel. To clear a jammed cartridge, KEEP THE MUZZLE POINTED IN A SAFE DIRECTION and remove the magazine. Pull the slide back and lock it to the rear by engaging the Slide Stop. Remove the cartridge.

NOTE: Disposal of misfired or otherwise damaged, unfired cartridges should be carried out according to instructions provided by the manufacturer of the ammunition.

LOADING

PRACTICE THESE IMPORTANT ASPECTS OF SAFE GUN HANDLING WITH AN UNLOADED PISTOL OR WITH DUMMY ROUNDS UNTIL YOU ARE ABLE TO PERFORM EACH OF THE FOLLOWING STEPS WITH SKILL AND CONFIDENCE. READ THROUGH THIS MANUAL COMPLETELY BEFORE MAKING ACTUAL USE OF THIS PISTOL.

1. Remove the empty magazine from your pistol by pressing on the Magazine Catch button (**Figure 4**).



Figure 4

NOTE: As the magazine will fall free from the receiver of its own weight, place one hand under the magazine to prevent it from dropping to the ground and having it damaged.

DO NOT LOAD DAMAGED AMMUNITION. ALWAYS LOAD YOUR MAGAZINE WITH CLEAN, DRY, ORIGINAL HIGH QUALITY FACTORY MADE AMMUNITION THAT IS IN GOOD CONDITION AND THE PROPER CALIBER FOR YOUR PISTOL (TABLE 1). PRACTICE WITH DUMMY CARTRIDGES.

2. Load magazine from the top open end, the front of the cartridge pointing away from you, with the type and quantity of ammunition for your pistol (**Table 1**). Press rounds down and back (**Figure 5**).

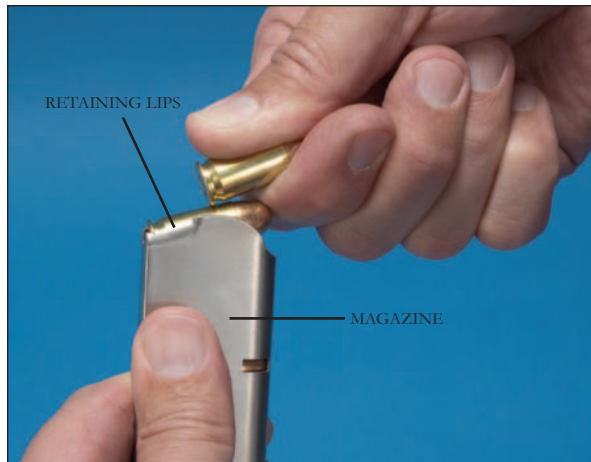


Figure 5

3. Insert an **EMPTY** magazine (one with no cartridges in it) into the frame of the pistol. Pull back on the slide, by grasping the serrated sides of the slide from the rear, until the Magazine Follower pushes the Slide Stop up into the Slide Stop Notch on the slide (**Figure 4**). The slide is now locked open in its rearward position and the hammer is back with the cocking cam cocked.
4. Remove the empty magazine from your pistol by pressing on the Magazine Catch button (**Figure 4**). **NOTE:** As the magazine will fall free from the receiver of its own weight, place one hand under the magazine to prevent it from dropping to the ground and having it damaged.
5. **VISUALLY AND PHYSICALLY INSPECT THE BARREL CHAMBER TO ENSURE THAT THE BARREL CHAMBER IS EMPTY AND THAT THE BORE IS FREE OF OBSTRUCTIONS.** Insert a loaded magazine into the frame of the pistol with cartridges pointing forward and make sure that the magazine is pressed up far enough to lock into place. **NOTE: DO NOT SLAM THE MAGAZINE INTO PLACE OR OVER-INSERT IT.**
6. **WITH THE MUZZLE ALWAYS POINTED IN A SAFE DIRECTION,** hold the pistol firmly in the shooting hand **WITHOUT TOUCHING THE TRIGGER.** Pull back on the slide with the other hand, by grasping the serrated sides of the slide from the rear, as far as it will go. Release the slide and allow it to fly forward with all its force and feed the top round from the magazine into the chamber. **THE PISTOL IS NOW READY FOR INSTANT USE.**
7. **APPLY SLIDE LOCK SAFETY UNTIL YOU ARE READY TO SHOOT.**

NEVER LEAVE YOUR PISTOL IN THE COCKED AND READY TO FIRE POSITION. THIS CONDITION IS EXTREMELY DANGEROUS.

UNLOADING

Always unload your pistol immediately after use and before cleaning and storage. **BEFORE PROCEEDING MAKE SURE YOU ARE WEARING SAFETY GLASSES AND KEEP THE PISTOL POINTED AWAY FROM YOUR FACE.**

FOLLOW THIS UNLOADING SEQUENCE EXACTLY IN ORDER TO AVOID THE POSSIBILITY OF THE CHAMBER BEING UNINTENTIONALLY LOADED WITH A LIVE CARTRIDGE.

1. WITH THE MUZZLE ALWAYS POINTED IN A SAFE DIRECTION, hold the pistol firmly in the shooting hand WITHOUT TOUCHING THE TRIGGER. Remove the magazine by placing the other hand below it and pressing the magazine catch button.
2. When unloading prior to the magazine having been totally expended and the slide stop having latched the slide open, keep your hands clear of the ejection port and pull the slide back vigorously to extract and eject a round from the chamber. **NOTE:** If the slide is locked open in its rearward position, this step (Step #2) does not apply.
3. **CAUTION:** INSPECT THE CHAMBER AND MAKE SURE THAT IT IS EMPTY.

4. With pistol still pointing in a safe direction, release the slide and allow it to snap forward on the empty chamber and then press the trigger and let the hammer cycle back and forward. **NOTE:** If the slide is locked open to its rearward position, pull the slide back slightly and then release it.
5. If the magazine contains any cartridges, hold it with the bullet end of the cartridges pointing away from you and press each cartridge forward and out of the magazine.
6. SEGREGATE MISFIRED AND DAMAGED AMMUNITION FOR DISPOSAL ACCORDING TO AMMUNITION MANUFACTURER'S INSTRUCTIONS.

FIRING

ALWAYS WEAR AND ENCOURAGE OTHERS AROUND YOU TO WEAR EAR PROTECTION AND SAFETY GLASSES WHICH SHOULD PREVENT POSSIBLE PERMANENT HEARING LOSS OR BLINDNESS.

1. WITH THE BARREL ALWAYS POINTING IN A SAFE DIRECTION, load your pistol as previously described in the section on "LOADING."
2. With a firm hold on the pistol receiver, KEEPING YOUR FINGER AWAY FROM THE TRIGGER, take aim and press down on the Slide Lock Safety to disengage it from the slide lock notch.
3. Take steady aim at your target and place your index finger over the trigger. Press the trigger gently, pressing it to the back, until the hammer falls on the firing pin.

THIS IS A SEMI-AUTOMATIC PISTOL THAT WHEN FIRED, AUTOMATICALLY RELOADS AND RECOCKS ITSELF AND IS READY TO FIRE AGAIN SIMPLY BY PRESSING THE TRIGGER.

4. Immediately following the firing of a shot, and if a subsequent shot is not to be fired at once, apply the Slide Lock Safety by pushing it into the slide lock notch. However, if the last round has already been fired from the magazine the slide will be locked to the rear with the engagement of the Slide Stop and the Slide Lock Safety cannot be applied.
5. WITH PISTOL POINTING IN A SAFE DIRECTION, unload as previously described in section on “UNLOADING.”

GRIP

For best performance, always be sure to grip the pistol firmly with a locked wrist and insure that your hands don't press upward on the Slide Stop Lever or Slide Lock Safety, as this can retard slide movement and cause malfunctions.

Here are some tips on how to properly hold your Para pistol from champion shooter Todd Jarrett:

1. To reduce recoil, get as high as possible to the center of the bore with your holster-side hand yet without touching the slide (**Figure 6**). This is important for high-speed shooting.



Figure 6

2. When holding a pistol, your thumbs should be pointing at the target and sitting lightly on the frame (**Figure 7**). Do not steer the pistol with your thumb or use it to add pressure.



Figure 7

3. When gripping a pistol, the right hand thumb will always be on top of the support hand. You will see that the weak hand thumb will be parallel across from the trigger finger (**Figure 8**). Remember, do not touch the slide with any part of your hand—it can disrupt the cycle and cause the firearm to malfunction.



Figure 8

4. When both hands are properly positioned on the pistol, there should be an equal amount of pressure all around the frame (**Figure 9**).



Figure 9

- If you release the fingers of your support hand while still gripping the pistol, your fingers should be in a forty-five degree downward angle (**Figure 10**).



Figure 10

- In an equal 50/50 grip, you should apply about as much pressure as if you were swinging a bat or hammer.
- Even the smallest difference in your hand position when gripping a pistol will change the bullet impact on the target.

MAINTENANCE

Proper periodic maintenance is essential to the reliable functioning of any firearm. The service life and performance of the pistol depend upon correct handling and proper care. All firearms require periodic maintenance and inspection which may reveal a need for adjustment or repair.

You should clean your pistol as soon after firing as possible and where your pistol has not been fired it should still be cleaned periodically. Have your firearm checked by a competent gunsmith annually, even if no functioning problem exists, since some potential problems may not be apparent from external examination of the pistol.

If the pistol gets wet, or is exposed to sand or other foreign matter, have it cleaned as soon as possible.

ALWAYS WEAR SAFETY GLASSES AND KEEP PISTOL POINTED AWAY FROM YOUR FACE, WHEN PREPARING TO STRIP AND CLEAN YOUR PISTOL TO AVOID INJURY TO THE EYES IN THE EVENT THAT SOME COMPONENT MAY COME FLYING LOOSE FROM YOUR GUN.

DISASSEMBLY

Carefully follow the steps that apply to your specific model pistol for disassembly.

STEP 1. Always make certain that the **MAGAZINE HAS BEEN REMOVED** and your **PISTOL IS NOT LOADED**.

STEP 2. With barrel pointing upward and away from your face, place the pistol with the back (heel) of the receiver and the grip safety resting on a table or bench.

BEFORE PROCEEDING MAKE SURE YOU ARE WEARING SAFETY GLASSES AND KEEP THE MUZZLE OF THE PISTOL POINTED AWAY FROM YOUR FACE.

STEP 3.

Using the barrel bushing wrench provided press down the recoil spring plug (located below the muzzle) while at the same time, rotating the barrel bushing clockwise for about a quarter (1/4) turn so as to free the plug and recoil spring (**Figure 9**).



Figure 9

STEP 3 con't.

Continue to apply pressure on the recoil spring plug to prevent ejection of it and the spring. Then gently and gradually allow the spring and the recoil spring plug to extend out of the slide (Figure 10).



Figure 10

BEFORE PROCEEDING MAKE SURE YOU ARE WEARING SAFETY GLASSES AND KEEP THE MUZZLE OF THE PISTOL POINTED AWAY FROM YOUR FACE.

STEP 4. With the Grip Safety depressed, push the slide back to the point that the slide stop lug is directly opposite the disassembly notch (Figure 11). Then push the rounded end of the slide stop pin, on the right side of the receiver, inward and through the receiver and out the left side.



Figure 11

STEP 4 con't.

Disengage slide stop from the slide by removing slide stop completely from the receiver (Figure 12).



Figure 12

STEP 5. Push slide forward and remove slide from the receiver.

STEP 6. (ALL LIMITED OR T-SERIES MODEL PISTOLS)

Pull recoil spring off of the recoil spring guide rod. Lift recoil spring guide rod and pull to the rear and out of the slide.

(ALL LDA PISTOLS EXCEPT LIMITED MODELS)

When you remove the recoil spring (Figure 13), the recoil spring guide will drop out of the slide.



Figure 13

STEP 7. To remove the barrel bushing from the barrel, turn the bushing counterclockwise and then push the barrel and bushing forward to the point that the bushing is clear of the slide and can be removed from the barrel (Figure 14).



Figure 14

STEP 8. With barrel bushing already removed, push barrel link forward and remove the barrel through the front of the slide.

If your pistol requires further work it should be done at an Authorized Service Center or at the factory.

**DO NOT DISASSEMBLE YOUR PISTOL ANY FURTHER.
DO NOT REMOVE OR ALTER ANY PARTS,
ESPECIALLY SAFETY PARTS.**

REASSEMBLY

Carefully follow the steps that apply to your specific model pistol for reassembly.

STEP 1. Push barrel link forward and install the barrel through the front of the slide.

STEP 2. To install the barrel bushing in the barrel, push the barrel forward enough to allow you to slide the barrel bushing onto it. Then push the bushing rearward until it contacts the slide. Turn it clockwise to engage it in the slide.

STEP 3. (ALL LDA PISTOLS EXCEPT LIMITED MODELS)

Assemble the recoil spring and guide. Make certain the closed end of the recoil spring is seated in the base of the guide. Then proceed to place the parts in the slide.

(ALL LIMITED OR T-SERIES MODEL PISTOLS) Insert recoil guide by pushing it toward the front of the slide (**Figure 15**).

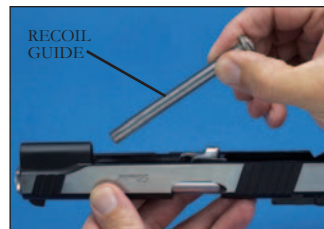


Figure 15

STEP 4. (ALL LDA PISTOLS EXCEPT LIMITED MODELS)

Insert recoil spring and guide by pushing them toward the front of the slide.

(ALL LIMITED MODEL LDA PISTOLS) Slip recoil spring, closed end first, over the front of the recoil spring guide, until the spring end makes contact with the base of the guide.

STEP 5. Make sure the plunger lever is down (forward) at the top of the receiver and keep it down by tipping the receiver forward (**Figure 16**).



Figure 16

STEP 5 con't.

Now you can run the slide onto the receiver to the point that the barrel link is exposed through slide stop hole in the receiver (**Figure 17**). Insert the slide stop pin in and through the receiver and barrel link.



Figure 17

STEP 6.

Make sure the grip safety is depressed and push the slide rearward to properly align the disassembly notch and snap the slide stop pin into place (**Figure 18**).



Figure 18

BEFORE PROCEEDING MAKE SURE YOU ARE WEARING SAFETY GLASSES AND KEEP THE MUZZLE OF THE PISTOL POINTED AWAY FROM YOUR FACE.

STEP 7.

Push the slide fully forward. Slip the recoil plug over the end of the recoil spring. Using the barrel bushing wrench apply and maintain pressure on the plug, gently and gradually push the spring and plug into the slide far enough so that you can rotate the barrel bushing with the wrench counter-clockwise slightly and hold the plug in place (**Figure 19**).



Figure 19

Now, place your bushing wrench over the bushing and, while pressing the wrench down firmly to hold the plug down, rotate the bushing counter-clockwise until the plug can snap into place (**Figure 20**).



Figure 20

SIGHT ADJUSTMENT - Fixed Sights

The rear sight is adjustable for windage only. Using a 5/64" hex wrench which has been provided, loosen the hex set screw located directly in front of the rear sight notch. You may now change windage by moving the rear sight either left or right in its dovetail. Remember, always move your rear sight in the direction you want your bullet's impact to go (**Figure 21**).



Figure 21

SIGHT ADJUSTMENT - Adjustable Sights

To adjust your rear sight for elevation, use the largest blade of the screwdriver which has been provided (**Figure 22**). To raise the sight and thus raise the impact point of the bullet, turn the screw counter-clockwise.



Figure 22

To adjust for windage, turn the screw on the right side of the rear sight clockwise to move the bullet's impact to the right; counter-clockwise to move impact to the left.

POWER EXTRACTOR ASSEMBLY

The Power Extractor Assembly Consists of four parts: body, coil spring, plunger and claw. The body (**Figure 23**) contains the coil spring and plunger and the key at the rear of the claw hooks into the window at the front of the body.



Figure 23

**ALWAYS WEAR SAFETY GLASSES
BEFORE DISASSEMBLING ANY PART
THAT CONTAINS A SPRING.**

Being careful not to launch the plunger, swing the key (**Figure 24**) at the rear of the claw out of the window in the body and away from the plunger. The plunger and the coil spring can now be removed from the body. To reassemble, insert the coil spring into the body followed by the plunger. Push the rear of the claw against the plunger and insert the key at the rear of the claw into the body window.



Figure 24

CLEANING PISTOL

1. Disassemble (field-strip) the pistol to the extent described on Pages 21 through 28.
2. Clean your pistol by brushing the barrel bore and chamber with a good powder-removing solvent and bore brush. Wipe the areas clean with patches or a swab.
3. Using a small brush dipped in solvent, remove all deposits from around the breech of the barrel, chamber, extractor and adjacent areas which have been subjected to powder residue. Wipe all surfaces clean with patch or swab.
4. After cleaning the entire pistol, use a cloth to apply a light coating of high quality gun oil by passing it once through the barrel and all other surfaces.

NOTE: Excess accumulations of oil can interfere with the safe and reliable function of the pistol.

ALWAYS PASS A DRY PATCH THROUGH THE BARREL TO REMOVE AS MUCH OIL AS POSSIBLE PRIOR TO USING PISTOL. FIRING THE PISTOL WITH OIL, GREASE OR ANY OTHER MATERIAL EVEN PARTIALLY OBSTRUCTING THE BORE MAY RESULT IN DAMAGE TO THE PISTOL WHICH CAN CAUSE INJURY, DEATH, OR PROPERTY DAMAGE.

BEFORE PROCEEDING MAKE SURE YOU ARE WEARING SAFETY GLASSES AND KEEP THE MAGAZINE POINTED AWAY FROM YOUR FACE.

CLEANING SINGLE-STACK MAGAZINES



Figure 25

This should be done whenever cleaning the pistol. Remove the magazine follower and spring by depressing them with a pencil or wooden dowel about 2" into the magazine and inserting a thin rod through the lower of the front two holes in the magazine body. Turn the magazine upside down and tap it, so the follower falls away from the spring. Remove the follower from the magazine body. Now, push down on the spring to take up the tension, and remove the thin rod. You can now remove the spring from the magazine (**Figure 25**).

Clean the follower, spring and magazine body. Lubricate lightly.

To reassemble, insert spring, with loop uppermost and pointed forward, back into magazine, compress spring and insert thin rod as previously directed. Place follower in magazine and remove the thin rod to allow the spring to press follower into its correct position.

CLEANING HIGH-CAPACITY MAGAZINES

This should be done whenever cleaning the pistol. Slide magazine floor plate toward the front of the magazine, taking care to avoid forcible ejection of the magazine spring from the body. With the

floor plate out of the way, remove the spring and follower. Clean all components, taking care to remove any powder deposits on the magazine retaining lips and follower (**Figure 26**).

NOTE: Place spring correctly oriented with closed loop uppermost pointing forward.

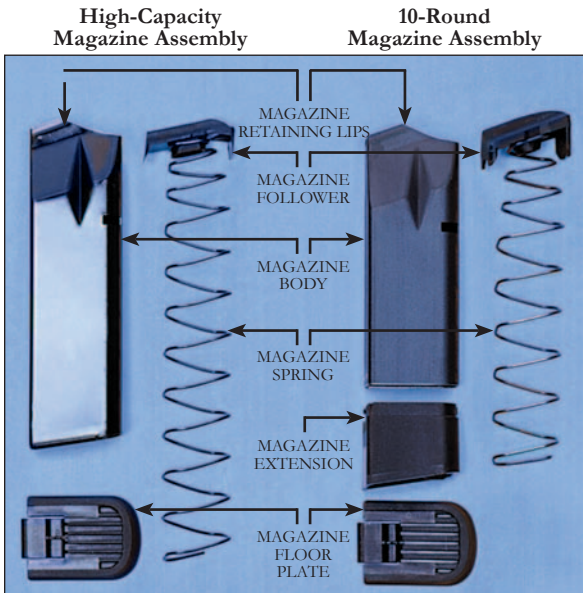


Figure 26

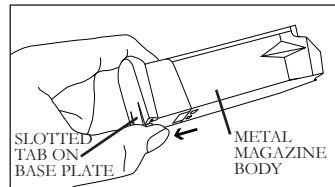
HIGH-CAPACITY MAGAZINE (LEFT) IS FOR LAW ENFORCEMENT ONLY. FOR RECREATIONAL USE, MAGAZINE CAPACITY IS RESTRICTED TO 10 ROUNDS IN THE U.S.A. AND CANADA.

DISASSEMBLY, CLEANING & REASSEMBLY OF 10-ROUND PARA-ORDNANCE MAGAZINE

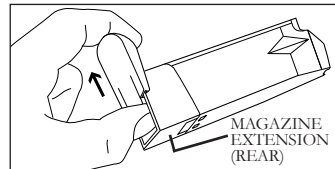
BEFORE PROCEEDING MAKE SURE YOU ARE WEARING SAFETY GLASSES AND KEEP THE MAGAZINE POINTED AWAY FROM YOUR FACE.

DISASSEMBLY

STEP 1: Remove all ammunition from the magazine. Firmly grasp the metal magazine body in one hand and with the other hand grip the magazine's base plate. Use your thumb to slightly raise the slotted tab at the rear of the base plate.

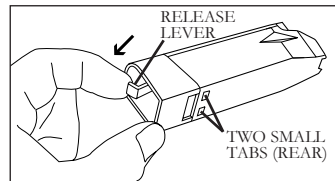


CAUTION: Lift the slotted tab only enough to clear the rear of the magazine extension.



STEP 2: Slide the base plate toward the front of the magazine to remove it.

STEP 3: While holding the magazine in one hand, use the index finger of the other hand to gently apply a small amount of pressure to the release lever at the bottom of the magazine extension.

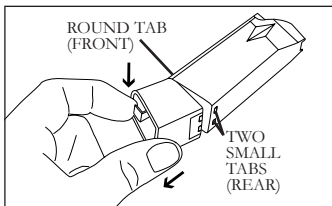


This will retract the two small tabs at the rear of the extension which keep it in place. Gently increase the pressure on the release lever until some resistance is felt.

CAUTION: Do not apply excessive pressure to the release lever or it may break off.

CAUTION: The spring and follower are compressed in the magazine. Care should be taken during this step to prevent them from flying out.

STEP 4: While maintaining the gentle pressure on the release lever, begin to rotate the magazine extension downward to release it from the metal magazine body. Release pressure from the lever as soon as the two small tabs at the top rear of the extension clear the magazine body. The extension can now be removed by easing it slightly rearward to release the round tab at the front. The spring and magazine follower can now be removed through the opening at the bottom of the metal magazine body. As you remove it, note which end faces the front.



CLEANING

CAUTION: Do not attempt to remove the follower from the spring.

Wipe the outside of the magazine with a rag. Insert a dry rag through the opening at the bottom of the metal magazine body and remove all residue from the inside. Do the same from the smaller opening at the top.

Clean all residue from the spring and from the magazine follower.

CAUTION: Do not apply oil to any part or lubricate any part of the magazine.

REASSEMBLY

STEP 1: Insert the spring and follower into the opening at the bottom of the metal magazine body.

CAUTION: Make sure that the rounded top edge of the follower is at the front of the magazine.

Position the bottom of the spring around the four posts on the magazine extension. Then, gently compress the spring with the magazine extension so that it is fully contained inside the magazine body. Engage the round tab at the top front of the

magazine extension in the small hole at the front of the magazine body.

While still holding the spring compressed, gently apply a tiny amount of rearward pressure to the lever at the bottom of the extension until some resistance is felt.

Then, rotate the rear of the extension upwards so it engages the magazine body. Continue rotating until the two small tabs are fully engaged.

Release the pressure from the lever at the bottom of the extension. The magazine extension is now locked in place.

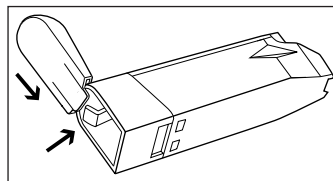
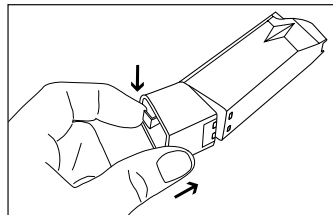
STEP 2: With your index finger, gently depress the lever at the bottom of the extension. This will allow you to replace the base plate without breaking the tab.

While holding the lever in a depressed position, begin to replace the base plate by sliding it rearward from the front of the extension. Be sure that the base plate engages the two rails on the sides of the extension.

Continue to slide the base plate towards the rear until a click is heard, indicating that the slotted tab at the rear of the base plate has passed over the rear edge of the extension, locking it in place.

Reassembly is now complete.

These instructions apply to all 10-round magazines for Para-Ordnance Hi-Cap .45, Hi-Cap Limited .45, Hi-Cap .40, Hi-Cap Limited .40, Hi-Cap 9, Hi-Cap Limited 9, Colonel, Carry 12 and Tac-Four handguns.



TRANSPORTATION AND STORAGE

When transporting your firearm to and from shooting activities, keep it unloaded and obey all laws relating to the transportation of firearms in your area.

When storing your firearm, store it securely and keep it separated from ammunition, under lock and key, and out of the sight and reach of children and other inexperienced persons.

NOTE: Protect your firearms from theft.

DO NOT STORE your pistol in anything which will attract moisture, e.g., leather or heavy cloth, and do not store it in an air-tight container or with a plug inserted in the barrel for these are factors that can contribute to corrosion.

EXTENDED STORAGE requires that the internal mechanisms are well oiled with an acid-free lubricating oil or preservative while external mechanisms (receiver, barrel, etc.) should be coated with an anti-rust oil.

COLD CLIMATE STORAGE requires that you make use of an oil which will not congeal at low temperatures. **USE SPARINGLY.**

BEFORE USING YOUR FIREARM AGAIN, BE SURE TO CLEAN IT.

SERVICE AND REPAIR

Para-Ordnance is strongly committed to properly servicing its products, as it has over the years, and in place of an express or written warranty it will provide all necessary service for its pistols purchased after January 1, 2001 free of charge to the original purchaser only, where adjustment or repair is required due to some defect in materials or workmanship.

If any problem or question should arise with regard to the performance of your firearm, please contact us, by mail or telephone, and fully describe all circumstances involved. This will allow us to determine the best way to handle your problem. If authorized factory service is deemed necessary, you will be given a return authorization number and shipping instructions.

MAKE SURE THAT THE MAGAZINE AND PISTOL ARE UNLOADED. DO NOT SHIP ANY CARTRIDGES WITH A FIREARM.

WHEN AUTHORIZED TO SHIP YOUR FIREARM FOR ADJUSTMENT OR REPAIR, PLEASE CAREFULLY NOTE THE FOLLOWING:

1. A detailed, written explanation of your problem should accompany the firearm being shipped for service or repair. Include model name, serial number and your return address (day telephone number optional). Also include a copy of your original proof of purchase.
2. All firearms should be shipped by common carrier (e.g., UPS), prepaid (we will not accept collect shipments) and insured for their full value. It is illegal for unlicensed individuals to ship handguns through the mail.
3. Due to the vast number of laws governing the transfer and transportation of firearms, it is strongly recommended that your firearm be shipped through a licensed dealer who will also accept delivery on your behalf when the pistol is returned. The shipment should be accompanied by a signed copy of the dealer's license.
4. **DO NOT** include holsters, custom grips or other accessories when shipping your firearm for service.
5. **DO NOT** indicate the nature of the contents on the package or use the "Para-Ordnance" name to address the shipment.
6. **DO** include the return authorization number on the outside of the package.

WARRANTY INFORMATION

Para-Ordnance acknowledges its obligations under implied warranty legislation, with respect to the sale of consumer goods, that may be in force in jurisdictions where its products are sold.

Due to differences in the extent and interpretation of such statutes, and also on the basis of the Magnusson-Moss Warranty Act of the United States of America, Para-Ordnance has elected not to offer any written or express warranty on its product line and you are advised to consult existing legislation in your country, state or province with regard to any implied warranty rights you may have under such laws.

NOTE: Different remedies may be available to you in different jurisdictions.

LIMITS OF LIABILITY

NOTE: PARA-ORDNANCE HAS CAREFULLY PACKAGED THIS PRODUCT PRIOR TO SHIPMENT FROM THE FACTORY. PLEASE EXAMINE IT CAREFULLY AT TIME OF PURCHASE TO ENSURE IT IS UNDAMAGED.

PARA-ORDNANCE SHALL NOT BE RESPONSIBLE IN ANY MANNER WHATSOEVER FOR INJURY, DEATH, OR DAMAGE TO PROPERTY AS A RESULT OF THE INTENTIONAL OR ACCIDENTAL DISCHARGE OF THIS FIREARM, OR FROM ITS PROPER FUNCTION WHEN THE PISTOL IS USED FOR PURPOSES FOR WHICH IT WAS NOT DESIGNED. FURTHERMORE, PARA-ORDNANCE SHALL NOT BE RESPONSIBLE FOR ANY CLAIMS THAT MAY ARISE AS A RESULT OF, WHETHER IN WHOLE OR IN PART, IMPROPER OR CARELESS HANDLING, UNAUTHORIZED MODIFICATIONS, USE OF IMPROPER AMMUNITION (WRONG CALIBER, DEFECTIVE, HAND LOADED, OR RELOADED CARTRIDGES) THAT IS NOT ORIGINAL HIGH QUALITY COMMERCIAL MANUFACTURED AND IN GOOD CONDITION, ABUSE, NEGLIGENCE, CORROSION, OR OTHER INFLUENCES BEYOND OUR IMMEDIATE AND DIRECT CONTROL. UNDER NO CIRCUMSTANCES SHALL PARA-ORDNANCE BE RESPONSIBLE FOR INCIDENTAL OR CONSEQUENTIAL DAMAGES, SUCH AS LOSS OF USE OF PROPERTY, LOSS OF EARNINGS OR PROFITS, OR ANY OTHER COMMERCIAL LOSS.

NOTE: DIFFERENT REMEDIES MAY BE AVAILABLE TO YOU IN DIFFERENT JURISDICTIONS.

SPARE PARTS

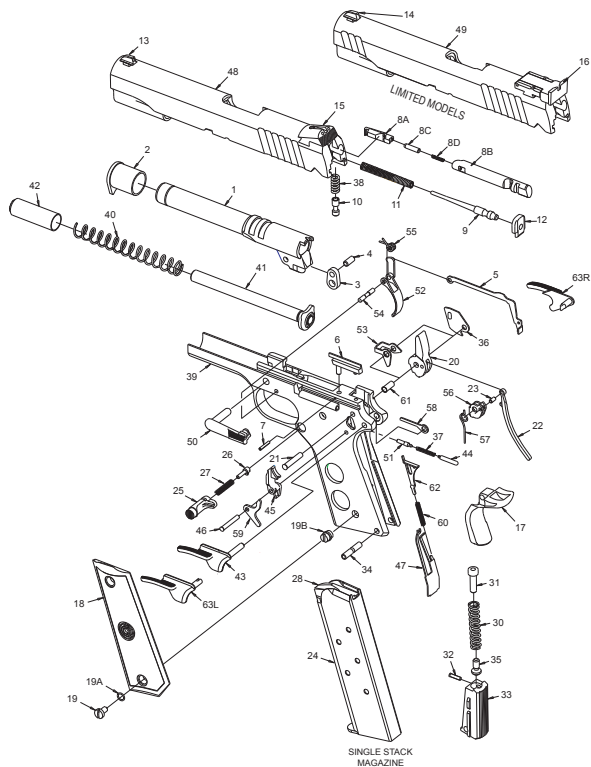
For Para-Ordnance replacement parts please contact your local dealer who should be able to assist you. Alternatively, you can also contact the Para-Ordnance Parts Department by mail or phone, for up-to-date information on the names and locations of our Authorized Service Centers as well as current parts prices.

PARTS AVAILABLE FOR SALE SHOULD BE INSTALLED AT A PARA-ORDNANCE AUTHORIZED SERVICE CENTER. OTHERWISE, IT IS THE PURCHASER'S TOTAL RESPONSIBILITY TO MAKE ABSOLUTELY CERTAIN THAT ANY PARTS FITTED AND INSTALLED ARE OF THE CORRECT TYPE AND THE WORK IS PERFORMED BY A COMPETENT PERSON.

PARA-ORDNANCE WILL NOT BE RESPONSIBLE FOR ANY UNAUTHORIZED ALTERATIONS PERFORMED, UNAUTHORIZED ATTACHMENTS FITTED OR UNAUTHORIZED PARTS USED ON THIS PRODUCT.

NOTES:

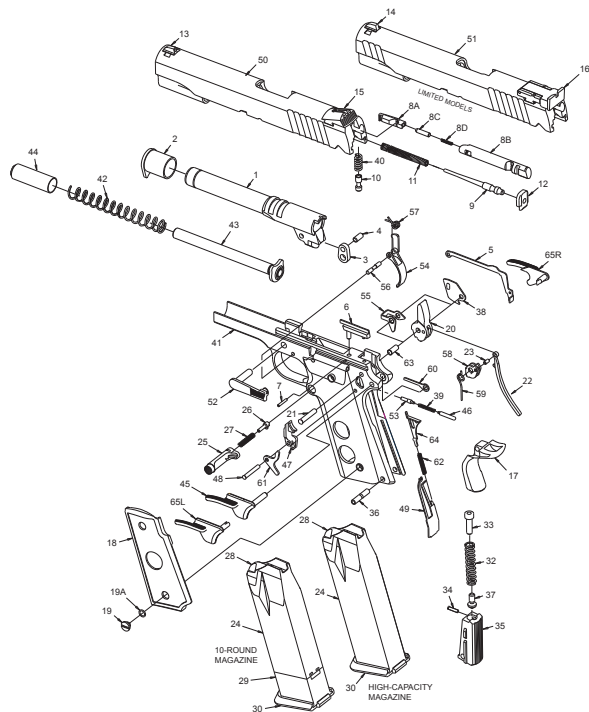
LDA SINGLE STACK PARTS ILLUSTRATION



LDA SINGLE STACK PARTS LIST

1. BARREL
2. BARREL BUSHING
3. BARREL LINK
4. BARREL LINK PIN
5. DRAWBAR
6. EJECTOR
7. EJECTOR PIN
- 8A. EXTRACTOR CLAW
- 8B. EXTRACTOR BODY
- 8C. EXTRACTOR PLUNGER
- 8D. EXTRACTOR SPRING
9. FIRING PIN
10. FIRING PIN PLUNGER
11. FIRING PIN SPRING
12. FIRING PIN STOP
13. FRONT SIGHT
14. FRONT SIGHT (LIMITED)
15. FIXED REAR SIGHT
16. ADJUSTABLE REAR SIGHT
17. GRIP SAFETY
18. GRIP (SET)
19. GRIP SCREW (4)
- 19A. GRIP SCREW
- 19B. GRIP SCREW BUSHING
20. HAMMER (SPURLESS)
21. HAMMER PIN
22. HAMMER STRUT
23. COCKING CAM PIN
24. MAGAZINE ASSEMBLY
25. MAGAZINE CATCH
26. MAGAZINE CATCH LOCK
27. MAGAZINE CATCH SPRING
28. MAGAZINE FOLLOWER
29. MAGAZINE SPRING (NOT SHOWN)
30. MAIN SPRING
31. MAIN SPRING CAP PIN
32. MAIN SPRING CAP PIN
33. MAIN SPRING HOUSING (FLAT)
34. MAIN SPRING HOUSING PIN
35. MAIN SPRING HOUSING PIN RETAINER
36. PLUNGER LEVER
37. PLUNGER SPRING
38. PLUNGER SPRING F/P
39. RECEIVER
40. RECOIL SPRING
41. RECOIL SPRING GUIDE
42. RECOIL SPRING PLUG
43. SLIDE LOCK SAFETY
44. SAFETY LOCK PLUNGER
45. SEAR
46. SEAR PIN
47. SEAR SPRING
48. SLIDE
49. SLIDE (LIMITED)
50. SLIDE STOP
51. SLIDE STOP PLUNGER
52. TRIGGER
53. STRADDLE
54. TRIGGER PIN
55. TRIGGER RETURN SPRING
56. COCKING CAM
57. HAMMER RETURN SPRING
58. SAFETY LOCK LEVER
59. GRIP SAFETY LEVER
60. DRAWBAR PLATFORM SPRING
61. HAMMER ASSEMBLY PIN
62. DRAWBAR PLATFORM
- 63L/R. AMBIDEXTROUS SLIDE LOCK SAFETY (LEFT/RIGHT)

LDA HIGH CAPACITY PARTS ILLUSTRATION



LDA HIGH CAPACITY PARTS LIST

1. BARREL
2. BARREL BUSHING
3. BARREL LINK
4. BARREL LINK PIN
5. DRAWBAR
6. EJECTOR
7. EJECTOR PIN
- 8A. EXTRACTOR CLAW
- 8B. EXTRACTOR BODY
- 8C. EXTRACTOR PLUNGER
- 8D. EXTRACTOR SPRING
9. FIRING PIN
10. FIRING PIN PLUNGER
11. FIRING PIN SPRING
12. FIRING PIN STOP
13. FRONT SIGHT
14. FRONT SIGHT (LIMITED)
15. FIXED REAR SIGHT
16. ADJUSTABLE REAR SIGHT
17. GRIP SAFETY
18. GRIP (SET)
19. GRIP SCREW (4)
- 19A. GRIP SCREW
LOCKING RINGS
20. HAMMER (SPURLESS)
21. HAMMER PIN
22. HAMMER STRUT
23. COCKING CAM PIN
24. MAGAZINE ASSEMBLY
25. MAGAZINE CATCH
26. MAGAZINE CATCH LOCK
27. MAGAZINE CATCH SPRING
28. MAGAZINE FLOOR PLATE
29. MAGAZINE EXTENSION
(10-ROUND MAGAZINE)
30. MAGAZINE FOLLOWER
31. MAGAZINE SPRING
(NOT SHOWN)
32. MAIN SPRING
33. MAIN SPRING CAP
34. MAIN SPRING CAP PIN
35. MAIN SPRING HOUSING
(FLAT)
36. MAIN SPRING HOUSING PIN
37. MAIN SPRING HOUSING
PIN RETAINER
38. PLUNGER LEVER
39. PLUNGER SPRING
40. PLUNGER SPRING F/P
41. RECEIVER
42. RECOIL SPRING
43. RECOIL SPRING GUIDE
44. RECOIL SPRING PLUG
45. SLIDE LOCK SAFETY
46. SAFETY LOCK PLUNGER
47. SEAR
48. SEAR PIN
49. SEAR SPRING
50. SLIDE
51. SLIDE (LIMITED)
52. SLIDE STOP
53. SLIDE STOP PLUNGER
54. TRIGGER
55. STRADDLE
56. TRIGGER PIN
57. TRIGGER RETURN SPRING
58. COCKING CAM
59. HAMMER RETURN SPRING
60. SAFETY LOCK LEVER
61. GRIP SAFETY LEVER
62. DRAWBAR PLATFORM
SPRING
63. HAMMER ASSEMBLY PIN
64. DRAWBAR PLATFORM
- 65L/R. AMBIDEXTROUS SLIDE
LOCK SAFETY (LEFT/RIGHT)

FIREARM RECORD

MODEL

SERIAL NO.

PURCHASED FROM

DATE PURCHASED

This instruction manual should always accompany this firearm and be transferred with it upon change of ownership.



980 TAPSCOTT ROAD
SCARBOROUGH, ONTARIO M1X 1C3
(416) 297-7855 • FAX: (416) 297-1289
www.paraord.com

MANUAL #PO0904SB