

**OPERATIONS  
MANUAL  
FOR  
SUPER VEPR™  
RIFLES**



**ROBINSON  
ARMAMENT CO.  
PO BOX 16776  
SALT LAKE CITY, UT 84116  
url: [www.robarm.com](http://www.robarm.com)**

# **WARNING!!!**

**READ THIS OPERATION MANUAL CAREFULLY AND RECEIVE FIREARMS SAFETY TRAINING FROM A COMPETENT INSTRUCTOR BEFORE HANDLING OR OPERATING THIS FIREARM. THIS OPERATION MANUAL CONTAINS IMPORTANT WARNINGS WHICH MUST BE UNDERSTOOD AND FOLLOWED BY ANYONE HANDLING OR OPERATING THIS FIREARM.**

**IMPROPER HANDLING OR OPERATING OF ANY FIREARM MAY RESULT IN SERIOUS BODILY INJURY, DEATH, OR DESTRUCTION OF PROPERTY. NEITHER THE IMPORTER, ROBINSON ARMAMENT CO., NOR THE MANUFACTURER, VYATSKIE POLYANY MACHINE BUILDING PLANT ("MOLOT"), SHALL BE LIABLE FOR ANY INJURY TO PERSONS OR ANY DAMAGE TO PROPERTY RESULTING FROM THE USE OF THIS FIREARM.**

**THIS OPERATION MANUAL SHOULD ACCOMPANY THE FIREARM AT ALL TIMES AND SHOULD BE TRANSFERRED WITH POSSESSION OF THE FIREARM TO ANY SUBSEQUENT OWNER OR OPERATOR.**

**ALWAYS REMEMBER TO KEEP FIREARMS AND AMMUNITION LOCKED UP AND OUT OF THE REACH OF CHILDREN AND OTHER UNAUTHORIZED INDIVIDUALS. SAFETY IS YOUR RESPONSIBILITY!!!**

**Copyright 2000 Robinson Armament Co.  
All Rights Reserved**

# TABLE OF CONTENTS

<b>SECTION I</b>	<b>FIREARM SAFETY RULES</b>	<b>4</b>
<b>SECTION II</b>	<b>TERMINOLOGY</b>	<b>5</b>
<b>SECTION III</b>	<b>DESCRIPTION OF THE VEPR'S ACTION</b>	<b>6</b>
<b>SECTION IV</b>	<b>LOADING THE VEPR</b>	<b>9</b>
<b>SECTION V</b>	<b>AIMING THE VEPR</b>	<b>12</b>
<b>SECTION VI</b>	<b>FIRING THE VEPR</b>	<b>13</b>
<b>SECTION VII</b>	<b>UNLOADING THE VEPR</b>	<b>15</b>
<b>SECTION VIII</b>	<b>DISASSEMBLY PROCEDURES</b>	<b>17</b>
<b>SECTION IX</b>	<b>ASSEMBLY PROCEDURES</b>	<b>20</b>
<b>SECTION X</b>	<b>CLEANING AND LUBRICATION</b>	<b>22</b>
<b>SECTION XI</b>	<b>ATTACHING THE SCOPE MOUNT</b>	<b>23</b>
<b>SECTION XII</b>	<b>CHILD SAFETY LOCK</b>	<b>25</b>
<b>SECTION XIII</b>	<b>MODIFICATIONS</b>	<b>27</b>
<b>SECTION XIV</b>	<b>SPECIFICATIONS</b>	<b>27</b>

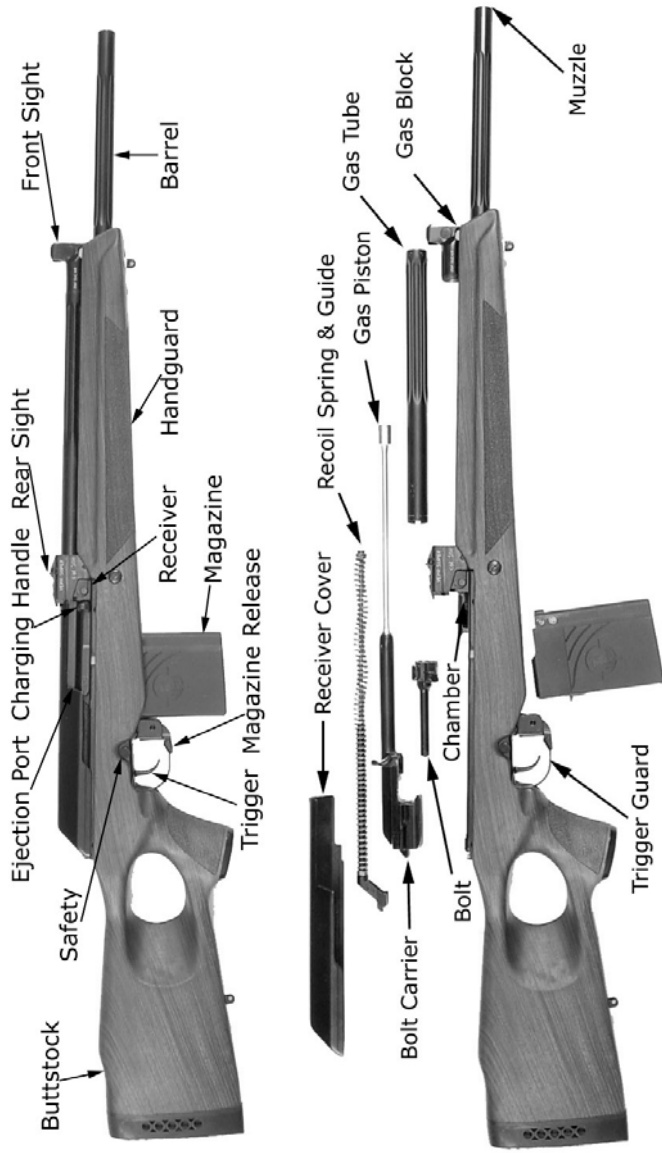
## SECTION I - FIREARM SAFETY RULES

**WARNING!!! THESE SAFETY RULES ARE OF A GENERAL NATURE ONLY. THEY ARE NOT INTENDED TO BE EXHAUSTIVE NOR ARE THEY INTENDED TO BE A SUBSTITUTE FOR PROPER FIREARMS TRAINING FROM A COMPETENT FIREARMS INSTRUCTOR.**

1. **Always keep the firearm pointed in a safe direction.** Firearms must be treated as if always loaded and always firing a steady stream of bullets. Do not point the muzzle of the firearm at any thing you do not intend to kill or destroy.
2. **Never place your finger on the trigger until you are ready to fire.** Before placing your finger on the trigger, make sure that you have first assumed a stable shooting position and have your intended target clearly within your sights.
3. **Clearly identify your target and backstop before you pull the trigger.** Rifle cartridges are very powerful; have a lethal range of many miles. They can often penetrate hard objects such as walls and metal. Before you pull the trigger, it is vital that you clearly identify your target and have a backstop behind the target capable of stopping rifle bullets. Do not fire at hard objects or at water, which can cause bullets to ricochet and hit unintended objects.
4. **Always wear adequate eye and hearing protection while shooting.** Firearms, upon discharge, are extremely loud, and violently eject spent cases, hot gasses and particles. Operators and bystanders must wear adequate eye and hearing protection at all times when a firearm is being discharged to prevent permanent vision and hearing loss.
5. **Always store your firearms unloaded, locked up, and out of the reach of children and other unauthorized individuals.** Be sure to keep your firearms locked in a secure place when not in use. It is your responsibility to make sure that children and other unauthorized individuals do not have access to your firearms.

## SECTION II – TERMINOLOGY

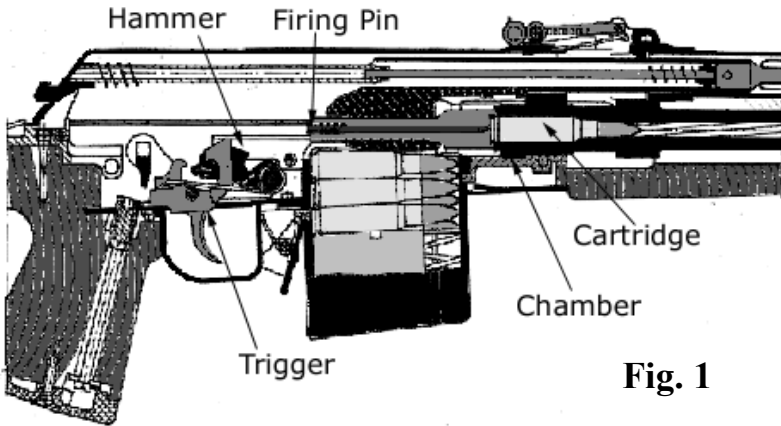
TAKE TIME TO THOROUGHLY FAMILIARIZE YOURSELF WITH THE TERMS IN THIS SECTION DESCRIBING THE FEATURES AND COMPONENTS OF THE VEPR AS THEY WILL BE REFERRED TO THROUGHOUT THIS MANUAL.



### SECTION III - DESCRIPTION OF THE VEPR'S ACTION

The VEPR is a gas operated semiautomatic sporting rifle. The VEPR's action is based on that of the *Automat Kalashnikov* designed by Mikhail Kalashnikov in the former Soviet Union shortly after WWII. The operating cycle of this semi-automatic action is briefly described below.

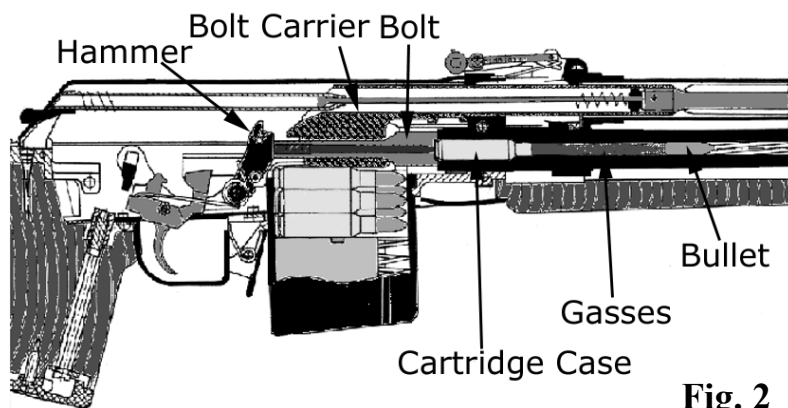
To begin the description of the operating cycle, it is assumed that the following operations have been performed: A loaded *magazine* has been inserted into the firearm. And a *cartridge* has been manually cycled into the *chamber*. The *hammer* is held in the cocked position by the *trigger* (See Fig.1).



**Fig. 1**

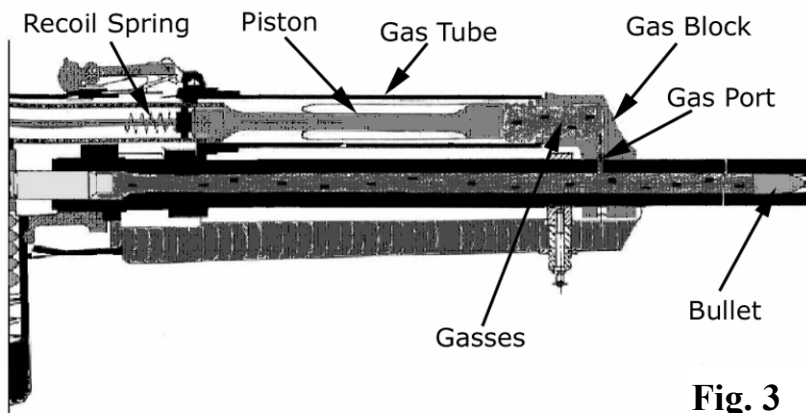
As the *trigger* is pulled, the *hammer* is released from engagement with the *trigger*. The *hammer*, under the force of its spring, rotates forward and upward into contact with the *firing pin* which is contained in the *bolt* which is itself contained in the *bolt carrier* (See Fig. 2). As the *hammer* strikes the end of the *firing pin*, the tip of the *firing pin* is forced to strike the primer of the *cartridge* causing it to ignite. The ignited primer causes the powder within the *cartridge case* to burn. The burning powder creates *gasses* that expand under very

high pressure to force the *bullet* out of the *cartridge case* and down the bore of the *barrel* (See Fig.2).



**Fig. 2**

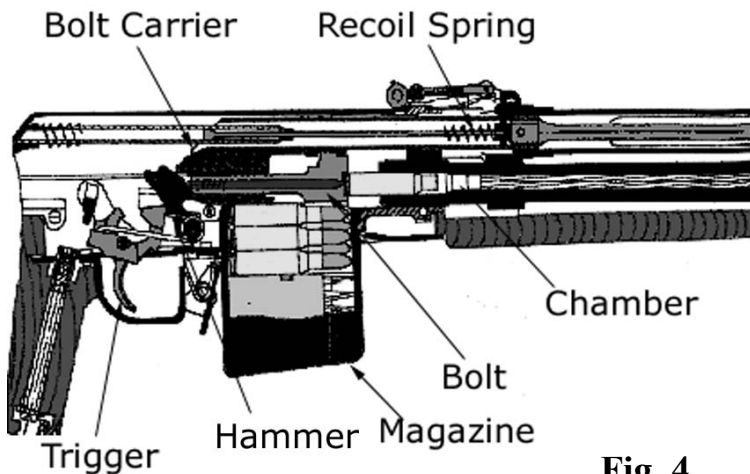
As the *bullet* passes the *gas port* in the barrel, some of the *gasses* are forced through the port into the *gas block*. The *gas block* diverts the *gasses* into the *gas tube* allowing them to impinge upon the *piston* of the *bolt carrier* forcing it to the rear of the firearm against the force of the *recoil spring* (See Fig.3).



**Fig. 3**

As *bolt carrier* is forced to the rear, a camed slot in its underside engages the camming lug of the *bolt* causing it to rotate. The rotation of the *bolt* causes the locking lugs of the *bolt* to rotate out of engagement with locking recesses of the *receiver*. The *bolt* is now unlocked and may travel to the rear of

the *receiver* with the *bolt carrier* (See Fig 4). As the *bolt carrier* and *bolt* travel further to the rear of the firearm, the extractor which is engaging the rim of the *cartridge case* pulls the empty *cartridge* from the *chamber*. As the *bolt* carrying the empty *cartridge* passes the ejector, the spent case is forced out of the grip of the extractor and is ejected from the right side of the firearm. During the *bolt carrier's* rearward movement, the *hammer* is rotated against the force of its spring into engagement with the *trigger* (See Fig.4).



**Fig. 4**

As the *bolt carrier* with its *bolt* reaches the rear limit of its travel, the compressed *recoil spring* forces the *bolt carrier* and *bolt* forward. As the *bolt* passes the rear of the *magazine*, a new *cartridge* is forced from the *magazine* into the *chamber*. Simultaneously, the extractor is forced over the rim of the new *cartridge case* and the lugs of the *bolt* are rotated into engagement with the recesses in the firearm's *receiver*. The *bolt carrier* continues forward until it reaches its forward limit. One complete cycle has now been completed and the firearm is ready to be fired again by pulling the *trigger*.



## SECTION IV - LOADING THE VEPR

**WARNING!!! USE ONLY NEW, UNDAMAGED, COMMERCIAL GRADE AMMUNITION MEETING SAAMI SPECIFICATIONS OF THE PROPER CALIBER WITH YOUR VEPR. THE CALIBER OF YOUR VEPR IS INDICATED ON THE RIGHT SIDE OF THE RECEIVER UNDER THE REAR SIGHT (SEE FIG.5). FAILURE TO USE THE PROPER AMMUNITION COULD CAUSE DEATH OR SERIOUS BODILY INJURY TO THE OPERATOR AND BYSTANDERS AS WELL AS DAMAGE TO PROPERTY.**



**Fig. 5**

Before loading the VEPR, inspect the bore of the *barrel* for any obstructions. **WARNING!!! FIRING THE VEPR WITH ANY OBSTRUCTION IN THE BARREL MAY RESULT IN DEATH OR SERIOUS BODILY INJURY TO THE OPERATOR AND BYSTANDERS. BEFORE INSPECTING THE BORE, MAKE SURE THE MAGAZINE HAS BEEN REMOVED AND THE CHAMBER IS EMPTY. (REFER TO SECTION VII FOR THE PROCEDURE TO REMOVE THE MAGAZINE AND CHECK THE CHAMBER.)** It is recommended that you remove the *bolt carrier* from the firearm before inspecting the bore. (To remove the *bolt carrier*, please see the Disassembly Procedures in Section VIII of this manual).

1. Load a *magazine* by taking it in your hand, and using the thumb of your other hand to force one live cartridge into the *magazine* at a time. Continue this process until you cannot load any more cartridges into the *magazine*.
2. Engage the safety by pushing the *safety button* from left to right as far as it will go. The *safety button* is located just above and forward of the trigger. The safety is on when the *safety button* is flush with the left side of the rifle as shown in Fig. 6.



**Fig. 6**

3. Having loaded a *magazine*, insert the front of the *magazine* into the *receiver* at an angle. Next rotate the rear of the *magazine* up into the *receiver* until the *magazine release lever* engages the catch on the rear of the *magazine* (See Fig. 7).



**Fig. 7**

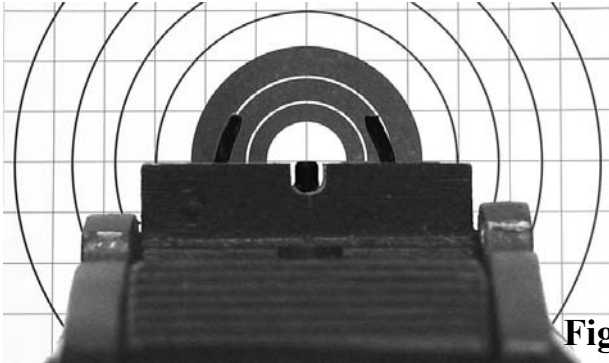
4. Disengage the safety by pushing the *safety button* from right to left as far as it will go. The safety is off when the *safety button* is protruding from the left side of the rifle as shown in Fig. 8 below.



5. Keeping the rifle pointed in a safe direction, pull the *charging handle* to its rear-most position then release it. **WARNING!!! THE CHARGING HANDLE CANNOT BE RETRACTED IF THE SAFETY BUTTON OF THE FIREARM IS IN THE SAFE POSITION AND THE HAMMER IS IN THE RELEASED POSITION (I.E., THE TRIGGER WAS PULLED RELEASING THE HAMMER BUT A ROUND WAS NOT FIRED.). TRYING TO FORCE THE CHARGING HANDLE TO THE REAR WHILE IN THE CONDITION DESCRIBED IN THE PREVIOUS SENTENCE MAY DAMAGE THE FIRE CONTROL COMPONENTS MAKING THE RIFLE DANGEROUS.** The rifle now has a live cartridge in the chamber and is ready to fire. Next, engage the safety by pressing the *safety* button from left to right so that it is flush with the left side of the receiver as shown in Fig. 6 above.

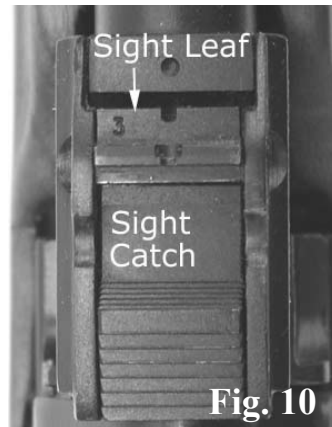
## SECTION V - AIMING THE VEPR

1. Align the *sight post* of the *front sight* with the squared notch of the *rear sight* so that the top of the *front sight post* is level with the top plane of the *rear sight*. Make sure that the space on either side of the *front sight post* is equal. Place the center of the target on top of the *front sight post* as shown in Fig. 9 below.



**Fig. 9**

2. Sight adjustments for zeroing are made by screwing the front sight post up and down for elevation. For windage adjustments, the cylinder containing the front sight should be moved gradually in the desired direction using an AK47 sight adjustment tool or by tapping it lightly using a brass punch.
3. The *rear sight* also has an elevation adjustment for 100 and 300 meters. This adjustment is made by pulling the rear sight catch to the rear of the rifle while flipping the rear sight leaf to the desired elevation.



**Fig. 10**

## SECTION VI - FIRING THE VEPR

**WARNING!!! ALWAYS ASSUME A STABLE SHOOTING POSITION, CLEARLY IDENTIFY YOUR TARGET, AND HAVE AN ADEQUATE BACK STOP BEFORE PLACING YOUR FINGER ON THE TRIGGER.**

**WARNING!!! IF THE RIFLE FAILS TO FIRE A PROPERLY CHAMBERED CARTRIDGE, YOU MAY HAVE EXPERIENCED A “HANG FIRE”, A DELAYED DISCHARGE OF THE CARTRIDGE. KEEP THE RIFLE POINTED IN A SAFE DIRECTION AT ALL TIMES AND DO THE FOLLOWING: WAIT 30 SECONDS, THEN PULL THE CHARGING HANDLE TO ITS REARMOST POSITION TO EXTRACT AND EJECT THE MALFUNCTIONING CARTRIDGE. RELEASE THE CHARGING HANDLE TO CHAMBER A NEW CARTRIDGE. IF THE RIFLE FAILS TO FIRE AGAIN, UNLOAD THE RIFLE AND HAVE IT INSPECTED BY A COMPETENT GUNSMITH.**

1. While holding the pistol grip of the stock with your right hand keeping all fingers outside the trigger guard, disengage the safety by using your index finger of your right hand to depress the *safety button*, moving it from right to left as far as it will go (See Fig.11). The rifle is now ready to fire.



**Fig. 11**

2. With the target clearly in your sights, place your finger on the *trigger* (See Fig.12). Keeping your intended target within the sights at all times, slowly and gently squeeze the *trigger* until the rifle discharges. If your sights move off the target during the *trigger* pull, release the *trigger* immediately. You may begin pulling the *trigger* again when your target is within your sights.



3. The procedure described above may be repeated until the rifle is empty. When finished firing the rifle, engage the safety by pushing the *safety button* from left to right as far as it will go. (See Section IV, Paragraph 2). When finished shooting follow the unloading procedure described in Section VII.

## SECTION VII – UNLOADING THE VEPR

**WARNING!!! THE RIFLE MAY STILL BE LOADED EVEN THOUGH THE MAGAZINE IS REMOVED. THERE MAY STILL BE A ROUND IN THE CHAMBER WHICH COULD BE DISCHARGED IF THE TRIGGER IS PULLED.**

1. Remove the *magazine* from the rifle by depressing the *magazine release lever* with your right index finger while simultaneously rotating the rear of the *magazine* down and away from the rifle with your left hand (See Fig. 13). Completely remove the *magazine* from the rifle (See Fig.14).

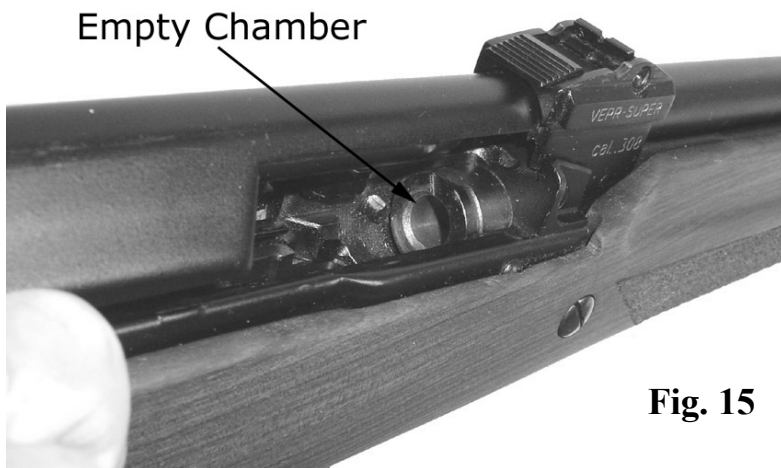


**Fig. 13**



**Fig. 14**

2. While keeping the rifle pointed in a safe direction, push the *safety button* from the right to the left as far as it will go (the “Fire Position”) and pull the *charging handle* to its rearmost position. **WARNING!!! THE CHARGING HANDLE CANNOT BE RETRACTED IF THE SAFETY BUTTON OF THE FIREARM IS IN THE SAFE POSITION AND THE HAMMER IS IN THE RELEAISED POSITION (I.E., THE TRIGGER WAS PULLED RELEASING THE HAMMER BUT A ROUND WAS NOT FIRED.). TRYING TO FORCE THE CHARGING HANDLE TO THE REAR WHILE IN THE CONDITION DESCRIBED IN THE PREVIOUS SENTENCE MAY DAMAGE THE FIRE CONTROL COMPONENTS MAKING THE RIFLE DANGEROUS.**
3. While holding the *charging handle* at its rearmost position, inspect the *chamber* to make certain that no round is present in the *chamber*. Pulling the *charging handle* to the rearmost position should eject any cartridge from the *chamber*, however, this is not always the case. Always visually inspect the *chamber* to make sure no round is present. See Fig. 15.



**Fig. 15**

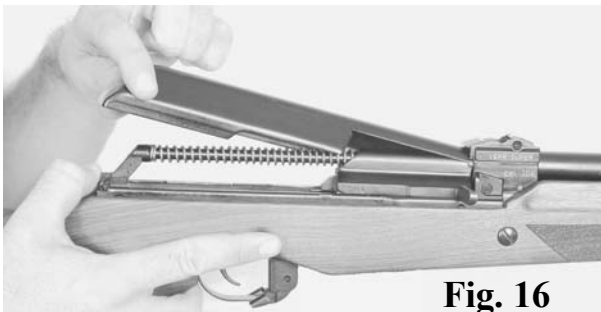


4. After visually inspecting the *chamber* and finding no round is present, release the *bolt carrier*. Keeping the firearm pointed in a safe direction pull the trigger to release the hammer. Next, engage the safety by pushing the *safety button* from the left to right as far as it will go (See Section IV, Paragraph 20.). The rifle is now ready for safe transportation.

## SECTION VIII - DISASSEMBLY PROCEDURES

**WARNING!!! ADEQUATE EYE PROTECTION SHOULD ALWAYS BE WORN WHILE DISASSEMBLING ANY FIREARM AS SPRING LOADED PARTS MAY JUMP FROM THE FIREARM AND MAY CAUSE PERMANENT VISION LOSS OR OTHER SERIOUS DAMAGE.**

1. Remove the *magazine* from the rifle and make sure no round is present in the chamber as described in Section VII – Unloading the VEPR.
2. Move the *safety button* to the safe position (See Section IV – Loading the VEPR) .
3. Remove the *receiver cover* by depressing the *recoil guide button* (located at the rear of the receiver) with one hand while simultaneously lifting the *receiver cover* up and to the rear with the other hand (See Fig.16).



**Fig. 16**

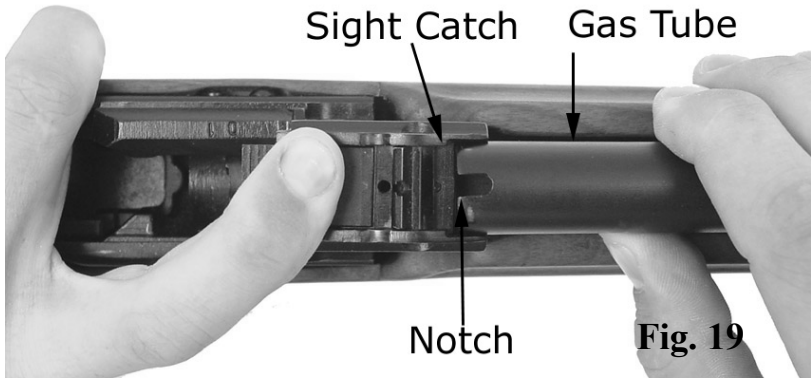
4. Remove the *recoil guide and spring* by pushing it forward to disengage the tongue from the slot in the back of the *receiver*. Once clear of the slot, the receiver guide and spring may be pulled up and out of the *bolt carrier*



5. Remove the *bolt carrier* from the *receiver* by pulling it towards the rear of the *receiver*. Slots cut in the rear of the *receiver* allow the *bolt carrier* to be lifted up and out of the *receiver* (See Fig. 18).



5. Remove the *gas tube* by pushing the *sight catch* to the rear of the rifle as far as it will go. (See Fig. 19). It may be necessary to wiggle the rear sight leaf about its axis to push the sight catch all the way to the rear and the *notch* of the *gas tube* is fully visible, the *gas tube* may be removed from the rifle. Now grip the *gas tube* and lift it up and away from the rifle (See Fig.20).

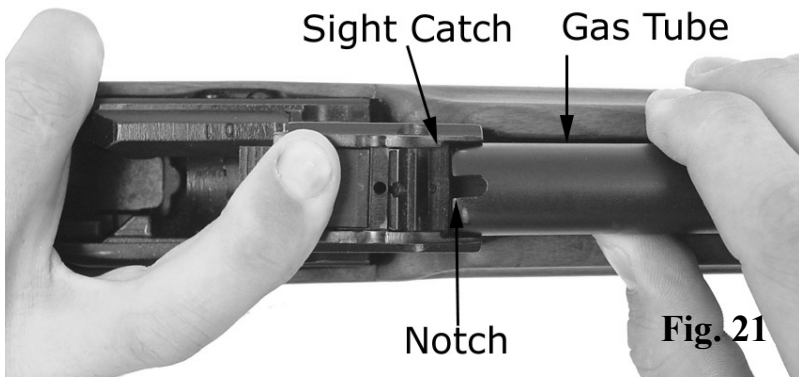


**WARNING! FURTHER DISSASSEMBLY SHOULD ONLY BE PERFORMED BY A COMPETENT GUNSMITH.**

## SECTION IX - ASSEMBLY PROCEDURES

**WARNING!!! ADEQUATE EYE PROTECTION SHOULD ALWAYS BE WORN WHILE ASSEMBLING ANY FIREARM AS SPRING LOADED PARTS MAY JUMP FROM THE FIREARM DURING THIS PROCEDURE AND MAY CAUSE PERMANENT VISION LOSS.**

Attach the *gas tube* to the *receiver* by sliding its forward opening over the end of the *gas block* on the *barrel*. Make sure the notch of the *gas tube* is pointed straight up. Pull the sight catch back until the gas tube can be dropped into the receiver. Next release the sight catch. See Figure 21. Below.



Attach the *bolt carrier* into the *receiver* by inserting the *gas piston* into the *gas tube*. Next lower the rear of the *bolt carrier* so that it aligns with its slot in the *receiver*. (Note: the bolt must be rotated so that it is in its fully unlocked position while lowering the *bolt carrier* into the *receiver*.) Now slide the *bolt carrier* to its forward-most position (See Fig.22).



Fig. 22

Insert the front of the *recoil spring guide* into the hole in the rear of the *bolt carrier*. Push the *recoil spring guide* forward, moving the tongue of its rear portion down and into alignment with its slot on the back of the *receiver*. Release the *recoil spring guide* so that it fully engages the *receiver* (See Fig.23).



Fig. 23

Replace the receiver cover by inserting its forward end into its slot in the *receiver* (located just behind and beneath the *rear sight*). Push the rear of the *receiver cover* down over the rear of the *recoil spring guide* until the rear of the *recoil spring guide* button locks the *receiver cover* into place (See Fig.24).



Fig. 24

## SECTION X - CLEANING AND LUBRICATION

**WARNING!!! DO NOT USE HARSH BORE CLEANERS TO CLEAN THE OUTSIDE OF THE BARREL OR TO OIL THE STOCK. USE ONLY LIGHT OIL TO CLEAN THESE PARTS. HARSH CLEANERS MAY HURT THE FINISH OF THESE PARTS.**

The rifle should be cleaned and lubricated after firing, long storage or exposure to dirt and moisture. For complete cleaning the rifle should be field stripped. Before cleaning, the rifle should be unloaded (see SECTION VII) and disassembled (see SECTION VIII).

A cleaning kit is included with your rifle. The kit supplied is not comprehensive. Additional supplies such as patches, brushes, etc. will be required for complete and comprehensive cleaning.

Using a cleaning rod and brush, saturate the brush with a commercial gun cleaning solvent and run the brush through the *barrel* and *chamber*. Repeat this process several times. Remove the brush and run a dry patch through the *barrel* and *chamber*. Next alternate running patches soaked with gun cleaning solvent and dry patches through the *barrel* and *chamber*. Repeat this process until the *barrel* and *chamber* are clean. Once clean, run a patch with light oil through the *barrel* and *chamber*.

Do not use grease or heavy oil in the *barrel* unless the rifle will be stored for a long period. It is necessary to remove all heavy deposits of oil and grease from the barrel before attempting to use the rifle. Before attempting to fire the rifle, carefully follow the barrel inspection and loading procedures outlined in SECTION IV. The *bolt* and *bolt carrier* should

be cleaned using a brush dipped in solvent. A light film of gun oil should be applied for protection and lubrication. The *gas tube* and *gas piston* should be cleaned and dried but not oiled.

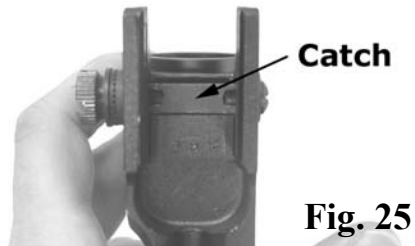
## SECTION XI - ATTACHING THE SCOPE MOUNT

The scope mount has 26mm rings. Spacers are provided for use with one inch scopes.

1. Install the scope on the scope mount using the rings and spacers provided.
2. With your scope securely installed in the rings, raise the locking lever of the scope mount by swinging it up from the body as shown in Fig. 24.



3. Look at the bottom of the front end of the scope mount. Make sure the flat section of the catch is facing straight down (as shown in Fig. 25) while the locking lever is in the up position. Note: It may be necessary to loosen the hand nut of the locking lever and adjust the locking lever so it is in the up position while the flat of the catch is in the down position. Then retighten the hand nut.



- Carefully align the channels of the scope mount with the scope mount rail located just below the rear sight. Also the legs of the scope mount must be aligned with the protrusions on each side of the receiver. See Fig. 26.



- Carefully slide the scope mount forward until its square front edge is aligned with the square front edge of the *receiver*. It should end up in the position shown in Fig. 27 below.
- Rotate the locking lever down to the locked position flush with the mount (See Fig. 27).





## SECTION XII - CHILD SAFETY LOCK

**WARNING! USE OF THE CHILD SAFETY LOCK DOES NOT GUARANTY THAT THE FIREARM WILL NOT BE MISUSED. KEEP YOU FIREARMS LOCKED UP IN A SECURE PLACE OUT OF SIGHT.**

Your new rifle has been provided with a child safety lock. Install the lock as follows:

1. Pull back the *charging handle* as far as it will go and hold it.
2. Thread the cable of the lock through the ejection port and down through the magazine well as shown in Fig. 28.
3. Push the cable into the lock firmly and verify that it is secure by giving a tug on the cable.
4. While holding onto the charging handle, let the charging handle go forward slowly until it stops. NOTE: Letting go of the charging handle allowing it to slam forward may damage the cable of the child safety lock.
5. Place the key where only you have access.



**Fig. 28**



## **SECTION XII - MODIFICATIONS**

**WARNING!!! THE MODIFICATION OF ANY PART OF THE FIREARM MAY RESULT IN DEATH, SERIOUS BODILY INJURY, AND DAMAGE TO PROPERTY. MODIFICATIONS MAY ALSO BE ILLEGAL.**

## **SECTION XIII - SPECIFICATIONS**

### **SUPER VEPR™ .308 RIFLE SPECIFICATIONS**

Semiauto Action	Kalashnikov, Gas Operated, Rotating Bolt, Modified for Low Recoil
Caliber	.308 Win. (7.62x51mm)
Barrel	21.65" (550mm) Long Fluted, Chrome-Lined, Hammer-Forged
Overall length	40.94" (1040mm)
Weight	8.55 lbs. (3880 grams)
Feeding Devices	5 and 10 Round VEPR Magazines
Safety	Push Button, Hunting Type
Stock	Turkish Walnut with Ambidextrous Grip & Recoil Pad
Scope Mounting	Sure Quick Attach Mount with Weaver Style Rail
Sling Mounting	U.S. Style Sling Studs

