

2007 Accord 4-Door

Owner's Manual (Unlinked)

This document does not contain hyperlinks and may be formatted for printing instead of web us. This is due to changes in content and specifications of the vehicle that happen throughout the model year. This manual will be replaced with a hyperlinked version at the end of the model year.

Owner's Identification

OWNER _____

ADDRESS _____

STREET

CITY

STATE/PROVINCE

ZIP CODE/
POSTAL CODE

V. I. N. _____

DELIVERY DATE _____

(Date sold to original retail purchaser)

DEALER NAME _____ DEALER NO. _____

ADDRESS _____

STREET

CITY

STATE/PROVINCE

ZIP CODE/
POSTAL CODE

OWNER'S SIGNATURE _____

DEALER'S SIGNATURE _____

This owner's manual should be considered a permanent part of the vehicle and should remain with the vehicle when it is sold.

This owner's manual covers all models of the Accord Sedan. You may find descriptions of equipment and features that are not on your particular model.

The information and specifications included in this publication were in effect at the time of approval for printing. Honda Motor Co., Ltd. reserves the right, however, to discontinue or change specifications or design at any time without notice and without incurring any obligation whatsoever.

**POUR CLIENTS CANADIEN
AVIS IMPORTANT: Si vous avez
besoin d'un Manuel du Conducteur en
français, veuillez demander à votre
concessionnaire de commander le
numéro de pièce 33SDAC40 .**

Introduction

Congratulations! Your selection of a 2007 Honda Accord was a wise investment. It will give you years of driving pleasure.

One of the best ways to enhance the enjoyment of your new vehicle is to read this manual. In it, you will learn how to operate its driving controls and convenience items. Afterwards, keep this owner's manual in your vehicle so you can refer to it at any time.

Several warranties protect your new vehicle. Read the warranty booklet thoroughly so you understand the coverages and are aware of your rights and responsibilities.

Maintaining your vehicle according to the maintenance minder shown in the instrument panel helps to keep your driving trouble-free while it preserves your investment. When your vehicle needs maintenance, keep in mind that your dealer's staff is specially trained in servicing the many systems unique to your vehicle. Your dealer is dedicated to your satisfaction and will be pleased to answer any questions and concerns.

As you read this manual, you will find information that is preceded by a **NOTICE** symbol. This information is intended to help you avoid damage to your vehicle, other property, or the environment.

Introduction

California Proposition 65 Warning

WARNING: This product contains or emits chemicals known to the State of California to cause cancer and birth defects or other reproductive harm.

Event Data Recorders

This vehicle is equipped with one or more devices commonly referred to as event data recorders. These devices record front seat belt use, front passenger seat occupancy, airbag deployment data, and the failure of any airbag system component. This data belongs to the vehicle owner and may not be accessed by anyone else except as legally required or with the permission of the vehicle owner.

Service Diagnostic Recorders

This vehicle is equipped with service-related devices that record information about powertrain performance. The data can be used to verify emissions law requirements and/or help technicians diagnose and solve service problems. It may also be combined with data from other sources for research purposes, but it remains confidential.

California Perchlorate Contamination Prevention Act

The airbags, seat belt tensioners, and CR type batteries in this vehicle contain perchlorate materials - special handling may apply. See www.dtsc.ca.gov/hazardouswaste/perchlorate.


A Few Words About Safety

Your safety, and the safety of others, is very important. And operating this vehicle safely is an important responsibility.

To help you make informed decisions about safety, we have provided operating procedures and other information on labels and in this manual. This information alerts you to potential hazards that could hurt you or others.

Of course, it is not practical or possible to warn you about all the hazards associated with operating or maintaining your vehicle. You must use your own good judgement.

You will find this important safety information in a variety of forms, including:

- **Safety Labels** — on the vehicle.
- **Safety Messages** — preceded by a safety alert symbol  and one of three signal words: **DANGER**, **WARNING**, or **CAUTION**.
These signal words mean:

 **DANGER**

You **WILL** be **KILLED** or **SERIOUSLY HURT** if you don't follow instructions.

 **WARNING**

You **CAN** be **KILLED** or **SERIOUSLY HURT** if you don't follow instructions.

 **CAUTION**

You **CAN** be **HURT** if you don't follow instructions.

- **Safety Headings** — such as Important Safety Reminders or Important Safety Precautions.
- **Safety Section** — such as Driver and Passenger Safety.
- **Instructions** — how to use this vehicle correctly and safely.

This entire book is filled with important safety information — please read it carefully.

06/05/16 13:56:23 31SDA640 0005

Contents

Your Vehicle at a Glance (main controls)	4	
Driver and Passenger Safety (seat belts, SRS, and child protection)	7	
Instruments and Controls (indicators, gauges, dashboard, and steering column)	55	
Features (heating and cooling, audio, steering wheel, security, cruise control, and HomeLink)	101	
Before Driving (fuel, vehicle break-in, and cargo loading)	153	
Driving (engine and transmission operation).....	167	
Maintenance (minder, fluid checking, minor services, and vehicle storage).....	191	
Taking Care of the Unexpected (flat tire, dead battery, overheating, fuses).....	239	
Technical Information (vehicle specifications, tires, fuels, and emissions controls).....	265	
Warranty and Customer Relations (U.S. and Canada only) (warranty and contact information).....	279	
Authorized Manuals (U.S. only) (how to order)	283	
Index	I	INDEX
Service Information Summary (fluid capacities and tire pressures)	last page	

06/05/16 13:56:34 31SDA640 0007

Overview of Contents

Contents

A convenient reference to the sections in this manual.

Your Vehicle at a Glance

A quick reference to the main controls in your vehicle.

Driver and Passenger Safety

Important information about the proper use and care of your vehicle's seat belts, an overview of the Supplemental Restraint System, and valuable information on how to protect children with child restraints.

Instruments and Controls

Explains the purpose of each instrument panel indicator and gauge, and how to use the controls on the dashboard and steering column.

Features

How to operate the heating and air conditioning system, the audio

system, and other convenience features.

Before Driving

What gasoline to use, how to break-in your new vehicle, and how to load luggage and other cargo.

Driving

The proper way to start the engine, shift the transmission, and park; plus what you need to know if you're planning to tow a trailer.

Maintenance

The maintenance minder shows you when you need to take your vehicle to the dealer for maintenance service. There is also a list of things to check and instructions on how to check them.

Taking Care of the Unexpected

This section covers several problems motorists sometimes experience, and details how to handle them.

Technical Information

ID numbers, dimensions, capacities, and technical information.

Warranty and Customer Relations

(U.S. and Canada only)

A summary of the warranties covering your new vehicle, and how to contact us for any reason. Refer to your warranty manual for detailed information.

Authorized Manuals (U.S. only)

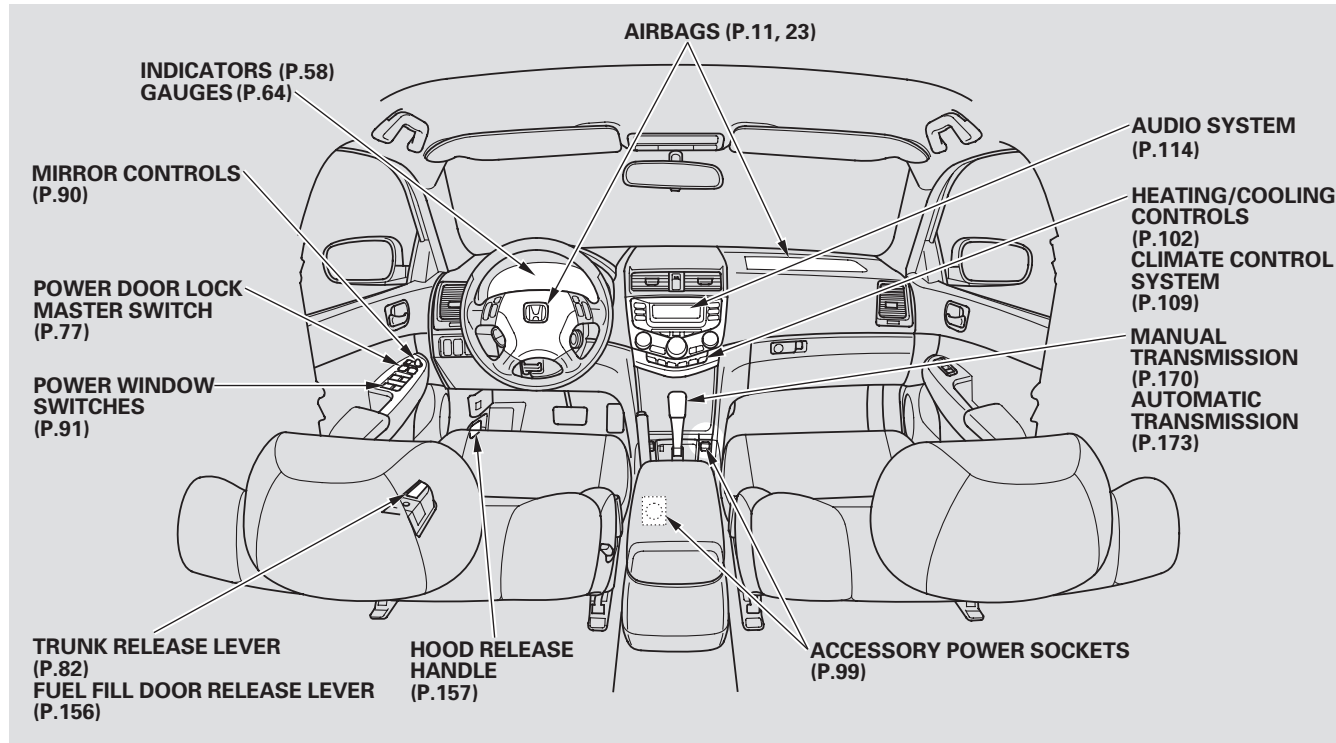
How to order manuals and other technical literature.

Index

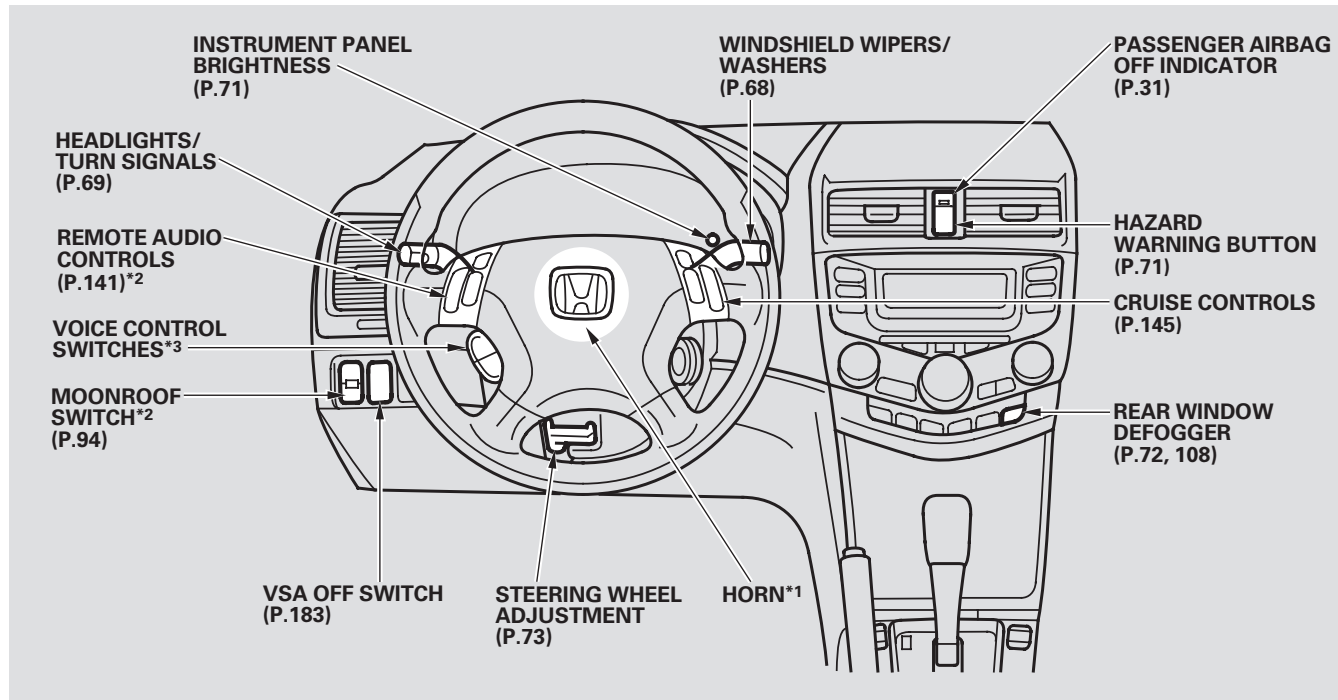
Service Information Summary

A summary of the information you need when you pull up to the fuel pump.

Your Vehicle at a Glance



Your Vehicle at a Glance



Your Vehicle at a Glance

*1: To use the horn, press the pad around the "H" logo.

*2: If equipped.

*3: Only on vehicles equipped with navigation system. Refer to the navigation system manual.

06/05/16 13:57:07 31SDA640 0011

Driver and Passenger Safety

This section gives you important information about how to protect yourself and your passengers. It shows you how to use seat belts. It explains how your airbags work. And it tells you how to properly restrain infants and children in your vehicle.

Important Safety Precautions	8
Your Vehicle's Safety Features.....	9
Seat Belts	10
Airbags.....	11
Protecting Adults and Teens.....	13
1. Close and Lock the Doors	13
2. Adjust the Front Seats	13
3. Adjust the Seat-Backs	14
4. Adjust the Head Restraints ...	15
5. Fasten and Position the Seat Belts	16
6. Maintain a Proper Sitting Position	17
Advice for Pregnant Women.....	18
Additional Safety Precautions....	19

Additional Information About Your Seat Belts.....	20
Seat Belt System Components...	20
Lap/Shoulder Belt.....	21
Automatic Seat Belt Tensioners.....	21
Seat Belt Maintenance.....	22
Additional Information About Your Airbags.....	23
Airbag System Components.....	23
How Your Front Airbags Work.....	25
How Your Side Airbags Work....	28
How Your Side Curtain Airbags Work.....	30
How the SRS Indicator Works... 30	30
How the Side Airbag Off Indicator Works.....	31
How the Passenger Airbag Off Indicator Works.....	31
Airbag Service.....	32
Additional Safety Precautions....	33
Protecting Children – General Guidelines.....	34
All Children Must Be Restrained	34

All Children Should Sit in a Back Seat	35
The Passenger's Front Airbag Poses Serious Risks.....	35
If You Must Drive with Several Children	37
If a Child Requires Close Attention	37
Additional Safety Precautions....	38
Protecting Infants and Small Children.....	39
Protecting Infants	39
Protecting Small Children	41
Selecting a Child Seat.....	42
Installing a Child Seat	43
With LATCH.....	44
With a Belt.....	46
With a Tether	48
Protecting Larger Children	49
Using a Booster Seat	50
When Can a Larger Child Sit in Front.....	51
Additional Safety Precautions....	52
Carbon Monoxide Hazard	53
Safety Labels	54

Important Safety Precautions

You'll find many safety recommendations throughout this section, and throughout this manual. The recommendations on this page are the ones we consider to be the most important.

Always Wear Your Seat Belt

A seat belt is your best protection in all types of collisions. Airbags are designed to supplement seat belts, not replace them. So even though your vehicle is equipped with airbags, make sure you and your passengers always wear your seat belts, and wear them properly (see page 16).

Restrain All Children

Children age 12 and under should ride properly restrained in a back seat. Infants and small children should be restrained in a child seat. Larger children should use a booster and a lap/shoulder belt until they can use the belt properly without a booster (see pages 34 – 52).

Be Aware of Airbag Hazards

While airbags can save lives, they can cause serious or fatal injuries to occupants who sit too close to them, or are not properly restrained. Infants, young children, and short adults are at the greatest risk. Be sure to follow all instructions and warnings in this manual.

Don't Drink and Drive

Alcohol and driving don't mix. Even one drink can reduce your ability to respond to changing conditions, and your reaction time gets worse with every additional drink. So don't drink and drive, and don't let your friends drink and drive, either.

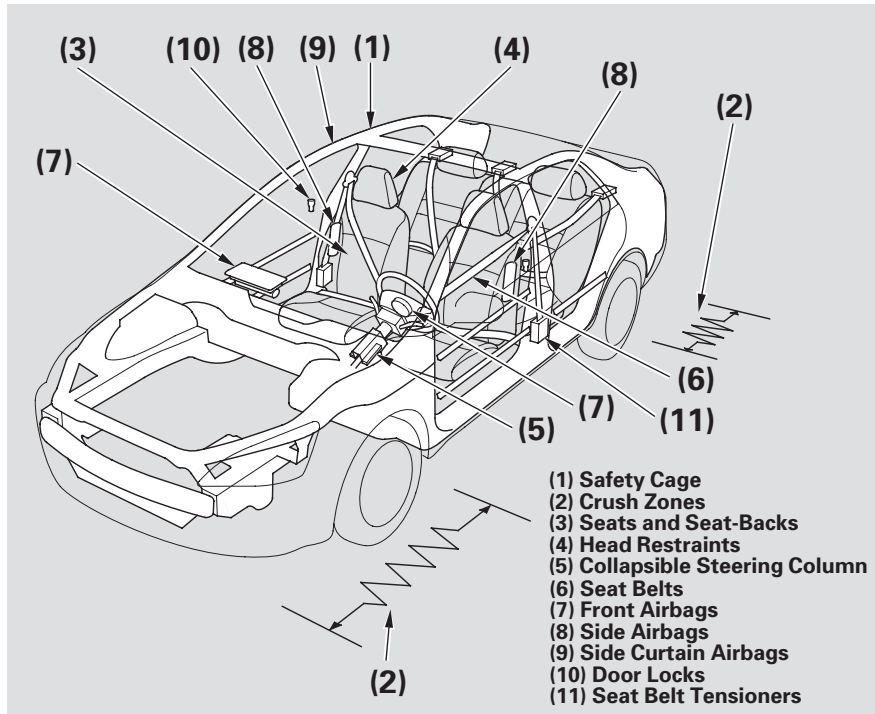
Control Your Speed

Excessive speed is a major factor in crash injuries and deaths. Generally, the higher the speed, the greater the risk, but serious injuries can also occur at lower speeds. Never drive faster than is safe for current conditions, regardless of the maximum speed posted.

Keep Your Vehicle in Safe Condition

Having a tire blowout or a mechanical failure can be extremely hazardous. To reduce the possibility of such problems, check your tire pressures and condition frequently, and perform all regularly scheduled maintenance (see page 193).

Your Vehicle's Safety Features



Your vehicle is equipped with many features that work together to protect you and your passengers during a crash.

Some features do not require any action on your part. These include a strong steel framework that forms a safety cage around the passenger compartment; front and rear crush zones; a collapsible steering column; and tensioners that tighten the front seat belts in a crash.

However, you and your passengers can't take full advantage of these features unless you remain sitting in a proper position and ***always wear your seat belts***. In fact, some safety features can contribute to injuries if they are not used properly.

The following pages explain how you can take an active role in protecting yourself and your passengers.

Your Vehicle's Safety Features

Seat Belts

Your vehicle is equipped with seat belts in all seating positions.



Your seat belt system also includes an indicator on the instrument panel and a beeper to remind you and your passengers to fasten your seat belts.

Why Wear Seat Belts

Seat belts are the single most effective safety device for adults and larger children. (Infants and smaller children must be properly restrained in child seats.)

Not wearing a seat belt properly increases the chance of serious injury or death in a crash, even though your vehicle has airbags.

In addition, most states and all Canadian provinces require you to wear seat belts.

▲ WARNING

Not wearing a seat belt properly increases the chance of serious injury or death in a crash, even though your vehicle has airbags.

Be sure you and your passengers always wear seat belts and wear them properly.

When properly worn, seat belts:

- Keep you connected to the vehicle so you can take advantage of the vehicle's built-in safety features.
- Help protect you in almost every type of crash, including frontal, side, and rear impacts and rollovers.

- Help keep you from being thrown against the inside of the vehicle and against other occupants.
- Keep you from being thrown out of the vehicle.
- Help keep you in a good position should the airbags ever deploy. A good position reduces the risk of injury from an inflating airbag and allows you to get the best advantage from the airbag.

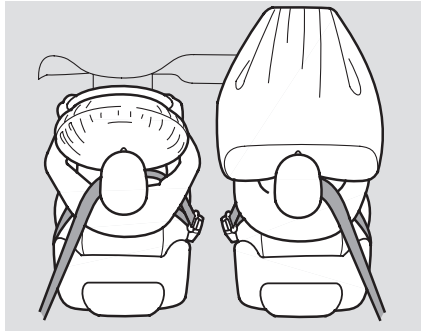
Of course, seat belts cannot completely protect you in every crash. But in most cases, seat belts can reduce your risk of serious injury.

What You Should Do:

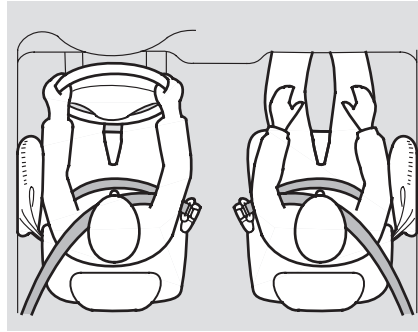
Always wear your seat belt, and make sure you wear it properly.

Your Vehicle's Safety Features

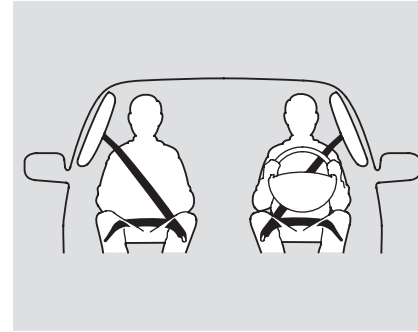
Airbags



Your vehicle has a supplemental restraint system (SRS) with front airbags to help protect the heads and chests of the driver and a front seat passenger during a moderate to severe frontal collision (see page 25 for more information on how your front airbags work).



Your vehicle also has side airbags to help protect the upper torso of the driver or a front seat passenger during a moderate to severe side impact (see page 28 for more information on how your side airbags work).



In addition, your vehicle also has side curtain airbags to help protect the heads of the driver, front passenger, and passengers in the outer rear seating positions during a moderate to severe side impact or rollover (see page 30 for more information on how your side curtain airbags work).

Driver and Passenger Safety

CONTINUED

Your Vehicle's Safety Features

The most important things you need to know about your airbags are:

- ***Airbags do not replace seat belts.*** They are designed to supplement the seat belts.
- ***Airbags offer no protection in rear impacts, or minor frontal or side collisions.***
- ***Airbags can pose serious hazards.*** To do their job, airbags must inflate with tremendous force. So while airbags help save lives, they can cause minor injuries or more serious or even fatal injuries if occupants are not properly restrained or sitting properly.

What you should do: Always wear your seat belt properly, and sit upright and as far back from the steering wheel as possible while allowing full control of the vehicle. A front passenger should move their seat as far back from the dashboard as possible.

The rest of this section gives more detailed information about how you can maximize your safety.

Remember, however, that no safety system can prevent all injuries or deaths that can occur in a severe crash, even when seat belts are properly worn and the airbags deploy.

Protecting Adults and Teens

Introduction

The following pages provide instructions on how to properly protect the driver, adult passengers, and teenage children who are large enough and mature enough to drive or ride in the front.

See pages 34 – 52 for important guidelines on how to properly protect infants, small children, and larger children who ride in your vehicle.

1. Close and Lock the Doors

After everyone has entered the vehicle, be sure the doors are closed and locked.



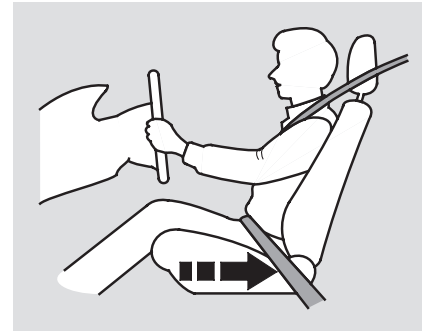
Your vehicle has a door monitor indicator on the instrument panel to indicate when a specific door or the trunk is not tightly closed.

Locking the doors reduces the chance of someone being thrown out of the vehicle during a crash, and it helps prevent passengers from accidentally opening a door and falling out.

Locking the doors also helps prevent an outsider from unexpectedly opening a door when you come to a stop.

See page 77 for how to lock the doors, and page 60 for how the door monitor indicator works.

2. Adjust the Front Seats



Adjust the driver's seat as far to the rear as possible while allowing you to maintain full control of the vehicle. Have a front passenger adjust their seat as far to the rear as possible.

CONTINUED

Protecting Adults and Teens

If you sit too close to the steering wheel or dashboard, you can be seriously injured by an inflating front airbag, or by striking the steering wheel or dashboard.

The National Highway Traffic Safety Administration and Transport Canada recommend that drivers allow at least 10 inches (25 cm) between the center of the steering wheel and the chest. In addition to adjusting the seat, you can adjust the steering wheel in and out (see page 73).

If you cannot get far enough away from the steering wheel and still reach the controls, we recommend that you investigate whether some type of adaptive equipment may help.

⚠ WARNING

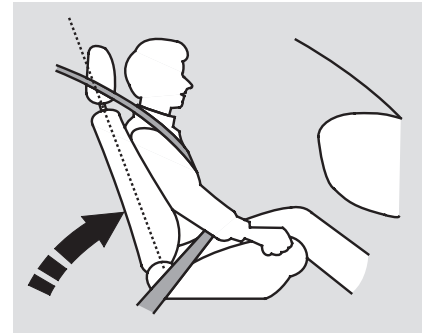
Sitting too close to a front airbag can result in serious injury or death if the front airbags inflate.

Always sit as far back from the front airbags as possible.

Once your seat is adjusted correctly, rock it back and forth to make sure the seat is locked in position.

See page 85 for how to adjust the front seats.

3. Adjust the Seat-Backs



Adjust the driver's seat-back to a comfortable, upright position, leaving ample space between your chest and the airbag cover in the center of the steering wheel.

Passengers with adjustable seat-backs should also adjust their seat-back to a comfortable, upright position.

Protecting Adults and Teens

⚠ WARNING

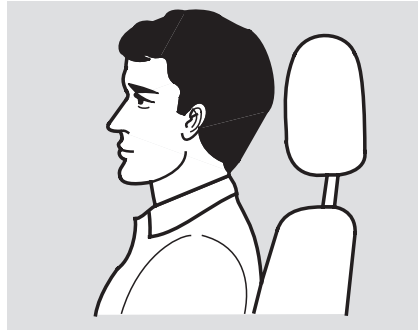
Reclining the seat-back too far can result in serious injury or death in a crash.

Adjust the seat-back to an upright position, and sit well back in the seat.

Reclining a seat-back so that the shoulder part of the belt no longer rests against the occupant's chest reduces the protective capability of the belt. It also increases the chance of sliding under the belt in a crash and being seriously injured. The farther a seat-back is reclined, the greater the risk of injury.

See page 85 for how to adjust the seat-backs.

4. Adjust the Head Restraints



Adjust the driver's head restraint so the back of your head rests against the center of the restraint.

Have passengers with adjustable head restraints adjust their restraints properly as well. Taller persons should adjust their restraint as high as possible.

⚠ WARNING

Improperly positioning head restraints reduces their effectiveness and you can be seriously injured in a crash.

Make sure head restraints are in place and positioned properly before driving.

Properly adjusted head restraints will help protect occupants from whiplash and other crash injuries.

See page 87 for how to adjust the head restraints.

Protecting Adults and Teens

5. Fasten and Position the Seat Belts

Insert the latch plate into the buckle, then tug on the belt to make sure the belt is securely latched. Check that the belt is not twisted, because a twisted belt can cause serious injuries in a crash.



Position the lap part of the belt as low as possible across your hips, then pull up on the shoulder part of the belt so the lap part fits snugly. This lets your strong pelvic bones take the force of a crash and reduces the chance of internal injuries.

If necessary, pull up on the belt again to remove any slack, then check that the belt rests across the center of your chest and over your shoulder.

This spreads the forces of a crash over the strongest bones in your upper body.

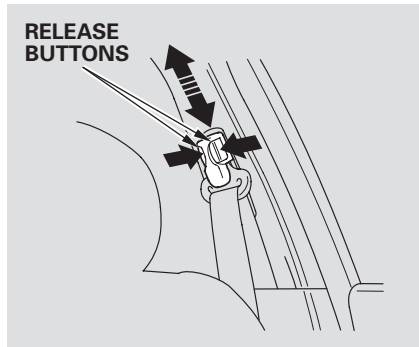
⚠ WARNING

Improperly positioning the seat belts can cause serious injury or death in a crash.

Make sure all seat belts are properly positioned before driving.

If the seat belt touches or crosses your neck, or if it crosses your arm instead of your shoulder, you need to adjust the seat belt anchor height.

Protecting Adults and Teens



The front seats have adjustable seat belt anchors. To adjust the height of an anchor, squeeze the two release buttons, and slide the anchor up or down as needed (it has four positions).

Never place the shoulder portion of a lap/shoulder belt under your arm or behind your back. This could cause very serious injuries in a crash.

If a seat belt does not seem to work properly, it may not protect the occupant in a crash.

No one should sit in a seat with an inoperative seat belt. Using a seat belt that is not working properly can result in serious injury or death. Have your dealer check the belt as soon as possible.

See page 20 for additional information about your seat belts and how to take care of them.

6. Maintain a Proper Sitting Position

After all occupants have adjusted their seats and put on seat belts, it is very important that they continue to sit upright, well back in their seats, with their feet on the floor, until the vehicle is parked and the engine is off.

Sitting improperly can increase the chance of injury during a crash. For example, if an occupant slouches, lies down, turns sideways, sits forward, leans forward or sideways, or puts one or both feet up, the chance of injury during a crash is greatly increased.

CONTINUED

Protecting Adults and Teens

In addition, an occupant who is out of position in the front seat can be seriously or fatally injured in a crash by striking interior parts of the vehicle or being struck by an inflating front airbag.

⚠ WARNING

Sitting improperly or out of position can result in serious injury or death in a crash.

Always sit upright, well back in the seat, with your feet on the floor.

Advice for Pregnant Women



If you are pregnant, the best way to protect yourself and your unborn child when driving or riding in a vehicle is to always wear a seat belt, and keep the lap part of the belt as low as possible across the hips.

When driving, remember to sit upright and adjust the seat as far back as possible while allowing full control of the vehicle. When riding as a front passenger, adjust the seat as far back as possible.

This will reduce the risk of injuries to both you and your unborn child that can be caused by a crash or an inflating front airbag.

Each time you have a checkup, ask your doctor if it's okay for you to drive.

Protecting Adults and Teens

Additional Safety Precautions

- ***Two people should never use the same seat belt.*** If they do, they could be very seriously injured in a crash.
- ***Do not put any accessories on seat belts.*** Devices intended to improve occupant comfort or reposition the shoulder part of a seat belt can reduce the protective capability of the belt and increase the chance of serious injury in a crash.
- ***Do not place hard or sharp objects between yourself and a front airbag.*** Carrying hard or sharp objects on your lap, or driving with a pipe or other sharp object in your mouth, can result in injuries if your front airbag inflates.
- ***Keep your hands and arms away from the airbag covers.*** If your hands or arms are close to an airbag cover, they could be injured if the airbag inflates.
- ***Do not attach or place objects on the front airbag covers.*** Objects on the covers marked “SRS AIRBAG” could interfere with the proper operation of the airbags or be propelled inside the vehicle and hurt someone if the airbags inflate.
- ***Do not attach hard objects on or near a door or side panel.*** If a side airbag or a side curtain airbag inflates, a cup holder or other hard object attached on or near a door or side panel could be propelled inside the vehicle and hurt someone.

Additional Information About Your Seat Belts

Seat Belt System Components

Your seat belt system includes lap/shoulder belts in all five seating positions. The front seat belts are also equipped with automatic seat belt tensioners.

This system uses the same sensors as the front airbags to monitor whether the front seat belts are latched or unlatched, and how much weight is on the front passenger's seat (see pages 27 and 28).



The seat belt system includes an indicator on the instrument panel and a beeper to remind you and your passengers to fasten your seat belts.

This system monitors the front seat belts. If you turn the ignition switch to the ON (II) position before your seat belt is fastened, the beeper will sound and the indicator will flash. If your seat belt is not fastened before

the beeper stops, the indicator will stop flashing but remain on.

If a front passenger does not fasten their seat belt, the indicator will come on about 6 seconds after the ignition switch is turned to the ON (II) position.

If either the driver or a front passenger does not fasten their seat belt, the beeper will sound and the indicator will flash again at regular intervals.

When no one is sitting in the front passenger's seat, or a child or small adult is riding there, the indicator should not come on and the beeper should not sound.

If the indicator comes on or the beeper sounds when the driver's seat belt is latched and there is no front seat passenger and no items on the front seat, something may be interfering with the monitoring system. Look for and remove:

- Any items under the front passenger's seat.
- Any objects hanging on the seat or in the seat-back pocket.
- Any objects, such as a folded-down back seat, that is touching the rear of the seat-back.

If no obstructions are found, have your vehicle checked by a dealer.

Additional Information About Your Seat Belts

Lap/Shoulder Belt

The lap and shoulder belt goes over your shoulder, across your chest, and across your hips.

To fasten the belt, insert the latch plate into the buckle, then tug on the belt to make sure the buckle is latched (see page 16 for how to properly position the belt).

To unlock the belt, press the red PRESS button on the buckle. Guide the belt across your body so that it retracts completely. After exiting the vehicle, be sure the belt is out of the way and will not get closed in the door.

All seat belts have an emergency locking retractor. In normal driving, the retractor lets you move freely in your seat while it keeps some tension on the belt. During a collision or sudden stop, the retractor

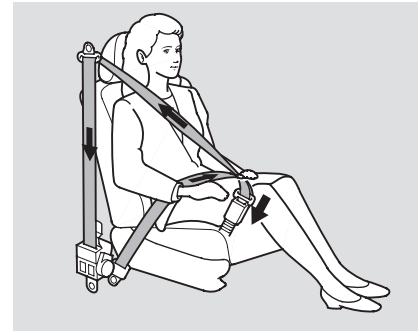
automatically locks the belt to help restrain your body.

The seat belts in all positions except the driver's have an additional lockable retractor that must be activated to secure a child seat (see page 46).

If the shoulder part of the belt is pulled all the way out, the lockable retractor will activate. The belt will retract, but it will not allow the passenger to move freely.

To deactivate the lockable retractor, unlatch the buckle and let the seat belt fully retract. To refasten the seat belt, pull it out only as far as needed.

Automatic Seat Belt Tensioners



For added protection, the front seat belts are equipped with automatic seat belt tensioners. When activated, the tensioners immediately tighten the belts to help hold the driver and a front passenger in position.

Driver and Passenger Safety

CONTINUED

Additional Information About Your Seat Belts

The tensioners are designed to activate in any collision severe enough to cause the front airbags to deploy.

If a side airbag or side curtain airbag deploys during a side impact, the tensioner on that side of the vehicle will also deploy.

The tensioners can also be activated during a collision in which the front airbags *do not deploy*. In this case, the airbags would not be needed, but the additional restraint could be helpful.

When the tensioners are activated, the seat belts will remain tight until they are unbuckled.

If the front seat belt tensioners ever activate, they must be replaced as the belts will no longer retract properly.

Seat Belt Maintenance

For safety, you should check the condition of your seat belts regularly.

Pull each belt out fully, and look for frays, cuts, burns, and wear. Check that the latches work smoothly and the belts retract easily. If a belt does not retract easily, cleaning the belt may correct the problem (see page 224). Any belt that is not in good condition or working properly will not provide good protection and should be replaced as soon as possible.

Honda provides a limited warranty on seat belts. See your *Honda Warranty Information* booklet for details.

If a seat belt is worn during a crash, it must be replaced by the dealer. A belt that has been worn during a crash may not provide the same level of protection in a subsequent crash.

The dealer should also inspect the anchors for damage and replace them if needed. If the automatic seat belt tensioners activate during a crash, they must be replaced.

For information on how to clean your seat belts, see page 224 .

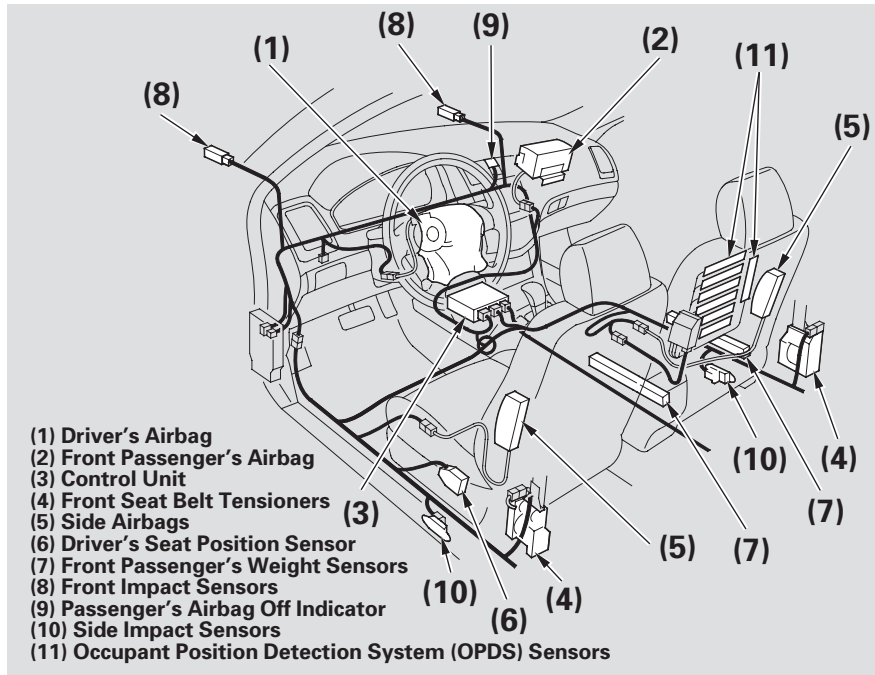
WARNING

Not checking or maintaining seat belts can result in serious injury or death if the seat belts do not work properly when needed.

Check your seat belts regularly and have any problem corrected as soon as possible.

Additional Information About Your Airbags

Airbag System Components



Your airbag system includes:

- Two SRS (supplemental restraint system) front airbags. The driver's airbag is stored in the center of the steering wheel; the front passenger's airbag is stored in the dashboard. Both are marked "SRS AIRBAG" (see page 25).
- Two side airbags, one for the driver and one for a front passenger. The airbags are stored in the outer edges of the seat-backs. Both are marked "SIDE AIRBAG" (see page 28).
- Two side curtain airbags, one for each side of the vehicle. The airbags are stored in the ceiling above the side windows. The front and rear pillars are marked "SIDE CURTAIN AIRBAG" (see page 30).

Driver and Passenger Safety

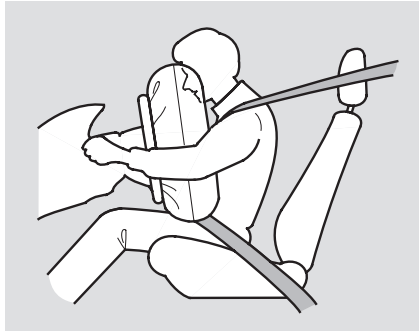
CONTINUED

Additional Information About Your Airbags

- Automatic front seat belt tensioners (see page 21).
- Sensors that can detect a moderate to severe front impact or side impact.
- Sensors that can detect whether a child is in the passenger's side airbag path and signal the control unit to turn the airbag off (see page 29).
- Sensors that can detect whether the driver's seat belt and a front passenger's seat belt is latched or unlatched (see page 20).
- A driver's seat position sensor that monitors the distance of the seat from the front airbag. If the seat is too far forward, the airbag will inflate with less force (see page 27).
- Weight sensors that monitor the weight on the front passenger's seat. If the weight is about 65 lbs (29 kg) or less (the weight of an infant or small child), the passenger's front airbag will be turned off (see page 27).
- A sophisticated electronic system that continually monitors and records information about the sensors, the control unit, the airbag activators, the seat belt tensioners, and driver and front passenger seat belt use when the ignition switch is in the ON (II) position.
- An indicator on the instrument panel that alerts you to a possible problem with your airbags, sensors, or seat belt tensioners (see page 30).
- An indicator on the instrument panel that alerts you that the passenger's side airbag has been turned off (see page 31).
- An indicator on the dashboard that alerts you that the passenger's front airbag has been turned off (see page 31).
- Emergency backup power in case your vehicle's electrical system is disconnected in a crash.

Additional Information About Your Airbags

How Your Front Airbags Work



If you ever have a moderate to severe frontal collision, sensors will detect the vehicle's rapid deceleration.

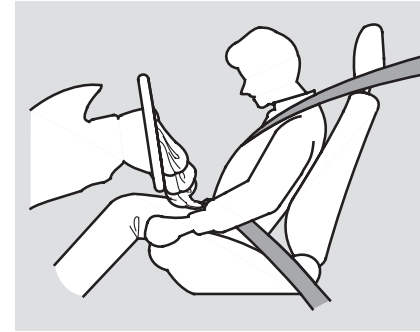
If the rate of deceleration is high enough, the control unit will instantly inflate the driver's and front passenger's airbags, at the time and with the force needed.

During a frontal crash, your seat belt restrains your lower body and torso, and the front airbag helps protect your head and chest.

Although both airbags normally inflate within a split second of each other, it is possible for only one airbag to deploy.

This can happen if the severity of a collision is at the margin, or threshold, that determines whether or not the airbags will deploy. In such cases, the seat belt will provide sufficient protection, and the supplemental protection offered by the airbag would be minimal.

Only the driver's airbag can deploy if there is no passenger in the front seat, or if the advanced airbag system has turned the passenger's airbag off (see page 27).



After inflating, the front airbags will immediately deflate, so they won't interfere with the driver's visibility, or the ability to steer or operate other controls.

The total time for inflation and deflation is one-tenth of a second, so fast that most occupants are not aware that the airbags deployed until they see them lying in their laps.

CONTINUED

Additional Information About Your Airbags

After a crash, you may see what looks like smoke. This is actually powder from the airbag's surface. Although the powder is not harmful, people with respiratory problems may experience some temporary discomfort. If this occurs, get out of the vehicle as soon as it is safe to do so.

Dual-Stage Airbags

Your front airbags are dual-stage airbags. This means they have two inflation stages that can be ignited sequentially or simultaneously, depending on crash severity.

In a ***more severe*** crash, both stages will ignite simultaneously to provide the quickest and greatest protection.

In a ***less severe*** crash, one stage will ignite first, then the second stage will ignite a split second later. This provides longer airbag inflation time with a little less force.

Dual-Threshold Airbags

Your front airbags are also dual-threshold airbags. Airbags with this feature have two deployment thresholds that depend on whether sensors detect the occupant is wearing a seat belt or not.

If the occupant's belt is ***not latched***, the airbag will deploy at a slightly lower threshold, because the occupant would need extra protection.

If the occupant's belt ***is latched***, the airbag will inflate at a slightly higher threshold, when the airbag would be needed to supplement the protection provided by the seat belt.

Additional Information About Your Airbags

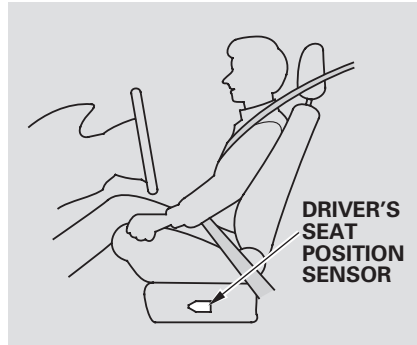
Advanced Airbags

Your front airbags are also advanced airbags. The main purpose of this feature is to help prevent airbag-caused injuries to short drivers and children who ride in front.

For both advanced airbags to work properly:

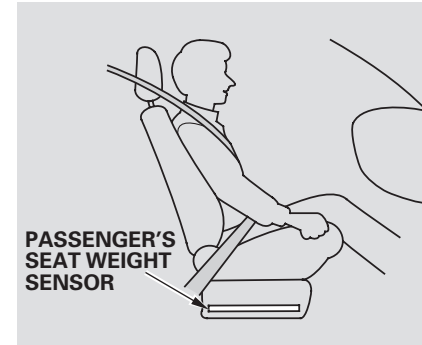
- Occupants must sit upright and wear their seat belts properly.
- Do not spill any liquids on or under the seats, cover the sensors, or put any objects or metal items under the front seats.
- Back-seat passengers should not put their feet under the front seats.

Failure to follow these instructions could damage the sensors or prevent them from working properly.



The driver's advanced front airbag system includes a seat position sensor under the seat. If the seat is too far forward, the airbag will inflate with less force, regardless of the severity of the impact.

If there is a problem with the sensor, the SRS Indicator will come on, and the airbag will inflate in the normal manner regardless of the driver's seating position.



The passenger's advanced front airbag system has weight sensors under the seat. Although Honda does not encourage carrying an infant or small child in front, if the sensors detect the weight of an infant or small child (up to about 65 lbs or 29 kg), the system will automatically turn the passenger's front airbag off.

Be aware that objects placed on the passenger's seat can also cause the airbag to be turned off. *CONTINUED*

Additional Information About Your Airbags

When the airbag is turned off, a “passenger airbag off” indicator in the center of the dashboard comes on (see page 31).

If the weight sensors detect that there is no passenger in the front seat, the airbag will be off. However, the Passenger Airbag Off indicator will not come on.

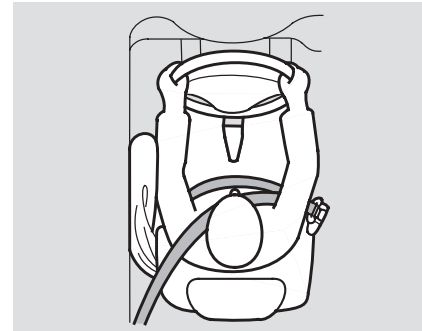
To ensure that the passenger’s advanced front airbag system will work properly, ***do not do anything that would increase or decrease the weight on the front passenger’s seat.*** This includes:

- A rear passenger pushing or pulling on the back of the front passenger’s seat.

- Moving the front seat forcibly back against cargo on the seat or floor behind it.
- Hanging heavy items on the front passenger seat, or placing heavy items in the seat-back pocket.
- Moving the front seat or seat-back forcibly back against the folded rear seat.

Also, make sure the floor mat behind the front passenger’s seat is hooked to the floor mat anchor (see page 224). If it is not, the mat may interfere with the proper operation of the sensors and operation of the seat.

How Your Side Airbags Work



If you ever have a moderate to severe side impact, sensors will detect rapid deceleration and signal the control unit to instantly inflate either the driver’s or the passenger’s side airbag.

Additional Information About Your Airbags

Only one airbag will deploy during a side impact. If the impact is on the passenger's side, the passenger's side airbag will deploy even if there is no passenger.

To get the best protection from the side airbags, front seat occupants should wear their seat belts and sit upright and well back in their seats.

Side Airbag Cutoff System

Your vehicle has a side airbag cutoff system designed primarily to protect a child riding in the front passenger's seat.

Although Honda does not encourage children to ride in front, if the height and position sensors in the seat detect a child has leaned into the side airbag's deployment path, the airbag will shut off.

The side airbag may also shut off if a short adult leans sideways, or a larger adult slouches and leans sideways into the airbag's deployment path.

Objects placed on the front passenger seat can also cause the side airbag to be shut off.

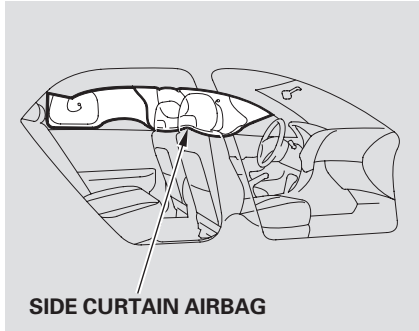
If the side airbag off indicator comes on (see page 31), have the passenger sit upright. Once the passenger is out of the airbag's deployment path, the system will turn the airbag back on, and the indicator will go out.

There will be some delay between the moment the passenger moves into or out of the airbag deployment path and when the indicator comes on or goes off.

A front seat passenger should not use a cushion or other object as a backrest. It may prevent the cutoff system from working properly.

Additional Information About Your Airbags

How Your Side Curtain Airbags Work



In a moderate to severe side impact, sensors will detect rapid deceleration and signal the control unit to instantly inflate the side curtain airbag on the driver's or the passenger's side of the vehicle.

If the impact is on the passenger's side, the passenger's side curtain airbag will inflate even if there are no occupants on that side of the vehicle.

To get the best protection from the side curtain airbags, occupants should wear their seat belts and sit upright and well back in their seats.

How the SRS Indicator Works



The SRS indicator alerts you to a potential problem with your airbags or seat belt tensioners.

When you turn the ignition switch to the ON (II) position, this indicator comes on briefly then goes off. This tells you the system is working properly.

If the indicator comes on at any other time, or does not come on at all, you should have the system checked by your dealer. For example:

- If the SRS indicator does not come on after you turn the ignition switch to the ON (II) position.
- If the indicator stays on after the engine starts.
- If the indicator comes on or flashes on and off while you drive.

Additional Information About Your Airbags

If you see any of these indications, the airbags and seat belt tensioners may not work properly when you need them.

⚠ WARNING

Ignoring the SRS indicator can result in serious injury or death if the airbag systems or tensioners do not work properly.

Have your vehicle checked by a dealer as soon as possible if the SRS indicator alerts you to a possible problem.

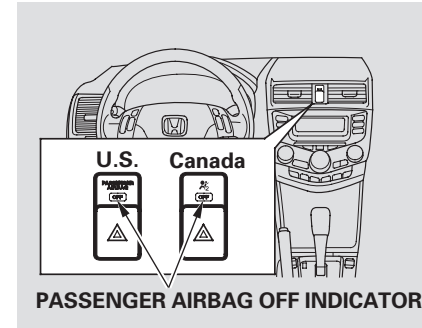
How the Side Airbag Off Indicator Works

U.S. **Canada** This indicator alerts you that the passenger's side airbag has been automatically shut off. It does **not** mean there is a problem with your side airbags.



When you turn the ignition switch to the ON (II) position, the indicator should come on briefly and then go out (see page 59). If it doesn't come on, stays on, or comes on while driving without a passenger in the front seat, have the system checked.

How the Passenger Airbag Off Indicator Works



This indicator alerts you that the passenger's front airbag has been shut off because weight sensors detect about 65 lbs (29 kg) or less (the weight of an infant or small child) on the front passenger's seat. It does **not mean** there is a problem with the airbag.

CONTINUED

Additional Information About Your Airbags

Be aware that objects placed on the front seat can cause the indicator to come on.

If no weight is detected on the front seat, the airbag will be automatically shut off. However, the indicator will not come on.

The passenger airbag off indicator may come on and off repeatedly if the total weight on the seat is near the airbag cutoff threshold.

If an adult or teenage passenger is riding in front, move the seat as far to the rear as possible, and have the passenger sit upright and wear the seat belt properly.

If the indicator comes on with no front seat passenger and no objects on the seat, or with an adult riding there, something may be interfering with the weight sensors. Look for and remove:

- Any items under the front passenger's seat.
- Any object hanging on the seat or in the seat-back pocket.
- Any object, such as a folded-down back seat, that is touching the rear of the seat-back.

If no obstructions are found, have your vehicle checked by a dealer as soon as possible.

Airbag Service

Your airbag systems are virtually maintenance free, and there are no parts you can safely service. However, you must have your vehicle serviced if:

- ***An airbag ever inflates.*** Any airbag that has deployed must be replaced along with the control unit and other related parts. If a front airbag inflates, the seat belt tensioners must also be replaced.

Do not try to remove or replace any airbag by yourself. This must be done by an authorized dealer or a knowledgeable body shop.

Additional Information About Your Airbags

- **The SRS indicator alerts you to a problem.** Take your vehicle to an authorized dealer as soon as possible. If you ignore this indication, your airbags may not operate properly.
- **If your vehicle has a moderate to severe impact.** Even if your airbags do not inflate, your dealer should inspect the driver's seat position sensor, the front passenger's weight sensors, the front seat belt tensioners, and all seat belts worn during the crash to make sure they are operating properly.

Additional Safety Precautions

- **Do not attempt to deactivate your airbags.** Together, airbags and seat belts provide the best protection.
- **Do not tamper with airbag components or wiring for any reason.** Tampering could cause the airbags to deploy, possibly causing very serious injury.
- **Do not expose the front passenger's seat-back to liquid.** If water or another liquid soaks into a seat-back, it can prevent the side airbag cutoff system from working properly.

- **Do not cover or replace front seat-back covers without consulting your dealer.** Improperly replacing or covering front seat-back covers can prevent your side airbags from inflating during a side impact.
- **Do not remove or modify a front seat without consulting your dealer.** This could make the driver's seat position sensor or the front passenger's weight sensors ineffective. If it is necessary to remove or modify a front seat to accommodate a person with disabilities, first contact Honda Automobile Customer Service at (800) 999-1009.

Protecting Children – General Guidelines



Children depend on adults to protect them. However, despite their best intentions, many adults do not know how to *properly* protect child passengers.

If you have children, or ever need to drive with a child in your vehicle, be sure to read this section. It begins with important general guidelines, then presents special information for infants, small children, and larger children.

All Children Must Be Restrained

Each year, many children are injured or killed in vehicle crashes because they are either unrestrained or not properly restrained. In fact, vehicle accidents are the number one cause of the death of children ages 12 and under.

To reduce the number of child deaths and injuries, every state and Canadian province requires that infants and children be properly restrained when they ride in a vehicle.

Infants and small children must be restrained in an approved child seat that is properly secured to the vehicle (see pages 39 – 48).

⚠ WARNING

Children who are unrestrained or improperly restrained can be seriously injured or killed in a crash.

Any child too small for a seat belt should be properly restrained in a child seat. A larger child should be properly restrained with a seat belt and use a booster seat if necessary.

Larger children must be restrained with a lap/shoulder belt and ride on a booster seat until the seat belt fits them properly (see pages 49 – 52).

Protecting Children – General Guidelines

All Children Should Sit in a Back Seat

According to accident statistics, children of all ages and sizes are safer when they are restrained in a back seat.

The National Highway Traffic Safety Administration and Transport Canada recommend that all children aged 12 and under be properly restrained in a back seat. Some states and Canadian provinces have laws restricting where children may ride.

Children who ride in back are less likely to be injured by striking interior vehicle parts during a collision or hard braking. Also, children cannot be injured by an inflating front airbag when they ride in the back.

The Passenger's Front Airbag Poses Serious Risks

Front airbags have been designed to help protect adults in a moderate to severe frontal collision. To do this, the passenger's front airbag is quite large, and it can inflate with enough force to cause very serious injuries.

Even though your vehicle has an advanced front airbag system, which can automatically turn the passenger's front airbag off (see page 27), please follow the guidelines below.

Infants

Never put a rear-facing child seat in the front seat of a vehicle equipped with a passenger's front airbag. If the airbag inflates, it can hit the back of the child seat with enough force to kill or very seriously injure an infant.

Small Children

Placing a forward-facing child seat in the front seat of a vehicle equipped with a passenger's front airbag can be hazardous. If the vehicle seat is too far forward, or the child's head is thrown forward during a collision, an inflating front airbag can strike the child with enough force to kill or very seriously injure a small child.

Larger Children

Children who have outgrown child seats are also at risk of being injured or killed by an inflating passenger's front airbag. Whenever possible, larger children should sit in the back seat, on a booster seat if needed, and be properly restrained with a seat belt (see page 49 for important information about protecting larger children).

CONTINUED

Protecting Children – General Guidelines

To remind you of the passenger's front airbag hazards, and that children must be properly restrained in a back seat, your vehicle has warning labels on the dashboard (U.S. models) and on the front visors. Please read and follow the instructions on these labels.

U.S. Models

SUN VISOR



DASHBOARD

This Vehicle is Equipped with Advanced Air Bags

Even with Advanced Air Bags

Children can be killed or seriously injured by the air bag. The back seat is the safest place for children. Never put a rear-facing child seat in the front. Always use seat belts and child restraints. See owner's manual for more information about air bags.

To be removed by owner only.

Canadian Models

SUN VISOR

CAUTION

TO AVOID SERIOUS INJURY:

- FOR MAXIMUM SAFETY PROTECTION IN ALL TYPES OF CRASHES, YOU MUST ALWAYS WEAR YOUR SAFETY BELT.
- DO NOT INSTALL REARWARD-FACING CHILD SEATS IN ANY FRONT PASSENGER SEAT POSITION.
- DO NOT SIT OR LEAN UNNECESSARILY CLOSE TO THE AIR BAG.
- DO NOT PLACE ANY OBJECTS OVER THE AIR BAG OR BETWEEN THE AIR BAG AND YOURSELF.
- SEE THE OWNER'S MANUAL FOR FURTHER INFORMATION AND EXPLANATIONS.

PRECAUTIONS:

- POUR EVITER DES BLESSURES GRAVES:
 - POUR PROFITER D'UNE PROTECTION MAXIMALE LORS D'UNE COLLISION BOUCLEZ TOUJOURS VOTRE CEINTURE DE SECURITE.
 - N'INSTALLEZ JAMAIS UN SIEGE POUR ENFANTS FAISANT FACE A L'ARRIERE SUR LE SIEGE DU PASSAGER AVANT.
 - NE VOUS APPUYEZ PAS ET NE VOUS ASSOYEZ PAS PRES DU COUSSIN GONFLABLE.
 - NE DEPOSEZ AUCUN OBJET SUR LE COUSSIN GONFLABLE OU ENTRE LE COUSSIN GONFLABLE ET VOUS.
 - LISEZ LE GUIDE UTILISATEUR POUR DE PLUS AMPLES RENSEIGNEMENTS.

Protecting Children – General Guidelines

If You Must Drive with Several Children

Your vehicle has a back seat where children can be properly restrained. If you ever have to carry a group of children, and a child must ride in front:

- Place the largest child in the front seat, provided the child is large enough to wear the lap/shoulder belt properly (see page 49).
- Move the vehicle seat as far to the rear as possible (see page 13).
- Have the child sit upright and well back in the seat (see page 17).
- Make sure the seat belt is properly positioned and secured (see page 16).

If a Child Requires Close Attention

Many parents say they prefer to put an infant or a small child in the front passenger seat so they can watch the child, or because the child requires attention.

Placing a child in the front seat exposes the child to hazards in a frontal collision, and paying close attention to a child distracts the driver from the important tasks of driving, placing both of you at risk.

If a child requires close physical attention or frequent visual contact, we strongly recommend that another adult ride with the child in a back seat. The back seat is far safer for a child than the front.

Protecting Children – General Guidelines

Additional Safety Precautions

- **Never hold an infant or child on your lap.** If you are not wearing a seat belt in crash, you could be thrown forward and crush the child against the dashboard or a seat-back. If you are wearing a seat belt, the child can be torn from your arms and be seriously hurt or killed.

- **Make sure any unused seat belt that a child can reach is buckled, the lockable retractor is activated, and the belt is fully retracted and locked.** If a child wraps a loose seat belt around their neck, they can be seriously or fatally injured. (See pages 46 and 47 for how to activate and deactivate the lockable retractor.)

- **Never put a seat belt over yourself and a child.** During a crash, the belt could press deep into the child and cause serious or fatal injuries.
- **Never let two children use the same seat belt.** If they do, they could be very seriously injured in a crash.

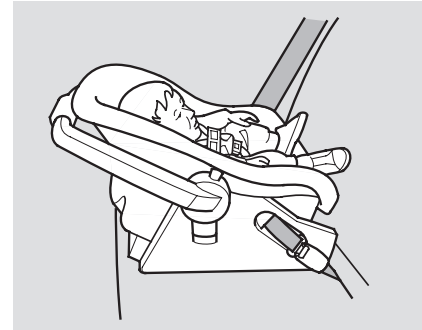
Protecting Children – General Guidelines, Protecting Infants and Small Children

- **Use childproof door locks to prevent children from opening the doors.** This can prevent children from accidentally falling out (see page 78).
- **Do not leave children alone in a vehicle.** Leaving children without adult supervision is illegal in most states and Canadian provinces, and can be very hazardous.

For example, infants and small children left in a vehicle on a hot day can die from heatstroke. A child left alone with the key in the ignition switch can accidentally set the vehicle in motion, possibly injuring themselves or others.

- **Lock all doors and the trunk when your vehicle is not in use.** Children who play in vehicles can accidentally get trapped inside. Teach your children not to play in or around vehicles. Know how to operate the emergency trunk opener and decide if your children should be shown how to use this feature (see page 83).
- **Keep vehicle keys and remote transmitters out of the reach of children.** Even very young children learn how to unlock vehicle doors, turn on the ignition switch, and open the trunk, which can lead to accidental injury or death.

Protecting Infants



Driver and Passenger Safety

Child Seat Type

An infant must be properly restrained in a rear-facing, reclining child seat until the child reaches the seat maker's weight or height limit for the seat, and the child is at least one year old.

Only a rear-facing child seat provides proper support for a baby's head, neck, and back.

CONTINUED

Protecting Infants and Small Children

Two types of seats may be used: a seat designed exclusively for infants, or a convertible seat used in the rear-facing, reclining mode.

Do not put a rear-facing child seat in a forward-facing position. If placed facing forward, an infant could be very seriously injured during a frontal collision.

Infant Child Seat Placement

A rear-facing child seat can be placed in any seating position in the back seat, but not in the front. ***Never put a rear-facing child seat in the front seat.***

If the passenger's front airbag inflates, it can hit the back of the child seat with enough force to kill or seriously injure an infant.

When properly installed, a rear-facing child seat may prevent the driver or a front passenger from moving their seat as far back as recommended, or from locking their seat-back in the desired position.

It could also interfere with proper operation of the passenger's advanced front airbag system.

In any of these situations, we strongly recommend that you install the child seat directly behind the front passenger's seat, move the seat as far forward as needed, and leave it unoccupied. Or, you may wish to get a smaller rear-facing child seat.

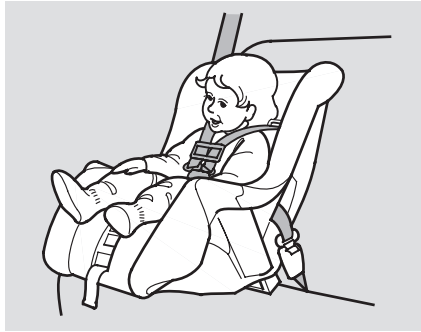
⚠ WARNING

Placing a rear-facing child seat in the front seat can result in serious injury or death during a collision.

Always place a rear-facing child seat in the back seat, not the front.

Protecting Infants and Small Children

Protecting Small Children



Child Seat Type

A child who is at least 1 year old, and who fits within the child seat maker's weight and height limits, should be restrained in a forward-facing, upright child seat.

Of the different seats available, we recommend those that have a five-point harness system as shown.

We also recommend that a small child use the child seat until the child reaches the weight or height limit for the seat.

Child Seat Placement

We strongly recommend placing a forward-facing child seat in a back seat, not the front.

Placing a forward-facing child seat in the front seat of a vehicle equipped with a passenger's airbag can be hazardous. If the vehicle seat is too far forward, or the child's head is thrown forward during a collision, an inflating airbag can strike the child with enough force to cause very serious or fatal injuries.

Even with advanced front airbags, which can automatically turn the passenger's front airbag off (see page 27), a back seat is the safest place for a small child.

CONTINUED

Protecting Infants and Small Children, Selecting a Child Seat

If it is necessary to put a forward-facing child seat in the front, move the vehicle seat as far to the rear as possible, and be sure the child seat is firmly secured to the vehicle and the child is properly strapped in the seat.

WARNING

Placing a forward-facing child seat in the front seat can result in serious injury or death if the front airbag inflates.

If you must place a forward-facing child seat in front, move the vehicle seat as far back as possible, and properly restrain the child.

Selecting a Child Seat

When buying a child seat, you need to choose either a conventional child seat, or one designed for use with the lower anchors and tethers for children (LATCH) system.

Conventional child seats must be secured to a vehicle with a seat belt, whereas LATCH-compatible seats are secured by attaching the seat to hardware built into the two outer seating positions in the back seat.

Since LATCH-compatible child seats are easier to install and reduce the possibility of improper installation, we recommend selecting this style.

We also recommend selecting a LATCH-compatible seat with a rigid, rather than a flexible, anchor (see page 44).

In seating positions and vehicles not equipped with LATCH, a LATCH-compatible child seat can be installed using a seat belt.

Whatever type of seat you choose, to provide proper protection, a child seat should meet three requirements:

1. ***The child seat should meet U.S. or Canadian Motor Vehicle Safety Standard 213.*** Look for FMVSS 213 or CMVSS 213 on the box.
2. ***The child seat should be of the proper type and size to fit the child.*** Rear-facing for infants, forward-facing for small children.

Selecting a Child Seat, Installing a Child Seat

3. The child seat should fit the vehicle seating position (or positions) where it will be used.

Before purchasing a conventional child seat, or using a previously purchased one, we recommend that you test the seat in the specific vehicle seating position or positions where the seat will be used.

Installing a Child Seat

After selecting a proper child seat and a good place to install the seat, there are three main steps in installing the seat:

1. Properly secure the child seat to the vehicle. All child seats must be secured to the vehicle with the lap part of a lap/shoulder belt or with the LATCH (lower anchors and tethers for children) system. A child whose seat is not properly secured to the vehicle can be endangered in a crash.

2. Make sure the child seat is firmly secured. After installing a child seat, push and pull the seat forward and from side-to-side to verify that it is secure.

A child seat secured with a seat belt should be installed as firmly as possible. However, it does not need to be “rock solid.” Some side-to-side

movement can be expected and should not reduce the child seat’s effectiveness.

If the child seat is not secure, try installing it in a different seating position, or use a different style of child seat that can be firmly secured.

3. Secure the child in the child seat. Make sure the child is properly strapped in the child seat according to the child seat maker’s instructions. A child who is not properly secured in a child seat can be seriously injured in a crash.

The following pages provide guidelines on how to properly install a child seat. A forward-facing child seat is used in all examples, but the instructions are the same for rear-facing child seats.

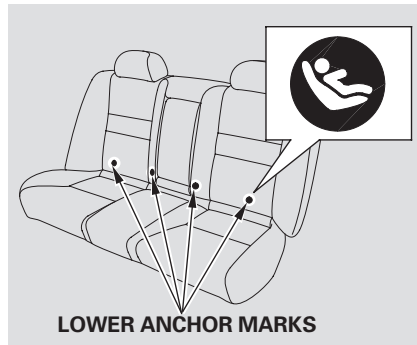
Installing a Child Seat

Installing a Child Seat with LATCH

Your vehicle is equipped with LATCH (lower anchors and tethers for children) at the outer rear seats.

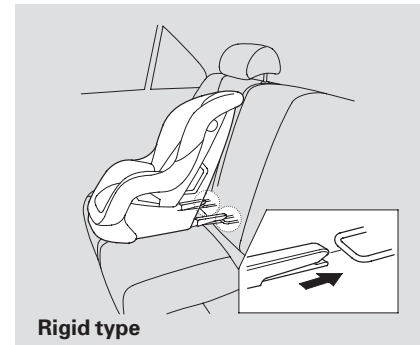
The lower anchors are located between the seat-back and seat bottom, and are to be used only with a child seat designed for use with LATCH.

The location of each lower anchor is indicated by a small button above the anchor point.



To install a LATCH-compatible child seat:

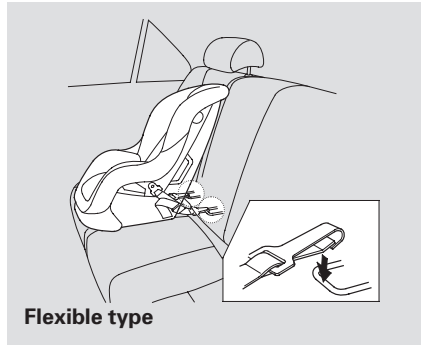
1. Move the seat belt buckle or tongue away from the lower anchors.
2. Make sure there are no objects near the anchors that could prevent a secure connection between the child seat and the anchors.



3. Place the child seat on the vehicle seat, then attach the seat to the lower anchors according to the child seat maker's instructions.

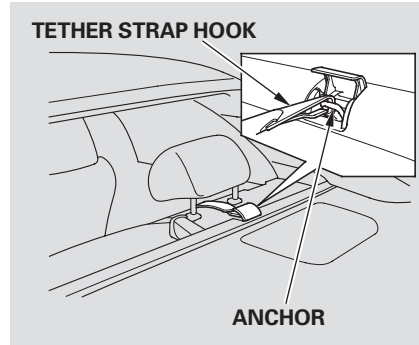
Some LATCH-compatible seats have a rigid-type connection as shown above.

Installing a Child Seat



Other LATCH-compatible seats have a flexible-type connection as shown above.

4. Whatever type you have, follow the child seat maker's instructions for adjusting or tightening the fit.



5. Lift the head restraint (see page 87), then route the tether strap through the legs of the head restraint, making sure the strap is not twisted.
6. Attach the tether strap hook to the tether anchor, then tighten the strap as instructed by the child seat maker.

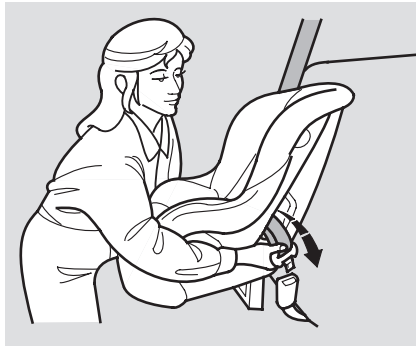
7. Push and pull the child seat forward and from side-to-side to verify that it is secure.

Installing a Child Seat

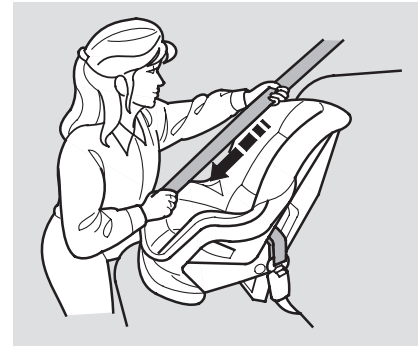
Installing a Child Seat with a Lap/Shoulder Belt

When not using the LATCH system, all child seats must be secured to the vehicle with the lap part of a lap/shoulder belt.

In addition, the lap/shoulder belts in all seating positions except the driver's have a lockable retractor that must be activated to secure a child seat.



1. With the child seat in the desired seating position, route the belt through the child seat according to the seat maker's instructions, then insert the latch plate into the buckle.



2. To activate the lockable retractor, slowly pull the shoulder part of the belt all the way out until it stops, then let the belt feed back into the retractor.

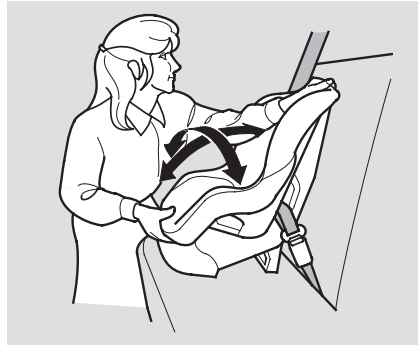
3. After the belt has retracted, tug on it. If the belt is locked, you will not be able to pull it out. If you can pull the belt out, it is not locked, and you will need to repeat these steps.

Installing a Child Seat



4. After confirming that the belt is locked, grab the shoulder part of the belt near the buckle, and pull up to remove any slack from the lap part of the belt. Remember, if the lap part of the belt is not tight, the child seat will not be secure.

To remove slack, it may help to put weight on the child seat, or push on the back of the seat while pulling up on the belt.

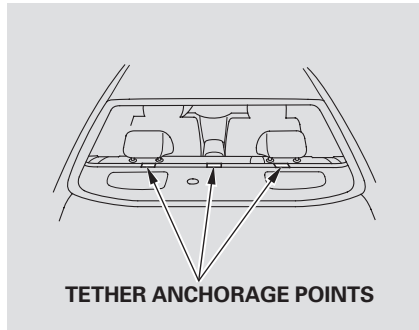


5. Push and pull the child seat forward and from side-to-side to verify that it is secure enough to stay upright during normal driving maneuvers. If the child seat is not secure, unlatch the belt, allow it to retract fully, then repeat these steps.

To deactivate the lockable retractor and remove a child seat, unlatch the buckle, unrout the seat belt, and let the belt fully retract.

Installing a Child Seat

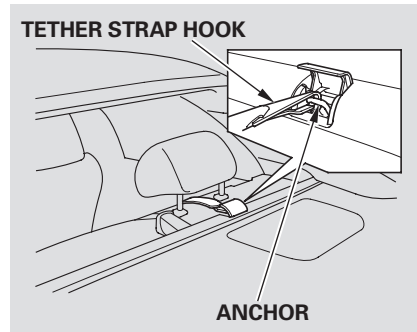
Installing a Child Seat with a Tether



A child seat with a tether can be installed in any seating position in the back seat, using one of the anchorage points shown above.

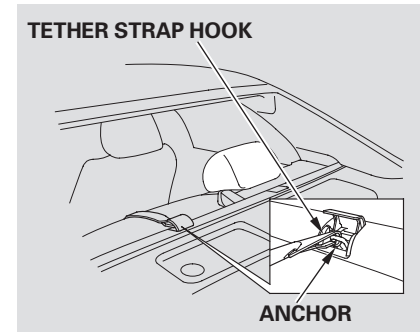
Since a tether can provide additional security to the lap/shoulder belt installation, we recommend using a tether whenever one is required or available.

Using an Outer Anchor



1. After properly securing the child seat (see page 46), lift the head restraint, then route the tether strap through the head restraint legs.
2. Lift the anchor cover, then attach the tether strap hook to the anchor, making sure the strap is not twisted.
3. Tighten the strap according to the seat maker's instructions.

Using the Center Anchor



1. After properly securing the child seat (see page 46), route the tether strap over the seat-back.
2. Follow steps 2 and 3 from the previous column.

Protecting Larger Children

When a child reaches the recommended weight or height limit for a forward-facing child seat, the child should sit in a back seat on a booster seat and wear a lap/shoulder belt.

The following pages give instructions on how to check proper seat belt fit, what kind of booster seat to use if one is needed, and important precautions for a child who must sit in front.

⚠ WARNING

Allowing a child age 12 or under to sit in front can result in injury or death if the passenger's front airbag inflates.

If a child must ride in front, move the vehicle seat as far back as possible, use a booster seat if needed, have the child sit up properly and wear the seat belt properly.

Checking Seat Belt Fit



To determine if a lap/shoulder belt properly fits a child, have the child put on the seat belt, then ask yourself:

1. Does the child sit all the way back against the seat?
2. Do the child's knees bend comfortably over the edge of the seat?

CONTINUED

Protecting Larger Children

3. Does the shoulder belt cross between the child's neck and arm?
4. Is the lap part of the belt as low as possible, touching the child's thighs?
5. Will the child be able to stay seated like this for the whole trip?

If you answer yes to all these questions, the child is ready to wear the lap/shoulder belt correctly. If you answer no to any question, the child needs to ride on a booster seat.

Using a Booster Seat



A child who has outgrown a forward-facing child seat should ride in a back seat and use a booster seat until the lap/shoulder belt fits them properly without the booster.

Some states and Canadian provinces also require children to use a booster seat until they reach a given age or weight (e.g., 6 years or 60 lbs). Be sure to check current laws in the states or provinces where you intend to drive.

Booster seats can be high-back or low-back. Whichever style you select, make sure the booster seat meets federal safety standards (see page 42) and that you follow the booster seat maker's instructions.

If a child who uses a booster seat must ride in front, move the vehicle seat as far back as possible and be sure the child is wearing the seat belt properly.

A child may continue using a booster seat until the tops of their ears are even with the top of the vehicle's or booster's seat-back. A child of this height should be tall enough to use the lap/shoulder belt without a booster seat.

Protecting Larger Children

When Can a Larger Child Sit in Front

The National Highway Traffic Safety Administration and Transport Canada recommend that all children age 12 and under be properly restrained in a back seat.

If the passenger's front airbag inflates in a moderate to severe frontal collision, the airbag can cause serious injuries to a child who is unrestrained, improperly restrained, sitting too close to the airbag, or out of position.

A side airbag also poses risks. If any part of a larger child's body is in the path of a deploying side airbag, the child could receive possibly serious injuries.

Of course, children vary widely. And while age may be one indicator of when a child can safely ride in front, there are other important factors you should consider.

Physical Size

Physically, a child must be large enough for the lap/shoulder belt to properly fit (see pages 16 and 49). If the seat belt does not fit properly, with or without the child sitting on a booster seat, the child should not sit in front.

Maturity

To safely ride in front, a child must be able to follow the rules, including sitting properly, and wearing the seat belt properly throughout a ride.

If you decide that a child can safely ride up front, be sure to:

- Carefully read the owner's manual, and make sure you understand all seat belt instructions and all safety information.
- Move the vehicle seat to the rear-most position.
- Have the child sit up straight, back against the seat, and feet on or near the floor.
- Check that the child's seat belt is properly and securely positioned.
- Supervise the child. Even mature children sometimes need to be reminded to fasten the seat belts or sit properly.

Protecting Larger Children

Additional Safety Precautions

- ***Do not let a child wear a seat belt across the neck.*** This could result in serious neck injuries during a crash.
- ***Do not let a child put the shoulder part of a seat belt behind the back or under the arm.*** This could cause very serious injuries during a crash. It also increases the chance that the child will slide under the belt in a crash and be injured.
- ***Two children should never use the same seat belt.*** If they do, they could be very seriously injured in a crash.
- ***Do not put any accessories on a seat belt.*** Devices intended to improve a child's comfort or reposition the shoulder part of a seat belt can make the belt less effective and increase the chance of serious injury in a crash.

Carbon Monoxide Hazard

Your vehicle's exhaust contains carbon monoxide gas. Carbon monoxide should not enter the vehicle in normal driving if you maintain your vehicle properly and follow the information on this page.

Have the exhaust system inspected for leaks whenever:

- The vehicle is raised for an oil change.
- You notice a change in the sound of the exhaust.
- The vehicle was in an accident that may have damaged the underside.

⚠ WARNING


Carbon monoxide gas is toxic. Breathing it can cause unconsciousness and even kill you.

Avoid any enclosed areas or activities that expose you to carbon monoxide.

High levels of carbon monoxide can collect rapidly in enclosed areas, such as a garage. Do not run the engine with the garage door closed. Even with the door open, run the engine only long enough to move the vehicle out of the garage.

With the trunk open, airflow can pull exhaust gas into your vehicle's interior and create a hazardous condition. If you must drive with the trunk open, open all the windows and set the heating and cooling system/ climate control system as shown below.

If you must sit in your parked vehicle with the engine running, even in an unconfined area, adjust the heating and cooling system/ climate control system as follows:

1. Select the fresh air mode.
2. Select the  mode.
3. Turn the fan on high speed.
4. Set the temperature control to a comfortable setting.

Safety Labels

These labels are in the locations shown. They warn you of potential hazards that could cause serious injury or death. Read these labels carefully. If a label comes off or becomes hard to read (except for the U.S. dashboard label which is removed by the owner), contact your dealer for a replacement.

HOOD

U.S. models

SUPPLEMENTAL RESTRAINT SYSTEM(S)
 This vehicle is equipped with front air bags, side air bags in the front seats, front outboard head/curtain air bags, and side curtain air bags. All SRS components inflate and deflate automatically when needed.

Cautioning with deceleration or using seat belts properly for the SRS will continue the system operation in case of an accidental deployment.

▲ WARNING
 Accidental deployment can seriously hurt or kill you. Follow Service Manual instructions carefully.

Canadian models

SUPPLEMENTAL RESTRAINT SYSTEM(S)
 This vehicle is equipped with front air bags, side air bags in the front seats, front outboard head/curtain air bags, and side curtain air bags. All SRS components inflate and deflate automatically when needed. Cautioning with deceleration or using seat belts properly for the SRS will continue the system operation in case of an accidental deployment.

▲ WARNING
 Accidental deployment can seriously hurt or kill you. Follow Service Manual instructions carefully.

DASHBOARD

U.S. models only

This Vehicle is Equipped with Advanced Air Bags

Even with Advanced Air Bags Children can be killed or seriously injured by the air bag. The back seat is the safest place for children. Always use proper child seat technique. Always use proper seat belt and child restraint technique. See owner's manual for more information.

SYSTÈME DE RESTRAINTES SUPPLÉMENTAIRE(S)
 Ce véhicule est équipé de dispositifs de restraintes supplémentaires, y compris des airbags avant, des airbags latéraux dans les sièges avant, des airbags tête/rideau avant et des airbags rideau latéraux. Tous les dispositifs de restraintes supplémentaires se gonflent et se dégonflent automatiquement lorsqu'il est nécessaire.

Attention : une utilisation incorrecte des ceintures de restraintes ou une utilisation incorrecte des sièges pour enfants peut entraîner des blessures graves ou la mort.

▲ ATTENTION
 Un déploiement accidentel peut sérieusement blesser ou tuer.

RADIATOR CAP

DANGER
 HOT FLUIDS UNDER HOOD
 DO NOT OPEN HOOD WHEN ENGINE IS RUNNING
 DO NOT REPAIR OR SERVICER HOOD OR HOOD LATCH AREA

SUN VISOR

U.S. models

AIRBAG WARNING
 FLIP VISOR OVER

▲ WARNING
 EVEN WITH ADVANCED AIR BAGS

- Children can be killed or seriously injured by the air bag
- The back seat is the safest place for children
- Never put a rear-facing child seat in the front
- Always use seat belts and child restraints
- See owner's manual for more information about air bags

Canadian models

CAUTION
 TO AVOID SERIOUS INJURY:
 • FOR MAXIMUM SAFETY PROTECTION IN ALL TYPES OF CRASHES, YOU MUST ALWAYS WEAR YOUR SAFETY BELT.
 • DO NOT INSTALL REARWARD-FACING CHILD SEATS IN ANY FRONT PASSENGER SEAT POSITION.
 • DO NOT SIT OR LEAN UNNECESSARILY CLOSE TO THE AIR BAG.
 • DO NOT PLACE ANY OBJECTS OVER THE AIR BAG OR BETWEEN THE AIR BAG AND YOURSELF.
 • SEE THE OWNER'S MANUAL FOR FURTHER INFORMATION AND EXPLANATIONS.

PRECAUTIONS:
 POUR ÉVITER DES BLESSURES GRAVES:
 • POUR PROFITER D'UNE PROTECTION MAXIMALE EN CAS D'UNE COLLISION, BOULEZ TOUJOURS VOTRE CEINTURE DE SÉCURITÉ.
 • N'INSTALLEZ JAMAIS UN SIÈGE POUR ENFANTS FAISANT FACE À L'ARRIÈRE SUR LE SIÈGE DU PASSAGER AVANT.
 • NE VOUS APPUYEZ PAS ET NE VOUS ASSOYEZ PAS PRES DU COUSSIN GONFLABLE.
 • NE DÉPOSEZ AUCUN OBJET SUR LE COUSSIN GONFLABLE ET VOUS.
 • LIRE LE MANUEL D'UTILISATION POUR DE PLUS AMPLES RENSEIGNEMENTS.

DOORJAMBS

U.S. models

SIDE AIRBAG

- This car is equipped with side airbags in the front seats and side curtain airbags.
- Do not lean against the door.
- See owner's manual for more information.

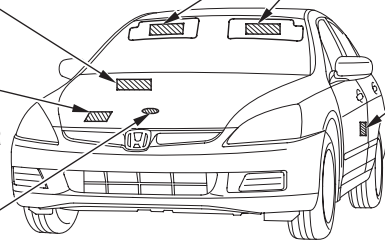
Canadian models

SIDE AIRBAG

- This car is equipped with side airbags in the front seats and side curtain airbags.
- Do not lean against the door.
- See owner's manual for more information.

COUSSIN GONFLABLE LATÉRAL

- Cette automobile est équipée de coussins gonflables latéraux dans les sièges avant ainsi que de coussins gonflables latéraux de type rideau.
- Ne vous appuyez pas sur la porte.
- Consultez le Manuel du propriétaire pour en savoir plus.

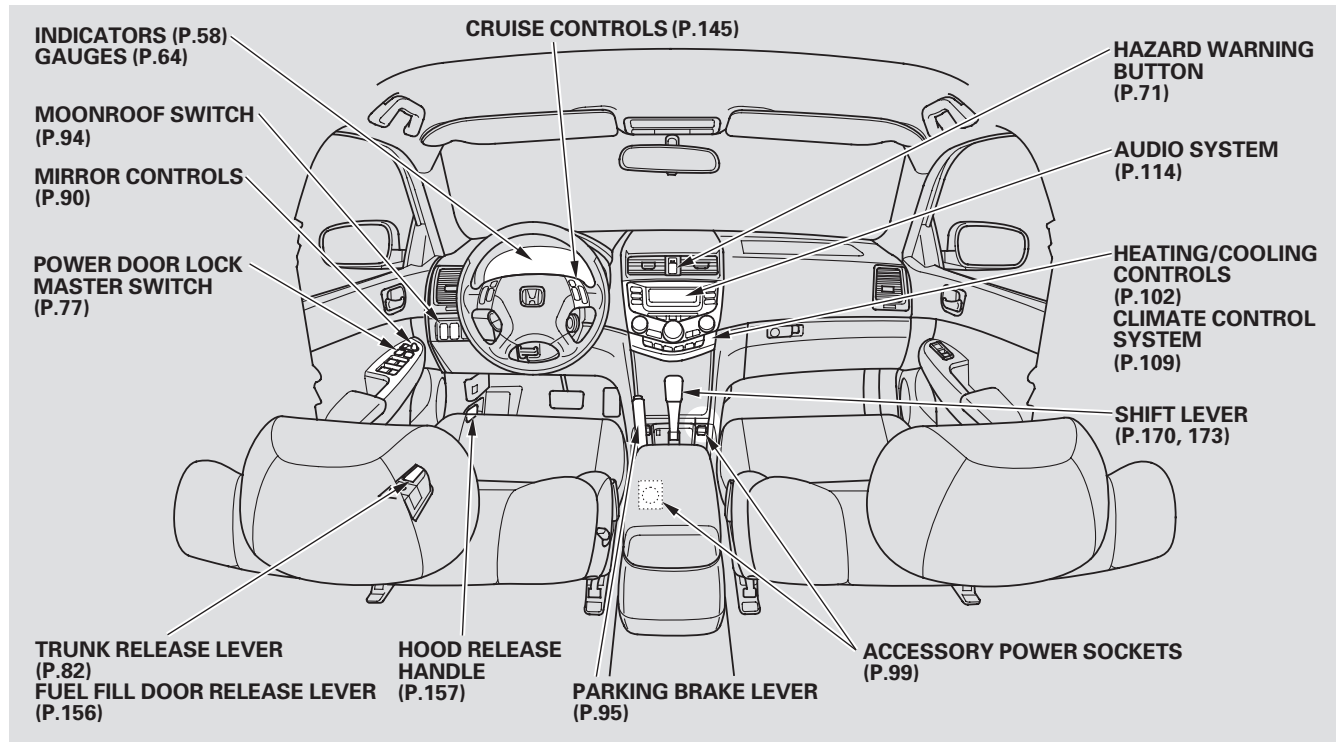


Instruments and Controls

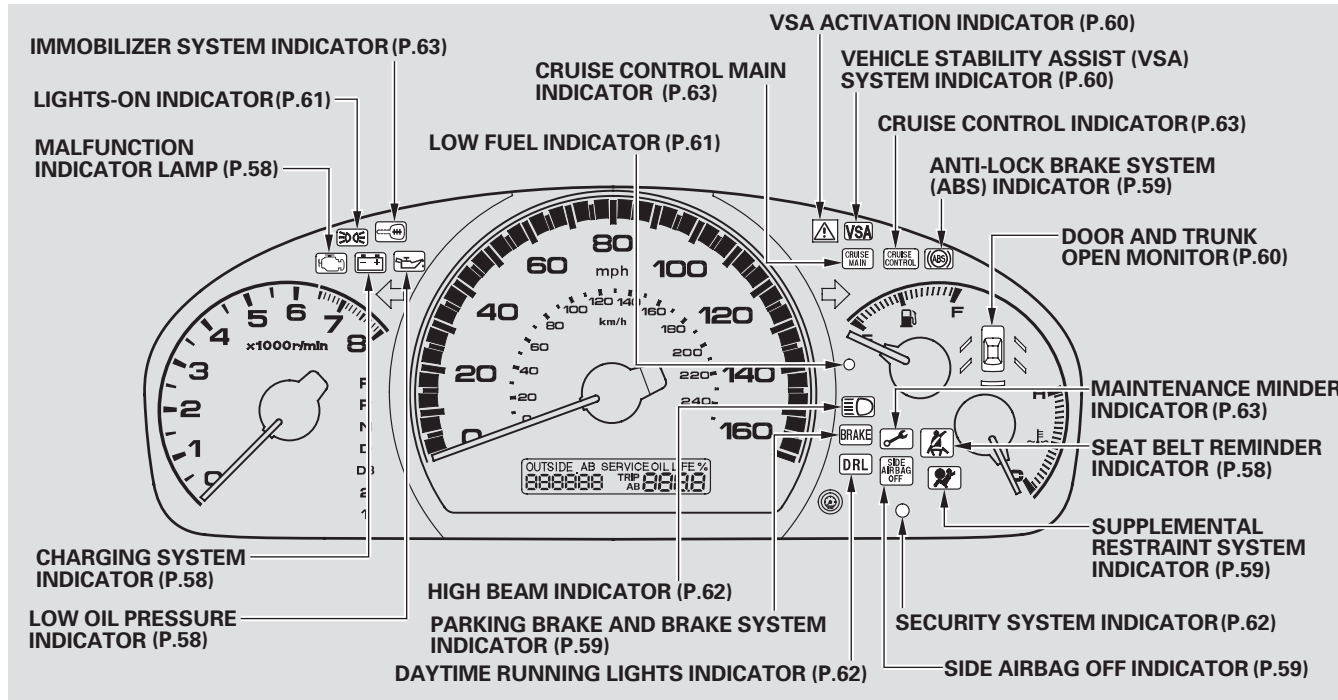
This section gives information about the controls and displays that contribute to the daily operation of your vehicle. All the essential controls are within easy reach.

Control Locations	56	Fuel Gauge	66	Front Seat Adjustments	86
Instrument Panel	57	Check Fuel Cap Indicator.....	66	Driver's Seat Manual Height	
Instrument Panel Indicators.....	58	Maintenance Minder Display....	66	Adjustment	86
Gauges	64	Controls Near the Steering		Driver's Seat Power Height	
Odometer/Outside		Wheel	67	Adjustment	87
Temperature Display	64	Wipers and Washers	68	Head Restraints	87
Odometer.....	64	Turn Signal, Headlights	69	Folding Rear Seat	88
Outside Temperature Display....	64	Automatic Lighting Off		Mirrors	90
Trip Meter	65	Feature	70	Adjusting the Power Mirrors	90
Temperature Gauge	65	Daytime Running Lights.....	70	Power Mirror Heaters	90
		Instrument Panel Brightness	71	Power Windows	91
		Hazard Warning.....	71	Power Window Control	
		Rear Window Defogger	72	Operations	93
		Steering Wheel Adjustment	73	Moonroof	94
		Keys and Locks.....	74	Parking Brake	95
		Immobilizer System.....	75	Sun Visor.....	96
		Ignition Switch	76	Vanity Mirror	96
		Door Locks.....	77	Interior Lights	97
		Childproof Door Locks	78	Ceiling Light.....	97
		Remote Transmitter	78	Individual Interior Lights.....	97
		Trunk.....	82	Interior Convenience Items.....	98
		Emergency Trunk Opener	83	Beverage Holders	99
		Seat Heaters	84	Accessory Power Sockets.....	99
		Seats	85	Console Compartment	99
		Power Seat Adjustment	85	Sunglasses Holder	100
		Driver's Lumbar Support.....	85	Glove Box	100

Control Locations



Instrument Panel



Instruments and Controls

The U.S. instrument panel is shown. Differences for the Canadian models are noted in the text.

Instrument Panel Indicators

The instrument panel has many indicators to give you important information about your vehicle.



Seat Belt Reminder Indicator

This indicator comes on when you turn the ignition switch to the ON (II) position. It reminds you and your passengers to fasten your seat belts. A beeper also sounds if you and your front passenger have not fastened your seat belts.

If you turn the ignition switch to the ON (II) position before fastening your seat belts, the beeper sounds, and the indicator flashes. If you do not fasten your seat belts before the beeper stops, the indicator stops flashing but remains on.

If your front passenger does not fasten their seat belt, the indicator comes on about 6 seconds after the ignition switch is turned to the ON (II) position.

If either of you do not fasten your seat belt while driving, the beeper will sound and the indicator will flash again at regular intervals. For more information, see page 20 .



Low Oil Pressure Indicator

The engine can be severely damaged if this indicator flashes or stays on when the engine is running. For more information, see page 253 .



Charging System Indicator

If this indicator comes on when the engine is running, the battery is not being charged. For more information, see page 253 .



Malfunction Indicator Lamp

See page 254 .

Instrument Panel Indicators

Parking Brake and Brake System Indicator

U.S. Canada



This indicator has two functions:

1. It comes on when you turn the ignition switch to the ON (II) position. It is a reminder to check the parking brake. A beeper sounds if you drive with the parking brake not fully released. Driving with the parking brake not fully released can damage the brakes and tires.
2. If it remains lit after you fully release the parking brake while the engine is running, or if it comes on while driving, there could be a problem with the brake system. For more information, see page 255 .



Supplemental Restraint System Indicator

This indicator comes on briefly when you turn the ignition switch to the ON (II) position. If it comes on at any other time, it indicates a potential problem with your front airbags. This indicator will also alert you to a potential problem with your side airbags, passenger's side airbag automatic cutoff system, side curtain airbags, automatic seat belt tensioners, driver's seat position sensor, or the front passenger's weight sensors. For more information, see page 30 .

U.S.

Canada



Side Airbag Off Indicator

This indicator comes on when you turn the ignition switch to the ON (II) position. If it comes on at any other time, it indicates that the passenger's side airbag has automatically shut off. For more information, see page 31 .



Anti-lock Brake System (ABS) Indicator

This indicator normally comes on for a few seconds when you turn the ignition switch to the ON (II) position, and when the ignition switch is turned to the START (III) position. If it comes on at any other time, there is a problem with the ABS. If this happens, have your vehicle checked at a dealer. With this on, your vehicle still has normal braking ability but no anti-lock brakes. For more information, see page 180 .

Instrument Panel Indicators

VSA Vehicle Stability Assist (VSA) System Indicator

On V6 models

This indicator normally comes on for a few seconds when you turn the ignition switch to the ON (II) position.

If it comes on and stays on at any other time, or if it does not come on when you turn the ignition switch to the ON (II) position, there is a problem with the VSA system. Take your vehicle to a dealer to have it checked. Without VSA, your vehicle still has normal driving ability, but will not have VSA traction and stability enhancement. See page 182 for more information on the VSA system.



VSA Activation Indicator

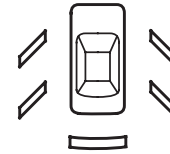
On V6 models

This indicator normally comes on for a few seconds when you turn the ignition switch to the ON (II) position. For more information, see page 182.

This indicator has three functions:

1. It comes on as a reminder that you have turned off the vehicle stability assist (VSA) system.
2. It flashes when VSA is active (see page 182).
3. It comes on along with the VSA system indicator if there is a problem with the VSA system.

Door and Trunk Open Monitor



The appropriate indicator comes on in this monitor if the trunk or either door is not closed tightly.

All the indicators in the monitor come on for a few seconds when you turn the ignition switch to the ON (II) position.

Instrument Panel Indicators



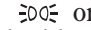
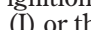
Turn Signal and Hazard Warning Indicators

The left or right turn signal indicator blinks when you signal a lane change or turn. If the indicators do not blink, or if they blink rapidly, it usually means one of the turn signal bulbs is burned out (see pages 221 and 222). Replace the bulb as soon as possible, since other drivers cannot see that you are signaling.

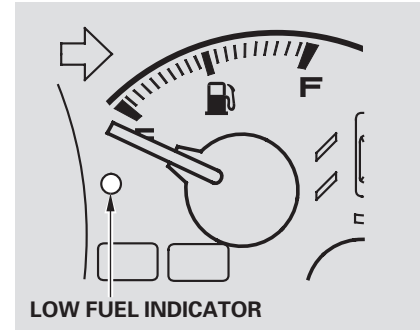
When you press the hazard warning button, both turn signal indicators and all turn signals on the outside of the vehicle flash.



Lights On Indicator

This indicator reminds you that the exterior lights are on. It comes on when the light switch is in either the  or  position. If you turn the ignition switch to the ACCESSORY (I) or the LOCK (O) position without turning off the light switch, this indicator will remain on. A reminder chime will also sound when you open the driver's door.

Low Fuel Indicator



This indicator is located in the fuel gauge. It comes on as a reminder that you must refuel soon.

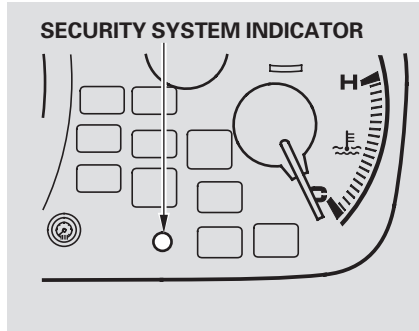
When the indicator comes on, there are about 2.72 U.S. gal (10.3 ℓ) of fuel remaining in the tank before the needle reaches E. There is a small reserve of fuel remaining in the tank when the needle does reach E.

Instrument Panel Indicators

Security System Indicator

U.S. EX, EX-L, and V6 models

Canadian SE, EX-L, and V6 models



This indicator comes on when the security system is set. See page 144 for more information on the security system.

DRL

“Daytime Running Lights” Indicator

If this indicator comes on when the ignition switch is turned to the ON (II) position and the parking brake is released, it means there is a problem in the high beam headlight's circuit. Have your vehicle checked by your dealer.



High Beam Indicator

This indicator comes on with the high beam headlights. For more information, see page 69 .

When the daytime running lights (DRL) are on, this indicator comes on with reduced brightness.

Instrument Panel Indicators



Cruise Control Main Indicator

This indicator comes on when you turn on the cruise control master button (see page 145).



Cruise Control Indicator

This indicator comes on when you set the cruise control. See page 145 for information on operating the cruise control.



Maintenance Minder Indicator

This indicator comes on for a few seconds when you turn the ignition switch to the ON (II) position. It reminds you that it is time to take your vehicle in for scheduled maintenance. The maintenance main items and sub items will be displayed in the information display. See page 193 for more information on the maintenance minder.

This indicator goes off when your dealer resets it after completing the required maintenance service.



Immobilizer System Indicator

This indicator comes on for a few seconds when you turn the ignition switch to the ON (II) position. It will go off if you have inserted a properly-coded ignition key. If it is not a properly-coded key, the indicator will blink and the engine will not start (see page 75).

This indicator also blinks several times when you turn the ignition switch from the ON (II) position to the ACCESSORY (I) or LOCK (0) position.

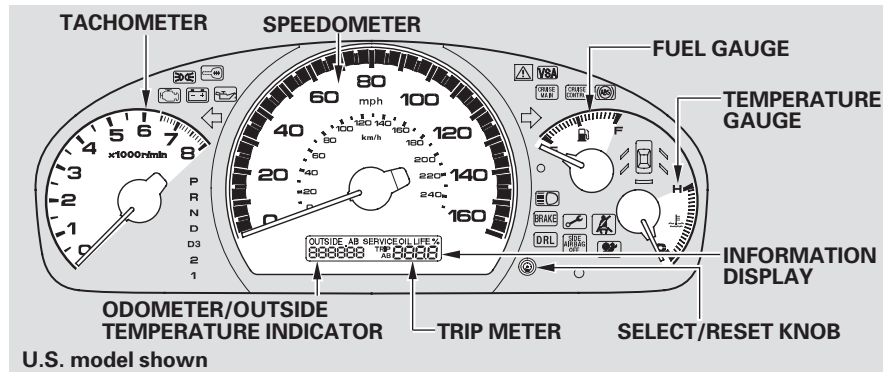


Washer Level Indicator

Canadian models only

This indicator comes on when the washer fluid level is low. Add washer fluid when you see this indicator come on (see page 210).

Gauges



Odometer/Outside Temperature Display

The odometer and the outside temperature display use the same display. To switch the display between the odometer and the outside temperature, press the select/reset knob. When you turn the ignition switch to ON (II), what you last selected is displayed.

Odometer

The odometer shows the total distance your vehicle has been driven. It measures miles in U.S. models and kilometers in Canadian models. It is illegal under U.S. federal law and Canadian provincial regulations to disconnect, reset, or alter the odometer with the intent to change the number of miles or kilometers indicated.

Outside Temperature Display

EX-L and EX-V6

This display shows the outside temperature in Fahrenheit (U.S. models) or Centigrade (Canadian models). To see the outside temperature, press and release the select/reset knob until the temperature is displayed.

The temperature sensor is in the front bumper. Therefore, the temperature reading can be affected by heat reflection from the road surface, engine heat, and the exhaust from surrounding traffic. This can cause an incorrect temperature reading when your speed is under 19 mph (30 km/h).

The sensor delays the display update until it reaches the correct outside temperature. This may take several minutes.

Gauges

If the outside temperature is incorrectly displayed, you can adjust it up to $\pm 5^{\circ}\text{F}$ ($\pm 3^{\circ}\text{C}$) warmer or cooler.

NOTE: The temperature must be stabilized before doing this procedure.

Select the outside temperature display, then press the select/reset knob for 10 seconds. The following sequences appear, 1 second at a time: 0, 1, 2, 3, 4, 5, -5, -4, -3, -2, -1, 0, 1 (0, 1, 2, 3, -3, -2, -1, 0, 1).

When the temperature reaches the desired value, release the select/reset knob. You should see the new outside temperature displayed.

In certain weather conditions, temperature readings near freezing (32°F , 0°C) could mean that ice is forming on the road surface.

Trip Meter

This meter shows the number of miles (U.S.) or kilometers (Canada) driven since you last reset it.

There are two trip meters: Trip A and Trip B. Switch between these displays and the odometer/outside temperature display by pressing the select/reset knob repeatedly. Each trip meter works independently, so you can keep track of two different distances.

When you turn the ignition switch to the ON (II) position, what you last selected is displayed.

To reset a trip meter, display it, and then press and hold the select/reset knob until the number resets to "0.0".

Temperature Gauge

This shows the temperature of the engine's coolant. During normal operation, the pointer should rise from the bottom white mark to about the middle of the gauge. In severe driving conditions, such as very hot weather or a long period of uphill driving, the pointer may rise into the upper half of the gauge. If it reaches the red (Hot) mark, pull safely to the side of the road. Turn to page 160 for instructions and precautions on checking the engine's cooling system.

Gauges

Fuel Gauge

This shows how much fuel you have. It may show slightly more or less than the actual amount. The needle returns to the bottom after you turn off the ignition.

NOTICE

Avoid driving with an extremely low fuel level. Running out of fuel could cause the engine to misfire, damaging the catalytic converter.

Check Fuel Cap Indicator

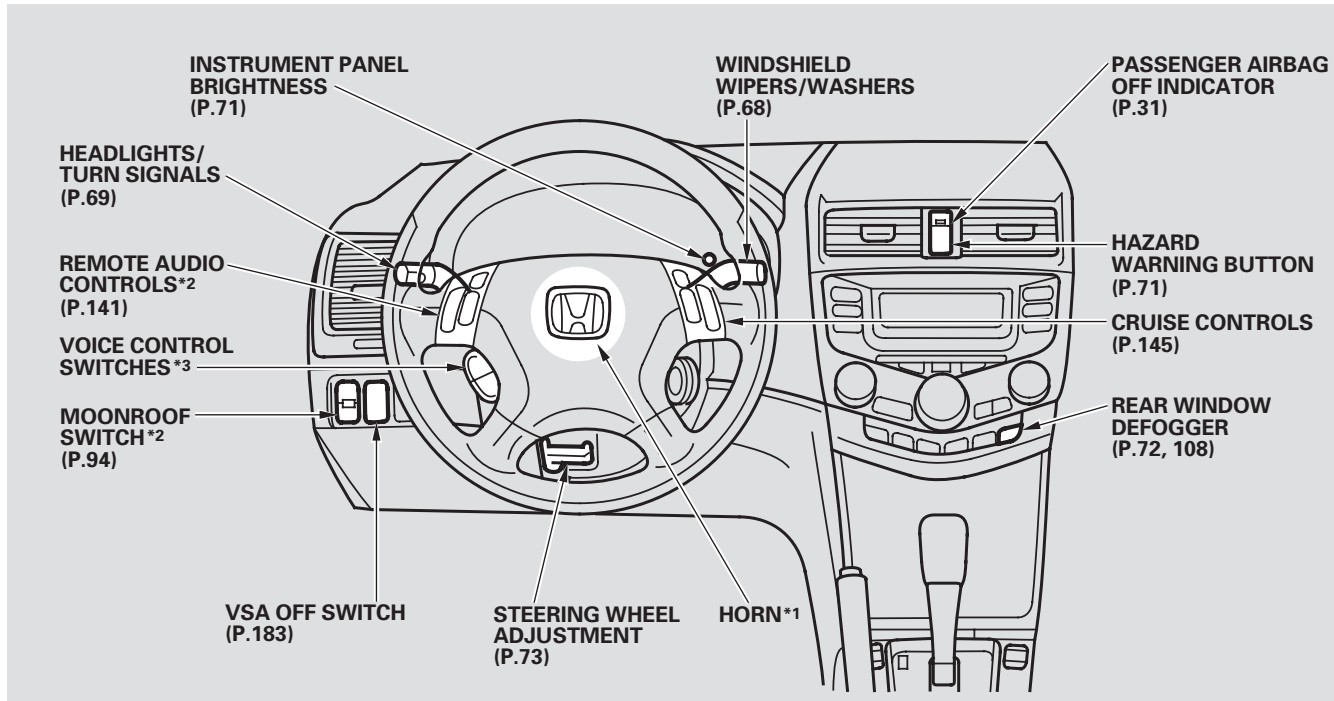
If your fuel cap is loose or missing, a “CHECK FUEL CAP” message will appear in the information display. As soon as it is safely possible, turn the engine off and check that the fuel cap is installed. If it is, loosen the cap and tighten it to at least 1 click. Although you can use the select/reset knob to cycle the fuel cap warning off of the display, it will be displayed again each time the engine is started. It will take several days of normal driving for the vehicle to turn the warning off.

If the vehicle on board diagnostic system continues to detect a problem, the malfunction indicator lamp (MIL) will illuminate. If the MIL does not go off, have your dealer inspect the vehicle. For more information, see page 254.

Maintenance Minder Display

The information display in the instrument panel shows you the engine oil life and maintenance service items when the ignition switch is in the ON (II) position. This information helps to keep you aware of the periodic maintenance your vehicle needs for continued trouble-free driving. Refer to page 193 for more information.

Controls Near the Steering Wheel



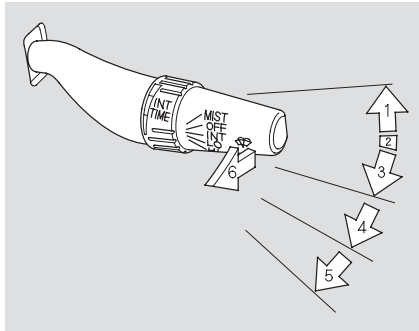
*1 : To use the horn, press the pad around the "H" logo.

*2 : If equipped.

*3 : Only on vehicles equipped with navigation system. Refer to the navigation system manual.

Wipers and Washers

Windshield Wiper



1. MIST
2. OFF
3. INT – Intermittent
4. LO – Low speed
5. HI – High speed
6. Windshield washers

Push the right lever up or down to select a position.

MIST – The wipers run at high speed until you release the lever.

OFF – The wipers are not activated.

INT – The length of the wiper interval is varied automatically according to the vehicle's speed.

Except U.S. VP

Vary the delay by turning the INT TIME ring. If you turn it to the shortest delay, the wiper speed will increase to low speed operation when the vehicle speed exceeds 12 mph (20 km/h).

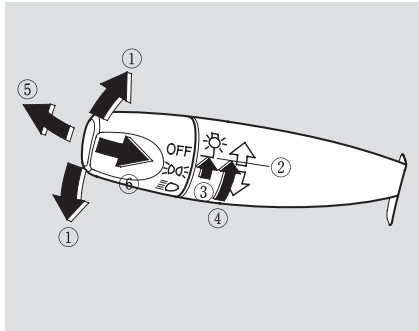
LO – The wipers run at low speed.

HI – The wipers run at high speed.

Windshield Washer – Pull the wiper control lever toward you, and hold it. The washers spray until you release the lever. The wipers run at low speed, then complete one more sweep after you release the lever.

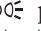
Turn Signal, Headlights


Turn Signal and Headlights



1. Turn signal
2. Off
3. Parking and interior lights
4. Headlight on
5. High beams
6. Flash high beams

Turn Signal — Push down on the left lever to signal a left turn and up to signal a right turn. To signal a lane change, push lightly on the lever in the proper direction and hold it. The lever will return to center when you release it or complete a turn.

Headlights — Turning the switch on the left lever to the  position turns on the parking lights, taillights, side marker lights, rear license plate lights and lights-on indicator.

Turning the switch to the  position turns on the headlights. If you leave the lights on with the ignition switch in ACCESSORY (I) or LOCK (0), you will hear a reminder chime when you open the driver's door.

When the light switch is in either of these positions, the lights-on indicator comes on as a reminder.



High Beams — To turn on the high beams, push the lever forward until you hear a click. The blue high beam indicator will come on (see page 62). To turn off the high beams, pull the lever back. To flash the high beams, pull the lever farther back, and then release it. The high beams remain on until the lever is released.

Automatic Lighting Off Feature, Daytime Running Lights

Automatic Lighting Off Feature

Except U.S. VP and Canadian DX-G

This feature turns off the headlights, parking lights, side marker lights, taillights, and rear license plate lights within 15 seconds of removing the key from the ignition switch and closing the driver's door.

This feature activates if you leave the headlight switch in the  or  position, remove the key, then open and close the driver's door.

If you remove the key from the ignition switch with the headlight switch on, but do not open the door, the lights will turn off after 10 minutes.

The lights will turn on again when you unlock or open the driver's door. If you unlock the door, but do not open it within 15 seconds, the lights will go off. With the driver's door open, you will hear a lights-on reminder chime.

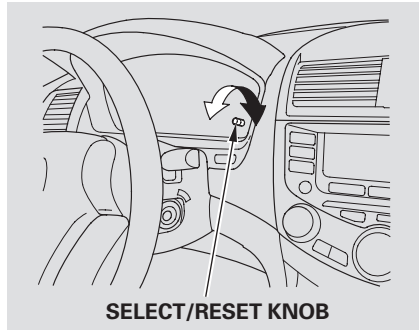
Daytime Running Lights

With the headlight switch off, the high beam headlights and the high beam indicator come on with reduced brightness when you turn the ignition switch to the ON (II) position and release the parking brake. They remain on until you turn the ignition switch off, even if you set the parking brake.

The headlights revert to normal operation when you turn them on with the switch.

Instrument Panel Brightness, Hazard Warning

Instrument Panel Brightness



The select/reset knob on the instrument panel controls the brightness of the instrument panel lights. Turn the knob to adjust the brightness.

The instrument panel will illuminate with reduced brightness when you unlock and open the driver's door. The brightness will increase slightly when you insert the key in the ignition switch, then go to normal

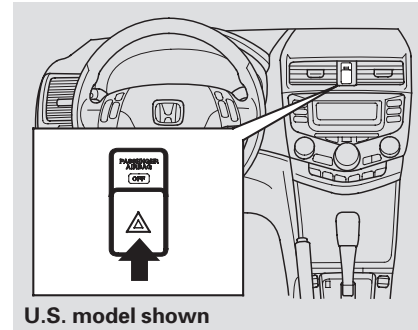
brightness when you turn the ignition switch to the ON (II) position.

If you do not insert the key in the ignition switch after opening the driver's door, the illumination turns off about 30 seconds after you close the door.

If you insert the key but do not turn the ignition switch to the ON (II) position, the illumination turns off in about 10 seconds.

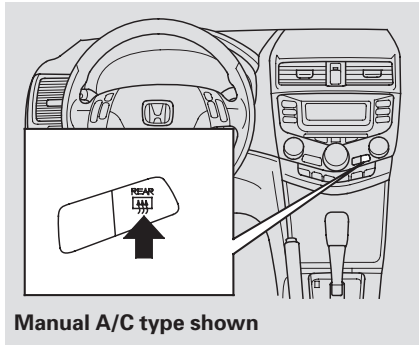
To reduce glare at night, the instrument panel illumination dims when you turn the light switch to $\Rightarrow\text{D}\Leftarrow$ or $\equiv\text{D}$. Turning the select/reset knob fully to the right until you hear a click will cancel the reduced brightness.

Hazard Warning



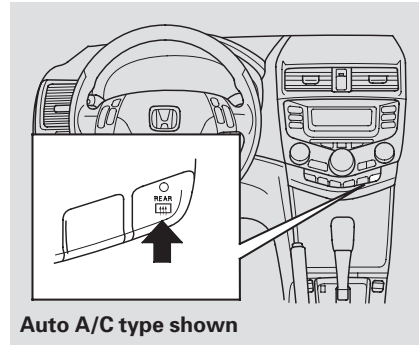
Push the button between the center vents to turn on the hazard warning lights (four-way flashers). This causes all four outside turn signals and both turn indicators in the instrument panel to flash. Use the hazard warning lights if you need to park in a dangerous area near heavy traffic, or if your vehicle is disabled.

Rear Window Defogger



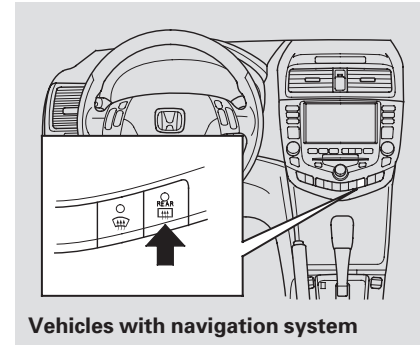
Manual A/C type shown

The rear window defogger will clear fog, frost, and thin ice from the window. Push the defogger button to turn it on and off. The indicator above/in the button comes on to show the defogger is on. It also shuts off when you turn off the ignition switch. You have to turn the defogger on again when you restart the vehicle.



Auto A/C type shown

Make sure the rear window is clear and you have good visibility before starting to drive.



Vehicles with navigation system

The defogger and antenna wires on the inside of the rear window can be accidentally damaged. When cleaning the glass, always wipe side to side.

Steering Wheel Adjustment

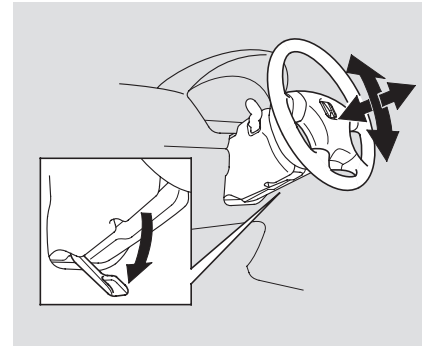
Make any steering wheel adjustment before you start driving.

⚠ WARNING

Adjusting the steering wheel position while driving may cause you to lose control of the vehicle and be seriously injured in a crash.

Adjust the steering wheel only when the vehicle is stopped.

1. Insert the key in the ignition switch, and unlock the steering column.
2. Push the lever under the steering column all the way down.

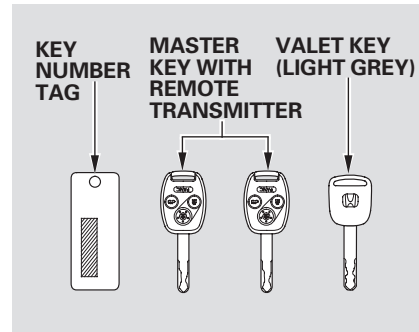


3. Move the steering wheel up or down, and in or out to the desired position. Make sure you can see the instrument panel gauges and the indicator lights.

Steering Wheel Adjustment, Keys and Locks

4. Push the lever up to lock the steering wheel in that position.
5. Make sure you have securely locked the steering wheel in place by trying to move it up, down, in, and out.

Keys and Locks



The master key fits all the locks on your vehicle. The valet key works only in the ignition and the door locks. You can keep the trunk release handle, rear seat trunk access, and glove box locked when you leave your vehicle and the valet key at a parking facility.

You should have received a key number tag with your keys. You will need this key number if you ever have to get a lost key replaced. Use only Honda-approved key blanks.

These keys contain electronic circuits that are activated by the immobilizer system. They will not work to start the engine if the circuits are damaged.

- Protect the keys from direct sunlight, high temperature, and high humidity.
- Do not drop the keys or set heavy objects on them.
- Keep the keys away from liquids. If they get wet, dry them immediately with a soft cloth.

Immobilizer System

The immobilizer system protects your vehicle from theft. If an improperly-coded key (or other device) is used, the engine will not start.

When you turn the ignition switch to the ON (II) position, the immobilizer system indicator should come on for a few seconds, then go off. If the indicator starts to blink, it means the system does not recognize the coding of the key. Turn the ignition switch to the LOCK (0) position, remove the key, reinsert it, and turn the ignition switch to the ON (II) position again.

The system may not recognize your key's coding if another immobilizer key or other metal object (i.e. key fob) is near the ignition switch when you insert the key.

If the system repeatedly does not recognize the coding of your key, contact your dealer.

Do not attempt to alter this system or add other devices to it. Electrical problems could result that may make your vehicle undrivable.

If you lose your key and you cannot start the engine, contact your dealer.

As required by the FCC:

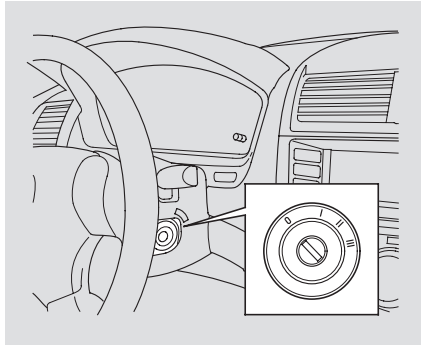
This device complies with Part 15 of the FCC rules. Operation is subject to the following two conditions: (1) This device may not cause harmful interference, and (2) this device must accept any interference received, including interference that may cause undesired operation.

Changes or modifications not expressly approved by the party responsible for compliance could void the user's authority to operate the equipment.

This device complies with Industry Canada Standard RSS-210.

Operation is subject to the following two conditions: (1) this device may not cause interference, and (2) this device must accept any interference that may cause undesired operation of the device.

Ignition Switch



The ignition switch has four positions: LOCK (0), ACCESSORY (I), ON (II), START (III)

LOCK (0) – You can insert or remove the key only in this position. To turn the key, the shift lever must be in Park, and you must push the key in slightly. If the front wheels are turned, the anti-theft lock may make it difficult to turn the key. Firmly turn the steering wheel to the left or to the right as you turn the key.

ACCESSORY (I) – You can operate the audio system and the accessory power sockets in this position.

ON (II) – This is the normal key position when driving. Several of the lights on the instrument panel come on as a test when you turn the ignition switch from the ACCESSORY (I) to the ON (II) position.

START (III) – Use this position only to start the engine. The switch returns to the ON (II) position when you let go of the key.

Ignition Switch, Door Locks

You will hear a reminder beeper if you leave the key in the ignition switch in the LOCK (0) or the ACCESSORY (I) position and open the driver's door. Remove the key to turn off the beeper.

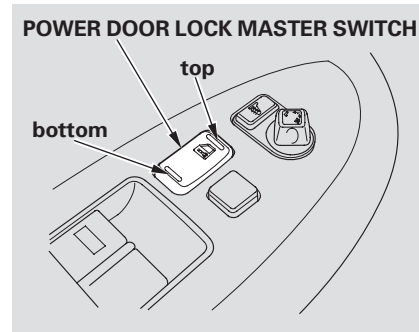
If your vehicle has an automatic transmission, the shift lever must be in Park before you can remove the key from the ignition switch.

⚠ WARNING

Removing the key from the ignition switch while driving locks the steering. This can cause you to lose control of the vehicle.

Remove the key from the ignition switch only when parked.

Door Locks



Each front door has a power door lock master switch. Either switch locks and unlocks all doors. Push the top of the switch to lock all doors; push the bottom to unlock them.

Each door has a lock tab on it. Push down the tab to lock the door and pull it up to unlock. When you push down the tab on the driver's door, all the doors lock.

To lock any passenger's door when getting out of the vehicle, push the lock tab down, and close the door.

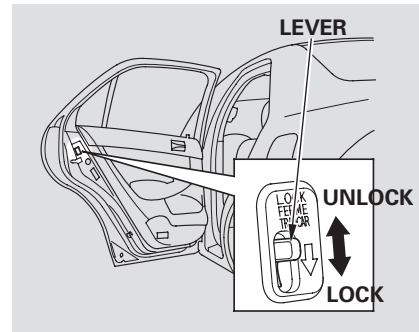
All doors can be locked from the outside by using the key in the driver's door. To unlock only the driver's door, insert the key, turn it clockwise, and release it. The remaining doors unlock when you turn the key a second time within a few seconds.

Door Locks, Remote Transmitter

Lockout Prevention

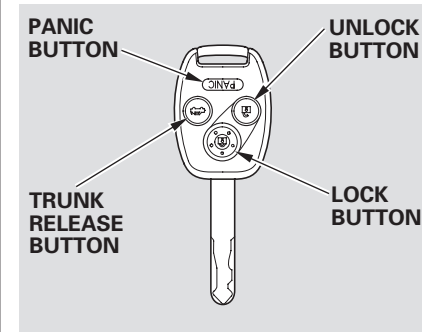
With the driver's door open and the key in the ignition, both door lock switches are disabled. They are not disabled if the driver's door is closed. Pushing the switch down on the open passenger's door will lock all doors.

Childproof Door Locks



The childproof door locks are designed to prevent children seated in the rear from accidentally opening the rear doors. Each rear door has a lock lever near the edge. With the lever in the LOCK position, the door cannot be opened from inside regardless of the position of the lock tab. To open the door, pull the lock tab up, and use the outside door handle.

Remote Transmitter



LOCK — Press this button once to lock all doors. Some exterior and interior lights will flash. The doors do not lock if they are not fully closed or the key is in the ignition switch.

Remote Transmitter

*U.S. EX, EX-L, and V6 models
Canadian SE, EX-L, and V6 models*

When you push LOCK twice within 5 seconds, you will hear a beep to verify that the security system is active.

UNLOCK — Press this button once to unlock the driver's door. Push it twice to unlock the other doors.

The ceiling light (if the ceiling light switch is in the center position) will come on when you press the UNLOCK button. If you do not open any door, the light stays on for about 30 seconds, then fades out. If you relock the doors with the remote transmitter before 30 seconds have elapsed, the light will go off immediately.

You cannot lock the doors with the remote transmitter if they are not fully closed or the key is in the ignition switch.

If you unlock the doors with the remote transmitter, but do not open any of the doors within 30 seconds, the doors automatically relock.

*U.S. EX, EX-L, and V6 models
Canadian SE, EX-L, and V6 models*
After the doors automatically relock, the security system will be active.

PANIC — Press this button for about 1 second to attract attention; the horn will sound and the exterior lights will flash for about 30 seconds. To cancel panic mode, press any other button on the remote transmitter, or turn the ignition switch to the ON (II) position.

TRUNK — Press this button for about 1 second to open the trunk. You cannot open the trunk if the key is in the ignition switch.

Remote Transmitter

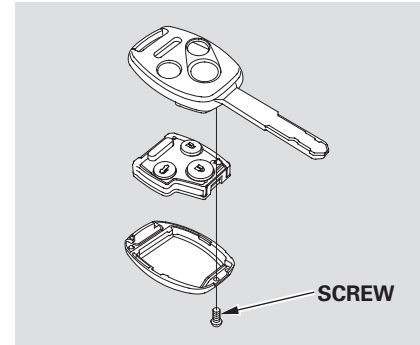
Remote Transmitter Care

- Avoid dropping or throwing the transmitter.
- Protect the transmitter from extreme temperature.
- Do not immerse the transmitter in any liquid.
- If you lose a transmitter, the replacement needs to be reprogrammed by your dealer.

Replacing the Transmitter Battery

If it takes several pushes on the button to lock or unlock the doors, replace the battery as soon as possible.

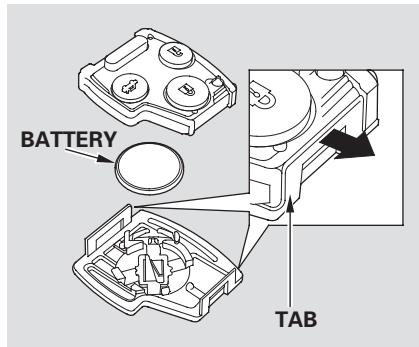
Battery type: CR1616



To replace the battery:

1. Remove the screw at the base of the transmitter with a small Phillips-head screwdriver.
2. Separate the transmitter by prying its middle seam with your fingernail.

Remote Transmitter



3. Inside the transmitter, separate the inner cover from the keypad by releasing the two tabs on the cover.

4. Remove the old battery from the back of the inner cover, and note the polarity. Make sure the polarity of the new battery is the same (+ side facing down), then insert it into the back of the cover.

An improperly disposed of battery can hurt the environment. Always confirm local regulations for battery disposal.

5. Install the parts in reverse order.

As required by the FCC:

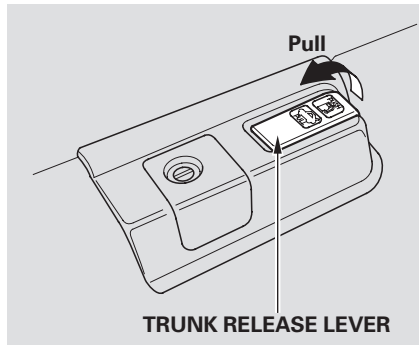
This device complies with Part 15 of the FCC rules. Operation is subject to the following two conditions: (1) This device may not cause harmful interference, and (2) this device must accept any interference received, including interference that may cause undesired operation.

Changes or modifications not expressly approved by the party responsible for compliance could void the user's authority to operate the equipment.

This device complies with Industry Canada Standard RSS-210.

Operation is subject to the following two conditions: (1) this device may not cause interference, and (2) this device must accept any interference that may cause undesired operation of the device.

Trunk

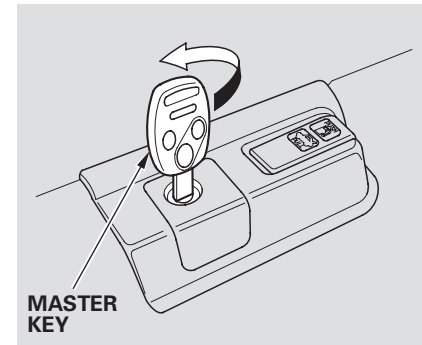


You can open the trunk in either of the following ways:

- Pull up on the trunk release lever located to the left of the driver's seat.
- Press and hold the trunk release button on the remote transmitter.

To close the trunk, press down on the trunk lid.

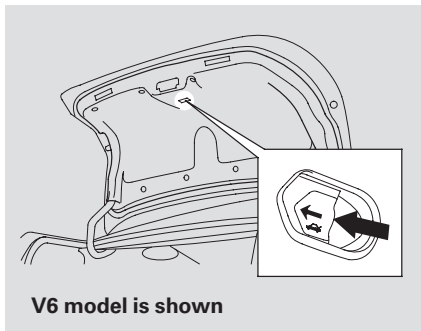
See page 165 for cargo loading and weight limit information. Keep the trunk lid closed at all times while driving to avoid damaging the lid, and to prevent exhaust gas from getting into the interior. See **Carbon Monoxide Hazard** on page 53.



To protect items in the trunk when you need to give the key to someone else:

1. Lock the trunk release lever with the master key. Also make sure the trunk pass-through cover is locked (see page 89).
2. Give the person the valet key.

Emergency Trunk Opener

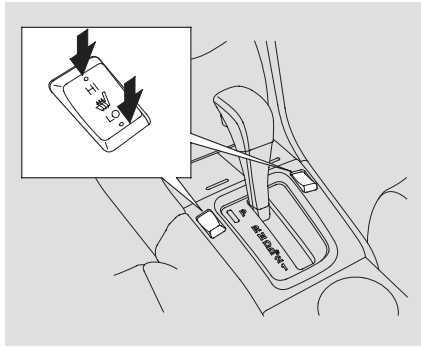


As a safety feature, your vehicle has a release lever on the trunk latch so the trunk can be opened from the inside.

To open the trunk, push the release lever to the left.

For more information about child safety, see page 38 .

Seat Heaters



EX-L and EX-V6

Both front seats are equipped with seat heaters. Because of the sensors for the side airbag system, there is no heater in the passenger's seat-back. The ignition switch must be ON (II) to use the heaters.

After the seat reaches a comfortable temperature, select LO by pushing the back of the switch. This will keep the seat warm.

In HI, the heater turns off when the seat gets warm, and turns back on after the seat's temperature drops.

In LO, the heater runs continuously. It does not cycle with temperature changes.

Follow these precautions whenever you use the seat heaters:

- Use the HI setting only to heat the seats quickly, because it draws large amounts of current from the battery.
- If the engine is left idling for an extended period, do not use the seat heaters even on the LO setting. It can weaken the battery, causing hard starting.

Power Seat Adjustment

U.S. EX-L, LX-V6, and EX-V6

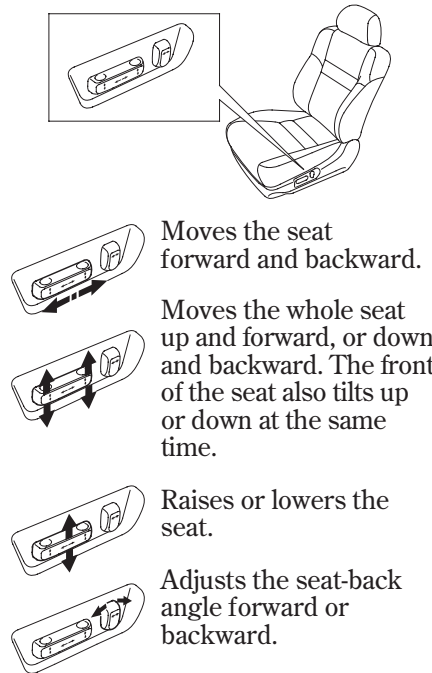
Canadian EX-L and V6 models

See pages 13 – 14 for important safety information and warnings about how to properly position seats and seat-backs.

The controls for the adjustable driver's power seat are on the outside edge of the seat bottom. You can adjust the power seat with the ignition switch in any position. Make all seat adjustments before you start driving.

EX-V6

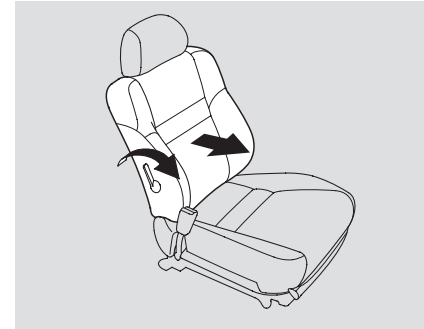
The passenger's seat has two switches. One moves the seat forward and backward, and the other adjusts the seat-back angle.



Driver's Lumbar Support

U.S. EX, EX-L, and EX-V6

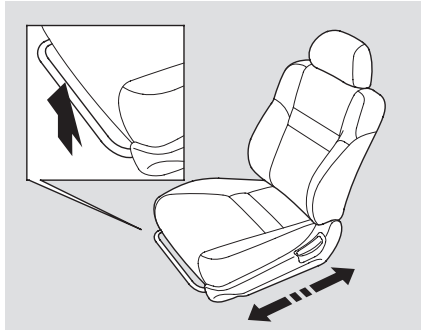
Canadian SE, EX-L, and EX-V6



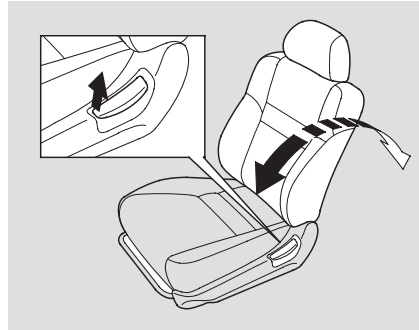
To change the lumbar support, move the lever on the right side of the seat-back forward or backward. Keep moving the lever forward or backward until you find a suitable position.

Seats

Front Seat Adjustments



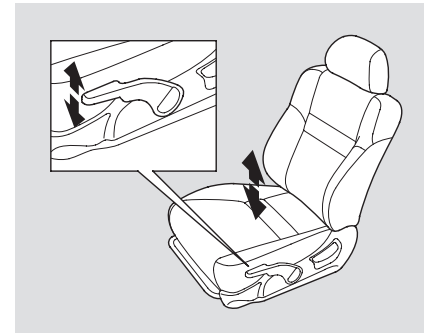
To adjust the seat forward or backward, pull up on the bar under the seat cushion's front edge. Move the seat to the desired position, and release the bar. Try to move the seat to make sure it is locked in position.



To change the seat-back angle, pull up on the lever on the outside of the seat bottom.

Driver's Seat Manual Height Adjustment

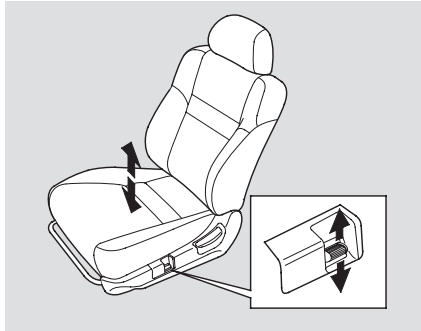
*U.S. VP, LX, SE, and SE-V6
Canadian DX-G*



The height of your driver's seat is adjustable. To raise the seat bottom, repeatedly pull up the lever on the outside of the seat cushion. To lower the seat, push the lever down repeatedly.

Driver's Seat Power Height Adjustment

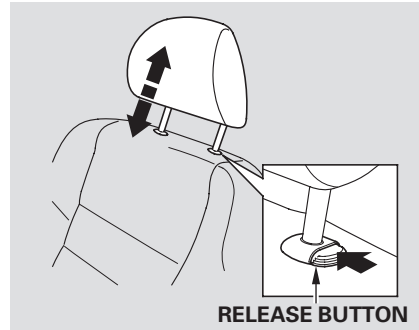
U.S. EX and Canadian SE



The height of your driver's seat is power adjustable. Pull up on the switch to raise the seat. Push it down to lower the seat.

Make all adjustments before you start driving.

Head Restraints



See page 15 for important safety information and a warning about how to properly position the head restraints.

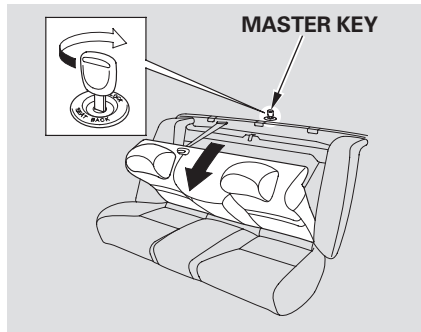
Your vehicle is equipped with head restraints in all seating positions to help protect you and your passengers from whiplash and other injuries.

They are most effective when you adjust them so the back of the occupant's head rests against the center of the restraint.

The front and rear head restraints adjust for height. You need both hands to adjust the restraint. Do not attempt to adjust it while driving. To raise it, pull upward. To lower the restraint, push the release button and push the restraint down.

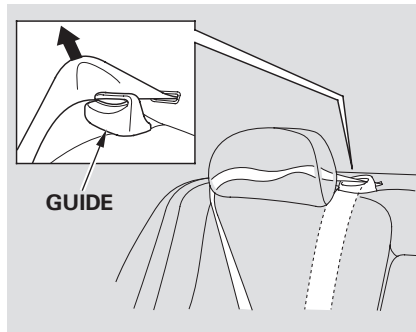
Seats

Folding Rear Seat

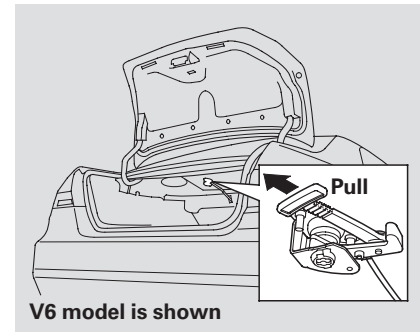


The back of the rear seat folds down, giving you direct access to the trunk. The seat-back can be released from inside the vehicle or inside the trunk.

To fold down the seat-back from inside the vehicle, insert the master key in the lock on the rear shelf. Turn the key clockwise, pull down the top of the seat-back, then release the key.



When storing cargo, you can move the rear center shoulder belt out of the way by removing the belt from the guide.



To release the seat-back from inside the trunk, pull the release loop under the trunk panel.

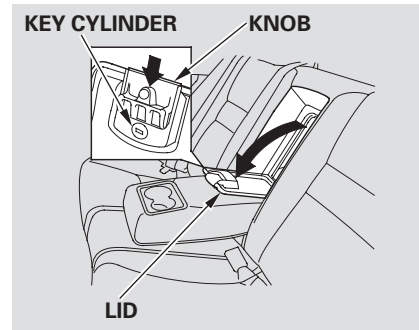
To lock the seat-back upright, push it firmly against the trunk panel. Make sure it is latched in place by pulling on the top of the seat.

Make sure all rear shoulder belts are positioned in front of the rear seat-back whenever the seat-back is in its upright position.

Make sure all items in the trunk, or items extending through the opening into the back seat, are secured. Loose items can fly forward and cause injury if you have to brake hard. See **Carrying Cargo** on page 164.

Never drive with the seat-back folded down and the trunk lid open. See **Carbon Monoxide Hazard** on page 53.

Trunk Pass-through Cover



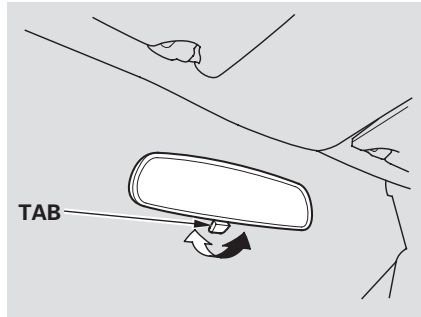
If equipped

The trunk pass-through cover can be opened from either side; it folds forward onto the center armrest. Open the cover by sliding the knob downward and pushing or pulling on the cover. To close the cover, swing it up and push firmly on the top. Make sure it latches properly. Make sure all items in the trunk and those extending through the pass-through are secured.

For security, this cover can be locked and unlocked only with the master key. To lock the cover, insert the key and turn it clockwise.

Never drive with this cover open and the trunk lid open. See **Carbon Monoxide Hazard** on page 53.

Mirrors

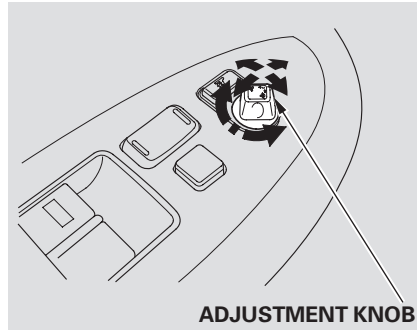


Keep the inside and outside mirrors clean and adjusted for best visibility. Be sure to adjust the mirrors before you start driving.

The outside mirrors are manually adjustable.

The inside mirror has day and night positions. The night position reduces glare from headlights behind you. Flip the tab on the bottom edge of the mirror to select the day or night position.

Adjusting the Power Mirrors *If equipped*



1. Turn the ignition switch to the ON (II) position.
2. Turn the adjustment knob to L (driver's side) or R (passenger's side).

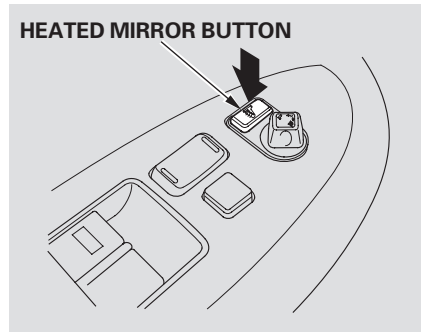
3. Push or pull the adjustment knob right, left, up, or down to move the mirror.
4. When you finish, turn the adjustment knob to the center (off) position. This turns off the adjustment knob to keep your settings.

Mirrors, Power Windows

Power Mirror Heaters

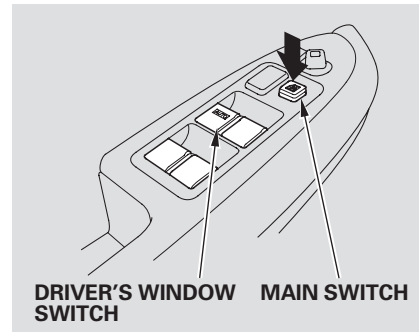
U.S. EX, EX-L, LX-V6, and EX-V6

All Canadian models



The outside mirrors are heated to remove fog and frost. With the ignition switch in the ON (II) position, turn on the heaters by pressing the button. The indicator in the button comes on as a reminder. Press the button again to turn the heaters off.

Power Windows



Turn the ignition switch to ON (II) to raise or lower any window, push the switch down and hold it. Release the switch when you want the window to stop. Close the window by pulling the switch up and holding it.

⚠ WARNING

Closing a power window on someone's hands or fingers can cause serious injury.

Make sure your passengers are away from the windows before closing them.

AUTO — To open the driver's window, push the window switch firmly down, then release it. To stop the window from going all the way down, pull back on the window switch briefly.

To close the driver's window fully, pull back the window switch firmly, then release it. To stop the window from going all the way up, push down on the window switch briefly.

Power Windows

To open or close the driver's window partially, push down or pull back on the window switch lightly and hold it. The window will stop when you release the switch.

The passenger windows cannot be raised or lowered if the MAIN switch is OFF. Keep the MAIN switch off when you have children in the vehicle so they do not injure themselves by operating the windows unintentionally.

AUTO REVERSE — If the driver's window senses any obstacle while it is closing automatically, it will reverse direction, and then stop. To close the window, remove the obstacle, then use the window switch again.

Auto reverse stops sensing when the window is almost closed. You should always check that all passengers and objects are away from the window before closing it.

If your vehicle's battery is disconnected or goes dead, or the driver's window fuse is removed, the AUTO function may be disabled. If the AUTO function is disabled, the power window system will need to be reset after reconnecting the battery or installing the fuse.

1. Start the engine. Push down and hold the driver's window switch until the window is fully open.
2. Pull and hold the driver's window switch to close the window completely, then hold the switch for about 2 seconds.

If the power windows do not operate properly after resetting, have your vehicle checked by your dealer.

Power Windows

The power window system has a key-off delay function. The windows will still operate for up to 10 minutes after you turn off the ignition switch. Opening either front door cancels the delay function. You must turn the ignition switch to the ON (II) position again before you can raise or lower the windows.

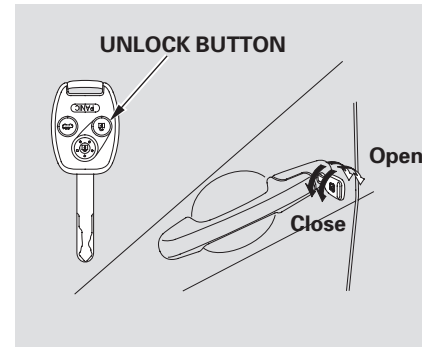
Power Window Control Operations

Opening the Windows with the Remote Transmitter

You can open all of the windows from the outside with the remote transmitter.

1. Press the UNLOCK button once to unlock the driver's door.
2. Press the UNLOCK button a second time, and hold it. The passenger's doors unlock, and all four windows start to open. To stop the windows, release the button.
3. To open the windows further, press the button again.

You cannot close the windows with the remote transmitter.



Opening/Closing the Windows with the key.

You can open and close the windows with the key in the driver's door lock.

To open:

1. Insert the key in the driver's door lock.
2. Turn the key clockwise, then release it.

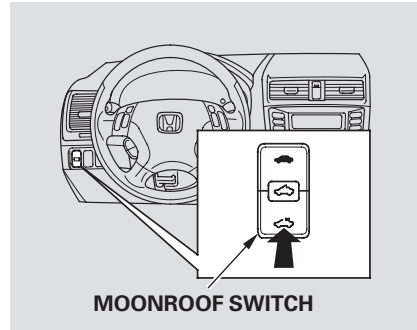
Power Windows, Moonroof

3. Turn the key clockwise again, and hold it. All four windows start to open. To stop the windows, release the key.
4. To open the windows further, turn and hold the key again.

To close:

1. Insert the key in the driver's door lock.
2. Turn the key counterclockwise, then release it.
3. Turn the key counterclockwise again, and hold it. All four windows start to close. To stop the windows, release the key.
4. To close the windows further, turn and hold the key again.

Moonroof



If equipped

The moonroof has two positions: it can be tilted up in the back for ventilation, or it can be slid back into the roof. Use the switch under the left dashboard vent to operate the moonroof. The ignition switch must be in the ON (II) position.

To tilt up the back of the moonroof, press and hold the center button . To close the moonroof, press and hold the upper button . To open the moonroof, press and hold the lower button . Release the button when the moonroof gets to the desired position. Make sure everyone's hands are away from the moonroof before opening or closing it.

⚠ WARNING

Opening or closing the moonroof on someone's hands or fingers can cause serious injury.

Make sure all hands and fingers are clear of the moonroof before opening or closing it.

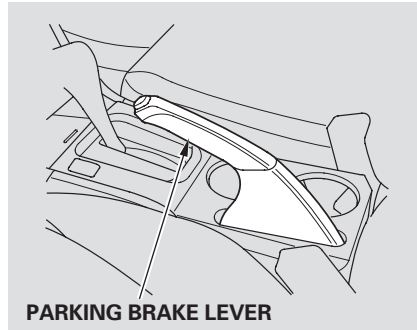
Moonroof, Parking Brake

The moonroof has a key-off delay function. You can still open and close the moonroof for up to 10 minutes after you turn off the ignition switch. The key-off delay function cancels as soon as you open either front door. You must then turn the ignition switch to the ON (II) position to operate the moonroof.

NOTICE

If you try to open the moonroof in below-freezing temperatures, or when it is covered with snow or ice, you can damage the moonroof panel or motor.

Parking Brake



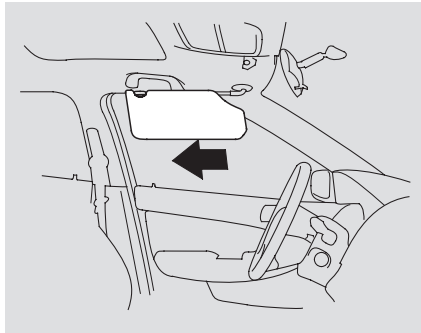
To apply the parking brake, pull the lever up fully. To release it, pull up slightly, push the button, and lower the lever. The parking brake light on the instrument panel should go out when the parking brake is fully released with the engine running (see page 59).

NOTICE

Driving the vehicle with the parking brake applied can damage the rear brakes and hubs.

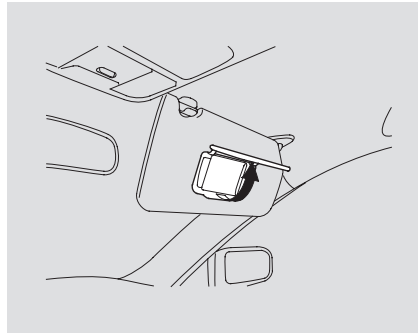
Sun Visor, Vanity Mirror

Sun Visor



To use the sun visor, pull it down. You can also use the sun visor at the side window. Remove the support rod from the clip and swing the sun visor toward the side window.

Vanity Mirror

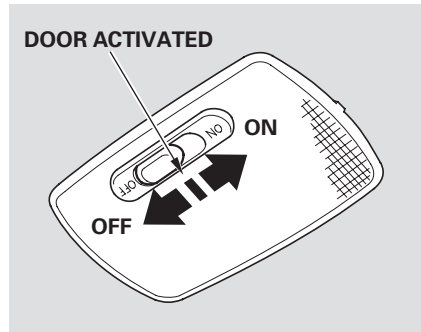


To use a vanity mirror on the back of the sun visor, pull up the cover.

On some models, the vanity mirror lights come on when you pull up the cover.

Interior Lights

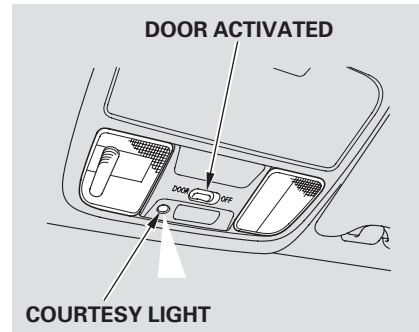
Ceiling Light



The ceiling lights have a three or two-position switch; ON (for three-position), Door Activated, and OFF. In the Door Activated (center or left) position, the lights come on when you:

- Open any door.
- Unlock the doors with the key or remote transmitter.

After all doors are closed tightly, the light dims slightly, then fades out in about 30 seconds.



If equipped

The front ceiling light also contains two spotlights. Push the spotlight lenses to turn them on and off.

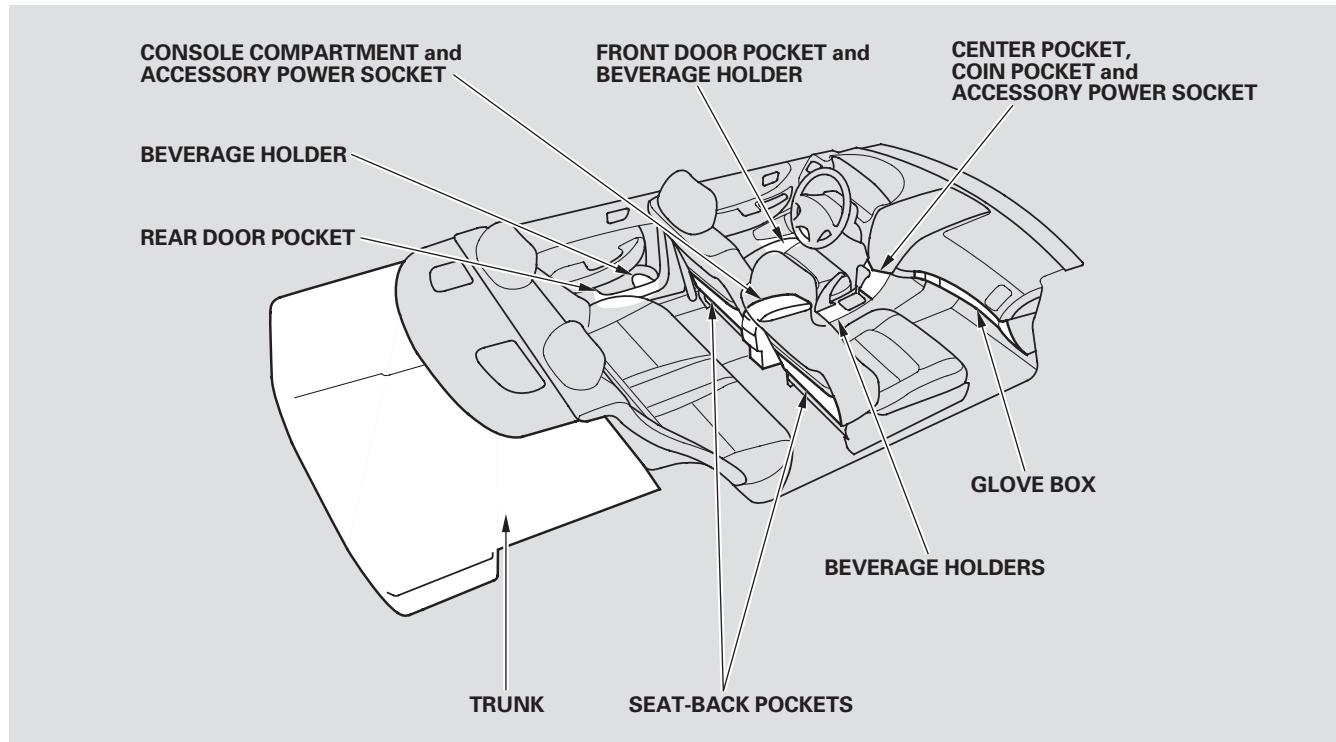
The courtesy light between the spotlights comes on when you turn the parking lights on. To adjust its brightness, turn the select/reset knob on the instrument panel.

Push on the spotlight lenses to turn the light on and off.

Individual Interior Lights

On some models, the courtesy lights in the front doors come on when you open any door. The light around the ignition switch only come on when you open the driver's door. After you close the door, the ignition switch light stays on for several seconds.

Interior Convenience Items



Interior Convenience Items

Beverage Holders

Be careful when you are using the beverage holders. A spilled liquid that is very hot can scald you or your passengers. Liquid can also spill from the door pocket beverage holders when you close the doors. Use only resealable containers in the door pockets.

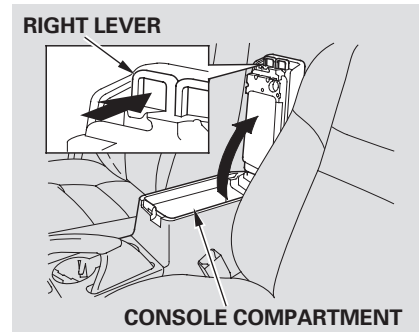
Spilled liquids can damage the upholstery, carpeting, and electrical components in the interior.

Accessory Power Sockets

Except U.S. VP and Canadian DX-G

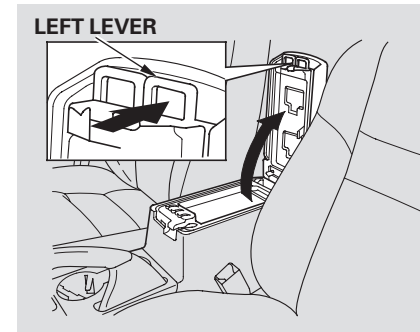
These sockets are intended to supply power for 12 volt DC accessories that are rated 120 watts or less (10 amps). None of the sockets will power an automotive type cigarette lighter element. When more than one socket is being used, the combined power rating of the accessories should be 120 watts or less (10 amps).

Console Compartment



To open the console compartment, pull up on the right lever and lift the armrest.

To close, lower the armrest, and push it down until it latches.

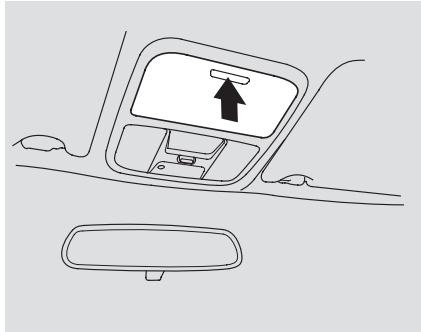


You can put small items in the tray located in the console compartment lid. To use the tray, pull up on the left lever and lift up the armrest.

On some models, the console compartment is equipped with a coin holder.

Interior Convenience Items

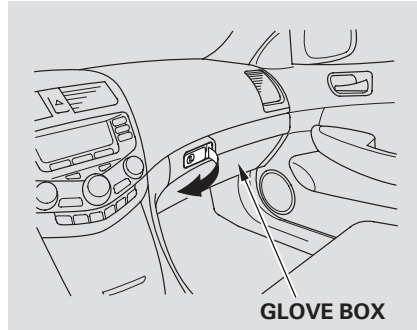
Sunglasses Holder



If equipped

To open the sunglasses holder, push on the front edge. Make sure the holder is closed while you are driving.

Glove Box



Open the glove box by pulling the handle to the left. Close it with a firm push. Lock or unlock the glove box with the master key.

The glove box light comes on when the parking lights are on.

⚠ WARNING

An open glove box can cause serious injury to your passenger in a crash, even if the passenger is wearing the seat belt.

Always keep the glove box closed while driving.

Features

The heating and air conditioning system in your vehicle provides a comfortable driving environment in all weather conditions.

The standard audio system has many features. This section describes those features and how to use them.

All models except U.S. VP and LX and Canadian DX and SE

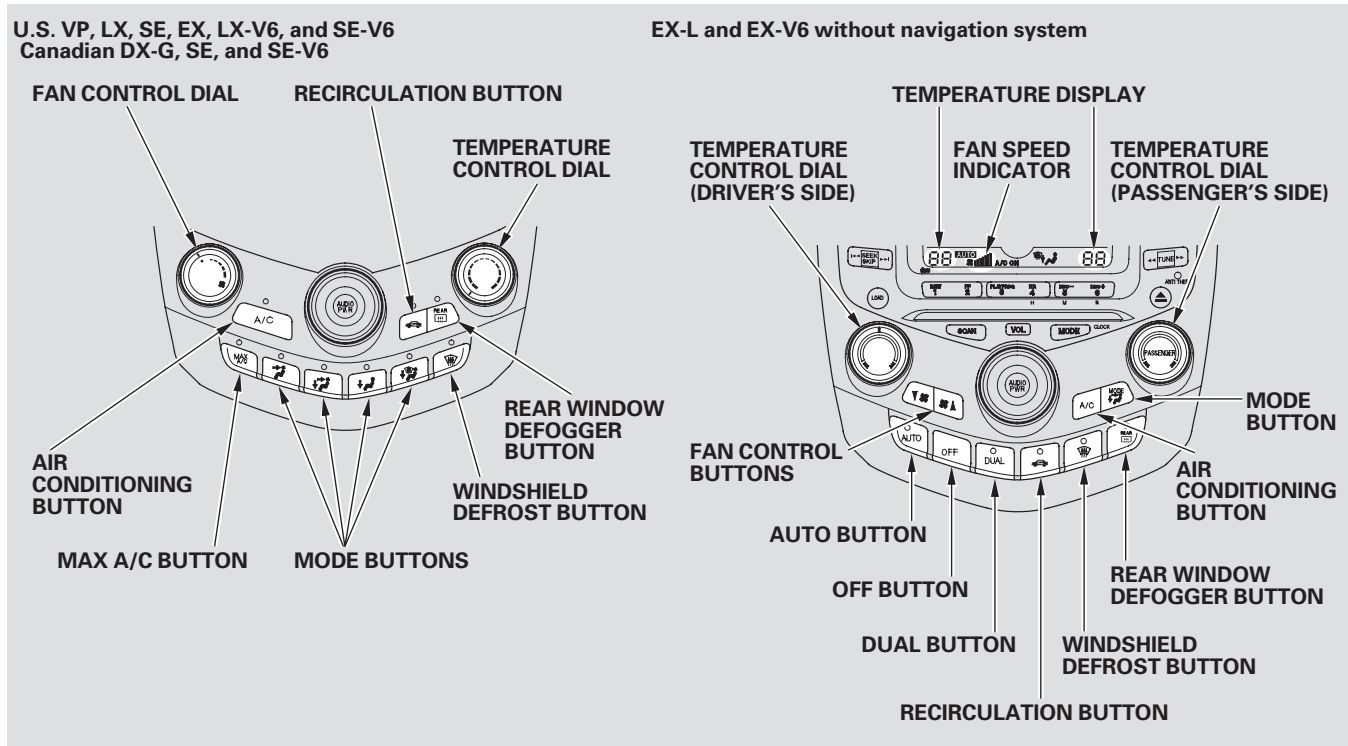
Your vehicle has an anti-theft audio system that requires a code number to enable it.

All models except U.S. VP, LX, and SE, and Canadian DX

The security system helps to discourage vandalism and theft of your vehicle.

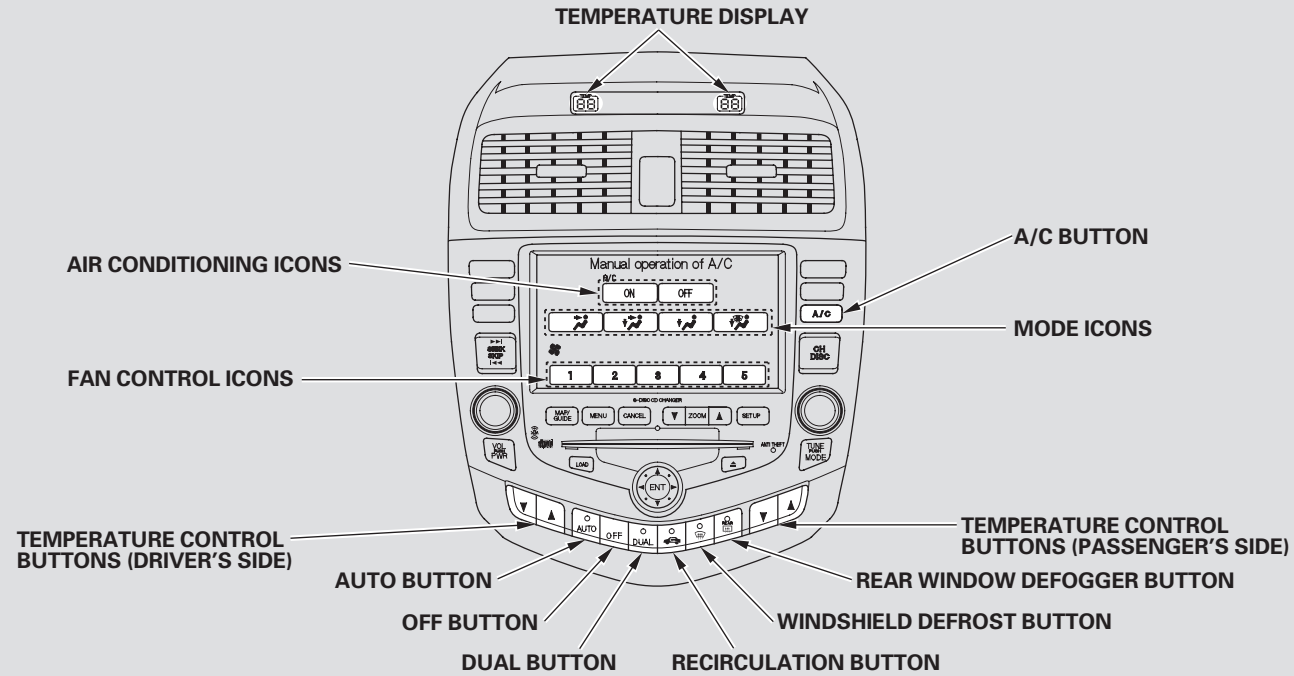
Vents, Heating, and A/C	102	Tape Search Functions	133
Voice Control System.....	104	Caring for the Tape and	
Dual Temperature Control.....	111	Player	134
Climate Control Sensors.....	113	Playing the XM® Satellite Radio ..	135
Playing the AM/FM Radio.....	114	Satellite Digital Radio.....	135
Voice Control System.....	116	To Play XM® Satellite Radio....	136
To Play the Radio	116	To Select a Channel.....	136
To Select a Station	116	Satellite Radio Signals.....	138
Adjusting the Sound.....	119	Receiving Satellite Radio	
Radio Frequencies.....	120	Service.....	139
Radio Reception	120	Steering Wheel Controls	141
Playing a CD	122	Radio Theft Protection.....	142
Playing a CD, CD Changer.....	124	Setting the Clock	143
To Play a CD	124	Security System	144
To Stop Playing a CD	127	Cruise Control	145
Removing CDs from the		HomeLink Universal	
Changer	127	Transceiver.....	148
Operating the Optional CD			
Changer	128		
CD Player Error Messages	129		
Protecting your CDs.....	130		
General Information.....	130		
Protecting CDs.....	130		
Playing a Tape.....	131		
To Play a Tape	132		
To Stop Playing a Tape	132		

Vents, Heating, and A/C



Vents, Heating, and A/C

EX-L and EX-V6 with navigation system



Features

Vents, Heating, and A/C

Voice Control System

Only on models equipped with

Navigation system

The climate control system can also be operated by voice control. See the Navi section in your quick start guide for an overview of this system, and the navigation system manual for complete details.

Fan Control

U.S. VP, LX, SE, EX, LX-V6, and SE-V6

Canadian DX-G, SE, and SE-V6

Turn this dial to increase or decrease the fan speed and airflow.

EX-L and EX-V6 without navigation system

You can manually select the fan speed by pressing the fan control buttons. The fan speed is represented by vertical bars in the display.

EX-L and EX-V6 with navigation system

You can manually select the fan speed by pressing the A/C button next to the display, and then pressing the fan control icons.

Temperature Control

Except EX-L and EX-V6 with navigation system

Turning this dial clockwise increases the temperature of the airflow.

EX-L and EX-V6

The driver and passenger can select independent temperature settings by selecting the DUAL button.

EX-L and EX-V6 without navigation system

Push the DUAL button. When the indicator in the button is on, turn the dials to adjust the temperature.

EX-L and EX-V6 with navigation system

Press the DUAL button. The indicator in the button will come on. The driver and passenger can each select the temperature control buttons (▲ or ▼) to the desired setting.

EX-L and EX-V6

When the indicator in the DUAL button is off, both sides adjust to the driver's side temperature.

Vents, Heating, and A/C

Air Conditioning (A/C) Button

Except EX-L and EX-V6

Press the A/C button to turn the air conditioning on or off. The indicator above the button is on when the air conditioning is on.

EX-L and EX-V6 without navigation system

Press the A/C button to turn the air conditioning on and off. The display shows "A/C ON" when the air conditioning is on. The display shows "A/C OFF" when the air conditioning is off.

EX-L and EX-V6 with navigation system

The display shows "ON" and "OFF" after you press the A/C button. The display shows "A/C ON" after you touch "ON" to turn the air conditioning on. The display shows "A/C OFF" after you touch "OFF" to turn the air conditioning off.

EX-L and EX-V6

When the A/C is off, the airflow temperature does not fall below the outside air temperature. When you set the airflow temperature lower than the outside air temperature, make sure the A/C is on.

Recirculation Button

When the recirculation indicator is on, air from the vehicle's interior is sent throughout the system again. When the indicator is off, air is brought in from the outside of the vehicle (fresh air mode).

The outside air intakes for the heating and cooling system are at the base of the windshield. Keep this area clear of leaves and other debris.

The system should be left in fresh air mode under almost all conditions. Keeping the system in recirculation mode, particularly with the A/C off, can cause the windows to fog up. Switch to recirculation mode when driving through dusty or smoky conditions, then return to fresh air mode.

Rear Window Defogger Button


This button turns the rear window defogger off and on (see page 72).

Vents, Heating, and A/C


Mode Control


Use the mode control buttons or icons to select the vents the air flows from. Some air flows from the dashboard corner vents in all modes.



 Air flows from the center and corner vents in the dashboard.

 Airflow is divided between the vents in the dashboard and the floor vents.

 Air flows from the floor vents.

 Airflow is divided between the floor vents and the defroster vents at the base of the windshield.

 Air flows from the defroster vents at the base of the windshield.

When you select  or , the system automatically switches to Fresh Air mode and turns on the A/C. In these modes, the A/C stays on with the indicator off.

When you select , the system automatically switches to Fresh Air mode.

EX-L and EX-V6 without navigation system



Each time you press the MODE button, the display shows the mode selected.

EX-L and EX-V6 with navigation system

Press the A/C button to view the display, then touch any of the mode icons on the display.


MAX A/C Button

Except EX-L and EX-V6

 The system automatically turns on the A/C, selects , and switches to recirculation mode. Each indicator above the button is on when the MAX A/C is turned on.

Ventilation

The flow-through ventilation system draws in outside air, circulates it through the interior, then exhausts it through vents near the rear window.

1. Set the temperature to the lower limit.
2. Make sure the A/C is off.
3. Select  and fresh air mode.
4. Set the fan to the desired speed.


Vents, Heating, and A/C

Using the Heater

The heater uses engine coolant to warm the air. If the engine is cold, it will be several minutes before you feel warm air coming from the system.



Except EX-L and EX-V6 with navigation system

1. Select .

When you select , the system automatically switches to the fresh air mode.

2. Set the fan to the desired speed.
3. Adjust the warmth of the air with the temperature control dial.


EX-L and EX-V6 with Navigation System

1. Press the A/C button, the manual operation of A/C screen will appear.
2. Select the desired mode and fan speed icons on the display.
3. Adjust for warmth with the temperature buttons ( or ).

Using the A/C

Air conditioning places an extra load on the engine. Watch the engine coolant temperature gauge (see page 65). If it moves near the red zone, turn off the A/C until the gauge reading returns to normal.

Except EX-L and EX-V6 with navigation system

1. Turn on the A/C by pressing the A/C button.
2. Make sure the temperature control is set to maximum cool.
3. Select .
4. If the outside air is humid, select Recirculation mode. If the outside air is dry, select Fresh Air mode.
5. Set the fan to the desired speed.


EX-L and EX-V6 with navigation system

1. Press the A/C button; the manual operation A/C screen will appear.
2. Select the ON icon on the display.
3. Select the desired temperature and MODE selections. If the outside air is humid, select the Recirculation mode. If the outside air is dry, select Fresh Air mode.

If the interior is very warm, you can cool it down more rapidly by partially opening the windows, turning on the A/C, and setting the fan to maximum speed in fresh air mode.

Except EX-L and EX-V6


To cool the interior with MAX A/C:

1. Set the fan to the desired speed.
2. Select the MAX A/C mode.
The system automatically turns on the A/C, selects  and switches to Recirculation mode.
3. Make sure the temperature control dial is all the way to the left.

Vents, Heating, and A/C

Dehumidify the Interior



Air conditioning, as it cools, removes moisture from the air. When used in combination with the heater, it makes the interior warm and dry.




1. Turn the fan on.
2. If the A/C is off, turn it on.
3. Select  and fresh air mode.
4. Adjust the temperature to your preference.

This setting is suitable for all driving conditions whenever the outside temperature is above 32°F (0°C).

To Defog and Defrost



To remove fog from the inside of the windows:

1. Set the fan to the desired speed, or high for faster defrosting.
2. Select . The system automatically switches to fresh air mode and turns on the A/C. The A/C indicator will not come on if it was previously off.
3. Adjust the temperature so the airflow feels warm.
4. Select  to help clear the rear window.
5. To increase airflow to the windshield, close the corner vents.

When you switch to , from  or  mode, the A/C stays on whether the indicator is on or off. This helps prevent the windows from rapidly fogging up when the air is suddenly routed away from the windshield. If you want to turn the A/C off, press and release the A/C button until the indicator in the button comes on and then goes off.

Vents, Heating, and A/C

To Remove Exterior Frost or Ice From the Windows

1. Select . The system automatically switches to fresh air mode and turns on the A/C. The A/C indicator does not come on if it was previously off.
2. Select .
3. Set the fan and temperature controls to maximum level.

To clear the windows faster, you can close the dashboard corner vents by rotating the wheel below each vent. This sends more warm air to the windshield defroster vents. Once the windshield is clear, select fresh air mode to avoid fogging the windows.

For your safety, make sure you have a clear view through all the windows before driving.



Automatic Climate Control

EX-L and EX-V6

The automatic climate control system adjusts the fan speed and airflow levels to maintain the interior temperature you select.

For Vehicles with navigation system

In the AUTO mode, the vehicle's interior temperature is independently regulated for the driver and passenger. If the driver's side of the vehicle is getting too much sun, the system will adjust to a lower temperature.

- Press the AUTO button.
- *Without navigation system:* Set the desired temperature by turning the Temperature Control dial. You will see AUTO in the system's display.
- *With navigation system:* Set the desired temperature by pressing the  to raise the temperature or  to lower the temperature. The selected temperature will show in the upper display.

Features

CONTINUED

Vents, Heating, and A/C

The system automatically selects the proper mix of conditioned and/or heated air to raise or lower the interior temperature to the temperature you selected.

If you set the temperature to its lowest limit (Lo), or its highest limit (Hi), the system runs at full cooling or heating only. It does not regulate the interior temperature.

In cold weather, the fan will not come on automatically until the heater starts to develop warm air.

Dual Temperature Control — When the indicator in the Dual button is on, the driver's side and passenger's side temperature can be controlled independently (see page 111).

Manual Operation

You can manually select various functions of the automatic climate control system when it is in AUTO. All other features remain automatically controlled.

EX-L and EX-V6 without navigation system

Making any manual selection causes the word AUTO in the display to go out.

EX-L and EX-V6 with navigation system

If you press the A/C button next to the display, the manual selections will show in the display. Making any manual selection causes the indicator in the AUTO button to turn off.

To Turn Everything Off

Press the OFF button. However, a lack of airflow can cause the windows to fog up. You should keep the fan on at all times so stale air and moisture do not build up in the interior and cause fogging.

If you press OFF, the climate control system shuts off.

- Keep the system off for short periods only.
- To keep stale air and mustiness from collecting, you should have the fan running at all times.

With navigation system

When the climate control system is turned off, the temperature in the upper display will also turn off.

Except EX and EX-V6

Turning the fan speed control dial all the way to the left shuts the system off.

Dual Temperature Control

EX-L and EX-V6

Without navigation system


Your vehicle has two temperature control dials, one for the driver, and one for the front passenger.

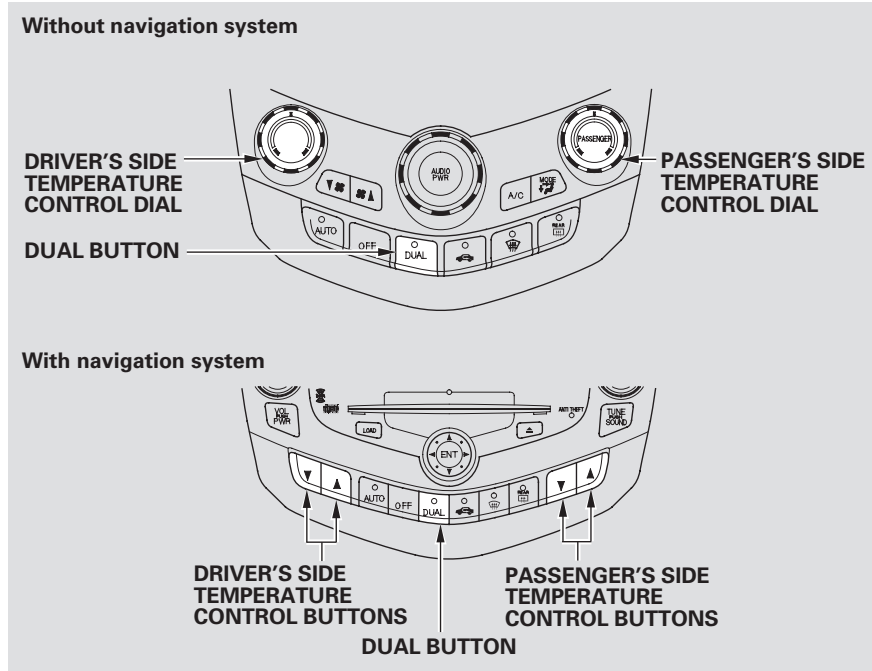
With navigation system

Your vehicle has four temperature control buttons, two for the driver, and two for the passenger.

The driver's side and the passenger's side can be controlled independently by adjusting these dials or buttons when the green indicator in the DUAL button is lit.

Temperature Control Dials/Buttons

Push AUTO or . The selected temperatures appear in the upper display. For vehicles with navigation system, when the indicator in the DUAL button is off, you can adjust both sides to the same temperature by adjusting the driver's side temperature control dial or buttons.



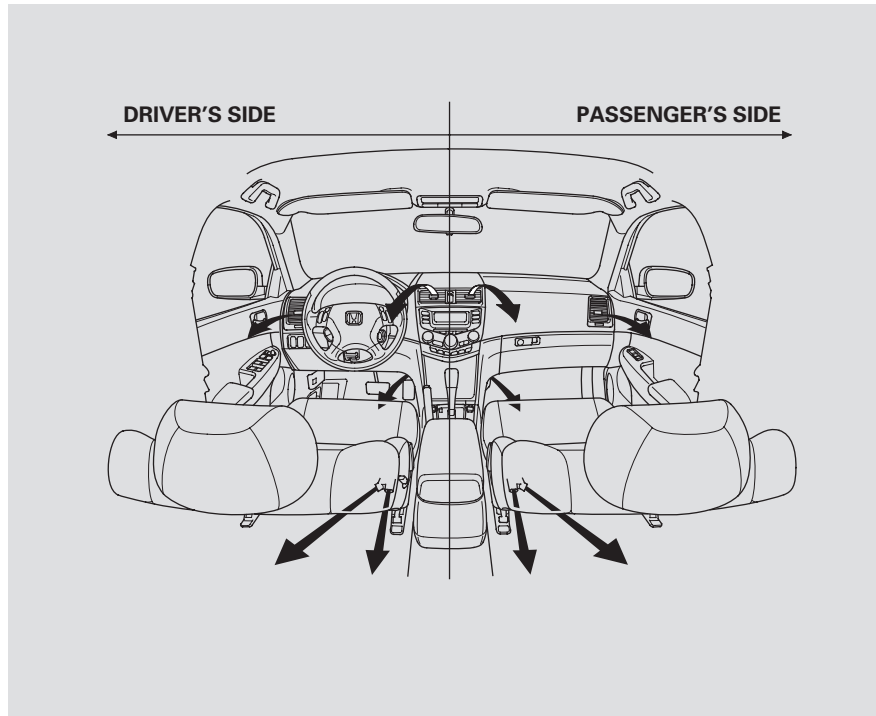
Features

CONTINUED

Dual Temperature Control

To set the driver's side temperature to a different value than the passenger's, press the DUAL button, then turn the driver's control dial or press the ▲ or ▼ buttons on the driver's side. To set the passenger's side to a different value than the driver's, turn the passenger's control dial or press the ▲ or ▼ buttons on the passenger's side. You can adjust the passenger's side without pressing the DUAL button first.

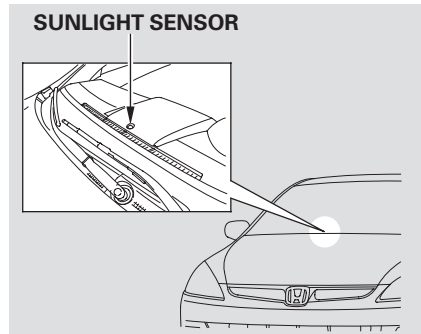
When you set the temperature to its lower or upper limit, it is displayed as **Hi** or **Lo**.



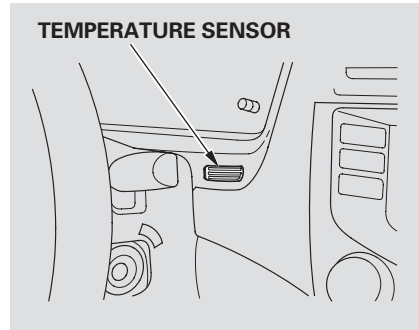
Climate Control Sensors

Sunlight Sensor/Temperature Sensor

If your vehicle has a climate control system



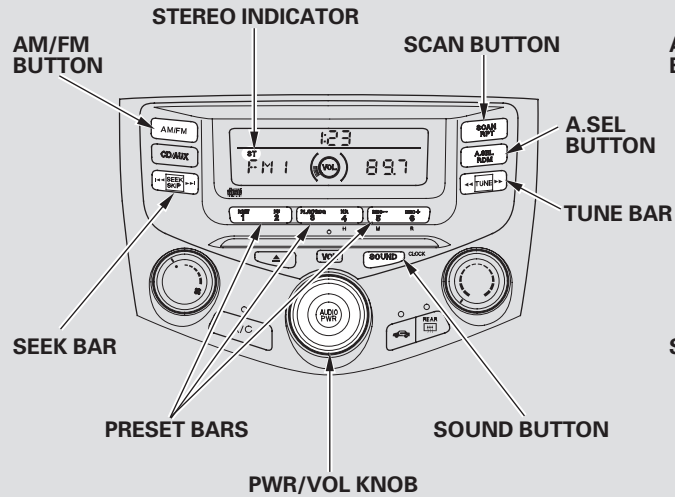
The climate control system has two sensors. A sunlight sensor is in the top of the dashboard, and a temperature sensor is next to the steering column. Do not cover the sensors or spill any liquid on them.



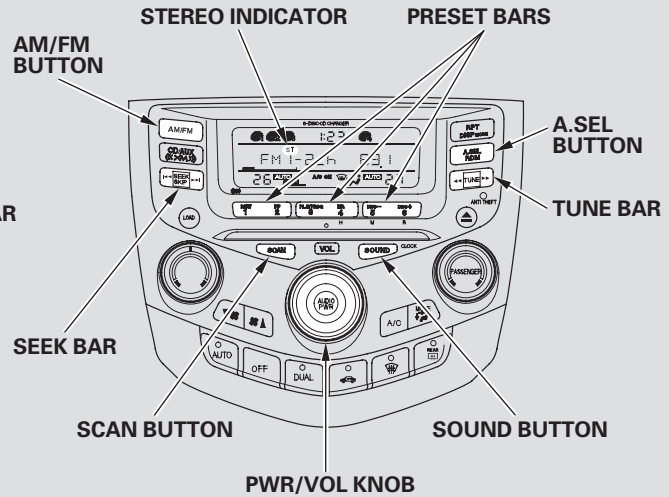
Features

Playing the AM/FM Radio

U.S. VP and LX
Canadian DX-G

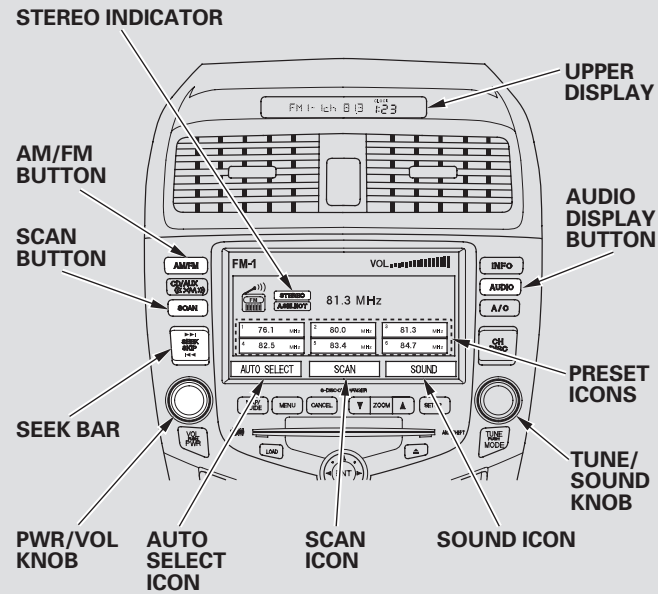


U.S. SE, EX, LX-V6, and SE-V6
Canadian SE and SE-V6
EX-L and EX-V6 without navigation system



Playing the AM/FM Radio

EX-L and EX-V6 with navigation system



Features

Playing the AM/FM Radio

Voice Control System

Only on models equipped with navigation system

The audio system for your vehicle can also be operated using the voice control system. See the Navi section in your Quick Start Guide for an overview of this system, and the navigation system manual for complete details.

To Play the Radio

The ignition switch must be in the ACCESSORY (I) or ON (II) position. Turn the system on by pushing the PWR/VOL knob or the AM/FM button. Adjust the volume by turning the PWR/VOL knob.

With navigation system

Pushing the AUDIO DISPLAY button will also turn on the system.

The band and frequency that the radio was last tuned to is displayed. To change bands, press the AM/FM button. On the FM band, ST will be displayed if the station is broadcasting in stereo. Stereo reproduction in AM is not available.

XM satellite radio information is available on page 135 .

To Select a Station

You can use any of five methods to find radio stations on the selected band: TUNE, SEEK, SCAN, AUTO SELECT, and the preset bars or icons.

TUNE — Use the TUNE bar or knob to tune the radio to a desired frequency. Press the ►► side of the bar or turn the knob to the right to tune to a higher frequency, and the ◀◀ side or turn the knob to the left to tune to a lower frequency.

SEEK — The seek function searches up and down from the current frequency to find a station with a strong signal. To activate it, press the ◀◀ or ►► side of the bar, then release it.

Playing the AM/FM Radio

SCAN — The scan function samples all stations with strong signals on the selected band. To activate it, press the SCAN button, then release it. You will see SCAN in the display. The system will scan for a station with a strong signal. When it finds one, it will stop and play that station for about 5 seconds.

If you do nothing, the system will scan for the next strong station and play it for 5 seconds. When it plays a station you want to listen to, press the SCAN button again.

Preset — Each preset bar or icon can store one frequency on AM, and two frequencies on FM.

1. Select the desired band, AM or FM. FM1 and FM2 let you store two frequencies with each preset bar or icon.

With navigation system

Push the AUDIO DISPLAY button to view the preset icons.

2. Use the tune, seek, or scan function to tune the radio to a desired station.

3. Pick the preset number (1 – 6) you want for that station. Press the left or right side of the bar or icon and hold it until you hear a beep.
4. Repeat steps 1 through 3 to store a total of six stations on AM and twelve stations on FM.

Features

CONTINUED

Playing the AM/FM Radio

The preset frequencies may be lost if your vehicle's battery goes dead, is disconnected, or the radio fuse is removed.

AUTO SELECT — If you are traveling far from home and can no longer receive your preset stations, you can use the auto select feature to find stations in the local area.

Press the A. SEL button or touch the Auto Select icon. A. SEL will flash in the display, and the system will go into scan mode for several seconds. It stores the frequencies of six AM, and twelve FM stations in the preset bars (1 – 6) or icons. You will see a “0” displayed after pressing a preset bar or icon if Auto Select cannot find a strong station for every preset bar or icon.

If you do not like the stations Auto Select has stored, you can store other frequencies on the preset bars or icons. Use the TUNE, SEEK, or SCAN function to find stations, then store them in the preset bars or icons as described previously.

To turn off Auto Select, press the A. SEL button or Auto Select icon. This restores the presets you originally set.

Playing the AM/FM Radio

Adjusting the Sound

Press the SOUND button or icon, or press the TUNE knob repeatedly to display the Bass (BAS), Treble (TRE), Balance (BAL), and Fader (FAD) settings. On vehicles with navigation system, touch the SOUND icon or press the TUNE knob.

Balance/Fader – These two modes adjust the strength of the sound coming from each speaker. BAL adjusts the side-to-side strength, while FAD adjusts the front-to-back strength.

Treble/Bass – Use the TRE/BAS modes to adjust the tone to your liking.

With navigation system

If you want to adjust the sound while the radio/CD is playing, push the AUDIO DISPLAY button, then touch the SOUND icon in the display.

Without navigation system

Each mode is shown in the display as it changes. Turn the PWR/VOL knob to adjust the setting to your liking. When the level reaches the center, you will see a “ [” in the display.

With navigation system

Touch the arrows next to the BAS or TRE icons. The adjustment shows you the current setting.

Touch the left or right bars on the sound grid. Balance is equalized when the vertical lines are centered on the grid.

Touch the front or rear bars on the sound grid. The fader is equalized when the horizontal lines are centered on the grid.

The system will automatically return the display to the selected audio mode about five seconds after you stop adjusting a mode. On vehicles with navigation system, touch the RETURN icon to go back to the audio screen.

Playing the AM/FM Radio

Radio Frequencies

The radio can receive the complete AM and FM bands. Those bands cover these frequencies:

AM band: 530 to 1,710 kHz
FM band: 87.7 to 107.9 MHz

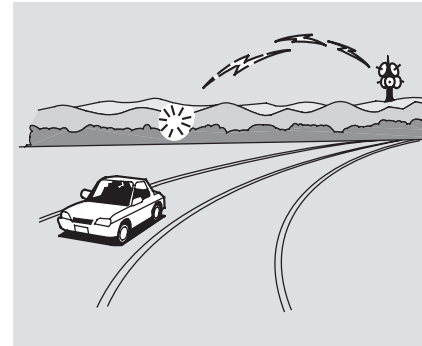
Radio stations on the AM band are assigned frequencies at least 10 kHz apart (530, 540, 550). Stations on the FM band are assigned frequencies at least 0.2 MHz apart (87.9, 88.1, 88.3).

Stations must use these exact frequencies. It is fairly common for stations to round-off the frequency in their advertising, so your radio could display a frequency of 100.9 even though the announcer may identify the station as “FM101.”

Radio Reception

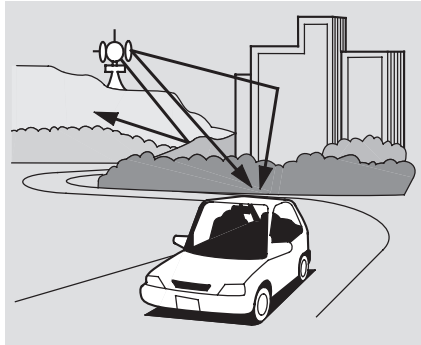
How well the radio receives stations is dependent on many factors, such as the distance from the station’s transmitter, nearby large objects, and atmospheric conditions.

A radio station’s signal gets weaker as you get farther away from its transmitter. If you are listening to an AM station, you will notice the sound volume becoming weaker, and the station drifting in and out. If you are listening to an FM station, you will see the stereo indicator flickering off and on as the signal weakens. Eventually, the stereo indicator will go off and the sound will fade completely as you get out of range of the station’s signal.



Driving very near the transmitter of a station that is broadcasting on a frequency close to the frequency of the station you are listening to can also affect your radio’s reception. You may temporarily hear both stations, or hear only the station you are close to.

Playing the AM/FM Radio



Radio signals, especially on the FM band, are deflected by large objects such as buildings and hills. Your radio then receives both the direct signal from the station's transmitter, and the deflected signal. This causes the sound to distort or flutter. This is a main cause of poor radio reception in city driving.



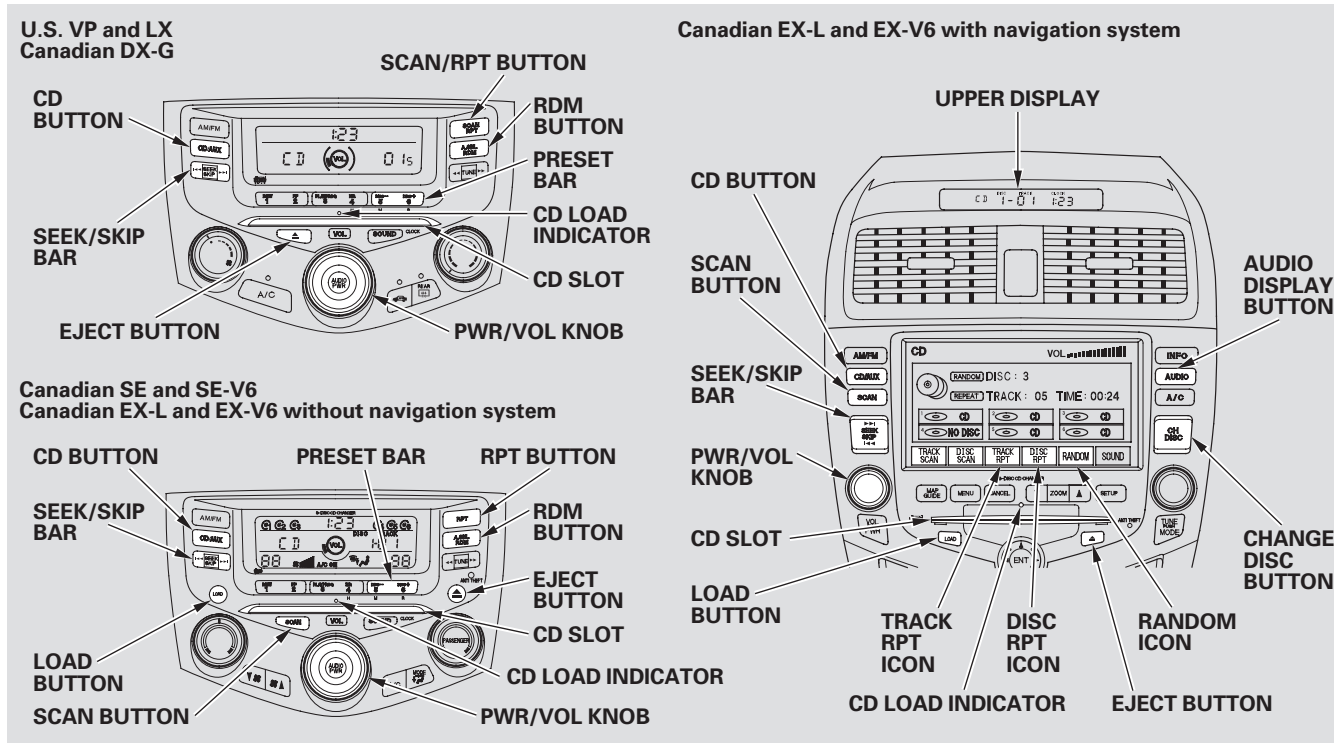
Radio reception can be affected by atmospheric conditions such as thunderstorms, high humidity, and even sunspots. You may be able to receive a distant radio station one day and not receive it the next day because of a change in conditions.

Electrical interference from passing vehicles and stationary sources can cause temporary reception problems.

*As required by the FCC:
Changes or modifications not expressly
approved by the party responsible for
compliance could void the user's
authority to operate the equipment.*

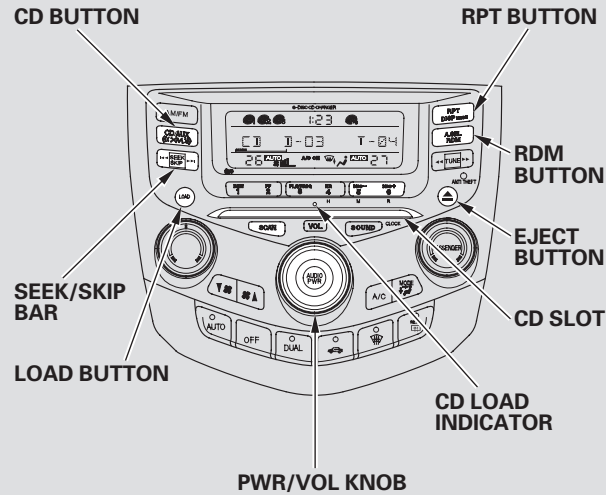
Features

Playing a CD

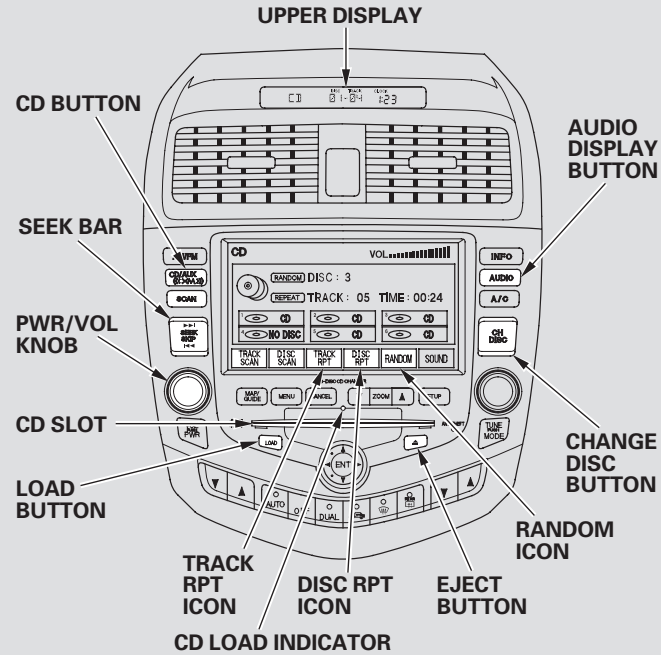


Playing a CD

U.S. SE, EX, LX-V6, and SE-V6
U.S. EX-L and EX-V6 without navigation system



U.S. EX-L and EX-V6 with navigation system



Features

Playing a CD, CD Changer

To Play a CD

To load or play CDs, the ignition switch must be in the ACCESSORY (I) or the ON (II) position.

You operate the CD player/CD changer with the same controls used for the radio. To select the CD player/CD changer, press the CD button. The number of the track playing is shown in the display. With the in-dash CD changer, the disc and track numbers are displayed. The system will continuously play a CD until you change modes.

NOTICE

Do not use discs with adhesive labels. The label can curl up and cause the disc to jam in the unit.

Vehicles without in-dash CD changer

Insert a CD about halfway into the CD slot. The drive will pull the CD in the rest of the way and begin to play it. When the system reaches the end of the disc, it will return to the beginning and play the disc again.

To play the radio when a CD is playing, press the AM/FM button. Press the CD button again to switch back to the CD player.

Vehicles with satellite radio

To listen to satellite radio when a CD is playing, press the CD/AUX XM button.

To play a tape when a CD is playing, insert a tape in the player (optional). If a tape is in the player, press the CD/AUX button. Press the CD/AUX button again to switch back to the CD player.

If you turn the system off while a CD is playing, either with the PWR/VOL knob or by turning off the ignition, the disc will stay in the drive. When you turn the system back on, the CD will begin playing where it left off.

Playing a CD, CD Changer

Vehicles with in-dash CD changer

1. Press the LOAD button until you hear a beep and see “LOAD” in the display.
2. The disc number for an empty position is highlighted and the red light starts blinking.
3. Insert the disc into the CD slot when the green CD load indicator comes on. Insert it only about halfway; the drive will pull it in the rest of the way. You will see “BUSY” in the display as the CD load indicator turns red and blinks as the CD is loaded.
4. When the CD load indicator turns green and “LOAD” appears in the screen again, insert the next CD in the slot.
5. Repeat steps 1 through 3 until all six positions are loaded. If you are not loading all six positions, the system begins playing the last CD loaded.

You can also load a CD into an empty position while a CD is playing. Select the empty position (the disc number indicator is not highlighted) and press the appropriate preset bar or touch a disc icon. The current CD stops playing and starts the loading sequence. The CD just loaded will play.

You operate the CD changer with the same controls used for the radio. The numbers of the disc and track playing are shown in the display. On vehicles with navigation system, these numbers also appear in the upper display.

Vehicles with in-dash CD changer

To select a different disc, press the appropriate side of a preset bar (1–6) or use the Preset 5 (DISC –) to select the previous disc or Preset 6 (DISC +) to select the next disc in sequence. On vehicles with navigation system, touch the appropriate disc icon or press the ▲ or ▼ side of the CH/DISC bar. If you select an empty position in the CD changer, the system will try to load the CD in the next available slot.

CONTINUED

Playing a CD, CD Changer

Vehicles without navigation system

SEEK/SKIP – Push the ►► to play the next track on the disc. Push the ◄◄ once to replay the track in play; press it twice to replay the previous track. To move rapidly within a track, press and hold the ◄◄ or ►► button.

REPEAT – Press to continuously replay a track. You will see RPT in the display. Press the RPT button again to turn it off.

RANDOM – Press to play the tracks in random order. You will see RDM in the display. Press the RDM button again to return to normal play.

SCAN – The SCAN function samples all the tracks on the selected disc in the order they are recorded. To activate it, press and release the SCAN button. You will see SCAN in the display, and you will get a 10 second sampling of each track on the selected CD. Press the SCAN button again to get out of scan mode.

EX-L and EX-V6 with navigation system

To use the controls, press the AUDIO DISPLAY button; the control icons will appear on the screen.

TRACK SCAN – Press the icon or SCAN button to get a 10 second sampling of each track on the current CD. Press the icon or button again to turn it off.

DISC SCAN – Touch to get a 10 second sampling of the first song of each disc in the CD changer. Touch the icon again to turn it off.

TRACK RPT – Touch to continuously play the same song on the CD. Press the icon again to stop the function.

Playing a CD, CD Changer

DISC RPT — Touch the icon to continuously replay the current CD. Touch again to turn it off.

TRACK RDM — Touch the icon to play the current CD in random order. Touch again to stop.

CH DISC — Selects an icon and plays the disc.

To Stop Playing a CD

Press the eject button (▲) to remove the CD. If you eject the CD, but do not remove it from the slot, the system will automatically reload the CD after 15 seconds and put it in pause mode. To begin playing, press the CD button.

U.S. EX-L and EX-V6

Press the AM/FM or CD/AUX/XM button to switch to the AM/FM radio or satellite radio while a CD is playing. To play the CD, press the CD/AUX/XM button again.

If a tape is in the optional tape player, press the CD/AUX button to switch to the tape while a CD is playing. Press the CD/AUX button again to switch back to the CD player.

If you turn the system off while a CD is playing, the CD will stay in the drive. When you turn the system back on, the CD will begin playing where it left off.

Removing CDs from the Changer

Except U.S. VP, LX, and Canadian DX-G
To remove the disc currently playing, press the EJECT button. When a disc is removed from a slot, the system automatically begins the load sequence so you can load another CD in that position. If you do not remove the disc from the changer within 15 seconds, the system returns to the previous mode (AM/FM or satellite radio). The disc will reload into the system and will remain there in a pause mode.

To remove a different disc from the changer, first select it with the appropriate preset bar or icon. When that CD begins playing, press the eject button. Continue pressing the EJECT button to remove all the discs from the changer.

Playing a CD, CD Changer

Operating the Optional CD Changer

U.S. VP and LX, and Canadian DX-G

An optional six or eight disc CD changer is available for your vehicle from your dealer.

This disc changer uses the same controls used for the in-dash CD player/changer or the radio.

Load the desired CDs into the magazine, and load the magazine into the changer according to the instructions that came with the unit.

To select the CD changer, press the CD button. The disc and track numbers will be displayed. To select a different disc, use Preset 5 (DISC -), for a previous disc; or Preset 6 (DISC +), to select the next disc in sequence.

If you select an empty slot in the magazine, the changer will search for the next available CD to load and play.

CD Player Error Messages

The chart on the right explains the error messages you may see in the display while playing a disc.

If you see an error message in the display while playing a disc, press the eject button. After ejecting the disc, check it for damage or deformation. If there is no damage, insert the disc again.

The audio system will try to play the disc. If there is still a problem, the error message will reappear. Press the eject button, and pull out the disc.

Insert a different disc. If the new disc plays, there is a problem with the first disc. If the error message cycle repeats and you cannot clear it, take your vehicle to a dealer.

Error Message	Cause	Solution
CD DISC	FOCUS Error	Press the CD eject button and pull out the CDs. Check for an error indication. Insert the CDs again. If the code does not disappear or the CDs cannot be pulled out, consult your dealer.
CD ERR	Mechanical Error	Press the CD eject button and pull out the CDs. Check for an error indication. Insert the CDs again. If the code does not disappear or the CDs cannot be pulled out, consult your dealer.
CD EJECT	No CD in the CD Changer	Insert CDs.
CD HOT	High Temperature	Will disappear when the temperature returns to normal.

Features

Protecting Your CDs

General Information

- When using CD-R discs, use only high quality CDs labeled for audio use.
- When recording a CD-R, the recording must be closed for it to be used by the system.
- CD-RW discs will not work in this unit.
- Play only standard round CDs. Odd-shaped CDs may jam in the drive or cause other problems.
- Handle your CDs properly to prevent damage and skipping. See this page.

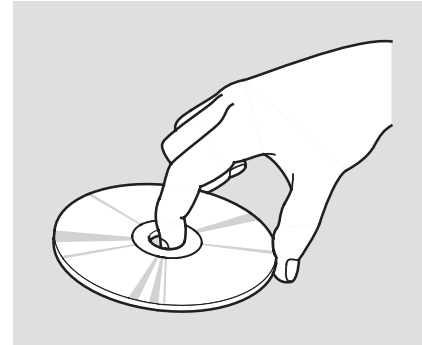
Protecting CDs

When a CD is not being played, store it in its case to protect it from dust and other contamination. To prevent warpage, keep CDs out of direct sunlight and extreme heat.

To clean a CD, use a clean soft cloth. Wipe across the CD from the center to the outside edge.

A new CD may be rough on the inner and outer edges. The small plastic pieces causing this roughness can flake off and fall on the recording surface of the CD, causing skipping or other problems. Remove these pieces by rubbing the inner and outer edges with the side of a pencil or pen.

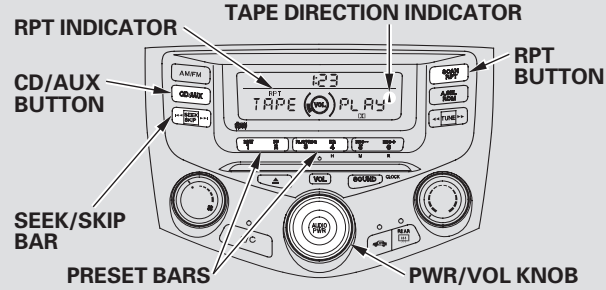
Never try to insert foreign objects in the CD player or the magazine.



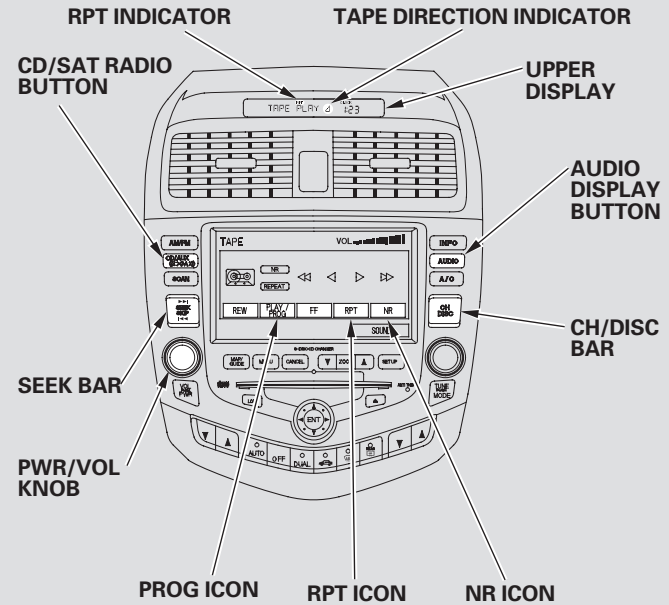
Handle a CD by its edges; never touch either surface. Do not place stabilizer rings or labels on the CD. These, along with contamination from fingerprints, liquids, and felt-tip pens, can cause the CD to not play properly or possibly jam in the drive.

Playing a Tape (U.S. Vehicles)

U.S. VP and LX

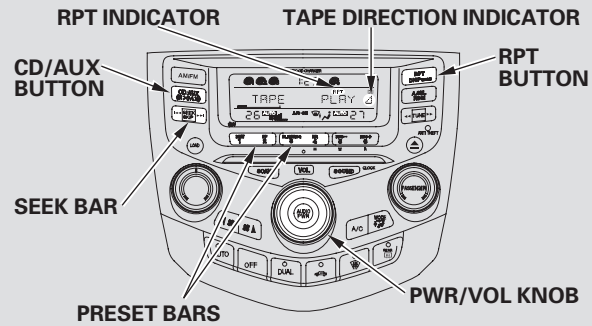


U.S. EX-L and EX-V6 with navigation system



U.S. SE, EX, LX-V6, and SE-V6

U.S. EX-L and EX-V6 without navigation system



Features

Playing a Tape (U.S. Vehicles)

To Play a Tape

Optional on all U.S. models

The ignition switch must be in the ACCESSORY (I) or ON (II) position. Make sure the open side of the tape is facing right, then insert the tape most of the way into the slot. The system will pull the tape in the rest of the way, and begin to play it.

The tape direction indicator will light to show you which side of the tape is playing. The ▲ indicates the side you inserted upward in now playing. If you want to play the other side, press the Preset 3 (PLAY/PROG) side of the preset bar or press the AUDIO DISPLAY button and touch the PROG icon. When the player reaches the end of the tape, it will automatically reverse direction and play the other side.

Dolby* noise reduction turns on when you insert a tape. The □ indicator will light in the display. If the tape was not recorded in Dolby, turn it off by pressing the Preset 4 (NR) side of the preset bar or touching the NR icon. Dolby remains off until you press the preset bar or the icon again.

*Dolby noise reduction manufactured under license from Dolby laboratories licensing Corporation. "Dolby" and the double-D symbol are trademarks of the Dolby Laboratories Licensing Corporation.

To Stop Playing a Tape

To remove the tape, press the EJECT button on the cassette player. If you want to turn the player off, press the PWR/VOL knob or turn off the ignition. The tape will remain in the drive.

When you turn the system back on, the tape player will be in pause mode. Press the Preset 3 (PLAY/PROG) side of the preset bar or touch the PROG icon on vehicles with navigation system to resume play.

To switch to the radio or CD player while a tape is playing, press the AM/FM, or CD/AUX button or CD/AUX XM button. To change back to the tape player, push the CD/AUX button or CD/AUX XM button.

Playing a Tape (U.S. Vehicles)

Tape Search Functions

FF/REW – To rewind the tape, push the Preset 1 (REW) side of the preset bar or the upper side (▲) of the CH DISC bar. You will see REW in the display. To fast forward the tape, push the Preset 2 (FF) side of the preset bar. You will see FF displayed. Press the Preset 1, 2, or 3 side of the bars or the lower side (▼) of the CH DISC bar to take the system out of rewind or fast forward.

EX-L and EX-V6 with Navigation System

FF/REW – To rewind the tape push the upper side (▲) of the CH DISC bar. To fast forward the tape, push the lower side (▼) of the CH DISC bar. Press either side of the PROG icon in the audio display to take the system out of rewind or fast forward.

SKIP – Press the ◀◀ side to find the beginning of the current song or passage. Press the ▶▶ side to find the beginning of the next song or passage. When the system reaches the beginning of a song or passage, it begins to play it.

REPEAT – Press the RPT button or icon to continuously play a song or passage. You will see RPT displayed. The track will repeat until you press the RPT button or icon again.

NOTE: The skip and repeat functions use silent periods on the tape to find the end of a song or passage. These features may not work if there is almost no gap between selections, a high noise level, or a silent period in the middle of a selection.

If you see the error message “**TAPE ERR**” on the display, press the tape eject button to remove the tape from the unit. Make sure the tape is not damaged. If the tape will not eject or the error message stays on after the tape ejects, take your vehicle to your dealer.

Playing a Tape (U.S. Vehicles)

Caring for the Tape and Player

The tape player picks up dirt and oxides from the tape. This contamination builds up over time and causes the sound quality to degrade. To prevent this, you should clean the player after every 30 hours of use.

If you do not clean the tape player regularly, it may eventually become impossible to remove the contamination with a normal cleaning kit. Your dealer has a cleaning kit available.

Use 100-minute or shorter tapes. Tapes longer than that may break or jam in the drive.

If the tape is loose, tighten it by turning the hub with a pencil or your finger. If the label is peeling off, remove it or it could cause the tape to jam in the player. Never try to insert a warped or damaged tape in the player.

Store tapes in their cases to protect them from dust and moisture. Never place tapes where they will be exposed to direct sunlight, high heat, or high humidity. If a tape is exposed to extreme heat or cold, let it reach a moderate temperature before inserting it into the player.

Never try to insert foreign objects into the tape player.

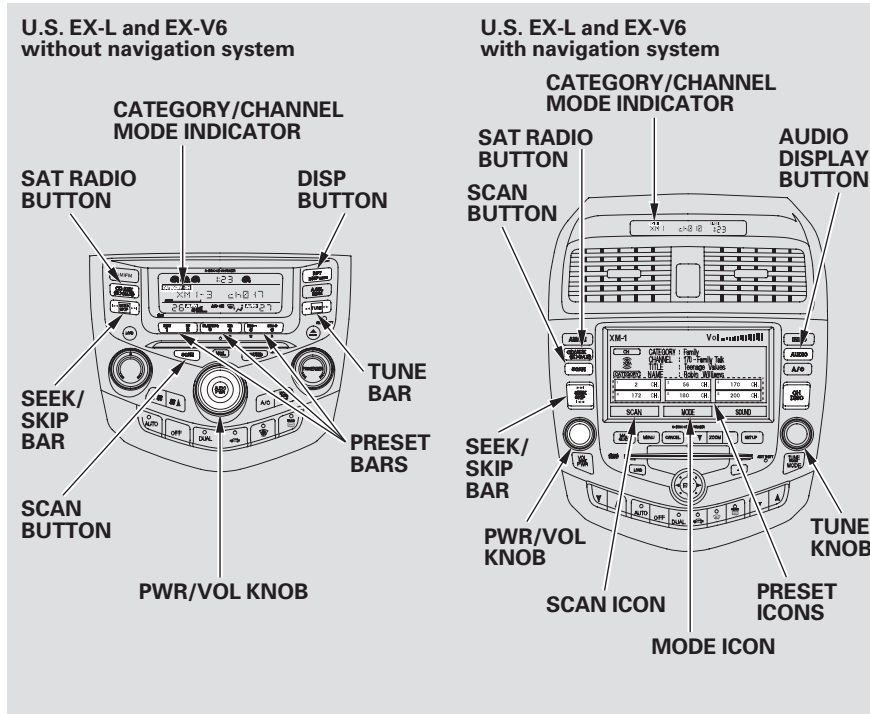
Playing the XM® Satellite Radio

Satellite Digital Radio

U.S. EX-L and EX-V6

Your vehicle is capable of receiving XM® Satellite Radio anywhere in the United States, except Hawaii and Alaska.

XM® is a registered trademark of XM Satellite Radio, Inc.



Features

Playing the XM® Satellite Radio

To Play XM® Satellite Radio

The ignition switch must be in the ACCESSORY (I) or the ON (II) position.

Turn the system on:

With navigation system

Push any of the following: PWR/VOL knob, the CD/AUX XM, or AUDIO button.

Without navigation system

Push any of the following: PWR/VOL knob or the CD/AUX XM button.

Turn the PWR/VOL knob to adjust the volume.

To Select a Channel

When in the satellite radio mode, you can use any of three methods to find channels: TUNE, SEEK/SKIP (CATEGORY), and SCAN.

DISP —

With navigation system

Press and release this button to change the display. The display will change in the following sequence: channel name, channel number, category, artist name, and music title.

TUNE —

With navigation system

Turn the TUNE knob to change channels. Turn the knob right for higher numbered channels and left for lower numbered channels.

Without navigation system

Press the TUNE bar to change channel selections. Press ►► for higher numbered channels and ◀◀ for lower numbered channels.

Playing the XM® Satellite Radio

SEEK/SKIP (CATEGORY)— The seek/skip function selects the various categories in XM, such as Jazz/Blues, Rock, Classical, etc. Push the ►► to change the category forward. Push the ◀◀ to change the category backward. To search for channels within a category, turn the TUNE knob clockwise or press the TUNE bar ►►.

SCAN — The scan function samples all channels for 5 seconds. To activate the function, push the SCAN button. Push it again to get out of the sequence.

Preset — Each preset icon or button can store one channel in XM1 and one in XM2.

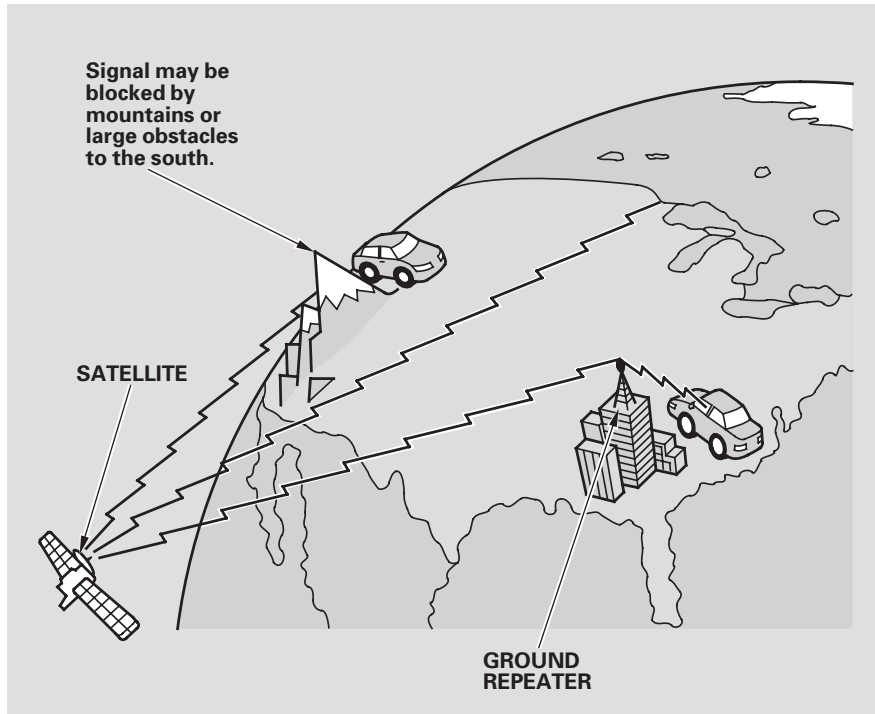
1. Push the CD/AUX XM button. (You will see XM1 or XM2.)
2. Use the TUNE, SEEK or SCAN function to tune the radio to a desired channel.
3. Pick a preset icon or button and hold it until you hear a beep.
4. Repeat steps 1 to 3 to store a total of six stations on XM1 and XM2.

With navigation system

Once your XM channels are preset, pressing the CH DISC button will select your preset channels.

CONTINUED

Playing the XM® Satellite Radio



Satellite Radio Signals

Satellite radio receives signals from two satellites to produce clear, high-quality digital reception. It offers many channels in several categories. Along with a large selection of different types of music, satellite radio also allows you to view channel and category selections in the audio display.

The XM satellites are in orbit over the equator; therefore, objects south of the vehicle may cause satellite reception interruptions. To help compensate for this, ground-based repeaters are placed in major metropolitan areas. Satellite signals are more likely to be blocked by tall buildings and mountains the farther north you travel from the equator.

Playing the XM® Satellite Radio

Depending on where you drive, you may experience reception problems. Interference can be caused by any of these conditions:

- Driving on an east/west road with a mountain on the south side of the road.
- Driving on the north side of a large commercial truck on an east/west road.
- Driving in tunnels.
- Driving on a road beside a vertical wall, steep cliff, or hill to the south of you.
- Driving on the lower level of a multi-tiered road.
- Driving on a single lane road alongside dense trees taller than 50 ft. (15 m) to the south of you.

There may be other geographic situations that could affect satellite radio reception.

*As required by the FCC:
Changes or modifications not expressly approved by the party responsible for compliance could void the user's authority to operate the equipment.*

Receiving Satellite Radio Service

If your XM Radio service has expired or you purchased your vehicle from a previous owner, you can listen to a sampling of the broadcasts available on XM Satellite Radio. With the ignition switch in the ACCESSORY (I) or ON (II) position, push the PWR/VOL knob to turn on the audio system and press the CD/AUX XM button. A variety of music types and styles will play.

Features

CONTINUED

Playing the XM® Satellite Radio

If you decide to purchase XM satellite radio service, contact XM Radio at www.xmradio.com, or at 1-800-852-9696. You will need to give them your radio I.D. number and your credit card number.

To get your XM Satellite radio ID number:

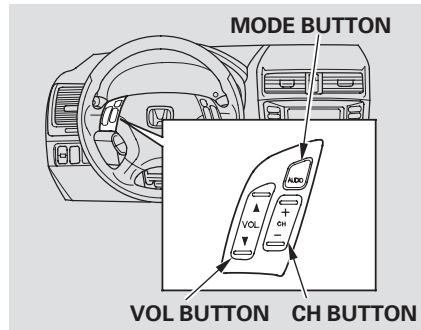
Turn the TUNE knob until “0” appears in the display. Your I.D. will appear in the display.

After you have registered with XM Radio, keep your audio system in the SAT Radio mode while you await activation. This should take about 30 minutes.

While awaiting activation, make sure your vehicle remains in an open area with good reception. Once your audio system is activated, “category” or “CH” will appear in the display and you will be able to listen to XM Radio broadcasts. XM Radio will continue to send an activation signal to your vehicle for at least 12 hours from activation request. If the service has not been activated after 36 hours, contact XM Radio.

Steering Wheel Controls

If equipped



Three controls for the audio system are mounted in the steering wheel hub. These let you control basic functions without removing your hand from the wheel.

The VOL button adjusts the volume up (▲) or down (▼). Press the top or bottom of the button, hold it until the desired volume is reached, then release it.

The MODE button changes the mode. Pressing the button repeatedly selects FM1, FM2, AM, XM1, XM2, CD, or a tape.

If you are listening to the radio, use the CH button to change stations. Each time you press the top (+) of the button, the system goes to the next preset station on the band you are listening to. Press the bottom (–) to go back to the previous station.

If you are playing a CD, the system skips to the beginning of the next track each time you press the top (+) of the CH button. Press the bottom (–) to return to the beginning of the current track. Press it twice to return to the previous track. You will see the disc and track numbers in the display.

If you are playing a tape in the optional tape player, press the top (+) of the CH button to advance to the next selection. Press the bottom (–) to go back to the previous selection. The system senses a silent period, then resumes playing.

Features

Radio Theft Protection

Except U.S. VP, LX, and Canadian DX-G
Your vehicle's audio system will disable itself if it is disconnected from electrical power for any reason. To make it work again, you must enter a specific five-digit code using the preset bars or the TUNE knob. Because there are hundreds of number combinations possible from the five digits, making the system work without knowing the exact code is nearly impossible.

You should have received a card that lists your audio system code number and serial number. It is best to store this card in a safe place at home. In addition, you should write the audio system's serial number in this owner's manual.

If you lose the card, you must obtain the code number from a dealer. To do this, you will need the system's serial number.

If your vehicle's battery is disconnected or goes dead, the audio system will disable itself. If this happens, you will see "CODE" in the frequency display the next time you turn on the system. Use the preset buttons to enter the five-digit code. The code is on the radio code card included in your owner's manual kit. When it is entered correctly, the radio will start playing.

If your vehicle is equipped with a navigation system, press and release the TUNE knob; the number "0" appears on the display.

If "0" is the first digit in your code, press and release the TUNE knob to store it.

If "0" is not the first digit in your code, turn the TUNE knob left or right until the first digit is displayed. Press and release the TUNE knob to store it. Enter the remaining three

digits the same way.

If you make a mistake entering the code, do not start over; complete the five-digit sequence, then enter the correct code. You have 10 tries to enter the correct code. If you are unsuccessful in 10 attempts, you must then leave the system on for 1 hour before trying again.

If the code card is lost, a dealer can access your code with your radio's serial number. To access the serial number, turn the radio on. It must display "CODE", then turn the radio off. Push the preset 1, preset 6, and power buttons at the same time, then quickly release.

You may have to store your favorite stations on each side of the preset bars (1 – 6) after the system begins working. Your original settings may have been lost when power was disconnected.

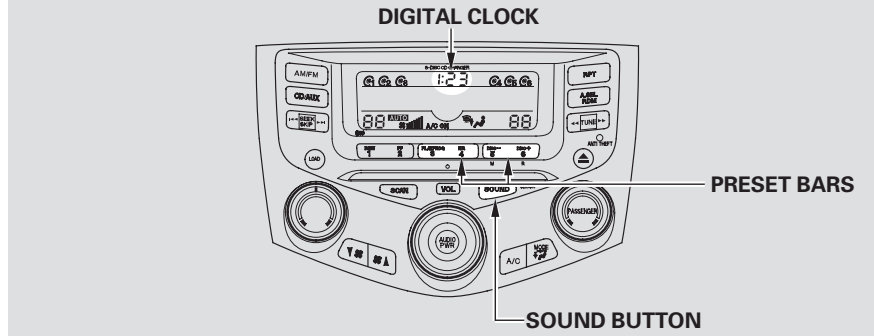
Setting the Clock

With navigation system

If your vehicle's battery is disconnected or goes dead, you will need to set the clock.

Press and hold the SOUND button until you hear a beep. The displayed time begins to blink. Press on the H (Preset 4) side of the bar until the numbers advance to the desired time. Change the minutes by pressing the M (Preset 5) side of the bar until the numbers advance to the desired time. When you are finished, press the SOUND button again to set the time.

Without navigation system



You can quickly set the time to the nearest hour. Pressing and holding the SOUND button, then pressing the R (Preset 6) side of the bar sets the clock back to the previous hour. If the displayed time is after the half hour, the clock sets the clock forward to the beginning of the next hour.

For example:

- 1:06 would RESET to 1:00.
- 1:52 would RESET to 2:00.

With navigation system

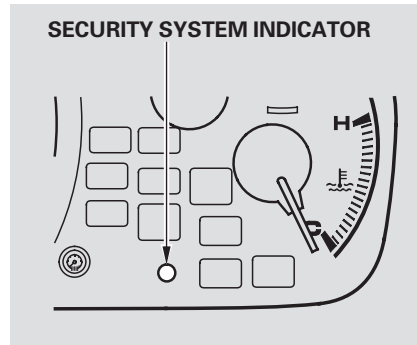
Refer to the Navigation System Owner's Manual to set up the time.

Security System

*U.S. EX, EX-L, and V6 models
Canadian SE, EX-L, and V6 models*

The security system helps to protect your vehicle and valuables from theft. The horn sounds and a combination of headlights, parking lights, side marker lights and taillights flashes if someone attempts to break into your vehicle or remove the radio. This alarm continues for two minutes, then the system resets. To reset an alarming system before the two minutes have elapsed, unlock either front door with the key or the remote transmitter.

The security system automatically sets 15 seconds after you lock the doors, hood, and trunk. For the system to activate, you must lock the doors from the outside with the key, lock tab, door lock switch, or remote transmitter. The security system light on the instrument panel starts blinking immediately to show you the system is setting itself.



Once the security system is set, opening any door (without using the key or the remote transmitter), the hood, or the trunk will cause it to sound. It also sounds if the radio is removed from the dashboard or the wiring is cut.

With the system set, you can still open the trunk with the remote transmitter without triggering the alarm. The alarm will sound if the trunk lock is forced, or the trunk is opened with the trunk release lever or the emergency trunk opener.

The security system will not set if the hood, trunk, or any door is not fully closed. If the system will not set, check the Door Monitor on the instrument panel (see page 60), to see if the doors and trunk are fully closed. Since it is not part of the monitor display, manually check the hood.

Do not attempt to alter this system or add other devices to it.

Cruise Control

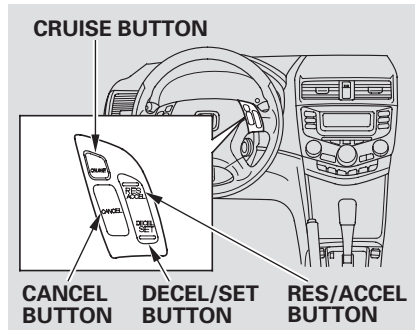
Cruise control allows you to maintain a set speed above 25 mph (40 km/h) without keeping your foot on the accelerator pedal. It should be used for cruising on straight, open highways. It is not recommended for city driving, winding roads, slippery roads, heavy rain, or bad weather.

⚠ WARNING

Improper use of the cruise control can lead to a crash.

Use the cruise control only when traveling on open highways in good weather.

Using Cruise Control



1. Push in the CRUISE button on the steering wheel. The CRUISE MAIN indicator on the instrument panel comes on.
2. Accelerate to the desired cruising speed above 25 mph (40 km/h).

3. Press and release the DECEL/SET button on the steering wheel. The CRUISE CONTROL indicator on the instrument panel comes on to show the system is now activated.

CONTINUED

Cruise Control

The cruise control may not hold the set speed when you are going up and down hills. If your speed increases going down a hill, use the brakes to slow down to the desired speed. This will cancel the cruise control. To resume the set speed, press the RES/ACCEL button. The CRUISE CONTROL indicator on the instrument panel comes on.

Changing the Set Speed

You can increase the set cruising speed in any of these ways:

- Press and hold the RES/ACCEL button. When you reach the desired cruising speed, release the button.

- Push on the accelerator pedal. Accelerate to the desired cruising speed and press the DECEL/SET button.
- To increase the speed in very small amounts, tap the RES/ACCEL button. Each time you do this, your vehicle will speed up about 1 mph (1.6 km/h).

You can decrease the set cruising speed in any of these ways:

- Press and hold the SET/DECEL button. Release the button when you reach the desired speed.
- To slow down in very small amounts, tap the DECEL/SET button repeatedly. Each time you do this, your vehicle will slow down about 1 mph (1.6 km/h).

- Tap the brake or clutch pedal lightly with your foot. The CRUISE CONTROL indicator on the instrument panel will go out. When the vehicle slows to the desired speed, press the DECEL/SET button.

Even with the cruise control turned on, you can still use the accelerator pedal to speed up for passing. After completing the pass, take your foot off the accelerator pedal. The vehicle will return to the set cruising speed.

Resting your foot on the brake or clutch pedal causes the cruise control to cancel.

Cruise Control

Canceling Cruise Control

You can cancel cruise control in any of these ways:

- Tap the brake or clutch pedal.
- Push the CANCEL button on the steering wheel.
- Push the CRUISE button.

Resuming the Set Speed

When you push the CANCEL button, or tap the brake or clutch pedal, the system will remember the previously set cruising speed. To return to that speed, accelerate to above 25 mph (40 km/h) then press and release the RES/ACCEL button. The CRUISE CONTROL indicator comes on. The vehicle will accelerate to the same cruising speed as before.

Pressing the CRUISE button turns the system completely off and erases the previous cruising speed.

NOTICE

The main switch can be left on, even when the system is not in use.

Features

HomeLink Universal Transceiver

EX-V6

The HomeLink® universal transceiver built into your vehicle can be programmed to operate up to three remotely controlled devices around your home, such as garage doors, lighting, or home security systems.

General Information

If you are training HomeLink to operate a garage door or gate, you should unplug the motor for that device during training. Repeatedly pressing the remote control button could burn out the motor.

HomeLink stores the code in a permanent memory. There should be no need to retrain HomeLink if your vehicle's battery goes dead or is disconnected. If your garage door opener was manufactured before April 1982, you may not be able to program HomeLink to operate it. They do not have the safety feature

that causes the motor to stop and reverse if an obstacle is detected during closing, increasing the risk of injury.

Important Safety Precautions

Always refer to the opening instructions and safety information that came with your garage door opener or other equipment you intend to operate with HomeLink. If you do not have this information, contact the manufacturer of the equipment.

For quick and accurate training, make sure the remote transmitter for the device (garage door, automatic gate, security system, etc.) has a fresh battery.

Training HomeLink

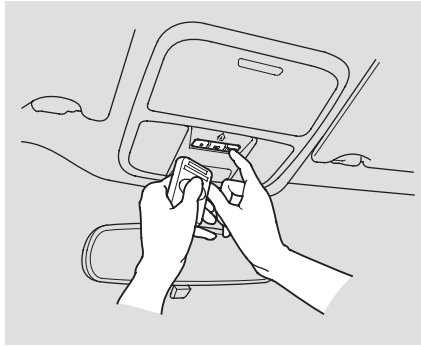
Before you begin — If you just received your vehicle and have not trained any of the buttons in HomeLink before, you should erase any previously learned codes before training the first button.

To do this, press and hold the two outside buttons on the HomeLink transceiver for about 20 seconds, until the red indicator flashes. Release the buttons, then proceed to step 1.

If you are training the second or third buttons, go directly to step 1.

1. Unplug the garage door opener motor from the electrical outlet.
2. Hold the end of the garage door opener remote 2 to 5 inches from HomeLink. Make sure you are not blocking your view of the red indicator in HomeLink.

HomeLink Universal Transceiver



3. Press and hold the remote transmitter button and one of the HomeLink buttons at the same time.
- If the red indicator in HomeLink begins to flash slowly at first, then rapidly, release both buttons, and go to step 5.

- If the red indicator in HomeLink continues to flash slowly (does not flash rapidly), your remote transmitter may stop transmitting after a short time. Go to step 4.
4. Press and hold the remote transmitter button and one of the HomeLink buttons at the same time. While continuing to hold the HomeLink button, press and release the remote transmitter button every 2 seconds.
- If the red indicator in HomeLink begins to flash slowly at first, then rapidly, release both buttons, and go to step 5.
 - If the red indicator in HomeLink continues to flash slowly (does not begin to flash rapidly), repeat steps 2 thru 4.
5. Plug in the garage door opener motor, then test the HomeLink button by pushing it for about 1

second.

- If the button works, programming is complete.
 - If the button does not work go to step 6.
6. Push and hold the HomeLink button for a few seconds, then watch the red indicator on HomeLink.
- If the indicator stays on or flashes slowly, repeat steps 2 thru 5.
 - If the indicator flashes rapidly for 2 seconds then stays on, you have a rolling code transmitter: go to “Training with a Rolling Code System” (see page 150).
7. Repeat these steps to train the other two HomeLink buttons to operate any other compatible remotely controlled devices around your home (lighting, automatic gate, security system, etc.).

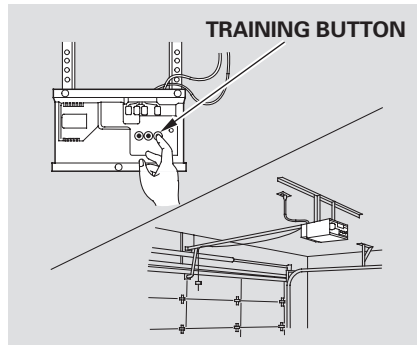
HomeLink Universal Transceiver

Training With a Rolling Code System

For security purposes, newer garage door opening systems use a “rolling” or variable code. Information from the remote control and the garage door opener are needed before HomeLink can operate the garage door opener.

The “Training HomeLink” procedure trains HomeLink to the proper garage door opener code. The following procedure synchronizes HomeLink to the garage door opener so it sends and receives the correct codes.

1. Make sure you have properly completed the “Training HomeLink” procedure.
2. Find the “training” button on your garage door opener unit. The location will vary, depending on the manufacturer.



3. Press the training button on the garage door opener unit until the indicator next to the button comes on. The indicator may blink, or come on and stay on. You then have approximately 30 seconds to complete the following steps.

4. Press and hold the button on HomeLink for 3 to 4 seconds.
5. Press and hold the HomeLink button again for 3 to 4 seconds. This should turn off the training indicator on the garage door opener unit. (Some systems may require you to press the button up to three times.)
6. Press the HomeLink button again for about 1 second. It should operate the garage door.

HomeLink Universal Transceiver

Erasing Codes

To erase the codes stored in all three buttons, press and hold the two outside buttons until the red indicator begins to flash, then release the buttons.

You should erase all three codes before selling the vehicle.

Retraining a Button

If you want to retrain a programmed button for a new device, you do not have to erase all button memory. You can replace the existing memory code using this procedure:

1. Press and hold the HomeLink button to be trained until the HomeLink indicator begins to flash slowly.
 - If a rolling code transmitter was previously programmed, the indicator will flash rapidly for 2 seconds, and then stay on for about 23 seconds.

- If a standard transmitter was programmed, the indicator will stay on for about 25 seconds.

2. Once the HomeLink indicator begins to flash slowly, continue to hold the HomeLink button, and follow steps 3 thru 6 under “Training HomeLink” (see page 148).

Customer Assistance

If you have problems with training the HomeLink Universal Transceiver, or would like information on home products that can be operated by HomeLink, call (800) 355-3515. On the Internet, go to www.homelink.com.

HomeLink® is a registered trademark of Johnson Controls, Inc.

As required by the FCC:

This device complies with Part 15 of the FCC rules. Operation is subject to the following two conditions: (1) This device may not cause harmful interference, and (2) this device must accept any interference received, including interference that may cause undesired operation.

Changes or modifications not expressly approved by the party responsible for compliance could void the user's authority to operate the equipment.

This device complies with Industry Canada Standard RSS-210.

Operation is subject to the following two conditions: (1) this device may not cause interference, and (2) this device must accept any interference that may cause undesired operation of the device.

06/05/16 14:17:22 31SDA640 0157

Before Driving

Before you begin driving your vehicle, you should know what gasoline to use and how to check the levels of important fluids. You also need to know how to properly store luggage or packages. The information in this section will help you. If you plan to add any accessories to your vehicle, please read the information in this section first.

Break-in Period	154
Fuel Recommendation	154
Service Station Procedures	156
Refueling.....	156
Opening and Closing the Hood	157
Oil Check	159
Engine Coolant Check	160
Fuel Economy	161
Improving Fuel Economy	161
Accessories and Modifications	162
Accessories.....	162
Modifying Your Vehicle.....	163
Additional Safety Precautions..	163
Carrying Cargo	164
Load Limits.....	165
Carrying Cargo in the Trunk or on a Roof Rack	166
Carrying Items in the Passenger Compartment.....	166

Before Driving

Break-in Period, Fuel Recommendation

Break-in Period

Help assure your vehicle's future reliability and performance by paying extra attention to how you drive during the first 600 miles (1,000 km). During this period:

- Avoid full-throttle starts and rapid acceleration.
- Do not change the oil until the scheduled maintenance time.
- Avoid hard braking for the first 200 miles (300 km).
- Do not tow a trailer.

You should also follow these recommendations with an overhauled or exchanged engine, or when the brakes are replaced.

Fuel Recommendation

Your vehicle is designed to operate on unleaded gasoline with a pump octane number of 87 or higher. Use of a lower octane gasoline can cause a persistent, heavy, metallic rapping noise that can lead to engine damage.

For vehicles with manual transmission

You may hear a knocking noise from the engine if you drive the vehicle at low engine speed (below about 1,000 rpm) in a higher gear. To stop this, raise the engine speed by shifting to a lower gear.

We recommend using quality gasolines containing detergent additives that help prevent fuel system and engine deposits.

In addition, in order to maintain good performance, fuel economy, and emissions control, we strongly recommend, in areas where it is available, the use of gasoline that does NOT contain manganese-based fuel additives such as MMT.

Use of gasoline with these additives may adversely affect performance, and cause the malfunction indicator lamp on your instrument panel to come on. If this happens, contact your dealer for service.

Fuel Recommendation

Some gasoline today is blended with oxygenates such as ethanol or MTBE. Your vehicle is designed to operate on oxygenated gasoline containing up to 10 % ethanol by volume and up to 15 % MTBE by volume. Do not use gasoline containing methanol.

If you notice any undesirable operating symptoms, try another service station or switch to another brand of gasoline.

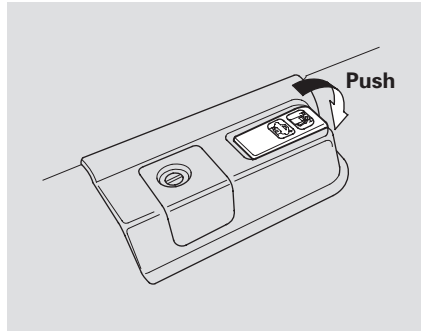
For further important fuel-related information, please refer to your **Quick Start Guide**.



Before Driving

Service Station Procedures

Refueling

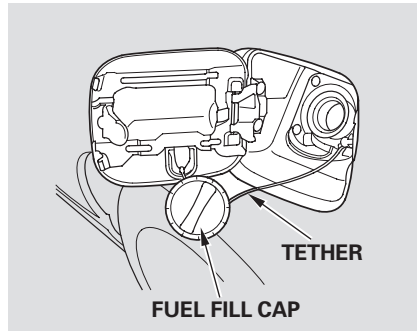


1. Park with the driver's side closest to the gas pump.
2. To open the fuel fill door, push down on the lever located to the left of the driver's seat.

⚠ WARNING

Gasoline is highly flammable and explosive. You can be burned or seriously injured when handling fuel.

- Stop the engine, and keep heat, sparks, and flame away.
- Handle fuel only outdoors.
- Wipe up spills immediately.



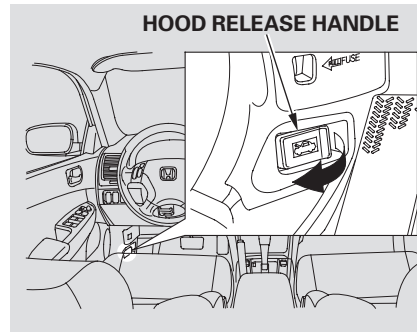
3. Remove the fuel fill cap slowly. You may hear a hissing sound as pressure inside the tank escapes. The fuel fill cap is attached to the fuel filler with a tether. Put the attachment on the fuel fill cap into the slit on the fuel fill door.
4. Stop filling the tank after the fuel nozzle automatically clicks off. Do not try to "top off" the tank. Leave some room for the fuel to expand with temperature changes.

If the fuel nozzle keeps clicking off even though the tank is not full, there may be a problem with your vehicle's fuel vapor recovery system. The system helps keep fuel vapors from going into the atmosphere. Try filling at another pump. If this does not fix the problem, consult your dealer.

Service Station Procedures

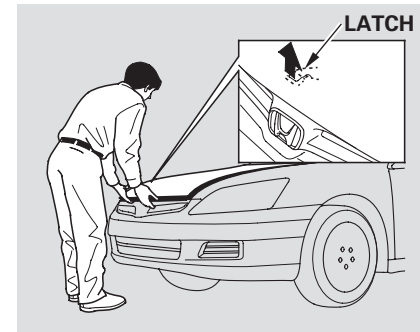
5. Screw the fuel fill cap back on until it clicks at least once. If you do not properly tighten the cap, the malfunction indicator lamp may come on (see page 254). You will also see a “CHECK FUEL CAP” message on the information display.
6. Push the fuel fill door closed until it latches.

Opening and Closing the Hood



To Open the Hood:

1. Park the vehicle, and set the parking brake. Pull the hood release handle located under the lower left corner of the dashboard. The hood will pop up slightly.



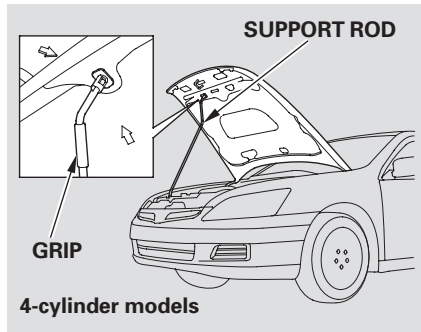
2. Put your fingers under the front edge of the hood near the center. Slide your hand to the left until you feel the hood latch handle. Push this handle up to release it. Lift up the hood.

If the hood latch handle moves stiffly, or if you can open the hood without lifting the handle, the mechanism should be cleaned and lubricated.

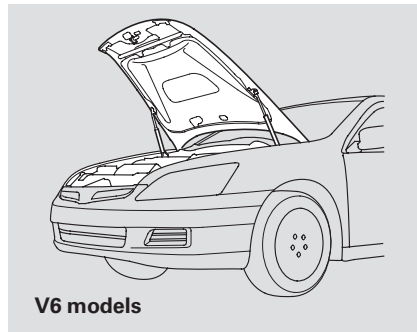
CONTINUED

Before Driving

Service Station Procedures



- 4-cylinder models*
Pull the support rod out of its clip by holding the grip, and insert the end into the designated hole in the hood.



- V6 models*
Lift the hood up most of the way. The hydraulic supports will lift it up the rest of the way and hold it up.

To Close the Hood:

4-cylinder models

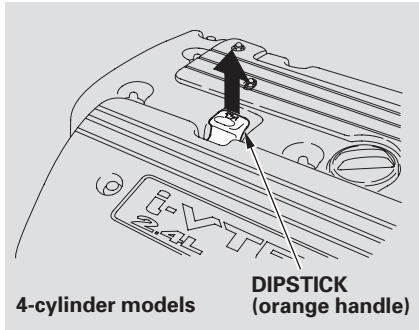
Lift it up slightly to remove the support rod from the hole. Put the support rod back into its holding clip. Lower the hood to about a foot (30 cm) above the fender, then let it drop. Make sure it is securely latched.

V6 models

Lower it to about a foot (30 cm) above the fender, then press down firmly with your hands. Make sure it is securely latched.

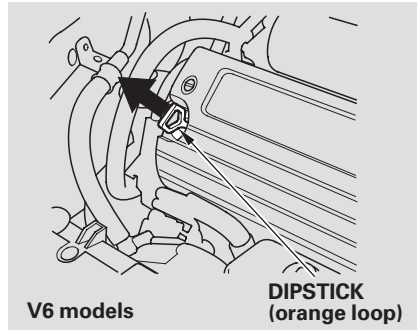
Service Station Procedures

Oil Check

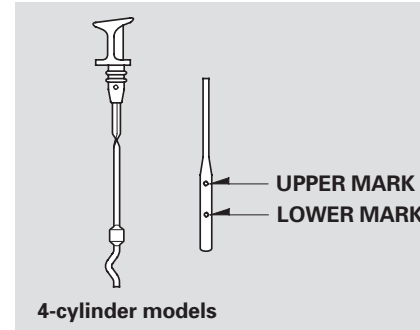


Wait a few minutes after turning the engine off before you check the oil.

1. Remove the dipstick (orange handle).



2. Wipe the dipstick with a clean cloth or paper towel.
3. Insert the dipstick all the way back into its hole.



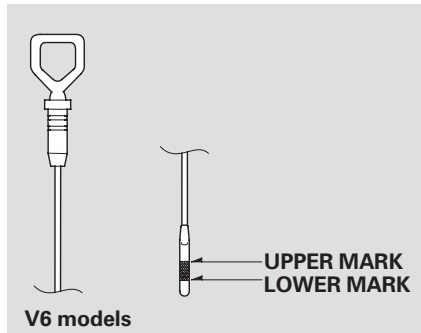
4. Remove the dipstick again, and check the level. It should be between the upper and lower marks.

If it is near or below the lower mark, see **Adding Oil** on page 204.

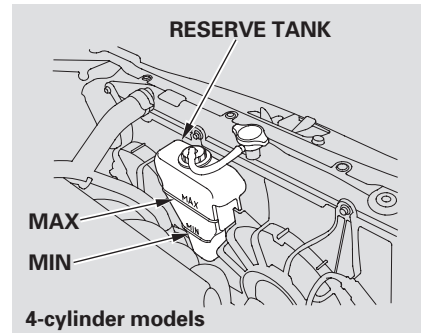
Before Driving

CONTINUED

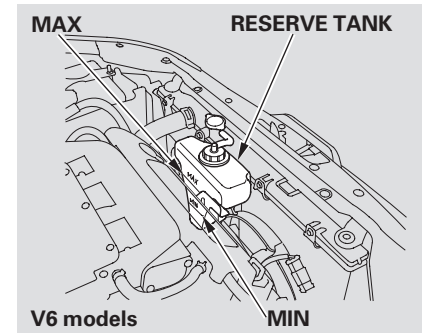
Service Station Procedures



Engine Coolant Check



Look at the coolant level in the radiator reserve tank. Make sure it is between the MAX and MIN lines. If it is below the MIN line, see **Adding Engine Coolant** on page 208 for information on adding the proper coolant.



Refer to **Owner's Maintenance Checks** on page 198 for information about checking other items on your vehicle.

Fuel Economy

Improving Fuel Economy

- Always maintain your vehicle according to the maintenance messages displayed on the information display. See **Owner's Maintenance Checks** on page 198 .

For example, an underinflated tire causes more “rolling resistance,” which uses more fuel.

The build-up of snow or mud on your vehicle's underside adds weight and rolling resistance. Frequent cleaning helps your fuel mileage and reduces the chance of corrosion.

- Drive moderately. Rapid acceleration, abrupt cornering, and hard braking use more fuel.

- Always drive in the highest gear possible.
- Try to maintain a constant speed. Every time you slow down and speed up, your vehicle uses extra fuel. Use cruise control when appropriate.
- Combine several short trips into one.
- The air conditioning puts an extra load on the engine which makes it use more fuel. Use the fresh-air ventilation when possible.

Accessories and Modifications

Modifying your vehicle, or installing some non-Honda accessories, can make your vehicle unsafe. Before you make any modifications or add any accessories, be sure to read the following information.

Accessories

Your dealer has Honda accessories that allow you to personalize your vehicle. These accessories have been designed and approved for your vehicle, and are covered by warranty.

Although non-Honda accessories may fit on your vehicle, they may not meet factory specifications, and could adversely affect your vehicle's handling and stability (see next page for additional information).

⚠ WARNING

Improper accessories or modifications can affect your vehicle's handling, stability, and performance, and cause a crash in which you can be hurt or killed.

Follow all instructions in this owner's manual regarding accessories and modifications.

When properly installed, cellular phones, alarms, two-way radios, and low-powered audio systems should not interfere with your vehicle's computer controlled systems, such as your airbags and anti-lock brakes.

Before installing any accessory:

- Make sure the accessory does not obscure any lights, or interfere with proper vehicle operation or performance.
- Be sure electronic accessories do not overload electrical circuits (see page 257) or interfere with proper operation.
- Before installing any electronic accessory, have the installer contact your dealer for assistance. If possible, have your dealer inspect the final installation.
- Do not install accessories on the side pillars or across the rear windows. In these areas, accessories may interfere with proper operation of the side curtain airbags.

Accessories and Modifications

Modifying Your Vehicle

Removing parts from your vehicle, or replacing components with aftermarket components could seriously affect your vehicle's handling, stability, and reliability.

Here are some examples:

- Lowering the vehicle with an aftermarket suspension kit that significantly reduces ground clearance can allow the undercarriage to hit speed bumps or other raised objects, which could cause the airbags to deploy.
- Raising your vehicle with an aftermarket suspension kit can affect the handling and stability.
- Non-Honda wheels, because they are a universal design, can cause excessive stress on suspension components.

- Larger or smaller wheels and tires can interfere with the operation of your vehicle's anti-lock brakes and other systems.
- Modifying your steering wheel or any other part of your vehicle's safety features can make the systems ineffective.

If you plan to modify your vehicle, consult your dealer.

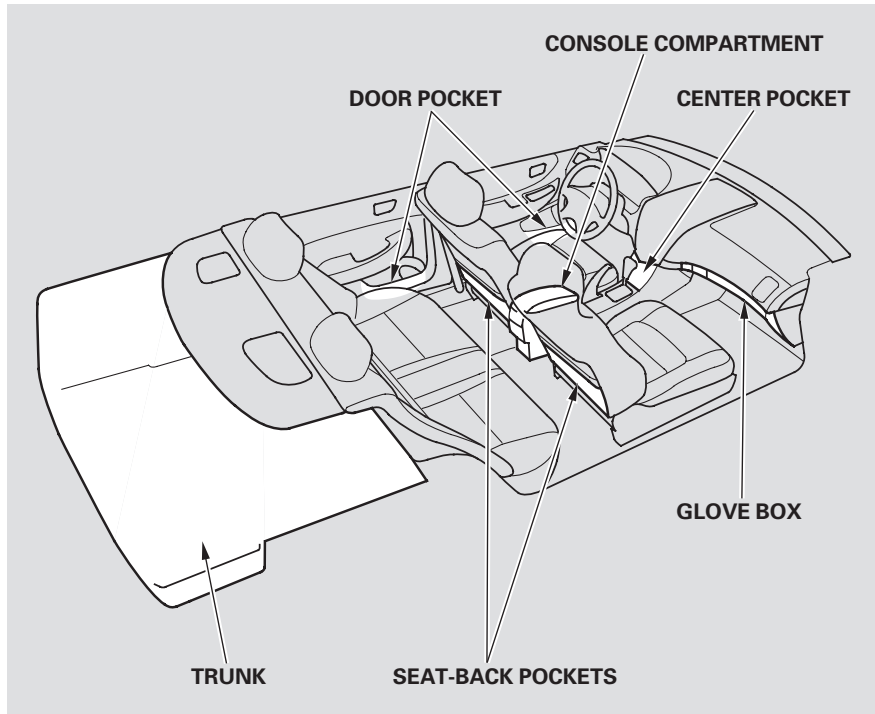
Additional Safety Precautions

- **Do not attach or place objects on the front airbag covers.** Any object attached to or placed on the covers marked "SRS AIRBAG" in the center of the steering wheel and on top of the dashboard, could interfere with the proper operation of the airbags. Or, if the airbags inflate, the objects could be propelled inside the vehicle and hurt someone.

- **Do not attach hard objects on or near a front door.** If a side airbag or a side curtain airbag inflates, a cup holder or other hard object attached on or near the door could be propelled inside the vehicle and hurt someone.
- **Do not place any objects over or replace the outside edge of a front seat-back.** This could prevent the airbag from inflating properly.

Before Driving

Carrying Cargo



Your vehicle has several convenient storage areas:

- Glove box
- Door and seat-back pockets
- Trunk, including the back seats when folded down
- Center pocket
- Console compartment
- Roof-rack (if installed)

However, carrying too much cargo, or improperly storing it, can affect your vehicle's handling, stability, stopping distance, and tires, and make it unsafe. Before carrying any type of cargo, be sure to read the following pages.

Carrying Cargo

Load Limits

The maximum load for your vehicle is 850 lbs (385 kg) for U.S. vehicles, and 395 kg for Canadian vehicles. This figure includes the total weight of all occupants, cargo, and accessories, and the tongue load if you are towing a trailer.

⚠ WARNING

Overloading or improper loading can affect handling and stability and cause a crash in which you can be hurt or killed.

Follow all load limits and other loading guidelines in this manual.

Steps for determining correct load limit:

1. Locate the statement, “the combined weight of occupants and cargo should never exceed 850 lbs” on your vehicle’s placard. [The placard is on the driver’s doorjamb.]
2. Determine the combined weight of the driver and passengers that will be riding in your vehicle.
3. Subtract the combined weight of the driver and passengers from 850 lbs.
4. The resulting figure equals the available amount of cargo and luggage load capacity.
For example, if the maximum load is 850 lbs and there will be five 150 lb passengers in your vehicle, the amount of available cargo and luggage load capacity is 100 lbs.

$$(850 - 750 (5 \times 150) = 100 \text{ lbs.})$$

5. Determine the combined weight of luggage and cargo being loaded in the vehicle. That weight may not safely exceed the available cargo and luggage load capacity in step 4.
6. If your vehicle will be towing a trailer, the load from your trailer will be transferred to your vehicle. Consult this manual to determine how this reduces the available cargo and luggage load capacity of your vehicle (see page 184).

Before Driving

CONTINUED

Carrying Cargo

In addition, the total weight of the vehicle, all passengers and accessories must not exceed the Gross Vehicle Weight Rating (GVWR) or the Gross Axle Weight Rating (GAWR). Both are on a label on the driver's doorjamb.

Carrying Cargo in the Trunk or on a Roof Rack

- Distribute cargo evenly on the floor of the trunk, placing the heaviest items on the bottom and as far forward as possible. Tie down items that could be thrown about the vehicle during a crash or sudden stop.

- If you carry large items that prevent you from closing the trunk lid, exhaust gas can enter the passenger area. To avoid the possibility of **carbon monoxide poisoning**, follow the instructions on page 53 .

- If you carry any items on a roof rack, be sure the total weight of the rack and the items does not exceed 165 lbs (75 kg).

If you use an accessory roof rack, the roof rack weight limit may be lower. Refer to the information that came with your roof rack.

Carrying Items in the Passenger Compartment

- Store or secure all items that could be thrown around and hurt someone during a crash.
- Be sure items placed on the floor behind the front seats cannot roll under the seats and interfere with the driver's ability to operate the pedals, the proper operation of the seats, or the advanced front airbags.
- Keep the glove box closed while driving. If it is open, a passenger could injure their knees during a crash or sudden stop.

Driving

This section gives you tips on starting the engine under various conditions, and how to operate the manual and automatic transmissions. It also includes important information on parking your vehicle, the braking system, the traction control system, and facts you need if you are planning to tow a trailer.

Preparing to Drive	168
Starting the Engine.....	169
Manual Transmission.....	170
Recommended Shift Points.....	171
Engine Speed Limiter	172
Reverse Lockout.....	172
Automatic Transmission.....	173
Shift Lever Position	
Indicators.....	173
Shifting.....	173
Engine Speed Limiter	175
Shift Lock Release.....	176
Parking.....	178
Parking Tips	178
Braking System.....	179
Braking System Design	179
Brake Pad Wear Indicators	179
Anti-lock Brakes (ABS)	180
ABS Indicator	180
Vehicle Stability Assist (VSA)	
System.....	182
VSA Activation Indicator	182
VSA System Indicator	182
VSA Off Switch	183
VSA and Tire Sizes	183
Towing a Trailer	184

Preparing to Drive

You should do the following checks and adjustments before you drive your vehicle.

1. Make sure all windows, mirrors, and outside lights are clean and unobstructed. Remove frost, snow, or ice.
2. Check that the hood is fully closed.
3. Check that the trunk is fully closed.
4. Visually check the tires. If a tire looks low, use a gauge to check its pressure.
5. Check that any items you may be carrying are stored properly or fastened down securely.
6. Check the seat adjustment (see pages 85 to 87).
7. Check the adjustment of the inside and outside mirrors (see pages 90 and 91).
8. Check the steering wheel adjustment (see page 73).
9. Make sure the doors are securely closed and locked.
10. Fasten your seat belt. Check that your passengers have fastened their seat belts (see page 16).
11. When you start the engine, check the gauges and indicators in the instrument panel (see pages 58 to 66).

Starting the Engine

1. Apply the parking brake.
2. In cold weather, turn off all electrical accessories to reduce the drain on the battery.
3. *Manual transmission:*
Press the clutch pedal down all the way. The START (III) position does not function unless the clutch pedal is pressed.

Automatic transmission:
Make sure the shift lever is in Park. Press on the brake pedal.

4. Turn the ignition key to the START (III) position. Do not hold the key in the START (III) position for more than 15 seconds at a time. If the engine does not start right away, pause for at least 10 seconds before trying again.

NOTICE

The immobilizer system protects your vehicle from theft. If an improperly-coded key (or other device) is used, the engine's fuel system is disabled. For more information, see page 75 .

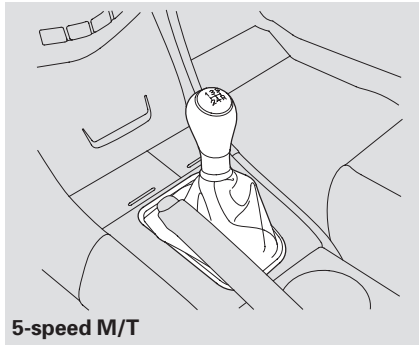
5. If the engine does not start within 15 seconds, or starts but stalls right away, repeat step 4 with the accelerator pedal pressed halfway down. If the engine starts, release pressure on the accelerator pedal so the engine does not race.

6. If the engine fails to start, press the accelerator pedal all the way down and hold it there while starting to clear flooding. Return to step 5 if the engine does not start.

NOTICE

The engine is harder to start in cold weather. Also, the thinner air found at altitudes above 8,000 feet (2,400 meters) adds to this problem.

Manual Transmission



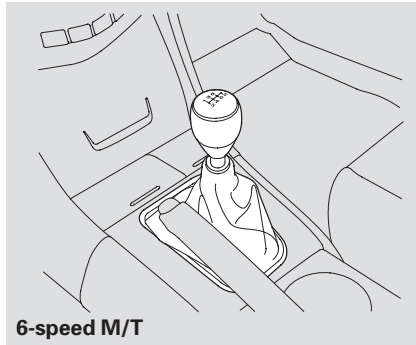
5-speed M/T

On all 4-cylinder models with 5-speed manual transmission

On all V6 models with 6-speed manual transmission

The manual transmission is synchronized in all forward gears for smooth operation. It has a lockout so you cannot shift directly from fifth to reverse.

On vehicles with 6-speed manual transmission, the lockout system prevents you from shifting directly



6-speed M/T

from fifth to reverse instead of sixth (see page 172).

When shifting up or down, make sure you push the clutch pedal down all the way, shift to the next gear, and let the pedal up gradually. Avoid skipping gears when shifting up or down or serious transmission damage can occur. When you are not shifting, do not rest your foot on the clutch pedal. This can cause your clutch to wear out faster.

Come to a full stop before you shift into reverse. You can damage the transmission by trying to shift into reverse with the vehicle moving. Push down the clutch pedal, and pause for a few seconds before shifting into reverse, or shift into one of the forward gears for a moment. This stops the gears so they won't "grind."

When slowing down, you can get extra braking from the engine by shifting to a lower gear. This extra braking can help you maintain a safe speed and prevent your brakes from overheating while going down a steep hill. Failure to make sure the engine speed will not go into the tachometer's red zone in a lower gear can cause serious engine damage.

Manual Transmission

⚠ WARNING

Rapid slowing or speeding-up can cause loss of control on slippery surfaces. If you crash, you can be injured.

Use extra care when driving on slippery surfaces.

Recommended Shift Points

Drive in the highest gear that lets the engine run and accelerate smoothly. This will give you good fuel economy and effective emissions control. The following shift points are recommended:

5-speed manual transmission

Shift up	Normal acceleration
1st to 2nd	15 mph (25 km/h)
2nd to 3rd	25 mph (40 km/h)
3rd to 4th	40 mph (65 km/h)
4th to 5th	50 mph (80 km/h)

6-speed manual transmission

Shift up	Normal acceleration
1st to 2nd	15 mph (24 km/h)
2nd to 3rd	27 mph (40 km/h)
3rd to 4th	36 mph (64 km/h)
4th to 5th	41 mph (75 km/h)
5th to 6th	44 mph (83 km/h)

Manual Transmission

Engine Speed Limiter

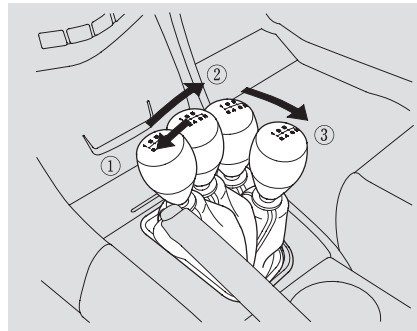
If you exceed the maximum speed for the gear you are in, the engine speed will enter into the tachometer's red zone. If this occurs, you may feel the engine cut in and out. This is caused by a limiter in the engine's computer controls. The engine will run normally when you reduce the rpm below the red zone.

The engine speed limiter only works when you upshift; engine speed is not limited during downshifts. Before downshifting, make sure the engine will not go into the tachometer's red zone.

Reverse Lockout

6-speed manual transmission only

The manual transmission has lockout so you cannot accidentally shift from fifth to reverse instead of sixth while the vehicle is moving. If you cannot shift to reverse when the vehicle is stopped:



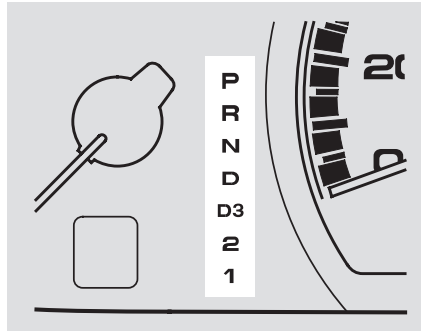
1. With the clutch pedal pressed, move the shift lever to the first/second gear side of the neutral gate, then shift to reverse.

2. If you are still unable to shift to reverse, apply the parking brake, and turn the ignition key to the ACCESSORY (I) or LOCK (0) position.
3. Press the clutch pedal, and shift to reverse.
4. With the clutch pedal still pressed, start the engine.

If you need to use this procedure to shift to reverse, your vehicle may be developing a problem. Have the vehicle checked by your dealer.

Automatic Transmission

Shift Lever Position Indicators

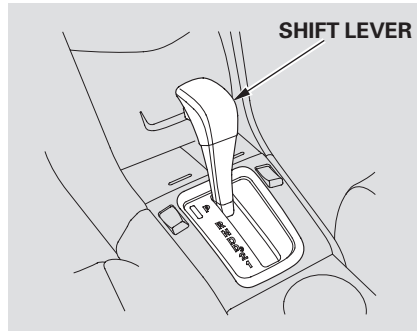


These indicators between the tachometer and speedometer show which position the shift lever is in.

The “D” indicator comes on for a few seconds when you turn the ignition switch to the ON (II) position. If it flashes while driving (in any shift position), it indicates a possible problem in the transmission.

If the malfunction indicator lamp comes on along with the “D” indicator, there is a problem with the automatic transmission control system. Avoid rapid acceleration, and have the transmission checked by your dealer as soon as possible.

Shifting



To shift from Park to any position, press firmly on the brake pedal and press the release button on the front of the shift lever, then pull the lever. You cannot shift out of Park when the ignition switch is in the LOCK (0) or the ACCESSORY (I) position.

To shift from:	Do this:
P to R	Press the brake pedal and press the release button.
R to P N to R D ₃ to 2 2 to 1	Press the release button.
1 to 2 2 to D ₃ D ₃ to D D to N D to D ₃ N to D R to N	Move the lever.

Driving

CONTINUED

Automatic Transmission

Park (P) – This position mechanically locks the transmission. Use Park whenever you are turning off or starting the engine. To shift out of Park, you must press on the brake pedal and have your foot off the accelerator pedal. Press the release button on the bottom of the shift lever to move it.

If you have done all of the above and still cannot move the lever out of Park, see **Shift Lock Release** on page 176 .

You must also press the release button to shift into Park. To avoid transmission damage, come to a complete stop before shifting into Park. The shift lever must be in Park before you can remove the key from the ignition switch.

Reverse (R) – Press the brake pedal and press the release button to shift from Park to Reverse. To shift from Reverse to Neutral, come to a complete stop and then shift.

Neutral (N) – Use Neutral if you need to restart a stalled engine, or if it is necessary to stop briefly with the engine idling. Shift to the Park position if you need to leave your vehicle and apply the parking brake. Press on the brake pedal when you are moving the shift lever from Neutral to another gear.

Drive (D) – Use this position for your normal driving. The transmission automatically selects a suitable gear for the vehicle speed and acceleration. You may notice the transmission shifting up at higher speeds when the engine is cold. This helps the engine warm up faster.

Drive (D3) – This position is similar to D, except only the first three gears are selected instead of all five. Use D3 when towing a trailer in hilly terrain, or to provide engine braking when going down a steep hill. D3 can also keep the transmission from cycling between third and fourth gears in stop-and-go driving.

Automatic Transmission

Second (2) – This position locks the transmission in second gear. It does not downshift to first gear when you come to a stop.

Use second gear:

- For more power when climbing.
- To increase engine braking when going down steep hills.
- For starting out on a slippery surface or in deep snow.
- To help reduce wheel spin.
- When driving downhill with a trailer.

First (1) – To shift from Second to First, press the release button on the bottom of the shift lever. This position locks the transmission in first gear. By upshifting and downshifting through 1, 2, D3, and D, you can operate this transmission much like a manual transmission without a clutch pedal.

Engine Speed Limiter

If you exceed the maximum speed for the gear you are in, the engine speed will enter into the tachometer's red zone. If this occurs, you may feel the engine cut in and out. This is caused by a limiter in the engine's computer controls. The engine will run normally when you reduce the rpm below the red zone.



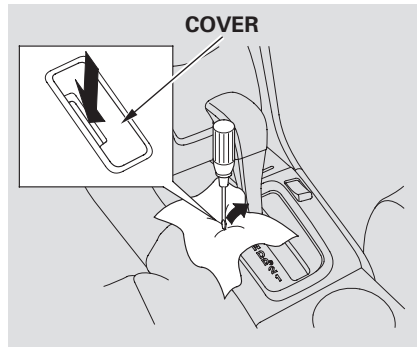
Driving

Automatic Transmission

Shift Lock Release

This allows you to move the shift lever out of Park if the normal method of pushing on the brake pedal and pressing the release button does not work.

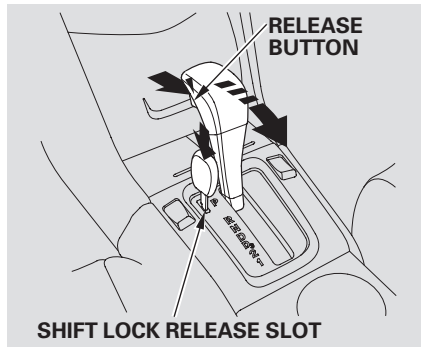
1. Set the parking brake.
2. Remove the key from the ignition switch.



3. Put a cloth on the edge of the shift lock release slot cover next to the shift lever. Use a small flat-tipped screwdriver or finger nail file to remove the cover. Carefully pry off the edge of the cover.

4. Insert the key in the shift lock release slot.

Automatic Transmission



5. Push down on the key while you press the release button on the shift lever and move the shift lever out of Park to neutral.
6. Remove the key from the shift lock release slot, then reinstall the cover. Make sure the notch on the cover is on the left side. Depress the brake pedal and restart the engine.

If you need to use the shift lock release, it means your vehicle is developing a problem. Have the vehicle checked by your dealer.

Parking

Always use the parking brake when you park your vehicle. Make sure the parking brake is set firmly, or your vehicle may roll if it is parked on an incline.

If your vehicle has an automatic transmission, set the parking brake before you put the transmission in Park. This keeps the vehicle from moving and putting pressure on the parking mechanism in the transmission.

If your vehicle has a manual transmission, put it in first gear.

Parking Tips

- Make sure the moonroof (if equipped) and the windows are closed.
- Turn off the lights.
- Place any packages, valuables, etc., in the trunk or take them with you.
- Lock the doors with the key or the remote transmitter.

*U.S. EX, EX-L, and 6-cylinder models
Canadian SE, EX-L, and 6-cylinder models*

Check the indicator on the instrument panel to verify that the security system is set.

- Never park over dry leaves, tall grass, or other flammable materials. The hot three way catalytic converter could cause these materials to catch on fire.

- If the vehicle is facing uphill, turn the front wheels away from the curb and set the parking brake. If your vehicle has a manual transmission, put it in first gear.
- If the vehicle is facing downhill, turn the front wheels toward the curb and set the parking brake. If your vehicle has a manual transmission, put it in reverse gear.
- Make sure the parking brake is fully released before driving away. Driving with the parking brake partially set can overheat or damage the rear brakes.

Braking System

Your vehicle is equipped with disc brakes. The brakes on the rear wheels may be disc or drum, depending on the model. A power assist helps reduce the effort needed on the brake pedal. The ABS helps you retain steering control when braking very hard.

Put your foot on the brake pedal only when you intend to brake. Resting your foot on the pedal keeps the brakes applied lightly, builds up heat, increases wear and reduces their effectiveness. It also keeps your brake lights on all the time, confusing drivers behind you.

Constant application of the brakes when going down a long hill builds up heat and reduces their effectiveness. Use the engine to assist the brakes by taking your foot off the accelerator and downshifting to a lower gear.

Check the brakes after driving through deep water. Apply the brakes moderately to see if they feel normal. If not, apply them gently and frequently until they do. Be extra cautious in your driving.

Braking System Design

The hydraulic system that operates the brakes has two separate circuits. Each circuit works diagonally across the vehicle (the left-front brake is connected with the right-rear brake, etc.). If one circuit should develop a problem, you will still have braking at two wheels.

Brake Pad Wear Indicators

On all models, the front disc brakes have audible brake wear indicators. On all models except the U.S. VP, U.S. LX and Canadian DX-G, the rear disc brakes have audible brake wear indicators.

If the brake pads need replacing, you will hear a distinctive, metallic screeching sound when you apply the brake pedal. If you do not have the brake pads replaced, they will screech all the time. It is normal for the brakes to occasionally squeal or squeak when you apply them.

Anti-lock Brakes (ABS)

The anti-lock brake system (ABS) helps prevent the brakes from locking up, and helps you retain steering control by pumping the brakes rapidly, much faster than a person can do it.

The ABS also balances the front-to-rear braking distribution according to vehicle loading.

You should never pump the brake pedal; this defeats the purpose of the ABS. Let the ABS work for you by always keeping firm, steady pressure on the brake pedal as you steer away from the hazard. This is sometimes referred to as “stomp and steer.”

You will feel a pulsation in the brake pedal when the ABS activates, and you may hear some noise. This is normal: it is the ABS rapidly pumping the brakes. On dry pavement, you will need to press on the brake pedal very hard before the ABS activates. However, you may feel the ABS activate immediately if you are trying to stop on snow or ice.



ABS Indicator

If this indicator comes on, the anti-lock function of the braking system has shut down. The brakes still work like a conventional system, but without anti-lock. You should have your dealer inspect your vehicle as soon as possible.

If the ABS indicator and the brake system indicator come on together, and the parking brake is fully released, the front-to-rear braking distribution system may also be shut down.

Anti-lock Brakes (ABS)

Test your brakes as instructed on page 255 . If the brakes feel normal, drive slowly and have your vehicle repaired by your dealer as soon as possible. Avoid sudden hard braking which could cause the rear wheels to lock up and possibly lead to a loss of control.

Important Safety Reminders
ABS does not reduce the time or distance it takes to stop the vehicle. It only helps with the steering control during braking.

ABS will not prevent a skid that results from changing direction abruptly, such as trying to take a corner too fast or making a sudden lane change. Always drive at a safe speed for the road and weather conditions.

ABS cannot prevent a loss of stability. Always steer moderately when you are braking hard. Severe or sharp steering wheel movement can still cause your vehicle to veer into oncoming traffic or off the road.

A vehicle with ABS may require a longer distance to stop on loose or uneven surfaces, such as gravel or snow, than a vehicle without anti-lock. Slow down, and allow a greater distance between vehicles under those conditions.

Vehicle Stability Assist (VSA) System

On 6-cylinder models

The vehicle stability assist (VSA) system helps to stabilize the vehicle during cornering if the vehicle turns more or less than desired. It also assists you in maintaining traction while accelerating on loose or slippery road surfaces. It does this by regulating the engine's output and by selectively applying the brakes.

When VSA activates, you may notice that the engine does not respond to the accelerator in the same way it does at other times. There may also be some unusual noise from the modulator.

The VSA system cannot enhance the vehicle's driving stability in all situations and does not control your vehicle's entire braking system. It is still your responsibility to drive and corner at reasonable speeds and to leave a sufficient margin of safety.



VSA Activation Indicator

When VSA activates, you will see the VSA activation indicator blink. There may also be some unusual noise from the modulator.



VSA System Indicator

If the VSA system indicator comes on while driving, pull to the side of the road when it is safe, and turn off the engine. Reset the system by restarting the engine. If the VSA system indicator stays, or comes back on while driving, have the VSA system inspected by your dealer.

If the indicator does not come on when the ignition switch is turned to the ON (II) position, there may be a problem with the VSA system. Have your dealer inspect your vehicle as soon as possible.

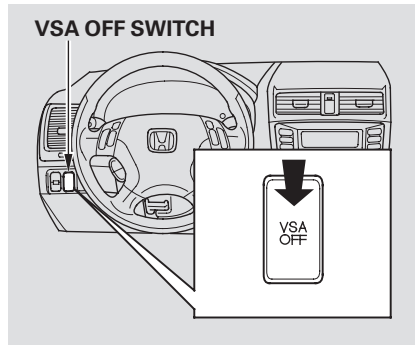
Without VSA, your vehicle will have normal braking and cornering ability, but it will not have VSA traction and stability enhancement.

Vehicle Stability Assist (VSA) System

VSA Off Switch

In certain unusual conditions when your vehicle gets stuck in shallow mud or fresh snow, it may be easier to free it with the VSA temporarily switched off. When the VSA system is off, the traction control system is also off. You should only attempt to free your vehicle with the VSA off if you are not able to free it when the VSA is on.

Immediately after freeing your vehicle, be sure to switch the VSA on again. We do not recommend driving your vehicle with the VSA and traction control systems switched off.



This switch is under the left vent. Press it to turn the VSA system on and off.

When VSA is off, the VSA activation indicator comes on as a reminder.

VSA is turned on every time you start the engine, even if you turned it off the last time you drove the vehicle.

VSA and Tire Sizes

Driving with varying tire or wheel sizes may cause the VSA to malfunction. When replacing tires, make sure they are of the same size and type as your original tires (see page 232).

Deactivate the VSA system if you need to drive with the compact spare tire installed (see page 240).

If you install winter tires, make sure they are the same size as those that were originally supplied with your vehicle. Exercise the same caution during winter driving as you would if your vehicle was not equipped with VSA.

Towing a Trailer

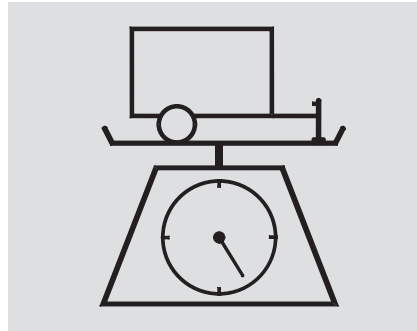
Your vehicle has been designed primarily to carry passengers and their cargo. You can also use it to tow a trailer if you carefully observe the load limits, use the proper equipment, and follow the guidelines in this section.

⚠ WARNING

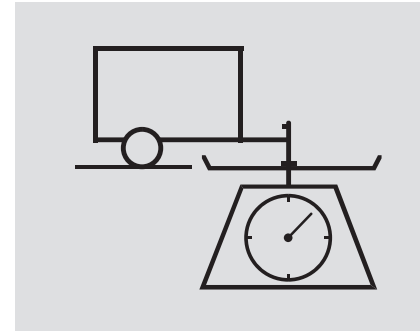
Exceeding any load limit or improperly loading your vehicle and trailer can cause a crash in which you can be seriously hurt or killed.

Check the loading of your vehicle and trailer carefully before starting to drive.

Load Limits



Total Trailer Weight: The maximum allowable weight of the trailer and everything in or on it must not exceed 1,000 lbs (450 kg). Towing a load that is too heavy can seriously affect your vehicle's handling and performance. It can also damage the engine and drivetrain.



Tongue Load: The weight that the tongue of a fully-loaded trailer puts on the hitch should be approximately 10 percent of the trailer weight. Too much tongue load reduces front-tire traction and steering control. Too little tongue load can make the trailer unstable and cause it to sway.

Towing a Trailer

To achieve a proper tongue load, start by loading 60 % of the load toward the front of the trailer and 40 % toward the rear, then re-adjust the load as needed.

- **Gross Vehicle Weight Rating (GVWR):**

The total weight of the vehicle, all occupants, all cargo, and the tongue load must not exceed:

U.S. VP and LX:

Canadian DX-G:

4,080 lbs (1,850 kg)

U.S. EX and EX-L:

Canadian SE and EX-L:

4,145 lbs (1,880 kg)

V6 models with automatic transmission:

4,345 lbs (1,970 kg)

V6 models with manual transmission:

4,300 lbs (1,950 kg)

- **Gross Axle Weight Rating (GAWR):**

The total weight of each axle must not exceed:

U.S. VP and LX:

Canadian DX-G:

2,195 lbs (995 kg)

on the front axle

1,960 lbs (890 kg)

on the rear axle

U.S. EX and EX-L:

Canadian SE and EX-L:

2,225 lbs (1,010 kg)

on the front axle

1,985 lbs (900 kg)

on the rear axle

V6 models:

2,360 lbs (1,070 kg)

on the front axle

2,005 lbs (910 kg)

on the rear axle

Towing a Trailer

Checking Loads

The best way to confirm that vehicle and trailer weights are within limits is to have them checked at a public scale. To locate the public scales in your area, consult your local yellow pages or ask your dealer for assistance.

Using a suitable scale or a special tongue load gauge, check the tongue load the first time you set up a towing combination (a fully-loaded vehicle and trailer), then recheck the tongue load whenever the conditions change.

Towing Equipment and Accessories

Towing can require a variety of equipment, depending on the size of your trailer, how it will be used, how much load you are towing, and where you tow. To ensure the best quality, we recommend that you purchase Honda equipment whenever possible.

Discuss your needs with your trailer sales or rental agency, and follow the guidelines in the rest of this section. Also make sure that all equipment is properly installed and that it meets federal, state, province, and local regulations.

Hitches

Any hitch used on your vehicle must be properly bolted to the underbody.

Safety Chains

Always use safety chains when you tow a trailer. Make sure the chains are secured to the trailer and hitch, and that they cross under the tongue and can catch the trailer if it becomes unhitched. Leave enough slack to allow the trailer to turn corners easily, but do not let the chains drag on the ground.

Towing a Trailer

Trailer Brakes

Honda recommends that any trailer having a total weight of 1,000 lbs (450 kg) or more be equipped with its own electric or surge-type brakes.

If you choose electric brakes, be sure they are electronically actuated. Do not attempt to tap into your vehicle's hydraulic system. No matter how successful it may seem, any attempt to attach trailer brakes to your vehicle's hydraulic system will lower braking effectiveness and create a potential hazard.

See your trailer dealer or rental agency for more information on installing electric brakes.

Trailer Lights

Trailer lights and equipment must comply with federal, state, and regulations. Check with your local trailer sales or rental agency for the requirements in your area, and use only equipment designed for your vehicle.

Since lighting and wiring vary by trailer type and brand, you should have a qualified technician install a suitable connector between the vehicle and the trailer. Improper equipment or installation can cause damage to your vehicle's electrical system and affect your vehicle warranty.

Additional Towing Equipment

Many states and provinces require special outside mirrors when towing a trailer. Even if they don't, you should install special mirrors if you cannot clearly see behind you, or if the trailer creates a blind spot.

Ask your trailer sales or rental agency if any other items are recommended or required for your towing situation.

Towing a Trailer

Pre-Tow Checklist

When preparing to tow, and before driving away, be sure to check the following:

- The vehicle has been properly serviced, and the tires, brakes, suspension, cooling system, and lights are in good operating condition.
- All weights and loads are within limits (see pages 184 and 186).
- The hitch, safety chains, and any other attachments are secure.
- All items in or on the trailer are properly secured and cannot shift while you drive.

- Your vehicle tires and spare are properly inflated (see page 228), and the trailer tires and spare are inflated as recommended by the trailer maker.

Driving Safely With a Trailer

The added weight, length, and height of a trailer will affect your vehicle's handling and performance, so driving with a trailer requires some special driving skills and techniques.

For your safety and the safety of others, take time to practice driving maneuvers before heading for the open road, and follow the guidelines below.

Towing Speeds and Gears

Drive slower than normal in all driving situations, and obey posted speed limits for vehicles with trailers. If you have an automatic transmission, use the D position when towing a trailer on level roads.

Towing a Trailer

Making Turns and Braking

Make turns more slowly and wider than normal. The trailer tracks a smaller arc than your vehicle, and it can hit or run over something the vehicle misses. Allow more time and distance for braking. Do not brake or turn suddenly as this could cause the trailer to jackknife or turn over.

Driving on Hills

When climbing hills, closely watch your temperature gauge. If it nears the red (Hot) mark, turn the air conditioning off, reduce speed and, if necessary, pull to the side of the road to let the engine cool.

D3 is the proper shift lever position to use when towing a trailer in hilly terrain.

When driving down hills, reduce your speed, and shift down to second gear. Do not “ride” the brakes, and remember, it will take longer to slow down and stop when towing a trailer.

If you must stop when facing uphill, use the foot brake or parking brake. Do not try to hold the vehicle in place by pressing on the accelerator, as this can cause the automatic transmission to overheat.

Handling Crosswinds and Buffeting

Crosswinds and air turbulence caused by passing trucks can disrupt your steering and cause trailer swaying. When being passed by a large vehicle, keep a constant speed and steer straight ahead. Do not try to make quick steering or braking corrections.

Backing Up

Always drive slowly and have someone guide you when backing up. Grip the *bottom* of the steering wheel, then turn the wheel to the left to get the trailer to move to the left. Turn the wheel to the right to move the trailer to the right.

Parking

Follow all normal precautions when parking, including firmly setting the parking brake and putting the transmission in Park (automatic) or in 1st or reverse (manual). Also, place wheel chocks at each of the trailer’s tires.

06/05/16 14:22:13 31SDA640 0195

Maintenance

This section explains why it is important to keep your vehicle well maintained and how to follow basic maintenance safety precautions.

This section also includes instructions on how to read the maintenance messages, a maintenance record, and instructions for simple maintenance tasks you may want to take care of yourself.

If you have the skills and tools to perform more complex maintenance tasks on your vehicle, you may want to purchase the service manual. See page 283 for information on how to obtain a copy, or see your dealer.

Maintenance Safety	192
Maintenance Minder	193
Maintenance Record	200
Fluid Locations.....	202
Adding Engine Oil	204
Recommended Engine Oil.....	204
Synthetic Oil.....	205
Engine Oil Additives	205
Changing the Oil and Filter.....	206
Engine Coolant.....	208
Adding Engine Coolant.....	208
Windshield Washers	210
Transmission Fluid.....	211
Automatic Transmission.....	211
5-speed Manual Transmission.	213
6-speed Manual Transmission .	214
Brake and Clutch Fluid.....	215
Brake Fluid.....	216
Clutch Fluid.....	216
Power Steering Fluid.....	216
Timing Belt.....	217
Lights	218
Cleaning the Seat Belts.....	224
Floor Mats	224
Dust and Pollen Filter	225
Wiper Blades.....	226

Tires	228
Inflation Guidelines	228
Recommended Tire Pressures	229
Tire Inspection.....	230
Tire Maintenance	230
Tire Rotation	231
Replacing Tires Wheels.....	232
Wheels and Tires.....	232
Winter Driving	233
Snow Tires.....	233
Tire Chains.....	234
Checking the Battery.....	235
Vehicle Storage.....	236

Maintenance Safety

All service items not detailed in this section should be performed by a certified technician or other qualified mechanic.

Important Safety Precautions

To eliminate potential hazards, read the instructions before you begin, and make sure you have the tools and skills required.

- Make sure your vehicle is parked on level ground, the parking brake is set, and the engine is off.
- To clean parts, use a commercially available degreaser or parts cleaner, not gasoline.
- To reduce the possibility of fire or explosion, keep cigarettes, sparks, and flames away from the battery and all fuel-related parts.
- Wear eye protection and protective clothing when working near the battery or when using compressed air.

⚠ WARNING

Improperly maintaining this vehicle or failing to correct a problem before driving can cause a crash in which you can be seriously hurt or killed.

Always follow the inspection, maintenance recommendations, and schedules in this owner's manual.

Potential Vehicle Hazards

- **Carbon Monoxide poison from engine exhaust.** Be sure there is adequate ventilation whenever you operate the engine.
- **Burns from hot parts.** Let the engine and exhaust system cool down before touching any parts.
- **Injury from moving parts.** Do not run the engine unless instructed to do so.

⚠ WARNING

Failure to properly follow maintenance instructions and precautions can cause you to be seriously hurt or killed.

Always follow the procedures and precautions in this owner's manual.

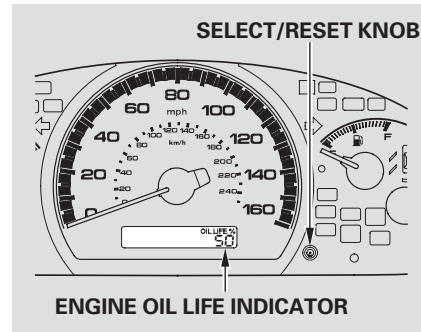
Some of the most important safety precautions are given here. However, we cannot warn you of every conceivable hazard that can arise in performing maintenance. Only you can decide whether or not you should perform a given task.

Maintenance Minder

Your vehicle displays engine oil life and maintenance service items on the information display to show you when you should have your dealer do engine oil replacement and indicated maintenance service.

Based on the engine operating conditions and accumulated engine revolutions, the onboard computer in your vehicle calculates the remaining engine oil life and displays it as a percentage.

Engine Oil Life Indicator



To see the current engine oil life, turn the ignition switch to the ON (II) position, and push and release the select/reset knob repeatedly until the engine oil life display appears (see page 64).

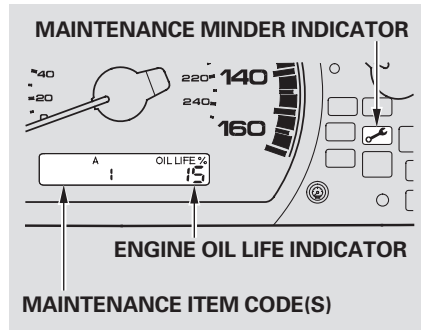
The remaining engine oil life is shown on the display according to this table:

Calculated Engine Oil Life (%)	Displayed Engine Oil Life (%)
100 % – 91 %	100 %
90 % – 81 %	90 %
80 % – 71 %	80 %
70 % – 61 %	70 %
60 % – 51 %	60 %
50 % – 41 %	50 %
40 % – 31 %	40 %
30 % – 21 %	30 %
20 % – 16 %	20 %
15 % – 11 %	15 %
10 % – 6 %	10 %
5 % – 1 %	5 %
0 %	0 %

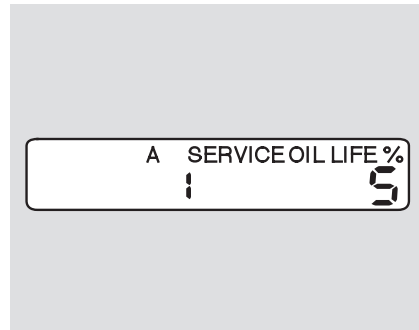
Maintenance

CONTINUED

Maintenance Minder




If the remaining engine oil life is 15 to 6 percent, you will see the engine oil life indicator every time you turn the ignition switch to the ON (II) position. The maintenance minder indicator will also come on, and the maintenance item code(s) for other scheduled maintenance items needing service will be displayed next to the engine oil life indicator.



When the remaining engine oil life is 5 to 1 percent, you will see a "SERVICE" message along with the same maintenance item code(s), every time you turn the ignition switch to the ON (II) position.

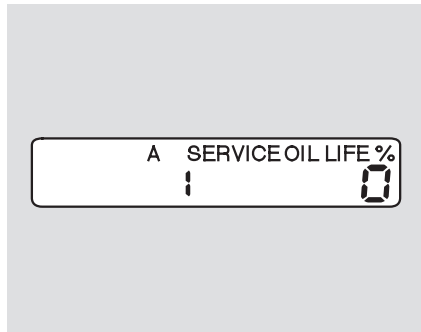
The maintenance item code or codes indicate the main and sub items required at the time of the oil change (see page 199).


You can switch the information display from the engine oil life display to the odometer or the trip meter. Press and release the Select/Reset knob on the instrument panel.

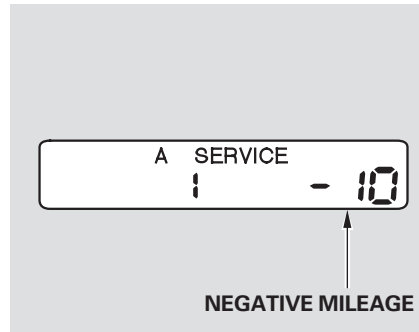
When the engine oil life is 15 to 1 percent, the maintenance minder indicator () comes on every time you turn the ignition switch to the ON (II) position, then it goes out if you switch the information display.

When you see this message, have the indicated maintenance performed by your dealer as soon as possible.

Maintenance Minder



When the remaining engine oil life is 0 percent, the engine oil life indicator will blink. The display comes on every time you turn the ignition switch to the ON (II) position. The maintenance minder indicator () also comes on and remains on in the instrument panel. When you see this message, immediately have the indicated maintenance performed by your dealer.




If you do not perform the indicated maintenance, negative mileage is displayed and begins to blink after the vehicle has been driven 10 miles (10 km) or more.

Negative mileage means your vehicle has passed the maintenance required point.

Immediately have the indicated maintenance done by your dealer.

The maximum total mileage shown is “-9999.”

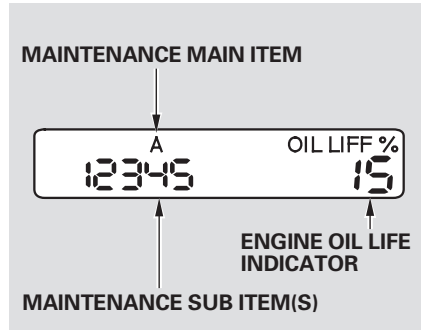
To change the information display from the engine oil life display to the odometer or the trip meter, press and release the Select/Reset knob.

When the engine oil life is 0 percent or negative mileage, the maintenance minder indicator () remains on even if you change the information display.

Immediately have the service performed, and make sure to reset the display as described on the next page.

Maintenance Minder

Maintenance Main Items and Sub Items



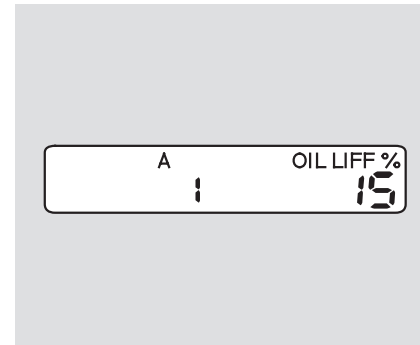
All maintenance items displayed in the information display are in code. For an explanation of these maintenance codes, see page 199.

Resetting the Engine Oil Life Indicator

Your dealer will reset the display after completing the required maintenance service. You will see OIL LIFE 100 % on the information display the next time you turn the ignition switch to the ON (II) position.

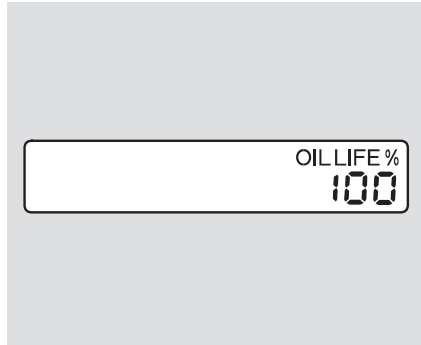
If maintenance service is done by someone other than your dealer, reset the maintenance minder as follows:

1. Turn the ignition switch to the ON (II) position.
2. Press the select/reset knob until the engine oil life indicator is displayed.



3. Press the select/reset knob for about 10 seconds. The engine oil life and the maintenance item code(s) will blink.

Maintenance Minder



4. Press the select/reset knob for another 5 seconds. The maintenance item code(s) will disappear, and the engine oil life will reset to "100."

Important Maintenance Precautions

If you have the required service done but do not reset the display, or reset the display without doing the service, the system will not show the proper maintenance intervals. This can lead to serious mechanical problems because you will no longer have an accurate record of when maintenance is needed.

Your authorized Honda dealer knows your vehicle best and can provide competent, efficient service.

However, service at a dealer is not mandatory to keep your warranties in effect. Maintenance may be done by any qualified service facility or person who is skilled in this type of automotive service. Make sure to have the service facility or person reset the display as previously described. Keep all receipts as proof of completion, and have the person who does the work fill out the maintenance record. Check your warranty booklet for more information.

We recommend the use of Honda parts and fluids whenever you have maintenance done. These are manufactured to the same high-quality standards as the original components, so you can be confident of their performance and durability.

CONTINUED

Maintenance Minder

U.S. Vehicles:
Maintenance, replacement, or repair of emissions control devices and systems may be done by any automotive repair establishment or individual using parts that are “certified” to EPA standards.

According to state and federal regulations, failure to perform maintenance on the items marked with # will not void your emissions warranties. However, all maintenance services should be performed in accordance with the intervals indicated by the odometer/trip meter display.

Owner’s Maintenance Checks

You should check the following items at the specified intervals. If you are unsure of how to perform any check, turn to the appropriate page listed.

- Engine oil level — Check every time you fill the fuel tank. See page 159 .
- Engine coolant level — Check the radiator reserve tank every time you fill the fuel tank. See page 160 .
- Automatic transmission — Check the fluid level monthly. See page 211 .
- Brakes — Check the fluid level monthly. See page 215 .
- Tires — Check the tire pressure monthly. Examine the tread for wear and foreign objects. See page 228 .
- Lights — Check the operation of the headlights, parking lights, taillights, high-mount brake light, and license plate lights monthly. See page 218 .

Maintenance Minder

Symbol	Maintenance Main Items
A	<ul style="list-style-type: none"> • Replace engine oil^{*1}
B	<ul style="list-style-type: none"> • Replace engine oil^{*1} and oil filter • Inspect front and rear brakes • Check parking brake adjustment • Inspect these items: <ul style="list-style-type: none"> • Tie rod ends, steering gear box, and boots • Suspension components • Driveshaft boots • Brake hoses and lines (including ABS) • All fluid levels and condition of fluids • Exhaust system[#] • Fuel lines and connections[#]

* 1 : If the message "SERVICE OIL" does not appear more than 12 months after the display is reset, change the engine oil every year.

: See information on maintenance and emissions warranty in the first column on page 198.

NOTE:

- Independent of the maintenance minder display, replace the brake fluid every 3 years.
- Inspect idle speed every 160,000 miles (256,000 km).
- Adjust the valves during services A, B, 1, 2, or 3 only if they are noisy.

Symbol	Maintenance Sub Items
1	<ul style="list-style-type: none"> • Rotate tires
2	<ul style="list-style-type: none"> • Replace air cleaner element If you drive in dusty conditions, replace every 15,000 miles (24,000 km). • Replace dust and pollen filter If you drive primarily in urban areas that have high concentrations of soot in the air from industry and from diesel-powered vehicles, replace every 15,000 miles (24,000 km). • Inspect drive belt
3	<ul style="list-style-type: none"> • Replace transmission fluid Driving in mountainous areas at very low vehicle speeds or trailer towing results in higher transmission and transfer temperatures. This requires transmission and transfer fluid changes more frequently than recommended by the Maintenance Minder. If you regularly drive your vehicle under these conditions, have the transmission and transfer fluid changed at 60,000 miles (100,000 km), then every 30,000 miles (48,000 km) (For A/T only:)
4	<ul style="list-style-type: none"> • Replace spark plugs • Replace timing belt and inspect water pump (V6 engine only) If you drive regularly in very high temperatures (over 110°F, 43°C), or in very low temperatures (under -20°F, -29°C), replace every 60,000 miles (U.S.)/100,000 km (Canada). • Inspect valve clearance
5	<ul style="list-style-type: none"> • Replace engine coolant

Maintenance Record

You or the servicing dealer can record all completed maintenance here. When maintenance is performed, record the mileage, circle the coded item(s) completed, and write in any other non-coded items (such as brake fluid replacement) below the codes. Keep the receipts for all work done on your vehicle. Maintenance can also be recorded in your Honda service history booklet.

Mileage	Maintenance Performed	Signature
		Date
mi km	A B 1 2 3 4 5	
mi km	A B 1 2 3 4 5	
mi km	A B 1 2 3 4 5	
mi km	A B 1 2 3 4 5	
mi km	A B 1 2 3 4 5	
mi km	A B 1 2 3 4 5	
mi km	A B 1 2 3 4 5	

Mileage	Maintenance Performed	Signature
		Date
mi km	A B 1 2 3 4 5	
mi km	A B 1 2 3 4 5	
mi km	A B 1 2 3 4 5	
mi km	A B 1 2 3 4 5	
mi km	A B 1 2 3 4 5	
mi km	A B 1 2 3 4 5	
mi km	A B 1 2 3 4 5	

Maintenance Record

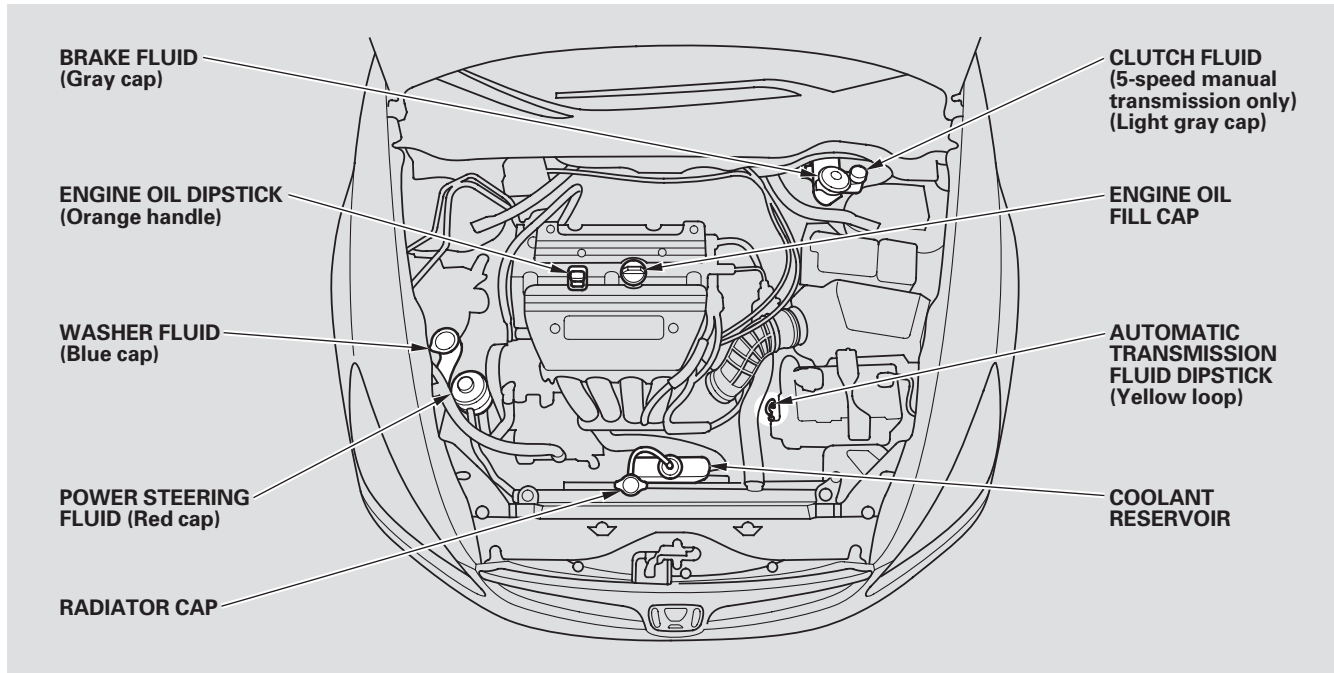
Mileage	Maintenance Performed	Signature
		Date
mi km	A B 1 2 3 4 5	
mi km	A B 1 2 3 4 5	
mi km	A B 1 2 3 4 5	
mi km	A B 1 2 3 4 5	
mi km	A B 1 2 3 4 5	
mi km	A B 1 2 3 4 5	
mi km	A B 1 2 3 4 5	

Mileage	Maintenance Performed	Signature
		Date
mi km	A B 1 2 3 4 5	
mi km	A B 1 2 3 4 5	
mi km	A B 1 2 3 4 5	
mi km	A B 1 2 3 4 5	
mi km	A B 1 2 3 4 5	
mi km	A B 1 2 3 4 5	
mi km	A B 1 2 3 4 5	

Maintenance

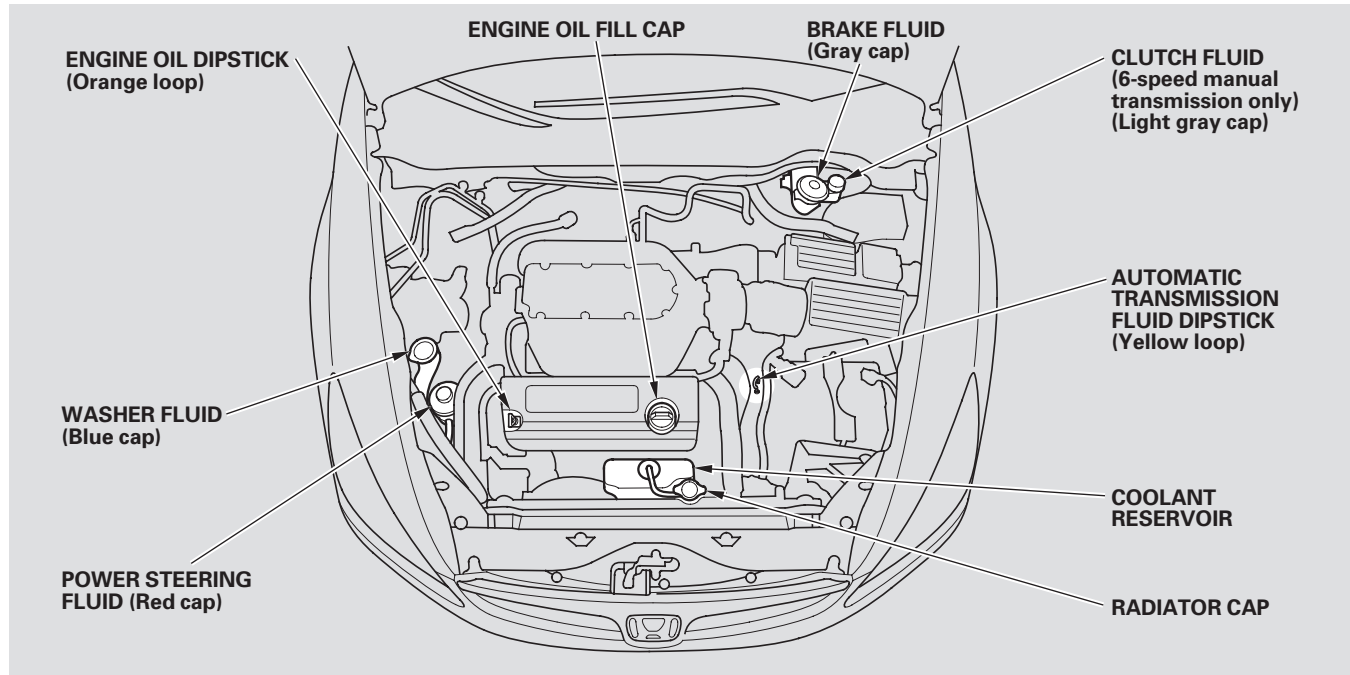
Fluid Locations

4-cylinder models



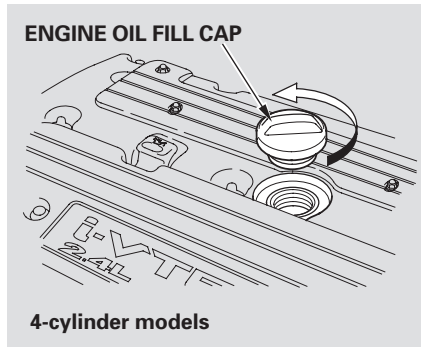
Fluid Locations

V6 models

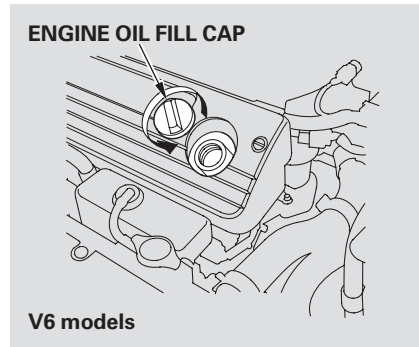


Maintenance

Adding Engine Oil



Unscrew and remove the engine oil fill cap on top of the valve cover. Pour in the oil slowly and carefully so you do not spill any. Clean up any spills immediately. Spilled oil could damage components in the engine compartment.



Install the engine oil fill cap, and tighten it securely. Wait a few minutes, and recheck the oil level. Do not fill above the upper mark; you could damage the engine.

Recommended Engine Oil

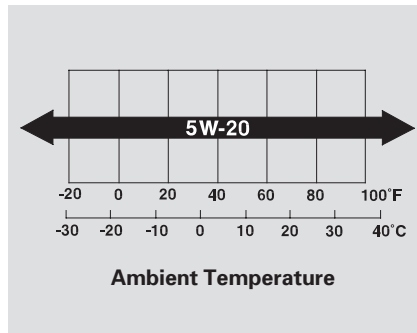
Oil is a major contributor to your engine's performance and longevity. Always use a premium-grade 5W-20 detergent oil displaying the API Certification Seal. This seal indicates the oil is energy conserving, and that it meets the American Petroleum Institute's latest requirements.

Adding Engine Oil

Honda Motor Oil is the preferred 5W-20 lubricant for your vehicle. It is highly recommended that you use Honda Motor Oil in your vehicle for optimum engine protection. Make sure the API Certification Seal says "For Gasoline Engines."



The oil viscosity or weight is provided on the container's label. 5W-20 oil is formulated for year-round protection of your vehicle to improve cold weather starting and fuel economy.



Synthetic Oil

You may use a synthetic motor oil if it meets the same requirements given for a conventional motor oil: it displays the API Certification Seal, and it is the proper weight. You must follow the oil and filter change intervals shown on the information display.

Engine Oil Additives

Your vehicle does not require any oil additives. Additives may adversely affect the engine or transmission performance and durability.

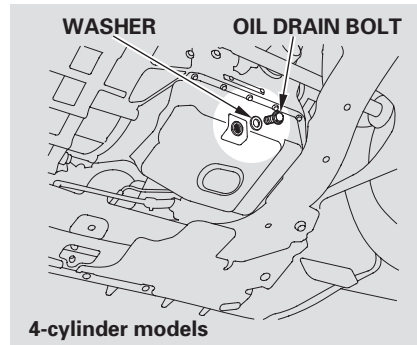
Maintenance

Changing the Oil and Filter

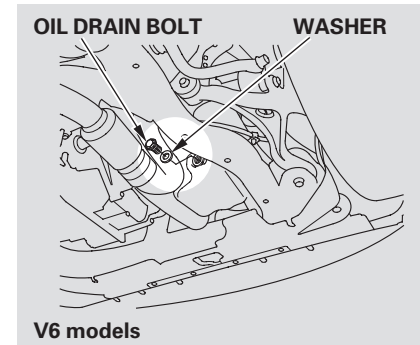
Always change the oil and filter according to the maintenance messages shown on the information display. The oil and filter collect contaminants that can damage your engine if they are not removed regularly.

Changing the oil and filter requires special tools and access from underneath the vehicle. The vehicle should be raised on a service station-type hydraulic lift for this service. Unless you have the knowledge and proper equipment, you should have this maintenance done by a skilled mechanic.

1. Run the engine until it reaches normal operating temperature, then shut it off.



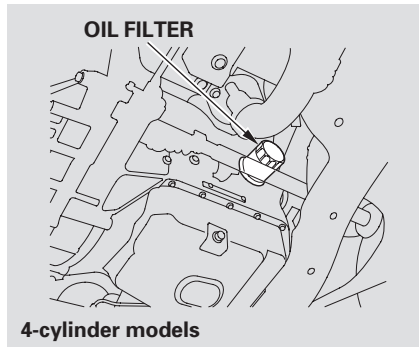
2. Open the hood, and remove the engine oil fill cap. Remove the oil drain bolt and washer from the bottom of the engine. Drain the oil into an appropriate container.



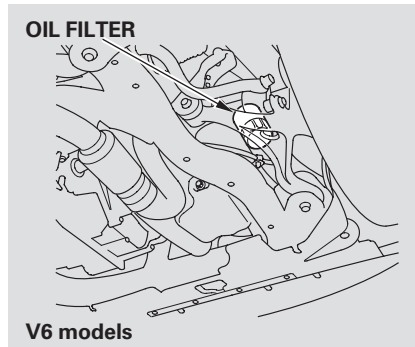
3. Remove the oil filter and let the remaining oil drain. A special wrench (available from your dealer) is required.

Make sure the oil filter gasket is not stuck to the engine block. If it is, remove it before installing a new oil filter.

Changing the Oil and Filter



4. Install a new oil filter according to the instructions that come with it. Make sure to clean off any dirt and dust on the connecting surface of a new oil filter.
5. Put a new washer on the drain bolt, then reinstall the drain bolt. Tighten it to:
 - (4-cylinder models)
33 lbf·ft (45 N·m , 4.6 kgf·m)
 - (6-cylinder models)
29 lbf·ft (39 N·m , 4.0 kgf·m)



6. Refill the engine with the recommended oil.

Engine oil change capacity
(including filter):

- (4-cylinder models)
4.4 US qt (4.2 ℓ)
- (6-cylinder models)
4.5 US qt (4.3 ℓ)

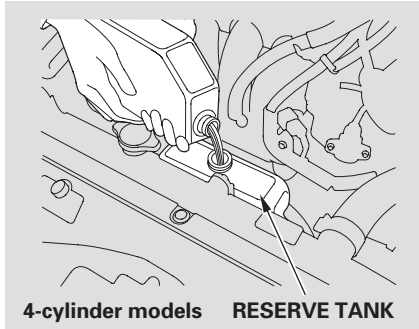
7. Replace the engine oil fill cap. Start the engine. The oil pressure indicator should go out within 5 seconds. If it does not, turn off the engine, and check your work.
8. Let the engine run for several minutes, then check the drain bolt and oil filter for leaks.
9. Turn off the engine, let it sit for several minutes, then check the oil level on the dipstick. If necessary, add more oil.

NOTICE

Improper disposal of engine oil can be harmful to the environment. If you change your own oil, please dispose of the used oil properly. Put it in a sealed container and take it to a recycling center. Do not discard it in a trash bin or dump it on the ground.

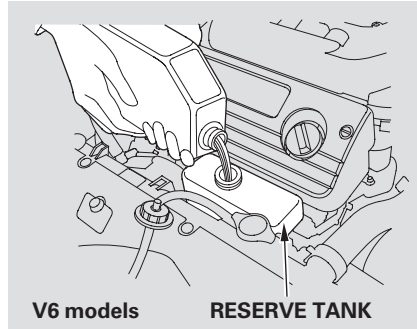
Engine Coolant

Adding Engine Coolant



If the coolant level in the reserve tank is at or below the MIN line, add coolant to bring it up to the MAX line. Inspect the cooling system for leaks.

Always use Honda Long-Life Antifreeze/Coolant Type 2. This coolant is pre-mixed with 50 % antifreeze and 50 % water. Never add straight antifreeze or plain water.



If Honda antifreeze/coolant is not available, you may use another major-brand non-silicate coolant as a temporary replacement. Make sure it is a high-quality coolant recommended for aluminum engines.

Continued use of any non-Honda coolant can result in corrosion, causing the cooling system to malfunction or fail. Have the cooling system flushed and refilled with Honda antifreeze/coolant as soon as possible.

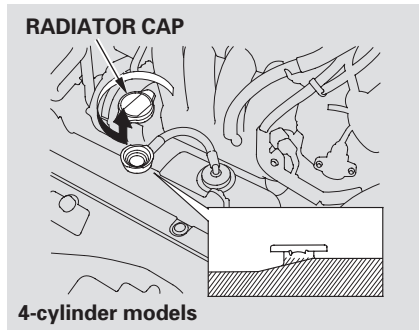
If the reserve tank is completely empty, you should also check the coolant level in the radiator.

⚠ WARNING

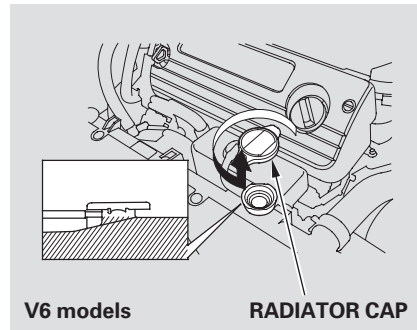
Removing the radiator cap while the engine is hot can cause the coolant to spray out, seriously scalding you.

Always let the engine and radiator cool down before removing the radiator cap.

Engine Coolant



1. Make sure the engine and radiator are cool.
2. Relieve any pressure in the cooling system by turning the radiator cap counterclockwise, without pressing down.
3. Remove the radiator cap by pushing down and turning counterclockwise.



4. The coolant level should be up to the base of the filler neck. Add coolant if it is low.

Pour the coolant slowly and carefully so you do not spill any. Clean up any spill immediately; it could damage components in the engine compartment.
5. Put the radiator cap back on and tighten it.

6. Pour coolant into the reserve tank. Fill it to halfway between the MAX and MIN marks. Put the cap back on the reserve tank.

Do not add any rust inhibitors or other additives to your vehicle's cooling system. They may not be compatible with the coolant or engine components.

Windshield Washers

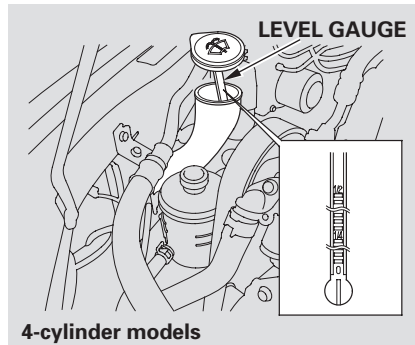
Check the level in the windshield washer reservoir at least monthly during normal use.

Check the reservoir's fluid level by removing the cap and looking at the level gauge attached to the cap.

On Canadian models: The low washer level indicator comes on when the level is low (see page 63).

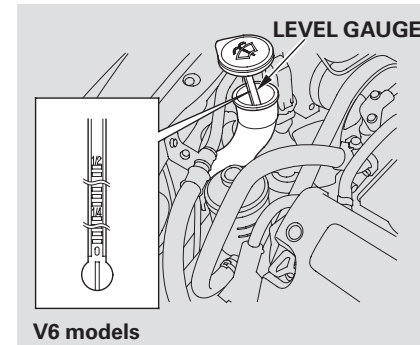
Fill the reservoir with a good-quality windshield washer fluid. This increases the cleaning capability and prevents freezing in cold weather.

When you refill the reservoir, clean the edges of the windshield wiper blades with windshield washer fluid on a clean cloth. This will help to condition the blade edges.



NOTICE

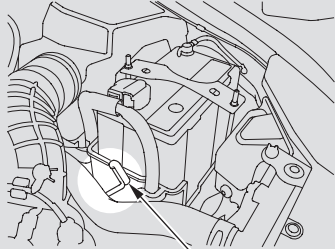
Do not use engine antifreeze or a vinegar/water solution in the windshield washer reservoir. Antifreeze can damage your vehicle's paint, while a vinegar/water solution can damage the windshield washer pump. Use only commercially-available windshield washer fluid.



Transmission Fluid

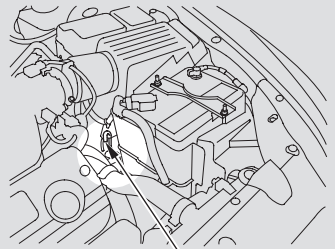
Automatic Transmission

4-cylinder models



DIPSTICK

6-cylinder models

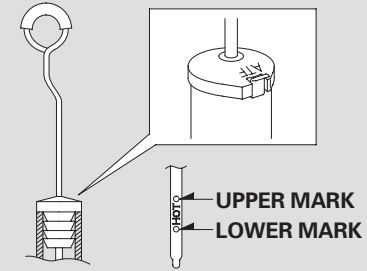


DIPSTICK

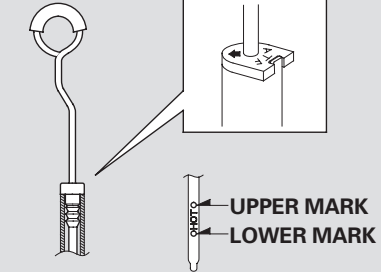
Check the fluid level with the engine at normal operating temperature.

1. Park the vehicle on level ground. Start the engine until the radiator fan comes on and rotate it once. Turn off the engine. For accurate results, wait at least 60 seconds, and no more than 90 seconds, after turning off the engine to check the fluid level.
2. Remove the dipstick (yellow loop) from the transmission, and wipe it with a clean cloth.

4-cylinder models



6-cylinder models



Transmission Fluid

3. Insert the dipstick all the way into the transmission.

Make sure the rubber cap on the dipstick fits in the dipstick guide and that you push the dipstick in all the way.

4. Remove the dipstick and check the fluid level. It should be between the upper and lower marks.

5. If the level is below the lower mark, remove the fill plug, then add the fluid into the hole to bring it to the level between the upper and lower marks on the dipstick.

Pour the fluid slowly and carefully so you do not spill any. Clean up any spill immediately; it could damage components in the engine compartment.

Always use Honda ATF-Z1 (automatic transmission fluid). If it's not available, you may use a DEXRON® III automatic transmission fluid as a temporary replacement. However, continued use can affect the shift quality. Have the transmission flushed and refilled with Honda ATF-Z1 as soon as it is convenient.

Transmission Fluid

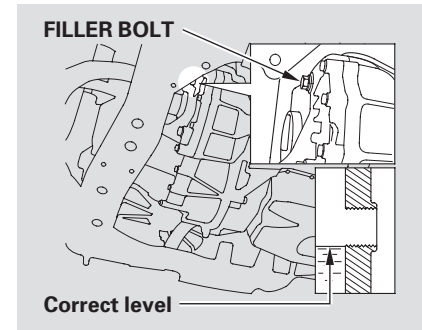
To thoroughly flush the transmission, the technician should drain and refill it with Honda ATF-Z1 (Automatic Transmission Fluid), then drive the vehicle for a short distance. Do this three times. Then drain and refill the transmission a final time.

6. Insert the dipstick all the way back into the transmission securely as shown in the illustration.

The transmission should be drained and refilled with new fluid according to the maintenance minder (see page 193).

If you are not sure how to add fluid, contact your dealer.

5-speed Manual Transmission



4-cylinder models

Check the fluid level with the transmission at normal operating temperature and the vehicle sitting on level ground. Remove the transmission filler bolt, and carefully feel inside the bolt hole with your finger.

Maintenance

Transmission Fluid

The fluid level should be up to the edge of the bolt hole. If it is not, add Honda Manual Transmission Fluid (MTF) until it starts to run out of the hole. Reinstall the filler bolt, and tighten it securely.

If Honda MTF is not available, you may use an SAE 10W-30 or 10W-40 viscosity motor oil with the API Certification seal that says "FOR GASOLINE ENGINES" as a temporary replacement. However, motor oil does not contain the proper additives, and continued use can cause stiffer shifting. Replace as soon as it is convenient.

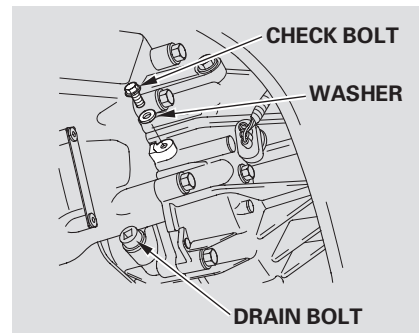
The transmission should be drained and refilled with new fluid according to the maintenance minder (see page 193).

If you are not sure how to check and add fluid, contact your dealer.

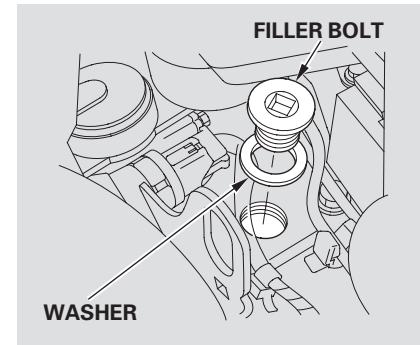
6-speed Manual Transmission

EX-V6

Check the fluid level with the transmission at normal operating temperature and the vehicle sitting on level ground.



Remove the check bolt and look for transmission fluid coming out of the bolt hole. If a small amount of fluid drips out of the bolt hole, reinstall the check bolt.



If no fluid comes out, remove the filler bolt. Slowly add Honda Manual Transmission Fluid (MTF) until it starts to run out of the check bolt hole. Let the fluid run out until it stops, then reinstall the check bolt and the filler bolt.

Transmission Fluid, Brake and Clutch Fluid

Pour the fluid into the filler hole slowly and carefully so you do not spill. Clean up any spill immediately; it could damage components in the engine compartment.

If Honda MTF is not available, you may use an SAE 10W-30 or 10W-40 viscosity motor oil with the API Certification seal that says "FOR GASOLINE ENGINES" as a temporary replacement. However, motor oil does not contain the proper additives, and continued use can cause stiffer shifting. Replace as soon as it is convenient.

The transmission should be drained and refilled with new fluid according to the maintenance minder (see page 193).

If you are not sure how to check and add fluid, contact your dealer.

Brake and Clutch Fluid

Check the fluid level in the reservoirs monthly. There are up to two reservoirs, depending on the model. They are:

- Brake fluid reservoir (all models)
- Clutch fluid reservoir (manual transmission only)

Replace the brake fluid according to the maintenance minder (see page 193).

Always use Honda Heavy Duty Brake Fluid DOT 3. If it is not available, you should use only DOT 3 or DOT 4 fluid, from a sealed container, as a temporary replacement.

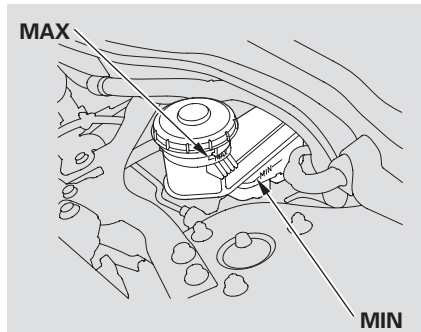
Using any non-Honda brake fluid can cause corrosion and decrease the life of the system. Have the brake system flushed and refilled with Honda Heavy Duty Brake Fluid DOT 3 as soon as possible.

Brake fluid marked DOT 5 is not compatible with your vehicle's braking system and can cause extensive damage.

CONTINUED

Brake and Clutch Fluid, Power Steering Fluid

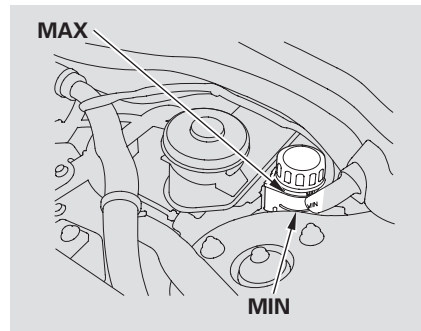
Brake Fluid



The fluid level should be between the MIN and MAX marks on the side of the reservoir. If the level is at or below the MIN mark, your brake system needs attention. Have the brake system inspected for leaks or worn brake pads.

Clutch Fluid

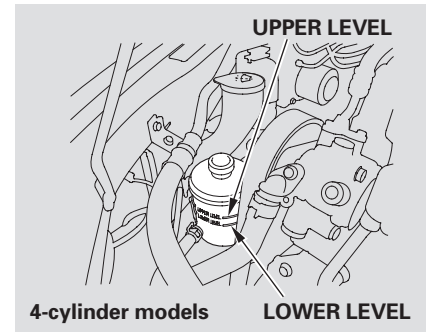
Manual transmission models



The fluid level should be between the MIN and MAX marks on the side of the reservoir. If it is not, add brake fluid to bring it up to that level. Use the same fluid specified for the brake system.

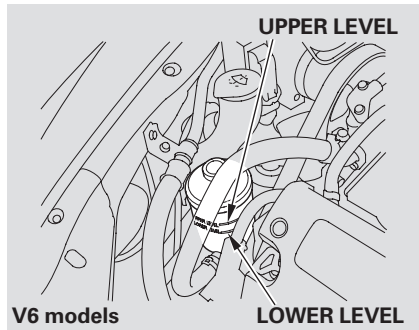
A low fluid level can indicate a leak in the clutch system. Have this system inspected as soon as possible.

Power Steering Fluid



Check the level on the side of the reservoir when the engine is cold. The fluid should be between the UPPER LEVEL and LOWER LEVEL. If not, add power steering fluid to the UPPER LEVEL.

Power Steering Fluid, Timing Belt



Pour the fluid slowly and carefully so you do not spill any. Clean up any spill immediately; it could damage components in the engine compartment.

Always use Honda Power Steering Fluid. You may use another power steering fluid as an emergency replacement, but have the power steering system flushed and refilled with Honda PSF as soon as possible.

A low power steering fluid level can indicate a leak in the system. Check the fluid level frequently, and have the system inspected as soon as possible.

NOTICE

Turning the steering wheel to full left or right lock and holding it there can damage the power steering pump.

Timing Belt

V6 models

The timing belt should be replaced according to the maintenance minder (see page 193).

Replace the timing belt every 60,000 miles (U.S.) or every 100,000 km (Canada) if you regularly drive your vehicle in any of the following conditions:

- In very high temperatures (over 110°F, 43°C).
- In very low temperatures (under -20°F, -29°C).
- Frequently tow a trailer.

Lights

Headlight Aiming

The headlights were properly aimed when your vehicle was new. If you regularly carry heavy items in the trunk or pull a trailer, readjustment may be required. Adjustments should be performed by your dealer or other qualified mechanic.

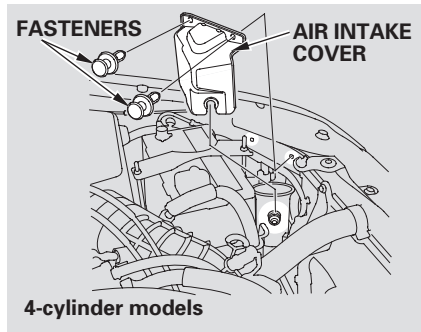
Replacing a Headlight Bulb

Your vehicle has two bulbs on each side, four in total. Make sure you are replacing the bulb that is burned out. Your vehicle uses halogen headlight bulbs. When replacing a bulb, handle it by its plastic case and protect the glass from contact with your skin or hard objects. If you touch the glass, clean it with denatured alcohol and a clean cloth.

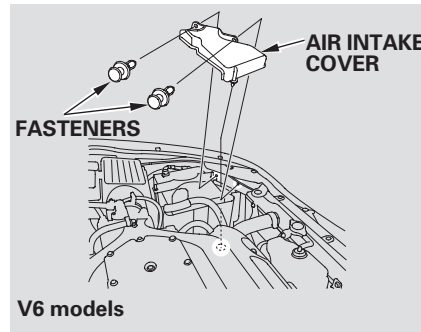
NOTE: *Halogen headlight bulbs get very hot when lit. Oil, perspiration, or a scratch on the glass can cause the bulb to overheat and shatter.*

Lights

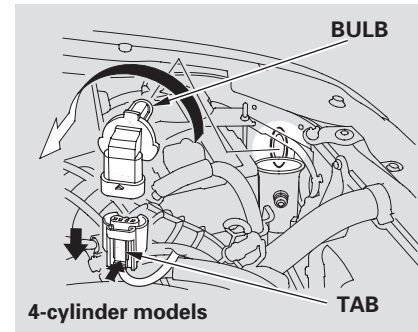
High Beam Headlight



1. Open the hood. To change a bulb on the passenger's side, undo the two fasteners and remove the air intake cover.



2. Remove the electrical connector from the bulb by squeezing the connector to unlock the tab, then slide the connector off the bulb.

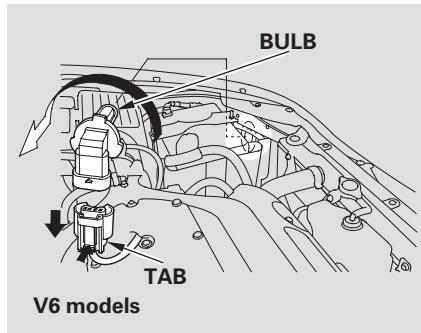


3. Remove the bulb by turning it approximately one-quarter turn counterclockwise.
4. Install the new bulb, and turn it one-quarter turn clockwise to lock it in place.

Maintenance

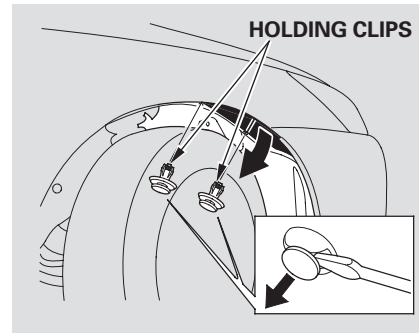
CONTINUED

Lights

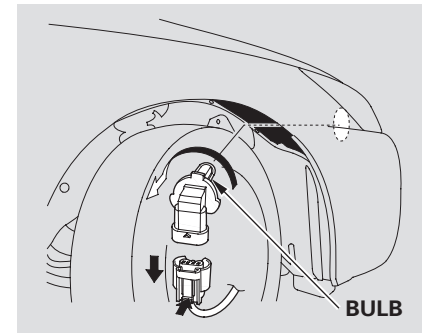


5. Push the electrical connector onto the bulb.
6. Turn on the headlights to test the new bulb.
7. Reinstall the air intake cover. Reinstall the two fasteners and secure them by pushing on the heads until they lock.

Low Beam Headlight



1. To change the passenger's side bulb, start the engine, turn the steering wheel all the way to the left, and turn off the engine. To change the driver's side bulb, turn the steering wheel to the right.
2. Use a flat-tipped screwdriver to remove the two holding clips from the inner fender.

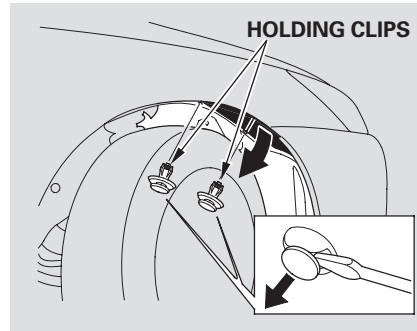


3. Pull the inner fender cover away from the fender and bumper.
4. Remove the bulb by turning it approximately one-quarter turn counterclockwise.
5. Remove the electrical connector from the bulb by squeezing the connector to unlock the tab, then slide the connector off the bulb.

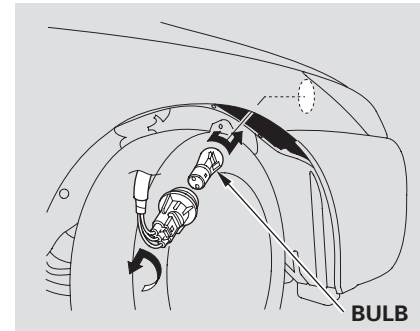
Lights

6. Install the new bulb, and turn it one-quarter turn clockwise to lock it in place.
7. Push the electrical connector onto the bulb.
8. Turn on the headlights to test the new bulb.
9. Put the inner fender cover in place. Install the two holding clips. Lock each one in place by pushing on the center.

Replacing the Front Side Marker/ Turn Signal and Parking Light Bulb



1. To change the passenger's side bulb, start the engine, turn the steering wheel all the way to the left, and turn off the engine. To change the driver's side bulb, turn the steering wheel to the right.
2. Use a flat-tipped screwdriver to remove the two holding clips from the inner fender.



3. Pull the inner fender cover away from the fender and bumper.
4. Remove the socket from the headlight assembly by turning it one-quarter turn counterclockwise.

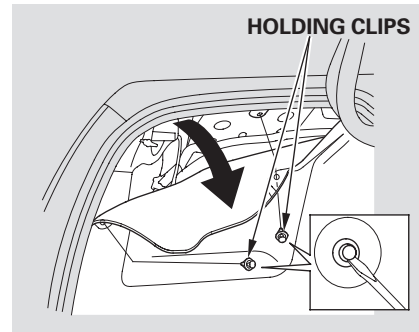
Maintenance

CONTINUED

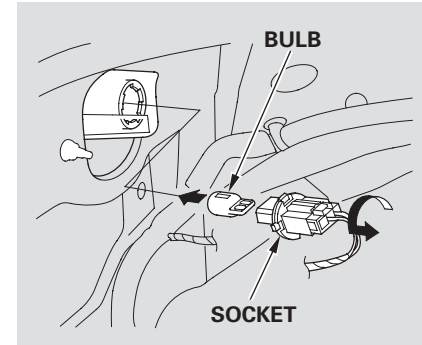
Lights

5. To remove the burned out bulb, push it in and turn it counterclockwise until it unlocks.
6. Install the new bulb and turn it clockwise to lock it in place.
7. Insert the socket into the headlight assembly. Turn it clockwise to lock it in place.
8. Test the new bulb to make sure it works.
9. Put the inner fender cover in place. Install and lock each holding clip by pushing on the center.

Replacing Rear Turn Signal Light Bulbs

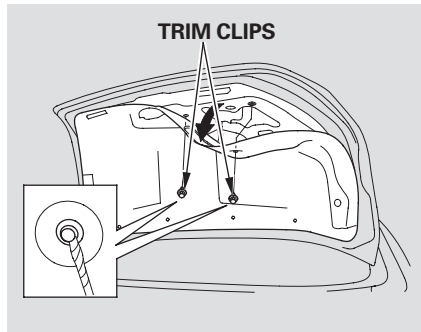


1. Open the trunk.
2. Remove the holding clips from the lining by using a flat-tipped screwdriver.

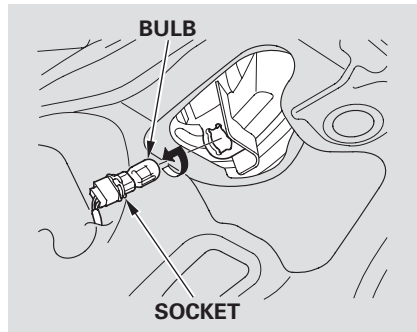


3. Remove the socket by turning it one-quarter turn counterclockwise, and pull the bulb straight out of its socket.
4. Push a new bulb straight into the socket until it bottoms, and reinstall the socket into the light assembly by turning it clockwise until it locks.
5. Test the new bulb to make sure it works.
6. Set the lining back.

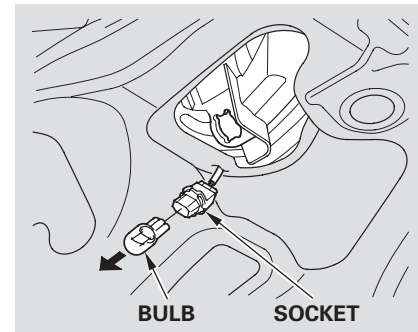
Replacing Back-up Light Bulbs



1. Open the trunk.
2. *V6 models*
Remove the trim clips from the right or left corner of the trunk lid trim by carefully prying them using a small, flat-tip screwdriver wrapped with tape.



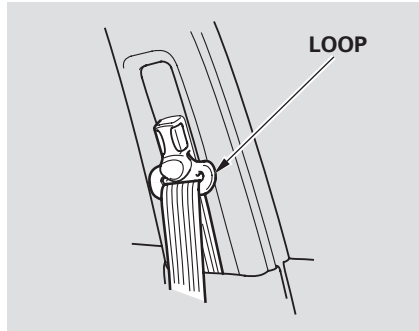
3. Carefully bend back the corner of the trunk lid trim to expose the bulbs.
4. Remove the socket by turning it one-quarter turn counterclockwise, and pull the bulb straight out of its socket.



5. Install a new bulb into the socket, and reinstall the socket into the light assembly.
6. Test the light.
7. Push the trunk lid trim back into position.
8. Press the trim clips back into their holes.

Cleaning the Seat Belts, Floor Mats

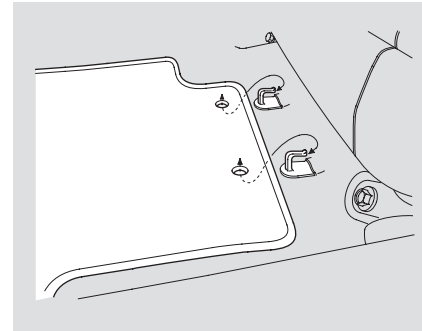
Cleaning the Seat Belts



If your seat belts get dirty, use a soft brush with a mixture of mild soap and warm water to clean them. Do not use bleach, dye, or cleaning solvents. Let the belts air-dry before you use the vehicle.

Dirt build-up in the loops of the seat belt anchors can cause the belts to retract slowly. Wipe the insides of the loops with a clean cloth dampened in mild soap and warm water or isopropyl alcohol.

Floor Mats



The driver's and right rear floor mats that came with your vehicle hook over the floor mat anchors. This keeps the floor mats from sliding forward and possibly interfering with the pedals or making the front passenger's weight sensors ineffective.

Floor Mats, Dust and Pollen Filter

If you remove the floor mats, make sure to re-anchor them when you put them back in your vehicle.

A non-Honda floor mat may not fit your vehicle properly. This could prevent the proper operation of the folding rear seats and the passenger's seat weight sensors. We recommend using genuine Honda floor mats. Do not put additional floor mats on top of the anchored mats.

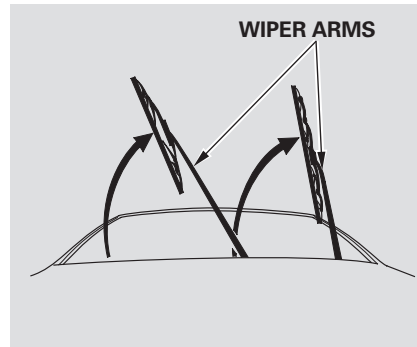
Dust and Pollen Filter

This filter removes the dust and pollen that is brought in from the outside through the heating and cooling system.

Have your dealer replace the filter when this service is indicated by a maintenance message on the information display. It should be replaced every 15,000 miles (24,000 km) if you drive primarily in urban areas that have high concentrations of soot in the air, or if the flow from the heating and cooling system becomes less than usual.

Wiper Blades

Check the condition of the wiper blades at least every six months. Look for signs of cracking in the rubber, or areas that are getting hard. Replace the blades if you find these signs, or if they leave streaks and unwiped areas when used.

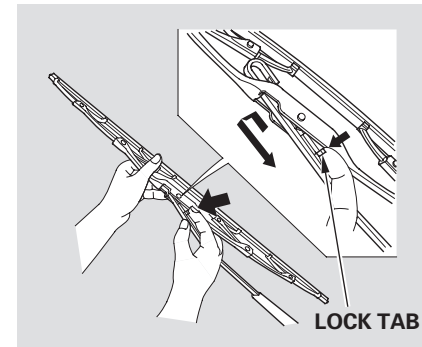


To replace a wiper blade:

1. Raise the wiper arm off the windshield. Raise the driver's side first, then the passenger's side.

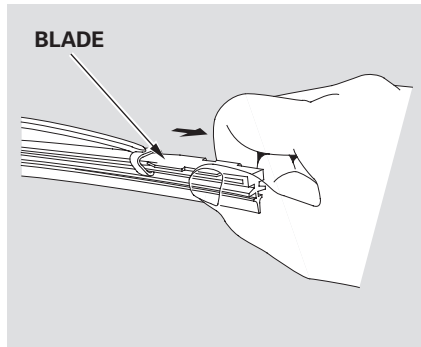
NOTICE

Do not open the hood when the wiper arms are raised, or you will damage the hood and wiper arms.

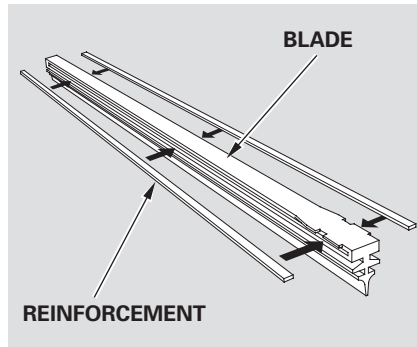


2. Disconnect the blade assembly from the wiper arm by pushing in the lock tab. Hold the lock tab in the lock tab. Hold the lock tab in while you push the blade assembly toward the base of the arm.

Wiper Blades



3. Remove the blade from its holder by grasping the tabbed end of the blade. Pull firmly until the tabs come out of the holder.



4. Examine the new wiper blades. If they have no plastic or metal reinforcement along the back edge, remove the metal reinforcement strips from the old wiper blade, and install them in the slots along the edge of the new blade.

5. Slide the new wiper blade into the holder until the tabs lock.
6. Slide the wiper blade assembly onto the wiper arm. Make sure it locks in place.
7. Lower the wiper arm down against the windshield, the passenger's side first, then the driver's side.

Tires

To safely operate your vehicle, your tires must be the proper type and size, in good condition with adequate tread, and correctly inflated.

The following pages give more detailed information on how to take care of your tires and what to do when they need to be replaced.

WARNING

Using tires that are excessively worn or improperly inflated can cause a crash in which you can be seriously hurt or killed.

Follow all instructions in this owner's manual regarding tire inflation and maintenance.

Inflation Guidelines

Keeping the tires properly inflated provides the best combination of handling, tread life, and riding comfort.

- Underinflated tires wear unevenly, adversely affect handling and fuel economy, and are more likely to fail from being overheated.
- Overinflated tires can make your vehicle ride harshly, are more prone to damage from road hazards, and wear unevenly.

We recommend that you visually check your tires every day. If you think a tire might be low, check it immediately with a tire gauge.

Use a gauge to measure the air pressure in each tire at least once a month. Even tires that are in good condition may lose 1 to 2 psi (10 to 20 kPa, 0.1 to 0.2 kgf/cm²) per month. Remember to check the spare tire at the same time.

Check the air pressures when the tires are cold. This means the vehicle has been parked for at least 3 hours, or driven less than 1 mile (1.6 km). Add or release air, if needed, to match the recommended cold tire pressures on the next page.

Tires

If you check air pressures when the tires are hot (driven for several miles), you will see readings 4 to 6 psi (30 to 40 kPa, 0.3 to 0.4 kgf/cm²) higher than the cold readings. This is normal. Do not let air out to match the recommended cold air pressure. The tire will be underinflated.

You should get your own tire pressure gauge whenever you check your tire pressures. This will make it easier for you to tell if a pressure loss is due to a tire problem and not due to a variation between gauges.

While tubeless tires have some ability to self-seal if they are punctured, you should look closely for punctures if a tire starts losing pressure.

Recommended Tire Pressures

The following chart shows the recommended cold tire pressures for most normal driving conditions.

Tire Size	Cold Tire Pressure for Normal Driving
P195/65R15 89H ^{*1} P205/60R16 91V ^{*2}	Front: 32 psi (220 kPa , 2.2 kgf/cm ²) Rear: 30 psi (210 kPa , 2.1 kgf/cm ²)
P205/65R15 92H ^{*3}	Front: 30 psi (210 kPa , 2.1 kgf/cm ²) Rear: 29 psi (200 kPa , 2.0 kgf/cm ²)

*1: U.S. VP

*2: U.S. SE, EX, and EX-L
Canadian DX-G, SE, and EX-L

*3: U.S. LX

Tire Size	Cold Tire Pressure for Normal Driving
P215/50R17 93V ^{*4}	Front: 32 psi (220 kPa , 2.2 kgf/cm ²) Rear: 29 psi (200 kPa , 2.0 kgf/cm ²)

*4: V6 models

The compact spare tire pressure is:
60 psi (420 kPa , 4.2 kgf/cm²)

For convenience, the recommended tire sizes and cold tire pressures are on a label on the driver's doorjamb.

For additional information about your tires, see page 271 .

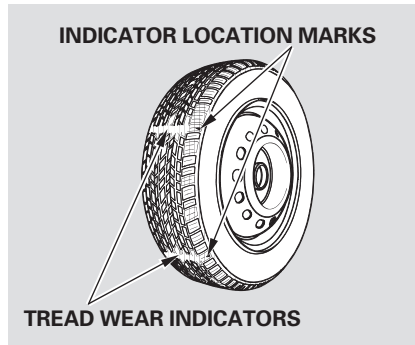
Tires

Tire Inspection

Every time you check inflation, you should also examine the tires for damage, foreign objects, and wear.

You should look for:

- Bumps or bulges in the tread or side of the tire. Replace the tire if you find either of these conditions.
- Cuts, splits, or cracks in the side of the tire. Replace the tire if you can see fabric or cord.
- Excessive tread wear.



Your tires have wear indicators molded into the tread. When the tread wears down, you will see a band 1/2 inch (12.7 mm) wide band across the tread. This shows there is less than 1/16 inch (1.6 mm) of tread left on the tire.

A tire this worn gives very little traction on wet roads. You should replace the tire if you can see three or more tread wear indicators.

Tire Maintenance

In addition to proper inflation, correct wheel alignment helps to decrease tire wear. If you find a tire is worn unevenly, have your dealer check the wheel alignment.

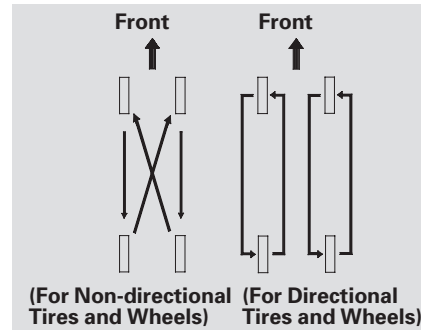
Have your dealer check the tires if you feel a consistent vibration while driving. A tire should always be rebalanced if it is removed from the wheel. When you have new tires installed, make sure they are balanced. This increases riding comfort and tire life. For best results, have the installer perform a dynamic balance.

Except U.S. VP and LX, and Canadian DX-G models

NOTICE

Improper wheel weights can damage your vehicle's aluminum wheels. Use only genuine Honda wheel weights for balancing.

Tire Rotation



To help increase tire life and distribute wear more evenly, rotate the tires according to the maintenance messages displayed in the odometer/outside temperature display. Move the tires to the positions shown in the chart each time they are rotated. If you purchase directional tires, rotate only front-to-back.

Tires

Replacing Tires and Wheels

Replace your tires with radial tires of the same size, load range, speed rating, and maximum cold tire pressure rating (as shown on the tire's sidewall).

Mixing radial and bias-ply tires on your vehicle can reduce braking ability, traction, and steering accuracy. Using tires of a different size or construction can cause the ABS and vehicle stability assist system (VSA) to work inconsistently.

It is best to replace all four tires at the same time. If that is not possible or necessary, replace the two front tires or two rear tires as a pair. Replacing just one tire can seriously affect your vehicle's handling.

If you ever replace a wheel, make sure that the wheel's specifications match those of the original wheels. Replacement wheels are available at your dealer.

WARNING

Installing improper tires on your vehicle can affect handling and stability. This can cause a crash in which you can be seriously hurt or killed.

Always use the size and type of tires recommended in this owner's manual.

Wheels and Tires

Wheels

U.S. VP and LX:
15 x 6 1/2 JJ

U.S. SE, EX, and EX-L:
Canadian DX-G, SE, and EX-L:
16 x 6 1/2 JJ

V6 models:
17 x 6 1/2 JJ

Tires

Tires

U.S. VP:

P195/65R15 89H

U.S. LX:

P205/65R15 92H

U.S. SE, EX, and EX-L:

Canadian DX-G, SE, and EX-L:

P205/60R16 91V

V6 models:

P215/50R17 93V

See page 271 for DOT tire quality grading information, and page 273 for tire size information.

Winter Driving

Tires marked “M + S” or “All Season” on the sidewall have an all-weather tread design suitable for most winter driving conditions.

For the best performance in snowy or icy conditions, you should install snow tires or tire chains. They may be required by local laws under certain conditions.

Snow Tires

If you mount snow tires on your vehicle, make sure they are radial tires of the same size and load range as the original tires. Mount snow tires on all four wheels. The traction provided by snow tires on dry roads may be lower than your original tires. Check with the tire dealer for maximum speed recommendations.

Tires

Tire Chains

Mount tire chains on your tires when required by driving conditions or local laws. Install them only on the front tires.

Because your vehicle has limited tire clearance, Honda strongly recommends using the chains listed below, made by Security Chain Company (SCC).

U.S. VP and LX

Link-type: SCC Quick Grip QG1134

U.S. SE, EX, and EX-L

Canadian DX-G, SE, and EX-L

Link-type: SCC Quick Grip QG1134

Cable-types: SCC Radial Chain
CH2311T or SCC SC Cable SC1030

V6 models

Cable-type: SCC SZ 134

When installing cables, follow the manufacturer's instructions, and mount them as tight as you can. Make sure they are not contacting the brake lines or suspension. Drive slowly with them installed. If you hear them coming into contact with the body or chassis, stop and investigate. Remove them as soon as you begin driving on cleared roads.

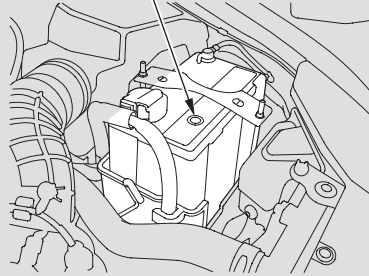
⚠ WARNING

Using the wrong chains, or not properly installing chains, can damage the brake lines and cause a crash in which you can be seriously injured or killed.

Follow all instructions in this owner's manual regarding the selection and use of tire chains.

Checking the Battery

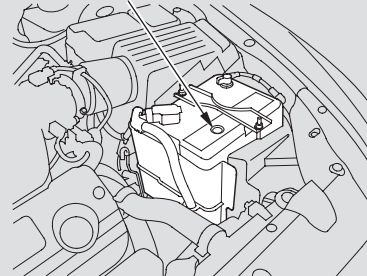
TEST INDICATOR WINDOW



4-cylinder models

Check the condition of the battery monthly by looking at the test indicator window. The label on the battery explains the test indicator's colors.

TEST INDICATOR WINDOW



V6 models

Check the terminals for corrosion (a white or yellowish powder). To remove it, cover the terminals with a solution of baking soda and water. It will bubble up and turn brown. When this stops, wash it off with plain water. Dry off the battery with a cloth or paper towel. Coat the terminals with grease to help prevent future corrosion.

If additional battery maintenance is needed, see your dealer or a qualified mechanic.

WARNING: Battery posts, terminals, and related accessories contain lead and lead compounds. **Wash your hands after handling.**

If you need to connect the battery to a charger, disconnect both cables to prevent damaging your vehicle's electrical system. Always disconnect the negative (–) cable first, and reconnect it last.

If your vehicle's battery is disconnected, or goes dead, the time setting is lost. To reset the time, see page 143 .

CONTINUED

Checking the Battery, Vehicle Storage

Except U.S. VP, LX, and Canadian DX-G
If your vehicle's battery is disconnected, or goes dead, the audio system will disable itself. The next time you turn on the radio, you will see "ENTER CODE" in the frequency display. Use the preset buttons to enter the code (see page 142).

WARNING

The battery gives off explosive hydrogen gas during normal operation.

A spark or flame can cause the battery to explode with enough force to kill or seriously hurt you.

Wear protective clothing and a face shield, or have a skilled technician do the battery maintenance.

Vehicle Storage

If you need to park your vehicle for an extended period (more than 1 month), there are several things you should do to prepare it for storage. Proper preparation helps prevent deterioration and makes it easier to get your vehicle back on the road. If possible, store your vehicle indoors.

- Fill the fuel tank.
- Change the engine oil and filter.
- Wash and dry the exterior completely.
- Clean the interior. Make sure the carpeting, floor mats, etc., are completely dry.

Vehicle Storage

- Leave the parking brake off. Put the transmission in Reverse (manual transmission) or Park (automatic transmission).
 - Block the rear wheels.
 - If the vehicle is to be stored for a longer period, it should be supported on jackstands so the tires are off the ground.
 - Leave one window open slightly (if the vehicle is being stored indoors).
 - Disconnect the battery.
- Support the front wiper blade arms with a folded towel or rag so they do not touch the windshield.
 - To minimize sticking, apply a silicone spray lubricant to all door and trunk seals. Also, apply a vehicle body wax to the painted surfaces that mate with the door and trunk seals.
 - Cover the vehicle with a “breathable” cover, one made from a porous material such as cotton. Non-porous materials, such as plastic sheeting, trap moisture, which can damage the paint.
 - If possible, periodically run the engine until it reaches full operating temperature (the cooling fan cycles twice). Preferably, do this once a month.

06/05/16 14:28:34 31SDA640 0243

Taking Care of the Unexpected

This section covers the more common problems that motorists experience with their vehicles. It gives you information about how to safely evaluate the problem and what to do to correct it. If the problem has stranded you on the side of the road, you may be able to get going again. If not, you will also find instructions on getting your vehicle towed.

Compact Spare Tire.....	240
Changing a Flat Tire	241
If the Engine Won't Start.....	246
Nothing Happens or the Starter Motor Operates Very Slowly.....	246
The Starter Operates Normally	247
Jump Starting	248
If the Engine Overheats	251
Low Oil Pressure Indicator	253
Charging System Indicator.....	253
Malfunction Indicator Lamp	254
Readiness Codes.....	254
Brake System Indicator	255
Closing the Moonroof	256
Fuses	257
Fuse Locations	260
Emergency Towing	262

Compact Spare Tire

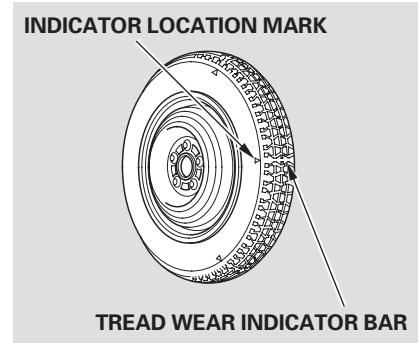
Use the compact spare tire as a temporary replacement only. Get your regular tire repaired or replaced, and put it back on your vehicle as soon as you can.

Check the inflation pressure of the compact spare tire every time you check the other tires. It should be inflated to:
60 psi (420 kPa , 4.2 kgf/cm²)

Follow these precautions:

- Never exceed 50 mph (80 km/h).
- This tire gives a harsher ride and less traction on some road surfaces. Use greater caution while driving.

- Do not mount snow chains on the compact spare tire.
- Do not use the compact spare tire if you are towing a trailer.
- Do not use your compact spare tire on another vehicle unless it is the same make and model.
- *V6 models*
Turn off the VSA system (see pages 182 and 183). Driving with the compact spare tire may activate the VSA.
- On models with manual transmission, do not drive for a long period with the compact spare tire mounted on a front wheel; it will damage the limited slip differential.



Replace the tire when you can see the tread wear indicator bars. The replacement should be the same size and design tire, mounted on the same wheel. The spare tire is not designed to be mounted on a regular wheel, and the spare wheel is not designed for mounting a regular tire.

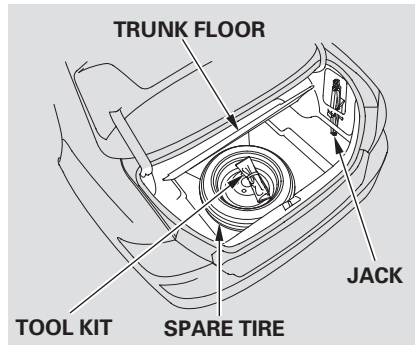
Changing a Flat Tire

If you have a flat tire while driving, stop in a safe place to change it. Drive slowly along the shoulder until you get to an exit or an area that is far away from the traffic lanes.

⚠ WARNING

The vehicle can easily roll off the jack, seriously injuring anyone underneath.

Follow the directions for changing a tire exactly, and never get under the vehicle when it is supported only by the jack.

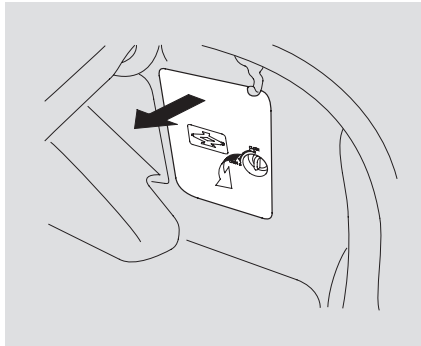


1. Park the vehicle on firm, level and non-slippery ground. Put the transmission in Park (automatic) or reverse (manual). Apply the parking brake.
2. Turn on the hazard warning lights, and turn the ignition switch to the LOCK (0) position. Have all passengers get out of the vehicle while you change the tire.

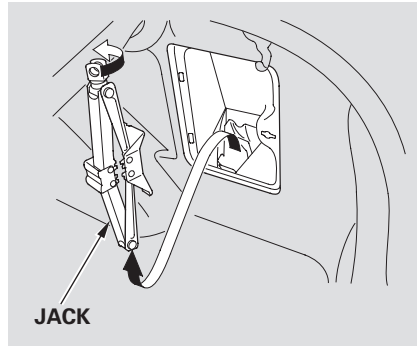
3. The tools are in the trunk. Open the trunk and raise the trunk floor by lifting up on the back edge.
4. Take the tool kit out of the trunk.
5. Unscrew the wing bolt and take the spare tire out of its well.

CONTINUED

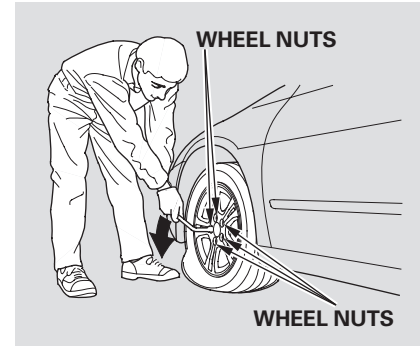
Changing a Flat Tire



6. The jack is behind a cover in the right fender. Remove the cover by turning the handle counterclockwise, then pulling on the cover.

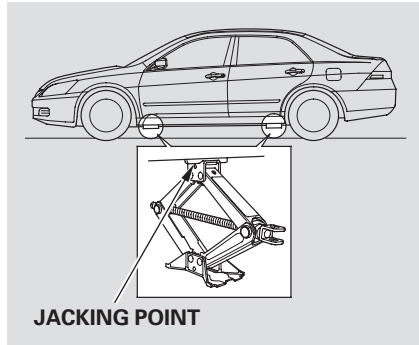


7. Turn the jack's end bracket counterclockwise to loosen it, then remove the jack.

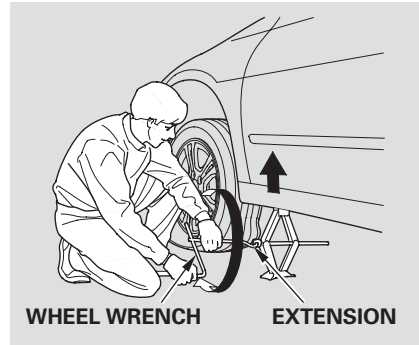


8. Loosen each wheel nut 1/2 turn with the wheel nut wrench.

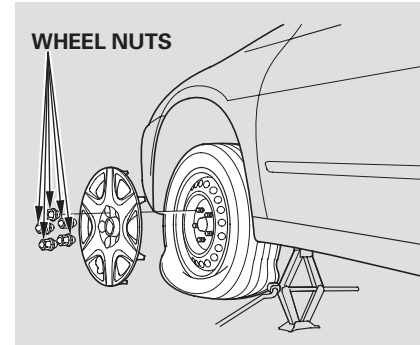
Changing a Flat Tire



9. Place the jack under the jacking point nearest the tire you need to change. Turn the end bracket clockwise until the top of the jack contacts the jacking point. Make sure the jacking point tab is resting in the jack notch.



10. Use the extension and the wheel nut wrench as shown to raise the vehicle until the flat tire is off the ground.
11. Remove the wheel nuts, then remove the flat tire. Handle the wheel nuts carefully; they may be hot from driving. Place the flat tire on the ground with the outside surface facing up.

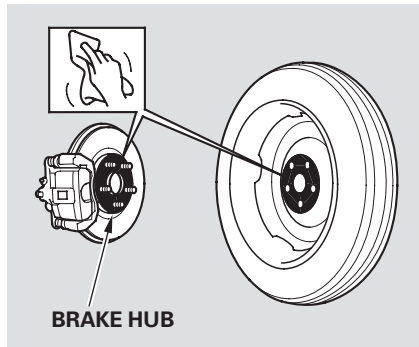


U.S. VP, LX, and Canadian DX-G
Do not attempt to forcibly pry the wheel cover off with a screwdriver or other tool. The wheel cover cannot be removed without first removing the wheel nuts.

CONTINUED

Taking Care of the Unexpected

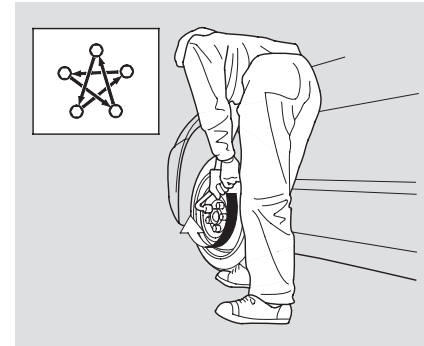
Changing a Flat Tire



12. Before mounting the spare tire, wipe any dirt off the mounting surface of the wheel and hub with a clean cloth. Wipe the hub carefully; it may be hot from driving.

13. Put on the spare tire. Put the wheel nuts back on finger-tight, then tighten them in a crisscross pattern with the wheel nut wrench until the wheel is firmly against the hub. Do not try to tighten the wheel nuts fully.

14. Lower the vehicle to the ground, and remove the jack.

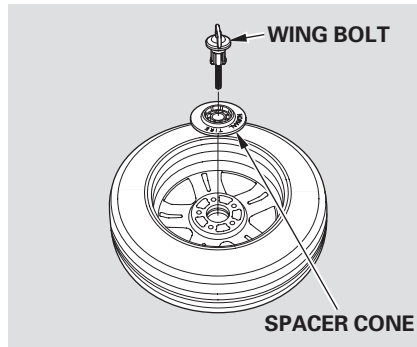


15. Tighten the wheel nuts securely in the same crisscross pattern. Have the wheel nut torque checked at the nearest automotive service facility.

Tighten the wheel nuts to:
80 lbf-ft (108 N·m , 11 kgf·m)

Changing a Flat Tire

16. Remove the center cap before storing the flat tire in the trunk well.



17. Place the flat tire face down in the spare tire well.

18. Remove the spacer cone from the wing bolt, turn it over, and put it back on the bolt.

19. Secure the flat tire by screwing the wing bolt back into its hole.

20. Store the jack in its holder. Turn the jack's end bracket to lock it in place. Replace the cover. Store the tools.

⚠ WARNING

Loose items can fly around the interior in a crash and could seriously injure the occupants.

Store the wheel, jack, and tools securely before driving.

21. Store the wheel cover or center cap in the trunk. Make sure it does not get scratched or damaged.

Taking Care of the Unexpected

If the Engine Won't Start

Diagnosing why the engine won't start falls into two areas, depending on what you hear when you turn the ignition switch to the START (III) position:

- You hear nothing, or almost nothing. The engine's starter motor does not operate at all, or operates very slowly.
- You can hear the starter motor operating normally, or the starter motor sounds like it is spinning faster than normal, but the engine does not start up and run.

Nothing Happens or the Starter Motor Operates Very Slowly

When you turn the ignition switch to the START (III) position, you do not hear the normal noise of the engine trying to start. You may hear a clicking sound, a series of clicks, or nothing at all.

Check these things:

- Check the transmission interlock. If you have a manual transmission, the clutch pedal must be pushed all the way to the floor or the starter will not operate. With an automatic transmission, it must be in Park or neutral.
- Turn the ignition switch to the ON (II) position. Turn on the headlights, and check their brightness. If the headlights are very dim or do not come on at all, the battery is discharged. See **Jump Starting** on page 248.

If the Engine Won't Start

- Turn the ignition switch to the START (III) position. If the headlights do not dim, check the condition of the fuses. If the fuses are OK, there is probably something wrong with the electrical circuit for the ignition switch or starter motor. You will need a qualified mechanic to determine the problem (see **Emergency Towing** on page 262).

If the headlights dim noticeably or go out when you try to start the engine, either the battery is discharged or the connections are corroded. Check the condition of the battery connections (see page 235). You can then try jump starting the vehicle from a booster battery (see page 248).

The Starter Operates Normally

In this case, the starter motor's speed sounds normal, or even faster than normal, when you turn the ignition switch to the START (III) position, but the engine does not run.

- Are you using the proper starting procedure? Refer to **Starting the Engine** on page 169 .
- Are you using a properly coded key? An improperly coded key will cause the immobilizer system indicator in the instrument panel to blink rapidly (see page 75).

- Do you have fuel? Check the fuel gauge; the low fuel indicator may not be working.
- There may be an electrical problem, such as no power to the fuel pump. Check all the fuses (see page 257).

If you find nothing wrong, you will need a qualified mechanic to find the problem. See **Emergency Towing** on page 262 .

Jump Starting

Although this seems like a simple procedure, you should take several precautions.

⚠ WARNING

A battery can explode if you do not follow the correct procedure, seriously injuring anyone nearby.

Keep all sparks, open flames, and smoking materials away from the battery.

You cannot start your vehicle by pushing or pulling it.

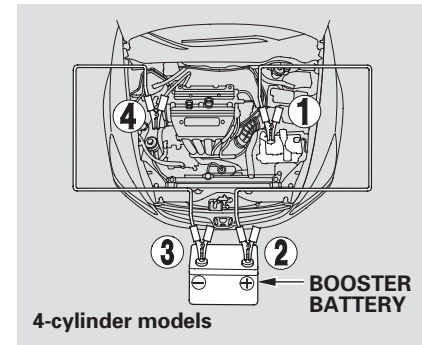
To jump start your vehicle:

1. Open the hood, and check the physical condition of the battery. In very cold weather, check the condition of the electrolyte. If it seems slushy or frozen, do not try jump starting until it thaws.

NOTICE

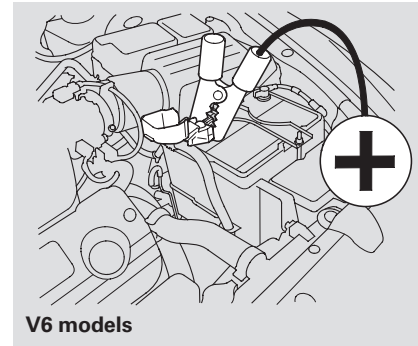
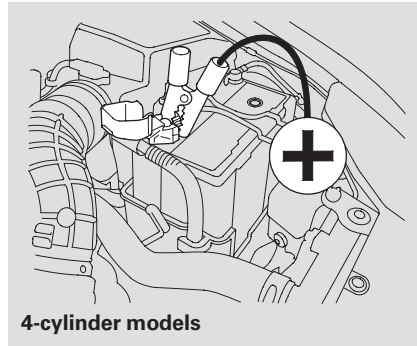
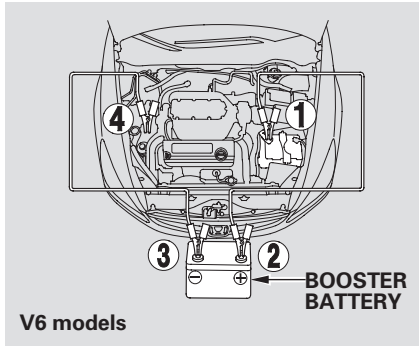
If a battery sits in extreme cold, the electrolyte inside can freeze. Attempting to jump start with a frozen battery can cause it to rupture.

2. Turn off all the electrical accessories: heater, A/C, audio system, lights, etc. Put the transmission in neutral (M/T) or Park (A/T), and set the parking brake.



The numbers in the illustration show the order to connect the jumper cable.

Jump Starting

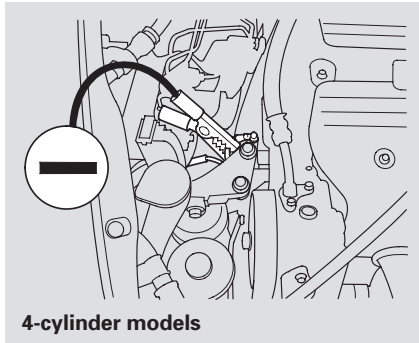


3. Connect one jumper cable to the positive (+) terminal on your battery. Connect the other end to the positive (+) terminal on the booster battery.

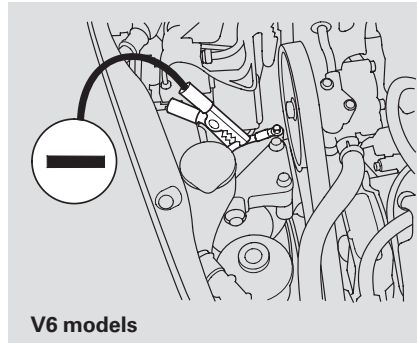
CONTINUED

Taking Care of the Unexpected

Jump Starting



4. Connect the second jumper cable to the negative (-) terminal on the booster battery. Connect the other end to the grounding strap as shown. Do not connect this jumper cable to any other part of the engine.



5. If the booster battery is in another vehicle, have an assistant start that vehicle and run it at a fast idle.
6. Start the vehicle. If the starter motor still operates slowly, check that the jumper cables have good metal-to-metal contact.
7. Once your vehicle is running, disconnect the negative cable from your vehicle, then from the booster battery. Disconnect the positive cable from your vehicle, then from the booster battery.

Keep the ends of the jumper cables away from each other and any metal on the vehicle until everything is disconnected. Otherwise, you may cause an electrical short.

If the Engine Overheats

The pointer of the vehicle's temperature gauge should stay in the midrange. If it climbs to the red mark, you should determine the reason (hot day, driving up a steep hill, etc.).

If your vehicle overheats, you should take immediate action. The only indication may be the temperature gauge climbing to or above the red mark. Or you may see steam or spray coming from under the hood.

NOTICE

Driving with the temperature gauge pointer at the red mark can cause serious damage to the engine.

⚠ WARNING

Steam and spray from an overheated engine can seriously scald you.

Do not open the hood if steam is coming out.

1. Safely pull to the side of the road. Put the transmission in neutral (M/T) or Park (A/T), and set the parking brake. Turn off all accessories, and turn on the hazard warning indicators.
2. If you see steam and/or spray coming from under the hood, turn off the engine. Wait until you see no more signs of steam or spray, then open the hood.

3. If you do not see steam or spray, leave the engine running, and watch the temperature gauge. If the high heat is due to overloading, the engine should start to cool down almost immediately. If it does, wait until the temperature gauge comes down to the midpoint, then continue driving.
4. If the temperature gauge stays at the red mark, turn off the engine.
5. Look for any obvious coolant leaks, such as a split radiator hose. Everything is still extremely hot, so use caution. If you find a leak, it must be repaired before you continue driving (see **Emergency Towing** on page 262).

CONTINUED

If the Engine Overheats

6. If you do not find an obvious leak, check the coolant level in the radiator reserve tank. Add coolant if the level is below the MIN mark.
7. If there was no coolant in the reserve tank, you may need to add coolant to the radiator. Let the engine cool down until the pointer reaches the middle of the temperature gauge, or lower, before checking the radiator.

WARNING

Removing the radiator cap while the engine is hot can cause the coolant to spray out, seriously scalding you.

Always let the engine and radiator cool down before removing the radiator cap.

8. Using gloves or a large heavy cloth, turn the radiator cap counterclockwise, without pushing down, to the first stop. After the pressure releases, push down on the cap, and turn it until it comes off.
9. Start the engine and set the temperature control dial to maximum (climate control to FULL AUTO at 90°F/32°C). Add coolant to the radiator up to the base of the filler neck. If you do not have the proper coolant mixture available, you can add plain water. Remember to have the cooling system drained and refilled with the proper mixture as soon as you can.

10. Put the radiator cap back on tightly. Run the engine, and check the temperature gauge. If it goes back to the red mark, the engine needs repair (see **Emergency Towing** on page 262).
11. If the temperature stays normal, check the coolant level in the radiator reserve tank. If it has gone down, add coolant to the MAX mark. Put the cap back on tightly.

Low Oil Pressure Indicator, Charging System Indicator

Low Oil Pressure Indicator



This indicator should never come on when the engine is running. If it starts flashing or stays on, the oil pressure has dropped very low or lost pressure. Serious engine damage is possible, and you should take immediate action.

NOTICE

Running the engine with low oil pressure can cause serious mechanical damage almost immediately. Turn off the engine as soon as you can safely get the vehicle stopped.

1. Safely pull off the road, and shut off the engine. Turn on the hazard warning lights.
2. Let the vehicle sit for a minute. Open the hood, and check the oil level (see page 159). An engine very low on oil can lose pressure during cornering and other driving maneuvers.
3. If necessary, add oil to bring the level back to the full mark on the dipstick (see page 204).
4. Start the engine and watch the oil pressure indicator. If it does not go out within 10 seconds, turn off the engine. There is a mechanical problem that needs to be repaired before you can continue driving (see **Emergency Towing** on page 262).

Charging System Indicator



If the charging system indicator comes on brightly when the engine is running, the battery is not being charged.

Immediately turn off all electrical accessories. Try not to use other electrically operated controls such as the power windows. Keep the engine running; starting the engine will discharge the battery rapidly.

Go to a service station or garage where you can get technical assistance.

Malfunction Indicator Lamp



If this indicator comes on while driving, it means one of the engine's emissions control systems may have a problem. Even though you may feel no difference in your vehicle's performance, it can reduce your fuel economy and cause increased emissions. Continued operation may cause serious damage.

If you have recently refueled your vehicle, the indicator coming on could be due to a loose or missing fuel fill cap. You will also see a "CHECK FUEL CAP" message on the information display. Tighten the cap until it clicks at least once. Tightening the cap will not turn the indicator off immediately; it can take several days of normal driving.

If the indicator comes on repeatedly, even though it may go off as you continue driving, have your vehicle checked by a dealer as soon as possible.

NOTICE

If you keep driving with the malfunction indicator lamp on, you can damage your vehicle's emissions controls and engine. Those repairs may not be covered by your vehicle's warranties.

If your vehicle has an automatic transmission, the malfunction indicator lamp may also come on with the "D" indicator.

Readiness Codes

Your vehicle has certain readiness codes that are part of the on-board diagnostics for the emissions systems. In some states and provinces, part of the emissions

testing is to make sure these codes are set. If they are not set, the test cannot be completed.

If the battery in your vehicle has been disconnected or gone dead, these codes are erased. It can take several days of driving under various conditions to set the codes again.

To check if they are set, turn the ignition switch to the ON (II) position, without starting the engine. The malfunction indicator lamp will come on for 20 seconds. If it then goes off, the readiness codes are set. If it blinks five times, the readiness codes are not set. If possible, do not take your vehicle for a state emissions test until the readiness codes are set. Refer to **Emissions Testing** for more information (see page 277).

Brake System Indicator

U.S. Canada

BRAKE



The brake system indicator normally comes on when you turn the ignition switch to the ON (II) position, and as a reminder to check the parking brake. It will stay on if you do not fully release the parking brake.

If the brake system indicator comes on while driving, the brake fluid level is probably low. Press lightly on the brake pedal to see if it feels normal. If it does, check the brake fluid level the next time you stop at a service station (see page 215).

If the fluid level is low, take your vehicle to a dealer, and have the brake system inspected for leaks or worn brake pads/shoes.

However, if the brake pedal does not feel normal, you should take immediate action. A problem in one part of the system's dual circuit design will still give you braking at two wheels. You will feel the brake pedal go down much farther before the vehicle begins to slow down, and you will have to press harder on the pedal.

Slow down by shifting to a lower gear, and pull to the side of the road when it is safe. Because of the long distance needed to stop, it is hazardous to drive the vehicle. You should have it towed and repaired as soon as possible (see **Emergency Towing** on page 262).

If you must drive the vehicle a short distance in this condition, drive slowly and carefully.

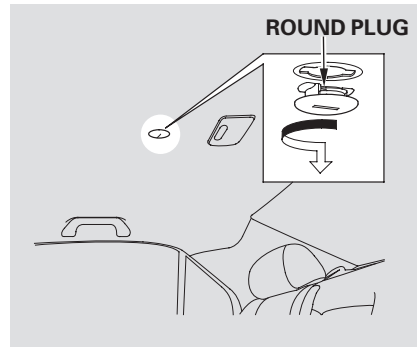
If the ABS indicator comes on with this indicator, have the vehicle inspected by your dealer immediately.

Closing the Moonroof

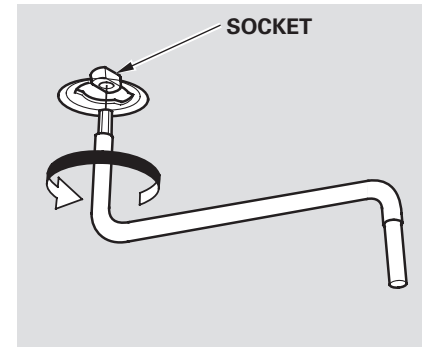
If equipped

If the electric motor will not close the moonroof, do the following:

1. Check the fuse for the moonroof motor (see page 261). If the fuse is blown, replace it with one of the same or lower rating.
2. Try closing the moonroof. If the new fuse blows immediately or the moonroof motor still does not operate, you can close the moonroof manually.
3. Get the moonroof wrench out of the tool kit in the trunk.



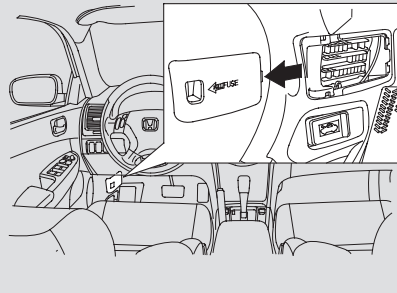
4. Use a screwdriver or coin to remove the round plug in the center of the headliner.
5. Insert the moonroof wrench into the socket behind this plug. Turn the wrench until the moonroof is fully closed.
6. Remove the wrench. Reinstall the round plug.



If you need to close the moonroof manually, it means the moonroof opening/closing function is developing a problem. Have your vehicle checked by your dealer.

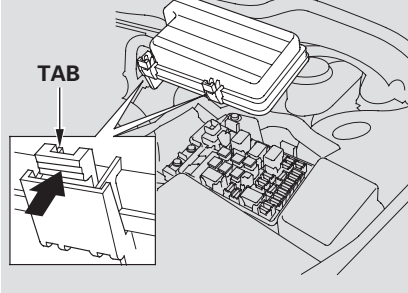
Fuses

INTERIOR



The interior fuse box is on the driver's lower left side. To remove the fuse box lid, pull it toward you and take it out of its hinges.

UNDER-HOOD



The under-hood fuse box is located near the back of the engine compartment on the driver's side. To open it, push the tabs as shown.

Checking and Replacing Fuses

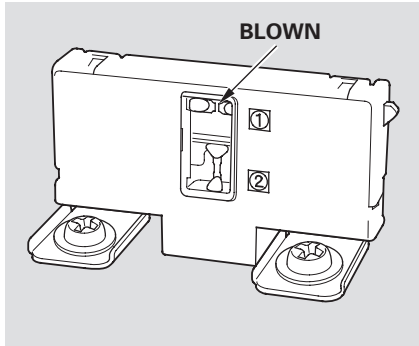
If something electrical in your vehicle stops working, the first thing you should check for is a blown fuse. Determine from the chart on pages 260 and 261, or the diagram on the fuse box lid, which fuse or fuses control that component. Check those fuses first, but check all the fuses before deciding that a blown fuse is not the cause. Replace any blown fuses and check if the device works.

1. Turn the ignition switch to the LOCK (0) position. Make sure the headlights and all other accessories are off.
2. Remove the cover from the fuse box.

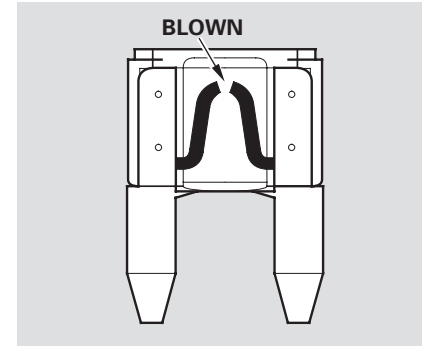
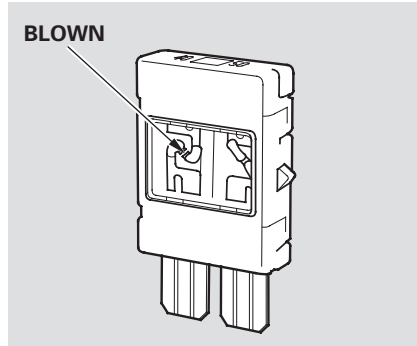
CONTINUED

Taking Care of the Unexpected

Fuses

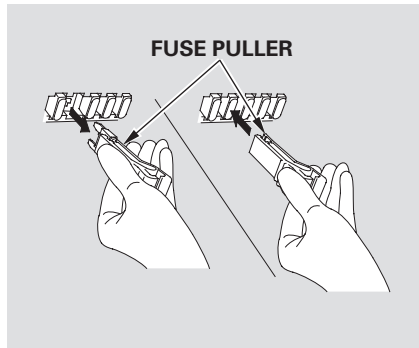


3. Check each of the large fuses in the under-hood fuse box by looking at the wire inside. Removing these fuses requires a Phillips-head screwdriver.



4. Check the smaller fuses in the under-hood fuse box and all the fuses in the interior fuse box by pulling out each one with the fuse puller provided in the under-hood fuse box.
5. Look for a burned wire inside the fuse. If it is burned out, replace it with one of the spare fuses of the same rating or lower.

Fuses



If you cannot drive the vehicle without fixing the problem, and you do not have a spare fuse, take a fuse of the same rating or a lower rating from one of the other circuits with the fuse puller provided in the underhood fuse box. Make sure you can do without that circuit temporarily (such as the accessory power socket or radio).

If you replace the blown fuse with a spare fuse that has a lower rating, it might blow out again. This does not indicate anything wrong. Replace the fuse with one of the correct rating as soon as you can.

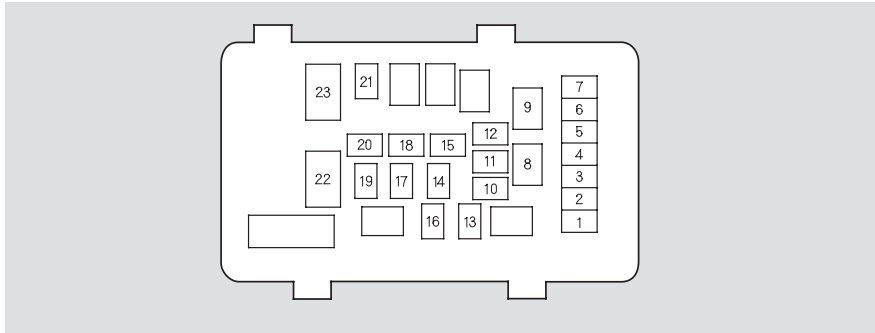
NOTICE

Replacing a fuse with one that has a higher rating greatly increases the chances of damaging the electrical system. If you do not have a replacement fuse with the proper rating for the circuit, install one with a lower rating.

6. If the replacement fuse of the same rating blows in a short time, there is probably a serious electrical problem with your vehicle. Leave the blown fuse in that circuit, and have your vehicle checked by a qualified technician.

Fuse Locations

UNDER-HOOD FUSE/RELAY BOX



No.	Amps.	Circuits Protected
1	10 A	Left Headlight Low
2	(30A)	(Rear Defroster Coil)* ¹
3	10 A	Left Headlight Hi
4	15 A	Small Light
5	10 A	Right Headlight Hi
6	10 A	Right Headlight Low
7	7.5 A	Back Up

No.	Amps.	Circuits Protected
8	15 A	FI ECU
9	20 A	Condenser fan
10	—	Not Used
11	20 A	Cooling Fan* ²
	30 A	Cooling Fan* ³
12	7.5 A	MG. Clutch
13	20 A	Horn, Stop

No.	Amps.	Circuits Protected
14	40 A	Rear Defroster
15	40 A	Back Up, ACC
16	15 A	Hazard
17	30 A	ABS Motor* ²
	30 A	VSA Motor* ³
18	20 A	ABS F/S* ²
	40 A	VSA* ³
19	40 A	Driver's Power Seat
20	40 A	Passenger's Power Seat* ¹
21	40 A	Heater Motor
22	100 A	Battery
	—	Not Used
23	50 A	+B IG1 Main
	50 A	Power Window Main

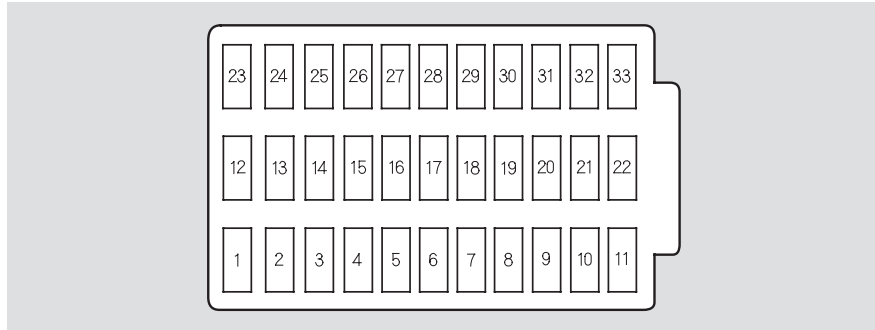
* 1 : U.S. EX, EX-L, and V6 models
Canadian SE, EX-L, and V6 models

* 2 : 4-cylinder models

* 3 : V6 models

Fuse Locations

INTERIOR FUSE BOX



No.	Amps.	Circuits Protected
1	(15 A)	Drive by Wire
2	15 A	Ignition Coil
3	(10 A)	Day Light
4	15 A	Laf Heater
5	10 A	Radio
6	7.5 A	Interior Light
7	10 A	Back-Up Lights
8	(20 A)	Door Lock

No.	Amps.	Circuits Protected
9	15 A	Front Accessory Sockets
10	7.5 A	OPDS
11	30 A	Wiper
12	—	Not Used
13	(20 A)	Passenger's Power Seat Recline*
14	(20 A)	Driver's Power Seat Slide*
15	(20 A)	Heated Seat*

No.	Amps.	Circuits Protected
16	(20 A)	Driver's Power Seat Recline*
17	(20 A)	Passenger's Power Seat Slide*
18	15 A	ACG
19	15 A	Fuel Pump
20	7.5 A	Washer
21	7.5 A	Meter
22	10 A	SRS
23	7.5 A	IGP
24	(20 A)	Left Rear Power Window
25	(20 A)	Right Rear Power Window
26	20 A	Passenger's Power Window
27	20 A	Driver's Power Window
28	(20 A)	Moonroof*
29	—	Not Used
30	7.5 A	IG A/C
31	—	Not Used
32	7.5 A	ACC
33	—	Not Used

* : U.S. EX, EX-L and V6 models
 Canadian SE, EX-L, and V6 models

Emergency Towing

If your vehicle needs to be towed, call a professional towing service or organization. Never tow your vehicle with just a rope or chain. It is very dangerous.

There are two ways to tow your vehicle:

Flat-bed Equipment – The operator loads your vehicle on the back of a truck. **This is the best way to transport your vehicle.**

Wheel-lift Equipment – The tow truck uses two pivoting arms that go under the tires (front) and lift them off the ground. The other two tires remain on the ground. **This is an acceptable way to tow your vehicle.**

If, due to damage, your vehicle must be towed with the front wheels on the ground, do this:

Manual transmission:

- Release the parking brake.
- Shift the transmission to neutral.
- Leave the ignition switch in the ACCESSORY (I) position so the steering wheel does not lock.

Automatic transmission:

- Release the parking brake.
- Start the engine.
- Shift to D, then to N.
- Turn off the engine.
- Leave the ignition switch in the ACCESSORY (I) position so the steering wheel does not lock.

NOTICE

Improper towing preparation will damage the transmission. Follow the above procedure exactly. If you cannot shift the transmission or start the engine (automatic transmission), your vehicle must be transported with the front wheels off the ground.

With the front wheels on the ground, do not tow the vehicle more than 50 miles (80 km), and keep the speed below 35 mph (55 km/h).

Emergency Towing

NOTICE

Trying to lift or tow your vehicle by the bumpers will cause serious damage. The bumpers are not designed to support the vehicle's weight.

NOTICE

The steering system can be damaged if the steering wheel is locked. Leave the ignition switch in the ACCESSORY (I) position, and make sure the steering wheel turns freely before you begin towing.

06/05/16 14:31:43 31SDA640 0269

Technical Information

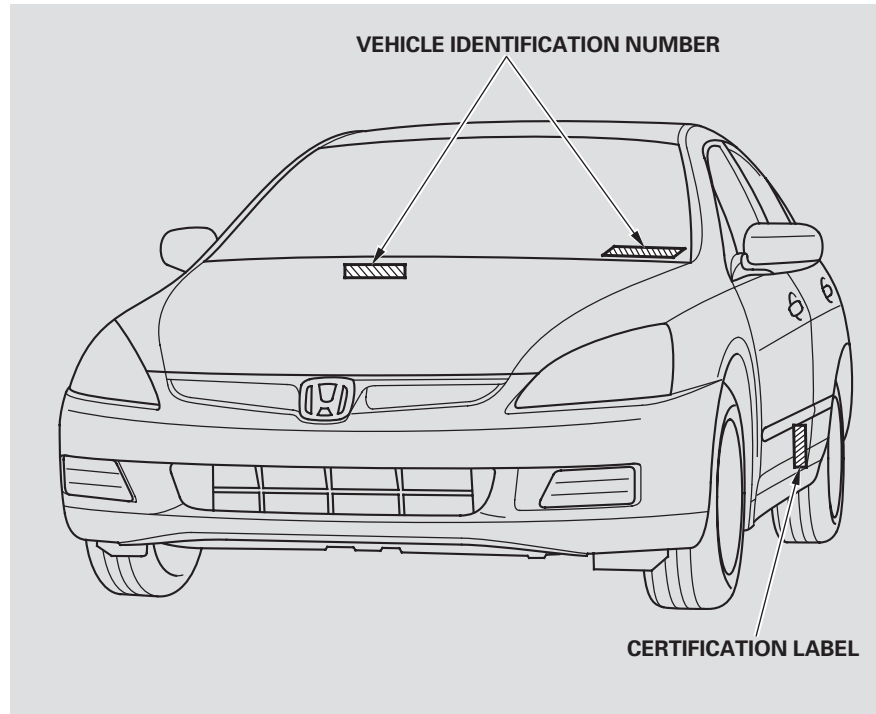
The diagrams in this section give you the dimensions and capacities of your vehicle and the locations of the identification numbers. It also includes information you should know about your vehicle's tires and emissions control systems.

Identification Numbers.....	266	Replacement Parts.....	275
Specifications	268	Three Way Catalytic Converter ...	276
DOT Tire Quality Grading		Emissions Testing	277
(U.S. Vehicles)	271		
Uniform Tire Quality			
Grading	271		
Treadwear	271		
Traction.....	271		
Temperature	272		
Tire Labeling	273		
Emissions Controls.....	274		
The Clean Air Act.....	274		
Crankcase Emissions Control			
System.....	274		
Evaporative Emissions Control			
System.....	274		
Onboard Refueling Vapor			
Recovery	274		
Exhaust Emissions Controls....	275		
PGM-FI System	275		
Ignition Timing Control			
System.....	275		
Exhaust Gas Recirculation			
(EGR) System.....	275		
Three Way Catalytic			
Converter.....	275		

Identification Numbers

Your vehicle has several identifying numbers in various places.

The vehicle identification number (VIN) is the 17-digit number your Honda dealer uses to register your vehicle for warranty purposes. It is also necessary for licensing and insuring your vehicle. The easiest place to find the VIN is on a plate fastened to the top of the dashboard. You can see it by looking through the windshield on the driver's side. It is also on the certification label attached to the driver's doorjamb, and is stamped on the engine compartment bulkhead. The VIN is also provided in bar code on the certification label.

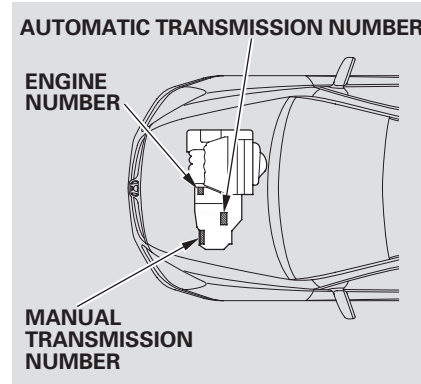


Identification Numbers

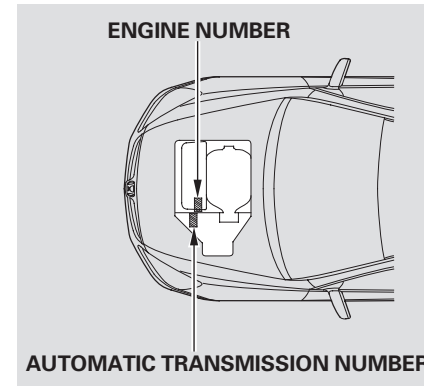
The engine number is stamped on the front of the engine block.

The transmission number is on a label on top of the transmission.

4-cylinder Models



V6 Models



Specifications

Dimensions

Length		189.5 in (4,813 mm)
Width		71.7 in (1,820 mm)
Height		57.2 in (1,453 mm)
Wheelbase		107.9 in (2,740 mm)
Track	Front	61.1 in (1,553 mm)
	Rear	61.2 in (1,554 mm)

Weights

Gross vehicle weight rating	See the certification label attached to the driver's doorjamb.
-----------------------------	--

Air Conditioning

Refrigerant type	HFC-134a (R-134a)
Charge quantity	17.6 – 19.4 oz (500 – 550 g)
Lubricant type	ND-OIL8

Capacities

Fuel tank		Approx. 17.09 US gal (64.7 ℓ)
Engine coolant	Change* ²	
	Manual	1.35 US gal (5.1 ℓ)
	Automatic	1.32 US gal (5.0 ℓ)
		1.77 US gal (6.7 ℓ) * ¹
	Total	
	Manual	1.90 US gal (7.2 ℓ)
	Automatic	1.88 US gal (7.1 ℓ)
		2.22 US gal (8.4 ℓ) * ¹

Capacities

Engine oil	Change* ³	
	Including filter	4.4 US qt (4.2 ℓ) 4.5 US qt (4.3 ℓ) * ¹
	Without filter	4.2 US qt (4.0 ℓ)
	Total	5.6 US qt (5.3 ℓ) 5.3 US qt (5.0 ℓ) * ¹
Manual transmission oil	Change	2.0 US qt (1.9 ℓ) 2.3 US qt (2.2 ℓ) * ¹
	Total	2.2 US qt (2.1 ℓ) 2.6 US qt (2.5 ℓ) * ¹
	Automatic transmission fluid	Change
	Total	6.9 US qt (6.5 ℓ) 7.4 US qt (7.0 ℓ) * ¹
Windshield washer reservoir	U.S.	2.6 US qt (2.5 ℓ)
	Canada	4.8 US qt (4.5 ℓ)

* 1 : 6-cylinder models

* 2 : Including the coolant in the reserve tank and that remaining in the engine

Reserve tank capacity: 0.16 US gal (0.6 ℓ)

* 3 : Excluding the oil remaining in the engine

Specifications

Lights

Headlights	High	12 V – 60 W (HB3)
	Low	12 V – 51 W (HB4)
Front turn signal/ Front parking lights		12 V – 24/2.2 CP
Rear turn signal lights		12 V – 21 W
Back-up lights		12 V – 21 W
License plate light		12 V – 3 CP
Ceiling light		12 V – 8 W
Spotlights* ¹		12 V – 8 W
Spotlights/Front ceiling lights* ²		12 V – 8 W
Trunk light		12 V – 5 W
Door courtesy light		12 V – 2 CP
Vanity mirror lights* ³		12 V – 1.1 W

* 1 : U.S. LX, SE and SE-V6

* 2 : U.S. EX, EX-L, LX-V6, and EX-V6
All Canadian models except DX-G

* 3 : Except U.S. VP and Canadian DX-G

Battery

Capacity	4-cylinder	12 V – 36 AH/5 HR
	6-cylinder	12 V – 38 AH/5 HR
		12 V – 52 AH/5 HR

Fuses

Interior	See page 261 or the fuse label attached to the inside of the fuse box door on each side of the dashboard.
Under-hood	See page 260 or the fuse box cover.

CONTINUED

Specifications

Engine

Type	Water cooled 4-stroke, DOHC i-VTEC 4-cylinder, SOHC VTEC 6-cylinder (V6), gasoline engine
Bore x Stroke	3.43 x 3.9 in (87.0 x 99.0 mm) * ³ 3.39 x 3.39 in (86.0 x 86.0 mm) * ⁴
Displacement	143.6 cu-in (2,354 cm ³) * ³ 182.8 cu-in (2,997 cm ³) * ⁴
Compression ratio	9.7 : 1 * ³ 10 : 1 * ⁴
Spark plugs	NGK: IZFR6K-11 * ^{3,4} DENSO: SKJ20DR-M11 * ^{3,4} NGK: IZFR6K-13 * ^{3,5} DENSO: SKJ20DR-M13 * ^{3,5}

* 3 : 4-cylinder models

* 4 : V6 models

* 5 : LX-SUL, SE-SUL, EX-SUL, and EXLSUL models

Alignment

Toe-in	Front	0.00 in (0.0 mm)
	Rear	0.08 in (2.0 mm)
Camber	Front	0°
	Rear	- 1°
Caster	Front	3°15'

Tires

Size	Front/Rear	P195/65R15 89H * ¹ P205/65R15 92H * ² P205/60R16 91V * ³ P215/50R17 93V * ⁴
	Spare	T135/90D15
Pressure	Front	32 psi (220 kPa , 2.2 kgf/cm ²) * ^{1,3,4} 30 psi (210 kPa , 2.1 kgf/cm ²) * ²
	Rear	30 psi (210 kPa , 2.1 kgf/cm ²) * ^{1,3} 29 psi (200 kPa , 2.0 kgf/cm ²) * ^{2,4}
	Spare	60 psi (420 kPa , 4.2 kgf/cm ²)

* 1 : U.S. VP

* 2 : U.S. LX

* 3 : U.S. SE, EX, and EX-L
Canadian DX-G, SE, and EX-L

* 4 : V6 models

DOT Tire Quality Grading (U.S. Vehicles)

The tires on your vehicle meet all U.S. Federal Safety Requirements. All tires are also graded for treadwear, traction, and temperature performance according to Department of Transportation (DOT) standards. The following explains these gradings.

Uniform Tire Quality Grading

Quality grades can be found where applicable on the tire sidewall between the tread shoulder and the maximum section width. For example:

Treadwear 200
Traction AA
Temperature A

All passenger vehicle tires must conform to Federal Safety Requirements in addition to these grades.

Treadwear

The treadwear grade is a comparative rating based on the wear rate of the tire when tested under controlled conditions on a specified government test course. For example, a tire graded 150 would wear one and one-half (1 1/2) times as well on the government course as a tire graded 100. The relative performance of tires depends upon the actual conditions of their use, however, and may depart significantly from the norm due to variations in driving habits, service practices, and differences in road characteristics and climate.

Traction – AA, A, B, C

The traction grades, from highest to lowest, are AA, A, B, and C. Those grades represent the tire's ability to stop on wet pavement as measured under controlled conditions on specified government test surfaces of asphalt and concrete. A tire marked C may have poor traction performance.

Warning: The traction grade assigned to this tire is based on straight-ahead braking traction tests, and does not include acceleration, cornering, hydroplaning, or peak traction characteristics.

DOT Tire Quality Grading (U.S. Vehicles)

Temperature – A, B, C

The temperature grades are A (the highest), B, and C, representing the tire's resistance to the generation of heat, and its ability to dissipate heat when tested under controlled conditions on a specified indoor laboratory test wheel. Sustained high temperature can cause the material of the tire to degenerate and reduce tire life, and excessive temperature can lead to sudden tire failure. The Grade C corresponds to a level of performance which all passenger car tires must meet under the Federal Motor Vehicle Safety Standard No. 109. Grades B and A represent higher levels of performance on the laboratory test wheel than the minimum required by law.

Warning: The temperature grade for this tire is established for a tire that is properly inflated and not overloaded. Excessive speed, underinflation, or excessive loading, either separately or in combination, can cause heat buildup and possible tire failure.

Tire Labeling

The tires that came on your vehicle have a number of markings. Those you should be aware of are described below.

Tire Size

Whenever tires are replaced, they should be replaced with tires of the same size. Following is an example of tire size with an explanation of what each component means.

P205/60R16 91V

- P – Vehicle type (P indicates passenger vehicle).
- 205 – Tire width in millimeters.
- 60 – Aspect ratio (the tire’s section height as a percentage of its width).
- R – Tire construction code (R indicates radial).

- 16 – Rim diameter in inches.
- 91 – Load index (a numerical code associated with the maximum load the tire can carry).
- V – Speed symbol (an alphabetical code indicating the maximum speed rating).

Tire Identification Number

The tire identification number (TIN) is a group of numbers and letters that look like the following example TIN. TIN is located on the sidewall of the tire.

DOT B97R FW6X 2202

- DOT – This indicates that the tire meets all requirements of the U.S. Department of Transportation.
- B97R – Manufacturer’s identification mark.

FW6X – Tire type code.

2202 – Date of manufacture.

Maximum Tire Pressure

Max Press – The maximum air pressure the tire can hold.

Maximum Tire Load

Max Load – The maximum load the tire can carry at maximum air pressure.

Emissions Controls

The burning of gasoline in your vehicle's engine produces several by-products. Some of these are carbon monoxide (CO), oxides of nitrogen (NO_x), and hydrocarbons (HC). Gasoline evaporating from the tank also produces hydrocarbons. Controlling the production of NO_x, CO, and HC is important to the environment. Under certain conditions of sunlight and climate, NO_x and HC react to form photochemical "smog." Carbon monoxide does not contribute to smog creation, but it is a poisonous gas.

The Clean Air Act

The United States Clean Air Act* sets standards for automobile emissions. It also requires that automobile manufacturers explain to owners how their emissions controls work and what to do to maintain them. This section summarizes how the emissions controls work.

* In Canada, Honda vehicles comply with the Canadian emission requirements, as specified in an agreement with Environment Canada, at the time they are manufactured.

Crankcase Emissions Control System

Your vehicle has a positive crankcase ventilation system. This keeps gasses that build up in the engine's crankcase from going into the atmosphere. The positive crankcase ventilation valve routes them from the crankcase back to the

intake manifold. They are then drawn into the engine and burned.

Evaporative Emissions Control System

As gasoline evaporates in the fuel tank, an evaporative emissions control canister filled with charcoal adsorbs the vapor. It is stored in this canister while the engine is off. After the engine is started and warmed up, the vapor is drawn into the engine and burned during driving.

Onboard Refueling Vapor Recovery

The onboard refueling vapor recovery (ORVR) system captures the fuel vapors during refueling. The vapors are adsorbed in a canister filled with activated carbon. While driving, the fuel vapors are drawn into the engine and burned off.

Emissions Controls

Exhaust Emissions Controls

The exhaust emissions controls include four systems: PGM-FI, ignition timing control, exhaust gas recirculation, and three way catalytic converter. These four systems work together to control the engine's combustion and minimize the amount of HC, CO, and NOx that come out the tailpipe. The exhaust emissions control systems are separate from the crankcase and evaporative emissions control systems.

PGM-FI System

The PGM-FI system uses sequential multipoint fuel injection. It has three subsystems: air intake, engine control, and fuel control. The powertrain control module (PCM) in automatic transmission vehicles or the engine control module (ECM) in manual transmission vehicles uses various sensors to determine how much air is going into the engine. It

then controls how much fuel to inject under all operating conditions.

Ignition Timing Control System

This system constantly adjusts the ignition timing, reducing the amount of HC, CO, and NOx produced.

Exhaust Gas Recirculation (EGR) System

The exhaust gas recirculation (EGR) system takes some of the exhaust gas and routes it back into the intake manifold. Adding exhaust gas to the air/fuel mixture reduces the amount of NOx produced when the fuel is burned.

Three Way Catalytic Converter

The three way catalytic converter is in the exhaust system. Through chemical reactions, it converts HC, CO, and NOx in the engine's exhaust to carbon dioxide (CO₂), nitrogen (N₂), and water vapor.

Replacement Parts

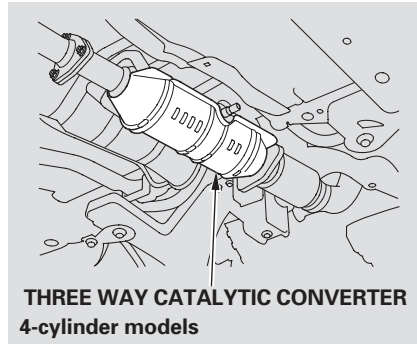
The emissions control systems are designed and certified to work together in reducing emissions to levels that comply with the Clean Air Act. To make sure the emissions remain low, you should use only new Honda replacement parts or their equivalent for repairs. Using lower quality parts may increase the emissions from your vehicle.

The emissions control systems are covered by warranties separate from the rest of your vehicle. Read your warranty manual for more information.

Three Way Catalytic Converter

The three way catalytic converter contains precious metals that serve as catalysts, promoting chemical reactions to convert the exhaust gasses without affecting the metals. The catalytic converter is referred to as a three-way catalyst, since it acts on HC, CO, and NOx. A replacement unit must be an original Honda part or its equivalent.

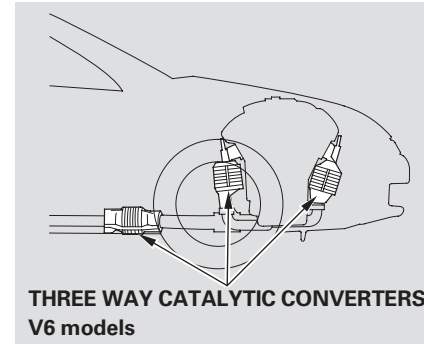
The three way catalytic converter must operate at a high temperature for the chemical reactions to take place. It can set on fire any combustible materials that come near it. Park your vehicle away from high grass, dry leaves, or other flammables.



THREE WAY CATALYTIC CONVERTER
4-cylinder models

A defective three way catalytic converter contributes to air pollution, and can impair your engine's performance. Follow these guidelines to protect your vehicle's three way catalytic converter.

- Always use unleaded gasoline. Even a small amount of leaded gasoline can contaminate the catalyst metals, making the three way catalytic converter ineffective.



THREE WAY CATALYTIC CONVERTERS
V6 models

- Keep the engine well maintained.
- Have your vehicle diagnosed and repaired if it is misfiring, back-firing, stalling, or otherwise not running properly.

Emissions Testing

Testing of Readiness Codes

If you take your vehicle for a state emissions test shortly after the battery has been disconnected or gone dead, it may not pass the test. This is because of certain “readiness codes” that must be set in the on-board diagnostics for the emissions systems. These codes are erased when the battery is disconnected, and set again only after several days of driving under a variety of conditions.

If the testing facility determines that the readiness codes are not set, you will be requested to return at a later date to complete the test. If you must get the vehicle retested within the next two or three days, you can condition the vehicle for retesting by doing the following.

- Make sure the gas tank is nearly, but not completely, full (around 3/4).
- Make sure the vehicle has been parked with the engine off for 6 hours or more.
- Make sure the ambient temperature is between 40° and 95° F.

- Without touching the accelerator pedal, start the engine, and let it idle for 20 seconds.
- Keep the vehicle in Park (automatic transmission) or Neutral (manual transmission). Increase the engine speed to 2,000 rpm, and hold it there until the temperature gauge rises to at least 1/4 of the scale (about 3 minutes).

CONTINUED

Technical Information

Emissions Testing

- Select a nearby lightly traveled major highway where you can maintain a speed of 50 to 60 mph (80 to 97 km/h) for at least 20 minutes. Drive on the highway in D (A/T) or 5th (M/T). Do not use the cruise control. When traffic allows, drive for 90 seconds without moving the accelerator pedal. (Vehicle speed may vary slightly; this is okay.) If you cannot do this for a continuous 90 seconds because of traffic conditions, drive for at least 30 seconds, then repeat it two more times (for a total of 90 seconds).
- Then drive in city/suburban traffic for at least 10 minutes. When traffic conditions allow, let the vehicle coast for several seconds without using the accelerator pedal or the brake pedal.
- Stop the vehicle, turn off the ignition switch, and leave it off for 30 minutes.

If the testing facility determines the readiness codes are still not set, see your dealer.

Warranty and Customer Relations

Customer Service Information.....	280
Warranty Coverages	281
Reporting Safety Defects (U.S. Vehicle)	282
Authorized Manuals	283

Warranty and Customer Relations

Customer Service Information

Honda dealership personnel are trained professionals. They should be able to answer all your questions. If you encounter a problem that your dealership does not solve to your satisfaction, please discuss it with the dealership's management. The service manager or general manager can help. Almost all problems are solved in this way.

If you are dissatisfied with the decision made by the dealership's management, contact your Honda Customer Service Office.

U.S. Owners:
American Honda Motor Co., Inc.
Automobile Customer Service
Mail Stop 500-2N-7A
1919 Torrance Boulevard
Torrance, California 90501-2746

Tel: (800) 999-1009

Canadian Owners:
CUSTOMER RELATIONS
RELATIONS AVEC LA CLIENTÉLE

Honda Canada Inc.
715 Milner Avenue
Toronto, ON
M1B 2K8

Tel: 1-888-9-HONDA-9
Fax: Toll-free 1-877-939-0909
Toronto (416) 287-4776

In Puerto Rico and the U.S. Virgin Islands:
Bella International
P.O. Box 190816
San Juan, PR 00919-0816

Tel: (787) 620-7028

When you call or write, please give us this information:

- Vehicle Identification Number (see page 266)
- Name and address of the dealer who services your vehicle
- Date of purchase
- Mileage on your vehicle
- Your name, address, and telephone number
- A detailed description of the problem
- Name of the dealer who sold the vehicle to you

Warranty Coverages

U.S. Owners

Your new vehicle is covered by these warranties:

New Vehicle Limited Warranty – covers your new vehicle, except for the battery, emissions control systems, and accessories, against defects in materials and workmanship.

Emissions Control Systems Defects Warranty and Emissions

Performance Warranty – these two warranties cover your vehicle's emissions control systems. Time, mileage, and coverage are conditional. Please read your warranty booklet for exact information.

Original Equipment Battery Limited Warranty – this warranty gives up to 100 % credit toward a replacement battery.

Seat Belt Limited Warranty – a seat belt that fails to function properly is covered by a limited warranty. Please read your warranty booklet for details.

Rust Perforation Limited Warranty – all exterior body panels are covered for rust-through from the inside for the specified time period with no mileage limit.

Accessory Limited Warranty – Honda accessories are covered under this warranty. Time and mileage limits depend on the type of accessory and other factors. Please read your warranty booklet for details.

Replacement Parts Limited Warranty – covers all Honda replacement parts against defects in materials and workmanship.

Replacement Battery Limited Warranty – provides prorated coverage for a replacement battery purchased from your dealer.

Replacement Muffler Lifetime Limited Warranty – provides coverage for as long as the purchaser of the muffler owns the vehicle.

Restrictions and exclusions apply to all these warranties. Please read the 2007 Honda warranty information booklet that came with your vehicle for precise information on warranty coverages. Your vehicle's original tires are covered by their manufacturer. Tire warranty information is in a separate booklet.

Canadian Owners

Please refer to the 2007 warranty manual that came with your vehicle.

Reporting Safety Defects (U.S. Vehicles)

If you believe that your vehicle has a defect which could cause a crash or could cause injury or death, you should immediately inform the National Highway Traffic Safety Administration (NHTSA), in addition to notifying American Honda Motor Co., Inc.

If NHTSA receives similar complaints, it may open an investigation, and if it finds that a safety defect exists in a group of vehicles, it may order a recall and remedy campaign. However, NHTSA cannot become involved in individual problems between you, your dealer, or American Honda Motor Co., Inc.

To contact NHTSA, you may call the Vehicle Safety Hotline toll-free at 1-888-327-4236 (TTY: 1-800-424-9153); go to <http://www.safercar.gov>; or write to: Administrator, NHTSA, 400 Seventh Street, SW., Washington, DC 20590. You can also obtain other information about motor vehicle safety from <http://www.safercar.gov>.

Authorized Manuals

Purchasing Factory Authorized Manuals (U.S. only)

The publications shown below can be purchased from Helm Incorporated. You can order in any of three ways:

- Detach and mail the order form on the right half of this page
- Call Helm Inc. at 1-800-782-4356 (credit card orders only)
- Go online at www.helminc.com

If you are interested in other years or models, contact Helm Inc. at 1-800-782-4356.

Publication Form Number	Form Description	Price Each*
61SDB01	2003-2007 Honda Accord 2/4 door L4 Service Manual Base Book	\$75.00
61SDB02	2003-2007 Honda Accord 2/4 door V6 Service Manual Supplement	\$45.00
61SDB01EL	2003-2007 Honda 2/4 Door L4/V6 Electrical Troubleshooting Manual	\$50.00
61SDA30	2003-2007 Honda 2/4 door Body Repair Manual	\$44.00
31SDA642	2007 Honda Accord 4-door Owner's Manual	\$35.00
31SDA740	2007 Honda Accord Navigation System Owner's Manual	\$29.00
31SDAM20	2007 Honda Accord Honda Service History	\$12.00
31SDAQ40	2007 Honda Accord 4-door Quick Start Guide	\$12.00
HON-R	Order Form for Previous Years- Indicate Year and Model Desired	FREE

* Prices are subject to change without notice and without incurring obligation.

Valid only for sales within the United States. Canadian owners should contact their authorized Honda dealer.

ORDER TOLL FREE: 1-800-782-4356 (NOTE: For Credit Card Holder Orders Only) Monday-Friday 8:00 A.M. — 6:00 P.M. EST MINIMUM CREDIT CARD PURCHASE \$10.00
--

OR

By completing this form you can order the materials desired. You can pay by check or money order, or charge to your credit card. Mail to Helm Incorporated at the address shown on the back of the order form.

2007 HON	PUBLICATION NUMBER	VEHICLE MODEL		Qty	Price Each*	Total Price
		Name	Year			
* Prices are subject to change without notice and without incurring obligation.					TOTAL MATERIAL	
					Mich. Purchases Add 6% Sales Tax	
Orders are mailed within 10 days. Please allow adequate time for delivery.					HANDLING CHARGE	\$6.95
					GRAND TOTAL	

Authorized Manuals

Index

A

Accessories..... 162
 ACCESSORY (Ignition Key
 Position)..... 76
 Accessory Power Socket 99
 Additives, Engine Oil..... 205
 Airbag (SRS) 11, 23
 Airbag System Components..... 23
 Air Conditioning..... 102
 Usage 104
 Air Pressure, Tires 228
 Anti-lock Brakes (ABS)
 Indicator..... 59, 180
 Operation 180
 Anti-theft Steering Column Lock .. 76
 Audio System 114, 122, 131, 135
 Automatic Speed Control..... 145
 Automatic Transmission..... 173
 Capacity, Fluid 268
 Shifting..... 173
 Shift Lever Position Indicator .. 173
 Shift Lever Positions 173
 Shift Lock Release..... 176

B

Battery
 Charging System
 Indicator..... 58, 253
 Jump Starting 248
 Maintenance..... 235
 Specifications 269
 Before Driving 153
 Belts, Seat 10, 20
 Brakes
 Anti-lock System (ABS) 180
 Break-in, New Linings 154
 Fluid 215
 Parking 95
 System Indicator..... 59, 255
 Wear Indicators 179
 Braking System..... 179
 Break-in, New Vehicle 154
 Brightness Control, Instruments.. 71
 Brights, Headlights 69
 Bulb Replacement
 Back-up Lights 223
 Front Parking Lights..... 221
 Headlights 218
 Specifications 269

Turn Signal Lights..... 221, 222
 Bulbs, Halogen 218

C

Capacities Chart..... 268
 Carbon Monoxide Hazard 51
 Carrying Cargo 164
 CAUTION, Explanation of iii
 CD Changer 122, 128
 CD Player..... 122
 CD Pocket, Center..... 98
 Certification Label..... 266
 Chains 234
 Changing a Flat Tire 241
 Changing Oil
 How to 206
 When to..... 193
 Charging System Indicator 58, 253
 Checklist, Before Driving..... 168
 Childproof Door Locks 78
 Child Seats..... 34
 Lower Anchorage Points 44
 Tether Anchorage Points 48

CONTINUED

Index

Climate Control Sensors 113
 Clock, Setting the 143
 Clutch Fluid 215
 CO in the Exhaust 53, 274
 Cold Weather, Starting in 169
 Compact Spare 240
 Console Compartment 99
 Consumer Information 280
 Controls, Instruments and 55
 Coolant
 Adding 208
 Checking 160
 Proper Solution 208
 Temperature Gauge 65
 Crankcase Emissions Control
 System 274
 Cruise Control Operation 145
 Customer Service Office 280

D

DANGER, Explanation of iii
 Dashboard 4, 56
 Daytime Running Lights 62, 70
 Defects, Reporting Safety 282
 Defogger, Rear Window 72

Dimensions 268
 Dimming the Headlights 69
 Dipstick
 Automatic Transmission .. 211, 212
 Engine Oil 159
 Directional Signals 69
 Disc Brake Wear Indicators 179
 Disposal of Used Oil 207
 Doors
 Locking and Unlocking 77
 DOT Tire Quality Grading 271
 Downshifting, Manual
 Transmission 170
 Driver and Passenger Safety 7
 Driving 167
 Economy 161
 Dual Temperature Control 111

E

Economy, Fuel 161
 Emergencies on the Road 239
 Battery, Jump Starting 248
 Brake System Indicator 255
 Changing a Flat Tire 241
 Charging System Indicator 253

Checking the Fuses 257
 Low Oil Pressure Indicator 253
 Malfunction Indicator Lamp 254
 Manually Closing Moonroof 256
 Overheated Engine 251
 Emergency Brake 95
 Emergency Flashers 71
 Emergency Towing 262
 Emissions Controls 274
 Engine
 Coolant Temperature Gauge 65
 Malfunction Indicator Lamp 254
 Oil Life Indicator 193
 Oil Pressure Indicator 253
 Oil, What Kind to Use 204
 Overheating 251
 Specifications 270
 Speed Limiter 172, 175
 Starting 169
 Engine Speed Limiter 172, 175
 Evaporative Emissions Controls .. 274
 Exhaust Fumes 53
 Expectant Mothers, Use of Seat
 Belts by 18

Index

F

- Fan, Interior..... 104
- Features 101
- Filling the Fuel Tank..... 156
- Filter, Oil..... 206
- 5-speed Manual Transmission
 - Checking Fluid Level..... 213
 - Shifting the 170
- Flashers, Hazard Warning..... 71
- Flat Tire, Changing a 241
- Fluids
 - Automatic Transmission .. 211, 212
 - Brake..... 215
 - Clutch..... 215
 - Manual Transmission 213, 214
 - Power Steering..... 216
 - Windshield Washer 210
- Folding Rear Seat 88
- Four-way Flashers 71
- Fuel..... 154
 - Cap Message 66
 - Fill Door and Cap..... 156
 - Gauge 66
 - Octane Requirement 154
 - Tank, Filling the..... 156

- Fuses, Checking the..... 257

G

- Gas Mileage, Improving..... 161
- Gasoline 154
 - Gauge 66
 - Octane Requirement 154
 - Tank, Filling the..... 156
- Gas Station Procedures..... 156
- Gauges
 - Engine Coolant Temperature 65
 - Fuel..... 66
 - Speedometer 64
 - Tachometer 64
- Gearshift Lever Positions
 - Automatic Transmission..... 173
 - Manual Transmission 170
- Glove Box 100

H

- Halogen Headlight Bulbs..... 218
- Hazard Warning Flashers..... 71
- Headlights..... 69
 - Aiming..... 218

- Automatic Lighting Off..... 70
- Daytime Running Lights..... 70
- Low Beams, Turning on 69
- Reminder Chime..... 69
- Replacing Halogen Bulbs 218
- Turning on..... 69
- Head Restraints 15, 87
- Heating and Cooling..... 102
- Heated Mirror 91
- HomeLink Universal
 - Transceiver..... 148
- Hood, Opening and Closing the... 157
- Hydraulic Clutch..... 215

I

- Identification Number, Vehicle.... 266
- Ignition
 - Keys..... 74
 - Switch..... 76
 - Timing Control System..... 275
- Immobilizer System..... 75
- Important Safety Precautions 8
- Indicators, Instrument Panel..... 58

CONTINUED

Index

Infant Restraint 39
 Infant Seats 39
 Tether Anchorage Points 48
 Inflation, Proper Tire 228
 Inside Mirror 90
 Inspection, Tire 230
 Installing a Child Seat 43
 Tether Anchorage Points 48
 Using LATCH 44
 Instrument Panel 57
 Instrument Panel Brightness 71
 Introduction i

J

Jacking up the Vehicle 241
 Jack, Tire 241
 Jump Starting 248

K

Keys 74

L

Label, Certification 266

Lane Change, Signaling 69
 Lap/Shoulder Belts 21
 Lights
 Bulb Replacement 218
 Indicator 57
 Parking 69
 Turn Signal 61
 LOCK (Ignition Key Position) 76
 Locks
 Anti-theft Steering Column 76
 Fuel Fill Door 156
 Glove Box 100
 Lockout Prevention 78
 Power Door 77
 Trunk 82
 Low Coolant Level 160
 Lower Gear, Downshifting to
 a 172, 175
 Low Oil Pressure Indicator 58, 253
 Lubricant Specifications Chart 268
 Luggage 164

M

Maintenance 191
 Minder 193–199

Owner's Maintenance
 Checks 198
 Record 200
 Safety 192
 Malfunction Indicator Lamp 254
 Manual Transmission 170
 Manual Transmission Fluid 213
 Meters, Gauges 64
 Mirrors, Adjusting 90
 Modifications 163
 Moonroof 94
 Closing Manually 256
 Operation 94

N

Neutral Gear Position 174
 New Vehicle Break-in 154
 Normal Shift Speeds 171
 NOTICE, Explanation of i
 Numbers, Identification 266

O

Octane Requirement, Gasoline 154
 Odometer 64

Index

Odometer/Outside Temperature
 Display 64

Oil
 Change, How to 206
 Change, When to 193
 Checking Engine 159
 Pressure Indicator 58, 253
 Selecting Proper Viscosity
 Chart 204

ON (Ignition Key Position) 76

Outside Mirrors 90

Outside Temperature 64

Overheating, Engine 251

Owner's Maintenance Checks 198

P

Panel Brightness Control 71

Park Gear Position 174

Parking Brake 95

Parking Lights 69

Parking Over Things that Burn... 276

Parking Tips 178

PGM-FI System 275

Pregnancy, Using Seat Belts 18

Protecting Adults and Teens 13
 Additional Safety Precautions.... 19
 Advice for Pregnant Women..... 18

Protecting Children 34

Protecting Infants and Small
 Children 39

Protecting Larger Children 49

Using Booster Seat 50

R

Radiator Overheating 251

Radio/CD Sound
 System 114, 122, 131, 135

Rear Lights, Bulb
 Replacement 222, 223

Rear Seat, Folding 88

Rear View Mirror 90

Rear Window Defogger 72

Reclining the Seat Backs 85

Recommended Shift Speeds 171

Reminder Lights 58

Remote Transmitter 78

Replacement Information
 Engine Oil and Filter 206
 Fuses 257

Light Bulbs 218

Timing Belt 217

Tires 232

Wiper Blades 226

Replacing Seat Belts After a
 Crash 22

Reserve Tank, Coolant 208

Restraint, Child 34

Reverse Gear Position 172, 174

Rotation, Tire 231

S

Safety Belts 10, 20

Safety Defects, Reporting 282

Safety Features 9
 Airbags 11
 Seat Belts 10

Safety Labels, Location of 54

Safety Messages iii

Satellite Radio 135

CONTINUED

V

Index

<p>Technical Descriptions</p> <ul style="list-style-type: none"> DOT Tire Quality Grading 271 Emissions Control Systems..... 274 Three Way Catalytic Converter..... 276 Temperature Gauge 65 Tether Anchorage Points 48 Three Way Catalytic Converter... 276 Time, Setting the 143 Timing Belt..... 217 Tire Chains 234 Tire, How to Change a Flat 241 Tire Labeling 273 Tires 228 <ul style="list-style-type: none"> Air Pressure 229 Checking Wear 230 Compact Spare 240 DOT Tire Quality Grading 271 Inflation 228 Inspection 230 Replacing 232 Rotating..... 231 Snow 233 Specifications 270 Tools, Tire Changing 241 	<p>Towing</p> <ul style="list-style-type: none"> A Trailer..... 184 Emergency Wrecker 262 <p>Transmission</p> <ul style="list-style-type: none"> Checking Fluid Level, Automatic 211, 212 Checking Fluid Level, Manual 213, 214 Fluid Selection ... 211, 213, 214, 215 Identification Number..... 267 Shifting the Automatic..... 173 Shifting the Manual..... 170 <p>Treadwear 271</p> <p>Trip Meter 65</p> <p>Trunk..... 82 <ul style="list-style-type: none"> Emergency Opener 83 Opening the 82 Open Monitor Light 60 </p> <p>Turn Signals 69</p> <div style="border: 1px solid black; text-align: center; padding: 2px; margin: 10px 0;">U</div> <p>Unexpected, Taking Care of the..... 239</p> <p>Uniform Tire Quality Grading 271</p> <p>Unleaded Gasoline..... 154</p>	<p>Used Oil, How to Dispose of 207</p> <div style="border: 1px solid black; text-align: center; padding: 2px; margin: 10px 0;">V</div> <p>Vanity Mirror 96</p> <p>Vehicle Capacity Load 165</p> <p>Vehicle Dimensions..... 268</p> <p>Vehicle Identification Number..... 266</p> <p>Vehicle Stability Assist (VSA) System..... 182 <ul style="list-style-type: none"> VSA Activation Indicator 60, 182 VSA Off Switch 183 VSA System Indicator 60, 182 </p> <p>Vehicle Storage 236</p> <p>VIN 266</p> <p>Viscosity, Oil..... 204</p> <p>Voice Control System..... 104, 116</p> <div style="border: 1px solid black; text-align: center; padding: 2px; margin: 10px 0;">W</div> <p>WARNING, Explanation of iii</p> <p>Warning Labels, Location of 54</p> <p>Warranty Coverages 281</p>
---	--	---

CONTINUED

Index

Washer, Windshield	
Checking the Fluid Level	210
Operation	68
Wheels	
Adjusting the Steering	73
Alignment and Balance	230
Compact Spare	240
Wrench	241
Windows	
Operating the Power	91
Rear, Defogger	72
Windshield	
Cleaning	68
Washers	68
Wipers, Windshield	
Changing Blades.....	226
Operation	68
Worn Tires	230
Wrecker, Emergency Towing.....	262

06/05/16 14:35:23 31SDA640 0298

06/05/16 14:35:26 31SDA640 0299

06/05/16 14:35:28 31SDA640 0300

Service Information Summary

Gasoline:

Unleaded gasoline, pump octane number of 87 or higher.

Fuel Tank Capacity:

17.09 US gal (64.7 ℓ)

Recommended Engine Oil:

API Premium grade 5W-20 detergent oil (see page 204).

Oil change capacity (including filter):

4-cylinder models
4.4 US qt (4.2 ℓ)

6-cylinder models
4.5 US qt (4.3 ℓ)

Automatic Transmission Fluid:

Honda ATF-Z1 (Automatic Transmission Fluid) preferred, or a DEXRON® III ATF as a temporary replacement (see pages 211 and 212).

Manual Transmission Fluid:

Honda Manual Transmission Fluid preferred, or an SAE 10W-30 or 10W-40 motor oil as a temporary replacement (see page 214).

5-speed manual transmission:

2.0 US qt (1.9 ℓ)

6-speed manual transmission:

2.3 US qt (2.2 ℓ)

Power Steering Fluid:

Honda Power Steering Fluid preferred, or another brand of power steering fluid as a temporary replacement. Do not use ATF (see page 216).

Brake Fluid:

Honda Heavy Duty Brake Fluid DOT 3 preferred, or a DOT 3 or DOT 4 brake fluid as a temporary replacement (see page 215).

Tire Pressure (measured cold):

U.S. VP, SE, EX, and EX-L models, Canadian DX-G, SE, and EX-L models

Front:

32 psi (220 kPa , 2.2 kgf/cm²)

Rear:

30 psi (210 kPa , 2.1 kgf/cm²)

U.S. LX

Front:

30 psi (210 kPa , 2.1 kgf/cm²)

Rear:

29 psi (200 kPa , 2.0 kgf/cm²)

V6 models

Front:

32 psi (220 kPa , 2.2 kgf/cm²)

Rear:

29 psi (200 kPa , 2.0 kgf/cm²)

Spare Tire Pressure:

60 psi (420 kPa , 4.2 kgf/cm²)