



LASERJET PRO CP1020

COLOR PRINTER SERIES

Service Manual





HP LaserJet Pro CP1020 Color Printer Series

Service Manual

Copyright and License

© 2010 Copyright Hewlett-Packard Development Company, L.P.

Reproduction, adaptation, or translation without prior written permission is prohibited, except as allowed under the copyright laws.

The information contained herein is subject to change without notice.

The only warranties for HP products and services are set forth in the express warranty statements accompanying such products and services. Nothing herein should be construed as constituting an additional warranty. HP shall not be liable for technical or editorial errors or omissions contained herein.


Part number: CE913-90943

Edition 1, 10/2010


Trademark Credits

Microsoft®, Windows®, Windows® XP, and Windows Vista® are U.S. registered trademarks of Microsoft Corporation.

Conventions used in this guide

 **TIP:** Tips provide helpful hints or shortcuts.

 **NOTE:** Notes provide important information to explain a concept or to complete a task.

 **CAUTION:** Cautions indicate procedures that you should follow to avoid losing data or damaging the product.


 **WARNING!** Warnings alert you to specific procedures that you should follow to avoid personal injury, catastrophic loss of data, or extensive damage to the product.

Table of contents

1 Removal and replacement	1
Introduction	2
Removal and replacement strategy	2
Electrostatic discharge	3
Required tools	3
Service approach	4
Before performing service	4
After performing service	4
Post-service test	4
Print-quality test	4
Parts removal order	5
Removal and replacement procedures	6
Replace the print cartridges	6
Replace the imaging drum	9
Input tray	13
Secondary transfer roller	14
Separation pad assembly	15
Remove the separation pad assembly	15
Pickup roller	16
Remove the pickup roller assembly	17
Covers	18
Right cover assembly	18
Remove the right cover assembly	18
Left cover assembly	19
Remove the left cover assembly	19
Top door assembly	20
Remove the top door assembly	20
Rear top cover assembly	22
Remove the rear top cover assembly	22
Rear door assembly	23
Remove the rear door assembly	23
Rear lower cover assembly	24
Remove the rear lower cover assembly	24
Control panel	25

Remove the control panel	25
Front door	27
Remove the front door	27
Main assemblies	29
ITB assembly	29
Remove the ITB assembly	29
Fuser delivery assembly	38
Remove the fuser delivery assembly	39
Formatter PCA (base model)	43
Remove the formatter PCA (base model)	43
Formatter and wireless PCA (plus model)	44
Remove the formatter and wireless PCA (plus model)	44
Engine controller assembly	46
Remove the engine controller assembly	46
Low-voltage power supply assembly	49
Remove the low-voltage power supply assembly	49

2 Solve problems 53

Solve problems checklist	54
Step 1: Make sure that the product is set up correctly	54
Step 2: Check the cabling or wireless connection (network models only)	54
Step 3: Check to see if any control-panel lights are lit	54
Step 4: Check the paper	54
Step 5: Check the software	55
Step 6: Test print functionality	55
Step 7: Check the supplies	55
Step 8: Try sending a print job from a computer	55
Troubleshooting process	56
Determine the problem source	56
Power subsystem	57
Power-on checks	57
Tools for troubleshooting	58
Component diagnostics	58
Engine diagnostics	58
Engine test page	58
Diagrams	59
Plug/jack locations	59
Locations of connectors	60
Locations of major components	61
General timing chart	63
General circuit diagram	64
Internal print-quality test pages	65
Print quality troubleshooting page	65

Interpret the Print Quality Page	65
Clean the paper path	66
Print configuration page	66
Print-quality troubleshooting tools	67
Repetitive image defects ruler	67
Calibrate the product	67
Interpret control panel light patterns	68
Status alert messages	71
Clear jams	77
Prevent paper jams	77
Jam locations	78
Clear jams from the input tray	78
Clear jams from the output bin	80
Clear jams from the rear door	81
The product does not feed automatically	82
The product feeds multiple sheets	82
Solve image-quality problems	83
Image defects table	83
Clean the product	89
Clean the separation pad or pickup roller	89
Clean the paper path	90
Clean the exterior	90
Solve performance problems	91
The product does not print	91
The product prints slowly	91
Solve connectivity problems	92
Solve direct-connect problems	92
Solve network problems	92
Poor physical connection	92
The computer is using the incorrect IP address for the product	92
The computer is unable to communicate with the product	93
The product is using incorrect link and duplex settings for the network	93
New software programs might be causing compatibility problems	93
The computer or workstation might be set up incorrectly	93
The product is disabled, or other network settings are incorrect	93
Solve wireless network problems (wireless models only)	94
Wireless connectivity checklist	94
The product does not print after the wireless configuration completes	94
The product does not print, and the computer has a third-party firewall installed	95
The wireless connection does not work after moving the wireless router or product	95
Cannot connect more computers to the wireless product	95
The wireless product loses communication when connected to a VPN	95

The network does not appear in the wireless networks list	95
The wireless network is not functioning	95
Service mode functions	97
Product resets	97
Product updates	97

3 Parts and diagrams 99

Order parts by authorized service providers	100
Order replacement parts	100
Related documentation and software	100
Supplies part numbers	100
Service parts	100
Whole-unit replacement part numbers	101
How to use the parts lists and diagrams	102
Assembly locations	103
Base product (no optional trays or accessories)	103
Covers, panels, and doors	104
Internal assembly	106
Internal assembly	106
PCAs	108
Alphabetical parts list	110
Numerical parts list	112

Appendix A Service and support 115

Hewlett-Packard limited warranty statement	116
HP's Premium Protection Warranty: LaserJet print cartridge limited warranty statement	118
HP's LaserJet imaging drum limited warranty statement for replacement imaging drums	119
Data stored on the print cartridge and imaging drum	120
End User License Agreement	121
OpenSSL	123
Customer self-repair warranty service	124
Customer support	124
Repack the product	125

Appendix B Specifications 127

Physical specifications	128
Power consumption	128
Acoustic specifications	129
Environmental specifications	129

Appendix C Regulatory information 131

FCC regulations	132
Declaration of conformity (base models)	133

Declaration of conformity (wireless models)	135
Certificate of Volatility	137
Safety statements	139
Laser safety	139
Canadian DOC regulations	139
VCCI statement (Japan)	139
Power cord instructions	139
Power cord statement (Japan)	139
EMC statement (Korea)	140
Laser statement for Finland	140
GS statement (Germany)	140
Substances Table (China)	141
Restriction on Hazardous Substances statement (Turkey)	141
Additional statements for wireless products	142
FCC compliance statement—United States	142
Australia statement	142
Brazil ANATEL statement	142
Canadian statements	142
European Union regulatory notice	142
Notice for use in France	143
Notice for use in Russia	143
Korean statement	143
Taiwan statement	143
Index	145

List of tables

Table 2-1	Status light legend	68
Table 2-2	Control-panel light patterns	68
Table 2-3	Wireless light patterns	70
Table 3-1	Order parts, accessories, and supplies	100
Table 3-2	Related documentation and software	100
Table 3-3	Supplies part numbers	100
Table 3-4	Whole-unit replacement part numbers	101
Table 3-5	Base product	103
Table 3-6	Covers, panels, and doors	105
Table 3-7	Internal assembly)	107
Table 3-8	PCAs	109
Table 3-9	Alphabetical parts list	110
Table 3-10	Numerical parts list	112
Table B-1	Physical specifications ¹	128
Table B-2	HP LaserJet Pro CP1020 Color Printer Series (average in watts) ^{1,2,3}	128
Table B-3	HP LaserJet Pro CP1020 Color Printer Series ^{1,2}	129
Table B-4	Environmental specifications	129

List of figures

Figure 1-1	Phillips and Pozidriv screwdriver comparison	3
Figure 1-2	Parts removal order	5
Figure 1-3	Remove the tray	13
Figure 1-4	Remove the secondary transfer roller	14
Figure 1-5	Remove the separation pad assembly (1 of 1)	15
Figure 1-6	Remove the pickup roller assembly (1 of 2)	17
Figure 1-7	Remove the pickup roller assembly (2 of 2)	17
Figure 1-8	Remove the right cover (1 of 2)	18
Figure 1-9	Remove the right cover (2 of 2)	18
Figure 1-10	Remove the left cover (1 of 2)	19
Figure 1-11	Remove the left cover, duplex product (2 of 2)	19
Figure 1-12	Remove the top door assembly (1 of 3)	20
Figure 1-13	Remove the top door assembly (2 of 3)	20
Figure 1-14	Remove the top door assembly (3 of 3)	21
Figure 1-15	Remove the top door (1 of 2)	22
Figure 1-16	Remove the top door (2 of 2)	22
Figure 1-17	Remove the rear door assembly (1 of 2)	23
Figure 1-18	Remove the rear door assembly (2 of 2)	23
Figure 1-19	Remove the lower cover assembly	24
Figure 1-20	Remove the control panel (1 of 2)	25
Figure 1-21	Remove the control panel (2 of 2)	26
Figure 1-22	Remove the front door (1 of 2)	27
Figure 1-23	Remove the front door (2 of 3)	28
Figure 1-24	Remove the ITB assembly (1 of 16)	29
Figure 1-25	Remove the ITB assembly (2 of 16)	30
Figure 1-26	Remove the ITB assembly (3 of 16)	30
Figure 1-27	Remove the ITB assembly (4 of 16)	31
Figure 1-28	Remove the ITB assembly (5 of 16)	31
Figure 1-29	Remove the ITB assembly (6 of 16)	32
Figure 1-30	Remove the ITB assembly (7 of 16)	32
Figure 1-31	Remove the ITB assembly (8 of 16)	33
Figure 1-32	Remove the ITB assembly (9 of 16)	33
Figure 1-33	Remove the ITB assembly (10 of 16)	34
Figure 1-34	Remove the ITB assembly (11 of 16)	34

Figure 1-35	Remove the ITB assembly (12 of 16)	35
Figure 1-36	Remove the ITB assembly (13 of 16)	35
Figure 1-37	Remove the ITB assembly (14 of 16)	36
Figure 1-38	Remove the ITB assembly (15 of 16)	36
Figure 1-39	Remove the ITB assembly (16 of 16)	37
Figure 1-40	Remove the fuser delivery assembly (1 of 6)	39
Figure 1-41	Remove the fuser delivery assembly (2 of 6)	39
Figure 1-42	Remove the fuser delivery assembly (3 of 6)	40
Figure 1-43	Remove the fuser delivery assembly (4 of 6)	40
Figure 1-44	Remove the fuser delivery assembly (5 of 6)	41
Figure 1-45	Remove the fuser delivery assembly (6 of 6)	41
Figure 1-46	Reassemble the fuser delivery assembly (1 of 2)	42
Figure 1-47	Reassemble the fuser delivery assembly (2 of 2)	42
Figure 1-48	Remove the formatter PCA (base model; 1 of 2)	43
Figure 1-49	Remove the formatter PCA (base model; 2 of 2)	43
Figure 1-50	Remove the formatter and wireless PCA (plus model; 1 of 2)	44
Figure 1-51	Remove the formatter and wireless PCA (plus mode; 2 of 2)	45
Figure 1-52	Remove the engine controller assembly (1 of 5)	46
Figure 1-53	Remove the engine controller assembly (2 of 5)	47
Figure 1-54	Remove the engine controller assembly (3 of 5)	47
Figure 1-55	Remove the engine controller assembly (4 of 5)	48
Figure 1-56	Remove the engine controller assembly (5 of 5)	48
Figure 1-57	Remove the low-voltage power supply assembly (1 of 6)	49
Figure 1-58	Remove the low-voltage power supply assembly (2 of 6)	50
Figure 1-59	Remove the low-voltage power supply assembly (3 of 6)	50
Figure 1-60	Remove the low-voltage power supply assembly (4 of 6)	51
Figure 1-61	Remove the low voltage power supply assembly (5 of 6)	51
Figure 1-62	Remove the low-voltage power supply assembly (6 of 6)	52
Figure 2-1	Engine test page	58
Figure 2-2	Plug/jack locations	59
Figure 2-3	Locations of connectors	60
Figure 2-4	External view	61
Figure 2-5	Cross section view	62
Figure 2-6	General timing diagram	63
Figure 2-7	Circuit diagram	64
Figure 3-1	Base product (no optional trays or accessories)	103
Figure 3-2	Covers, panels, and doors	104
Figure 3-3	Internal assembly	106
Figure 3-4	PCAs	108

1 Removal and replacement

- [Introduction](#)
- [Removal and replacement strategy](#)
- [Electrostatic discharge](#)
- [Required tools](#)
- [Service approach](#)
- [Removal and replacement procedures](#)

Introduction

This chapter describes the removal and replacement of field-replaceable units (FRUs) only.

Replacing FRUs is generally the reverse of removal. Occasionally, notes and tips are included to provide directions for difficult or critical replacement procedures.

HP does *not* support repairing individual subassemblies or troubleshooting to the component level.

Note the length, diameter, color, type, and location of each screw. Be sure to return each screw to its original location during reassembly.

Incorrectly routed or loose wire harnesses can interfere with other internal components and can become damaged or broken. Frayed or pinched harness wires can be difficult to find. When replacing wire harnesses, always use the provided wire loops, lance points, or wire-harness guides and retainers.

Removal and replacement strategy

⚠ **WARNING!** Turn the product off, wait 5 seconds, and then remove the power cord before attempting to service the product. If this warning is not followed, severe injury can result, in addition to damage to the product. The power must be on for certain functional checks during troubleshooting. However, disconnect the power supply during parts removal.

Never operate or service the product with the protective cover removed from the laser/scanner assembly. The reflected beam, although invisible, can damage your eyes.


The sheet-metal parts can have sharp edges. Be careful when handling sheet-metal parts.

⚠ **CAUTION:** Do not bend or fold the flat flexible cables (FFCs) during removal or installation. Also, do not straighten pre-folds in the FFCs. You *must* fully seat all FFCs in their connectors. Failure to fully seat an FFC into a connector can cause a short circuit in a PCA.

🔧 **NOTE:** To install a self-tapping screw, first turn it counterclockwise to align it with the existing thread pattern, and then carefully turn it clockwise to tighten. Do not overtighten. If a self-tapping screw-hole becomes stripped, repair the screw-hole or replace the affected assembly.

💡 **TIP:** For clarity, some photos in this chapter show components removed that would not be removed to service the product. If necessary, remove the components listed at the beginning of a procedure before proceeding to service the product.

Electrostatic discharge

- △ **CAUTION:**  Some parts are sensitive to electrostatic discharge (ESD). Look for the ESD reminder when removing product parts. Always perform service work at an ESD-protected workstation or mat, or use an ESD strap. If an ESD workstation, mat, or strap is not available, ground yourself by touching the sheet-metal chassis *before* touching an ESD-sensitive part.

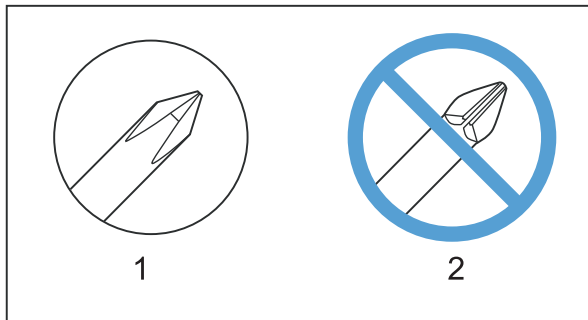
Protect the ESD-sensitive parts by placing them in ESD pouches when they are out of the product.

Required tools

- #2 Phillips screwdriver with a magnetic tip and a 152-mm (6-inch) shaft length
- Small flat-blade screwdriver
- Needle-nose pliers
- ESD mat or ESD strap (if one is available)
- Penlight (optional)

- △ **CAUTION:** Always use a Phillips screwdriver (callout 1). Do not use a Pozidriv screwdriver (callout 2) or any motorized screwdriver. These can damage screws or screw threads.

Figure 1-1 Phillips and Pozidriv screwdriver comparison



Service approach

Before performing service

- Remove all paper from the product.
- Turn off the power using the power button.
- △ **WARNING!** The power button must be turned off before performing service. Failure to turn off the power leaves the fuser engaged and prevents its removal.
- Unplug the power cable and interface cable or cables.
- Place the product on an ESD workstation or mat, or use an ESD strap (if one is available). If an ESD workstation, mat, or strap is not available, ground yourself by touching the sheet-metal chassis *before* touching an ESD-sensitive part.
- Remove the print cartridges and imaging drum.

After performing service

- Plug in the power cable.
- Reinstall the print cartridge.
- Load paper in the product.

Post-service test

Perform the following test to verify that the repair or replacement was successful.

Print-quality test

1. Verify that you have completed the necessary reassembly steps.
2. Make sure that the tray contains clean, unmarked paper.
3. Attach the power cord and interface cable or interface cables, and then turn on the product.
4. Verify that the expected startup sounds occur.
5. Print a configuration page, and then verify that the expected printing sounds occur.
6. Send a print job from the host computer, and then verify that the output meets expectations.
7. Clean the outside of the product with a damp cloth.

Parts removal order

Figure 1-2 Parts removal order


Component	Remove	Remove	Remove	Remove
Print cartridges				
Imaging drum				
Input tray				
Separation pad				
Pickup roller	Separation pad			
Right cover assembly				
Left cover assembly				
Top door assembly	Right cover	Left cover		
Rear top cover assembly	Right cover	Left cover		
Rear door assembly	Right cover			
Rear lower cover assembly	Right cover	Left cover	Rear door	
Control Panel	Right cover			
Front door	Left cover	Control Panel		
ITB	Imaging drum	Rear top cover	Rear lower cover	
Fuser delivery assembly	Right cover	Left cover	Rear top cover	
Formatter PCA (base model)	Left cover			
Formatter and wireless PCA (plus model)	Right cover	Left cover	Top door	
Engine controller assembly	Left cover			
Low-voltage power supply assembly	Input tray	Right cover	Left cover	Rear lower cover

Removal and replacement procedures


Replace the print cartridges


When a print cartridge approaches the end of its useful life, you can continue printing with the current print cartridge until it no longer yields acceptable print quality.

Once an HP print cartridge has reached “very low”, HP’s Premium Protection Warranty on that supply has ended. All print defects or print cartridge failures incurred when an HP supply is used in continue at very low mode will not be considered to be defects in materials or workmanship in the supply under the HP Print Cartridge Warranty Statement.

 **NOTE:** Once an HP print cartridge has reached “very low”, the corresponding cartridge light on the control panel turns on.

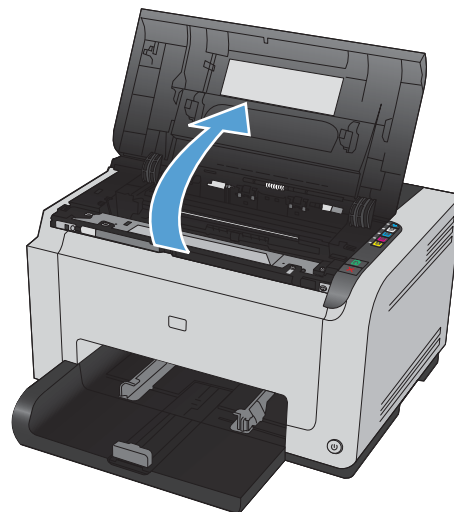
1. Press the Cartridge  button of the print cartridge that requires replacement to rotate the print cartridge carousel for removal.

NOTE: All doors must be closed when pressing the Cartridge  button.

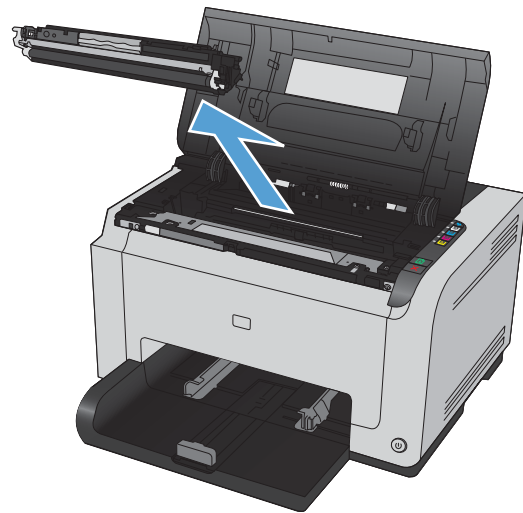
NOTE: Wait until the Cartridge  light is not flashing and the rotation sounds stops before opening the print cartridge door.



2. Open the print cartridge door.

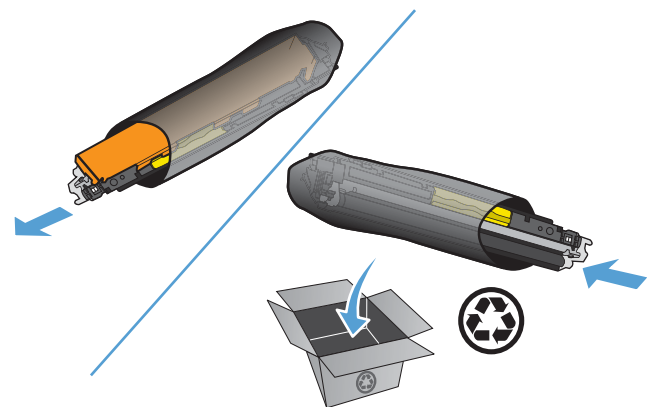


3. Grasp the old print cartridge by the center handle and remove.

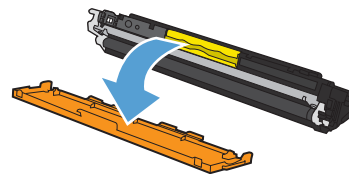


4. Remove the new print cartridge from the packaging. Place the used print cartridge in the bag and box for recycling.

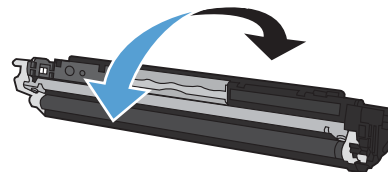
CAUTION: To prevent damage to the print cartridge, hold the print cartridge at each end. Do not touch the roller on the print cartridge.



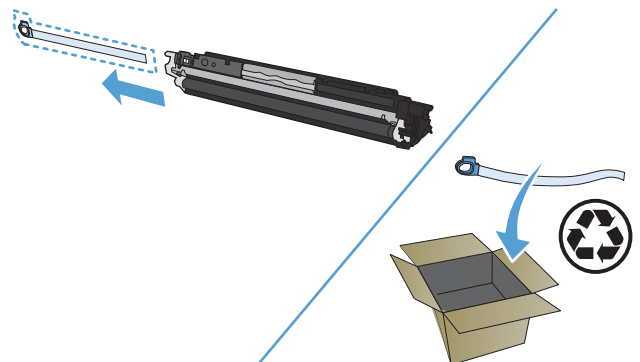
5. Remove the protective shielding from the new print cartridge.



6. Grasp both sides of the print cartridge and gently rock the print cartridge to distribute the toner evenly inside the print cartridge.



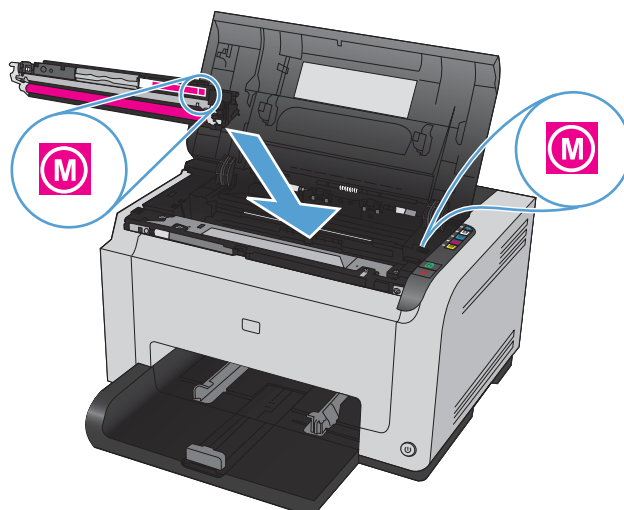
7. Remove the tape from the print cartridge. Place the tape in the print-cartridge box to return for recycling.





- Grasp the print cartridge by the center handle and insert into the product.

NOTE: Compare the color label on the print cartridge to the color label in the carousel slot to make sure the print cartridge color matches the carousel position.

CAUTION: If toner gets on your clothing, wipe it off with a dry cloth and wash the clothing in cold water. *Hot water sets toner into the fabric.*



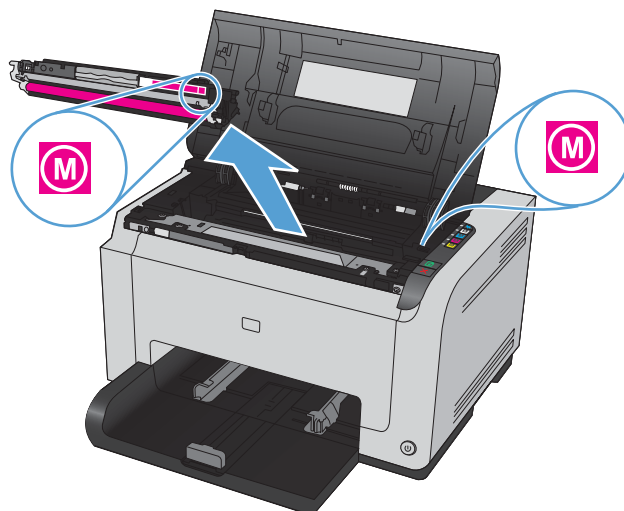
- Close the print cartridge door.

NOTE: After closing the print cartridge door, the Ready  light and Attention  light will flash. Allow up to three minutes for the product to calibrate.


NOTE: If replacing another print cartridge, you must close the print cartridge door before pressing the Cartridge  button of the next print cartridge.



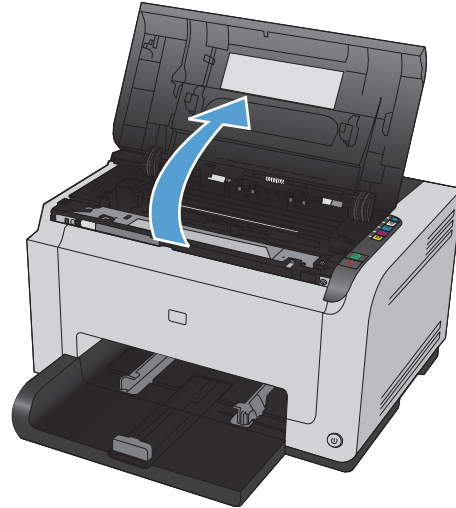
- When printing, if you receive the status alert message **Wrong Cartridge in <Color> Slot**, remove the print cartridge from the specified slot and compare the color label on the print cartridge to the color label in the slot to determine the correct print cartridge for the slot.



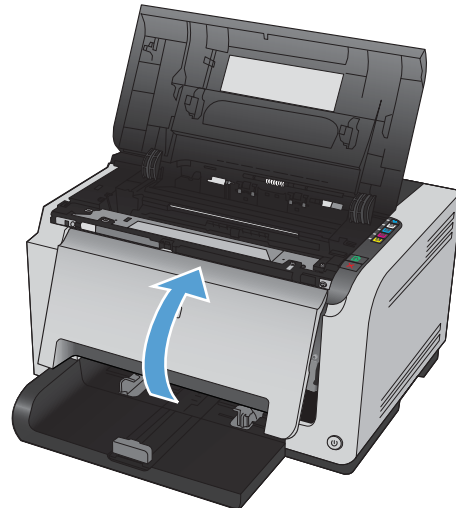
Replace the imaging drum

 **NOTE:** The imaging drum installed in this product is covered by the product warranty. Replacement imaging drums have a one-year limited warranty from the date of installation. The imaging drum installation date displays on both the configuration page and on the supplies status page when the imaging drum reaches approximately 30% of its estimated remaining life. HP's Premium Protection Warranty applies only to the print cartridges for the product.

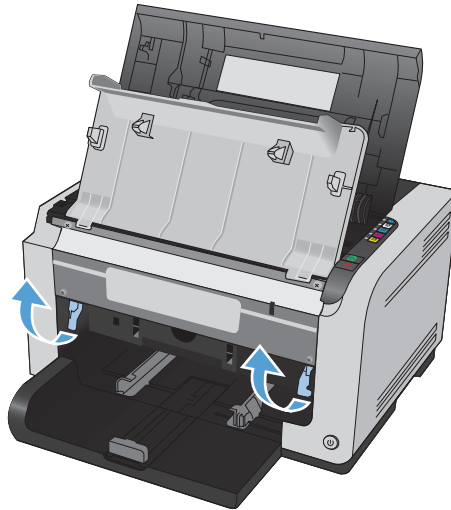
1. Open the print cartridge door.



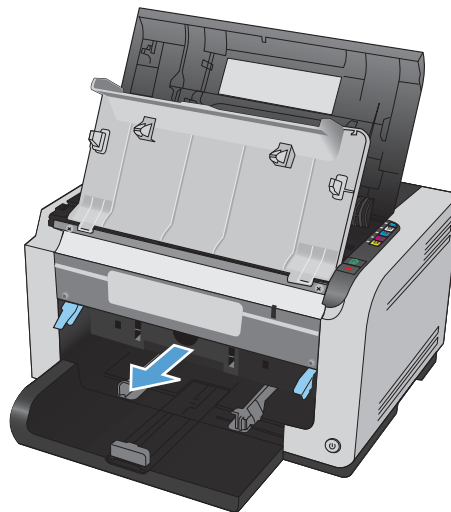
2. Open the front cover.



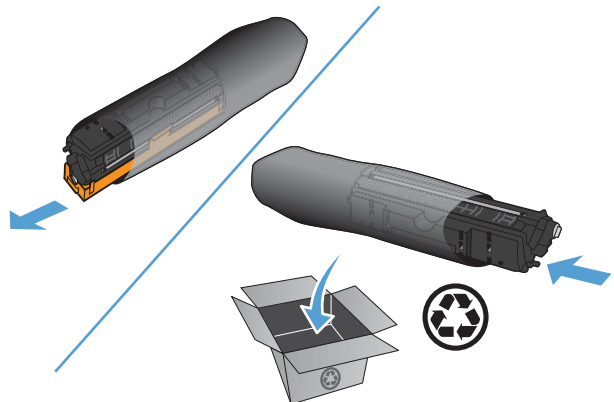
3. Lift the two levers that hold the imaging drum.



4. Remove the old imaging drum.



5. Remove the new imaging drum from the packaging. Place the used imaging drum in the bag and box for recycling.

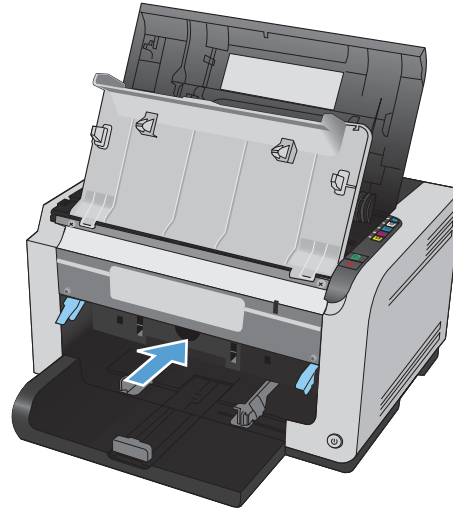
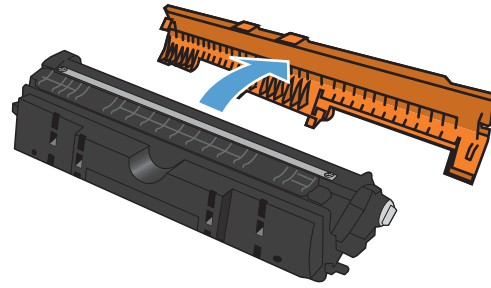


6. Remove the protective shielding from the new imaging drum.

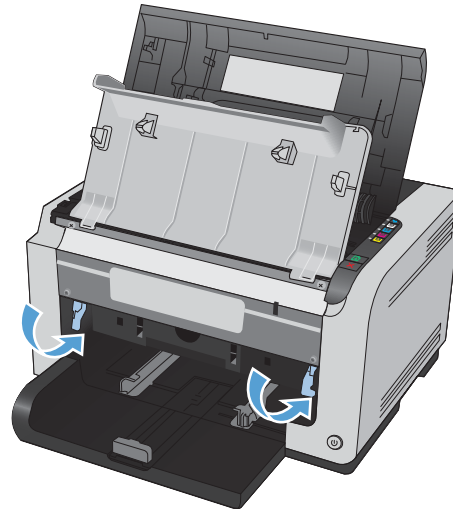
CAUTION: To prevent damage, do not expose the imaging drum to light for an extended period of time. Cover the imaging drum with a piece of paper if it can not be installed immediately.

CAUTION: Do not touch the green drum. Fingerprints on the imaging drum can cause print-quality problems.

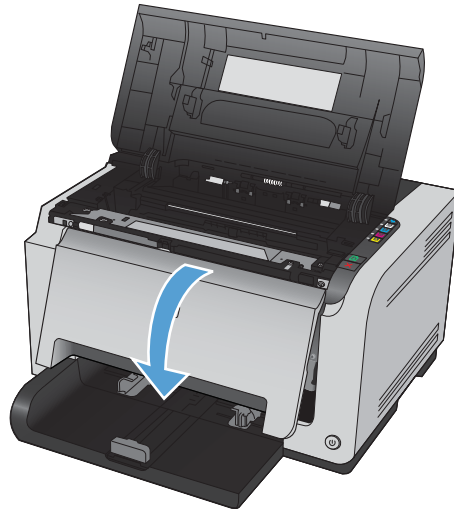
7. Insert the new imaging drum in the product.





8. Lower the two levers that hold the imaging drum.

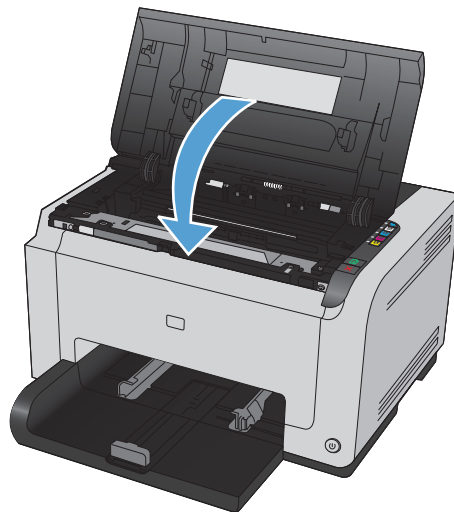


9. Close the front cover.



10. Close the print cartridge door.

NOTE: After closing the print cartridge door, the Ready  light and Attention  light will flash. Allow up to a minute for the product to calibrate.



Input tray

Pull the tray away from the printer to remove.

Figure 1-3 Remove the tray

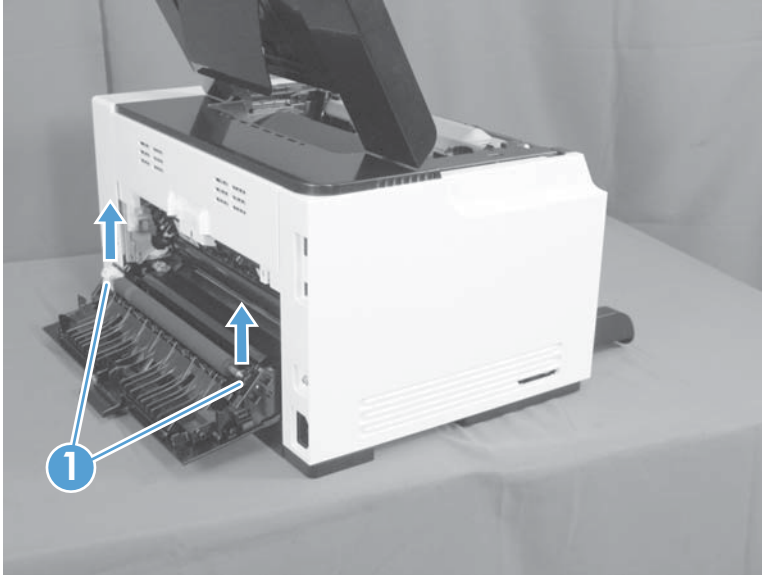


Secondary transfer roller

△ **CAUTION:** Do not touch the black spongy part of the roller. Skin oils might cause print-quality problems.

1. Open the rear door.
2. Release two clips (callout 1), and then remove the roller from the product.

Figure 1-4 Remove the secondary transfer roller

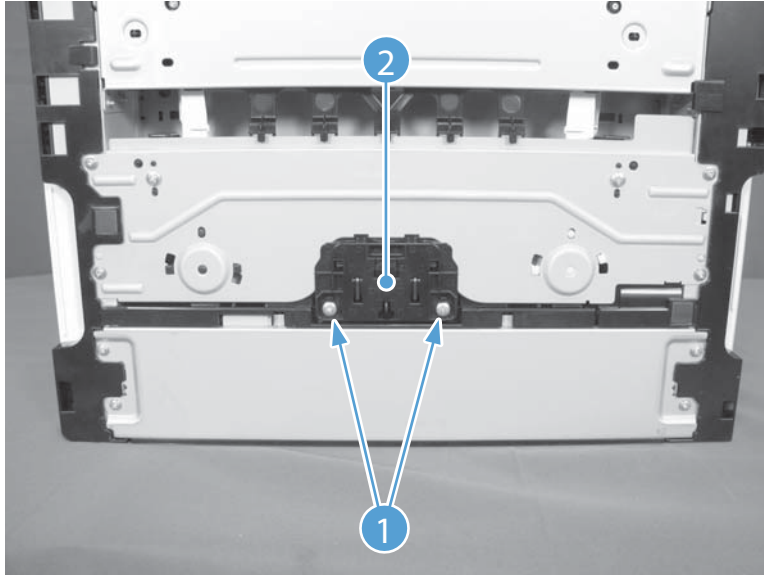


Separation pad assembly

Remove the separation pad assembly

1. Turn the product front side up.
2. Remove two screws (callout 1) and the separation pad assembly (callout 2).


Figure 1-5 Remove the separation pad assembly (1 of 1)



Pickup roller


Rotate the pickup roller to the service position

To gain access to the roller locking tabs you must rotate the roller to the correct position for removal.


1. When the product is in the Ready state, press and hold the Auto-On/Auto-Off (power) button for about seven seconds or until the Ready  light turns off.

 **TIP:** Optionally, unplug the power cord, and then plug the cord back in.


2. Make sure that one sheet of paper is loaded in the input tray.

 **NOTE:** If more than one sheet of paper is loaded in the tray, this procedure will not be successful.

3. Press and release the Auto-On/Auto-Off (power) button and within two seconds press and hold down the cyan cartridge button. Hold the cyan button down for about five seconds, or until the initialization process begins.

 **NOTE:** Immediately after the Auto-On/Auto-Off (power) button is pressed, all of the control panel lights illuminate briefly (for about two seconds). You must press the cyan cartridge button while the lights are illuminated.

4. When the product finishes initializing, the roller rotates into the removal position. Turn the product off. Unplug the product before removing any components.

 **NOTE:** When the roller is in the removal position, the sheet of paper will have been pulled into the paper path by about 12 mm (.5 in). This is visual confirmation that the roller has rotated to the removal position.

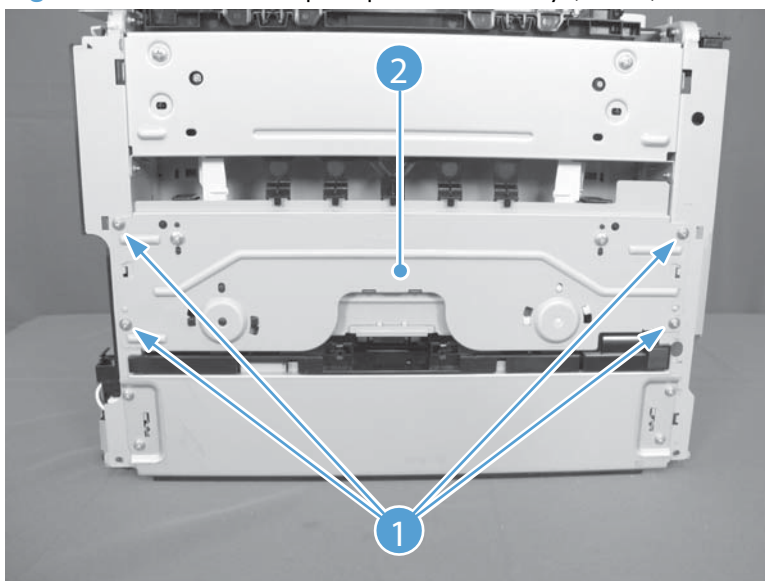
Before proceeding, remove the following components:

- Right cover assembly. See [Right cover assembly on page 18](#).
- Left cover assembly. See [Left cover assembly on page 19](#).
- Separation pad assembly. See [Separation pad assembly on page 15](#).

Remove the pickup roller assembly

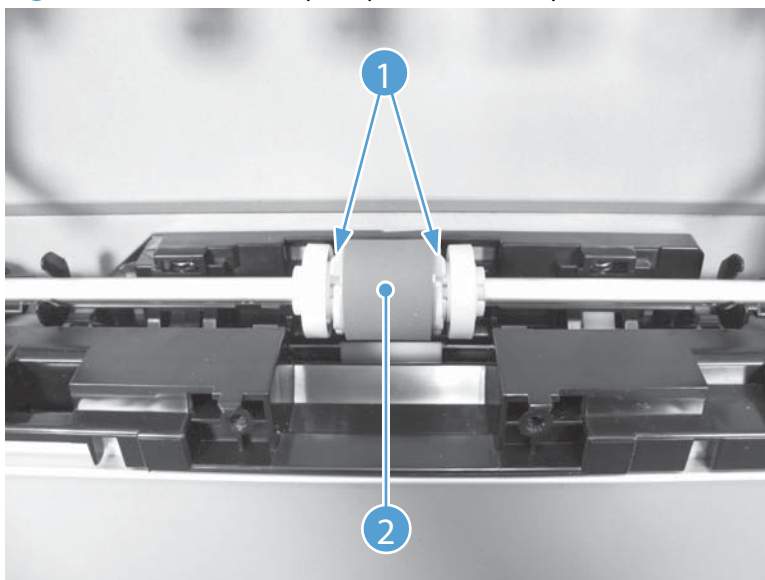
1. Remove four screws (callout 1) and the lower stay part (callout 2).

Figure 1-6 Remove the pickup roller assembly (1 of 2)



2. Release two tabs (callout 1) and remove the pickup roller (callout 2).

Figure 1-7 Remove the pickup roller assembly (2 of 2)



Covers

Right cover assembly

Remove the right cover assembly

1. Open the top and rear door assemblies.
2. Remove one screw (callout 1), and then starting at the rear vertical edge, release five tabs (callout 2) and remove the right cover assembly (callout 3).

 **NOTE:** Before proceeding, take note of the locations of the tabs (callout 1) on the back side of the cover. See [Figure 1-9 Remove the right cover \(2 of 2\) on page 18](#).

Figure 1-8 Remove the right cover (1 of 2)

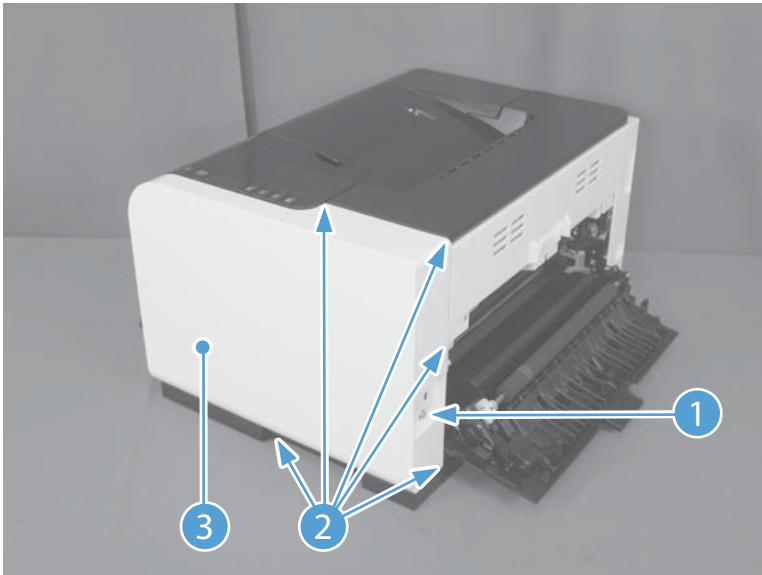
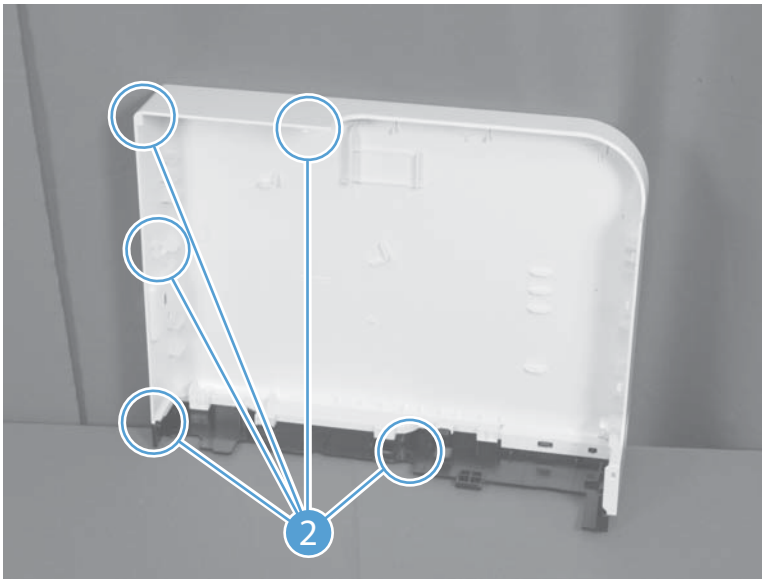


Figure 1-9 Remove the right cover (2 of 2)



Left cover assembly

Remove the left cover assembly

1. Open the top door.
2. Remove one screw (callout 1), and then starting at the rear vertical edge, release two tabs (callout 2) and remove the left cover assembly (callout 3).

 **NOTE:** Before proceeding, take note of the locations of the tabs (callout 2) on the back side of the cover. See [Figure 1-11 Remove the left cover, duplex product \(2 of 2\) on page 19](#).

Figure 1-10 Remove the left cover (1 of 2)

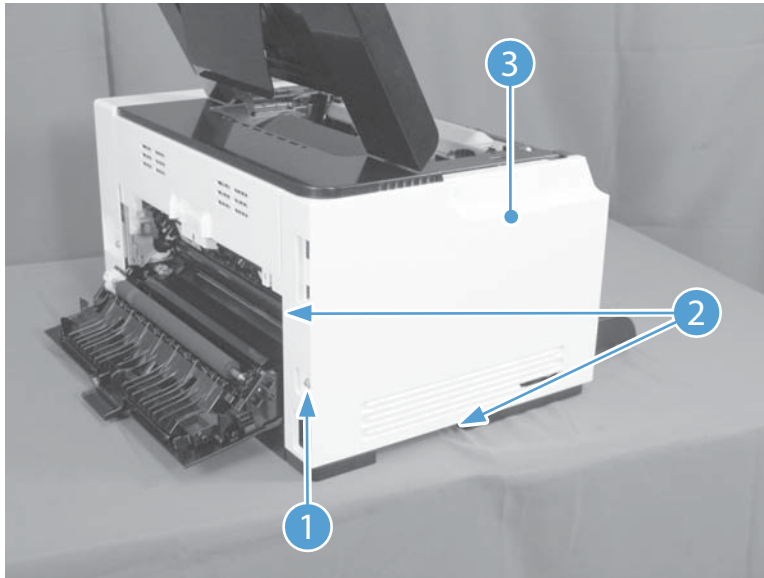
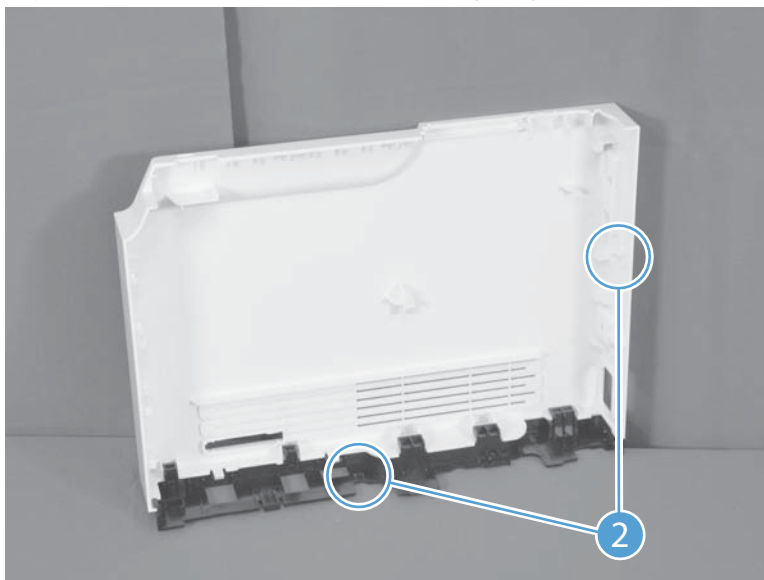


Figure 1-11 Remove the left cover, duplex product (2 of 2)



Top door assembly

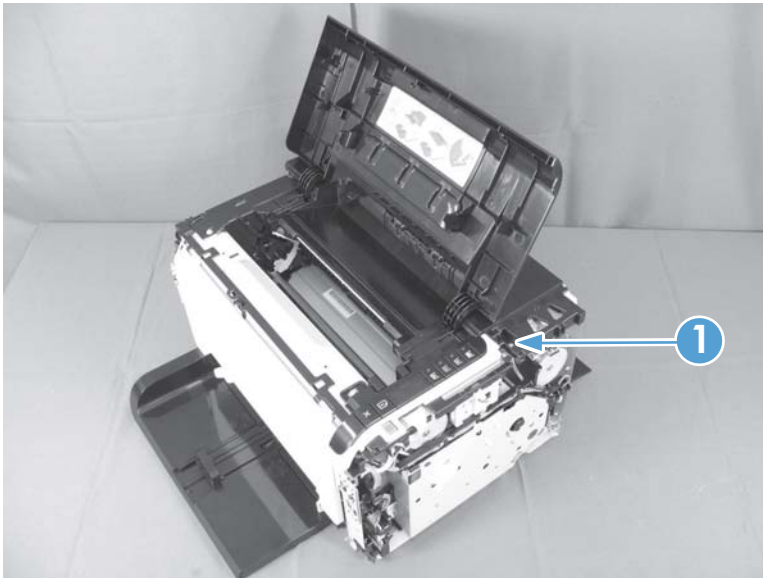
Before proceeding, remove the following components:

- Right cover assembly. See [Right cover assembly on page 18](#).
- Left cover assembly. See [Left cover assembly on page 19](#).

Remove the top door assembly

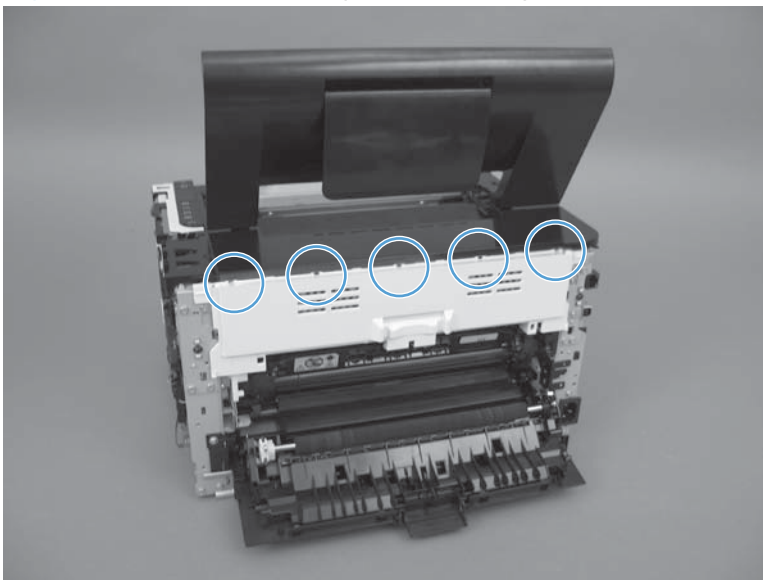
1. Remove one screw (callout 1).

Figure 1-12 Remove the top door assembly (1 of 3)



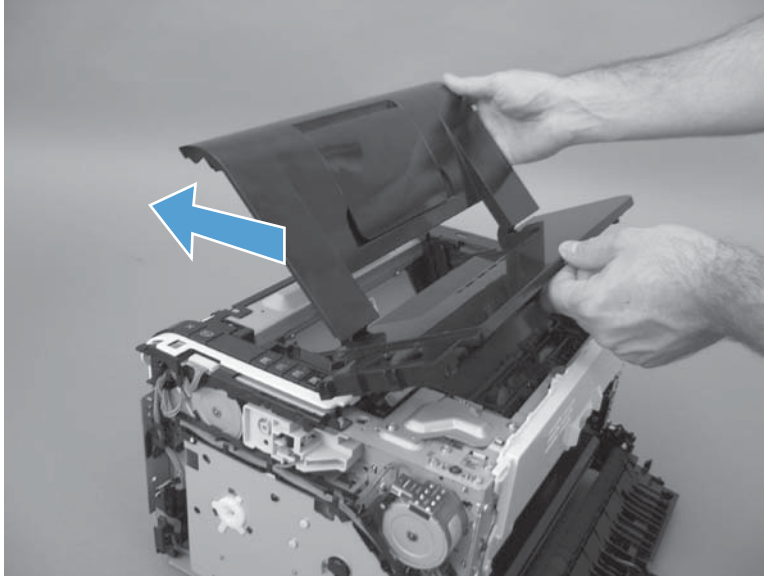
2. Use a small, flat blade screwdriver to release the five tabs between the top door assembly and the rear top cover.

Figure 1-13 Remove the top door assembly (2 of 3)



3. Lift the top door and rear edge, then slide the top door assembly forward to release the two tabs from the drive shaft at the top of the product.

Figure 1-14 Remove the top door assembly (3 of 3)



Rear top cover assembly

Before proceeding, remove the following components:

- Right cover assembly. See [Right cover assembly on page 18](#).
- Left cover assembly. See [Left cover assembly on page 19](#).
- Top door assembly. See [Top door assembly on page 20](#).

Remove the rear top cover assembly

- ▲ Release one tab (callout 1) and remove the rear top cover (callout 2).

Figure 1-15 Remove the top door (1 of 2)

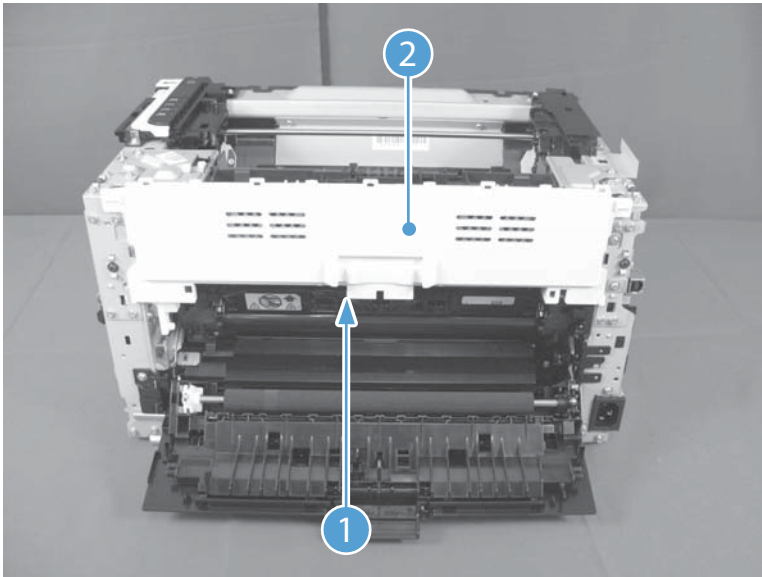
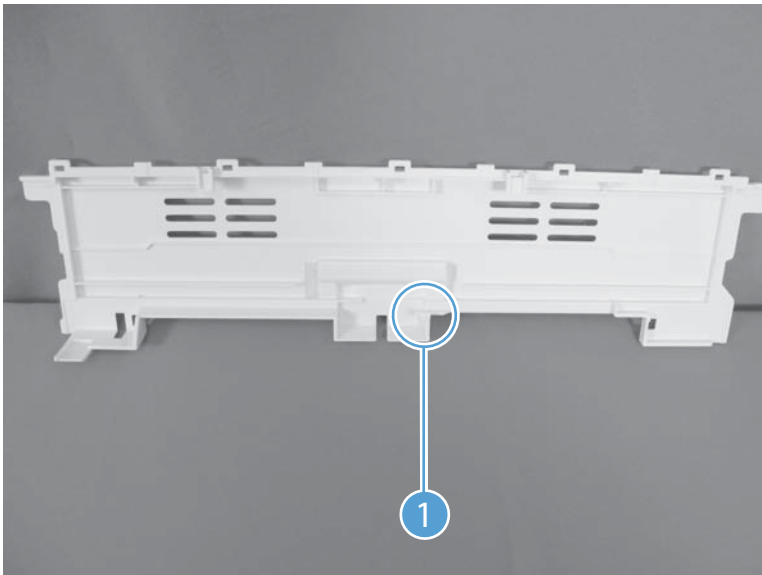


Figure 1-16 Remove the top door (2 of 2)



Rear door assembly

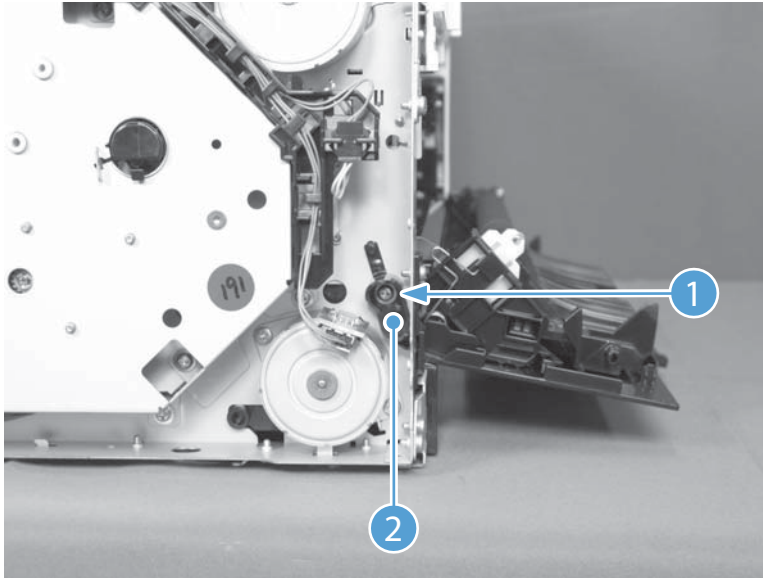
Before proceeding, remove the following components:

- Right cover assembly. See [Right cover assembly on page 18](#).

Remove the rear door assembly

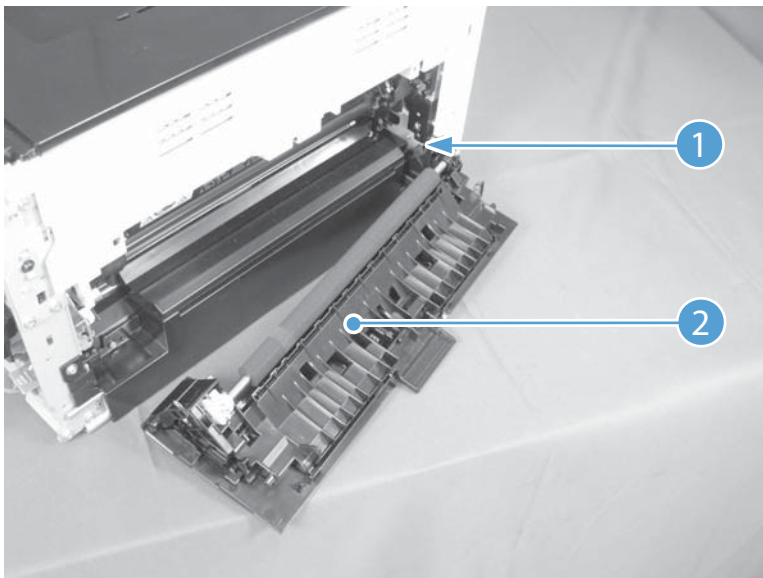
1. Remove one screw (callout 1) and the bushing (callout 2).

Figure 1-17 Remove the rear door assembly (1 of 2)



2. Pull out the shaft (callout 1) and remove the rear door assembly (callout 2).

Figure 1-18 Remove the rear door assembly (2 of 2)



Rear lower cover assembly

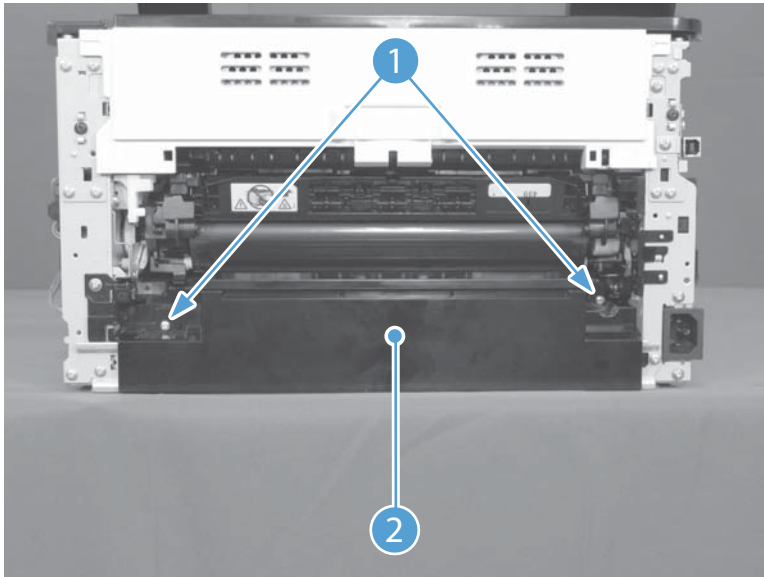
Before proceeding, remove the following components:

- Right cover assembly. See [Right cover assembly on page 18](#).
- Left cover assembly. See [Left cover assembly on page 19](#).
- Rear door assembly. See [Rear door assembly on page 23](#).

Remove the rear lower cover assembly

Remove two screws (callout 1) and the rear lower cover assembly (callout 2).

Figure 1-19 Remove the lower cover assembly



Control panel

△ **CAUTION:**  ESD sensitive.

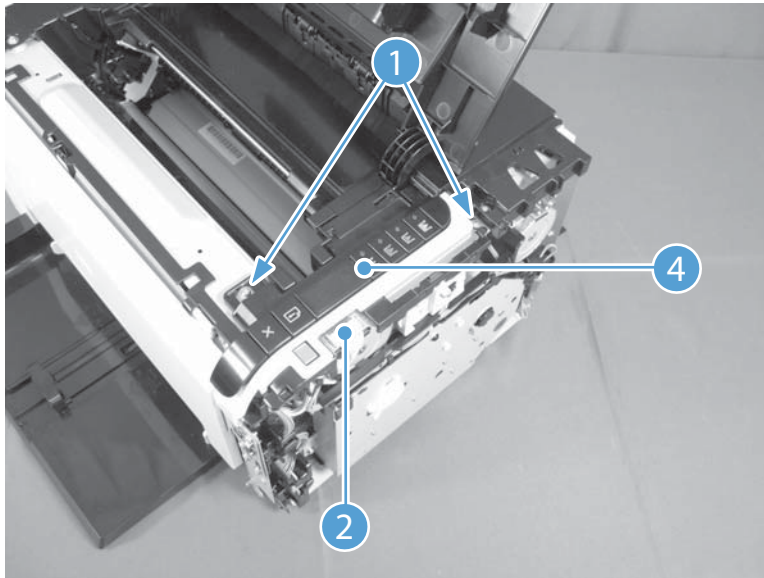
Before proceeding, remove the following components:

- Right cover assembly. See [Right cover assembly on page 18](#).

Remove the control panel

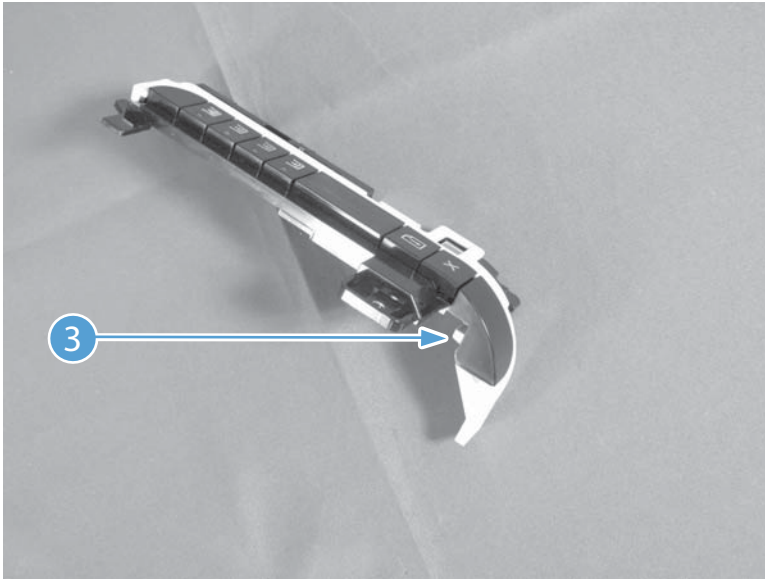
1. Open the top door assembly.
2. Remove two screws (callout 1) and disconnect one connector (callout 2).

Figure 1-20 Remove the control panel (1 of 2)



3. Release one tab (callout 3) and remove the control panel (callout 4).

Figure 1-21 Remove the control panel (2 of 2)



Front door

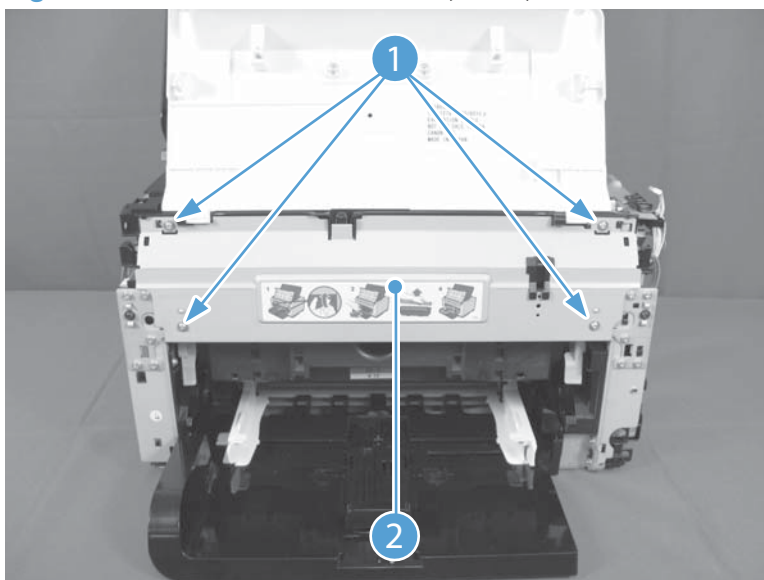
Before proceeding, remove the following components:

- Right cover assembly. See [Right cover assembly on page 18](#).
- Left cover assembly. See [Left cover assembly on page 19](#).
- Control panel. See [Control panel on page 25](#).

Remove the front door

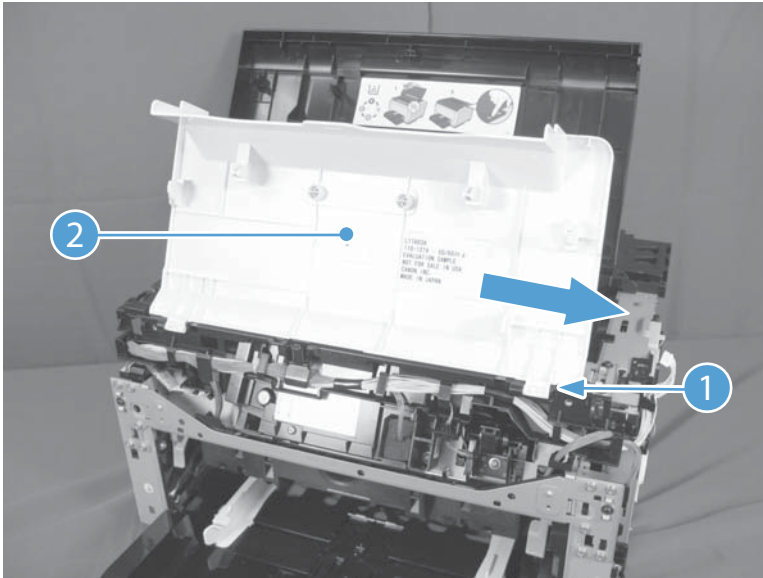
1. Open the front door.
2. Remove four screws (callout 1) and the scanner cover (callout 2).

Figure 1-22 Remove the front door (1 of 2)



3. Release one tab (callout 1) and slide the front door (callout 2) in the direction that the arrow indicates to remove it.

Figure 1-23 Remove the front door (2 of 3)



Main assemblies

ITB assembly

△ **CAUTION:**  ESD sensitive.

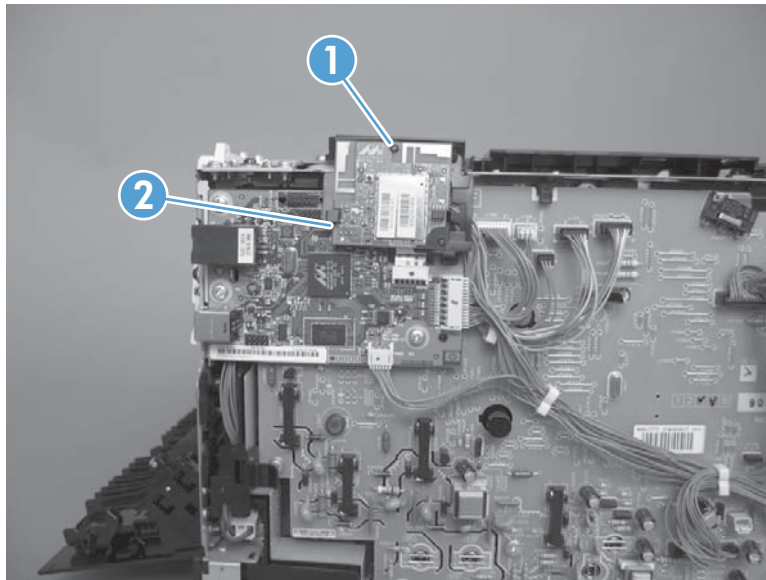
Before proceeding, remove the following components:

- Imaging drum. See [Replace the imaging drum on page 9](#).
- Rear top cover assembly. See [Rear top cover assembly on page 22](#).
- Rear lower cover assembly. See [Rear lower cover assembly on page 24](#).


Remove the ITB assembly

1. For wireless products, follow these steps to remove the wireless PCA.
 - a. Release one tab (callout 1) and disconnect one connector (callout 2) on the back of the wireless PCA.

Figure 1-24 Remove the ITB assembly (1 of 16)

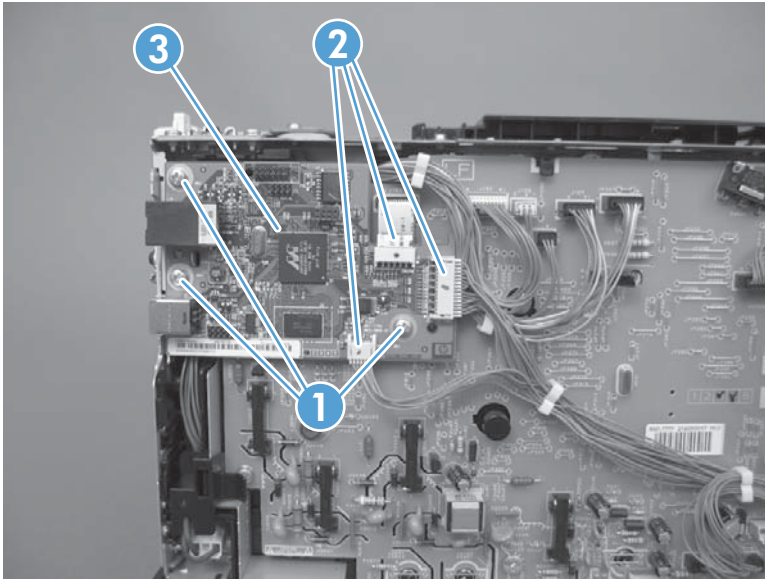


- b. Remove three screws (callout 1).

 **NOTE:** Base products have only two screws and the appearance of the formatter may be slightly different from what appears in [Figure 1-24 Remove the ITB assembly \(1 of 16\) on page 29](#).

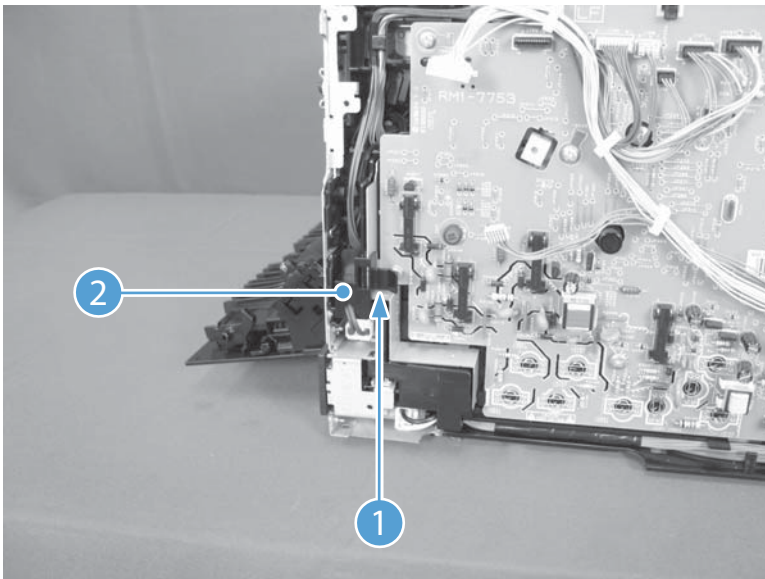
2. Disconnect three connectors (callout 2) and remove the formatter (callout 3).

Figure 1-25 Remove the ITB assembly (2 of 16)



3. Release one tab (callout 1) and remove the cable cover (callout 2).

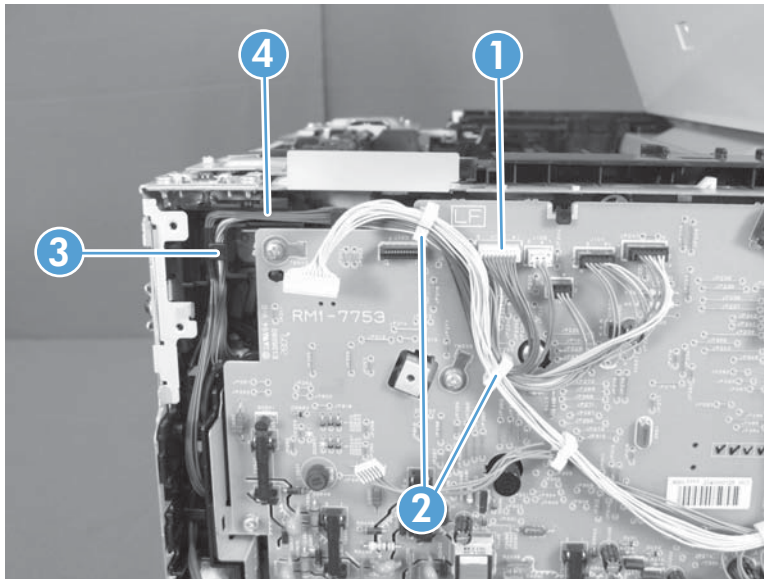
Figure 1-26 Remove the ITB assembly (3 of 16)



4. Disconnect one connector (callout 1).

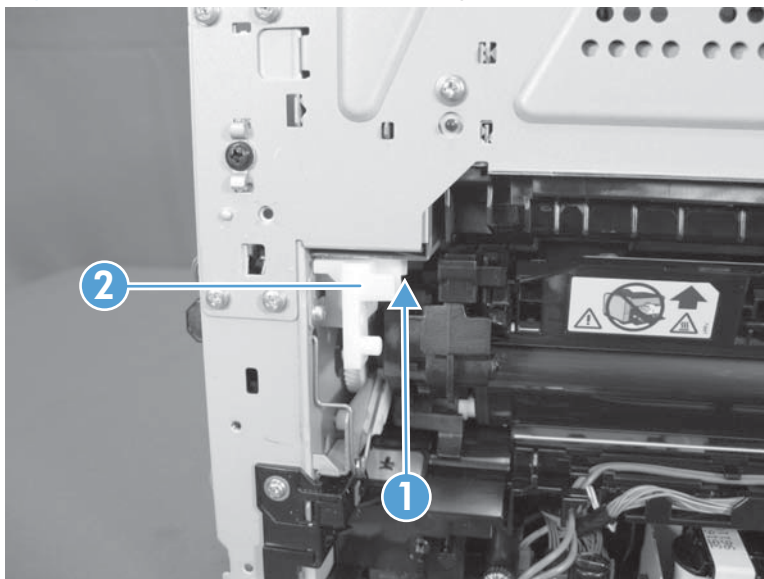
5. Release cables (callout 4) from the cable clips (callout 2) and the cable guide (callout 3).

Figure 1-27 Remove the ITB assembly (4 of 16)



6. Release one tab (callout 1) and remove the left side arm (callout 2) of the rear door.

Figure 1-28 Remove the ITB assembly (5 of 16)



7. Release the hook (callout 1) of the ITB fuser spring and turn the spring (callout 2) frontward.

Figure 1-29 Remove the ITB assembly (6 of 16)

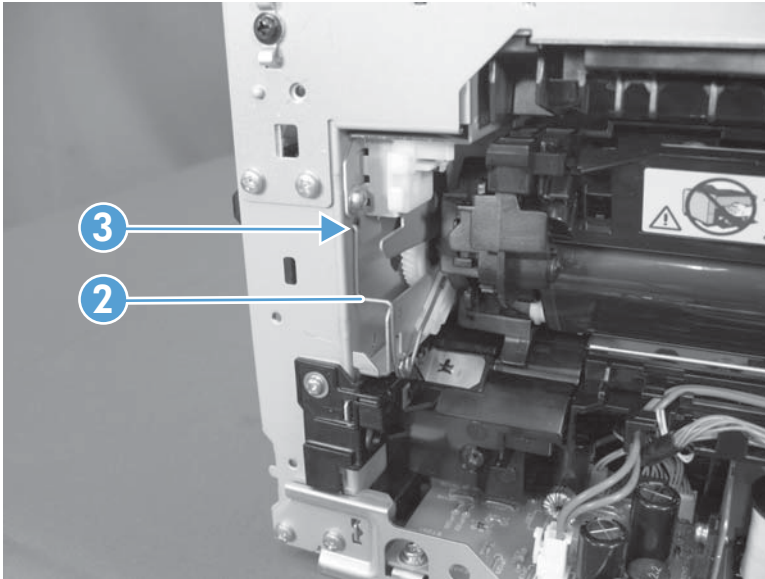
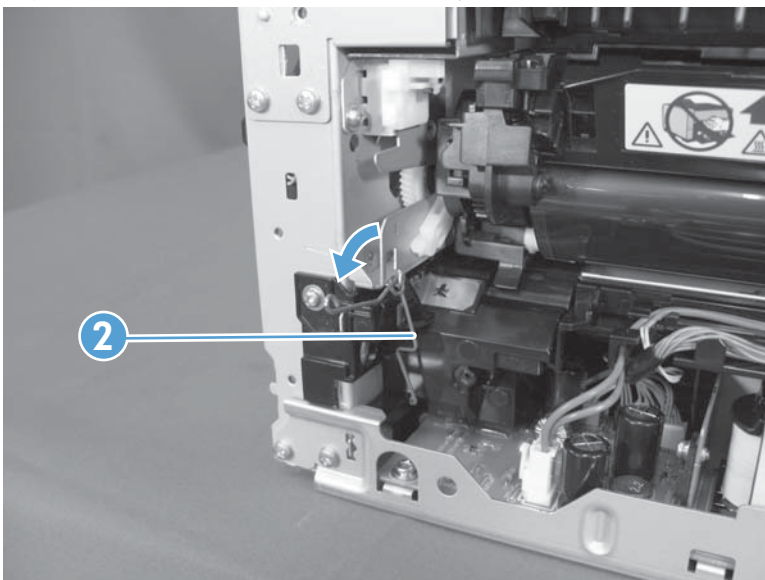


Figure 1-30 Remove the ITB assembly (7 of 16)



8. Turn the ITB fuser part (callout 1) frontward (callout 2).

Figure 1-31 Remove the ITB assembly (8 of 16)

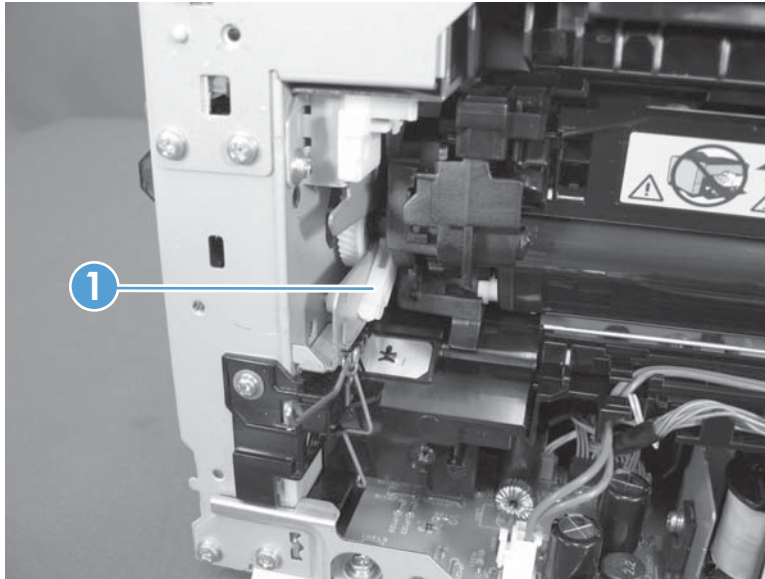
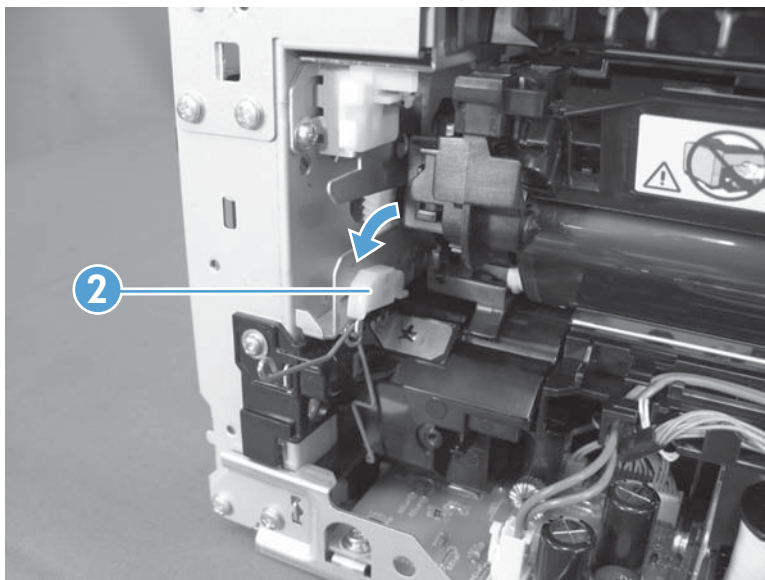
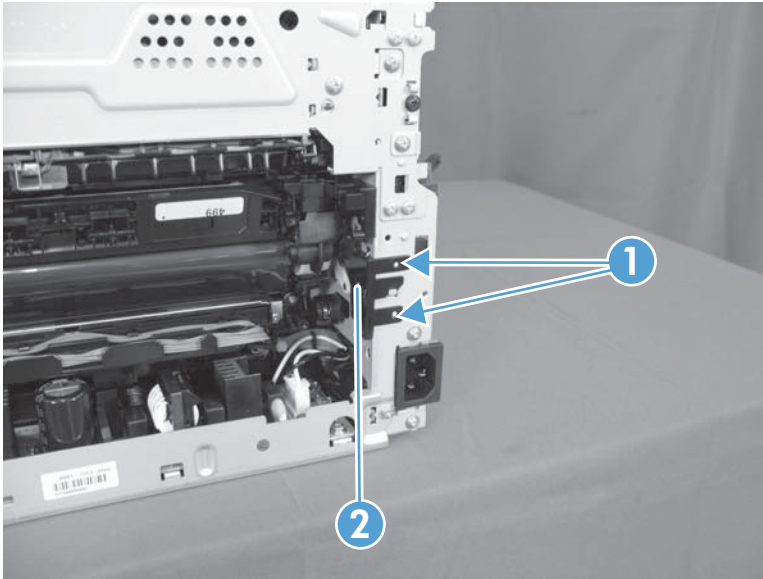


Figure 1-32 Remove the ITB assembly (9 of 16)



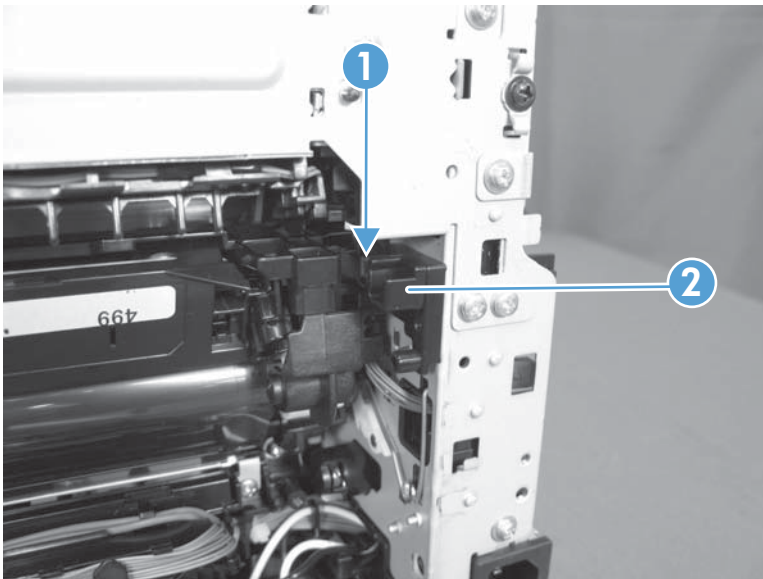
9. Release two tabs (callout 1) and remove the spring cover (callout 2).

Figure 1-33 Remove the ITB assembly (10 of 16)



10. Release one tab (callout 1) and remove the right side arm (callout 2) of the rear door.

Figure 1-34 Remove the ITB assembly (11 of 16)



11. Pull out the cables (callout 1), release the hook (callout 2) of the ITB fuser spring, and then turn the spring (callout 3) frontward.

Figure 1-35 Remove the ITB assembly (12 of 16)

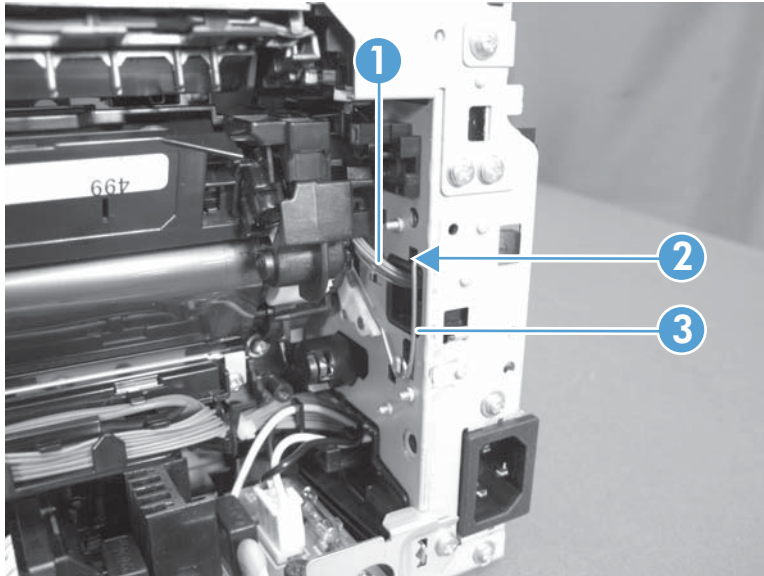
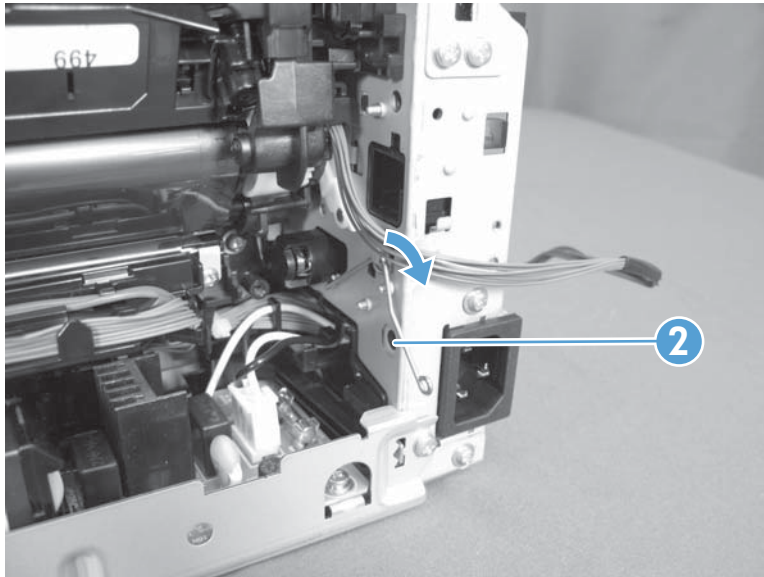


Figure 1-36 Remove the ITB assembly (13 of 16)



12. Turn the ITB fuser part (callout 1) frontward.

Figure 1-37 Remove the ITB assembly (14 of 16)

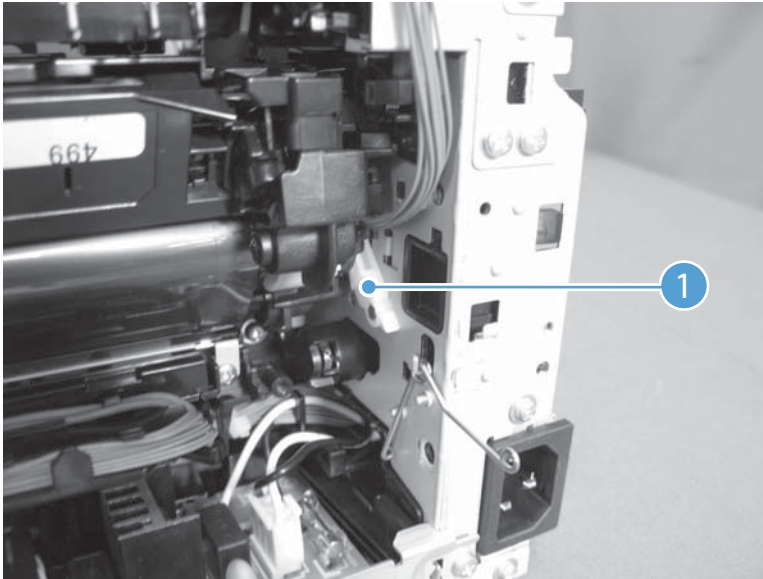
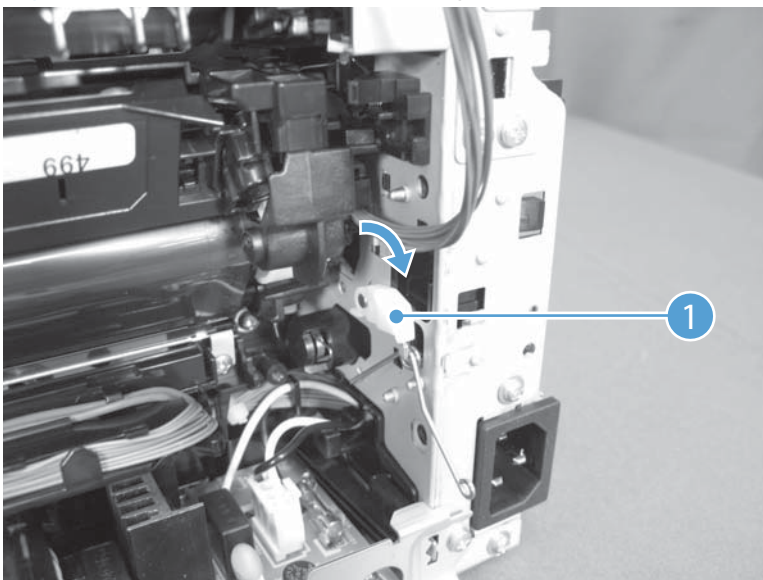


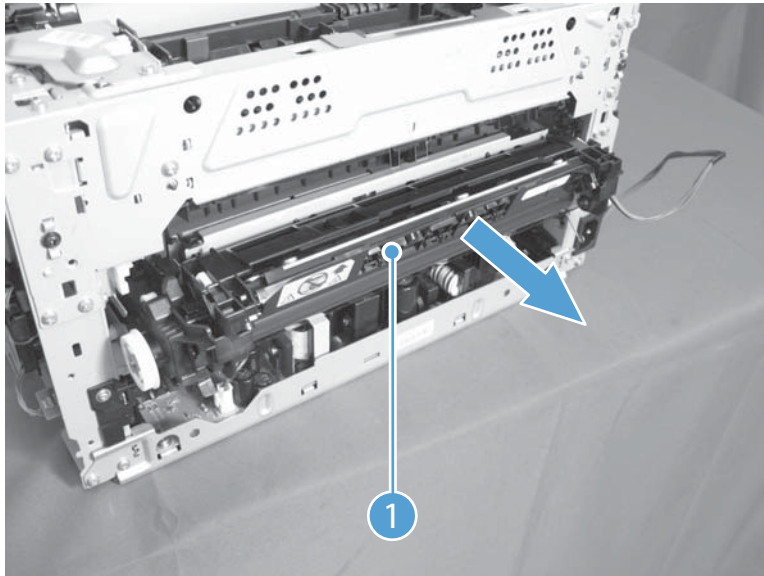
Figure 1-38 Remove the ITB assembly (15 of 16)




13. Pull out the ITB assembly (callout 1).

△ **CAUTION:** Avoid touching the black plastic transfer belt. Skin oils on the belt might cause print-quality problems.

Figure 1-39 Remove the ITB assembly (16 of 16)




Fuser delivery assembly

 **NOTE:** For this product, the fuser and the paper delivery components are one assembly.

Position the fuser pressure roller for removal

You must rotate the pressure roller to the correct position before removing the fuser delivery assembly.

1. When the product is in the Ready state, press and hold the Auto-On/Auto-Off (power) button for about seven seconds or until you hear subtle movement within the product and the Ready  light turns off.
2. Release the Auto-On/Auto-Off (power) button. The product power will be off and the fuser pressure roller is in the removal position. Unplug the product before removing any components.

Before proceeding, remove the following components:

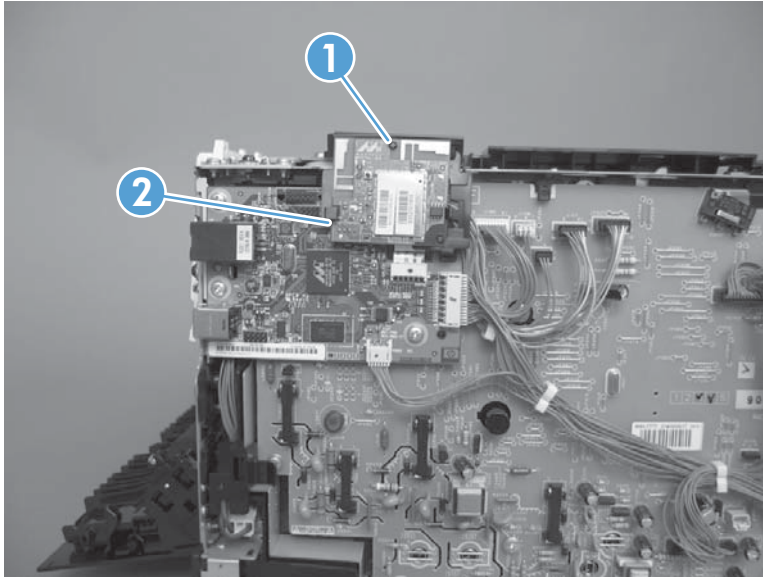
- [18 Right cover assembly](#). See [Right cover assembly on page](#).
- Left cover assembly. See [Left cover assembly on page 19](#).
- Top door assembly. See [Top door assembly on page 20](#).
- Rear top cover assembly. See [Rear top cover assembly on page 22](#).
- Formatter (base model) or formatter and wireless PCA (plus model). See [Formatter PCA \(base model\) on page 43](#) or [Formatter and wireless PCA \(plus model\) on page 44](#).

Remove the fuser delivery assembly

△ **CAUTION:**  ESD sensitive.

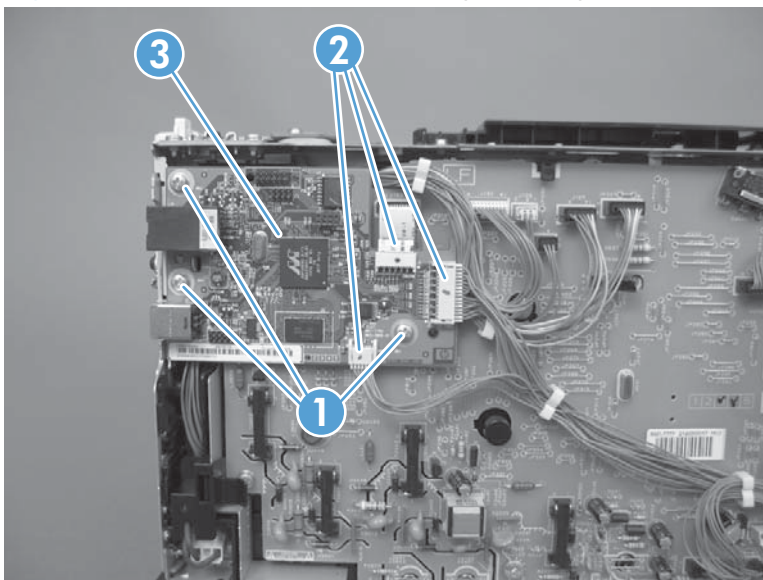
1. Release one tab (callout 1) and disconnect one connector (callout 2) on the back of the wireless PCA.

Figure 1-40 Remove the fuser delivery assembly (1 of 6)



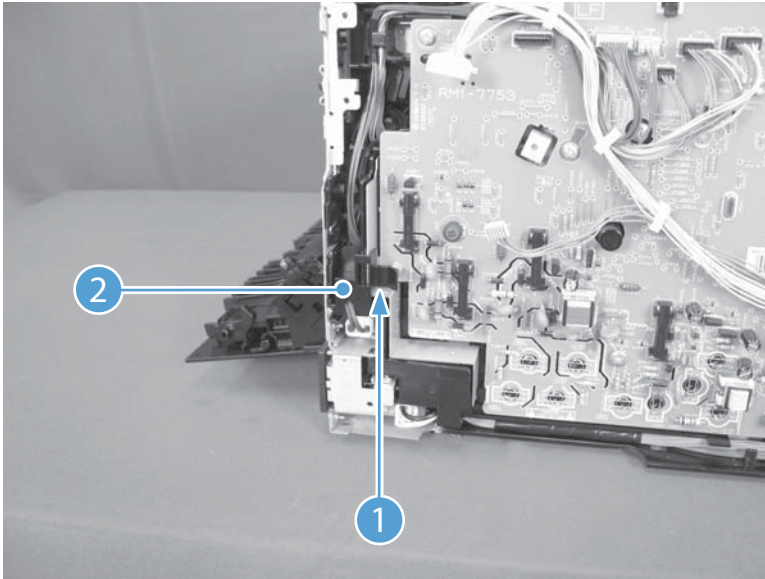
2. Remove three screws (callout 1).
3. Disconnect three connectors (callout 2) and the formatter (callout 3).

Figure 1-41 Remove the fuser delivery assembly (2 of 6)



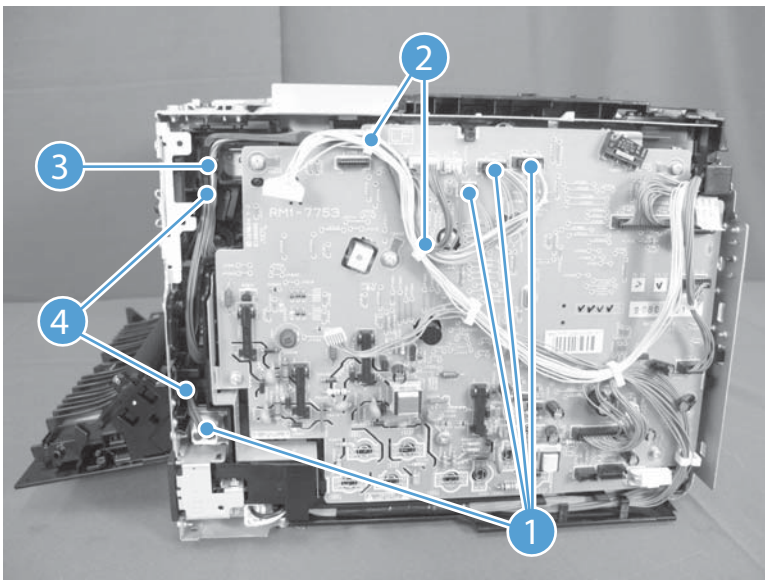
4. Release one tab (callout 1) and remove the cable cover (callout 2).

Figure 1-42 Remove the fuser delivery assembly (3 of 6)



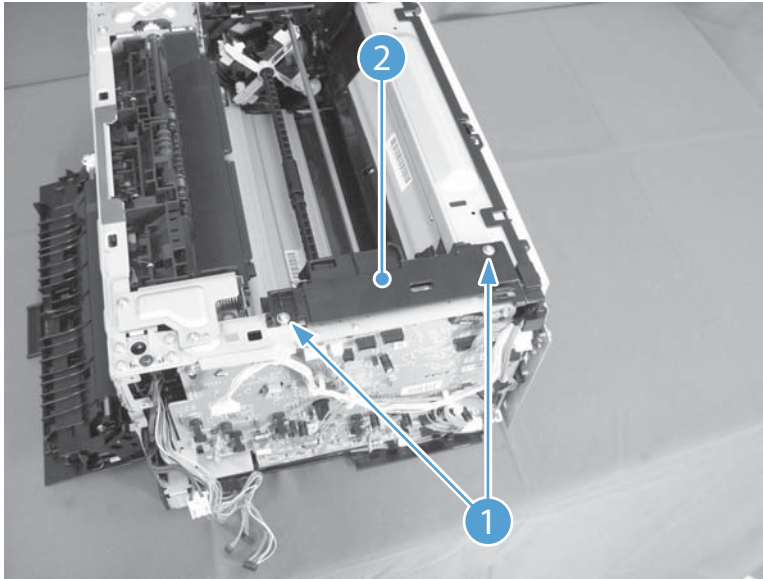
5. Disconnect four connectors (callout 1).
6. Release cables (callout 4) from the cable clips (callout 2) and the cable guide (callout 3).

Figure 1-43 Remove the fuser delivery assembly (4 of 6)



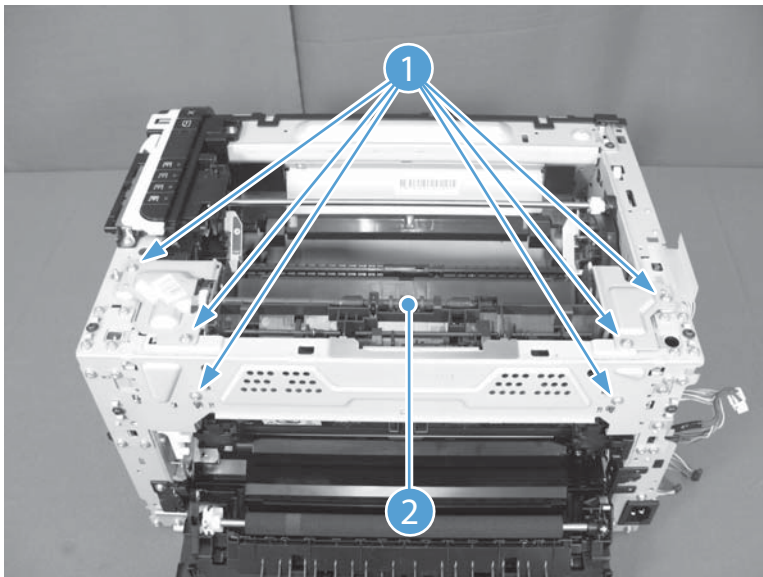
7. Remove two screws (callout 1) and the carousel cover (callout 2).

Figure 1-44 Remove the fuser delivery assembly (5 of 6)



8. Remove six screws (callout 1) and the fuser delivery assembly (callout 2).

Figure 1-45 Remove the fuser delivery assembly (6 of 6)



Reassemble the fuser delivery assembly

- ▲ When reassembling the fuser delivery assembly, be sure the drive cam (callout 1) for fuser pressure release is positioned as shown in the figures below.

Figure 1-46 Reassemble the fuser delivery assembly (1 of 2)

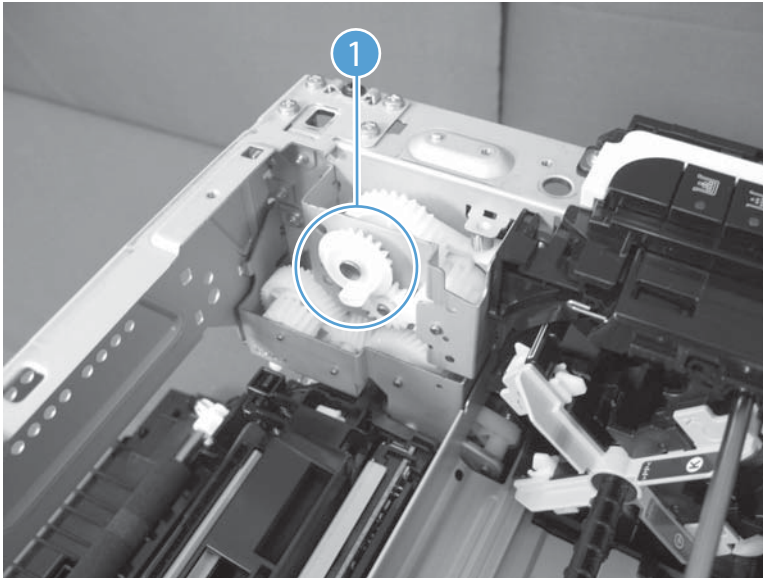
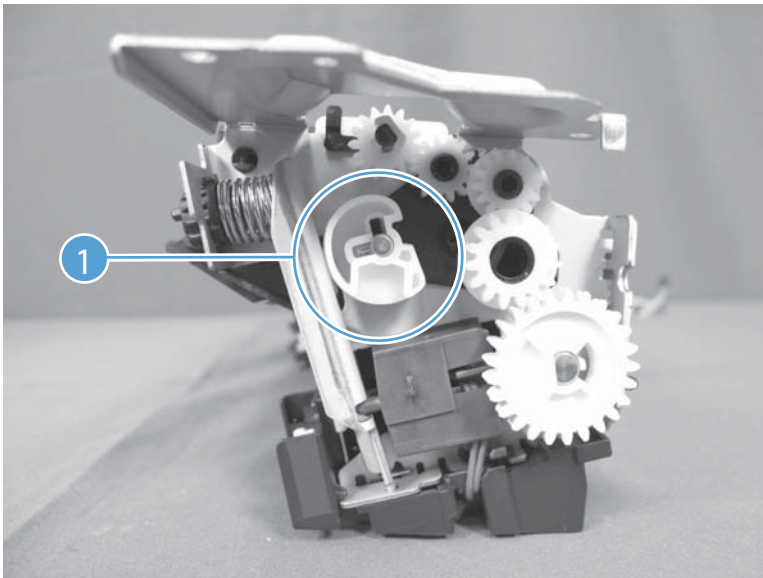


Figure 1-47 Reassemble the fuser delivery assembly (2 of 2)



Formatter PCA (base model)

△ **CAUTION:**  ESD sensitive.

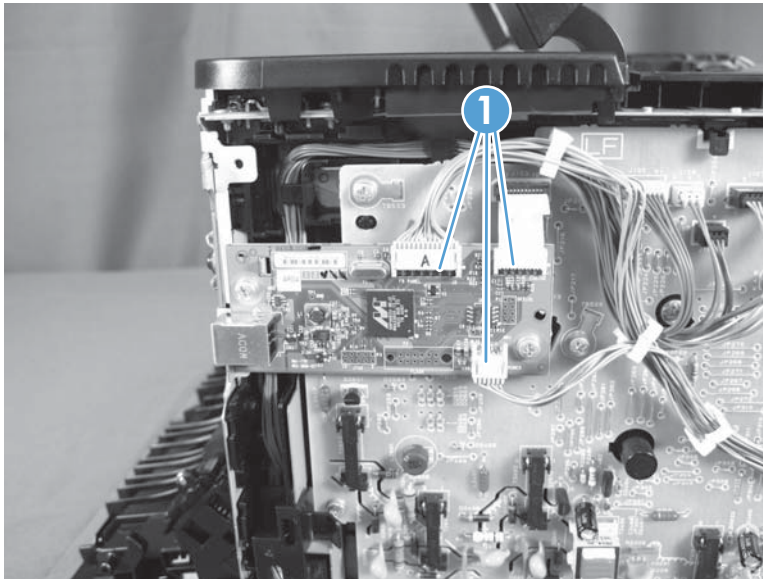
Before proceeding, remove the following components:

- Left cover assembly. See [Left cover assembly on page 19](#).

Remove the formatter PCA (base model)

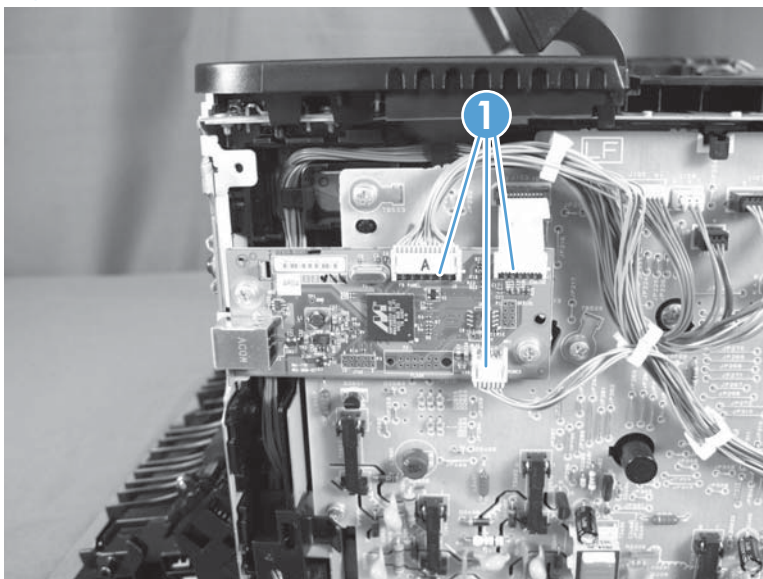
1. Disconnect three connectors (callout 1).

Figure 1-48 Remove the formatter PCA (base model; 1 of 2)



2. Remove three screws (callout 1), and then remove the formatter PCA.

Figure 1-49 Remove the formatter PCA (base model; 2 of 2)



Formatter and wireless PCA (plus model)

△ **CAUTION:**  ESD sensitive.

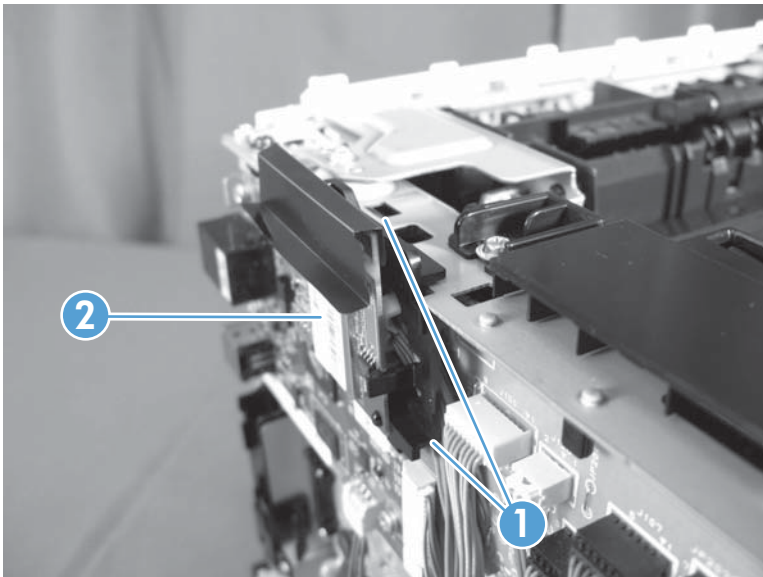
Before proceeding, remove the following components:

- Right cover assembly. See [Right cover assembly on page 18](#).
- Left cover assembly. See [Left cover assembly on page 19](#).
- Top door assembly. See [Top door assembly on page 20](#).

Remove the formatter and wireless PCA (plus model)

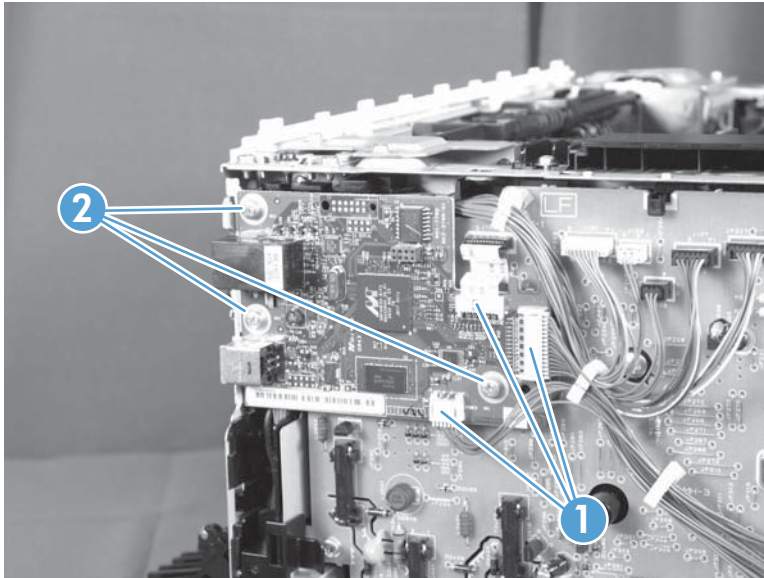
1. Release two tabs (callout 1), and then remove the wireless PCA (callout 2).

Figure 1-50 Remove the formatter and wireless PCA (plus model; 1 of 2)



2. Disconnect three connectors (callout 1), remove three screws (callout 2), and then remove the formatter PCA.

Figure 1-51 Remove the formatter and wireless PCA (plus mode; 2 of 2)



Engine controller assembly

△ **CAUTION:**  ESD sensitive.

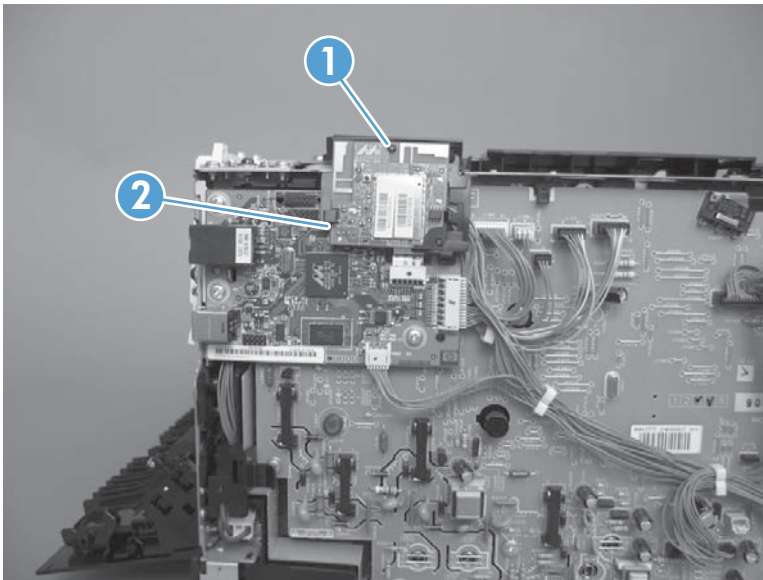
Before proceeding, remove the following components:

- Left cover assembly. See [Left cover assembly on page 19](#).

Remove the engine controller assembly

1. Release one tab (callout 1) and disconnect one connector (callout 2) on the back of the wireless PCA.

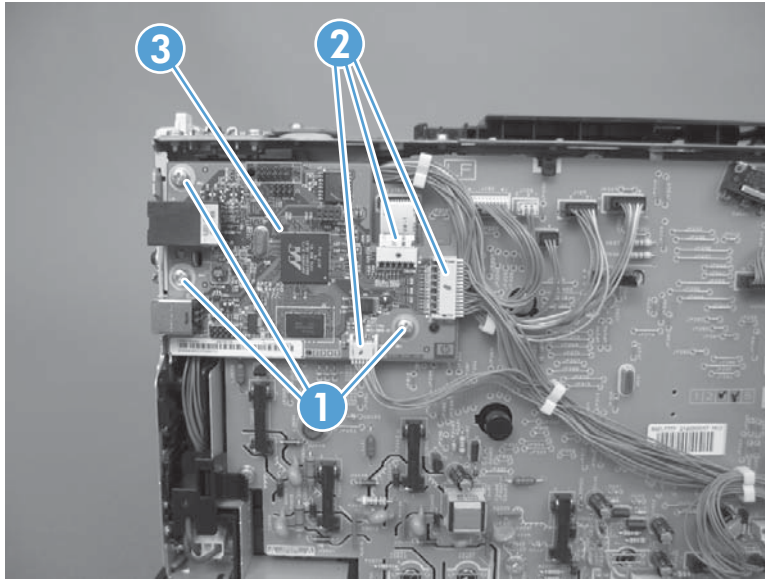
Figure 1-52 Remove the engine controller assembly (1 of 5)



2. Remove three screws (callout 1).

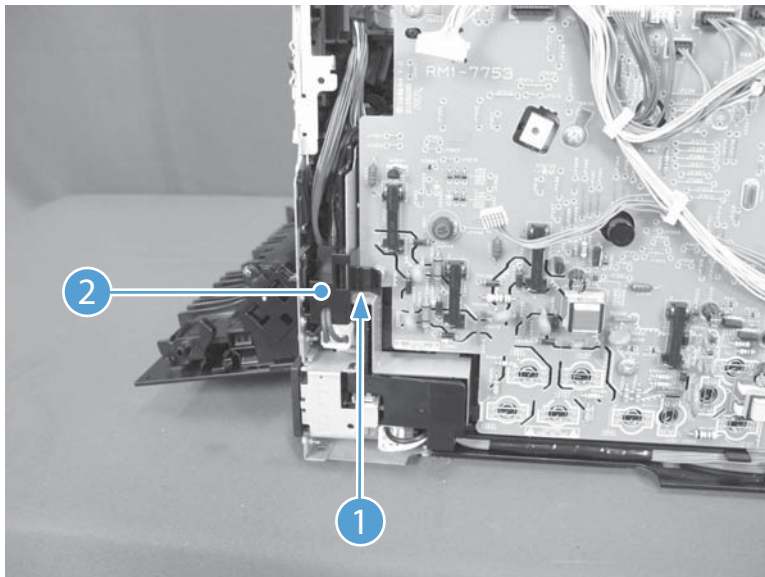
3. Disconnect three connectors (callout 2) and the formatter (callout 3).

Figure 1-53 Remove the engine controller assembly (2 of 5)



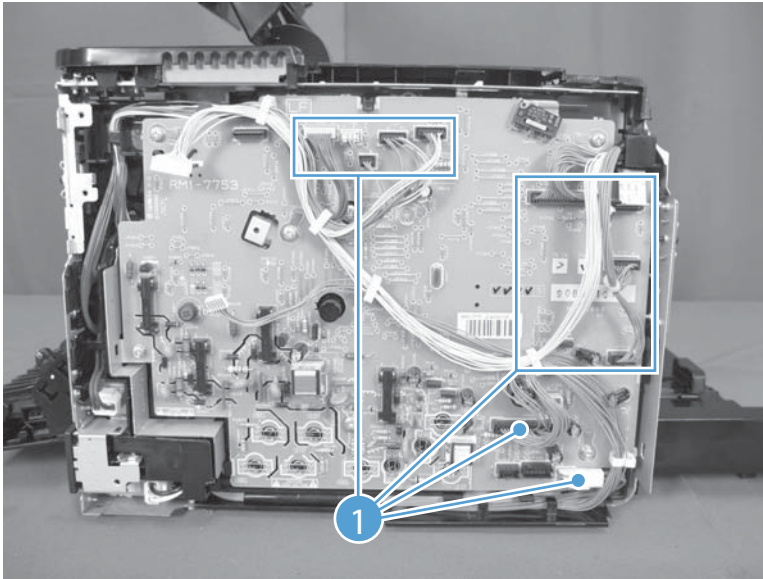
4. Release one tab (callout 1) and remove the cable cover (callout 2).

Figure 1-54 Remove the engine controller assembly (3 of 5)



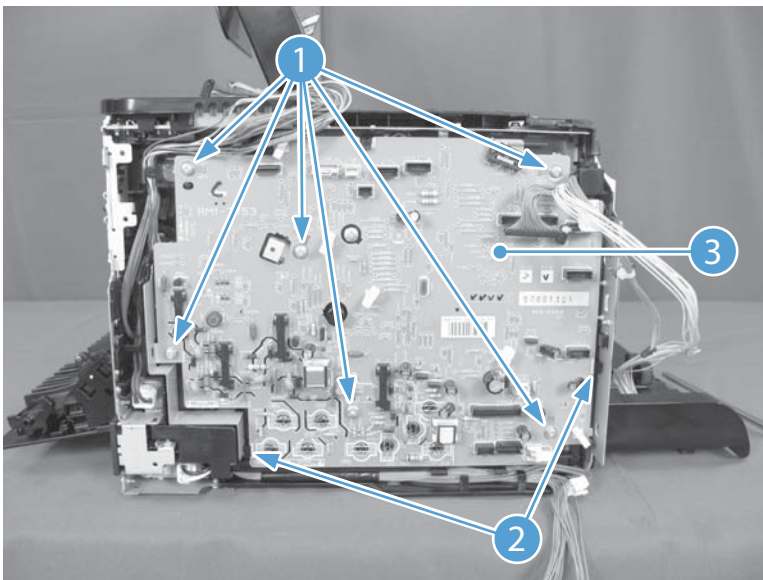
5. Disconnect all of eleven connectors (callout 1) on the engine controller assembly.

Figure 1-55 Remove the engine controller assembly (4 of 5)



6. Remove six screws (callout 1).
7. Release two tabs (callout 2) and the engine controller assembly (callout 3).

Figure 1-56 Remove the engine controller assembly (5 of 5)



Low-voltage power supply assembly

△ **CAUTION:**  ESD sensitive.

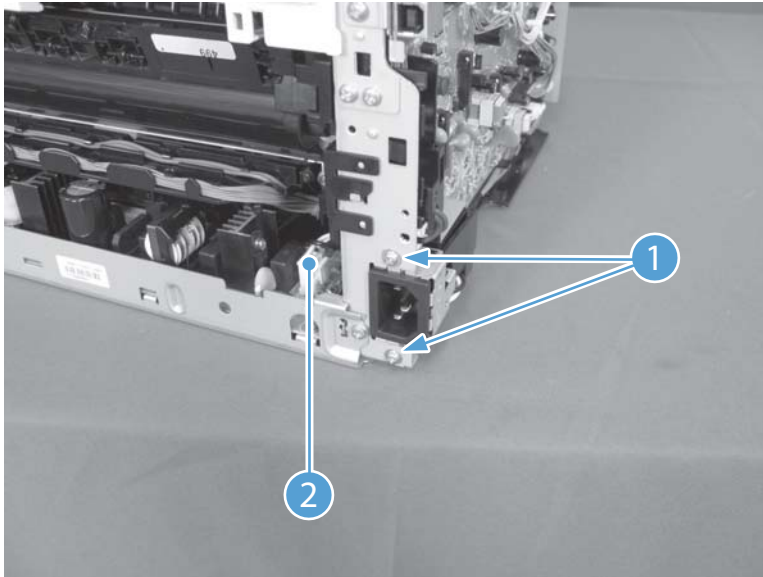
Before proceeding, remove the following components:

- Input tray. See [Input tray on page 13](#).
- Right cover assembly. See [Right cover assembly on page 18](#).
- Left cover assembly. See [Left cover assembly on page 19](#).
- Rear lower cover assembly. See [Rear lower cover assembly on page 24](#).

Remove the low-voltage power supply assembly

1. Remove two screws (callout 1) and disconnect one connector (callout 2).

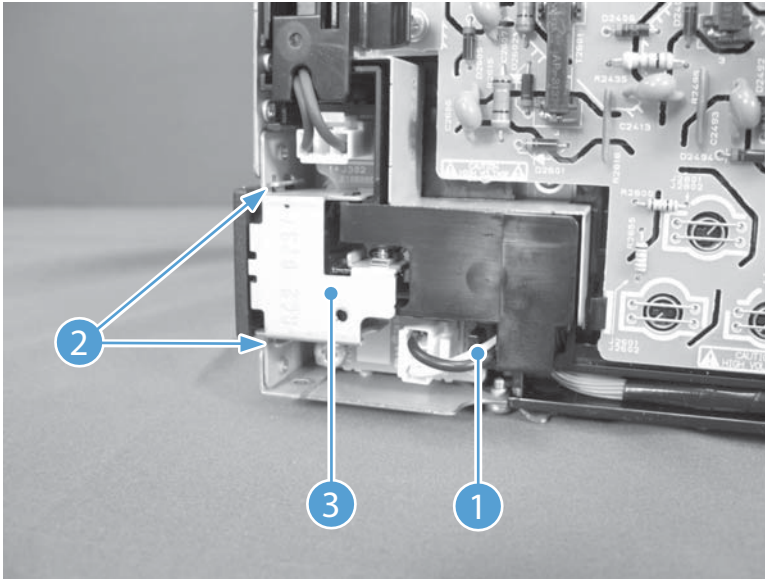
Figure 1-57 Remove the low-voltage power supply assembly (1 of 6)



2. Release the cables (callout 1).

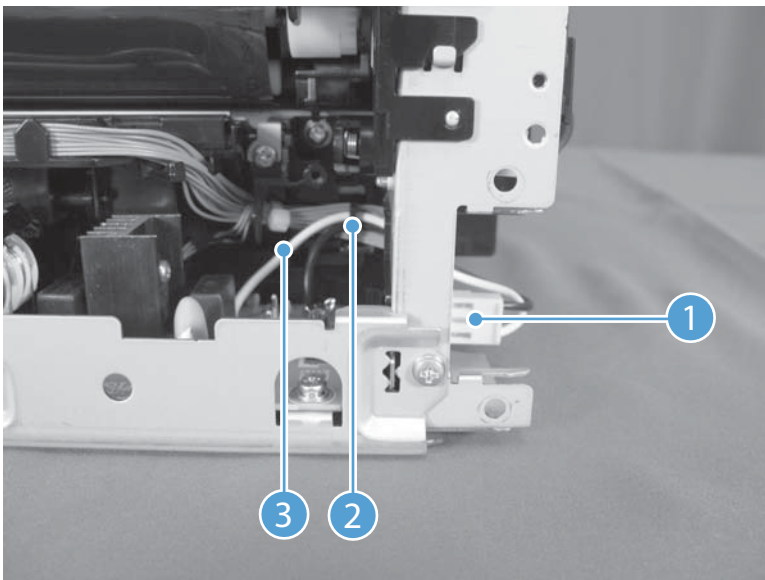
3. Release two tabs (callout inlet part (callout 3)).

Figure 1-58 Remove the low-voltage power supply assembly (2 of 6)



4. Disconnect one connector (callout 1).
5. Release the cables (callout 3) from the cable guide (callout 2).

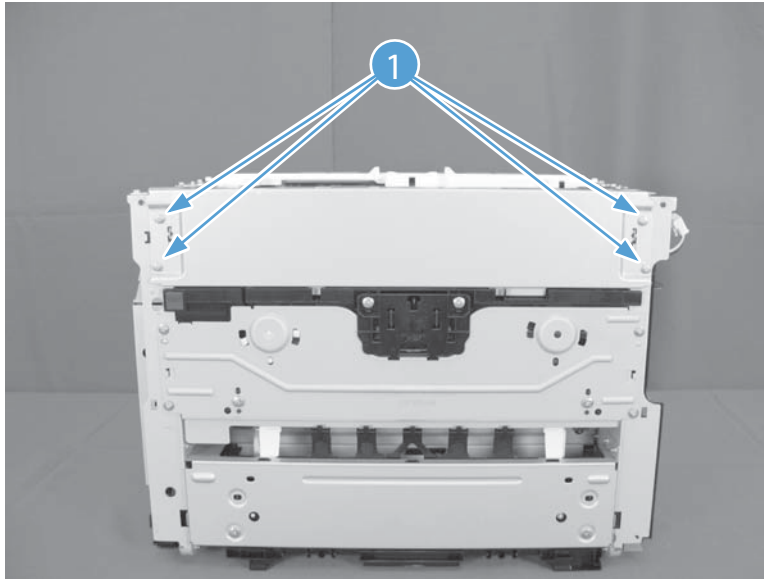
Figure 1-59 Remove the low-voltage power supply assembly (3 of 6)



6. Turn the product rear side up.

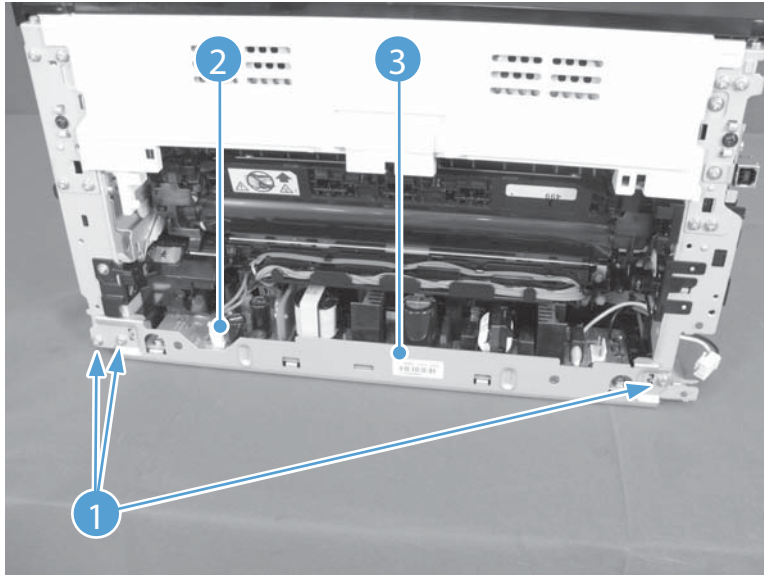
7. Remove four screws (callout 1).

Figure 1-60 Remove the low-voltage power supply assembly (4 of 6)



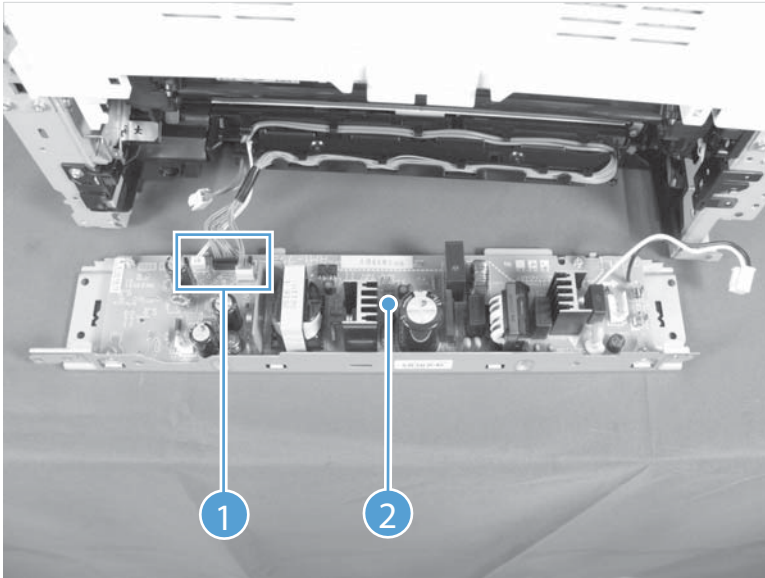
8. Remove three screws (callout 1).
9. Disconnect one connector (callout 2) and pull out the low-voltage power supply assembly (callout 3).

Figure 1-61 Remove the low voltage power supply assembly (5 of 6)



10. Disconnect three connectors (callout 1) and remove the low-voltage power supply assembly (callout 2).

Figure 1-62 Remove the low-voltage power supply assembly (6 of 6)



2 Solve problems

- [Solve problems checklist](#)
- [Troubleshooting process](#)
- [Tools for troubleshooting](#)
- [Clear jams](#)
- [The product does not feed automatically](#)
- [The product feeds multiple sheets](#)
- [Solve image-quality problems](#)
- [Clean the product](#)
- [Solve performance problems](#)
- [Solve connectivity problems](#)
- [Service mode functions](#)
- [Product updates](#)

Solve problems checklist

Follow these steps when trying to solve a problem with the product.

- [Step 1: Make sure that the product is set up correctly](#)
- [Step 2: Check the cabling or wireless connection \(network models only\)](#)
- [Step 3: Check to see if any control-panel lights are lit](#)
- [Step 4: Check the paper](#)
- [Step 5: Check the software](#)
- [Step 6: Test print functionality](#)
- [Step 7: Check the supplies](#)
- [Step 8: Try sending a print job from a computer](#)

Step 1: Make sure that the product is set up correctly

Make sure that the product is set up correctly.

1. Press the power button to turn on the product or to deactivate the Auto-On\Auto-Off mode.
2. Check the power-cable connections.
3. Make sure that the line voltage is correct for the product power configuration. (See the label that is on the back of the product for voltage requirements.) If you are using a power strip and its voltage is not within specifications, plug the product directly into the wall. If it is already plugged into the wall, try a different outlet.
4. Make sure that the imaging-drum-cartridges are installed correctly.
5. Print an engine test page to verify the engine is functioning.

Step 2: Check the cabling or wireless connection (network models only)

1. Check the cable connection between the product and the computer. Make sure that the connection is secure.
2. Make sure that the cable itself is not faulty by using a different cable, if possible.

Step 3: Check to see if any control-panel lights are lit

The control panel should indicate ready status. If an error message appears, resolve the error.

Step 4: Check the paper

1. Make sure that the paper that you are using meets specifications.
2. Make sure that the paper is loaded correctly in the input tray.

Step 5: Check the software

1. Make sure that the product software is installed correctly.
2. Verify that you have installed the printer driver for this product. Check the program to make sure that you are using the printer driver for this product.

Step 6: Test print functionality

1. Print a configuration page. Select **Print configuration page** on the **Services** tab in the Printer Preferences.
2. If the page does not print, verify that the input tray contains paper.
3. If the page jams in the product, clear the jam.

Step 7: Check the supplies

Print a supplies status page and check remaining life of the print cartridges and imaging drum.

Step 8: Try sending a print job from a computer

1. Try printing the job from another computer that has the product software installed.
2. Check the USB cable connection. Direct the product to the correct port, or reinstall the software, selecting the connection type that you are using.
3. If the print quality is unacceptable, complete the following steps:
 - Verify that the print settings are correct for the media that you are using.

Troubleshooting process

Determine the problem source

The following table includes basic questions to ask the customer to quickly help define the problem or problems.


General topic	Questions
Environment	<ul style="list-style-type: none">• Is the product installed on a solid, level surface ($\pm 1^\circ$)?• Is the power-supply voltage within ± 10 volts of the specified power source?• Is the power-supply plug inserted in the product and the outlet?• Is the operating environment within the specified parameters?• Is the product exposed to ammonia gas, such as that produced by diazo copiers or office cleaning materials? NOTE: Diazo copiers produce ammonia gas as part of the copying processes. Ammonia gas (from cleaning supplies or a diazo copier) can have an adverse affect on some product components (for example, the imaging drum).• Is the product exposed to direct sunlight?
Paper	<ul style="list-style-type: none">• Does the customer use only supported paper?• Is the paper in good condition (no curls, folds, or distortion)?• Is the paper stored correctly and within environmental limits?
Input tray	<ul style="list-style-type: none">• Is the amount of paper in the tray within specifications?• Is the paper correctly placed in the tray?• Are the paper guides aligned with the stack?
Cartridge	<ul style="list-style-type: none">• Are the developing cartridges and the imaging-drum installed correctly and firmly seated?
Transfer roller and fuser	<ul style="list-style-type: none">• Are the transfer roller and fuser installed correctly?
Covers	<ul style="list-style-type: none">• Are the top, front and rear doors firmly closed?
Condensation	<ul style="list-style-type: none">• Does condensation occur following a temperature change (particularly in winter following cold storage)? If so, wipe affected parts dry or leave the product on for 90 to 120 minutes.• Was a cartridge opened soon after being moved from a cold to a warm room? If so, allow the cartridge to sit at room temperature for 1 to 2 hours.
Miscellaneous	<ul style="list-style-type: none">• Check for and remove any non-HP components (for example, a print cartridge) from the product.• Remove the product from the network and make sure that the failure is with the product before beginning troubleshooting.

Power subsystem

Power-on checks

Turn on the power. If the control-panel LEDs do not illuminate, perform the power-on checks to find the cause of the problem.

1. Verify that the product is plugged into an active electrical outlet that delivers the correct voltage.
2. Verify that the power button is in the on position.
3. Make sure that the product makes the expected start up sounds.

 **NOTE:** The overcurrent/overvoltage protection circuit in the low-voltage power supply unit might be functioning. Turn the product off, unplug the power cord, and turn the product on. If the product does not function, the fuse melts, or the power supply is malfunctioning, replace the engine controller unit. See [Engine controller assembly on page 46](#).

Tools for troubleshooting

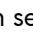
Component diagnostics

Engine diagnostics

Printing an engine test page helps determine if the product engine is functioning. Use the following procedure to print a test page to make sure that the product engine is functioning



Engine test page

 **NOTE:** The product does not have a test-print switch.

1. When the product is in the Ready state, press and hold the Auto-On/Auto-Off (power) button for about seven seconds or until the Ready  light turns off.

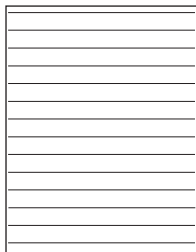
 **TIP:** Optionally, unplug the power cord, and then plug the cord back in.

2. Make sure that at least one sheet of paper is loaded in the input tray.
3. Open the top door (print-cartridge door).
4. Release the rear door and allow it to open to its first stop position; open about 19 mm (.75 in).
5. Press and hold the Auto-On/Auto-Off (power) button.

 **NOTE:** The control-panel lights cycle on and off sequentially twice, starting with the black-cartridge light (top) and ending with the Ready  light.

6. When the black-cartridge light turns on for the second time—the beginning of the second cycle—close the rear door, and then within five seconds close the top door (print-cartridge door).
7. When the product finishes initializing, an engine test page prints.

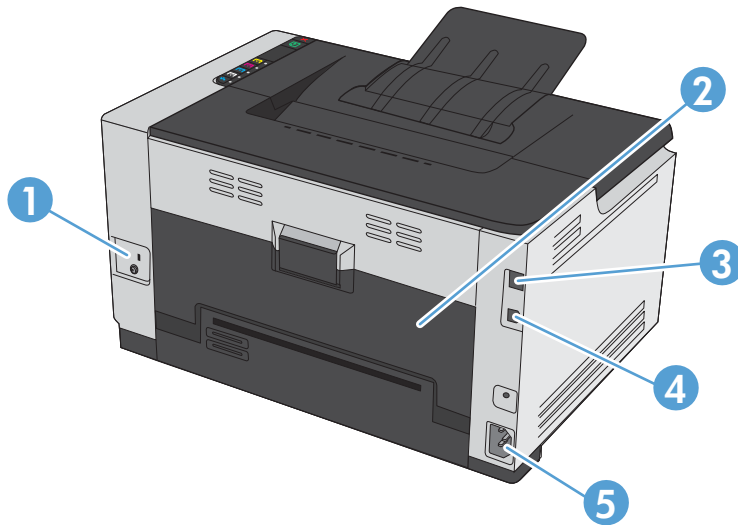
Figure 2-1 Engine test page



Diagrams

Plug/jack locations

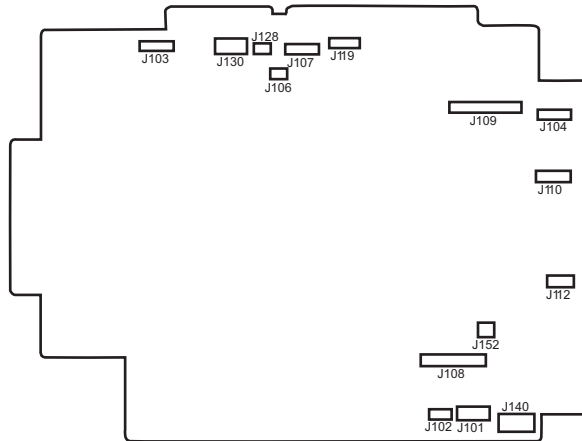
Figure 2-2 Plug/jack locations



1	Kensington lock
2	Rear jam-access door
3	HP internal network port (network models only)
4	USB port
5	Power receptacle

Locations of connectors

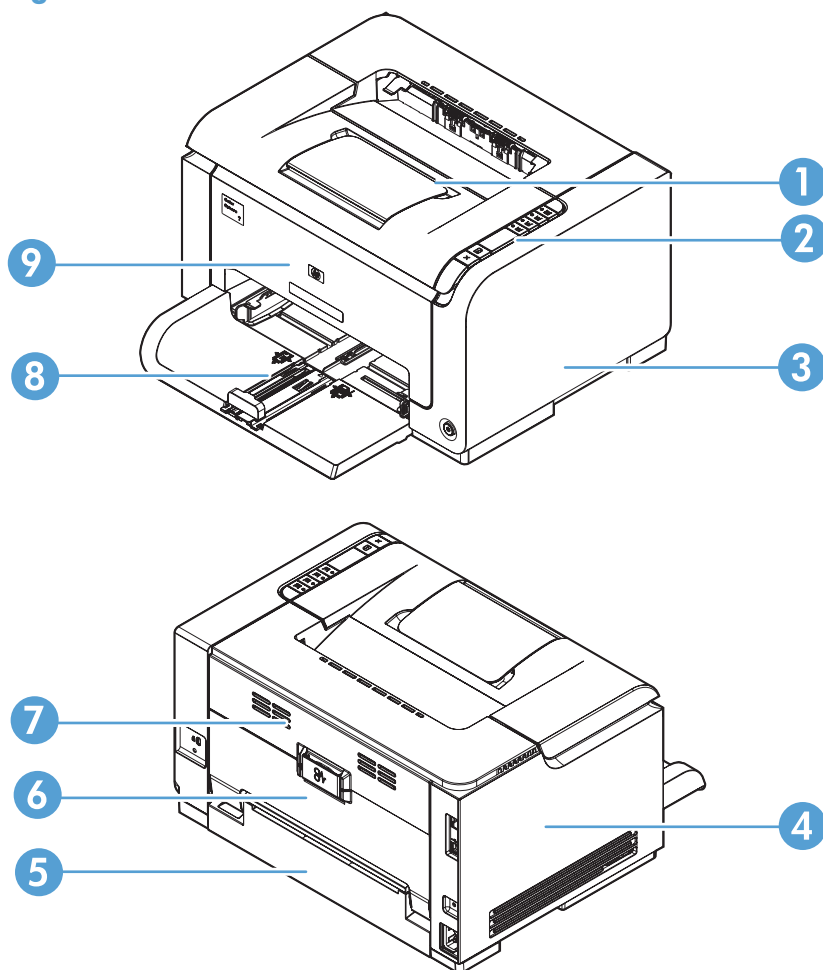
Figure 2-3 Locations of connectors



Item	Description	Item	Description	Item	Description
J101	Not used	J107	Media width sensor (SR1) Delivery sensor (SR2)	J119	Fuser pressure release sensor (SR4)
J102	Not used	J108	Low-voltage power supply TOP sensor (SR6)	J128	Rear door open detection switch (SW1)
J103	Formatter	J109	Memory tag Scanner motor (M5) Power switch PCA Carousel home sensor (SR7)	J130	ITB
J104	Scanner assembly (laser drive PCA)	J110	Carousel motor (M1) Fuser motor (M2)	J140	Low-voltage power supply
J106	Loop sensor (SR3)	J112	Pickup motor (M3) T2 roller and ITB cleaner solenoid (SL1)	J152	Not used

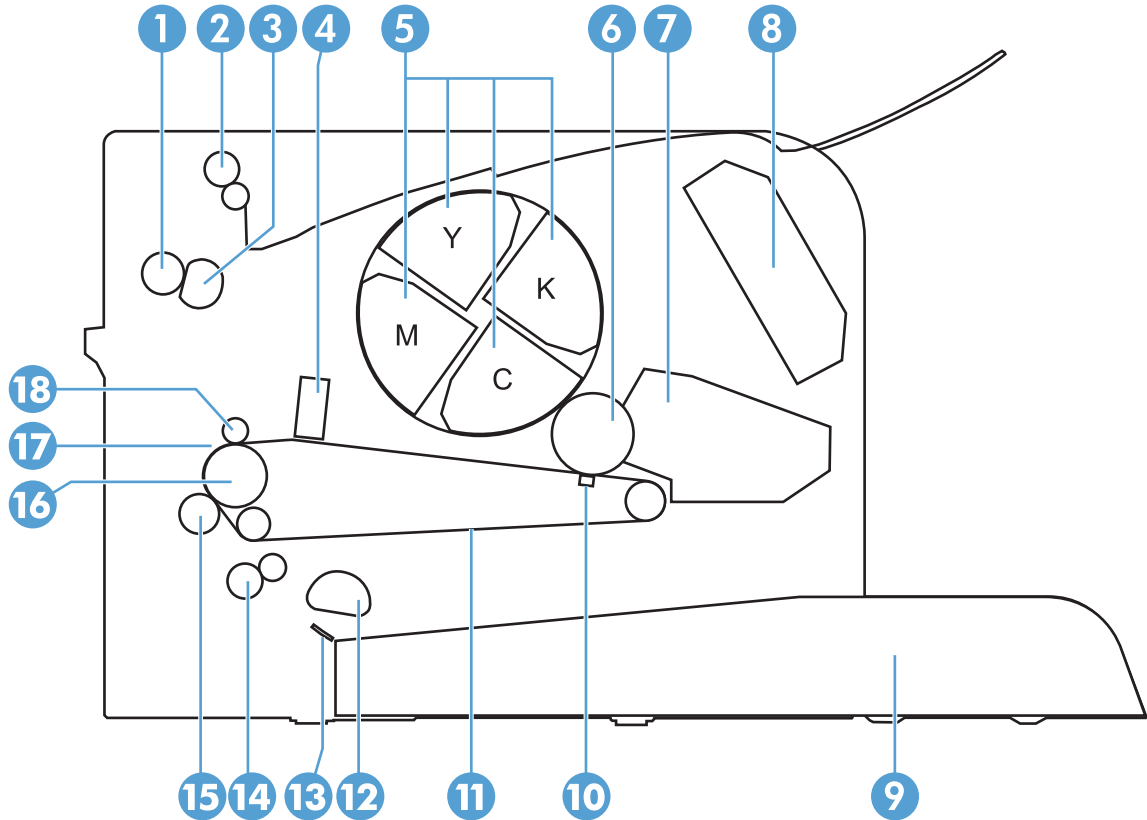
Locations of major components

Figure 2-4 External view



Item	Description	Item	Description
1	Top door assembly	6	Rear door assembly
2	Control panel	7	Rear top cover
3	Right cover	8	Input tray
4	Left cover	9	Front door
5	rear bottom cover		

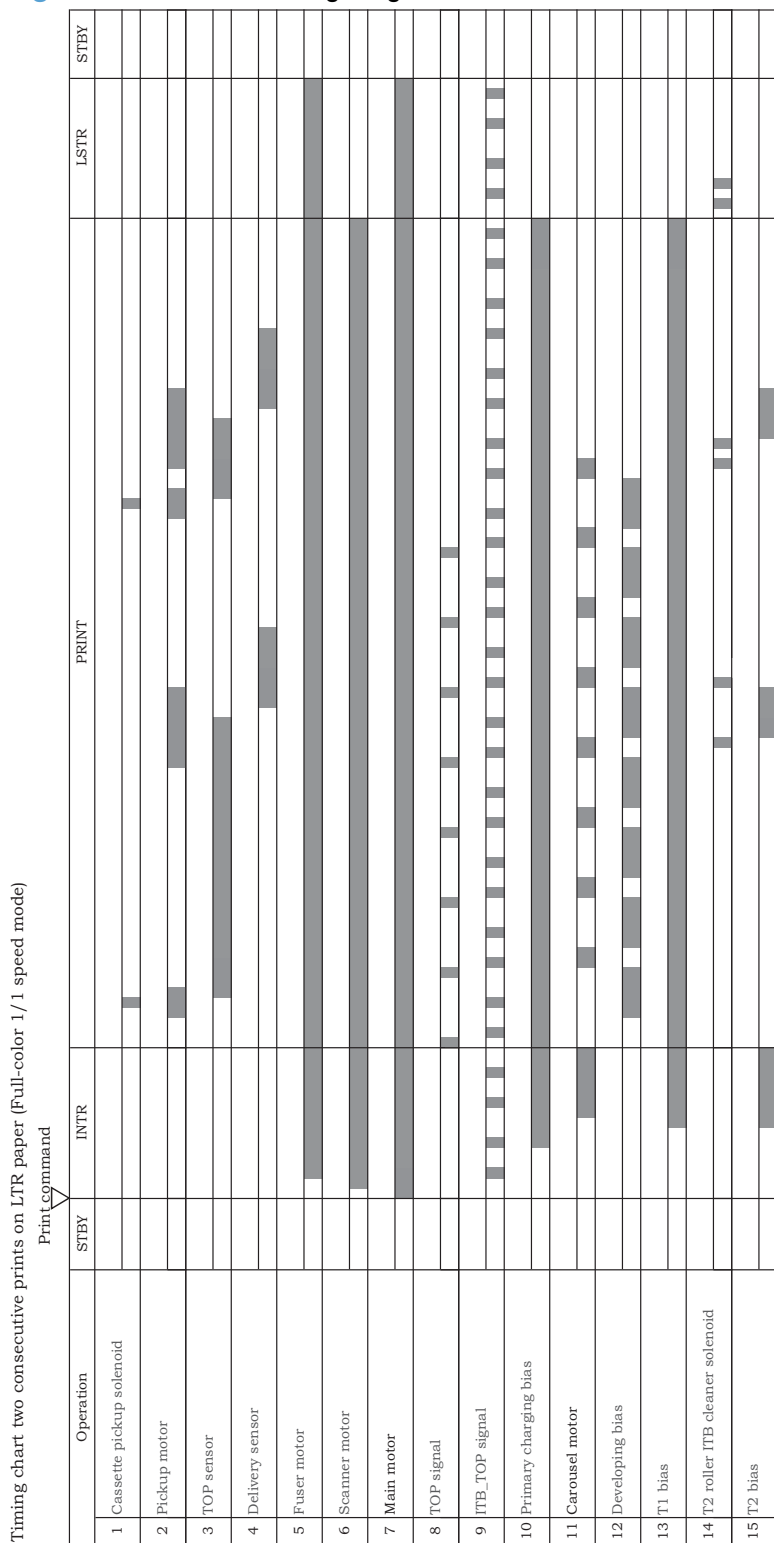
Figure 2-5 Cross section view



Item	Description	Item	Description
1	Pressure roller	10	T1 pad
2	Delivery roller	11	ITB
3	Fuser film assembly	12	Pickup roller
4	Density ITB_TOP sensor	13	Separation pad
5	Developing-cartridge	14	Feed roller
6	Imaging drum	15	T2 roller
7	Imaging-drum	16	ITB drive roller
8	Laser scanner assembly	17	ITB cleaning brush
9	Input tray	18	ITB cleaning roller

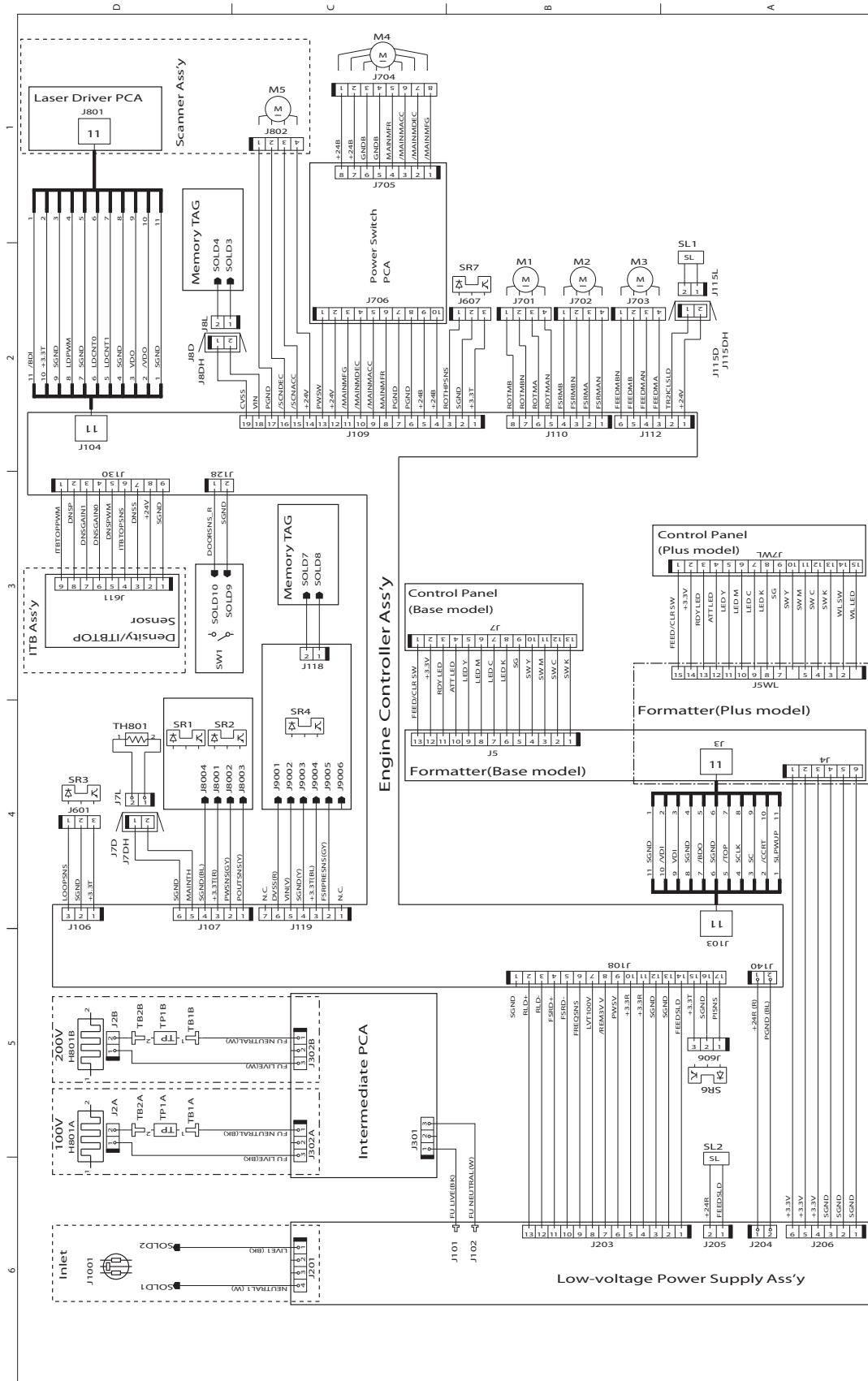
General timing chart

Figure 2-6 General timing diagram



General circuit diagram



Figure 2-7 Circuit diagram



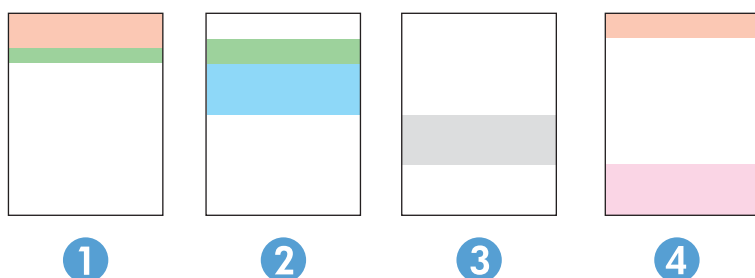
Internal print-quality test pages

Print quality troubleshooting page

Interpret the Print Quality Page

1. Make sure that the product is idle and the Ready  light is on.
2. Load paper in the input tray.
3. In the Windows system tray, right-click the Device Settings  icon and then click the product name.
4. Click the **Device Settings** button.
5. Click the **Print PQ Troubleshooting Page** button.

This page contains five bands of color, which are divided into four groups as indicated in the following illustration. By examining each group, you can isolate the problem to a particular print cartridge.

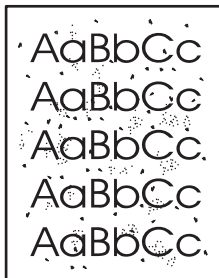



Section	Print-cartridge
1	Yellow
2	Cyan
3	Black
4	Magenta



- If dots or streaks appear in only one of the groups, replace the print cartridge that correlates with that group.
- If dots appear in more than one group, print a cleaning page. If this does not solve the problem, determine if the dots are always the same color; for example, if magenta dots appear in all five color bands. If the dots are all the same color, replace that print cartridge.
- If streaks appear in multiple color bands, print a supplies status page to determine if the imaging drum has reached its estimated end of life. If imaging drum has not reached its estimated end of life, inspect the imaging drum for damage. If the imaging drum is not damaged, contact HP.


Clean the paper path

If you are experiencing toner specks or dots on the printouts, clean the paper path. This process uses a transparency to remove dust and toner from the paper path. Do not use bond or rough paper.




 **NOTE:** For best results use a sheet of LaserJet transparency. If you do not have any transparencies, you can use copier-grade media (60 to 163 g/m² (16 to 43 lb)) that has a smooth surface.

1. Make sure that the product is idle and the Ready  light is on.
2. Load paper in the input tray.
3. In the Windows system tray, right-click the Device Settings  icon and then click the product name.
4. Click the **Device Settings** tab.
5. Click the **Print Cleaning Page** button.

 **NOTE:** The cleaning process takes about 2 minutes. The cleaning page stops periodically during the cleaning process. Do not turn the product off until the cleaning process has finished. You might need to repeat the cleaning process several times to thoroughly clean the product.

Print configuration page

The configuration page lists current product settings and properties. This page also contains a status log report. To print a configuration page, do one of the following:

- Select **Print configuration page** on the **Services** tab in the Printer Preferences.
- Press and hold the Resume  button for two to three seconds to print a configuration page and a supplies status page (English only).

Print-quality troubleshooting tools

Repetitive image defects ruler

If the product output has a consistent, repetitive defect, then use the table in this section to determine which part needs to be cleaned or replaced based on the measured distance between the repetitions of the defect.



 **NOTE:** Spots can be dark or white (dropouts), bands can be all shapes and sizes.

Component	Distance between defects (mm)	Type of defects
Developing roller ¹	About 22	Dropouts
		Dark, sharp bands
Primary charging roller ¹	About 26	Dropouts
RS roller	About 29	Dropouts
Secondary transfer roller	About 47	Dropouts
		Dirt on the back of page
Fuser film	About 58	Dropouts
		Dirt on page
		Loose toner
Pressure roller	About 63	Dirt on page
		Dirt on the back of page
		Loose toner
ITB drive roller	About 76	Spots
Photosensitive drum ¹	About 95	Dropouts
		Dirt on page

¹ The primary charging roller, photosensitive drum, and developing drum cannot be cleaned. If these rollers cause a repetitive defect, replace the corresponding cartridge, either the imaging-drum cartridge, or developing cartridge.

Calibrate the product

If you experience any print-quality problems, calibrate the product.

1. Make sure that the product is idle and the Ready  light is on.
2. Load paper in the input tray.
3. In the Windows system tray, right-click the Device Settings  icon and then click the product name.
4. Click the **Device Settings** button.
5. Click the **Calibrate Now** button.

Interpret control panel light patterns

Table 2-1 Status light legend




	Symbol for "light off"
	Symbol for "light on"
	Symbol for "light blinking"

Table 2-2 Control-panel light patterns





Light status	State of the product	Action
All lights are off.	The product is turned off.	Press the power button to turn on the product.
	The Auto-On/Auto-Off feature has turned off the product.	No action is required.
The attention and ready lights are cycling.	The lights cycle during the formatter initialization period or when the product is processing a cleaning page.	No action is required. Wait for the initialization period to end. The product should enter the ready state when the initialization period is finished.
		
Ready light is on.	The product is in the ready state.	No action is required. The product is ready to receive a print job.
		
Ready light blinks.	The product is receiving or processing data.	No action is required. The product is receiving or processing a print job.
		

Table 2-2 Control-panel light patterns (continued)






Light status	State of the product	Action
Attention light blinks. Ready light is on. 	The product is in manual-feed mode.	Load the correct paper type and size into the input tray.
	The product is waiting to print the second side of a manual duplex print job.	Load the input tray with the paper from the output bin.
Attention light blinks. 	The input tray is empty.	Load the tray.
	Paper is jammed in the product.	Clear the jam.
Attention and ready lights are on. 	The product has experienced a fatal error from which it cannot recover.	<ol style="list-style-type: none"> 1. Turn off the product and disconnect the power cable from the product. 2. Wait 30 seconds and then reconnect the power cord and turn on the product. 3. Wait for the product to initialize. If the error persists, contact HP customer support.
Attention and ready lights blink. 	Paper is jammed in the product.	Clear the jam.
Cartridge light blinks. 	The print cartridge has rotated and is now accessible.	Access the print cartridge.
	The print cartridge is missing or is not installed correctly.	Install the print cartridge.

Table 2-2 Control-panel light patterns (continued)









Light status	State of the product	Action
<p>Cartridge and attention lights blink.</p> 	<p>The print cartridge is very low and has reached the end of its estimated useful life. When the supply has reached this condition, the HP Premium Protection warranty for that supply has ended.</p>	<p>You do not need to replace the print cartridge at this time unless print quality is no longer acceptable. Press the Resume  button to continue.</p>
	<p>A non-HP print cartridge in use.</p>	<p>You do not need to replace the print cartridge at this time unless print quality is no longer acceptable. Press the Resume  button to continue.</p>
	<p>Print cartridge is rotating.</p>	<p>No action is required. Wait for the rotation period to end. The product should enter the previous state when the rotation period is finished.</p>
<p>Cartridge and ready lights are on.</p> 	<p>The print cartridge has reached the end of its estimated useful life. When the supply has reached this condition, the HP Premium Protection warranty for that supply has ended.</p>	<p>You do not need to replace the print cartridge at this time unless print quality is no longer acceptable.</p>
	<p>Non-HP print cartridge in use and is very low.</p>	<p>No action is required.</p>

Table 2-3 Wireless light patterns

Light status	State of the product	Action
<p>Wireless light is off.</p> 	<p>The wireless connection is turned off.</p>	<p>Press and hold the Wireless  button for 2 seconds to turn on the WPS.</p>
	<p>The Ethernet is connected.</p>	<p>No action is required.</p>
<p>Wireless light blinks.</p> 	<p>The product is trying to establish a wireless connection.</p>	<p>No action is required.</p>
	<p>There is a WPS error.</p>	<p>Attempt to connect again.</p>
<p>Wireless light is on.</p> 	<p>The product has established a wireless connection.</p>	<p>No action is required.</p>






Status alert messages

Status alert messages appear on the computer screen when the product has certain problems. Use the information in the following table to solve these problems.

Alert message	Description	Recommended action
Black Cartridge Low	The Black Cartridge Low setting is customer configured on this product. If it is customer configured, the print cartridge is nearing the estimated end of its useful life.	<p>If a customer has configured this setting, the product indicates when a print cartridge level is low. Actual cartridge life remaining may vary. Consider having a replacement available to install when print quality is no longer acceptable. The print cartridge does not need to be replaced now.</p> <p>This alert displays only if the product is configured to stop when the print cartridge reaches the "very low" threshold.</p>
Black Cartridge Very Low	<p>The print cartridge is at the estimated end of its useful life.</p> <p>Print quality may decrease. Choose a reminder option or replace print cartridge when quality becomes unacceptable.</p>	<p>To ensure optimal print quality, HP recommends replacing the print cartridge at this point. You do not need to replace the print cartridge at this time unless print quality is no longer acceptable. Actual print cartridge life may vary.</p> <p>Once an HP print cartridge has reached "very low", HP's Premium Protection Warranty on that print cartridge has ended. All print defects or cartridge failures incurred when an HP supply is used in continue at very low mode will not be considered to be defects in materials or workmanship in the supply under the HP Print Cartridge Warranty Statement.</p>
Calibrating	The product is performing the internal calibration process to ensure the best possible print quality.	Wait for the process to complete.
Cartridge Memory Error on <Color>	The e-label for one of the print cartridges cannot be read or is missing.	<ul style="list-style-type: none">● Reinstall the print cartridge.● Turn off the product and disconnect the power cable from the product. Wait 30 seconds and then reconnect the power cord and turn on the product.● If the problem is not solved, replace the cartridge.
Cool Down Mode	After prolonged, continuous operation, or after printing on narrow paper, the product must pause to cool.	Printing will continue when the product has cooled.

Alert message	Description	Recommended action
Cyan Cartridge Low	The Cyan Cartridge Low setting is customer configured on this product. If it is customer configured, the print cartridge is nearing the estimated end of its useful life.	<p>If a customer has configured this setting, the product indicates when a print cartridge level is low. Actual cartridge life remaining may vary. Consider having a replacement available to install when print quality is no longer acceptable. The print cartridge does not need to be replaced now.</p> <p>This alert displays only if the product is configured to stop when the print cartridge reaches the “very low” threshold.</p>
Cyan Cartridge Very Low	<p>The print cartridge is at the estimated end of its useful life.</p> <p>Print quality may decrease. Choose a reminder option or replace print cartridge when quality becomes unacceptable.</p>	<p>To ensure optimal print quality, HP recommends replacing the print cartridge at this point. You do not need to replace the print cartridge at this time unless print quality is no longer acceptable. Actual print cartridge life may vary.</p> <p>Once an HP print cartridge has reached “very low”, HP’s Premium Protection Warranty on that print cartridge has ended. All print defects or cartridge failures incurred when an HP supply is used in continue at very low mode will not be considered to be defects in materials or workmanship in the supply under the HP Print Cartridge Warranty Statement.</p>
DC Controller Error	The product has experienced an internal error.	<p>Turn off the product and disconnect the power cable from the product. Wait 30 seconds and then reconnect the power cord and turn on the product. Wait for the product to initialize.</p> <p>If you are using a surge protector, remove it. Plug the product directly into the wall socket. Use the power button to turn on the product.</p> <p>If the problem persists, replace the engine controller assembly.</p>
Engine Communication Error	The product experienced an internal communication error.	<p>Turn off the product and disconnect the power cable from the product. Wait 30 seconds and then reconnect the power cord and turn on the product. Wait for the product to initialize.</p> <p>If you are using a surge protector, remove it. Plug the product directly into the wall socket. Use the power button to turn on the product.</p>
Front Access Door Open	The door is open.	Close the door.

Alert message	Description	Recommended action
Fuser Error	The product has experienced an error with the fuser.	<p>Turn off the product and disconnect the power cable from the product. Wait 30 seconds and then reconnect the power cord and turn on the product. Wait for the product to initialize.</p> <p>If the error continues, turn off the product, disconnect the power cable, wait at least 25 minutes, and then reconnect the power cable and turn on the product.</p> <p>If you are using a surge protector, remove it. Plug the product directly into the wall socket. Use the power button to turn on the product.</p> <p>If the problem persists, replace the fuser delivery assembly.</p>
Imaging Drum Very Low	The imaging drum is at the end of its useful life.	<p>To ensure optimal print quality, HP recommends replacing the imaging drum at this point. You do not need to replace the imaging drum at this time unless print quality is no longer acceptable. Actual imaging drum life may vary.</p> <p>The imaging drum installed in this product is covered by the product warranty. Replacement imaging drums have a one-year limited warranty from the date of installation. HP's Premium Protection Warranty applies only to the print cartridge for this product. The imaging drum installation date displays on both the configuration page and on the supplies status page when the imaging drum reaches approximately 30% of its estimated remaining life.</p>
Install <Color> Cartridge	The cartridge is either not installed or not correctly installed in the product.	Install the print cartridge.
Jam in <location> (<location> indicates the area where the jam has occurred)	The product has detected a jam.	Clear the jam from the area indicated in the message. The job should continue to print. If it does not, try reprinting the job.
Load Paper <Type>	The tray is empty.	<p>Load print media into the tray.</p> <p>If message persists after loading media into the tray, check the TOP sensor flag. If the flag is damaged, replace the product.</p>

Alert message	Description	Recommended action
Magenta Cartridge Low	The Magenta Cartridge Low setting is customer configured on this product. If it is customer configured, the print cartridge is nearing the estimated end of its useful life.	<p>If a customer has configured this setting, the product indicates when a print cartridge level is low. Actual cartridge life remaining may vary. Consider having a replacement available to install when print quality is no longer acceptable. The print cartridge does not need to be replaced now.</p> <p>This alert displays only if the product is configured to stop when the print cartridge reaches the “very low” threshold.</p>
Magenta Cartridge Very Low	<p>The print cartridge is at the estimated end of its useful life.</p> <p>Print quality may decrease. Choose a reminder option or replace print cartridge when quality becomes unacceptable.</p>	<p>To ensure optimal print quality, HP recommends replacing the print cartridge at this point. You do not need to replace the print cartridge at this time unless print quality is no longer acceptable. Actual print cartridge life may vary.</p> <p>Once an HP print cartridge has reached “very low”, HP’s Premium Protection Warranty on that print cartridge has ended. All print defects or cartridge failures incurred when an HP supply is used in continue at very low mode will not be considered to be defects in materials or workmanship in the supply under the HP Print Cartridge Warranty Statement.</p>
Manual feed	The product is set for manual feed mode.	Load the correct media into the tray, and then press the Resume  button to print the job.
Non-HP <Color> Cartridge	A non-HP supply has been installed. This message appears until an HP supply is installed or you press the Resume  button.	<p>If you believe you purchased an HP supply, go to www.hp.com/go/anticounterfeit. Any product repair required as a result of using used supplies is not covered under warranty. Supply status and features depending on supply status will not be available</p> <p>Service or repairs that are required as a result of using non-HP supplies are not covered under HP warranty.</p> <p>To continue printing, press the Resume  button.</p>
Not Connected	The product software cannot communicate with the product.	<ol style="list-style-type: none"> 1. Make sure the product is turned on. 2. Make sure the USB cable is connected securely to the product and the computer.
Page Too Complex	The product cannot process the page.	Press the Resume  button to continue printing the job, but output might be affected.
Printer Mispick	The print engine has failed to pick up a piece of media.	Reload the media in the input tray and press the Resume  button to continue the job.

Alert message	Description	Recommended action
Printing	The product is printing a document.	Wait for printing to finish.
Rear Access Door Open	The door is open.	Close the door. If the message persists when the door is closed, check the sensor flag of the rear door assembly. If the flag is damaged, replace the rear door assembly.
Replace <Color> cartridge	The product has been configured to stop when the supply level is very low.	The product indicates when a supply level is very low. Actual cartridge life remaining may vary. Consider having a replacement available to install when print quality is no longer acceptable. The supply does not need to be replaced now unless the print quality is no longer acceptable. Once an HP supply has reached "Very Low", HP's warranty on that supply has ended.
Scanner Error	An internal error has occurred.	Turn off the product and disconnect the power cable from the product. Wait 30 seconds and then reconnect the power cord and turn on the product. Wait for the product to initialize. If you are using a surge protector, remove it. Plug the product directly into the wall socket. Use the power button to turn on the product.
Supplies Very Low	More than one print cartridge is at the end of its useful life. The corresponding cartridge lights on the control panel remain on.	The product indicates when a supply level is very low. Actual cartridge life remaining may vary. Consider having a replacement available to install when print quality is no longer acceptable. The supply does not need to be replaced now unless the print quality is no longer acceptable. Once an HP supply has reached "Very Low", HP's warranty on that supply has ended.
Tray 1 Jam	The product has detected a jam in the tray.	Clear the jam.
Unexpected Paper Size	The paper in the tray is not the size specified by the print job.	Load the correct paper size in the input tray and then press the Resume  button to print the job.
Used <Color> cartridge	A used supply has been installed. This message appears until an HP supply is installed or you press the Resume  button.	If you believe you purchased an HP supply, go to www.hp.com/go/anticounterfeit . Any product repair required as a result of using used supplies is not covered under warranty. Supply status and features depending on supply status will not be available. Service or repairs that are required as a result of using non-HP supplies are not covered under HP warranty. To continue printing, press the Resume  button.

Alert message	Description	Recommended action
Wrong Cartridge in <Color> Slot	A print cartridge is installed in the incorrect slot.	Be sure that each print cartridge is in the correct slot. Compare the color label on the print cartridge with the color label in the slot.
Yellow Cartridge Low	The Yellow Cartridge Low setting is customer configured on this product. If it is customer configured, the print cartridge is nearing the estimated end of its useful life.	<p>If a customer has configured this setting, the product indicates when a print cartridge level is low. Actual cartridge life remaining may vary. Consider having a replacement available to install when print quality is no longer acceptable. The print cartridge does not need to be replaced now.</p> <p>This alert displays only if the product is configured to stop when the print cartridge reaches the "very low" threshold.</p>
Yellow Cartridge Very Low	<p>The print cartridge is at the estimated end of its useful life.</p> <p>Print quality may decrease. Choose a reminder option or replace print cartridge when quality becomes unacceptable.</p>	<p>To ensure optimal print quality, HP recommends replacing the print cartridge at this point. You do not need to replace the print cartridge at this time unless print quality is no longer acceptable. Actual print cartridge life may vary.</p> <p>Once an HP print cartridge has reached "very low", HP's Premium Protection Warranty on that print cartridge has ended. All print defects or cartridge failures incurred when an HP supply is used in continue at very low mode will not be considered to be defects in materials or workmanship in the supply under the HP Print Cartridge Warranty Statement.</p>

Clear jams

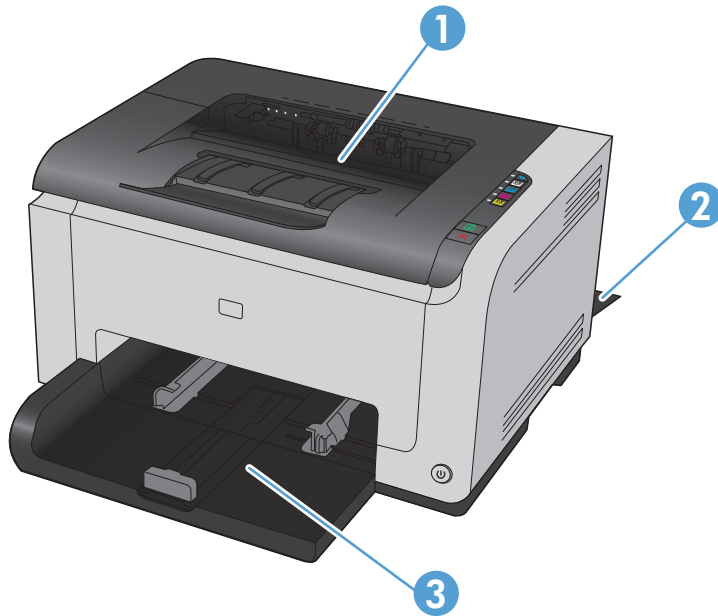
Prevent paper jams

To reduce the number of paper jams, try these solutions.

1. Use only paper that meets HP specifications for this product.
2. Use paper that is not wrinkled, folded, or damaged. If necessary, use paper from a different package.
3. Use paper that has not previously been printed or copied on and does not have staples.
4. Make sure the tray is not overfilled. If it is, remove the entire stack of paper from the tray, straighten the stack, and then return some of the paper to the tray.
5. Make sure the paper guides in the tray are adjusted correctly for the size of paper. Adjust the guides so they are touching the paper stack without bending it.
6. If you are printing on heavy, embossed, or perforated paper, use the manual feed feature and feed sheets one at a time.

Jam locations

Jams can occur in these locations:



1	Output bin
2	Rear door
3	Input tray

Loose toner might remain in the product after a jam. This problem typically resolves itself after a few sheets have been printed.

Clear jams from the input tray

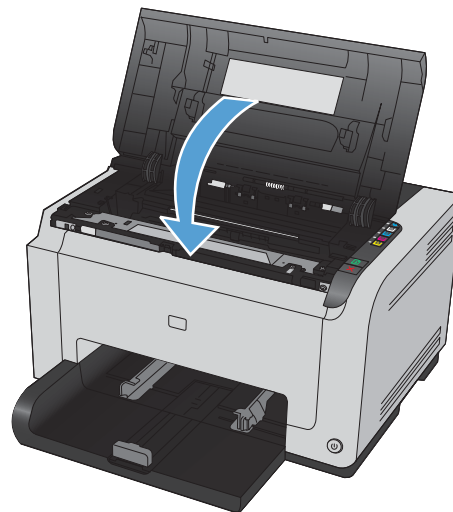
1. Remove the paper from the input tray.



2. With both hands, grasp the paper, and carefully pull it free from the product.



3. Open and close the print cartridge door to reset the product.



Clear jams from the output bin

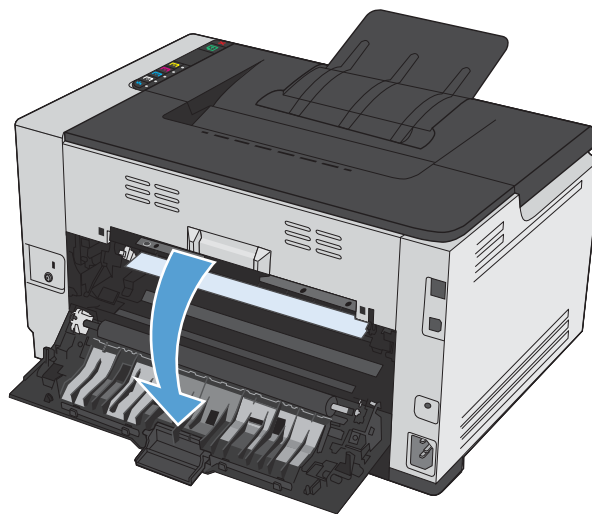
△ **CAUTION:** Do not use sharp objects, such as tweezers or needle-nose pliers, to remove jams. Damage caused by sharp objects will not be covered by the warranty.

1. With both hands, grasp the paper, and carefully pull it free from the product.

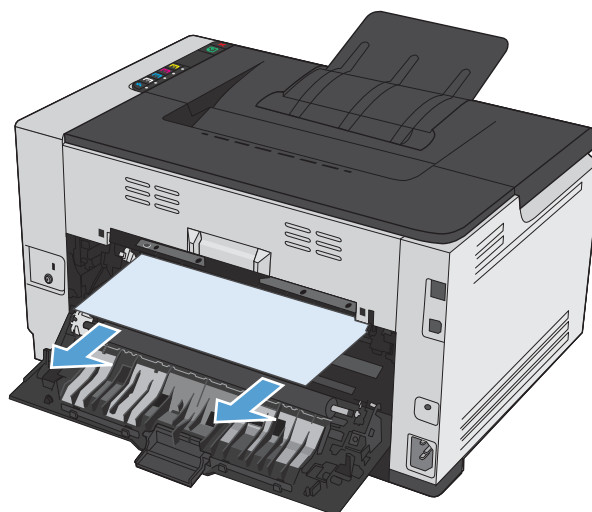


Clear jams from the rear door

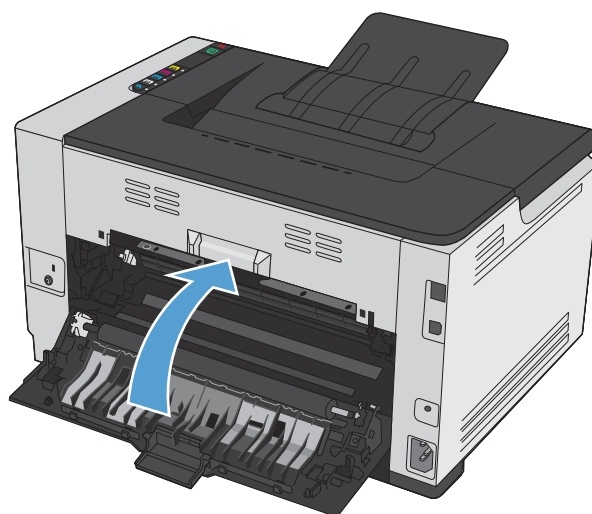
1. Open the rear door.



2. With both hands, grasp the paper, and carefully pull it free from the product.



3. Close the rear door.



The product does not feed automatically

If the product does not pick up paper from the tray, try these solutions.

1. Open the product and remove any jammed sheets of paper.
2. Load the tray with the correct size of paper for your job.
3. Make sure the paper guides in the tray are adjusted correctly for the size of paper. Adjust the guides so they are touching the paper stack without bending it.
4. Check the product control panel to see if the product is waiting for you to acknowledge a prompt to feed the paper manually. Load paper, and continue.

The product feeds multiple sheets

If the product picks up multiple sheets of paper from the tray, try these solutions.


1. Remove the stack of paper from the tray and flex it, rotate it 180 degrees, and flip it over. *Do not fan the paper.* Return the stack of paper to the tray.
2. Use only paper that meets HP specifications for this product.
3. Use paper that is not wrinkled, folded, or damaged. If necessary, use paper from a different package.
4. Make sure the tray is not overfilled. If it is, remove the entire stack of paper from the tray, straighten the stack, and then return some of the paper to the tray.
5. Make sure the paper guides in the tray are adjusted correctly for the size of paper. Adjust the guides so they are touching the paper stack without bending it.





Solve image-quality problems

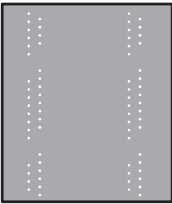


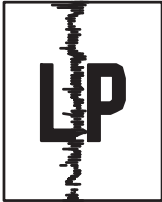

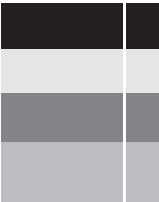
This section helps you define print-quality problems and what to do to correct them. Often print-quality problems can be handled easily by making sure that the product is maintained, using paper that meets HP specifications, or running a cleaning page.


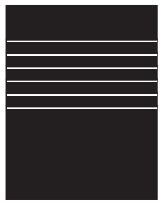
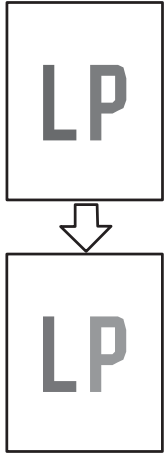

Image defects table



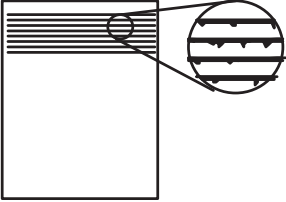


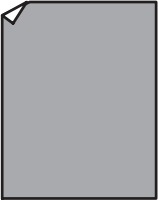
The following examples illustrate problems that would affect all the pages that you print, whether you print in color or in black only. The topics that follow list the typical cause and solution for each of these examples.


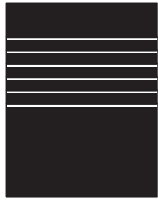
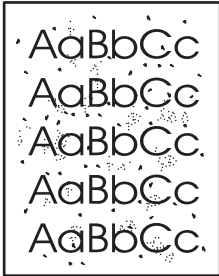
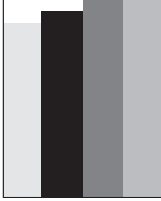
Problem	Sample	Cause	Solution
Print is light or faded on entire page.		Poor contact exist between the ITB and the product ground contacts.	<ul style="list-style-type: none"> • Clean the grounding contacts. If the problem remains after cleaning, check the contacts for damage. Replace any deformed or damaged parts. • Replace the ITB. • If the problem persists, replace the product.
		Poor contact exists in the T1 bias and the ITB.	<ul style="list-style-type: none"> • Clean the contacts. If the problem remains after cleaning, check the contacts for damage. Replace any deformed or damaged parts. • Replace the ITB. • If the problem persists, replace the product.
		Poor contact with the secondary transfer roller.	<ul style="list-style-type: none"> • Clean the contacts (product and secondary transfer roller). If the problem remains after cleaning, check the contacts for damage. Replace any deformed or damaged parts. • If the problem persists, replace the rear door assembly.

Problem	Sample	Cause	Solution
Print is light or faded in a particular color.		A poor contact exists in the developing bias contacts of the developing cartridge.	<ul style="list-style-type: none"> • If dirty, clean the contacts of the product and developing cartridge (reapply black conductive grease). • Check the contacts for damage. Replace any deformed or damaged parts. • Verify that black conductive grease is applied to the contact. If the contacts are not greased, apply grease to the contacts. • Replace the developing cartridge. • If the problem persists, replace the product.
Image is too dark.		The density ITB_TOP sensor is defective.	Replace the ITB.
Page is blank.		The high-voltage power-supply is defective (no developing bias output).	Replace the ECU.
The page is all black or a solid color.		Poor contact exists in the primary charging bias of the imaging-drum-cartridge.	<ul style="list-style-type: none"> • Clean the contacts of both the imaging-drum-cartridge and the product • If the error persists, replace the imaging-drum-cartridge. • If the error persists, replace the product.

Problem	Sample	Cause	Solution
White spots appear in an image		<p>The static charge eliminator is dirty.</p> <p>The T1 pad is deformed or has deteriorated.</p> <p>The secondary transfer roller is deformed or has deteriorated.</p>	<p>Clean the static charge eliminator.</p> <p>Replace the ITB.</p> <p>Replace the secondary transfer roller.</p>
The back of the page is dirty.		<p>The secondary transfer roller is dirty.</p> <p>The fuser inlet guide or separation guide is dirty.</p> <p>The pressure roller is dirty.</p>	<p>Replace the secondary transfer roller.</p> <p>Clean the dirty parts. If the dirt does not come off, replace the fuser delivery assembly.</p> <p>Run the cleaning page several times. If the dirt does not come off, replace the fuser delivery assembly.</p>
Vertical streaks or bands appear on the page.	 	<p>Scratches are present on the circumference of the photosensitive drum.</p> <p>Scratches are present on the circumference of the fuser roller.</p> <p>Scratches are present on the circumference of the ITB.</p> <p>The ITB drive roller is deformed or has deteriorated.</p> <p>The ITB cleaning mechanism is malfunctioning.</p>	<p>Replace the imaging-drum-cartridge.</p> <p>Replace the fuser delivery assembly.</p> <p>Replace the ITB.</p>
Vertical white lines appear in a particular color.		<p>The laser beam window is dirty.</p> <p>Scratches are present on the circumference of the developing roller.</p> <p>The laser/scanner-unit mirror is dirty.</p>	<p>Clean the window and remove any foreign substances.</p> <p>Replace the developing cartridge for affected color.</p> <p>Replace the product.</p>
Vertical white lines appear in all colors.		<p>Horizontal scratches on the fuser film.</p> <p>Scratches are present on the circumference of the ITB.</p> <p>Scratches are present on the circumference of the photosensitive drum.</p> <p>No scratches are present on any of the components above.</p>	<p>Replace the fuser delivery assembly.</p> <p>Replace the ITB.</p> <p>Replace the imaging-drum-cartridge.</p> <p>Replace the ITB.</p>


Problem	Sample	Cause	Solution
Horizontal lines appear on the page.		Repetitive horizontal lines appear.	Use the repetitive defects ruler to identify the dirty roller. Clean the roller. If the roller cannot be cleaned, replace the corresponding assembly.
		Horizontal scratches are present on the fuser roller.	Replace the fuser delivery assembly.
A horizontal white line appears on the page.		Repetitive horizontal white lines appear.	Use the repetitive defects ruler to identify the dirty roller. Clean the roller. If the roller cannot be cleaned, replace the corresponding assembly.
		Horizontal scratches are present on the ITB.	Replace the ITB.
Image in a particular color does not print in the correct color.		Poor contact exists in the developing bias contacts of the developing cartridge.	<ul style="list-style-type: none"> • Clean the contacts of the product and developing cartridge. • Verify that black conductive grease is applied to the contact. If the contacts are not greased, apply grease to the contacts. • Replace the developing cartridge. • If the problem persists, replace the product.
		The developing cartridge (developing roller) is defective.	Replace the developing cartridge of the color that matches the defect.
		The high-voltage power-supply is defective (no primary charging bias or developing bias output).	Replace the high-voltage power-supply lower.
Dropouts appear.		The secondary transfer roller is deformed or has deteriorated.	Replace the secondary transfer roller.
		The developing roller is deformed or has deteriorated.	Replace the developing cartridge of the color that matches the defect.
		The primary charging roller or photosensitive drum is deformed or deteriorated.	Replace the image drum cartridge.
		The fuser film is deformed or has deteriorated.	Replace the fuser delivery assembly.
		The high-voltage power-supply is defective (no transfer bias output).	Replace the ECU.

Problem	Sample	Cause	Solution
The toner is not fully fused to the paper.		<p>The fuser film or pressure roller is scarred or deformed.</p> <p>The fuser control circuit is defective.</p> <p>The thermistor is defective.</p> <p>The fuser heater is defective.</p>	<p>Replace the fuser delivery assembly.</p> <p>Replace the low-voltage power supply.</p> <p>Replace the fuser delivery assembly.</p> <p>Replace the fuser delivery assembly.</p>
Some color is misregistered.		<p>The product is incorrectly calibrated.</p> <p>The ITB unit is defective.</p> <p>The ITB_TOP sensor is defective.</p>	<p>Calibrate the product.</p> <p>Replace the ITB.</p>
Toner smears appear on the media.		<p>The product has residual paper.</p> <p>Poor contact exists in the primary charging bias of the imaging-drum-cartridge.</p>	<p>Remove the residual paper.</p> <ul style="list-style-type: none"> Clean the contacts of both the imaging-drum-cartridge and the product If the error persists, replace the imaging-drum-cartridge.
The printed page contains misformed characters.		<p>The product is experiencing page skew.</p> <p>The laser/scanner unit is defective.</p>	<p>See the "Text or graphics are skewed on the printed page" row in this table.</p> <p>Replace the product.</p>
Text or graphics are skewed on the printed page.		The pickup roller is deformed or deteriorated.	Replace the pickup roller.
The printed page contains wrinkles or creases.		<p>The roller or feed guide is dirty.</p> <p>The feed roller is deformed or has deteriorated.</p> <p>The paper feed guide is damaged.</p>	<p>Clean any dirty components.</p> <p>Replace the corresponding components that include the roller or the product.</p> <p>Replace the corresponding components that include the roller or the product.</p>

Problem	Sample	Cause	Solution
The front of the page is dirty.		<p>The photosensitive drum is dirty.</p> <p>The fuser roller or pressure roller is dirty.</p>	<p>Replace the imaging-drum-cartridge.</p> <p>Run the cleaning page several times. If the dirt does not come off, replace the fuser delivery assembly.</p>
Repetitive horizontal lines			<p>See repetitive image defect ruler. Clean the indicated roller. If the contaminate does not come off, replace appropriate roller or assembly.</p>
Pages have flecks of toner			<p>Run the cleaning page several times. If the dirt does not come off, replace the fuser delivery assembly.</p>
Pages have one or more skewed color planes (can appear on the right or left side of the page)			<p>Remove, and then reinstall the imaging-drum-cartridge associated with the defect.</p>

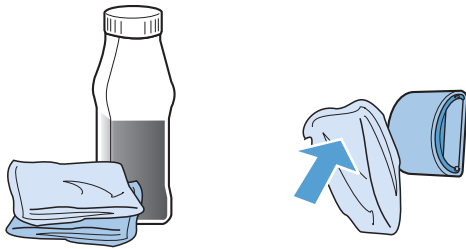
Clean the product


Clean the separation pad or pickup roller


 **NOTE:** The illustrations in this section show the pickup roller, however, cleaning the separation pad is similar.

If you want to clean the separation pad or pickup roller before deciding to replace it, follow these instructions:

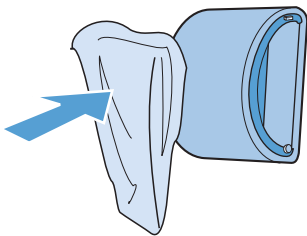
1. Unplug the power cord from the product, and then remove the pickup roller. See [Separation pad assembly on page 15](#) or [Pickup roller on page 16](#).
2. Dab a lint-free cloth in isopropyl alcohol, and then scrub the pad or roller.



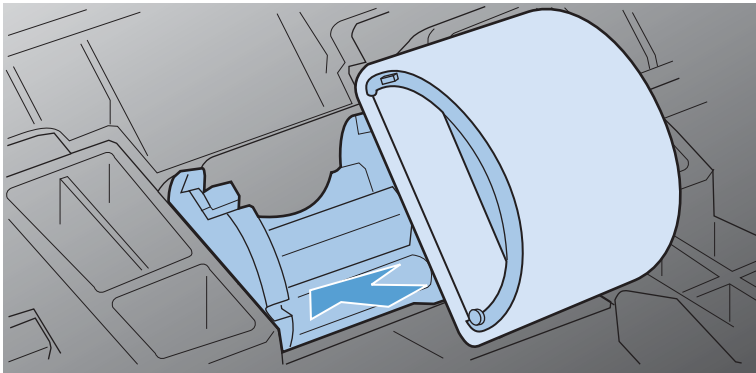
 **WARNING!** Alcohol is flammable. Keep the alcohol and cloth away from an open flame. Before you close the product and plug in the power cord, allow the alcohol to dry completely.

 **NOTE:** In certain areas of California, air pollution control regulations restrict the use of liquid isopropyl alcohol (IPA) as a cleaning agent. In those areas of California, disregard the previous recommendations and use a dry, lint-free cloth, moistened with water, to clean the pickup roller.

3. Use a dry, lint-free cloth, to wipe the pad or roller to remove loose dirt.



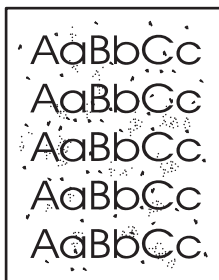
4. Allow the pad or roller to dry completely before you reinstall it in the product.





5. Plug the power cord into the product.

Clean the paper path

If you are experiencing toner specks or dots on the printouts, clean the paper path. This process uses a transparency to remove dust and toner from the paper path. Do not use bond or rough paper.



NOTE: For best results use a sheet of LaserJet transparency. If you do not have any transparencies, you can use copier-grade media (60 to 163 g/m² (16 to 43 lb)) that has a smooth surface.

1. Make sure that the product is idle and the Ready  light is on.
2. Load paper in the input tray.
3. In the Windows system tray, right-click the Device Settings  icon and then click the product name.
4. Click the **Device Settings** tab.
5. Click the **Print Cleaning Page** button.

NOTE: The cleaning process takes about 2 minutes. The cleaning page stops periodically during the cleaning process. Do not turn the product off until the cleaning process has finished. You might need to repeat the cleaning process several times to thoroughly clean the product.


Clean the exterior

Use a soft, damp, lint-free cloth to wipe dust, smudges, and stains off of the exterior of the device.

Solve performance problems

The product does not print

If the product does not print at all, try the following solutions.

1. Make sure the product is turned on and that the control panel indicates it is ready.
 - If the control panel does not indicate the product is ready, turn off the product and disconnect the power cable from the product. Wait 30 seconds and then reconnect the power cord and turn on the product. Wait for the product to initialize.
 - If the control panel indicates the product is ready, press and hold the Resume  button for two to three seconds to print a configuration page. If successful, try sending the job again.
2. If the control panel indicates the product has an error, resolve the error and then try sending the job again.
3. Make sure the cables are all connected correctly. If the product is connected to a network, check the following items:
 - Check the light next to the network connection on the product. If the network is active, the light is green.
 - Make sure that you are using a network cable and not a phone cord to connect to the network.
 - Make sure the network router, hub, or switch is turned on and that it is working correctly.
4. Install the HP software from the CD that came with the product. Using generic printer drivers can cause delays clearing jobs from the print queue.
5. If you are using a personal firewall system on the computer, it might be blocking communication with the product. Try temporarily disabling the firewall to see if it is the source of the problem.
6. If your computer or the product is connected to a wireless network, low signal quality or interference might be delaying print jobs.

The product prints slowly

If the product prints, but it seems slow, try the following solutions.

1. Make sure the computer meets the minimum specifications for this product. For a list of specifications, go to this Web site: www.hp.com/support/cp1020series.
2. When you configure the product to print on some paper types, such as heavy paper, the product prints more slowly so it can correctly fuse the toner to the paper. If the paper type setting is not correct for the type of paper you are using, change the setting to the correct paper type.
3. If your computer or the product is connected to a wireless network, low signal quality or interference might be delaying print jobs.
4. The product might be in cool down mode.

Solve connectivity problems

Solve direct-connect problems

If you have connected the product directly to a computer, check the cable.

- Verify that the cable is connected to the computer and to the product.
- Verify that the cable is not longer than 5 m (16.4 ft). Try using a shorter cable.
- Verify that the cable is working correctly by connecting it to another product. Replace the cable if necessary.

Solve network problems

Check the following items to verify that the product is communicating with the network. Before beginning, print a configuration page from the product control panel and locate the product IP address that is listed on this page.

- [Poor physical connection](#)
- [The computer is using the incorrect IP address for the product](#)
- [The computer is unable to communicate with the product](#)
- [The product is using incorrect link and duplex settings for the network](#)
- [New software programs might be causing compatibility problems](#)
- [The computer or workstation might be set up incorrectly](#)
- [The product is disabled, or other network settings are incorrect](#)

Poor physical connection

1. Verify that the product is attached to the correct network port using a cable of the correct length.
2. Verify that cable connections are secure.
3. Look at the network port connection on the back of the product, and verify that the amber activity light and the green link-status light are lit.
4. If the problem continues, try a different cable or port on the hub.

The computer is using the incorrect IP address for the product

1. Open the printer properties and click the **Ports** tab. Verify that the current IP address for the product is selected. The product IP address is listed on the product configuration page.
2. If you installed the product using the HP standard TCP/IP port, select the box labeled **Always print to this printer, even if its IP address changes.**

3. If you installed the product using a Microsoft standard TCP/IP port, use the hostname instead of the IP address.
4. If the IP address is correct, delete the product and then add it again.

The computer is unable to communicate with the product

1. Test network communication by pinging the network.
 - a. Open a command-line prompt on your computer. For Windows, click **Start**, click **Run**, and then type `cmd`.
 - b. Type `ping` followed by the IP address for your product.
 - c. If the window displays round-trip times, the network is working.
2. If the ping command failed, verify that the network hubs are on, and then verify that the network settings, the product, and the computer are all configured for the same network.

The product is using incorrect link and duplex settings for the network

Hewlett-Packard recommends leaving this setting in automatic mode (the default setting). If you change these settings, you must also change them for your network.

New software programs might be causing compatibility problems

Verify that any new software programs are correctly installed and that they use the correct printer driver.

The computer or workstation might be set up incorrectly

1. Check the network drivers, printer drivers, and the network redirection.
2. Verify that the operating system is configured correctly.

The product is disabled, or other network settings are incorrect

1. Review the configuration page to check the status of the network protocol. Enable it if necessary.
2. Reconfigure the network settings if necessary.

Solve wireless network problems (wireless models only)

Wireless connectivity checklist

- Make sure the network cable is not connected.
- The product and the wireless router are turned on and have power. Also make sure the wireless radio in the product is turned on.
- The service set identifier (SSID) is correct. Print a configuration page to determine the SSID. If you are not sure the SSID is correct, run the wireless setup again.
- With secured networks, make sure the security information is correct. If the security information is incorrect, run the wireless setup again.
- If the wireless network is working correctly, try accessing other computers on the wireless network. If the network has Internet access, try connecting to the Internet over a wireless connection.
- The encryption method (AES or TKIP) is the same for the product as it is for the wireless access point (on networks using WPA security).
- The product is within the range of the wireless network. For most networks, the product must be within 30 m (100 ft) of the wireless access point (wireless router).
- Obstacles do not block the wireless signal. Remove any large metal objects between the access point and the product. Make sure poles, walls, or support columns containing metal or concrete do not separate the product and wireless access point.
- The product is located away from electronic devices that might interfere with the wireless signal. Many devices can interfere with the wireless signal including motors, cordless phones, security system cameras, other wireless networks, and some Bluetooth devices.
- The printer driver is installed on the computer.
- You have selected the correct printer port.
- The computer and product connect to the same wireless network.

The product does not print after the wireless configuration completes

1. Make sure the product is turned on and in the ready state.
2. Turn off any third-party firewalls on your computer.
3. Make sure that the wireless network is working correctly.
4. Make sure that your computer is working correctly. If necessary, restart your computer.

The product does not print, and the computer has a third-party firewall installed

1. Update the firewall with the most recent update available from the manufacturer.
2. If programs request firewall access when you install the product or try to print, make sure you allow the programs to run.
3. Temporarily turn off the firewall, and then install the wireless product on the computer. Enable the firewall when you have completed the wireless installation.

The wireless connection does not work after moving the wireless router or product

Make sure that the router or product connects to the same network that your computer connects to.

1. Print a configuration page.
2. Compare the service set identifier (SSID) on the configuration page to the SSID in the printer configuration for your computer.
3. If the numbers are not the same, the devices are not connecting to the same network. Reconfigure the wireless setup for your product.

Cannot connect more computers to the wireless product

1. Make sure that the other computers are within the wireless range and that no obstacles block the signal. For most networks, the wireless range is within 30 m (100 ft) of the wireless access point.
2. Make sure the product is turned on and in the ready state.
3. Turn off any third-party firewalls on your computer.
4. Make sure that the wireless network is working correctly.
5. Make sure that your computer is working correctly. If necessary, restart your computer.

The wireless product loses communication when connected to a VPN

- Typically, you cannot connect to a VPN and other networks at the same time.

The network does not appear in the wireless networks list

- Make sure the wireless router is turned on and has power.
- The network might be hidden. However, you can still connect to a hidden network.

The wireless network is not functioning

1. Make sure the network cable is not connected.
2. To verify if the network has lost communication, try connecting other devices to the network.

3. Test network communication by pinging the network.
 - a. Open a command-line prompt on your computer. For Windows, click **Start**, click **Run**, and then type `cmd`.
 - b. Type `ping` followed by the service set identifier (SSID) for your network.
 - c. If the window displays round-trip times, the network is working.
4. Make sure that the router or product connects to the same network that your computer connects to.
 - a. Print a configuration page.
 - b. Compare the service set identifier (SSID) on the configuration report to the SSID in the printer configuration for your computer.
 - c. If the numbers are not the same, the devices are not connecting to the same network. Reconfigure the wireless setup for your product.

Service mode functions

Product resets

To restore the product to the factory-default settings, follow these steps.

1. Turn the product off.
2. Turn the product on, and while it is initializing press and hold both control-panel buttons at the same time until all lights blink in unison.

Product updates

Software and firmware updates and installation instructions for this product are available at www.hp.com/support/cp1020series. Click **Downloads and drivers**, click the operating system, and then select the download for the product.

3 Parts and diagrams

- [Order parts by authorized service providers](#)
- [How to use the parts lists and diagrams](#)
- [Assembly locations](#)
- [Covers, panels, and doors](#)
- [Internal assembly](#)
- [PCAs](#)
- [Alphabetical parts list](#)
- [Numerical parts list](#)

Order parts by authorized service providers

Order replacement parts

Table 3-1 Order parts, accessories, and supplies

Order supplies and paper	www.hp.com/go/suresupply
Order genuine HP parts or accessories	www.hp.com/buy/parts
Order through service or support providers	Contact an HP-authorized service or support provider.

Related documentation and software

Table 3-2 Related documentation and software


Item	Description	Part number
<i>HP LaserJet Pro CP1020 Color Printer Series User Guide</i>	Product user guide.	CE913-90901
<i>HP LaserJet Pro CP1020 Color Printer Series Service Manual</i>	English service manual (this manual)	CE913-90943

Supplies part numbers

Table 3-3 Supplies part numbers

Item	Cartridge number	Color	Part number, new	Part number, service
HP LaserJet print cartridge	126	Black	CE310A	CE310-67901
		Cyan	CE311A	CE311-67901
		Yellow	CE312A	CE312-67901
		Magenta	CE313A	CE313-67901
Imaging drum			CE314A	CE314-67901
Imaging drum cover				CE314-67902

Service parts

 **NOTE:** The parts in the following table are not shown in the assembly illustrations in this chapter.

Item	Description	Part number
HP jewel	HP logo	7121-8266
Regulatory label	Blank label	5969-9497

Whole-unit replacement part numbers


 **NOTE:** Whole-unit replacement products include the formatter PCA.

Table 3-4 Whole-unit replacement part numbers

Item	Description	Part number
HP LaserJet Professional CP1025 Color Printer series	110 V	CE913-67001 (new)
		CE913-69001 (exchange)
	220 V	CE913-67002 (new)
		CE913-67002 (new; China)
		CE913-69002 (exchange)
		CE913-69003 (exchange; China)
HP LaserJet Professional CP1025nw Color Printer series	110 V	CE914-67001 (new)
		CE914-69001 (exchange)
	220 V	CE914-67002 (new)
		CE914-67003 (new; China)
		CE914-69002 (exchange)
		CE914-69003 (exchange; China)

How to use the parts lists and diagrams

△ **CAUTION:** Be sure to order the correct part. When looking for part numbers for electrical components, pay careful attention to the voltage that is listed. Doing so will make sure that the part number selected is for the correct model.

📄 **NOTE:** In this manual, the abbreviation “PCA” stands for “printed circuit-board assembly.” Components described as a PCA might consist of a single circuit board or a circuit board plus other parts, such as cables and sensors.

The figures in this chapter show the major subassemblies in the product and their component parts. A parts list table follows each exploded view assembly diagram. Each table lists the item number, the associated part number, and the description of each part. If a part is not listed in the table, then it is not a field replacement unit (FRU).

Assembly locations

Base product (no optional trays or accessories)

Figure 3-1 Base product (no optional trays or accessories)

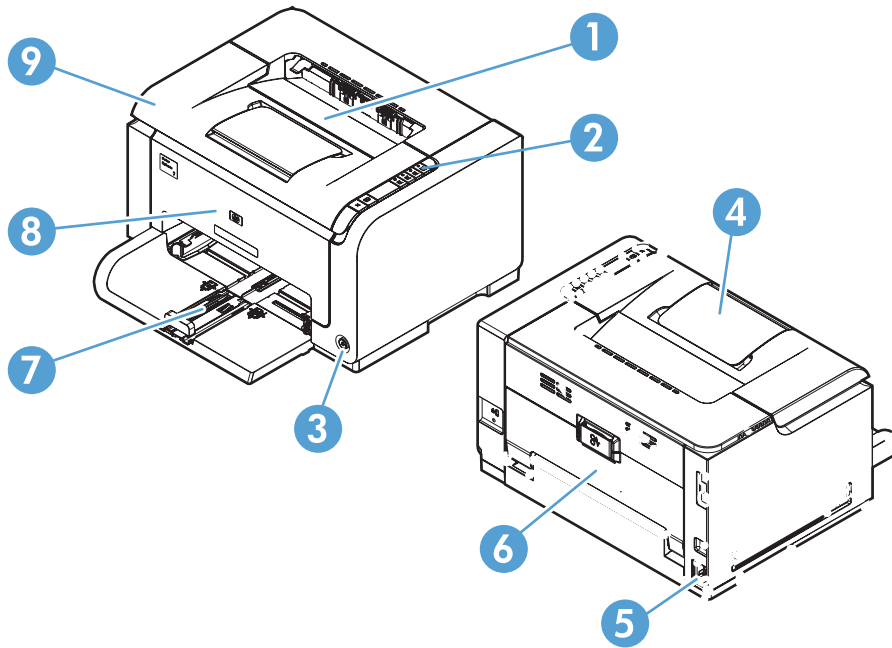


Table 3-5 Base product

Item	Description	Item	Description
1	Face-down output bin	6	Rear door assembly
2	Control panel	7	Input tray
3	Power switch	8	Front door
4	Extension tray	9	Top door assembly
5	Power receptacle		

Covers, panels, and doors

Figure 3-2 Covers, panels, and doors

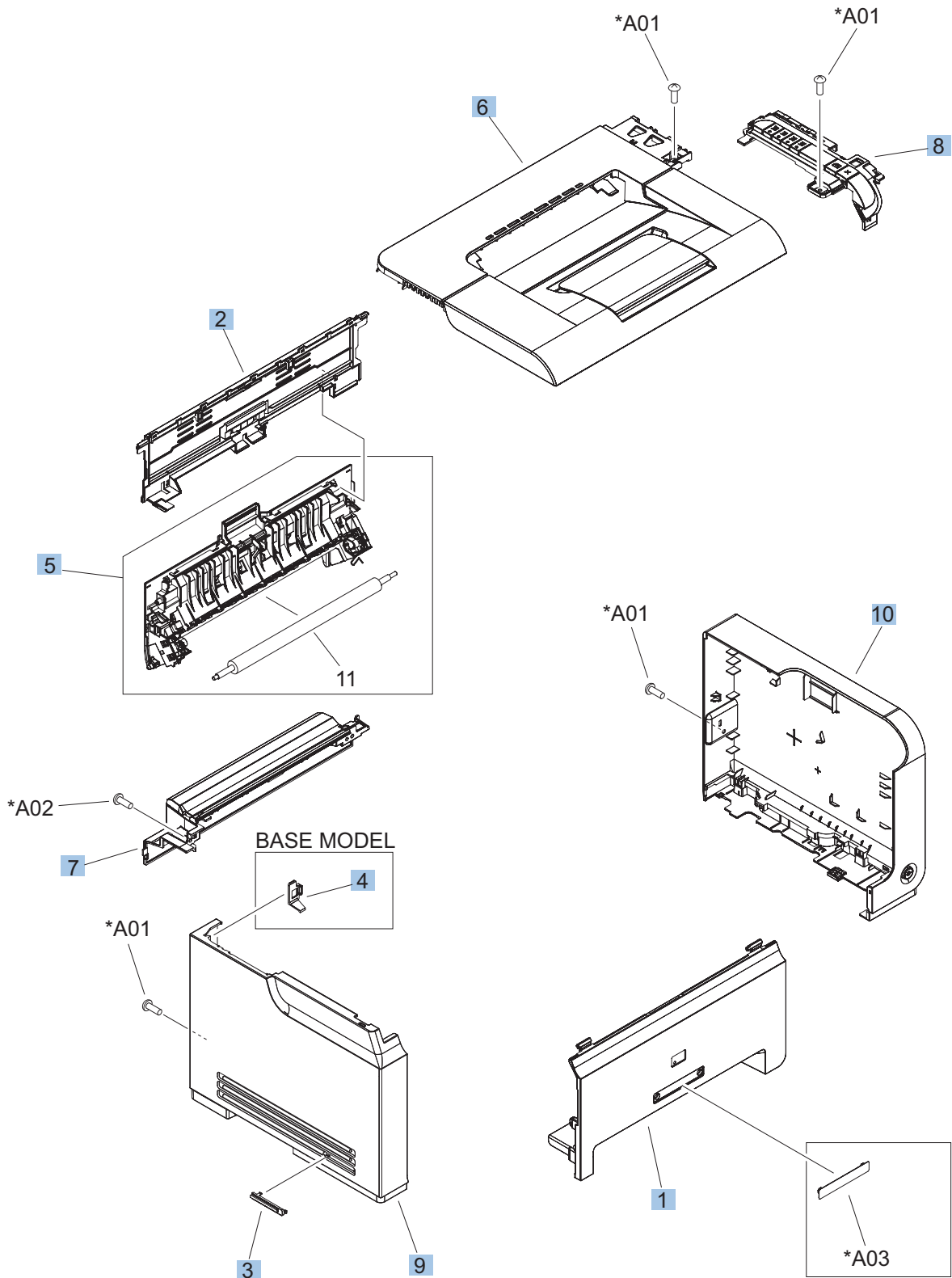


Table 3-6 Covers, panels, and doors

Ref	Description	Part number	Qty
1	Door, front (base model)	RM1-7219-000CN	1
1	Door, front (plus mode)	RM1-7275-000CN	1
2	Cover, fusing	RC2-9834-000CN	1
3	Cover, blanking	RC2-9866-000CN	1
4	Cover, network plug (base model)	RC2-9867-000CN	1
5	Rear cover/2nd transfer assembly	RM1-7216-000CN	1
6	Cover, top	RM1-7217-000CN	1
7	Cover, low-voltage power supply assembly	RM1-7273-000CN	1
8	Control panel assembly (base model)	RM1-7273-000CN	1
8	Control panel assembly (plus model)	RM1-7227-000CN	1
9	Cover, left	RM1-7231-000CN	1
10	Cover, right	RM1-7232-000CN	1
11	2ND Transfer roller assy.	RM1-7232-000CN	1

Internal assembly

Internal assembly

Figure 3-3 Internal assembly

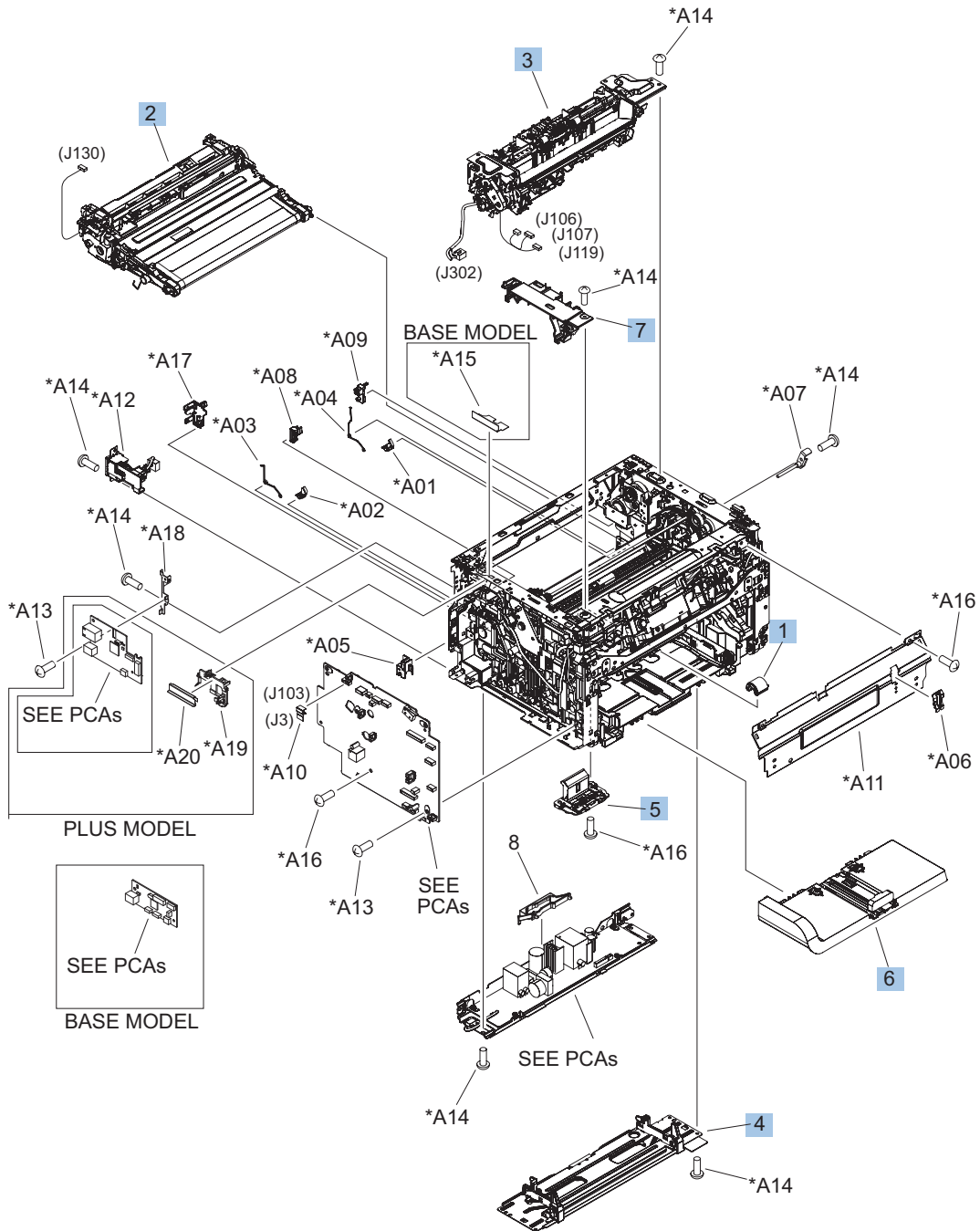
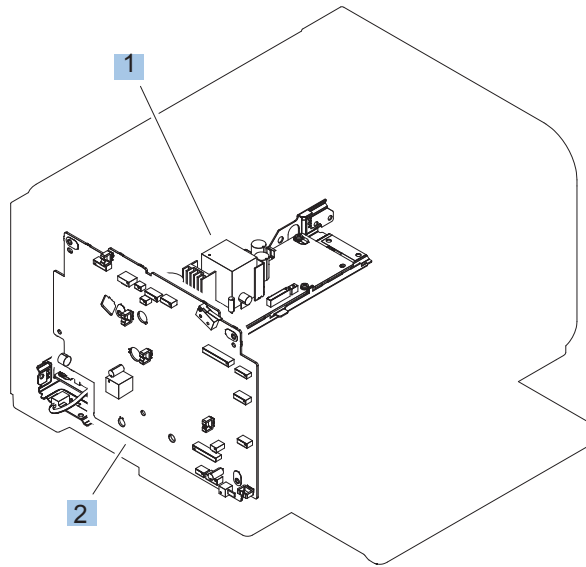


Table 3-7 Internal assembly)

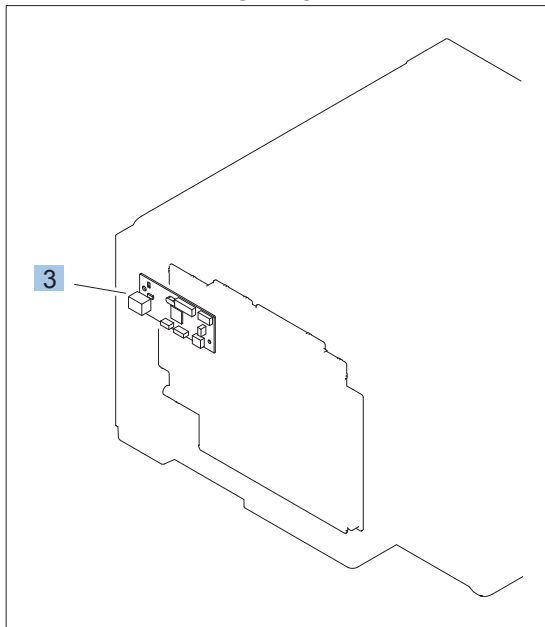
Ref	Description	Part number	Qty
1	Roller, pickup	RL1-2671-000CN	1
2	Intermediate transfer belt assembly (ITB)	RM1-7274-000CN	1
3	Delivery assembly, fuser (110-127 V)	RM1-7211-000CN	1
3	Delivery assembly, fuser (220 V)	RM1-7269-000CN	1
4	Plate, base	RM1-7213-000CN	1
5	Pad, separation	RM1-7228-000CN	1
6	Tray, main assembly	RM1-7276-000CN	1
7	Cover, inner	RM1-7218-000CN	1

PCAs

Figure 3-4 PCAs



BASE MODEL



PLUS MODEL

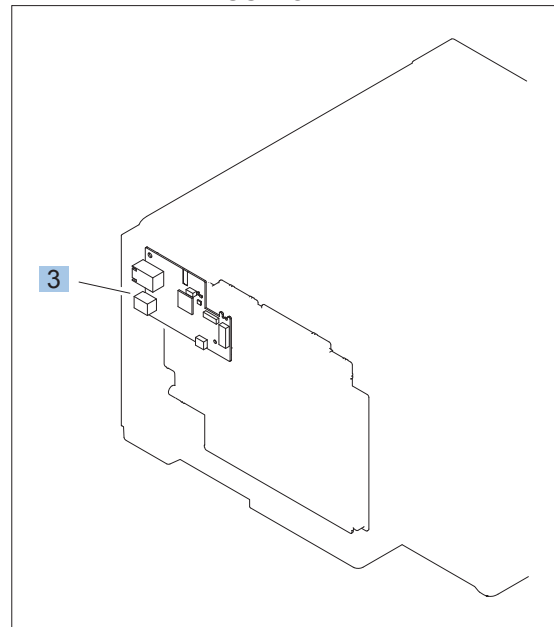


Table 3-8 PCAs

Ref	Description	Part number	Qty
1	Power supply, low-voltage (110-127 V)	RM1-7751-000CN	1
1	Power supply, low-voltage (220-240 V)	RM1-7752-000CN	1
2	PCA assembly, engine controller	RM1-7777-000CN	1
3	Formatter PCA (base model)	CE828-60001	1
3	Formatter PCA (plus model)	CE964-60001	1

Alphabetical parts list

Table 3-9 Alphabetical parts list

Description	Part number	Table and page
2ND Transfer roller assy.	RM1-7232-000CN	Covers, panels, and doors on page 105
Control panel assembly (base model)	RM1-7273-000CN	Covers, panels, and doors on page 105
Control panel assembly (plus model)	RM1-7227-000CN	Covers, panels, and doors on page 105
Cover, blanking	RC2-9866-000CN	Covers, panels, and doors on page 105
Cover, fusing	RC2-9834-000CN	Covers, panels, and doors on page 105
Cover, inner	RM1-7218-000CN	Internal assembly) on page 107
Cover, left	RM1-7231-000CN	Covers, panels, and doors on page 105
Cover, low-voltage power supply assembly	RM1-7273-000CN	Covers, panels, and doors on page 105
Cover, network plug (base model)	RC2-9867-000CN	Covers, panels, and doors on page 105
Cover, right	RM1-7232-000CN	Covers, panels, and doors on page 105
Cover, top	RM1-7217-000CN	Covers, panels, and doors on page 105
Delivery assembly, fuser (110-127 V)	RM1-7211-000CN	Internal assembly) on page 107
Delivery assembly, fuser (220 V)	RM1-7269-000CN	Internal assembly) on page 107
Door, front (base model)	RM1-7219-000CN	Covers, panels, and doors on page 105
Door, front (plus mode)	RM1-7275-000CN	Covers, panels, and doors on page 105
Formatter PCA (base model)	CE828-60001	PCAs on page 109
Formatter PCA (plus model)	CE964-60001	PCAs on page 109
Intermediate transfer belt assembly (ITB)	RM1-7274-000CN	Internal assembly) on page 107
Pad, separation	RM1-7228-000CN	Internal assembly) on page 107
PCA assembly, engine controller	RM1-7777-000CN	PCAs on page 109

Table 3-9 Alphabetical parts list (continued)

Description	Part number	Table and page
Plate, base	RM1-7213-000CN	Internal assembly) on page 107
Power supply, low-voltage (110-127 V)	RM1-7751-000CN	PCAs on page 109
Power supply, low-voltage (220–240 V)	RM1-7752-000CN	PCAs on page 109
Rear cover/2nd transfer assembly	RM1-7216-000CN	Covers, panels, and doors on page 105
Roller, pickup	RL1-2671-000CN	Internal assembly) on page 107
Tray, main assembly	RM1-7276-000CN	Internal assembly) on page 107

Numerical parts list

Table 3-10 Numerical parts list

Part number	Description	Table and page
CE828-60001	Formatter PCA (base model)	PCAs on page 109
CE964-60001	Formatter PCA (plus model)	PCAs on page 109
RC2-9834-000CN	Cover, fusing	Covers, panels, and doors on page 105
RC2-9866-000CN	Cover, blanking	Covers, panels, and doors on page 105
RC2-9867-000CN	Cover, network plug (base model)	Covers, panels, and doors on page 105
RL1-2671-000CN	Roller, pickup	Internal assembly) on page 107
RM1-7211-000CN	Delivery assembly, fuser (110-127 V)	Internal assembly) on page 107
RM1-7213-000CN	Plate, base	Internal assembly) on page 107
RM1-7216-000CN	Rear cover/2nd transfer assembly	Covers, panels, and doors on page 105
RM1-7217-000CN	Cover, top	Covers, panels, and doors on page 105
RM1-7218-000CN	Cover, inner	Internal assembly) on page 107
RM1-7219-000CN	Door, front (base model)	Covers, panels, and doors on page 105
RM1-7227-000CN	Control panel assembly (plus model)	Covers, panels, and doors on page 105
RM1-7228-000CN	Pad, separation	Internal assembly) on page 107
RM1-7231-000CN	Cover, left	Covers, panels, and doors on page 105
RM1-7232-000CN	Cover, right	Covers, panels, and doors on page 105
RM1-7232-000CN	2ND Transfer roller assy.	Covers, panels, and doors on page 105
RM1-7269-000CN	Delivery assembly, fuser (220 V)	Internal assembly) on page 107
RM1-7273-000CN	Cover, low-voltage power supply assembly	Covers, panels, and doors on page 105
RM1-7273-000CN	Control panel assembly (base model)	Covers, panels, and doors on page 105

Table 3-10 Numerical parts list (continued)

Part number	Description	Table and page
RM1-7274-000CN	Intermediate transfer belt assembly (ITB)	Internal assembly) on page 107
RM1-7275-000CN	Door, front (plus mode)	Covers, panels, and doors on page 105
RM1-7276-000CN	Tray, main assembly	Internal assembly) on page 107
RM1-7751-000CN	Power supply, low-voltage (110-127 V)	PCAs on page 109
RM1-7752-000CN	Power supply, low-voltage (220–240 V)	PCAs on page 109
RM1-7777-000CN	PCA assembly, engine controller	PCAs on page 109

A Service and support

- [Hewlett-Packard limited warranty statement](#)
- [HP's Premium Protection Warranty: LaserJet print cartridge limited warranty statement](#)
- [HP's LaserJet imaging drum limited warranty statement for replacement imaging drums](#)
- [Data stored on the print cartridge and imaging drum](#)
- [End User License Agreement](#)
- [OpenSSL](#)
- [Customer self-repair warranty service](#)
- [Customer support](#)
- [Repack the product](#)

Hewlett-Packard limited warranty statement

HP PRODUCT	DURATION OF LIMITED WARRANTY
HP LaserJet Professional CP1025, CP1025nw	One-year product exchange

HP warrants to you, the end-user customer, that HP hardware and accessories will be free from defects in materials and workmanship after the date of purchase, for the period specified above. If HP receives notice of such defects during the warranty period, HP will, at its option, either repair or replace products which prove to be defective. Replacement products may be either new or equivalent in performance to new.

HP warrants to you that HP software will not fail to execute its programming instructions after the date of purchase, for the period specified above, due to defects in material and workmanship when properly installed and used. If HP receives notice of such defects during the warranty period, HP will replace software which does not execute its programming instructions due to such defects.

HP does not warrant that the operation of HP products will be uninterrupted or error free. If HP is unable, within a reasonable time, to repair or replace any product to a condition as warranted, you will be entitled to a refund of the purchase price upon prompt return of the product.

HP products may contain remanufactured parts equivalent to new in performance or may have been subject to incidental use.

Warranty does not apply to defects resulting from (a) improper or inadequate maintenance or calibration, (b) software, interfacing, parts or supplies not supplied by HP, (c) unauthorized modification or misuse, (d) operation outside of the published environmental specifications for the product, or (e) improper site preparation or maintenance.

TO THE EXTENT ALLOWED BY LOCAL LAW, THE ABOVE WARRANTIES ARE EXCLUSIVE AND NO OTHER WARRANTY OR CONDITION, WHETHER WRITTEN OR ORAL, IS EXPRESSED OR IMPLIED AND HP SPECIFICALLY DISCLAIMS ANY IMPLIED WARRANTIES OR CONDITIONS OF MERCHANTABILITY, SATISFACTORY QUALITY, AND FITNESS FOR A PARTICULAR PURPOSE. Some countries/regions, states or provinces do not allow limitations on the duration of an implied warranty, so the above limitation or exclusion might not apply to you. This warranty gives you specific legal rights and you might also have other rights that vary from country/region to country/region, state to state, or province to province.

HP's limited warranty is valid in any country/region or locality where HP has a support presence for this product and where HP has marketed this product. The level of warranty service you receive may vary according to local standards. HP will not alter form, fit or function of the product to make it operate in a country/region for which it was never intended to function for legal or regulatory reasons.

TO THE EXTENT ALLOWED BY LOCAL LAW, THE REMEDIES IN THIS WARRANTY STATEMENT ARE YOUR SOLE AND EXCLUSIVE REMEDIES. EXCEPT AS INDICATED ABOVE, IN NO EVENT WILL HP OR ITS SUPPLIERS BE LIABLE FOR LOSS OF DATA OR FOR DIRECT, SPECIAL, INCIDENTAL, CONSEQUENTIAL (INCLUDING LOST PROFIT OR DATA), OR OTHER DAMAGE, WHETHER BASED IN CONTRACT, TORT, OR OTHERWISE. Some countries/regions, states or provinces do not allow the exclusion or limitation of incidental or consequential damages, so the above limitation or exclusion may not apply to you.

THE WARRANTY TERMS CONTAINED IN THIS STATEMENT, EXCEPT TO THE EXTENT LAWFULLY PERMITTED, DO NOT EXCLUDE, RESTRICT OR MODIFY AND ARE IN ADDITION TO THE MANDATORY STATUTORY RIGHTS APPLICABLE TO THE SALE OF THIS PRODUCT TO YOU.

HP's Premium Protection Warranty: LaserJet print cartridge limited warranty statement

This HP product is warranted to be free from defects in materials and workmanship.

This warranty does not apply to products that (a) have been refilled, refurbished, remanufactured or tampered with in any way, (b) experience problems resulting from misuse, improper storage, or operation outside of the published environmental specifications for the printer product or (c) exhibit wear from ordinary use.

To obtain warranty service, please return the product to place of purchase (with a written description of the problem and print samples) or contact HP customer support. At HP's option, HP will either replace products that prove to be defective or refund your purchase price.

TO THE EXTENT ALLOWED BY LOCAL LAW, THE ABOVE WARRANTY IS EXCLUSIVE AND NO OTHER WARRANTY OR CONDITION, WHETHER WRITTEN OR ORAL, IS EXPRESSED OR IMPLIED AND HP SPECIFICALLY DISCLAIMS ANY IMPLIED WARRANTIES OR CONDITIONS OF MERCHANTABILITY, SATISFACTORY QUALITY, AND FITNESS FOR A PARTICULAR PURPOSE.

TO THE EXTENT ALLOWED BY LOCAL LAW, IN NO EVENT WILL HP OR ITS SUPPLIERS BE LIABLE FOR DIRECT, SPECIAL, INCIDENTAL, CONSEQUENTIAL (INCLUDING LOST PROFIT OR DATA), OR OTHER DAMAGE, WHETHER BASED IN CONTRACT, TORT, OR OTHERWISE.

THE WARRANTY TERMS CONTAINED IN THIS STATEMENT, EXCEPT TO THE EXTENT LAWFULLY PERMITTED, DO NOT EXCLUDE, RESTRICT OR MODIFY AND ARE IN ADDITION TO THE MANDATORY STATUTORY RIGHTS APPLICABLE TO THE SALE OF THIS PRODUCT TO YOU.

HP's LaserJet imaging drum limited warranty statement for replacement imaging drums

This HP Product is warranted to be free from defects in materials and workmanship for one-year from installation. This warranty does not apply to imaging drums that (a) have been refurbished, remanufactured or tampered with in any way, (b) experience problems resulting from misuse, improper storage, or operation outside of the published environmental specifications for the printer product or (c) exhibit wear from ordinary use.

To obtain warranty service, please return the product to place of purchase (with a written description of the problem, print samples, and a copy of the configuration and supplies status page) or contact HP customer support. At HP's option, HP will either replace products that prove to be defective or refund your purchase price.

TO THE EXTENT ALLOWED BY LOCAL LAW, THE ABOVE WARRANTY IS EXCLUSIVE AND NO OTHER WARRANTY OR CONDITION, WHETHER WRITTEN OR ORAL, IS EXPRESSED OR IMPLIED AND HP SPECIFICALLY DISCLAIMS ANY IMPLIED WARRANTIES OR CONDITIONS OF MERCHANTABILITY, SATISFACTORY QUALITY, AND FITNESS FOR A PARTICULAR PURPOSE.

TO THE EXTENT ALLOWED BY LOCAL LAW, IN NO EVENT WILL HP OR ITS SUPPLIERS BE LIABLE FOR DIRECT, SPECIAL, INCIDENTAL, CONSEQUENTIAL (INCLUDING LOST PROFIT OR DATA), OR OTHER DAMAGE, WHETHER BASED IN CONTRACT, TORT, OR OTHERWISE.

THE WARRANTY TERMS CONTAINED IN THIS STATEMENT, EXCEPT TO THE EXTENT LAWFULLY PERMITTED, DO NOT EXCLUDE, RESTRICT OR MODIFY AND ARE IN ADDITION TO THE MANDATORY STATUTORY RIGHTS APPLICABLE TO THE SALE OF THIS PRODUCT TO YOU.

Data stored on the print cartridge and imaging drum

The HP print cartridges and imaging drum used with this product contain a memory chip that assists in the operation of the product.

In addition, this memory chip collects a limited set of information about the usage of the product, which might include the following: the date when the print cartridge and imaging drum was first installed, the date when the print cartridge and imaging drum was last used, the number of pages printed using the print cartridge and imaging drum, the page coverage, the printing modes used, any printing errors that might have occurred, and the product model. This information helps HP design future products to meet our customers' printing needs.

The data collected from the print cartridge and imaging drum memory chip does not contain information that can be used to identify a customer or user of the print cartridge and imaging drum or their product.

HP collects a sampling of the memory chips from print cartridges and imaging drums returned to HP's free return and recycling program (HP Planet Partners: www.hp.com/recycle). The memory chips from this sampling are read and studied in order to improve future HP products. HP partners who assist in recycling this print cartridge and imaging drum might have access to this data, as well.

Any third party possessing the print cartridge and imaging drum might have access to the anonymous information on the memory chip. If you prefer to not allow access to this information, you can render the chip inoperable. However, after you render the memory chip inoperable, the memory chip cannot be used in an HP product.

End User License Agreement

PLEASE READ CAREFULLY BEFORE USING THIS SOFTWARE PRODUCT: This End-User License Agreement (“EULA”) is a contract between (a) you (either an individual or the entity you represent) and (b) Hewlett-Packard Company (“HP”) that governs your use of the software product (“Software”). This EULA does not apply if there is a separate license agreement between you and HP or its suppliers for the Software, including a license agreement in online documentation. The term “Software” may include (i) associated media, (ii) a user guide and other printed materials, and (iii) “online” or electronic documentation (collectively “User Documentation”).

RIGHTS IN THE SOFTWARE ARE OFFERED ONLY ON THE CONDITION THAT YOU AGREE TO ALL TERMS AND CONDITIONS OF THIS EULA. BY INSTALLING, COPYING, DOWNLOADING, OR OTHERWISE USING THE SOFTWARE, YOU AGREE TO BE BOUND BY THIS EULA. IF YOU DO NOT ACCEPT THIS EULA, DO NOT INSTALL, DOWNLOAD, OR OTHERWISE USE THE SOFTWARE. IF YOU PURCHASED THE SOFTWARE BUT DO NOT AGREE TO THIS EULA, PLEASE RETURN THE SOFTWARE TO YOUR PLACE OF PURCHASE WITHIN FOURTEEN DAYS FOR A REFUND OF THE PURCHASE PRICE; IF THE SOFTWARE IS INSTALLED ON OR MADE AVAILABLE WITH ANOTHER HP PRODUCT, YOU MAY RETURN THE ENTIRE UNUSED PRODUCT.

1. **THIRD PARTY SOFTWARE.** The Software may include, in addition to HP proprietary software (“HP Software”), software under licenses from third parties (“Third Party Software” and “Third Party License”). Any Third Party Software is licensed to you subject to the terms and conditions of the corresponding Third Party License. Generally, the Third Party License is located in a file such as license.txt; you should contact HP support if you cannot find any Third Party License. If the Third Party Licenses include licenses that provide for the availability of source code (such as the GNU General Public License) and the corresponding source code is not included with the Software, then check the product support pages of HP’s website (hp.com) to learn how to obtain such source code.

2. **LICENSE RIGHTS.** You will have the following rights provided you comply with all terms and conditions of this EULA:

a. **Use.** HP grants you a license to Use one copy of the HP Software. “Use” means installing, copying, storing, loading, executing, displaying, or otherwise using the HP Software. You may not modify the HP Software or disable any licensing or control feature of the HP Software. If this Software is provided by HP for Use with an imaging or printing product (for example, if the Software is a printer driver, firmware, or add-on), the HP Software may only be used with such product (“HP Product”). Additional restrictions on Use may appear in the User Documentation. You may not separate component parts of the HP Software for Use. You do not have the right to distribute the HP Software.

b. **Copying.** Your right to copy means you may make archival or back-up copies of the HP Software, provided each copy contains all the original HP Software’s proprietary notices and is used only for back-up purposes.

3. **UPGRADES.** To Use HP Software provided by HP as an upgrade, update, or supplement (collectively “Upgrade”), you must first be licensed for the original HP Software identified by HP as eligible for the Upgrade. To the extent the Upgrade supersedes the original HP Software, you may no longer use such HP Software. This EULA applies to each Upgrade unless HP provides other terms with the Upgrade. In case of a conflict between this EULA and such other terms, the other terms will prevail.

4. **TRANSFER.**

a. **Third Party Transfer.** The initial end user of the HP Software may make a one-time transfer of the HP Software to another end user. Any transfer will include all component parts, media, User

Documentation, this EULA, and if applicable, the Certificate of Authenticity. The transfer may not be an indirect transfer, such as a consignment. Prior to the transfer, the end user receiving the transferred Software will agree to this EULA. Upon transfer of the HP Software, your license is automatically terminated.

b. Restrictions. You may not rent, lease or lend the HP Software or Use the HP Software for commercial timesharing or bureau use. You may not sublicense, assign or otherwise transfer the HP Software except as expressly provided in this EULA.

5. PROPRIETARY RIGHTS. All intellectual property rights in the Software and User Documentation are owned by HP or its suppliers and are protected by law, including applicable copyright, trade secret, patent, and trademark laws. You will not remove any product identification, copyright notice, or proprietary restriction from the Software.

6. LIMITATION ON REVERSE ENGINEERING. You may not reverse engineer, decompile, or disassemble the HP Software, except and only to the extent that the right to do so is allowed under applicable law.

7. CONSENT TO USE OF DATA. HP and its affiliates may collect and use technical information you provide in relation to (i) your Use of the Software or the HP Product, or (ii) the provision of support services related to the Software or the HP Product. All such information will be subject to HP's privacy policy. HP will not use such information in a form that personally identifies you except to the extent necessary to enhance your Use or provide support services.

8. LIMITATION OF LIABILITY. Notwithstanding any damages that you might incur, the entire liability of HP and its suppliers under this EULA and your exclusive remedy under this EULA will be limited to the greater of the amount actually paid by you for the Product or U.S. \$5.00. TO THE MAXIMUM EXTENT PERMITTED BY APPLICABLE LAW, IN NO EVENT WILL HP OR ITS SUPPLIERS BE LIABLE FOR ANY SPECIAL, INCIDENTAL, INDIRECT, OR CONSEQUENTIAL DAMAGES (INCLUDING DAMAGES FOR LOST PROFITS, LOST DATA, BUSINESS INTERRUPTION, PERSONAL INJURY, OR LOSS OF PRIVACY) RELATED IN ANY WAY TO THE USE OF OR INABILITY TO USE THE SOFTWARE, EVEN IF HP OR ANY SUPPLIER HAS BEEN ADVISED OF THE POSSIBILITY OF SUCH DAMAGES AND EVEN IF THE ABOVE REMEDY FAILS OF ITS ESSENTIAL PURPOSE. Some states or other jurisdictions do not allow the exclusion or limitation of incidental or consequential damages, so the above limitation or exclusion may not apply to you.

9. U.S. GOVERNMENT CUSTOMERS. If you are a U.S. Government entity, then consistent with FAR 12.211 and FAR 12.212, Commercial Computer Software, Computer Software Documentation, and Technical Data for Commercial Items are licensed under the applicable HP commercial license agreement.

10. COMPLIANCE WITH EXPORT LAWS. You will comply with all laws, rules, and regulations (i) applicable to the export or import of the Software, or (ii) restricting the Use of the Software, including any restrictions on nuclear, chemical, or biological weapons proliferation.

11. RESERVATION OF RIGHTS. HP and its suppliers reserve all rights not expressly granted to you in this EULA.

(c) 2007 Hewlett-Packard Development Company, L.P.

Rev. 11/06

OpenSSL

This product includes software developed by the OpenSSL Project for use in the OpenSSL Toolkit (<http://www.openssl.org/>)

THIS SOFTWARE IS PROVIDED BY THE OpenSSL PROJECT ``AS IS'' AND ANY EXPRESSED OR IMPLIED WARRANTIES, INCLUDING, BUT NOT LIMITED TO, THE IMPLIED WARRANTIES OF MERCHANTABILITY AND FITNESS FOR A PARTICULAR PURPOSE ARE DISCLAIMED. IN NO EVENT SHALL THE OpenSSL PROJECT OR ITS CONTRIBUTORS BE LIABLE FOR ANY DIRECT, INDIRECT, INCIDENTAL, SPECIAL, EXEMPLARY, OR CONSEQUENTIAL DAMAGES (INCLUDING, BUT NOT LIMITED TO, PROCUREMENT OF SUBSTITUTE GOODS OR SERVICES;

LOSS OF USE, DATA, OR PROFITS; OR BUSINESS INTERRUPTION) HOWEVER CAUSED AND ON ANY THEORY OF LIABILITY, WHETHER IN CONTRACT, STRICT LIABILITY, OR TORT (INCLUDING NEGLIGENCE OR OTHERWISE) ARISING IN ANY WAY OUT OF THE USE OF THIS SOFTWARE, EVEN IF ADVISED OF THE POSSIBILITY OF SUCH DAMAGE.

This product includes cryptographic software written by Eric Young (eay@cryptsoft.com). This product includes software written by Tim Hudson (tjh@cryptsoft.com).

Customer self-repair warranty service

HP products are designed with many Customer Self Repair (CSR) parts to minimize repair time and allow for greater flexibility in performing defective parts replacement. If during the diagnosis period, HP identifies that the repair can be accomplished by the use of a CSR part, HP will ship that part directly to you for replacement. There are two categories of CSR parts: 1) Parts for which customer self repair is mandatory. If you request HP to replace these parts, you will be charged for the travel and labor costs of this service. 2) Parts for which customer self repair is optional. These parts are also designed for Customer Self Repair. If, however, you require that HP replace them for you, this may be done at no additional charge under the type of warranty service designated for your product.

Based on availability and where geography permits, CSR parts will be shipped for next business day delivery. Same-day or four-hour delivery may be offered at an additional charge where geography permits. If assistance is required, you can call the HP Technical Support Center and a technician will help you over the phone. HP specifies in the materials shipped with a replacement CSR part whether a defective part must be returned to HP. In cases where it is required to return the defective part to HP, you must ship the defective part back to HP within a defined period of time, normally five (5) business days. The defective part must be returned with the associated documentation in the provided shipping material. Failure to return the defective part may result in HP billing you for the replacement. With a customer self repair, HP will pay all shipping and part return costs and determine the courier/carrier to be used.

Customer support

Get telephone support for your country/region	Country/region phone numbers are on the flyer that was in the box with your product or at www.hp.com/support/ .
Have the product name, serial number, date of purchase, and problem description ready.	
Get 24-hour Internet support	www.hp.com/support/cp1020series
Get support for products used with a Macintosh computer	www.hp.com/go/macosex
Download software utilities, drivers, and electronic information	www.hp.com/go/cp1020series or www.hp.com/go/cp1025series
Order additional HP service or maintenance agreements	www.hp.com/go/carepack

Repack the product

If HP Customer Care determines that your product needs to be returned to HP for repair, follow these steps to repack the product before shipping it.

△ **CAUTION:** Shipping damage as a result of inadequate packing is the customer's responsibility.

1. Remove and retain the print cartridge.

△ **CAUTION:** It is *extremely important* to remove the print cartridge before shipping the product. A print cartridge that remains in the product during shipping can leak and cover the product engine and other parts with toner.

To prevent damage to the print cartridge, avoid touching the roller on it, and store the print cartridge in its original packing material or so that it is not exposed to light.

2. Remove and retain the power cable, interface cable, and optional accessories, such as an EIO card.
3. If possible, include print samples and 50 to 100 sheets of paper or other print media that did not print correctly.
4. In the U.S., call HP Customer Care to request new packing material. In other areas, use the original packing material, if possible. Hewlett-Packard recommends insuring the equipment for shipment.

B Specifications

- [Physical specifications](#)
- [Power consumption](#)
- [Acoustic specifications](#)
- [Environmental specifications](#)

Physical specifications

Table B-1 Physical specifications¹

Specification	HP LaserJet Pro CP1020 Color Printer Series
Product weight	11.6 kg (25.6 lb)
Product height	222.8 mm (8.77 in)
Product depth	410.2 mm (16.15 in)
Product width	399.6 mm (15.73 in)

¹ Values are based on preliminary data. See www.hp.com/support/cp1020series.

Power consumption

Table B-2 HP LaserJet Pro CP1020 Color Printer Series (average in watts)¹²³

Product	Printing (16 PPM)	Ready	Sleep 1	Sleep 2	Off
HP LaserJet Professional CP1025 Color Printer series ⁴⁵	290	7.2	2.8	0.5	0.3

¹ Values are based on preliminary data. See www.hp.com/go/cp1020_regulatory or www.hp.com/go/cp1025_regulatory for current information.

² Power reported is highest values measured for all product models using all standard voltages.

³ Default time from Ready Mode to Sleep 1 = 15 minutes

⁴ Maximum heat dissipation for all models in Ready Mode = 25 BTU/Hour

⁵ HP LaserJet Professional CP1025nw Color Printer series speed is 16 PPM Letter size and 16 PPM A4 size.

Acoustic specifications

Table B-3 HP LaserJet Pro CP1020 Color Printer Series^{1, 2}

Sound power level	Declared per ISO 9296
Printing	$L_{WA,d} = 6.2$ Bels (A) [62 dB(A)]
Ready	Inaudible
Sound pressure level - bystander position	Declared per ISO 9296
Printing	
Ready	

¹ Values are based on preliminary data. See www.hp.com/go/cp1020_regulatory or www.hp.com/go/cp1025_regulatory for current information.

² Configuration tested: HP Color LaserJet CP1025 printing in color at 4 PPM Letter size and 4 PPM A4 size.

Environmental specifications

Table B-4 Environmental specifications

	Operating¹	Storage¹
Temperature	10° to 32.5° C (50° to 91° F)	0° to 35° C (32° to 95° F)
Relative Humidity	10% to 80%	10% to 80%

¹ Values are based on preliminary data. See www.hp.com/support/cp1020series.


C Regulatory information

- [FCC regulations](#)
- [Declaration of conformity \(base models\)](#)
- [Declaration of conformity \(wireless models\)](#)
- [Certificate of Volatility](#)
- [Safety statements](#)
- [Additional statements for wireless products](#)

FCC regulations

This equipment has been tested and found to comply with the limits for a Class B digital device, pursuant to Part 15 of the FCC rules. These limits are designed to provide reasonable protection against harmful interference in a residential installation. This equipment generates, uses, and can radiate radio frequency energy. If this equipment is not installed and used in accordance with the instructions, it may cause harmful interference to radio communications. However, there is no guarantee that interference will not occur in a particular installation. If this equipment does cause harmful interference to radio or television reception, which can be determined by turning the equipment off and on, the user is encouraged to try to correct the interference by one or more of the following measures:

- Reorient or relocate the receiving antenna.
- Increase separation between equipment and receiver.
- Connect equipment to an outlet on a circuit different from that to which the receiver is located.
- Consult your dealer or an experienced radio/TV technician.

 **NOTE:** Any changes or modifications to the printer that are not expressly approved by HP could void the user's authority to operate this equipment.

Use of a shielded interface cable is required to comply with the Class B limits of Part 15 of FCC rules.

Declaration of conformity (base models)

Declaration of Conformity

according to ISO/IEC 17050-1 and EN 17050-1

Manufacturer's Name: Hewlett-Packard Company DoC#: BOISB-1001-00-rel.1.0

Manufacturer's Address: 11311 Chinden Boulevard
Boise, Idaho 83714-1021, USA

declares, that the product

Product Name: HP LaserJet Professional CP1025

Regulatory Model Number²⁾ BOISB-1001-00

Product Options: ALL

Print Cartridges: CE310A, CE311A, CE312A, CE313A


conforms to the following Product Specifications:

SAFETY: IEC 60950-1:2005 / EN60950-1: 2006
IEC 60825-1:2006 / EN 60825-1:2007 Class 1 Laser/LED Product)
IEC 62311:2007 / EN 62311:2008
GB4943-2001

EMC: CISPR22:2005 +A1 / EN55022:2006 +A1 - Class B¹⁾
EN 61000-3-2:2006
EN 61000-3-3:1995 +A1 +A2
EN 55024:1998 +A1 +A2
FCC Title 47 CFR, Part 15 Class B¹⁾ / ICES-003, Issue 4
GB9254-2008, GB17625.1-2003

ENERGY USE: Regulation (EC) No. 1275/2008

Supplementary Information:

The product herewith complies with the requirements of the EMC Directive 2004/108/EC and the Low Voltage Directive 2006/95/EC, the EuP Directive 2005/32/EC, and carries the CE-Marking  accordingly.

This Device complies with Part 15 of the FCC Rules. Operation is subject to the following two Conditions: (1) this device may not cause harmful interference, and (2) this device must accept any interference received, including interference that may cause undesired operation.

1. The product was tested in a typical configuration with Hewlett-Packard Personal Computer Systems.
2. For regulatory purposes, this product is assigned a Regulatory model number. This number should not be confused with the product name or the product number(s).

Boise, Idaho USA

September 2010

For regulatory topics only:

European Contact: Your Local Hewlett-Packard Sales and Service Office or Hewlett-Packard GmbH, Department HQ-TRE / Standards Europe, Herrenberger Strasse 140, D-71034, Böblingen (FAX: +49-7031-14-3143)
www.hp.com/go/certificates

USA Contact: Product Regulations Manager, Hewlett-Packard Company, PO Box 15, Mail Stop 160, Boise, Idaho 83707-0015 (Phone: 208-396-6000)

Declaration of conformity (wireless models)

Declaration of Conformity

according to ISO/IEC 17050-1 and EN 17050-1

Manufacturer's Name: Hewlett-Packard Company DoC#: BOISB-1001.01-rel.1.0

Manufacturer's Address: 11311 Chinden Boulevard
Boise, Idaho 83714-1021, USA

declares, that the product

Product Name: HP LaserJet Professional CP1025nw

Regulatory Model Number²⁾ BOISB-1001-01
SDGOB – 0892 – (Radio Module)

Product Options: ALL

Print Cartridges: CE310A, CE311A, CE312A, CE313A

conforms to the following Product Specifications:


SAFETY: IEC 60950-1:2005 / EN60950-1: 2006
IEC 60825-1:2006 / EN 60825-1:2007 Class 1 Laser/LED Product)
IEC 62311:2007 / EN 62311:2008
GB4943-2001

EMC: CISPR22:2005 +A1 / EN55022:2006 +A1 - Class B¹⁾
EN 61000-3-2:2006
EN 61000-3-3:1995 +A1 +A2
EN 55024:1998 +A1 +A2
FCC Title 47 CFR, Part 15 Class B¹⁾ / ICES-003, Issue 4
GB9254-2008, GB17625.1-2003

Radio⁵⁾ EN 301 489-1:V1.8.1 / EN 301 489-17:V1.3.2
EN 300 328: V1.7.1
FCC Title 47 CFR, Part 15 Subpart C (Section 15.247) / IC: RSS-210

ENERGY USE: Regulation (EC) No. 1275/2008

Supplementary Information:

The product herewith complies with the requirements of the R&TTE Directive 1999/5/EC Annex IV, EMC Directive 2004/108/EC and the Low Voltage Directive 2006/95/EC, the EuP Directive 2005/32/EC and carries the CE-Marking  accordingly.

This Device complies with Part 15 of the FCC Rules. Operation is subject to the following two Conditions: (1) this device may not cause harmful interference, and (2) this device must accept any interference received, including interference that may cause undesired operation.

1. The product was tested in a typical configuration with Hewlett-Packard Personal Computer Systems.
2. For regulatory purposes, this product is assigned a Regulatory model number. This number should not be confused with the product name or the product number(s).
3. This product uses a radio module device which Regulatory Model number is SDGOB-0892 as needed to meet technical regulatory requirements for the countries/regions this product will be sold.

Boise, Idaho USA

September 2010

For regulatory topics only:

European Contact: Your Local Hewlett-Packard Sales and Service Office or Hewlett-Packard GmbH, Department HQ-TRE / Standards Europe, Herrenberger Strasse 140, D-71034, Böblingen (FAX: +49-7031-14-3143)
www.hp.com/go/certificates

USA Contact: Product Regulations Manager, Hewlett-Packard Company, PO Box 15, Mail Stop 160, Boise, Idaho 83707-0015 (Phone: 208-396-6000)

Certificate of Volatility

Hewlett-Packard Certificate of Volatility			
Model: CP1025	Part Number: CE828	Address: 11311 Chinden Blvd. Boise, ID. 83714	
Volatile Memory			
Does the device contain volatile memory (Memory whose contents are lost when power is removed)? <input checked="" type="checkbox"/> Yes <input type="checkbox"/> No If Yes please describe the type, size, function, and steps to clear the memory below			
Type (SRAM, DRAM, etc): DRAM	Size: 8MB	Function: Run-time firmware image, print job info during printing	Steps to clear memory: Power off printer
Type (SRAM, DRAM, etc):	Size:	Function:	Steps to clear memory:
Type (SRAM, DRAM, etc):	Size:	Function:	Steps to clear memory:
Non-Volatile Memory			
Does the device contain non-volatile memory (Memory whose contents are retained when power is removed)? <input checked="" type="checkbox"/> Yes <input type="checkbox"/> No If Yes please describe the type, size, function, and steps to clear the memory below			
Type (Flash, EEPROM, etc): Serial Flash	Size: 2MB	Function: Firmware	Steps to clear memory: User cannot, service tools can.
Type (Flash, EEPROM, etc):	Size:	Function:	Steps to clear memory:
Type (Flash, EEPROM, etc):	Size:	Function:	Steps to clear memory:
Mass Storage			
Does the device contain mass storage memory (Hard Disk Drive, Tape Backup)? <input type="checkbox"/> Yes <input checked="" type="checkbox"/> No If Yes please describe the type, size, function, and steps to clear the memory below			
Type (HDD, Tape, etc):	Size:	Function:	Steps to clear memory:
Type (HDD, Tape, etc):	Size:	Function:	Steps to clear memory:
Author Information			
Name:	Title: Technical Marketing Engineer	Email:	Business Unit: LaserJet Business
			Date Prepared: 05/04/10

Hewlett-Packard Certificate of Volatility			
Model: CP1025nw	Part Number: CE914A	Address: 11311 Chinden Blvd. Boise, ID. 83714	
Volatile Memory			
Does the device contain volatile memory (Memory whose contents are lost when power is removed)? <input checked="" type="checkbox"/> Yes <input type="checkbox"/> No If Yes please describe the type, size, function, and steps to clear the memory below			
Type (SRAM, DRAM, etc): DRAM DDR2	Size: 64MB	Function: Run-time firmware image, print job info during printing	Steps to clear memory: Power off printer
Type (SRAM, DRAM, etc):	Size:	Function:	Steps to clear memory:
Type (SRAM, DRAM, etc):	Size:	Function:	Steps to clear memory:
Non-Volatile Memory			
Does the device contain non-volatile memory (Memory whose contents are retained when power is removed)? <input checked="" type="checkbox"/> Yes <input type="checkbox"/> No If Yes please describe the type, size, function, and steps to clear the memory below			
Type (Flash, EEPROM, etc): Serial Flash	Size: 4MB	Function: Firmware	Steps to clear memory: User cannot, service tools can.
Type (Flash, EEPROM, etc):	Size:	Function:	Steps to clear memory:
Type (Flash, EEPROM, etc):	Size:	Function:	Steps to clear memory:
Mass Storage			
Does the device contain mass storage memory (Hard Disk Drive, Tape Backup)? <input type="checkbox"/> Yes <input checked="" type="checkbox"/> No If Yes please describe the type, size, function, and steps to clear the memory below			
Type (HDD, Tape, etc):	Size:	Function:	Steps to clear memory:
Type (HDD, Tape, etc):	Size:	Function:	Steps to clear memory:
Author Information			
Name:	Title: Technical Marketing Engineer	Email:	Business Unit: LaserJet Business
			Date Prepared: 5/04/10

Safety statements

Laser safety

The Center for Devices and Radiological Health (CDRH) of the U.S. Food and Drug Administration has implemented regulations for laser products manufactured since August 1, 1976. Compliance is mandatory for products marketed in the United States. The device is certified as a "Class 1" laser product under the U.S. Department of Health and Human Services (DHHS) Radiation Performance Standard according to the Radiation Control for Health and Safety Act of 1968. Since radiation emitted inside the device is completely confined within protective housings and external covers, the laser beam cannot escape during any phase of normal user operation.

-
- △ **WARNING!** Using controls, making adjustments, or performing procedures other than those specified in this user guide may result in exposure to hazardous radiation.
-

Canadian DOC regulations

Complies with Canadian EMC Class B requirements.

« Conforme à la classe B des normes canadiennes de compatibilité électromagnétique. « CEM ». »

VCCI statement (Japan)

この装置は、情報処理装置等電波障害自主規制協議会（VCCI）の基準に基づくクラスB情報技術装置です。この装置は、家庭環境で使用することを目的としていますが、この装置がラジオやテレビジョン受信機に近接して使用されると、受信障害を引き起こすことがあります。
取扱説明書に従って正しい取り扱いをして下さい。

Power cord instructions

Make sure your power source is adequate for the product voltage rating. The voltage rating is on the product label. The product uses either 110-127 Vac or 220-240 Vac and 50/60 Hz.

Connect the power cord between the product and a grounded AC outlet.

-
- △ **CAUTION:** To prevent damage to the product, use only the power cord that is provided with the product.
-

Power cord statement (Japan)

製品には、同梱された電源コードをお使い下さい。
同梱された電源コードは、他の製品では使用出来ません。

EMC statement (Korea)

B급 기기 (가정용 방송통신기기)	이 기기는 가정용(B급)으로 전자파적합등록을 한 기기로서 주로 가정에서 사용하는 것을 목적으로 하며, 모든 지역에서 사용할 수 있습니다.
-----------------------	--

Laser statement for Finland

Luokan 1 laserlaite

Klass 1 Laser Apparat

HP LaserJet Professional CP1025, CP1025nw, laserkirjoitin on käyttäjän kannalta turvallinen luokan 1 laserlaite. Normaalisissa käytössä kirjoittimen suojakotelointi estää lasersäteiden pääsyn laitteen ulkopuolelle. Laitteen turvallisuusluokka on määritetty standardin EN 60825-1 (2007) mukaisesti.

VAROITUS !

Laitteen käyttäminen muulla kuin käyttöohjeessa mainitulla tavalla saattaa altistaa käyttäjän turvallisuusluokan 1 ylittävälle näkymättömälle lasersäteilylle.

VARNING !

Om apparaten används på annat sätt än i bruksanvisning specificerats, kan användaren utsättas för osynlig laserstrålning, som överskrider gränsen för laserklass 1.

HUOLTO

HP LaserJet Professional CP1025, CP1025nw - kirjoittimen sisällä ei ole käyttäjän huollettavissa olevia kohteita. Laitteen saa avata ja huoltaa ainoastaan sen huoltamiseen koulutettu henkilö. Tällaiseksi huoltotoimenpiteeksi ei katsota väriainekasetin vaihtamista, paperiradan puhdistusta tai muita käyttäjän käsikirjassa lueteltuja, käyttäjän tehtäväksi tarkoitettuja ylläpitotoimia, jotka voidaan suorittaa ilman erikoistyökaluja.

VARO !

Mikäli kirjoittimen suojakotelo avataan, olet alttiina näkymättömälle lasersäteilylle laitteen ollessa toiminnassa. Älä katso säteeseen.

VARNING !

Om laserprinterns skyddshölje öppnas då apparaten är i funktion, utsättas användaren för osynlig laserstrålning. Betrakta ej strålen.

Tiedot laitteessa käytettävän laserdiodin säteilyominaisuuksista: Aallonpituus 775-795 nm Teho 5 m W Luokan 3B laser.

GS statement (Germany)

Das Gerät ist nicht für die Benutzung im unmittelbaren Gesichtsfeld am Bildschirmarbeitsplatz vorgesehen. Um störende Reflexionen am Bildschirmarbeitsplatz zu vermeiden, darf dieses Produkt nicht im unmittelbaren Gesichtsfeld platziert werden.

Substances Table (China)

有毒有害物质表

根据中国电子信息产品污染控制管理办法的要求而出台

部件名称	有毒有害物质和元素					
	铅 (Pb)	汞 (Hg)	镉 (Cd)	六价铬 (Cr(VI))	多溴联苯 (PBB)	多溴二苯醚 (PBDE)
打印引擎	X	0	0	0	0	0
控制面板	0	0	0	0	0	0
塑料外壳	0	0	0	0	0	0
格式化板组件	X	0	0	0	0	0
碳粉盒	X	0	0	0	0	0

0609

0：表示在此部件所用的所有同类材料中，所含的此有毒或有害物质均低于 SJ/T11363-2006 的限制要求。

X：表示在此部件所用的所有同类材料中，至少一种所含的此有毒或有害物质高于 SJ/T11363-2006 的限制要求。

注：引用的“环保使用期限”是根据在正常温度和湿度条件下操作使用产品而确定的。

Restriction on Hazardous Substances statement (Turkey)

Türkiye Cumhuriyeti: EEE Yönetmeliğine Uygundur

Additional statements for wireless products

FCC compliance statement—United States

Exposure to radio frequency radiation

- △ **CAUTION:** The radiated output power of this device is far below the FCC radio frequency exposure limits. Nevertheless, the device shall be used in such a manner that the potential for human contact during normal operation is minimized.

In order to avoid the possibility of exceeding the FCC radio frequency exposure limits, human proximity to the antenna shall not be less than 20 cm (8 in)) during normal operation.

This device complies with Part 15 of FCC Rules. Operation is subject to the following two conditions: (1) this device may not cause interference, and (2) this device must accept any interference, including interference that may cause undesired operation of the device.

- △ **CAUTION:** Based on Section 15.21 of the FCC rules, changes of modifications to the operation of this product without the express approval by Hewlett-Packard Company may invalidate its authorized use.

Australia statement

This device incorporates a radio-transmitting (wireless) device. For protection against radio transmission exposure, it is recommended that this device be operated no less than 20 cm from the head, neck, or body.

Brazil ANATEL statement

Este equipamento opera em caráter secundário, isto é, não tem direito à proteção contra interferência prejudicial, mesmo de estações do mesmo tipo, e não pode causar interferência a sistemas operando em caráter primário.

Canadian statements

For Indoor Use. This digital apparatus does not exceed the Class B limits for radio noise emissions from digital apparatus as set out in the radio interference regulations of the Canadian Department of Communications. The internal wireless radio complies with RSS 210 of Industry Canada.

Pour l'usage d'intérieur. Le présent appareil numérique n'émet pas de bruits radioélectriques dépassant les limites applicables aux appareils numériques de Classe B prescrites dans le règlement sur le brouillage radioélectrique édicté par le Ministère des Communications du Canada. Le composant RF interne est conforme à la norme CNR-210 d'Industrie Canada.

European Union regulatory notice

The telecommunications functionality of this product may be used in the following EU and EFTA countries/regions:

Austria, Belgium, Bulgaria, Cyprus, Czech Republic, Denmark, Estonia, Finland, France, Germany, Greece, Hungary, Iceland, Ireland, Italy, Latvia, Liechtenstein, Lithuania, Luxembourg, Malta,

Netherlands, Norway, Poland, Portugal, Romania, Slovak Republic, Slovenia, Spain, Sweden, Switzerland, and United Kingdom.

Notice for use in France

For 2.4 GHz Wireless LAN operation of this product certain restrictions apply: This equipment may be used indoor for the entire 2400-2483.5 MHz frequency band (channels 1-13). For outdoor use, only 2400-2454 MHz frequency band (channels 1-9) may be used. For the latest requirements, see www.arcep.fr.

L'utilisation de cet équipement (2.4 GHz Wireless LAN) est soumise à certaines restrictions : Cet équipement peut être utilisé à l'intérieur d'un bâtiment en utilisant toutes les fréquences de 2400-2483.5 MHz (Chaîne 1-13). Pour une utilisation en environnement extérieur, vous devez utiliser les fréquences comprises entre 2400-2454 MHz (Chaîne 1-9). Pour les dernières restrictions, voir, www.arcep.fr.

Notice for use in Russia

Существуют определенные ограничения по использованию беспроводных сетей (стандарта 802.11 b/g) с рабочей частотой 2,4 ГГц: Данное оборудование может использоваться внутри помещений с использованием диапазона частот 2400-2483,5 МГц (каналы 1-13). При использовании внутри помещений максимальная эффективная изотропно-излучаемая мощность (ЭИИМ) должна составлять не более 100мВт.

Korean statement

당해 무선설비는 운용 중 전파혼선 가능성이 있음

Taiwan statement

低功率電波輻射性電機管理辦法

第十二條 經型式認證合格之低功率射頻電機，非經許可，公司、商號或使用者均不得擅自變更頻率、加大功率或變更原設計之特性及功能。

第十四條 低功率射頻電機之使用不得影響飛航安全及干擾合法通信；經發現有干擾現象時，應立即停用，並改善至無干擾時方得繼續使用。前項合法通信，指依電信法規定作業之無線電通信。低功率射頻電機須忍受合法通信或工業、科學及醫療用電波輻射性電機設備之干擾。

Index

A

accessories
 ordering 100
acoustic specifications 129
after-service checklist 4
altitude specifications 129

B

bands, troubleshooting 85
bins, output
 jams, clearing 80
blank pages, troubleshooting 84

C

calibrating color 67
Canadian DOC regulations 139
cartridges
 non-HP 74
 part numbers 100
 warranty 118
cautions iii
certificate of volatility 137
characters, troubleshooting 87
checklists
 after-service 4
 preservice 4
 problem source 56
clean
 pickup roller 89
 separation pad 89
cleaning
 exterior 90
 paper path 66, 90
 product 89
color
 calibrating 67
 troubleshooting 86
configuration page 66
connectivity
 solving problems 92

control panel
 status light patterns 68
conventions, document iii
copying
 quality, troubleshooting 83
covers
 locations 104
 parts list 104
creases, troubleshooting 87
crooked pages
 troubleshooting 87
customer support
 online 124
 repacking product 125

D

dark image, troubleshooting 84
declaration of
 conformity 133, 135
diagrams
 covers, panels, and doors 104
document conventions iii
doors
 parts list 104
drum
 warranty 119

E

electrostatic discharge (ESD) 3
engine communication error
 message 72
environment specifications 129
ESD (electrostatic discharge) 3

F

faded print 83
Finnish laser safety statement 140
fuser
 errors 73

H

HP Customer Care 124
humidity specifications 129

I

image quality issues
 examples and solutions 83
imaging drum
 memory chips 120
 part numbers 100
 warranty 119
incorrect supplies error
 message 76
information pages
 configuration page 66
install supplies message 73

J

jams
 causes of 77
 error messages 73
 locating 78
 output bin, clearing 80
 rear door, clearing 81
 trays, clearing 78
Japanese VCCI statement 139

K

Korean EMC statement 140

L

laser safety statements 139, 140
license, software 121
light patterns 68
light print, troubleshooting 83
lines, troubleshooting 85
location
 assemblies (base
 product) 0
loose toner, troubleshooting 87

M

Macintosh
 support 124
memory chip, imaging drum
 description 120
memory chip, print cartridge
 description 120
misprint error message 74

N

noise specifications 129
non-HP supplies 74
notes iii

O

online support 124
operating environment
 specifications 129
ordering
 product documents 100
 supplies and accessories 100
 whole-unit replacement 101

P

packaging product 125
page too complex error
 message 74
pages
 skewed 87
panels
 parts list 104
paper
 jams 77
 wrinkled 87
paper path, cleaning 66, 90
paper pickup problems
 solving 82
part number
 whole-unit replacement 101
part numbers
 imaging drum 100
 print cartridges 100
parts
 assemblies (base
 product) 0
 cover locations 104
 door locations 104
 panel locations 104
physical specifications 128
pickup roller
 clean 89

pliers, required 3
post-service tests 4
preservice checklist 4
print cartridges
 memory chips 120
 non-HP 74
 part numbers 100
 warranty 118
print quality
 test 4
 troubleshooting 83
print quality page
 interpreting 65
 printing 65
printing
 configuration page 66
problem solving
 status light patterns 68
problem-solving
 no response 91
 slow response 91

Q

quality. *See* print quality

R

rear door
 jams 81
removing parts
 cautions for 2
 checklists 4
 tools, required 3
repacking product 125
replacing
 parts 2
resolution
 troubleshooting quality 83

S

safety statements 139, 140
screwdrivers, required 3
screws
 replacing 2
separation pad
 clean 89
service
 repacking product 125
 tools, required 3
shipping product 125
size specifications, product 128

skewed pages
 troubleshooting 87
smeared toner,
 troubleshooting 87
software
 software license
 agreement 121
solving
 direct-connect problems 92
 network problems 92
specifications
 acoustic 129
 environment 129
 physical 128
static precautions 3
status-light patterns 68
storing
 product 129
streaks, troubleshooting 85
supplies
 incorrect error message 76
 non-HP 74
 ordering 100
 part numbers 100
support
 online 124
 repacking product 125

T

technical support
 online 124
 repacking product 125
temperature specifications 129
tests
 post-service 4
 print-quality 4
text, troubleshooting 87
tips iii
toner
 loose, troubleshooting 87
 smeared, troubleshooting 87
toner cartridges. *See* print
 cartridges
tools, required 3
trays
 jams, clearing 78
troubleshooting
 calibration 67
 checklist 54
 direct-connect problems 92

- jams 77
- lines, printed pages 85
- network problems 92
- print quality issues 83
- problem source 56
- skewed pages 87
- text 87
- toner smear 87
- wrinkles 87

V

- vertical lines, troubleshooting 85

W

- warnings iii
- warranty
 - customer self repair 124
 - imaging drum 119
 - license 121
 - print cartridges 118
 - product 116
- Web sites
 - customer support 124
 - Macintosh customer support 124
- white spots, troubleshooting 85
- wrinkles, troubleshooting 87



CE913-90943

