



LASERJET PRO 100 COLOR MFP M175

Service Manual





HP LaserJet Pro 100 color MFP M175

Service Manual

Copyright and License

© 2011 Copyright Hewlett-Packard Development Company, L.P.

Reproduction, adaptation, or translation without prior written permission is prohibited, except as allowed under the copyright laws.

The information contained herein is subject to change without notice.

The only warranties for HP products and services are set forth in the express warranty statements accompanying such products and services. Nothing herein should be construed as constituting an additional warranty. HP shall not be liable for technical or editorial errors or omissions contained herein.


Part number: CE865-90968

Edition 1, 4/2011


Trademark Credits

Microsoft®, Windows®, Windows® XP, and Windows Vista® are U.S. registered trademarks of Microsoft Corporation.

Conventions used in this guide

 **TIP:** Tips provide helpful hints or shortcuts.

 **NOTE:** Notes provide important information to explain a concept or to complete a task.

 **CAUTION:** Cautions indicate procedures that you should follow to avoid losing data or damaging the product.


 **WARNING!** Warnings alert you to specific procedures that you should follow to avoid personal injury, catastrophic loss of data, or extensive damage to the product.

Table of contents

1 Removal and replacement	1
Introduction	2
Removal and replacement strategy	2
Electrostatic discharge	3
Required tools	3
Service approach	4
Before performing service	4
After performing service	4
Post-service test	4
Product verification test	4
Parts removal order	5
Removal and replacement procedures	7
Print cartridges	7
Imaging drum	9
Input tray	11
Secondary transfer roller	12
Separation pad assembly	13
Pickup roller	14
Remove the pickup roller assembly	15
Covers and document feeder	16
Right cover	16
Left cover	17
Document feeder	18
Remove the document feeder	18
Document feeder hinges	21
Remove the document feeder hinges	21
Top door, rear-top cover, and delivery cover	22
Remove the top door, rear-top cover, and delivery cover	22
Reinstall the top door, rear-top cover, and delivery cover	25
Rear door assembly	27
Remove the rear door assembly	27
Rear-lower cover	28

Remove the rear-lower cover	28
Control panel	29
Remove the control panel	29
Left-front cover	31
Remove the left-front cover	31
Front door	33
Remove the front door	33
Inner cover	35
Remove the inner cover	35
Main assemblies	38
Formatter PCA (base model)	38
Remove the formatter PCA (base model)	38
Formatter and wireless PCA (plus model)	40
Remove the formatter and wireless PCA (plus model)	40
Fuser power supply	42
Remove the fuser power supply	42
ITB assembly	43
Remove the ITB assembly	43
Fuser delivery assembly	53
Remove the fuser delivery assembly	54
Engine controller assembly	58
Remove the engine controller assembly	58
Low-voltage power supply assembly	63
Remove the low-voltage power supply assembly	63
Document feeder components	69
Document feeder input tray	69
Document feeder cover	70
Document feeder core	72
Remove the document feeder core	72
Post scan pinch rollers	74
Remove the post scan pinch rollers	74
Document feeder base assembly	75
Remove the document feeder base assembly	75
2 Solve problems	77
Solve problems checklist	78
Step 1: Test print functionality	78
Step 2: Test copy functionality	78
Menu map	79
Troubleshooting processes	80
Determine the problem source	80

Power subsystem	81
Power-on checks	81
Tools for troubleshooting	82
Component diagnostics	82
Component tests	82
Control-panel tests	82
Diagrams	83
Locations of connectors	83
Locations of major components	84
General timing chart	86
General circuit diagram	87
Internal print-quality test pages	88
Print a Diagnostics Page	88
Interpret the Print Quality Page	89
Print-quality troubleshooting tools	90
Repetitive image defects ruler	90
Calibrate the product	90
Control panel menus	91
Setup menu	91
Reports menu	91
System Setup menu	91
Service menu	94
Network Setup menu (network models only)	94
Function specific menus	95
Copy Menu	95
Service mode functions	97
Service menu/Secondary service menu	97
Service menu	97
Secondary service menu	97
Open the secondary service menu	97
Secondary service menu structure	98
Product resets	99
Restore factory settings	99
NVRAM initialization	99
Product updates	99

3 Parts and diagrams 101

Order parts by authorized service providers	102
Order replacement parts	102
Related documentation and software	102
Supplies part numbers	102

Service parts	103
Whole-unit replacement part numbers	103
How to use the parts lists and diagrams	104
Assembly locations	105
Base product (no optional trays or accessories)	105
Covers, panels, and doors	106
Internal assembly	108
Internal assembly	108
PCAs	110
Scanner and document feeder (ADF) main assemblies	112
Document feeder internal components	114
Alphabetical parts list	116
Numerical parts list	119

Appendix A Service and support 123

Hewlett-Packard limited warranty statement	124
HP's Premium Protection Warranty: LaserJet print cartridge limited warranty statement	126
HP's LaserJet imaging drum limited warranty statement for replacement imaging drums	127
Data stored on the print cartridge and imaging drum	128
End User License Agreement	129
OpenSSL	131
Customer self-repair warranty service	132
Customer support	132
Repack the product	133

Appendix B Specifications 135

Physical specifications	136
Power consumption, electrical specifications, and acoustic emissions	136
Environmental specifications	136

Appendix C Regulatory information 137

FCC regulations	138
Declaration of conformity (base models)	139
Declaration of conformity (wireless models)	141
Certificate of Volatility	143
Safety statements	144
Laser safety	144
Canadian DOC regulations	144
VCCI statement (Japan)	144
Power cord instructions	144

Power cord statement (Japan)	144
EMC statement (Korea)	145
Laser statement for Finland	145
GS statement (Germany)	145
Substances Table (China)	146
Restriction on Hazardous Substances statement (Turkey)	146
Additional statements for wireless products	147
FCC compliance statement—United States	147
Australia statement	147
Brazil ANATEL statement	147
Canadian statements	147
European Union regulatory notice	147
Notice for use in France	148
Notice for use in Russia	148
Korean statement	148
Taiwan statement	148
Index	149

List of tables

Table 2-1	External covers and doors (base)	85
Table 2-2	Service menu	97
Table 2-3	Secondary service menu	98
Table 3-1	Order parts, accessories, and supplies	102
Table 3-2	Related documentation and software	102
Table 3-3	Supplies part numbers	102
Table 3-4	Whole-unit replacement part numbers	103
Table 3-5	Base product	105
Table 3-6	Covers, panels, and doors	107
Table 3-7	Internal assembly)	109
Table 3-8	PCAs	111
Table 3-9	Scanner and document feeder main assemblies	113
Table 3-10	Document feeder assembly parts	115
Table 3-11	Alphabetical parts list	116
Table 3-12	Numerical parts list	119
Table B-1	Physical specifications ¹	136
Table B-2	Environmental specifications	136

List of figures

Figure 1-1	Phillips and Pozidriv screwdriver comparison	3
Figure 1-2	Parts removal order (base)	5
Figure 1-3	Parts removal order (document feeder)	6
Figure 1-4	Remove the tray	11
Figure 1-5	Remove the secondary transfer roller	12
Figure 1-6	Remove the separation pad assembly (1 of 1)	13
Figure 1-7	Remove the pickup roller assembly (1 of 2)	15
Figure 1-8	Remove the pickup roller assembly (2 of 2)	15
Figure 1-9	Remove the right cover (1 of 2)	16
Figure 1-10	Remove the right cover (2 of 2)	16
Figure 1-11	Remove the left cover (1 of 2)	17
Figure 1-12	Remove the left cover (2 of 2)	17
Figure 1-13	Remove the document feeder (1 of 4)	18
Figure 1-14	Remove the document feeder (2 of 4)	19
Figure 1-15	Remove the document feeder (3 of 4)	19
Figure 1-16	Remove the document feeder (4 of 4)	20
Figure 1-17	Remove the scanner hinges (1 of 2)	21
Figure 1-18	Remove the scanner hinges (2 of 2)	21
Figure 1-19	Remove the top door, rear-top cover, and delivery cover (1 of 6)	22
Figure 1-20	Remove the top door, rear-top cover, and delivery cover (2 of 6)	23
Figure 1-21	Remove the top door, rear-top cover, and delivery cover (3 of 6)	23
Figure 1-22	Remove the top door, rear-top cover, and delivery cover (4 of 6)	24
Figure 1-23	Remove the top door, rear-top cover, and delivery cover (5 of 6)	24
Figure 1-24	Remove the top door, rear-top cover, and delivery cover (6 of 6)	25
Figure 1-25	Reinstall the top door, rear-top cover, and delivery cover (1 of 2)	25
Figure 1-26	Reinstall the top door, rear-top cover, and delivery cover (1 of 2)	26
Figure 1-27	Remove the rear door assembly (1 of 2)	27
Figure 1-28	Remove the rear door assembly (2 of 2)	27
Figure 1-29	Remove the rear-lower cover	28
Figure 1-30	Remove the control panel (1 of 3)	29
Figure 1-31	Remove the control panel (2 of 3)	30
Figure 1-32	Remove the control panel (3 of 3)	30

Figure 1-33	Remove the left-front cover (1 of 2)	31
Figure 1-34	Remove the left-front cover (2 of 2)	32
Figure 1-35	Remove the front door (1 of 2)	33
Figure 1-36	Remove the front door (2 of 3)	34
Figure 1-37	Remove the inner cover (1 of 4)	35
Figure 1-38	Remove the inner cover (2 of 4)	36
Figure 1-39	Remove the inner cover (3 of 4)	36
Figure 1-40	Remove the inner cover (4 of 4)	37
Figure 1-41	Remove the formatter PCA (base model; 1 of 2)	38
Figure 1-42	Remove the formatter PCA (base model; 2 of 2)	39
Figure 1-43	Remove the formatter and wireless PCA (plus model; 1 of 3)	40
Figure 1-44	Remove the formatter and wireless PCA (plus mode; 2 of 3)	40
Figure 1-45	Remove the formatter and wireless PCA (plus mode; 3 of 3)	41
Figure 1-46	Remove the fuser power supply (1 of 2)	42
Figure 1-47	Remove the fuser power supply (2 of 2)	42
Figure 1-48	Remove the ITB assembly (1 of 17)	43
Figure 1-49	Remove the ITB assembly (2 of 17)	44
Figure 1-50	Remove the ITB assembly (3 of 17)	44
Figure 1-51	Remove the ITB assembly (4 of 17)	45
Figure 1-52	Remove the ITB assembly (5 of 17)	45
Figure 1-53	Remove the ITB assembly (6 of 17)	46
Figure 1-54	Remove the ITB assembly (7 of 17)	46
Figure 1-55	Remove the ITB assembly (8 of 17)	47
Figure 1-56	Remove the ITB assembly (9 of 17)	48
Figure 1-57	Remove the ITB assembly (10 of 17)	48
Figure 1-58	Remove the ITB assembly (11 of 17)	49
Figure 1-59	Remove the ITB assembly (12 of 17)	49
Figure 1-60	Remove the ITB assembly (13 of 17)	50
Figure 1-61	Remove the ITB assembly (14 of 17)	50
Figure 1-62	Remove the ITB assembly (15 of 17)	51
Figure 1-63	Remove the ITB assembly (16 of 17)	51
Figure 1-64	Remove the ITB assembly (17 of 17)	52
Figure 1-65	Remove the fuser delivery assembly (1 of 6)	54
Figure 1-66	Remove the fuser delivery assembly (2 of 6)	54
Figure 1-67	Remove the fuser delivery assembly (3 of 6)	55
Figure 1-68	Remove the fuser delivery assembly (4 of 6)	55
Figure 1-69	Remove the fuser delivery assembly (5 of 6)	56
Figure 1-70	Remove the fuser delivery assembly (6 of 6)	56
Figure 1-71	Reinstall the fuser delivery assembly (1 of 2)	57
Figure 1-72	Reinstall the fuser delivery assembly (2 of 2)	57
Figure 1-73	Remove the engine controller assembly (1 of 7)	58

Figure 1-74	Remove the engine controller assembly (2 of 7)	59
Figure 1-75	Remove the engine controller assembly (3 of 7)	59
Figure 1-76	Remove the engine controller assembly (4 of 7)	60
Figure 1-77	Remove the engine controller assembly (5 of 7)	60
Figure 1-78	Remove the engine controller assembly (6 of 7)	61
Figure 1-79	Remove the engine controller assembly (7 of 7)	61
Figure 1-80	Installing a replacement engine controller assembly	62
Figure 1-81	Remove the low-voltage power supply assembly (1 of 9)	63
Figure 1-82	Remove the low-voltage power supply assembly (2 of 9)	64
Figure 1-83	Remove the low-voltage power supply assembly (3 of 9)	64
Figure 1-84	Remove the low-voltage power supply assembly (4 of 9)	65
Figure 1-85	Remove the low-voltage power supply assembly (5 of 9)	65
Figure 1-86	Remove the low-voltage power supply assembly (6 of 9)	66
Figure 1-87	Remove the low voltage power supply assembly (7 of 9)	66
Figure 1-88	Remove the low-voltage power supply assembly (8 of 9)	67
Figure 1-89	Remove the low-voltage power supply assembly (9 of 9)	67
Figure 1-90	Reinstall the low-voltage power supply	68
Figure 1-91	Installing a replacement low-voltage power supply	68
Figure 1-92	Remove the document feeder input tray (1 of 2)	69
Figure 1-93	Remove the document feeder input tray (2 of 2)	69
Figure 1-94	Remove the document feeder cover (1 of 3)	70
Figure 1-95	Remove the document feeder cover (2 of 3)	70
Figure 1-96	Remove the document feeder cover (3 of 3)	71
Figure 1-97	Remove the document feeder core (1 of 4)	72
Figure 1-98	Remove the document feeder core (2 of 4)	72
Figure 1-99	Remove the document feeder core (3 of 4)	73
Figure 1-100	Remove the document feeder core (4 of 4)	73
Figure 1-101	Remove the post scan pinch rollers	74
Figure 1-102	Remove the document feeder base assembly (1 of 3)	75
Figure 1-103	Remove the document feeder base assembly (2 of 3)	76
Figure 1-104	Remove the document feeder base assembly (3 of 3)	76
Figure 2-1	Locations of connectors	83
Figure 2-2	Cross section view	84
Figure 2-3	External covers and doors (base)	85
Figure 2-4	General timing diagram	86
Figure 2-5	General circuit diagram	87
Figure 2-6	Diagnostics Page	88
Figure 3-1	Base product (no optional trays or accessories)	105
Figure 3-2	Covers, panels, and doors	106
Figure 3-3	Internal assembly	108
Figure 3-4	PCAs	110

Figure 3-5 Scanner and document feeder main assemblies 112
Figure 3-6 Document feeder assembly parts 114

1 Removal and replacement

- [Introduction](#)
- [Removal and replacement strategy](#)
- [Electrostatic discharge](#)
- [Required tools](#)
- [Service approach](#)
- [Removal and replacement procedures](#)

Introduction

This chapter describes the removal and replacement of field-replaceable units (FRUs) only.


Replacing FRUs is generally the reverse of removal. Occasionally, notes and tips are included to provide directions for difficult or critical replacement procedures.

HP does *not* support repairing individual subassemblies or troubleshooting to the component level.

Note the length, diameter, color, type, and location of each screw. Be sure to return each screw to its original location during reassembly.


Incorrectly routed or loose wire harnesses can interfere with other internal components and can become damaged or broken. Frayed or pinched harness wires can be difficult to find. When replacing wire harnesses, always use the provided wire loops, lance points, or wire-harness guides and retainers.


Removal and replacement strategy


 **WARNING!** Turn the product off, wait 5 seconds, and then remove the power cord before attempting to service the product. If this warning is not followed, severe injury can result, in addition to damage to the product. The power must be on for certain functional checks during troubleshooting. However, disconnect the power supply during parts removal.

Never operate or service the product with the protective cover removed from the laser/scanner assembly. The reflected beam, although invisible, can damage your eyes.


The sheet-metal parts can have sharp edges. Be careful when handling sheet-metal parts.

 **CAUTION:** Do not bend or fold the flat flexible cables (FFCs) during removal or installation. Also, do not straighten pre-folds in the FFCs. You *must* fully seat all FFCs in their connectors. Failure to fully seat an FFC into a connector can cause a short circuit in a PCA.

 **NOTE:** To install a self-tapping screw, first turn it counterclockwise to align it with the existing thread pattern, and then carefully turn it clockwise to tighten. Do not overtighten. If a self-tapping screw-hole becomes stripped, repair the screw-hole or replace the affected assembly.

 **TIP:** For clarity, some photos in this chapter show components removed that would not be removed to service the product. If necessary, remove the components listed at the beginning of a procedure before proceeding to service the product.

Electrostatic discharge

⚠ CAUTION:  Some parts are sensitive to electrostatic discharge (ESD). Look for the ESD reminder when removing product parts. Always perform service work at an ESD-protected workstation or mat, or use an ESD strap. If an ESD workstation, mat, or strap is not available, ground yourself by touching the sheet-metal chassis *before* touching an ESD-sensitive part.

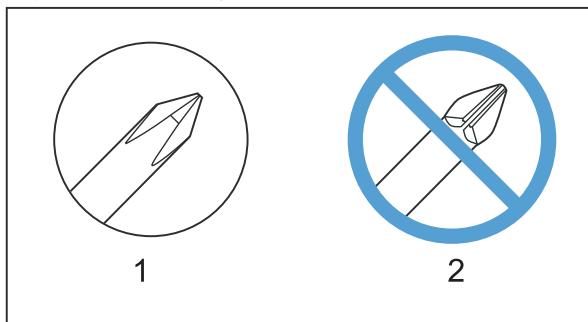
Protect the ESD-sensitive parts by placing them in ESD pouches when they are out of the product.

Required tools

- #2 Phillips screwdriver with a magnetic tip and a 152-mm (6-inch) shaft length
- Small flat-blade screwdriver
- Needle-nose pliers
- ESD mat (if one is available) or ESD strap
- Penlight (optional)

⚠ CAUTION: Always use a Phillips screwdriver (callout 1). Do not use a Pozidriv screwdriver (callout 2) or any motorized screwdriver. These can damage screws or screw threads.

Figure 1-1 Phillips and Pozidriv screwdriver comparison



Service approach

Before performing service

- Remove all paper from the product.
- Turn off the power using the power button.

⚠ WARNING! The power button must be turned off before performing service. Failure to turn off the power leaves the fuser engaged and prevents its removal.

- Unplug the power cable and interface cable or cables.
- Place the product on an ESD workstation or mat (if one is available), or use an ESD strap. If an ESD workstation, mat, or strap is not available, ground yourself by touching the sheet-metal chassis *before* touching an ESD-sensitive part.
- Remove the print cartridges and imaging drum. See [Print cartridges on page 7](#) and [Imaging drum on page 9](#)
- Remove the input tray. See [Input tray on page 11](#).

After performing service

- Plug in the power cable.
- Reinstall the print cartridges.
- Load paper in the product.

Post-service test

Perform the following test to verify that the repair or replacement was successful.

Product verification test

1. Verify that you have completed the necessary reassembly steps.
2. Make sure that the tray contains clean, unmarked paper.
3. Attach the power cord and interface cable or interface cables, and then turn on the product.
4. Verify that the expected startup sounds occur.
5. Print a configuration page, and then verify that the expected printing sounds occur.
6. Send a print job from the host computer, and then verify that the output meets expectations.
7. Use the document feeder to make a copy.
8. Clean the outside of the product with a damp cloth.

Parts removal order

Figure 1-2 Parts removal order (base)

Component	Remove	Remove	Remove	Remove	Remove	Remove	Remove	Remove	Remove	Remove	Remove
Print cartridges											
Imaging drum											
Input tray											
Secondary transfer roller											
Separation pad											
Pickup roller	Separation pad	Right cover	Left cover								
Right cover assembly											
Left cover assembly											
Document feeder	Left cover										
Document feeder hinges	Left cover	Document feeder									
Top door, rear cover, and delivery cover	Right cover	Left cover	Document feeder	Document feeder hinges							
Rear door assembly	Right cover										
Rear-lower cover	Right cover	Left cover	Rear door	Document feeder	Document feeder hinges	Top door, rear cover, and delivery cover					
Control Panel	Right cover	Left cover									
Left-front cover	Right cover	Left cover	Document feeder	Document feeder hinges	Top door, rear cover, and delivery cover	Control Panel					
Front door	Right cover	Left cover	Document feeder	Document feeder hinges	Top door, rear cover, and delivery cover	Control Panel	Left-front cover				
Inner cover	Right cover	Left cover	Document feeder	Document feeder hinges	Top door, rear cover, and delivery cover	Control Panel	Left-front cover				
Formatter PCA (base model)	Left cover										
Formatter and wireless PCA (plus model)	Left cover										
Fuser power supply	Left cover										
ITB	Right cover	Left cover	Document feeder	Document feeder hinges	Top door, rear cover, and delivery cover	Rear door assembly	Rear-lower cover	Formatter PCA			
Fuser delivery assembly	Right cover	Left cover	Document feeder	Document feeder hinges	Top door, rear cover, and delivery cover	Rear door assembly	Rear-lower cover	Formatter PCA			
Engine controller assembly	Right cover	Left cover	Document feeder	Document feeder hinges	Top door, rear cover, and delivery cover	Control Panel	Left-front cover	Inner cover	Formatter PCA		
Low-voltage power supply assembly	Right cover	Left cover	Document feeder	Document feeder hinges	Top door, rear cover, and delivery cover	Rear door assembly	Rear-lower cover	Control Panel	Left-front cover	Inner cover	Formatter PCA

Figure 1-3 Parts removal order (document feeder)

<u>Component</u>	<u>Remove</u>	<u>Remove</u>	<u>Remove</u>
Document feeder input tray			
Document feeder cover			
Document core			
Post scan pinch rollers	Document feeder input tray	Document feeder cover	Document core
Document feeder base assembly	Document feeder input tray	Document feeder cover	

Removal and replacement procedures

Print cartridges

When a print cartridge approaches the estimated end of its useful life, you can continue printing with the current print cartridge until it no longer yields acceptable print quality.

Once an HP print cartridge has reached “very low”, the HP Premium Protection Warranty on that supply has ended. All print defects or print cartridge failures incurred when an HP supply is used in continue at very low mode will not be considered to be defects in materials or workmanship in the supply under the HP Print Cartridge Warranty Statement.

1. Some error messages or status messages cause the product to rotate the print cartridge carousel to the affected cartridge automatically. If the print cartridge that needs to be replaced is not in the correct position, press the Cartridge button to rotate the print cartridge carousel to the cartridge color that you want to replace.

NOTE: All doors must be closed when pressing the Cartridge button. Also, the imaging drum must be installed for the Cartridge button to work.

NOTE: Wait until the **Rotating** message and the rotation sounds stop before opening the print cartridge door.



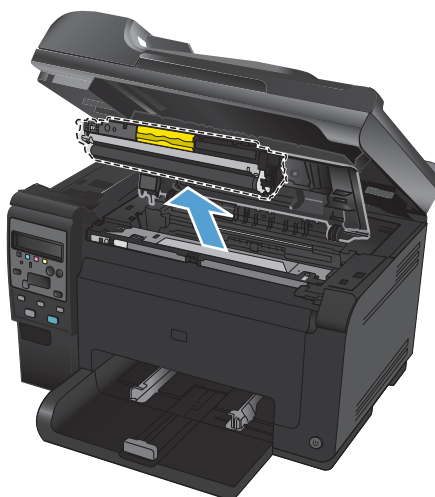
2. Open the print cartridge door.




3. Grasp the old print cartridge by the center handle and remove it.

Close the doors, and then press the Cartridge button to rotate the print cartridge carousel to the next cartridge. Repeat to remove all cartridges.

NOTE: Make sure that you store the removed print cartridges away from strong light. HP recommends that you cover the print cartridges while servicing the product.



Imaging drum

 **NOTE:** The imaging drum installed in this product is covered by the product warranty. Replacement imaging drums have a one-year limited warranty from the date of installation. The imaging drum installation date displays on the supplies status page. The HP Premium Protection Warranty applies only to the print cartridges for the product.

1. Open the print cartridge door.



2. Open the front cover.



3. Lift the two levers that hold the imaging drum.



4. Remove the old imaging drum.

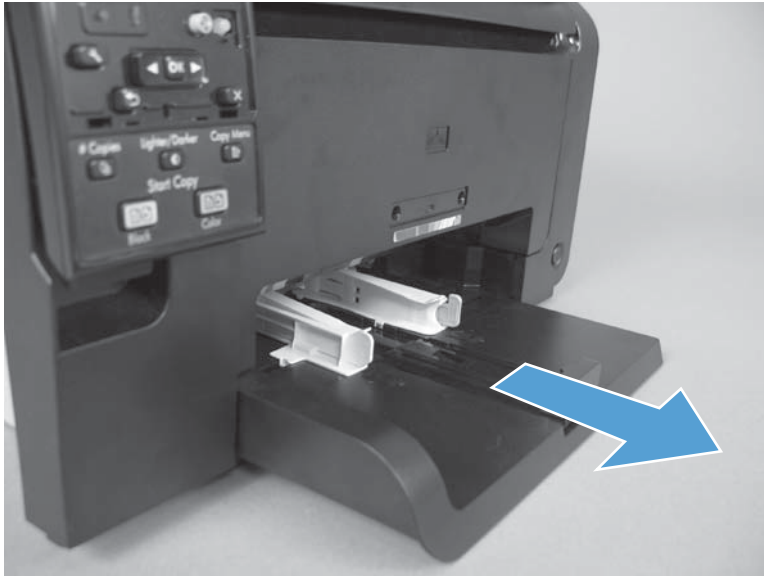
NOTE: Make sure that you store the removed imaging drum away from strong light. HP recommends that you cover the imaging drum while servicing the product.



Input tray

Pull the tray away from the printer to remove.

Figure 1-4 Remove the tray

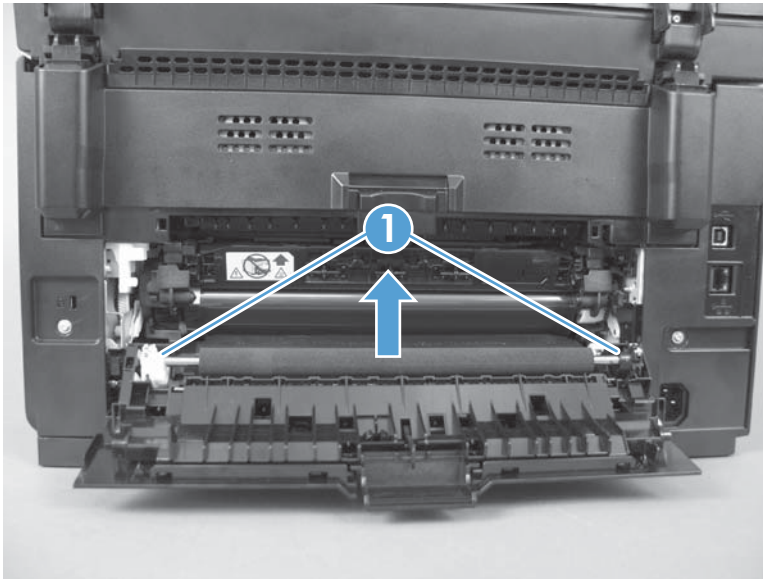


Secondary transfer roller

CAUTION: Do not touch the black spongy part of the roller. Skin oils might cause print-quality problems.

1. Open the rear door.
2. Release two clips (callout 1), and then remove the roller from the product.

Figure 1-5 Remove the secondary transfer roller



Separation pad assembly

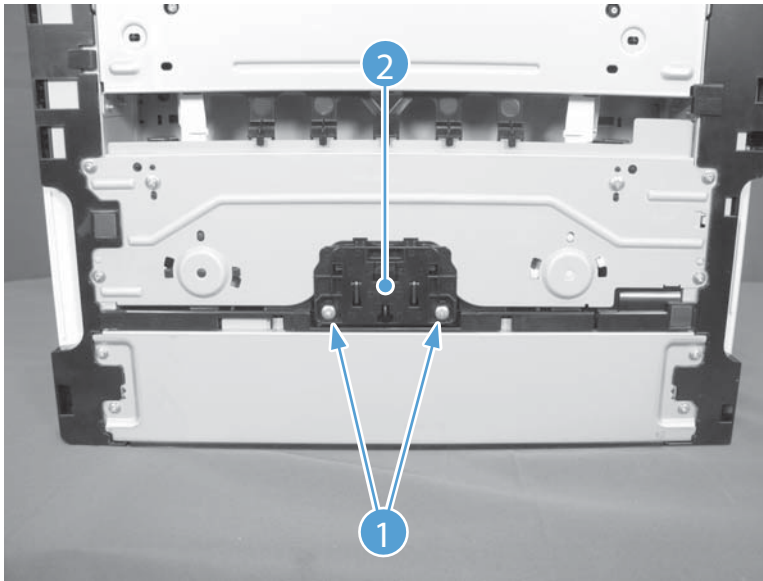
1. Turn the product face up.

⚠ WARNING! The ADF portion of the document feeder is not captive and can open when the product is placed face up. Make sure that you support the ADF when handling the product.

📝 NOTE: Dirt and debris can scratch the surface of the product. Make sure that you place the product face up on a clean work space or on a clean soft cloth.

2. Remove two screws (callout 1) and the separation pad assembly (callout 2).

Figure 1-6 Remove the separation pad assembly (1 of 1)



Pickup roller


Before proceeding, remove the following components:

- Separation pad assembly. See [Separation pad assembly on page 13](#).
- Right cover assembly. See [Right cover on page 16](#).
- Left cover assembly. See [Left cover on page 17](#).


Rotate the pickup roller to the service position

To gain access to the roller locking tabs you must rotate the roller to the correct position for removal.


1. When the product is in the Ready state, press and hold the Auto-On/Auto-Off (power) button for about seven seconds or until the [Ready](#) light turns off.

 **TIP:** Optionally, unplug the power cord, and then plug the cord back in.


2. Make sure that one sheet of paper is loaded in the input tray.

 **NOTE:** If more than one sheet of paper is loaded in the tray, this procedure will not be successful.

3. Press and release the Auto-On/Auto-Off (power) button and within two seconds press and hold down the cyan cartridge button. Hold the cyan button down for about five seconds, or until the initialization process begins.

 **NOTE:** Immediately after the Auto-On/Auto-Off (power) button is pressed, all of the control panel lights illuminate briefly (for about two seconds). You must press the cyan cartridge button while the lights are illuminated.

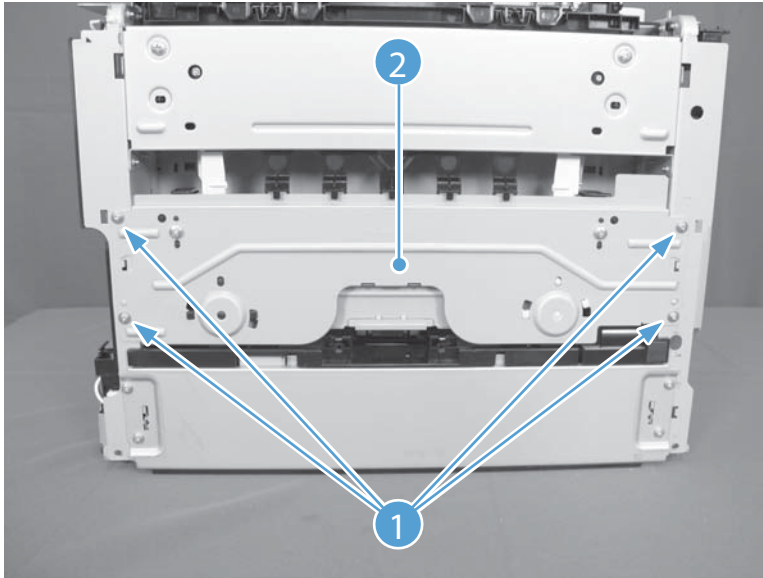
4. When the product finishes initializing, the roller rotates into the removal position. Turn the product off. Unplug the product before removing any components.

 **NOTE:** When the roller is in the removal position, the sheet of paper will have been pulled into the paper path by about 12 mm (.5 in). This is visual confirmation that the roller has rotated to the removal position.

Remove the pickup roller assembly

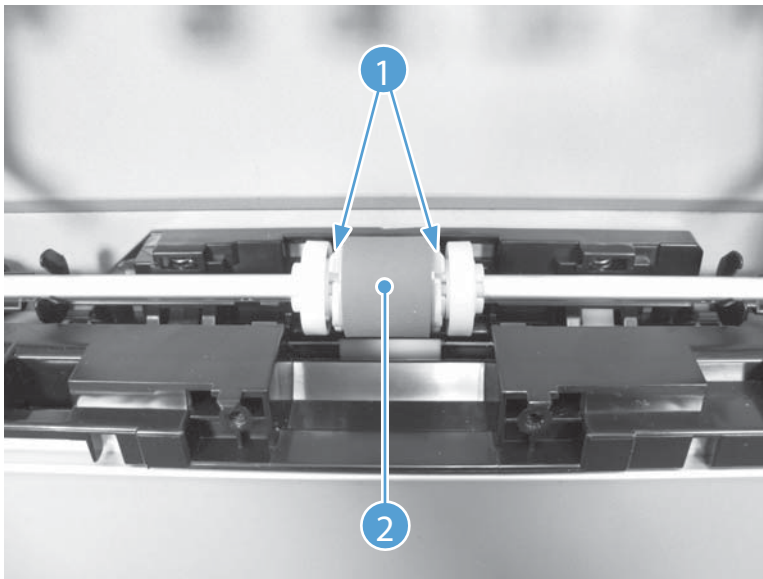
1. Remove four screws (callout 1) and the lower stay part (callout 2).

Figure 1-7 Remove the pickup roller assembly (1 of 2)



2. Release two tabs (callout 1) and remove the pickup roller (callout 2).

Figure 1-8 Remove the pickup roller assembly (2 of 2)



Covers and document feeder

Right cover

1. Open the document feeder.
2. Remove one screw (callout 1), and then starting at the rear vertical edge, release six tabs (callout 2) and remove the right cover.

 **NOTE:** Before proceeding, take note of the locations of the tabs (callout 1) on the back side of the cover. See [Figure 1-10 Remove the right cover \(2 of 2\)](#) on page 16.

Figure 1-9 Remove the right cover (1 of 2)

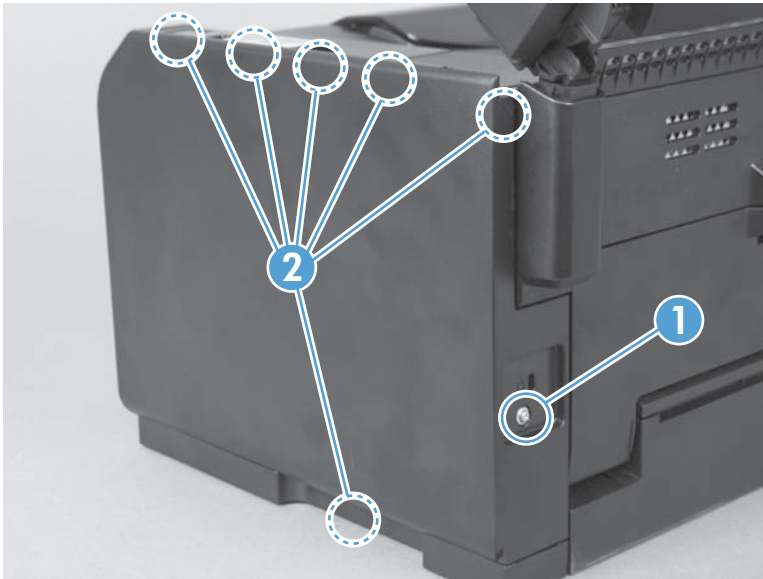
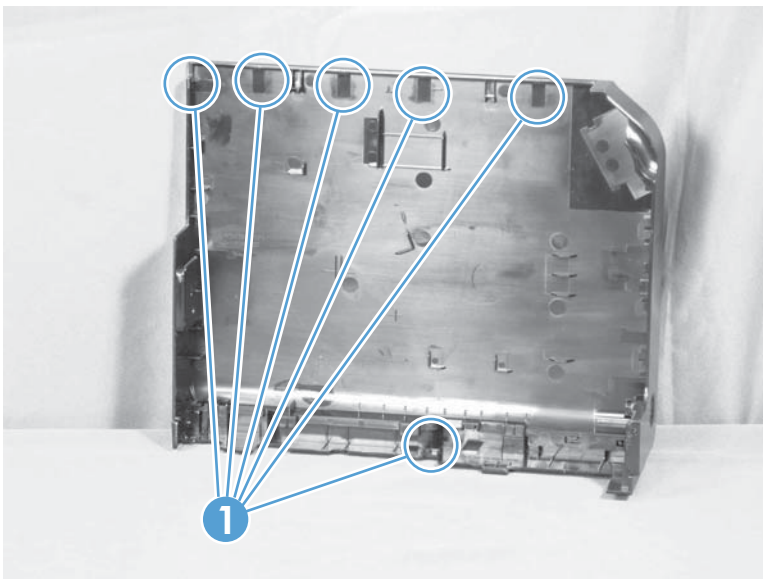


Figure 1-10 Remove the right cover (2 of 2)



Left cover

1. Open the document feeder.
2. Remove one screw (callout 1), and then starting at the rear vertical edge, release two tabs (callout 2) and remove the left cover.

 **NOTE:** Before proceeding, take note of the locations of the tabs (callout 1) on the back side of the cover. See [Figure 1-12 Remove the left cover \(2 of 2\) on page 17](#).

Figure 1-11 Remove the left cover (1 of 2)

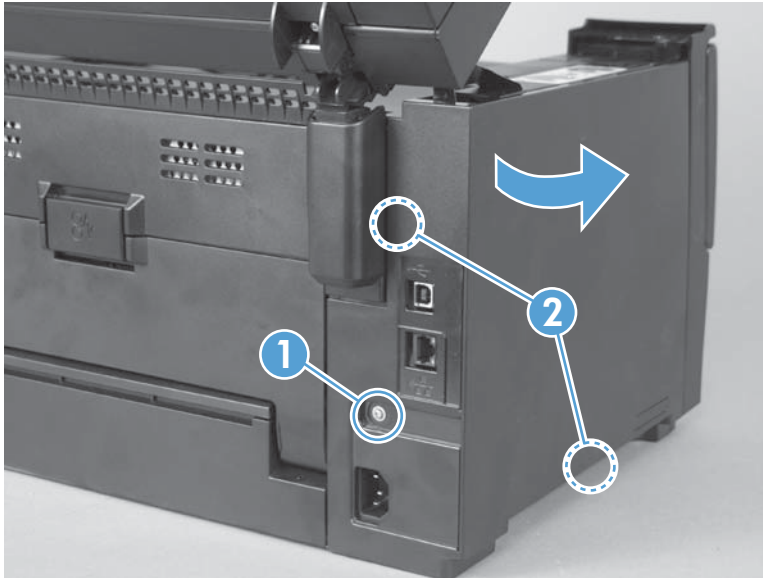
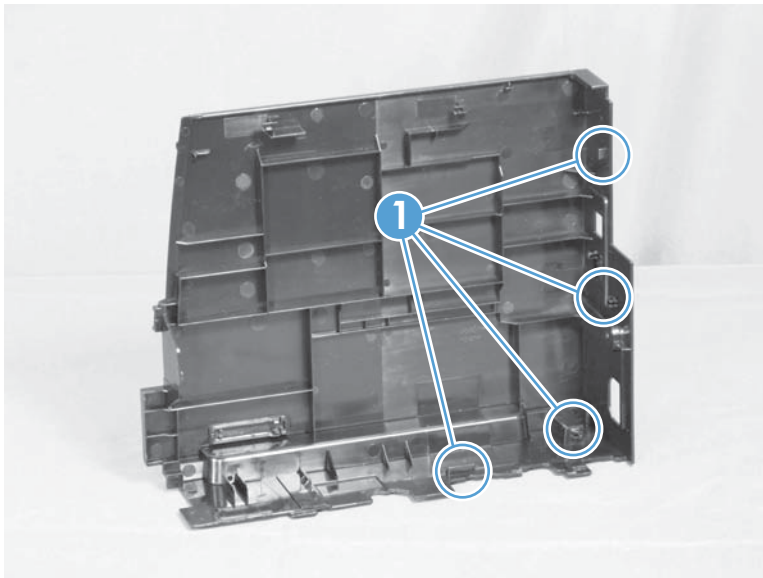


Figure 1-12 Remove the left cover (2 of 2)



Document feeder

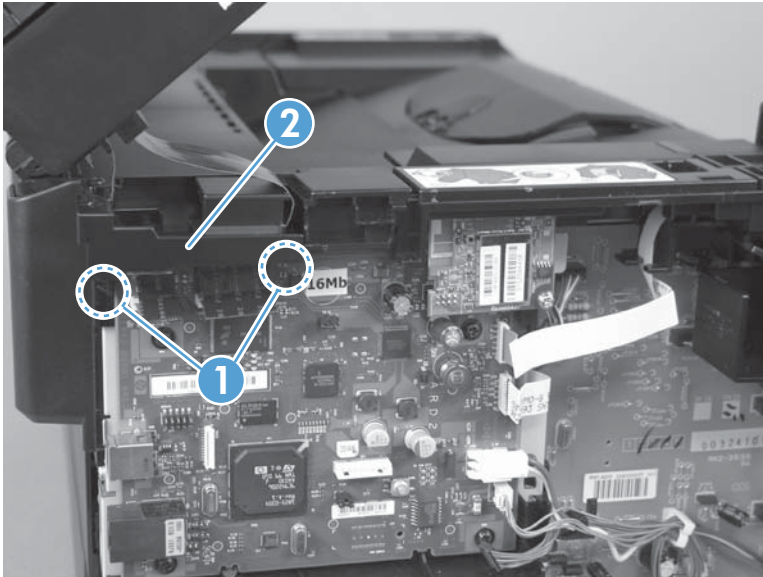
Before proceeding, remove the following components:

- Left cover. See [Left cover on page 17](#).

Remove the document feeder

1. Release two tabs (callout 1), and then remove the cover (callout 2).

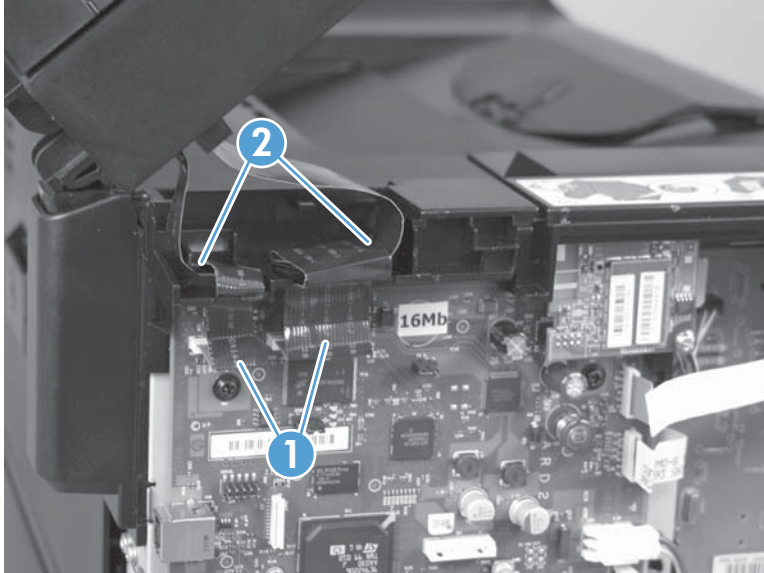
Figure 1-13 Remove the document feeder (1 of 4)



2. Disconnect two FFCs (callout 1), and then release them from the guides (callout 2).

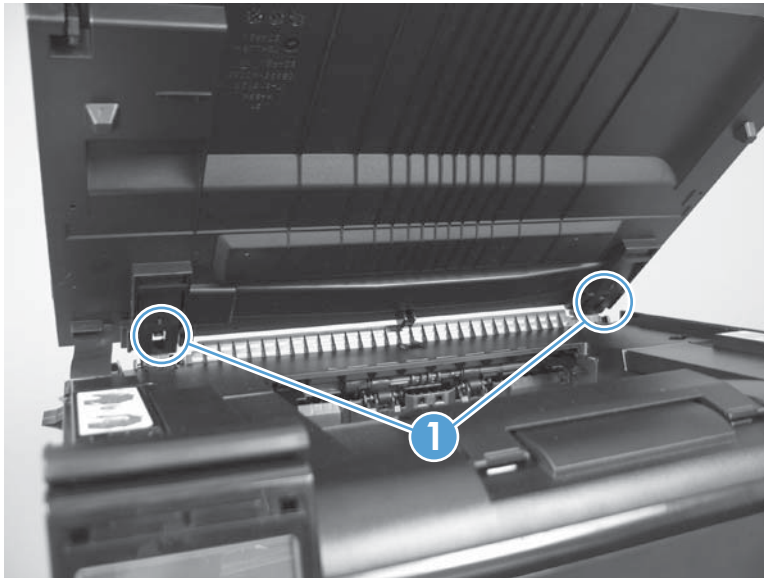
⚠ CAUTION: Do not bend or fold the flat flexible cables (FFCs) during removal or installation. Also, do not straighten pre-folds in the FFCs.

Figure 1-14 Remove the document feeder (2 of 4)



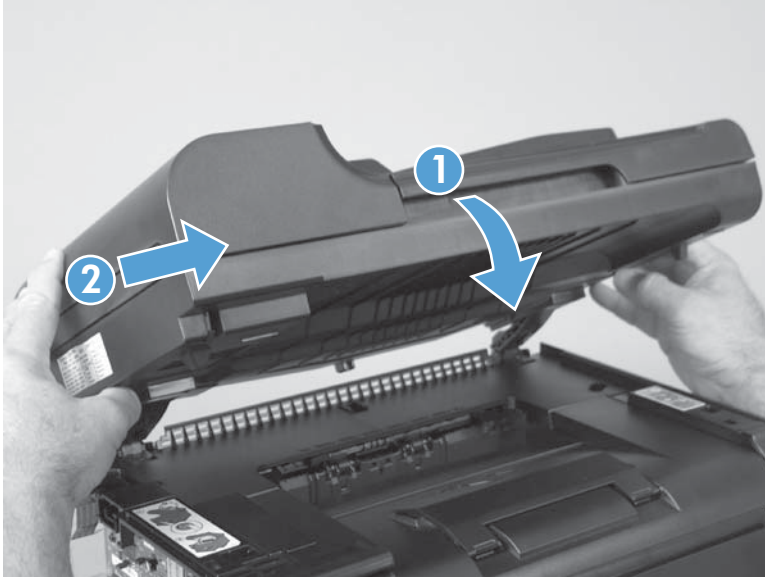
3. Release the tabs inside the hinges (callout 1) to allow the scanner assembly to slide down on the hinges.

Figure 1-15 Remove the document feeder (3 of 4)



4. Lift and rotate the scanner assembly up and away from the hinges.

Figure 1-16 Remove the document feeder (4 of 4)



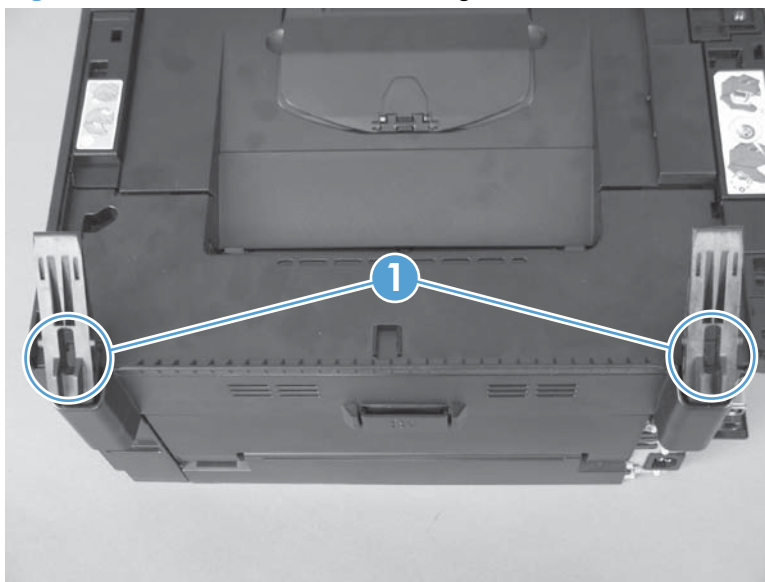
Document feeder hinges

- Left cover. See [Left cover on page 17](#).
- Document feeder. See [Document feeder on page 18](#).

Remove the document feeder hinges

1. Remove one screw (callout 1) from each hinge.

Figure 1-17 Remove the scanner hinges (1 of 2)



2. Lift each hinge up to remove it.

Figure 1-18 Remove the scanner hinges (2 of 2)



Top door, rear-top cover, and delivery cover

Before proceeding, remove the following components:

- Right cover. See [Right cover on page 16](#).
- Left cover. See [Left cover on page 17](#).
- Document feeder. See [Document feeder on page 18](#).
- Document feeder hinges. See [Document feeder hinges on page 21](#).

Remove the top door, rear-top cover, and delivery cover

1. Remove two screws (callout 1 and callout 2).


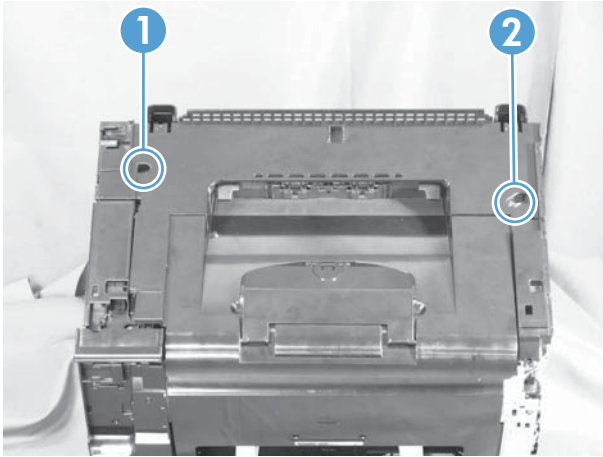
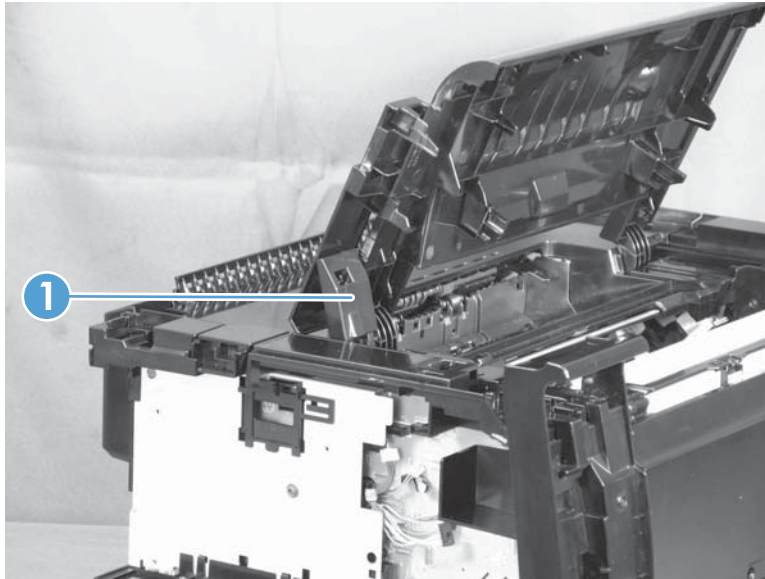
 **NOTE:** When facing the product, the screw on the right is black (callout 2), and the one on the left (callout 1) is silver.

Figure 1-19 Remove the top door, rear-top cover, and delivery cover (1 of 6)



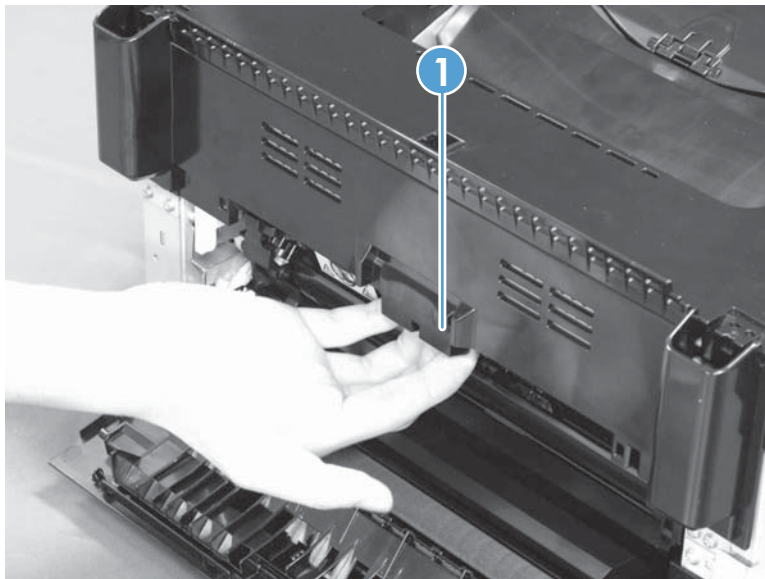
2. Open the top door, release the door retainer arm (callout 1), and then close the top door.

Figure 1-20 Remove the top door, rear-top cover, and delivery cover (2 of 6)



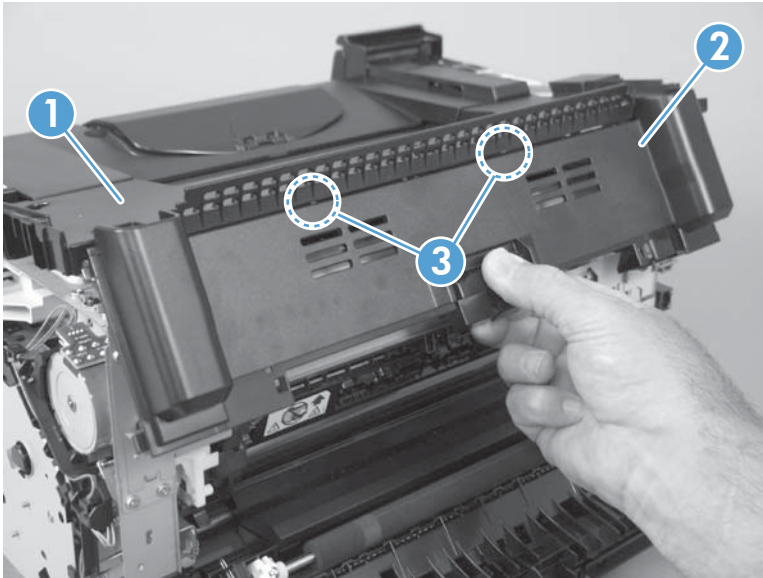
3. Open the rear door, and then release two tabs on the rear-top cover (callout 1).

Figure 1-21 Remove the top door, rear-top cover, and delivery cover (3 of 6)



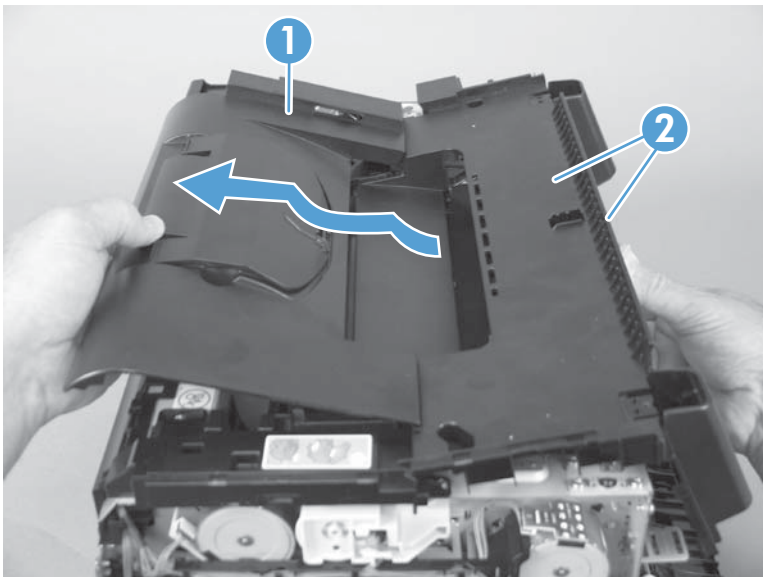
4. Push up on the rear-top cover (callout 1) to slightly raise the delivery cover (callout 2) to release two rear-top cover tabs (callout 3) along the rear edge of the product.

Figure 1-22 Remove the top door, rear-top cover, and delivery cover (4 of 6)



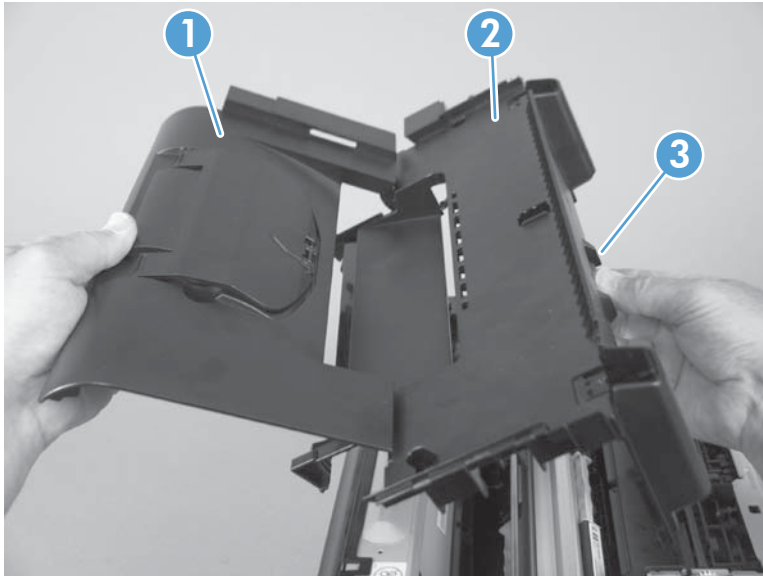
5. Open the top door (callout 1), rotate the delivery cover and rear-top cover (callout 2) away from the product, and then slide the door and covers towards the front of the product to release the assembly.

Figure 1-23 Remove the top door, rear-top cover, and delivery cover (5 of 6)



6. Remove the top door (callout 1) , delivery cover (callout 2), and rear-top cover (callout 3) assembly.

Figure 1-24 Remove the top door, rear-top cover, and delivery cover (6 of 6)



Reinstall the top door, rear-top cover, and delivery cover

Before reassembly, make sure that the two cartridge lock springs (callout 1; located to the right and left of the print-cartridge opening) are not damaged.

Figure 1-25 Reinstall the top door, rear-top cover, and delivery cover (1 of 2)

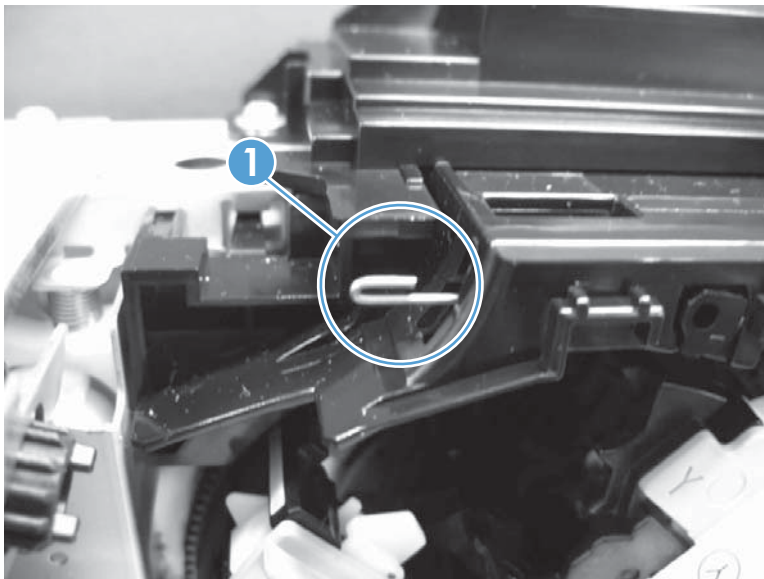
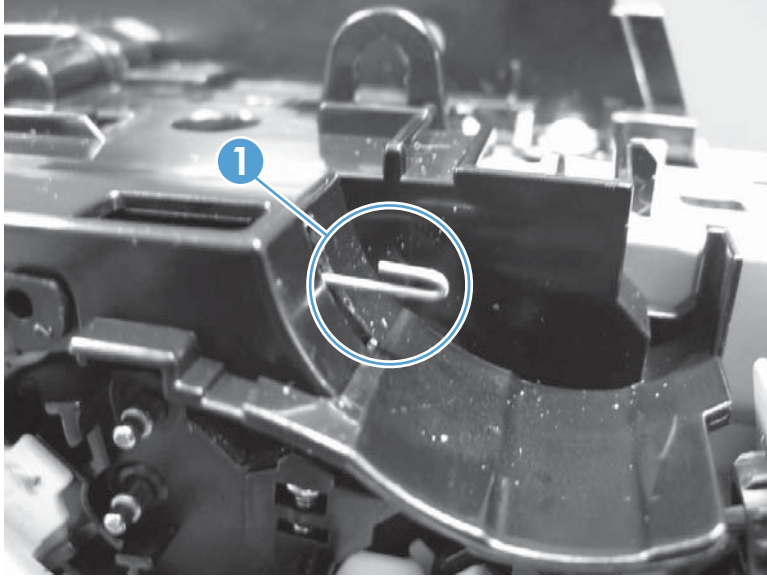


Figure 1-26 Reinstall the top door, rear-top cover, and delivery cover (1 of 2)



Rear door assembly

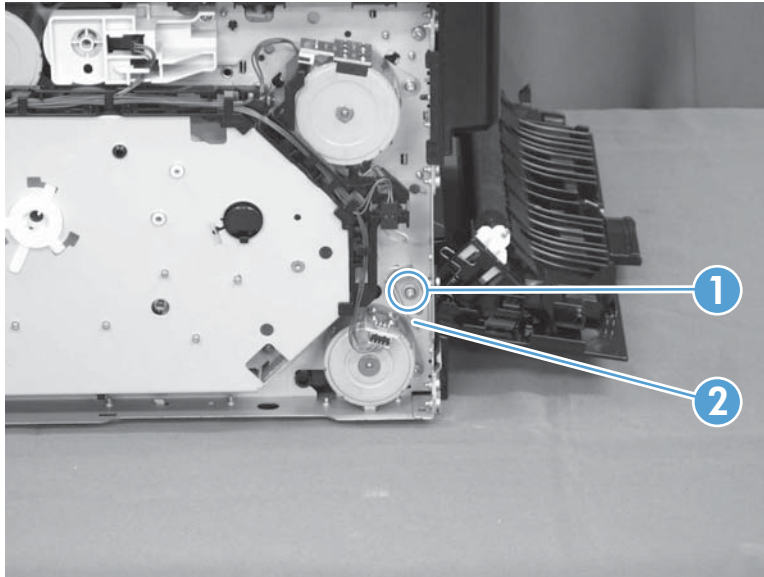
Before proceeding, remove the following components:

- Right cover. See [Right cover on page 16](#).

Remove the rear door assembly

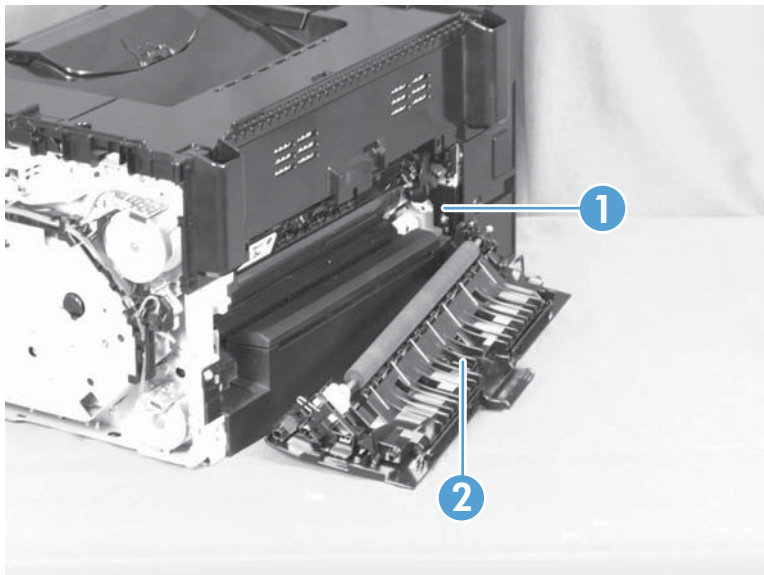
1. Remove one screw (callout 1) and the bushing (callout 2).

Figure 1-27 Remove the rear door assembly (1 of 2)



2. Pull out the shaft (callout 1) and remove the rear door assembly (callout 2).

Figure 1-28 Remove the rear door assembly (2 of 2)



Rear-lower cover

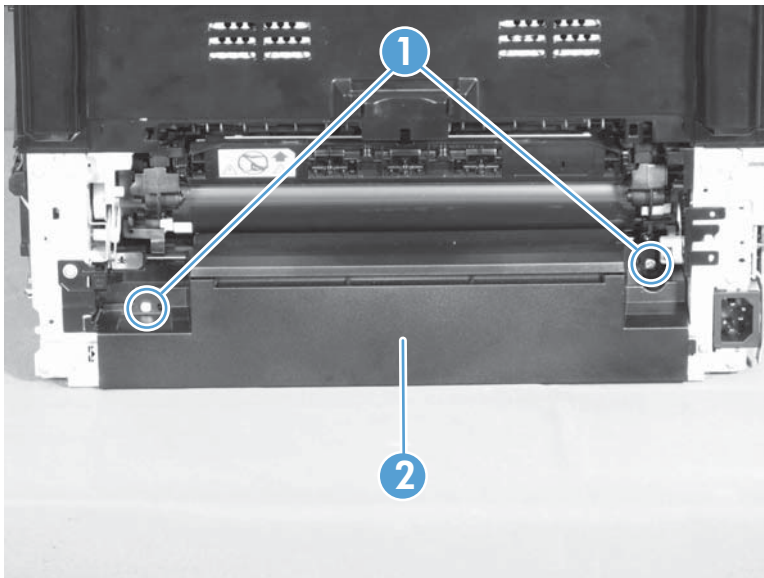
Before proceeding, remove the following components:

- Right cover assembly. See [Right cover on page 16](#).
- Left cover assembly. See [Left cover on page 17](#).
- Rear door assembly. See [Rear door assembly on page 27](#).

Remove the rear-lower cover

Remove two screws (callout 1) and the rear lower cover assembly (callout 2).

Figure 1-29 Remove the rear-lower cover



Control panel

⚠ CAUTION:  ESD sensitive.

Before proceeding, remove the following components:

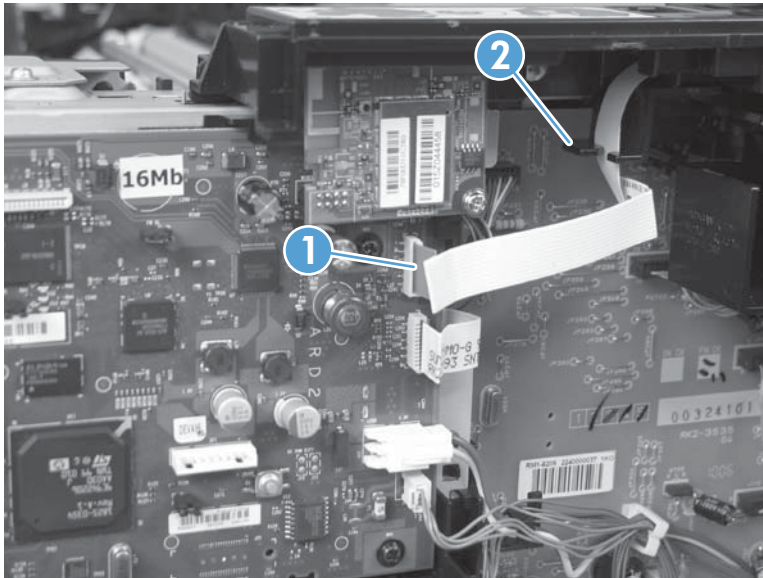
- Right cover. See [Right cover on page 16](#).
- Left cover. See [Left cover on page 17](#).
- Document feeder. See [Document feeder on page 18](#).
- Document feeder hinges. See [Document feeder hinges on page 21](#).
- Top door, rear-top cover, and delivery cover. See [Top door, rear-top cover, and delivery cover on page 22](#).

Remove the control panel

1. Disconnect one FFC (callout 1), and then release the FFC from the guide (callout 2).

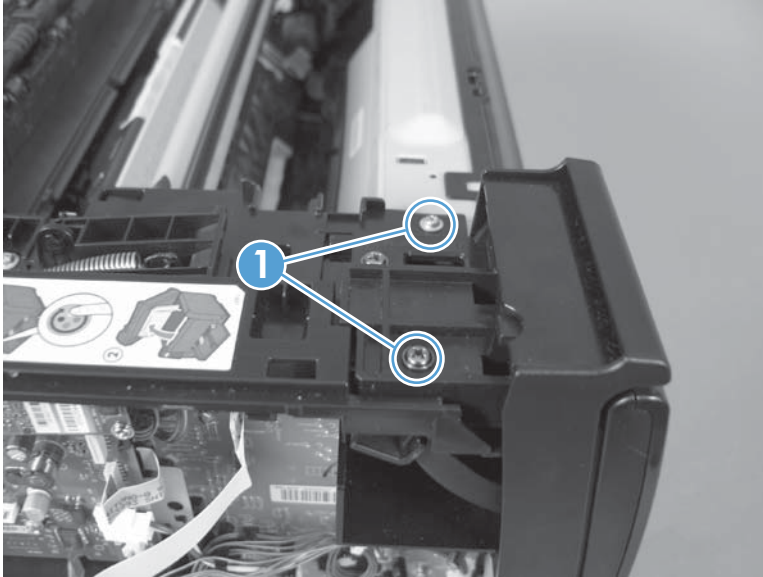
⚠ CAUTION: Do not bend or fold the flat flexible cables (FFCs) during removal or installation. Also, do not straighten pre-folds in the FFCs.

Figure 1-30 Remove the control panel (1 of 3)



2. Remove two screws (callout 1).

Figure 1-31 Remove the control panel (2 of 3)



3. Carefully separate the control panel from the product.


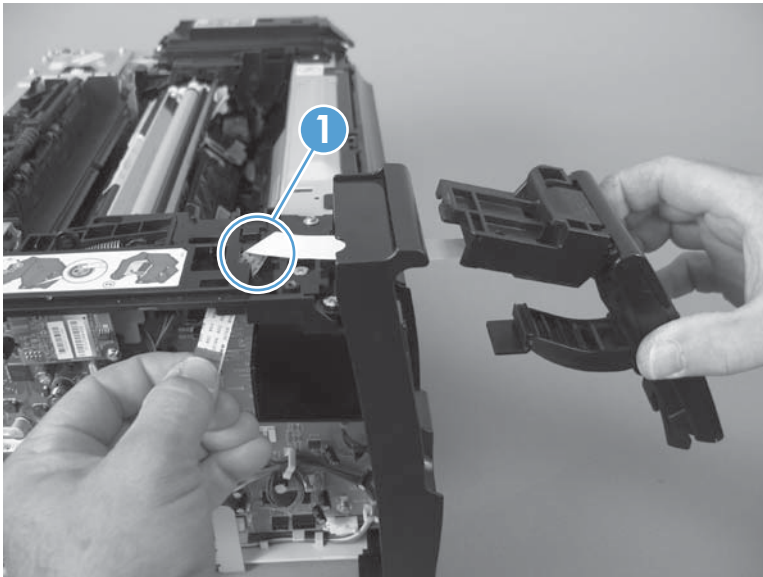
 **NOTE:** Guide the FFC through the opening in the product chassis (callout 1) to prevent it from being damaged when the control-panel is removed.

Figure 1-32 Remove the control panel (3 of 3)



Left-front cover

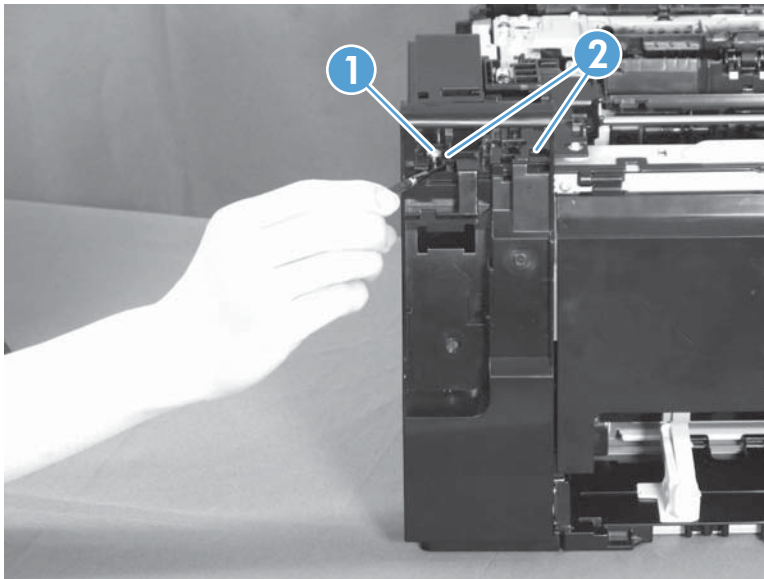
Before proceeding, remove the following components:

- Right cover. See [Right cover on page 16](#)
- Left cover. See [Left cover on page 17](#).
- Document feeder. See [Document feeder on page 18](#).
- Document feeder hinges. See [Document feeder hinges on page 21](#).
- Top door, rear-top cover, and delivery cover. See [Top door, rear-top cover, and delivery cover on page 22](#).
- Control panel. See [Control panel on page 29](#).

Remove the left-front cover

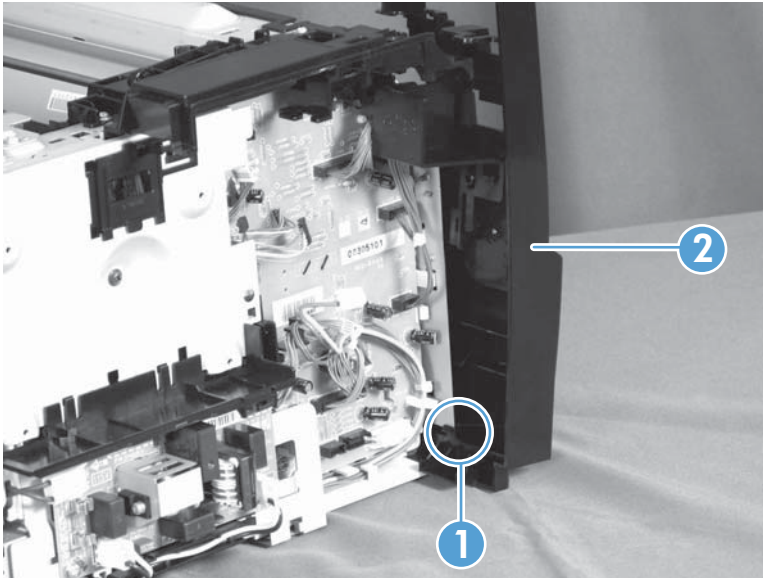
1. Remove one screw (callout 1), and then release two tabs (callout 2).

Figure 1-33 Remove the left-front cover (1 of 2)



2. Release on tab (callout 1) by slightly rotating the top of the cover (callout 2) away from the product.

Figure 1-34 Remove the left-front cover (2 of 2)



Front door

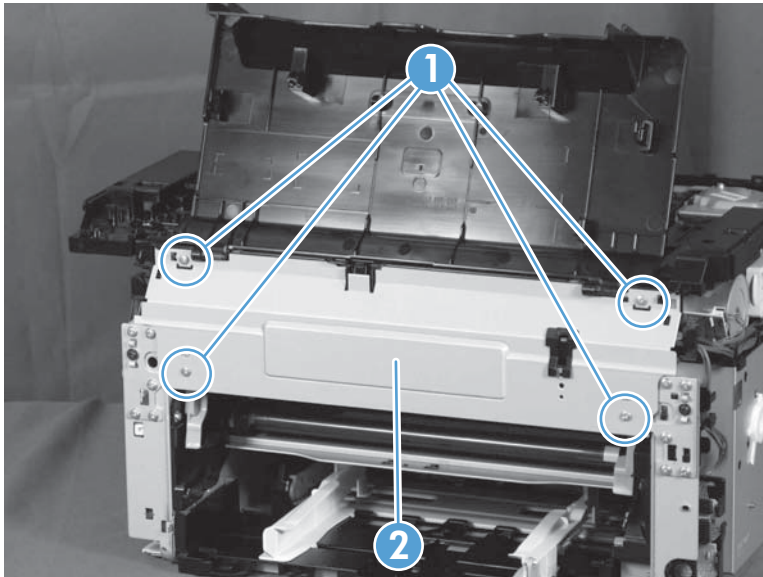
Before proceeding, remove the following components:

- Right cover. See [Right cover on page 16](#)
- Left cover. See [Left cover on page 17](#).
- Document feeder. See [Document feeder on page 18](#).
- Document feeder hinges. See [Document feeder hinges on page 21](#).
- Top door, rear-top cover, and delivery cover. See [Top door, rear-top cover, and delivery cover on page 22](#).
- Control panel. See [Control panel on page 29](#).
- Left-front cover. See [Left-front cover on page 31](#).

Remove the front door

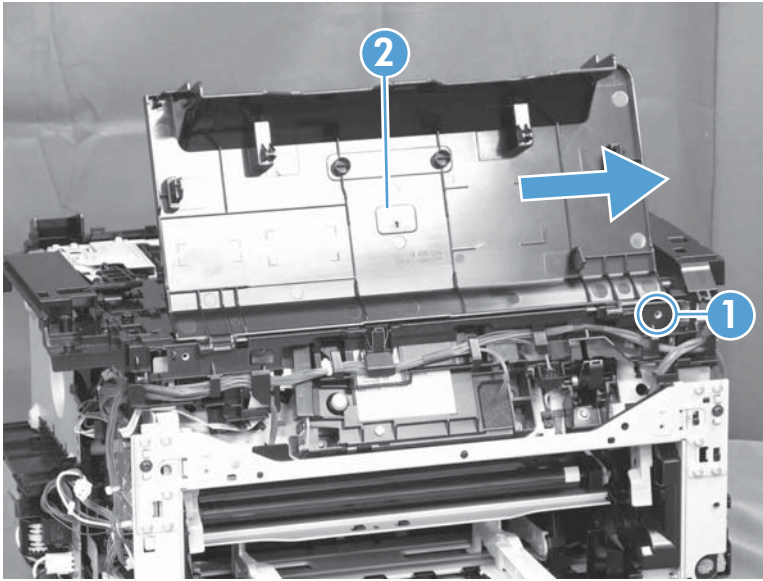
1. Open the front door.
2. Remove four screws (callout 1) and the laser/scanner cover (callout 2).

Figure 1-35 Remove the front door (1 of 2)



3. Release one tab (callout 1) and slide the front door (callout 2) to the right to remove it.

Figure 1-36 Remove the front door (2 of 3)



Inner cover

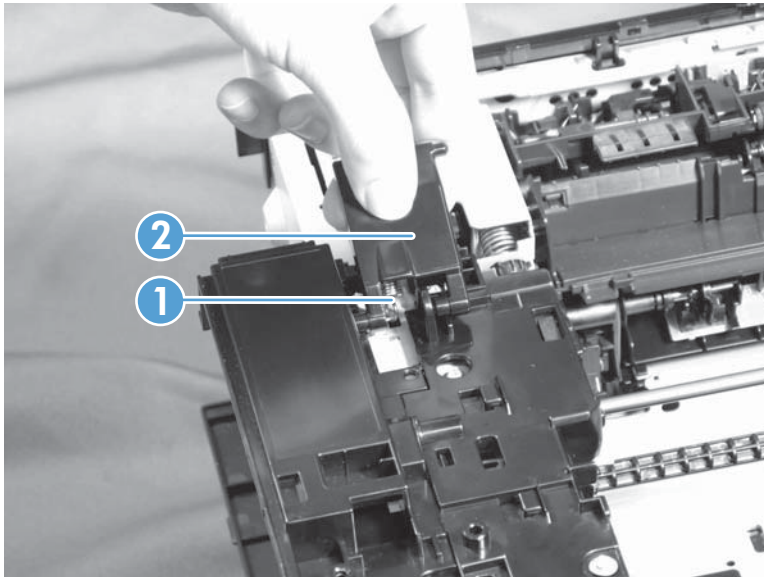
Before proceeding, remove the following components:

- Right cover. See [Right cover on page 16](#)
- Left cover. See [Left cover on page 17](#).
- Document feeder. See [Document feeder on page 18](#).
- Document feeder hinges. See [Document feeder hinges on page 21](#).
- Top door, rear-top cover, and delivery cover. See [Top door, rear-top cover, and delivery cover on page 22](#).
- Control panel. See [Control panel on page 29](#).
- Left-front cover. See [Left-front cover on page 31](#).

Remove the inner cover

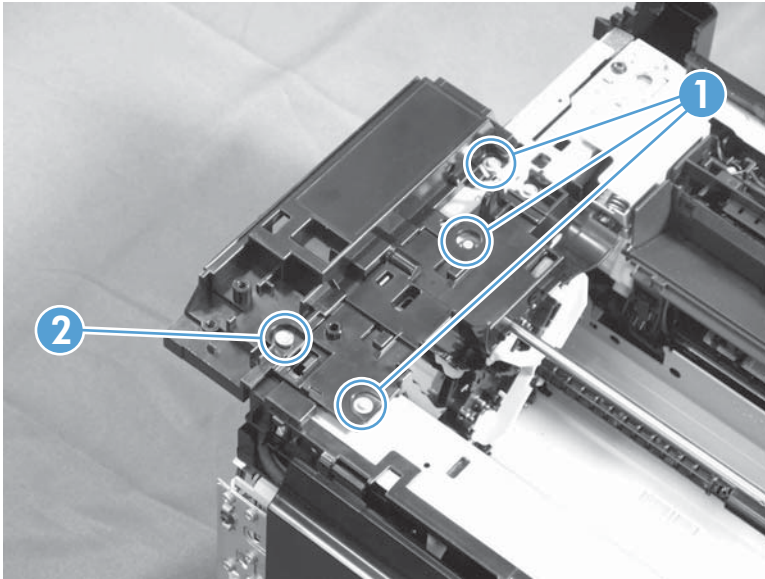
1. Remove one spring (callout 1), and then remove the door retainer arm (callout 2).

Figure 1-37 Remove the inner cover (1 of 4)



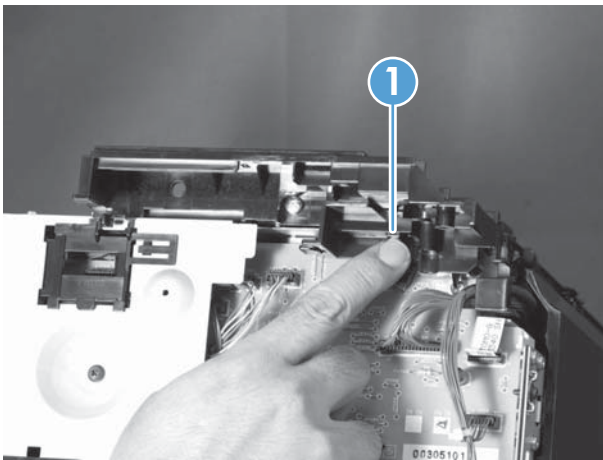
2. Remove three machine screws (callout 1), and then remove one self-tapping screw (callout 2).

Figure 1-38 Remove the inner cover (2 of 4)



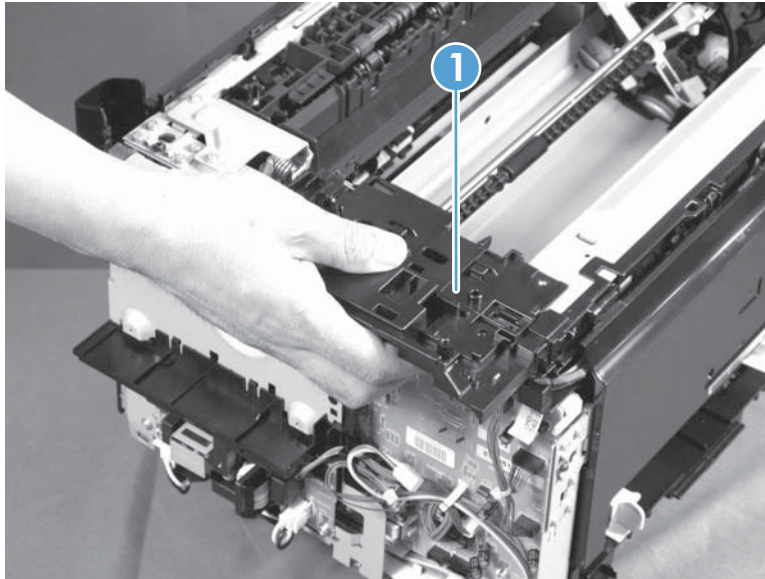
3. Release one tab (callout 1).

Figure 1-39 Remove the inner cover (3 of 4)



4. Remove the inner cover (callout 1).

Figure 1-40 Remove the inner cover (4 of 4)



Main assemblies

Formatter PCA (base model)

CAUTION:  ESD sensitive.

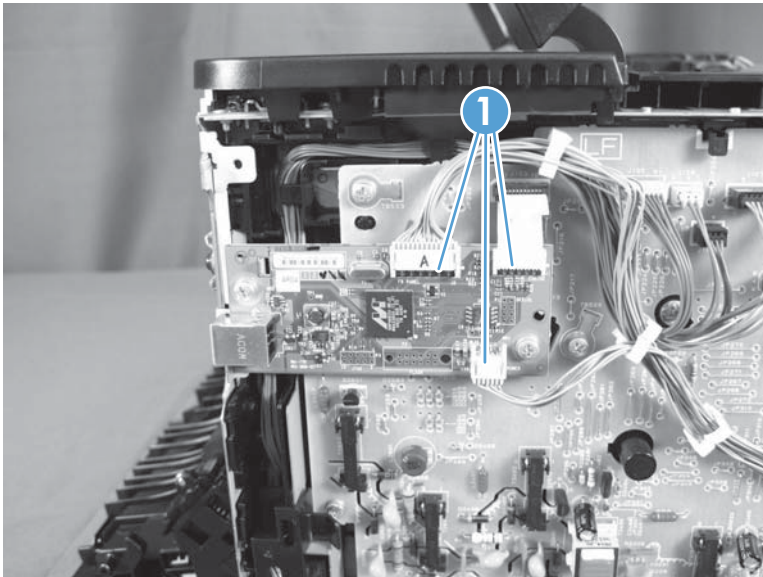
Before proceeding, remove the following components:

- Left cover assembly. See [Left cover on page 17](#).

Remove the formatter PCA (base model)

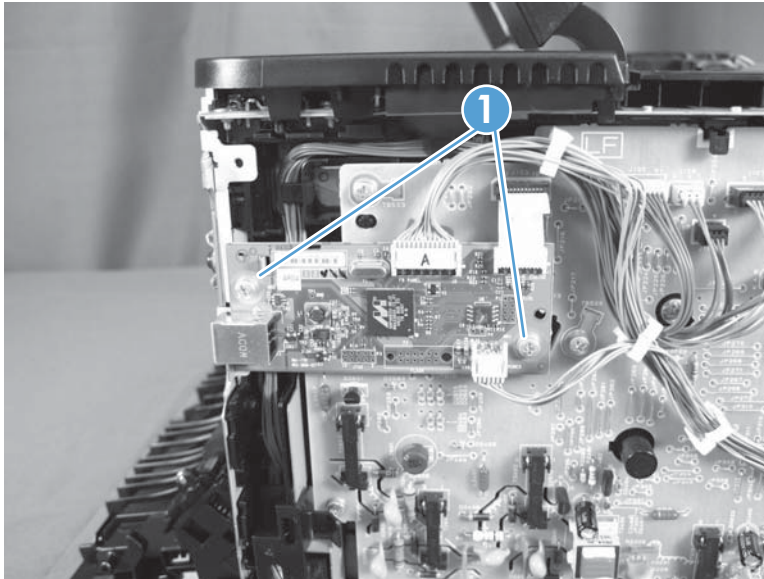
1. Disconnect three connectors (callout 1).

Figure 1-41 Remove the formatter PCA (base model; 1 of 2)



2. Remove two screws (callout 1), and then remove the formatter PCA.

Figure 1-42 Remove the formatter PCA (base model; 2 of 2)



Formatter and wireless PCA (plus model)

CAUTION:  ESD sensitive.

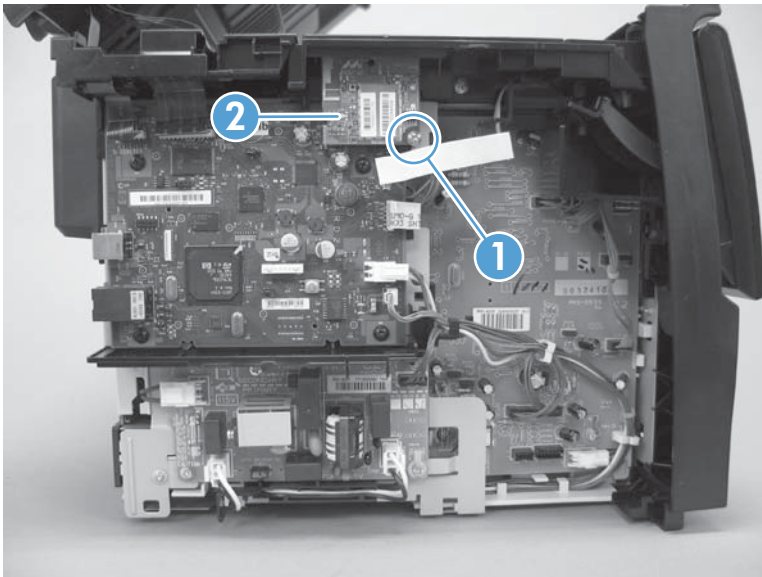
Before proceeding, remove the following components:

- Left cover. See [Left cover on page 17](#).

Remove the formatter and wireless PCA (plus model)

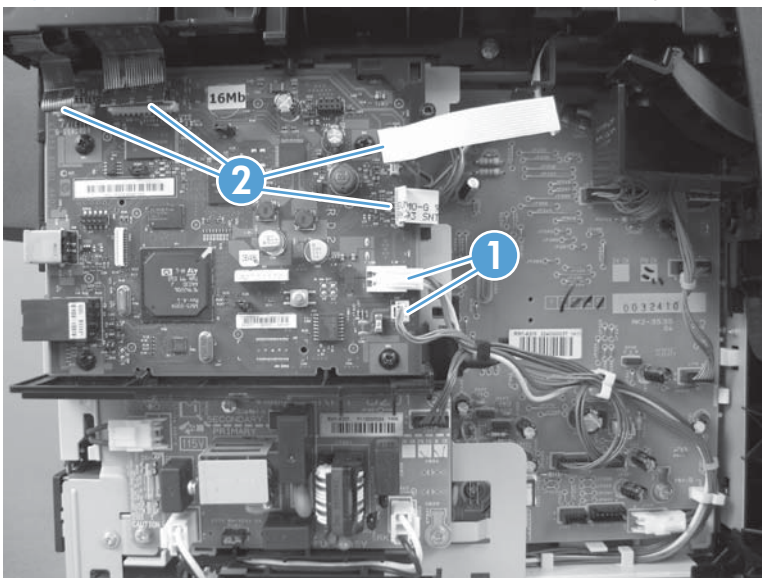
1. Remove one screw (callout 1), and then remove the wireless PCA (callout 2).

Figure 1-43 Remove the formatter and wireless PCA (plus model; 1 of 3)



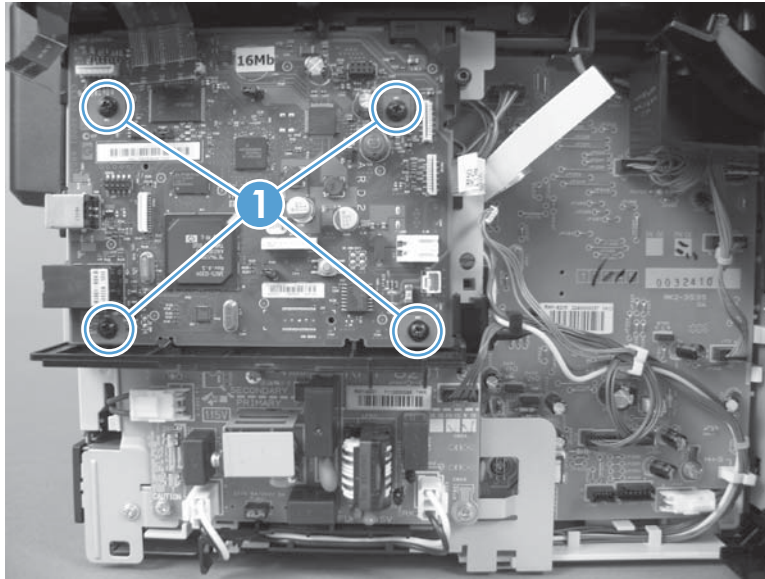
2. Disconnect two connectors (callout 1), and then disconnect four FFCs (callout 2).

Figure 1-44 Remove the formatter and wireless PCA (plus mode; 2 of 3)



3. Remove four screws (callout 1), and then remove the formatter PCA.

Figure 1-45 Remove the formatter and wireless PCA (plus mode; 3 of 3)



Fuser power supply

CAUTION:  ESD sensitive.

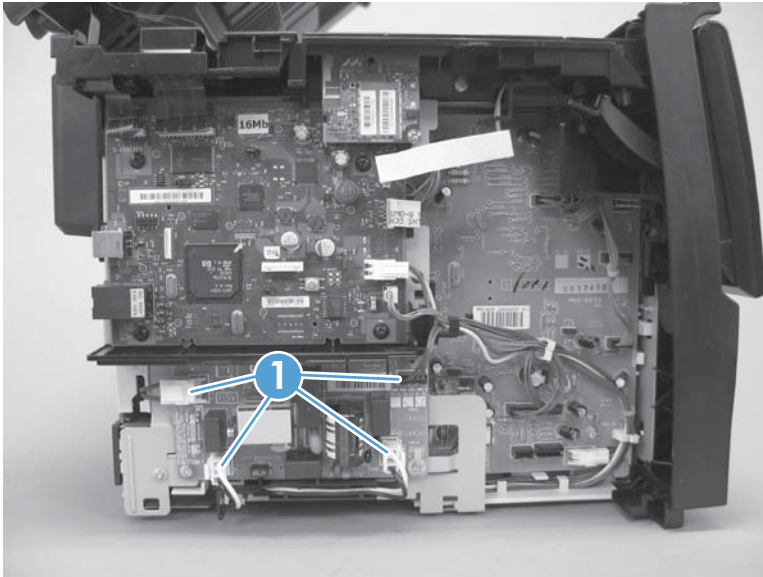
Before proceeding, remove the following components:

- Left cover. See [Left cover on page 17](#).

Remove the fuser power supply

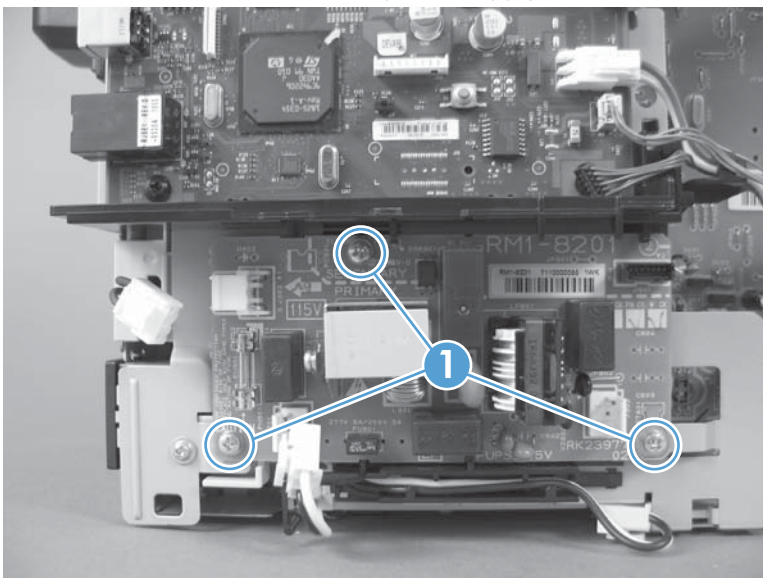
1. Disconnect four connectors (callout 1)

Figure 1-46 Remove the fuser power supply (1 of 2)




2. Remove three screws (callout 1), and then remove the fuser power supply.

Figure 1-47 Remove the fuser power supply (2 of 2)



ITB assembly

CAUTION:  ESD sensitive.

NOTE:  If you have not removed the image drum before servicing the product, remove it now. See [Imaging drum on page 9](#).

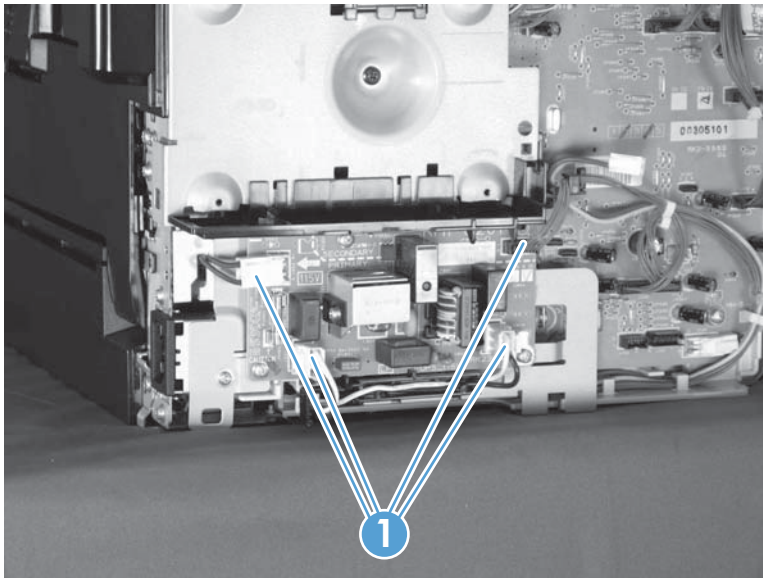
Before proceeding, remove the following components:

- Right cover. See [Right cover on page 16](#)
- Left cover. See [Left cover on page 17](#).
- Document feeder. See [Document feeder on page 18](#).
- Document feeder hinges. See [Document feeder hinges on page 21](#).
- Top door, rear-top cover, and delivery cover. See [Top door, rear-top cover, and delivery cover on page 22](#).
- Rear door. See [Rear door assembly on page 27](#).
- Rear-lower cover. See [Rear-lower cover on page 28](#).
- Formatter PCA or formatter and wireless PCA. See [Formatter PCA \(base model\) on page 38](#) or [Formatter and wireless PCA \(plus model\) on page 40](#).

Remove the ITB assembly

1. Disconnect four connectors.

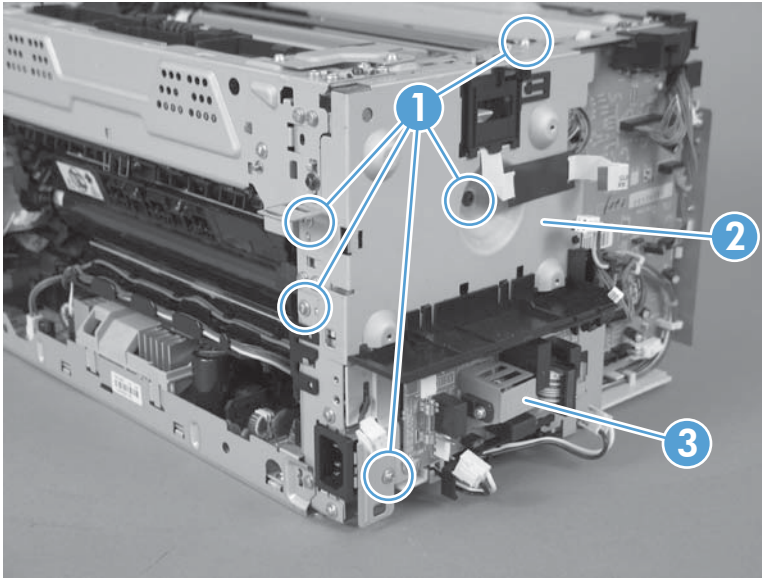
Figure 1-48 Remove the ITB assembly (1 of 17)



2. Remove five screws (callout 1), and then separate the sheet-metal plate (callout 2) and fuser power supply (callout 3) from the product.

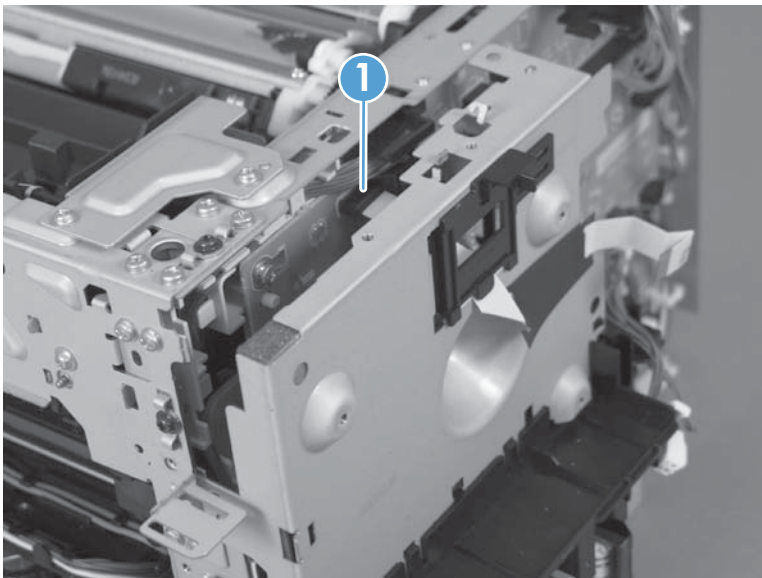
⚠ CAUTION: The sheet-metal plate and fuser power supply assembly is still attached to the product by a FFC connected to the engine controller assembly. Do not attempt to completely remove the assembly.

Figure 1-49 Remove the ITB assembly (2 of 17)



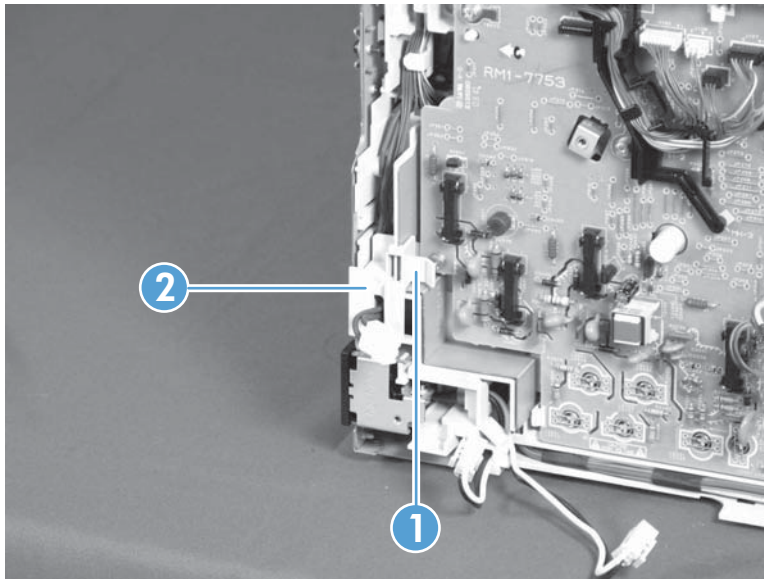
3. Disconnect one FFC (Callout 1), and then remove the sheet-metal plate and fuser power supply assembly.

Figure 1-50 Remove the ITB assembly (3 of 17)



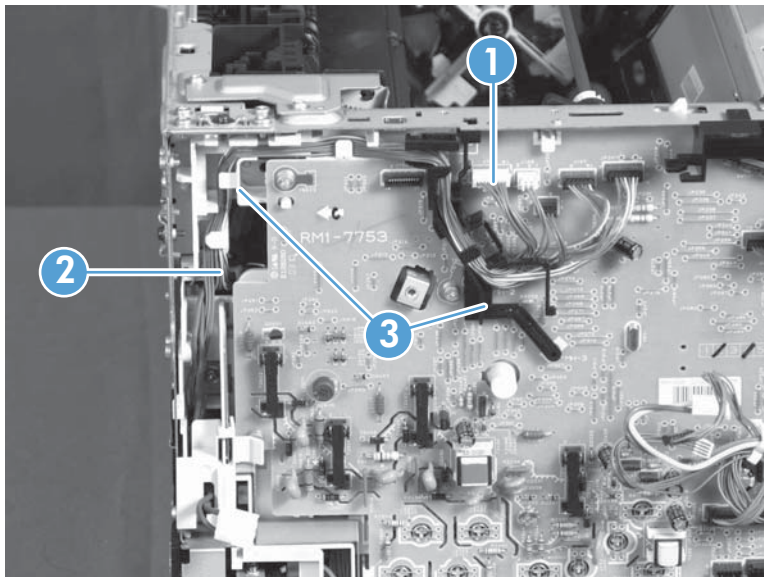
4. Release one tab (callout 1), and then remove the cable cover (callout 2).

Figure 1-51 Remove the ITB assembly (4 of 17)



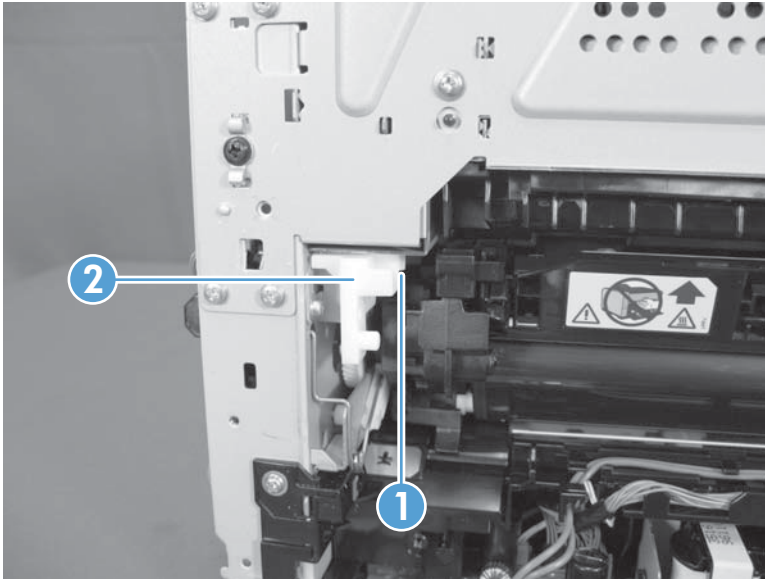
5. Disconnect one connector (callout 1), release the wire harnesses (callout 2) from the guide (callout 3).

Figure 1-52 Remove the ITB assembly (5 of 17)



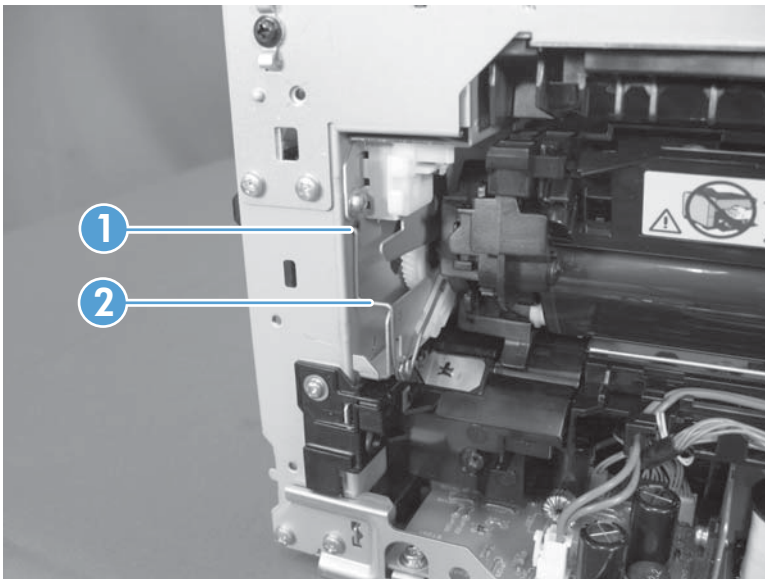
6. Release one tab (callout 1), and then remove the rear-door left-side arm (callout 2).

Figure 1-53 Remove the ITB assembly (6 of 17)



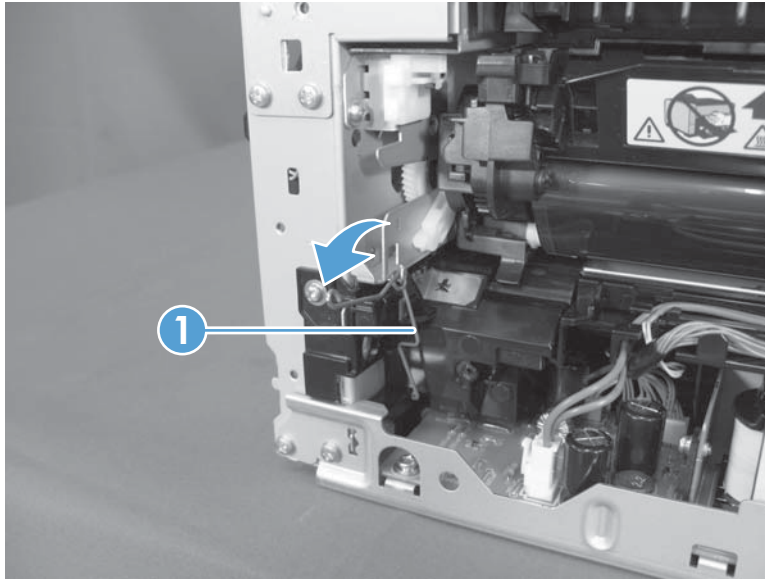
7. Release the hook end (callout 1) of the ITB fixing spring (callout 2).

Figure 1-54 Remove the ITB assembly (7 of 17)



8. Rotate the spring (callout 1) so that it faces out of the product.

Figure 1-55 Remove the ITB assembly (8 of 17)



9. Rotate the ITB fixing part (callout 1) so that it faces out of the product.

Figure 1-56 Remove the ITB assembly (9 of 17)

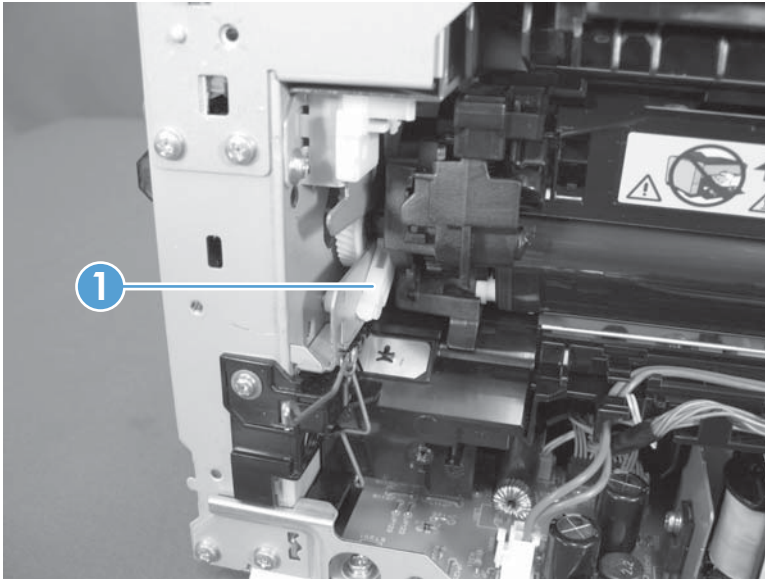
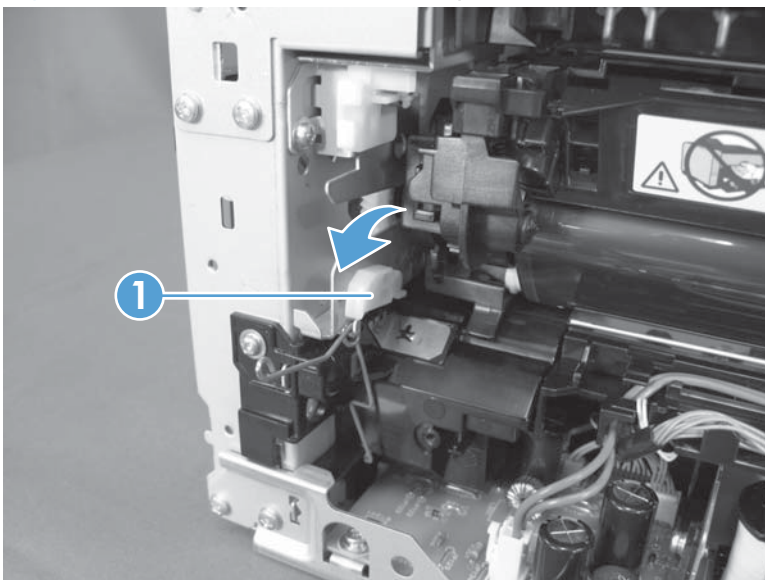
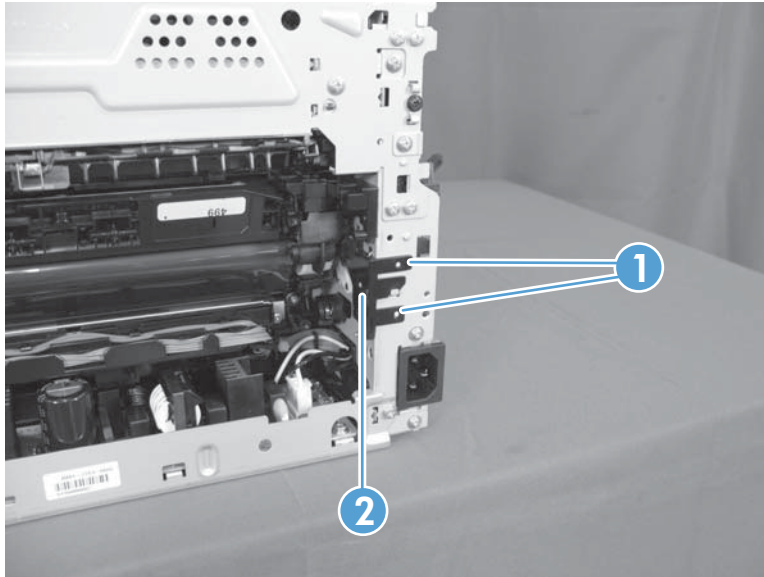


Figure 1-57 Remove the ITB assembly (10 of 17)



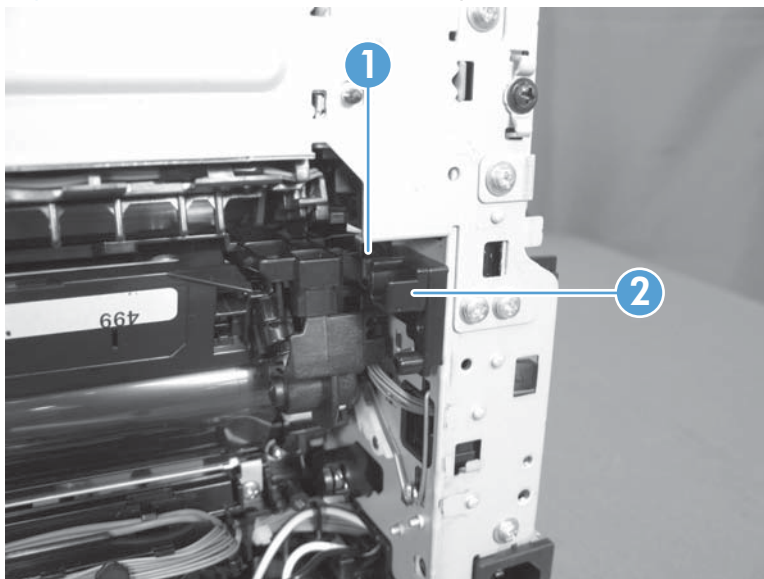
10. Release two tabs (callout 1), and then remove the spring cover (callout 2).

Figure 1-58 Remove the ITB assembly (11 of 17)



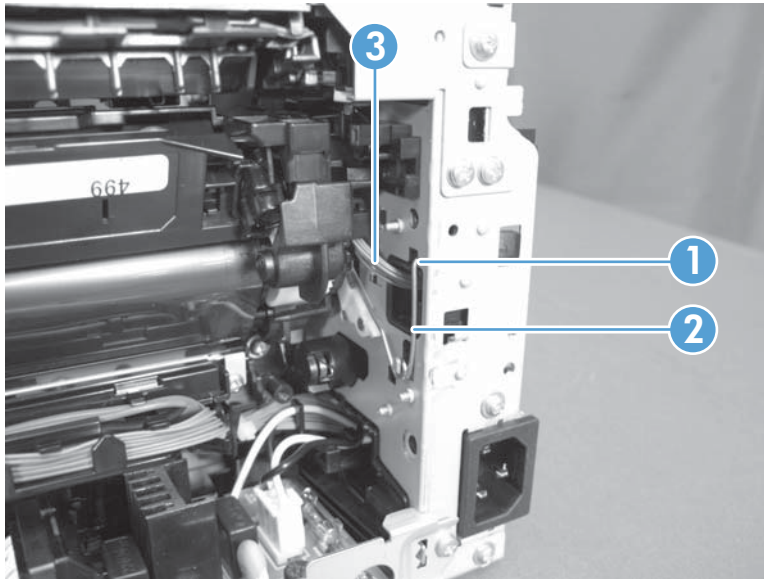
11. Release one tab (callout 1), and then remove the rear-door right-side arm (callout 2).

Figure 1-59 Remove the ITB assembly (12 of 17)



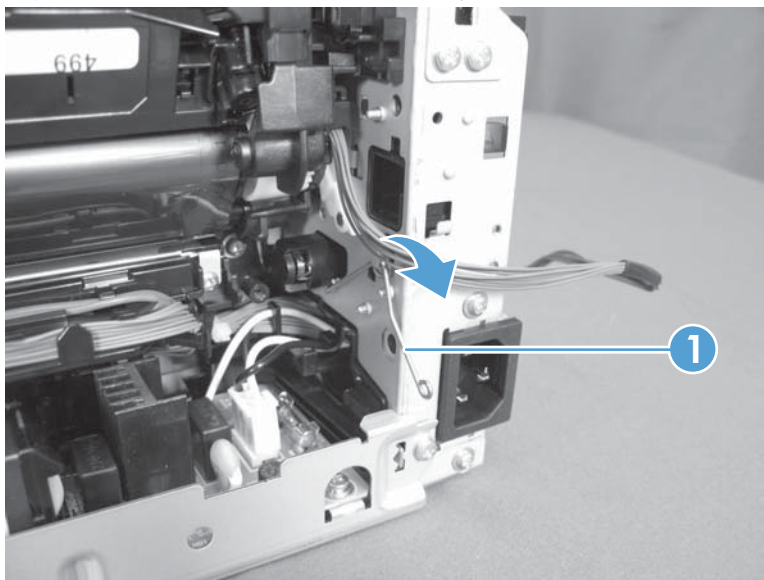
12. Release the hook end (callout 1) of the ITB fixing spring (callout 2), and then pull the wire harness (callout 3) through the hole in the chassis.

Figure 1-60 Remove the ITB assembly (13 of 17)



13. Rotate the spring (callout 1) so that it faces out of the product.

Figure 1-61 Remove the ITB assembly (14 of 17)



14. Rotate the ITB fixing part (callout 1) so that it faces out of the product.

Figure 1-62 Remove the ITB assembly (15 of 17)

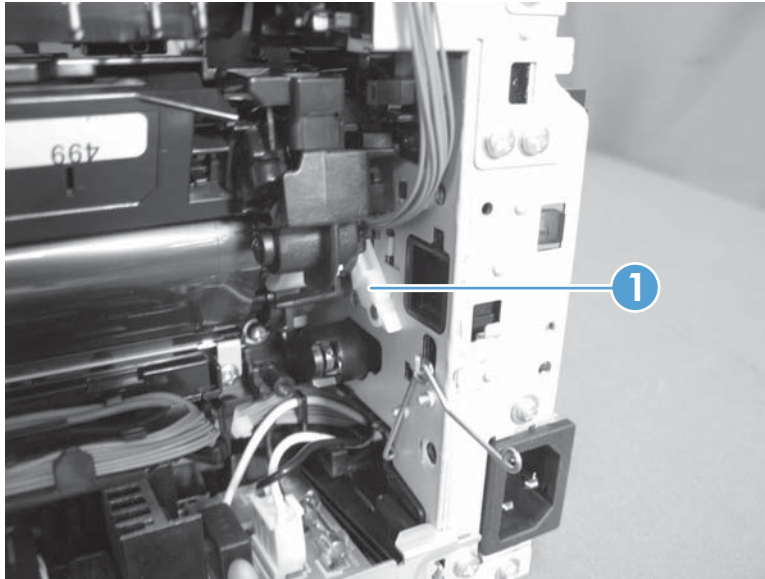
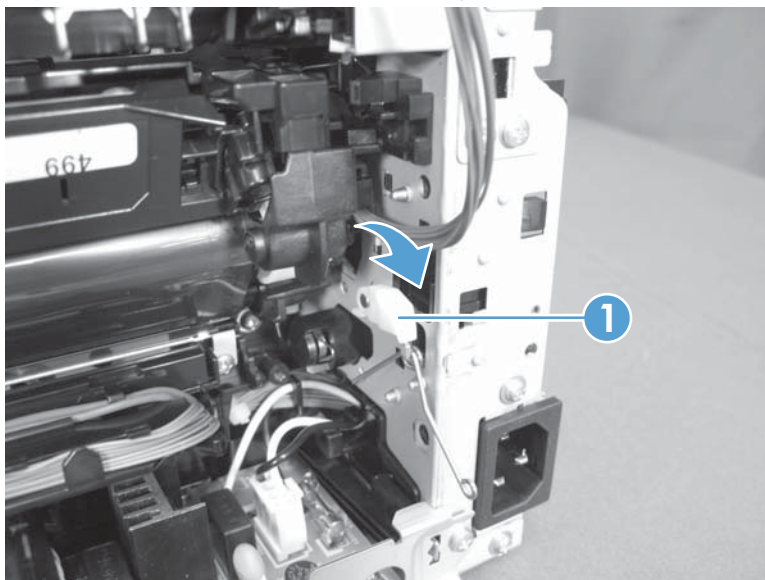


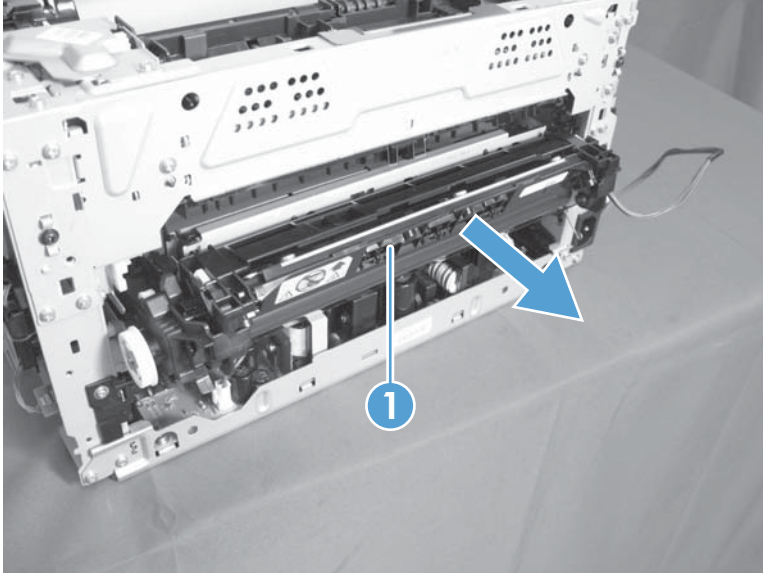
Figure 1-63 Remove the ITB assembly (16 of 17)




15. Pull the ITB assembly (callout 1) straight out of the product.

CAUTION: Avoid touching the black plastic transfer belt. Skin oils on the belt might cause print-quality problems.

Figure 1-64 Remove the ITB assembly (17 of 17)




Fuser delivery assembly

 **NOTE:** For this product, the fuser and the paper delivery components are one assembly.

Position the fuser pressure roller for removal

You must rotate the pressure roller to the correct position before removing the fuser delivery assembly.

1. When the product is in the Ready state, press and hold the Auto-On/Auto-Off (power) button for about seven seconds or until you hear subtle movement within the product and the **Ready** light turns off.
2. Release the Auto-On/Auto-Off (power) button. The product power will be off and the fuser pressure roller is in the removal position. Unplug the product before removing any components.

 **NOTE:** If you have not removed the image drum before servicing the product, remove it now. See [Imaging drum on page 9](#).

Before proceeding, remove the following components:

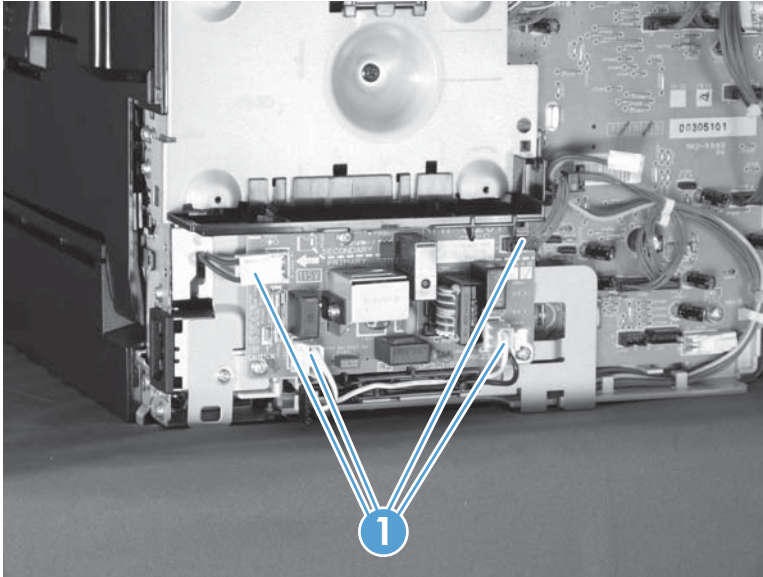
- Right cover. See [Right cover on page 16](#)
- Left cover. See [Left cover on page 17](#).
- Document feeder. See [Document feeder on page 18](#).
- Document feeder hinges. See [Document feeder hinges on page 21](#).
- Top door, rear-top cover, and delivery cover. See [Top door, rear-top cover, and delivery cover on page 22](#).
- Rear door. See [Rear door assembly on page 27](#).
- Rear-lower cover. See [Rear-lower cover on page 28](#).
- Formatter PCA or formatter and wireless PCA. See [Formatter PCA \(base model\) on page 38](#) or [Formatter and wireless PCA \(plus model\) on page 40](#).

Remove the fuser delivery assembly

CAUTION:  ESD sensitive.

1. Disconnect four connectors.

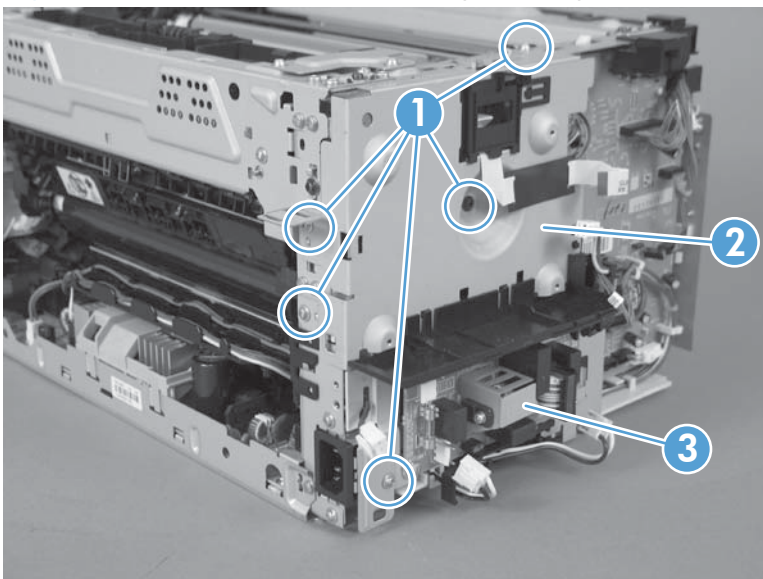
Figure 1-65 Remove the fuser delivery assembly (1 of 6)



2. Remove five screws (callout 1), and then separate the sheet-metal plate (callout 2) and fuser power supply (callout 3) from the product.

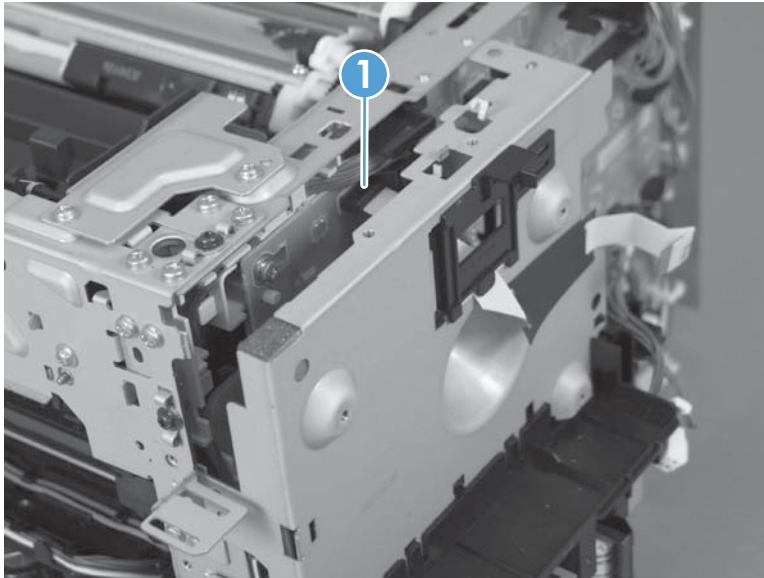
CAUTION: The sheet-metal plate and fuser power supply assembly is still attached to the product by a FFC connected to the engine controller assembly. Do not attempt to completely remove the assembly.

Figure 1-66 Remove the fuser delivery assembly (2 of 6)



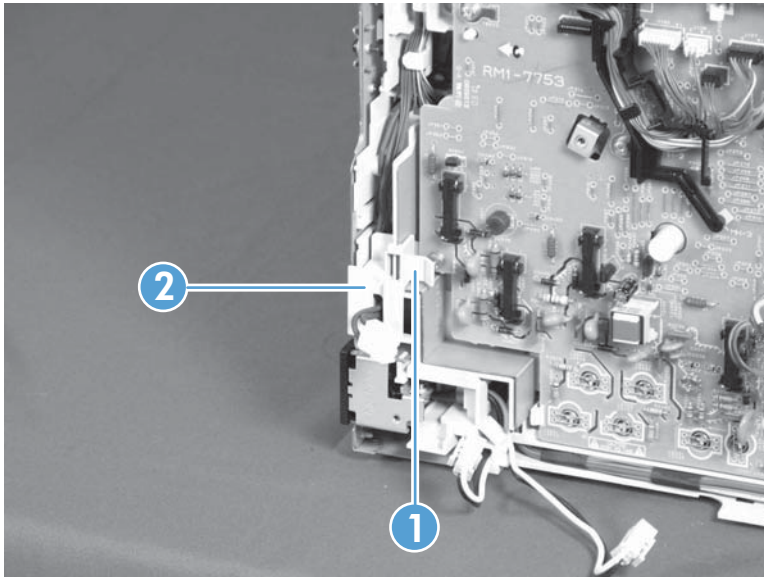
3. Disconnect one FFC (Callout 1), and then remove the sheet-metal plate and fuser power supply assembly.

Figure 1-67 Remove the fuser delivery assembly (3 of 6)



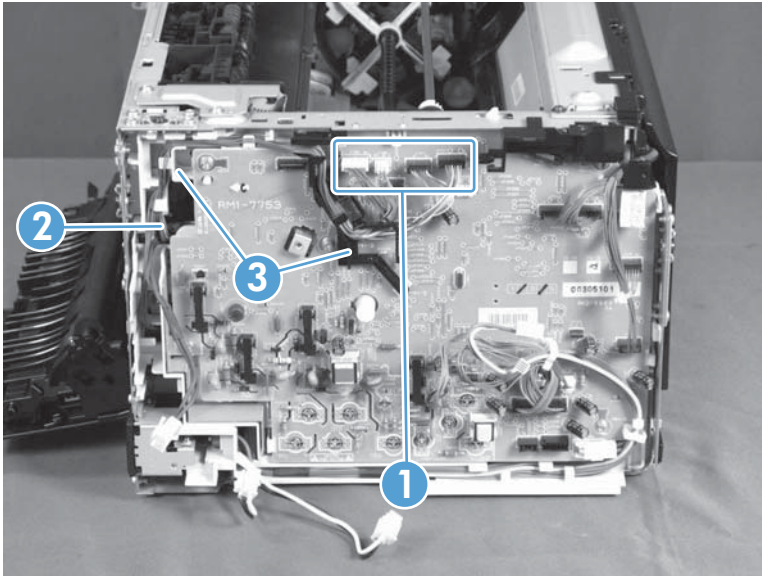
4. Release one tab (callout 1), and then remove the cable cover (callout 2).

Figure 1-68 Remove the fuser delivery assembly (4 of 6)



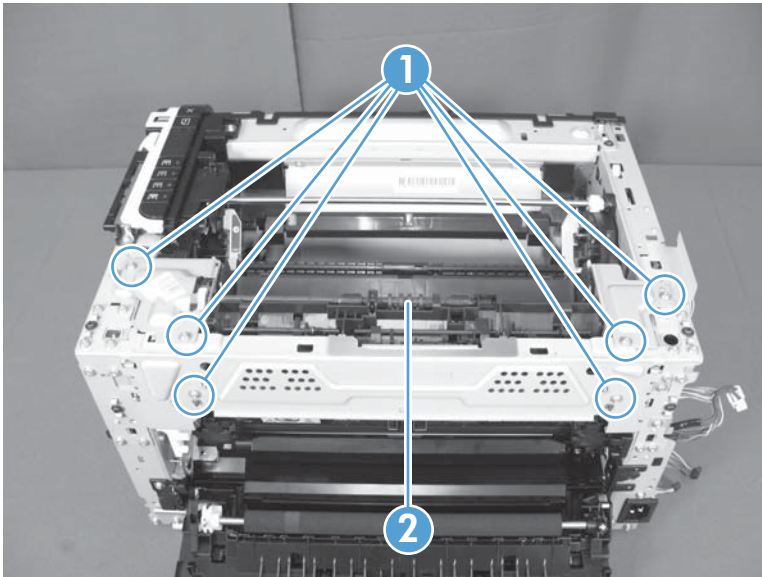
5. Disconnect four connectors (callout 1), Release the wire harnesses (callout 2) from the guide (callout 3).

Figure 1-69 Remove the fuser delivery assembly (5 of 6)



6. Remove six screws (callout 1), and then remove the fuser delivery assembly (callout 2).

Figure 1-70 Remove the fuser delivery assembly (6 of 6)



Reinstall the fuser delivery assembly

- ▲ When reassembling the fuser delivery assembly, be sure the drive cam (callout 1) for fuser pressure release is positioned as shown below.

Figure 1-71 Reinstall the fuser delivery assembly (1 of 2)

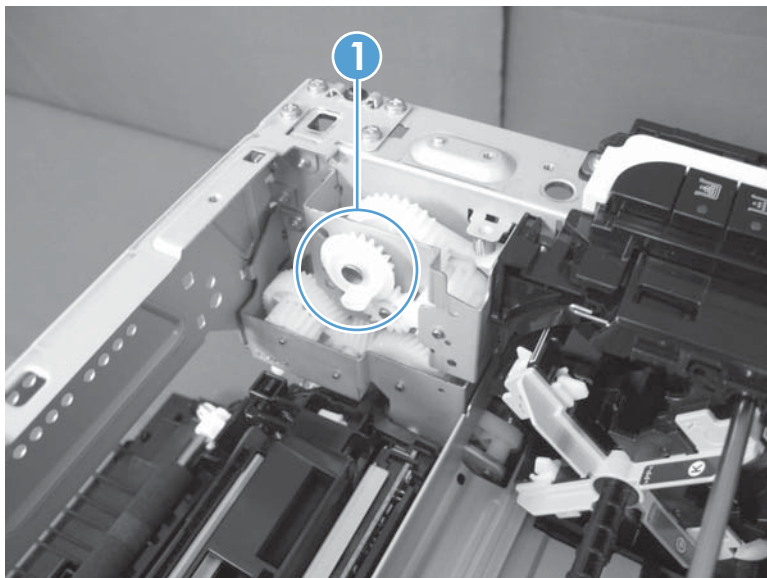
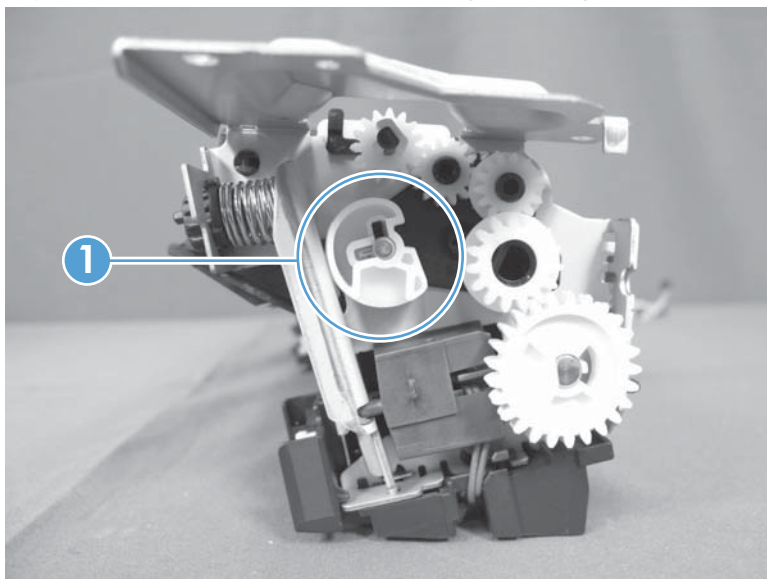


Figure 1-72 Reinstall the fuser delivery assembly (2 of 2)



Engine controller assembly

CAUTION:  ESD sensitive.

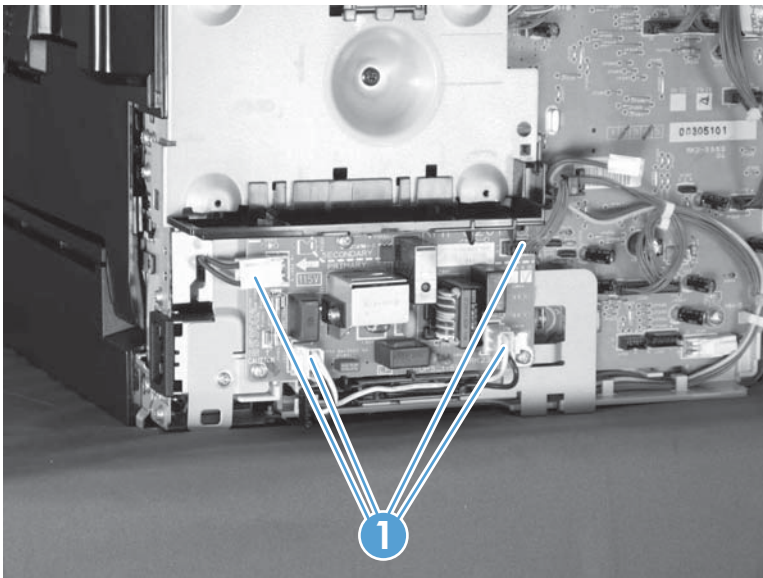
Before proceeding, remove the following components:

- Right cover. See [Right cover on page 16](#)
- Left cover. See [Left cover on page 17](#).
- Document feeder. See [Document feeder on page 18](#).
- Document feeder hinges. See [Document feeder hinges on page 21](#).
- Top door, rear-top cover, and delivery cover. See [Top door, rear-top cover, and delivery cover on page 22](#).
- Control panel. See [Control panel on page 29](#).
- Left-front cover. See [Left-front cover on page 31](#).
- Inner cover. See [Inner cover on page 35](#).
- Formatter PCA or formatter and wireless PCA. See [Formatter PCA \(base model\) on page 38](#) or [Formatter and wireless PCA \(plus model\) on page 40](#).

Remove the engine controller assembly

1. Disconnect four connectors.

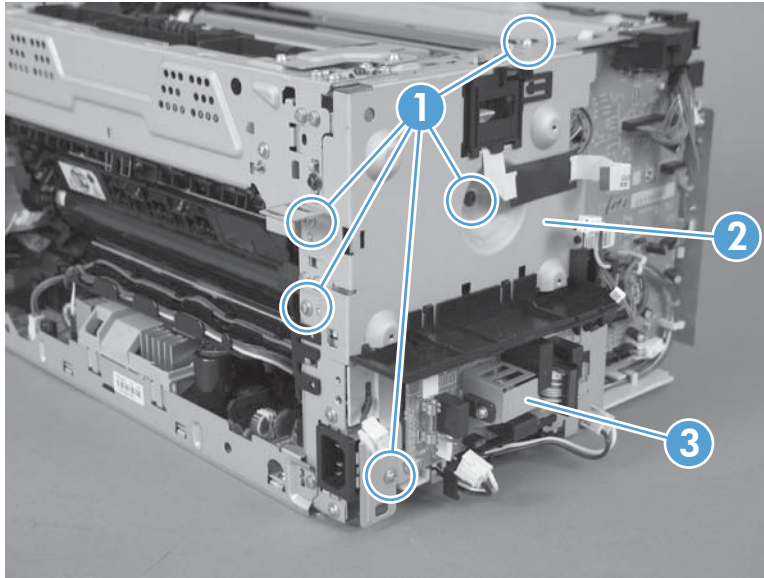
Figure 1-73 Remove the engine controller assembly (1 of 7)



2. Remove five screws (callout 1), and then separate the sheet-metal plate (callout 2) and fuser power supply (callout 3) from the product.

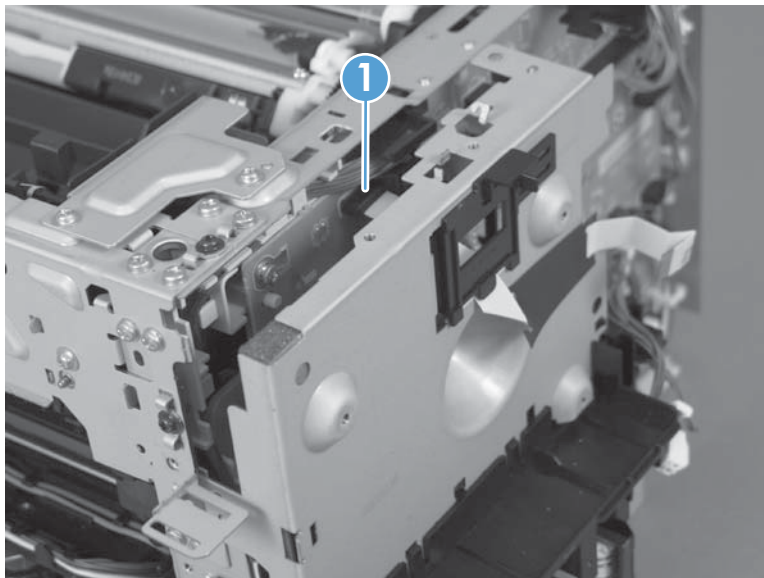
⚠ CAUTION: The sheet-metal plate and fuser power supply assembly is still attached to the product by a FFC connected to the engine controller assembly. Do not attempt to completely remove the assembly.

Figure 1-74 Remove the engine controller assembly (2 of 7)



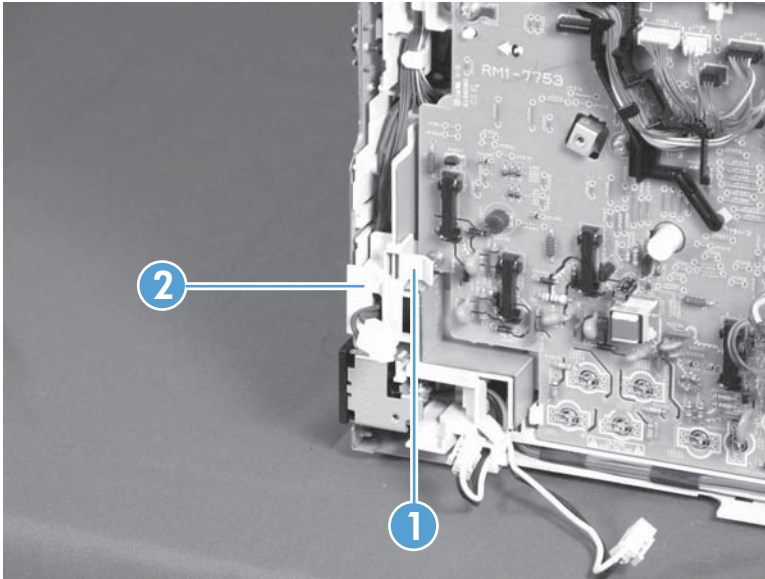
3. Disconnect one FFC (Callout 1), and then remove the sheet-metal plate and fuser power supply assembly.

Figure 1-75 Remove the engine controller assembly (3 of 7)



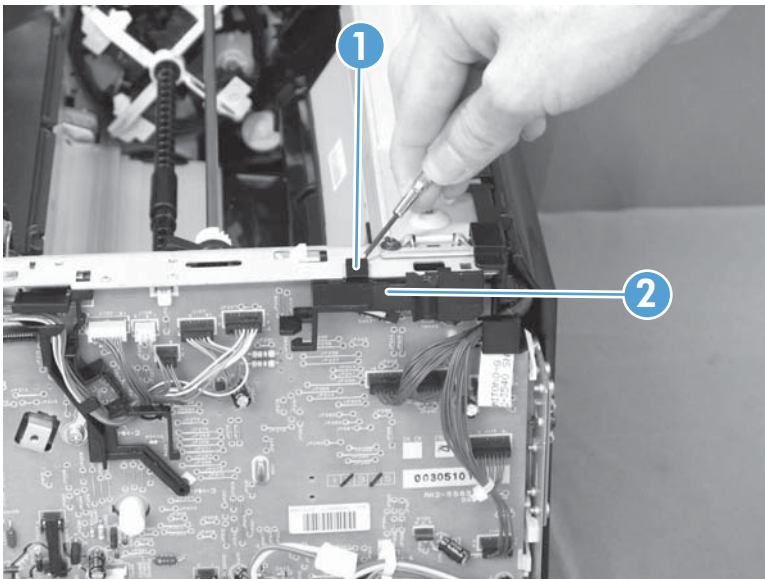
4. Release one tab (callout 1) and remove the cable cover (callout 2).

Figure 1-76 Remove the engine controller assembly (4 of 7)



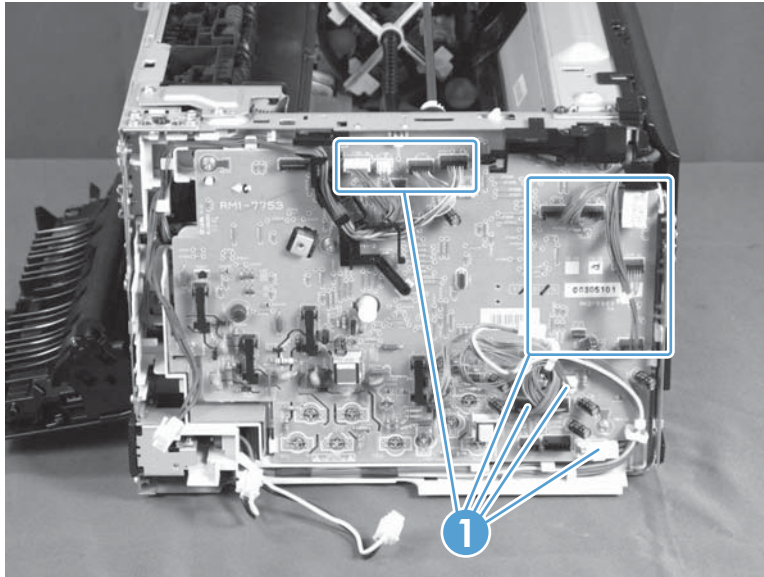
5. Release one tab (callout 1), and then remove the cover (callout 2).

Figure 1-77 Remove the engine controller assembly (5 of 7)



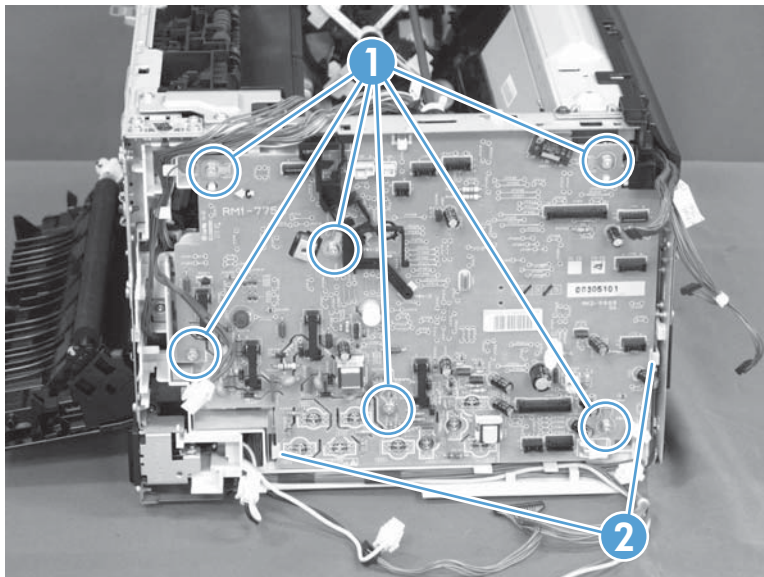
6. Disconnect eleven connectors (callout 1).

Figure 1-78 Remove the engine controller assembly (6 of 7)



7. Remove six screws (callout 1), release two tabs (callout 2), and then remove the engine controller assembly.

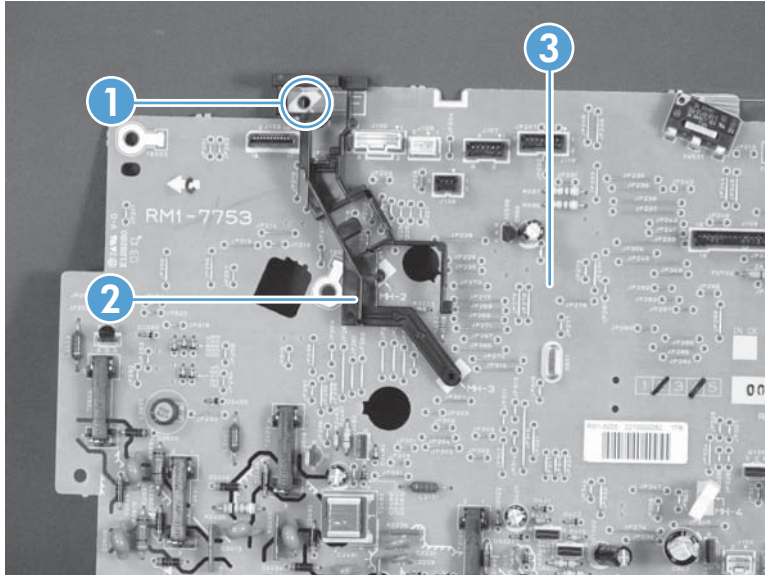
Figure 1-79 Remove the engine controller assembly (7 of 7)



Installing a replacement engine controller assembly

Release one tab (callout 1), remove the guide (callout 2) from the discarded engine controller assembly (callout 3), and then install the guide on the replacement assembly.

Figure 1-80 Installing a replacement engine controller assembly



Low-voltage power supply assembly

 **CAUTION:**  ESD sensitive.

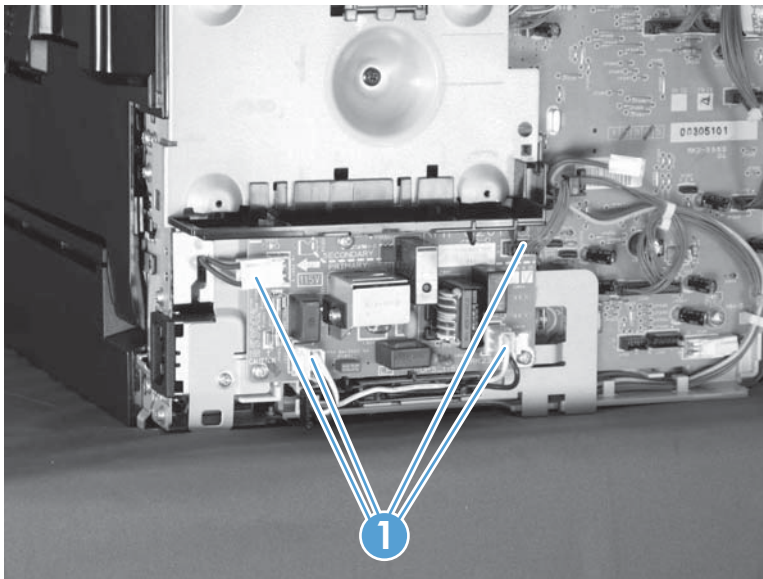
Before proceeding, remove the following components:

- Right cover. See [Right cover on page 16](#)
- Left cover. See [Left cover on page 17](#).
- Document feeder. See [Document feeder on page 18](#).
- Document feeder hinges. See [Document feeder hinges on page 21](#).
- Top door, rear-top cover, and delivery cover. See [Top door, rear-top cover, and delivery cover on page 22](#).
- Rear door. See [Rear door assembly on page 27](#).
- Rear-lower cover. See [Rear-lower cover on page 28](#).
- Control panel. See [Control panel on page 29](#).
- Left-front cover. See [Left-front cover on page 31](#).
- Inner cover. See [Inner cover on page 35](#).
- Formatter PCA or formatter and wireless PCA. See [Formatter PCA \(base model\) on page 38](#) or [Formatter and wireless PCA \(plus model\) on page 40](#).

Remove the low-voltage power supply assembly

1. Disconnect four connectors.

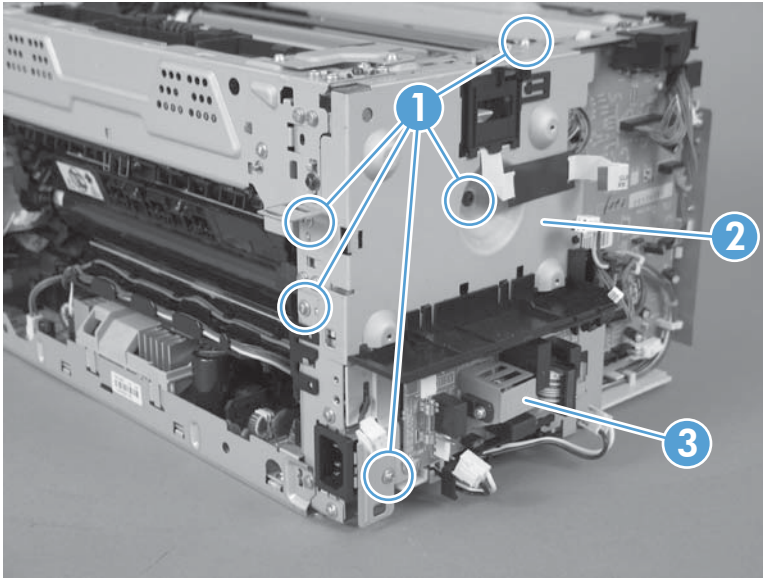
Figure 1-81 Remove the low-voltage power supply assembly (1 of 9)



2. Remove five screws (callout 1), and then separate the sheet-metal plate (callout 2) and fuser power supply (callout 3) from the product.

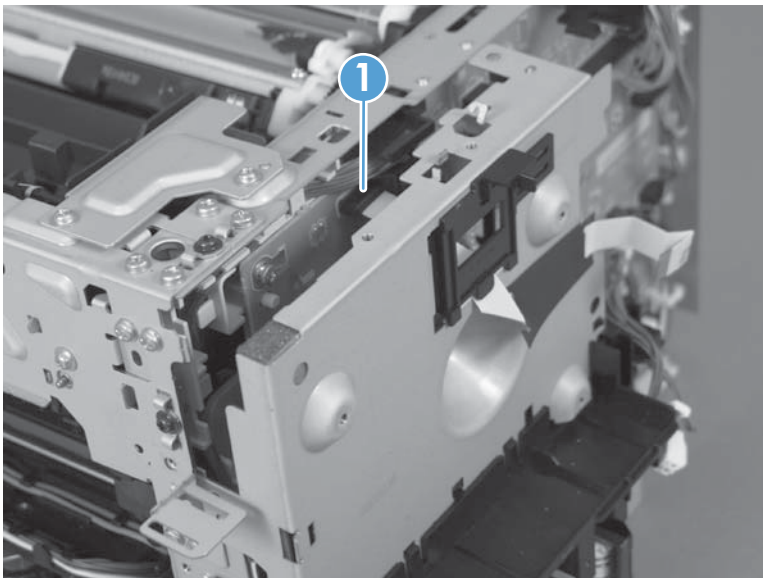
⚠ CAUTION: The sheet-metal plate and fuser power supply assembly is still attached to the product by a FFC connected to the engine controller assembly. Do not attempt to completely remove the assembly.

Figure 1-82 Remove the low-voltage power supply assembly (2 of 9)



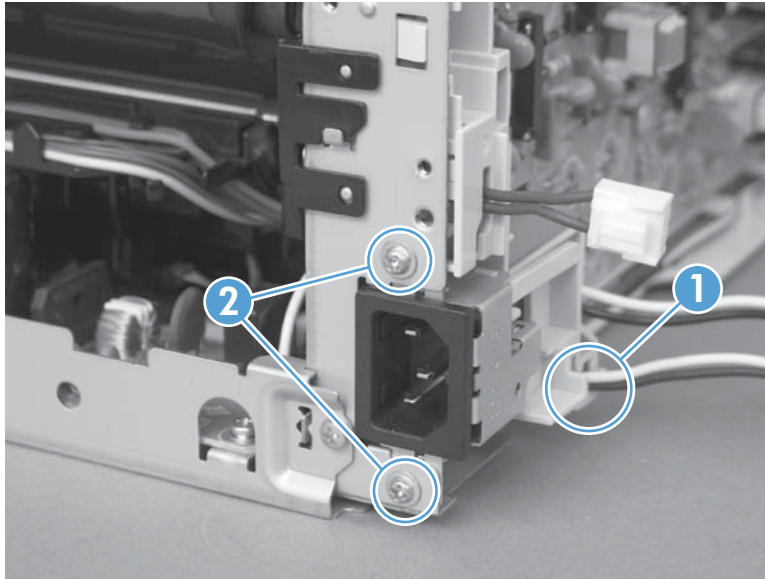
3. Disconnect one FFC (Callout 1), and then remove the sheet-metal plate and fuser power supply assembly.

Figure 1-83 Remove the low-voltage power supply assembly (3 of 9)



4. Release one cable from the cable guide (callout 1), and then remove two screws (callout 2).

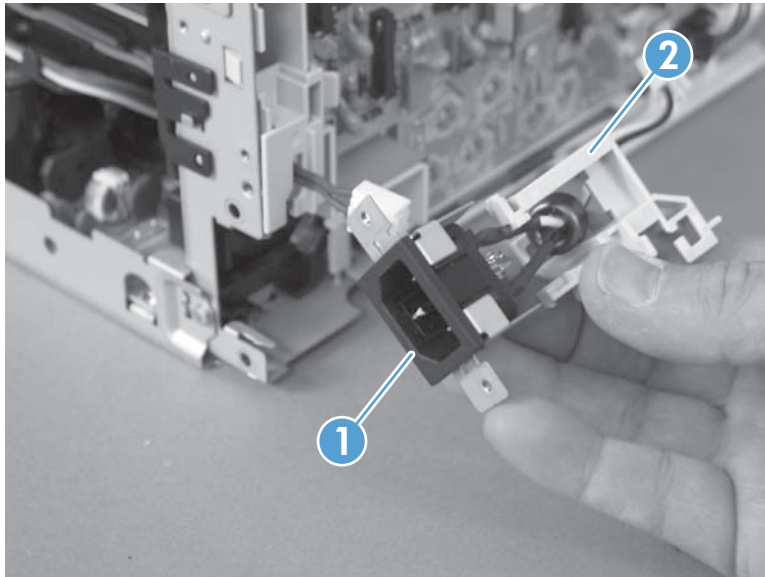
Figure 1-84 Remove the low-voltage power supply assembly (4 of 9)



5. Remove the power receptacle (callout 1) and guide (callout 2) as an assembly.

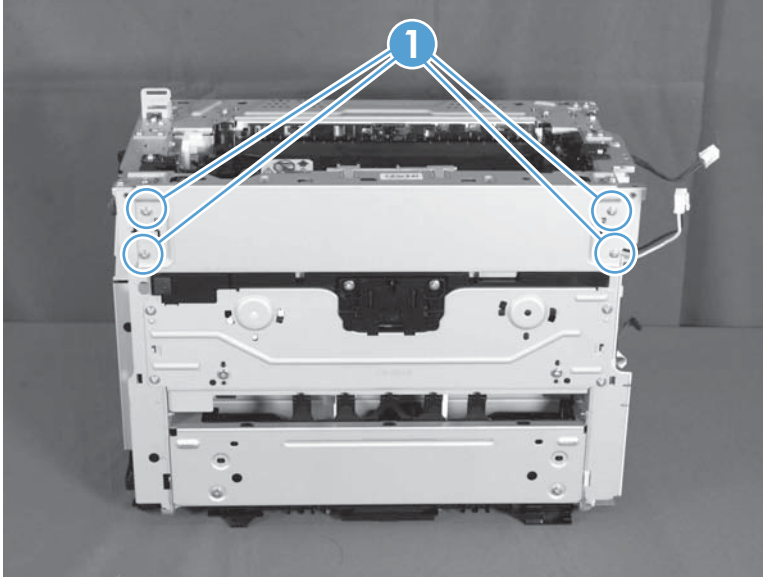
 **Reinstallation tip** Make sure that these parts are correctly assembled, before reinstalling the receptacle and guide. See [Reinstall the low-voltage power supply on page 68](#).

Figure 1-85 Remove the low-voltage power supply assembly (5 of 9)



6. Place the product rear-side up, and then remove four screws (callout 1).

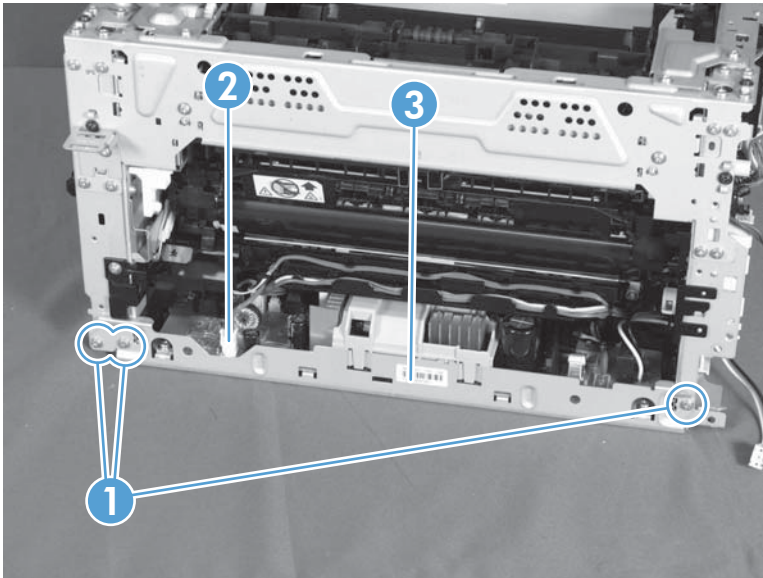
Figure 1-86 Remove the low-voltage power supply assembly (6 of 9)



7. Remove three screws (callout 1), disconnect one connector (callout 2) and separate the low-voltage power supply assembly (callout 3) from the product.

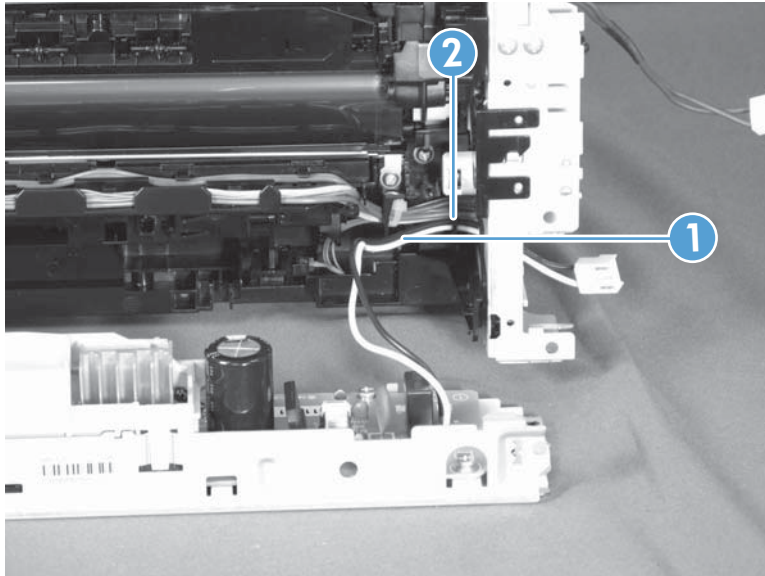
CAUTION: Do not attempt to completely remove the low-voltage power supply. The power supply is still connected to the product by three internal connectors.

Figure 1-87 Remove the low voltage power supply assembly (7 of 9)



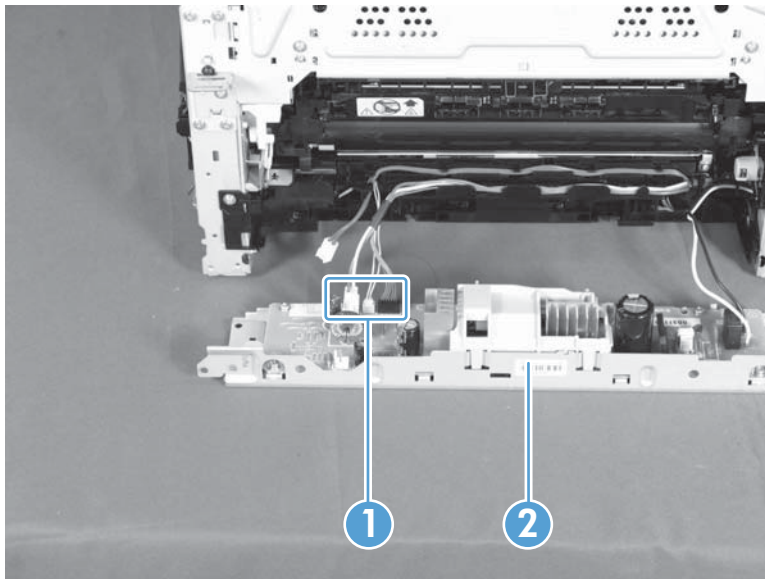
8. Release the wire harness (callout 1) from the guide (callout 2), and then pull the wire harness through the hole in the chassis.

Figure 1-88 Remove the low-voltage power supply assembly (8 of 9)



9. Disconnect three connectors (callout 1) and remove the low-voltage power supply assembly (callout 2).

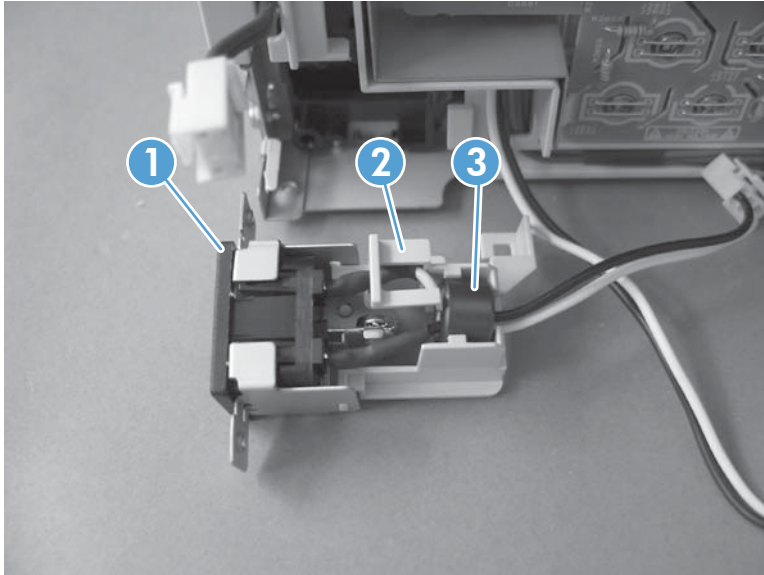
Figure 1-89 Remove the low-voltage power supply assembly (9 of 9)



Reinstall the low-voltage power supply

Make sure that the power receptacle (callout 1), guide (callout 2), and the ferrite (callout 3) are correctly assembled before installing them.

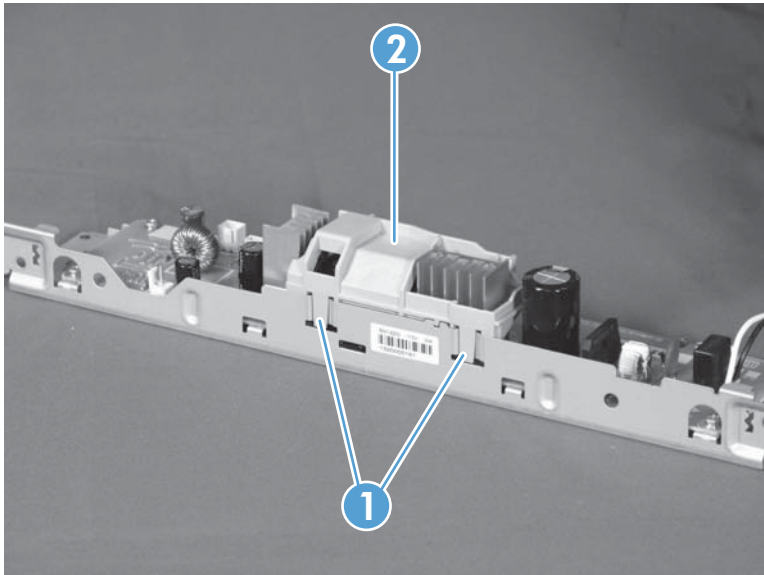
Figure 1-90 Reinstall the low-voltage power supply




Installing a replacement low-voltage power supply

Release two tabs (callout 1), remove the cover (callout 2) from the discarded low-voltage power supply, and then install the guide on the replacement assembly.

Figure 1-91 Installing a replacement low-voltage power supply



Document feeder components

 **NOTE:** This section describes replacement and removal of individual document feeder components. To remove the complete document feeder, see [Document feeder on page 18](#).

Document feeder input tray

1. Open the document feeder cover.

Figure 1-92 Remove the document feeder input tray (1 of 2)



2. Hold the scanner cover down, and then pull up on the document feeder tray to release two tabs, lift the document feeder tray up, and then remove it.

Figure 1-93 Remove the document feeder input tray (2 of 2)



Document feeder cover

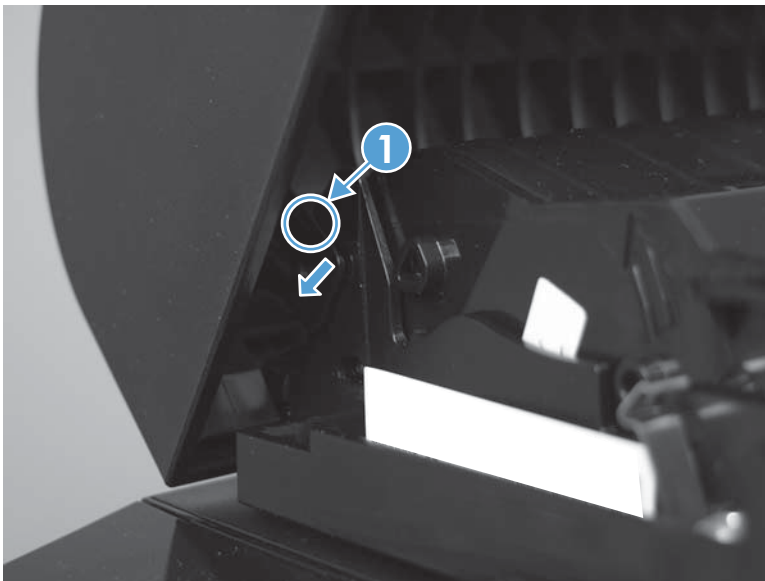
1. Open the document feeder cover.

Figure 1-94 Remove the document feeder cover (1 of 3)



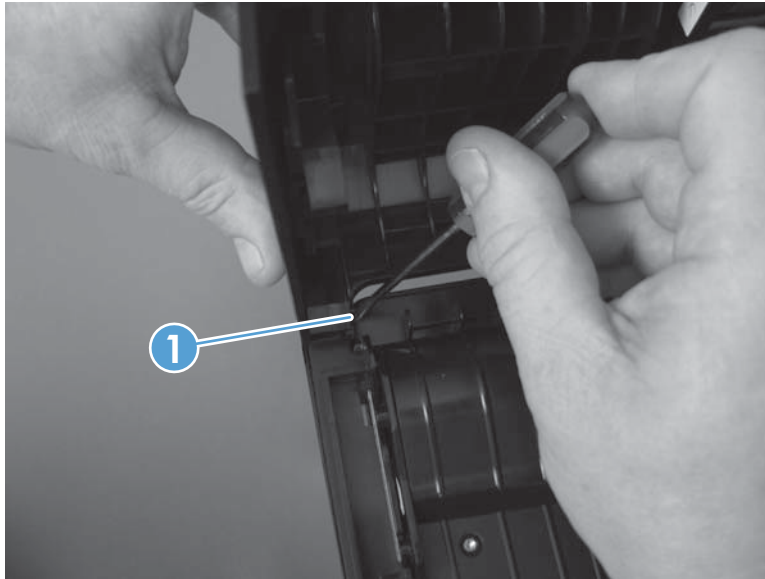
2. Release one tab (callout 1), and then fully open the document feeder cover.

Figure 1-95 Remove the document feeder cover (2 of 3)



3. Release the hinges (callout 1), and then remove the document feeder cover.

Figure 1-96 Remove the document feeder cover (3 of 3)



Document feeder core

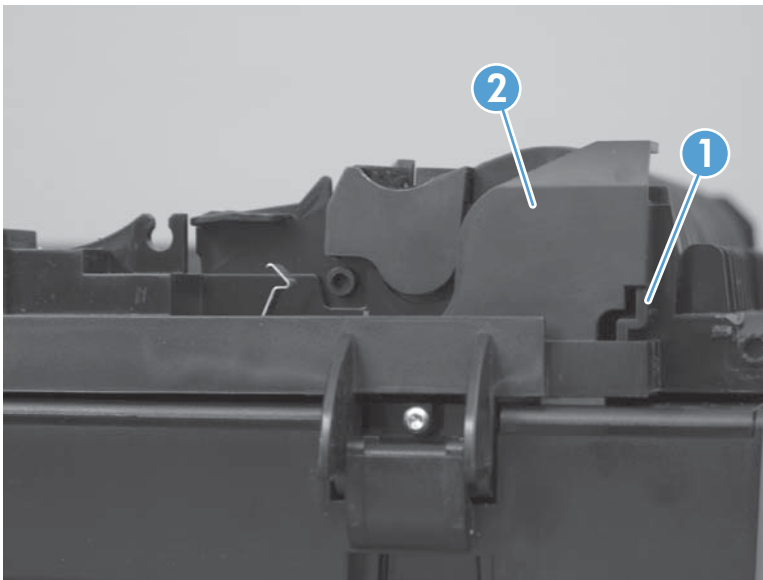
Before proceeding, remove the following components:

- Document feeder input tray. See [Document feeder input tray on page 69](#).
- Document feeder cover. See [Document feeder cover on page 70](#).

Remove the document feeder core

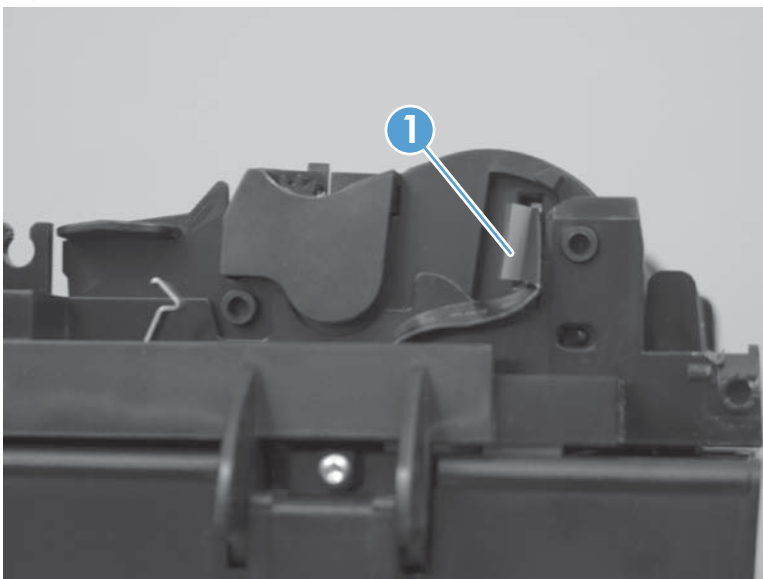
1. Release one tab (callout 1), and then remove the cover (callout 2).

Figure 1-97 Remove the document feeder core (1 of 4)



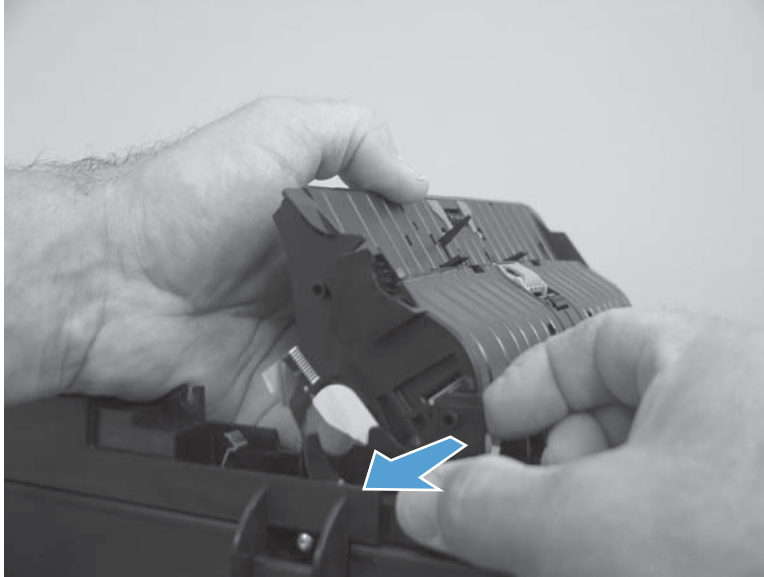
2. Disconnect one FFC (callout 1).

Figure 1-98 Remove the document feeder core (2 of 4)



3. Carefully flex the hinge retainer to release one hinge pin.

Figure 1-99 Remove the document feeder core (3 of 4)



4. Remove the document feeder core.

Figure 1-100 Remove the document feeder core (4 of 4)



Post scan pinch rollers

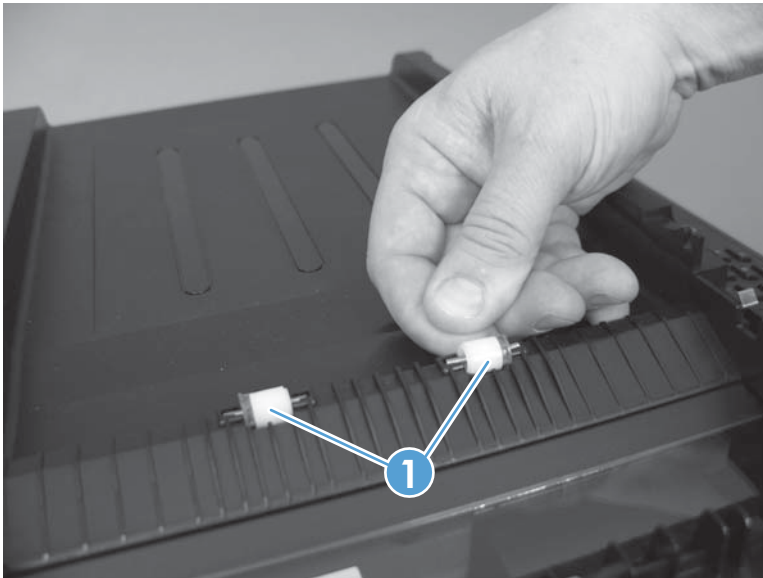
Before proceeding, remove the following components:

- Document feeder input tray. See [Document feeder input tray on page 69](#).
- Document feeder cover. See [Document feeder cover on page 70](#).
- Document feeder core. See [Document feeder core on page 72](#).

Remove the post scan pinch rollers

- ▲ Remove the post scan pinch rollers (callout 1).

Figure 1-101 Remove the post scan pinch rollers



Document feeder base assembly

Before proceeding, remove the following components:

- Document feeder input tray. See [Document feeder input tray on page 69](#).
- Document feeder cover. See [Document feeder cover on page 70](#).

Remove the document feeder base assembly

1. Disconnect one FFC (callout 1), and then release the adhesive FFC protector on the document feeder base (callout 2).


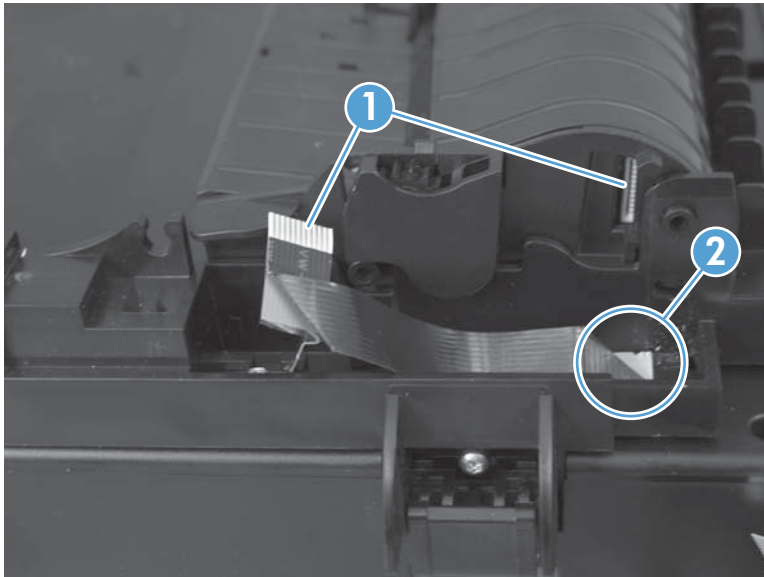
 **TIP:** Use two-sided tape to replace the FFC protector during reassembly.

Figure 1-102 Remove the document feeder base assembly (1 of 3)



2. Remove two screws (callout 1).


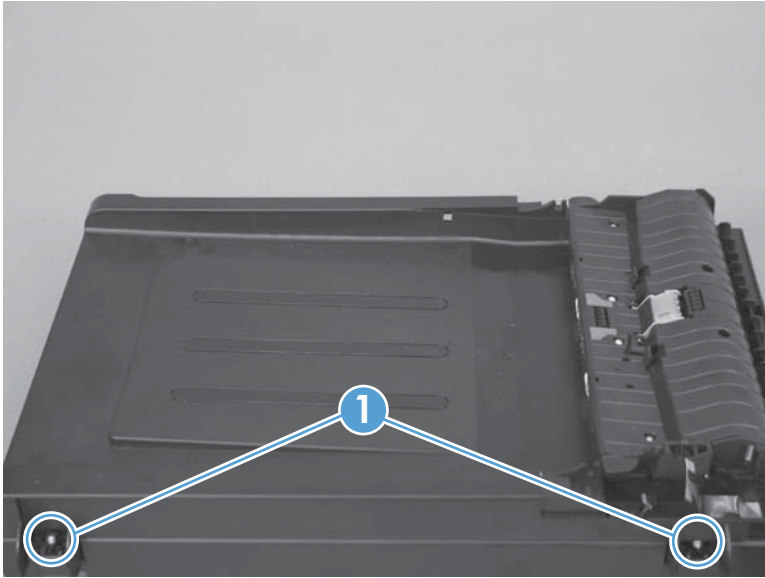
 **TIP:** These screws require a #10 torx driver

Figure 1-103 Remove the document feeder base assembly (2 of 3)



3. Open the document feeder base, and then carefully remove it from the product.


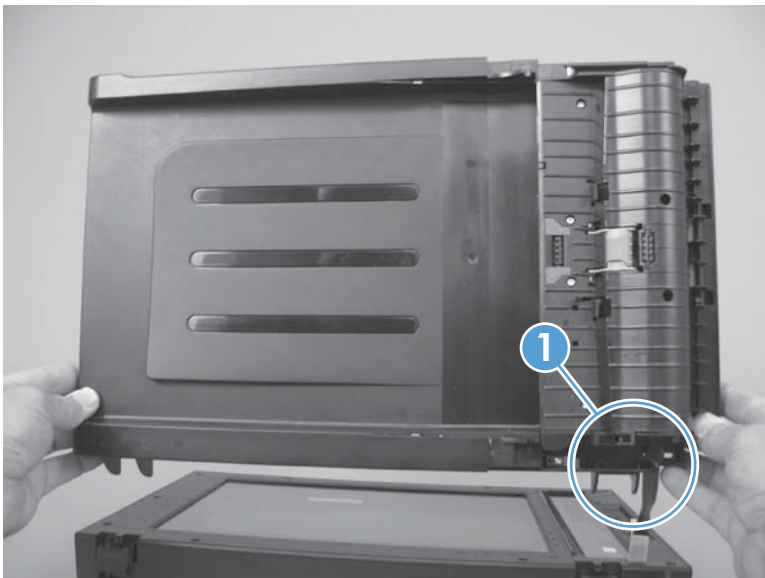
 **CAUTION:** Do not damage the FFC (callout 1) that runs through the document feeder base. Carefully feed the FFC through the slot during removal and during replacement.

Figure 1-104 Remove the document feeder base assembly (3 of 3)



2 Solve problems

- [Solve problems checklist](#)
- [Menu map](#)
- [Troubleshooting processes](#)
- [Tools for troubleshooting](#)
- [Service mode functions](#)
- [Product updates](#)

Solve problems checklist

Follow these steps when trying to solve a problem with the product.

- [Step 1: Test print functionality](#)
- [Step 2: Test copy functionality](#)

Step 1: Test print functionality

1. Open the **Reports** menu, and then select **Config Report** to print the report.
2. If the report does not print, check the following:
3. Make sure that paper is in the tray.
4. Check the control panel for paper jam messages. If the control panel indicates a jam, clear the jam.
5. Make sure that the print cartridge is not empty.
6. Clean the paper pick roller and the separation pad.
7. Replace the paper pick roller or the separation pad.

Step 2: Test copy functionality

1. Place the configuration page into the document feeder, adjust the paper guides, and then make a copy. If paper does not feed through the document feeder smoothly, replace the document feeder pick up arm assembly. If this does not improve the issue, replace the document feeder core assembly.
2. Place the configuration page onto the scanner glass, and then make a copy.
3. If the print quality on the copied pages is not acceptable, clean the scanner glass.

Menu map

Use the following procedure to print a control-panel menu layout map.

1. On the product control panel, press the **Setup** button.
2. Use the arrow buttons to select the **Reports** menu, and then press the **OK** button.
3. Use the arrow buttons to scroll to the **Menu Structure** item, and then press the **OK** button.
4. Press the **OK** button again to print the report.

Troubleshooting processes

Determine the problem source

The following table includes basic questions to ask the customer to quickly help define the problem or problems.

General topic	Questions
Environment	<ul style="list-style-type: none">• Is the product installed on a solid, level surface ($\pm 1^\circ$)?• Is the power-supply voltage within ± 10 volts of the specified power source?• Is the power-supply plug inserted in the product and the outlet?• Is the operating environment within the specified parameters?• Is the product exposed to ammonia gas, such as that produced by diazo copiers or office cleaning materials? NOTE: Diazo copiers produce ammonia gas as part of the copying processes. Ammonia gas (from cleaning supplies or a diazo copier) can have an adverse affect on some product components (for example, the imaging drum).• Is the product exposed to direct sunlight?
Paper	<ul style="list-style-type: none">• Does the customer use only supported paper?• Is the paper in good condition (no curls, folds, or distortion)?• Is the paper stored correctly and within environmental limits?
Input tray	<ul style="list-style-type: none">• Is the amount of paper in the tray within specifications?• Is the paper correctly placed in the tray?• Are the paper guides aligned with the stack?
Supplies	<ul style="list-style-type: none">• Are the print cartridges and the imaging-drum installed correctly and firmly seated?• Has the sealing tape been removed from each print cartridge?• Are the print cartridges and imaging drum within their estimated life? (Check the supplies status page.)
Transfer roller and fuser	<ul style="list-style-type: none">• Are the transfer roller and fuser installed correctly?
Covers	<ul style="list-style-type: none">• Are the top, front and rear doors firmly closed?


General topic	Questions
Condensation	<ul style="list-style-type: none"> • Does condensation occur following a temperature change (particularly in winter following cold storage)? If so, wipe affected parts dry or leave the product on for 90 to 120 minutes. • Was a cartridge opened soon after being moved from a cold to a warm room? If so, allow the cartridge to sit at room temperature for 1 to 2 hours.
Miscellaneous	<ul style="list-style-type: none"> • Check for and remove any non-HP components (for example, a print cartridge or imaging drum) from the product. • Remove the product from the network and make sure that the failure is with the product before beginning troubleshooting.

Power subsystem

Power-on checks

Turn on the power. If the control-panel LEDs do not illuminate, perform the power-on checks to find the cause of the problem.

1. Verify that the product is plugged into an active electrical outlet that delivers the correct voltage.
2. Verify that the power button is in the on position.
3. Make sure that the product makes the expected start up sounds.

 **NOTE:** The overcurrent/overvoltage protection circuit in the low-voltage power supply unit might be functioning. Turn the product off, unplug the power cord, and turn the product on. If the product does not function, the fuse melts, or the power supply is malfunctioning, replace the engine controller unit. See [Engine controller assembly on page 58](#).

Tools for troubleshooting

Component diagnostics

Component tests

Control-panel tests

The product includes diagnostic tests for the control panel.

Test the control-panel display

1. Press the **Setup** button.
2. Press the left arrow ◀ button, and then quickly press the **Cancel** button.
3. Press the **Setup** button to return to the main menus.
4. Open the **Secondary service** menu.
5. Open the **Display test** menu.

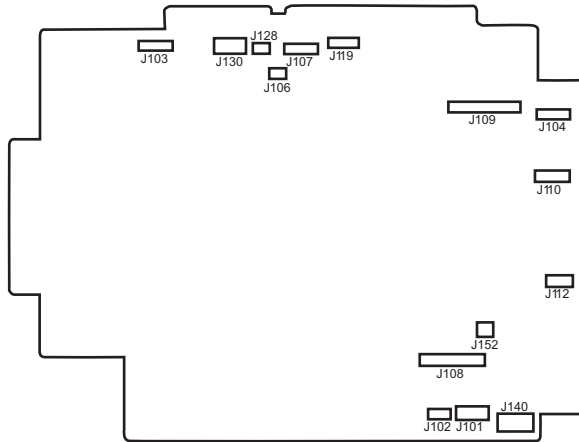
Test the control-panel buttons

1. Press the **Setup** button.
2. Press the left arrow ◀ button, and then quickly press the **Cancel** button.
3. Press the **Setup** button to return to the main menus.
4. Open the **Secondary service** menu.
5. Open the **Button test** menu.

Diagrams

Locations of connectors

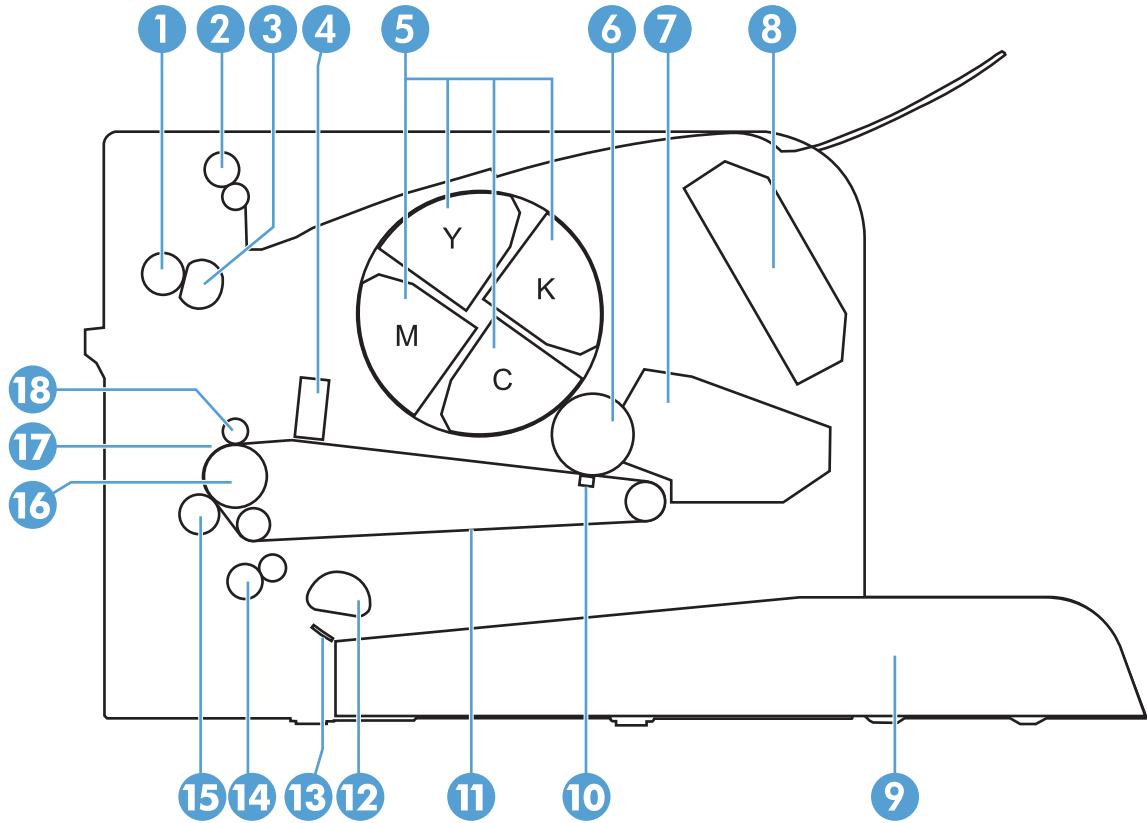
Figure 2-1 Locations of connectors



Item	Description	Item	Description	Item	Description
J101	Not used	J107	Media width sensor (SR1) Delivery sensor (SR2)	J119	Fuser pressure release sensor (SR4)
J102	Not used	J108	Low-voltage power supply TOP sensor (SR6)	J128	Rear door open detection switch (SW1)
J103	Formatter	J109	Memory tag Scanner motor (M5) Power switch PCA Carousel home sensor (SR7)	J130	ITB
J104	Scanner assembly (laser drive PCA)	J110	Carousel motor (M1) Fuser motor (M2)	J140	Low-voltage power supply
J106	Loop sensor (SR3)	J112	Pickup motor (M3) T2 roller and ITB cleaner solenoid (SL1)	J152	Not used

Locations of major components

Figure 2-2 Cross section view



Item	Description	Item	Description
1	Pressure roller	10	T1 pad
2	Delivery roller	11	ITB
3	Fuser film assembly	12	Pickup roller
4	Density ITB_TOP sensor	13	Separation pad
5	Print cartridge	14	Feed roller
6	Imaging drum	15	T2 roller
7	Imaging-drum	16	ITB drive roller
8	Laser scanner assembly	17	ITB cleaning brush
9	Input tray	18	ITB cleaning roller

Figure 2-3 External covers and doors (base)

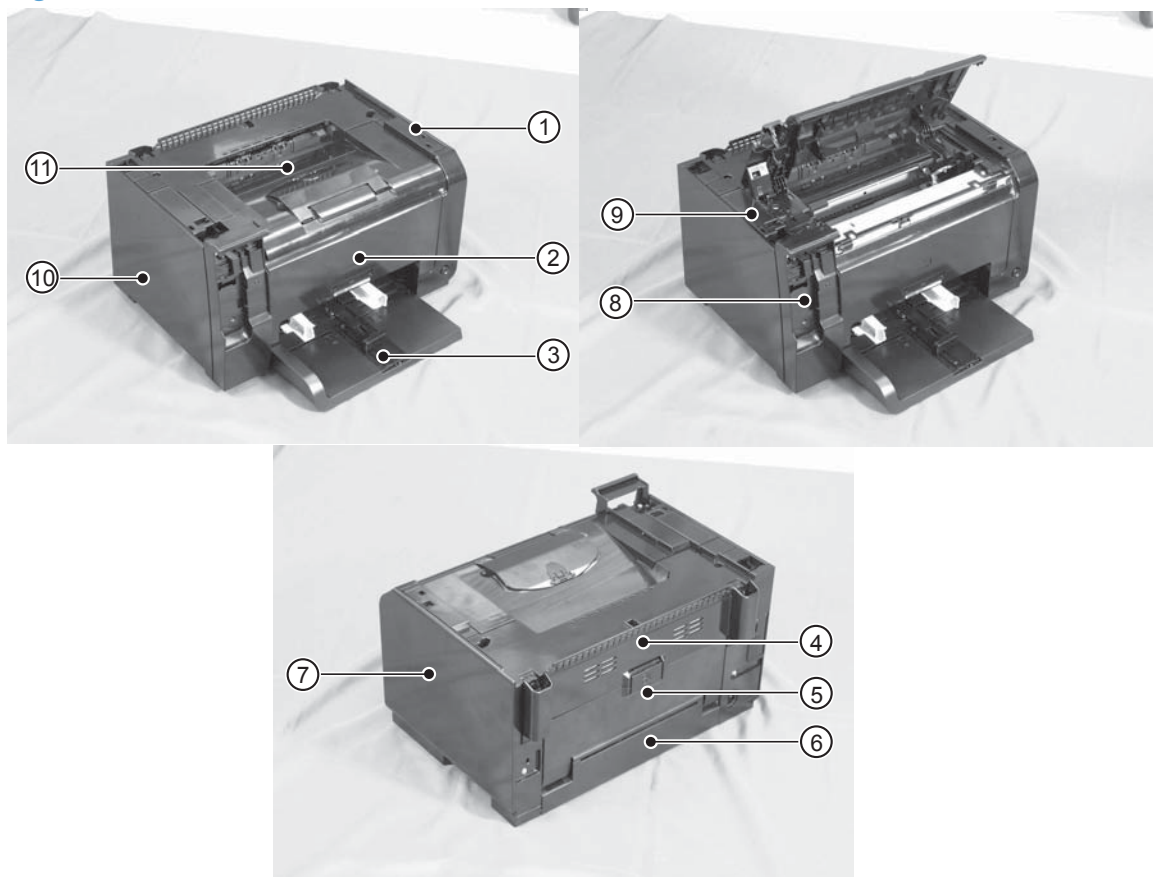
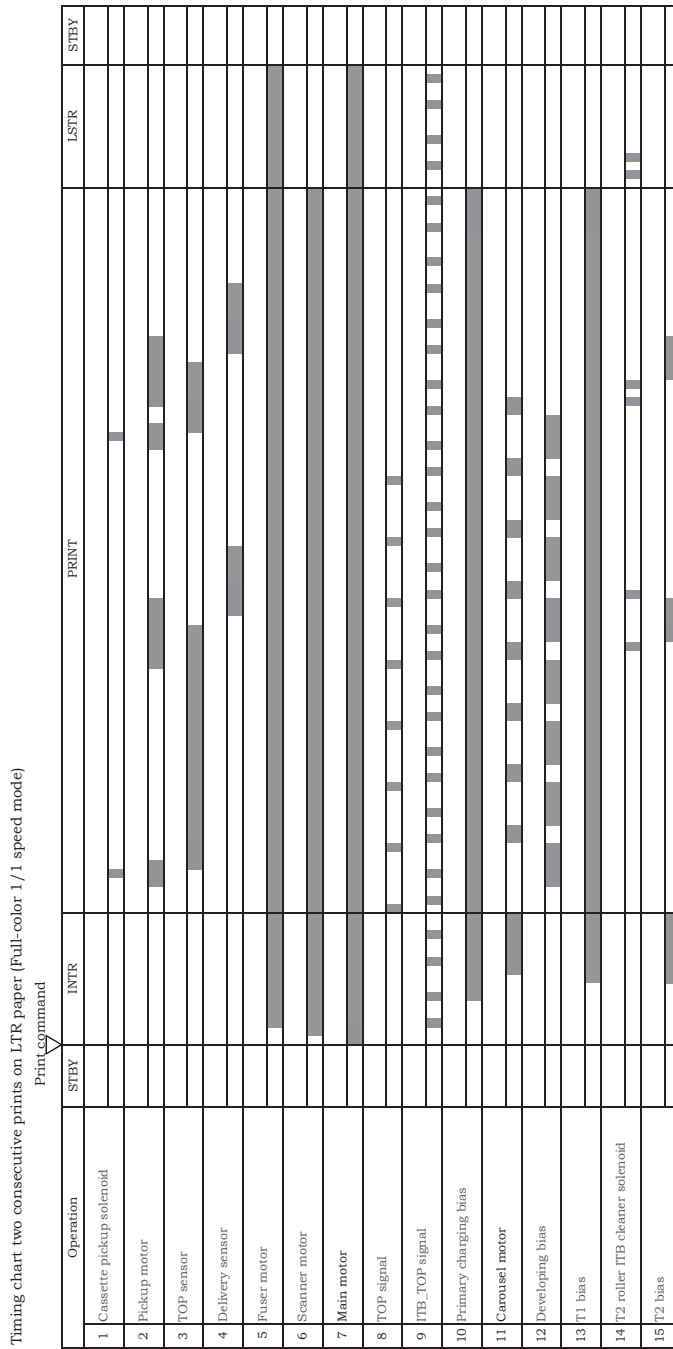


Table 2-1 External covers and doors (base)

Item	Description	Item	Description
1	Right-top cover	7	Right cover
2	Front door	8	Left-front cover
3	Input tray	9	Inner cover
4	Rear-top cover	10	Left cover
5	Rear door	11	Top door
6	Rear-bottom cover		

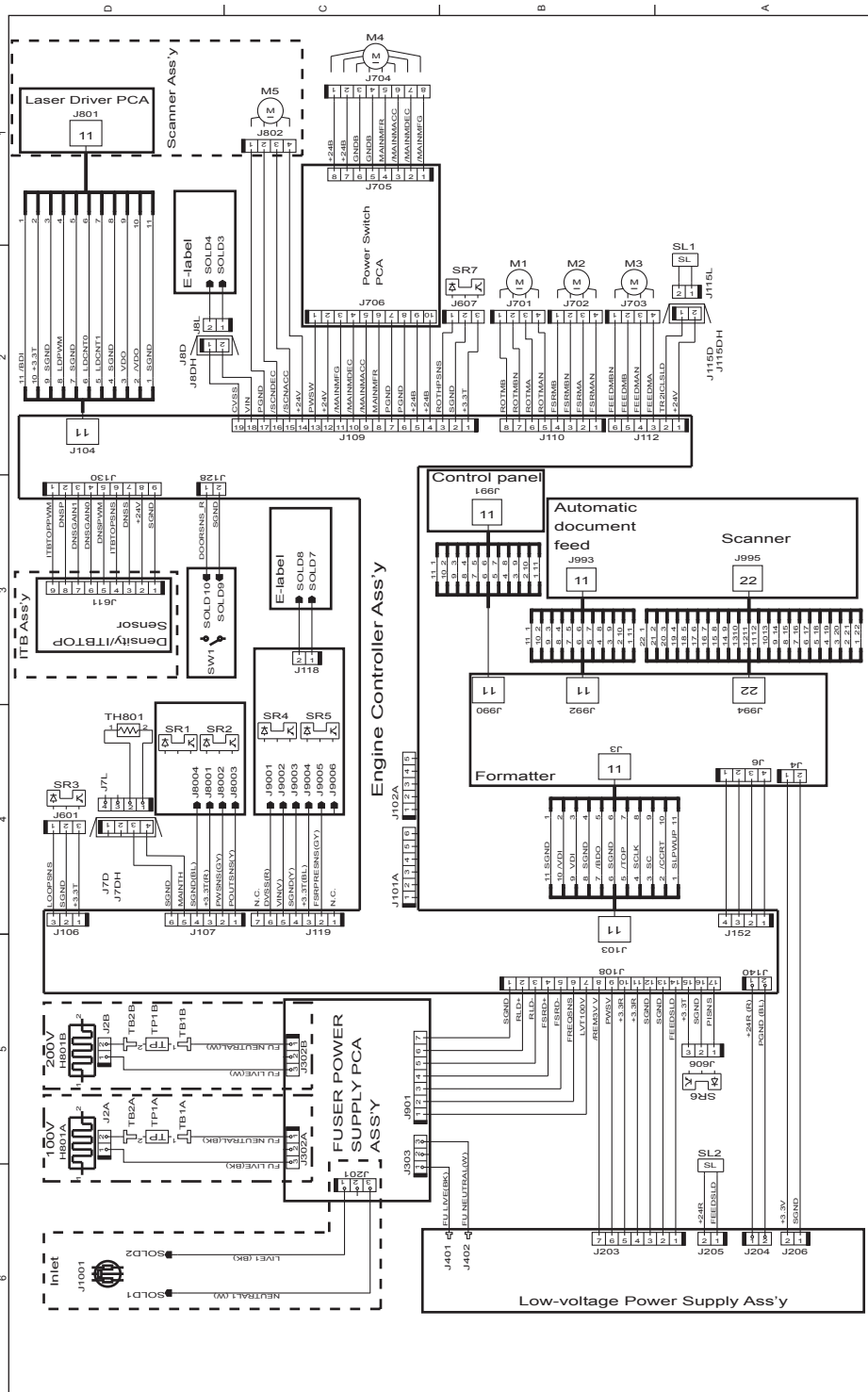
General timing chart

Figure 2-4 General timing diagram



General circuit diagram

Figure 2-5 General circuit diagram



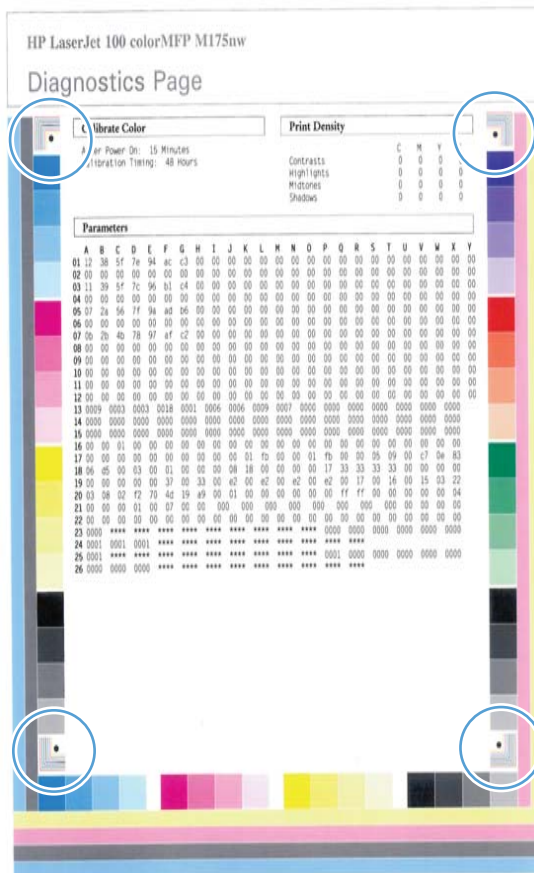
Internal print-quality test pages

Print a Diagnostics Page

If the printed output has colored shadows, blurry graphics, or areas that have poor color, you might need to calibrate the product to align the colors. Use the Diagnostics Page to check the color alignment.

1. Press the **Setup** button to open the menus.
2. Use the arrow buttons to scroll to the **Reports** menu, and then press the **OK** button.
3. Use the arrow buttons to scroll to the **Diagnostics Page** item, and then press the **OK** button to print the report.
4. If the blocks of color at the top and bottom corners of the page are not aligned with each other, calibrate the product. See [Calibrate the product on page 90](#).

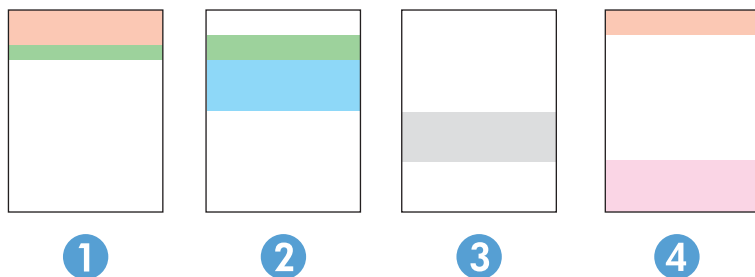
Figure 2-6 Diagnostics Page



Interpret the Print Quality Page

1. Press the **Setup** button to open the menus.
2. Use the arrow buttons to scroll to the **Reports** menu, and then press the **OK** button.
3. Use the arrow buttons to scroll to the **Print Quality Page**, and then press the **OK** button to print the report.

This page contains five bands of color, which are divided into four groups as indicated in the following illustration. By examining each group, you can isolate the problem to a particular print cartridge.



Section	Print-cartridge
1	Yellow
2	Cyan
3	Black
4	Magenta

- If dots or streaks appear in only one of the groups, replace the print cartridge that correlates with that group.
- If dots appear in more than one group, print a cleaning page. If this does not solve the problem, determine if the dots are always the same color; for example, if magenta dots appear in all five color bands. If the dots are all the same color, replace that print cartridge.
- If streaks appear in multiple color bands, contact HP. A component other than the print cartridge is probably causing the problem.

Print-quality troubleshooting tools

Repetitive image defects ruler

If the product output has a consistent, repetitive defect, then use the table in this section to determine which part needs to be cleaned or replaced based on the measured distance between the repetitions of the defect.



NOTE: Spots can be dark or white (dropouts), bands can be all shapes and sizes.

Component	Distance between defects (mm)	Type of defects
Developing roller ¹	About 22	Dropouts Dark, sharp bands
Primary charging roller ¹	About 26	Dropouts
RS roller	About 29	Dropouts
Secondary transfer roller	About 47	Dropouts Dirt on the back of page
Fuser film	About 58	Dropouts Dirt on page Loose toner
Pressure roller	About 63	Dirt on page Dirt on the back of page Loose toner
ITB drive roller	About 76	Spots
Photosensitive drum ¹	About 95	Dropouts Dirt on page

¹ The primary charging roller, photosensitive drum, and developing drum cannot be cleaned. If these rollers cause a repetitive defect, replace the corresponding cartridge, either the imaging-drum cartridge, or developing cartridge.

Calibrate the product

1. Press the **Setup** button to open the menus.
2. Use the arrow buttons to scroll to the **System Setup** menu, and then press the **OK** button.
3. Use the arrow buttons to scroll to the **Print Quality** menu, and then press the **OK** button.
4. Use the arrow buttons to scroll to the **Calibrate Color** item, and then press the **OK** button.
5. Use the arrow buttons to scroll to the **Calibrate Now** option, and then press the **OK** button.

Control panel menus

Setup menu

To open this menu, press the **Setup** button. The following sub menus are available:

- **Reports**
- **System Setup**
- **Service**
- **Network Setup**

Reports menu

First level
Demo Page
Menu Structure
Config Report
Supplies Status
Network Summary (network models only)
Usage Page
PCL Font List
PS Font List
PCL6 Font List
Color Usage Log
Service Page
Diagnostics Page
Print Quality

System Setup menu

In the following table, items that have an asterisk (*) indicate the factory default setting.

First level	Second level	Third level	Values
Language			Lists available control-panel display languages.

First level	Second level	Third level	Values	
Paper Setup	Def. Paper Size		Letter	
			A4	
			Legal	
	Def. Paper Type		Lists available media types.	
	Tray 1	Paper Type	Lists available media types.	
		Paper Size	Lists available media sizes.	
	Paper Out Action		Wait Forever*	
			Cancel	
			Override	
Print Quality	Calibrate Color		Calibrate Now	
			After Power On	
Energy Settings	Sleep Delay		Off	
			1 Minute	
			15 Minutes*	
			30 Minutes	
			1 Hour	
		2 Hours		
		Auto Power Down	Auto-Off Delay	Never
				30 Minutes*
				1 Hour
				2 Hours
			4 Hours	
			8 Hours	
			24 Hours	
		Wake Events	USB Job	
			LAN Job	
			Wireless Job	
			Button Press	

First level	Second level	Third level	Values
Supply Settings	Black Cartridge	Very Low Setting	Stop Prompt* Continue NOTE: A customer configurable option on this product is "Prompt to Remind Me in 50 pages, 100 pages, 200 pages, or never." This option is provided as a customer convenience and is not an indication these pages will have acceptable print quality.
		Low Threshold	(Range of 1-100)
	Color Cartridges	Very Low Setting	Stop Prompt* Continue Print Black NOTE: A customer configurable option on this product is "Prompt to Remind Me in 50 pages, 100 pages, 200 pages, or never." This option is provided as a customer convenience and is not an indication these pages will have acceptable print quality.
		Low Threshold	Cyan (Range of 1-100) Magenta (Range of 1-100) Yellow (Range of 1-100)
	Imaging Drum	Very Low Setting	Stop* Prompt Continue
		Low Threshold	(Range of 1-100)
	Store Usage Data		On Supply* Not On Supply

First level	Second level	Third level	Values
Courier Font			Regular*
			Dark
Allow Color			Yes*
			No
Color Copy			On*
			Off

Service menu

In the following table, items that have an asterisk (*) indicate the factory default setting.

First level	Second level	Values
Cleaning Page		
Cleaning Mode		
USB Speed		High*
		Full
Less Paper Curl		On
		Off*
Archive Print		On
		Off*
Firmware Date		
Restore Defaults		

Network Setup menu (network models only)

In the following table, items that have an asterisk (*) indicate the factory default setting.

First level	Second level	Values
Wireless Menu	Wi-Fi Protected Setup	
	Run Network Test	
	Turn Wireless On/Off	On*
		Off
TCP/IP Config		Automatic*
		Manual

First level	Second level	Values
Auto Crossover		On*
		Off
Network Services	IPv4	On*
	IPv6	Off
Show IP Address		Yes
		No*
Link Speed		Automatic*
		10T Full
		10T Half
		100TX Full
		100TX Half
Restore Defaults		

Function specific menus

The product features a function-specific menu for copying. To open this menu, press the [Copy Menu](#) button on the control panel.

Copy Menu

In the following table, items that have an asterisk (*) indicate the factory default setting.

First level	Second level	Values
# of copies		(Range of 1*.99)
ID Copy		
Reduce/Enlarge		Original=100%*
		Legal to Letter=78%
		Legal to A4=83%
		A4 to Letter=94%
		Letter to A4=97%
		Full Page=91%
		Fit to Page
		2 pages per sheet
		4 pages per sheet
	Custom: 25 to 400%	

First level	Second level	Values
Light/Dark		(Slider with a range of 11 settings.)
Optimize		Auto* Mixed Picture Text
Paper	Paper Size	Lists available media sizes.
	Paper Type	Lists available media types.
Multi-Page Copy		On Off*
Collation		On* Off
Tray Select		Auto Select* Tray 1
Two-Sided		1 to 1 sided* 1 to 2 sided
Draft Mode		On Off*
Image Adjustment	Lightness	(Slider with a range of 11 settings.)
	Contrast	(Slider with a range of 11 settings.)
	Sharpen	(Slider with a range of 11 settings.)
	Background	(Slider with a range of 11 settings.)
	Color Balance	Red (Slider with a range of 11 settings.)
		Green (Slider with a range of 11 settings.)
		Blue (Slider with a range of 11 settings.)
	Grayness	(Slider with a range of 11 settings.)
Set as New Defaults		
Restore Defaults		

Service mode functions

Service menu/Secondary service menu

Service menu

To open this menu, press the **Setup** button, and then open the **Service** sub menu.

In the following table, items that have an asterisk (*) indicate the factory default setting.

Table 2-2 Service menu

First level	Second level	Values
Cleaning Page		
Cleaning Mode		
USB Speed		High* Full
Less Paper Curl		On Off*
Archive Print		On Off*
Firmware Date		
Restore Defaults		

Secondary service menu

Use the secondary service menu to print service-related reports and to run special tests. Customers do not have access to this menu.

Open the secondary service menu

1. Press the **Setup** button.
2. Press the **Cancel** button, and then press the left arrow ◀ button.
3. Press the **Setup** button to open the **Secondary service** menu.

Secondary service menu structure

Table 2-3 Secondary service menu

Menu item	Sub-menu item	Description
Service Reports	Cont. Self-Test	This item prints a continuous configuration page.
	Error report	This item prints an error report that contains the last 5 instances of 49 Error, Turn off then on or 79 Error, Turn off then on errors.
Location	A list of available locations appears	<p>This item sets certain product parameters that are dependent on the location, such as the default paper size and the symbol set.</p> <p>Scroll to the appropriate location and select Yes to set the location. The product automatically restarts after you change the location.</p>
Display test		<p>This test verifies that the LEDs and characters on the control-panel display function correctly.</p> <p>At the beginning of the test, each of the LEDs is turned on one-at-time. Press the OK button to continue to the next LED.</p> <p>After the LED test is complete, the character test begins by testing the pixels on each line. Then, each of the 255 characters is displayed in groups of 16. Press the OK button to continue to the next group of 16 characters. You can cancel the test at any time by touching the Cancel button.</p>
Button test		This test verifies that the control-panel buttons function correctly. The display prompts you to press each button.
Color Cal.	Adjust color	This item adjusts density settings for contrast, highlights, midtones, and shadows. Adjust each color individually.
	Timing	This item specifies how frequently the product should automatically perform a color calibration. The default setting is 48 hours. You can turn automatic calibration off.
Clean Belt		This item runs additional belt-cleaning cycles.
Pick roller		This item puts the pickup roller in position for replacement.

Product resets

Restore factory settings

Restoring the factory-set defaults returns most of the settings to the factory defaults. It will not reset the page count or tray size, but it might reset the language. To restore the product to the factory-default settings, follow these steps.

1. On the product control panel, press the **Setup** button.
2. Use the arrows buttons to select the **Service** menu, and then press the **OK** button.
3. Use the arrows buttons to select the **Restore Defaults** item, and then press the **OK** button.

The product automatically restarts.

NVRAM initialization

Performing an NVRAM initialization resets the following settings and information:

- All menu settings are reset to factory default values.
- All localization settings, including language and country/region, are reset.

CAUTION: All onboard network settings are also reset. Be sure to print a configuration page before restoring defaults. Make note of the IP address that is listed on the Jetdirect configuration page. You might need to restore the IP address after an NVRAM initialization.

After performing an NVRAM initialization, reconfigure any computers that print to this product. Uninstall and then reinstall the product software on the computers.

1. Turn the product off.
2. Press the right arrow button. Hold this button as you turn the product on.
3. When **Permanent storage init.** appears on the display, release the right arrow button.

When the product has finished the NVRAM initialization, it returns to the Ready state.

Product updates

Software and firmware updates and installation instructions for this product are available at www.hp.com/support/UColorMFPM175. Click **Downloads and drivers**, click the operating system, and then select the download for the product.

3 Parts and diagrams

- [Order parts by authorized service providers](#)
- [How to use the parts lists and diagrams](#)
- [Assembly locations](#)
- [Covers, panels, and doors](#)
- [Internal assembly](#)
- [PCAs](#)
- [Scanner and document feeder \(ADF\) main assemblies](#)
- [Document feeder internal components](#)
- [Alphabetical parts list](#)
- [Numerical parts list](#)

Order parts by authorized service providers

Order replacement parts

Table 3-1 Order parts, accessories, and supplies

Order supplies and paper	www.hp.com/go/suresupply
Order genuine HP parts or accessories	www.hp.com/buy/parts
Order through service or support providers	Contact an HP-authorized service or support provider.

Related documentation and software

Table 3-2 Related documentation and software


Item	Description	Part number
<i>HP LaserJet Pro 100 Color MFP M175 User Guide</i>	Product user guide.	CE865-90907
<i>HP LaserJet Pro 100 Color MFP M175 Service Manual</i>	English service manual (this manual)	CE865-90968

Supplies part numbers

Table 3-3 Supplies part numbers

Item	Selectability number	Color	Part number, new	Part number, service
HP LaserJet print cartridge	126A	Black	CE310A	CE310-67901
		Cyan	CE311A	CE311-67901
		Yellow	CE312A	CE312-67901
		Magenta	CE313A	CE313-67901
Imaging drum			CE314A	CE314-67901
Imaging drum cover	126A			CE314-67902

Service parts

 **NOTE:** The parts in the following table are not shown in the assembly illustrations in this chapter.

Item	Description	Part number
HP jewel	HP logo	7121-8266
Regulatory label	Blank label	5969-9497

Whole-unit replacement part numbers




 **NOTE:** Whole-unit replacement products include the formatter PCA.

Table 3-4 Whole-unit replacement part numbers

Item	Description	Part number
HP LaserJet Pro 100 Color MFP M175a	110 V	CE913-67001 (new)
		CE913-69001 (exchange)
	220 V	CE913-67002 (new)
		CE913-67002 (new; China)
		CE913-69002 (exchange)
		CE913-69003 (exchange; China)
HP LaserJet Pro 100 Color MFP M175nw	110 V	CE914-67001 (new)
		CE914-69001 (exchange)
	220 V	CE914-67002 (new)
		CE914-67003 (new; China)
		CE914-69002 (exchange)
		CE914-69003 (exchange; China)

How to use the parts lists and diagrams

 **CAUTION:** Be sure to order the correct part. When looking for part numbers for electrical components, pay careful attention to the voltage that is listed. Doing so will make sure that the part number selected is for the correct model.

 **NOTE:** In this manual, the abbreviation “PCA” stands for “printed circuit-board assembly.” Components described as a PCA might consist of a single circuit board or a circuit board plus other parts, such as cables and sensors.

The figures in this chapter show the major subassemblies in the product and their component parts. A parts list table follows each exploded view assembly diagram. Each table lists the item number, the associated part number, and the description of each part. If a part is not listed in the table, then it is not a field replacement unit (FRU).

Assembly locations

Base product (no optional trays or accessories)

Figure 3-1 Base product (no optional trays or accessories)

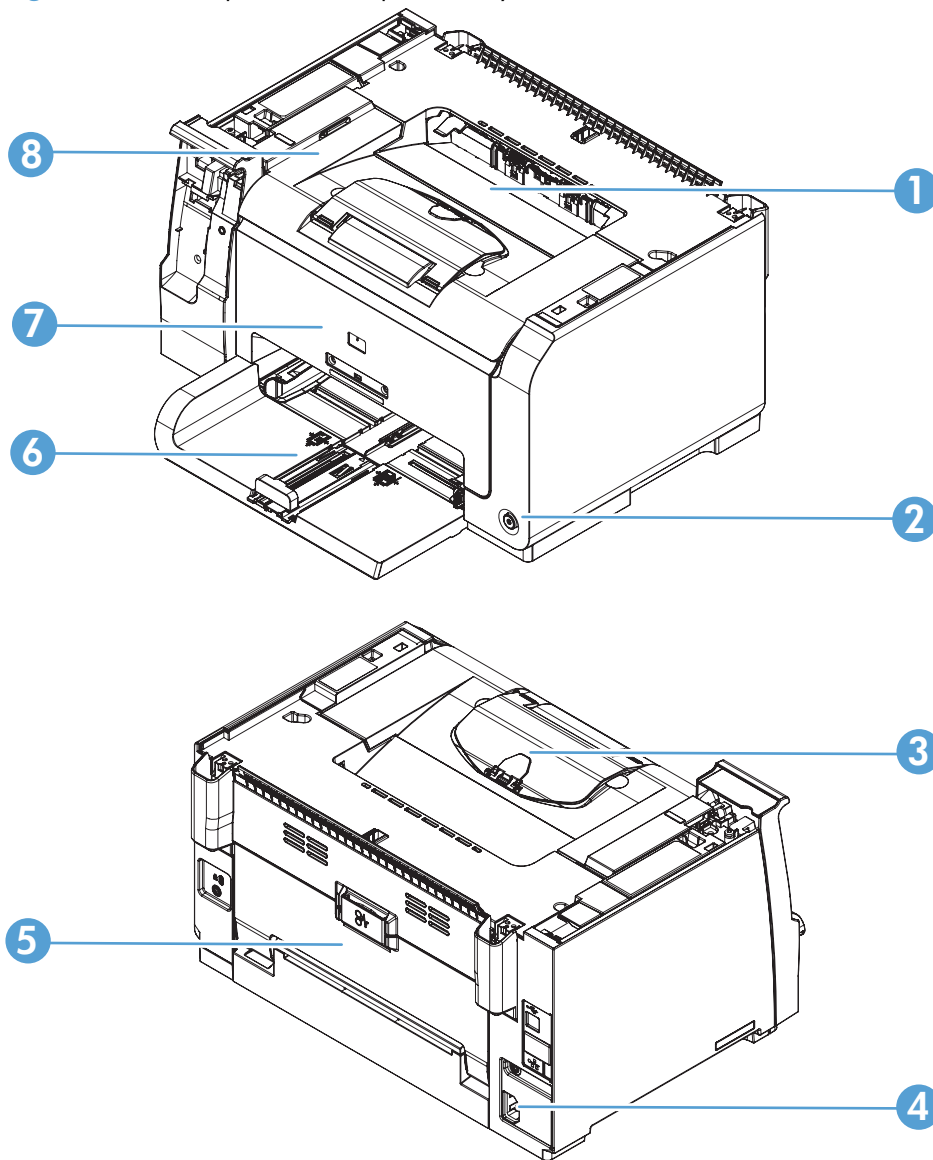


Table 3-5 Base product

Item	Description	Item	Description
1	Face-down output bin	5	Rear door assembly
2	Power switch	6	Input tray
3	Extension tray	7	Front door
4	Power receptacle	8	Top door assembly

Covers, panels, and doors

Figure 3-2 Covers, panels, and doors

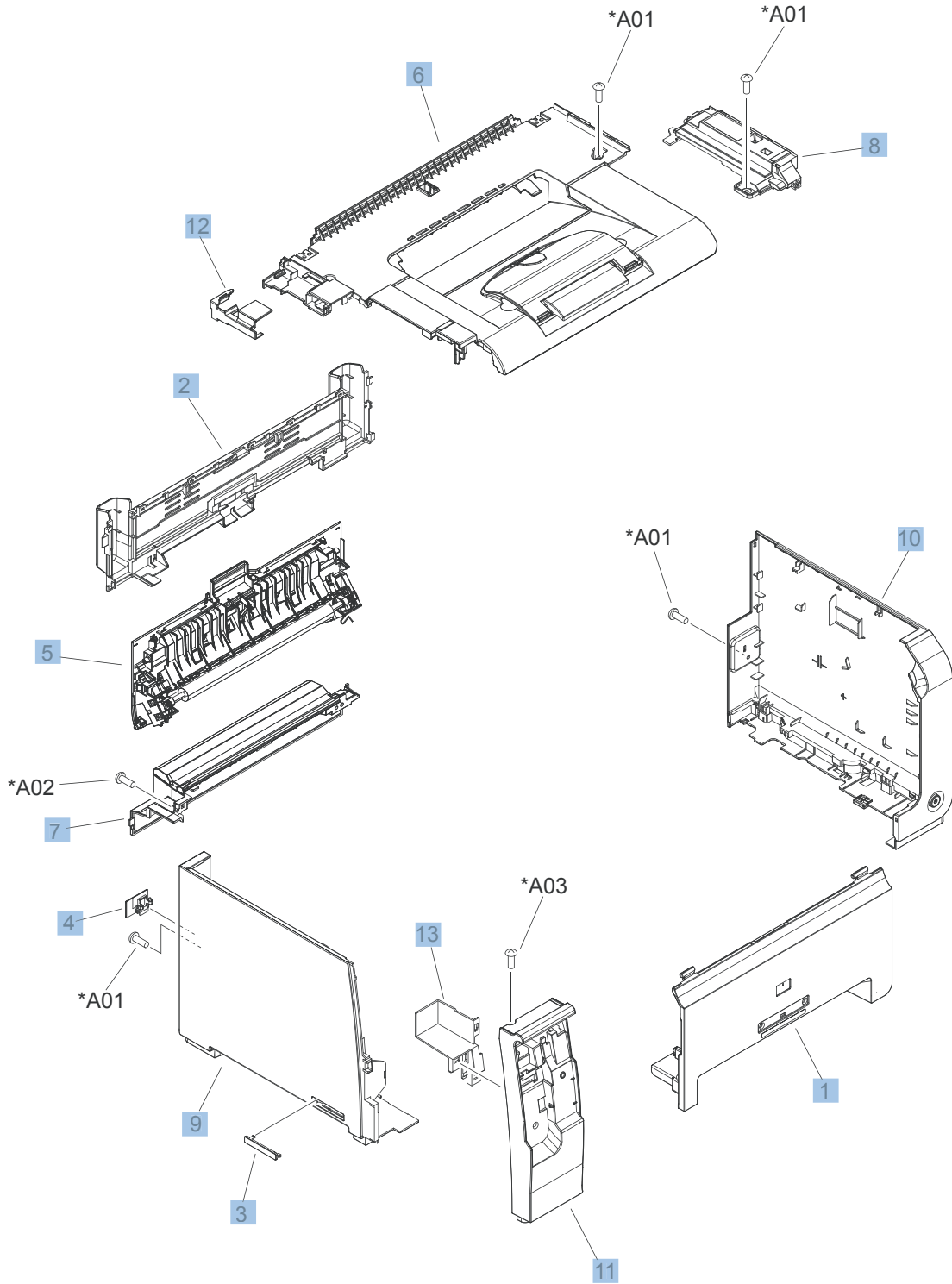


Table 3-6 Covers, panels, and doors

Ref	Description	Part number	Qty
1	Door, front	RL1-3287-000	1
2	Cover, fixing	RC3-1294-000	1
3	Cover, blanking	RC3-1287-000	1
4	Cover, network plug	RC3-1808-000	1
5	Rear cover/2nd transfer assembly	RM1-7216-000	1
6	Upper cover assembly	RM1-7278-000	1
7	Power supply cover assembly	RM1-7235-000	1
8	Cover, right upper	RL1-3290-000	1
9	Cover, left	RL1-2729-000	1
10	Right cover assembly	RM1-7280-000	1
11	Cover, left front	RC3-1288-000	1
12	Guide, flexible flat cable	RC3-1799-000	1
13	Cover, CP hole	RC3-1289-000	1

Internal assembly

Internal assembly

Figure 3-3 Internal assembly

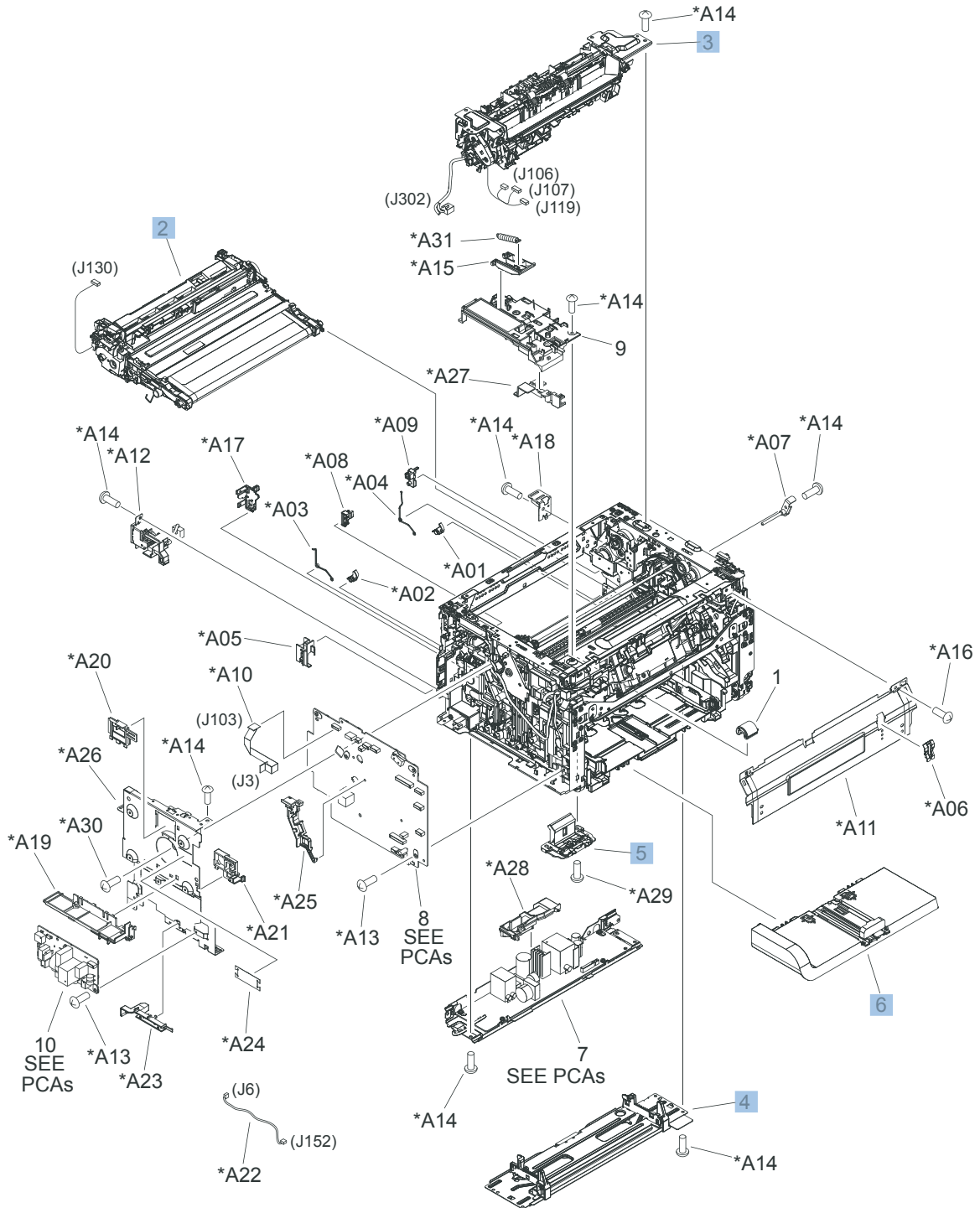


Table 3-7 Internal assembly)

Ref	Description	Part number	Qty
1	Roller, paper pick-up	RL1-2671-000	1
2	Intermediate transfer belt assembly (ITB)	RM1-7274-000	1
3	Paper delivery assembly, fuser (110-127 V)	RM1-7211-000	1
3	Paper delivery assembly, fuser (220–240 V)	RM1-7269-000	1
4	Plate assembly, base	RM1-7213-000	1
5	Pad assembly, separation	RM1-7228-000	1
6	Tray, main assembly	RM1-7276-000	1
7	Cover assembly, inner	RM1-7279-000	1

PCAs

Figure 3-4 PCAs

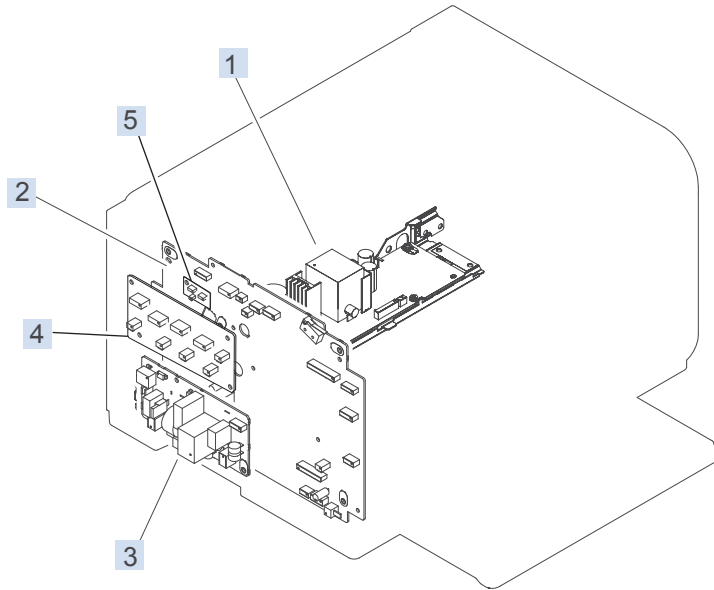


Table 3-8 PCAs

Ref	Description	Part number	Qty
1	Power supply, low-voltage (110-127 V)	RM1-8203-000	1
1	Power supply, low-voltage (220-240 V)	RM1-8204-000	1
2	Engine controller PCA	RM1-8205-000	1
3	Fuser power supply PCA (110-127 V)	RM1-8201-000	1
3	Fuser power supply PCA (220-240 V)	RM1-8202-000	1
4	Formatter, base	CE865-60001	1
4	Formatter, wireless	CE938-60001	1
5	Wireless N module (wireless models only)	1150-7940	1

Scanner and document feeder (ADF) main assemblies

Figure 3-5 Scanner and document feeder main assemblies

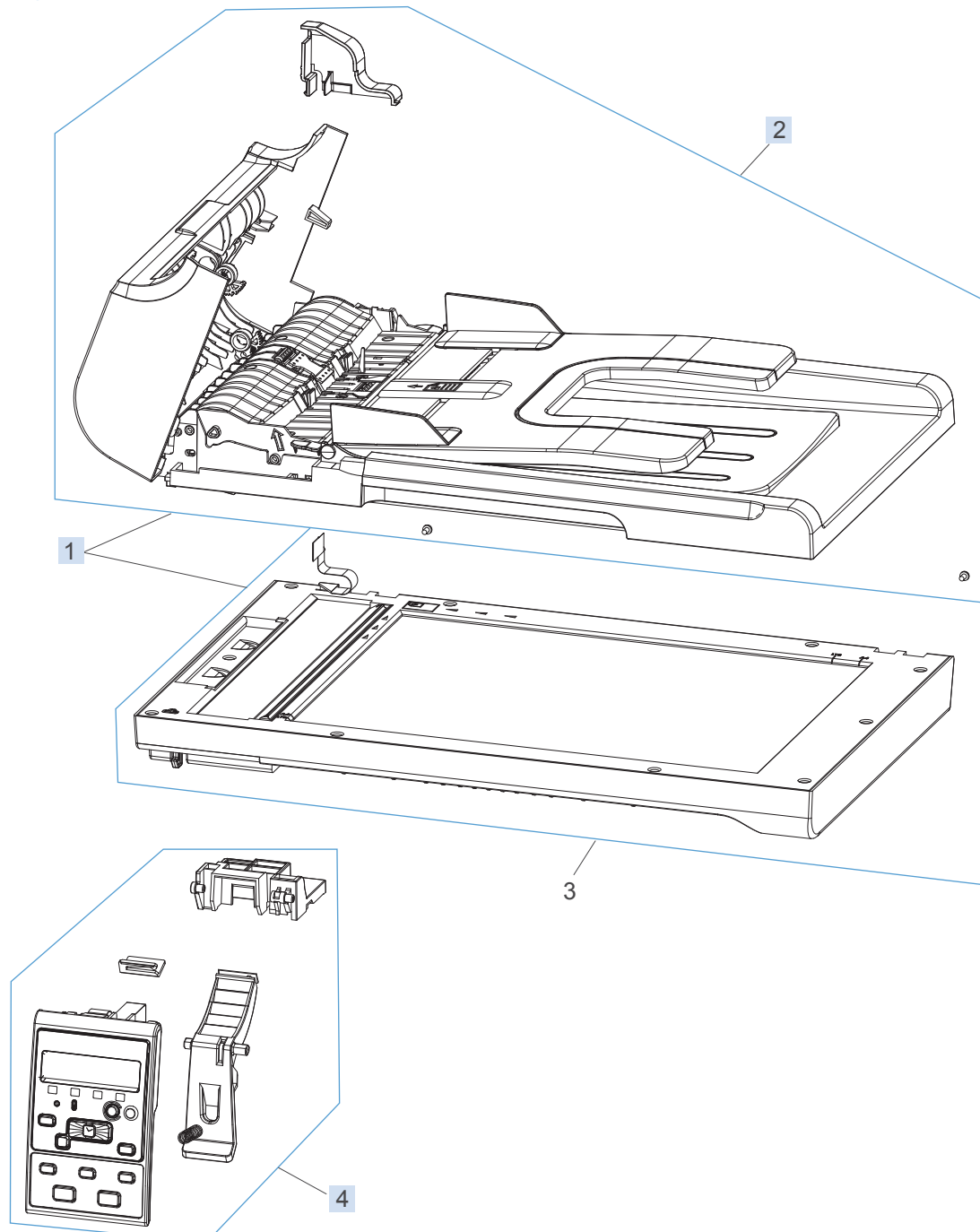


Table 3-9 Scanner and document feeder main assemblies

Ref	Description	Part number	Qty
1	Scanner/ADF assembly (no control panel)	CE865-60125	
2	Document feeder (ADF) assembly	CE865-60121	1
4	Control panel assembly, Western	CE865-60106	1
4	Control panel assembly, Asian	CE865-60107	1
Not shown	Hinge, floating	CE538-60135	2
Not shown	Latch, ADF	Q8191-00004	1
Not shown	Hinge, control panel	CE865-40056	1
Not shown	Lever, control panel	CE865-40054	1
Not shown	Spring, control panel	CE865-00009	1

Document feeder internal components

Figure 3-6 Document feeder assembly parts

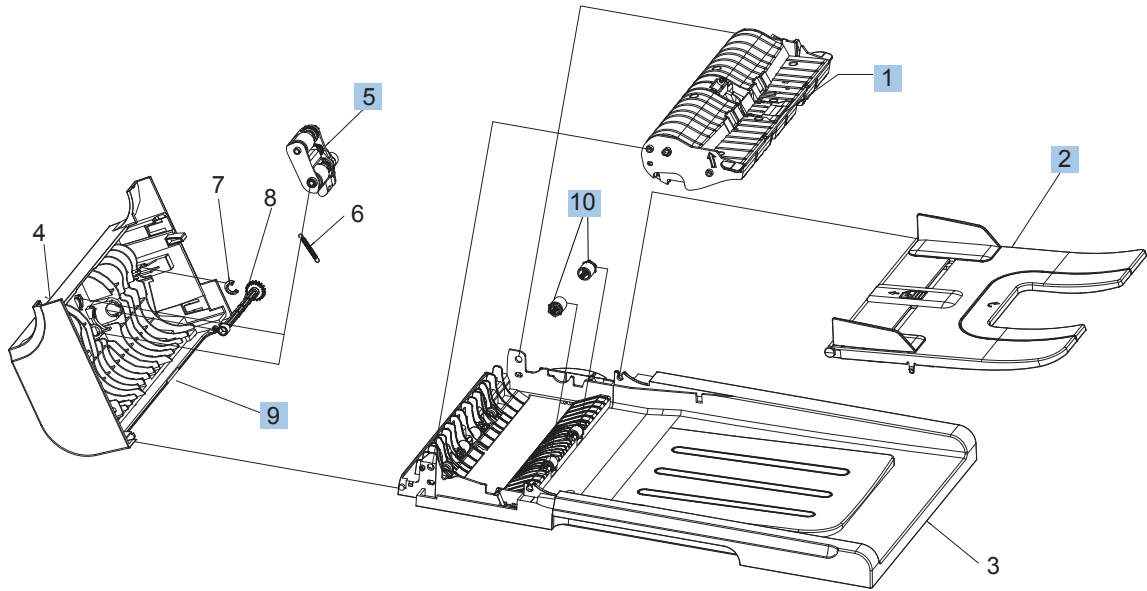


Table 3-10 Document feeder assembly parts

Ref	Description	Part number	Qty
1	Separation pad assembly (ADF)	Q7400-60005	1
2	Input tray, assembly (ADF)	CE538-60122	1
Not shown	Input tray, only (ADF)	CE865-40033	1
5	Pick arm assembly (ADF)	CE538-60137	1
9	Cover, inner (ADF)	CE538-40028	1
10	Roller assembly, post-scan pinch (ADF)	Q7400-60163	2
Not shown	Paper guide-front polished, (ADF)	CE538-40034	1
Not shown	Paper guide-rear polished, (ADF)	CE538-40035	1

Alphabetical parts list

Table 3-11 Alphabetical parts list

Description	Part number	Table and page
Control panel assembly, Asian	CE865-60107	Scanner and document feeder main assemblies on page 113
Control panel assembly, Western	CE865-60106	Scanner and document feeder main assemblies on page 113
Cover assembly, inner	RM1-7279-000	Internal assembly) on page 109
Cover, blanking	RC3-1287-000	Covers, panels, and doors on page 107
Cover, CP hole	RC3-1289-000	Covers, panels, and doors on page 107
Cover, fixing	RC3-1294-000	Covers, panels, and doors on page 107
Cover, inner (ADF)	CE538-40028	Document feeder assembly parts on page 115
Cover, left	RL1-2729-000	Covers, panels, and doors on page 107
Cover, left front	RC3-1288-000	Covers, panels, and doors on page 107
Cover, network plug	RC3-1808-000	Covers, panels, and doors on page 107
Cover, right upper	RL1-3290-000	Covers, panels, and doors on page 107
Document feeder (ADF) assembly	CE865-60121	Scanner and document feeder main assemblies on page 113
Door, front	RL1-3287-000	Covers, panels, and doors on page 107
Engine controller PCA	RM1-8205-000	PCAs on page 111
Formatter, base	CE865-60001	PCAs on page 111
Formatter, wireless	CE938-60001	PCAs on page 111
Fuser power supply PCA (110–127 V)	RM1-8201-000	PCAs on page 111
Fuser power supply PCA (220–240 V)	RM1-8202-000	PCAs on page 111
Guide, flexible flat cable	RC3-1799-000	Covers, panels, and doors on page 107
Hinge, control panel	CE865-40056	Scanner and document feeder main assemblies on page 113
Hinge, floating	CE538-60135	Scanner and document feeder main assemblies on page 113

Table 3-11 Alphabetical parts list (continued)

Description	Part number	Table and page
Input tray, assembly (ADF)	CE538-60122	Document feeder assembly parts on page 115
Input tray, only (ADF)	CE865-40033	Document feeder assembly parts on page 115
Intermediate transfer belt assembly (ITB)	RM1-7274-000	Internal assembly) on page 109
Latch, ADF	Q8191-00004	Scanner and document feeder main assemblies on page 113
Lever, control panel	CE865-40054	Scanner and document feeder main assemblies on page 113
Pad assembly, separation	RM1-7228-000	Internal assembly) on page 109
Paper delivery assembly, fuser (110-127 V)	RM1-7211-000	Internal assembly) on page 109
Paper delivery assembly, fuser (220–240 V)	RM1-7269-000	Internal assembly) on page 109
Paper guide-front polished, (ADF)	CE538-40034	Document feeder assembly parts on page 115
Paper guide-rear polished, (ADF)	CE538-40035	Document feeder assembly parts on page 115
Pick arm assembly (ADF)	CE538-60137	Document feeder assembly parts on page 115
Plate assembly, base	RM1-7213-000	Internal assembly) on page 109
Power supply cover assembly	RM1-7235-000	Covers, panels, and doors on page 107
Power supply, low-voltage (110-127 V)	RM1-8203-000	PCAs on page 111
Power supply, low-voltage (220–240 V)	RM1-8204-000	PCAs on page 111
Rear cover/2nd transfer assembly	RM1-7216-000	Covers, panels, and doors on page 107
Right cover assembly	RM1-7280-000	Covers, panels, and doors on page 107
Roller assembly, post-scan pinch (ADF)	Q7400-60163	Document feeder assembly parts on page 115
Roller, paper pick-up	RL1-2671-000	Internal assembly) on page 109
Scanner/ADF assembly (no control panel)	CE865-60125	Scanner and document feeder main assemblies on page 113
Separation pad assembly (ADF)	Q7400–60005	Document feeder assembly parts on page 115

Table 3-11 Alphabetical parts list (continued)

Description	Part number	Table and page
Spring, control panel	CE865-00009	Scanner and document feeder main assemblies on page 113
Tray, main assembly	RM1-7276-000	Internal assembly) on page 109
Upper cover assembly	RM1-7278-000	Covers, panels, and doors on page 107
Wireless N module (wireless models only)	1150-7940	PCAs on page 111

Numerical parts list

Table 3-12 Numerical parts list

Part number	Description	Table and page
1150-7940	Wireless N module (wireless models only)	PCAs on page 111
CE538-40028	Cover, inner (ADF)	Document feeder assembly parts on page 115
CE538-40034	Paper guide-front polished, (ADF)	Document feeder assembly parts on page 115
CE538-40035	Paper guide-rear polished, (ADF)	Document feeder assembly parts on page 115
CE538-60122	Input tray, assembly (ADF)	Document feeder assembly parts on page 115
CE538-60135	Hinge, floating	Scanner and document feeder main assemblies on page 113
CE538-60137	Pick arm assembly (ADF)	Document feeder assembly parts on page 115
CE865-00009	Spring, control panel	Scanner and document feeder main assemblies on page 113
CE865-40033	Input tray, only (ADF)	Document feeder assembly parts on page 115
CE865-40054	Lever, control panel	Scanner and document feeder main assemblies on page 113
CE865-40056	Hinge, control panel	Scanner and document feeder main assemblies on page 113
CE865-60001	Formatter, base	PCAs on page 111
CE865-60106	Control panel assembly, Western	Scanner and document feeder main assemblies on page 113
CE865-60107	Control panel assembly, Asian	Scanner and document feeder main assemblies on page 113
CE865-60121	Document feeder (ADF) assembly	Scanner and document feeder main assemblies on page 113
CE865-60125	Scanner/ADF assembly (no control panel)	Scanner and document feeder main assemblies on page 113
CE938-60001	Formatter, wireless	PCAs on page 111
Q7400-60163	Roller assembly, post-scan pinch (ADF)	Document feeder assembly parts on page 115
Q7400-60005	Separation pad assembly (ADF)	Document feeder assembly parts on page 115
Q8191-00004	Latch, ADF	Scanner and document feeder main assemblies on page 113

Table 3-12 Numerical parts list (continued)

Part number	Description	Table and page
RC3-1287-000	Cover, blanking	Covers, panels, and doors on page 107
RC3-1288-000	Cover, left front	Covers, panels, and doors on page 107
RC3-1289-000	Cover, CP hole	Covers, panels, and doors on page 107
RC3-1294-000	Cover, fixing	Covers, panels, and doors on page 107
RC3-1799-000	Guide, flexible flat cable	Covers, panels, and doors on page 107
RC3-1808-000	Cover, network plug	Covers, panels, and doors on page 107
RL1-2671-000	Roller, paper pick-up	Internal assembly) on page 109
RL1-2729-000	Cover, left	Covers, panels, and doors on page 107
RL1-3287-000	Door, front	Covers, panels, and doors on page 107
RL1-3290-000	Cover, right upper	Covers, panels, and doors on page 107
RM1-7211-000	Paper delivery assembly, fuser (110-127 V)	Internal assembly) on page 109
RM1-7213-000	Plate assembly, base	Internal assembly) on page 109
RM1-7216-000	Rear cover/2nd transfer assembly	Covers, panels, and doors on page 107
RM1-7228-000	Pad assembly, separation	Internal assembly) on page 109
RM1-7235-000	Power supply cover assembly	Covers, panels, and doors on page 107
RM1-7269-000	Paper delivery assembly, fuser (220–240 V)	Internal assembly) on page 109
RM1-7274-000	Intermediate transfer belt assembly (ITB)	Internal assembly) on page 109
RM1-7276-000	Tray, main assembly	Internal assembly) on page 109
RM1-7278-000	Upper cover assembly	Covers, panels, and doors on page 107
RM1-7279-000	Cover assembly, inner	Internal assembly) on page 109

Table 3-12 Numerical parts list (continued)

Part number	Description	Table and page
RM1-7280-000	Right cover assembly	Covers, panels, and doors on page 107
RM1-8201-000	Fuser power supply PCA (110–127 V)	PCAs on page 111
RM1-8202-000	Fuser power supply PCA (220–240 V)	PCAs on page 111
RM1-8203-000	Power supply, low-voltage (110-127 V)	PCAs on page 111
RM1-8204-000	Power supply, low-voltage (220–240 V)	PCAs on page 111
RM1-8205-000	Engine controller PCA	PCAs on page 111

A Service and support

- [Hewlett-Packard limited warranty statement](#)
- [HP's Premium Protection Warranty: LaserJet print cartridge limited warranty statement](#)
- [HP's LaserJet imaging drum limited warranty statement for replacement imaging drums](#)
- [Data stored on the print cartridge and imaging drum](#)
- [End User License Agreement](#)
- [OpenSSL](#)
- [Customer self-repair warranty service](#)
- [Customer support](#)
- [Repack the product](#)

Hewlett-Packard limited warranty statement

HP PRODUCT	DURATION OF LIMITED WARRANTY
HP LaserJet Pro 100 color MFP M175a, M175nw	One-year product exchange
Imaging drum, CE314A, ships with product	One-year product exchange

HP warrants to you, the end-user customer, that HP hardware and accessories will be free from defects in materials and workmanship after the date of purchase, for the period specified above. If HP receives notice of such defects during the warranty period, HP will, at its option, either repair or replace products which prove to be defective. Replacement products may be either new or equivalent in performance to new.

HP warrants to you that HP software will not fail to execute its programming instructions after the date of purchase, for the period specified above, due to defects in material and workmanship when properly installed and used. If HP receives notice of such defects during the warranty period, HP will replace software which does not execute its programming instructions due to such defects.

HP does not warrant that the operation of HP products will be uninterrupted or error free. If HP is unable, within a reasonable time, to repair or replace any product to a condition as warranted, you will be entitled to a refund of the purchase price upon prompt return of the product.

HP products may contain remanufactured parts equivalent to new in performance or may have been subject to incidental use.

Warranty does not apply to defects resulting from (a) improper or inadequate maintenance or calibration, (b) software, interfacing, parts or supplies not supplied by HP, (c) unauthorized modification or misuse, (d) operation outside of the published environmental specifications for the product, or (e) improper site preparation or maintenance.

TO THE EXTENT ALLOWED BY LOCAL LAW, THE ABOVE WARRANTIES ARE EXCLUSIVE AND NO OTHER WARRANTY OR CONDITION, WHETHER WRITTEN OR ORAL, IS EXPRESSED OR IMPLIED AND HP SPECIFICALLY DISCLAIMS ANY IMPLIED WARRANTIES OR CONDITIONS OF MERCHANTABILITY, SATISFACTORY QUALITY, AND FITNESS FOR A PARTICULAR PURPOSE. Some countries/regions, states or provinces do not allow limitations on the duration of an implied warranty, so the above limitation or exclusion might not apply to you. This warranty gives you specific legal rights and you might also have other rights that vary from country/region to country/region, state to state, or province to province.

HP's limited warranty is valid in any country/region or locality where HP has a support presence for this product and where HP has marketed this product. The level of warranty service you receive may vary according to local standards. HP will not alter form, fit or function of the product to make it operate in a country/region for which it was never intended to function for legal or regulatory reasons.

TO THE EXTENT ALLOWED BY LOCAL LAW, THE REMEDIES IN THIS WARRANTY STATEMENT ARE YOUR SOLE AND EXCLUSIVE REMEDIES. EXCEPT AS INDICATED ABOVE, IN NO EVENT WILL HP OR ITS SUPPLIERS BE LIABLE FOR LOSS OF DATA OR FOR DIRECT, SPECIAL, INCIDENTAL, CONSEQUENTIAL (INCLUDING LOST PROFIT OR DATA), OR OTHER DAMAGE, WHETHER BASED IN CONTRACT, TORT, OR OTHERWISE. Some countries/regions, states or provinces do not allow the exclusion or limitation of incidental or consequential damages, so the above limitation or exclusion may not apply to you.

THE WARRANTY TERMS CONTAINED IN THIS STATEMENT, EXCEPT TO THE EXTENT LAWFULLY PERMITTED, DO NOT EXCLUDE, RESTRICT OR MODIFY AND ARE IN ADDITION TO THE MANDATORY STATUTORY RIGHTS APPLICABLE TO THE SALE OF THIS PRODUCT TO YOU.

HP's Premium Protection Warranty: LaserJet print cartridge limited warranty statement

This HP product is warranted to be free from defects in materials and workmanship.

This warranty does not apply to products that (a) have been refilled, refurbished, remanufactured or tampered with in any way, (b) experience problems resulting from misuse, improper storage, or operation outside of the published environmental specifications for the printer product or (c) exhibit wear from ordinary use.

To obtain warranty service, please return the product to place of purchase (with a written description of the problem and print samples) or contact HP customer support. At HP's option, HP will either replace products that prove to be defective or refund your purchase price.

TO THE EXTENT ALLOWED BY LOCAL LAW, THE ABOVE WARRANTY IS EXCLUSIVE AND NO OTHER WARRANTY OR CONDITION, WHETHER WRITTEN OR ORAL, IS EXPRESSED OR IMPLIED AND HP SPECIFICALLY DISCLAIMS ANY IMPLIED WARRANTIES OR CONDITIONS OF MERCHANTABILITY, SATISFACTORY QUALITY, AND FITNESS FOR A PARTICULAR PURPOSE.

TO THE EXTENT ALLOWED BY LOCAL LAW, IN NO EVENT WILL HP OR ITS SUPPLIERS BE LIABLE FOR DIRECT, SPECIAL, INCIDENTAL, CONSEQUENTIAL (INCLUDING LOST PROFIT OR DATA), OR OTHER DAMAGE, WHETHER BASED IN CONTRACT, TORT, OR OTHERWISE.

THE WARRANTY TERMS CONTAINED IN THIS STATEMENT, EXCEPT TO THE EXTENT LAWFULLY PERMITTED, DO NOT EXCLUDE, RESTRICT OR MODIFY AND ARE IN ADDITION TO THE MANDATORY STATUTORY RIGHTS APPLICABLE TO THE SALE OF THIS PRODUCT TO YOU.

HP's LaserJet imaging drum limited warranty statement for replacement imaging drums

This HP Product is warranted to be free from defects in materials and workmanship for one-year from installation. This warranty does not apply to imaging drums that (a) have been refurbished, remanufactured or tampered with in any way, (b) experience problems resulting from misuse, improper storage, or operation outside of the published environmental specifications for the printer product or (c) exhibit wear from ordinary use.

To obtain warranty service, please return the product to place of purchase (with a written description of the problem, print samples, and a copy of the configuration and supplies status page) or contact HP customer support. At HP's option, HP will either replace products that prove to be defective or refund your purchase price.

TO THE EXTENT ALLOWED BY LOCAL LAW, THE ABOVE WARRANTY IS EXCLUSIVE AND NO OTHER WARRANTY OR CONDITION, WHETHER WRITTEN OR ORAL, IS EXPRESSED OR IMPLIED AND HP SPECIFICALLY DISCLAIMS ANY IMPLIED WARRANTIES OR CONDITIONS OF MERCHANTABILITY, SATISFACTORY QUALITY, AND FITNESS FOR A PARTICULAR PURPOSE.

TO THE EXTENT ALLOWED BY LOCAL LAW, IN NO EVENT WILL HP OR ITS SUPPLIERS BE LIABLE FOR DIRECT, SPECIAL, INCIDENTAL, CONSEQUENTIAL (INCLUDING LOST PROFIT OR DATA), OR OTHER DAMAGE, WHETHER BASED IN CONTRACT, TORT, OR OTHERWISE.

THE WARRANTY TERMS CONTAINED IN THIS STATEMENT, EXCEPT TO THE EXTENT LAWFULLY PERMITTED, DO NOT EXCLUDE, RESTRICT OR MODIFY AND ARE IN ADDITION TO THE MANDATORY STATUTORY RIGHTS APPLICABLE TO THE SALE OF THIS PRODUCT TO YOU.

Data stored on the print cartridge and imaging drum

The HP print cartridges and imaging drum used with this product contain a memory chip that assists in the operation of the product.

In addition, this memory chip collects a limited set of information about the usage of the product, which might include the following: the date when the print cartridge and imaging drum was first installed, the date when the print cartridge and imaging drum was last used, the number of pages printed using the print cartridge and imaging drum, the page coverage, the printing modes used, any printing errors that might have occurred, and the product model. This information helps HP design future products to meet our customers' printing needs.

The data collected from the print cartridge and imaging drum memory chip does not contain information that can be used to identify a customer or user of the print cartridge and imaging drum or their product.

HP collects a sampling of the memory chips from print cartridges and imaging drums returned to HP's free return and recycling program (HP Planet Partners: www.hp.com/recycle). The memory chips from this sampling are read and studied in order to improve future HP products. HP partners who assist in recycling this print cartridge and imaging drum might have access to this data, as well.

Any third party possessing the print cartridge and imaging drum might have access to the anonymous information on the memory chip. If you prefer to not allow access to this information, you can render the chip inoperable. However, after you render the memory chip inoperable, the memory chip cannot be used in an HP product.

End User License Agreement

PLEASE READ CAREFULLY BEFORE USING THIS SOFTWARE PRODUCT: This End-User License Agreement (“EULA”) is a contract between (a) you (either an individual or the entity you represent) and (b) Hewlett-Packard Company (“HP”) that governs your use of the software product (“Software”). This EULA does not apply if there is a separate license agreement between you and HP or its suppliers for the Software, including a license agreement in online documentation. The term “Software” may include (i) associated media, (ii) a user guide and other printed materials, and (iii) “online” or electronic documentation (collectively “User Documentation”).

RIGHTS IN THE SOFTWARE ARE OFFERED ONLY ON THE CONDITION THAT YOU AGREE TO ALL TERMS AND CONDITIONS OF THIS EULA. BY INSTALLING, COPYING, DOWNLOADING, OR OTHERWISE USING THE SOFTWARE, YOU AGREE TO BE BOUND BY THIS EULA. IF YOU DO NOT ACCEPT THIS EULA, DO NOT INSTALL, DOWNLOAD, OR OTHERWISE USE THE SOFTWARE. IF YOU PURCHASED THE SOFTWARE BUT DO NOT AGREE TO THIS EULA, PLEASE RETURN THE SOFTWARE TO YOUR PLACE OF PURCHASE WITHIN FOURTEEN DAYS FOR A REFUND OF THE PURCHASE PRICE; IF THE SOFTWARE IS INSTALLED ON OR MADE AVAILABLE WITH ANOTHER HP PRODUCT, YOU MAY RETURN THE ENTIRE UNUSED PRODUCT.

- 1. THIRD PARTY SOFTWARE.** The Software may include, in addition to HP proprietary software (“HP Software”), software under licenses from third parties (“Third Party Software” and “Third Party License”). Any Third Party Software is licensed to you subject to the terms and conditions of the corresponding Third Party License. Generally, the Third Party License is in a file such as “license.txt” or a “readme” file. You should contact HP support if you cannot find a Third Party License. If the Third Party Licenses include licenses that provide for the availability of source code (such as the GNU General Public License) and the corresponding source code is not included with the Software, then check the product support pages of HP’s website (hp.com) to learn how to obtain such source code.
- 2. LICENSE RIGHTS.** You will have the following rights provided you comply with all terms and conditions of this EULA:
 - a. Use.** HP grants you a license to Use one copy of the HP Software. “Use” means installing, copying, storing, loading, executing, displaying, or otherwise using the HP Software. You may not modify the HP Software or disable any licensing or control feature of the HP Software. If this Software is provided by HP for Use with an imaging or printing product (for example, if the Software is a printer driver, firmware, or add-on), the HP Software may only be used with such product (“HP Product”). Additional restrictions on Use may appear in the User Documentation. You may not separate component parts of the HP Software for Use. You do not have the right to distribute the HP Software.
 - b. Copying.** Your right to copy means you may make archival or back-up copies of the HP Software, provided each copy contains all the original HP Software’s proprietary notices and is used only for back-up purposes.
- 3. UPGRADES.** To Use HP Software provided by HP as an upgrade, update, or supplement (collectively “Upgrade”), you must first be licensed for the original HP Software identified by HP as eligible for the Upgrade. To the extent the Upgrade supersedes the original HP Software, you may no longer use such HP Software. This EULA applies to each Upgrade unless HP provides other terms with the Upgrade. In case of a conflict between this EULA and such other terms, the other terms will prevail.

4. TRANSFER.

- a. **Third Party Transfer.** The initial end user of the HP Software may make a one-time transfer of the HP Software to another end user. Any transfer will include all component parts, media, User Documentation, this EULA, and if applicable, the Certificate of Authenticity. The transfer may not be an indirect transfer, such as a consignment. Prior to the transfer, the end user receiving the transferred Software will agree to this EULA. Upon transfer of the HP Software, your license is automatically terminated.
- b. **Restrictions.** You may not rent, lease or lend the HP Software or Use the HP Software for commercial timesharing or bureau use. You may not sublicense, assign or otherwise transfer the HP Software except as expressly provided in this EULA.

- 5. **PROPRIETARY RIGHTS.** All intellectual property rights in the Software and User Documentation are owned by HP or its suppliers and are protected by law, including applicable copyright, trade secret, patent, and trademark laws. You will not remove any product identification, copyright notice, or proprietary restriction from the Software.
- 6. **LIMITATION ON REVERSE ENGINEERING.** You may not reverse engineer, decompile, or disassemble the HP Software, except and only to the extent that the right to do so is allowed under applicable law.
- 7. **CONSENT TO USE OF DATA.** HP and its affiliates may collect and use technical information you provide in relation to (i) your Use of the Software or the HP Product, or (ii) the provision of support services related to the Software or the HP Product. All such information will be subject to HP's privacy policy. HP will not use such information in a form that personally identifies you except to the extent necessary to enhance your Use or provide support services.
- 8. **LIMITATION OF LIABILITY.** Notwithstanding any damages that you might incur, the entire liability of HP and its suppliers under this EULA and your exclusive remedy under this EULA will be limited to the greater of the amount actually paid by you for the Product or U.S. \$5.00. TO THE MAXIMUM EXTENT PERMITTED BY APPLICABLE LAW, IN NO EVENT WILL HP OR ITS SUPPLIERS BE LIABLE FOR ANY SPECIAL, INCIDENTAL, INDIRECT, OR CONSEQUENTIAL DAMAGES (INCLUDING DAMAGES FOR LOST PROFITS, LOST DATA, BUSINESS INTERRUPTION, PERSONAL INJURY, OR LOSS OF PRIVACY) RELATED IN ANY WAY TO THE USE OF OR INABILITY TO USE THE SOFTWARE, EVEN IF HP OR ANY SUPPLIER HAS BEEN ADVISED OF THE POSSIBILITY OF SUCH DAMAGES AND EVEN IF THE ABOVE REMEDY FAILS OF ITS ESSENTIAL PURPOSE. Some states or other jurisdictions do not allow the exclusion or limitation of incidental or consequential damages, so the above limitation or exclusion may not apply to you.
- 9. **U.S. GOVERNMENT CUSTOMERS.** Software was developed entirely at private expense. All Software is commercial computer software within the meaning of the applicable acquisition regulations. Accordingly, pursuant to US FAR 48 CFR 12.212 and DFAR 48 CFR 227.7202, use, duplication and disclosure of the Software by or for the U.S. Government or a U.S. Government subcontractor is subject solely to the terms and conditions set forth in this End User License Agreement, except for provisions which are contrary to applicable mandatory federal laws.
- 10. **COMPLIANCE WITH EXPORT LAWS.** You will comply with all laws, rules, and regulations (i) applicable to the export or import of the Software, or (ii) restricting the Use of the Software, including any restrictions on nuclear, chemical, or biological weapons proliferation.
- 11. **RESERVATION OF RIGHTS.** HP and its suppliers reserve all rights not expressly granted to you in this EULA.

© 2009 Hewlett-Packard Development Company, L.P.

Rev. 04/09

OpenSSL

This product includes software developed by the OpenSSL Project for use in the OpenSSL Toolkit (<http://www.openssl.org/>)

THIS SOFTWARE IS PROVIDED BY THE OpenSSL PROJECT "AS IS" AND ANY EXPRESSED OR IMPLIED WARRANTIES, INCLUDING, BUT NOT LIMITED TO, THE IMPLIED WARRANTIES OF MERCHANTABILITY AND FITNESS FOR A PARTICULAR PURPOSE ARE DISCLAIMED. IN NO EVENT SHALL THE OpenSSL PROJECT OR ITS CONTRIBUTORS BE LIABLE FOR ANY DIRECT, INDIRECT, INCIDENTAL, SPECIAL, EXEMPLARY, OR CONSEQUENTIAL DAMAGES (INCLUDING, BUT NOT LIMITED TO, PROCUREMENT OF SUBSTITUTE GOODS OR SERVICES;

LOSS OF USE, DATA, OR PROFITS; OR BUSINESS INTERRUPTION) HOWEVER CAUSED AND ON ANY THEORY OF LIABILITY, WHETHER IN CONTRACT, STRICT LIABILITY, OR TORT (INCLUDING NEGLIGENCE OR OTHERWISE) ARISING IN ANY WAY OUT OF THE USE OF THIS SOFTWARE, EVEN IF ADVISED OF THE POSSIBILITY OF SUCH DAMAGE.

This product includes cryptographic software written by Eric Young (eay@cryptsoft.com). This product includes software written by Tim Hudson (tjh@cryptsoft.com).

Customer self-repair warranty service

HP products are designed with many Customer Self Repair (CSR) parts to minimize repair time and allow for greater flexibility in performing defective parts replacement. If during the diagnosis period, HP identifies that the repair can be accomplished by the use of a CSR part, HP will ship that part directly to you for replacement. There are two categories of CSR parts: 1) Parts for which customer self repair is mandatory. If you request HP to replace these parts, you will be charged for the travel and labor costs of this service. 2) Parts for which customer self repair is optional. These parts are also designed for Customer Self Repair. If, however, you require that HP replace them for you, this may be done at no additional charge under the type of warranty service designated for your product.

Based on availability and where geography permits, CSR parts will be shipped for next business day delivery. Same-day or four-hour delivery may be offered at an additional charge where geography permits. If assistance is required, you can call the HP Technical Support Center and a technician will help you over the phone. HP specifies in the materials shipped with a replacement CSR part whether a defective part must be returned to HP. In cases where it is required to return the defective part to HP, you must ship the defective part back to HP within a defined period of time, normally five (5) business days. The defective part must be returned with the associated documentation in the provided shipping material. Failure to return the defective part may result in HP billing you for the replacement. With a customer self repair, HP will pay all shipping and part return costs and determine the courier/carrier to be used.

Customer support

Get telephone support for your country/region	Country/region phone numbers are on the flyer that was in the box with your product or at www.hp.com/support/ .
Have the product name, serial number, date of purchase, and problem description ready.	
Get 24-hour Internet support	www.hp.com/support/LJColorMFPM175
Get support for products used with a Macintosh computer	www.hp.com/go/macosex
Download software utilities, drivers, and electronic information	www.hp.com/support/LJColorMFPM175
Order additional HP service or maintenance agreements	www.hp.com/go/carepack

Repack the product

If HP Customer Care determines that your product needs to be returned to HP for repair, follow these steps to repack the product before shipping it.

⚠ CAUTION: Shipping damage as a result of inadequate packing is the customer's responsibility.

1. Remove and retain the print cartridge.

⚠ CAUTION: It is *extremely important* to remove the print cartridge before shipping the product. A print cartridge that remains in the product during shipping can leak and cover the product engine and other parts with toner.

To prevent damage to the print cartridge, avoid touching the roller on it, and store the print cartridge in its original packing material or so that it is not exposed to light.

2. Remove and retain the power cable, interface cable, and optional accessories, such as an EIO card.
3. If possible, include print samples and 50 to 100 sheets of paper or other print media that did not print correctly.
4. In the U.S., call HP Customer Care to request new packing material. In other areas, use the original packing material, if possible. Hewlett-Packard recommends insuring the equipment for shipment.

B Specifications

- [Physical specifications](#)
- [Power consumption, electrical specifications, and acoustic emissions](#)
- [Environmental specifications](#)

Physical specifications

Table B-1 Physical specifications¹

Specification	HP LaserJet Pro 100 color MFP M175
Product weight	11.6 kg (25.6 lb)
Product height	222.8 mm (8.77 in)
Product depth	410.2 mm (16.15 in)
Product width	399.6 mm (15.73 in)

¹ Values are based on preliminary data. See www.hp.com/support/LJColorMFPM175.

Power consumption, electrical specifications, and acoustic emissions

See www.hp.com/support/LJColorMFPM175 for current information.

CAUTION: Power requirements are based on the country/region where the product is sold. Do not convert operating voltages. This will damage the product and void the product warranty.

Environmental specifications

Table B-2 Environmental specifications

	Operating ¹	Storage ¹
Temperature	10° to 32.5° C (50° to 91° F)	0° to 35° C (32° to 95° F)
Relative Humidity	10% to 80%	10% to 80%

¹ Values are based on preliminary data. See www.hp.com/support/LJColorMFPM175.

C Regulatory information

- [FCC regulations](#)
- [Declaration of conformity \(base models\)](#)
- [Declaration of conformity \(wireless models\)](#)
- [Certificate of Volatility](#)
- [Safety statements](#)
- [Additional statements for wireless products](#)

FCC regulations

This equipment has been tested and found to comply with the limits for a Class B digital device, pursuant to Part 15 of the FCC rules. These limits are designed to provide reasonable protection against harmful interference in a residential installation. This equipment generates, uses, and can radiate radio frequency energy. If this equipment is not installed and used in accordance with the instructions, it may cause harmful interference to radio communications. However, there is no guarantee that interference will not occur in a particular installation. If this equipment does cause harmful interference to radio or television reception, which can be determined by turning the equipment off and on, the user is encouraged to try to correct the interference by one or more of the following measures:

- Reorient or relocate the receiving antenna.
- Increase separation between equipment and receiver.
- Connect equipment to an outlet on a circuit different from that to which the receiver is located.
- Consult your dealer or an experienced radio/TV technician.



NOTE: Any changes or modifications to the printer that are not expressly approved by HP could void the user's authority to operate this equipment.

Use of a shielded interface cable is required to comply with the Class B limits of Part 15 of FCC rules.

Declaration of conformity (base models)

Declaration of Conformity

according to ISO/IEC 17050-1 and EN 17050-1

Manufacturer's Name: Hewlett-Packard Company DoC#: BOISB-1001-02-rel.1.0
Manufacturer's Address: 11311 Chinden Boulevard
Boise, Idaho 83714-1021, USA

declares, that the product

Product Name: HP LaserJet Pro 100 color MFP M175a
Regulatory Model Number²⁾ BOISB-1001-02
Product Options: ALL
Print Cartridges: CE310A, CE311A, CE312A, CE313A


conforms to the following Product Specifications:

SAFETY: IEC 60950-1:2005 / EN60950-1: 2006 +A11
IEC 60825-1:2006 / EN 60825-1:2007 Class 1 Laser/LED Product)
IEC 62311:2007 / EN 62311:2008
GB4943-2001

EMC: CISPR22:2005 +A1 / EN55022:2006 +A1 - Class B¹⁾
EN 61000-3-2:2006
EN 61000-3-3:1995 +A1 +A2
EN 55024:1998 +A1 +A2
FCC Title 47 CFR, Part 15 Class B¹⁾ / ICES-003, Issue 4
GB9254-2008, GB17625.1-2003

ENERGY USE: Regulation (EC) No. 1275/2008
ENERGY STAR® Qualified Imaging Equipment Typical Electricity Consumption (TEC) Test Procedure

Supplementary Information:

The product herewith complies with the requirements of the EMC Directive 2004/108/EC and the Low Voltage Directive 2006/95/EC, the EuP Directive 2005/32/EC and carries the CE-Marking  accordingly.

This Device complies with Part 15 of the FCC Rules. Operation is subject to the following two Conditions: (1) this device may not cause harmful interference, and (2) this device must accept any interference received, including interference that may cause undesired operation.

1. The product was tested in a typical configuration with Hewlett-Packard Personal Computer Systems.
2. For regulatory purposes, this product is assigned a Regulatory model number. This number should not be confused with the product name or the product number(s).

Boise, Idaho USA

October 2010

For regulatory topics only:

European Contact: Your Local Hewlett-Packard Sales and Service Office or Hewlett-Packard GmbH, Department HQ-TRE / Standards Europe, Herrenberger Strasse 140, D-71034, Böblingen (FAX: +49-7031-14-3143)
www.hp.com/go/certificates

USA Contact: Product Regulations Manager, Hewlett-Packard Company, PO Box 15, Mail Stop 160, Boise, Idaho 83707-0015 (Phone: 208-396-6000)

Declaration of conformity (wireless models)

Declaration of Conformity

according to ISO/IEC 17050-1 and EN 17050-1

Manufacturer's Name: Hewlett-Packard Company DoC#:BOISB-1001-03-rel.1.0

Manufacturer's Address: 11311 Chinden Boulevard
Boise, Idaho 83714-1021, USA

declares, that the product

Product Name: HP LaserJet Pro 100 color MFP M175nw

Regulatory Model Number²⁾ BOISB-1001-03

Product Options: ALL

Radio Module³⁾ SDGOB – 0892

Print Cartridges: CE310A, CE311A, CE312A, CE313A

conforms to the following Product Specifications:


SAFETY: IEC 60950-1:2005 / EN60950-1: 2006 +A11
IEC 60825-1:2006 / EN 60825-1:2007 Class 1 Laser/LED Product)
IEC 62311:2007 / EN 62311:2008
GB4943-2001

EMC: CISPR22:2005 +A1 / EN55022:2006 +A1 - Class B¹⁾
EN 61000-3-2:2006
EN 61000-3-3:1995 +A1 +A2
EN 55024:1998 +A1 +A2
FCC Title 47 CFR, Part 15 Class B¹⁾ / ICES-003, Issue 4
GB9254-2008, GB17625.1-2003

Radio⁵⁾ EN 301 489-1:V1.8.1 / EN 301 489-17:V1.3.2
EN 300 328: V1.7.1
FCC Title 47 CFR, Part 15 Subpart C (Section 15.247) / IC: RSS-210

ENERGY USE: Regulation (EC) No. 1275/2008
ENERGY STAR® Qualified Imaging Equipment Typical Electricity Consumption (TEC) Test Procedure

Supplementary Information:

The product herewith complies with the requirements of the R&TTE Directive 1999/5/EC Annex IV, EMC Directive 2004/108/EC and the Low Voltage Directive 2006/95/EC, the EuP Directive 2005/32/EC and carries the CE-Marking  accordingly.

This Device complies with Part 15 of the FCC Rules. Operation is subject to the following two Conditions: (1) this device may not cause harmful interference, and (2) this device must accept any interference received, including interference that may cause undesired operation.

1. The product was tested in a typical configuration with Hewlett-Packard Personal Computer Systems.
2. For regulatory purposes, this product is assigned a Regulatory model number. This number should not be confused with the product name or the product number(s).
3. This product uses a radio module device which Regulatory Model number is SDGOB-0892 as needed to meet technical regulatory requirements for the countries/regions this product will be sold.

Boise, Idaho USA

October 2010

For regulatory topics only:

European Contact: Your Local Hewlett-Packard Sales and Service Office or Hewlett-Packard GmbH, Department HQ-TRE / Standards Europe, Herrenberger Strasse 140, D-71034, Böblingen (FAX: +49-7031-14-3143)
www.hp.com/go/certificates

USA Contact: Product Regulations Manager, Hewlett-Packard Company, PO Box 15, Mail Stop 160, Boise, Idaho 83707-0015 (Phone: 208-396-6000)

Certificate of Volatility

Hewlett Packard Certificate of Volatility			
Model: M175n M175nw	Part Number: CE865A CE866A	Address: 11311 Chinden Blvd. Boise, ID 83714	
Volatile Memory			
Does the device contain volatile memory (Memory whose contents are lost when power is removed)? <input checked="" type="checkbox"/> Yes <input type="checkbox"/> No If Yes, please describe the type, size, function, and steps to clear the memory below.			
Type (SRAM, DRAM, etc): Synchronous DRAM	Size: 160 MB total 80 MB available	Function: Run-time firmware image, print job info during printing	Steps to clear Memory: Power off printer
Type (SRAM, DRAM, etc): Synchronous DRAM	Size: 58 MB	Function: Page Memory	Steps to clear Memory: Power off product / Auto cleared when print job is finished.
Type (SRAM, DRAM, etc):	Size:	Function:	Steps to clear Memory:
Non-Volatile Memory			
Does the device contain non-volatile memory (Memory whose contents are retained when power is removed)? <input checked="" type="checkbox"/> Yes <input type="checkbox"/> No If Yes, please describe the type, size, function, and steps to clear the memory below.			
Type (Flash, EEPROM, etc): EEPROM	Size: 16 KB	Function: Printer Specific Data	Steps to clear memory: NVRAM Initialization
Type (Flash, EEPROM, etc): NAND Flash	Size: 1 Gbit 128 MB	Function: Firmware Smart Install	Steps to clear memory:
Type (Flash, EEPROM, etc): NOR Flash	Size: 16 MB	Function: Firmware	Steps to clear memory:
Mass Storage			
Does the device contain mass storage memory (Hard Disk Drive, Tape Backup)? <input type="checkbox"/> Yes <input checked="" type="checkbox"/> No If Yes, please describe the type, size, function, and steps to clear the memory below.			
Type (HDD, Tape, etc):	Size:	Function:	Steps to clear memory:
Type (HDD, Tape, etc):	Size:	Function:	Steps to clear memory:
Author Information			
Name:	Title: Technical Marketing Engineer	Email:	Business Unit: LaserJet Business
			Date Prepared: 4/1/2011

Safety statements

Laser safety

The Center for Devices and Radiological Health (CDRH) of the U.S. Food and Drug Administration has implemented regulations for laser products manufactured since August 1, 1976. Compliance is mandatory for products marketed in the United States. The device is certified as a "Class 1" laser product under the U.S. Department of Health and Human Services (DHHS) Radiation Performance Standard according to the Radiation Control for Health and Safety Act of 1968. Since radiation emitted inside the device is completely confined within protective housings and external covers, the laser beam cannot escape during any phase of normal user operation.

⚠ WARNING! Using controls, making adjustments, or performing procedures other than those specified in this user guide may result in exposure to hazardous radiation.

Canadian DOC regulations

Complies with Canadian EMC Class B requirements.

« Conforme à la classe B des normes canadiennes de compatibilité électromagnétiques. « CEM ». »

VCCI statement (Japan)

この装置は、情報処理装置等電波障害自主規制協議会（VCCI）の基準に基づくクラスB情報技術装置です。この装置は、家庭環境で使用することを目的としていますが、この装置がラジオやテレビジョン受信機に近接して使用されると、受信障害を引き起こすことがあります。
取扱説明書に従って正しい取り扱いをして下さい。

Power cord instructions

Make sure your power source is adequate for the product voltage rating. The voltage rating is on the product label. The product uses either 110-127 Vac or 220-240 Vac and 50/60 Hz.

Connect the power cord between the product and a grounded AC outlet.

⚠ CAUTION: To prevent damage to the product, use only the power cord that is provided with the product.

Power cord statement (Japan)

製品には、同梱された電源コードをお使い下さい。
同梱された電源コードは、他の製品では使用出来ません。

EMC statement (Korea)

B급 기기 (가정용 방송통신기기)	이 기기는 가정용(B급)으로 전자파적합등록을 한 기기로서 주로 가정에서 사용하는 것을 목적으로 하며, 모든 지역에서 사용할 수 있습니다.
-----------------------	--

Laser statement for Finland

Luokan 1 laserlaite

Klass 1 Laser Apparat

HP LaserJet Pro 100 color M175a, M175nw, laserkirjoitin on käyttäjän kannalta turvallinen luokan 1 laserlaite. Normaalisissa käytössä kirjoittimen suojakoteloitinta estää lasersäteiden pääsyn laitteen ulkopuolelle. Laitteen turvallisuusluokka on määritetty standardin EN 60825-1 (2007) mukaisesti.

VAROITUS !

Laitteen käyttäminen muulla kuin käyttöohjeessa mainitulla tavalla saattaa altistaa käyttäjän turvallisuusluokan 1 ylittävälle näkymättömälle lasersäteilylle.

VARNING !

Om apparaten används på annat sätt än i bruksanvisning specificerats, kan användaren utsättas för osynlig laserstrålning, som överskrider gränsen för laserklass 1.

HUOLTO

HP LaserJet Pro 100 color M175a, M175nw - kirjoittimen sisällä ei ole käyttäjän huollettavissa olevia kohteita. Laitteen saa avata ja huoltaa ainoastaan sen huoltamiseen koulutettu henkilö. Tällaiseksi huoltotoimenpiteeksi ei katsota väriainekasetin vaihtamista, paperiradan puhdistusta tai muita käyttäjän käsikirjassa lueteltuja, käyttäjän tehtäväksi tarkoitettuja ylläpitotoimia, jotka voidaan suorittaa ilman erikoistyökaluja.

VARO !

Mikäli kirjoittimen suojakotelo avataan, olet alttiina näkymättömälle lasersäteilylle laitteen ollessa toiminnassa. Älä katso säteeseen.

VARNING !

Om laserprinterns skyddshölje öppnas då apparaten är i funktion, utsättas användaren för osynlig laserstrålning. Betrakta ej strålen.

Tiedot laitteessa käytettävän laserdiodin säteilyominaisuuksista: Aallonpituus 775-795 nm Teho 5 m W Luokan 3B laser.

GS statement (Germany)

Das Gerät ist nicht für die Benutzung im unmittelbaren Gesichtsfeld am Bildschirmarbeitsplatz vorgesehen. Um störende Reflexionen am Bildschirmarbeitsplatz zu vermeiden, darf dieses Produkt nicht im unmittelbaren Gesichtsfeld platziert werden.

Substances Table (China)

有毒有害物质表

根据中国电子信息产品污染控制管理办法的要求而出台

部件名称	有毒有害物质和元素					
	铅 (Pb)	汞 (Hg)	镉 (Cd)	六价铬 (Cr(VI))	多溴联苯 (PBB)	多溴二苯醚 (PBDE)
打印引擎	X	0	X	0	0	0
控制面板	0	0	0	0	0	0
塑料外壳	0	0	0	0	0	0
格式化板组件	X	0	0	0	0	0
碳粉盒	X	0	0	0	0	0

3685

0：表示在此部件所用的所有同类材料中，所含的此有毒或有害物质均低于 SJ/T11363-2006 的限制要求。

X：表示在此部件所用的所有同类材料中，至少一种所含的此有毒或有害物质高于 SJ/T11363-2006 的限制要求。

注：引用的“环保使用期限”是根据在正常温度和湿度条件下操作使用产品而确定的。

Restriction on Hazardous Substances statement (Turkey)

Türkiye Cumhuriyeti: EEE Yönetmeliğine Uygundur

Additional statements for wireless products

FCC compliance statement—United States

Exposure to radio frequency radiation

⚠ CAUTION: The radiated output power of this device is far below the FCC radio frequency exposure limits. Nevertheless, the device shall be used in such a manner that the potential for human contact during normal operation is minimized.

In order to avoid the possibility of exceeding the FCC radio frequency exposure limits, human proximity to the antenna shall not be less than 20 cm (8 in)) during normal operation.

This device complies with Part 15 of FCC Rules. Operation is subject to the following two conditions: (1) this device may not cause interference, and (2) this device must accept any interference, including interference that may cause undesired operation of the device.

⚠ CAUTION: Based on Section 15.21 of the FCC rules, changes of modifications to the operation of this product without the express approval by Hewlett-Packard Company may invalidate its authorized use.

Australia statement

This device incorporates a radio-transmitting (wireless) device. For protection against radio transmission exposure, it is recommended that this device be operated no less than 20 cm from the head, neck, or body.

Brazil ANATEL statement

Este equipamento opera em caráter secundário, isto é, não tem direito à proteção contra interferência prejudicial, mesmo de estações do mesmo tipo, e não pode causar interferência a sistemas operando em caráter primário.

Canadian statements

For Indoor Use. This digital apparatus does not exceed the Class B limits for radio noise emissions from digital apparatus as set out in the radio interference regulations of the Canadian Department of Communications. The internal wireless radio complies with RSS 210 of Industry Canada.

Pour l'usage d'intérieur. Le présent appareil numérique n'émet pas de bruits radioélectriques dépassant les limites applicables aux appareils numériques de Classe B prescrites dans le règlement sur le brouillage radioélectrique édicté par le Ministère des Communications du Canada. Le composant RF interne est conforme à la norme CNR-210 d'Industrie Canada.

European Union regulatory notice

The telecommunications functionality of this product may be used in the following EU and EFTA countries/regions:

Austria, Belgium, Bulgaria, Cyprus, Czech Republic, Denmark, Estonia, Finland, France, Germany, Greece, Hungary, Iceland, Ireland, Italy, Latvia, Liechtenstein, Lithuania, Luxembourg, Malta,

Netherlands, Norway, Poland, Portugal, Romania, Slovak Republic, Slovenia, Spain, Sweden, Switzerland, and United Kingdom.

Notice for use in France

For 2.4 GHz Wireless LAN operation of this product certain restrictions apply: This equipment may be used indoor for the entire 2400-2483.5 MHz frequency band (channels 1-13). For outdoor use, only 2400-2454 MHz frequency band (channels 1-9) may be used. For the latest requirements, see www.arcep.fr.

L'utilisation de cet équipement (2.4 GHz Wireless LAN) est soumise à certaines restrictions : Cet équipement peut être utilisé à l'intérieur d'un bâtiment en utilisant toutes les fréquences de 2400-2483.5 MHz (Chaîne 1-13). Pour une utilisation en environnement extérieur, vous devez utiliser les fréquences comprises entre 2400-2454 MHz (Chaîne 1-9). Pour les dernières restrictions, voir, www.arcep.fr.

Notice for use in Russia

Существуют определенные ограничения по использованию беспроводных сетей (стандарта 802.11 b/g) с рабочей частотой 2,4 ГГц: Данное оборудование может использоваться внутри помещений с использованием диапазона частот 2400-2483,5 МГц (каналы 1-13). При использовании внутри помещений максимальная эффективная изотропно-излучаемая мощность (ЭИИМ) должна составлять не более 100мВт.

Korean statement

당해 무선설비는 운용 중 전파혼선 가능성이 있음

Taiwan statement

低功率電波輻射性電機管理辦法

第十二條 經型式認證合格之低功率射頻電機，非經許可，公司、商號或使用者均不得擅自變更頻率、加大功率或變更原設計之特性及功能。

第十四條 低功率射頻電機之使用不得影響飛航安全及干擾合法通信；經發現有干擾現象時，應立即停用，並改善至無干擾時方得繼續使用。前項合法通信，指依電信法規定作業之無線電通信。低功率射頻電機須忍受合法通信或工業、科學及醫療用電波輻射性電機設備之干擾。

Index

Symbols/Numerics

2ndary service menu 97

A

accessories

ordering 102

acoustic specifications 136

after-service checklist 4

altitude specifications 136

C

calibrating color 98

Canadian DOC regulations 144

cartridges

part numbers 102

warranty 126

cautions iii

certificate of volatility 143

checklists

after-service 4

preservice 4

problem source 80

color

calibrating 98

color alignment, calibrating 90

control panel

button test 98

display test 98

menus 91

conventions, document iii

copying

Copy Menu 95

covers

locations 106

parts list 106

customer support

online 132

repacking product 133

D

declaration of conformity 139,
141

default settings, restore 99

defaults

NVRAM initialization 99

diagnostics page

printing 88

diagrams

covers, panels, and doors 106

document conventions iii

doors

parts list 106

drum

warranty 127

E

electrical specifications 136

electrostatic discharge (ESD) 3

environment specifications 136

ESD (electrostatic discharge) 3

F

factory defaults, restoring

NVRAM initialization 99

Finnish laser safety statement 145

H

HP Customer Care 132

HP Jetdirect print server

NVRAM initialization 99

humidity specifications 136

I

imaging drum

memory chips 128

part numbers 102

warranty 127

initialization

NVRAM 99

J

Japanese VCCI statement 144

Jetdirect print server

NVRAM initialization 99

K

Korean EMC statement 145

L

laser safety statements 144, 145

license, software 129

location

assemblies (base product)

0

setting 98

M

Macintosh

support 132

memory

NVRAM initialization 99

memory chip, imaging drum

description 128

memory chip, print cartridge

description 128

menu

Copy Menu 95

Network Setup 94

Reports 91

Service 94, 97

System Setup 91

menu map, printing 79

N

network

configuring 94

Network Setup menu 94
notes iii
NVRAM initialization 99

O

online support 132
operating environment
specifications 136
ordering
product documents 102
supplies and accessories 102
whole-unit replacement 103

P

packaging product 133
panels
parts list 106
part number
whole-unit replacement 103
part numbers
imaging drum 102
print cartridges 102
parts
assemblies (base product)
0
cover locations 106
door locations 106
panel locations 106
physical specifications 136
pliers, required 3
post-service tests 4
power
consumption 136
preservice checklist 4
print cartridges
memory chips 128
part numbers 102
warranty 126
print quality
test 4
print quality page
interpreting 89
printing 89

R

removing parts
cautions for 2
checklists 4
tools, required 3
repacking product 133

replacing
parts 2
reports
color usage log 91
configuration page 91
demo page 91
diagnostics page 91
error 98
menu map 91
network summary 91
PCL 6 font list 91
PCL font list 91
print quality page 91
PS font list 91
service 98
service page 91
supplies status page 91
usage page 91

resets
NVRAM initialization 99
restoring
default settings 99
NVRAM initialization 99

S

safety statements 144, 145
screwdrivers, required 3
screws
replacing 2
Secondary service menu 97
secondary service menu 97
service
repacking product 133
tools, required 3
Service menu
secondary 97
shipping product 133
size specifications, product 136
software
software license agreement
129
specifications
electrical and acoustic 136
environment 136
physical 136
static precautions 3
storing
product 136

supplies
ordering 102
part numbers 102
support
online 132
repacking product 133
System Setup menu 91

T

technical support
online 132
repacking product 133
temperature specifications 136
tests
post-service 4
print-quality 4
tips iii
toner cartridges. See print
cartridges
tools, required 3
troubleshooting
checklist 78
control-panel tests 82
NVRAM initialization 99
problem source 80

W

warnings iii
warranty
customer self repair 132
imaging drum 127
license 129
print cartridges 126
product 124
Web sites
customer support 132
Macintosh customer support
132



CE865-90968

