



DESIGNJET T770 & T1200 printer series

Service manual

5 Parts and Diagrams

[Printer Support on page 161](#)

[Center Covers \(Front\) on page 162](#)

[Roll Covers on page 163](#)

[Center Covers \(Rear\) on page 164](#)

[Right Cover on page 165](#)

[Left Cover on page 166](#)

[Right Hand Assemblies on page 167](#)

[Left Hand Assemblies on page 168](#)

[Carriage Assembly on page 169](#)

[Scan-Axis Assemblies on page 170](#)

[Paper Path Assemblies \(Front\) on page 171](#)

[Paper Path Assemblies \(Rear\) on page 172](#)

[Paper Pain Assemblies \(Rear\) on page 172](#)

[Roll Supports on page 173](#)

[Tools 1 on page 174](#)

[Tools 2 on page 175](#)

[Miscellaneous Parts on page 176](#)

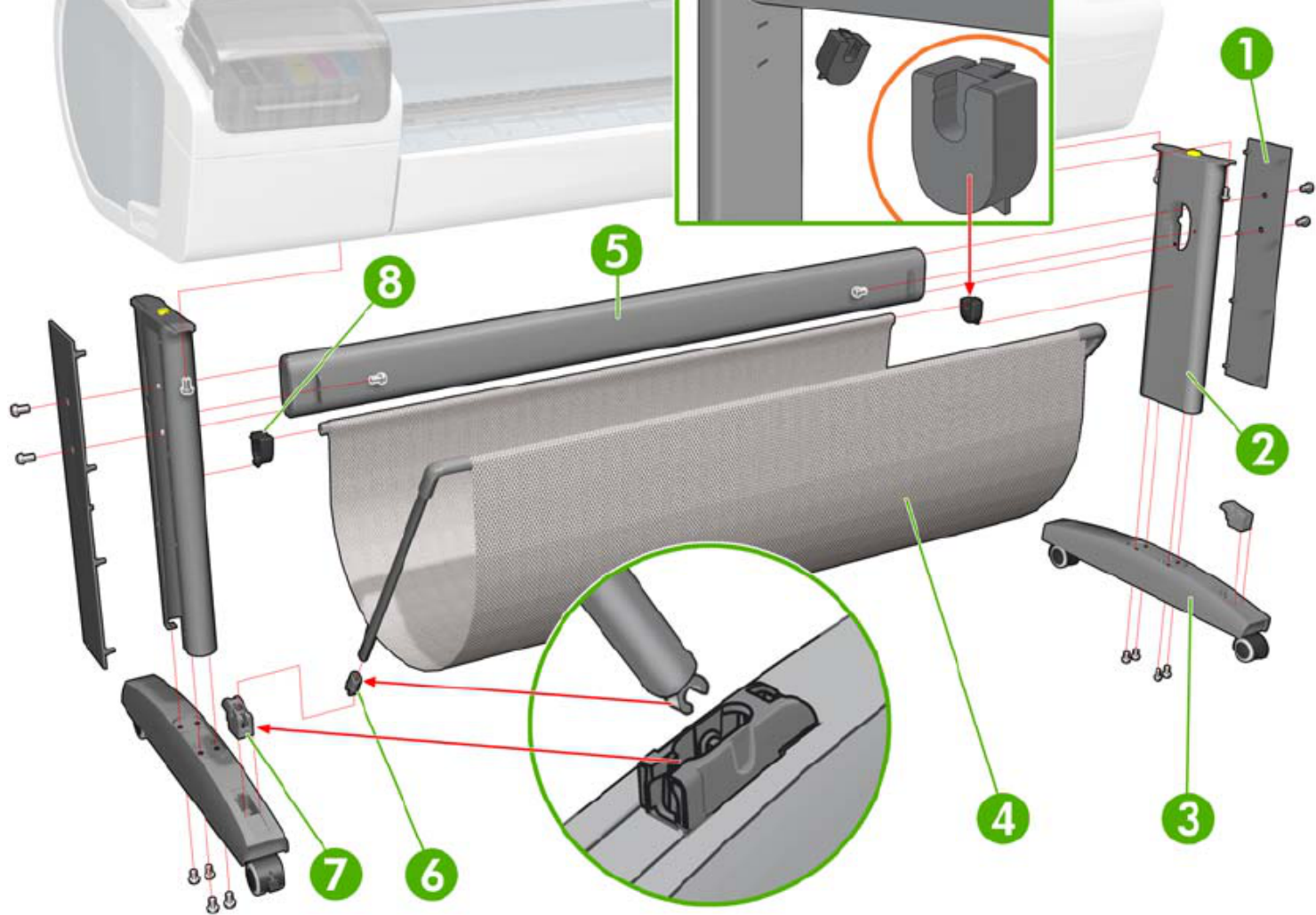
Introduction

The tables of printer parts in this chapter include the notation (CSR A) or (CSR B) for parts that can be replaced by the customer. All other parts must be replaced by an engineer. See [Customer Self Repair parts on page 182](#).

Printer Support

	HP Part Number	Part Description	Printer Model	Cross-reference
1	Q5669-60718	Leg Cover (CSR A)	All	
2	Q5669-60716	Leg Assembly	All	
3	Q6712-69001	Foot Assembly (includes 2 feet, gray color)	T1200 44 in	
3	CH639-69001	Foot Assembly (includes 2 feet, black color)	T770, T1200 24 in	
4	Q6659-60237	Bin Assembly (includes Bin Support, gray color) (CSR A)	T1200 44 in	Bin Assembly on page 188
4	CH639-69002	Bin Assembly (includes Bin Support, black color) (CSR A)	T770	Bin Assembly on page 188
5	Q6659-60236	Cross-brace Assembly	All 44-in models	
5	Q5669-60717	Cross-brace Assembly	All 24-in models	
6	Q5669-67063	Basket Tube 2 (CSR A)	All	
7	Q5669-60715	Foot Bracket 2	All	
8	Q5669-67063	Rear Basket Bracket 2 (CSR A)	All	
-	Q5669-60730	Hardware Kit (Includes screws for Legs Assembly) (CSR A)	All	

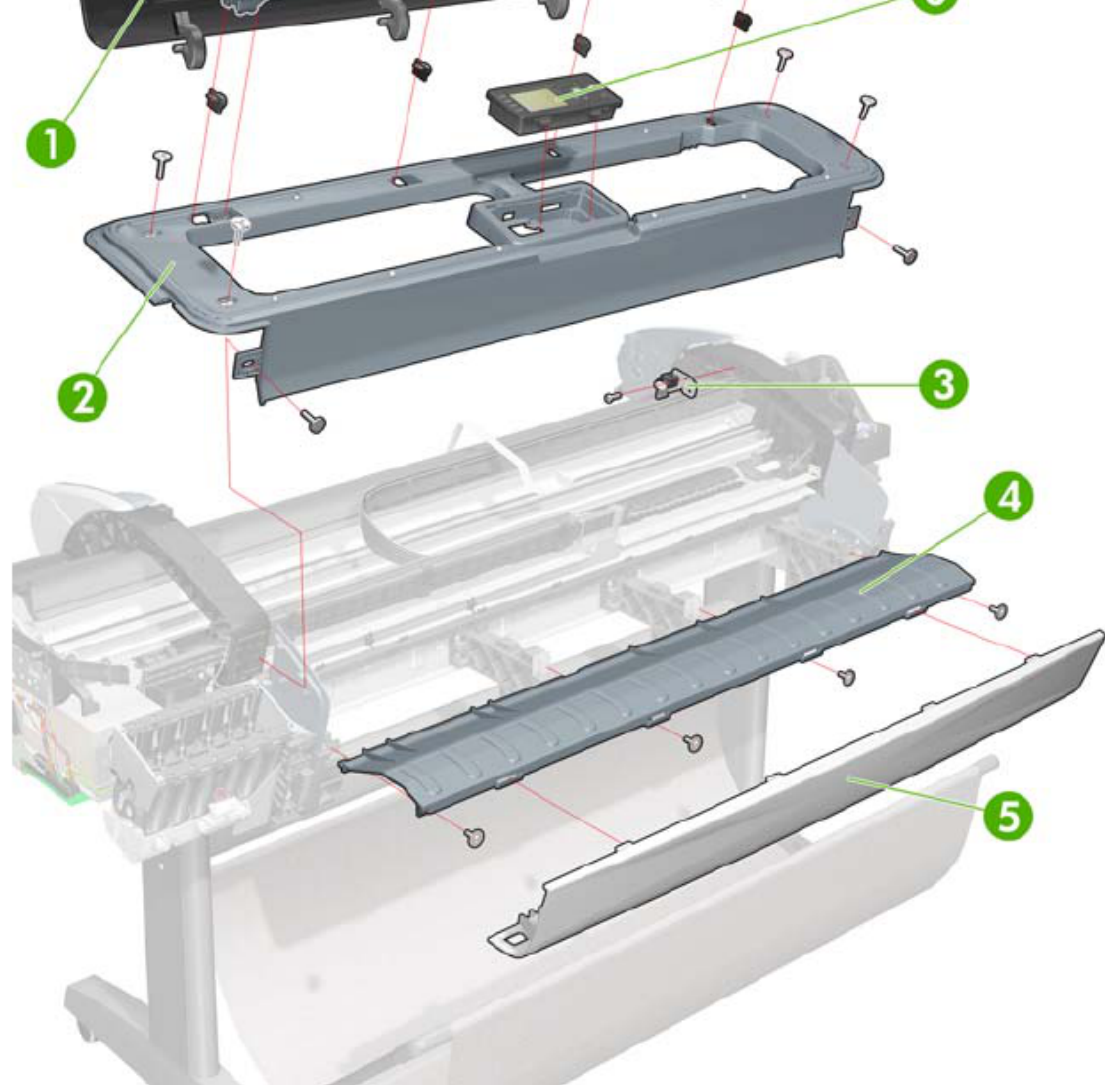




Center Covers (Front)

	HP Part Number	Part Description	Printer Model	Cross-reference
1	CH538-67030	Window	All 44-in models	Window on page 394
1	Q6711-60002	Window	All 24-in models	Window on page 394
2	CH538-67026	Top Cover	T1200 44 in	Cover, Top on page 244
2	CH539-67011	Top Cover	T770 44 in	Cover, Top on page 244
2	Q6711-60025	Top Cover	All 24-in models	Cover, Top on page 244
3	CH538-67071	Window Position Sensor with Shield	All	Window Position Sensor on page 398
4	Q6659-60089	Media Output Assembly	All 44-in models	Media Output Assembly on page 313
4	Q5669-60155	Anti-ESD Media Output Assembly	All 24-in models	Media Output Assembly on page 313
5	Q6687-60064	Front Cover	All 44-in models	Cover, Front on page 235
5	Q6683-60201	Front Cover	All 24-in models	Cover, Front on page 235
6	CH538-67032	Front Panel	T1200 44 in	Front Panel on page 270
6	CK837-67006	Front Panel	T770, T1200 24 in	Front Panel on page 270

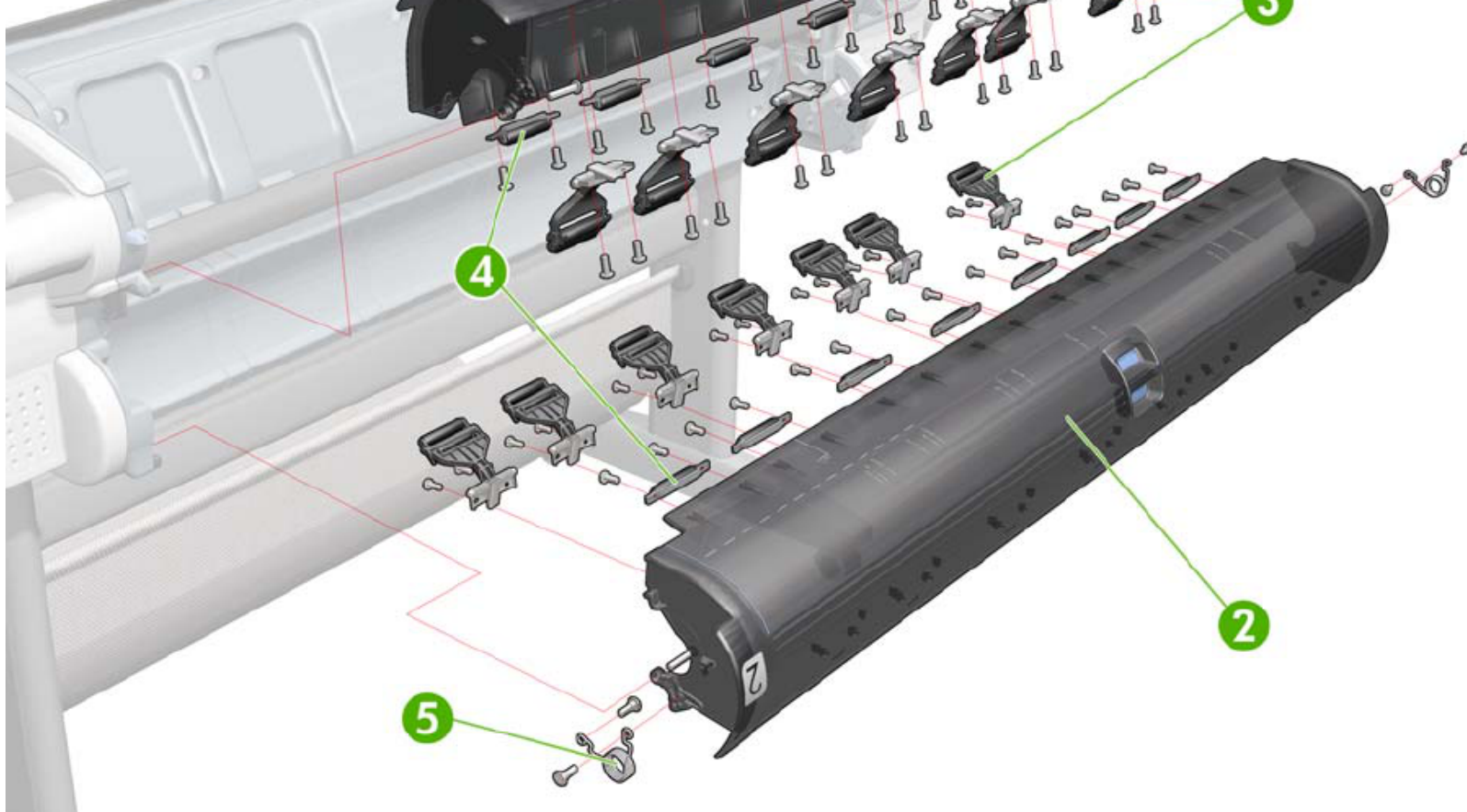




Roll Covers

	HP Part Number	Part Description	Printer Model	Cross-reference
1	CH538-67003	Upper Roll Cover Assembly with pinches	T1200 44 in	Roll Cover, Upper on page 350
1	CH539-67009	Upper Roll Cover Assembly Basic SV	T770 44 in	Roll Cover, Upper on page 350
1	CQ305-60018	Upper Roll Cover Assembly Basic SV	All 24-in models	Roll Cover, Upper on page 350
2	CH538-67002	Lower Roll Cover Assembly with pinches	T1200 44 in	Roll Cover, Lower (T1200 only) on page 346
3	CH538-67037	Pinch Arm Assembly for Roll Cover (CSR A)	T1200 44 in	Pinch Arm Assembly (T1200 only) on page 322
4	CH538-67050	Roll Cover Freewheel Assembly (CSR A)	All	Freewheel Assembly on page 267
5	CH538-67047	Roll Cover Bi-stable Springs Left and Right	T1200 44 in	Bi-stable Springs (T1200 only) on page 191





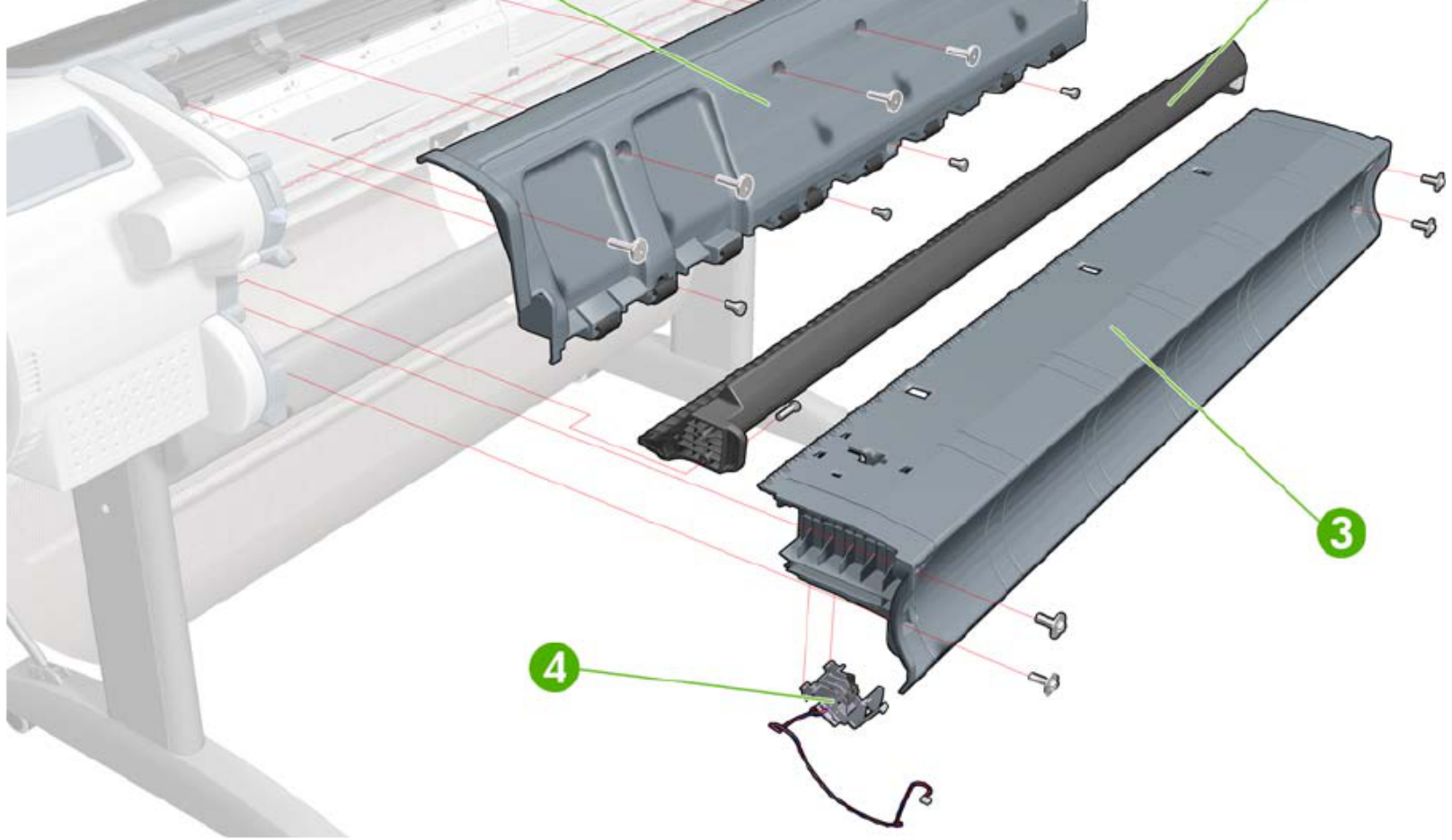
ENWW

Roll Covers 163

Center Covers (Rear)

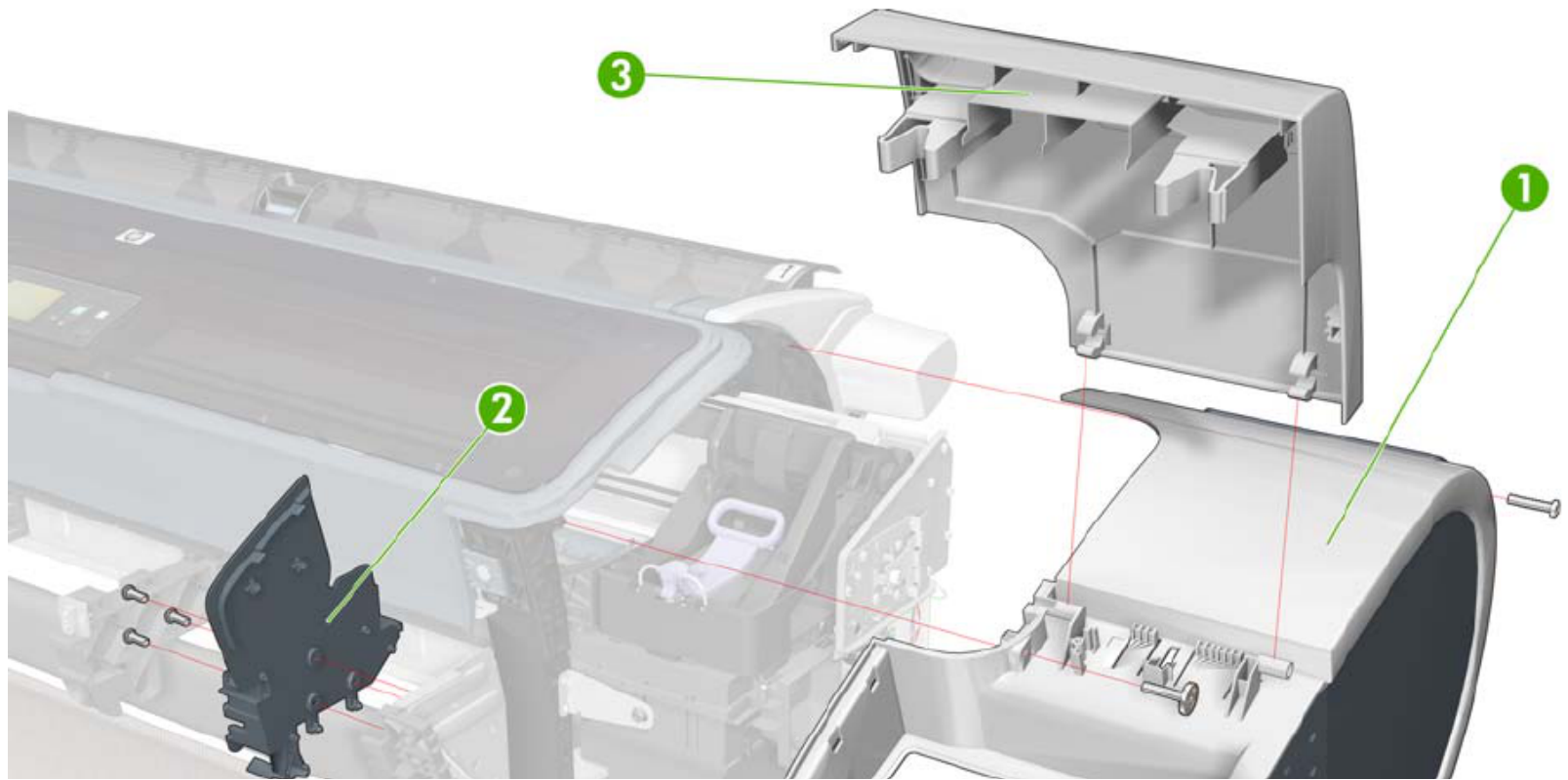
	HP Part Number	Part Description	Printer Model	Cross-reference
1	CH538-67012	Rear Cover	All 44-in models	Cover, Rear on page 240
1	CQ305-60015	Rear Cover	All 24-in models	Cover, Rear on page 240
2	CH538-67022	Converger Assembly	T1200 44 in	Converger on page 233
2	CH539-67010	Converger CR Assembly	T770 44 in	Converger on page 233
2	CQ305-60019	Converger CR Assembly	All 24-in models	Converger on page 233
3	CH538-67039	Cleanout 44 new rev	All 44-in models	Cleanout on page 231
3	Q6683-67802	Cleanout 24 rev B	All 24-in models	Cleanout on page 231
4	Q5669-67801	Out-of-paper Sensor	All	Out-of-paper Sensor on page 315

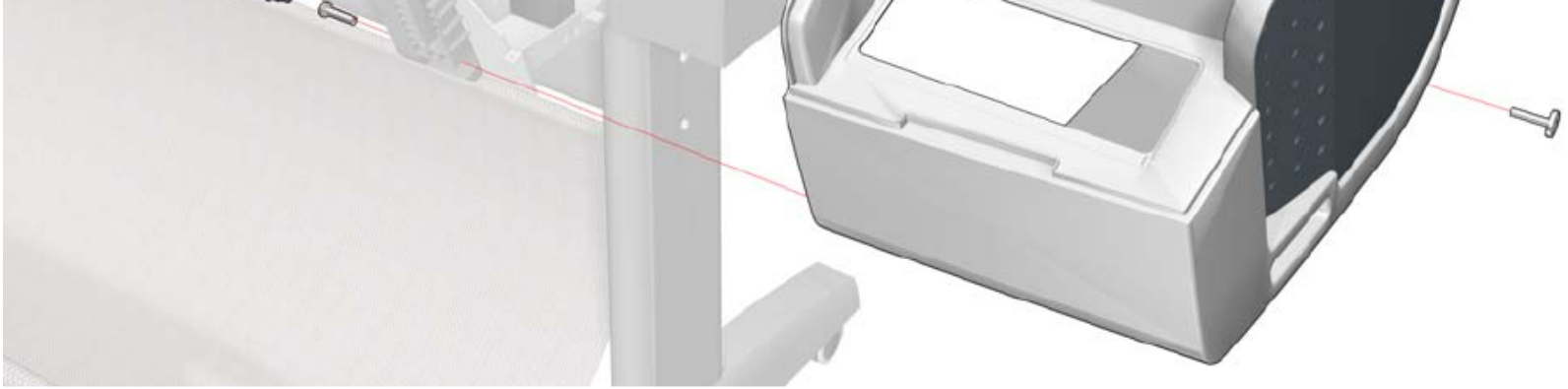




Right Cover

	HP Part Number	Part Description	Printer Model	Cross-reference
1	CH538-67014	Right Cover	T1200 44 in	Cover, Right on page 241
1	CH539-67006	Right Cover	T770, T1200 24 in	Cover, Right on page 241
2	Q6675-60109	Integrated Front Trim (Left and Right)	All	Front Trim, Right on page 275
3	CH538-67045	Right Ink Cartridge Door	All	Ink Cartridge Door, Right on page 281



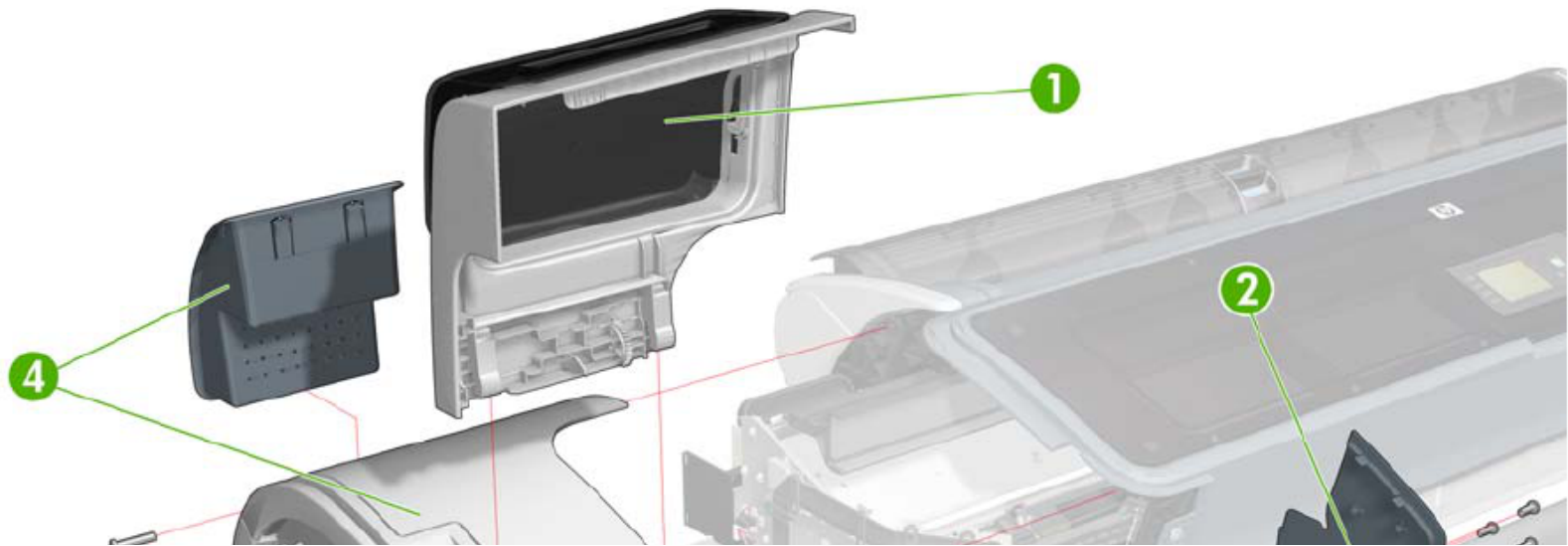


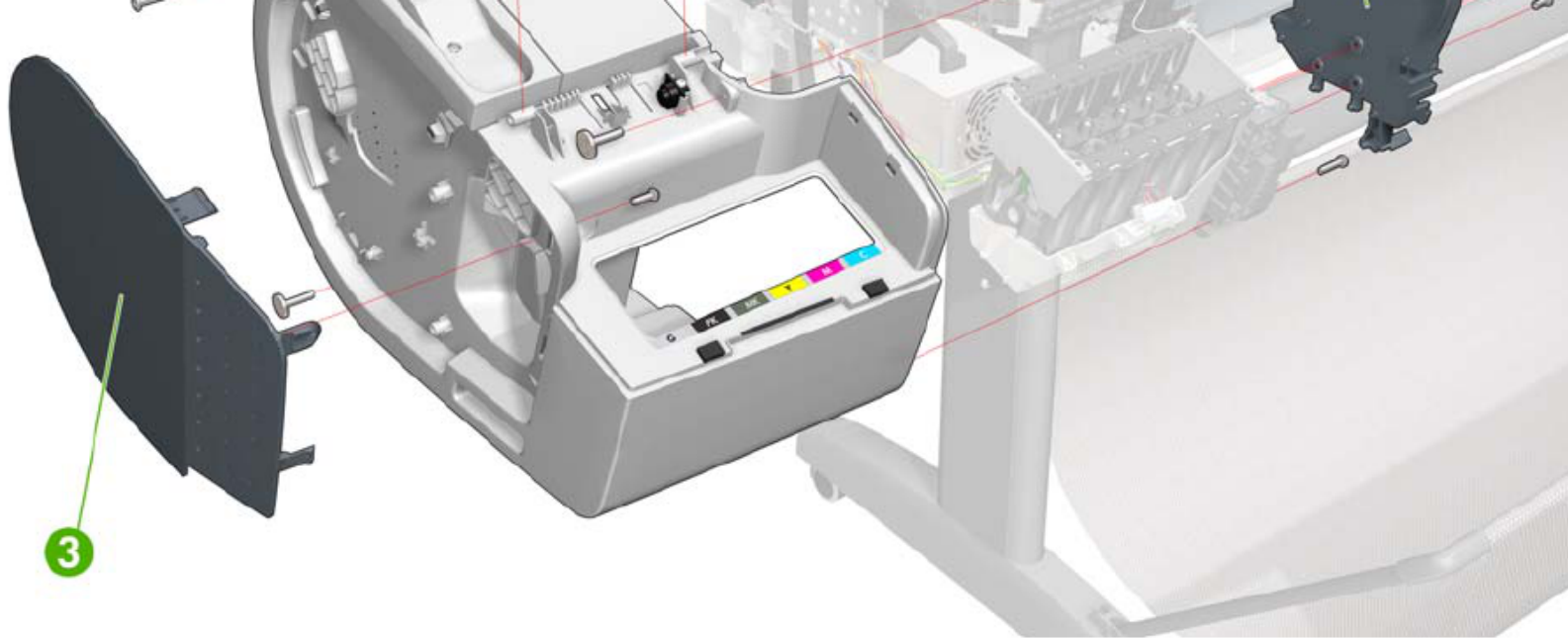
ENWW

Right Cover 165

Left Cover

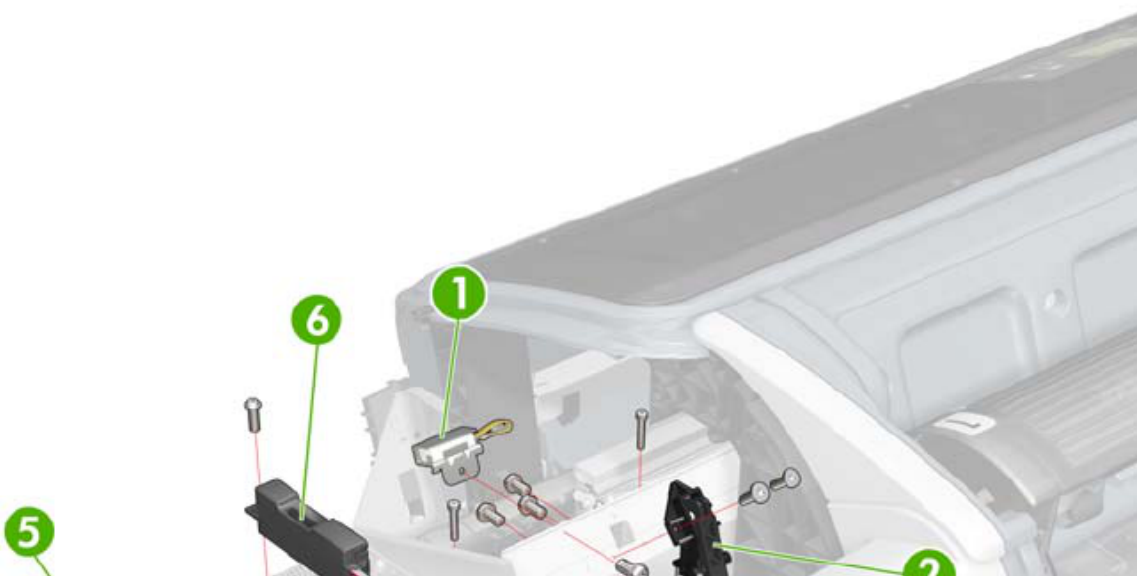
	HP Part Number	Part Description	Printer Model	Cross-reference
1	CH538-67017	Left Ink Cartridge Door	T1200 44 in	Ink Cartridge Door, Left on page 279
1	CH539-67008	Left Ink Cartridge Door	T770, T1200 24 in	Ink Cartridge Door, Left on page 279
2	Q6675-60109	Integrated Front Trim (Left and Right)	All	Front Trim, Left on page 273
3	CH538-67005	Left Side Panel (CSR B)	T1200 44 in	Panel, Left on page 318
3	CH539-67002	Left Side Panel (CSR B)	T770, T1200 24 in	Panel, Left on page 318
4	CH538-67013	Left Cover with Ink Door	T1200 44 in	Cover, Left on page 236
4	CH539-67005	Left Cover with Ink Door	T770, T1200 24 in	Cover, Left on page 236

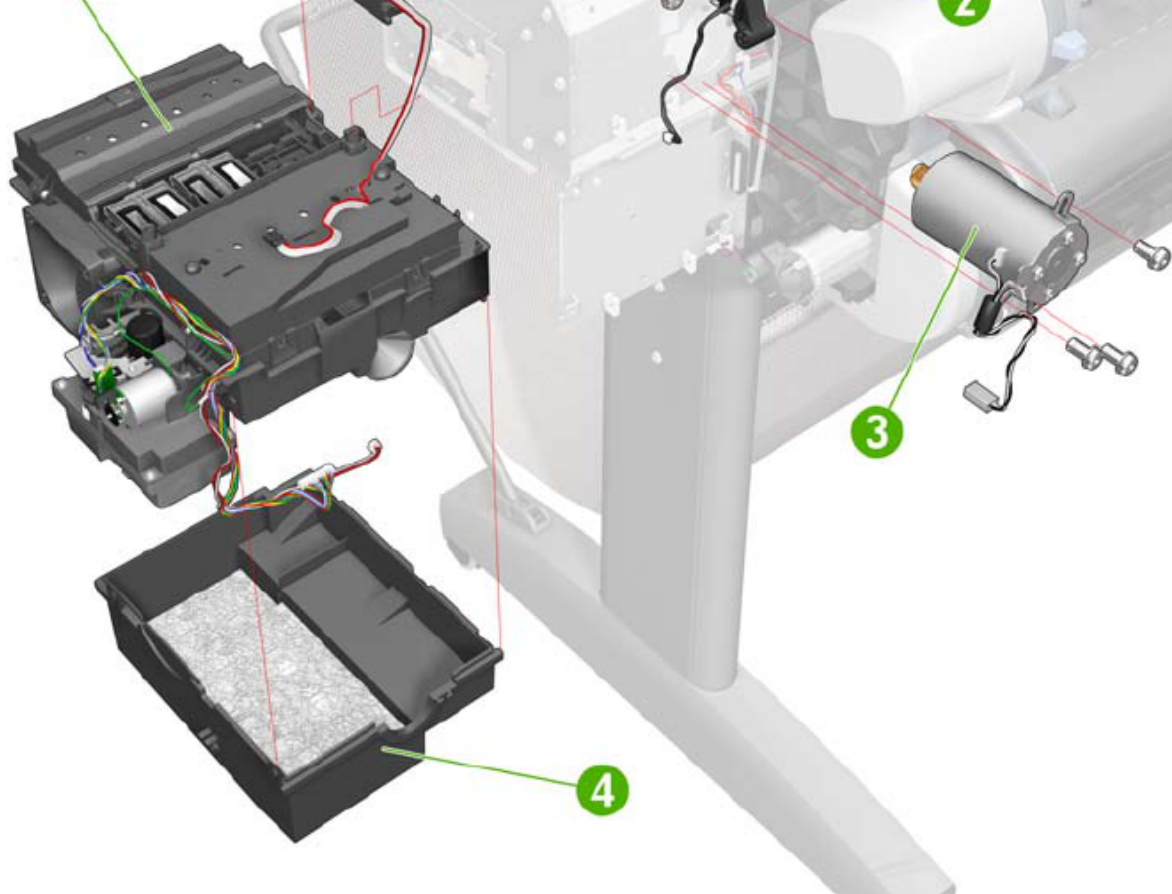




Right Hand Assemblies

	HP Part Number	Part Description	Printer Model	Cross-reference
1	Q6675-60043	Carriage Rail Oiler	All	Carriage Rail Oiler on page 224
2	Q5669-67807	Pen to Paper Space (PPS) Solenoid	All	Pen to Paper Space (PPS) Solenoid on page 320
3	CH538-60141	Scan-Axis Motor	All	Scan-axis Motor on page 363
4	Q5669-60667	Service Station Spittoon	All	Service Station on page 367
5	CH538-67040	Service Station (includes Drop Detector and Service Station Spittoon)	All	Service Station on page 367
6	Q5669-60666	Drop Detector	All	Drop Detector on page 251



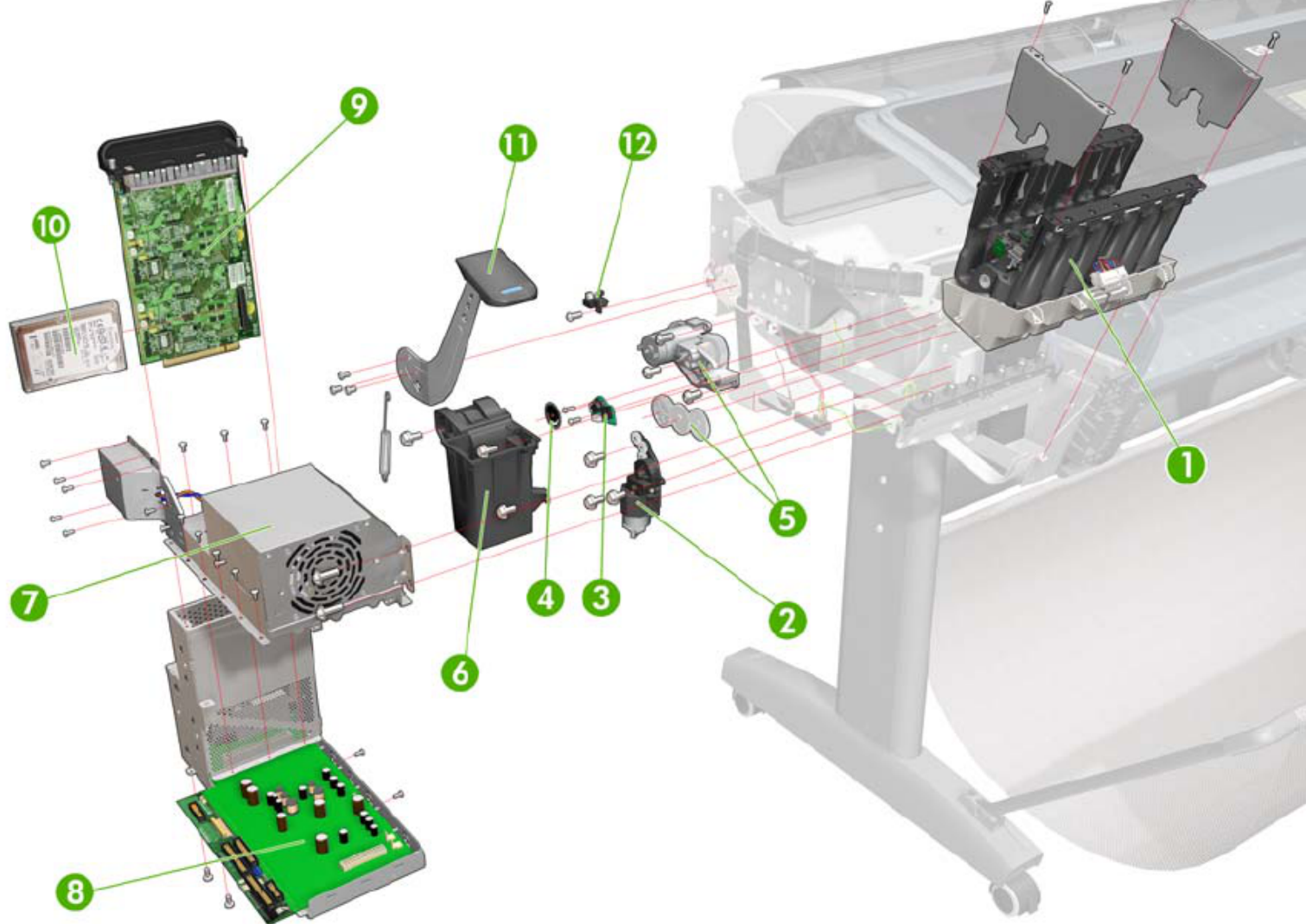


ENWW

Right Hand Assemblies 167

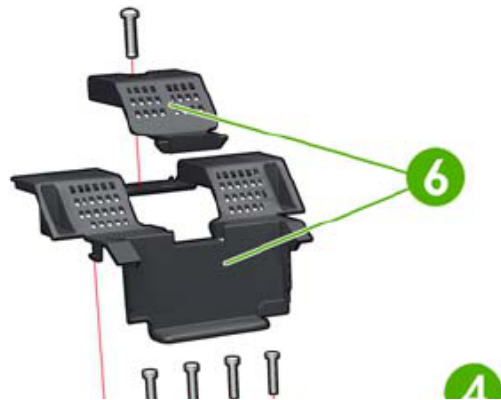
Left Hand Assemblies

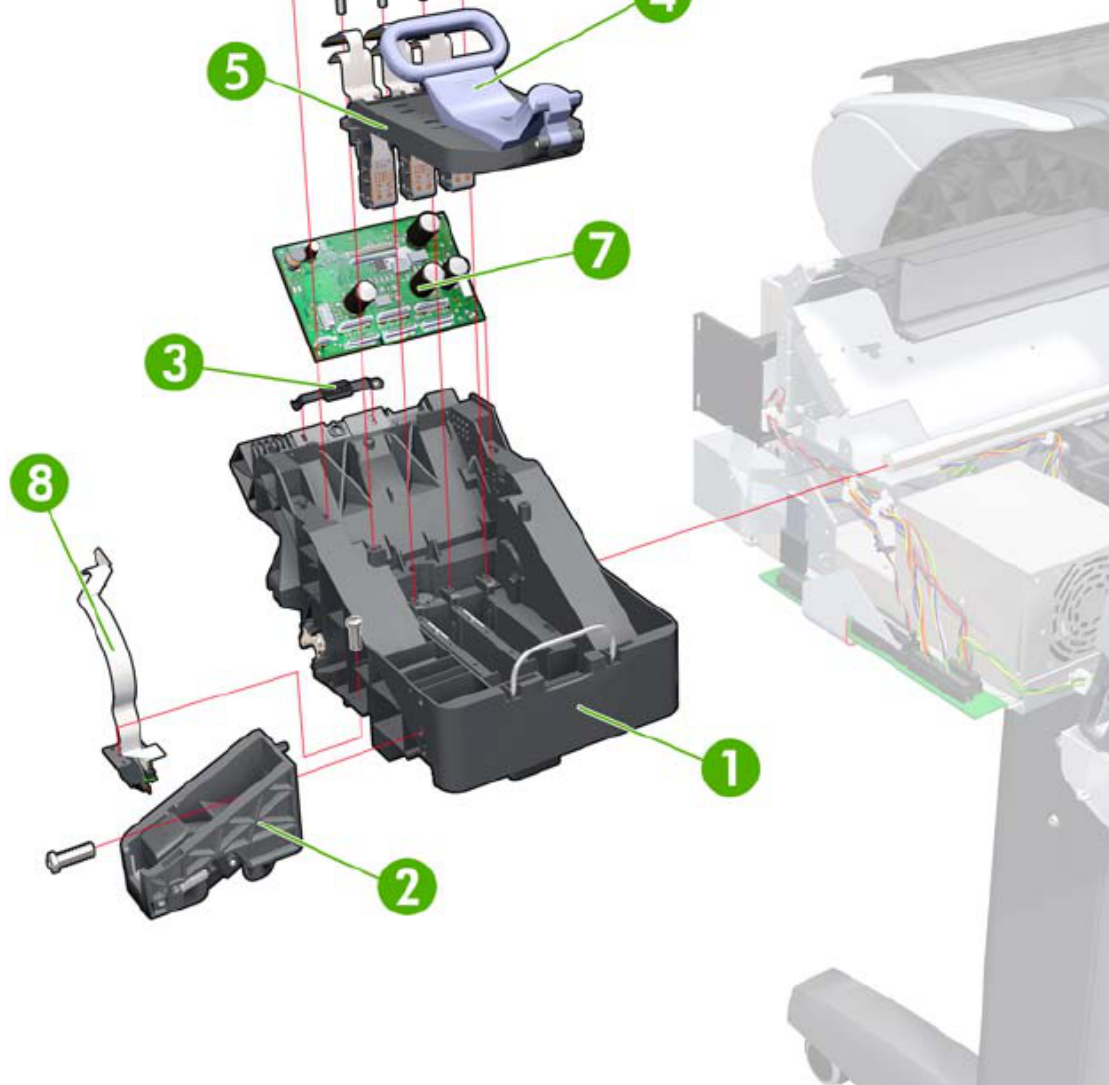
	HP Part Number	Part Description	Printer Model	Cross-reference
1	Q6683-60188	Left Ink Supply Station	All	Ink Supply Station, Left on page 283
2	Q6718-67017	Starwheel Motor	All	Starwheel Motor on page 382
3	CK837-67020	Encoder Sensor	All	Encoder Disk and Encoder Sensor on page 260
4	Q5669-60702	Encoder Disk	All	Encoder Disk and Encoder Sensor on page 260
5	CH538-67027	Media Advance Transmission	All	Media Advance Drive on page 302
6	Q5669-67049	Left Spittoon	All	Spittoon, Left on page 374
7	CH538-67011	Power Supply Unit (PSU)	All	Electronics Module Main PCA and PSU on page 256
8	CH538-67009	Main PCA with PSU	All	Electronics Module Main PCA and PSU on page 256
9	CH538-67004	Formatter without Hard Disk	All	Formatter on page 266
10	CQ305-60023	SATA Hard Disk Drive with FW	All	Formatter on page 266
11	Q5669-60705	Media Lever	All	Media Lever on page 309
12	Q5669-60706	Media Lever Position Sensor	All	Media Lever Position Sensor on page 311



Carriage Assembly

	HP Part Number	Part Description	Printer Model	Cross-reference
1	CH538-67044	Carriage with Cutter Assembly	All	Carriage and Cutter Assembly on page 208
2	CH538-67019	Cutter Assembly with Screw CSR A)	All	Cutter Assembly on page 247
3	Q5669-60687	Carriage Rear Bushing	All	Carriage Bushing, Rear on page 217
4	CK837-67001	Carriage Latch	All	Carriage Cover and Carriage Latch on page 219
5	CK837-67002	Carriage Cover	All	Carriage Cover and Carriage Latch on page 219
6	CK837-67003	Carriage PCA Cover	All	Carriage PCA on page 226
7	CK837-67005	Carriage PCA	All	Carriage PCA on page 226
8	Q6683-67004	Line Sensor	All	Line Sensor on page 296



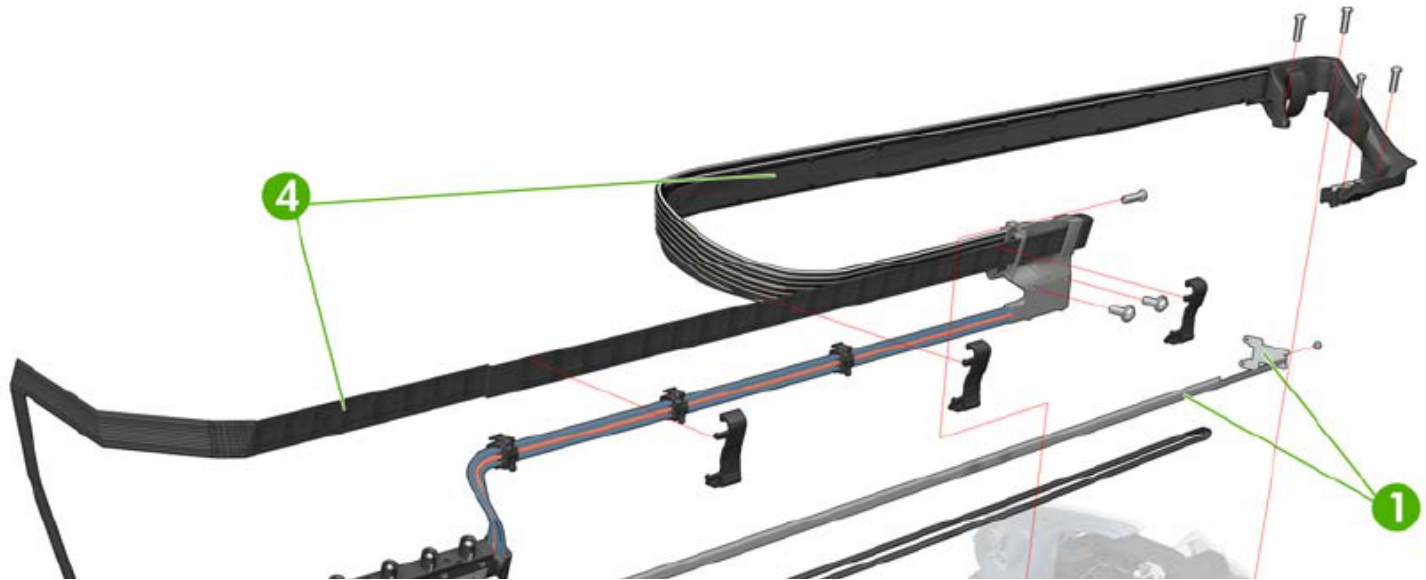


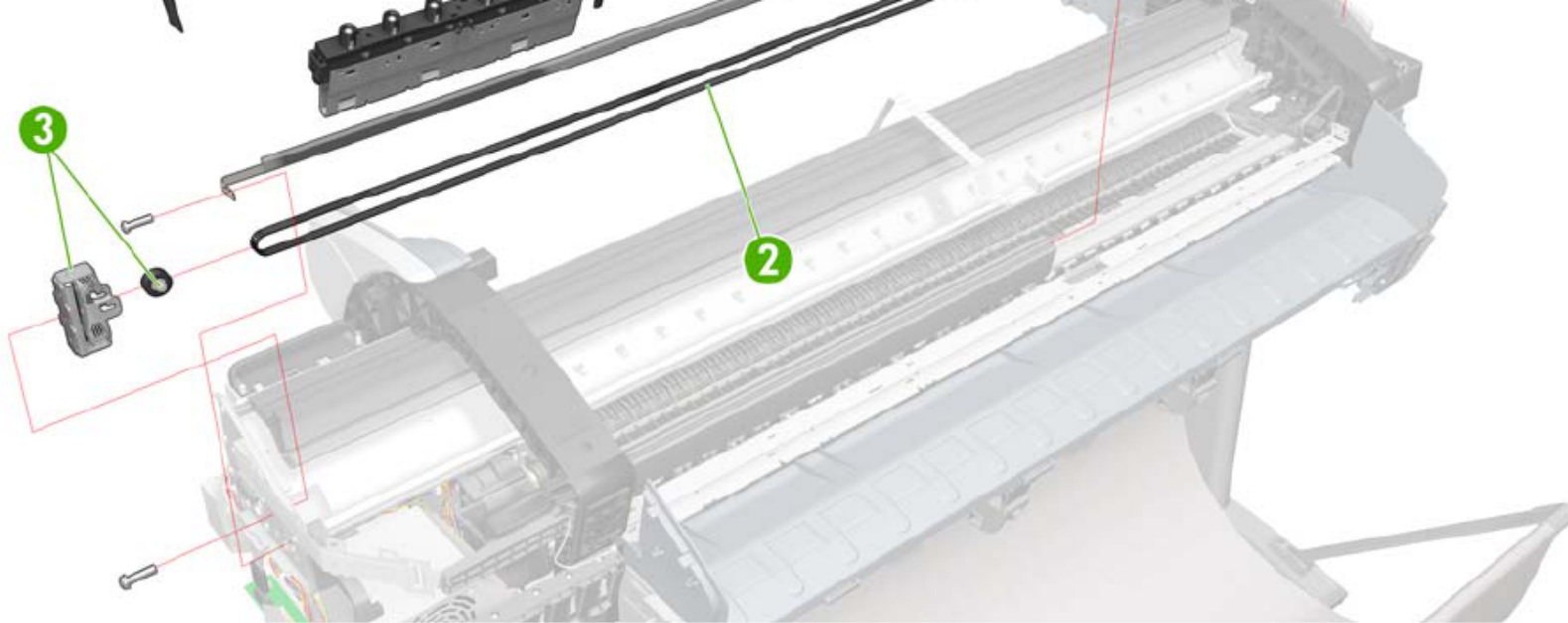
ENWW

Carriage Assembly 169

Scan-Axis Assemblies

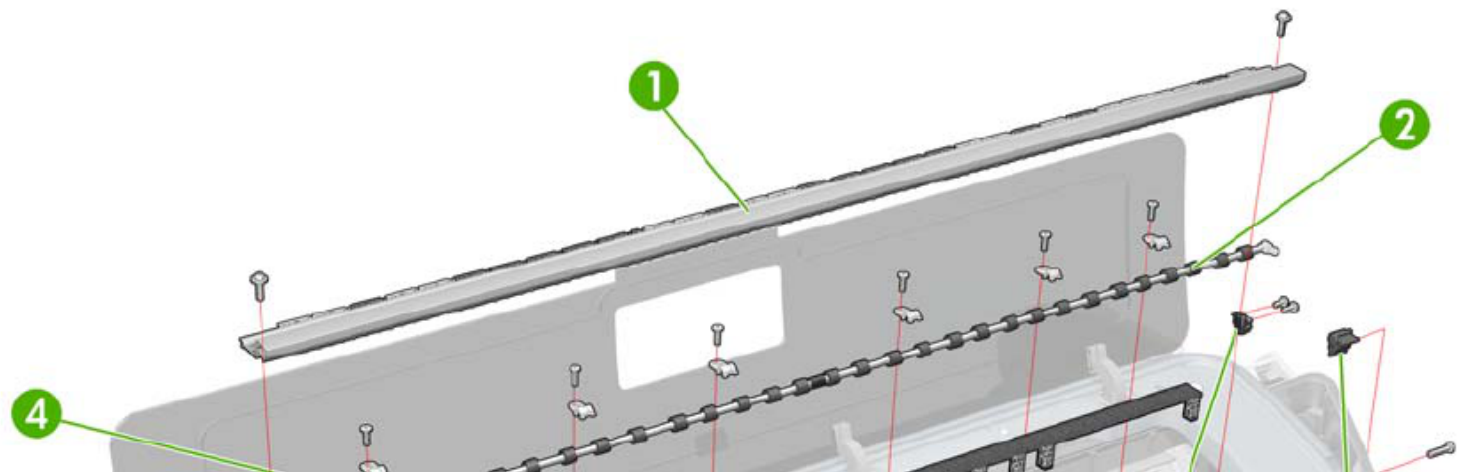
	HP Part Number	Part Description	Printer Model	Cross-reference
1	CK839-67005	Encoder Strip (including Encoder Strip Spring and Nut)	All 44-in models	Encoder Strip, spring and attachment nut on page 263
1	CK837-67017	Encoder Strip (including Encoder Strip Spring and Nut)	All 24-in models	Encoder Strip, spring and attachment nut on page 263
2	CH538-67018	Belt Assembly with Belt Tensioner (3)	All 44-in models	Belt Assembly on page 187
2	CQ305-60016	Belt Assembly with Belt Tensioner (3)	All 24-in models	Belt Assembly on page 187
4	CH538-67025	Tube System with Trailing Cable	All 44-in models	Trailing Cable on page 384
4	CK837-67014	Tube System with Trailing Cable	All 24-in models	Trailing Cable on page 384

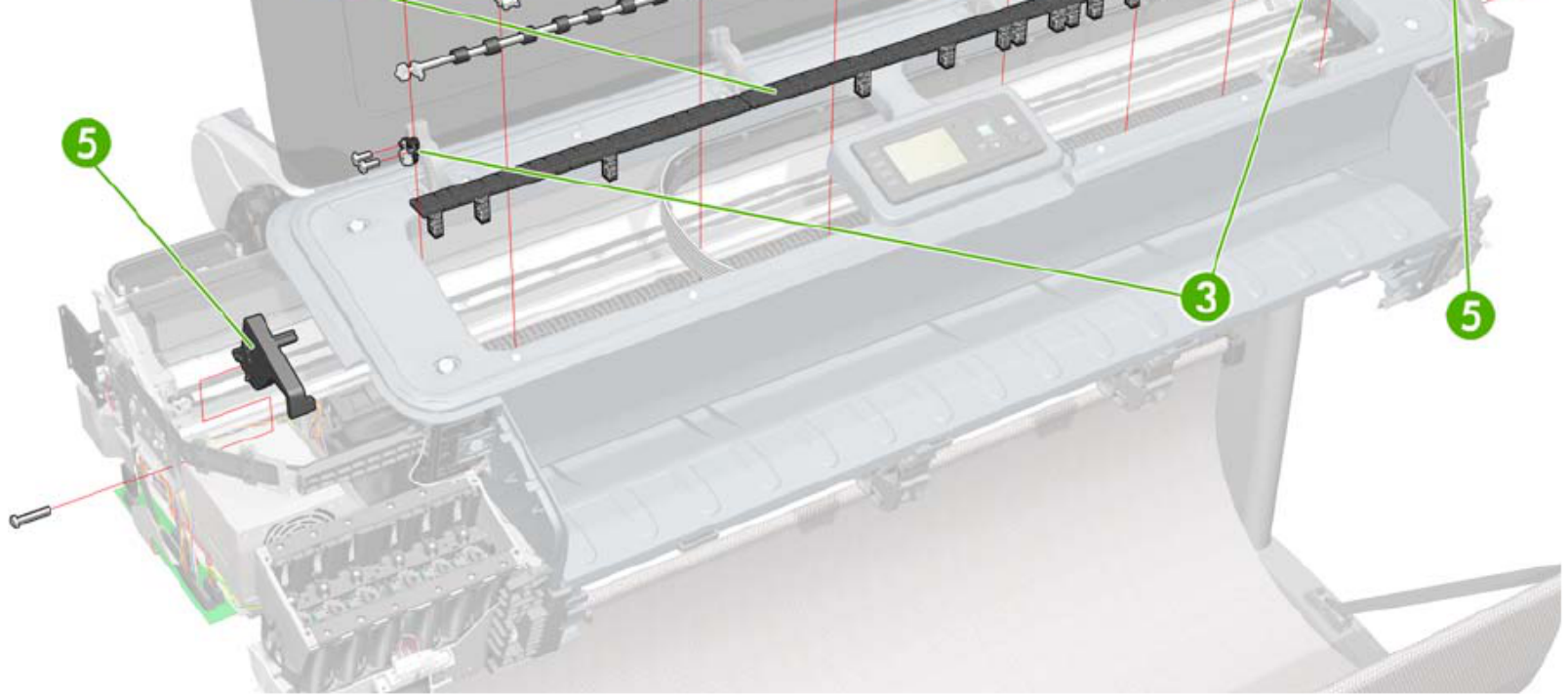




Paper Path Assemblies (Front)

	HP Part Number	Part Description	Printer Model	Cross-reference
1	Q6687-60060	Starwheel Assembly	All 44-in models	Starwheel Assembly on page 375
1	Q6683-60196	Starwheel Assembly	All 24-in models	Starwheel Assembly on page 375
2	Q6677-60018	Print Zone Overdrive	All 44-in models	Print Zone Overdrive on page 333
2	Q6675-60042	Print Zone Overdrive	All 24-in models	Print Zone Overdrive on page 333
3	Q5669-67054	Starwheel Support Assembly	All	
4	Q6659-60182	Full Bleed Foam Kit	All	Full Bleed Foam on page 277
5	CH538-67064	Bumper Cutter Actuator (Left and Right)	All	



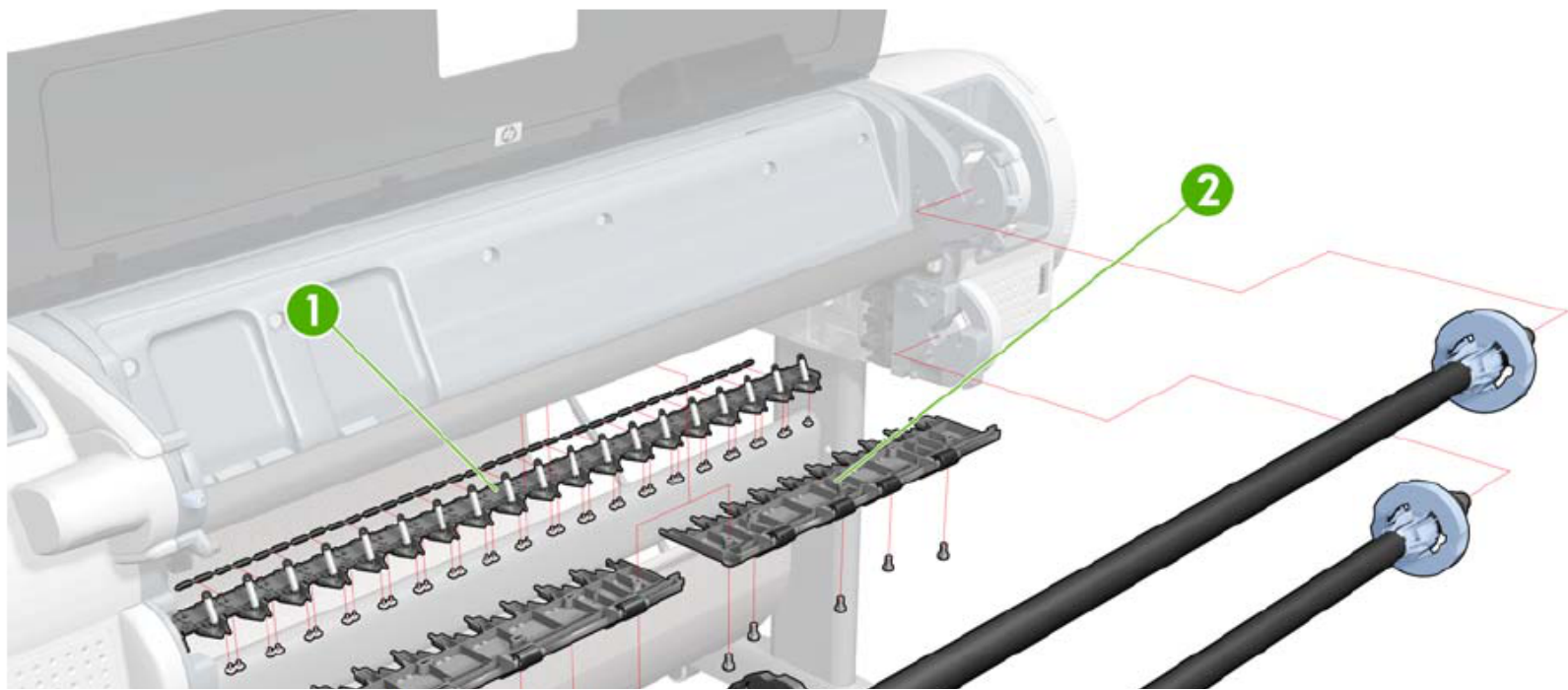


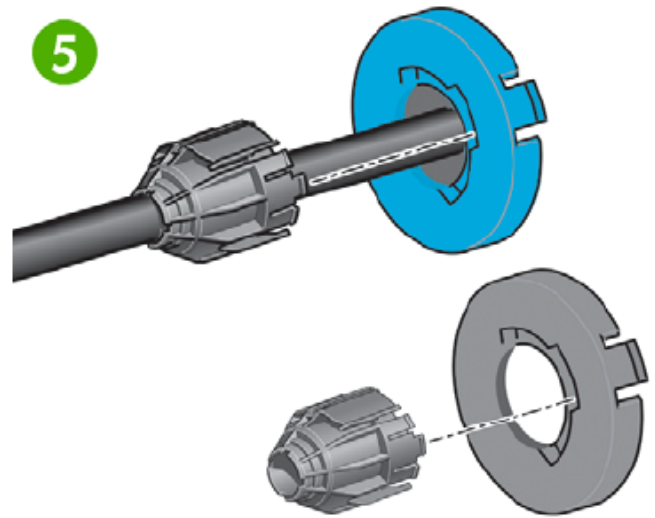
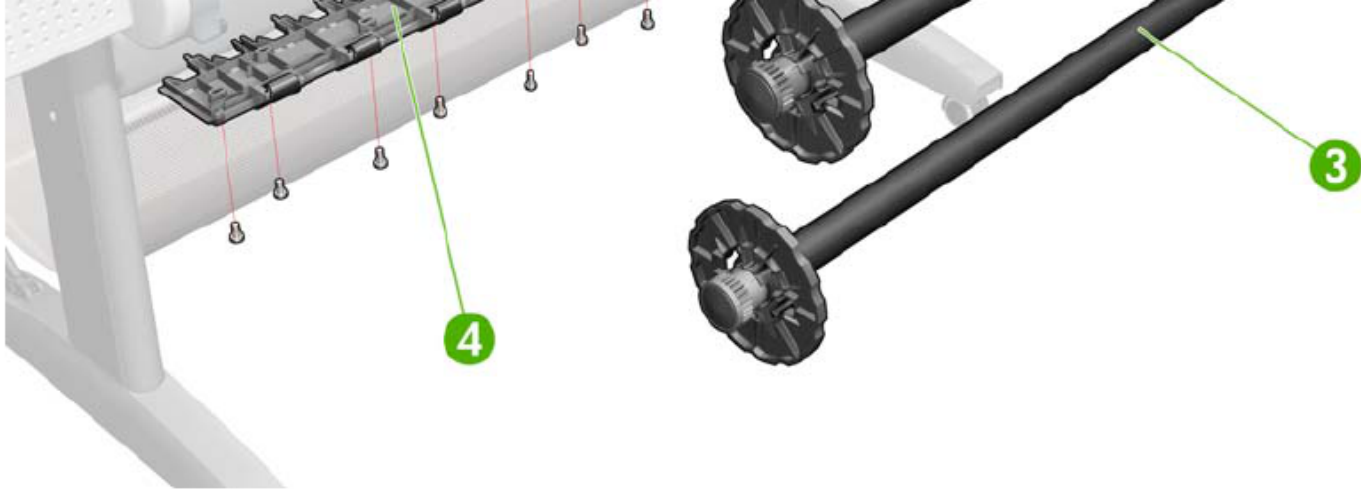
ENWW

Paper Path Assemblies (Front) 171

Paper Path Assemblies (Rear)

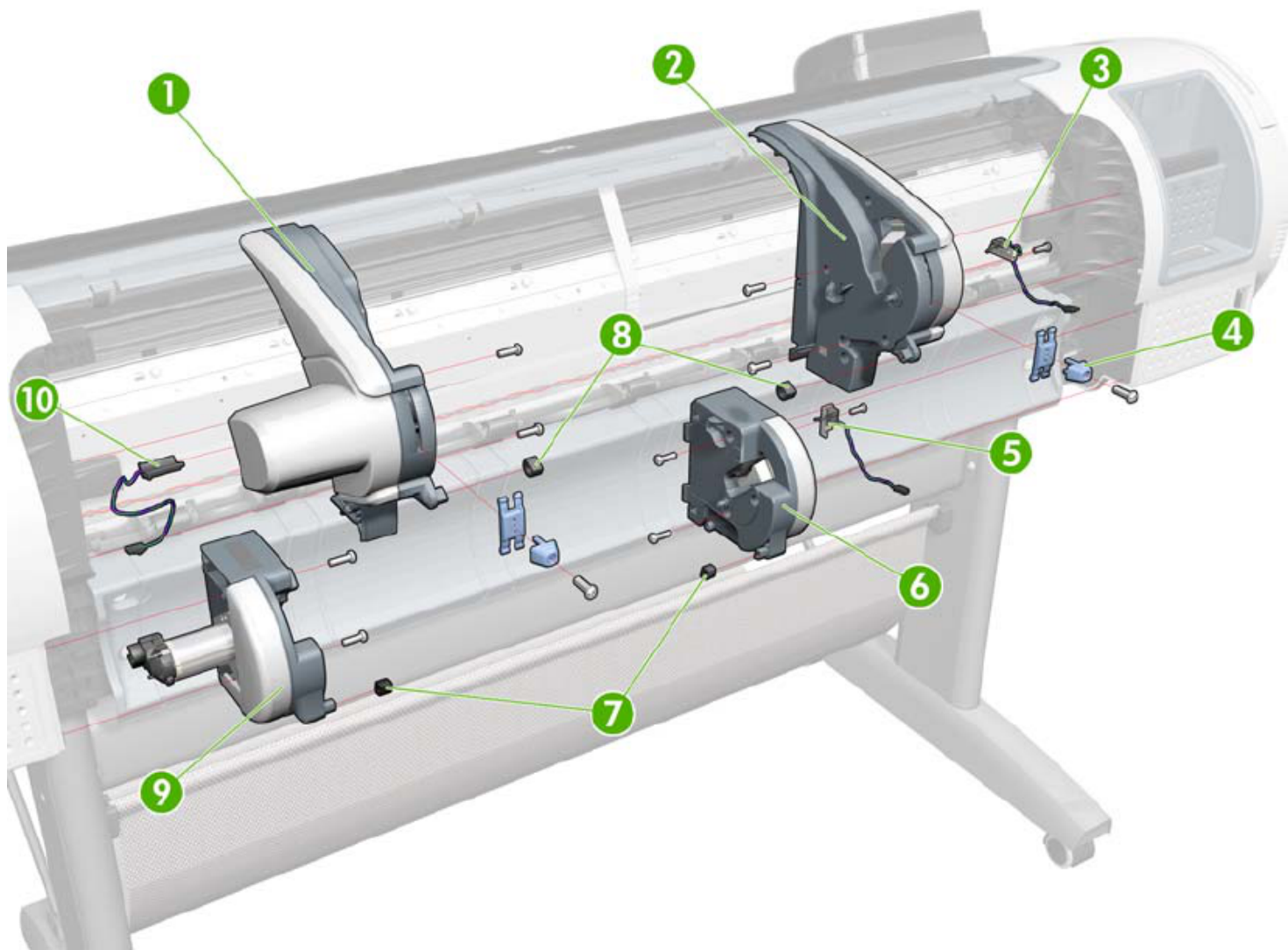
	HP Part Number	Part Description	Printer Model	Cross-reference
1	Q6687-60085	Pinchwheel Assembly	All	Pinchwheel Assembly on page 325
2	Q6677-60019	Left Roll Guide	All 44-in models	Roll Guide, Left on page 352
3	Q6687-67001	Spindle (CSR A)	All 44-in models	Spindle on page 373
3	CQ305-60020	Spindle (CSR A)	All 24-in models	Spindle on page 373
4	Q6675-60044	Right Roll Guide	All	Roll Guide, Right on page 353
5	Q6675-60093	3-inch Core Adaptors (2)	All	Roll Guide, Right on page 353





Roll Supports

	HP Part Number	Part Description	Printer Model	Cross-reference
1	CH538-67028	Upper Right Support	All	Roll Support, Upper Right on page 361
2	CH538-67015	Upper Left Support	T1200 44 in	Roll Support, Upper Left on page 359
2	CH539-67007	Upper Left Support without Sensor	T770, T1200 24 in	Roll Support, Upper Left on page 359
3	CH538-67065	Upper Left Support Sensor with Cable	T1200 44 in	Roll Support Sensor, Upper Left (T1200 only) on page 358
4	CH538-67046	Wall Spacers, Left and Right	All	Wall Spacers on page 391
5	CH538-67041	Lower Left Support Sensor with Cable	T1200 44 in	Roll Support Sensor, Lower Left (T1200 only) on page 357
6	CH538-67016	Lower Left Support	T1200 44 in	Roll Support, Lower Left (T1200 only) on page 354
7	CH538-67052	Lower Roll Support Bumpers, Left and Right	T1200 44 in	Bumpers, Left and Right on page 197
8	CH538-67051	Upper Roll Support Bumpers, Left and Right (CSR A)	All	Bumpers, Left and Right on page 197
9	CH538-67029	Lower Right Support	T1200 44 in	Roll Support, Lower Right (T1200 only) on page 355
10	CH538-67033	Single Sheet Sensor	All	Single-sheet Sensor on page 371



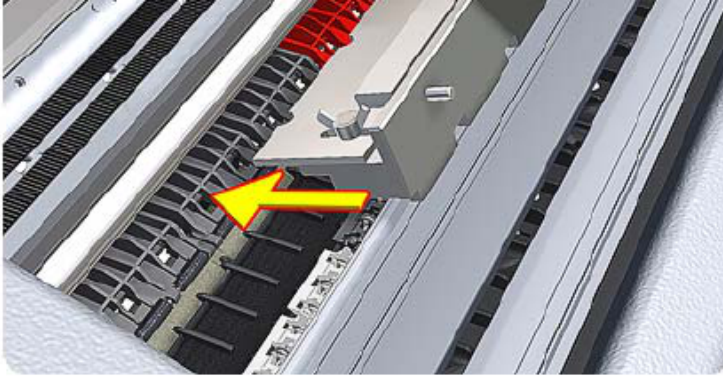
ENWW

Roll Supports 173

Tools 1

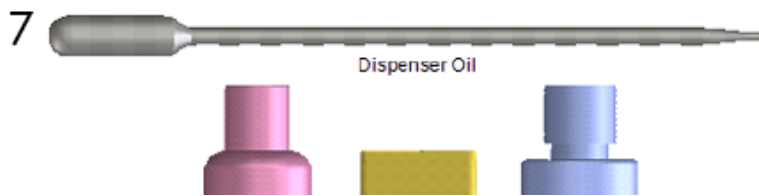
	HP Part Number	Part Description	Printer Model
1	Q6675-67018	Media Driver Tool Kit (includes the Handle for Media Driver Tool Support and the Media Driver Adjustment Tool)	All
2	Q5669-60690	Flex Contacts Cleaning Tool (CSR A)	All
3-4	Q6687-60084	Pinchwheel Insertion Tool	All

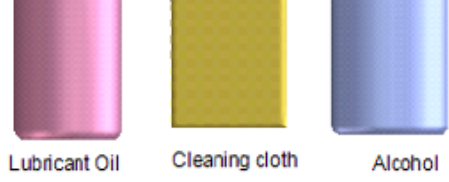




Tools 2

	HP Part Number	Part Description	Printer Model
5	Q6675-6701Z	Spanner Tool	All
6	Q6683-67001	Tool Kit (includes pinchwheel alignment tool, paper driver tool, spanner # 13, oil dispenser, insert spring tool, tweezers, T15 screwdriver, 100 cc isopropyl alcohol, lubricant oil, plastic gloves, flex contacts cleaning tool and cleaning kit)	All
7	Q5669-60692	Lubrication Kit (CSR A)	All
8	CH538-6704Z	Bi-stable Spring Left and Right	All





ENWW

Tools 2 175

Miscellaneous Parts

HP Part Number	Part Description	Printer Model
CH538-67006	Cables Kit	T1200
CH539-67003	Cables Kit	T770 44 in
CQ305-60014	Cables Kit	T770 24 in
CH538-67020	Serial Number Label (CSR A)	All
CH538-67024	Preventive Maintenance Kit #1	All 44-in models
CQ305-60017	Preventive Maintenance Kit #1	All 24-in models
CH538-67040	Preventive Maintenance Kit #2	All
Q6687-60093	Paper Advance Calibration Kit (CSR A)	All 44-in models
Q6683-60241	Paper Advance Calibration Kit (CSR A)	All 24-in models
CK837-67008	Harness Cables, Left and Right	All
Q6675-67004	Ink System Purgers (6 units) (CSR A)	All
Q6675-67005	Ink System Purgers (100 units)	All
CH538-67005	Left Side Panel SV	T1200 44 in
CH539-67002	Left Side Panel SV	T770, T1200 24 in
CH538-67019	Cutter Assembly with Screw SV	All
CH538-67037	Pinch Arm Assembly for Roll Cover SV	T1200 44 in
CH538-67050	Roll Cover Freewheel SV	All 44-in models
CH538-67051	Roll Cover Upper Bumper Left and Right SV	All

CH538-67051	Roll Cover Upper Bumper Left and Right SV	All
CH538-67053	Support Label CN375-80001 Nameplate SV (CSR A)	All
CH538-67054	Support Label CH538-80023 Nameplate SV (CSR A)	All
CH539-67019	Support Label CH539-80001 Nameplate SV (CSR A)	All
CH539-67020	Support Label CK834-80001 Nameplate SV (CSR A)	All
CQ305-60021	Support Label + Nameplate SV (CSR A)	T770 24 in
CQ305-60022	Support Label + Nameplate SV (CSR A)	T770 HD 24 in
CH538-67049	Support and Cables for External Hard Disk Drive (CSR A)	T1200

6 Removal and Installation

[Introduction on page 180](#)

[Service Calibration Guide to Removal and Installation on page 184](#)

[Belt Assembly on page 187](#)

[Bin Assembly on page 188](#)

[Bi-stable Springs \(T1200 only\) on page 191](#)

[Bumpers, Left and Right on page 197](#)

[Cable Harness on page 200](#)

[Carriage and Cutter Assembly on page 208](#)

[Carriage Bushing, Rear on page 217](#)

[Carriage Cover and Carriage Latch on page 219](#)

[Carriage Rail Oiler on page 224](#)

[Carriage PCA on page 226](#)

Cleanout on page 231

Converger on page 233

Cover, Front on page 235

Cover, Left on page 236

Cover, Rear on page 240

Cover, Right on page 241

Cover, Top on page 244

Cutter Assembly on page 247

Drop Detector on page 251

EE Box on page 253

Electronics Module Main PCA and PSU on page 256

Encoder Disk and Encoder Sensor on page 260

Encoder Strip on page 262

Encoder Strip, spring and attachment nut on page 263