

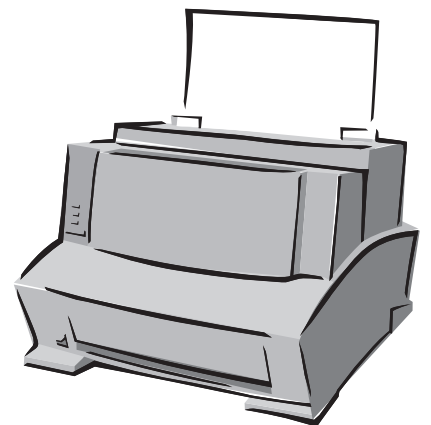
HP

LaserJet 5L/6L/6L Gold/6L Pro

Printer

Service Manual

English





# HP LaserJet 5L/6L/6L Gold/6L Pro Printer

**Service Manual** \_\_\_\_\_

© Copyright Hewlett-Packard Company, 2002

All Rights Reserved. Reproduction, adaptation, or translation without prior written permission is prohibited, except as allowed under the copyright laws.

Part number: C8060-90903

Second Edition, February 2002

## Warranty

The information contained in this document is subject to change without notice.

Hewlett-Packard makes no warranty of any kind with respect to this information. HEWLETT-PACKARD SPECIFICALLY DISCLAIMS THE IMPLIED WARRANTY OF MERCHANTABILITY AND FITNESS FOR A PARTICULAR PURPOSE.

Hewlett-Packard shall not be liable for any direct, indirect, incidental, consequential, or other damage alleged in connection with the furnishing or use of this information.

## Trademark Credits

ENERGY STAR is a U.S. registered service mark of the United States Environmental Protection Agency.



## Conventions

This is a combined Service Manual for the HP LaserJet 5L, 6L, 6L Gold, and 6L Pro printers. The HP LaserJet 6L Gold shares the same characteristics as the HP LaserJet 6L. For the purposes of this manual, the “HP LaserJet 6L” refers to both the 6L and the 6L Gold.

This manual uses the following conventions:

**COLOR** is used to emphasize items that are important to the material under discussion.

**Bold** is used for emphasis, particularly in situations where *italic* type would be confusing.

*Italic* type is used to indicate related documents or emphasis.

---

### Hint

Hints are used to suggest an action that might simplify the process.

---

### Note

Notes contain important information set off from the text.

---

### CAUTION

Caution messages alert you to the possibility of damage to equipment or loss of data.

---

### WARNING!

Warning messages alert you to the possibility of personal injury.



# Contents

## 1 Product information

Chapter contents . . . . .	13
Printer features . . . . .	14
Identification . . . . .	15
HP LaserJet 6L Gold . . . . .	15
Model and serial . . . . .	15
Specifications . . . . .	18
Product overview . . . . .	19
Service approach . . . . .	22
Parts Exchange Program . . . . .	22
Ordering parts . . . . .	22
Ordering related documentation . . . . .	22
Contacting HP to place an order . . . . .	22
Technical assistance . . . . .	23
HP Customer Care . . . . .	23
HP worldwide sales and service offices . . . . .	25
Warranty . . . . .	28
Hardware service during the warranty period . . . . .	28
Hardware service after the warranty period . . . . .	28
HP LaserJet Toner Cartridge warranty . . . . .	29
Voltage conversions . . . . .	29

## 2 Site requirements

Chapter contents . . . . .	31
Site requirements . . . . .	32
Operating environment . . . . .	32
Printer space requirements . . . . .	33
The HP C3906A/F Toner Cartridge . . . . .	34
Storage conditions . . . . .	34
Storing opened toner cartridges . . . . .	34
Toner cartridge handling suggestions . . . . .	35

## 3 Operating overview

Chapter contents . . . . .	37
Using the Control Panel . . . . .	38
Control Panel layout . . . . .	38
Indicator lights . . . . .	38
The Control Panel Button . . . . .	40
Printing a self-test page . . . . .	41
Continuous self test . . . . .	44
Printing an engine test . . . . .	44
Resetting the printer . . . . .	45
To reset the printer . . . . .	45

## 4 Printer maintenance

Chapter contents	.47
Life expectancy of consumables	.48
Toner cartridge life	.49
Saving toner with EconoMode	.49
Refilled toner cartridges	.50
Recycling toner cartridges	.50
Cleaning the printer	.51
Cleaning printer components	.51
Cleaning spilled toner	.52

## 5 Functional overview

Chapter contents	.53
Basic printer functions	.54
DC Controller/power system	.55
Print engine control system	.56
Power system (on DC Controller PCA)	.56
Formatter system	.58
CPU	.58
Read only memory (ROM)	.58
Random access memory (RAM)	.58
Parallel interface	.58
Control Panel	.58
Resolution Enhancement technology (REt)	.59
EconoMode	.59
Memory Enhancement technology (MEt)	.59
Enhanced I/O	.59
Page Protect	.60
PJL overview	.60
Image formation system	.61
Toner cartridge	.61
Step 1: Drum cleaning	.62
Step 2: Drum conditioning	.62
Step 3: Image writing	.62
Step 4: Image developing	.62
Step 5: Image transferring	.62
Step 6: Image fusing	.62
Paper feed system	.63
Paper jam detection	.65
Basic sequence of operation	.66

## 6 Removal and replacement

Chapter contents	.69
Removal and replacement strategy	.70
Required tools	.71
Installing memory cards (DRAM)	.72
Covers and doors	.73
Back Cover	.73
EP Door Assembly	.75
Memory Door	.76
Main Cover and Paper Input Assembly	.77
Internal assemblies	.78
Control Panel	.78
Exit Roller Assembly	.79
Delivery Assembly	.80
Fuser Pressure Plate	.82
Heating Element	.84



Pressure Roller . . . . .	87
Face-Up/Face-Down Lever. . . . .	88
Fuser Exit Roller Assembly. . . . .	89
Paper Exit Sensor Flag . . . . .	90
Top assemblies . . . . .	91
Laser/Scanner Assembly . . . . .	91
Solenoid . . . . .	92
Pickup Roller Assembly . . . . .	94
Paper Feed Frame . . . . .	97
Transfer Roller Guide and Transfer Roller . . . . .	101
Kick Plate . . . . .	102
Separation Pad . . . . .	104
Subpads . . . . .	105
Feed Assembly . . . . .	106
Bottom assemblies . . . . .	109
Memory Door Guide . . . . .	109
Motor. . . . .	110
DC Controller . . . . .	111
Formatter PCA . . . . .	114

## 7 Troubleshooting

Chapter contents . . . . .	115
General troubleshooting flowchart. . . . .	116
Paper path and components. . . . .	118
DC Controller diagram. . . . .	119
Printer error troubleshooting . . . . .	120
Priority of errors . . . . .	120
Printer status messages . . . . .	121
Service and error messages . . . . .	123
Image formation troubleshooting. . . . .	126
Check the toner cartridge . . . . .	126
Image defect examples . . . . .	127
Troubleshooting checks . . . . .	133
Engine test . . . . .	133
Half self-test functional check . . . . .	134
Drum rotation functional check . . . . .	134
High-voltage power supply check . . . . .	135
Paper curl . . . . .	137
Troubleshooting tools . . . . .	138
Paper path check . . . . .	138
Repetitive image defect ruler . . . . .	139
Main wiring diagram . . . . .	140

## 8 Parts and diagrams

Chapter contents . . . . .	143
How to use the part lists and diagrams . . . . .	144
Ordering parts . . . . .	144
Ordering consumables . . . . .	144
Accessories and supplies . . . . .	145
Common hardware . . . . .	146
Parts diagrams . . . . .	147

## Appendix A Parts index

Alphabetical parts list . . . . .	167
Numerical parts list . . . . .	172

## Appendix B Regulatory information

Laser Safety (U.S.) . . . . .	177
Laser Statement (Finland) . . . . .	178
Toner safety . . . . .	179
Ozone emission . . . . .	179
FCC Statement (Class B) . . . . .	180
VCCI Statement (Japan) . . . . .	180

# Figures

Figure 1-1	HP LaserJet 5L model and serial numbers . . . . .	15
Figure 1-2	HP LaserJet 6L model and serial numbers . . . . .	16
Figure 1-3	HP LaserJet 6L Pro model and serial numbers . . . . .	17
Figure 1-4	Front/side views of the printer . . . . .	19
Figure 1-5	Front door assemblies . . . . .	20
Figure 1-6	Back view of the printer . . . . .	21
Figure 2-1	Printer space requirements . . . . .	33
Figure 2-2	Toner cartridge distribution . . . . .	35
Figure 3-1	Self-test page for HP LaserJet 5L . . . . .	41
Figure 3-2	Self-test page for HP LaserJet 6L . . . . .	42
Figure 3-3	Self-test page for HP LaserJet 6L Pro . . . . .	43
Figure 3-4	Engine test button . . . . .	44
Figure 4-1	Five percent text coverage . . . . .	49
Figure 4-2	Static Eliminator Teeth (located in front of the transfer roller) . . . . .	52
Figure 5-1	Printer functional block diagram . . . . .	54
Figure 5-2	DC Controller loads . . . . .	55
Figure 5-3	EconoMode vs. Normal Mode . . . . .	59
Figure 5-4	Image formation block diagram . . . . .	61
Figure 5-5	Simplified paper path . . . . .	63
Figure 5-6	Solenoid and sensors . . . . .	64
Figure 5-7	General timing diagram - HP LaserJet 5L . . . . .	67
Figure 5-8	General timing diagram - HP LaserJet 6L and HP LaserJet 6L ProSL . . . . .	68
Figure 6-1	Phillips and PosiDriv screwdrivers . . . . .	71
Figure 6-2	Back Cover removal (1 of 2) . . . . .	73
Figure 6-3	Back Cover removal (2 of 2) . . . . .	74
Figure 6-4	EP Door Assembly removal . . . . .	75
Figure 6-5	Memory Door removal . . . . .	76
Figure 6-6	Main Cover and Paper Input Assembly removal . . . . .	77
Figure 6-7	Control Panel removal . . . . .	78
Figure 6-8	Exit Roller removal . . . . .	79
Figure 6-9	Delivery Assembly removal (1 of 2) . . . . .	80
Figure 6-10	Delivery Assembly removal (2 of 2) . . . . .	81
Figure 6-11	Fuser Pressure Plate removal . . . . .	82
Figure 6-12	Fuser Pressure Plate replacement . . . . .	83
Figure 6-13	Heating Element removal (1 of 3) . . . . .	84
Figure 6-14	Heating Element removal (2 of 3) . . . . .	85
Figure 6-15	Heating Element removal (3 of 3) . . . . .	86
Figure 6-16	Pressure Roller Guide removal . . . . .	87
Figure 6-17	Face-Up/Face-Down Lever replacement . . . . .	88
Figure 6-18	Fuser Exit Roller removal . . . . .	89
Figure 6-19	Paper Exit Sensor Flag replacement . . . . .	90
Figure 6-20	Laser/Scanner Assembly removal . . . . .	91
Figure 6-21	Solenoid removal (1 of 2) . . . . .	92
Figure 6-22	Solenoid removal (2 of 2) . . . . .	93
Figure 6-23	Pickup Roller Assembly removal (1 of 2) . . . . .	94
Figure 6-24	Pickup Roller Assembly removal (2 of 2) . . . . .	95
Figure 6-25	Paper Pickup Roller Assembly replacement (inside/front view) . . . . .	96
Figure 6-26	Paper Feed Frame removal (1 of 4) . . . . .	97
Figure 6-27	Paper Feed Frame removal (2 of 4) . . . . .	98
Figure 6-28	Paper Feed Frame removal (3 of 4) . . . . .	99
Figure 6-29	Paper Feed Frame removal (4 of 4) . . . . .	100
Figure 6-30	Transfer Roller Guide and Transfer Roller removal (inside/back view) . . . . .	101

Figure 6-31	Kick Plate removal . . . . .	102
Figure 6-32	Kick Plate Spring replacement . . . . .	103
Figure 6-33	Separation Pad removal . . . . .	104
Figure 6-34	Subpad removal . . . . .	105
Figure 6-35	Feed Assembly removal (1 of 3) . . . . .	106
Figure 6-36	Feed Assembly removal (2 of 3) . . . . .	107
Figure 6-37	Feed Assembly removal (3 of 3) . . . . .	108
Figure 6-38	Memory Door Guide removal . . . . .	109
Figure 6-39	Motor removal . . . . .	110
Figure 6-40	DC Controller removal (1 of 3) . . . . .	111
Figure 6-41	DC Controller removal (2 of 3) . . . . .	112
Figure 6-42	DC Controller removal (3 of 3) . . . . .	113
Figure 6-43	Formatter Board removal . . . . .	114
Figure 7-1	Paper path and components . . . . .	118
Figure 7-2	DC Controller PCA components . . . . .	119
Figure 7-3	Heating element resistance check . . . . .	124
Figure 7-4	Engine test . . . . .	133
Figure 7-5	Toner cartridge high-voltage connection points (1 of 2) . . . . .	135
Figure 7-6	Toner cartridge high-voltage connection points (2 of 2) . . . . .	136
Figure 7-7	Overriding PS204 and SW101 . . . . .	138
Figure 7-8	Repetitive image defect ruler . . . . .	139
Figure 7-9	Main wiring diagram . . . . .	140
Figure 8-1	Major assembly locations . . . . .	147
Figure 8-2	Covers and doors . . . . .	148
Figure 8-3	Internal components (1 of 3) . . . . .	150
Figure 8-4	Internal components (2 of 3) . . . . .	152
Figure 8-5	Internal components (3 of 3) . . . . .	154
Figure 8-6	DC Controller/formatter and cables . . . . .	156
Figure 8-7	Pickup Roller assembly . . . . .	158
Figure 8-8	Feed assembly . . . . .	160
Figure 8-9	Separation Guide assembly . . . . .	162
Figure 8-10	Delivery assembly . . . . .	164
Figure A-1	VCCI statement (Japan) . . . . .	180

# Tables

Table 1-1	Printer Features . . . . .	14
Table 1-2	Printer Features . . . . .	14
Table 1-3	Performance specifications . . . . .	18
Table 1-4	Electrical specifications . . . . .	18
Table 1-5	Acoustic emissions . . . . .	18
Table 1-6	Related documentation . . . . .	22
Table 2-1	Environmental requirements . . . . .	32
Table 2-2	Printer dimensions . . . . .	33
Table 3-1	Indicator Lights . . . . .	38
Table 3-2	Control Panel Button usage . . . . .	40
Table 4-1	Life expectancy of consumables . . . . .	48
Table 4-2	Cleaning printer components . . . . .	51
Table 5-1	Solenoid and sensors . . . . .	64
Table 5-2	Printer timing . . . . .	66
Table 7-1	Printer status messages . . . . .	121
Table 7-2	Unclearable error . . . . .	122
Table 7-3	Service and error messages . . . . .	123
Table 7-3	Service and error messages (Continued 2 of 3) . . . . .	124
Table 7-3	Service and error messages (Continued 3of 3) . . . . .	125
Table 7-4	High-voltage power supply check . . . . .	135
Table 7-5	Paper curl troubleshooting . . . . .	137
Table 7-6	Cable pinouts . . . . .	141
Table 8-1	Accessories and supplies . . . . .	145
Table 8-2	Common fasteners used in the printer . . . . .	146
Table 8-3	Covers and doors . . . . .	149
Table 8-4	Internal components . . . . .	151
Table 8-5	Internal components (2 of 3) . . . . .	153
Table 8-6	Internal components (3 of 3) . . . . .	155
Table 8-7	DC Controller case . . . . .	157
Table 8-8	Pickup Roller assembly . . . . .	159
Table 8-9	Feed assembly . . . . .	161
Table 8-10	Separation Guide assembly . . . . .	163
Table 8-11	Delivery assembly . . . . .	165
Table A-1	Alphabetical parts list . . . . .	167
Table A-2	Numerical parts list . . . . .	172



# 1

# Product information

## Chapter contents

Printer features . . . . .	14
Paper capacities and sizes . . . . .	14
Identification . . . . .	15
HP LaserJet 6L Gold . . . . .	15
Model and serial . . . . .	15
Specifications . . . . .	18
Product overview . . . . .	19
Front/side views of the printer . . . . .	19
Front door assemblies . . . . .	20
Back view of the printer . . . . .	21
Service approach . . . . .	22
Parts Exchange Program . . . . .	22
Ordering parts . . . . .	22
Ordering related documentation . . . . .	22
Technical assistance . . . . .	23
HP Customer Care . . . . .	23
HP worldwide sales and service offices . . . . .	25
Warranty . . . . .	28
Hardware service during the warranty period . . . . .	28
Hardware service after the warranty period . . . . .	28
HP LaserJet Toner Cartridge warranty . . . . .	29
Voltage conversions . . . . .	29

# Printer features

## Note

All references in this manual to the HP LaserJet 6L printer also apply to the HP LaserJet 6L Gold printer.

**Table 1-1 Printer Features**

Feature	Description
Print Speed	4 ppm (HP LaserJet 5L); 6 ppm (HP LaserJet 6L/6L Gold and HP LaserJet 6L Pro)
Text and Graphics Resolution	300 or 600 dpi
Printer Language	Enhanced PCL 5 (or host-based on HP LaserJet 6L/6L Gold)
Monthly Usage (pages)	4,000 pages (HP LaserJet 5L); 6,000 pages (HP LaserJet 6L/6L Gold)
Memory: Standard <sup>1</sup>	5L and 6L/6L Gold = 1 MB RAM, 2 MB ROM 6L Pro = 4 MB RAM, 4 MB ROM
Maximum	5L and 6L/6L Gold = 9 MB total (available in increments of 1, 2, 4, and 8 MB) <sup>2</sup>
Capacity	5 V JEDIA card <sup>3</sup>
Internal Typefaces	26 Scalable Typefaces
Standard Interfaces	IEEE-1284 parallel
Power Control	SleepMode
Control Panel	3 LEDs and 1 Control Panel Button
EconoMode (toner saving)	Yes

1. Printer memory is optimized with Memory Enhancement technology (MET).

2. Not available for the HP LaserJet 6L Pro, 4 MB standard.

3. JEDIA (Japanese Electronic Device Industry Association) is a group of DRAM suppliers who have standardized DRAM and other CMOS products.

## Paper capacities and sizes

**Table 1-2 Printer Features**

Feature	Description
Paper Input Tray Capacity	Holds up to 100 sheets of regular weight paper or up to 10 envelopes
Paper Output Bin Capacity	Holds up to 100 sheets
Single Sheet Input Slot	1
Minimum Paper Size	76 mm by 127 mm (3 by 5 inches)
Maximum Paper Size	216 mm by 356 mm (8.5 by 14 inches)



# Identification

## HP LaserJet 6L Gold

The HP LaserJet 6L Gold shares the same characteristics as the HP LaserJet 6L. For the purposes of this manual, “HP LaserJet 6L” refers to both the 6L and the 6L Gold.

## Model and serial

The model number and serial numbers are listed on Identification Labels located on the bottom of the printer. The model number is alphanumeric, such as C3941A for the HP LaserJet 5L printer, C3990A for the HP LaserJet 6L printer, and C8060A for the HP LaserJet 6L Pro printer.

The serial number contains information about the Country of Origin, the Revision Level, the Production Code, and production number of the printer.

The labels also contain power rating and regulatory information.




MODEL # [ ]


SERIAL# [ ]

---

POWER RATING:

100-120V ~ 50-60Hz, 2.0A	127V ~ 60Hz, 2.5A
-----------------------------	----------------------

 65935 VA1

Complies with Canadian EMC Class B requirements.  
Conforme à la classe B des normes canadiennes de compatibilité électromagnétique «CEM».

MANUFACTURED: [ ]

LICENSED UNDER ONE OR MORE OF THE FOLLOWING U.S. PATENTS


4,120,583	4,435,732	4,686,622	4,896,260
4,121,284	4,471,385	4,739,396	4,942,516
4,371,923	4,532,182	4,825,364	
4,396,976	4,672,457	4,829,419	

This product conforms with CDRH radiation performance standard 21 CFR chapter 1, sub-chapter J.

This device complies with Part 15 of the FCC Rules. Operation

FCC ID: B94C3941A

Made in U.S.A.  
RS5-8532

 **HEWLETT  
PACKARD**



MODEL # [ ]

SERIAL# [ ]

---

POWER RATING:  
220-240V ~ 50Hz, 1.0A

This device complies with Part 15<sup>VA1</sup> of the FCC Rules.  
Operation is subject to the  
This product conforms with CDRH radiation performance standard 21 CFR chapter 1, sub-chapter J.


 

LICENSED UNDER ONE OR MORE OF THE FOLLOWING U.S. PATENTS

4,120,583	4,435,732	4,686,622	4,896,260
4,121,284	4,471,385	4,739,396	4,942,516
4,371,923	4,532,182	4,825,364	
4,396,976	4,672,457	4,829,419	

MANUFACTURED: [ ]

HEWLETT-PACKARD  
BOISE PRINTER DIVISION  
11311 CHINDEN BLVD.  
BOISE, IDAHO 83714 U.S.A.

 **HEWLETT  
PACKARD**

RS5-8536

CLASS 1 LASER PRODUCT  
LASER KLASSE 1  
APPAREIL A RAYONNEMENT  
LASER DE CLASSE 1

APPARECCHIO LASER DI CLASSE 1  
PRODUCTO LASER DE CLASSE 1  
APARELHO A LASER DE CLASSE 1  
EN608251991

Figure 1-1 HP LaserJet 5L model and serial numbers





MODEL # C3990A

SERIAL#

---

POWER RATING:

100-120V ~ 50-60Hz, 2.2A      127V ~ 60Hz, 2.2A

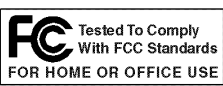





NC1

Complies with Canadian EMC Class B requirements.  
 Conforme à la classe B des normes canadiennes de compatibilité électromagnétiques «CEM».

MANUFACTURED:


This product conforms with CDRH radiation performance standard 21 CFR chapter 1, sub-chapter J.



FCC ID: B94C3941A

Made in Japan  
RS5-8972

HEWLETT-PACKARD  
BOISE PRINTER DIVISION  
11311 CHINDEN BLVD.  
BOISE, IDAHO 83714 U.S.A.

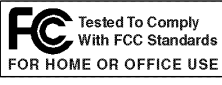

**HEWLETT  
PACKARD**

MODEL # C3990A



SERIAL#



---

POWER RATING:  
220-240V ~ 50Hz, 1.1A



This product conforms with CDRH radiation performance standard 21 CFR chapter 1, sub-chapter J.





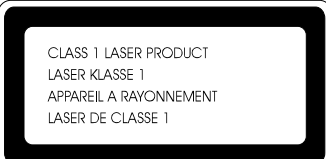



MANUFACTURED:

HEWLETT-PACKARD  
BOISE PRINTER DIVISION  
11311 CHINDEN BLVD.  
BOISE, IDAHO 83714 U.S.A.

Made in Japan  
RS5-8975


**HEWLETT  
PACKARD**



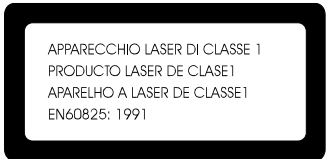


Figure 1-2 HP LaserJet 6L model and serial numbers

220-240V ~AC, 50/60Hz, 1.1 A

CE



**FC** Tested To Comply  
With FCC Standards **CZ1**  
FOR HOME OR OFFICE USE

This product conforms with CDRH radiation performance standard 21 CFR chapter 1, sub-chapter J.  
Complies with Canadian EMC Class B requirements.

MANUFACTURED: 合格证

HEWLETT-PACKARD RS6-8370  
11311 CHINDEN BLVD.  
BOISE, IDAHO 83714 U.S.A.

SERIAL  
No.

中国制造 Made in China

 HEWLETT®  
PACKARD

**C8060A**

Figure 1-3 HP LaserJet 6L Pro model and serial numbers

# Specifications

**Table 1-3 Performance specifications**

Category	Specification
Print Speed <sup>1</sup> : HP LaserJet 5L Print Speed: HP LaserJet 6L Print Speed: HP LaserJet 6L Pro	4 ppm 6 ppm 6 ppm
Monthly Usage (Duty Cycle): HP LaserJet 5L Monthly Usage (Duty Cycle): HP LaserJet 6L Monthly Usage (Duty Cycle): HP LaserJet 6L Pro	4,000 pages 6,000 pages 6,000 pages
Life Expectancy of Toner Cartridge (pages) <sup>2</sup>	2,500 pages at 5% coverage
First Print HP LaserJet 5L  HP LaserJet 6L  HP LaserJet 6L Pro	A4: <23 seconds Letter: <23 seconds  A4: <23 seconds Letter: <23 seconds  A4: 18 seconds Letter: 18 seconds

1. Actual speed depends on data complexity and software handling efficiency.
2. Toner Cartridge life can be extended by using EconoMode.

**Table 1-4 Electrical specifications**

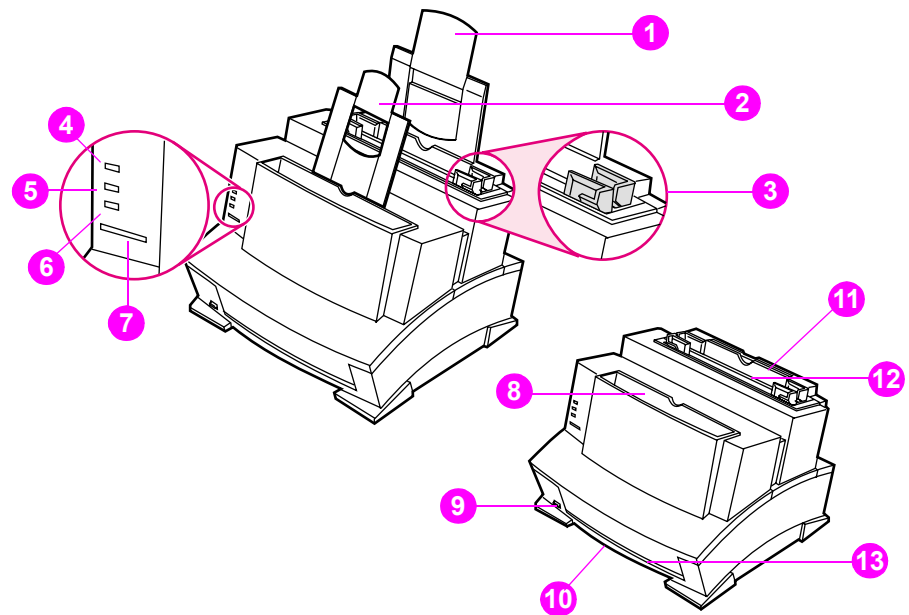
Volts	Frequency	Amps	Watts (typical)
120 Vac ± 10% 100 Vac ± 10%	50/60 Hz ± 2 Hz 50/60 Hz ± 2 Hz	3.5 @ 120v <sup>1</sup>	Printing = 100 (5L) 150 (6L) 150 (6L Pro) SleepMode = 6 (5L) 4 (6L) 4 (6L Pro)
220 Vac ± 10% <sup>2</sup> 240 Vac ± 10%	50 Hz ± 2 Hz 50 Hz ± 2 Hz	1.8 @ 230v	Printing = 100 (5L) 150 (6L) 150 (6L Pro) SleepMode = 6 (5L) 4 (6L) 4 (6L Pro)

1. Minimum recommended circuit capacity for product.
2. HP LaserJet 6L Pro operates at 220/240 Volts only.

**Table 1-5 Acoustic emissions**

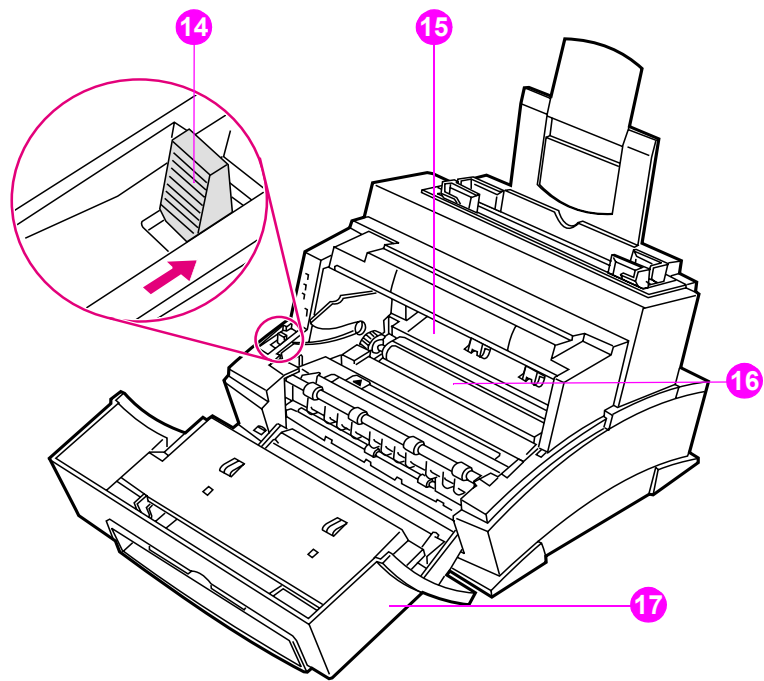
During Printing	5.6 Bels Sound Power Level (per ISO 9296)
During Standby & SleepMode	Silent

## Product overview



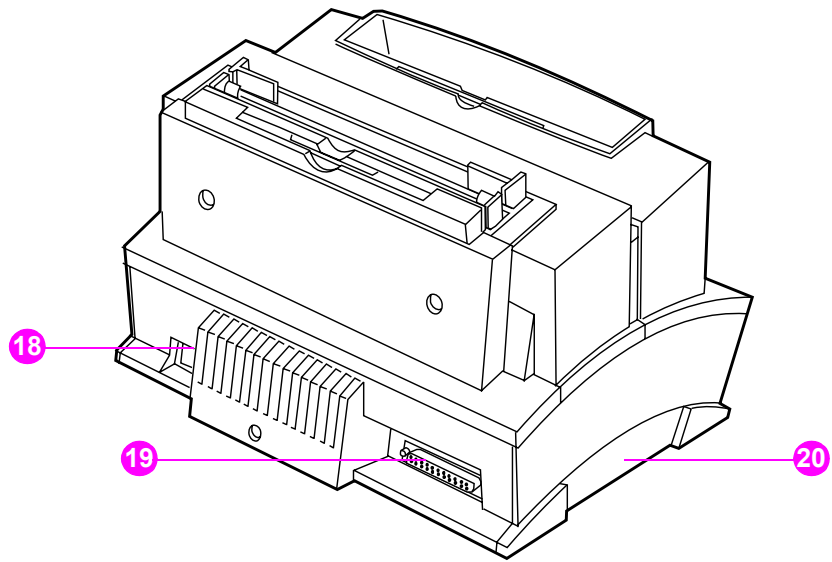
**Figure 1-4** Front/side views of the printer

- 1 Paper Input Support (not present on the HP LaserJet 6L Pro)
- 2 Paper Output Support (not present on the HP LaserJet 6L Pro)
- 3 Paper Guides
- 4 Error (top) Indicator Light
- 5 Data (middle) Indicator Light
- 6 Ready (bottom) Indicator Light
- 7 Control Panel Button
- 8 Paper Output Bin
- 9 Paper Path Lever
- 10 Serial and Model Number (under printer)
- 11 Paper Input Tray
- 12 Single Sheet Input Slot
- 13 Front Output Slot (face-up)



**Figure 1-5** Front door assemblies

- 14 Paper Release Lever
- 15 Toner Cartridge Compartment
- 16 Transfer Roller (do not touch)
- 17 EP Door



**Figure 1-6** Back view of the printer

**18** Power Cable Connector

**19** Parallel Cable Connector

**20** Memory Expansion Cover (not present on the HP LaserJet 6L Pro)

## Service approach

Repair of the printer normally begins with the use of the printer's internal diagnostics in conjunction with the troubleshooting procedures in Chapter 7. Once a faulty part is located, repair is generally accomplished by assembly level replacement of Field Replaceable Units (FRUs). Some mechanical assemblies may be repaired at the subassembly level. PCA component replacement is not supported by Hewlett-Packard. Part numbers for all FRUs are located in Chapter 8 of this manual.

### Parts Exchange Program

HP offers remanufactured assemblies for some selected parts. These are identified in Chapter 8 and can be ordered through HP's Commercial Service and Support Organization-Americas (CSSO-A), or Commercial Service and Support Organization-Europe (CSSO-E).

### Ordering parts

Field replaceable part numbers are listed in Chapter 8 of this manual. Replacement parts may be ordered from HP's Commercial Service and Support Organization-Americas (CSSO-A), or Commercial Service and Support Organization-Europe (CSSO-E).

### Ordering related documentation

Table 1-6 on the following page lists part numbers and where to order related documentation.

### Contacting HP to place an order

To order parts or related documentation, contact one of the following HP support organizations:

- **CSSO-A (Commercial Service and Support Organization-Americas)**  
(800) 227-8164 (U.S. Only)
- **CSSO-E (Commercial Service and Support Organization-Europe)**  
(49 7031) 142253

**Table 1-6 Related documentation**

Description	Part Number	CSSO-A	CSSO-E
HP LaserJet Family Quick Reference Service Guide	5021-0369	X	X
HP LaserJet 5L Printer User's Manual	C3941-90901	X	
HP LaserJet 6L Printer User's Manual	C3990-90901	X	
HP LaserJet 6L Pro Printer User's Guide	C8060-90901		
HP PCL5 Printer Language Technical Reference Information Package	5010-3994	X	X
HP LaserJet Printer Family Paper Specifications Guide	5963-7863	X	X
LaserJet Basic Hardware Training Course	5961-0880	X	X
HP LaserJet 5L/6L/6L Gold/6L Pro Service and Support Documentation and Training CD-ROM	C8060-60102 (English)	X	X
	C8060-60103 (Simplified Chinese)	X	



## HP Customer Care

Along with your product, you receive a variety of support services from Hewlett-Packard and our support partners designed to give you the results you need, quickly and professionally.

**Online Services:** for 24-hour access to information over your Internet connection, we suggest these services.

**World Wide Web URL:** For information specific to the HP LaserJet 5L/6L6L Gold/6L Pro products:

<http://www.hp.com/go/support/> (site is in English)

**Obtaining Software**

**Visit:** <http://www.hp.com/go/support/> (site is in English)

### Call:

Australia:	+61 3 8877 8000
China:	+86 10 6564 5959
Argentina:	(541) 778 8380
Mexico:	800-427-6684
Spain:	+44 (0) 1429 520 012
Portugal:	+44 (0) 1429 890 466
German:	+44 (0) 1429 863 353
French (Europe):	+44 (0) 1429 863 343
Italian:	+44 (0) 1429 890 466
English:	+44 (0) 1429 865 511
Canada and US:	(661) 257 5565
Taiwan:	+888 (2) 2717 0055
Korea:	+82 (2) 3270 0805
Greece, Ireland, and the UK:	+44 (0) 1429 865 511
Hong Kong SAR, Malaysia, and Singapore:	+65 740 4477
India:	(91) (11) 682 6035
New Zealand:	+64 9 356 6640

**HP Direct Ordering for Accessories and Supplies** (U.S. and Canada):

Call (1) (800) 538-8787 (U.S.) or (1) (800) 387-3154 (Canada).

**HP Support Assistant compact disc**

(U.S., Canada, Singapore, Hong Kong SAR, Malaysia):

This support tool offers a comprehensive online information system designed to provide technical and product information on HP products. To subscribe to this quarterly service in the U.S. or Canada, call (1) (800) 457-1762. In Hong Kong SAR, Malaysia, or Singapore, call Fulfill Plus at (65) 740-4477.

**HP Service Information** (U.S. and Canada):

To locate HP-authorized dealers, call (1) (800) 243-9816 in the U.S. or (1) (800) 387-3154 in Canada.

## Customer Care options worldwide

---

### HP Customer Care and Product Repair Assistance for the U.S. and Canada:

---

Call (208) 323-2551 in the United States or (905) 206-4663 in Canada Monday through Friday 6 am to 10 pm and Saturday 9 am to 4 pm (Mountain Time) free of charge during the warranty period. However, your standard long-distance phone charges still apply. Have your system nearby and your serial number ready when calling.

If you know your printer needs repair, call 1-800-243-9816 to locate your nearest HP-authorized service provider, or call 208-323-2551 for HP centralized service dispatch.

Post-warranty telephone assistance is available to answer your product questions. Call (1) (900) 555-1500 (\$2.50\* per minute, U.S. only) or call 1-800-999-1148 (\$25\* per call, Visa or MasterCard, U.S. and Canada) Monday through Friday from 7 am to 6 pm and Saturday from 9 am to 3 pm (Mountain Time). *Charges begin only when you connect with a support technician. \*Prices subject to change.*

---

### European HP Customer Care and In-Country/Region Support Open Monday through Friday 8:30-18:00 CET

---

HP provides a free telephone support service during the warranty period. By calling a telephone number listed below, you will be connected to a responsive team waiting to help you. If you require support after your warranty has expired, you can receive support for a fee through the same telephone number. The fee is charged on a per-incident basis. When calling HP, have the following information ready: product name and serial number, date of purchase, and description of the problem.

<b>Israel:</b>	+972 (0)9 9524848		
<b>Denmark:</b>	+45 39 29 4099		
<b>Sweden:</b>	+46 (0)8 619 2170		
<b>Spain:</b>	+34 902 321 123		
<b>Portugal:</b>	+351 21 3176333		
<b>Norway:</b>	+47 22 11 62 99		
<b>Italy:</b>	+39 02 264 10350		
<b>Austria:</b>	+43 (0) 7114 201080	<b>Switzerland:</b>	+41 (0)848 80 11 11
<b>Germany:</b>	+49 (180) 52 58 143	<b>English in Europe</b>	+44 (0) 171 512 52 02
<b>Belgium:</b>	+32 (0)2 626 8807	<b>Switzerland:</b>	+41 (0)848 80 11 11
<b>France:</b>	+33 (0)1 43 62 3434		
<b>Finland:</b>	+358 (0)203 47 288		
<b>Belgium:</b>	+32 (0)2 626 8806 (Dutch)	<b>the Netherlands:</b>	+31 (0) 20 606 8751
	+32 (0)2 626 8807 (French)		
<b>Ireland:</b>	+353 (0)1 662 5525	<b>English in other</b>	
<b>U.K.:</b>	+44 (0)171 512 5202	<b>European countries:</b>	+44 (0)171 512 52 02
<b>Greece:</b>	+30 (0) 16196411		

### In-country/region support Open Monday through Friday 8:00-19:00

---

If you require telephone support, call the number below. If you require additional product repair services, see "HP worldwide sales and service offices."

<b>Australia:</b>	(61) (3) 8877-8000	<b>New Zealand:</b>	+64 9 356 6640
<b>Hong Kong SAR:</b>	800 96 7729	<b>Singapore:</b>	+65 272 5300
<b>Malaysia:</b>	+60 3 295 2566		
<b>Taiwan:</b>	+886 (2) 2717 0055		
<b>Korea:</b>	(82) (2) 3270-0700		
<b>Argentina:</b>	(541) 778 8380	<b>Mexico (Mexico City):</b>	800-427-6684
<b>Poland:</b>	+48 22 519 06 00		
<b>Russia and the Ukraine:</b>	+7 095 797 3520 (Moscow)		
	+7 812 346 7997 (St. Petersburg)		
	+7 (380-44) 490-3520 (Ukraine)		
<b>China:</b>	+86 (0)10 6564 5959		
<b>Hong Kong SAR:</b>	800 96 7729		
<b>Hungary:</b>	+365 (0)1 3821111		

---

# HP worldwide sales and service offices

## Argentina

Hewlett-Packard Argentina  
Montañeses 2140  
1428 Buenos Aires  
Phone: (54) (1) 787-7115  
Fax: (54) (1) 787-7287

## Australia

Hewlett-Packard Head office  
Hewlett-Packard Australia Ltd.  
31-41 Joseph Street  
Blackburn, VIC 3130  
Phone: (61) (3) 9272-2895  
Fax: (61) (3) 898-7831

Service and Support  
Hewlett-Packard  
351 Burwood Hwy  
Forest Hill  
VIC 3131  
Phone: (61) (3) 8877-5786

## Austria

Hewlett-Packard GmbH  
Lieblgasse 1  
A-1222 Vienna  
Phone: (43) (1) 25000-555  
Fax: (43) (1) 25000-500

## Belgium

Hewlett-Packard Belgium S.A. NV  
Boulevard de la Woluwe-Woluwedal  
100-102  
B-1200 Brussels  
Phone: (32) (2) 778-31-11  
Fax: (32) (2) 763-06-13

## China

China Hewlett-Packard Co. Ltd.  
9/F, HP Building  
No. 2 Dong San Huan Nan Lu  
Chao Yang District  
Beijing 100022, P.R. China  
Phone: (86 10) 6564 3888

Customer Information Center:  
Phone: (86 10) 6564-3888 or  
(86 10) 6564-5959

## Denmark

Hewlett-Packard A/S  
Kongevejen 25  
DK-3460 Birkerød  
Denmark  
Phone: (45) 3929 4099  
Fax: (45) 4281-5810

## Finland

Hewlett-Packard Oy  
Piispankalliontie 17  
FIN-02200 Espoo  
Phone: (358) (9) 887-21  
Fax: (358) (9) 887-2477

## France

Hewlett-Packard France  
42 Quai du Point du Jour  
F-92659 Boulogne Cedex  
Phone: (33) (146) 10-1700  
Fax: (33) (146) 10-1705

## Germany

Hewlett-Packard GmbH  
Herrenberger Strasse 130  
71034 Böblingen  
Phone: (49) (0) 180 532-6222  
(49) (0) 180 525-8143  
Fax: (49) (0) 180 531-6122

## Greece

Hewlett-Packard Hellas  
62 Kiffisias Av.  
Polis Center  
Maroussi  
151 25 Athens  
Greece  
Phone: (30) (1) 619-6411  
Fax: (30) (1) 619-6512

## Hong Kong SAR

Hewlett-Packard Asia Pacific Ltd  
25/F City Plaza One  
1111 King's Road, Taikoo Shing,  
Hong Kong SAR  
Phone: (8 52) 2599-7777  
Fax: (8 52) 2506-9776

Hardware Repair Center:  
Phone: (8 52) 2599-7000

Extended Warranty Support:  
Phone: (8 52) 2599-7000

Customer Information Center:  
Phone: 8 52) 2599-7066

## Hungary

Hewlett-Packard Magyarország Kft.  
Neumann János u. 1  
H-1111 Budapest  
Phone: (36) (1) 382-6666  
Fax: (36) (1) 382-6777

Hardware Repair Center:  
Phone: (36) (1) 343-0312

Customer Information Center:  
Phone: (36) (1) 343-0310

## India

Hewlett-Packard India Ltd.  
Chandiwala Estate  
Maa Anandmai Marg  
Kalkaji, New Delhi - 110019  
Phone: (91 11) 682-6000,  
(91 11) 682-6035  
Fax: (91 11) 682-6030

Hardware Repair Center and  
Extended Warranty Support:  
Phone: (91 11) 682-6042

Customer Information Center:  
Phone: (91 11) 682-6000 or  
(91 11) 682-6035

## Italy

Hewlett-Packard Italiana SpA  
Via Giuseppe di Vittorio, 9  
Cernusco Sul Naviglio  
I-20063 (Milano)  
Phone: (39) (2) 921-21  
Fax: (39) (2) 921-04473

## Middle-East Region

Hewlett-Packard Middle-East  
P.O.-Box 17295  
Jebel Ali Free Zone  
Dubia, UAE  
Phone: (97) 14 88 15 456  
Fax: (97) 14 88 14 529

## Norway

Hewlett-Packard Norge A/S  
Postboks 60 Skøyen  
Drammensveien 169  
N-0212 Oslo  
Phone: (47) 2273-5600  
Fax: (47) 2273-5610

## Indonesia

Hewlett-Packard Berca Servisindo  
Sentral Senayan 1, 8th floor  
Jl. Asia Afrika no. 8  
Jakarta 10270  
Indonesia  
Phone: (62 21) 350-3408

Hardware Repair Center and  
Extended Warranty Support:  
Phone: (62 21) 3483-4567  
Fax: (62 21) 352-2048

Customer Information Center:  
Phone: (62 21) 550-5408

## Korea

Hewlett-Packard Korea, Ltd.  
HP Korea House,  
23-6 Yoido-dong,  
Youngdeungpo-gu, Seoul 150-724,  
Korea  
Yoido P.O. Box 595  
Phone: (82) (2)2199-0114

## Netherlands

Hewlett-Packard Nederland BV  
Startbaan 16  
1187 XR Amstelveen  
Postbox 667  
NL-1180 AR Amstelveen  
Phone: (31) (0) 20 547-6666  
Fax: (31) (0) 20 547-7755

## Poland

Hewlett-Packard Polska  
Al. Jerozolimskic 181  
02-222 Warszawa  
Phone: (48-22) 608-7700  
Fax: (48-22) 608-76-00

## Israel

Hewlett-Packard Israel Ltd.  
11, Hashlosha St.  
Tel Aviv 67060  
Phone: (972) (3) 5 38 03 00  
Fax: (972) (3) 5 38 03 51  
Customer Care Center  
Phone: (972) (9) 9 52 48 48

## México

Hewlett-Packard de México, S.A. de  
C.V.  
Prolongación Reforma No. 700  
Lomas de Santa Fe  
01210 México, D.F.  
Phone: 01-800-22147  
Outside Mexico City  
Phone: 01 800-90529

## New Zealand

Hewlett-Packard (NZ) Limited  
Ports of Auckland Building  
Princes Wharf, Quay Street  
P.O. Box 3860  
Auckland  
Phone: (64) (9) 356-6640  
Fax: (64) (9) 356-6620

Hardware Repair Center and Extended  
Warranty Support:  
Phone: (64) (9) 0800-733547

Customer Information Center:  
Phone: (64) (9) 0800-651651

## Portugal

Hewlett-Packard Portugal  
Quinta da Fonte  
Edifício Bartolomeu Dias  
Porto Salvo  
2780-667 Oeiras  
Portugal  
Phone: (351) (21) 4 82 85 00  
Fax: (351) (21) 4 41 70 02

## Russian Federation

Hewlett-Packard Company  
Representative Office  
Kosmodamianskaya naberezhnaya 52,  
Building 1  
113054 Moscow  
Phone: (7) (0) 95 797-3500  
Fax: (7) (0) 95 797-3501

## Singapore

Hewlett-Packard Singapore  
(Service) Pte Ltd  
438A Alexandra Road  
Blk A Alexandra Technopark  
#02-08 Singapore 119967  
Phone: (65) 275-3888  
Fax: (65) 273-1146

Extended Warranty Support:  
Phone: (65) 374-6441

Customer Information Center:  
Phone: (65) 272-5300

## Spain

Hewlett-Packard Española, S.A.  
Carretera de la Coruña km 16.500  
E-28230 Las Rozas, Madrid  
Phone: (34) 91-6311600  
Fax: (34) 91-6311830

## Sweden

Hewlett-Packard Sverige AB  
Skalholtsgatan 9  
S-164 97 Kista  
Phone: (46) (8) 444-2000  
Fax: (46) (8) 444-2666

## Switzerland

Hewlett-Packard (Schweiz) AG  
In der Luberzen 29  
CH-8902 Urdorf/Zürich  
Phone: (41) (0848) 88 44 66  
Fax: (41) (1) 735 77 00

Extended Warranty Support:  
Phone: (41) (0848) 80 11 11

## Ukraine

Hewlett-Packard Trading S.A.  
14, Bekhterevskiy Pereulok, Block E  
04053 Kiev  
Phone: (380) 44 490 61 20  
Fax: (380) 44 490 61 21

## United Kingdom

Hewlett-Packard Ltd.  
Cain Road  
Bracknell  
Berkshire RG12 1HN  
Phone: (44) (0) 8705 47 47 47  
(44) (0) 207 512 5202  
Fax: (44) (134) 436-3344

# Warranty

- 1 HP warrants to you the end-user customer, that HP hardware, accessories and supplies, will be free from defects in materials and workmanship after the date of purchase, for the period specified above. If HP receives notice of such defects during the warranty period, HP will, at its option, either repair or replace products which prove to be defective.
- 2 HP warrants to you that HP software will not fail to execute its programming instructions after the date of purchase, for the period specified above, due to defects in material and workmanship when properly installed and used. If HP receives notice of such defects during the warranty period, HP will replace software media which does not execute its programming instructions due to such defects.
- 3 HP does not warrant that the operation of HP products will be uninterrupted or error free. HP products may contain remanufactured parts equivalent to new in performance or may have been subject to incidental use. If HP is unable, within a reasonable time, to repair or replace any product to a condition as warranted, you will be entitled to a refund of the purchase price upon prompt return of the product. Warranty does not apply to defects resulting from (a) improper or inadequate maintenance or calibration, (b) software, interfacing, parts or supplies not supplied by HP, (c) unauthorized modification or misuse, (d) operation outside of the published environmental specifications for the product, or (e) improper site preparation or maintenance.
- 4 ANY IMPLIED WARRANTY OF MERCHANTABILITY OR FITNESS FOR A PARTICULAR PURPOSE IS LIMITED TO THE DURATION OF THE EXPRESS WARRANTY SET FORTH ABOVE. Some states or provinces do not allow limitations on the duration of an implied warranty, so the above limitation or exclusion might not apply to you. This warranty gives you specific legal rights and you might also have other rights that vary from state to state, province to province, or country to country.
- 5 THE REMEDIES IN THIS WARRANTY STATEMENT ARE YOUR SOLE AND EXCLUSIVE REMEDIES. EXCEPT AS INDICATED ABOVE, IN NO EVENT WILL HP BE LIABLE FOR LOSS OF DATA OR FOR DIRECT, SPECIAL, INCIDENTAL, CONSEQUENTIAL (INCLUDING LOST PROFIT), OR OTHER DAMAGE, WHETHER BASED IN CONTRACT, TORT, OR OTHERWISE. Some states or provinces do not allow the exclusion or limitation of incidental or consequential damages, so the above limitation or exclusion may not apply to you.

## Hardware service during the warranty period

If your hardware should fail during the warranty period, HP offers the following support options:

- HP Authorized Service Provider: You can return your printer to a local authorized service dealer.
- HP Repair Services: You can return your printer to an HP repair office.

When sending equipment, we recommend insuring the equipment for shipment. Also include a copy of your proof of purchase.

---

### CAUTION

---

Shipping damage as a result of inadequate packaging is the customer's responsibility. Use the original packing materials whenever possible.

## Hardware service after the warranty period

If your hardware fails after the warranty period, contact an authorized Hewlett-Packard Dealer Repair Center or a designated Hewlett-Packard Repair Center. If you have a Hewlett-Packard Maintenance Agreement, request service under your agreement.

## HP LaserJet Toner Cartridge warranty

HP LaserJet Toner Cartridges are warranted to be free from defects in materials and workmanship until the HP toner is depleted. You know your HP toner is depleted when you begin to see faded or light type on your printed page.

The warranty, extended for the life of the cartridge, covers any defects or malfunctions in your new Hewlett-Packard Toner Cartridge. HP will, at HP's option, either replace products which prove to be defective or refund your purchase price.

In the event the cartridge proves to be defective, attach a printout sample illustrating what the defective cartridge is printing and return to the place of purchase. **IN NO EVENT SHALL HEWLETT-PACKARD COMPANY BE LIABLE FOR ANY INCIDENTAL CONSEQUENTIAL, SPECIAL, INDIRECT, PUNITIVE, OR EXEMPLARY DAMAGES OR LOST PROFITS FROM ANY BREACH OF THIS WARRANTY OR OTHERWISE.**

## Voltage conversions

HP LaserJet printers are manufactured to different specifications for different countries. Because of these differences, HP does not recommend transporting products sold within one country to another country.

In addition to the 115-220 voltage environment concerns, the country of final destination may have different import and export restrictions, power frequencies, and regulatory requirements.

---

### Note

---

The HP LaserJet family printers must be serviced by an authorized repair depot or reseller within the country where the printer was originally purchased.

Because of the different specifications and warranty coverage limitations, Hewlett-Packard does not offer a conversion, or support the conversion, of HP LaserJet family printers. We advise those customers planning to transport equipment to different countries to purchase the products in the country of final destination.





# 2

## Site requirements

### Chapter contents

Site requirements . . . . .	32
Operating environment . . . . .	32
Printer space requirements . . . . .	33
The HP C3906A/F Toner Cartridge . . . . .	34
Storage conditions . . . . .	34
Storing opened toner cartridges . . . . .	34
Toner cartridge handling suggestions . . . . .	35

# Site requirements

## Operating environment

The environmental requirements listed in the table below must be maintained to ensure the proper operation of this printer.

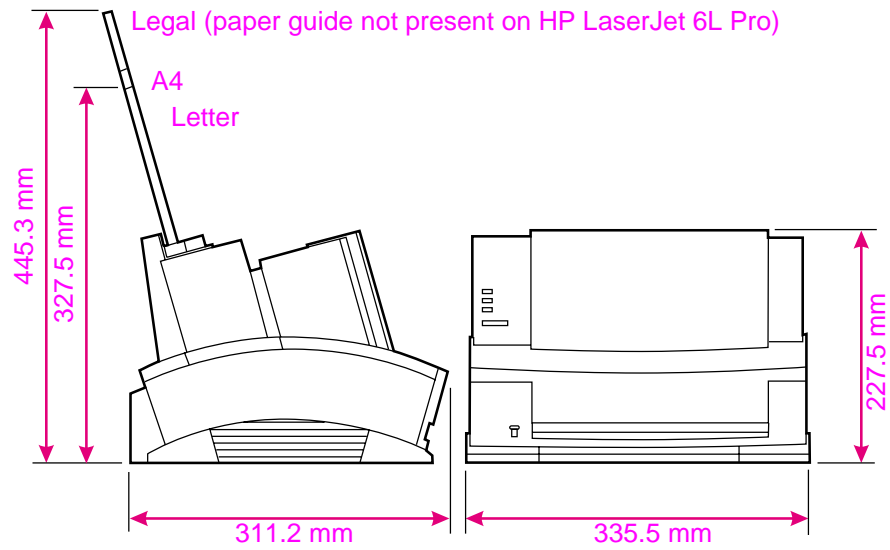
**Table 2-1 Environmental requirements**

LaserJet 5L/6L/6L Pro & Cartridge	Operating	Storage
Temperature	50 to 90.5° F (10 to 32.5° C)	32 to 104° F (0 to 40° C)
Humidity	20 to 80% RH (with no condensation)	10 to 80% RH (with no condensation)

Consider the following points before installing the printer:

- Install in a **well-ventilated, dust-free** area.
- Install on a **hard, flat and continuous surface**, with all four printer feet level. Do not install on carpet or other soft surfaces.
- Ensure **adequate power is supplied**. Printer power requirements are listed under “Specifications” in Chapter 1. Uninterruptible power supplies (UPS) should not be used with this printer.
- **Install away from direct sunlight**, open flames, or ammonia fumes. If the printer is placed near a window, make sure the window has a curtain or blind to block any direct sunlight.
- Install with enough **space around the printer** for proper access and ventilation. (See Figure 2-1.)
- Install printer **away from the direct flow of exhaust** from air ventilation systems.

# Printer space requirements



**Figure 2-1** Printer space requirements

**Table 2-2** Printer dimensions

Description	Dimension
Width	335.5 mm (13.2 inches)
Depth	311.2 mm (12.3 inches)
Height (storage) (operational)	227.5 mm (8.9 inches) 372.7 mm (14.6 inches) <sup>1</sup>
Weight (with toner cartridge)	7.2 kg (15.9 pounds)
Toner Cartridge weight <sup>2</sup>	0.7 kg (1.5 pounds)

1. With Letter Input Assembly extended.
2. Some quantity of toner will reside in the waste toner area of a Toner Cartridge when the toner supply is exhausted. Therefore, using toner cartridge weight may be an unreliable indication of remaining toner supply.

# The HP C3906A/F Toner Cartridge

Toner Cartridges contain components that are sensitive to light, temperature, and humidity. Follow the recommendations in this section to ensure the highest quality and longest life of HP Toner Cartridges.

Keep the printer within the following environmental conditions for optimum performance.

## Storage conditions

The Toner Cartridge is affected by its environment. Packaging protects the Toner Cartridge from light and increases its storage life. It is important to store the cartridge in its original packaging until the cartridge is ready to be installed in the printer.

When storing the Toner Cartridge in a warehouse or work area, make sure the storage place meets the conditions specified in Table 2-1.

## Storing opened toner cartridges

Because the cartridge does not have a shutter to cover the laser beam access slot, it should be kept inside the printer until empty. Toner Cartridges that have had the toner sealing tape removed are also more vulnerable to environmental extremes (such as high humidity).

If the toner cartridge must be removed from the printer, always store the cartridge:

- Inside the protective bag in which it was originally packaged.
- In a dark cabinet, away from direct sunlight.
- Correct side up and in a horizontal position (not standing on end).
- At a temperature between 32° to 104° F (0° and 40° C).
- Away from ammonia or other organic solvent fumes.

---

### CAUTION

Never ship the printer with a Toner Cartridge installed. Excessive vibration during shipping can cause toner to leak, contaminating the printer. Never expose the Toner Cartridge to direct sunlight or to room light for more than a few minutes. Bright light and direct sunlight can permanently damage a Toner Cartridge.

---

---

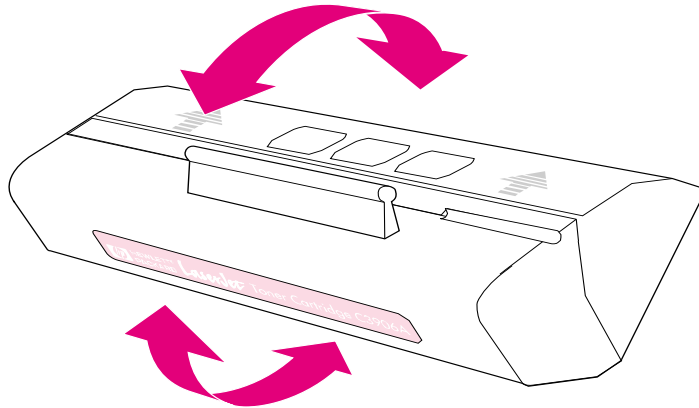
### Note

The C3906F Toner Cartridge is designed specifically for use in the environmental conditions of the Asia Pacific region and is only available in that region.

---

## Toner cartridge handling suggestions

- Before installing a cartridge, distribute the toner evenly by rotating the cartridge back and forth five to six times. (See Figure 2-2.) Repeat this action when toner begins to run low.



**Figure 2-2** Toner cartridge distribution

- Do not touch the surface of the Photosensitive Drum in the cartridge. Protect the drum from light and contamination.
- Do not expose the cartridge to unnecessary vibrations or shock.
- Do not expose the Photosensitive Drum to strong light. Blurred areas on the page may indicate that the drum has been exposed to light for too long. This causes permanent damage to the Photosensitive Drum. Replace the cartridge.
- Never manually rotate the drum, especially in the reverse directions; internal damage and toner spills may result.
- Remove the Toner Cartridge before shipping the printer.



# 3

## Operating overview

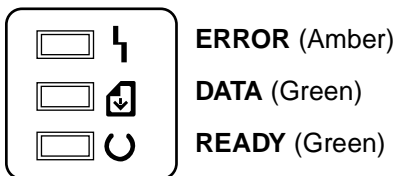
### Chapter contents

Using the Control Panel. . . . .	38
Control Panel layout . . . . .	38
Indicator lights. . . . .	38
The Control Panel Button . . . . .	40
Printing a self-test page. . . . .	41
Continuous self test . . . . .	44
Printing an engine test. . . . .	44
Resetting the printer . . . . .	45
To reset the printer . . . . .	45

# Using the Control Panel

## Control Panel layout

The Control Panel is located on the front of the printer and consists of one button and three indicator lights.



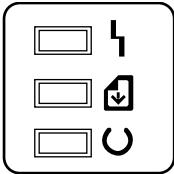
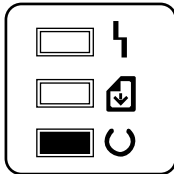
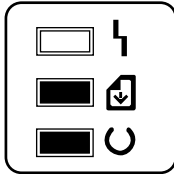
These lights can be in only one of the following states:



## Indicator lights

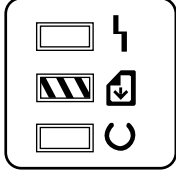
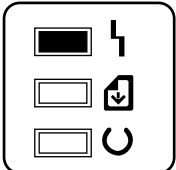
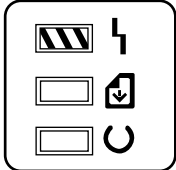
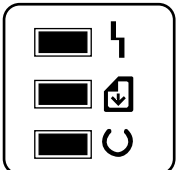
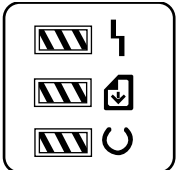
The Indicator Lights provide a quick way to check the printer's status.

Table 3-1 Indicator Lights (1 of 2)

When this indicator:	Looks like this:	It means this:	Do this:
	No lights are on or blinking	The printer is in <b>SleepMode</b> or has been disconnected.	If you want to print, press and release the Control Panel Button or send the print job. If no response, check the power cord.
	On  Blinking	The printer is ready to print.  Print job in progress.	No action is necessary. However, you can print a test page by pressing and releasing the Control Panel button.  Let job finish printing.
	Data Light and Ready Light both remain on	Unprinted data are in the printer.	Press and release the Control Panel Button to print the remaining data. See "Service and error messages" in Chapter 7.



**Table 3-1 Indicator Lights (Continued) (2 of 2)**

When this indicator:	Looks like this:	It means this:	Do this:
	Data Light is blinking	Printer is in <b>Manual Feed</b> mode.	Make sure that the correct paper is loaded. Then, press and release the Control Panel Button to print.
	Error Light remains on	<p>Printer is out of paper.</p> <p>Printer's EP door is open.</p> <p>Printer has a paper jam.</p> <p>Toner Cartridge is either missing or not installed correctly.</p>	<p>Add paper.</p> <p>Close the door.</p> <p>Clear the jam and resume printing.</p> <p>Install a cartridge, being careful to position it correctly.</p> <p><b>NOTE:</b> The HP LaserJet 6L Pro has no mechanism for detecting the presence of a Toner Cartridge. If the Toner Cartridge is missing, the Error Light will remain off. Printing without a Toner Cartridge installed may cause a paper jam.</p> <p>If the Error Light remains lit after checking for these problems, and there's no paper jam, disconnect the power for 10 seconds, then reconnect to the power source. If, after taking these actions, the light remains on, refer to Chapter 7, "Troubleshooting."</p>
	Error Light is blinking	The page may have too much data or may be too complex for the printer's memory capacity.	<p>Press and release the Control Panel Button to continue printing. There may be some data loss on the page.</p> <p>Hint: To avoid this in the future:</p> <ol style="list-style-type: none"> <li>1. See your printer driver help for more suggestions regarding printer memory usage.</li> <li>2. Reduce resolution to 300 dpi with your software.</li> <li>3. Install additional printer memory. (See Chapter 6 for information on installing additional memory.)</li> </ol>
	All lights remain on	Printer is indicating either an internal problem or a fatal error.	<ol style="list-style-type: none"> <li>1. If you have added an additional memory card, try removing it.</li> <li>2. Disconnect the power for 10 seconds, then reconnect it.</li> <li>3. If all of the lights come on steadily again, try disconnecting the power for 15 minutes.</li> </ol> <p>If this error remains after completing the tasks above, see Chapter 7, "Troubleshooting."</p>
	All lights are blinking	<p>Printer is initializing or resetting (6L Pro)</p> <p>Memory card may be slower than 70 nsec (5L/6L)</p>	<p>No action is necessary.</p> <p>See Chapter 7, "Troubleshooting."</p>

## The Control Panel Button

Depending on what state the printer is in, pressing the Control Panel Button allows you to control printing tasks by either starting or resuming a printer function. Use the Control Panel Button to accomplish the following tasks:

**Table 3-2 Control Panel Button usage**

Function	Lights	Action	Result
Wake Up	All lights are off while plugged into power source	Briefly push and release the button.	The printer will wake up to a ready state.
Self Test	Ready (bottom) Light is on and the other lights are off.	Briefly push and release the button.	Prints a self-test page.
Printer Reset	The Ready (bottom) Light will remain lit, if there are no printer errors.	Press and hold the button until the three Front Panel Lights blink quickly in succession.	The reset will return the printer to the factory default settings. This clears all data from memory, including any downloaded fonts and macros.
Resume (from Manual Feed)	The Data (middle) Light blinks.	Briefly push and release the button.	Override manual feed to print from paper cassette.
Continue (from memory error)	Error (top) Light blinks.	Briefly push and release the button.	Allows the printer to recover and continue printing the job.
Form Feed	The Data (middle) Light and the Ready (bottom) Light both remain on.	Briefly push and release the button.	The remaining data in printer memory will print.

## Printing a self-test page

A self-test page can be useful in troubleshooting printer problems and determining which fonts have been downloaded to the printer.

# LaserJet 5L

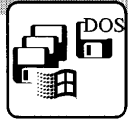
## 600 dpi

Resolution Enhancement technology & Microfine Toner

### 26 Scalable Typefaces


Courier	<i>CG Times It</i>	Univers Md Cd It
<b>Courier Bd</b>	<i>CG Times Bd It</i>	<b>Univers Bd Cd It</b>
<i>Courier It</i>	<i>Coronet</i>	Antique Olive
<b>Courier Bd It</b>	Univers Md	<b>Antique Olive Bd</b>
Letter Gothic	<b>Univers Bd</b>	<i>Antique Olive It</i>
Letter Gothic Bd	<i>Univers Md It</i>	Albertus Md
<i>Letter Gothic It</i>	<b>Univers Bd It</b>	<b>Albertus XBd</b>
CG Times	Univers Md Cd	Wingdings
<b>CG Times Bd</b>	<b>Univers Bd Cd</b>	

**Enhanced Printing in DOS & Windows**




**Enhanced**

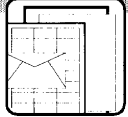
**HP PCL 5**



**Memory Enhancement technology**




**Custom Media**



### Printer Information

<b>PRINTER CONFIGURATION:</b>			
COPIES:	1	ECONOMODE:	OFF
ORIENTATION:	PORTRAIT	FONT NUMBER:	0
LINES OF TEXT:	60	FONT SOURCE:	1
PAPER SIZE:	LETTER	FONT HEIGHT:	12.0
MANUAL FEED:	OFF	FONT PITCH:	10.00
DEVICE RESOLUTION:	600	SYMBOL SET:	PC8
RET:	ON	DEFAULT TYPEFACE:	Courier
DENSITY:	3	Total Memory:	1 MByte
IMAGE ADAPT:	AUTO	Power-on Page Count:	0
PAGE PROTECT:	AUTO	Firmware Datecode:	19950218
I/O BUFFERING:	AUTO	Image Adapt Used:	NO



# HEWLETT®

# PACKARD

Figure 3-1 Self-test page for HP LaserJet 5L

# LaserJet 6L

**6** Pages per Minute

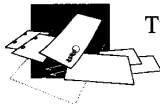
**True 600 dpi**



Supports DOS  
and Windows



Network  
Upgradable\*



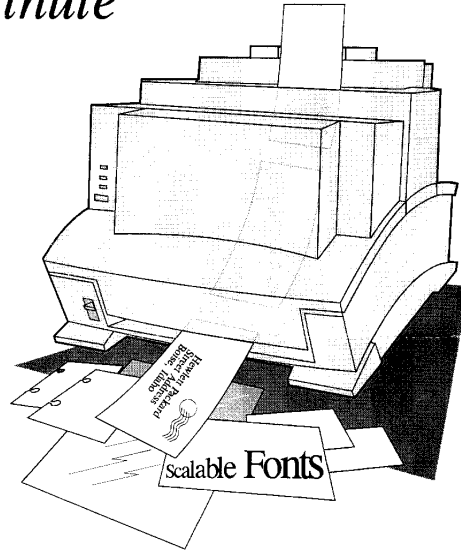
Two Paper  
Input Sources



REt  
Resolution  
Enhancement  
technology



Enhanced  
HP  
PCL5



## Printer Configuration:

Total Memory:	1 MByte	Font Number:	0
Printer Resolution:	600	Font Source:	1
Resolution Enhancement:	ON	Font Height:	12.0
Economy Mode:	OFF	Font Pitch:	10.00
Copies:	1	Symbol Set:	PC8
Orientation:	PORTRAIT	Default Typeface:	Courier
Paper Size:	LETTER	Page Protection:	AUTO
Lines Of Text:	60	Image Adapt:	AUTO
Manual Feed:	OFF	Image Adapt Used:	NO
Toner Density:	3	Power-On Page Count:	0
I/O Buffering:	AUTO	Firmware Datecode:	19960912



**HEWLETT<sup>®</sup>  
PACKARD**

\* Via optional HP JetDirect EX print server.

Figure 3-2 Self-test page for HP LaserJet 6L

# HP LaserJet 6L Pro

4MB Memory

Upgrades

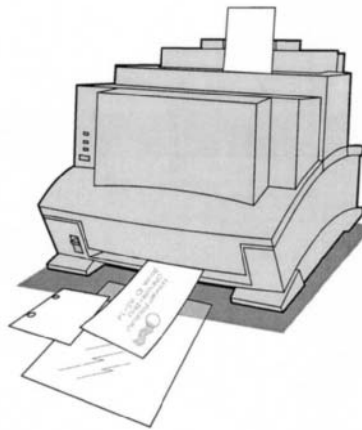
·Network via HP JetDirect

6 Pages Per Minute

 6ppm

True Laser Output

600dpi



Windows & DOS



## Configuration Settings

Print Page Count:	4189	Paper Size:	LETTER	Symbol Set:	PC8
Total Memory:	4 MByte	Orientation:	PORTRAIT	Default Typeface:	Courier
Printer Resolution:	600	Copies:	1	Font Number:	0
Resolution Enhancement:	ON	Lines Of Text:	60	Font Source:	1
Economy Mode:	OFF	Toner Density:	3	Font Height:	12.0
Manual Feed:	OFF	Image Adapt:	AUTO	Font Pitch:	10.00
Page Protection:	AUTO	Image Adapt Used:	NO	Firmware Datecode:	20000318



**Figure 3-3** Self-test page for HP LaserJet 6L Pro

The self-test page lists the current printer configuration. (If any fonts have been downloaded to the printer a second page will print.)

To print a self-test page:

- 1 Make sure the Ready (bottom) Light is on, and all other lights are off. Wake up the printer if necessary by pressing the Control Panel Button.
- 2 Briefly press and release the Control Panel Button. The Data (middle) Light comes on, the Ready (bottom) Light blinks. Wait for a self-test page to print.

## Continuous self test

### Note

The HP LaserJet 6L Pro does not support the continuous self test.

A continuous self test can be useful for troubleshooting paper path and other problems. To print a continuous self test:

- 1 Disconnect the printer from the power source.
- 2 Press and hold down the Control Panel Button while connecting power.
- 3 Continue holding the button for about five seconds.  
All lights will illuminate at once, then each will light in sequence.
- 4 Release the button. The printer conducts its internal diagnostics routine, then prints the self-test page continuously until stopped.
- 5 To stop the continuous self test (and reset the printer), press and hold the Control Panel Button for a few seconds until all lights begin lighting in sequence once again.

### Note

The self test does not print at the printer's rated speed of 4 ppm (HP LaserJet 5L) or 6 ppm (HP LaserJet 6L). The engine test prints at the printer's rated speed.

## Printing an engine test

The engine test print can be used to verify that the print engine is functioning correctly. The Formatter PCA is completely bypassed during an engine test. Consequently, this test is useful for isolating engine printer problems. For the HP LaserJet 5L and 6L printers, the engine test prints a full page of vertical lines down the entire printable area. For the HP LaserJet 6L Pro, the engine test prints a full page of horizontal lines across the entire printable area. These engine test pages are useful for checking and adjusting registration.

### Note

Perform the engine test with the printer covers in place, as shown in Figure 3-6. Refer to "Engine Test" in Chapter 7 for the engine test procedure.

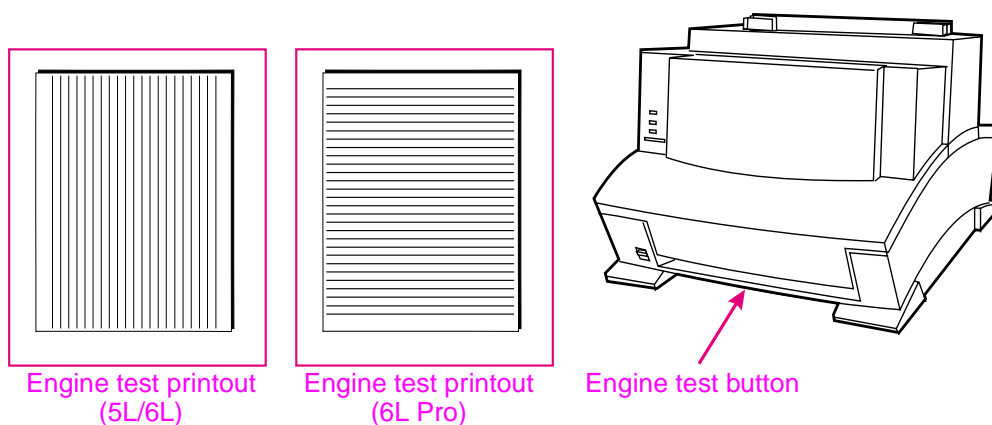


Figure 3-4 Engine test button

## Resetting the printer

Resetting the printer accomplishes the following:

- Clears all data from the printer's memory (including unprinted data, downloaded fonts, and macros).
- Stops any printing that is taking place and ejects the page.
- Removes some error conditions.
- Resets the printer to its factory default settings.

### **To reset the printer**

Press and hold the Control Panel Button until the three Control Panel Lights blink quickly in succession (about five seconds), then let go of the button. After resetting, the Ready Light will remain lit if there are no printer errors. (Make sure there is paper in the printer or the Error Light will remain lit.)





# 4

## Printer maintenance

### Chapter contents

Life expectancy of consumables . . . . .	48
Toner cartridge life . . . . .	49
Saving toner with EconoMode . . . . .	49
Refilled toner cartridges . . . . .	50
Recycling toner cartridges . . . . .	50
Cleaning the printer . . . . .	51
Cleaning printer components . . . . .	51
Cleaning spilled toner . . . . .	52

## Life expectancy of consumables

Always inspect the components listed in Table 4-1 for wear when servicing the printer. Replace these components as needed, based on printer failures or wear, not strictly on usage.

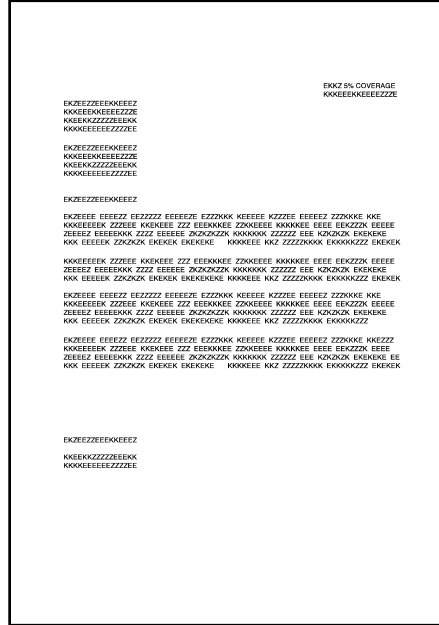
**Table 4-1 Life expectancy of consumables**

Description	Estimated Life (pages)	Remarks
Toner cartridge (user replaceable)	2,500 <sup>1</sup>	When print becomes faint, shake cartridge to distribute remaining toner.
Transfer roller	50,000	May affect print quality and/or paper movement.
Paper pickup assembly	50,000	Look for glazing and/or cracks.
Separation pad and sub pads	50,000	May affect paper movement.
Heating Element 100-120 V, 50/60 Hz 220-240 V, 50 Hz Pressure Roller	50,000	May affect print quality and/or paper movement. Look for marks on pressure roller or upper Teflon sleeve.

1. The estimated toner cartridge life is based on Letter or A4 size paper with an average of five percent toner coverage and a medium density setting. Toner cartridge life can be extended further by conserving toner using the printer's EconoMode feature.

# Toner cartridge life

The toner cartridge has been designed to simplify the replacement of the printer's major parts. The toner cartridge contains the printing mechanism and a supply of toner. When using a typical word-processing application, a toner cartridge will print approximately 2500 pages where the text covers about five percent of the page.



**Figure 4-1** Five percent text coverage

When regularly printing pages with less coverage, such as short memos, a toner cartridge should print over 2,500 pages. However, if routinely printing very dense print, the cartridge will not print a full 2,500 pages.

## Note

For best results, always use a toner cartridge before the expiration date stamped on the toner cartridge box.

## Saving toner with EconoMode

Toner cartridge life can be extended dramatically by using the EconoMode printing feature of the printer. EconoMode uses approximately 50 percent less toner than normal printing. The printed page is much lighter and is adequate for printing drafts or proofs. EconoMode can be set through your printer driver. See Chapter 5 for more information.

## Note

Some software applications may refer to this as “draft mode.”

## Refilled toner cartridges

While Hewlett-Packard does not prohibit the use of refilled toner cartridges during the warranty period or while under a maintenance contract, we do not recommend their use. The reasons for this are:

- Hewlett-Packard has no control or process to ensure that a refilled toner cartridge functions at the high level of reliability of a new HP LaserJet toner cartridge.
- Hewlett-Packard also cannot predict what the long-term reliability effect on the printer is from using different toner formulations found in refilled cartridges.
- Hewlett-Packard has no control over the actual print quality of a refilled toner cartridge. The print quality of HP LaserJet toner cartridges influences the customer's perception of the printer.

Repairs resulting from the use of refilled toner cartridges are not covered under the HP warranty or maintenance contract.

## Recycling toner cartridges

In order to reduce waste, Hewlett-Packard has adopted a recycling program for used toner cartridges. Plastics and other material are recycled. Cartridge components that do not wear out are reused. HP pays the shipping costs from the user to the recycling plant. To join this recycling effort, follow the instructions inside the toner cartridge box.

## Cleaning the printer

To maintain the print quality, thoroughly clean the printer:

- Every time you change the toner cartridge.
- After printing approximately 2,500 pages.
- Whenever print quality problems occur.

Clean the outside of the printer with a lightly water-dampened cloth. Clean the inside with only a dry, lint-free cloth. Observe the warnings and cautions below.

### WARNING!

Before you begin these steps, unplug the printer to avoid shock hazard.

When cleaning around the front door area, avoid touching the heating element. It may be **HOT**. (For heating element location, see Figure 6-14.)

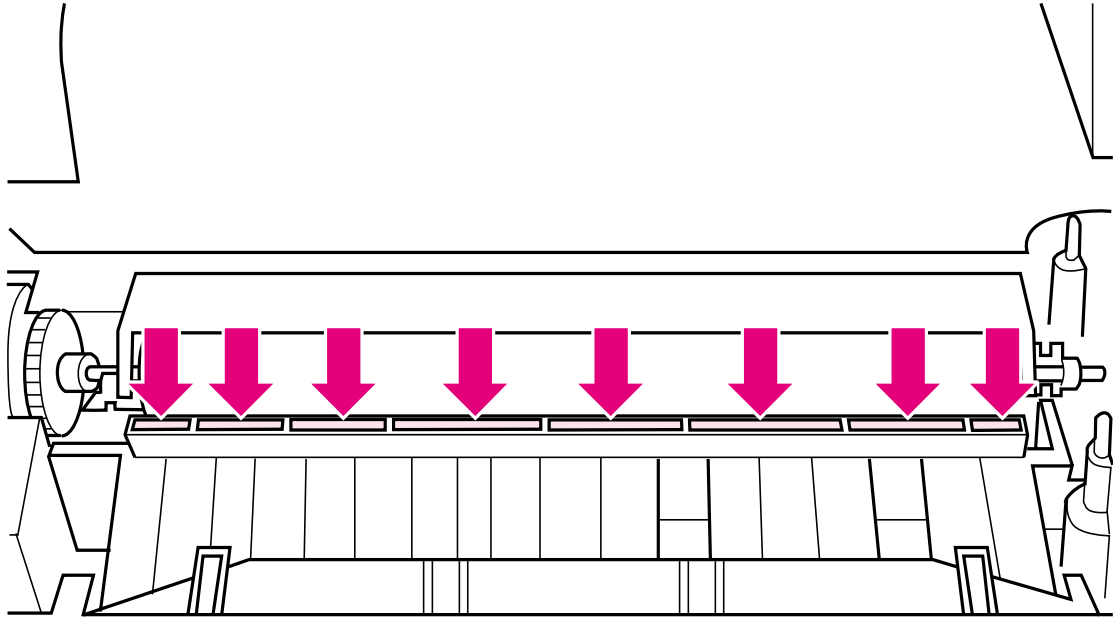
## Cleaning printer components

### CAUTION

To avoid permanent damage to the toner cartridge, do not use ammonia-based cleaners on or around the printer. Do not touch the transfer roller with your fingers. Contaminants on the roller can cause print quality problems.

**Table 4-2** Cleaning printer components

Component	Cleaning Method/Notes
Outside Covers	Use a water-dampened cloth. Do not use solvents or ammonia-based cleaners.
Inside General	Use a dry, lint free cloth. Remove all dust, spilled toner, and paper particles.
Exit Roller	Use a water-dampened lint-free cloth.(For location, see Figure 6-8.)
Fuser Exit Roller	Use a water-dampened lint-free cloth. (For location, see Figure 6-18.)
Pickup Roller	Use a lint-free cloth dampened with isopropyl alcohol. (For location, see Figure 6-25.)
Pressure Roller	Use a dry lint-free cloth. (For location, see Figure 6-16.)
Transfer Roller	Use a dry, lint-free cloth. DO NOT TOUCH with your fingers. (For location, see Figure 6-30.)
Separation Pad	Use a dry lint-free cloth. (For location, see Figure 6-31.)
Delivery Assembly	Use a water-dampened lint-free cloth. (For location, see Figure 6-10.)
Static Eliminator Teeth	Use compressed air. (See Figure 4-2 on the following page for static eliminator teeth location.)



**Figure 4-2** Static Eliminator Teeth (located in front of the transfer roller)

## Cleaning spilled toner

Defective toner cartridges can develop leaks. In addition, after a paper jam has occurred, there may be some toner remaining on the rollers and guides inside the printer. The pages that print immediately after the jam may pick up this toner.

Clean spilled toner with a cloth slightly dampened in cold water. Do not touch the Transfer Roller with the damp cloth or with your fingers. Do not use a vacuum cleaner unless it is equipped with a micro-fine particle filter.

---

### Note

If toner gets on your clothing, use cold water to remove it. Hot water sets toner stains into fabric.

# 5

## Functional overview

### Chapter contents

Basic printer functions . . . . .	54
DC Controller/power system . . . . .	55
Print engine control system . . . . .	56
Power system (on DC Controller PCA) . . . . .	56
Formatter system . . . . .	58
CPU . . . . .	58
Read only memory (ROM) . . . . .	58
Random access memory (RAM) . . . . .	58
Parallel interface . . . . .	58
Control Panel . . . . .	58
Resolution Enhancement technology (REt) . . . . .	59
EconoMode . . . . .	59
Memory Enhancement technology (MEt) . . . . .	59
Enhanced I/O . . . . .	59
Page Protect . . . . .	60
PJL overview . . . . .	60
Image formation system . . . . .	61
Toner cartridge . . . . .	61
Step 1: Drum cleaning . . . . .	62
Step 2: Drum conditioning . . . . .	62
Step 3: Image writing . . . . .	62
Step 4: Image developing . . . . .	62
Step 5: Image transferring . . . . .	62
Step 6: Image fusing . . . . .	62
Paper feed system . . . . .	63
Paper jam detection . . . . .	65
Basic sequence of operation . . . . .	66

# Basic printer functions

This chapter presents a generalized functional overview of the printer and the printing processes. The following printer systems are discussed:

- DC Controller System/ Power System
- Formatter System
- Image Formation System
- Paper Feed System
- Laser/Scanner System

Figure 5-1 is a generalized block diagram of the printer:

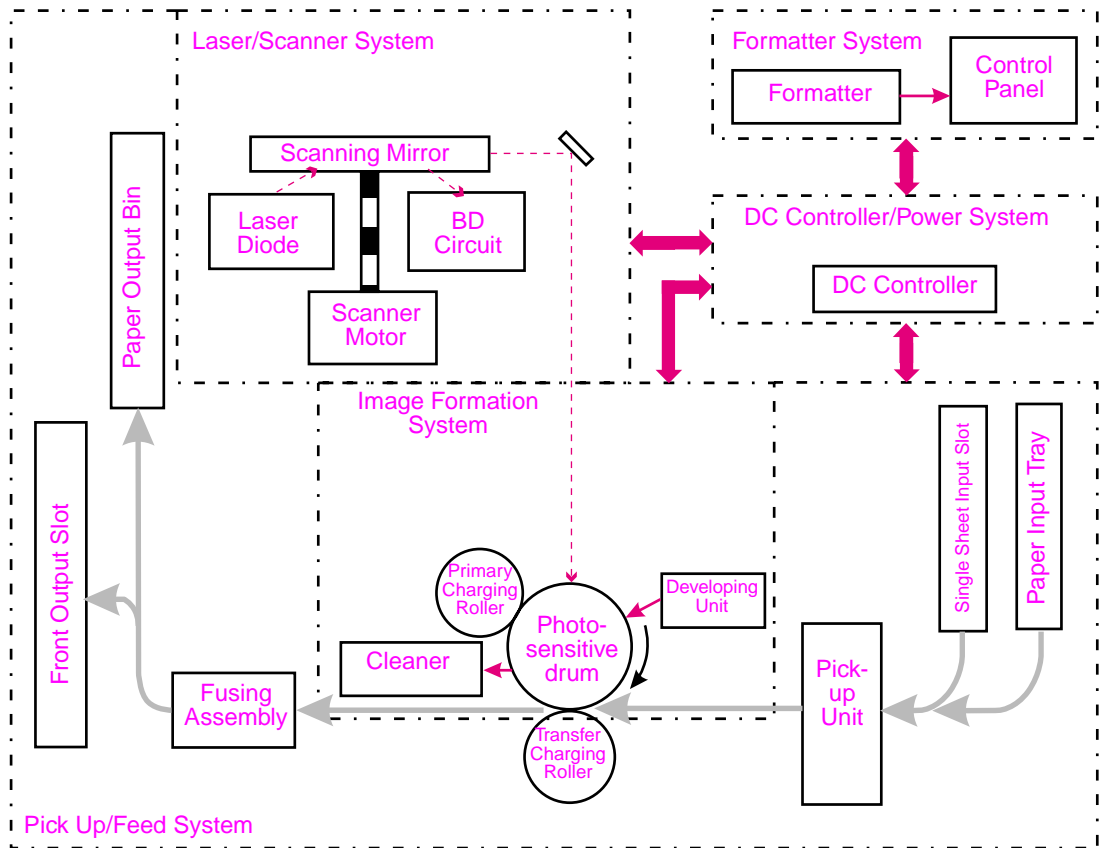


Figure 5-1 Printer functional block diagram



## DC Controller/power system

The DC Controller PCA coordinates all print engine activities, drives the laser, and coordinates print data from the Formatter PCA with the image formation process. The DC Controller also includes both AC and DC power supply and distribution circuitry. The DC Controller controls the following systems and functions:

- Print Engine Control
  - Laser and Scanner Drive
  - Paper Motion Photosensors (Paper Out, Paper Registration, and Paper Exit Sensors)
  - Motor
- Power System
  - AC Power Distribution
  - DC Power Distribution
  - Overcurrent/Undervoltage Protection
  - SleepMode
  - High Voltage Power Distribution

Figure 5-2 shows the various DC controller loads.

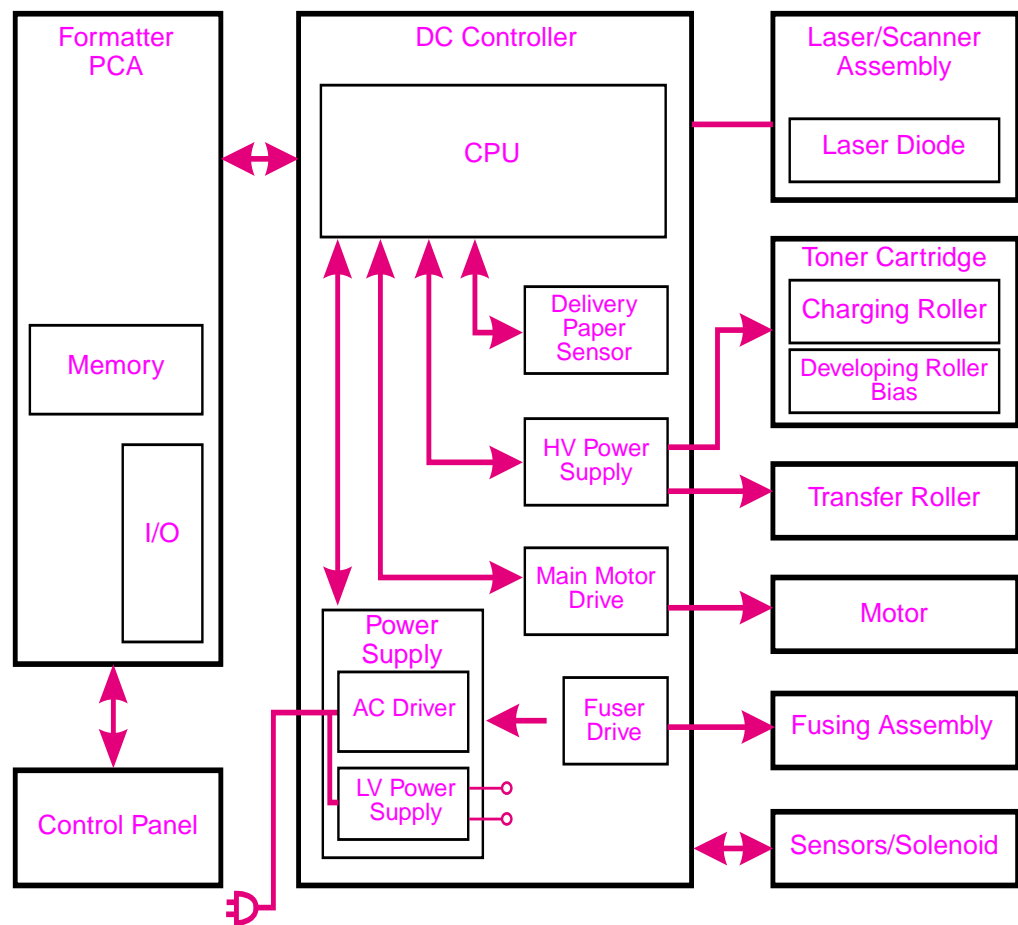


Figure 5-2 DC Controller loads

## **Print engine control system**

### **Laser and scanner drive**

Based on information received from the Formatter, the DC Controller sends signals to the Laser/Scanner Assembly to modulate the laser diode ON and OFF and to drive the Laser/Scanner motor. Refer to “Image formation system” later in this chapter for more information.

### **Paper motion monitoring and control**

The DC Controller PCA controls paper motion by continuously monitoring the various paper sensors and coordinating the timing with the other print processes.

For a detailed explanation of paper movement, and the interaction of photosensors and solenoid with the paper movement process, refer to “Paper feed system” later in this chapter.

### **12 V shutoff switch**

The 12 volt DC power shutoff switch, Switch 101, located on the top of the printer, is activated by the printer door. The front door must be closed before the printer can resume printing.

### **Engine test switch**

The Test Print, Switch 201, located on the DC Controller, is activated manually through an access hole at the front of the printer. This switch causes the print engine to perform a self-test diagnostic which bypasses the Formatter PCA and prints a full page of black vertical lines. This test is useful for troubleshooting printer problems because it isolates the print engine from the Formatter PCA. (See Chapter 7, “Troubleshooting,” to learn more about how to perform an engine test.)

### **Motor**

The Motor is controlled by the DC Controller PCA. The Motor provides all of the printer’s paper movement.

## **Power system (on DC Controller PCA)**

The AC, DC, and high voltage power supply circuits are all contained within the DC Controller PCA.

### **AC power distribution**

The AC power circuitry supplies AC voltage whenever the power cord is connected to the AC power source. AC voltage is distributed to the DC power supply circuitry and to the AC driver circuitry, which controls AC voltage to the fusing assembly’s heating element.

## DC power distribution

The DC power distribution circuitry, located on the DC Controller PCA, distributes +5 V DC and +12 V DC as follows:

---

+5 V DC	<ul style="list-style-type: none"><li>● Formatter PCA</li><li>● Photosensors</li><li>● DC Controller Circuitry</li><li>● Laser/Beam Detect Circuitry</li></ul>
+12 V DC:	<ul style="list-style-type: none"><li>● Motor</li><li>● Scanner Motor</li><li>● Solenoid</li></ul>
+12 VA DC	<ul style="list-style-type: none"><li>● High Voltage Power Supply</li></ul>

---

## Overcurrent/overvoltage protection

There are two overvoltage/overcurrent devices in this printer:

- Fuse F101 provides overcurrent protection for the fusing system circuitry. To check or replace the fuse requires the removal of the DC Controller. Fuse 102 (found only on 110V units) provides overcurrent protection to the printer DC power supply circuitry.
- In addition, the +12V DC and +5V DC power circuitry contains an overcurrent protection circuit that automatically shuts off the output voltage when an overcurrent condition occurs due to a short or abnormal voltage on the load side.

## SleepMode

Instead of a power switch, the printer has a SleepMode function. After the printer has been idle for 15 minutes, it turns itself off by shifting to SleepMode. The Control Panel lights remain off, and the printer retains all printer settings and downloaded fonts and macros while in SleepMode.

The printer exits SleepMode and all of the lights power on when any of the following occur:

- A job is received.
- The Control Panel Button is pressed.
- The printer front door is opened.

---

### Note

The printer will not enter SleepMode if there is a printer error.

## High voltage power distribution

The High Voltage Power Supply PCA applies an overlap of DC and AC voltage to the primary charging roller and the developing roller. This circuit also applies a positive or negative DC voltage to the transfer charging roller according to the instructions from the CPU on the DC Controller PCA.

This circuit also controls the image density by changing the primary AC voltage and the developing AC bias according to the setting of the print density dial.

High voltage is disabled when the printer's EP Door is open (i.e., switch SW101 is open).

# Formatter system

The Formatter PCA is responsible for the following:

- Receiving and processing print data from the printer interface.
- Monitoring Control Panel Button and relaying printer status information.
- Developing and coordinating data placement and timing with the print engine.
- Storing font information.
- Communicating with the host computer through the Bi-Directional Interface.

The Formatter PCA receives print data from the Bi-Tronics Interface and converts it into a dot image. The DC Controller synchronizes the Image Formation System with the Paper Feed System and signals the Formatter to send the print image data. The Formatter sends the print image data (dots) in the form of a VIDEO signal and the printing process begins.

On the HP LaserJet 5L and 6L, the Formatter PCA also provides mounting locations for additional memory.

## CPU

The Formatter PCA incorporates a microprocessor operating at a minimum of 24 MHz.

## Read only memory (ROM)

Besides storing microprocessor control programs, the ROM stores dot patterns of internal character sets (fonts).

## Random access memory (RAM)

The RAM stores printing and downloaded font information received from the host system and temporarily stores a full page of print image data before the data is sent to the print engine. (See “Page Protect” later in this chapter.) For the HP LaserJet 5L and 6L printers, memory capacity can be increased by adding a DRAM memory card to the Formatter PCA. Note that adding memory may also increase print speed when printing complex graphics. The HP LaserJet 6L Pro does not support memory expansion or the use of a JEDIA card.

## Parallel interface

The Formatter PCA receives incoming data through its Bi-Tronics interface. The Bi-Tronics I/O provides high speed and two-way communication between the printer and the host, allowing the user to change printer settings and monitor printer status from the host computer. This interface is IEEE-1284 compliant.

## Control Panel

### Status LED lights

The Formatter uses three LEDs mounted under the printer cover to communicate printer status to the user. Refer to “Using the Control Panel” in Chapter 3 and “Printer Error Troubleshooting” in Chapter 7 for more information on the lights.

### Control Panel Button

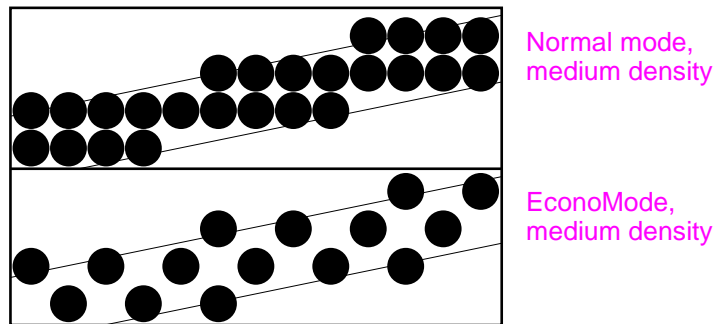
The Control Panel Button is used for such functions as self test, reset, and to display error codes. Refer to “Using the Control Panel” in Chapter 3 for more information on the Control Panel Button.

## Resolution Enhancement technology (REt)

The Formatter PCA contains circuitry for Resolution Enhancement technology (REt), which modifies the standard video dot data on its way to the DC Controller to produce smoothed black-to-white boundaries. REt is user-adjustable from some software applications. Available settings are On or Off.

## EconoMode

The EconoMode setting uses approximately 50 percent less toner than standard mode printing by reducing the dot density. However, EconoMode does not extend toner cartridge component life. EconoMode, which can also be thought of as “draft mode,” is user-selectable through some software applications. The default setting is Off.



**Figure 5-3** EconoMode vs. Normal Mode

**Note** EconoMode does not affect print speed or memory usage.

## Memory Enhancement technology (MEt)

The Hewlett-Packard Memory Enhancement technology (MEt) effectively doubles the standard memory through a variety of font and data compression methods. MEt is only available in PCL mode and is not customer selectable. When using the host-based driver, your PC handles memory management.

## Enhanced I/O

The Enhanced I/O feature allows printer memory to be used for storing data received from the host computer. When Enhanced I/O is enabled, you can send more data to your printer in shorter amounts of time, which allows you to return to your application sooner. Enhanced I/O has the following options:

- **Auto** allows the printer to use Enhanced I/O memory allocation to increase the speed of data transfer from the host computer to the printer, if necessary.
- **Off** uses the minimum amount of printer memory for storing data sent from the host computer.

Enhanced I/O is only available in PCL mode. When using the host-based driver (HP LaserJet 5L and 6L only), your PC handles memory management.

## Page Protect

Page complexity (rules, complex graphics, or dense text) may exceed the printer's ability to create the page image fast enough to keep pace with the Image Formation process. If Page Protect is disabled and a page is too complex, the page may print in parts (for example, the top half on one page and the bottom half on the next page). Some print data loss is likely in these instances, and the printer will display an error message.

Page Protect allows the Formatter to create the entire page image in page buffer memory before physically moving the paper through the printer. This process ensures that the entire page will be printed. Page Protect applies only to PCL printing. The default setting is Auto.

## PJL overview

Printer Job Language (PJL) is an integral part of configuration, in addition to the standard Printer Command Language (PCL). With standard Centronics cabling, PJL allows the printer to perform functions such as:

- Two-way communication with the host computer through a Bi-directional Parallel connection. The printer can tell the host such things as the control panel status.
- Isolation of print environment settings from one print job to the next. For example, if a print job is sent to the printer in landscape mode, the subsequent print jobs print in landscape only if they are formatted for landscape printing.

# Image formation system

Laser printing requires the interaction of several different technologies (such as electronics, optics, and electrophotographics) to provide a printed page. Each process functions independently and must be coordinated with the other printer processes. Image formation consists of six processes:

- Step 1 Drum Cleaning
- Step 2 Drum Conditioning
- Step 3 Image Writing
- Step 4 Image Developing
- Step 5 Image Transferring
- Step 6 Image Fusing

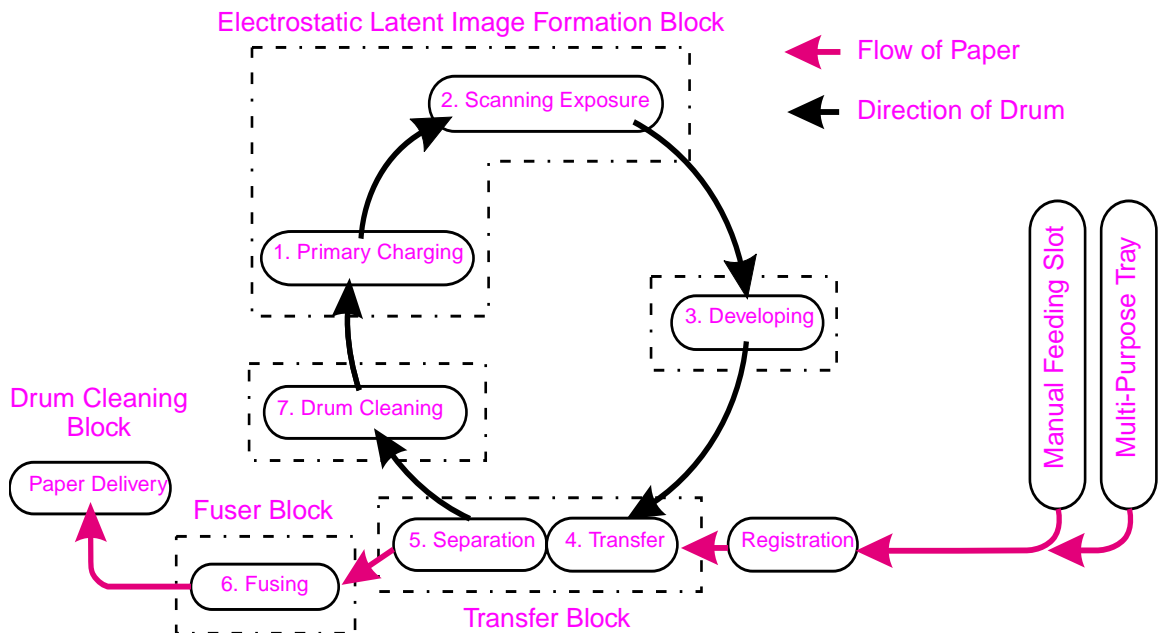


Figure 5-4 Image formation block diagram

## Toner cartridge

As the “heart” of the Image Formation System, the toner cartridge houses the cleaning, conditioning, and developing steps of the process. The toner cartridge contains the photosensitive drum, primary charging roller, developing station, toner cavity, and cleaning station. Including these components, which wear, degrade, or are consumed in the replaceable toner cartridge, eliminates the need for a service call when replacement is required. The special photosensitive properties of the drum allow an image to be formed on the drum surface and then transferred to paper.

### CAUTION

The printer’s toner cartridge does not include a light-blocking shutter. Be careful to avoid exposing the drum to light, which can permanently damage the drum. Protect the cartridge whenever removing it from the printer.

## **Step 1: Drum cleaning**

The cleaning blade is in contact with the surface of the drum at all times. As the drum rotates during printing, excess toner is wiped off and stored in the waste toner receptacle.

## **Step 2: Drum conditioning**

After the drum is physically cleaned, it must be conditioned. This process consists of applying a uniform negative charge on the surface of the drum with the primary charging roller, located in the toner cartridge. The primary charging roller is coated with conductive rubber. An AC bias is applied to the roller to erase any residual charges from any previous image. In addition, a negative DC bias is applied by the charging roller to create a uniform negative potential on the drum surface. The amount of DC voltage is modified by the print density setting.

## **Step 3: Image writing**

During the writing process, a modulated laser diode projects the beam onto a rotating scanning mirror. As the mirror rotates, the beam reflects off the mirror, first through a set of focusing lenses, off a mirror, and finally through a slot in the top of the toner cartridge, and onto the photosensitive drum. The beam sweeps the drum from left to right, discharging the negative potential wherever the beam strikes the surface. This creates a latent electrostatic image, which later is developed into a visible image.

Because the beam is sweeping the entire length of the drum and the drum is rotating, the entire surface area of the drum can be covered. At the end of each sweep, the beam strikes the beam detect lens, generating the Beam Detect Signal (BD). The BD signal is sent to the DC Controller, where it is converted to an electrical signal used to synchronize the output of the next scan line of data.

## **Step 4: Image developing**

At this stage of the process, the latent electrostatic image is present on the drum. The toner particles obtain a negative surface charge by rubbing against the developing cylinder, which is connected to a negative DC supply. The negatively charged toner is attracted to the discharged (exposed, grounded) areas of the drum, and repelled from the negatively charged (non-exposed) areas.

## **Step 5: Image transferring**

During the transferring process, the toner image on the drum surface is transferred to the paper. A positive charge applied to the back of the paper by the transfer roller causes the negatively charged toner on the drum surface to be attracted to the paper. After separation, the drum is cleaned and conditioned for the next image.

## **Step 6: Image fusing**

During the fusing process, the toner is fused into the paper by heat and pressure to produce a permanent image. The paper passes between a heated fusing element and a soft pressure roller. This melts the toner and presses it into the paper.



## Paper feed system

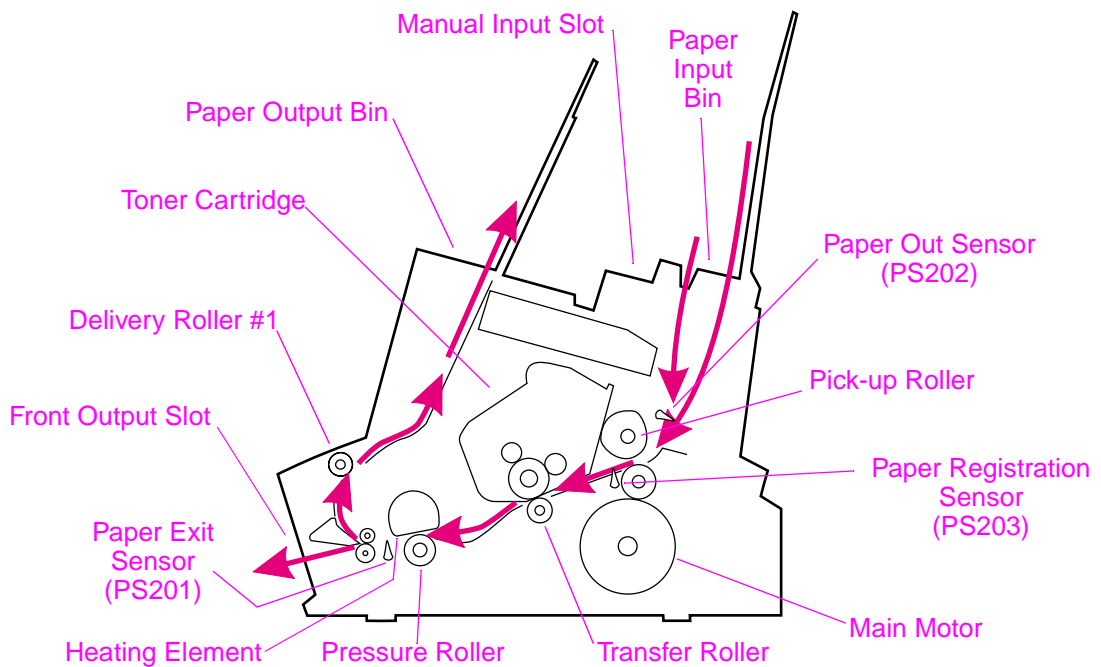
Both the Paper Input Tray and the Single Sheet Input Slot merge into one, main input area. Paper placed in either of these areas enables the Paper Out Sensor (sensor 202), which informs the DC Controller that paper is present.

When the printer receives a print job and is ready to print, the DC Controller enables the Laser/Scanner Assembly and the Motor. Paper motion begins when the DC Controller energizes solenoid SL1. This causes the paper pick up roller to rotate once. Two actions occur as a result of this rotation. First, the paper kick plate pushes the paper against the pick-up roller. Second, the pick-up roller grabs the top sheet and advances it to the Feed Assembly drive rollers. To ensure that only one sheet is fed, a main separation pad, along with two subpads, hold the remainder of the stack in place.

The feed assembly drive rollers advance the paper to the Paper Registration photosensor (PS203). This sensor informs the DC Controller of the exact location of the paper's leading edge, so that the image being written on the photosensitive drum can be precisely positioned on the page. The feed assembly drive rollers then advance the paper to the transfer area where the toner image on the photosensitive drum is transferred to paper.

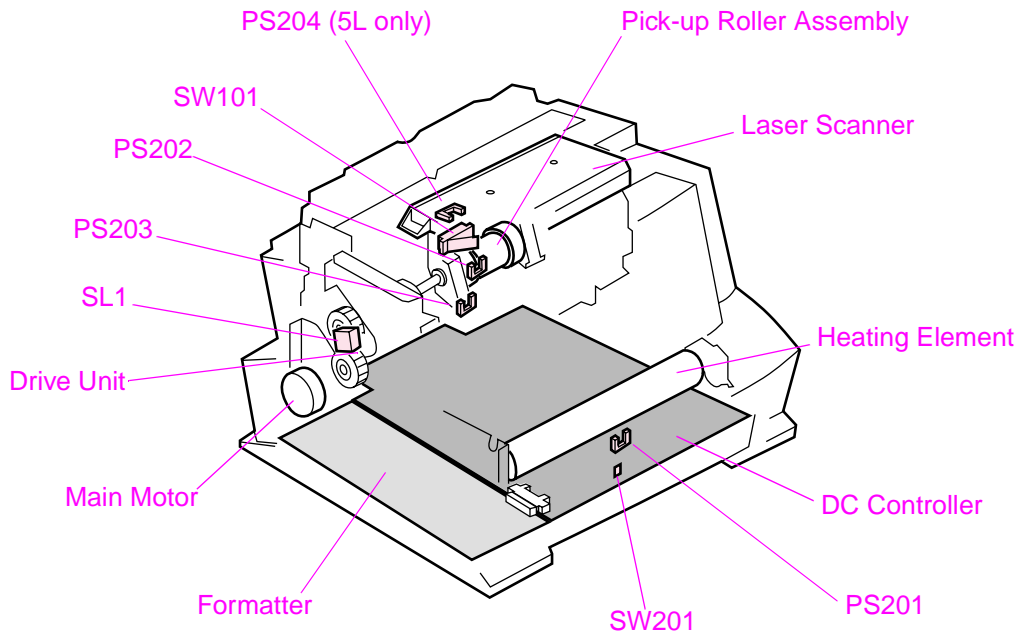
After the image is transferred, the paper enters the fusing assembly where heat from the fuser and pressure from the Pressure Roller permanently bond the toner image to paper. The Paper Exit Sensor (PS201) determines that paper has successfully moved out of the fusing area. The fusing assembly exit rollers deliver paper to either the Output Paper Bin or the Front Output slot, depending upon the position of the Face-up/Face-down lever.

Figure 5-5 shows a simplified paper path and the locations of the photosensors and rollers.



**Figure 5-5** Simplified paper path

Figure 5-6 shows the locations of the photosensors, switches, solenoid, and other important printer elements. Table 5-1 describes the function of each photosensor and the solenoid.



**Figure 5-6 Solenoid and sensors**

**Table 5-1 Solenoid and sensors**

Number	Name	Description
SL1	Paper Pick-up Solenoid	Enables the Paper Pickup Roller.
PS201	Paper Exit Sensor	Senses when paper has successfully moved out of the fusing area and the next sheet of paper can be fed.
PS202	Paper Out Sensor	Senses no paper in either the Paper Input Tray or Manual Input Slot. If this sensor does not sense paper in the Input Paper Tray or the Single-Sheet Input Slot, the formatter displays the paper-out indication on the Control Panel. Paper must be reloaded before printing can resume.
PS203	Paper Registration Sensor	Detects the leading and trailing edges of the paper. Synchronizes the photosensitive drum and the top of the paper.
PS204	Door Open/Cartridge Sensor (HP LaserJet 5L only) In the HP LaserJet 6L, SW101 performs the function of 5L's PS204. The 6L Pro has no toner cartridge sensor.	Detects whether printer door is open and cartridge is in place. If the door is open or the cartridge is not in place, the control panel LEDs will display an error message. Printing cannot continue until the door is closed and the cartridge is in proper position.

## Paper jam detection

The Paper Out Sensor (PS202), Paper Registration Sensor (PS203), and the Paper Exit Sensor (PS201) detect when paper is moving through the printer. (See Figure 5-5 for roller and sensor locations.) If a paper jam is detected, the DC Controller immediately stops the printing process and causes a paper jam indication on the Control Panel.

A paper jam can be detected under any of the following conditions:

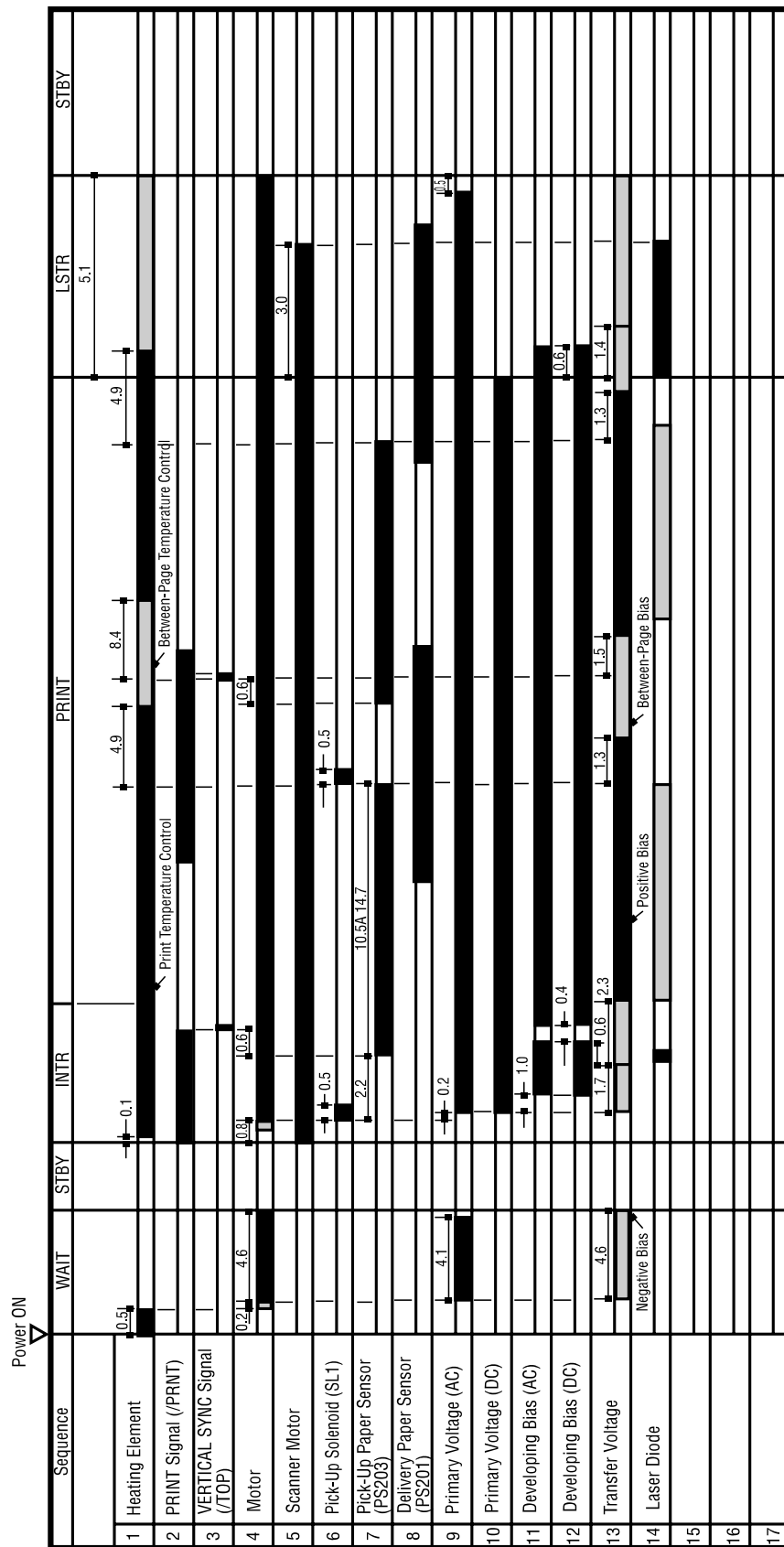
- Power-On Jams. Paper is present under either PS201 or PS203 at power-on.
- Pickup Jams. Paper does not reach and clear photosensor PS203 within a specified period of time. The time period begins when the Paper Pickup Solenoid (SL1) is energized.
- Delay Jams. Paper does not reach or clear a specific photosensor within a specified period of time.

## Basic sequence of operation

The Formatter PCA and the DC Controller PCA share information during printer operation. The DC Controller-to-Formatter Connector (J201) forms a link that operates as a serial data bus. This allows printer status, command information, and dot-image data to be passed between the two PCAs. Figure 5-7 shows the general timing of the printer events. The following events take place during normal printer operation:

**Table 5-2 Printer timing**

Period	Timing	Purpose
WAIT	From when the paper is inserted to the end of Main Motor initial rotation.	Clear the drum surface potential and clean the Transfer Roller.
STBY (standby)	From the end of the WAIT or the LSTR period until the input of the PRNT signal from the Formatter. Or from the end of the LSTR period until power OFF.	Maintain the printer in ready state.
INTR (initial rotation)	From the input of the PRNT signal from the Formatter until the laser diode intensity has been stabilized.	Stabilize the photosensitive drum sensitivity in preparation for printing. Also clean the Transfer Roller.
PRNT	From the end of initial rotation until the Scanner Motor stops.	Form images on the photosensitive drum based on the /VDO signal from the Formatter and transfer the image to paper.
LSTR (last rotation)	From the primary voltage (DC) OFF until the Main Motor stops.  If another PRNT signal is sent from the Formatter, the printer returns to the INTR period. If not, it returns to the STBY period.	Deliver the last sheet of paper. Also clean the Transfer Roller.
Refer to the Timing Diagrams on the following pages.		



\* Timing chart for printing two A-4 size sheets continuously (Unit: second)

Figure 5-7 General timing diagram - HP LaserJet 5L

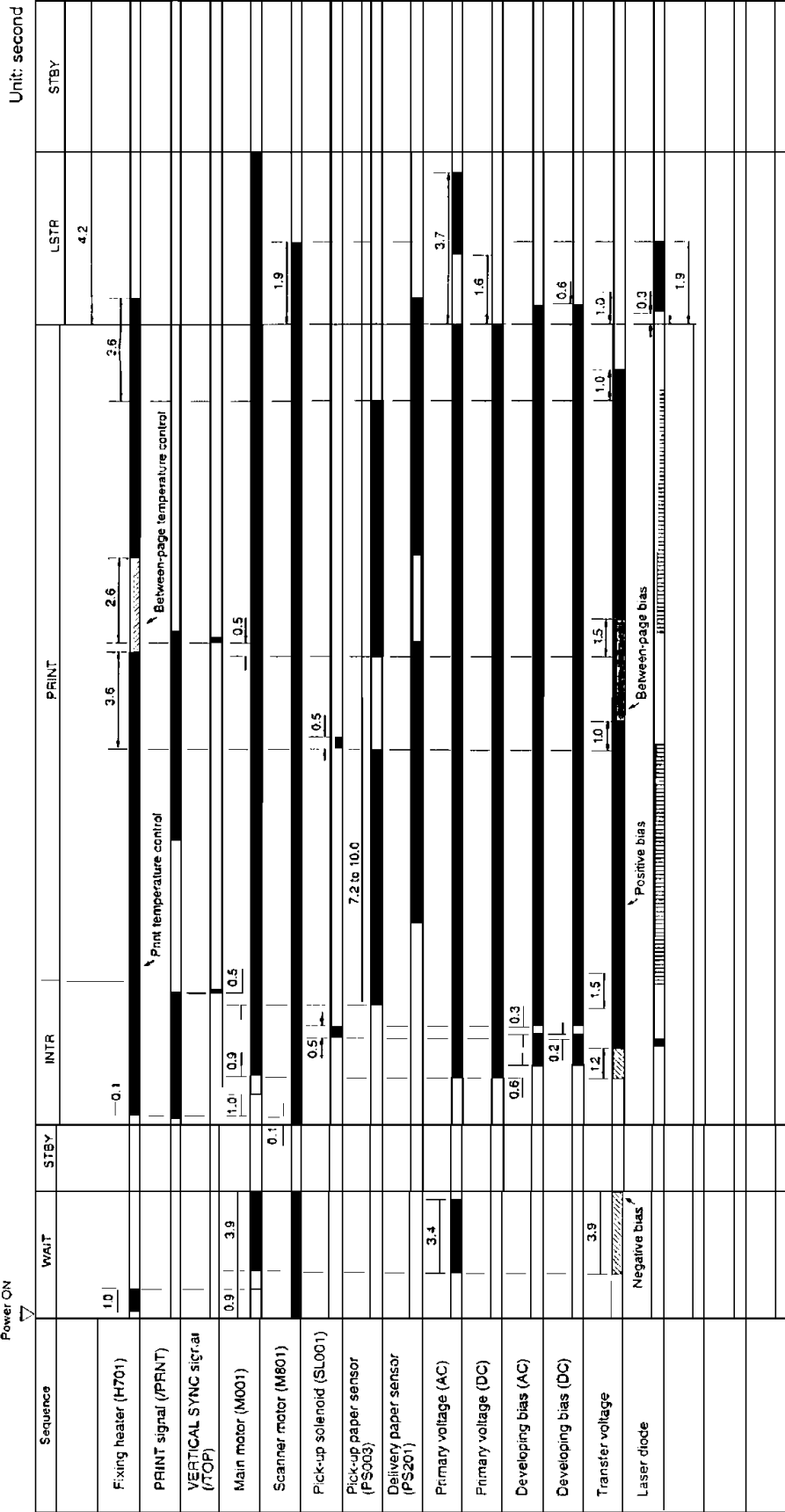


Figure 5-8 General timing diagram - HP LaserJet 6L and HP LaserJet 6L ProSL

# 6

## Removal and replacement

### Chapter contents

Removal and replacement strategy . . . . .	70
Required tools . . . . .	71
Installing memory cards (DRAM) . . . . .	72
Covers and doors . . . . .	73
Back Cover . . . . .	73
EP Door Assembly . . . . .	75
Memory Door . . . . .	76
Main Cover and Paper Input Assembly . . . . .	77
Internal assemblies . . . . .	78
Control Panel . . . . .	78
Exit Roller Assembly . . . . .	79
Delivery Assembly . . . . .	80
Fuser Pressure Plate . . . . .	82
Heating Element . . . . .	84
Pressure Roller . . . . .	87
Face-Up/Face-Down Lever . . . . .	88
Fuser Exit Roller Assembly . . . . .	89
Paper Exit Sensor Flag . . . . .	90
Top assemblies . . . . .	91
Laser/Scanner Assembly . . . . .	91
Solenoid . . . . .	92
Pickup Roller Assembly . . . . .	94
Paper Feed Frame . . . . .	97
Transfer Roller Guide and Transfer Roller . . . . .	101
Kick Plate . . . . .	102
Separation Pad . . . . .	104
Subpads . . . . .	105
Feed Assembly . . . . .	106
Bottom assemblies . . . . .	109
Memory Door Guide . . . . .	109
Motor . . . . .	110
DC Controller . . . . .	111
Formatter PCA . . . . .	114

## Removal and replacement strategy

This chapter documents removal and replacement of Field Replaceable Units (FRUs) only.

Replacement is generally the reverse of removal. Occasionally, notes are included to provide direction for difficult or critical replacement procedures.

---

**WARNING!**

Unplug the power cord from the power outlet before attempting to service the printer. If this warning is not followed, severe injury may result.

Never operate or service the printer with the protective cover removed from the Laser/Scanner Assembly. The reflected beam, although invisible, can damage your eyes.

The sheet metal edges of this printer can be sharp! Exercise caution when working with the printer.

---

**CAUTION**

The printer contains parts that are electrostatic discharge (ESD) sensitive. Always service printers at an ESD-protected workstation.

To install a self-tapping screw, first turn it counter-clockwise to align it with the existing thread pattern, then carefully turn clockwise to tighten. Do not overtighten. If a self-tapping screw-hole becomes stripped, repair the screw-hole or replace the affected assembly.

---

**Note**

Always remove the toner cartridge before removing or replacing parts.



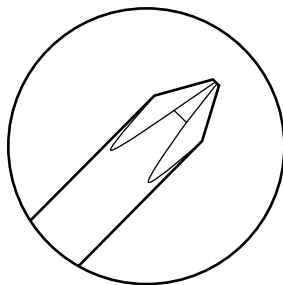
## Required tools

- #2 Phillips screwdriver with a magnetic tip
- small flathead screwdriver
- needlenose pliers

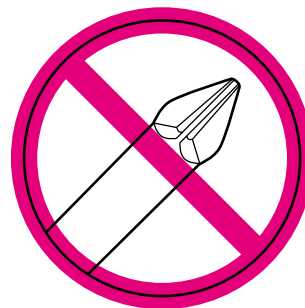
### **CAUTION**

A PosiDriv screwdriver will damage the printer's screw heads. Use Phillips only.

Figure 6-1 shows the difference between a Phillips and a PosiDriv screwdriver. Note that a Phillips tip has more beveled surfaces.



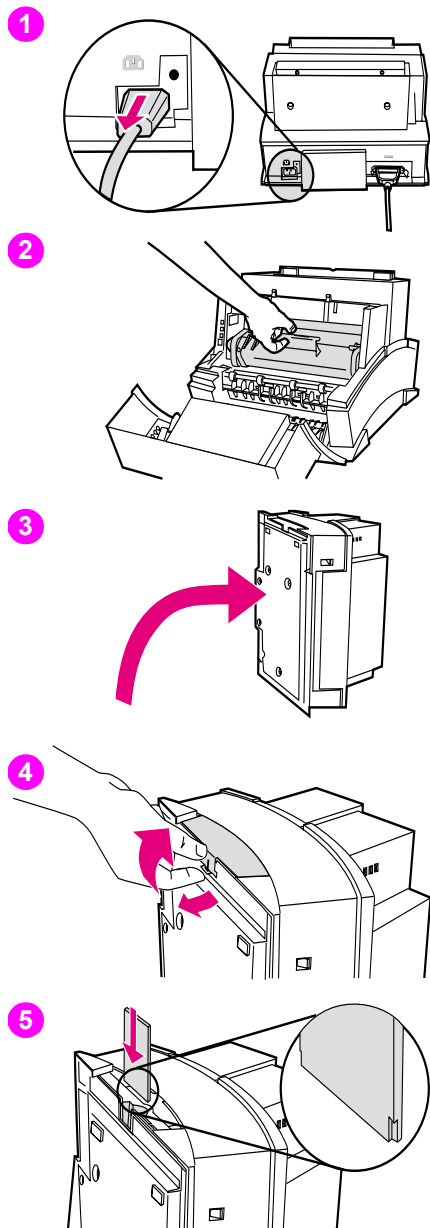
Phillips



PosiDriv

**Figure 6-1** Phillips and PosiDriv screwdrivers

## Installing memory cards (DRAM)



### Note

The HP LaserJet 6L Pro does not support memory upgrades.

- 1** Unplug the power cord from the printer. You should not install a memory card while the printer is in SleepMode.
- 2** Open the Printer Door, remove the toner cartridge, and close the Printer Door. Protect the toner cartridge from light while you are working on the printer.
- 3** Remove any paper in the paper tray. Gently tip the printer onto its side so that the memory cover is on top as shown in Figure 3.
- 4** Remove the Memory Expansion Cover by carefully pulling the tab out and away from the printer in a gentle rocking motion.
- 5** Align the memory card with the corner notch so it is positioned as in Figure 4. Push it firmly into the printer

Replace the Memory Expansion Cover, set the printer upright, reinstall the toner cartridge, reinsert paper, and reconnect to the power source.

Print a self-test page (see Chapter 3) to check that the printer recognizes the additional memory you have added. Your Total Memory in the "Printer Information" section will show the new MB total.

1 MB card	2 MB total
2 MB card	3 MB total
4 MB card	5 MB total
8 MB card	9 MB total

## Covers and doors

### Back Cover

- 1 Unplug the power cord and remove the parallel cable from the back of the printer.
- 2 Remove the toner cartridge.
- 3 Lift the Input Extender assembly.

---

#### CAUTION

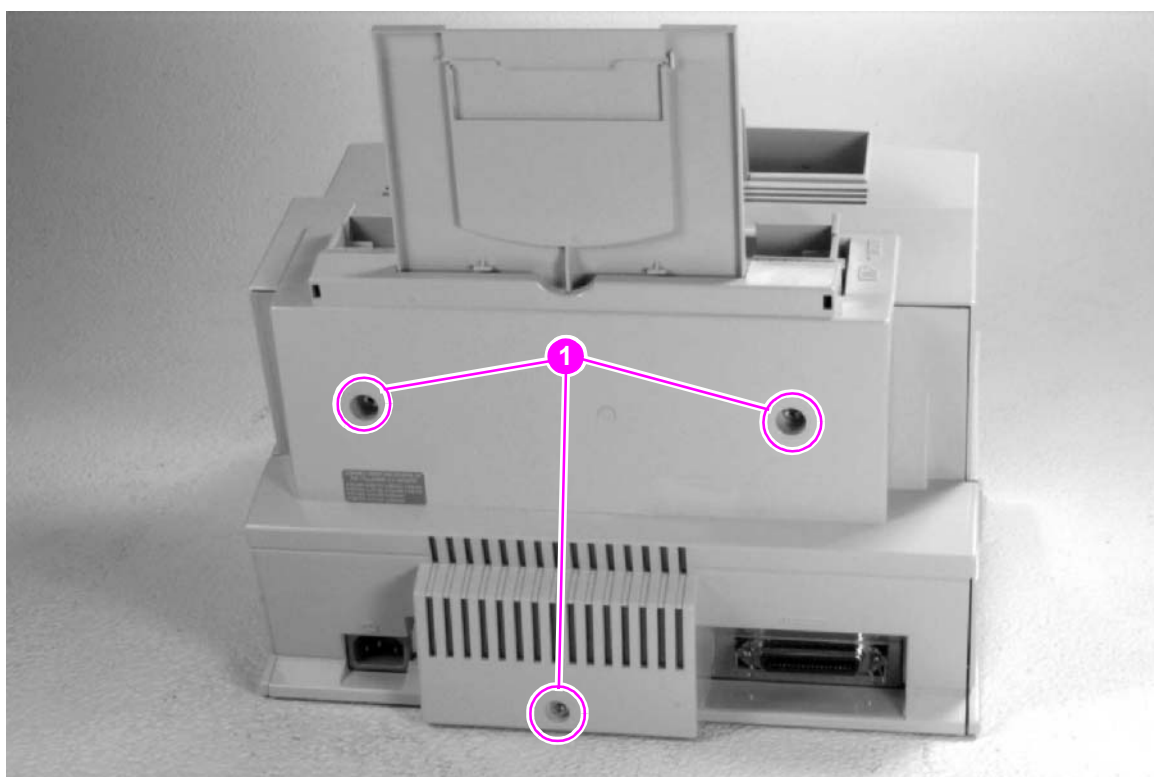
You must lift the Input Extender when the covers are removed or it will break. After you have removed the covers, leave the Input Extender in this lifted position for ease of replacement.

---

#### Note

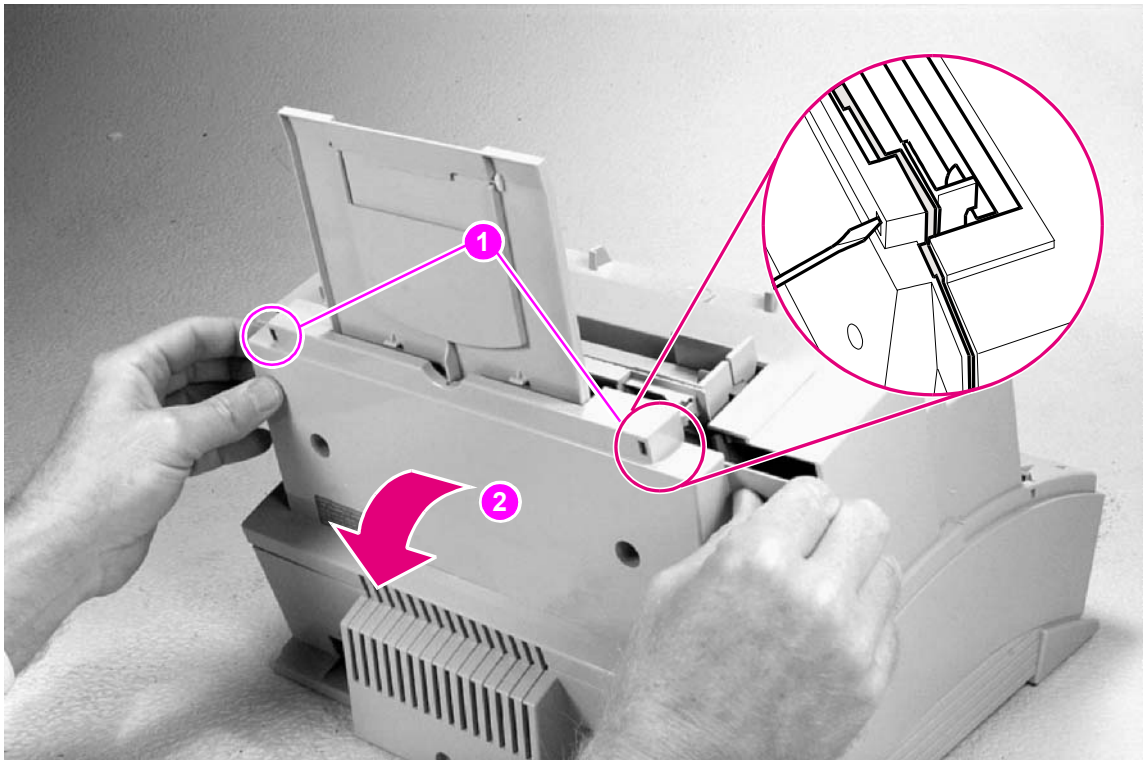
The Input Extender for the HP LaserJet 6L Pro differs from the one shown in the photo. It does not have the extra extender for legal-size paper.

- 4 Remove the (3) screws (Figure 6-2, callout 1).



**Figure 6-2** Back Cover removal (1 of 2)

- 5 Separate the rear panel from the main cover, pulling the lower corners away from the printer first. Then, insert the small flathead screwdriver into the openings at the top to pop the upper corners (Figure 6-3, callout 1).
- 6 Remove the cover by grabbing it on both sides and pulling it straight back with a firm pull (Figure 6-3, callout 2).



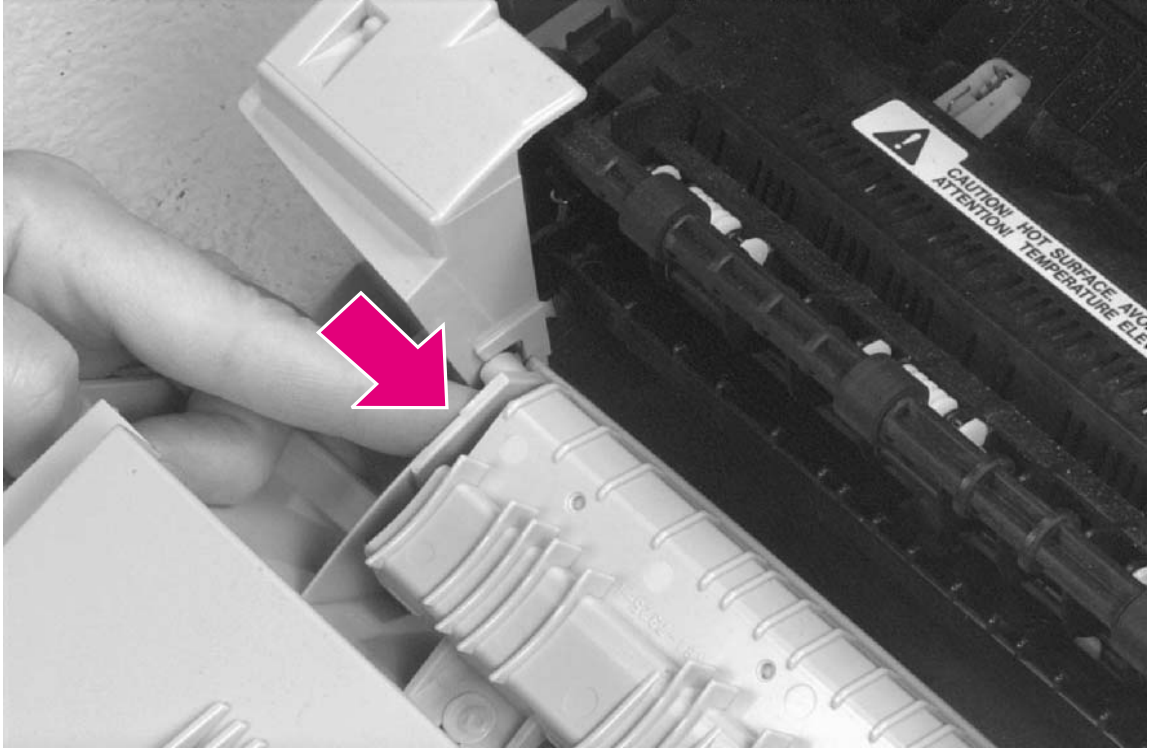
**Figure 6-3** Back Cover removal (2 of 2)

### To reinstall

Make certain the Input Extender is raised before you reinstall the back cover.

## EP Door Assembly

- 1 Unplug the power cord and remove the parallel cable from the back of the printer.
- 2 Open the EP Door.
- 3 Remove the toner cartridge.
- 4 There is a flex point along the door hinge. Firmly press the left tab inward to release it (Figure 6-4). The right tab will fall out easily.



**Figure 6-4** EP Door Assembly removal

## Memory Door

### Note

This procedure does not apply to the HP LaserJet 6L Pro. That model does not have a Memory Door.

- 1 Unplug the power cord and remove the parallel cable from the back of the printer.
- 2 Remove the toner cartridge.
- 3 Gently tip the printer onto its side so that the Control Panel is on top.
- 4 Carefully pull the door tab out (Figure 6-5, callout 1) and away from the printer in a gentle rocking motion (Figure 6-5, callout 2).

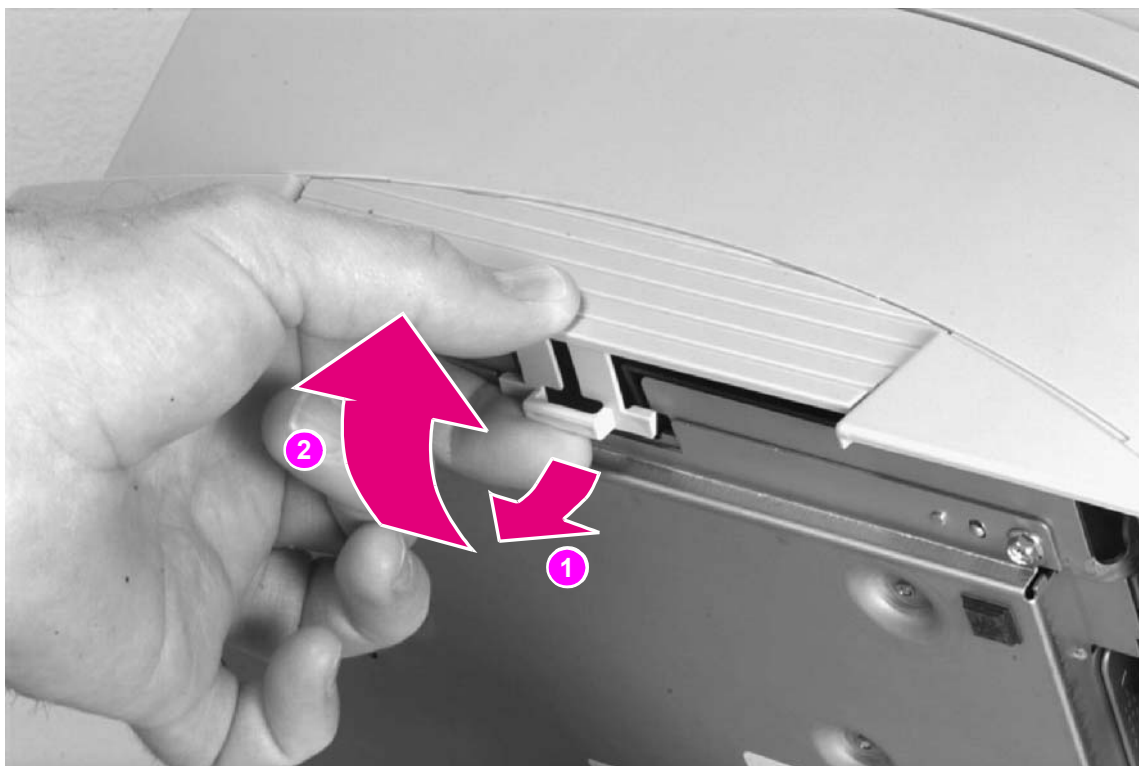


Figure 6-5 Memory Door removal

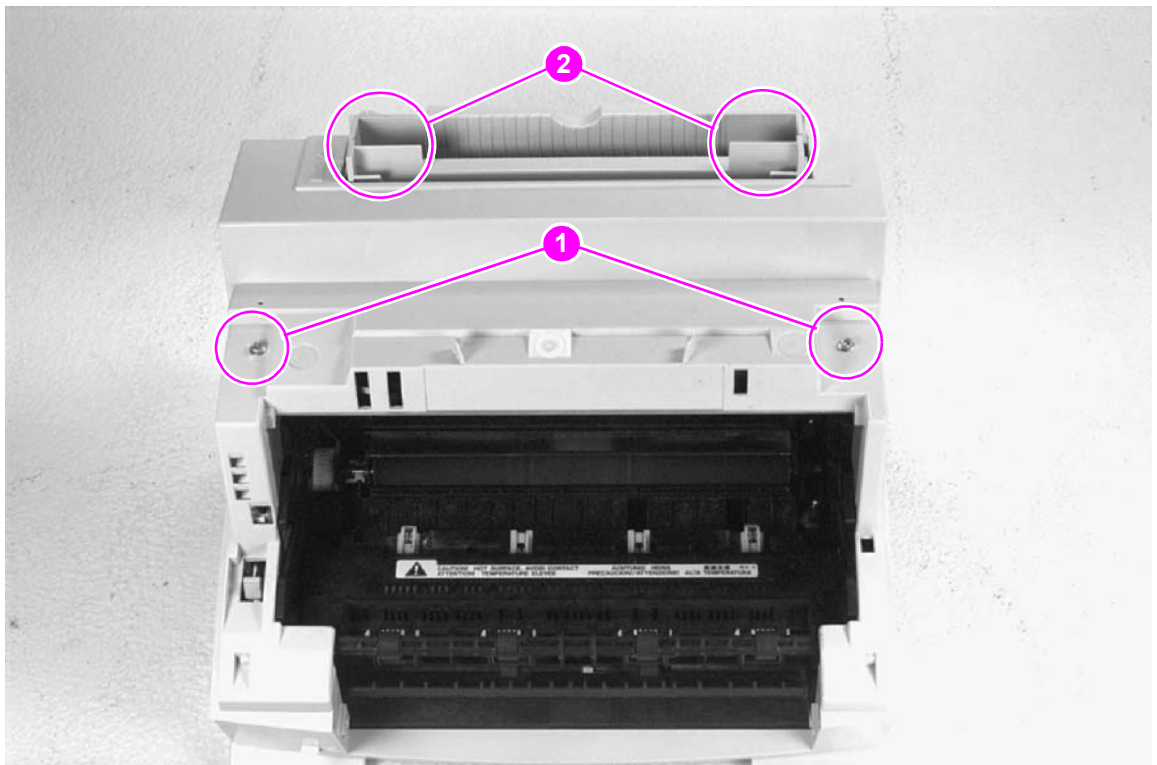
## Main Cover and Paper Input Assembly

- 1 Remove the toner cartridge.
- 2 Remove memory door (HP LaserJet 5L and 6L).

### CAUTION

Remove the memory door first (HP LaserJet 5L and 6L). The door will break if you remove the Main Cover without removing the memory door.

- 3 Remove the EP Door Assembly.
- 4 Remove the Back Cover.
- 5 Remove the (2) screws from the top of the printer (Figure 6-6, callout 1).
- 6 Grasp the two lower, front corners of the printer and pull gently outward to release the front of the Main Cover.
- 7 Lift the cover straight off.
- 8 Remove the Paper Input Assembly (Figure 6-6, callout 2) by rotating it forward and lifting it out with firm pressure.



**Figure 6-6** Main Cover and Paper Input Assembly removal

### Note

When replacing the Paper Input Assembly, make certain that the mylar sheet is positioned between the Input Feed Roller and Separation Pad and that the sheet is not folded or bent.



## Internal assemblies

### Control Panel

#### Procedure for HP LaserJet 5L and 6L

- 1 Remove the Printer Covers.
- 2 Use the needlenose pliers to release the Control Panel connector (Figure 6-7, callout 1).
- 3 Press the tab on the top of the Control Panel downward (Figure 6-7, callout 2). The Control Panel will pop out of the printer chassis.
- 4 Lift the Control Panel out.

#### Procedure for HP LaserJet 6L Pro

- 1 Remove the Printer Covers.
- 2 Press the tab on the top of the Control Panel downward (Figure 6-7, callout 2). The Control Panel will pop out of the printer chassis.

---

#### Note

The Control Panel on the HP LaserJet 6L Pro is soldered directly to the wiring harness. It is not attached with a connector. **Do not** try to separate the Control Panel from the wiring harness.

- 3 Press the tab on the top of the Control Panel downward (Figure 6-7, callout 2). The Control Panel will pop out of the printer chassis.
- 4 Carefully remove the cable from the guides on the printer chassis.

---

#### Note

The other end of the wiring harness is attached to the Formatter PCA with a connector. See “Formatter PCA” later in this chapter for more information.

---

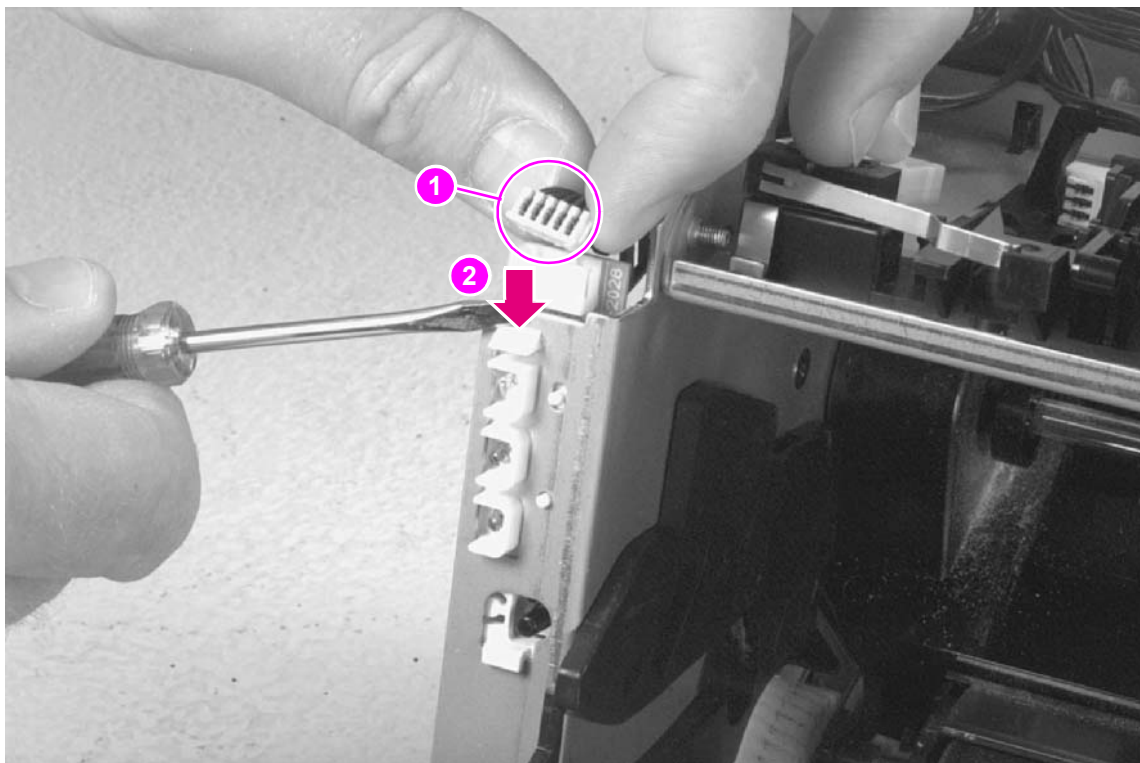
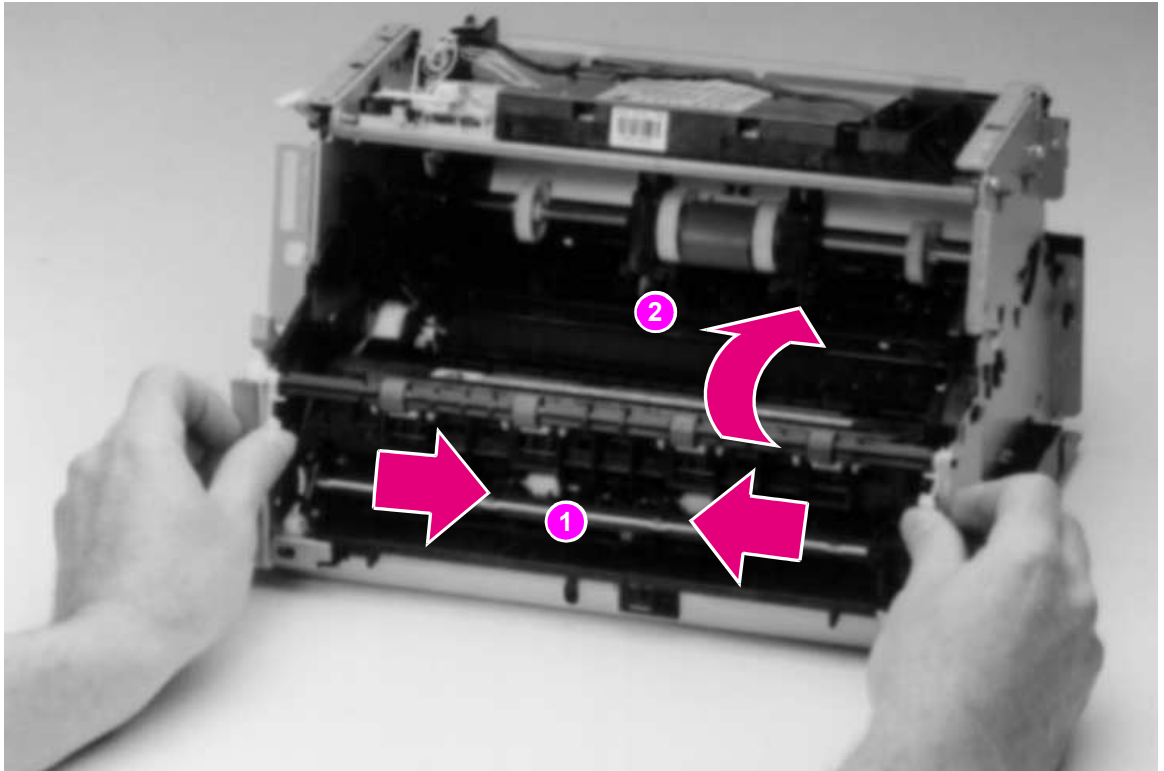


Figure 6-7 Control Panel removal



## Exit Roller Assembly

- 1 Remove Printer Covers.
- 2 Grasp both tabs at the lower ends of the Exit Roller bushings and pull inward. This will release the tabs from the printer chassis (Figure 6-8, callout 1).
- 3 Rotate the tabs 90 degrees, clear of the printer chassis (Figure 6-8, callout 2).
- 4 Lift the roller out.



**Figure 6-8** Exit Roller removal

### To reinstall

The end of the Exit Roller that has a gear attached must fit into the gear train. Although it is possible to reinstall the Exit Roller so that the gear end is on the opposite side of the printer, this placement would cause paper path problems.

## Delivery Assembly

- 1 Remove the Printer Covers and Exit Roller Assembly.
- 2 Remove the EP Right-hand assembly by pressing inward on the tab (Figure 6-9, callout 1) and sliding the assembly toward the front of the printer (Figure 6-9, callout 2).

### Note

The EP Right-Hand assembly must be removed to access any fuser components.

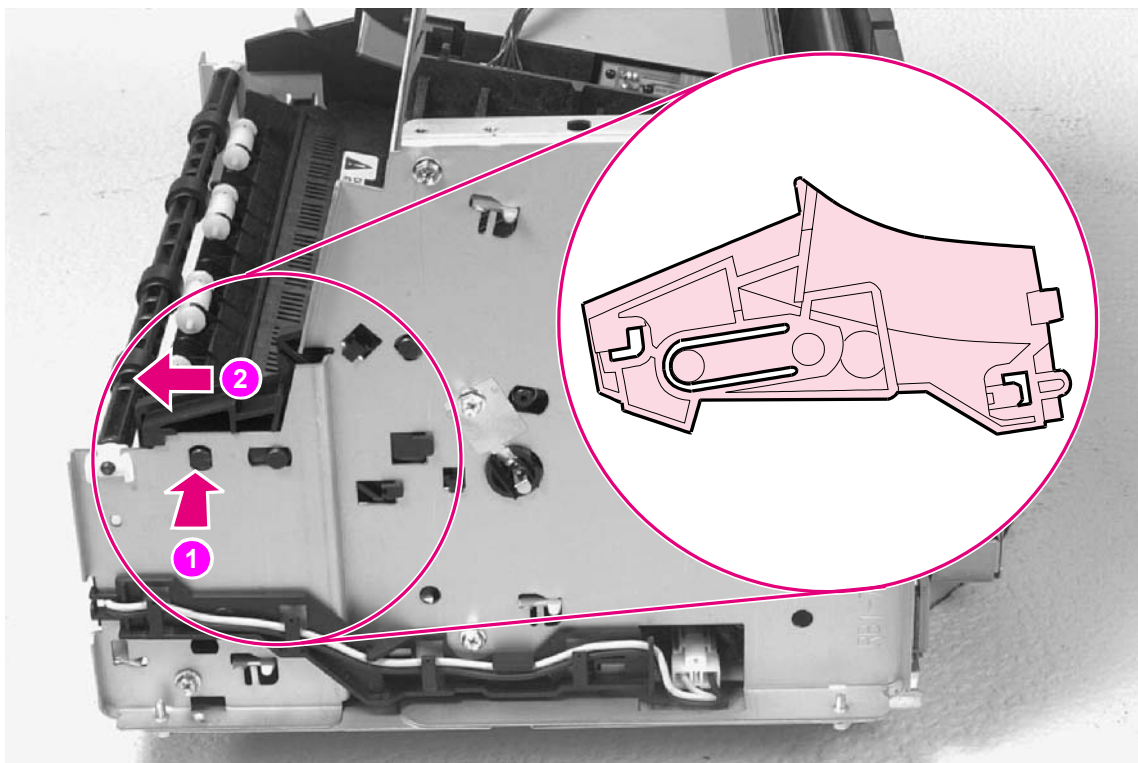
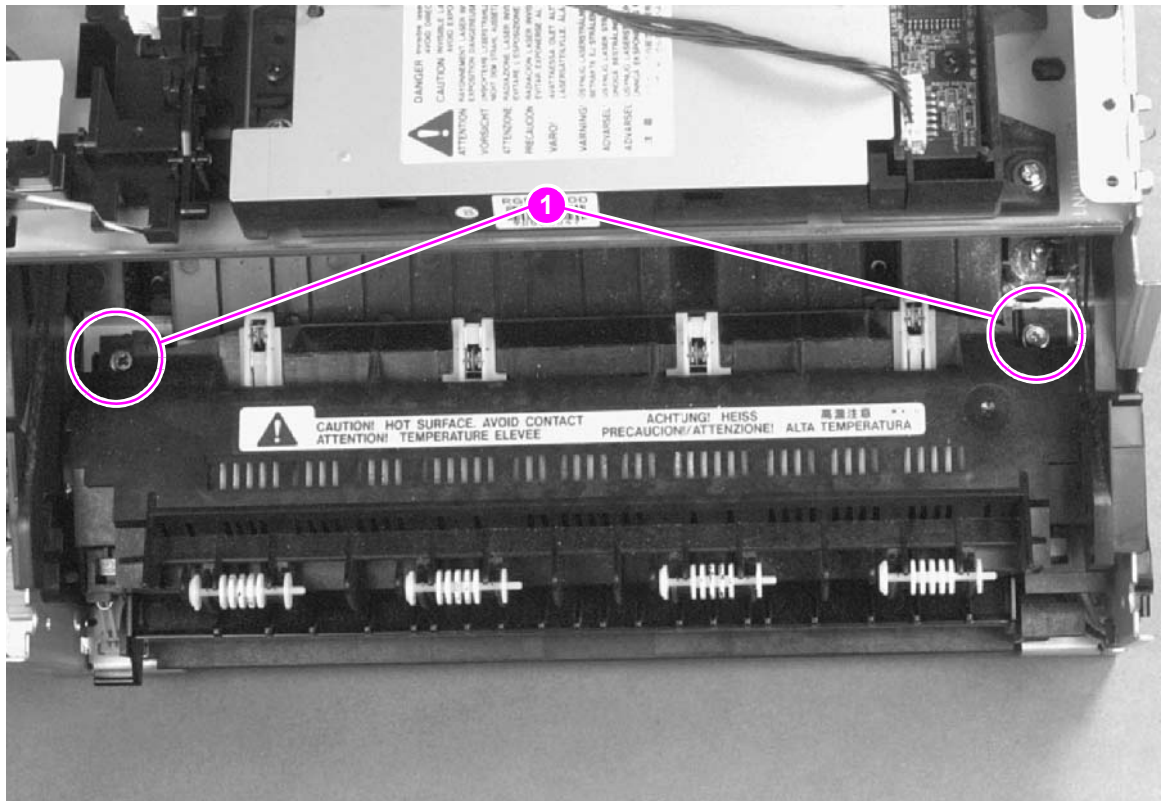


Figure 6-9 Delivery Assembly removal (1 of 2)

- 3 Use the magnetic screwdriver to remove the (2) screws (Figure 6-10, callout 1).
- 4 Rotate the rear of the Delivery Assembly up and forward, then lift it out of the printer.



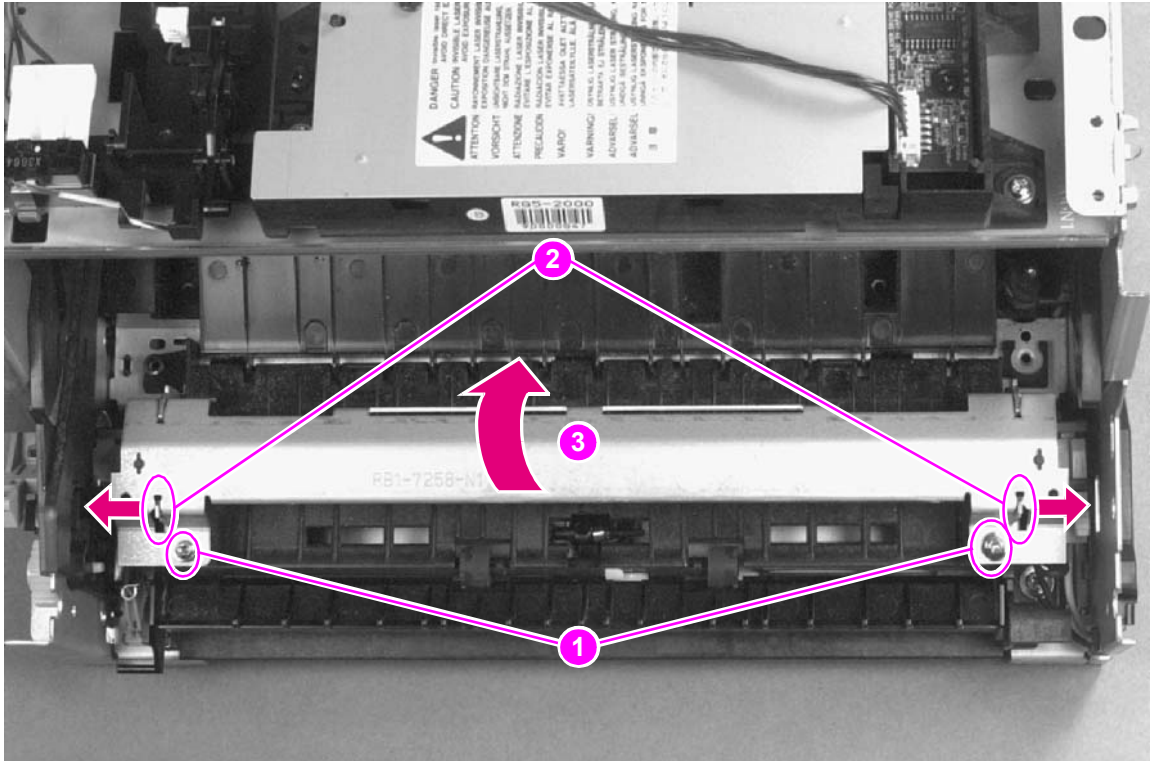
**Figure 6-10** Delivery Assembly removal (2 of 2)

**Note**

When reinstalling the Delivery Assembly, make sure that the tabs on the front end of the Delivery Assembly fit under the sheet metal fuser plate below.

## Fuser Pressure Plate

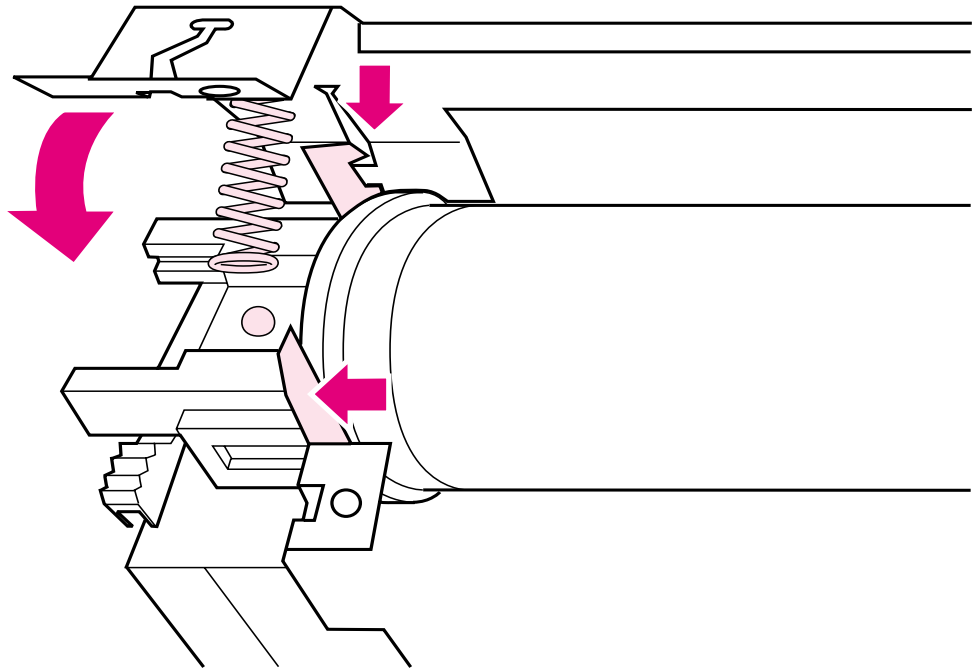
- 1 Remove Printer Covers and Delivery Assembly (Figures 6-9 and 6-10).
- 2 Remove the (2) screws (Figure 6-11, callout 1).
- 3 Press the Fuser Plate retainer clips out to release the Pressure Plate (Figure 6-11, callout 2).
- 4 Rotate the plate around and toward the back. Lift up to remove it (Figure 6-11, callout 3).



**Figure 6-11** Fuser Pressure Plate removal

## To reinstall

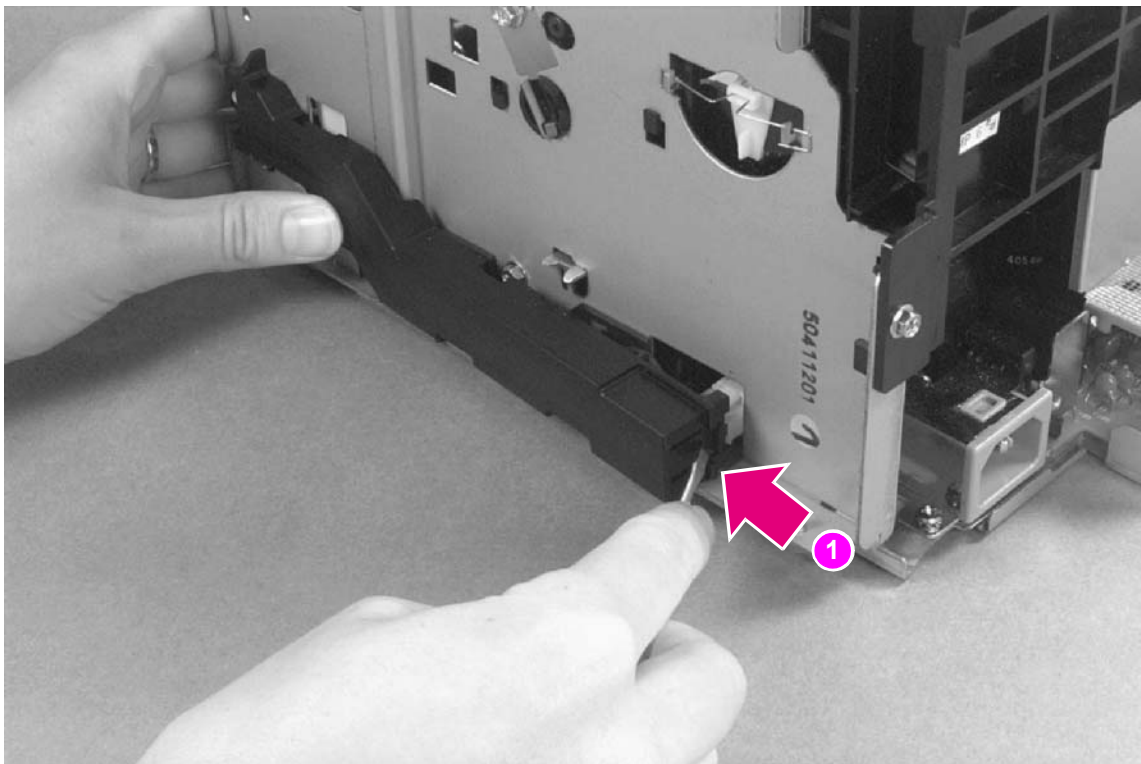
The Fuser Pressure Plate is kept in place by four locking mechanisms in each corner. Place the rear slits in the plate over the rear brackets that hold the Fusing Assembly (Figure 6-12, callout 1). Lower the plate over the retaining clips, pressing on both sides of the Fuser Pressure Plate (Figure 6-12, callout, 2). It is important that the spring is placed over the positioning pin (callout 3) because inadequate pressure will cause fusing problems. Replace the screws.



**Figure 6-12** Fuser Pressure Plate replacement

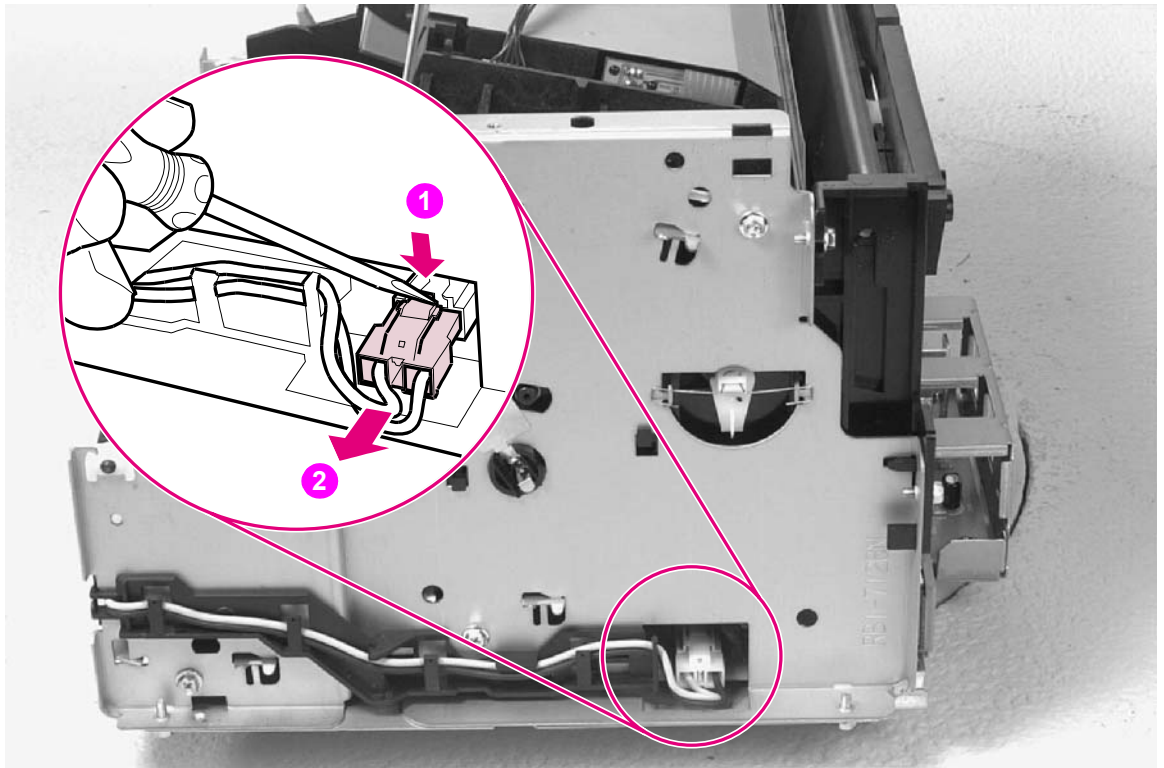
## Heating Element

- 1 Remove Printer Covers, Delivery Assembly (Figures 6-9 and 6-10), and Fuser Pressure Plate (Figure 6-11).
- 2 Remove the wire cover (on the right side of the printer) for the Heating Element wires by pressing in on the tab and pulling outward (Figure 6-13, callout 1).



**Figure 6-13** Heating Element removal (1 of 3)

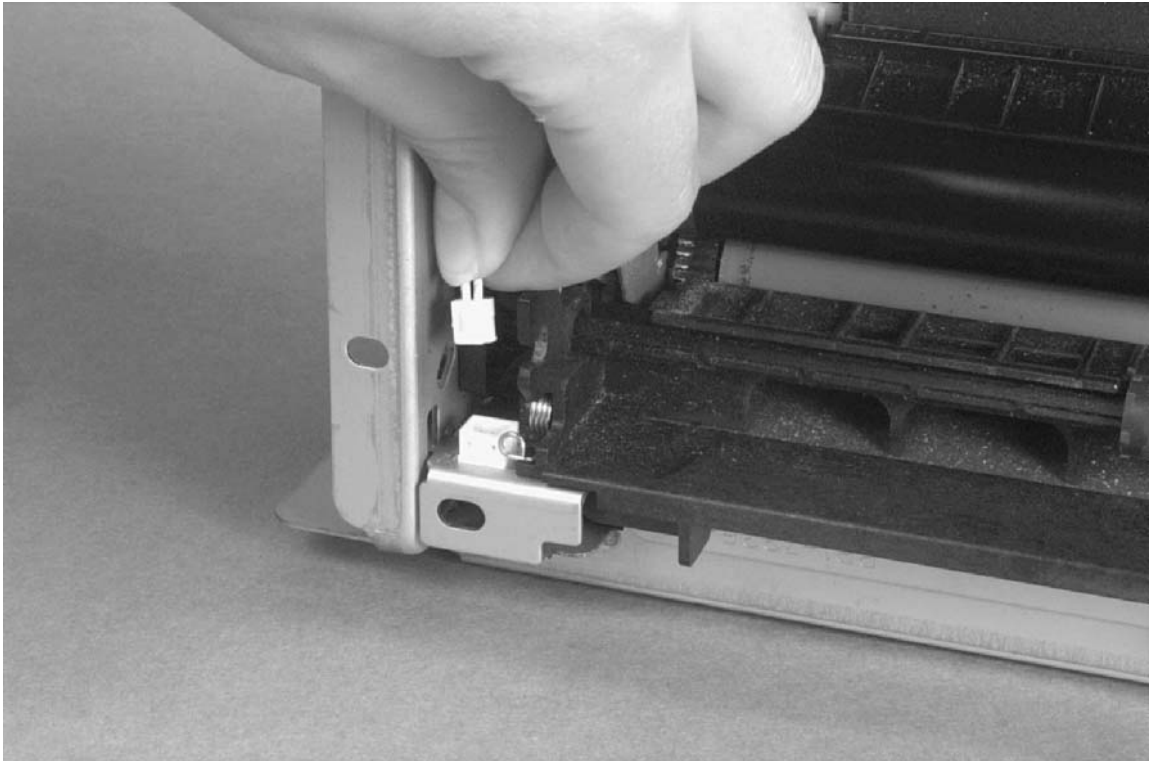
- 3 Disconnect the AC voltage to the Heating Element by releasing the connector located on the DC Controller. Press down on the connector release with a small, flathead screwdriver (Figure 6-14, callout 1). (Because this is a small space, it is much easier to reach the connector with a screwdriver.) Pull straight out (Figure 6-14, callout 2).



**Figure 6-14** Heating Element removal (2 of 3)



- 4 Remove the wire from the wire guides along the right-side of the printer.
- 5 Disconnect the thermistor feedback connector in the left front side of the Fusing Assembly (Figure 6-15).



**Figure 6-15** Heating Element removal (3 of 3)

- 6 Lift the Heating Element out.

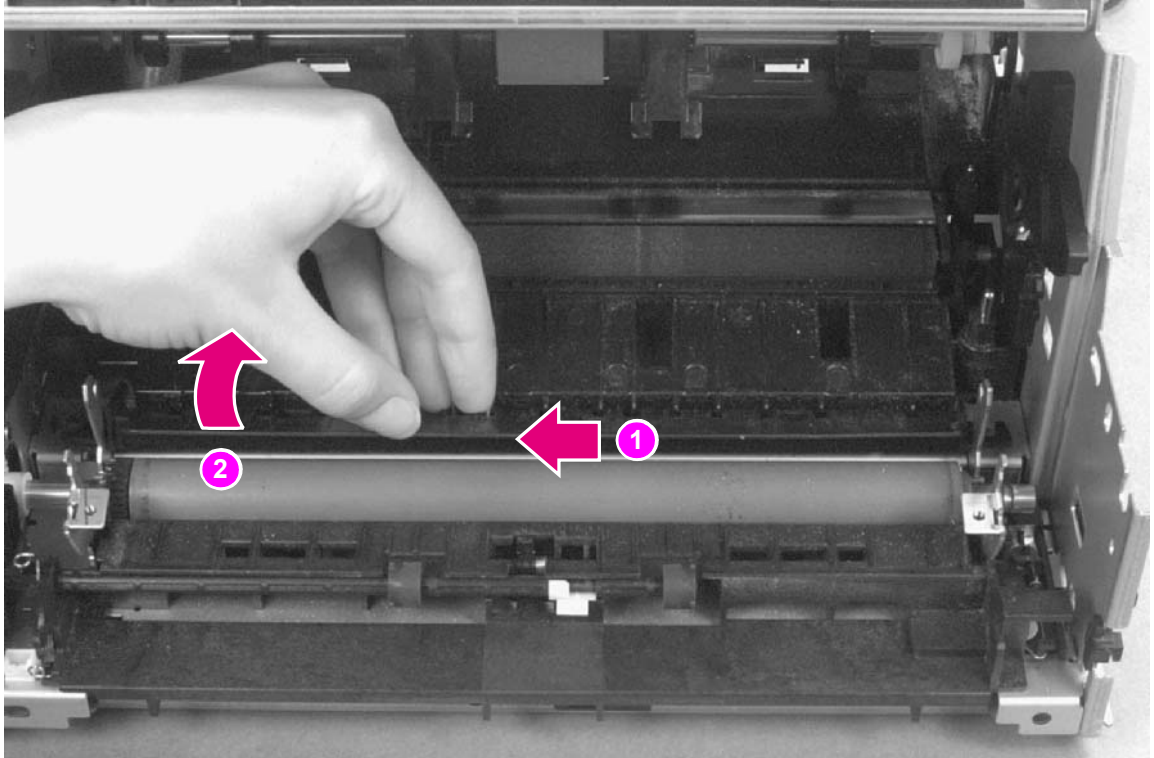
#### **To reinstall**

Make sure the connectors are properly reattached.



## Pressure Roller

- 1 Remove Printer Covers, Delivery Assembly (Figures 6-9 and 6-10), Fuser Pressure Plate (Figure 6-11), and Heating Element (Figures 6-13 through 6-15).
- 2 Remove the Pressure Roller guide by lifting the edge (Figure 6-16, callout 1) and then rolling it gently backward (Figure 6-16, callout 2).



**Figure 6-16** Pressure Roller Guide removal

- 3 Lift the right end of the Pressure Roller up and out of the printer chassis.

**Note** The right end of the Pressure Roller is greased.

- 4 The left side will follow easily with the Pressure Roller gear still attached.

**Note** When reinstalling the Pressure Roller, apply a drop of grease to the grounding plate on the right side of the shaft. (Refer to Chapter 8 for a part number.)

## Face-Up/Face-Down Lever

- 1 Remove Printer Covers, Delivery Assembly (Figures 6-9 and 6-10), Fuser Pressure Plate (Figure 6-11), and Heating Element (Figures 6-13 through 6-15), and Pressure Roller (Figure 6-16).
- 2 Rotate the lever forward 90 degrees (past the spring) and pull it straight out the front of the printer.

### To reinstall

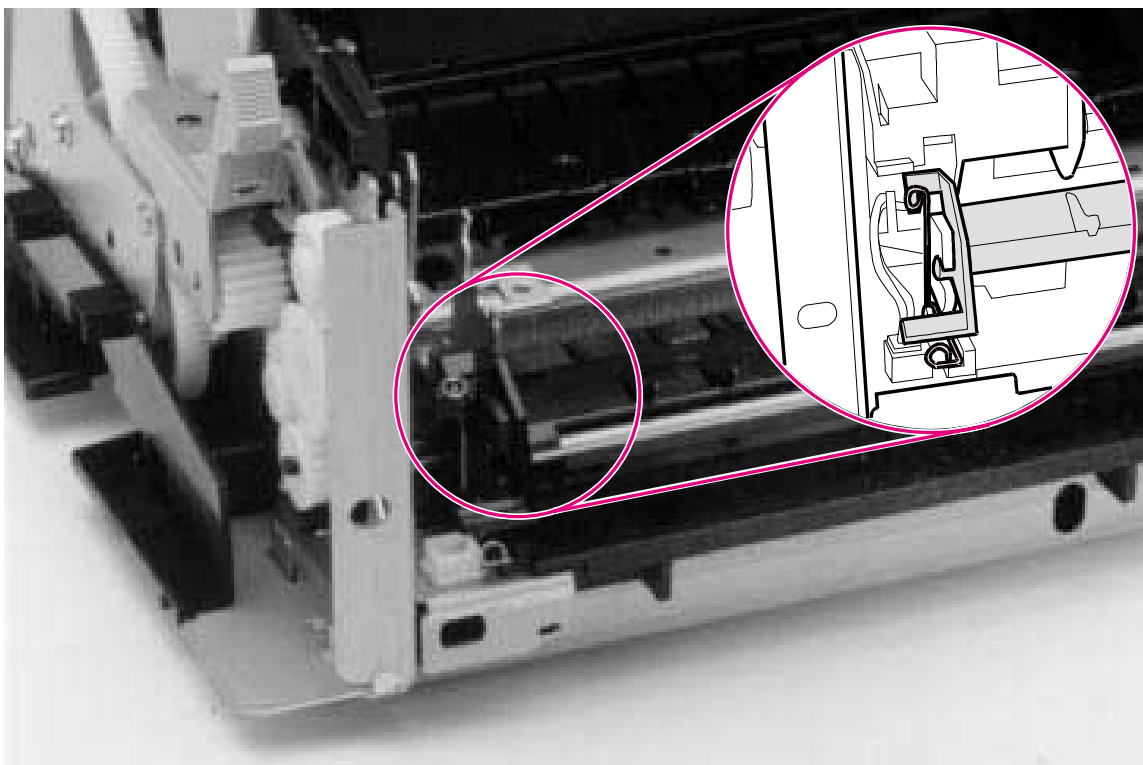
- 1 Make sure the lever arm is on the left and is initially pointing downward.
- 2 Pull the spring forward using needlenose pliers.
- 3 Slide the short, round tabs into the grooves on the Separation Guide Assembly. The machined ridges on the lever will face you.
- 4 Release the spring so it falls in place in front of the square tab (Figure 6-17).

---

#### Note

While the shape of the lever was changed for the HP LaserJet 6L (a stiffening rod was also added), these procedures for Face-Up/Face-Down Lever removal remain unchanged. Figure 6-17 shows the lever from an HP LaserJet 5L.

---



**Figure 6-17** Face-Up/Face-Down Lever replacement

---

#### Note

You can tell when the lever is in place because there are two plastic grooves that fit precisely in front of the Exit Rollers, and you should be able to feel the spring's release mechanism.

---

## Fuser Exit Roller Assembly

- 1 Remove Printer Covers, Delivery Assembly (Figures 6-9 and 6-10), Fuser Pressure Plate (Figure 6-11), and Heating Element (Figures 6-13 through 6-15), Pressure Roller (Figure 6-16), and Face-Up/Face-Down Lever (Figure 6-17).
- 2 Remove the gear from the left end of the roller shaft by pressing down on the catching mechanism with the small flathead screwdriver and pulling the gear away.
- 3 Remove the Exit Roller Assembly by pressing the small, white tab upward (Figure 6-18, callout 1) and rotating it around (Figure 6-18, callout 2).

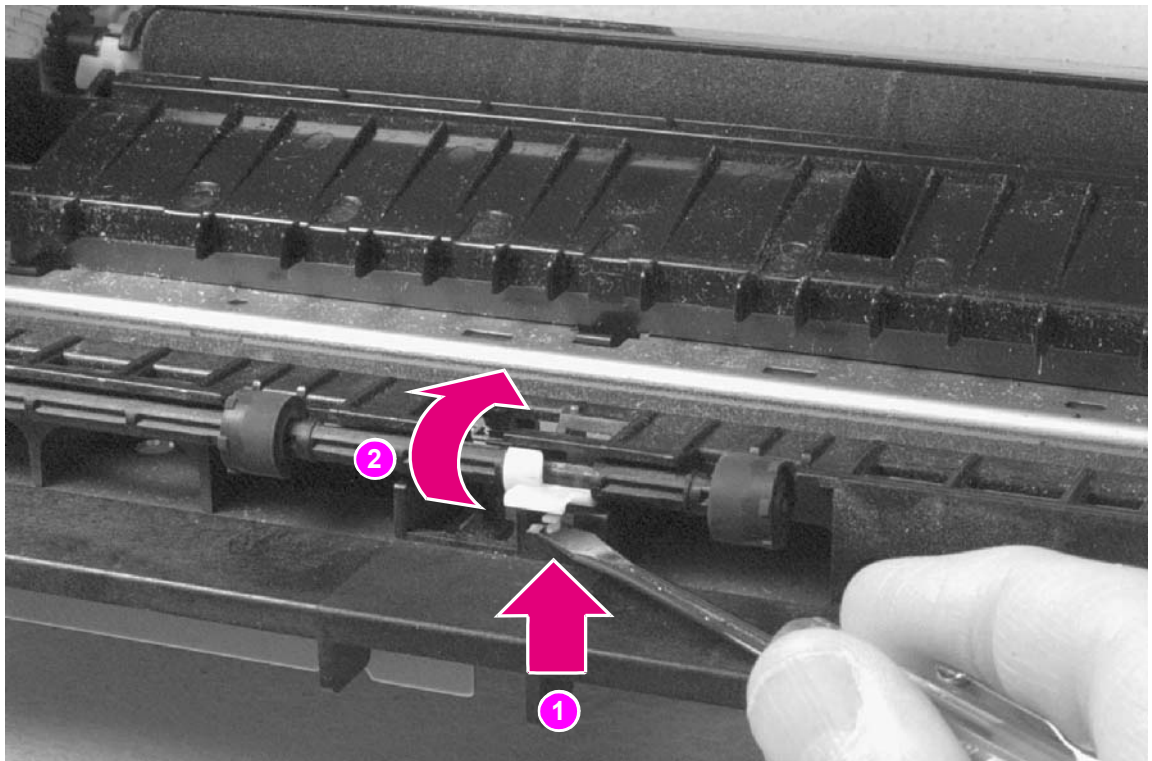
---

### Note

---

While the shape of the white tab was changed for the HP LaserJet 6L, these procedures for Fuser Exit Roller Assembly removal remain unchanged. Figure 6-18 shows the white tab from an HP LaserJet 5L.

- 4 Slide the Exit Roller Assembly forward and out to the right of the printer.



**Figure 6-18** Fuser Exit Roller removal

## Paper Exit Sensor Flag

- 1 Remove the Printer Covers, Delivery Assembly (Figures 6-9 and 6-10), and Fuser Pressure Plate (Figure 6-11).

### CAUTION

Before proceeding to Step 2, examine the Paper Exit Sensor flag. It is important to note the position of the spring mechanism on the flag. The spring must be reinstalled to exactly this position.

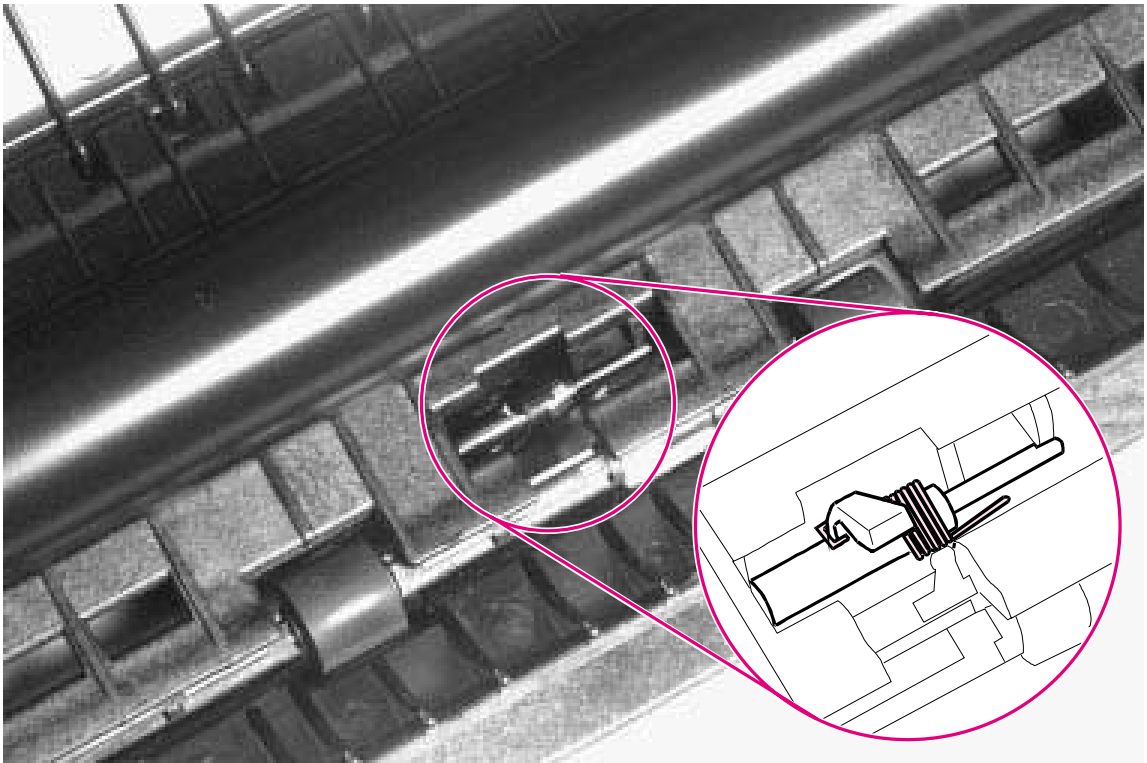
- 2 Remove the Paper Exit Sensor flag by pressing down on the left side and pulling up on the right side.

### To reinstall

### Note

It is important that you reinstall the flag correctly, because installing it incorrectly will cause the Control Panel to display an error with the Paper Exit Sensor (PS201).

Place the left side of the flag in the correct position first, then slide the right side into place, making certain the spring is on top of the flag (Figure 6-19). If the spring exerts no pressure on the flag, it may require “re-springing” by giving the spring an extra turn before reinstalling. The flag should fit snugly in place.



**Figure 6-19** Paper Exit Sensor Flag replacement

# Top assemblies

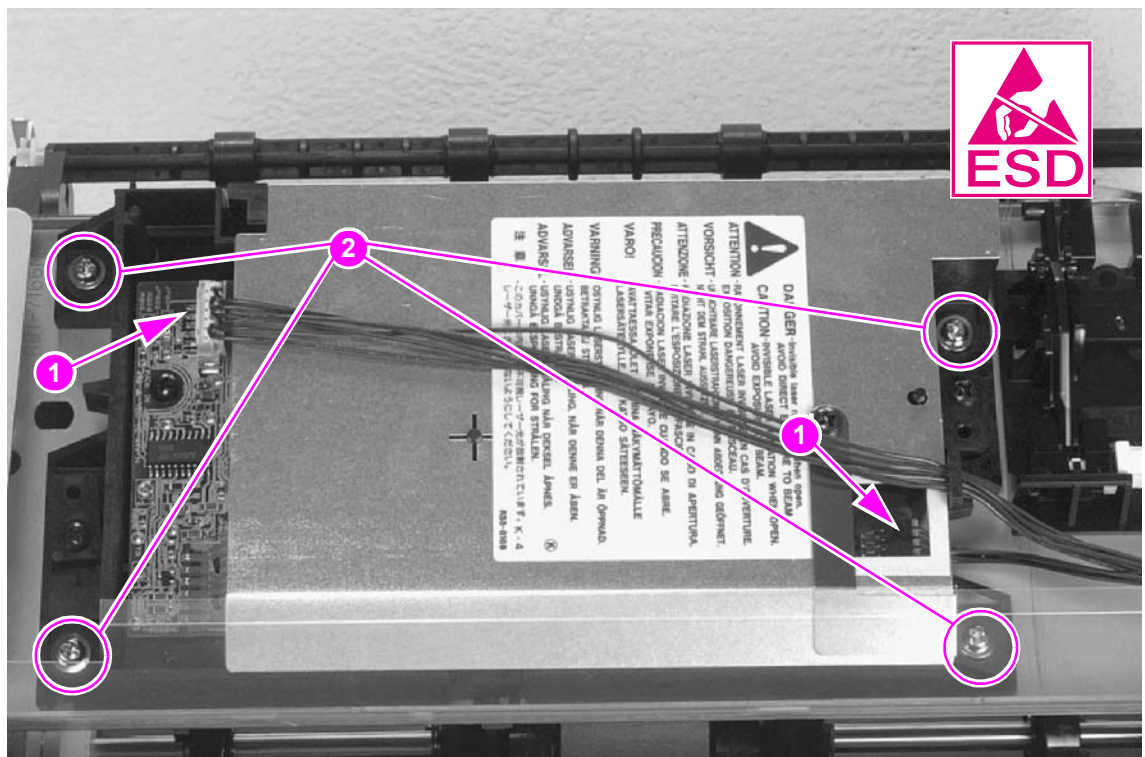
## Laser/Scanner Assembly

- 1 Remove the Printer Covers.
- 2 Remove both Laser/Scanner connectors (Figure 6-20, callout 1).

**Note** The Laser/Scanner connect cable on the HP LaserJet 6L Pro is twisted (not shown in Figure 6-20).

- 3 Remove all (4) screws and lift the assembly straight off (Figure 6-20, callout 2).

**Note** One of the four screws is longer than the other three. Upon reinstallation, the longer screw must be replaced in its original location.



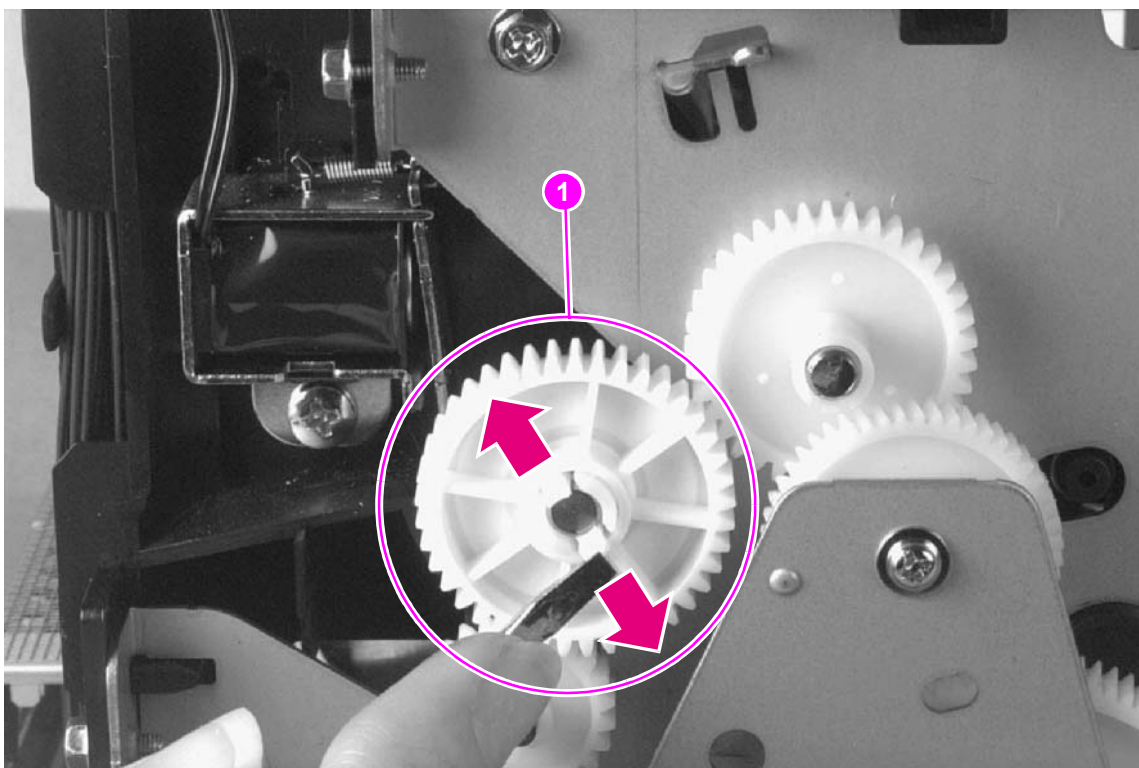
**Figure 6-20** Laser/Scanner Assembly removal

### To reinstall

The Laser/Scanner connect cable on the HP LaserJet 6L Pro should be twisted before reinstalling (not shown in Figure 6-20).

## Solenoid

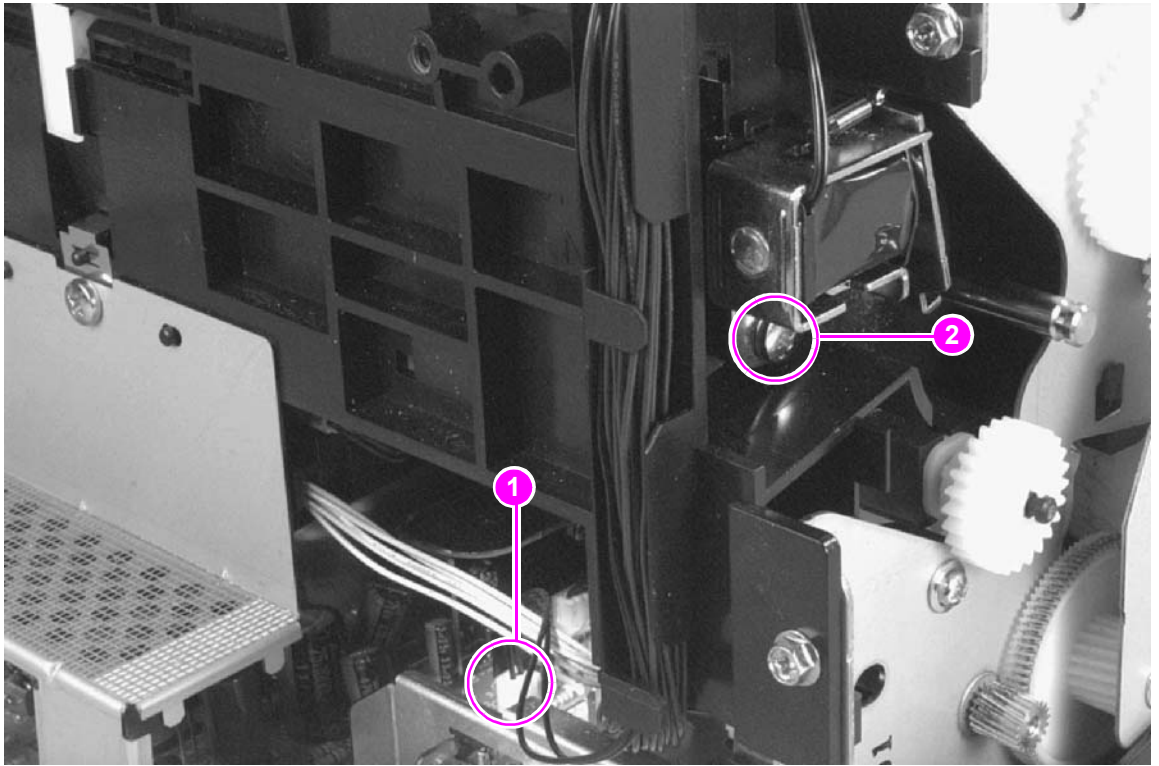
- 1 Remove the Printer Covers.
- 2 On the left side of the printer, remove the paper pickup gear (Figure 6-21, callout 1) by pressing the tabs in the center of the gear outward and pulling the gear off (Figure 6-21).



**Figure 6-21** Solenoid removal (1 of 2)



- 3 Remove the Solenoid connector (J204) from the DC Controller (Figure 6-22, callout 1).
- 4 Remove the self-tapping screw that holds the Solenoid in place (Figure 6-22, callout 2).
- 5 Unthread the wires from the printer chassis.
- 6 Lift the Solenoid off.



**Figure 6-22** Solenoid removal (2 of 2)

**Note**

When reinstalling this part, the Paper Pickup Gear is keyed to go on the shaft in only one way.

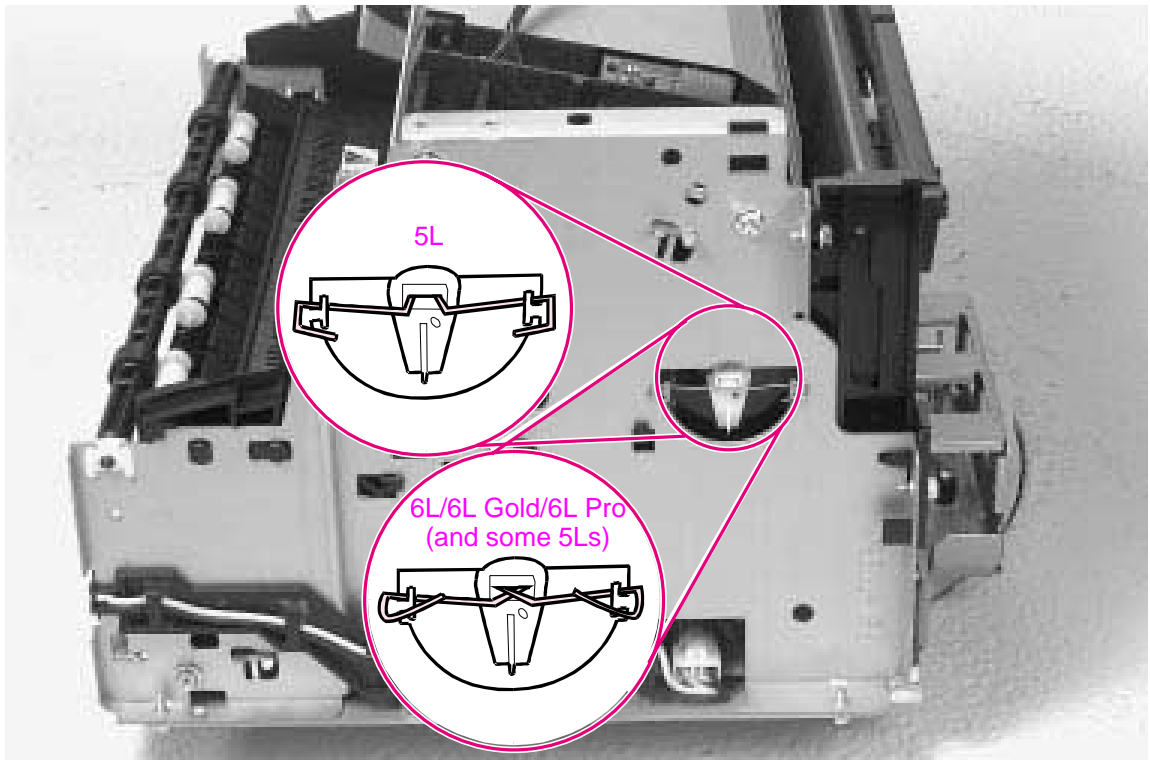
## Pickup Roller Assembly

- 1 Remove the Printer Covers.
- 2 Remove the paper pickup gear (Figure 6-21).

### Note

This gear is keyed to go on the shaft in only one way.

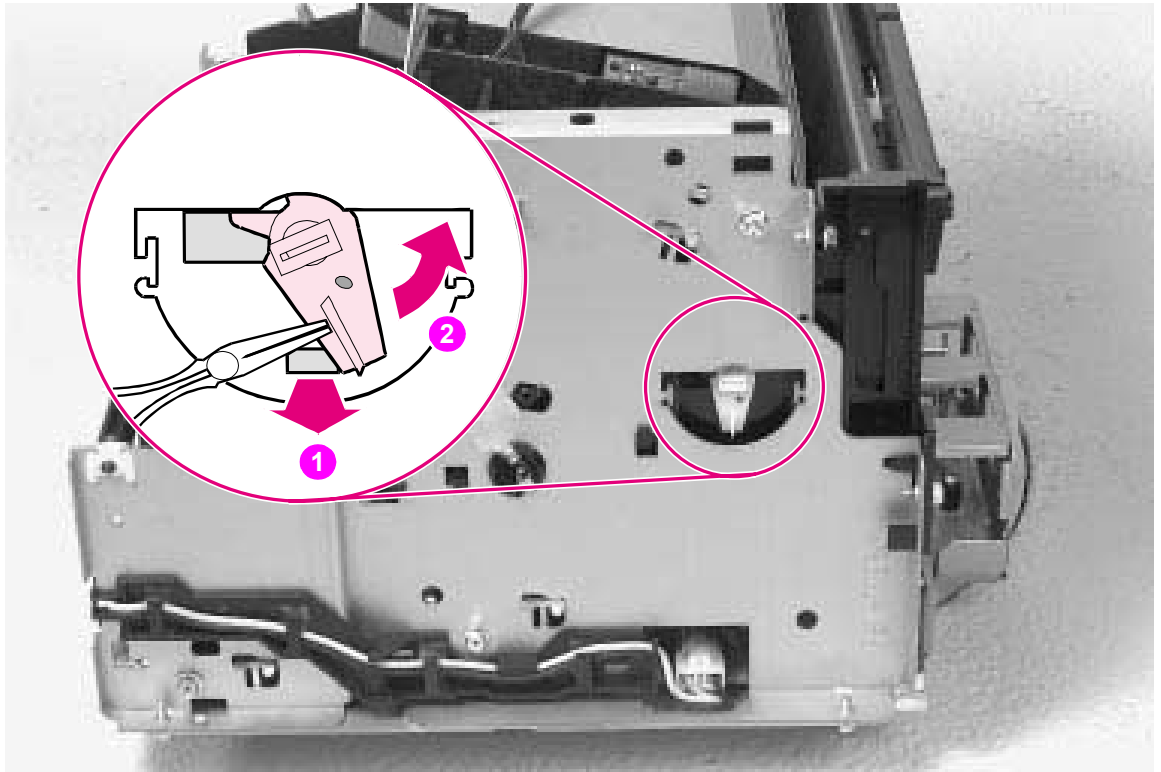
- 3 Remove the pickup roller grounding clip on the right of the printer by lifting each end of the clip up and over the two metal guides and sliding the clip off. Figure 6-23 depicts the clip from an HP LaserJet 5L. The clip from an HP LaserJet 6L (and some HP LaserJet 5Ls) is shaped differently.



**Figure 6-23** Pickup Roller Assembly removal (1 of 2)



- Using needlenose pliers, pull the bottom of the bushing out (Figure 6-24, callout 1), then turn it counter clockwise to release it (Figure 6-24, callout 2).



**Figure 6-24** Pickup Roller Assembly removal (2 of 2)

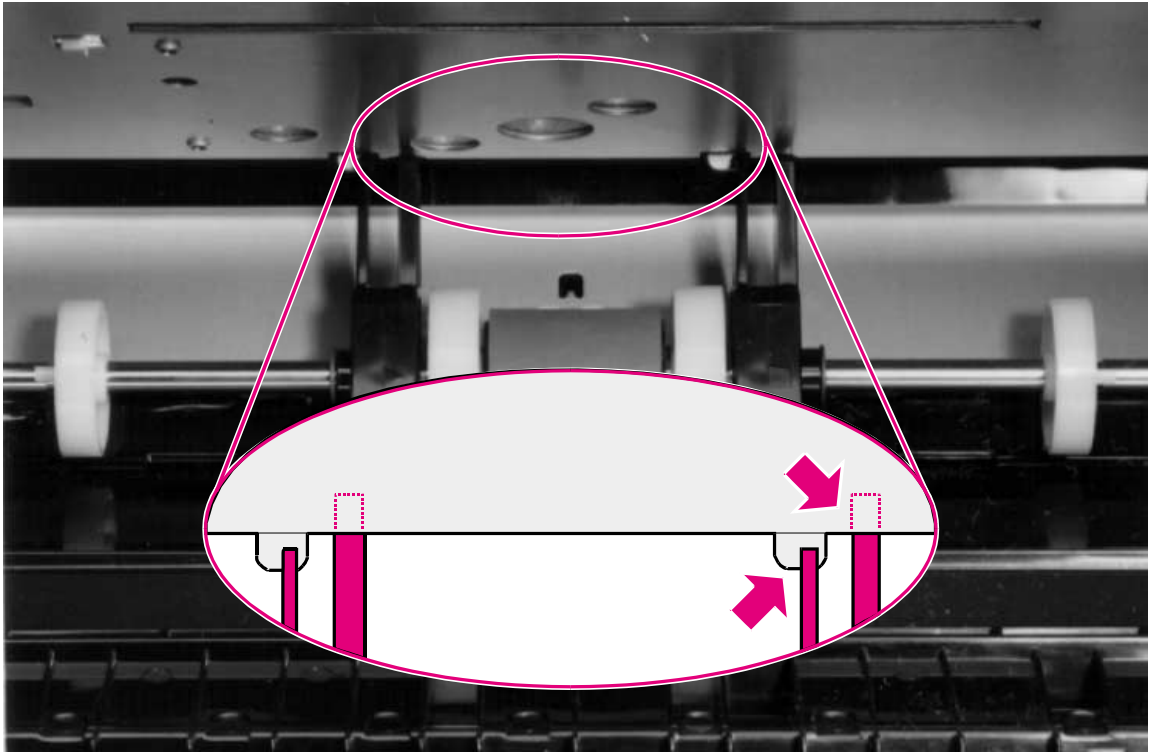
- Lift the bushing out.
- From inside the front of the printer, slide the right side of the Pickup Roller Assembly forward, then lift the left side out.

## To reinstall

After placing the Pickup Roller shaft through on the left side, line up the Idler Roller tabs while repositioning the right side. Rock the shaft back and forth until the Pickup Roller and the Idler Roller tabs are correctly reinstalled.

### Note

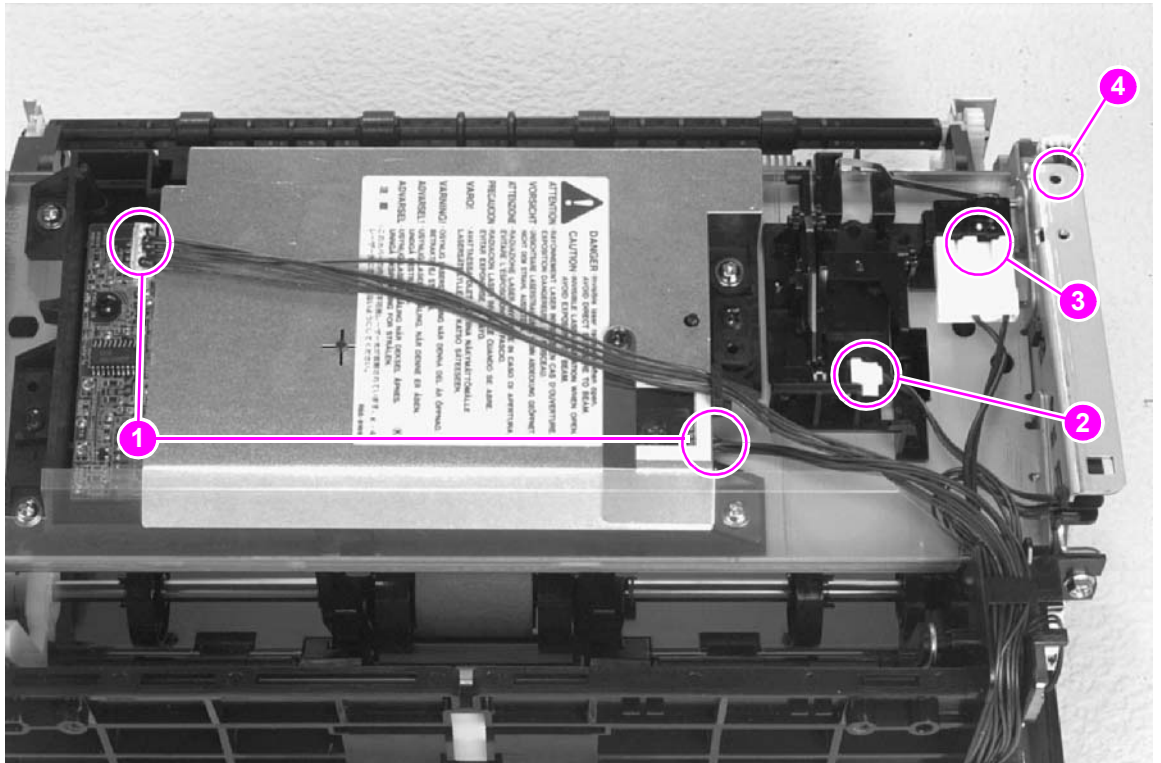
It is important that the Pickup Roller is placed back in with the two Idler Roller tabs up, so that they fit into the underside of the metal chassis behind the Laser/Scanner assembly (Figure 6-25).



**Figure 6-25** Paper Pickup Roller Assembly replacement (inside/front view)

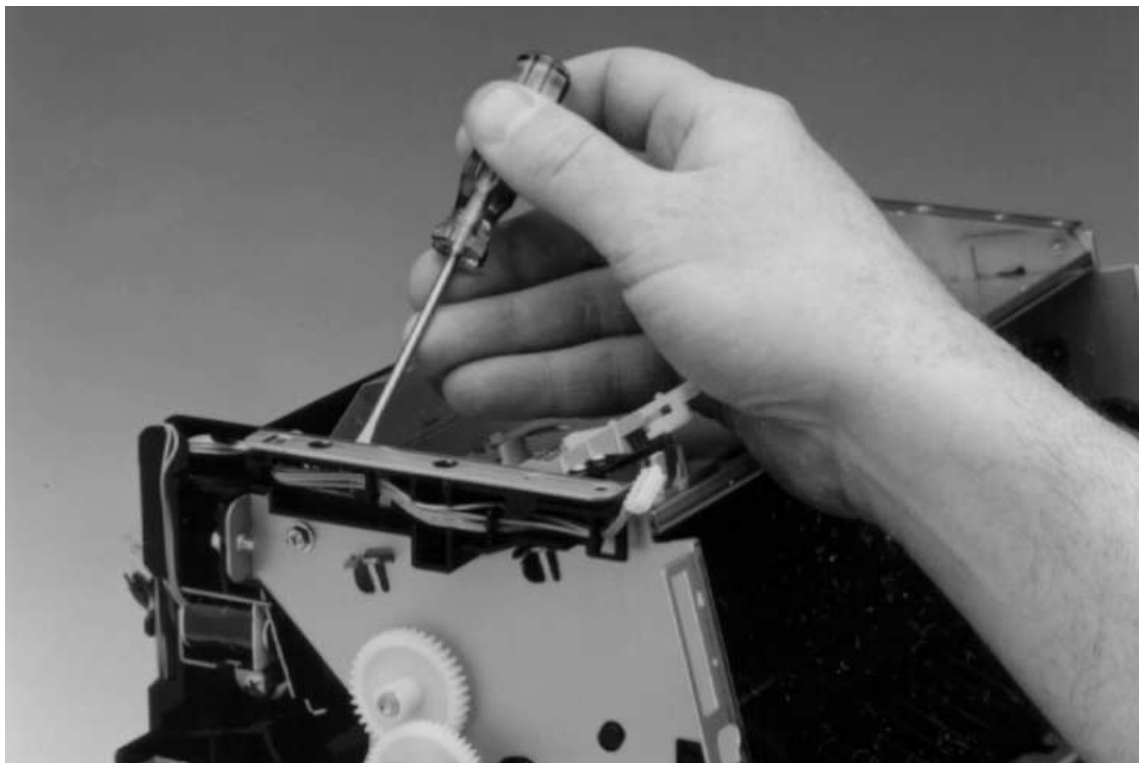
## Paper Feed Frame

- 1 Remove the Printer Covers.
- 2 Remove the Pickup Roller Assembly (Figures 6-23 through 6-24).
- 3 Disconnect the following:
  - Solenoid from the DC Controller at J204 (Figure 6-22, callout 1)
  - Two connectors from the Laser/Scanner (Figure 6-26, callout 1)
  - Connector from Top Cover/EP Cartridge Sensor on HP LaserJet 5L only (Figure 6-26, callout 2)
  - Connector from Switch 101 (Figure 6-26, callout 3)
  - Connector from Front Control Panel (Figure 6-26, callout 4)



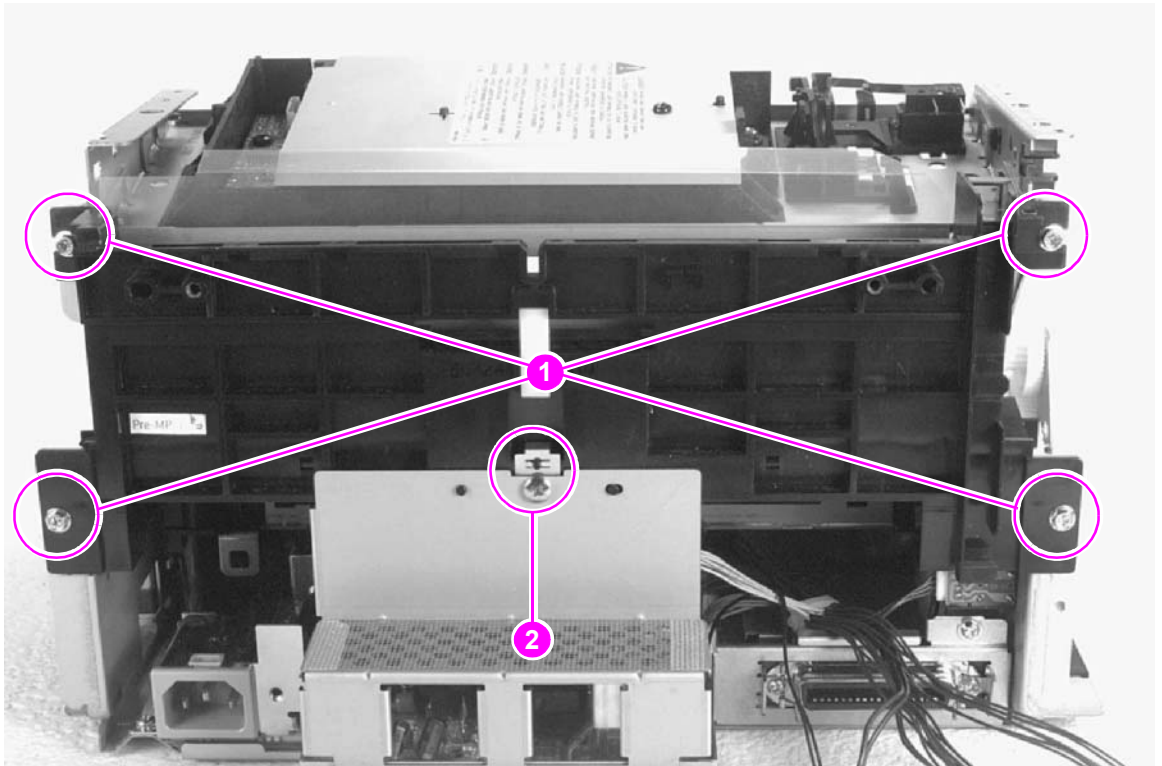
**Figure 6-26** Paper Feed Frame removal (1 of 4)

- 4 Release the catch on the control panel cable guide by using the small flathead screwdriver to push on the tab (Figure 6-27). Then slide the guide off.



**Figure 6-27** Paper Feed Frame removal (2 of 4)

- 5 Remove the self-tapping screw from the back sheet metal plate and lift it off (Figure 6-28, callout 1).
- 6 Remove the (4) hex head screws from the Paper Feed Frame (Figure 6-28, callout 2).



**Figure 6-28** Paper Feed Frame removal (3 of 4)

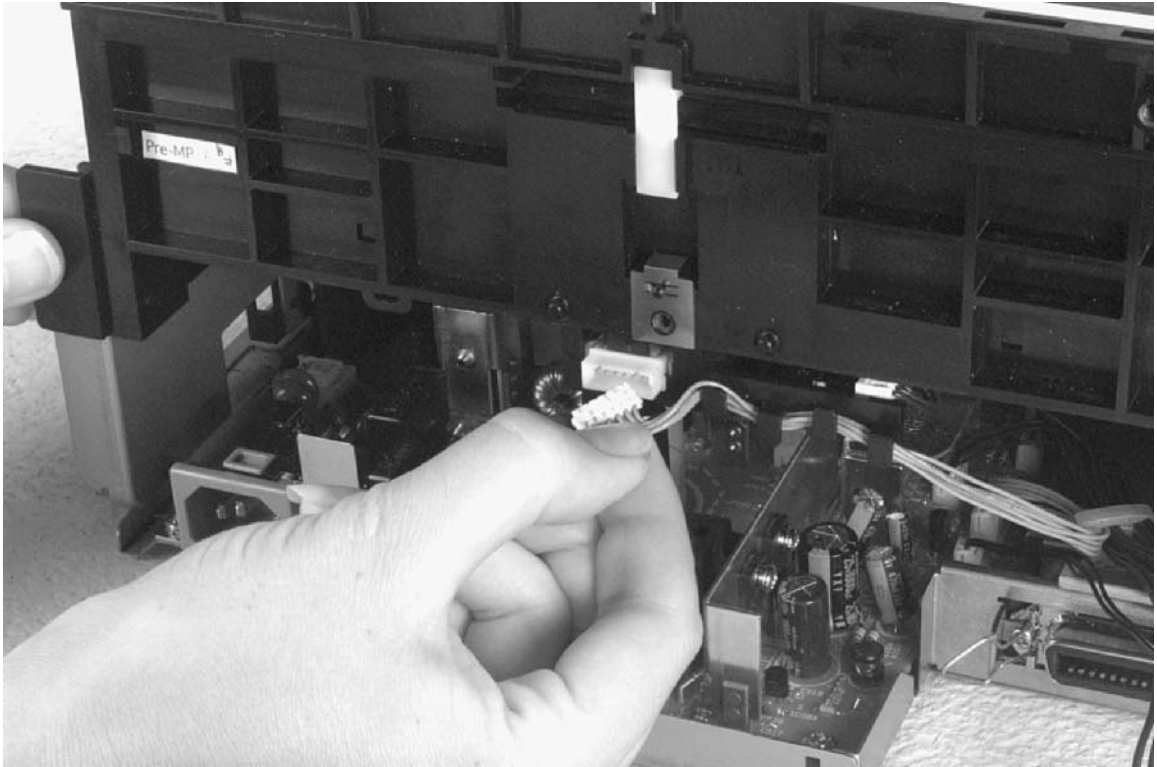
- 7 Release the sensor unit connector (Figure 6-29).

---

**Note**

---

This connector is not present on the HP LaserJet 6L Pro. For that model, remove the single connector from the DC Controller.



**Figure 6-29** Paper Feed Frame removal (4 of 4)

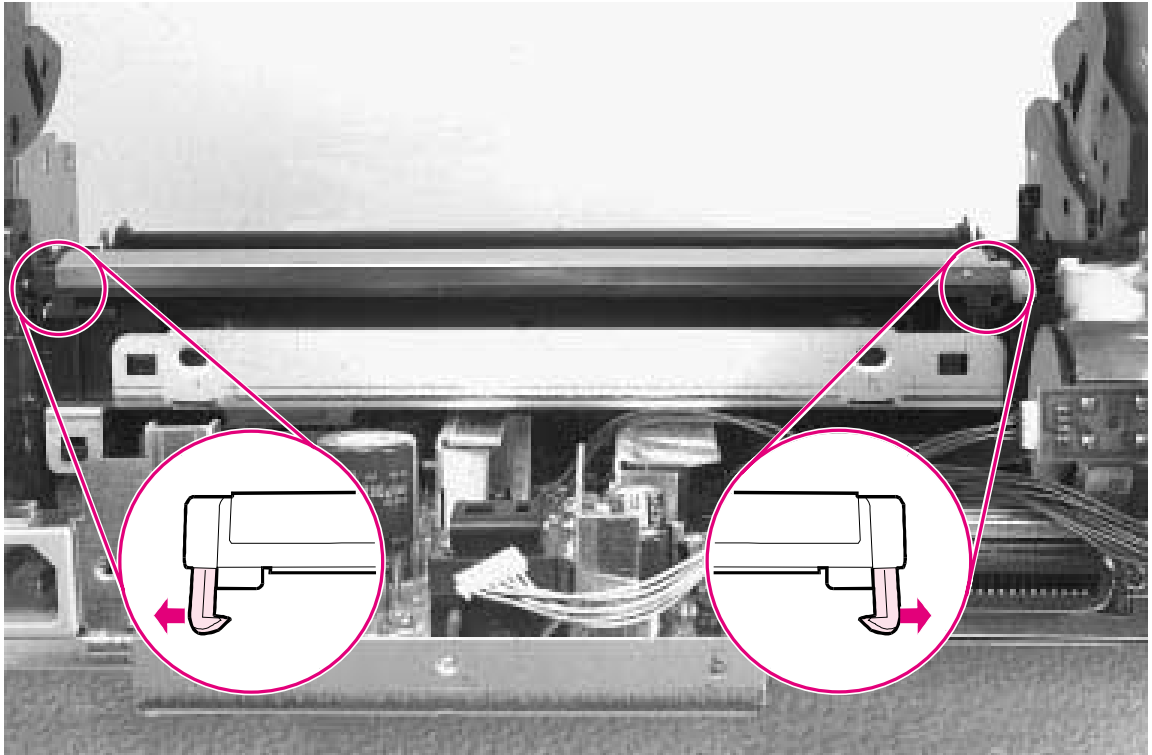
- 8 Verify that all cables are clear of the frame and pull the frame straight back to remove it.

### To reinstall

The Paper Feed Frame may be easier to reinstall if you place the printer on its front, so that you can apply pressure while putting the screws back in place.

## Transfer Roller Guide and Transfer Roller

- 1 Remove the Printer Covers, Pickup Roller Assembly (Figures 6-23 through 6-25), and Paper Feed Frame (Figures 6-26 through 6-29).
- 2 Looking at the back of the printer, note the two small, hook-shaped release tabs on each end of the Transfer Roller guide. Using a small, flathead screwdriver, carefully pry each tab outward to release it (Figure 6-30).
- 3 Roll the released portion of the guide up. To remove the Transfer Roller Guide, pull it off each end of the Transfer Roller shaft.



**Figure 6-30** Transfer Roller Guide and Transfer Roller removal (inside/back view)

- 4 This exposes the Transfer Roller.

### **WARNING!**

Do not touch the Transfer Roller or otherwise allow it to be contaminated.

- 5 Working from the front of the printer, gently pry the gear side of the Transfer Roller out first, then slide the other side out of its socket.

### **To reinstall**

Some of the HP LaserJet 5L Printers contain a small metal spring under the Transfer Roller Guide. Upon reinstallation with these models, the small metal spring should rest under the Transfer Roller Guide.

## Kick Plate

### CAUTION

Be careful working with the Kick Plate and Separation Pad. The spring underneath the Kick Plate may stay attached to the Kick Plate, but it is also likely to spring away from the Kick Plate. Place the spring aside for Separation Plate disassembly.

- 1 Remove the Printer Covers and the Pickup Roller Assembly (Figures 6-23 and 6-24).
- 2 Press the Separation Pad (Figure 6-31). Allow the Kick Plate to pivot upward (a spring underneath will push it up). Lift the Kick Plate off its mounting pins.

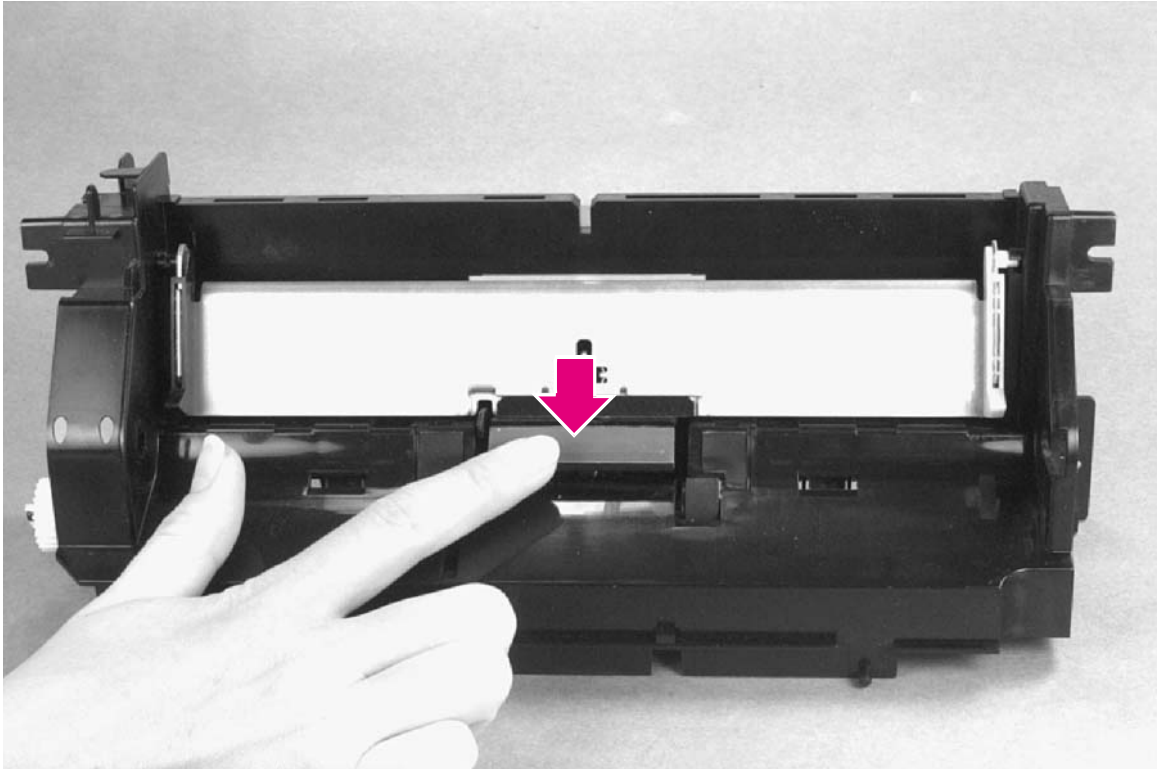
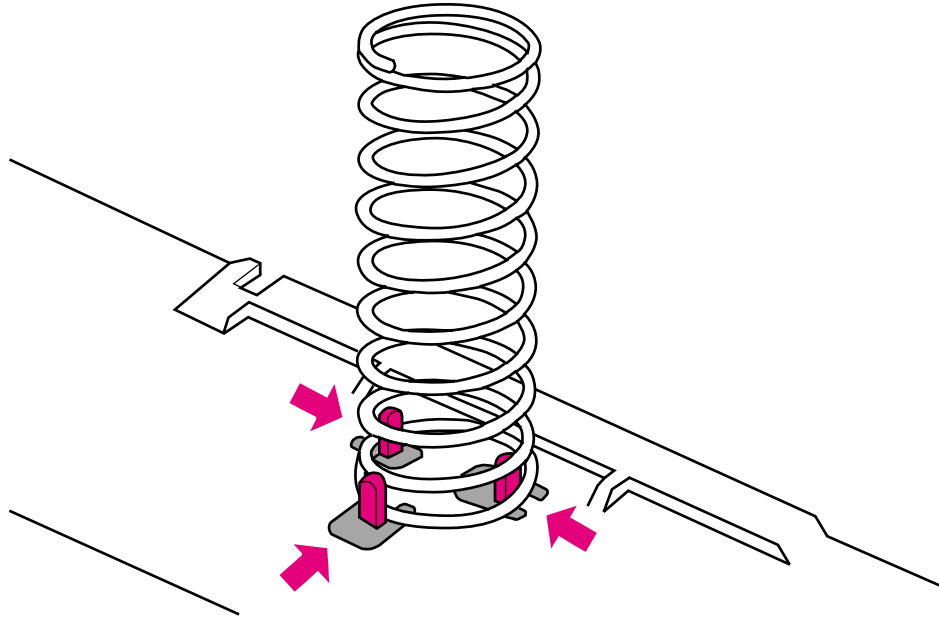


Figure 6-31 Kick Plate removal



## To reinstall

If the spring on the Kick Plate does not stay on the Kick Plate, replace the spring, making certain the diameter of the spring surrounds two lower pins on the Kick Plate and rests inside the third pin. Use needlenose pliers to place the spring correctly. (See Figure 6-32.)

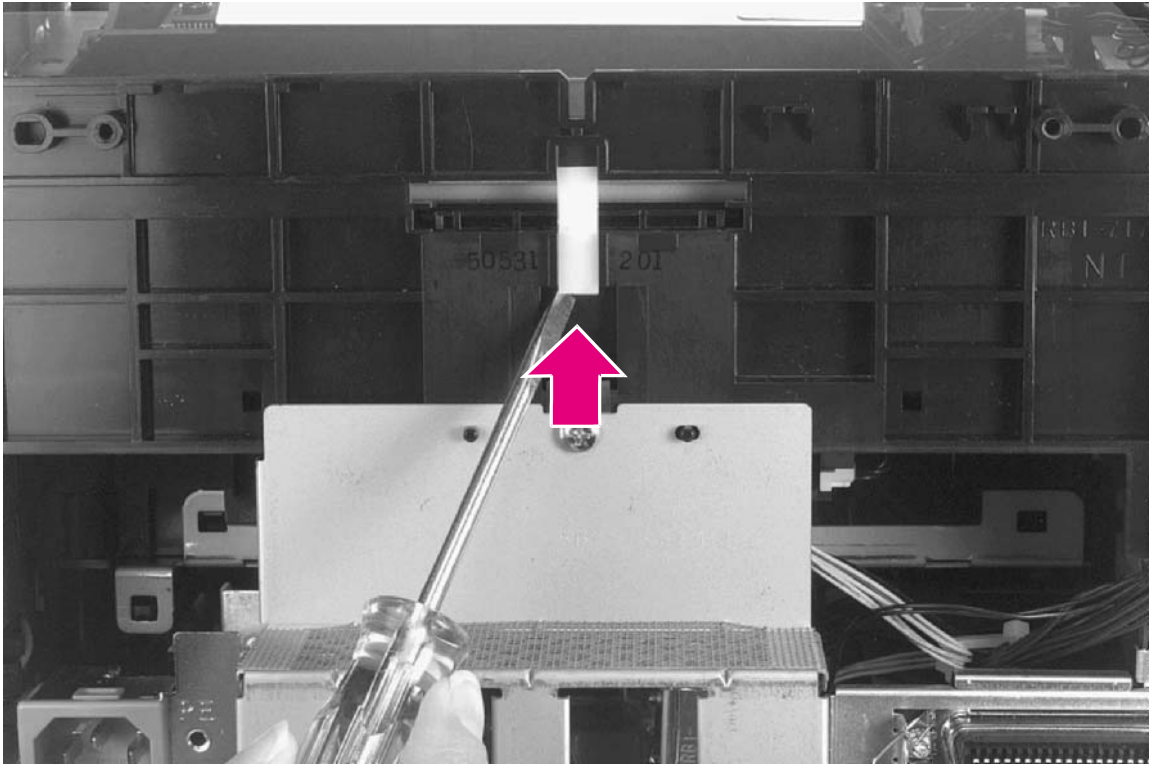


**Figure 6-32** Kick Plate Spring replacement

While rotating the Kick Plate into place, guide the other end of the spring onto the silver grounding plate located on the Paper Feed Frame.

## Separation Pad

- 1 Remove the Printer Covers, Pickup Roller Assembly (Figures 6-23 and 6-24), and Kick Plate (Figure 6-31).
- 2 Lift the bottom of the white plastic tab on the rear of the Paper Feed Frame up slightly and slide it up, toward the top of the Paper Feed Frame. This will release the Separation Pad (Figure 6-33).
- 3 Lift the Separation Pad 90 degrees and slide its mounting pins out of their retainers.



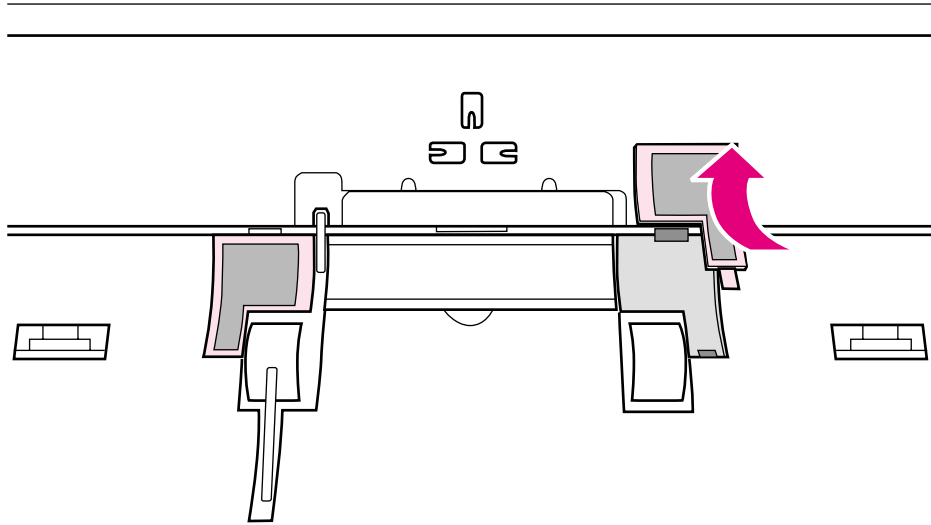
**Figure 6-33** Separation Pad removal

## Subpads

### Note

When you replace the Separation Pad, you should also replace the smaller subpads at the same time.

- 1 Place your index finger on the subpad.
- 2 Press toward the top of the printer.

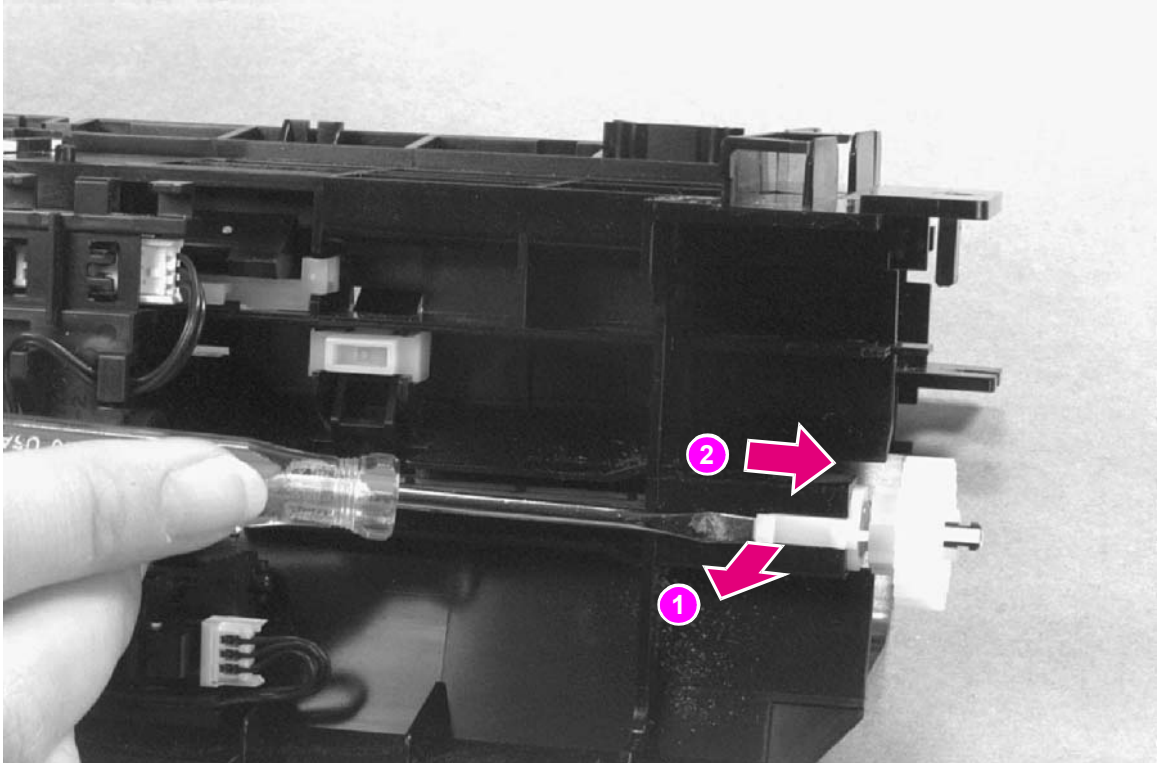


**Figure 6-34** Subpad removal

## Feed Assembly

The Feed Assembly is located in the Paper Feed Frame.

- 1 Remove the Printer Covers, Pickup Roller Assembly (Figures 6-23 through 6-25), and Paper Feed Frame (Figures 6-26 through 6-29).
- 2 Turn the Paper Feed Frame upside down.
- 3 Remove the Feed Roller Shaft by lifting the plastic tab up (Figure 6-35, callout 1) and sliding it out the side of the Paper Feed Frame (Figure 6-35, callout 2).



**Figure 6-35** Feed Assembly removal (1 of 3)

- 4 Remove the self-tapping screw that holds the Feed Assembly in place (Figure 6-36, callout 1).

---

**Note**

Before proceeding to Step 5, examine the tabs and how they fit into their slots (Figure 6-36, callout 2). The tabs must be reinstalled to exactly this position.

---

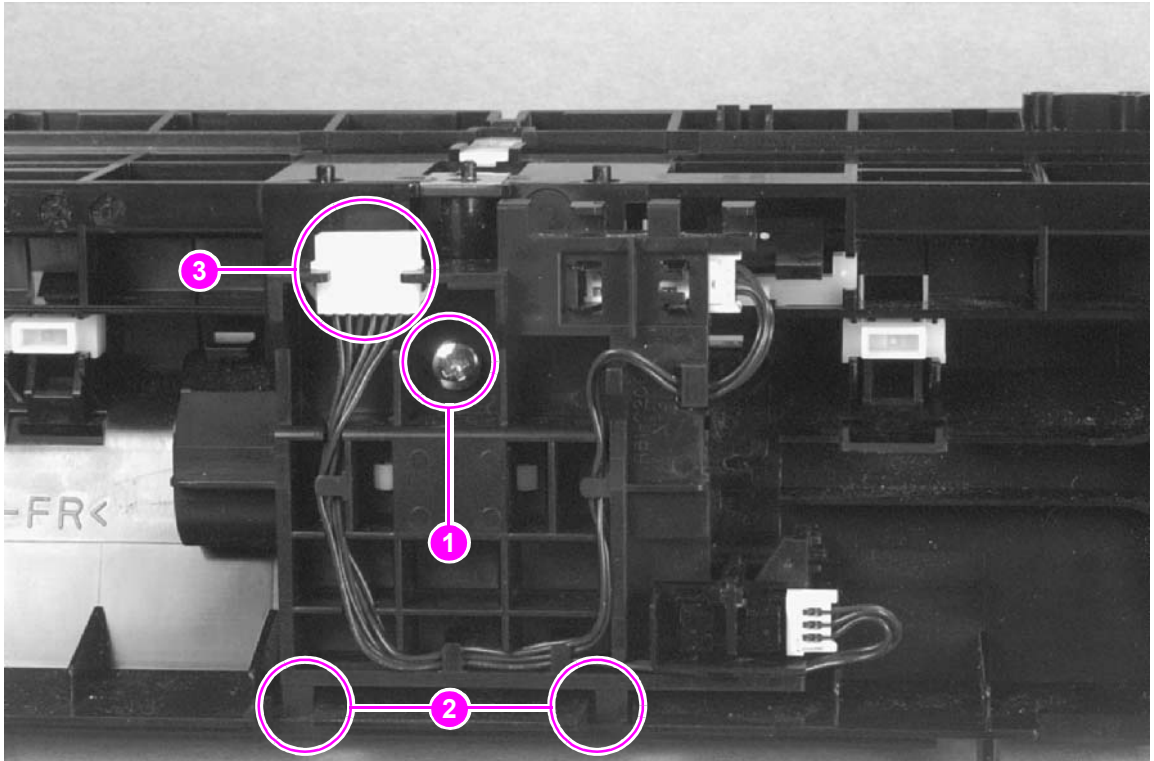
---

**Note**

The connector shown (Figure 6-36, callout 3) is not present on the HP LaserJet 6L Pro. On that model, the wiring harness is connected to the DC Controller.

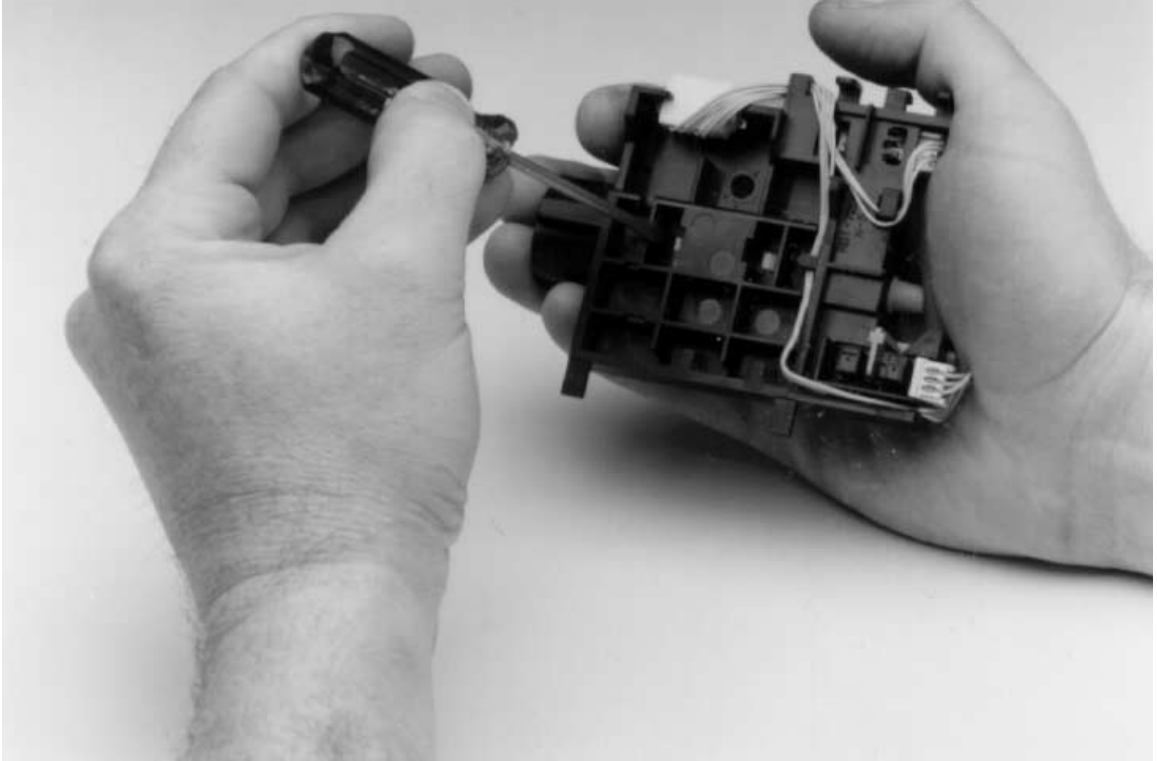
---

- 5 Remove the Feed Assembly.



**Figure 6-36** Feed Assembly removal (2 of 3)

- 6 Turn the Feed Assembly over and place it in one hand with the roller-side down. Pop one of the tabs on the other side and the feed roller should fall into your hand (Figure 6-37).



**Figure 6-37** Feed Assembly removal (3 of 3)

### **To reinstall**

Before securing the screw, ensure the tabs on the Feed Assembly are positioned in their slots on the Paper Feed Frame (Figure 6-35, callout 2). Failure to do so will cause paper feed problems.

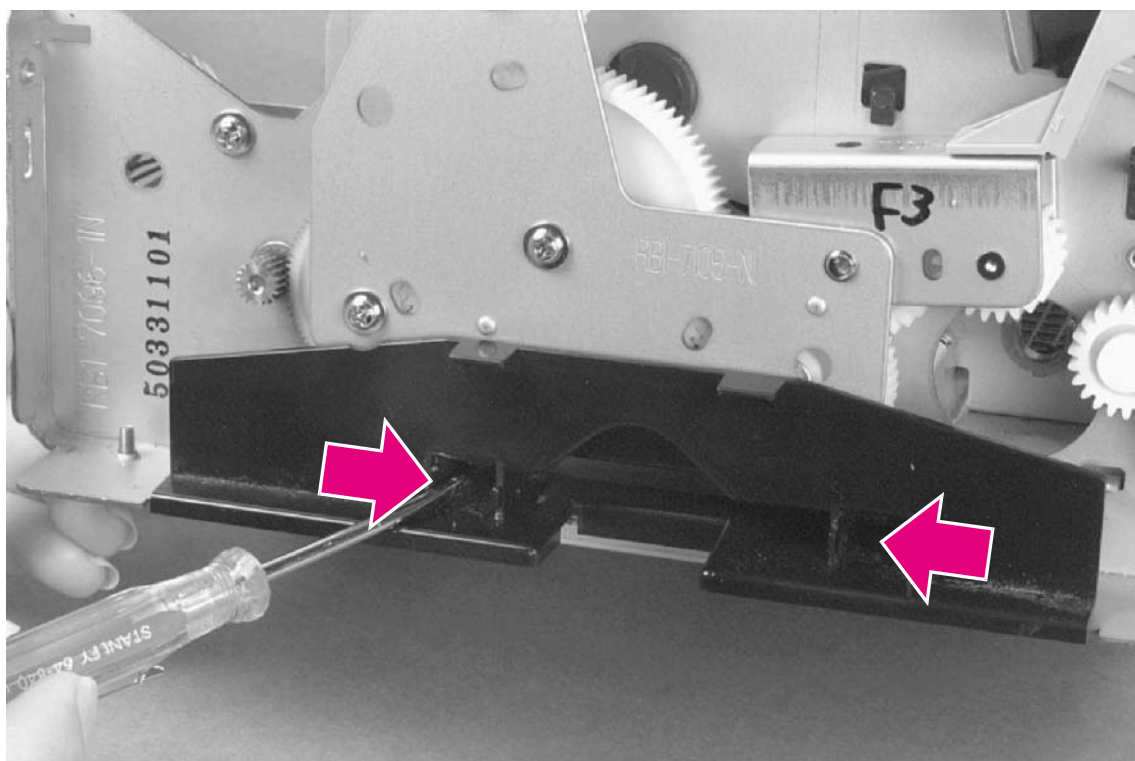
## Bottom assemblies

### Memory Door Guide

#### Note

The HP LaserJet 6L Pro does not have a memory door.

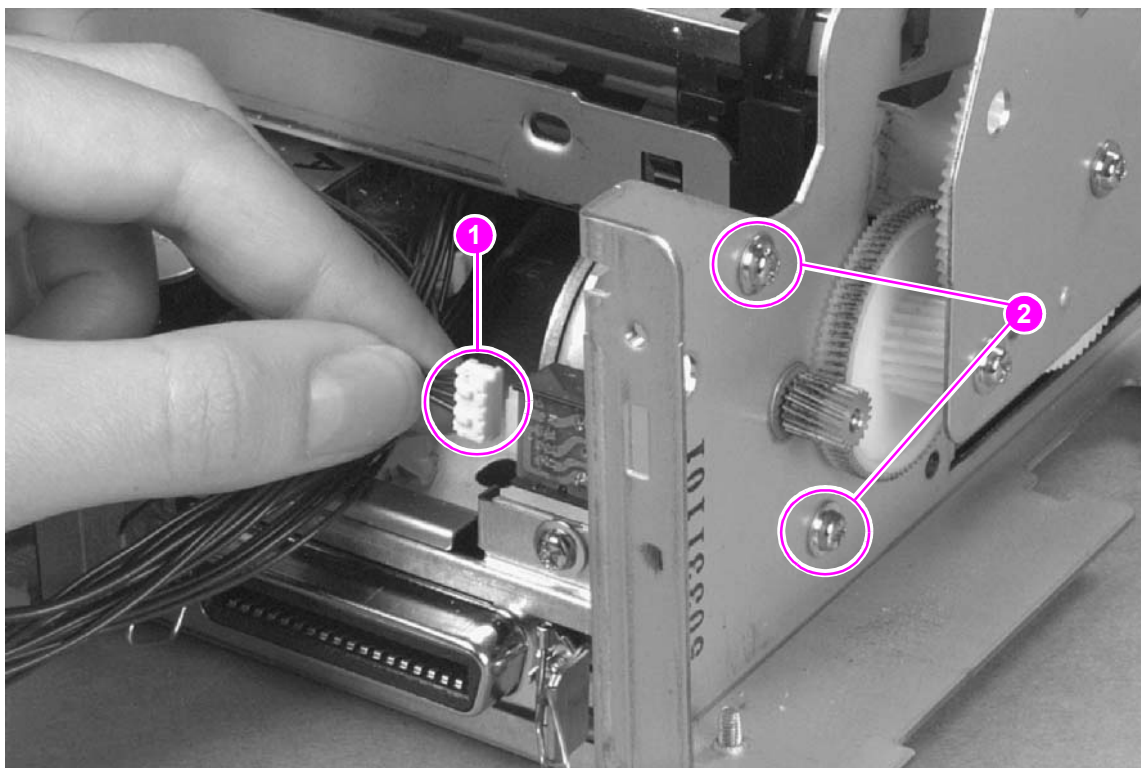
- 1 Remove the Printer Covers.
- 2 Remove any extra memory.
- 3 Two tabs hold the memory door guide on the printer chassis. Press each tab inward (Figure 6-38).
- 4 Pull the memory door guide out.



**Figure 6-38** Memory Door Guide removal

## Motor

- 1 Remove the Printer Covers.
- 2 Remove the motor connector (Figure 6-39, callout 1).
- 3 Remove the memory door guide (HP LaserJet 5L and 6L) to expose the two motor screws.
- 4 Remove the motor screws (Figure 6-39, callout 2).
- 5 Lift the Motor out.



**Figure 6-39** Motor removal



## DC Controller

- 1 Remove the Printer Covers.
- 2 Disconnect the motor connector from the motor (Figure 6-39, callout 1).
- 3 Disconnect the Solenoid connector from the DC Controller (Figure 6-22, callout 1).
- 4 Remove the back sheet metal plate and disconnect the PS202/PS204 connector (Figure 6-29).
- 5 Remove the AC Cable cover and disconnect the AC Cable from the DC Controller (Figures 6-13 and 6-14).
- 6 Tip the printer on its top, with the front facing you.
- 7 Remove the (4) screws (Figure 6-40, callout 1). On some models, one of the screws is a grounding screw. The location of the grounding screw is marked by a “star” etched into the bottom of the DC Controller.

### Note

If the model being serviced has a grounding screw with a washer, make sure that the grounding screw is replaced in the same location when reinstalling the DC Controller.

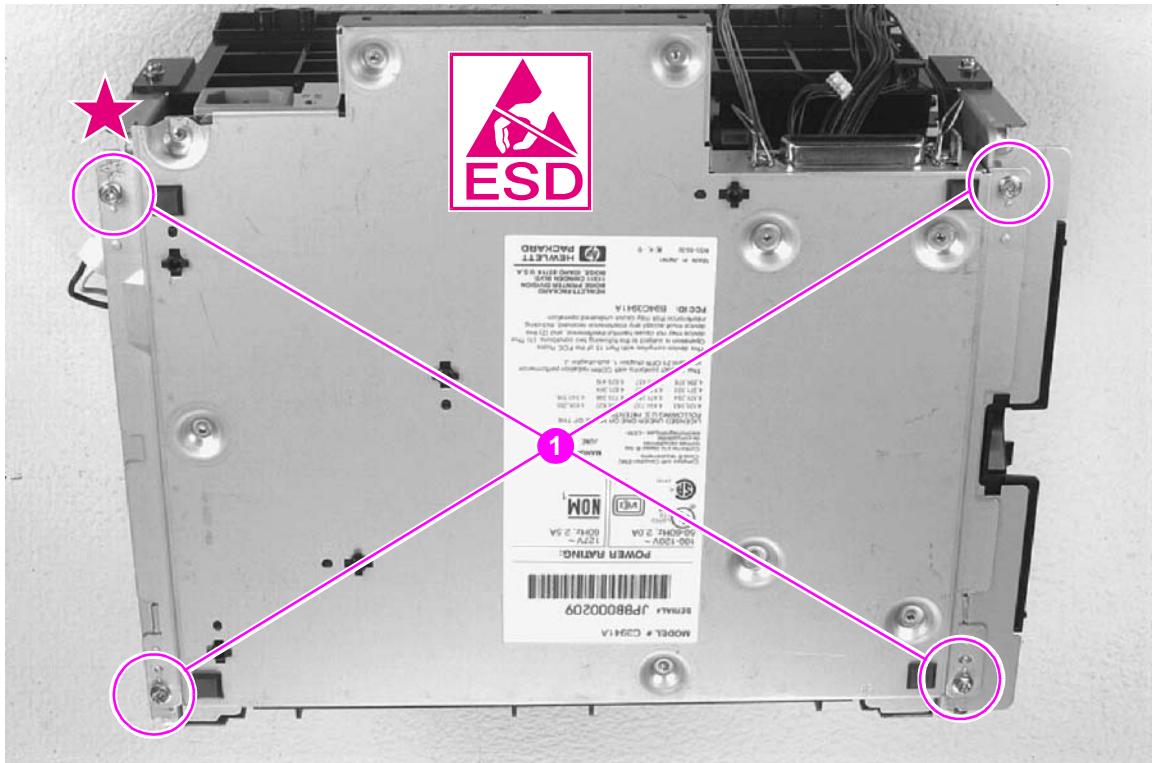
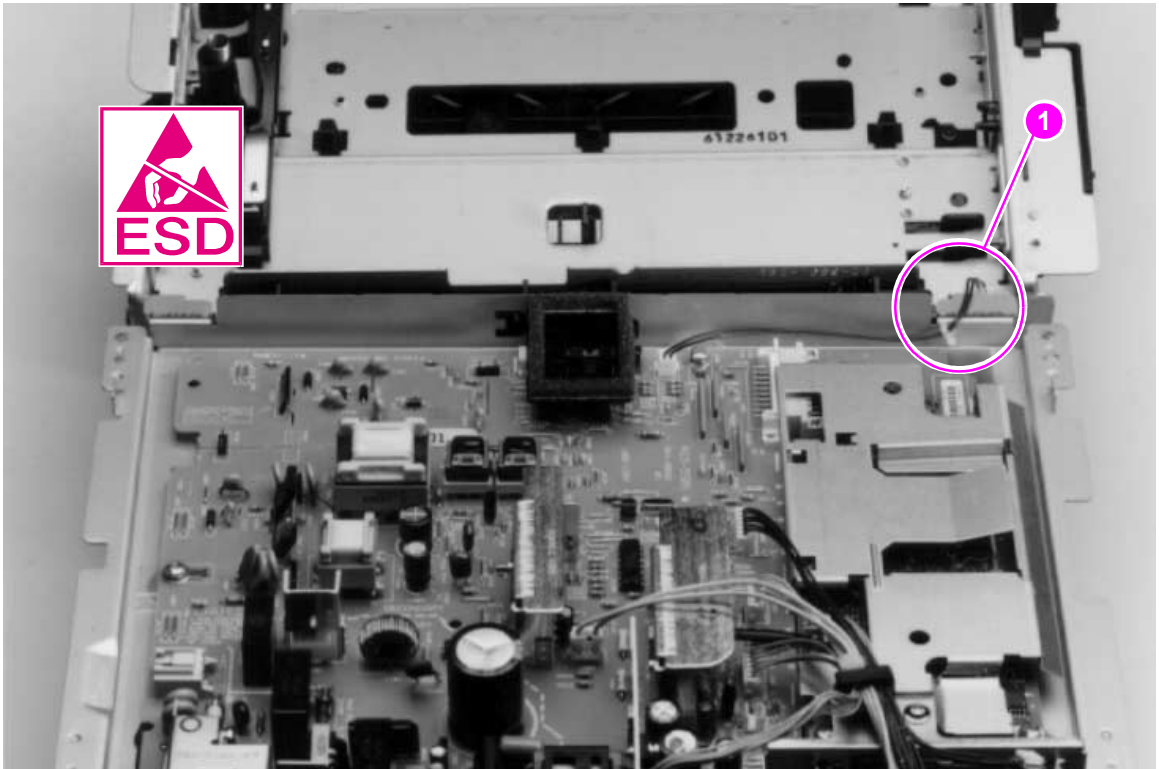


Figure 6-40 DC Controller removal (1 of 3)

- 8 Lift the bottom plate, rotating the plate toward you from the back as if hinged on the front. Release the Fusing Assembly connector (J206) (Figure 6-41, callout 1).

**CAUTION**

ESD SENSITIVE!



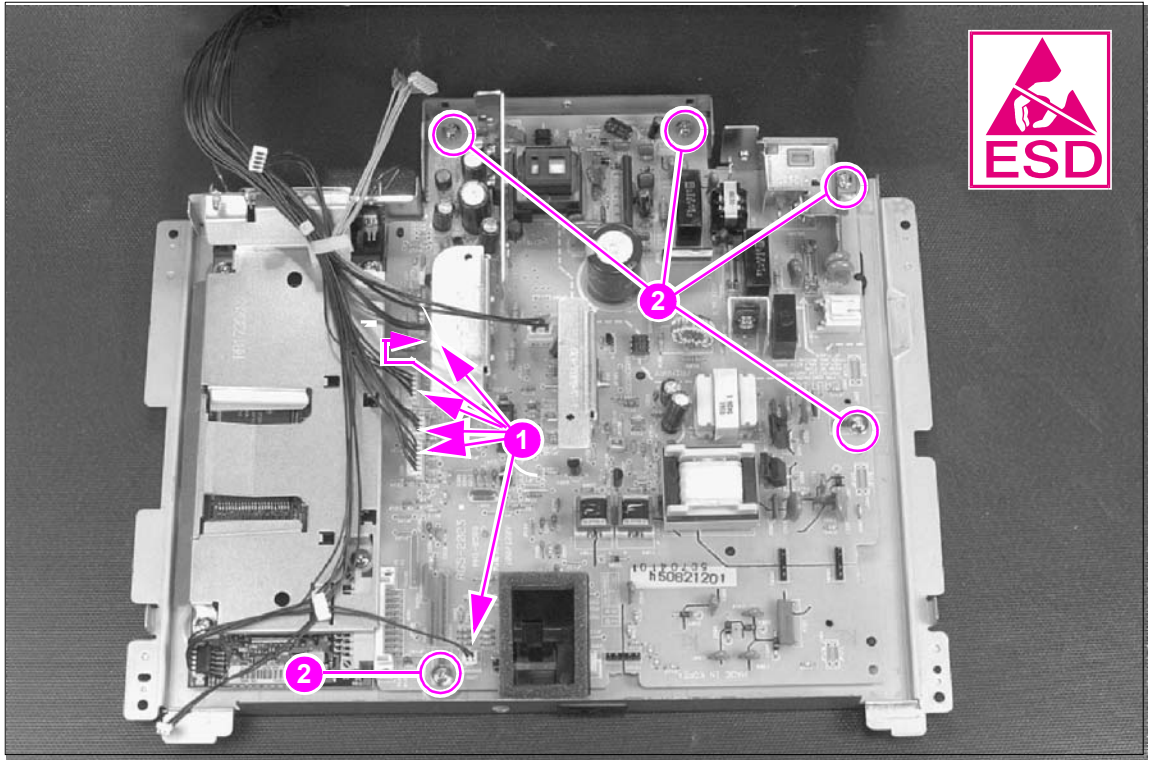
**Figure 6-41** DC Controller removal (2 of 3)

- 9 Remove the (7) remaining connectors (Figure 6-42, callout 1).

**CAUTION**

Some wiring connections on the HP LaserJet 6L Pro are soldered. Check each connection before you try to disconnect it to prevent breaking any soldered connections.

- 10 Remove the screws (5) that secure the DC Controller to the metal case (Figure 6-42, callout 2).



**Figure 6-42** DC Controller removal (3 of 3)

11 Remove the DC Controller by lifting gently on the side opposite the formatter, then sliding it out.

**CAUTION**

Be careful not to rotate the DC Controller as you remove it.

**Note**

When ordering, the DC Controller does not come with any connectors. Use the current connectors or refer to the connector chart in Chapter 8 for ordering information.

## Formatter PCA

### CAUTION

ESD SENSITIVE!

- 1 Remove the Printer Covers and complete the DC Controller removal direction up to step 8 (Figures 6-40 and 6-41).
- 2 Remove the two cable clips (Figure 6-43, callout 1).
- 3 Remove all (4) screws from the formatter cover (Figure 6-43, callout 2). Lift the I/O shield to remove it.
- 4 If servicing an HP LaserJet 5L or 6L, remove the Control Panel display cable (Figure 6-43, callout 3).

### CAUTION

On the HP LaserJet 6L Pro, the Control Panel display cable is connected directly to the Formatter PCA. Do not attempt to disconnect this cable.

- 5 Slide the formatter away from the DC Controller PCA to remove it from the connector.

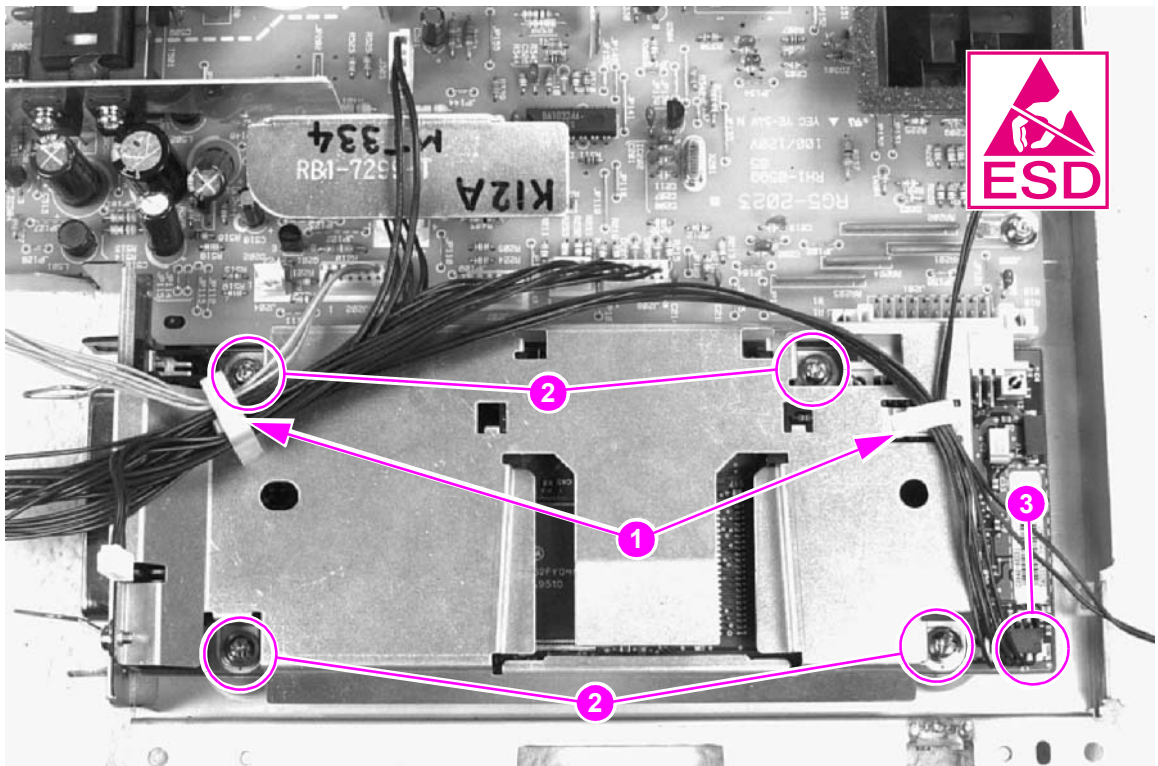


Figure 6-43 Formatter Board removal

### Note

The formatter I/O shield comes in two separate pieces. Be careful to order the correct pieces.

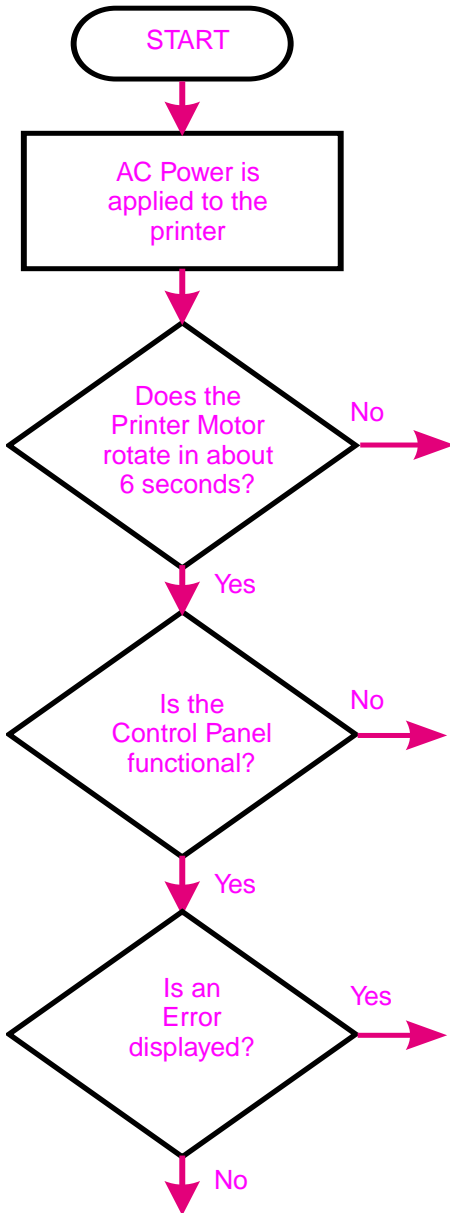
# 7

# Troubleshooting

## Chapter contents

General troubleshooting flowchart . . . . .	116
Paper path and components . . . . .	118
DC Controller diagram . . . . .	119
Printer error troubleshooting . . . . .	120
Priority of errors . . . . .	120
Printer status messages . . . . .	121
Service and error messages . . . . .	123
Image formation troubleshooting . . . . .	126
Check the toner cartridge . . . . .	126
Image defect examples . . . . .	127
Troubleshooting checks . . . . .	133
Engine test . . . . .	133
Half self-test functional check . . . . .	134
Drum rotation functional check . . . . .	134
High-voltage power supply check . . . . .	135
Paper curl . . . . .	137
Troubleshooting tools . . . . .	138
Paper path check . . . . .	138
Repetitive image defect ruler . . . . .	139
Main wiring diagram . . . . .	140

# General troubleshooting flowchart



When the AC power is first applied to the printer:

- Both the printer motor and the laser/scanner motor rotate for six seconds.
- All of the LEDs illuminate for one second; the “Ready” LED will illuminate after three seconds.

If no error message is displayed, the Printer Door is firmly closed, and the toner cartridge is installed, but the motor does NOT rotate when AC power is applied to the printer:

- 1 Verify that AC power is present at the input power receptacle and that the power cord is firmly inserted into the printer.
- 2 Verify that FU102 is not open. (See Figure 7-2.)
- 3 Verify that motor connector J1 is seated into J401 of the DC Controller. (See Figure 7-2.)
- 4 Verify that the motor is correctly mounted to the printer chassis.
- 5 If all of these conditions are correct, replace the DC Controller PCA and/or the motor.

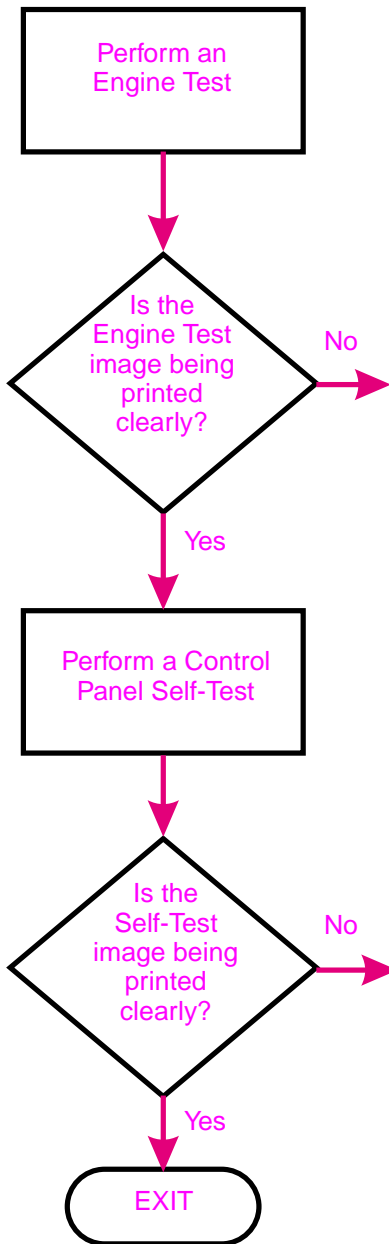
If the Control Panel is not functional:

- 1 Verify that the Control Panel connector J9 is seated into both the Control Panel and the Formatter PCA at J3. (See Figure 7-2.)
- 2 Verify that the Formatter PCA is firmly seated into the DC Controller PCA.
- 3 Perform an Print Engine Test. (See Figure 7-4.)
- 4 If the engine test is successful, replace the Control Panel first, then, if necessary, the Formatter PCA.
- 5 If the engine test is not successful, replace the DC Controller PCA.

If the control panel displays an error, refer to the appropriate section in this chapter to correct the error.

**Continued on following page.**

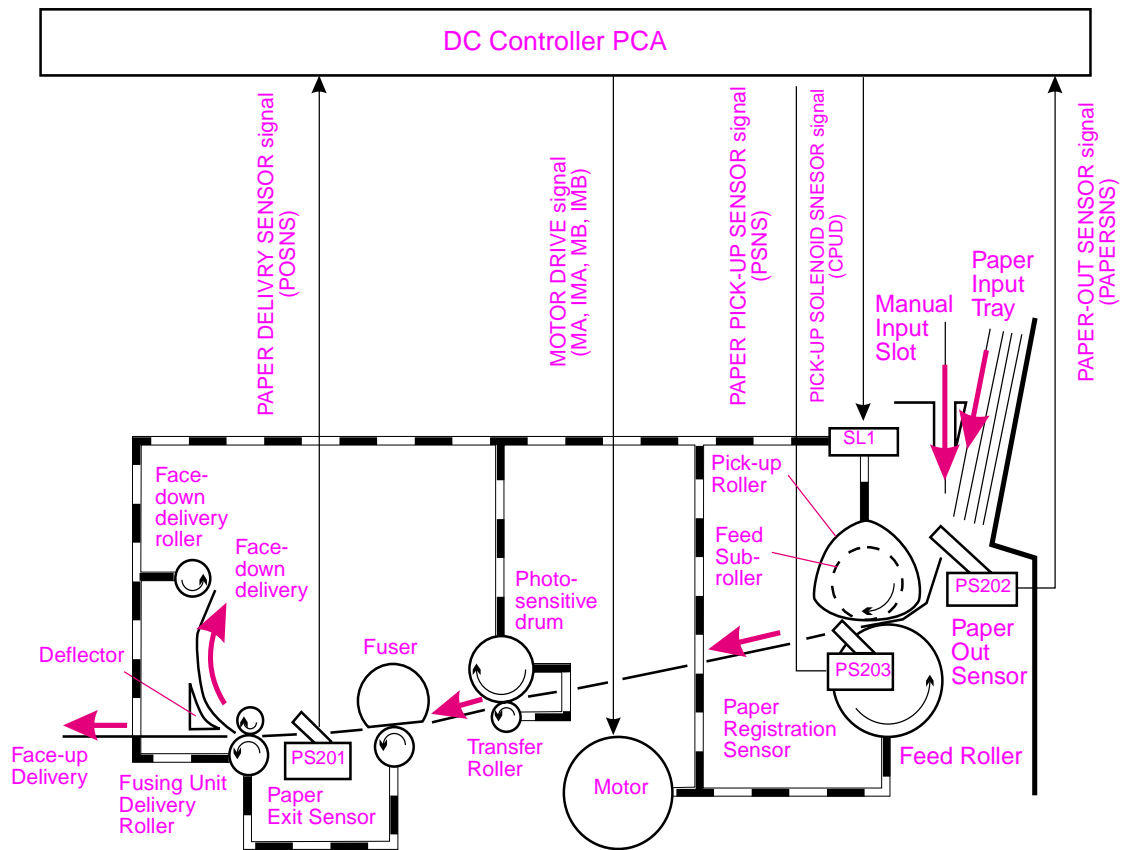
### General Troubleshooting Flowchart (continued)



Refer to the section "Image Formation Troubleshooting," later in this chapter.

If the engine test produces a clear print image, yet a Self-Test is not generated by initiating the Control Panel self-test procedure, replace the Formatter PCA.

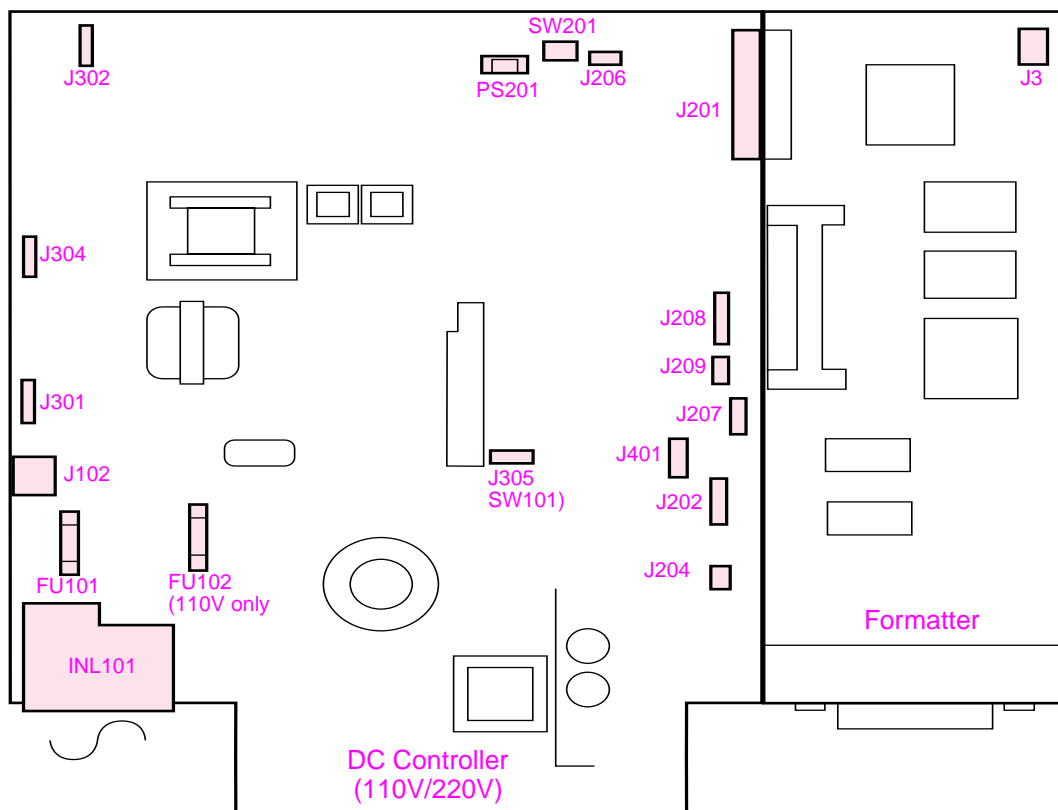
# Paper path and components



**Figure 7-1** Paper path and components



# DC Controller diagram



**Note:** Some of the connectors shown in this diagram are not present on the HP LaserJet 6L Pro

**Figure 7-2 DC Controller PCA components**

J3	Control Panel Connector (Formatter PCA)		
J102	Fusing Assembly	J202	Paper Registration and Paper-Out Photosensors (PS203 and PS202)
J201	Formatter PCA Connection	J206	Fusing Assembly (thermistor feedback)
J204	Paper Pickup Solenoid (SL1)	J207	Scanner Motor
J301	Developer Bias Contact	J208	Laser Driver/Beam Detect Circuitry
J302	Transfer Roller Contact	209	Door Open/No Toner Cartridge Photosensor (PS204) (HP LaserJet 5Lonly)
J304	Primary Roller Contact	J401	Motor
SW101	+12A Vdc Shutoff Switch	FU101	
SW201	Engine Test Print Switch	FU102	110 volt only
PS201	Fusing Assembly Exit Photosensor	INL101	Input Power Receptacle

# Printer error troubleshooting

Information regarding printer status is conveyed by two methods: 1) the printer's Control Panel lights and 2) feedback through the bi-directional I/O that displays at the PC. The basic method of determining error messages uses patterns of lights on the Control Panel LED. Printer messages are categorized into two basic types:

- Status Messages
- Service and Error Messages

---

**Note**

Before troubleshooting the printer, cycle the power to the printer to see if the error persists.

## Priority of errors

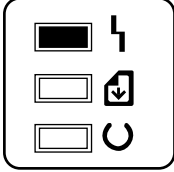
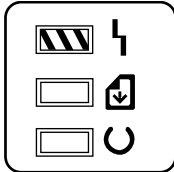
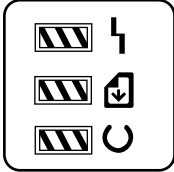
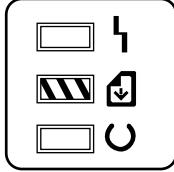
Each error has a priority in relation to the others. If there is more than one error condition at the same time, the highest priority error will be displayed. The priority of errors is:

- 1 Service Errors
- 2 Door Open/No Toner Cartridge
- 3 Paper Jam
- 4 Paper Out
- 5 Memory Error
- 6 Manual Feed

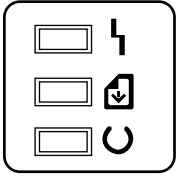
## Printer status messages

The following table lists printer LED messages and their meanings and describes recommended actions. For more information on the Front Panel layout, refer to “Using the Control Panel” in Chapter 3, “Installation and Configuration.”

**Table 7-1 Printer status messages (Sheet 1 of 2)**

LEDs	Description	Recommended action
	<p><b>Paper Out Error.</b></p> <p><b>Door Open or No EP Cartridge.</b></p> <p><b>Paper Jam.</b></p>	<p>Add paper.</p> <p>Close the printer door and/or verify that the EP cartridge is installed.</p> <p>Clear paper jam.</p> <p>If you have completed these recommended actions and the error persists, see Table 7-3.</p>
	<p><b>Memory Error.</b> There is either too much data or the data is too complex.</p>	<ol style="list-style-type: none"> <li>1. Turn Page Protection on within your software application or Windows.</li> <li>2. Reduce the complexity of the print job.</li> <li>3. Reduce resolution to 300 dpi within your software application or Windows.</li> <li>4. Add optional memory to the printer.</li> <li>5. Make sure Enhanced I/O is on Auto Mode (PCL mode) and resend print job. (See Chapter 3, “PCL Printer Settings.”)</li> <li>6. If the Auto-Continue variable is on within PJJ, the printer will continue printing after 10 seconds.</li> <li>7. If the Auto-Continue variable is off within PJJ, you need to press the Control Panel Button to continue printing.</li> </ol>
	<p><b>Incompatible Memory Card</b> (5L/6L).</p> <p><b>Initializing/Resetting</b> (6L Pro).</p>	<p>Remove the incompatible memory card and replace it with a 1, 2, 4, or 8 Mb, 70 nsec. or faster memory card. (See Chapter 8 for memory card part numbers.)</p> <p>No action necessary.</p>
	<p><b>Manual Feed.</b> The printer is waiting for you to add a piece of paper to the single sheet input slot.</p>	<ol style="list-style-type: none"> <li>1. Make sure the correct paper is loaded into the printer. (See your HP LaserJet 5L User’s Manual or the HP LaserJet Printer Family Paper Specifications Guide for more information.)</li> <li>2. Press and release the Control Panel Button.</li> <li>3. Turn off manual feed within your software application if you do not wish the printer to pause between sheets.</li> </ol>

**Table 7-1 Printer status messages (Continued) (Sheet 2 of 2)**

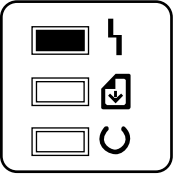
LEDs	Description	Recommended action
	<p><b>Sleep Mode.</b></p>	<p>If the printer's LEDs remain off:</p> <ol style="list-style-type: none"> <li>1. The printer is in Sleep Mode. Press the Control Panel Button or open the EP Door.</li> <li>2. Power is not supplied to the printer. Check power cord connections and the power source.</li> <li>3. Print an engine test to determine if the print engine is functional. If the test is successful, replace the Formatter PCA.</li> <li>4. See the General Troubleshooting Flowchart earlier in this chapter.</li> </ol>

Occasionally you may add paper, close the printer door, add the toner cartridge, and clear a paper jam, only to find that the printer still displays an error message. If this happens, troubleshoot using Table 7-3 below.

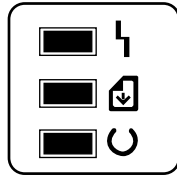
**Note**

If the error appears and persists only after you attempt to print a page, verify that the motor is functioning. (See "Printing an Engine Test" later in this chapter.)

**Table 7-2 Unclearable error**

	<p>This error will persist if any of the three paper movement photosensors (PS201, PS202, and PS203) and/or their flags are not functional.</p> <ol style="list-style-type: none"> <li>1. Verify that all three photosensor flags are not blocked and move freely. (See Figure 7-1 to identify photosensor flag locations.) <ul style="list-style-type: none"> <li>● Paper Out Flag (PS202) (See Figure 5-6.)</li> <li>● Paper Registration Flag (PS203) (See Figure 5-6.)</li> <li>● Exit Sensor Flag (PS201) (See Figure 6-18.)</li> </ul> </li> <li>2. Verify that all connectors are firmly seated. (See Figure 7-2 to identify connector locations on the DC controller.) <ul style="list-style-type: none"> <li>● Door closed/EP Cartridge Photosensor connector (5L only)</li> <li>● Paper-Out and Registration Photosensor Connector (See Figure 5-6.)</li> </ul> </li> </ol> <p><b>Note:</b> There is no connector for the Exit Photosensor (PS201) since it is located on the DC Controller PCA. This flag is located beneath the Fusing Assembly. (Refer to Figure 6-18.)</p> <p>If all of the flags move freely and all of the connectors are correctly seated, yet the error persists, replace the DC Controller PCA.</p>
---	--

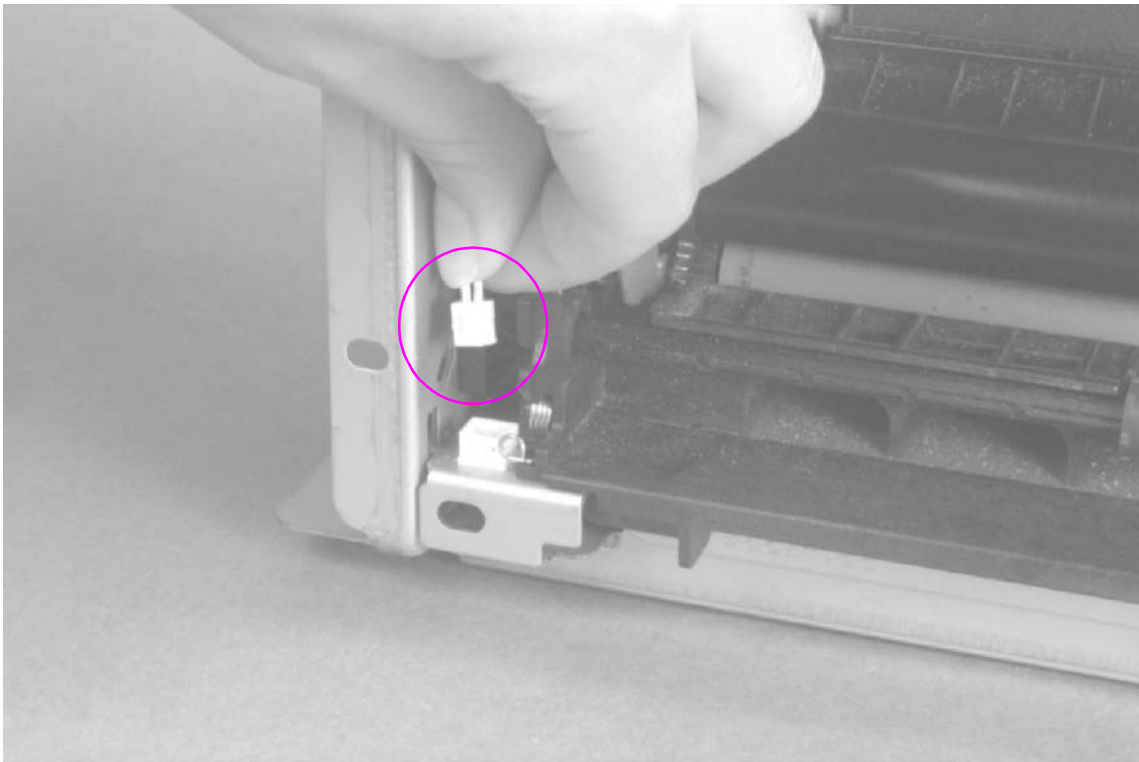
## Service and error messages



Service errors prevent further printer operation until some action is taken. When there is a service error, all of the lights will turn on in a steady state. **Press and hold the Control Panel Button** to see a pattern in the lights. (The error will only be displayed as long as this button is pressed.) Use Table 7-4, “Service and Error Messages,” to identify what type of service error has occurred.

**Table 7-3 Service and error messages**

	<p><b>ROM/RAM Error.</b> An error was found with the ROM or RAM. The printer believes that the ROM is corrupted or an error has been found in the RAM.</p>	<ol style="list-style-type: none"> <li>1. Power-cycle the printer by unplugging the printer and plugging it back in. If this doesn't clear the error:</li> <li>2. Unplug the printer, remove any optional memory, then power the printer back on. If the message clears, replace the memory card.</li> <li>3. Replace the Formatter PCA.</li> </ol>
	<p><b>Fuser Error.</b> This indicates a fusing assembly malfunction.</p> <p><b>Note:</b> Chronic fuser failures or fuser overheating or both are indicators of an uninterruptible power supply or battery backup being used with the printer. Uninterruptible power supplies (UPS) should not be used with the printer.</p>	<ol style="list-style-type: none"> <li>1. Unplug the printer for 10 minutes or more.</li> <li>2. Verify that the fuser connector is firmly seated in J102 of the DC Controller PCA and that the thermistor connector (left of fusing assembly) is seated into both the printer chassis and J206 of the DC Controller PCA.</li> <li>3. Remove the connector from J102 of the DC Controller (See Figure 6-14). Measure the resistance between pins one and two of the cable. (This procedure will measure the continuity of the ceramic heating element.) Normal resistance is 30 ohms +/- 10 ohms. If no resistance is measured, replace the heating element.</li> <li>4. Remove the thermistor (temperature feedback) connector (See Figure 7-3). Measure the resistance between pins one and two. Normal resistance is 440K ohms +/- 30K at 20 degrees C. If the resistance is not measured replace the heating element</li> <li>5. If the resistance readings are correct, yet the error persists, replace the DC Controller.</li> </ol>

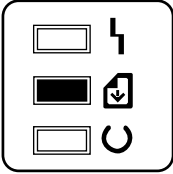
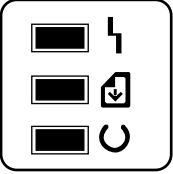
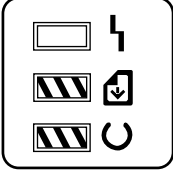
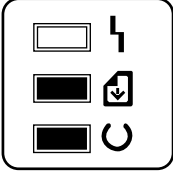


**Figure 7-3** Heating element resistance check

**Table 7-3 Service and error messages (Continued 2 of 3)**

	<p><b>Beam Error.</b> There are a number of causes for this error, and some of the causes may be transient. (They may disappear.)</p>	<ol style="list-style-type: none"> <li>1. Power-cycle the printer by unplugging the printer and plugging it back in.</li> <li>2. Make certain the Laser/Scanner Assembly is correctly seated on the printer chassis.</li> <li>3. Replace the Laser/Scanner cable (J208 on the DC Controller).</li> <li>4. Replace the Laser/Scanner Assembly.</li> <li>5. Replace the DC Controller PCA.</li> </ol>
	<p><b>Engine Error.</b> The formatter and engine are not communicating.</p>	<ol style="list-style-type: none"> <li>1. Power-cycle the printer by unplugging the printer and plugging it back in. If this doesn't clear the error:</li> <li>2. Reseat Formatter to DC Controller PCA.</li> <li>3. Replace the Formatter PCA.</li> <li>4. Replace the DC Controller PCA.</li> </ol>

**Table 7-3 Service and error messages (Continued 3of 3)**

	<p><b>Scanner Error.</b> Caused by a scanner malfunction.</p>	<ol style="list-style-type: none"> <li>1. Power-cycle the printer by unplugging the printer and plugging it back in.</li> <li>2. Ensure condensation caused by moving the printer from a cold to a warm environment hasn't occurred. Allow the printer to acclimate to the warmer room.</li> <li>3. Verify the two Laser/Scanner Assembly connectors are firmly seated.</li> <li>4. Replace scanner cable J207 on the DC Controller PCA.</li> <li>5. Replace the Laser/Scanner Assembly.</li> <li>6. Replace the DC Controller PCA.</li> </ol>
	<p><b>Formatter Error.</b></p>	<ol style="list-style-type: none"> <li>1. Power-cycle the printer by unplugging the printer and plugging it back in.</li> <li>2. Disconnect the parallel I/O cable and try running a printer self test. Reconnect the parallel cable if the self test is successful and try host/printer communications again.</li> <li>3. If the error persists, replace the Formatter PCA.</li> </ol>
	<p><b>Firmware Error.</b></p>	<p>Note the LED pattern and the Bi-Tronics error code. Contact HP technical support with this information as well as a description of what data was sent, the errors encountered prior to the firmware error, the condition of the printer prior to the error, and any other information that may help isolate the error.</p>
	<p><b>Processor Error.</b></p>	<p>Note the LED pattern and the Bi-Tronics error code. Contact HP technical support with this information as well as a description of what data was sent, the errors encountered prior to the firmware error, the condition of the printer prior to the error, and any other information that may help isolate the error.</p>

# Image formation troubleshooting

## Check the toner cartridge

Image formation defects are many times the result of toner cartridge problems. If there is any doubt, always replace the toner cartridge before troubleshooting image defects.

Use the following check list to ensure that the toner cartridge is still operable.

- Ensure that the toner cartridge is seated properly in the cavity.
- Inspect the toner cartridge for remaining toner.
- Check the expiration date of the toner cartridge (stamped on the cartridge box).
- Check the toner cartridge to see if it has been disassembled or refilled.

---

### Note

---

The full weight of the toner cartridge is 26.1 oz (730 grams), and its empty weight is 22.7 oz. (640 grams).

- Inspect the cartridge for leaking toner through worn seals. (If the drum has been manually rotated it may have caused internal damage and toner spills may result).
- Check the surface of the photosensitive drum in the cartridge to see if it has been damaged or scratched. Touching the drum will contaminate the photosensitive surface and may cause spotting and defects during printing.
- Blurred areas on the page may indicate that the drum has been exposed to light for too long. This causes permanent damage to the photosensitive drum. Replace the cartridge.

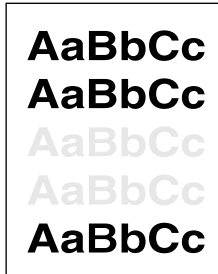


## Image defect examples

This section illustrates some image defects and their possible causes. Since there are many variables in the printing process, you may encounter image defects that are not illustrated in the following examples. If you find a defect that is not illustrated, record the probable cause along with the printing environmental conditions and save a copy of the defect for future reference.

Each example lists, in order, the probable causes of the image defect.

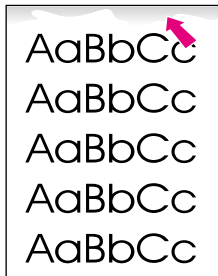
### Faded print



Faded or light print may consist of a faded area, an entire page faded, or a block of vertically aligned white streaks.

- The toner cartridge may be getting low on toner. Gently shake the cartridge to redistribute the toner, or replace the cartridge.
- The paper may not meet HP's paper specifications (for example, too moist or too rough). (See the *HP LaserJet 5L User's Manual* or the *HP LaserJet Printer Family Paper Specifications Guide*.)
- Adjust toner density setting through your software or printer driver.
- EconoMode may be on. Turn it off through your software or printer driver.
- There may be discontinuities in the high-voltage contact points. Clean the high voltage contact points on the toner cartridge and transfer roller. (See Figures 7-5 and 7-6.)
- Complete a Half Self-Test to verify that the image is appearing on the drum. (See "Half Self-Test Functional Check" later in this chapter.) If this procedure isn't successful, replace the transfer roller.
- Replace the Laser/Scanner unit.
- Replace the DC Controller.

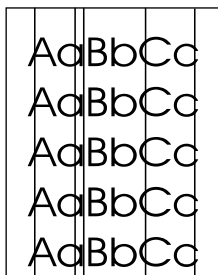
### Staining



Stains usually appear as small, round, black dots that occur in the front or the back of a page. Sometimes wide, inconsistent stains appear.

- The paper may not meet HP's paper specifications (for example, too moist).
- You may be printing on the wrong side of the paper. Try removing the paper from the Paper Input Tray and turning it over. (The label on many reams of paper has an arrow indicating the print side.)
- The printer may need cleaning. See "Cleaning Your Printer," in Chapter 4.
- The toner cartridge may be damaged. Replace it if maintenance procedures do not improve print quality.

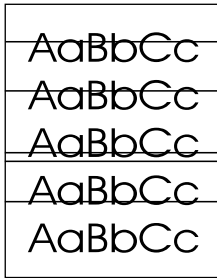
### Vertical lines



Sometimes vertically aligned black streaks or smears can appear on successive pages.

- The toner cartridge may be damaged. Replace it.
- The printer may need cleaning. See "Cleaning Your Printer," in Chapter 4.
- Replace the heating element.

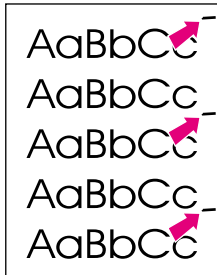
## Horizontal stripes



Sometimes horizontally aligned black streaks or smears can appear.

- The toner cartridge may not be installed properly. Remove the cartridge and reinsert it.
- The toner cartridge may be defective. Replace it.
- If the printer still has print quality problems, the printer may require cleaning.
- Replace the heating element.

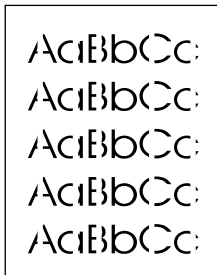
## Repetitive defects



Sometimes light character shadows or repetitive marks appear on the page.

- Refer to the “Repetitive Image Defect Ruler” later in this chapter.
- The printer may need cleaning. See “Cleaning Your Printer,” in Chapter 4.
- The toner cartridge may be damaged, causing a repetitive black flaw on every printout. Replace the toner cartridge.
- If using transparencies, use a different type of overhead transparency.
- Your paper texture may be too coarse. Try changing to a paper with a smoother finish.
- The photosensitive drum of the toner cartridge may have been overexposed to bright light, causing repetitive defects (usually a blurred area). Replace the toner cartridge.

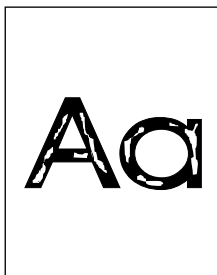
## Vertical white stripes



The toner cartridge may be getting low on toner. Gently shake the cartridge to redistribute the toner, or replace the cartridge.

- The printer may need cleaning. (See “Cleaning Your Printer,” in Chapter 4.) You may also need to clean the mirror on the laser scanner by blowing air through the scanner to remove any dust particles.

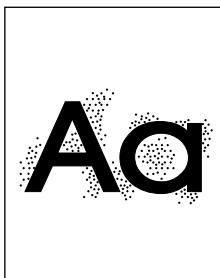
## Character voids



Character voids are white areas within the parts of characters that should be solid black.

- If you are using transparencies when you experience this problem, try another type of transparency. Hewlett-Packard transparencies are designed to minimize character voids. (Because of the composition of transparency media, some character voids are normal.)
- You may be printing on the wrong side of the paper. Remove the paper and turn it over. (The label on many reams of paper has an arrow indicating the print side.)
- Your paper may not meet the requirements for the printer.

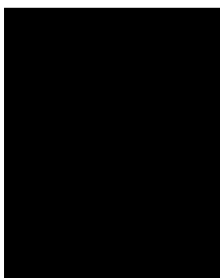
## Background scatter



Background scatter results from bits of toner distributed on the front or back of a printed page. Background scatter often is isolated to a specific area of the page.

- Check the environment. High humidity can cause this error.
- Change the paper type, weight, or surface finish. See appendix B of the User's Manual for paper specifications.
- If background scatter occurs on an envelope, try moving the text to an area with no seams. Printing on seams can cause this problem.
- If background scatter covers the entire surface of an envelope, try adjusting the print density through your software or printer driver.
- If this problem occurs on the back of a printed page, it may be caused by spilled toner inside the printer. See "Cleaning Your Printer" in Chapter 4.

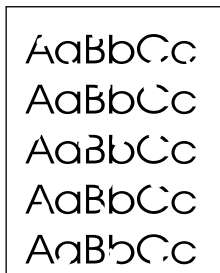
## Black page



A page is completely black.

- The toner cartridge may not be installed properly. Remove the cartridge and reinsert it.
- The toner cartridge may be defective. Replace it.
- There may be discontinuities in the high-voltage contact points. Clean the high voltage contact points on the toner cartridge and transfer roller. (See Figures 7-5 and 7-6.)
- Replace the DC Controller or Laser/Scanner unit.

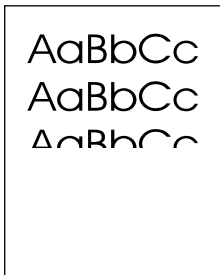
## Dropouts



Dropouts are characters that are partially printed.

- The Paper Input Tray may have been loaded with too much paper. Make sure that no more than 100 sheets of paper are loaded.
- A single sheet of paper may be defective. Try reprinting the job.
- Try adjusting the print density through your software or printer driver.
- Try cleaning the rollers.
- The moisture content of the paper may be inconsistent, or the paper may have moist or wet spots on the surface. Try paper from a fresh ream or a different paper manufacturer.
- The paper may have been damaged by inconsistent manufacturing processes. Try paper from a different source.

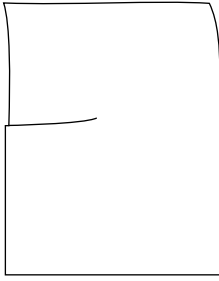
## Half of the page is blank or loss of detail



The bottom of the page is blank, or part of a graphics image is cut off. This may mean that your page is too complex for the standard printer memory.

- Set resolution to 300 dpi through your software or printer driver.
- You may need to install additional memory in your printer. See Chapter 6 for memory installation instructions.
- Check your printer driver help screens for suggestions specific to your driver's settings.

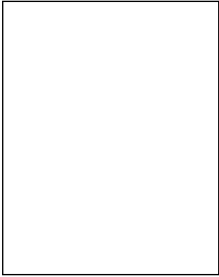
## Curled or wrinkled sheets



Media is curled or wrinkled when using the Paper Output Bin.

- Verify that the media you are using meets paper specifications. (See the *HP LaserJet 5L User's Manual* or the *HP LaserJet Printer Family Paper Specifications Guide*.)
- Turn the paper over.
- Use the Front Output Slot by pushing the Paper Path Lever to the lower position. This provides the straightest paper path.
- Use Paper Input Support located behind the Paper Input Tray.

## Blank page (occasional)

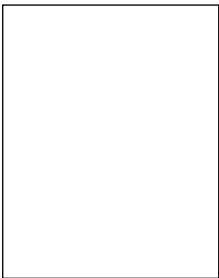


A page is completely blank. If you get occasional blank pages:

- Make sure your page length and margins are set correctly for the paper size you use. If you are printing on small media and your page is blank, try printing on larger media to see where the image is printing. Adjust margins accordingly.
- Some sharing devices or networks may generate a blank page as a separator. Try connecting the printer directly to the computer.
- Your printer may be feeding two or more pages at once because the paper is difficult to separate. Remove the paper from the Paper Input Tray and align the edges of the paper. Although fanning the paper is not generally recommended, it may be an effective way to decrease multi-feeds if the paper was poorly cut by the manufacturer and is sticking together. You may also try turning the paper around to feed the opposite end first.

Your software application may send an extra page eject command. Check your software's printing configuration information. If you are using a word processing program, check for a natural page break and a forced page break that are close to each other, causing a blank page.

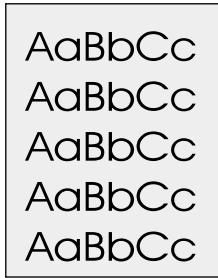
## Blank pages (all pages)



If *all* of your pages are blank:

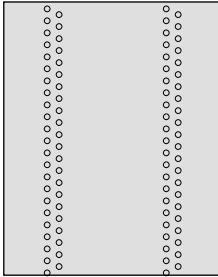
- Make sure you removed the entire length of the sealing tape from the toner cartridge before you installed the cartridge.
- The toner cartridge may be completely out of toner. Replace the cartridge.
- Try printing a self-test page. (See Chapter 3.) If the page is still blank, the printer may need service.
- There may be discontinuities in the high-voltage contact points. Clean the high voltage contact points on the toner cartridge and transfer roller.
- Reseat the Laser/Scanner connectors.
- Replace the Laser/Scanner unit.
- Replace the DC Controller.

### Dark background



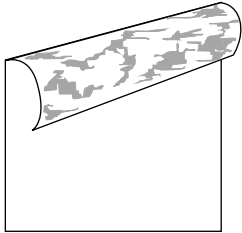
- Adjust the toner density setting through your software or printer driver.
- There may be discontinuities in the high-voltage contact points. Clean the high voltage contact points on the toner cartridge and transfer roller.
- Replace the Laser/Scanner unit.
- Replace the DC Controller.

### Dots



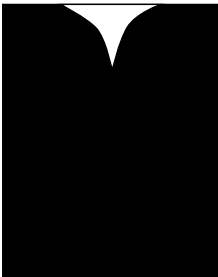
- Clean the static charge eliminator. (See Chapter 4, "Printer Maintenance.")
- There may be discontinuities in the high-voltage contact points. Clean the high voltage contact points on the toner cartridge and transfer roller.
- Replace the transfer roller.

### Dirt on the back of the page



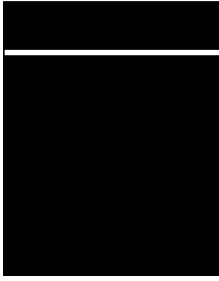
- Use the image defect ruler to determine if the rollers are dirty. If so, clean them. Replace the rollers if they cannot be cleaned sufficiently.
- Clean the heating element.

### Blank spots



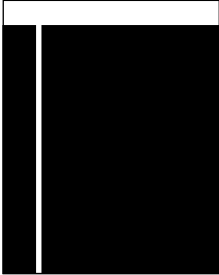
- The paper may not meet HP's paper specifications. Select different paper.
- The moisture content of the paper may be inconsistent, or the paper may have moist or wet spots on the surface. Try paper from a fresh ream or a different paper manufacturer.
- Replace the toner cartridge.
- There may be discontinuities in the high-voltage contact points. Clean the high voltage contact points on the toner cartridge and transfer roller.
- Replace the transfer roller.
- Replace the DC Controller.

### White horizontal line

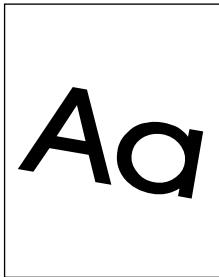


- Replace the toner cartridge.

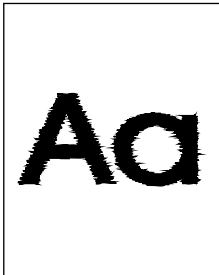
### Faulty registration/skewed image



- Unload the paper and re-stack it in the input tray
- Readjust the guides to the width of the paper.
- Too many sheets of paper may have been loaded into the paper input slot. Load no more than 100 sheets of paper.
- The paper may not meet HP's paper specifications. Select different paper.
- Clean the Paper Pickup Roller. If you cannot remove the dirt, the roller may be worn out. Replace the roller.
- Check separation pad and subpads. If they are worn, replace them.
- Clean the Delivery Roller. If you cannot remove the dirt, replace the roller.
- Restack the paper in the paper input source and try reprinting the job.



### Distorted image or BD failure



- Make certain the printer is not facing the sunlight.
- The paper may not meet HP's paper specifications. Select different paper.
- Clean the Laser/Scanner Assembly by blowing compressed air in the slot on the bottom of the assembly.
- Make sure the two Laser/Scanner connectors are firmly seated.
- Replace the Laser/Scanner unit.
- Replace the DC Controller.

# Troubleshooting checks

## Engine test

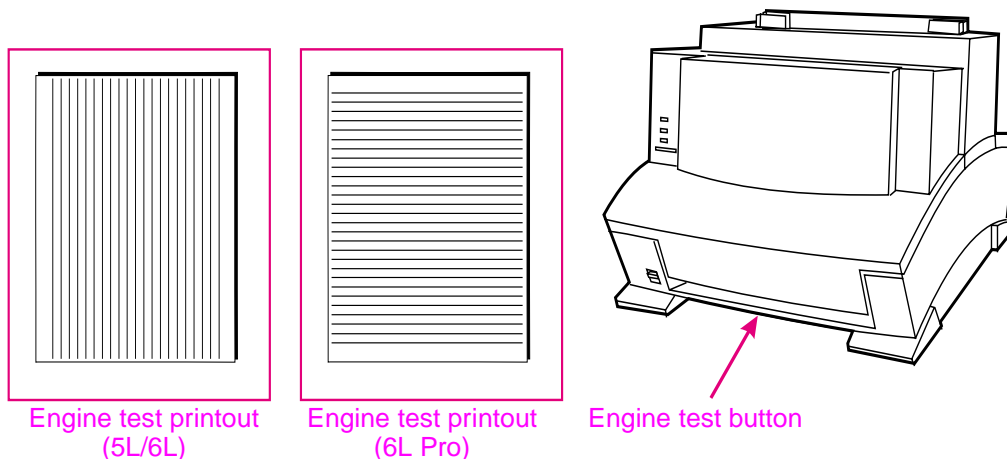
The engine test print is used to verify that the print engine is functioning correctly. The Formatter PCA is completely bypassed during an engine test, so this test is useful for isolating printer problems. The engine test prints a full page of vertical lines down the entire printable area and is also useful for checking and adjusting registration.

## Engine Test Button location

The engine test print button is located on the DC Controller PCA. It is accessible through a hole at the front of the printer. (See Figure 7-4.)

## Printing an engine test

The engine test button is accessible without removing the covers. To print an engine test, use a long, non-metallic object (such as a pen or pencil) to press the engine test button. A single test page is printed. (See Figure 7-4.)



**Figure 7-4** Engine test

## Half self-test functional check

The electrophotographic process can be subdivided into the following stages:

- Cleaning (removing excess toner from drum surface)
- Conditioning (placing a uniform electrical charge on drum)
- Writing (laser strikes surface of drum to create latent image)
- Development (formation of the toner image on drum)
- Transfer (charge to transfer the image to paper)
- Fusing (heat and pressure to produce a permanent image)

The purpose of the Half Self-Test Check is to determine which process is malfunctioning. Perform the test as follows:

- 1 Initiate a self-test.
- 2 Open the Printer Door after the paper advances half-way through the printer (about eight seconds after the Motor begins rotation). The leading edge of the paper should have advanced past the toner cartridge.
- 3 Remove the toner cartridge.
- 4 Open the toner cartridge's drum shield to view the drum's surface.

If a *dark and distinct toner image is present* on the drum's surface, assume that the first four functions of the electrophotographic process are functioning (cleaning, conditioning, writing and developing - see Chapter 5.) Troubleshoot the failure as a transfer or fusing problem.

If *NO image is present* on the photosensitive drum, perform the following functional checks:

- 1 Make sure you have removed the entire length of the sealing tape from the toner cartridge before you installed the cartridge.
- 2 Drum Rotation Functional Check.
- 3 High Voltage Power Supply Check.

## Drum rotation functional check

The photosensitive drum, located in the toner cartridge, must rotate for the print process to work. The photosensitive drum receives its drive from the Main Drive assembly. To verify whether the drum is rotating:

- 1 Open the Printer Door.
- 2 Remove the toner cartridge.
- 3 Mark the cartridge's drive gear with a felt-tipped marker. Note the position of the mark.
- 4 Install the toner cartridge and close the Printer Door. The start-up sequence should rotate the drum enough to move the mark.
- 5 Open the printer and inspect the gear that was marked in step 3. Verify that the mark moved.

If the mark did not move, inspect the Main Drive assembly to ensure that it is meshing with the toner cartridge gears. If the drive gears appear functional, and the drum does not move, replace the toner cartridge.

---

### Note

This test is especially important if refilled toner cartridges have been used.

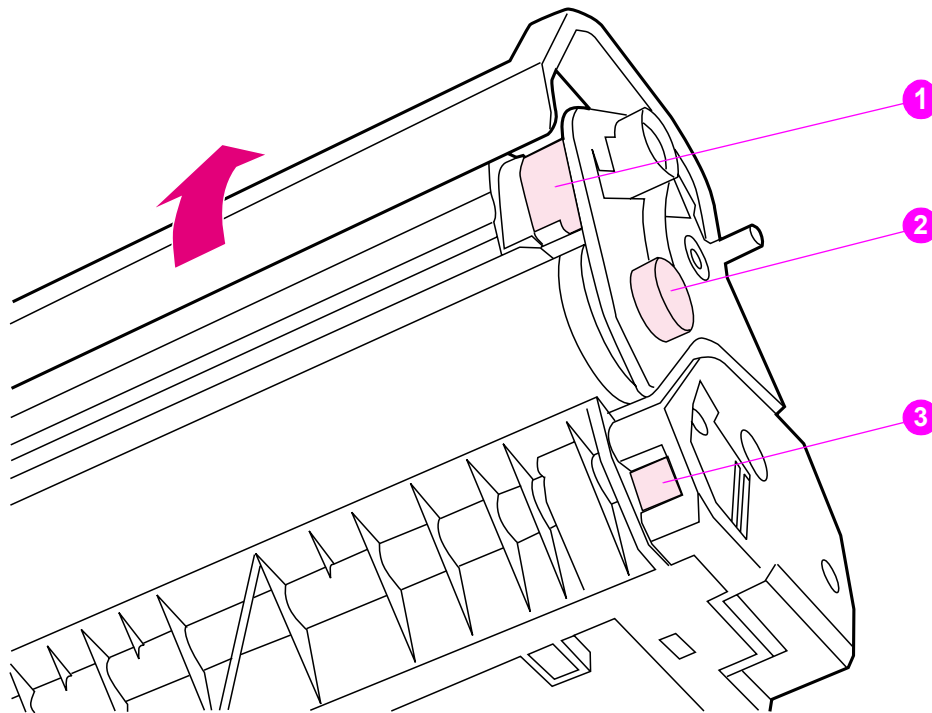


## High-voltage power supply check

The High-Voltage Power Supply PCA provides the necessary voltages for the electrophotographic processes. A method for verifying the high-voltage system is given in the table below.

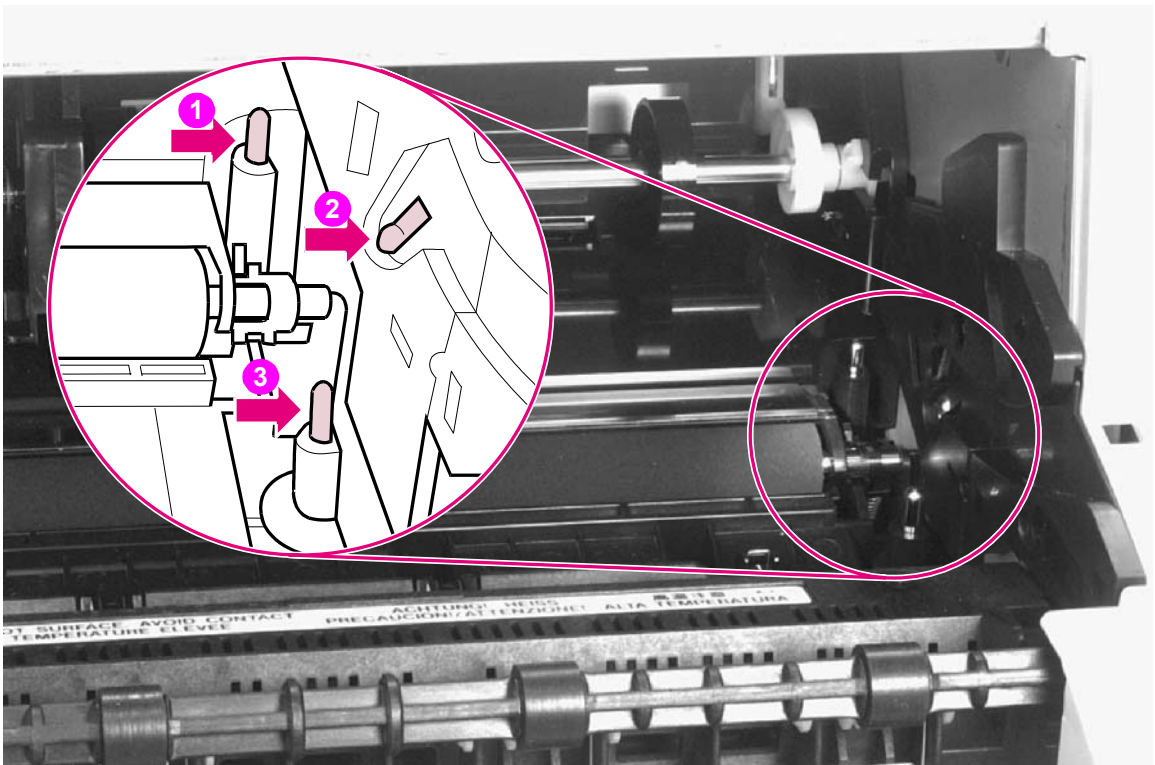
**Table 7-4 High-voltage power supply check**

Check	Action
Toner Cartridge Connection Points	Visually inspect the three connection points on the underside, right end of the toner cartridge. If they are dirty or corroded, clean the connections. Use <b>alcohol</b> only. If damaged, replace the toner cartridge. (See Figure 7-5 below.)
High Voltage Connector Assembly	This assembly uses spring-loaded pins to contact the toner cartridge. (See Figure 7-6 on the following page.) Verify that the pins are not dirty or corroded and that the spring-loading action is functional. If the pins are dirty, clean using alcohol only; if damaged, replace the High Voltage Connector Assembly.



**Figure 7-5 Toner cartridge high-voltage connection points (1 of 2)**

- 1 Charging
- 2 Drum Ground
- 3 Developing Roller



**Figure 7-6** Toner cartridge high-voltage connection points (2 of 2)

- 1 Charging
- 2 Drum Ground
- 3 Developing Roller

## Paper curl

Paper curl is inherent to the laser printing processes, and occurs when paper is subjected to heat. Paper curl tends to relax as the paper cools while resting on a flat surface. The specification for maximum paper curl when the paper is lying flat before print is 5 mm (0.2 inches).

Although paper curl cannot be totally eliminated, some steps can be taken to lessen its impact, as suggested in the following table.

**Table 7-5 Paper curl troubleshooting**

Possible causes	Recommended action
Paper path	Try using the front output slot to shorten and straighten the paper path.
Paper surface	The recommended printing surface of the page is usually marked on the end of a ream of paper by a small arrow and the phrase "print this side first." If the incorrect side was face up, turn the paper over. Load paper into the Paper Input Tray with the recommended printing surface facing the front of the printer.
Paper storing and handling	Over time, paper assumes the characteristics of its storage environment. (In a humid environment, paper absorbs moisture. In a dry environment, paper loses moisture.) Paper with higher moisture contents will tend to curl more. Evaluate the storage conditions of the paper.
Paper type	All paper is manufactured differently (texture, moisture content, drying processes, composition, etc.). Change the type of paper being used and reevaluate the paper if curl results.

# Troubleshooting tools

## Paper path check

If paper is not being picked up or is not moving through the paper path, you may want to observe all of the paper motion activities. Overriding PS204 (5L) or SW101 (6L and 6L Pro) allows you to observe:

- Motor rotation
- Solenoid action
- Kick plate motion
- Paper Pickup Roller motion
- Drive Roller, Transfer Roller, Fuser Roller and Gear, and Delivery Roller Motion

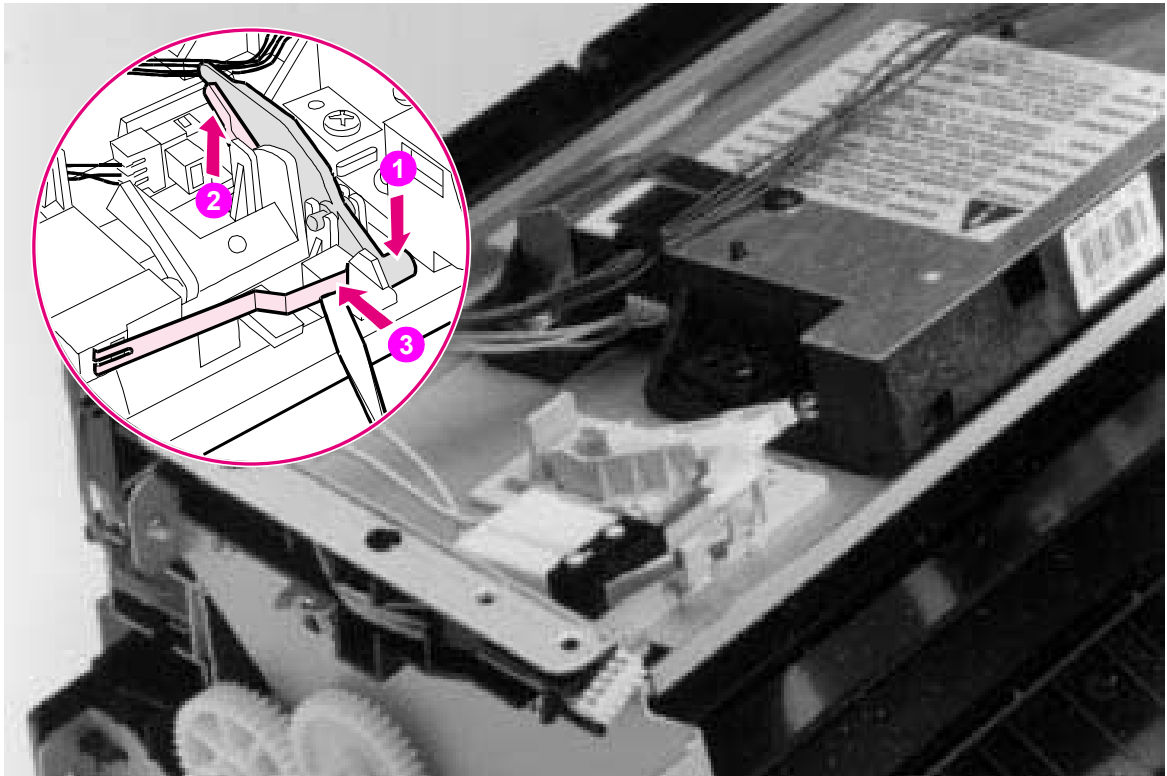
### To override PS204 and SW101

- 1 Remove the Printer Covers (Figures 6-2, 6-3, and 6-4).
- 2 **For HP LaserJet 5L Printer only:** Press the Door Open flag down (Figure 7-7, callout 1) and lift the EP Cartridge flag (Figure 7-7, callout 2). These flags are located on top of the printer chassis to the left of the Laser/Scanner assembly.

**For HP LaserJet 5L, 6L and 6L Pro Printers:** Press SW101 (Figure 7-7, callout 3).

#### Note

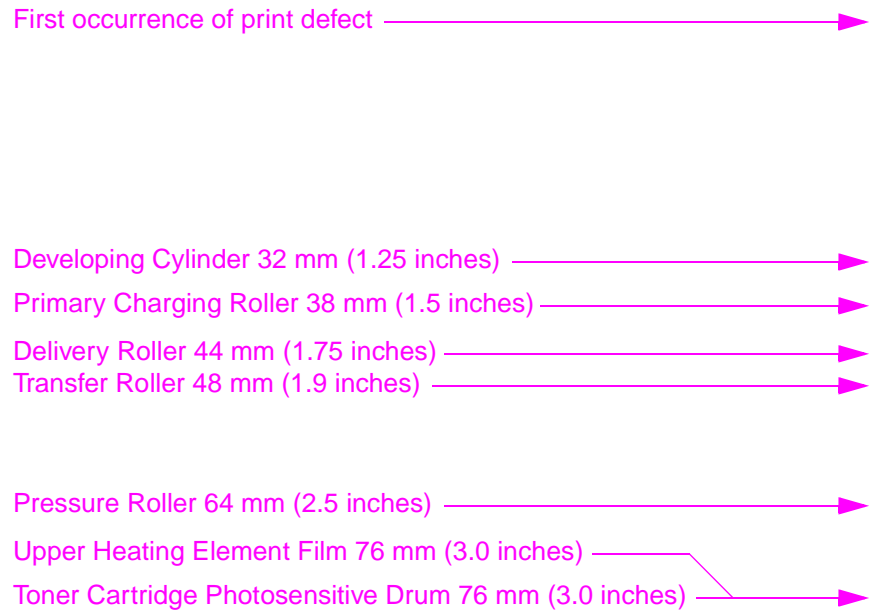
The EP Cartridge flag (Figure 7-7, callout 2) is not present on the HP LaserJet 6L Pro.



**Figure 7-7** Overriding PS204 and SW101

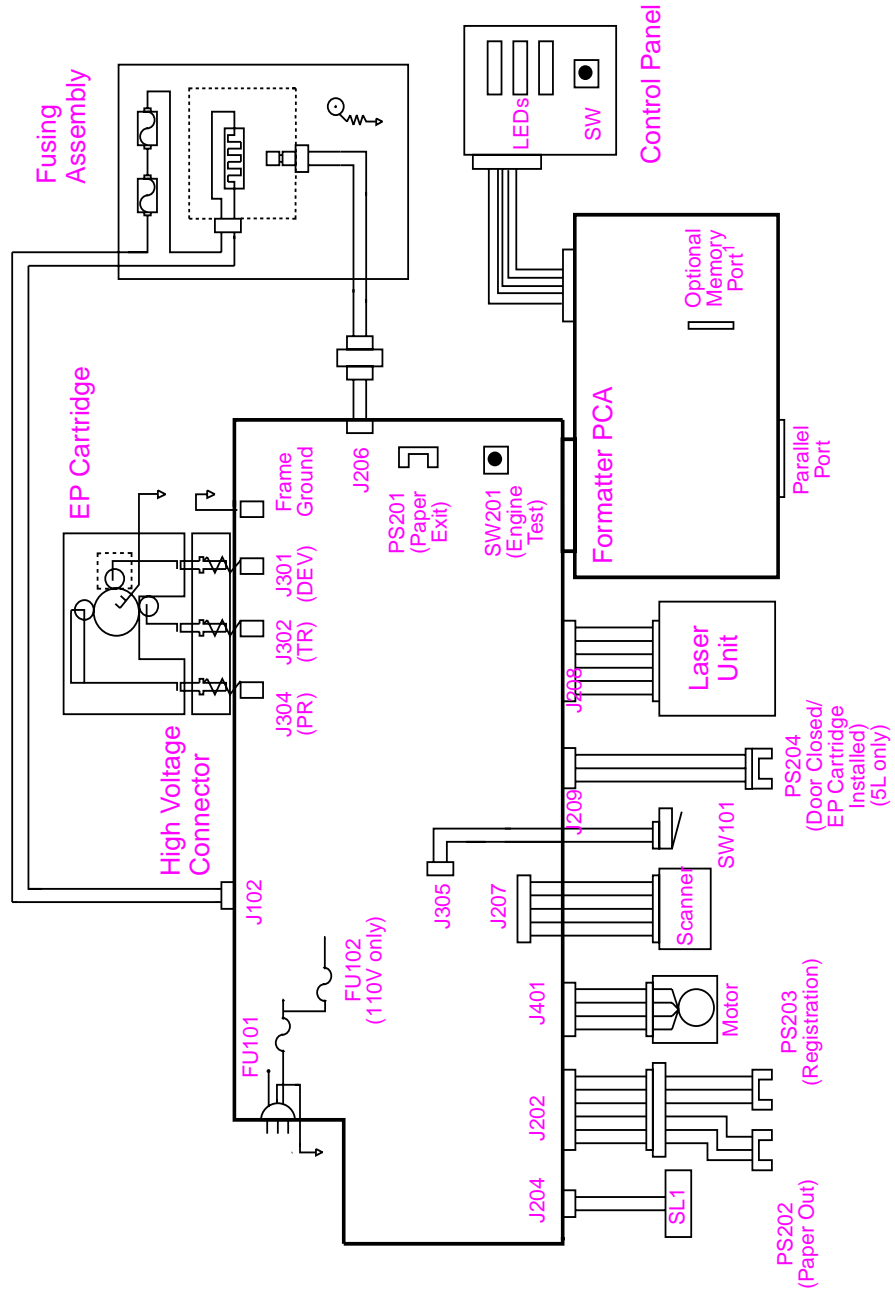
- 3 While holding the flags up, perform either an Engine Test or a Self-Test to observe paper motion. (See procedures earlier in this chapter.)

## Repetitive image defect ruler



**Figure 7-8** Repetitive image defect ruler

# Main wiring diagram



<sup>1</sup> Not present on the HP LaserJet 6L Pro

Figure 7-9 Main wiring diagram

**Table 7-6 Cable pinouts**

Connector	Signal name	Remarks
J401 pin 1	MA	Motor Drive Signal
J401 pin 2	MA	Motor Drive Signal
J401 pin 3	MB	Motor Drive Signal
J401 pin 4	MB	Motor Drive Signal
J204 pin 1	+12 V	5L only
J204 pin 2	CPUD	Solenoid SL1 Pickup Drive (5L only)
J202 pin 1	+5V	
J202 pin 2	GND	
J202 pin 3	PAPSENS	"L" when PS202 detects paper
J202 pin 4	+5V	
J202 pin 5	GND	
J202 pin 6	PISNS	"L" when PS202 detects paper
J207 pin 1	+12 V	
J207 pin 2	SCNTAC	Scanner tachometer pulses
J207 pin 3	FG	
J207 pin 4	/SCNON	"L" to rotate scanner motor
J207 pin 5	SCNCLK	Scanner clock reference
J208 pin 1	+5 V	
J208 pin 2	APCSH	APC sample hold
J208 pin 3	/LON	Laser Enable
J208 pin 4	FG	
J208 pin 5	/VDOUT	Laser Drive Signal
J208 pin 6	BDI	Beam Detect Input Signal
J209 pin 1	+5 V	
J209 pin 2	GND	
J209 pin 2	DOSNS	"H" when cartridge is not installed or the front door is open at PS204
J305 pin 1	+12A V	
J305 pin 2	N/U	
J305 pin 3	+12 V	
J206 pin 1	FRSTH	Fusing temperature feedback
J206 pin 2	FG	
J102 pin 1		Fusing assembly drive voltage
J102 pin 2		Fusing assembly drive voltage





# 8

# Parts and diagrams

## Chapter contents

How to use the part lists and diagrams .....	144
Ordering parts .....	144
Ordering consumables .....	144
Accessories and supplies .....	145
Common hardware .....	146
Parts diagrams .....	147

## How to use the part lists and diagrams

The Figures in this chapter illustrate the major subassemblies in the printer and their component parts. A table (material list) follows each exploded assembly diagram. Each table lists the reference designator (item number) for each part, the associated part number for the item, the quantity, and a description of the part.

While looking for a part number, pay careful attention to the voltage listed in the description column to ensure that the part number selected is for the correct model of printer.

### Ordering parts

All standard part numbers listed are stocked and may be ordered from HP's Commercial Service and Support Organization-Americas (CSSO-A), or Commercial Service and Support Organization-Europe (CSSO-E).

Hewlett-Packard Co. Commercial Service and Support Organization 8050 Foothills Blvd. Roseville, CA 95678 Parts Direct Ordering 1-800-227-8164 (U.S. Only)
---

Hewlett-Packard Co. Commercial Service and Support Organization- Europe Wolf-Hirth Strasse 33 D-7030 Böblingen, Germany (49 7031) 14-2253
---

You can also contact HP at 916-783-0804 to find out part numbers for the LaserJet 5L, 6L and 6L Pro. Contact your local HP Parts Coordinator for other local phone numbers.

### Ordering consumables

Consumables and accessories such as those listed on Table 8- may be ordered from Hewlett-Packard.

The phone numbers are:

U.S.: 1 (800) 538-8787 Canada: 1 (800) 387-3154 Toronto (516) 671-8383 United Kingdom: 0734-441212 Germany: 0130-3322
---

Contact your local HP Parts Coordinator for other local phone numbers.

---

#### Note

Parts that have no reference designator or part number are not field replacement parts and cannot be ordered through CSSO.

## Accessories and supplies

**Note** Refer to “Related Documentation” in Chapter 1 for documentation and training media product numbers.

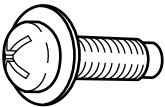
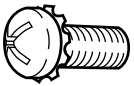
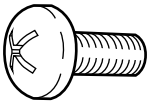
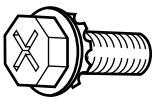
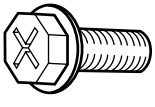
**Table 8-1 Accessories and supplies**

Item	Product number	Description
Toner cartridge	C3906A	Replacement toner cartridge.
Memory upgrades	1 MByte - C3939A 2 MByte - C3938A 4 MByte - C3148A	You can upgrade to a total of 9 MB of memory in the HP LaserJet 5L/6L. You cannot upgrade the memory in the HP LaserJet 6L Pro.
Parallel cable (IEEE 1284)	C2950A	2 meter, A to B
	C2951A	3 meter, A to B

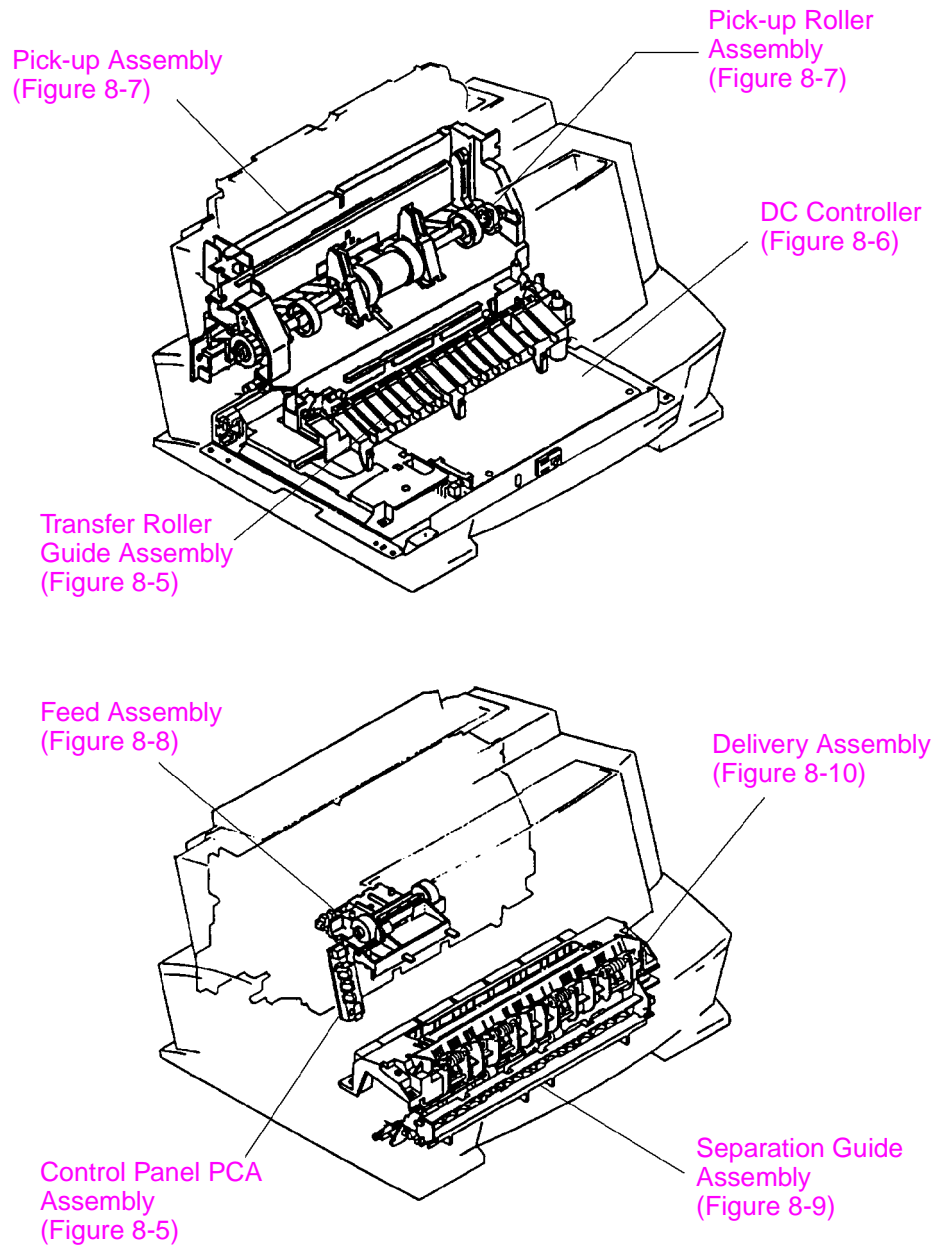
**Note** You can upgrade the HP LaserJet 5L and 6L printers to a total of 9 MB of memory with an 8 Mbyte JEDIA memory module (not currently available from HP).

## Common hardware

Table 8-2 Common fasteners used in the printer

Example	Description
	Screw, Machine, Trus Head M3x4, M3x6, M3x8
	Screw, Star, 3x6
	Screw, Self-tap, 4x10
	Screw, Hex-head, 3x8
	Screw, Hexhead, 3x6,m 3x8, 3x10

# Parts diagrams



**Figure 8-1** Major assembly locations

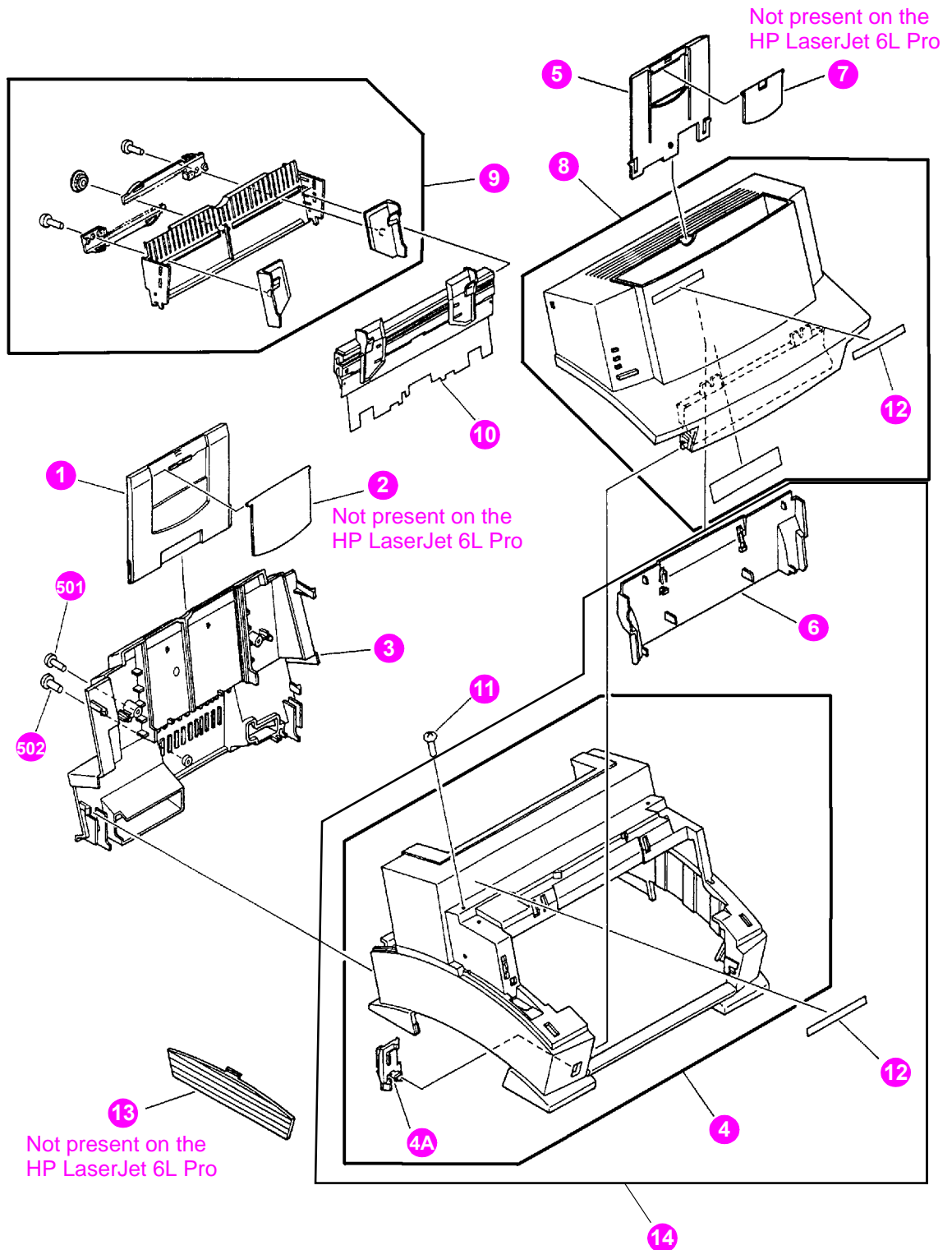
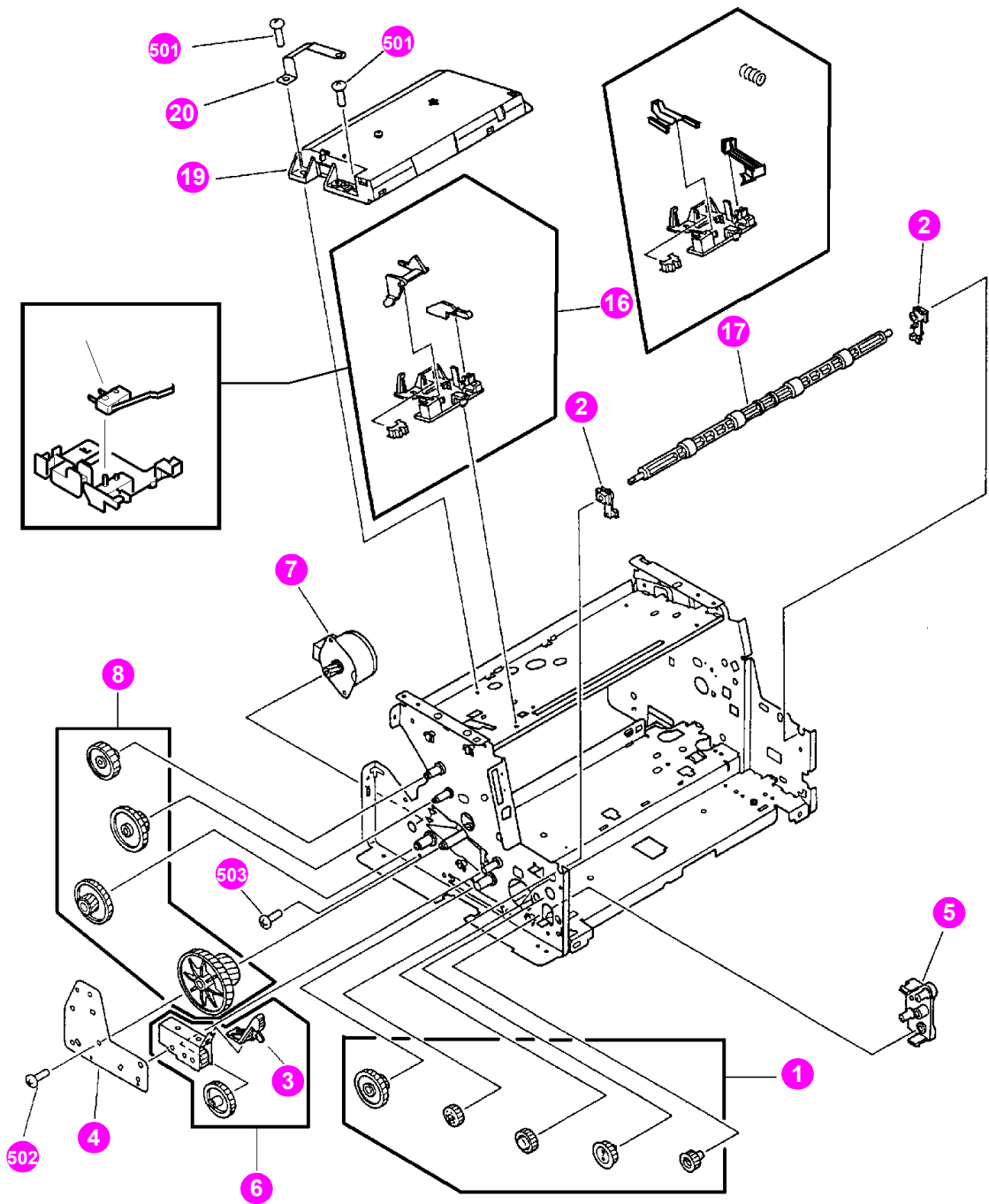


Figure 8-2 Covers and doors

**Table 8-3 Covers and doors**

Ref	LaserJet 5L part number	LaserJet 6L part number	LaserJet 6L Pro part number	Qty	Description
1	RB1-7211-000CN	RB2-1637-000CN	RB2-6213-000CN	1	Input Extender 1/Tray, Sub
2	RB1-7212-000CN	RB2-1638-000CN	n/a	1	Input Extender 2
3	RB1-7333-000CN	RB2-1636-000CN	RB2-1636-000CN	1	Back Cover
4	RG5-1995-000CN	RG5-3443-000CN	n/a	1	Main Cover
4A	RB1-7278-000CN	RB2-1644-000CN	RB2-1644-000CN	1	Face-up/Face-down Switch
5	RB1-7326-000CN	RB2-1696-000CN	RB2-1696-000CN	1	Output Extender 1
6	RB1-7327-000CN	RB2-1696-000CN	RG5-1697-000CN	1	EP Door Chimney
7	RB1-7331-000CN	RB2-1696-000CN	n/a	1	Output Extender 2
8	RF5-1501-030CN	RF5-2352-000CN	RG5-5475-000CN	1	EP Door Assembly/Cover Assembly
8B	RB1-7335-000CN	RB2-1641-000CN	RB2-6229-000CN	1	Nameplate
9	RG5-1944-000CN	RG5-3488-000CN	RG5-3488-000CN	1	Input Assembly 1
10	RG5-1945-000CN	RG5-3491-000CN	RG5-3491-000CN	1	Input Assembly 2
11	XA9-0724-000CN	XA9-0724-000CN	XA9-0724-000CN	2	Screw RS, M3x8
13	RB1-7321-000CN	RB2-1639-000CN	n/a	1	Memory Door
14	n/a	n/a	RG5-5475-000CN		Cover Assembly
501	XB4-7401-007CN	XB4-7401-007CN	XA9-1262-007CN	2	Screw, TP, PH, M4x10
502	XB6-7300-807CN	XA9-0267-000CN	XA9-0267-000CN	2	Screw, Top, M3x8



**Figure 8-3** Internal components (1 of 3)



**Table 8-4 Internal components**

Ref	LaserJet 5L part number	LaserJet 6L part number	LaserJet 6L Pro part number	Qty	Description
1	RY7-5005-000CN	RY7-5005-000CN	RY7-5005-000CN	1	Gear Kit #1
2	RB1-7288-000CN	RB1-7288-000CN	RB1-7288-000CN	2	Exit Roller Bushing
3	RB1-7105-000CN	RB1-7105-000CN	RB1-7105-000CN	1	Fuser Release Tab
4	RB1-7106-000CN	RB2-1632-000CN	RB2-1632-000CN	1	Gear Plate
5	RB1-7107-000CN	RB1-7107-000CN	RB1-7107-000CN	1	Front Gear Case
6	RY7-5007-000CN	RY7-5007-000CN	RY7-5007-000CN	1	Fuser Release Kit
7	RH7-1282-000CN	RH7-1320-000CN	RH7-1450-000CN	1	Main Motor
8	RY7-5006-000CN	RY7-5036-000CN	RY7-5036-000CN	1	Gear Kit #2
16	RG5-1984-000CN	RG5-3453-000CN	RF5-3256-000CN	1	EP/Cover Interlock
17	RF5-1521-000CN	RF5-2367-000CN	RF5-2367-000CN	1	Exit Roller
19	RG5-2004-000CN	RG5-3497-060CN	RG5-5473-060CN	1	Laser/Scanner Assembly
20	RB2-1714-000CN	RB2-1714-000CN	HB1-3418-000CN	1	Ground Clip, Scanner
501	XB6-7300-807CN	XB6-7300-807CN	XB6-1261-807CN	4	Screw, TP, M3x8
502	XB6-7300-607CN	XB6-7300-607CN	XB6-7300-607CN	4	Screw, TP, M3x6
503	XA9-0267-000CN	XA9-0267-000CN	XA9-1263-000CN	2	Screw, TP, M3x6

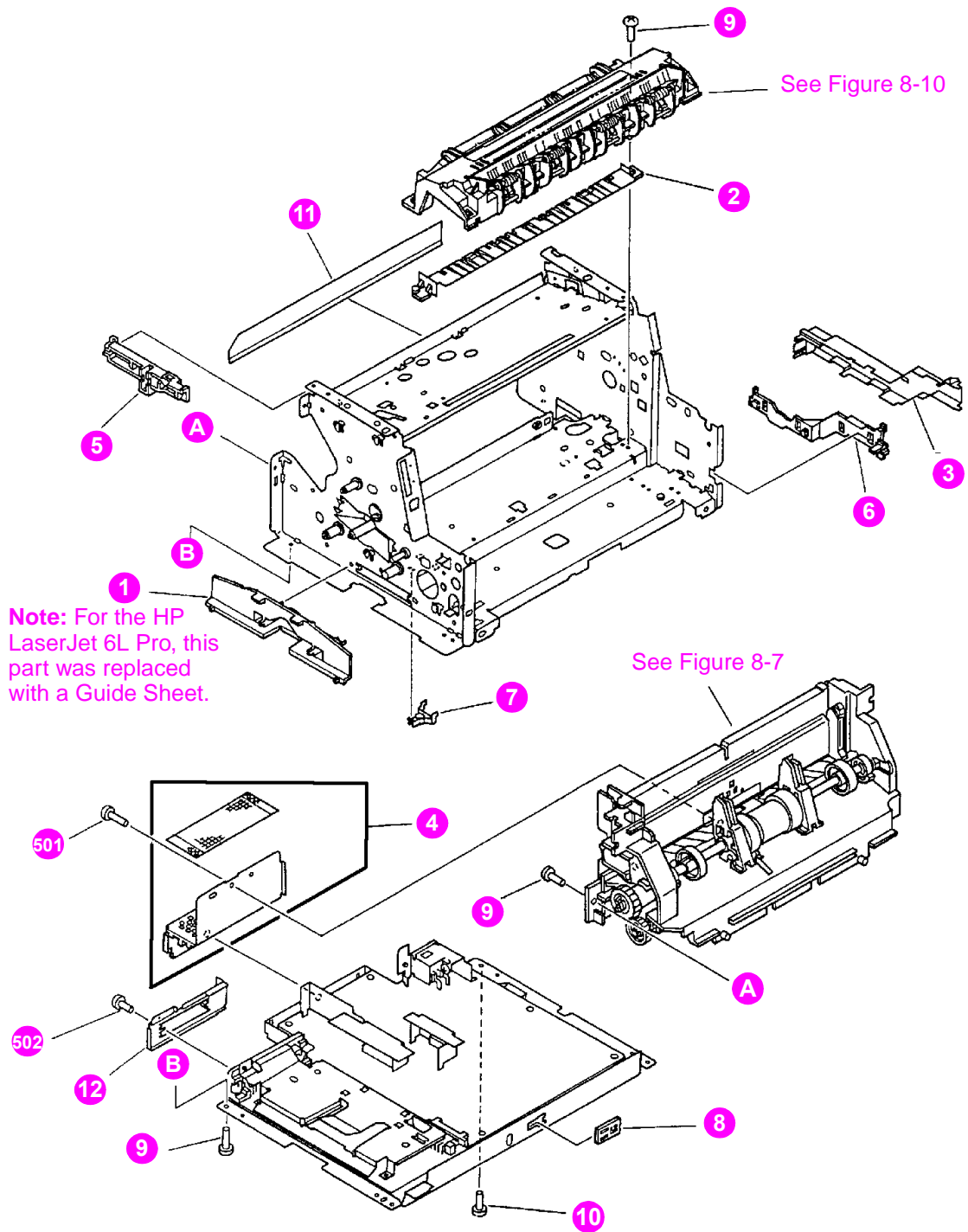


Figure 8-4 Internal components (2 of 3)

**Table 8-5 Internal components (2 of 3)**

Ref	LaserJet 5L part number	LaserJet 6L part number	LaserJet 6L Pro part number	Qty	Description
1	RB1-7109-000CN	RB1-7109-000CN	n/a	1	Memory Door Guide
1	n/a	n/a	RB2-6226-000CN	1	Guide Sheet
2	RB1-7247-000CN	RB1-7247-000CN	RB1-7247-000CN	1	Fuser Paper Guide
3	RB1-7344-000CN	RB1-7344-000CN	RB1-7344-000CN	1	AC Cable Cover
4	RF5-1509-000CN	RF5-1509-000CN	RF5-6222-000CN	1	Back Sheet Metal
5	RB1-7343-000CN	RB1-7343-000CN	n/a	1	Control Panel Cable Guide
6	RB1-7130-000CN	RB1-7130-000CN	RB1-7130-000CN	1	Fuser Cable Guide
7	RB1-7234-000CN	RB1-7234-000CN	RB1-7234-000CN	1	Cap
8	RB1-7302-000CN	RB1-7302-000CN	RB1-7302-000CN	1	Cap
9	XA9-0724-000CN	XA9-0724-000CN	XA9-0724-000CN	6	Screw, RS, M3x8
10	XA9-0855-000CN	XA9-0855-000CN	XA9-0855-000CN	2	Screw, RS, M3x8 (with star washer)
11	RB1-7176-000CN	RB1-7176-000CN	RB1-7176-000CN	2	Mylar Guide
12	RB1-7305-000CN	RB1-7305-000CN	RB1-7305-000CN	1	I/O Sheet Metal
13	RB1-7307-000CN	RB1-7307-000CN	RB1-7307-000CN	4	Foot
501	XB4-7401-007CN	XB4-7401-007CN	XB4-7401-007CN	3	Screw, Tapping, Panhead, M4x10
502	XB1-1300-807CN	XB1-1300-807CN	XB1-1300-807CN	2	Screw, PH, M3x8

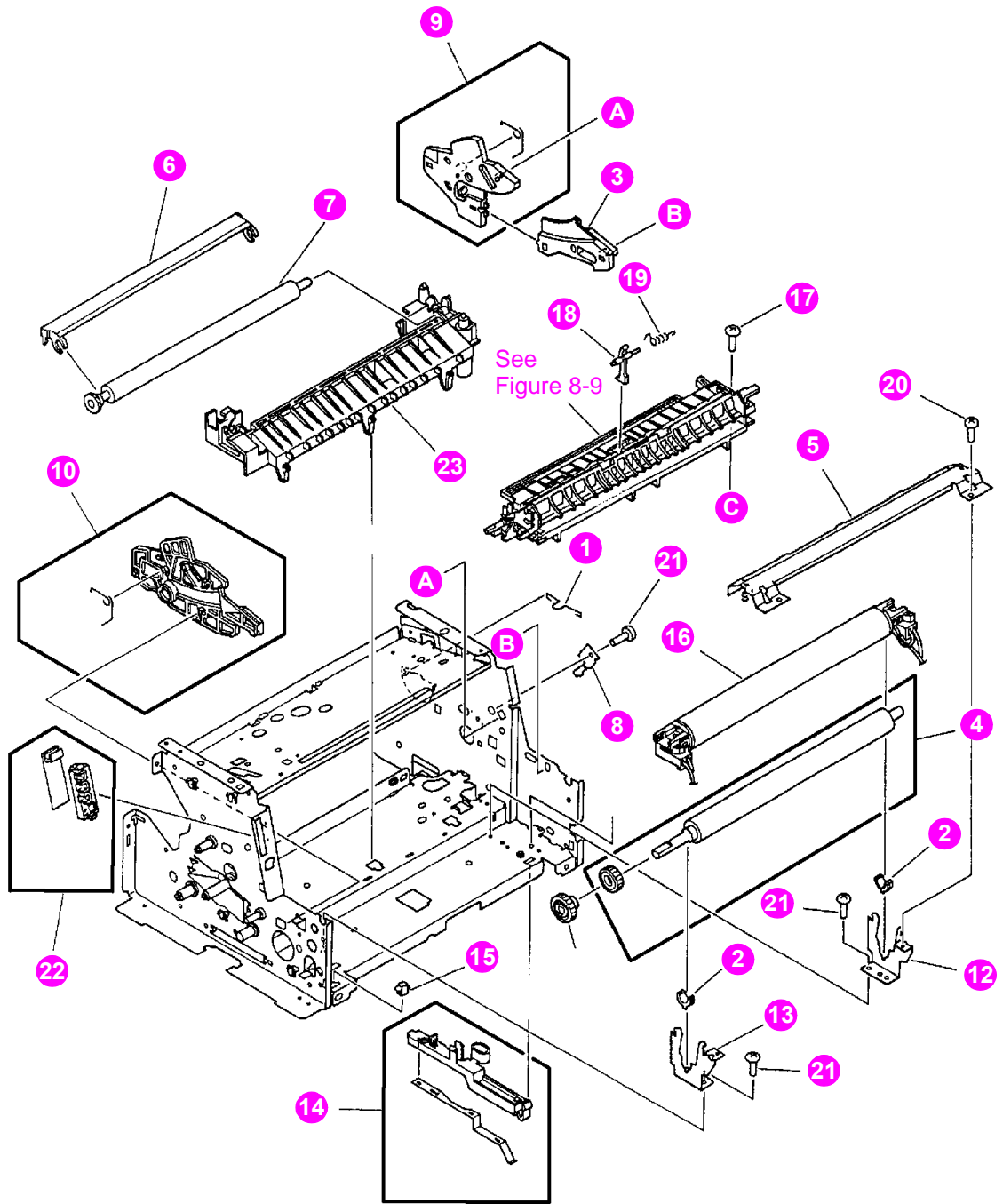
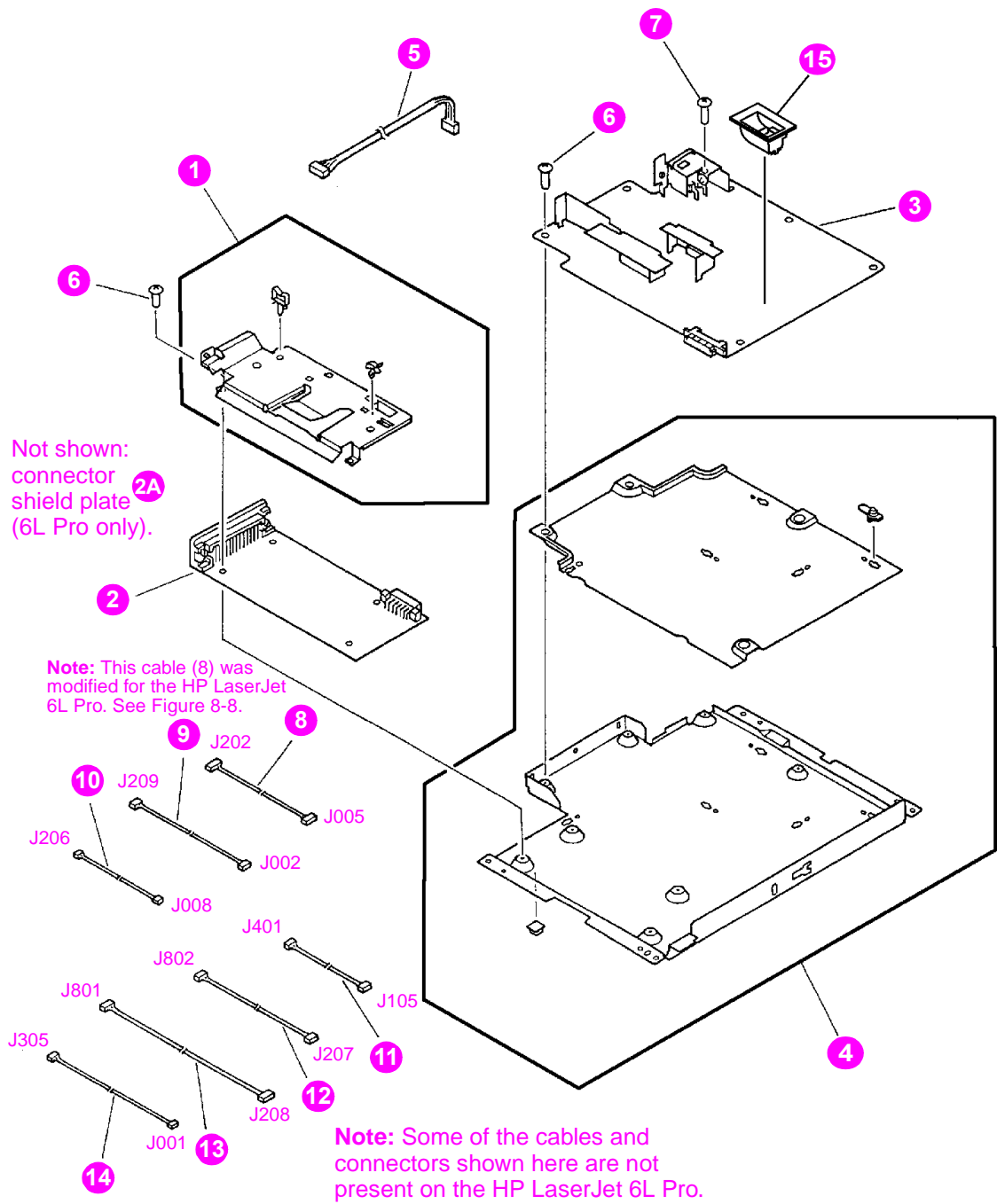


Figure 8-5 Internal components (3 of 3)

**Table 8-6 Internal components (3 of 3)**

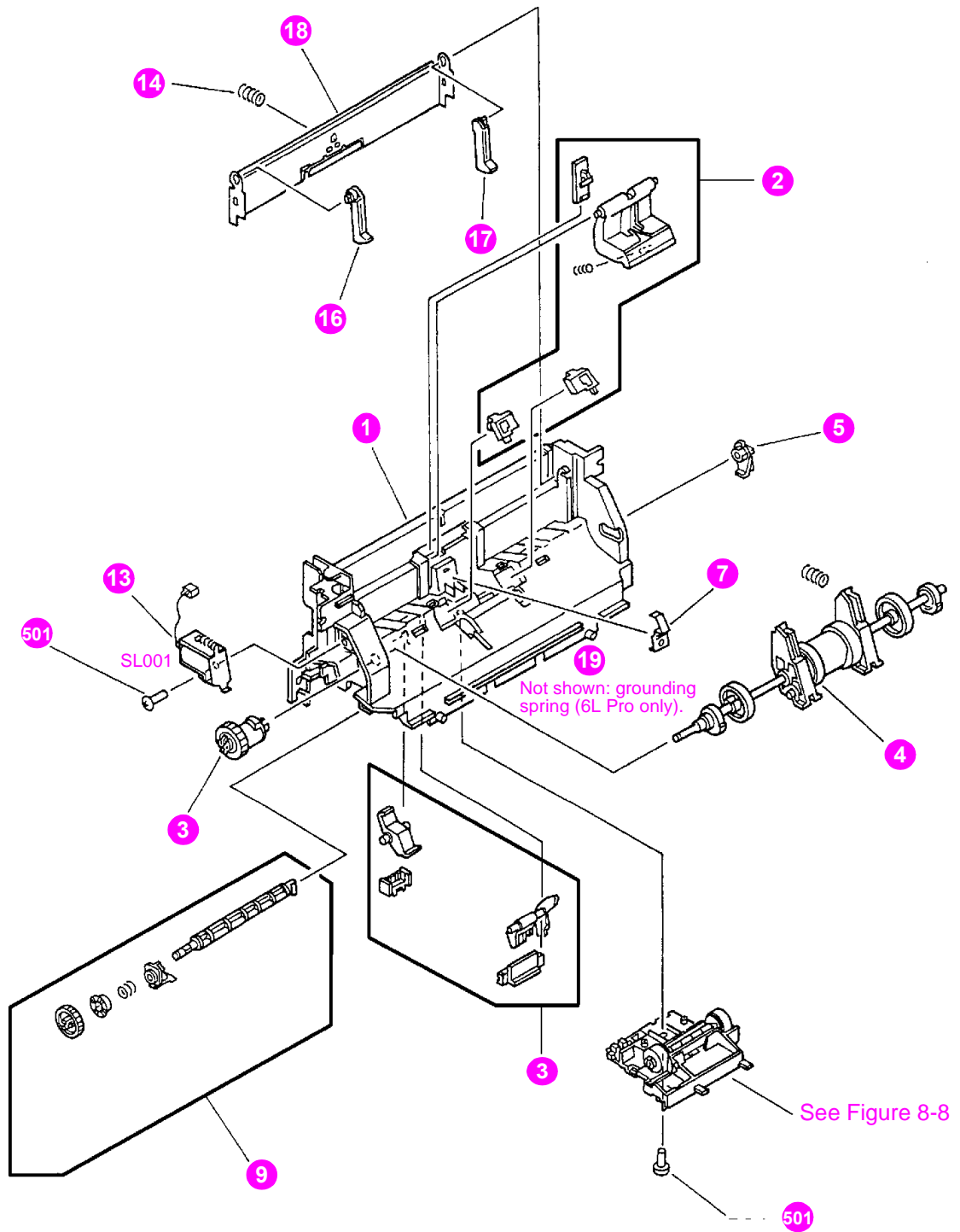
Ref	LaserJet 5L part number	LaserJet 6L part number	LaserJet 6L Pro part number	Qty	Description
1	RB1-7223-000CN	RB1-7223-000CN	RB1-7223-000CN	1	Pickup Roller Grounding Clip
2	RB1-7246-000CN	RB1-7246-000CN	RB1-7246-000CN	2	Pressure Roller Bushing
3	RB1-7341-000CN	RB1-7341-000CN	RB1-7341-000CN	1	EP Right Hand Guide #2
4	RF5-1516-000CN	RF5-2362-000CN	RF5-2364-000CN	1	Pressure Roller
5	RF5-1517-000CN	RF5-1517-000CN	RF5-1517-000CN	1	Fuser Pressure Plate
6	RF5-1530-000CN	RF5-2358-000CN	RF5-2358-000CN	1	Transfer Roller Guide
7	RF5-1534-000CN	RF5-1534-000CN	RF5-1534-000CN	1	Transfer Roller
8	RB1-7129-000CN	RB1-7129-000CN	RB1-7129-000CN	1	Case Ground Metal
9	RF5-1515-000CN	RF5-1515-000CN	RF5-1515-000CN	1	EP Right Hand Guide #1
10	RF5-1514-000CN	RF5-1514-000CN	RF5-1514-000CN	1	EP Left Hand Guide
11	RS5-0796-000CN	RS5-0796-000CN	RS5-0796-000CN	1	Pressure Roller Gear
12	RB1-7256-000CN	RB1-7256-000CN	RB1-7256-000CN	1	Right Pressure Roller Housing
13	RB1-7255-000CN	RB1-7255-000CN	RB1-7255-000CN	1	Left Pressure Roller Housing
14	RF5-1533-000CN	RF5-1533-000CN	RF5-1533-000CN	1	Pressure Roller Ground Guide
15	VS1-5057-002CN	VS1-5057-002CN	VS1-5057-002CN	1	Fuser Connector
16	RG5-1964-000CN	RG5-3459-000CN	n/a	1	Heating Element (110v)
16	RG5-1965-000CN	RG5-3463-000CN	RG5-5517-010CN	1	Heating Element (220v)
17	XA9-0824-000CN	XA9-0824-000CN	XA9-0824-000CN	1	Screw, RS, M3x10
18	RB1-7293-000CN	RB1-7293-000CN	RB1-7293-000CN	1	Flag
19	RB1-7294-000CN	RB1-7294-000CN	RB1-7294-000CN	1	Flag Spring
20	XA9-0724-000CN	XA9-0724-000CN	XA9-0724-000CN	2	Screw, RS, M3x8
21	XA9-0686-000CN	XA9-0686-000CN	XA9-0686-000CN	14	Screw, RS, M3x6
22	RG5-2028-000CN	RG5-2028-000CN	RG9-1454-000CN	1	Control Panel Assembly
23	RG5-1961-000CN	RG5-3452-000CN	RG5-5481-000CN	1	Transfer Guide Assembly
24	RS5-2508-000CN	RS5-2508-000CN	RS5-2508-000CN	2	Compression Spring
	CK-8006	CK-8006	CK-8006	1	Pressure Roller Grease



**Figure 8-6** DC Controller/formatter and cables

**Table 8-7 DC Controller case**

Ref	LaserJet 5L part number	LaserJet 6L part number	LaserJet 6L Pro part number	Qty	Description
1	RG5-2024-000CN	RB2-1719-000CN	RB2-1719-000CN	1	Formatter Shield
2	C3942-67902	C3991-60001	C3991-60001	1	Formatter, New
	C3942-69002	n/a	n/a	1	Formatter, Exchange
2A	n/a	n/a	RB2-1720-000CN		Connector Shield Plate
3	RG5-2023-000CN	RG5-3506-000CN	n/a		DC Controller PCA (110 V)
3	RG5-2025-000CN	RG5-3768-000CN	RG5-5489-000CN	1	DC Controller PCA (220 V)
3	C3941-69001	n/a	n/a	1	DC Controller PCA (110 V) Exchange
3	C3941-69002	n/a	n/a		DC Controller PCA (220 V) Exchange
4	RG5-3510-000CN	RG5-3510-000CN	RG5-5485-000CN		DC Controller PCA Case Assembly
5	RG5-2036-000CN	RG5-3499-000CN	RG9-1454-000CN	1	Control Panel PCA Cable
6	XA9-0326-000CN	XA9-0890-000CN	XA9-0890-000CN	9	Screw, TP, M3x4
7	XA9-0828-000CN	XA9-0828-000CN	XA9-0828-000CN	1	Screw, with Star
8	RG5-2029-000CN	RG5-2029-000CN	RG5-5521-000CN	1	Paper Pickup Sensor Cable
9	RG5-2031-000CN	RG5-3662-000CN	n/a	1	Door Sensor Cable
10	RG5-2032-000CN	RG5-2032-000CN	RG5-5514-000CN	1	Thermistor Cable
11	RG5-2033-000CN	RG5-2033-000CN	RG5-5511-000CN	1	Motor Cable
12	RG5-2034-000CN	RG5-3661-000CN	RG5-5510-000CN	1	Scanner Cable
13	RG5-2035-000CN	n/a	n/a	1	Laser Cable
14	RG5-2037-000CN	n/a	n/a	1	Door Switch Cable
	VD7-0211-002CN	VD7-0211-002CN	n/a	1	Fuse 101 (10 A/125 V)
	VD7-0643-151CN	VD7-0643-151CN	VD7-0643-151CN	1	Fuse 101 (10 A/250 V)
	RH3-8003-000CN	RH3-8003-000CN	n/a	1	Fuse 102 (5 A/125 V)
	n/a	n/a	RB2-6220-000CN	1	Waterproof Cover

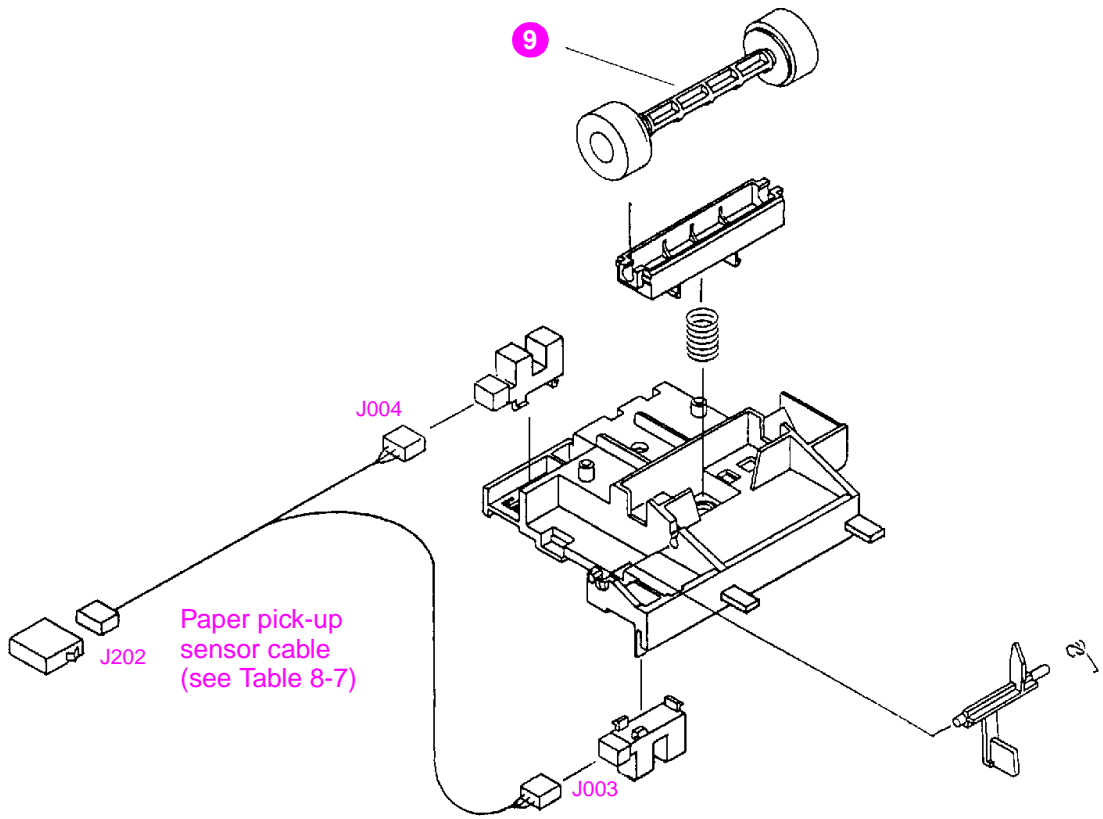


**Figure 8-7** Pickup Roller assembly



**Table 8-8 Pickup Roller assembly**

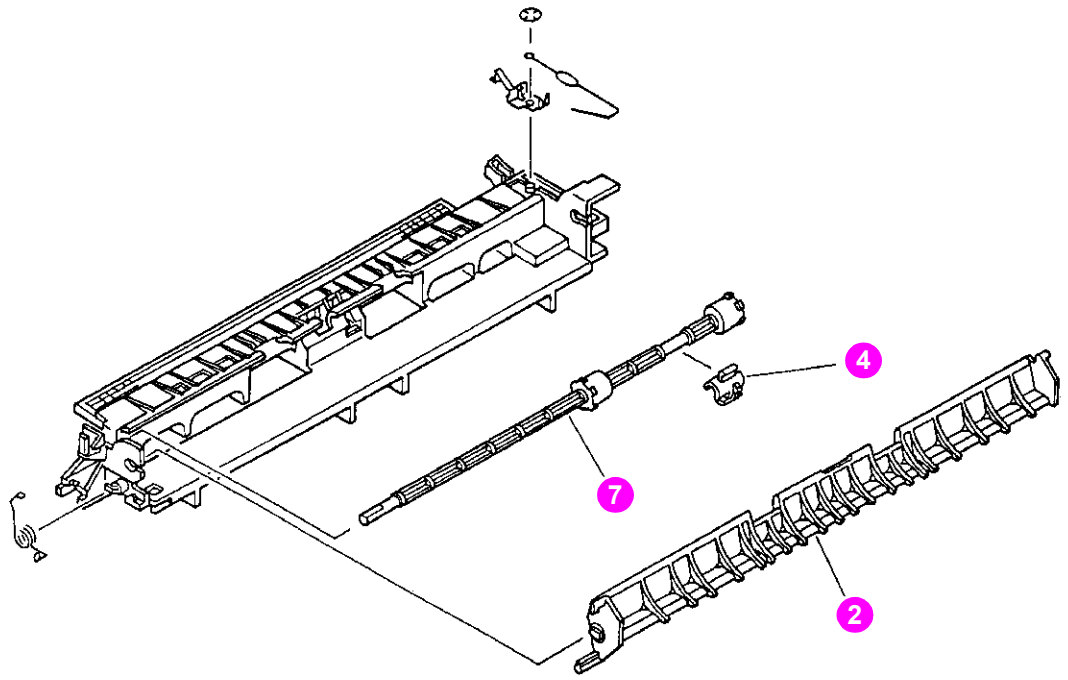
Ref	LaserJet 5L part number	LaserJet 6L part number	LaserJet 6L Pro part number	Qty	Description
1	RB1-7177-000CN	RB1-7177-000CN	RB1-7177-000CN	1	Paper Feed Frame
2	RY7-5077-000CN	RY7-5077-000CN	RY7-5077-000CN	1	Separation Pad Kit
3	RY7-5009-000CN	RY7-5009-000CN	RY7-5009-000CN	1	Input Sensor Assembly
4	RG5-1951-040CN	RG5-3486-040CN	RG5-5483-000CN	1	Pickup Roller Assembly
5	RB1-7184-000CN	RB1-7184-000CN	RB1-7184-000CN	1	Pickup Roller Bushing
6	RB1-7197-000CN	RB1-7197-000CN	RB1-7197-000CN	1	Clutch
7	RB1-7199-000CN	RB1-7199-000CN	RB1-7199-000CN	1	Back Grounding Clip
9	RG5-1947-000CN	RG5-1947-000CN	RG5-1947-000CN	1	Idler Roller Shaft Assembly
13	RH7-5139-000CN	RH7-5139-000CN	RH7-5265-000CN	1	Solenoid
14	RS5-2501-000CN	RS5-2501-000CN	RS5-2501-000CN	1	Kick Plate Spring
16	RB1-7185-000CN	RB1-7185-000CN	RB1-7185-000CN	1	Left Leg
17	RB1-7186-000CN	RB1-7186-000CN	RB1-7186-000CN	1	Right Leg
18	RF5-1490-000CN	RF5-2372-000CN	RF5-2372-000CN	1	Paper Kick Plate
19	n/a	n/a	RB1-7172-000CN	1	Grounding Spring
501	XB4-7401-0007	XB4-7401-0007	XB4-7401-0007	2	Screw, TP, PH, M4x10



**Figure 8-8** Feed assembly

**Table 8-9 Feed assembly**

<b>Ref</b>	<b>LaserJet 5L part number</b>	<b>LaserJet 6L part number</b>	<b>LaserJet 6L Pro part number</b>	<b>Qty</b>	<b>Description</b>
0	RG5-1942-000CN	RG5-3485-000CN	RG5-5522-000CN	1	Feed Assembly
9	RB1-7226-000CN	RB2-1699-000CN	RB2-1699-000CN	1	Idler Roller
10	n/a	n/a			Paper Pick-up Sensor Cable



**Figure 8-9** Separation Guide assembly

**Table 8-10 Separation Guide assembly**

<b>Ref</b>	<b>LaserJet 5L part number</b>	<b>LaserJet 6L part number</b>	<b>LaserJet 6L Pro part number</b>	<b>Qty</b>	<b>Description</b>
	RG5-2013-000CN	RG5-3475-000CN	RG5-3475-000CN	1	Separation Guide Assembly
2	RB1-7276-000CN	RG5-3476-000CN	RG5-3476-000CN	1	Face-Up/Face-Down Lever
4	RB1-7289-000CN	RB2-1690-000CN	RB2-1690-000CN	1	Fuser Roller Bushing
7	RF5-1522-000CN	RF5-2368-000CN	RF5-2368-000CN	1	Fuser Exit Roller Assembly

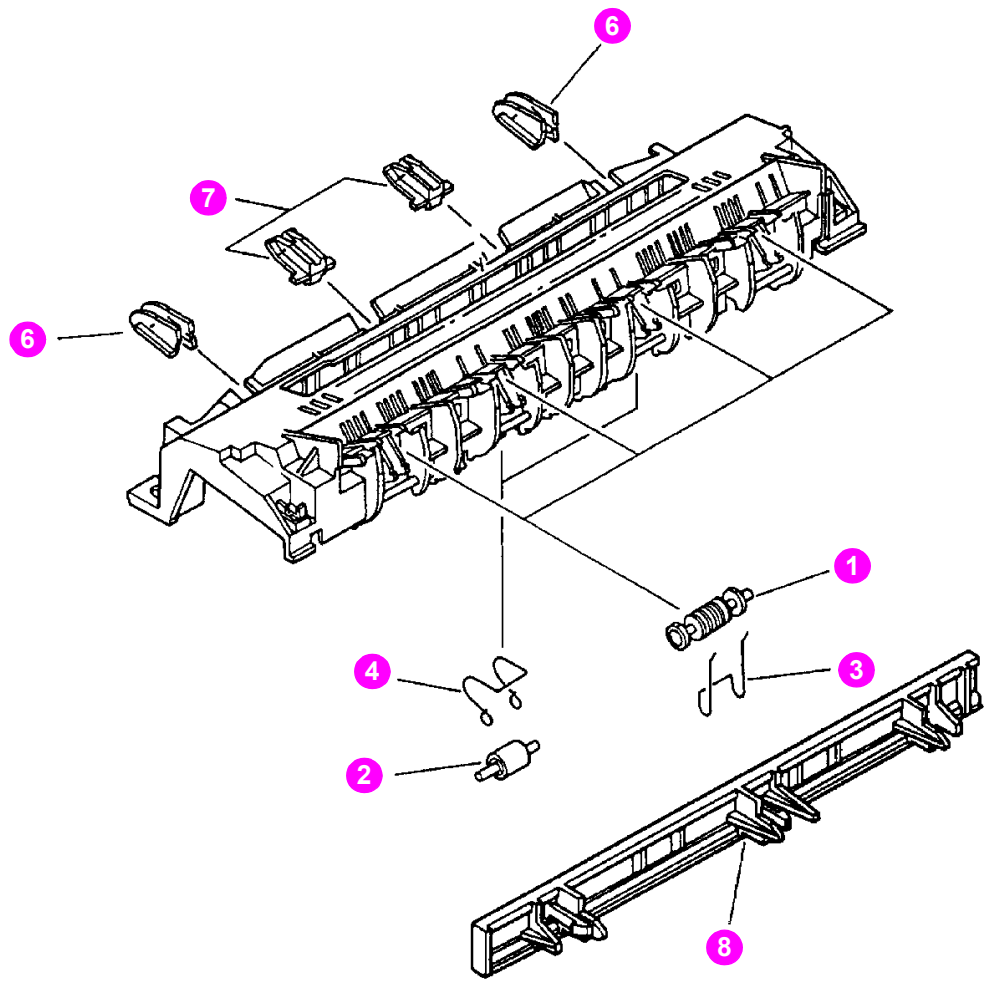


Figure 8-10 Delivery assembly

**Table 8-11 Delivery assembly**

<b>Ref</b>	<b>LaserJet 5L part number</b>	<b>LaserJet 6L part number</b>	<b>LaserJet 6L Pro part number</b>	<b>Qty</b>	<b>Description</b>
	RG5-2012-000CN	RG5-3474-000CN	RG5-5482-000CN	1	Delivery Assembly
1	RB1-7284-000CN	RB1-7284-000CN	RB1-7284-000CN	4	Delivery Roller #1
2	RB1-7285-000CN	RB2-1685-000CN	RB2-1685-000CN	2	Delivery Roller #2
3	RB1-7286-000CN	RB1-7286-000CN	RB1-7286-000CN	4	Delivery Spring#1
4	RB1-7287-000CN	RB1-7287-000CN	RB1-7287-000CN	2	Delivery Spring#2
6	RG5-2015-000CN	RG5-3479-000CN	RG5-3479-000CN	2	Spur Assembly Outside
7	RG5-2014-000CN	RG5-3478-000CN	RG5-3478-000CN	1	Spur Assembly Inside
8	RB1-7334-000CN	RB1-7334-000CN	RB1-7334-000CN	1	JP Protector





# A

# Parts index

## Alphabetical parts list

**Table A-1 Alphabetical parts list**

Description	Part No.	Fig.	Ref.
AC Cable Cove	RB1-7344-000CN	8-4	3
Back Cover (5L)	RB1-7333-000CN	8-2	3
Back Cover (6L and 6L Pro)	RB2-1636-000CN	8-2	3
Back Grounding Clip	RB1-7199-000CN	8-7	7
Back Sheet Metal (5L and 6L)	RF5-1509-000CN	8-4	4
Back Sheet Metal (6L Pro)	RF5-6222-000CN	8-4	4
Cap	RB1-7234-000CN	8-4	7
Cap	RB1-7302-000CN	8-4	8
Case Grounding Metal	RB1-7129-000CN	8-5	8
Clutch	RB1-7197-000CN	8-7	6
Connector Shield Plate (6L Pro)	RB2-1720-000CN	8-6	2A
Control Panel Cable Guide	RB1-7343-000CN	8-4	5
Control Panel PCA Assembly	RG5-2028-000CN	8-5	22
Control Panel PCA Cable (5L)	RG5-2036-000CN	8-6	5
Control Panel PCA Cable (6L)	RG5-3499-000CN	8-6	5
Control Panel PCA Cable (6L Pro)	RG9-1454-000CN	8-6	5
Cover Assembly (6L Pro)	RG5-5475-000CN	8-2	14
DC Controller Fuse FU101-110 V	VD7-0211-002CN	8-6	
DC Controller Fuse FU101-220 V	VD7-0643-151CN	8-6	
DC Controller Fuse FU102-110 V	RH3-8003-000CN	8-6	
DC Controller PCA (110 V) (5L)	RG5-2023-000CN	8-6	3
DC Controller PCA (110 V) (6L)	RG5-3506-000CN	8-6	3
DC Controller PCA (110 V) Exchange (5L)	C3941-69001	8-6	3
DC Controller PCA (220 V) (5L)	RG5-2025-000CN	8-6	3
DC Controller PCA (220 V) (6L)	RG5-3509-000CN	8-6	3
DC Controller PCA (220 V) (6L Pro)	RG5-5489-000CN	8-6	3
DC Controller PCA (220 V) Exchange (5L)	C3941-69002	8-6	3
DC Controller PCA Case Assembly (5L and 6L)	RG5-3510-000CN	8-6	4
DC Controller PCA Case Assembly (6L Pro)	RG5-5485-000CN	8-6	4

**Table A-1 Alphabetical parts list (Continued)**

<b>Description</b>	<b>Part No.</b>	<b>Fig.</b>	<b>Ref.</b>
Delivery Assembly (5L)	RG5-2012-000CN	8-10	
Delivery Assembly (6L)	RG5-3474-000CN	8-10	
Delivery Assembly (6L Pro)	RG5-5482-000CN	8-10	
Delivery Roller #1	RB1-7284-000CN	8-10	1
Delivery Roller #2 (5L)	RB1-7285-000CN	8-10	2
Delivery Roller #2 (6L and 6L Pro)	RB2-1685-000CN	8-10	2
Delivery Spring #1	RB1-7286-000CN	8-10	3
Delivery Spring #2	RB1-7287-000CN	8-10	4
Door Sensor Cable (5L)	RG5-2031-000CN	8-6	9
Door Sensor Cable (6L and 6L Pro)	RG5-3662-000CN	8-6	9
Door Switch Cable (5L)	RG5-2037-000CN	8-6	14
EP/Cover Interlock	RG5-1984-000CN	9-3	16
EP/Cover Interlock	RG5-3453-000CN	9-3	16
EP/Cover Interlock	RF5-3256-000CN	8-3	16
EP Door Assembly (5L)	RF5-1501-030CN	8-2	8
EP Door Assembly (6L)	RF5-2352-000CN	8-2	8
EP Door Chimney (5L)	RB1-7327-000CN	8-2	6
EP Door Chimney (6L)	RB2-1696-000CN	8-2	6
EP Door Chimney (6L Pro)	RB2-1697-000CN	8-2	6
EP Left Hand Guide	RF5-1514-000CN	8-5	6
EP Right Hand Guide #1	RF5-1515-000CN	8-5	10
EP Right Hand Guide #2	RB1-7341-000CN	8-5	9
EP/Cover Interlock (5L)	RG5-1984-000CN	8-3	3
EP/Cover Interlock (6L and 6L Pro)	RG5-3453-000CN	8-3	16
Exit Roller (5L)	RF5-1521-000CN	8-3	16
Exit Roller (6L and 6L Pro)	RF5-2367-000CN	8-3	17
Exit Roller Bushing	RB1-7288-000CN	8-3	17
Face-up/Face-down Shaft (5L)	RB1-7276-000CN	8-9	2
Face-up/Face-down Shaft (6L and 6L Pro)	RG5-3476-000CN	8-9	2
Face-up/Face-down Switch (5L)	RB1-7278-000CN	8-2	2
Face-up/Face-down Switch (6L and 6L Pro)	RB2-1644-000CN	8-2	4A
Feed Assembly (5L)	RG5-1942-000CN	8-8	4A
Feed Assembly (6L and 6L Pro)	RG5-3485-000CN	8-8	
Flag	RB1-7293-000CN	8-5	
Flag Spring	RB1-7294-000CN	8-5	18
Formatter Shield (5L)	RG5-2024-000CN	8-6	19
Formatter Shield (6L and 6L Pro)	RB2-1719-000CN	8-6	1
Formatter (Exchange) (5L)	C3942-69002	8-6	1
Formatter (New) (5L)	C3942-67902	8-6	2
Formatter (New) (6L and 6L Pro)	C3991-60001	8-6	2
Front Gear Case	RB1-7107-000CN	8-3	2
Fuse 101 (110 V)	VD7-0211-002CN	8-6	5

**Table A-1 Alphabetical parts list (Continued)**

<b>Description</b>	<b>Part No.</b>	<b>Fig.</b>	<b>Ref.</b>
Fuse 101 (220 V)	VD7-0643-151CN	8-6	
Fuse 102 (110 V)	RH3-8003-000CN	8-6	
Fuser Cable Guide	RB1-7130-000CN	8-4	6
Fuser Connector	VS1-5057-002CN	8-5	15
Fuser Exit Roller Assembly (5L)	RF5-1522-000CN	8-9	7
Fuser Exit Roller Assembly (6L and 6L Pro)	RF5-2368-000CN	8-9	7
Fuser Paper Guide	RB1-7247-000CN	8-4	2
Fuser Pressure Plate	RF5-1517-000CN	8-5	5
Fuser Release Kit	RY7-5007-000CN	8-3	6
Fuser Release Tab	RB1-7105-000CN	8-3	3
Fuser Roller Bushing (5L)	RB1-7289-000CN	8-9	4
Fuser Roller Bushing (6L and 6L Pro)	RB2-1690-000CN	8-9	4
Gear Kit #1	RY7-5005-000CN	8-3	1
Gear Kit #2 (5L)	RY7-5006-000CN	8-3	8
Gear Kit #2 (6L and 6L Pro)	RY7-5036-000CN	8-3	8
Gear Plate (5L)	RB1-7106-000CN	8-3	4
Gear Plate (6L and 6L Pro)	RB2-1632-000CN	8-3	4
Ground Clip, Scanner (5L and 6L)	RB1-7385-000CN	8-3	20
Ground Clip, Scanner (6L Pro)	HB1-3418-000CN	8-3	20
Grounding Spring (6L Pro)	RB1-7172-000CN	8-7	19
Guide Sheet	RB2-6226-000CN	8-4	1
Heating Element (110 V) (5L)	RG5-1964-000CN	8-5	16
Heating Element (110 V) (6L)	RG5-3459-000CN	8-5	16
Heating Element (220 V) (5L)	RG5-1965-000CN	8-5	16
Heating Element (220 V) (6L)	RG5-3463-000CN	8-5	16
Heating Element (220 V) (6L Pro)	RG5-5517-010CN	8-5	16
I/O Sheet Metal	RB1-7305-000CN	8-4	12
Idler Roller (5L)	RB1-7226-000CN	8-8	9
Idler Roller (6L and 6L Pro)	RB2-1699-000CN	8-8	9
Idler Roller Shaft Assembly	RG5-1947-000CN	8-7	9
Input Assembly 1 (5L)	RG5-1944-000CN	8-2	9
Input Assembly 1 (6L and 6L Pro)	RG5-3488-000CN	8-2	9
Input Assembly 2 (5L)	RG5-1945-000CN	8-2	10
Input Assembly 2 (6L and 6L Pro)	RG5-3491-000CN	8-2	10
Input Extender 1 (5L)	RB1-7211-000CN	8-2	1
Input Extender 1 (6L)	RB2-1637-000CN	8-2	1
Input Extender 1 (6L Pro)	RB2-6213-000CN	8-2	1
Input Extender 2 (5L)	RB1-7212-000CN	8-2	2
Input Extender 2 (6L and 6L Pro)	RB2-1638-000CN	8-2	2
Input Sensor Assembly	RY7-5009-000CN	8-7	3
JP Protector	RB1-7334-000CN	8-10	8
Kick Plate Spring	RS5-2501-000CN	8-7	14

**Table A-1 Alphabetical parts list (Continued)**

<b>Description</b>	<b>Part No.</b>	<b>Fig.</b>	<b>Ref.</b>
Laser Cable (5L)	RG5-2035-000CN	8-6	13
Laser\Scanner (Exchange) (5L)	C3941-69003	8-3	19
Laser\Scanner (New) (5L)	RG5-2000-000CN	8-3	19
Laser\Scanner (New) (6L)	RG5-3494-000CN	8-3	19
Laser\Scanner (New) (6L)	RG5-5473-060CN	8-3	19
Left Leg	RB1-7185-000CN	8-7	16
Left Pressure Roller Housing	RB1-7255-000CN	8-6	13
Main Cover (5L)	RG5-1995-000CN	8-2	4
Main Cover (6L)	RG5-3443-000CN	8-2	4
Main Motor (5L)	RH7-1282-000CN	8-3	7
Main Motor (6L)	RH7-1320-000CN	8-3	7
Main Motor (6L Pro)	RH7-1450-000CN	8-3	7
Memory Door (5L)	RB1-7321-000CN	8-2	13
Memory Door (6L and 6L Pro)	RB2-1639-000CN	8-2	13
Memory Door Guide	RB1-7109-000CN	8-4	1
Motor Cable	RG5-2033-000CN	8-6	11
Mylar Guide	RB1-7176-000CN	8-4	11
Nameplate (5L)	RB1-7335-000CN	8-2	8B
Nameplate (6L)	RB2-1641-000CN	8-2	8B
Nameplate (6L Pro)	RB2-6229-000CN	8-2	9B
Output Extender 1 (5L)	RB1-7326-000CN	8-2	5
Output Extender 1 (6L and 6L Pro)	RB2-1695-000CN	8-2	5
Output Extender 2 (5L)	RB1-7331-000CN	8-2	7
Output Extender 2 (6L and 6L Pro)	RB2-1696-000CN	8-2	7
Output Tray Fin	RB1-7332-000CN	8-2	14
Paper Feed Frame	RB1-7177-000CN	8-7	1
Paper Kick Plate (5L)	RF5-1490-000CN	8-7	18
Paper Kick Plate (6L and 6L Pro)	RF5-2372-000CN	8-7	18
Paper Pickup Sensor Cable (5L and 6L)	RG5-2029-000CN	8-6	8
Paper Pickup Sensor Cable (6L Pro)	RG5-5521-000CN	8-6	8
Pickup Roller Assembly (5L)	RG5-1951-000CN	8-7	4
Pickup Roller Assembly (6L)	RG5-3486-000CN	8-7	4
Pickup Roller Assembly (6L Pro)	RG5-5483-000CN	8-7	4
Pickup Roller Bushing	RB1-7184-000CN	8-7	5
Pickup Roller Grounding Clip	RB1-7223-000CN	8-5	1
Pressure Roller (5L)	RF5-1516-000CN	8-5	4
Pressure Roller (6L)	RF5-2362-000CN	8-5	4
Pressure Roller (6L Pro)	RF5-2364-000CN	8-5	4
Pressure Roller Bushing	RB1-7246-000CN	8-5	2
Pressure Roller Gear	RS5-0796-000CN	8-5	11
Pressure Roller Grease	CK-8006	8-5	
Pressure Roller Grounding Guide	RF5-1533-000CN	8-5	14

**Table A-1 Alphabetical parts list (Continued)**

<b>Description</b>	<b>Part No.</b>	<b>Fig.</b>	<b>Ref.</b>
Right Leg	RB1-7186-000CN	8-7	17
Right Pressure Roller Housing	RB1-7256-000CN	8-5	12
Scanner Cable (5L)	RG5-2034-000CN	8-6	12
Scanner Cable (6L and 6L Pro)	RG5-3661-000CN	8-6	12
Screw	XA9-0724-000CN	8-2	11
Screw (with star washer)	XA9-0855-000CN	8-4	10
Screw	XB1-1300-807CN	8-4	502
Screw	XA9-0267-000CN	8-3	503
Screw	XA9-0824-000CN	8-5	17
Screw	XA9-0686-000CN	8-5	21
Screw	XA9-0724-000CN	8-4	9
Screw	XA9-0724-000CN	8-5	20
Screw	XB4-7401-0074CN	8-4	501
Screw	XB4-7401-0007	8-7	501
Screw (5L and 6L)	XB4-7401-007CN	8-2	501
Screw (6L Pro)	XA9-1262-007CN	8-2	501
Screw (5L)	XB6-7300-807CN	8-2	502
Screw (6L and 6L Pro)	XA9-0267-000CN	8-2	502
Screw (DC Controller PCA) (5L)	XA9-0326-000CN	8-6	6
Screw (DC Controller PCA) (6L)	XA9-0890-000CN	8-6	6
Screw (DC Controller PCA)	XA9-0828-000CN	8-6	7
Screw	XB6-7300-607CN	8-3	501/502
Separation Guide Assembly (5L)	RG5-2013-000CN	8-9	
Separation Guide Assembly (6L and 6L Pro)	RG5-3475-000CN	8-9	
Separation Pad Kit (5L)	RY7-5008-000CN	8-7	2
Separation Pad Kit (6L and 6L Pro)	RY7-5077-000CN	8-7	2
Solenoid (5L and 6L)	RH7-5139-000CN	8-7	13
Solenoid (6L Pro)	RH7-5265-000CN	8-7	13
Spur Assembly Inside (5L)	RG5-2014-000CN	8-10	7
Spur Assembly Inside (6L and 6L Pro)	RG5-3478-000CN	8-10	7
Spur Assembly Outside (5L)	RG5-2015-000CN	8-10	6
Spur Assembly Outside (6L and 6L Pro)	RG5-3479-000CN	8-10	6
Thermistor Cable	RG5-2032-000CN	8-6	10
Transfer Guide Assembly (5L)	RG5-1961-000CN	8-5	23
Transfer Guide Assembly (6L)	RG5-3452-000CN	8-5	23
Transfer Guide Assembly (6L Pro)	RB2-6226-000CN	8-3	23
Transfer Roller	RF5-1534-000CN	8-5	7
Transfer Roller Guide (5L)	RF5-1530-000CN	8-5	6
Transfer Roller Guide (6L and 6L Pro)	RF5-2358-000CN	8-5	6
Waterproof Cover (6L Pro)	RB2-6220-000CN	8-6	

## Numerical parts list

**Table A-2 Numerical parts list**

Part No.	Description	Fig.	Ref.
C3941-69001	DC Controller PCA (110 V) Exchange (5L)	8-6	3
C3941-69002	DC Controller PCA (220 V) Exchange (5L)	8-6	3
C3941-69003	Laser\Scanner (Exchange) (5L)	8-3	19
C3942-67902	Formatter (New) (5L)	8-6	2
C3942-69002	Formatter (Exchange) (5L)	8-6	1
C3991-60001	Formatter (New) (6L and 6L Pro)	8-6	2
CK-8006	Pressure Roller Grease	8-5	
HB1-3418-000CN	Ground Clip, Scanner (6L Pro)	8-3	20
RB1-7105-000CN	Fuser Release Tab	8-3	3
RB1-7106-000CN	Gear Plate (5L)	8-3	4
RB1-7107-000CN	Front Gear Case	8-3	2
RB1-7109-000CN	Memory Door Guide	8-4	1
RB1-7129-000CN	Case Grounding Metal	8-5	8
RB1-7130-000CN	Fuser Cable Guide	8-4	6
RB1-7172-000CN	Grounding Spring (6L Pro)	8-7	19
RB1-7176-000CN	Mylar Guide	8-4	11
RB1-7177-000CN	Paper Feed Frame	8-7	1
RB1-7184-000CN	Pickup Roller Bushing	8-7	5
RB1-7185-000CN	Left Leg	8-7	16
RB1-7186-000CN	Right Leg	8-7	17
RB1-7197-000CN	Clutch	8-7	6
RB1-7199-000CN	Back Grounding Clip	8-7	7
RB1-7211-000CN	Input Extender 1 (5L)	8-2	1
RB1-7212-000CN	Input Extender 2 (5L)	8-2	2
RB1-7223-000CN	Pickup Roller Grounding Clip	8-5	1
RB1-7226-000CN	Idler Roller (5L)	8-8	9
RB1-7234-000CN	Cap	8-4	7
RB1-7246-000CN	Pressure Roller Bushing	8-5	2
RB1-7247-000CN	Fuser Paper Guide	8-4	2
RB1-7255-000CN	Left Pressure Roller Housing	8-6	13
RB1-7256-000CN	Right Pressure Roller Housing	8-5	12
RB1-7276-000CN	Face-up/Face-down Shaft (5L)	8-9	2
RB1-7278-000CN	Face-up/Face-down Switch (5L)	8-2	2
RB1-7284-000CN	Delivery Roller #1	8-10	1
RB1-7285-000CN	Delivery Roller #2 (5L)	8-10	2
RB1-7286-000CN	Delivery Spring #1	8-10	3
RB1-7287-000CN	Delivery Spring #2	8-10	4
RB1-7288-000CN	Exit Roller Bushing	8-3	17

**Table A-2 Numerical parts list (Continued)**

<b>Part No.</b>	<b>Description</b>	<b>Fig.</b>	<b>Ref.</b>
RB1-7289-000CN	Fuser Roller Bushing (5L)	8-9	4
RB1-7293-000CN	Flag	8-5	
RB1-7294-000CN	Flag Spring	8-5	18
RB1-7302-000CN	Cap	8-4	8
RB1-7305-000CN	I/O Sheet Metal	8-4	12
RB1-7321-000CN	Memory Door (5L)	8-2	13
RB1-7326-000CN	Output Extender 1 (5L)	8-2	5
RB1-7327-000CN	EP Door Chimney (5L)	8-2	6
RB1-7331-000CN	Output Extender 2 (5L)	8-2	7
RB1-7332-000CN	Output Tray Fin	8-2	14
RB1-7333-000CN	Back Cover (5L)	8-2	3
RB1-7334-000CN	JP Protector	8-10	8
RB1-7335-000CN	Nameplate (5L)	8-2	8B
RB1-7341-000CN	EP Right Hand Guide #2	8-5	9
RB1-7343-000CN	Control Panel Cable Guide	8-4	5
RB1-7344-000CN	AC Cable Cove	8-4	3
RB1-7385-000CN	Ground Clip, Scanner (5L and 6L)	8-3	20
RB2-1632-000CN	Gear Plate (6L and 6L Pro)	8-3	4
RB2-1636-000CN	Back Cover (6L and 6L Pro)	8-2	3
RB2-1637-000CN	Input Extender 1 (6L)	8-2	1
RB2-1638-000CN	Input Extender 2 (6L and 6L Pro)	8-2	2
RB2-1639-000CN	Memory Door (6L and 6L Pro)	8-2	13
RB2-1641-000CN	Nameplate (6L)	8-2	8B
RB2-1644-000CN	Face-up/Face-down Switch (6L and 6L Pro)	8-2	4A
RB2-1685-000CN	Delivery Roller #2 (6L and 6L Pro)	8-10	2
RB2-1690-000CN	Fuser Roller Bushing (6L and 6L Pro)	8-9	4
RB2-1695-000CN	Output Extender 1 (6L and 6L Pro)	8-2	5
RB2-1696-000CN	EP Door Chimney (6L)	8-2	6
RB2-1696-000CN	Output Extender 2 (6L and 6L Pro)	8-2	7
RB2-1697-000CN	EP Door Chimney (6L Pro)	8-2	6
RB2-1699-000CN	Idler Roller (6L and 6L Pro)	8-8	9
RB2-1719-000CN	Formatter Shield (6L and 6L Pro)	8-6	1
RB2-1720-000CN	Connector Shield Plate (6L Pro)	8-6	2A
RB2-6213-000CN	Input Extender 1 (6L Pro)	8-2	1
RB2-6226-000CN	Guide Sheet	8-4	1
RB2-6229-000CN	Nameplate (6L Pro)	8-2	9B
RF5-1490-000CN	Paper Kick Plate (5L)	8-7	18
RF5-1501-030CN	EP Door Assembly (5L)	8-2	8
RF5-1509-000CN	Back Sheet Metal (5L and 6L)	8-4	4
RF5-1514-000CN	EP Left Hand Guide	8-5	6
RF5-1515-000CN	EP Right Hand Guide #1	8-5	10
RF5-1516-000CN	Pressure Roller (5L)	8-5	4

**Table A-2 Numerical parts list (Continued)**

<b>Part No.</b>	<b>Description</b>	<b>Fig.</b>	<b>Ref.</b>
RF5-1517-000CN	Fuser Pressure Plate	8-5	5
RF5-1521-000CN	Exit Roller (5L)	8-3	16
RF5-1522-000CN	Fuser Exit Roller Assembly (5L)	8-9	7
RF5-1533-000CN	Pressure Roller Grounding Guide	8-5	14
RF5-2352-000CN	EP Door Assembly (6L)	8-2	8
RF5-2362-000CN	Pressure Roller (6L)	8-5	4
RF5-2364-000CN	Pressure Roller (6L Pro)	8-5	4
RF5-2367-000CN	Exit Roller (6L and 6L Pro)	8-3	17
RF5-2368-000CN	Fuser Exit Roller Assembly (6L and 6L Pro)	8-9	7
RF5-2372-000CN	Paper Kick Plate (6L and 6L Pro)	8-7	18
RF5-3256-000CN	EP/Cover Interlock	8-3	16
RF5-6222-000CN	Back Sheet Metal (6L Pro)	8-4	4
RG5-1942-000CN	Feed Assembly (5L)	8-8	4A
RG5-1944-000CN	Input Assembly 1 (5L)	8-2	9
RG5-1945-000CN	Input Assembly 2 (5L)	8-2	10
RG5-1947-000CN	Idler Roller Shaft Assembly	8-7	9
RG5-1951-000CN	Pickup Roller Assembly (5L)	8-7	4
RG5-1964-000CN	Heating Element (110 V) (5L)	8-5	16
RG5-1965-000CN	Heating Element (220 V) (5L)	8-5	16
RG5-1984-000CN	EP/Cover Interlock	9-3	16
RG5-1984-000CN	EP/Cover Interlock (5L)	8-3	3
RG5-1995-000CN	Main Cover (5L)	8-2	4
RG5-2000-000CN	Laser\Scanner (New) (5L)	8-3	19
RG5-2012-000CN	Delivery Assembly (5L)	8-10	
RG5-2023-000CN	DC Controller PCA (110 V) (5L)	8-6	3
RG5-2024-000CN	Formatter Shield (5L)	8-6	19
RG5-2025-000CN	DC Controller PCA (220 V) (5L)	8-6	3
RG5-2028-000CN	Control Panel PCA Assembly	8-5	22
RG5-2029-000CN	Paper Pickup Sensor Cable (5L and 6L)	8-6	8
RG5-2031-000CN	Door Sensor Cable (5L)	8-6	9
RG5-2033-000CN	Motor Cable	8-6	11
RG5-2034-000CN	Scanner Cable (5L)	8-6	12
RG5-2035-000CN	Laser Cable (5L)	8-6	13
RG5-2036-000CN	Control Panel PCA Cable (5L)	8-6	5
RG5-2037-000CN	Door Switch Cable (5L)	8-6	14
RG5-3443-000CN	Main Cover (6L)	8-2	4
RG5-3453-000CN	EP/Cover Interlock	9-3	16
RG5-3453-000CN	EP/Cover Interlock (6L and 6L Pro)	8-3	16
RG5-3459-000CN	Heating Element (110 V) (6L)	8-5	16
RG5-3463-000CN	Heating Element (220 V) (6L)	8-5	16
RG5-3474-000CN	Delivery Assembly (6L)	8-10	
RG5-3476-000CN	Face-up/Face-down Shaft (6L and 6L Pro)	8-9	2



**Table A-2 Numerical parts list (Continued)**

<b>Part No.</b>	<b>Description</b>	<b>Fig.</b>	<b>Ref.</b>
RG5-3485-000CN	Feed Assembly (6L and 6L Pro)	8-8	
RG5-3486-000CN	Pickup Roller Assembly (6L)	8-7	4
RG5-3488-000CN	Input Assembly 1 (6L and 6L Pro)	8-2	9
RG5-3491-000CN	Input Assembly 2 (6L and 6L Pro)	8-2	10
RG5-3494-000CN	Laser\Scanner (New) (6L)	8-3	19
RG5-3499-000CN	Control Panel PCA Cable (6L)	8-6	5
RG5-3506-000CN	DC Controller PCA (110 V) (6L)	8-6	3
RG5-3509-000CN	DC Controller PCA (220 V) (6L)	8-6	3
RG5-3510-000CN	DC Controller PCA Case Assembly (5L and 6L)	8-6	4
RG5-3661-000CN	Scanner Cable (6L and 6L Pro)	8-6	12
RG5-3662-000CN	Door Sensor Cable (6L and 6L Pro)	8-6	9
RG5-5473-060CN	Laser\Scanner (New) (6L)	8-3	19
RG5-5475-000CN	Cover Assembly (6L Pro)	8-2	14
RG5-5482-000CN	Delivery Assembly (6L Pro)	8-10	
RG5-5483-000CN	Pickup Roller Assembly (6L Pro)	8-7	4
RG5-5485-000CN	DC Controller PCA Case Assembly (6L Pro)	8-6	4
RG5-5489-000CN	DC Controller PCA (220 V) (6L Pro)	8-6	3
RG5-5517-010CN	Heating Element (220 V) (6L Pro)	8-5	16
RG5-5521-000CN	Paper Pickup Sensor Cable (6L Pro)	8-6	8
RG9-1454-000CN	Control Panel PCA Cable (6L Pro)	8-6	5
RH3-8003-000CN	DC Controller Fuse FU102-110 V	8-6	
RH3-8003-000CN	Fuse 102 (110 V)	8-6	
RH7-1282-000CN	Main Motor (5L)	8-3	7
RH7-1320-000CN	Main Motor (6L)	8-3	7
RH7-1450-000CN	Main Motor (6L Pro)	8-3	7
RS5-0796-000CN	Pressure Roller Gear	8-5	11
RS5-2501-000CN	Kick Plate Spring	8-7	14
RY7-5005-000CN	Gear Kit #1	8-3	1
RY7-5006-000CN	Gear Kit #2 (5L)	8-3	8
RY7-5007-000CN	Fuser Release Kit	8-3	6
RY7-5009-000CN	Input Sensor Assembly	8-7	3
RY7-5036-000CN	Gear Kit #2 (6L and 6L Pro)	8-3	8
VD7-0211-002CN	DC Controller Fuse FU101-110 V	8-6	
VD7-0211-002CN	Fuse 101 (110 V)	8-6	5
VD7-0643-151CN	DC Controller Fuse FU101-220 V	8-6	
VD7-0643-151CN	Fuse 101 (220 V)	8-6	
VS1-5057-002CN	Fuser Connector	8-5	15
XA9-0267-000CN	Screw	8-3	503
XA9-0686-000CN	Screw	8-5	21
XA9-0724-000CN	Screw	8-2	11
XA9-0724-000CN	Screw	8-4	9
XA9-0724-000CN	Screw	8-5	20

**Table A-2 Numerical parts list (Continued)**

<b>Part No.</b>	<b>Description</b>	<b>Fig.</b>	<b>Ref.</b>
XA9-0824-000CN	Screw	8-5	17
XA9-0855-000CN	Screw (with star washer)	8-4	10
XB1-1300-807CN	Screw	8-4	502
XB4-7401-0007	Screw	8-7	501
XB4-7401-0074CN	Screw	8-4	501
XB4-7401-007CN	Screw (5L and 6L)	8-2	501

# B

## Regulatory information

### Laser Safety (U.S.)

The Center for Devices and Radiological Health (CDRH) of the U.S. Food and Drug Administration implemented regulations for laser products manufactured since August 1, 1976. Compliance is mandatory for products marketed in the United States.

This printer is certified as a “Class 1” laser product under the U.S. Department of Health and Human Services (DHHS) Radiation Performance Standard according to the Radiation Control for Health and Safety Act of 1968. Since radiation emitted inside this printer is completely confined within protective housings and external covers, the laser beam cannot escape during any phase of normal user operation.

---

**WARNING!**

---

Never operate or service the printer with the protective cover removed from the Laser/Scanner Assembly. The reflected beam, although invisible, can damage your eyes.

## Laser Statement (Finland)

The following applies to printer operation and servicing in Finland.

### Laserturvallisuus

#### Luckan 1 Laserlaite Klass 1 Laser Apparat

HP LaserJet(s) 5L/6L/6L Gold/6L Pro laserkirjoitin on käyttäjän kannalta turvallinen luokan 1 laserlaite. Normaalisissa käytössä kirjoittimen suojakotelointi estää lasersäteiden pääsyn laitteen ulkopuolelle.

Kirjoittimen on hyväksynyt Suomessa laserturvallisuuden osalta Sähkötekniikan tutkimuskeskus. Laitteen turvallisuusluokka on määritetty standardin EN 60825-1 (1994) mukaisesti.

#### Varoitus!

Laitteen käyttäminen muulla kuin käyttöohjeessa mainitulla tavalla saattaa altistaa käyttäjän turvallisuusluokan 1 ylittävälle näkymättömälle lasersäteilylle.

#### Varning!

Om apparaten används på annat sätt än i bruksanvisning specificerats, kan användaren utsättas för osynlig laserstrålning, som överskrider gränsen för laserklass 1.

#### HUOLTO

HP LaserJet(s) 5L/6L/6L Gold/6L Pro kirjoittimen sisällä ei ole käyttäjän huollettavissa olevia kohteita. Laitteen saa avata ja huoltaa ainoastaan sen huoltamiseen koulutettu henkilö. Tällaiseksi huoltotoimenpiteeksi ei katsota väriainekasetin vaihtamista, paperiradan puhdistusta tai muita käyttäjän käsikirjassa lueteltuja, käyttäjän tehtäväksi tarkoitettuja ylläpitotoimia, jotka voidaan suorittaa ilman erikoistyökaluja.

#### Varo!

Mikäli kirjoittimen suojakotelo avataan, olet alttiina näkymättömälle lasersäteilylle laitteen ollessa toiminnassa. Älä katso säteeseen.

#### Varning!

Om laserprinterns skyddshölje öppnas då apparaten är i funktion, utsättas användaren för osynlig laserstrålning. Betrakta ej strålen.

Tiedot laitteessa käytettävän laseriodin säteilyominaisuuksista:

Aallonpituus 775-795 nm  
Teho 5 mW  
Luokan 3B laser

## Toner safety

---

**Note**

---

In case of toner spills, skin and clothing are best cleaned by removing as much toner as possible with a dry tissue, then washing with cold water. Hot water causes toner to permanently set into clothing.

### Material data safety sheet

The Material Safety Data Sheet (MSDS) can be obtained by contacting the fax-on-demand service in the HP LaserJet Supplies website at the following address:

<http://www.hp.com/go/msds>

If you do not have access to the internet, call U.S. HP FIRST at 1 (800) 231-9300 and follow the recorded instructions.

For assistance outside the U.S. and Canada, contact your local HP sales and service office. See “Technical Assistance” in Chapter 1 for telephone numbers.

### Ozone emission

These printers do not use high-voltage corona wires in the electrophotographic process, and therefore generate no measurable ozone gas (O<sub>3</sub>). The printers instead use charging rollers in the toner cartridge and in the print engine.

## FCC Statement (Class B)

Note: This equipment has been tested and found to comply with the limits for a Class B digital device, pursuant to part 15 of the FCC rules. These limits are designed to provide reasonable protection against harmful interference in a residential installation. This equipment generates, uses, and can radiate radio frequency energy and, if not installed and used in accordance with the instructions, may cause harmful interference to radio communications. However, there is no guarantee that interference will not occur in a particular installation. If this equipment does cause harmful interference to radio or television reception, which can be determined by turning the equipment off and on, the user is encouraged to try to correct the interference by one or more of the following measures:

- Reorient or relocate the receiving antenna.
- Increase the separation between the equipment and the receiver.
- Connect the equipment into an outlet on a circuit different from that to which the receiver is connected.
- Consult the dealer or an experienced radio/TV technician for help. Any changes or modifications not expressly approved by Hewlett-Packard could void the user's authority to operate this equipment.

---

### Note

Use of a shielded interface cable is required to comply within the Class B limits in Part 15 of FCC rules.

## VCCI Statement (Japan)

The VCCI statement below is required in Japan. It is similar to the FCC regulatory statement.

この装置は、第二種情報装置（住宅地域又はその隣接した地域において使用されるべき情報装置）で住宅地域での電波障害防止を目的とした情報処理装置等電波障害自主規制協議会（VCCI）基準に適合しております。

しかし、本装置をラジオ、テレビジョン受信機に近接してご使用になると、受信障害の原因となることがあります。

取扱説明書に従って正しい取り扱いをして下さい。

**Figure A-1** VCCI statement (Japan)

# Index

## A

- AC bias 62
- AC power
  - See also* power
  - disconnecting 85
  - distribution 56
  - troubleshooting 116
- accessories and supplies 23
- accessories, ordering 145
- acoustic emissions 18
- agreements, maintenance 28
- alcohol, cleaning with 51, 135
- alignment, troubleshooting 132
- alphabetical list, part numbers 167
- ammonia-based cleaners, avoiding 51
- amps, specifications 18
- Asia-Pacific countries/regions
  - toner cartridges 34
  - VCCI statement 180
- assemblies
  - locating 147
  - removing 70
  - replacing 22
- Authorized Service Providers, HP 28

## B

- back cover, removing 73
- backgrounds, troubleshooting
  - dark 131
  - scattered 129
- Basic Hardware Training Course, ordering 22
- battery backups 32, 123
- BD failure, troubleshooting 132
- Beam Detect
  - signal 62
  - voltage 57
- beam errors 124
- bias, charging 62
- bidirectional communications 58, 60
- bins. *See* Paper Input Bin; Paper Output Bin
- Bi-Tronics interface 58
- black pages, troubleshooting 129
- black streaks, troubleshooting 127
- blank pages, troubleshooting 129, 130
- blank spots, troubleshooting 131
- blinking indicator lights 38, 121
- block diagram, functional 54
- blurred areas, troubleshooting 126
- buffer memory 60
- buttons
  - control panel 40
  - engine test 133
- bypassing formatter 133

## C

- cables
  - control panel 114
  - DC Controller 156
  - parallel 21
  - part numbers 145
  - pins 141
  - power 21
- canceling print jobs 45
- capacity
  - circuit 18
  - memory 14
  - paper 14
- cards, memory
  - incompatible 121
  - installing 72
- cartridges. *See* toner cartridges
- character dropouts, troubleshooting 129
- character voids, troubleshooting 128
- charging rollers 57
- charging, image formation system 62
- checks. *See* tests
- circuitry
  - AC power distribution 56
  - DC Controller loads 55
  - DC power distribution 57
  - overcurrent/overvoltage protection 57
  - specifications 18
- cleaning
  - connection points 135
  - printer 51
- cleaning blade 62
- clearing data 45
- clips, grounding 94
- clothing, washing toner off 52
- Commercial Service and Support Organization-Americas (CSSO-A) 144
- Commercial Service and Support Organization-Europe (CSSO-E) 144
- communications 58, 60
- complex pages
  - errors 39
  - Page Protect 60
- components
  - DC Controller 119
  - internal 150
  - paper path 118
  - replacing 22
- condensation specifications 32
- conditioning, drum 62
- configuration page, printing 43
- connection points, cleaning 135
- connectors
  - DC Controller 113
  - J201 (DC Controller-to-Formatter) 66
  - parallel cable 21
  - power cable 21
  - troubleshooting 122
  - wiring 112

- consumables
    - life expectancies 48
    - ordering 144
  - contacts, DC Controller 119
  - continue from memory errors 40
  - continuous self-test 44
  - control panel
    - assembly, locating 147
    - button 40
    - errors 120
    - removing 78
    - service errors, displaying 123
    - troubleshooting 116
    - wiring harness 78
  - control panel lights. *See* indicator lights
  - conversions, voltage 29
  - Country of Origin 15
  - course materials, ordering 22
  - coverage, toner 49
  - covers
    - back, removing 73
    - cleaning 51
    - locating 148
    - main, removing 77
    - Memory Expansion, locating 21
    - Memory Expansion, removing 72
    - part numbers 149
  - CPU, formatter 58
  - CSSO-A (Commercial Service and Support Organization-Americas) 144
  - CSSO-E (Commercial Service and Support Organization-Europe) 144
  - curled pages, troubleshooting 130, 137
  - Customer Care, HP 23
  - Customer Information Centers
    - Asia-Pacific countries/regions 25
  - customer support
    - HP Customer Care 23
  - customer support. *See* support
  - cut-off pages 60, 129
  - cycling power 120
- D**
- dark backgrounds, troubleshooting 131
  - data
    - clearing 45
    - DC Controller-to-Formatter 66
    - Enhanced I/O 59
    - errors, troubleshooting 121
    - Page Protect 60
  - Data light 38, 121
  - DC bias 62
  - DC Controller
    - components 119
    - connectors 113
    - functions 55
    - grounding screw 111
    - loads 55
    - locating 147
    - paper feed operations 63
    - paper path components 118
    - part numbers 157
    - parts diagrams 156
    - power system 56
    - removing 111
    - signals 118
    - timing operations 66
  - DC power
    - distribution 57
    - shutoff switch 56
  - default settings, returning to 45
  - defects
    - image 126, 127
    - repetitive 128
    - ruler 139
  - delay jams 65
  - delivery assembly
    - cleaning 51
    - locating 147
    - part numbers 165
    - parts diagram 164
    - removing 80
  - delivery roller
    - locating 63
    - testing 138
  - density
    - control 57
    - EconoMode 59
    - toner coverage 49
    - troubleshooting 131
  - depth, printer 33
  - developing roller 57
  - developing stage 62
  - diagnostics. *See* tests
  - dimensions, printer 33
  - direct ordering of accessories and supplies 23
  - dirt, troubleshooting 131
  - display panel. *See* control panel
  - displaying service errors 123
  - distorted images, troubleshooting 132
  - distributing toner 35
  - documentation, ordering 22
  - door open/no cartridge errors
    - sensor (PS204) 64
    - troubleshooting 120, 121
  - doors
    - EP, removing 75
    - locating 148
    - memory, removing 76
    - part numbers 149
  - dots, troubleshooting 127, 129, 131
  - draft mode 49
  - DRAM. *See* memory
  - drive roller, testing 138
  - dropouts, troubleshooting 129
  - drum
    - operations 63
    - rotation functional check 134
    - troubleshooting 126
  - drum cleaning stage 62
  - drum conditioning stage 62
  - duty cycle 14
- E**
- EconoMode 49
  - edges, detecting 64
  - electrical specifications 18
  - electrophotographics. *See* image formation system
  - electrostatic discharge (ESD) 70
  - eliminator teeth, cleaning 51
  - emissions
    - acoustic 18
    - ozone 179
  - engine errors 124
  - engine tests 44, 133



- Enhanced I/O 59
- Enhanced PCL 5 14
- envelopes, input tray capacity 14
- environmental specifications 32
- EP Door
  - disabling high voltage power supply 57
  - locating 20
  - removing 75
- Error light 38, 121
- error messages 121, 123
- errors
  - beam 124
  - engine 124
  - formatter 125
  - fuser 123
  - memory 121
  - paper 121
  - persistent 122
  - priority 120
  - processor 125
  - ROM/RAM 123
  - scanner 125
  - service 123
  - status messages 121
  - troubleshooting 120
  - unclearable, troubleshooting 122
- ESD (electrostatic discharge) 70
- Europe
  - Commercial Service and Support Organization (CSSO-E) 144
- European support 24
- events, printer 66
- exit roller assembly
  - cleaning 51
  - removing 79
- Exit Sensor flag
  - removing 90
  - troubleshooting 122
- Exit Sensor, Paper (PS201)
  - jam detection 65
  - locating 63
  - operations 63

**F**

- fabric, washing toner off 52
- face-up output slot. *See* Front Output Slot
- face-up/face-down lever. *See* paper path lever
- factory default settings, returning to 45
- faded print, troubleshooting 127
- fasteners, types of 146
- FCC statement 180
- feed assembly
  - locating 147
  - part numbers 161
  - parts diagram 160
  - removing 106
  - roller operations 63
- feed frame, paper
  - reinstalling 100
  - removing 97
- feeding operations 63
- Field Replaceable Units (FRUs) 22, 144
- Finnish laser safety statement 178
- firmware errors 125
- first print 18
- flags
  - removing Paper Exit Sensor flag 90
  - troubleshooting 122
- flashing lights 38, 121
- flathead screwdrivers 71
- flowchart, troubleshooting 116
- fonts
  - clearing 45
  - downloaded 41
  - standard 14
  - storing information 58
- Form Feed 40
- formatter
  - bypassing 133
  - errors 125
  - functions 58
  - parts diagrams 156
  - removing 114
  - timing operations 66
  - voltage 57
- frame, paper feed
  - reinstalling 100
  - removing 97
- frequency specifications 18
- Front Output Slot
  - feeding operations 63
  - locating 19
- Front Panel Button
  - locating 19
  - using 40
- FRUs (Field Replaceable Units) 22, 144
- functional block diagram 54
- fuser components, accessing 80
- fuser errors 123
- fuser exit roller
  - cleaning 51
  - removing 89
- fuser pressure plate, removing 82
- fuser roller, testing 138
- fuses
  - locating 119
  - overcurrent protection 57
- fusing element. *See* heating element
- fusing problems 83
- fusing stage 62

**G**

- gear, paper pickup 92
- Gold, HP LaserJet 6L 14
- graphics, cut off 129
- grease, pressure roller 87
- grounding clips 94
- grounding screws, DC Controller 111
- guides
  - memory door, removing 109
  - paper, locating 19
  - transfer roller, removing 101

**H**

- half-self test functional check 134
- hardware service options 28
- hardware training kits, ordering 22
- heating element
  - AC voltage control 56
  - avoid touching 51
  - life expectancy 48
  - locating 63
  - removing 84
  - resistance, normal 123
- height, printer 33
- hex-head screws 146

- high voltage power supply
    - operations 57
    - testing 135
    - voltage 57
  - horizontal lines, troubleshooting
    - black 128
    - white 132
  - HP Authorized Service Providers 28
  - HP Customer Care 23
    - European and in-country support 24
    - product repair assistance 24
    - worldwide options 24
  - HP Customer Information Centers
    - Asia-Pacific countries/regions 25
  - HP Direct Ordering 23
  - HP LaserJet 6L Gold 14
  - HP LaserJet Printer Family Paper Specification Guide 22
  - HP Repair Services 28
  - HP Support Assistant compact disc 23
  - humidity specifications 32
- I**
- I/O interface
    - communications 58
    - Enhanced 59
  - identification labels 15
  - Idler Roller tabs 96
  - image defect ruler 139
  - image defects, troubleshooting 126, 127
  - image developing stage 62
  - image formation system
    - stages 61
    - synchronization 58
    - testing 134
  - image fusing stage 62
  - image transferring stage 62
  - image writing stage 62
  - incompatible memory cards 121
  - indicator lights
    - blinking 38, 121
    - locating 19
    - power on 116
    - service errors 123
    - states 38
    - status messages 121
  - Information Centers
    - Asia-Pacific countries/regions 25
  - ink cartridges. *See* toner cartridges
  - Input Bin, Paper
    - capacity 14
    - operations 63
  - Input Extender 73
  - input power receptacle 119
  - Input Slot, Single Sheet
    - locating 19
    - operations 63
  - Input Supports, Paper 19
  - Input Tray, Paper
    - locating 19
  - installation specifications 32
  - installing toner cartridges 35
  - insufficient memory 39
  - interfaces
    - communications 58, 60
    - standard 14
  - internal components 150
  - INTR (initial rotation) 66
  - isolating
    - print settings 60
    - printer problems 133, 134
- J**
- J201 (DC Controller-to-Formatter connector) 66
  - jams, paper
    - detection 65
    - error priority 120
    - troubleshooting 121
  - Japanese Electronic Device Industry Association. *See* JEDIA
  - Japanese VCCI statement 180
  - JEDIA cards 14
  - jobs
    - canceling 45
    - settings 60
- K**
- kick plate
    - operations 63
    - removing 102
    - spring reinstallation 103
    - testing 138
- L**
- languages, printer 14
  - laser safety statements
    - Finland 178
    - United States 177
  - Laser/Beam Detect circuitry, voltage 57
  - Laser/Scanner Assembly
    - cautions 70
    - control 56
    - operations 63
    - removing 91
  - LaserJet 6L Gold 14
  - LaserJet Printer Family Paper Specification Guide 22
  - leading edges, detecting 64
  - leaking toner 126
  - LEDs. *See* indicator lights
  - lenses, operations 62
  - levers
    - face-up/face-down, removing 88
    - paper path 19
    - Paper Release 20
  - life expectancies, consumables 48
  - light print, troubleshooting 127
  - lights. *See* indicator lights
  - lines, troubleshooting
    - horizontal black 128
    - horizontal white 132
    - vertical black 127
    - vertical white 127, 128
  - lists, part numbers
    - alphabetical 167
    - numerical 172
  - LSTR (last rotation) 66
- M**
- machine screws 146
  - main cover, removing 77
  - main wiring diagram 140
  - maintenance agreements 28
  - manual feed
    - error priority 120
    - troubleshooting 121

- Material Safety Data Sheet (MSDS) 179
- maximum paper size 14
- memory
  - capacity 14
  - clearing 45
  - Enhanced I/O 59
  - error priority 120
  - errors, continuing from 40
  - errors, troubleshooting 121
  - incompatible cards, troubleshooting 121
  - installing 72
  - insufficient 39
  - operations 58
  - Page Protect 60
  - part numbers 145
  - ROM/RAM errors 123
  - standard 14
  - upgrading 145
- memory door guide, removing 109
- memory door, removing 76
- Memory Enhancement technology (MEt) 59
- Memory Expansion Cover
  - locating 21
  - removing 72
- messages
  - persistent 122
  - printer status 121
  - priorities, error 120
  - service errors 123
- microprocessor, formatter 58
- minimum paper size 14
- mirror, operations 62
- model numbers 15
- models, HP LaserJet 6L 14
- monthly usage 14
- motor
  - control 56
  - locating 63
  - observing rotation 138
  - removing 110
  - rotation on power-on 116
  - troubleshooting 116
  - voltage 57
- mylar sheet, positioning 77

## N

- needlenose pliers 71
- negative charging 62
- noise level 18
- numbers, model 15
- numerical list, part numbers 172

## O

- ohms, normal resistance 123
- online support services 23
- operating environment 32
- operations
  - DC Controller 55
  - formatter 58
  - image formation system 61
  - interface communications 58
  - overview 54
  - paper feed system 63
  - power system 56
  - timing stages 66
  - toner cartridges 61

- ordering
  - accessories and supplies 23, 145
  - consumables 144
  - documentation 22
  - parts 144
- Output Bin, Paper
  - capacity 14
  - feeding operations 63
  - locating 19
- Output Slot, Front
  - feeding operations 63
  - locating 19
- Output Supports, Paper 19
- outside covers. *See covers*
- overcurrent/overvoltage protection 57
- overriding PS204 and SW101 138
- ozone emissions 179

## P

- page out 18
- Page Protect 60
- pages per minute 14
- pages per month 14
- pages, troubleshooting
  - black 129
  - blank 130
  - blank spots 131
  - curled 130, 137
  - cut off 129
  - dirty 131
  - skewed 132
- paper
  - capacity 14
  - curl, troubleshooting 130, 137
  - sizes 14
  - specification guide, ordering 22
  - troubleshooting 137
- Paper Exit Sensor (PS201)
  - jam detection 65
  - locating 63
  - operations 63
- Paper Exit Sensor flag
  - removing 90
  - troubleshooting 122
- paper feed frame
  - reinstalling 100
  - removing 97
- paper feed system 58, 63
- Paper Guides 19
- Paper Input Assembly, removing 77
- Paper Input Bin
  - capacity 14
  - operations 63
- Paper Input Support 19
- Paper Input Tray
  - locating 19
- paper jams
  - detection 65
  - error priority 120
  - troubleshooting 121
- paper out errors
  - priority 120
  - troubleshooting 121
- Paper Out flag, troubleshooting 122
- Paper Out Sensor (PS202)
  - jam detection 65
  - locating 63
  - operations 63, 64

- Paper Output Bin
  - capacity 14
  - feeding operations 63
  - locating 19
- Paper Output Supports 19
- paper path
  - components 118
  - curl, reducing 137
  - diagram 63
  - feeding system 63
  - testing 138
- paper path lever
  - locating 19
  - removing 88
- paper pickup assembly. *See* pickup assembly
- paper pickup gear, removing 92
- paper pickup roller assembly. *See* pickup roller assembly
- paper pickup roller. *See* pickup roller
- Paper Pick-up Solenoid (SL1) 64
- Paper Registration flag, troubleshooting 122
- Paper Registration Sensor (PS203)
  - jam detection 65
  - locating 63
  - operations 63, 64
- Paper Release Lever, locating 20
- parallel cables
  - connector, locating 21
  - ordering 145
- parallel interface 58
- part numbers
  - alphabetical list 167
  - covers and doors 149
  - internal components 151
  - models 144
  - numerical list 172
- parts
  - identifying 19
  - ordering 144
  - replacing 70
- Parts Exchange Program 22
- path, paper
  - components 118
  - curl, reducing 137
  - diagram 63
  - feeding system 63
  - lever location 19
  - testing 138
- patterns, lights 123
- PCL
  - standard 14
  - Technical Reference Information Package, ordering 22
- performance specifications 18
- Phillips screwdrivers 71
- phone numbers
  - Commercial Service and Support Organization-Americas (CSSO-A) 144
  - Commercial Service and Support Organization-Europe (CSSO-E) 144
  - ordering consumables 144
  - ordering parts 22
  - part numbers, information on 144
- photosensitive drum. *See* drum
- photosensors. *See* sensors
- pickup assembly
  - life expectancy 48
  - locating 147
- pickup gear, removing 92
- pickup jams 65
- pickup roller
  - cleaning 51
  - locating 63
  - operations 63
  - removing 94
  - testing 138
- pickup roller assembly
  - locating 147
  - part numbers 159
  - parts diagram 158
- pins
  - cable 141
  - cleaning 135
- PJL (Printer Job Language) 60
- plate, pressure 82
- pliers 71
- PosiDrive screwdrivers 71
- positive charging 62
- power
  - cycling 120
  - DC Controller system 56
  - distribution 56
  - motor rotation 116
  - overcurrent/overvoltage protection 57
  - rating information 15
  - shutoff switch 56
  - specifications 18
  - testing high voltage power supply 135
  - troubleshooting 116
- power cable connector, locating 21
- power cord, unplugging 70
- power receptacle 119
- power supplies, uninterruptible (UPS) 32, 123
- power-on jams 65
- pressure plate, removing 82
- pressure roller
  - cleaning 51
  - life expectancy 48
  - locating 63
  - operations 63
  - removing 87
- pressure, inadequate 83
- print cartridges. *See* toner cartridges
- print jobs, canceling 45
- print quality, troubleshooting 126, 127
- print speed 14
- printer door
  - sensor 64
  - shutoff switch 56
- Printer Job Language (PJL) 60
- printer motor. *See* motor
- printing
  - engine test 133
  - image formation system 61
- priority, errors 120
- PRNT 66
- procedures
  - error troubleshooting 120
  - service 22
  - troubleshooting 116
- processor errors 125
- processor, formatter 58
- product repair assistance 24
- Production Code 15
- PS204, overriding 138
- purchasing parts 144

## Q

quality, troubleshooting 126, 127  
Quick Reference Service Guide, HP LaserJet Family 22

## R

RAM. *See* memory  
Ready light 38, 121  
receptacle, power 119  
recovering from errors 40  
recycling toner cartridges 50  
redistributing toner 35  
refilled toner cartridges 50  
registration  
    adjusting 133  
    troubleshooting 132  
Registration flag, troubleshooting 122  
Registration Sensor (PS203)  
    jam detection 65  
    locating 63  
    operations 63, 64  
regulatory information 177  
reinstalling parts 70  
Release Lever, Paper 20  
remanufactured assemblies 22  
removing parts 70  
repair assistance 24  
repair method 22  
repair offices, HP 28  
repetitive defects, troubleshooting 128  
repetitive image defect ruler 139  
replacing  
    consumables 48  
    parts 70  
resetting printer 45  
resistance, heating element 123  
resolution 14  
Resolution Enhancement technology (REt) 59  
Revision Level 15  
rollers  
    cleaning 51  
    exit, removing 79  
    fuser exit roller assembly, removing 89  
    Idler Roller tabs 96  
    life expectancies 48  
    locating 63  
    operations 63  
    pickup, removing 94  
    power supply 57  
    pressure, removing 87  
    testing motion 138  
    transfer, removing 101  
ROM. *See* memory  
ROM/RAM errors 123  
rotational check, drum 134  
ruler, repetitive image defect 139

## S

safety statements  
    laser 177, 178  
    Material Safety Data Sheet (MSDS) 179  
    toner 179  
sales and service offices 25  
scanner errors 125  
scanner motor  
    locating 119  
    voltage 57  
screwdrivers, required 71

screws  
    self-tapping, installing 70  
    types of 146  
self tests  
    printing 41, 44  
    troubleshooting 117  
self-tapping screws, installing 70  
sending data 59  
sensors  
    functions 64  
    locating 64  
    operations 63  
    paper jam 65  
    troubleshooting 122  
    voltage 57  
separation guide assembly  
    locating 147  
    part numbers 163  
    parts diagram 162  
separation pad  
    cleaning 51  
    life expectancy 48  
    operations 63  
    removing 104  
    spring removal 102  
sequence of operations 66  
serial data bus 66  
serial numbers 15  
service approach 22  
service errors  
    messages 123  
    priority 120  
service options 28  
Service Providers, Authorized 28  
settings  
    default 45  
    job 60  
shaking toner cartridges 35  
shipping guidelines 28, 34  
signals, paper path 118  
Single Sheet Input Slot  
    locating 19  
    operations 63  
sizes, paper 14  
skewed images, troubleshooting 132  
SleepMode  
    electrical specifications 18  
    entering 57  
    indicator lights 38  
    troubleshooting 122  
    waking printer 40  
smears, troubleshooting  
    black 127  
    horizontal 128  
solenoids  
    functions 64  
    locating 64  
    operations 63  
    removing 92  
    testing 138  
    voltage 57  
solvents 51  
sound specifications 18  
space requirements 33

- specifications
    - dimensions 33
    - electrical 18
    - environmental 32
    - performance 18
    - space requirements 33
  - speed
    - first print 18
    - pages per minute 14
  - spilled toner
    - checking for 126
    - cleaning 52
  - springs
    - cleaning 135
    - fuser pressure plate 83
    - kick plate 102, 103
    - Paper Exit Sensor flag 90
    - transfer roller 101
  - stages
    - image formation system 61
    - isolating problems 134
    - printer operations 66
  - stains, troubleshooting 127
  - star screws 146
  - static discharge 70
  - static eliminator teeth, cleaning 51
  - status information, relaying 58, 60
  - status, indicator lights 38
  - STBY (standby) 66
  - stopping print jobs 45
  - storing
    - product 32
    - toner cartridges 34
  - streaks, troubleshooting
    - horizontal black 128
    - vertical black 127
    - vertical white 127, 128
  - subassemblies, replacing 22
  - subpads
    - life expectancy 48
    - operations 63
    - removing 105
  - supplies and accessories 23
  - supplies, cleaning 51
  - supplies, ordering 145
  - support
    - Commercial Service and Support Organizations 144
    - HP Software and Accessory Distribution Center (SADC) 22
    - service options 28
    - worldwide 25
  - Support Assistant compact disc 23
  - supports, paper 19
  - SW101, overriding 138
  - switches, overriding 138
  - systems, printer 54
- T**
- tabs, Idler Roller 96
  - teeth, static eliminator 51
  - temperature specifications 32
  - tests
    - drum rotation 134
    - engine 44, 133
    - half-self test 134
    - high voltage power supply 135
    - paper path 138
    - self 44
  - text coverage, toner 49
  - text quality, troubleshooting 128, 129
  - theory of operations. *See* operations
  - thermistor, normal resistance 123
  - timing stages 66
  - toner
    - cleaning spilled 52
    - fusing 62
    - safety statements 179
    - scatter, troubleshooting 129
    - waste cleaning stage 62
  - toner cartridges
    - Asia-Pacific region 34
    - compartment, locating 20
    - components 61
    - distributing toner 35
    - EconoMode 49
    - errors, troubleshooting 121
    - guidelines 35
    - installing 35
    - life expectancy 48, 49
    - operations 61
    - part numbers 145
    - recycling 50
    - refilled 50
    - removing 70
    - sensor (PS204) 64
    - storing 34
    - troubleshooting 126
    - warranty 29
    - weight 33, 126
  - tools, required 71
  - trailing edges, detecting 64
  - training kits, ordering 22
  - transfer roller
    - cleaning 51
    - life expectancy 48
    - locating 20, 63
    - removing 101
    - testing 138
  - transfer roller assembly, locating 147
  - transfer roller guide, removing 101
  - transferring stage 62
  - trays. *See* Paper Input Bin; Paper Output Bin

- troubleshooting
  - beam errors 124
  - connectors 122
  - control panel 116
  - curled pages 130, 137
  - drum 126
  - engine errors 124
  - errors 120, 121
  - flags, sensor 122
  - flowchart 116
  - formatter errors 125
  - fuser errors 123
  - image defects 126, 127
  - incompatible memory cards 121
  - memory errors 121
  - motor 116
  - paper 137
  - paper curl 130, 137
  - paper jams 121
  - paper out errors 121
  - paper path 138
  - persistent errors 122
  - power 116
  - processor errors 125
  - repetitive defects 128, 139
  - ROM/RAM errors 123
  - scanner errors 125
  - self test 44, 117
  - sensors 122
  - service errors 123
  - SleepMode 122
  - status messages 121
  - toner cartridges 126
  - unclearable errors 122
- trus head screws 146
- typefaces. *See* fonts

## U

- unclearable errors, troubleshooting 122
- uninterruptible power supplies (UPS) 32, 123
- unplugging before servicing 70
- upgrading memory 145
- User's Guides, ordering 22

## V

- vacuuming toner 52
- VCCI statement 180
- ventilation requirements 32
- vertical lines, troubleshooting
  - black 127
  - white 127, 128
- VIDEO signals 58
- voids, character 128
- voltage
  - AC power distribution 56
  - conversions, not supported 29
  - DC power distribution 57
  - electrical specifications 18
  - heating element, disconnecting 85
  - overvoltage protection 57
  - part numbers 144

## W

- WAIT 66
- waking printer 40
- warranty
  - post-warranty assistance 24
  - product 28
  - refilled toner cartridges 50
  - toner cartridges 29
- waste toner, cleaning 62
- watts, specifications 18
- websites
  - product information 23
- weight
  - printer 33
  - toner cartridge 33, 126
- white areas, troubleshooting 128
- white lines, troubleshooting
  - horizontal 132
  - vertical 127, 128
- white pages, troubleshooting 130
- width, printer 33
- wiring
  - control panel 78
  - HP LaserJet 6L Pro 112
  - main diagram 140
- worldwide
  - customer care options 24
- wrinkled pages, troubleshooting 130
- writing stage 62









© Copyright 2002  
Hewlett-Packard Co.

Manual Part No.  
C8060-90903



**C8060-90903**