



LASERJET ENTERPRISE 500 MFP LASERJET ENTERPRISE FLOW MFP M525

Repair Manual



M525



M525c



HP LaserJet Enterprise 500 MFP M525
and HP LaserJet Enterprise flow MFP
M525

Repair Manual

Copyright and License

© 2012 Copyright Hewlett-Packard Development Company, L.P.

Reproduction, adaptation, or translation without prior written permission is prohibited, except as allowed under the copyright laws.

The information contained herein is subject to change without notice.

The only warranties for HP products and services are set forth in the express warranty statements accompanying such products and services. Nothing herein should be construed as constituting an additional warranty. HP shall not be liable for technical or editorial errors or omissions contained herein.

Edition 2, 11/2012

Part number: CF116-90902


Trademark Credits

Adobe®, Acrobat®, and PostScript® are trademarks of Adobe Systems Incorporated.


Microsoft®, Windows®, Windows® XP, and Windows Vista® are U.S. registered trademarks of Microsoft Corporation.

ENERGY STAR and the ENERGY STAR mark are registered U.S. marks.

Conventions used in this guide

 **TIP:** Tips provide helpful hints or shortcuts.

 **NOTE:** Notes provide important information to explain a concept or to complete a task.

 **CAUTION:** Cautions indicate procedures that you should follow to avoid losing data or damaging the product.


 **WARNING!** Warnings alert you to specific procedures that you should follow to avoid personal injury, catastrophic loss of data, or extensive damage to the product.

Table of contents

1 Removal and replacement	1
Removal and replacement strategy	2
General cautions during removal and replacement	2
Electrostatic discharge	2
Required tools	3
Types of screws	3
Service approach	5
Before performing service	5
After performing service	5
Post-service test	5
Print-quality test	5
Location of connectors	7
DC controller connections	7
Formatter connections	9
Parts removal order	10
Removal and replacement procedures	12
Customer self repair (CSR) components	12
Toner cartridge	12
Tray 2, Tray 3, or Tray 4 assembly	14
Control-panel HIP cover	15
Control-panel USB cover	15
Control-panel assembly	16
Control-panel assembly (M525c model)	19
Important removal considerations	19
Remove the control-panel assembly	21
Reinstall the control-panel assembly	28
Control-panel assembly to keyboard FFC (M525c model)	35
Important considerations	35
Remove the control-panel assembly to keyboard FFC	36
Reinstall the control-panel assembly to keyboard FFC	37
Keyboard assembly (M525c model)	40
Remove the keyboard assembly	40

Keyboard overlay (M525c model)	45
Install a keyboard overlay	45
Back-side background selector assembly (M525c model)	49
Foam reflector	51
Document feeder pickup roller	56
Document feeder separation pad	58
Fax card and cable	61
Disk drives (HDD and SSM)	63
Remove the HDD	63
Remove the SSM	66
Install a replacement hard drive or SSM	68
External panels, covers, doors, formatter, and stapler	69
Formatter cover	69
Formatter PCA	70
Stapler cover	72
Substitute stapler cover	74
Stapler assembly	75
Rear cover assembly	76
Left cover	80
Right-rear cover	82
Tray 1 cover	84
Cartridge-door assembly	86
Rear scanner cover	88
Document feeder front cover	89
Document feeder rear cover	91
Right cover assembly	93
Right handle cover and bracket	98
Reinstall the right handle cover and bracket	101
Document feeder assemblies and scanner	102
Deskew mylar and separation mylar	102
Document feeder tray extender	104
Document feeder PCA	105
Document feeder jam-access cover	106
Document feeder roller cover	109
Scanner memory PCA (memory board)	112
Document feeder cable	115
Document feeder whole unit (standard model)	119
Reinstall the document feeder	121
Image scanner (standard model) whole unit	122
Remove the image scanner whole unit (standard model)	122
Reinstall the image scanner	125

Integrated scanner assembly (525c model) whole unit	130
Remove the ISA (525c model)	130
Reinstall the ISA	139
Document feeder hinge assembly	143
Control-panel cable	144
Remove the control-panel cable	144
Main assemblies	146
Tray 1 pickup roller	146
Tray 1 separation pad	148
Tray 2, 3, or 4 pickup roller assembly	149
Remove the Tray 2, 3, or 4 pickup roller—whole unit	150
Remove the Tray 2, 3, or 4 pickup roller—components	152
Reassemble the Tray 2, 3, or 4 pickup roller assembly	153
Reinstall the Tray 2, 3, or 4 pickup roller assembly	158
Tray 2, 3, or 4 separation pad	159
Tray 2, 3, or 4 base-plate roller assembly	160
Transfer roller	161
Fuser	163
Duplex media-feed assembly	166
Registration roller assembly	169
Power-switch assembly	171
Interlock switch assembly	172
Tray sensor PCA	174
Main fan	176
Top cover	178
Laser scanner	181
Tag holder assembly	184
DC controller	185
Low-voltage power supply (LVPS)	189
Tray 2 paper pickup assembly	196
Tray 1 or Tray 2 pickup solenoid	202
Fuser motor	205
Pendulum assembly	207
Sub fan and fan duct	210
Environmental sensor	215
High-voltage power supply (HVPS)	217

2 Parts and diagrams 225

Order parts by authorized service providers	226
Order parts, accessories, and supplies	226
Supplies part numbers	227

Customer self-repair (CSR) and service kits	227
Related documentation and software	232
Fasteners used in this product	232
How to use the parts lists and diagrams	233
Assembly locations	234
Base product (no optional trays or accessories)	234
Base product (optional trays or accessories)	235
Covers	236
Document feeder and scanner assemblies (525dn and 525f models)	238
Document feeder and scanner assemblies (M525c model)	240
Keyboard (M525c model)	242
Control panel assembly	244
ADF assemblies	246
Scanner assemblies	248
Internal assemblies (1 of 6)	250
Internal assemblies (2 of 6)	252
Internal assemblies (3 of 6)	254
Internal assemblies (4 of 6)	256
Internal assemblies (5 of 6)	258
Internal assemblies (6 of 6)	260
Input devices	262
500-sheet input tray (Tray 3 and Tray 4)	262
Alphabetical parts list	264
Numerical parts list	269

Index	275
--------------------	------------

List of tables

Table 2-1	Order parts, accessories, and supplies	226
Table 2-2	Supplies part numbers	227
Table 2-3	Customer self-repair (CSR) and service kits	227
Table 2-4	Related documentation and software	232
Table 2-5	Common fasteners	232
Table 2-6	Optional 500-sheet input tray	235
Table 2-7	Covers	237
Table 2-8	Document feeder and scanner assemblies (525dn and 525f models)	239
Table 2-9	Document feeder and scanner assemblies (525c models)	241
Table 2-10	Keyboard and brackets	243
Table 2-11	Control panel assembly	245
Table 2-12	ADF assemblies	247
Table 2-13	Scanner assemblies	249
Table 2-14	Internal assemblies (1 of 6)	251
Table 2-15	Internal assemblies (2 of 6)	253
Table 2-16	Internal assemblies (3 of 6)	255
Table 2-17	Internal assemblies (4 of 6)	257
Table 2-18	Internal assemblies (5 of 6)	259
Table 2-19	Internal assemblies (6 of 6)	261
Table 2-20	500-sheet input tray (Tray 3 and Tray 4)	263
Table 2-21	Alphabetical parts list	264
Table 2-22	Numerical parts list	269

List of figures

Figure 1-1	Phillips and Pozidriv screwdriver comparison	3
Figure 1-2	DC controller connections	7
Figure 1-3	Formatter connections	9
Figure 1-4	Parts removal order: covers and customer-replaceable assemblies	10
Figure 1-5	Parts removal order: document feeder assemblies and scanner	11
Figure 1-6	Parts removal order: main assemblies	11
Figure 1-7	Remove the toner cartridge (1 of 2)	12
Figure 1-8	Remove the toner cartridge (2 of 2)	13
Figure 1-9	Remove the tray	14
Figure 1-10	Remove the control-panel HIP cover	15
Figure 1-11	Remove control-panel USB cover	15
Figure 1-12	Remove the control-panel assembly (1 of 5)	16
Figure 1-13	Remove the control-panel assembly (2 of 5)	16
Figure 1-14	Remove the control-panel assembly (3 of 5)	17
Figure 1-15	Remove the control-panel assembly (4 of 5)	17
Figure 1-16	Remove the control-panel assembly (5 of 5)	18
Figure 1-17	Reinstall the control-panel assembly	18
Figure 1-18	Raising the control panel to access the FFC connector (1 of 2)	19
Figure 1-19	Raise the control panel to access the FFC connector (2 of 2)	20
Figure 1-20	Check the control panel FFC for damage (1 of 2)	20
Figure 1-21	Check the control panel FFC for damage (2 of 2)	21
Figure 1-22	Remove the control-panel assembly (1 of 13)	21
Figure 1-23	Remove the control-panel assembly (2 of 13)	22
Figure 1-24	Remove the control-panel assembly (3 of 13)	22
Figure 1-25	Remove the control-panel assembly (4 of 13)	23
Figure 1-26	Remove the control-panel assembly (5 of 13)	23
Figure 1-27	Remove the control-panel assembly (6 of 13)	24
Figure 1-28	Remove the control-panel assembly (7 of 13)	24
Figure 1-29	Remove the control-panel assembly (8 of 13)	25
Figure 1-30	Remove the control-panel assembly (9 of 13)	26
Figure 1-31	Remove the control-panel assembly (10 of 13)	26
Figure 1-32	Remove the control-panel assembly (11 of 13)	27

Figure 1-33	Remove the control-panel assembly (12 of 13)	27
Figure 1-34	Remove the control-panel assembly (13 of 13)	28
Figure 1-35	Reinstall the control-panel assembly (1 of 13)	28
Figure 1-36	Reinstall the control-panel assembly (2 of 13)	29
Figure 1-37	Reinstall the control-panel assembly (3 of 13)	29
Figure 1-38	Reinstall the control-panel assembly (4 of 13)	30
Figure 1-39	Reinstall the control-panel assembly (5 of 13)	30
Figure 1-40	Reinstall the control-panel assembly (6 of 13)	31
Figure 1-41	Reinstall the control-panel assembly (7 of 13)	31
Figure 1-42	Reinstall the control-panel assembly (8 of 13)	32
Figure 1-43	Reinstall the control-panel assembly (9 of 13)	32
Figure 1-44	Reinstall the control-panel assembly (10 of 13)	33
Figure 1-45	Reinstall the control-panel assembly (11 of 13)	33
Figure 1-46	Reinstall the control-panel assembly (12 of 13)	34
Figure 1-47	Remove the control-panel assembly (13 of 13)	34
Figure 1-48	Control-panel assembly to keyboard FFC	35
Figure 1-49	Remove the control-panel assembly to keyboard FFC (1 of 3)	36
Figure 1-50	Remove the control-panel assembly to keyboard FFC (2 of 3)	36
Figure 1-51	Remove the control-panel assembly to keyboard FFC (3 of 3)	37
Figure 1-52	Reinstall the control-panel assembly to keyboard FFC (1 of 4)	37
Figure 1-53	Reinstall the control-panel assembly to keyboard FFC (2 of 4)	38
Figure 1-54	Reinstall the control-panel assembly to keyboard FFC (3 of 4)	38
Figure 1-55	Reinstall the control-panel assembly to keyboard FFC (4 of 4)	39
Figure 1-56	Remove the keyboard assembly (1 of 7)	40
Figure 1-57	Remove the keyboard assembly (2 of 7)	41
Figure 1-58	Remove the keyboard assembly (3 of 7)	41
Figure 1-59	Remove the keyboard assembly (4 of 7)	42
Figure 1-60	Remove the keyboard assembly (5 of 7)	43
Figure 1-61	Remove the keyboard assembly (6 of 7)	43
Figure 1-62	Remove the keyboard assembly (7 of 7)	44
Figure 1-63	Install a keyboard overlay (1 of 6)	45
Figure 1-64	Install a keyboard overlay (2 of 6)	45
Figure 1-65	Install a keyboard overlay (3 of 6)	46
Figure 1-66	Install a keyboard overlay (4 of 6)	46
Figure 1-67	Install a keyboard overlay (5 of 6)	47
Figure 1-68	Install a keyboard overlay (6 of 6)	48
Figure 1-69	Remove the back-side background selector assembly (1 of 3)	49
Figure 1-70	Remove the back-side background selector assembly (2 of 3)	49
Figure 1-71	Remove the back-side background selector assembly (3 of 3)	50
Figure 1-72	Remove the foam reflector (1 of 3)	51
Figure 1-73	Remove the foam reflector (2 of 3)	51

Figure 1-74	Remove the foam reflector (3 of 3)	52
Figure 1-75	Install the foam reflector (1 of 7)	52
Figure 1-76	Install the foam reflector (2 of 7)	53
Figure 1-77	Install the foam reflector (3 of 7)	53
Figure 1-78	Install the foam reflector (4 of 7)	54
Figure 1-79	Install the foam reflector (5 of 7)	54
Figure 1-80	Install the foam reflector (6 of 7)	55
Figure 1-81	Install the foam reflector (7 of 7)	55
Figure 1-82	Remove the document feeder pickup roller (1 of 4)	56
Figure 1-83	Remove the document feeder pickup roller (2 of 4)	56
Figure 1-84	Remove the document feeder pickup roller (3 of 4)	57
Figure 1-85	Remove the document feeder pickup roller (4 of 4)	57
Figure 1-86	Remove the document feeder separation pad (1 of 5)	58
Figure 1-87	Remove the document feeder separation pad (2 of 5)	58
Figure 1-88	Remove the document feeder separation pad (3 of 5)	59
Figure 1-89	Remove the document feeder separation pad (4 of 5)	59
Figure 1-90	Remove the document feeder separation pad (5 of 5)	60
Figure 1-91	Reinstall the document feeder separation pad spring	60
Figure 1-92	Remove the fax card and cable (1 of 4)	61
Figure 1-93	Remove the fax card and cable (2 of 4)	61
Figure 1-94	Remove the fax card and cable (3 of 4)	62
Figure 1-95	Remove the fax card and cable (4 of 4)	62
Figure 1-96	Remove the HDD (1 of 5)	63
Figure 1-97	Remove the HDD (2 of 5)	64
Figure 1-98	Remove the HDD (3 of 5)	64
Figure 1-99	Remove the HDD (4 of 5)	65
Figure 1-100	Remove the HDD (5 of 5)	65
Figure 1-101	Remove the SSM (1 of 4)	66
Figure 1-102	Remove the SSM (2 of 4)	66
Figure 1-103	Remove the SSM (3 of 4)	67
Figure 1-104	Remove the SSM (4 of 4)	67
Figure 1-105	Remove the formatter cover	69
Figure 1-106	Remove the formatter PCA (1 of 4)	70
Figure 1-107	Remove the formatter PCA (2 of 4)	70
Figure 1-108	Remove the formatter PCA (3 of 4)	71
Figure 1-109	Remove the formatter PCA (4 of 4)	71
Figure 1-110	Remove the substitute cover (1 of 4)	72
Figure 1-111	Remove the stapler cover (2 of 4)	72
Figure 1-112	Remove the stapler cover (3 of 4)	73
Figure 1-113	Remove the stapler cover (4 of 4)	73
Figure 1-114	Remove the substitute stapler cover (1 of 2)	74

Figure 1-115	Remove the substitute stapler cover (2 of 2)	74
Figure 1-116	Remove the stapler assembly	75
Figure 1-117	Remove the rear cover assembly (1 of 8)	76
Figure 1-118	Remove the rear cover assembly (2 of 8)	76
Figure 1-119	Remove the rear cover assembly (3 of 8)	77
Figure 1-120	Remove the rear cover assembly (4 of 8)	77
Figure 1-121	Remove the rear cover assembly (5 of 8)	78
Figure 1-122	Remove the rear cover assembly (6 of 8)	78
Figure 1-123	Remove the rear cover assembly (7 of 8)	79
Figure 1-124	Remove the rear cover assembly (8 of 8)	79
Figure 1-125	Remove the left cover (1 of 3)	80
Figure 1-126	Remove the left cover (2 of 3)	81
Figure 1-127	Remove the left cover (3 of 3)	81
Figure 1-128	Remove the right-rear cover (1 of 2)	82
Figure 1-129	Remove the right-rear cover (2 of 2)	82
Figure 1-130	Reinstall the right-rear cover	83
Figure 1-131	Remove Tray 1 cover (1 of 3)	84
Figure 1-132	Remove Tray 1 cover (2 of 3)	84
Figure 1-133	Remove Tray 1 cover (3 of 3)	85
Figure 1-134	Remove the cartridge-door assembly (1 of 3)	86
Figure 1-135	Remove the cartridge-door assembly (2 of 3)	87
Figure 1-136	Remove the cartridge-door assembly (3 of 3)	87
Figure 1-137	Remove the Rear scanner cover	88
Figure 1-138	Remove the document feeder front cover (1 of 4)	89
Figure 1-139	Remove the document feeder front cover (2 of 4)	89
Figure 1-140	Remove the document feeder front cover (3 of 4)	90
Figure 1-141	Remove the document feeder front cover (4 of 4)	90
Figure 1-142	Remove the document feeder rear cover (1 of 4)	91
Figure 1-143	Remove the document feeder rear cover (2 of 4)	91
Figure 1-144	Remove the document feeder rear cover (3 of 4)	92
Figure 1-145	Remove the document feeder rear cover (4 of 4)	92
Figure 1-146	Remove the right cover assembly (1 of 4)	93
Figure 1-147	Remove the right cover assembly (2 of 4)	94
Figure 1-148	Remove the right cover assembly (3 of 4)	95
Figure 1-149	Remove the right cover assembly (4 of 4)	95
Figure 1-150	Reinstall the right cover assembly: correct alignment	96
Figure 1-151	Reinstall the right cover assembly: incorrect alignment	96
Figure 1-152	Reinstall the right cover assembly	97
Figure 1-153	Remove the right handle cover and bracket (1 of 5)	98
Figure 1-154	Remove the right handle cover and bracket (2 of 5)	99
Figure 1-155	Remove the right handle cover and bracket (3 of 5)	99

Figure 1-156	Remove the right handle cover and bracket (4 of 5)	100
Figure 1-157	Remove the right handle cover and bracket (5 of 5)	100
Figure 1-158	Reinstall the right handle cover and bracket (1 of 2)	101
Figure 1-159	Remove the right handle cover and bracket (2 of 2)	101
Figure 1-160	Remove the deskew mylar and separation mylar (1 of 3)	102
Figure 1-161	Remove the deskew mylar and separation mylar (2 of 3)	102
Figure 1-162	Remove the deskew mylar and separation mylar (3 of 3)	103
Figure 1-163	Remove the document feeder tray extender (1 of 2)	104
Figure 1-164	Remove the document feeder tray extender (2 of 2)	104
Figure 1-165	Remove the document feeder PCA	105
Figure 1-166	Remove the document feeder jam-access cover (1 of 5)	106
Figure 1-167	Remove the document feeder jam-access cover (2 of 5)	106
Figure 1-168	Remove the document feeder jam-access cover (3 of 5)	107
Figure 1-169	Remove the document feeder jam-access cover (4 of 5)	107
Figure 1-170	Remove the document feeder jam-access cover (5 of 5)	108
Figure 1-171	Remove the document feeder roller cover (1 of 4)	109
Figure 1-172	Remove the document feeder roller cover (2 of 4)	109
Figure 1-173	Remove the document feeder roller cover (3 of 4)	110
Figure 1-174	Remove the document feeder roller cover (4 of 4)	110
Figure 1-175	Reinstall the document feeder roller cover	111
Figure 1-176	Remove the scanner memory PCA (1 of 4)	112
Figure 1-177	Remove the scanner memory PCA (2 of 4)	112
Figure 1-178	Remove the scanner memory PCA (3 of 4)	113
Figure 1-179	Remove the scanner memory PCA (4 of 4)	114
Figure 1-180	Remove the document feeder cable (1 of 6)	115
Figure 1-181	Remove the document feeder cable (2 of 5)	116
Figure 1-182	Remove the document feeder cable (2 of 5)	116
Figure 1-183	Remove the document feeder cable (3 of 5)	117
Figure 1-184	Remove the document feeder cable (4 of 5)	117
Figure 1-185	Remove the document feeder cable (5 of 5)	118
Figure 1-186	Remove the document feeder whole unit (1 of 4)	119
Figure 1-187	Remove the document feeder whole unit (2 of 4)	119
Figure 1-188	Remove the document feeder whole unit (3 of 4)	120
Figure 1-189	Remove the document feeder whole unit (4 of 4)	120
Figure 1-190	Remove the image scanner (standard model) whole unit (1 of 6)	122
Figure 1-191	Remove the image scanner (standard model) whole unit (2 of 6)	123
Figure 1-192	Remove the image scanner (standard model) whole unit (3 of 6)	123
Figure 1-193	Remove the image scanner (standard model) whole unit (4 of 6)	124
Figure 1-194	Remove the image scanner (standard model) whole unit (5 of 6)	124
Figure 1-195	Remove the image scanner (standard model) whole unit (6 of 6)	125
Figure 1-196	Transfer the control-panel cable (1 of 7)	125

Figure 1-197	Transfer the control-panel cable (2 of 7)	126
Figure 1-198	Transfer the control-panel cable (3 of 7)	126
Figure 1-199	Transfer the control-panel cable (4 of 7)	127
Figure 1-200	Transfer the control-panel cable (5 of 7)	127
Figure 1-201	Transfer the control-panel cable (6 of 7)	128
Figure 1-202	Transfer the control-panel cable (7 of 7)	128
Figure 1-203	Remove the ISA (525c model) whole unit (1 of 9)	130
Figure 1-204	Remove the ISA (525c model) whole unit (2 of 9)	131
Figure 1-205	Remove the ISA (525c model) whole unit (3 of 9)	131
Figure 1-206	Remove the ISA (525c model) whole unit (4 of 9)	132
Figure 1-207	Remove the ISA (525c model) whole unit (5 of 9)	132
Figure 1-208	Remove the ISA (525c model) whole unit (6 of 9)	133
Figure 1-209	Remove the ISA (525c model) whole unit (7 of 9)	133
Figure 1-210	Remove the ISA (525c model) whole unit (8 of 9)	134
Figure 1-211	Remove the ISA (525c model) whole unit (9 of 9)	134
Figure 1-212	Separate the ISA assemblies (525c model; 1 of 7)	135
Figure 1-213	Separate the ISA assemblies (525c model; 2 of 7)	135
Figure 1-214	Separate the ISA assemblies (525c model; 3 of 7)	136
Figure 1-215	Separate the ISA assemblies (525c model; 4 of 7)	136
Figure 1-216	Separate the ISA assemblies (525c model; 5 of 7)	137
Figure 1-217	Separate the ISA assemblies (525c model; 6 of 7)	137
Figure 1-218	Separate the ISA assemblies (525c model; 7 of 7)	138
Figure 1-219	Remove the document feeder hinge assembly	143
Figure 1-220	Remove the control-panel cable (1 of 2)	144
Figure 1-221	Remove the control-panel cable (2 of 2)	145
Figure 1-222	Remove the Tray 1 pickup roller (1 of 2)	146
Figure 1-223	Remove the Tray 1 pickup roller (2 of 2)	147
Figure 1-224	Remove the Tray 1 separation pad (1 of 2)	148
Figure 1-225	Remove the Tray 1 separation pad (2 of 2)	148
Figure 1-226	Tray 2, 3, or 4 pickup roller assembled	149
Figure 1-227	Tray 2, 3, or 4 pickup roller disassembled	149
Figure 1-228	Remove the Tray 2, 3, or 4 pickup roller (1 of 2)	150
Figure 1-229	Remove the Tray 2, 3, or 4 pickup roller (2 of 2)	151
Figure 1-230	Remove the Tray 2, 3, or 4 pickup roller (1 of 3)	152
Figure 1-231	Remove the Tray 2, 3, or 4 pickup roller (2 of 3)	152
Figure 1-232	Remove the Tray 2, 3, or 4 pickup roller (3 of 3)	153
Figure 1-233	Reassemble the Tray 2, 3, or 4 pickup roller assembly (1 of 9)	153
Figure 1-234	Reassemble the Tray 2, 3, or 4 pickup roller assembly (2 of 9)	154
Figure 1-235	Reassemble the Tray 2, 3, or 4 pickup roller assembly (3 of 9)	154
Figure 1-236	Reassemble the Tray 2, 3, or 4 pickup roller assembly (4 of 9)	155
Figure 1-237	Reassemble the Tray 2, 3, or 4 pickup roller assembly (5 of 9)	155

Figure 1-238	Reassemble the Tray 2, 3, or 4 pickup roller assembly (6 of 9)	156
Figure 1-239	Reassemble the Tray 2, 3, or 4 pickup roller assembly (7 of 9)	156
Figure 1-240	Reassemble the Tray 2, 3, or 4 pickup roller assembly (8 of 9)	157
Figure 1-241	Reassemble the Tray 2, 3, or 4 pickup roller assembly (9 of 9)	157
Figure 1-242	Reinstall the Tray 2, 3, or 4 pickup roller assembly (1 of 2)	158
Figure 1-243	Reinstall the Tray 2, 3, or 4 pickup roller assembly (2 of 2)	158
Figure 1-244	Remove the Tray 2, 3, or 4 separation pad	159
Figure 1-245	Tray 2, 3, or 4 base plate roller assembly (1 of 2)	160
Figure 1-246	Tray 2, 3, or 4 base plate roller assembly (2 of 2)	160
Figure 1-247	Remove the transfer roller (1 of 3)	161
Figure 1-248	Remove the transfer roller (2 of 3)	161
Figure 1-249	Remove the transfer roller (3 of 3)	162
Figure 1-250	Remove the fuser (1 of 4)	163
Figure 1-251	Remove the fuser (2 of 4)	164
Figure 1-252	Removing the fuser (3 of 4)	164
Figure 1-253	Removing the fuser (4 of 4)	165
Figure 1-254	Remove the duplex media-feed assembly (1 of 5)	166
Figure 1-255	Remove the duplex media-feed assembly (2 of 5)	167
Figure 1-256	Remove the duplex media-feed assembly (3 of 5)	167
Figure 1-257	Remove the duplex media-feed assembly (4 of 5)	168
Figure 1-258	Remove the duplex media-feed assembly (5 of 5)	168
Figure 1-259	Remove the registration roller assembly (1 of 3)	169
Figure 1-260	Remove the registration roller assembly (2 of 3)	169
Figure 1-261	Removing the registration roller assembly (3 of 3)	170
Figure 1-262	Remove the power-switch assembly	171
Figure 1-263	Remove the Interlock switch assembly (1 of 3)	172
Figure 1-264	Remove the Interlock switch assembly (2 of 3)	173
Figure 1-265	Remove the Interlock switch assembly (3 of 3)	173
Figure 1-266	Remove the tray sensor PCA (1 of 3)	174
Figure 1-267	Remove the tray sensor PCA (2 of 3)	175
Figure 1-268	Remove the tray sensor PCA (3 of 3)	175
Figure 1-269	Remove the main fan (1 of 3)	176
Figure 1-270	Remove the main fan (2 of 3)	177
Figure 1-271	Remove the main fan (3 of 3)	177
Figure 1-272	Remove the top cover (1 of 4)	178
Figure 1-273	Remove the top cover (2 of 4)	179
Figure 1-274	Remove the top cover (3 of 4)	179
Figure 1-275	Remove the top cover (4 of 4)	180
Figure 1-276	Reinstall the top cover	180
Figure 1-277	Remove the laser scanner (1 of 5)	181
Figure 1-278	Remove the laser scanner (2 of 5)	182

Figure 1-279	Remove the laser scanner (3 of 5)	182
Figure 1-280	Remove the laser scanner (4 of 5)	183
Figure 1-281	Remove the laser scanner (5 of 5)	183
Figure 1-282	Remove the tag holder assembly	184
Figure 1-283	Remove the DC controller (1 of 6)	185
Figure 1-284	Remove the DC controller (2 of 6)	186
Figure 1-285	Remove the DC controller (3 of 6)	186
Figure 1-286	Remove the DC controller (4 of 6)	187
Figure 1-287	Remove the DC controller (5 of 6)	187
Figure 1-288	Remove the DC controller (6 of 6)	188
Figure 1-289	Remove the LVPS (1 of 10)	190
Figure 1-290	Remove the LVPS (2 of 10)	190
Figure 1-291	Remove the LVPS (3 of 10)	191
Figure 1-292	Remove the LVPS (4 of 10)	191
Figure 1-293	Remove the LVPS (5 of 10)	192
Figure 1-294	Remove the LVPS (6 of 10)	192
Figure 1-295	Remove the LVPS (7 of 10)	193
Figure 1-296	Remove the LVPS (8 of 8)	193
Figure 1-297	Remove the LVPS (9 of 10)	194
Figure 1-298	Remove the LVPS (10 of 10)	194
Figure 1-299	Reinstall the LVPS	195
Figure 1-300	Remove the Tray 2 paper pickup assembly (1 of 10)	197
Figure 1-301	Remove the Tray 2 paper pickup assembly (2 of 10)	197
Figure 1-302	Remove the Tray 2 paper pickup assembly (3 of 10)	198
Figure 1-303	Remove the Tray 2 paper pickup assembly (4 of 10)	198
Figure 1-304	Remove the Tray 2 paper pickup assembly (5 of 10)	199
Figure 1-305	Remove the Tray 2 paper pickup assembly (6 of 10)	199
Figure 1-306	Remove the Tray 2 paper pickup assembly (7 of 10)	200
Figure 1-307	Remove the Tray 2 paper pickup assembly (8 of 10)	200
Figure 1-308	Remove the Tray 2 paper pickup assembly (9 of 10)	201
Figure 1-309	Remove the Tray 2 paper pickup assembly (10 of 10)	201
Figure 1-310	Tray 1 or Tray 2 pickup solenoid (1 of 3)	203
Figure 1-311	Tray 1 or Tray 2 pickup solenoid (2 of 3)	203
Figure 1-312	Tray 1 or Tray 2 pickup solenoid (3 of 3)	204
Figure 1-313	Removing the fuser motor	206
Figure 1-314	Remove the pendulum assembly (1 of 4)	208
Figure 1-315	Remove the pendulum assembly (2 of 4)	208
Figure 1-316	Remove the pendulum assembly (3 of 4)	209
Figure 1-317	Remove the pendulum assembly (4 of 4)	209
Figure 1-318	Removing the sub fan and fan duct (1 of 5)	211
Figure 1-319	Removing the sub fan and fan duct (2 of 5)	211

Figure 1-320	Removing the sub fan and fan duct (3 of 5)	212
Figure 1-321	Remove the sub fan and fan duct (4 of 5)	212
Figure 1-322	Remove the sub fan and fan duct (5 of 5)	213
Figure 1-323	Reinstall the sub fan (1 of 2)	214
Figure 1-324	Reinstall the sub fan (2 of 2)	214
Figure 1-325	Removing the environmental sensor (1 of 2)	216
Figure 1-326	Removing the environmental sensor (2 of 2)	216
Figure 1-327	Remove the HVPS (1 of 12)	218
Figure 1-328	Remove the HVPS (2 of 12)	218
Figure 1-329	Remove the HVPS (3 of 12)	219
Figure 1-330	Remove the HVPS (4 of 12)	219
Figure 1-331	Remove the HVPS (5 of 12)	220
Figure 1-332	Remove the HVPS (6 of 12)	220
Figure 1-333	Remove the HVPS (7 of 12)	221
Figure 1-334	Remove the HVPS (8 of 12)	221
Figure 1-335	Remove the HVPS (9 of 12)	222
Figure 1-336	Remove the HVPS (10 of 12)	222
Figure 1-337	Remove the HVPS (11 of 12)	223
Figure 1-338	Remove the HVPS (12 of 12)	223
Figure 1-339	Reinstall the HVPS	224
Figure 2-1	Base product (no optional trays or accessories)	234
Figure 2-2	Base product (optional trays or accessories)	235
Figure 2-3	Covers	236
Figure 2-4	Document feeder and scanner assemblies (525dn and 525f models)	238
Figure 2-5	Document feeder and scanner assemblies (525c models)	240
Figure 2-6	Keyboard and brackets	242
Figure 2-7	Control panel assembly	244
Figure 2-8	ADF assemblies	246
Figure 2-9	Scanner assemblies	248
Figure 2-10	Internal assemblies (1 of 6)	250
Figure 2-11	Internal assemblies (2 of 6)	252
Figure 2-12	Internal assemblies (3 of 6)	254
Figure 2-13	Internal assemblies (4 of 6)	256
Figure 2-14	Internal assemblies (5 of 6)	258
Figure 2-15	Internal assemblies (6 of 6)	260
Figure 2-16	500-sheet input tray (Tray 3 and Tray 4)	262

1 Removal and replacement

- [Removal and replacement strategy](#)
- [Service approach](#)
- [Removal and replacement procedures](#)


Removal and replacement strategy

General cautions during removal and replacement

This chapter describes the removal and replacement of field-replaceable units (FRUs) only.


Replacing FRUs is generally the reverse of removal. Occasionally, notes and tips are included to provide directions for difficult or critical replacement procedures.

HP does *not* support repairing individual subassemblies or troubleshooting to the component level.


 **WARNING!** Turn the product off, wait 5 seconds, and then remove the power cable before attempting to service the product. If this warning is not followed, severe injury can result, in addition to damage to the product. The power must be on for certain functional checks during troubleshooting. However, disconnect the power supply during parts removal.

Never operate or service the product with the protective cover removed from the laser scanner assembly. The reflected beam, although invisible, can damage your eyes.


The sheet-metal parts can have sharp edges. Be careful when handling sheet-metal parts.

 **CAUTION:** Do not bend or fold the flat flexible cables (FFCs) during removal or installation. Also, do not straighten prefolds in the FFCs. You *must* fully seat all FFCs in their connectors. Failure to fully seat an FFC into a connector can cause a short circuit in a PCA.



Incorrectly routed or loose wire harnesses can interfere with other internal components and can become damaged or broken. Frayed or pinched harness wires can be difficult to find. When replacing wire harnesses, always use the provided wire loops, lance points, or wire-harness guides and retainers.

 **NOTE:** To install a self-tapping screw, first turn it counterclockwise to align it with the thread pattern, and then carefully turn it clockwise to tighten. Do not overtighten. If a self-tapping screw-hole becomes stripped, repair the screw-hole or replace the affected assembly.

Note the length, diameter, color, type, and location of each screw. Be sure to return each screw to its original location during reassembly.

 **TIP:** For clarity, some photos in this chapter might show components removed that would not be removed to service the product. If necessary, remove the components listed at the beginning of a procedure before proceeding to service the product.

Electrostatic discharge

 **CAUTION:**  Some parts are sensitive to electrostatic discharge (ESD). Look for the ESD reminder when removing product parts. Always perform service work at an ESD-protected workstation or mat, or use an ESD strap. If an ESD workstation, mat, or strap is not available, ground yourself by touching the sheet-metal chassis *before* touching an ESD-sensitive part.

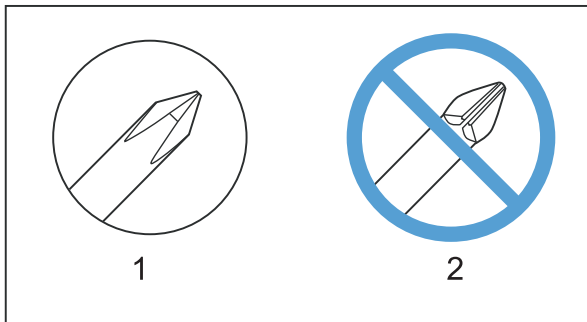
Protect the ESD-sensitive parts by placing them in ESD pouches when they are out of the product.

Required tools

- #2 Phillips 152 mm (6 in) screwdriver with magnetic tip
- #2 Phillips 76 mm (3 in) screwdriver with magnetic tip
- Small flat blade screwdriver
- Small needle-nose pliers
- ESD mat
- Penlight

CAUTION: Always use a Phillips screwdriver (callout 1). Do not use a Pozidriv® screwdriver (callout 2) or any motorized screwdriver. These can damage screws or screw threads.

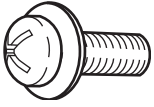
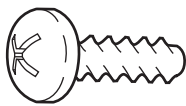
Figure 1-1 Phillips and Pozidriv screwdriver comparison

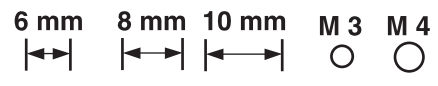


Types of screws

NOTE: The illustration in this section are for reference only. The screws in your product might look slightly different.

Illustration	Description	Size	Part number	Use
	Screw with washer	M3X6	XB2-7300-000CN	Used to secure metal components to metal components (for example, a ground wire to the frame)
	Screw, tapping	M3X6	XA9-1503-000CN	
	Screw	D-M3X6	XA9-1671-000CN	

	Screw	P-M3X8	XB4-5300-807CN	
	Screw, tapping, truss head	M4X10	XB4-7401-005CN	Used to secure anything to plastic



Service approach

Product repair normally begins by using the product internal diagnostics and the following two-step process:

1. Isolate the problem to the major system (for example, the network or server, or the product).
2. Troubleshoot the problem by using the procedures in the solve problems chapter.

After you find a faulty part, the product can usually be repaired at the assembly level by replacing field-replaceable units (FRUs). Some mechanical assemblies might need to be repaired at the subassembly level.

Before performing service

- Remove all paper from the product.
- Turn off the power using the power switch.
- Disconnect the power cable and interface cable or cables.
- Place the product on an ESD workstation or mat, or use an ESD strap (if one is available). If an ESD workstation, mat, or strap is not available, ground yourself by touching the sheet-metal chassis *before* touching an ESD-sensitive part.
- Remove the toner cartridges. See [Toner cartridge on page 12](#).
- Remove the tray or trays. See [Tray 2, Tray 3, or Tray 4 assembly on page 14](#).

After performing service

- Connect the power cable.
- Reinstall the toner cartridges.
- Reinstall the tray or trays.
- If an optional paper feeder was installed, place the product on the feeder.

Post-service test

Perform the following test to verify that the repair or replacement was successful.

Print-quality test

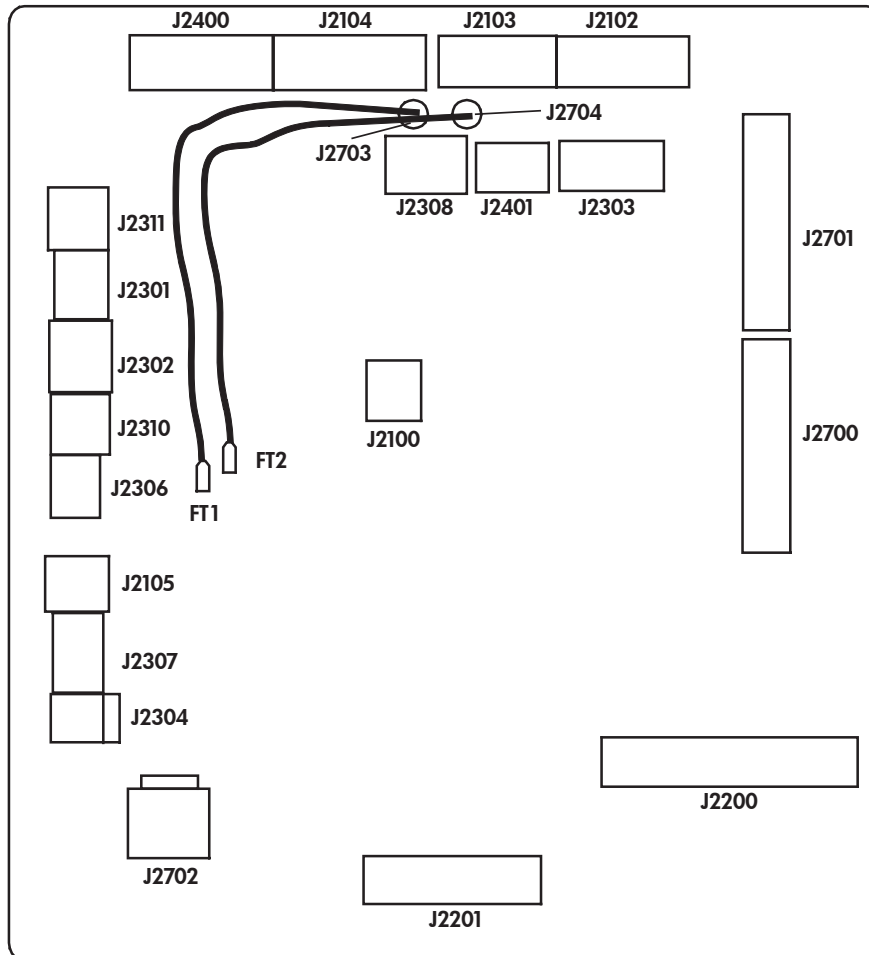
1. Verify that you have completed the necessary reassembly steps.
2. Make sure that the tray contains clean, unmarked paper.
3. Attach the power cable and interface cable or interface cables, and then turn on the product.
4. Verify that the expected start-up sounds occur. The fans start.

5. Print a configuration page, and then verify that the expected printing sounds occur. The fans start and the rollers turn.
6. Print a demo page, and then verify that the print quality is as expected.
7. Send a print job from the host computer, and then verify that the output meets expectations.
8. If necessary, restore any customer-specified settings.
9. Clean the outside of the product with a damp cloth.

Location of connectors

DC controller connections

Figure 1-2 DC controller connections

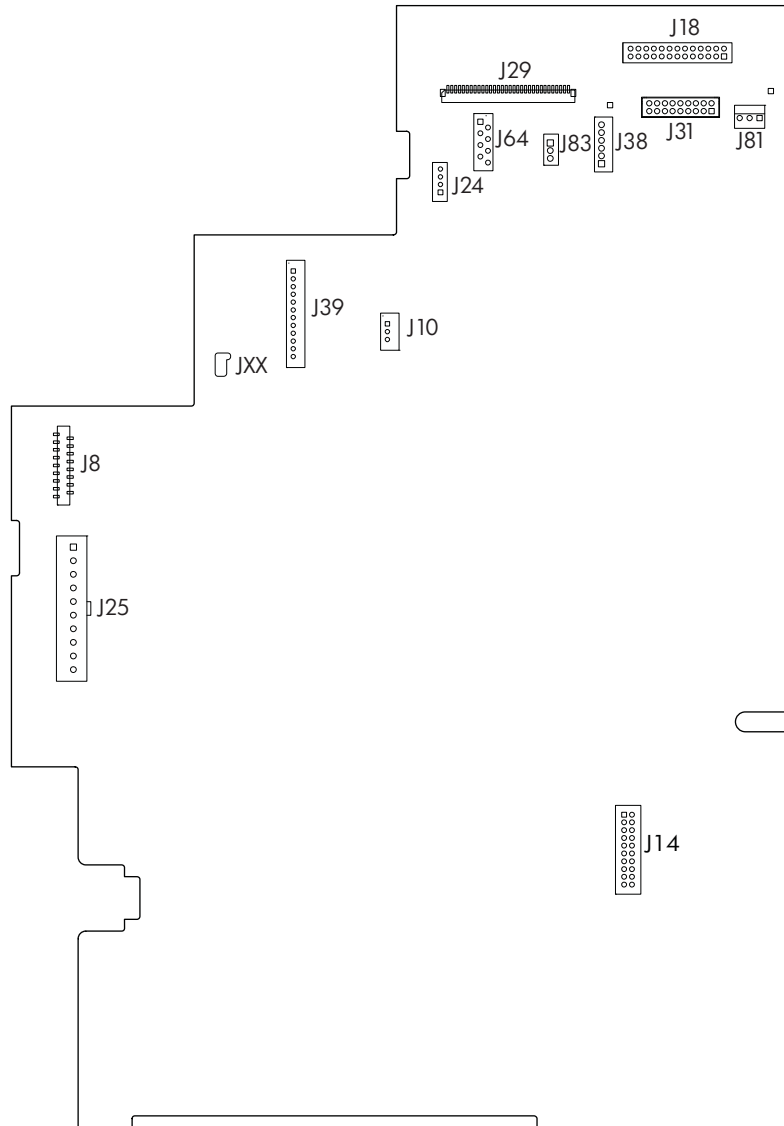


Item	Description	Item	Description	Item	Description
J2100	Not used	J2302	MPT media out sensor (PS205)	J2400	Fuser output sensor (PS2) TH1/TH2
J2102	Fuser motor (M8002)	J2303	Face-up sensor (PS1) Output bin full sensor (PS4)	J2401	
J2103	Main motor (M8003)	J2304	Environmental sensor (TH3)	J2700	LVPS

Item	Description	Item	Description	Item	Description
J2104	Subfan (FM2) Rear door sensor (PS8001) Scanner motor (M3)	J2306	Interlock switch (SW260)	J2701	LVPS
J2105	Power switch (SW240)	J2307	Tray detection switch (SW235)	J2702	LVPS
J2200	HVPS	J2308	Main fan (FM1)	J2703	Cartridge door switch (SW501)
J2201	Paper feeder connector	J2310	CST pickup solenoid (SL2)	J2704	Cartridge door switch (SW501)
J2301	CST media out sensor (PS3)	J2311	MPT pickup solenoid (SL1)		

Formatter connections

Figure 1-3 Formatter connections



Item	Description	Item	Description
J8	LVPS	J31	Scanner
J10	Stapler	J38	Scanner
J14	Fax card	J39	Control panel
J18	Scanner	J64	Scanner
J24	Scanner	J81	No connection (empty)
J25	LVPS	J83	Scanner
J29	Scanner	JXX	Control panel

Parts removal order

Figure 1-4 Parts removal order: covers and customer-replaceable assemblies

Assembly	Remove	Remove	Remove	Remove	Remove	Remove
Formatter cover						
Formatter PCA	Formatter cover					
Stapler cover	Formatter cover					
Substitute stapler cover	Formatter cover					
Stapler assembly	Formatter cover	Stapler cover				
Rear cover assy						
Left cover	Rear cover assy					
Right-rear cover	Formatter cover	Rear cover assy				
Tray 1 cover	Rear cover assy	Left cover				
Cartridge-door assembly	Rear cover assy	Left cover	Tray 1 cover			
Rear scanner cover						
ADF front cover						
ADF rear cover						
Right cover	Formatter cover Stapler cover	Tray 1 cover	Cartridge-door assembly			
Right-handle cover and bracket	Stapler assembly Rear cover assy	Formatter	Right-rear cover	Tray 1 cover	Cartridge-door assembly	Right cover
Top cover	Left cover	Rear cover	Scanner			
Toner cartridge						
Trays 2, 3, 4						
Control panel HIP						
USB cover						
Control panel						
Keyboard (525c model)	Control panel					
ADF pickup roller						
ADF separation pad						
Fax card and cable	Formatter cover					
Hard drive (HDD)	Formatter cover					
Solid state module (SSM)	Formatter cover					

Figure 1-5 Parts removal order: document feeder assemblies and scanner

Assembly	Remove	Remove	Remove	Remove	Remove	Remove
Mylar						
Foam reflector						
ADF tray extender						
ADF PCA	ADF rear cover					
ADF jam-access cover						
ADF roller cover	ADF jam-access cover					
Scanner memory PCA	Formatter cover	Rear cover				
Control panel cable	Formatter cover	Rear cover	ADF rear cover			
ADF whole unit	Formatter cover	Rear cover				
Assy hinge assembly	Formatter cover	Rear cover	ADF whole unit			
Image scanner whole unit	Formatter cover	Rear cover	Rear door assembly	Left cover	Stapler cover	Stapler

Figure 1-6 Parts removal order: main assemblies

Assembly	Remove	Remove	Remove	Remove	Remove	Remove	Remove	Remove
Tray 1 pickup roller								
Tray 1 separation pad								
Tray 2, 3, or 4 pickup roller								
Tray 2, 3, or 4 separation pad								
Tray 2, 3, or 4 base-plate roller assembly								
Transfer roller								
Fuser	Rear cover assy	Right-rear cover						
Duplex media-feed assembly	Rear cover assy	Right-rear cover						
Registration roller assembly	Rear cover assy	Left cover						
Power-switch assembly	Formatter cover Stapler cover Stapler Rear cover assy Left cover	Tray 1 cover	Cartridge-door assembly	Right cover				
Interlock switch assembly		Tray 1 cover	Cartridge-door assembly	Right cover				
Tray sensor PCA		Tray 1 cover	Cartridge-door assembly	Right cover				
Main fan		Tray 1 cover	Cartridge-door assembly	Right cover				
DC controller		Tray 1 cover	Cartridge-door assembly	Right cover	Lower right cover (if removing sheet metal plate)			
Top cover		Scanner rear cover	Scanner					
Laser scanner		Scanner rear cover	Scanner	Top cover				
Tag holder assembly		Scanner rear cover	Scanner	Top cover				
LVPS		Right cover	Lower right cover	Scanner	Top cover	DC controller		
Tray 1 or Tray 2 pickup solenoid		Formatter cover Stapler cover	Right cover	Lower right cover	Scanner	Top cover	DC controller	LVPS
Fuser motor	Stapler	Right cover	Lower right cover	Scanner	Top cover	DC controller	LVPS	
Pendulum assembly	Rear cover assy Left cover	Right cover	Lower right cover	Scanner	Top cover	DC controller	LVPS	Fuser motor
Sub fan and fan duct	Right-rear cover	Right cover	Lower right cover	Scanner	Top cover	DC controller	LVPS	
Environmental sensor	Tray 1 cover Scanner rear cover	Right cover	Lower right cover	Scanner	Top cover	DC controller with plate	LVPS	
Tray 2 paper pickup	Cartridge-door assembly	Duplex media-feed assembly	Right cover	Lower right cover	Scanner	Top cover	DC controller	LVPS
HVPS		Duplex media-feed assembly	Right cover	Lower right cover	Scanner	Top cover	DC controller	LVPS

Removal and replacement procedures

Customer self repair (CSR) components

Toner cartridge

CAUTION: If toner gets on your clothing, wipe it off with a dry cloth and wash clothing in cold water. *Hot water sets toner into fabric.*

1. Press the cartridge-door release button, and then open the cartridge door. Make sure that the door is completely open.

Figure 1-7 Remove the toner cartridge (1 of 2)

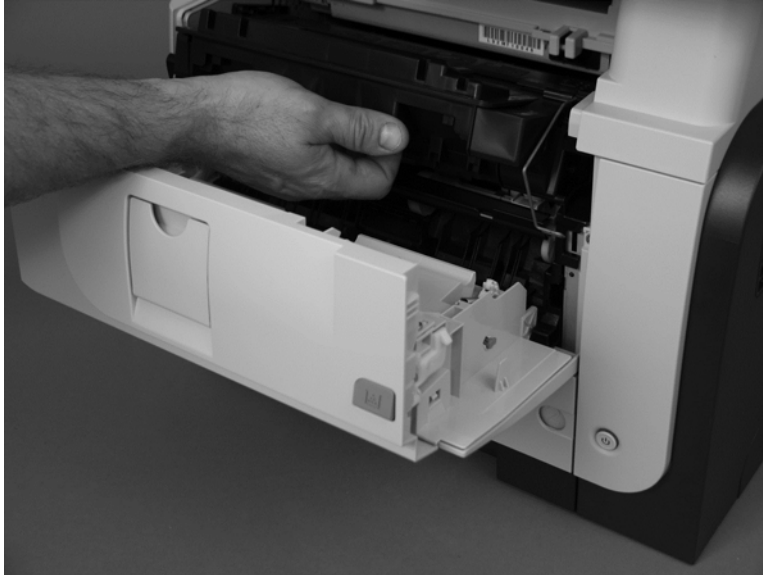


2. Grasp the toner-cartridge handle and pull it out of the product.


⚠ CAUTION: Do not touch the green roller. Doing so can damage the cartridge. Do not expose the cartridge to strong light. Cover the cartridge with a sheet of paper to protect it from light.

💡 Reinstallation tip Align the toner cartridge with its slot and insert the toner cartridge until it clicks into place.

Figure 1-8 Remove the toner cartridge (2 of 2)



Tray 2, Tray 3, or Tray 4 assembly

 **NOTE:** Use this procedure to remove the Tray 2, Tray 3, or Tray 4.

- ▲ Pull the tray straight out of the product until it stops. Carefully lift up on the tray to release it, and then remove the tray.

Figure 1-9 Remove the tray



Control-panel HIP cover

Use a small flat blade screwdriver to carefully separate the cover from the product.

⚠ CAUTION: There are two tabs along each of the long edges of the cover that fasten the cover to the product. Do not break the tabs when the cover is removed.

Figure 1-10 Remove the control-panel HIP cover



Control-panel USB cover

Remove the small cover from USB port on the left side of the control-panel assembly.

Figure 1-11 Remove control-panel USB cover

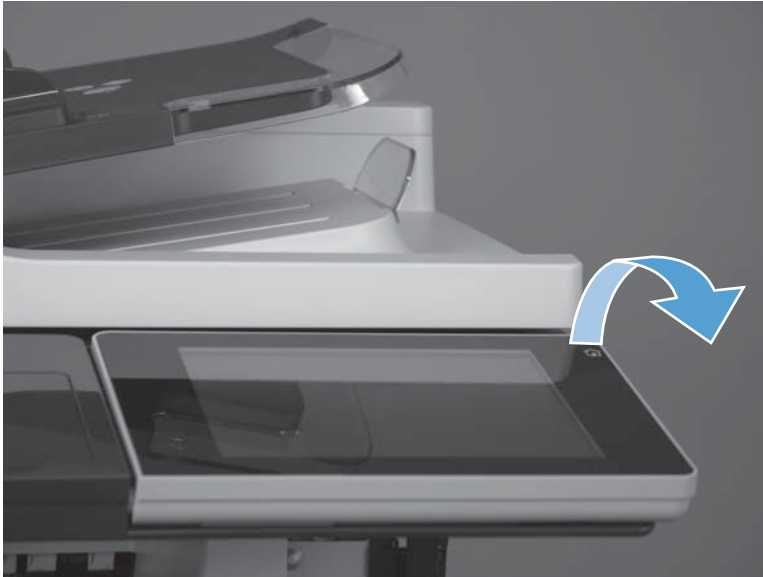


Control-panel assembly

⚠ WARNING!  ESD sensitive component.

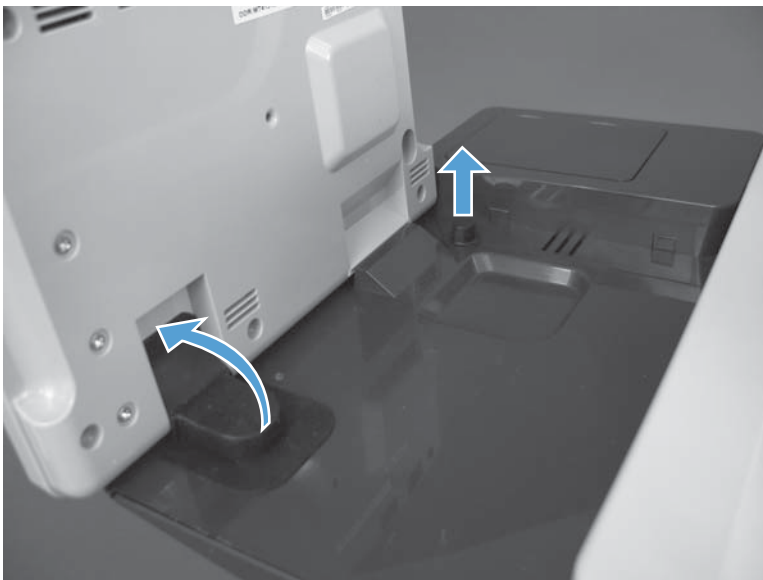
1. Lift the control-panel assembly to an upright position.

Figure 1-12 Remove the control-panel assembly (1 of 5)



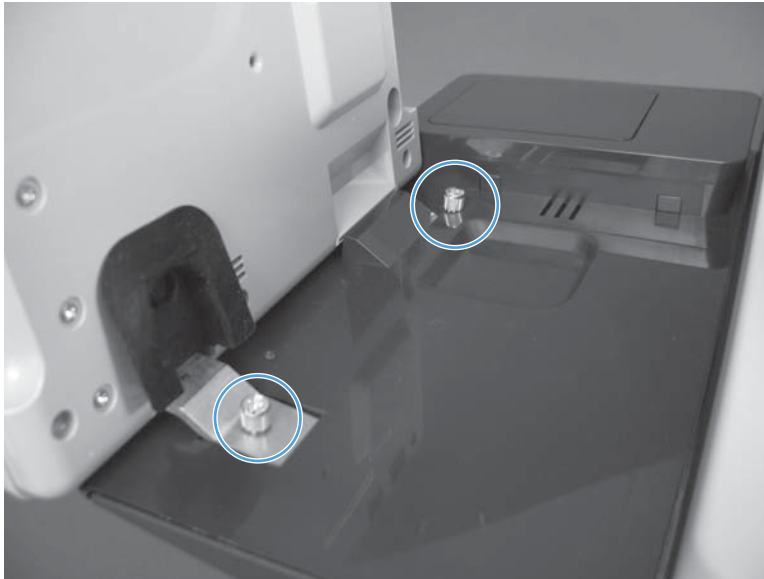
2. Lift the antistatic covers to reveal the thumbscrews.

Figure 1-13 Remove the control-panel assembly (2 of 5)



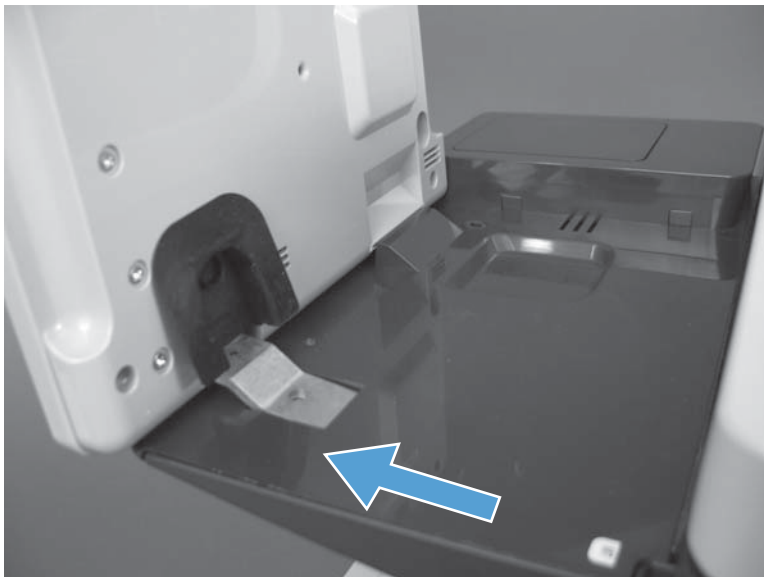
3. Remove two thumbscrews.

Figure 1-14 Remove the control-panel assembly (3 of 5)



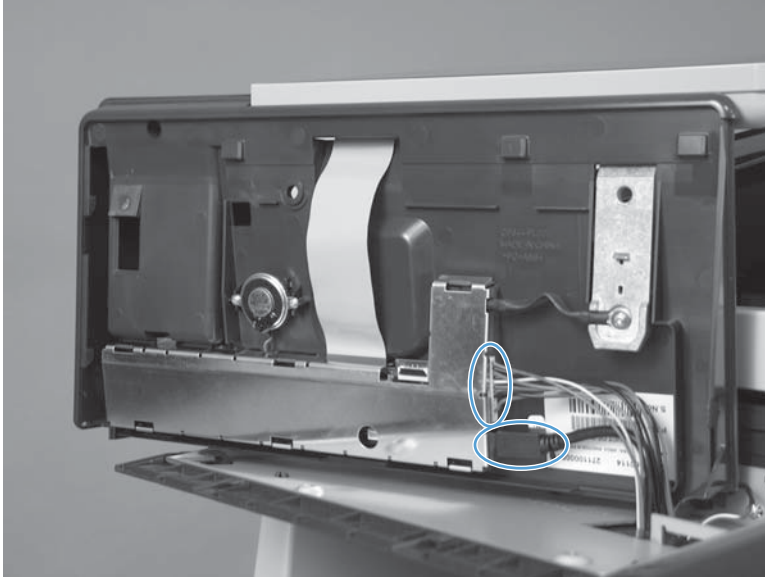
4. Slowly slide the control-panel assembly away from the product to release it. Lift the control-panel assembly to reveal the connectors.

Figure 1-15 Remove the control-panel assembly (4 of 5)



5. Disconnect two connectors and then remove the control-panel assembly.

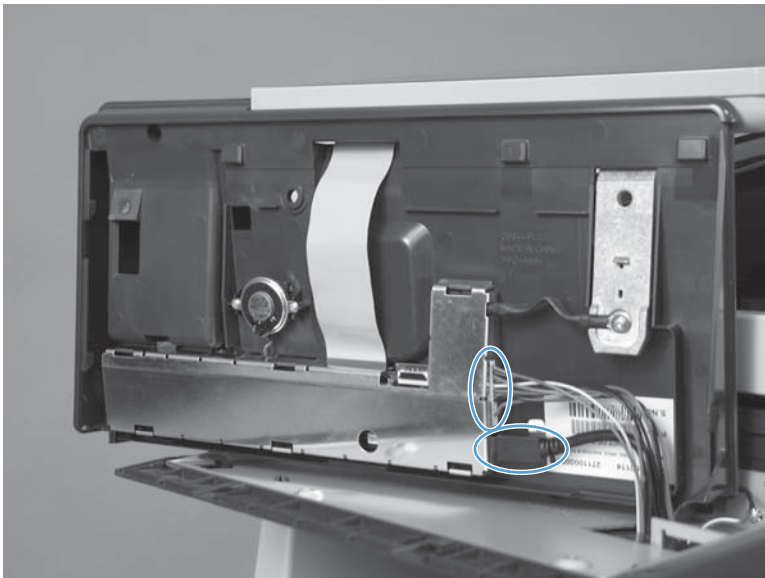
Figure 1-16 Remove the control-panel assembly (5 of 5)



Reinstalling the control-panel assembly

- ▲ Place the control-panel assembly on the product and reconnect the two connectors before attempting to reinstall the control-panel assembly.

Figure 1-17 Reinstall the control-panel assembly



Control-panel assembly (M525c model)

⚠ WARNING!  ESD sensitive component.

Important removal considerations

Review the following important considerations before removing the control panel on the M525c product.

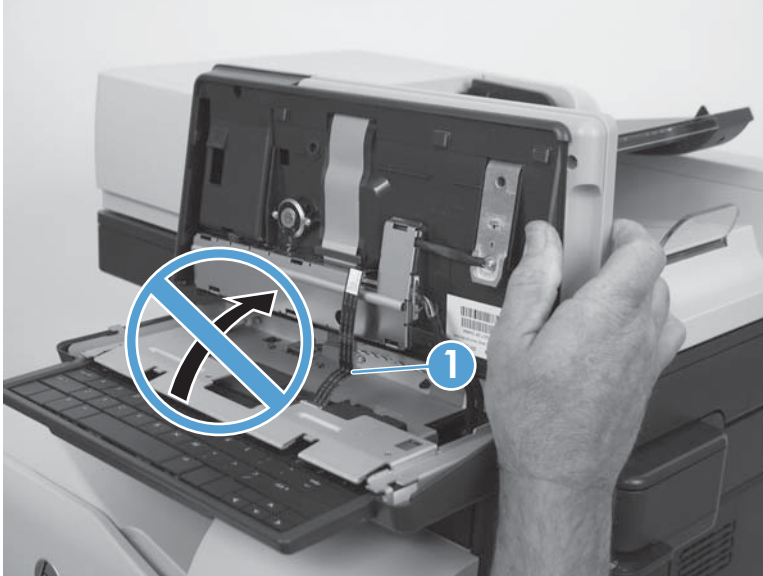
When removing the control panel, only raise it about half way open to access the FFC connector. Doing so prevents straining the control-panel FFC (callout 1).

Figure 1-18 Raising the control panel to access the FFC connector (1 of 2)



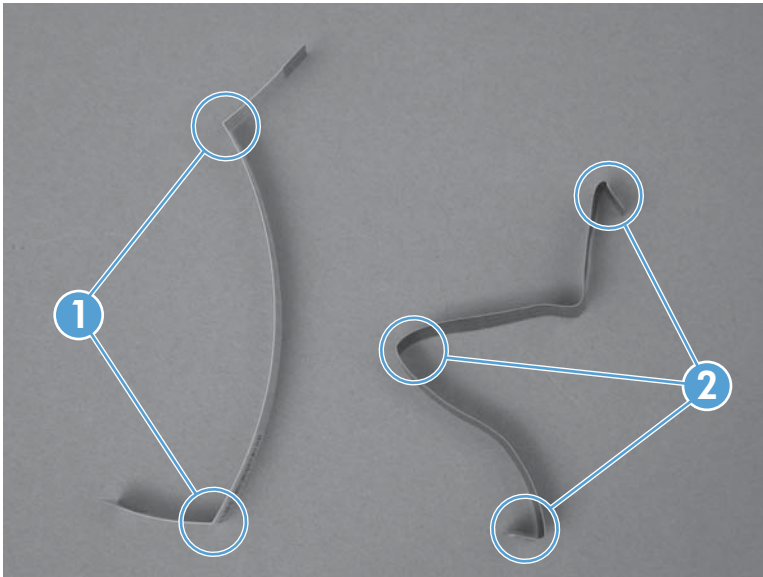
When removing the control panel, **do not** fully raise the control panel to access the FFC connector. Doing so causes strain damage to the FFC (callout 1).

Figure 1-19 Raise the control panel to access the FFC connector (2 of 2)



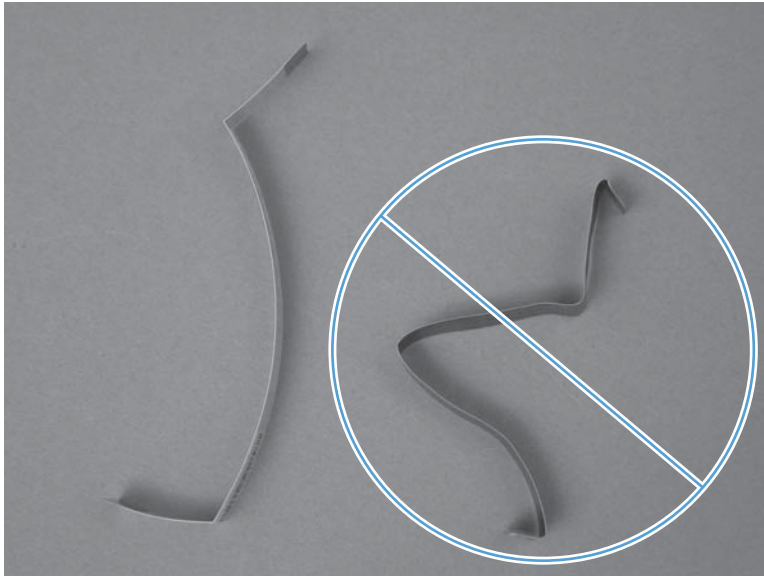
The FFC has two pre-folds about 2.54 cm (1.0 in) from either end (callout 1). If the FFC has been strained (for example stretched too tight when the control panel is removed), it might contain additional folds or creases (callout 2). Additional folds or creases can cause internal damage to the FFC when the keyboard is pulled in and out of the product.

Figure 1-20 Check the control panel FFC for damage (1 of 2)



Do not bend or fold the flat flexible cable (FFC) during removal or installation. Also, do not straighten pre-folds in the FFCs.

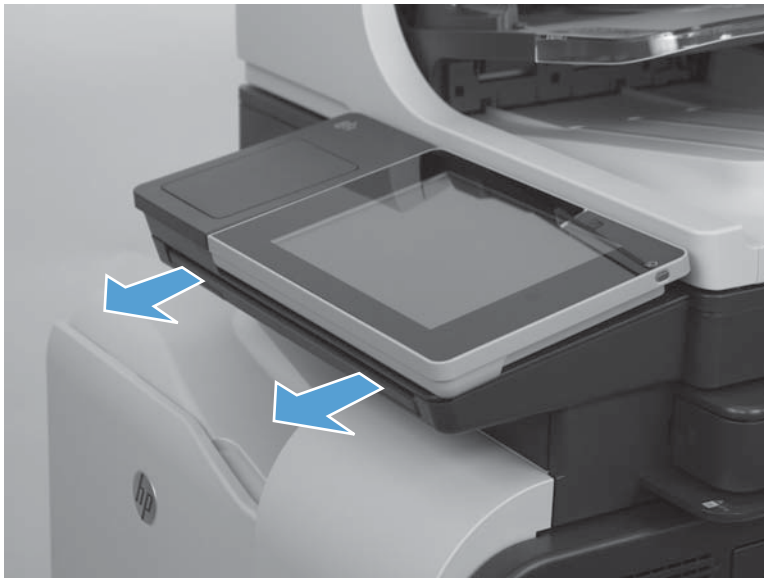
Figure 1-21 Check the control panel FFC for damage (2 of 2)



Remove the control-panel assembly

1. Pull the keyboard about half way out of the product.

Figure 1-22 Remove the control-panel assembly (1 of 13)



2. Align the **caps lock** key and **enter** key with the edge of the control panel.

Figure 1-23 Remove the control-panel assembly (2 of 13)



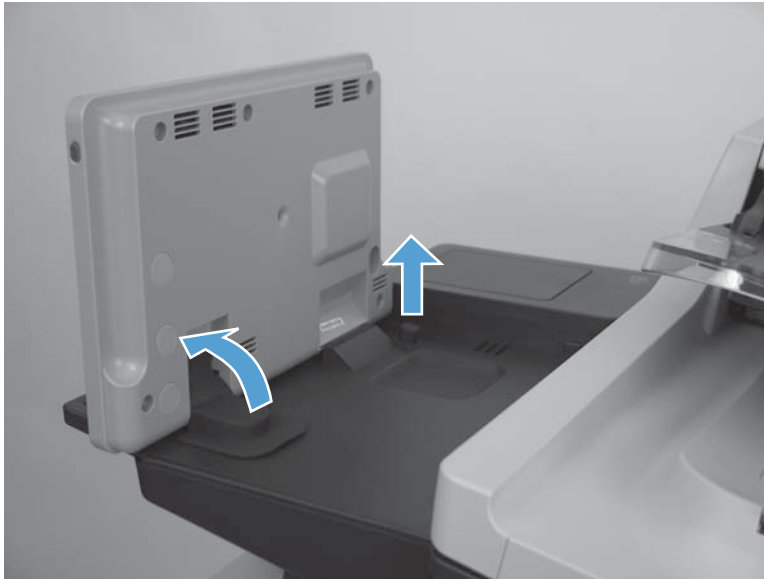
3. Lift the control-panel assembly to an upright position.

Figure 1-24 Remove the control-panel assembly (3 of 13)



4. Remove the antistatic covers to reveal the thumbscrews.

Figure 1-25 Remove the control-panel assembly (4 of 13)



5. Remove two thumbscrews.

Figure 1-26 Remove the control-panel assembly (5 of 13)



- Carefully return the control-panel assembly to the down position.

Figure 1-27 Remove the control-panel assembly (6 of 13)



- Pull down on the control-panel assembly until it stops.

Figure 1-28 Remove the control-panel assembly (7 of 13)



8. Slightly lift up the control-panel assembly to access the FFC-keyboard connector.

⚠ CAUTION: To avoid damage to the FFC, do not fully raise the control panel assembly.

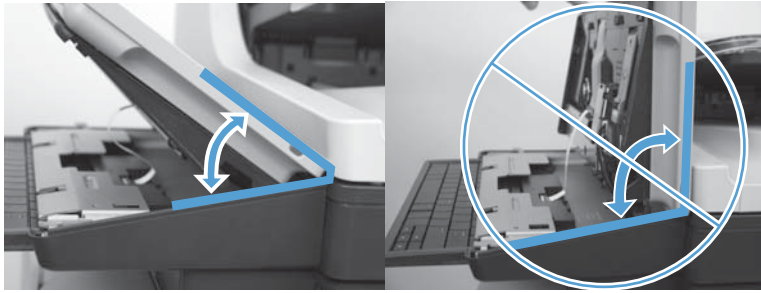
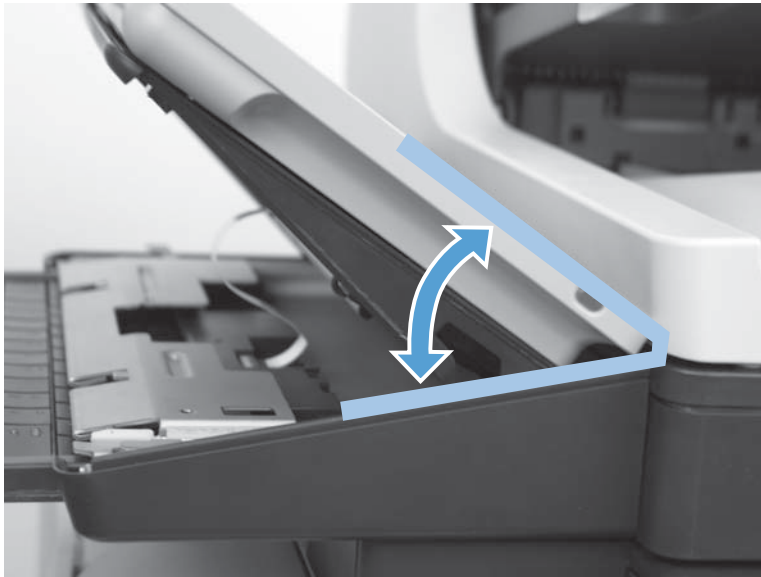


Figure 1-29 Remove the control-panel assembly (8 of 13)



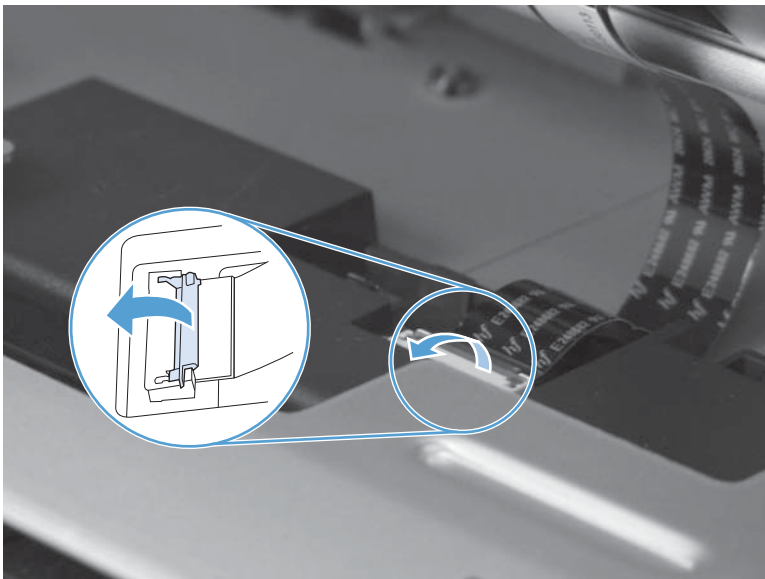
9. Locate the FFC connector on the keyboard.

Figure 1-30 Remove the control-panel assembly (9 of 13)



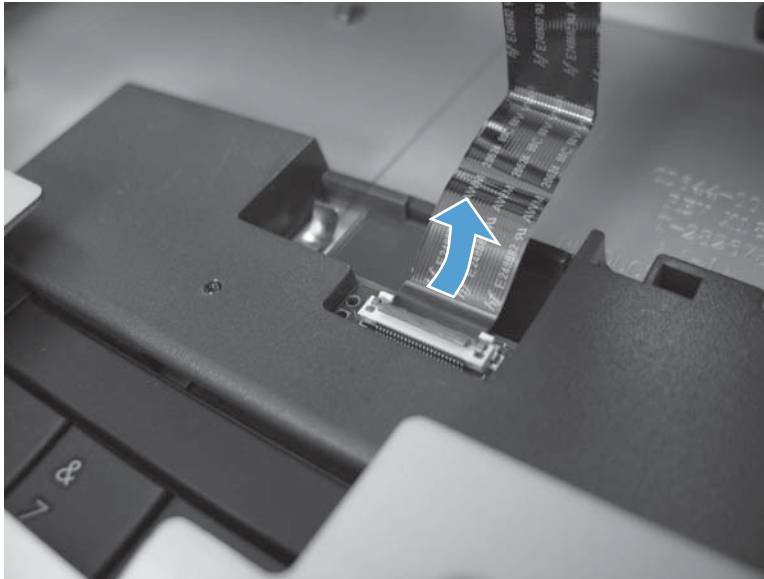
10. Carefully lift up on the connector retainer to release the FFC.

Figure 1-31 Remove the control-panel assembly (10 of 13)



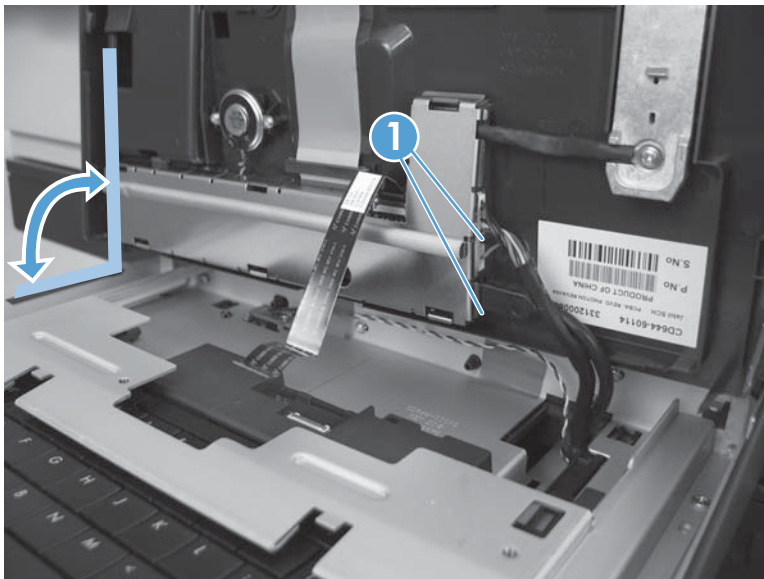
11. Remove the FFC from the connector on the keyboard.

Figure 1-32 Remove the control-panel assembly (11 of 13)



12. With the FFC disconnected from the keyboard, lift up on the control panel to access the remaining connectors. Disconnect the USB and wire harness connectors (callout 1).

Figure 1-33 Remove the control-panel assembly (12 of 13)



13. Remove the control-panel assembly.

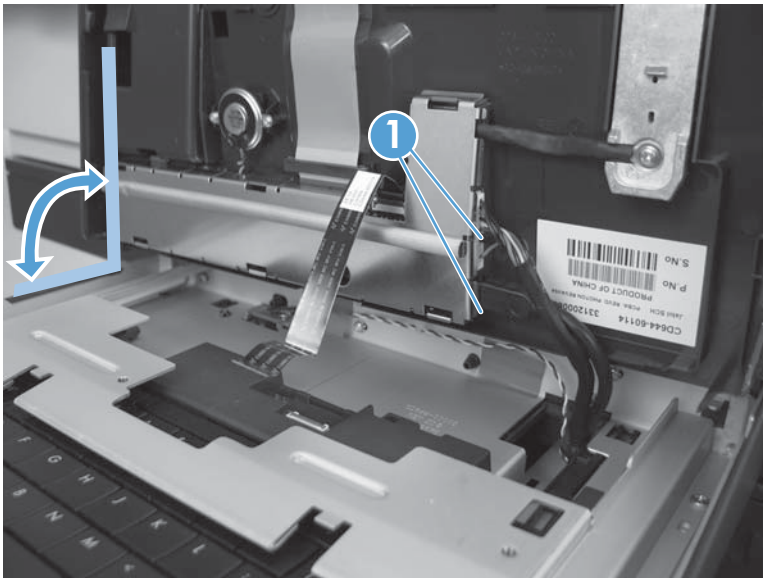
Figure 1-34 Remove the control-panel assembly (13 of 13)



Reinstall the control-panel assembly

1. Position the control panel on the product. Connect the USB and wire harness connectors (callout 1).

Figure 1-35 Reinstall the control-panel assembly (1 of 13)



2. After connecting the USB and wire harness connectors, position the control-panel about half way open to connect the FFC connector.

Figure 1-36 Reinstall the control-panel assembly (2 of 13)



3. Insert the FFC in the keyboard connector.

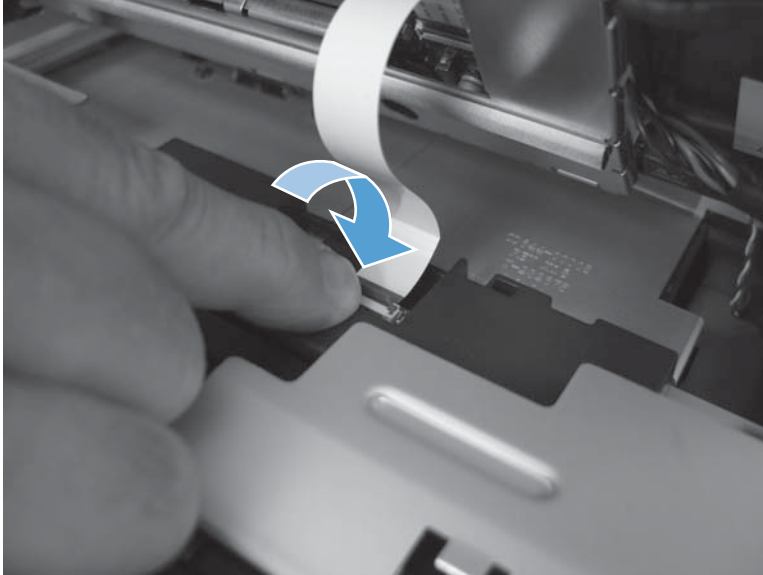
Figure 1-37 Reinstall the control-panel assembly (3 of 13)



4. Use your finger to carefully close the connector retainer to lock the FFC in place.

⚠ CAUTION: Be careful. The connector retainer can be dislodged from the connector body. Do not dislodge the retainer when closing it.

Figure 1-38 Reinstall the control-panel assembly (4 of 13)



5. Slightly pull on the FFC to verify that it is securely fastened in the connector.

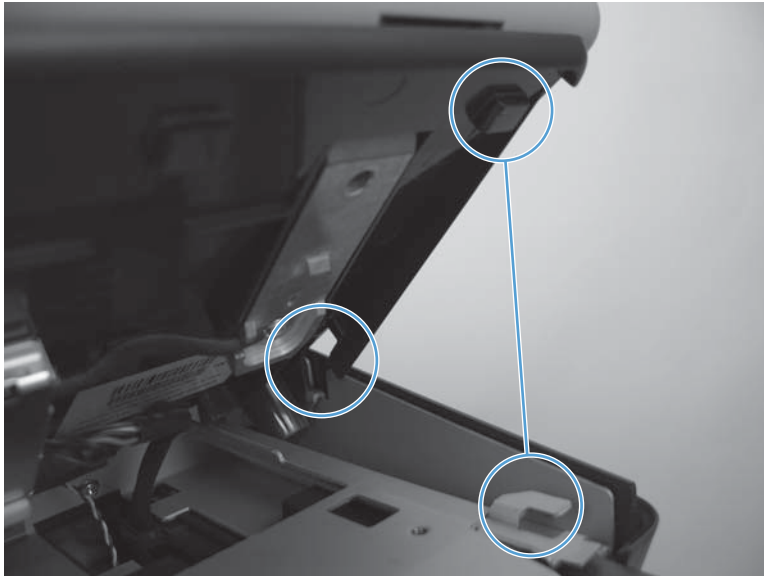
⚠ CAUTION: Be careful. Do not use your full force to pull on the FFC. A slight pull on the FFC is sufficient to verify that it is securely fastened.

Figure 1-39 Reinstall the control-panel assembly (5 of 13)



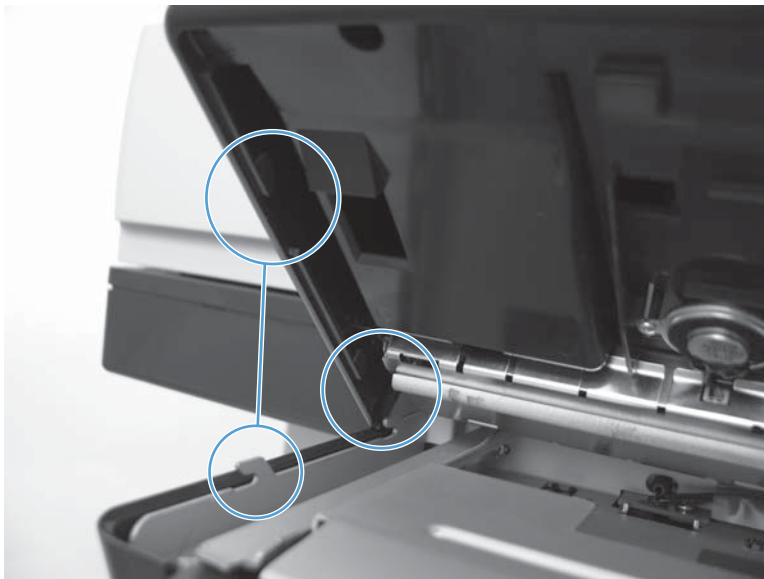
6. When the control-panel assembly is reinstalled on the product, make sure that the mounting hooks on the right side of the assembly engage with the slot and tab on the chassis.

Figure 1-40 Reinstall the control-panel assembly (6 of 13)



7. When the control-panel assembly is reinstalled on the product, make sure that the mounting slots on the left side of the assembly engage with the hooks on the chassis.

Figure 1-41 Reinstall the control-panel assembly (7 of 13)



8. Reinstall the control-panel assembly on the product, and then push it up to engage the assembly with the chassis.

Figure 1-42 Reinstall the control-panel assembly (8 of 13)



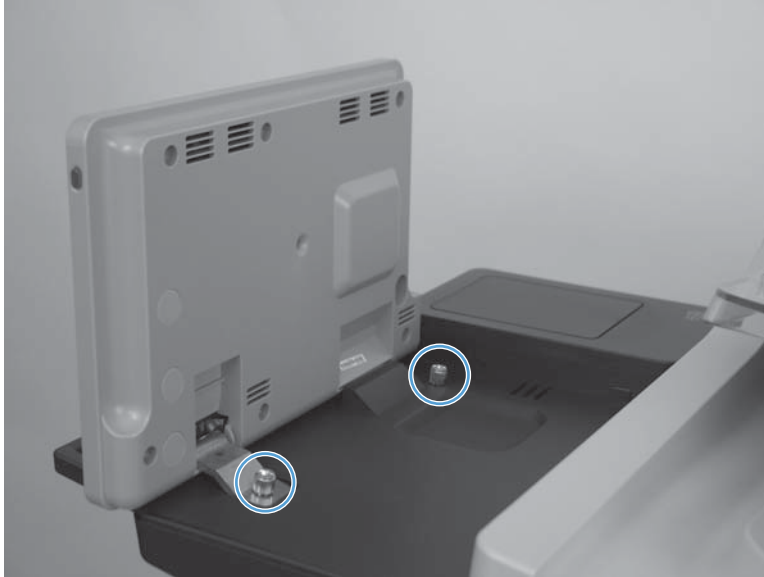
9. Carefully place the control-panel assembly in the up position.

Figure 1-43 Reinstall the control-panel assembly (9 of 13)



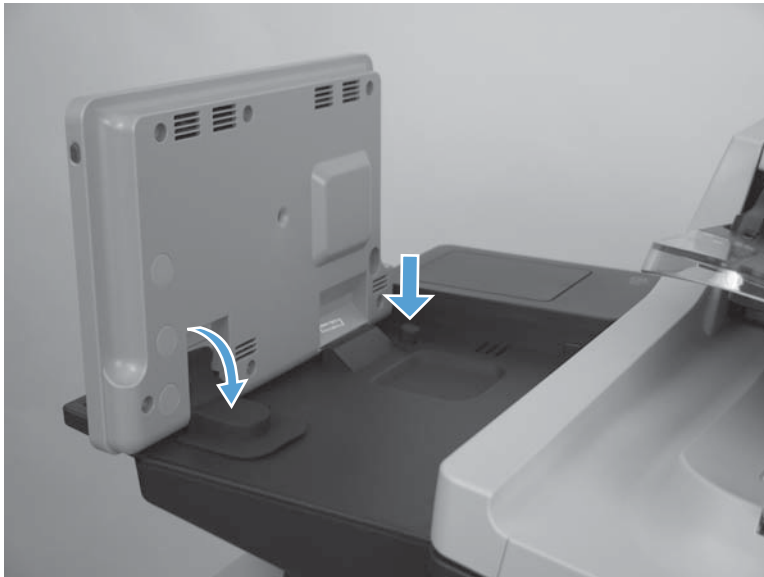
10. Install two thumbscrews.

Figure 1-44 Reinstall the control-panel assembly (10 of 13)



11. Install the antistatic covers.

Figure 1-45 Reinstall the control-panel assembly (11 of 13)



12. Lower the control-panel assembly.

Figure 1-46 Reinstall the control-panel assembly (12 of 13)



13. Slide the keyboard back into the product.


 **TIP:** Slide the keyboard in and out of the product to verify that the FFC is not binding under the control-panel assembly.

Figure 1-47 Remove the control-panel assembly (13 of 13)



Control-panel assembly to keyboard FFC (M525c model)

Before proceeding, remove the following assemblies

- Control-panel assembly. See [Control-panel assembly \(M525c model\) on page 19](#).

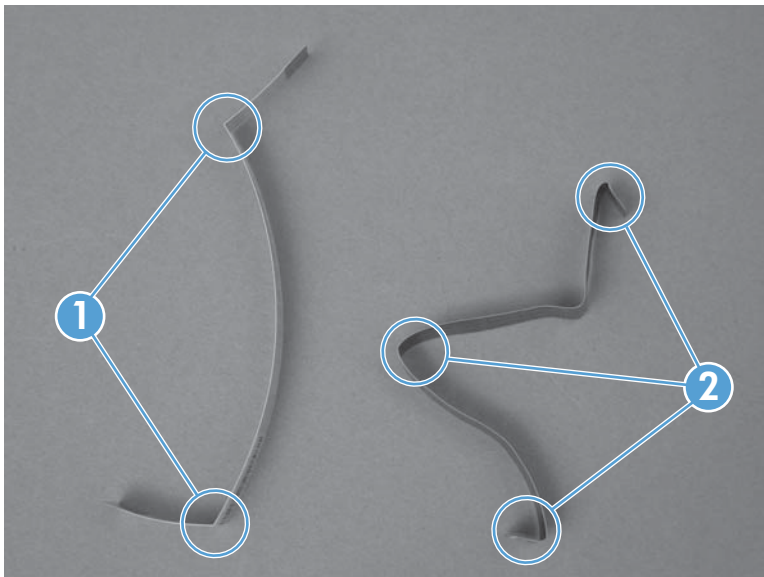
Important considerations

The FFC has two prefolds about 2.54 cm (1.0 in) from either end (callout 1). If the FFC has been strained (for example stretched too tight when the control panel is removed), it might contain additional folds or creases (callout 2).

Additional folds or creases can cause internal damage to the FFC when the keyboard is pulled in and out of the product.

Replace the FFC if it is damaged.

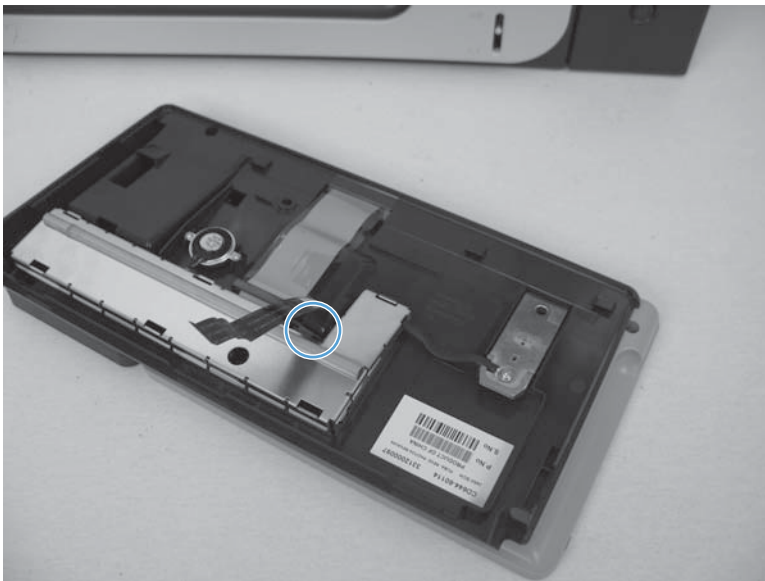
Figure 1-48 Control-panel assembly to keyboard FFC



Remove the control-panel assembly to keyboard FFC

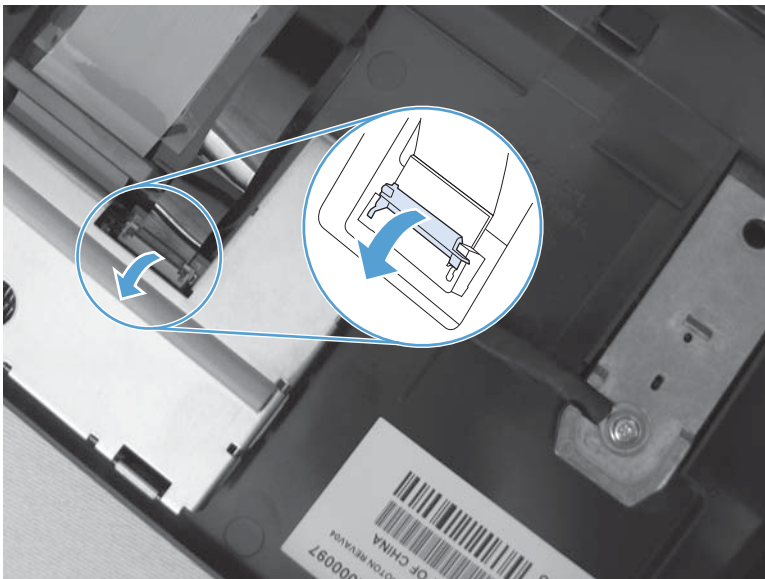
1. Turn the control-panel assembly over, and then locate the FFC connector.

Figure 1-49 Remove the control-panel assembly to keyboard FFC (1 of 3)



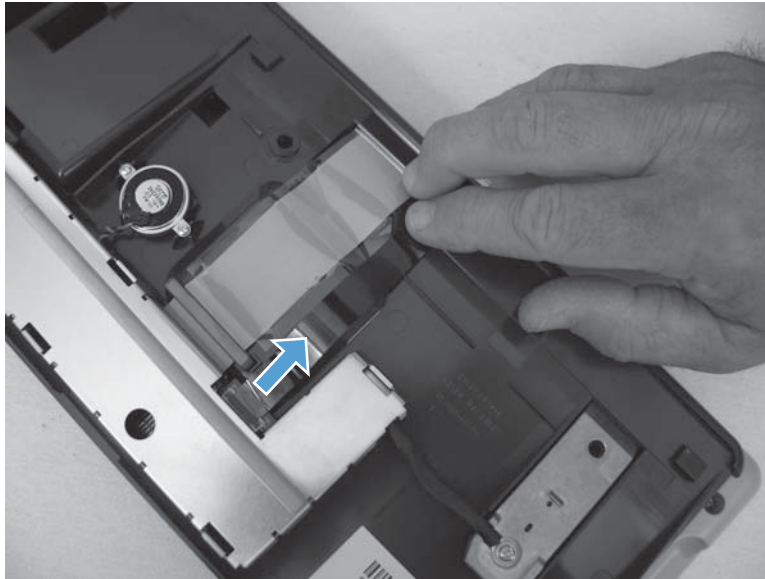
2. Hold the FFC out of the way, and then carefully lift up on the connector retainer to release the FFC.

Figure 1-50 Remove the control-panel assembly to keyboard FFC (2 of 3)



3. Remove the FFC from the connector on the control-panel assembly.

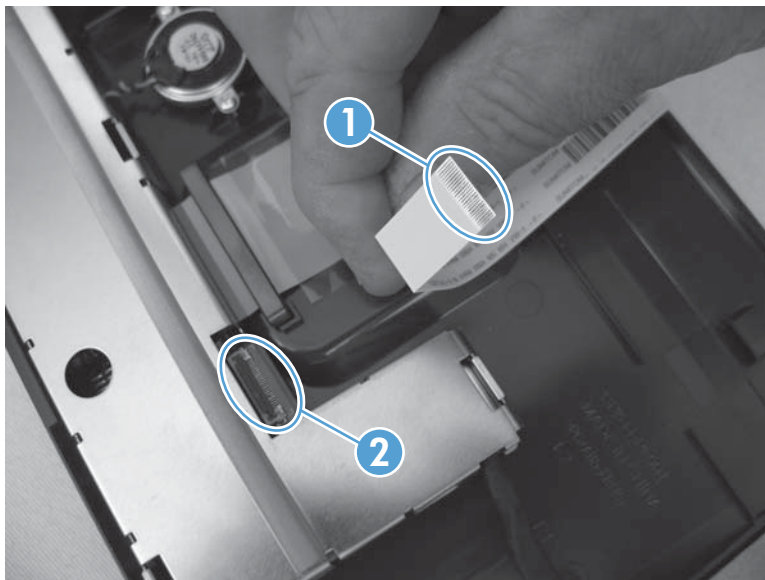
Figure 1-51 Remove the control-panel assembly to keyboard FFC (3 of 3)



Reinstall the control-panel assembly to keyboard FFC

1. Verify that the contact side of the replacement FFC (callout 1) is placed against the contacts in the connector (callout 2) when the FFC is installed.

Figure 1-52 Reinstall the control-panel assembly to keyboard FFC (1 of 4)



2. Insert the FFC in the control-panel connector.

Figure 1-53 Reinstall the control-panel assembly to keyboard FFC (2 of 4)



3. Use your finger to carefully close the connector retainer to lock the FFC in place.

CAUTION: Be careful. The connector retainer can be dislodged from the connector body. Do not dislodge the retainer when closing it.

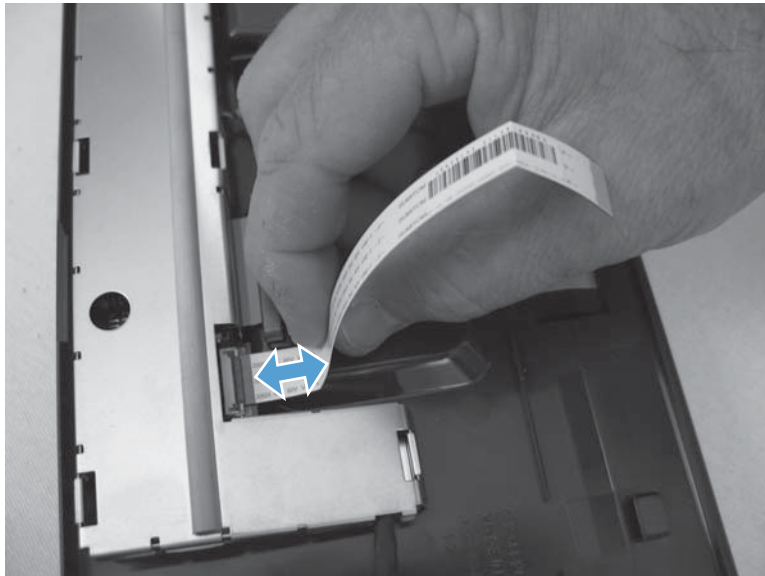
Figure 1-54 Reinstall the control-panel assembly to keyboard FFC (3 of 4)



4. Slightly pull on the FFC to verify that it is securely fastened in the connector.

CAUTION: Be careful. Do not use your full force to pull on the FFC. A slight pull on the FFC is sufficient to verify that it is securely fastened.

Figure 1-55 Reinstall the control-panel assembly to keyboard FFC (4 of 4)



Keyboard assembly (M525c model)

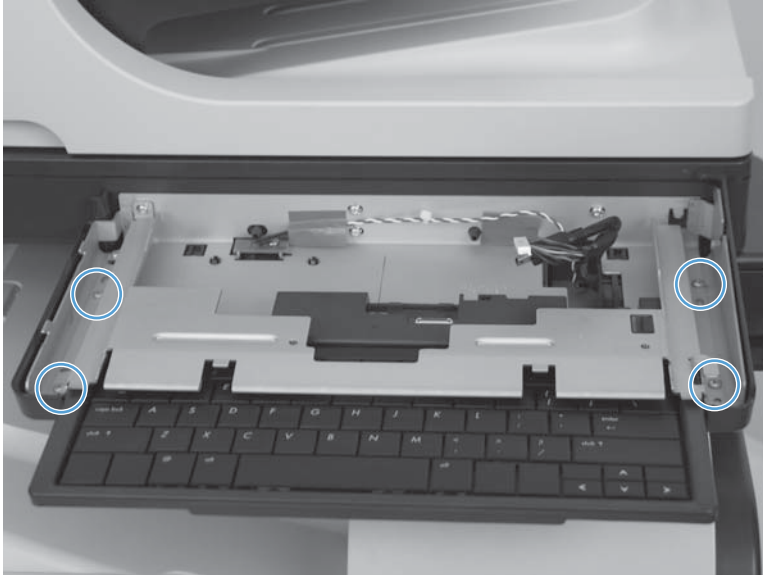
Before proceeding, remove the following assemblies

- Control-panel assembly. See [Control-panel assembly \(M525c model\) on page 19](#).

Remove the keyboard assembly

1. Remove four screws.

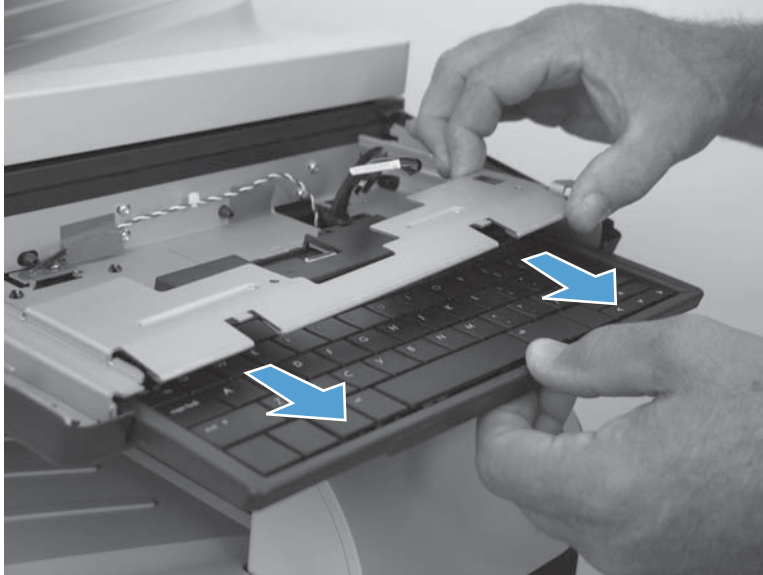
Figure 1-56 Remove the keyboard assembly (1 of 7)



2. Slightly lift up the sheet-metal bracket, and then slide the keyboard away from the product to remove it.

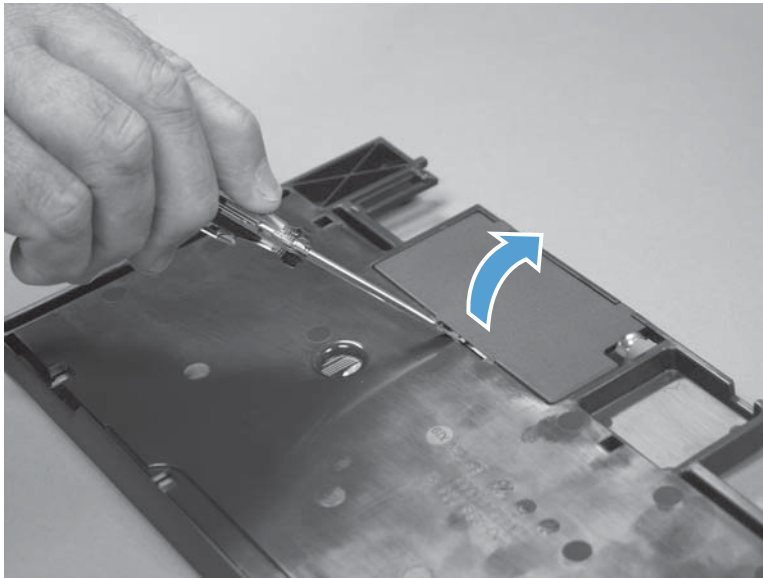
⚠ CAUTION: The sheet metal bracket is still attached to the product by one screw. Avoid damaging or bending the bracket by only lifting it up enough to release the keyboard.

Figure 1-57 Remove the keyboard assembly (2 of 7)




3. Turn the assembly over, and then remove the access door.

Figure 1-58 Remove the keyboard assembly (3 of 7)

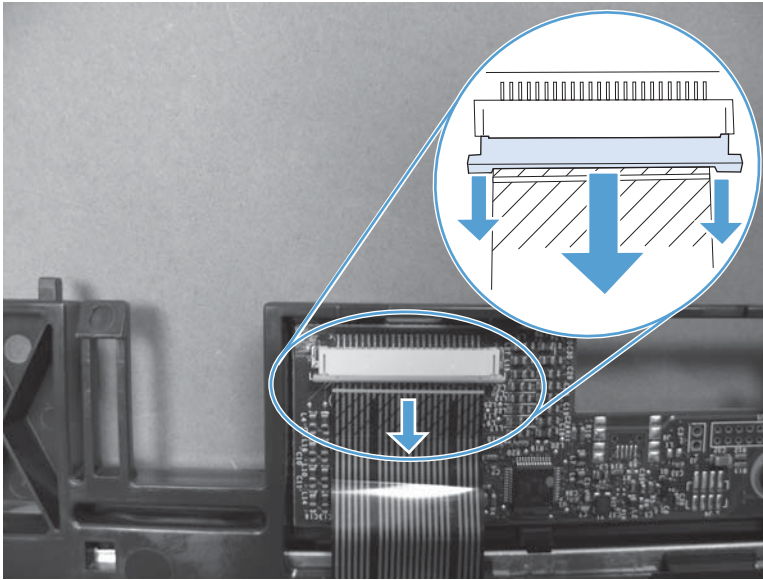


4. Pull the connector retainer away from the connector body to release it, and then slide the FFC out of the connector.

 **Reinstallation tip** Make sure that the silver-contact side of the FFC is facing toward the PCA when the FFC is reinstalled—the contact side of the FFC must be correctly positioned on the connector contacts when the FFC is reinstalled.

Make sure that the FFC is fully inserted in the connector, and then close the retainer—slightly pull on the FFC to make sure it is securely fastened in the retainer.

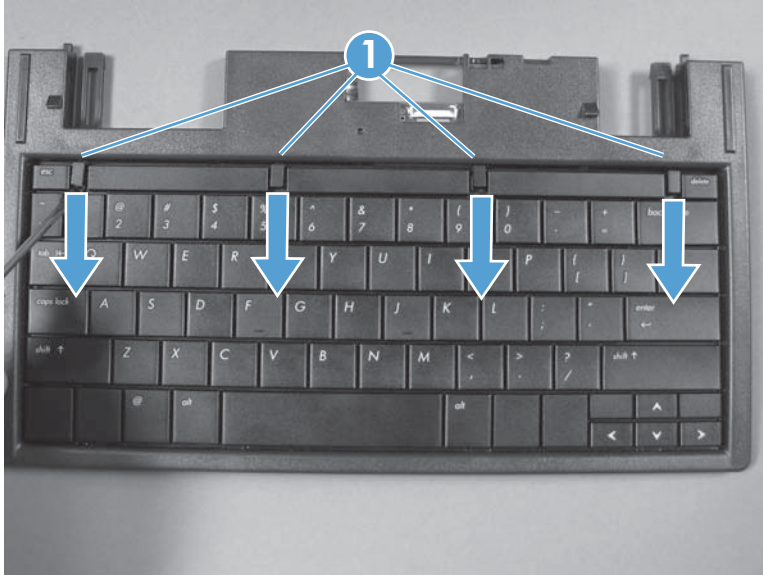
Figure 1-59 Remove the keyboard assembly (4 of 7)



5. Turn the assembly over, and then push the four retainer clips (callout 1) toward the keyboard to release them.

CAUTION: The clips can easily be dislodged and lost. Do not remove the clips when releasing them.

Figure 1-60 Remove the keyboard assembly (5 of 7)

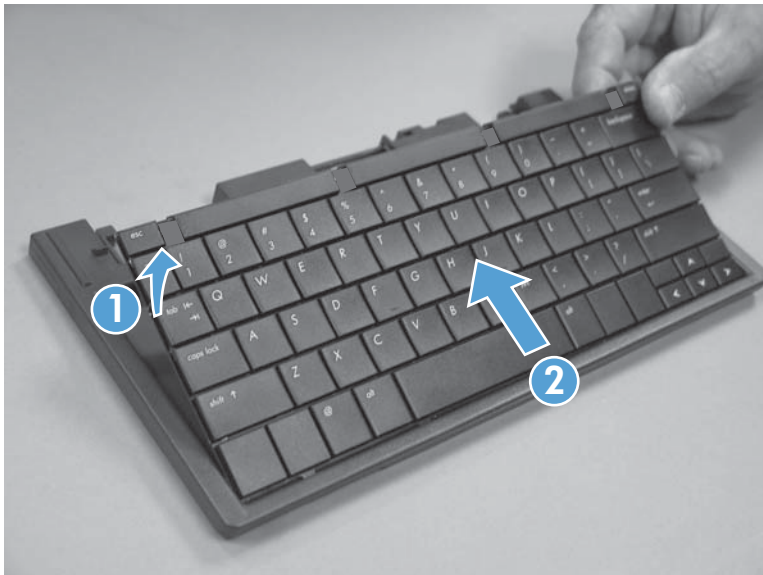


6. Rotate the top of the keyboard away from the tray, and then slide it up to release it.

NOTE: The keyboard is still attached to the tray. Do not attempt to completely remove it.

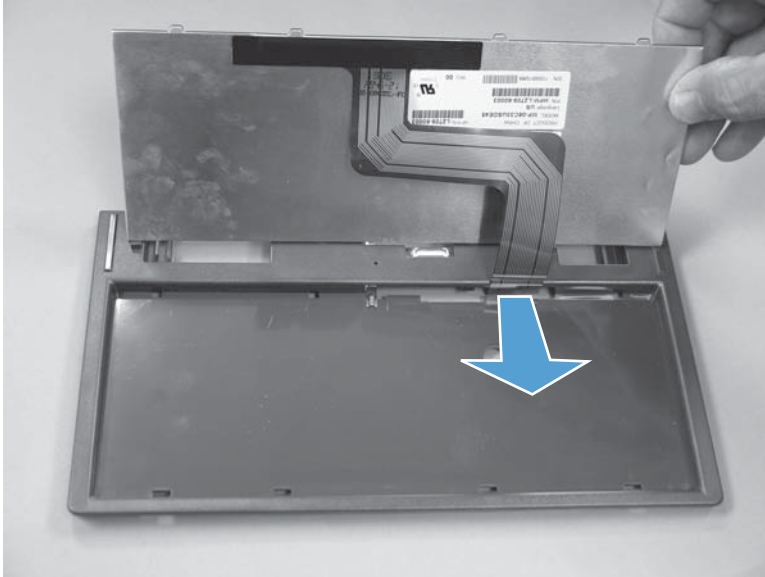
TIP: Push your finger through the hole provided in the back side of the tray to lift the keyboard.

Figure 1-61 Remove the keyboard assembly (6 of 7)



7. Thread the FFC through the hole in the tray, and then remove the keyboard.

Figure 1-62 Remove the keyboard assembly (7 of 7)



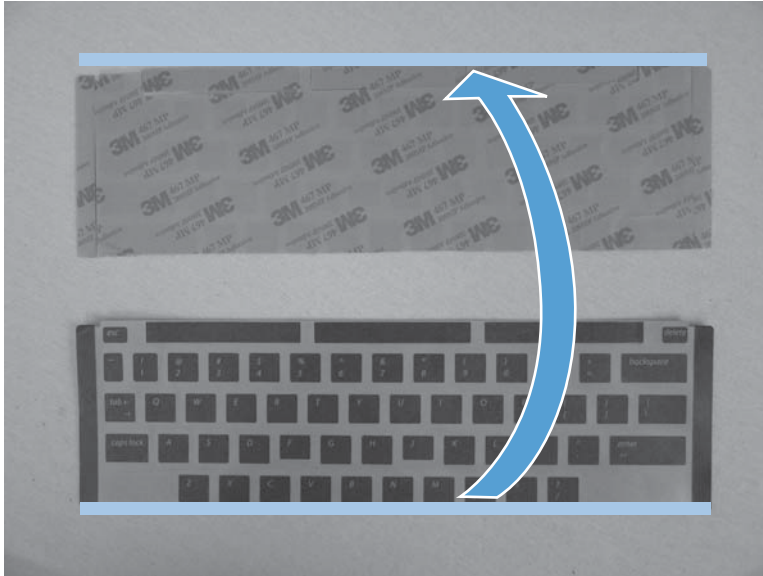
Keyboard overlay (M525c model)

To change the language set on the full-function QWERTY keyboard, install a keyboard overlay.

Install a keyboard overlay

1. Turn the overlay over to expose the paper backing.

Figure 1-63 Install a keyboard overlay (1 of 6)

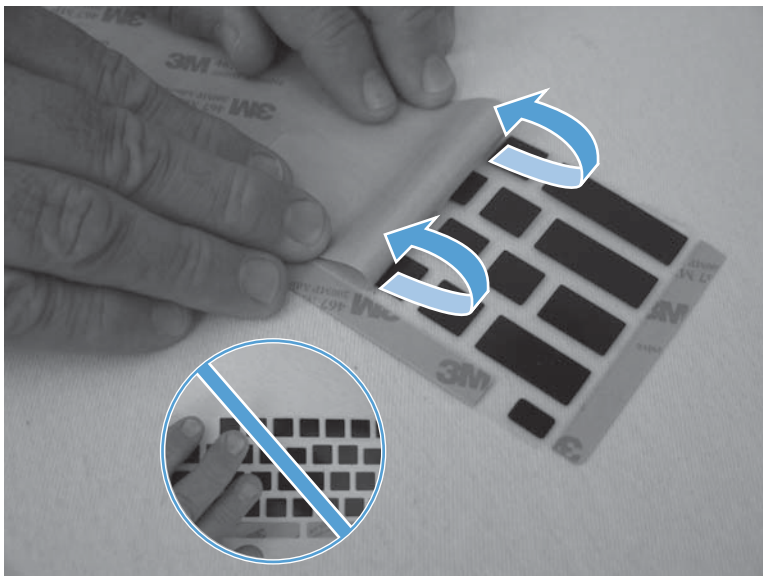


2. Carefully peel the paper backing off of the overlay.

CAUTION: Do not touch the exposed adhesive-backed button overlays.

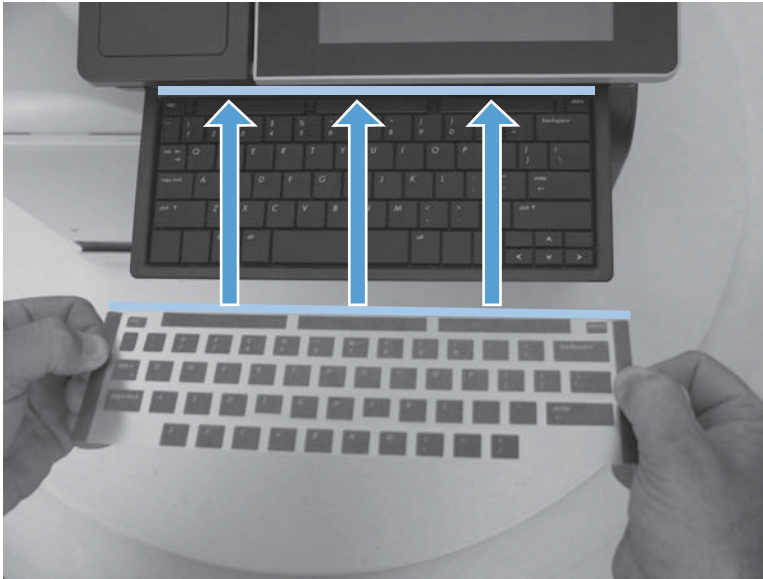
NOTE: Keep the paper backing close to the overlay as you peel it off to avoid accidentally removing any of the adhesive-backed button overlays.

Figure 1-64 Install a keyboard overlay (2 of 6)



3. Position the top edge of the overlay along the top edge of the keyboard.

Figure 1-65 Install a keyboard overlay (3 of 6)



4. Align the overlay on the keyboard. When the overlay is correctly aligned, lay it flat on the keyboard.


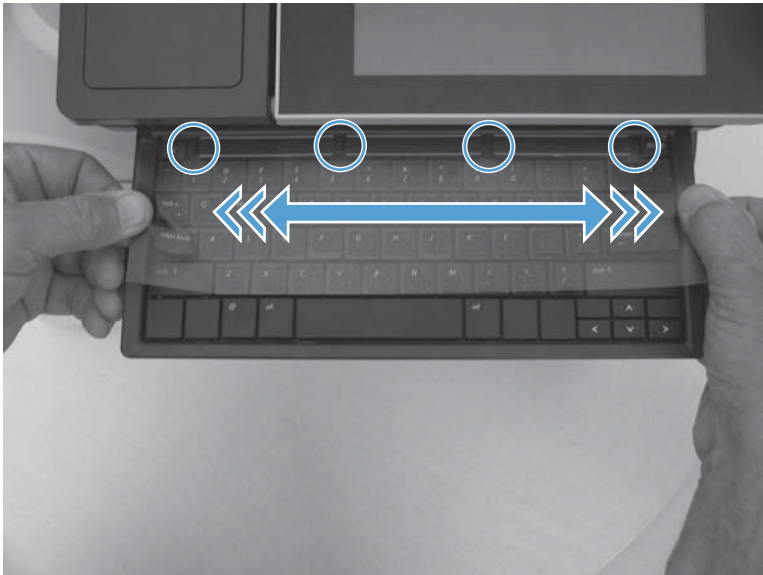
 **TIP:** The overlay is correctly aligned when you can see the four keyboard lock tabs through the clear plastic top sheet.

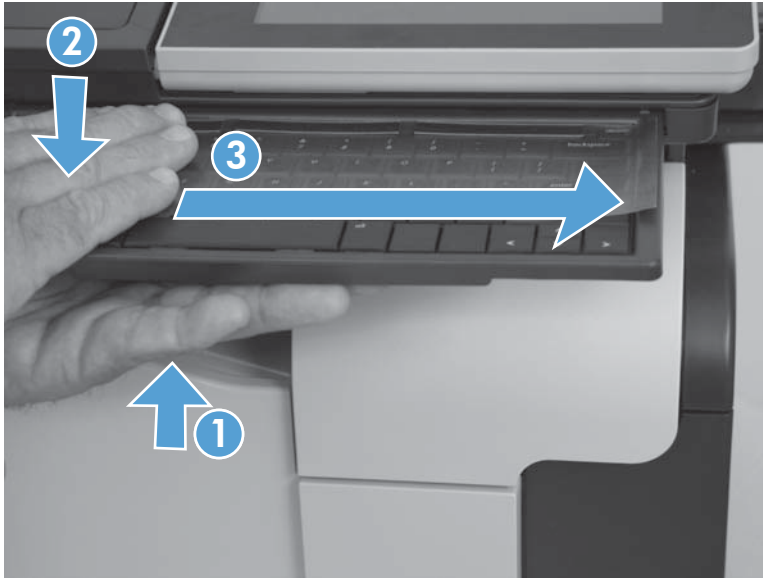
Figure 1-66 Install a keyboard overlay (4 of 6)




5. Support the keyboard tray (callout 1), push down on the top sheet (callout 2), and then firmly slide your hand (callout 3) along the top sheet to adhere the adhesive-backed button overlays to the keyboard buttons.

⚠ CAUTION: To avoid damage to the keyboard tray, you must support the tray before pushing down on the top sheet.

Figure 1-67 Install a keyboard overlay (5 of 6)



- Carefully peel the top sheet off of the keyboard.

 **NOTE:** Keep the top sheet close to the keyboard as you peel it off to avoid accidentally removing any of the adhesive-backed button overlays.


 **TIP:** If any of the adhesive-backed button overlays fail to adhere to the keyboard, stop peeling back the top sheet. Support the keyboard tray, and then firmly slide your hand along the top sheet again to adhere the button overlays to the keyboard.

Figure 1-68 Install a keyboard overlay (6 of 6)

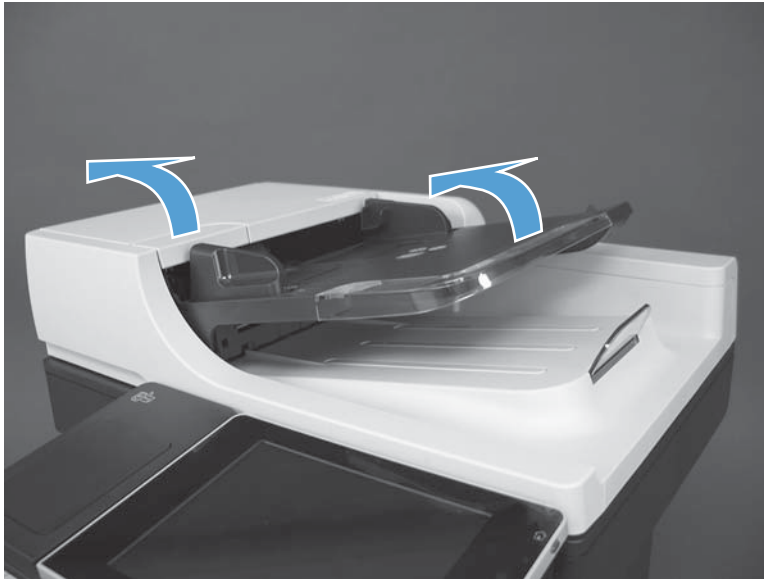


Back-side background selector assembly (M525c model)

CAUTION: Do not touch the surface of the rollers. Skin oils deposited on the rollers might cause print-quality problems.

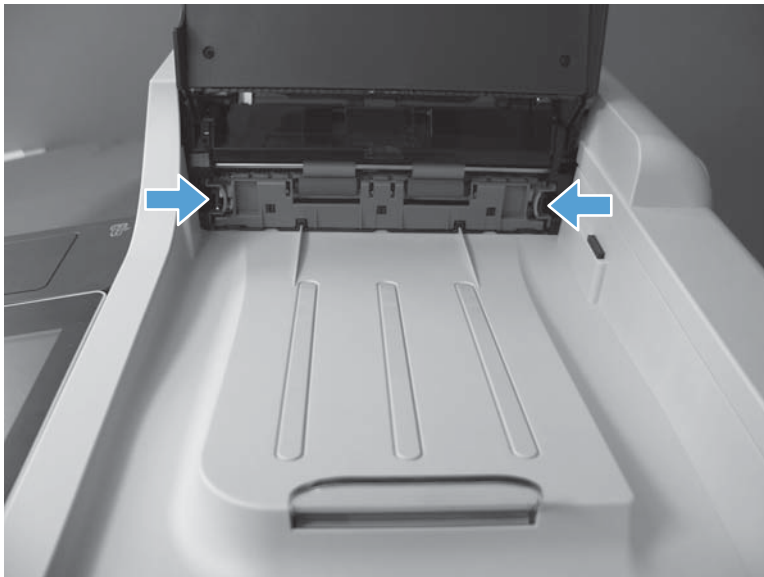
1. Open the jam-access cover, and then raise the input tray.

Figure 1-69 Remove the back-side background selector assembly (1 of 3)




2. Release two retainers on the assembly.

Figure 1-70 Remove the back-side background selector assembly (2 of 3)



- Carefully slide the assembly away from the product to remove it.

 **Reinstallation tip** Make sure the assembly is fully seated when it is reinstalled.

The white portion of the back-side background selector can get dirty and might need to be wiped down before reinstalling it.

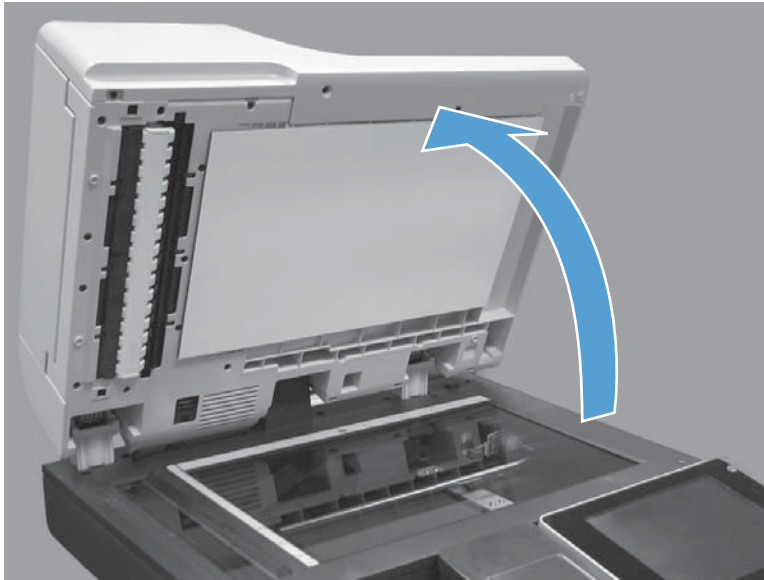
Figure 1-71 Remove the back-side background selector assembly (3 of 3)



Foam reflector

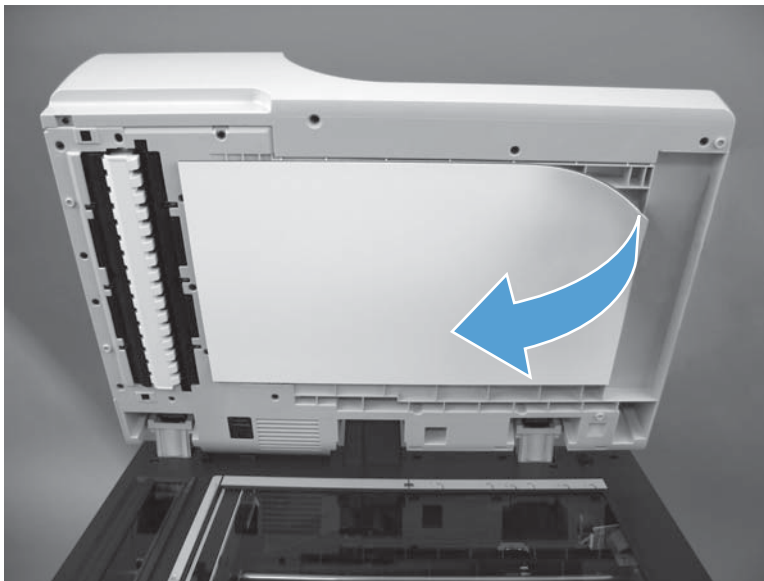
1. Open the document feeder.

Figure 1-72 Remove the foam reflector (1 of 3)



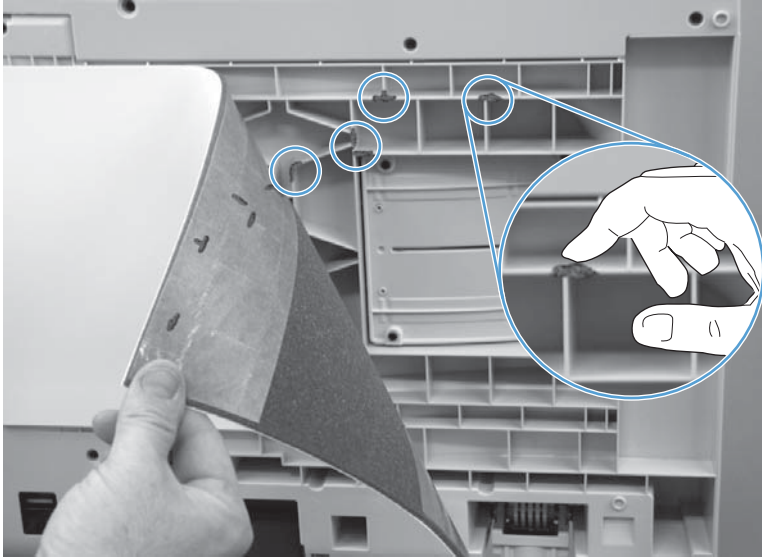
2. Carefully peel the foam reflector from the document feeder.

Figure 1-73 Remove the foam reflector (2 of 3)



3. Remove any debris from the foam reflector.

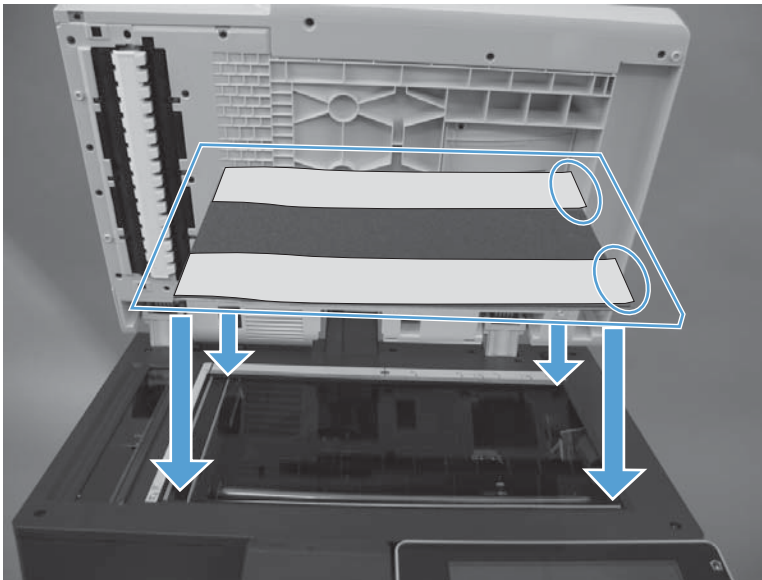
Figure 1-74 Remove the foam reflector (3 of 3)



Install a foam reflector

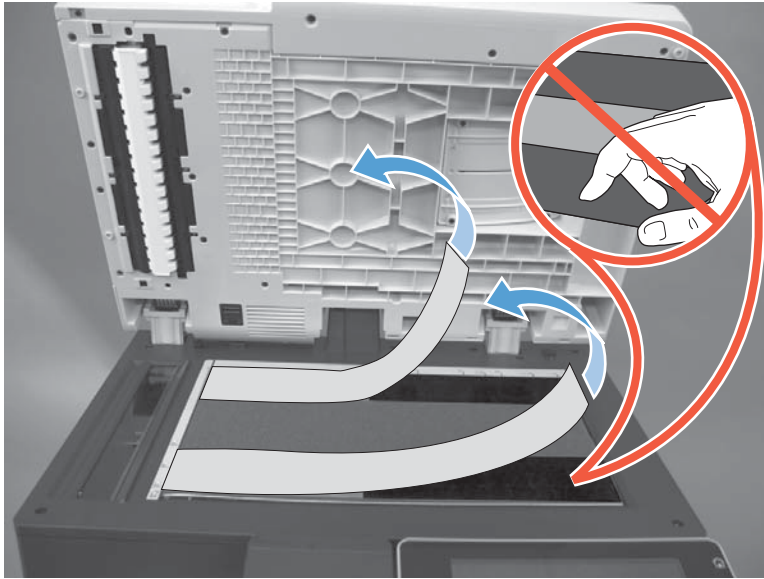
1. Place the reflector on the scanner glass with the adhesive facing up.

Figure 1-75 Install the foam reflector (1 of 7)



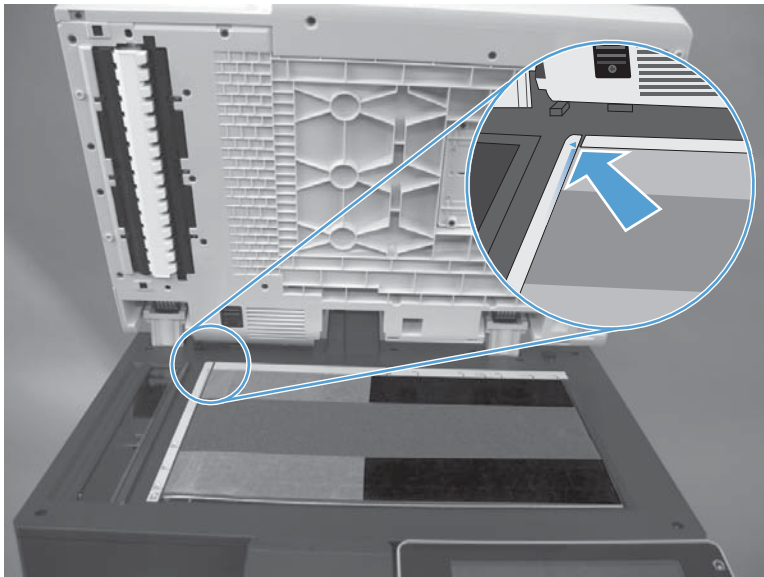
2. Remove the tape from the adhesive.

Figure 1-76 Install the foam reflector (2 of 7)



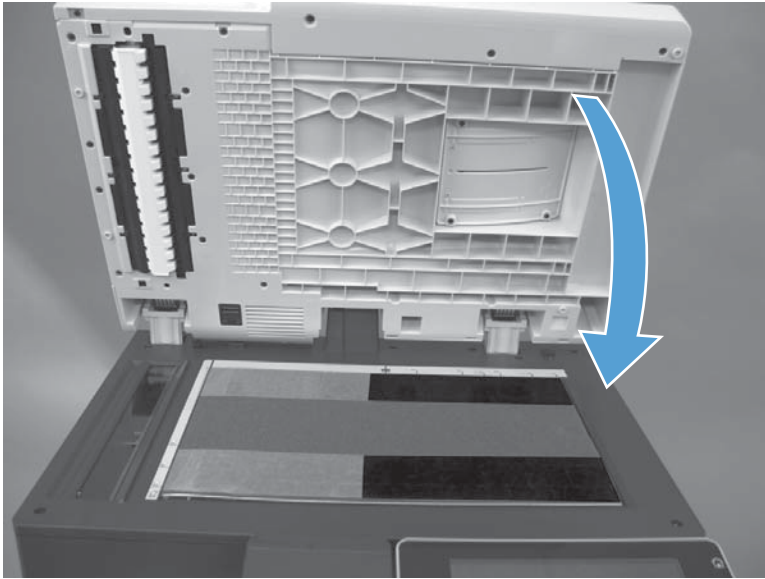
3. Make sure the corner of the foam reflector is aligned with the corner of the scanner glass.

Figure 1-77 Install the foam reflector (3 of 7)



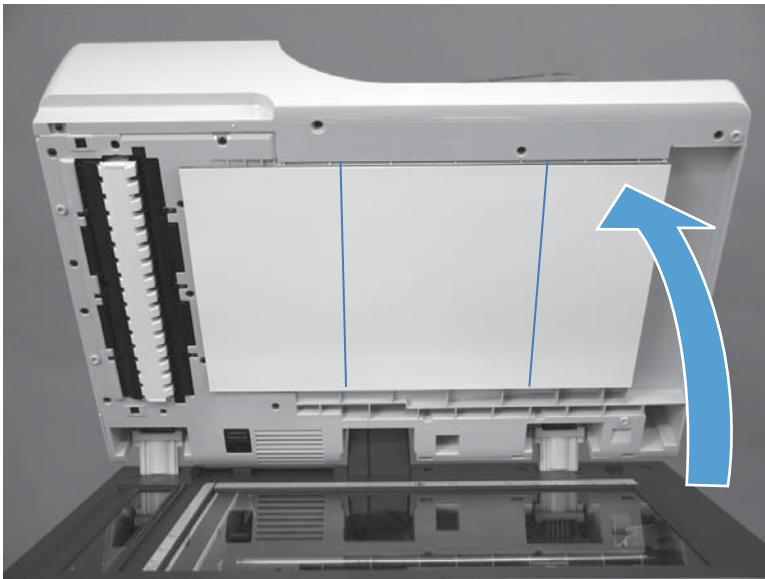
4. Close the document feeder to attach the foam reflector.

Figure 1-78 Install the foam reflector (4 of 7)



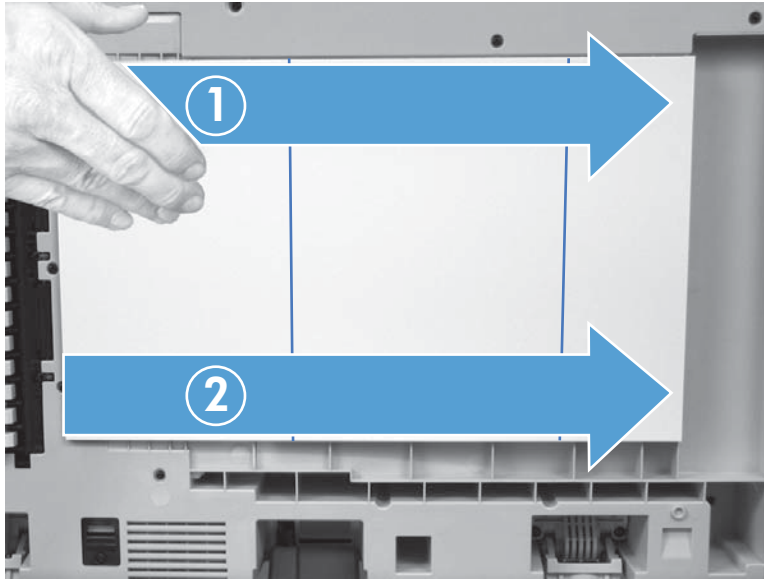
5. Open the document feeder.

Figure 1-79 Install the foam reflector (5 of 7)



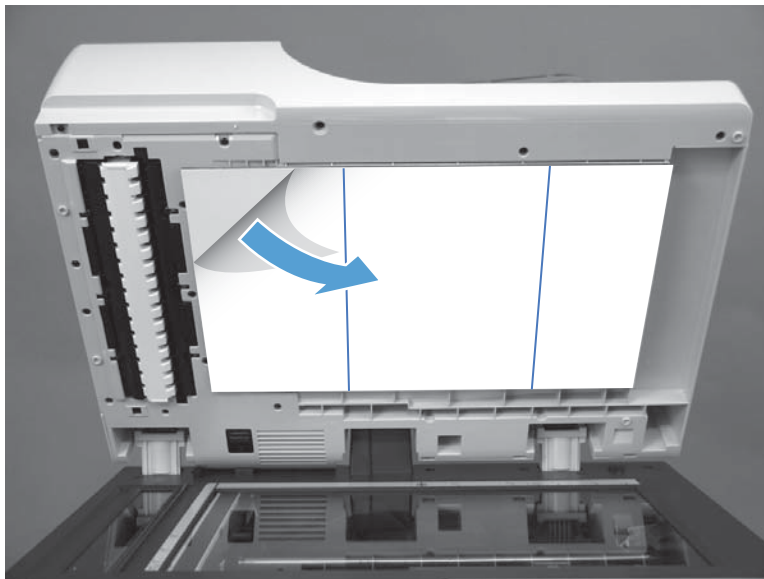
6. Press firmly on the foam reflector to ensure it is securely attached.

Figure 1-80 Install the foam reflector (6 of 7)



7. Peel off the protective covering.

Figure 1-81 Install the foam reflector (7 of 7)

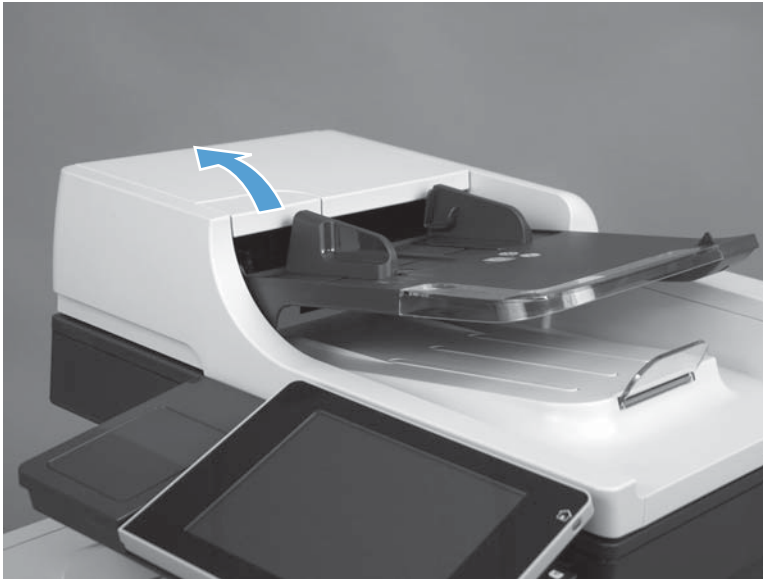


Document feeder pickup roller

⚠ CAUTION: Do not touch the surface of the roller. Skin oils deposited on the roller might cause print-quality problems.

1. Open the jam-access cover.

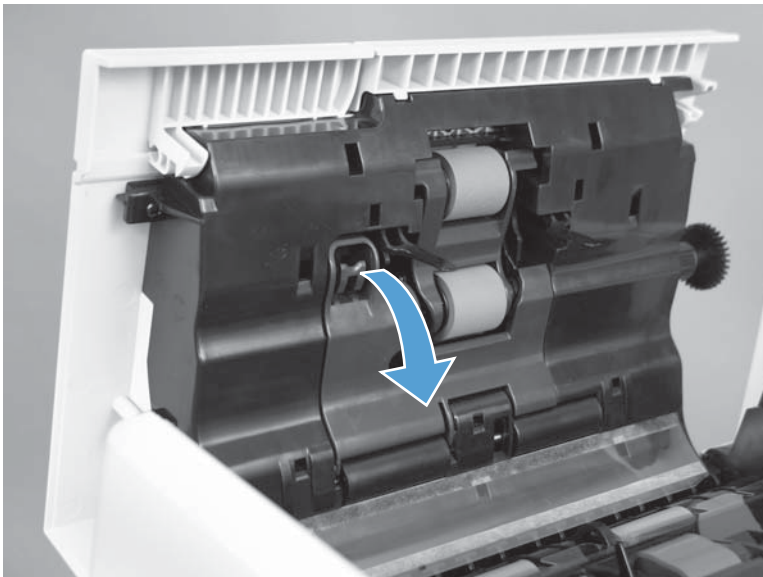
Figure 1-82 Remove the document feeder pickup roller (1 of 4)



2. Open the roller-access cover.

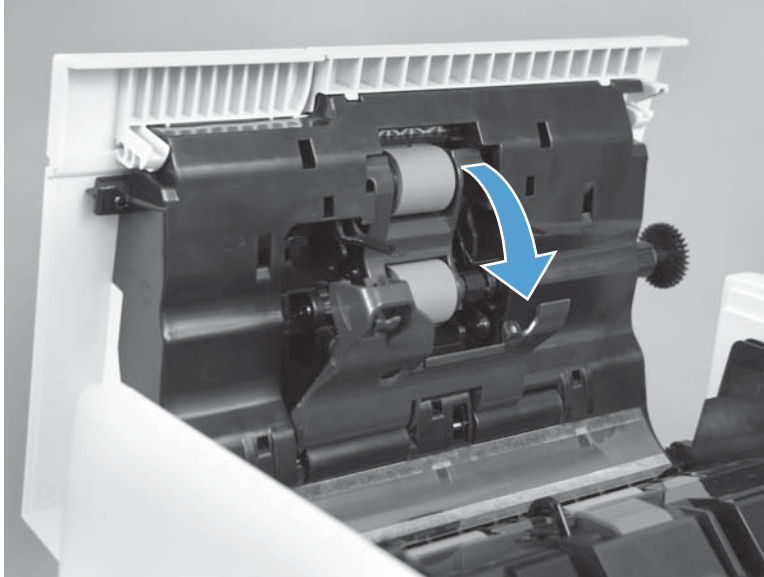
💡 Reinstallation tip Make sure that this cover is fully closed after installing a replacement roller. Push against the upper part of the cover until it clicks into place. If the cover is not fully closed, jams and mispicks can occur.

Figure 1-83 Remove the document feeder pickup roller (2 of 4)



3. Lower the document feeder pickup roller.

Figure 1-84 Remove the document feeder pickup roller (3 of 4)



4. Slide the roller toward the front of the product to remove.


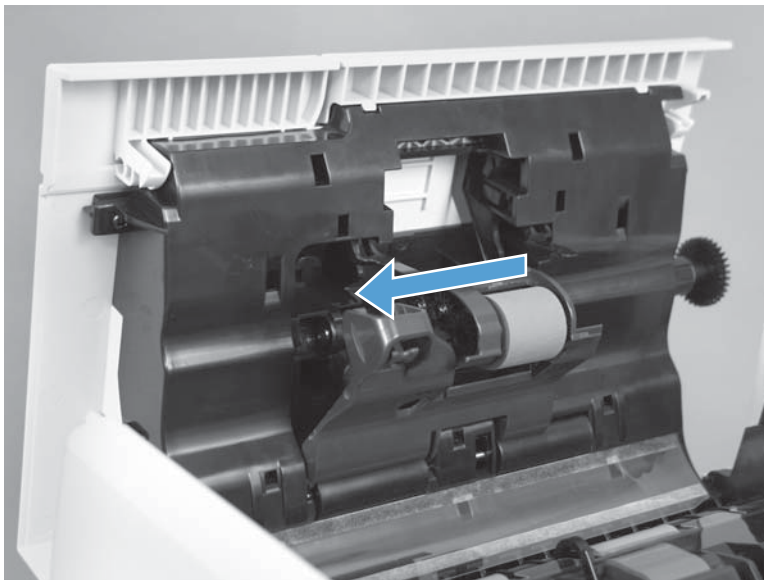
 **Reinstallation tip** Make sure the roller is seated correctly. The roller is keyed.

Figure 1-85 Remove the document feeder pickup roller (4 of 4)

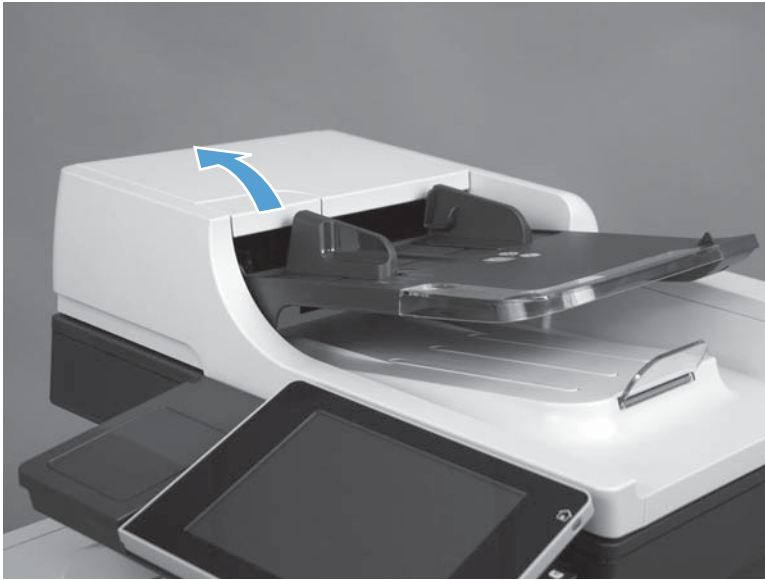


Document feeder separation pad

CAUTION: Do not touch the surface of the roller. Skin oils deposited on the roller might cause print-quality problems.

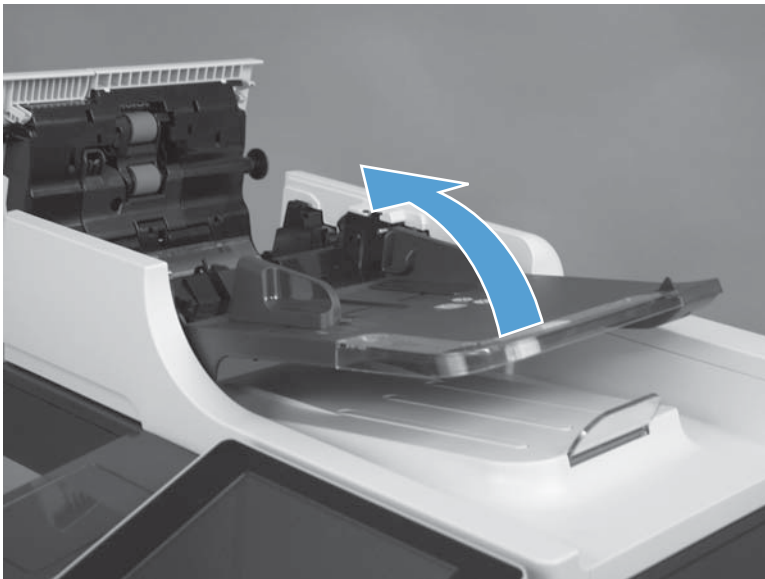
1. Open the jam-access cover.

Figure 1-86 Remove the document feeder separation pad (1 of 5)



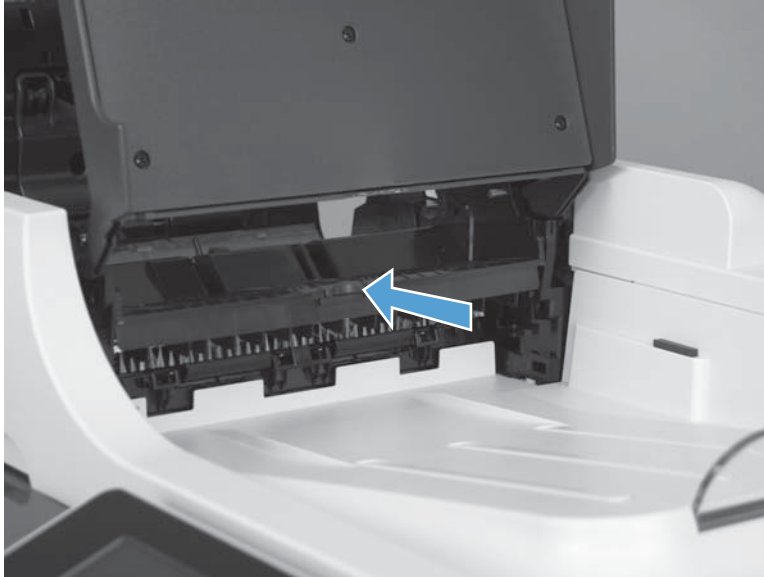
2. Lift the document feeder input tray.

Figure 1-87 Remove the document feeder separation pad (2 of 5)



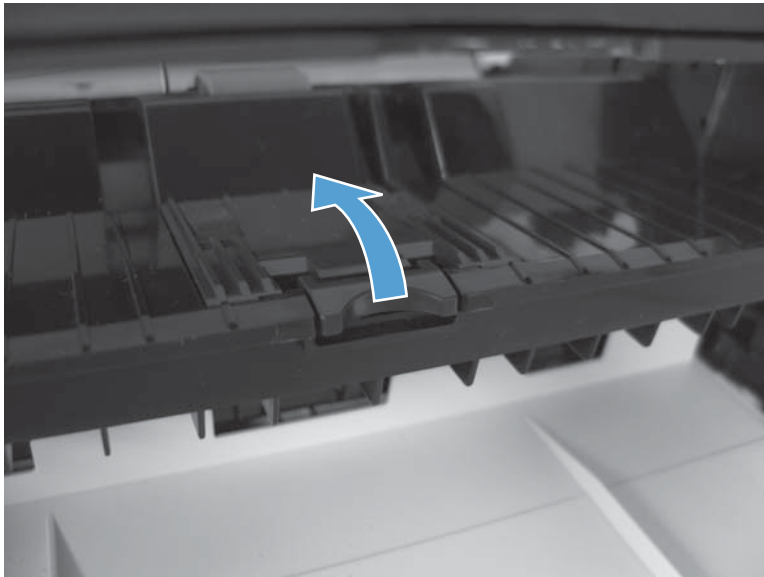
3. Push in on the latch to release the separation pad.

Figure 1-88 Remove the document feeder separation pad (3 of 5)



4. Lower the document feeder input tray, and then lift the separation pad.

Figure 1-89 Remove the document feeder separation pad (4 of 5)



5. Remove the separation pad.

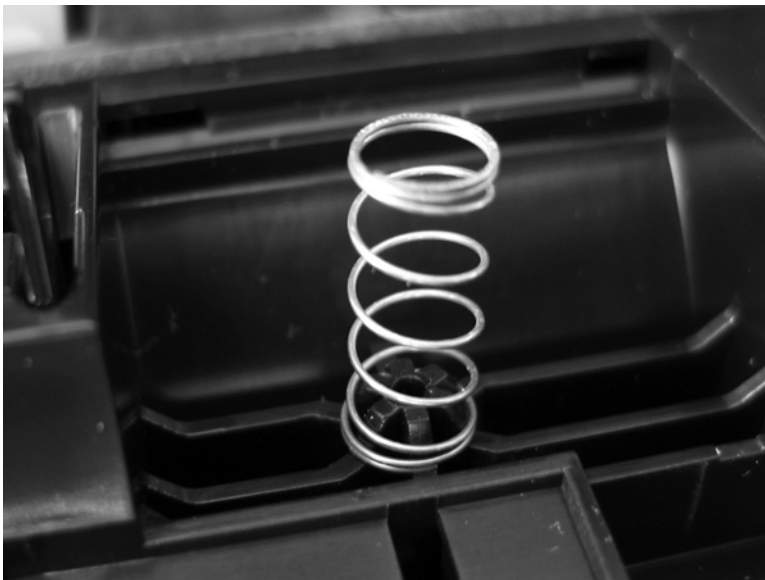
Figure 1-90 Remove the document feeder separation pad (5 of 5)



Reinstall the document feeder separation pad spring

- ▲ If the spring falls off, make sure to securely reinstall.

Figure 1-91 Reinstall the document feeder separation pad spring

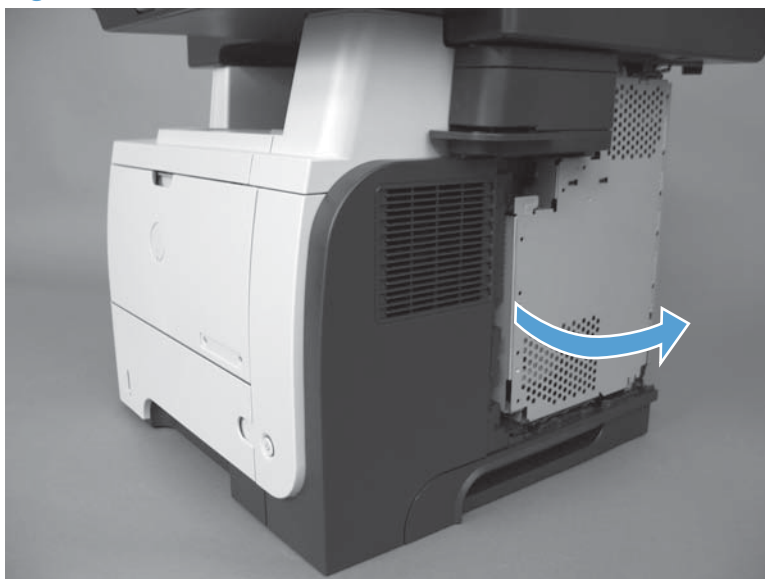


Fax card and cable

⚠ WARNING!  ESD sensitive component.

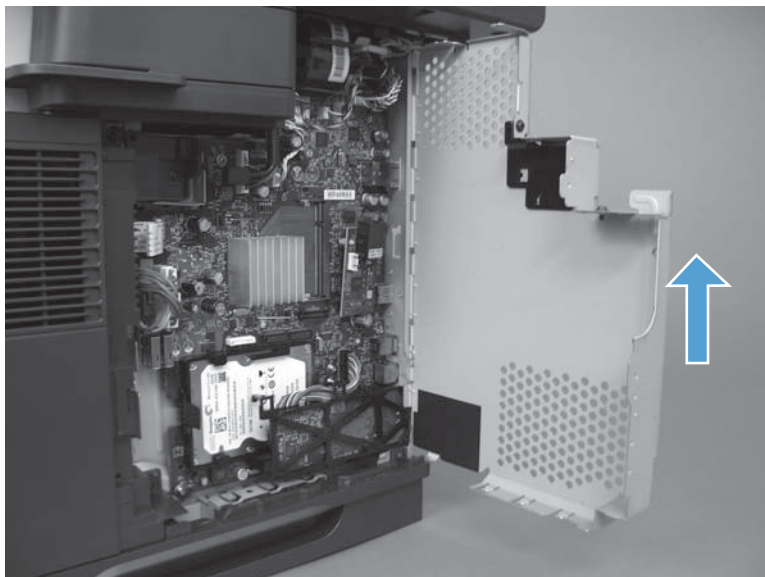
1. Before proceeding, remove the following:
 - Formatter cover. See [Formatter cover on page 69](#).
2. Open the formatter cage.

Figure 1-92 Remove the fax card and cable (1 of 4)



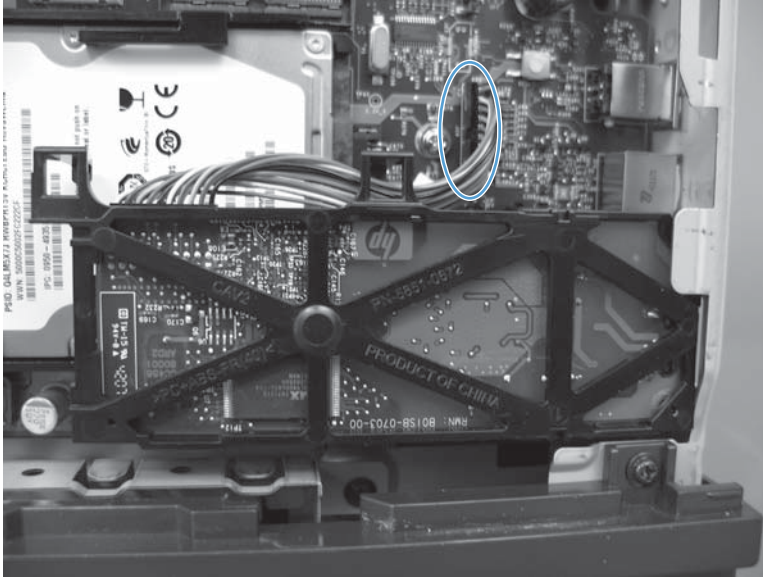
3. Lift and remove the sheet-metal door.

Figure 1-93 Remove the fax card and cable (2 of 4)



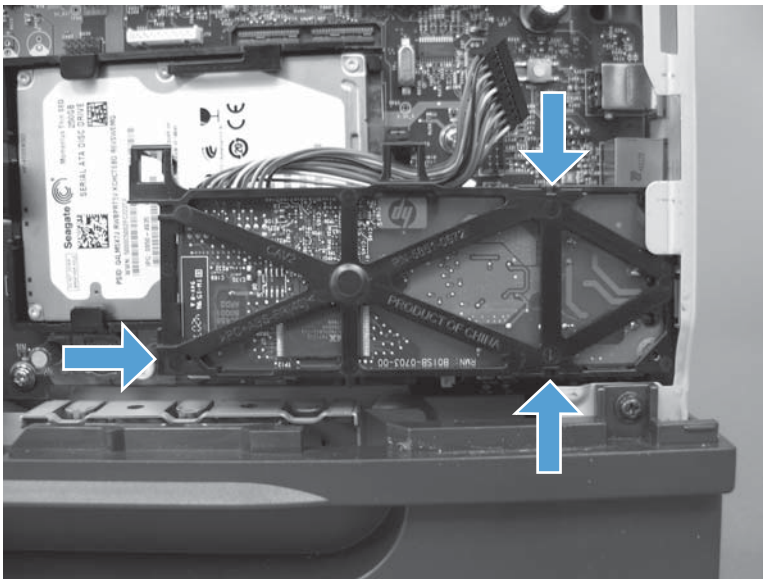
4. Disconnect one connector.

Figure 1-94 Remove the fax card and cable (3 of 4)




5. Press three tabs to release the fax card, and then remove the fax card from the product.

Figure 1-95 Remove the fax card and cable (4 of 4)



Disk drives (HDD and SSM)

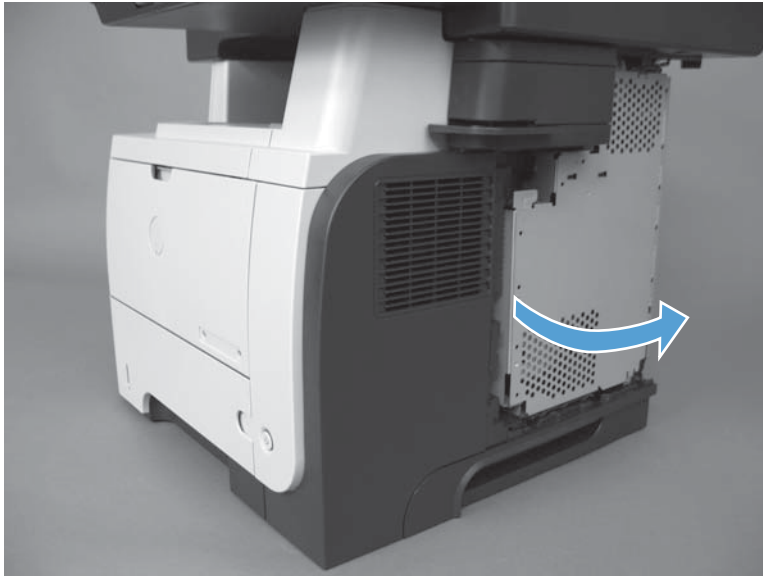
 **NOTE:** The product has a hard disk drive (HDD) or solid state memory (SSM) installed. If you install a replacement hard disk drive (HDD) or solid state memory (SSM), you must reload the product firmware. See [Reload the firmware on page 68](#).

Remove the HDD

 **CAUTION:**  ESD sensitive component.

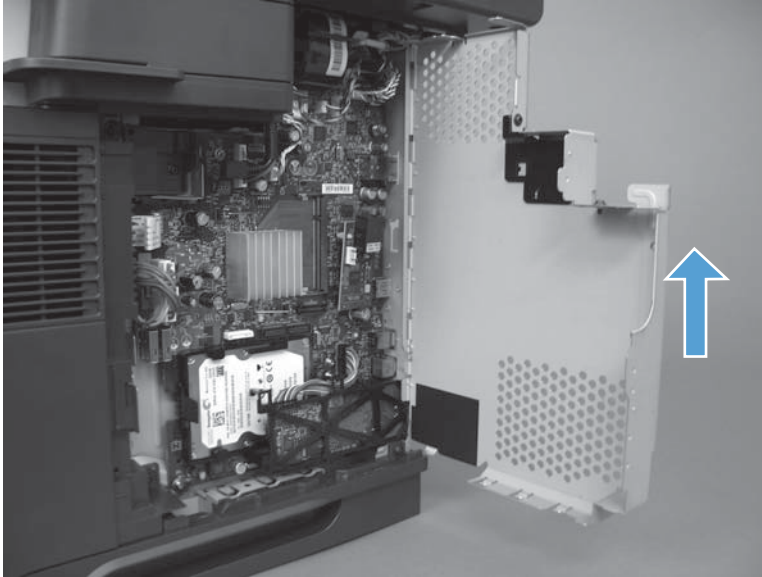
1. Before proceeding, remove the following:
 - Formatter cover. See [Formatter cover on page 69](#).
2. Open the formatter cage.

Figure 1-96 Remove the HDD (1 of 5)



3. Lift and remove the sheet-metal door.

Figure 1-97 Remove the HDD (2 of 5)



4. Push the locking lever to release the hard drive.


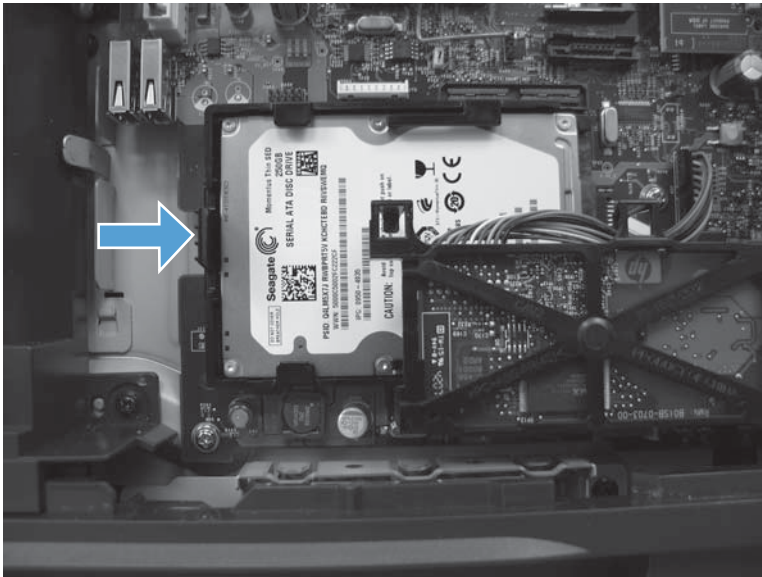
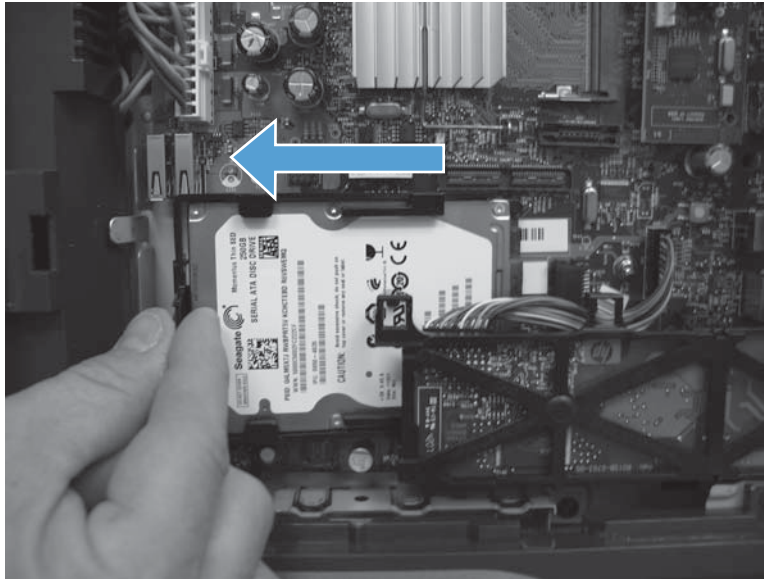
 **Reinstallation tip** When the HDD is reinstalled, make sure that the HDD is fully seated and that the locking lever snaps into the locked position.

Figure 1-98 Remove the HDD (3 of 5)



5. Slide the hard disk drive toward the edge of the formatter and remove.

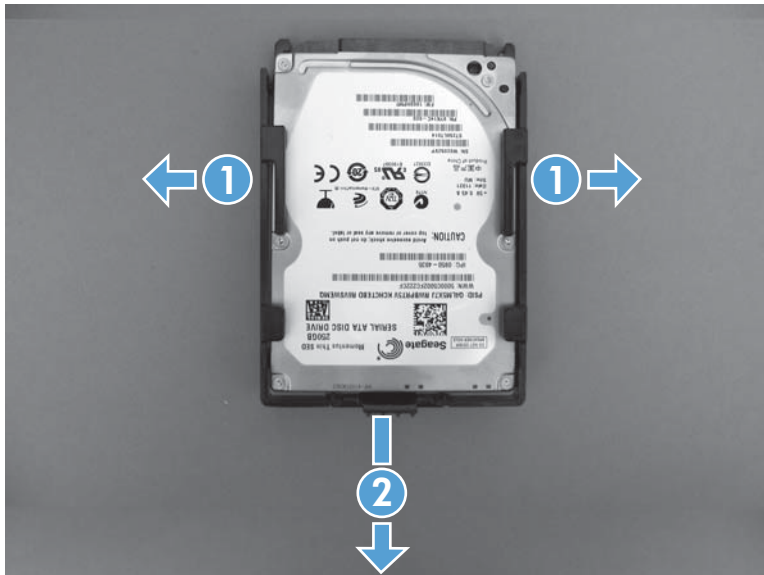
Figure 1-99 Remove the HDD (4 of 5)



6. Carefully separate the plastic side rails one at a time (callout 1) from the hard drive, and then slide the plastic cover (callout 2) from the hard drive.

⚠ CAUTION: The plastic rails can be tight fitting. Remove carefully to avoid breaking.

Figure 1-100 Remove the HDD (5 of 5)



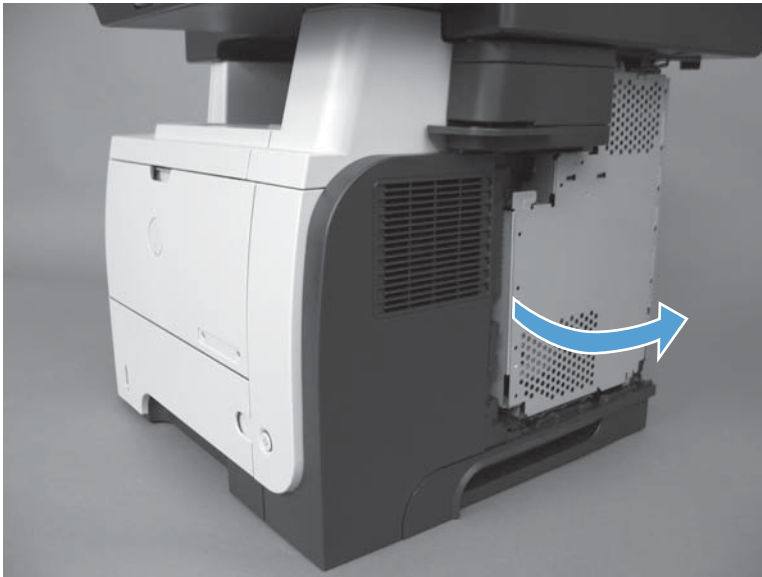
Remove the SSM

CAUTION:  ESD sensitive component.

NOTE: If you install a replacement solid state memory (SSM), you must reload the product firmware. See [Reload the firmware on page 68](#).

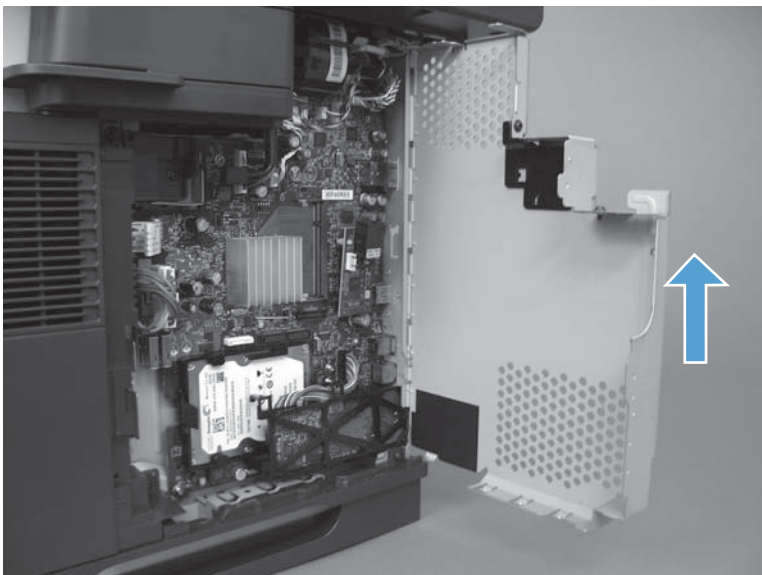
1. Before proceeding, remove the following:
 - Formatter cover. See [Formatter cover on page 69](#).
2. Open the formatter cage.

Figure 1-101 Remove the SSM (1 of 4)



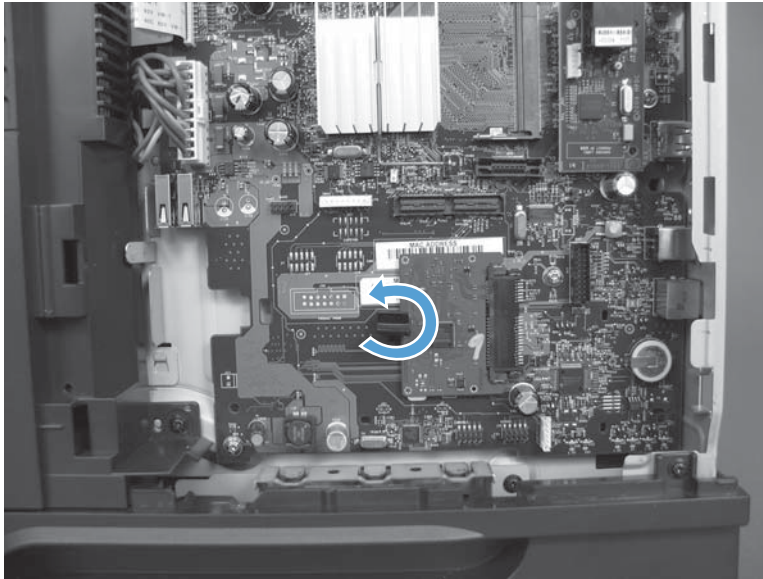
3. Lift and remove the sheet-metal door.

Figure 1-102 Remove the SSM (2 of 4)



4. Turn the locking tab to release it, and then remove the tab.

Figure 1-103 Remove the SSM (3 of 4)



5. Slide the SSM toward the edge of the formatter to remove it.


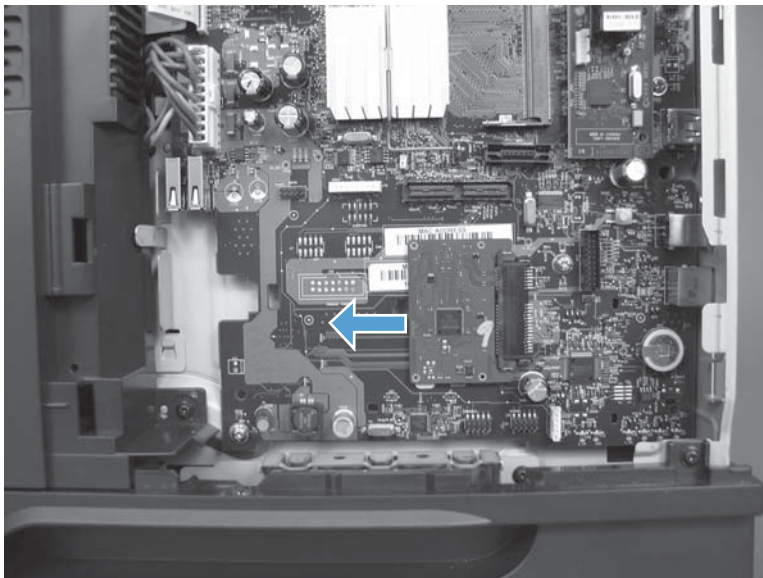
 **Reinstallation tip** The SSM is keyed and can only be installed one way.

Figure 1-104 Remove the SSM (4 of 4)



Install a replacement hard drive or SSM

After installing a replacement hard drive or SSM, you must reload the firmware by performing a firmware upgrade.

Reload the firmware

1. Go to www.hp.com/go/lj500MFPM525_firmware and www.hp.com/go/ljflowMFPM525_firmware and follow the on-screen steps to download the most recent firmware upgrade files for your product.
2. Copy the firmware upgrade file to the root directory of a USB flash drive. The firmware upgrade file has a .bdl extension.
3. Insert the USB flash drive into the USB port on the product control panel.
4. Turn the product on. The following message displays: **Error: 99.09.63 Incorrect Disk Touch the OK button to continue.**
5. Wait for the Pre-Boot menu to appear on the control-panel display, and then touch the down arrow ▼ button to scroll to **3 Administrator**. Touch the **OK** button to select it.
6. Touch the down arrow ▼ button to scroll to **6 Manage Disk**. Touch the **OK** button to select it.
7. Touch the down arrow ▼ button to scroll to **4 Clear Disk PWD**. Touch the **OK** button to select it.
8. The message **Proceed with Requested Action** displays. Touch the **OK** button to select it.
9. Touch the back arrow ↶ button to return to the Pre-Boot menu home screen.
10. Touch the down arrow ▼ button to scroll to **3 Administrator**. Touch the **OK** button to select it.
11. Touch the down arrow ▼ button to scroll to **1 Download**. Touch the **OK** button to select it.
12. Touch the down arrow ▼ button to scroll to **3 USB Thumbdrive**. Touch the **OK** button to select it.
13. Several .bdl files might be listed. Touch the down arrow ▼ button to scroll to the firmware upgrade file that you downloaded. Touch the **OK** button to select it.



NOTE: If no .bdl files are listed, try saving the file to a different USB flash drive

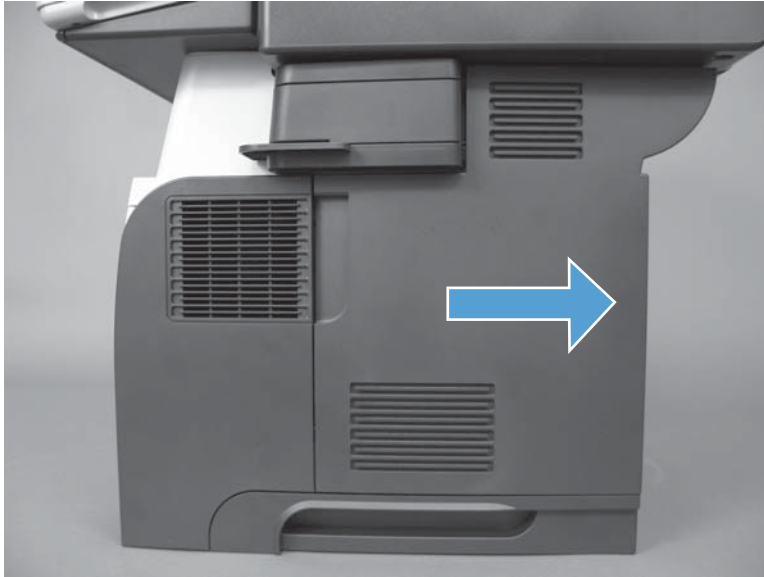
14. Wait while the file transfers. When the transfer is complete, the message **Complete** displays on the screen.
15. Turn the product off, remove the USB flash drive, and then turn the product on. Wait for several minutes while the product initializes.
 - If the upgrade is unsuccessful, try sending the firmware upgrade file again.
 - If the upgrade fails again, contact HP support at www.hp.com/support/lj500MFPM525 and www.hp.com/support/ljflowMFPM525.

External panels, covers, doors, formatter, and stapler

Formatter cover

- ▲ Slide the formatter cover toward the rear of the product to remove.

Figure 1-105 Remove the formatter cover

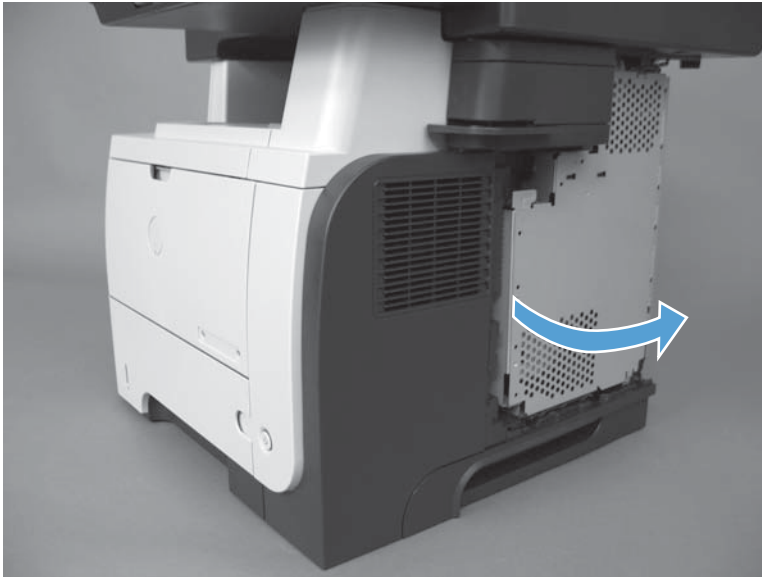


Formatter PCA

⚠ WARNING!  ESD sensitive component.

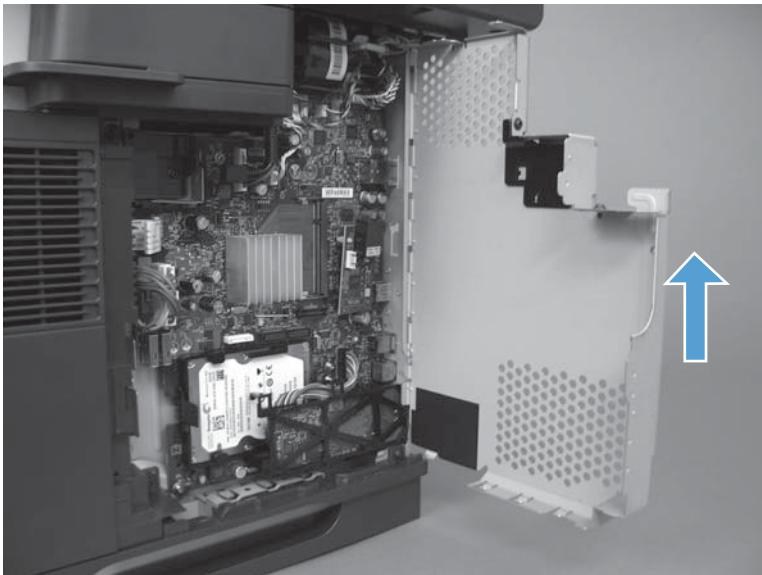
1. Before proceeding, remove the following:
 - Formatter cover. See [Formatter cover on page 69](#).
2. Open the formatter cage.

Figure 1-106 Remove the formatter PCA (1 of 4)



3. Lift and remove the sheet-metal door.

Figure 1-107 Remove the formatter PCA (2 of 4)

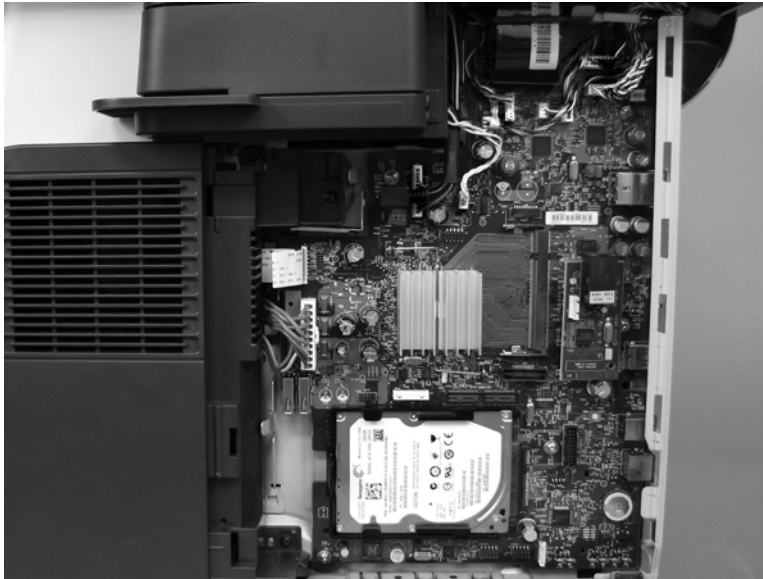


4. Disconnect 12 connectors.



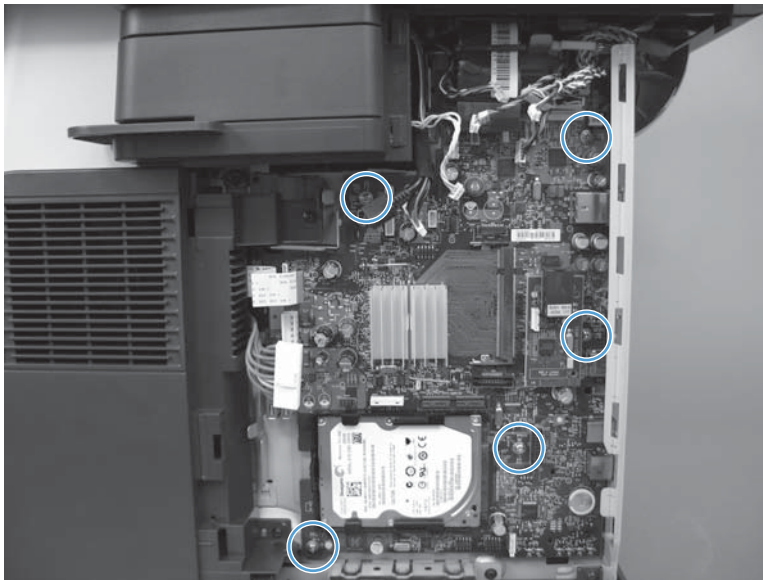
NOTE: To locate the formatter connector locations, see [Formatter connections on page 9](#).

Figure 1-108 Remove the formatter PCA (3 of 4)



5. Remove five screws and then carefully remove the formatter PCA.

Figure 1-109 Remove the formatter PCA (4 of 4)

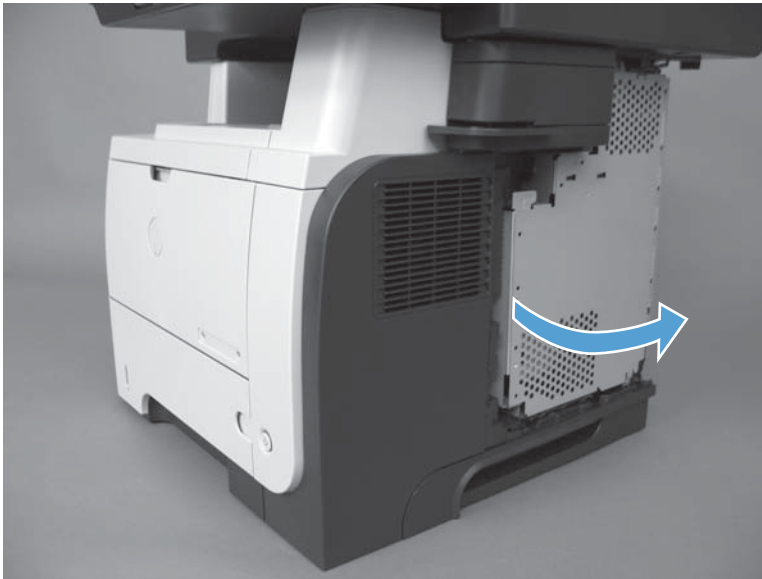


Stapler cover

Products without a stapler have a substitute stapler cover. See [Substitute stapler cover on page 74](#).

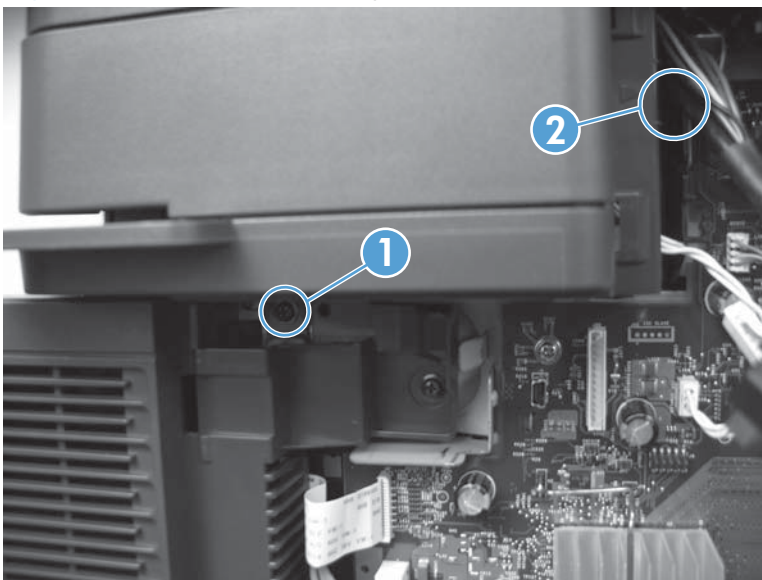
1. Before proceeding, remove the following components:
 - Formatter cover. See [Formatter cover on page 69](#).
2. Open the formatter cage.

Figure 1-110 Remove the substitute cover (1 of 4)



3. Remove one screw (callout 1) and release one tab (callout 2).

Figure 1-111 Remove the stapler cover (2 of 4)



 **Reinstallation tip** Disconnect the control-panel cable from the formatter to provide additional access to the tab.

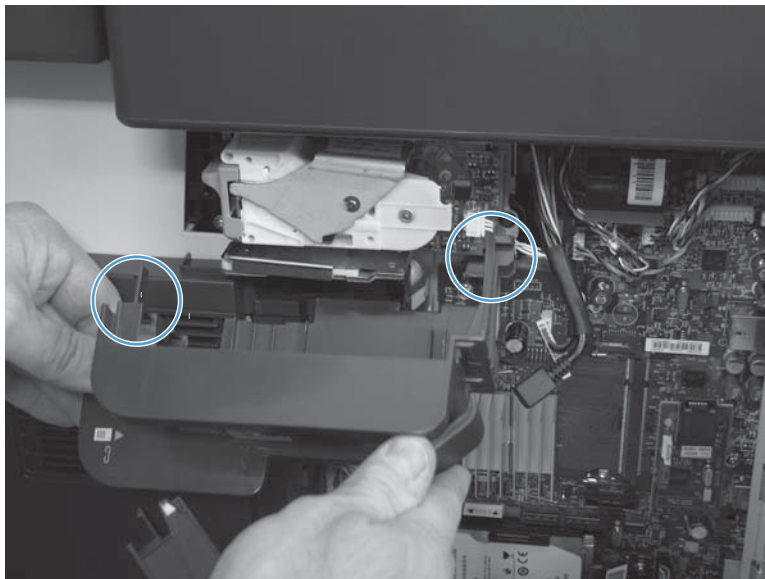
4. Open the stapler door and release one tab.

Figure 1-112 Remove the stapler cover (3 of 4)



5. Remove the stapler cover.

Figure 1-113 Remove the stapler cover (4 of 4)

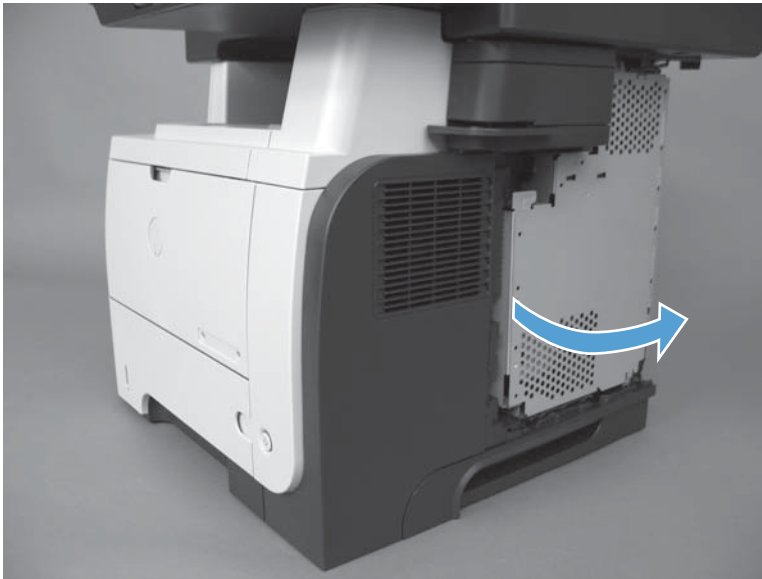


Substitute stapler cover

Products with a stapler have a stapler cover. See [Stapler cover on page 72](#).

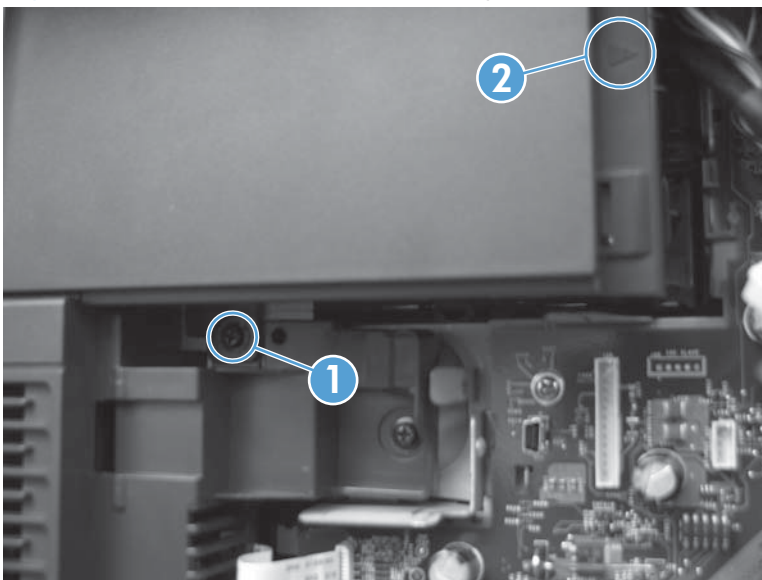
1. Before proceeding, remove the following components:
 - Formatter cover. See [Formatter cover on page 69](#).
2. Open the formatter cage.

Figure 1-114 Remove the substitute stapler cover (1 of 2)



3. Remove one screw (callout 1), release one tab (callout 2) and remove the cover.

Figure 1-115 Remove the substitute stapler cover (2 of 2)

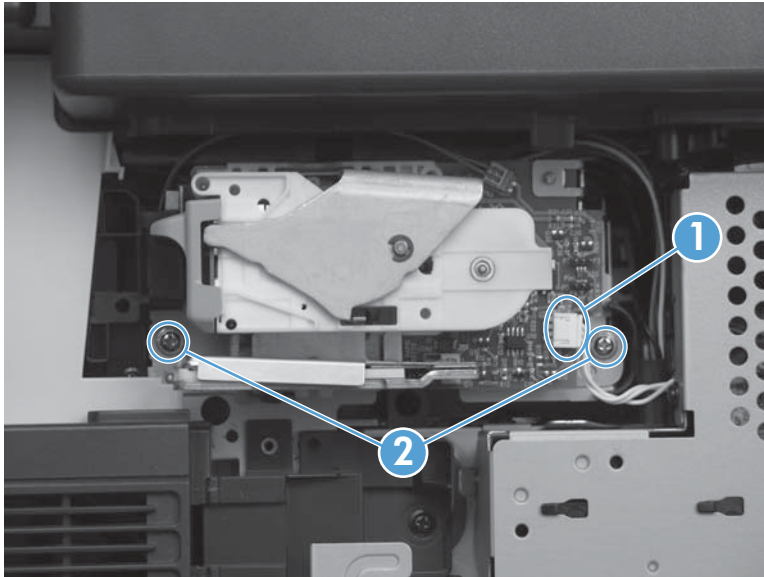


 **Reinstallation tip** Disconnect the control-panel cable from the formatter to provide additional access to the tab.

Stapler assembly

1. Before proceeding, remove the following:
 - Formatter cover. See [Formatter cover on page 69](#).
 - Stapler cover or substitute stapler cover. See [Stapler cover on page 72](#) or [Substitute stapler cover on page 74](#).
2. Disconnect one connector (callout 1), remove two screws (callout 2), and then remove the stapler assembly.

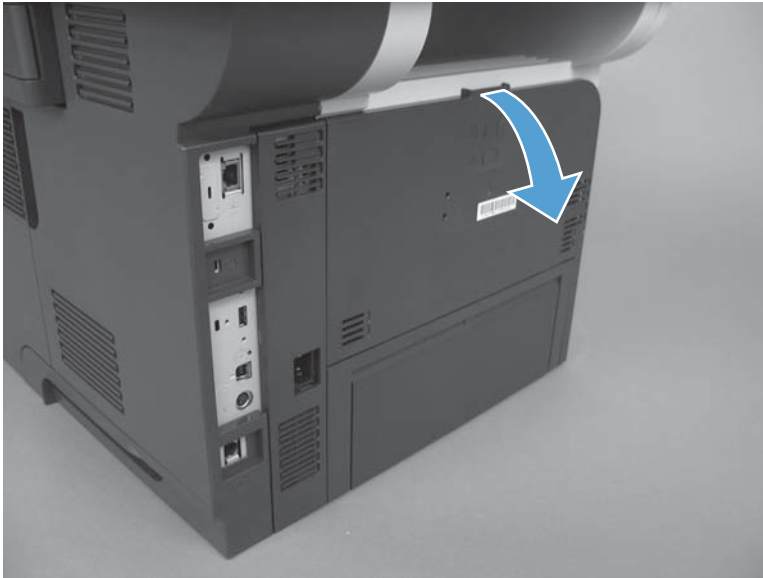
Figure 1-116 Remove the stapler assembly



Rear cover assembly

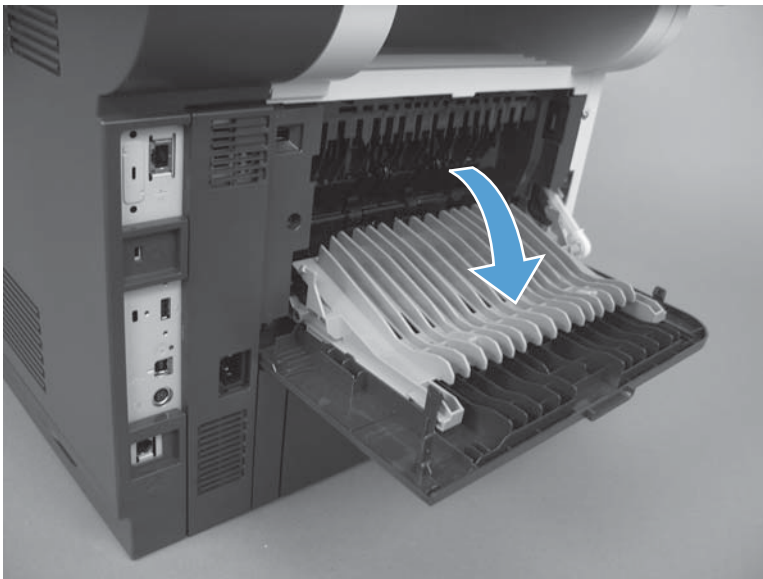
1. Open the rear door.

Figure 1-117 Remove the rear cover assembly (1 of 8)



2. Gently pull down on the door and lower the door until it is fully open.

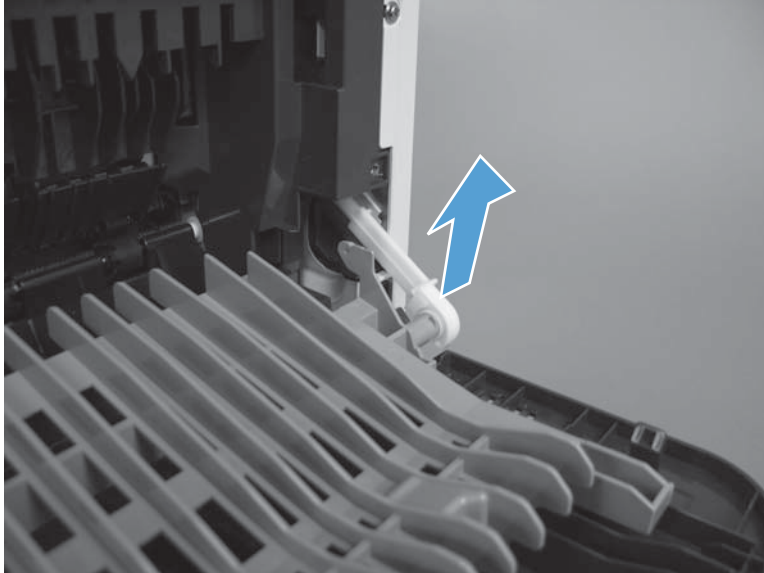
Figure 1-118 Remove the rear cover assembly (2 of 8)



3. Push up on the link arm to release it.

⚠ CAUTION: The link arm is under spring tension. Do not let the link arm snap back toward the product when you release it.

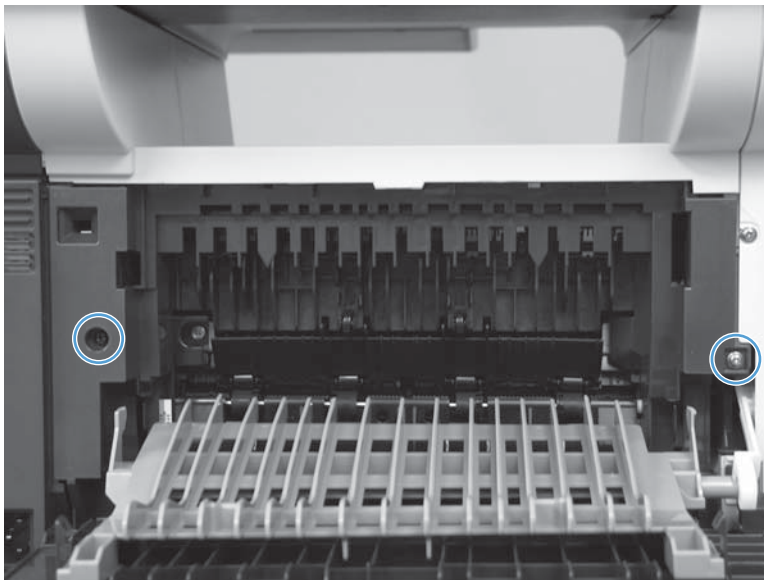
Figure 1-119 Remove the rear cover assembly (3 of 8)



4. Remove two screws (callout 1).

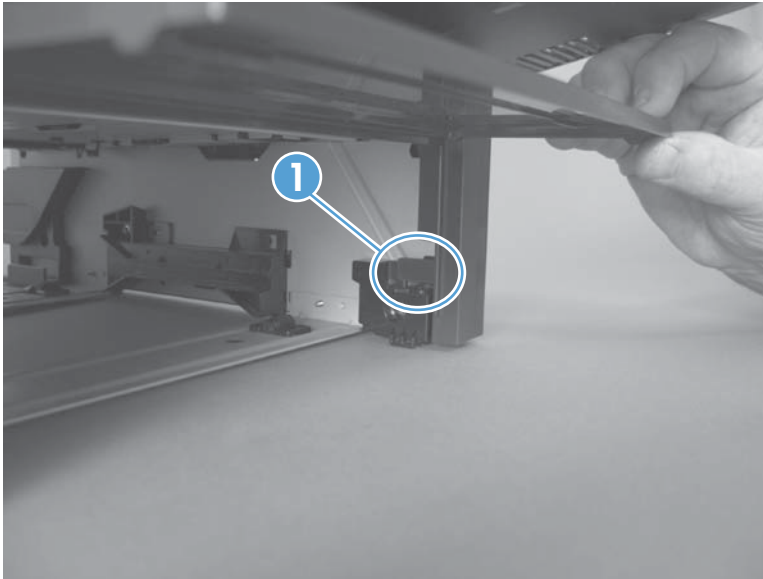
📋 NOTE: These two screws are of different types. Make sure to install them in the correct location.

Figure 1-120 Remove the rear cover assembly (4 of 8)



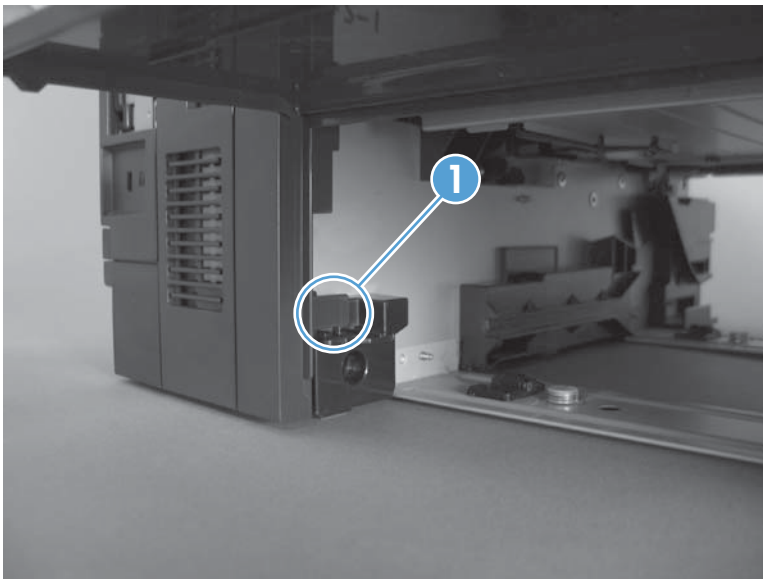
5. Open the lower-rear door, and then release one tab (callout 1).

Figure 1-121 Remove the rear cover assembly (5 of 8)



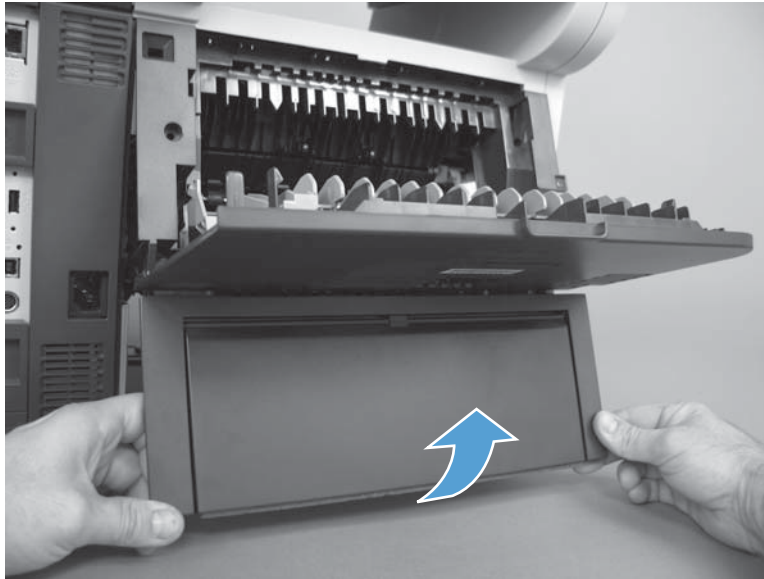
6. Release one tab (callout 1).

Figure 1-122 Remove the rear cover assembly (6 of 8)



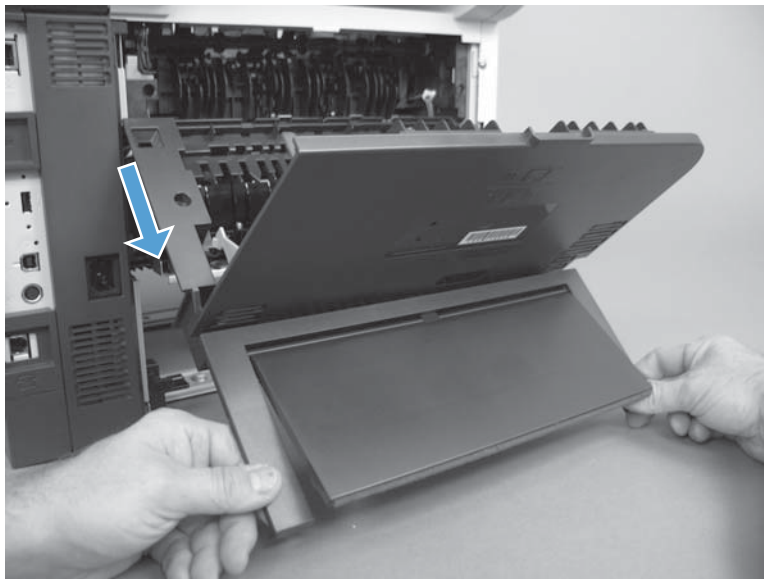
7. Rotate the bottom of the rear cover assembly away from the product.


Figure 1-123 Remove the rear cover assembly (7 of 8)



8. Pull down on the rear cover assembly to remove it.

Figure 1-124 Remove the rear cover assembly (8 of 8)

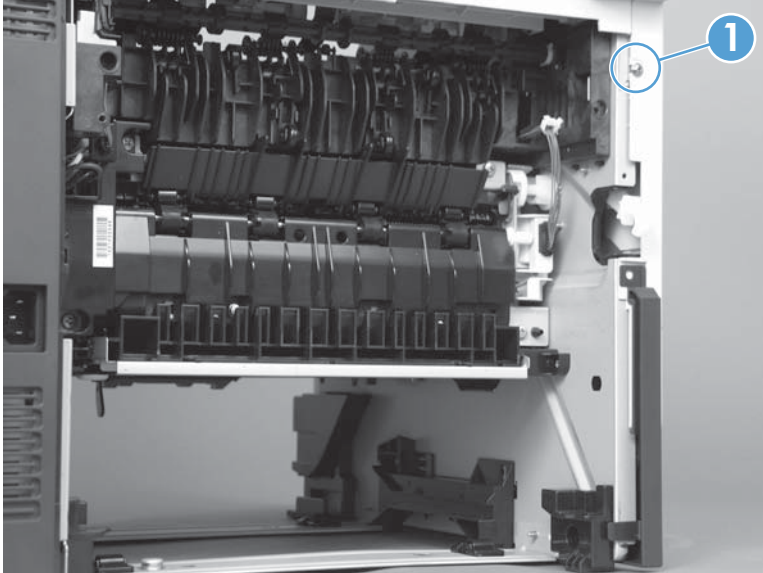


 **Reinstallation tip** Insert the top of the cover first to make sure the tabs are in place and then rotate the bottom of the cover into place.

Left cover

1. Before proceeding, remove the following:
 - Rear cover assembly. See [Rear cover assembly on page 76](#).
2. Remove one screw (callout 1).

Figure 1-125 Remove the left cover (1 of 3)



3. Grip the cover and pull it away from the engine. Release the first tab (callout 1), and then release the second tab (callout 2). Release the third tab (callout 3) if necessary to separate the cover from the engine.


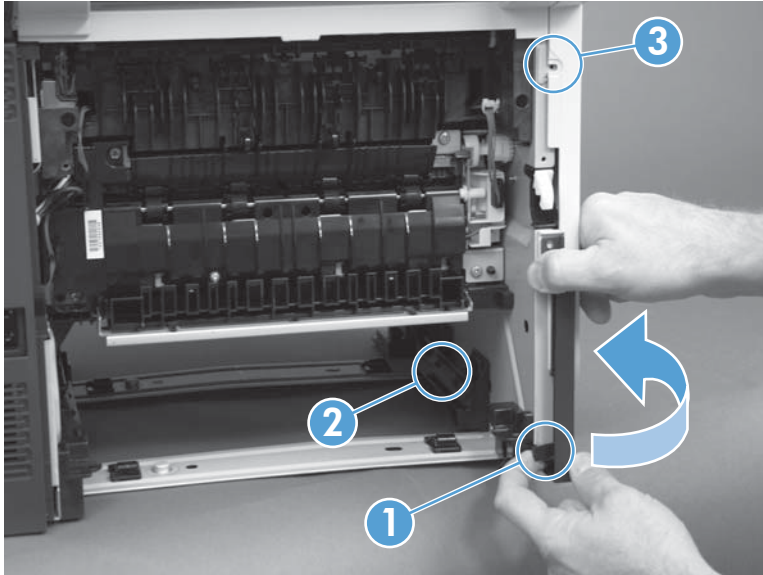
 **TIP:** The tab inside the tray cavity (callout 2) is located below the plastic tray rail. It might be easier to slightly lift up the left side of the product, and use a small flat blade screwdriver to release this tab.

Figure 1-126 Remove the left cover (2 of 3)



4. Rotate the rear of the cover slightly away from the product, and then slide the cover toward the front of the product to remove it.


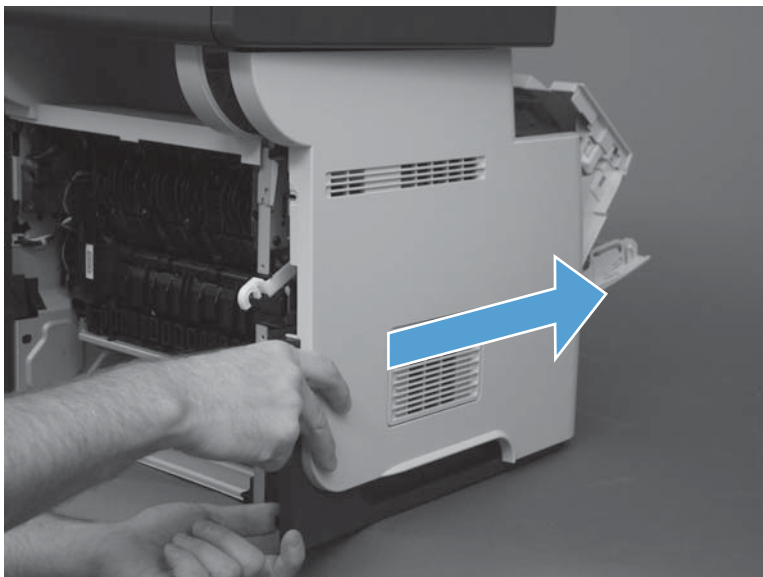
 **Reinstallation tip** Align the tabs on the front of the cover first and then reinstall the cover.

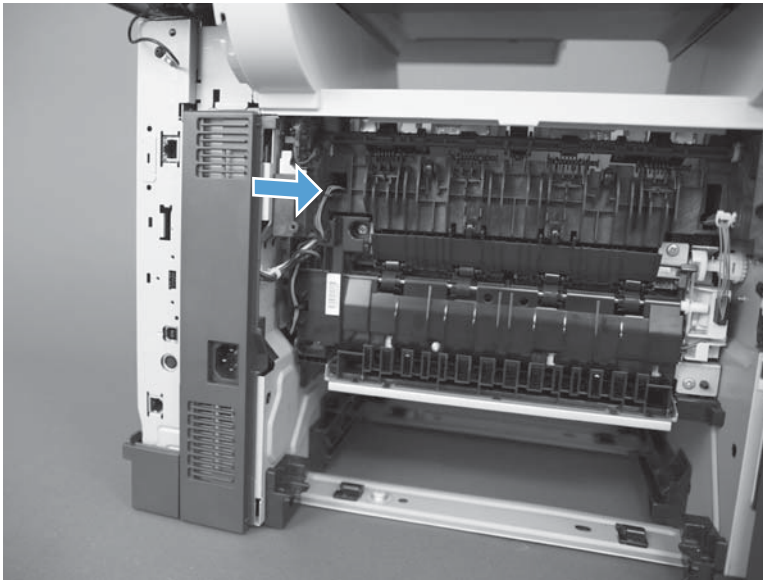
Figure 1-127 Remove the left cover (3 of 3)



Right-rear cover

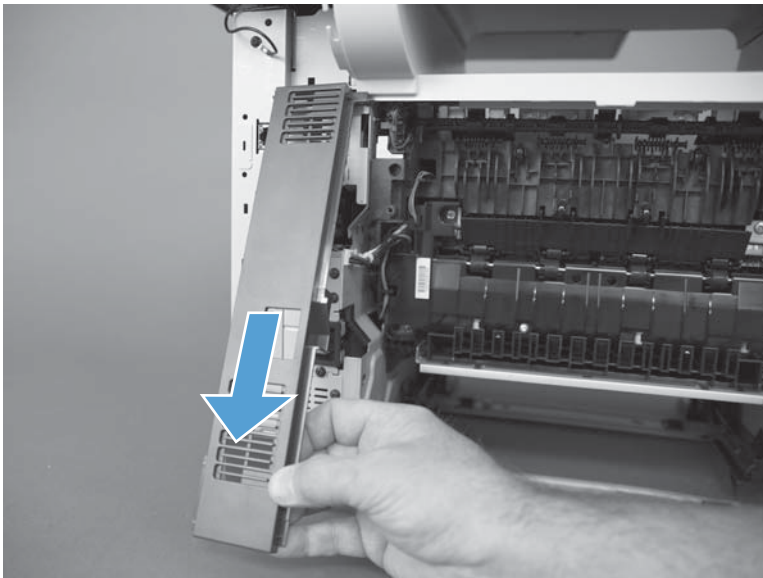
1. Before proceeding, remove the following:
 - Formatter cover. See [Formatter cover on page 69](#).
 - Rear cover assembly. See [Rear cover assembly on page 76](#).
2. Slide the right-rear cover toward the inside of the product to release it.

Figure 1-128 Remove the right-rear cover (1 of 2)



3. Rotate the bottom of the cover away from the product, and then pull down on the cover to remove it.

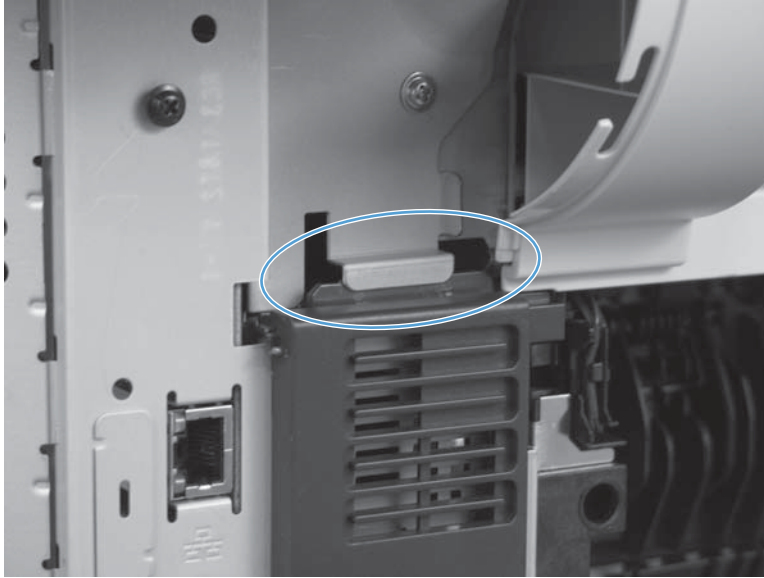
Figure 1-129 Remove the right-rear cover (2 of 2)



Reinstall the right-rear cover

- ▲ Make sure to slide the tab on the top of the cover under the sheet-metal clip.

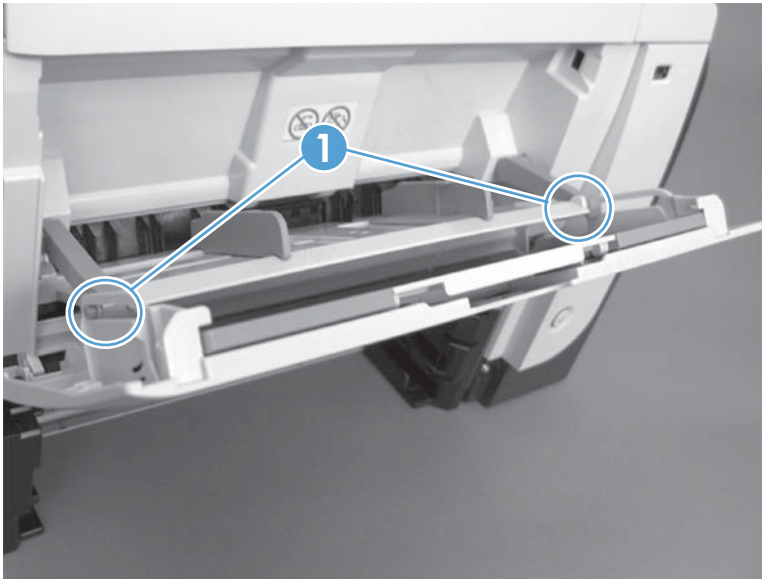
Figure 1-130 Reinstall the right-rear cover



Tray 1 cover

1. Before proceeding, remove the following:
 - Rear cover assembly. See [Rear cover assembly on page 76](#).
 - Left cover. See [Left cover on page 80](#).
2. Carefully release two retaining arms (callout 1).

Figure 1-131 Remove Tray 1 cover (1 of 3)



3. Slightly lift the cover to a 45 degree angle, and then slide it toward the left side of the product.


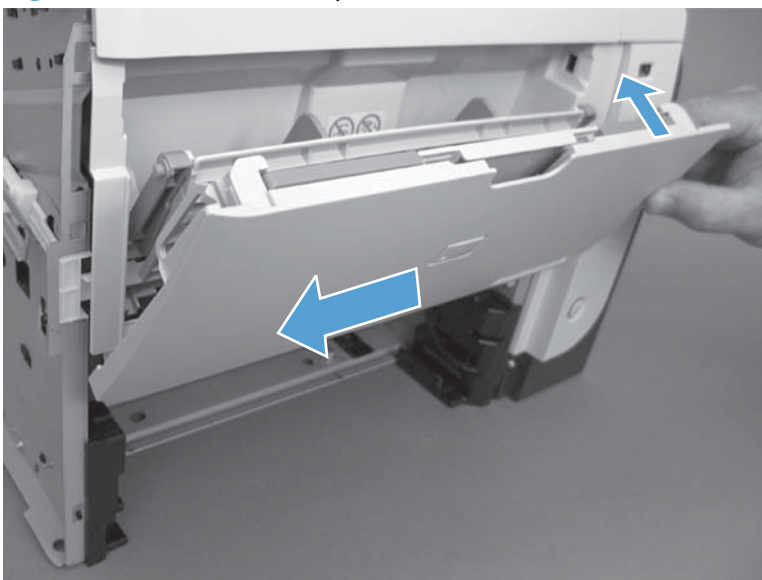
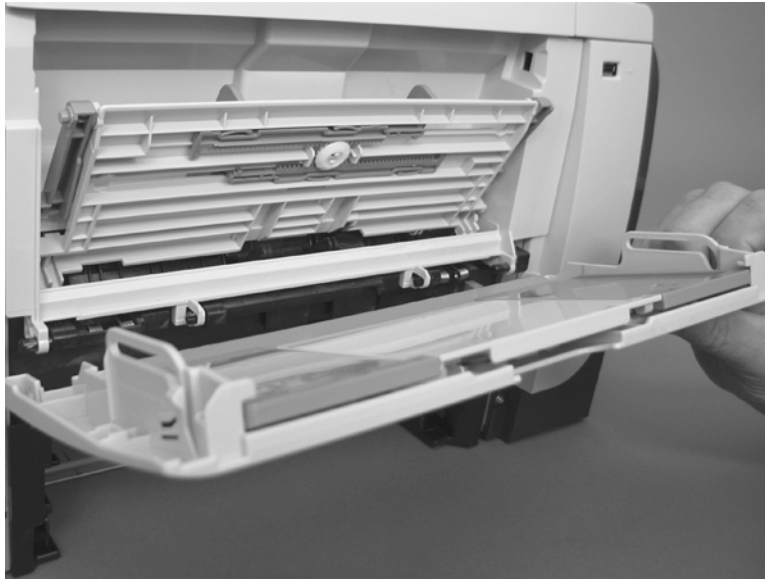
 **TIP:** If you lower the tray too far, it will not slide off of the hinge pins.

Figure 1-132 Remove Tray 1 cover (2 of 3)




4. Remove the Tray 1 cover.

Figure 1-133 Remove Tray 1 cover (3 of 3)



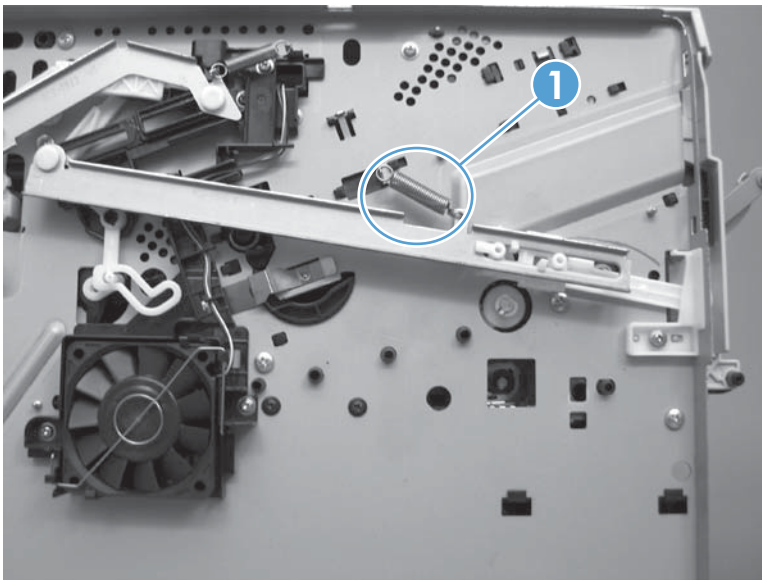
Cartridge-door assembly

1. Before proceeding, remove the following:
 - Rear cover assembly. See [Rear cover assembly on page 76](#).
 - Left cover. See [Left cover on page 80](#).
 - Tray 1 cover. See [Tray 1 cover on page 84](#).

 **TIP:** The cartridge-door assembly can be removed without removing the Tray 1 cover. However, it is easier to remove and reinstall the door assembly when the Tray 1 cover is not installed.

2. Remove one spring (callout 1).

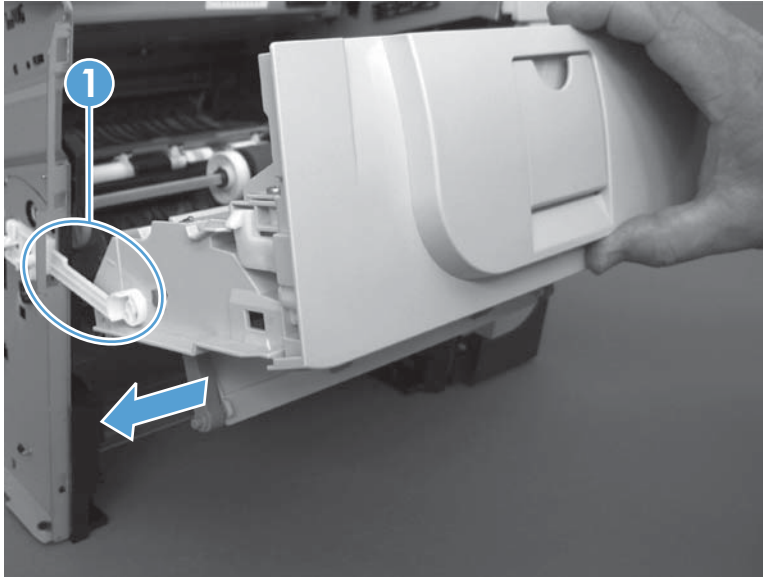
Figure 1-134 Remove the cartridge-door assembly (1 of 3)



3. Open the cartridge door slightly and then slide the assembly toward the left side of the product to release it from the hinge pins.

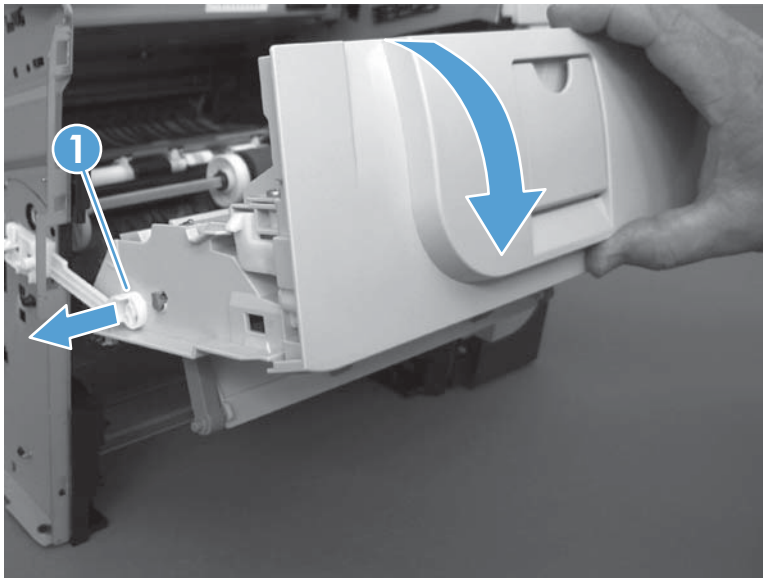
⚠ CAUTION: You can flex the link arm (callout 1), but be careful not to damage it.

Figure 1-135 Remove the cartridge-door assembly (2 of 3)



4. After releasing from the hinge pins, move the cartridge door to the right to release the pressure on the link arm. Rotate the assembly down, and then separate the link arm (callout 1) from the assembly. Remove the cartridge-door assembly.

Figure 1-136 Remove the cartridge-door assembly (3 of 3)



Rear scanner cover

- ▲ Remove two screws, and then remove the cover.

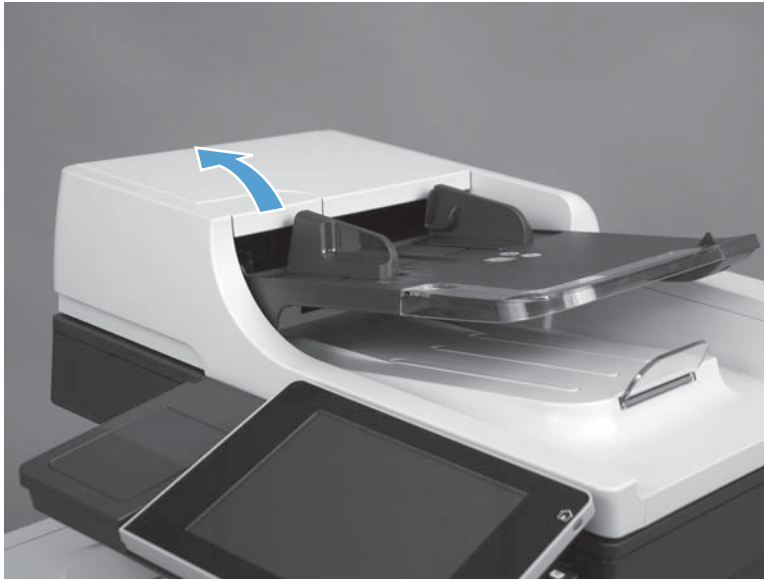
Figure 1-137 Remove the Rear scanner cover



Document feeder front cover

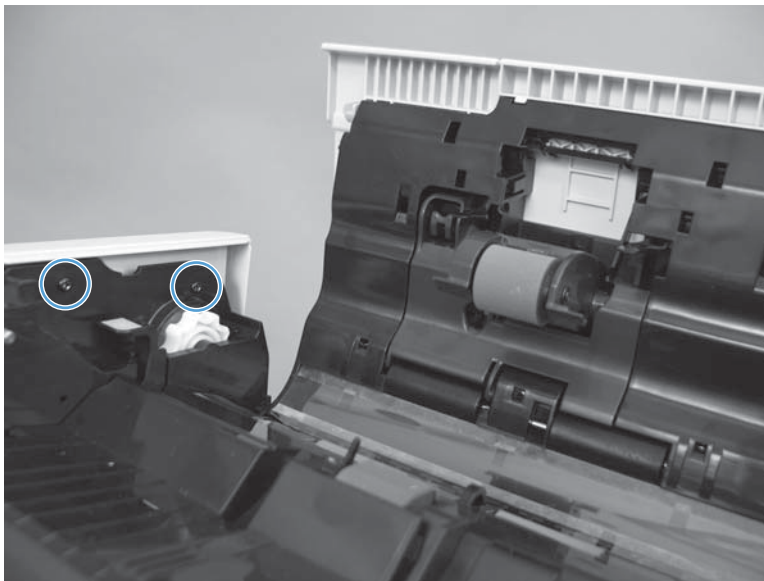
1. Open the jam-access cover.

Figure 1-138 Remove the document feeder front cover (1 of 4)



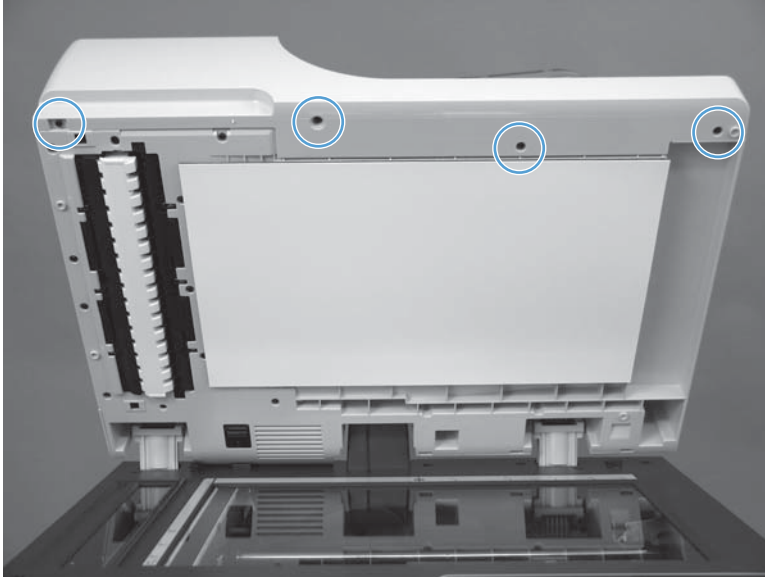
2. Remove two screws.

Figure 1-139 Remove the document feeder front cover (2 of 4)



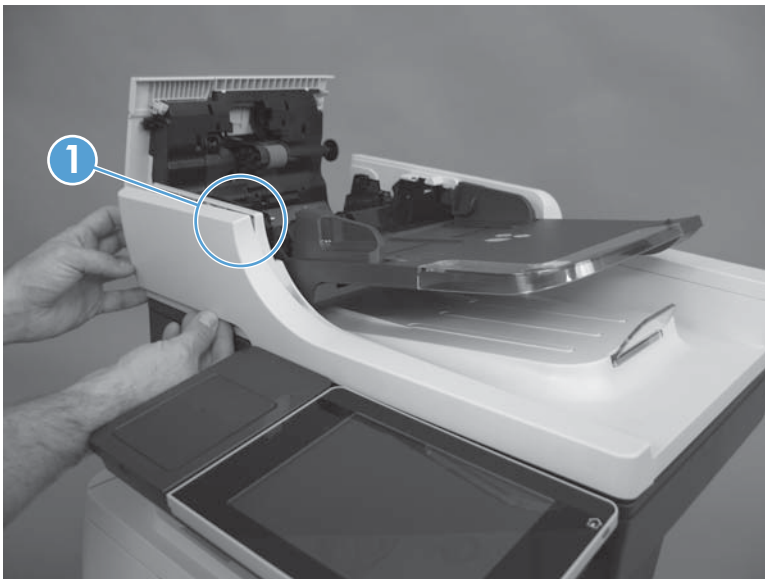
3. Open the document feeder, and then remove four screws.

Figure 1-140 Remove the document feeder front cover (3 of 4)



4. Release one tab, and then remove the cover.

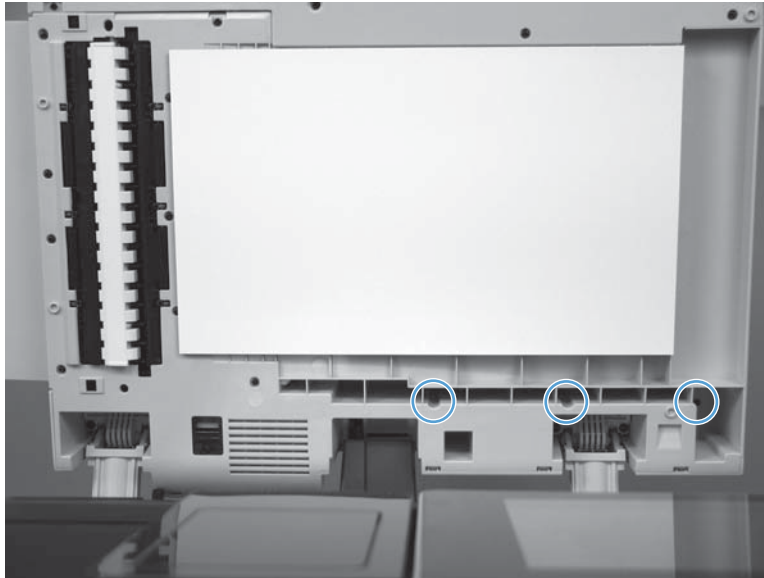
Figure 1-141 Remove the document feeder front cover (4 of 4)



Document feeder rear cover

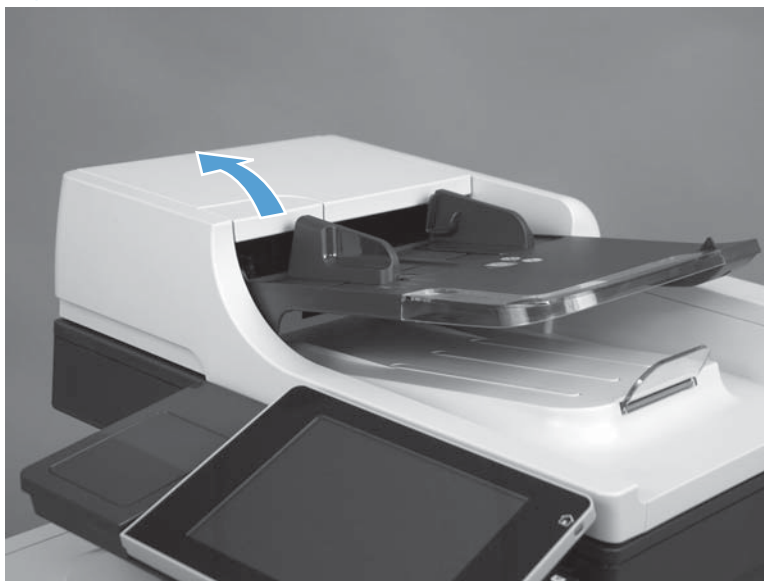
1. Open the document feeder, and then remove three screws.

Figure 1-142 Remove the document feeder rear cover (1 of 4)



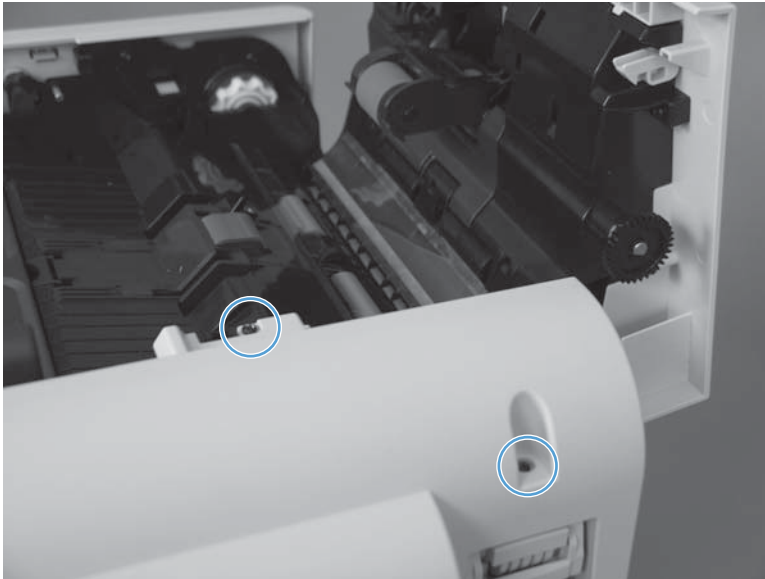
2. Close the document feeder and then open the jam-access cover.

Figure 1-143 Remove the document feeder rear cover (2 of 4)



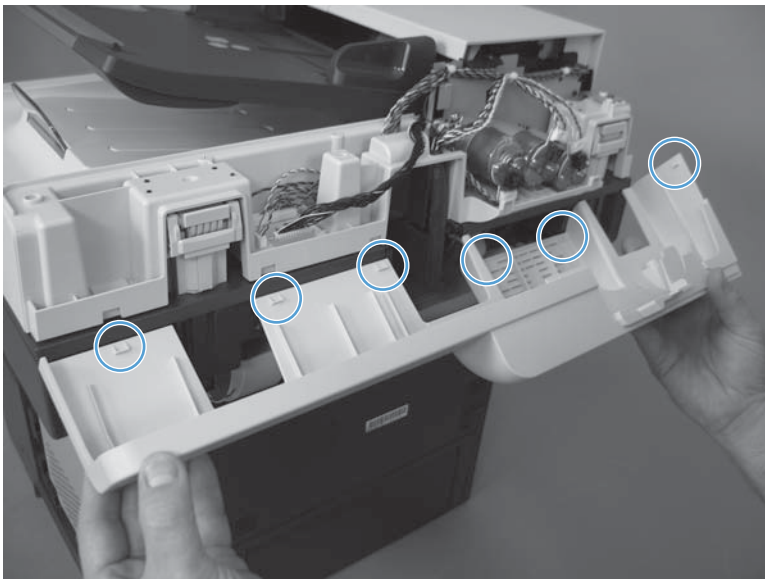
3. Remove two screws.

Figure 1-144 Remove the document feeder rear cover (3 of 4)



4. Release six tabs and remove the cover.

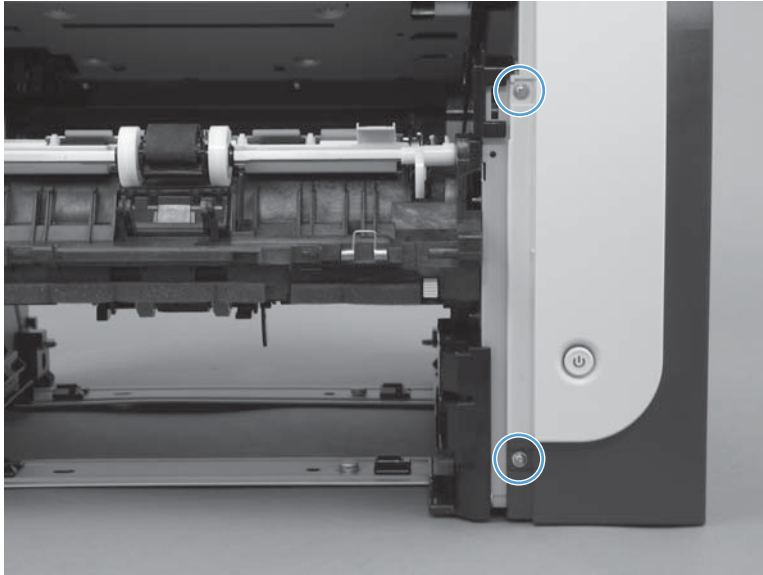
Figure 1-145 Remove the document feeder rear cover (4 of 4)



Right cover assembly

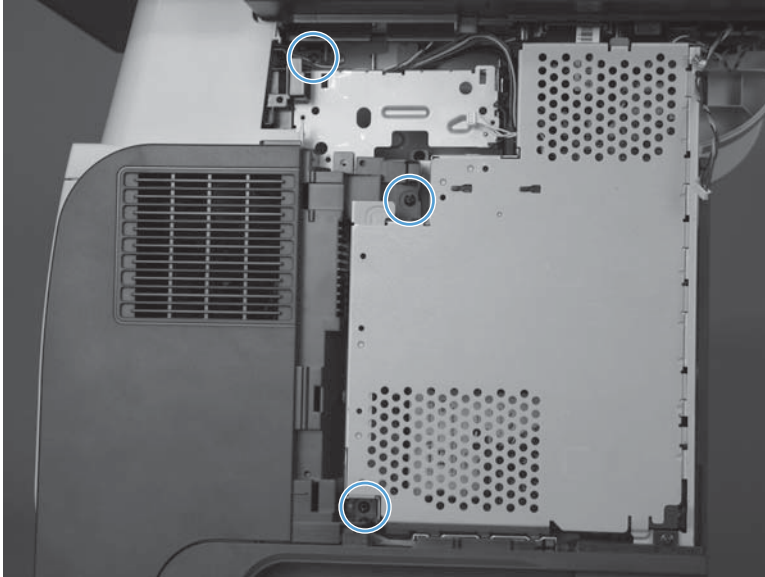
1. Before proceeding, remove the following:
 - Formatter cover. See [Formatter cover on page 69](#).
 - Stapler cover or substitute stapler cover. See [Stapler cover on page 72](#) or [Substitute stapler cover on page 74](#).
 - Stapler assembly. See [Stapler assembly on page 75](#)
 - Rear cover assembly. See [Rear cover assembly on page 76](#).
 - Left cover. See [Left cover on page 80](#).
 - Tray 1 cover. See [Tray 1 cover on page 84](#).
 - Cartridge-door assembly. See [Cartridge-door assembly on page 86](#).
2. Remove two screws (callout 1).

Figure 1-146 Remove the right cover assembly (1 of 4)

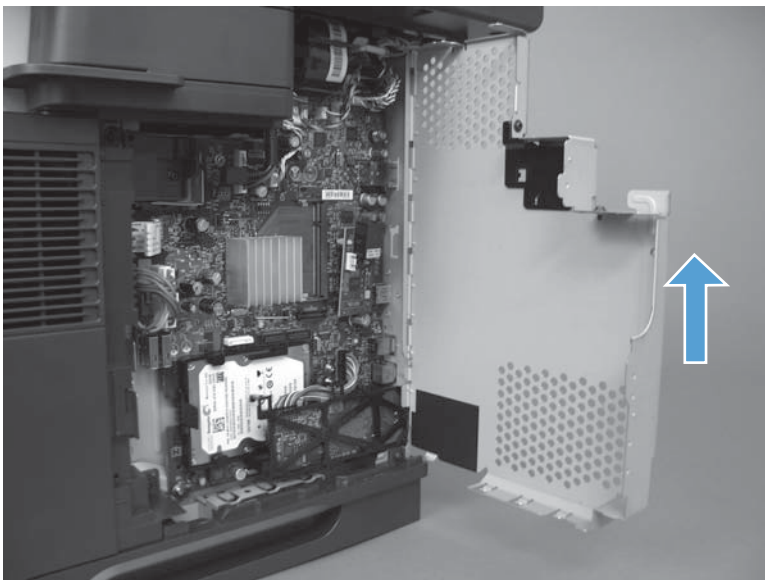


3. Remove three screws.

Figure 1-147 Remove the right cover assembly (2 of 4)



4. Open the formatter cage and remove the sheet metal door.

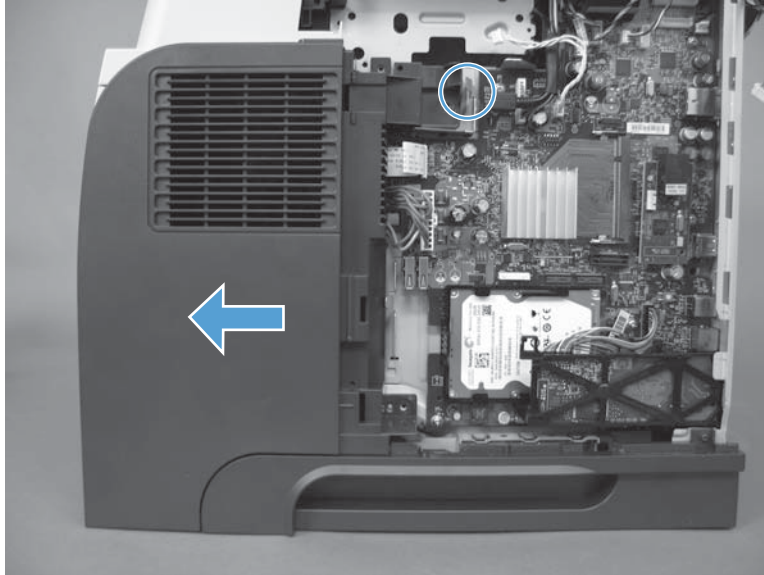


5. Release one tab and then slide the cover toward the front of the product to remove.

⚠ CAUTION: Do not damage the covers or the cartridge-door assembly (if you did not remove it) when you remove the cover from the product.

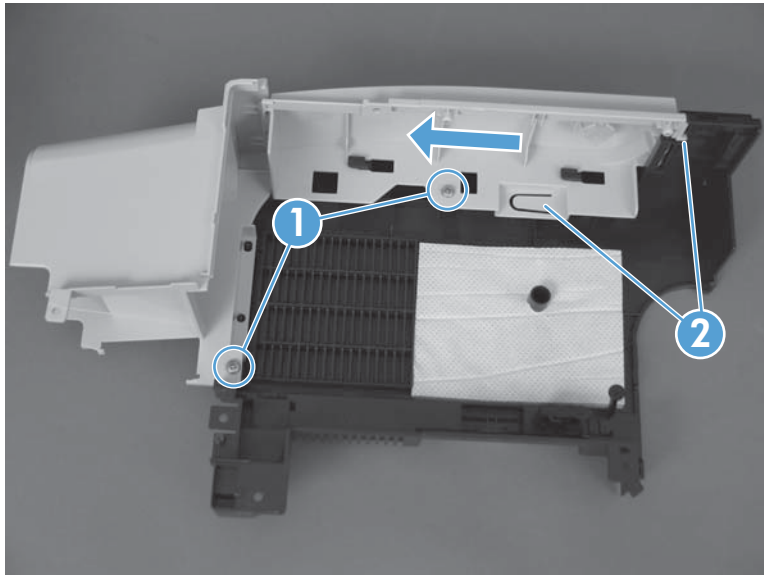
Do not dislodge the power-switch assembly when you rotate the cover assembly away from the product.

Figure 1-148 Remove the right cover assembly (3 of 4)



6. If necessary, remove two screws (callout 1), release two tabs (callout 2), and then slide the front-right cover toward the top of the right-side cover to release it.

Figure 1-149 Remove the right cover assembly (4 of 4)



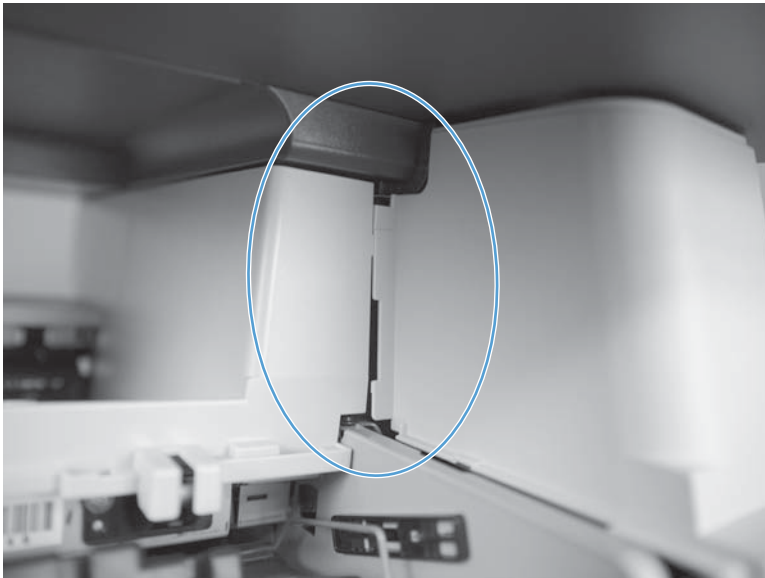
Reinstall the right cover

1. Slide the cover on to the product from the front. Make sure the cover is aligned correctly at the top. The top of the cover should slide over the chassis and the lower section of the cover should slide behind the chassis.

Figure 1-150 Reinstall the right cover assembly: correct alignment

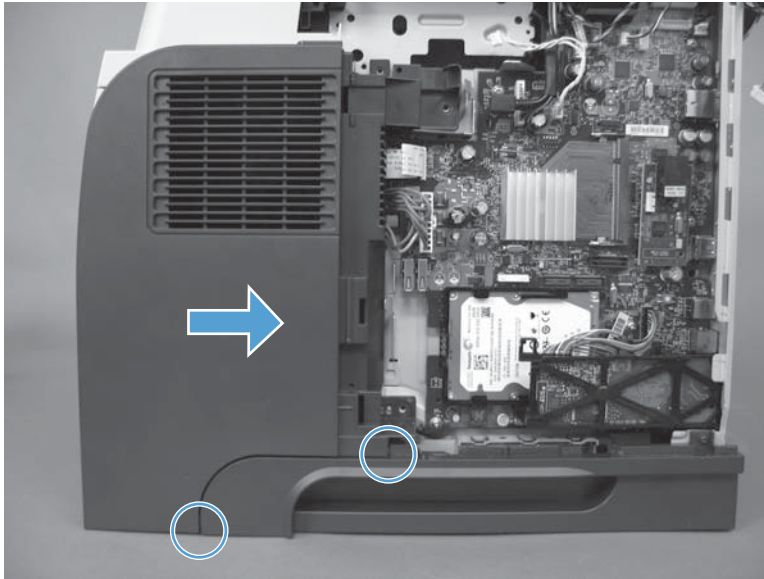


Figure 1-151 Reinstall the right cover assembly: incorrect alignment




2. Make sure the two tabs are securely inserted.

Figure 1-152 Reinstall the right cover assembly

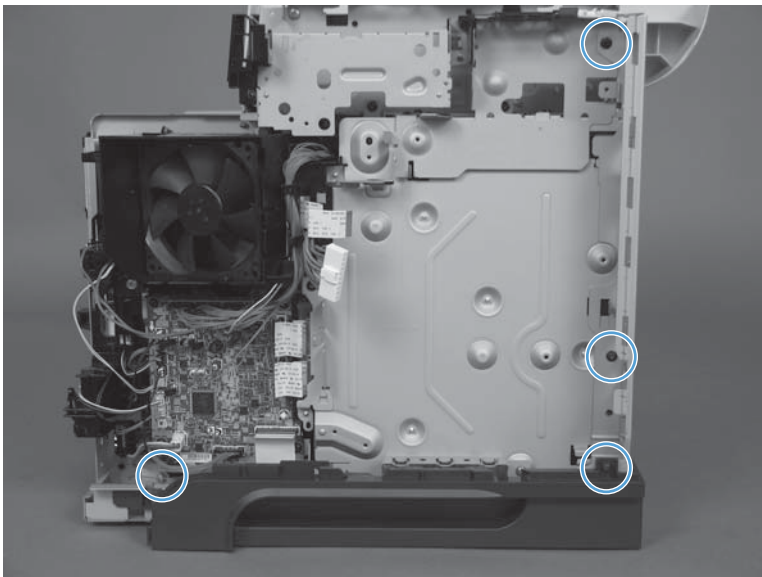


Right handle cover and bracket

 **NOTE:** You do not need to remove the sheet-metal bracket to remove the lower-right cover. However, you must remove the bracket and the cover when removing some of the other product components in this chapter. Use this procedure to remove the cover only, or the cover and the bracket.

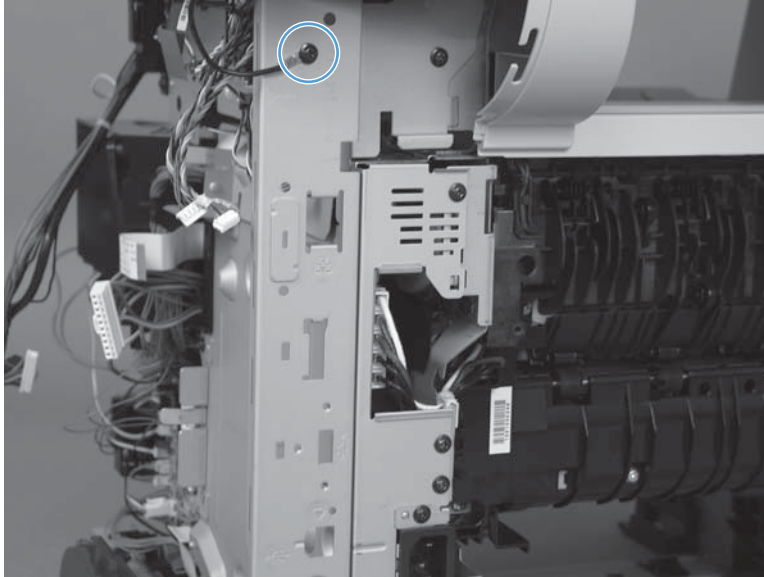
1. Before proceeding, remove the following:
 - Formatter cover. See [Formatter cover on page 69](#).
 - Formatter PCA. See [Formatter PCA on page 70](#).
 - Stapler cover or substitute stapler cover. See [Stapler cover on page 72](#) or [Substitute stapler cover on page 74](#).
 - Stapler assembly. See [Stapler assembly on page 75](#).
 - Rear cover assembly. See [Rear cover assembly on page 76](#).
 - Left cover. See [Left cover on page 80](#).
 - Right-rear cover. See [Right-rear cover on page 82](#).
 - Tray 1 cover. See [Tray 1 cover on page 84](#).
 - Cartridge-door assembly. See [Cartridge-door assembly on page 86](#).
 - Right cover assembly. See [Right cover assembly on page 93](#).
2. **To remove the cover and the bracket:** Remove four screws.

Figure 1-153 Remove the right handle cover and bracket (1 of 5)




3. Remove one screw.

Figure 1-154 Remove the right handle cover and bracket (2 of 5)



4. Slide the sheet-metal bracket up to release it, and then remove the bracket.

 **NOTE:** You might need to slightly pull outward on the lower-right cover (callout 1) to release the sheet-metal bracket.


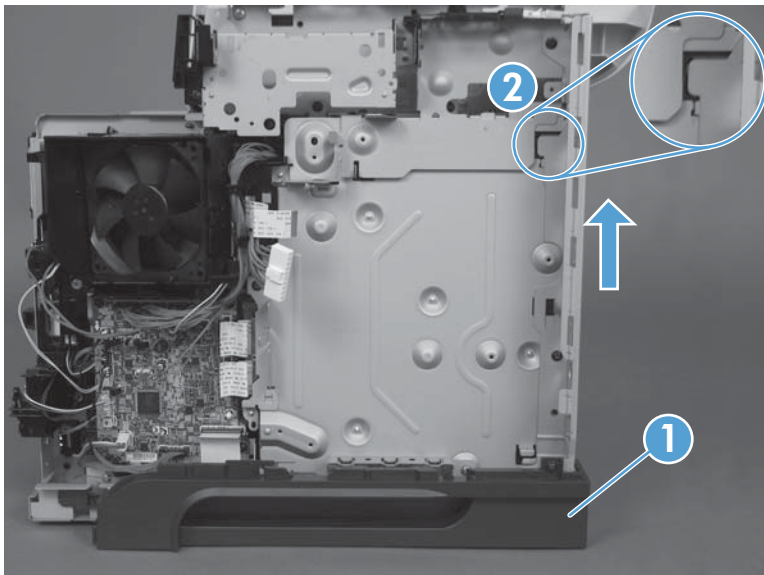
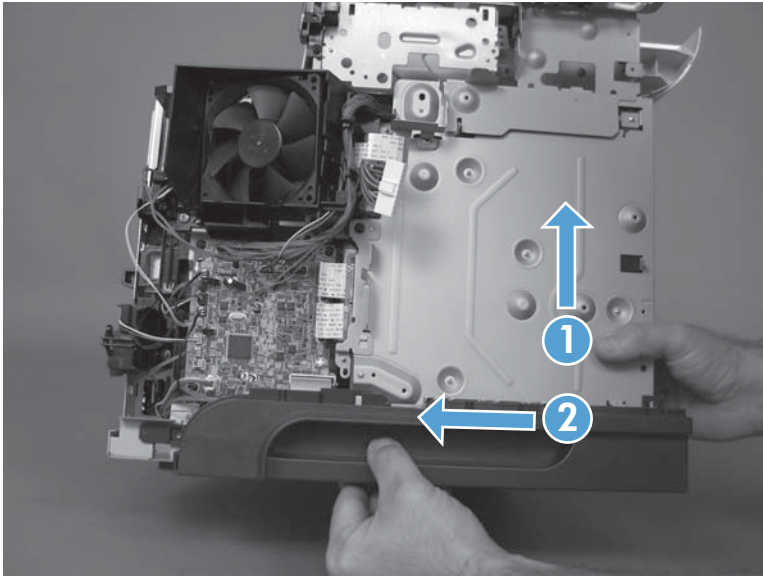
 **Reinstallation tip** When you reinstall the bracket, make sure that the tab is engaged in the slot in the chassis (callout 2).

Figure 1-155 Remove the right handle cover and bracket (3 of 5)



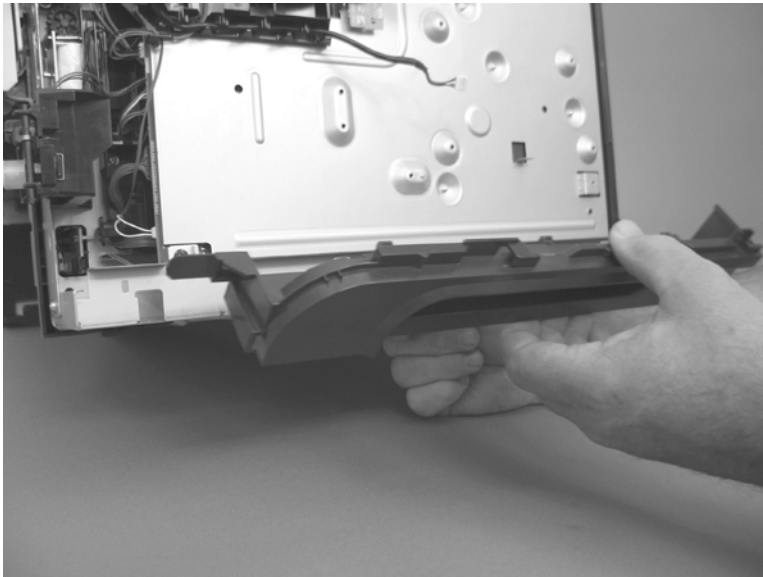
5. Raise the right side of the product (callout 1), slide the lower-right cover (callout 2) toward the front of the product, and then rotate the cover away from the product.

Figure 1-156 Remove the right handle cover and bracket (4 of 5)



6. Remove the lower-right cover.

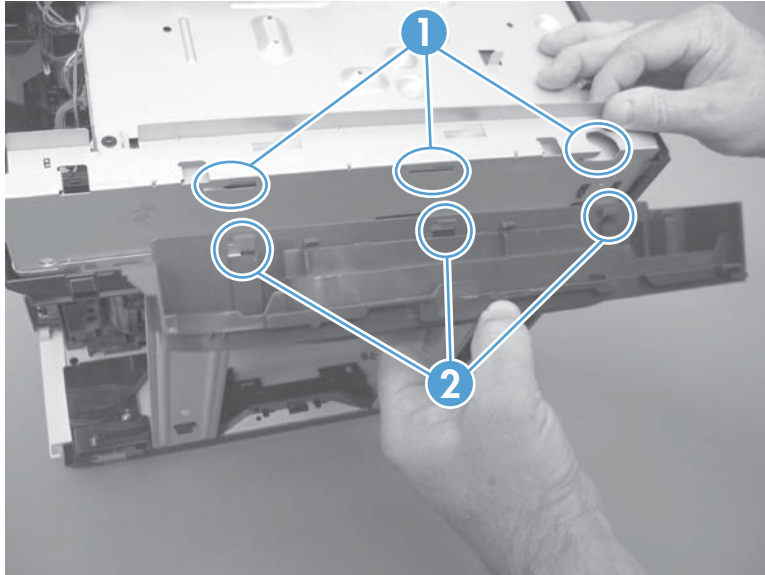
Figure 1-157 Remove the right handle cover and bracket (5 of 5)



Reinstall the right handle cover and bracket

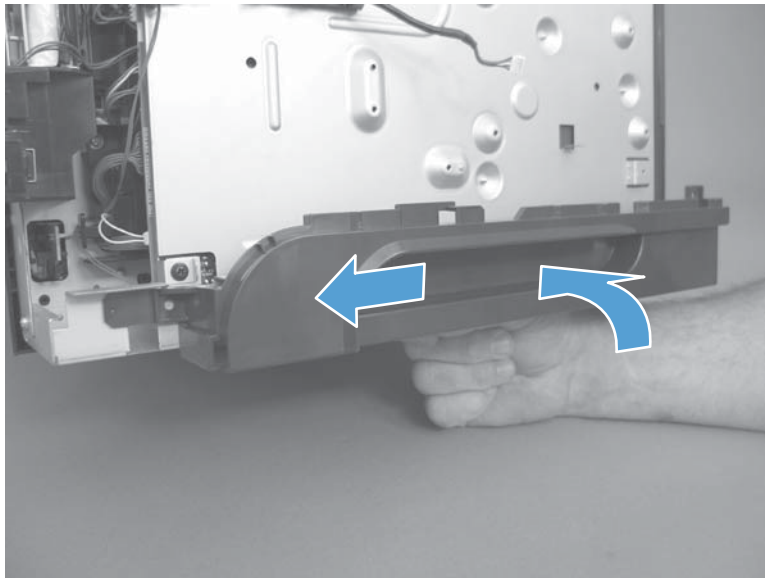
1. Carefully raise the right side of the product, find the three slots in the chassis (callout 1), and the three tabs (callout 2) along the bottom of the cover.

Figure 1-158 Reinstall the right handle cover and bracket (1 of 2)



2. Rotate the cover up to engage the tabs with the slots, and then slide the cover toward the front of the product to install it.

Figure 1-159 Remove the right handle cover and bracket (2 of 2)



Document feeder assemblies and scanner

Deskew mylar and separation mylar

1. Open the jam-access cover.


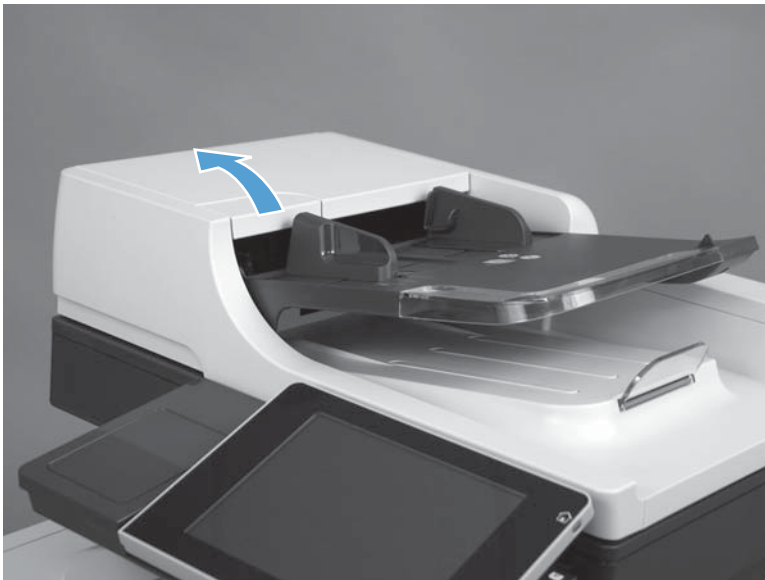
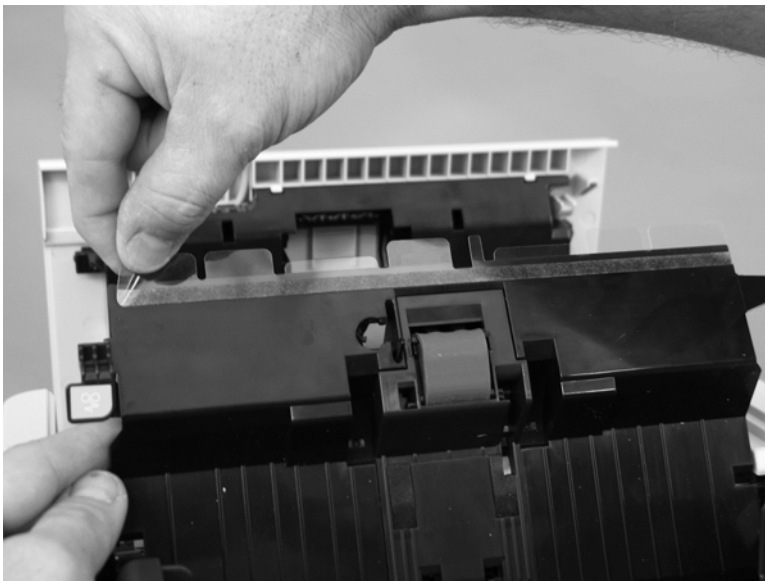
 **NOTE:** Check the orientation of the deskew mylar before removing.

Figure 1-160 Remove the deskew mylar and separation mylar (1 of 3)



2. Carefully peel off the deskew mylar

Figure 1-161 Remove the deskew mylar and separation mylar (2 of 3)



- Carefully peel off the separation mylar.


 **NOTE:** Check the orientation of the separation mylar before removing.

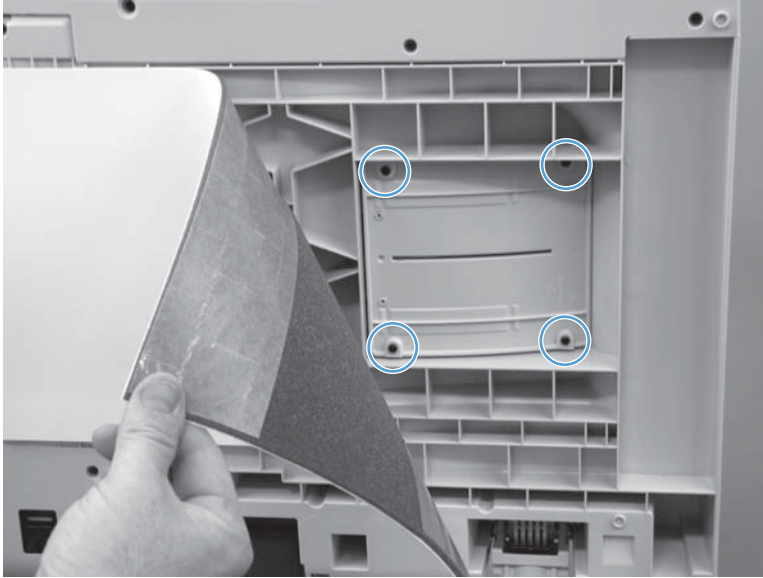
Figure 1-162 Remove the deskew mylar and separation mylar (3 of 3)



Document feeder tray extender

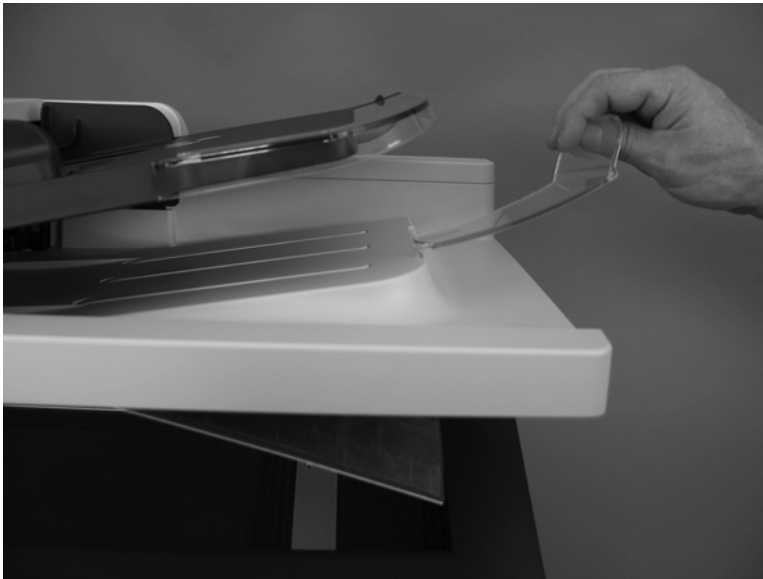
1. Peel the foam reflector partially away from the document feeder, and then remove four screws.

Figure 1-163 Remove the document feeder tray extender (1 of 2)



2. Pull the document feeder tray extender to remove.

Figure 1-164 Remove the document feeder tray extender (2 of 2)

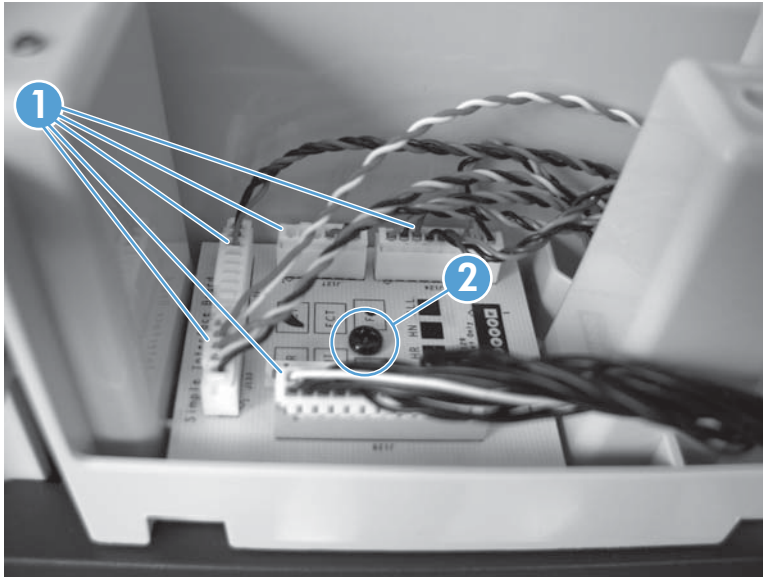


Document feeder PCA

⚠ WARNING!  ESD sensitive component.

1. Before proceeding, remove the following:
 - Document feeder rear cover. See [Document feeder rear cover on page 91](#).
2. Disconnect five connectors (callout 1), remove one screw (callout 2), and then remove the PCA.

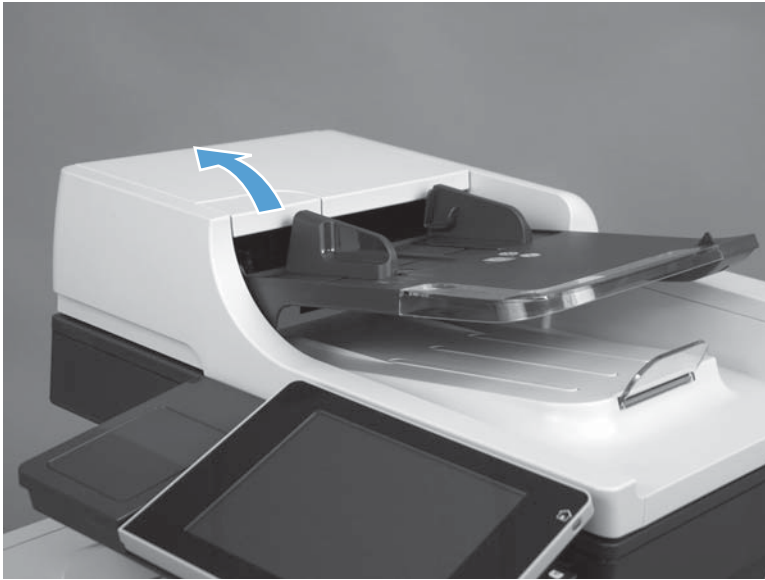
Figure 1-165 Remove the document feeder PCA



Document feeder jam-access cover

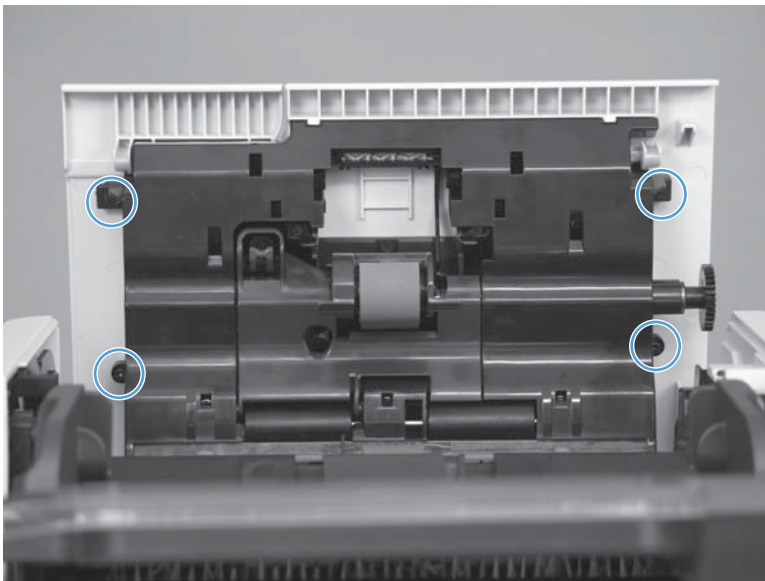
1. Open the document feeder jam-access cover.

Figure 1-166 Remove the document feeder jam-access cover (1 of 5)



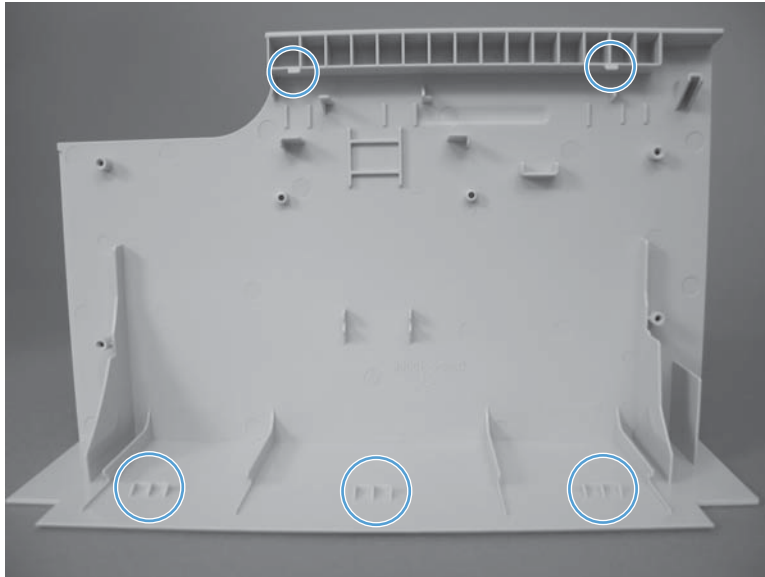
2. Remove four screws.

Figure 1-167 Remove the document feeder jam-access cover (2 of 5)



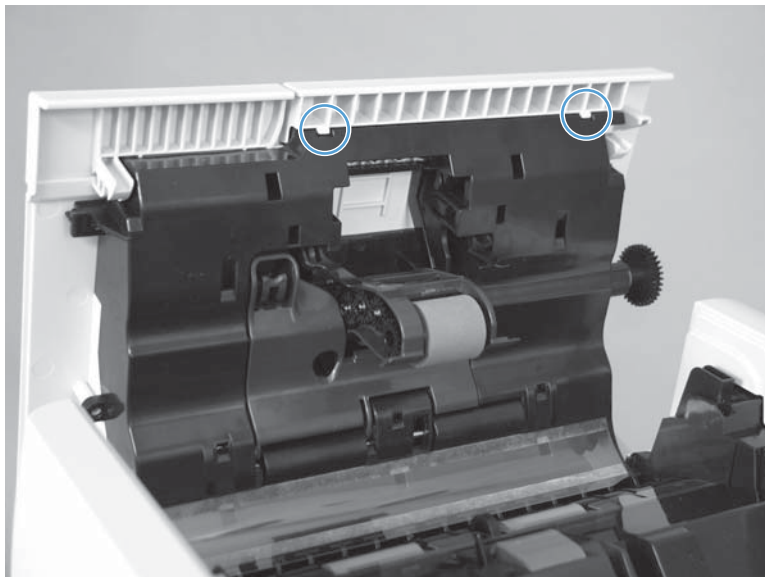
3. Before removing the cover, note the location of the tabs.

Figure 1-168 Remove the document feeder jam-access cover (3 of 5)



4. Release two tabs.

Figure 1-169 Remove the document feeder jam-access cover (4 of 5)



5. Close the document feeder jam-access cover, and then release the remaining three tabs and remove the cover.

Figure 1-170 Remove the document feeder jam-access cover (5 of 5)



Document feeder roller cover

1. Before proceeding, remove the following:
 - Document feeder jam-access cover. See [Document feeder jam-access cover on page 106](#).
2. Remove three springs.


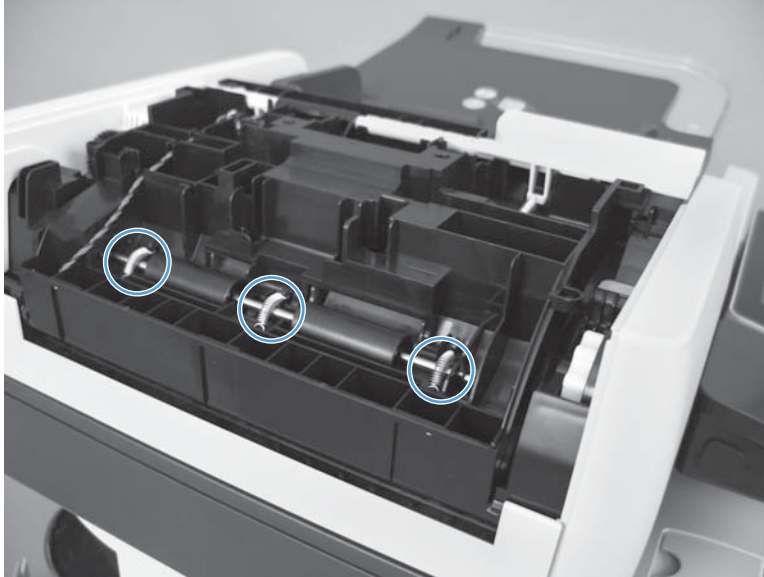
 **Reinstallation tip** Use needle nose pliers to reattach the spring. Attach the spring to the bottom hook first.

Figure 1-171 Remove the document feeder roller cover (1 of 4)



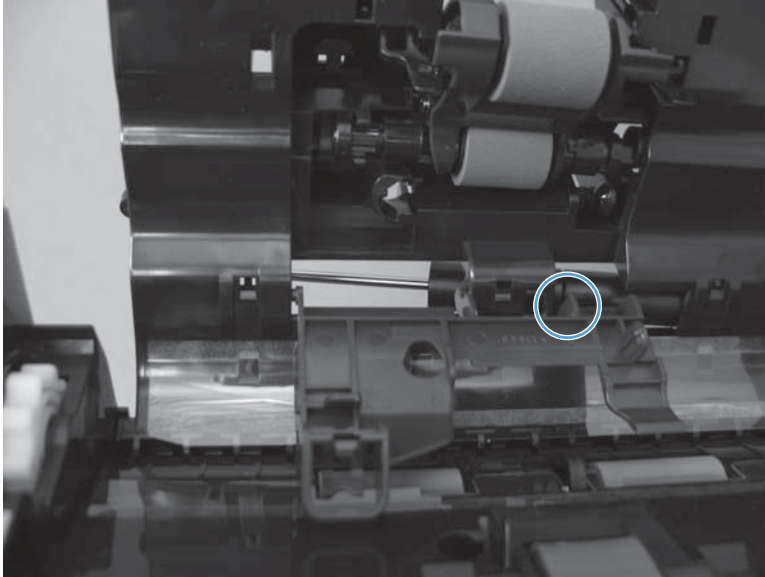
3. Lift and slide the rod.

Figure 1-172 Remove the document feeder roller cover (2 of 4)



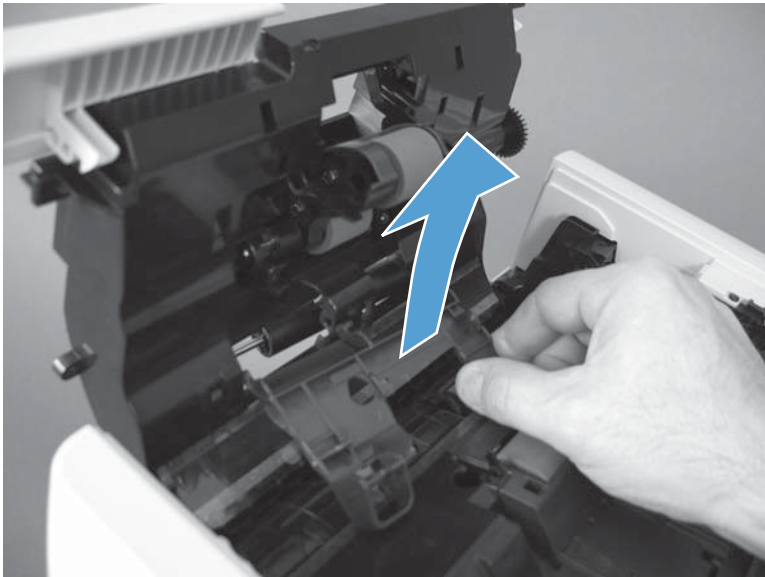
4. Open the document feeder jam-access cover. Release one hinge.

Figure 1-173 Remove the document feeder roller cover (3 of 4)



5. Remove the document feeder roller cover.

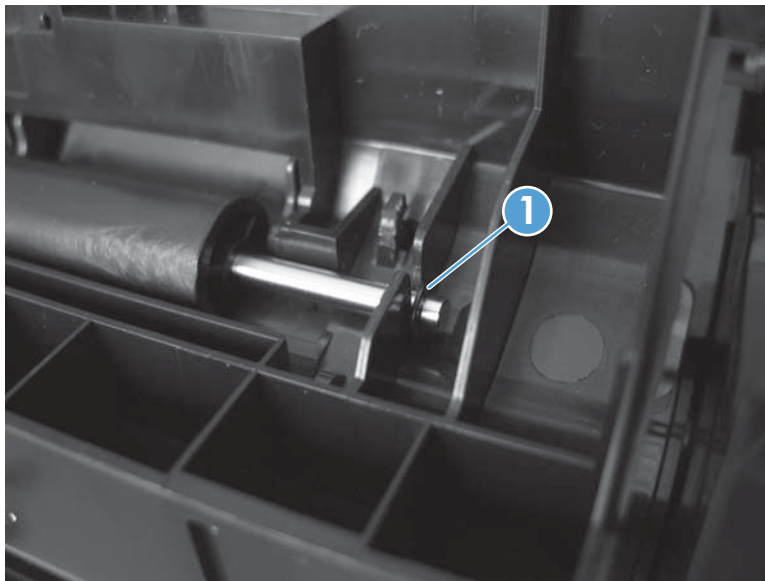
Figure 1-174 Remove the document feeder roller cover (4 of 4)



Reinstall the document feeder roller cover

- ▲ Make sure the rod for the roller is installed in the correct position (callout 1).

Figure 1-175 Reinstall the document feeder roller cover

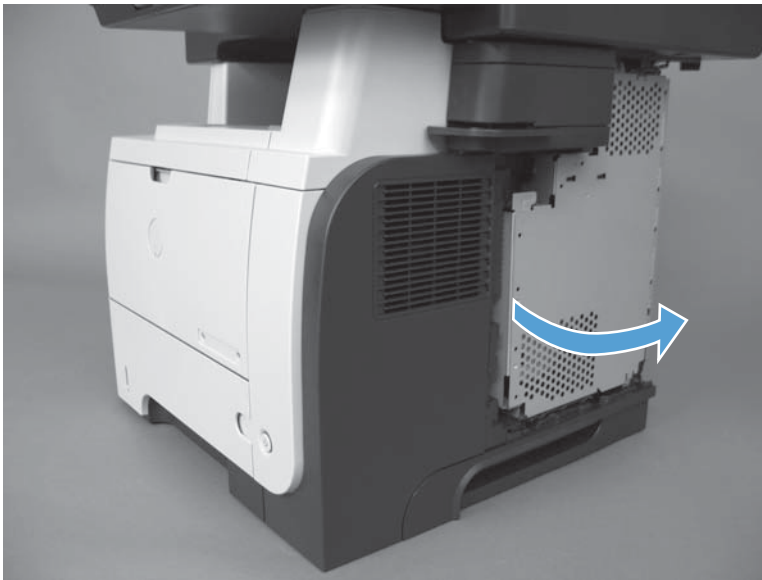


Scanner memory PCA (memory board)

⚠ WARNING!  ESD sensitive component.

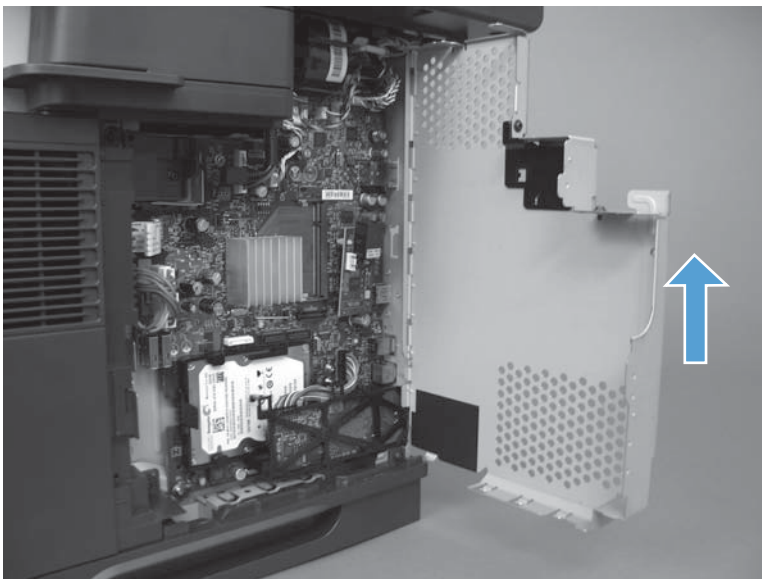
1. Before proceeding, remove the following:
 - Formatter cover. See [Formatter cover on page 69](#).
 - Rear scanner cover. See [Rear scanner cover on page 88](#).
2. Open the formatter cage.

Figure 1-176 Remove the scanner memory PCA (1 of 4)



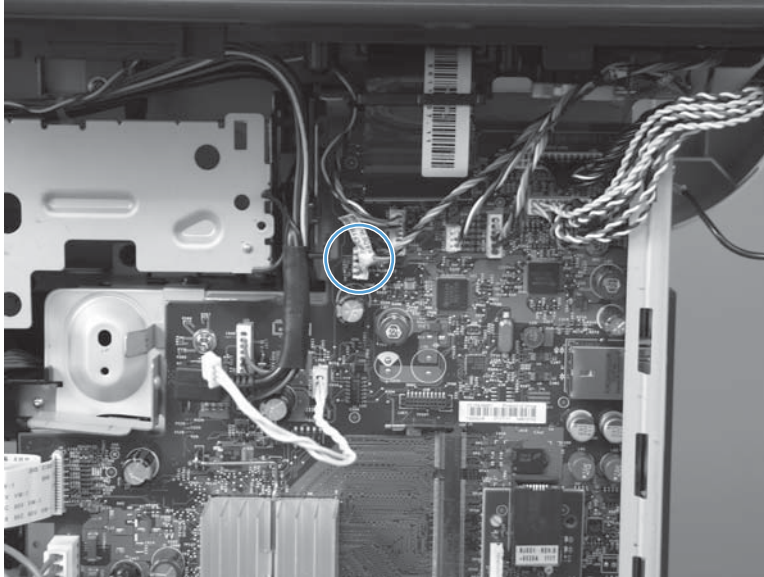
3. Lift and remove the sheet-metal door.

Figure 1-177 Remove the scanner memory PCA (2 of 4)

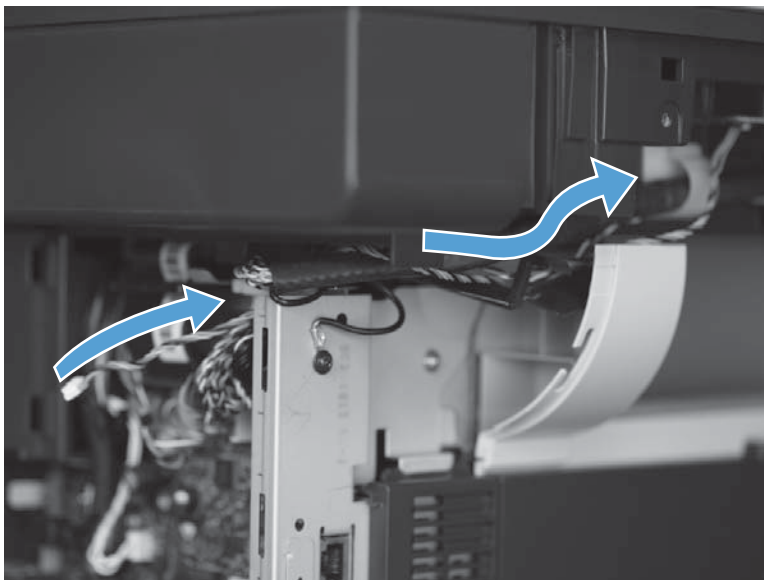


4. Disconnect one connector (J24).

Figure 1-178 Remove the scanner memory PCA (3 of 4)



5. Release the wire harness from its retainers.

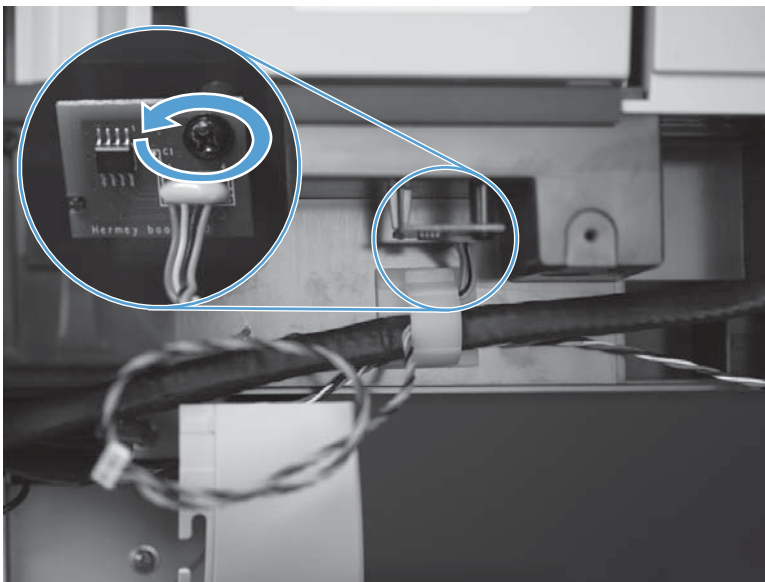


6. Release the wire harness from the holder.



7. Remove one screw and then remove the PCA.

Figure 1-179 Remove the scanner memory PCA (4 of 4)

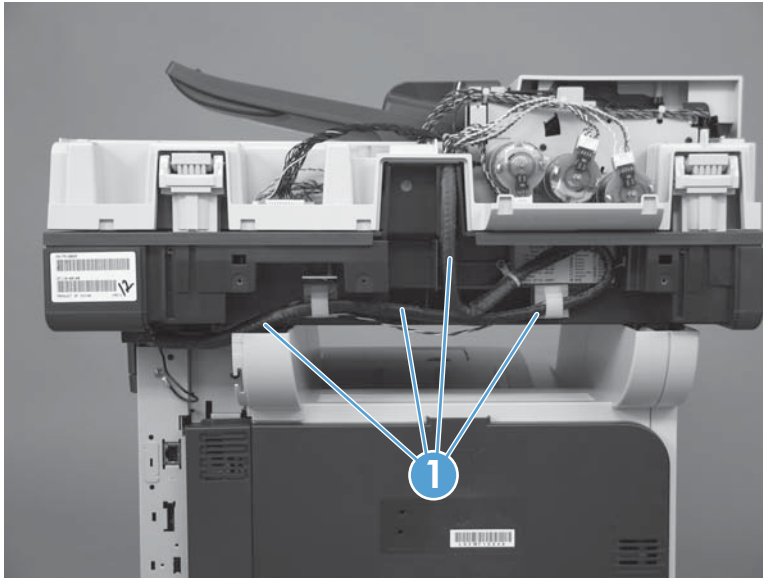


Document feeder cable

⚠ WARNING!  ESD sensitive component.

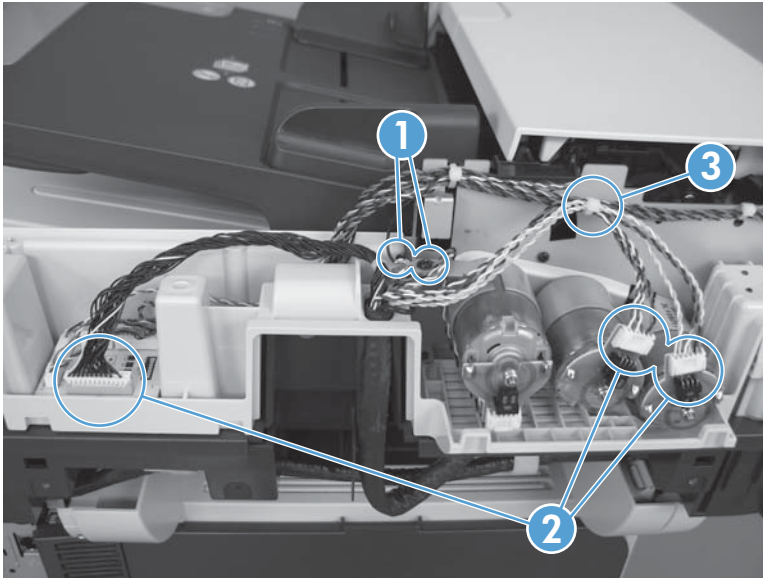
1. Before proceeding, remove the following:
 - Formatter cover. See [Formatter cover on page 69](#).
 - Rear scanner cover. See [Rear scanner cover on page 88](#).
 - Document feeder rear cover. See [Document feeder rear cover on page 91](#).
2. Locate the document feeder cable (callout 1).

Figure 1-180 Remove the document feeder cable (1 of 6)



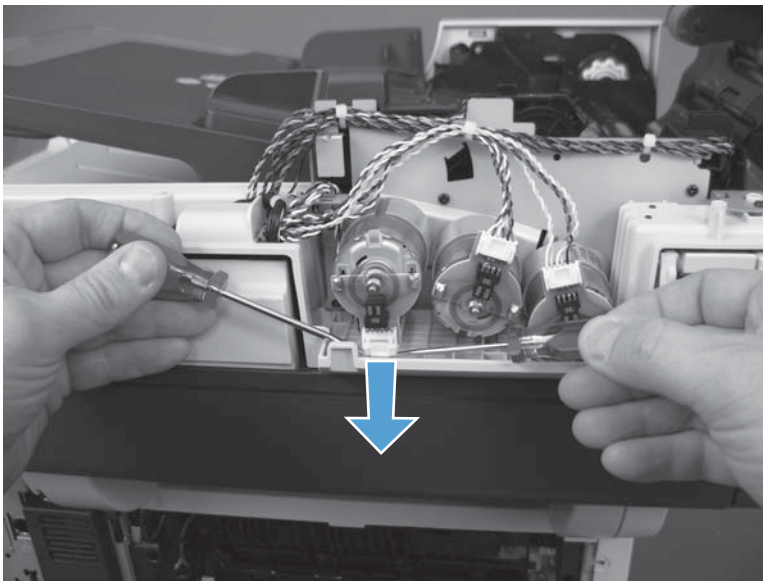
3. Remove two screws (callout 1), release three connectors (callout 2), and cut the tie wrap (callout 3).

Figure 1-181 Remove the document feeder cable (2 of 5)



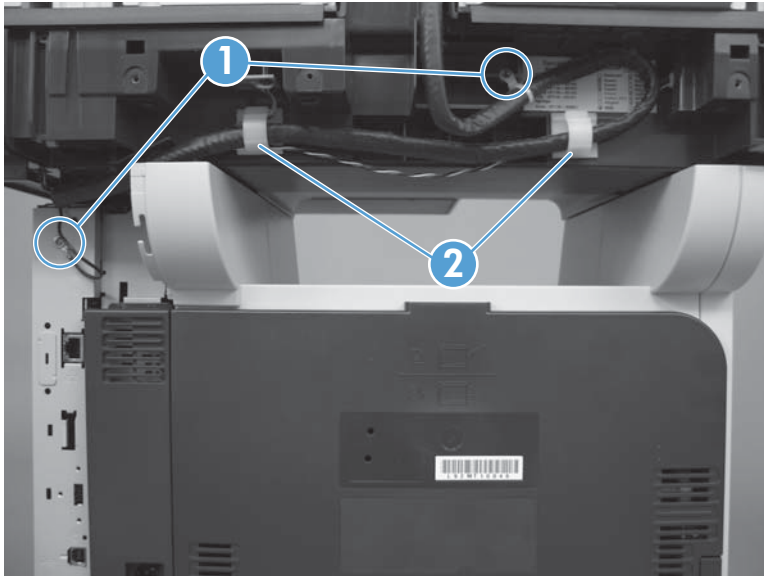
4. Carefully disconnect one connector. Use needle nose pliers or two small screwdrivers to disconnect.

Figure 1-182 Remove the document feeder cable (2 of 5)



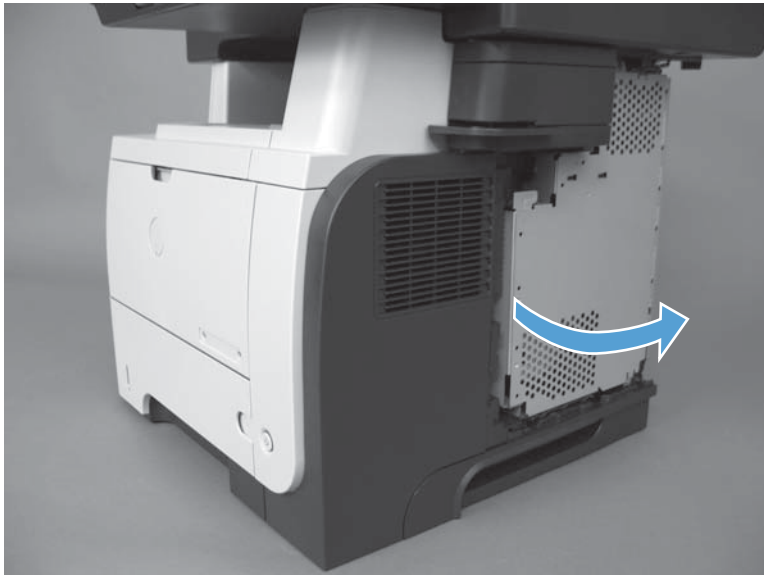
5. Remove two screws (callout 1) and then release the document feeder cable from its retainers (callout 2).

Figure 1-183 Remove the document feeder cable (3 of 5)



6. Open the formatter cage.

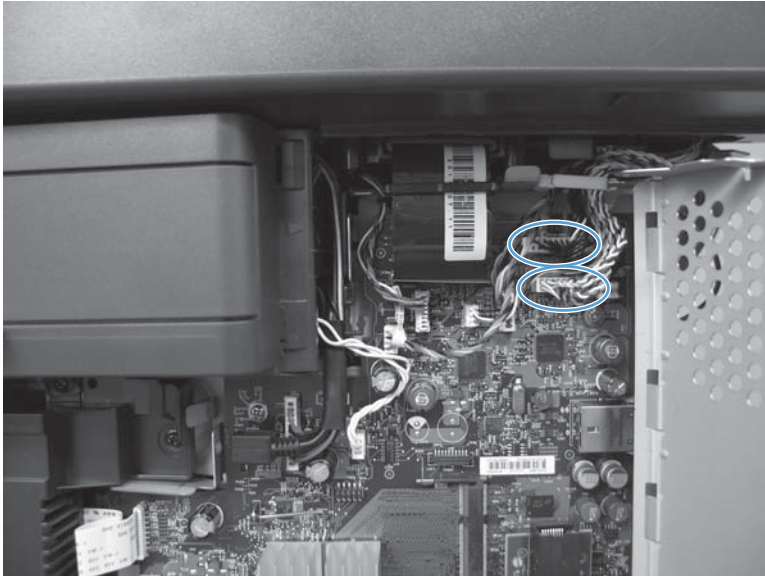
Figure 1-184 Remove the document feeder cable (4 of 5)



7. Disconnect two connectors, release the cable from its retainer, and then remove the document feeder cable.

To locate the formatter connector locations, see [Formatter connections on page 9](#).

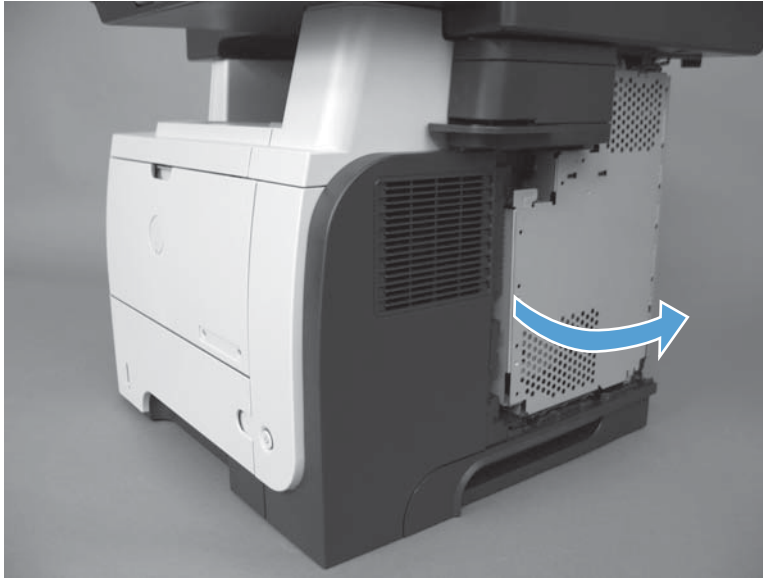
Figure 1-185 Remove the document feeder cable (5 of 5)



Document feeder whole unit (standard model)

1. Before proceeding, remove the following:
 - Formatter cover. See [Formatter cover on page 69](#).
 - Rear scanner cover. See [Rear scanner cover on page 88](#).
2. Open formatter cage.

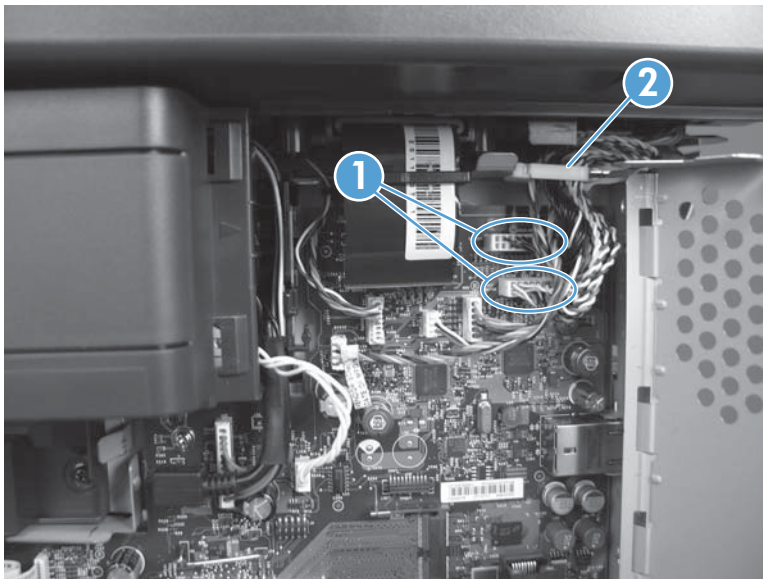
Figure 1-186 Remove the document feeder whole unit (1 of 4)



3. Disconnect two connectors (callout 1) from the formatter PCA and then release the wire harness from its retainer (callout 2).

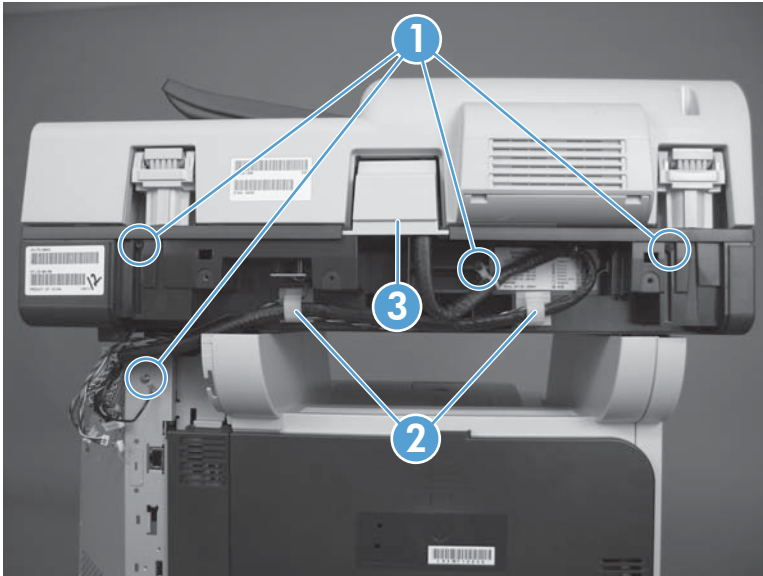
To locate the formatter connector locations, see [Formatter connections on page 9](#).

Figure 1-187 Remove the document feeder whole unit (2 of 4)



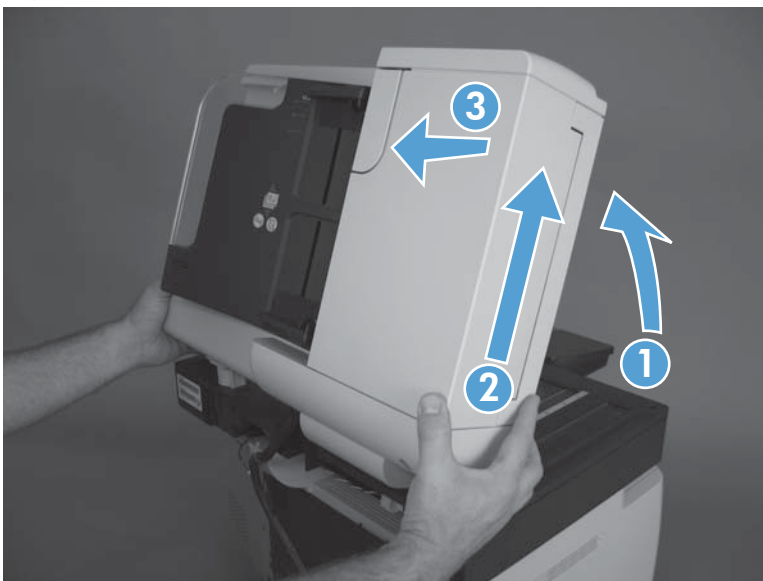
4. Remove four screws (callout 1), release the wire harness from two retainers (callout 2), and then remove one cover (callout 3).

Figure 1-188 Remove the document feeder whole unit (3 of 4)



5. Open the document feeder (callout 1). Lift the document feeder (callout 2) until it stops, and then pull it toward the rear of the product (callout 3) to remove.

Figure 1-189 Remove the document feeder whole unit (4 of 4)



Reinstall the document feeder

Install a foam reflector on the replacement document feeder

- ▲ If a replacement document feeder, image scanner, or both assemblies are installed, you must install a replacement foam reflector. See [Foam reflector on page 51](#).

Calibrate a replacement document feeder

1. On the control-panel Home screen, scroll to and touch [Device Maintenance](#).
2. Touch [Calibration/Cleaning](#).
3. Touch [Calibrate Scanner](#).
4. Follow the instructions on the control-panel display.

Image scanner (standard model) whole unit

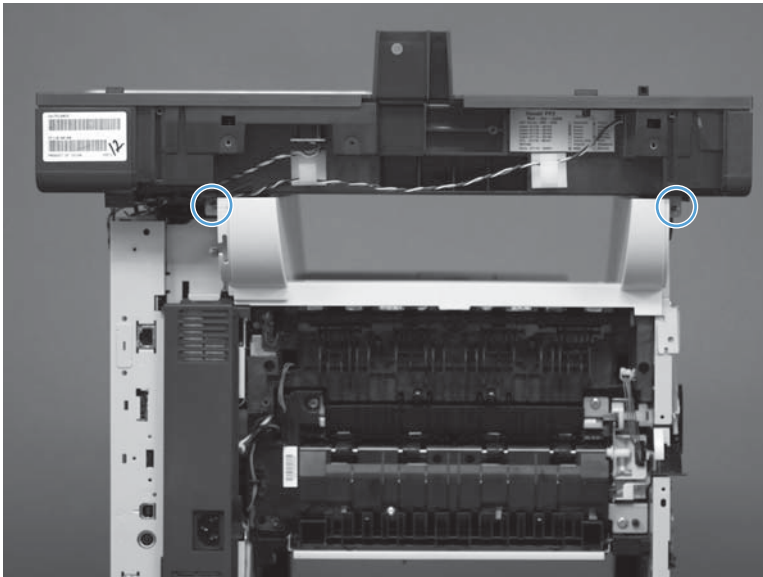
Before proceeding, remove the following:

- Control panel assembly. See [Control-panel assembly on page 16](#).
- Formatter cover. See [Formatter cover on page 69](#).
- Stapler cover or substitute stapler cover. See [Stapler cover on page 72](#) or [Substitute stapler cover on page 74](#).
- Stapler assembly. See [Stapler assembly on page 75](#).
- Rear cover assembly. See [Rear cover assembly on page 76](#).
- Left cover. See [Left cover on page 80](#).
- Rear scanner cover. See [Rear scanner cover on page 88](#).
- Document feeder whole unit. See [Document feeder whole unit \(standard model\) on page 119](#).

Remove the image scanner whole unit (standard model)

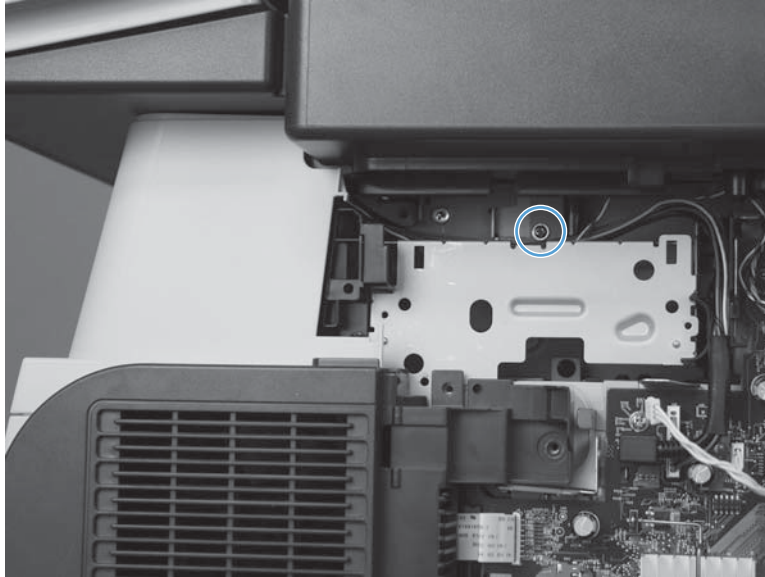
1. Remove two screws.

Figure 1-190 Remove the image scanner (standard model) whole unit (1 of 6)



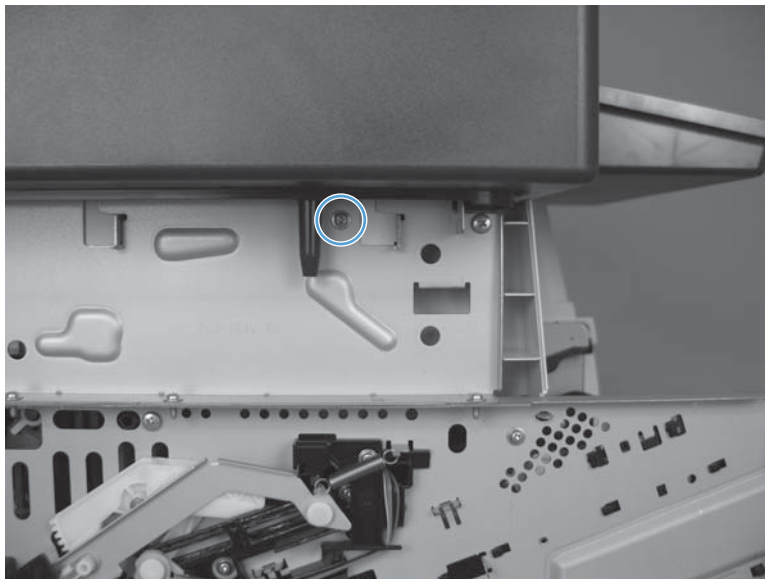
2. Remove one self-tapping screw on the right side of the product.

Figure 1-191 Remove the image scanner (standard model) whole unit (2 of 6)



3. Remove one screw on the left side of the product.

Figure 1-192 Remove the image scanner (standard model) whole unit (3 of 6)

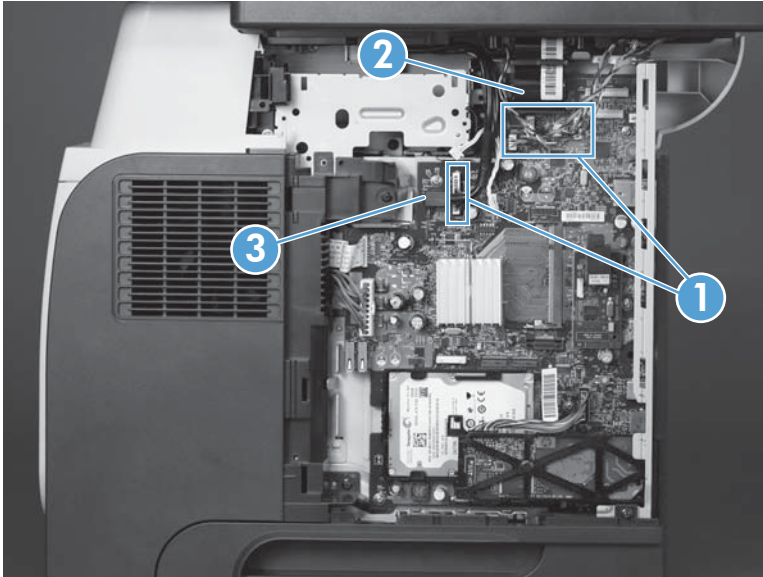


4. Disconnect five connectors (callout 1), one FFC (callout 2), and one USB cable (callout 3) from the formatter.

 **Reinstallation tip** If there are two FFC connectors, install the FFC in the bottom connector.

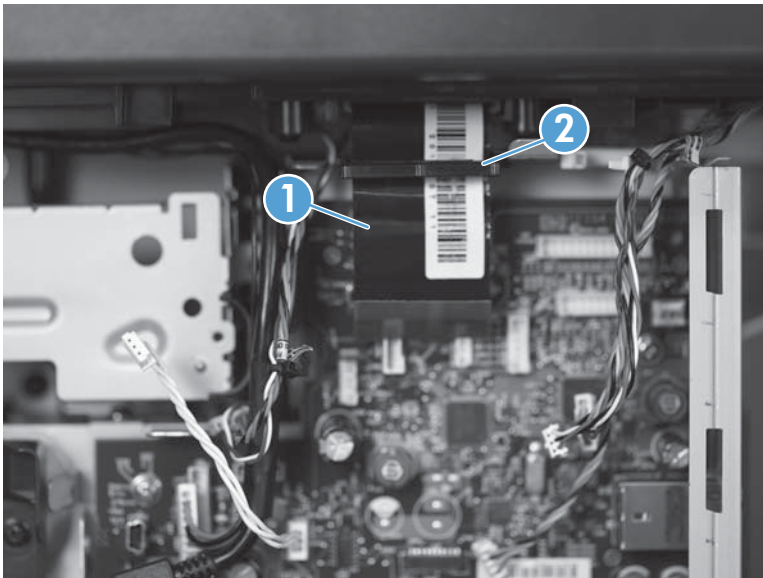
To locate the formatter connector locations, see [Formatter connections on page 9](#).

Figure 1-193 Remove the image scanner (standard model) whole unit (4 of 6)



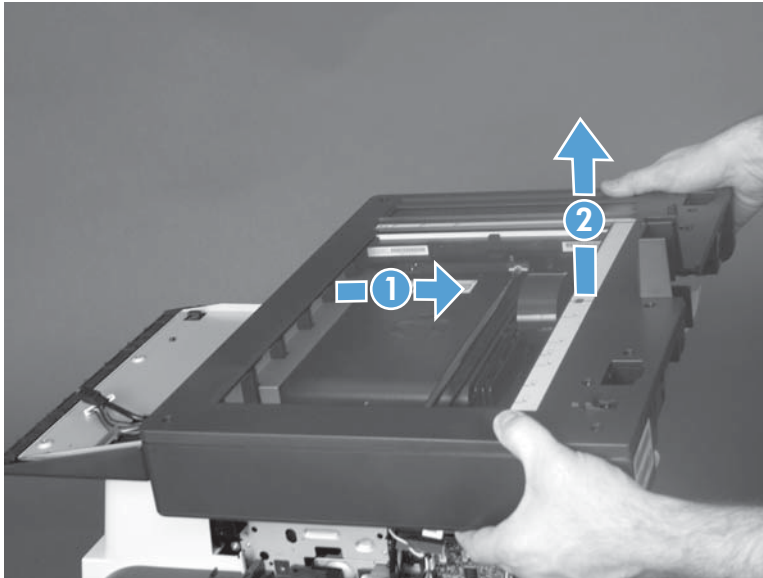
5. Release the FFC (callout 1) from the retainer (callout 2).

Figure 1-194 Remove the image scanner (standard model) whole unit (5 of 6)



6. Slide the scanner toward the rear of the product (callout 1) until it stops. Lift the scanner (callout 2) to remove.

Figure 1-195 Remove the image scanner (standard model) whole unit (6 of 6)



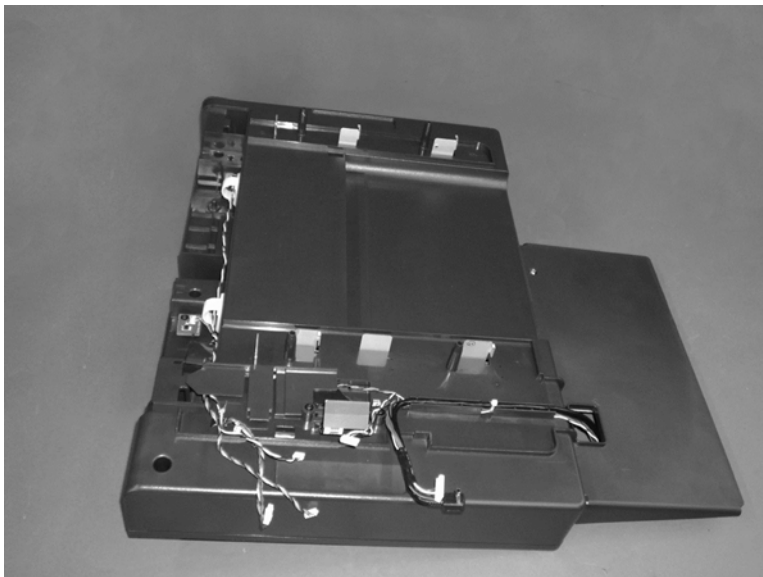
Reinstall the image scanner

Transfer the control-panel cable to a replacement image scanner

If you are installing a replacement image scanner, remove the control panel cable from the discard assembly and then install it on the replacement assembly.

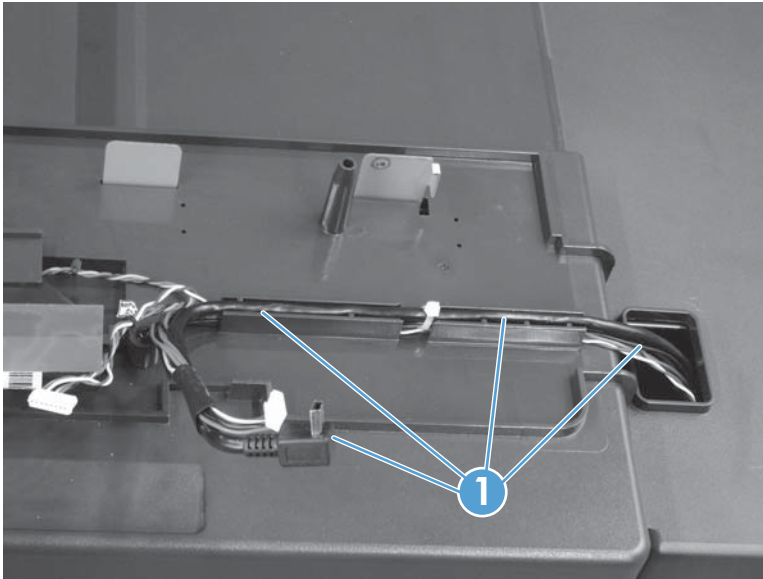
1. Carefully turn the scanner assembly over to access the bottom of the assembly.

Figure 1-196 Transfer the control-panel cable (1 of 7)



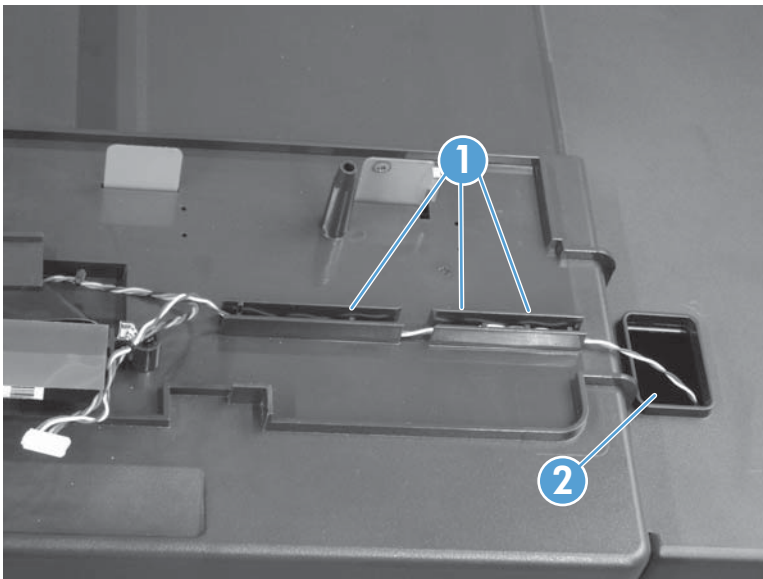
2. Remove the control-panel cable and wire harness (callout 1).

Figure 1-197 Transfer the control-panel cable (2 of 7)



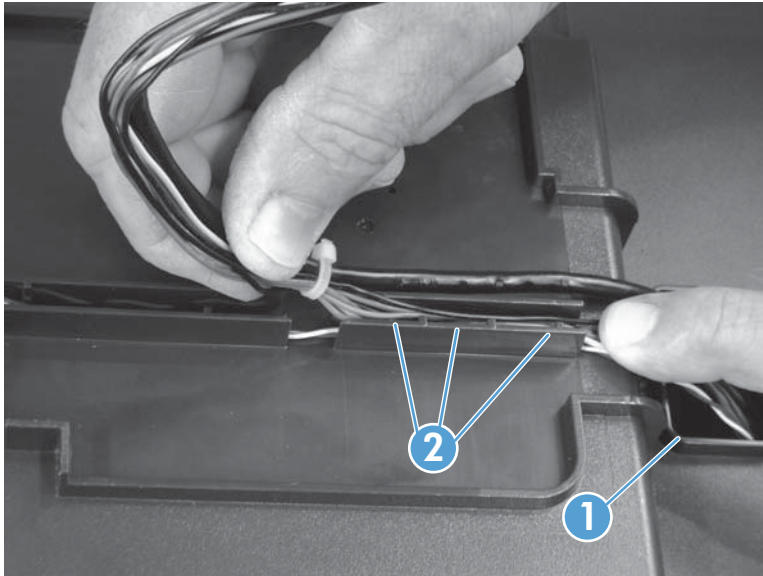
3. Locate the cable channel (callout 1) and the control-panel access hole (callout 2) on the bottom of the replacement scanner assembly.

Figure 1-198 Transfer the control-panel cable (3 of 7)



4. On the replacement scanner assembly, feed the control-panel cable and wire harness through the access hole (callout 1), and then lay the wire harness into the channel (callout 2).

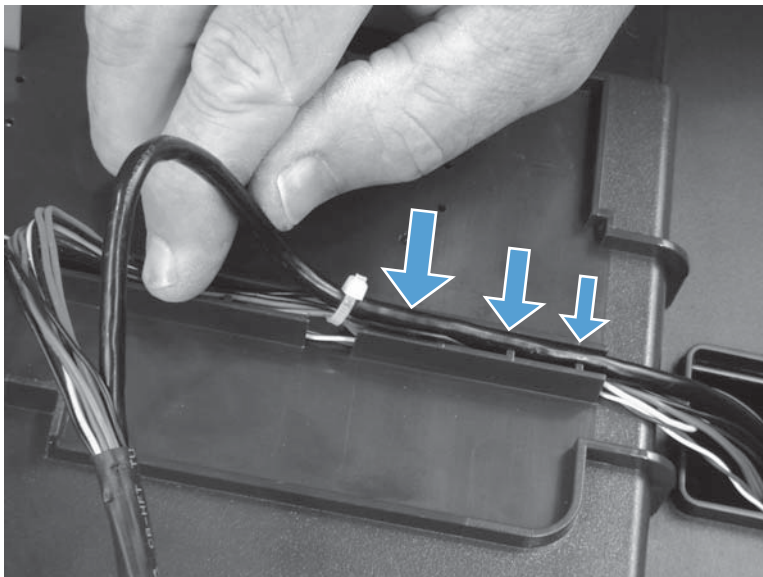
Figure 1-199 Transfer the control-panel cable (4 of 7)



5. Carefully push the control-panel cable into the channel over the wire harness.

⚠ CAUTION: Make sure that the wire harness is fully seated into the channel before installing the cable. Do not pinch the wire-harness wires between the channel and the cable.

Figure 1-200 Transfer the control-panel cable (5 of 7)



6. Continue to lay the wire harness and cable into the channel.


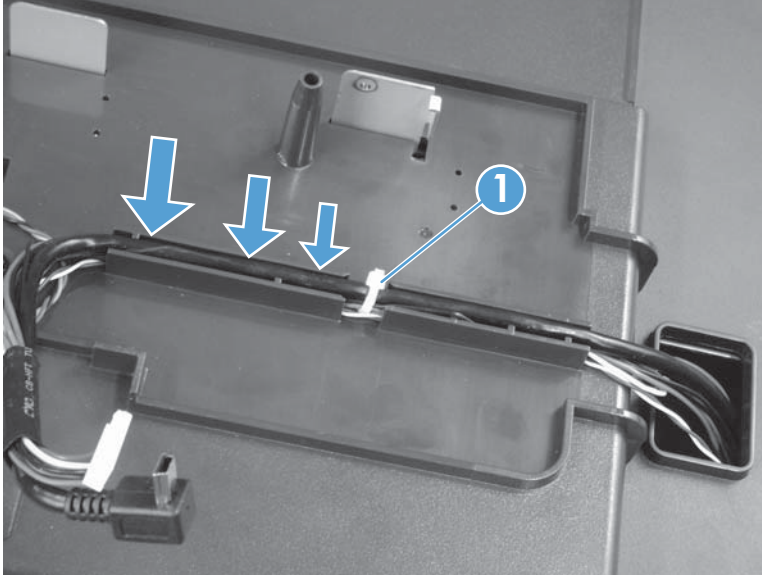
 **NOTE:** Make sure that the wire-harness cable tie (callout 1) fits in the slot provided in the channel. When the cable is installed on the replacement scanner assembly, this cable tie must be correctly positioned so that the cable will be long enough to reconnect the control panel.

Figure 1-201 Transfer the control-panel cable (6 of 7)



7. With the wire harness and cable installed, make sure that the wire harness and cable are completely installed and in the channel.


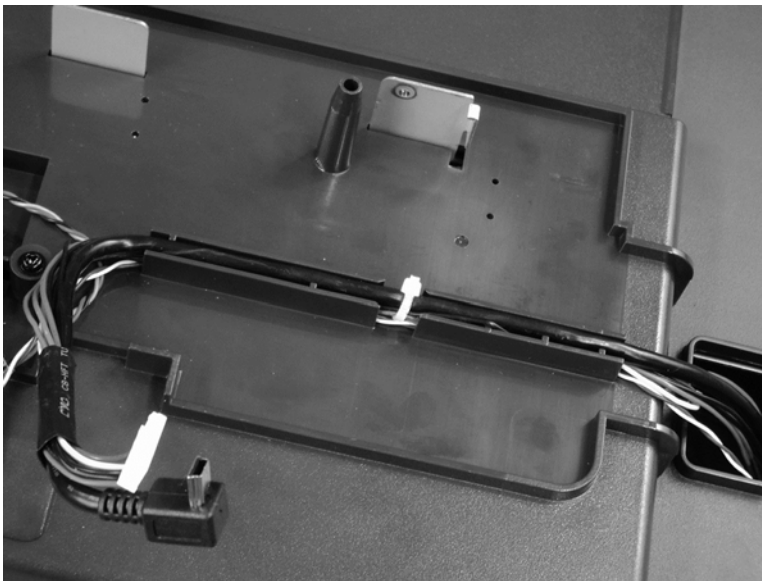
 **CAUTION:** Do not pinch the wire-harness wires between the channel and the cable.

Figure 1-202 Transfer the control-panel cable (7 of 7)



Install a foam reflector on the document feeder

- ▲ If a replacement document feeder, image scanner, or both assemblies are installed, you must install a replacement foam reflector that came with the replacement part. See [Foam reflector on page 51](#).

Calibrate the image scanner

1. On the control-panel Home screen, scroll to and touch [Device Maintenance](#).
2. Touch [Calibration/Cleaning](#).
3. Touch [Calibrate Scanner](#).
4. Follow the instructions on the control-panel display.

Integrated scanner assembly (525c model) whole unit

CAUTION: The routing of FFCs and wire harnesses is very important. Make sure that you take note of how FFCs and wire harnesses are positioned before removing the integrated scanner assembly (ISA).

Before proceeding, remove the following:

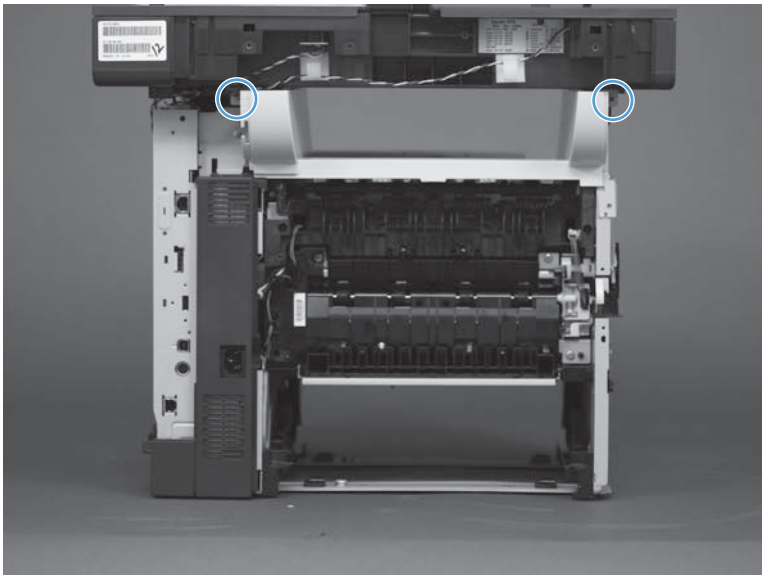
- Control panel assembly. See [Control-panel assembly on page 16](#).
- Formatter cover. See [Formatter cover on page 69](#).
- Stapler cover or substitute stapler cover. See [Stapler cover on page 72](#) or [Substitute stapler cover on page 74](#).
- Stapler assembly. See [Stapler assembly on page 75](#).
- Rear cover assembly. See [Rear cover assembly on page 76](#).
- Left cover. See [Left cover on page 80](#).
- Rear scanner cover. See [Rear scanner cover on page 88](#).

Remove the ISA (525c model)

NOTE: The document feeder and scanner assembly (ISA) must be removed together for the 525c product. Do not attempt to remove the document feeder as a separate assembly.

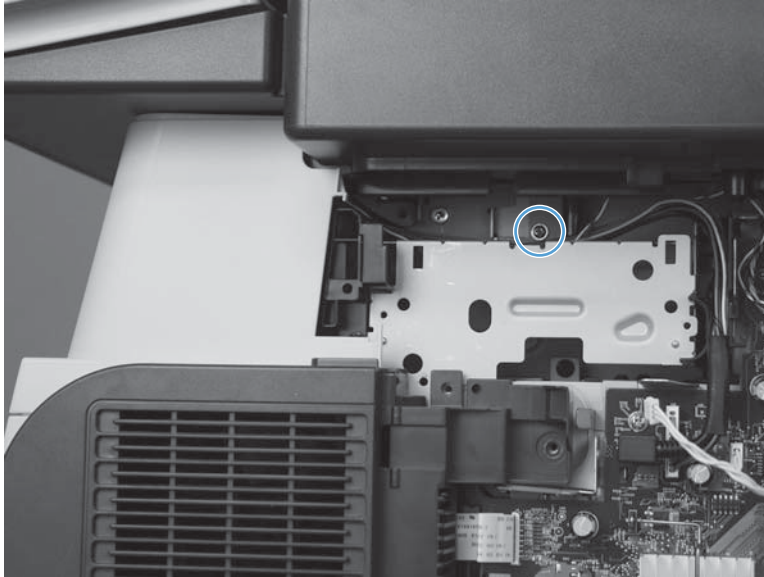
1. Remove two screws.

Figure 1-203 Remove the ISA (525c model) whole unit (1 of 9)



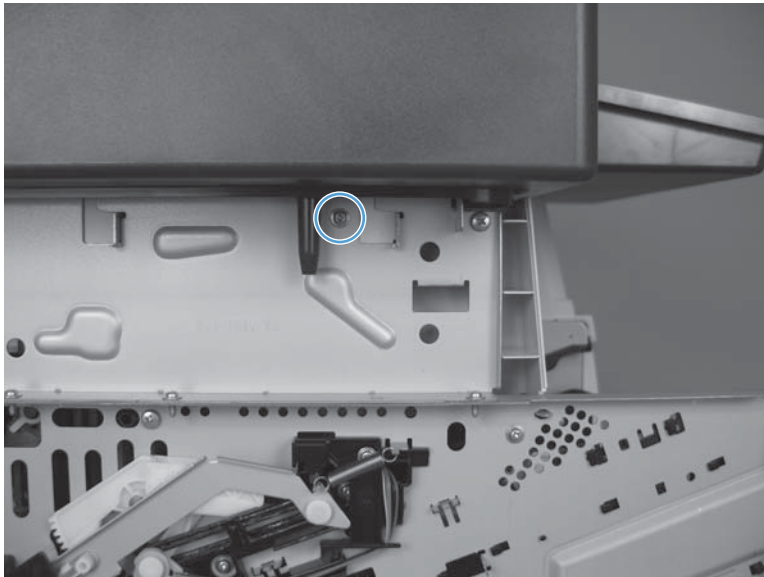
2. Remove one self-tapping screw on the right side of the product.

Figure 1-204 Remove the ISA (525c model) whole unit (2 of 9)



3. Remove one screw on the left side of the product.

Figure 1-205 Remove the ISA (525c model) whole unit (3 of 9)



4. Disconnect six connectors (callout 1), and then remove one ground-wire screw (callout 2).

To locate the formatter connector locations, see [Formatter connections on page 9](#).


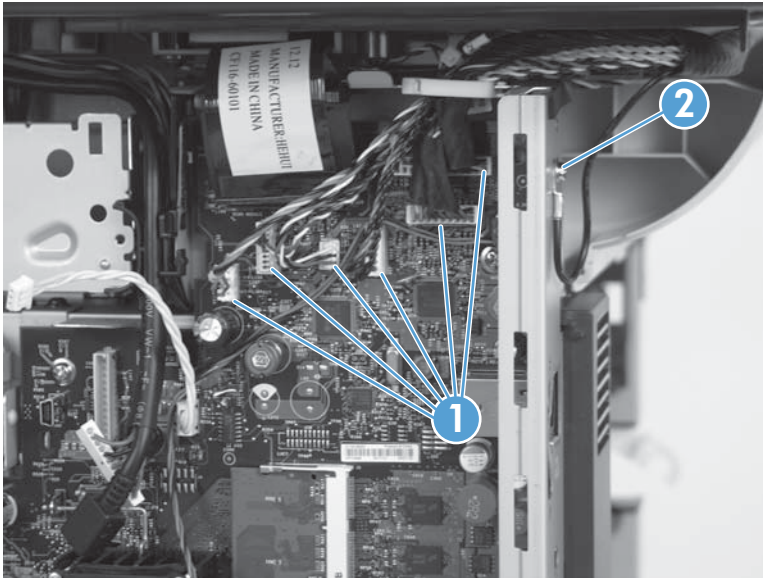
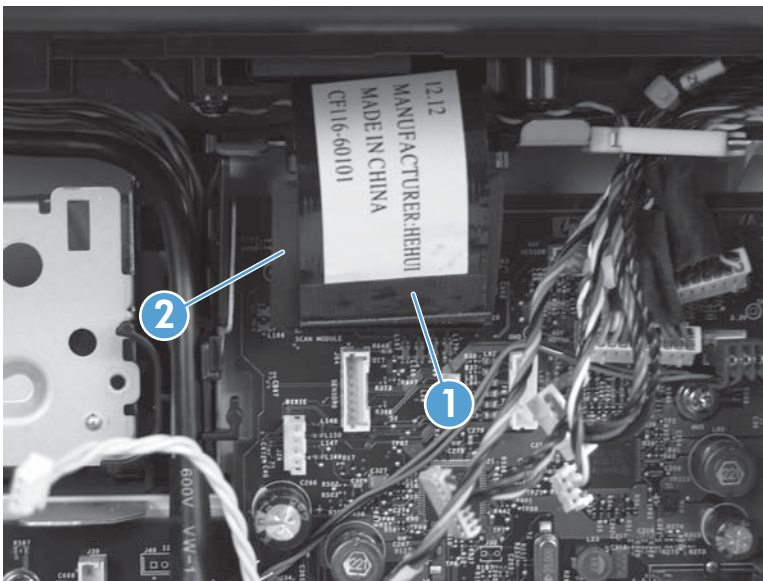
 **Reinstallation tip** Take note of how the FFCs and wire harnesses are positioned.

Figure 1-206 Remove the ISA (525c model) whole unit (4 of 9)



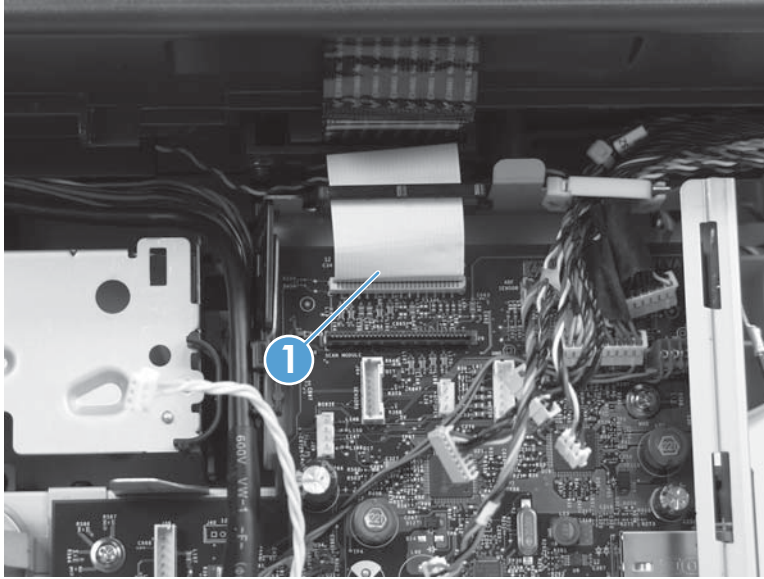
5. Disconnect one FFC (callout 1), and then remove the foam insulator (callout 2).

Figure 1-207 Remove the ISA (525c model) whole unit (5 of 9)



6. Disconnect one FFC (callout 1).

Figure 1-208 Remove the ISA (525c model) whole unit (6 of 9)



7. Slide the FFC up and out of its retainer, unclip the wire-harness retainer (callout 1), and then move the wire harnesses toward the rear of the product.


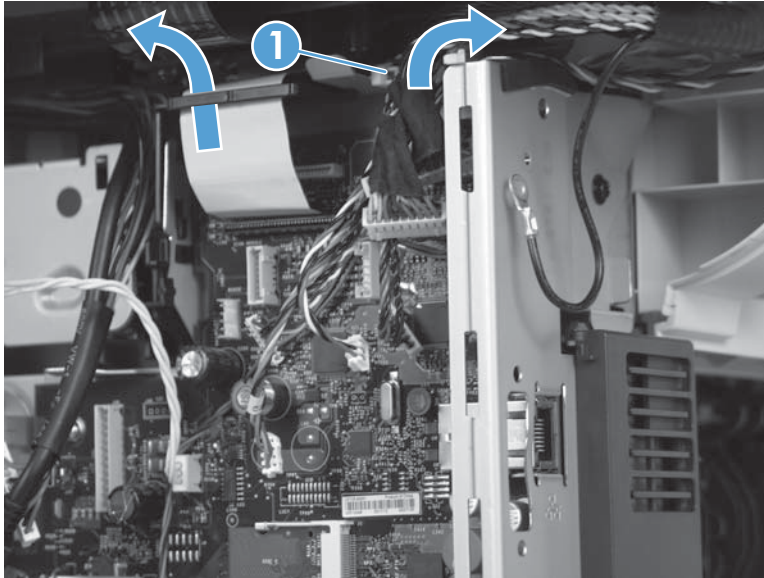
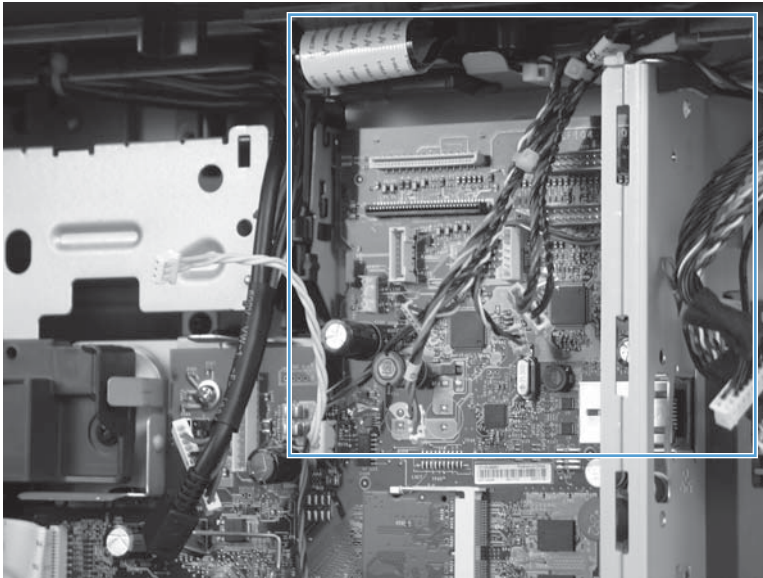
 **Reinstallation tip** The routing of FFCs and wire harnesses is very important. Make sure that you take note of how FFCs and wire harnesses are positioned before you move them.

Figure 1-209 Remove the ISA (525c model) whole unit (7 of 9)



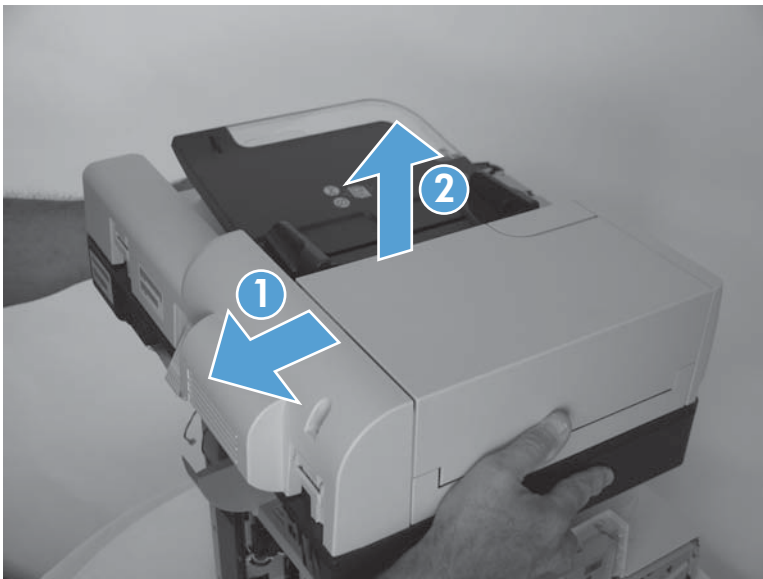
8. Before proceeding, verify that the FFCs and the wire harnesses are completely released and that they will not catch on the product chassis when the ISA is removed.

Figure 1-210 Remove the ISA (525c model) whole unit (8 of 9)




9. Slide the ISA toward the rear of the product (callout 1) until it stops. Lift the ISA (callout 2) to remove it.

Figure 1-211 Remove the ISA (525c model) whole unit (9 of 9)



Separate the ISA assemblies (document feeder and scanner assembly)

 **NOTE:** If you are removing the ISA to gain access to other assemblies on the product, skip this procedure.

1. Open the document feeder, and then place the ISA on its side.


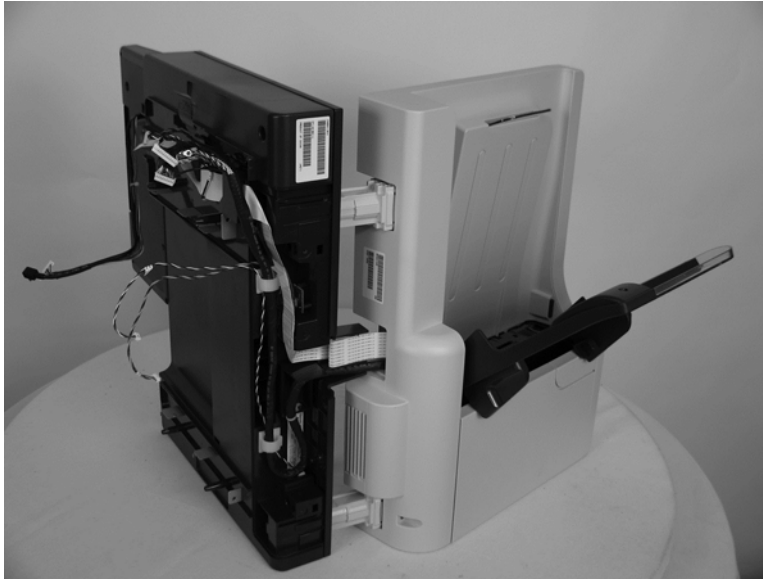
 **NOTE:** Pull the document feeder away from the scanner assembly until the hinges are fully extended.

Figure 1-212 Separate the ISA assemblies (525c model; 1 of 7)



2. Release one FFC (callout 1) from the clear-plastic guide.


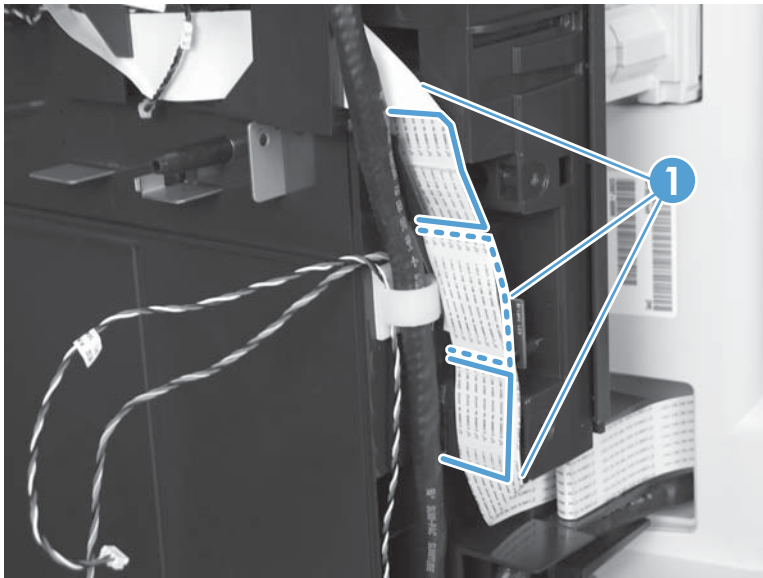
 **Reinstallation tip** The routing of the FFC over and under the guide is very important. Make sure that you take note of how the FFC is positioned on the guide.

Figure 1-213 Separate the ISA assemblies (525c model; 2 of 7)



3. Release the FFC from the retainer (callout 1), carefully pry the ferrite-core cover away from the assembly, and then remove the FFC and ferrite core (callout 2).


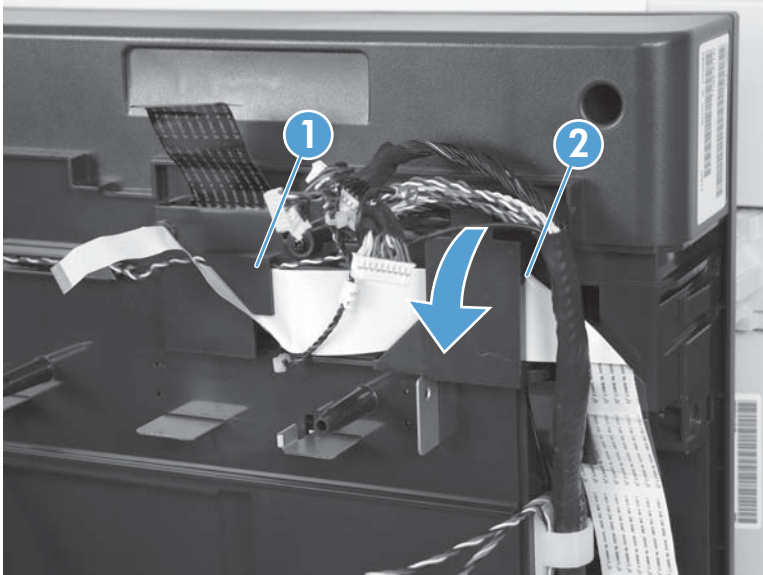
 **Reinstallation tip** The routing of the FFC under the retainer (callout 1) is very important. Make sure that you take note of how the FFC is positioned under the retainer.

Figure 1-214 Separate the ISA assemblies (525c model; 3 of 7)



4. Remove the FFC from the ferrite core.


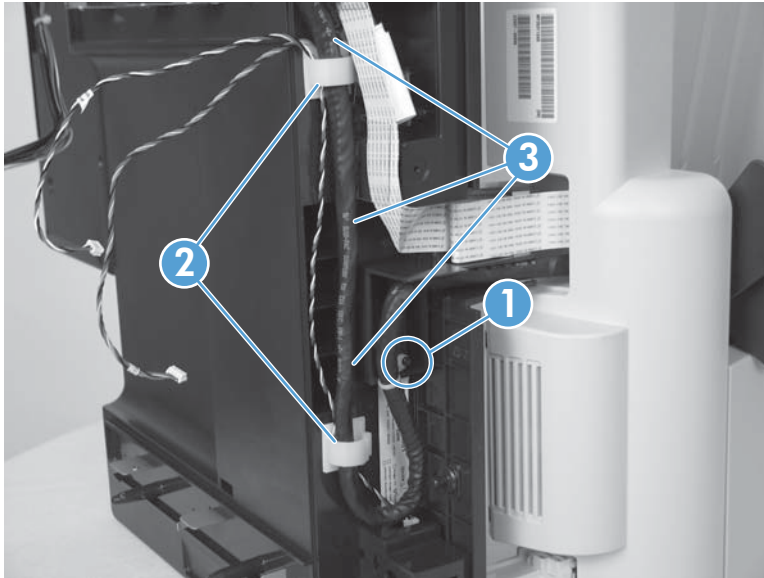
 **CAUTION:** Do not damage the connector end of the FFC when removing the ferrite core.

Figure 1-215 Separate the ISA assemblies (525c model; 4 of 7)



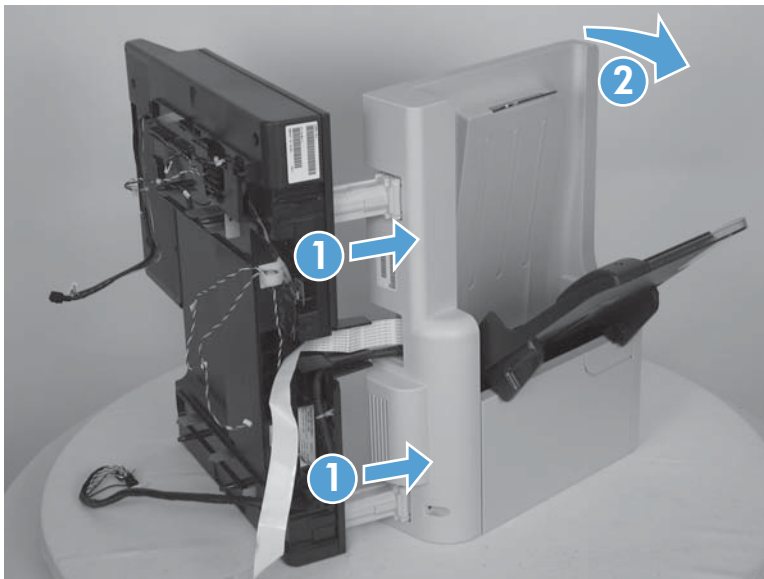
5. Remove one screw (callout 1), release the wire harness from two clips (callout 2), and then remove the document-feeder wire harness (callout 3) from the scanner assembly.

Figure 1-216 Separate the ISA assemblies (525c model; 5 of 7)



6. With the document feeder fully extended away from the scanner assembly (callout 1), carefully rotate the top of the document feeder away from the scanner assembly (callout 2) to release it.

Figure 1-217 Separate the ISA assemblies (525c model; 6 of 7)




7. Separate the document feeder from the scanner assembly.

CAUTION: When the assemblies are separated, they can easily tip over. Be careful not to damage the assemblies.

Figure 1-218 Separate the ISA assemblies (525c model; 7 of 7)



Reinstall the ISA

 **NOTE:** If you are installing a replacement image scanner portion of the ISA, you must transfer the keyboard and the control-panel cable from the discard assembly to the replacement assembly. See [Keyboard assembly \(M525c model\) on page 40](#) and [Transfer the control-panel cable to a replacement image scanner on page 125](#).

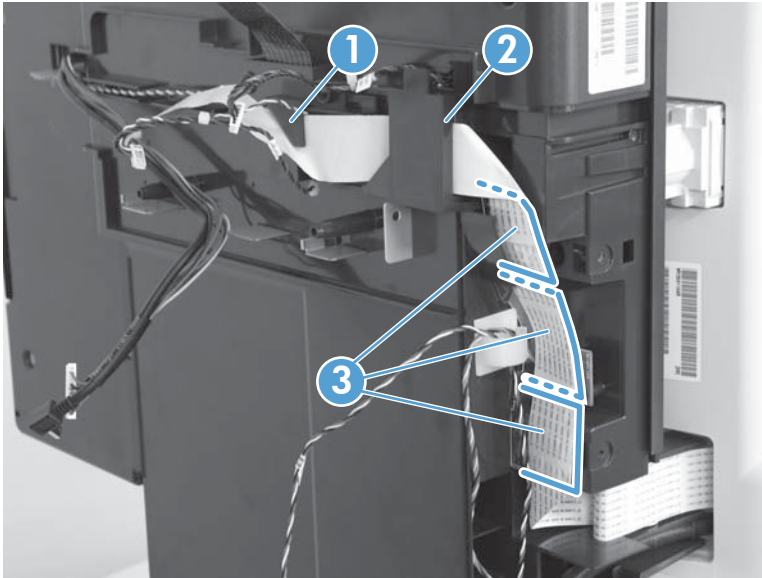
Important considerations when reassembling the ISA

Make sure that you check all of the following conditions when the document feeder is installed on the image scanner assembly.

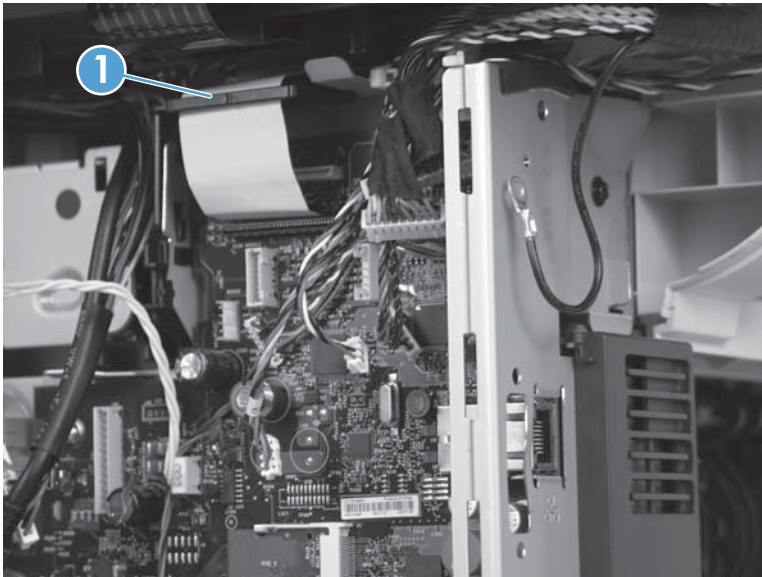
- ❑ Before routing the document-feeder FFC, create a fold in the FFC near the document feeder to remove slack in the FFC.



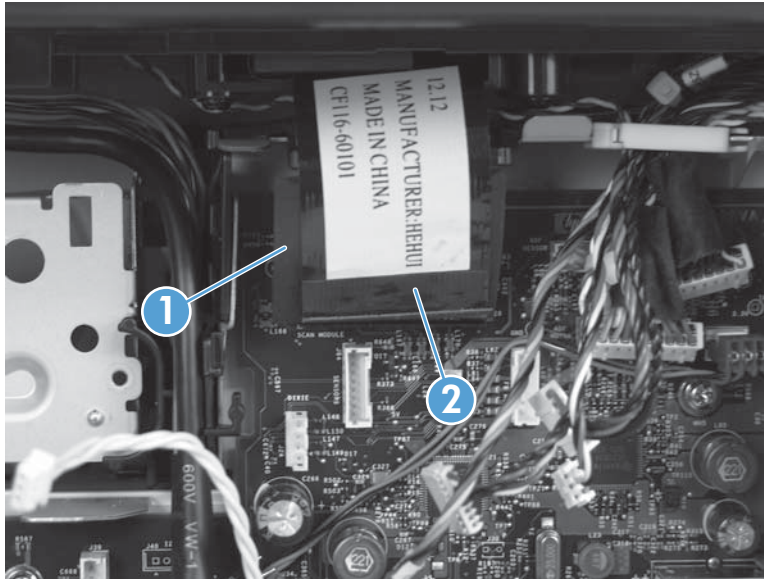
- ❑ The routing of the document-feeder FFC is very important. Make sure that the FFC is correctly positioned under the retainer (callout 1), the ferrite core is reinstalled (callout 2), and that the FFC is correctly routed over and under the clear-plastic guide (callout 3).



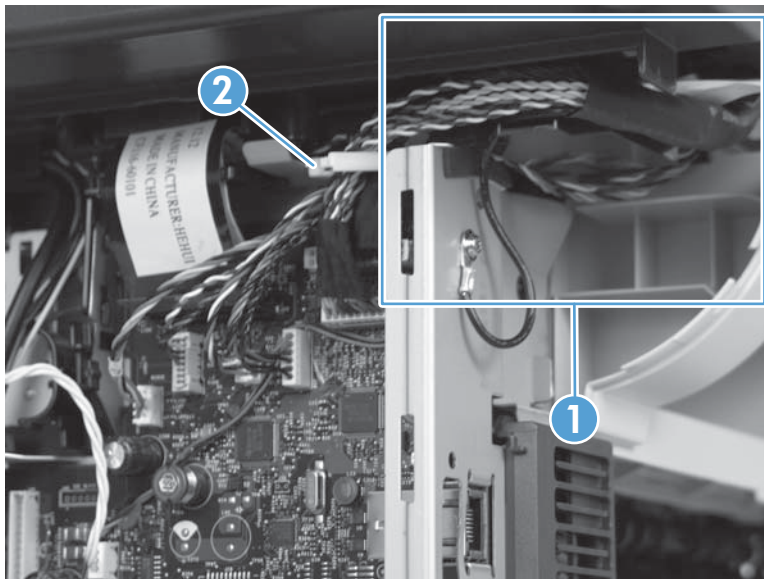
- ❑ After the ISA is positioned on the product base, make sure that the document-feeder FFC is routed through the retainer (callout 1).



- After the ISA is positioned on the product base, make sure that the foam insulator (callout 1) is installed behind the scanner-assembly FFC (callout 2).



- After the ISA is positioned on the product base, make sure that the wire harness is correctly positioned and is not pinched between the ISA and the product base (callout 1). The wire harness must be positioned in the retainer (callout 2).



Install a foam reflector on the document feeder

- ▲ If a replacement document feeder or scanner assembly (or both), you must install a replacement foam reflector that came with the replacement part. See [Foam reflector on page 51](#).

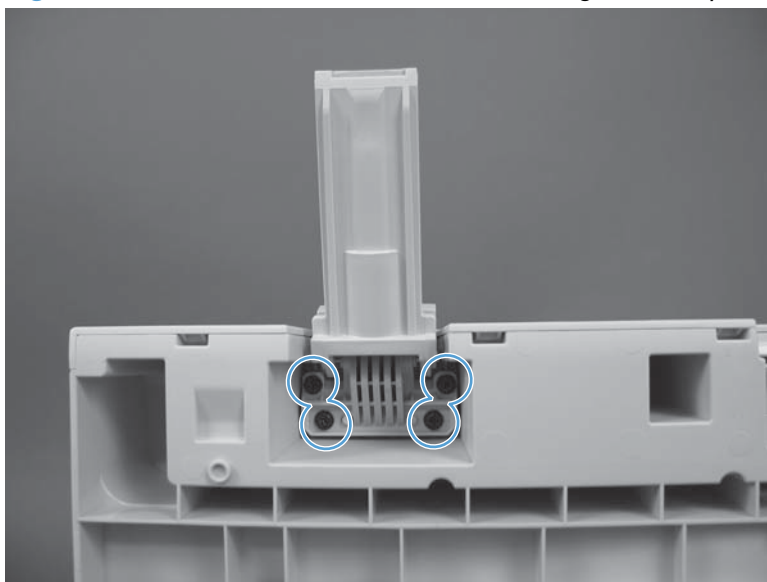
Calibrate the image scanner

1. On the control-panel Home screen, scroll to and touch [Device Maintenance](#).
2. Touch [Calibration/Cleaning](#).
3. Touch [Calibrate Scanner](#).
4. Follow the instructions on the control-panel display.

Document feeder hinge assembly

1. Before proceeding, remove the following:
 - Formatter cover. See [Formatter cover on page 69](#).
 - Rear scanner cover. See [Rear scanner cover on page 88](#).
 - Document feeder whole unit. See [Document feeder whole unit \(standard model\) on page 119](#).
 - Integrated scanner assembly (525c model) whole unit. See [Integrated scanner assembly \(525c model\) whole unit on page 130](#).
2. Remove four screws and the document feeder hinge assembly.

Figure 1-219 Remove the document feeder hinge assembly



Control-panel cable

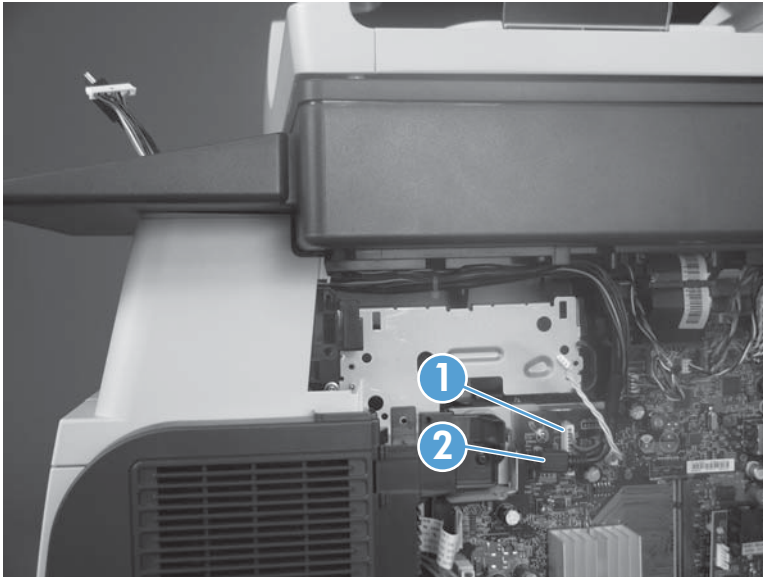
Before proceeding, remove the following assemblies:

- Control-panel assembly. See [Control-panel assembly \(M525c model\) on page 19](#).
- Formatter cover. See [Formatter cover on page 69](#).
- Stapler cover or substitute stapler cover. See [Stapler cover on page 72](#) or [Substitute stapler cover on page 74](#).
- Stapler assembly. See [Stapler assembly on page 75](#).

Remove the control-panel cable

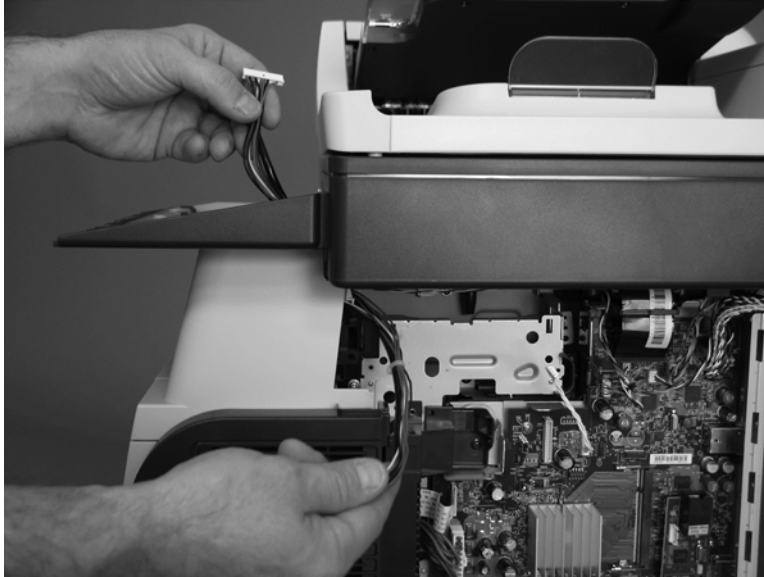
1. Disconnect one connector (callout 1) and one USB cable (callout 2).

Figure 1-220 Remove the control-panel cable (1 of 2)



2. Carefully remove the cable.

Figure 1-221 Remove the control-panel cable (2 of 2)



Main assemblies

Tray 1 pickup roller

CAUTION: Do not touch the surface of the roller. Skin oils deposited on the roller might cause print-quality problems.

1. Press the cartridge-door release button, and then open the cartridge door. Make sure that the door is completely open.

Figure 1-222 Remove the Tray 1 pickup roller (1 of 2)



2. Release two tabs, and then rotate the roller out and away from the product to remove it.


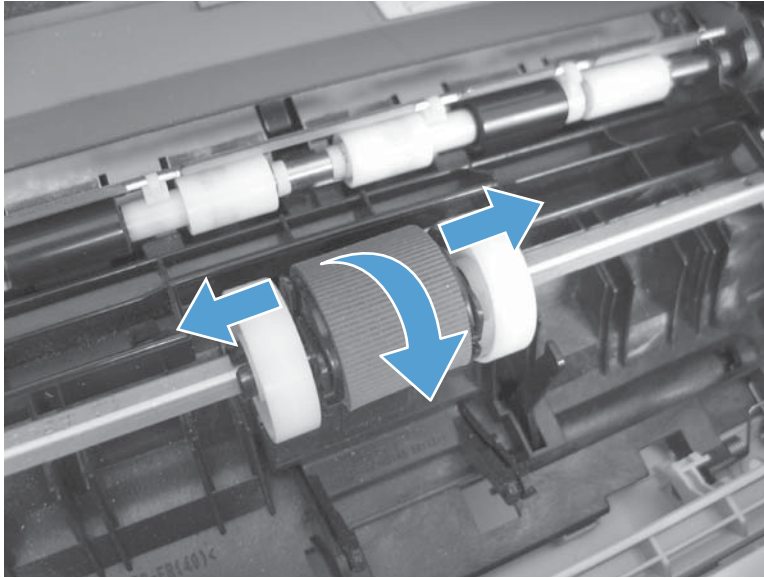
 **TIP:** It might be easier to release the tabs by using a small flat blade screwdriver.

Figure 1-223 Remove the Tray 1 pickup roller (2 of 2)



Tray 1 separation pad

CAUTION: Do not touch the surface of the pad. Skin oils deposited on the roller might cause paper-handling problems.

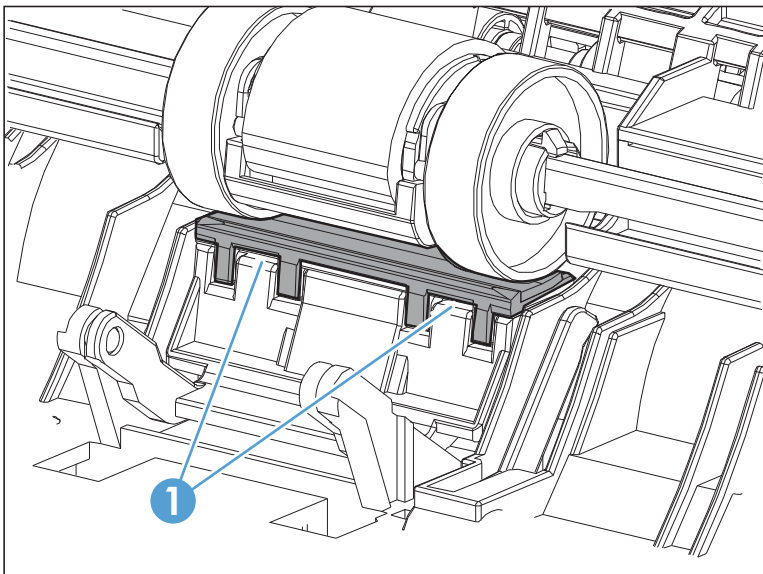
1. Press the cartridge-door release button, and then open the cartridge door. Make sure that the door is completely open.

Figure 1-224 Remove the Tray 1 separation pad (1 of 2)



2. Release two tabs (callout 1), and then remove the separation pad.

Figure 1-225 Remove the Tray 1 separation pad (2 of 2)



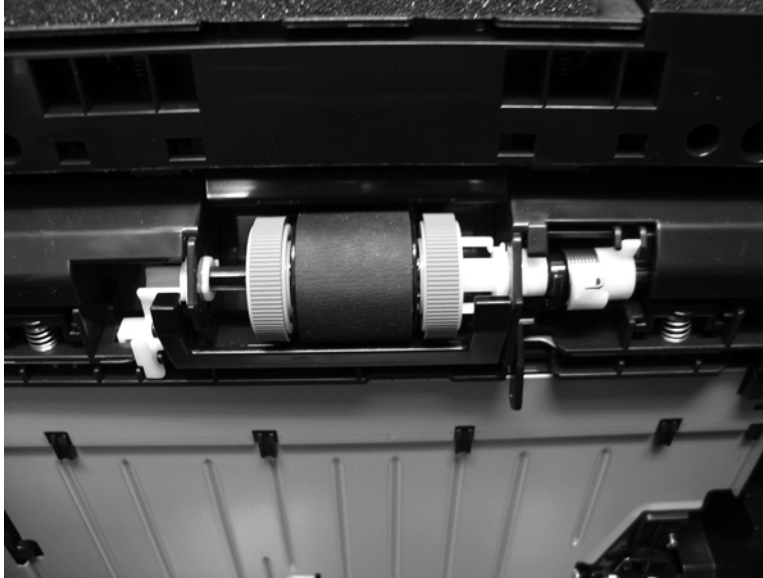
Tray 2, 3, or 4 pickup roller assembly

Identify the Tray 2, 3, or 4 pickup roller condition

The Tray 2, 3, or 4 pickup roller is a spring-loaded assembly. The pickup roller assembly can be removed as a whole unit. If the assembly comes apart, you must remove the components separately. Use the figures below to determine the correct removal process for the assembly.

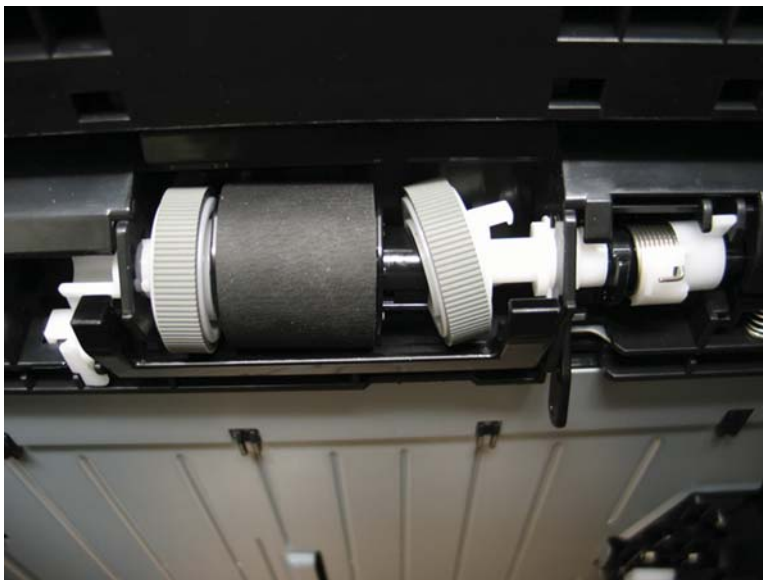
- To remove the pickup roller assembly as a whole unit see, [Remove the Tray 2, 3, or 4 pickup roller—whole unit on page 150](#).

Figure 1-226 Tray 2, 3, or 4 pickup roller assembled



- To remove the pickup roller assembly components see, [Remove the Tray 2, 3, or 4 pickup roller—components on page 152](#).

Figure 1-227 Tray 2, 3, or 4 pickup roller disassembled



Remove the Tray 2, 3, or 4 pickup roller—whole unit

1. Remove Tray 2, 3, or 4, and then carefully slide the product to the edge of the work surface so that you can see into the opening where the tray would be installed.
2. Use your finger to apply pressure to the white-plastic collar at the right-side of the roller assembly (callout 1), and then push the roller assembly to the left (callout 2).


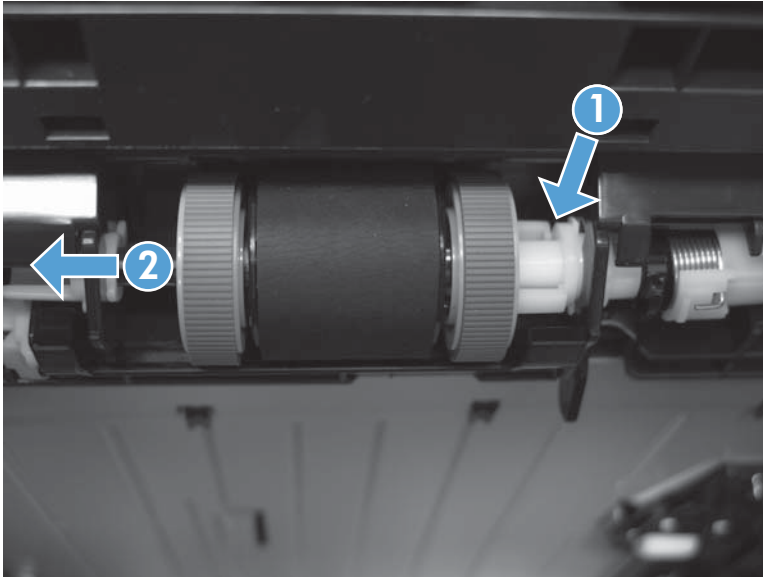


 **NOTE:** Applying pressure to the collar prevents the spring-loaded roller assembly from coming apart.

Figure 1-228 Remove the Tray 2, 3, or 4 pickup roller (1 of 2)



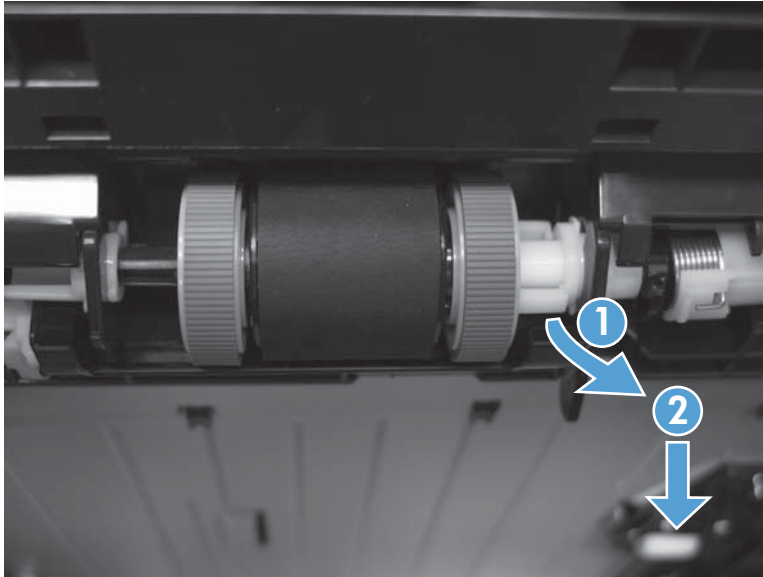
3. Rotate the collar end of the assembly out of the product (callout 1), and then remove the assembly (callout 2).

 **NOTE:** Keep pressure on the collar to prevent the spring-loaded roller assembly from coming apart.

 **Reinstallation tip** If the roller assembly comes apart when removed, see [Reassemble the Tray 2, 3, or 4 pickup roller assembly on page 153](#).

To install the roller assembly, see [Reinstall the Tray 2, 3, or 4 pickup roller assembly on page 158](#).

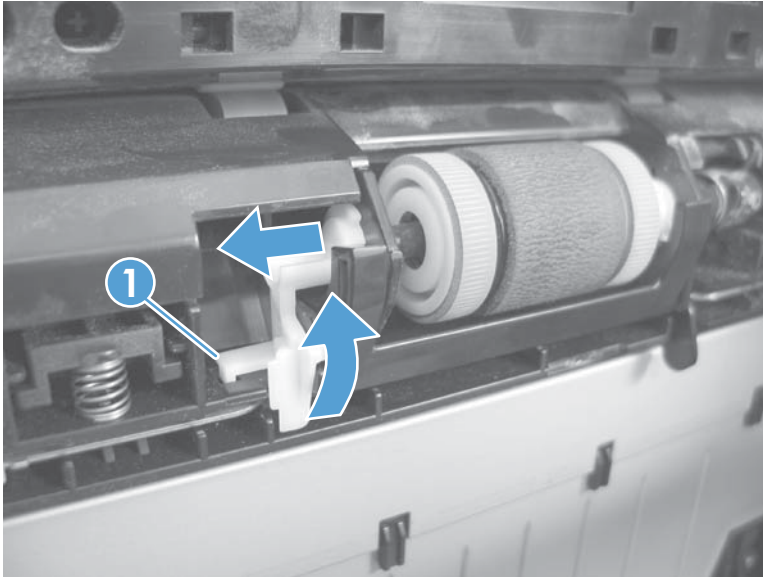
Figure 1-229 Remove the Tray 2, 3, or 4 pickup roller (2 of 2)



Remove the Tray 2, 3, or 4 pickup roller—components

1. Remove Tray 2, 3, or 4, and then carefully slide the product to the edge of the work surface so that you can see into the opening where the tray would be installed.
2. Release one tab (callout 1), rotate the bushing up, and then slide the bushing off of the roller shaft.

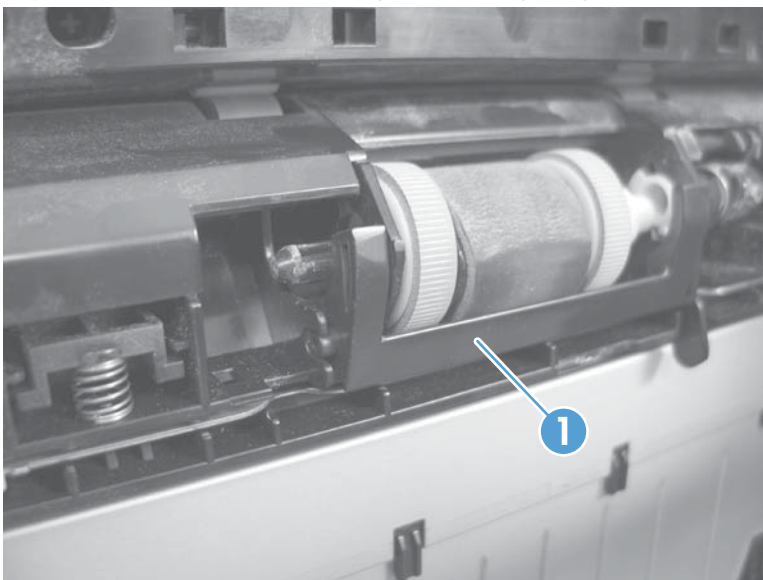
Figure 1-230 Remove the Tray 2, 3, or 4 pickup roller (1 of 3)




3. Carefully remove the black-plastic guard (callout 1).

⚠ CAUTION: The guard is partially retained by the bushing removed in the previous step. Do not lose the guard when the bushing is removed.

Figure 1-231 Remove the Tray 2, 3, or 4 pickup roller (2 of 3)

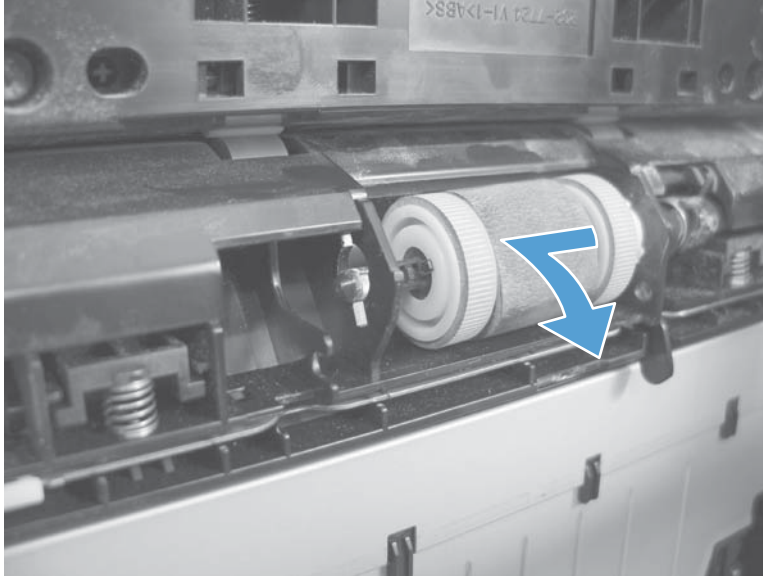


4. Slide the roller toward the left side of the product, rotate the right end of the roller away from the product, and then remove the roller assembly.

 **Reinstallation tip** To reassemble the roller components, see [Reassemble the Tray 2, 3, or 4 pickup roller assembly on page 153](#).

To install the roller assembly, see [Reinstall the Tray 2, 3, or 4 pickup roller assembly on page 158](#).

Figure 1-232 Remove the Tray 2, 3, or 4 pickup roller (3 of 3)

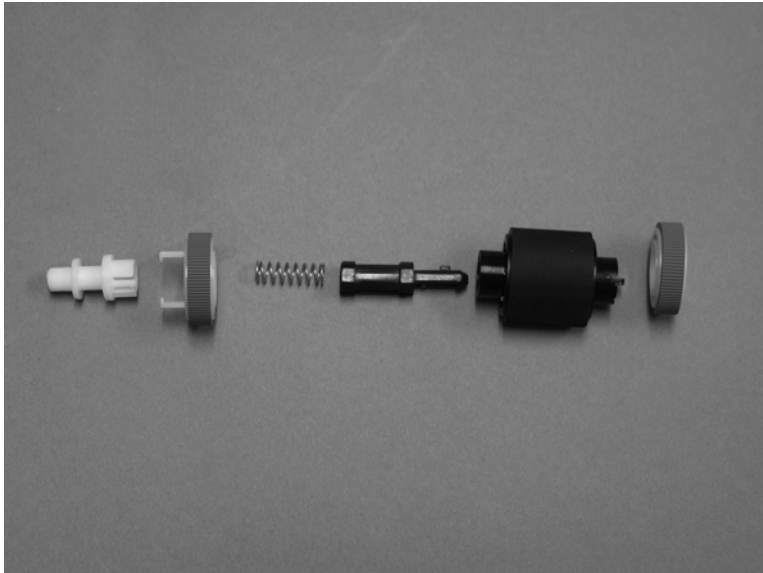


Reassemble the Tray 2, 3, or 4 pickup roller assembly

If the roller assembly comes apart, use the procedure below to reassemble it.

1. Before proceeding, take note of the correct component organization.

Figure 1-233 Reassemble the Tray 2, 3, or 4 pickup roller assembly (1 of 9)



2. Slide the shaft-end drive wheel onto the roller body.


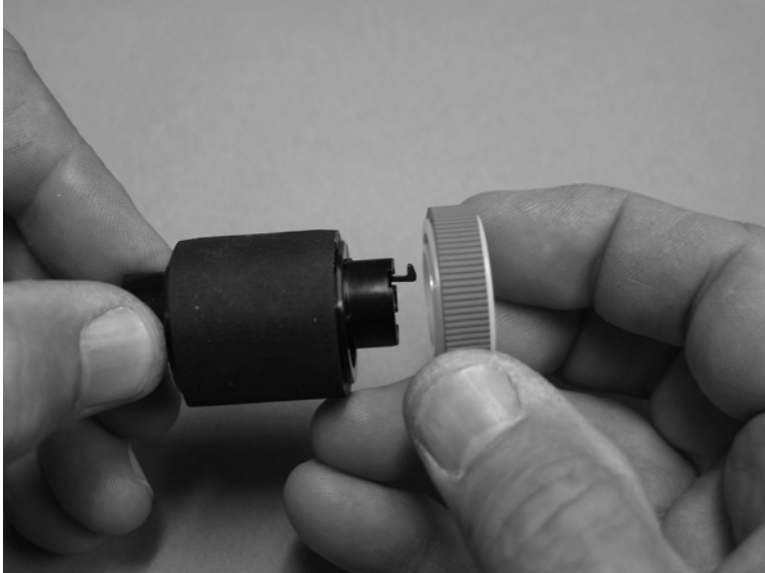
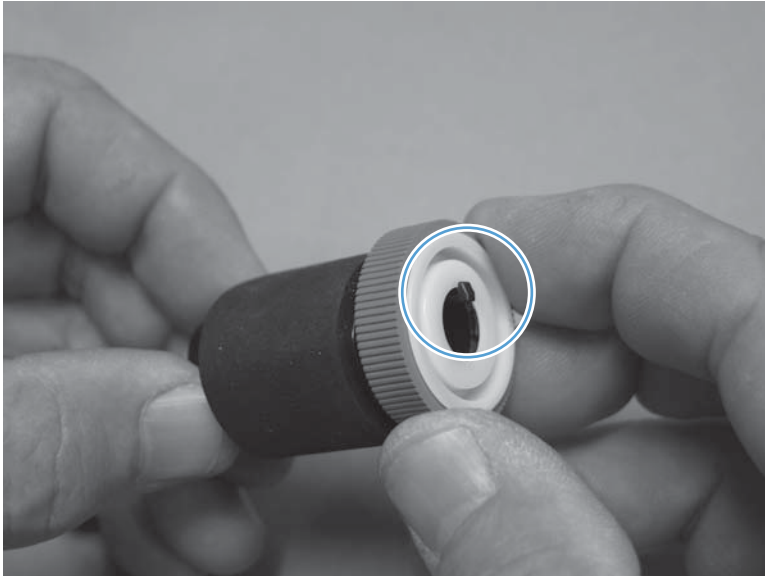
 **NOTE:** The shaft-end drive wheel does not have the two white-plastic hook arms that are part of the collar-end drive wheel. See the right most component in [Figure 1-233 Reassemble the Tray 2, 3, or 4 pickup roller assembly \(1 of 9\) on page 153](#).

Figure 1-234 Reassemble the Tray 2, 3, or 4 pickup roller assembly (2 of 9)



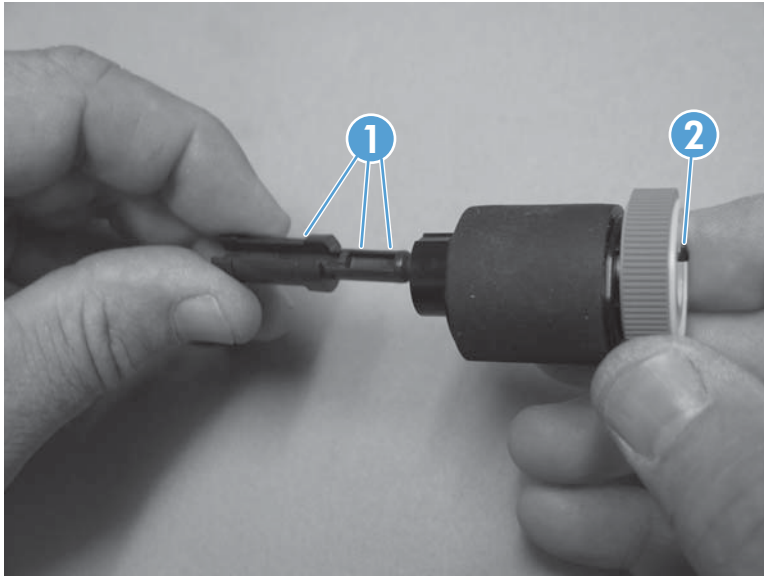
3. When correctly installed, the hook arm on the roller body retains the drive wheel.

Figure 1-235 Reassemble the Tray 2, 3, or 4 pickup roller assembly (3 of 9)



- Slide the roller shaft into the roller body. Align the groove in the shaft (callout 1) with the hook arm (callout 2) so that the shaft can be fully inserted into the roller body.

Figure 1-236 Reassemble the Tray 2, 3, or 4 pickup roller assembly (4 of 9)



- Slide the spring into the roller shaft. Keep pushing on the spring until the roller shaft protrudes out of the drive wheel.


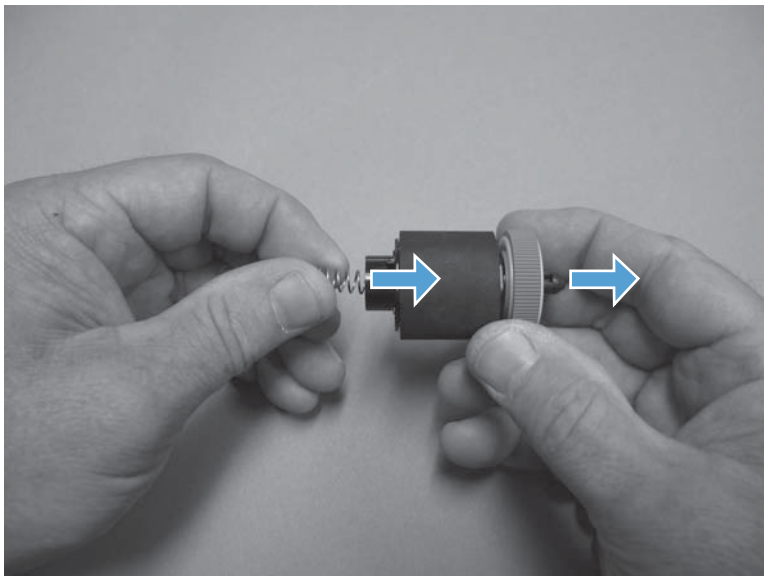
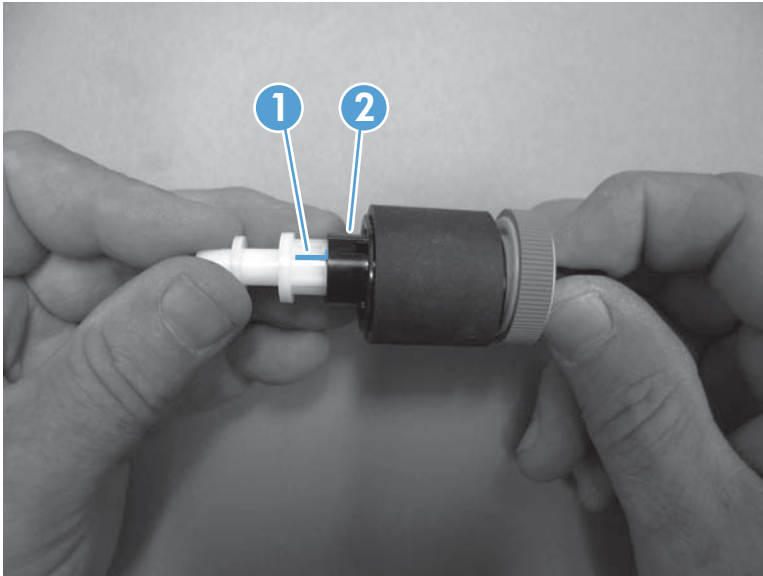
 **NOTE:** If the groove in the roller shaft was not correctly aligned with the hook arm, you might need to remove it and then reposition it. See [Figure 1-236 Reassemble the Tray 2, 3, or 4 pickup roller assembly \(4 of 9\) on page 155](#).

Figure 1-237 Reassemble the Tray 2, 3, or 4 pickup roller assembly (5 of 9)



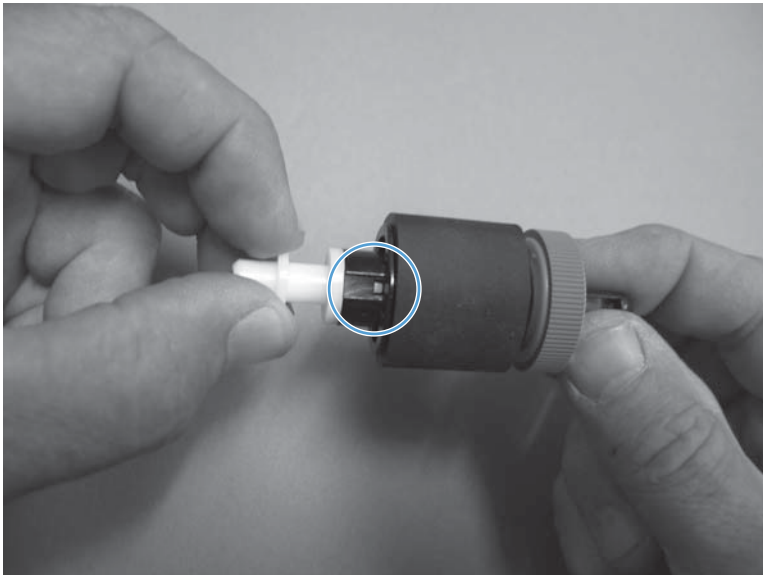
6. Slide the roller collar into the roller body until the tab (callout 1) on the collar snaps into the hole (callout 2) in the roller body.

Figure 1-238 Reassemble the Tray 2, 3, or 4 pickup roller assembly (6 of 9)



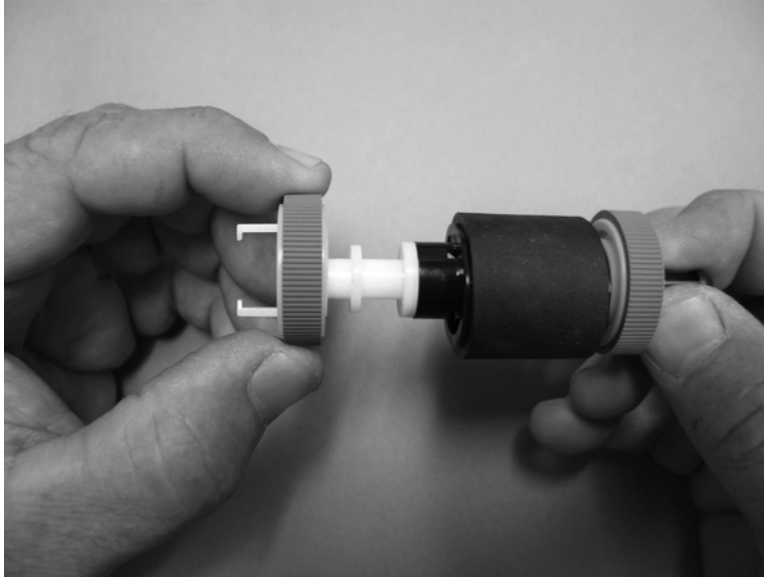
7. When correctly installed, the tab on the roller collar retains the spring inside the roller shaft.

Figure 1-239 Reassemble the Tray 2, 3, or 4 pickup roller assembly (7 of 9)



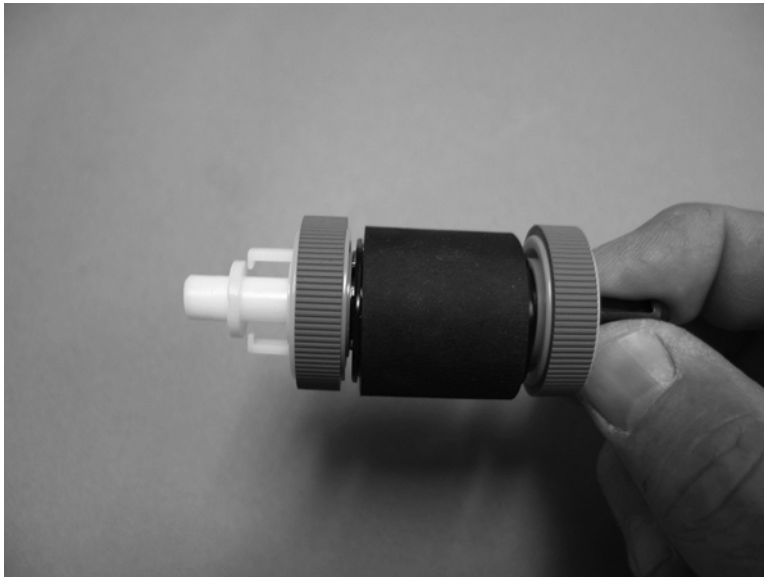
8. Slide the collar-end drive wheel onto the roller collar until it snaps in place.

Figure 1-240 Reassemble the Tray 2, 3, or 4 pickup roller assembly (8 of 9)



9. Verify that the assembly is correctly assembled, and then proceed to [Reinstall the Tray 2, 3, or 4 pickup roller assembly on page 158](#).

Figure 1-241 Reassemble the Tray 2, 3, or 4 pickup roller assembly (9 of 9)



Reinstall the Tray 2, 3, or 4 pickup roller assembly

1. Insert the roller-assembly shaft into the product (callout 1) while applying pressure to the white-plastic collar at the right-side of the roller assembly (callout 2).


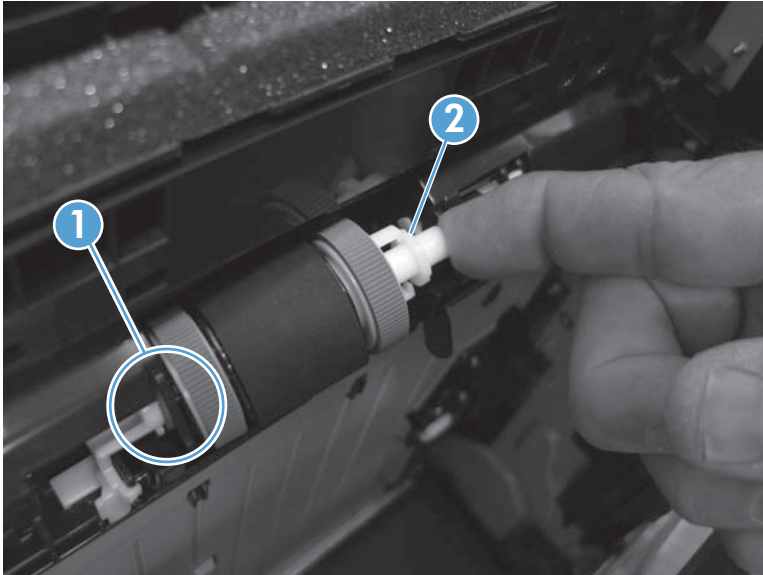
 **NOTE:** Applying pressure to the collar prevents the spring-loaded roller assembly from coming apart.

Figure 1-242 Reinstall the Tray 2, 3, or 4 pickup roller assembly (1 of 2)



2. Continue to apply pressure to the white-plastic collar, and then insert the roller-assembly collar into the product.


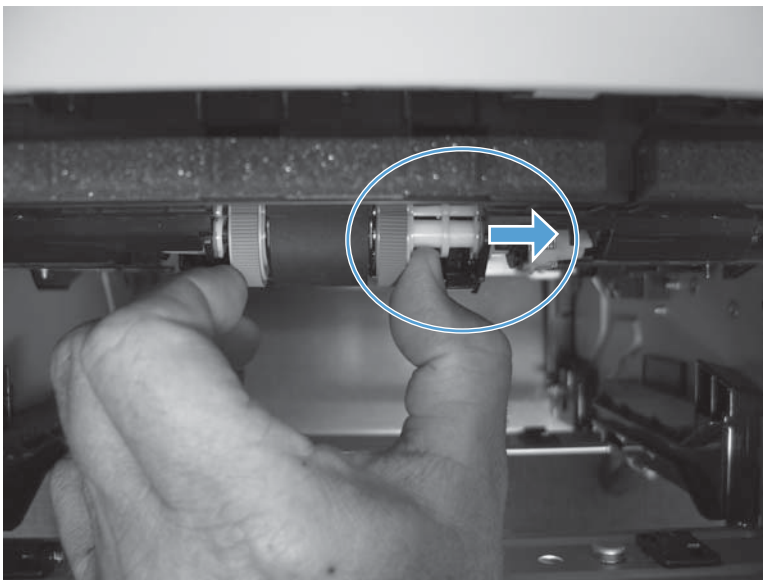
 **TIP:** After the roller assembly is reinstalled, you might need to slightly turn the assembly back and forth to make sure that the collar is engaged with the drive mechanism.

Figure 1-243 Reinstall the Tray 2, 3, or 4 pickup roller assembly (2 of 2)

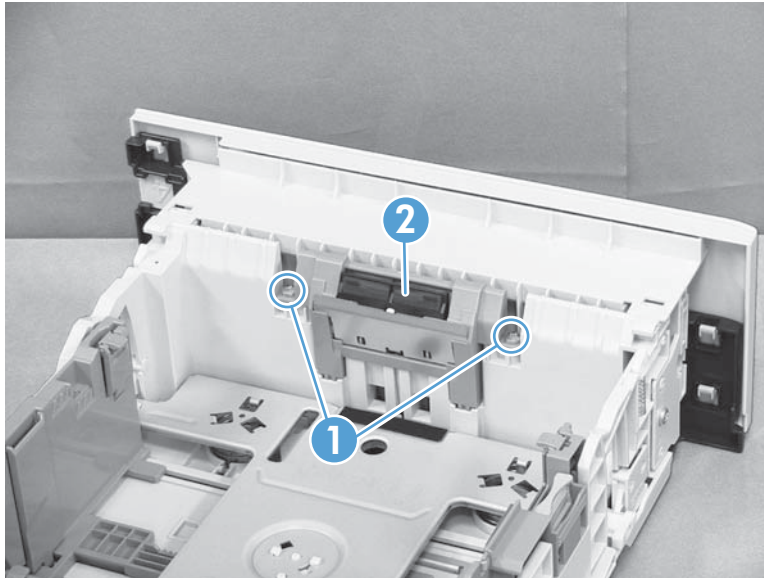


Tray 2, 3, or 4 separation pad

⚠ CAUTION: Do not touch the surface of the pad. Skin oils deposited on the roller might cause paper-handling problems.

1. Remove the tray. See [Tray 2, Tray 3, or Tray 4 assembly on page 14](#).
2. Remove two screws (callout 1), and then remove the separation pad (callout 2).

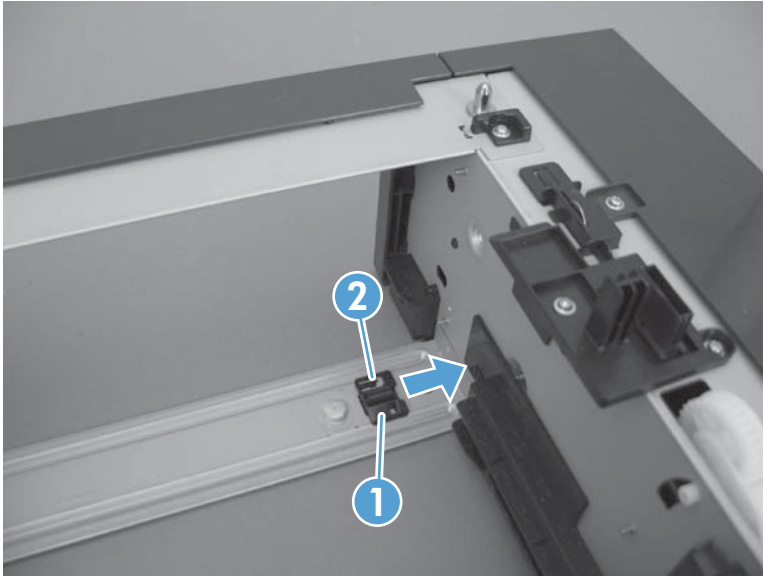
Figure 1-244 Remove the Tray 2, 3, or 4 separation pad



Tray 2, 3, or 4 base-plate roller assembly

1. Remove the tray. See [Tray 2, Tray 3, or Tray 4 assembly on page 14](#).
2. Locate the base roller assembly (callout 1), release one tab (callout 2), and then slide the assembly toward the outside of the product to release it.

Figure 1-245 Tray 2, 3, or 4 base plate roller assembly (1 of 2)



3. Remove the base plate roller assembly.

Figure 1-246 Tray 2, 3, or 4 base plate roller assembly (2 of 2)



Transfer roller

CAUTION: Do not touch the black-sponge portion of the transfer roller. Skin oils deposited on the transfer roller might cause print-quality problems.

1. Press the cartridge-door release button, and then open the cartridge door. Make sure that the door is completely open.

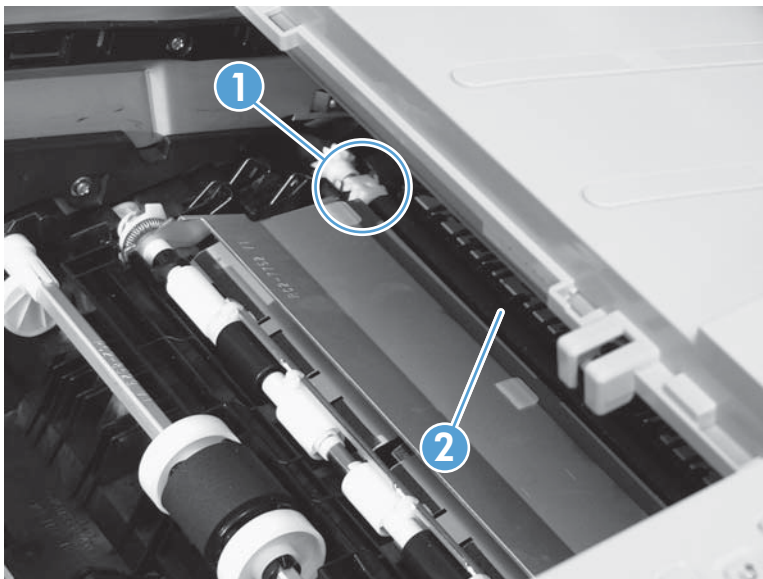
NOTE: If you did not remove the toner cartridge before servicing the product, remove it now.

Figure 1-247 Remove the transfer roller (1 of 3)



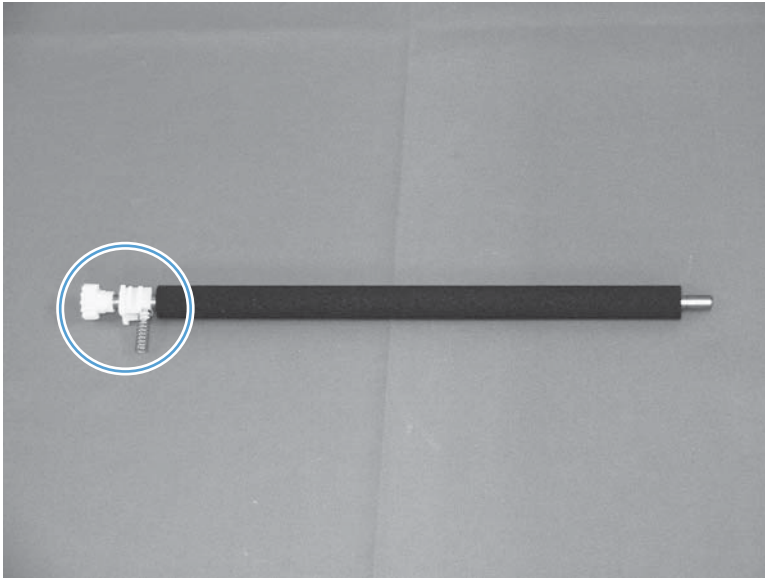
2. Release two tabs (callout 1) at the left end of the roller, slightly lift the end of the roller up, and then slide the roller (callout 2) toward the left to release it. Remove the roller.

Figure 1-248 Remove the transfer roller (2 of 3)



3. If necessary, remove the gear, the bushing, and the spring, and then install them on a replacement roller.

Figure 1-249 Remove the transfer roller (3 of 3)



Fuser

1. Before proceeding, remove the following components:
 - Rear cover assembly. See [Rear cover assembly on page 76](#).
 - Right-rear cover. See [Right-rear cover on page 82](#).
2. Release two tabs (callout 1) on the duplex media-feed guide, and then slide the guide toward the rear of the product to remove it.


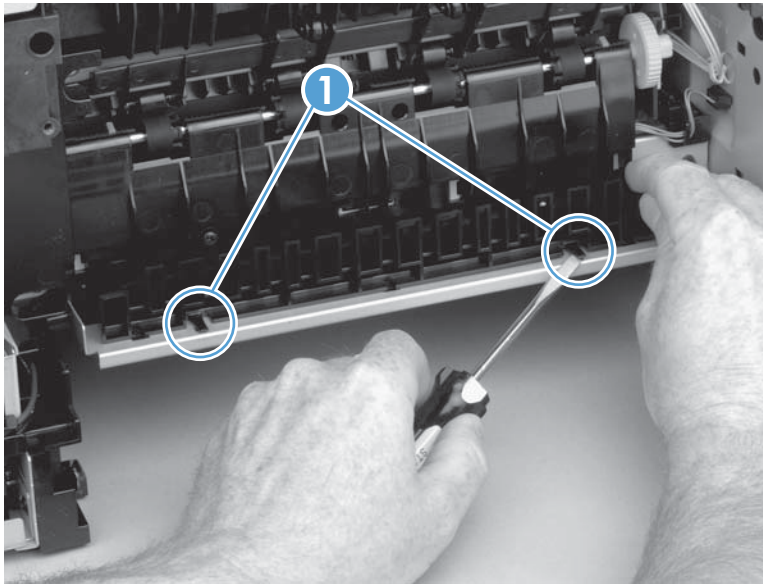
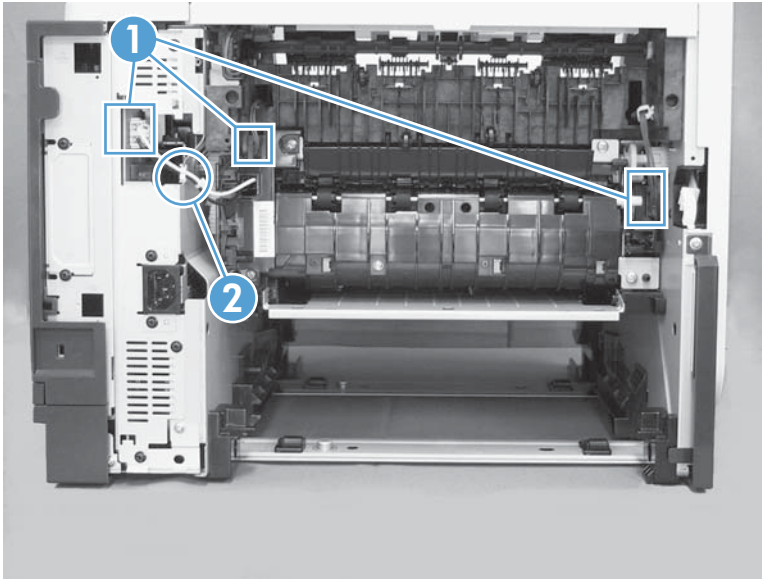
 **Reinstallation tip** Make sure that both tabs snap back into place when reinstalling the duplex media-feed guide.

Figure 1-250 Remove the fuser (1 of 4)



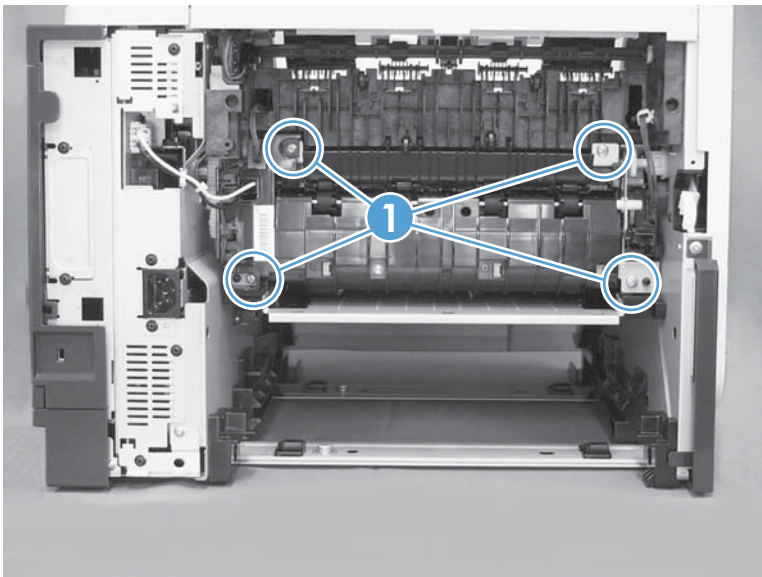
3. Disconnect three connectors (callout 1), and release one wire harness from the retainer (callout 2).

Figure 1-251 Remove the fuser (2 of 4)



4. Remove four screws (callout 1).

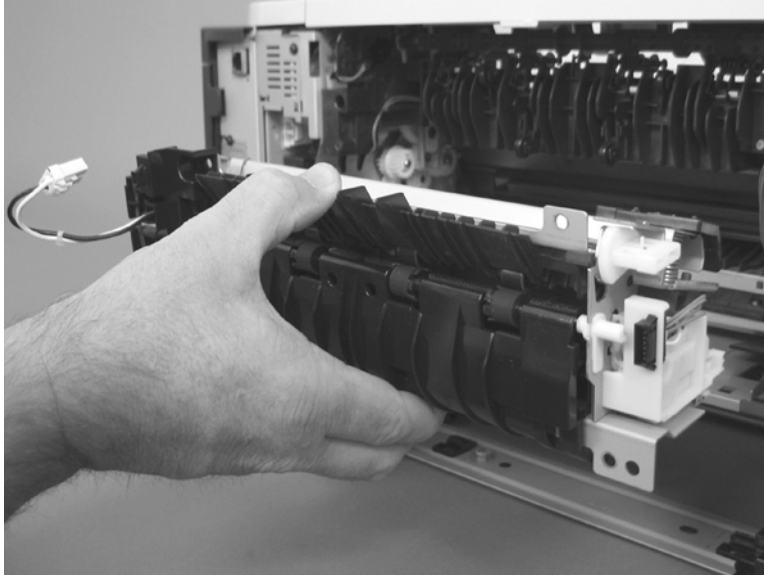
Figure 1-252 Removing the fuser (3 of 4)



5. Pull the fuser out of the back of the product.

⚠ CAUTION: To avoid damaging the fuser, the cartridge-door assembly must be closed before you remove the fuser.

Figure 1-253 Removing the fuser (4 of 4)



Duplex media-feed assembly

1. Before proceeding, remove the following components:
 - Rear cover assembly. See [Rear cover assembly on page 76](#).
 - Right-rear cover. See [Right-rear cover on page 82](#).
2. Release two tabs (callout 1) on the duplex media-feed guide, and then slide the guide toward the back of the product to remove it.


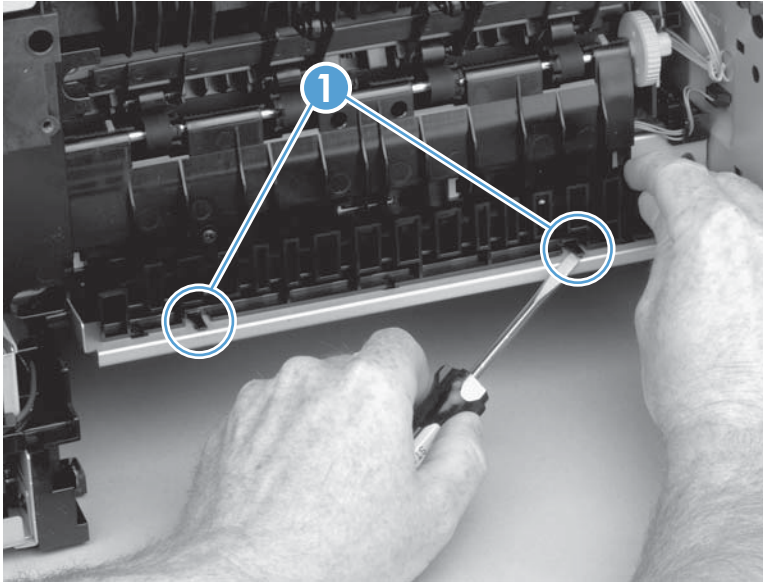
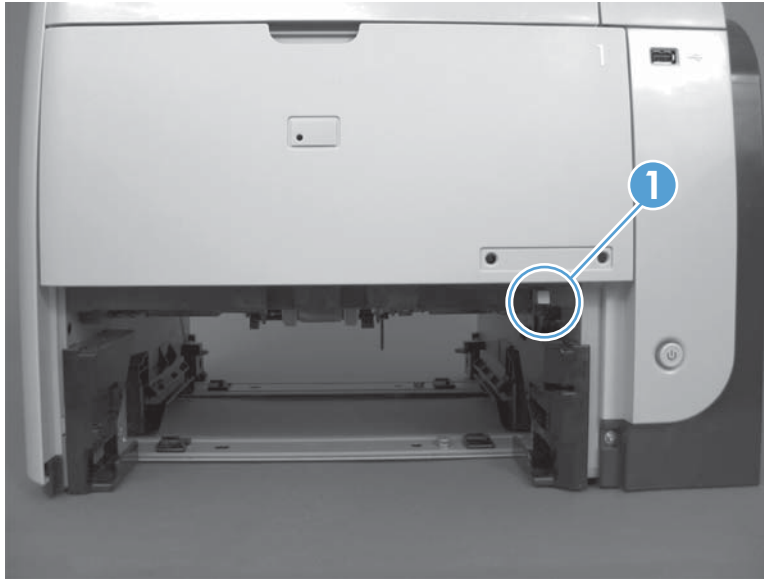
 **Reinstallation tip** Make sure that both tabs snap back into place when reinstalling the duplex media-feed guide.

Figure 1-254 Remove the duplex media-feed assembly (1 of 5)



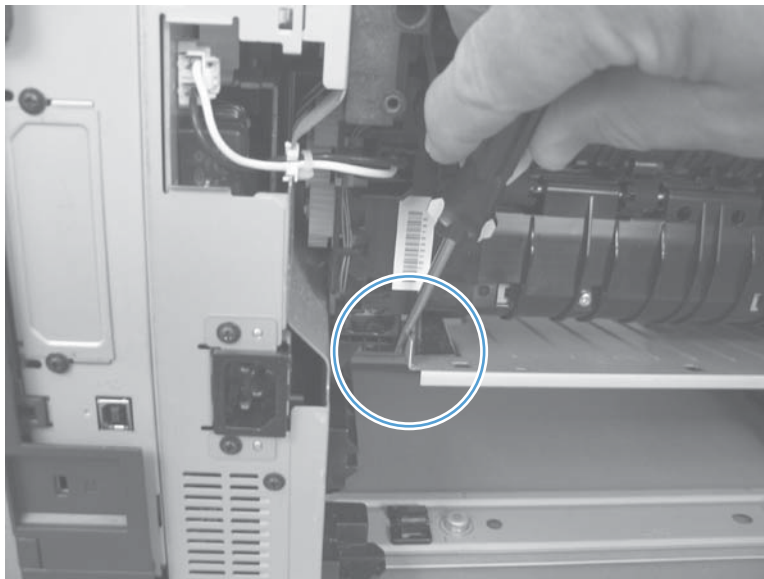
3. Press the green lever (callout 1) to release the duplex media-feed assembly.

Figure 1-255 Remove the duplex media-feed assembly (2 of 5)



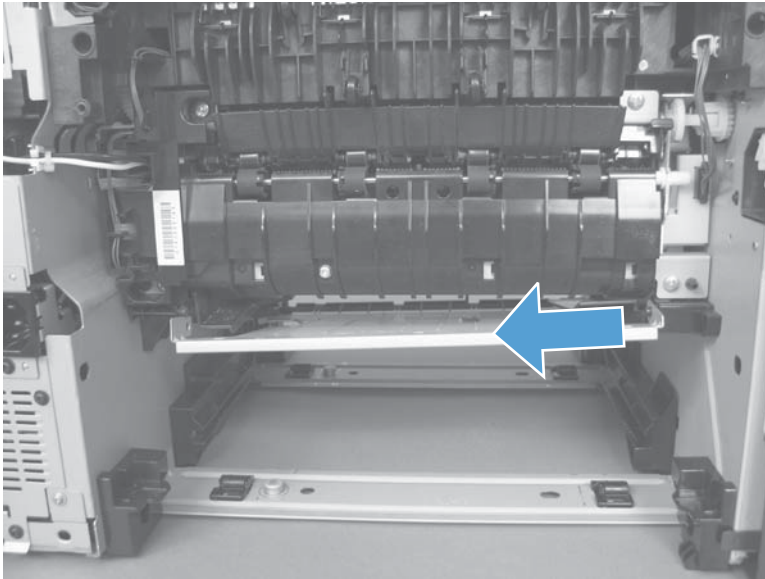
4. Use a small flat blade screwdriver to carefully pry the sheet-metal tab on the assembly away from the hinge pin to release it.

Figure 1-256 Remove the duplex media-feed assembly (3 of 5)



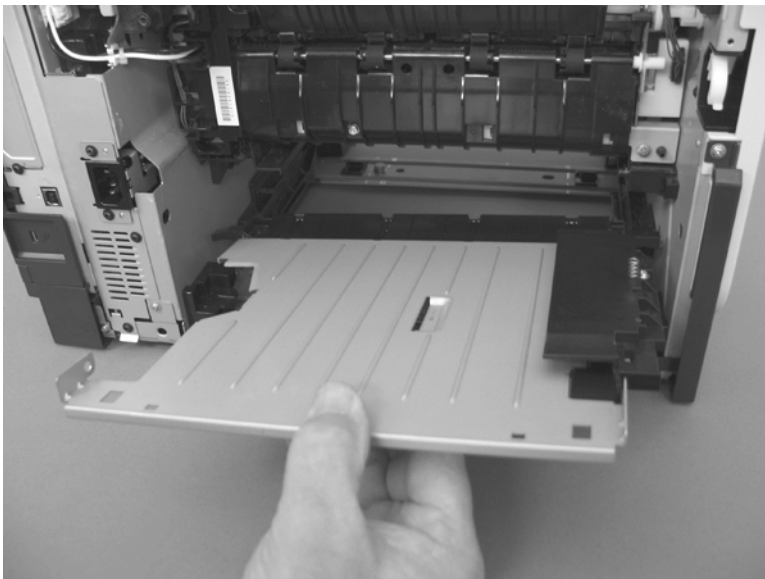
5. Slide the assembly away from the other hinge pin to release it.

Figure 1-257 Remove the duplex media-feed assembly (4 of 5)



6. Pull the duplex media-feed assembly out of the back of the product.

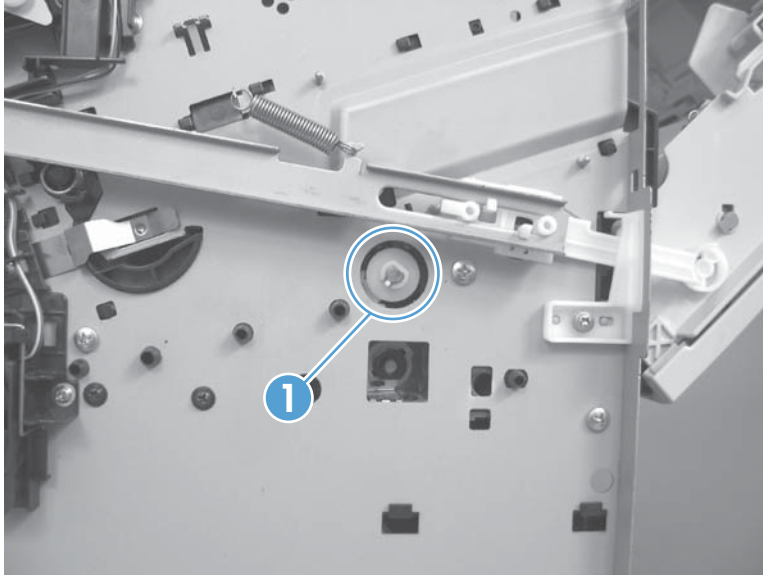
Figure 1-258 Remove the duplex media-feed assembly (5 of 5)



Registration roller assembly

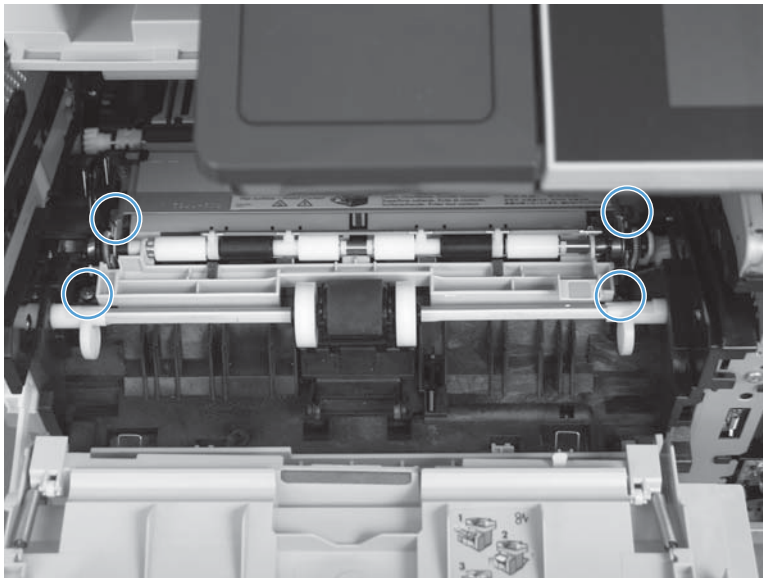
1. Before proceeding, remove the following components:
 - Rear cover assembly. See [Rear cover assembly on page 76](#).
 - Left cover. See [Left cover on page 80](#).
2. Unhook the clasp on the registration roller assembly gear (callout 1), and then slide the gear off of the shaft.

Figure 1-259 Remove the registration roller assembly (1 of 3)



3. Open the cartridge door, and then remove four screws.

Figure 1-260 Remove the registration roller assembly (2 of 3)



4. Lift the registration roller assembly out of the product, gear-end first.

Figure 1-261 Removing the registration roller assembly (3 of 3)

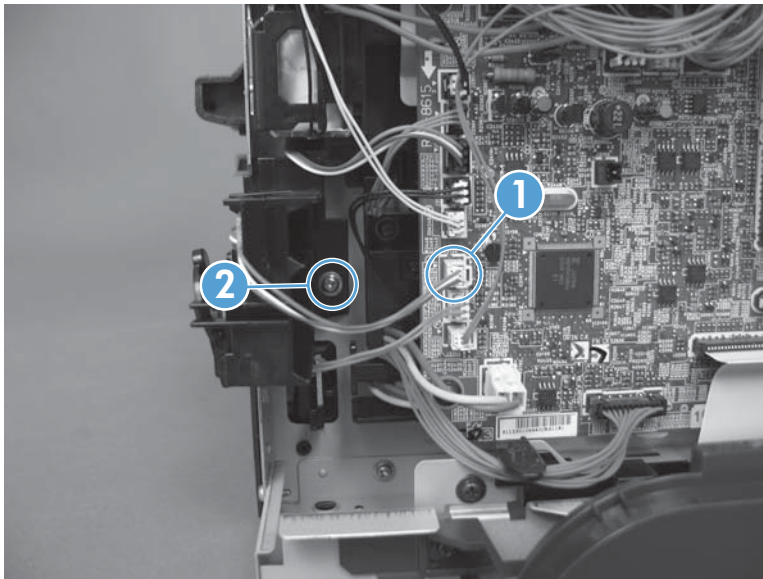


Power-switch assembly

⚠ WARNING!  ESD sensitive component.

1. Before proceeding, remove the following:
 - Formatter cover. See [Formatter cover on page 69](#).
 - Stapler cover or substitute stapler cover. See [Stapler cover on page 72](#) or [Substitute stapler cover on page 74](#).
 - Stapler assembly. See [Stapler assembly on page 75](#).
 - Rear cover assembly. See [Rear cover assembly on page 76](#).
 - Left cover. See [Left cover on page 80](#).
 - Tray 1 cover. See [Tray 1 cover on page 84](#).
 - Cartridge-door assembly. See [Cartridge-door assembly on page 86](#).
 - Right cover assembly. See [Right cover assembly on page 93](#).
2. Disconnect one connector (callout 1), remove one screw (callout 2), and then remove the power-switch assembly.

Figure 1-262 Remove the power-switch assembly

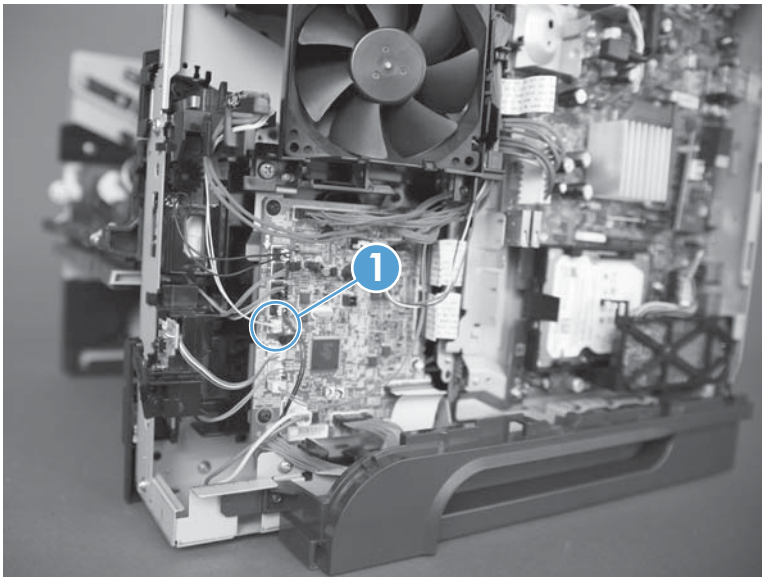


Interlock switch assembly

⚠ WARNING!  ESD sensitive component.

1. Before proceeding, remove the following:
 - Formatter cover. See [Formatter cover on page 69](#).
 - Stapler cover or substitute stapler cover. See [Stapler cover on page 72](#) or [Substitute stapler cover on page 74](#).
 - Stapler assembly. See [Stapler assembly on page 75](#).
 - Rear cover assembly. See [Rear cover assembly on page 76](#).
 - Left cover. See [Left cover on page 80](#).
 - Tray 1 cover. See [Tray 1 cover on page 84](#).
 - Cartridge-door assembly. See [Cartridge-door assembly on page 86](#).
 - Right cover assembly. See [Right cover assembly on page 93](#).
2. Disconnect one connector (callout 1).

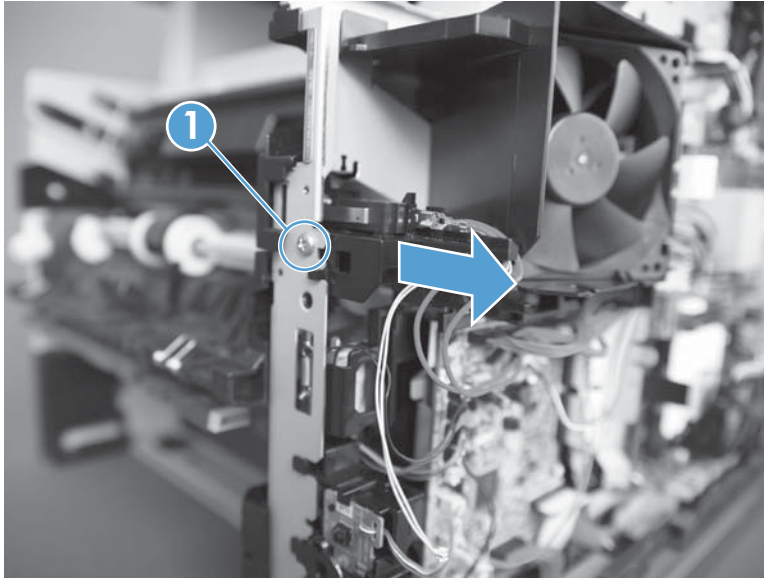
Figure 1-263 Remove the Interlock switch assembly (1 of 3)



3. Remove one screw (callout 1), and then carefully remove the interlock switch assembly.

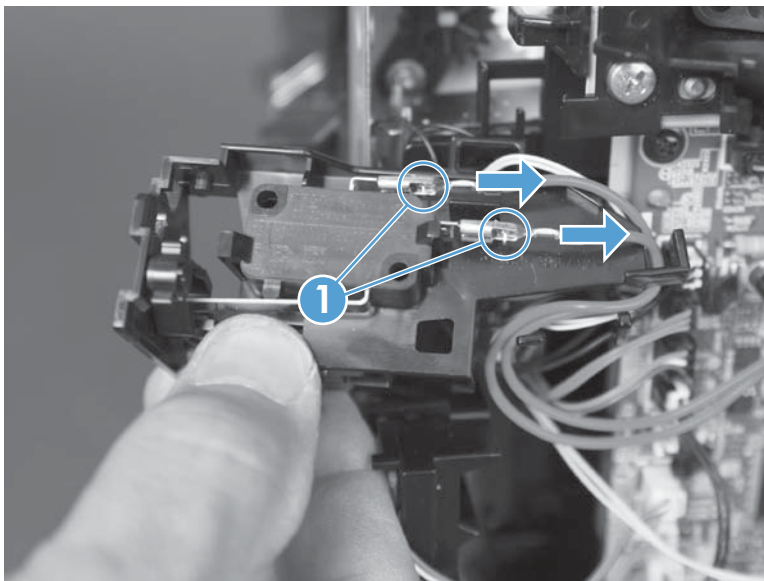
⚠ CAUTION: The interlock switch is still connected to the product by two wires.

Figure 1-264 Remove the Interlock switch assembly (2 of 3)



4. Release two tabs (callout 1), and then carefully remove two wire connectors.

Figure 1-265 Remove the Interlock switch assembly (3 of 3)

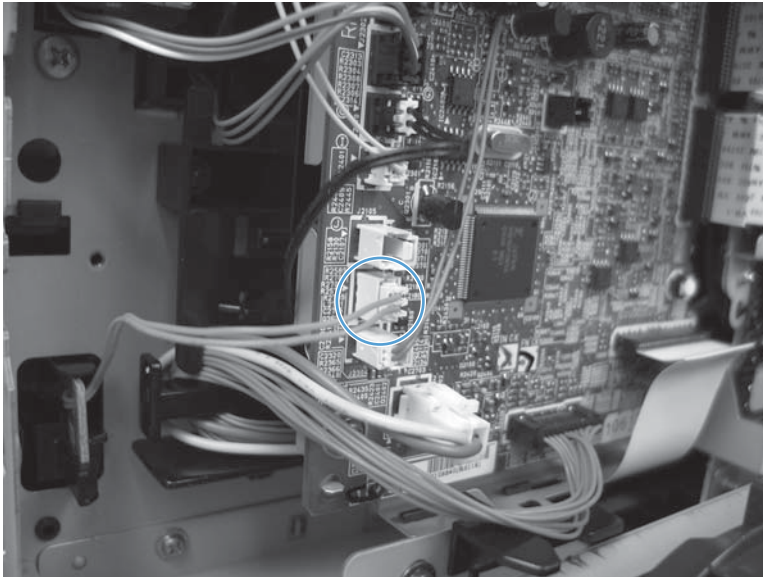


Tray sensor PCA

⚠ WARNING!  ESD sensitive component.

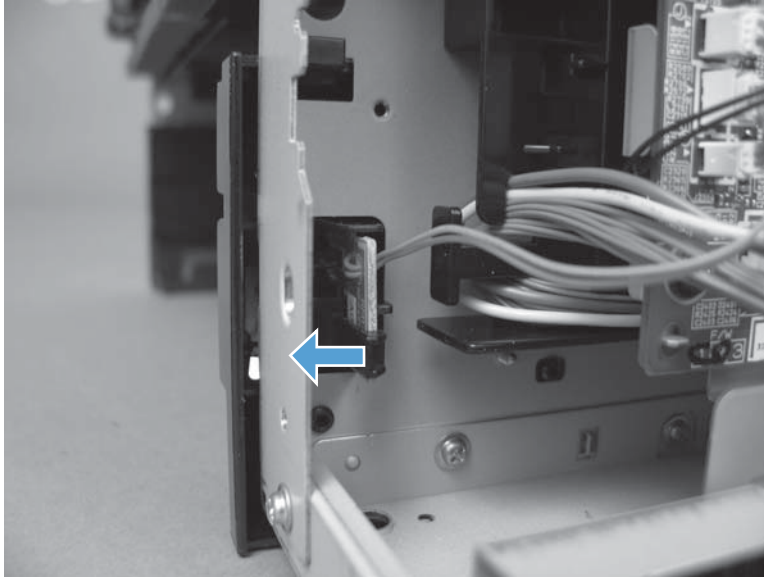
1. Before proceeding, remove the following:
 - Formatter cover. See [Formatter cover on page 69](#).
 - Stapler cover or substitute stapler cover. See [Stapler cover on page 72](#) or [Substitute stapler cover on page 74](#).
 - Stapler assembly. See [Stapler assembly on page 75](#).
 - Rear cover assembly. See [Rear cover assembly on page 76](#).
 - Left cover. See [Left cover on page 80](#).
 - Tray 1 cover. See [Tray 1 cover on page 84](#).
 - Cartridge-door assembly. See [Cartridge-door assembly on page 86](#).
 - Right cover assembly. See [Right cover assembly on page 93](#).
2. Disconnect one connector.

Figure 1-266 Remove the tray sensor PCA (1 of 3)



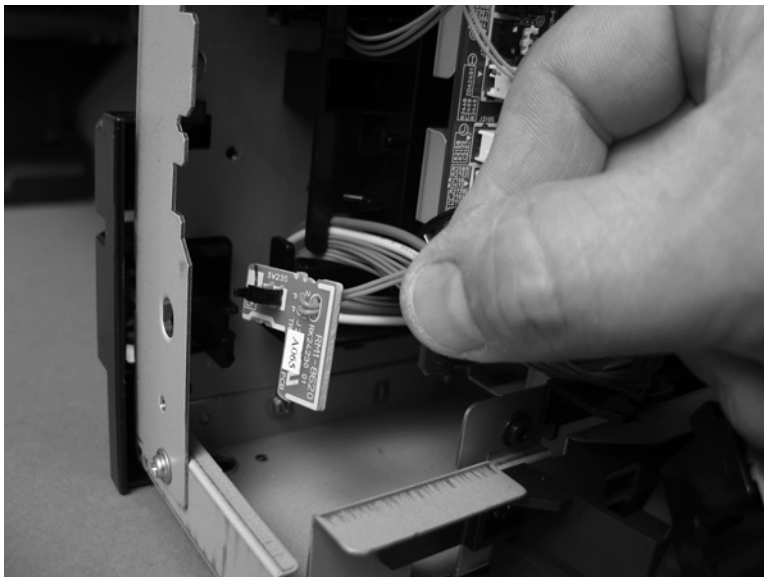
3. Release one tab.

Figure 1-267 Remove the tray sensor PCA (2 of 3)



4. Remove the PCA.

Figure 1-268 Remove the tray sensor PCA (3 of 3)

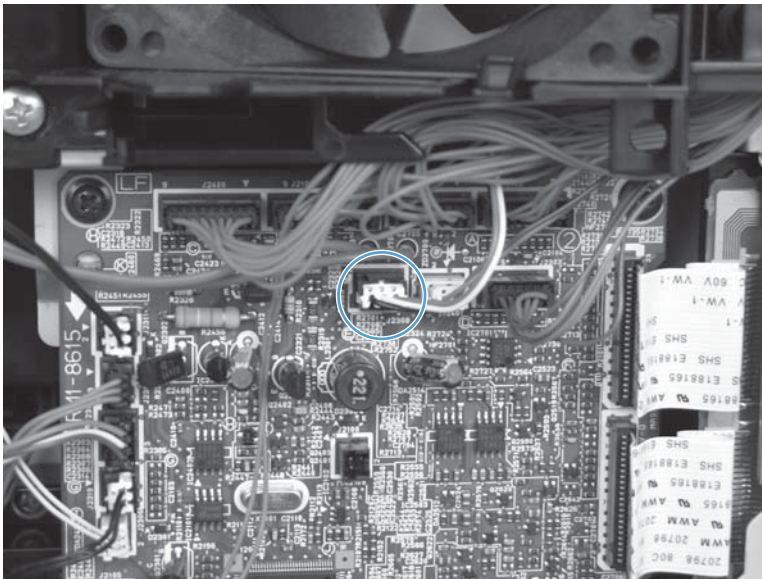


Main fan


⚠ WARNING!  ESD sensitive component.

1. Before proceeding, remove the following:
 - Formatter cover. See [Formatter cover on page 69](#).
 - Stapler cover or substitute stapler cover. See [Stapler cover on page 72](#) or [Substitute stapler cover on page 74](#).
 - Rear cover assembly. See [Rear cover assembly on page 76](#).
 - Left cover. See [Left cover on page 80](#).
 - Tray 1 cover. See [Tray 1 cover on page 84](#).
 - Cartridge-door assembly. See [Cartridge-door assembly on page 86](#).
 - Right cover assembly. See [Right cover assembly on page 93](#).
2. Disconnect one connector and then release the wire harnesses from the retainers.

Figure 1-269 Remove the main fan (1 of 3)

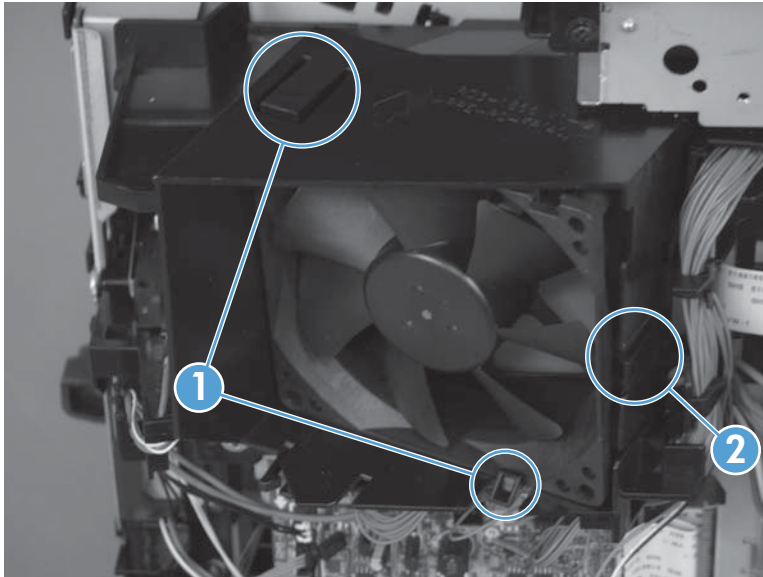


- 3. To remove the main fan only:** Release two tabs (callout 1), and then remove the main fan.

 **Reinstallation tip** A third tab (callout 2) cannot be engaged.

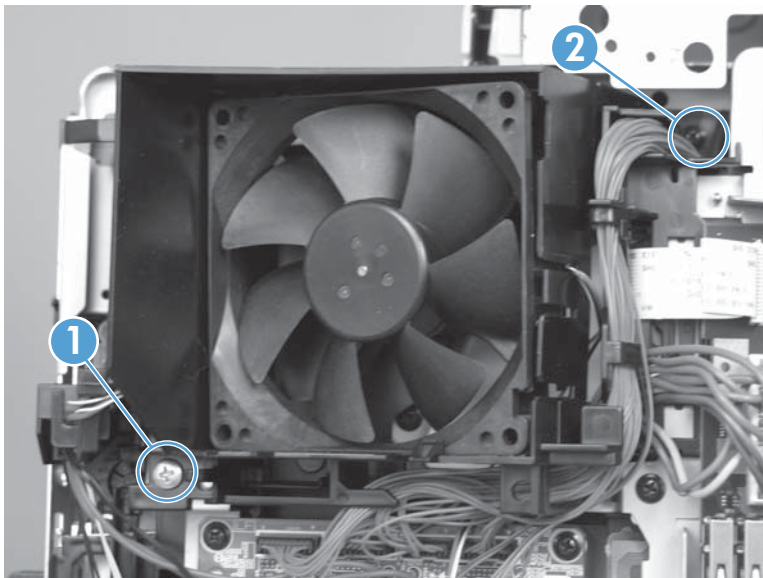
Reinstallation tip **If only the main fan was removed:** When the fan is reinstalled, the air must flow into the product. Make sure that the label side of the fan is toward the inside of the product when the fan is reinstalled.

Figure 1-270 Remove the main fan (2 of 3)



- 4. To remove the main fan and fan duct:** Remove one self-tapping screw (callout 1) and one metal screw (callout 2) and then remove the main fan and fan duct together.

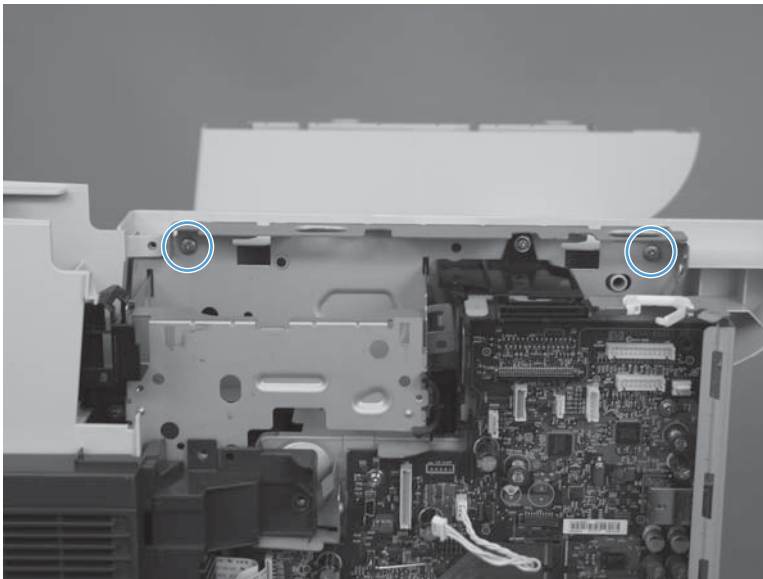
Figure 1-271 Remove the main fan (3 of 3)



Top cover

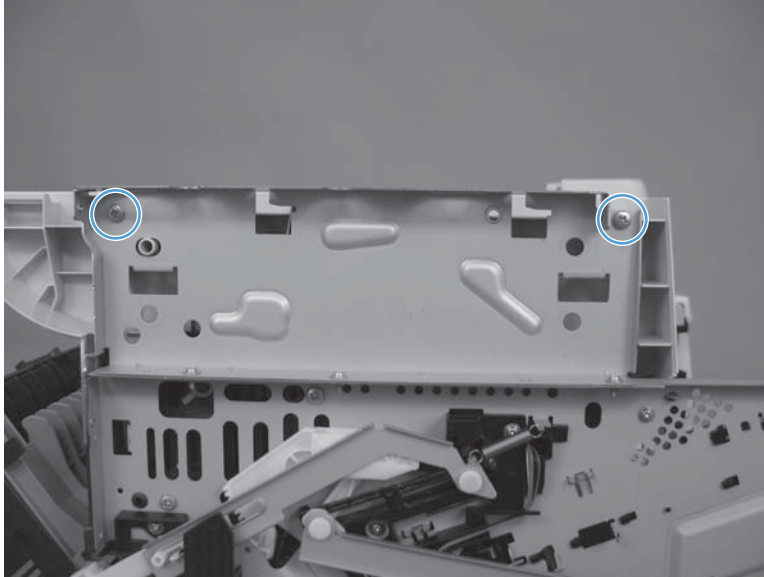
1. Before proceeding, remove the following:
 - Formatter cover. See [Formatter cover on page 69](#).
 - Stapler cover or substitute stapler cover. See [Stapler cover on page 72](#) or [Substitute stapler cover on page 74](#).
 - Stapler assembly. See [Stapler assembly on page 75](#).
 - Rear cover assembly. See [Rear cover assembly on page 76](#).
 - Left cover. See [Left cover on page 80](#).
 - Rear scanner cover. See [Rear scanner cover on page 88](#)
 - Document feeder (standard model) whole unit. See [Document feeder whole unit \(standard model\) on page 119](#)
 - Image scanner (standard model) whole unit. See [Image scanner \(standard model\) whole unit on page 122](#).
 - Integrated scanner assembly (525c model) whole unit. See [Integrated scanner assembly \(525c model\) whole unit on page 130](#).
2. From the right side of the product, remove two self-tapping screws.

Figure 1-272 Remove the top cover (1 of 4)



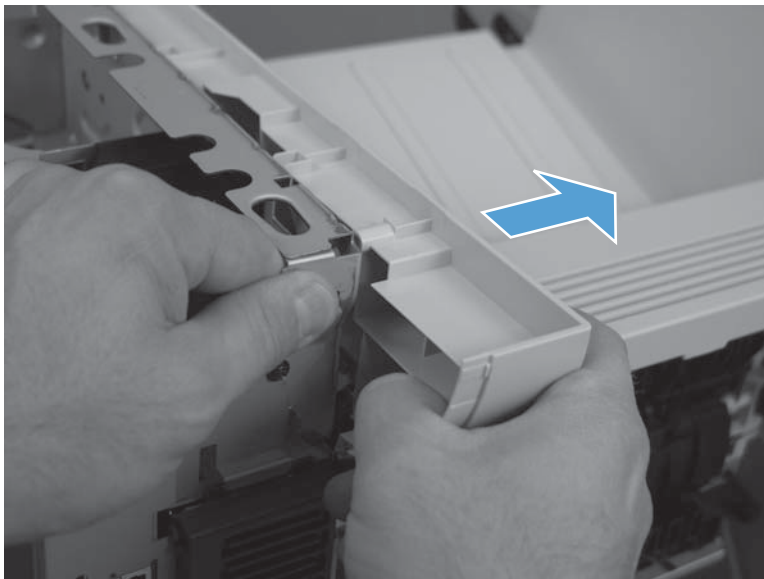
3. From the left side of the product, remove two self-tapping screws.

Figure 1-273 Remove the top cover (2 of 4)



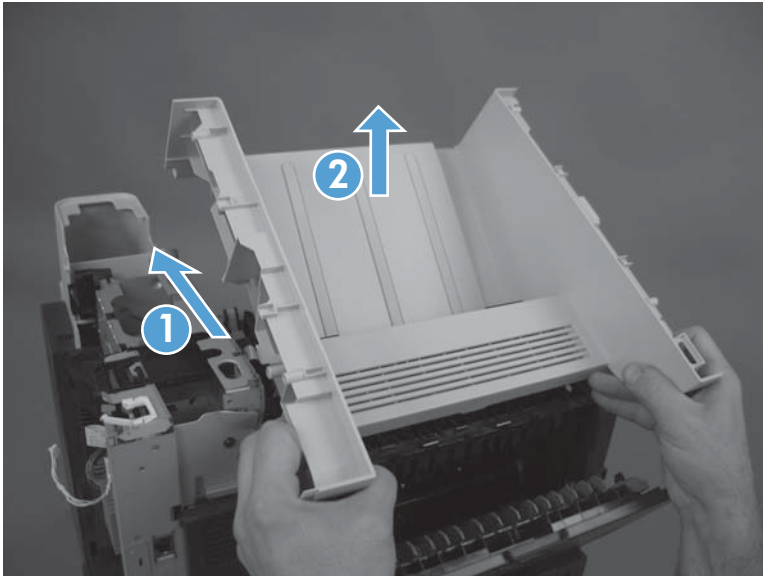
4. Separate each side of the top cover from the chassis.

Figure 1-274 Remove the top cover (3 of 4)



5. Slide cover toward the front of the product (callout 1) and then lift the front of the cover (callout 2) to remove.

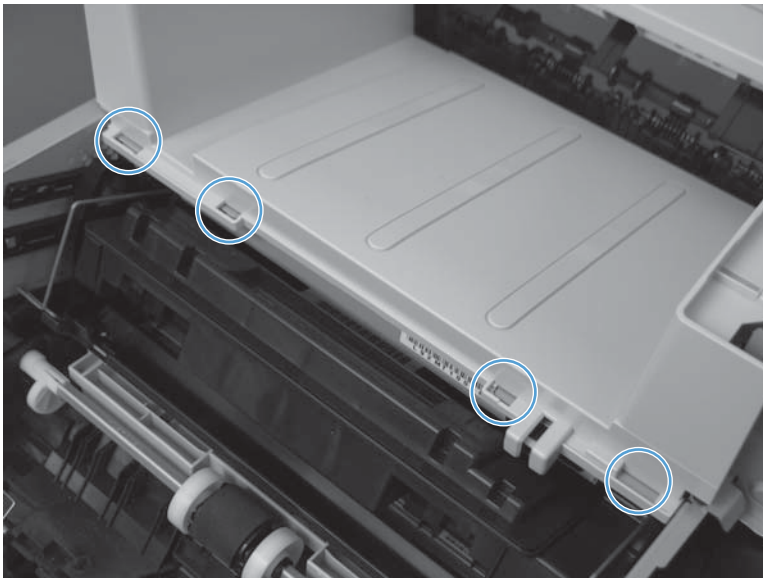
Figure 1-275 Remove the top cover (4 of 4)



Reinstall the top cover

- ▲ Make sure the tabs on the chassis are correctly inserted into the slots on the cover.

Figure 1-276 Reinstall the top cover

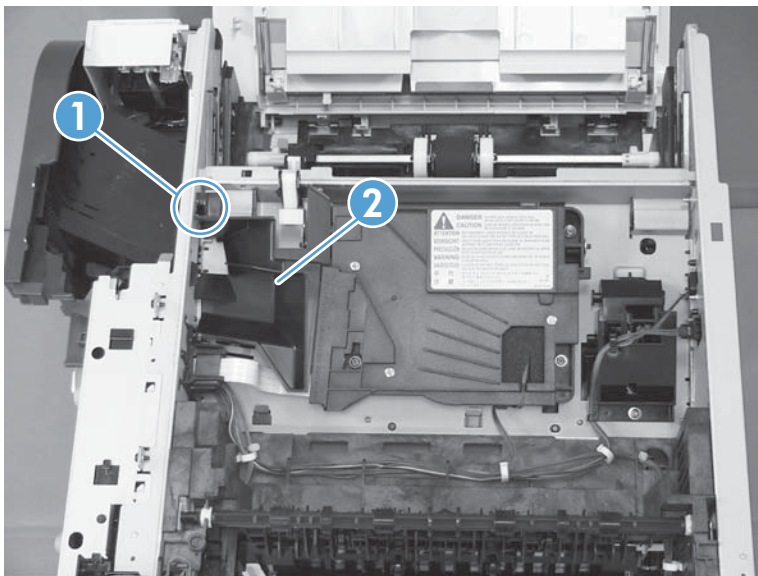


Laser scanner

⚠ WARNING!  ESD sensitive component.

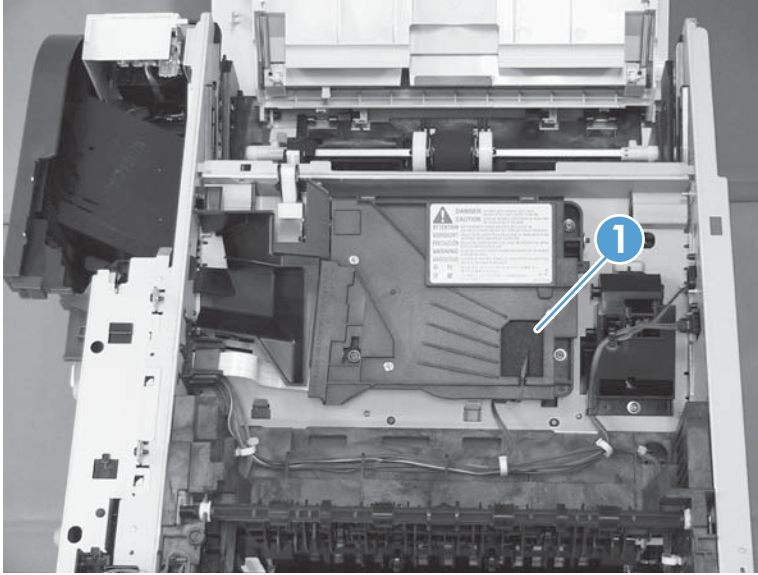
1. Before proceeding, remove the following:
 - Formatter cover. See [Formatter cover on page 69](#).
 - Stapler cover or substitute stapler cover. See [Stapler cover on page 72](#) or [Substitute stapler cover on page 74](#).
 - Stapler assembly. See [Stapler assembly on page 75](#).
 - Rear cover assembly. See [Rear cover assembly on page 76](#).
 - Left cover. See [Left cover on page 80](#).
 - Rear scanner cover. See [Rear scanner cover on page 88](#).
 - Document feeder (standard model) whole unit. See [Document feeder whole unit \(standard model\) on page 119](#)
 - Image scanner (standard model) whole unit. See [Image scanner \(standard model\) whole unit on page 122](#).
 - Integrated scanner assembly (525c model) whole unit. See [Integrated scanner assembly \(525c model\) whole unit on page 130](#).
 - Top cover. See [Top cover on page 178](#).
2. Release one tab (callout 1) on the air duct, and then lift the air duct (callout 2) out of the product.

Figure 1-277 Remove the laser scanner (1 of 5)



3. Remove the antistatic sponge (callout 1).

Figure 1-278 Remove the laser scanner (2 of 5)



4. Disconnect one connector (callout 1) and one FFC (callout 2).


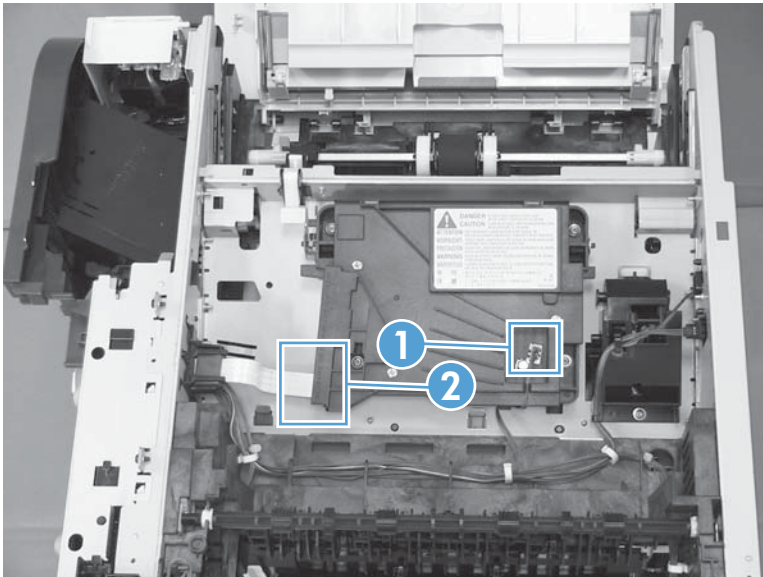
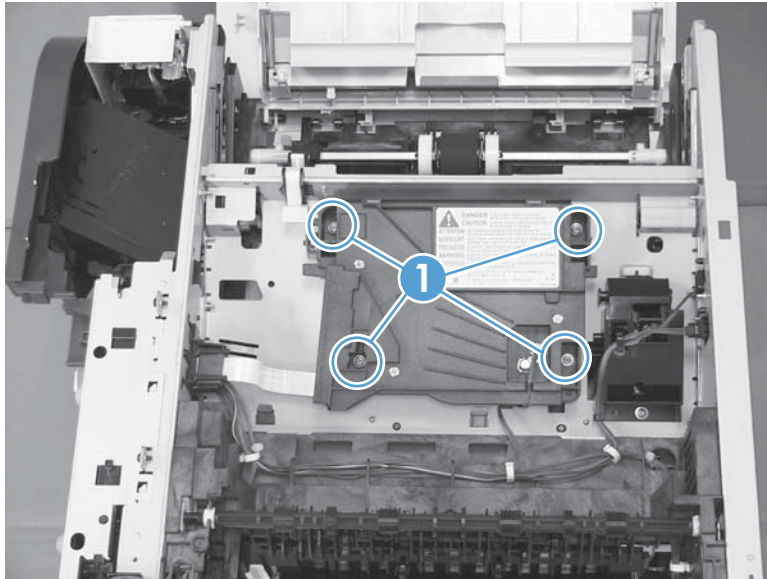
 **Reinstallation tip** Make sure that you correctly reconnect the FFC when the laser scanner is installed. If the FFC is not correctly reconnected, a **51.1 ERROR** will appear on the control-panel display.

Figure 1-279 Remove the laser scanner (3 of 5)



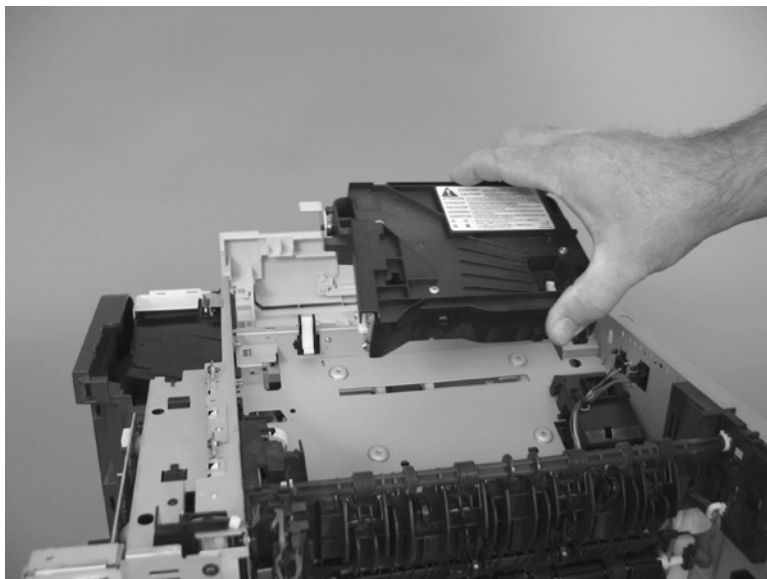
5. Remove four screws (callout 1).

Figure 1-280 Remove the laser scanner (4 of 5)



6. Lift the laser scanner up and out of the product.

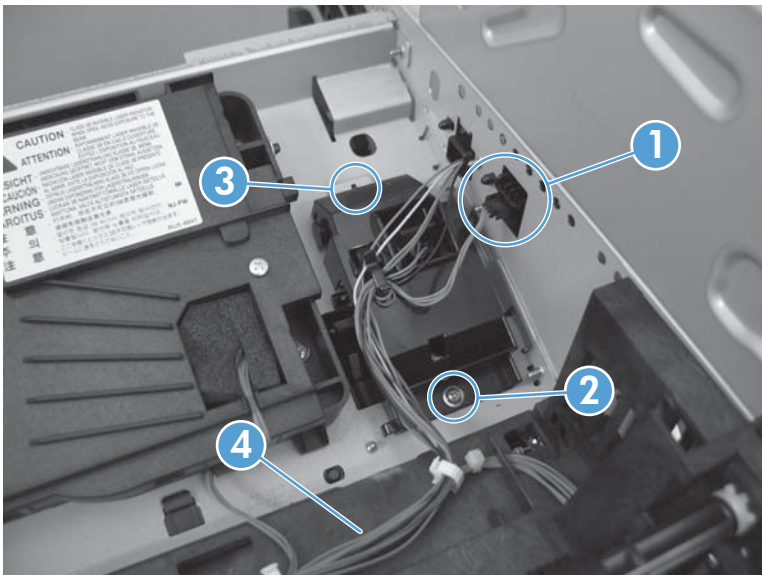
Figure 1-281 Remove the laser scanner (5 of 5)



Tag holder assembly

1. Before proceeding, remove the following:
 - Formatter cover. See [Formatter cover on page 69](#).
 - Stapler cover or substitute stapler cover. See [Stapler cover on page 72](#) or [Substitute stapler cover on page 74](#).
 - Stapler assembly. See [Stapler assembly on page 75](#).
 - Rear cover assembly. See [Rear cover assembly on page 76](#).
 - Left cover. See [Left cover on page 80](#).
 - Rear scanner cover. See [Rear scanner cover on page 88](#).
 - Document feeder (standard model) whole unit. See [Document feeder whole unit \(standard model\) on page 119](#)
 - Image scanner (standard model) whole unit. See [Image scanner \(standard model\) whole unit on page 122](#).
 - Integrated scanner assembly (525c model) whole unit. See [Integrated scanner assembly \(525c model\) whole unit on page 130](#).
 - Top cover. See [Top cover on page 178](#).
2. Disconnect one connector (callout 1), remove one screw (callout 2), and release one tab (callout 3). Release the wire harness (callout 4) from its holders and the DC controller, and then remove the tag holder assembly.

Figure 1-282 Remove the tag holder assembly



DC controller

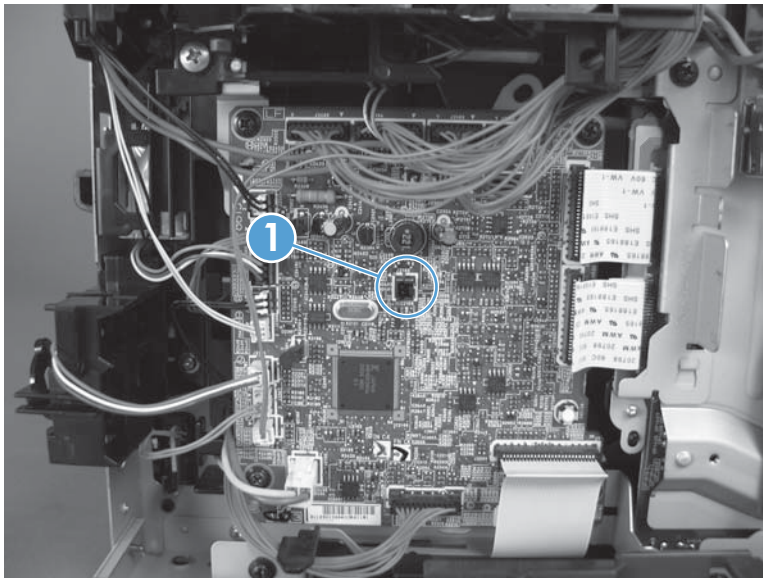
⚠ WARNING!  ESD sensitive component.

1. Before proceeding, remove the following:
 - Formatter cover. See [Formatter cover on page 69](#).
 - Stapler cover or substitute stapler cover. See [Stapler cover on page 72](#) or [Substitute stapler cover on page 74](#).
 - Stapler assembly. See [Stapler assembly on page 75](#).
 - Rear cover assembly. See [Rear cover assembly on page 76](#).
 - Left cover. See [Left cover on page 80](#).
 - Tray 1 cover. See [Tray 1 cover on page 84](#).
 - Cartridge-door assembly. See [Cartridge-door assembly on page 86](#).
 - Right cover assembly. See [Right cover assembly on page 93](#).
 - Right handle cover and bracket. See [Right handle cover and bracket on page 98](#).
2. Disconnect 17 connectors and three FFCs.

 **NOTE:** One connector (callout 1) remains empty.

 **NOTE:** To locate DC controller connector locations, see [DC controller connections on page 7](#).

Figure 1-283 Remove the DC controller (1 of 6)



3. Release two tabs, and then carefully remove two wire connectors from the interlock switch assembly.


 **TIP:** It might be easier to release these connectors by first removing the interlock switch. See [Interlock switch assembly on page 172](#).

Figure 1-284 Remove the DC controller (2 of 6)

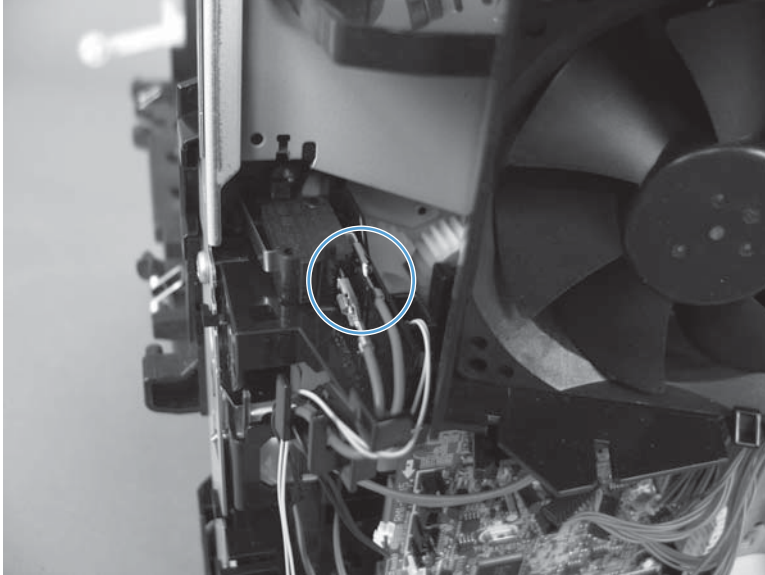
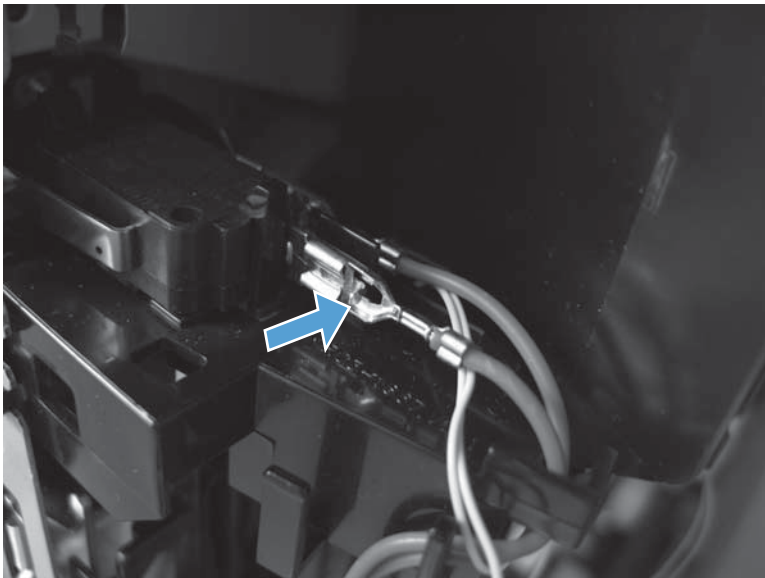
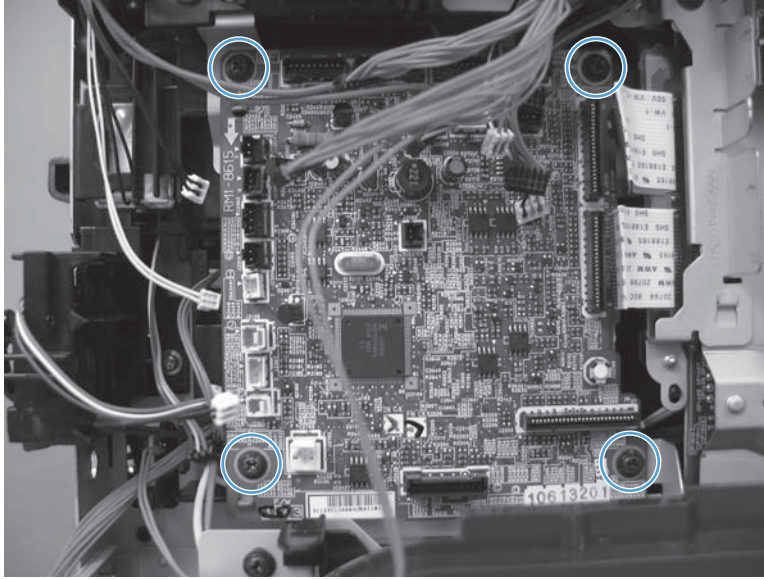


Figure 1-285 Remove the DC controller (3 of 6)



4. **DC controller only:** Remove four screws and then remove the PCA.

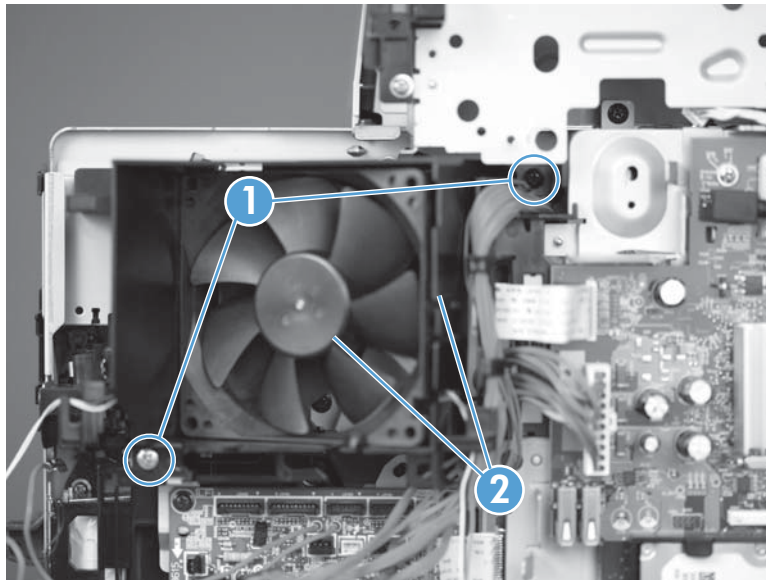
Figure 1-286 Remove the DC controller (4 of 6)



5. **DC controller and sheet-metal plate:** Do the following.

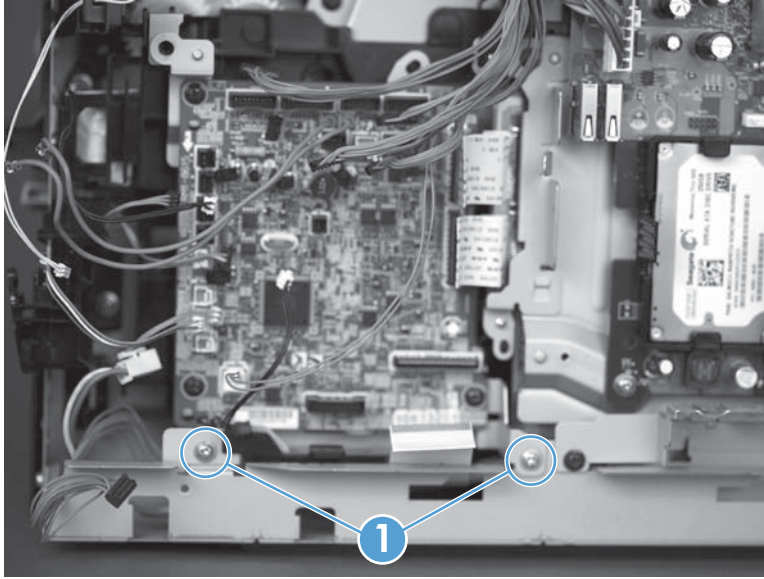
- a. Remove two screws (callout 1), and then remove the fan and duct assembly (callout 2).

Figure 1-287 Remove the DC controller (5 of 6)



- b. Remove two screws (callout 1), and then remove the PCA and sheet-metal plate.

Figure 1-288 Remove the DC controller (6 of 6)



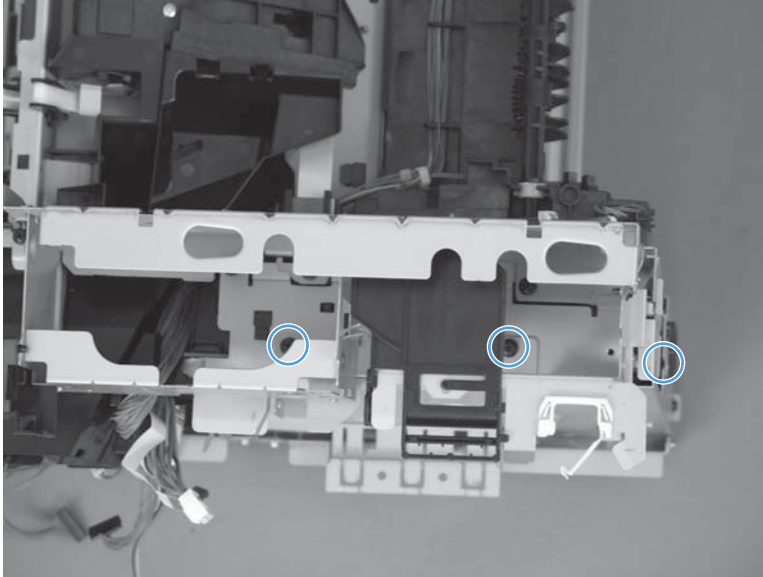
Low-voltage power supply (LVPS)

 **WARNING!**  ESD sensitive component.

1. Before proceeding, remove the following:
 - Formatter cover. See [Formatter cover on page 69](#).
 - Formatter PCA. See [Formatter PCA on page 70](#).
 - Stapler cover or substitute stapler cover. See [Stapler cover on page 72](#) or [Substitute stapler cover on page 74](#).
 - Stapler assembly. See [Stapler assembly on page 75](#).
 - Rear cover assembly. See [Rear cover assembly on page 76](#).
 - Left cover. See [Left cover on page 80](#).
 - Right-rear cover. See [Right-rear cover on page 82](#).
 - Tray 1 cover. See [Tray 1 cover on page 84](#).
 - Cartridge-door assembly. See [Cartridge-door assembly on page 86](#).
 - Rear scanner cover. See [Rear scanner cover on page 88](#).
 - Right cover assembly. See [Right cover assembly on page 93](#).
 - Right handle cover and bracket. See [Right handle cover and bracket on page 98](#).
 - Document feeder (standard model) whole unit. See [Document feeder whole unit \(standard model\) on page 119](#)
 - Image scanner (standard model) whole unit. See [Image scanner \(standard model\) whole unit on page 122](#).
 - Integrated scanner assembly (525c model) whole unit. See [Integrated scanner assembly \(525c model\) whole unit on page 130](#).
 - Top cover. See [Top cover on page 178](#).

2. Remove three screws.

Figure 1-289 Remove the LVPS (1 of 10)



3. Remove one screw (callout 1), the wire harness holder (callout 2), and the sheet-metal bracket (callout 3).


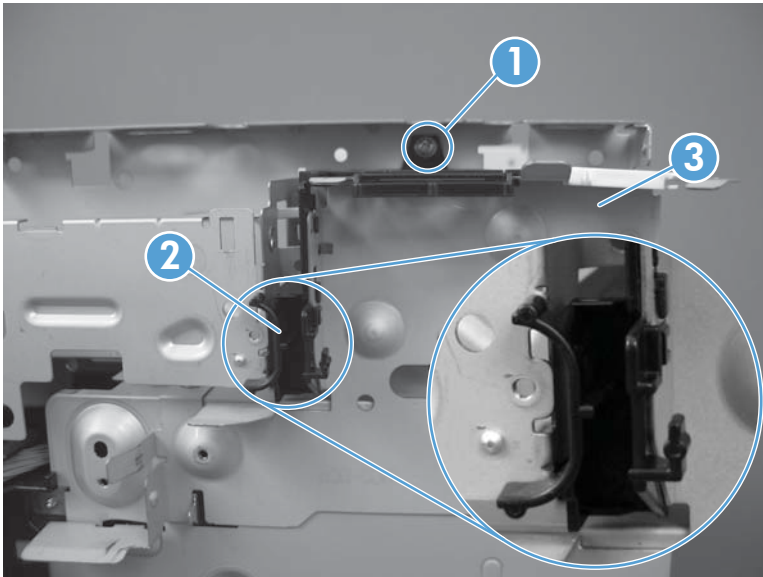
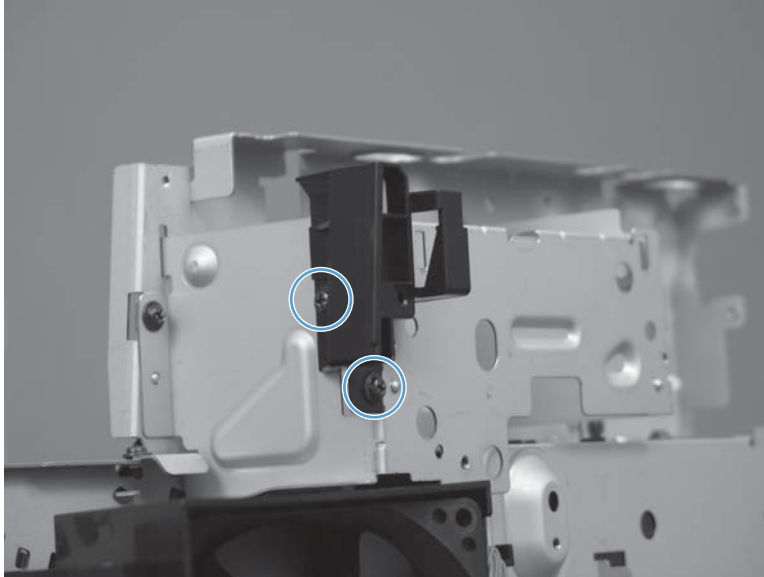
 **TIP:** If the wire harness holder (callout 2) becomes dislodged, replace it as shown below.

Figure 1-290 Remove the LVPS (2 of 10)



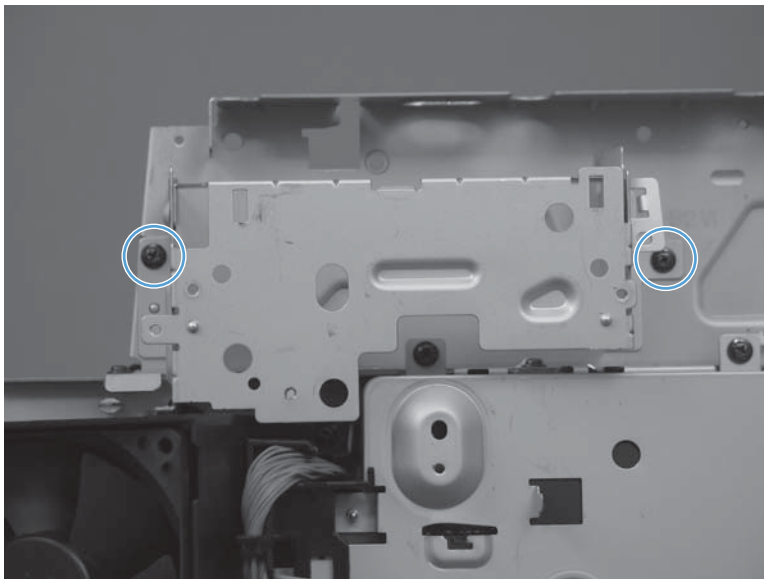
4. Remove two screws and the plastic retainer.

Figure 1-291 Remove the LVPS (3 of 10)



5. Remove two screws and the sheet metal bracket.

Figure 1-292 Remove the LVPS (4 of 10)

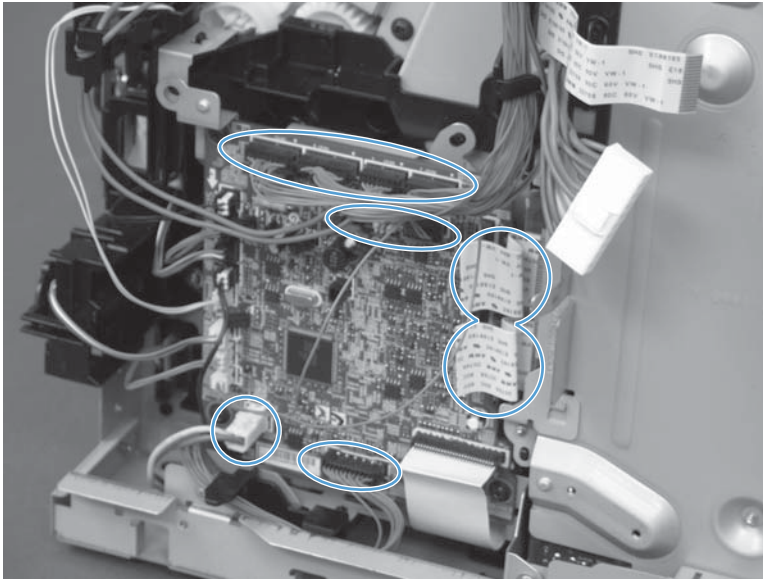


6. Remove the main fan. See [Main fan on page 176](#).

7. Disconnect eight connectors and two FFCs from the DC controller.

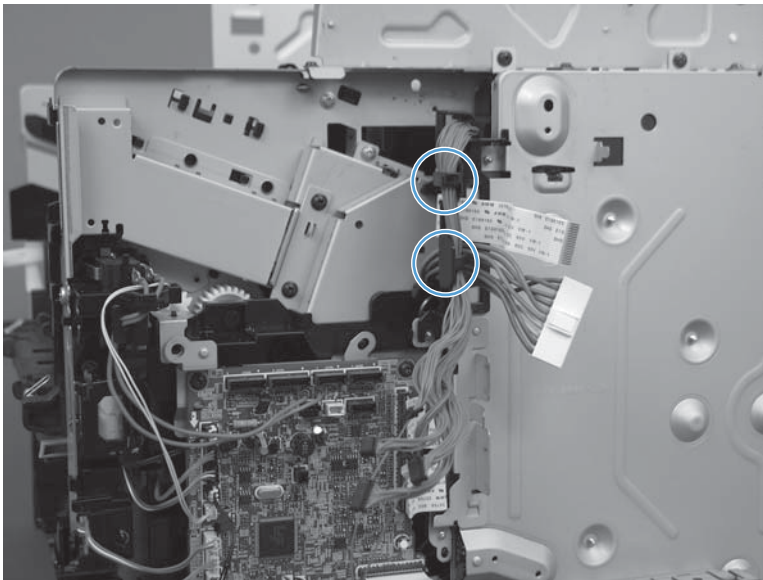
 **NOTE:** To locate DC controller connector locations, see [DC controller connections on page 7](#).

Figure 1-293 Remove the LVPS (5 of 10)



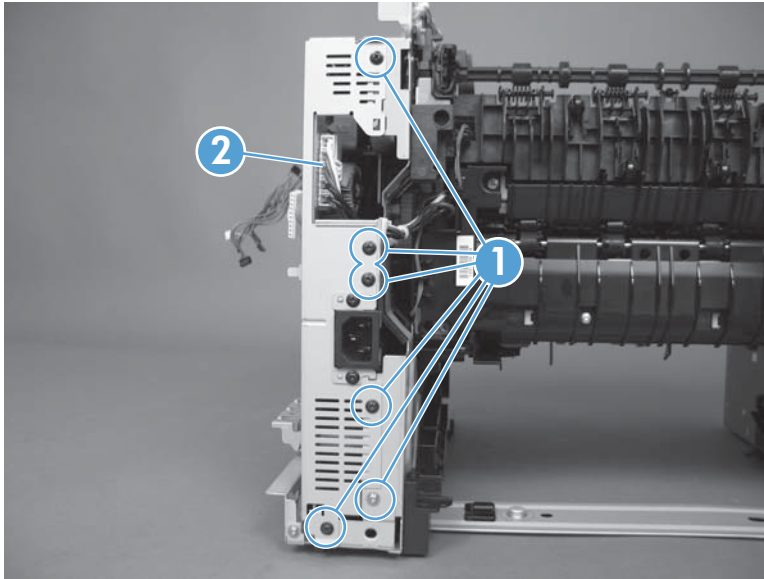
8. Release the wire harness from the holders.

Figure 1-294 Remove the LVPS (6 of 10)



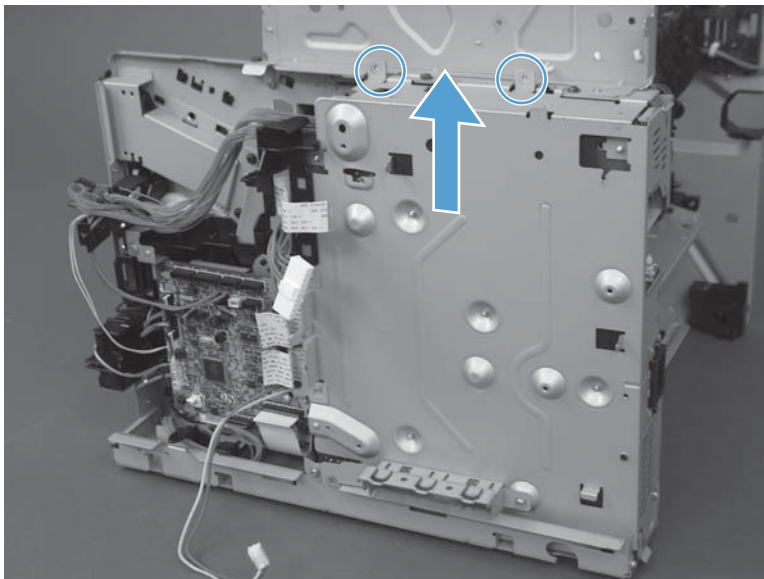
9. Remove six screws (callout 1) and disconnect one connector (callout 2).

Figure 1-295 Remove the LVPS (7 of 10)



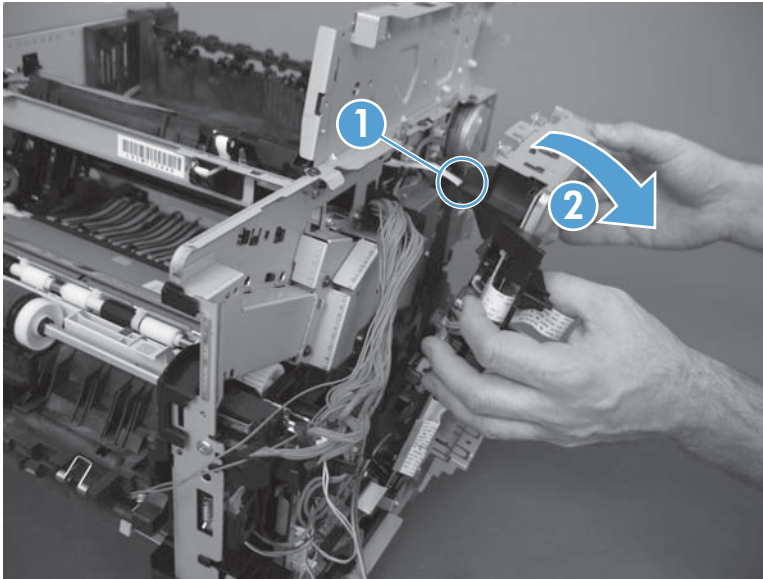
10. Lift the LVPS to clear two tabs.


Figure 1-296 Remove the LVPS (8 of 8)



11. Tip the LVPS away from the product (callout 1) and then disconnect one FFC (callout 2).

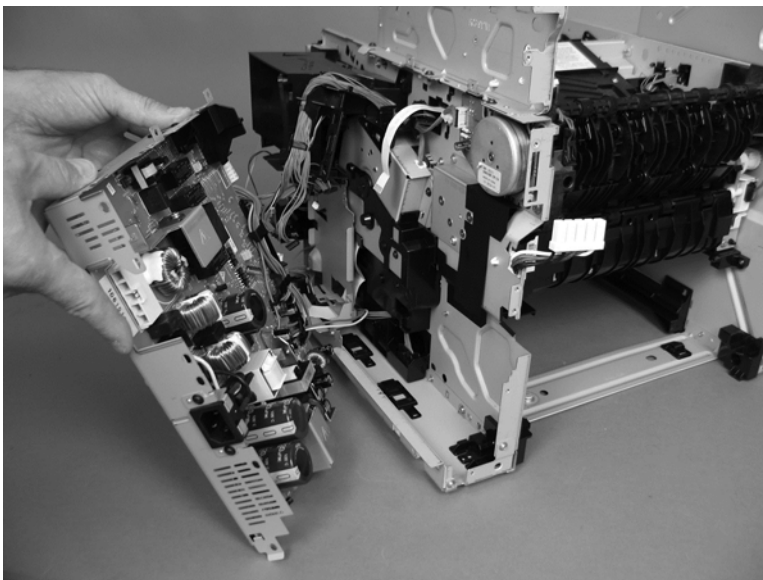
Figure 1-297 Remove the LVPS (9 of 10)



 **Reinstallation tip** Make sure to reconnect the FFC. A 51 error will occur if it is not connected.

12. Remove the LVPS.

Figure 1-298 Remove the LVPS (10 of 10)

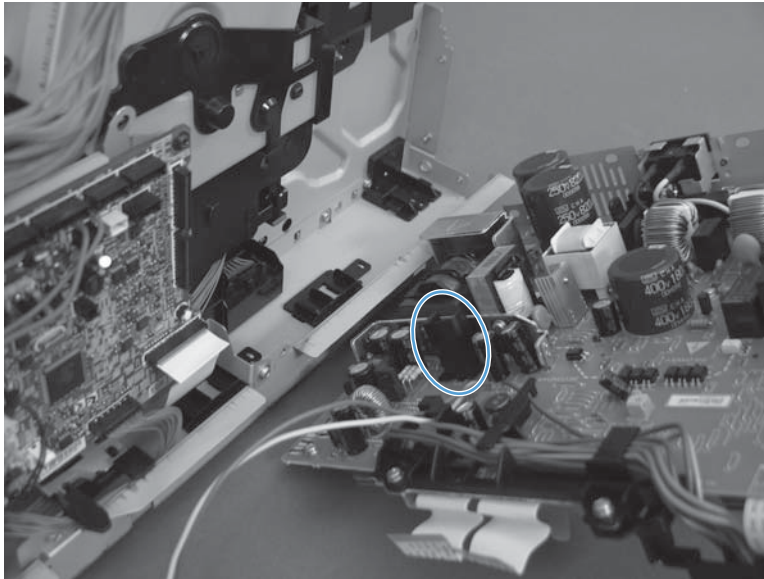


Reinstall the LVPS

- ▲ The black plastic cap can become dislodged when removing the LVPS. Reattach before reinstalling the assembly.

 **NOTE:** Be sure to reconnect the FFC. A 51 error will occur if it is not connected.

Figure 1-299 Reinstall the LVPS



Tray 2 paper pickup assembly

1. Before proceeding, remove the following:
 - Formatter cover. See [Formatter cover on page 69](#).
 - Stapler cover or substitute stapler cover. See [Stapler cover on page 72](#) or [Substitute stapler cover on page 74](#).
 - Stapler assembly. See [Stapler assembly on page 75](#).
 - Rear cover assembly. See [Rear cover assembly on page 76](#).
 - Left cover. See [Left cover on page 80](#).
 - Right-rear cover. See [Right-rear cover on page 82](#).
 - Tray 1 cover. See [Tray 1 cover on page 84](#).
 - Rear scanner cover. See [Rear scanner cover on page 88](#).
 - Right cover assembly. See [Right cover assembly on page 93](#).
 - Cartridge-door assembly. See [Cartridge-door assembly on page 86](#).
 - Right handle cover and bracket. See [Right handle cover and bracket on page 98](#).
 - Document feeder (standard model) whole unit. See [Document feeder whole unit \(standard model\) on page 119](#).
 - Image scanner (standard model) whole unit. See [Image scanner \(standard model\) whole unit on page 122](#).
 - Integrated scanner assembly (525c model) whole unit. See [Integrated scanner assembly \(525c model\) whole unit on page 130](#).
 - Duplex media-feed assembly. See [Duplex media-feed assembly on page 166](#).
 - Top cover. See [Top cover on page 178](#).
 - DC controller. See [DC controller on page 185](#).
 - Low-voltage power supply. See [Low-voltage power supply \(LVPS\) on page 189](#).

2. Turn the product on its side. Remove one screw (callout 1).


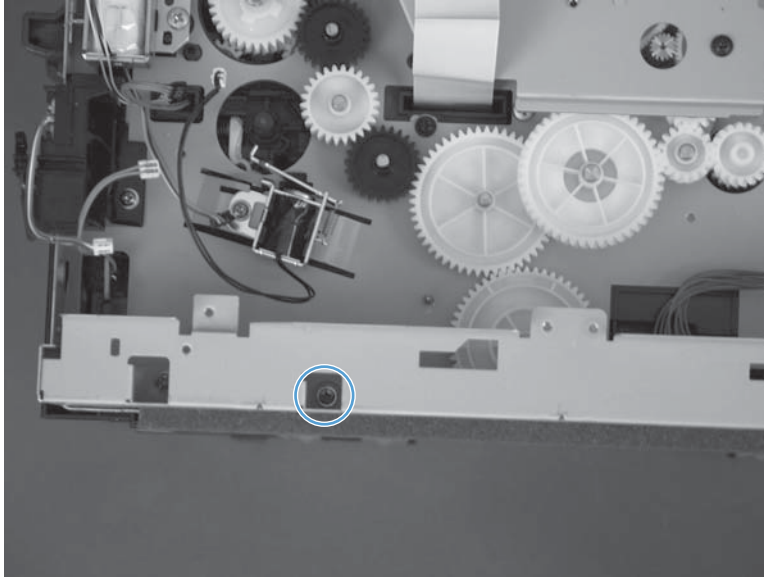
 **NOTE:** In this figure the gear cover is shown removed for clarity. Do not remove the gear cover yet. The gears behind the cover are not captive and can easily be dislodged if the cover is removed at this time.

Figure 1-300 Remove the Tray 2 paper pickup assembly (1 of 10)



3. Remove one screw (callout 1), and then remove the base plate (callout 2).


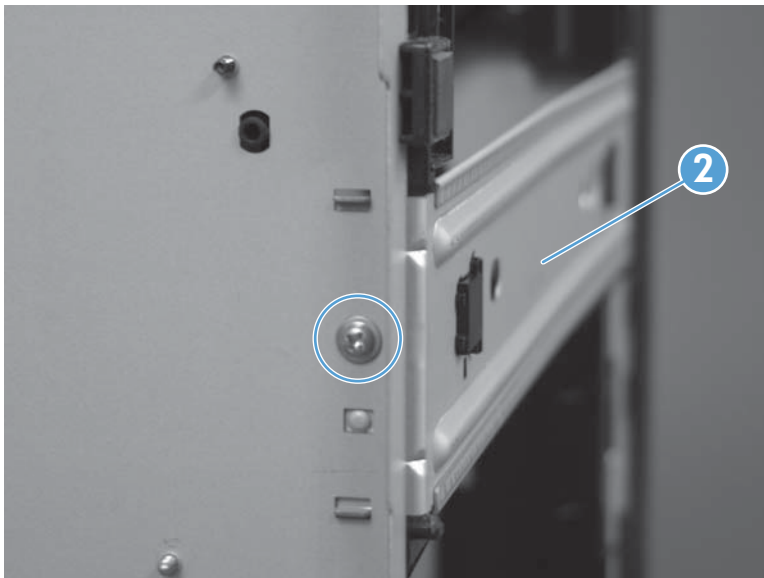
 **Reinstallation tip** Be sure to correctly align the base plate. It should match the base plate at the rear of the product.

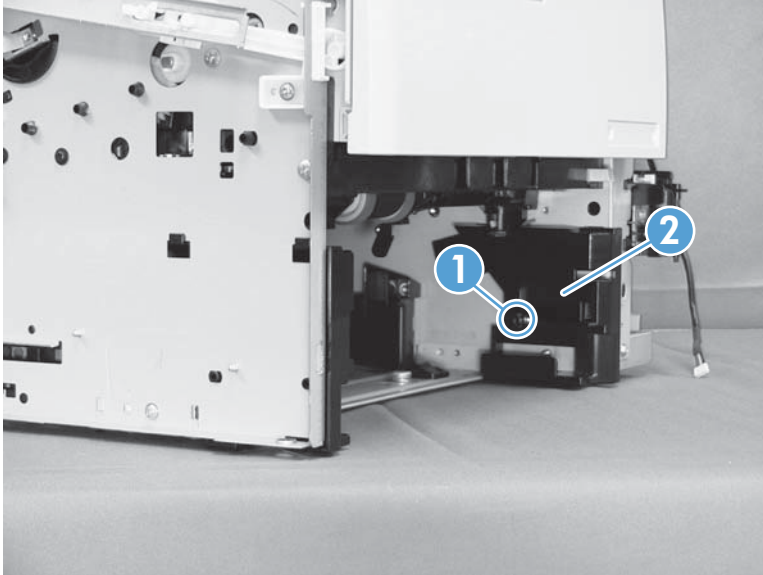
Figure 1-301 Remove the Tray 2 paper pickup assembly (2 of 10)



4. Remove one screw (callout 1), and then carefully remove the right-side guide (callout 2).

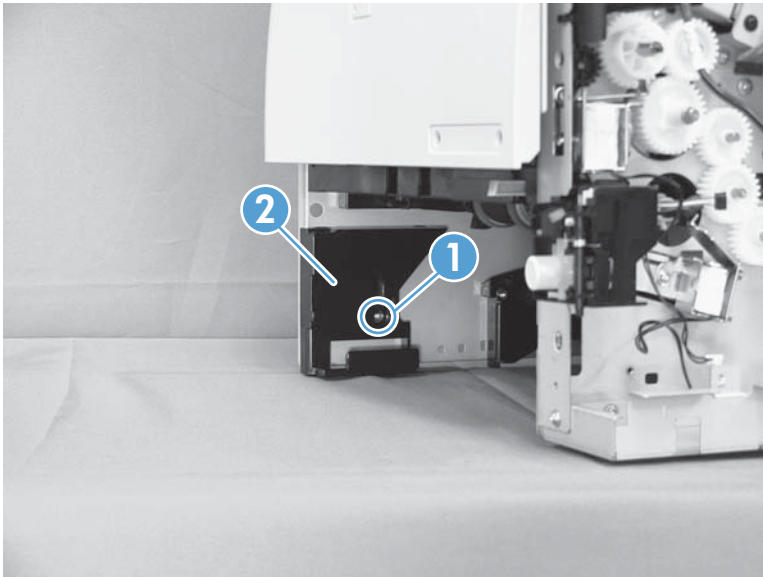
⚠ CAUTION: Remove carefully. The solenoid and cable remain attached to the guide during removal.

Figure 1-302 Remove the Tray 2 paper pickup assembly (3 of 10)



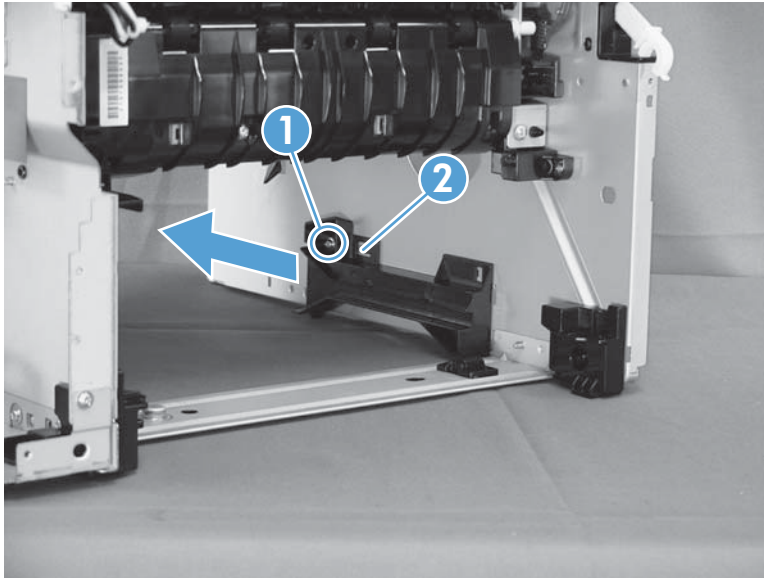
5. Remove one screw (callout 1), and then remove the left-side guide (callout 2).

Figure 1-303 Remove the Tray 2 paper pickup assembly (4 of 10)



6. Remove one screw (callout 1), release one tab (callout 2) and then slide the guide toward the front of the product to release it. Remove the guide.

Figure 1-304 Remove the Tray 2 paper pickup assembly (5 of 10)



7. Put the product on its side so that the gear cover faces up. Remove three screws (callout 1) and the gear cover.


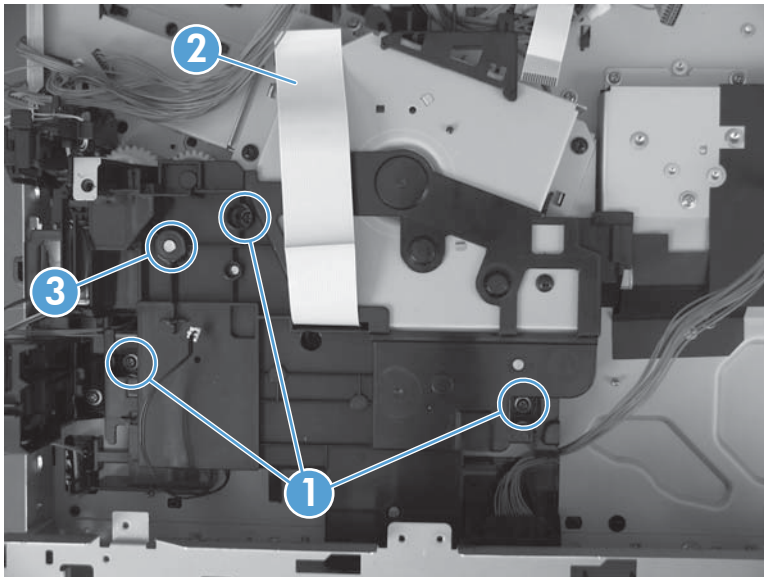
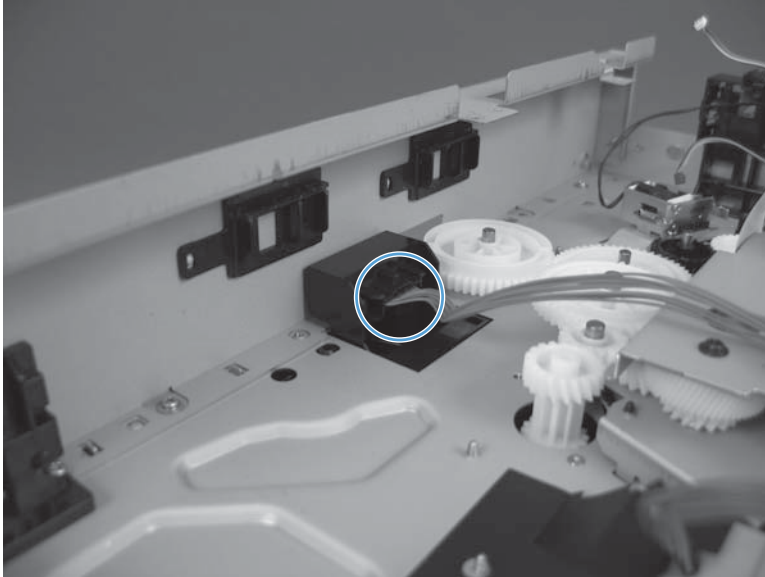
 **Reinstallation tip** Note the location of the rod (callout 3) and the FFC (callout 2) for reinstallation.

Figure 1-305 Remove the Tray 2 paper pickup assembly (6 of 10)



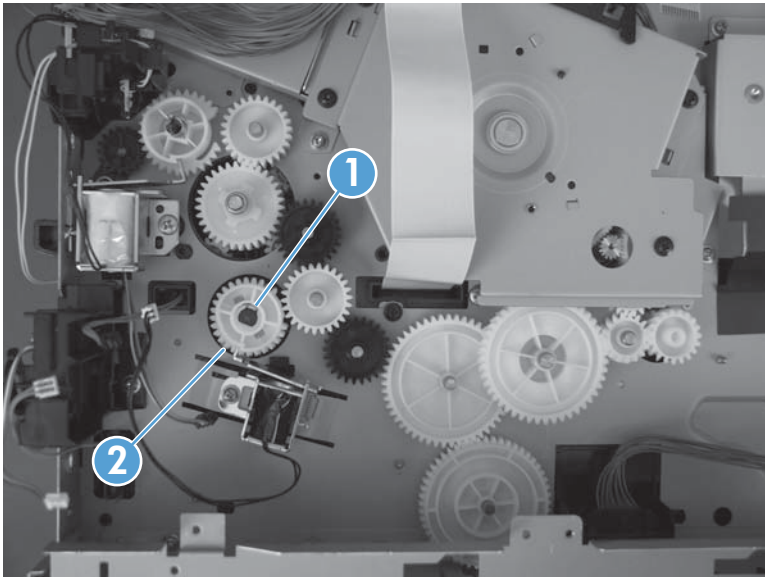
8. Disconnect one connector.

Figure 1-306 Remove the Tray 2 paper pickup assembly (7 of 10)



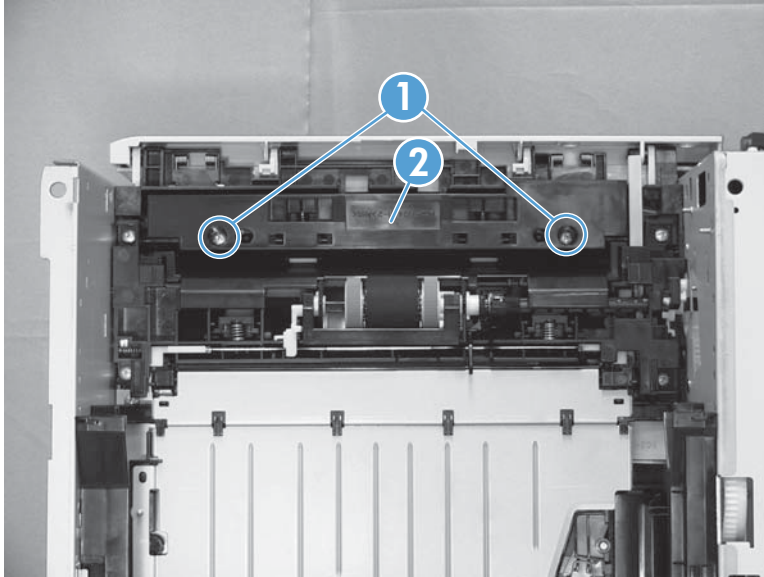
9. Release one tab (callout 1), and then remove one gear (callout 2).

Figure 1-307 Remove the Tray 2 paper pickup assembly (8 of 10)



10. Remove two screws (callout 1) and the idler roller assembly (callout 2).

Figure 1-308 Remove the Tray 2 paper pickup assembly (9 of 10)



11. Remove four screws and the Tray 2 paper pickup assembly. Rotate the left side of the assembly away from the product first and then remove the right.


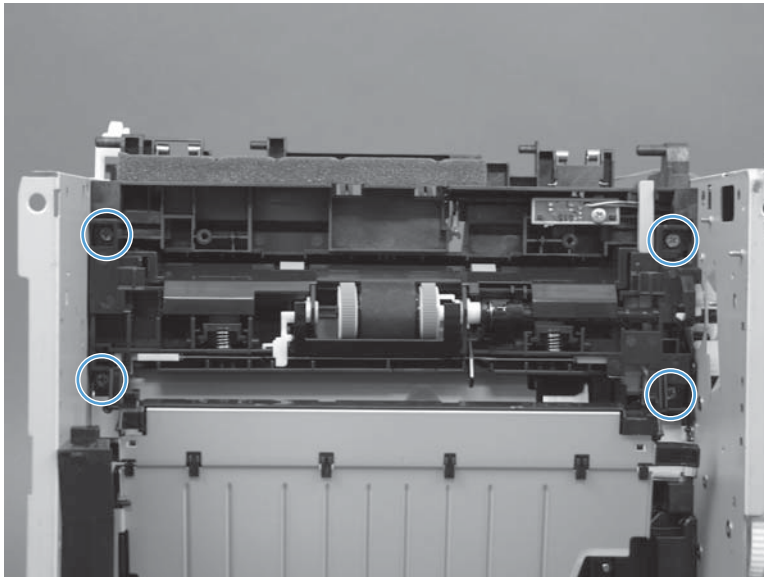
 **Reinstallation tip** Reinstall the right side of the assembly first and then install the left.

Figure 1-309 Remove the Tray 2 paper pickup assembly (10 of 10)



Tray 1 or Tray 2 pickup solenoid

1. Before proceeding, remove the following:
 - Formatter cover. See [Formatter cover on page 69](#).
 - Formatter PCA. See [Formatter PCA on page 70](#).
 - Stapler cover or substitute stapler cover. See [Stapler cover on page 72](#) or [Substitute stapler cover on page 74](#).
 - Stapler assembly. See [Stapler assembly on page 75](#).
 - Rear cover assembly. See [Rear cover assembly on page 76](#).
 - Left cover. See [Left cover on page 80](#).
 - Right-rear cover. See [Right-rear cover on page 82](#).
 - Tray 1 cover. See [Tray 1 cover on page 84](#).
 - Cartridge-door assembly. See [Cartridge-door assembly on page 86](#).
 - Rear scanner cover. See [Rear scanner cover on page 88](#).
 - Right cover assembly. See [Right cover assembly on page 93](#).
 - Right handle cover and bracket. See [Right handle cover and bracket on page 98](#).
 - Document feeder (standard model) whole unit. See [Document feeder whole unit \(standard model\) on page 119](#)
 - Image scanner (standard model) whole unit. See [Image scanner \(standard model\) whole unit on page 122](#).
 - Integrated scanner assembly (525c model) whole unit. See [Integrated scanner assembly \(525c model\) whole unit on page 130](#).
 - Top cover. See [Top cover on page 178](#).
 - DC controller. See [DC controller on page 185](#).
 - Low-voltage power supply. See [Low-voltage power supply \(LVPS\) on page 189](#).

- Carefully unwind the wire harness (callout 1) from the retainer on the gear cover (callout 2).


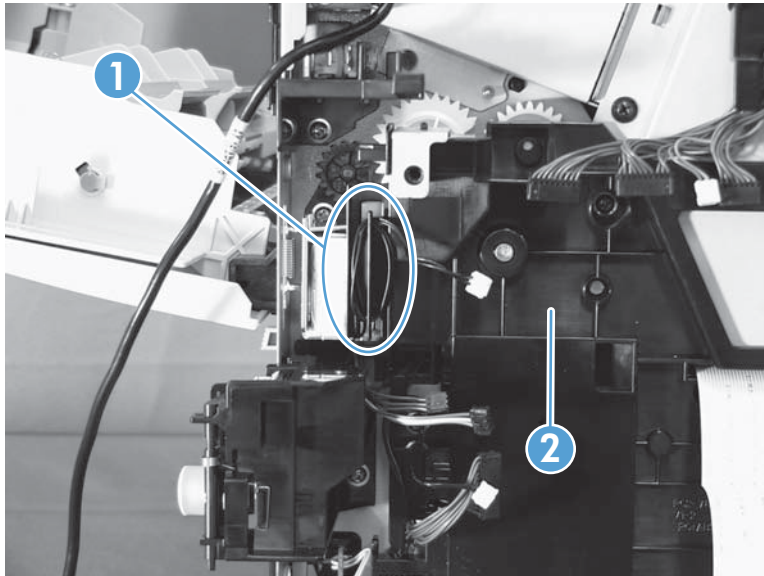
 **Reinstallation tip** When you reinstall the gear cover, make sure that you wrap the solenoid-wire harness around the retainer one and one-half times in a clockwise direction.

Figure 1-310 Tray 1 or Tray 2 pickup solenoid (1 of 3)



- Put the product on its side so that the gear cover faces up. Remove three screws (callout 1) and the gear cover.


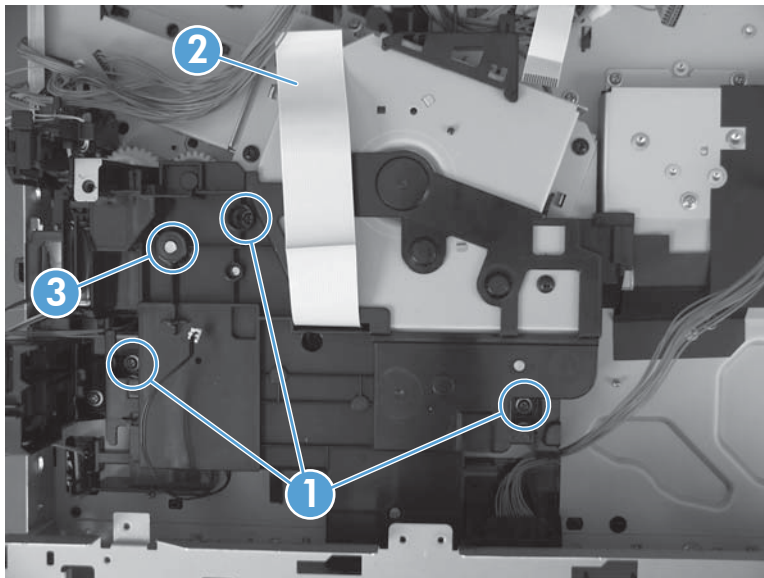
 **Reinstallation tip** Note the location of the rod (callout 3) and the FFC (callout 2) for reinstallation.

Figure 1-311 Tray 1 or Tray 2 pickup solenoid (2 of 3)



4. **For the Tray 2 pickup solenoid:** Remove one screw (callout 1), and then remove the solenoid (callout 2).

For the Tray 1 pickup solenoid: Remove one screw (callout 3), and then remove the solenoid (callout 4).


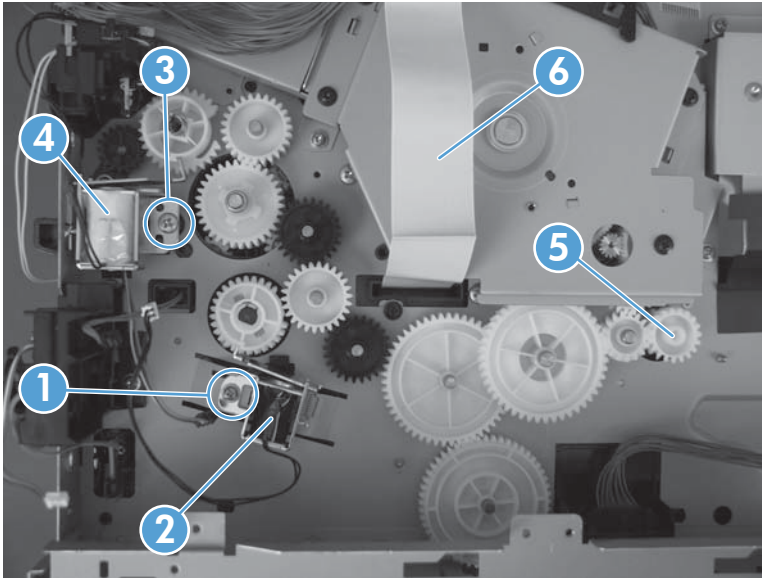
 **TIP:** Thread the FFC (callout 6) through the gear cover when reinstalling and make sure to reinstall the gear (callout 5) if it becomes dislodged.

Figure 1-312 Tray 1 or Tray 2 pickup solenoid (3 of 3)



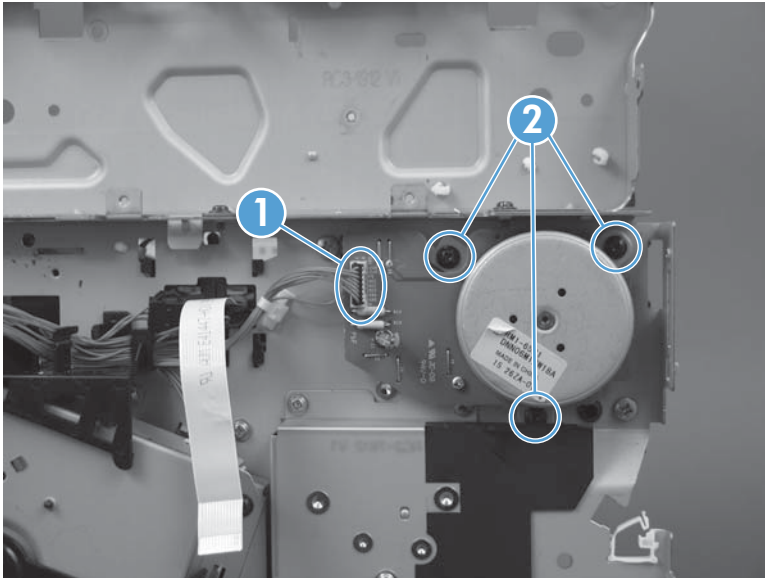
Fuser motor

 **WARNING!**  ESD sensitive component.

1. Before proceeding, remove the following:
 - Formatter cover. See [Formatter cover on page 69](#).
 - Formatter PCA. See [Formatter PCA on page 70](#).
 - Stapler cover or substitute stapler cover. See [Stapler cover on page 72](#) or [Substitute stapler cover on page 74](#).
 - Stapler assembly. See [Stapler assembly on page 75](#).
 - Rear cover assembly. See [Rear cover assembly on page 76](#).
 - Left cover. See [Left cover on page 80](#).
 - Right-rear cover. See [Right-rear cover on page 82](#).
 - Tray 1 cover. See [Tray 1 cover on page 84](#).
 - Cartridge-door assembly. See [Cartridge-door assembly on page 86](#).
 - Rear scanner cover. See [Rear scanner cover on page 88](#).
 - Right cover assembly. See [Right cover assembly on page 93](#).
 - Right handle cover and bracket. See [Right handle cover and bracket on page 98](#).
 - Document feeder (standard model) whole unit. See [Document feeder whole unit \(standard model\) on page 119](#)
 - Image scanner (standard model) whole unit. See [Image scanner \(standard model\) whole unit on page 122](#).
 - Integrated scanner assembly (525c model) whole unit. See [Integrated scanner assembly \(525c model\) whole unit on page 130](#).
 - Top cover. See [Top cover on page 178](#).
 - DC controller. See [DC controller on page 185](#).
 - Low-voltage power supply. See [Low-voltage power supply \(LVPS\) on page 189](#).

2. Disconnect one connector (callout 1), remove three screws (callout 2), and then remove the fuser motor.

Figure 1-313 Removing the fuser motor

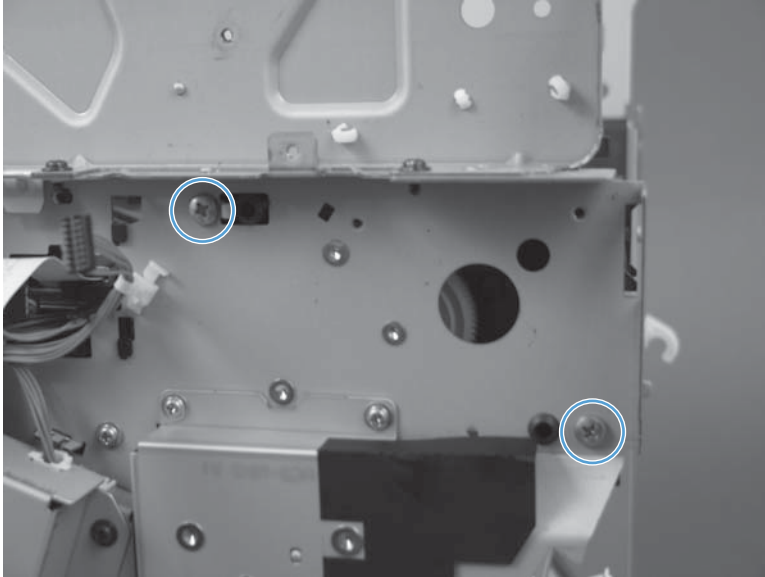


Pendulum assembly

1. Before proceeding, remove the following:
 - Formatter cover. See [Formatter cover on page 69](#).
 - Formatter PCA. See [Formatter PCA on page 70](#).
 - Stapler cover or substitute stapler cover. See [Stapler cover on page 72](#) or [Substitute stapler cover on page 74](#).
 - Stapler assembly. See [Stapler assembly on page 75](#).
 - Rear cover assembly. See [Rear cover assembly on page 76](#).
 - Left cover. See [Left cover on page 80](#).
 - Right-rear cover. See [Right-rear cover on page 82](#).
 - Tray 1 cover. See [Tray 1 cover on page 84](#).
 - Cartridge-door assembly. See [Cartridge-door assembly on page 86](#).
 - Rear scanner cover. See [Rear scanner cover on page 88](#).
 - Right cover assembly. See [Right cover assembly on page 93](#).
 - Right handle cover and bracket. See [Right handle cover and bracket on page 98](#).
 - Document feeder (standard model) whole unit. See [Document feeder whole unit \(standard model\) on page 119](#)
 - Image scanner (standard model) whole unit. See [Image scanner \(standard model\) whole unit on page 122](#).
 - Integrated scanner assembly (525c model) whole unit. See [Integrated scanner assembly \(525c model\) whole unit on page 130](#).
 - Top cover. See [Top cover on page 178](#).
 - DC controller. See [DC controller on page 185](#).
 - Low-voltage power supply. See [Low-voltage power supply \(LVPS\) on page 189](#).
 - Fuser motor. See [Fuser motor on page 205](#).

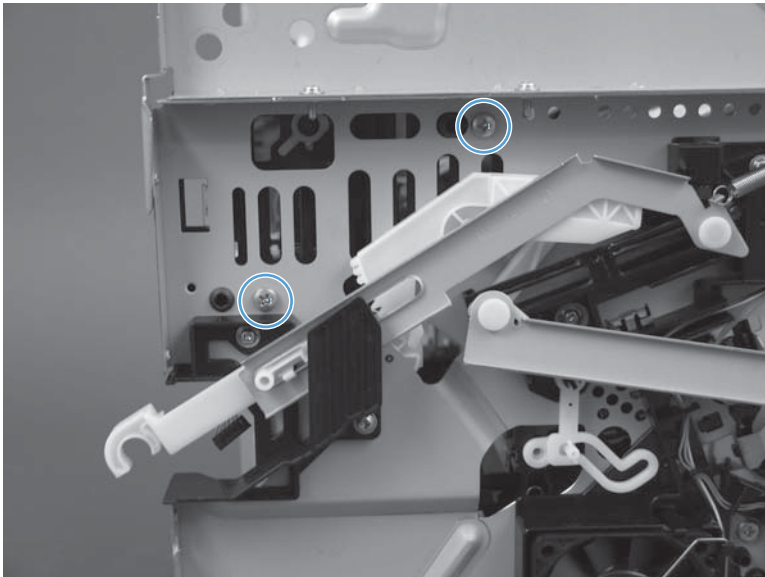
2. On the right side of the product, remove two screws.

Figure 1-314 Remove the pendulum assembly (1 of 4)



3. On the left side of the product, remove two screws.

Figure 1-315 Remove the pendulum assembly (2 of 4)



4. Release four wire harness holders from the chassis and then rotate the output bin roller assembly up to expose the pendulum assembly.


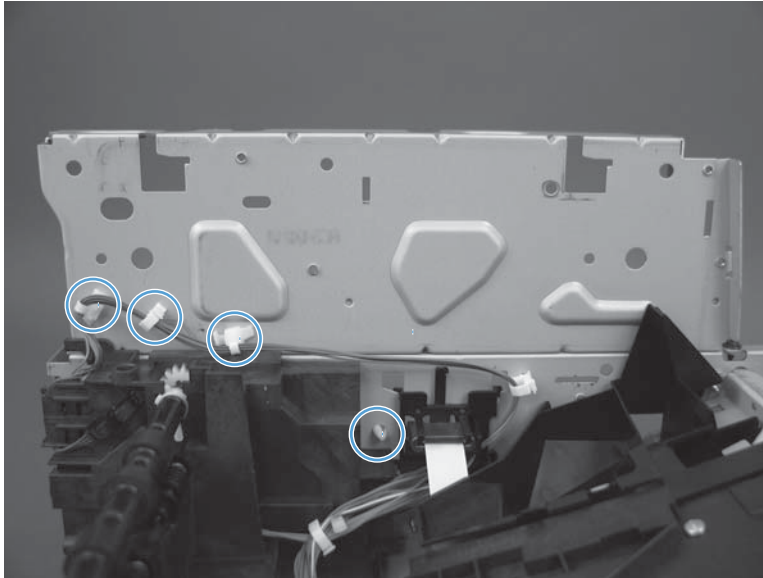
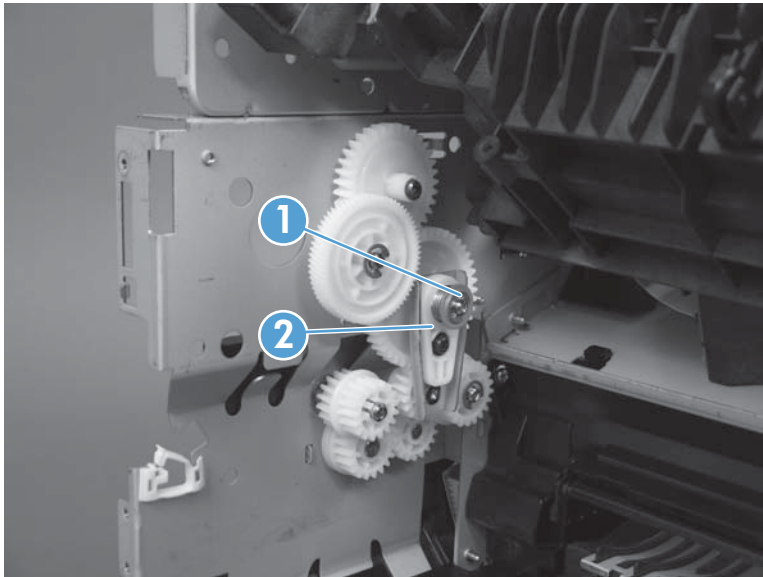
 **TIP:** Use needle nose pliers to release the wire harness holders.

Figure 1-316 Remove the pendulum assembly (3 of 4)



5. Remove one e-clip (callout 1) and the assembly (callout 2).

Figure 1-317 Remove the pendulum assembly (4 of 4)

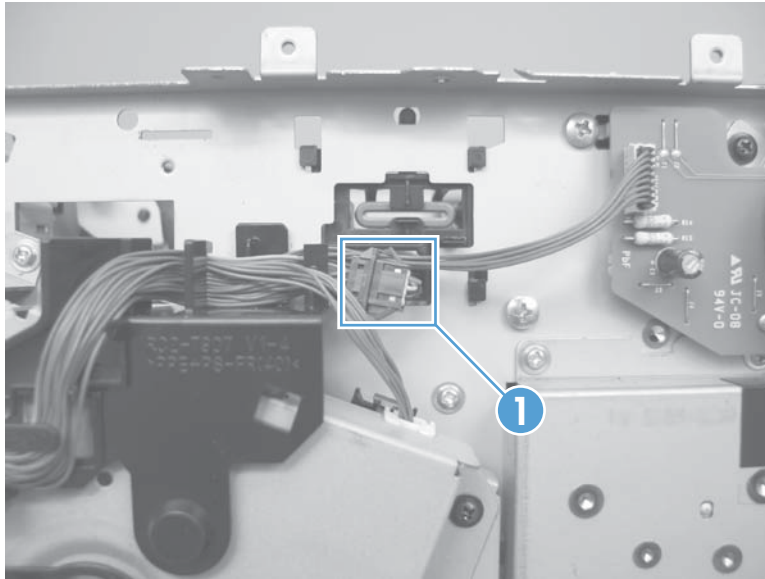


Sub fan and fan duct

1. Before proceeding, remove the following:
 - Formatter cover. See [Formatter cover on page 69](#).
 - Formatter PCA. See [Formatter PCA on page 70](#).
 - Stapler cover or substitute stapler cover. See [Stapler cover on page 72](#) or [Substitute stapler cover on page 74](#).
 - Stapler assembly. See [Stapler assembly on page 75](#).
 - Rear cover assembly. See [Rear cover assembly on page 76](#).
 - Left cover. See [Left cover on page 80](#).
 - Right-rear cover. See [Right-rear cover on page 82](#).
 - Tray 1 cover. See [Tray 1 cover on page 84](#).
 - Cartridge-door assembly. See [Cartridge-door assembly on page 86](#).
 - Rear scanner cover. See [Rear scanner cover on page 88](#).
 - Right cover assembly. See [Right cover assembly on page 93](#).
 - Right handle cover and bracket. See [Right handle cover and bracket on page 98](#).
 - Document feeder (standard model) whole unit. See [Document feeder whole unit \(standard model\) on page 119](#)
 - Image scanner (standard model) whole unit. See [Image scanner \(standard model\) whole unit on page 122](#).
 - Integrated scanner assembly (525c model) whole unit. See [Integrated scanner assembly \(525c model\) whole unit on page 130](#).
 - Top cover. See [Top cover on page 178](#).
 - DC controller. See [DC controller on page 185](#).
 - Low-voltage power supply. See [Low-voltage power supply \(LVPS\) on page 189](#).

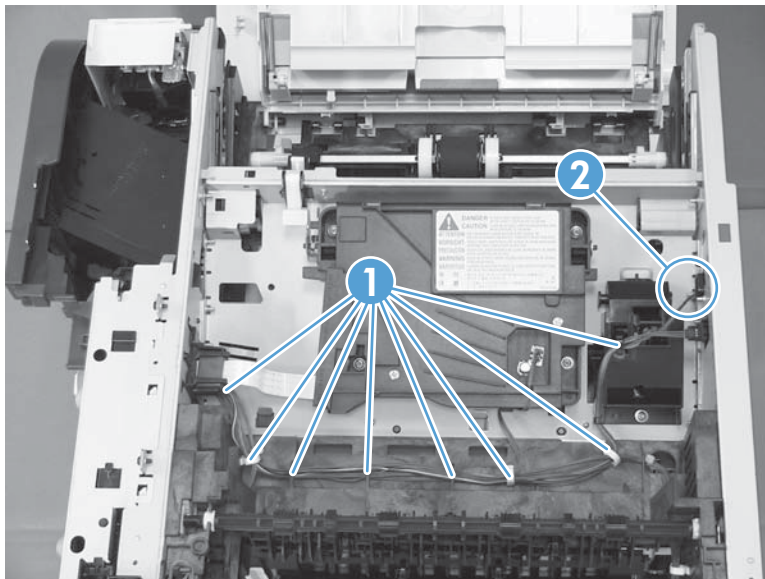
2. Disconnect one connector (callout 1).

Figure 1-318 Removing the sub fan and fan duct (1 of 5)



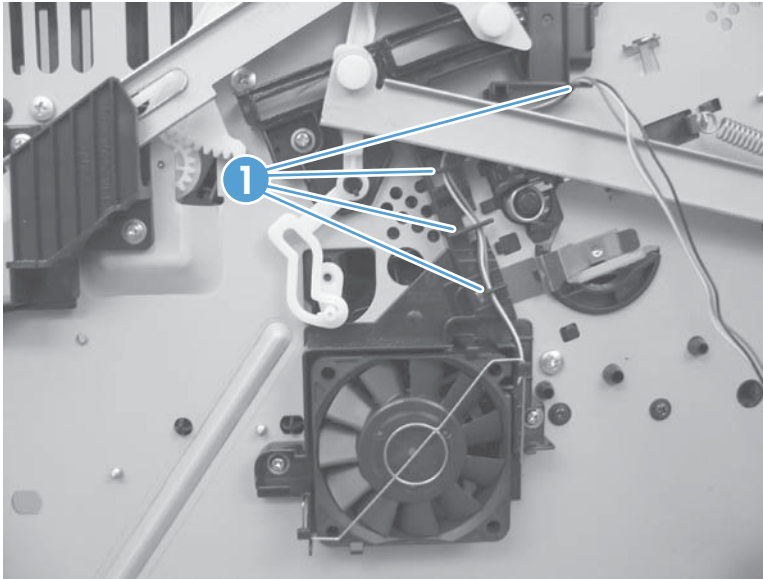
3. Release the wire harness from the retainers (callout 1), and then feed the wire harness through the opening in the chassis (callout 2).

Figure 1-319 Removing the sub fan and fan duct (2 of 5)



4. Release the wire harness from the retainers (callout 1).

Figure 1-320 Removing the sub fan and fan duct (3 of 5)



5. **To remove the fan and duct:** Remove two screws (callout 1), and then carefully remove the fan and duct.


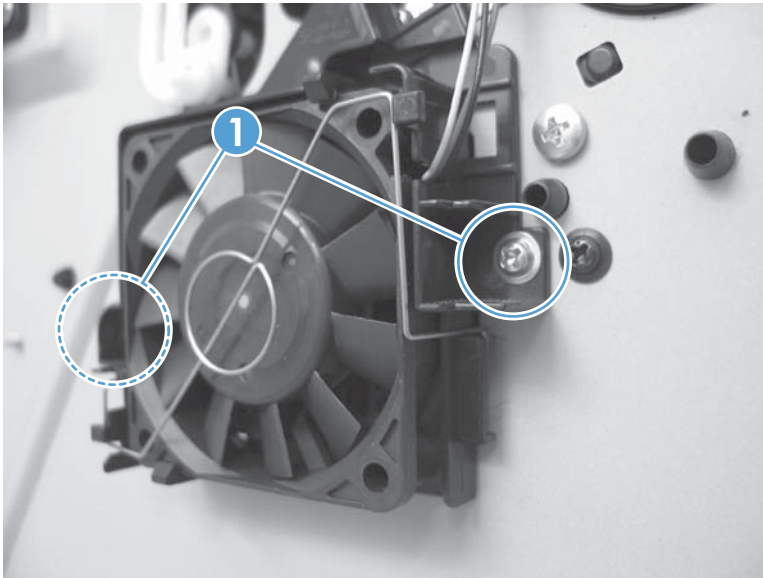
 **NOTE:** If necessary, release the metal static clip, release two tabs and separate the fan from the duct.

Figure 1-321 Remove the sub fan and fan duct (4 of 5)



6. **To remove the fan only:** Release the metal static clip, release two tabs (callout 1), and then remove the sub fan.


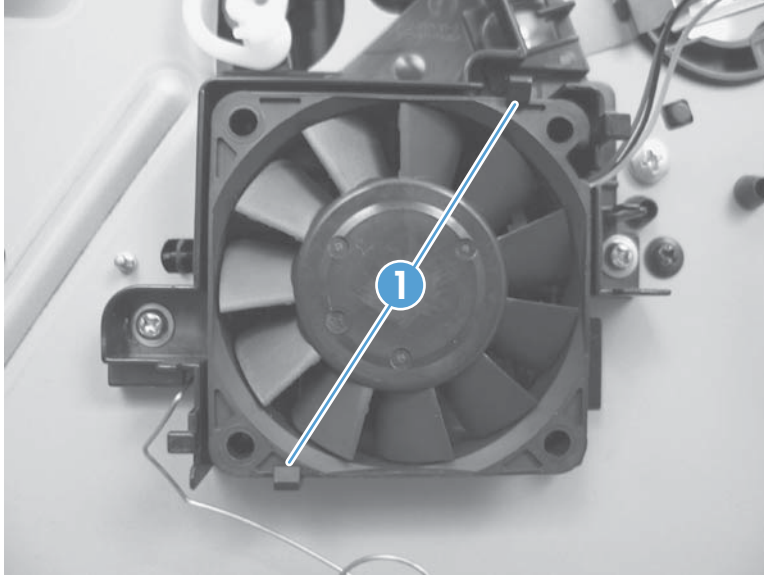
 **Reinstallation tip** If you install a replacement sub fan, the air must flow into the product. Arrows embossed on the fan frame indicate air flow direction.

Figure 1-322 Remove the sub fan and fan duct (5 of 5)



Reinstall the sub fan

- ▲ Make sure to correctly reinstall the metal static clip.

Figure 1-323 Reinstall the sub fan (1 of 2)

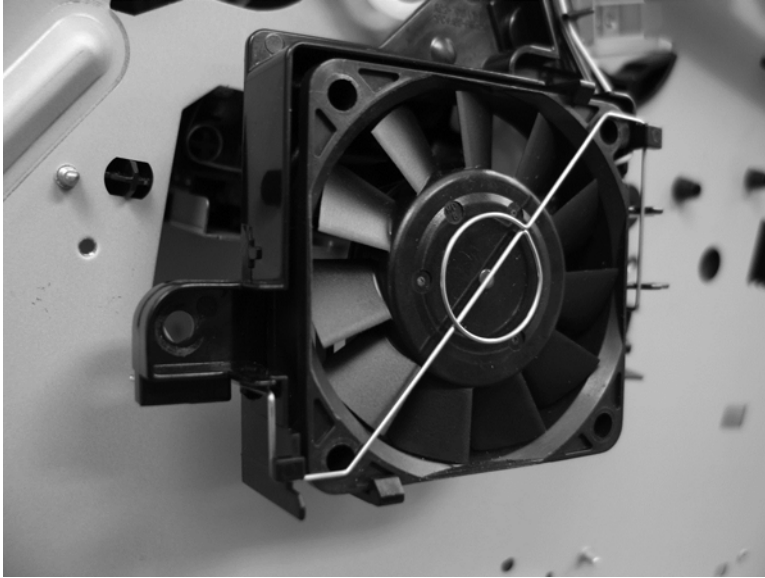
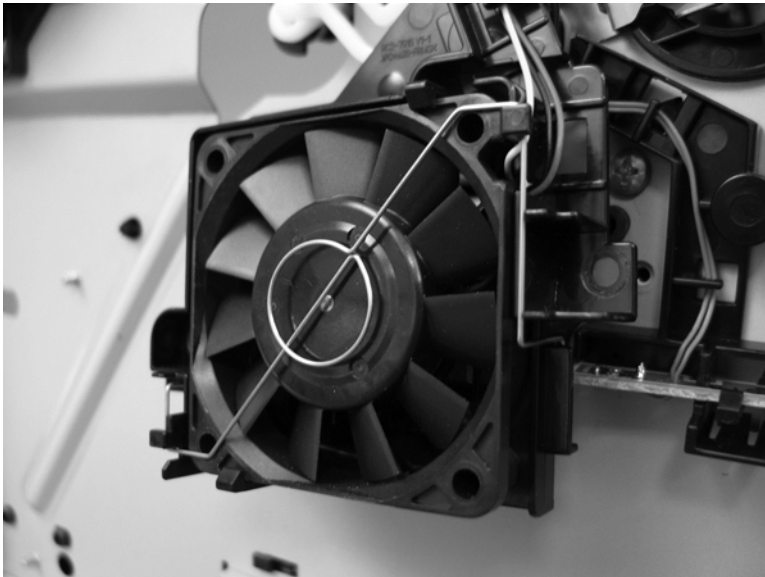


Figure 1-324 Reinstall the sub fan (2 of 2)

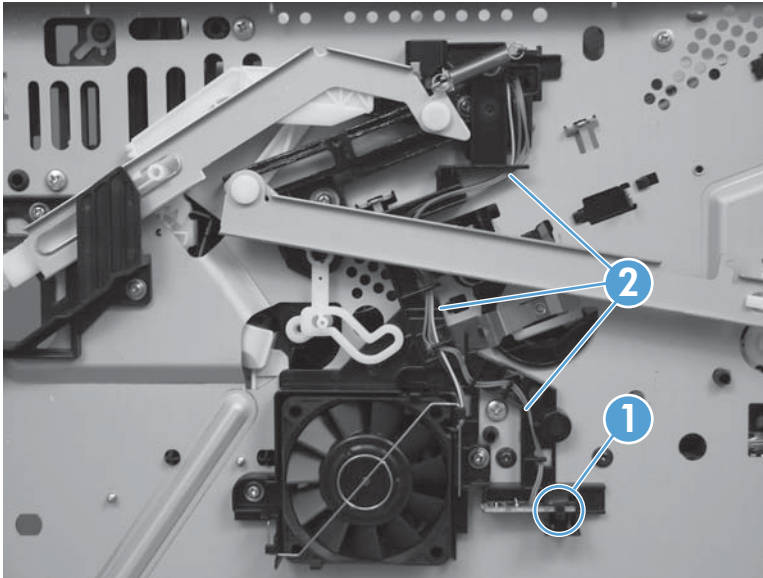


Environmental sensor

1. Before proceeding, remove the following:
 - Formatter cover. See [Formatter cover on page 69](#).
 - Formatter PCA. See [Formatter PCA on page 70](#).
 - Stapler cover or substitute stapler cover. See [Stapler cover on page 72](#) or [Substitute stapler cover on page 74](#).
 - Stapler assembly. See [Stapler assembly on page 75](#).
 - Rear cover assembly. See [Rear cover assembly on page 76](#).
 - Left cover. See [Left cover on page 80](#).
 - Right-rear cover. See [Right-rear cover on page 82](#).
 - Tray 1 cover. See [Tray 1 cover on page 84](#).
 - Cartridge-door assembly. See [Cartridge-door assembly on page 86](#).
 - Rear scanner cover. See [Rear scanner cover on page 88](#).
 - Right cover assembly. See [Right cover assembly on page 93](#).
 - Right handle cover and bracket. See [Right handle cover and bracket on page 98](#).
 - Document feeder (standard model) whole unit. See [Document feeder whole unit \(standard model\) on page 119](#)
 - Image scanner (standard model) whole unit. See [Image scanner \(standard model\) whole unit on page 122](#).
 - Integrated scanner assembly (525c model) whole unit. See [Integrated scanner assembly \(525c model\) whole unit on page 130](#).
 - Top cover. See [Top cover on page 178](#).
 - DC controller and sheet-metal plate. See [DC controller on page 185](#).
 - Low-voltage power supply. See [Low-voltage power supply \(LVPS\) on page 189](#).

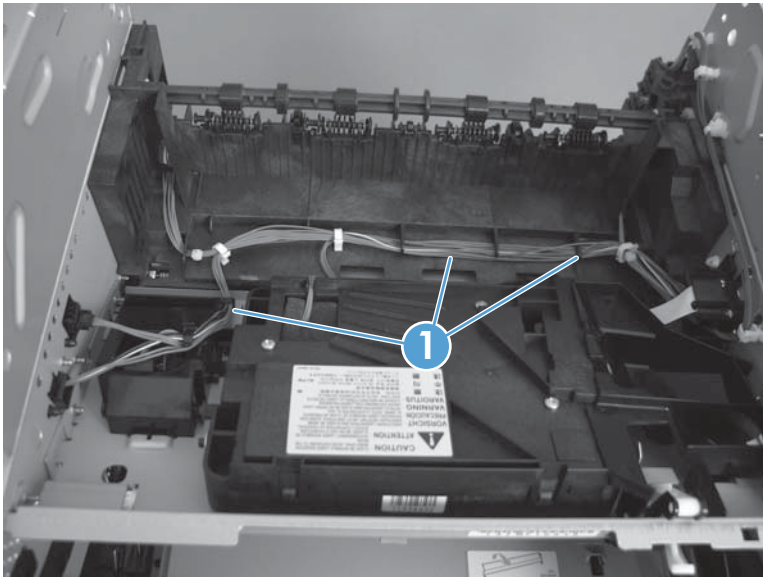
2. Release one tab (callout 1) and then release the sensor. Release the wire harness (callout 2) from the retainers.

Figure 1-325 Removing the environmental sensor (1 of 2)



3. Release the wire harness from the retainers (callout 1), and then remove the sensor.

Figure 1-326 Removing the environmental sensor (2 of 2)



High-voltage power supply (HVPS)

1. Before proceeding, remove the following:
 - Formatter cover. See [Formatter cover on page 69](#).
 - Formatter PCA. See [Formatter PCA on page 70](#).
 - Stapler cover or substitute stapler cover. See [Stapler cover on page 72](#) or [Substitute stapler cover on page 74](#).
 - Stapler assembly. See [Stapler assembly on page 75](#).
 - Rear cover assembly. See [Rear cover assembly on page 76](#).
 - Left cover. See [Left cover on page 80](#).
 - Right-rear cover. See [Right-rear cover on page 82](#).
 - Tray 1 cover. See [Tray 1 cover on page 84](#).
 - Cartridge-door assembly. See [Cartridge-door assembly on page 86](#).
 - Rear scanner cover. See [Rear scanner cover on page 88](#).
 - Right cover assembly. See [Right cover assembly on page 93](#).
 - Right handle cover and bracket. See [Right handle cover and bracket on page 98](#).
 - Document feeder (standard model) whole unit. See [Document feeder whole unit \(standard model\) on page 119](#)
 - Image scanner (standard model) whole unit. See [Image scanner \(standard model\) whole unit on page 122](#).
 - Integrated scanner assembly (525c model) whole unit. See [Integrated scanner assembly \(525c model\) whole unit on page 130](#).
 - Duplex media-feed assembly. See [Duplex media-feed assembly on page 166](#).
 - Top cover. See [Top cover on page 178](#).
 - DC controller and sheet-metal plate. See [DC controller on page 185](#).
 - Low-voltage power supply. See [Low-voltage power supply \(LVPS\) on page 189](#).

2. Place the product on its side with the gear cover facing up. Remove one screw (callout 1).


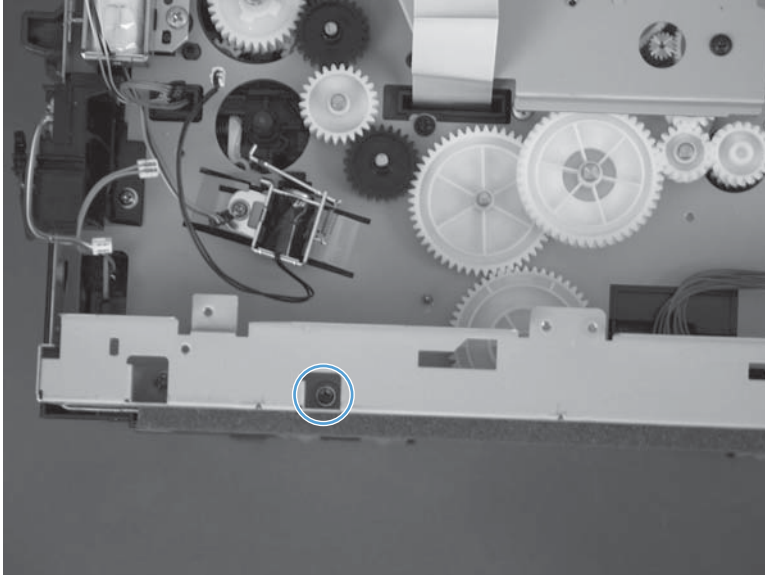
 **NOTE:** In this figure the gear cover is shown removed for clarity. Do not remove the gear cover. The gears behind the cover are not captive and can easily be dislodged if the cover is removed.

Figure 1-327 Remove the HVPS (1 of 12)



3. Place the product on its rear side. Remove one screw, and then remove the base plate (callout 2).


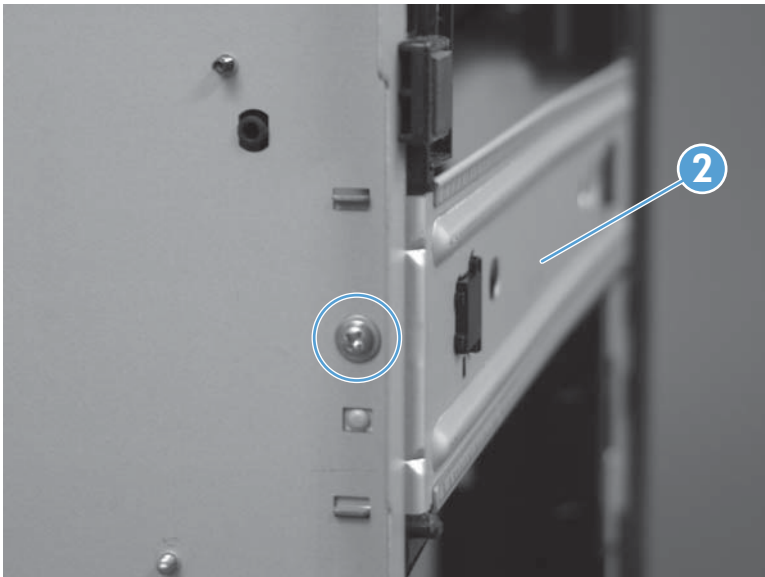
 **Reinstallation tip** Be sure to correctly align the base plate. It should match the base plate at the rear of the product.

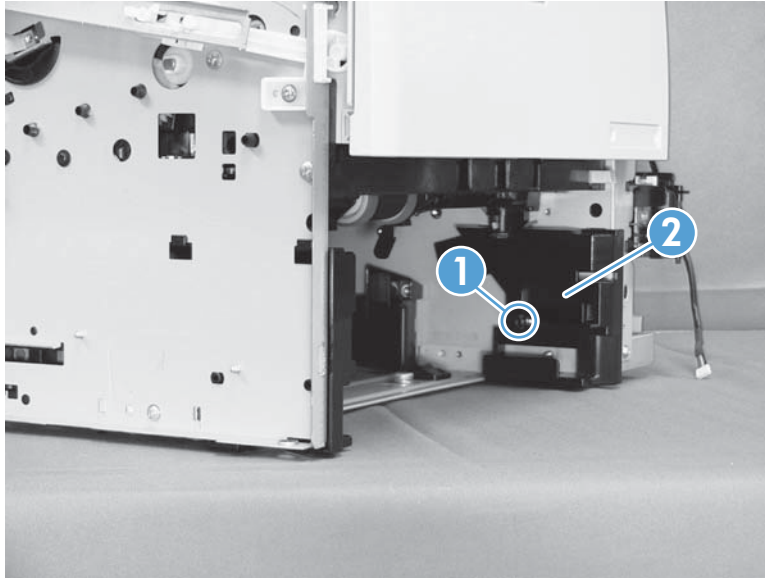
Figure 1-328 Remove the HVPS (2 of 12)



4. Remove one screw (callout 1), and then remove the right-side guide (callout 2).

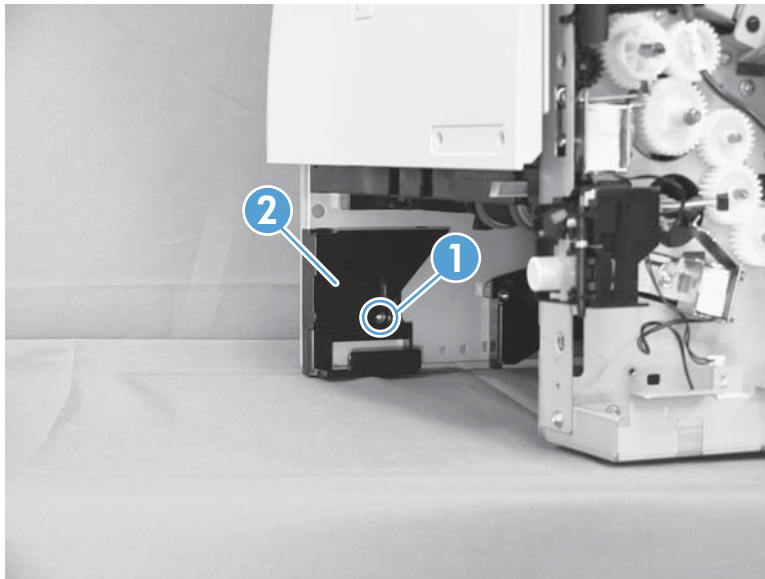
⚠ CAUTION: Use the caution. The solenoid is still attached.

Figure 1-329 Remove the HVPS (3 of 12)



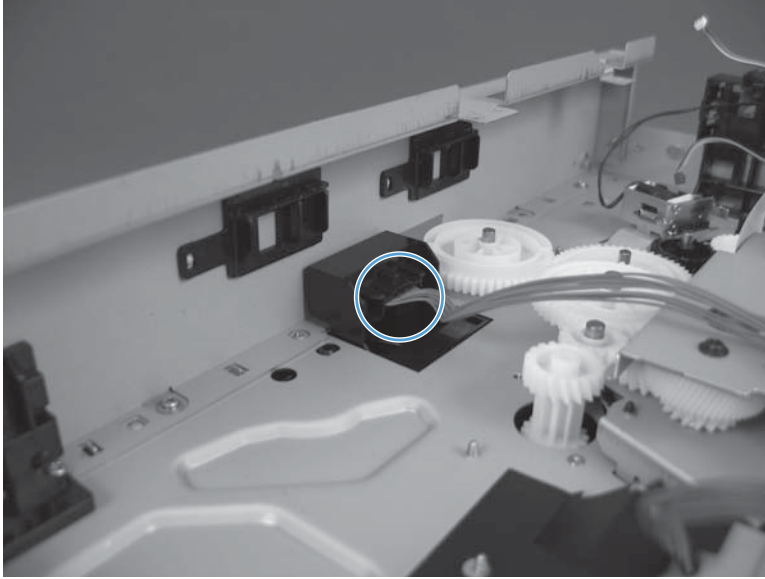
5. Remove one screw (callout 1), and then remove the left-side guide (callout 2).

Figure 1-330 Remove the HVPS (4 of 12)



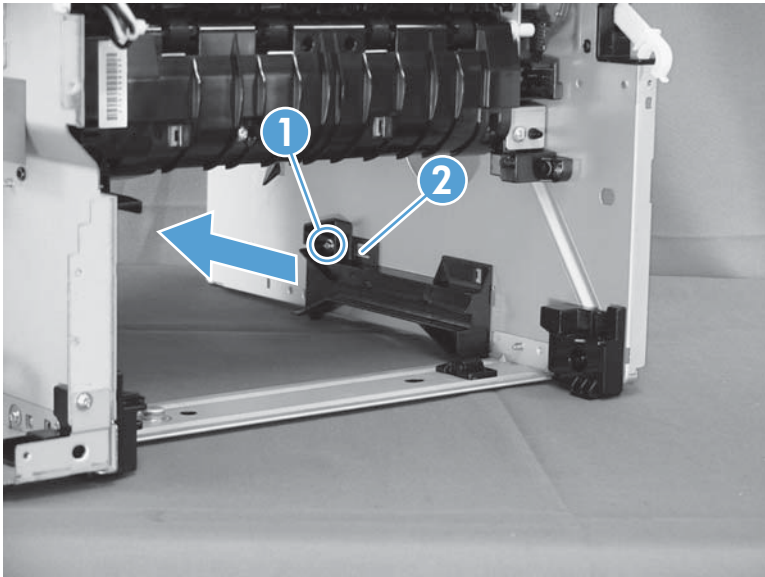
6. Disconnect one connector.

Figure 1-331 Remove the HVPS (5 of 12)



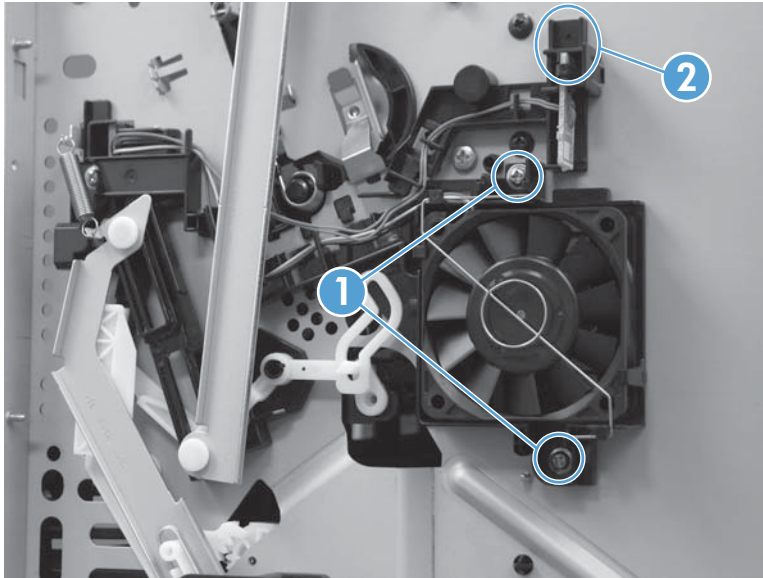
7. Remove one screw (callout 1), release one tab (callout 2) and then slide the guide toward the front of the product to release it.

Figure 1-332 Remove the HVPS (6 of 12)



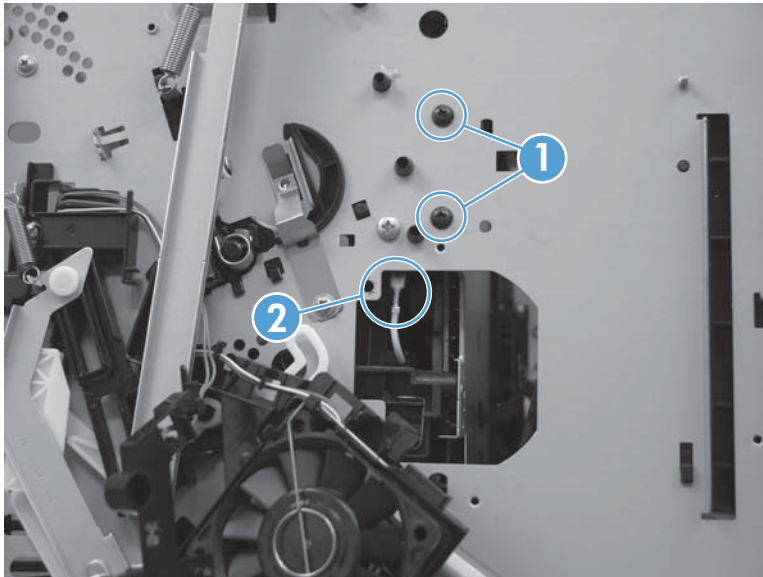
8. Remove two screws (callout 1) and release one tab (callout 2). Let the sub fan and environmental sensor hang from their wire harnesses.

Figure 1-333 Remove the HVPS (7 of 12)



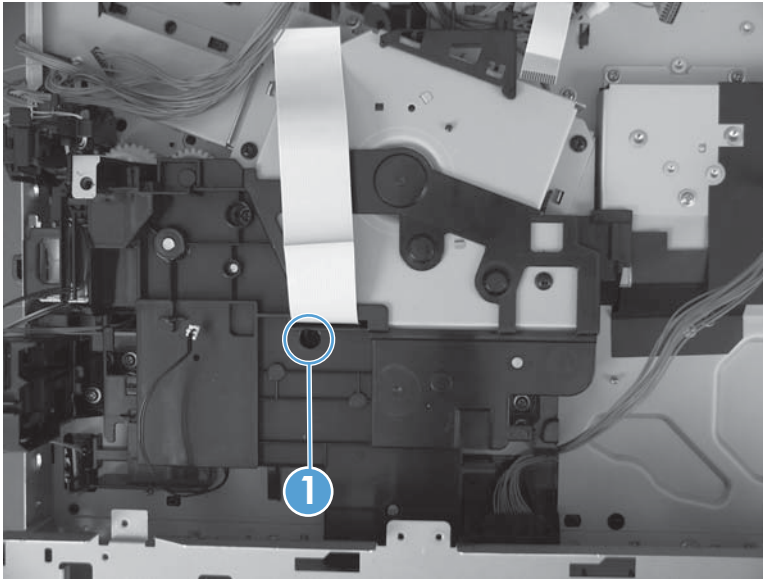
9. Remove two screws (callout 1), and then disconnect one connector (callout 2).

Figure 1-334 Remove the HVPS (8 of 12)



10. Remove one screw (callout 1).

Figure 1-335 Remove the HVPS (9 of 12)

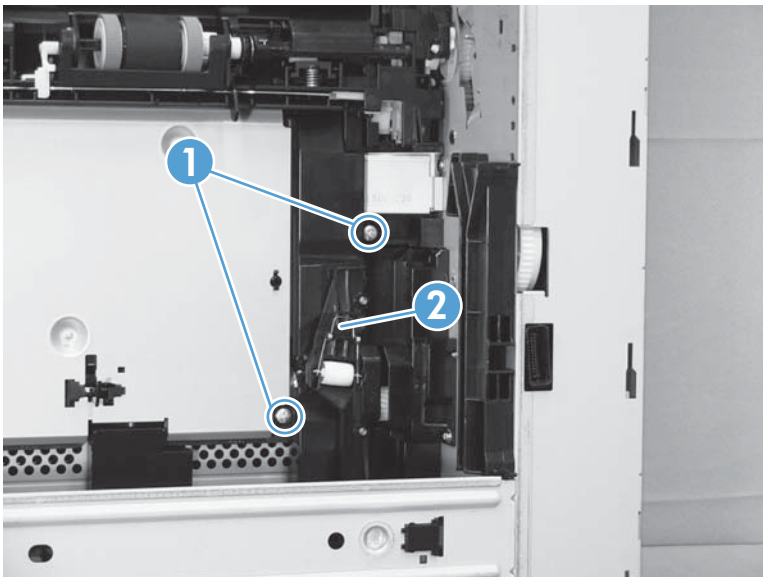


11. Place the product face-side up. Remove two screws (callout 1), and then remove the positioning guide (callout 2).

CAUTION: When you place the product face-side up, do not damage the rear-door link arm on the left side of the product.

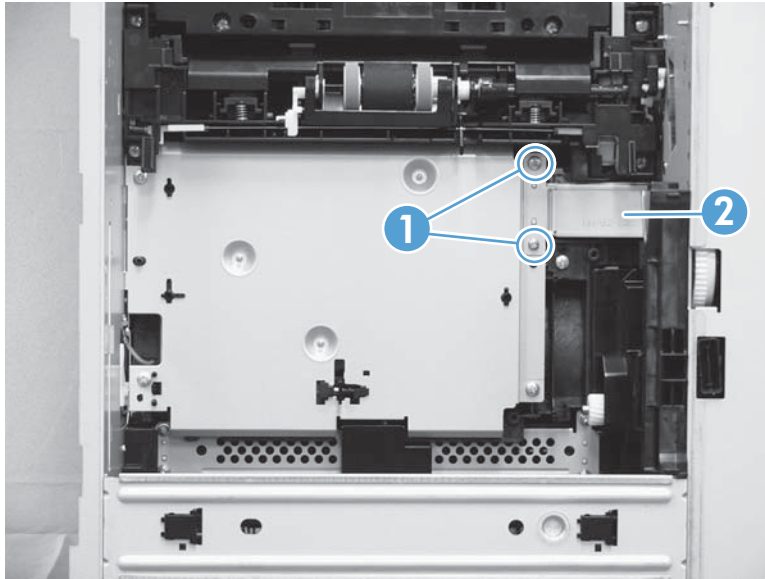
NOTE: The positioning guide might appear to still be fastened to the product. You might have to use slight force to separate it from the product.

Figure 1-336 Remove the HVPS (10 of 12)



12. Remove two screws (callout 1), and then remove the plate (callout 2).

Figure 1-337 Remove the HVPS (11 of 12)



13. Remove three screws (callout 1), and then remove the HVPS (callout 2).


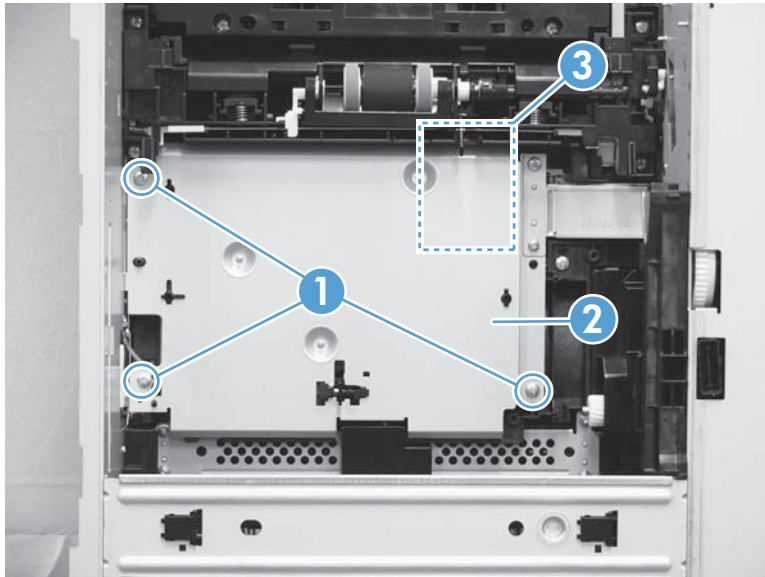
 **NOTE:** Disconnect three connectors and one FFC (callout 3) on the HPVS as you separate the it from the product.

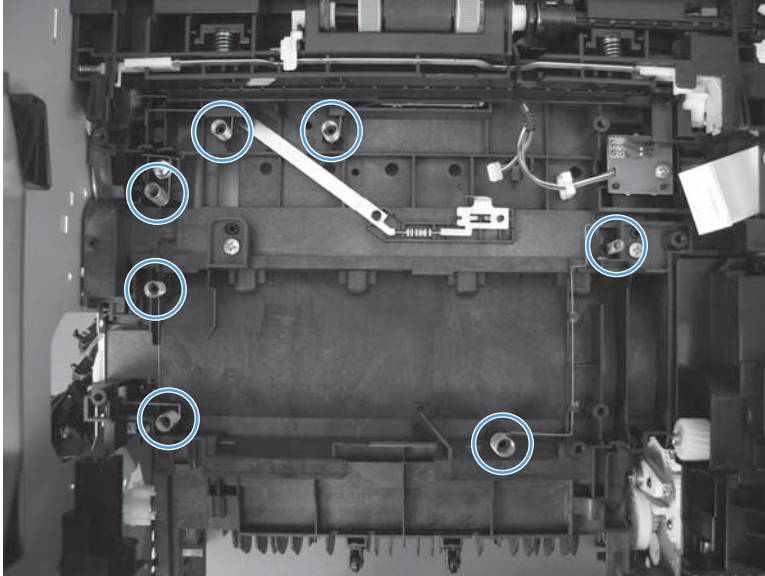
Figure 1-338 Remove the HVPS (12 of 12)



Reinstall the HVPS

- ▲ Make sure the HVPS is installed as straight as possible and that it aligns correctly with the grounding springs.

Figure 1-339 Reinstall the HVPS



2 Parts and diagrams

- [Order parts by authorized service providers](#)
- [Related documentation and software](#)
- [Fasteners used in this product](#)
- [How to use the parts lists and diagrams](#)
- [Assembly locations](#)
- [Covers](#)
- [Document feeder and scanner assemblies \(525dn and 525f models\)](#)
- [Document feeder and scanner assemblies \(M525c model\)](#)
- [Keyboard \(M525c model\)](#)
- [Control panel assembly](#)
- [ADF assemblies](#)
- [Scanner assemblies](#)
- [Internal assemblies \(1 of 6\)](#)
- [Internal assemblies \(2 of 6\)](#)
- [Internal assemblies \(3 of 6\)](#)
- [Internal assemblies \(4 of 6\)](#)
- [Internal assemblies \(5 of 6\)](#)
- [Internal assemblies \(6 of 6\)](#)
- [Input devices](#)
- [Alphabetical parts list](#)
- [Numerical parts list](#)

Order parts by authorized service providers

Order parts, accessories, and supplies

Table 2-1 Order parts, accessories, and supplies

Order supplies and paper	www.hp.com/go/suresupply
Order genuine HP parts or accessories	www.hp.com/buy/parts
Order through service or support providers	Contact an HP-authorized service or support provider.
Order using HP software	For information about using the HP software to order parts, accessories, and supplies, see the product user guide.
Power cords	8121-0564; India 220 v, 6A 8121-0729; Argentina 220 v, 10A 8121-0731; Korea, EU generic 220 v, 10A 8121-0733; Denmark 220 v, 10A 8121-0734; Thailand, Philippines 220/110 v 8121-0735; South America, Chile, Peru 220 v, 10A 8121-0737; South Africa 220 v, 10A 8121-0738; Switzerland 220 v, 10A 8121-0739; UK, Asia Pacific 220 v, 10A 8121-0740; North America 110 v, 13A 8121-0837; Australia, New Zealand 220 v, 10A 8121-0943; China 220 v, 10A 8121-0964; Taiwan 110 v, 13A 8121-1004; Israel 220 v, 10A 8121-1071; Brazil 110 v, 10A 8121-1143; Japan 110 v, 12A

Supplies part numbers

Table 2-2 Supplies part numbers

Item	Description	Part number
HP LaserJet print cartridge	Standard-capacity cartridge	CE255-67901
		CE255A
	High-capacity cartridge	CE255-67902
		CE255X
Staple cartridge		Q7432-67901

Customer self-repair (CSR) and service kits

The tables in this section describe customer replaceable repair (CSR) assemblies and service kit assemblies. Use the list below to determine the level of ability required to install a listed assembly.

- **CSR A:** Easy install; minimum technical ability required to install the assembly.
- **CSR B:** Basic install; some technical ability required to install the assembly.
- **CSR N:** Difficult install; maximum technical ability required to install the assembly.



NOTE: CSR N assemblies are not customer replaceable assemblies. These assemblies must be installed by a qualified service technician.

Table 2-3 Customer self-repair (CSR) and service kits

Item	Part number	CSR level
Fax kit (fax models only)	CF116-67904	CSR A
<ul style="list-style-type: none"> • Fax card • Fax black plastic cradle • Installation instructions 		
Control-panel kit	CD644-67916	CSR B
<ul style="list-style-type: none"> • Control panel • Installation instruction 	NOTE: Standard models only.	
Control panel kit	CD644-67920	CSR B
<ul style="list-style-type: none"> • Photon-R control panel • Control-panel FFC • Installation instructions 	NOTE: 525c models only.	

Table 2-3 Customer self-repair (CSR) and service kits (continued)

Item	Part number	CSR level
ITB service PM kit	CF116-67903	CSR N
<ul style="list-style-type: none">• Fuser• Transfer roller• Tray 1 roller• Tray 1 separation Pad• Tray 2 roller• Tray 2 separation pad• Recycle guide		
Document feeder roller maintenance kit	<ul style="list-style-type: none">• L2718A• L2725-60002	CSR A
Control-panel HIP (Hardware Integration Packet) cover	5042-8976	CSR A
Control-panel USB cover	5042-8977	CSR A
Foam-reflector kit	5851-4878	CSR B
<ul style="list-style-type: none">• Foam reflector• Installation instruction		
Separation pad spring kit	5851-4879	CSR B
<ul style="list-style-type: none">• Separation pad spring• Installation instruction		
SSM solid state module kit	CF116-67916	CSR B
Replacement memory module for the M525dn model		
<ul style="list-style-type: none">• SSM SanDisk 8 GB• Lock key• Installation instruction		
Hard disk drive kit	CF116-67907	CSR B
Replacement HP Encrypted High Performance Hard Disk for the M525f model		
<ul style="list-style-type: none">• HDD 250 GB SED• Hard disk drive bracket• Installation instruction		

Table 2-3 Customer self-repair (CSR) and service kits (continued)

Item	Part number	CSR level
Hard disk drive kit	CF116-67915	CSR B
Replacement HP Encrypted High Performance Hard Disk (Government option)		
<ul style="list-style-type: none"> • HDD 320 GB FIPS140 • Hard disk drive bracket • Installation instruction 		
Tray 2, cassette only	RM1-8512-000CN	CSR A
Tray 3, cassette only	RM1-6279-000CN	CSR A
500-sheet feeder CE530A	CE530-69001	CSR A
Complete 500-sheet feeder for Tray 3 or Tray 4; includes tray		
MFP stand CF338A	CF116-67919	CSR A
Document feeder whole unit kit	CF116-67910	CSR N
<ul style="list-style-type: none"> • Document feeder • Foam reflector kit • Installation instruction 		
Document feeder whole unit kit	CF116-67922	CSR N
<ul style="list-style-type: none"> • Document feeder assembly • Foam reflector • Installation instructions 	NOTE: 525c models only.	
Image scanner whole unit kit	CF116-67918	CSR N
<ul style="list-style-type: none"> • Flatbed scanner assembly • Foam reflector kit • Installation instruction 		
Image scanner whole unit kit	CF116-67924	CSR N
<ul style="list-style-type: none"> • Flatbed scanner assembly • Foam reflector kit • Installation instruction 	NOTE: 525c models only.	
Multipurpose (Tray 1) cover assembly	CF116-67917	CSR N
Includes nameplate and HP gem.		
Multipurpose (Tray 1) cover assembly	CF118-67901	CSR N
Includes nameplate and HP gem.	NOTE: 525c models only.	

Table 2-3 Customer self-repair (CSR) and service kits (continued)

Item	Part number	CSR level
Document feeder mylar kit	5851-4998	CSR N
<ul style="list-style-type: none">• Guide, mylar A4 <p>NOTE: The document feeder mylar kit contains six mylar guides. Only two guides are required for the product. Additional guides are to be used if the adhesive on a guide is contaminated during installation.</p> <ul style="list-style-type: none">• Installation instruction		
Scanner memory PCA kit	CF116-67923	CSR N
<ul style="list-style-type: none">• Scanner memory PCA• Installation instruction		

Table 2-3 Customer self-repair (CSR) and service kits (continued)

Item	Part number	CSR level
Service preventative maintenance kit	CF116-67903	CSR N
<ul style="list-style-type: none">Fuser (universal)Transfer rollerTray 1 rollerTray 1 separation padTray 2 rollerTray 2 separation padRecycle guideInstallation instruction		
Keyboard overlay kit	NOTE: 525c models only.	CSR A
<ul style="list-style-type: none">Keyboard overlayInstallation instructions	5851-5001; Russian 5851-5002; Italian 5851-5003; French 5851-5004; Portuguese 5851-5005; Spanish-Spain 5851-5006; Spanish-LA 5851-5007; French Canadian 5851-5145; German 5851-5146; French Swiss 5851-5157; German Swiss 5851-5148; Danish 5851-5148; Danish 5851-5149; Traditional Chinese 5851-5150; Simlified Chinese	

Related documentation and software

Table 2-4 Related documentation and software

Item	Description	Part number
<i>HP LaserJet Enterprise 500 MFP M525 and HP LaserJet Enterprise flow MFP M525 Printer User Guide</i>	Product user guide	CF116-90912
<i>HP LaserJet Enterprise 500 MFP M525 and HP LaserJet Enterprise flow MFP M525 Repair Manual</i>	English service repair manual	CF116-90902
<i>HP LaserJet Enterprise 500 MFP M525 and HP LaserJet Enterprise flow MFP M525 Troubleshooting Manual</i>	English service troubleshooting manual	CF116-90901

Fasteners used in this product


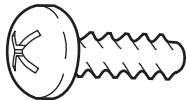
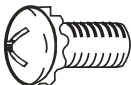



 **NOTE:** The screw illustrations in the following table are for reference only. Screws might vary in size and appearance from those shown in this table.


Table 2-5 Common fasteners

Example	Description	Size	Part Number
	Screw, tapping, truss head	M4X10	XB4-7401-005CN
	Screw, D	M3X8	XA9-1671-000CN

6 mm 8 mm 10 mm M 3 M 4
 

How to use the parts lists and diagrams

 **CAUTION:** Be sure to order the correct part. When looking for part numbers for electrical components, pay careful attention to the voltage that is listed. Doing so will make sure that the part number selected is for the correct model.

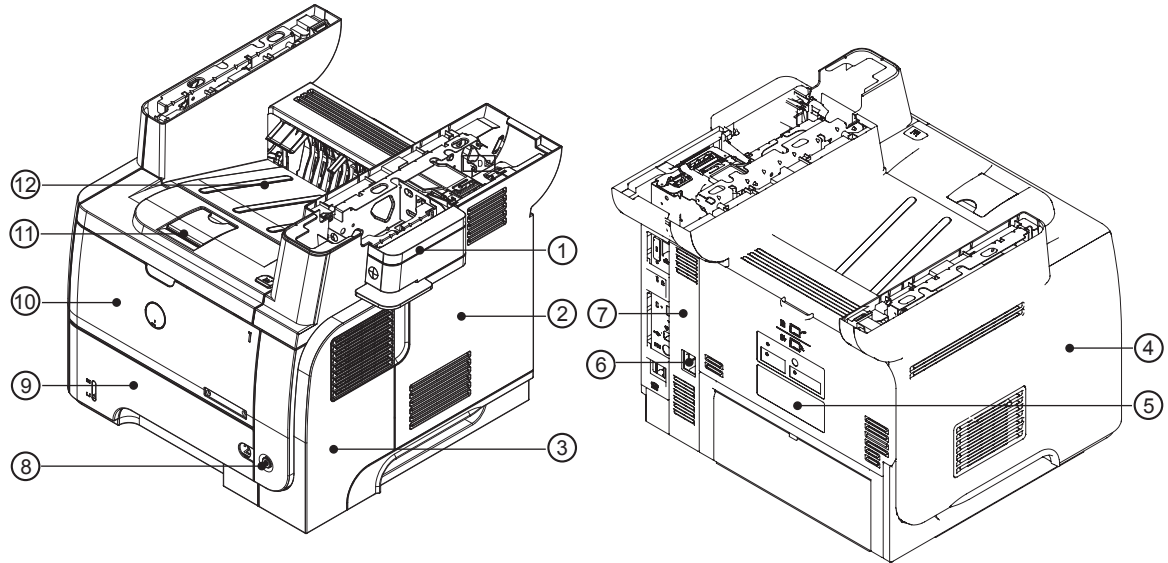
 **NOTE:** In this manual, the abbreviation “PCA” stands for “printed circuit-board assembly.” Components described as a PCA might consist of a single circuit board or a circuit board plus other parts, such as cables and sensors.

The figures in this chapter show the major subassemblies in the product and their component parts. A parts list table follows each exploded view assembly diagram. Each table lists the item number, the associated part number, and the description of each part. If a part is not listed in the table, then it is not a field replacement unit (FRU).

Assembly locations

Base product (no optional trays or accessories)

Figure 2-1 Base product (no optional trays or accessories)



Item	Description	Item	Description
1	Stapler cover	7	Right-rear cover
2	Formatter cover	8	Power switch
3	Right cover	9	Tray 2
4	Left cover	10	Tray 1
5	Rear door	11	Cartridge door
6	Power port	12	Face-down output bin

Base product (optional trays or accessories)

Figure 2-2 Base product (optional trays or accessories)

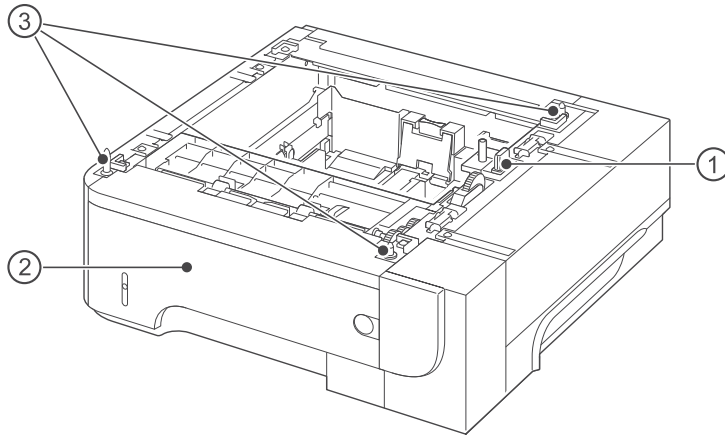


Table 2-6 Optional 500-sheet input tray

Item	Description
1	Connector
2	Tray 3 or Tray 4
3	Positioning pin

Covers

Figure 2-3 Covers

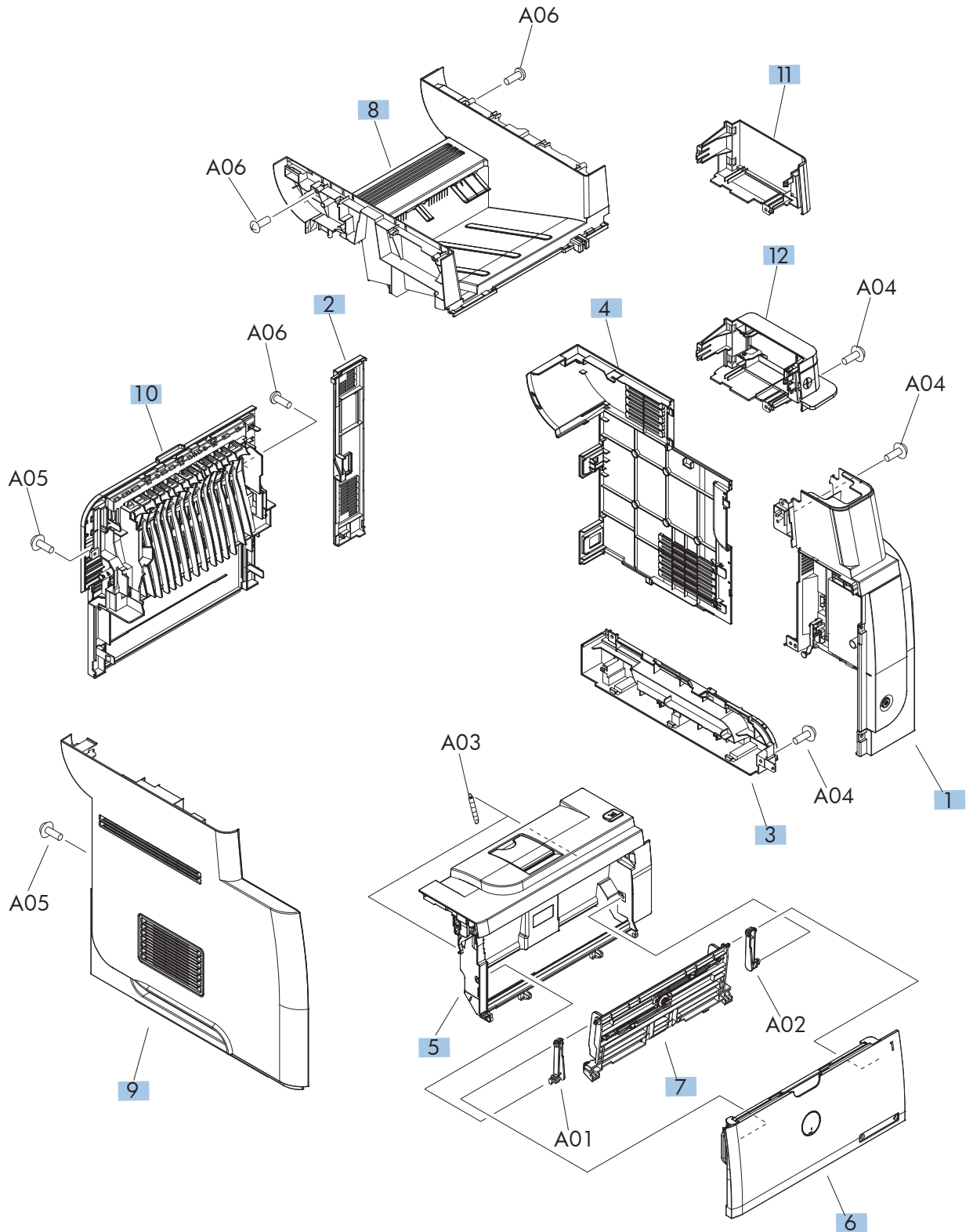


Table 2-7 Covers

Ref	Description	Part number	Qty
1	Cover, right assembly	RM1-8498-000CN	1
2	Cover, right rear	RC2-7673-000CN	1
3	Cover, handle, right	RC2-7675-000CN	1
4	Cover, formatter	RC3-1863-000CN	1
5	Door, cartridge assembly (CSR A)	RM1-8502-000CN	1
6	Cover, multipurpose assembly	CF116-67917	1
7	Multipurpose lifting plate assembly	RM1-6325-000CN	1
8	Cover, top assembly	RM1-8516-000CN	1
9	Cover, left assembly	RM1-8517-000CN	1
10	Cover, rear assembly	RM1-8518-000CN	1
11	Cover, dummy	RC3-1920-000CN	1
12	Cover, staple assembly	RM1-8520-000CN	1

Document feeder and scanner assemblies (525dn and 525f models)

Figure 2-4 Document feeder and scanner assemblies (525dn and 525f models)

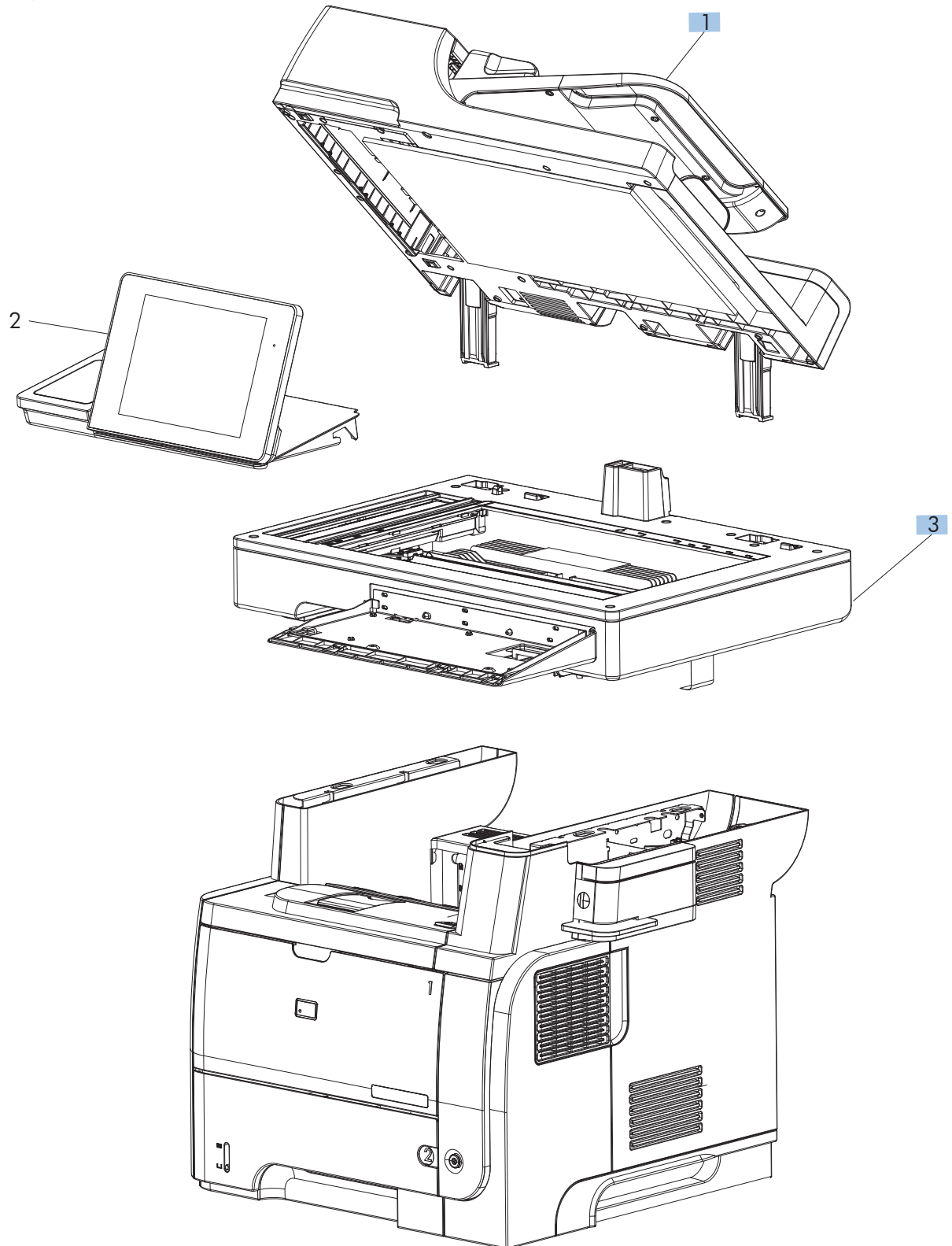


Table 2-8 Document feeder and scanner assemblies (525dn and 525f models)

Ref	Description	Part number	Qty
1	Document feeder whole unit kit (CSR N)	CF116-67910	1
3	Scanner whole unit (CSR N)	CF116-67918	1

Document feeder and scanner assemblies (M525c model)

Figure 2-5 Document feeder and scanner assemblies (525c models)

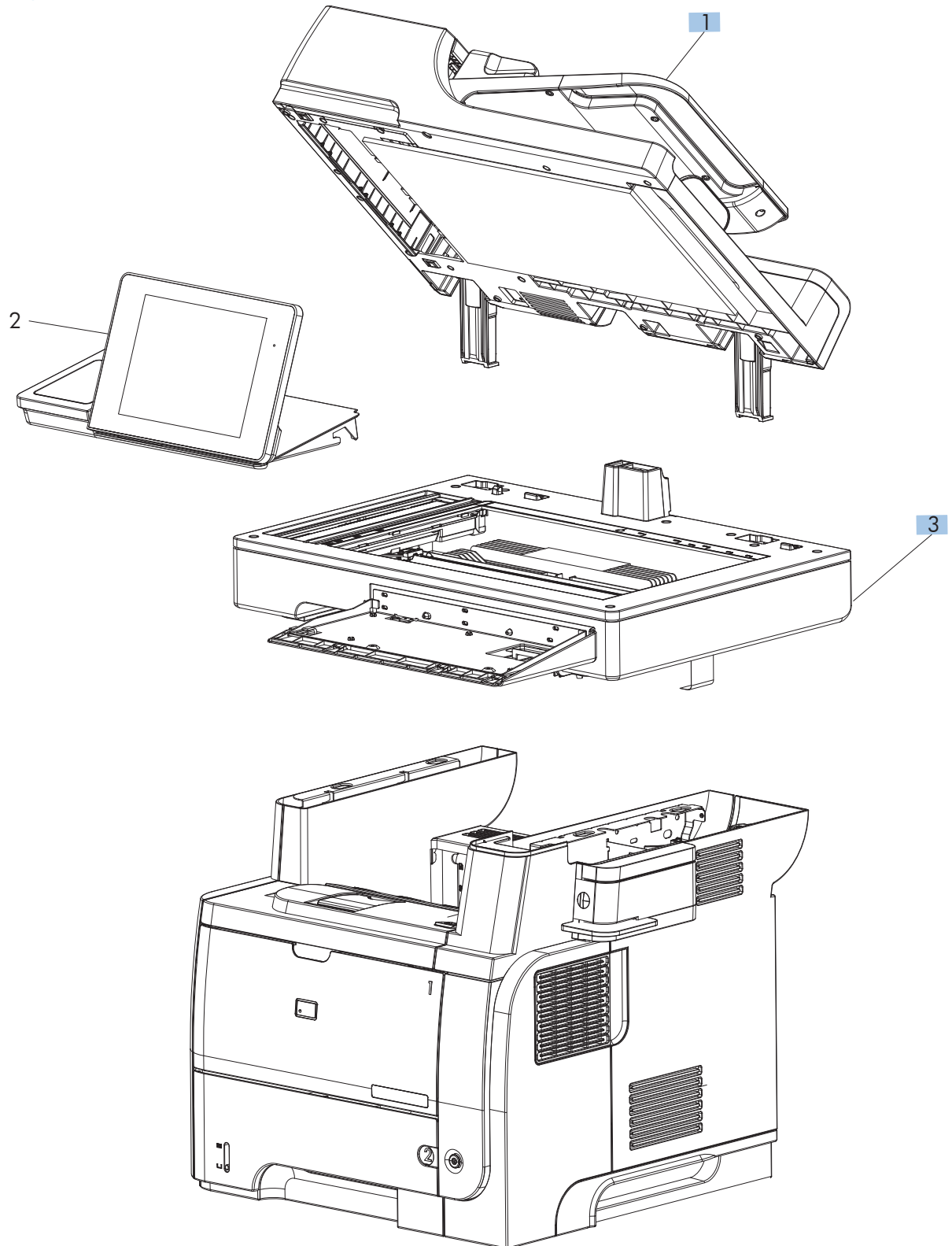


Table 2-9 Document feeder and scanner assemblies (525c models)

Ref	Description	Part number	Qty
1	Document feeder whole unit (M525c model; CSR N)	CF116-67922	1
2	Control panel (M525c model; CSR B)	CD644-67920	1
Not Shown	FFC, control-panel keyboard (M525c model; CSR B)	CD644-60113	1
3	Scanner whole unit (M525c model; CSR N)	CF116-67924	1
Not Shown	e-Duplex assembly, document feeder (M525c model; CSR A)	5851-5022	1

Keyboard (M525c model)

Figure 2-6 Keyboard and brackets

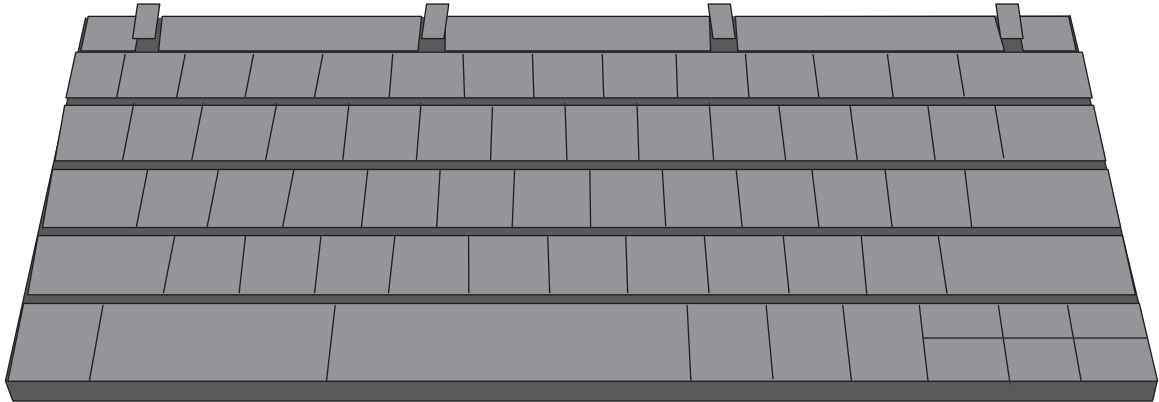


Table 2-10 Keyboard and brackets

Ref	Description	Part number	Qty
1	Keyboard assembly English (M525c model; CSR B)	5851-5380	1
1	Keyboard assembly United Kingdom (M525c model; CSR B)	5851-5008	1

Control panel assembly

Figure 2-7 Control panel assembly

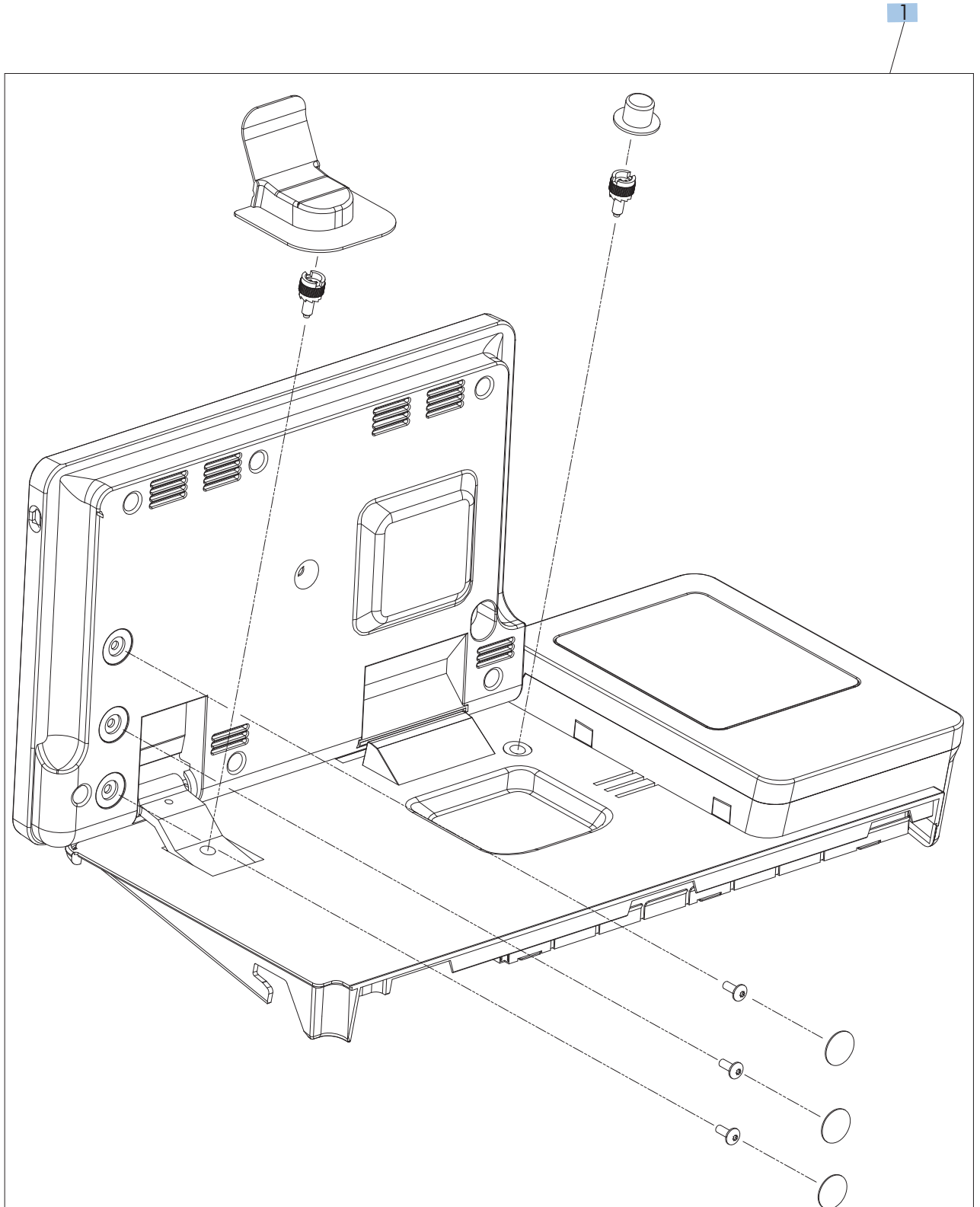


Table 2-11 Control panel assembly

Ref	Description	Part number	Qty
1	Control panel assembly kit (525dn and 525f models; CSR B)	CD644-67916	1
1	Control panel assembly kit (525c models; CSR B)	CD644-67920	1
Not shown	Control-panel cable	CF116-60105	1

ADF assemblies

Figure 2-8 ADF assemblies

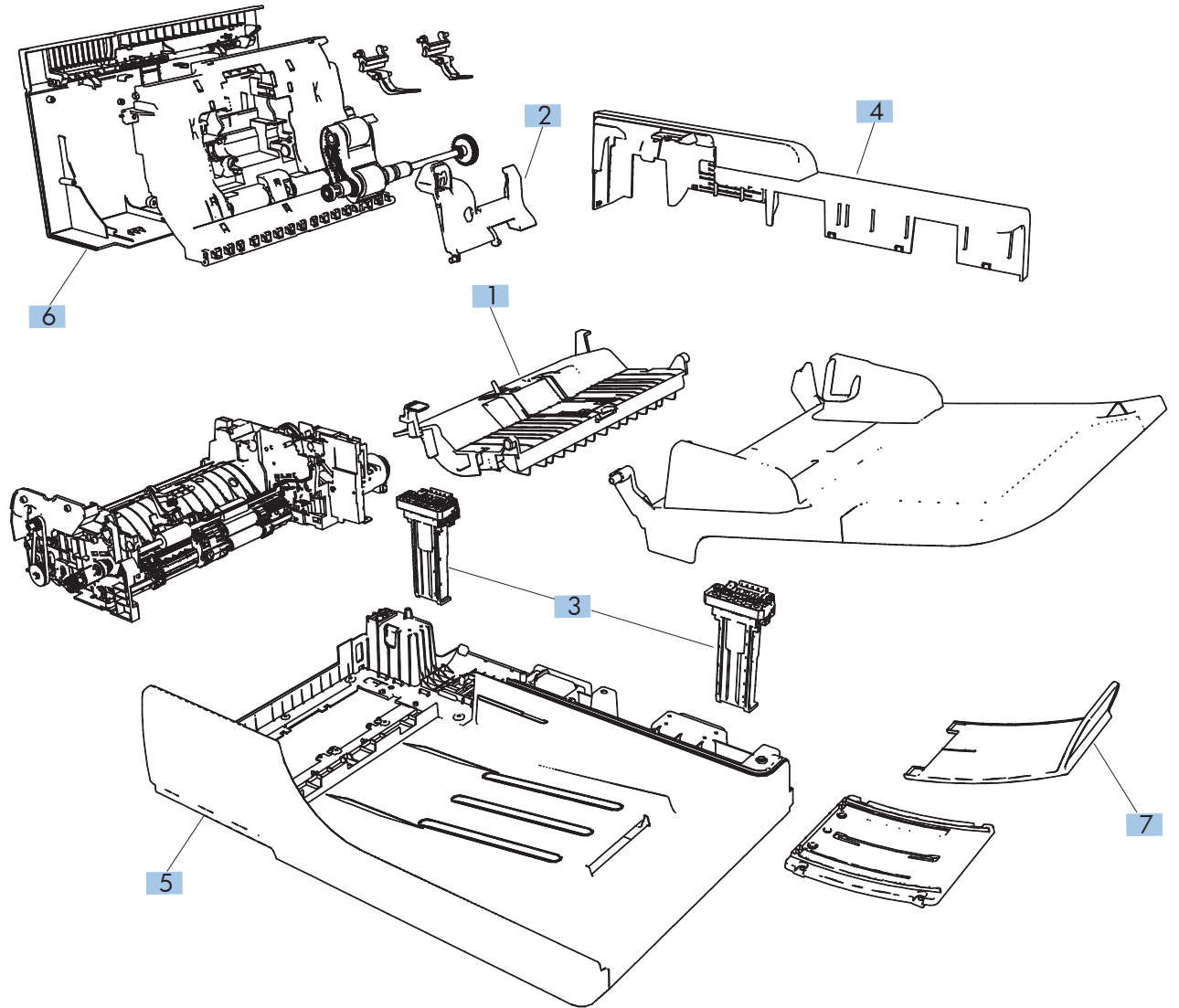


Table 2-12 ADF assemblies

Ref	Description	Part number	Qty
1	ADF separation pad spring	5851-4879	1
2	ADF cover, bogie	CC355-40013	1
3	ADF hinge assembly	Q7404-60024	2
4	Cover, ADF rear (cover rear)	Q7404-40007	1
5	Cover, ADF front (cover front)	Q7404-40030	1
6	Cover, hatch	Q7404-40006	1
7	ADF tray extender (paper stopper)	Q7404-40020	1
Not shown	Assy-harness (ADF cable) (see Document feeder cable on page 115)	Q7404-50007	1
Not shown	Mylar kit	5851-4998	1

Scanner assemblies

Figure 2-9 Scanner assemblies

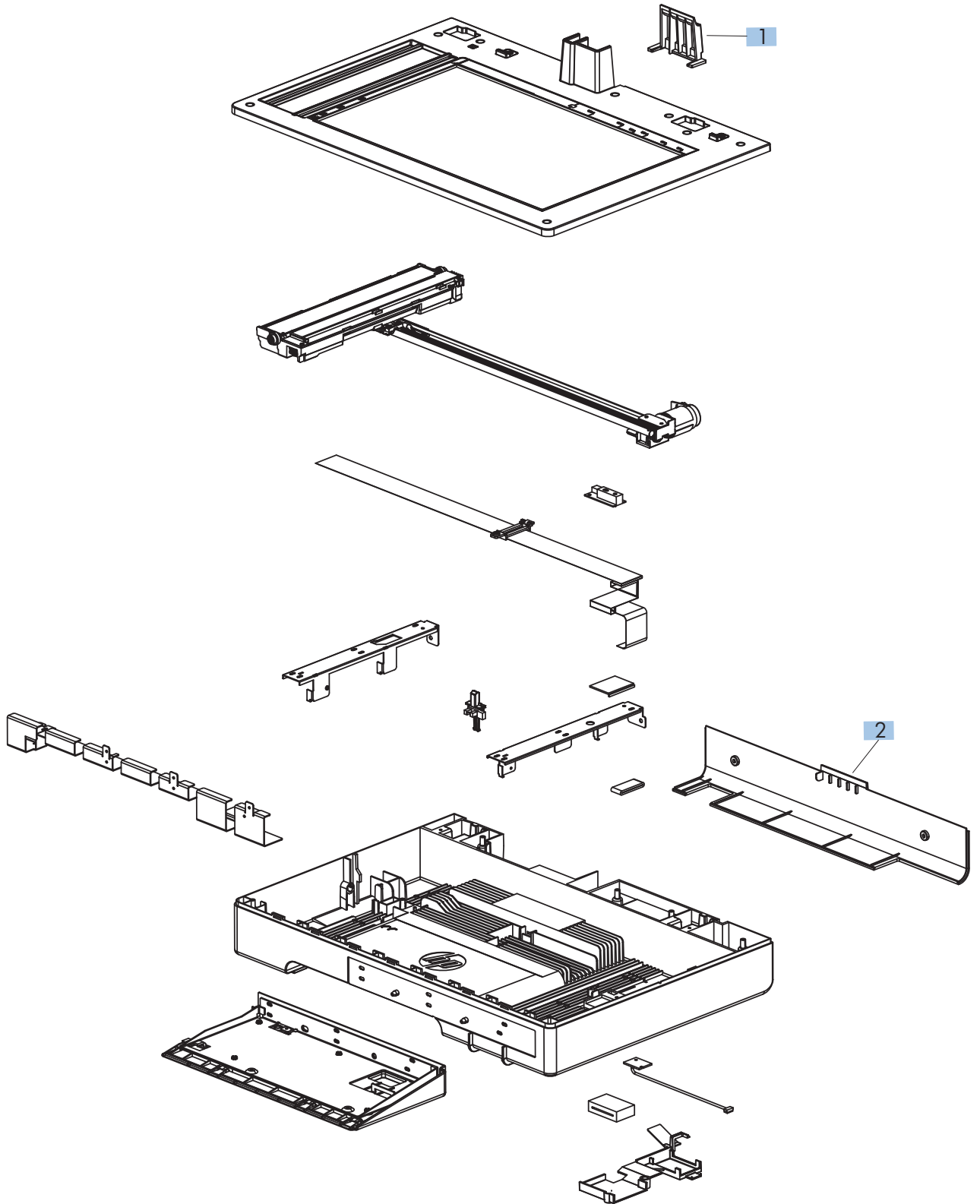


Table 2-13 Scanner assemblies

Ref	Description	Part number	Qty
1	Cover, ADF cable (asset chimney)	5851-0630	1
2	Cover, rear scanner (rear cover)	CF116-40002	1
Not shown	PCA, scanner memory (see Scanner memory PCA (memory board) on page 112)	CF116-67923	1
Not shown	Cave light	CF116-60104	1

Internal assemblies (1 of 6)

Figure 2-10 Internal assemblies (1 of 6)

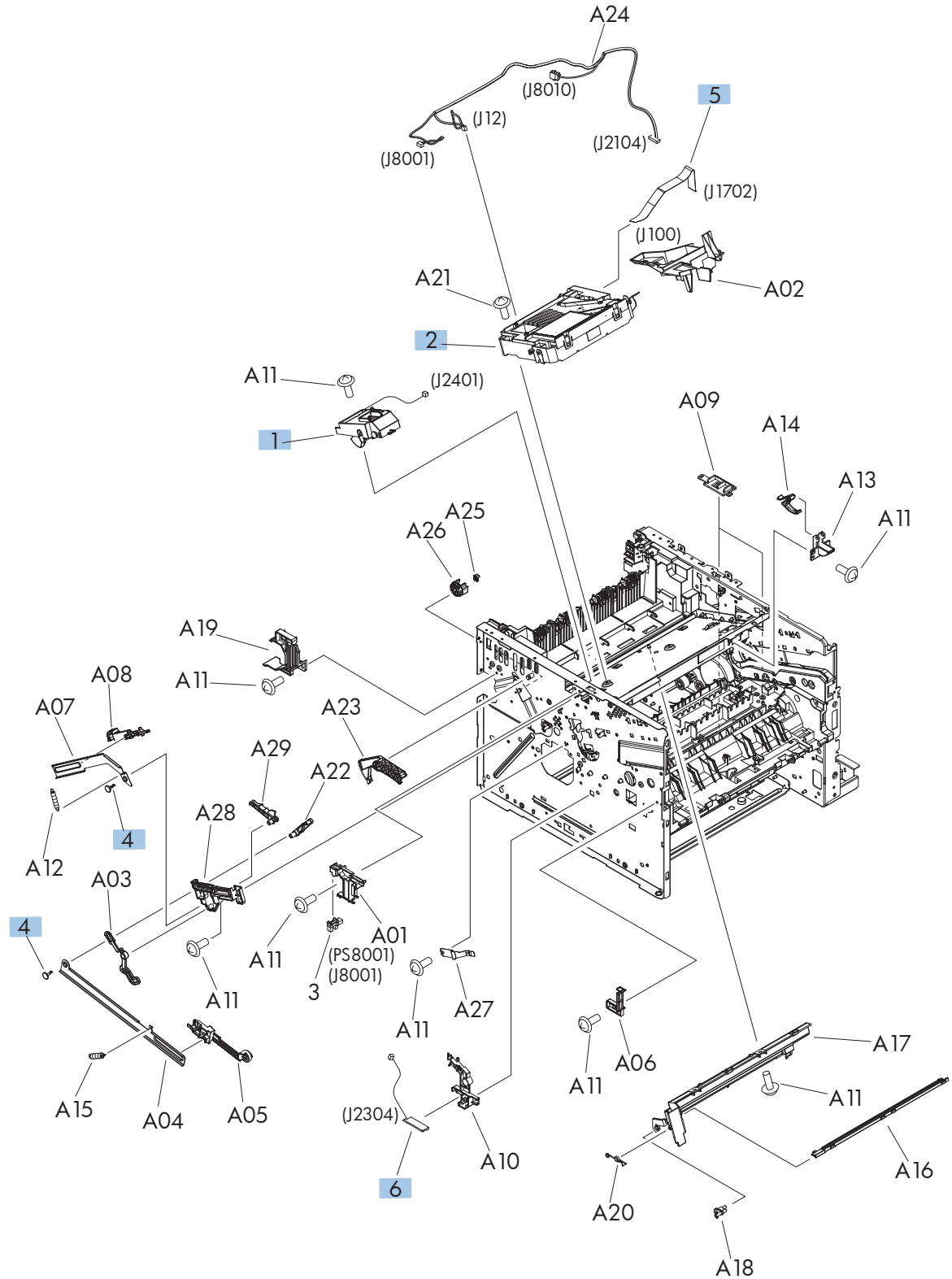


Table 2-14 Internal assemblies (1 of 6)

Ref	Description	Part number	Qty
1	Tag holder assembly	RM1-8521-000CN	1
2	Laser/scanner	RM1-6322-000CN	1
4	Stopper, bushing arm	RC2-7928-000CN	2
5	Cable, flat	RK2-4218-000CN	1
6	Sensor, environmental PCA	RM1-8622-000CN	1

Internal assemblies (2 of 6)

Figure 2-11 Internal assemblies (2 of 6)

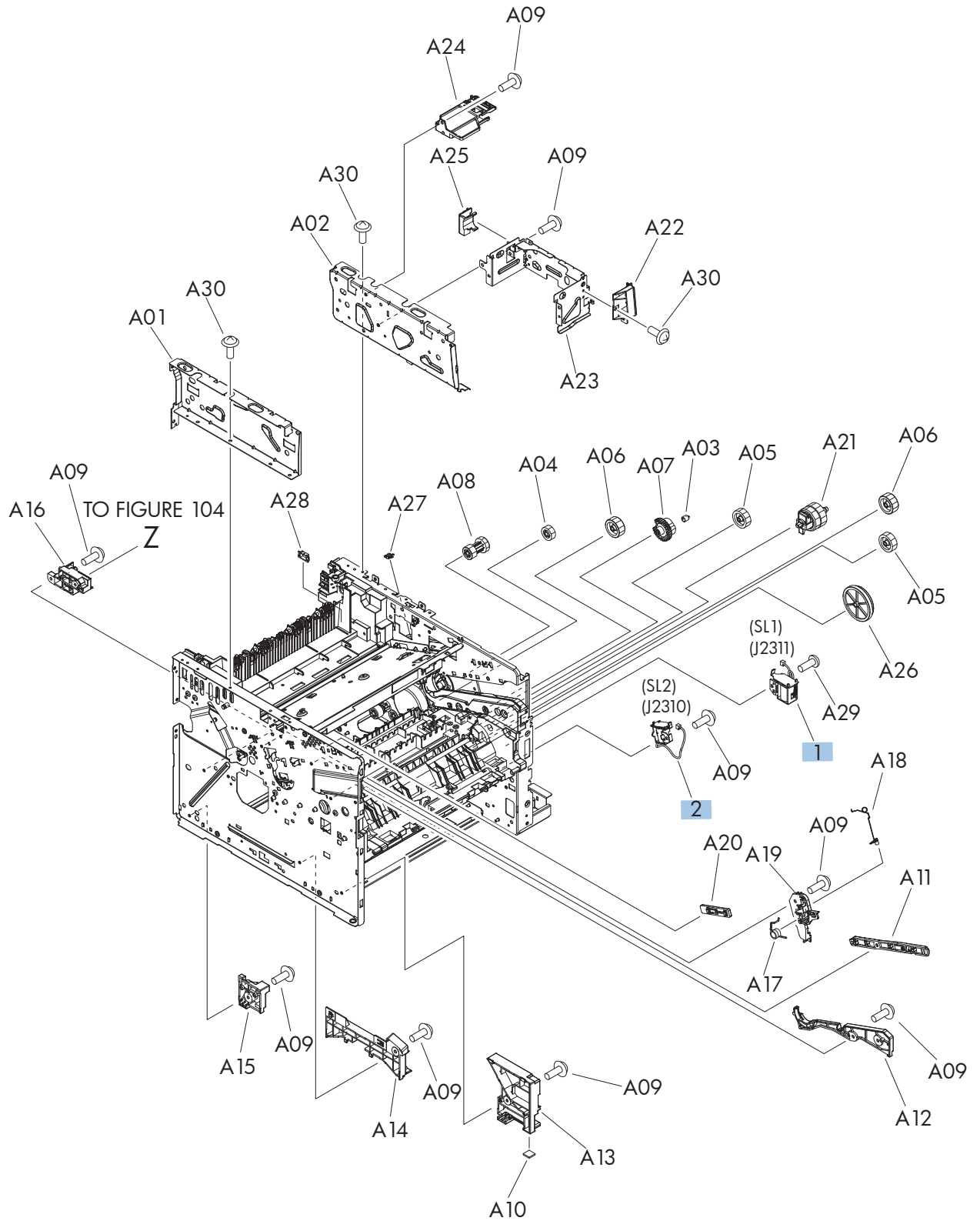


Table 2-15 Internal assemblies (2 of 6)

Ref	Description	Part number	Qty
1	Tray 1 solenoid	RK2-1490-000CN	1
2	Tray 2 solenoid	RK2-1492-000CN	1

Internal assemblies (3 of 6)

Figure 2-12 Internal assemblies (3 of 6)

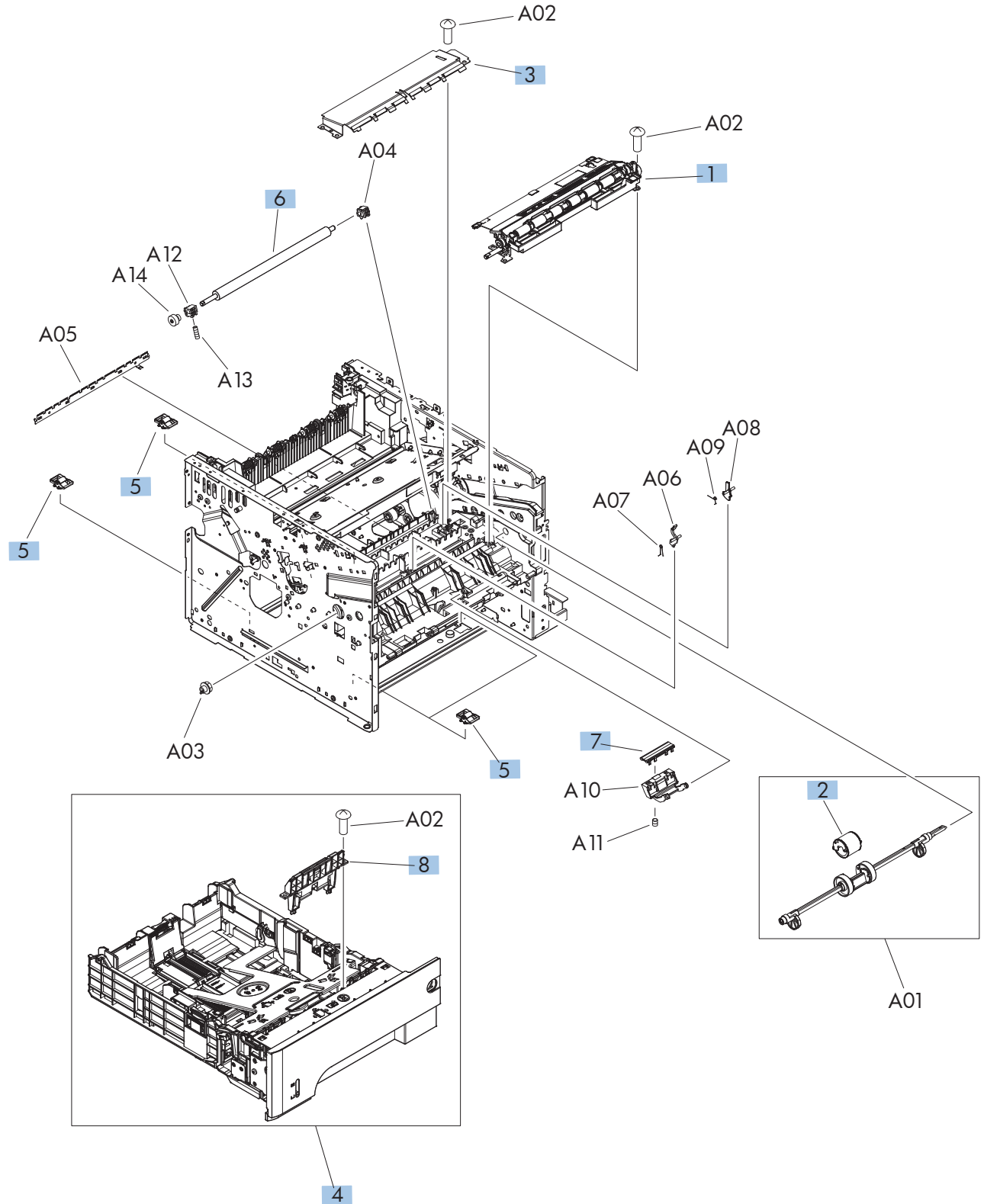


Table 2-16 Internal assemblies (3 of 6)

Ref	Description	Part number	Qty
1	Registration roller assembly	RM1-8507-000CN	1
2	Roller, multipurpose	RL1-2412-000CN	1
3	Transfer lower guide assembly	RM1-6315-000CN	1
4	Cassette, Tray 2	RM1-8512-000CN	1
5	Base plate roller assembly (CSR A)	RM1-6306-000CN	4
6	Roller, transfer	RM1-6321-000CN	1
7	Pad, multipurpose separation	RC2-8575-000CN	1
8	Separation holder assembly	RM1-6303-000CN	1

Internal assemblies (4 of 6)

Figure 2-13 Internal assemblies (4 of 6)

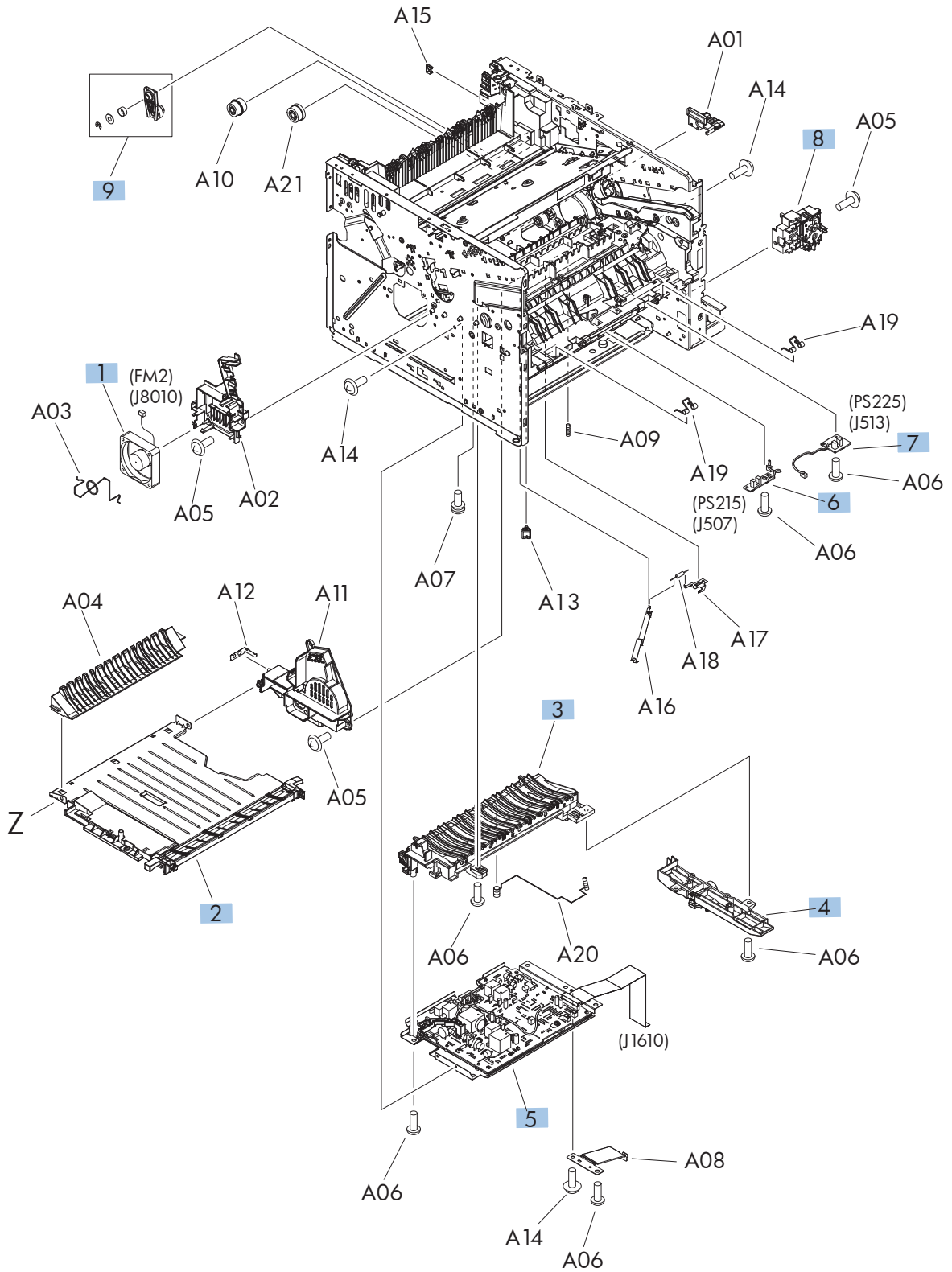


Table 2-17 Internal assemblies (4 of 6)

Ref	Description	Part number	Qty
1	Fan, sub	RK2-1499-000CN	1
2	Lower paper feed guide	RM1-6263-000CN	1
3	Paper-feed guide assembly	RM1-6270-000CN	1
4	Position-guide assembly	RM1-6273-000CN	1
5	High-voltage power supply PCA	RM1-8519-000CN	1
6	Top sensor PCA	RM1-8617-000CN	1
7	Paper width sensor PCA	RM1-8618-000CN	1
8	Switch assembly	RM1-8515-000CN	1
9	Pendulum service kit	RM1-6598-000CN	1

Internal assemblies (5 of 6)

Figure 2-14 Internal assemblies (5 of 6)

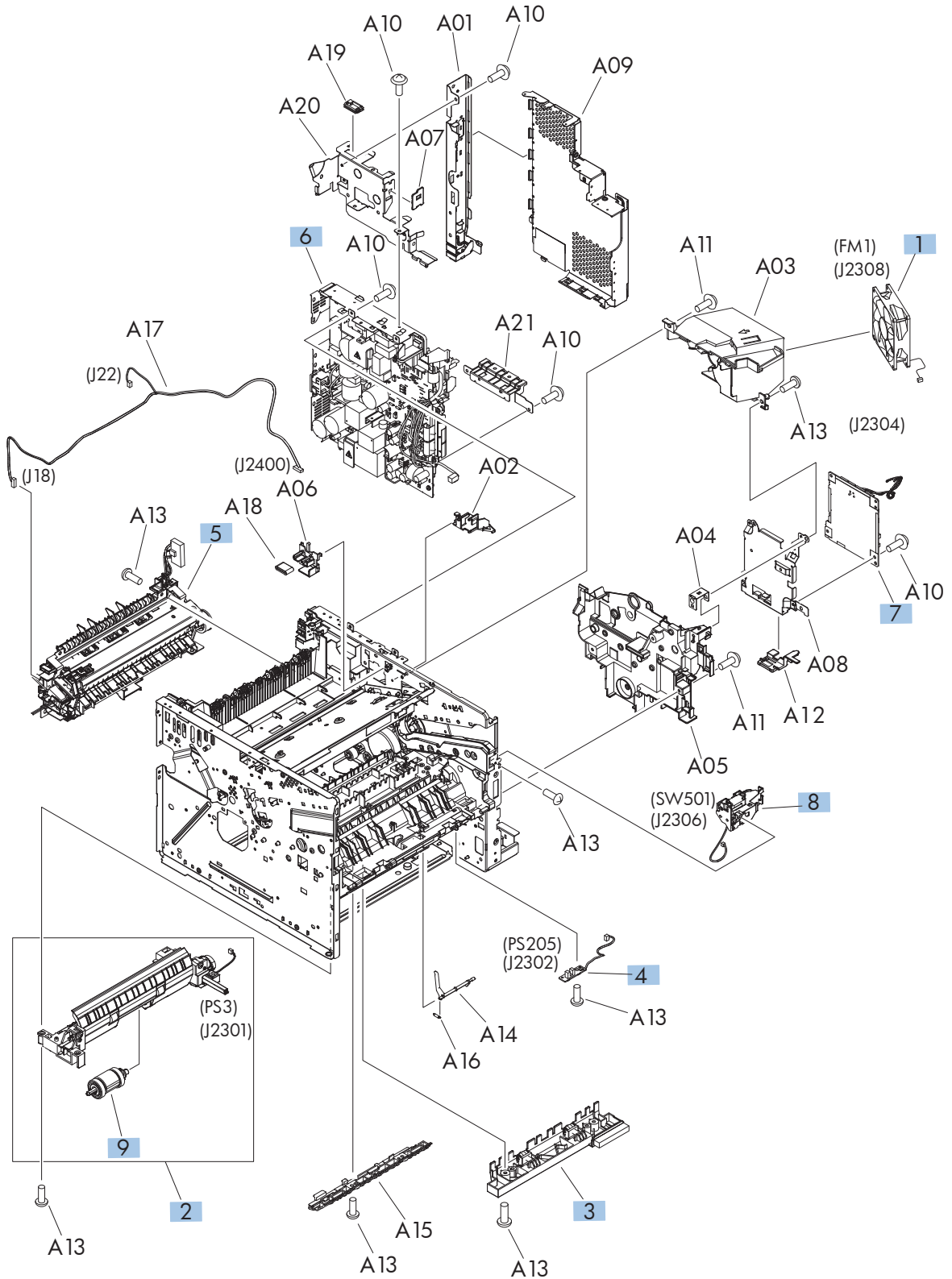


Table 2-18 Internal assemblies (5 of 6)

Ref	Description	Part number	Qty
1	Fan, main	RK2-2416-000CN	1
2	Tray 2, paper pickup assembly	RM1-8505-000CN	1
3	Idler roller assembly	RM1-8506-000CN	1
4	Multipurpose sensor PCA	RM1-8621-000CN	1
5	Fuser assembly (universal)	RM1-8508-000CN	1
6	Low voltage power supply assembly	RM1-8514-000CN	1
7	DC controller PCA	RM1-8615-000CN	1
8	Interlock switch assembly	RM1-8499-000CN	1
9	Tray pickup roller assembly	RM1-6323-000CN	1
Not shown	Stapler assembly (no cable) (see Stapler assembly on page 75)	5851-0786	1
Not shown	Stapler cable (see Stapler assembly on page 75)	CF116-60106	1
Not shown	Fax cradle, black plastic (CSR A)	5851-0672	1
Not shown	Hard drive, bracket	5851-3453	1
Not shown	Fax, cable (CSR A)	5851-3499	1
Not shown	Fax, cable, Israel (CSR A)	8120-8913	1
Not shown	Fax, cable, rest of the world (CSR A)	8121-0811	1
Not shown	Fax, cable, Switzerland (CSR A)	8121-0844	1
Not shown	Formatter, standard	CF105-69001	1
Not shown	Formatter, standard (China only)	CF116-67921	1

Internal assemblies (6 of 6)

Figure 2-15 Internal assemblies (6 of 6)

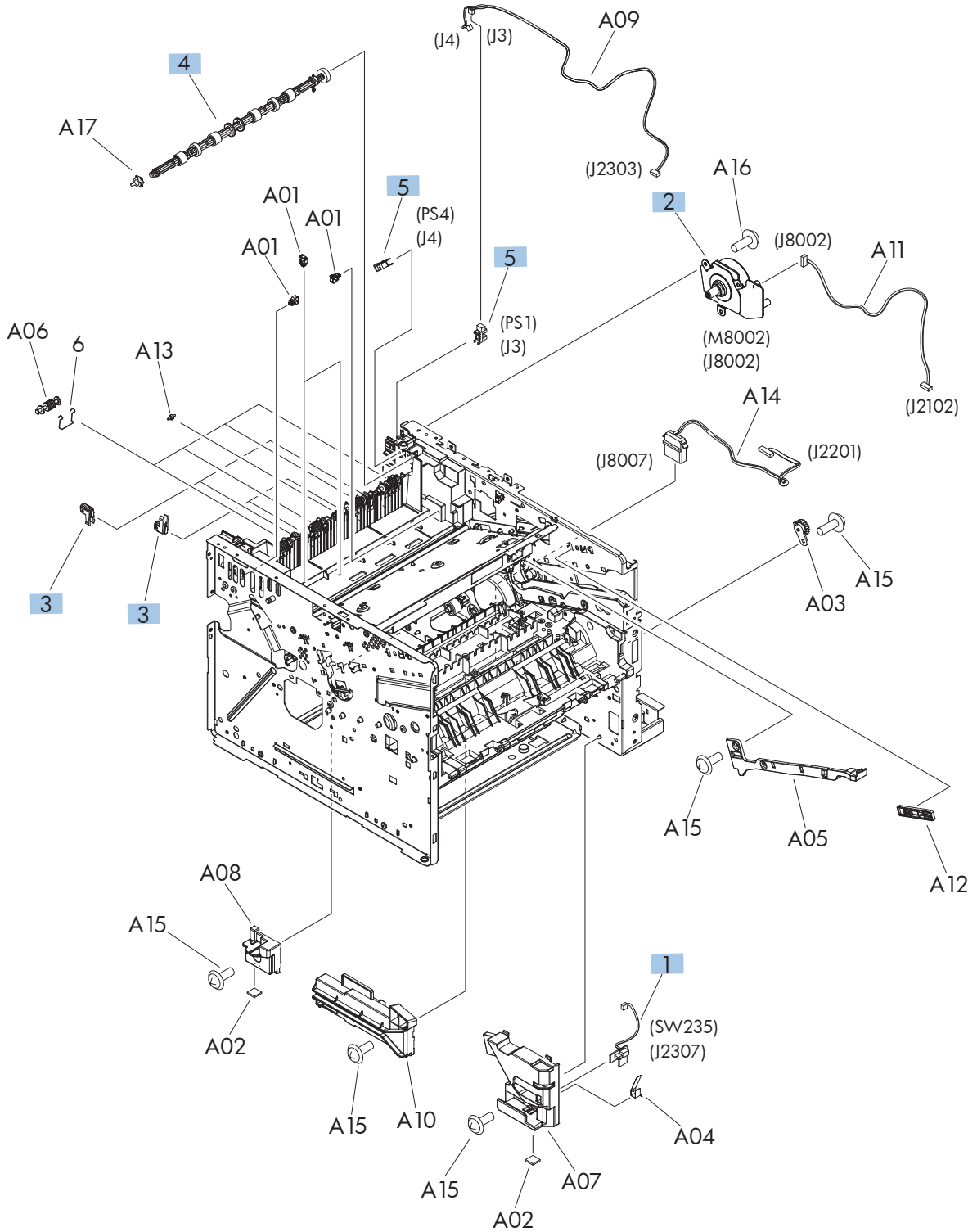


Table 2-19 Internal assemblies (6 of 6)

Ref	Description	Part number	Qty
1	Tray sensor PCA	RM1-8620-000CN	1
2	Fuser motor assembly	RM1-8523-000CN	1
3	Paper delivery roller assembly	RM1-6301-000CN	4
4	Face-down roller assembly	RM1-6311-000CN	1
5	Photo interrupter, IC	WG8-5935-000CN	2

Input devices

500-sheet input tray (Tray 3 and Tray 4)

Figure 2-16 500-sheet input tray (Tray 3 and Tray 4)

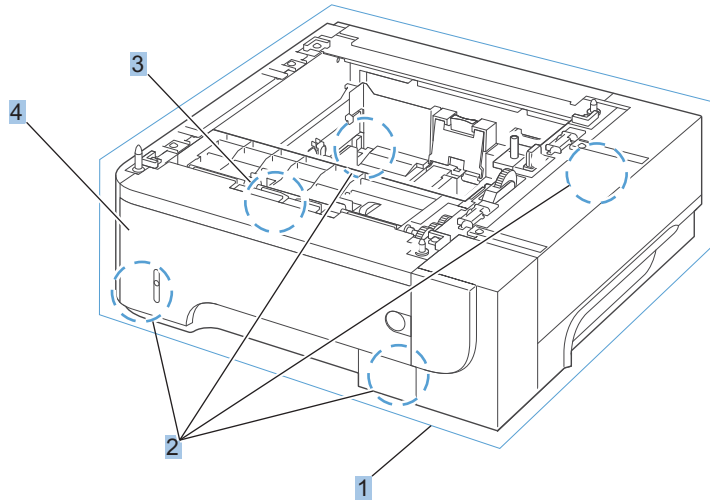


Table 2-20 500-sheet input tray (Tray 3 and Tray 4)

Ref	Description	Part number	Qty
1	Optional 500-sheet tray and feeder unit	CE530-69001	1
2	Base plate roller assembly (CSR A)	RM1-6306-000CN	4
3	Separation holder assembly	RM1-6303-000CN	1
4	Cassette, Tray 3/4 (CSR A)	RM1-6279-000CN	1

Alphabetical parts list

Table 2-21 Alphabetical parts list

Description	Part number	Table and page
ADF cover, bogie	CC355-40013	ADF assemblies on page 247
ADF hinge assembly	Q7404-60024	ADF assemblies on page 247
ADF separation pad spring	5851-4879	ADF assemblies on page 247
ADF tray extender (paper stopper)	Q7404-40020	ADF assemblies on page 247
Assy-harness (ADF cable) (see Document feeder cable on page 115)	Q7404-50007	ADF assemblies on page 247
Base plate roller assembly (CSR A)	RM1-6306-000CN	Internal assemblies (3 of 6) on page 255
Base plate roller assembly (CSR A)	RM1-6306-000CN	500-sheet input tray (Tray 3 and Tray 4) on page 263
Cable, flat	RK2-4218-000CN	Internal assemblies (1 of 6) on page 251
Cassette, Tray 2	RM1-8512-000CN	Internal assemblies (3 of 6) on page 255
Cassette, Tray 3/4 (CSR A)	RM1-6279-000CN	500-sheet input tray (Tray 3 and Tray 4) on page 263
Cave light	CF116-60104	Scanner assemblies on page 249
Control panel (M525c model; CSR B)	CD644-67920	Document feeder and scanner assemblies (525dn and 525f models) on page 239
Control panel assembly kit (525c models; CSR B)	CD644-67920	Control panel assembly on page 245
Control panel assembly kit (525dn and 525f models; CSR B)	CD644-67916	Control panel assembly on page 245
Control-panel cable	CF116-60105	Control panel assembly on page 245
Cover, ADF cable (asset chimney)	5851-0630	Scanner assemblies on page 249
Cover, ADF front (cover front)	Q7404-40030	ADF assemblies on page 247
Cover, ADF rear (cover rear)	Q7404-40007	ADF assemblies on page 247
Cover, dummy	RC3-1920-000CN	Covers on page 237
Cover, formatter	RC3-1863-000CN	Covers on page 237
Cover, handle, right	RC2-7675-000CN	Covers on page 237
Cover, hatch	Q7404-40006	ADF assemblies on page 247

Table 2-21 Alphabetical parts list (continued)

Description	Part number	Table and page
Cover, left assembly	RM1-8517-000CN	Covers on page 237
Cover, multipurpose assembly	CF116-67917	Covers on page 237
Cover, rear assembly	RM1-8518-000CN	Covers on page 237
Cover, rear scanner (rear cover)	CF116-40002	Scanner assemblies on page 249
Cover, right assembly	RM1-8498-000CN	Covers on page 237
Cover, right rear	RC2-7673-000CN	Covers on page 237
Cover, staple assembly	RM1-8520-000CN	Covers on page 237
Cover, top assembly	RM1-8516-000CN	Covers on page 237
DC controller PCA	RM1-8615-000CN	Internal assemblies (5 of 6) on page 259
Document feeder whole unit (M525c model; CSR N)	CF116-67922	Document feeder and scanner assemblies (525dn and 525f models) on page 239
Document feeder whole unit kit (CSR N)	CF116-67910	Document feeder and scanner assemblies (525dn and 525f models) on page 239
Door, cartridge assembly (CSR A)	RM1-8502-000CN	Covers on page 237
e-Duplex assembly, document feeder (M525c model; CSR A)	5851-5022	Document feeder and scanner assemblies (525dn and 525f models) on page 239
Face-down roller assembly	RM1-6311-000CN	Internal assemblies (6 of 6) on page 261
Fan, main	RK2-2416-000CN	Internal assemblies (5 of 6) on page 259
Fan, sub	RK2-1499-000CN	Internal assemblies (4 of 6) on page 257
Fax cradle, black plastic (CSR A)	5851-0672	Internal assemblies (5 of 6) on page 259
Fax, cable (CSR A)	5851-3499	Internal assemblies (5 of 6) on page 259
Fax, cable, Israel (CSR A)	8120-8913	Internal assemblies (5 of 6) on page 259
Fax, cable, rest of the world (CSR A)	8121-0811	Internal assemblies (5 of 6) on page 259
Fax, cable, Switzerland (CSR A)	8121-0844	Internal assemblies (5 of 6) on page 259

Table 2-21 Alphabetical parts list (continued)

Description	Part number	Table and page
FFC, control-panel keyboard (M525c model; CSR B)	CD644-60113	Document feeder and scanner assemblies (525dn and 525f models) on page 239
Formatter, standard	CF105-69001	Internal assemblies (5 of 6) on page 259
Formatter, standard (China only)	CF116-67921	Internal assemblies (5 of 6) on page 259
Fuser assembly (universal)	RM1-8508-000CN	Internal assemblies (5 of 6) on page 259
Fuser motor assembly	RM1-8523-000CN	Internal assemblies (6 of 6) on page 261
Hard drive, bracket	5851-3453	Internal assemblies (5 of 6) on page 259
High-voltage power supply PCA	RM1-8519-000CN	Internal assemblies (4 of 6) on page 257
Idler roller assembly	RM1-8506-000CN	Internal assemblies (5 of 6) on page 259
Interlock switch assembly	RM1-8499-000CN	Internal assemblies (5 of 6) on page 259
Keyboard assembly English (M525c model; CSR B)	5851-5380	Keyboard and brackets on page 243
Keyboard assembly United Kingdom (M525c model; CSR B)	5851-5008	Keyboard and brackets on page 243
Laser/scanner	RM1-6322-000CN	Internal assemblies (1 of 6) on page 251
Low voltage power supply assembly	RM1-8514-000CN	Internal assemblies (5 of 6) on page 259
Lower paper feed guide	RM1-6263-000CN	Internal assemblies (4 of 6) on page 257
Multipurpose lifting plate assembly	RM1-6325-000CN	Covers on page 237
Multipurpose sensor PCA	RM1-8621-000CN	Internal assemblies (5 of 6) on page 259
Mylar kit	5851-4998	ADF assemblies on page 247
Optional 500-sheet tray and feeder unit	CE530-69001	500-sheet input tray (Tray 3 and Tray 4) on page 263
Pad, multipurpose separation	RC2-8575-000CN	Internal assemblies (3 of 6) on page 255
Paper delivery roller assembly	RM1-6301-000CN	Internal assemblies (6 of 6) on page 261

Table 2-21 Alphabetical parts list (continued)

Description	Part number	Table and page
Paper width sensor PCA	RM1-8618-000CN	Internal assemblies (4 of 6) on page 257
Paper-feed guide assembly	RM1-6270-000CN	Internal assemblies (4 of 6) on page 257
PCA, scanner memory (see Scanner memory PCA (memory board) on page 112)	CF116-67923	Scanner assemblies on page 249
Pendulum service kit	RM1-6598-000CN	Internal assemblies (4 of 6) on page 257
Photo interrupter, IC	WG8-5935-000CN	Internal assemblies (6 of 6) on page 261
Position-guide assembly	RM1-6273-000CN	Internal assemblies (4 of 6) on page 257
Registration roller assembly	RM1-8507-000CN	Internal assemblies (3 of 6) on page 255
Roller, multipurpose	RL1-2412-000CN	Internal assemblies (3 of 6) on page 255
Roller, transfer	RM1-6321-000CN	Internal assemblies (3 of 6) on page 255
Scanner whole unit (CSR N)	CF116-67918	Document feeder and scanner assemblies (525dn and 525f models) on page 239
Scanner whole unit (M525c model; CSR N)	CF116-67924	Document feeder and scanner assemblies (525dn and 525f models) on page 239
Sensor, environmental PCA	RM1-8622-000CN	Internal assemblies (1 of 6) on page 251
Separation holder assembly	RM1-6303-000CN	Internal assemblies (3 of 6) on page 255
Separation holder assembly	RM1-6303-000CN	500-sheet input tray (Tray 3 and Tray 4) on page 263
Stapler assembly (no cable) (see Stapler assembly on page 75)	5851-0786	Internal assemblies (5 of 6) on page 259
Stapler cable (see Stapler assembly on page 75)	CF116-60106	Internal assemblies (5 of 6) on page 259
Stopper, bushing arm	RC2-7928-000CN	Internal assemblies (1 of 6) on page 251
Switch assembly	RM1-8515-000CN	Internal assemblies (4 of 6) on page 257
Tag holder assembly	RM1-8521-000CN	Internal assemblies (1 of 6) on page 251

Table 2-21 Alphabetical parts list (continued)

Description	Part number	Table and page
Top sensor PCA	RM1-8617-000CN	Internal assemblies (4 of 6) on page 257
Transfer lower guide assembly	RM1-6315-000CN	Internal assemblies (3 of 6) on page 255
Tray 2, paper pickup assembly	RM1-8505-000CN	Internal assemblies (5 of 6) on page 259
Tray pickup roller assembly	RM1-6323-000CN	Internal assemblies (5 of 6) on page 259
Tray sensor PCA	RM1-8620-000CN	Internal assemblies (6 of 6) on page 261
Tray 1 solenoid	RK2-1490-000CN	Internal assemblies (2 of 6) on page 253
Tray 2 solenoid	RK2-1492-000CN	Internal assemblies (2 of 6) on page 253

Numerical parts list

Table 2-22 Numerical parts list

Part number	Description	Table and page
5851-0630	Cover, ADF cable (asset chimney)	Scanner assemblies on page 249
5851-0672	Fax cradle, black plastic (CSR A)	Internal assemblies (5 of 6) on page 259
5851-0786	Stapler assembly (no cable) (see Stapler assembly on page 75)	Internal assemblies (5 of 6) on page 259
5851-3453	Hard drive, bracket	Internal assemblies (5 of 6) on page 259
5851-3499	Fax, cable (CSR A)	Internal assemblies (5 of 6) on page 259
5851-4879	ADF separation pad spring	ADF assemblies on page 247
5851-4998	Mylar kit	ADF assemblies on page 247
5851-5022	e-Duplex assembly, document feeder (M525c model; CSR A)	Document feeder and scanner assemblies (525dn and 525f models) on page 239
5851-5380	Keyboard assembly English (M525c model; CSR B)	Keyboard and brackets on page 243
5851-5008	Keyboard assembly United Kingdom (M525c model; CSR B)	Keyboard and brackets on page 243
8120-8913	Fax, cable, Israel (CSR A)	Internal assemblies (5 of 6) on page 259
8121-0811	Fax, cable, rest of the world (CSR A)	Internal assemblies (5 of 6) on page 259
8121-0844	Fax, cable, Switzerland (CSR A)	Internal assemblies (5 of 6) on page 259
CC355-40013	ADF cover, bogie	ADF assemblies on page 247
CD644-60113	FFC, control-panel keyboard (M525c model; CSR B)	Document feeder and scanner assemblies (525dn and 525f models) on page 239
CD644-67916	Control panel assembly kit (525dn and 525f models; CSR B)	Control panel assembly on page 245
CD644-67920	Control panel (M525c model; CSR B)	Document feeder and scanner assemblies (525dn and 525f models) on page 239
CD644-67920	Control panel assembly kit (525c models; CSR B)	Control panel assembly on page 245
CE530-69001	Optional 500-sheet tray and feeder unit	500-sheet input tray (Tray 3 and Tray 4) on page 263

Table 2-22 Numerical parts list (continued)

Part number	Description	Table and page
CF105-69001	Formatter, standard	Internal assemblies (5 of 6) on page 259
CF116-40002	Cover, rear scanner (rear cover)	Scanner assemblies on page 249
CF116-60104	Cave light	Scanner assemblies on page 249
CF116-60105	Control-panel cable	Control panel assembly on page 245
CF116-60106	Stapler cable (see Stapler assembly on page 75)	Internal assemblies (5 of 6) on page 259
CF116-67910	Document feeder whole unit kit (CSR N)	Document feeder and scanner assemblies (525dn and 525f models) on page 239
CF116-67917	Cover, multipurpose assembly	Covers on page 237
CF116-67918	Scanner whole unit (CSR N)	Document feeder and scanner assemblies (525dn and 525f models) on page 239
CF116-67921	Formatter, standard (China only)	Internal assemblies (5 of 6) on page 259
CF116-67922	Document feeder whole unit (M525c model; CSR N)	Document feeder and scanner assemblies (525dn and 525f models) on page 239
CF116-67923	PCA, scanner memory (see Scanner memory PCA (memory board) on page 112)	Scanner assemblies on page 249
CF116-67924	Scanner whole unit (M525c model; CSR N)	Document feeder and scanner assemblies (525dn and 525f models) on page 239
Q7404-40006	Cover, hatch	ADF assemblies on page 247
Q7404-40007	Cover, ADF rear (cover rear)	ADF assemblies on page 247
Q7404-40020	ADF tray extender (paper stopper)	ADF assemblies on page 247
Q7404-40030	Cover, ADF front (cover front)	ADF assemblies on page 247
Q7404-50007	Assy-harness (ADF cable) (see Document feeder cable on page 115)	ADF assemblies on page 247
Q7404-60024	ADF hinge assembly	ADF assemblies on page 247
RC2-7673-000CN	Cover, right rear	Covers on page 237
RC2-7675-000CN	Cover, handle, right	Covers on page 237
RC2-7928-000CN	Stopper, bushing arm	Internal assemblies (1 of 6) on page 251

Table 2-22 Numerical parts list (continued)

Part number	Description	Table and page
RC2-8575-000CN	Pad, multipurpose separation	Internal assemblies (3 of 6) on page 255
RC3-1863-000CN	Cover, formatter	Covers on page 237
RC3-1920-000CN	Cover, dummy	Covers on page 237
RK2-1490-000CN	Tray 1 solenoid	Internal assemblies (2 of 6) on page 253
RK2-1492-000CN	Tray 2 solenoid	Internal assemblies (2 of 6) on page 253
RK2-1499-000CN	Fan, sub	Internal assemblies (4 of 6) on page 257
RK2-2416-000CN	Fan, main	Internal assemblies (5 of 6) on page 259
RK2-4218-000CN	Cable, flat	Internal assemblies (1 of 6) on page 251
RL1-2412-000CN	Roller, multipurpose	Internal assemblies (3 of 6) on page 255
RM1-6263-000CN	Lower paper feed guide	Internal assemblies (4 of 6) on page 257
RM1-6270-000CN	Paper-feed guide assembly	Internal assemblies (4 of 6) on page 257
RM1-6273-000CN	Position-guide assembly	Internal assemblies (4 of 6) on page 257
RM1-6279-000CN	Cassette, Tray 3/4 (CSR A)	500-sheet input tray (Tray 3 and Tray 4) on page 263
RM1-6301-000CN	Paper delivery roller assembly	Internal assemblies (6 of 6) on page 261
RM1-6303-000CN	Separation holder assembly	Internal assemblies (3 of 6) on page 255
RM1-6303-000CN	Separation holder assembly	500-sheet input tray (Tray 3 and Tray 4) on page 263
RM1-6306-000CN	Base plate roller assembly (CSR A)	Internal assemblies (3 of 6) on page 255
RM1-6306-000CN	Base plate roller assembly (CSR A)	500-sheet input tray (Tray 3 and Tray 4) on page 263
RM1-6311-000CN	Face-down roller assembly	Internal assemblies (6 of 6) on page 261
RM1-6315-000CN	Transfer lower guide assembly	Internal assemblies (3 of 6) on page 255
RM1-6321-000CN	Roller, transfer	Internal assemblies (3 of 6) on page 255

Table 2-22 Numerical parts list (continued)

Part number	Description	Table and page
RM1-6322-000CN	Laser/scanner	Internal assemblies (1 of 6) on page 251
RM1-6323-000CN	Tray pickup roller assembly	Internal assemblies (5 of 6) on page 259
RM1-6325-000CN	Multipurpose lifting plate assembly	Covers on page 237
RM1-6598-000CN	Pendulum service kit	Internal assemblies (4 of 6) on page 257
RM1-8498-000CN	Cover, right assembly	Covers on page 237
RM1-8499-000CN	Interlock switch assembly	Internal assemblies (5 of 6) on page 259
RM1-8502-000CN	Door, cartridge assembly (CSR A)	Covers on page 237
RM1-8505-000CN	Tray 2, paper pickup assembly	Internal assemblies (5 of 6) on page 259
RM1-8506-000CN	Idler roller assembly	Internal assemblies (5 of 6) on page 259
RM1-8507-000CN	Registration roller assembly	Internal assemblies (3 of 6) on page 255
RM1-8508-000CN	Fuser assembly (universal)	Internal assemblies (5 of 6) on page 259
RM1-8512-000CN	Cassette, Tray 2	Internal assemblies (3 of 6) on page 255
RM1-8514-000CN	Low voltage power supply assembly	Internal assemblies (5 of 6) on page 259
RM1-8515-000CN	Switch assembly	Internal assemblies (4 of 6) on page 257
RM1-8516-000CN	Cover, top assembly	Covers on page 237
RM1-8517-000CN	Cover, left assembly	Covers on page 237
RM1-8518-000CN	Cover, rear assembly	Covers on page 237
RM1-8519-000CN	High-voltage power supply PCA	Internal assemblies (4 of 6) on page 257
RM1-8520-000CN	Cover, staple assembly	Covers on page 237
RM1-8521-000CN	Tag holder assembly	Internal assemblies (1 of 6) on page 251
RM1-8523-000CN	Fuser motor assembly	Internal assemblies (6 of 6) on page 261
RM1-8615-000CN	DC controller PCA	Internal assemblies (5 of 6) on page 259
RM1-8617-000CN	Top sensor PCA	Internal assemblies (4 of 6) on page 257

Table 2-22 Numerical parts list (continued)

Part number	Description	Table and page
RM1-8618-000CN	Paper width sensor PCA	Internal assemblies (4 of 6) on page 257
RM1-8620-000CN	Tray sensor PCA	Internal assemblies (6 of 6) on page 261
RM1-8621-000CN	Multipurpose sensor PCA	Internal assemblies (5 of 6) on page 259
RM1-8622-000CN	Sensor, environmental PCA	Internal assemblies (1 of 6) on page 251
WG8-5935-000CN	Photo interrupter, IC	Internal assemblies (6 of 6) on page 261

Index

A

- accessories
 - ordering 226
- after service checklist 5

B

- back-side background selector assembly
 - removing 49

C

- calibrate
 - image scanner whole unit 129, 142
- cartridge
 - ordering 227
 - part number 227
 - removing 12
- cartridge door
 - removing 86
- cassette
 - Tray 2, removing 14
 - Tray 3, removing 14
 - Tray 4, removing 14
- cautions iii
- checklists
 - after service 5
 - preservice 5
- control-panel assembly
 - removing 16
- control-panel assembly (M525c model)
 - removing 19
- control-panel cable
 - removing 144
- conventions, document iii

D

- DC controller
 - removing 185
- deskew mylar
 - removing 102
- disk drives
 - removing 63
- document conventions iii
- document feeder front cover
 - removing 89
- document feeder hinge assembly
 - removing 143
- document feeder jam-access cover
 - removing 106
- document feeder PCA
 - removing 105
- document feeder pickup roller
 - removing 56
- document feeder rear cover
 - removing 91
- document feeder roller cover
 - removing 109
- document feeder separation pad
 - removing 58
- document feeder separation pad spring
 - removing 58
- document feeder tray extender
 - removing 104
- document feeder whole unit (standard model)
 - removing 119
- duplex media-feed
 - removing 166

E

- electrostatic discharge (ESD) 2
- environmental sensor
 - removing 215

- ESD (electrostatic discharge) 2

F

- fasteners
 - screws 232
- fax card and cable
 - removing 61
- FFC, keyboard yto control-panel assembly
 - removing 35
- foam reflector
 - installing 129, 141
 - removing 51
- formatter cover
 - removing 69
- formatter PCA
 - removing 70
- fuser
 - removing 163
- fuser motor
 - removing 205

H

- hard drive
 - removing 63
- hardward integration pocket
 - removing 15
- high-voltage power supply (HVPS)
 - removing 217
- HIP
 - removing 15

I

- image scanner (standard model) whole unit
 - removing 122
- image scanner whole unit
 - calibrating 129, 142

- install
 - white document feeder
 - backing 129, 141
- integrated scanner assembly (525c model) whole unit
 - removing 130
- interlock switch assembly
 - removing 172
- K**
- keyboard assembly (M525c model)
 - removing 40
- keyboard overlay (M525c model)
 - installing 45
- L**
- laser scanner
 - removing 181
- left cover
 - removing 80
- location
 - covers 236
 - internal assemblies 250
 - optional trays or accessories (base product) 235
- low-voltage power supply
 - removing 189
- M**
- main fan
 - removing 176
- N**
- notes iii
- O**
- ocument feeder cable
 - removing 115
- ordering
 - print cartridge 227
 - product documents 232
 - supplies and accessories 226
- P**
- part number
 - print cartridge 227
- part numbers
 - screws 232
- parts
 - 500-sheet input tray 262
 - control panel 244
 - covers 236
 - internal assemblies 250
 - optional trays or accessories (base product) 235
- pendulum
 - removing 207
- post-service tests 5
- power-switch assembly
 - removing 171
- preservice checklist 5
- print cartridge
 - ordering 227
 - part number 227
- print-quality test 5
- R**
- rear cover
 - removing 88
- rear cover assembly
 - removing 76
- rear scanner cover
 - removing 88
- registration roller assembly
 - removing 169
- removing parts
 - back-side background selector assembly 49
 - cartridge door 86
 - cautions for 2
 - checklists 5
 - control-panel assembly 16
 - control-panel assembly (M525c model) 19
 - control-panel assembly to keyboard FFC 35
 - control-panel cable 144
 - DC controller 185
 - deskew mylar 102
 - disk drives 63
 - document feeder cable 115
 - document feeder front cover 89
 - document feeder hinge assembly 143
 - document feeder jam-access cover 106
 - document feeder PCA 105
 - document feeder pickup roller 56
- document feeder rear cover 91
- document feeder roller cover 109
- document feeder separation pad 58
- document feeder tray
 - extender 104
- document feeder whole unit (standard model) 119
- duplex media-feed 166
- environmental sensor 215
- fax card and cable 61
- foam reflector 51
- formatter cover 69
- formatter PCA 70
- fuser 163
- fuser motor 205
- hard drive 63
- hardward integration pocket 15
- high-voltage power supply (HVPS) 217
- image scanner (standard model) whole unit 122
- integrated scanner assembly (525c model) whole unit 130
- interlock switch assembly 172
- keyboard assembly (M525c model) 40
- laser scanner 181
- left cover 80
- low-voltage power supply 189
- main fan 176
- pendulum 207
- power-switch assembly 171
- rear cover 88
- rear cover assembly 76
- rear scanner cover 88
- registration roller assembly 169
- right cover assembly 93
- right handle cover 98
- right-rear cover 82
- scanner memory PCA 112
- separation mylar 102
- service approach 5
- solid state memory 66
- stapler 75
- stapler cover 72

- sub cover 12
- sub fan 210
- substitute stapler cover 74
- tag holder assembly 184
- toner cartridge 12
- top cover 178
- transfer roller 161
- tray 1 cover 84
- Tray 1 pickup roller 146
- Tray 1 pickup solenoid 202
- Tray 1 separation pad 148
- Tray 2 base-plate roller 160
- Tray 2 paper pickup assembly 196
- Tray 2 pickup roller assembly 149
- Tray 2 pickup solenoid 202
- Tray 2 separation holder 159
- Tray 3 base-plate roller 160
- Tray 3 pickup roller assembly 149
- Tray 3 separation holder 159
- Tray 4 base-plate roller 160
- Tray 4 pickup roller assembly 149
- Tray 4 separation holder 159
- tray cassette 14
- tray extender 104
- tray sensor PCA 174
- USB cover 15
- white document feeder backing 51
- repair approach 5
- replacing parts
 - cautions for 2
 - service approach 5
- right cover assembly removing 93
- right handle cover removing 98
- right-rear cover removing 82

S

- scanner memory PCA removing 112
- screwdrivers, required 3
- screws
 - part numbers 232

- replacing 2
- types of 3
- separation mylar removing 102
- service
 - approach 5
- solid state memory removing 66
- stapler removing 75
- stapler cover removing 72
- static precautions 2
- sub cover removing 12
- sub fan removing 210
- substitute stapler cover removing 74
- supplies ordering 226

T

- tag holder assembly removing 184
- tests
 - post-service 5
 - print-quality 5
- tips iii
- toner cartridge removing 12
- tools, required 3
- top cover removing 178
- transfer roller removing 161
- tray 1 cover removing 84
- Tray 1 pickup roller removing 146
- Tray 1 pickup solenoid removing 202
- Tray 1 separation pad removing 148
- Tray 2 base-plate roller removing 160
- Tray 2 paper pickup assembly removing 196
- Tray 2 pickup roller assembly removing 149

- Tray 2 pickup solenoid removing 202
- Tray 2 separation holder removing 159
- Tray 3 base-plate roller removing 160
- Tray 3 pickup roller assembly removing 149
- Tray 3 separation holder removing 159
- Tray 4 base-plate roller removing 160
- Tray 4 pickup roller assembly removing 149
- Tray 4 separation holder removing 159
- tray extender removing 104
- tray sensor PCA removing 174
- trays removing 14
- troubleshooting
 - service approach 5

U

- USB cover removing 15

W

- warnings iii
- white document feeder backing installing 129, 141 removing 51



CF116-90902

