



LASERJET PRO MFP

Repair Manual



M125-126



M127-128



M127-128



HP LaserJet Pro MFP M125, M126, M127, M128

Repair Manual

Copyright and License

© 2013 Copyright Hewlett-Packard Development Company, L.P.

Reproduction, adaptation, or translation without prior written permission is prohibited, except as allowed under the copyright laws.

The information contained herein is subject to change without notice.

The only warranties for HP products and services are set forth in the express warranty statements accompanying such products and services. Nothing herein should be construed as constituting an additional warranty. HP shall not be liable for technical or editorial errors or omissions contained herein.


Part number: CZ183-90905


Edition 1, 9/2013


Trademark Credits

Microsoft®, Windows®, Windows® XP, and Windows Vista® are U.S. registered trademarks of Microsoft Corporation.

Conventions used in this guide

 **TIP:** Tips provide helpful hints or shortcuts.

 **NOTE:** Notes provide important information to explain a concept or to complete a task.

 **CAUTION:** Cautions indicate procedures that you should follow to avoid losing data or damaging the product.


 **WARNING!** Warnings alert you to specific procedures that you should follow to avoid personal injury, catastrophic loss of data, or extensive damage to the product.

Table of contents

1 Removal and replacement	1
Removal and replacement strategy	2
Introduction	2
Required tools	2
Types of screws	3
Service approach	4
Before performing service	4
After performing service	4
Parts removal order	4
Removal and replacement procedures	5
Customer-replaceable parts	5
Toner cartridge	5
Input tray	6
Short-media extender	7
Pickup roller	7
Separation pad	10
Handset (M128fp model only)	11
Covers and external components	12
Paper-delivery tray (output bin extension)	12
Left cover	13
Remove the left cover	13
Scanner assembly	14
Remove the scanner assembly	14
Cartridge door	17
Remove the cartridge door	17
Front cover and control-panel assembly	19
Remove the front cover	19
Remove the control-panel assembly	22
Right cover	24
Remove the right cover	24
Top cover and image scanner lock	27
Remove the top cover and image scanner lock	27

Rear cover	29
Remove the rear cover	29
Reinstall the rear cover	30
Main assemblies	31
Transfer roller	31
Left-side PCAs	33
Wireless PCA (wireless models only)	35
Formatter PCA	37
Fax PCA (fax models only)	42
Laser scanner assembly and cable	43
Remove the laser scanner assembly and cable	43
Motor PCA and motor	45
Remove the motor PCA and motor	45
Engine controller PCA	51
Remove the engine controller PCA	51
Reinstall the engine controller PCA	57
Fuser and delivery sensor PCA	60
Remove the fuser and delivery sensor PCA	60
Reinstall the fuser	62
Pickup assembly and pickup sensor PCA	64
Remove the pickup assembly and pickup sensor PCA	64
Reinstall tips for the grounding spring and lifting plate	66
Scanner and document feeder components	69
Separate the scanner lid or document feeder from the scan base	69
Scanner components	71
Scan bezel	71
Scan drive system	73
Scan FFC cable	74
Scan motor	76
Scanner spring assembly	78
Document feeder components	80
Document feeder (ADF) top cover	80
ADF core	81
ADF separation pad	82
ADF inner tray	86
ADF input guides and gear	86
ADF pre-pickup arm assembly	89
2 Parts and diagrams	91
Order parts by authorized service providers	92
Order replacement parts	92

Related documentation	92
Supplies part numbers	92
Customer replaceable units (CRU) kit part numbers	93
Whole-unit replacement part numbers	94
How to use the parts lists and diagrams	95
Covers and external components	96
Internal assemblies	98
Internal assemblies (1 of 3)	98
Internal assemblies (2 of 3)	100
Internal assemblies (3 of 3)	102
Scanner and document feeder components	104
Scanner lid, base models	104
Scanner assembly, base models	106
Scan drive system, all models	108
Scanner and document feeder assembly, fax models	110
Scanner assembly, fax models	112
Document feeder assembly, fax models	114
Document feeder top cover, fax models	116
Document feeder core, fax models	118
Alphabetical parts list	120
Numerical parts list	124
Index	129

List of tables

Table 1-1	Types of screws	3
Table 2-1	Order parts, accessories, and supplies	92
Table 2-2	Related documentation	92
Table 2-3	Supplies part numbers	92
Table 2-4	Customer replaceable units (CRU) kit part numbers	93
Table 2-5	Whole-unit replacement part numbers	94
Table 2-6	Covers and external components	97
Table 2-7	Internal assemblies (1 of 3)	99
Table 2-8	Internal assemblies (2 of 3)	101
Table 2-9	Internal assemblies (3 of 3)	103
Table 2-10	Scanner lid, base models	105
Table 2-11	Scanner assembly, base models	107
Table 2-12	Scan drive system, all models	109
Table 2-13	Scanner and document feeder assembly, fax models	111
Table 2-14	Scanner assembly, fax models	113
Table 2-15	Document feeder assembly, fax models	115
Table 2-16	Document feeder top cover, fax models	117
Table 2-17	Document feeder core, fax models	119
Table 2-18	Alphabetical parts list	120
Table 2-19	Numerical parts list	124

List of figures

Figure 1-1	Screwdrivers	2
Figure 1-2	Remove the toner cartridge (1 of 3)	5
Figure 1-3	Remove the toner cartridge (2 of 3)	5
Figure 1-4	Remove the toner cartridge (3 of 3)	6
Figure 1-5	Remove the input tray	6
Figure 1-6	Remove the short-media extender	7
Figure 1-7	Remove the pickup roller (1 of 5)	7
Figure 1-8	Remove the pickup roller (2 of 5)	8
Figure 1-9	Remove the pickup roller (3 of 5)	8
Figure 1-10	Remove the pickup roller (4 of 5)	9
Figure 1-11	Remove the pickup roller (5 of 5)	9
Figure 1-12	Remove the separation pad (1 of 2)	10
Figure 1-13	Remove the separation pad (2 of 2)	10
Figure 1-14	Remove the handset (1 of 2)	11
Figure 1-15	Remove the handset (2 of 2)	11
Figure 1-16	Remove the paper-delivery tray	12
Figure 1-17	Remove the left cover (1 of 2)	13
Figure 1-18	Remove the left cover (2 of 2)	13
Figure 1-19	Remove the scanner assembly (1 of 4)	14
Figure 1-20	Remove the scanner assembly (2 of 4)	15
Figure 1-21	Remove the scanner assembly (3 of 4)	15
Figure 1-22	Remove the scanner assembly (4 of 4)	16
Figure 1-23	Remove the cartridge door (1 of 3)	17
Figure 1-24	Remove the cartridge door (2 of 3)	17
Figure 1-25	Remove the cartridge door (3 of 3)	18
Figure 1-26	Remove the front cover (1 of 5)	19
Figure 1-27	Remove the front cover (2 of 5)	20
Figure 1-28	Remove the front cover (3 of 5)	20
Figure 1-29	Remove the front cover (4 of 5)	21
Figure 1-30	Remove the front cover (5 of 5)	21
Figure 1-31	Remove the control-panel assembly (1 of 4)	22
Figure 1-32	Remove the control-panel assembly (2 of 4)	22

Figure 1-33	Remove the control-panel assembly (3 of 4)	23
Figure 1-34	Remove the control-panel assembly (4 of 4)	23
Figure 1-35	Remove the right cover (1 of 5)	24
Figure 1-36	Remove the right cover (2 of 5)	25
Figure 1-37	Remove the right cover (3 of 5)	25
Figure 1-38	Remove the right cover (4 of 5)	26
Figure 1-39	Remove the right cover (5 of 5)	26
Figure 1-40	Remove the top cover	27
Figure 1-41	Remove the image scanner lock	28
Figure 1-42	Reinstall the top cover	28
Figure 1-43	Remove the rear cover	29
Figure 1-44	Reinstall the rear cover	30
Figure 1-45	Remove the transfer roller (1 of 4)	31
Figure 1-46	Remove the transfer roller (2 of 4)	31
Figure 1-47	Remove the transfer roller (3 of 4)	32
Figure 1-48	Remove the transfer roller (4 of 4)	32
Figure 1-49	PCA layout for the base models (M125a, M125r, M125ra)	33
Figure 1-50	PCA layout for the base + wireless models (M125nw, M126nw, M125rnw)	33
Figure 1-51	PCA layout for the fax models (M127fn, M128fn, M128fp)	34
Figure 1-52	PCA layout for the fax + wireless models (M127fw, M128fw)	34
Figure 1-53	Remove the wireless PCA (1 of 3)	19
Figure 1-54	Remove the wireless PCA (2 of 3)	35
Figure 1-55	Remove the wireless PCA (3 of 3)	36
Figure 1-56	Reinstall the wireless PCA	36
Figure 1-57	Remove the formatter PCA for base models (1 of 2)	37
Figure 1-58	Remove the formatter PCA for base models (2 of 2)	37
Figure 1-59	Remove the formatter PCA for base + wireless models (1 of 2)	38
Figure 1-60	Remove the formatter PCA for base + wireless models (2 of 2)	38
Figure 1-61	Remove the formatter PCA for fax models (1 of 2)	39
Figure 1-62	Remove the formatter PCA for fax models (2 of 2)	39
Figure 1-63	Remove the formatter PCA for fax + wireless models (1 of 4)	40
Figure 1-64	Remove the formatter PCA for fax + wireless models (2 of 4)	40
Figure 1-65	Remove the formatter PCA for fax + wireless models (3 of 4)	41
Figure 1-66	Remove the formatter PCA for fax + wireless models (4 of 4)	41
Figure 1-67	Remove the fax PCA (1 of 2)	42
Figure 1-68	Remove the fax PCA (2 of 2)	42
Figure 1-69	Remove the laser scanner assembly and cable (1 of 2)	43
Figure 1-70	Remove the laser scanner assembly and cable (2 of 2)	44
Figure 1-71	Remove the motor PCA (1 of 2)	45
Figure 1-72	Remove the motor PCA (2 of 2)	46
Figure 1-73	Remove the motor PCA bracket	46

Figure 1-74	Remove the motor, simple method (1 of 4)	47
Figure 1-75	Remove the motor, simple method (2 of 4)	47
Figure 1-76	Remove the motor, simple method (3 of 4)	48
Figure 1-77	Remove the motor, simple method (4 of 4)	48
Figure 1-78	Remove the motor, complex method (1 of 3)	49
Figure 1-79	Remove the motor, complex method (2 of 3)	49
Figure 1-80	Remove the motor, complex method (3 of 3)	50
Figure 1-81	Remove the engine controller PCA (1 of 12)	51
Figure 1-82	Remove the engine controller PCA (2 of 12)	52
Figure 1-83	Remove the engine controller PCA (3 of 12)	52
Figure 1-84	Remove the engine controller PCA (4 of 12)	53
Figure 1-85	Remove the engine controller PCA (5 of 12)	53
Figure 1-86	Remove the engine controller PCA (6 of 12)	54
Figure 1-87	Remove the engine controller PCA (7 of 12)	54
Figure 1-88	Remove the engine controller PCA (8 of 12)	55
Figure 1-89	Remove the engine controller PCA (9 of 12)	55
Figure 1-90	Remove the engine controller PCA (10 of 12)	56
Figure 1-91	Remove the engine controller PCA (11 of 12)	56
Figure 1-92	Remove the engine controller PCA (12 of 12)	57
Figure 1-93	Reinstall the engine controller PCA (1 of 4)	57
Figure 1-94	Reinstall the engine controller PCA (2 of 4)	58
Figure 1-95	Reinstall the engine controller PCA (3 of 4)	58
Figure 1-96	Reinstall the engine controller PCA (4 of 4)	59
Figure 1-97	Remove the fuser and delivery sensor PCA (1 of 4)	60
Figure 1-98	Remove the fuser and delivery sensor PCA (2 of 4)	61
Figure 1-99	Remove the fuser and delivery sensor PCA (3 of 4)	61
Figure 1-100	Remove the fuser and delivery sensor PCA (4 of 4)	62
Figure 1-101	Reinstall the fuser; correct wire harness installation	62
Figure 1-102	Reinstall the fuser; incorrect wire harness installation	63
Figure 1-103	Remove the pickup assembly and pickup sensor PCA (1 of 4)	64
Figure 1-104	Remove the pickup assembly and pickup sensor PCA (2 of 4)	65
Figure 1-105	Remove the pickup assembly and pickup sensor PCA (3 of 4)	65
Figure 1-106	Remove the pickup assembly and pickup sensor PCA (4 of 4)	66
Figure 1-107	Reinstall the pickup assembly; correct ground spring position (1 of 4)	66
Figure 1-108	Reinstall the pickup assembly; incorrect ground spring position (2 of 4)	67
Figure 1-109	Reinstall the pickup assembly; lift plate in raised position (3 of 4)	68
Figure 1-110	Reinstall the pickup assembly; lift plate in lowered position (4 of 4)	68
Figure 1-111	Separate the scanner lid or document feeder from the scan base (1 of 2)	69
Figure 1-112	Separate the scanner lid or document feeder from the scan base (2 of 2)	70
Figure 1-113	Remove the scan bezel (1 of 2)	71
Figure 1-114	Remove the scan bezel (2 of 2)	72

Figure 1-115	Remove the scan drive system	73
Figure 1-116	Remove the scan FFC cable (1 of 3)	74
Figure 1-117	Remove the scan FFC cable (2 of 3)	75
Figure 1-118	Remove the scan FFC cable (3 of 3)	75
Figure 1-119	Remove the scan motor (1 of 2)	76
Figure 1-120	Remove the scan motor (2 of 2)	77
Figure 1-121	Reinstall the scan motor	77
Figure 1-122	Remove the scanner spring assembly (1 of 2)	78
Figure 1-123	Remove the scanner spring assembly (2 of 2)	78
Figure 1-124	Reinstall the scanner spring assembly	79
Figure 1-125	Remove the ADF top cover (1 of 2)	80
Figure 1-126	Remove the ADF top cover (2 of 2)	80
Figure 1-127	Remove the ADF core (1 of 2)	81
Figure 1-128	Remove the ADF core (2 of 2)	81
Figure 1-129	Remove the ADF separation pad assembly (1 of 3)	80
Figure 1-130	Remove the ADF separation pad assembly (2 of 3)	82
Figure 1-131	Remove the ADF separation pad assembly (3 of 3)	83
Figure 1-132	Reinstall the ADF separation pad assembly (1 of 5)	83
Figure 1-133	Reinstall the ADF separation pad assembly (2 of 5)	84
Figure 1-134	Reinstall the ADF separation pad assembly (3 of 5)	84
Figure 1-135	Reinstall the ADF separation pad assembly (4 of 5)	85
Figure 1-136	Reinstall the ADF separation pad assembly (5 of 5)	85
Figure 1-137	Remove the ADF inner tray	86
Figure 1-138	Remove the ADF input guides and gear (1 of 3)	87
Figure 1-139	Remove the ADF input guides and gear (2 of 3)	87
Figure 1-140	Remove the ADF input guides and gear (3 of 3)	88
Figure 1-141	Remove the ADF pre-pickup arm assembly (1 of 2)	89
Figure 1-142	Remove the ADF pre-pickup arm assembly (2 of 2)	89
Figure 2-1	Covers and external components	96
Figure 2-2	Internal assemblies (1 of 3)	98
Figure 2-3	Internal assemblies (2 of 3)	100
Figure 2-4	Internal assemblies (3 of 3)	102
Figure 2-5	Scanner lid, base models	104
Figure 2-6	Scanner assembly, base models	106
Figure 2-7	Scan drive system, all models	108
Figure 2-8	Scanner and document feeder assembly, fax models	110
Figure 2-9	Scanner assembly, fax models	112
Figure 2-10	Document feeder assembly, fax models	114
Figure 2-11	Document feeder top cover, fax models	116
Figure 2-12	Document feeder core, fax models	118

1 Removal and replacement

- [Removal and replacement strategy](#)
- [Service approach](#)
- [Removal and replacement procedures](#)

Removal and replacement strategy

Introduction

This chapter describes the removal and replacement of field-replaceable units (FRUs) only.

Replacing FRUs is generally the reverse of removal. Notes are included to provide directions for difficult or critical replacement procedures.

HP does not support repairing individual subassemblies or troubleshooting to the component level.

Never operate or service the product with the protective cover removed from the laser scanner assembly. The reflected beam, although invisible, can damage your eyes.

The sheet-metal parts can have sharp edges. Be careful when handling sheet-metal parts.

CAUTION: Some parts are sensitive to electrostatic discharge (ESD). Look for the ESD reminder when removing product parts. Always perform service work at an ESD-protected workstation or mat. If an ESD workstation or mat is not available, ground yourself by touching the sheet-metal chassis *before* touching an ESD-sensitive part.

Protect the ESD-sensitive parts by placing them in ESD pouches when they are out of the product.

CAUTION: Do not bend or fold the flat flexible cables (FFCs) during removal or installation.

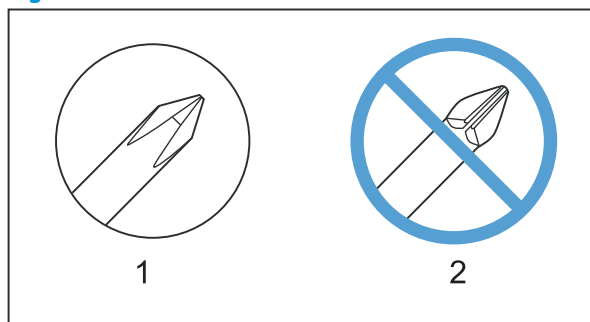
NOTE: To install a self-tapping screw, first turn it counterclockwise to align it with the existing thread pattern, and then carefully turn it clockwise to tighten. Do not overtighten. If a self-tapping screw-hole becomes stripped, repair the screw-hole or replace the affected assembly.

Required tools

- #2 Phillips screwdriver with a magnetic tip and a 152-mm (6-inch) shaft length
- Small flat-blade screwdriver
- Torx® drivers, sizes T9 and T10
- Needle-nose pliers
- ESD strap (if one is available)
- Penlight

CAUTION: Always use a Phillips screwdriver (callout 1). Do not use a pozidrive screwdriver (callout 2) or any motorized screwdriver. These can damage screws or screw threads.

Figure 1-1 Screwdrivers


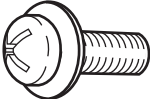
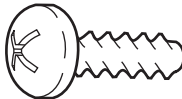


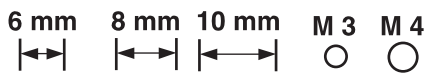
⚠ CAUTION: Do *not* pull directly on the wires to disconnect them. *Always* pull on the plastic body of a connector to avoid damaging the connector wires.

Types of screws

⚠ WARNING! Make sure that components are replaced with the correct screw type. Using an incorrect screw (for example, substituting a long screw for the correct shorter screw) can cause damage to the product or interfere with product operation. Do not intermix screws that are removed from one component with the screws that are removed from another component.


Table 1-1 Types of screws

Illustration	Description	Size	Part number	Use
	Screw, pan head, silver	M3×6	0515-2908	Used to secure electrical boards and ground wires
	Screw, pan head, black	M3×8	0515-4681	Used to secure the left cover
	Screw, tapping, pan head, black	M4×10	0515-4680	Used to secure the front cover



Service approach

Before performing service

 **WARNING!** Turn the product off, wait 5 seconds, and then remove the power cord before attempting to service the product. *If this warning is not followed, severe injury and damage to the device can result.* The power must be on for certain functional checks during troubleshooting. However, the power supply should be disconnected during parts removal.

- Remove all media.
- Place the product on an ESD mat (if available).
- Remove the toner cartridge. See [Toner cartridge on page 5](#).
- Remove the input tray. See [Input tray on page 6](#).

After performing service

- Reinstall the input tray.
- Load paper in the tray.
- Reinstall the toner cartridge.
- Plug in the power cable and turn on the product.

Parts removal order

If multiple components must be removed to gain access to an assembly, the first step of the removal procedure lists all of the components that must be removed to gain access to that assembly. Use these lists to determine which parts must be removed before removing other parts.

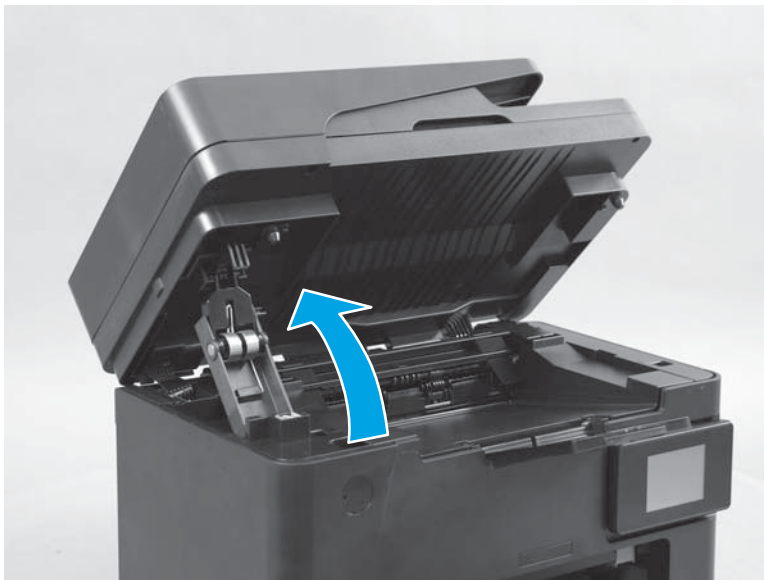
Removal and replacement procedures

Customer-replaceable parts

Toner cartridge

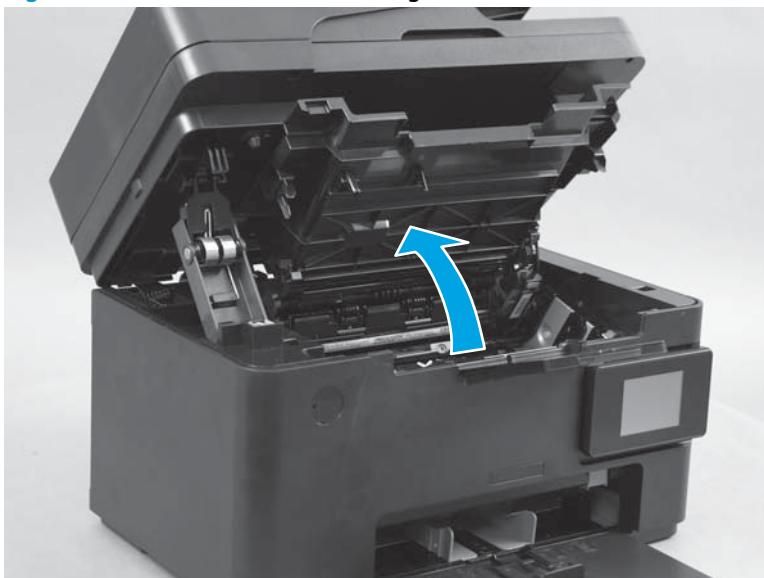
1. Open the scanner assembly.

Figure 1-2 Remove the toner cartridge (1 of 3)



2. Open the cartridge door.

Figure 1-3 Remove the toner cartridge (2 of 3)



3. Remove the toner cartridge.

Figure 1-4 Remove the toner cartridge (3 of 3)



Input tray

- ▲ Pull the input tray straight out to remove it.

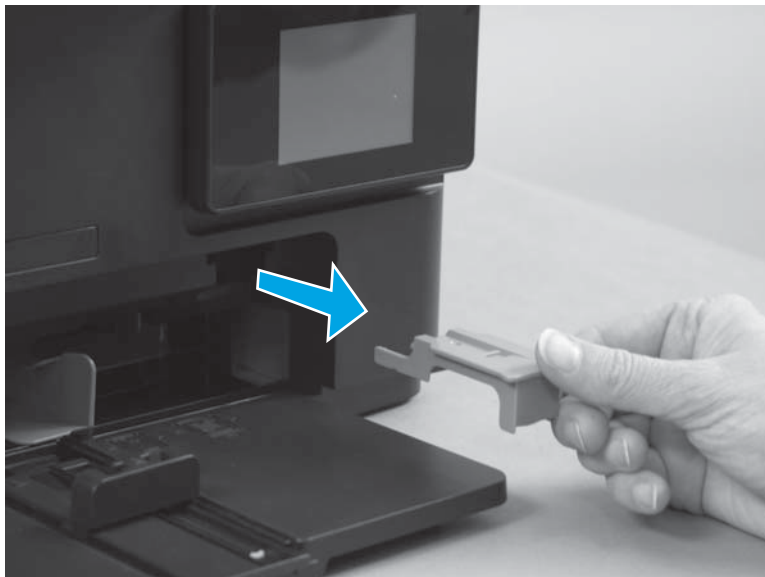
Figure 1-5 Remove the input tray



Short-media extender

- ▲ Pull the short media extender straight out to remove it.

Figure 1-6 Remove the short-media extender



Pickup roller

CAUTION: Do not touch the sponge portion of the roller. Skin oils can cause paper handling problems.

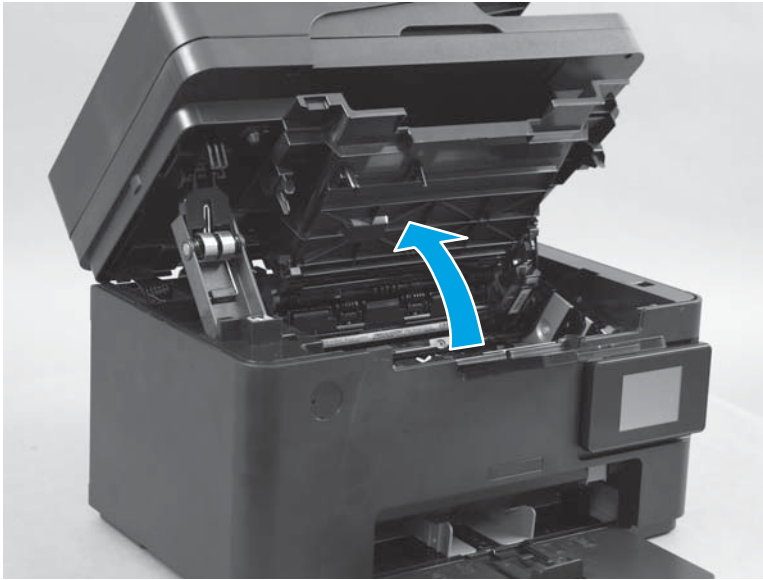
1. Open the scanner assembly.

Figure 1-7 Remove the pickup roller (1 of 5)



2. Open the cartridge door.

Figure 1-8 Remove the pickup roller (2 of 5)



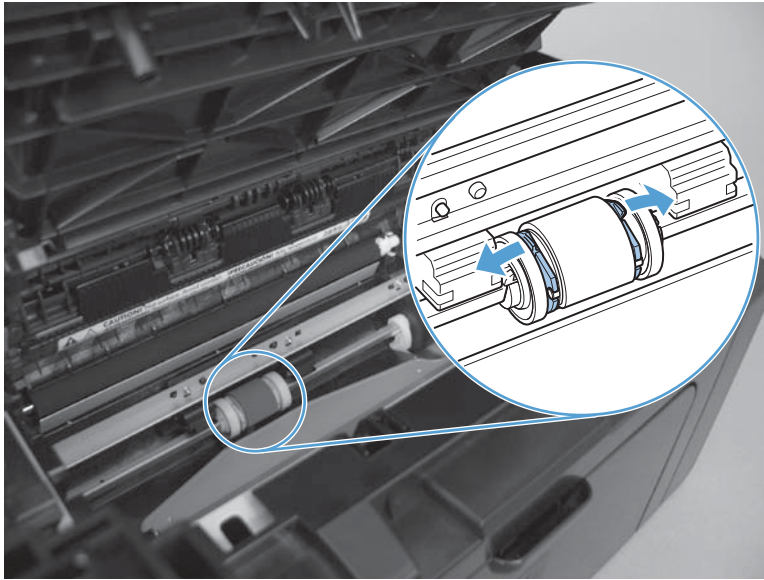
3. Remove the toner cartridge.

Figure 1-9 Remove the pickup roller (3 of 5)



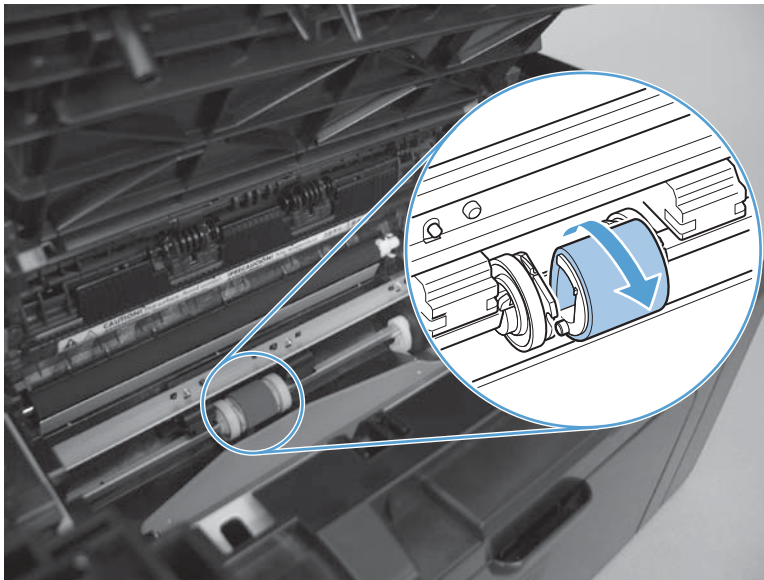
4. Release two tabs.

Figure 1-10 Remove the pickup roller (4 of 5)



5. Rotate the roller away from the product to remove it.

Figure 1-11 Remove the pickup roller (5 of 5)

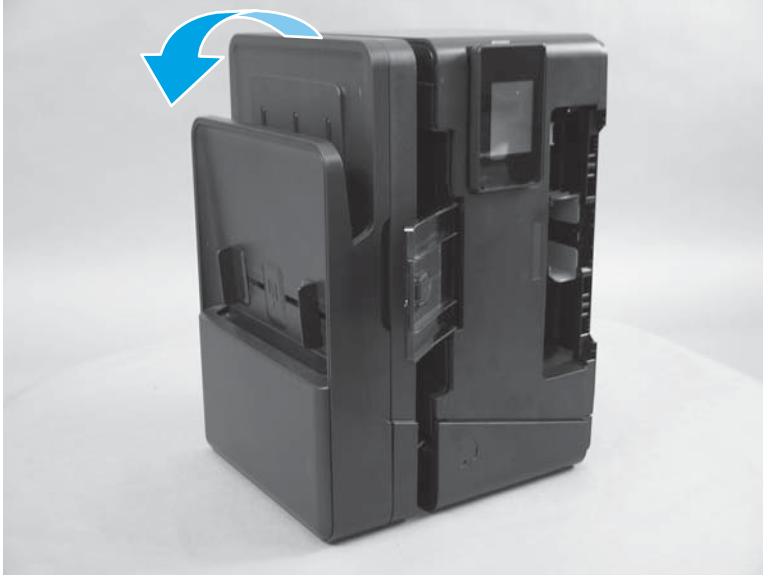


Separation pad

CAUTION: Do not touch the sponge portion of the pad. Skin oils can cause paper handling problems.

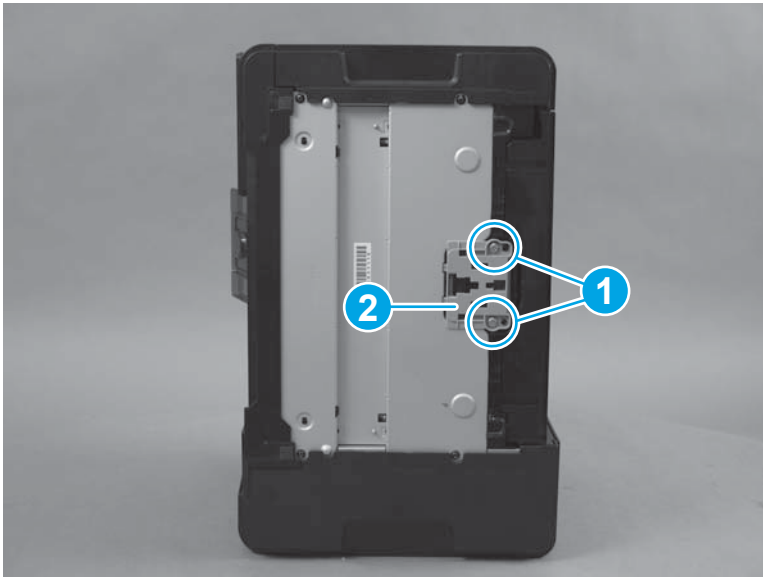
1. Rotate the product on to the left side.

Figure 1-12 Remove the separation pad (1 of 2)



2. On the bottom of the product, remove two screws (callout 1), and then remove the separation pad (callout 2).

Figure 1-13 Remove the separation pad (2 of 2)



Handset (M128fp model only)

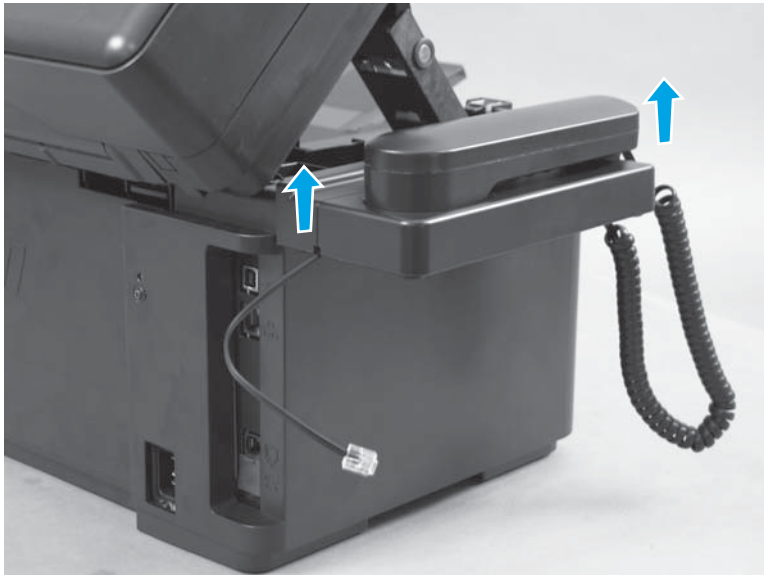
1. Disconnect the phone cable from the bottom fax port.

Figure 1-14 Remove the handset (1 of 2)



2. Open the scanner assembly, and then lift the handset platform straight up to remove it.

Figure 1-15 Remove the handset (2 of 2)

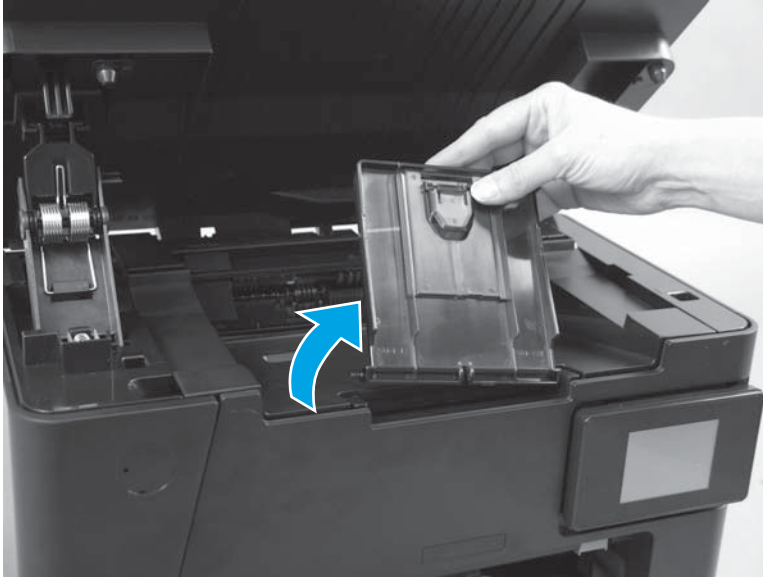


Covers and external components

Paper-delivery tray (output bin extension)

- ▲ Slide the paper-delivery tray to one side, and carefully flex it to release two tabs. Remove the paper-delivery tray.

Figure 1-16 Remove the paper-delivery tray



Left cover

Before proceeding, remove the following components:

- Paper-delivery tray. See [Paper-delivery tray \(output bin extension\) on page 12](#).

Remove the left cover

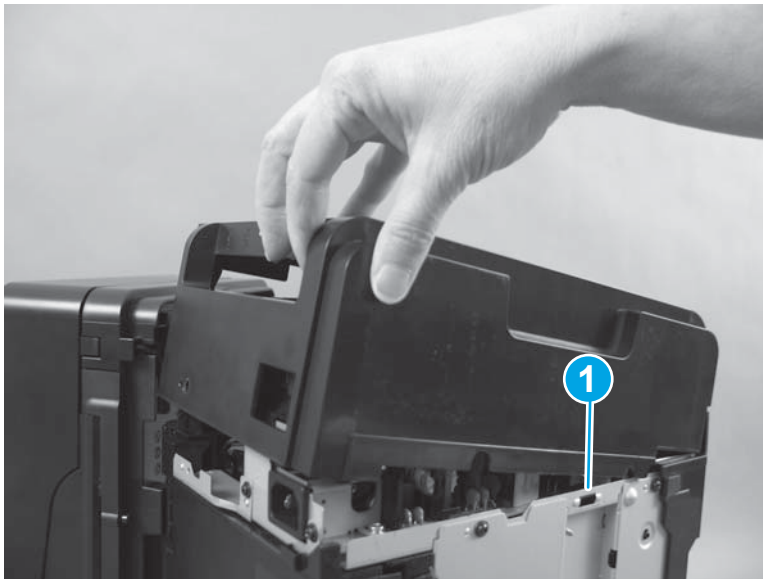
1. On the rear of the product, remove one screw (callout 1).

Figure 1-17 Remove the left cover (1 of 2)



2. Rotate the product onto the right side. On the bottom of the product, release one tab (callout 1), and remove the left cover.

Figure 1-18 Remove the left cover (2 of 2)




Scanner assembly

Before proceeding, remove the following components:

- Paper-delivery tray. See [Paper-delivery tray \(output bin extension\) on page 12](#).
- Left cover. See [Left cover on page 13](#).

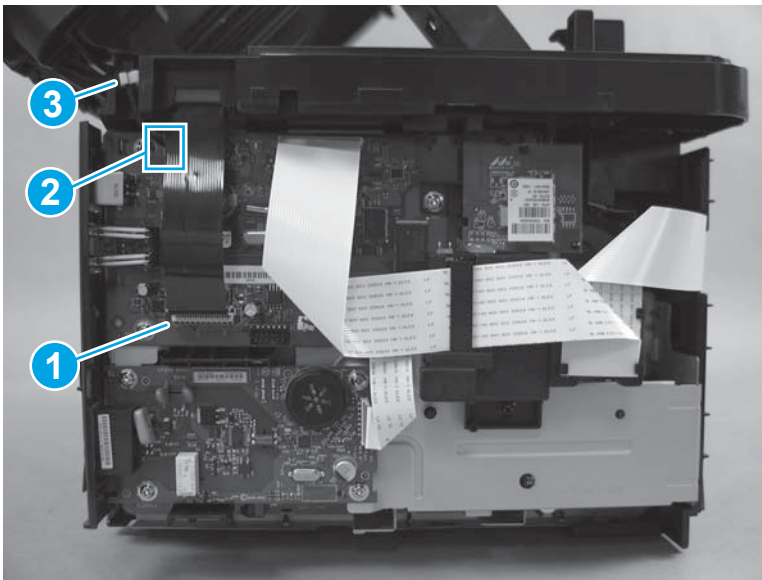
Remove the scanner assembly

 **NOTE:** The M127fw and M128fw models are shown in the following photos. Other models look slightly different, but the procedure is the same. For photos that show the differences, see [Left-side PCAs on page 33](#).

1. Disconnect the scanner FFC (callout 1).

M127 and M128 models only: Disconnect one wire harness connector (callout 2), and remove it from the cable guide (callout 3).

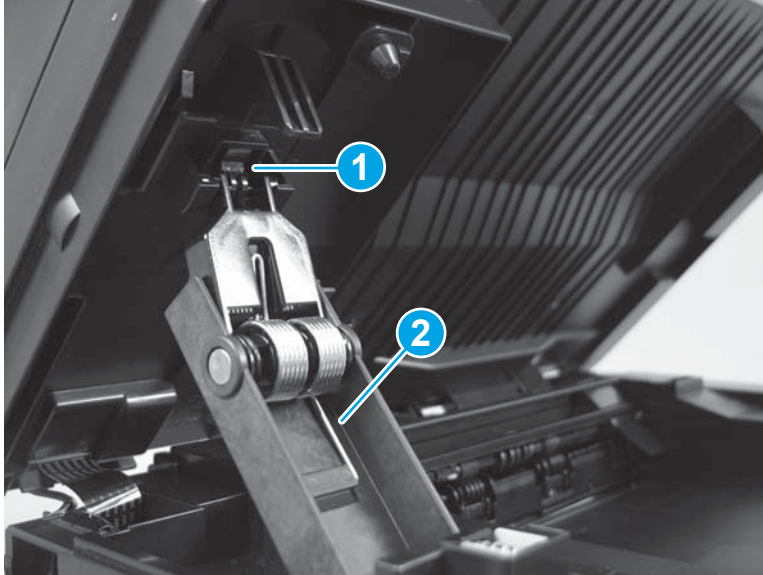
Figure 1-19 Remove the scanner assembly (1 of 4)



2. Support the scanner assembly, release one tab (callout 1), and then remove the scanner support (callout 2).

CAUTION: The scanner assembly is not captive and can easily be separated from the product base if it is opened too far.

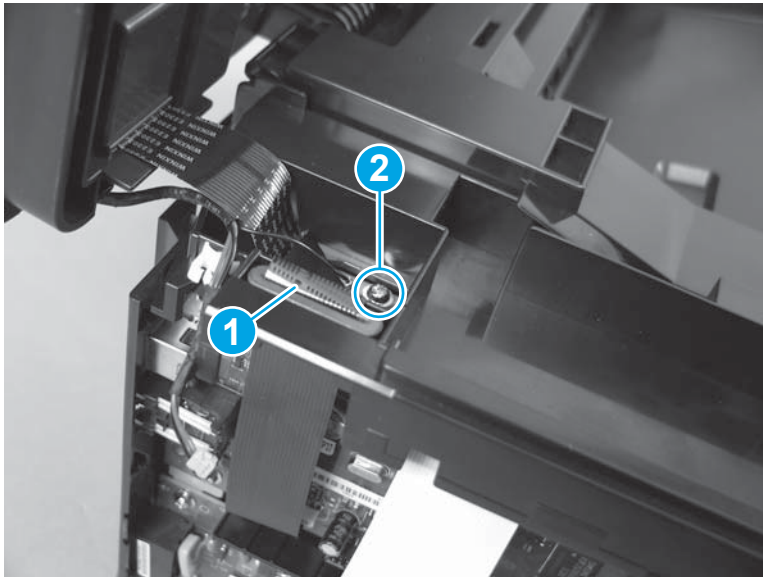
Figure 1-20 Remove the scanner assembly (2 of 4)



3. Carefully feed the FFC through the slot in the chassis (callout 1).

M127 and M128 models only: Remove the document-feeder grounding-cable screw (callout 2).

Figure 1-21 Remove the scanner assembly (3 of 4)



4. Lift the scanner assembly up and off of the product base.

Figure 1-22 Remove the scanner assembly (4 of 4)



Cartridge door

Before proceeding, remove the following components:

- Paper-delivery tray. See [Paper-delivery tray \(output bin extension\) on page 12](#).
- Left cover. See [Left cover on page 13](#).
- Scanner assembly. See [Scanner assembly on page 14](#).

Remove the cartridge door

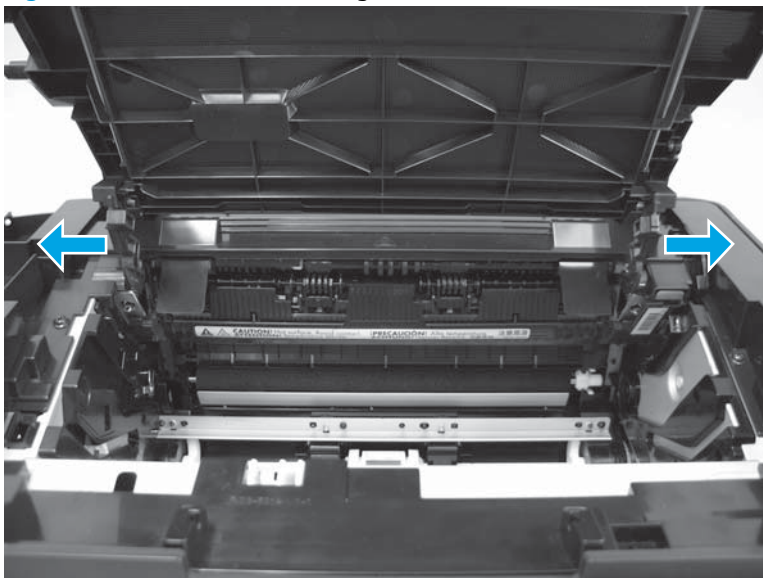
1. Open the cartridge door. Use a small flat-blade screwdriver to release the tab on the support arm on the right.

Figure 1-23 Remove the cartridge door (1 of 3)



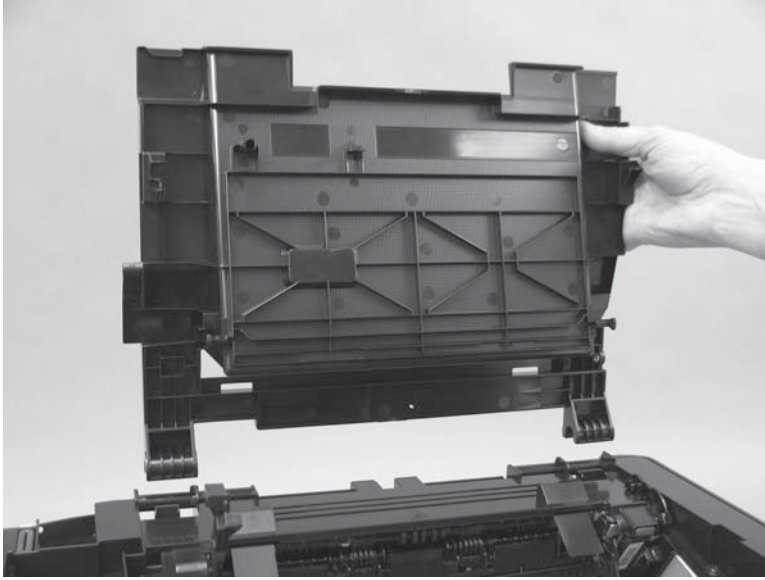
2. Release the two hinges by pulling outward on the supports.

Figure 1-24 Remove the cartridge door (2 of 3)



3. Remove the cartridge door.

Figure 1-25 Remove the cartridge door (3 of 3)



Front cover and control-panel assembly

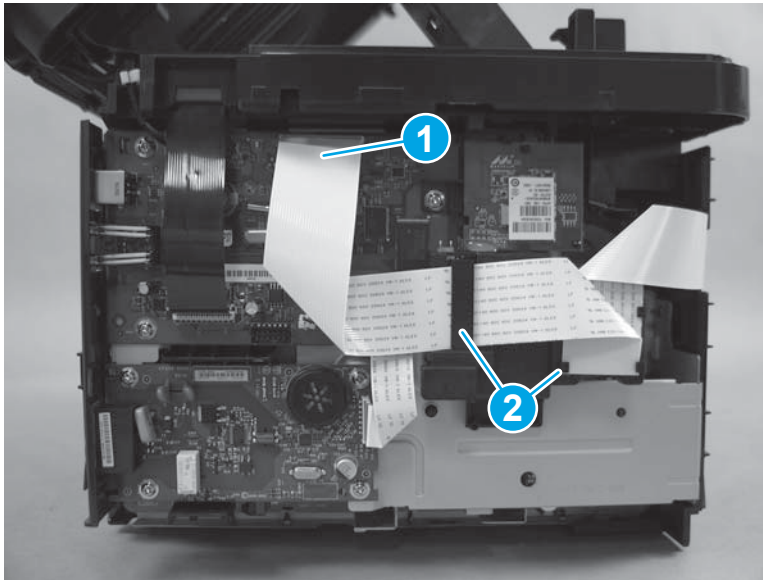
Before proceeding, remove the following components:

- Paper-delivery tray. See [Paper-delivery tray \(output bin extension\) on page 12](#).
- Left cover. See [Left cover on page 13](#).
- Scanner assembly. See [Scanner assembly on page 14](#).
- Cartridge door. See [Cartridge door on page 17](#).

Remove the front cover

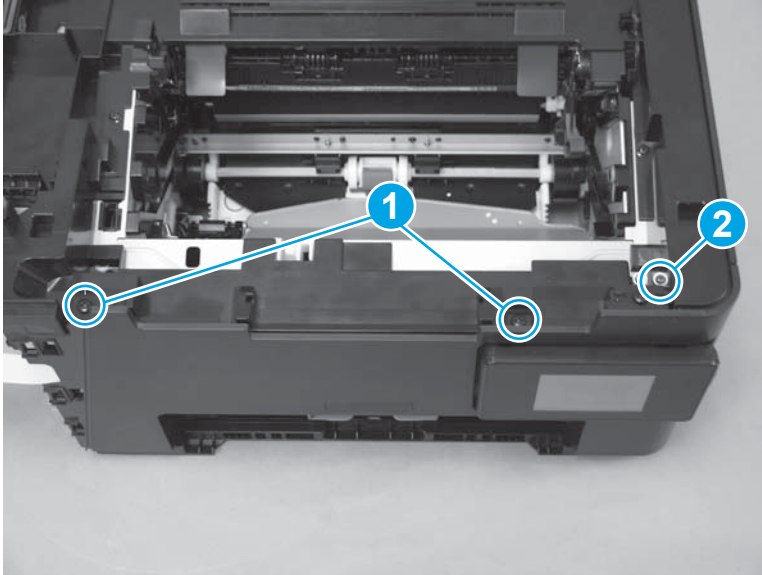
1. Disconnect the control-panel FFC from the top of the formatter PCA (callout 1), and unwind it from the cable guides (callout 2).

Figure 1-26 Remove the front cover (1 of 5)



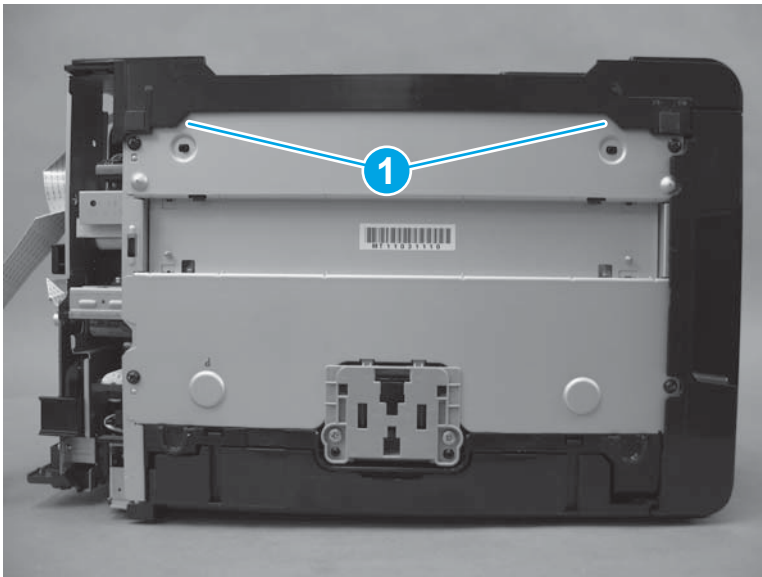
2. On the top of the product, remove two black screws (callout 1) and one silver grounding screw (callout 2).

Figure 1-27 Remove the front cover (2 of 5)



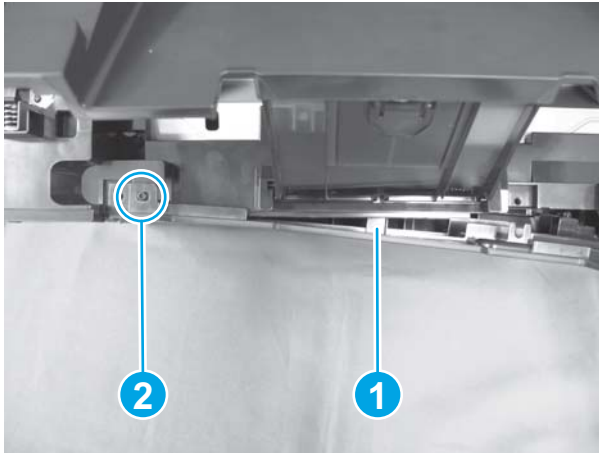
3. On the bottom of the product, use a flat-blade screwdriver to release two tabs (callout 1).

Figure 1-28 Remove the front cover (3 of 5)



4. Release one tab (callout 1), and then release one boss (callout 2).

Figure 1-29 Remove the front cover (4 of 5)



5. Remove the front cover.


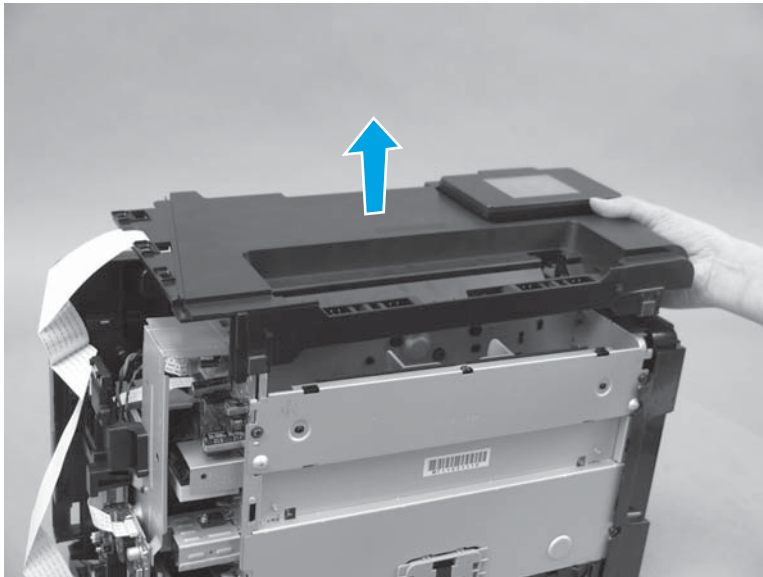

 **NOTE:** The control panel is still attached to the front cover at this point.

Figure 1-30 Remove the front cover (5 of 5)



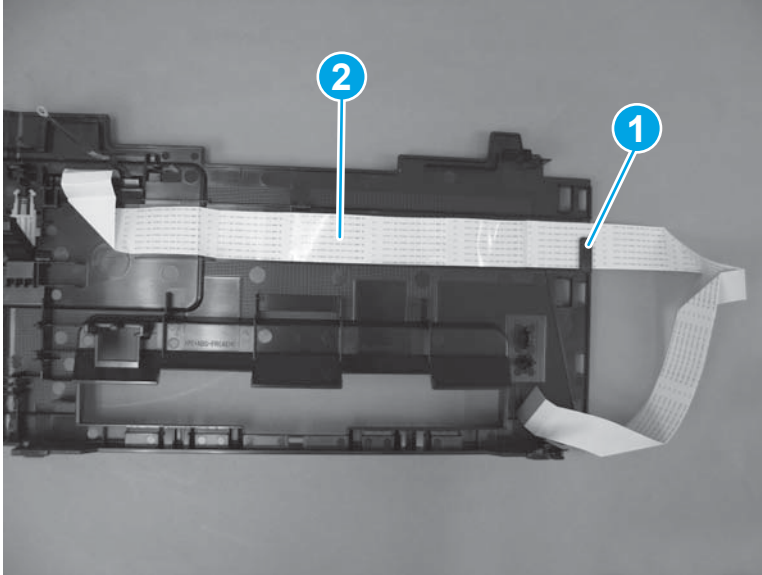
 **Reinstallation tip** For easier reinstallation, fully extend the control panel before reinstalling the front cover.

Remove the control-panel assembly

Follow this procedure to separate the control-panel assembly from the front cover.

1. Unthread the control-panel FFC from the guide (callout 1), and loosen the adhesive along the length of the FFC (callout 2).

Figure 1-31 Remove the control-panel assembly (1 of 4)



2. Rotate the control panel to the fully open position.
3. Simultaneously push down on the control-panel support arm and push up on the spring assembly. Push the support arm through the opening.


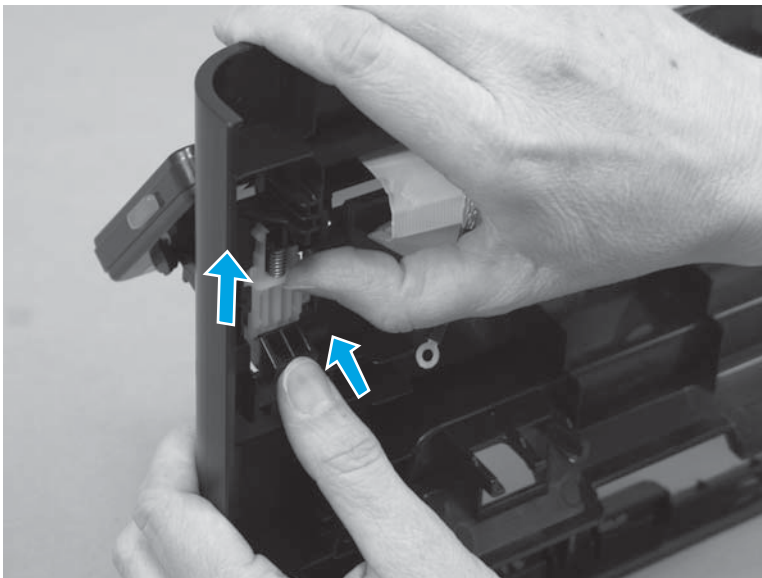
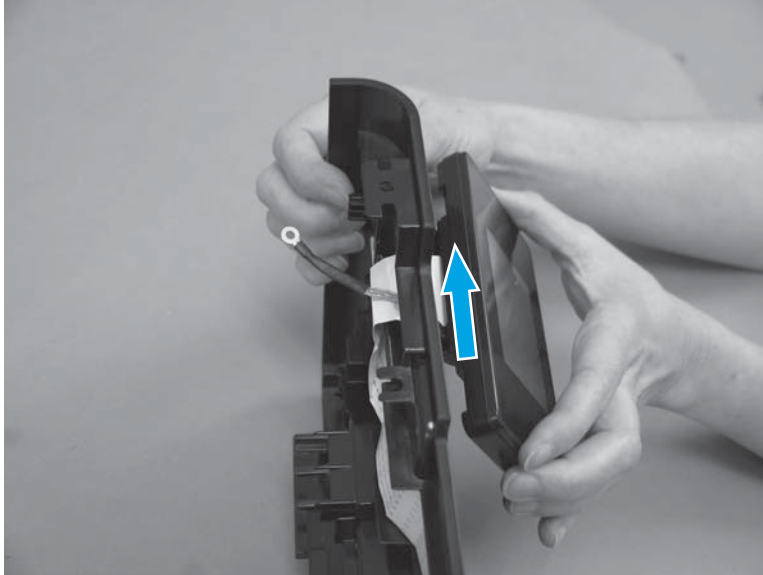
 **NOTE:** This photo shows a white spring assembly. However, the spring assembly is actually black.

Figure 1-32 Remove the control-panel assembly (2 of 4)



4. Slide the control panel toward the right to release it, and then pull the FFC and grounding cable through the opening.

Figure 1-33 Remove the control-panel assembly (3 of 4)



5. Push up on the support arm to remove it from the control panel.



NOTE: If you are replacing the control panel, reinstall this support arm onto the new control panel.

Figure 1-34 Remove the control-panel assembly (4 of 4)



Right cover

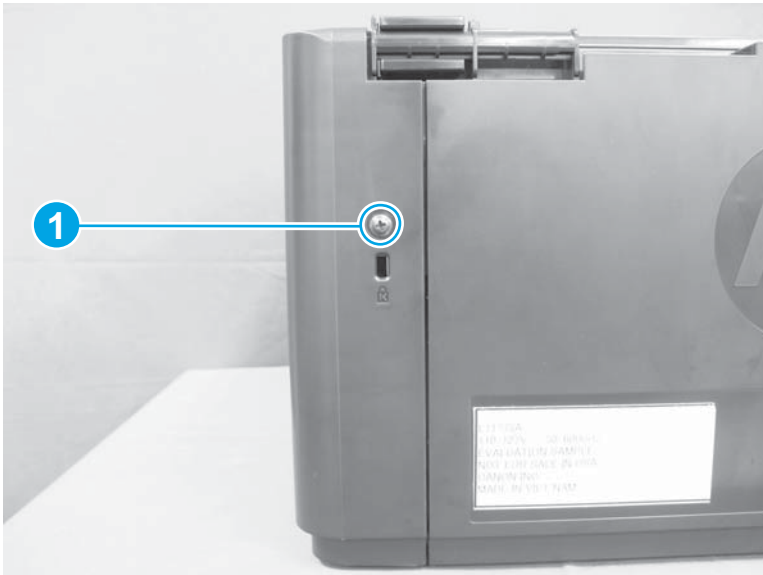
Before proceeding, remove the following components:

- Paper-delivery tray. See [Paper-delivery tray \(output bin extension\) on page 12](#).
- Left cover. See [Left cover on page 13](#).
- Scanner assembly. See [Scanner assembly on page 14](#).
- Cartridge door. See [Cartridge door on page 17](#).
- Front cover. See [Front cover and control-panel assembly on page 19](#).

Remove the right cover

1. Remove one screw (callout 1).

Figure 1-35 Remove the right cover (1 of 5)



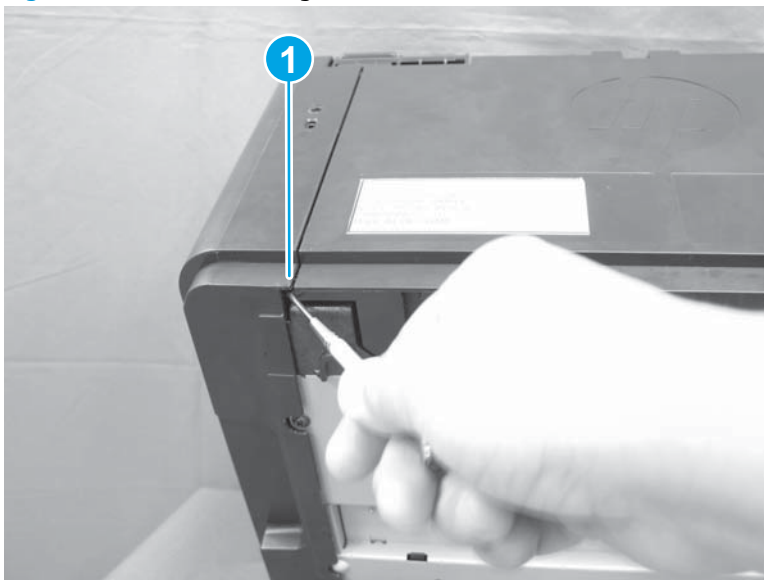
2. Release one tab at the back of the product (callout 1).

Figure 1-36 Remove the right cover (2 of 5)



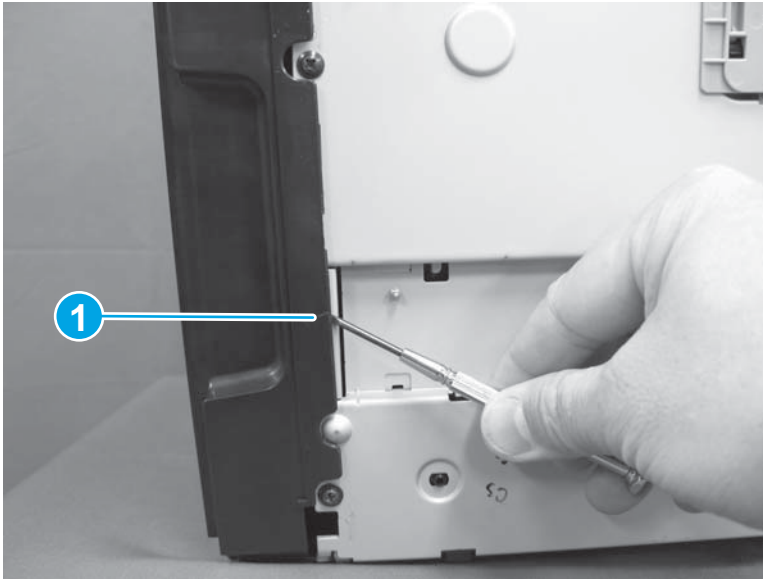
3. Rotate the product onto the front side, and release one tab at the bottom of the product (callout 1).

Figure 1-37 Remove the right cover (3 of 5)



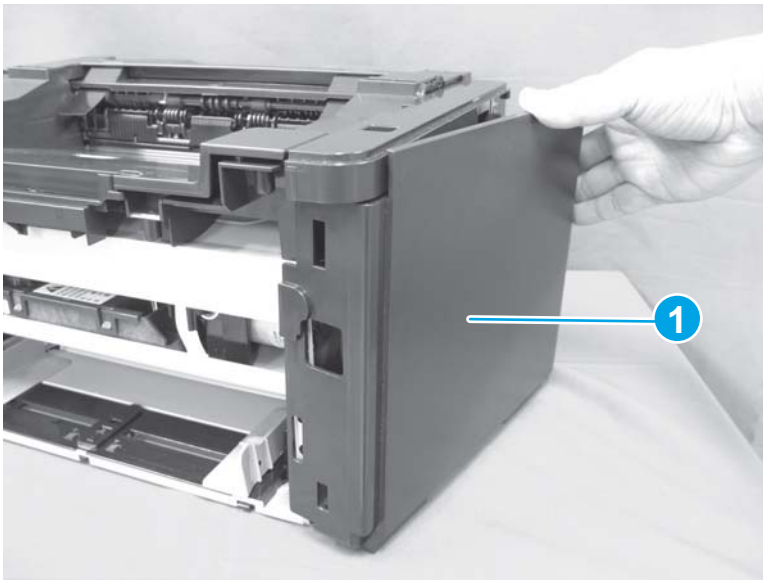
4. Release a second tab on the bottom of the product.

Figure 1-38 Remove the right cover (4 of 5)



5. Remove the cover.

Figure 1-39 Remove the right cover (5 of 5)



Top cover and image scanner lock

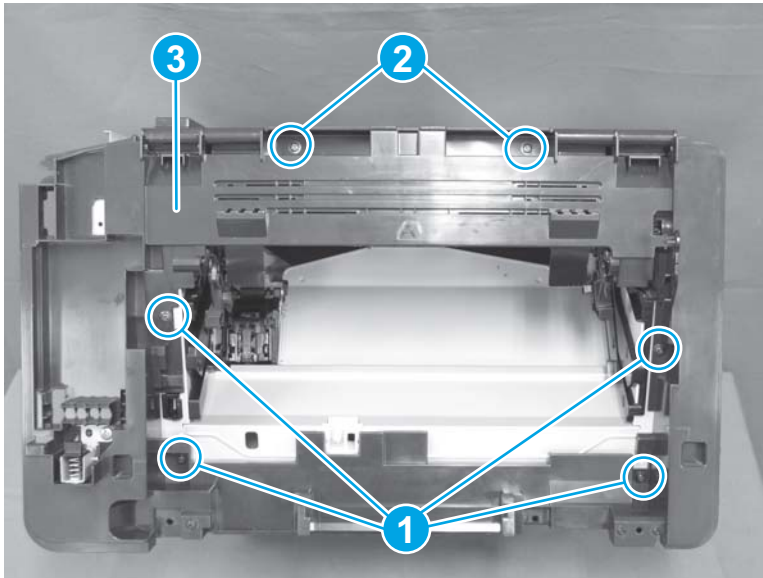
Before proceeding, remove the following components:

- Paper-delivery tray. See [Paper-delivery tray \(output bin extension\) on page 12](#).
- Left cover. See [Left cover on page 13](#).
- Scanner assembly. See [Scanner assembly on page 14](#).
- Cartridge door. See [Cartridge door on page 17](#).
- Front cover. See [Front cover and control-panel assembly on page 19](#).
- Right cover. See [Right cover on page 24](#).

Remove the top cover and image scanner lock

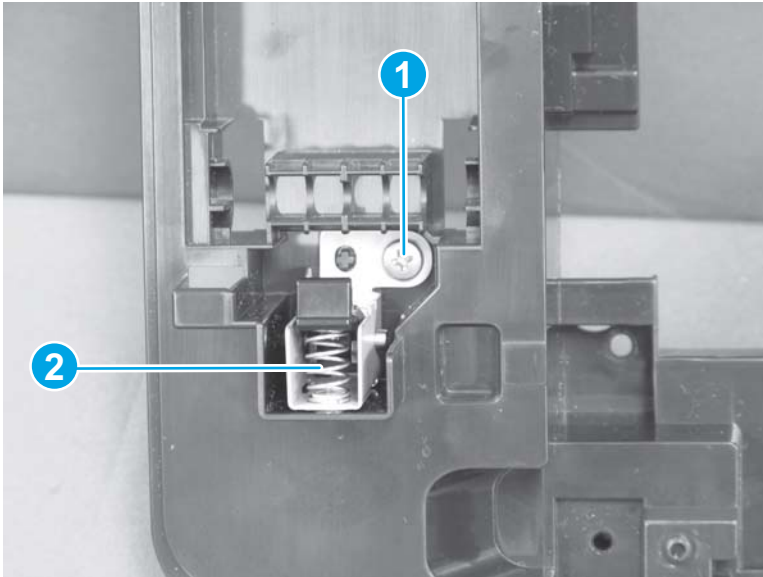
1. Remove four black screws (callout 1) and two dull, silver screws (callout 2), and remove the top cover (callout 3).

Figure 1-40 Remove the top cover



2. To remove the image scanner lock, remove one screw (callout 1) and remove the lock mechanism (callout 2).

Figure 1-41 Remove the image scanner lock




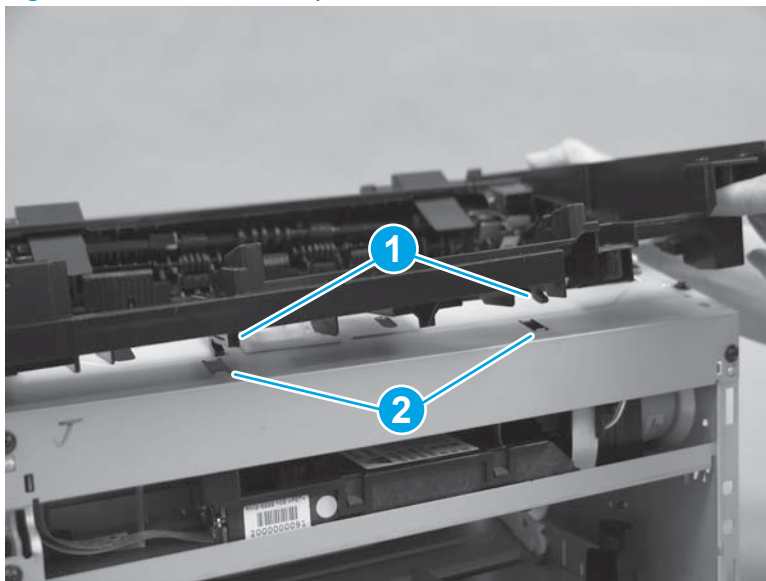
 **Reinstallation tip** When reinstalling the top cover, insert the two tabs (callout 1) at the front of the top cover into the slots (callout 2).

Figure 1-42 Reinstall the top cover



Rear cover

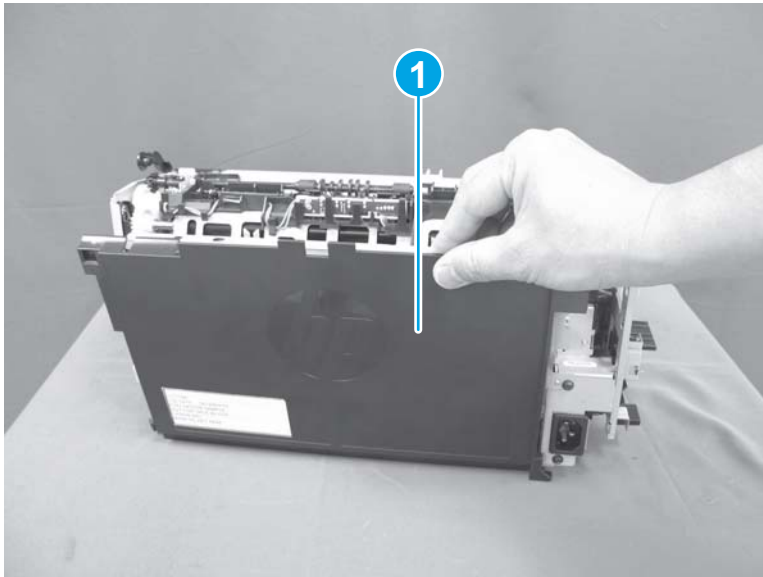
Before proceeding, remove the following components:

- Paper-delivery tray. See [Paper-delivery tray \(output bin extension\) on page 12](#).
- Left cover. See [Left cover on page 13](#).
- Scanner assembly. See [Scanner assembly on page 14](#).
- Cartridge door. See [Cartridge door on page 17](#).
- Front cover. See [Front cover and control-panel assembly on page 19](#).
- Right cover. See [Right cover on page 24](#).
- Top cover. See [Top cover and image scanner lock on page 27](#).

Remove the rear cover

- ▲ Pull the rear cover straight off to remove it (callout 1).

Figure 1-43 Remove the rear cover



Reinstall the rear cover


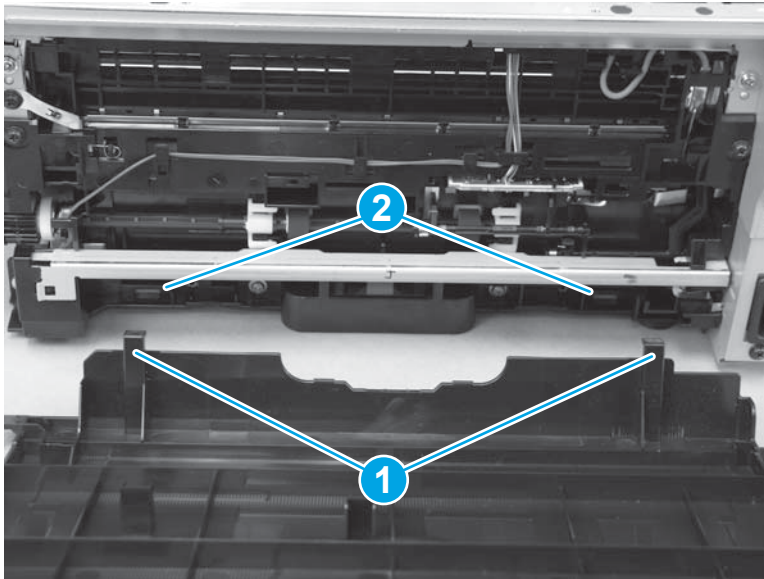
 **Reinstallation tip** When reinstalling the rear cover, insert the two hooks (callout 1) into the slots at the bottom of the product (callout 2).

Figure 1-44 Reinstall the rear cover



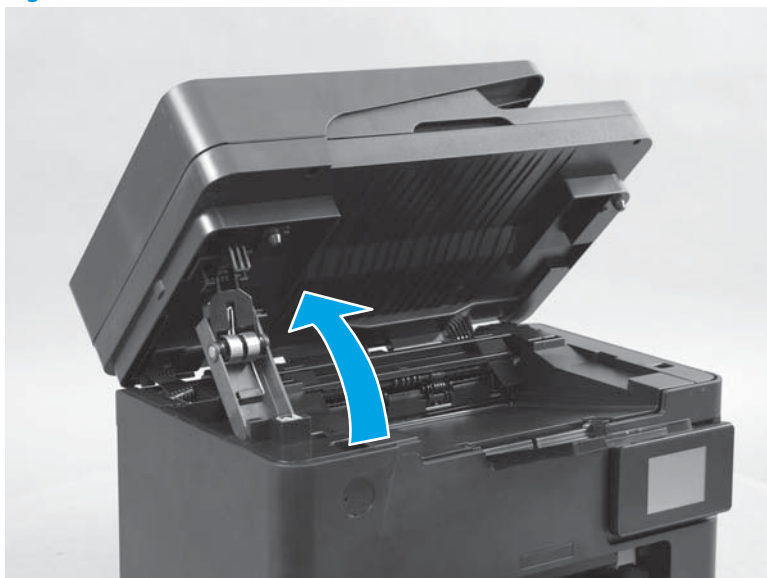
Main assemblies

Transfer roller

CAUTION: Do not touch the sponge portion of the roller. Skin oils can cause print quality problems.

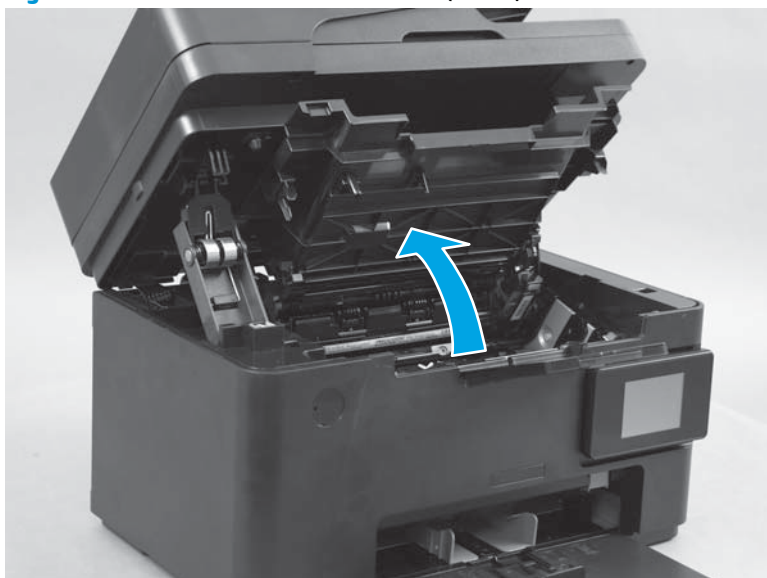
1. Open the scanner assembly.

Figure 1-45 Remove the transfer roller (1 of 4)



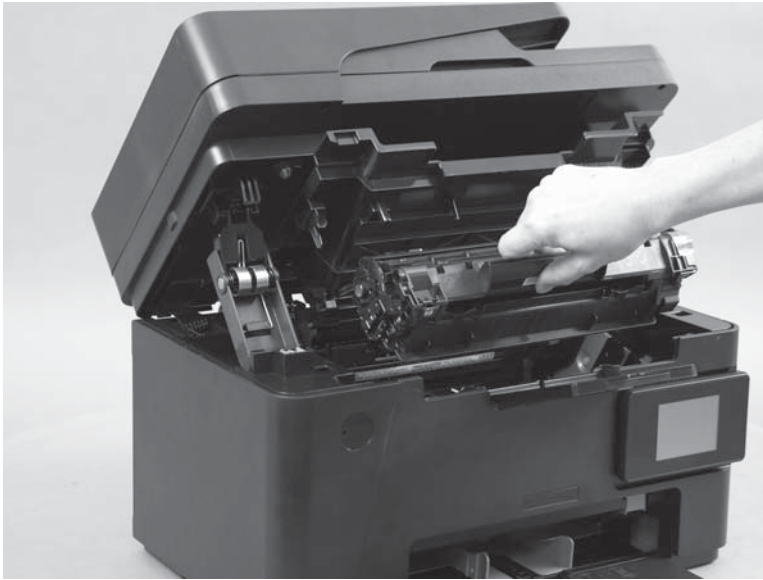
2. Open the cartridge door.

Figure 1-46 Remove the transfer roller (2 of 4)



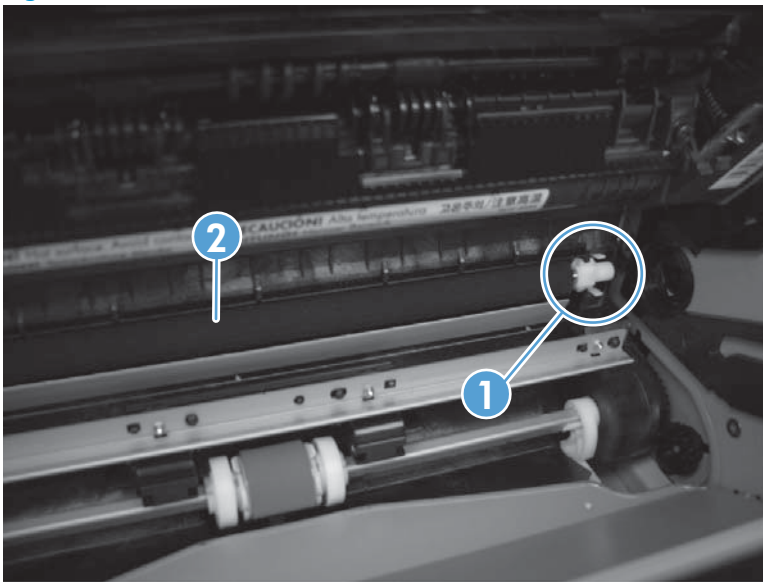
3. Remove the toner cartridge.

Figure 1-47 Remove the transfer roller (3 of 4)



4. Release two tabs (callout 1), and then remove the transfer roller (callout 2).

Figure 1-48 Remove the transfer roller (4 of 4)

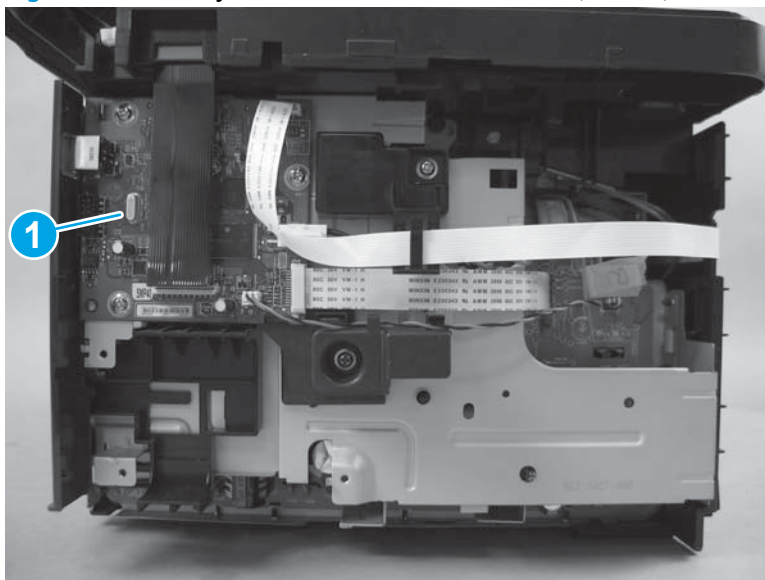


Left-side PCAs

The configuration of PCAs on the left side of the product varies by model. Most of the photos in the component removal procedures in this guide are from the M127fw model. Other models have a slightly different appearance.

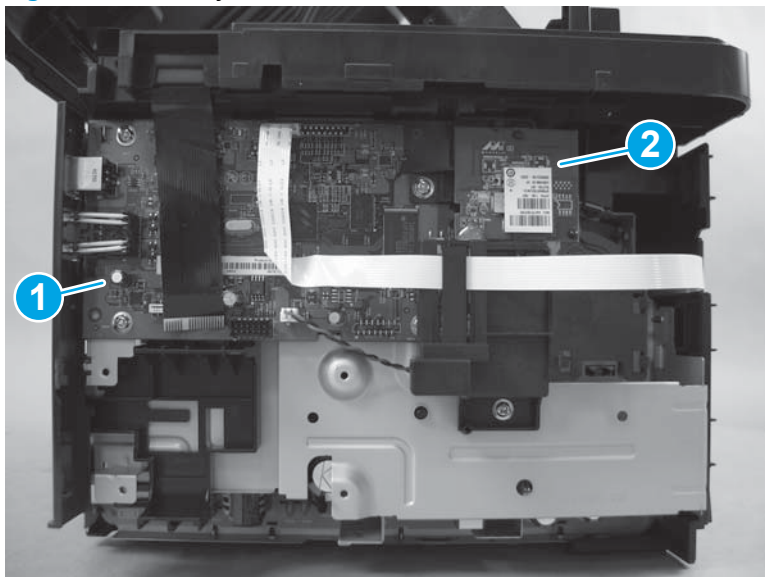
The following photos depict the left-side PCA layouts for the four possible configurations.

Figure 1-49 PCA layout for the base models (M125a, M125r, M125ra)



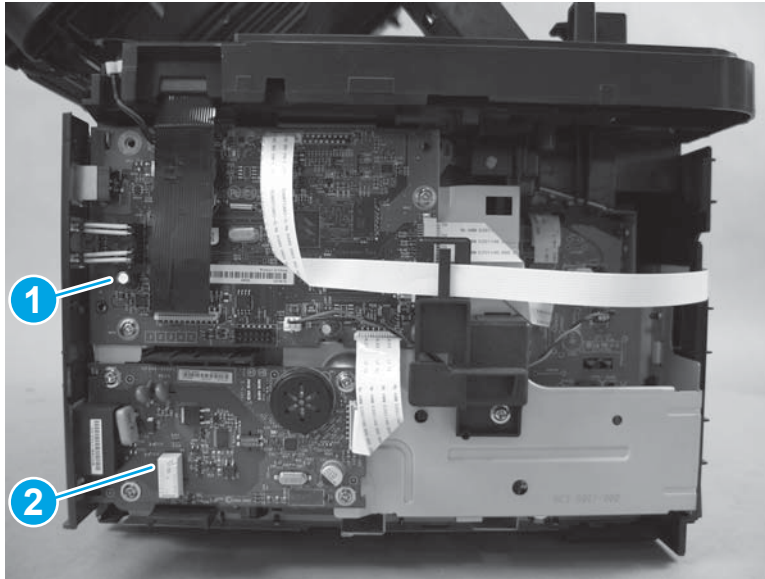
-
- | | |
|---|---------------|
| 1 | Formatter PCA |
|---|---------------|
-

Figure 1-50 PCA layout for the base + wireless models (M125nw, M126nw, M125rnw)



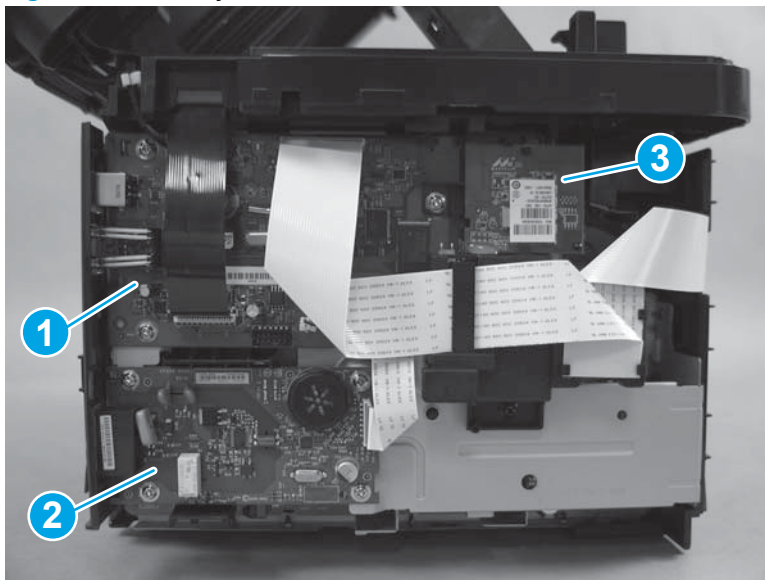
-
- | | |
|---|---------------|
| 1 | Formatter PCA |
| 2 | Wireless PCA |
-

Figure 1-51 PCA layout for the fax models (M127fn, M128fn, M128fp)



-
- | | |
|---|---------------|
| 1 | Formatter PCA |
| 2 | Fax PCA |
-

Figure 1-52 PCA layout for the fax + wireless models (M127fw, M128fw)



-
- | | |
|---|---------------|
| 1 | Formatter PCA |
| 2 | Fax PCA |
| 3 | Wireless PCA |
-

Wireless PCA (wireless models only)

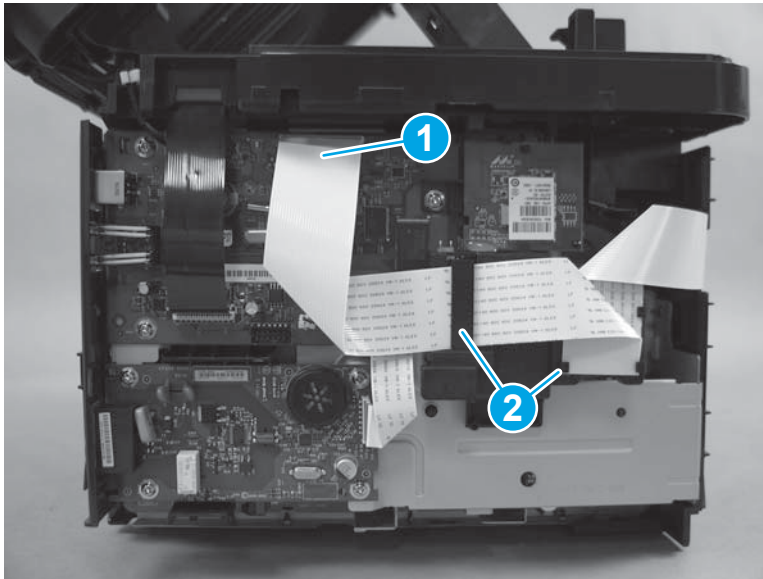
Before proceeding, remove the following components:

- Paper-delivery tray. See [Paper-delivery tray \(output bin extension\) on page 12](#).
- Left cover. See [Left cover on page 13](#).

Remove the wireless PCA

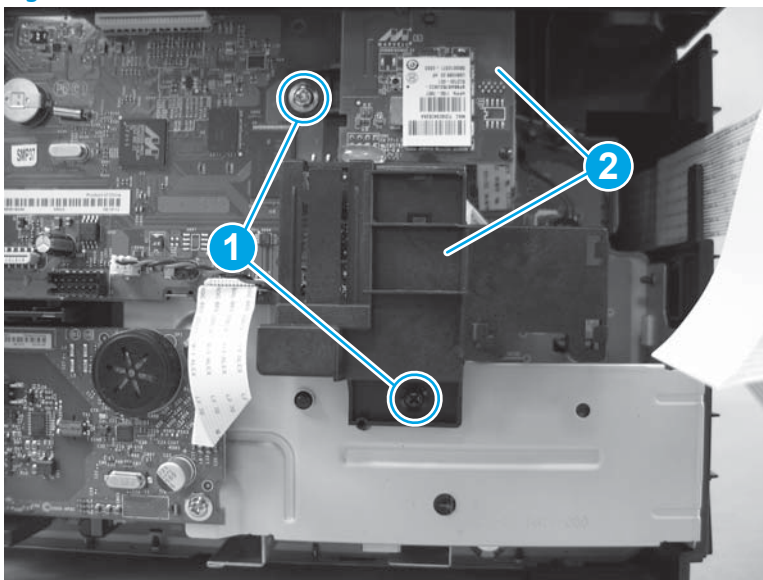
1. Disconnect the control-panel FFC from the top of the formatter PCA (callout 1), and unwind it from the cable guides (callout 2).

Figure 1-53 Remove the wireless PCA (1 of 3)



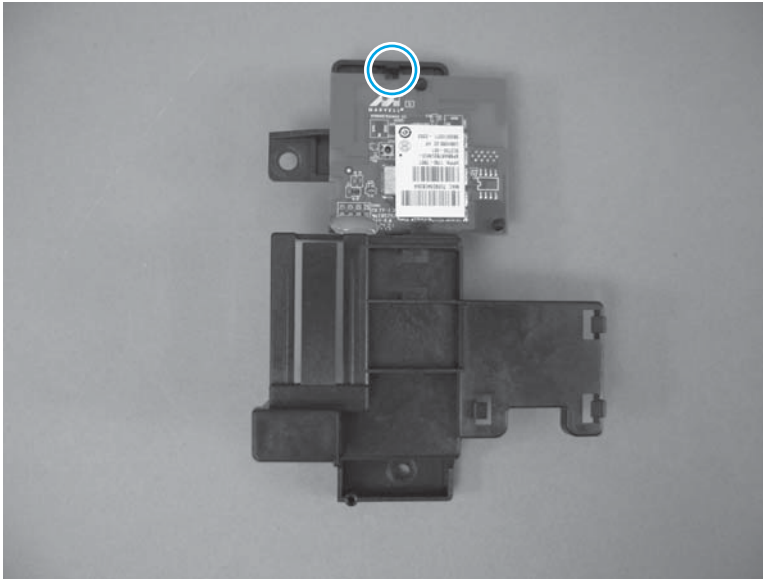
2. Remove two screws (callout 1), and remove the wireless PCA and holder (callout 2).

Figure 1-54 Remove the wireless PCA (2 of 3)



3. Separate the PCA from the holder by releasing the tab at the top of the PCA and pulling the PCA up.

Figure 1-55 Remove the wireless PCA (3 of 3)




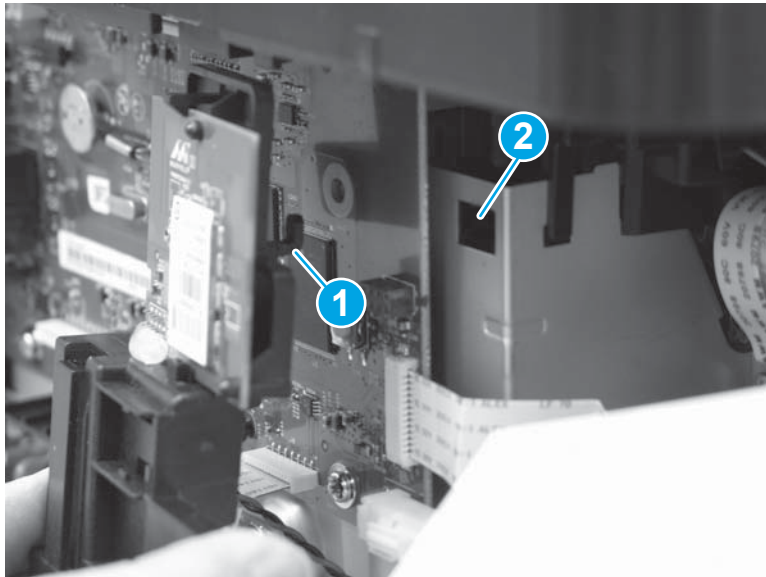
 **Reinstallation tip** When reinstalling the wireless PCA, insert the hook on the back of the holder (callout 1) into the square slot on the sheet-metal frame that is behind the formatter (callout 2).

Figure 1-56 Reinstall the wireless PCA



Formatter PCA

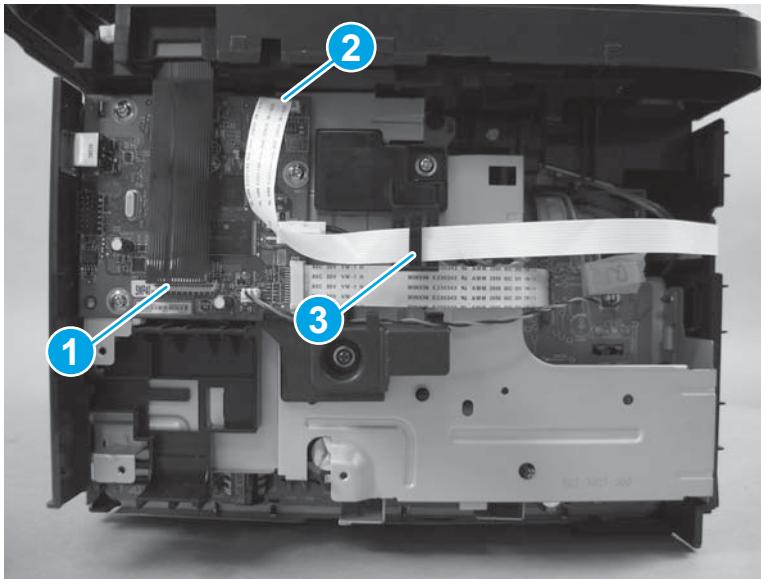
Before proceeding, remove the following components:

- Paper-delivery tray. See [Paper-delivery tray \(output bin extension\) on page 12](#).
- Left cover. See [Left cover on page 13](#).

Remove the formatter PCA for base models (M125a, M125r, M125ra)

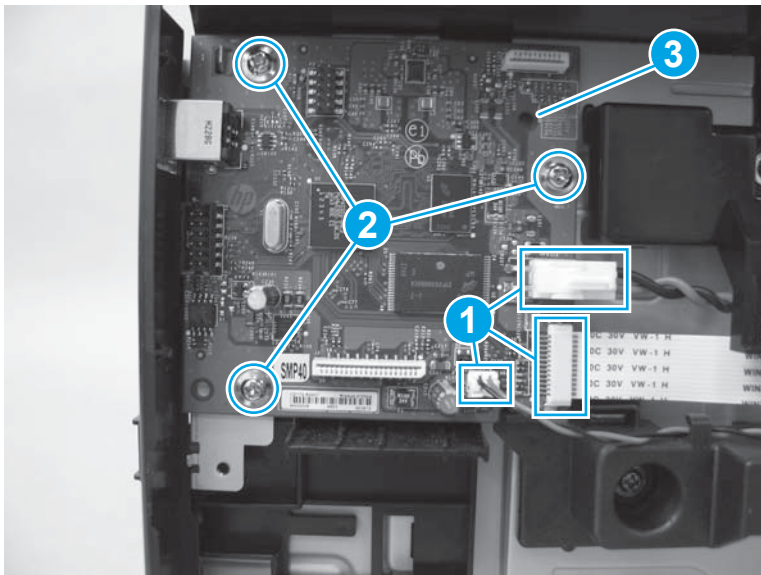
1. Disconnect the black scanner FFC from the bottom of the formatter (callout 1). Disconnect the white control-panel FFC from the top of the formatter (callout 2), and unwind it from the cable guide (callout 3).

Figure 1-57 Remove the formatter PCA for base models (1 of 2)



2. Disconnect three connectors (callout 1). Remove three screws (callout 2). Remove the formatter PCA (callout 3).

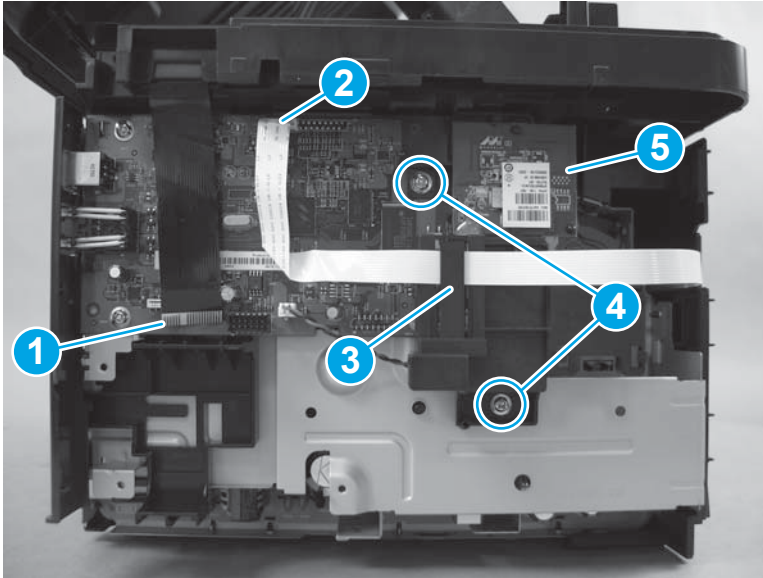
Figure 1-58 Remove the formatter PCA for base models (2 of 2)



Remove the formatter PCA for base + wireless models (M125nw, M126nw, M125rnw)

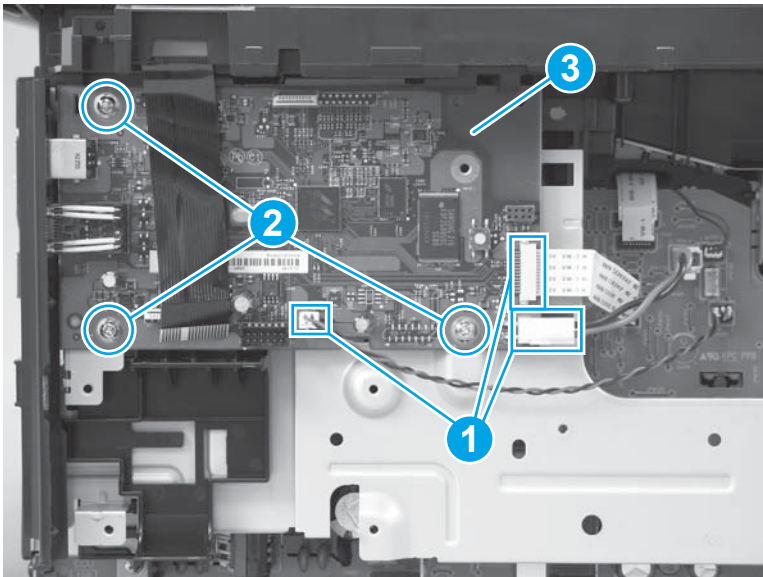
1. Disconnect the black scanner FFC from the bottom of the formatter (callout 1). Disconnect the white control-panel FFC from the top of the formatter (callout 2), and unwind it from the cable guide (callout 3). Remove two screws on the wireless PCA holder (callout 4), and remove the wireless PCA and holder (callout 5).

Figure 1-59 Remove the formatter PCA for base + wireless models (1 of 2)



2. Disconnect three connectors (callout 1). Remove three screws (callout 2). Remove the formatter PCA (callout 3).

Figure 1-60 Remove the formatter PCA for base + wireless models (2 of 2)

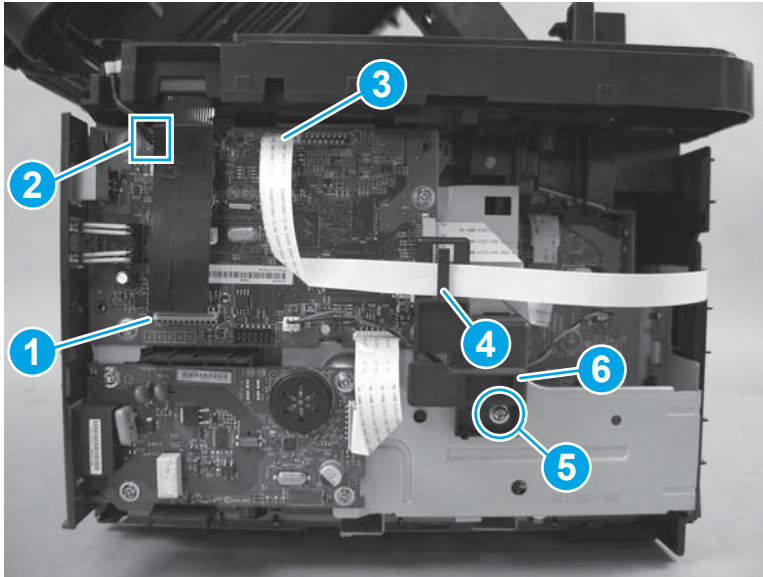


Remove the formatter PCA for fax models (M127fn, M128fn, M128fp)

1. Disconnect the black scanner FFC from the bottom of the formatter (callout 1). Disconnect the red and black document-feeder connector at the top of the formatter (callout 2). Disconnect the white control-

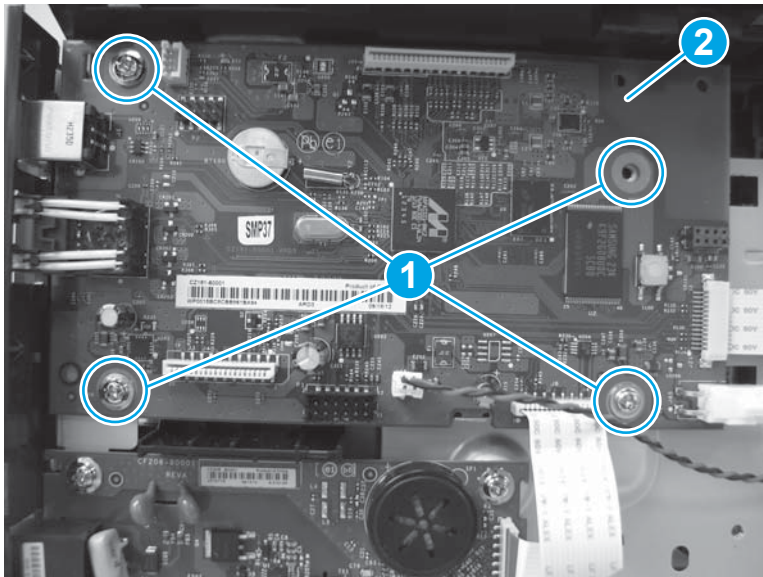
panel FFC from the top of the formatter (callout 3), and unwind it from the cable guide (callout 4). Remove one screw on the support bracket (callout 5), and remove the support bracket (callout 6).

Figure 1-61 Remove the formatter PCA for fax models (1 of 2)



2. Remove four screws (callout 1), and remove the formatter PCA (callout 2).

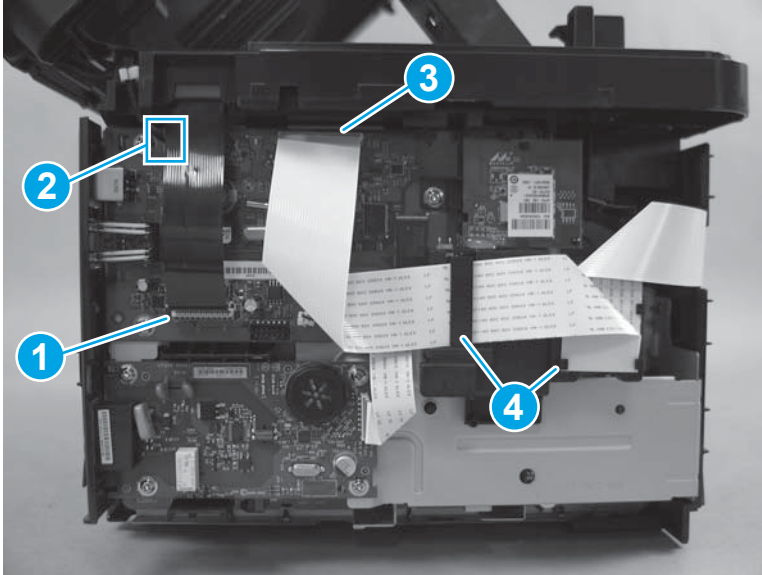
Figure 1-62 Remove the formatter PCA for fax models (2 of 2)



Remove the formatter PCA for fax + wireless models (M127fw, M128fw)

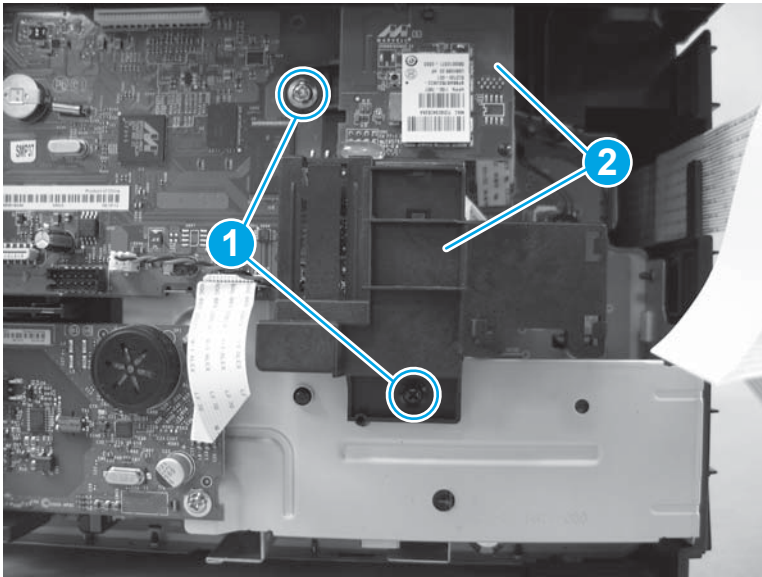
1. Disconnect the black scanner FFC from the bottom of the formatter (callout 1). Disconnect the red and black document-feeder connector at the top of the formatter (callout 2). Disconnect the white control-panel FFC from the top of the formatter (callout 3), and unwind it from the cable guide (callout 4).

Figure 1-63 Remove the formatter PCA for fax + wireless models (1 of 4)



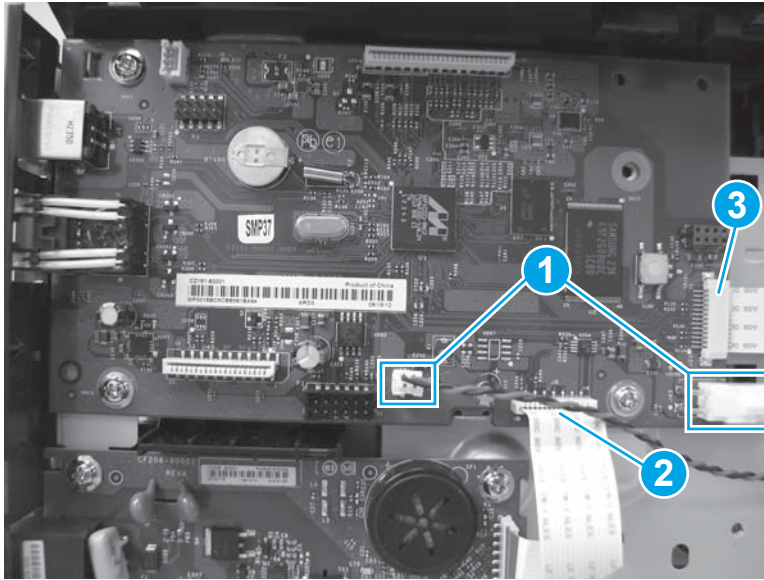
2. Remove two screws (callout 1), and remove the wireless PCA and holder (callout 2).

Figure 1-64 Remove the formatter PCA for fax + wireless models (2 of 4)



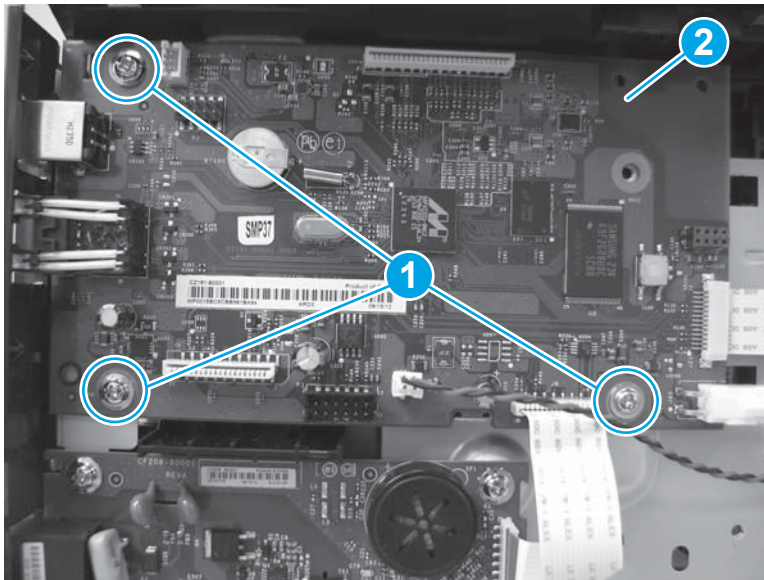
3. Disconnect two connectors (callout 1). Disconnect the fax FFC (callout 2). Disconnect one FFC (callout 3).

Figure 1-65 Remove the formatter PCA for fax + wireless models (3 of 4)



4. Remove three screws (callout 1). Remove the formatter PCA (callout 2).

Figure 1-66 Remove the formatter PCA for fax + wireless models (4 of 4)



Fax PCA (fax models only)

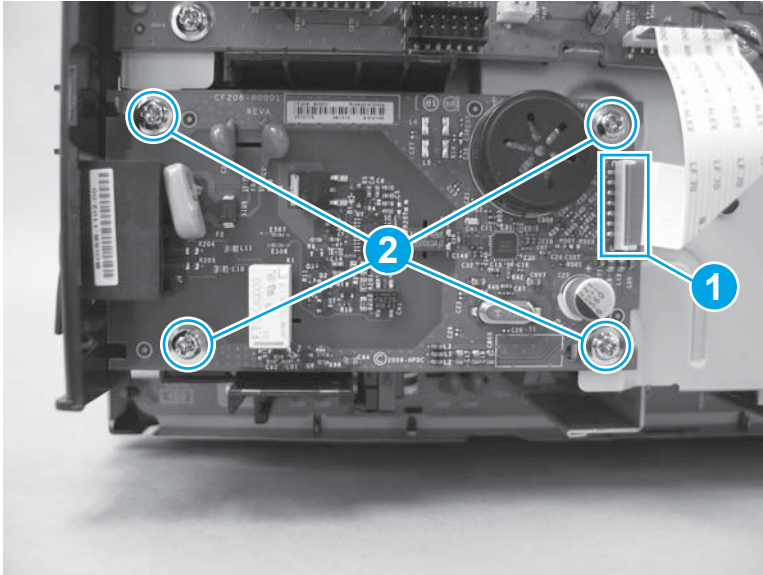
Before proceeding, remove the following components:

- Paper-delivery tray. See [Paper-delivery tray \(output bin extension\) on page 12](#).
- Left cover. See [Left cover on page 13](#).

Remove the fax PCA

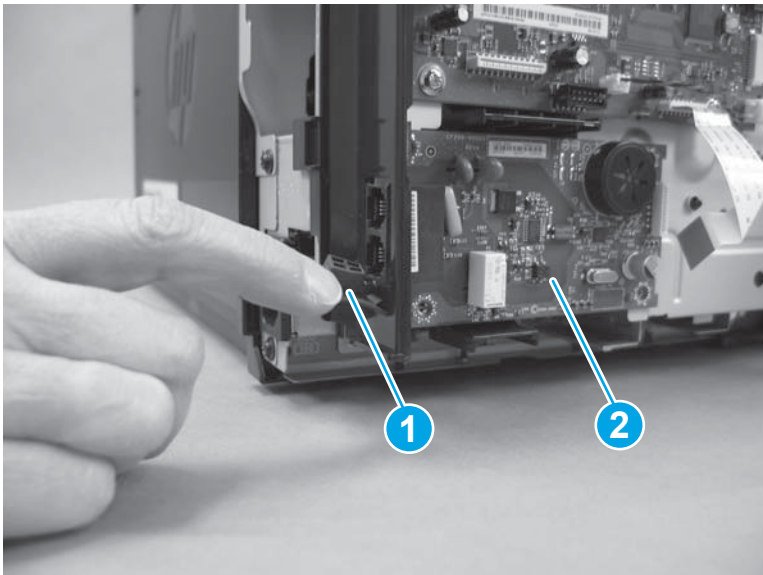
1. Disconnect one connector (callout 1), and remove four screws (callout 2).

Figure 1-67 Remove the fax PCA (1 of 2)



2. Pull down the rubber cap on the bottom fax port (callout 1). Remove the fax PCA (callout 2).

Figure 1-68 Remove the fax PCA (2 of 2)



Laser scanner assembly and cable

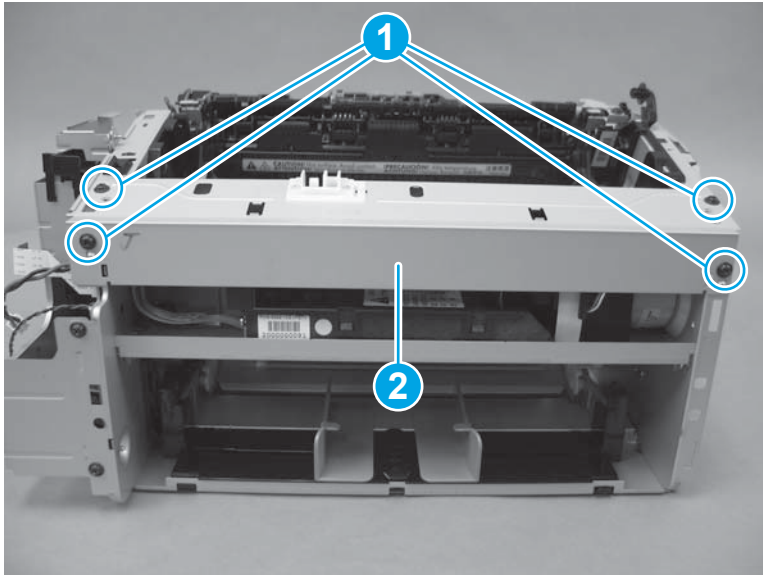
Before proceeding, remove the following components:

- Paper-delivery tray. See [Paper-delivery tray \(output bin extension\) on page 12](#).
- Left cover. See [Left cover on page 13](#).
- Scanner assembly. See [Scanner assembly on page 14](#).
- Cartridge door. See [Cartridge door on page 17](#).
- Front cover. See [Front cover and control-panel assembly on page 19](#).
- Right cover. See [Right cover on page 24](#).
- Top cover. See [Top cover and image scanner lock on page 27](#).
- Formatter PCA. See [Formatter PCA on page 37](#).

Remove the laser scanner assembly and cable

1. Remove four screws (callout 1), and lift the laser scanner cover (callout 2) up to remove it.

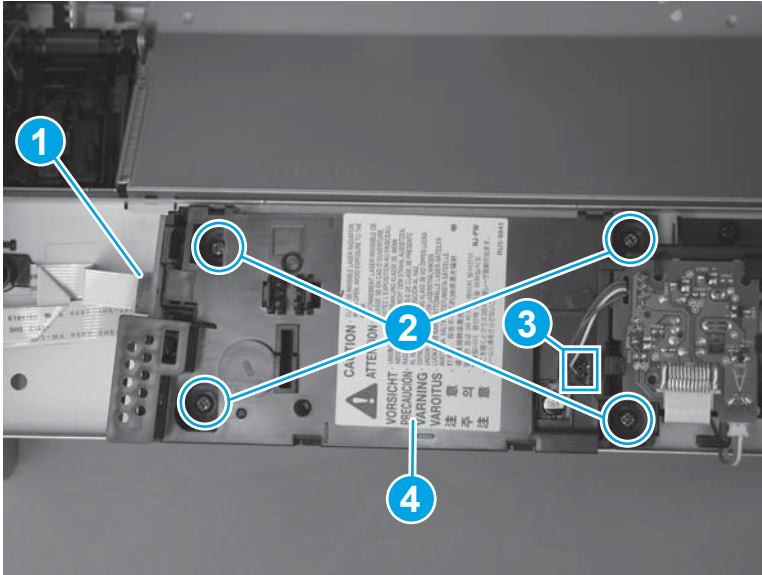
Figure 1-69 Remove the laser scanner assembly and cable (1 of 2)



2. To remove the laser scanner cable, disconnect the laser scanner FFC (callout 1) and unthread it from the guide on the product left side to remove it.

To remove the laser scanner, remove four screws (callout 2), disconnect one connector (callout 3), and remove the laser scanner (callout 4).

Figure 1-70 Remove the laser scanner assembly and cable (2 of 2)



Motor PCA and motor

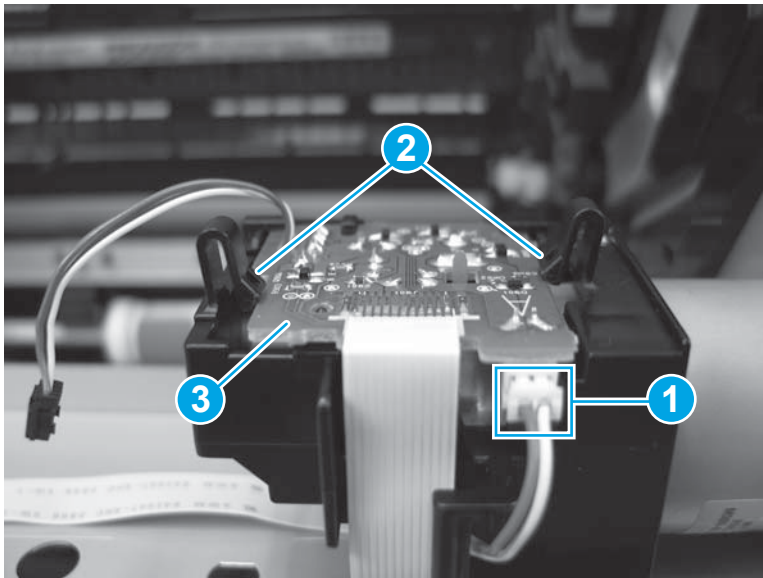
Before proceeding, remove the following components:

- Paper-delivery tray. See [Paper-delivery tray \(output bin extension\) on page 12](#).
- Left cover. See [Left cover on page 13](#).
- Scanner assembly. See [Scanner assembly on page 14](#).
- Cartridge door. See [Cartridge door on page 17](#).
- Front cover. See [Front cover and control-panel assembly on page 19](#).
- Right cover. See [Right cover on page 24](#).
- Top cover. See [Top cover and image scanner lock on page 27](#).
- Formatter PCA. See [Formatter PCA on page 37](#).
- Laser scanner. See [Laser scanner assembly and cable on page 43](#).

Remove the motor PCA and motor

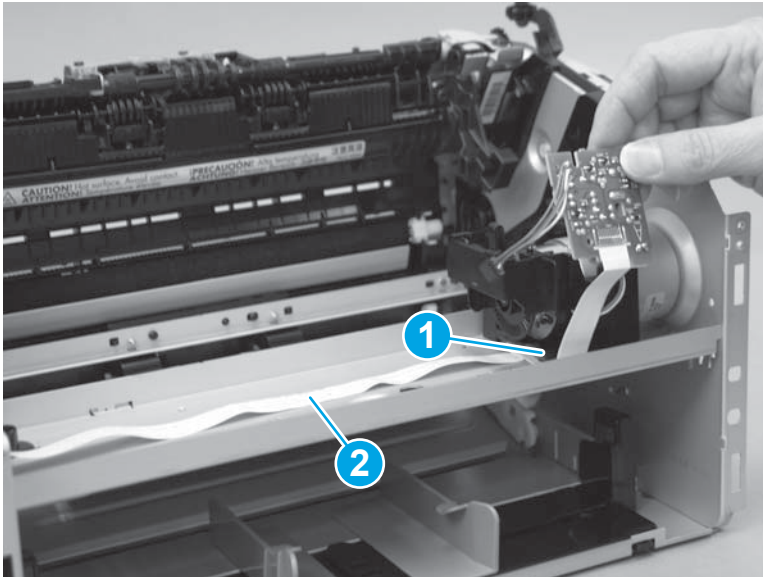
1. Disconnect the connector at the front of the motor PCA (callout 1). Release two tabs (callout 2), and slide the motor PCA (callout 3) forward to remove it from the bracket.

Figure 1-71 Remove the motor PCA (1 of 2)



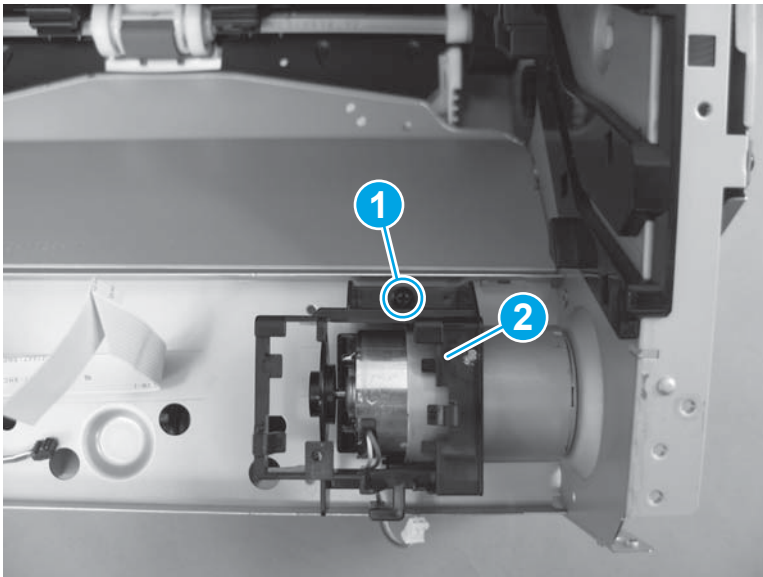
2. Pull the FFC out from under the motor PCA bracket (callout 1), and loosen the adhesive to remove the FFC (callout 2).

Figure 1-72 Remove the motor PCA (2 of 2)



3. Remove one screw (callout 1), and pull the motor PCA bracket up to remove it (callout 2).

Figure 1-73 Remove the motor PCA bracket



4. There are two methods for removing the motor. Try the simple method first, which requires a Phillips head screwdriver that has a narrow shaft. If the simple method does not work or if you do not have the correct tool, use the complex method.

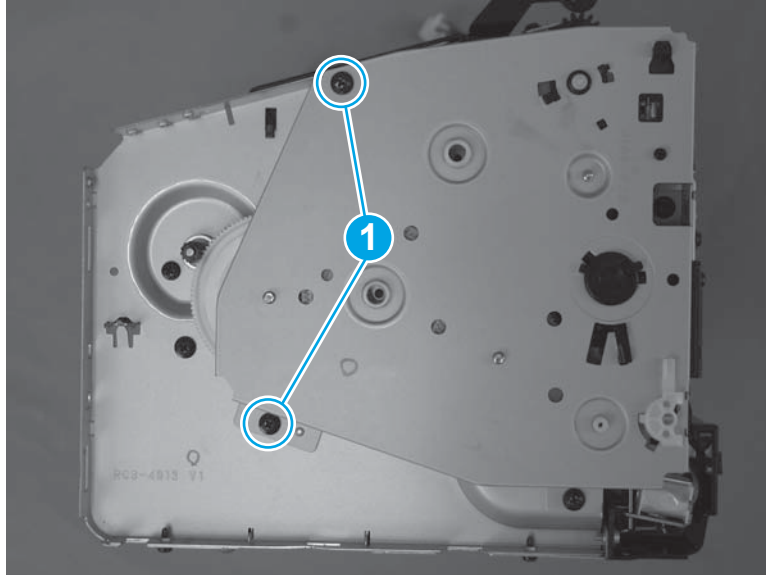


NOTE: Both methods are easier to perform if you rotate the product so that the right side is facing up.

Remove the motor, simple method

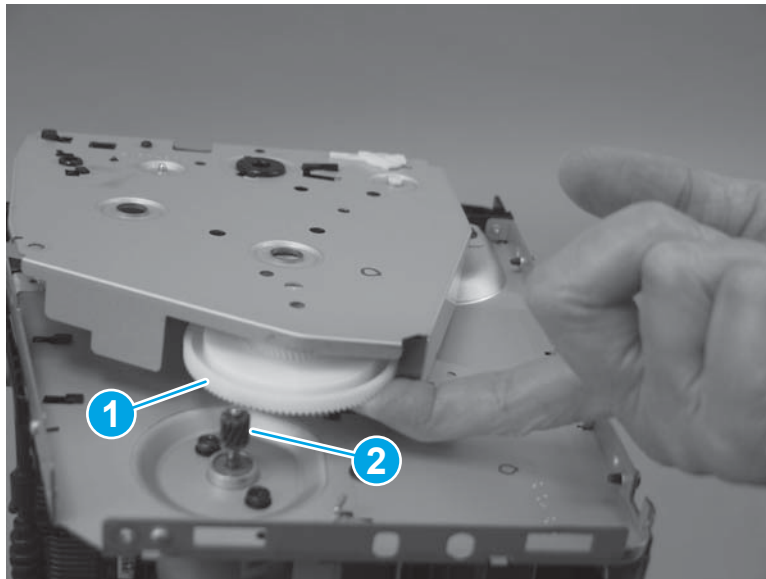
- a. Remove two screws (callout 1).

Figure 1-74 Remove the motor, simple method (1 of 4)



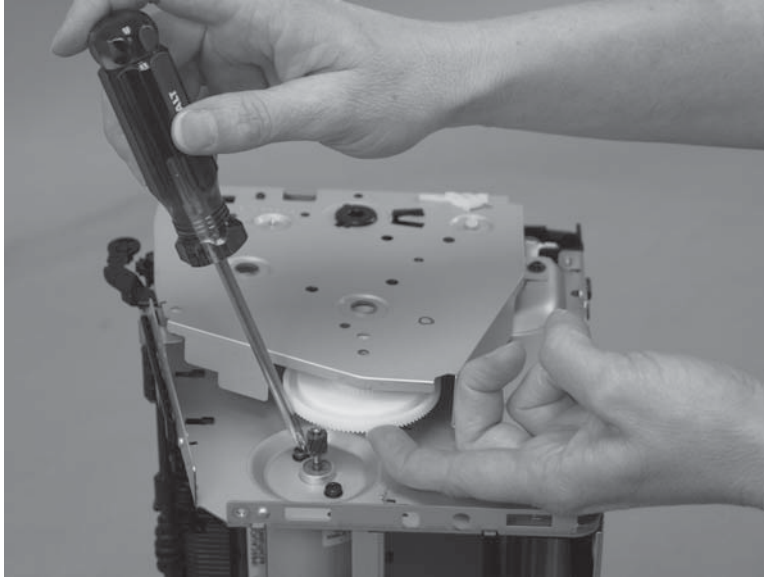
- b. Carefully lift up the gear cover, and lift up the gear that is exposed (callout 1). The gear needs to clear the motor drive shaft (callout 2).

Figure 1-75 Remove the motor, simple method (2 of 4)



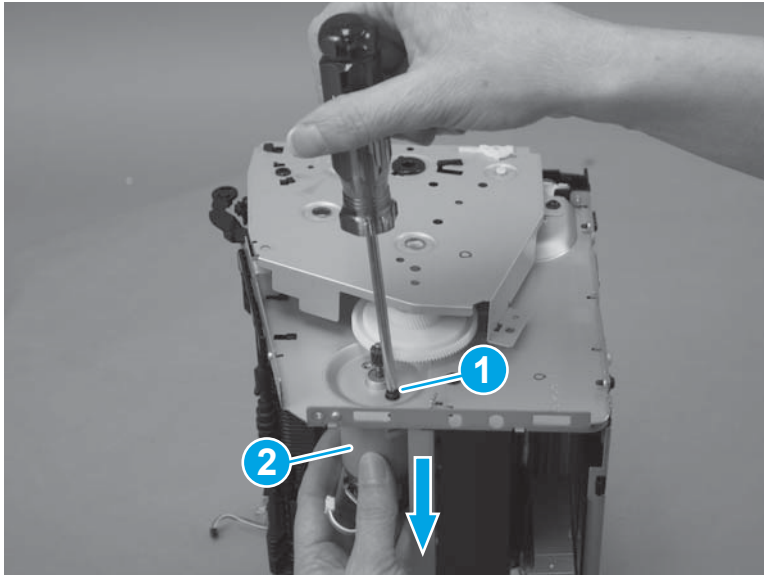
- c. Hold the gear up while you remove the screw with washer that is closest to the gear.

Figure 1-76 Remove the motor, simple method (3 of 4)



- d. Support the motor while you remove the second screw with washer (callout 1), and then pull the motor down to remove it (callout 2).

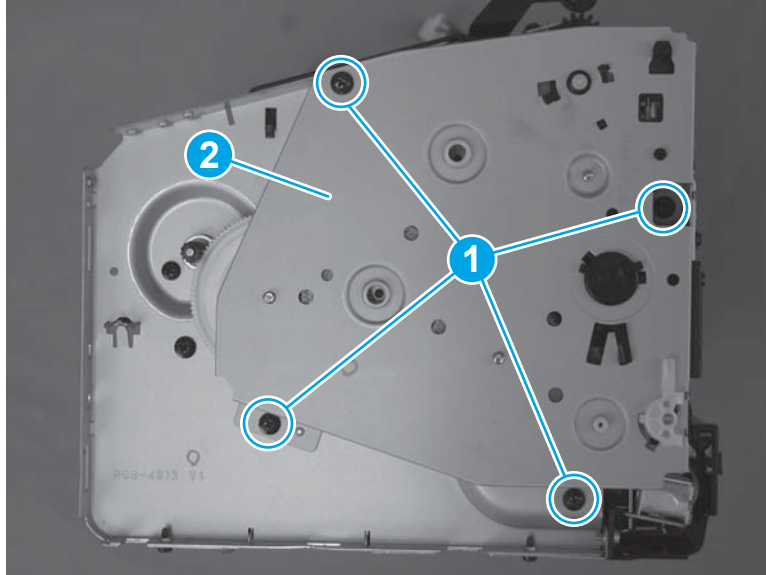
Figure 1-77 Remove the motor, simple method (4 of 4)



Remove the motor, complex method

- a. Remove four screws (callout 1), and remove the gear cover (callout 2).

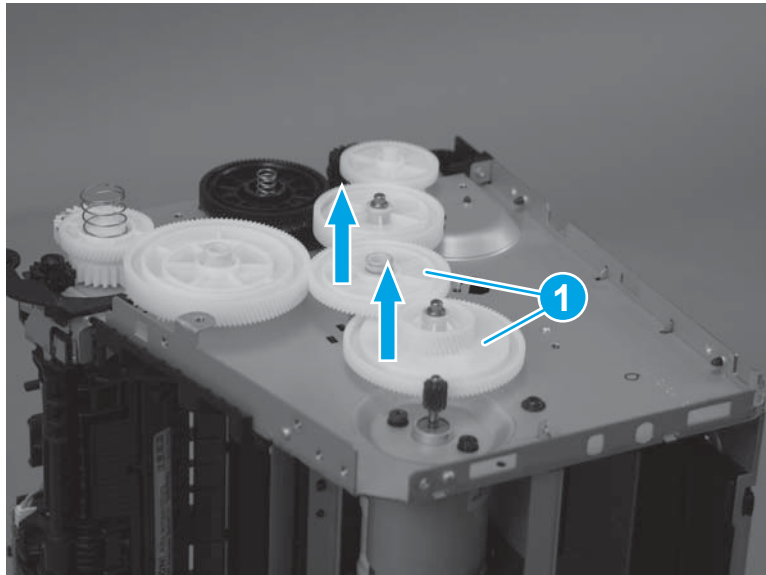
Figure 1-78 Remove the motor, complex method (1 of 3)



- b. Remove two gears (callout 1) by pulling them straight up.

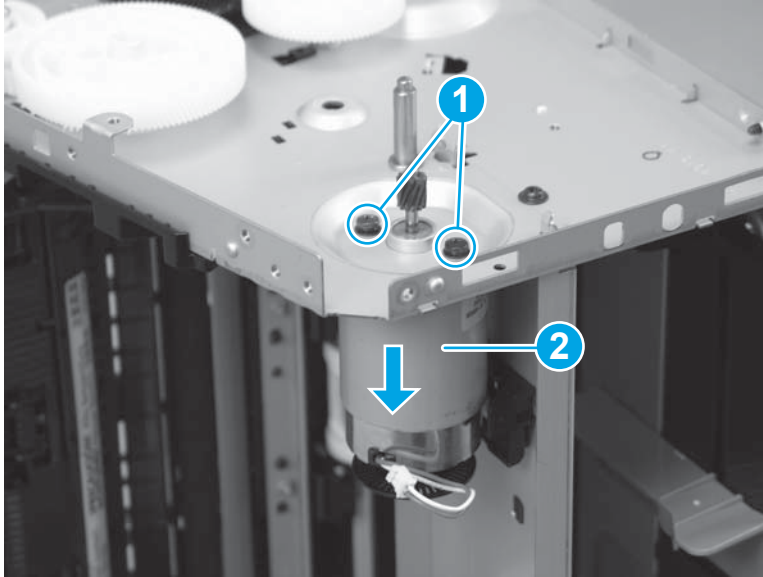
⚠ CAUTION: The gears are greasy.

Figure 1-79 Remove the motor, complex method (2 of 3)



- c. Support the motor while you remove two screws with washers (callout 1), and pull the motor down to remove it (callout 2).

Figure 1-80 Remove the motor, complex method (3 of 3)



Engine controller PCA

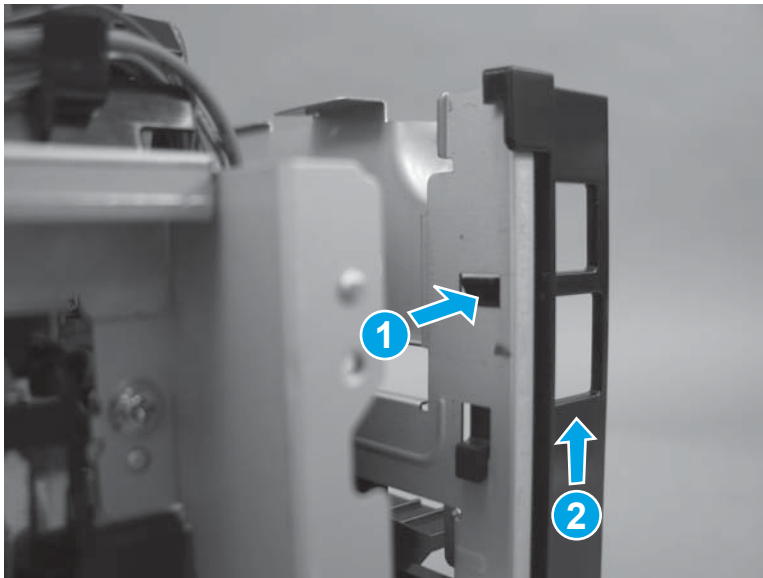
Before proceeding, remove the following components:

- Paper-delivery tray. See [Paper-delivery tray \(output bin extension\) on page 12](#).
- Left cover. See [Left cover on page 13](#).
- Scanner assembly. See [Scanner assembly on page 14](#).
- Cartridge door. See [Cartridge door on page 17](#).
- Front cover. See [Front cover and control-panel assembly on page 19](#).
- Right cover. See [Right cover on page 24](#).
- Top cover. See [Top cover and image scanner lock on page 27](#).
- Rear cover. See [Rear cover on page 29](#).
- Left-side PCAs. See [Left-side PCAs on page 33](#).

Remove the engine controller PCA

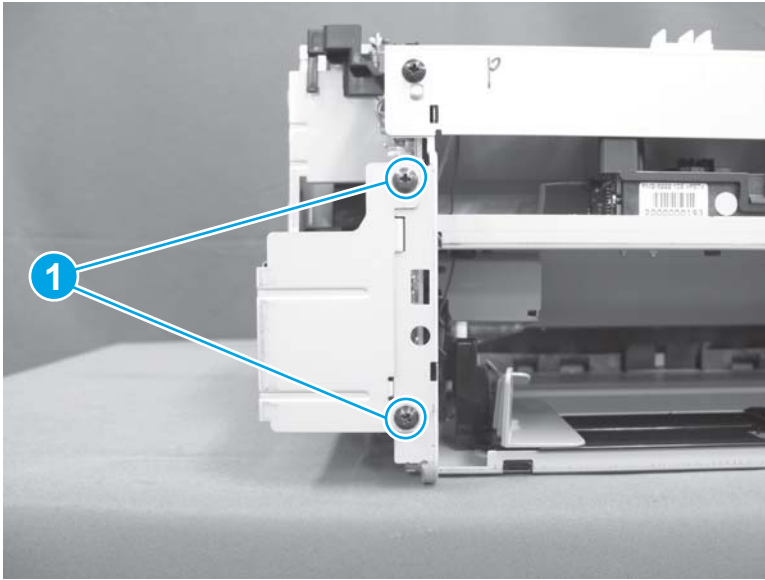
1. Remove the formatter cover. Release one tab (callout 1) and slide the formatter cover up to remove it (callout 2).

Figure 1-81 Remove the engine controller PCA (1 of 12)



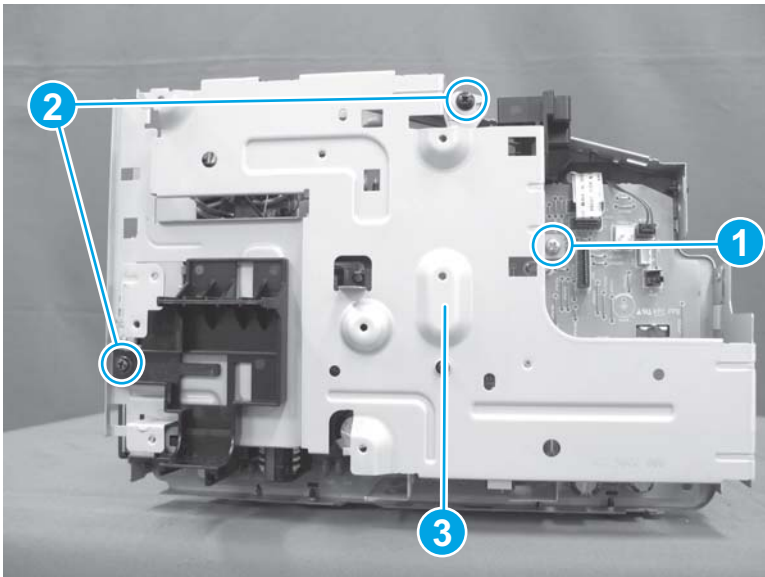
2. On the front of the product, remove two screws (callout 1).

Figure 1-82 Remove the engine controller PCA (2 of 12)



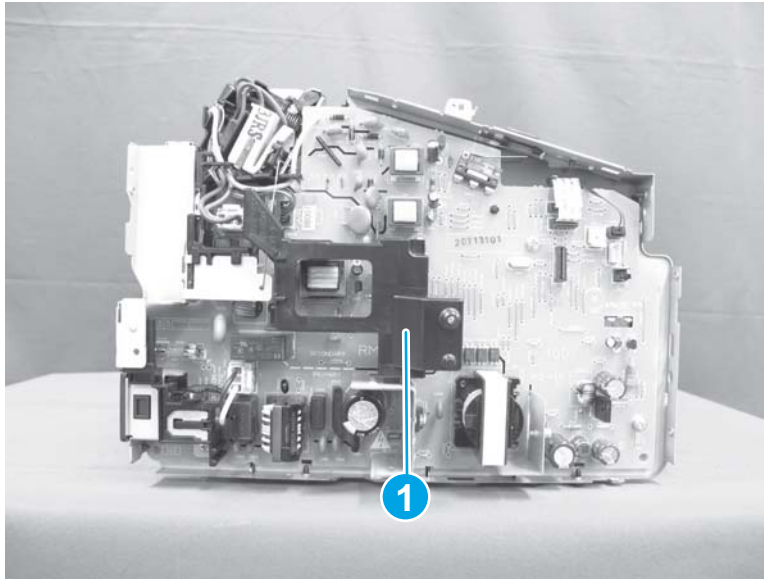
3. On the left side of the product, remove one screw with washer (callout 1), two black screws (callout 2), and then remove the formatter stay (callout 3).

Figure 1-83 Remove the engine controller PCA (3 of 12)



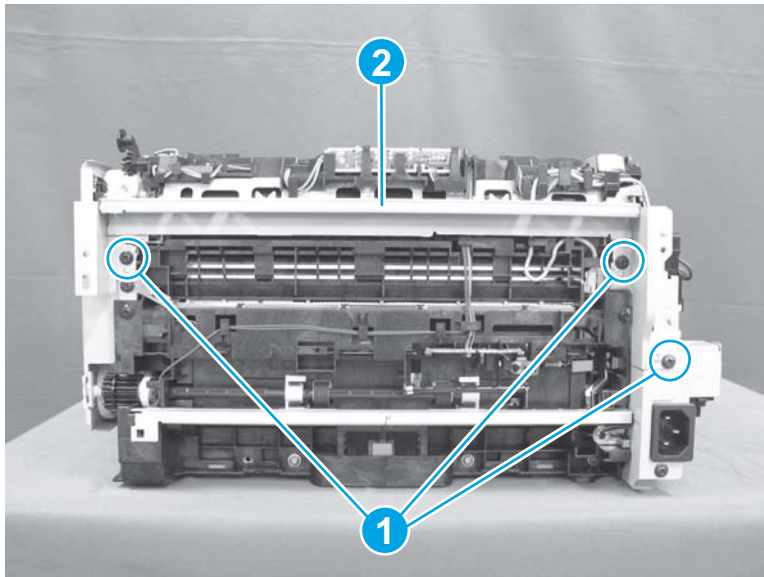
4. Remove the black, plastic support bracket (callout 1).

Figure 1-84 Remove the engine controller PCA (4 of 12)



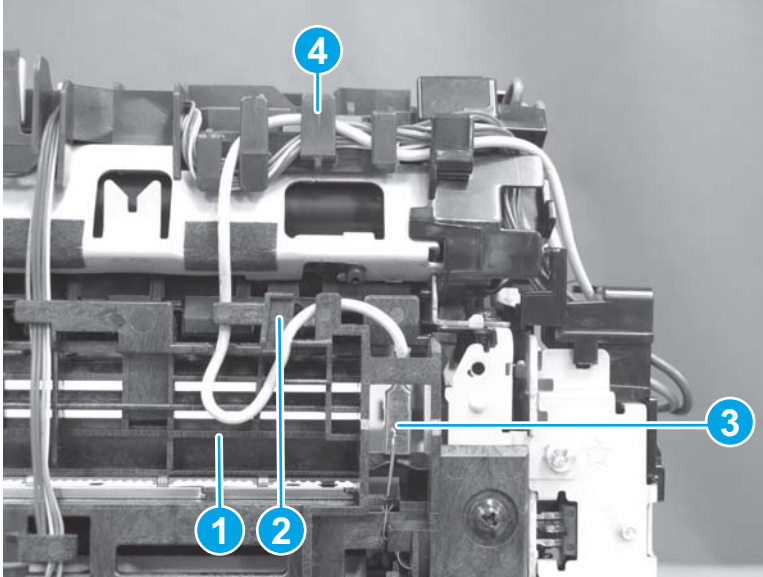
5. On the rear of the product, remove three screws (callout 1), and then remove the sheet-metal bracket (callout 2).

Figure 1-85 Remove the engine controller PCA (5 of 12)



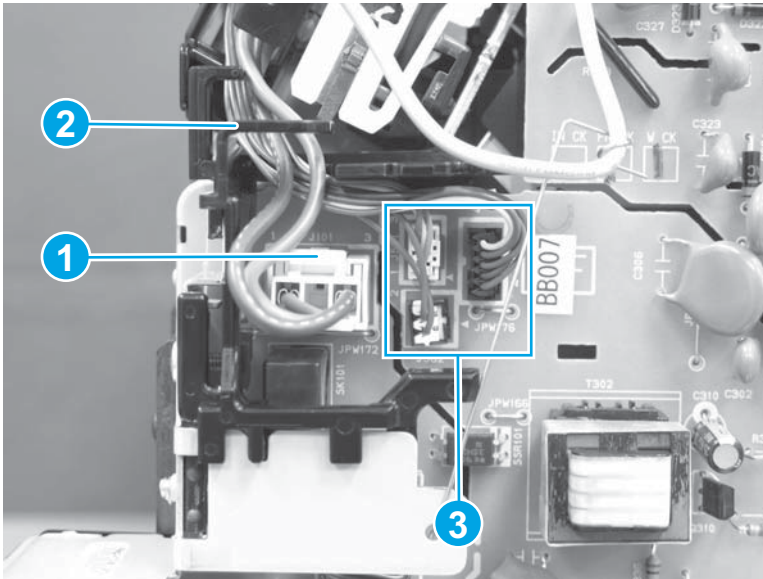
6. Release the cable (callout 1) from the cable guide (callout 2). Disconnect one connector (callout 3). Release the cable (callout 1) from the cable guide (callout 4).

Figure 1-86 Remove the engine controller PCA (6 of 12)



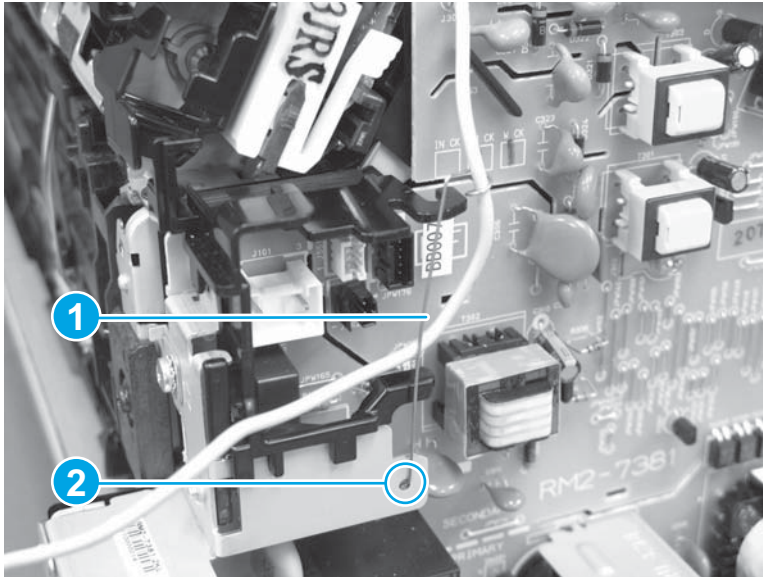
7. On the left side of the product, disconnect one connector (callout 1). Release the cable from the cable guide (callout 2). Disconnect three connectors (callout 3). Release the cables from the guides.

Figure 1-87 Remove the engine controller PCA (7 of 12)



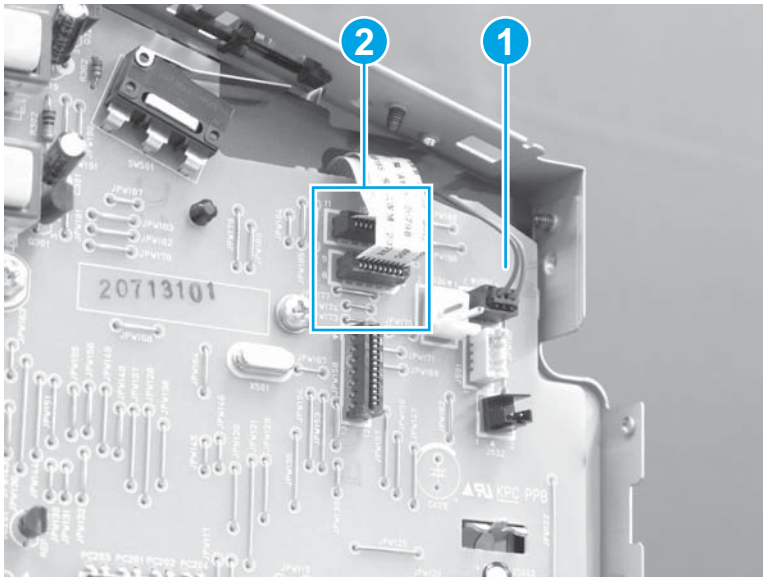
- Unhook the end of the wire spring (callout 1) from the hole (callout 2) on the metal plate. Remove the spring from the pink wire.

Figure 1-88 Remove the engine controller PCA (8 of 12)



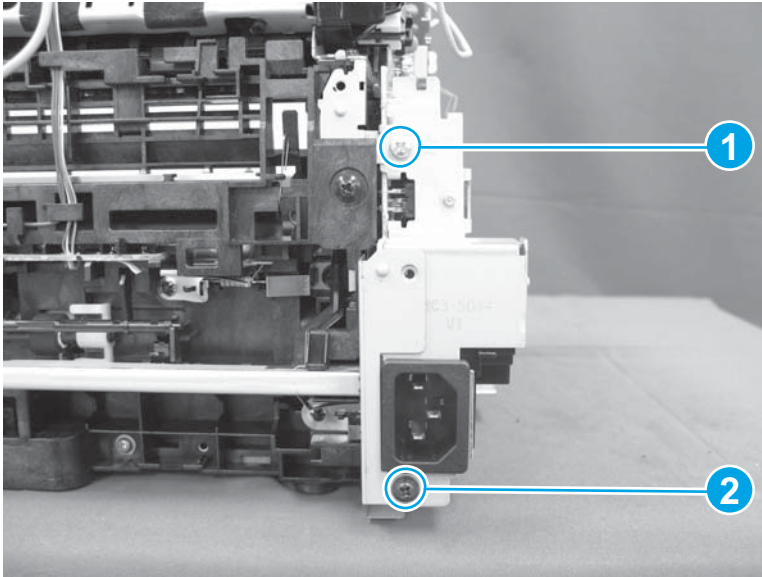
- Disconnect one connector (callout 1) and two FFCs (callout 2).

Figure 1-89 Remove the engine controller PCA (9 of 12)



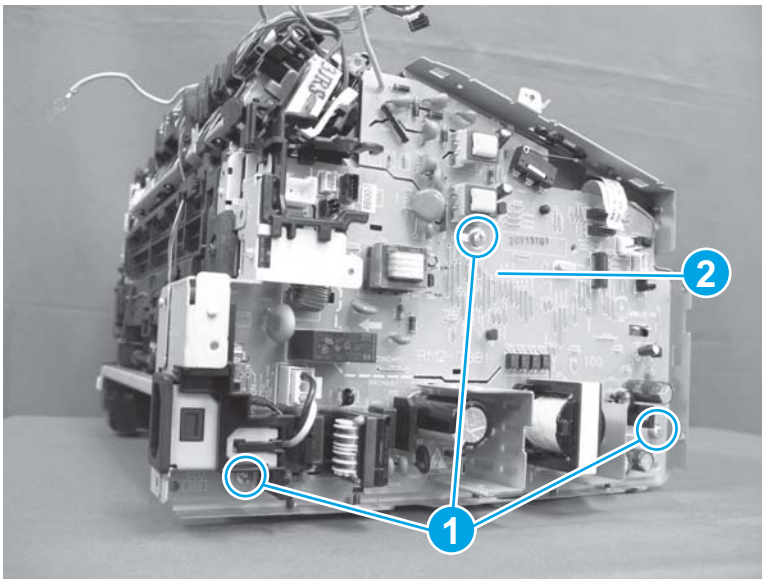
10. On the back of the product, remove the silver “star” screw (callout 1), and remove the black screw below the power connection (callout 2).

Figure 1-90 Remove the engine controller PCA (10 of 12)



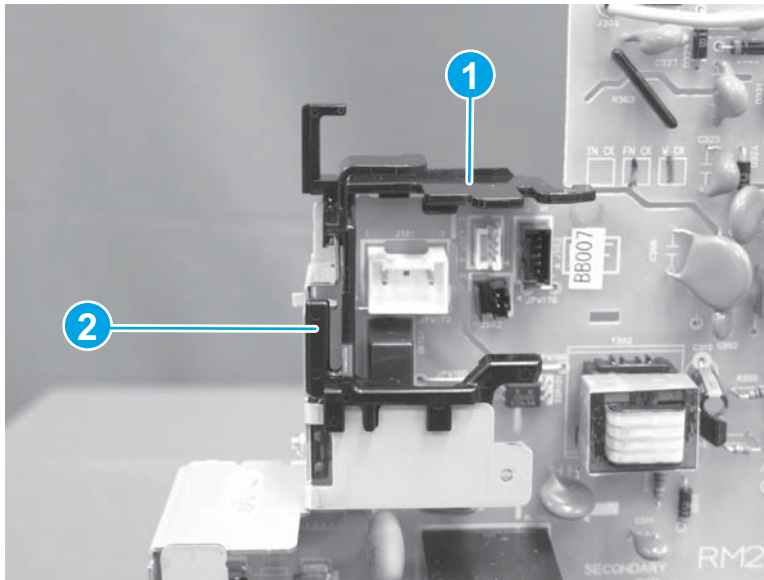
11. Remove three grounding screws (callout 1) from the engine controller PCA, and then remove the engine controller PCA (callout 2).

Figure 1-91 Remove the engine controller PCA (11 of 12)




12. Release one tab (callout 1), and slide the cable guide up to remove it (callout 2).

Figure 1-92 Remove the engine controller PCA (12 of 12)

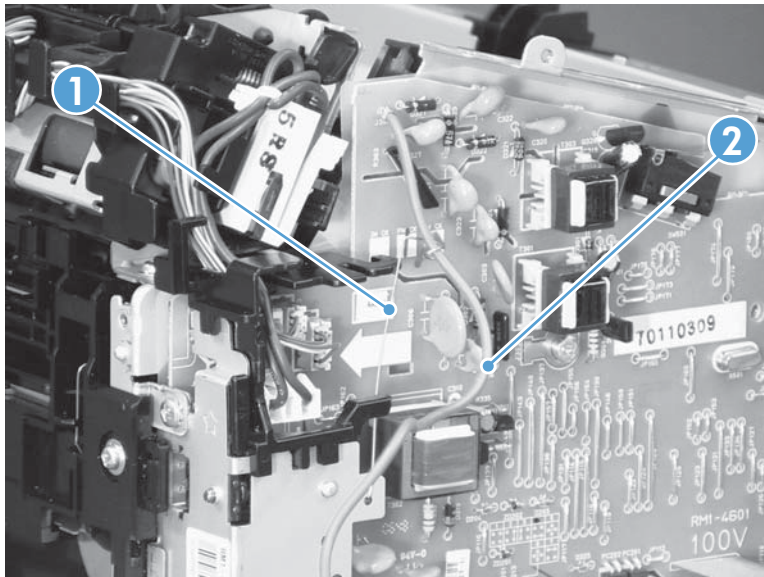


Reinstall the engine controller PCA

 **NOTE:** Follow these steps to correctly install the transfer-wire harness.

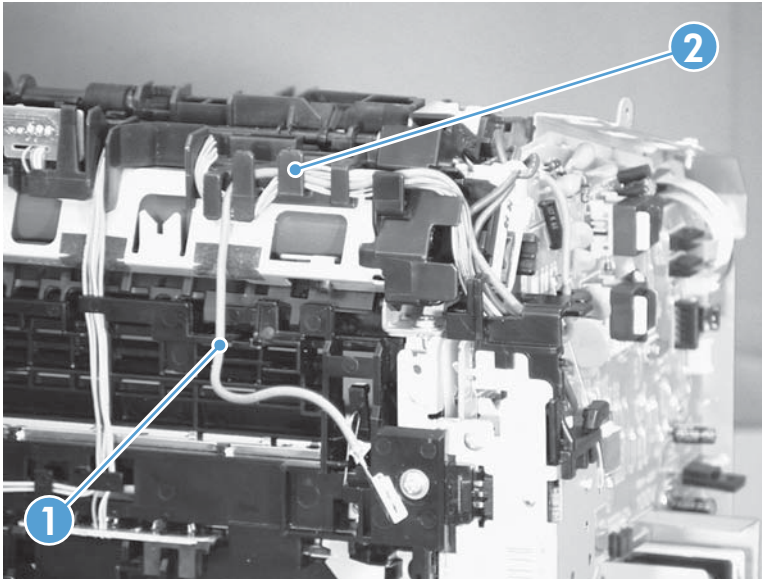
1. Set the ground spring (callout 1) on the transfer-wire harness (callout 2).

Figure 1-93 Reinstall the engine controller PCA (1 of 4)



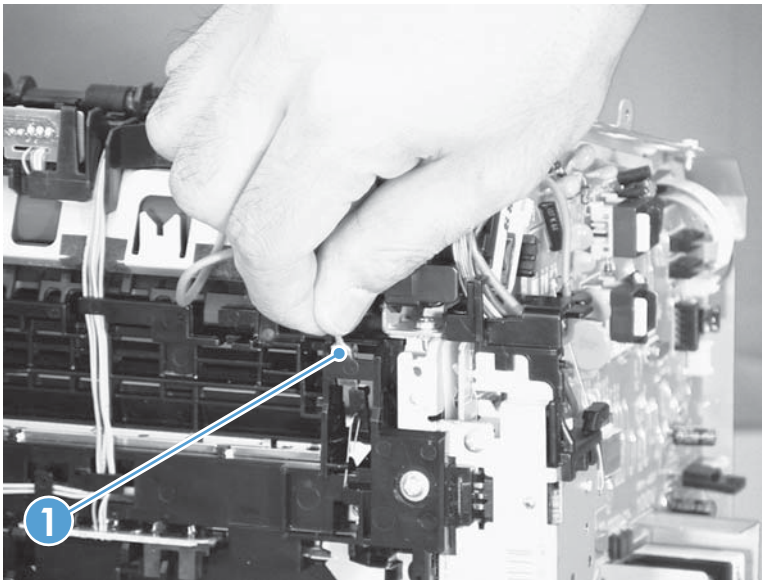
2. Position the transfer-wire harness (callout 1) in the guide (callout 2).

Figure 1-94 Reinstall the engine controller PCA (2 of 4)



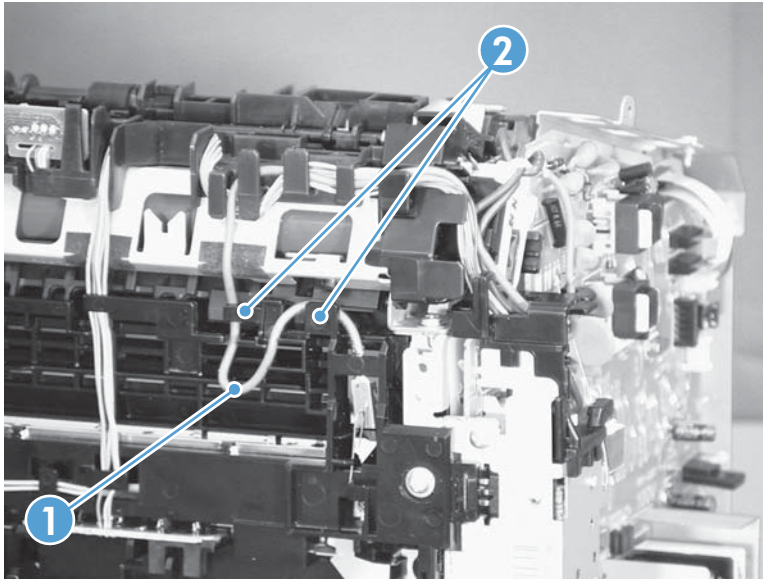
3. Connect one connector (callout 1).

Figure 1-95 Reinstall the engine controller PCA (3 of 4)



4. Position the transfer-wire harness (callout 1) in the guides (callout 2).

Figure 1-96 Reinstall the engine controller PCA (4 of 4)



Fuser and delivery sensor PCA

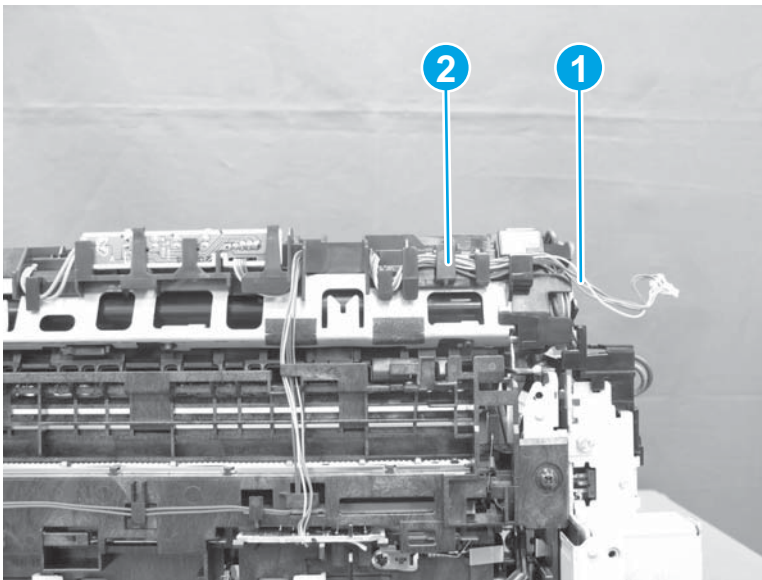
Before proceeding, remove the following components:

- Paper-delivery tray. See [Paper-delivery tray \(output bin extension\) on page 12](#).
- Left cover. See [Left cover on page 13](#).
- Scanner assembly. See [Scanner assembly on page 14](#).
- Cartridge door. See [Cartridge door on page 17](#).
- Front cover. See [Front cover and control-panel assembly on page 19](#).
- Right cover. See [Right cover on page 24](#).
- Top cover. See [Top cover and image scanner lock on page 27](#).
- Rear cover. See [Rear cover on page 29](#).
- Left-side PCAs. See [Left-side PCAs on page 33](#).

Remove the fuser and delivery sensor PCA

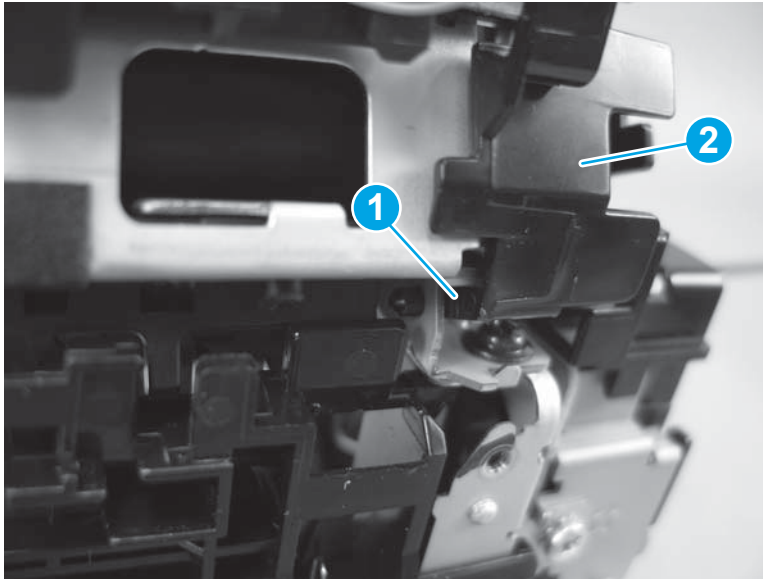
1. Follow the procedure to remove the engine controller PCA through step 9. See [Engine controller PCA on page 51](#).
2. Release the cables (callout 1) from the guides (callout 2).

Figure 1-97 Remove the fuser and delivery sensor PCA (1 of 4)



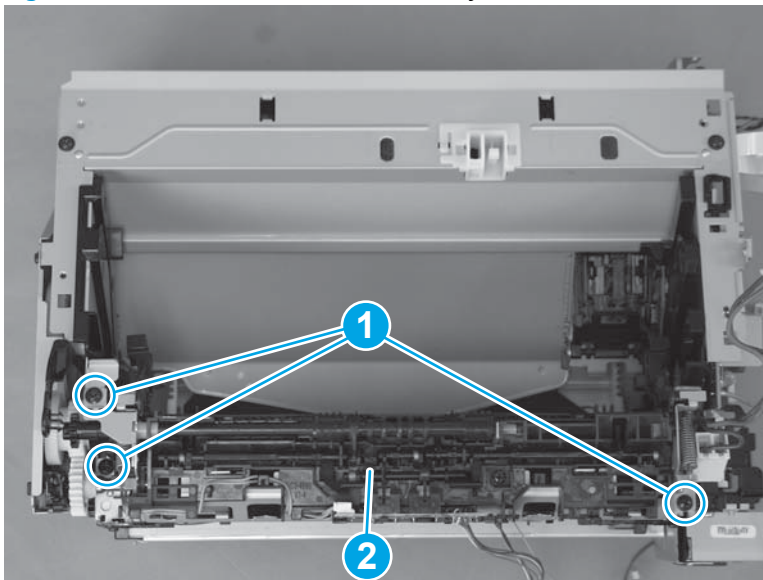
3. Release one tab (callout 1), and remove the cable guide (callout 2).

Figure 1-98 Remove the fuser and delivery sensor PCA (2 of 4)



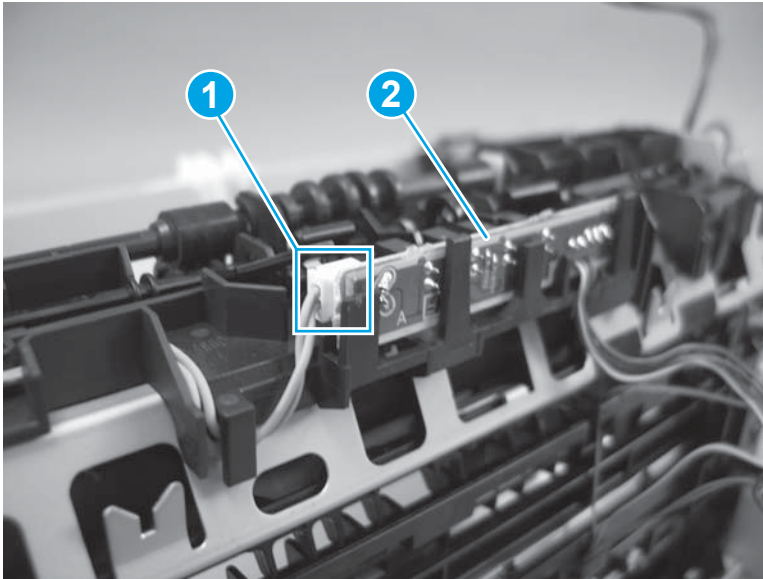
4. Remove three screws (callout 1), and then remove the fuser (callout 2).

Figure 1-99 Remove the fuser and delivery sensor PCA (3 of 4)



5. To separate the delivery sensor PCA from the fuser, disconnect one connector (callout 1) and remove the delivery sensor PCA (callout 2).

Figure 1-100 Remove the fuser and delivery sensor PCA (4 of 4)



Reinstall the fuser

- ▲ To avoid damage to wire harnesses, make sure that they are correctly installed in the guides when the fuser is reinstalled.

Figure 1-101 Reinstall the fuser; correct wire harness installation

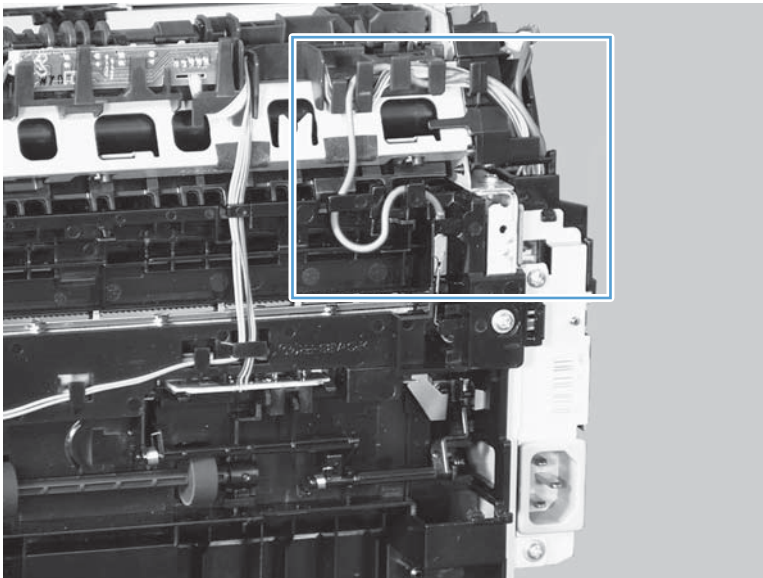
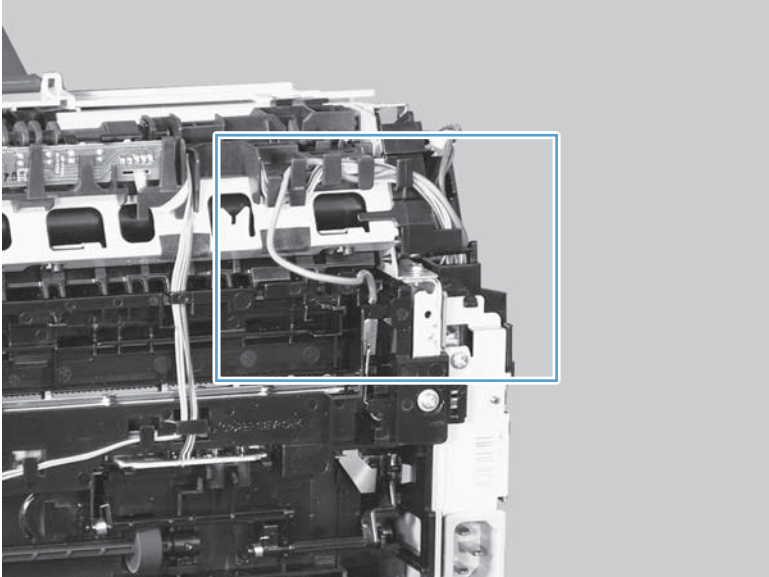


Figure 1-102 Reinstall the fuser; incorrect wire harness installation



Pickup assembly and pickup sensor PCA

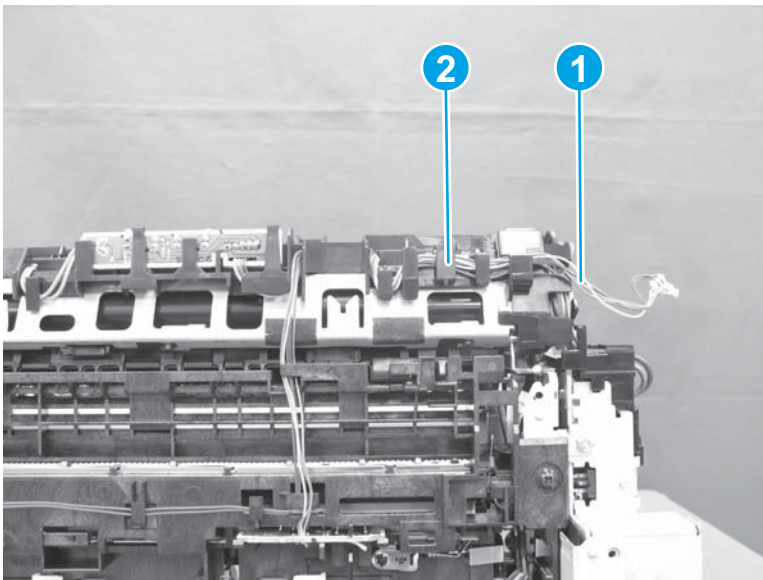
Before proceeding, remove the following components:

- Paper-delivery tray. See [Paper-delivery tray \(output bin extension\) on page 12](#).
- Left cover. See [Left cover on page 13](#).
- Scanner assembly. See [Scanner assembly on page 14](#).
- Cartridge door. See [Cartridge door on page 17](#).
- Front cover. See [Front cover and control-panel assembly on page 19](#).
- Right cover. See [Right cover on page 24](#).
- Top cover. See [Top cover and image scanner lock on page 27](#).
- Rear cover. See [Rear cover on page 29](#).
- Left-side PCAs. See [Left-side PCAs on page 33](#).

Remove the pickup assembly and pickup sensor PCA

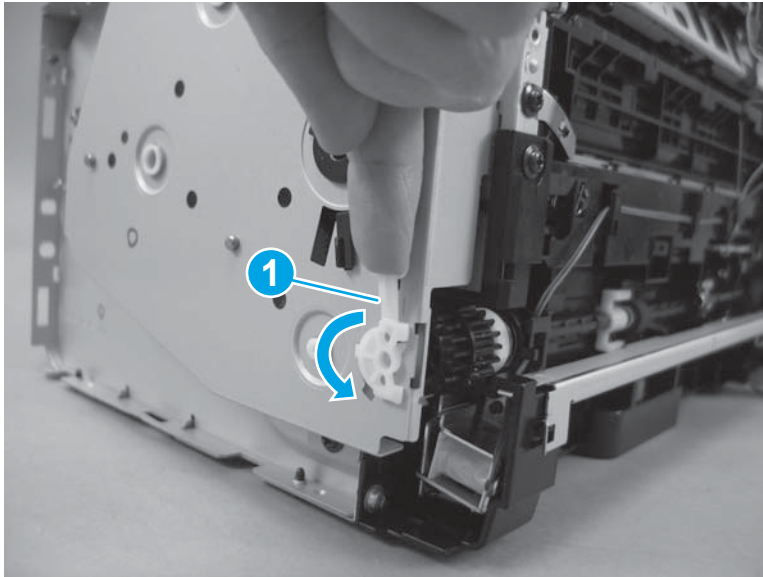
1. Follow the procedure to remove the engine controller PCA through step 9. See [Engine controller PCA on page 51](#).
2. Release the cables (callout 1) from the guides (callout 2).

Figure 1-103 Remove the pickup assembly and pickup sensor PCA (1 of 4)



3. On the right side of the product, release the tab (callout 1) on the white bushing, rotate the bushing clockwise, and remove it

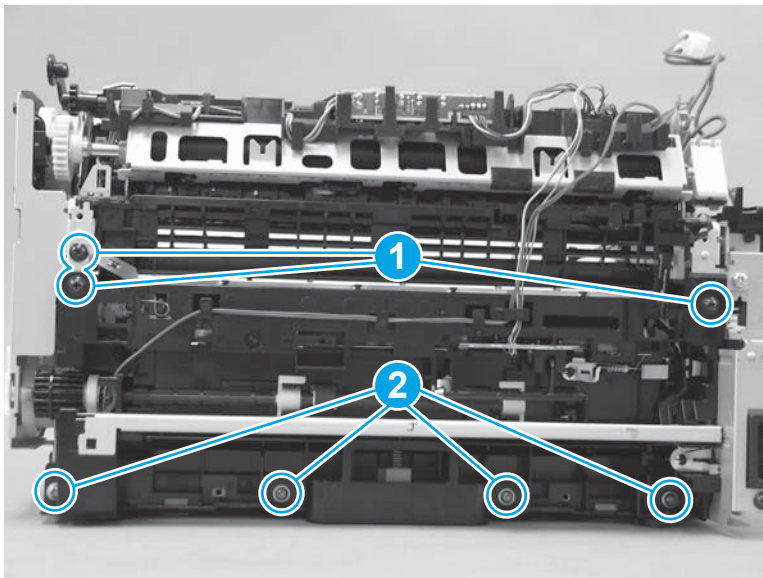
Figure 1-104 Remove the pickup assembly and pickup sensor PCA (2 of 4)



4. Remove three black screws (callout 1) and four silver screws (callout 2). Remove the pickup assembly.

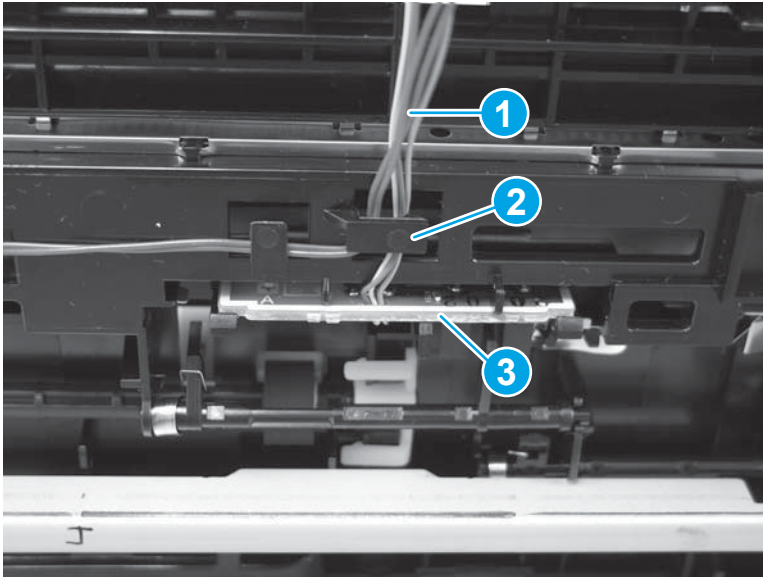
CAUTION: Do not let the grounding spring drop.

Figure 1-105 Remove the pickup assembly and pickup sensor PCA (3 of 4)



5. To remove the pickup sensor PCA, release the wire harness (callout 1) from the cable guide (callout 2), and remove the pickup sensor PCA (callout 3).

Figure 1-106 Remove the pickup assembly and pickup sensor PCA (4 of 4)



Reinstall tips for the grounding spring and lifting plate

- Make sure that the pickup assembly ground spring is correctly positioned when the assembly is reinstalled.

Figure 1-107 Reinstall the pickup assembly; correct ground spring position (1 of 4)

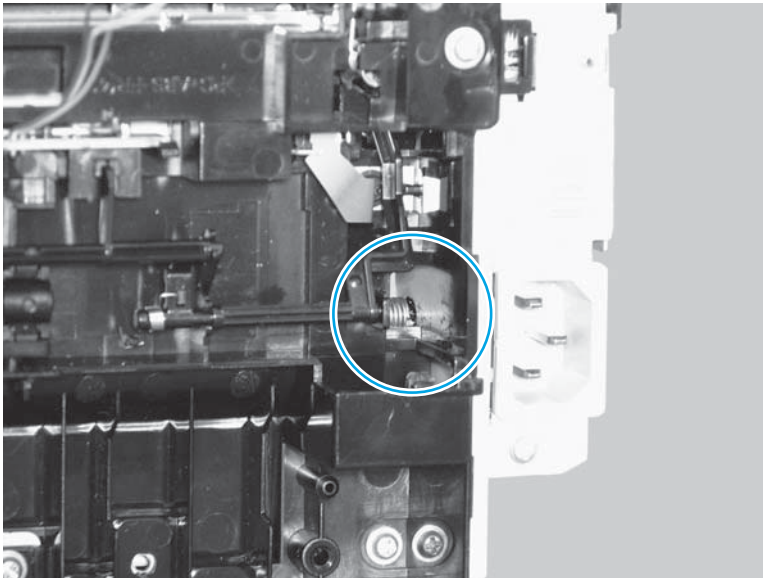
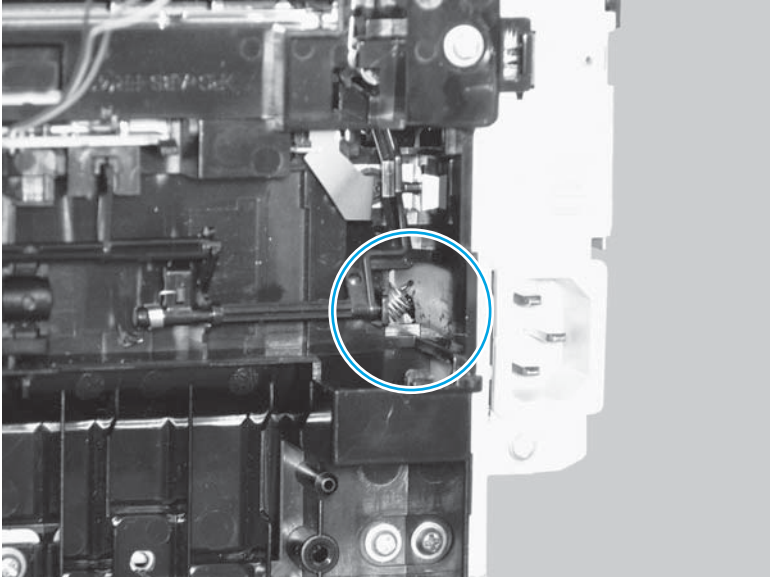


Figure 1-108 Reinstall the pickup assembly; incorrect ground spring position (2 of 4)



- Push down the lift plate before installing the pickup assembly.


 **TIP:** Reach in from the front of the product to push and hold the plate down as the pickup unit is installed.

Figure 1-109 Reinstall the pickup assembly; lift plate in raised position (3 of 4)

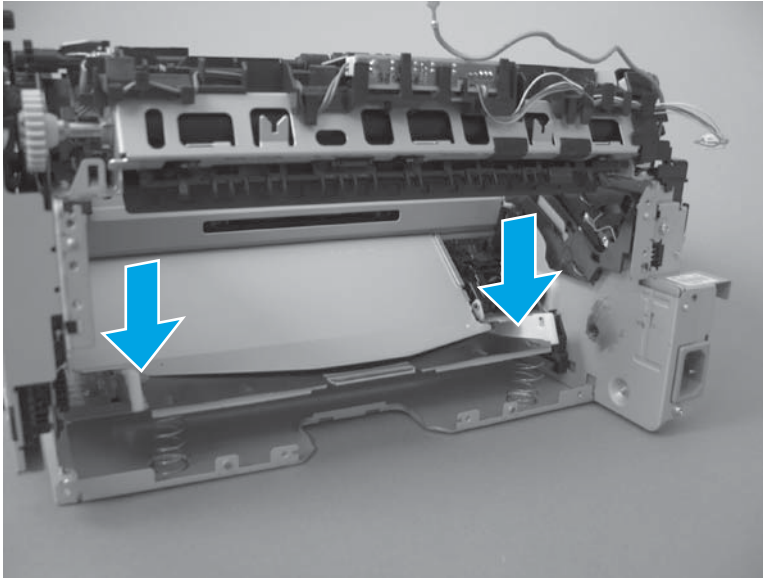
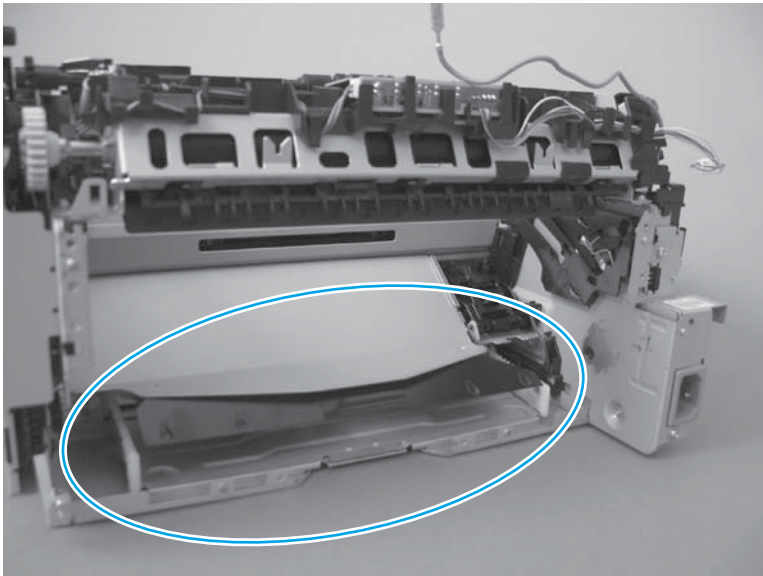


Figure 1-110 Reinstall the pickup assembly; lift plate in lowered position (4 of 4)



Scanner and document feeder components

Before proceeding, remove the following components:

- Paper-delivery tray. See [Paper-delivery tray \(output bin extension\) on page 12](#).
- Left cover. See [Left cover on page 13](#).
- Scanner assembly. See [Scanner assembly on page 14](#).

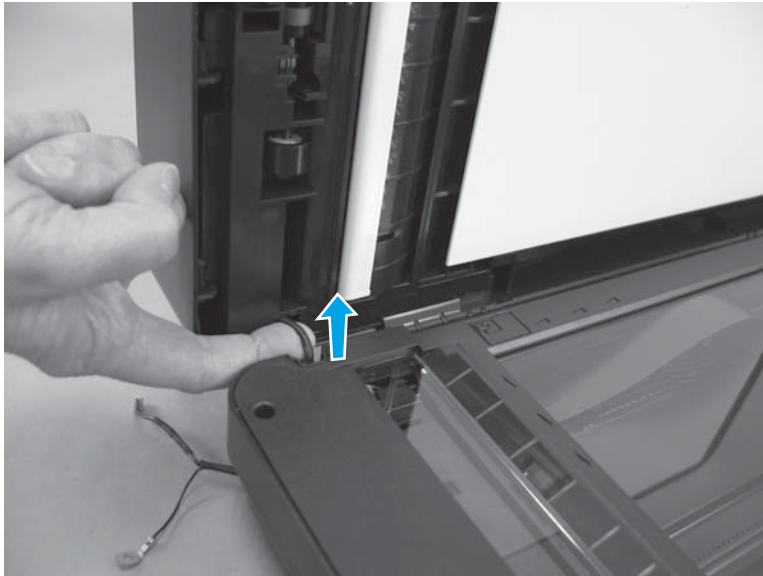
Separate the scanner lid or document feeder from the scan base



NOTE: The photos in the following procedure are of a model that has a document feeder. Other models might look slightly different, but the procedure is the same.

1. **Document feeder models only:** Pull the document-feeder cable through the opening.

Figure 1-111 Separate the scanner lid or document feeder from the scan base (1 of 2)



2. Open the scanner lid or document feeder, and tilt it slightly forward. Push down and back on each of the two hinges to release them.


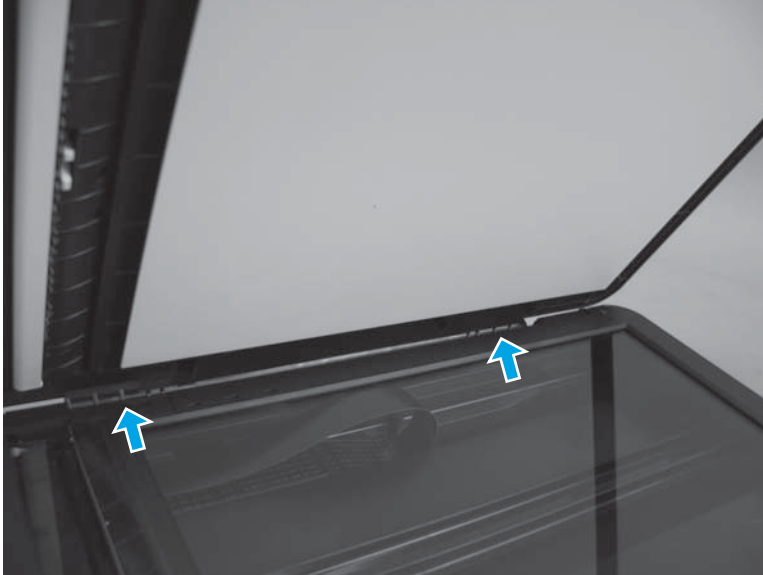
 **NOTE:** This step requires some force, but it is easier to first tilt the scanner lid or document feeder forward.


Figure 1-112 Separate the scanner lid or document feeder from the scan base (2 of 2)




Scanner components

Before proceeding, separate the scanner lid or document feeder from the scan base. See [Separate the scanner lid or document feeder from the scan base on page 69](#).

Scan bezel

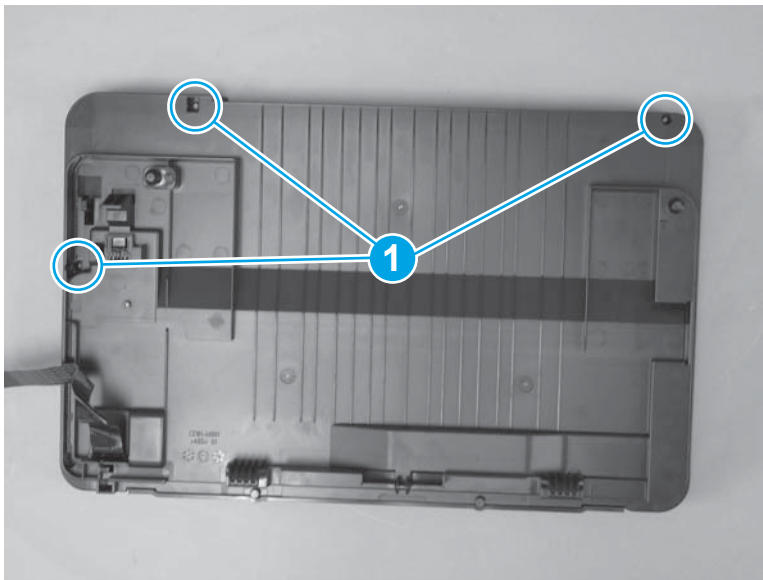
 **NOTE:** The photos in the following procedure are of a model that has a document feeder. Other models might look slightly different, but the procedure is the same.

 **CAUTION:** Perform these procedures in a dust-free environment.

CAUTION: The components inside of the scan assembly are not captive when the bezel is removed.

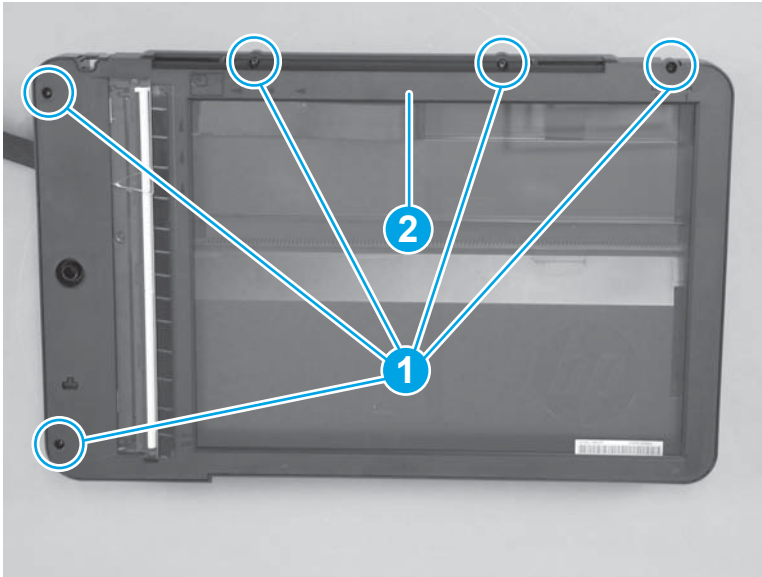
1. Place the scan assembly glass-side-down, and remove three Torx T9 screws (callout 1).

Figure 1-113 Remove the scan bezel (1 of 2)



2. Turn the scan assembly over, and remove five Torx T10 screws (callout 1), and lift the scan bezel (callout 2) off the scan assembly.


Figure 1-114 Remove the scan bezel (2 of 2)




Scan drive system

Before proceeding, remove the following components:

- Scan bezel. See [Scan bezel on page 71](#).


 **NOTE:** The photos in the following procedure are of a model that has a document feeder. Other models might look slightly different, but the procedure is the same.

 **CAUTION:** Perform these procedures in a dust-free environment.

CAUTION: The components inside of the scan assembly are not captive when the bezel is removed.

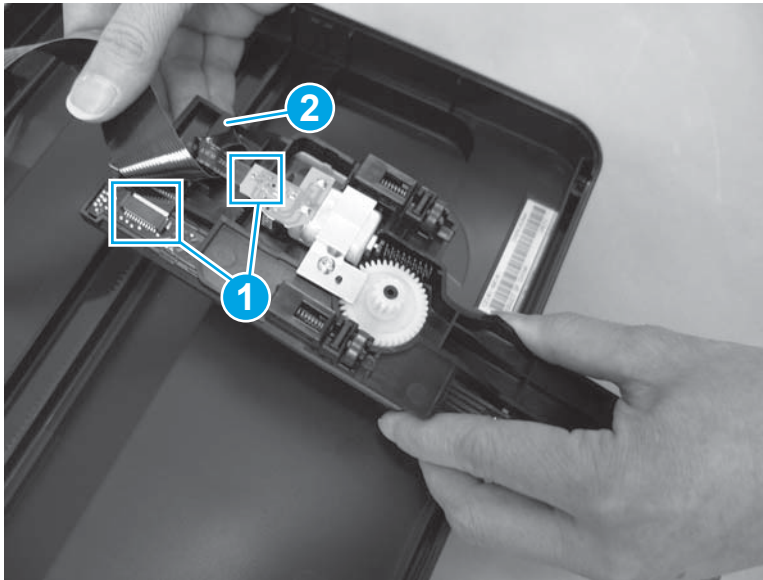
Remove the scan drive system

1. Lift the scan drive system out of the scanner, and turn it over.

 **CAUTION:** The scan drive system is still connected to the scanner assembly by the FFC.

2. Disconnect the two FFC connectors (callout 1) and unthread the FFC from the guide (callout 2), and then remove the scan drive system.


Figure 1-115 Remove the scan drive system




Scan FFC cable

Before proceeding, remove the following components:

- Scan bezel. See [Scan bezel on page 71](#).
- Scan drive system. See [Scan drive system on page 73](#).

 **NOTE:** The photos in the following procedure are of a model that has a document feeder. Other models might look slightly different, but the procedure is the same.

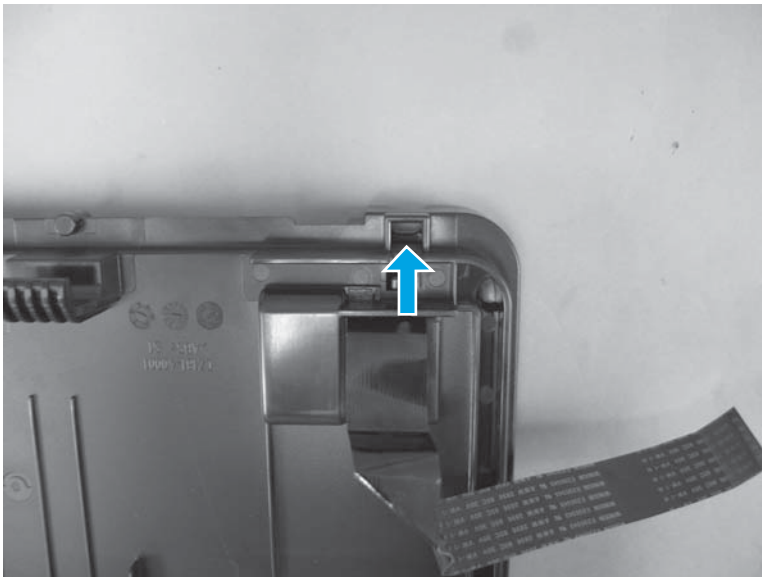
 **CAUTION:** Perform these procedures in a dust-free environment.

CAUTION: The components inside of the scan assembly are not captive when the bezel is removed.

Remove the scan FFC cable

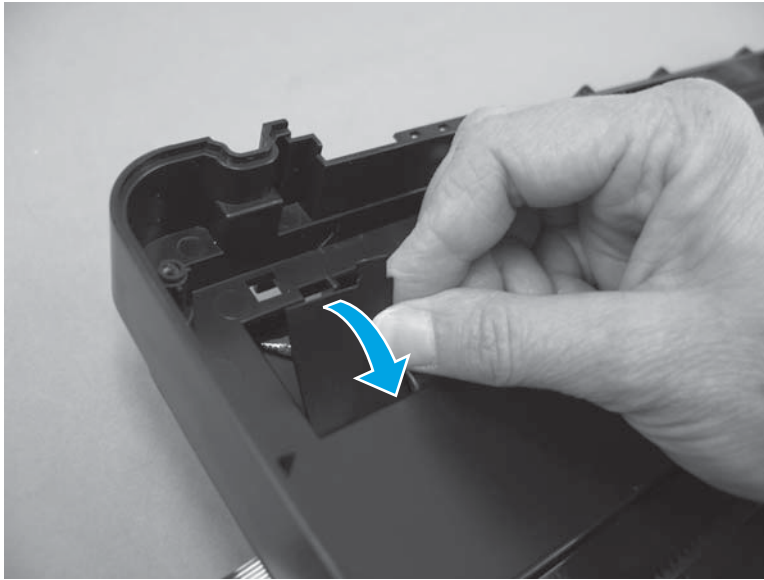
1. From the bottom of the scan assembly, push the tab on the FFC cover through the opening.

Figure 1-116 Remove the scan FFC cable (1 of 3)



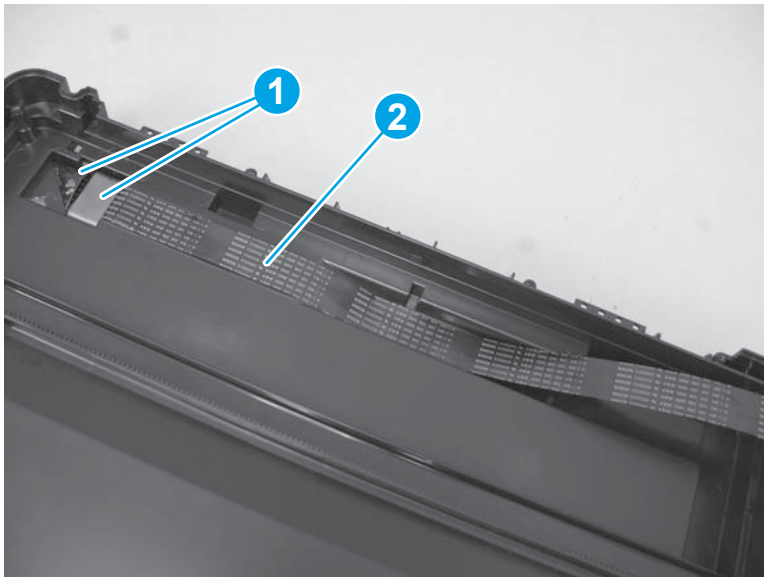
2. Pull the FFC cover off of the FFC.

Figure 1-117 Remove the scan FFC cable (2 of 3)



3. Unthread the FFC through the ferrite and the guides (callout 1), and then loosen the adhesive to remove the FFC (callout 2).

Figure 1-118 Remove the scan FFC cable (3 of 3)



Scan motor

Before proceeding, remove the following components:

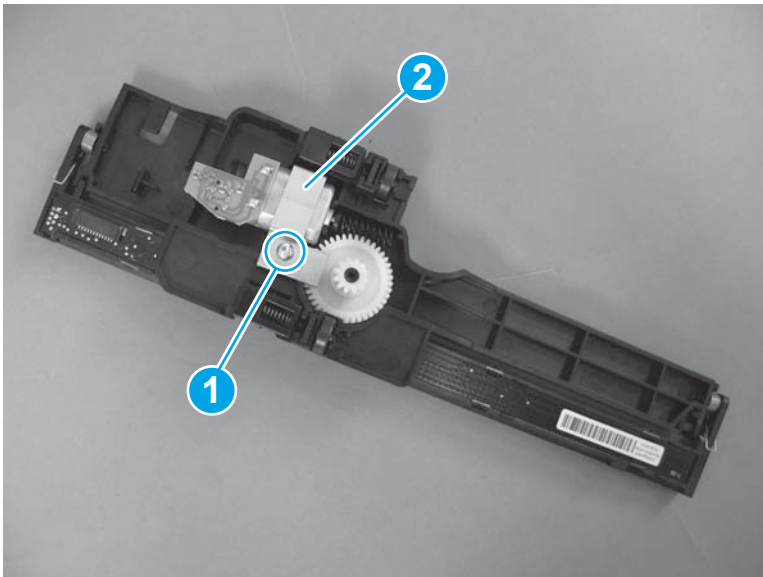
- Scan bezel. See [Scan bezel on page 71](#).
- Scan drive system. See [Scan drive system on page 73](#).

CAUTION: Perform these procedures in a dust-free environment.

Remove the scan motor

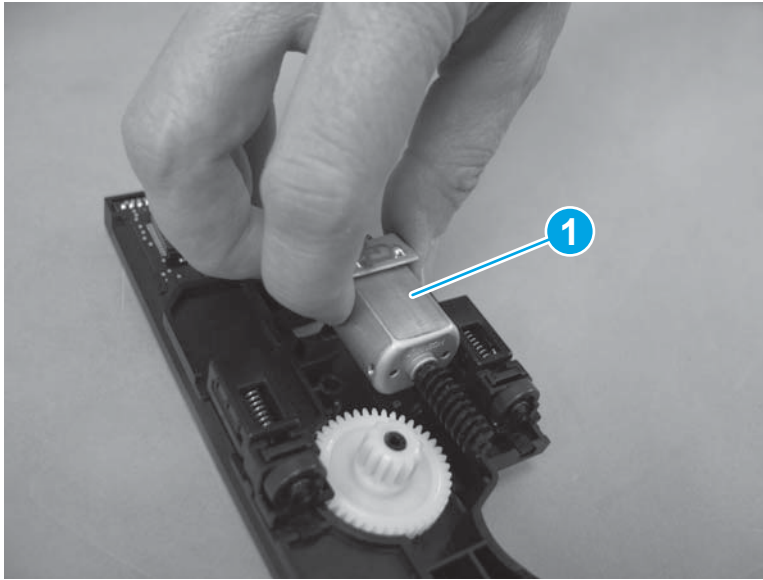
1. On the bottom of the scan drive system, remove one Torx T10 screw (callout 1), and lift off the metal bracket (callout 2).

Figure 1-119 Remove the scan motor (1 of 2)



2. Pull the motor straight up to remove it (callout 1).

Figure 1-120 Remove the scan motor (2 of 2)




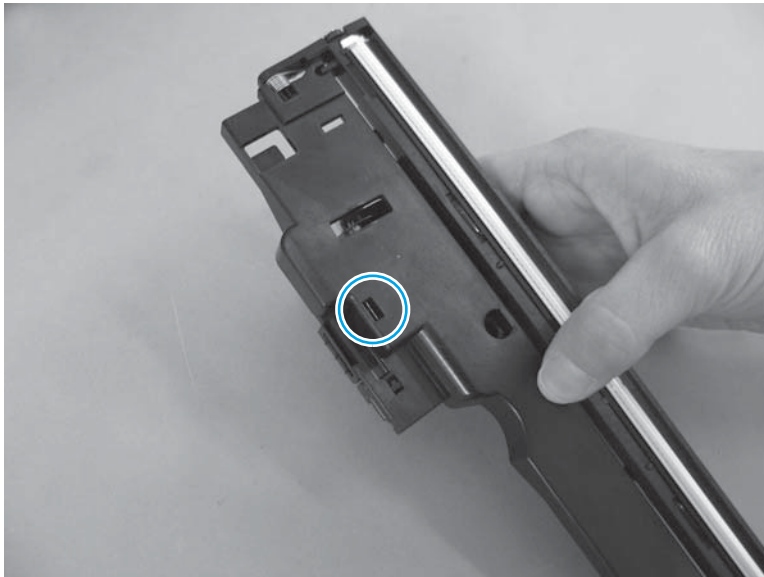
 **Reinstallation tip** When reinstalling the scan motor, position the metal bracket so the tab is visible in the notch on the opposite side of the scan drive system.

Figure 1-121 Reinstall the scan motor



Scanner spring assembly

Before proceeding, remove the following components:

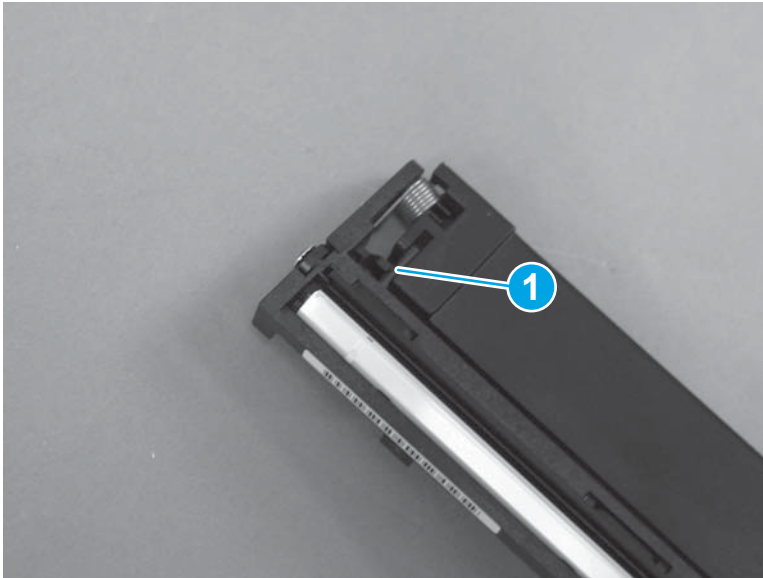
- Scan bezel. See [Scan bezel on page 71](#).
- Scan drive system. See [Scan drive system on page 73](#).

CAUTION: Perform these procedures in a dust-free environment.

Remove the scanner spring assembly

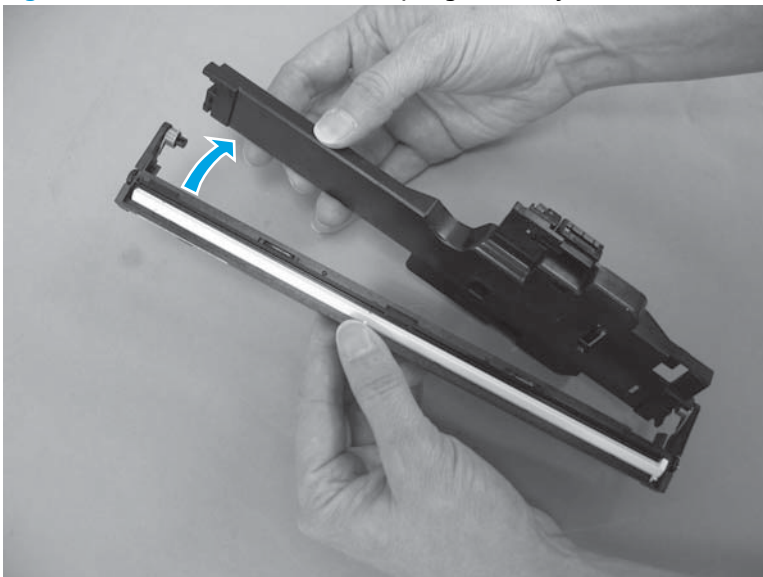
1. Release one tab (callout 1).

Figure 1-122 Remove the scanner spring assembly (1 of 2)



2. Pivot the spring assembly away from the scan drive chassis.

Figure 1-123 Remove the scanner spring assembly (2 of 2)




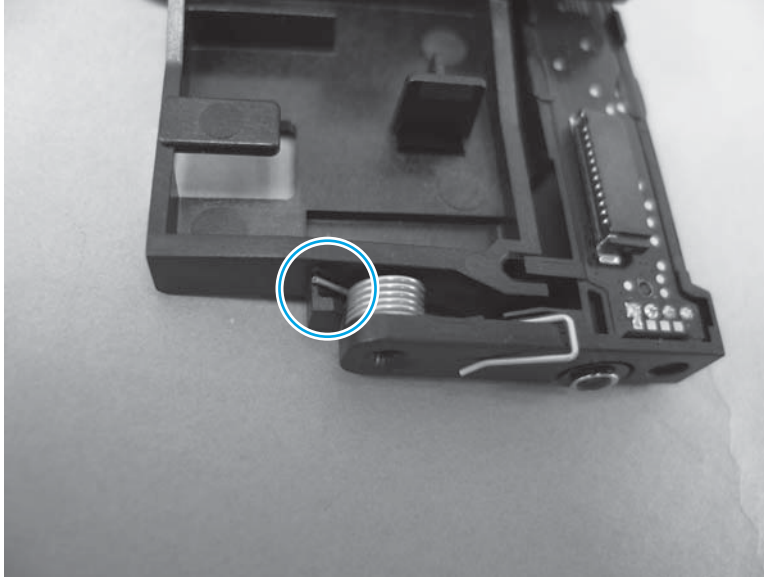
 **Reinstallation tip** When reinstalling the scanner spring assembly, position the spring at each end so that the short wire rests in the notch on the bottom of the scan drive chassis.

Figure 1-124 Reinstall the scanner spring assembly



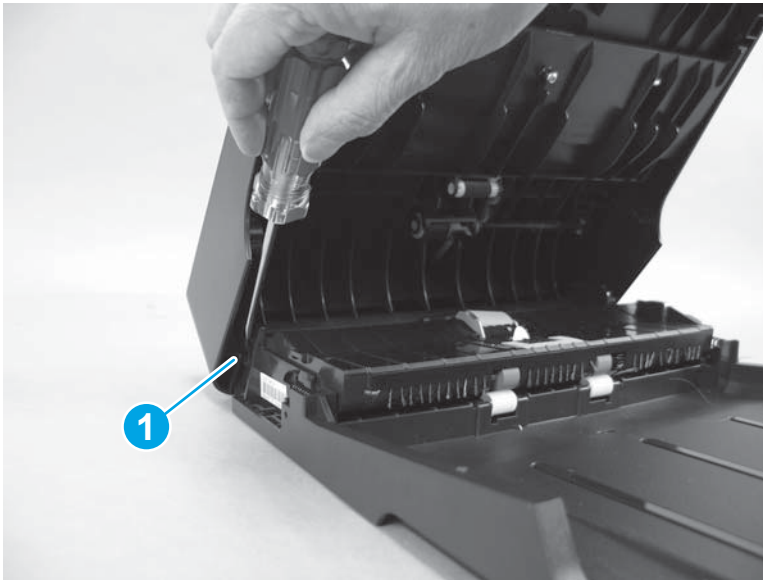
Document feeder components

Before proceeding, separate the scanner lid or document feeder from the scan base. See [Separate the scanner lid or document feeder from the scan base on page 69](#).

Document feeder (ADF) top cover

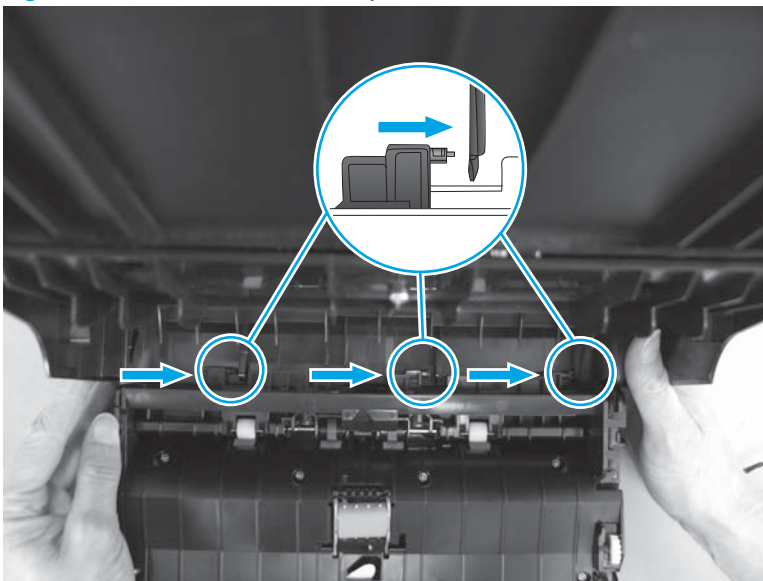
1. Open the ADF top cover. Use a small flat blade screwdriver to release one hinge pin (callout 1), and then fully open the ADF cover.

Figure 1-125 Remove the ADF top cover (1 of 2)



2. Slide the cover toward the rear of the ADF to release the rear hinge pins, and then lift up to remove the cover.

Figure 1-126 Remove the ADF top cover (2 of 2)



ADF core

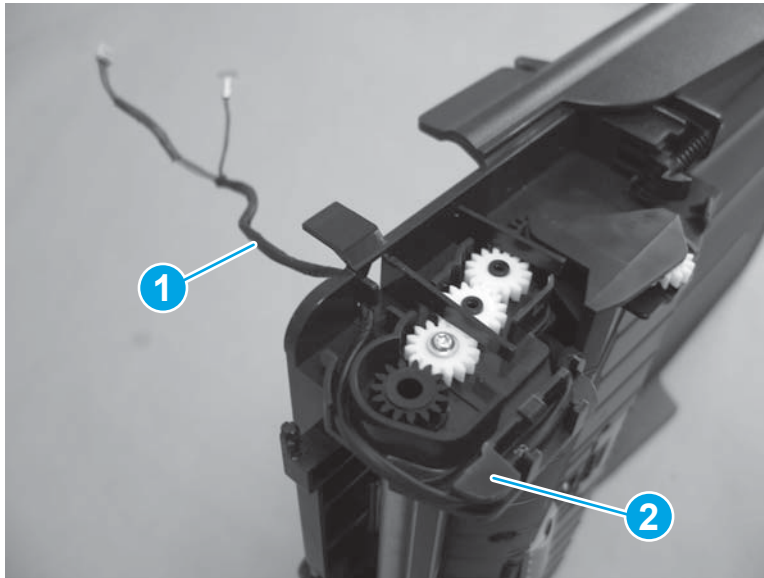
Before proceeding, remove the following components:

- ADF top cover. See [Document feeder \(ADF\) top cover on page 80](#).

Remove the ADF core

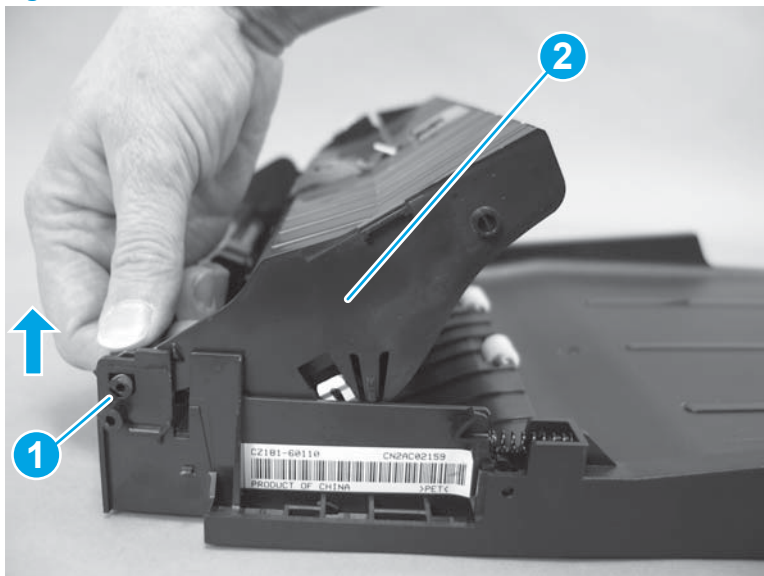
1. At the rear of the ADF core, carefully feed the wire harness (callout 1) through the slot in the guides (callout 2).

Figure 1-127 Remove the ADF core (1 of 2)



2. Open the ADF core, and then flex the chassis to release one hinge pin (callout 1). Lift the ADF core (callout 2) straight up to remove it.

Figure 1-128 Remove the ADF core (2 of 2)

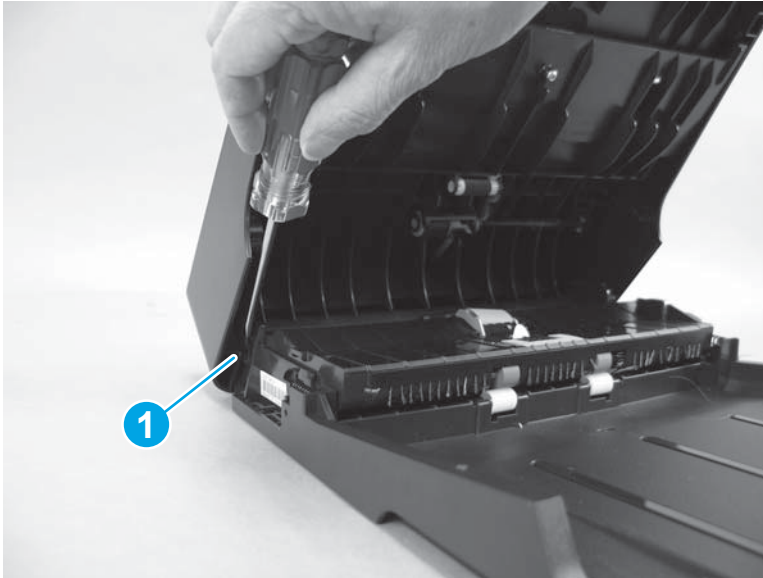


ADF separation pad

Remove the ADF separation pad

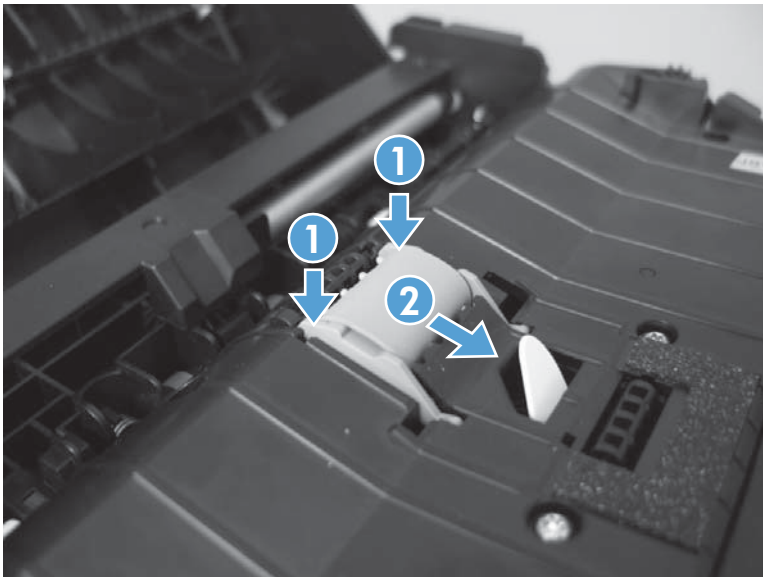
1. Open the ADF top cover. Use a small flat blade screwdriver to release one hinge pin (callout 1), and then fully open the ADF cover.

Figure 1-129 Remove the ADF separation pad assembly (1 of 3)



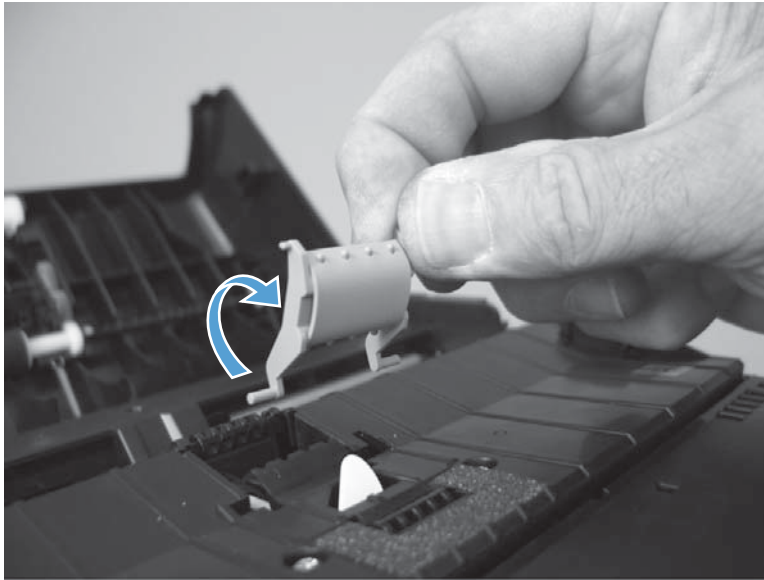
2. Push down on the edges of the assembly (callout 1), and then move it toward the right side of the product (callout 2).

Figure 1-130 Remove the ADF separation pad assembly (2 of 3)



3. Remove the assembly.

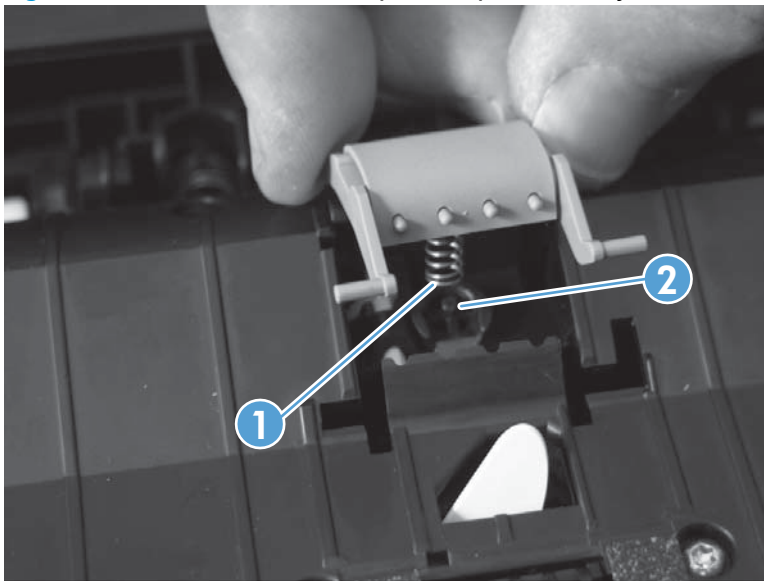
Figure 1-131 Remove the ADF separation pad assembly (3 of 3)



Reinstall the ADF separation pad assembly

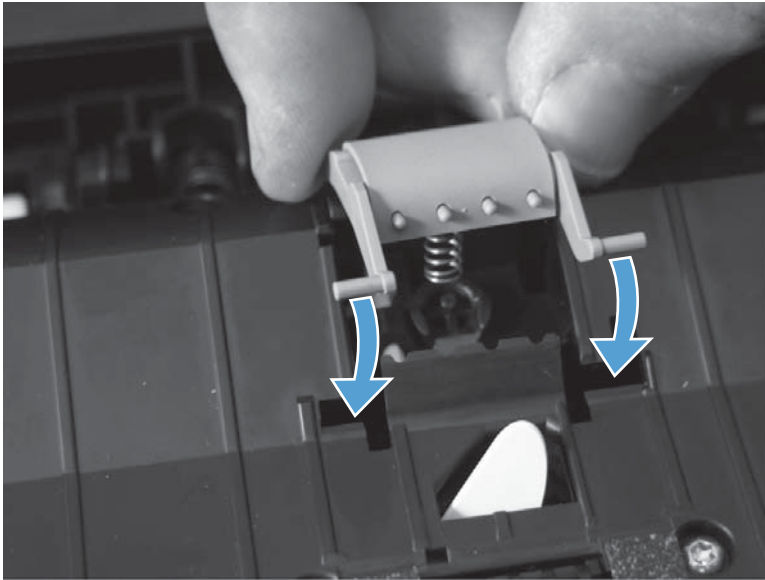
1. Place the base of the spring (callout 1) on the pedestal (callout 2).

Figure 1-132 Reinstall the ADF separation pad assembly (1 of 5)



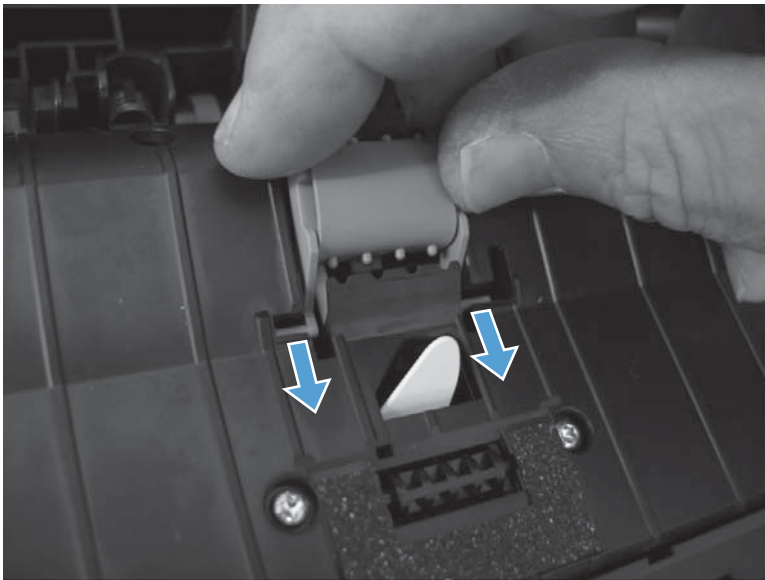
2. Place the assembly hinge pins in the slots in the ADF core.

Figure 1-133 Reinstall the ADF separation pad assembly (2 of 5)



3. Slightly slide the assembly down and into the slots in the product to engage the hinge pins.

Figure 1-134 Reinstall the ADF separation pad assembly (3 of 5)



4. Locate the upper locking pins.


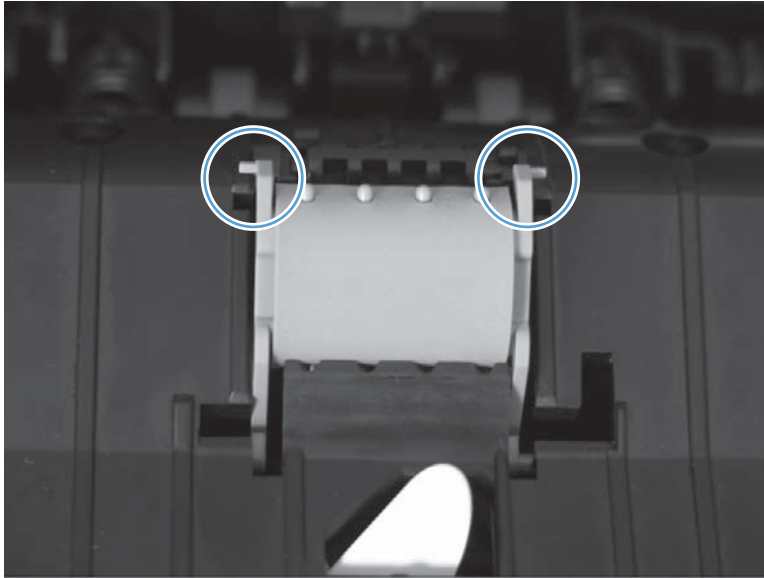

 **NOTE:** When the assembly is correctly installed, these pins are engaged in a slot in the ADF core, and the spring underneath the assembly keeps the assembly in the raised position.

Figure 1-135 Reinstall the ADF separation pad assembly (4 of 5)



5. Push down on the assembly until the pins reach the bottom of the slot in the ADF core, and then slightly slide the assembly toward the left side of the product to engage the locking pins in the closed slot. Release the assembly.

 **CAUTION:** The pins on the assembly are fragile and can easily be broken off. Do not force the assembly into place, or the pins might break.


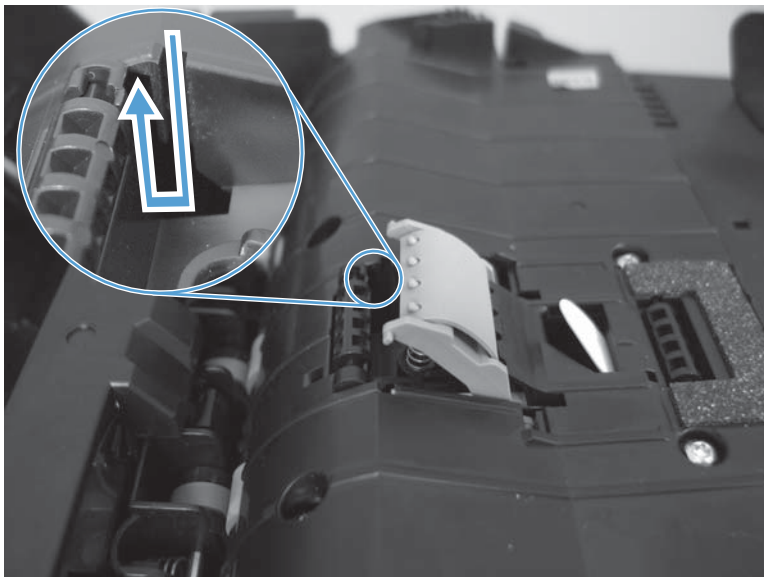
 **TIP:** Slightly tip the assembly and engage one pin, and then tip the assembly in the opposite direction to engage the second pin.

Figure 1-136 Reinstall the ADF separation pad assembly (5 of 5)



ADF inner tray

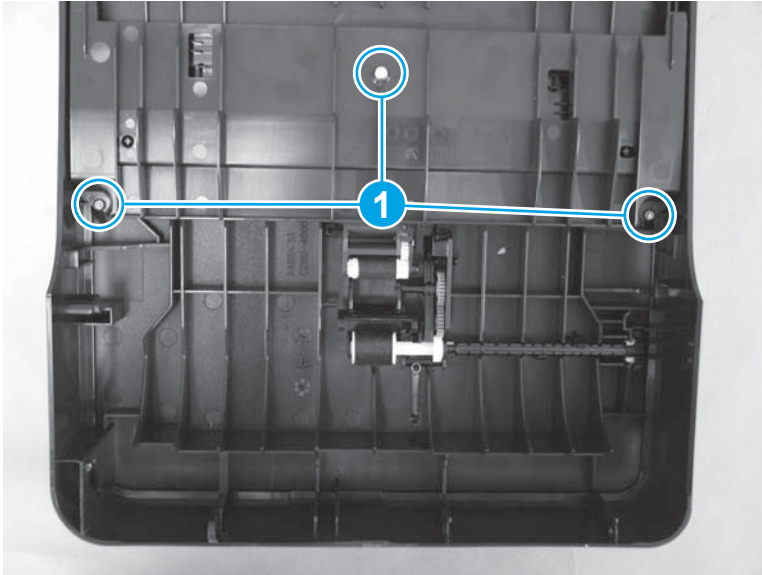
Before proceeding, remove the following components:

- ADF top cover. See [Document feeder \(ADF\) top cover on page 80](#).
- ADF core. See [ADF core on page 81](#).

Remove the ADF inner tray

- ▲ Remove three Torx T10 screws (callout 1), and then lift the ADF inner tray off.

Figure 1-137 Remove the ADF inner tray



ADF input guides and gear

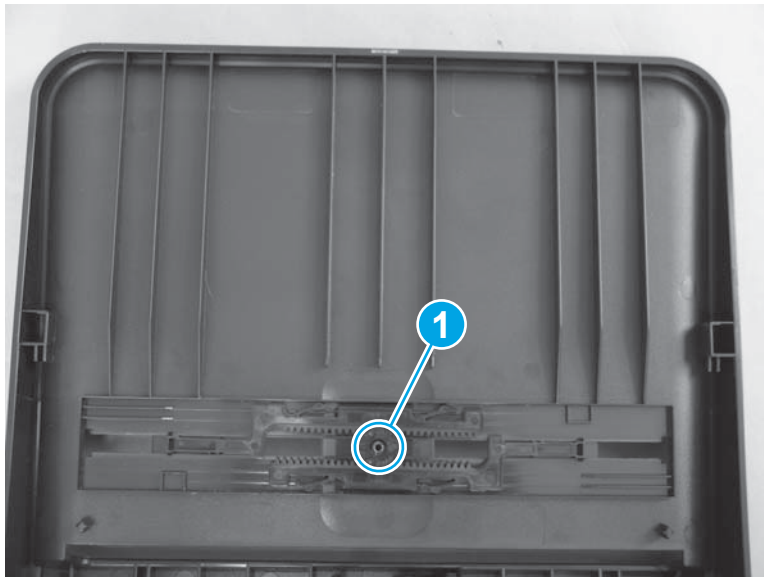
Before proceeding, remove the following components:

- ADF top cover. See [Document feeder \(ADF\) top cover on page 80](#).
- ADF core. See [ADF core on page 81](#).
- ADF inner tray. [ADF inner tray on page 86](#).

Remove the ADF input guides and gear

1. Pull the input-guide gear (callout 1) straight up to remove it

Figure 1-138 Remove the ADF input guides and gear (1 of 3)



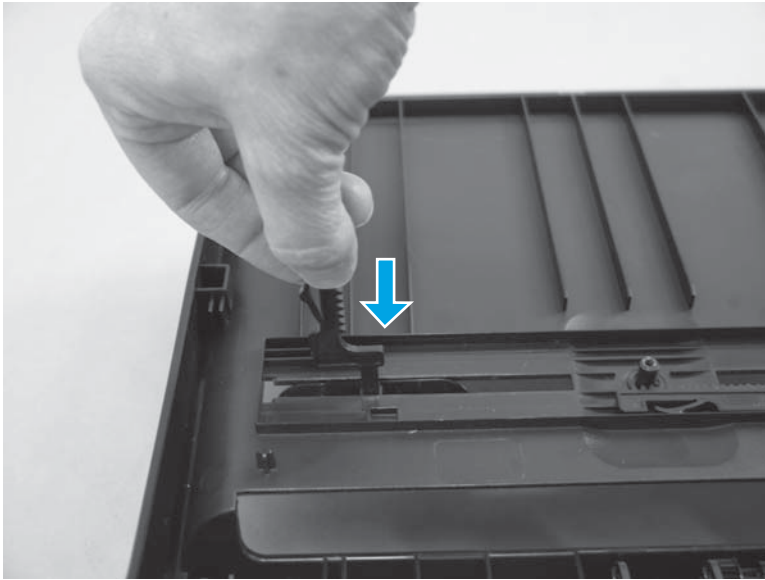
2. Slide each ADF input guide all the way outward.

Figure 1-139 Remove the ADF input guides and gear (2 of 3)



3. Push each guide down, rotate it, and push it through the slot to remove it.

Figure 1-140 Remove the ADF input guides and gear (3 of 3)



ADF pre-pickup arm assembly

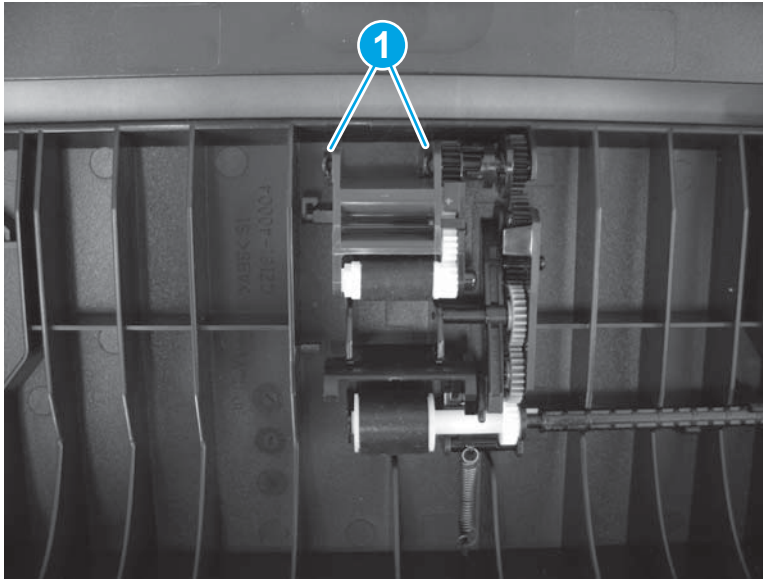
Before proceeding, remove the following components:

- ADF top cover. See [Document feeder \(ADF\) top cover on page 80](#).
- ADF core. See [ADF core on page 81](#).
- ADF inner tray. [ADF inner tray on page 86](#).

Remove the ADF pre-pickup arm assembly

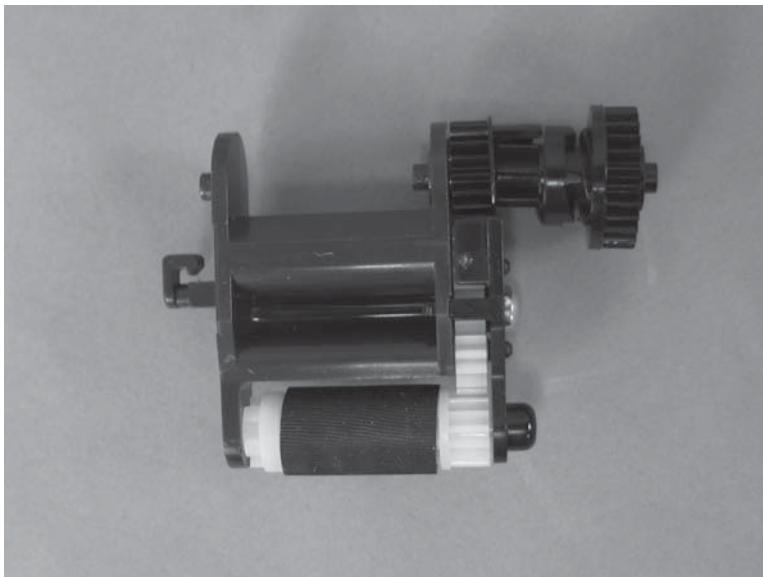
1. Release two tabs (callout 1).

Figure 1-141 Remove the ADF pre-pickup arm assembly (1 of 2)



2. Lift the pre-pickup arm assembly up to remove it.

Figure 1-142 Remove the ADF pre-pickup arm assembly (2 of 2)



2 Parts and diagrams

- [Order parts by authorized service providers](#)
- [How to use the parts lists and diagrams](#)
- [Covers and external components](#)
- [Internal assemblies](#)
- [Scanner and document feeder components](#)
- [Alphabetical parts list](#)
- [Numerical parts list](#)

Order parts by authorized service providers

Order replacement parts

Table 2-1 Order parts, accessories, and supplies

Order supplies and paper	www.hp.com/go/suresupply
Order genuine HP parts or accessories	www.hp.com/buy/parts
Order through service or support providers	Contact an HP-authorized service or support provider.

Related documentation

Table 2-2 Related documentation

Item	Description	Part number
<i>HP LaserJet Pro MFP M125, M126, M127, M128 User Guide</i>	Product user guide (English)	CZ172-90910
<i>HP LaserJet Pro MFP M125, M126, M127, M128 Repair Manual</i>	English repair manual (this manual)	CZ183-90905
<i>HP LaserJet Pro MFP M125, M126, M127, M128 Troubleshooting Manual</i>	English troubleshooting manual	CZ183-90907
<i>HP LaserJet Pro MFP M125, M126, M127, M128 Removal and Troubleshooting Manual</i>	Simplified Chinese removal and troubleshooting manual	CZ183-90906

Supplies part numbers

Table 2-3 Supplies part numbers

Item	Description	Part number
HP 83A Toner Cartridge	Replacement toner cartridge	CF283A
HP 88A Toner Cartridge	Replacement toner cartridge for China and India only	CC388A

Customer replaceable units (CRU) kit part numbers

Table 2-4 Customer replaceable units (CRU) kit part numbers


Item	Description	Part number
Kit, pickup roller	Pickup roller	CZ172-65001
	Instruction sheet	
Kit, separation pad	Separation pad	CZ172-65010
	Instruction sheet	
Kit, paper pickup tray	Paper pickup tray	CZ172-65011
	Instruction sheet	
Kit, short-media extender tool	Short-media extender tool	CZ172-65012
	Instruction sheet	
Kit, China handset	Handset	CZ185-65001
	Instruction sheet	


Whole-unit replacement part numbers

Table 2-5 Whole-unit replacement part numbers

Item	Description	Replacement part number	Exchange part number
M125a	110V Taiwan, Latin America (#BGJ)	CZ172-67901	CZ172-69001
	220V Asia Pacific Countries/ Regions, Europe (#BBU)	CZ172-67902	CZ172-69002
M125nw	220V Europe (#B19)	CZ173-67901	CZ173-69001
M125r	220V Russia (#ACB)	CZ176-67901	CZ176-69001
M126nw	220V China, Indonesia (#AB2)	CZ175-67901	CZ175-69001
M127fn	110V Taiwan, Latin America, North America (#BGJ)	CZ181-67901	CZ181-69001
	220V Asia Pacific Countries/ Regions, Latin America (#BBU)	CZ181-67903	CZ181-69003
	220V Europe (#B19)	CZ181-67904	CZ181-69004
M127fw	110V North America (#BGJ)	CZ183-67901	CZ183-69001
	220V Europe (#B19)	CZ183-67902	CZ183-69002
M128fn	220V China, Indonesia (#AB2)	CZ184-67901	CZ184-69001
M128fp	220V China, Indonesia (#AB2)	CZ185-67901	CZ185-69001
M128fw	220V China, Indonesia (#AB2)	CZ186-67901	CZ186-69001

How to use the parts lists and diagrams

 **CAUTION:** Be sure to order the correct part. When looking for part numbers for electrical components, pay careful attention to the voltage that is listed. Doing so will make sure that the part number selected is for the correct model.

 **NOTE:** In this manual, the abbreviation “PCA” stands for “printed circuit-board assembly.” Components described as a PCA might consist of a single circuit board or a circuit board plus other parts, such as cables and sensors.

The figures in this chapter show the major subassemblies in the product and their component parts. A parts list table follows each exploded view assembly diagram. Each table lists the item number, the associated part number, and the description of each part. If a part is not listed in the table, then it is not a replacement part.

Covers and external components

Figure 2-1 Covers and external components

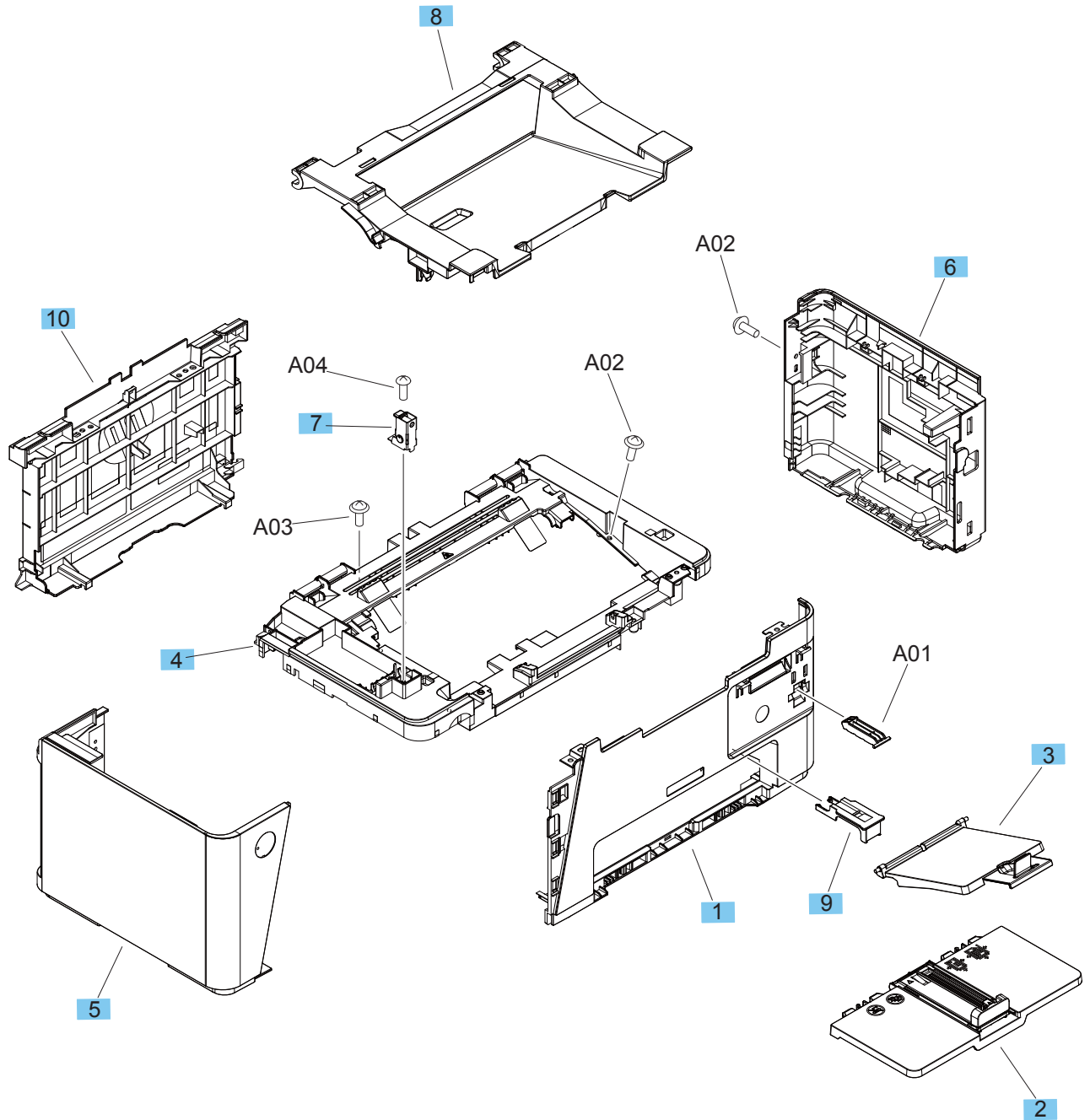


Table 2-6 Covers and external components

Ref	Description	Part number	Qty
1	Front cover assembly	RM2-5127-000CN	1
2	Paper pickup tray assembly	RM1-9958-000CN	1
3	Paper delivery tray assembly (output bin)	RM1-9905-000CN	1
4	Cover, top	RL1-3872-000CN	1
5	Cover, left	RL2-0395-000CN	1
6	Cover, right	RC3-5011-000CN	1
7	Image scanner lock assembly	RM1-9953-000CN	1
8	Door, cartridge	RC3-5015-000CN	1
9	Stopper, paper (short media extension)	RC3-4904-000CN	1
10	Cover, rear	RL1-3874-000CN	1
	Handset (not shown)	CZ185-60101	1
	Control panel, base models, no wireless (not shown)	CZ172-60110	1
	Control panel, base plus wireless models (not shown)	CZ183-60101	1
	Control panel, base model, no wireless, Russia (not shown)	CZ176-60101	1
	Control panel, fax models, no wireless (not shown)	CZ181-60117	1
	Control panel, fax plus wireless models (not shown)	CF484-60109	1
	Assembly link for base models (hinge to support the scanner) (not shown)	CE847-60110	1
	Assembly link for fax models (hinge to support the scanner) (not shown)	CE841-60119	1

Internal assemblies

Internal assemblies (1 of 3)

Figure 2-2 Internal assemblies (1 of 3)

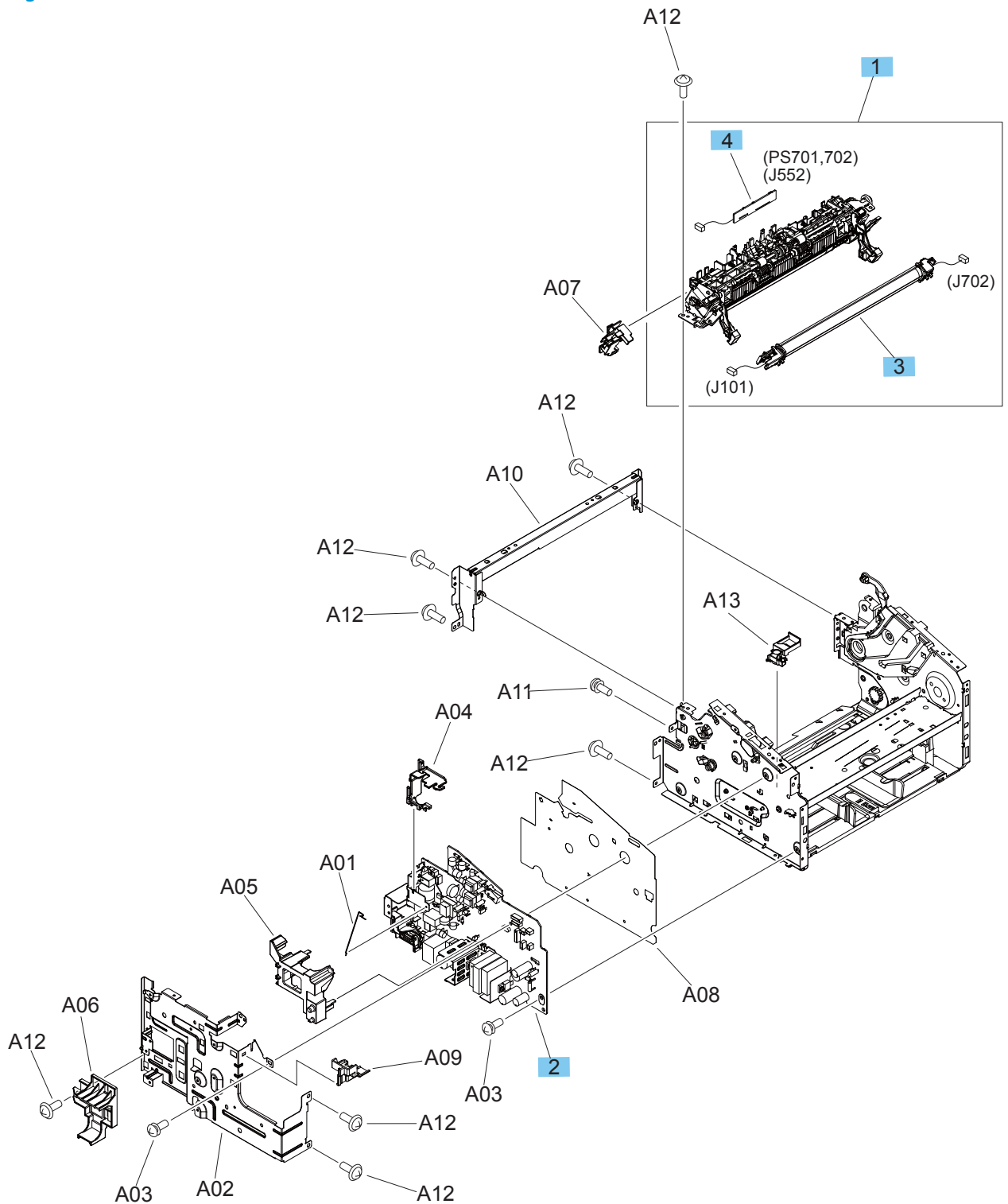


Table 2-7 Internal assemblies (1 of 3)

Ref	Description	Part number	Qty
1	Fuser paper delivery assembly (110 V)	RM2-5133-000CN	1
1	Fuser paper delivery assembly (220 V)	RM2-5134-000CN	1
2	Engine control PCA (110 V)	RM2-7381-000CN	1
2	Engine control PCA (220 V)	RM2-7382-000CN	1
2	Engine control PCA (220 V) for China/India	RM2-7378-000CN	1
3	Fuser film assembly (110 V)	RM1-9914-000CN	1
3	Fuser film assembly (220 V)	RM1-9915-000CN	1
4	Delivery sensor PCA assembly	RM2-7629-000CN	1
	WiFi board (wireless PCA) (not shown)	1150-7953	1
	Formatter PCA, base models, no wireless (not shown)	CZ172-60001	1
	Formatter PCA, base plus wireless models (not shown)	CZ173-60001	1
	Formatter PCA, fax models, no wireless (not shown)	CZ183-60001	1
	Formatter PCA, fax plus wireless models (not shown)	CZ181-60001	1
	Fax rubber cap (not shown)	CZ185-40001	1
	Fax module, Asia countries/regions and U.S. (not shown)	CF206-60001	1
	Fax module, Europe (not shown)	CF207-60001	1
	Fax module, Brazil (not shown)	CF208-60001	1

Internal assemblies (2 of 3)

Figure 2-3 Internal assemblies (2 of 3)

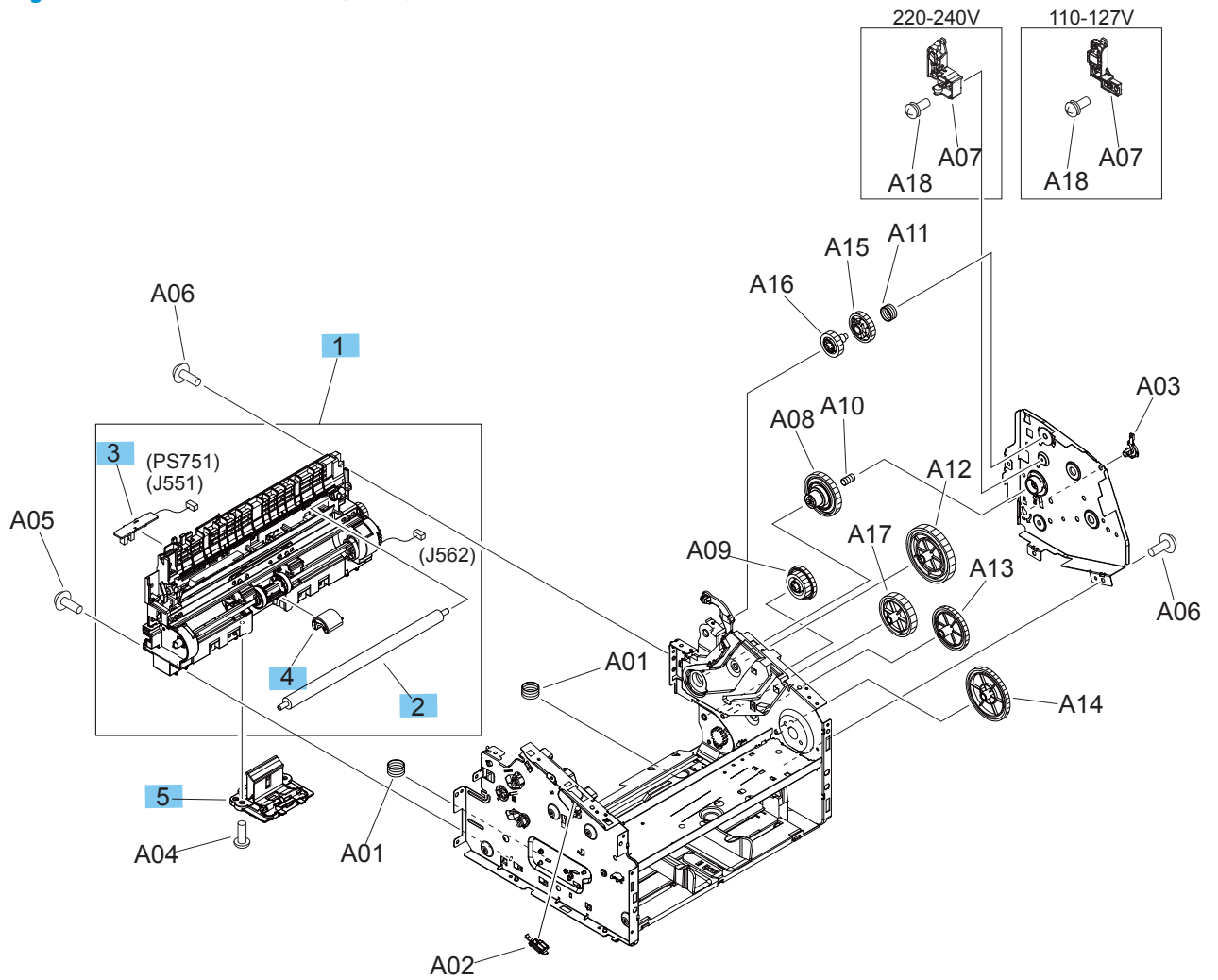


Table 2-8 Internal assemblies (2 of 3)

Ref	Description	Part number	Qty
1	Pickup transfer frame assembly	RM2-5135-000CN	1
2	Roller, transfer	RM1-4023-000CN	1
3	Paper pickup sensor PCA assembly	RM2-7384-000CN	1
4	Roller, paper pickup	RL1-2593-000CN	1
5	Separation pad assembly	RM2-5131-000CN	1

Internal assemblies (3 of 3)

Figure 2-4 Internal assemblies (3 of 3)

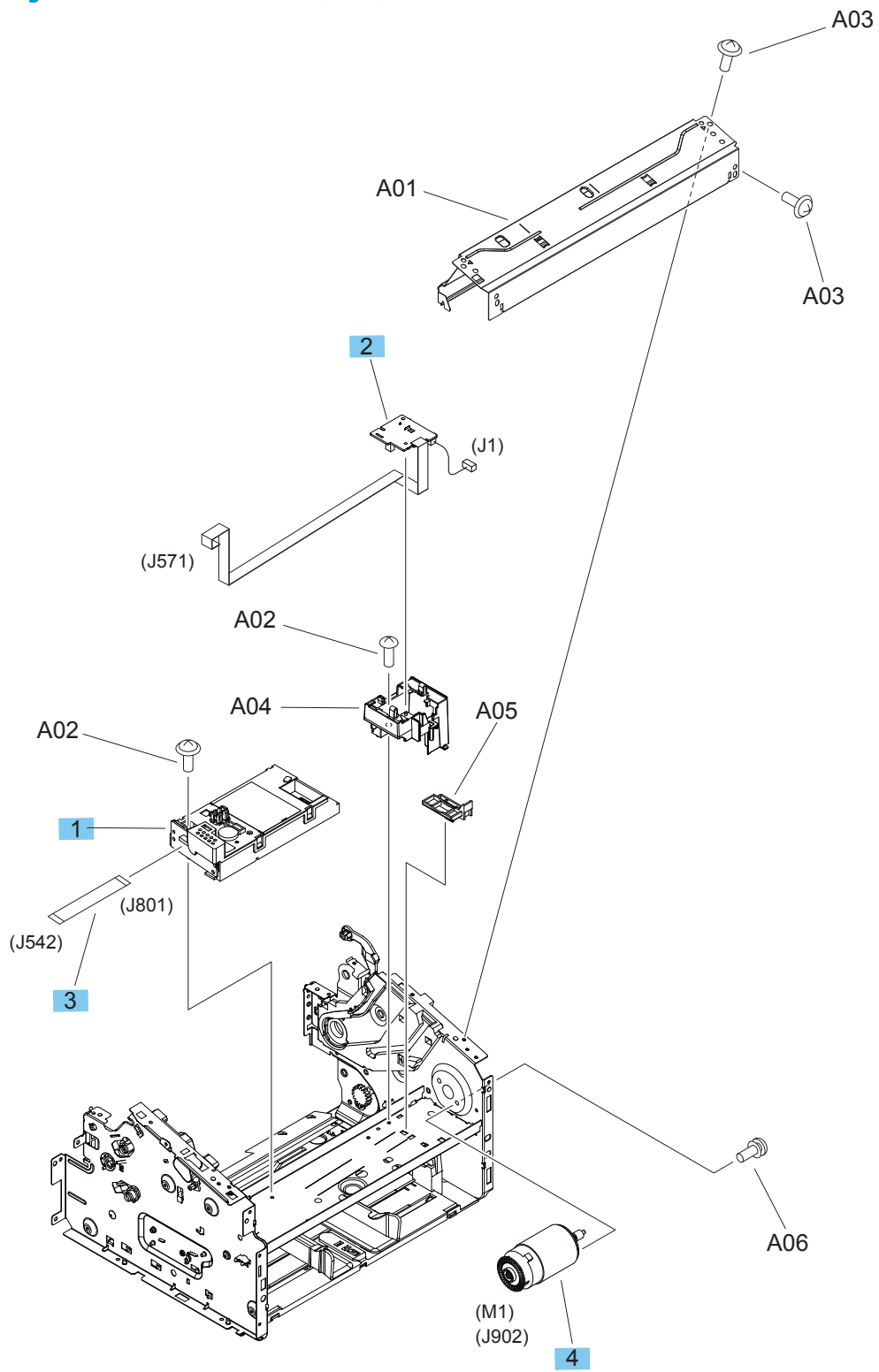


Table 2-9 Internal assemblies (3 of 3)

Ref	Description	Part number	Qty
1	Laser scanner assembly	RM2-5126-000CN	1
2	Motor PCA assembly	RM2-7385-000CN	1
3	Cable, flat (laser scanner)	RM2-7377-000CN	1
4	Motor, DC 24 V	RL2-0396-000CN	1

Scanner and document feeder components

Scanner lid, base models

Figure 2-5 Scanner lid, base models

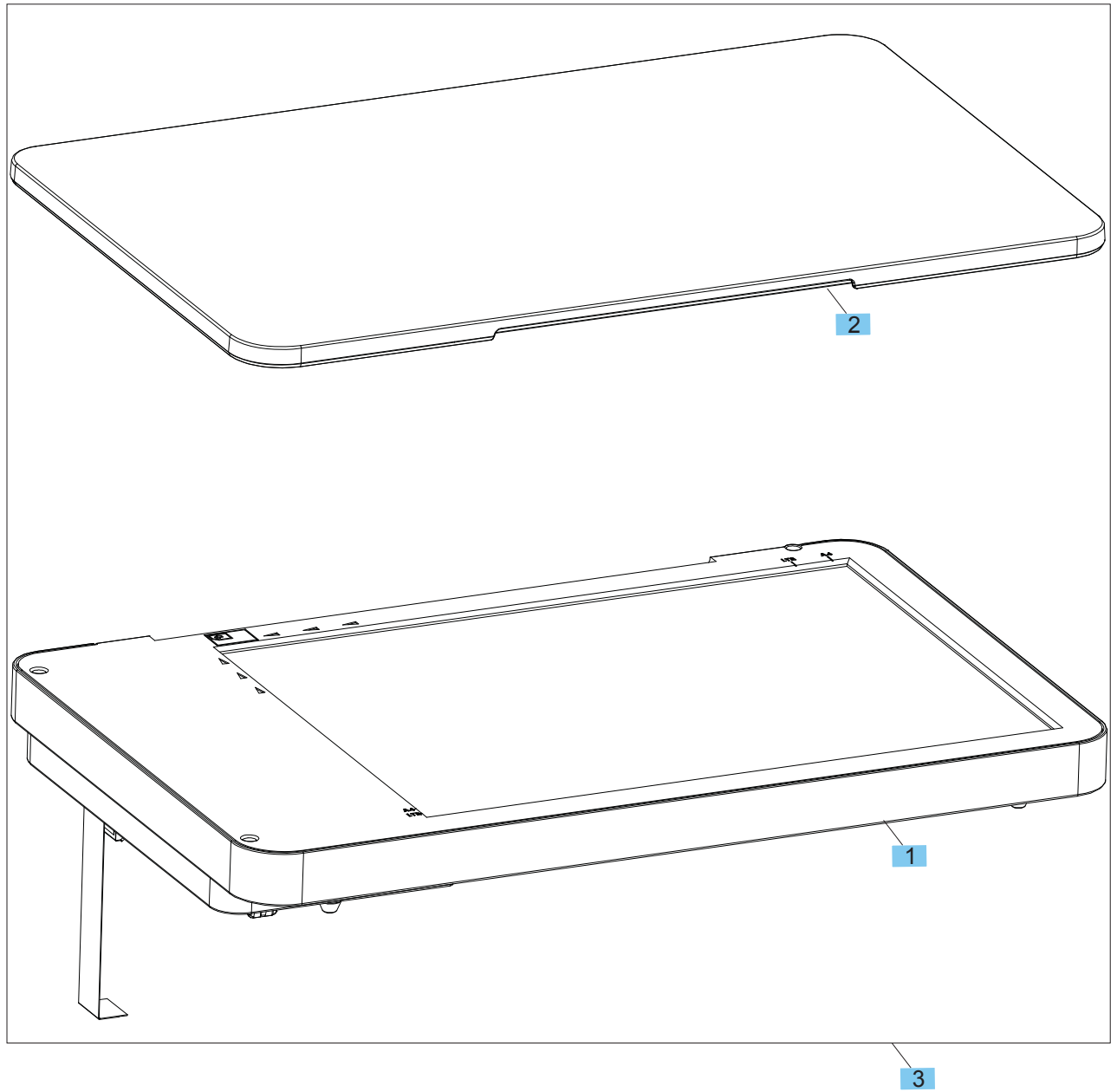


Table 2-10 Scanner lid, base models

Ref	Description	Part number	Qty
1	Scanner assembly (base models)	CZ172-60107	1
2	Scanner lid (base models)	CZ172-60102	1
3	Scanner lid assembly (base models)	CZ172-60101	1
	Scanner lid assembly, bulk pack (base models) (not shown)	CZ172-60106	1

Scanner assembly, base models

Figure 2-6 Scanner assembly, base models

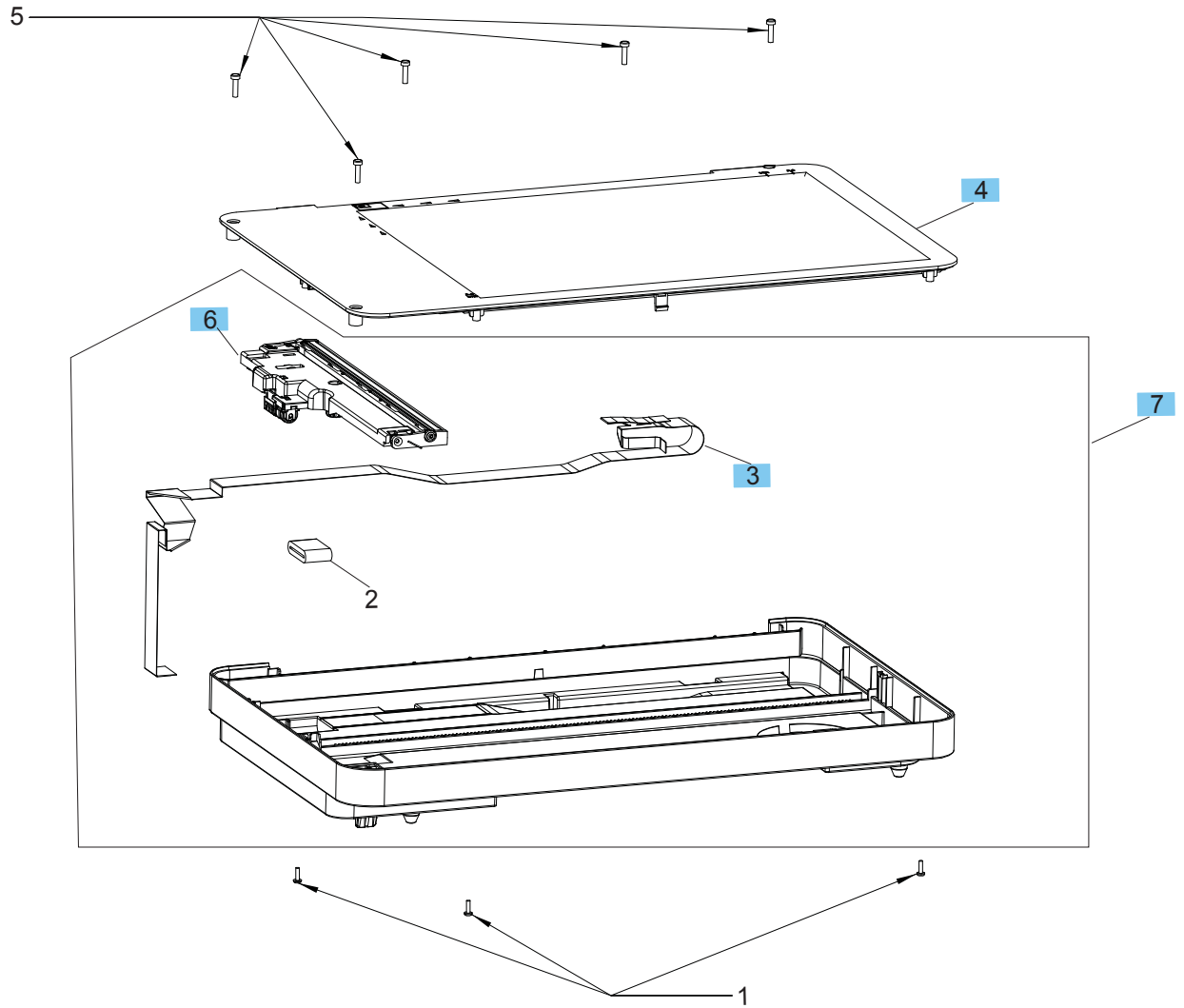



Table 2-11 Scanner assembly, base models

Ref	Description	Part number	Qty
3	SSA FFC Cable, 20 pin	CZ186-60104	1
4	Scan bezel assembly (base models)	CZ172-60103	1
6	Scan drive system assembly	CZ181-60104	1
7	Scanner base assembly (base models)	CZ172-60104	1

 **CAUTION:** Replace the internal scanner assemblies only in a dust-free environment.

Scan drive system, all models

Figure 2-7 Scan drive system, all models

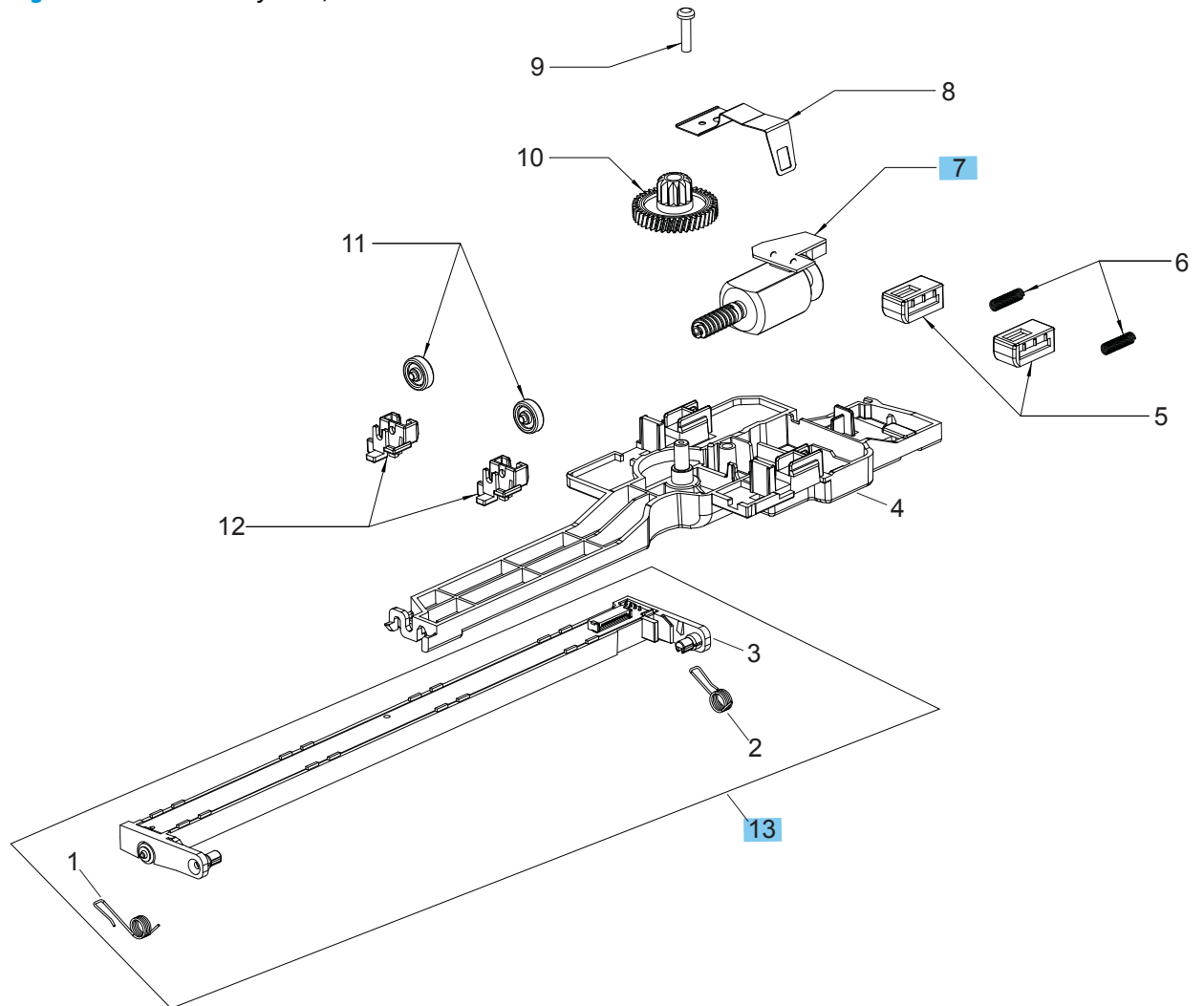



Table 2-12 Scan drive system, all models

Ref	Description	Part number	Qty
7	Scan motor encoder assembly	CN503-60006	1
13	Scanner with spring assembly	CZ181-60113	1

 **CAUTION:** Replace the internal scanner assemblies only in a dust-free environment.

Scanner and document feeder assembly, fax models

Figure 2-8 Scanner and document feeder assembly, fax models

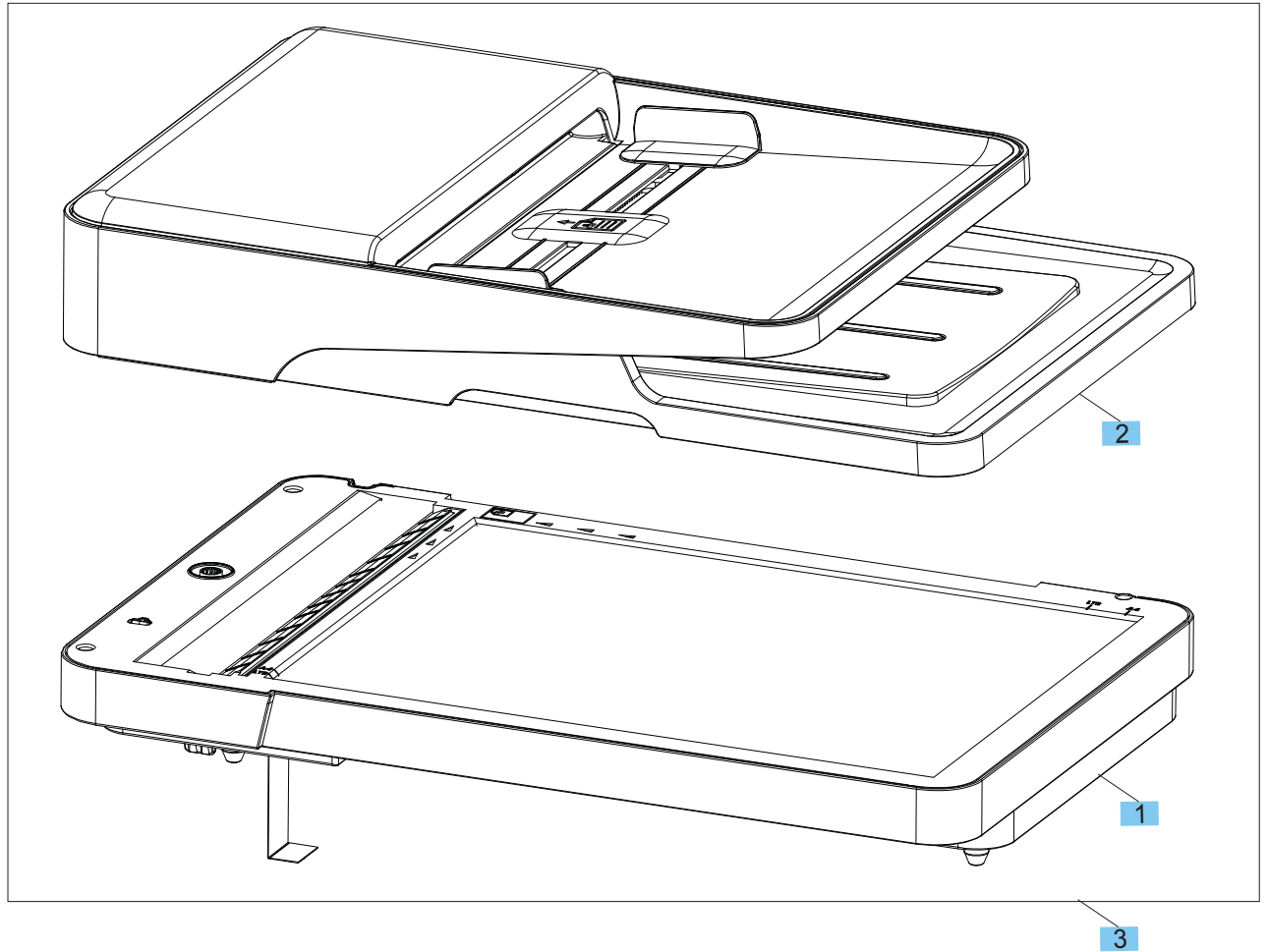


Table 2-13 Scanner and document feeder assembly, fax models

Ref	Description	Part number	Qty
1	Scanner assembly (fax models)	CZ181-60112	1
2	Document feeder assembly	CZ181-60110	1
3	Scanner and document feeder assembly	CZ181-60101	1
	Scanner and document feeder assembly, bulk pack (not shown)	CZ181-60111	1

Scanner assembly, fax models

Figure 2-9 Scanner assembly, fax models

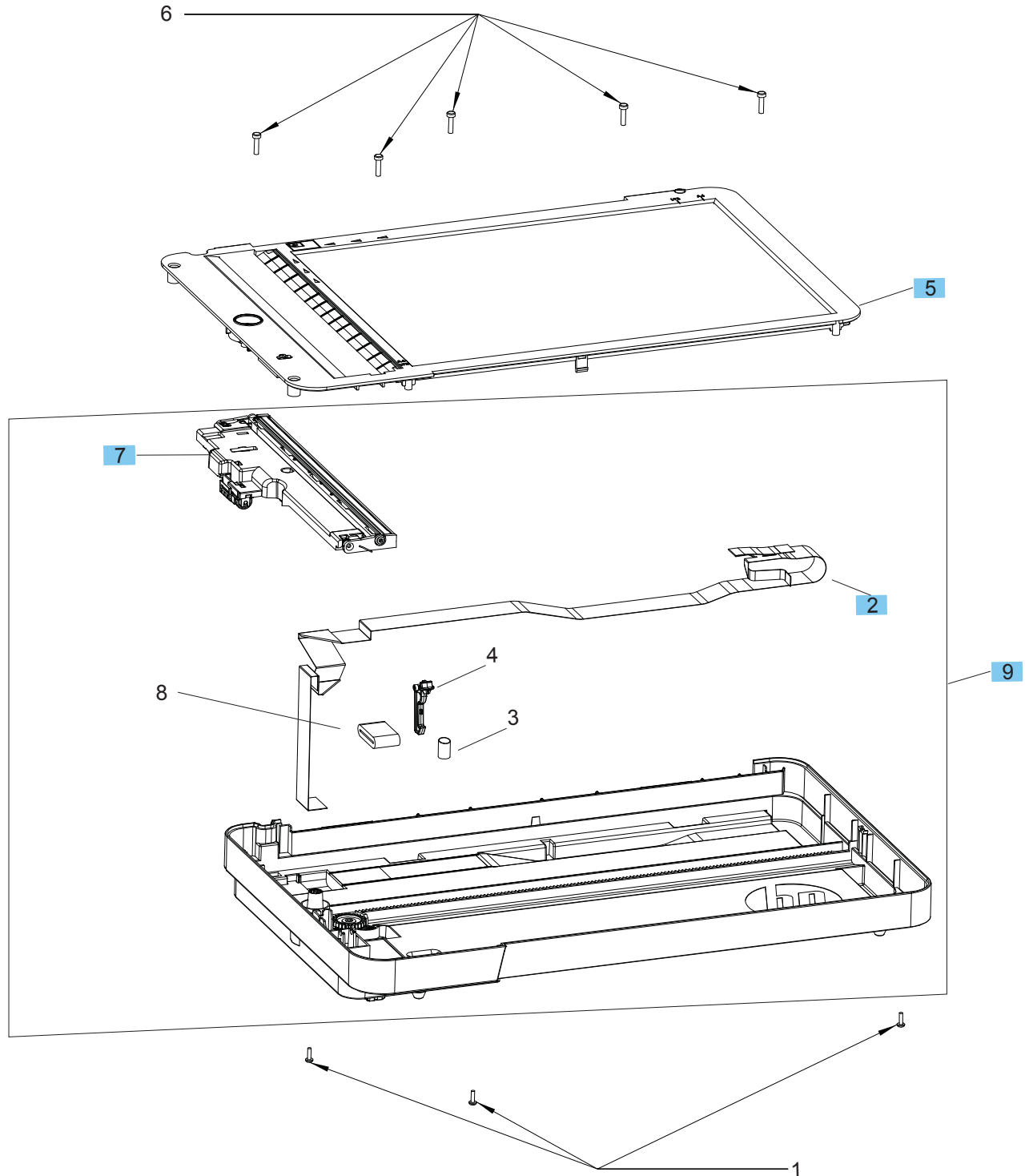



Table 2-14 Scanner assembly, fax models

Ref	Description	Part number	Qty
2	SSA FFC Cable, 20-pin	CZ186-60104	1
5	Scan bezel (fax models)	CZ181-60102	1
7	Scan drive system assembly	CZ181-60104	1
9	Scanner base assembly (fax models)	CZ181-60103	1

 **CAUTION:** Replace the internal scanner assemblies only in a dust-free environment.

Document feeder assembly, fax models

Figure 2-10 Document feeder assembly, fax models

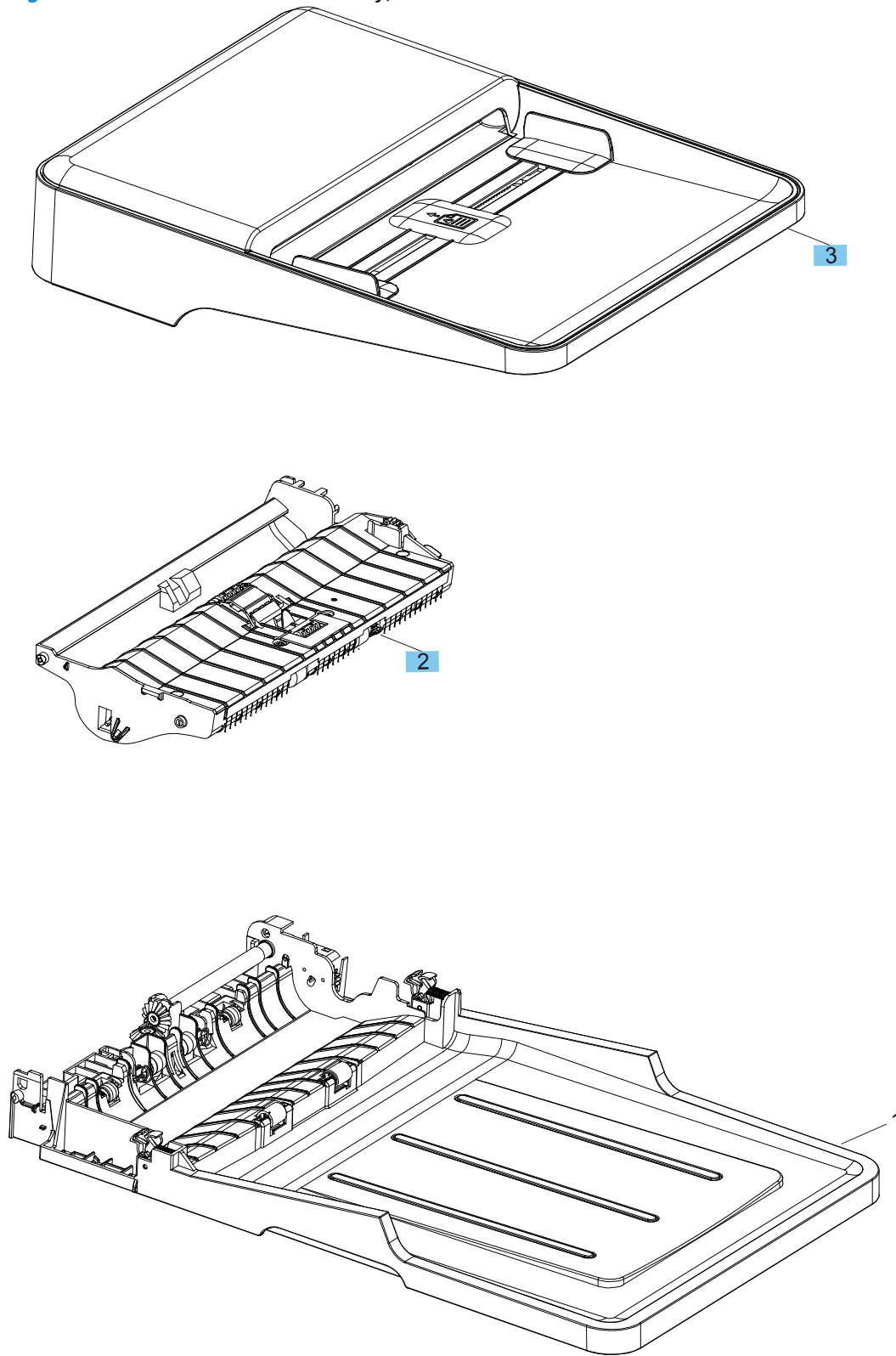


Table 2-15 Document feeder assembly, fax models

Ref	Description	Part number	Qty
2	ADF core assembly	CZ181-60107	1
3	ADF top cover assembly	CZ181-60105	1

Document feeder top cover, fax models

Figure 2-11 Document feeder top cover, fax models

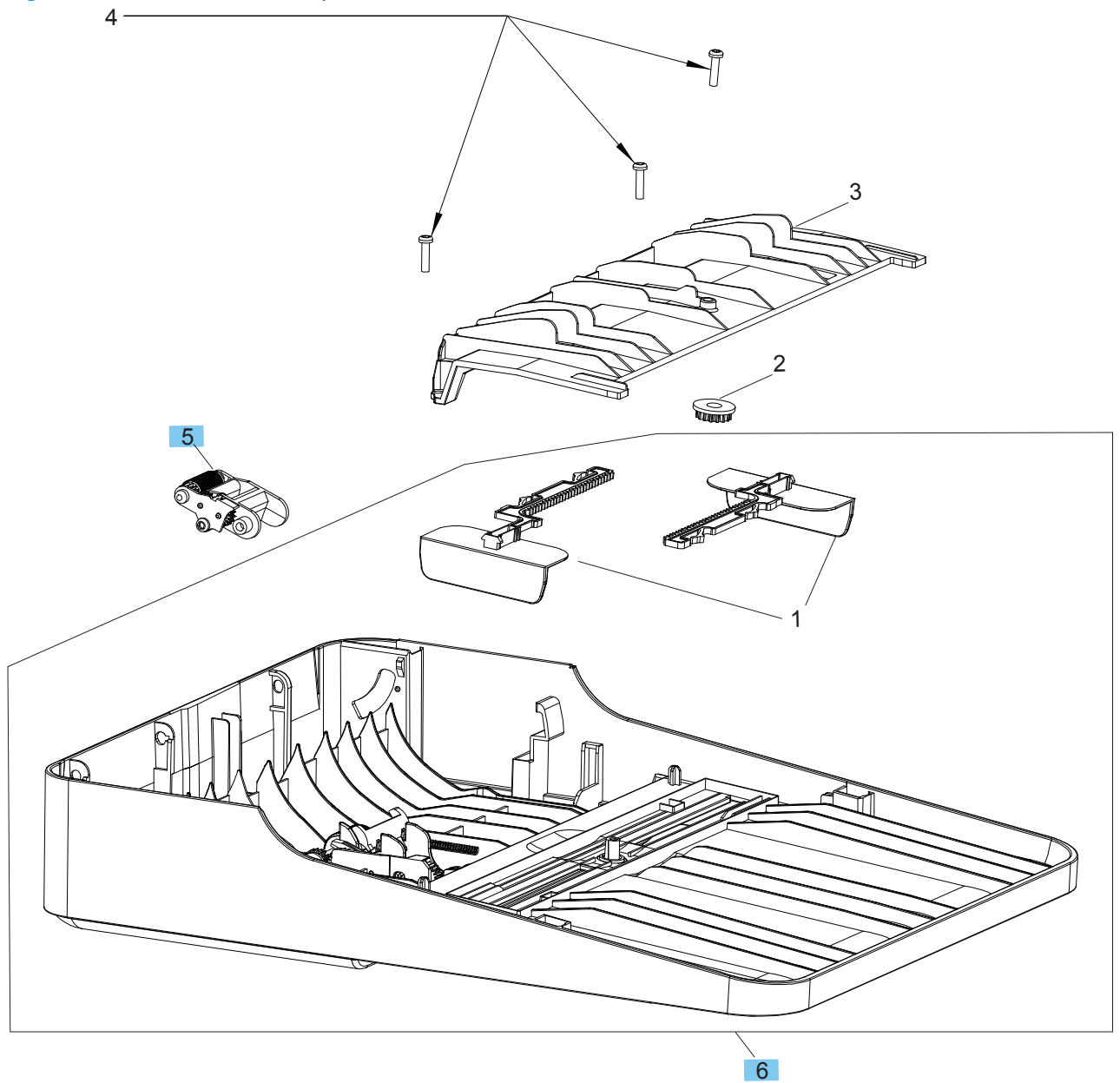


Table 2-16 Document feeder top cover, fax models

Ref	Description	Part number	Qty
5	Pre-pick arm assembly	CB780-60032	1
6	Top cover with guide assembly	CZ181-60122	1

Document feeder core, fax models

Figure 2-12 Document feeder core, fax models

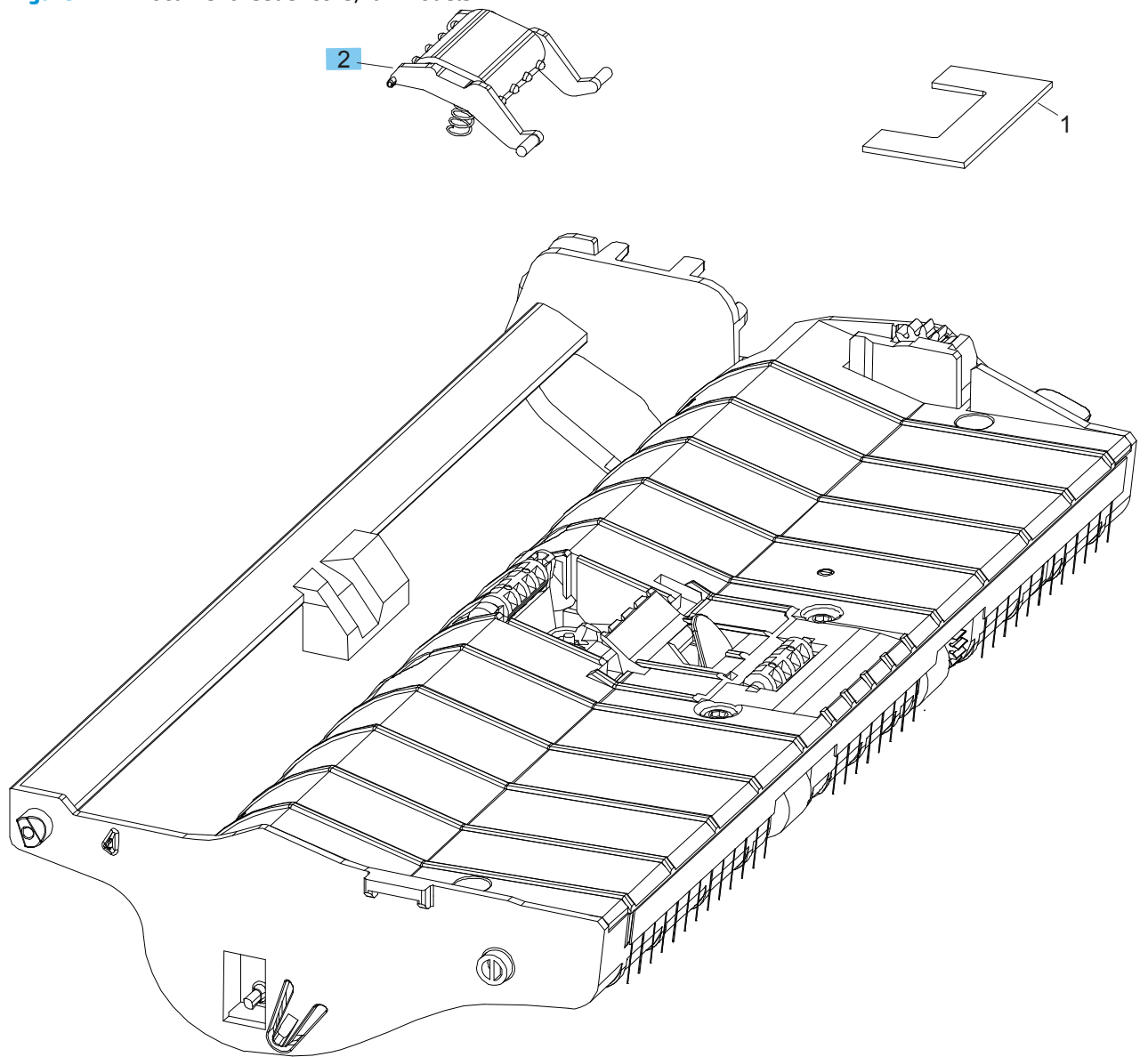


Table 2-17 Document feeder core, fax models

Ref	Description	Part number	Qty
2	Separator pad assembly (document feeder)	CB780-60009	1

Alphabetical parts list

Table 2-18 Alphabetical parts list

Description	Part number	Table and page
ADF core assembly	CZ181-60107	Document feeder assembly, fax models on page 115
ADF top cover assembly	CZ181-60105	Document feeder assembly, fax models on page 115
Assembly link for base models (hinge to support the scanner) (not shown)	CE847-60110	Covers and external components on page 97
Assembly link for fax models (hinge to support the scanner) (not shown)	CE841-60119	Covers and external components on page 97
Cable, flat (laser scanner)	RM2-7377-000CN	Internal assemblies (3 of 3) on page 103
Control panel, base model, no wireless, Russia (not shown)	CZ176-60101	Covers and external components on page 97
Control panel, base models, no wireless (not shown)	CZ172-60110	Covers and external components on page 97
Control panel, base plus wireless models (not shown)	CZ183-60101	Covers and external components on page 97
Control panel, fax models, no wireless (not shown)	CZ181-60117	Covers and external components on page 97
Control panel, fax plus wireless models (not shown)	CF484-60109	Covers and external components on page 97
Cover, left	RL2-0395-000CN	Covers and external components on page 97
Cover, rear	RL1-3874-000CN	Covers and external components on page 97
Cover, right	RC3-5011-000CN	Covers and external components on page 97
Cover, top	RL1-3872-000CN	Covers and external components on page 97
Delivery sensor PCA assembly	RM2-7629-000CN	Internal assemblies (1 of 3) on page 99
Document feeder assembly	CZ181-60110	Scanner and document feeder assembly, fax models on page 111
Door, cartridge	RC3-5015-000CN	Covers and external components on page 97
Engine control PCA (110 V)	RM2-7381-000CN	Internal assemblies (1 of 3) on page 99
Engine control PCA (220 V)	RM2-7382-000CN	Internal assemblies (1 of 3) on page 99
Engine control PCA (220 V) for China/India	RM2-7378-000CN	Internal assemblies (1 of 3) on page 99

Table 2-18 Alphabetical parts list (continued)

Description	Part number	Table and page
Fax module, Asia countries/regions and U.S. (not shown)	CF206-60001	Internal assemblies (1 of 3) on page 99
Fax module, Brazil (not shown)	CF208-60001	Internal assemblies (1 of 3) on page 99
Fax module, Europe (not shown)	CF207-60001	Internal assemblies (1 of 3) on page 99
Fax rubber cap (not shown)	CZ185-40001	Internal assemblies (1 of 3) on page 99
Formatter PCA, base models, no wireless (not shown)	CZ172-60001	Internal assemblies (1 of 3) on page 99
Formatter PCA, base plus wireless models (not shown)	CZ173-60001	Internal assemblies (1 of 3) on page 99
Formatter PCA, fax models, no wireless (not shown)	CZ183-60001	Internal assemblies (1 of 3) on page 99
Formatter PCA, fax plus wireless models (not shown)	CZ181-60001	Internal assemblies (1 of 3) on page 99
Front cover assembly	RM2-5127-000CN	Covers and external components on page 97
Fuser film assembly (110 V)	RM1-9914-000CN	Internal assemblies (1 of 3) on page 99
Fuser film assembly (220 V)	RM1-9915-000CN	Internal assemblies (1 of 3) on page 99
Fuser paper delivery assembly (110 V)	RM2-5133-000CN	Internal assemblies (1 of 3) on page 99
Fuser paper delivery assembly (220 V)	RM2-5134-000CN	Internal assemblies (1 of 3) on page 99
Handset (not shown)	CZ185-60101	Covers and external components on page 97
Image scanner lock assembly	RM1-9953-000CN	Covers and external components on page 97
Laser scanner assembly	RM2-5126-000CN	Internal assemblies (3 of 3) on page 103
Motor PCA assembly	RM2-7385-000CN	Internal assemblies (3 of 3) on page 103
Motor, DC 24 V	RL2-0396-000CN	Internal assemblies (3 of 3) on page 103
Paper delivery tray assembly (output bin)	RM1-9905-000CN	Covers and external components on page 97
Paper pickup sensor PCA assembly	RM2-7384-000CN	Internal assemblies (2 of 3) on page 101
Paper pickup tray assembly	RM1-9958-000CN	Covers and external components on page 97

Table 2-18 Alphabetical parts list (continued)

Description	Part number	Table and page
Pickup transfer frame assembly	RM2-5135-000CN	Internal assemblies (2 of 3) on page 101
Pre-pick arm assembly	CB780-60032	Document feeder top cover, fax models on page 117
Roller, paper pickup	RL1-2593-000CN	Internal assemblies (2 of 3) on page 101
Roller, transfer	RM1-4023-000CN	Internal assemblies (2 of 3) on page 101
Scan bezel (fax models)	CZ181-60102	Scanner assembly, fax models on page 113
Scan bezel assembly (base models)	CZ172-60103	Scanner assembly, base models on page 107
Scan drive system assembly	CZ181-60104	Scanner assembly, base models on page 107
Scan drive system assembly	CZ181-60104	Scanner assembly, fax models on page 113
Scan motor encoder assembly	CN503-60006	Scan drive system, all models on page 109
Scanner and document feeder assembly	CZ181-60101	Scanner and document feeder assembly, fax models on page 111
Scanner and document feeder assembly, bulk pack (not shown)	CZ181-60111	Scanner and document feeder assembly, fax models on page 111
Scanner assembly (base models)	CZ172-60107	Scanner lid, base models on page 105
Scanner assembly (fax models)	CZ181-60112	Scanner and document feeder assembly, fax models on page 111
Scanner base assembly (base models)	CZ172-60104	Scanner assembly, base models on page 107
Scanner base assembly (fax models)	CZ181-60103	Scanner assembly, fax models on page 113
Scanner lid (base models)	CZ172-60102	Scanner lid, base models on page 105
Scanner lid assembly (base models)	CZ172-60101	Scanner lid, base models on page 105
Scanner lid assembly, bulk pack (base models) (not shown)	CZ172-60106	Scanner lid, base models on page 105
Scanner with spring assembly	CZ181-60113	Scan drive system, all models on page 109
Separation pad assembly	RM2-5131-000CN	Internal assemblies (2 of 3) on page 101

Table 2-18 Alphabetical parts list (continued)

Description	Part number	Table and page
Separator pad assembly (document feeder)	CB780-60009	Document feeder core, fax models on page 119
SSA FFC Cable, 20 pin	CZ186-60104	Scanner assembly, base models on page 107
SSA FFC Cable, 20-pin	CZ186-60104	Scanner assembly, fax models on page 113
Stopper, paper (short media extension)	RC3-4904-000CN	Covers and external components on page 97
Top cover with guide assembly	CZ181-60122	Document feeder top cover, fax models on page 117
WiFi board (wireless PCA) (not shown)	1150-7953	Internal assemblies (1 of 3) on page 99

Numerical parts list

Table 2-19 Numerical parts list

Part number	Description	Table and page
1150-7953	WiFi board (wireless PCA) (not shown)	Internal assemblies (1 of 3) on page 99
CB780-60009	Separator pad assembly (document feeder)	Document feeder core, fax models on page 119
CB780-60032	Pre-pick arm assembly	Document feeder top cover, fax models on page 117
CE841-60119	Assembly link for fax models (hinge to support the scanner) (not shown)	Covers and external components on page 97
CE847-60110	Assembly link for base models (hinge to support the scanner) (not shown)	Covers and external components on page 97
CF206-60001	Fax module, Asia countries/regions and U.S. (not shown)	Internal assemblies (1 of 3) on page 99
CF207-60001	Fax module, Europe (not shown)	Internal assemblies (1 of 3) on page 99
CF208-60001	Fax module, Brazil (not shown)	Internal assemblies (1 of 3) on page 99
CF484-60109	Control panel, fax plus wireless models (not shown)	Covers and external components on page 97
CN503-60006	Scan motor encoder assembly	Scan drive system, all models on page 109
CZ172-60001	Formatter PCA, base models, no wireless (not shown)	Internal assemblies (1 of 3) on page 99
CZ172-60101	Scanner lid assembly (base models)	Scanner lid, base models on page 105
CZ172-60102	Scanner lid (base models)	Scanner lid, base models on page 105
CZ172-60103	Scan bezel assembly (base models)	Scanner assembly, base models on page 107
CZ172-60104	Scanner base assembly (base models)	Scanner assembly, base models on page 107
CZ172-60106	Scanner lid assembly, bulk pack (base models) (not shown)	Scanner lid, base models on page 105
CZ172-60107	Scanner assembly (base models)	Scanner lid, base models on page 105
CZ172-60110	Control panel, base models, no wireless (not shown)	Covers and external components on page 97
CZ173-60001	Formatter PCA, base plus wireless models (not shown)	Internal assemblies (1 of 3) on page 99
CZ176-60101	Control panel, base model, no wireless, Russia (not shown)	Covers and external components on page 97

Table 2-19 Numerical parts list (continued)

Part number	Description	Table and page
CZ181-60001	Formatter PCA, fax plus wireless models (not shown)	Internal assemblies (1 of 3) on page 99
CZ181-60101	Scanner and document feeder assembly	Scanner and document feeder assembly, fax models on page 111
CZ181-60102	Scan bezel (fax models)	Scanner assembly, fax models on page 113
CZ181-60103	Scanner base assembly (fax models)	Scanner assembly, fax models on page 113
CZ181-60104	Scan drive system assembly	Scanner assembly, base models on page 107
CZ181-60104	Scan drive system assembly	Scanner assembly, fax models on page 113
CZ181-60105	ADF top cover assembly	Document feeder assembly, fax models on page 115
CZ181-60107	ADF core assembly	Document feeder assembly, fax models on page 115
CZ181-60110	Document feeder assembly	Scanner and document feeder assembly, fax models on page 111
CZ181-60111	Scanner and document feeder assembly, bulk pack (not shown)	Scanner and document feeder assembly, fax models on page 111
CZ181-60112	Scanner assembly (fax models)	Scanner and document feeder assembly, fax models on page 111
CZ181-60113	Scanner with spring assembly	Scan drive system, all models on page 109
CZ181-60117	Control panel, fax models, no wireless (not shown)	Covers and external components on page 97
CZ181-60122	Top cover with guide assembly	Document feeder top cover, fax models on page 117
CZ183-60001	Formatter PCA, fax models, no wireless (not shown)	Internal assemblies (1 of 3) on page 99
CZ183-60101	Control panel, base plus wireless models (not shown)	Covers and external components on page 97
CZ185-40001	Fax rubber cap (not shown)	Internal assemblies (1 of 3) on page 99
CZ185-60101	Handset (not shown)	Covers and external components on page 97
CZ186-60104	SSA FFC Cable, 20 pin	Scanner assembly, base models on page 107
CZ186-60104	SSA FFC Cable, 20-pin	Scanner assembly, fax models on page 113

Table 2-19 Numerical parts list (continued)

Part number	Description	Table and page
RC3-4904-000CN	Stopper, paper (short media extension)	Covers and external components on page 97
RC3-5011-000CN	Cover, right	Covers and external components on page 97
RC3-5015-000CN	Door, cartridge	Covers and external components on page 97
RL1-2593-000CN	Roller, paper pickup	Internal assemblies (2 of 3) on page 101
RL1-3872-000CN	Cover, top	Covers and external components on page 97
RL1-3874-000CN	Cover, rear	Covers and external components on page 97
RL2-0395-000CN	Cover, left	Covers and external components on page 97
RL2-0396-000CN	Motor, DC 24 V	Internal assemblies (3 of 3) on page 103
RM1-4023-000CN	Roller, transfer	Internal assemblies (2 of 3) on page 101
RM1-9905-000CN	Paper delivery tray assembly (output bin)	Covers and external components on page 97
RM1-9914-000CN	Fuser film assembly (110 V)	Internal assemblies (1 of 3) on page 99
RM1-9915-000CN	Fuser film assembly (220 V)	Internal assemblies (1 of 3) on page 99
RM1-9953-000CN	Image scanner lock assembly	Covers and external components on page 97
RM1-9958-000CN	Paper pickup tray assembly	Covers and external components on page 97
RM2-5126-000CN	Laser scanner assembly	Internal assemblies (3 of 3) on page 103
RM2-5127-000CN	Front cover assembly	Covers and external components on page 97
RM2-5131-000CN	Separation pad assembly	Internal assemblies (2 of 3) on page 101
RM2-5133-000CN	Fuser paper delivery assembly (110 V)	Internal assemblies (1 of 3) on page 99
RM2-5134-000CN	Fuser paper delivery assembly (220 V)	Internal assemblies (1 of 3) on page 99
RM2-5135-000CN	Pickup transfer frame assembly	Internal assemblies (2 of 3) on page 101
RM2-7377-000CN	Cable, flat (laser scanner)	Internal assemblies (3 of 3) on page 103

Table 2-19 Numerical parts list (continued)

Part number	Description	Table and page
RM2-7378-000CN	Engine control PCA (220 V) for China/India	Internal assemblies (1 of 3) on page 99
RM2-7381-000CN	Engine control PCA (110 V)	Internal assemblies (1 of 3) on page 99
RM2-7382-000CN	Engine control PCA (220 V)	Internal assemblies (1 of 3) on page 99
RM2-7384-000CN	Paper pickup sensor PCA assembly	Internal assemblies (2 of 3) on page 101
RM2-7385-000CN	Motor PCA assembly	Internal assemblies (3 of 3) on page 103
RM2-7629-000CN	Delivery sensor PCA assembly	Internal assemblies (1 of 3) on page 99

Index

A

- accessories
 - ordering 92
- ADF core
 - removal 81
- ADF input guides and gear
 - removal 86
- ADF pre-pickup arm assembly
 - removal 89
- ADF separation pad
 - removal 82
- ADF top cover
 - removal 80
- after-service checklist 4

B

- before-service checklist 4

C

- cartridge
 - part number 92
- cartridge door
 - removal 17
- cautions iii
- control panel
 - removal 19
- conventions, document iii
- covers
 - part number 96
- CRUs (customer replaceable units)
 - kit part numbers 93
- customer replaceable units (CRUs)
 - kit part numbers 93

D

- delivery sensor PCA
 - removal 60
- document conventions iii

- document feeder
 - part number 104
- document feeder top cover
 - removal 80
- doors
 - part number 96

E

- electrostatic discharge (ESD) 2
- engine controller PCA
 - removal 51
- ESD electrostatic discharge (ESD) 2
- exchange units
 - part numbers 94

F

- fax PCA
 - removal 42
- field-replaceable units (FRUs)
 - replacing 2
- formatter PCA
 - removal 37
- front cover
 - removal 19
- FRUs (field-replaceable units)
 - replacing 2
- fuser
 - removal 60

H

- handset kit
 - part number 93

I

- image scanner lock
 - removal 27
- input tray
 - removal 6

- installation 2
 - screws 2
- See also* replacing parts

K

- kits
 - part number 93

L

- laser scanner
 - cautions for servicing 2
 - removal 43
- laser scanner cable
 - removal 43
- left cover
 - removal 13

M

- motor
 - removal 45
- motor PCA
 - removal 45

N

- notes iii

O

- ordering
 - accessories, parts, and supplies 92
 - handset kit 93
 - kits 93
 - paper pickup tray kit 93
 - pickup roller kit 93
 - product documents 92
 - separation pad kit 93
 - short-media extender tool kit 93
 - toner cartridge 92
 - whole-unit replacement 94

- output bin
 - removal 12
- P**
- paper pickup tray kit
 - part number 93
- paper-delivery tray
 - removal 12
- part numbers
 - covers and external components 96
 - handset kit 93
 - internal assemblies 98
 - kits 93
 - paper pickup tray kit 93
 - pickup roller kit 93
 - product documents 92
 - scanner and document feeder components 104
 - separation pad kit 93
 - short-media extender tool kit 93
 - toner cartridge 92
 - whole-unit replacement 94
- parts
 - ordering 92
- pickup assembly
 - removal 64
- pickup assembly PCA
 - removal 64
- pickup roller
 - removal 7
- pickup roller kit
 - part number 93
- R**
- rear cover
 - removal 29
- removing parts
 - about 2
 - after-service checklist 4
 - before-service checklist 4
 - service approach 4
 - tools, required 2
- repair approach 4
- replacement units
 - part numbers 94
- replacing parts
 - about 2
 - after-service checklist 4
 - before-service checklist 4
 - screws 2
 - service approach 4
 - tools, required 2
- right cover
 - removal 24
- S**
- scan bezel
 - removal 71
- scan drive system
 - removal 73
- scan FFC cable
 - removal 74
- scan motor
 - removal 76
- scanner
 - part number 104
- scanner assembly
 - removal 14
- scanner spring assembly
 - removal 78
- screwdrivers, required 2
- screws
 - installing 2
 - types of 3
- separation pad
 - removal 10
- separation pad kit
 - part number 93
- service approach 4
- short media extender
 - removal 7
- short-media extender tool kits
 - part number 93
- static, precautions for 2
- supplies
 - ordering 92
- T**
- tips iii
- toner cartridge
 - part number 92
 - removal 5
- tools, required 2
- top cover
 - removal 27
- troubleshooting
 - service approach 4
- W**
- warnings iii
- wireless PCA
 - removal 35



CZ183-90905

