



# HP LaserJet Pro M14-M17 and LaserJet Pro MFP M28-M31

Repair Manual

## Copyright and License

© Copyright 2018 HP Development Company, L.P.

Reproduction, adaptation, or translation without prior written permission is prohibited, except as allowed under the copyright laws.


The information contained herein is subject to change without notice.


The only warranties for HP products and services are set forth in the express warranty statements accompanying such products and services. Nothing herein should be construed as constituting an additional warranty. HP shall not be liable for technical or editorial errors or omissions contained herein.


Edition 1, 04/2018


## Conventions used in this guide

---


 **TIP:** Helpful hints or shortcuts.

 **NOTE:** Information that explains a concept or how to complete a task.

 **Reinstallation tip:** Reinstallation helpful hints, shortcuts, or considerations.

 **IMPORTANT:** Information that help the user to avoid potential printer error conditions.

 **CAUTION:** Procedures that the user must follow to avoid losing data or damaging the printer.

 **WARNING!** Procedures that the user must follow to avoid personal injury, catastrophic loss of data, or extensive damage to the printer.

---



## For additional service and support information

HP service personnel, go to one of the following Web-based Interactive Search Engines (WISE) sites:

### AMS

- <https://support.hp.com/wise/home/ams-en>
- <https://support.hp.com/wise/home/ams-es>
- <https://support.hp.com/wise/home/ams-pt>

### APJ

- <https://support.hp.com/wise/home/apj-en>
- <https://support.hp.com/wise/home/apj-ja>
- <https://support.hp.com/wise/home/apj-ko>
- <https://support.hp.com/wise/home/apj-zh-Hans>
- <https://support.hp.com/wise/home/apj-zh-Hant>

### EMEA

- <https://support.hp.com/wise/home/emea-en>

Channel partners, go to HP Channel Services Network (CSN) at [www.hp.com/partners/csn](http://www.hp.com/partners/csn).

At these locations, find information on the following topics:

- Install and configure
- Printer specifications
- Up-to-date control panel message (CPMD) troubleshooting
- Solutions for printer issues and emerging issues
- Remove and replace part instructions and videos
- Service advisories
- Warranty and regulatory information

Channel partners, access training materials in the HP University and Partner Learning Center at <https://content.ext.hp.com/sites/LMS/HPU.page>.

To access HP PartSurfer information from any mobile device, go to <http://partsurfermobile.hp.com/> or scan the Quick Response (QR) code below.





---

# Table of contents

|  |            |
|--|------------|
| <b>1 Removal and replacement</b> .....                           | <b>1</b>   |
| For additional service and support .....                         | 2          |
| Removal and replacement strategy .....                           | 3          |
| Introduction .....   | 3          |
| Considerations during removal and replacement .....              | 3          |
| Electrostatic discharge .....                                    | 4          |
| Required tools .....   | 5          |
| Fasteners used in this printer .....                             | 5          |
| Service approach .....   | 6          |
| Before performing service .....                                  | 6          |
| Accessing the secondary service menu .....                       | 6          |
| After performing service .....                                   | 7          |
| Post-service tests .....   | 7          |
| Order parts by authorized service providers .....                | 8          |
| Ordering .....   | 8          |
| Orderable parts .....  | 8          |
| Whole unit replacement (WUR) .....                               | 8          |
| Supplies and accessories .....                                   | 10         |
| Related documentation and software .....                         | 10         |
| Removal and replacement procedures .....                         | 11         |
| Customer self-repair (CSR) components .....                      | 11         |
| Field Replaceable Units (FRUs) / Bench Repair Units (BRUs) ..... | 20         |
| <b>2 Parts and diagrams</b> .....                                | <b>329</b> |
| For additional service and support .....                         | 330        |
| Assembly locations .....   | 331        |
| External panels, doors, and covers .....                         | 331        |
| Main assemblies .....  | 332        |
| Main parts .....   | 332        |
| PCA .....  | 333        |
| Order parts, accessories, and supplies .....                     | 334        |
| Ordering .....   | 334        |

|   |     |
|---|-----|
| Orderable parts .....                         | 334 |
| Supplies .....                                | 334 |
| Customer self-repair parts .....              | 334 |
| Related documentation and software .....      | 335 |
| How to use the parts lists and diagrams ..... | 336 |
| Covers .....                                  | 338 |
| Covers (M14-M17) .....                        | 338 |
| Covers (MFP M28-M31) .....                    | 340 |
| Internal components .....                     | 342 |
| Internal components (1 of 2) .....            | 342 |
| Internal components (2 of 2) .....            | 344 |
| Alphabetical parts list .....                 | 346 |
| Numerical parts list .....                    | 349 |

|             |     |
|-------------|-----|
| Index ..... | 353 |
|-------------|-----|



---

# List of tables

|            |  |     |
|------------|--|-----|
| Table 2-1  | External panels, doors, and covers (M14-M17)     | 331 |
| Table 2-2  | External panels, doors, and covers (MFP M28-M31) | 331 |
| Table 2-3  | Main assemblies                                  | 332 |
| Table 2-4  | Main parts                                       | 332 |
| Table 2-5  | PCA  | 333 |
| Table 2-6  | Supplies   | 334 |
| Table 2-7  | Covers (M14-M17)                                 | 339 |
| Table 2-8  | Covers (MFP M28-M31)                             | 341 |
| Table 2-9  | Internal components (1 of 2) <sup>1</sup>        | 343 |
| Table 2-10 | Internal components (2 of 2)                     | 345 |



---

# List of figures

|             |   |    |
|-------------|---|----|
| Figure 1-1  | Screwdrivers .....                                  | 5  |
| Figure 1-2  | Remove Tray 1 .....                                 | 23 |
| Figure 1-3  | Remove two screw .....                              | 26 |
| Figure 1-4  | Special disassembly instructions .....              | 27 |
| Figure 1-5  | Remove the link arm .....                           | 28 |
| Figure 1-6  | Remove the link arm .....                           | 28 |
| Figure 1-7  | Remove the link arm .....                           | 29 |
| Figure 1-8  | Remove the cartridge door .....                     | 29 |
| Figure 1-9  | Install the link arms on the replacement door ..... | 30 |
| Figure 1-10 | Install the link arms on the replacement door ..... | 30 |
| Figure 1-11 | Remove the document lid (M28-M31) .....             | 33 |
| Figure 1-12 | Remove two screw .....                              | 36 |
| Figure 1-13 | Special disassembly instructions .....              | 37 |
| Figure 1-14 | Remove the link arm .....                           | 38 |
| Figure 1-15 | Remove the link arm .....                           | 38 |
| Figure 1-16 | Remove the link arm .....                           | 39 |
| Figure 1-17 | Remove the cartridge door .....                     | 39 |
| Figure 1-18 | Install the link arms on the replacement door ..... | 40 |
| Figure 1-19 | Install the link arms on the replacement door ..... | 40 |
| Figure 1-20 | Remove the formatter cover (M14-M17) .....          | 41 |
| Figure 1-21 | Remove the formatter cover (MFP M28-M31) .....      | 44 |
| Figure 1-22 | Remove the formatter cover (MFP M28-M31) .....      | 47 |
| Figure 1-23 | Disconnect two FFCs .....                           | 47 |
| Figure 1-24 | Special disassembly instructions .....              | 48 |
| Figure 1-25 | Remove the link arm .....                           | 49 |
| Figure 1-26 | Remove the link arm .....                           | 49 |
| Figure 1-27 | Remove the link arm .....                           | 50 |
| Figure 1-28 | Remove the link arm .....                           | 50 |
| Figure 1-29 | Remove the image scanner .....                      | 51 |
| Figure 1-30 | Remove the cartridge door .....                     | 52 |
| Figure 1-31 | Remove the formatter cover (MFP M28-M31) .....      | 55 |
| Figure 1-32 | Disconnect two FFCs .....                           | 55 |

|             |  |    |
|-------------|--|----|
| Figure 1-33 | Special disassembly instructions .....                                   | 56 |
| Figure 1-34 | Remove the link arm .....  | 57 |
| Figure 1-35 | Remove the link arm .....  | 57 |
| Figure 1-36 | Remove the link arm .....  | 58 |
| Figure 1-37 | Remove the link arm .....  | 58 |
| Figure 1-38 | Remove the image scanner .....   | 59 |
| Figure 1-39 | Remove the cartridge door .....  | 59 |
| Figure 1-40 | Remove two screw .....   | 62 |
| Figure 1-41 | Special disassembly instructions .....                                   | 63 |
| Figure 1-42 | Remove the link arm .....  | 64 |
| Figure 1-43 | Remove the link arm .....  | 64 |
| Figure 1-44 | Remove the link arm .....  | 65 |
| Figure 1-45 | Remove the cartridge door .....  | 65 |
| Figure 1-46 | Install the link arms on the replacement door .....                      | 66 |
| Figure 1-47 | Install the link arms on the replacement door .....                      | 66 |
| Figure 1-48 | Remove the formatter cover (M14-M17) .....                               | 67 |
| Figure 1-49 | Remove the lower plate .....   | 67 |
| Figure 1-50 | Remove the three screws .....  | 68 |
| Figure 1-51 | Remove the lower cover .....   | 68 |
| Figure 1-52 | Fit two ribs on the printer into the grooves (lower cover install) ..... | 69 |
| Figure 1-53 | Remove the formatter cover (MFP M28-M31) .....                           | 72 |
| Figure 1-54 | Disconnect two FFCs .....  | 72 |
| Figure 1-55 | Special disassembly instructions .....                                   | 73 |
| Figure 1-56 | Remove the link arm .....  | 74 |
| Figure 1-57 | Remove the link arm .....  | 74 |
| Figure 1-58 | Remove the link arm .....  | 75 |
| Figure 1-59 | Remove the link arm .....  | 75 |
| Figure 1-60 | Remove the image scanner .....   | 76 |
| Figure 1-61 | Remove the cartridge door .....  | 76 |
| Figure 1-62 | Remove the top cover .....   | 77 |
| Figure 1-63 | Install the pad .....  | 78 |
| Figure 1-64 | Remove the lower plate .....   | 78 |
| Figure 1-65 | Remove three screws .....  | 79 |
| Figure 1-66 | Remove the lower cover .....   | 79 |
| Figure 1-67 | Remove the formatter cover (MFP M28-M31) .....                           | 82 |
| Figure 1-68 | Disconnect two FFCs .....  | 82 |
| Figure 1-69 | Special disassembly instructions .....                                   | 83 |
| Figure 1-70 | Remove the link arm .....  | 84 |
| Figure 1-71 | Remove the link arm .....  | 84 |
| Figure 1-72 | Remove the link arm .....  | 85 |
| Figure 1-73 | Remove the link arm .....  | 85 |

|              |  |     |
|--------------|--|-----|
| Figure 1-74  | Remove the image scanner .....   | 86  |
| Figure 1-75  | Remove the cartridge door .....  | 86  |
| Figure 1-76  | Remove the top cover .....   | 87  |
| Figure 1-77  | Install the pad .....  | 88  |
| Figure 1-78  | Remove two screw .....   | 91  |
| Figure 1-79  | Special disassembly instructions .....                                   | 92  |
| Figure 1-80  | Remove the link arm .....  | 93  |
| Figure 1-81  | Remove the link arm .....  | 93  |
| Figure 1-82  | Remove the link arm .....  | 94  |
| Figure 1-83  | Remove the cartridge door .....  | 94  |
| Figure 1-84  | Install the link arms on the replacement door .....                      | 95  |
| Figure 1-85  | Install the link arms on the replacement door .....                      | 95  |
| Figure 1-86  | Remove the formatter cover (M14-M17) .....                               | 96  |
| Figure 1-87  | Remove the lower plate .....   | 96  |
| Figure 1-88  | Remove the three screws .....  | 97  |
| Figure 1-89  | Remove the lower cover .....   | 97  |
| Figure 1-90  | Fit two ribs on the printer into the grooves (lower cover install) ..... | 98  |
| Figure 1-91  | Remove the control panel .....   | 98  |
| Figure 1-92  | Pickup roller tab .....  | 102 |
| Figure 1-93  | Remove pickup roller 1 .....   | 102 |
| Figure 1-94  | Remove pickup roller 2 .....   | 103 |
| Figure 1-95  | Install pickup roller 2 .....  | 104 |
| Figure 1-96  | Install pickup roller 1 .....  | 105 |
| Figure 1-97  | Remove two screw .....   | 107 |
| Figure 1-98  | Special disassembly instructions .....                                   | 108 |
| Figure 1-99  | Remove the link arm .....  | 109 |
| Figure 1-100 | Remove the link arm .....  | 109 |
| Figure 1-101 | Remove the link arm .....  | 110 |
| Figure 1-102 | Remove the cartridge door .....  | 110 |
| Figure 1-103 | Install the link arms on the replacement door .....                      | 111 |
| Figure 1-104 | Install the link arms on the replacement door .....                      | 111 |
| Figure 1-105 | Remove the formatter cover (M14-M17) .....                               | 112 |
| Figure 1-106 | Remove the lower plate .....   | 112 |
| Figure 1-107 | Remove the three screws .....  | 113 |
| Figure 1-108 | Remove the lower cover .....   | 113 |
| Figure 1-109 | Fit two ribs on the printer into the grooves (lower cover install) ..... | 114 |
| Figure 1-110 | Remove the formatter .....   | 115 |
| Figure 1-111 | Remove the control panel .....   | 116 |
| Figure 1-112 | Remove the inner cover .....   | 116 |
| Figure 1-113 | Disconnect the FFC and remove a screw .....                              | 117 |
| Figure 1-114 | Remove the scanner stay and laser scanner assembly .....                 | 117 |

|              |  |     |
|--------------|--|-----|
| Figure 1-115 | Remove the guide .....                                   | 118 |
| Figure 1-116 | Remove the plate .....                                   | 118 |
| Figure 1-117 | Remove the guide .....                                   | 119 |
| Figure 1-118 | Remove the pickup roller arm .....                       | 119 |
| Figure 1-119 | Reinstall the spring .....                               | 120 |
| Figure 1-120 | Reinstall the pickup roller arm .....                    | 120 |
| Figure 1-121 | Remove the formatter cover (MFP M28-M31) .....           | 123 |
| Figure 1-122 | Disconnect two FFCs .....                                | 123 |
| Figure 1-123 | Special disassembly instructions .....                   | 124 |
| Figure 1-124 | Remove the link arm .....                                | 125 |
| Figure 1-125 | Remove the link arm .....                                | 125 |
| Figure 1-126 | Remove the link arm .....                                | 126 |
| Figure 1-127 | Remove the link arm .....                                | 126 |
| Figure 1-128 | Remove the image scanner .....                           | 127 |
| Figure 1-129 | Remove the cartridge door .....                          | 127 |
| Figure 1-130 | Remove the top cover .....                               | 128 |
| Figure 1-131 | Install the pad .....                                    | 129 |
| Figure 1-132 | Remove the lower plate .....                             | 129 |
| Figure 1-133 | Remove three screws .....                                | 130 |
| Figure 1-134 | Remove the lower cover .....                             | 130 |
| Figure 1-135 | Release the FFC and remove one screw .....               | 131 |
| Figure 1-136 | Remove the scanner stay and laser scanner assembly ..... | 131 |
| Figure 1-137 | Remove the plate .....                                   | 132 |
| Figure 1-138 | Remove the cartridge guide .....                         | 132 |
| Figure 1-139 | Remove the pickup roller arm .....                       | 133 |
| Figure 1-140 | Reinstall the pickup roller arm .....                    | 134 |
| Figure 1-141 | Remove transfer roller .....                             | 137 |
| Figure 1-142 | Install the transfer roller .....                        | 138 |
| Figure 1-143 | Remove the hinge link (M28-M31) .....                    | 140 |
| Figure 1-144 | Remove two screw .....                                   | 143 |
| Figure 1-145 | Special disassembly instructions .....                   | 144 |
| Figure 1-146 | Remove the link arm .....                                | 145 |
| Figure 1-147 | Remove the link arm .....                                | 145 |
| Figure 1-148 | Remove the link arm .....                                | 146 |
| Figure 1-149 | Remove the cartridge door .....                          | 146 |
| Figure 1-150 | Install the link arms on the replacement door .....      | 147 |
| Figure 1-151 | Install the link arms on the replacement door .....      | 147 |
| Figure 1-152 | Remove the formatter cover (M14-M17) .....               | 148 |
| Figure 1-153 | Remove the lower plate .....                             | 148 |
| Figure 1-154 | Remove the three screws .....                            | 149 |
| Figure 1-155 | Remove the lower cover .....                             | 149 |

|              |  |     |
|--------------|--|-----|
| Figure 1-156 | Fit two ribs on the printer into the grooves (lower cover install) | 150 |
| Figure 1-157 | Remove the formatter cover (MFP M28-M31)                           | 150 |
| Figure 1-158 | Disconnect two FFCs  | 151 |
| Figure 1-159 | Special disassembly instructions                                   | 152 |
| Figure 1-160 | Remove the link arm  | 153 |
| Figure 1-161 | Remove the link arm  | 153 |
| Figure 1-162 | Remove the link arm  | 154 |
| Figure 1-163 | Remove the link arm  | 154 |
| Figure 1-164 | Remove the image scanner   | 155 |
| Figure 1-165 | Remove the cartridge door  | 155 |
| Figure 1-166 | Remove the top cover   | 156 |
| Figure 1-167 | Install the pad  | 157 |
| Figure 1-168 | Remove the lower plate   | 157 |
| Figure 1-169 | Remove three screws  | 158 |
| Figure 1-170 | Remove the lower cover   | 158 |
| Figure 1-171 | Remove the laser scanner and FFC                                   | 159 |
| Figure 1-172 | Remove two screw   | 162 |
| Figure 1-173 | Special disassembly instructions                                   | 163 |
| Figure 1-174 | Remove the link arm  | 164 |
| Figure 1-175 | Remove the link arm  | 164 |
| Figure 1-176 | Remove the link arm  | 165 |
| Figure 1-177 | Remove the cartridge door  | 165 |
| Figure 1-178 | Install the link arms on the replacement door                      | 166 |
| Figure 1-179 | Install the link arms on the replacement door                      | 166 |
| Figure 1-180 | Remove the formatter cover (M14-M17)                               | 167 |
| Figure 1-181 | Remove the lower plate   | 167 |
| Figure 1-182 | Remove the three screws  | 168 |
| Figure 1-183 | Remove the lower cover   | 168 |
| Figure 1-184 | Fit two ribs on the printer into the grooves (lower cover install) | 169 |
| Figure 1-185 | Remove the formatter   | 170 |
| Figure 1-186 | Remove the formatter cover (MFP M28-M31)                           | 173 |
| Figure 1-187 | Remove the formatter (MFP M28-M31)                                 | 173 |
| Figure 1-188 | Remove two screw   | 176 |
| Figure 1-189 | Special disassembly instructions                                   | 177 |
| Figure 1-190 | Remove the link arm  | 178 |
| Figure 1-191 | Remove the link arm  | 178 |
| Figure 1-192 | Remove the link arm  | 179 |
| Figure 1-193 | Remove the cartridge door  | 179 |
| Figure 1-194 | Install the link arms on the replacement door                      | 180 |
| Figure 1-195 | Install the link arms on the replacement door                      | 180 |
| Figure 1-196 | Remove the formatter cover (M14-M17)                               | 181 |

|              |  |     |
|--------------|--|-----|
| Figure 1-197 | Remove the lower plate .....   | 181 |
| Figure 1-198 | Remove the three screws .....  | 182 |
| Figure 1-199 | Remove the lower cover .....   | 182 |
| Figure 1-200 | Fit two ribs on the printer into the grooves (lower cover install) ..... | 183 |
| Figure 1-201 | Remove the formatter .....   | 184 |
| Figure 1-202 | Pressure release lever .....   | 184 |
| Figure 1-203 | Rotate the pressure release levers .....                                 | 185 |
| Figure 1-204 | Remove the inner cover .....   | 185 |
| Figure 1-205 | Remove the cable guide .....   | 186 |
| Figure 1-206 | Remove the plate .....   | 186 |
| Figure 1-207 | Disconnect two connectors .....  | 187 |
| Figure 1-208 | Release the FFC and spring .....   | 187 |
| Figure 1-209 | Remove two screws .....  | 188 |
| Figure 1-210 | Right side gears and springs .....                                       | 188 |
| Figure 1-211 | Remove the plate .....   | 189 |
| Figure 1-212 | Remove the fuser .....   | 189 |
| Figure 1-213 | Reinstall the spring (upper) .....                                       | 190 |
| Figure 1-214 | Reinstall the spring (lower) .....                                       | 190 |
| Figure 1-215 | Remove the formatter cover (MFP M28-M31) .....                           | 193 |
| Figure 1-216 | Disconnect two FFCs .....  | 193 |
| Figure 1-217 | Special disassembly instructions .....                                   | 194 |
| Figure 1-218 | Remove the link arm .....  | 195 |
| Figure 1-219 | Remove the link arm .....  | 195 |
| Figure 1-220 | Remove the link arm .....  | 196 |
| Figure 1-221 | Remove the link arm .....  | 196 |
| Figure 1-222 | Remove the image scanner .....   | 197 |
| Figure 1-223 | Remove the cartridge door .....  | 197 |
| Figure 1-224 | Remove the top cover .....   | 198 |
| Figure 1-225 | Install the pad .....  | 199 |
| Figure 1-226 | Remove the lower plate .....   | 199 |
| Figure 1-227 | Remove three screws .....  | 200 |
| Figure 1-228 | Remove the lower cover .....   | 200 |
| Figure 1-229 | Pressure release lever .....   | 201 |
| Figure 1-230 | Rotate the pressure release levers .....                                 | 201 |
| Figure 1-231 | Remove the plate .....   | 202 |
| Figure 1-232 | Disconnect two connectors .....  | 202 |
| Figure 1-233 | Release the FFC and spring .....   | 203 |
| Figure 1-234 | Remove two screws .....  | 203 |
| Figure 1-235 | Right side gears and springs .....                                       | 204 |
| Figure 1-236 | Remove the plate .....   | 204 |
| Figure 1-237 | Remove the fuser .....   | 205 |



|              |  |     |
|--------------|--|-----|
| Figure 1-238 | Reinstall the spring (lowerr)                                      | 205 |
| Figure 1-239 | Remove two screw   | 208 |
| Figure 1-240 | Special disassembly instructions                                   | 209 |
| Figure 1-241 | Remove the link arm  | 210 |
| Figure 1-242 | Remove the link arm  | 210 |
| Figure 1-243 | Remove the link arm  | 211 |
| Figure 1-244 | Remove the cartridge door  | 211 |
| Figure 1-245 | Install the link arms on the replacement door                      | 212 |
| Figure 1-246 | Install the link arms on the replacement door                      | 212 |
| Figure 1-247 | Remove the formatter cover (M14-M17)                               | 213 |
| Figure 1-248 | Remove the lower plate   | 213 |
| Figure 1-249 | Remove the three screws  | 214 |
| Figure 1-250 | Remove the lower cover   | 214 |
| Figure 1-251 | Fit two ribs on the printer into the grooves (lower cover install) | 215 |
| Figure 1-252 | Remove the formatter   | 216 |
| Figure 1-253 | Pressure release lever   | 216 |
| Figure 1-254 | Rotate the pressure release levers                                 | 217 |
| Figure 1-255 | Remove the inner cover   | 217 |
| Figure 1-256 | Remove the cable guide   | 218 |
| Figure 1-257 | Remove the plate   | 218 |
| Figure 1-258 | Disconnect two connectors  | 219 |
| Figure 1-259 | Release the FFC and spring   | 219 |
| Figure 1-260 | Remove two screws  | 220 |
| Figure 1-261 | Right side gears and springs                                       | 220 |
| Figure 1-262 | Remove the plate   | 221 |
| Figure 1-263 | Remove the fuser   | 221 |
| Figure 1-264 | Reinstall the spring (upper)                                       | 222 |
| Figure 1-265 | Reinstall the spring (lowerr)                                      | 222 |
| Figure 1-266 | Pressure release lever   | 223 |
| Figure 1-267 | Check the pressure release levers                                  | 223 |
| Figure 1-268 | Release the wire harnesses   | 224 |
| Figure 1-269 | Remove the fuser cover   | 224 |
| Figure 1-270 | Remove the pressure plate and lever                                | 225 |
| Figure 1-271 | Remove the pressure plate and lever                                | 225 |
| Figure 1-272 | Remove the gears   | 226 |
| Figure 1-273 | Release the wire harness   | 226 |
| Figure 1-274 | Remove the fuser film assembly                                     | 227 |
| Figure 1-275 | Remove the formatter cover (MFP M28-M31)                           | 230 |
| Figure 1-276 | Disconnect two FFCs  | 230 |
| Figure 1-277 | Special disassembly instructions                                   | 231 |
| Figure 1-278 | Remove the link arm  | 232 |

|              |   |     |
|--------------|---|-----|
| Figure 1-279 | Remove the link arm .....                           | 232 |
| Figure 1-280 | Remove the link arm .....                           | 233 |
| Figure 1-281 | Remove the link arm .....                           | 233 |
| Figure 1-282 | Remove the image scanner .....                      | 234 |
| Figure 1-283 | Remove the cartridge door .....                     | 234 |
| Figure 1-284 | Remove the top cover .....                          | 235 |
| Figure 1-285 | Install the pad .....                               | 236 |
| Figure 1-286 | Remove the lower plate .....                        | 236 |
| Figure 1-287 | Remove three screws .....                           | 237 |
| Figure 1-288 | Remove the lower cover .....                        | 237 |
| Figure 1-289 | Pressure release lever .....                        | 238 |
| Figure 1-290 | Rotate the pressure release levers .....            | 238 |
| Figure 1-291 | Remove the plate .....                              | 239 |
| Figure 1-292 | Disconnect two connectors .....                     | 239 |
| Figure 1-293 | Release the FFC and spring .....                    | 240 |
| Figure 1-294 | Remove two screws .....                             | 240 |
| Figure 1-295 | Right side gears and springs .....                  | 241 |
| Figure 1-296 | Remove the plate .....                              | 241 |
| Figure 1-297 | Remove the fuser .....                              | 242 |
| Figure 1-298 | Reinstall the spring (lowerr) .....                 | 242 |
| Figure 1-299 | Pressure release lever .....                        | 243 |
| Figure 1-300 | Check the pressure release levers .....             | 244 |
| Figure 1-301 | Release the wire harnesses .....                    | 244 |
| Figure 1-302 | Remove the fuser cover .....                        | 245 |
| Figure 1-303 | Remove the pressure plate and lever .....           | 245 |
| Figure 1-304 | Remove the pressure plate and lever .....           | 246 |
| Figure 1-305 | Remove the gears .....                              | 246 |
| Figure 1-306 | Release the wire harness .....                      | 247 |
| Figure 1-307 | Remove the fuser film assembly .....                | 247 |
| Figure 1-308 | Remove two screw .....                              | 250 |
| Figure 1-309 | Special disassembly instructions .....              | 251 |
| Figure 1-310 | Remove the link arm .....                           | 252 |
| Figure 1-311 | Remove the link arm .....                           | 252 |
| Figure 1-312 | Remove the link arm .....                           | 253 |
| Figure 1-313 | Remove the cartridge door .....                     | 253 |
| Figure 1-314 | Install the link arms on the replacement door ..... | 254 |
| Figure 1-315 | Install the link arms on the replacement door ..... | 254 |
| Figure 1-316 | Remove the formatter cover (M14-M17) .....          | 255 |
| Figure 1-317 | Remove the lower plate .....                        | 255 |
| Figure 1-318 | Remove the three screws .....                       | 256 |
| Figure 1-319 | Remove the lower cover .....                        | 256 |

|              |  |     |
|--------------|--|-----|
| Figure 1-320 | Fit two ribs on the printer into the grooves (lower cover install) ..... | 257 |
| Figure 1-321 | Remove the motor shield plate .....                                      | 257 |
| Figure 1-322 | Disconnect connectors and FFCs .....                                     | 258 |
| Figure 1-323 | Release the lever and disconnect the connector .....                     | 258 |
| Figure 1-324 | Remove the engine controller assembly .....                              | 259 |
| Figure 1-325 | Check the spring .....   | 260 |
| Figure 1-326 | Remove the formatter cover (MFP M28-M31) .....                           | 263 |
| Figure 1-327 | Remove the formatter (MFP M28-M31) .....                                 | 264 |
| Figure 1-328 | Disconnect two FFCs .....  | 264 |
| Figure 1-329 | Special disassembly instructions .....                                   | 265 |
| Figure 1-330 | Remove the link arm .....  | 266 |
| Figure 1-331 | Remove the link arm .....  | 266 |
| Figure 1-332 | Remove the link arm .....  | 267 |
| Figure 1-333 | Remove the link arm .....  | 267 |
| Figure 1-334 | Remove the image scanner .....   | 268 |
| Figure 1-335 | Remove the cartridge door .....  | 268 |
| Figure 1-336 | Remove the top cover .....   | 269 |
| Figure 1-337 | Install the pad .....  | 270 |
| Figure 1-338 | Remove the lower plate .....   | 270 |
| Figure 1-339 | Remove three screws .....  | 271 |
| Figure 1-340 | Remove the lower cover .....   | 271 |
| Figure 1-341 | Remove the motor shield plate .....                                      | 272 |
| Figure 1-342 | Disconnect connectors and FFCs .....                                     | 272 |
| Figure 1-343 | Release the lever and disconnect the connector .....                     | 273 |
| Figure 1-344 | Remove the engine controller assembly .....                              | 273 |
| Figure 1-345 | Check the spring .....   | 274 |
| Figure 1-346 | Remove two screw .....   | 277 |
| Figure 1-347 | Special disassembly instructions .....                                   | 278 |
| Figure 1-348 | Remove the link arm .....  | 279 |
| Figure 1-349 | Remove the link arm .....  | 279 |
| Figure 1-350 | Remove the link arm .....  | 280 |
| Figure 1-351 | Remove the cartridge door .....  | 280 |
| Figure 1-352 | Install the link arms on the replacement door .....                      | 281 |
| Figure 1-353 | Install the link arms on the replacement door .....                      | 281 |
| Figure 1-354 | Remove the formatter cover (M14-M17) .....                               | 282 |
| Figure 1-355 | Remove the lower plate .....   | 282 |
| Figure 1-356 | Remove the three screws .....  | 283 |
| Figure 1-357 | Remove the lower cover .....   | 283 |
| Figure 1-358 | Fit two ribs on the printer into the grooves (lower cover install) ..... | 284 |
| Figure 1-359 | Remove the formatter cover (MFP M28-M31) .....                           | 284 |
| Figure 1-360 | Disconnect two FFCs .....  | 285 |

|              |  |     |
|--------------|--|-----|
| Figure 1-361 | Special disassembly instructions .....                                   | 286 |
| Figure 1-362 | Remove the link arm .....  | 287 |
| Figure 1-363 | Remove the link arm .....  | 287 |
| Figure 1-364 | Remove the link arm .....  | 288 |
| Figure 1-365 | Remove the link arm .....  | 288 |
| Figure 1-366 | Remove the image scanner .....   | 289 |
| Figure 1-367 | Remove the cartridge door .....  | 289 |
| Figure 1-368 | Remove the top cover .....   | 290 |
| Figure 1-369 | Install the pad .....  | 291 |
| Figure 1-370 | Remove the lower plate .....   | 291 |
| Figure 1-371 | Remove three screws .....  | 292 |
| Figure 1-372 | Remove the lower cover .....   | 292 |
| Figure 1-373 | Remove the door switch and FFC .....                                     | 293 |
| Figure 1-374 | Remove two screw .....   | 296 |
| Figure 1-375 | Special disassembly instructions .....                                   | 297 |
| Figure 1-376 | Remove the link arm .....  | 298 |
| Figure 1-377 | Remove the link arm .....  | 298 |
| Figure 1-378 | Remove the link arm .....  | 299 |
| Figure 1-379 | Remove the cartridge door .....  | 299 |
| Figure 1-380 | Install the link arms on the replacement door .....                      | 300 |
| Figure 1-381 | Install the link arms on the replacement door .....                      | 300 |
| Figure 1-382 | Remove the formatter cover (M14-M17) .....                               | 301 |
| Figure 1-383 | Remove the lower plate .....   | 301 |
| Figure 1-384 | Remove the three screws .....  | 302 |
| Figure 1-385 | Remove the lower cover .....   | 302 |
| Figure 1-386 | Fit two ribs on the printer into the grooves (lower cover install) ..... | 303 |
| Figure 1-387 | Remove the formatter cover (MFP M28-M31) .....                           | 303 |
| Figure 1-388 | Disconnect two FFCs .....  | 304 |
| Figure 1-389 | Special disassembly instructions .....                                   | 305 |
| Figure 1-390 | Remove the link arm .....  | 306 |
| Figure 1-391 | Remove the link arm .....  | 306 |
| Figure 1-392 | Remove the link arm .....  | 307 |
| Figure 1-393 | Remove the link arm .....  | 307 |
| Figure 1-394 | Remove the image scanner .....   | 308 |
| Figure 1-395 | Remove the cartridge door .....  | 308 |
| Figure 1-396 | Remove the top cover .....   | 309 |
| Figure 1-397 | Install the pad .....  | 310 |
| Figure 1-398 | Remove the lower plate .....   | 310 |
| Figure 1-399 | Remove three screws .....  | 311 |
| Figure 1-400 | Remove the lower cover .....   | 311 |
| Figure 1-401 | Remove the pickup solenoid .....   | 312 |

|              |  |     |
|--------------|--|-----|
| Figure 1-402 | Remove two screw .....   | 315 |
| Figure 1-403 | Special disassembly instructions .....                                   | 316 |
| Figure 1-404 | Remove the link arm .....  | 317 |
| Figure 1-405 | Remove the link arm .....  | 317 |
| Figure 1-406 | Remove the link arm .....  | 318 |
| Figure 1-407 | Remove the cartridge door .....  | 318 |
| Figure 1-408 | Install the link arms on the replacement door .....                      | 319 |
| Figure 1-409 | Install the link arms on the replacement door .....                      | 319 |
| Figure 1-410 | Remove the formatter cover (M14-M17) .....                               | 320 |
| Figure 1-411 | Remove the lower plate .....   | 320 |
| Figure 1-412 | Remove the three screws .....  | 321 |
| Figure 1-413 | Remove the lower cover .....   | 321 |
| Figure 1-414 | Fit two ribs on the printer into the grooves (lower cover install) ..... | 322 |
| Figure 1-415 | Remove the formatter .....   | 323 |
| Figure 1-416 | Remove the wireless PCA (M14-M17) .....                                  | 323 |
| Figure 1-417 | Remove the formatter cover (MFP M28-M31) .....                           | 326 |
| Figure 1-418 | Remove the wireless PCA (MFP M28-M31) .....                              | 326 |
| Figure 2-1   | External panels, doors, and covers (M14-M17) .....                       | 331 |
| Figure 2-2   | External panels, doors, and covers (MFP M28-M31) .....                   | 331 |
| Figure 2-3   | Main assemblies .....  | 332 |
| Figure 2-4   | Main parts .....   | 332 |
| Figure 2-5   | PCA .....  | 333 |
| Figure 2-6   | Covers (M14-M17) .....   | 338 |
| Figure 2-7   | Covers (MFP M28-M31) .....   | 340 |
| Figure 2-8   | Internal components (1 of 2) .....                                       | 342 |
| Figure 2-9   | Internal components (2 of 2) .....                                       | 344 |



---

# 1 Removal and replacement

- [For additional service and support](#)
- [Removal and replacement strategy](#)
- [Service approach](#)
- [Order parts by authorized service providers](#)
- [Removal and replacement procedures](#)

## For additional service and support

HP service personnel, go to one of the following Web-based Interactive Search Engines (WISE) sites:

### AMS

- <https://support.hp.com/wise/home/ams-en>
- <https://support.hp.com/wise/home/ams-es>
- <https://support.hp.com/wise/home/ams-pt>

### APJ

- <https://support.hp.com/wise/home/apj-en>
- <https://support.hp.com/wise/home/apj-ja>
- <https://support.hp.com/wise/home/apj-ko>
- <https://support.hp.com/wise/home/apj-zh-Hans>
- <https://support.hp.com/wise/home/apj-zh-Hant>

### EMEA

- <https://support.hp.com/wise/home/emea-en>

Channel partners, go to HP Channel Services Network (CSN) at [www.hp.com/partners/csn](http://www.hp.com/partners/csn).

At these locations, find information on the following topics:

- Install and configure
- Printer specifications
- Up-to-date control panel message (CPMD) troubleshooting
- Solutions for printer issues and emerging issues
- Remove and replace part instructions and videos
- Service advisories
- Warranty and regulatory information

Channel partners, access training materials in the HP University and Partner Learning Center at <https://content.ext.hp.com/sites/LMS/HPU.page>.

To access HP PartSurfer information from any mobile device, go to <http://partsurfermobile.hp.com/> or scan the Quick Response (QR) code below.





# Removal and replacement strategy

## Introduction

The printer uses a field repair strategy. Defective parts are diagnosed and replaced at the Field Replaceable Unit (FRU) or Bench Repair Unit (BRU) assembly level. Repair normally begins by using the printer internal diagnostics and the following two-step process:

1. Isolate the problem to the major system (for example, the network, server, or printer).
2. Identify the cause of failures according to the printer troubleshooting service manual and follow the disassembly procedures to replace the defective parts or the consumable parts.

---

 **IMPORTANT:** See the separate Control Panel Message Document (CPMD) for this printer for control-panel error message descriptions and solutions (also available online).

---

After locating a faulty part, the printer can usually be repaired at the assembly level by replacing FRUs. Some mechanical assemblies might need to be repaired at the subassembly level. HP does not support replacement of components on the printed circuit assemblies (PCAs).

The user replaces supplies (toner cartridge) as they are depleted. Additional instructions about other user-replaceable parts are provided in this section.

The printer tracks the amount of use on the customer-replaceable supplies. The printer prompts the user to replace certain items when a supply is nearly depleted.

Swapping toner cartridges between products might cause a misrepresentation of supply life values and is not recommended.


## Considerations during removal and replacement

This chapter describes the removal and replacement of FRUs/BRUs only.

Replacing FRUs/BRUs is generally the reverse of removal. Notes are included to provide directions for difficult or critical replacement procedures.

HP does not support repairing individual subassemblies or troubleshooting to the printed-circuit assembly (PCA) component level.


---

 **WARNING!** Never operate or service the printer with the protective cover removed from the laser scanner assembly. The reflected beam, although invisible, can cause damage to the eyes.

The sheet-metal parts can have sharp edges. Be careful when handling sheet-metal parts.


Before attempting to remove or replace parts, turn the printer off and remove the power cable. Never operate the printer with the parts removed from the printer.

Turn the printer off, wait 5 seconds, and then remove the power cord before attempting to service the printer. *If this warning is not followed*, severe injury can result as well as damage to the printer. The power must be on for certain functional checks during troubleshooting. However, the power cord must be disconnected during parts removal. AC voltage is still present inside the printer when the power switch is in the off position. The power cord must be *disconnected* before servicing the printer.

 **CAUTION:** Incorrectly routed or loose wire harnesses might interfere with other internal components or assemblies and be damaged, pinched, or frayed. Make sure that wire harnesses are correctly routed and retained when installing assemblies.

Do not bend or fold the flat flexible cables (FFCs) during removal or installation. Do not straighten pre-folds in the FFCs.


Do not expose the toner cartridge, or image drum, to strong light even for a short time.

 **IMPORTANT:** When an assembly is removed that includes a rating plate or tag (or a printer code label), make sure to transfer the plate or tag (or code label) to the replacement assembly.

Do not replace the formatter and engine controller simultaneously during a single printer servicing. Doing so might cause the printer to become unstable or inoperable.

During removal, replacement, or transportation of the printer, remove the cassettes.

Some repair operations might require flattening or straightening FFCs. However, try to avoid doing so. Before inserting the FFC, examine the foil connectors for damage. FFCs must be fully seated in the connectors. Failure to fully seat a FFC into a connector can cause a short circuit in a PCA or errors when restarting the printer. FFCs have a line on them that is parallel to the connector body when the FFC is correctly seated.


 **NOTE:** During assembly removal and replacement, or if the printer is moved, remove the toner cartridge.

Toner is a non-poisonous substance composed of plastic and a small number of colored components. If toner gets on the skin or clothing, wipe it off with dry tissue paper and wash in cold water. Hot water sets toner and it might be difficult, or impossible, to remove. Toner easily breaks down vinyl materials, so avoid letting toner contact vinyl.

Reassembling procedures are generally the reverse of removal unless otherwise specified. Occasionally, notes and tips are included to provide directions for difficult or critical replacement procedures.



Note the length, diameter, color, type, and location of each screw. Be sure to return each screw to its original location during reassembly.

To install a self-tapping screw, first turn it counterclockwise to align it with the existing thread pattern, and then carefully turn it clockwise to tighten. Do not overtighten. If a self-tapping screw hole becomes stripped, repair the screw-hole or replace the affected assembly.

 **TIP:** Some figures might show assemblies removed or installed that have not yet been removed or installed at that specific step. However, the procedures are correct for this printer and the target assembly. Always thoroughly read the instructions that accompany each figure.

---

## Electrostatic discharge

 **CAUTION:**  Some parts are sensitive to electrostatic discharge (ESD). Look for the ESD reminder when removing printer parts. Always perform service work at an ESD-protected workstation or mat. If an ESD workstation or mat is not available, touch the sheet-metal chassis to provide a static ground *before* touching an ESD-sensitive assembly.

Protect the ESD-sensitive assemblies by placing them in ESD pouches when they are out of the printer.

---

## Required tools

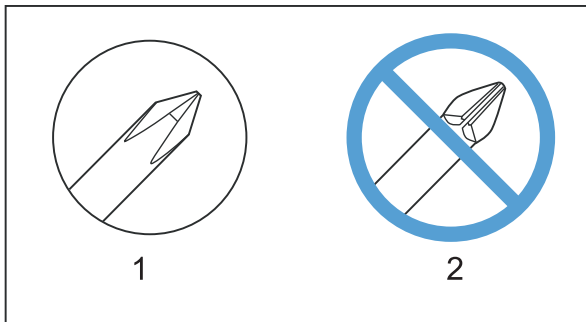
- #2 Phillips screwdriver with a magnetic tip and a 152 mm (6 in) shaft length
- Small, flat-blade screwdriver
- Needle-nose pliers
- ESD strap (if one is available)
- Penlight

---

**⚠ CAUTION:** Always use a Phillips screwdriver (callout 1). Do not use a Pozidriv screwdriver (callout 2) or any motorized screwdriver. These can damage screws or screw threads.

---

Figure 1-1 Screwdrivers



## Fasteners used in this printer

---

**⚠ WARNING!** Make sure that assemblies are replaced with the correct screw type. Using the incorrect screw (for example, substituting a long screw for the correct shorter screw) can cause damage to the printer or interfere with printer operation. Do not intermix screws that are removed from one assembly with the screws that are removed from another assembly.

**📝 NOTE:** To install a self-tapping screw, first turn it counterclockwise to align it with the existing thread pattern, and then carefully turn it clockwise to tighten. Do not overtighten. If a self-tapping screw hole becomes stripped, repair the screw hole or replace the affected assembly.

Always take note of the length, diameter, color, type, and location of each removed screw. Make sure that screws are installed in the original location they were removed from during reinstallation.

---

# Service approach


## Before performing service

- Remove all paper from the product.
- Turn off the power using the power switch.
- Unplug the power cable and interface cable or cables.
- Place the product on an ESD workstation or mat, or use an ESD strap (if one is available). If an ESD workstation, mat, or strap is not available, ground yourself by touching the sheet-metal chassis *before* touching an ESD-sensitive part.
- Remove the toner cartridge.

## Accessing the secondary service menu

Use the secondary service menu to print service-related reports and run special tests.


---

 **NOTE:** Access the secondary service menu by using the HP Embedded Web Server (EWS)

---

- ▲ Open the secondary service menu.

---

 **NOTE:** HP Device Toolbox is software used to connect to the HP Embedded Web Server when the printer is connected to a computer via USB. It is available only if a full installation was performed when the printer was installed on a computer. Depending on how the printer is connected, some features might not be available.




The HP Embedded Web Server is not accessible beyond the network firewall.




---

### Open the HP EWS from the Start menu

- a. Click the **Start**, and then click the **Programs** item.
- b. Click your HP printer group, and then click the **HP Device Toolbox** item.
- c. After opening the HP EWS, go to the **Service** page, and then select the **Go to Secondary Service** item.

### Open the HP Embedded Web Server (EWS) from a Web browser

- a. **M14-M17 control panels:** Select and hold the Resume  button until the Ready  light is blinking, and then release the Resume  button. Find the IP address or host name of the printer on the configuration report.

**MFP M28-M311 LED control panels:** Select and hold the Start Mono Copy  button until the **Ready**  light begins blinking, and then release the Start Mono Copy  button. Find the IP address or host name of the printer on the configuration report.

- b. Open a Web browser, and in the address line, type the IP address or host name exactly as it appears on the printer control panel or the configuration report. Press the **Enter** key on the computer keyboard. The EWS opens.



 **NOTE:** If the web browser displays a message indicating that accessing the website might not be safe, select the option to continue to the website. Accessing this website will not harm the computer.

- c. After opening the HP EWS, go to the **Service** page, and then select the **Go to Secondary Service** item.

## After performing service

1. Reinstall the toner cartridge.
2. Return all paper to the input tray.
3. Plug in the power cable and turn on the printer.
4. Perform print-quality tests by printing from a host computer.

## Post-service tests

Perform the following tests to verify that the repair or replacement was successful.

### Print-quality test

1. Verify that you have completed the necessary reassembly steps.
2. Make sure that the input tray contains clean, unmarked paper.
3. Attach the power cord and interface cable or interface cables, and then turn on the product.
4. Verify that the expected startup sounds occur.
5. Print a configuration page, and then verify that the expected printing sounds occur.
6. Send a print job from the host computer, and then verify that the output meets expectations.

### Copy quality test (MFP only)

1. Verify that you have completed the necessary reassembly steps.
2. Make sure that the input tray contains clean, unmarked paper.
3. Attach the power cord and interface cable or interface cables, and then turn on the product.
4. Verify that the expected startup sounds occur.
5. Copy a configuration page (or other page), and then verify that the expected printing sounds occur.
6. Verify that the copy output meets expectations.

### Other tests

Operate the printer in a manner that exercises the specific part or parts that have been repaired or replaced.

# Order parts by authorized service providers

## Ordering

|  |  |
|--|--|
| Order supplies and paper                     | <a href="http://www.hp.com/go/suresupply">www.hp.com/go/suresupply</a>   |
| Order genuine HP parts or accessories        | <a href="http://www.hp.com/buy/parts">www.hp.com/buy/parts</a>   |
|  | or   |
|  | <a href="http://partsurfer.hp.com">partsurfer.hp.com</a>   |
| Order through service or support providers   | Contact an HP-authorized service or support provider.  |
| Order using the HP Embedded Web Server (EWS) | To access, in a supported Web browser on your computer, enter the printer IP address or host name in the address/URL field. The EWS contains a link to the HP SureSupply Web site, which provides options for purchasing Original HP supplies. |

## Orderable parts

Not all parts can be ordered. Refer to the parts table following the exploded diagram in the parts chapter to determine if a part is orderable.

## Whole unit replacement (WUR)

| HP LaserJet Pro model              | Whole unit replacement part number |
|------------------------------------|------------------------------------|
| <b>HP LaserJet Pro M14-M17</b>     |                                    |
| 220V M15A AP                       | W2G50-67056                        |
| 220V M15A EMEA                     | W2G50-69056                        |
| 220V M15w AP                       | W2G51-67056                        |
| 220V M15w EMEA                     | W2G51-69056                        |
| 110V M15w TW/NA                    | W2G51-67055                        |
| 220V M15w LA                       | W2G51-67019                        |
| 110V M15w LA                       | W2G51-67020                        |
| 220V M16a China                    | W2G52-67056                        |
| 220V M16a India                    | W2G52-67001                        |
| 220V M16w India                    | W2G53-67056                        |
| <b>HP LaserJet Pro MFP M28-M34</b> |                                    |
| 220V M28a AP                       | W2G54-67056                        |
| 220V M28a EMEA                     | WG54-69056                         |
| 220V M28w AP                       | W2G55-67056                        |
| 220V M28 EMEA                      | W2G55-69058                        |
| 110V M28w TW/NA                    | W2G55-67055                        |
| 110V M28w LA                       | W2G55-67020                        |

| HP LaserJet Pro model | Whole unit replacement part number |
|-----------------------|------------------------------------|
| 220V M29a China       | W2G56-67056                        |
| 220V M29a India       | W2G56-67001                        |
| 220V M29w India       | W2G57-67056                        |

## Supplies and accessories

| Item   | Description   | Cartridge number | Part number |
|--|---|------------------|-------------|
| <b>Supplies</b>  |   |                  |             |
| <b>For use only in Europe, Russia, CIS, Mid East and Africa</b>  |   |                  |             |
| HP 44A Black Toner Cartridge   | Standard-capacity replacement black toner cartridge | 44A              | CF244A      |
| <b>For use only in North America, Latin America, Asia Pacific Countries/Regions (Exclude China, India)</b> |   |                  |             |
| HP 48A Black Toner Cartridge   | Standard-capacity replacement black toner cartridge | 48A              | CF248A      |
| <b>For use only in China, India</b>  |   |                  |             |
| HP 47A Black Toner Cartridge   | Standard-capacity replacement black toner cartridge | 47A              | CF247A      |

## Related documentation and software

HP service personnel, go to one of the following Web-based Interactive Search Engines (WISE) sites:

### AMS

- <https://support.hp.com/wise/home/ams-en>
- <https://support.hp.com/wise/home/ams-es>
- <https://support.hp.com/wise/home/ams-pt>

### APJ

- <https://support.hp.com/wise/home/apj-en>
- <https://support.hp.com/wise/home/apj-ja>
- <https://support.hp.com/wise/home/apj-ko>
- <https://support.hp.com/wise/home/apj-zh-Hans>
- <https://support.hp.com/wise/home/apj-zh-Hant>

### EMEA

- <https://support.hp.com/wise/home/emea-en>

Channel partners, go to HP Channel Services Network (CSN) at [www.hp.com/partners/csn](http://www.hp.com/partners/csn).

Channel partners, access training materials in the HP University and Partner Learning Center at <https://content.ext.hp.com/sites/LMS/HPU.page>.



# Removal and replacement procedures

## Customer self-repair (CSR) components

The CSR level indicates the expected difficulty the customer will experience when removing and replacing an assembly. The CSR A assemblies in this section are easy for the customer to remove and replace.


- [Remove and replacement: Toner cartridge \(M14-M17\)](#)
- [Remove and replacement: Toner cartridge \(M28-M31\)](#)

## Remove and replacement: Toner cartridge (M14-M17)

- [Introduction](#)
- [Step 1: Remove the toner cartridge](#)
- [Step 2: Unpack a replacement toner cartridge](#)
- [Step 3: Install the toner cartridge](#)


### Introduction

This document provides the procedures to remove and replace the toner cartridge.

 **IMPORTANT:** When applicable, special installation instructions are provided for an assembly at the end of the removal procedure. Always completely read the removal instructions and follow all special installation instructions.

### Before performing service

- Turn the printer power off.

 **CAUTION:** To prevent damage to the toner cartridge, do not expose it to light for more than a few minutes. Cover the toner cartridge if it must be removed from the printer for an extended period of time.

If toner gets on clothing, wipe it off by using a dry cloth and wash the clothes in cold water. Hot water sets toner into fabric.

Use the table below to identify the correct part number for your printer. To order the part, go to [www.hp.com/buy/parts](http://www.hp.com/buy/parts)

---

#### Toner cartridge part numbers

---

##### M14-M17 Europe, Russia, CIS, Middle East, and Africa only:

CF244A (new) HP 44A Black Toner Cartridge

CF244-67901 (service)

##### M14-M17 North America, Latin America, Asia Pacific Countries/Regions (excluding China and India) only:

CF248A (new) HP 48A Black Toner Cartridge

CF248-67901 (service)

##### M14-M17 China and India only:

CF247A (new) HP 47A Black Toner Cartridge

CF247-67901 (service)

---

### Required tools

- No special tools are needed to remove or install this assembly.

### After performing service

- Make sure that the cartridge door is fully closed after replacing the toner cartridge.
- Turn the printer power on.

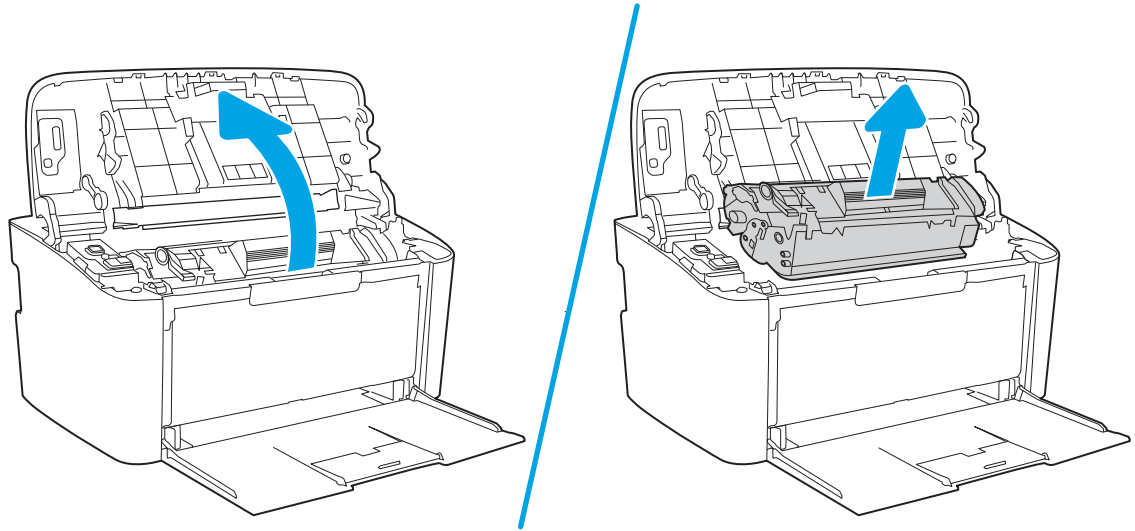
## Post service test

No post service test is available for this assembly.

### Step 1: Remove the toner cartridge

When a toner cartridge approaches the end of useful life, continue printing with the current cartridge until redistributing the toner no longer yields acceptable print quality.

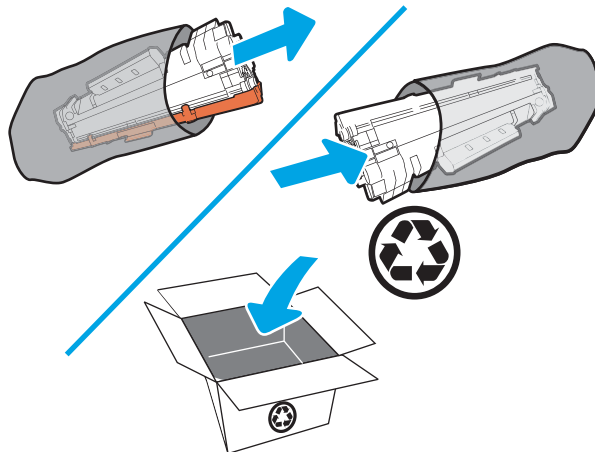
- ▲ Open the toner-cartridge door, and then remove the old toner cartridge.



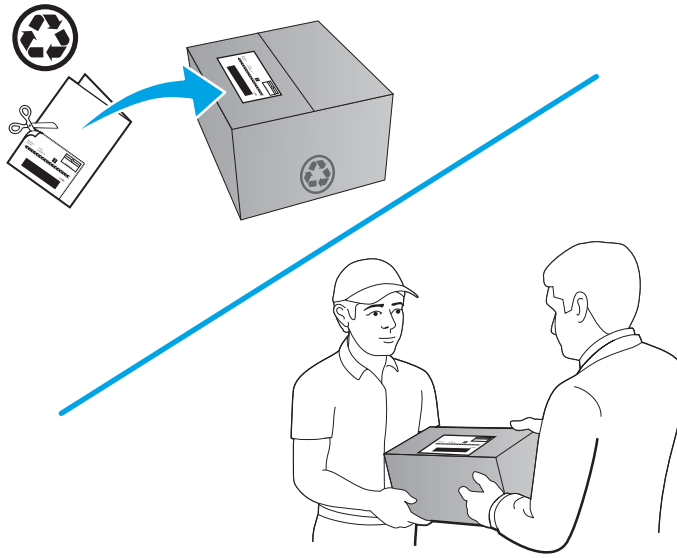
### Step 2: Unpack a replacement toner cartridge

1. Remove the new toner cartridge packaging. Place the used toner cartridge in the bag and box for recycling.

**⚠ CAUTION:** To prevent damage to the toner cartridge, hold it by both ends. Do not touch the OPC cover or roller surface.

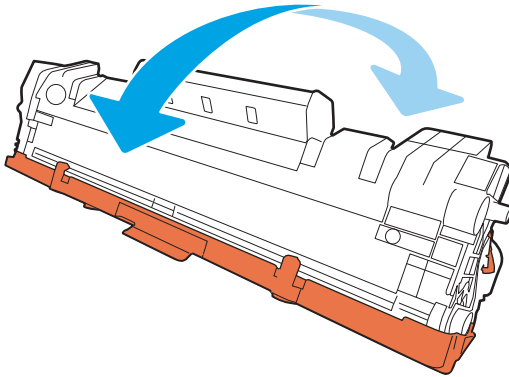


2. Use the pre-paid self-addressed label to return the used cartridge to HP for recycling (where available).

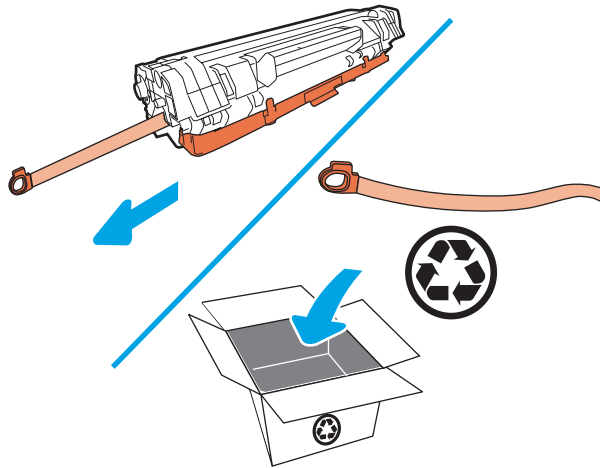


### Step 3: Install the toner cartridge

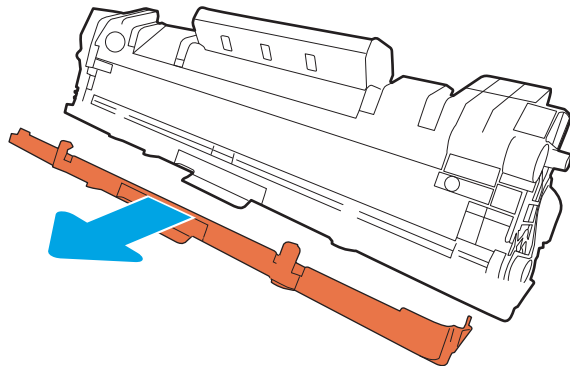
1. Grasp both sides of the toner cartridge and gently rock the toner cartridge to distribute the toner evenly inside the cartridge.



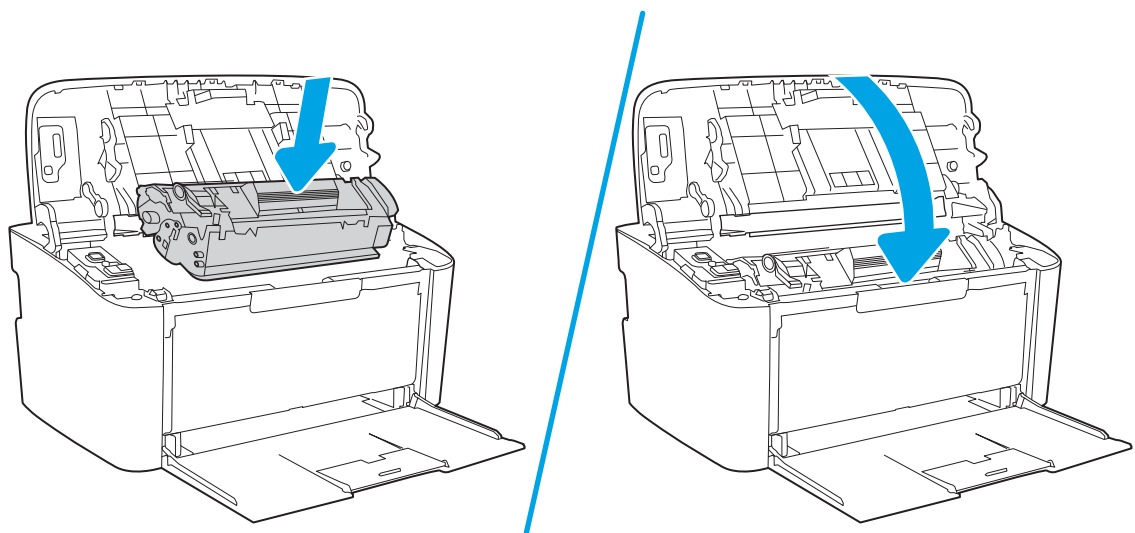
2. Bend the tab on the left side of the cartridge until the tab breaks loose, and then pull the tab until all the tape is removed from the cartridge. Place the tab and tape in the toner-cartridge box to return for recycling.



3. Remove the orange cover from the toner cartridge.



4. Insert the toner cartridge in the printer, and then close the toner-cartridge door.




## Remove and replacement: Toner cartridge (M28-M31)

- [Introduction](#)
- [Step 1: Remove the toner cartridge](#)
- [Step 2: Unpack a replacement toner cartridge](#)
- [Step 3: Install the toner cartridge](#)


### Introduction

This document provides the procedures to remove and replace the toner cartridge.

 **IMPORTANT:** When applicable, special installation instructions are provided for an assembly at the end of the removal procedure. Always completely read the removal instructions and follow all special installation instructions.

### Before performing service

- Turn the printer power off.

 **CAUTION:** To prevent damage to the toner cartridge, do not expose it to light for more than a few minutes. Cover the toner cartridge if it must be removed from the printer for an extended period of time.

If toner gets on clothing, wipe it off by using a dry cloth and wash the clothes in cold water. Hot water sets toner into fabric.

Use the table below to identify the correct part number for your printer. To order the part, go to [www.hp.com/buy/parts](http://www.hp.com/buy/parts)

---

#### Toner cartridge part numbers

---

##### M28-M31 Europe, Russia, CIS, Middle East, and Africa only:

CF244A (new) HP 44A Black Toner Cartridge

CF244-67901 (service)

##### M28-M31 North America, Latin America, Asia Pacific Countries/Regions (excluding China and India) only:

CF248A (new) HP 48A Black Toner Cartridge

CF248-67901 (service)

##### M28-M31 China and India only:

CF247A (new) HP 47A Black Toner Cartridge

CF247-67901 (service)

---

### Required tools

- No special tools are needed to remove or install this assembly.

### After performing service

- Make sure that the cartridge door is fully closed after replacing the toner cartridge.
- Turn the printer power on.

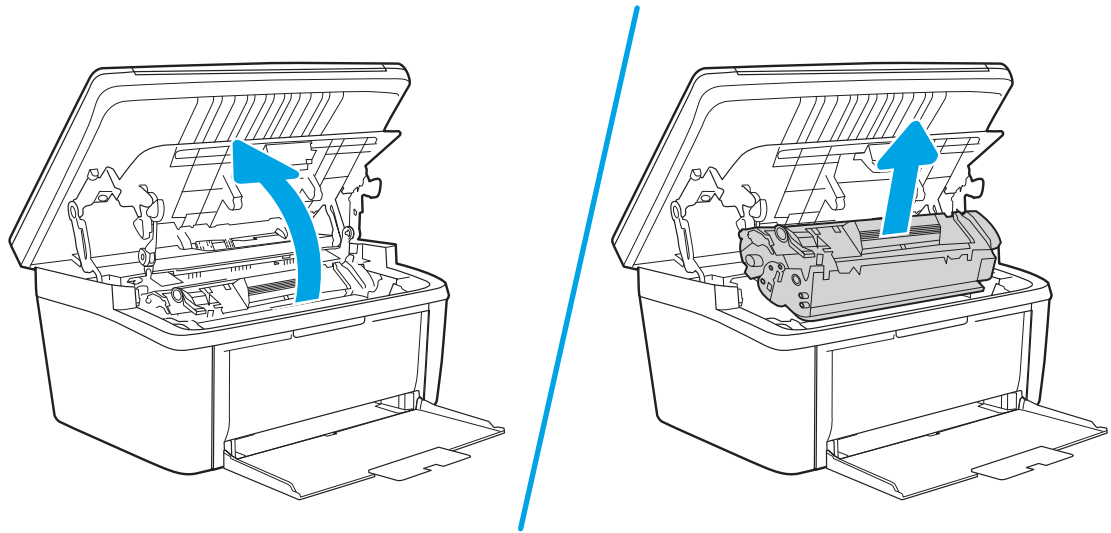
## Post service test

No post service test is available for this assembly.

### Step 1: Remove the toner cartridge

When a toner cartridge approaches the end of useful life, continue printing with the current cartridge until redistributing the toner no longer yields acceptable print quality.

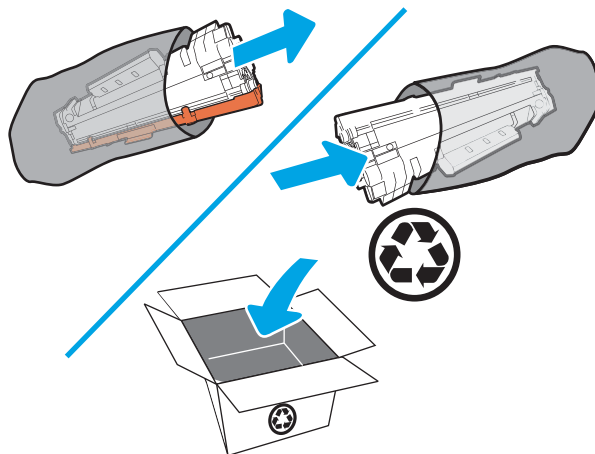
- ▲ Open the toner-cartridge door, and then remove the old toner cartridge.



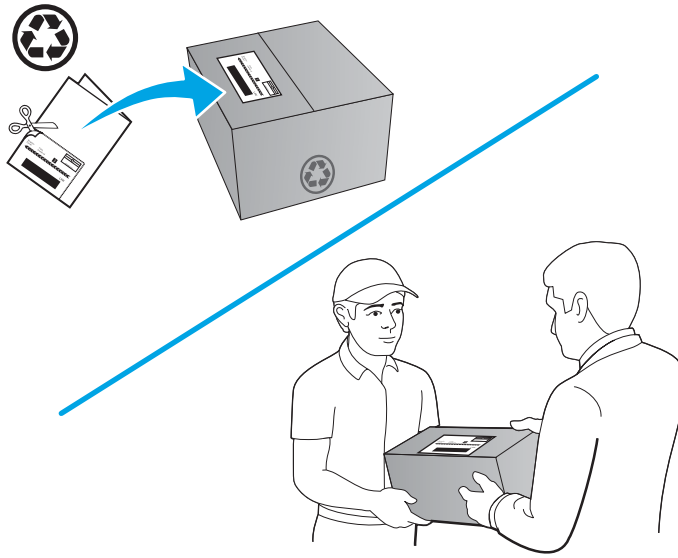
### Step 2: Unpack a replacement toner cartridge

1. Remove the new toner cartridge packaging. Place the used toner cartridge in the bag and box for recycling.

**⚠ CAUTION:** To prevent damage to the toner cartridge, hold it by both ends. Do not touch the OPC cover or roller surface.

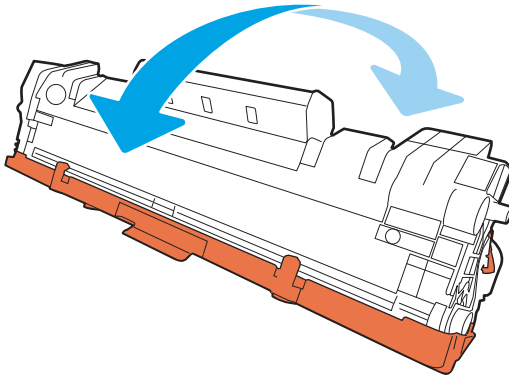


2. Use the pre-paid self-addressed label to return the used cartridge to HP for recycling (where available).



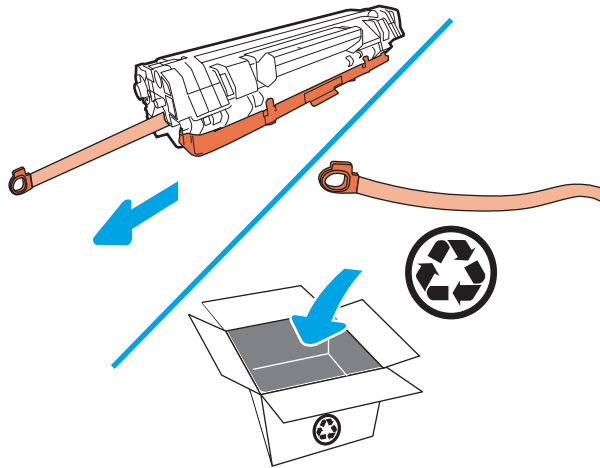
### Step 3: Install the toner cartridge

1. Grasp both sides of the toner cartridge and gently rock the toner cartridge to distribute the toner evenly inside the cartridge.

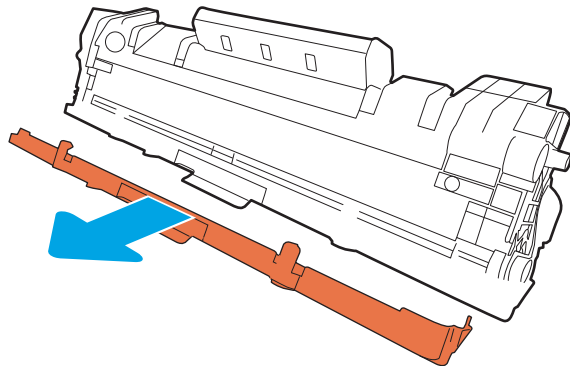




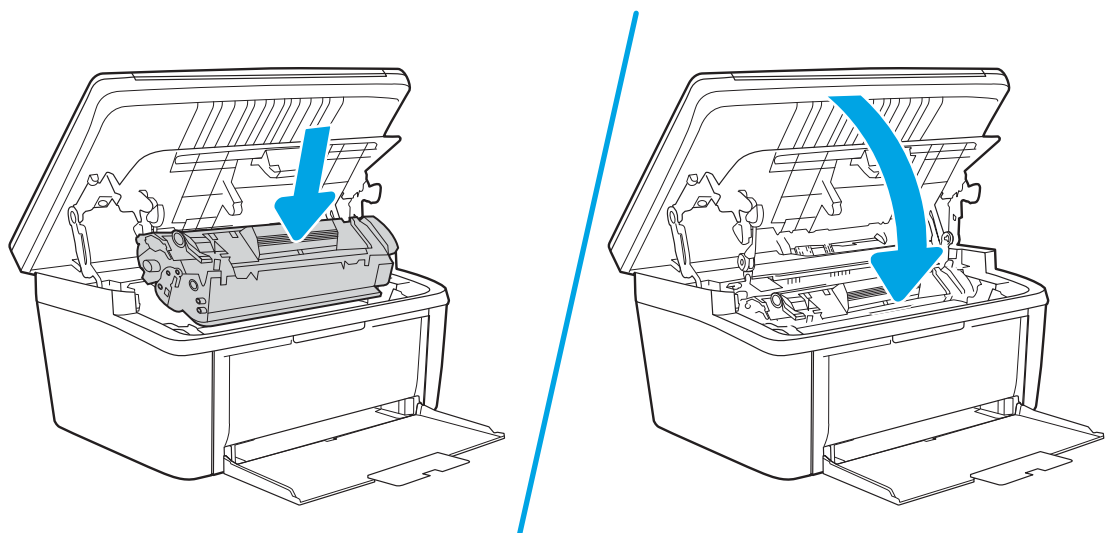
2. Bend the tab on the left side of the cartridge until the tab breaks loose, and then pull the tab until all the tape is removed from the cartridge. Place the tab and tape in the toner-cartridge box to return for recycling.



3. Remove the orange cover from the toner cartridge.



4. Insert the toner cartridge in the printer, and then close the toner-cartridge door.



## Field Replaceable Units (FRUs) / Bench Repair Units (BRUs)

- [Removal and replacement: External panels, covers, and doors](#)
- [Removal and replacement: Internal parts and assemblies](#)

## Removal and replacement: External panels, covers, and doors


- [Remove and replacement: Tray 1](#)
- [Remove and replacement: Cartridge door \(M14-M17\)](#)
- [Remove and replacement: Document lid \(M28-M31\)](#)
- [Remove and replacement: Formatter cover \(M14-M17\)](#)
- [Remove and replacement: Formatter cover \(MFP M28-M31\)](#)
- [Remove and replacement: Cartridge door \(MFP M28-M31\)](#)
- [Remove and replacement: Image scanner \(MFP M28-M31\)](#)
- [Remove and replacement: Lower cover \(M14-M17\)](#)
- [Remove and replacement: Lower cover \(MFP M28-M31\)](#)
- [Remove and replacement: Top cover \(MFP M28-M31\)](#)
- [Remove and replacement: Control panel \(M14-M17\)](#)

## Remove and replacement: Tray 1

- [Introduction](#)
- [Step 1: Remove Tray 1](#)
- [Step 2: Unpack the replacement assembly](#)

### Introduction

This document provides the procedures to remove and replace Tray 1.

 **IMPORTANT:** When applicable, special installation instructions are provided for an assembly at the end of the removal procedure. Always completely read the removal instructions and follow all special installation instructions.

### Before performing service

- Turn the printer power off.

Use the table below to identify the correct part number for your printer. To order the part, go to [www.hp.com/buy/parts](http://www.hp.com/buy/parts)

| Tray 1 part number |   |
|--------------------|---|
| RL2-2589-000CN     | Tray, paper pickup (base model; M14-M17)        |
| RL2-2590-000CN     | Tray, paper pickup (wireless model; M14-M17)    |
| RL2-2591-000CN     | Tray, paper pickup (base EM model; M14-M17)     |
| RL2-2592-000CN     | Tray, paper pickup (wireless EM model; M14-M17) |
| RL2-2594-000CN     | Tray, paper pickup (base model; M28-M31)        |
| RL2-2595-000CN     | Tray, paper pickup (wireless model; M28-M31)    |
| RL2-2596-000CN     | Tray, paper pickup (base EM model; M28-M31)     |
| RL2-2597-000CN     | Tray, paper pickup (wireless EM model; M28-M31) |

### Required tools

- No special tools are needed to remove or install this assembly.

### After performing service

- Turn the printer power on.

### Post service test

No post service test is available for this assembly.

### Step 1: Remove Tray 1

- ▲ Open Tray 1, gently flex the tray to release two bosses (callout 1), and then remove Tray 1 (callout 2).


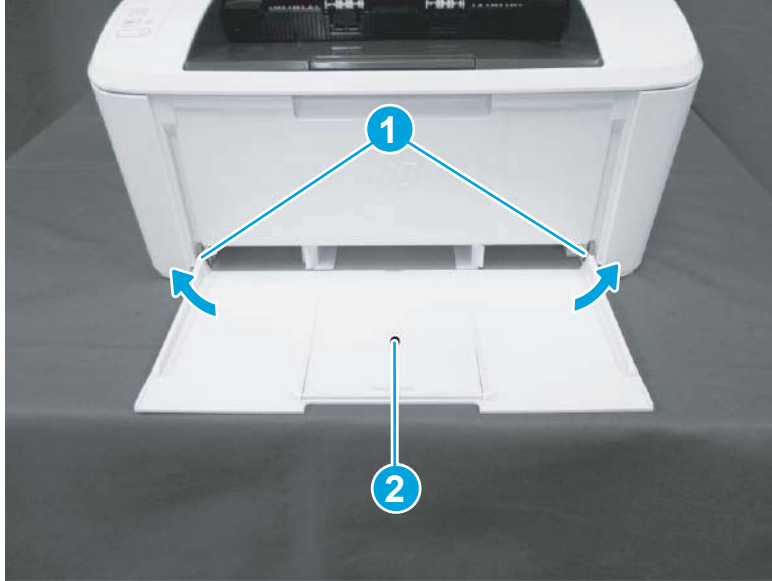
 **Reinstallation tip:** Reverse the removal steps to install the assembly.

Figure 1-2 Remove Tray 1



### Step 2: Unpack the replacement assembly

1. Dispose of the defective part.

---

 **NOTE:** HP recommends responsible disposal of the defective part.

[www.hp.com/recycle](http://www.hp.com/recycle)

---



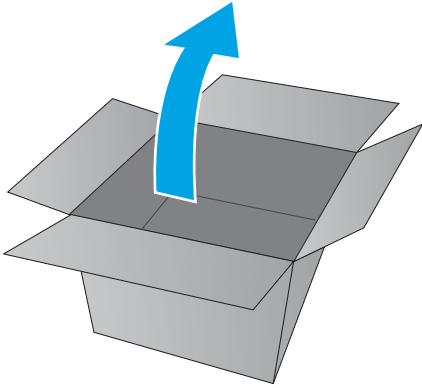
2. Unpack the replacement part from the packaging.

---

**⚠ CAUTION:** If the replacement part is a roller or pad, avoid touching the spongy part of it. Skin oils on the roller or pad can cause paper pickup and/or print-quality problems. HP recommends using disposable gloves when handling rollers or pads or washing your hands or before touching rollers or pads.

**📄 IMPORTANT:** Make sure that all of the shipping materials (for example shipping tape) are removed from the replacement part prior to installation.

---




## Remove and replacement: Cartridge door (M14-M17)

- [Introduction](#)
- [Step 1: Remove the cartridge door \(M14-M17\)](#)
- [Step 2: Unpack the replacement assembly](#)

### Introduction

This document provides the procedures to remove and replace the cartridge door (M14-M17).

 **IMPORTANT:** When applicable, special installation instructions are provided for an assembly at the end of the removal procedure. Always completely read the removal instructions and follow all special installation instructions.

### Before performing service

- Turn the printer power off.

Use the table below to identify the correct part number for your printer. To order the part, go to [www.hp.com/buy/parts](http://www.hp.com/buy/parts)

| Cartridge door (M14-M17) part number |  |
|--------------------------------------|--|
| RM2-2118-000CN                       | Cartridge door (base model; M14-M17)     |
| RM2-2119-000CN                       | Cartridge door (wireless model; M14-M17) |

### Required tools

- #2 Phillips screwdriver with a magnetic tip
- Small flat-blade screw driver (optional)

### After performing service

- Make sure that the cartridge door is fully closed after replacing it.
- Turn the printer power on.

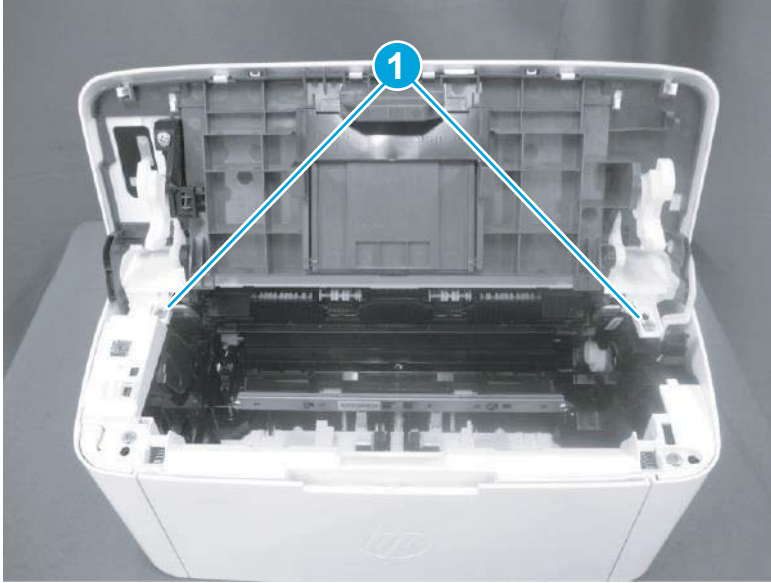
### Post service test

No post service test is available for this assembly.

### Step 1: Remove the cartridge door (M14-M17)

1. Open the cartridge door, and then remove two screws (callout 1).

Figure 1-3 Remove two screw





2. Before proceeding, take note of the following disassembly instructions.

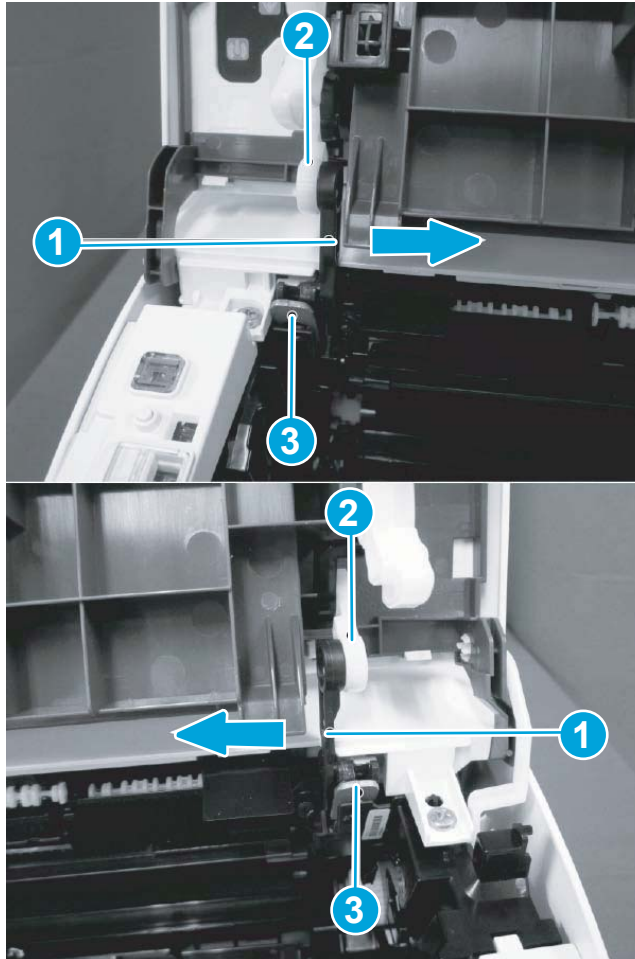
When removing the link arm (callout 2) from the pressure release lever (callout 1), the pressure plate (callout 3) might be deformed if the pressure release lever moves in the direction shown below.

---

**⚠ CAUTION:** Do not deform the pressure plate.

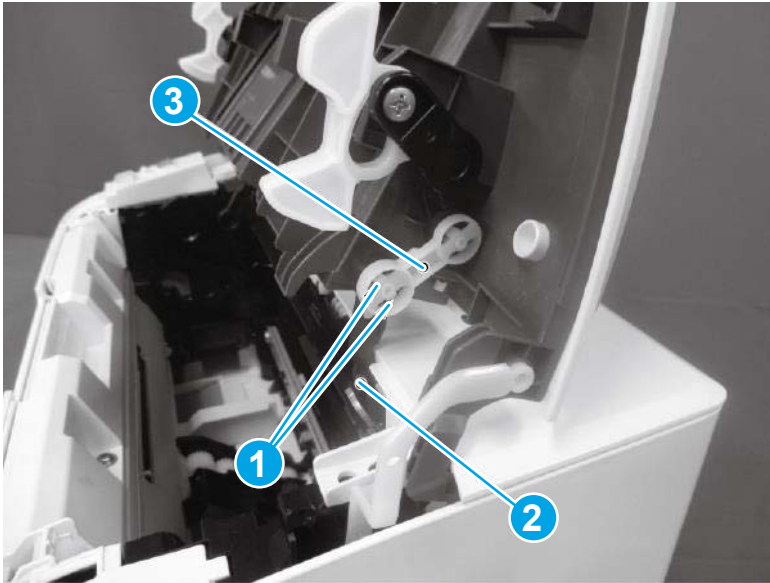
---

Figure 1-4 Special disassembly instructions



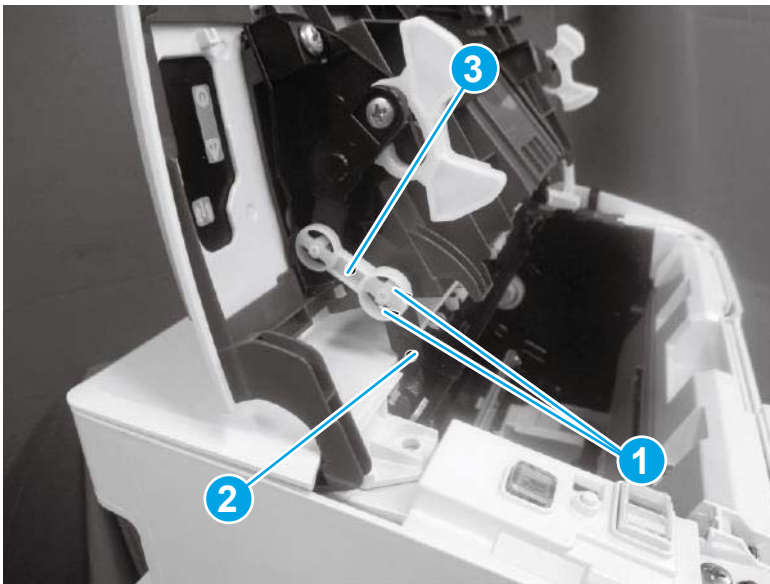
3. Release two tabs (callout 1), and then remove one link arm (callout 3) from the pressure release lever (callout 2).

Figure 1-5 Remove the link arm



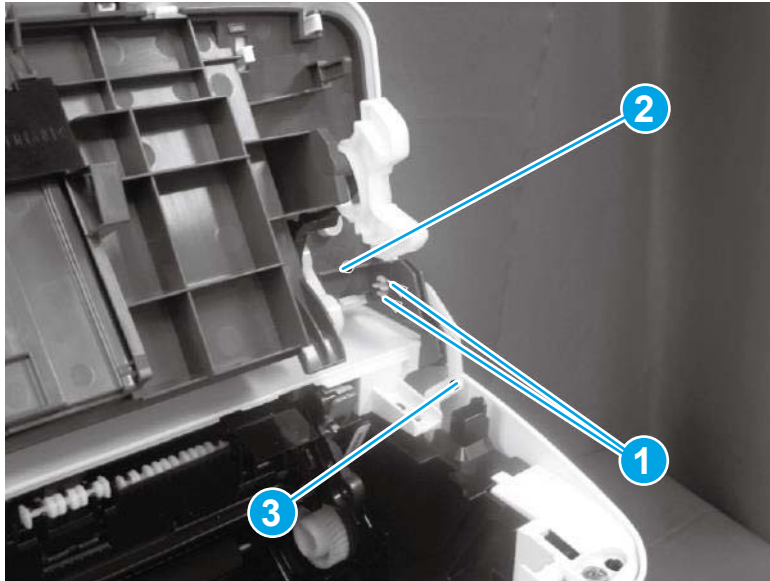
4. Release two tabs (callout 1), and then remove one link arm (callout 3) from the pressure release lever (callout 2).

Figure 1-6 Remove the link arm



5. Release two tabs (callout 1), and then remove one link arm (callout 3) from the cartridge door assembly (callout 2).


Figure 1-7 Remove the link arm



6. Release one tab (callout 1), support the cartridge door (callout 2), and then remove it.

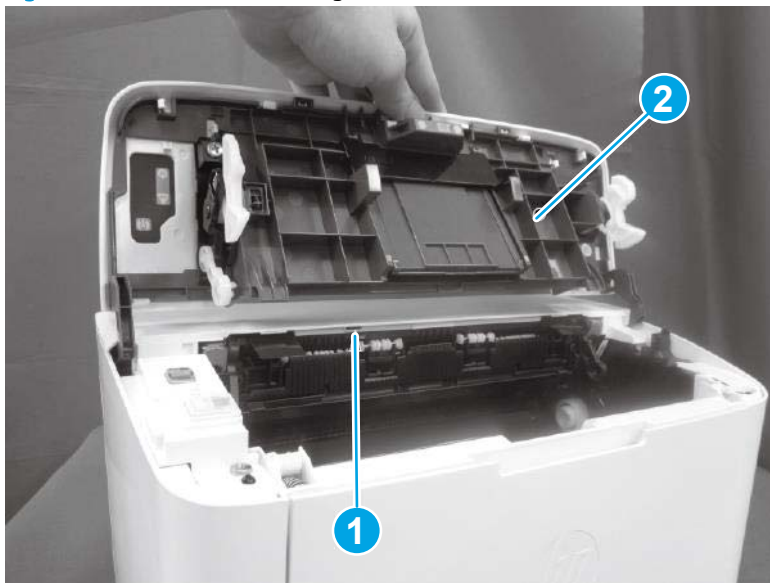
---

 **NOTE:** If the cartridge door is removed to access other assembly, stop at this step.

 **Reinstallation tip:** Reverse the removal steps to install the door.

---

Figure 1-8 Remove the cartridge door



7. **Optional step:** If a replacement cartridge door is being installed, do the following:

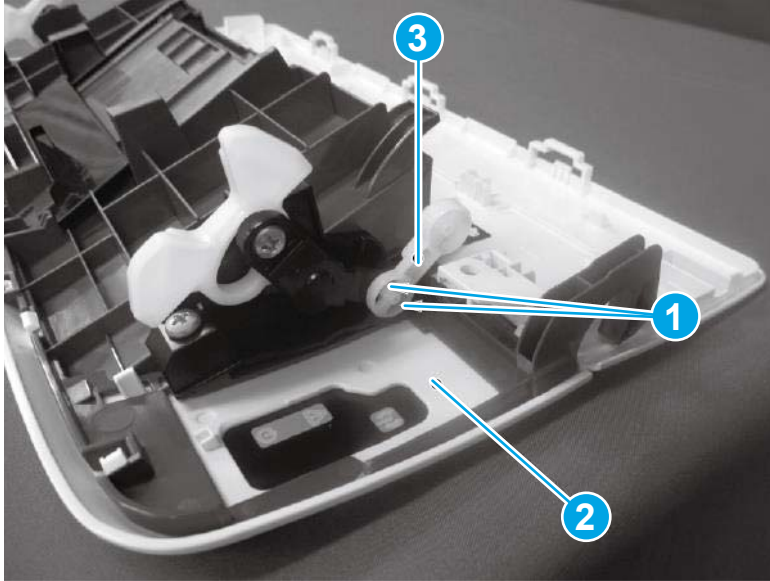
---

 **NOTE:** Install the link arms on the replacement door.

---

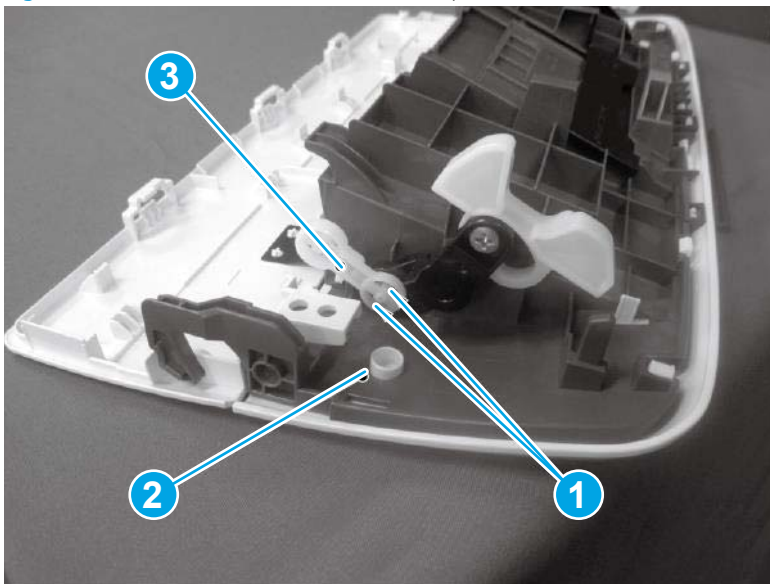
- a. Release two tabs (callout 1), and then remove the one link arm (callout 3) from the door assembly (callout 2).

Figure 1-9 Install the link arms on the replacement door



- b. Release two tabs (callout 1), and then remove the one link arm (callout 3) from the door assembly (callout 2).

Figure 1-10 Install the link arms on the replacement door



### Step 2: Unpack the replacement assembly

1. Dispose of the defective part.

 **NOTE:** HP recommends responsible disposal of the defective part.

[www.hp.com/recycle](http://www.hp.com/recycle)



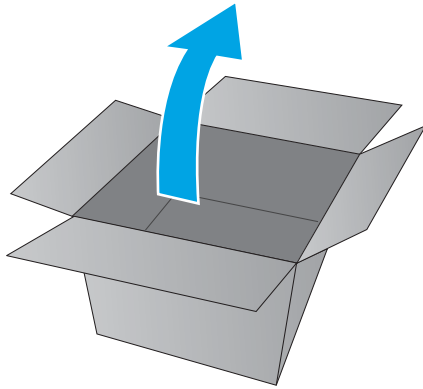
2. Unpack the replacement part from the packaging.

---

**⚠ CAUTION:** If the replacement part is a roller or pad, avoid touching the spongy part of it. Skin oils on the roller or pad can cause paper pickup and/or print-quality problems. HP recommends using disposable gloves when handling rollers or pads or washing your hands or before touching rollers or pads.

**📋 IMPORTANT:** Make sure that all of the shipping materials (for example shipping tape) are removed from the replacement part prior to installation.

---




## Remove and replacement: Document lid (M28-M31)

- [Introduction](#)
- [Step 1: Remove the document lid \(M28-M31\)](#)
- [Step 2: Unpack the replacement assembly](#)

### Introduction

This document provides the procedures to remove and replace the document lid (M28-M31).

 **IMPORTANT:** When applicable, special installation instructions are provided for an assembly at the end of the removal procedure. Always completely read the removal instructions and follow all special installation instructions.

### Before performing service

- Turn the printer power off.

Use the table below to identify the correct part number for your printer. To order the part, go to [www.hp.com/buy/parts](http://www.hp.com/buy/parts)

---

| Document lid (M28-M31) part number |  |
|------------------------------------|--|
|------------------------------------|--|

---

|                |                        |
|----------------|------------------------|
| RM2-2136-000CN | Document lid (M28-M31) |
|----------------|------------------------|

---

### Required tools

- No special tools are needed to remove or install this assembly.

### After performing service

- Make sure that the document lid is fully closed after replacing it.
- Turn the printer power on.

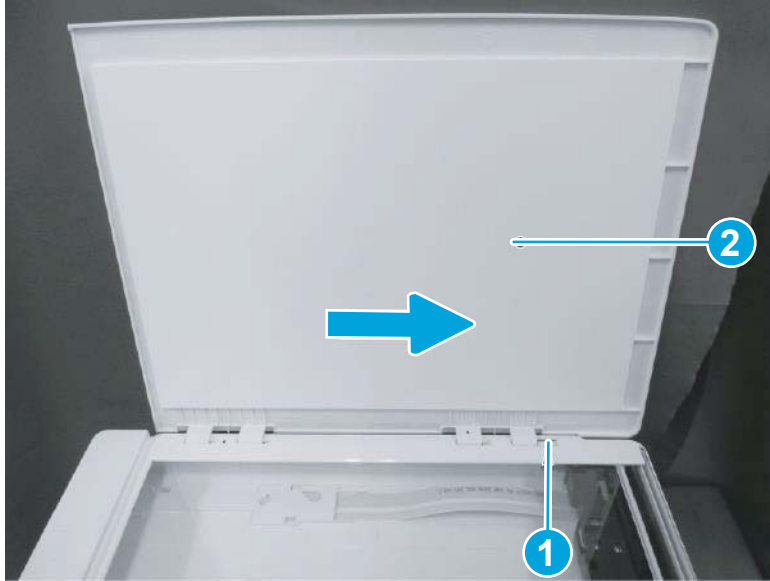
### Post service test

No post service test is available for this assembly.

### Step 1: Remove the document lid (M28-M31)


- ▲ Do the following:
  - Open the document lid.
  - Press and hold one tab (callout 1), and then slide the document lid (callout 2) as shown below to remove it.

Figure 1-11 Remove the document lid (M28-M31)



### Step 2: Unpack the replacement assembly

1. Dispose of the defective part.

 **NOTE:** HP recommends responsible disposal of the defective part.

[www.hp.com/recycle](http://www.hp.com/recycle)



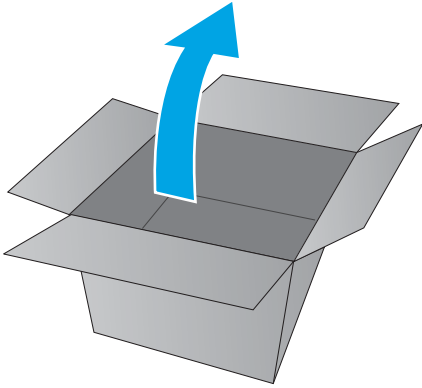
2. Unpack the replacement part from the packaging.

---

**⚠ CAUTION:** If the replacement part is a roller or pad, avoid touching the spongy part of it. Skin oils on the roller or pad can cause paper pickup and/or print-quality problems. HP recommends using disposable gloves when handling rollers or pads or washing your hands or before touching rollers or pads.

**📄 IMPORTANT:** Make sure that all of the shipping materials (for example shipping tape) are removed from the replacement part prior to installation.

---






## Remove and replacement: Formatter cover (M14-M17)

- [Introduction](#)
- [Step 1: Remove the cartridge door \(M14-M17\)](#)
- [Step 2: Remove the formatter cover \(M14-M17\)](#)
- [Step 3: Unpack the replacement assembly](#)

### Introduction

This document provides the procedures to remove and replace the formatter cover (M14-M17).

 **IMPORTANT:** When applicable, special installation instructions are provided for an assembly at the end of the removal procedure. Always completely read the removal instructions and follow all special installation instructions.

### Before performing service

- Turn the printer power off.

Use the table below to identify the correct part number for your printer. To order the part, go to [www.hp.com/buy/parts](http://www.hp.com/buy/parts)

| Formatter cover (M14-M17) part number |                           |
|---------------------------------------|---------------------------|
| RC5-4239-000CN                        | Formatter cover (M14-M17) |

### Required tools

- No special tools are needed to remove or install this assembly.

### After performing service

- Turn the printer power on.

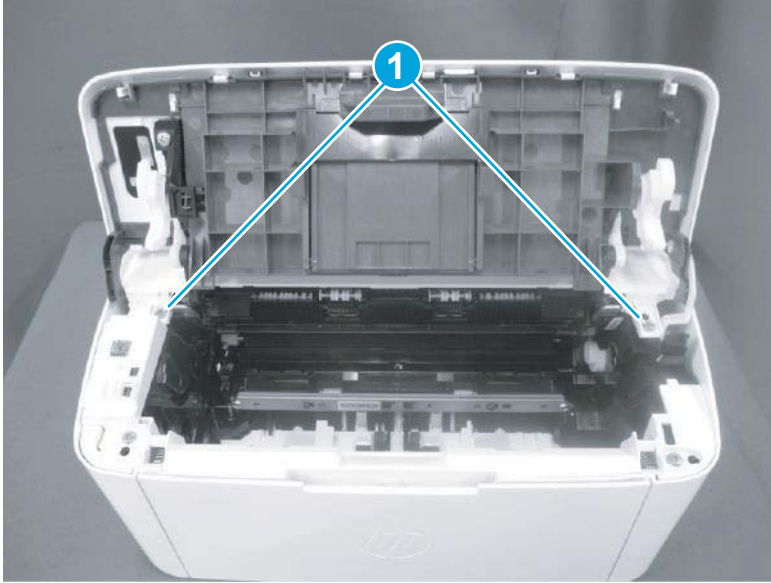
### Post service test

No post service test is available for this assembly.

### Step 1: Remove the cartridge door (M14-M17)

1. Open the cartridge door, and then remove two screws (callout 1).

Figure 1-12 Remove two screw



2. Before proceeding, take note of the following disassembly instructions.

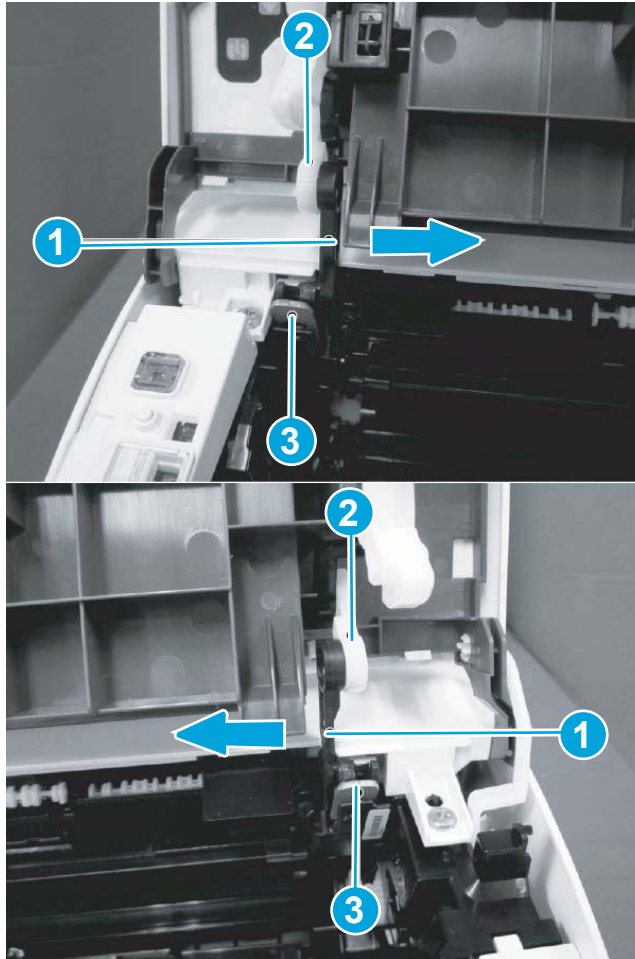
When removing the link arm (callout 2) from the pressure release lever (callout 1), the pressure plate (callout 3) might be deformed if the pressure release lever moves in the direction shown below.

---

**⚠ CAUTION:** Do not deform the pressure plate.

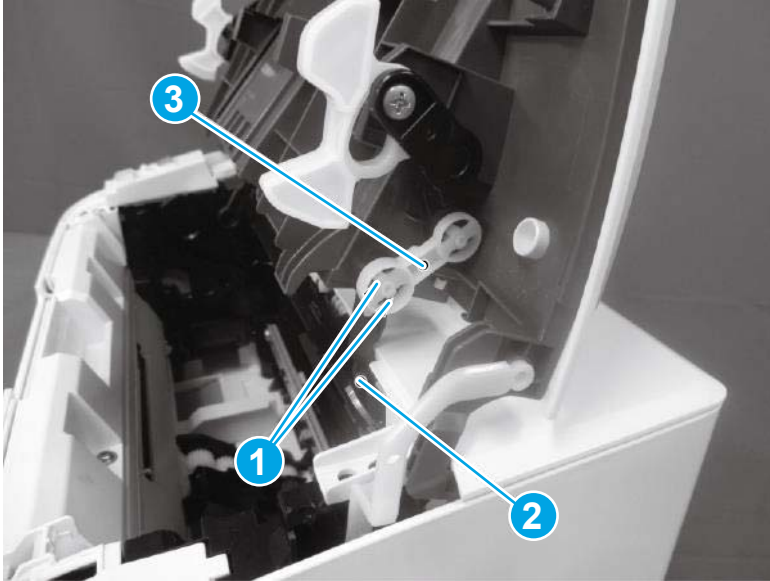
---

Figure 1-13 Special disassembly instructions



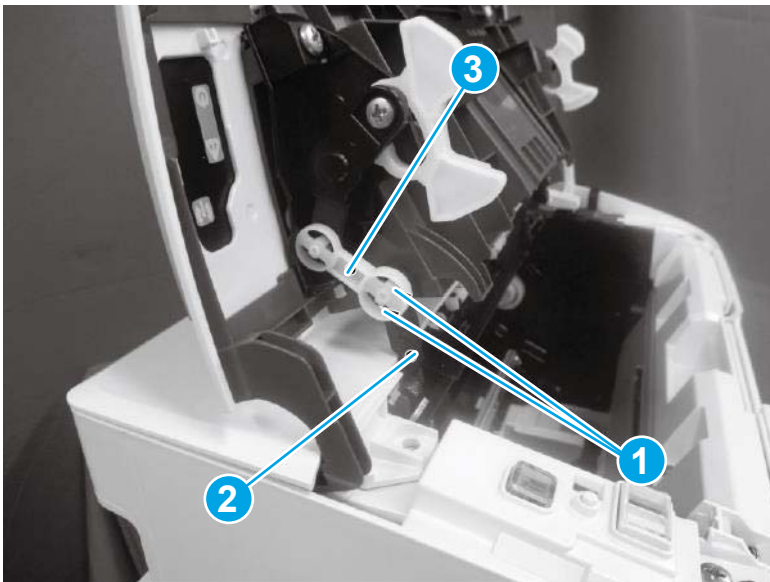
3. Release two tabs (callout 1), and then remove one link arm (callout 3) from the pressure release lever (callout 2).

Figure 1-14 Remove the link arm



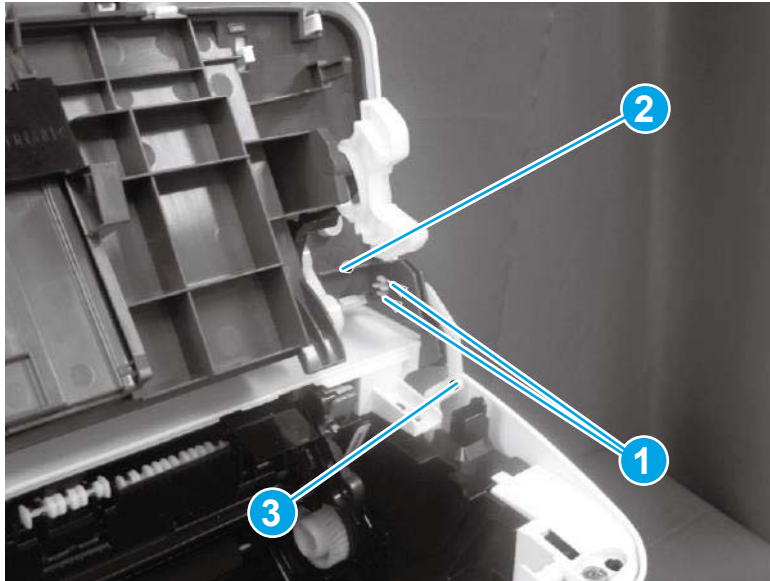
4. Release two tabs (callout 1), and then remove one link arm (callout 3) from the pressure release lever (callout 2).

Figure 1-15 Remove the link arm



5. Release two tabs (callout 1), and then remove one link arm (callout 3) from the cartridge door assembly (callout 2).


Figure 1-16 Remove the link arm



6. Release one tab (callout 1), support the cartridge door (callout 2), and then remove it.

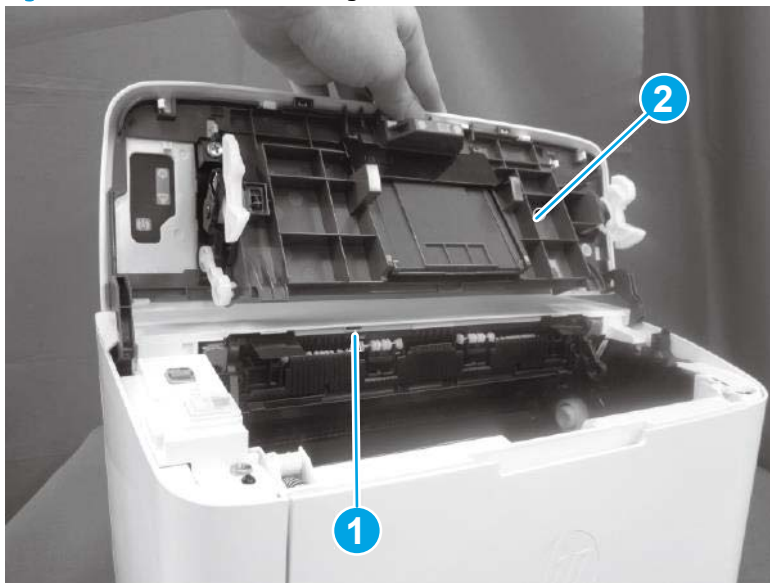
---

 **NOTE:** If the cartridge door is removed to access other assembly, stop at this step.

 **Reinstallation tip:** Reverse the removal steps to install the door.

---

Figure 1-17 Remove the cartridge door



7. **Optional step:** If a replacement cartridge door is being installed, do the following:

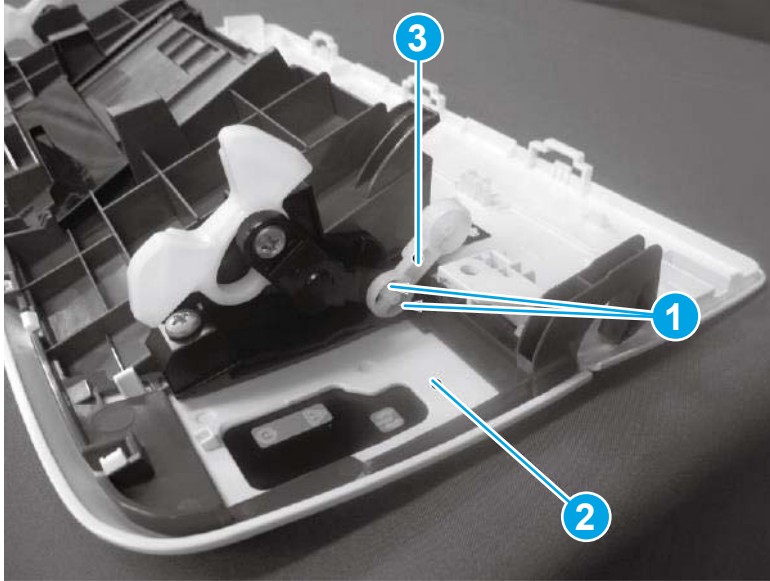
---

 **NOTE:** Install the link arms on the replacement door.

---

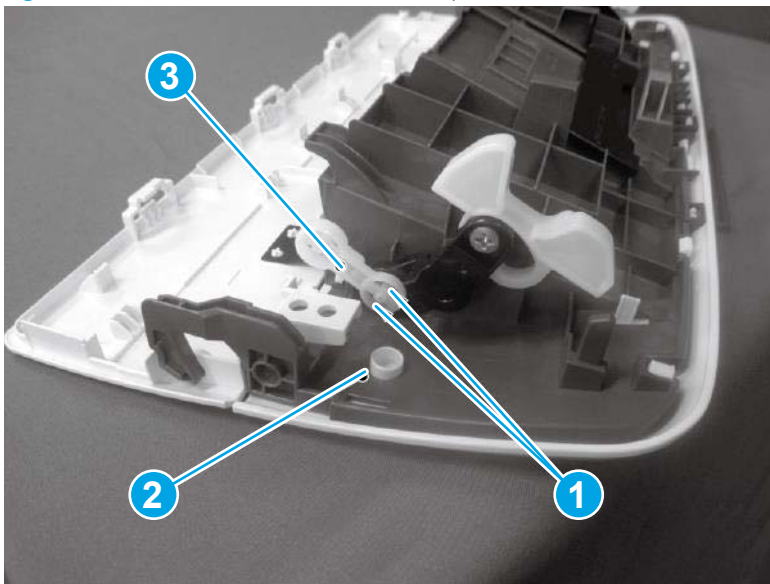
- a. Release two tabs (callout 1), and then remove the one link arm (callout 3) from the door assembly (callout 2).

Figure 1-18 Install the link arms on the replacement door



- b. Release two tabs (callout 1), and then remove the one link arm (callout 3) from the door assembly (callout 2).

Figure 1-19 Install the link arms on the replacement door




### Step 2: Remove the formatter cover (M14-M17)

- ▲ Position the printer front side down.

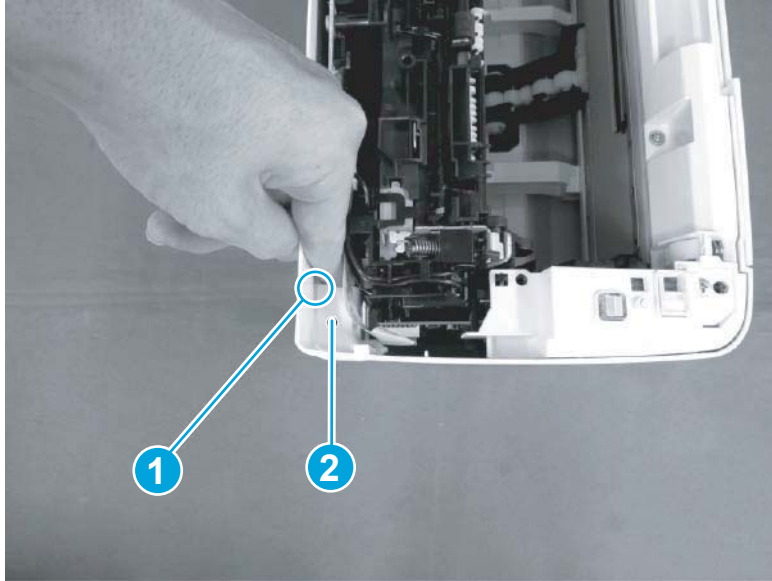
Release one tab (callout 1), and then remove the formatter cover (callout 2).

---

 **Reinstallation tip:** Reverse the removal steps to install the assembly.

---

Figure 1-20 Remove the formatter cover (M14-M17)



### Step 3: Unpack the replacement assembly

1. Dispose of the defective part.

 **NOTE:** HP recommends responsible disposal of the defective part.

[www.hp.com/recycle](http://www.hp.com/recycle)



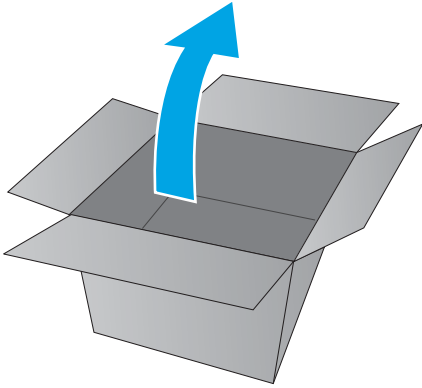
2. Unpack the replacement part from the packaging.

---

**⚠ CAUTION:** If the replacement part is a roller or pad, avoid touching the spongy part of it. Skin oils on the roller or pad can cause paper pickup and/or print-quality problems. HP recommends using disposable gloves when handling rollers or pads or washing your hands or before touching rollers or pads.

**📄 IMPORTANT:** Make sure that all of the shipping materials (for example shipping tape) are removed from the replacement part prior to installation.

---






## Remove and replacement: Formatter cover (MFP M28-M31)

- [Introduction](#)
- [Step 1: Remove the formatter cover \(MFP M28-M31\)](#)
- [Step 2: Unpack the replacement assembly](#)

### Introduction

This document provides the procedures to remove and replace the formatter cover (MFP M28-M31).

---

 **IMPORTANT:** When applicable, special installation instructions are provided for an assembly at the end of the removal procedure. Always completely read the removal instructions and follow all special installation instructions.

---

### Before performing service

- Turn the printer power off.

Use the table below to identify the correct part number for your printer. To order the part, go to [www.hp.com/buy/parts](http://www.hp.com/buy/parts)

---

| Formatter cover (MFP M28-M31) part number |                               |
|---|-------------------------------|
| RC5-4186-000CN                            | Formatter cover (MFP M28-M31) |

---

### Required tools

- No special tools are needed to remove or install this assembly.

### After performing service

- Turn the printer power on.

### Post service test

No post service test is available for this assembly.

### Step 1: Remove the formatter cover (MFP M28-M31)

- ▲ Position the printer front side down.

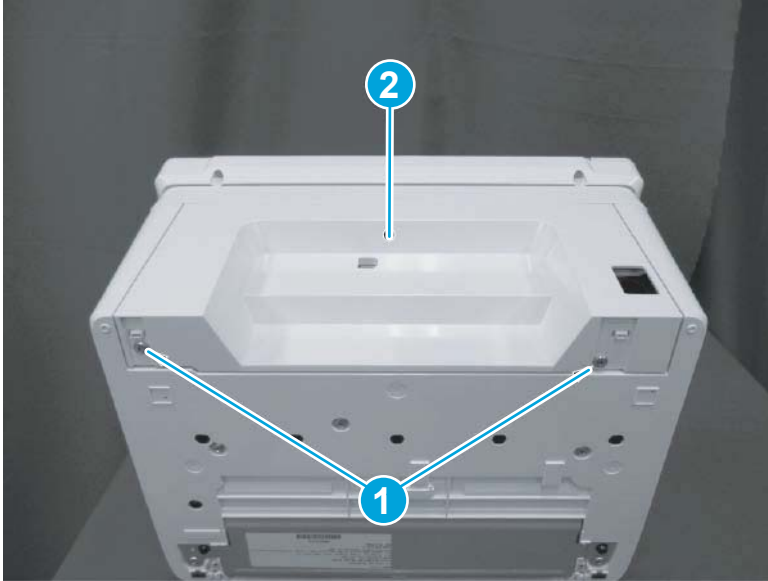
Remove two screws (callout 1), and then remove the formatter cover (callout 2).

---

 **Reinstallation tip:** Reverse the removal steps to install the assembly.

---

Figure 1-21 Remove the formatter cover (MFP M28-M31)



### Step 2: Unpack the replacement assembly

1. Dispose of the defective part.

---

 **NOTE:** HP recommends responsible disposal of the defective part.

[www.hp.com/recycle](http://www.hp.com/recycle)

---



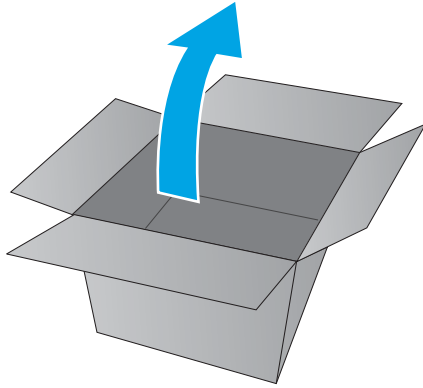
2. Unpack the replacement part from the packaging.

---

**⚠ CAUTION:** If the replacement part is a roller or pad, avoid touching the spongy part of it. Skin oils on the roller or pad can cause paper pickup and/or print-quality problems. HP recommends using disposable gloves when handling rollers or pads or washing your hands or before touching rollers or pads.

**📋 IMPORTANT:** Make sure that all of the shipping materials (for example shipping tape) are removed from the replacement part prior to installation.

---



## Remove and replacement: Cartridge door (MFP M28-M31)

- [Introduction](#)
- [Step 1: Remove the formatter cover \(MFP M28-M31\)](#)
- [Step 2: Remove the cartridge door \(MFP M28-M31\)](#)
- [Step 3: Unpack the replacement assembly](#)

### Introduction

This document provides the procedures to remove and replace the cartridge door (MFP M28-M31).



**IMPORTANT:** When applicable, special installation instructions are provided for an assembly at the end of the removal procedure. Always completely read the removal instructions and follow all special installation instructions.

### Before performing service

- Turn the printer power off.

Use the table below to identify the correct part number for your printer. To order the part, go to [www.hp.com/buy/parts](http://www.hp.com/buy/parts)

| Cartridge door (MFP M28-M31) part number |                              |
|--|------------------------------|
| RM2-2515-000CN                           | Cartridge door (MFP M28-M31) |

### Required tools

- #2 Phillips screwdriver with a magnetic tip
- Small flat-blade screw driver (optional)

### After performing service

- Make sure that the cartridge door is fully closed after replacing it.
- Turn the printer power on.

### Post service test

No post service test is available for this assembly.

### Step 1: Remove the formatter cover (MFP M28-M31)

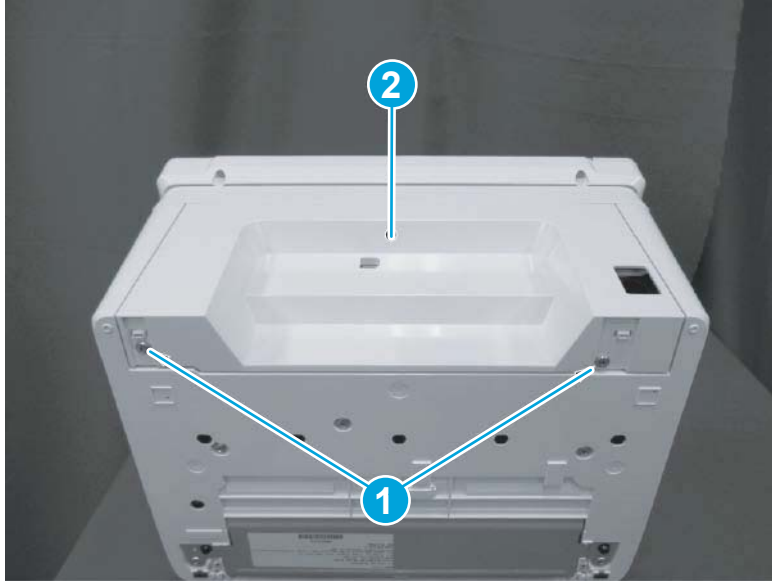
- ▲ Position the printer front side down.

Remove two screws (callout 1), and then remove the formatter cover (callout 2).



**Reinstallation tip:** Reverse the removal steps to install the assembly.

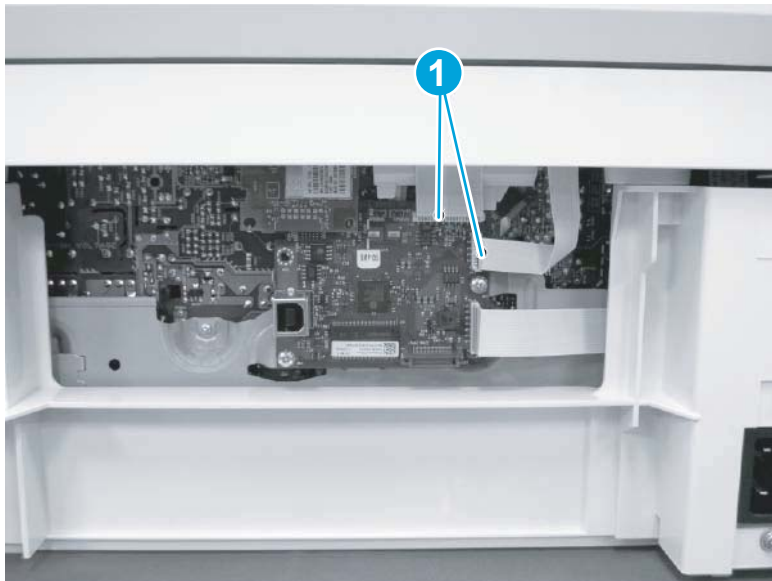
Figure 1-22 Remove the formatter cover (MFP M28-M31)



Step 2: Remove the cartridge door (MFP M28-M31)

1. Disconnect two flat flexible cables (FFCs) (callout 1).

Figure 1-23 Disconnect two FFCs

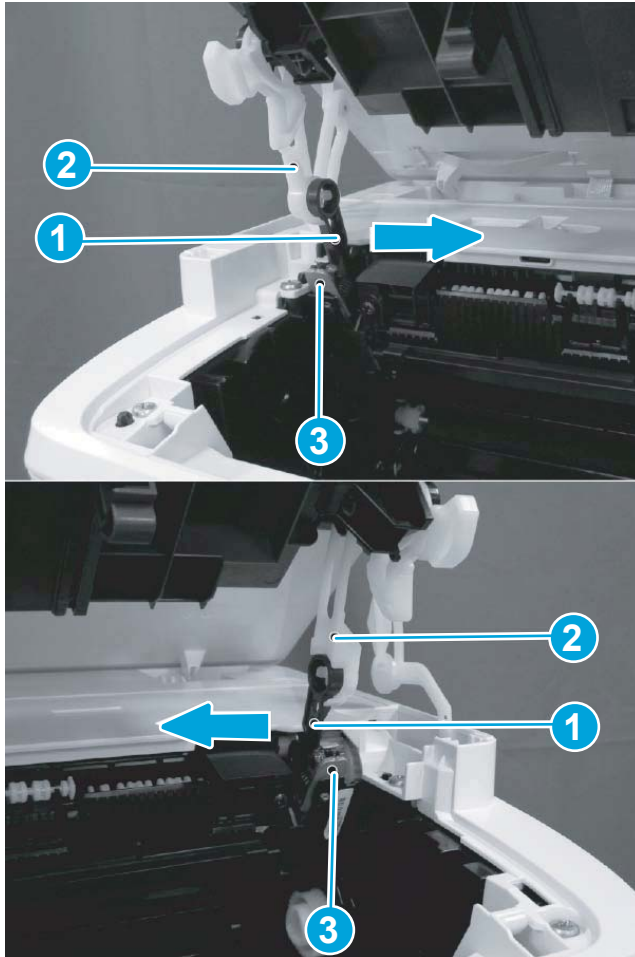


2. Before proceeding, take note of the following disassembly instructions.

When removing the link arm (callout 2) from the pressure release lever (callout 1), the pressure plate (callout 3) might be deformed if the pressure release lever moves in the direction shown below.

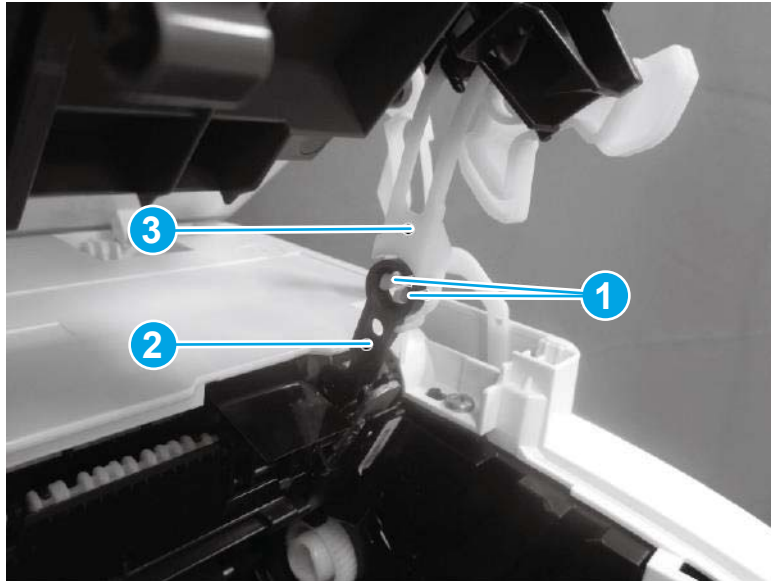
**CAUTION:** Do not deform the pressure plate.

Figure 1-24 Special disassembly instructions



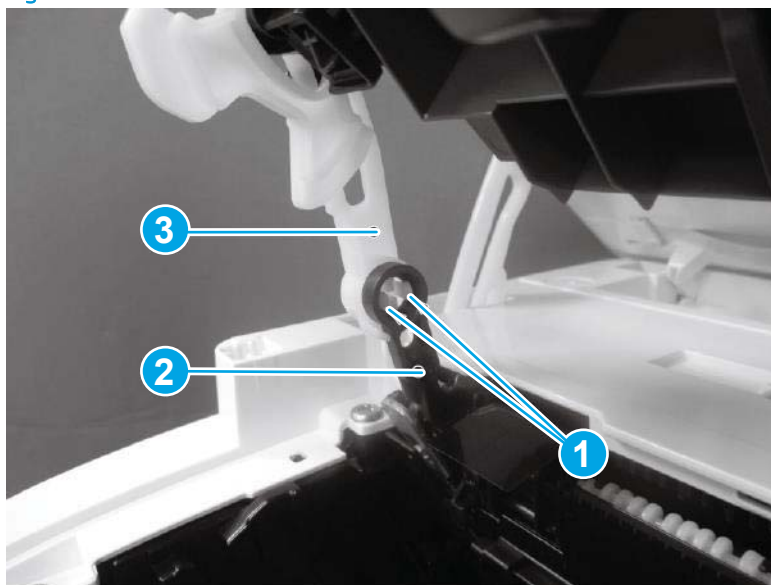
3. Open the image scanner, release two tabs (callout 1), remove one link arm (callout 3) from the pressure release lever (callout 2).

Figure 1-25 Remove the link arm



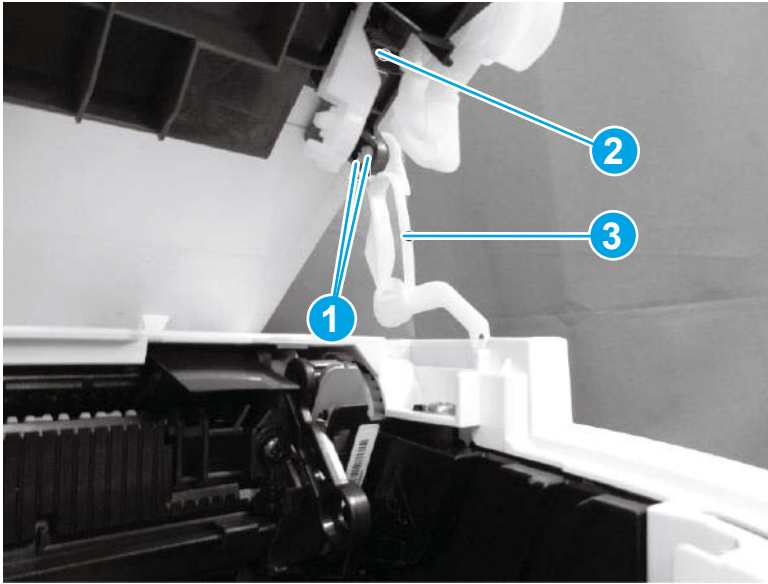
4. Release two tabs (callout 1), and then remove one link arm (callout 3) from the pressure release lever (callout 2).

Figure 1-26 Remove the link arm



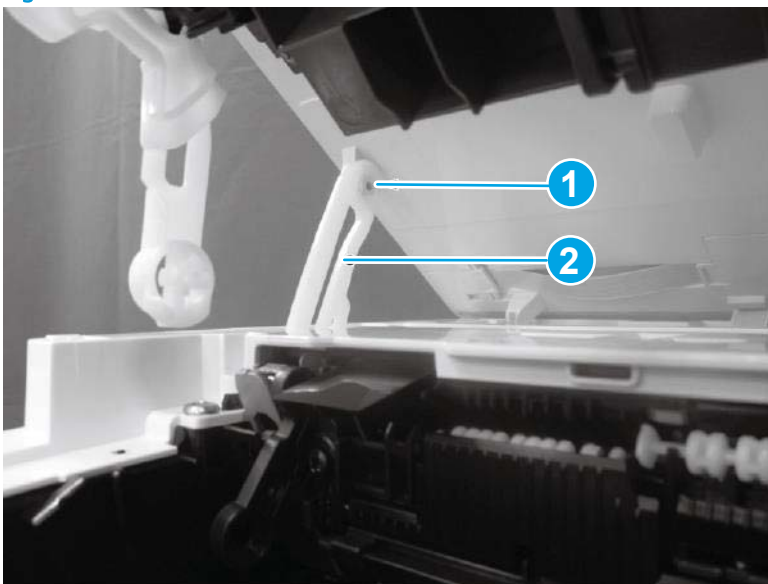
5. Release two tabs (callout 1), and then remove one link arm (callout 3) from the cartridge door (callout 2).

Figure 1-27 Remove the link arm



6. Remove one link arm (callout 2) from the shaft (callout 1).

Figure 1-28 Remove the link arm





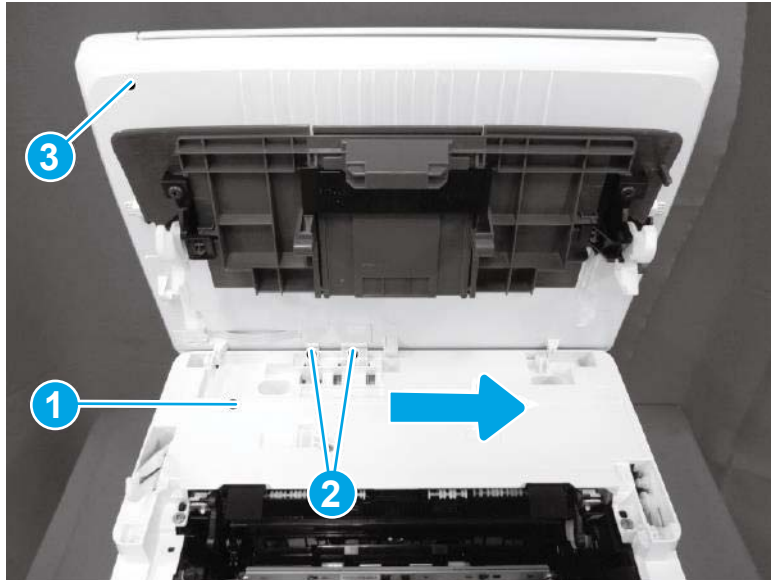
7. Pull two flat-flexible cables (FFCs) (callout 2) out and away from the top cover (callout 1), and then slide the image scanner (callout 3) as shown below to remove it.

---

**CAUTION:** Do not damage the FFCs.

---

**Figure 1-29** Remove the image scanner



8. Do the following:
  - Remove two link two link arms (callout 2) from the cartridge door (callout 1).

---

**NOTE:** Install the link arms on the replacement door.

---

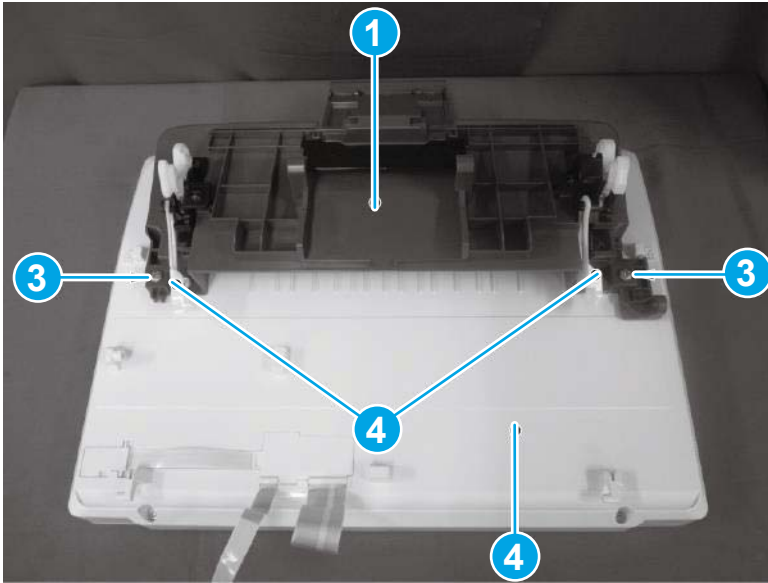
- Remove two screws (callout 3).
- Remove the cartridge door (callout 1) from the image scanner (callout 4).

---

**Reinstallation tip:** Reverse the removal steps to install the assembly.

---

Figure 1-30 Remove the cartridge door



### Step 3: Unpack the replacement assembly

1. Dispose of the defective part.

---

 **NOTE:** HP recommends responsible disposal of the defective part.

[www.hp.com/recycle](http://www.hp.com/recycle)

---



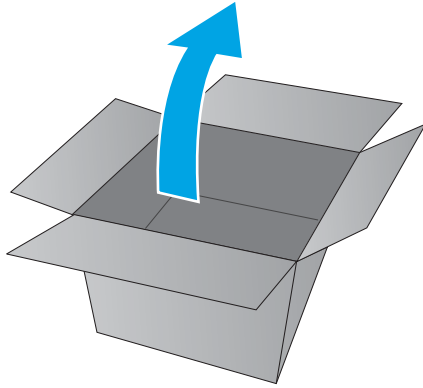
2. Unpack the replacement part from the packaging.

---

**⚠ CAUTION:** If the replacement part is a roller or pad, avoid touching the spongy part of it. Skin oils on the roller or pad can cause paper pickup and/or print-quality problems. HP recommends using disposable gloves when handling rollers or pads or washing your hands or before touching rollers or pads.

**📋 IMPORTANT:** Make sure that all of the shipping materials (for example shipping tape) are removed from the replacement part prior to installation.

---



## Remove and replacement: Image scanner (MFP M28-M31)

- [Introduction](#)
- [Step 1: Remove the formatter cover \(MFP M28-M31\)](#)
- [Step 2: Remove the image scanner \(MFP M28-M31\)](#)
- [Step 3: Unpack the replacement assembly](#)

### Introduction

This document provides the procedures to remove and replace the image scanner (MFP M28-M31).



**IMPORTANT:** When applicable, special installation instructions are provided for an assembly at the end of the removal procedure. Always completely read the removal instructions and follow all special installation instructions.

### Before performing service

- Turn the printer power off.

Use the table below to identify the correct part number for your printer. To order the part, go to [www.hp.com/buy/parts](http://www.hp.com/buy/parts)

| Image scanner (MFP M28-M31) part number |   |
|---|---|
| RM2-2133-000CN                          | Image scanner (base model; MFP M28-M31)     |
| RM2-2134-000CN                          | Image scanner (wireless model; MFP M28-M31) |
| RM2-2135-000CN                          | Image scanner (EM model; MFP M28-M31)       |

### Required tools

- #2 Phillips screwdriver with a magnetic tip
- Small flat-blade screw driver (optional)

### After performing service

- Make sure that the image scanner is fully closed after replacing it.
- Turn the printer power on.

### Post service test

Make a copy using the image scanner and verify print quality is acceptable.

### Step 1: Remove the formatter cover (MFP M28-M31)

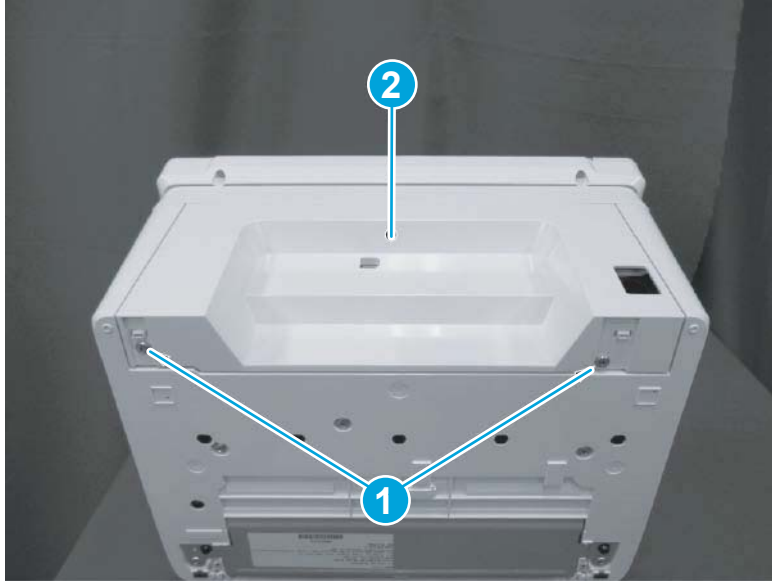
- ▲ Position the printer front side down.

Remove two screws (callout 1), and then remove the formatter cover (callout 2).



**Reinstallation tip:** Reverse the removal steps to install the assembly.

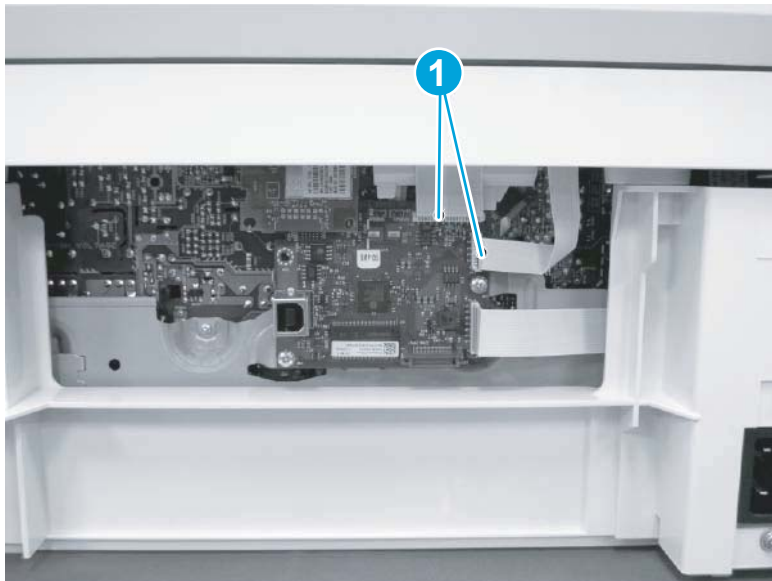
Figure 1-31 Remove the formatter cover (MFP M28-M31)



Step 2: Remove the image scanner (MFP M28-M31)

1. Disconnect two flat flexible cables (FFCs) (callout 1).

Figure 1-32 Disconnect two FFCs

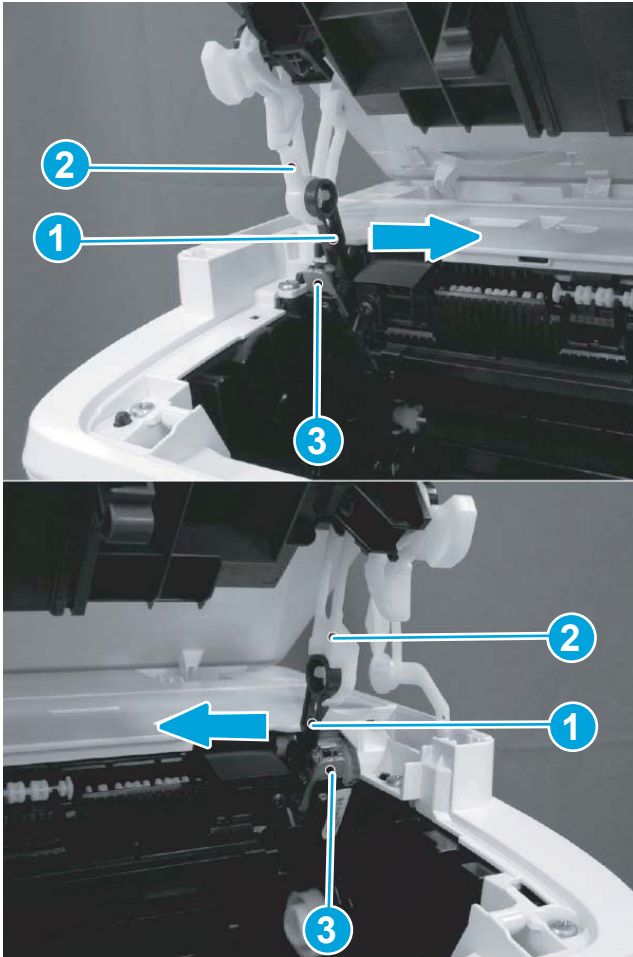


2. Before proceeding, take note of the following disassembly instructions.

When removing the link arm (callout 2) from the pressure release lever (callout 1), the pressure plate (callout 3) might be deformed if the pressure release lever moves in the direction shown below.

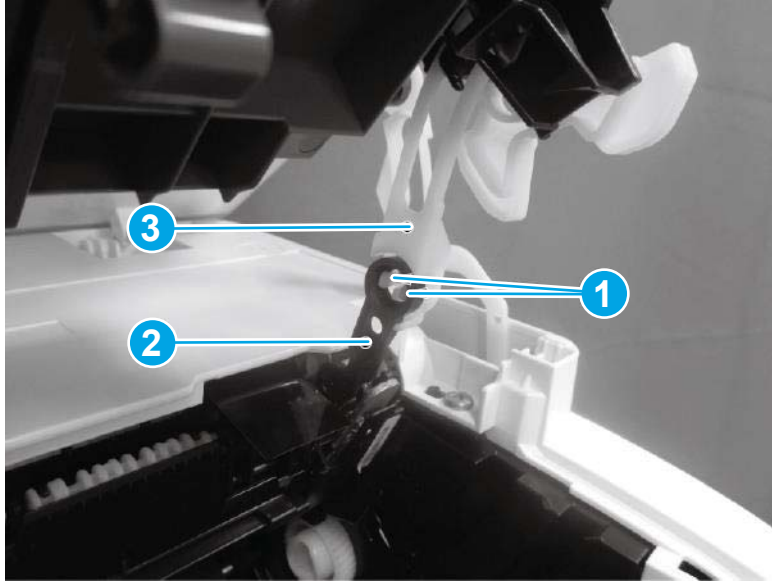
**⚠ CAUTION:** Do not deform the pressure plate.

**Figure 1-33** Special disassembly instructions



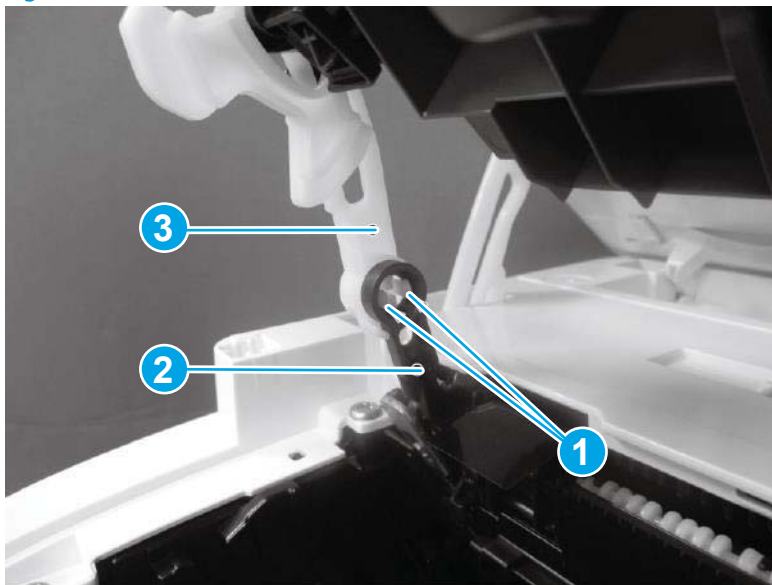
3. Open the image scanner, release two tabs (callout 1), remove one link arm (callout 3) from the pressure release lever (callout 2).

Figure 1-34 Remove the link arm



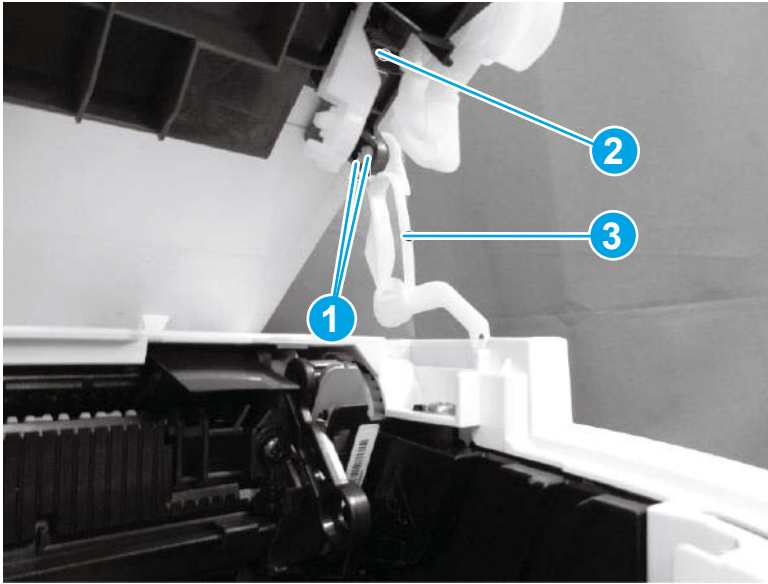
4. Release two tabs (callout 1), and then remove one link arm (callout 3) from the pressure release lever (callout 2).

Figure 1-35 Remove the link arm



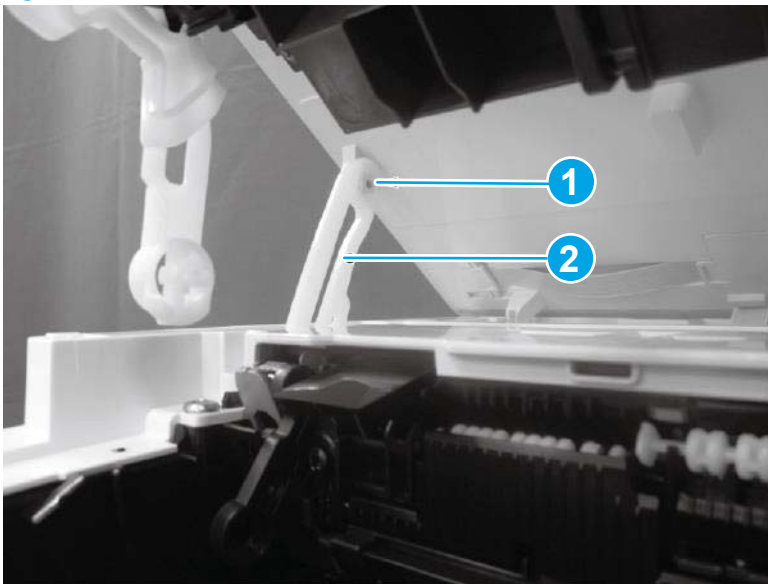
5. Release two tabs (callout 1), and then remove one link arm (callout 3) from the cartridge door (callout 2).

Figure 1-36 Remove the link arm



6. Remove one link arm (callout 2) from the shaft (callout 1).

Figure 1-37 Remove the link arm





7. Pull two flat-flexible cables (FFCs) (callout 2) out and away from the top cover (callout 1), and then slide the image scanner (callout 3) as shown below to remove it.

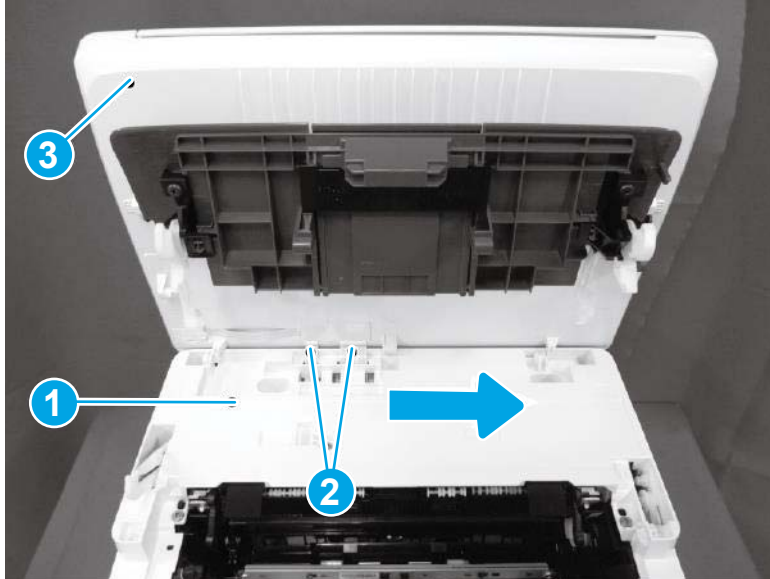
---

**CAUTION:** Do not damage the FFCs.

**Reinstallation tip:** Reverse the removal steps to install the assembly.

---

**Figure 1-38** Remove the image scanner



8. For a replacement image scanner, do the following:

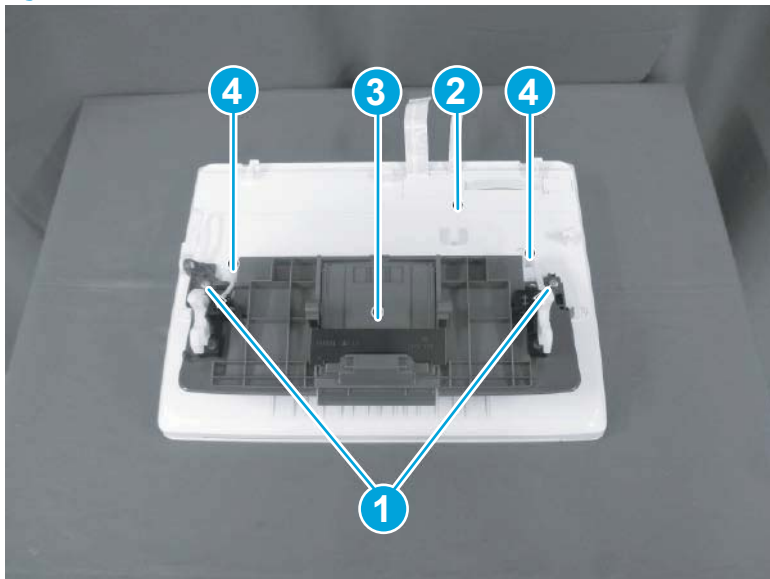
---

**NOTE:** If the image scanner is removed to access other assemblies, skip this step.

---

- Remove two screws (callout 1).
- Remove the cartridge door (callout 3) (with the link arms; callout 4) from the image scanner (callout 2).

**Figure 1-39** Remove the cartridge door



### Step 3: Unpack the replacement assembly

1. Dispose of the defective part.

---

 **NOTE:** HP recommends responsible disposal of the defective part.


[www.hp.com/recycle](http://www.hp.com/recycle)


---



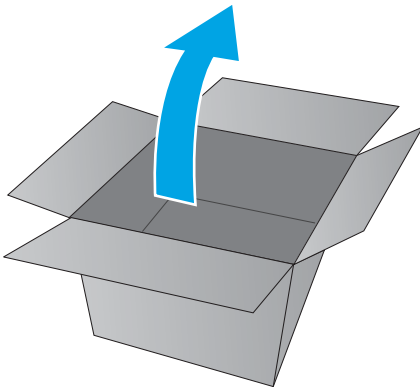
2. Unpack the replacement part from the packaging.

---

 **CAUTION:** If the replacement part is a roller or pad, avoid touching the spongy part of it. Skin oils on the roller or pad can cause paper pickup and/or print-quality problems. HP recommends using disposable gloves when handling rollers or pads or washing your hands or before touching rollers or pads.

 **IMPORTANT:** Make sure that all of the shipping materials (for example shipping tape) are removed from the replacement part prior to installation.

---



## Remove and replacement: Lower cover (M14-M17)

- [Introduction](#)
- [Step 1: Remove the cartridge door \(M14-M17\)](#)
- [Step 2: Remove the formatter cover \(M14-M17\)](#)
- [Step 3: Remove the lower cover \(M14-M17\)](#)
- [Step 4: Unpack the replacement assembly](#)

### Introduction

This document provides the procedures to remove and replace the lower cover (M14-M17).



**IMPORTANT:** When applicable, special installation instructions are provided for an assembly at the end of the removal procedure. Always completely read the removal instructions and follow all special installation instructions.

### Before performing service

- Turn the printer power off.

Use the table below to identify the correct part number for your printer. To order the part, go to [www.hp.com/buy/parts](http://www.hp.com/buy/parts)

| Lower cover (M14-M17) part number |                                       |
|-----------------------------------|---------------------------------------|
| RM2-2105-000CN                    | Lower cover (base model; M14-M17)     |
| RM2-2104-000CN                    | Lower cover (wireless model; M14-M17) |

### Required tools

- #2 Phillips screwdriver with a magnetic tip

### After performing service

- Turn the printer power on.

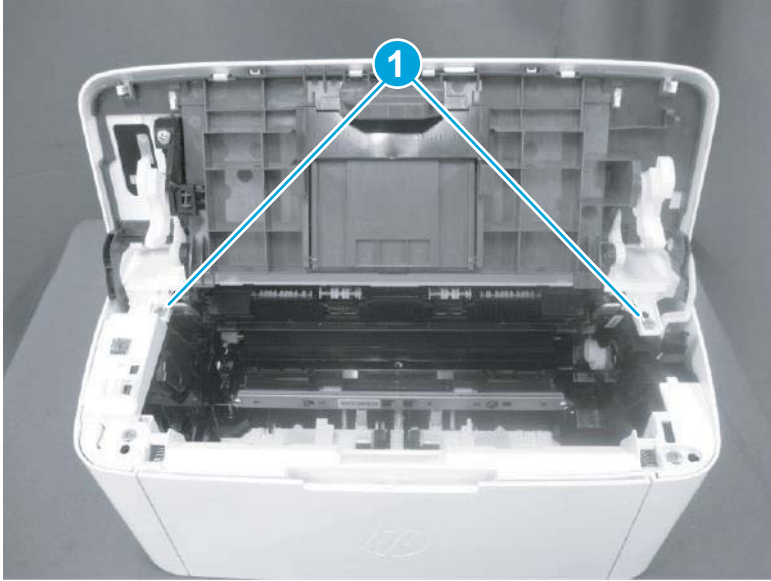
### Post service test

No post service test is available for this assembly.

### Step 1: Remove the cartridge door (M14-M17)

1. Open the cartridge door, and then remove two screws (callout 1).

Figure 1-40 Remove two screw

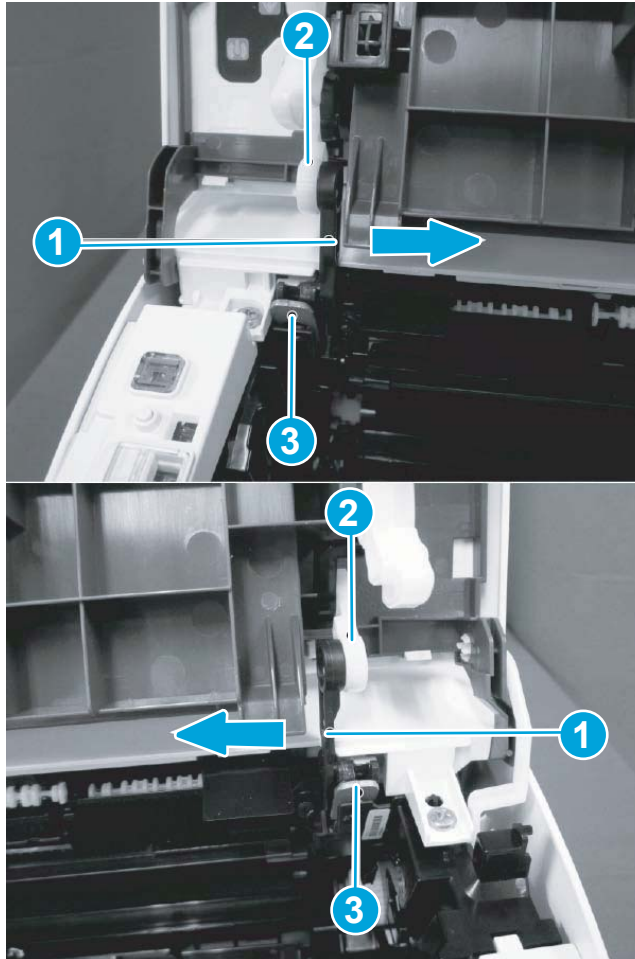


2. Before proceeding, take note of the following disassembly instructions.

When removing the link arm (callout 2) from the pressure release lever (callout 1), the pressure plate (callout 3) might be deformed if the pressure release lever moves in the direction shown below.

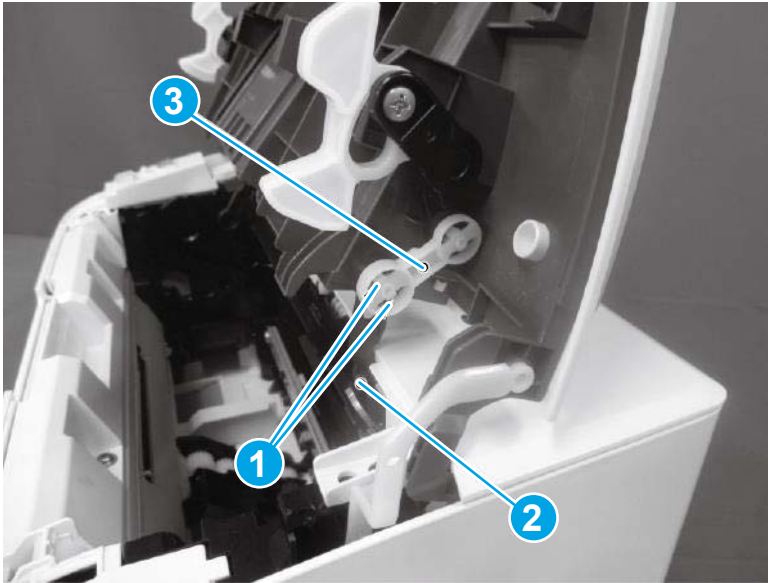
**CAUTION:** Do not deform the pressure plate.

Figure 1-41 Special disassembly instructions



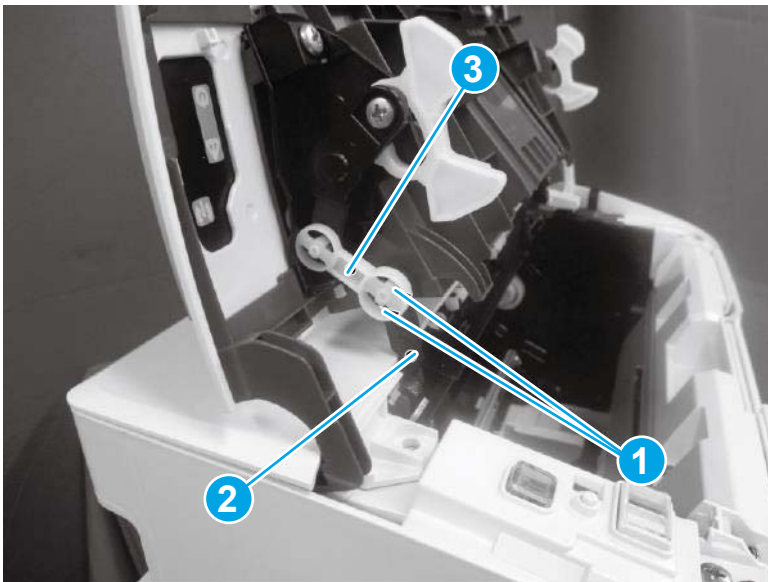
3. Release two tabs (callout 1), and then remove one link arm (callout 3) from the pressure release lever (callout 2).

Figure 1-42 Remove the link arm



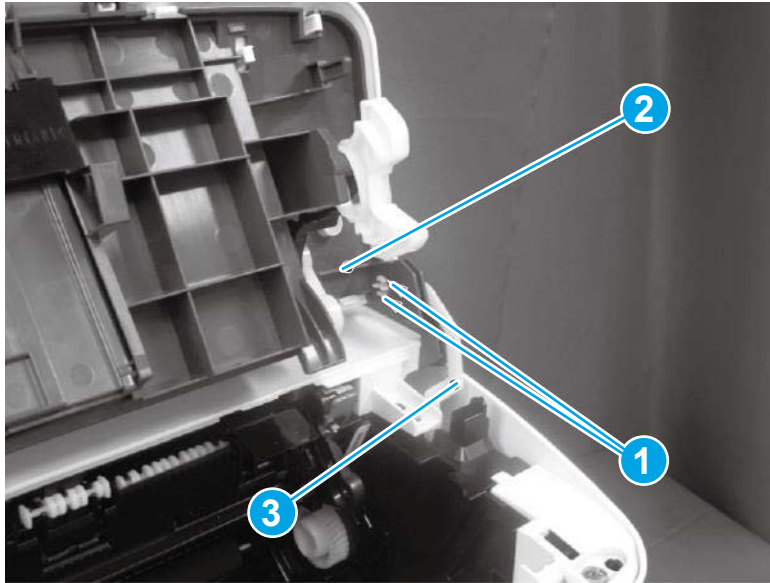
4. Release two tabs (callout 1), and then remove one link arm (callout 3) from the pressure release lever (callout 2).

Figure 1-43 Remove the link arm




5. Release two tabs (callout 1), and then remove one link arm (callout 3) from the cartridge door assembly (callout 2).

Figure 1-44 Remove the link arm



6. Release one tab (callout 1), support the cartridge door (callout 2), and then remove it.

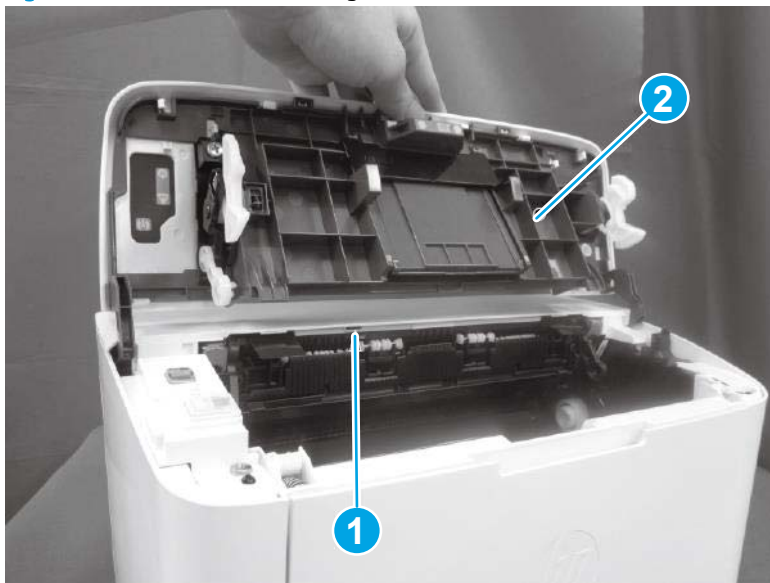
---

 **NOTE:** If the cartridge door is removed to access other assembly, stop at this step.

 **Reinstallation tip:** Reverse the removal steps to install the door.

---

Figure 1-45 Remove the cartridge door



7. **Optional step:** If a replacement cartridge door is being installed, do the following:

---

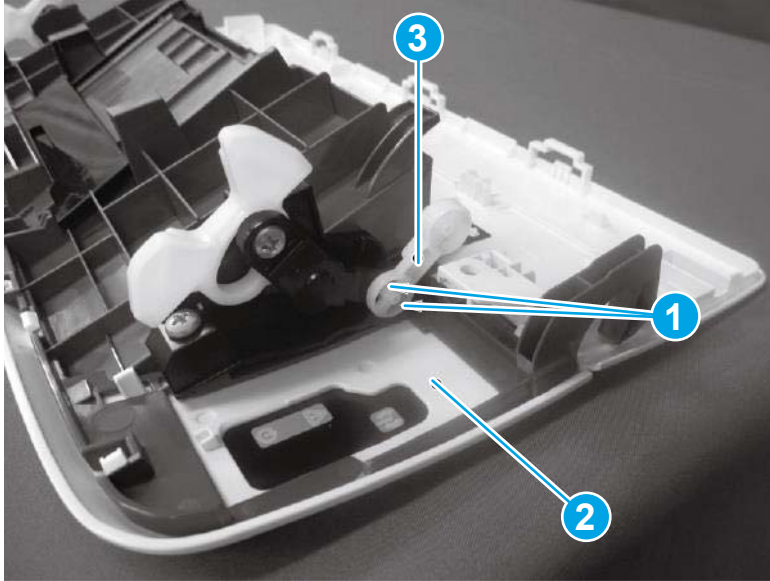
 **NOTE:** Install the link arms on the replacement door.

---

- a. Release two tabs (callout 1), and then remove the one link arm (callout 3) from the door assembly (callout 2).

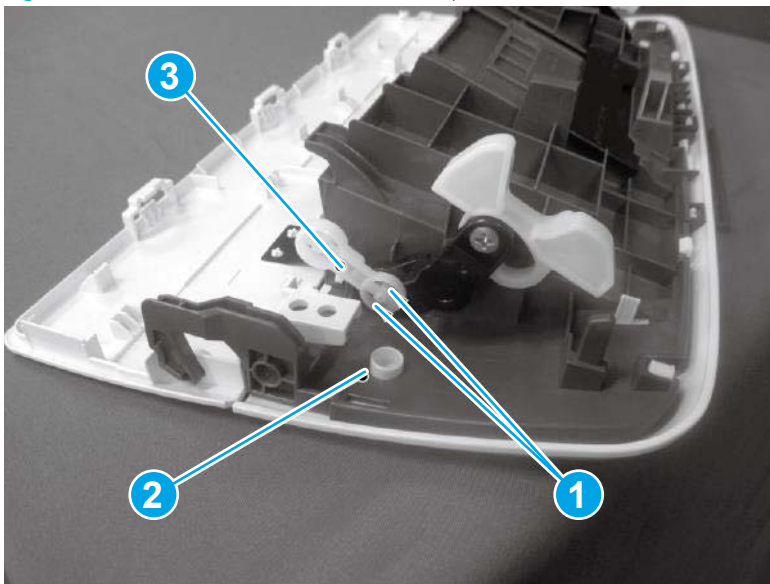


Figure 1-46 Install the link arms on the replacement door



- b. Release two tabs (callout 1), and then remove the one link arm (callout 3) from the door assembly (callout 2).

Figure 1-47 Install the link arms on the replacement door



### Step 2: Remove the formatter cover (M14-M17)

- ▲ Position the printer front side down.

Release one tab (callout 1), and then remove the formatter cover (callout 2).

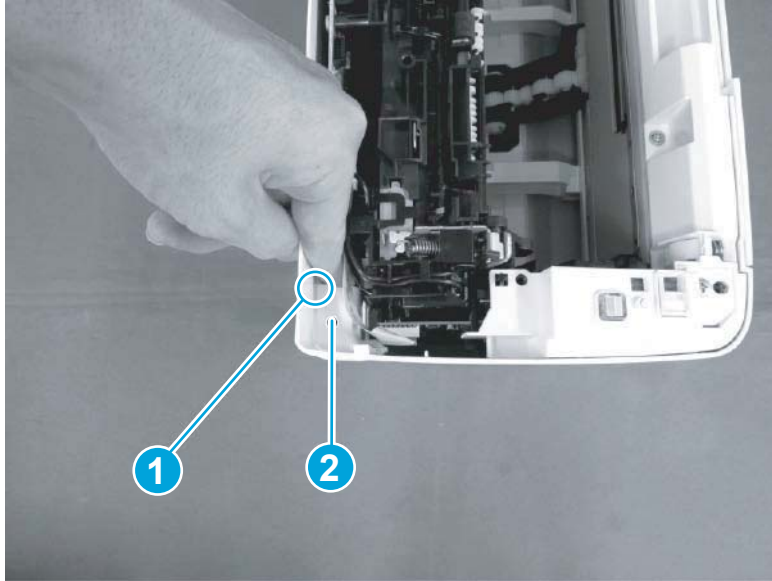
---

 **Reinstallation tip:** Reverse the removal steps to install the assembly.

---



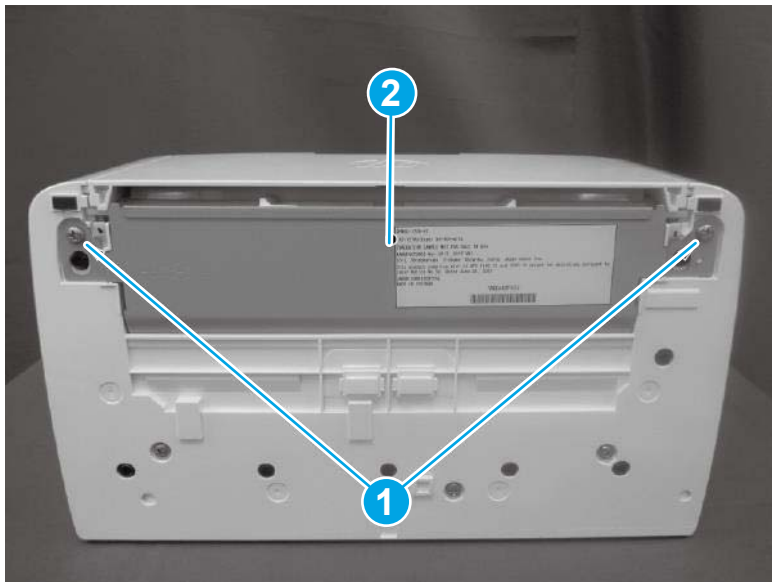
Figure 1-48 Remove the formatter cover (M14-M17)



**Step 3: Remove the lower cover (M14-M17)**

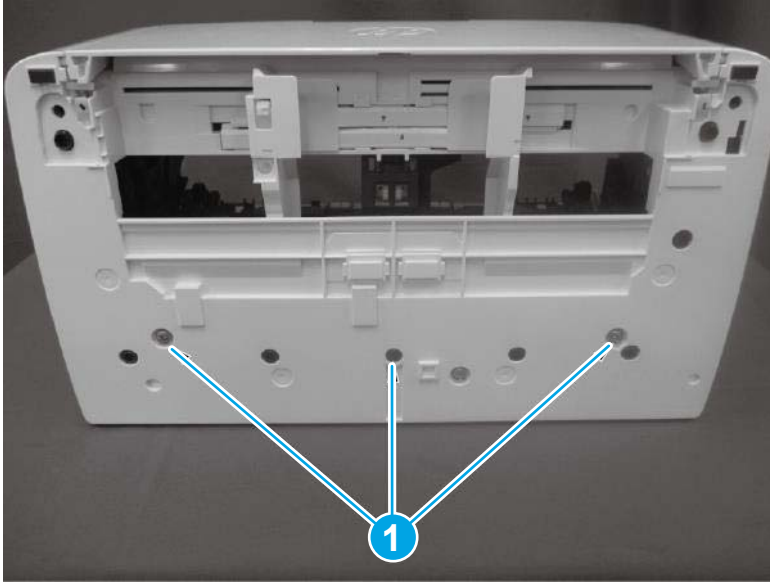
1. Position the printer rear side down, remove three screws (callout 1), and then remove the lower plate (callout 2).

Figure 1-49 Remove the lower plate




2. Remove three screws (callout 1)

**Figure 1-50** Remove the three screws



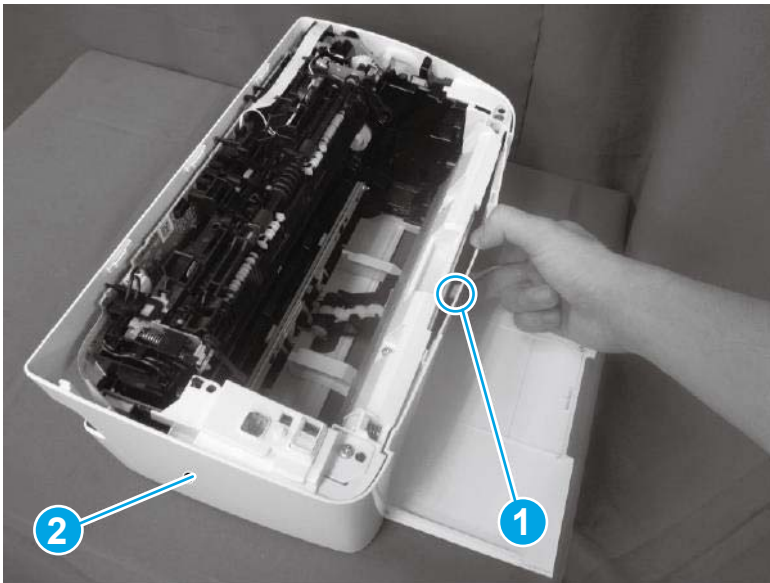
3. With the printer in the upright position, release one tab (callout 1), and then remove the lower cover (callout 2).

---

 **Reinstallation tip:** Reverse the removal steps to install the assembly.

---

**Figure 1-51** Remove the lower cover



4. Reverse the removal steps to install the assembly. Also use the following special installation instructions.

---

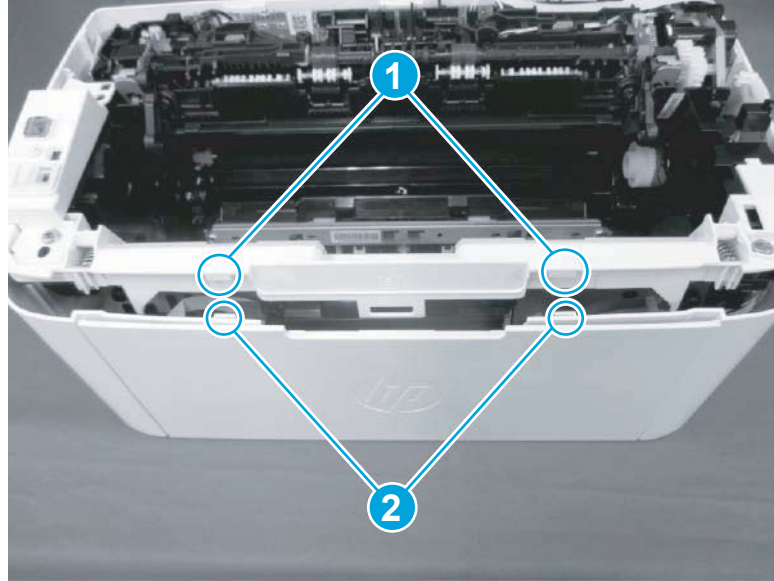
 **NOTE:** Continue to reverse the removal steps to finish installing the assembly.

---

**Special installation instructions: Lower cover**

- ▲ Make sure to fit two ribs (callout 1) on the printer into the grooves (callout 2) in the lower cover.

Figure 1-52 Fit two ribs on the printer into the grooves (lower cover install)



#### Step 4: Unpack the replacement assembly

1. Dispose of the defective part.

 **NOTE:** HP recommends responsible disposal of the defective part.

[www.hp.com/recycle](http://www.hp.com/recycle)



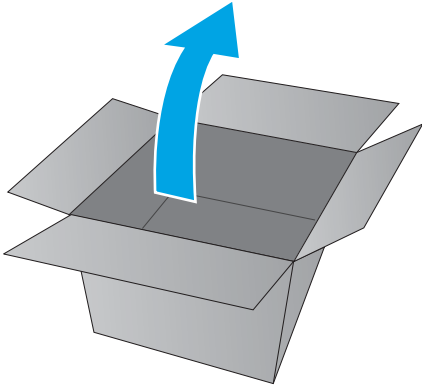
2. Unpack the replacement part from the packaging.

---

**⚠ CAUTION:** If the replacement part is a roller or pad, avoid touching the spongy part of it. Skin oils on the roller or pad can cause paper pickup and/or print-quality problems. HP recommends using disposable gloves when handling rollers or pads or washing your hands or before touching rollers or pads.

**📋 IMPORTANT:** Make sure that all of the shipping materials (for example shipping tape) are removed from the replacement part prior to installation.

---



## Remove and replacement: Lower cover (MFP M28-M31)

- [Introduction](#)
- [Step 1: Remove the formatter cover \(MFP M28-M31\)](#)
- [Step 2: Remove the image scanner \(MFP M28-M31\)](#)
- [Step 3: Remove the top cover \(MFP M28-M31\)](#)
- [Step 4: Remove the lower cover \(MFP M28-M31\)](#)
- [Step 5: Unpack the replacement assembly](#)

### Introduction

This document provides the procedures to remove and replace the lower cover (MFP M28-M31).



**IMPORTANT:** When applicable, special installation instructions are provided for an assembly at the end of the removal procedure. Always completely read the removal instructions and follow all special installation instructions.

### Before performing service

- Turn the printer power off.

Use the table below to identify the correct part number for your printer. To order the part, go to [www.hp.com/buy/parts](http://www.hp.com/buy/parts)

| Lower cover (MFP M28-M31) part number |                           |
|---------------------------------------|---------------------------|
| RM2-2103-000CN                        | Lower cover (MFP M28-M31) |

### Required tools

- #2 Phillips screwdriver with a magnetic tip

### After performing service

- Turn the printer power on.

### Post service test

No post service test is available for this assembly.

### Step 1: Remove the formatter cover (MFP M28-M31)

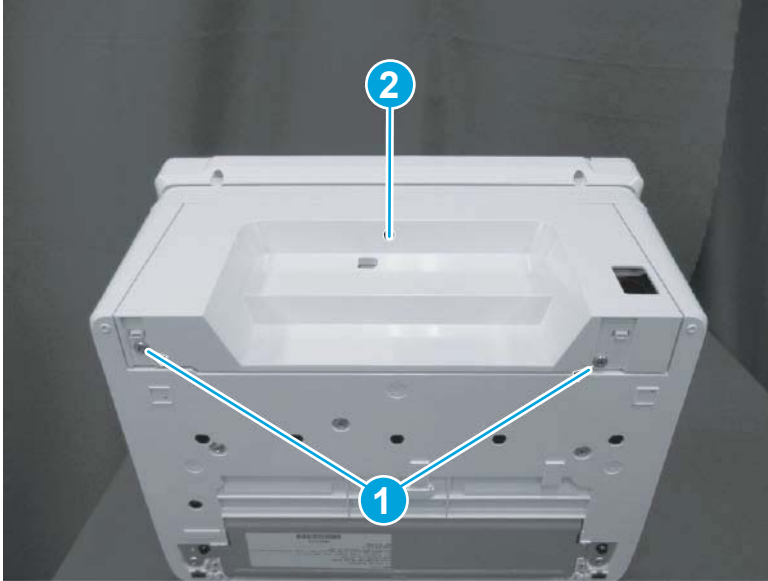
- ▲ Position the printer front side down.

Remove two screws (callout 1), and then remove the formatter cover (callout 2).



**Reinstallation tip:** Reverse the removal steps to install the assembly.

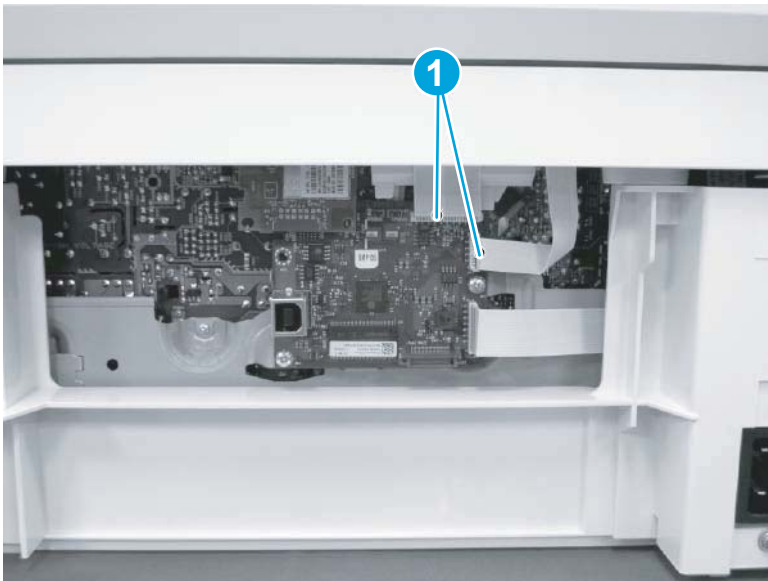
Figure 1-53 Remove the formatter cover (MFP M28-M31)



Step 2: Remove the image scanner (MFP M28-M31)

1. Disconnect two flat flexible cables (FFCs) (callout 1).

Figure 1-54 Disconnect two FFCs



2. Before proceeding, take note of the following disassembly instructions.

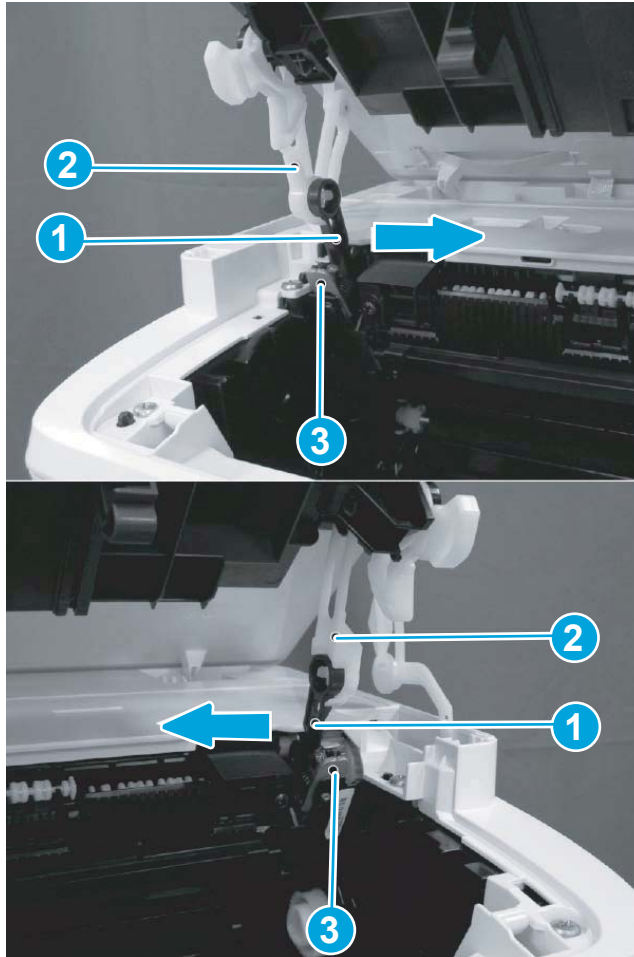
When removing the link arm (callout 2) from the pressure release lever (callout 1), the pressure plate (callout 3) might be deformed if the pressure release lever moves in the direction shown below.

---

**⚠ CAUTION:** Do not deform the pressure plate.

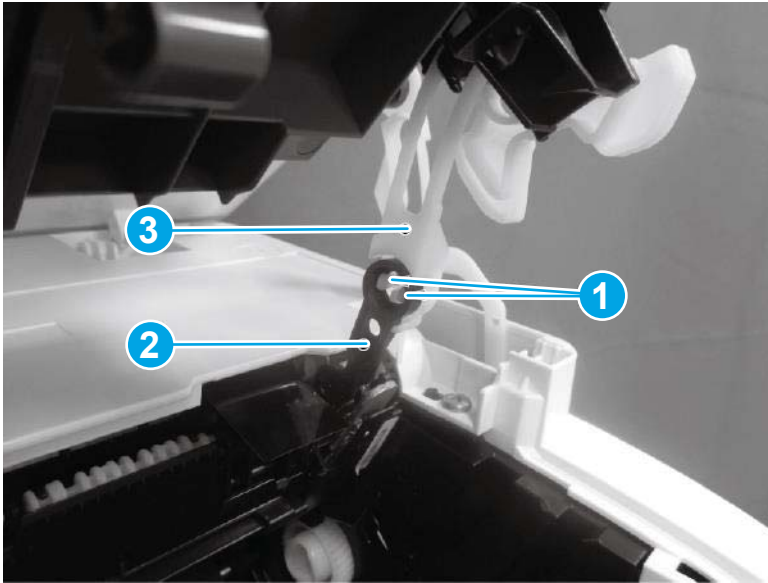
---

Figure 1-55 Special disassembly instructions



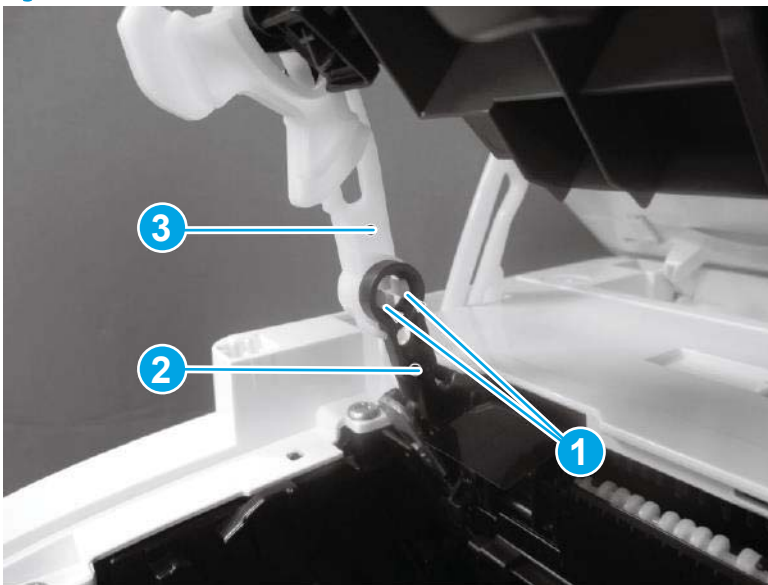
3. Open the image scanner, release two tabs (callout 1), remove one link arm (callout 3) from the pressure release lever (callout 2).

Figure 1-56 Remove the link arm



4. Release two tabs (callout 1), and then remove one link arm (callout 3) from the pressure release lever (callout 2).

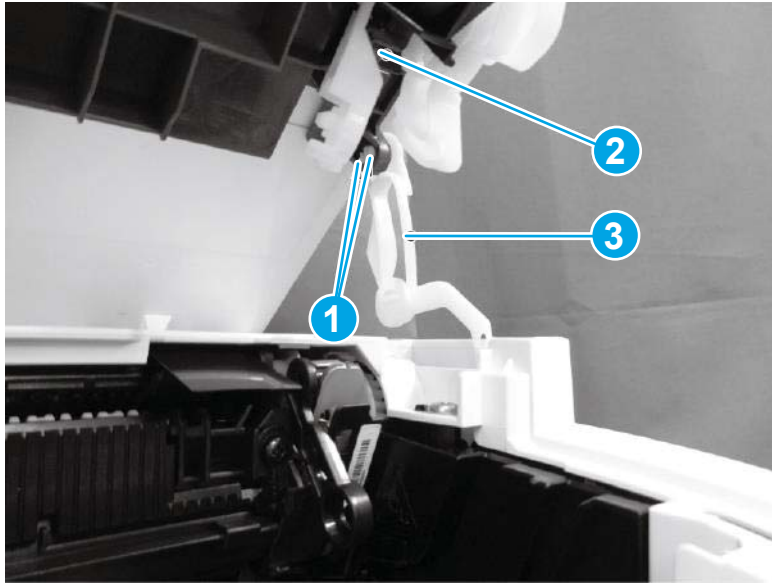
Figure 1-57 Remove the link arm





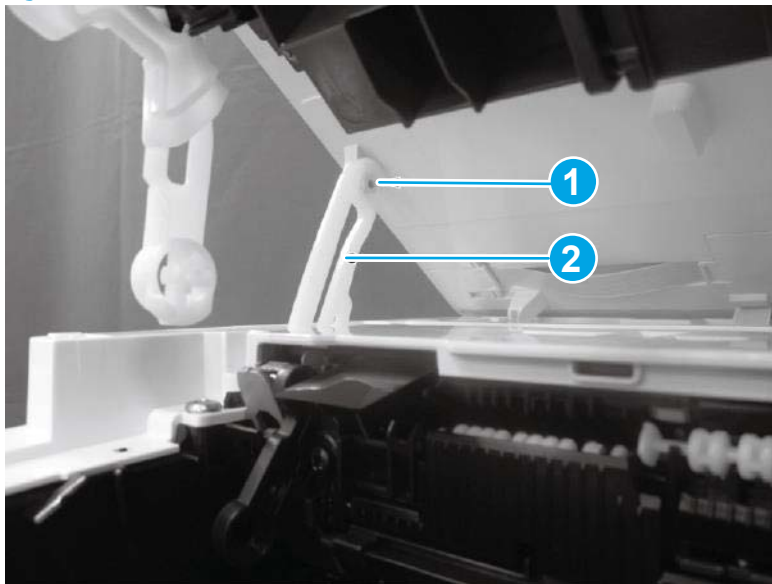
5. Release two tabs (callout 1), and then remove one link arm (callout 3) from the cartridge door (callout 2).

Figure 1-58 Remove the link arm



6. Remove one link arm (callout 2) from the shaft (callout 1).

Figure 1-59 Remove the link arm

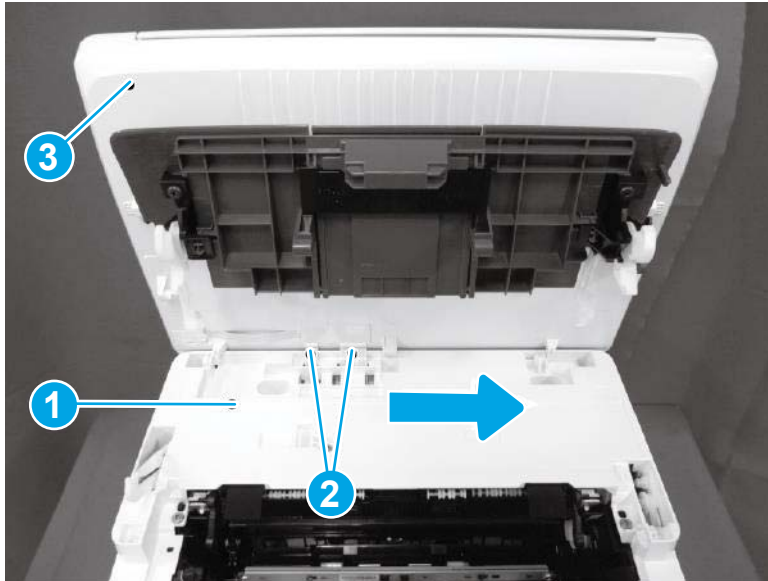


7. Pull two flat-flexible cables (FFCs) (callout 2) out and away from the top cover (callout 1), and then slide the image scanner (callout 3) as shown below to remove it.

**⚠ CAUTION:** Do not damage the FFCs.

**💡 Reinstallation tip:** Reverse the removal steps to install the assembly.

**Figure 1-60** Remove the image scanner

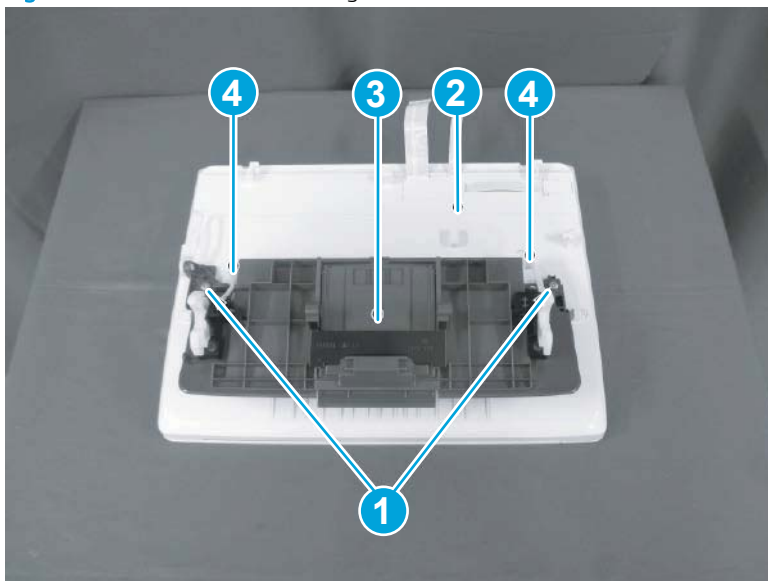


8. For a replacement image scanner, do the following:

**📝 NOTE:** If the image scanner is removed to access other assemblies, skip this step.

- Remove two screws (callout 1).
- Remove the cartridge door (callout 3) (with the link arms; callout 4) from the image scanner (callout 2).

**Figure 1-61** Remove the cartridge door



### Step 3: Remove the top cover (MFP M28-M31)

1. Remove two screws (M3; callout 1), remove seven screws (M4; callout 2), release one tab (callout 3), and then remove the top cover (callout 4).


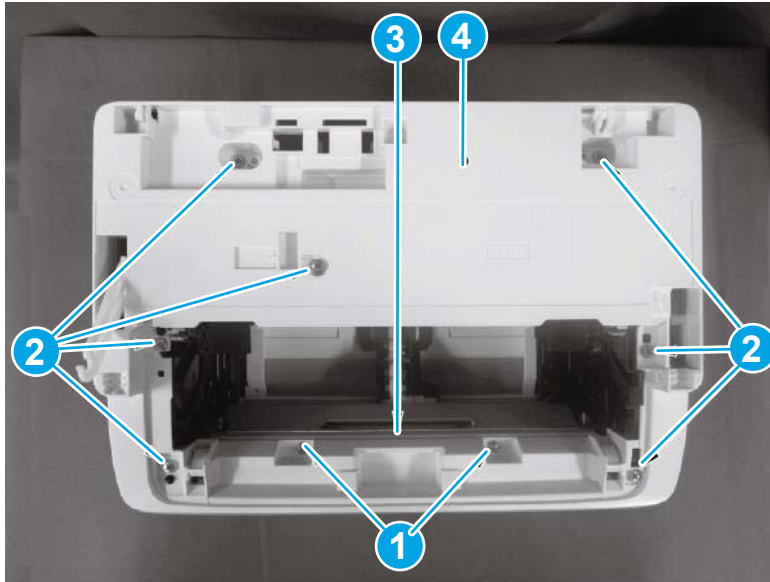

 **Reinstallation tip:** Reverse the removal steps to install the assembly.

Figure 1-62 Remove the top cover



2. Reverse the removal steps to install the assembly. Also use the following special installation instructions.

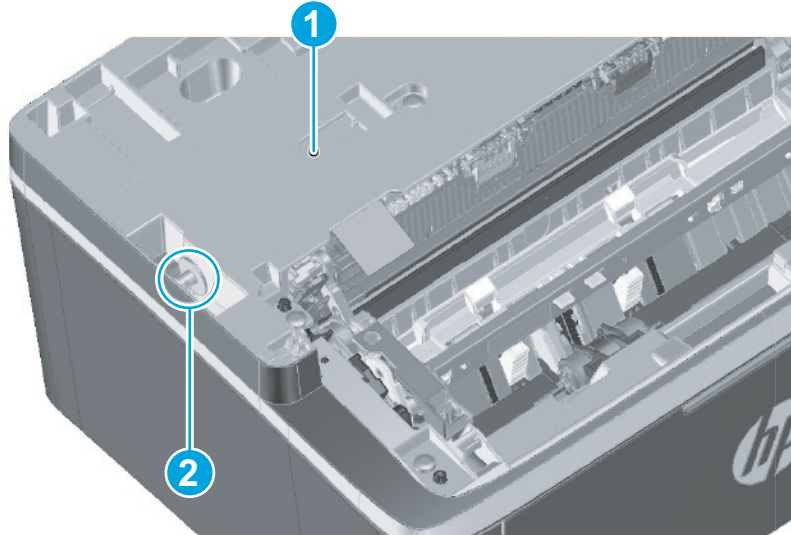
 **NOTE:** Continue to reverse the removal steps to finish installing the assembly.

 **TIP:** If the top cover is removed to access other assemblies, skip this step.

#### Special installation instructions: Top cover

- ▲ Remove the pad (callout 2) from the top cover (callout 1), and then install it on the replacement top cover.

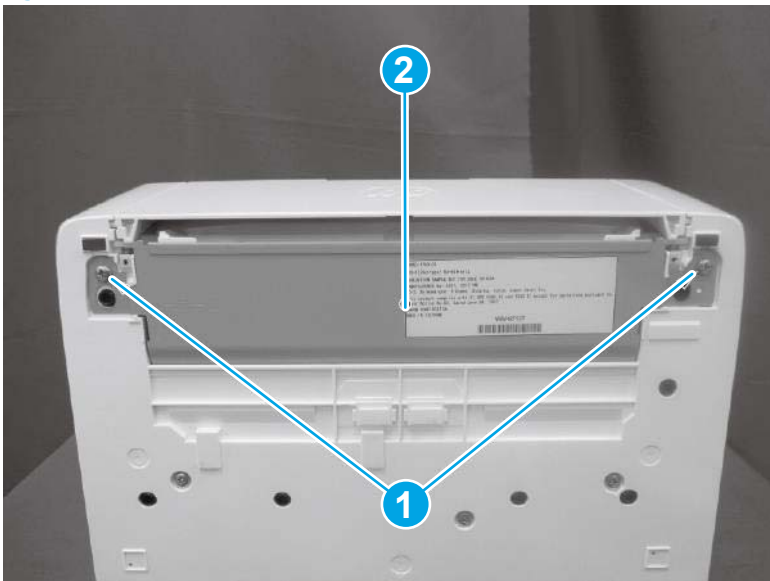
Figure 1-63 Install the pad



Step 4: Remove the lower cover (MFP M28-M31)

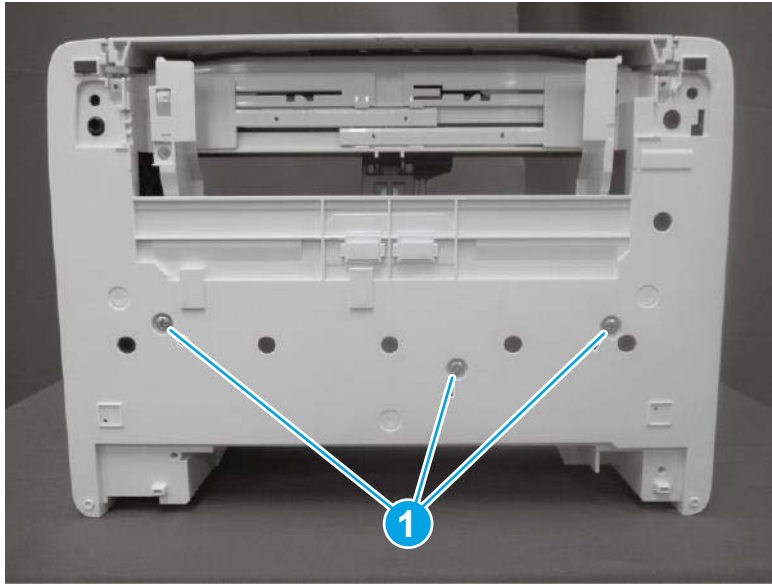
1. Position the printer rear side down, remove two screws (callout 1), and then remove the lower plate (callout 2)

Figure 1-64 Remove the lower plate



2. Remove three screws (callout 1).

Figure 1-65 Remove three screws



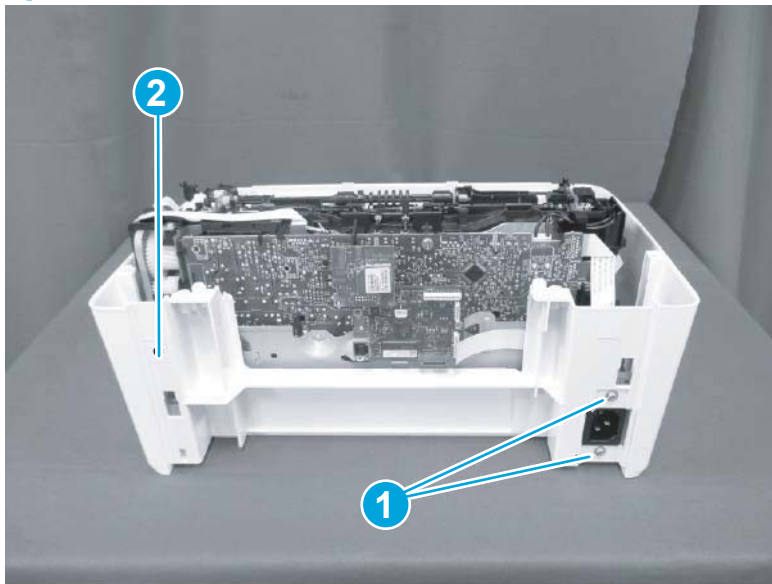
3. Remove two screws (callout 1), and then remove the lower cover (callout 2).

---

 **Reinstallation tip:** Reverse the removal steps to install the assembly.

---

Figure 1-66 Remove the lower cover



### Step 5: Unpack the replacement assembly

1. Dispose of the defective part.

---

 **NOTE:** HP recommends responsible disposal of the defective part.

[www.hp.com/recycle](http://www.hp.com/recycle)

---



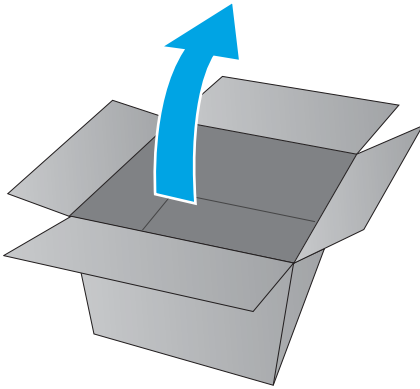
2. Unpack the replacement part from the packaging.

---

**⚠ CAUTION:** If the replacement part is a roller or pad, avoid touching the spongy part of it. Skin oils on the roller or pad can cause paper pickup and/or print-quality problems. HP recommends using disposable gloves when handling rollers or pads or washing your hands or before touching rollers or pads.

**📋 IMPORTANT:** Make sure that all of the shipping materials (for example shipping tape) are removed from the replacement part prior to installation.

---




## Remove and replacement: Top cover (MFP M28-M31)

- [Introduction](#)
- [Step 1: Remove the formatter cover \(MFP M28-M31\)](#)
- [Step 2: Remove the image scanner \(MFP M28-M31\)](#)
- [Step 3: Remove the top cover \(MFP M28-M31\)](#)
- [Step 4: Unpack the replacement assembly](#)

### Introduction

This document provides the procedures to remove and replace the top cover (MFP M28-M31).

 **IMPORTANT:** When applicable, special installation instructions are provided for an assembly at the end of the removal procedure. Always completely read the removal instructions and follow all special installation instructions.

### Before performing service

- Turn the printer power off.

Use the table below to identify the correct part number for your printer. To order the part, go to [www.hp.com/buy/parts](http://www.hp.com/buy/parts)

| Top cover (MFP M28-M31) part number |                         |
|-------------------------------------|-------------------------|
| RM2-2122-000CN                      | Top cover (MFP M28-M31) |

### Required tools

- #2 Phillips screwdriver with a magnetic tip
- Small flat-blade screw driver (optional)

### After performing service

- Turn the printer power on.

### Post service test

No post service test is available for this assembly.

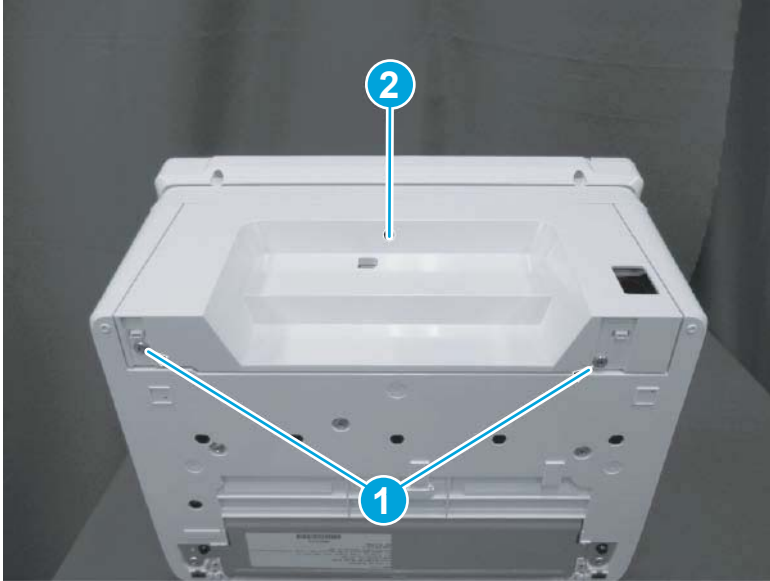
### Step 1: Remove the formatter cover (MFP M28-M31)

- ▲ Position the printer front side down.

Remove two screws (callout 1), and then remove the formatter cover (callout 2).

 **Reinstallation tip:** Reverse the removal steps to install the assembly.

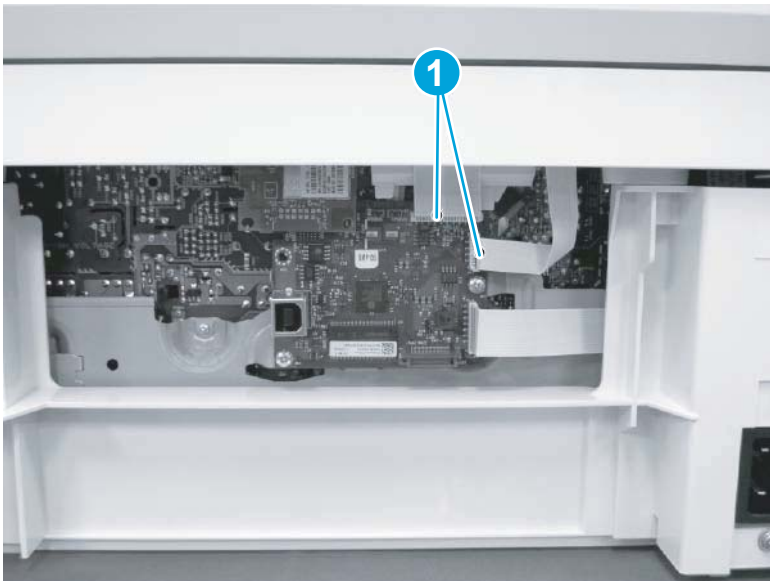
Figure 1-67 Remove the formatter cover (MFP M28-M31)



Step 2: Remove the image scanner (MFP M28-M31)

1. Disconnect two flat flexible cables (FFCs) (callout 1).

Figure 1-68 Disconnect two FFCs



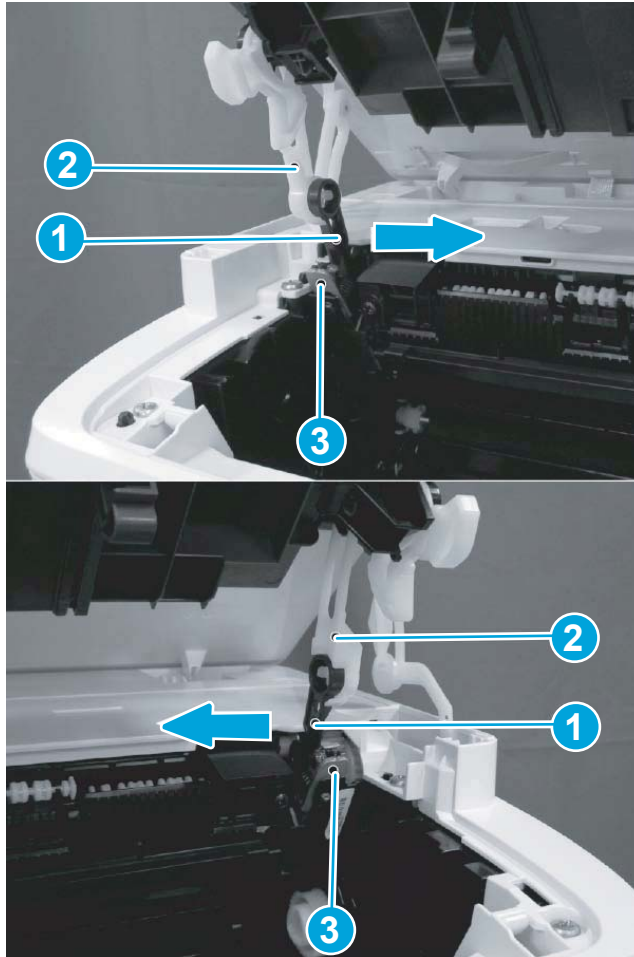


2. Before proceeding, take note of the following disassembly instructions.

When removing the link arm (callout 2) from the pressure release lever (callout 1), the pressure plate (callout 3) might be deformed if the pressure release lever moves in the direction shown below.

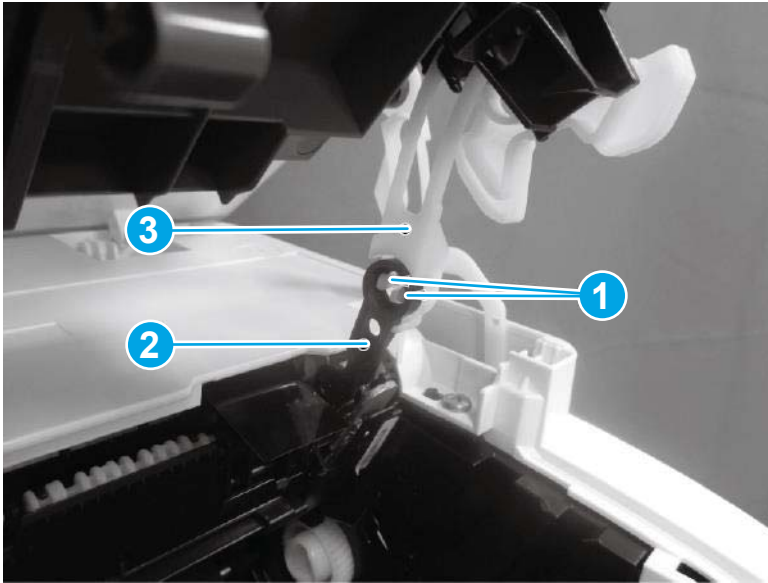
**⚠ CAUTION:** Do not deform the pressure plate.

Figure 1-69 Special disassembly instructions



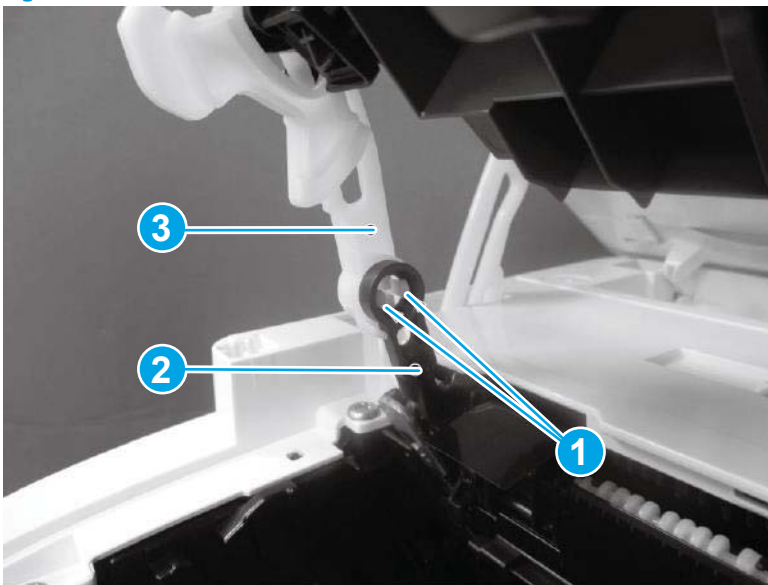
3. Open the image scanner, release two tabs (callout 1), remove one link arm (callout 3) from the pressure release lever (callout 2).

Figure 1-70 Remove the link arm



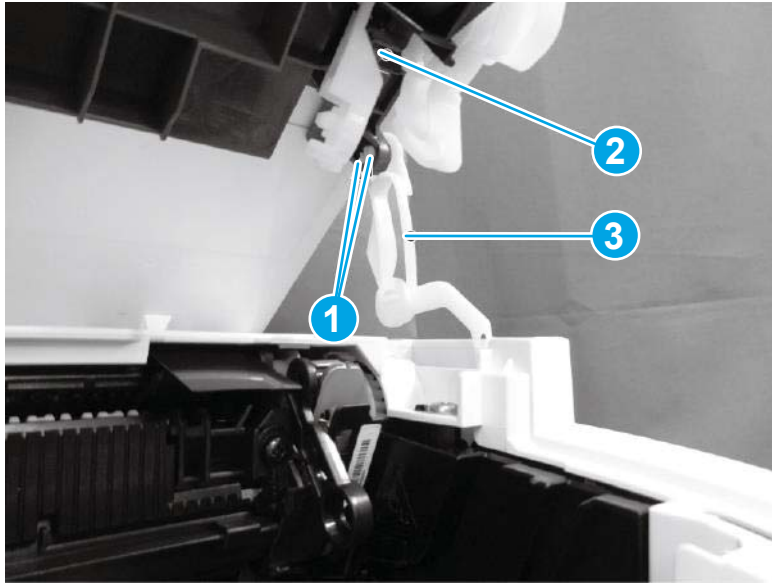
4. Release two tabs (callout 1), and then remove one link arm (callout 3) from the pressure release lever (callout 2).

Figure 1-71 Remove the link arm



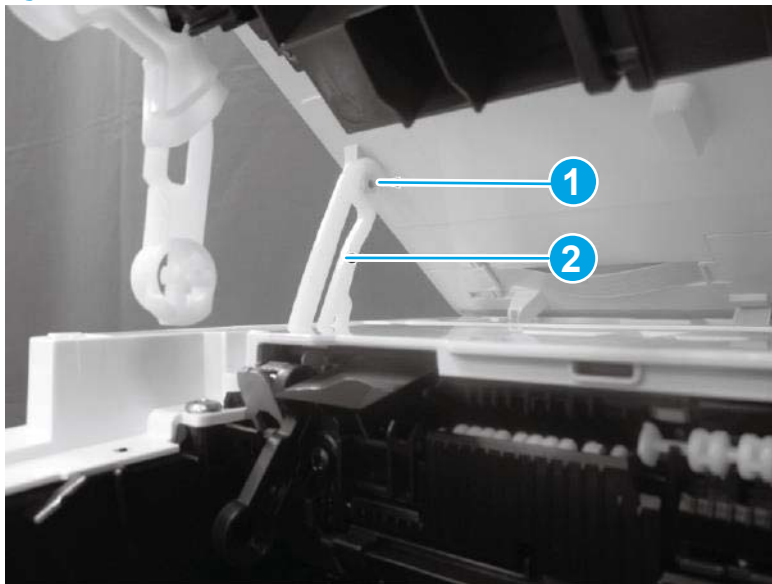
5. Release two tabs (callout 1), and then remove one link arm (callout 3) from the cartridge door (callout 2).

Figure 1-72 Remove the link arm



6. Remove one link arm (callout 2) from the shaft (callout 1).

Figure 1-73 Remove the link arm

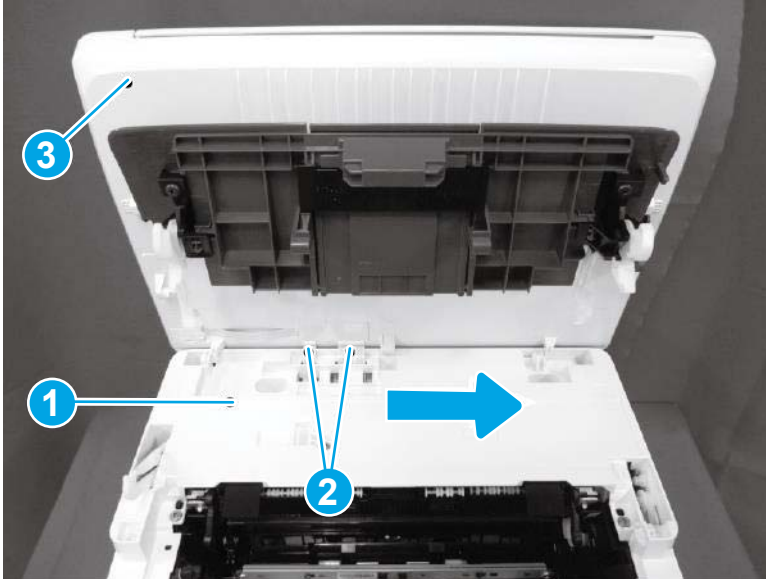


7. Pull two flat-flexible cables (FFCs) (callout 2) out and away from the top cover (callout 1), and then slide the image scanner (callout 3) as shown below to remove it.

**⚠ CAUTION:** Do not damage the FFCs.

**💡 Reinstallation tip:** Reverse the removal steps to install the assembly.

**Figure 1-74** Remove the image scanner

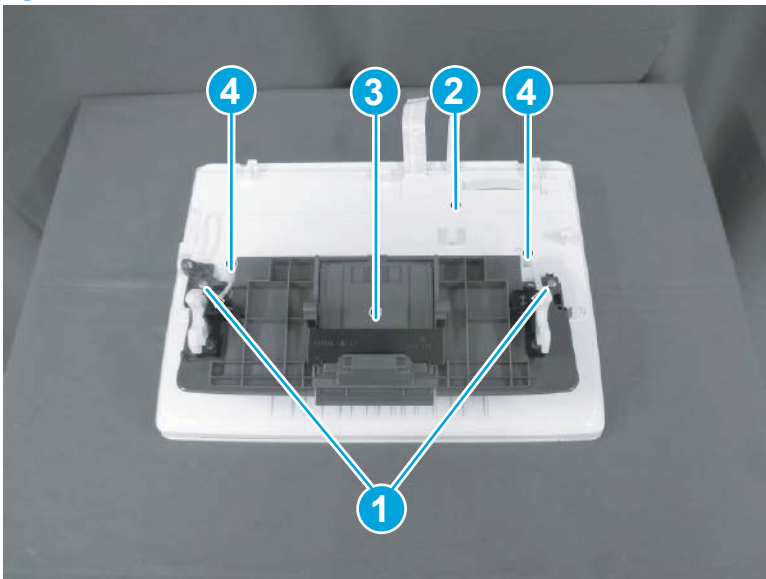


8. For a replacement image scanner, do the following:

**📝 NOTE:** If the image scanner is removed to access other assemblies, skip this step.

- Remove two screws (callout 1).
- Remove the cartridge door (callout 3) (with the link arms; callout 4) from the image scanner (callout 2).

**Figure 1-75** Remove the cartridge door



### Step 3: Remove the top cover (MFP M28-M31)

1. Remove two screws (M3; callout 1), remove seven screws (M4; callout 2), release one tab (callout 3), and then remove the top cover (callout 4).


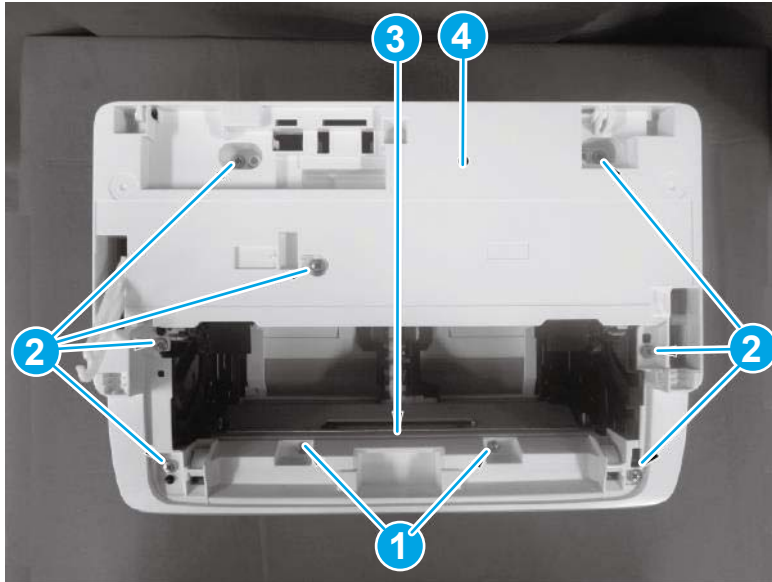

 **Reinstallation tip:** Reverse the removal steps to install the assembly.

Figure 1-76 Remove the top cover



2. Reverse the removal steps to install the assembly. Also use the following special installation instructions.

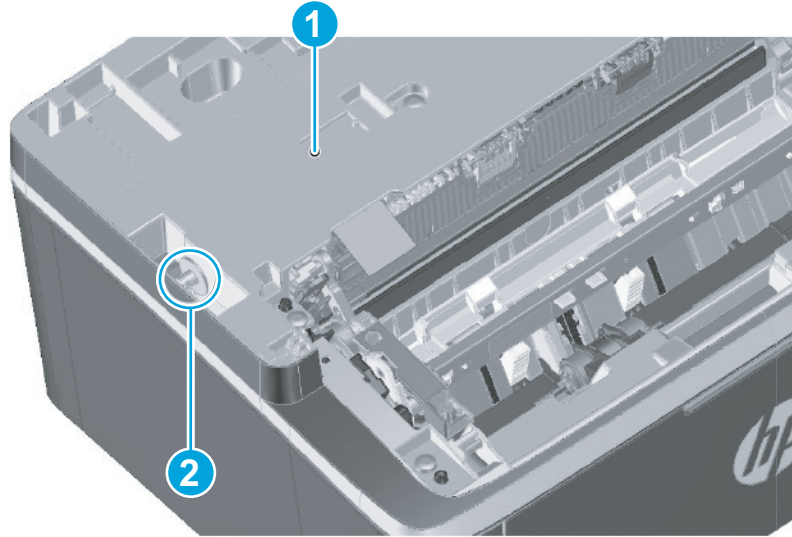
 **NOTE:** Continue to reverse the removal steps to finish installing the assembly.

 **TIP:** If the top cover is removed to access other assemblies, skip this step.

#### Special installation instructions: Top cover

- ▲ Remove the pad (callout 2) from the top cover (callout 1), and then install it on the replacement top cover.

Figure 1-77 Install the pad



#### Step 4: Unpack the replacement assembly

1. Dispose of the defective part.

---

 **NOTE:** HP recommends responsible disposal of the defective part.

[www.hp.com/recycle](http://www.hp.com/recycle)

---



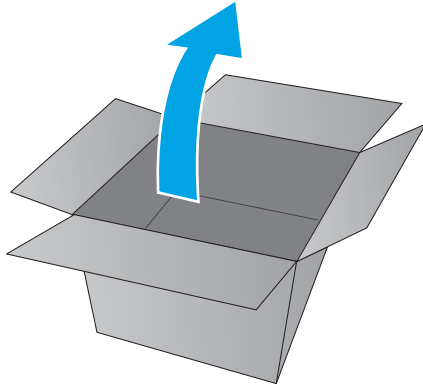
2. Unpack the replacement part from the packaging.

---

**⚠ CAUTION:** If the replacement part is a roller or pad, avoid touching the spongy part of it. Skin oils on the roller or pad can cause paper pickup and/or print-quality problems. HP recommends using disposable gloves when handling rollers or pads or washing your hands or before touching rollers or pads.

**📋 IMPORTANT:** Make sure that all of the shipping materials (for example shipping tape) are removed from the replacement part prior to installation.

---



## Remove and replacement: Control panel (M14-M17)

- [Introduction](#)
- [Step 1: Remove the cartridge door \(M14-M17\)](#)
- [Step 2: Remove the formatter cover \(M14-M17\)](#)
- [Step 3: Remove the lower cover \(M14-M17\)](#)
- [Step 4: Remove the control panel \(M14-M17\)](#)
- [Step 5: Unpack the replacement assembly](#)

### Introduction

This document provides the procedures to remove and replace the control panel (M14-M17).



**IMPORTANT:** When applicable, special installation instructions are provided for an assembly at the end of the removal procedure. Always completely read the removal instructions and follow all special installation instructions.

### Before performing service

- Turn the printer power off.

Use the table below to identify the correct part number for your printer. To order the part, go to [www.hp.com/buy/parts](http://www.hp.com/buy/parts)

| Control panel (M14-M17) part number |   |
|-------------------------------------|---|
| RM2-2125-000CN                      | Control panel (base model; M14-M17)     |
| RM2-2126-000CN                      | Control panel (wireless model; M14-M17) |

### Required tools

- #2 Phillips screwdriver with a magnetic tip
- Small flat-blade screw driver (optional)

### After performing service

- Turn the printer power on.

### Post service test

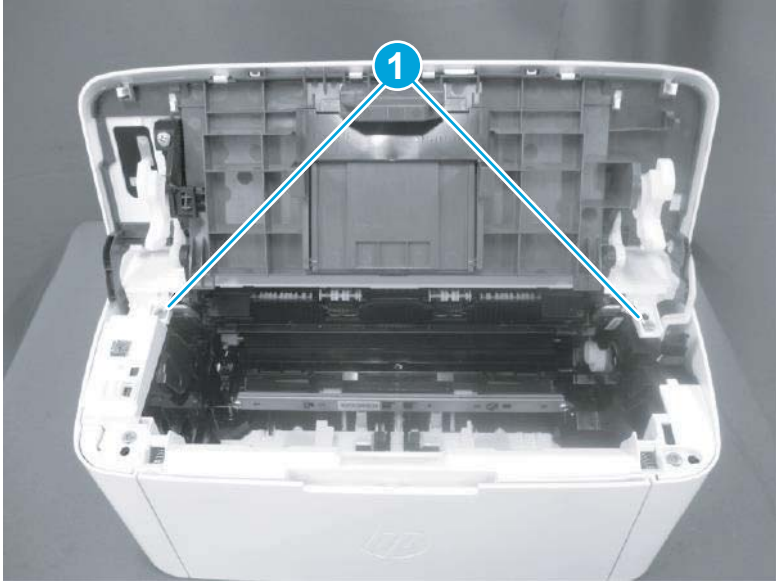
No post service test is available for this assembly.

### Step 1: Remove the cartridge door (M14-M17)

1. Open the cartridge door, and then remove two screws (callout 1).



Figure 1-78 Remove two screw

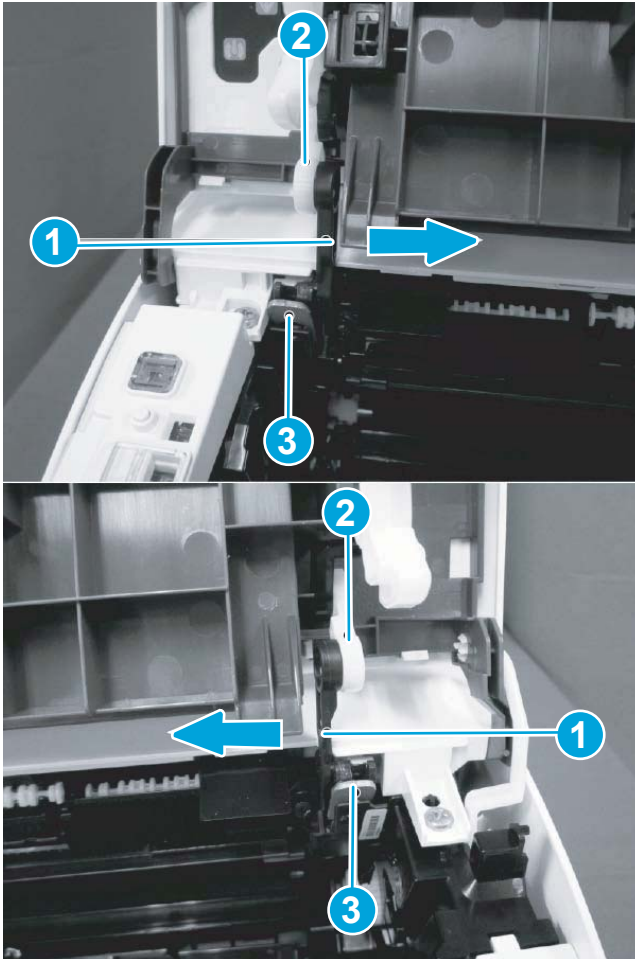


2. Before proceeding, take note of the following disassembly instructions.

When removing the link arm (callout 2) from the pressure release lever (callout 1), the pressure plate (callout 3) might be deformed if the pressure release lever moves in the direction shown below.

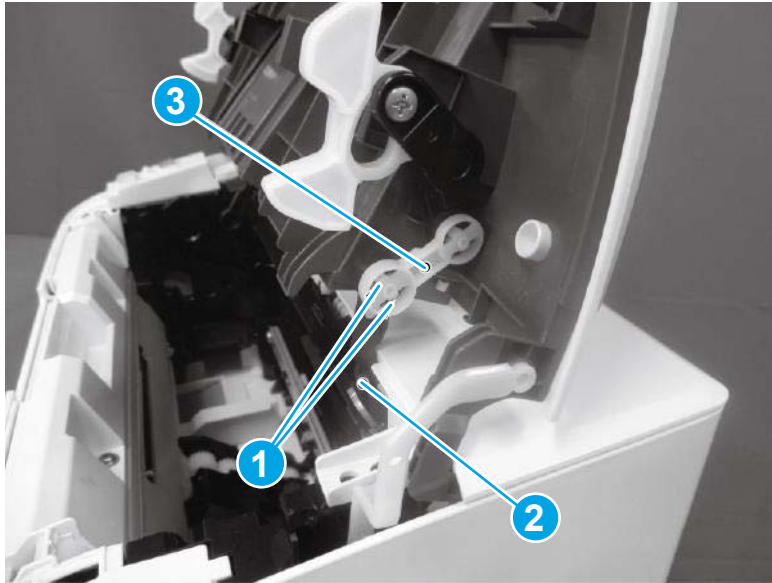
**CAUTION:** Do not deform the pressure plate.

Figure 1-79 Special disassembly instructions



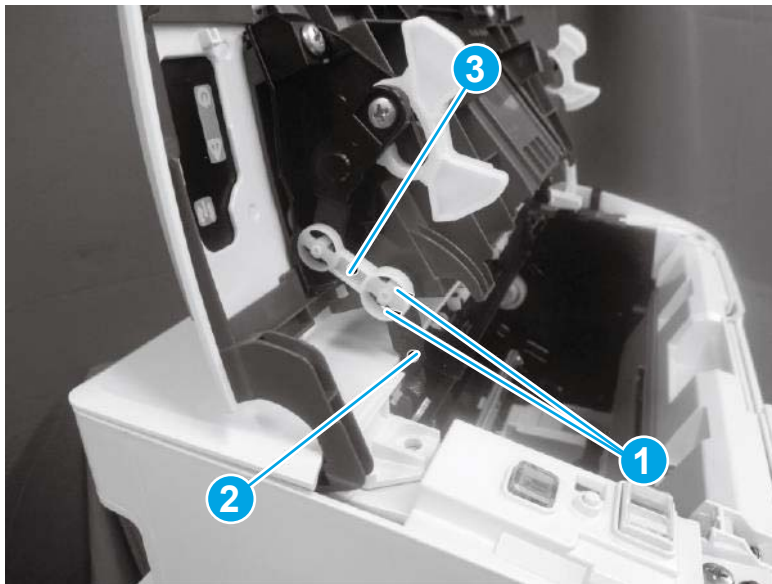
3. Release two tabs (callout 1), and then remove one link arm (callout 3) from the pressure release lever (callout 2).

Figure 1-80 Remove the link arm



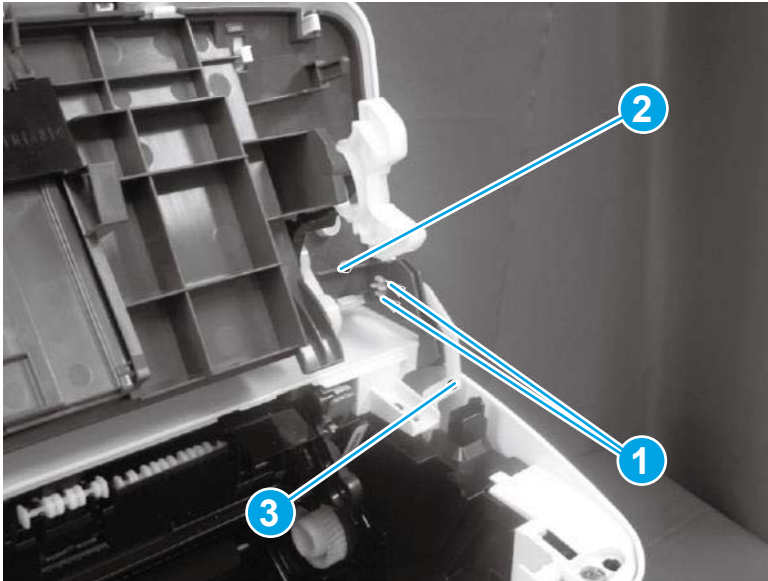
4. Release two tabs (callout 1), and then remove one link arm (callout 3) from the pressure release lever (callout 2).

Figure 1-81 Remove the link arm




5. Release two tabs (callout 1), and then remove one link arm (callout 3) from the cartridge door assembly (callout 2).

Figure 1-82 Remove the link arm



6. Release one tab (callout 1), support the cartridge door (callout 2), and then remove it.

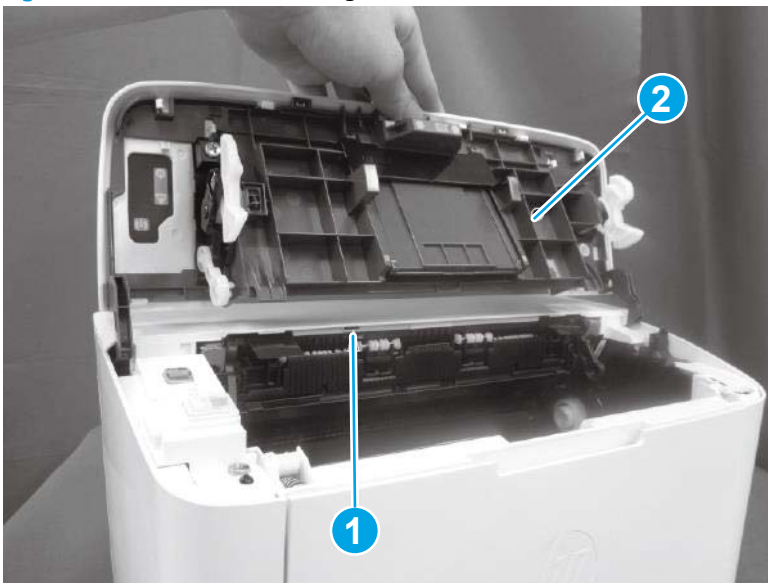
---

 **NOTE:** If the cartridge door is removed to access other assembly, stop at this step.

 **Reinstallation tip:** Reverse the removal steps to install the door.

---

Figure 1-83 Remove the cartridge door



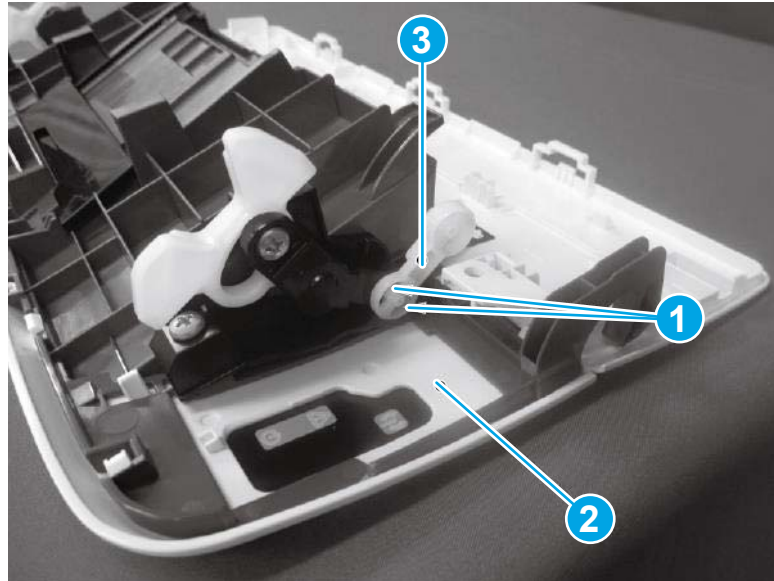
7. **Optional step:** If a replacement cartridge door is being installed, do the following:

---

 **NOTE:** Install the link arms on the replacement door.

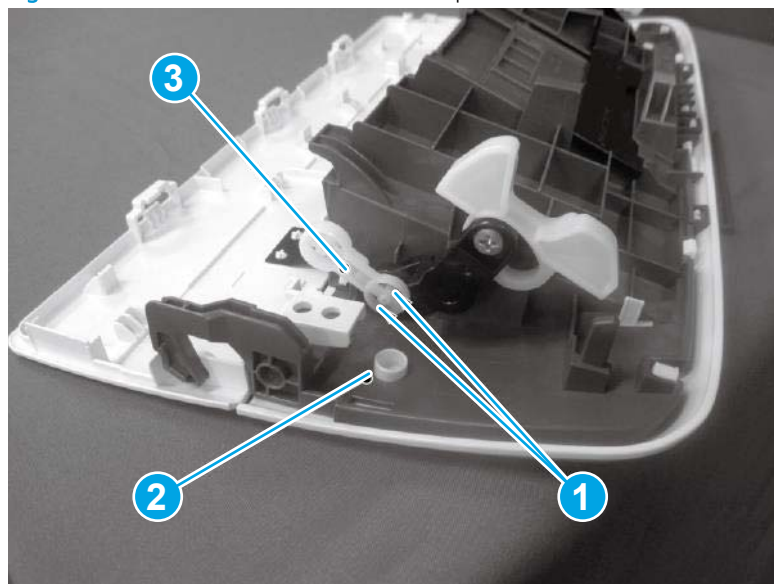
- a. Release two tabs (callout 1), and then remove the one link arm (callout 3) from the door assembly (callout 2).

Figure 1-84 Install the link arms on the replacement door



- b. Release two tabs (callout 1), and then remove the one link arm (callout 3) from the door assembly (callout 2).

Figure 1-85 Install the link arms on the replacement door



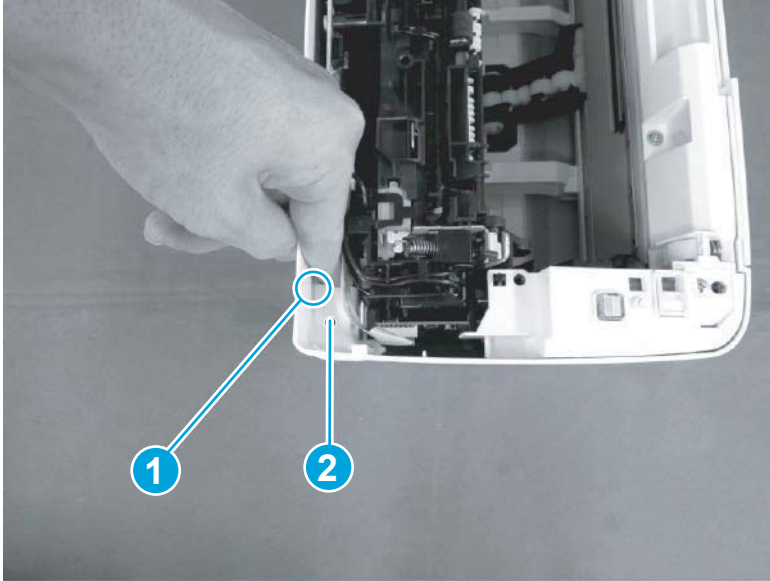
### Step 2: Remove the formatter cover (M14-M17)

- ▲ Position the printer front side down.

Release one tab (callout 1), and then remove the formatter cover (callout 2).

 **Reinstallation tip:** Reverse the removal steps to install the assembly.

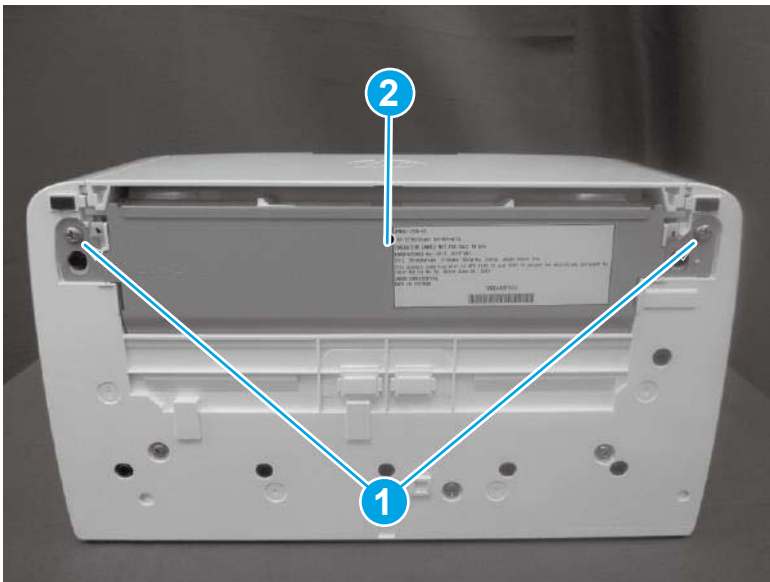
Figure 1-86 Remove the formatter cover (M14-M17)



Step 3: Remove the lower cover (M14-M17)

1. Position the printer rear side down, remove three screws (callout 1), and then remove the lower plate (callout 2).

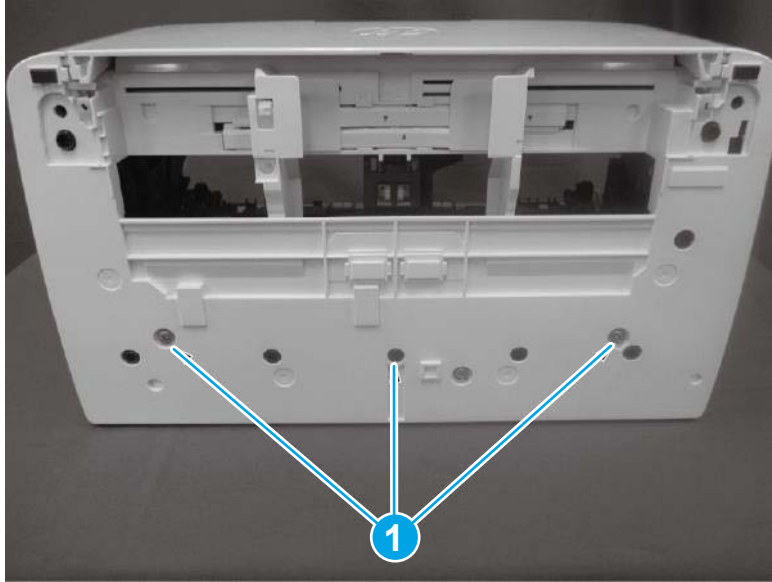
Figure 1-87 Remove the lower plate






2. Remove three screws (callout 1)

Figure 1-88 Remove the three screws



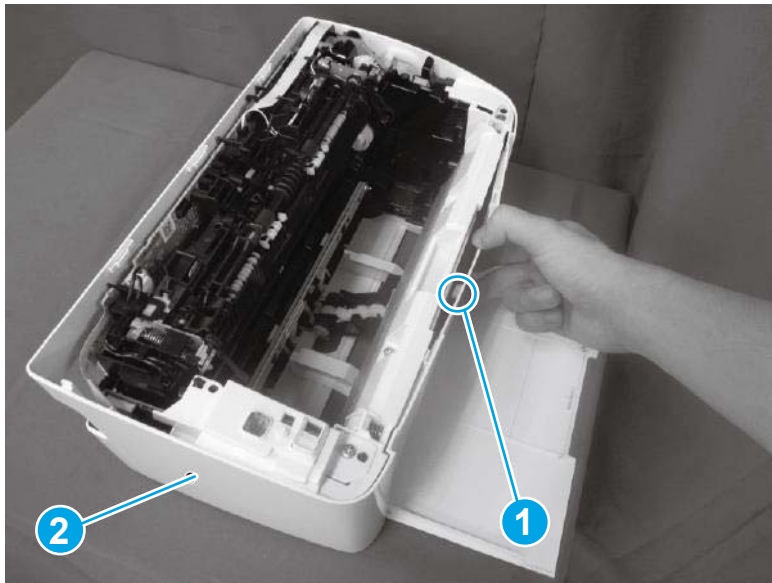
3. With the printer in the upright position, release one tab (callout 1), and then remove the lower cover (callout 2).

---

 **Reinstallation tip:** Reverse the removal steps to install the assembly.

---

Figure 1-89 Remove the lower cover



4. Reverse the removal steps to install the assembly. Also use the following special installation instructions.

---

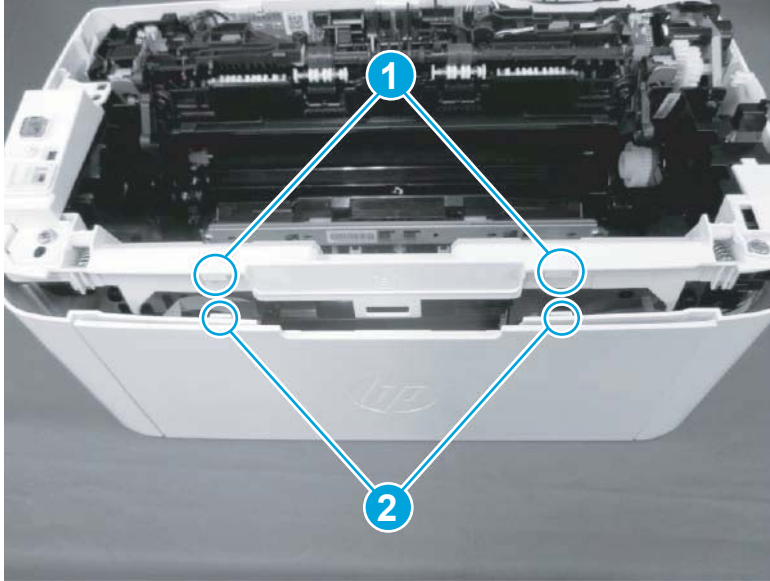
 **NOTE:** Continue to reverse the removal steps to finish installing the assembly.

---

**Special installation instructions: Lower cover**

- ▲ Make sure to fit two ribs (callout 1) on the printer into the grooves (callout 2) in the lower cover.

Figure 1-90 Fit two ribs on the printer into the grooves (lower cover install)



#### Step 4: Remove the control panel (M14-M17)

- ▲ Disconnect one flat flexible cable (FFC) (callout 1), remove one screw (callout 2), and then remove the control panel (callout 3).
  - Disconnect one flat-flexible cable (FFC) (callout 1).
  - Release the FFC (callout 1) from the guide (callout 2).
  - Remove one screw (callout 3).
  - Remove the control panel (callout 4).


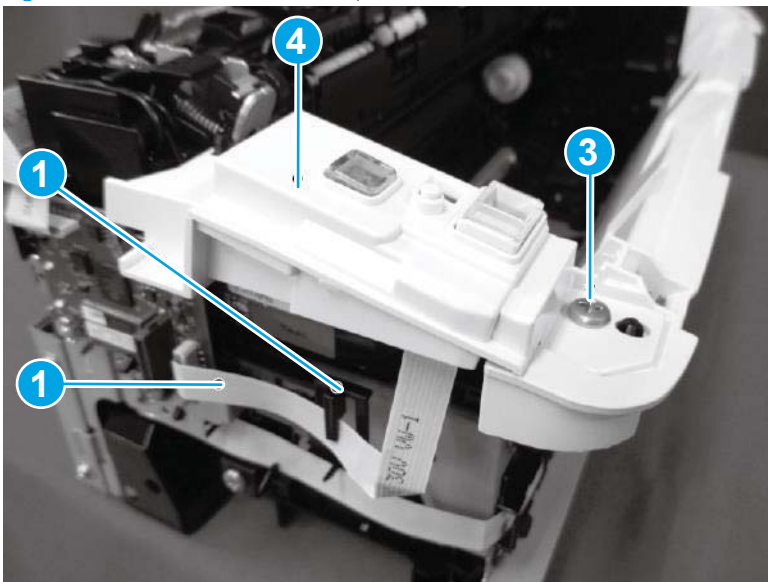
 **Reinstallation tip:** Reverse the removal steps to install the assembly.

Figure 1-91 Remove the control panel





## Step 5: Unpack the replacement assembly


1. Dispose of the defective part.

 **NOTE:** HP recommends responsible disposal of the defective part.

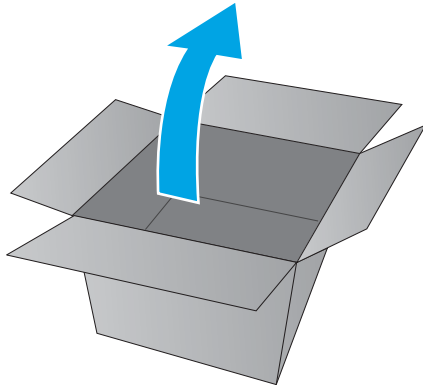
[www.hp.com/recycle](http://www.hp.com/recycle)



2. Unpack the replacement part from the packaging.

 **CAUTION:** If the replacement part is a roller or pad, avoid touching the spongy part of it. Skin oils on the roller or pad can cause paper pickup and/or print-quality problems. HP recommends using disposable gloves when handling rollers or pads or washing your hands or before touching rollers or pads.

 **IMPORTANT:** Make sure that all of the shipping materials (for example shipping tape) are removed from the replacement part prior to installation.



## Removal and replacement: Internal parts and assemblies

- [Remove and replacement: Pickup rollers](#)
- [Remove and replacement: Pickup roller arm \(M14-M17\)](#)
- [Remove and replacement: Pickup roller arm \(M28-M317\)](#)
- [Remove and replacement: Transfer roller](#)
- [Remove and replacement: Hinge link \(M28-M31\)](#)
- [Remove and replacement: Laser scanner and flat flexible cable](#)
- [Remove and replacement: Formatter \(M14-M17\)](#)
- [Remove and replacement: Formatter \(MFP M28-M31\)](#)
- [Remove and replacement: Fuser \(M14-M17\)](#)
- [Remove and replacement: Fuser \(MFP M28-M31\)](#)
- [Remove and replacement: Fuser film assembly \(M14-M17\)](#)
- [Remove and replacement: Fuser film assembly \(MFP M28-M31\)](#)
- [Remove and replacement: Engine controller assembly \(M14-M17\)](#)
- [Remove and replacement: Engine controller assembly \(MFP M28-M31\)](#)
- [Remove and replacement: Door switch and flat flexible cable](#)
- [Remove and replacement: Pickup solenoid](#)
- [Remove and replacement: Wireless PCA \(M14-M17\)](#)
- [Remove and replacement: Wireless PCA \(MFP M28-M31\)](#)

## Remove and replacement: Pickup rollers

- [Introduction](#)
- [Step 1: Remove the rollers](#)
- [Step 2: Unpack the replacement assembly](#)
- [Step 3: Install the rollers](#)

### Introduction

This document provides the procedures to remove and replace the pickup rollers.



**IMPORTANT:** When applicable, special installation instructions are provided for an assembly at the end of the removal procedure. Always completely read the removal instructions and follow all special installation instructions.

### Before performing service

- Turn the printer power off.

Use the table below to identify the correct part number for your printer. To order the part, go to [www.hp.com/buy/parts](http://www.hp.com/buy/parts)

| Pickup rollers part number |                            |
|----------------------------|----------------------------|
| RM2-2516-000CN             | Roller, paper pickup left  |
| RM2-2517-000CN             | Roller, paper pickup right |

### Required tools

- No special tools are needed to remove or install this assembly.

### After performing service

- Make sure that the cartridge door is fully closed after replacing the pickup roller.
- Turn the printer power on.

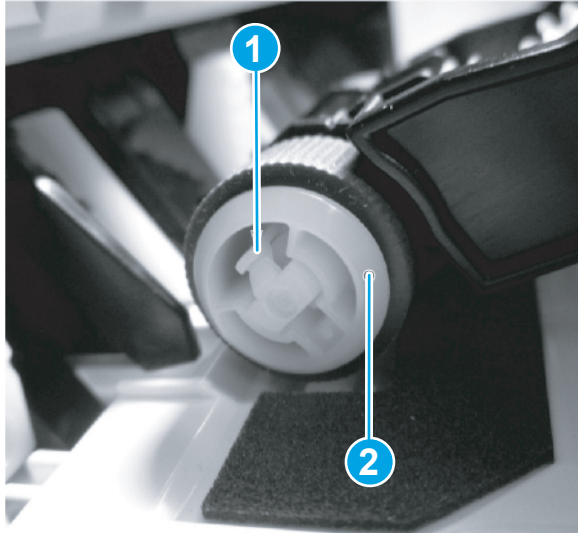
### Post service test

Send a job to the printer, and then verify that it correctly picks paper.

### Step 1: Remove the rollers

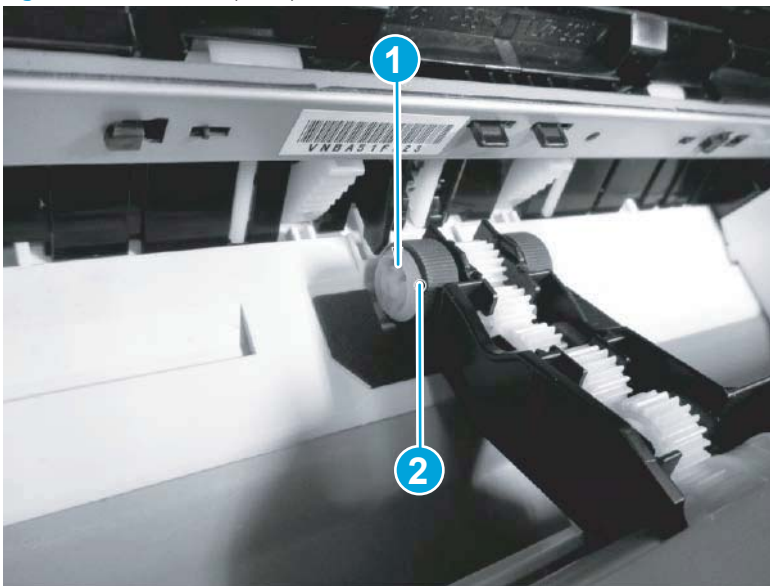
1. Before proceeding, take note of the release tab (callout 1) on pickup roller 1 (callout 2).

Figure 1-92 Pickup roller tab



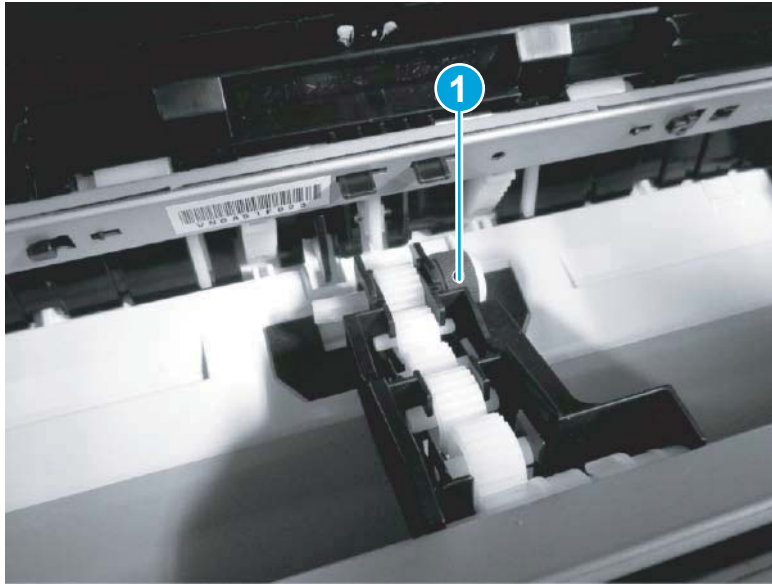
2. Open the toner-cartridge door, release one tab (callout 1), and then slide pickup roller 1 (callout 2) towards the left side to remove it.

Figure 1-93 Remove pickup roller 1



3. Slide pickup roller 2 towards the right side to remove it.

Figure 1-94 Remove pickup roller 2



#### Step 2: Unpack the replacement assembly

1. Dispose of the defective part.



**NOTE:** HP recommends responsible disposal of the defective part.

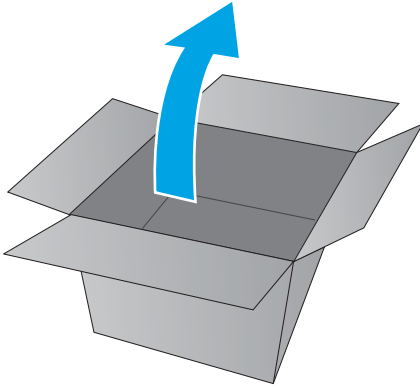
[www.hp.com/recycle](http://www.hp.com/recycle)



2. Unpack the replacement part from the packaging.

**⚠ CAUTION:** If the replacement part is a roller or pad, avoid touching the spongy part of it. Skin oils on the roller or pad can cause paper pickup and/or print-quality problems. HP recommends using disposable gloves when handling rollers or pads or washing your hands or before touching rollers or pads.

**📄 IMPORTANT:** Make sure that all of the shipping materials (for example shipping tape) are removed from the replacement part prior to installation.

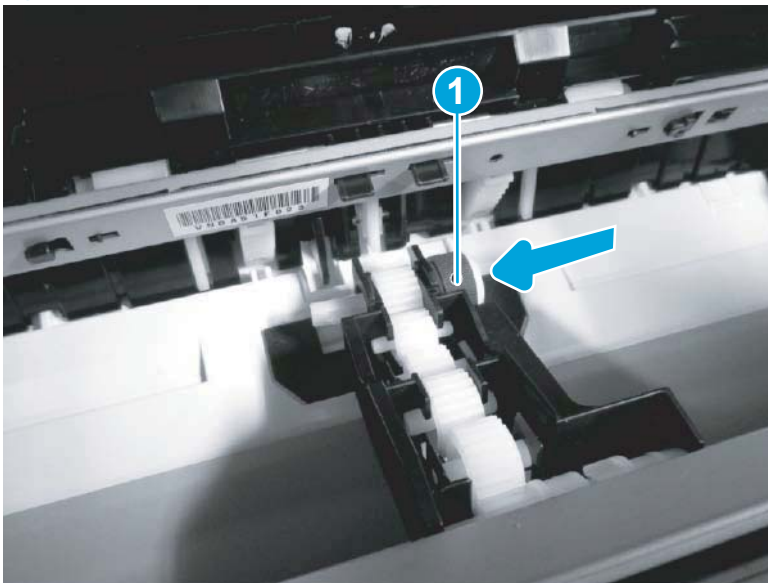


### Step 3: Install the rollers

**⚠ CAUTION:** Do not touch the gray spongy portion of the replacement rollers. Skin oils on the rollers can cause paper handling problems.

1. Install pickup roller 2 (callout 1) on the holder.

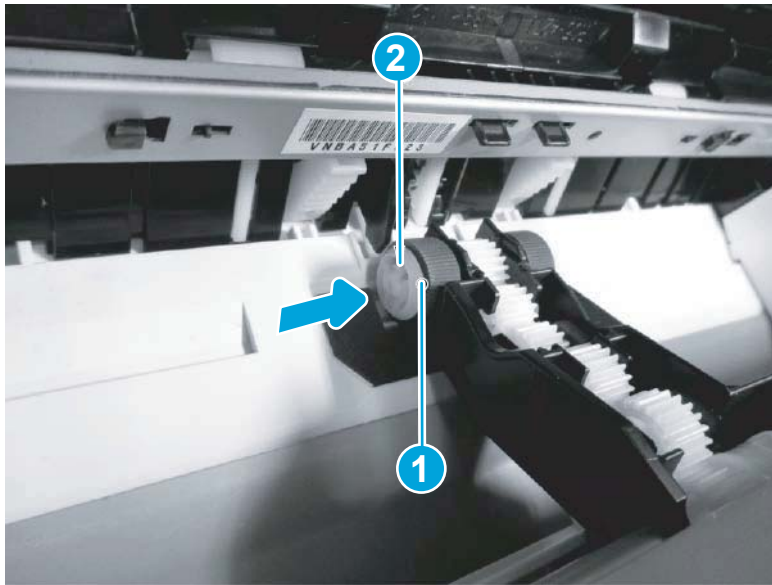
**Figure 1-95** Install pickup roller 2



2. Install pickup roller 1 (callout 1) on the holder (callout 2), and then close the toner-cartridge door.

 **IMPORTANT:** Make sure that the tab (callout 2) snaps onto the holder,

Figure 1-96 Install pickup roller 1



## Remove and replacement: Pickup roller arm (M14-M17)

- [Introduction](#)
- [Step 1: Remove the cartridge door \(M14-M17\)](#)
- [Step 2: Remove the formatter cover \(M14-M17\)](#)
- [Step 3: Remove the lower cover \(M14-M17\)](#)
- [Step 4: Remove the formatter \(M14-M17\)](#)
- [Step 5: Remove the control panel \(M14-M17\)](#)
- [Step 6: Remove the pickup roller arm \(M14-M17\)](#)
- [Step 7: Unpack the replacement assembly](#)

### Introduction

This document provides the procedures to remove and replace the pickup roller arm (M14-M17).



**IMPORTANT:** When applicable, special installation instructions are provided for an assembly at the end of the removal procedure. Always completely read the removal instructions and follow all special installation instructions.

### Before performing service

- Turn the printer power off.

Use the table below to identify the correct part number for your printer. To order the part, go to [www.hp.com/buy/parts](http://www.hp.com/buy/parts)

| Pickup roller arm (M14-M17) part number |                             |
|---|-----------------------------|
| RM2-2106-000CN                          | Pickup roller arm (M14-M17) |

### Required tools

- #2 Phillips screwdriver with a magnetic tip
- Micro tip Phillips screwdriver with a magnetic tip



**TIP:** This type of driver is sometimes called a jeweler's screwdriver.

- Small flat-blade screw driver (optional)

### After performing service

- Make sure that the cartridge door is fully closed after replacing the pickup roller.
- Turn the printer power on.

### Post service test

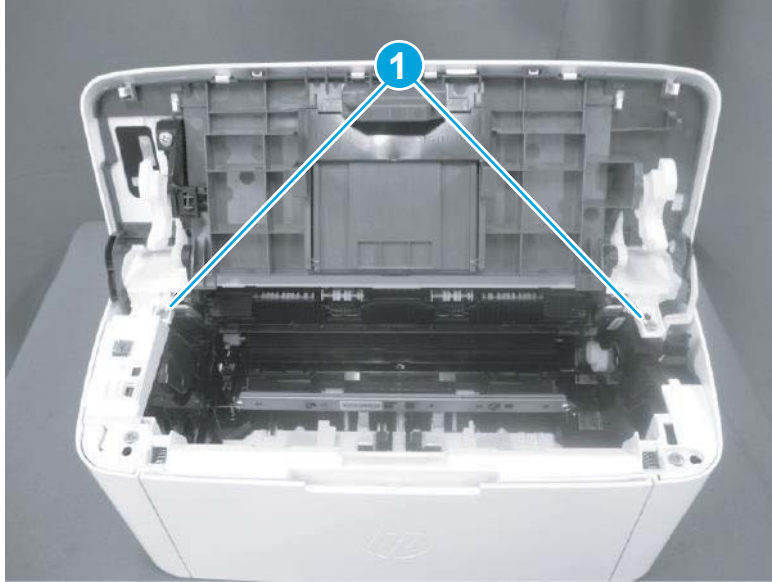
Send a job to the printer, and then verify that it correctly picks paper.



### Step 1: Remove the cartridge door (M14-M17)

1. Open the cartridge door, and then remove two screws (callout 1).

Figure 1-97 Remove two screw

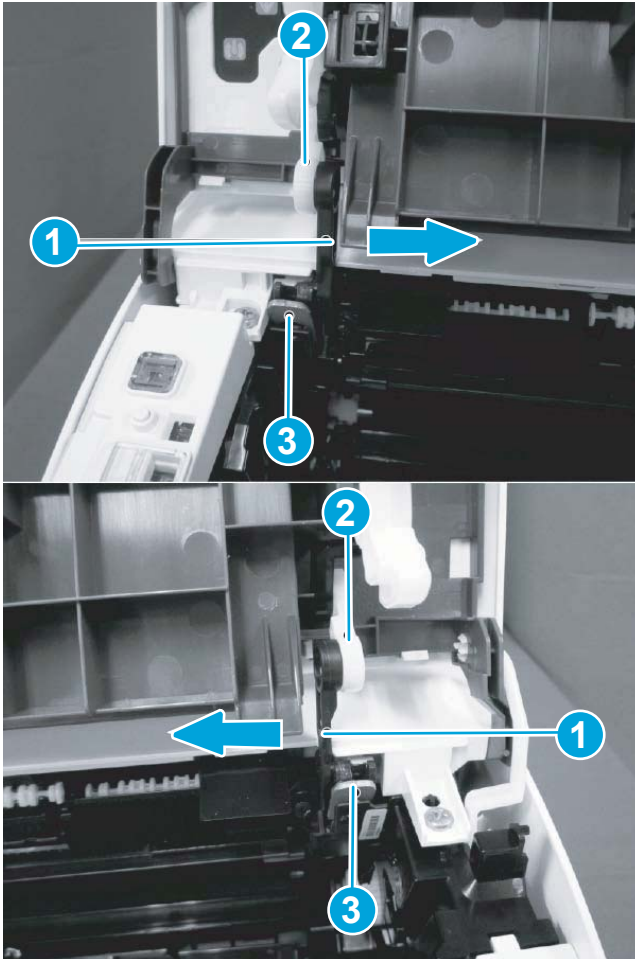


2. Before proceeding, take note of the following disassembly instructions.

When removing the link arm (callout 2) from the pressure release lever (callout 1), the pressure plate (callout 3) might be deformed if the pressure release lever moves in the direction shown below.

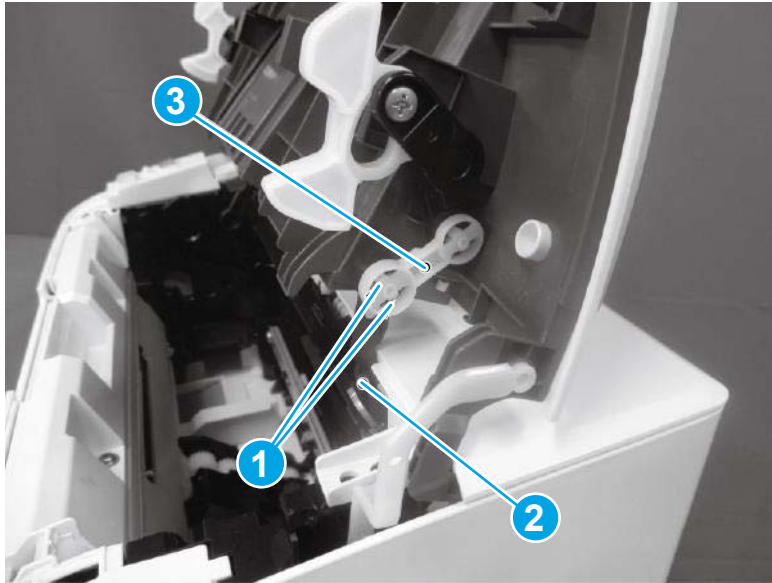
**⚠ CAUTION:** Do not deform the pressure plate.

Figure 1-98 Special disassembly instructions



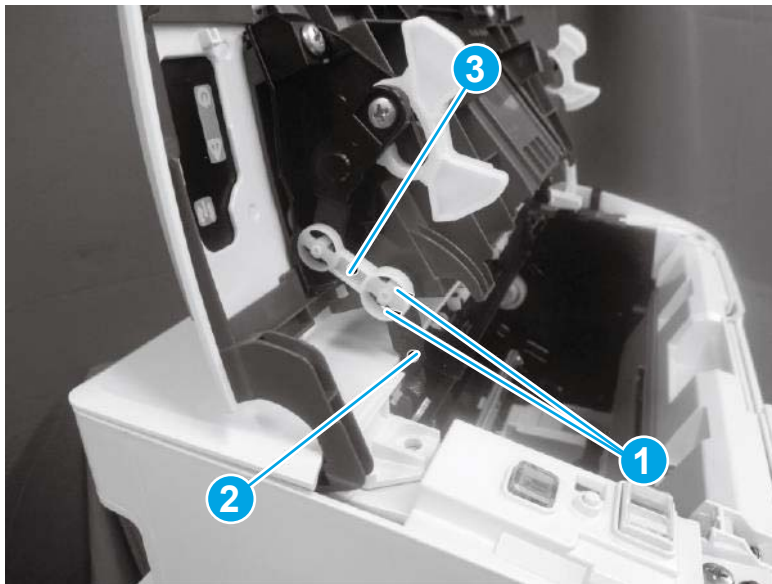
3. Release two tabs (callout 1), and then remove one link arm (callout 3) from the pressure release lever (callout 2).

Figure 1-99 Remove the link arm



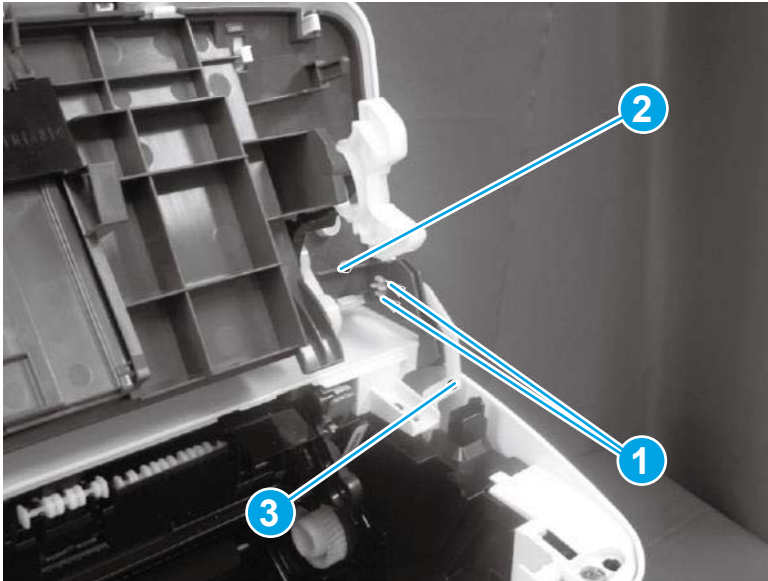
4. Release two tabs (callout 1), and then remove one link arm (callout 3) from the pressure release lever (callout 2).

Figure 1-100 Remove the link arm




5. Release two tabs (callout 1), and then remove one link arm (callout 3) from the cartridge door assembly (callout 2).


**Figure 1-101** Remove the link arm



6. Release one tab (callout 1), support the cartridge door (callout 2), and then remove it.

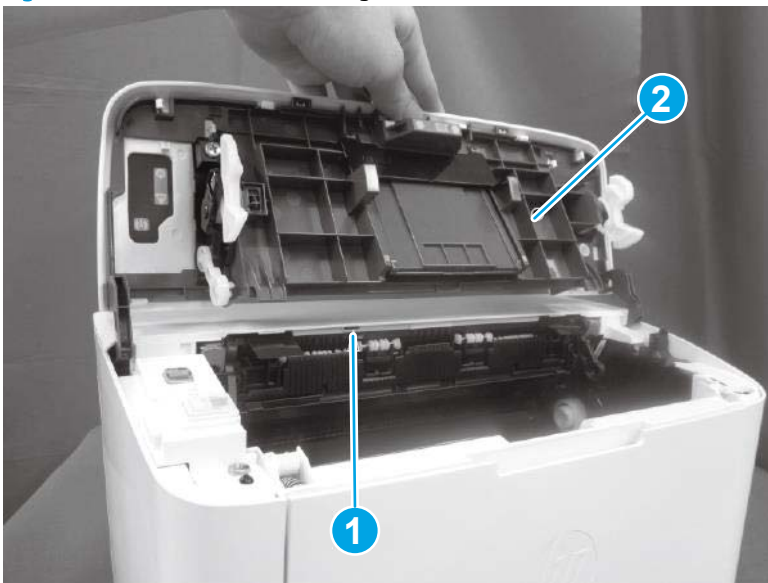
---

 **NOTE:** If the cartridge door is removed to access other assembly, stop at this step.

 **Reinstallation tip:** Reverse the removal steps to install the door.

---

**Figure 1-102** Remove the cartridge door



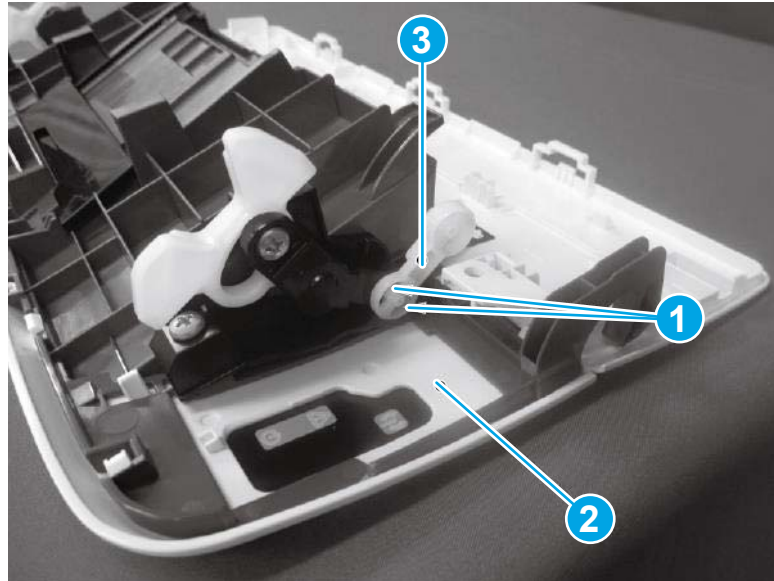
7. **Optional step:** If a replacement cartridge door is being installed, do the following:

---

 **NOTE:** Install the link arms on the replacement door.

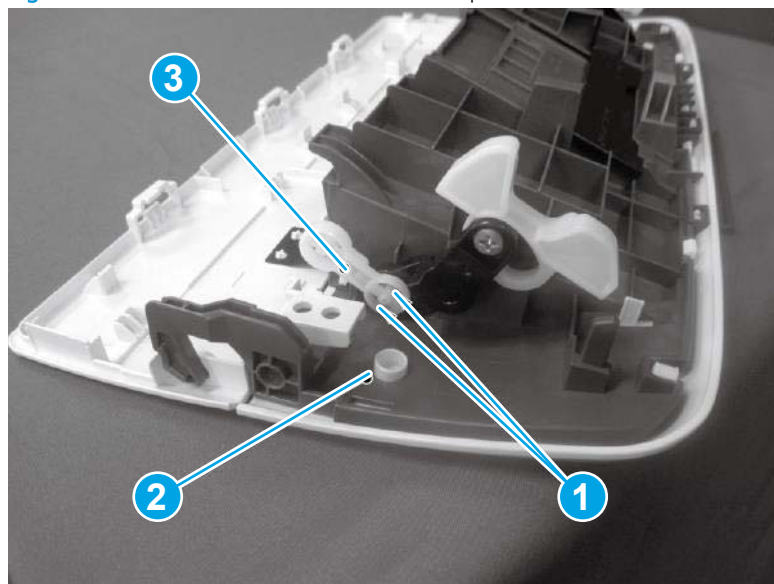
- a. Release two tabs (callout 1), and then remove the one link arm (callout 3) from the door assembly (callout 2).

Figure 1-103 Install the link arms on the replacement door



- b. Release two tabs (callout 1), and then remove the one link arm (callout 3) from the door assembly (callout 2).

Figure 1-104 Install the link arms on the replacement door



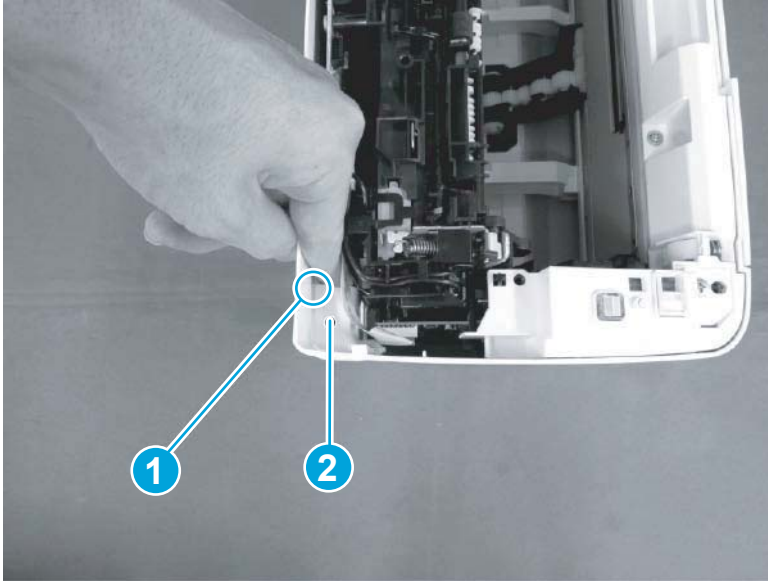
### Step 2: Remove the formatter cover (M14-M17)

- ▲ Position the printer front side down.

Release one tab (callout 1), and then remove the formatter cover (callout 2).

 **Reinstallation tip:** Reverse the removal steps to install the assembly.

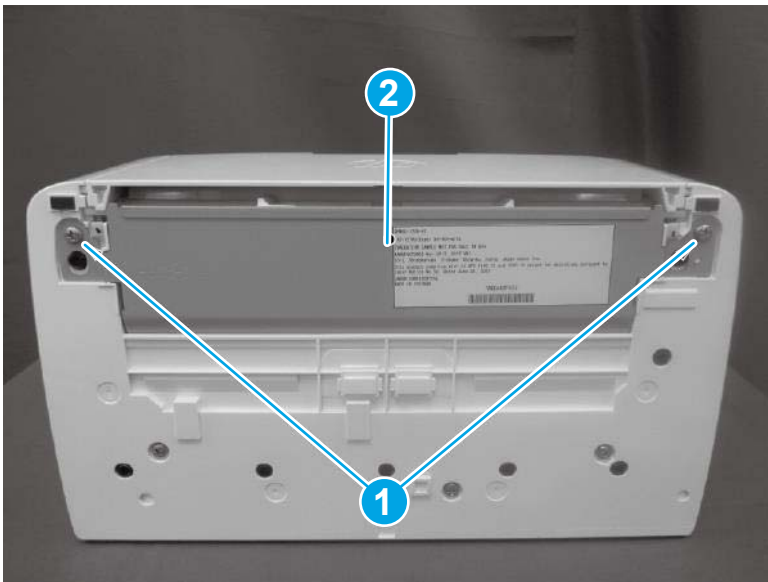
Figure 1-105 Remove the formatter cover (M14-M17)



Step 3: Remove the lower cover (M14-M17)

1. Position the printer rear side down, remove three screws (callout 1), and then remove the lower plate (callout 2).

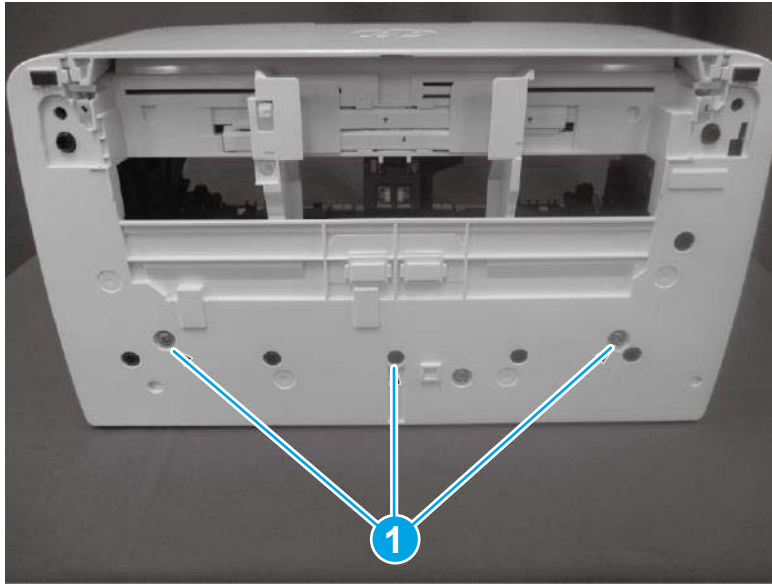
Figure 1-106 Remove the lower plate






2. Remove three screws (callout 1)

Figure 1-107 Remove the three screws



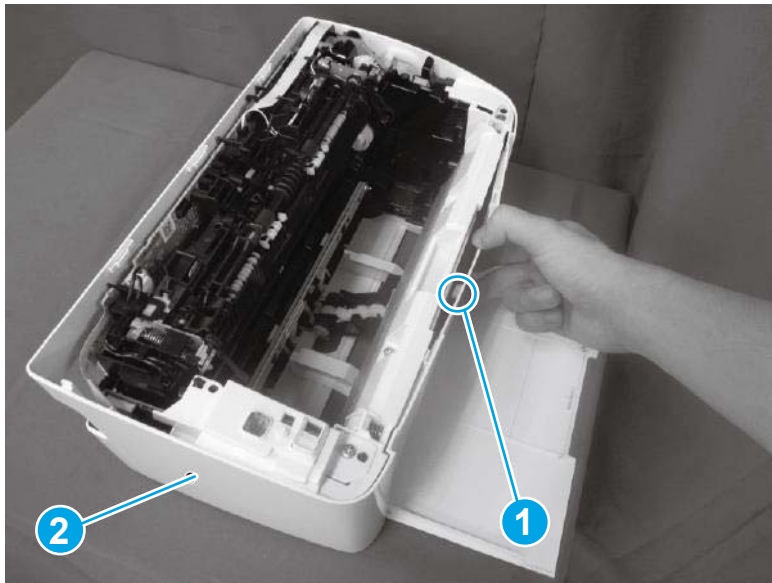
3. With the printer in the upright position, release one tab (callout 1), and then remove the lower cover (callout 2).

---

 **Reinstallation tip:** Reverse the removal steps to install the assembly.

---

Figure 1-108 Remove the lower cover



4. Reverse the removal steps to install the assembly. Also use the following special installation instructions.

---

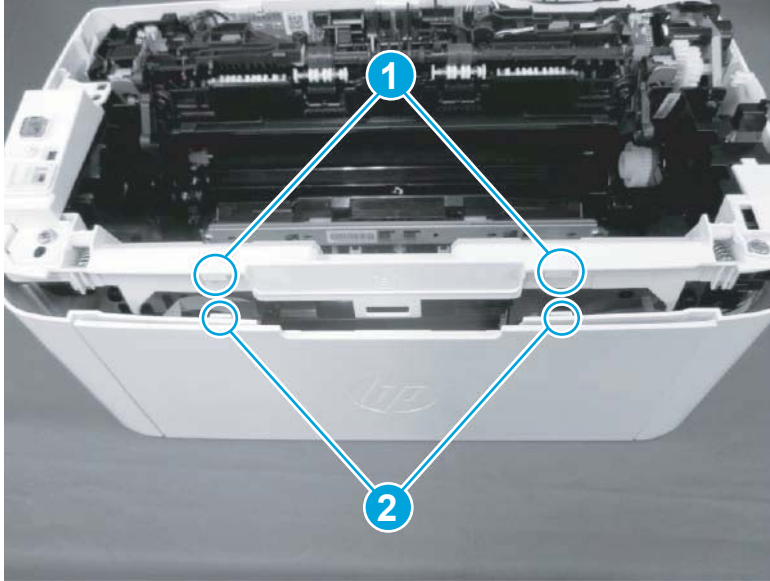
 **NOTE:** Continue to reverse the removal steps to finish installing the assembly.

---

**Special installation instructions: Lower cover**

- ▲ Make sure to fit two ribs (callout 1) on the printer into the grooves (callout 2) in the lower cover.

Figure 1-109 Fit two ribs on the printer into the grooves (lower cover install)



#### Step 4: Remove the formatter (M14-M17)

▲ Do the following:

- a. Remove two flat flexible cables (FFCs) (callout 1).

💡 **TIP:** It might be easier to use a small flat blade screwdriver to release the large FFC.

- b. Remove one screw (callout 2).

📝 **NOTE:** Use a micro tip screwdriver to remove this screw.

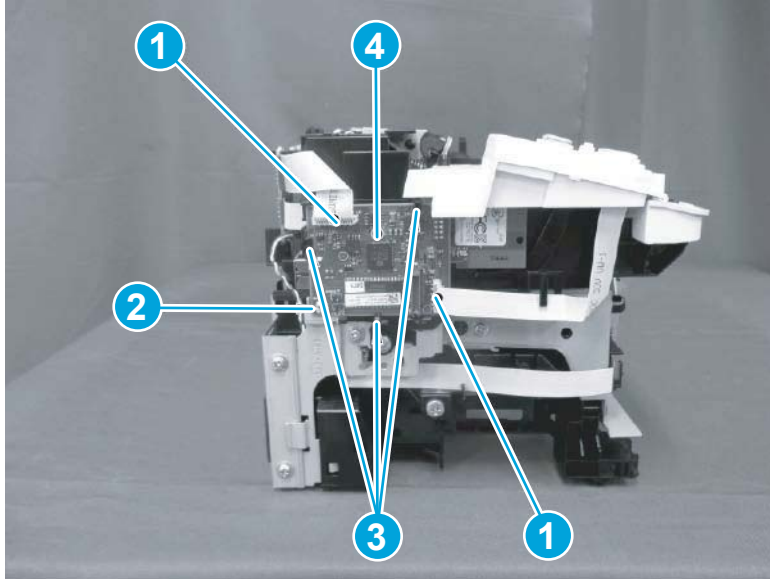
- c. Release three tabs (callout 3).

- d. Remove the formatter (callout 4).


💡 **Reinstallation tip:** Reverse the removal steps to install the assembly.



Figure 1-110 Remove the formatter



#### Step 5: Remove the control panel (M14-M17)

 **NOTE:** Removing the formatter in the previous step, disconnects the control-panel FFC. Skip the FFC disconnect step in the procedure below.

- ▲ Disconnect one flat flexible cable (FFC) (callout 1), remove one screw (callout 2), and then remove the control panel (callout 3).
  - Disconnect one flat-flexible cable (FFC) (callout 1).
  - Release the FFC (callout 1) from the guide (callout 2).
  - Remove one screw (callout 3).
  - Remove the control panel (callout 4).


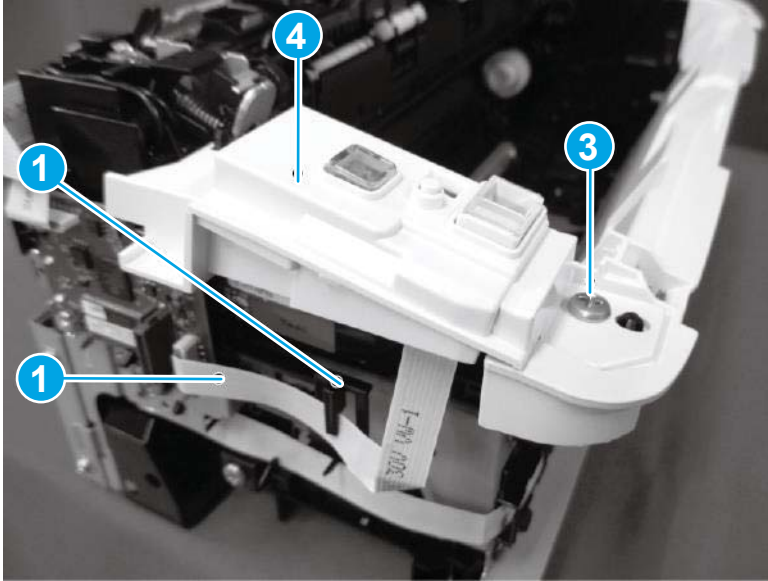
 **Reinstallation tip:** Reverse the removal steps to install the assembly.

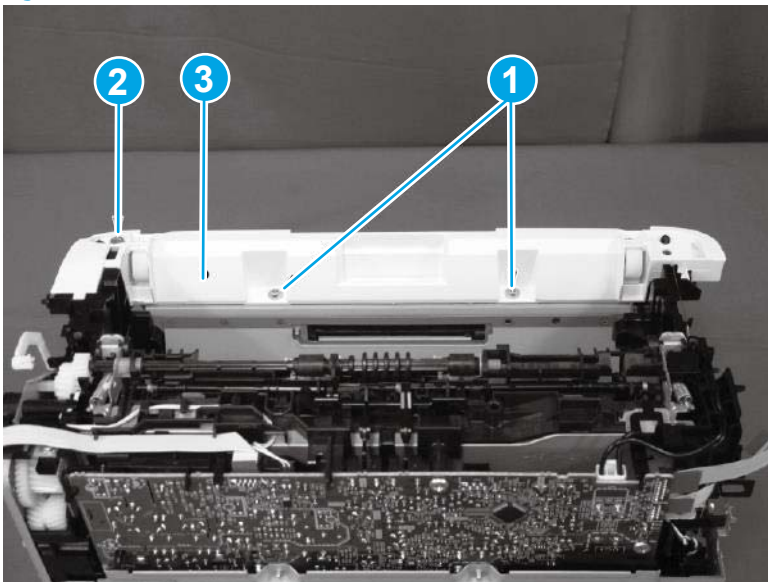
Figure 1-111 Remove the control panel



Step 6: Remove the pickup roller arm (M14-M17)

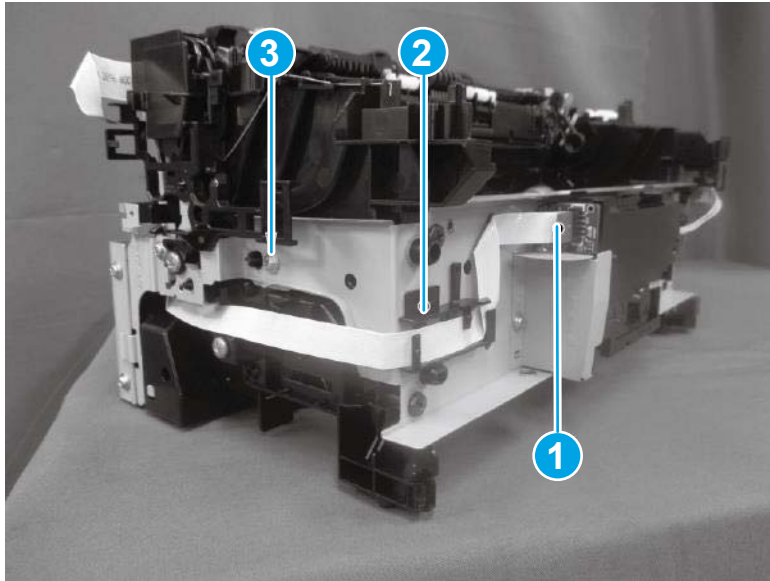
1. Remove two screws (M3; callout 1), remove one screw (M4; callout 2), and then remove the inner cover (callout 2).

Figure 1-112 Remove the inner cover




2. Disconnect one flat-flexible cable (FFC) (callout 1) and release it from the guide (callout 2), and then remove one screw (callout 3).

**Figure 1-113** Disconnect the FFC and remove a screw

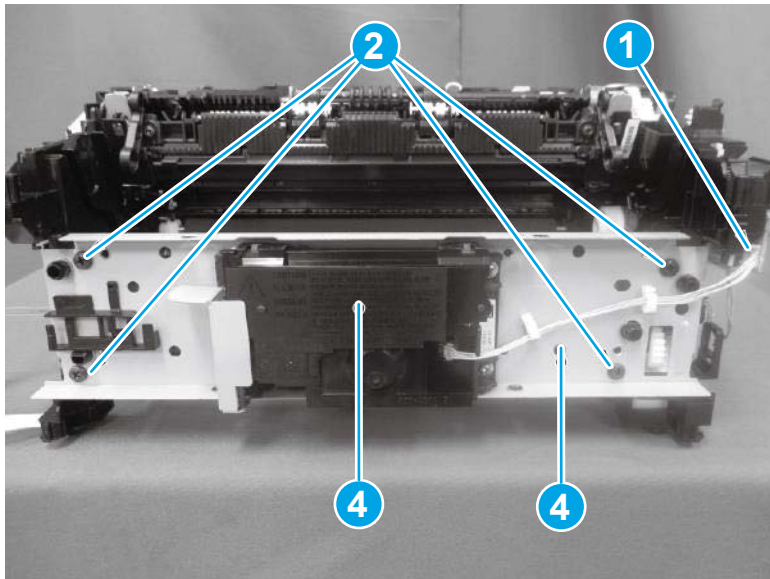


3. Disconnect one connector (callout 1), remove four screws (callout 2), and then remove the scanner stay (callout 3) and laser scanner assembly (callout 4).

 **NOTE:** Remove the scanner stay and laser scanner assembly as one part.

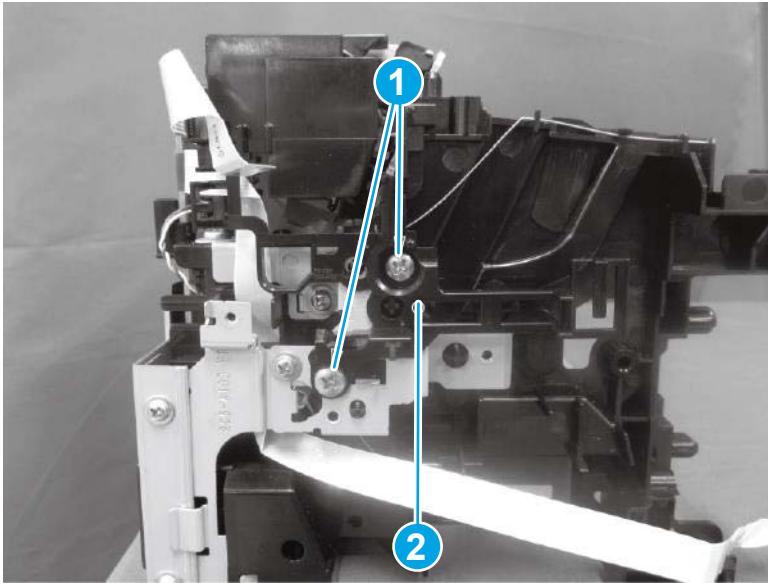
 **Reinstallation tip:** Make sure that the printer is on a flat surface when reinstalling the scanner stay (callout 3).

**Figure 1-114** Remove the scanner stay and laser scanner assembly



4. Remove two screws (callout 1), and then remove the guide (callout 2).

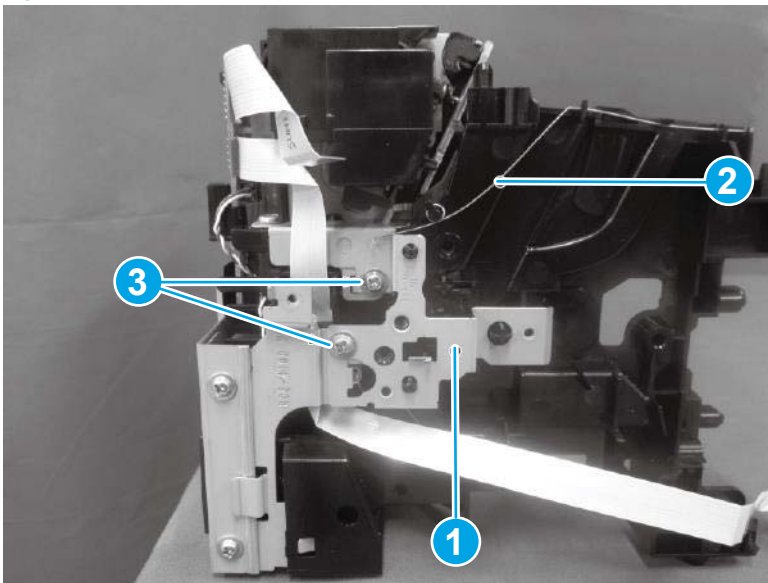
Figure 1-115 Remove the guide



5. Release one spring (callout 2) from the plate (callout 1), remove two screws (callout 3), and then remove the plate (callout 2).

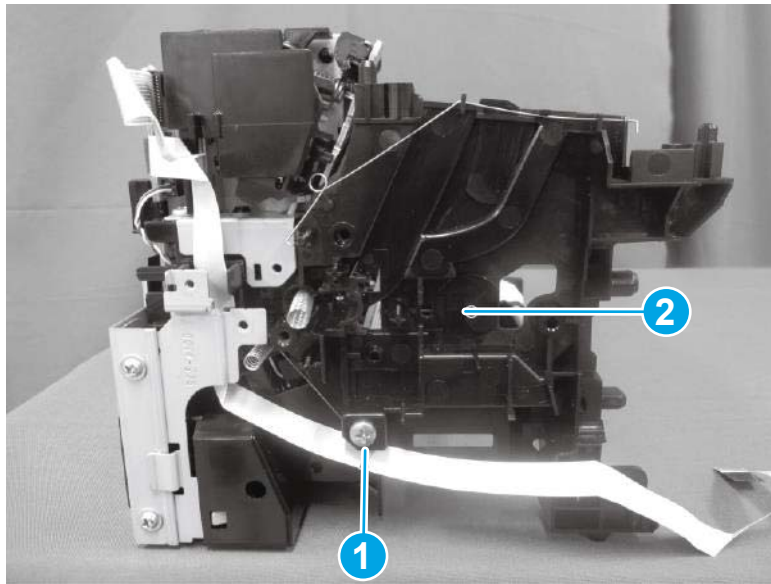
 **Reinstallation tip:** To reinstall the spring, see [Special installation instructions: Pickup roller arm \(M14-M17\) on page 119](#).

Figure 1-116 Remove the plate



6. Remove one screw (callout 1), and then remove the guide (callout 2).

Figure 1-117 Remove the guide

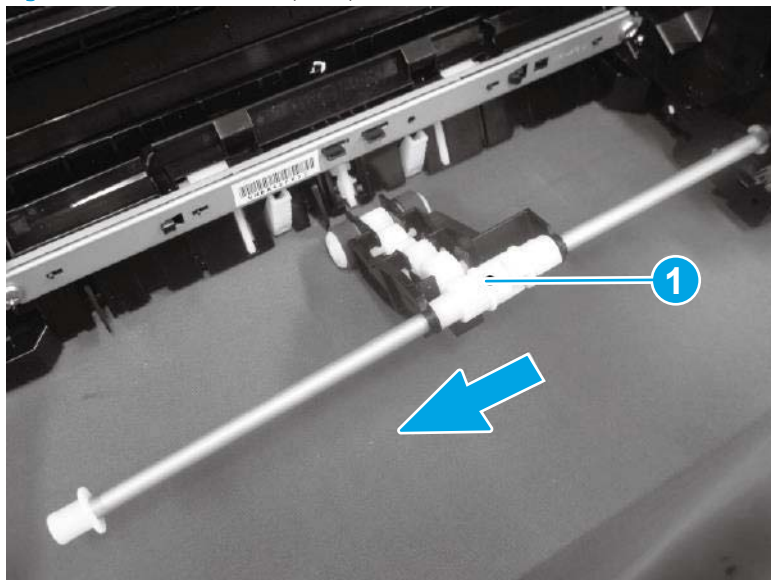


7. Slide the pickup roller arm (callout 1) as shown below to remove it.

**CAUTION:** Do not apply great force to the pickup roller arm shaft when removing it to avoid deforming the shaft.

**Reinstallation tip:** To reinstall the pick roller arm, see [Special installation instructions: Pickup roller arm \(M14-M17\) on page 119](#).

Figure 1-118 Remove the pickup roller arm



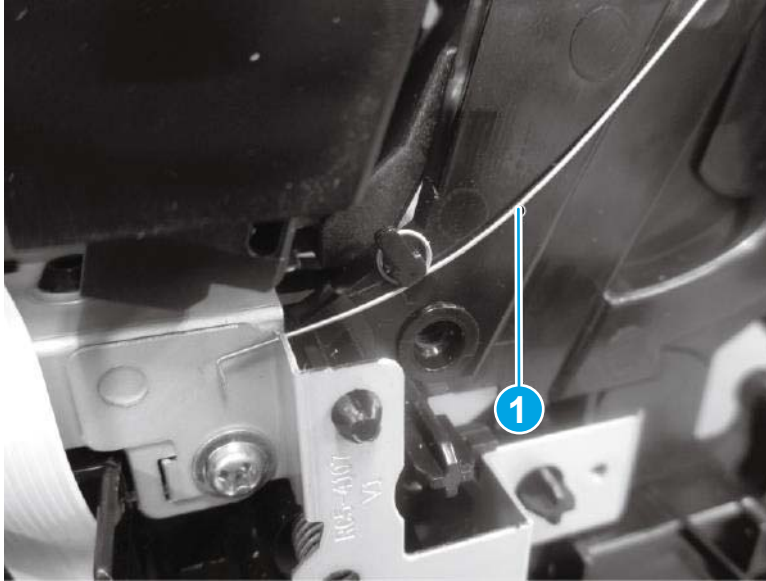
8. Reverse the removal steps to install the assembly. Also use the following special installation instructions.

[Special installation instructions: Pickup roller arm \(M14-M17\)](#)

- a. Make sure the spring (callout 1) is firmly held in its original position when it is reinstalled.



Figure 1-119 Reinstall the spring



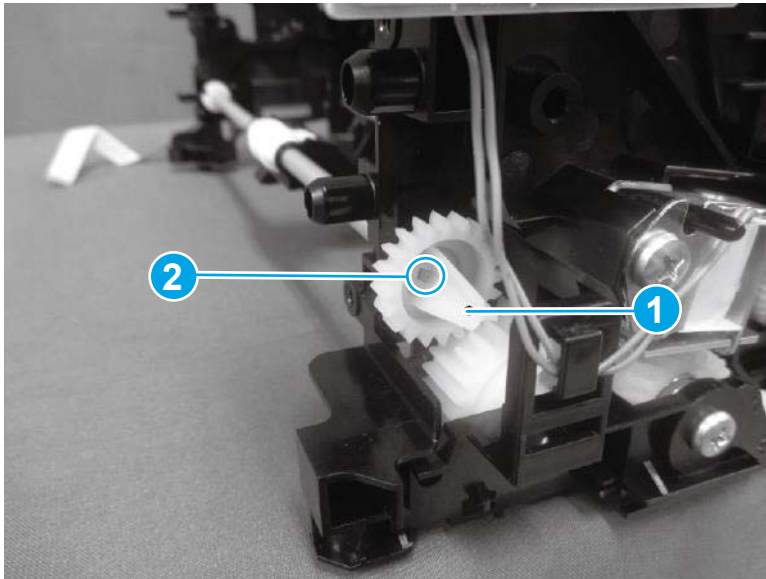
- b. When the pick roller arm is correctly installed, the stepped end of the shaft (callout 2) protrudes from the hole in the gear (callout 1).

---

 **NOTE:** Continue to reverse the removal steps to finish installing the assembly.

---

Figure 1-120 Reinstall the pickup roller arm



### Step 7: Unpack the replacement assembly

1. Dispose of the defective part.

---

 **NOTE:** HP recommends responsible disposal of the defective part.

[www.hp.com/recycle](http://www.hp.com/recycle)

---



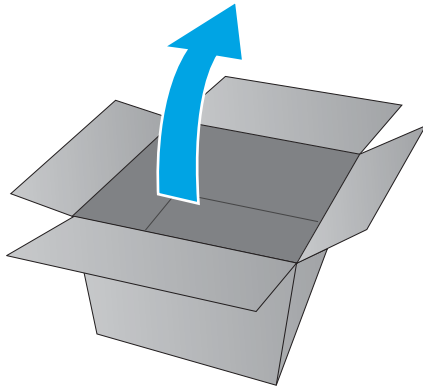
2. Unpack the replacement part from the packaging.

---

**⚠ CAUTION:** If the replacement part is a roller or pad, avoid touching the spongy part of it. Skin oils on the roller or pad can cause paper pickup and/or print-quality problems. HP recommends using disposable gloves when handling rollers or pads or washing your hands or before touching rollers or pads.

**📋 IMPORTANT:** Make sure that all of the shipping materials (for example shipping tape) are removed from the replacement part prior to installation.

---




## Remove and replacement: Pickup roller arm (M28-M317)

- [Introduction](#)
- [Step 1: Remove the formatter cover \(MFP M28-M31\)](#)
- [Step 2: Remove the image scanner \(MFP M28-M31\)](#)
- [Step 3: Remove the top cover \(MFP M28-M31\)](#)
- [Step 4: Remove the lower cover \(MFP M28-M31\)](#)
- [Step 6: Remove the pickup roller arm \(M28-M31\)](#)
- [Step 7: Unpack the replacement assembly](#)

### Introduction

This document provides the procedures to remove and replace the pickup roller arm (M28-M31).

---

 **IMPORTANT:** When applicable, special installation instructions are provided for an assembly at the end of the removal procedure. Always completely read the removal instructions and follow all special installation instructions.

---

### Before performing service

- Turn the printer power off.

Use the table below to identify the correct part number for your printer. To order the part, go to [www.hp.com/buy/parts](http://www.hp.com/buy/parts)

---

| Pickup roller arm (M28-M31) part number |  |
|---|--|
|---|--|

---

|                |                             |
|----------------|-----------------------------|
| RM2-2106-000CN | Pickup roller arm (M28-M31) |
|----------------|-----------------------------|

---

### Required tools

- #2 Phillips screwdriver with a magnetic tip
- Small flat-blade screw driver (optional)

### After performing service

- Make sure that the cartridge door is fully closed after replacing the pickup roller.
- Turn the printer power on.

### Post service test


Send a job to the printer, and then verify that it correctly picks paper.

### Step 1: Remove the formatter cover (MFP M28-M31)

- ▲ Position the printer front side down.

Remove two screws (callout 1), and then remove the formatter cover (callout 2).

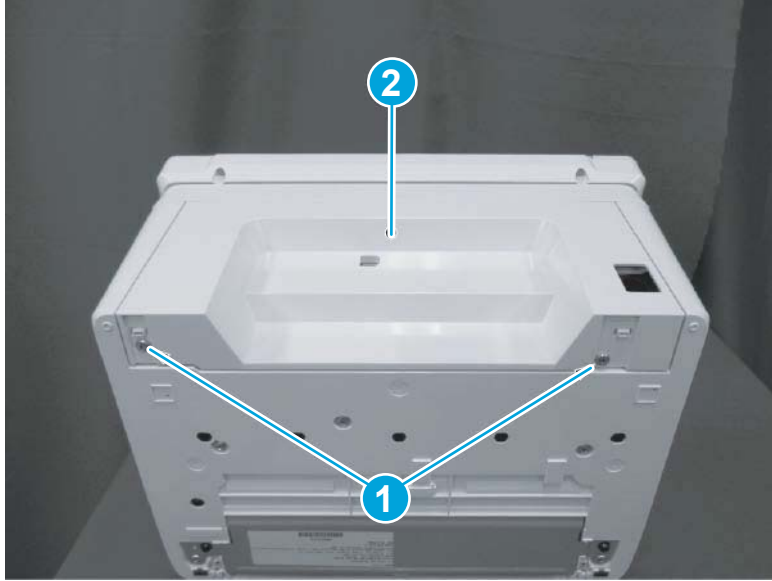
---

 **Reinstallation tip:** Reverse the removal steps to install the assembly.

---



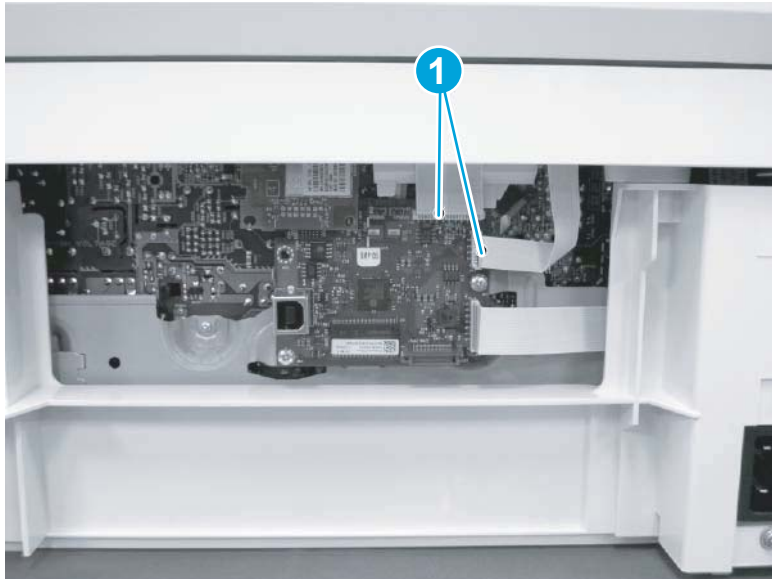
Figure 1-121 Remove the formatter cover (MFP M28-M31)



Step 2: Remove the image scanner (MFP M28-M31)

1. Disconnect two flat flexible cables (FFCs) (callout 1).

Figure 1-122 Disconnect two FFCs

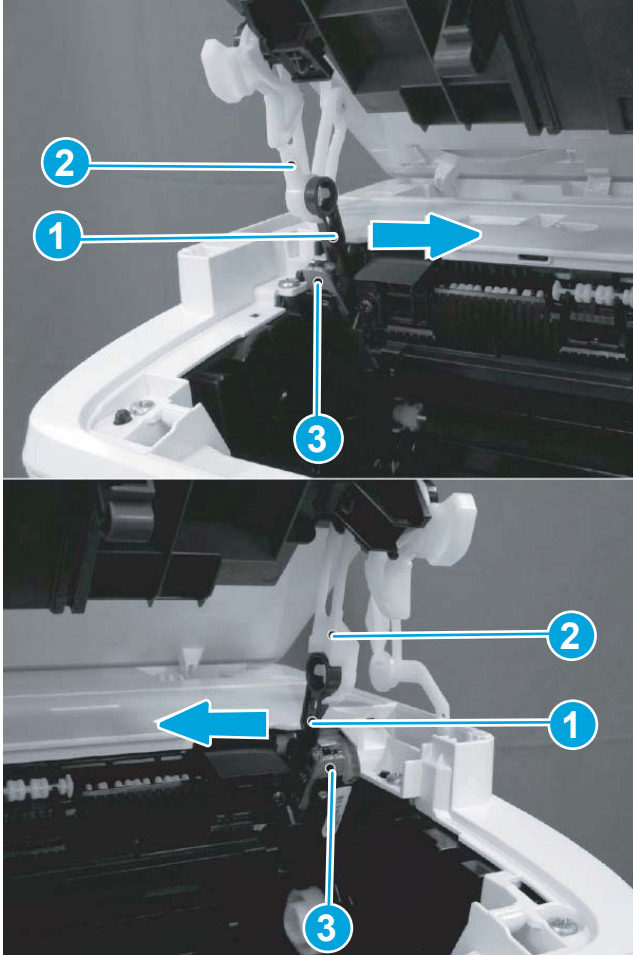


2. Before proceeding, take note of the following disassembly instructions.

When removing the link arm (callout 2) from the pressure release lever (callout 1), the pressure plate (callout 3) might be deformed if the pressure release lever moves in the direction shown below.

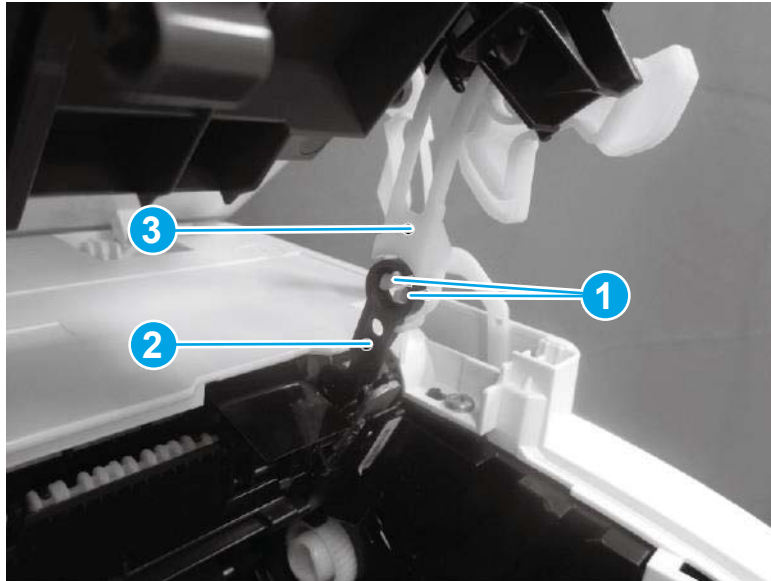
**⚠ CAUTION:** Do not deform the pressure plate.

**Figure 1-123** Special disassembly instructions



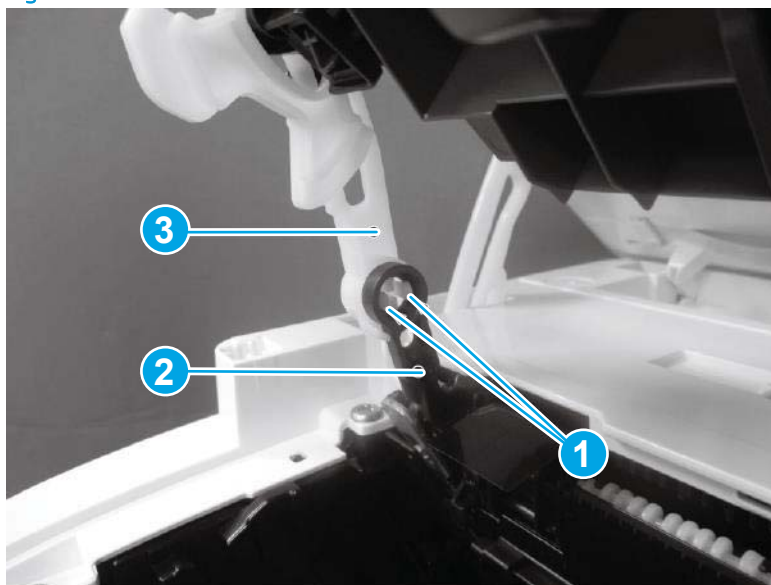
3. Open the image scanner, release two tabs (callout 1), remove one link arm (callout 3) from the pressure release lever (callout 2).

Figure 1-124 Remove the link arm



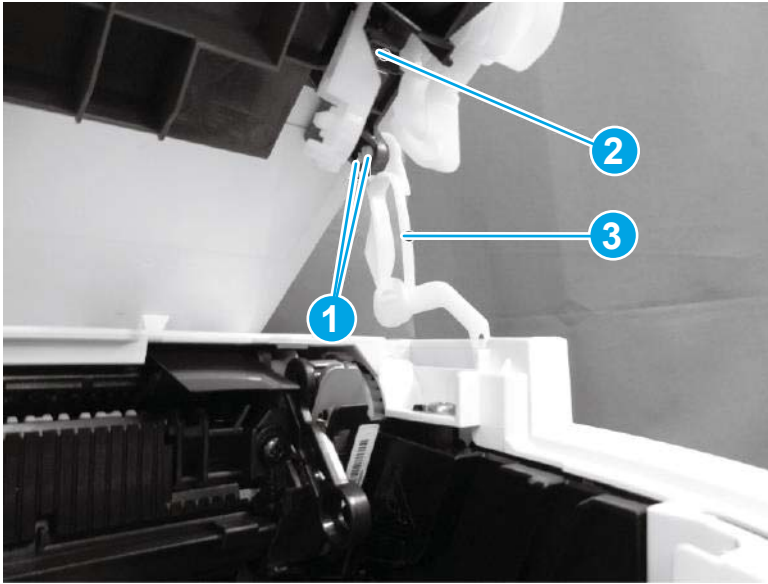
4. Release two tabs (callout 1), and then remove one link arm (callout 3) from the pressure release lever (callout 2).

Figure 1-125 Remove the link arm



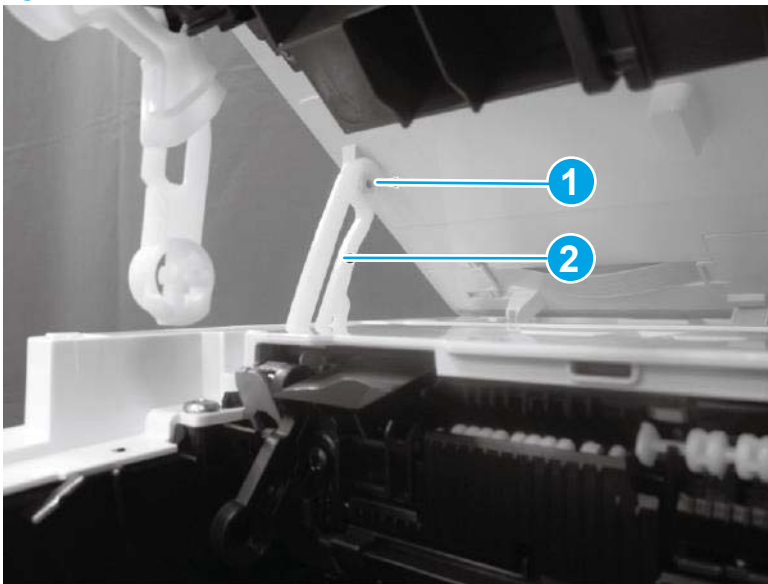
5. Release two tabs (callout 1), and then remove one link arm (callout 3) from the cartridge door (callout 2).

Figure 1-126 Remove the link arm



6. Remove one link arm (callout 2) from the shaft (callout 1).

Figure 1-127 Remove the link arm

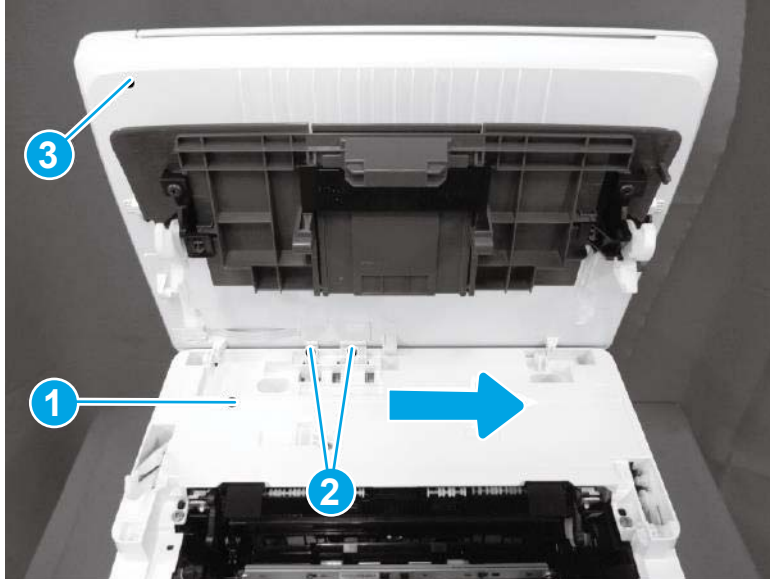


7. Pull two flat-flexible cables (FFCs) (callout 2) out and away from the top cover (callout 1), and then slide the image scanner (callout 3) as shown below to remove it.

**CAUTION:** Do not damage the FFCs.

**Reinstallation tip:** Reverse the removal steps to install the assembly.

**Figure 1-128** Remove the image scanner

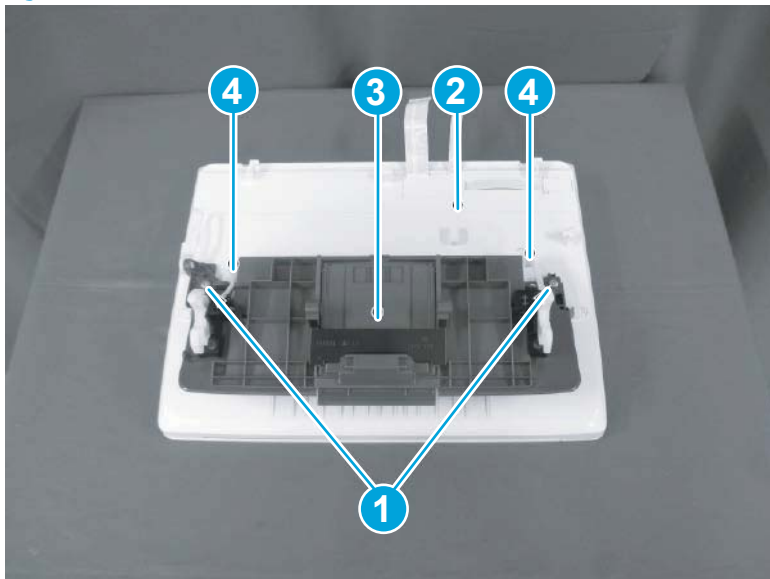


8. For a replacement image scanner, do the following:

**NOTE:** If the image scanner is removed to access other assemblies, skip this step.

- Remove two screws (callout 1).
- Remove the cartridge door (callout 3) (with the link arms; callout 4) from the image scanner (callout 2).

**Figure 1-129** Remove the cartridge door



### Step 3: Remove the top cover (MFP M28-M31)

1. Remove two screws (M3; callout 1), remove seven screws (M4; callout 2), release one tab (callout 3), and then remove the top cover (callout 4).


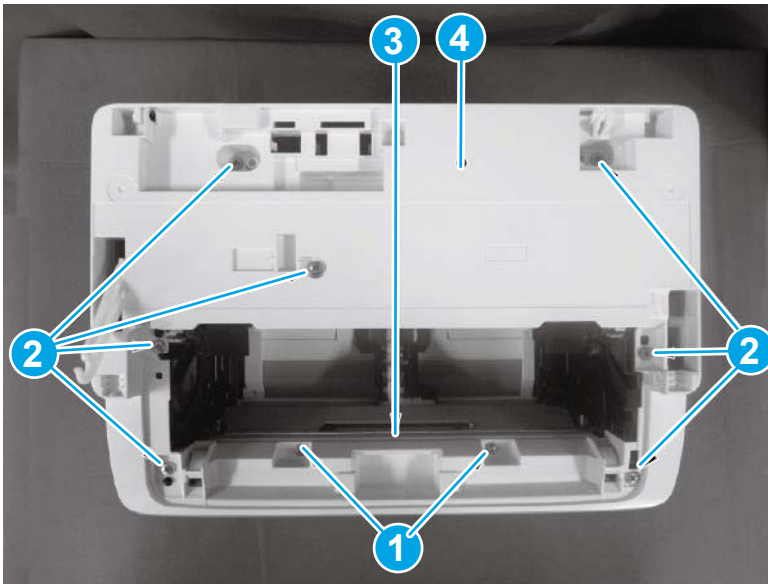

 **Reinstallation tip:** Reverse the removal steps to install the assembly.

Figure 1-130 Remove the top cover



2. Reverse the removal steps to install the assembly. Also use the following special installation instructions.

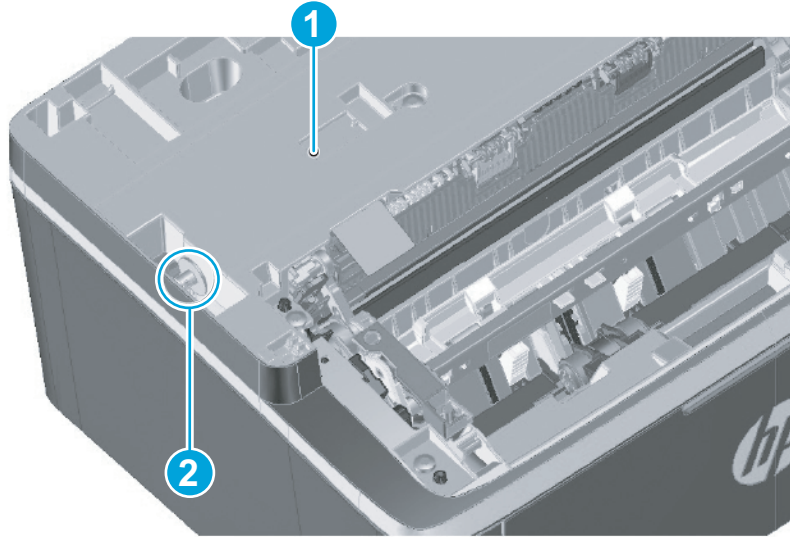
 **NOTE:** Continue to reverse the removal steps to finish installing the assembly.

 **TIP:** If the top cover is removed to access other assemblies, skip this step.

#### Special installation instructions: Top cover

- ▲ Remove the pad (callout 2) from the top cover (callout 1), and then install it on the replacement top cover.

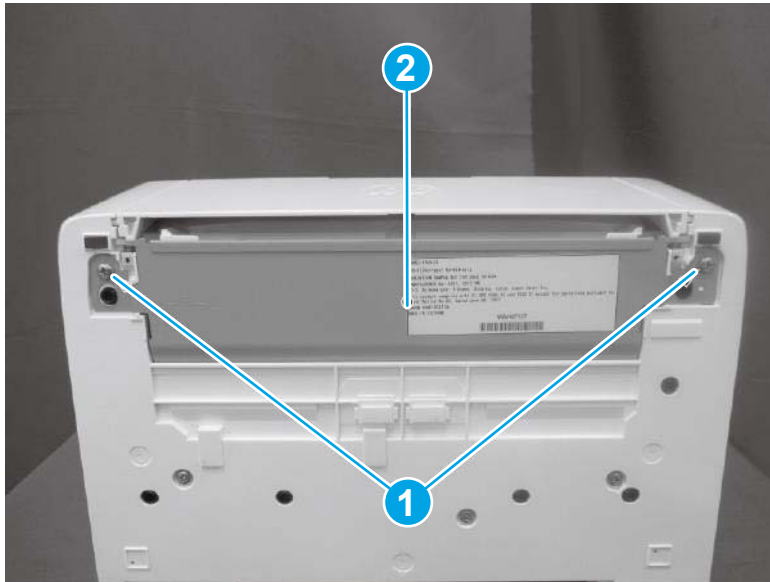
Figure 1-131 Install the pad



**Step 4: Remove the lower cover (MFP M28-M31)**

1. Position the printer rear side down, remove two screws (callout 1), and then remove the lower plate (callout 2)

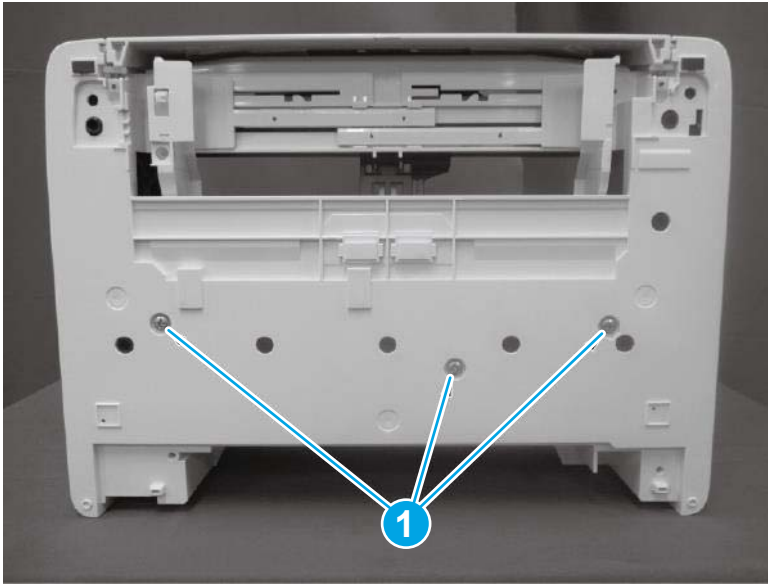
Figure 1-132 Remove the lower plate





2. Remove three screws (callout 1).

Figure 1-133 Remove three screws



3. Remove two screws (callout 1), and then remove the lower cover (callout 2).


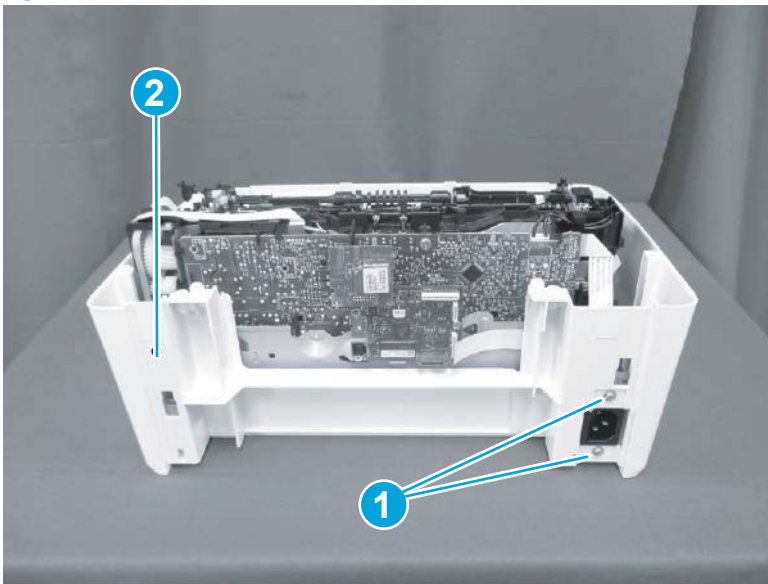
 **Reinstallation tip:** Reverse the removal steps to install the assembly.

Figure 1-134 Remove the lower cover

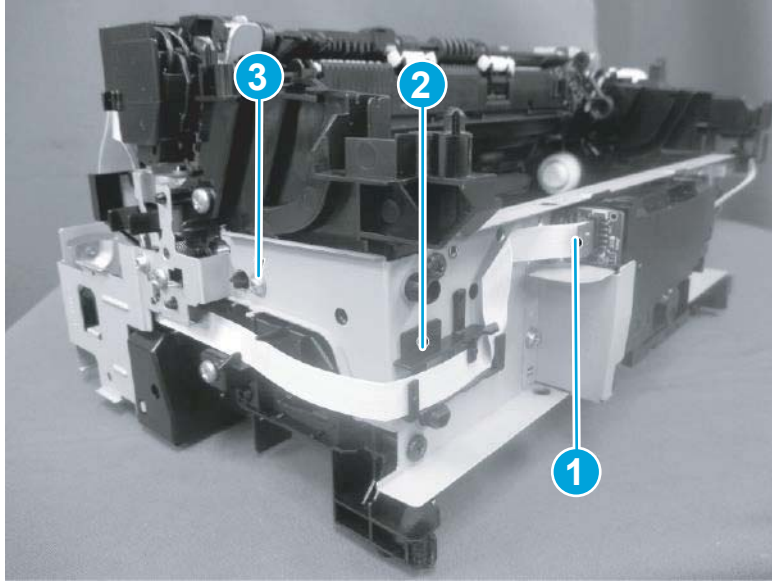


### Step 6: Remove the pickup roller arm (M28-M31)

1. Disconnect one flat-flexible cable (FFC) (callout 1), release the FFC from the guide (callout 2), and then remove one screw (callout 3).



Figure 1-135 Release the FFC and remove one screw



2. Disconnect one connector (callout 1), remove four screws (callout 2), and then remove the scanner stay (callout 3) and laser scanner assembly (callout 4).

 **NOTE:** Remove the scanner stay and laser scanner assembly as one part.


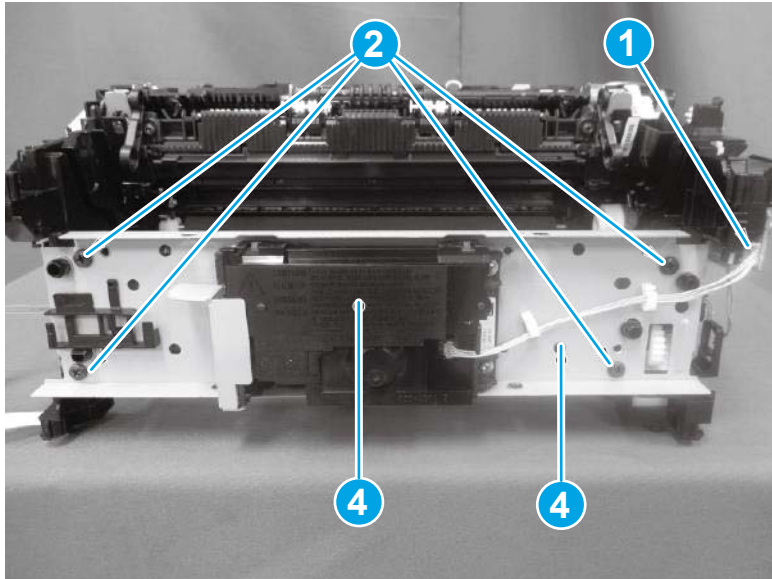
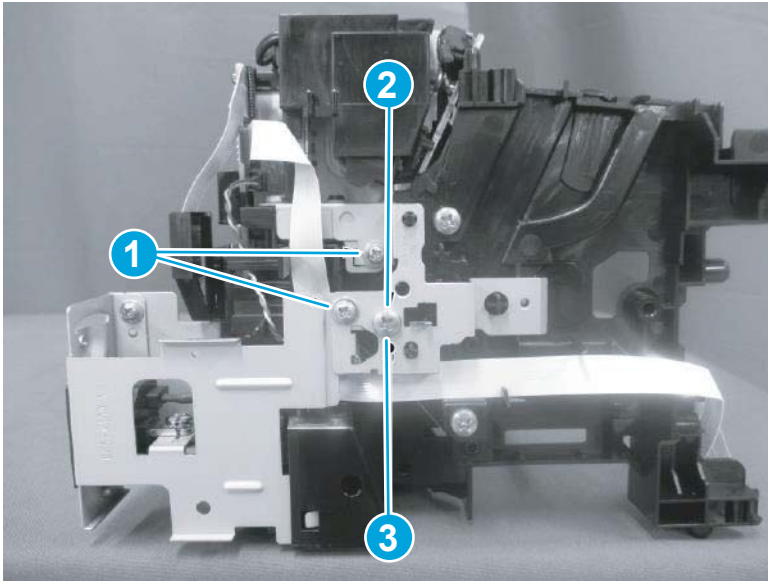
 **Reinstallation tip:** Make sure that the printer is on a flat surface when reinstalling the scanner stay (callout 3).

Figure 1-136 Remove the scanner stay and laser scanner assembly



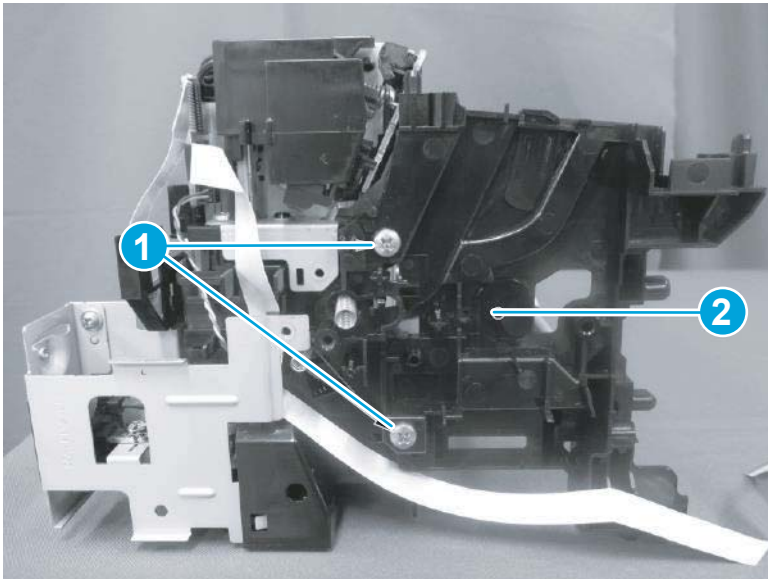
3. Remove two screws (M3; callout 1), remove one screw (M4; callout 1), and then remove the plate (callout 3).

Figure 1-137 Remove the plate



4. Remove two screws (callout 1), and then remove the cartridge guide (callout 2).

Figure 1-138 Remove the cartridge guide

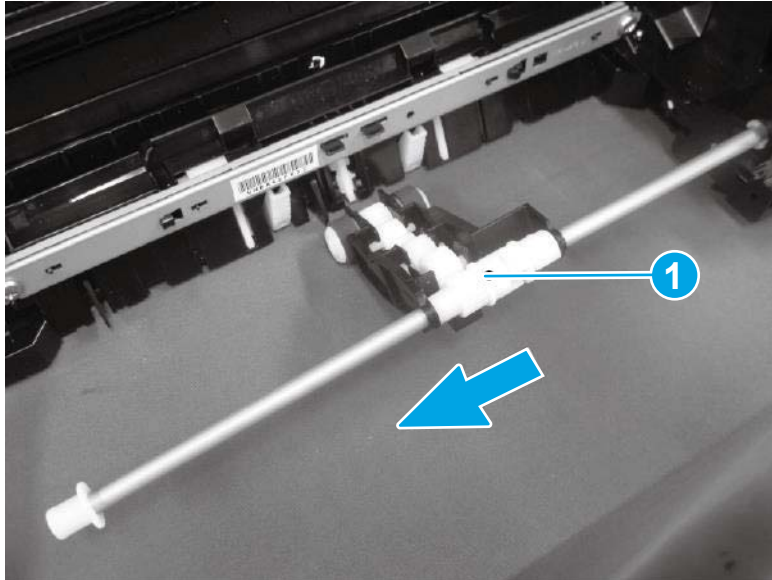


- Slide the pickup roller arm (callout 1) as shown below to remove it.

**CAUTION:** Do not apply great force to the pickup roller arm shaft when removing it to avoid deforming the shaft.

**Reinstallation tip:** To reinstall the pick roller arm, see [Special installation instructions: Pickup roller arm \(M28-M31\)](#) on page 133.

**Figure 1-139** Remove the pickup roller arm



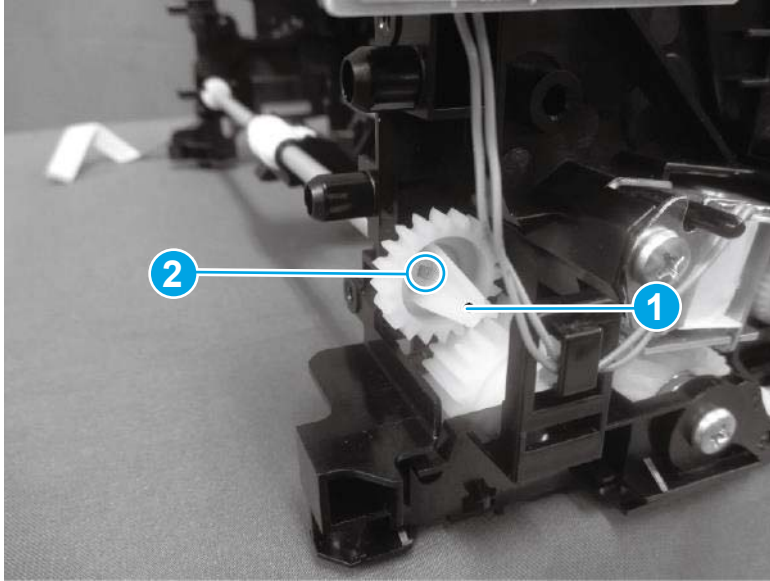
- Reverse the removal steps to install the assembly. Also use the following special installation instructions.

**Special installation instructions: Pickup roller arm (M28-M31)**

- ▲ When the pick roller arm is correctly installed, the stepped end of the shaft (callout 2) protrudes from the hole in the gear (callout 1).

**NOTE:** Continue to reverse the removal steps to finish installing the assembly.

Figure 1-140 Reinstall the pickup roller arm



### Step 7: Unpack the replacement assembly

1. Dispose of the defective part.



**NOTE:** HP recommends responsible disposal of the defective part.

[www.hp.com/recycle](http://www.hp.com/recycle)



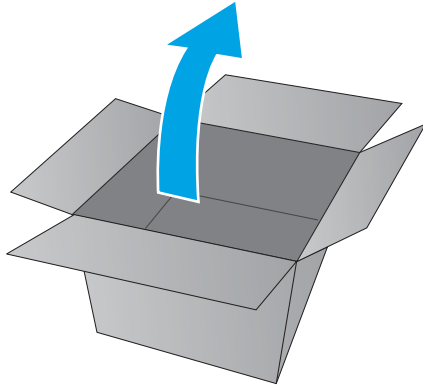
2. Unpack the replacement part from the packaging.

---

**⚠ CAUTION:** If the replacement part is a roller or pad, avoid touching the spongy part of it. Skin oils on the roller or pad can cause paper pickup and/or print-quality problems. HP recommends using disposable gloves when handling rollers or pads or washing your hands or before touching rollers or pads.

**📋 IMPORTANT:** Make sure that all of the shipping materials (for example shipping tape) are removed from the replacement part prior to installation.

---



## Remove and replacement: Transfer roller

- [Introduction](#)
- [Step 1: Remove the roller](#)
- [Step 2: Unpack the replacement assembly](#)
- [Step 3: Install the roller](#)

### Introduction

This document provides the procedures to remove and replace the transfer roller.



**IMPORTANT:** When applicable, special installation instructions are provided for an assembly at the end of the removal procedure. Always completely read the removal instructions and follow all special installation instructions.

### Before performing service

- Turn the printer power off.

Use the table below to identify the correct part number for your printer. To order the part, go to [www.hp.com/buy/parts](http://www.hp.com/buy/parts)

| Transfer roller part number |                 |
|-----------------------------|-----------------|
| RM1-4023-000CN              | Transfer roller |

### Required tools

- No special tools are needed to remove or install this assembly.

### After performing service

- Make sure that the cartridge door is fully closed after replacing the transfer roller.
- Turn the printer power on.

### Post service test

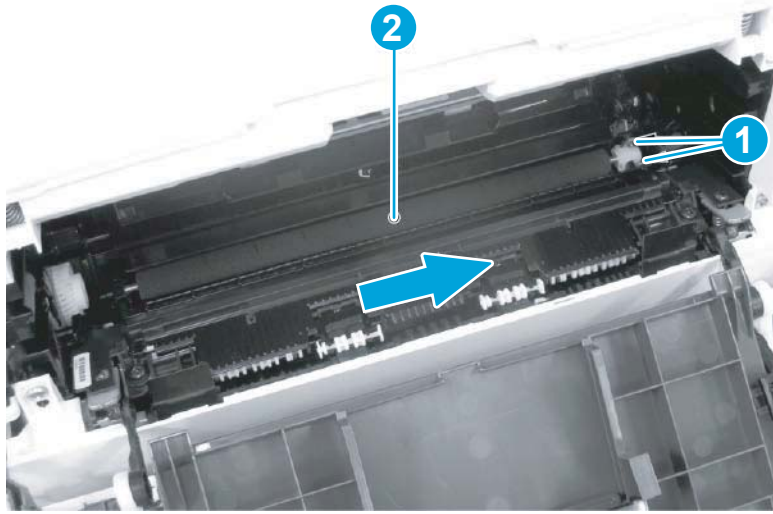
Send a job to the printer, and then verify that print quality is acceptable.

### Step 1: Remove the roller

Open the toner-cartridge door, and the position the printer with the rear side down.

- ▲ Pinch two tabs (callout 1), and then pull out the transfer roller (callout 2) retainer.

Figure 1-141 Remove transfer roller



### Step 2: Unpack the replacement assembly

1. Dispose of the defective part.

 **NOTE:** HP recommends responsible disposal of the defective part.

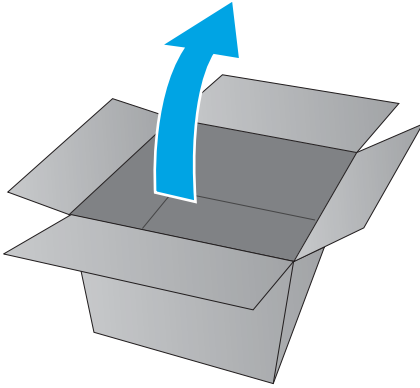
[www.hp.com/recycle](http://www.hp.com/recycle)



2. Unpack the replacement part from the packaging.

**⚠ CAUTION:** If the replacement part is a roller or pad, avoid touching the spongy part of it. Skin oils on the roller or pad can cause paper pickup and/or print-quality problems. HP recommends using disposable gloves when handling rollers or pads or washing your hands or before touching rollers or pads.

**📄 IMPORTANT:** Make sure that all of the shipping materials (for example shipping tape) are removed from the replacement part prior to installation.

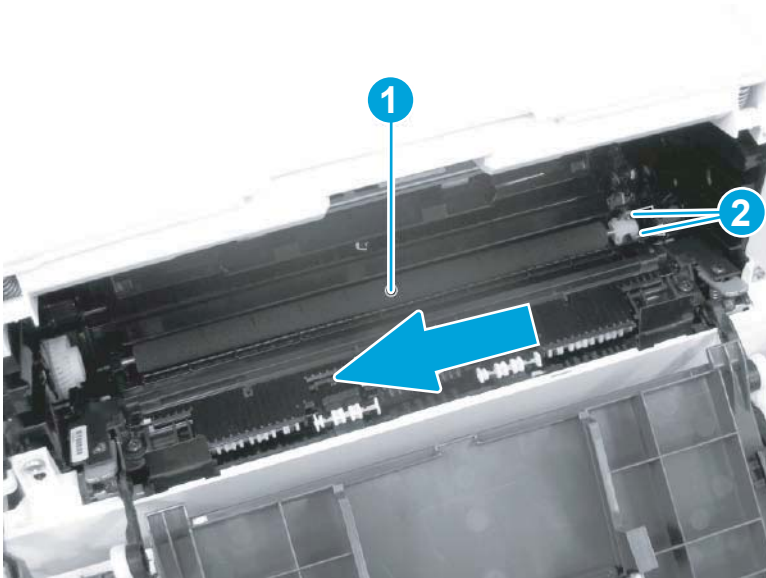


### Step 3: Install the roller

**⚠ CAUTION:** Do not touch the black spongy portion of the replacement roller. Skin oils on the roller can cause paper handling problems.

- ▲ Install the shaft end of the roller (callout 1) in the holder, and then install the retainer. Make sure that the two tabs (callout 2) snap into place.

Figure 1-142 Install the transfer roller





## Remove and replacement: Hinge link (M28-M31)

- [Introduction](#)
- [Step 1: Remove the hinge link \(M28-M31\)](#)
- [Step 2: Unpack the replacement assembly](#)

### Introduction

This document provides the procedures to remove and replace the hinge link (M28-M31).



**IMPORTANT:** When applicable, special installation instructions are provided for an assembly at the end of the removal procedure. Always completely read the removal instructions and follow all special installation instructions.

### Before performing service

- Turn the printer power off.

Use the table below to identify the correct part number for your printer. To order the part, go to [www.hp.com/buy/parts](http://www.hp.com/buy/parts)

| Hinge link (M28-M31) part number |                      |
|----------------------------------|----------------------|
| RC5-4941-000CN                   | Hinge link (M28-M31) |

### Required tools

- No special tools are needed to remove or install this assembly.

### After performing service

- Make sure that the document lid is fully closed after replacing it.
- Turn the printer power on.

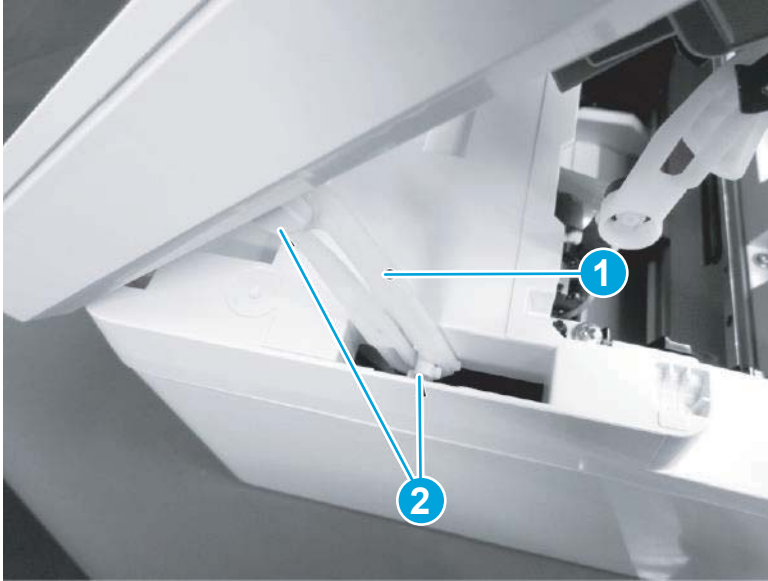
### Post service test

No post service test is available for this assembly.

### Step 1: Remove the hinge link (M28-M31)


- ▲ Do the following:
  - Open the cartridge door.
  - Release the hinge link (callout 1) from two shafts (callout 2) to remove it.

Figure 1-143 Remove the hinge link (M28-M31)



### Step 2: Unpack the replacement assembly

1. Dispose of the defective part.

 **NOTE:** HP recommends responsible disposal of the defective part.

[www.hp.com/recycle](http://www.hp.com/recycle)



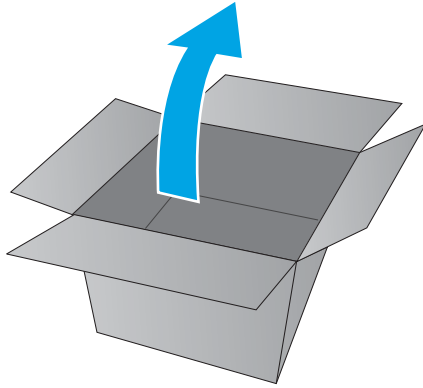
2. Unpack the replacement part from the packaging.

---

**⚠ CAUTION:** If the replacement part is a roller or pad, avoid touching the spongy part of it. Skin oils on the roller or pad can cause paper pickup and/or print-quality problems. HP recommends using disposable gloves when handling rollers or pads or washing your hands or before touching rollers or pads.

**📋 IMPORTANT:** Make sure that all of the shipping materials (for example shipping tape) are removed from the replacement part prior to installation.

---



## Remove and replacement: Laser scanner and flat flexible cable

- [Introduction](#)
- [Step 1: Remove the cartridge door \(M14-M17\)](#)
- [Step 2: Remove the formatter cover \(M14-M17\)](#)
- [Step 3: Remove the lower cover \(M14-M17\)](#)
- [Step 4: Remove the formatter cover \(MFP M28-M31\)](#)
- [Step 5: Remove the image scanner \(MFP M28-M31\)](#)
- [Step 6: Remove the top cover \(MFP M28-M31\)](#)
- [Step 7: Remove the lower cover \(MFP M28-M31\)](#)
- [Step 8: Remove the laser scanner and FFC](#)
- [Step 9: Unpack the replacement assembly](#)

### Introduction

This document provides the procedures to remove and replace the laser scanner.



**IMPORTANT:** When applicable, special installation instructions are provided for an assembly at the end of the removal procedure. Always completely read the removal instructions and follow all special installation instructions.

### Before performing service

- Turn the printer power off.

Use the table below to identify the correct part number for your printer. To order the part, go to [www.hp.com/buy/parts](http://www.hp.com/buy/parts)

---

#### Laser scanner and laser scanner FFC part numbers

---

|                |                        |
|----------------|------------------------|
| RM2-2150-000CN | Laser scanner assembly |
| RK2-9875-000CN | FFC, laser scanner     |

---

### Required tools

- #2 Phillips screwdriver with a magnetic tip


### After performing service

- Turn the printer power on.

### Post service test

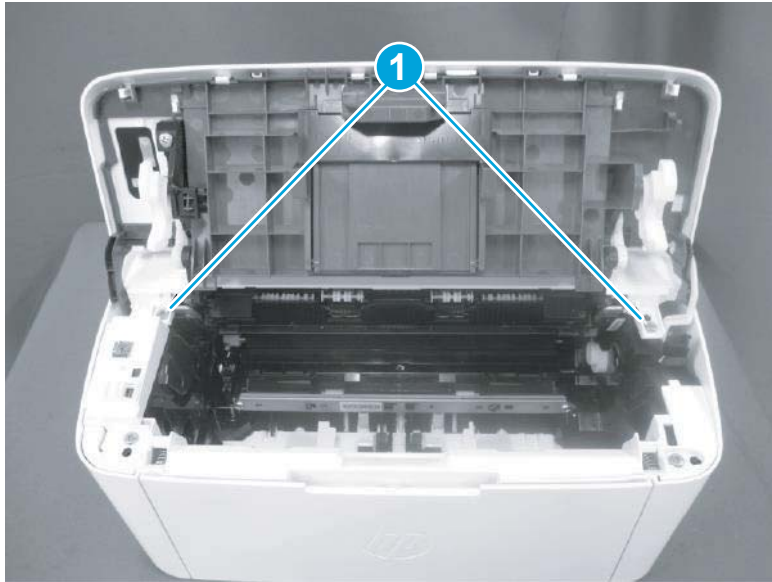
Send a job to the printer, and then verify that print quality is acceptable.

## Step 1: Remove the cartridge door (M14-M17)

 **NOTE:** This step is for the M14-M17 printers. For all other printers, skip this step and go to [Step 4: Remove the formatter cover \(MFP M28-M31\) on page 150.](#)

1. Open the cartridge door, and then remove two screws (callout 1).

Figure 1-144 Remove two screw

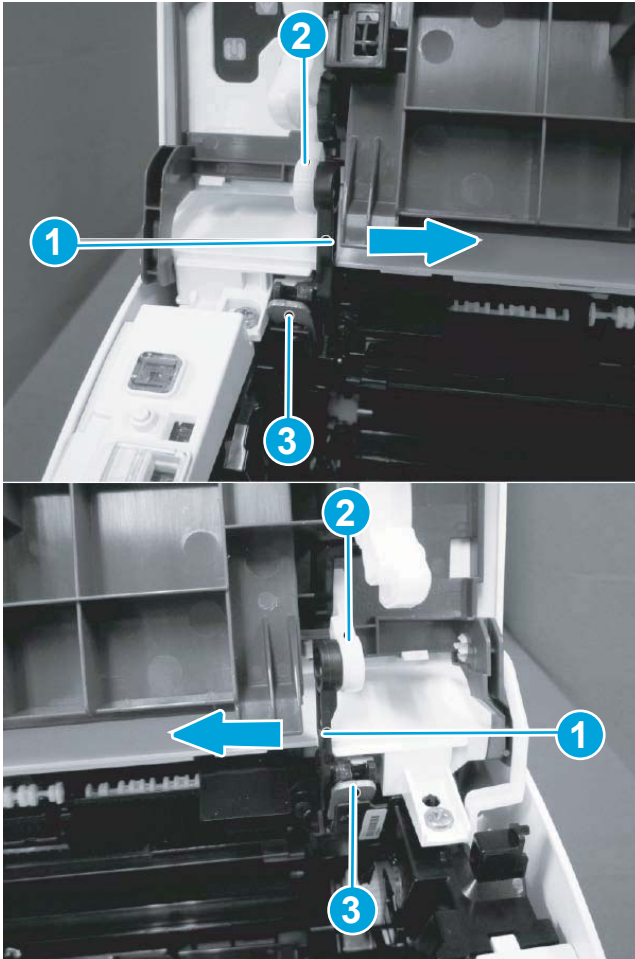


2. Before proceeding, take note of the following disassembly instructions.

When removing the link arm (callout 2) from the pressure release lever (callout 1), the pressure plate (callout 3) might be deformed if the pressure release lever moves in the direction shown below.

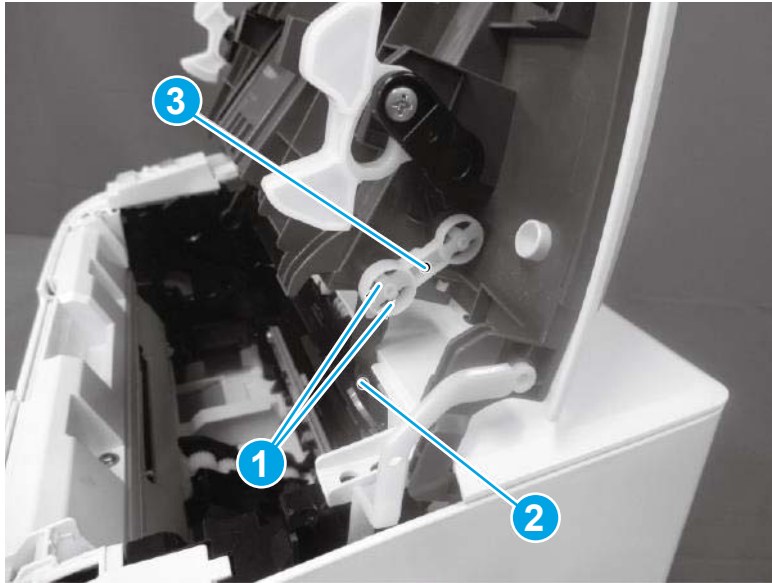
**CAUTION:** Do not deform the pressure plate.

Figure 1-145 Special disassembly instructions



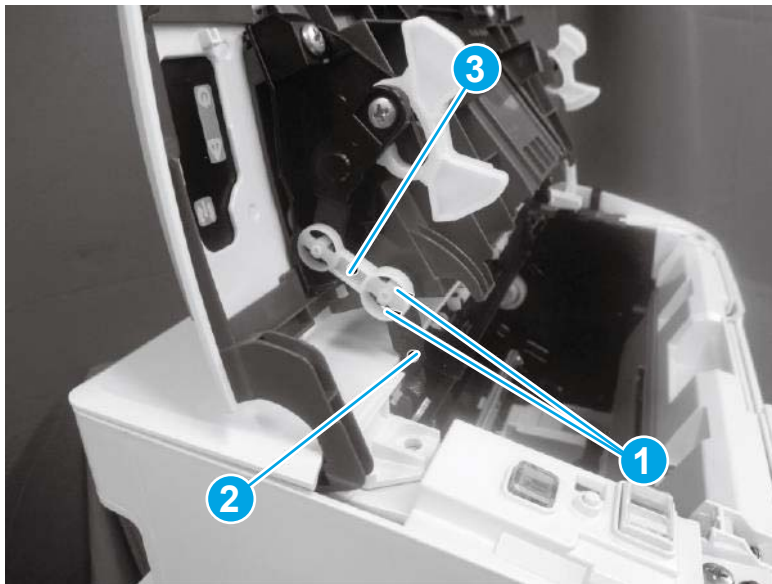
3. Release two tabs (callout 1), and then remove one link arm (callout 3) from the pressure release lever (callout 2).

Figure 1-146 Remove the link arm



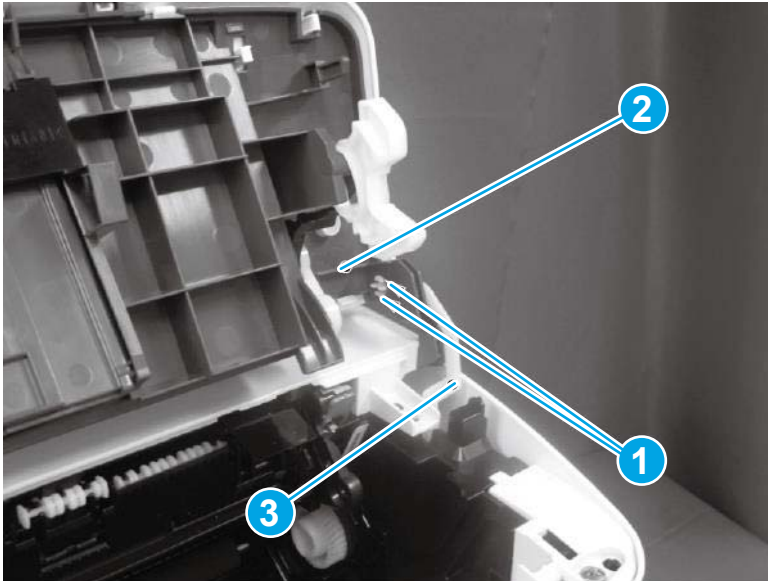
4. Release two tabs (callout 1), and then remove one link arm (callout 3) from the pressure release lever (callout 2).

Figure 1-147 Remove the link arm




5. Release two tabs (callout 1), and then remove one link arm (callout 3) from the cartridge door assembly (callout 2).


Figure 1-148 Remove the link arm



6. Release one tab (callout 1), support the cartridge door (callout 2), and then remove it.

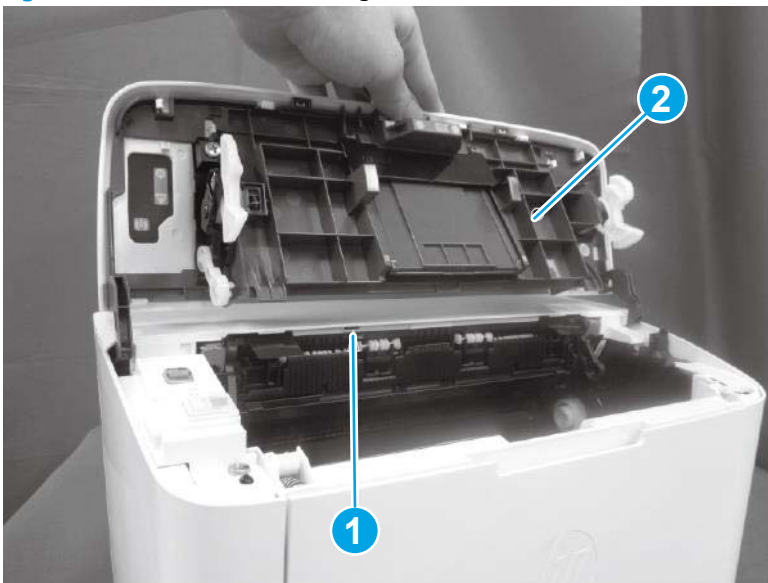
---

 **NOTE:** If the cartridge door is removed to access other assembly, stop at this step.

 **Reinstallation tip:** Reverse the removal steps to install the door.


---

Figure 1-149 Remove the cartridge door



7. **Optional step:** If a replacement cartridge door is being installed, do the following:

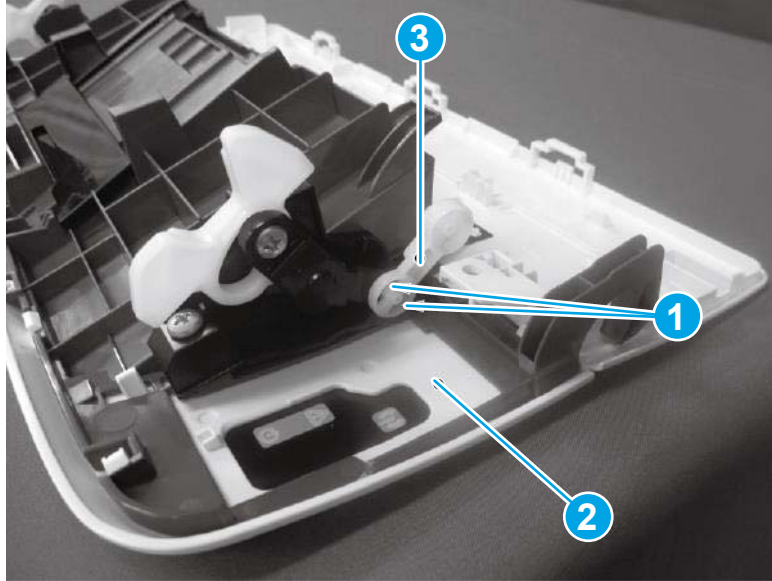
---

 **NOTE:** Install the link arms on the replacement door.

- a. Release two tabs (callout 1), and then remove the one link arm (callout 3) from the door assembly (callout 2).

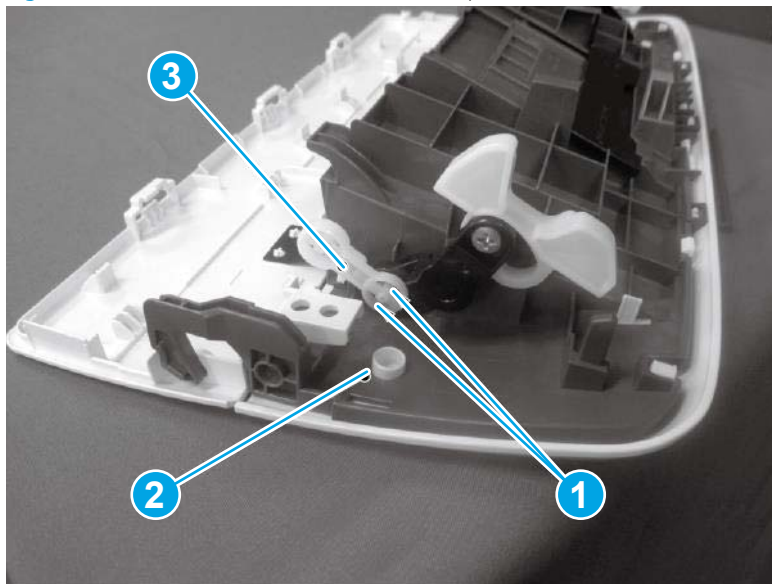


Figure 1-150 Install the link arms on the replacement door




- b. Release two tabs (callout 1), and then remove the one link arm (callout 3) from the door assembly (callout 2).

Figure 1-151 Install the link arms on the replacement door



## Step 2: Remove the formatter cover (M14-M17)

 **NOTE:** This step is for the M14-M17 printers. For all other printers, skip this step and go to [Step 4: Remove the formatter cover \(MFP M28-M31\) on page 150.](#)

- ▲ Position the printer front side down.

Release one tab (callout 1), and then remove the formatter cover (callout 2).


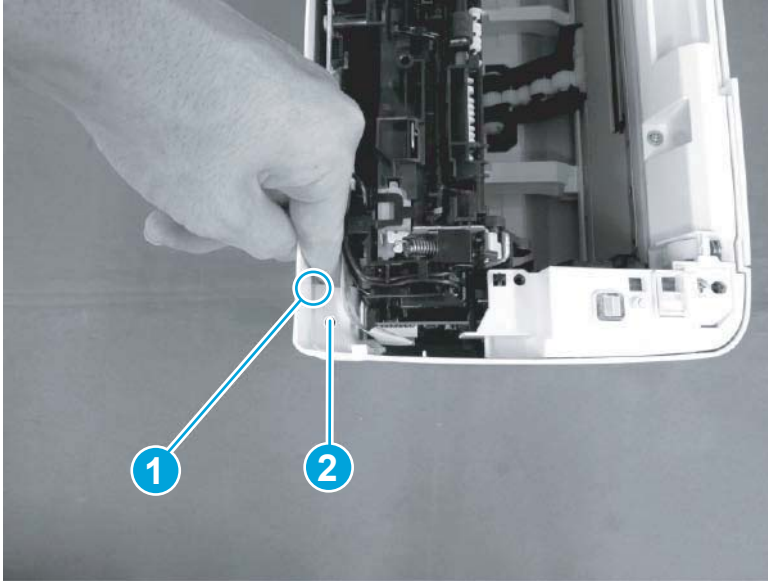

 **Reinstallation tip:** Reverse the removal steps to install the assembly.

Figure 1-152 Remove the formatter cover (M14-M17)

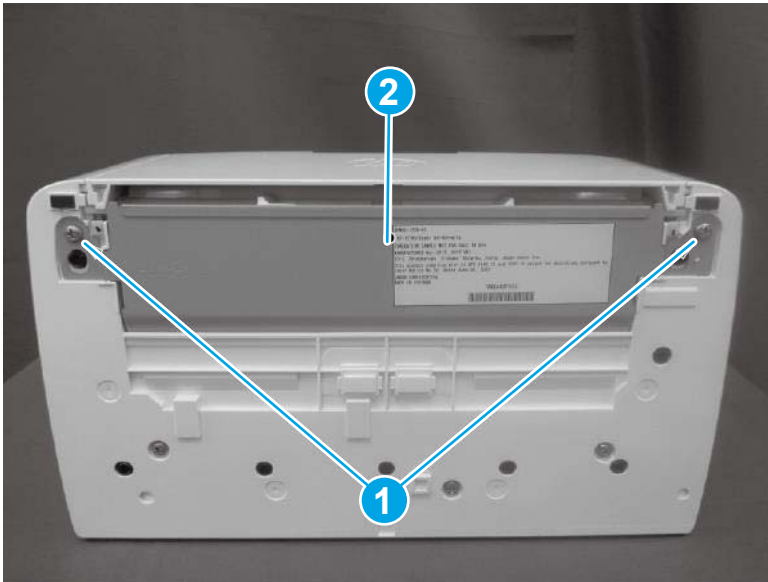


### Step 3: Remove the lower cover (M14-M17)

 **NOTE:** This step is for the M14-M17 printers. For all other printers, skip this step and go to [Step 4: Remove the formatter cover \(MFP M28-M31\)](#) on page 150.

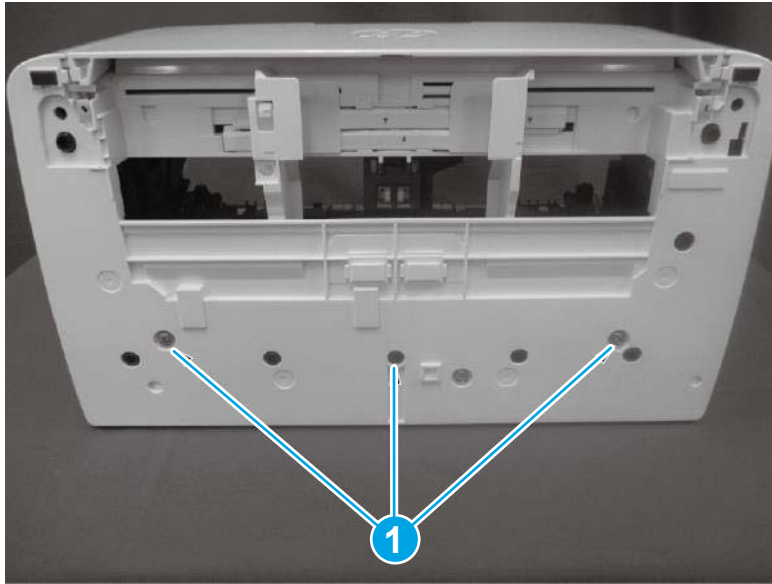
1. Position the printer rear side down, remove three screws (callout 1), and then remove the lower plate (callout 2).

Figure 1-153 Remove the lower plate



2. Remove three screws (callout 1)

Figure 1-154 Remove the three screws



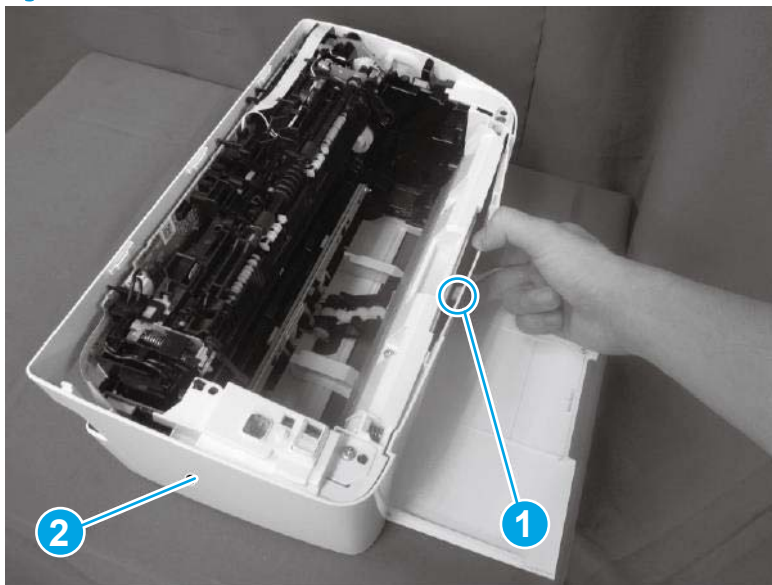
3. With the printer in the upright position, release one tab (callout 1), and then remove the lower cover (callout 2).

---

 **Reinstallation tip:** Reverse the removal steps to install the assembly.

---

Figure 1-155 Remove the lower cover



4. Reverse the removal steps to install the assembly. Also use the following special installation instructions.

---

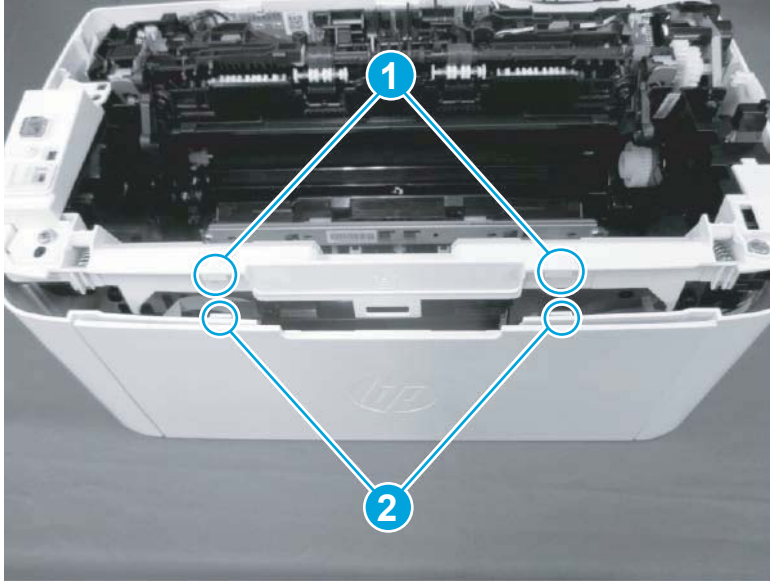
 **NOTE:** Continue to reverse the removal steps to finish installing the assembly.

---


**Special installation instructions: Lower cover**

- ▲ Make sure to fit two ribs (callout 1) on the printer into the grooves (callout 2) in the lower cover.

Figure 1-156 Fit two ribs on the printer into the grooves (lower cover install)



#### Step 4: Remove the formatter cover (MFP M28-M31)

 **NOTE:** This step is for the MFP M28-M31 printers. For all other printers, skip this step and go to [Step 8: Remove the laser scanner and FFC on page 158](#).

- ▲ Position the printer front side down.

Remove two screws (callout 1), and then remove the formatter cover (callout 2).


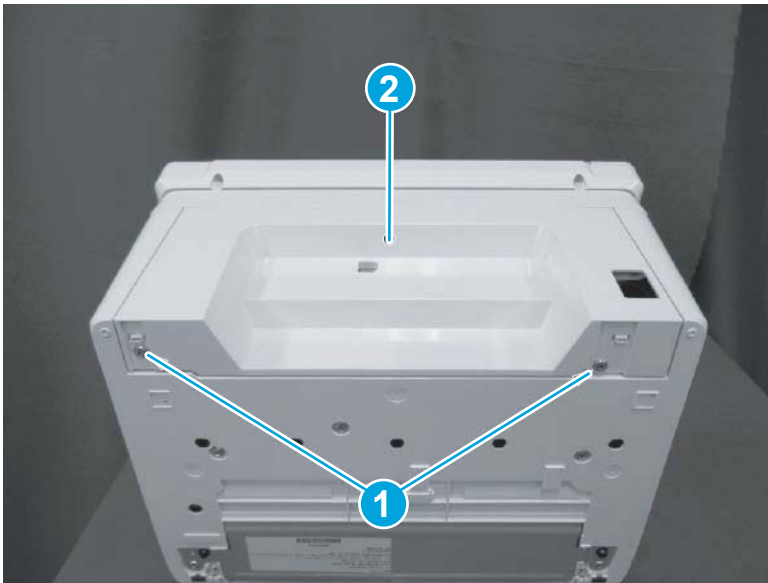

 **Reinstallation tip:** Reverse the removal steps to install the assembly.

Figure 1-157 Remove the formatter cover (MFP M28-M31)

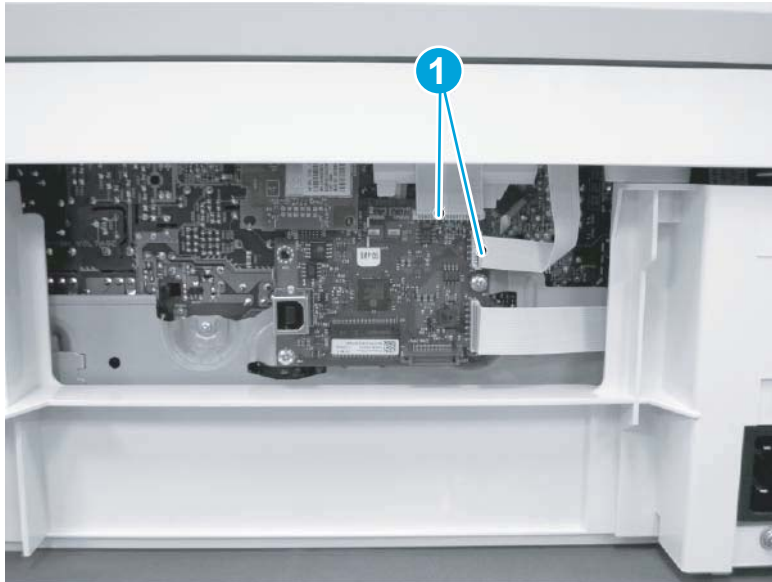


## Step 5: Remove the image scanner (MFP M28-M31)

 **NOTE:** This step is for the MFP M28-M31 printers. For all other printers, skip this step and go to [Step 8: Remove the laser scanner and FFC on page 158](#).

1. Disconnect two flat flexible cables (FFCs) (callout 1).

**Figure 1-158** Disconnect two FFCs

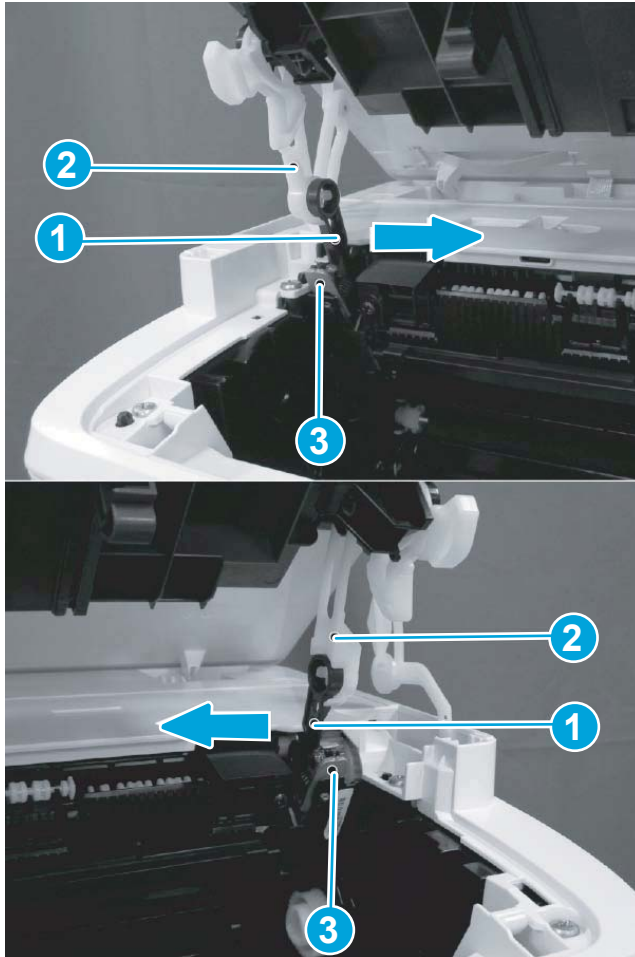


2. Before proceeding, take note of the following disassembly instructions.

When removing the link arm (callout 2) from the pressure release lever (callout 1), the pressure plate (callout 3) might be deformed if the pressure release lever moves in the direction shown below.

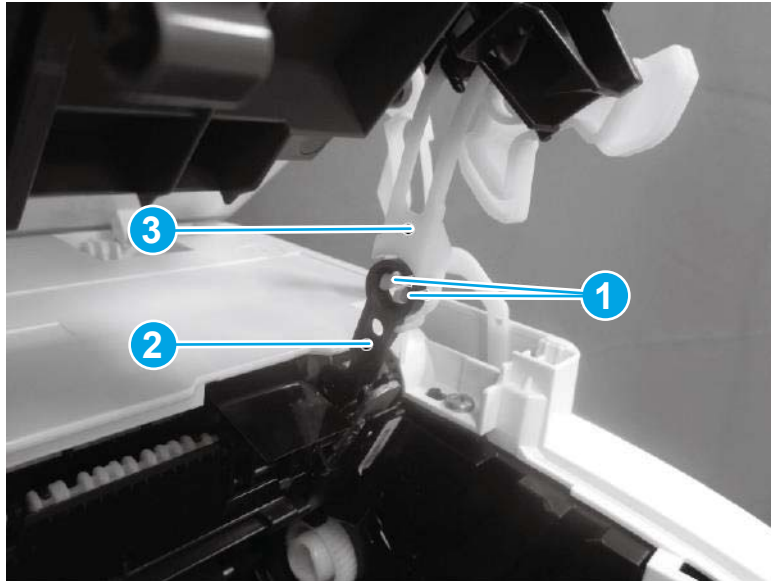
**⚠ CAUTION:** Do not deform the pressure plate.

Figure 1-159 Special disassembly instructions



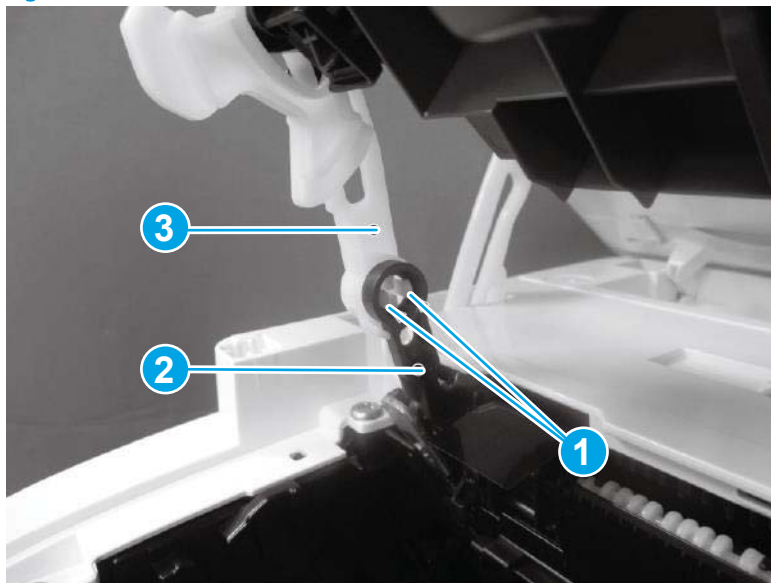
3. Open the image scanner, release two tabs (callout 1), remove one link arm (callout 3) from the pressure release lever (callout 2).

Figure 1-160 Remove the link arm



4. Release two tabs (callout 1), and then remove one link arm (callout 3) from the pressure release lever (callout 2).

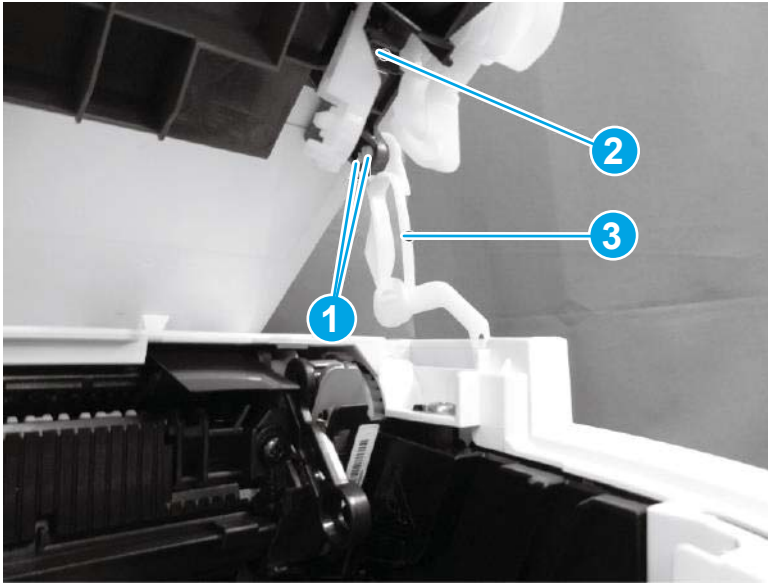
Figure 1-161 Remove the link arm





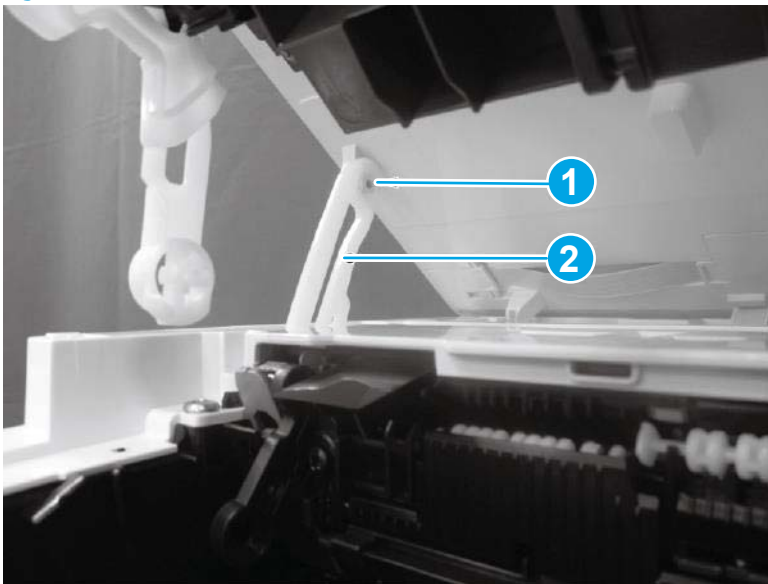
5. Release two tabs (callout 1), and then remove one link arm (callout 3) from the cartridge door (callout 2).

Figure 1-162 Remove the link arm



6. Remove one link arm (callout 2) from the shaft (callout 1).

Figure 1-163 Remove the link arm





7. Pull two flat-flexible cables (FFCs) (callout 2) out and away from the top cover (callout 1), and then slide the image scanner (callout 3) as shown below to remove it.

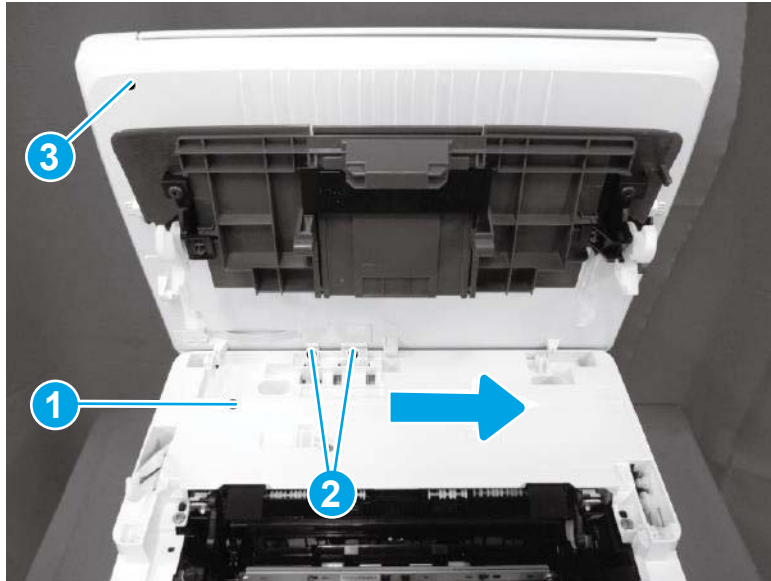
---

**CAUTION:** Do not damage the FFCs.

**Reinstallation tip:** Reverse the removal steps to install the assembly.

---

**Figure 1-164** Remove the image scanner



8. For a replacement image scanner, do the following:

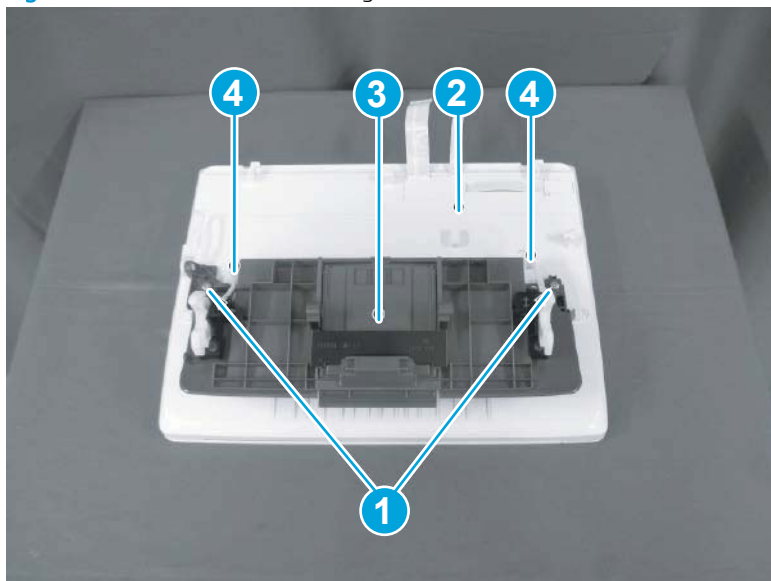
---

**NOTE:** If the image scanner is removed to access other assemblies, skip this step.


---

- Remove two screws (callout 1).
- Remove the cartridge door (callout 3) (with the link arms; callout 4) from the image scanner (callout 2).


**Figure 1-165** Remove the cartridge door



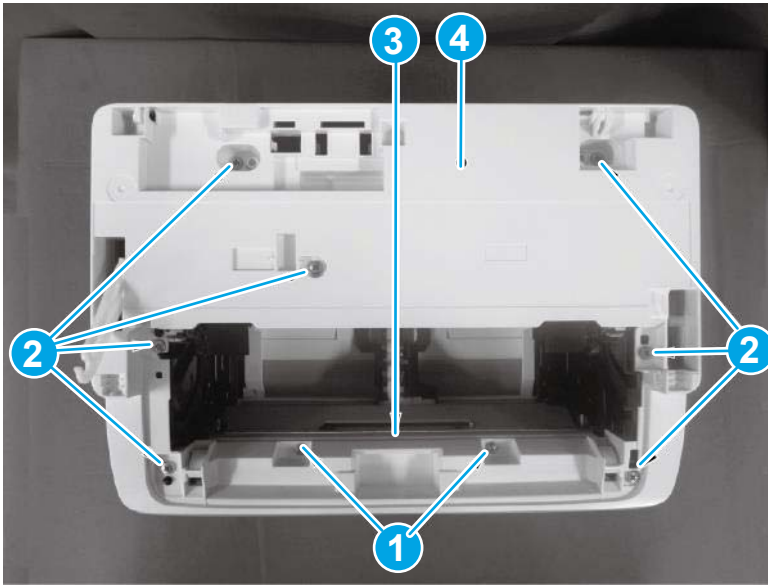
## Step 6: Remove the top cover (MFP M28-M31)

 **NOTE:** This step is for the MFP M28-M31 printers. For all other printers, skip this step and go to [Step 8: Remove the laser scanner and FFC on page 158](#).

1. Remove two screws (M3; callout 1), remove seven screws (M4; callout 2), release one tab (callout 3), and then remove the top cover (callout 4).


 **Reinstallation tip:** Reverse the removal steps to install the assembly.

**Figure 1-166** Remove the top cover



2. Reverse the removal steps to install the assembly. Also use the following special installation instructions.

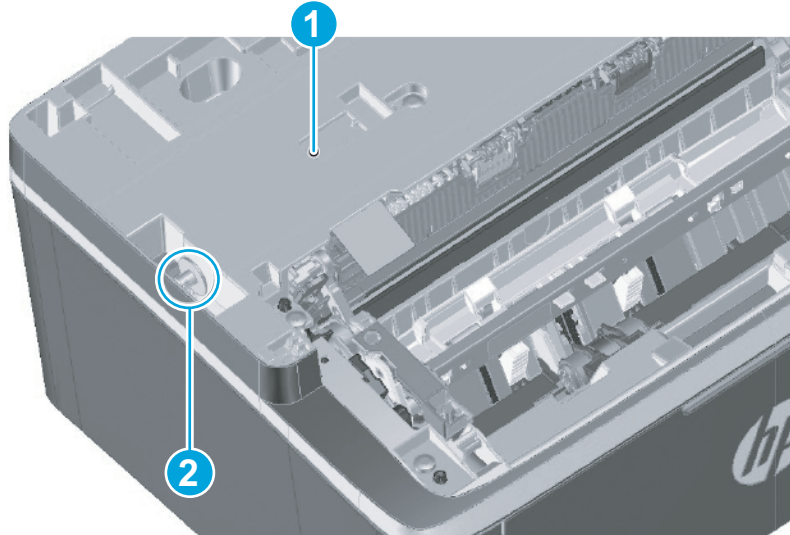
 **NOTE:** Continue to reverse the removal steps to finish installing the assembly.

 **TIP:** If the top cover is removed to access other assemblies, skip this step.


### Special installation instructions: Top cover

- ▲ Remove the pad (callout 2) from the top cover (callout 1), and then install it on the replacement top cover.

Figure 1-167 Install the pad

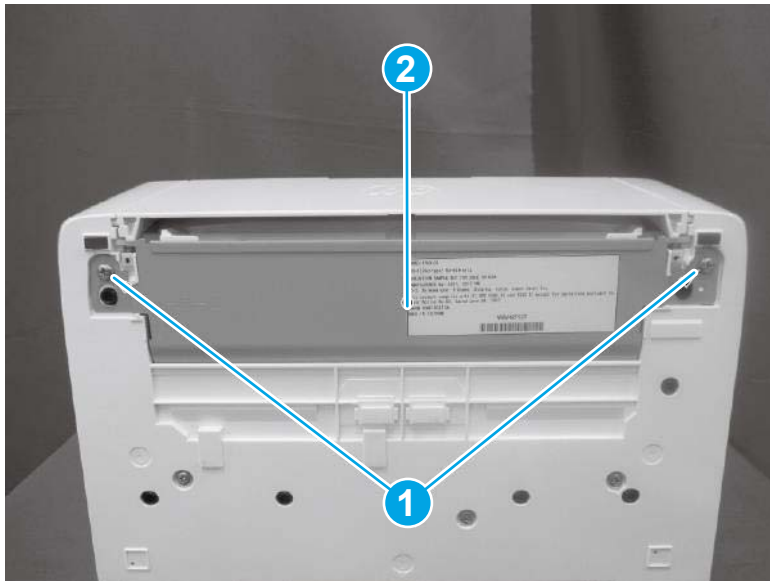


### Step 7: Remove the lower cover (MFP M28-M31)

 **NOTE:** This step is for the MFP M28-M31 printers. For all other printers, skip this step and go to [Step 8: Remove the laser scanner and FFC on page 158](#).

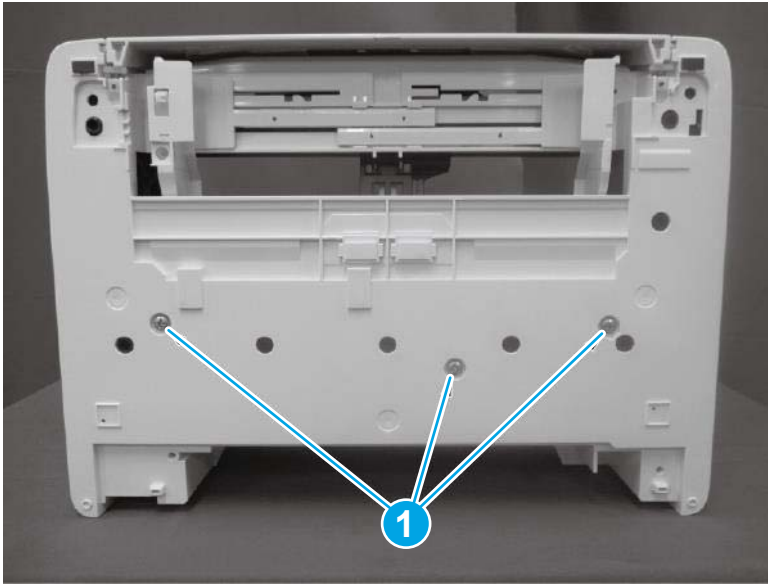
1. Position the printer rear side down, remove two screws (callout 1), and then remove the lower plate (callout 2)

Figure 1-168 Remove the lower plate




2. Remove three screws (callout 1).

Figure 1-169 Remove three screws



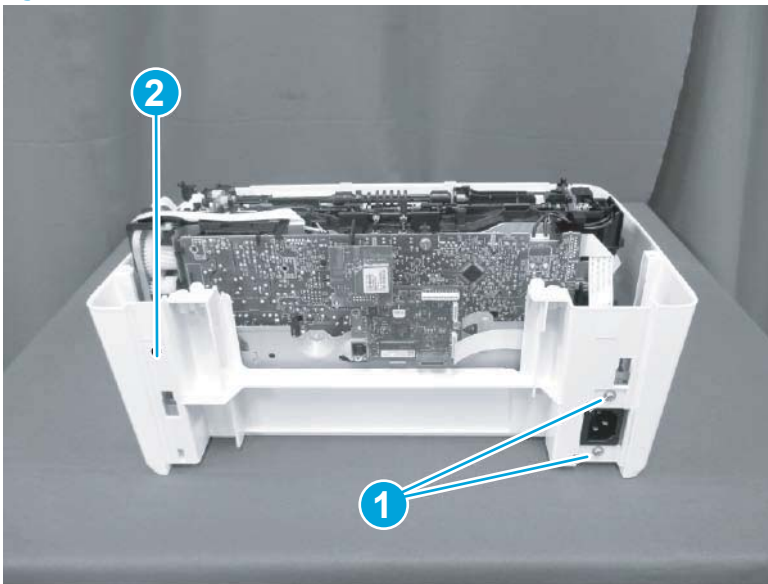
3. Remove two screws (callout 1), and then remove the lower cover (callout 2).

---

 **Reinstallation tip:** Reverse the removal steps to install the assembly.

---


Figure 1-170 Remove the lower cover



### Step 8: Remove the laser scanner and FFC

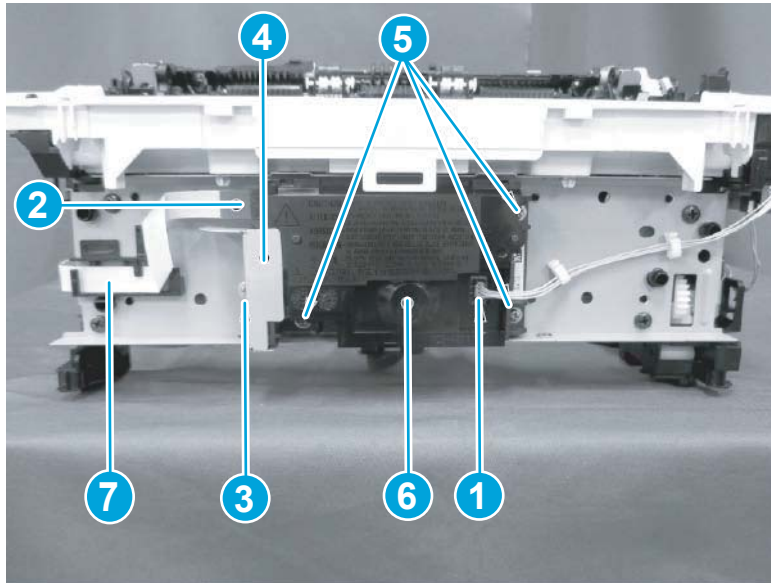
- ▲ Do the following:
  - a. Disconnect one connector (callout 1).
  - b. Disconnect one flat flexible cable (FFC) (callout 2).
  - c. Remove one screw (callout 3).

- d. Remove the shield plate (callout 4).
- e. Remove three screws (callout 5).
- f. Remove the laser scanner assembly (callout 6).
- g. **Optional step:** Remove the laser scanner FFC (callout 7) if needed.

 **Reinstallation tip:** Reverse the removal steps to install the assembly.

---

**Figure 1-171** Remove the laser scanner and FFC



### Step 9: Unpack the replacement assembly

1. Dispose of the defective part.

 **NOTE:** HP recommends responsible disposal of the defective part.

[www.hp.com/recycle](http://www.hp.com/recycle)

---



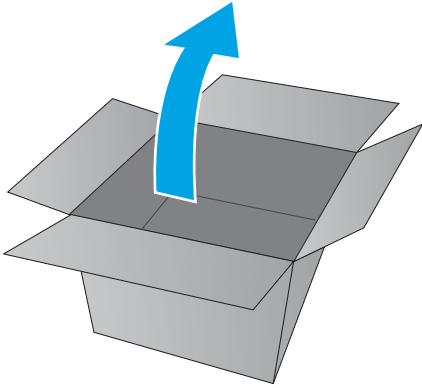
2. Unpack the replacement part from the packaging.

---

**⚠ CAUTION:** If the replacement part is a roller or pad, avoid touching the spongy part of it. Skin oils on the roller or pad can cause paper pickup and/or print-quality problems. HP recommends using disposable gloves when handling rollers or pads or washing your hands or before touching rollers or pads.

**📄 IMPORTANT:** Make sure that all of the shipping materials (for example shipping tape) are removed from the replacement part prior to installation.

---



## Remove and replacement: Formatter (M14-M17)

- [Introduction](#)
- [Step 1: Remove the cartridge door \(M14-M17\)](#)
- [Step 2: Remove the formatter cover \(M14-M17\)](#)
- [Step 3: Remove the lower cover \(M14-M17\)](#)
- [Step 4: Remove the formatter \(M14-M17\)](#)
- [Step 5: Unpack the replacement assembly](#)

### Introduction

This document provides the procedures to remove and replace the formatter (M14-M17).



**IMPORTANT:** When applicable, special installation instructions are provided for an assembly at the end of the removal procedure. Always completely read the removal instructions and follow all special installation instructions.

### Before performing service

- Turn the printer power off.

Use the table below to identify the correct part number for your printer. To order the part, go to [www.hp.com/buy/parts](http://www.hp.com/buy/parts)

| Formatter (M14-M17) part number |   |
|---------------------------------|---|
| W2G50-60001                     | Formatter PCA (base model; M14-M17)     |
| W2G51-60001                     | Formatter PCA (wireless model; M14-M17) |

### Required tools

- #2 Phillips screwdriver with a magnetic tip
- Micro tip Phillips screwdriver with a magnetic tip



**TIP:** This type of driver is sometimes called a jeweler's screwdriver.

- Small flat blade screwdriver (optional)

### After performing service

- Turn the printer power on.

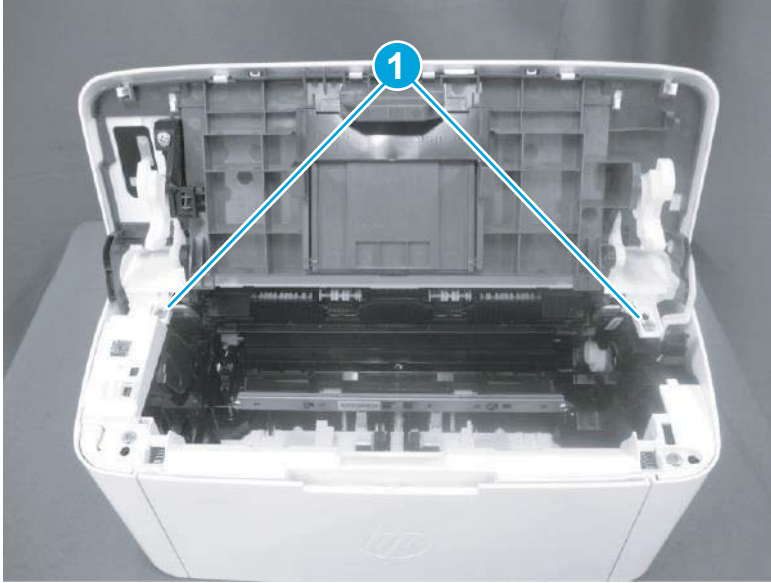
### Post service test

Send a job to the printer, and then verify that print quality is acceptable.

### Step 1: Remove the cartridge door (M14-M17)

1. Open the cartridge door, and then remove two screws (callout 1).

Figure 1-172 Remove two screw



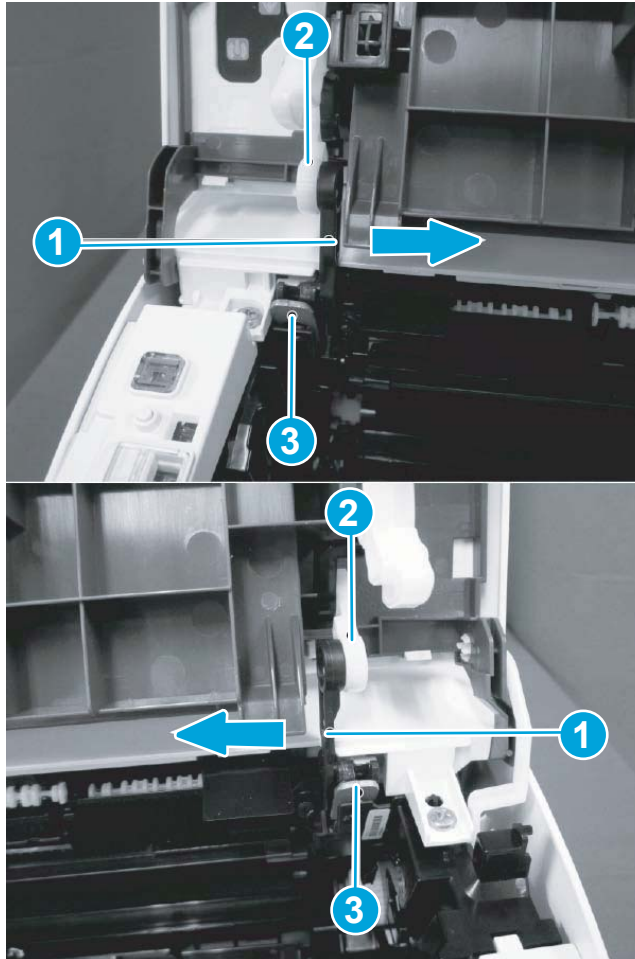


2. Before proceeding, take note of the following disassembly instructions.

When removing the link arm (callout 2) from the pressure release lever (callout 1), the pressure plate (callout 3) might be deformed if the pressure release lever moves in the direction shown below.

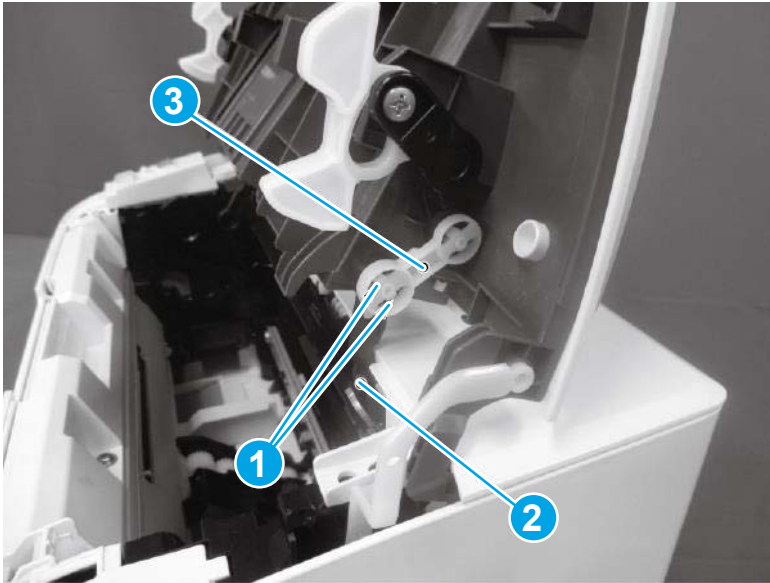
**CAUTION:** Do not deform the pressure plate.

Figure 1-173 Special disassembly instructions



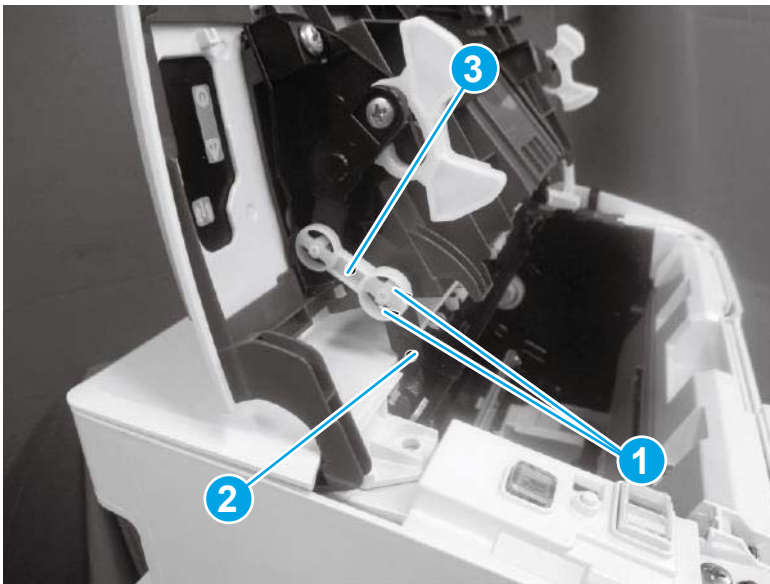
3. Release two tabs (callout 1), and then remove one link arm (callout 3) from the pressure release lever (callout 2).

Figure 1-174 Remove the link arm



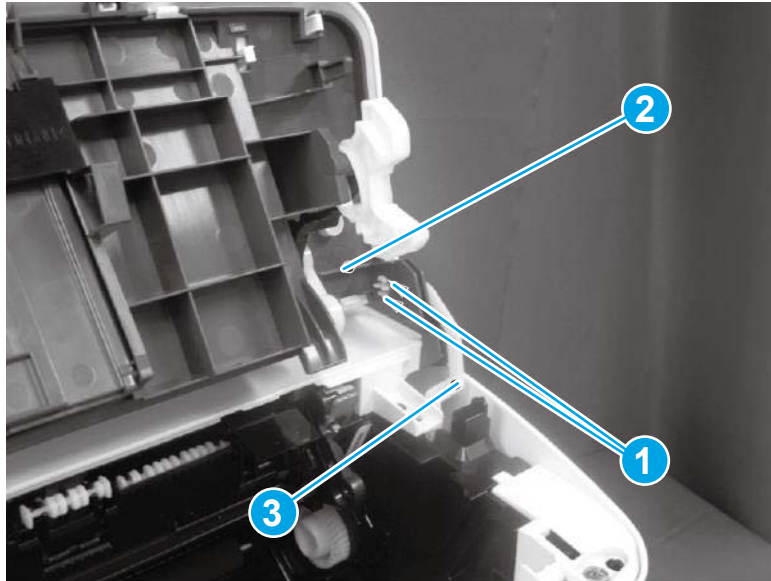
4. Release two tabs (callout 1), and then remove one link arm (callout 3) from the pressure release lever (callout 2).

Figure 1-175 Remove the link arm



5. Release two tabs (callout 1), and then remove one link arm (callout 3) from the cartridge door assembly (callout 2).


Figure 1-176 Remove the link arm



6. Release one tab (callout 1), support the cartridge door (callout 2), and then remove it.

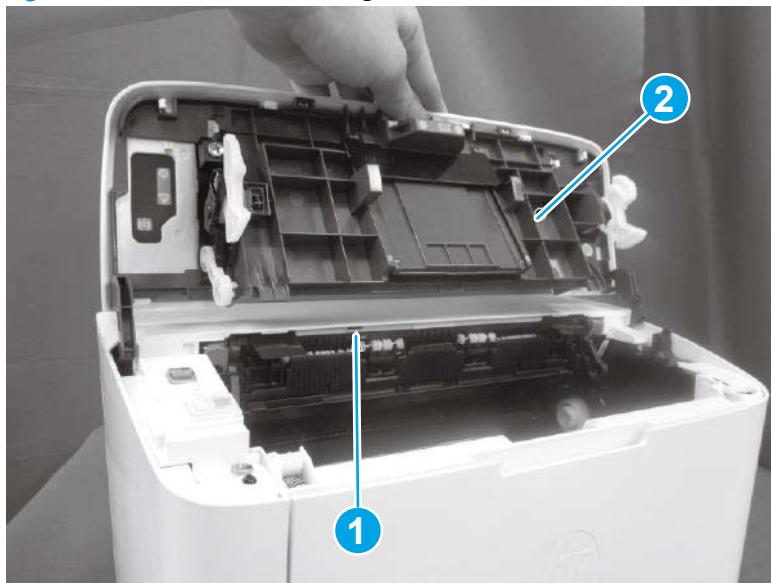
---

 **NOTE:** If the cartridge door is removed to access other assembly, stop at this step.

 **Reinstallation tip:** Reverse the removal steps to install the door.

---

Figure 1-177 Remove the cartridge door



7. **Optional step:** If a replacement cartridge door is being installed, do the following:

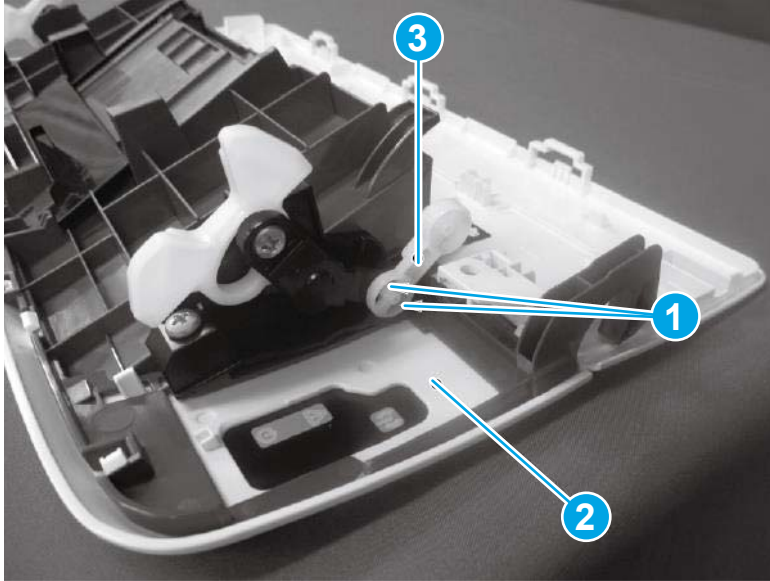
---

 **NOTE:** Install the link arms on the replacement door.

---

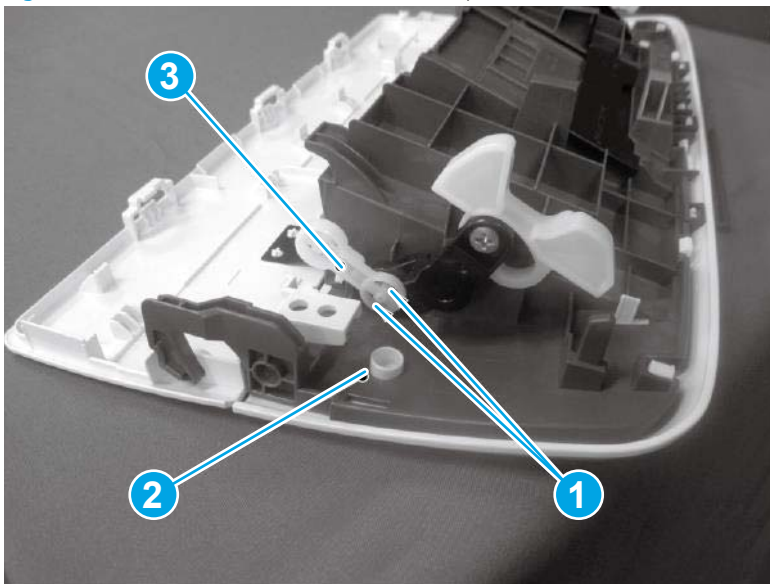
- a. Release two tabs (callout 1), and then remove the one link arm (callout 3) from the door assembly (callout 2).

Figure 1-178 Install the link arms on the replacement door



- b. Release two tabs (callout 1), and then remove the one link arm (callout 3) from the door assembly (callout 2).

Figure 1-179 Install the link arms on the replacement door



### Step 2: Remove the formatter cover (M14-M17)

- ▲ Position the printer front side down.

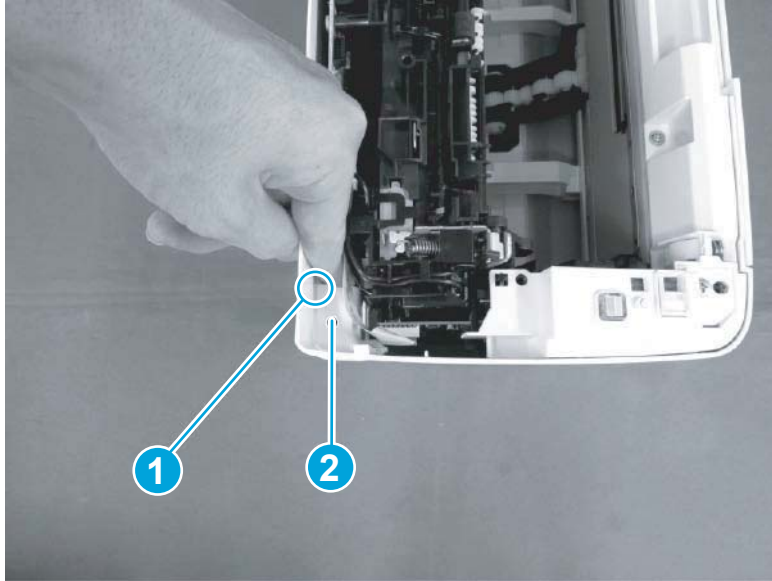
Release one tab (callout 1), and then remove the formatter cover (callout 2).

---

💡 **Reinstallation tip:** Reverse the removal steps to install the assembly.

---

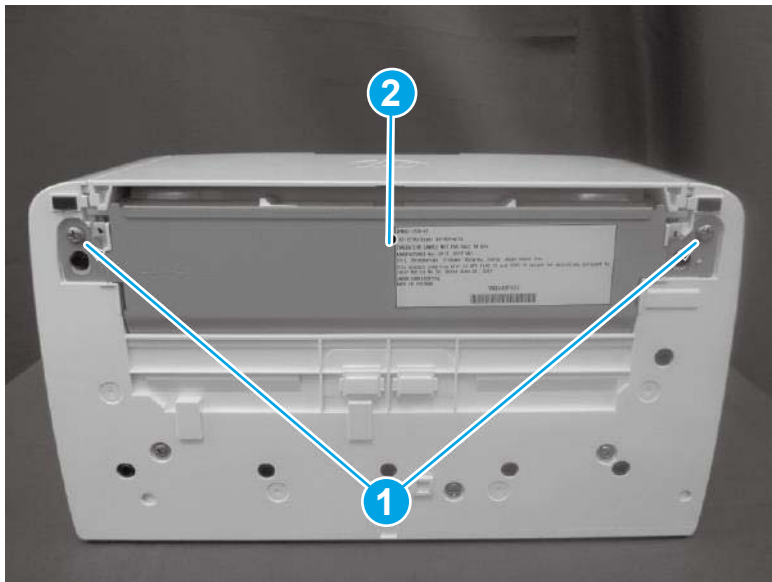
Figure 1-180 Remove the formatter cover (M14-M17)



**Step 3: Remove the lower cover (M14-M17)**

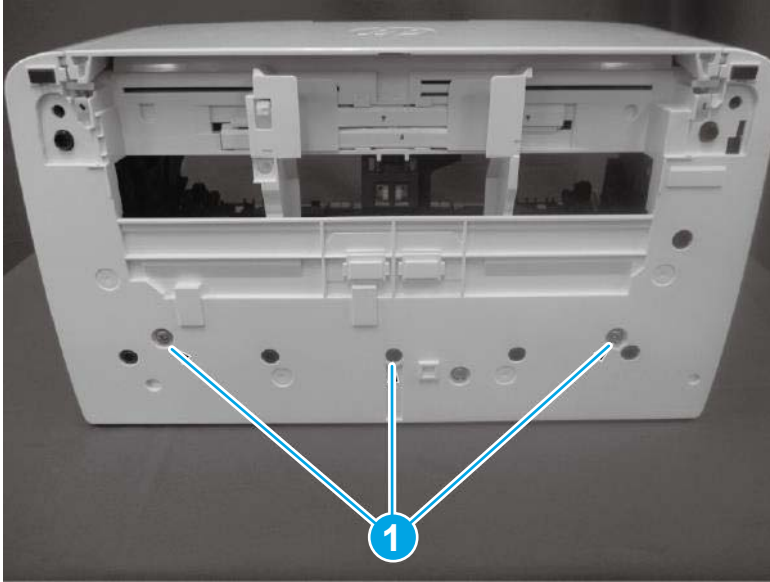
1. Position the printer rear side down, remove three screws (callout 1), and then remove the lower plate (callout 2).

Figure 1-181 Remove the lower plate




2. Remove three screws (callout 1)

Figure 1-182 Remove the three screws



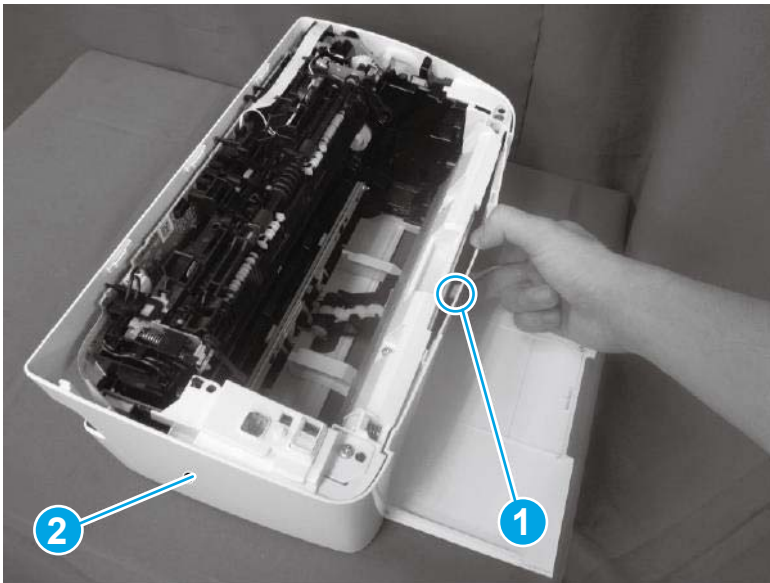
3. With the printer in the upright position, release one tab (callout 1), and then remove the lower cover (callout 2).

---

 **Reinstallation tip:** Reverse the removal steps to install the assembly.

---

Figure 1-183 Remove the lower cover



4. Reverse the removal steps to install the assembly. Also use the following special installation instructions.

---

 **NOTE:** Continue to reverse the removal steps to finish installing the assembly.

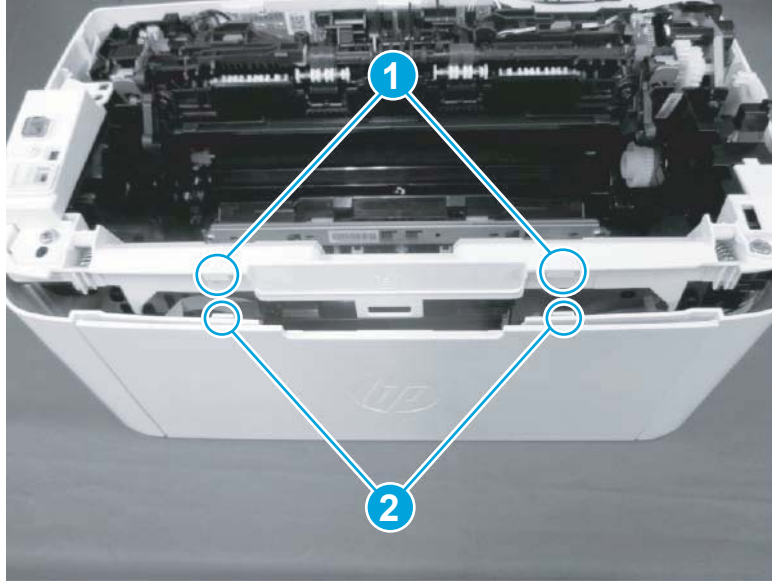
---

**Special installation instructions: Lower cover**

- ▲ Make sure to fit two ribs (callout 1) on the printer into the grooves (callout 2) in the lower cover.



Figure 1-184 Fit two ribs on the printer into the grooves (lower cover install)



#### Step 4: Remove the formatter (M14-M17)

▲ Do the following:

- a. Remove two flat flexible cables (FFCs) (callout 1).

💡 **TIP:** It might be easier to use a small flat blade screwdriver to release the large FFC.

- b. Remove one screw (callout 2).

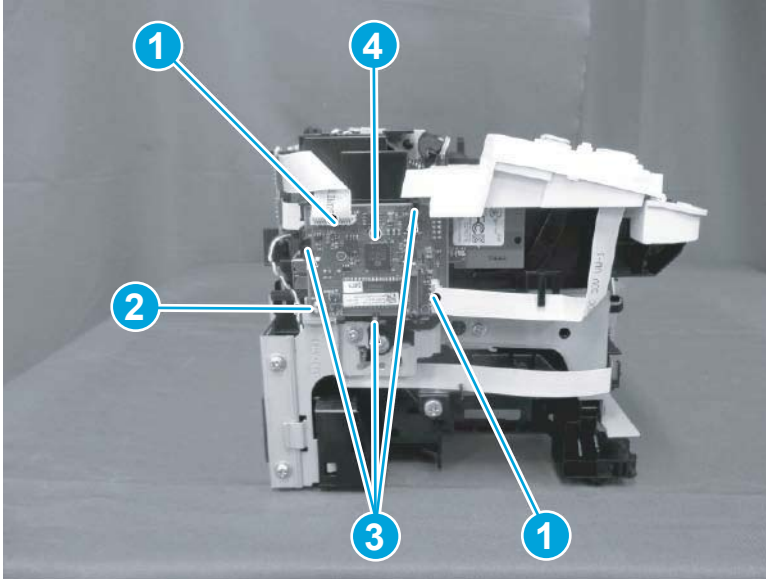
📝 **NOTE:** Use a micro tip screwdriver to remove this screw.

- c. Release three tabs (callout 3).

- d. Remove the formatter (callout 4).

💡 **Reinstallation tip:** Reverse the removal steps to install the assembly.


Figure 1-185 Remove the formatter



#### Step 5: Unpack the replacement assembly

1. Dispose of the defective part.

---

 **NOTE:** HP recommends responsible disposal of the defective part.

[www.hp.com/recycle](http://www.hp.com/recycle)

---





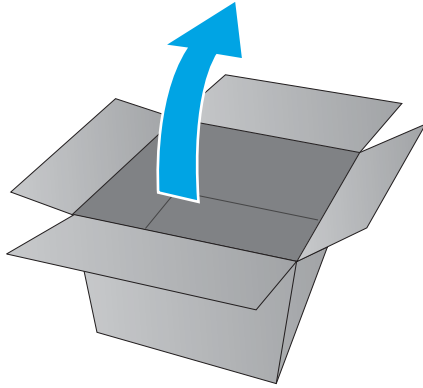
2. Unpack the replacement part from the packaging.

---

**⚠ CAUTION:** If the replacement part is a roller or pad, avoid touching the spongy part of it. Skin oils on the roller or pad can cause paper pickup and/or print-quality problems. HP recommends using disposable gloves when handling rollers or pads or washing your hands or before touching rollers or pads.

**📋 IMPORTANT:** Make sure that all of the shipping materials (for example shipping tape) are removed from the replacement part prior to installation.

---



## Remove and replacement: Formatter (MFP M28-M31)

- [Introduction](#)
- [Step 1: Remove the formatter cover \(MFP M28-M31\)](#)
- [Step 2: Remove the formatter \(MFP M28-M31\)](#)
- [Step 3: Unpack the replacement assembly](#)

### Introduction

This document provides the procedures to remove and replace the formatter (MFP M28-M31).



**IMPORTANT:** When applicable, special installation instructions are provided for an assembly at the end of the removal procedure. Always completely read the removal instructions and follow all special installation instructions.

### Before performing service

- Turn the printer power off.

Use the table below to identify the correct part number for your printer. To order the part, go to [www.hp.com/buy/parts](http://www.hp.com/buy/parts)

| Formatter (MFP M28-M31) part number |   |
|-------------------------------------|---|
| W2G54-60001                         | Formatter PCA (base model; MFP M28-M31)     |
| W2G55-60001                         | Formatter PCA (wireless model; MFP M28-M31) |

### Required tools

- #2 Phillips screwdriver with a magnetic tip

### After performing service

- Turn the printer power on.

### Post service test

Send a job to the printer, and then verify that print quality is acceptable.

### Step 1: Remove the formatter cover (MFP M28-M31)

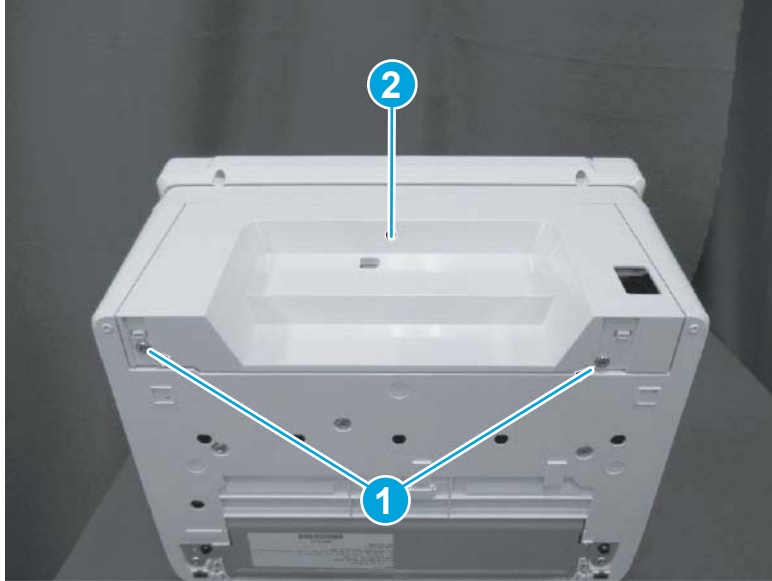
- ▲ Position the printer front side down.

Remove two screws (callout 1), and then remove the formatter cover (callout 2).



**Reinstallation tip:** Reverse the removal steps to install the assembly.

Figure 1-186 Remove the formatter cover (MFP M28-M31)



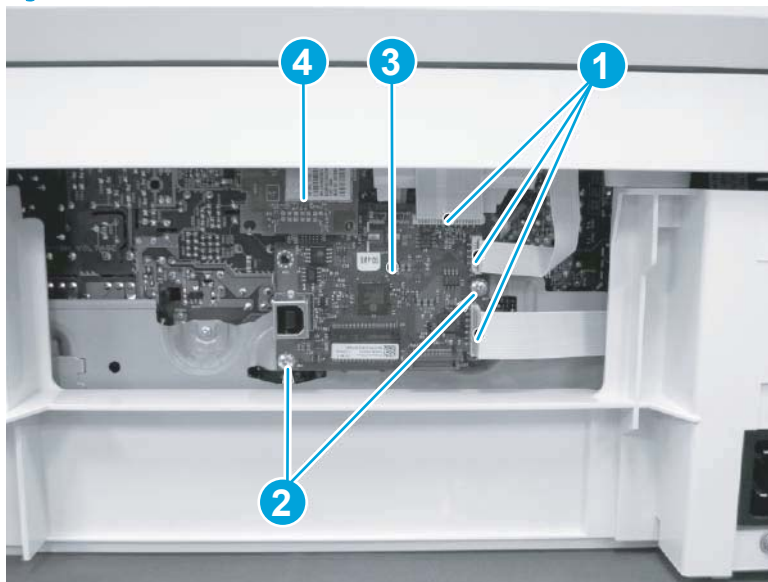
### Step 2: Remove the formatter (MFP M28-M31)

- ▲ Do the following:
  - a. Disconnect three flat flexible cables (FFCs) (callout 1).
  - b. Remove two screws (callout 2).
  - c. Remove the formatter (callout 3).

💡 **Reinstallation tip:** After removing the formatter, remove the wireless PCA (callout 4), and then install it on the replacement formatter.

Reverse the removal steps to install the assembly.

Figure 1-187 Remove the formatter (MFP M28-M31)



### Step 3: Unpack the replacement assembly

1. Dispose of the defective part.

---

 **NOTE:** HP recommends responsible disposal of the defective part.


[www.hp.com/recycle](http://www.hp.com/recycle)

---



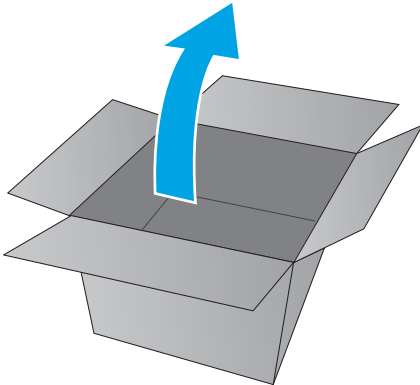
2. Unpack the replacement part from the packaging.

---

 **CAUTION:** If the replacement part is a roller or pad, avoid touching the spongy part of it. Skin oils on the roller or pad can cause paper pickup and/or print-quality problems. HP recommends using disposable gloves when handling rollers or pads or washing your hands or before touching rollers or pads.

 **IMPORTANT:** Make sure that all of the shipping materials (for example shipping tape) are removed from the replacement part prior to installation.

---



## Remove and replacement: Fuser (M14-M17)

- [Introduction](#)
- [Step 1: Remove the cartridge door \(M14-M17\)](#)
- [Step 2: Remove the formatter cover \(M14-M17\)](#)
- [Step 3: Remove the lower cover \(M14-M17\)](#)
- [Step 4: Remove the formatter \(M14-M17\)](#)
- [Step 5: Remove the fuser \(M14-M17\)](#)
- [Step 6: Unpack the replacement assembly](#)

### Introduction

This document provides the procedures to remove and replace the fuser (M14-M17).



**IMPORTANT:** When applicable, special installation instructions are provided for an assembly at the end of the removal procedure. Always completely read the removal instructions and follow all special installation instructions.

### Before performing service

- Turn the printer power off.

Use the table below to identify the correct part number for your printer. To order the part, go to [www.hp.com/buy/parts](http://www.hp.com/buy/parts)

| Fuser (M14-M17) part number |                           |
|-----------------------------|---------------------------|
| RM2-2131-000CN              | Fuser (110-127V; M14-M17) |
| RM2-2107-000CN              | Fuser (220-240V; M14-M17) |

### Required tools

- #2 Phillips screwdriver with a magnetic tip
- Small flat-blade screw driver (optional)

### After performing service

- Turn the printer power on.

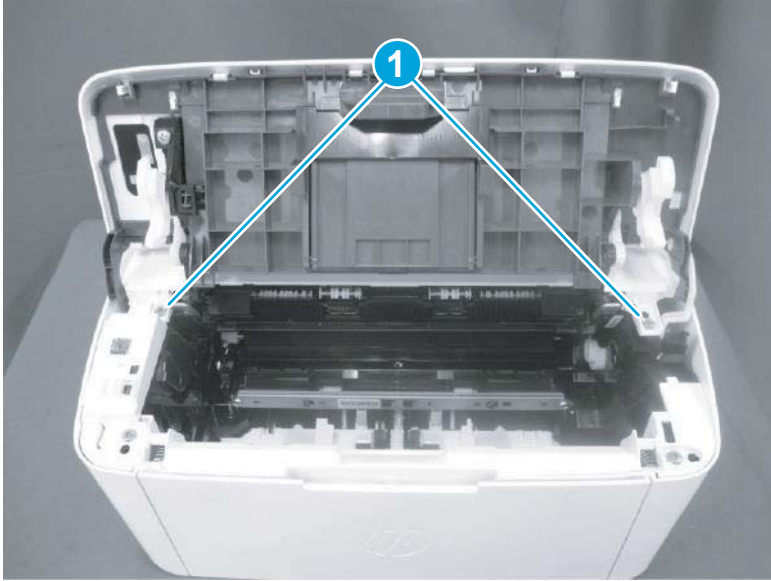
### Post service test

Send a job to the printer, and then verify that print quality is acceptable.

### Step 1: Remove the cartridge door (M14-M17)

1. Open the cartridge door, and then remove two screws (callout 1).

Figure 1-188 Remove two screw

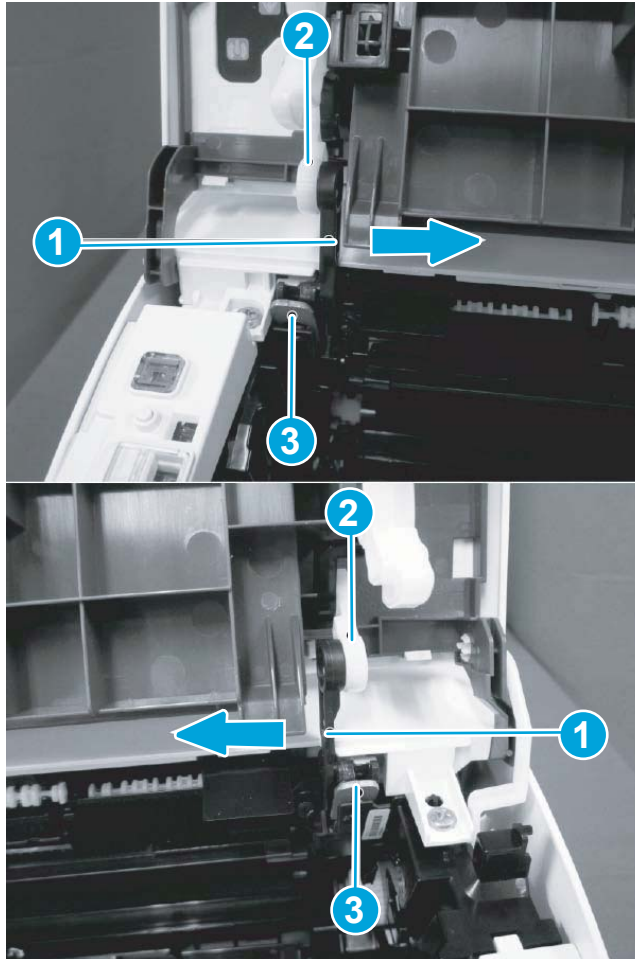


2. Before proceeding, take note of the following disassembly instructions.

When removing the link arm (callout 2) from the pressure release lever (callout 1), the pressure plate (callout 3) might be deformed if the pressure release lever moves in the direction shown below.

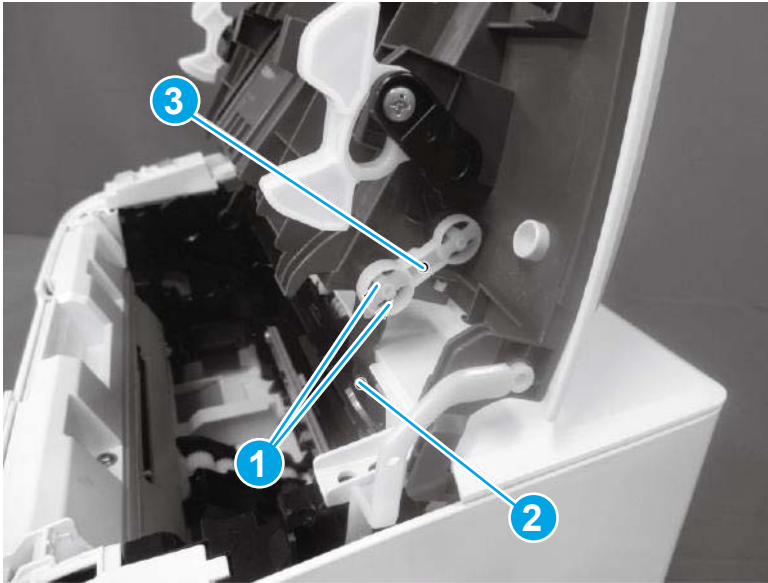
**⚠ CAUTION:** Do not deform the pressure plate.

Figure 1-189 Special disassembly instructions



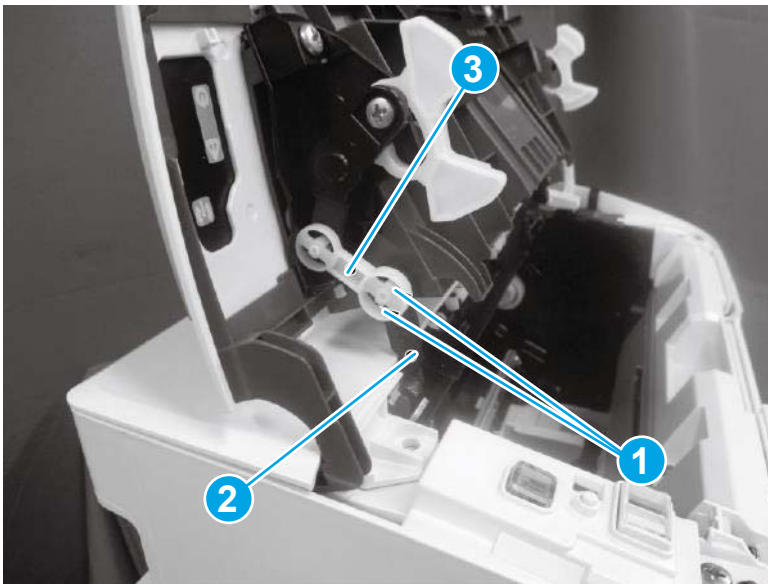
3. Release two tabs (callout 1), and then remove one link arm (callout 3) from the pressure release lever (callout 2).

Figure 1-190 Remove the link arm



4. Release two tabs (callout 1), and then remove one link arm (callout 3) from the pressure release lever (callout 2).

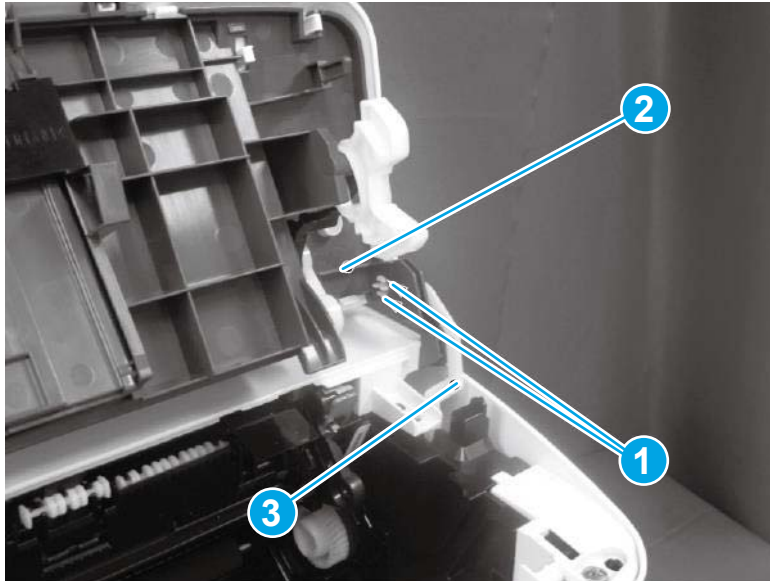
Figure 1-191 Remove the link arm





5. Release two tabs (callout 1), and then remove one link arm (callout 3) from the cartridge door assembly (callout 2).

Figure 1-192 Remove the link arm



6. Release one tab (callout 1), support the cartridge door (callout 2), and then remove it.

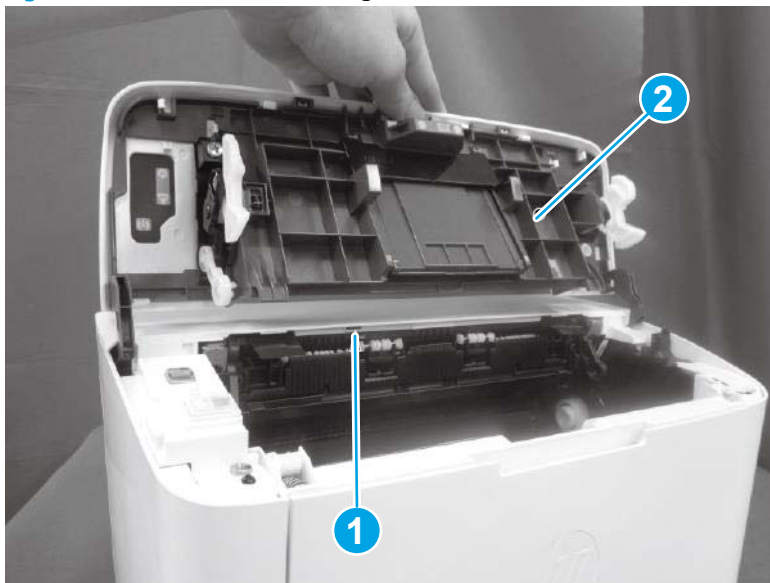
---

 **NOTE:** If the cartridge door is removed to access other assembly, stop at this step.

 **Reinstallation tip:** Reverse the removal steps to install the door.

---

Figure 1-193 Remove the cartridge door



7. **Optional step:** If a replacement cartridge door is being installed, do the following:

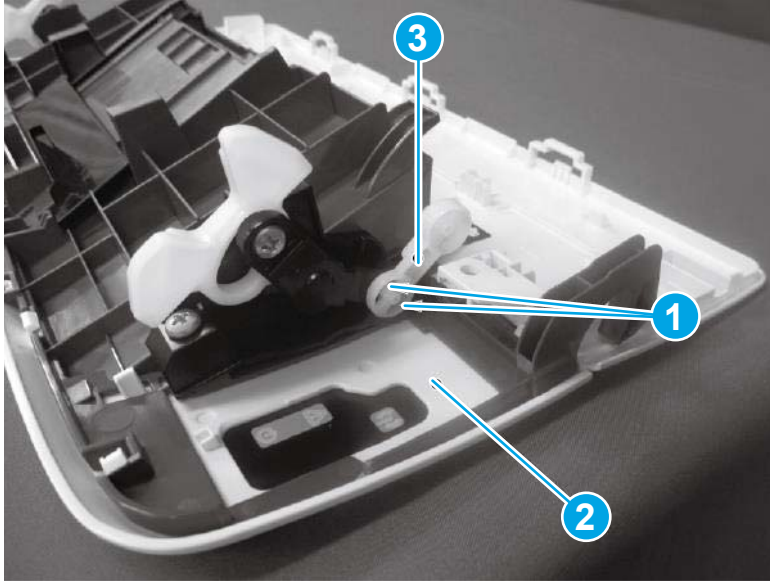
---

 **NOTE:** Install the link arms on the replacement door.

---

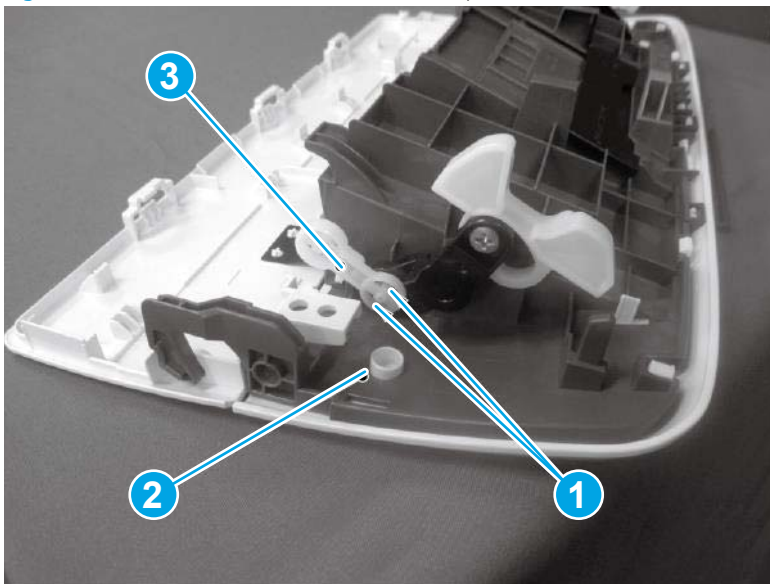
- a. Release two tabs (callout 1), and then remove the one link arm (callout 3) from the door assembly (callout 2).

Figure 1-194 Install the link arms on the replacement door



- b. Release two tabs (callout 1), and then remove the one link arm (callout 3) from the door assembly (callout 2).

Figure 1-195 Install the link arms on the replacement door



### Step 2: Remove the formatter cover (M14-M17)

- ▲ Position the printer front side down.

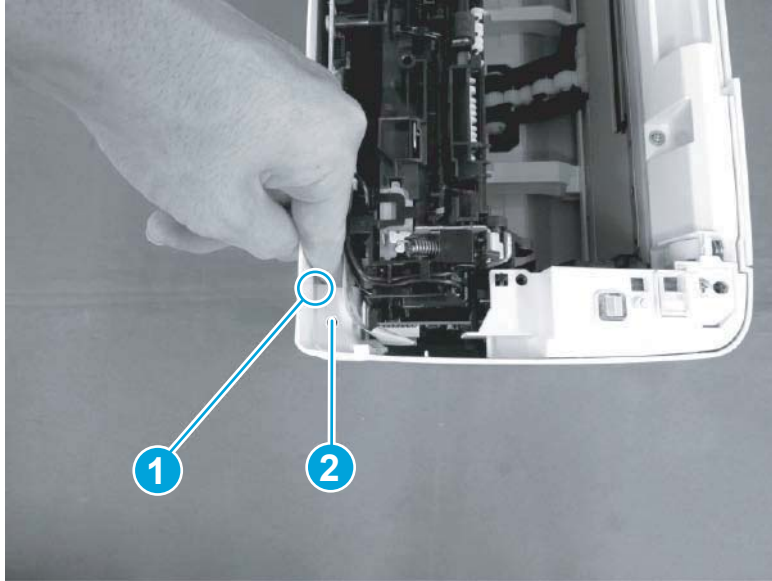
Release one tab (callout 1), and then remove the formatter cover (callout 2).

---

 **Reinstallation tip:** Reverse the removal steps to install the assembly.

---

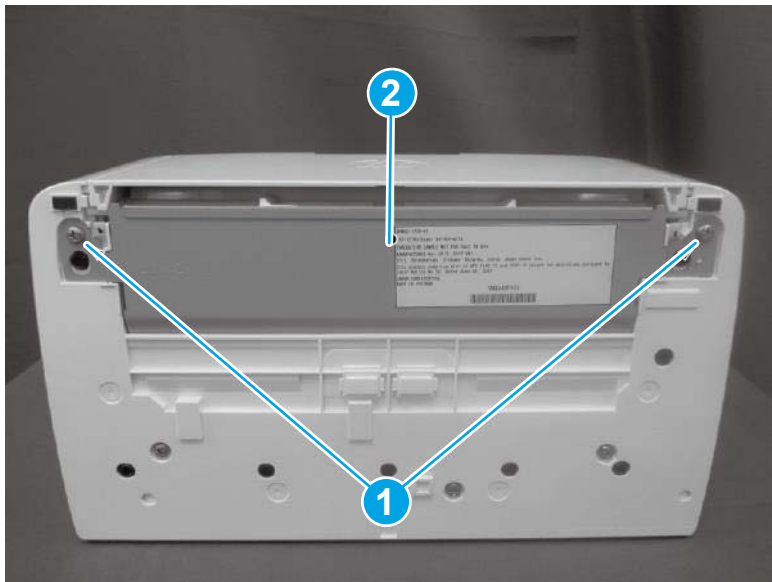
Figure 1-196 Remove the formatter cover (M14-M17)



**Step 3: Remove the lower cover (M14-M17)**

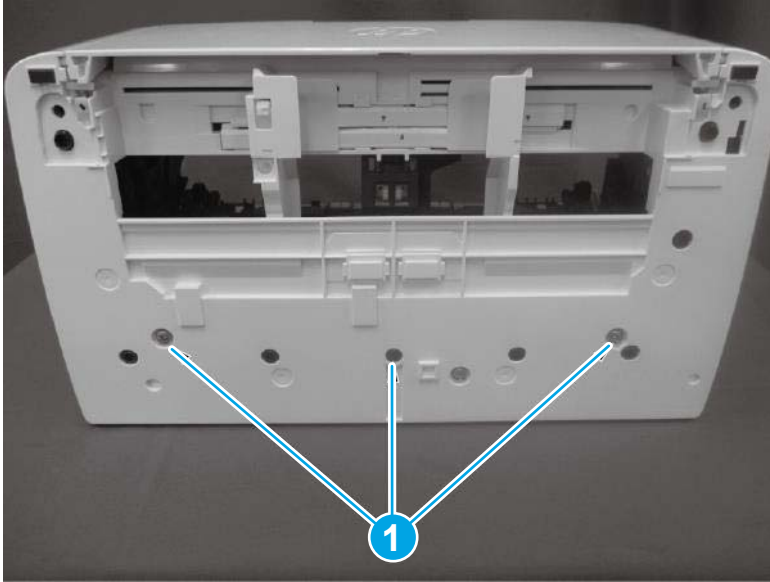
1. Position the printer rear side down, remove three screws (callout 1), and then remove the lower plate (callout 2).

Figure 1-197 Remove the lower plate




2. Remove three screws (callout 1)

**Figure 1-198** Remove the three screws



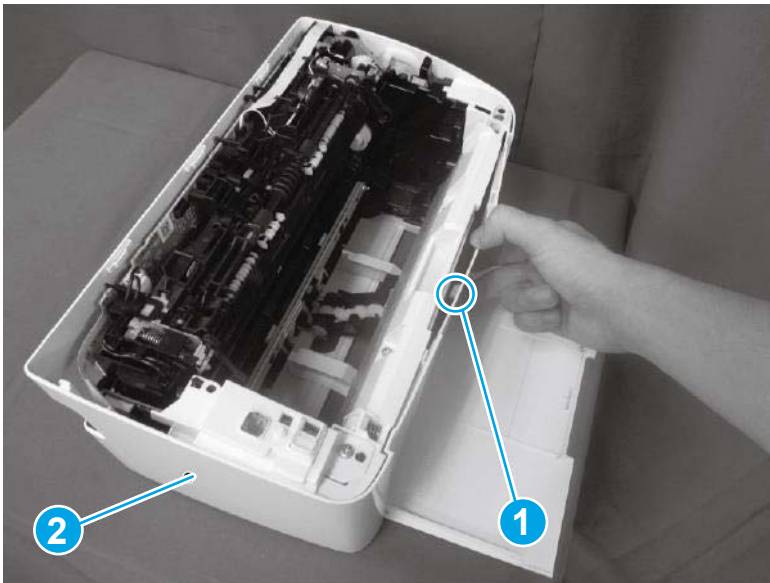
3. With the printer in the upright position, release one tab (callout 1), and then remove the lower cover (callout 2).

---

 **Reinstallation tip:** Reverse the removal steps to install the assembly.

---

**Figure 1-199** Remove the lower cover



4. Reverse the removal steps to install the assembly. Also use the following special installation instructions.

---

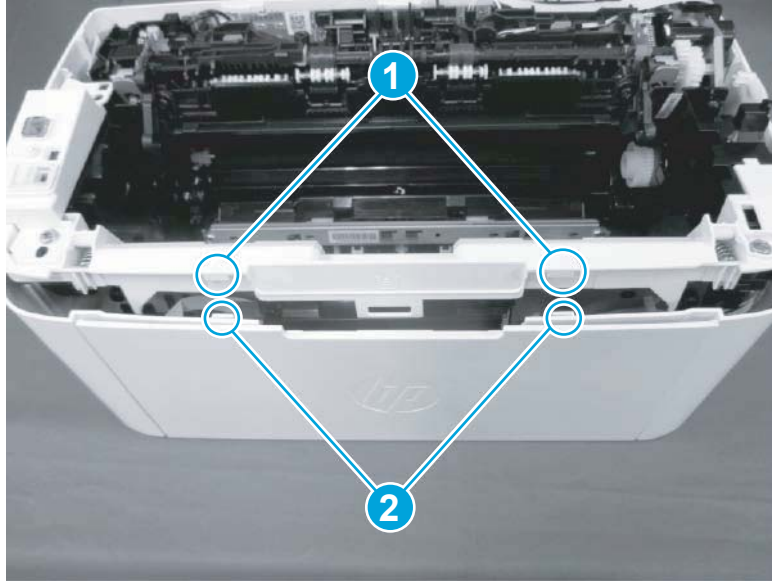
 **NOTE:** Continue to reverse the removal steps to finish installing the assembly.

---

**Special installation instructions: Lower cover**

- ▲ Make sure to fit two ribs (callout 1) on the printer into the grooves (callout 2) in the lower cover.

Figure 1-200 Fit two ribs on the printer into the grooves (lower cover install)



#### Step 4: Remove the formatter (M14-M17)

▲ Do the following:

- a. Remove two flat flexible cables (FFCs) (callout 1).

💡 **TIP:** It might be easier to use a small flat blade screwdriver to release the large FFC.

- b. Remove one screw (callout 2).

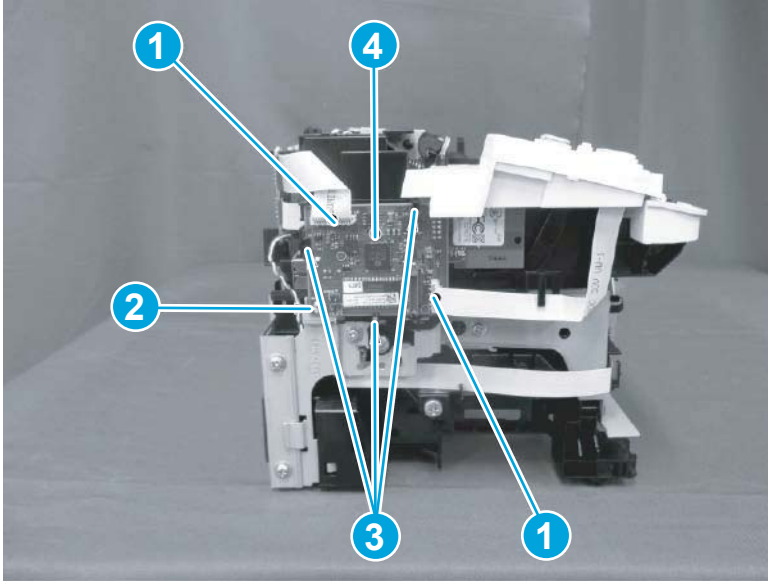
📝 **NOTE:** Use a micro tip screwdriver to remove this screw.

- c. Release three tabs (callout 3).

- d. Remove the formatter (callout 4).

💡 **Reinstallation tip:** Reverse the removal steps to install the assembly.

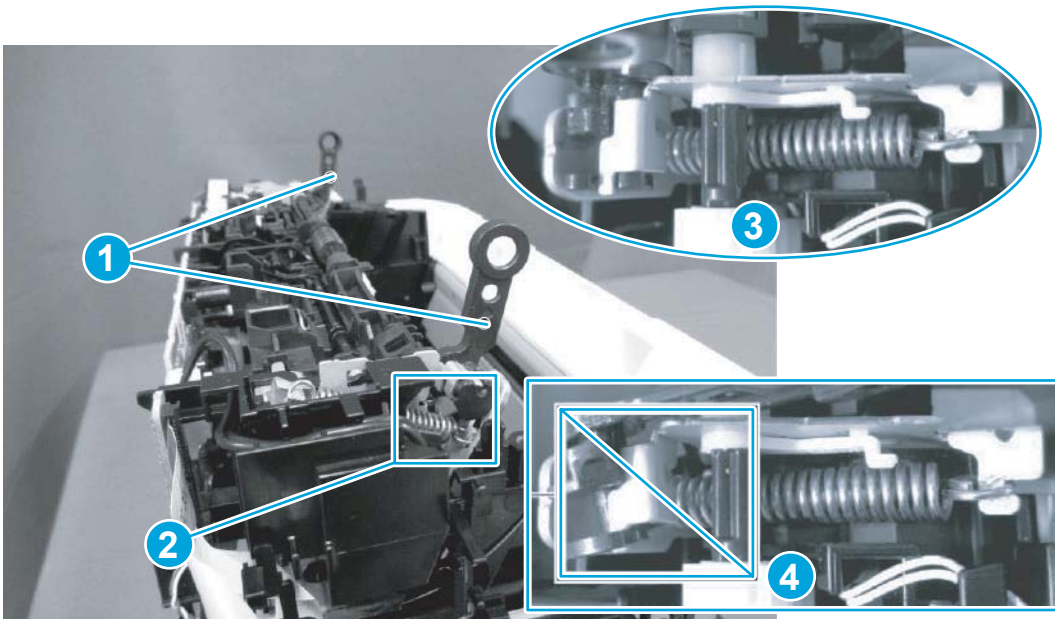
Figure 1-201 Remove the formatter



#### Step 5: Remove the fuser (M14-M17)

1. When removing the fuser do not rotate the pressure release levers (callout 1) too far or the side plates (callout 2; left side shown) can be deformed.
  - **Callout 3:** Correct pressure lever rotation and side plate position.
  - **Callout 4:** Incorrect pressure lever rotation and side plate position.

Figure 1-202 Pressure release lever

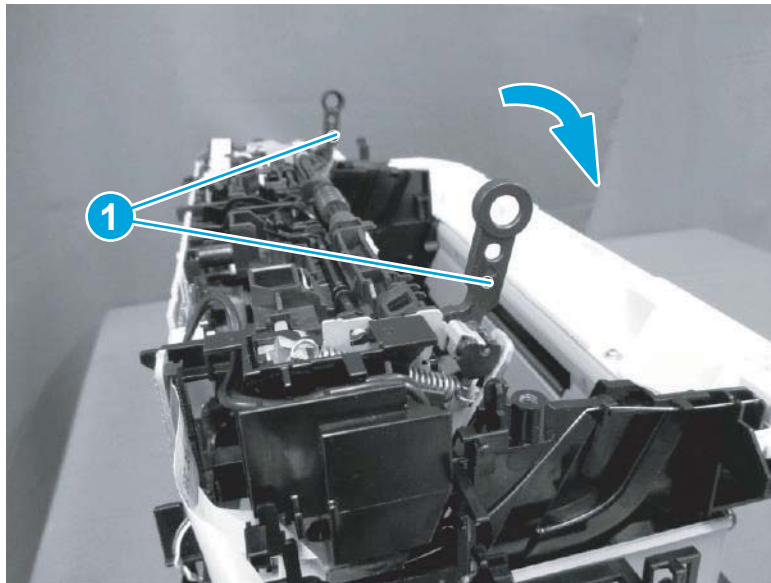




2. Rotate the pressure release levers (callout 1) (in the direction shown below) until they hang loose.

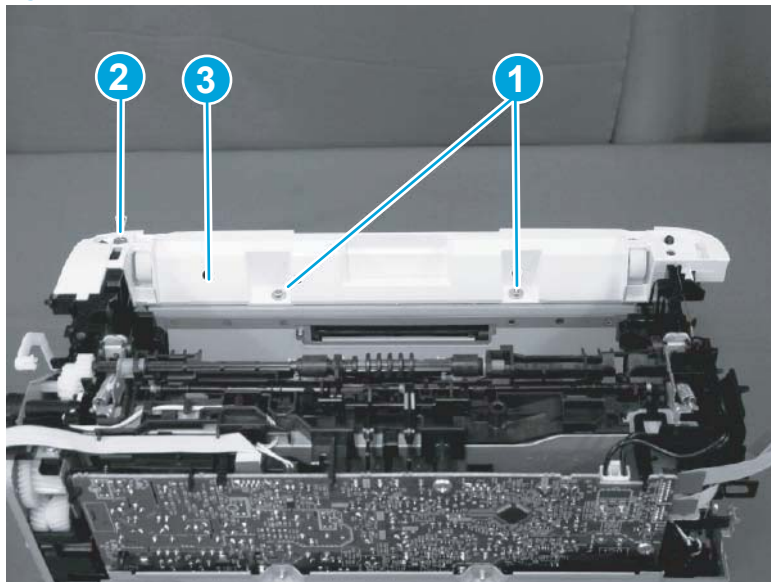
**CAUTION:** Do not damage the side plates when rotating the pressure release levers.

Figure 1-203 Rotate the pressure release levers



3. Do the following:
  - a. Remove two screws (M3; callout 1).
  - b. Remove one screw (M4; callout 2).
  - c. Remove the inner cover (callout 3).

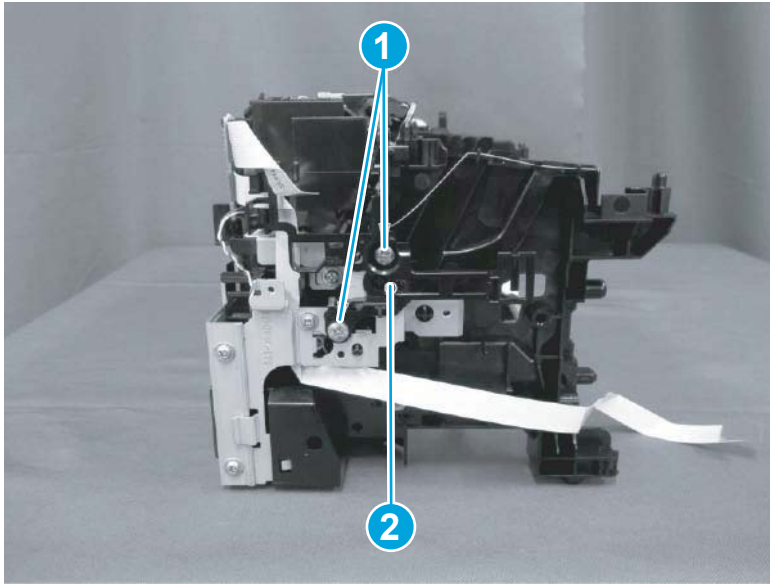
Figure 1-204 Remove the inner cover



4. Do the following:
  - a. Remove two screws (callout 1).


- b. Remove the cable guide (callout 2).

Figure 1-205 Remove the cable guide



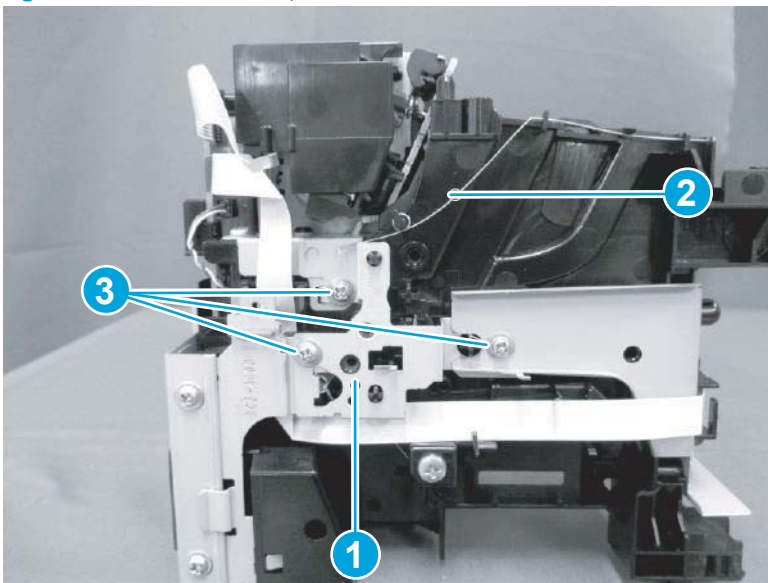
- 5. Release one spring (callout 2) from the plate (callout 1), remove three screws (callout 3), and then remove the plate (callout 1).

---

 **Reinstallation tip:** To reinstall the spring, see [Special installation instructions: Fuser \(M14-M17\) on page 190](#).

---

Figure 1-206 Remove the plate

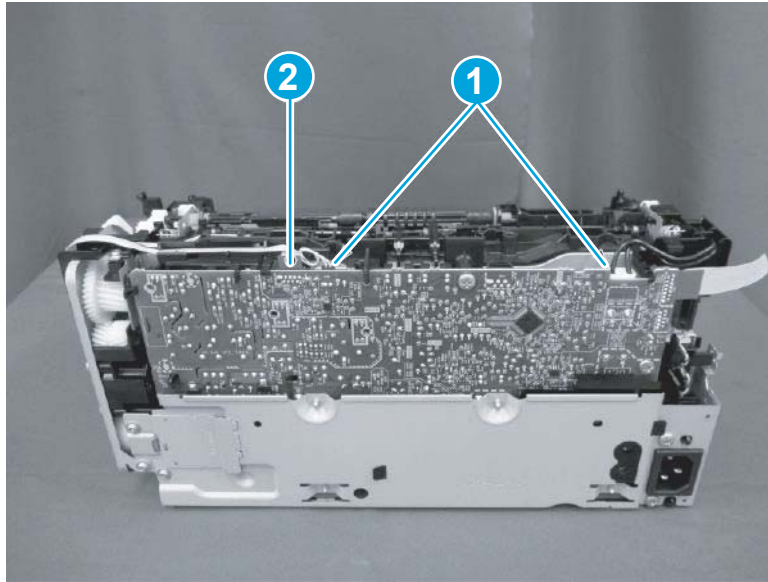


- 6. Do the following:
  - a. Disconnect two connectors (callout 1).



- b. Remove one FFC (callout 2).

Figure 1-207 Disconnect two connectors



- 7. Release the FFC (callout 2) from the guide (callout 1), and then unhook one spring (callout 3).


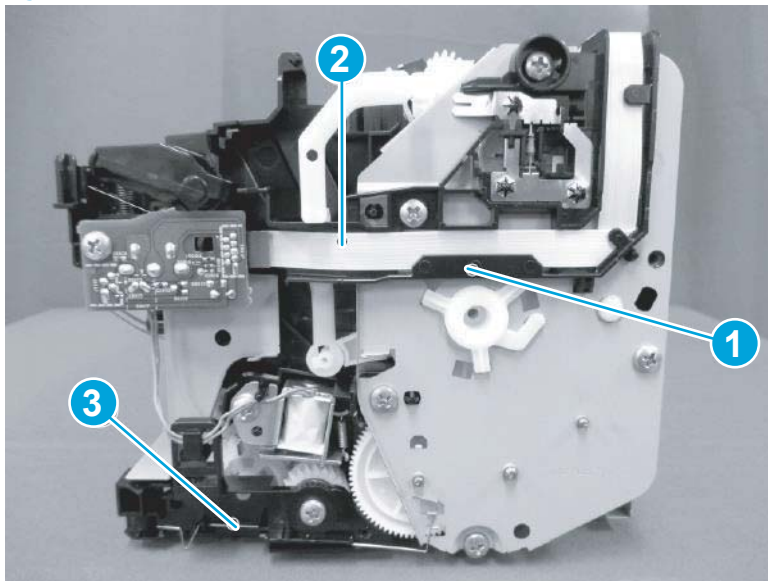
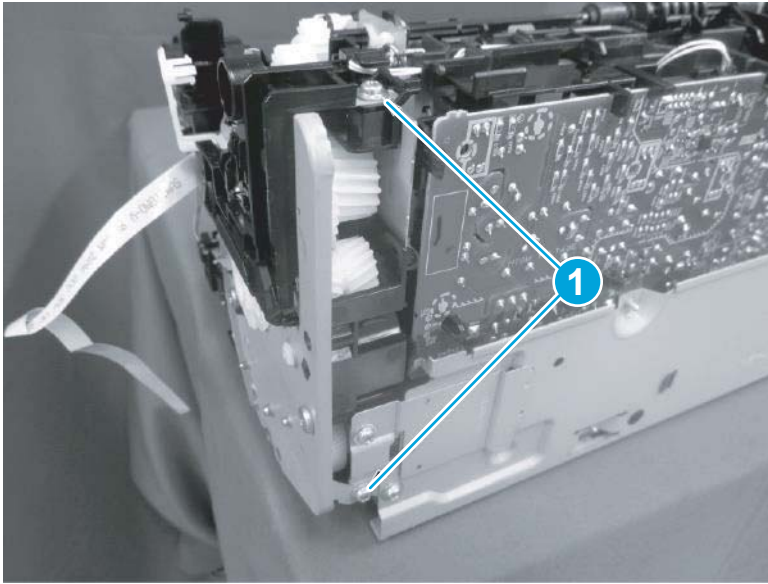
 **Reinstallation tip:** To reinstall the spring, see [Special installation instructions: Fuser \(M14-M17\)](#) on page 190.

Figure 1-208 Release the FFC and spring



8. Remove two screws (callout 1).

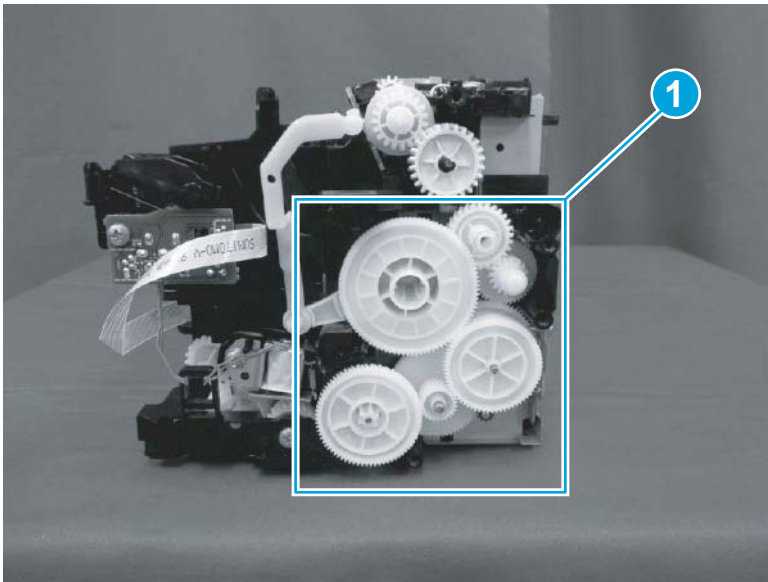
Figure 1-209 Remove two screws



9. Before proceeding, take note of the following disassembly instructions:

At the right side of the printer, the gears (callout 1) and springs (callout 1) are held in place by a plate (shown removed). Since they are not captive, be careful when removing the plate, or the gears and springs might fall off the printer.

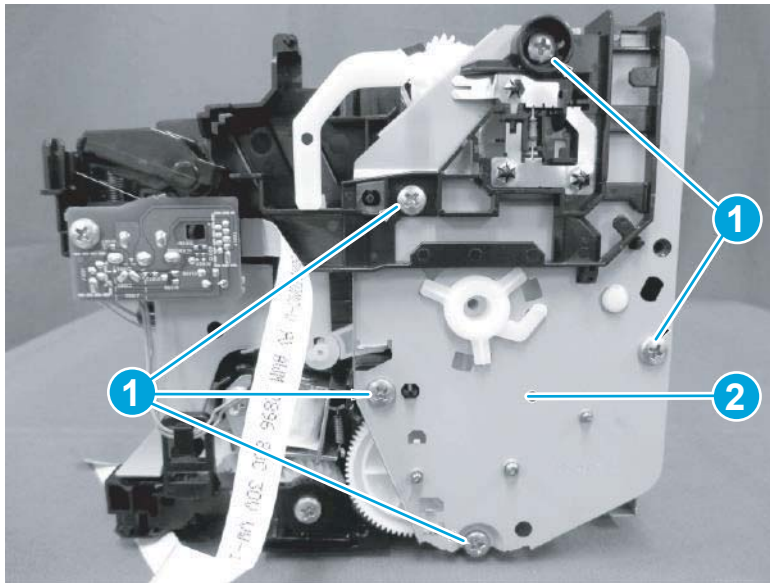
Figure 1-210 Right side gears and springs



10. Remove five screws (callout 1), and then remove the plate (callout 2).

**⚠ CAUTION:** The gears and springs behind the plate are not captive.

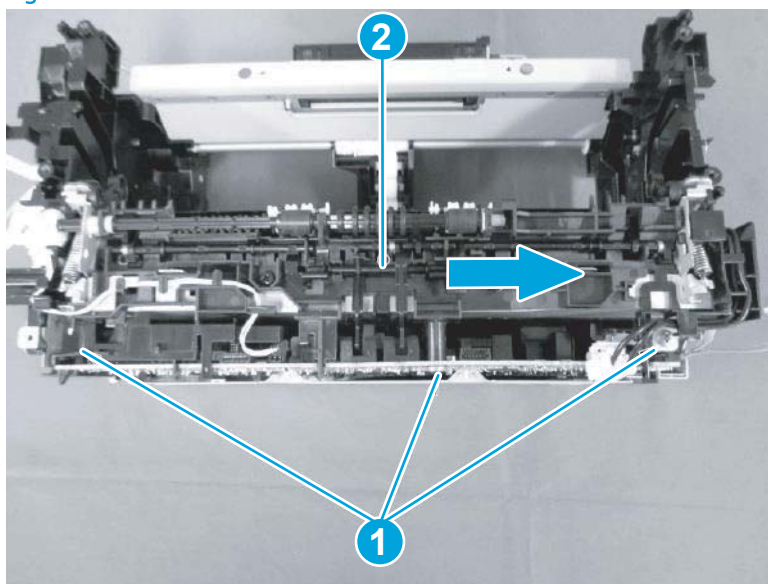
Figure 1-211 Remove the plate



11. Do the following:
  - a. Remove three screws (callout 1).
  - b. Lift up the fuser (callout 2).
  - c. Slide the fuser (callout 2) as shown below to remove it.

**💡 Reinstallation tip:** Reverse the removal steps to install the assembly. Also see [Special installation instructions: Fuser \(M14-M17\) on page 190](#).

Figure 1-212 Remove the fuser

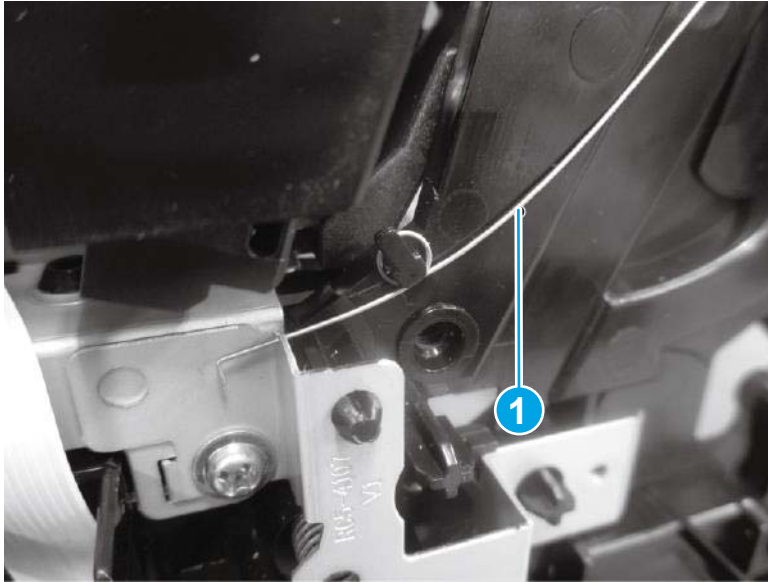


12. Reverse the removal steps to install the assembly. Also use the following special installation instructions.

**Special installation instructions: Fuser (M14-M17)**

- a. Make sure the upper spring (callout 1) is firmly held in its original position when it is reinstalled.

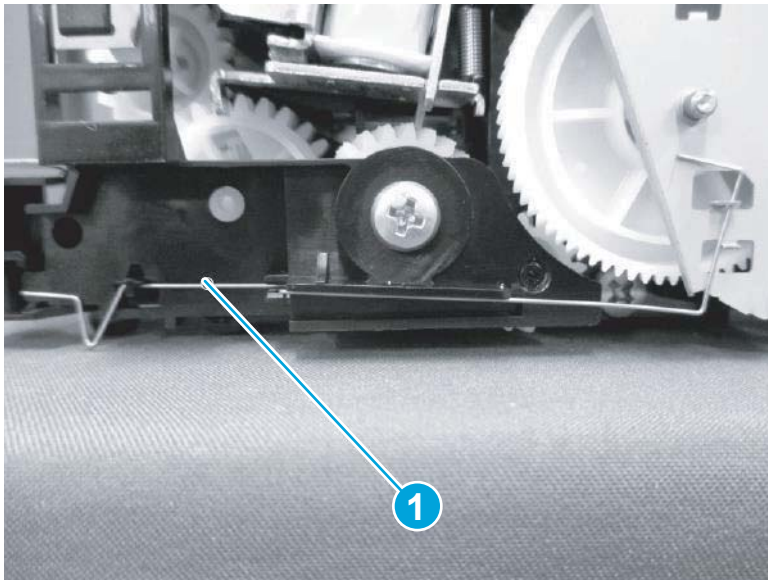
**Figure 1-213** Reinstall the spring (upper)



- b. Make sure the lower spring (callout 1) is firmly held in its original position when it is reinstalled.

**⚠ CAUTION:** Do not deform the spring when it is reinstalled.

**Figure 1-214** Reinstall the spring (lower)



**Step 6: Unpack the replacement assembly**

1. Dispose of the defective part.

---

 **NOTE:** HP recommends responsible disposal of the defective part.


[www.hp.com/recycle](http://www.hp.com/recycle)

---



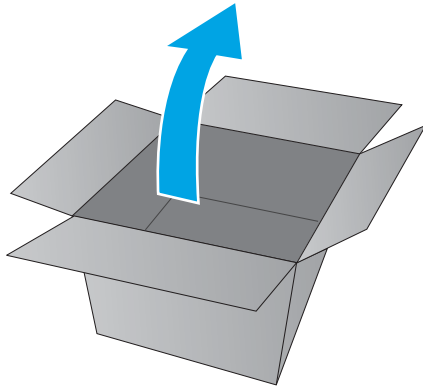
2. Unpack the replacement part from the packaging.

---

 **CAUTION:** If the replacement part is a roller or pad, avoid touching the spongy part of it. Skin oils on the roller or pad can cause paper pickup and/or print-quality problems. HP recommends using disposable gloves when handling rollers or pads or washing your hands or before touching rollers or pads.

 **IMPORTANT:** Make sure that all of the shipping materials (for example shipping tape) are removed from the replacement part prior to installation.

---




## Remove and replacement: Fuser (MFP M28-M31)

- [Introduction](#)
- [Step 1: Remove the formatter cover \(MFP M28-M31\)](#)
- [Step 2: Remove the image scanner \(MFP M28-M31\)](#)
- [Step 3: Remove the top cover \(MFP M28-M31\)](#)
- [Step 4: Remove the lower cover \(MFP M28-M31\)](#)
- [Step 5: Remove the fuser \(MFP M28-M31\)](#)
- [Step 6: Unpack the replacement assembly](#)

### Introduction

This document provides the procedures to remove and replace the fuser (MFP M28-M31).

 **IMPORTANT:** When applicable, special installation instructions are provided for an assembly at the end of the removal procedure. Always completely read the removal instructions and follow all special installation instructions.

### Before performing service

- Turn the printer power off.

Use the table below to identify the correct part number for your printer. To order the part, go to [www.hp.com/buy/parts](http://www.hp.com/buy/parts)

| Fuser (MFP M28-M31) part number |                               |
|---------------------------------|-------------------------------|
| RM2-2131-000CN                  | Fuser (110-127V; MFP M28-M31) |
| RM2-2107-000CN                  | Fuser (220-240V; MFP M28-M31) |

### Required tools

- #2 Phillips screwdriver with a magnetic tip

### After performing service

- Turn the printer power on.

### Post service test

Send a job to the printer, and then verify that print quality is acceptable.

### Step 1: Remove the formatter cover (MFP M28-M31)

- ▲ Position the printer front side down.

Remove two screws (callout 1), and then remove the formatter cover (callout 2).


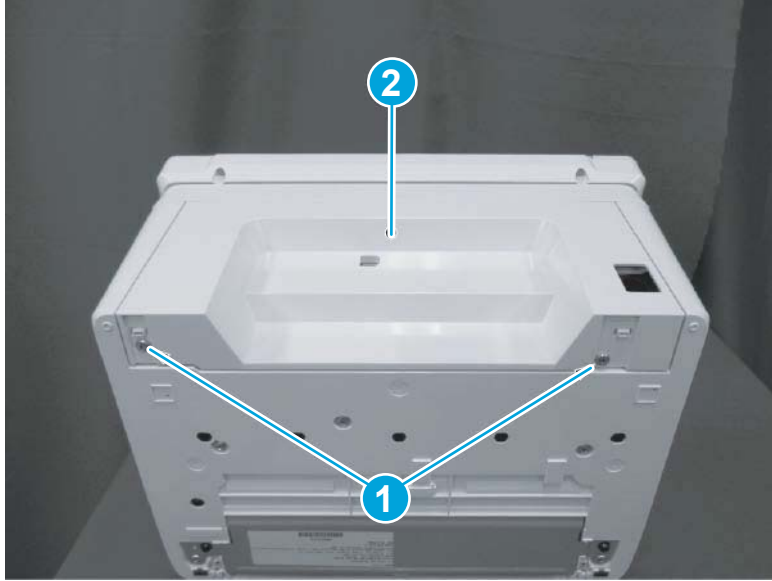
 **Reinstallation tip:** Reverse the removal steps to install the assembly.



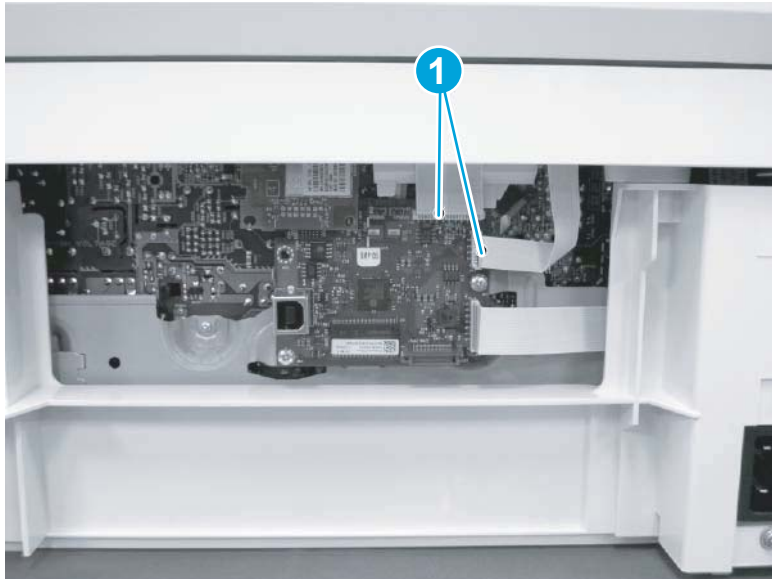
Figure 1-215 Remove the formatter cover (MFP M28-M31)



Step 2: Remove the image scanner (MFP M28-M31)

1. Disconnect two flat flexible cables (FFCs) (callout 1).

Figure 1-216 Disconnect two FFCs



2. Before proceeding, take note of the following disassembly instructions.

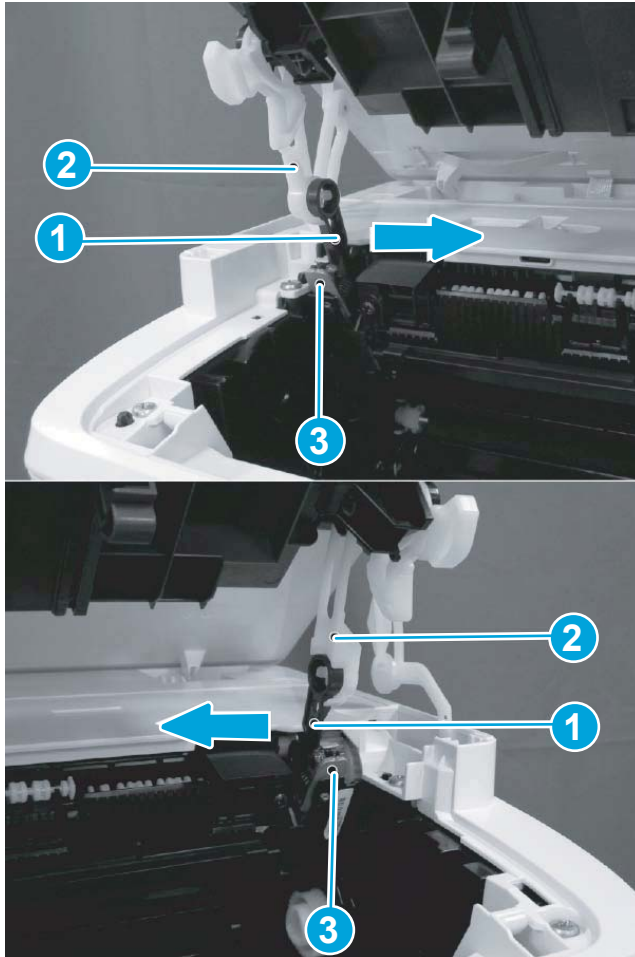
When removing the link arm (callout 2) from the pressure release lever (callout 1), the pressure plate (callout 3) might be deformed if the pressure release lever moves in the direction shown below.

---

**⚠ CAUTION:** Do not deform the pressure plate.

---

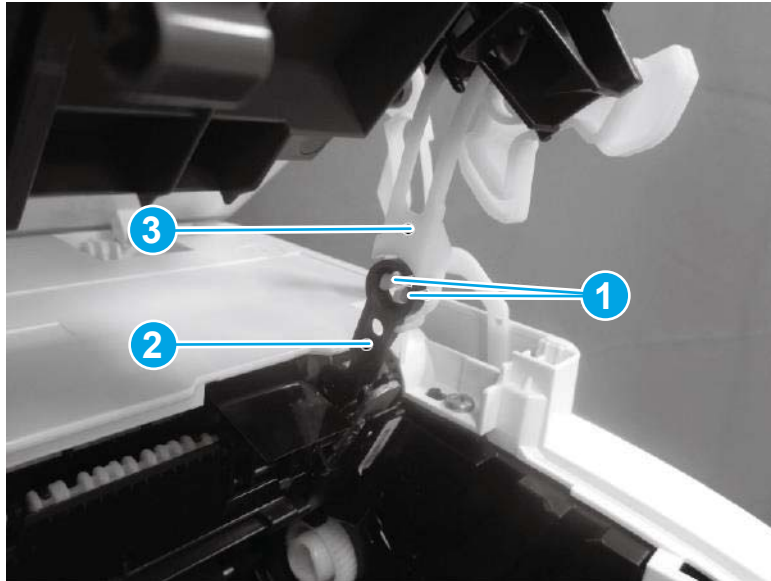
**Figure 1-217** Special disassembly instructions





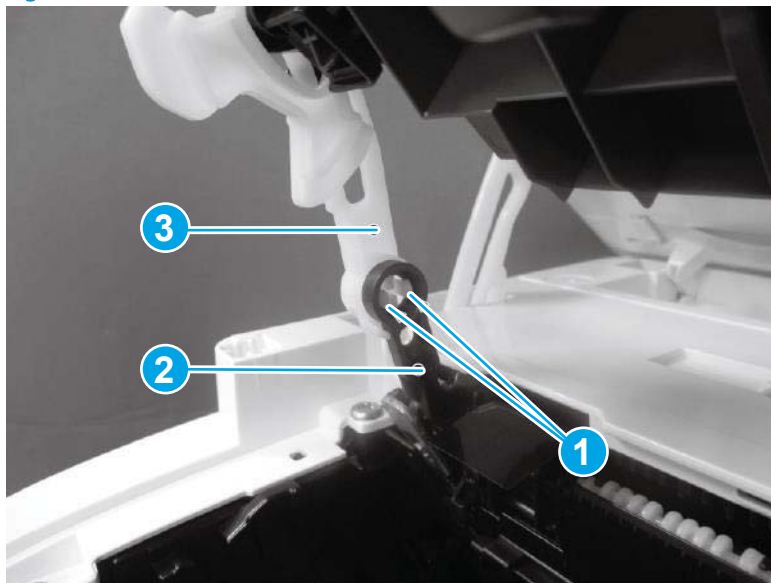
3. Open the image scanner, release two tabs (callout 1), remove one link arm (callout 3) from the pressure release lever (callout 2).

Figure 1-218 Remove the link arm



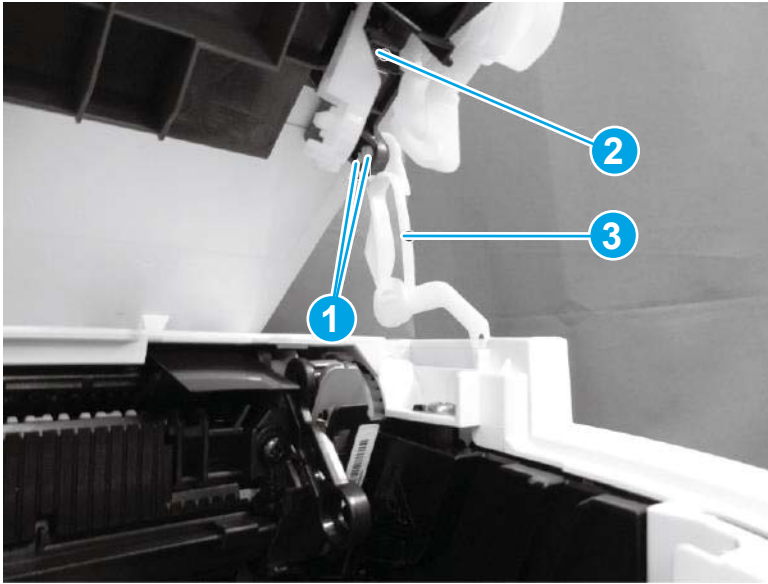
4. Release two tabs (callout 1), and then remove one link arm (callout 3) from the pressure release lever (callout 2).

Figure 1-219 Remove the link arm



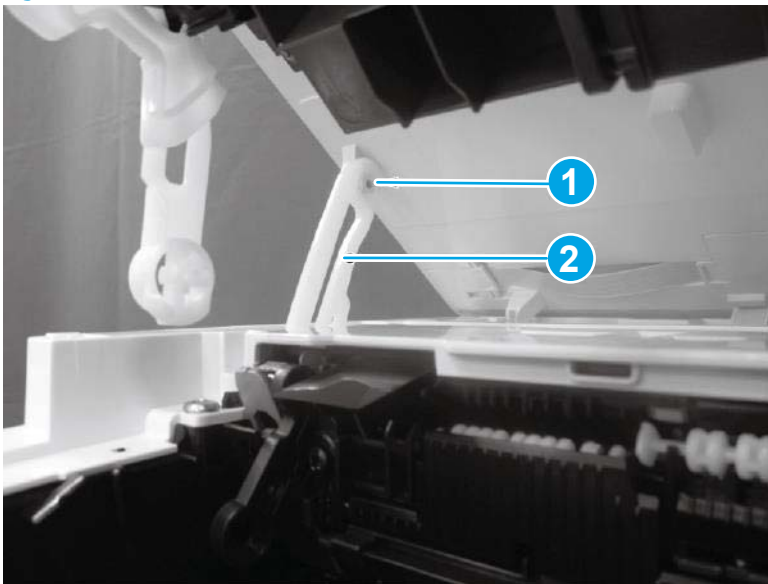
5. Release two tabs (callout 1), and then remove one link arm (callout 3) from the cartridge door (callout 2).

Figure 1-220 Remove the link arm



6. Remove one link arm (callout 2) from the shaft (callout 1).

Figure 1-221 Remove the link arm



7. Pull two flat-flexible cables (FFCs) (callout 2) out and away from the top cover (callout 1), and then slide the image scanner (callout 3) as shown below to remove it.

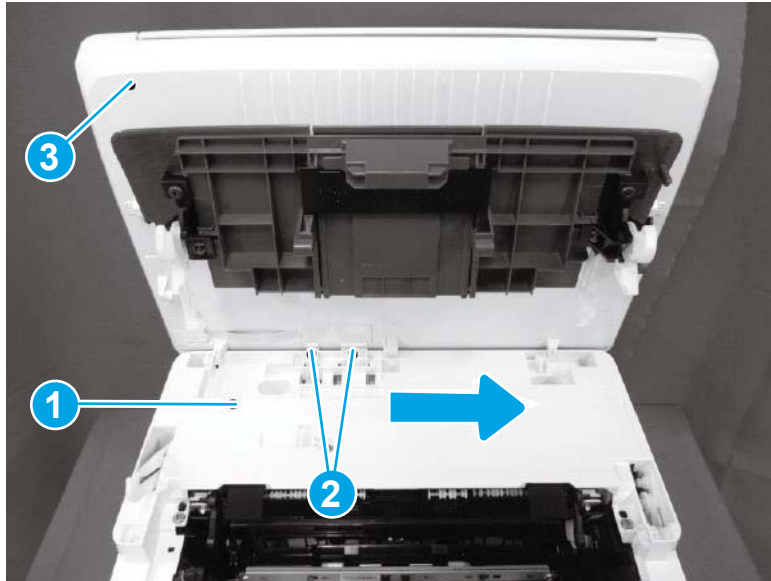
---

**CAUTION:** Do not damage the FFCs.

**Reinstallation tip:** Reverse the removal steps to install the assembly.

---

**Figure 1-222** Remove the image scanner



8. For a replacement image scanner, do the following:

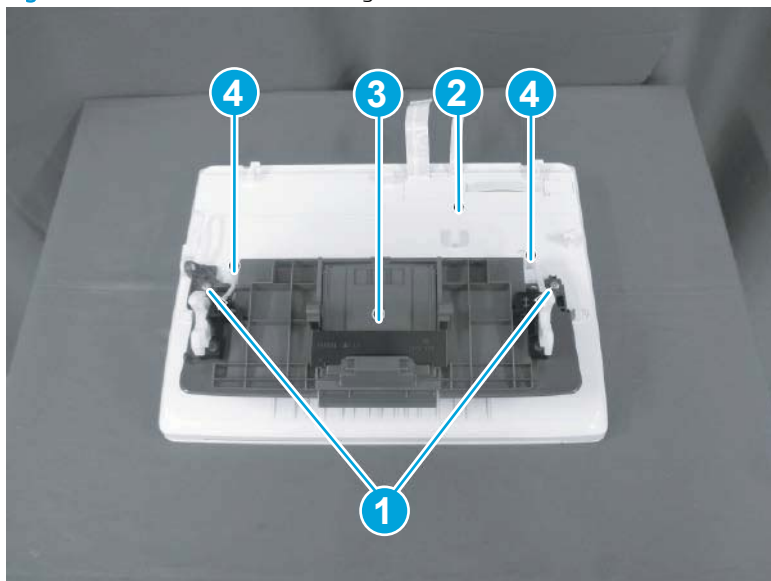
---

**NOTE:** If the image scanner is removed to access other assemblies, skip this step.

---

- Remove two screws (callout 1).
- Remove the cartridge door (callout 3) (with the link arms; callout 4) from the image scanner (callout 2).

**Figure 1-223** Remove the cartridge door



### Step 3: Remove the top cover (MFP M28-M31)

1. Remove two screws (M3; callout 1), remove seven screws (M4; callout 2), release one tab (callout 3), and then remove the top cover (callout 4).


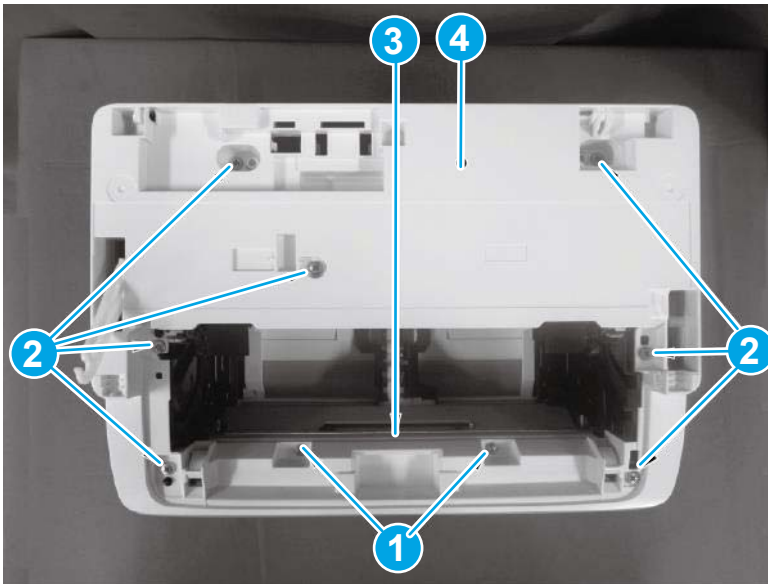
 **Reinstallation tip:** Reverse the removal steps to install the assembly.

Figure 1-224 Remove the top cover



2. Reverse the removal steps to install the assembly. Also use the following special installation instructions.

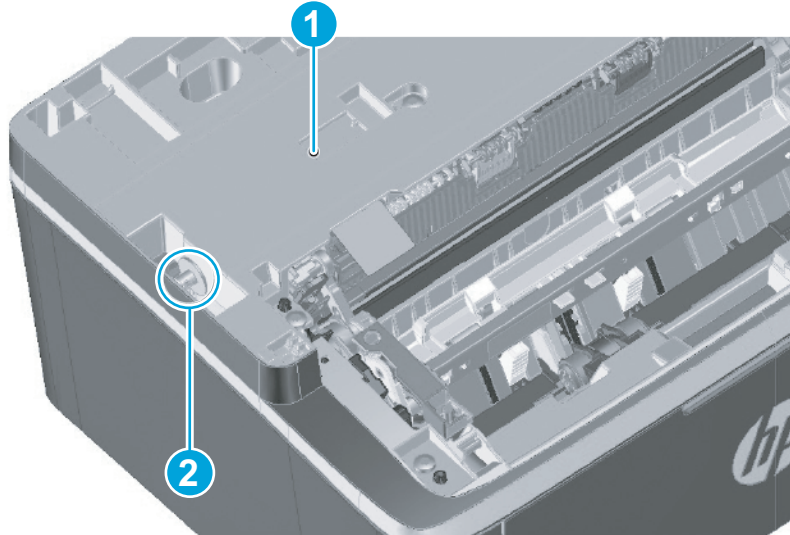
 **NOTE:** Continue to reverse the removal steps to finish installing the assembly.

 **TIP:** If the top cover is removed to access other assemblies, skip this step.

#### Special installation instructions: Top cover

- ▲ Remove the pad (callout 2) from the top cover (callout 1), and then install it on the replacement top cover.

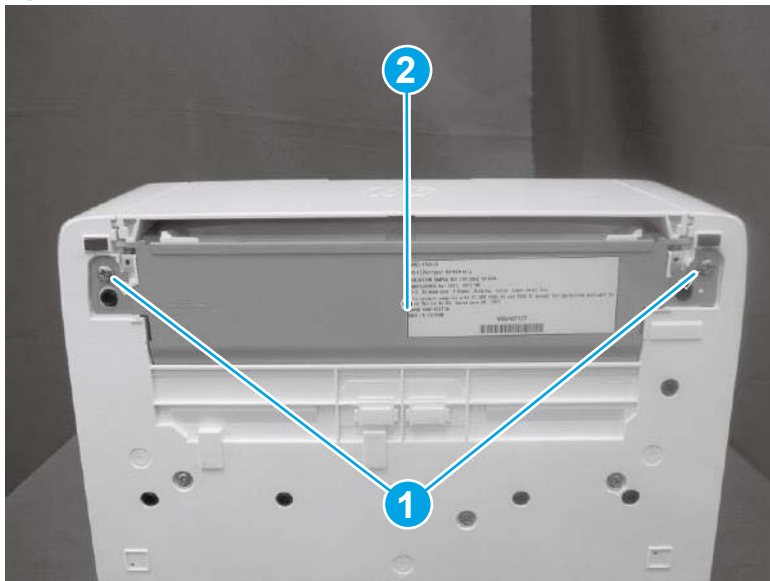
Figure 1-225 Install the pad



**Step 4: Remove the lower cover (MFP M28-M31)**

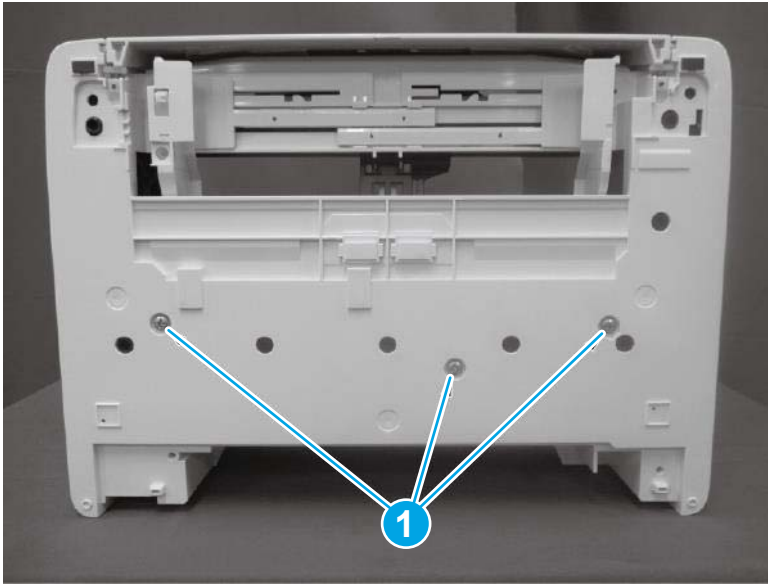
1. Position the printer rear side down, remove two screws (callout 1), and then remove the lower plate (callout 2)

Figure 1-226 Remove the lower plate



2. Remove three screws (callout 1).

Figure 1-227 Remove three screws



3. Remove two screws (callout 1), and then remove the lower cover (callout 2).


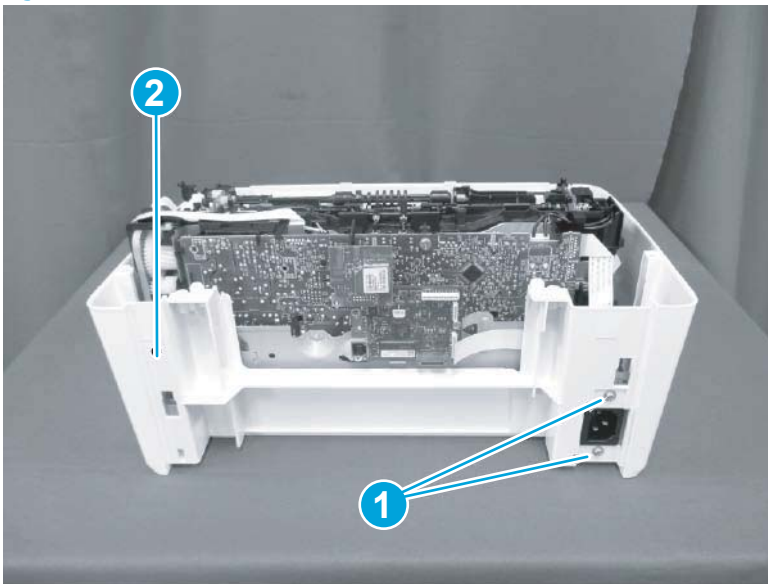
 **Reinstallation tip:** Reverse the removal steps to install the assembly.

Figure 1-228 Remove the lower cover

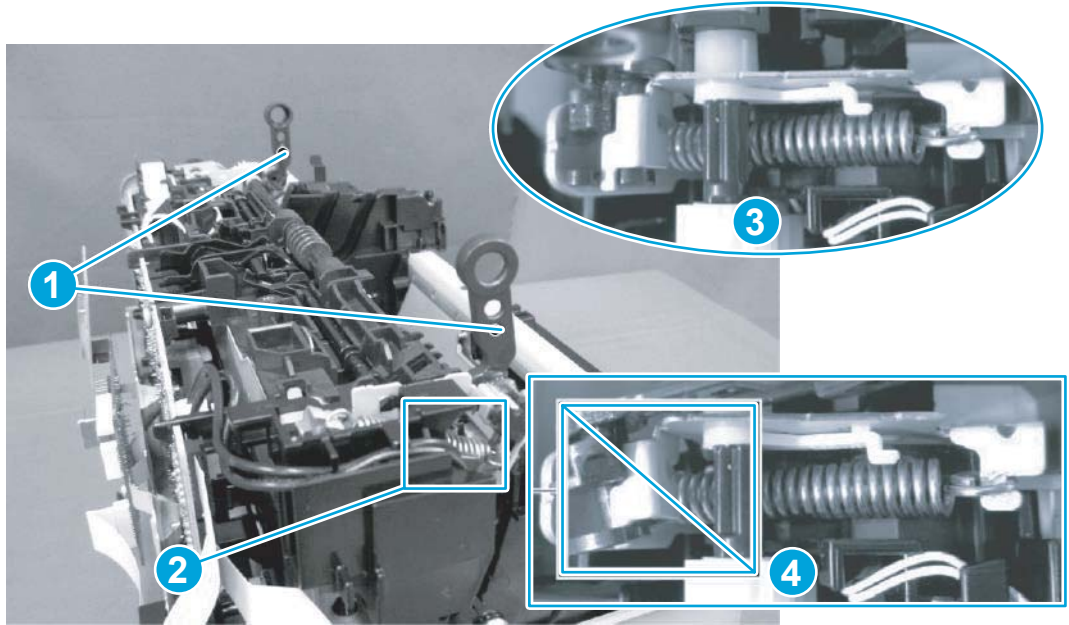


### Step 5: Remove the fuser (MFP M28-M31)

1. When removing the fuser do not rotate the pressure release levers (callout 1) too far or the side plates (callout 2; left side shown) can be deformed.
  - **Callout 3:** Correct pressure lever rotation and side plate position.
  - **Callout 4:** Incorrect pressure lever rotation and side plate position.



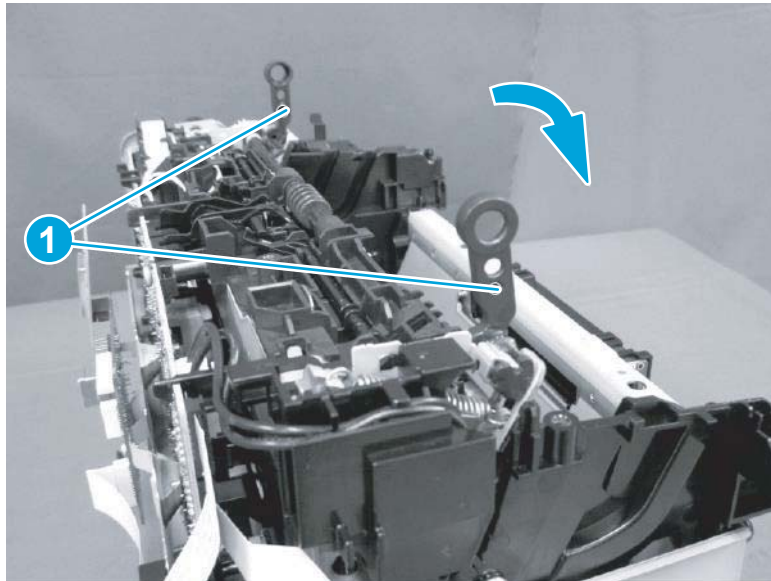
Figure 1-229 Pressure release lever



2. Rotate the pressure release levers (callout 1) (in the direction shown below) until they hang loose.

**⚠ CAUTION:** Do not damage the side plates when rotating the pressure release levers.

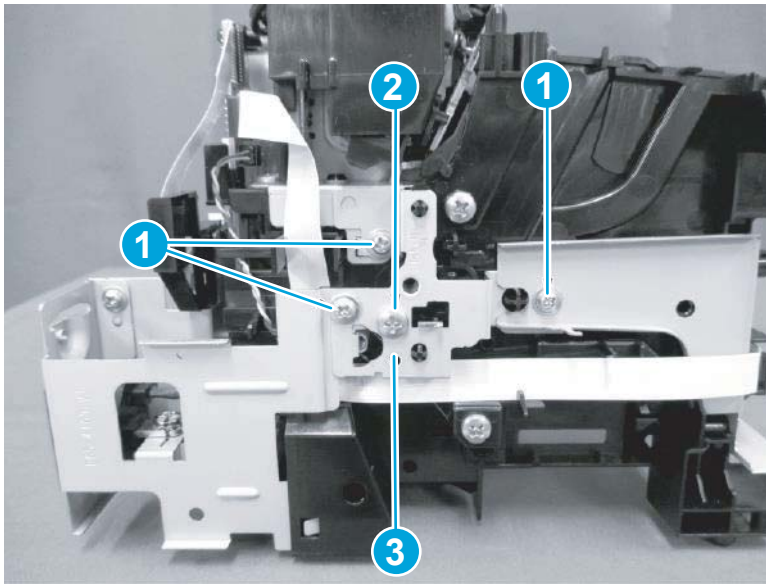
Figure 1-230 Rotate the pressure release levers



3. Do the following:
  - a. Remove three screws (M3; callout 1).
  - b. Remove one screw (M4; callout 2).

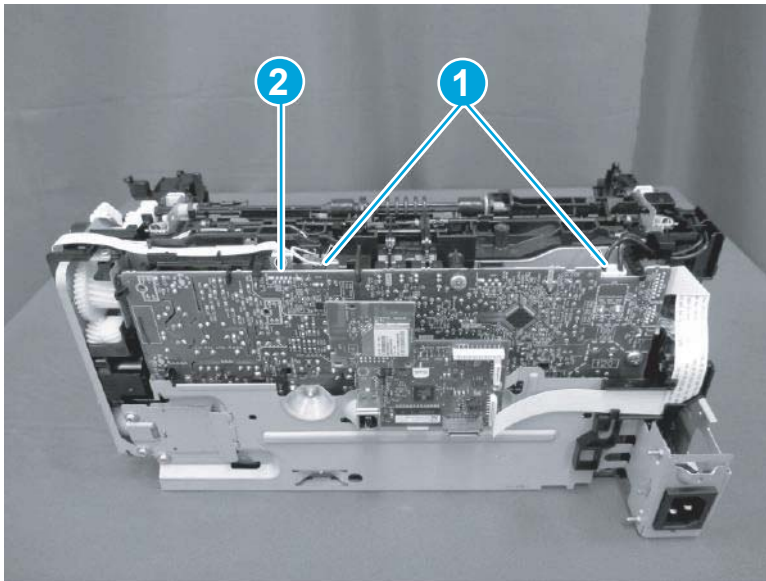
- c. Remove the plate (callout 3).

Figure 1-231 Remove the plate



- 4. Do the following:
  - a. Disconnect two connectors (callout 1).
  - b. Remove one FFC (callout 2).

Figure 1-232 Disconnect two connectors

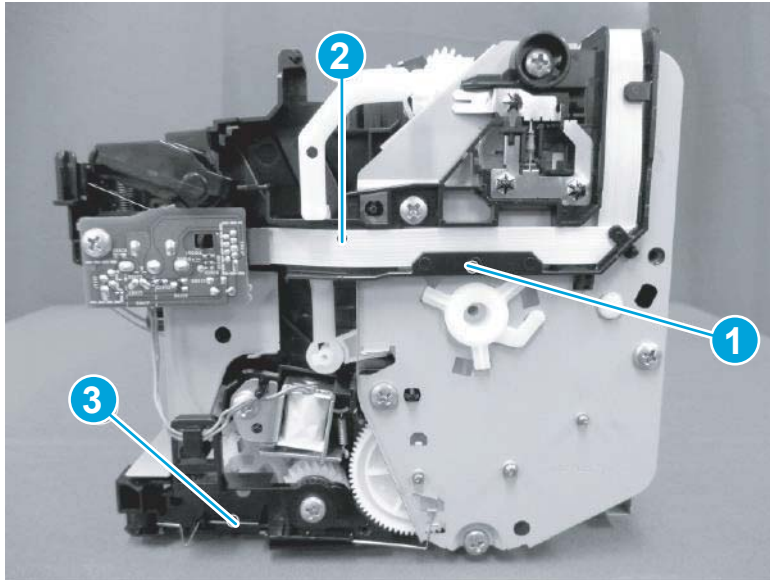




5. Release the FFC (callout 2) from the guide (callout 1), and then unhook one spring (callout 3).

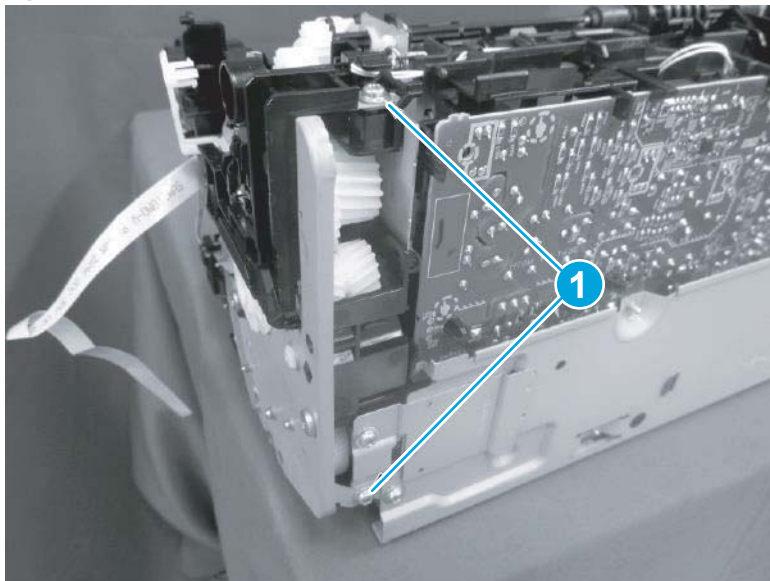
 **Reinstallation tip:** To reinstall the spring, see [Special installation instructions: Fuser \(M28-M31\)](#) on page 205.

**Figure 1-233** Release the FFC and spring



6. Remove two screws (callout 1).

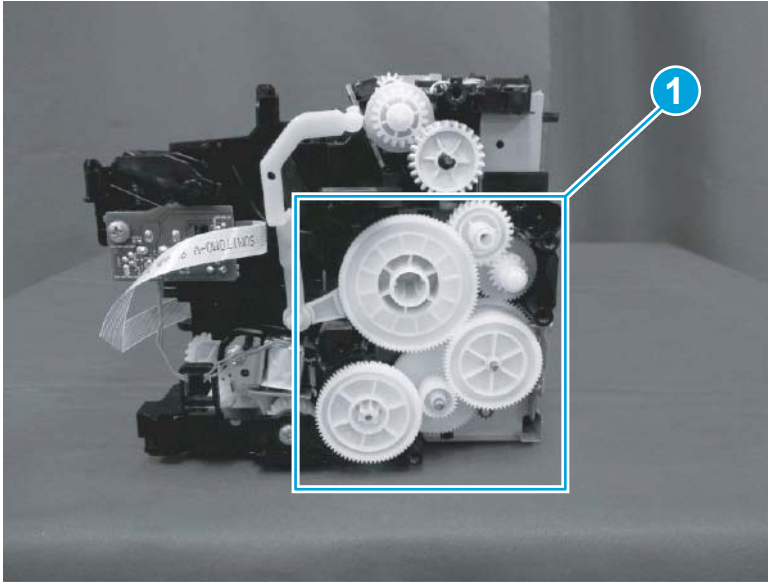
**Figure 1-234** Remove two screws



7. Before proceeding, take note of the following disassembly instructions:

At the right side of the printer, the gears (callout 1) and springs (callout 1) are held in place by a plate (shown removed). Since they are not captive, be careful when removing the plate, or the gears and springs might fall off the printer.

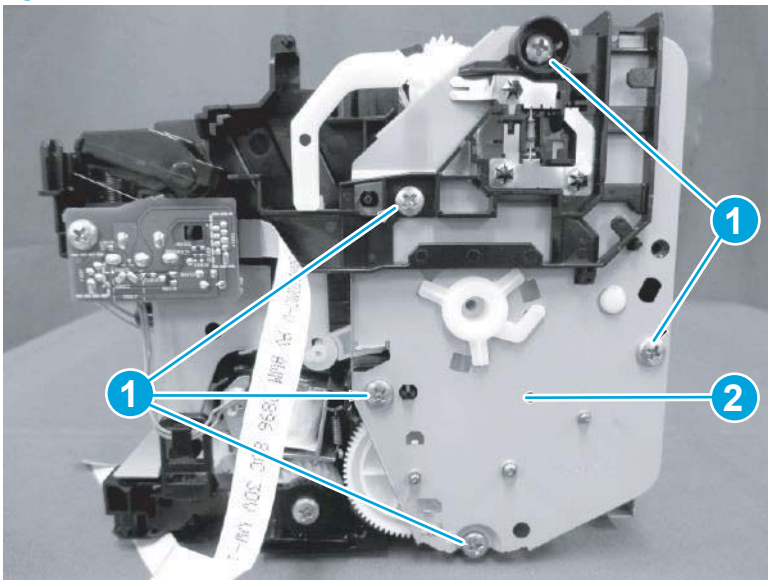
**Figure 1-235** Right side gears and springs



8. Remove five screws (callout 1), and then remove the plate (callout 2).

**⚠ CAUTION:** The gears and springs behind the plate are not captive.

**Figure 1-236** Remove the plate



9. Do the following:
  - a. Remove three screws (callout 1).
  - b. Lift up the fuser (callout 2).

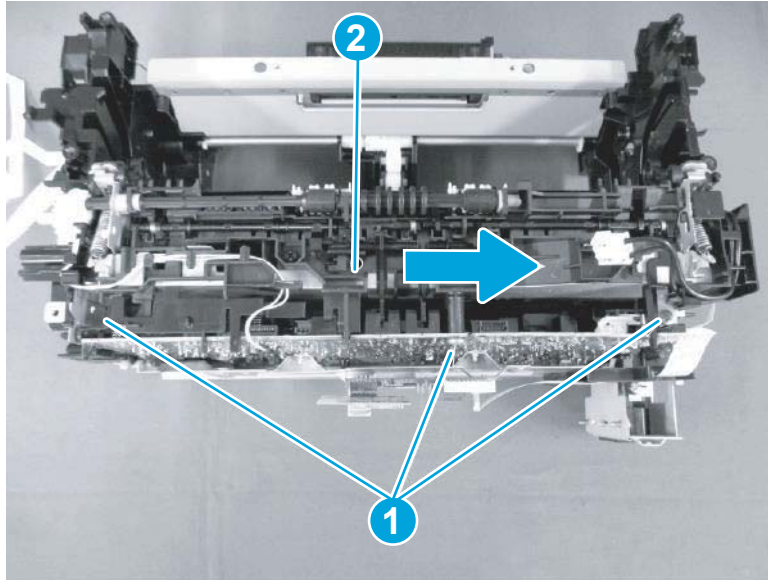
- c. Slide the fuser (callout 2) as shown below, and then remove it.

---

💡 **Reinstallation tip:** Reverse the removal steps to install the assembly.

---

**Figure 1-237** Remove the fuser



10. Reverse the removal steps to install the assembly. Also use the following special installation instructions.

**Special installation instructions: Fuser (M28-M31)**

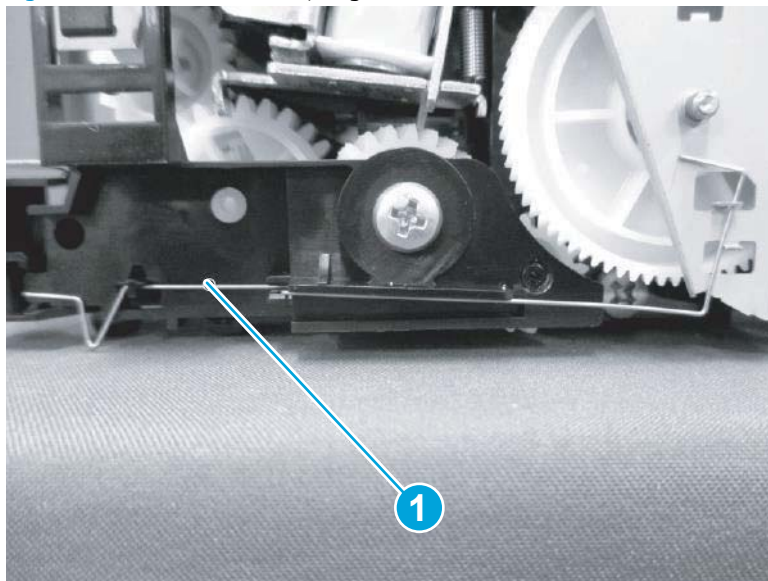
- ▲ Make sure the spring (callout 1) is firmly held in its original position when it is reinstalled.

---

⚠ **CAUTION:** Do not deform the spring when it is reinstalled.

---


**Figure 1-238** Reinstall the spring (lower)



**Step 6: Unpack the replacement assembly**

1. Dispose of the defective part.

---

 **NOTE:** HP recommends responsible disposal of the defective part.


[www.hp.com/recycle](http://www.hp.com/recycle)

---



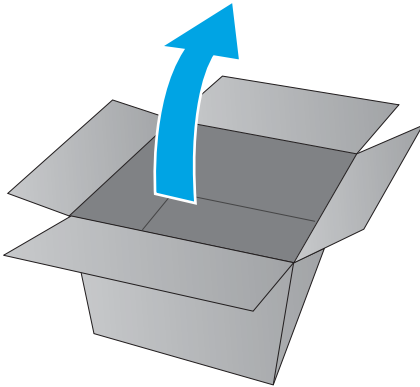
2. Unpack the replacement part from the packaging.

---

 **CAUTION:** If the replacement part is a roller or pad, avoid touching the spongy part of it. Skin oils on the roller or pad can cause paper pickup and/or print-quality problems. HP recommends using disposable gloves when handling rollers or pads or washing your hands or before touching rollers or pads.

 **IMPORTANT:** Make sure that all of the shipping materials (for example shipping tape) are removed from the replacement part prior to installation.

---



## Remove and replacement: Fuser film assembly (M14-M17)

- [Introduction](#)
- [Step 1: Remove the cartridge door \(M14-M17\)](#)
- [Step 2: Remove the formatter cover \(M14-M17\)](#)
- [Step 3: Remove the lower cover \(M14-M17\)](#)
- [Step 4: Remove the formatter \(M14-M17\)](#)
- [Step 5: Remove the fuser \(M14-M17\)](#)
- [Step 6: Remove the fuser film assembly](#)
- [Step 7: Unpack the replacement assembly](#)

### Introduction

This document provides the procedures to remove and replace the fuser film assembly (M14-M17).



**IMPORTANT:** When applicable, special installation instructions are provided for an assembly at the end of the removal procedure. Always completely read the removal instructions and follow all special installation instructions.

### Before performing service

- Turn the printer power off.

Use the table below to identify the correct part number for your printer. To order the part, go to [www.hp.com/buy/parts](http://www.hp.com/buy/parts)

| Fuser film assembly part number |                                |
|---------------------------------|--------------------------------|
| RM2-2132-000CN                  | Fuser film assembly (110-127V) |
| RM2-2130-000CN                  | Fuser film assembly (220-240V) |

### Required tools

- #2 Phillips screwdriver with a magnetic tip
- Small flat-blade screw driver (optional)

### After performing service

- Turn the printer power on.

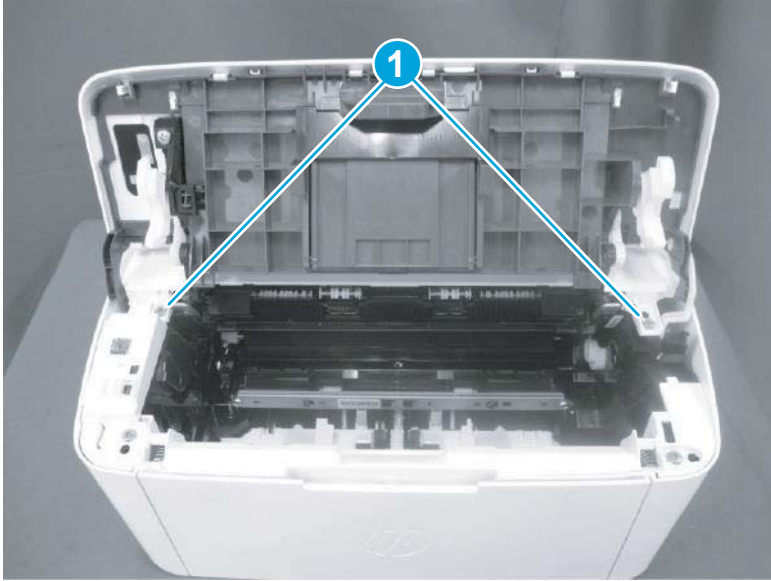
### Post service test

Send a job to the printer, and then verify that print quality is acceptable.

### Step 1: Remove the cartridge door (M14-M17)

1. Open the cartridge door, and then remove two screws (callout 1).

Figure 1-239 Remove two screw

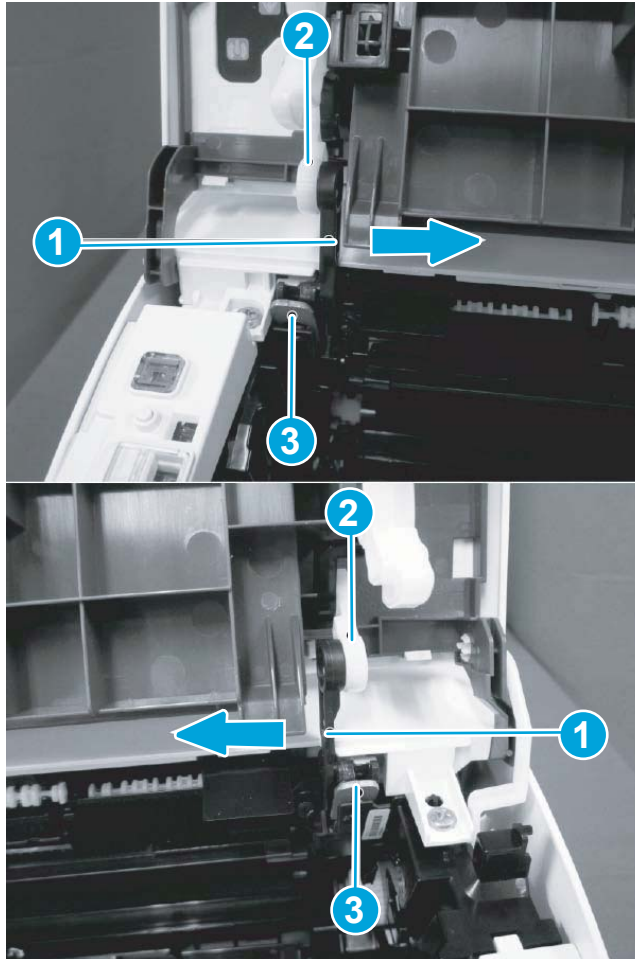


2. Before proceeding, take note of the following disassembly instructions.

When removing the link arm (callout 2) from the pressure release lever (callout 1), the pressure plate (callout 3) might be deformed if the pressure release lever moves in the direction shown below.

**CAUTION:** Do not deform the pressure plate.

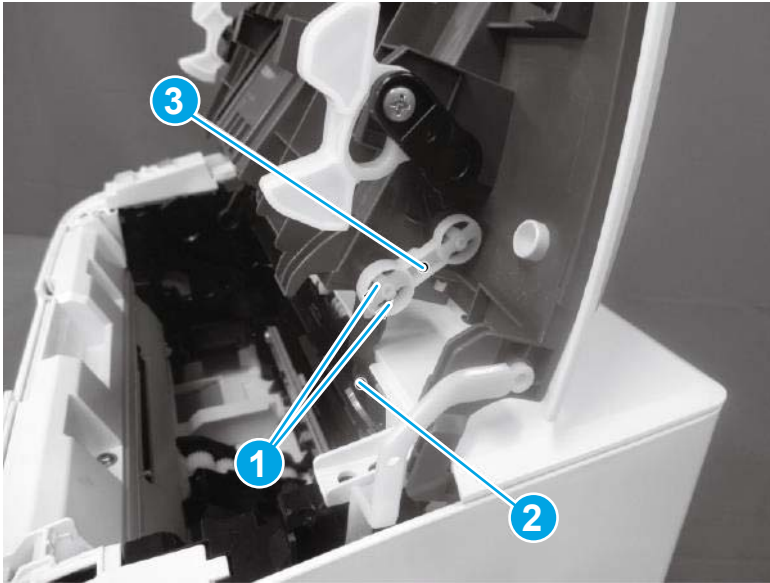
Figure 1-240 Special disassembly instructions





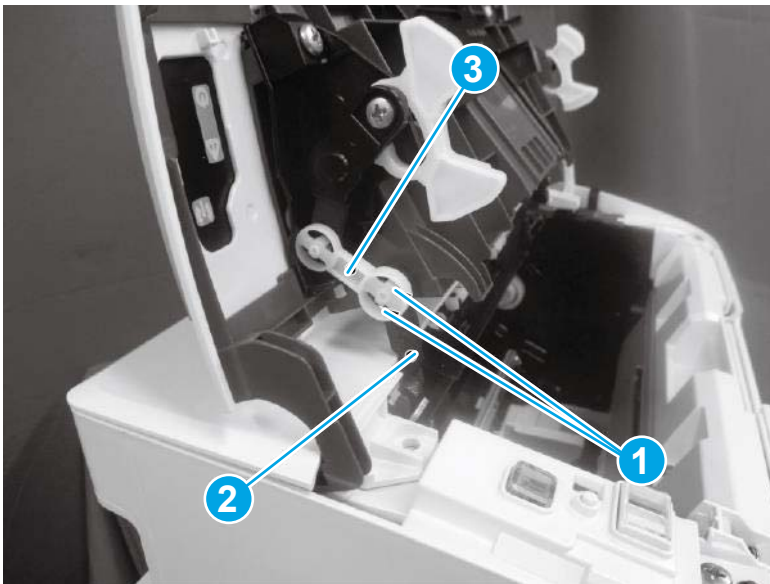
3. Release two tabs (callout 1), and then remove one link arm (callout 3) from the pressure release lever (callout 2).

Figure 1-241 Remove the link arm



4. Release two tabs (callout 1), and then remove one link arm (callout 3) from the pressure release lever (callout 2).

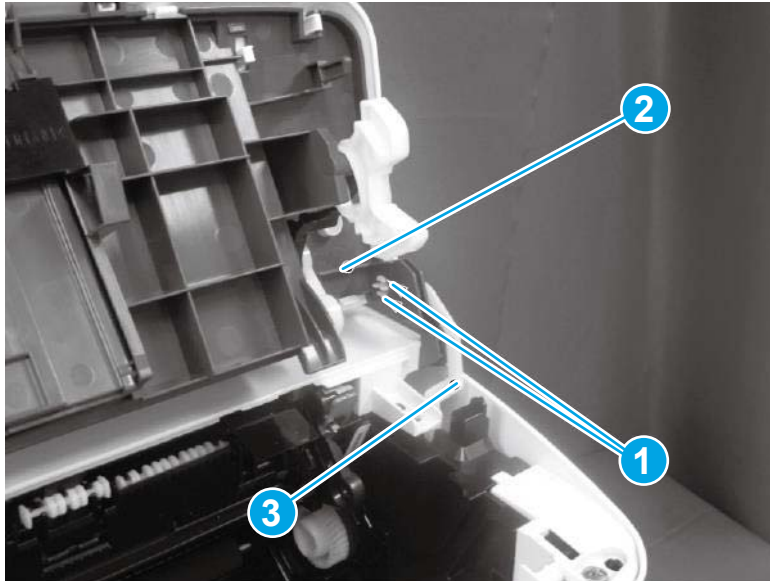
Figure 1-242 Remove the link arm





5. Release two tabs (callout 1), and then remove one link arm (callout 3) from the cartridge door assembly (callout 2).

Figure 1-243 Remove the link arm



6. Release one tab (callout 1), support the cartridge door (callout 2), and then remove it.

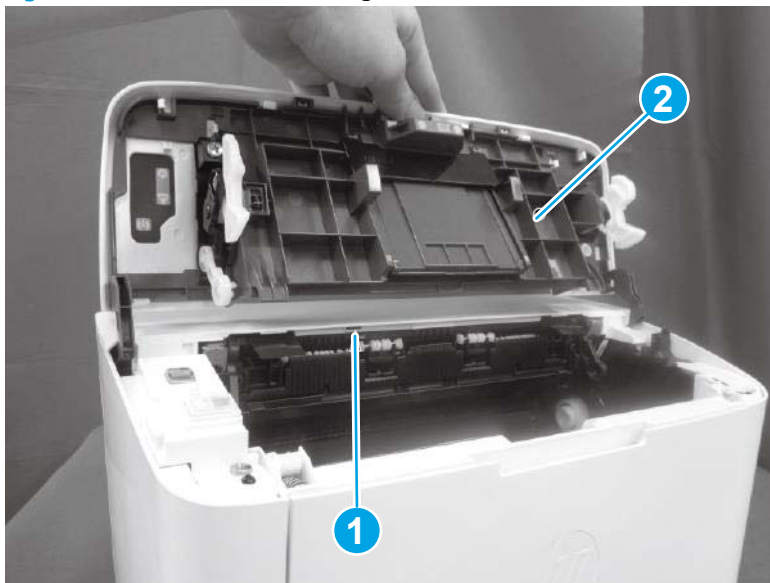
---

 **NOTE:** If the cartridge door is removed to access other assembly, stop at this step.

 **Reinstallation tip:** Reverse the removal steps to install the door.

---

Figure 1-244 Remove the cartridge door



7. **Optional step:** If a replacement cartridge door is being installed, do the following:

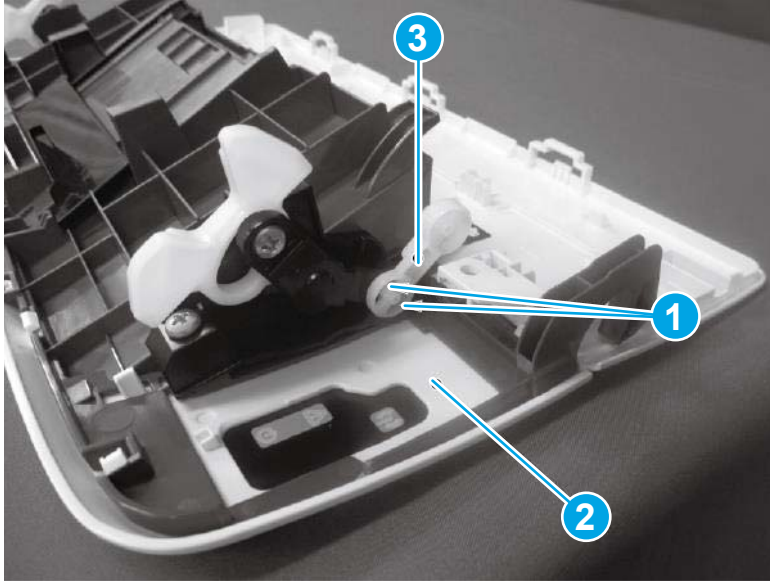
---

 **NOTE:** Install the link arms on the replacement door.

---

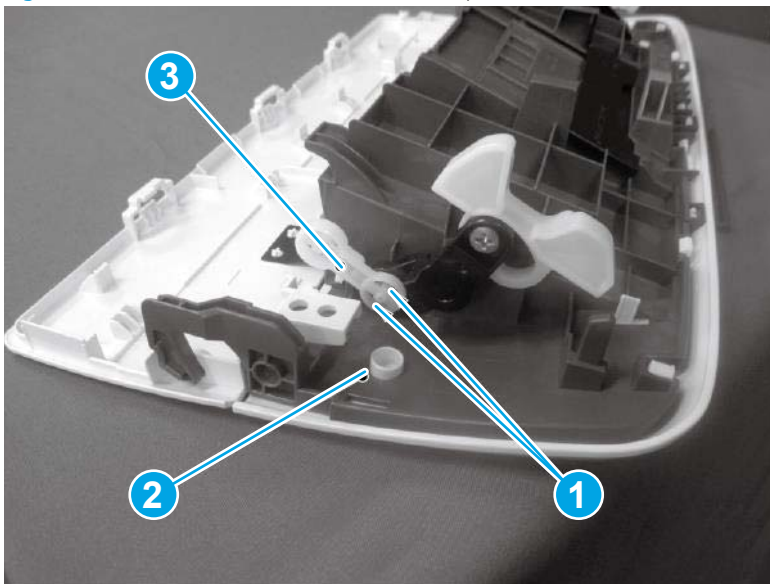
- a. Release two tabs (callout 1), and then remove the one link arm (callout 3) from the door assembly (callout 2).

Figure 1-245 Install the link arms on the replacement door



- b. Release two tabs (callout 1), and then remove the one link arm (callout 3) from the door assembly (callout 2).

Figure 1-246 Install the link arms on the replacement door



### Step 2: Remove the formatter cover (M14-M17)

- ▲ Position the printer front side down.

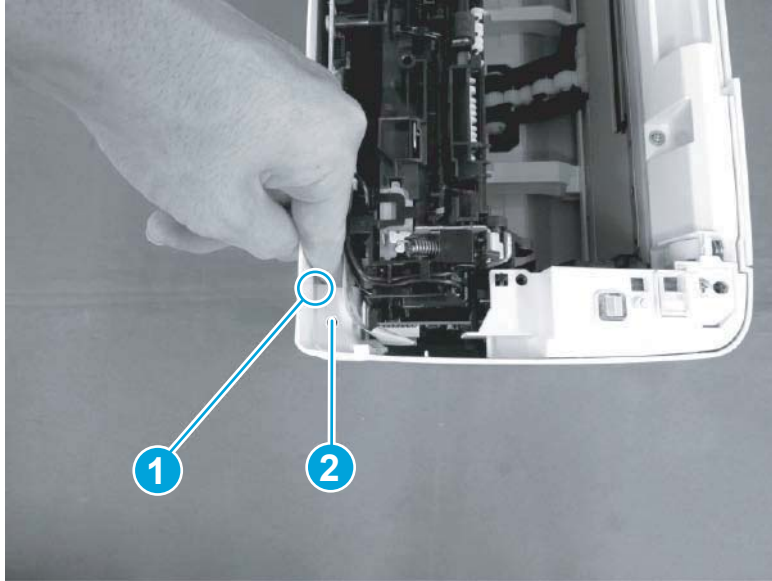
Release one tab (callout 1), and then remove the formatter cover (callout 2).

---

💡 **Reinstallation tip:** Reverse the removal steps to install the assembly.

---

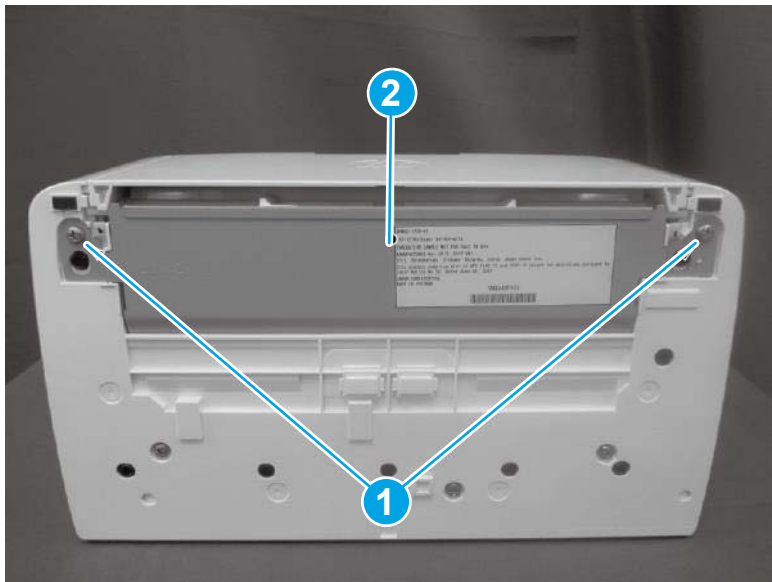
Figure 1-247 Remove the formatter cover (M14-M17)



**Step 3: Remove the lower cover (M14-M17)**

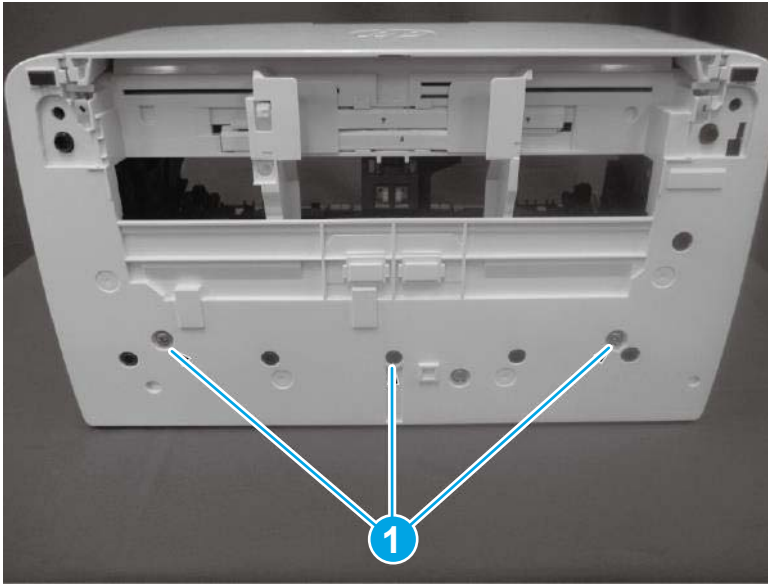
1. Position the printer rear side down, remove three screws (callout 1), and then remove the lower plate (callout 2).

Figure 1-248 Remove the lower plate



2. Remove three screws (callout 1)

Figure 1-249 Remove the three screws



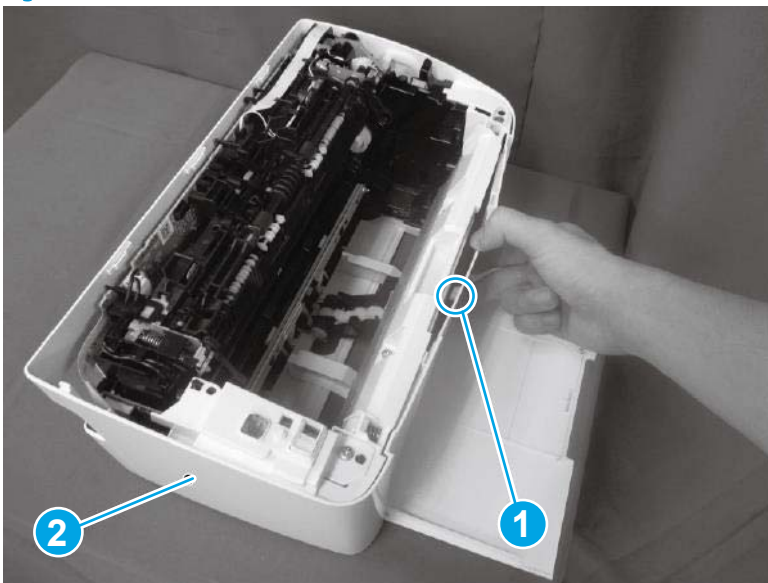
3. With the printer in the upright position, release one tab (callout 1), and then remove the lower cover (callout 2).

---

 **Reinstallation tip:** Reverse the removal steps to install the assembly.

---

Figure 1-250 Remove the lower cover



4. Reverse the removal steps to install the assembly. Also use the following special installation instructions.

---

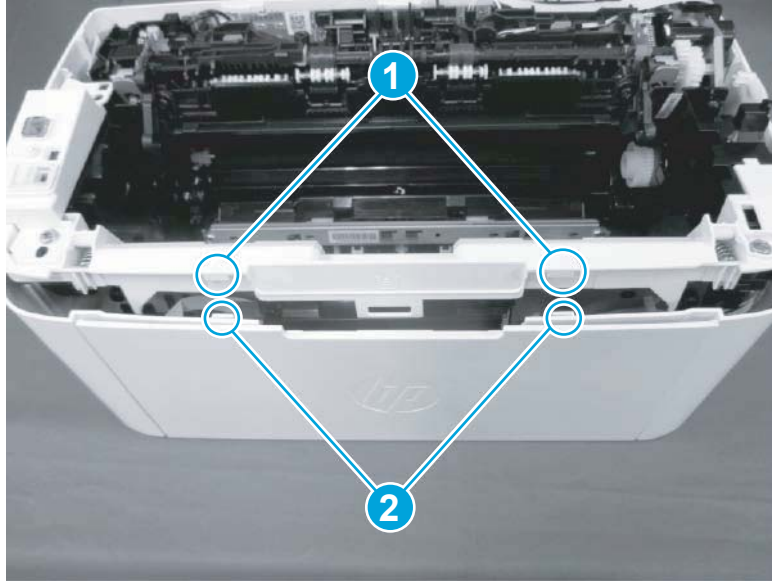
 **NOTE:** Continue to reverse the removal steps to finish installing the assembly.

---

**Special installation instructions: Lower cover**

- ▲ Make sure to fit two ribs (callout 1) on the printer into the grooves (callout 2) in the lower cover.

Figure 1-251 Fit two ribs on the printer into the grooves (lower cover install)



#### Step 4: Remove the formatter (M14-M17)

▲ Do the following:

- a. Remove two flat flexible cables (FFCs) (callout 1).

💡 **TIP:** It might be easier to use a small flat blade screwdriver to release the large FFC.

- b. Remove one screw (callout 2).

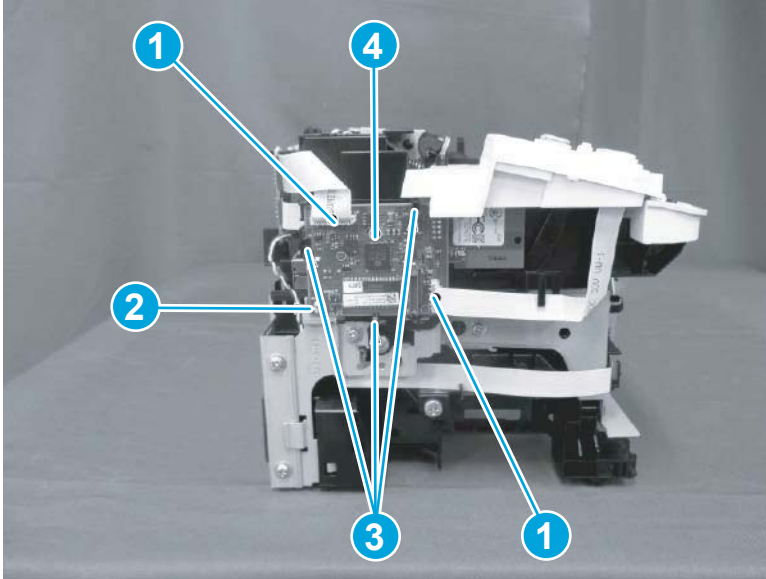
📝 **NOTE:** Use a micro tip screwdriver to remove this screw.

- c. Release three tabs (callout 3).

- d. Remove the formatter (callout 4).

💡 **Reinstallation tip:** Reverse the removal steps to install the assembly.

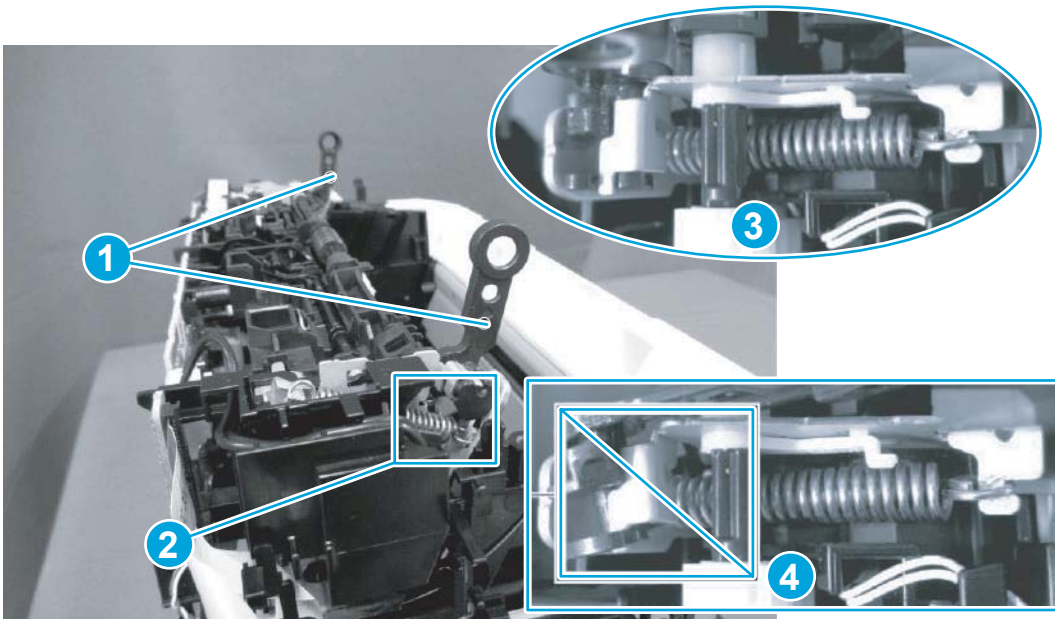
Figure 1-252 Remove the formatter



#### Step 5: Remove the fuser (M14-M17)

1. When removing the fuser do not rotate the pressure release levers (callout 1) too far or the side plates (callout 2; left side shown) can be deformed.
  - **Callout 3:** Correct pressure lever rotation and side plate position.
  - **Callout 4:** Incorrect pressure lever rotation and side plate position.

Figure 1-253 Pressure release lever

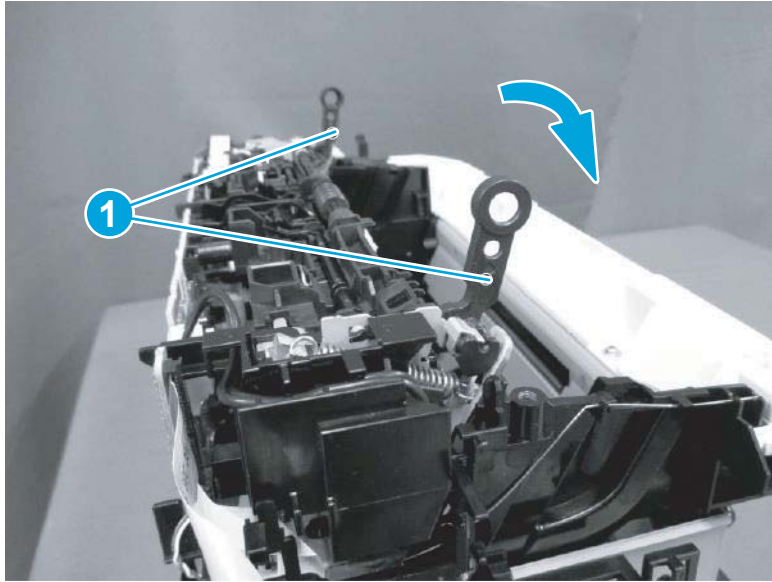




2. Rotate the pressure release levers (callout 1) (in the direction shown below) until they hang loose.

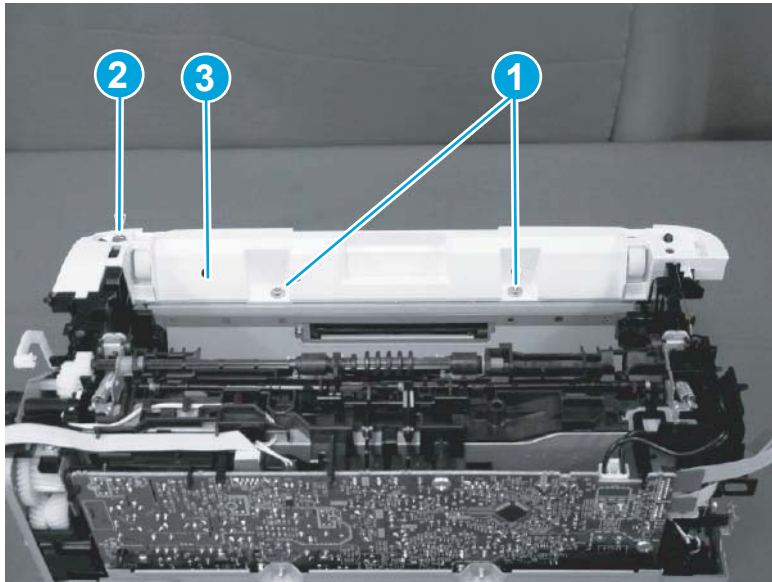
**CAUTION:** Do not damage the side plates when rotating the pressure release levers.

Figure 1-254 Rotate the pressure release levers



3. Do the following:
  - a. Remove two screws (M3; callout 1).
  - b. Remove one screw (M4; callout 2).
  - c. Remove the inner cover (callout 3).

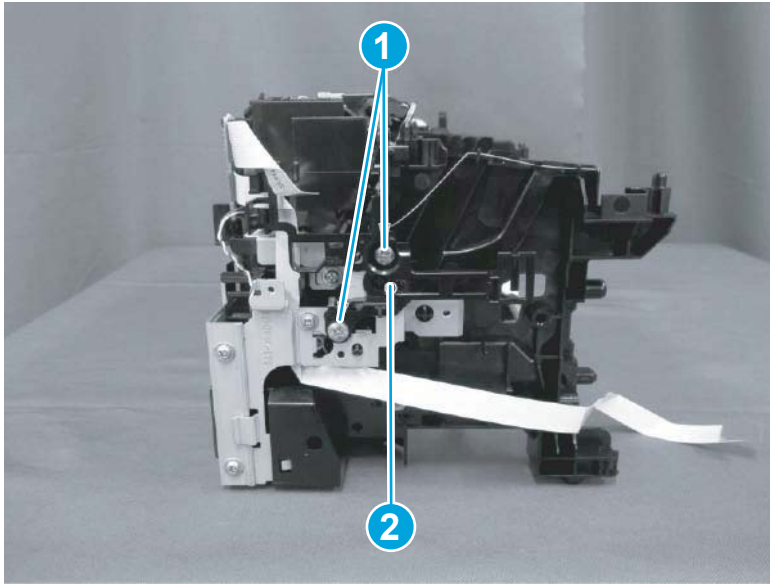
Figure 1-255 Remove the inner cover



4. Do the following:
  - a. Remove two screws (callout 1).


- b. Remove the cable guide (callout 2).

Figure 1-256 Remove the cable guide



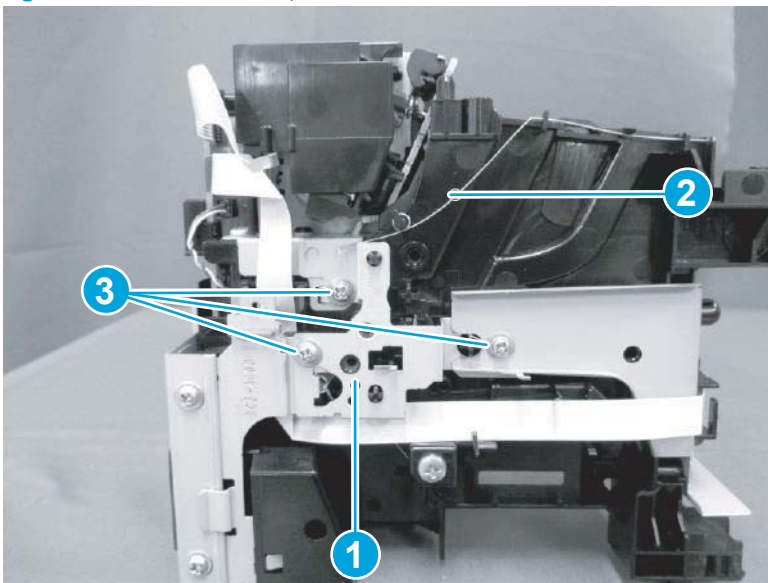
- 5. Release one spring (callout 2) from the plate (callout 1), remove three screws (callout 3), and then remove the plate (callout 1).

---

 **Reinstallation tip:** To reinstall the spring, see [Special installation instructions: Fuser \(M14-M17\) on page 190](#).

---

Figure 1-257 Remove the plate

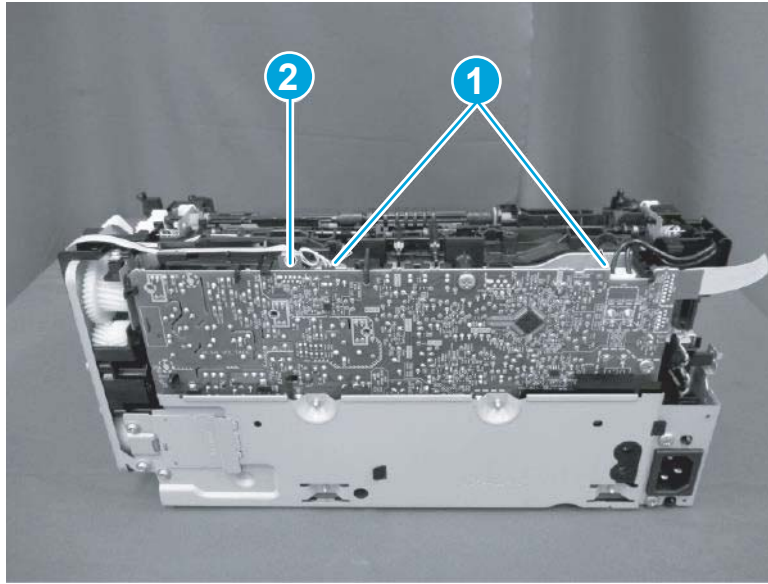


- 6. Do the following:
  - a. Disconnect two connectors (callout 1).



- b. Remove one FFC (callout 2).

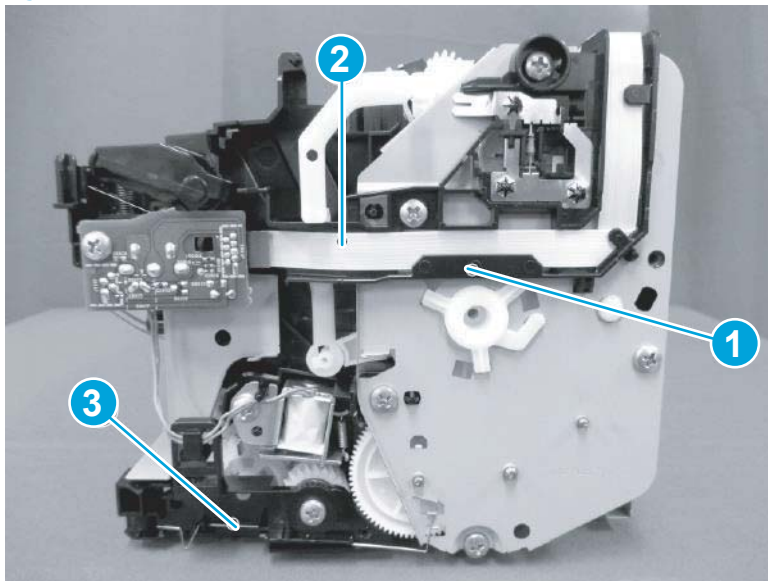
**Figure 1-258** Disconnect two connectors



7. Release the FFC (callout 2) from the guide (callout 1), and then unhook one spring (callout 3).

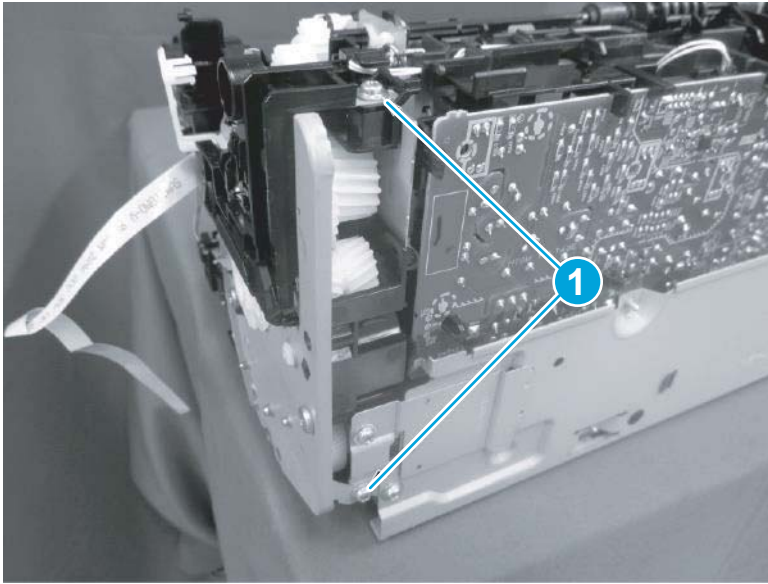
 **Reinstallation tip:** To reinstall the spring, see [Special installation instructions: Fuser \(M14-M17\)](#) on page 190.

**Figure 1-259** Release the FFC and spring



8. Remove two screws (callout 1).

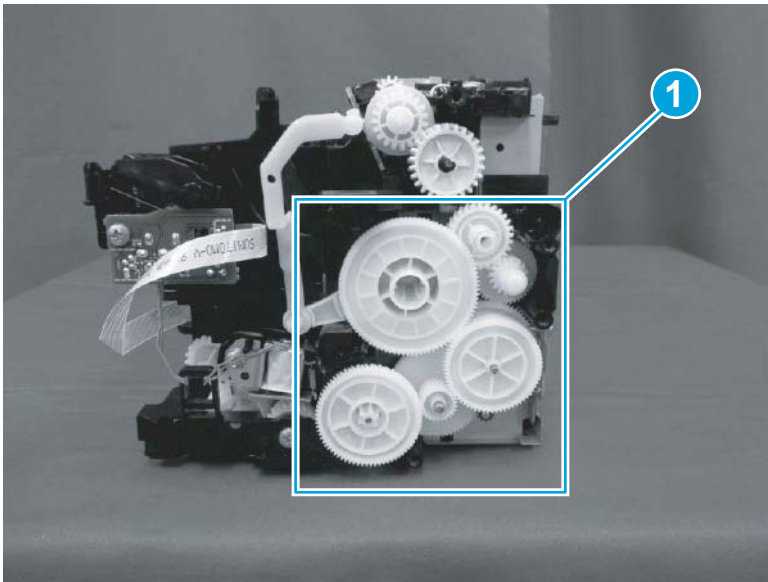
Figure 1-260 Remove two screws



9. Before proceeding, take note of the following disassembly instructions:

At the right side of the printer, the gears (callout 1) and springs (callout 1) are held in place by a plate (shown removed). Since they are not captive, be careful when removing the plate, or the gears and springs might fall off the printer.

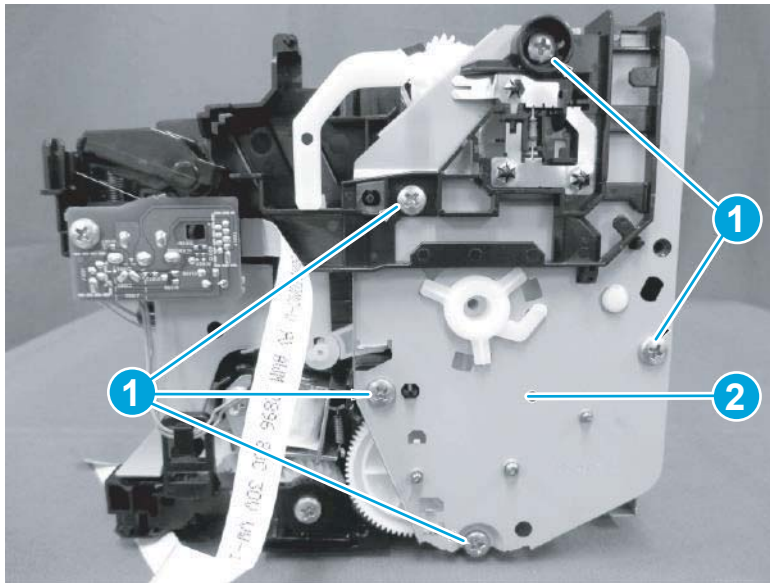
Figure 1-261 Right side gears and springs



10. Remove five screws (callout 1), and then remove the plate (callout 2).

**⚠ CAUTION:** The gears and springs behind the plate are not captive.

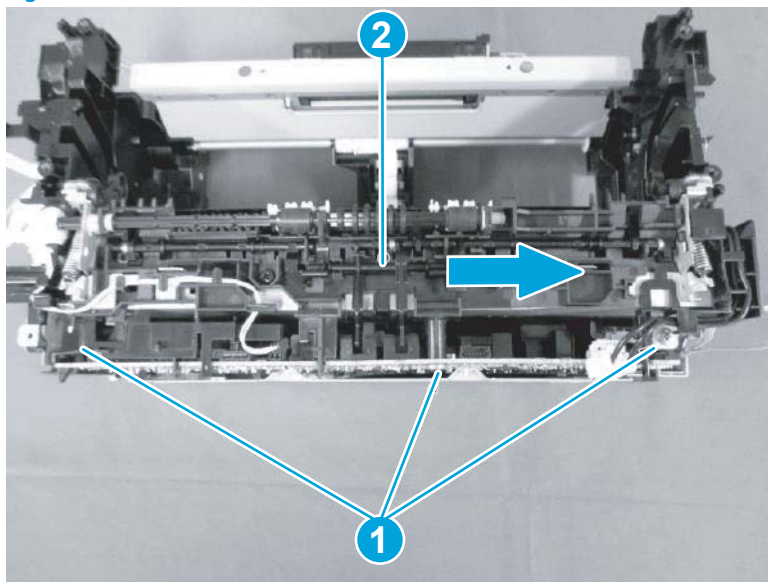
Figure 1-262 Remove the plate



11. Do the following:
  - a. Remove three screws (callout 1).
  - b. Lift up the fuser (callout 2).
  - c. Slide the fuser (callout 2) as shown below to remove it.

**💡 Reinstallation tip:** Reverse the removal steps to install the assembly. Also see [Special installation instructions: Fuser \(M14-M17\) on page 190](#).

Figure 1-263 Remove the fuser

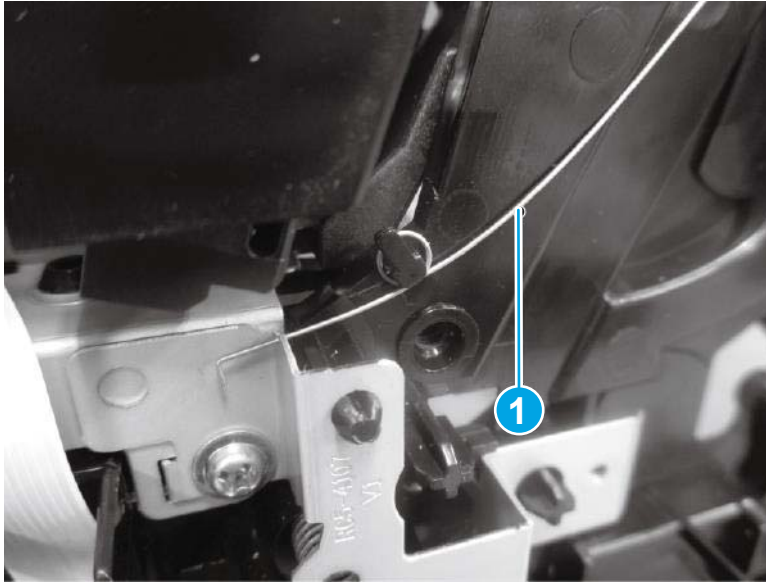


12. Reverse the removal steps to install the assembly. Also use the following special installation instructions.

**Special installation instructions: Fuser (M14-M17)**

- a. Make sure the upper spring (callout 1) is firmly held in its original position when it is reinstalled.

**Figure 1-264** Reinstall the spring (upper)



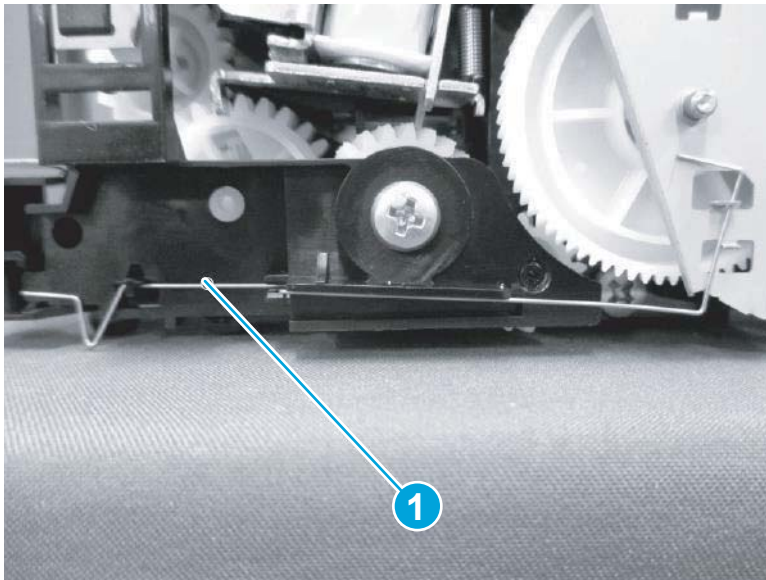
- b. Make sure the lower spring (callout 1) is firmly held in its original position when it is reinstalled.

---

**CAUTION:** Do not deform the spring when it is reinstalled.

---

**Figure 1-265** Reinstall the spring (lower)

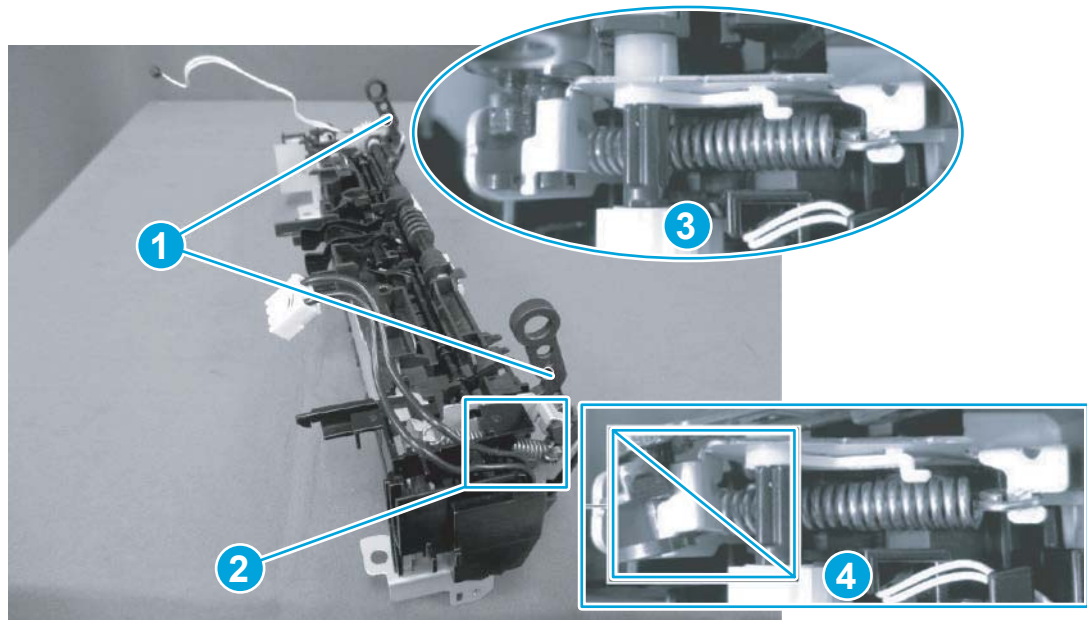


**Step 6: Remove the fuser film assembly**

1. When removing the fuser film do not rotate the pressure release levers (callout 1) too far or the side plates (callout 2; right side shown) can be deformed.

- **Callout 3:** Correct pressure lever rotation and side plate position.
- **Callout 4:** Incorrect pressure lever rotation and side plate position.

Figure 1-266 Pressure release lever



2. Before proceeding, check the following:

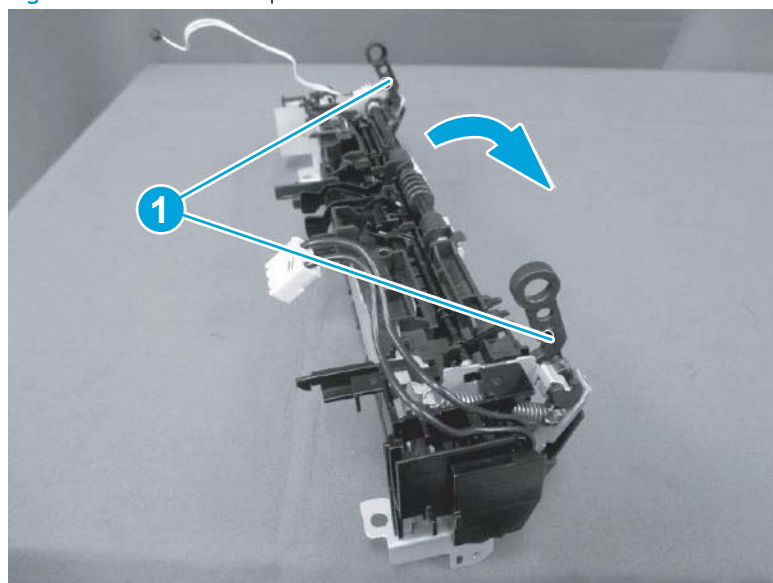
- If the pressure release levers (callout 1) are positioned upward (as shown below), rotate them in the direction shown until they hang loose.

---

**⚠ CAUTION:** Do not damage the side plates when rotating the pressure release levers.

---

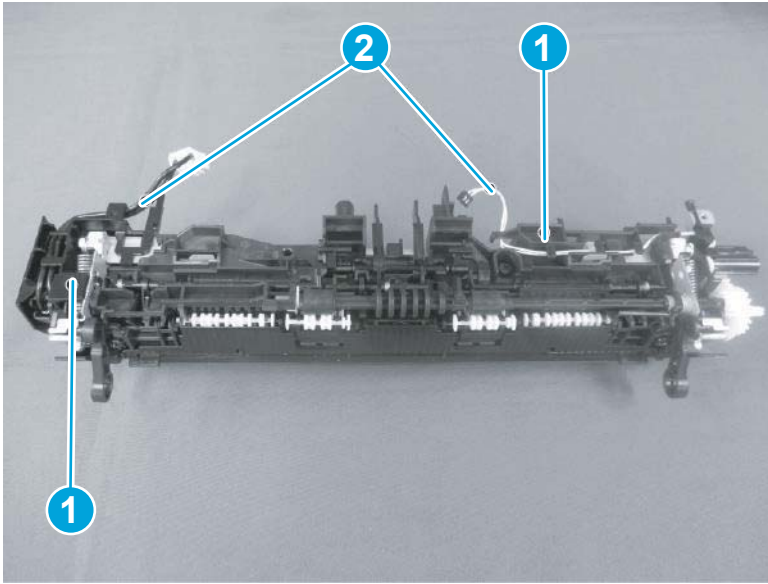
Figure 1-267 Check the pressure release levers





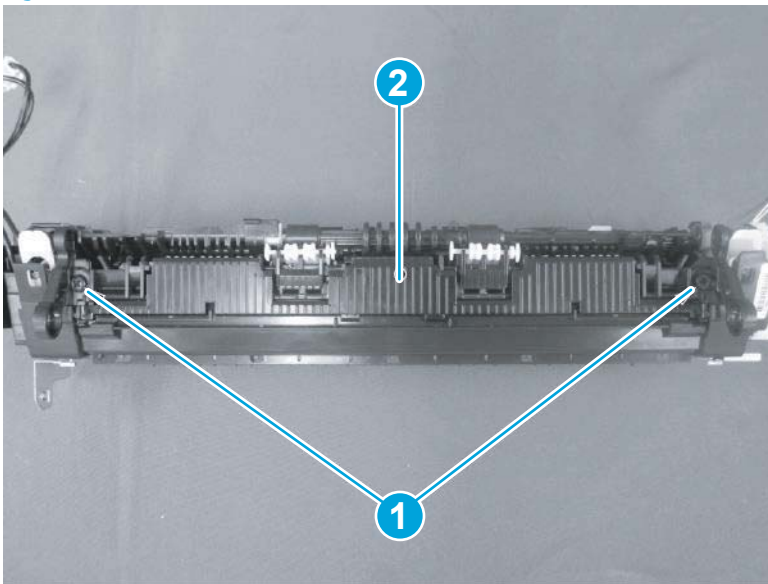
3. Release the wire harnesses (callout 2) from the guides (callout 1).

Figure 1-268 Release the wire harnesses



4. Remove two screws (callout 1), and then remove the fuser cover (callout 2).

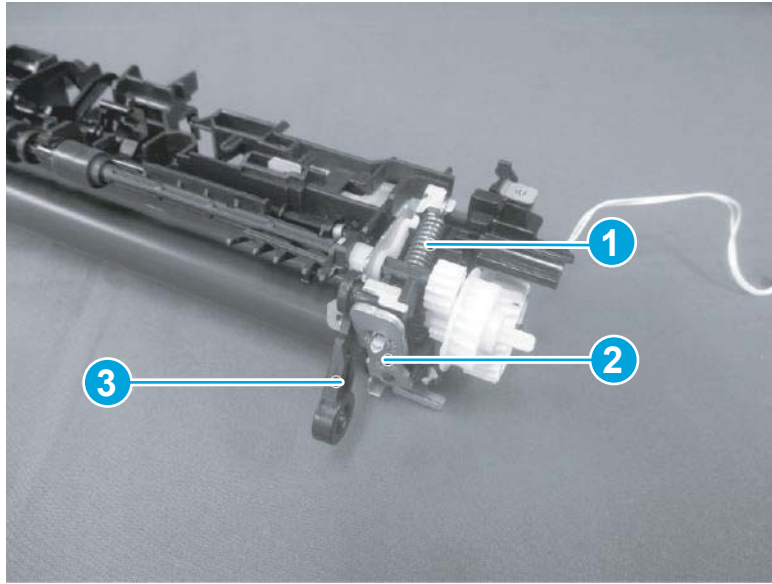
Figure 1-269 Remove the fuser cover



5. Do the following:
  - a. Release one spring (callout 1).
  - b. Remove the pressure plate (callout 2).

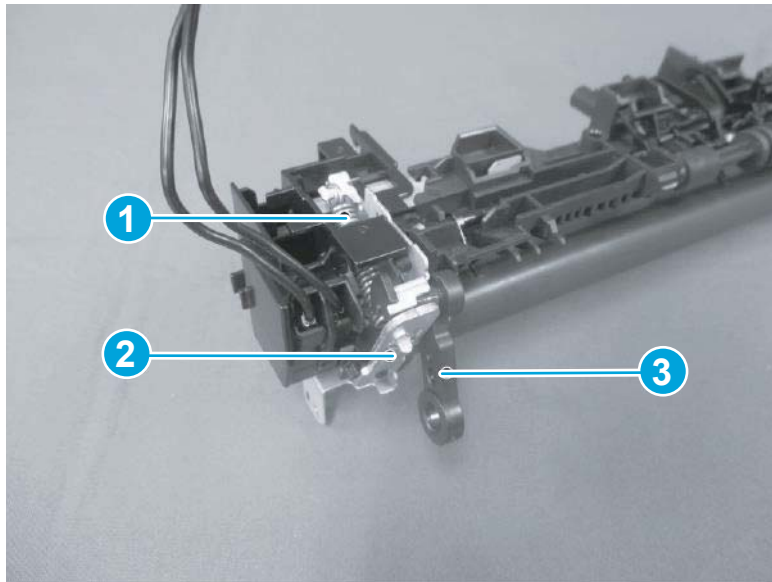
- c. Remove the pressure release lever (callout 3).

Figure 1-270 Remove the pressure plate and lever



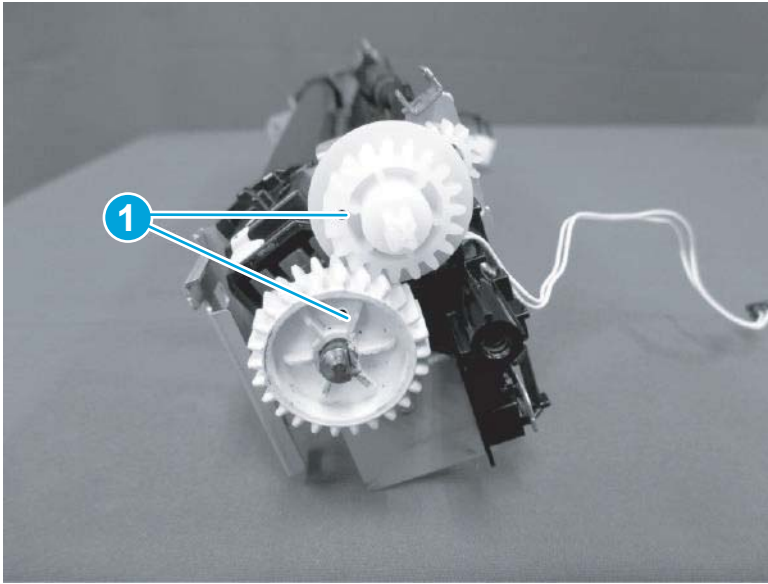
- 6. Do the following:
  - a. Release one spring (callout 1).
  - b. Remove the pressure plate (callout 2).
  - c. Remove the pressure release lever (callout 3).

Figure 1-271 Remove the pressure plate and lever



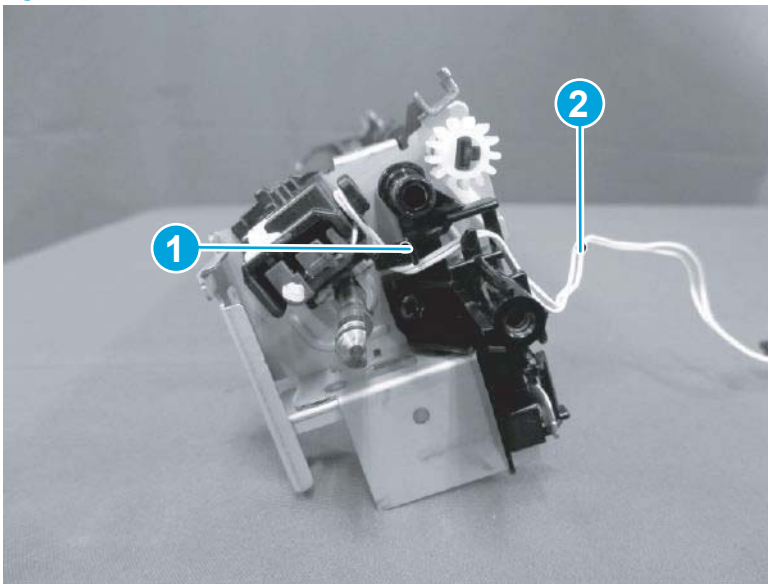
7. Remove two gears (callout 1).

Figure 1-272 Remove the gears




8. Release the wire harness (callout 2) from the guide (callout 1).

Figure 1-273 Release the wire harness



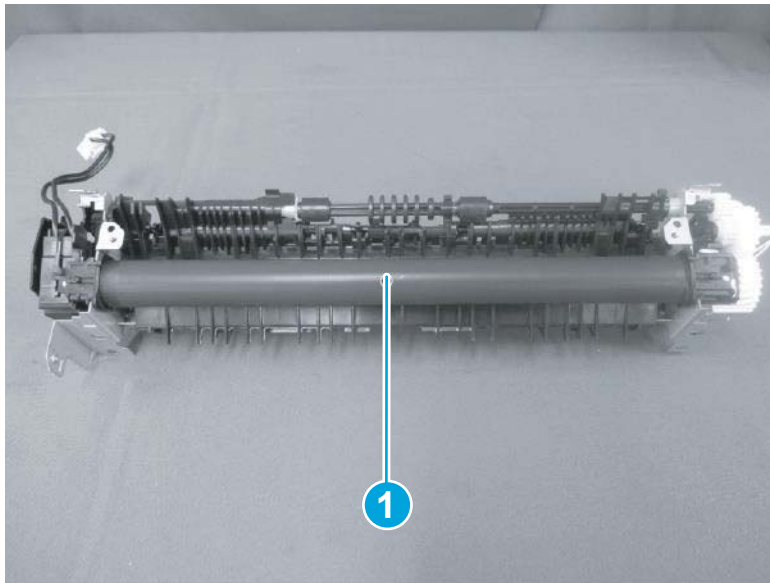


9. Remove the fuser film assembly (callout 1).

 **Reinstallation tip:** Reverse the removal steps to install the assembly.

---

**Figure 1-274** Remove the fuser film assembly



#### Step 7: Unpack the replacement assembly

1. Dispose of the defective part.

 **NOTE:** HP recommends responsible disposal of the defective part.

---

[www.hp.com/recycle](http://www.hp.com/recycle)

---



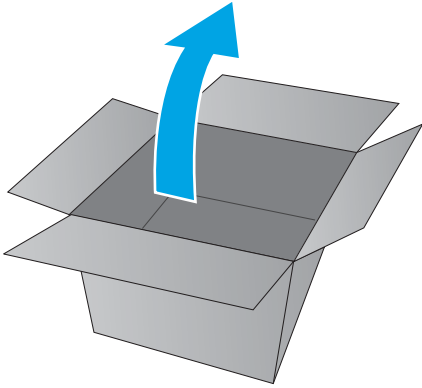
2. Unpack the replacement part from the packaging.

---

**⚠ CAUTION:** If the replacement part is a roller or pad, avoid touching the spongy part of it. Skin oils on the roller or pad can cause paper pickup and/or print-quality problems. HP recommends using disposable gloves when handling rollers or pads or washing your hands or before touching rollers or pads.

**📄 IMPORTANT:** Make sure that all of the shipping materials (for example shipping tape) are removed from the replacement part prior to installation.

---



## Remove and replacement: Fuser film assembly (MFP M28-M31)

- [Introduction](#)
- [Step 1: Remove the formatter cover \(MFP M28-M31\)](#)
- [Step 2: Remove the image scanner \(MFP M28-M31\)](#)
- [Step 3: Remove the top cover \(MFP M28-M31\)](#)
- [Step 4: Remove the lower cover \(MFP M28-M31\)](#)
- [Step 5: Remove the fuser \(MFP M28-M31\)](#)
- [Step 6: Remove the fuser film assembly](#)
- [Step 7: Unpack the replacement assembly](#)

### Introduction

This document provides the procedures to remove and replace the fuser film assembly (M14-M17).



**IMPORTANT:** When applicable, special installation instructions are provided for an assembly at the end of the removal procedure. Always completely read the removal instructions and follow all special installation instructions.

### Before performing service

- Turn the printer power off.

Use the table below to identify the correct part number for your printer. To order the part, go to [www.hp.com/buy/parts](http://www.hp.com/buy/parts)

| Fuser film assembly part number |                                |
|---------------------------------|--------------------------------|
| RM2-2132-000CN                  | Fuser film assembly (110-127V) |
| RM2-2130-000CN                  | Fuser film assembly (220-240V) |

### Required tools

- #2 Phillips screwdriver with a magnetic tip
- Small flat-blade screw driver (optional)

### After performing service

- Turn the printer power on.


### Post service test

Send a job to the printer, and then verify that print quality is acceptable.

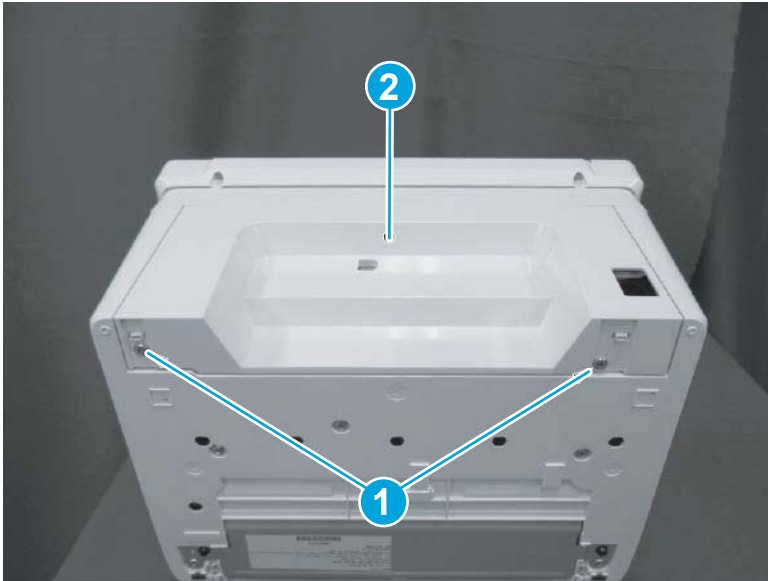
### Step 1: Remove the formatter cover (MFP M28-M31)

- ▲ Position the printer front side down.

Remove two screws (callout 1), and then remove the formatter cover (callout 2).

 **Reinstallation tip:** Reverse the removal steps to install the assembly.

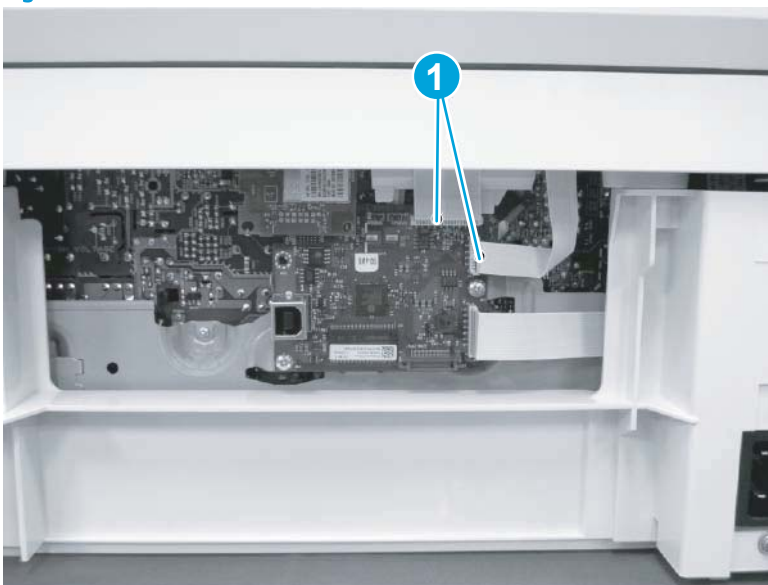
**Figure 1-275** Remove the formatter cover (MFP M28-M31)



**Step 2: Remove the image scanner (MFP M28-M31)**

1. Disconnect two flat flexible cables (FFCs) (callout 1).

**Figure 1-276** Disconnect two FFCs



2. Before proceeding, take note of the following disassembly instructions.

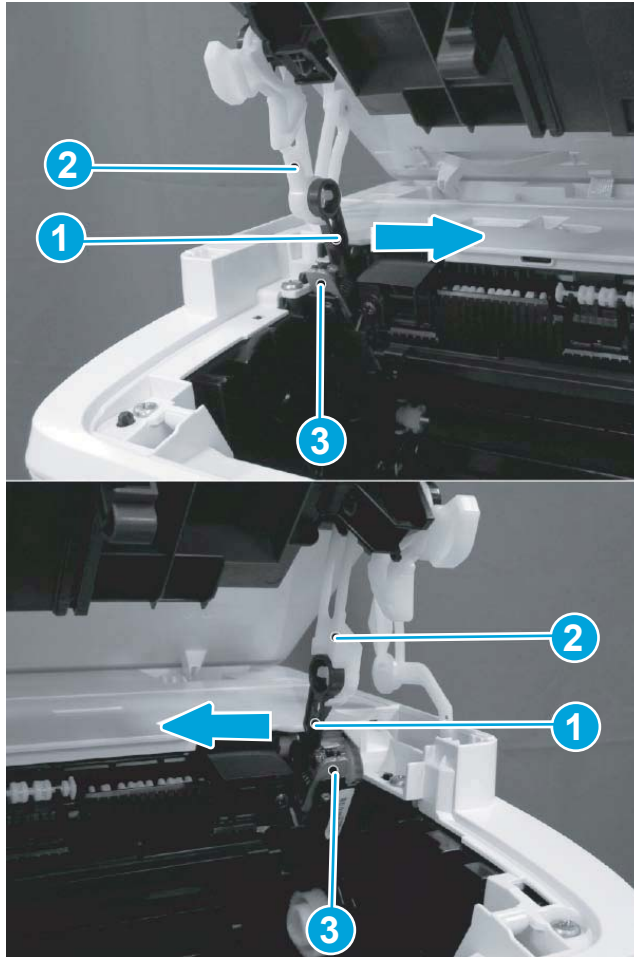
When removing the link arm (callout 2) from the pressure release lever (callout 1), the pressure plate (callout 3) might be deformed if the pressure release lever moves in the direction shown below.

---

**⚠ CAUTION:** Do not deform the pressure plate.

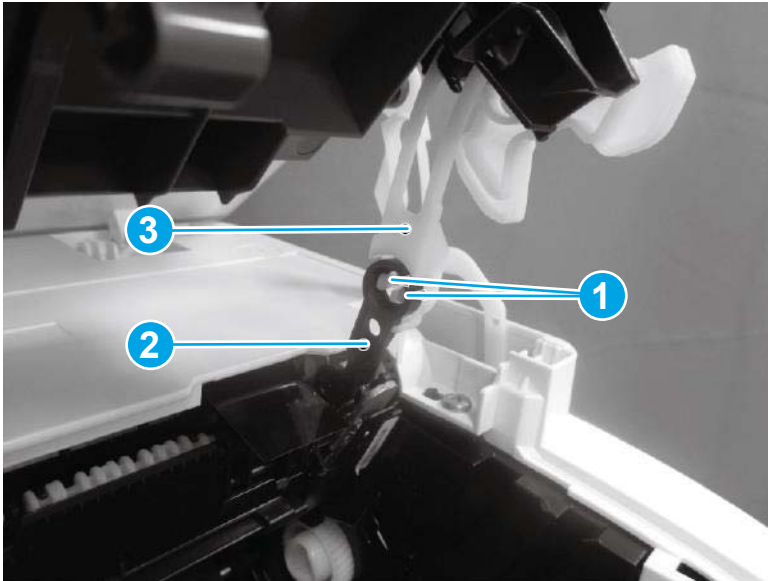
---

Figure 1-277 Special disassembly instructions



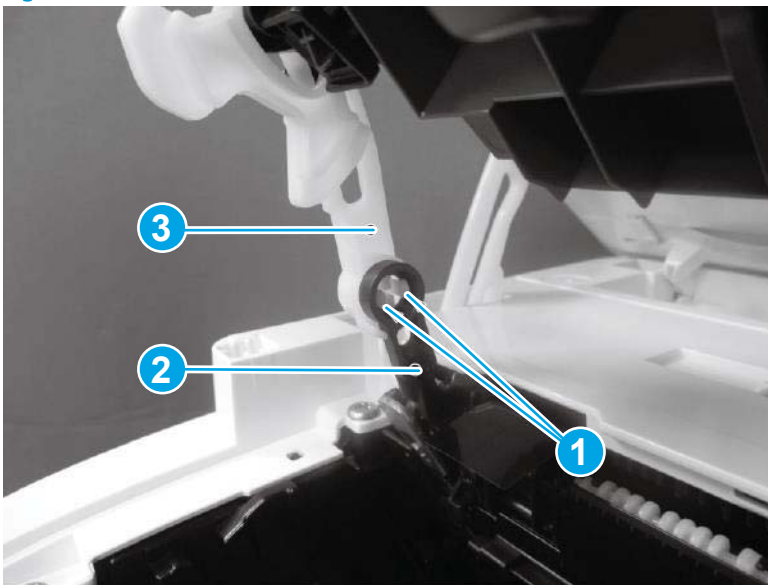
3. Open the image scanner, release two tabs (callout 1), remove one link arm (callout 3) from the pressure release lever (callout 2).

Figure 1-278 Remove the link arm



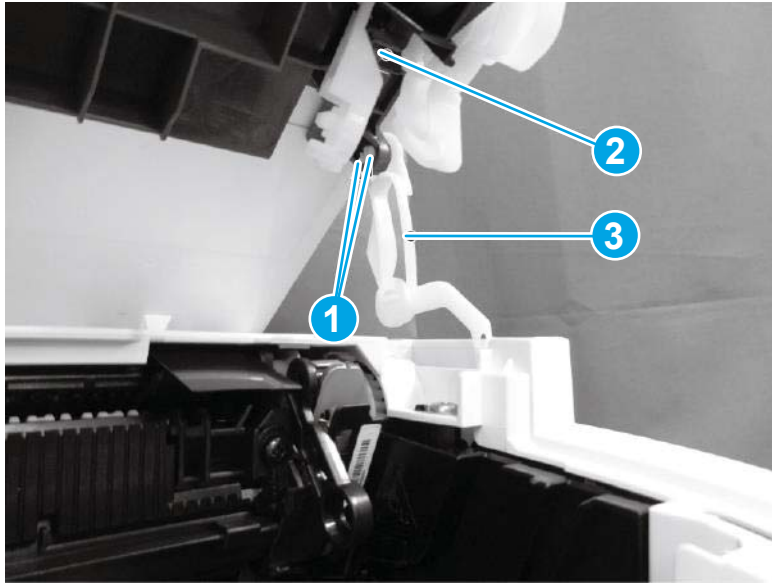
4. Release two tabs (callout 1), and then remove one link arm (callout 3) from the pressure release lever (callout 2).

Figure 1-279 Remove the link arm



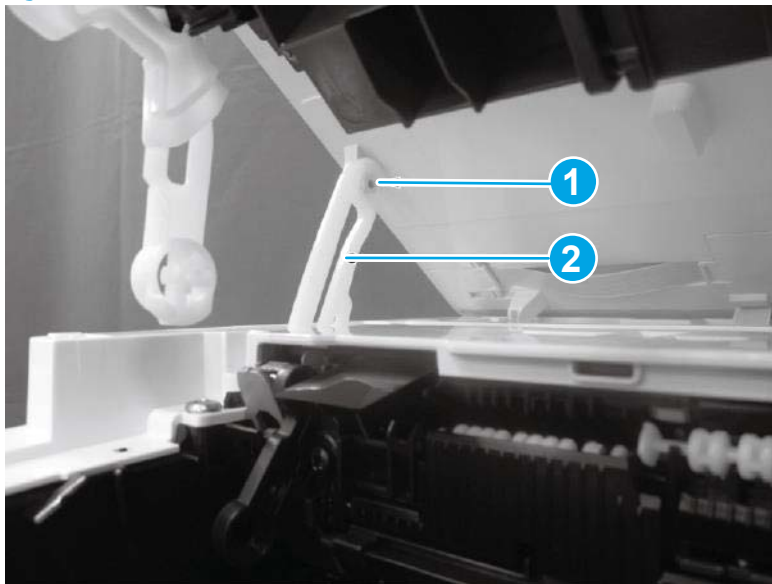
5. Release two tabs (callout 1), and then remove one link arm (callout 3) from the cartridge door (callout 2).

Figure 1-280 Remove the link arm



6. Remove one link arm (callout 2) from the shaft (callout 1).

Figure 1-281 Remove the link arm

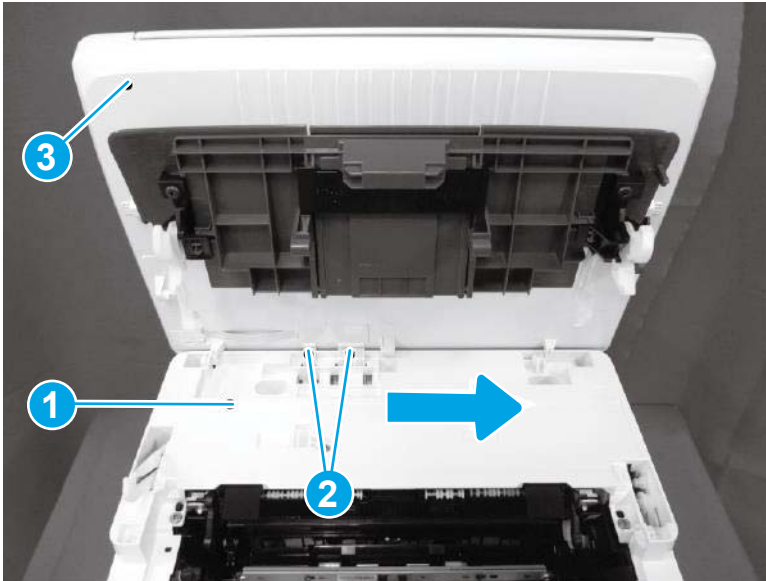


7. Pull two flat-flexible cables (FFCs) (callout 2) out and away from the top cover (callout 1), and then slide the image scanner (callout 3) as shown below to remove it.

**⚠ CAUTION:** Do not damage the FFCs.

**💡 Reinstallation tip:** Reverse the removal steps to install the assembly.

**Figure 1-282** Remove the image scanner

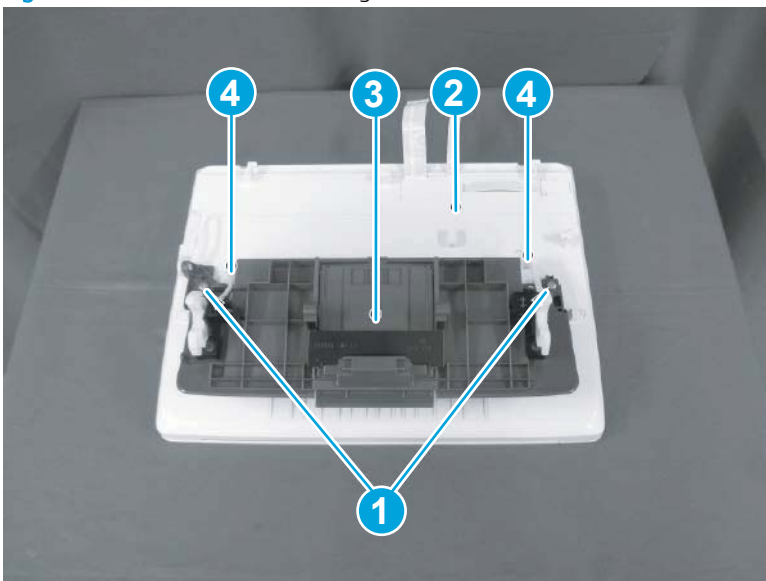


8. For a replacement image scanner, do the following:

**📝 NOTE:** If the image scanner is removed to access other assemblies, skip this step.

- Remove two screws (callout 1).
- Remove the cartridge door (callout 3) (with the link arms; callout 4) from the image scanner (callout 2).

**Figure 1-283** Remove the cartridge door





### Step 3: Remove the top cover (MFP M28-M31)

1. Remove two screws (M3; callout 1), remove seven screws (M4; callout 2), release one tab (callout 3), and then remove the top cover (callout 4).


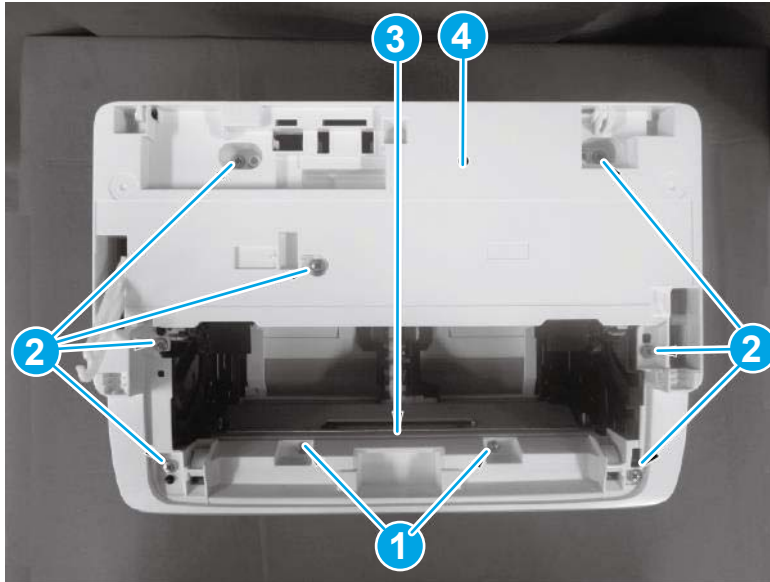

 **Reinstallation tip:** Reverse the removal steps to install the assembly.

Figure 1-284 Remove the top cover



2. Reverse the removal steps to install the assembly. Also use the following special installation instructions.

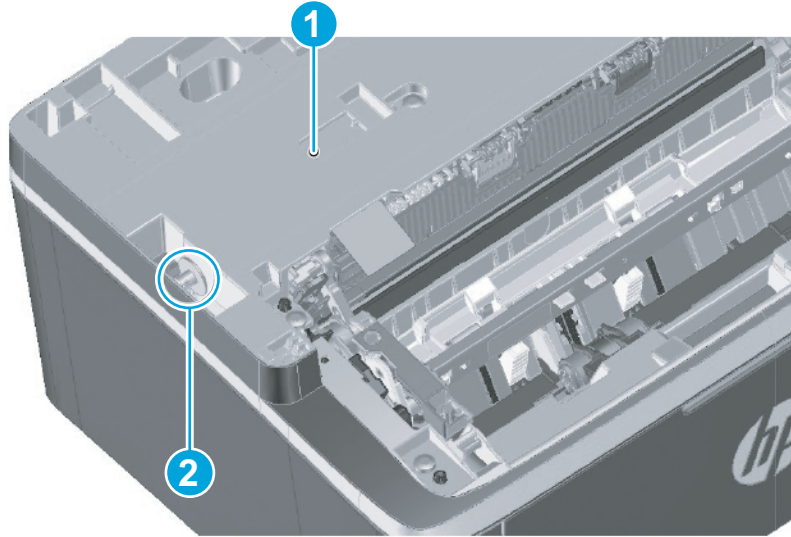
 **NOTE:** Continue to reverse the removal steps to finish installing the assembly.

 **TIP:** If the top cover is removed to access other assemblies, skip this step.

#### Special installation instructions: Top cover

- ▲ Remove the pad (callout 2) from the top cover (callout 1), and then install it on the replacement top cover.

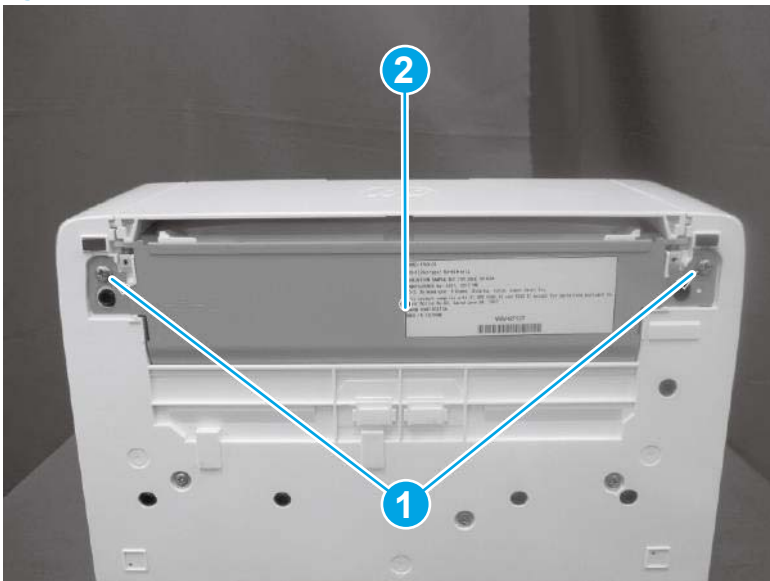
Figure 1-285 Install the pad



Step 4: Remove the lower cover (MFP M28-M31)

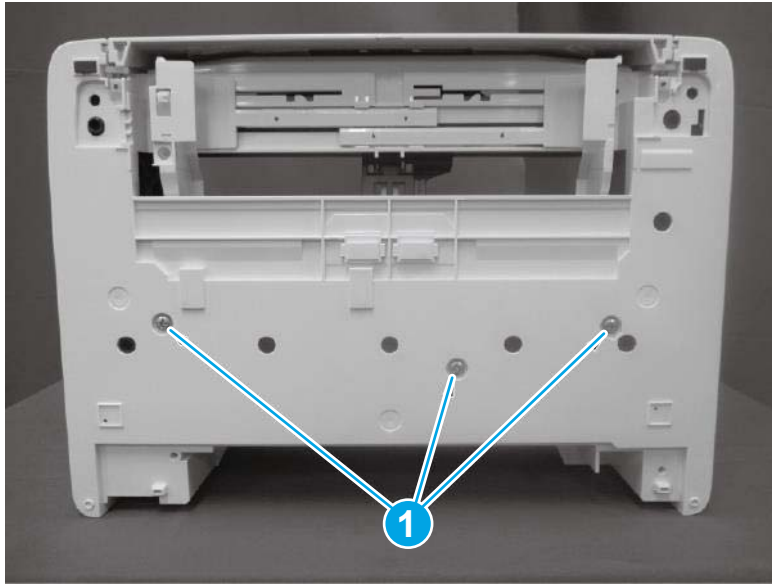
1. Position the printer rear side down, remove two screws (callout 1), and then remove the lower plate (callout 2)

Figure 1-286 Remove the lower plate



2. Remove three screws (callout 1).

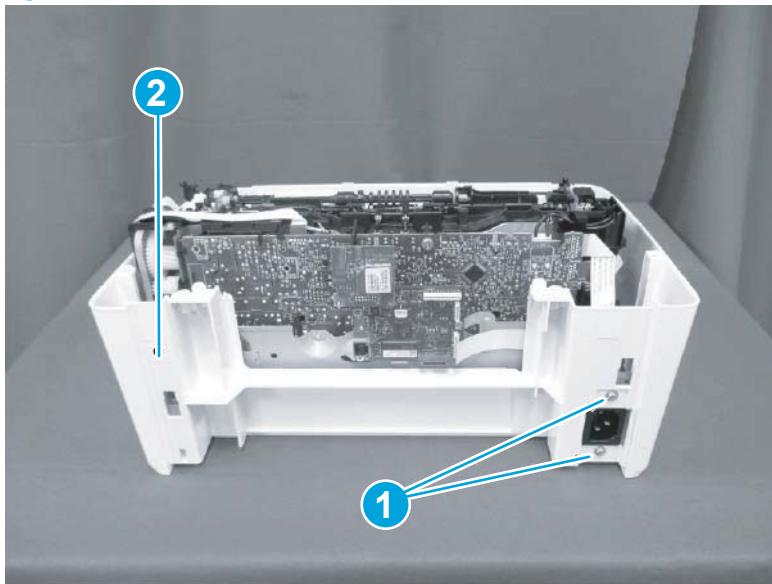
Figure 1-287 Remove three screws



3. Remove two screws (callout 1), and then remove the lower cover (callout 2).

 **Reinstallation tip:** Reverse the removal steps to install the assembly.

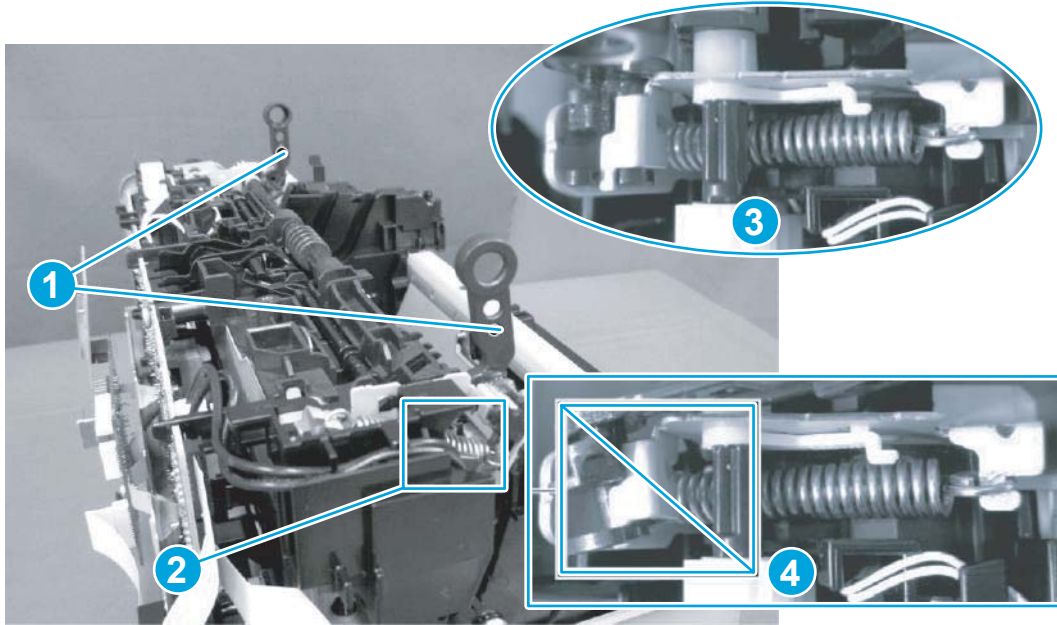
Figure 1-288 Remove the lower cover



#### Step 5: Remove the fuser (MFP M28-M31)

1. When removing the fuser do not rotate the pressure release levers (callout 1) too far or the side plates (callout 2; left side shown) can be deformed.
  - **Callout 3:** Correct pressure lever rotation and side plate position.
  - **Callout 4:** Incorrect pressure lever rotation and side plate position.

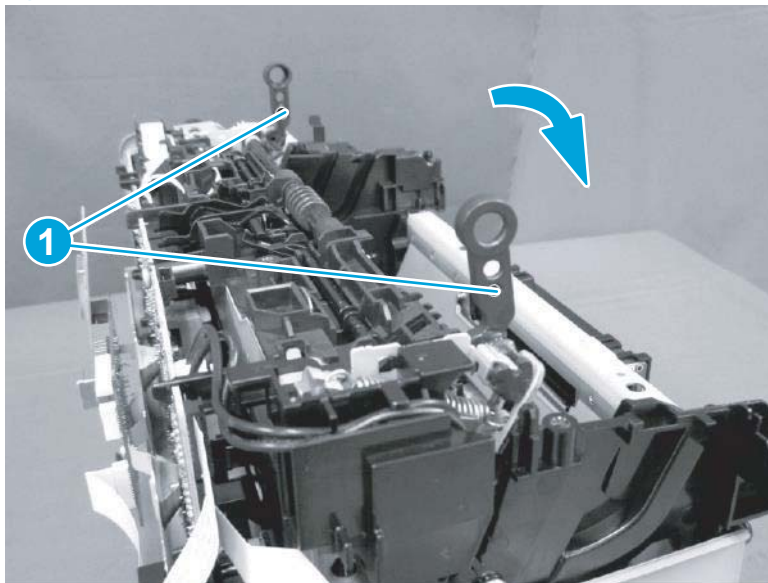
Figure 1-289 Pressure release lever



2. Rotate the pressure release levers (callout 1) (in the direction shown below) until they hang loose.

**⚠ CAUTION:** Do not damage the side plates when rotating the pressure release levers.

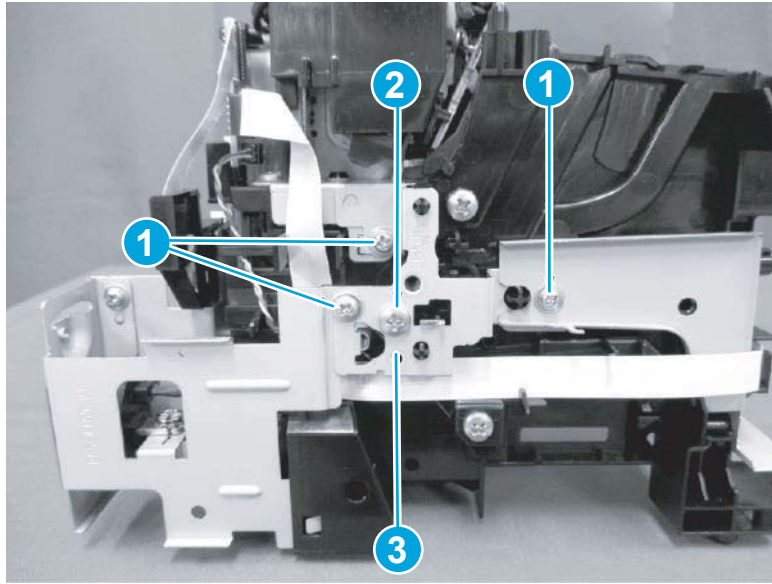
Figure 1-290 Rotate the pressure release levers



3. Do the following:
  - a. Remove three screws (M3; callout 1).
  - b. Remove one screw (M4; callout 2).

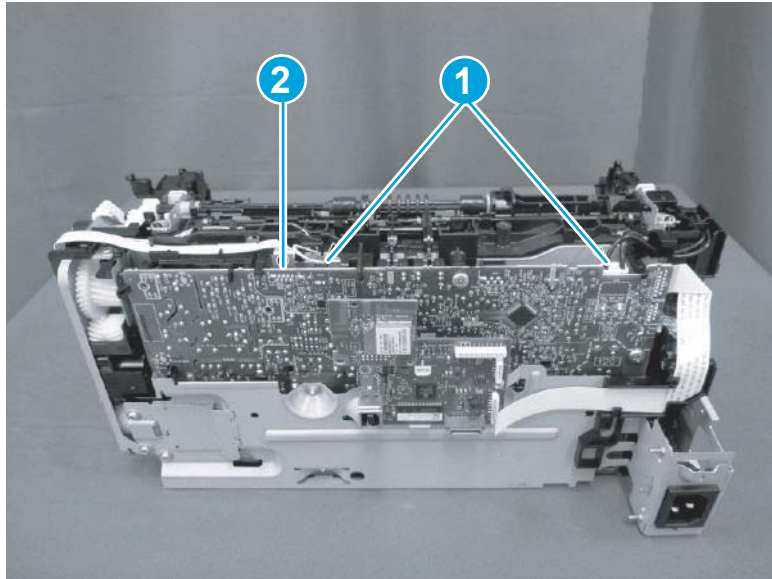
- c. Remove the plate (callout 3).

Figure 1-291 Remove the plate




- 4. Do the following:
  - a. Disconnect two connectors (callout 1).
  - b. Remove one FFC (callout 2).

Figure 1-292 Disconnect two connectors

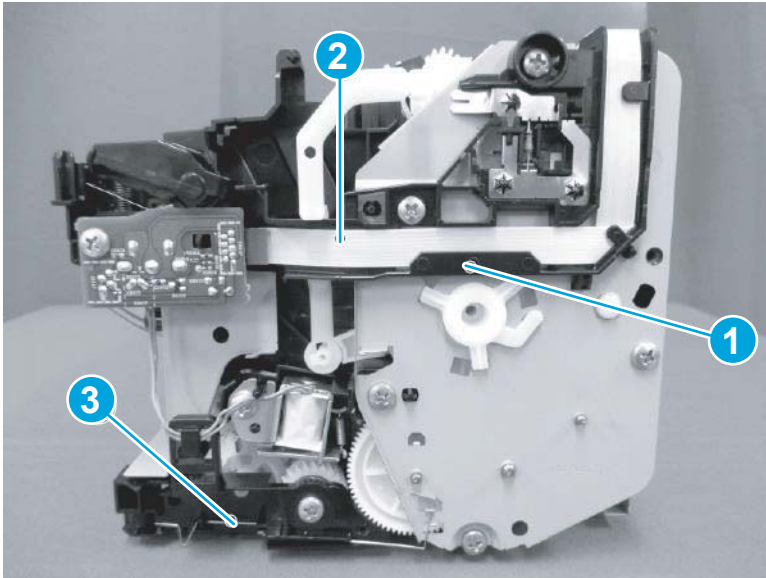




5. Release the FFC (callout 2) from the guide (callout 1), and then unhook one spring (callout 3).

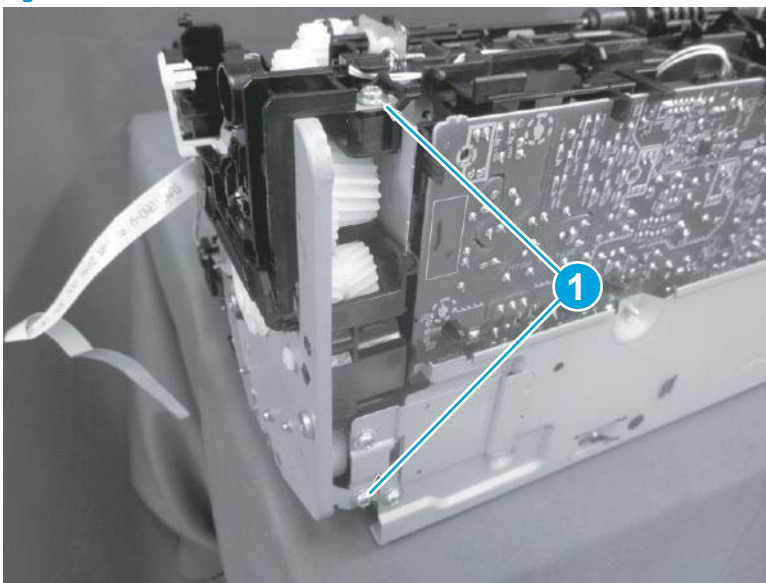
 **Reinstallation tip:** To reinstall the spring, see [Special installation instructions: Fuser \(M28-M31\) on page 205](#).

**Figure 1-293** Release the FFC and spring



6. Remove two screws (callout 1).

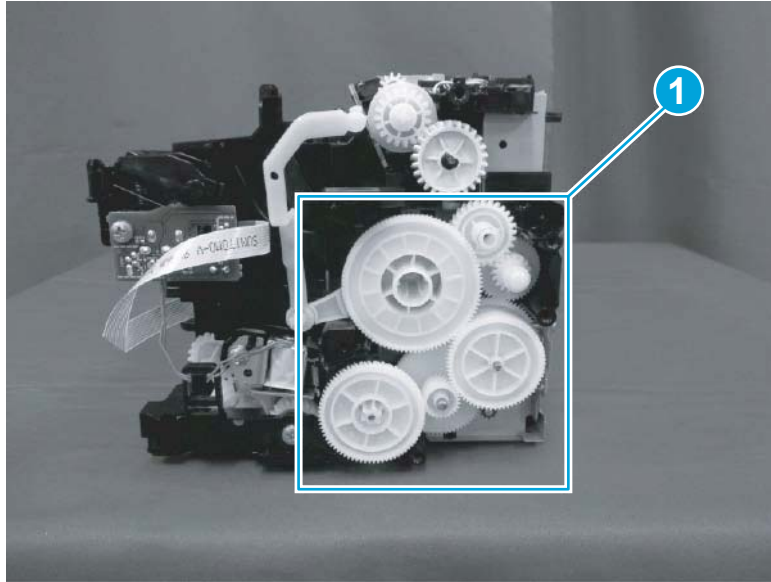
**Figure 1-294** Remove two screws



7. Before proceeding, take note of the following disassembly instructions:

At the right side of the printer, the gears (callout 1) and springs (callout 1) are held in place by a plate (shown removed). Since they are not captive, be careful when removing the plate, or the gears and springs might fall off the printer.

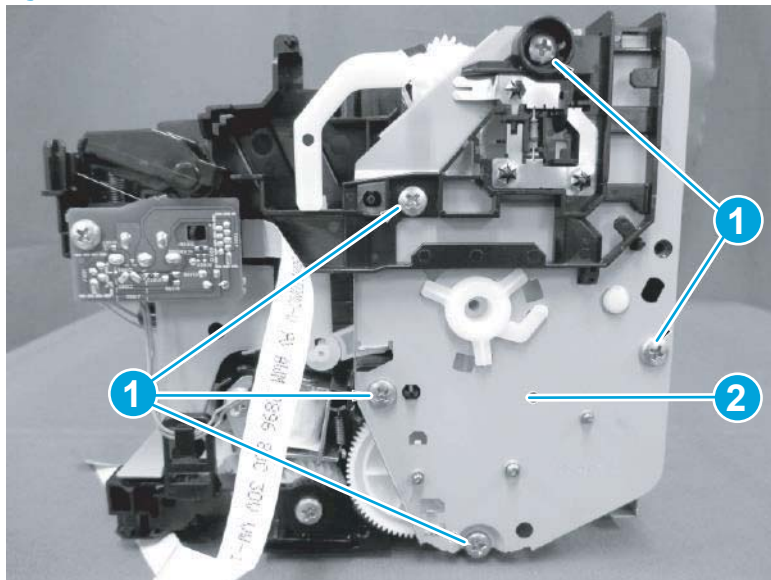
**Figure 1-295** Right side gears and springs



8. Remove five screws (callout 1), and then remove the plate (callout 2).

**⚠ CAUTION:** The gears and springs behind the plate are not captive.


**Figure 1-296** Remove the plate



9. Do the following:
  - a. Remove three screws (callout 1).
  - b. Lift up the fuser (callout 2).

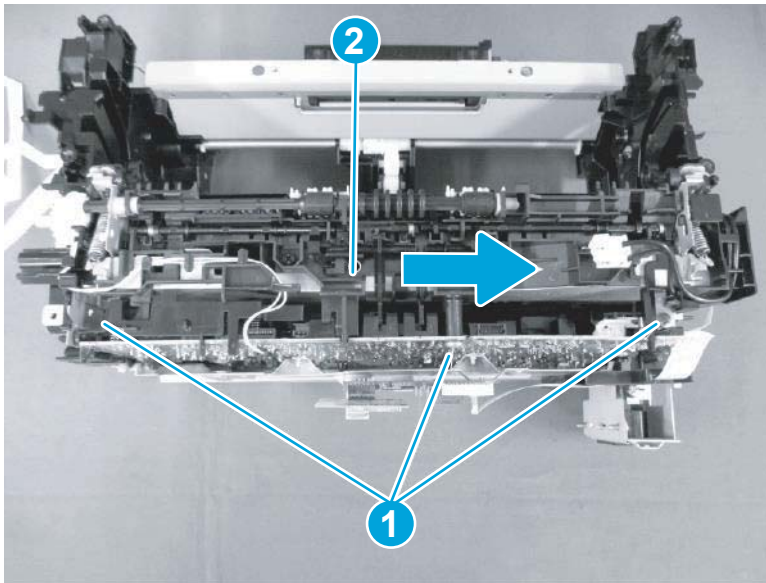
- c. Slide the fuser (callout 2) as shown below, and then remove it.

---

 **Reinstallation tip:** Reverse the removal steps to install the assembly.

---

**Figure 1-297** Remove the fuser




10. Reverse the removal steps to install the assembly. Also use the following special installation instructions.

**Special installation instructions: Fuser (M28-M31)**

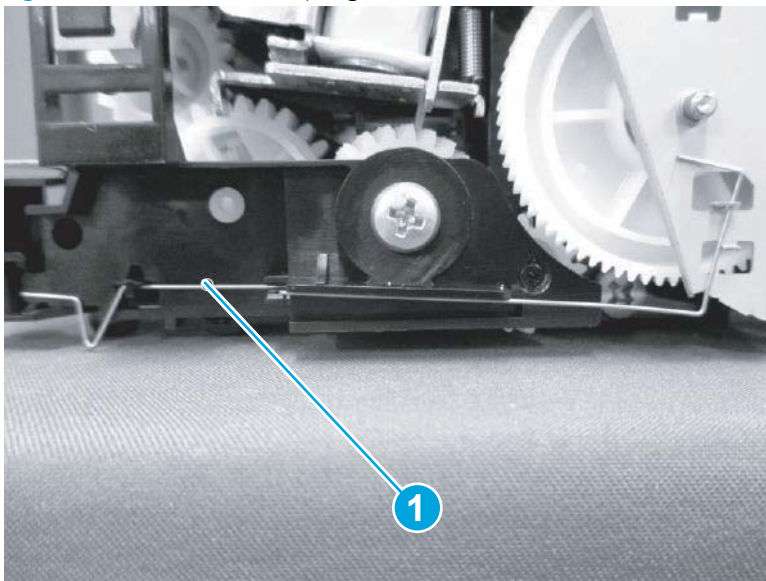
- ▲ Make sure the spring (callout 1) is firmly held in its original position when it is reinstalled.

---

 **CAUTION:** Do not deform the spring when it is reinstalled.

---

**Figure 1-298** Reinstall the spring (lower)

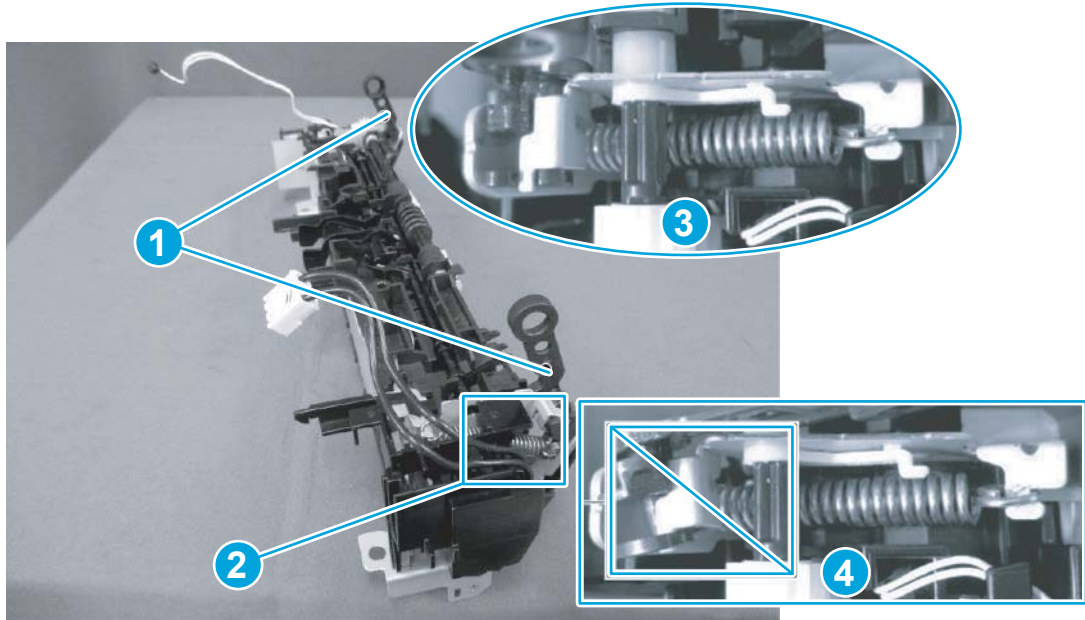




## Step 6: Remove the fuser film assembly

1. When removing the fuser film do not rotate the pressure release levers (callout 1) too far or the side plates (callout 2; right side shown) can be deformed.
  - **Callout 3:** Correct pressure lever rotation and side plate position.
  - **Callout 4:** Incorrect pressure lever rotation and side plate position.

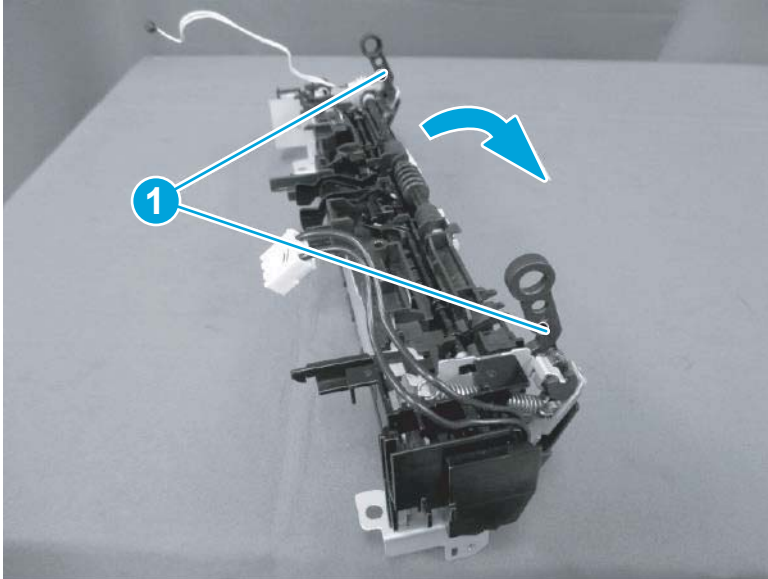
Figure 1-299 Pressure release lever



2. Before proceeding, check the following:
  - If the pressure release levers (callout 1) are positioned upward (as shown below), rotate them in the direction shown until they hang loose.

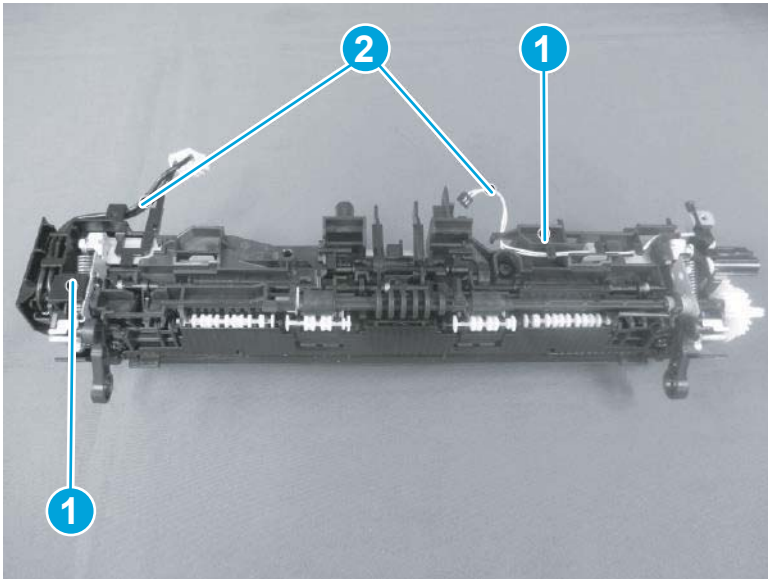
**⚠ CAUTION:** Do not damage the side plates when rotating the pressure release levers.

Figure 1-300 Check the pressure release levers



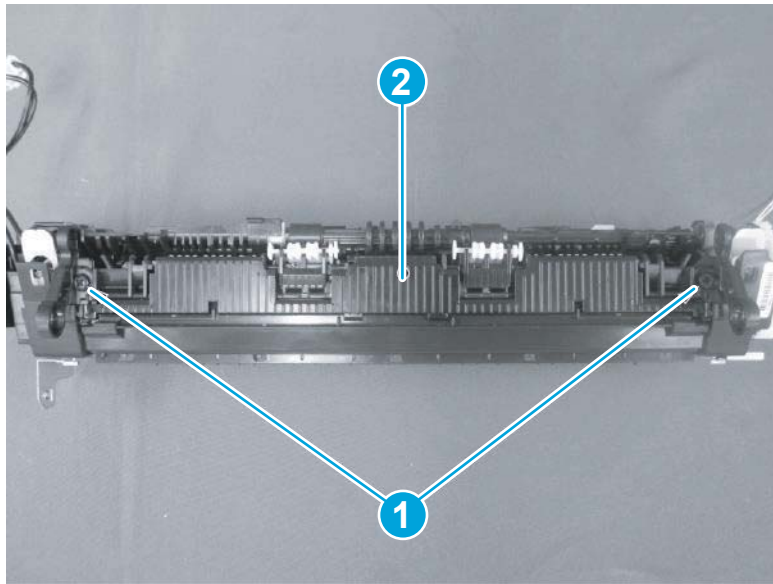
3. Release the wire harnesses (callout 2) from the guides (callout 1).

Figure 1-301 Release the wire harnesses



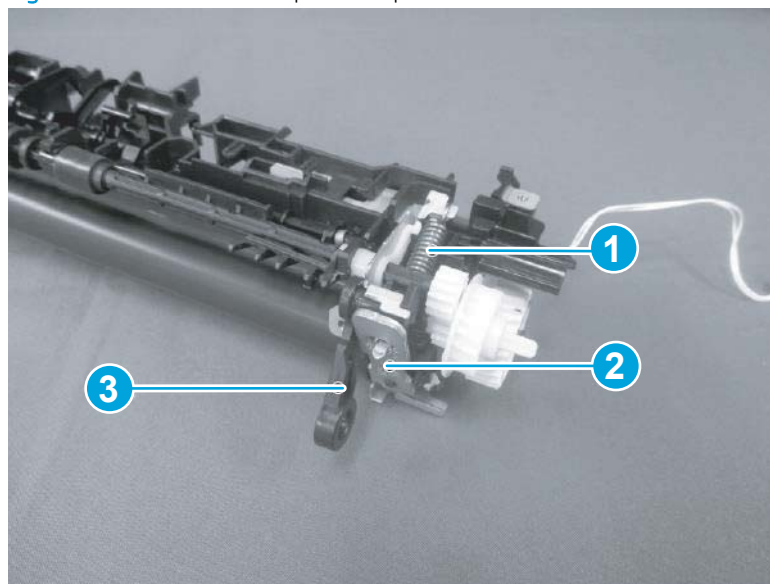
4. Remove two screws (callout 1), and then remove the fuser cover (callout 2).

Figure 1-302 Remove the fuser cover



5. Do the following:
  - a. Release one spring (callout 1).
  - b. Remove the pressure plate (callout 2).
  - c. Remove the pressure release lever (callout 3).

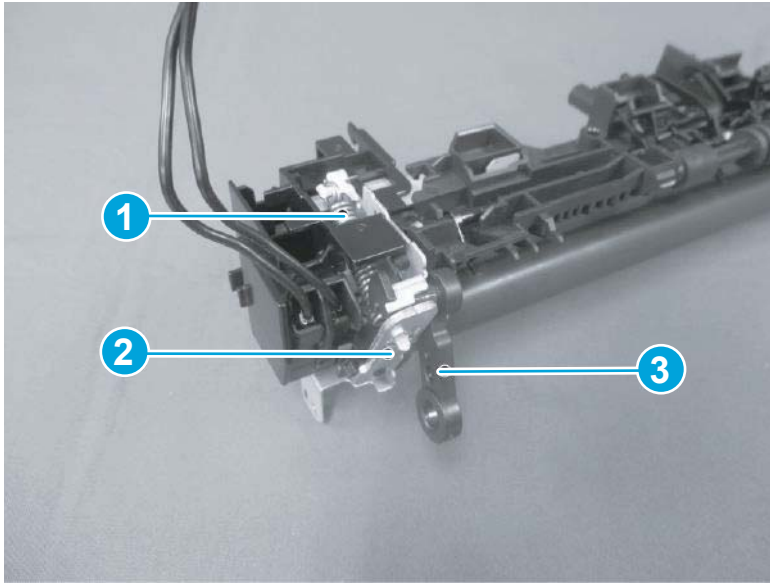
Figure 1-303 Remove the pressure plate and lever



6. Do the following:
  - a. Release one spring (callout 1).
  - b. Remove the pressure plate (callout 2).

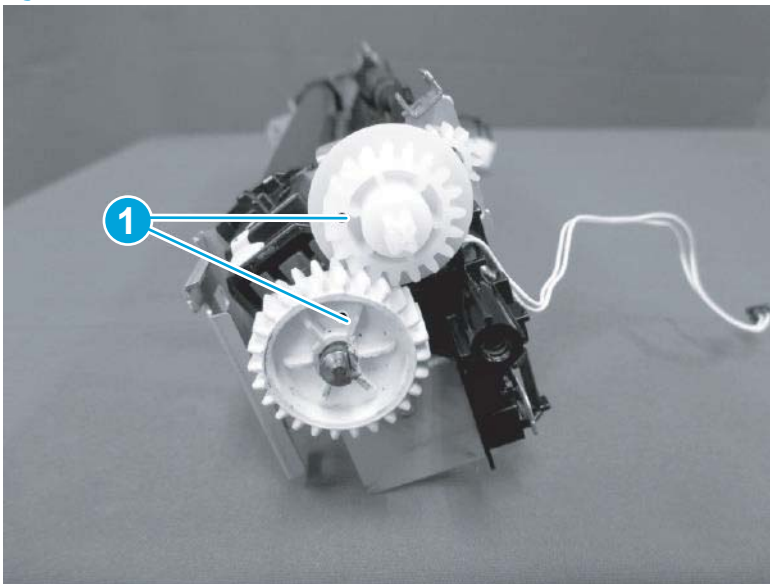
- c. Remove the pressure release lever (callout 3).

Figure 1-304 Remove the pressure plate and lever



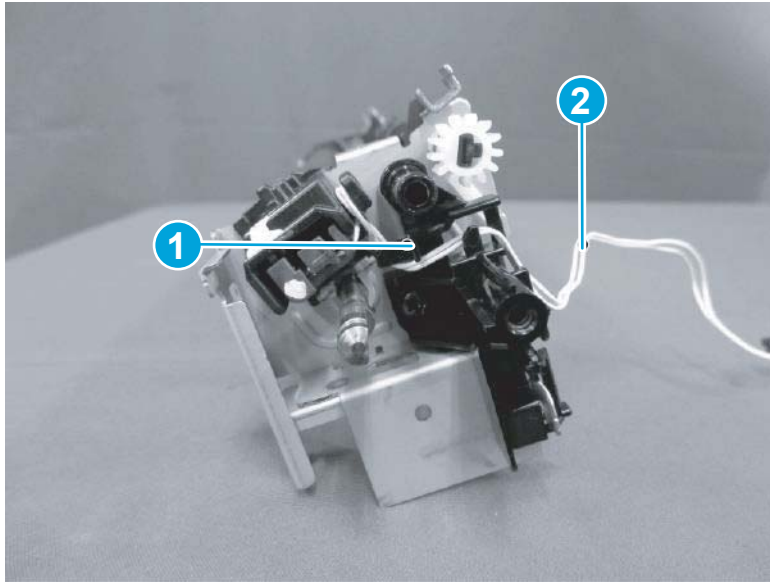
- 7. Remove two gears (callout 1).

Figure 1-305 Remove the gears




8. Release the wire harness (callout 2) from the guide (callout 1).

Figure 1-306 Release the wire harness



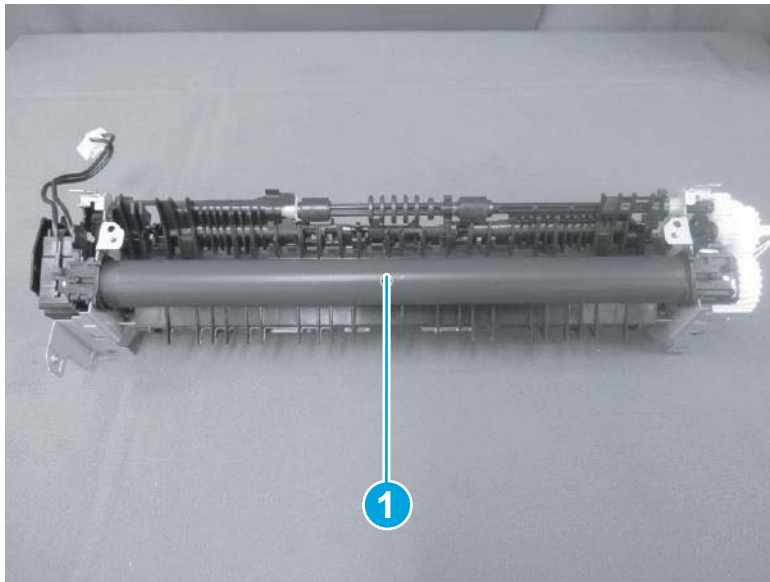
9. Remove the fuser film assembly (callout 1).

---

 **Reinstallation tip:** Reverse the removal steps to install the assembly.

---

Figure 1-307 Remove the fuser film assembly



### Step 7: Unpack the replacement assembly

1. Dispose of the defective part.

---

 **NOTE:** HP recommends responsible disposal of the defective part.

---

[www.hp.com/recycle](http://www.hp.com/recycle)

---



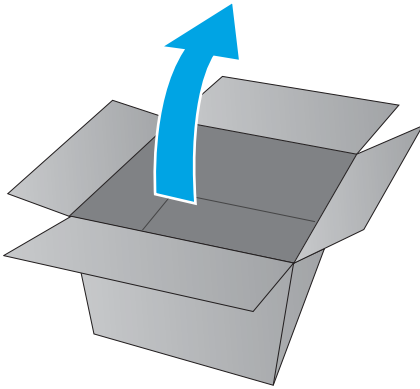
2. Unpack the replacement part from the packaging.

---

**⚠ CAUTION:** If the replacement part is a roller or pad, avoid touching the spongy part of it. Skin oils on the roller or pad can cause paper pickup and/or print-quality problems. HP recommends using disposable gloves when handling rollers or pads or washing your hands or before touching rollers or pads.

**📄 IMPORTANT:** Make sure that all of the shipping materials (for example shipping tape) are removed from the replacement part prior to installation.

---




## Remove and replacement: Engine controller assembly (M14-M17)

- [Introduction](#)
- [Step 1: Remove the cartridge door \(M14-M17\)](#)
- [Step 2: Remove the formatter cover \(M14-M17\)](#)
- [Step 3: Remove the lower cover \(M14-M17\)](#)
- [Step 4: Remove the engine controller assembly \(M14-M17\)](#)
- [Step 5: Unpack the replacement assembly](#)

### Introduction

This document provides the procedures to remove and replace the engine controller assembly (M14-M17).

 **IMPORTANT:** When applicable, special installation instructions are provided for an assembly at the end of the removal procedure. Always completely read the removal instructions and follow all special installation instructions.

### Before performing service

- Turn the printer power off.

Use the table below to identify the correct part number for your printer. To order the part, go to [www.hp.com/buy/parts](http://www.hp.com/buy/parts)

| Engine controller assembly (M14-M17) part number |  |
|--|--|
| RM3-7388-000CN                                   | Engine controller assembly (base model 220-240V; M14-M17)        |
| RM3-7389-000CN                                   | Engine controller assembly (base EM model 220-240V; M14-M17)     |
| RM3-7390-000CN                                   | Engine controller assembly (wireless model 110-127V; M14-M17)    |
| RM3-7391-000CN                                   | Engine controller assembly (wireless model 220-240V; M14-M17)    |
| RM3-7392-000CN                                   | Engine controller assembly (wireless EM model 220-240V; M14-M17) |

### Required tools

- #2 Phillips screwdriver with a magnetic tip

### After performing service

- Turn the printer power on.

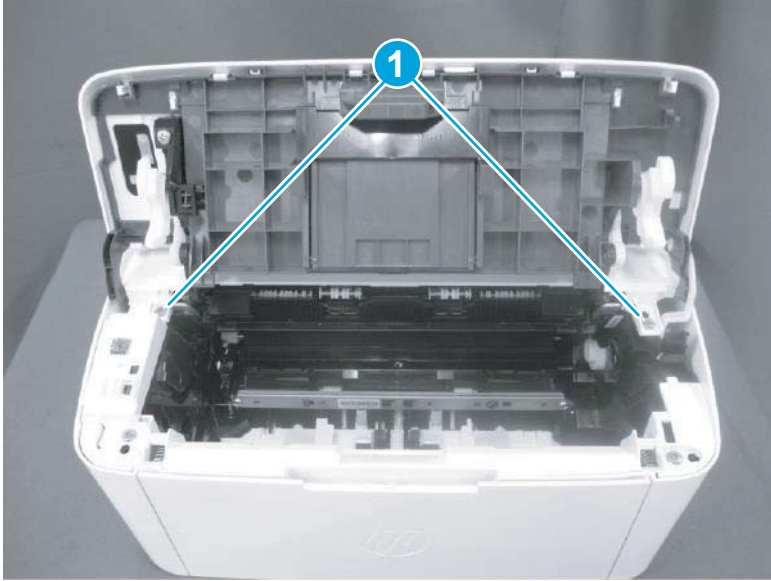
### Post service test

Send a job to the printer, and then verify that print quality is acceptable.

### Step 1: Remove the cartridge door (M14-M17)

1. Open the cartridge door, and then remove two screws (callout 1).

Figure 1-308 Remove two screw



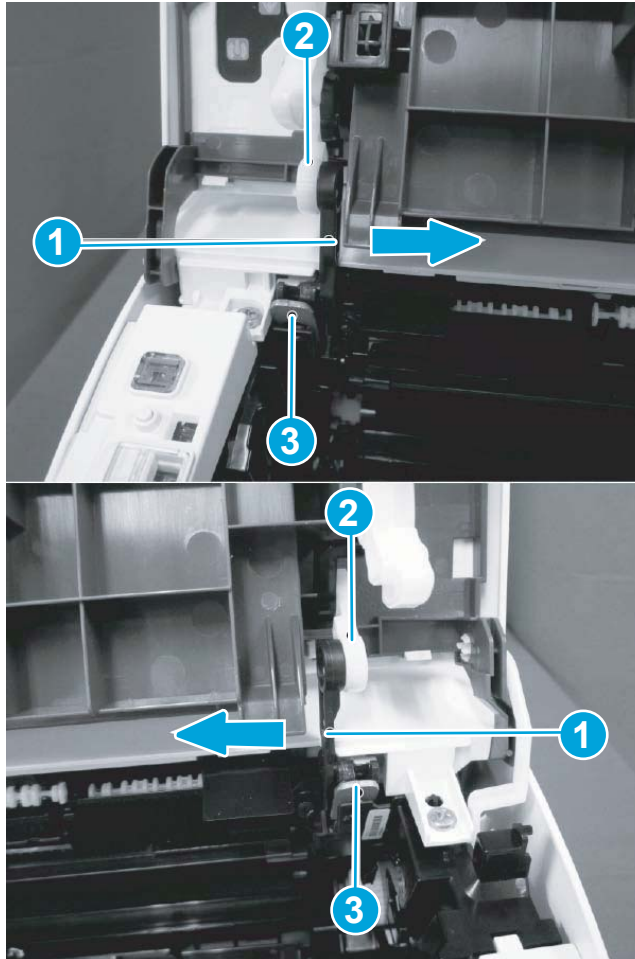


2. Before proceeding, take note of the following disassembly instructions.

When removing the link arm (callout 2) from the pressure release lever (callout 1), the pressure plate (callout 3) might be deformed if the pressure release lever moves in the direction shown below.

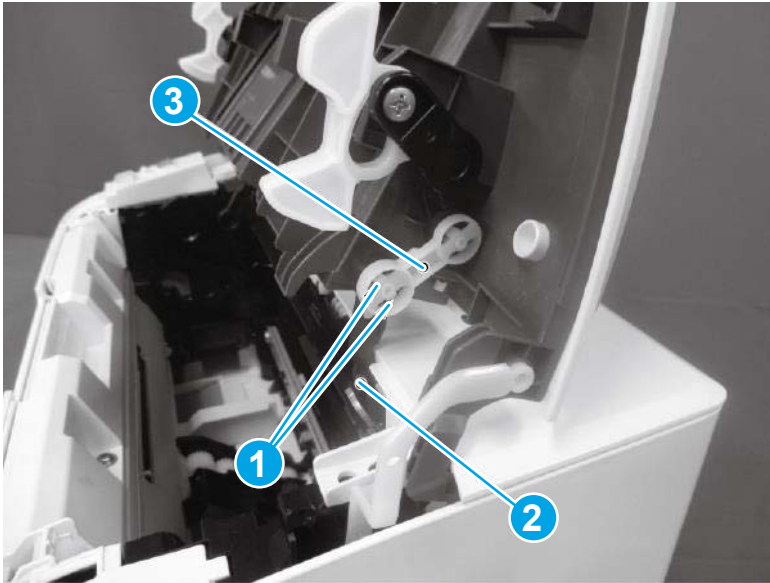
**CAUTION:** Do not deform the pressure plate.

Figure 1-309 Special disassembly instructions



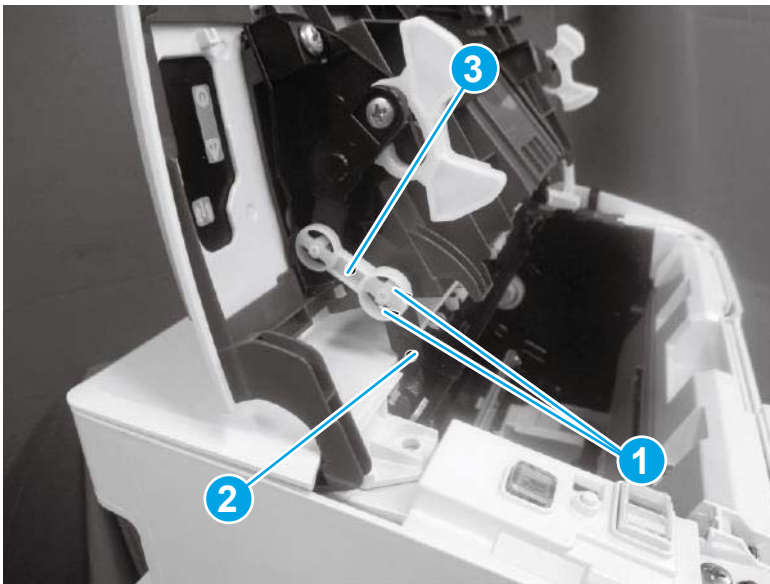
3. Release two tabs (callout 1), and then remove one link arm (callout 3) from the pressure release lever (callout 2).

Figure 1-310 Remove the link arm



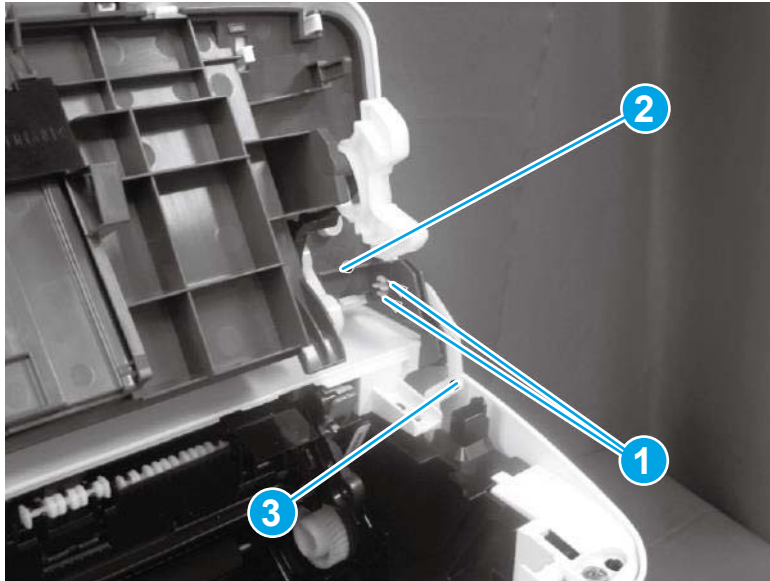
4. Release two tabs (callout 1), and then remove one link arm (callout 3) from the pressure release lever (callout 2).

Figure 1-311 Remove the link arm



5. Release two tabs (callout 1), and then remove one link arm (callout 3) from the cartridge door assembly (callout 2).


Figure 1-312 Remove the link arm



6. Release one tab (callout 1), support the cartridge door (callout 2), and then remove it.

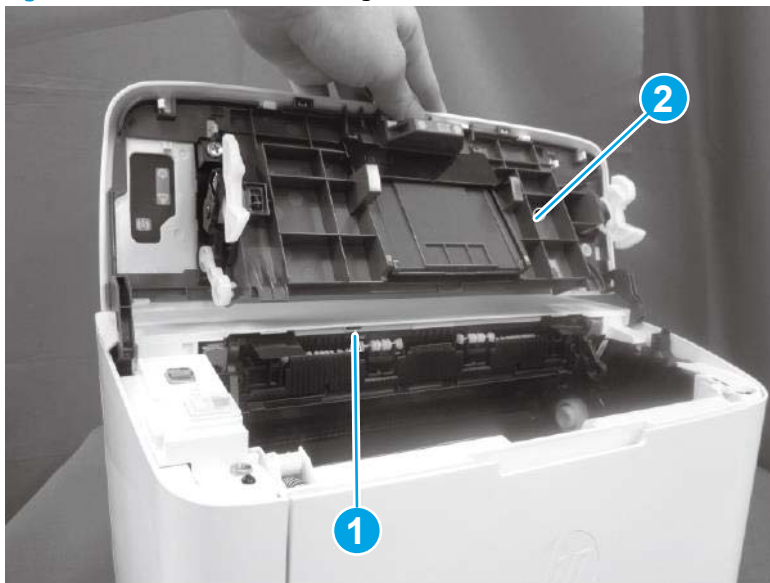
---

 **NOTE:** If the cartridge door is removed to access other assembly, stop at this step.

 **Reinstallation tip:** Reverse the removal steps to install the door.

---

Figure 1-313 Remove the cartridge door



7. **Optional step:** If a replacement cartridge door is being installed, do the following:

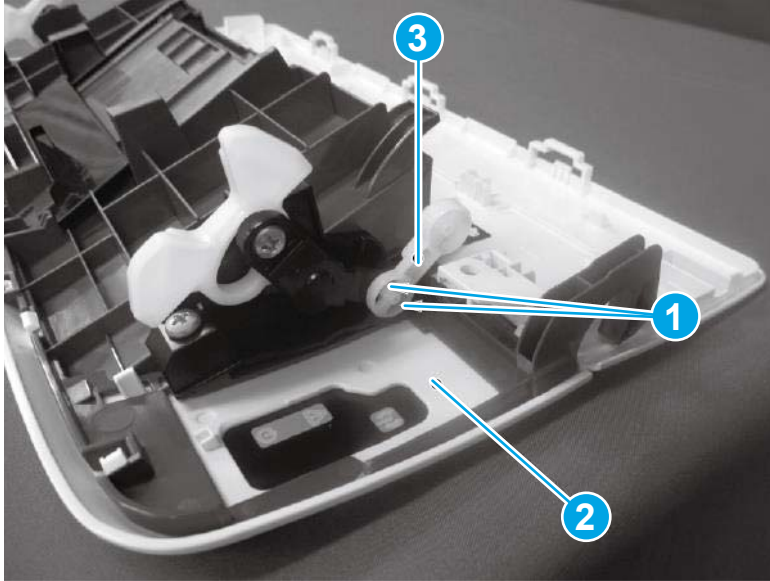
---

 **NOTE:** Install the link arms on the replacement door.

---

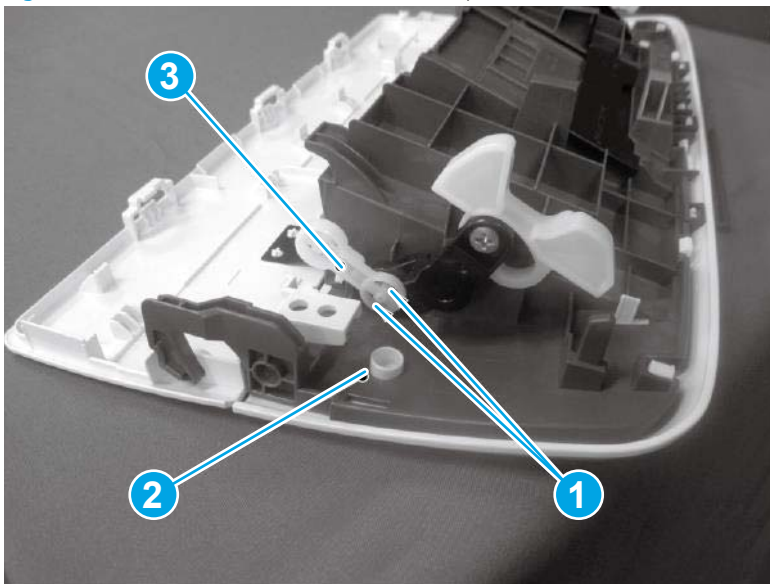
- a. Release two tabs (callout 1), and then remove the one link arm (callout 3) from the door assembly (callout 2).

Figure 1-314 Install the link arms on the replacement door



- b. Release two tabs (callout 1), and then remove the one link arm (callout 3) from the door assembly (callout 2).

Figure 1-315 Install the link arms on the replacement door



### Step 2: Remove the formatter cover (M14-M17)

- ▲ Position the printer front side down.

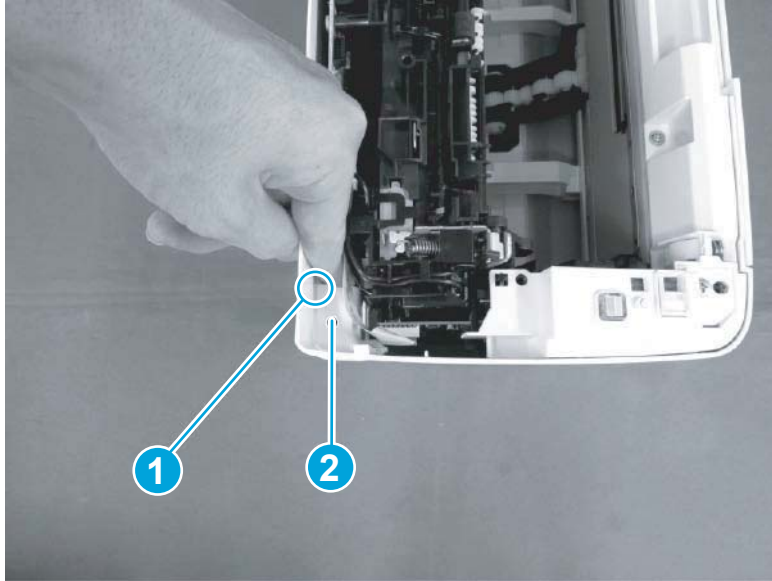
Release one tab (callout 1), and then remove the formatter cover (callout 2).

---

💡 **Reinstallation tip:** Reverse the removal steps to install the assembly.

---

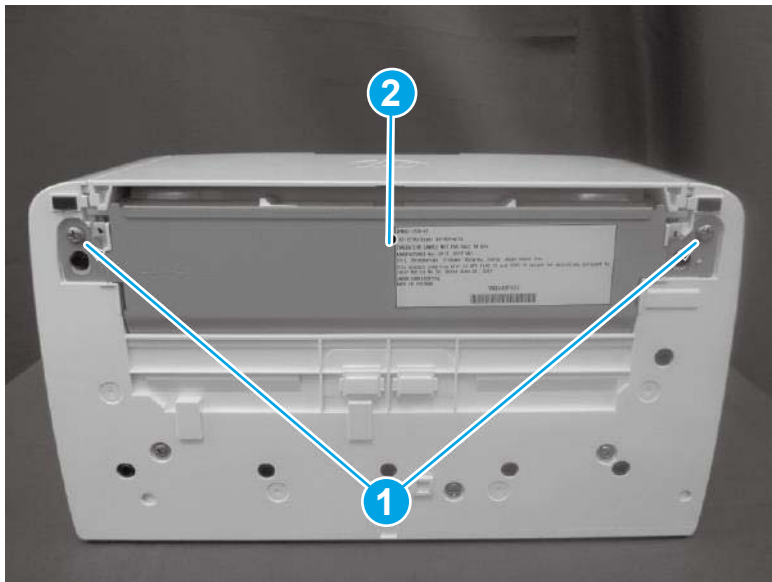
Figure 1-316 Remove the formatter cover (M14-M17)



**Step 3: Remove the lower cover (M14-M17)**

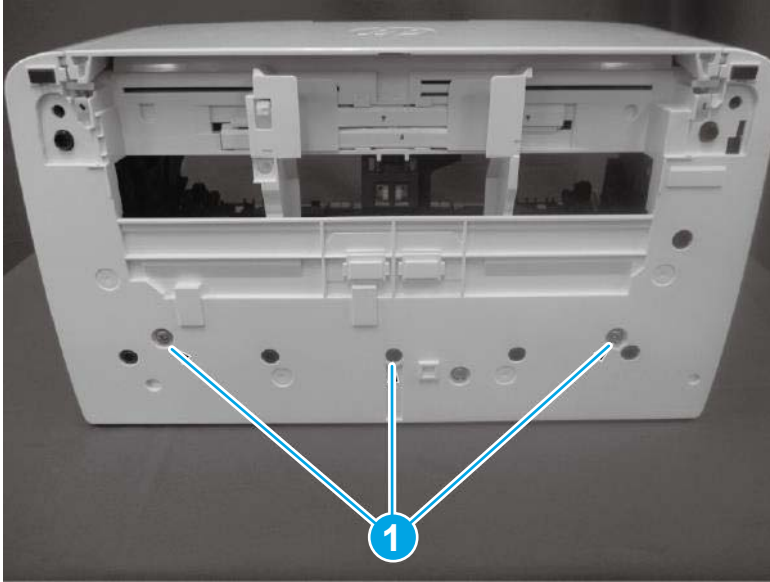
1. Position the printer rear side down, remove three screws (callout 1), and then remove the lower plate (callout 2).

Figure 1-317 Remove the lower plate




2. Remove three screws (callout 1)

**Figure 1-318** Remove the three screws



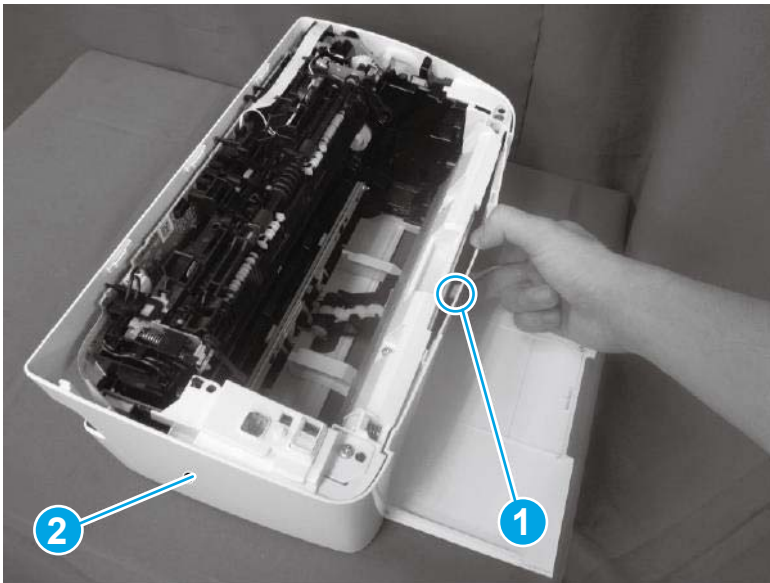
3. With the printer in the upright position, release one tab (callout 1), and then remove the lower cover (callout 2).

---

 **Reinstallation tip:** Reverse the removal steps to install the assembly.

---

**Figure 1-319** Remove the lower cover



4. Reverse the removal steps to install the assembly. Also use the following special installation instructions.

---

 **NOTE:** Continue to reverse the removal steps to finish installing the assembly.

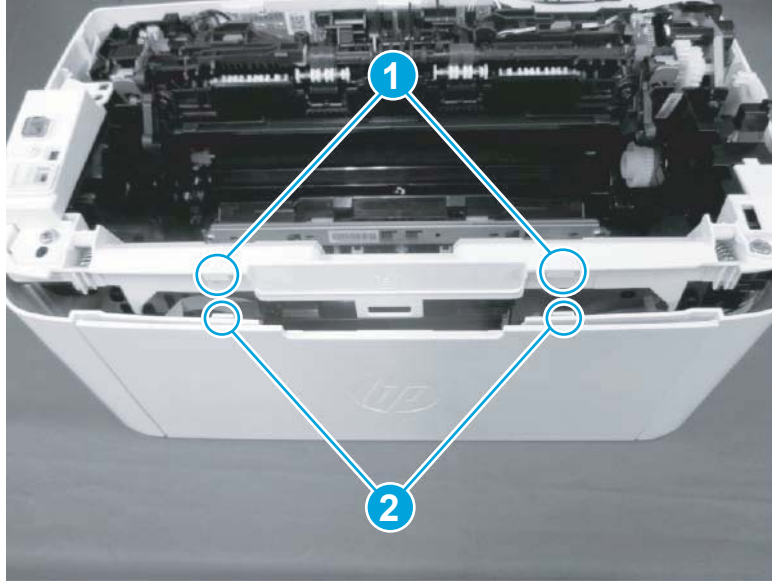
---

**Special installation instructions: Lower cover**

- ▲ Make sure to fit two ribs (callout 1) on the printer into the grooves (callout 2) in the lower cover.



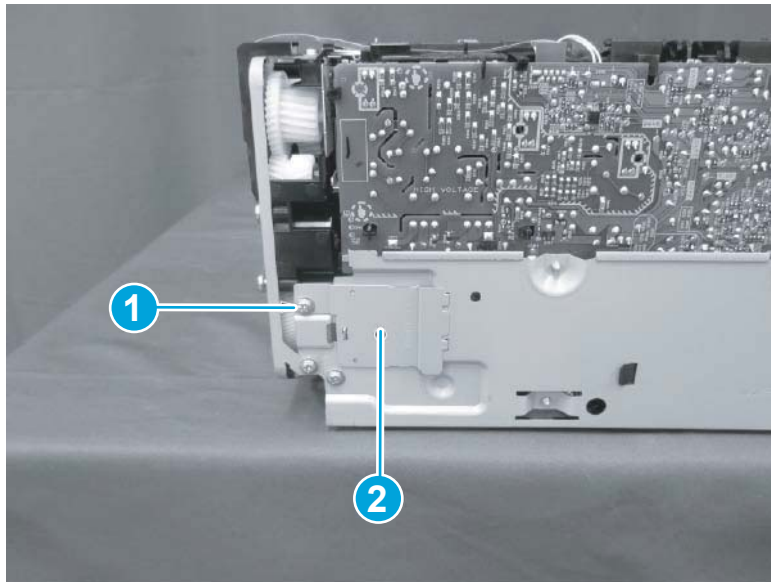
Figure 1-320 Fit two ribs on the printer into the grooves (lower cover install)



#### Step 4: Remove the engine controller assembly (M14-M17)

1. Do the following:
  - a. Remove one screw (callout 1).
  - b. Remove the motor shield plate (callout 2).

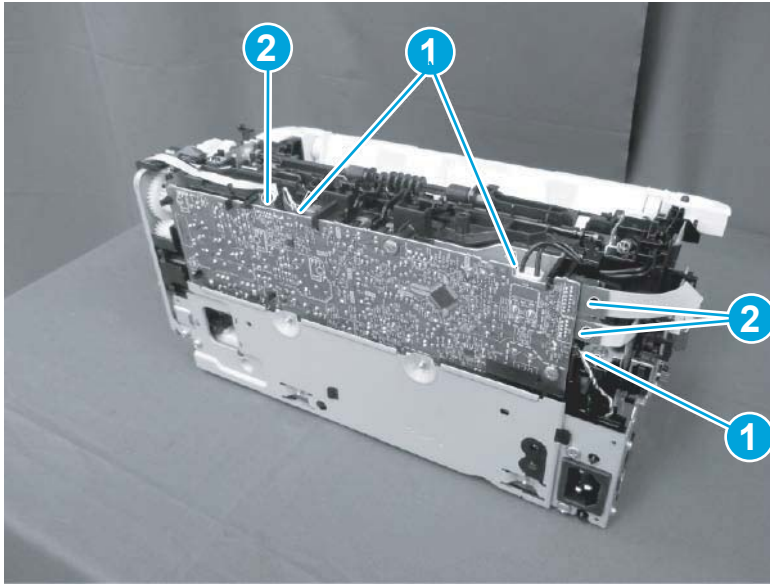
Figure 1-321 Remove the motor shield plate



2. Do the following:
  - a. Disconnect three connectors (callout 1).

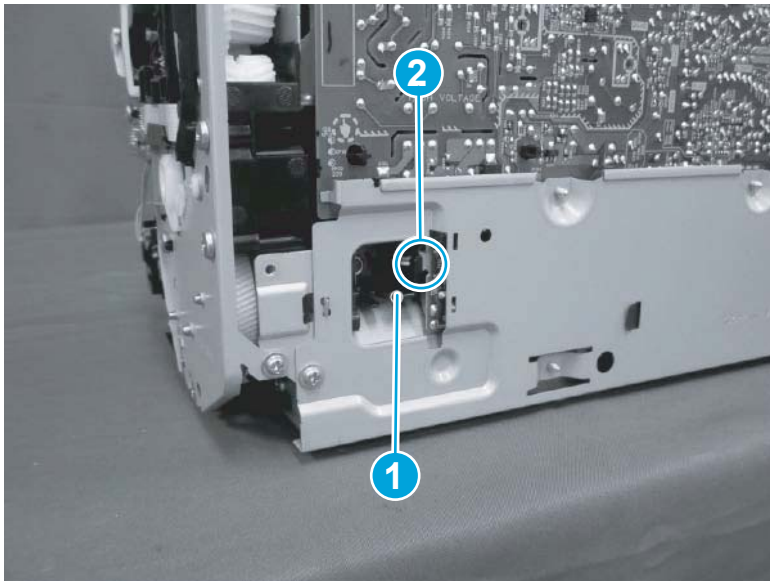
- b. Disconnect three flat flexible cables (FFCs) (callout 2).

Figure 1-322 Disconnect connectors and FFCs



- 3. Do the following:
  - a. Slide the lever (callout 1) towards the left side.
  - b. Disconnect one connector (callout 2).

Figure 1-323 Release the lever and disconnect the connector




- 4. Do the following:
  - a. Remove one screw (M2.6; callout 1).
  - b. Remove two screws (M3; callout 2).
  - c. Remove four screws (M4; callout 3).



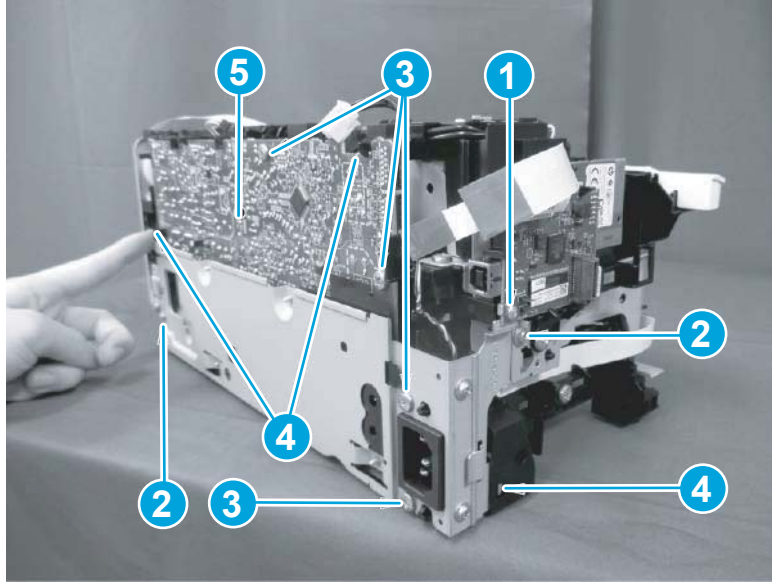
- d. Release three tabs (callout 4).
- e. Remove the engine controller assembly (callout 5).

---

 **Reinstallation tip:** Reverse the removal steps to install the assembly.

---

**Figure 1-324** Remove the engine controller assembly



- 5. Reverse the removal steps to install the assembly. Also use the following special installation instructions.

---


 **NOTE:** Continue to reverse the removal steps to finish installing the assembly.

---

**Special installation instructions: Engine controller assembly**

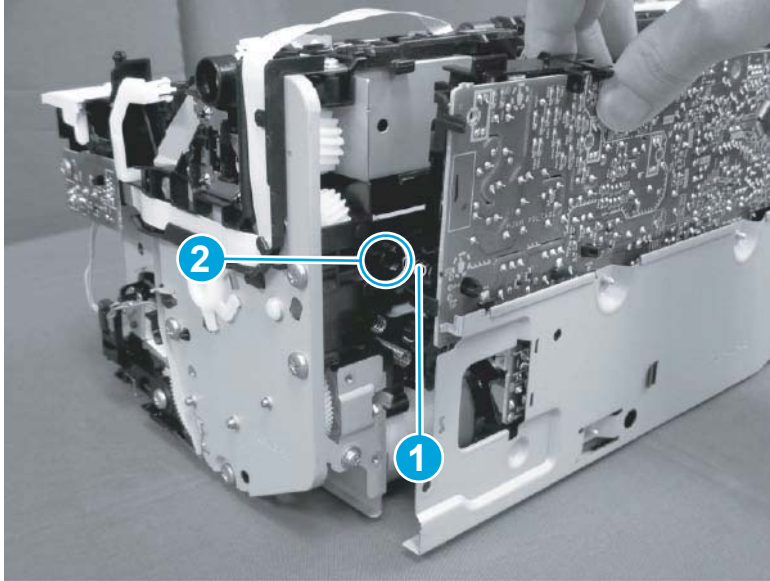
- ▲ Make sure that the spring (callout 1) is installed in the holder (callout 2).

---

 **CAUTION:** The spring must not be deformed when installing the engine controller assembly.

---

Figure 1-325 Check the spring



#### Step 5: Unpack the replacement assembly

1. Dispose of the defective part.

---

 **NOTE:** HP recommends responsible disposal of the defective part.

[www.hp.com/recycle](http://www.hp.com/recycle)

---



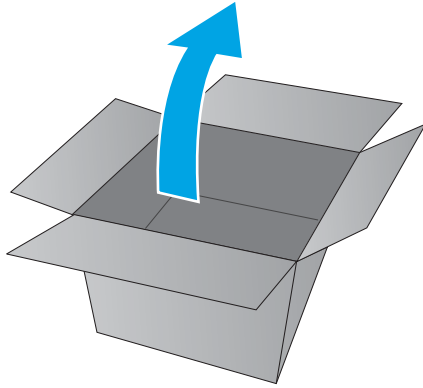
2. Unpack the replacement part from the packaging.

---

**⚠ CAUTION:** If the replacement part is a roller or pad, avoid touching the spongy part of it. Skin oils on the roller or pad can cause paper pickup and/or print-quality problems. HP recommends using disposable gloves when handling rollers or pads or washing your hands or before touching rollers or pads.

**📋 IMPORTANT:** Make sure that all of the shipping materials (for example shipping tape) are removed from the replacement part prior to installation.

---



## Remove and replacement: Engine controller assembly (MFP M28-M31)

- [Introduction](#)
- [Step 1: Remove the formatter cover \(MFP M28-M31\)](#)
- [Step 2: Remove the formatter \(MFP M28-M31\)](#)
- [Step 3: Remove the image scanner \(MFP M28-M31\)](#)
- [Step 4: Remove the top cover \(MFP M28-M31\)](#)
- [Step 5: Remove the lower cover \(MFP M28-M31\)](#)
- [Step 6: Remove the engine controller assembly \(MFP M28-M31\)](#)
- [Step 7: Unpack the replacement assembly](#)

### Introduction

This document provides the procedures to remove and replace the engine controller assembly (MFP M28-M317).



**IMPORTANT:** When applicable, special installation instructions are provided for an assembly at the end of the removal procedure. Always completely read the removal instructions and follow all special installation instructions.

### Before performing service

- Turn the printer power off.

Use the table below to identify the correct part number for your printer. To order the part, go to [www.hp.com/buy/parts](http://www.hp.com/buy/parts)

| Engine controller assembly (MFP M28-M31) part number |   |
|--|---|
| RM3-7396-000CN                                       | Engine controller assembly (110-127V; MFP M28-M31)          |
| RM3-7397-000CN                                       | Engine controller assembly (220-240V; MFP M28-M31)          |
| RM3-7398-000CN                                       | Engine controller assembly (EM model 220-240V; MFP M28-M31) |

### Required tools

- #2 Phillips screwdriver with a magnetic tip

### After performing service

- Turn the printer power on.


### Post service test

Send a job to the printer, and then verify that print quality is acceptable.

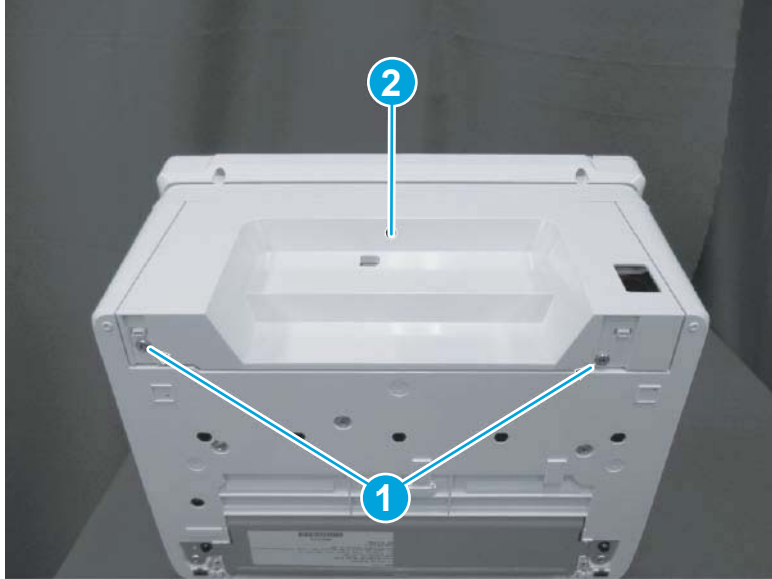
### Step 1: Remove the formatter cover (MFP M28-M31)

- ▲ Position the printer front side down.

Remove two screws (callout 1), and then remove the formatter cover (callout 2).

 **Reinstallation tip:** Reverse the removal steps to install the assembly.

**Figure 1-326** Remove the formatter cover (MFP M28-M31)



**Step 2: Remove the formatter (MFP M28-M31)**

- ▲ Do the following:
  - a. Disconnect three flat flexible cables (FFCs) (callout 1).
  - b. Remove two screws (callout 2).

- c. Remove the formatter (callout 3).

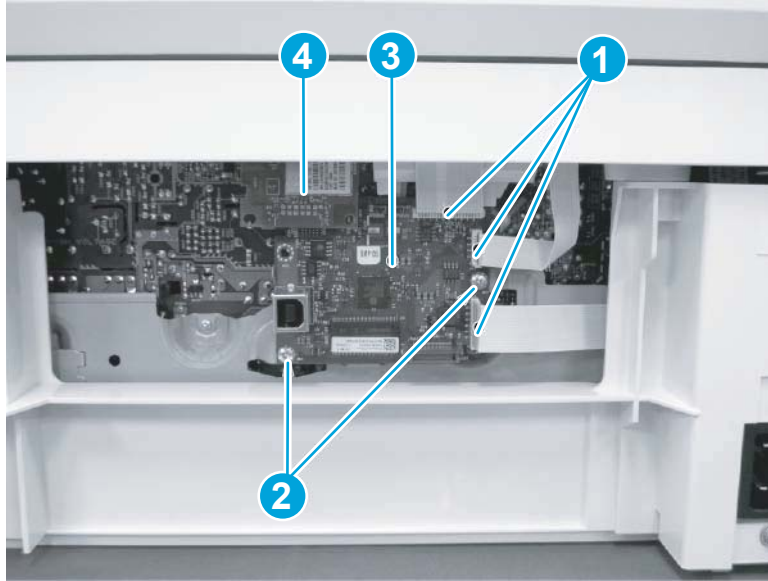
---

 **Reinstallation tip:** After removing the formatter, remove the wireless PCA (callout 4), and then install it on the replacement formatter.

Reverse the removal steps to install the assembly.


---

**Figure 1-327** Remove the formatter (MFP M28-M31)



### Step 3: Remove the image scanner (MFP M28-M31)

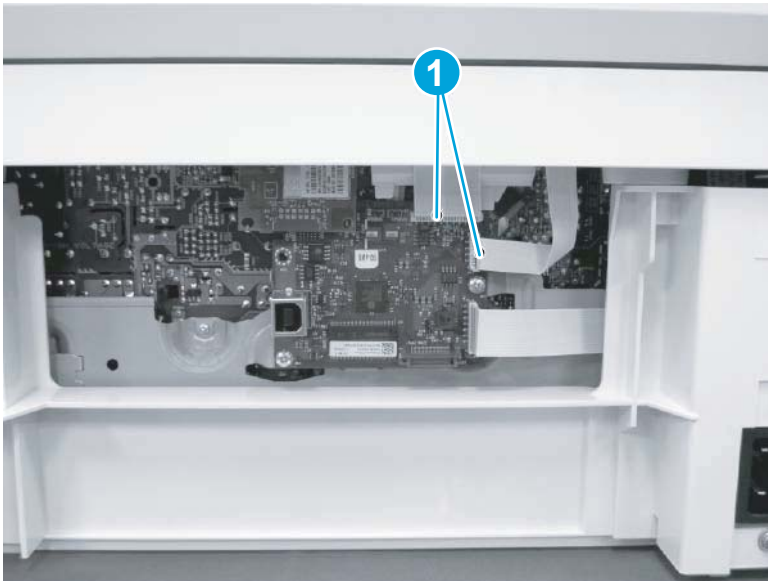
---

 **IMPORTANT:** Since the formatter is previously removed, skip Step 1 in the following task to remove the image scanner.

---

1. Disconnect two flat flexible cables (FFCs) (callout 1).

**Figure 1-328** Disconnect two FFCs

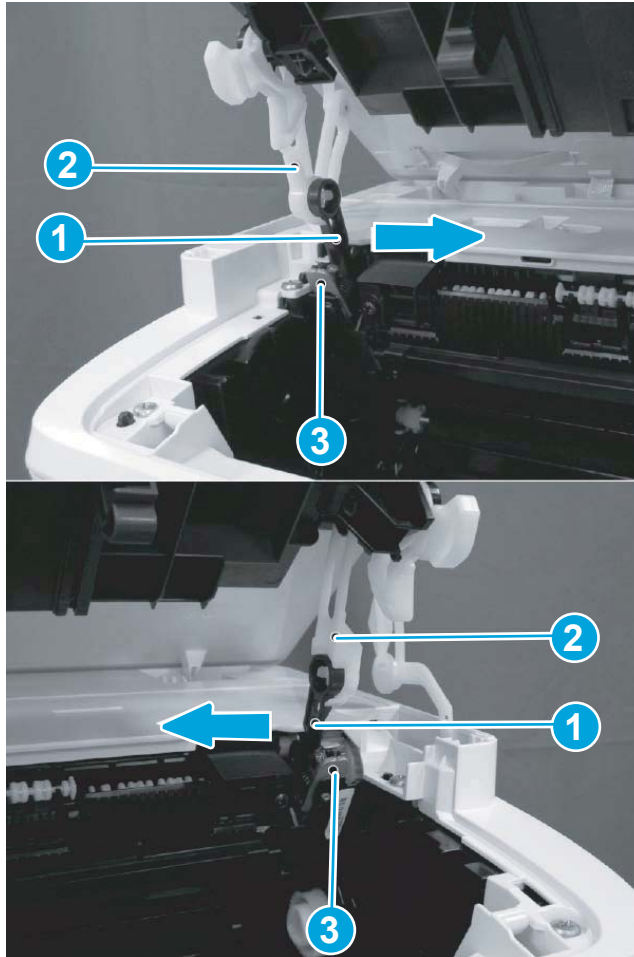


2. Before proceeding, take note of the following disassembly instructions.

When removing the link arm (callout 2) from the pressure release lever (callout 1), the pressure plate (callout 3) might be deformed if the pressure release lever moves in the direction shown below.

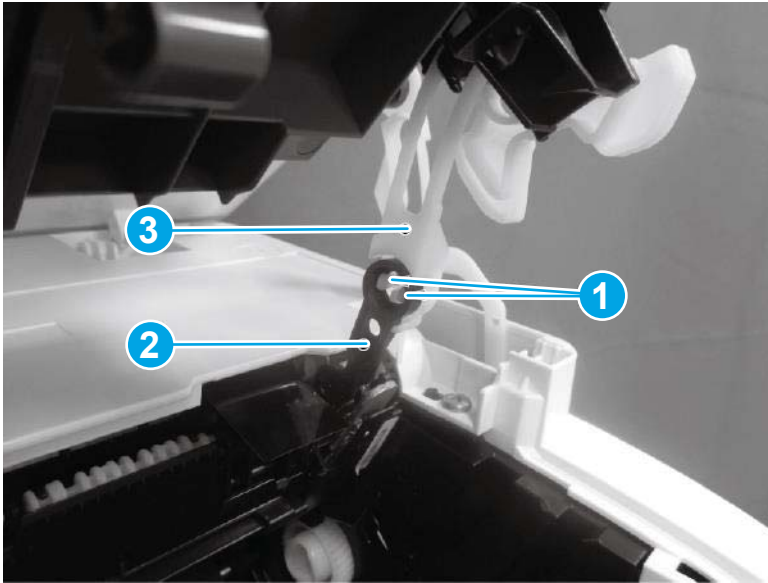
**CAUTION:** Do not deform the pressure plate.

Figure 1-329 Special disassembly instructions



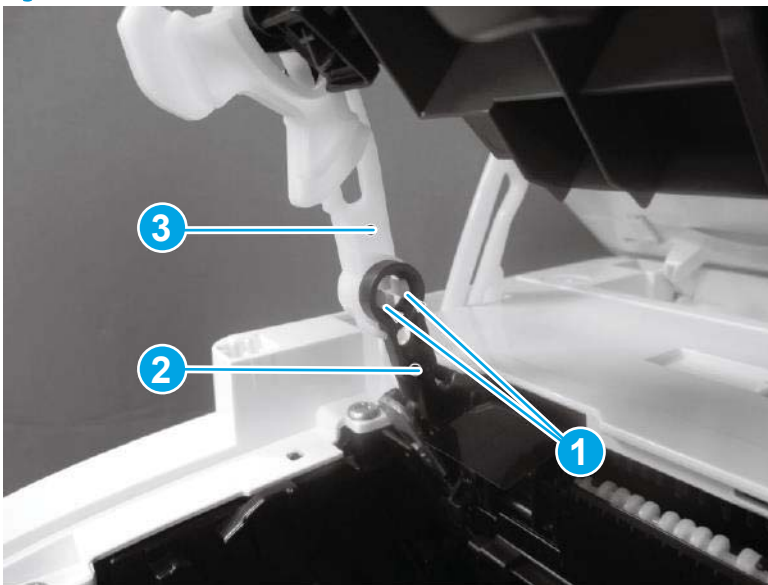
3. Open the image scanner, release two tabs (callout 1), remove one link arm (callout 3) from the pressure release lever (callout 2).

Figure 1-330 Remove the link arm



4. Release two tabs (callout 1), and then remove one link arm (callout 3) from the pressure release lever (callout 2).

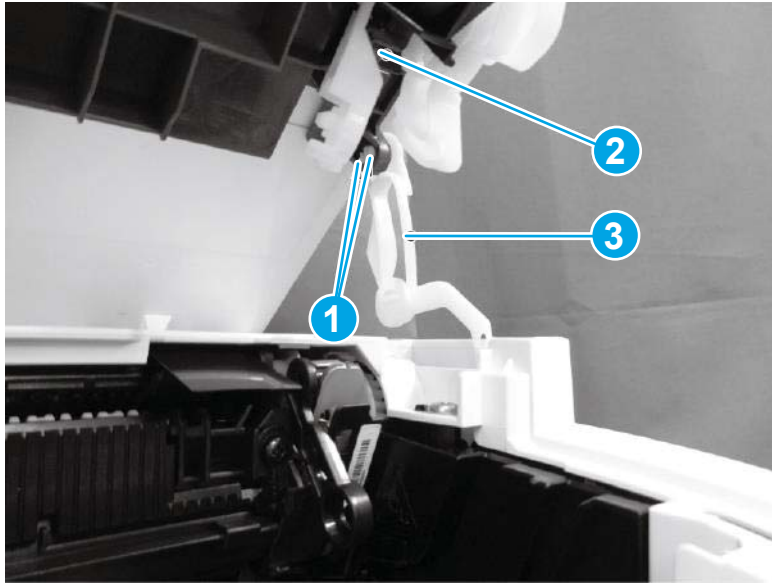
Figure 1-331 Remove the link arm





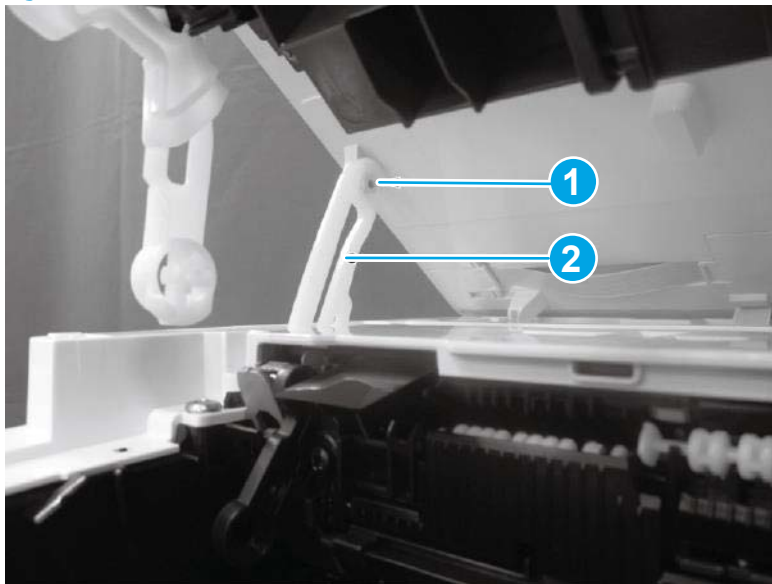
5. Release two tabs (callout 1), and then remove one link arm (callout 3) from the cartridge door (callout 2).

Figure 1-332 Remove the link arm



6. Remove one link arm (callout 2) from the shaft (callout 1).

Figure 1-333 Remove the link arm

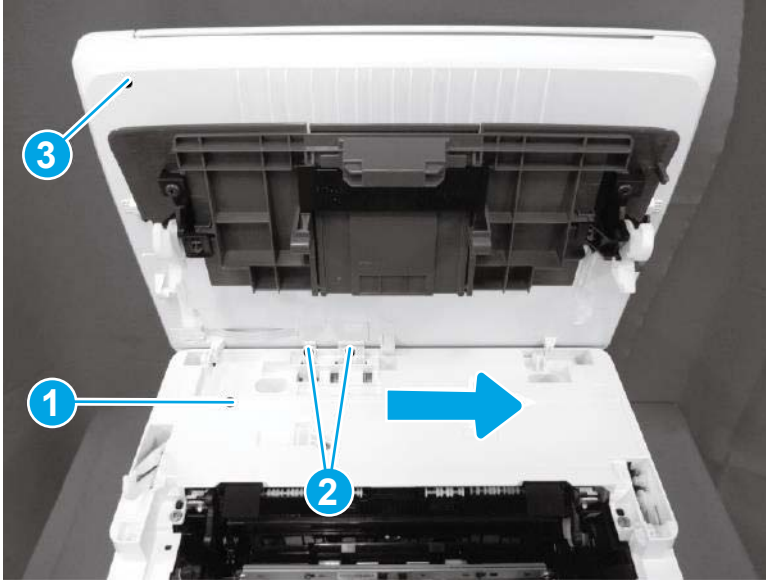


7. Pull two flat-flexible cables (FFCs) (callout 2) out and away from the top cover (callout 1), and then slide the image scanner (callout 3) as shown below to remove it.

**⚠ CAUTION:** Do not damage the FFCs.

**💡 Reinstallation tip:** Reverse the removal steps to install the assembly.

**Figure 1-334** Remove the image scanner

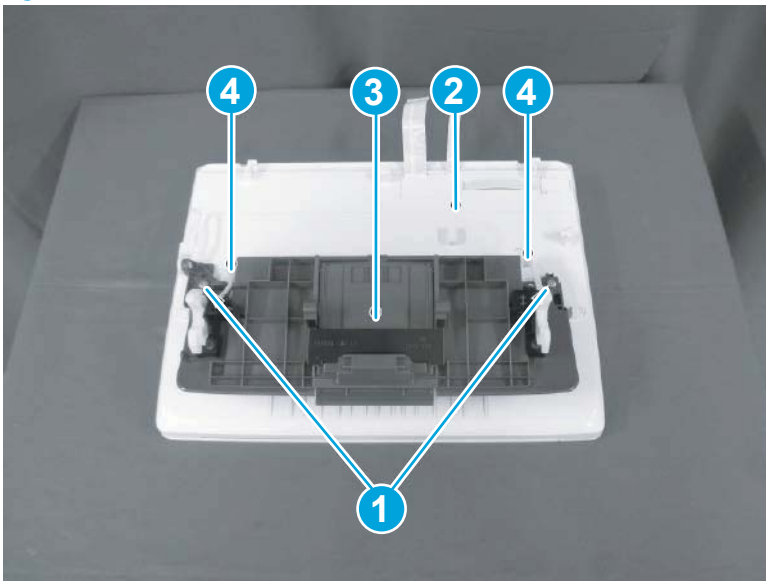


8. For a replacement image scanner, do the following:

**📝 NOTE:** If the image scanner is removed to access other assemblies, skip this step.

- Remove two screws (callout 1).
- Remove the cartridge door (callout 3) (with the link arms; callout 4) from the image scanner (callout 2).

**Figure 1-335** Remove the cartridge door

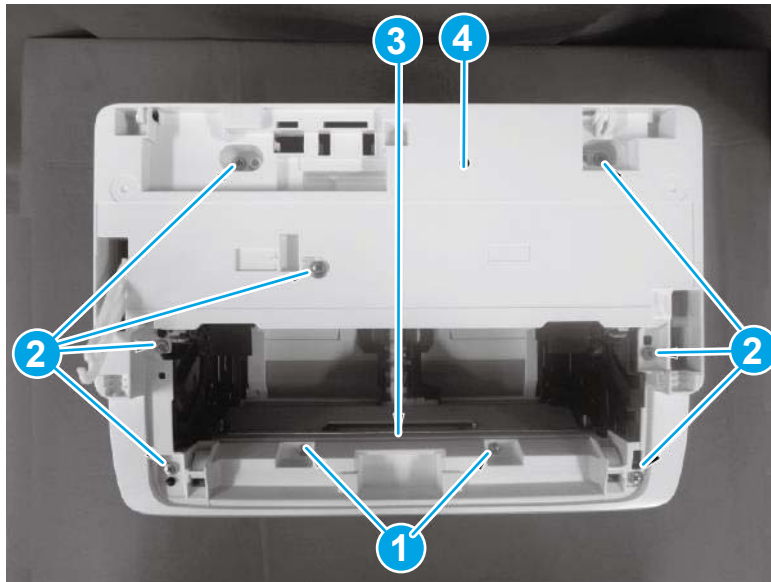


#### Step 4: Remove the top cover (MFP M28-M31)

1. Remove two screws (M3; callout 1), remove seven screws (M4; callout 2), release one tab (callout 3), and then remove the top cover (callout 4).


 **Reinstallation tip:** Reverse the removal steps to install the assembly.

Figure 1-336 Remove the top cover



2. Reverse the removal steps to install the assembly. Also use the following special installation instructions.

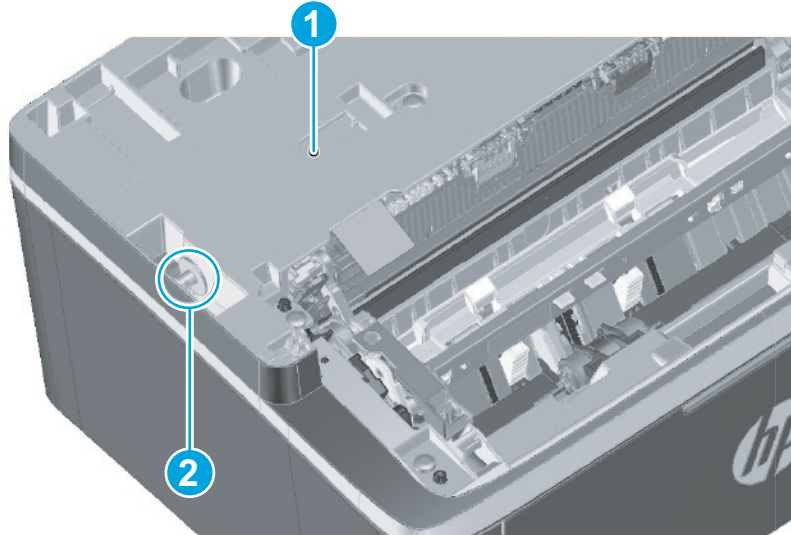
 **NOTE:** Continue to reverse the removal steps to finish installing the assembly.

 **TIP:** If the top cover is removed to access other assemblies, skip this step.

#### Special installation instructions: Top cover

- ▲ Remove the pad (callout 2) from the top cover (callout 1), and then install it on the replacement top cover.

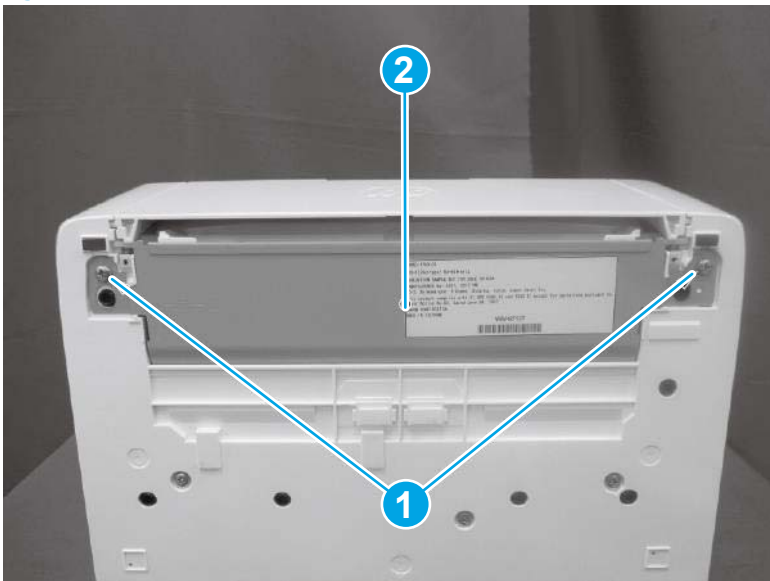
Figure 1-337 Install the pad



Step 5: Remove the lower cover (MFP M28-M31)

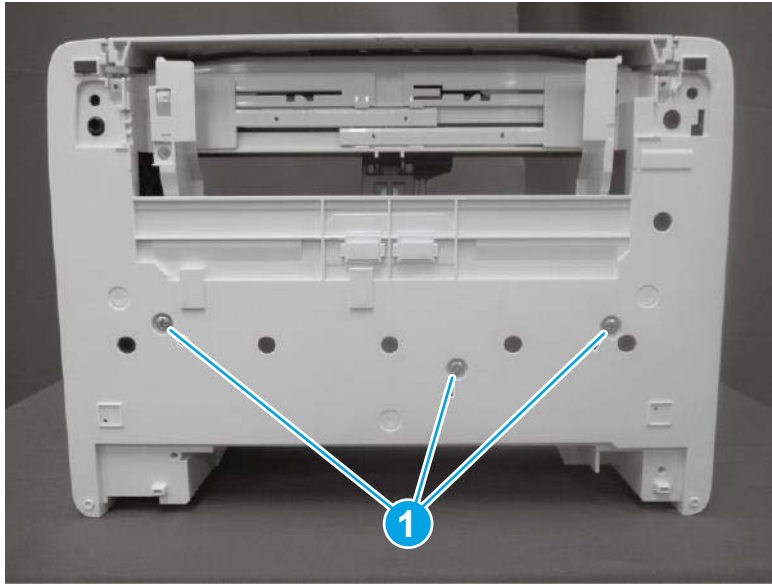
1. Position the printer rear side down, remove two screws (callout 1), and then remove the lower plate (callout 2)

Figure 1-338 Remove the lower plate



2. Remove three screws (callout 1).

Figure 1-339 Remove three screws



3. Remove two screws (callout 1), and then remove the lower cover (callout 2).


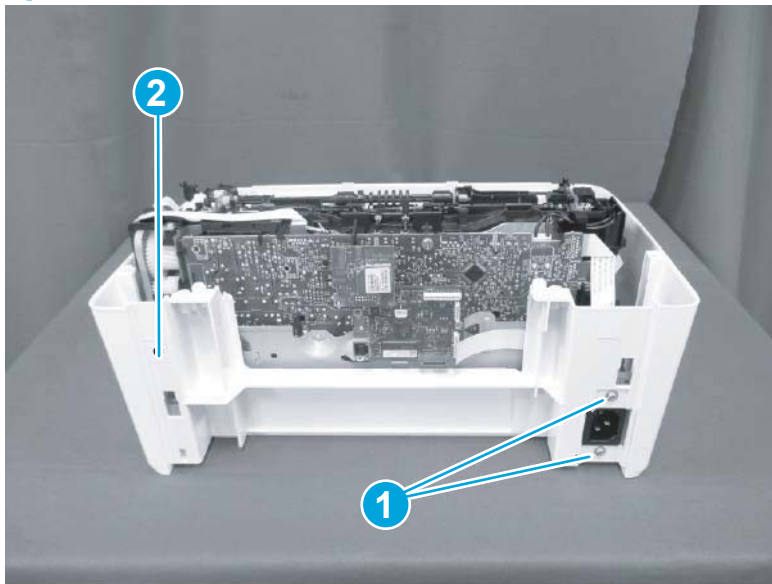
 **Reinstallation tip:** Reverse the removal steps to install the assembly.

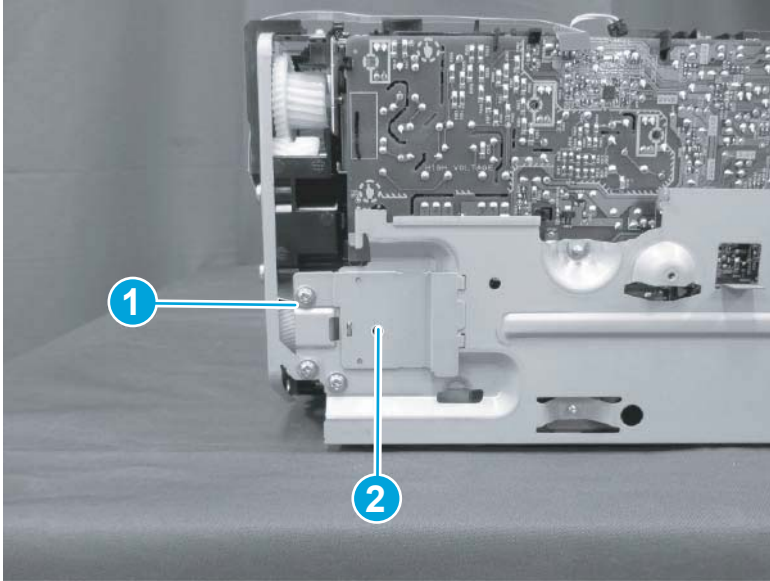
Figure 1-340 Remove the lower cover



#### Step 6: Remove the engine controller assembly (MFP M28-M31)

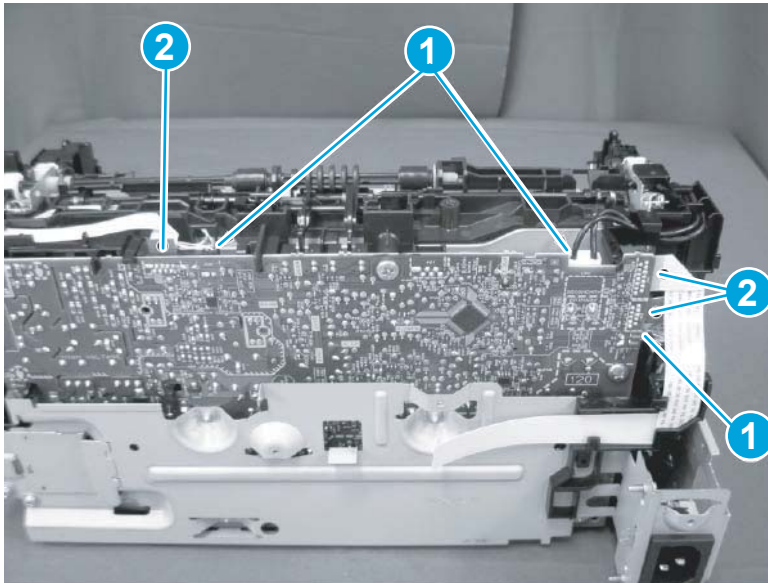
1. Do the following:
  - a. Remove one screw (callout 1).
  - b. Remove the motor shield plate (callout 2).

Figure 1-341 Remove the motor shield plate



2. Do the following:
  - a. Disconnect three connectors (callout 1).
  - b. Disconnect three flat flexible cables (FFCs) (callout 2).

Figure 1-342 Disconnect connectors and FFCs

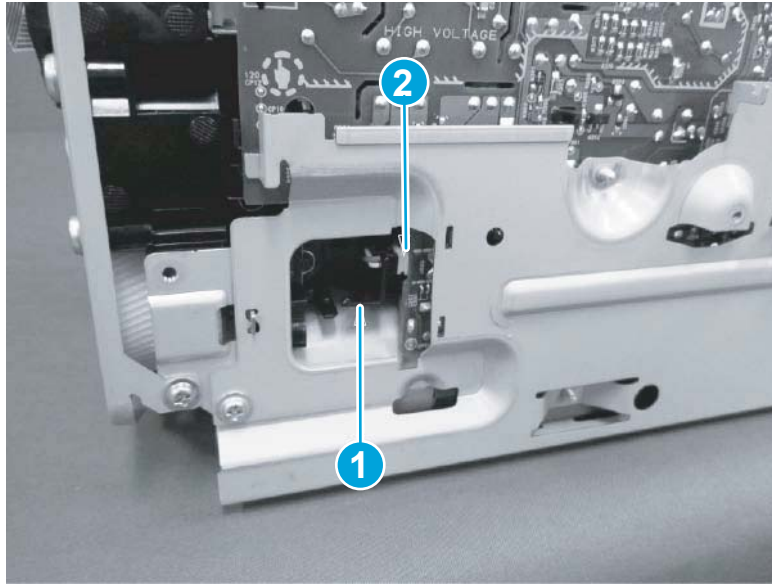


3. Do the following:
  - a. Slide the lever (callout 1) towards the left side.




- b. Disconnect one connector (callout 2).

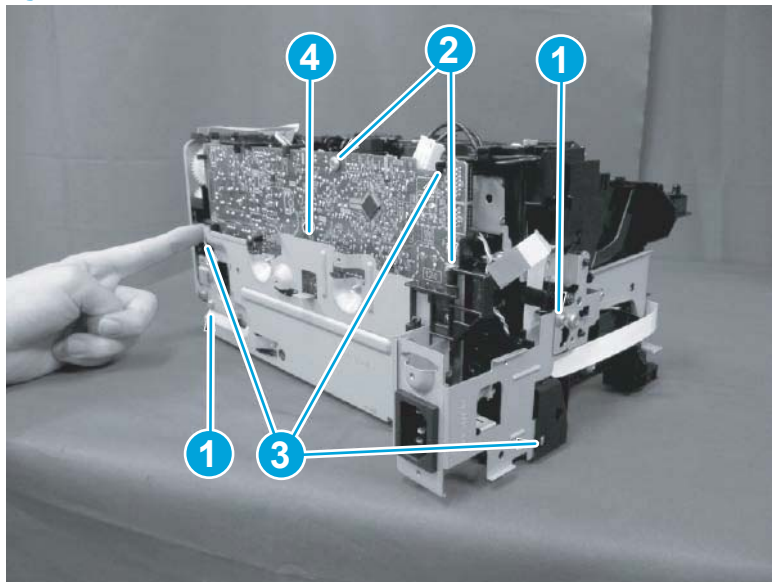
**Figure 1-343** Release the lever and disconnect the connector



4. Do the following:
  - a. Remove two screws (M3; callout 1).
  - b. Remove two screws (M4; callout 2).
  - c. Release three tabs (callout 3).
  - d. Remove the engine controller assembly (callout 4).

 **Reinstallation tip:** Reverse the removal steps to install the assembly.

**Figure 1-344** Remove the engine controller assembly



5. Reverse the removal steps to install the assembly. Also use the following special installation instructions.

---

 **NOTE:** Continue to reverse the removal steps to finish installing the assembly.

---

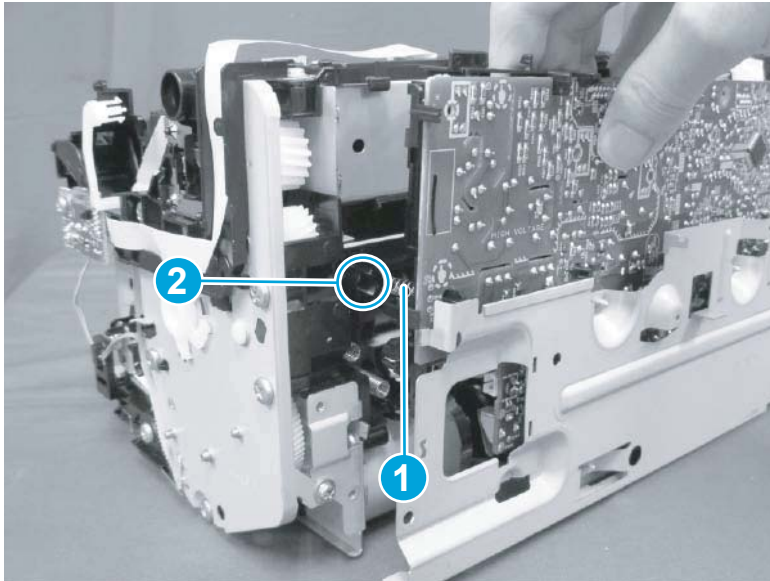
#### Special installation instructions: Engine controller assembly

- ▲ Make sure that the spring (callout 1) is installed in the holder (callout 2).

 **CAUTION:** The spring must not be deformed when installing the engine controller assembly.

---

Figure 1-345 Check the spring



#### Step 7: Unpack the replacement assembly

1. Dispose of the defective part.

 **NOTE:** HP recommends responsible disposal of the defective part.

[www.hp.com/recycle](http://www.hp.com/recycle)

---





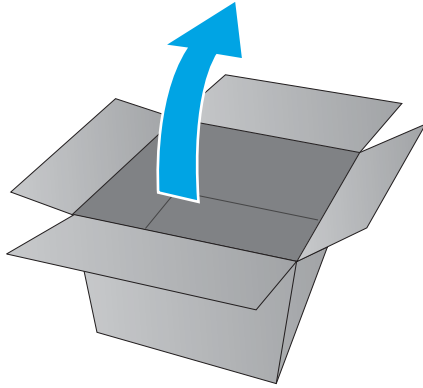
2. Unpack the replacement part from the packaging.

---

**⚠ CAUTION:** If the replacement part is a roller or pad, avoid touching the spongy part of it. Skin oils on the roller or pad can cause paper pickup and/or print-quality problems. HP recommends using disposable gloves when handling rollers or pads or washing your hands or before touching rollers or pads.

**📋 IMPORTANT:** Make sure that all of the shipping materials (for example shipping tape) are removed from the replacement part prior to installation.

---



## Remove and replacement: Door switch and flat flexible cable

- [Introduction](#)
- [Step 1: Remove the cartridge door \(M14-M17\)](#)
- [Step 2: Remove the formatter cover \(M14-M17\)](#)
- [Step 3: Remove the lower cover \(M14-M17\)](#)
- [Step 4: Remove the formatter cover \(MFP M28-M31\)](#)
- [Step 5: Remove the image scanner \(MFP M28-M31\)](#)
- [Step 6: Remove the top cover \(MFP M28-M31\)](#)
- [Step 7: Remove the lower cover \(MFP M28-M31\)](#)
- [Step 8: Remove the door switch and FFC](#)
- [Step 9: Unpack the replacement assembly](#)

### Introduction

This document provides the procedures to remove and replace the door switch and flat flexible cable (FFC).



**IMPORTANT:** When applicable, special installation instructions are provided for an assembly at the end of the removal procedure. Always completely read the removal instructions and follow all special installation instructions.

### Before performing service

- Turn the printer power off.

Use the table below to identify the correct part number for your printer. To order the part, go to [www.hp.com/buy/parts](http://www.hp.com/buy/parts)

---

#### Door switch and door switch FFC part numbers

---

|                 |                  |
|-----------------|------------------|
| RM3-7169-000CN  | Door switch      |
| RK2-9877-000 CN | FFC, door switch |

---

### Required tools

- #2 Phillips screwdriver with a magnetic tip


### After performing service

- Turn the printer power on.

### Post service test

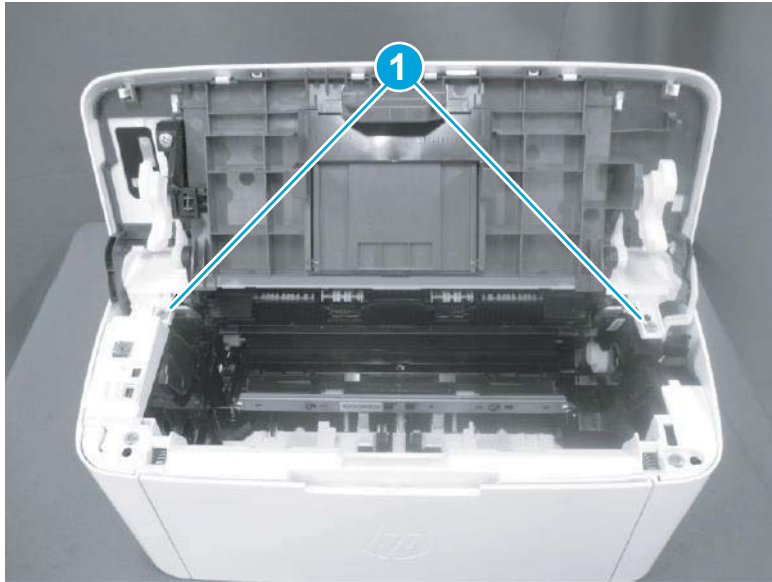
No post service test is available for this assembly.

## Step 1: Remove the cartridge door (M14-M17)

 **NOTE:** This step is for the M14-M17 printers. For all other printers, skip this step and go to [Step 4: Remove the formatter cover \(MFP M28-M31\) on page 284.](#)

1. Open the cartridge door, and then remove two screws (callout 1).

Figure 1-346 Remove two screw

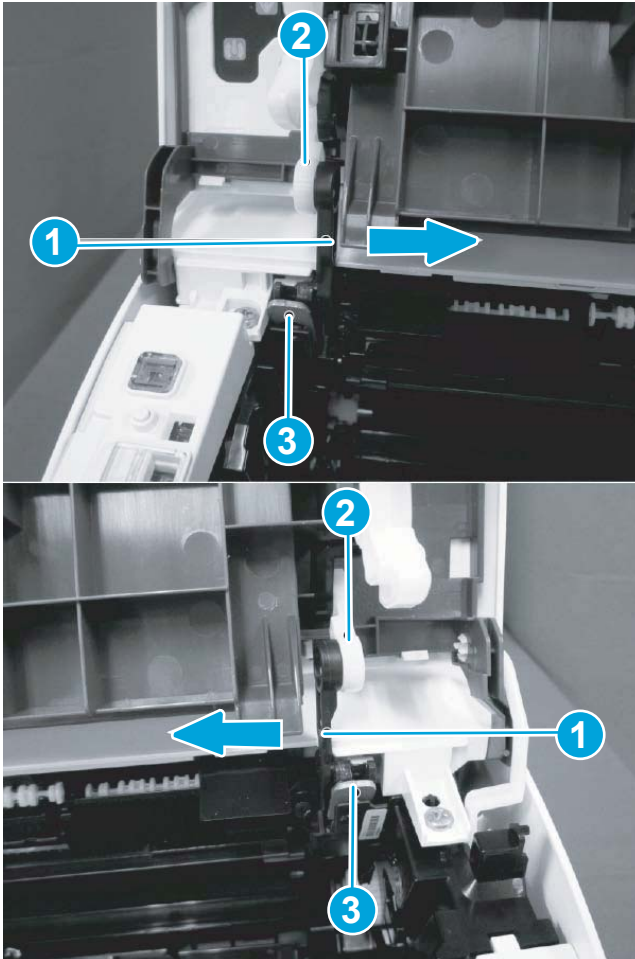


2. Before proceeding, take note of the following disassembly instructions.

When removing the link arm (callout 2) from the pressure release lever (callout 1), the pressure plate (callout 3) might be deformed if the pressure release lever moves in the direction shown below.

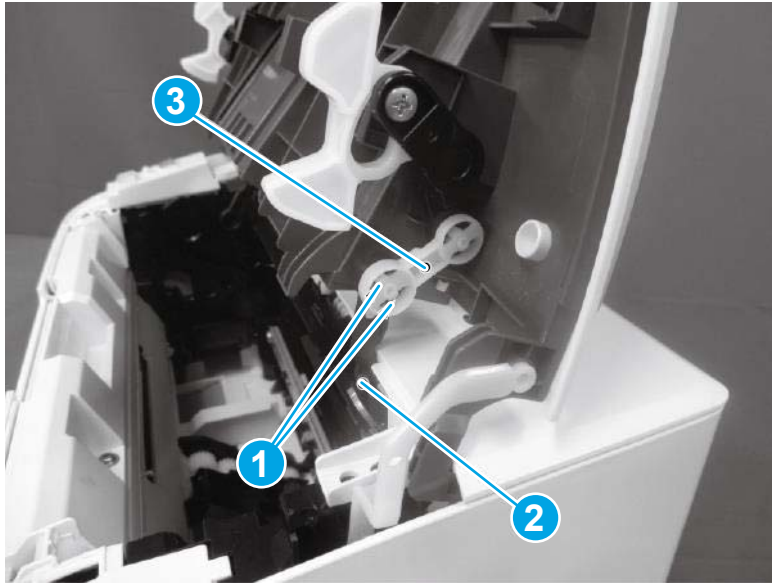
**CAUTION:** Do not deform the pressure plate.

Figure 1-347 Special disassembly instructions



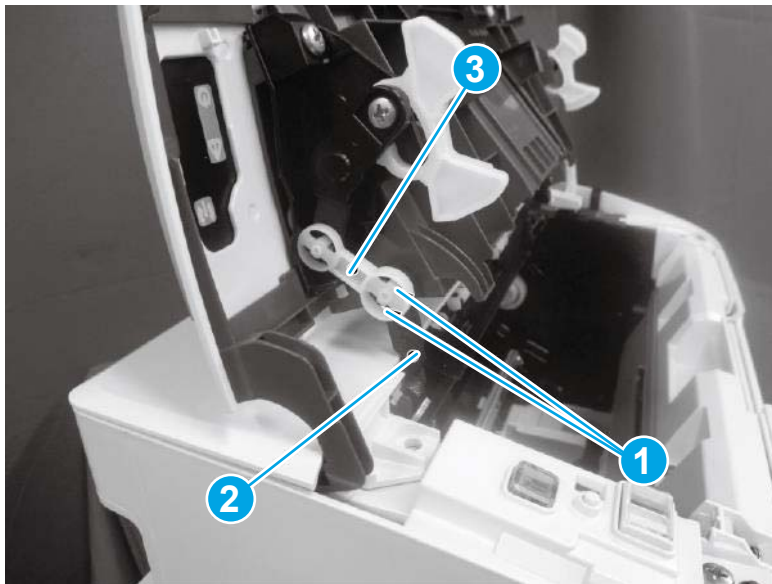
3. Release two tabs (callout 1), and then remove one link arm (callout 3) from the pressure release lever (callout 2).

Figure 1-348 Remove the link arm



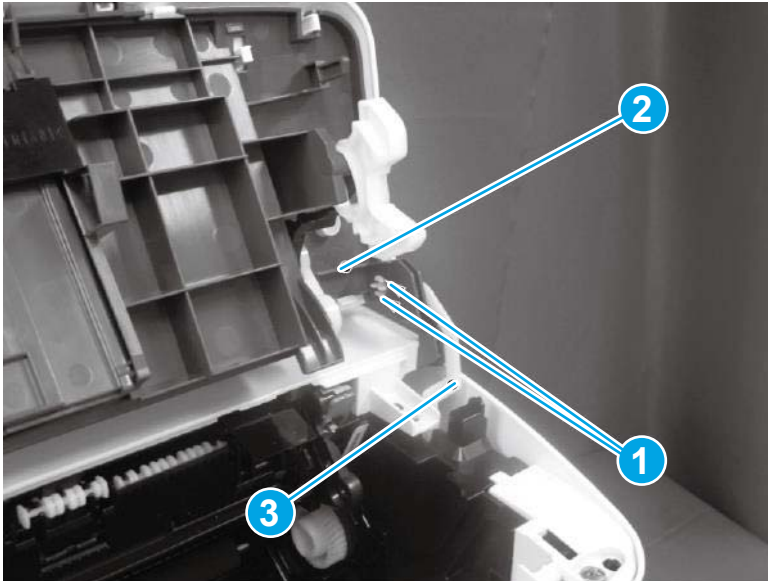
4. Release two tabs (callout 1), and then remove one link arm (callout 3) from the pressure release lever (callout 2).

Figure 1-349 Remove the link arm



5. Release two tabs (callout 1), and then remove one link arm (callout 3) from the cartridge door assembly (callout 2).


Figure 1-350 Remove the link arm



6. Release one tab (callout 1), support the cartridge door (callout 2), and then remove it.

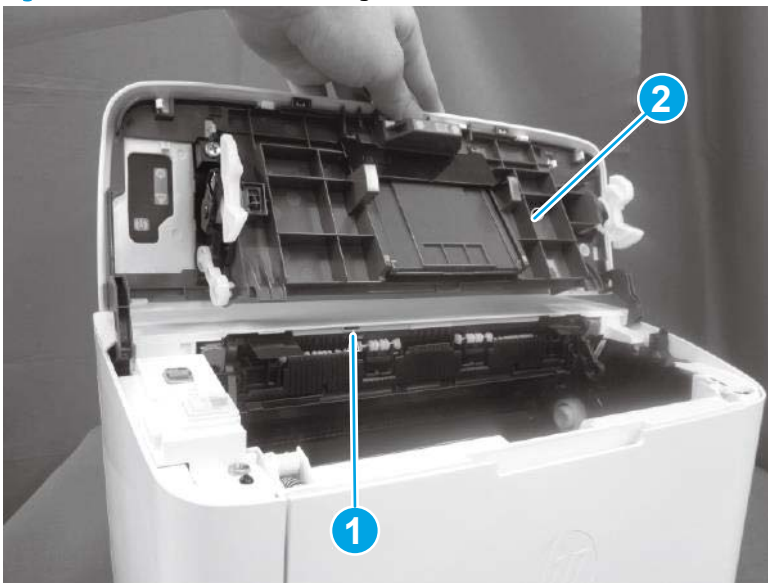
---

 **NOTE:** If the cartridge door is removed to access other assembly, stop at this step.

 **Reinstallation tip:** Reverse the removal steps to install the door.


---

Figure 1-351 Remove the cartridge door



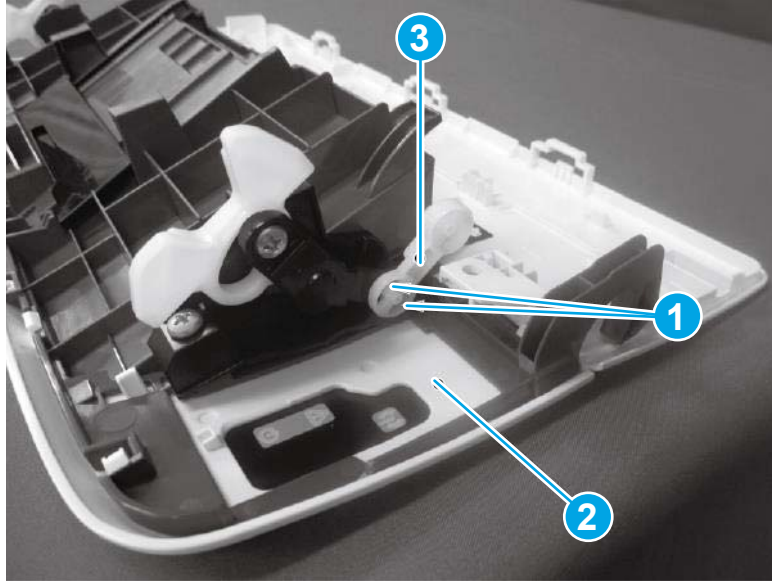
7. **Optional step:** If a replacement cartridge door is being installed, do the following:

---

 **NOTE:** Install the link arms on the replacement door.

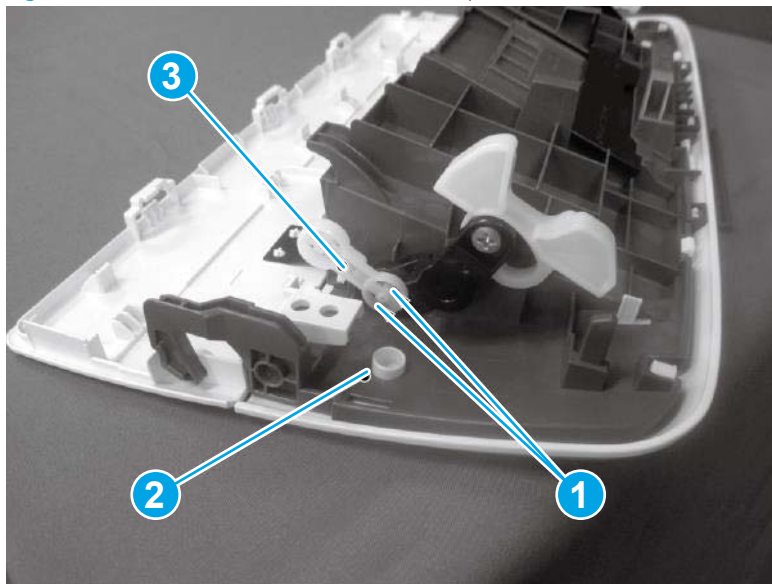
- a. Release two tabs (callout 1), and then remove the one link arm (callout 3) from the door assembly (callout 2).

Figure 1-352 Install the link arms on the replacement door




- b. Release two tabs (callout 1), and then remove the one link arm (callout 3) from the door assembly (callout 2).

Figure 1-353 Install the link arms on the replacement door



## Step 2: Remove the formatter cover (M14-M17)

 **NOTE:** This step is for the M14-M17 printers. For all other printers, skip this step and go to [Step 4: Remove the formatter cover \(MFP M28-M31\) on page 284.](#)

- ▲ Position the printer front side down.

Release one tab (callout 1), and then remove the formatter cover (callout 2).


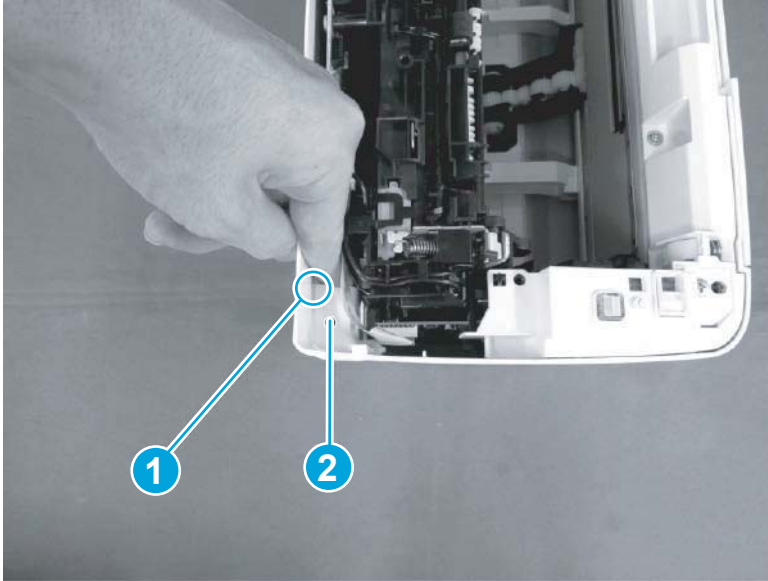

 **Reinstallation tip:** Reverse the removal steps to install the assembly.



Figure 1-354 Remove the formatter cover (M14-M17)

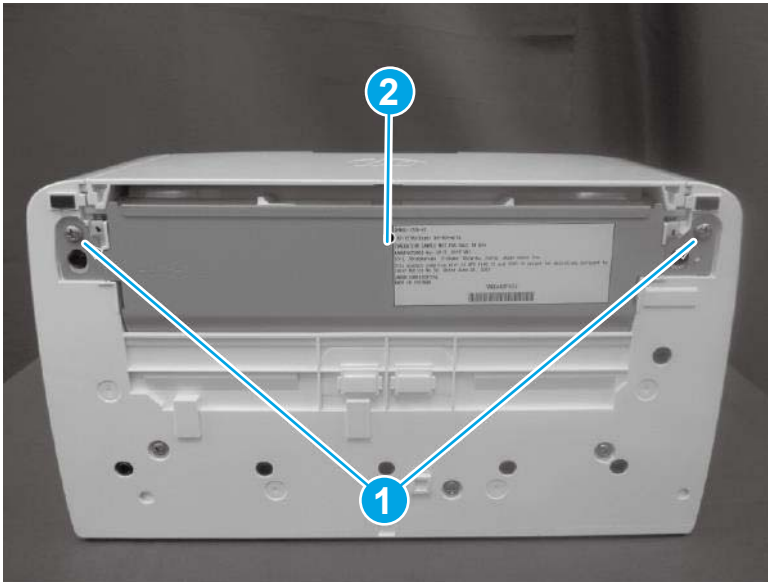


### Step 3: Remove the lower cover (M14-M17)

 **NOTE:** This step is for the M14-M17 printers. For all other printers, skip this step and go to [Step 4: Remove the formatter cover \(MFP M28-M31\)](#) on page 284.

1. Position the printer rear side down, remove three screws (callout 1), and then remove the lower plate (callout 2).

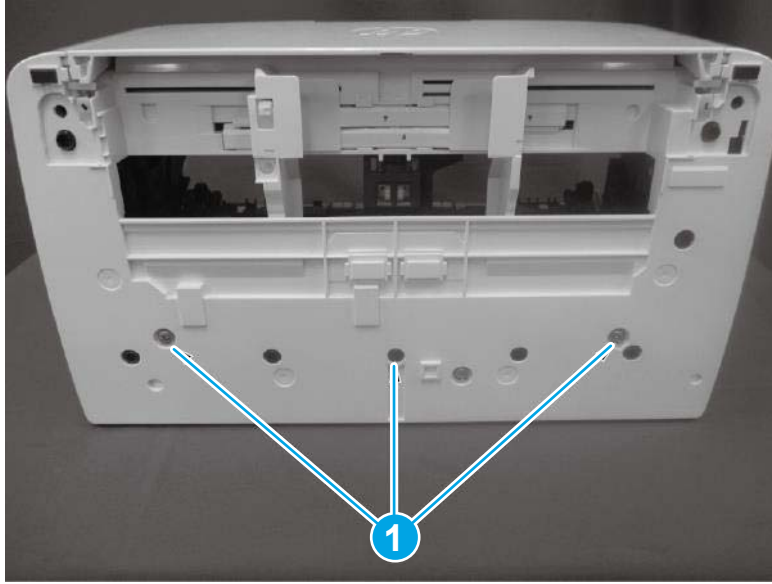
Figure 1-355 Remove the lower plate






2. Remove three screws (callout 1)

Figure 1-356 Remove the three screws



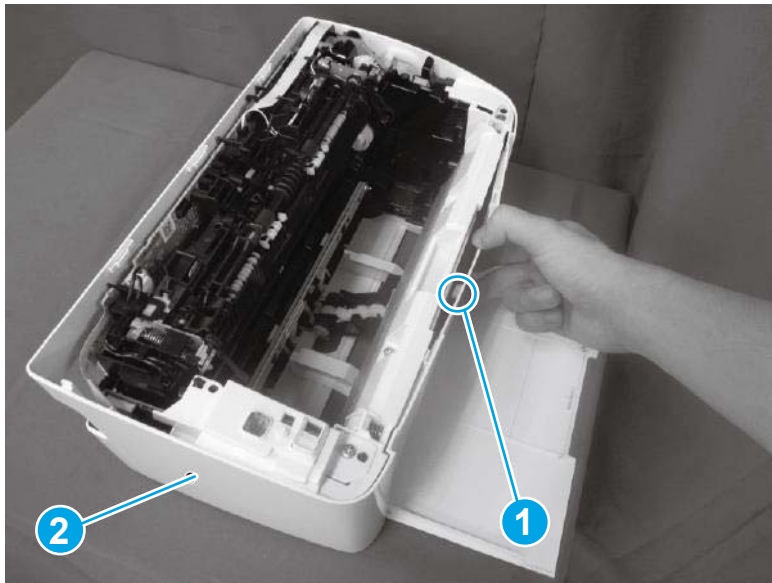
3. With the printer in the upright position, release one tab (callout 1), and then remove the lower cover (callout 2).

---

 **Reinstallation tip:** Reverse the removal steps to install the assembly.

---

Figure 1-357 Remove the lower cover



4. Reverse the removal steps to install the assembly. Also use the following special installation instructions.

---

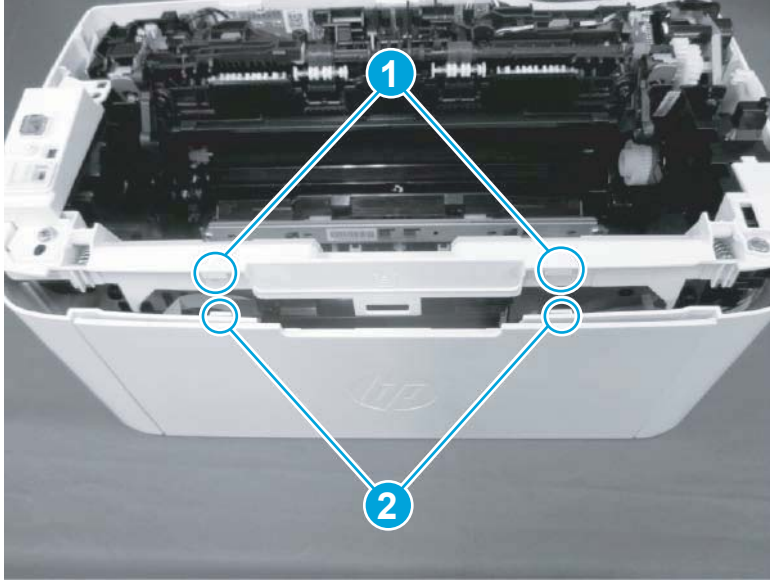
 **NOTE:** Continue to reverse the removal steps to finish installing the assembly.

---


**Special installation instructions: Lower cover**

- ▲ Make sure to fit two ribs (callout 1) on the printer into the grooves (callout 2) in the lower cover.

Figure 1-358 Fit two ribs on the printer into the grooves (lower cover install)



#### Step 4: Remove the formatter cover (MFP M28-M31)

 **NOTE:** This step is for the MFP M28-M31 printers. For all other printers, skip this step and go to [Step 8: Remove the laser scanner and FFC on page 158](#).

- ▲ Position the printer front side down.

Remove two screws (callout 1), and then remove the formatter cover (callout 2).


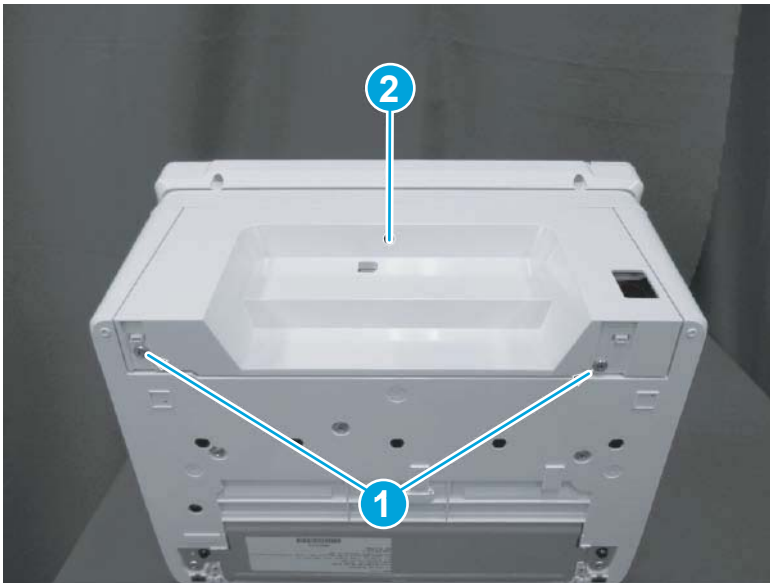

 **Reinstallation tip:** Reverse the removal steps to install the assembly.

Figure 1-359 Remove the formatter cover (MFP M28-M31)

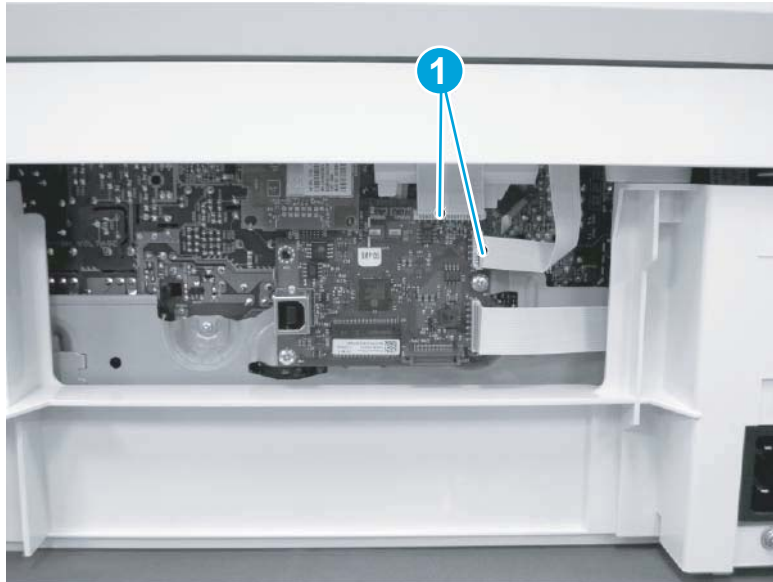


## Step 5: Remove the image scanner (MFP M28-M31)

 **NOTE:** This step is for the MFP M28-M31 printers. For all other printers, skip this step and go to [Step 8: Remove the door switch and FFC on page 292](#).

1. Disconnect two flat flexible cables (FFCs) (callout 1).

**Figure 1-360** Disconnect two FFCs

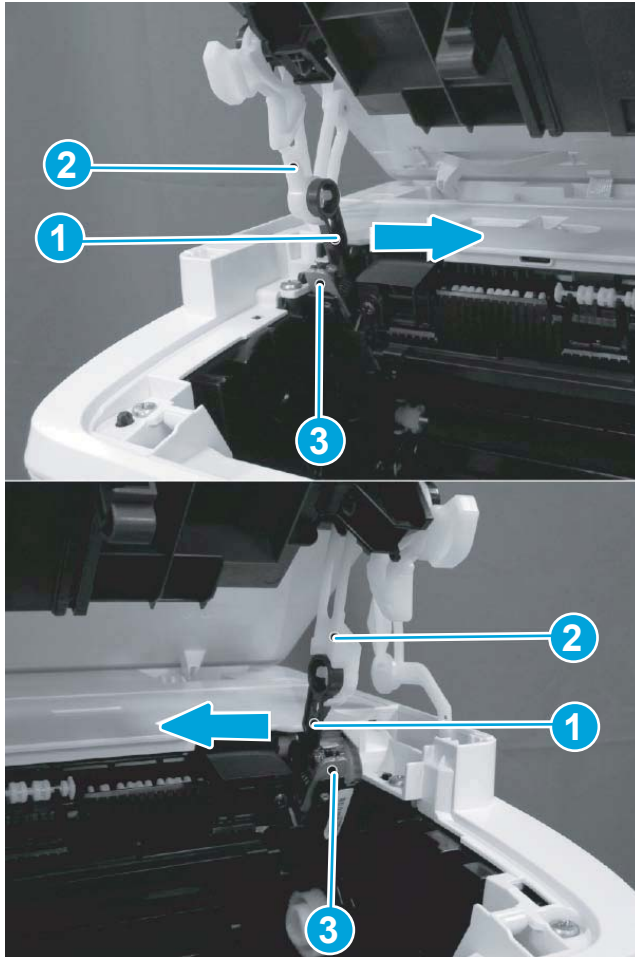


2. Before proceeding, take note of the following disassembly instructions.

When removing the link arm (callout 2) from the pressure release lever (callout 1), the pressure plate (callout 3) might be deformed if the pressure release lever moves in the direction shown below.

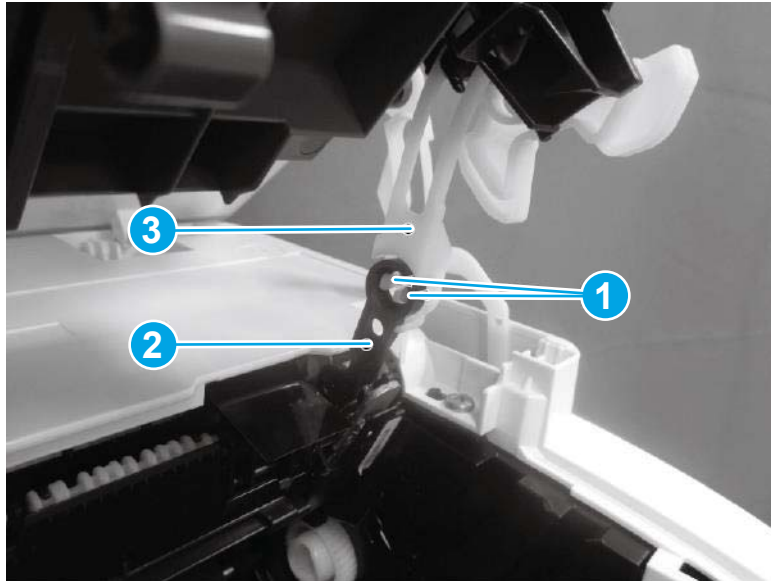
**CAUTION:** Do not deform the pressure plate.

Figure 1-361 Special disassembly instructions



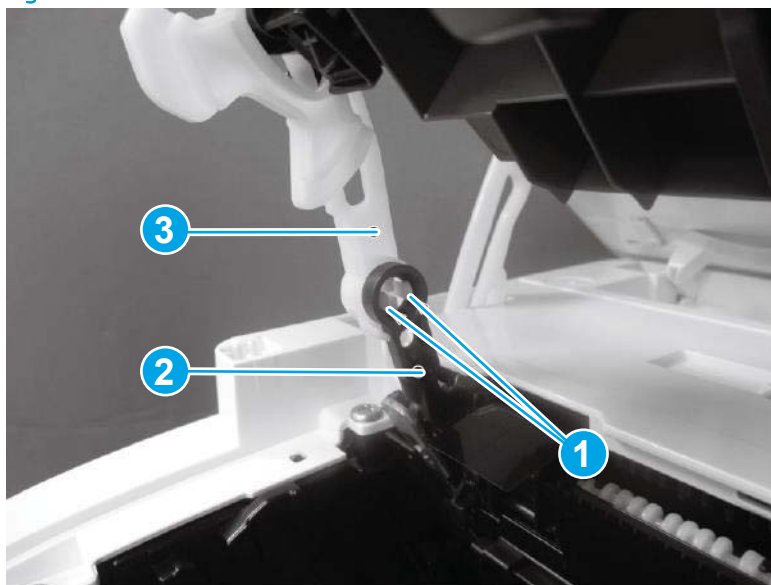
3. Open the image scanner, release two tabs (callout 1), remove one link arm (callout 3) from the pressure release lever (callout 2).

Figure 1-362 Remove the link arm



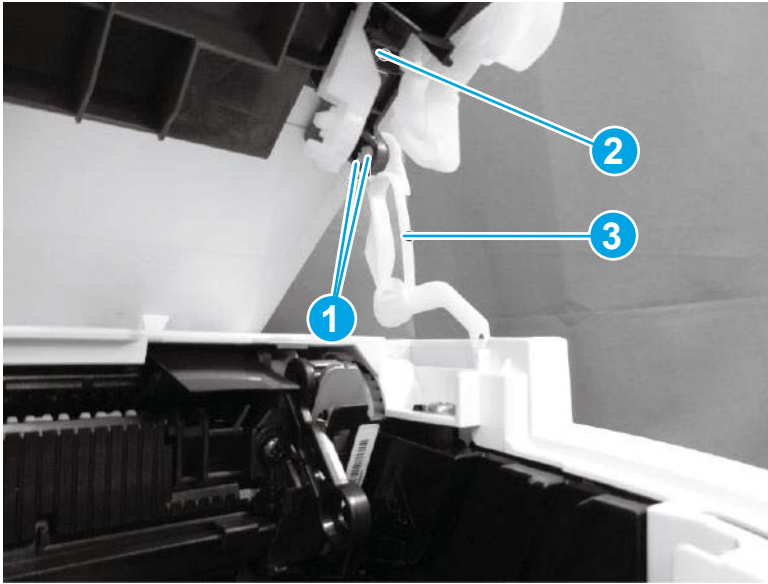
4. Release two tabs (callout 1), and then remove one link arm (callout 3) from the pressure release lever (callout 2).

Figure 1-363 Remove the link arm



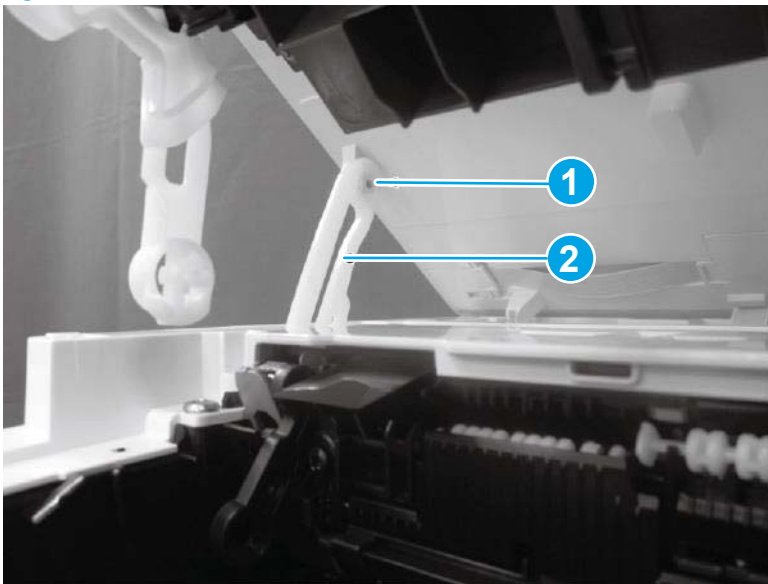
5. Release two tabs (callout 1), and then remove one link arm (callout 3) from the cartridge door (callout 2).

Figure 1-364 Remove the link arm



6. Remove one link arm (callout 2) from the shaft (callout 1).

Figure 1-365 Remove the link arm

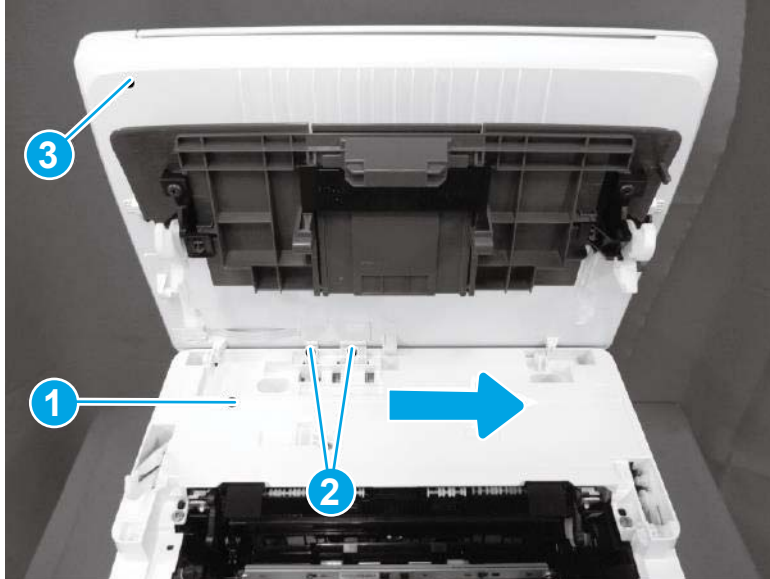


7. Pull two flat-flexible cables (FFCs) (callout 2) out and away from the top cover (callout 1), and then slide the image scanner (callout 3) as shown below to remove it.

**CAUTION:** Do not damage the FFCs.

**Reinstallation tip:** Reverse the removal steps to install the assembly.

**Figure 1-366** Remove the image scanner

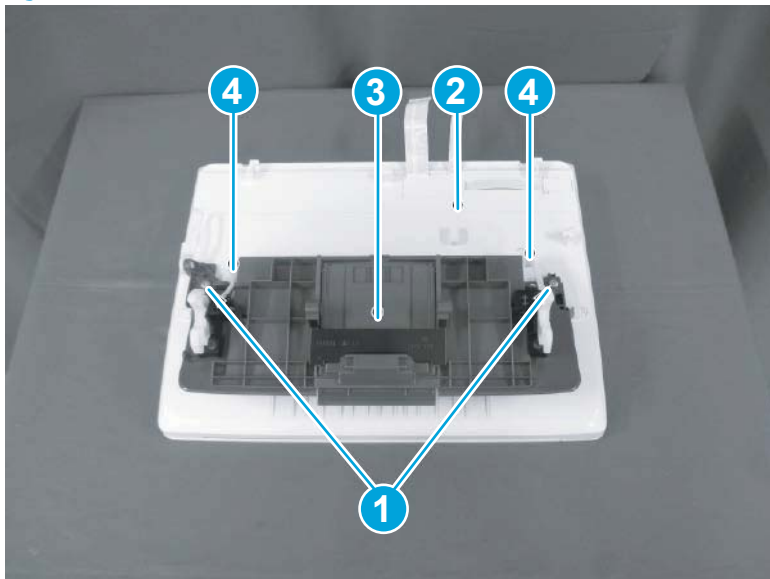


8. For a replacement image scanner, do the following:

**NOTE:** If the image scanner is removed to access other assemblies, skip this step.


- Remove two screws (callout 1).
- Remove the cartridge door (callout 3) (with the link arms; callout 4) from the image scanner (callout 2).

**Figure 1-367** Remove the cartridge door






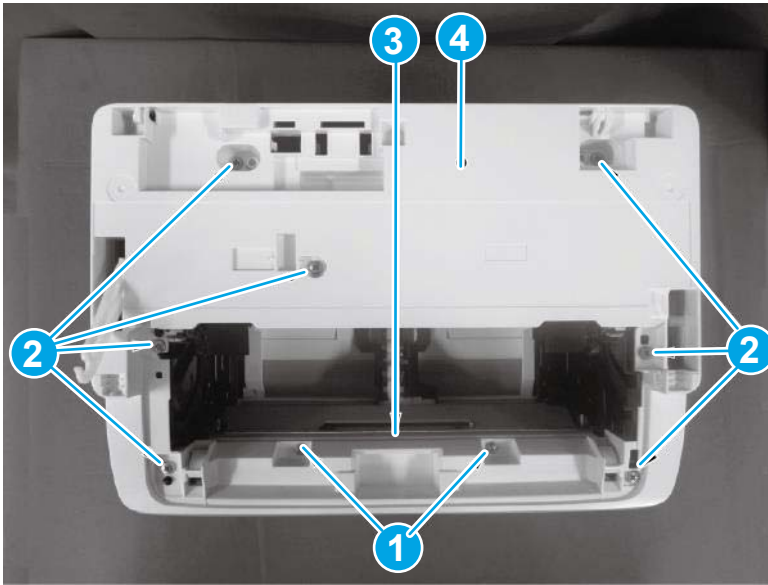
## Step 6: Remove the top cover (MFP M28-M31)

 **NOTE:** This step is for the MFP M28-M31 printers. For all other printers, skip this step and go to [Step 8: Remove the door switch and FFC on page 292](#).

1. Remove two screws (M3; callout 1), remove seven screws (M4; callout 2), release one tab (callout 3), and then remove the top cover (callout 4).


 **Reinstallation tip:** Reverse the removal steps to install the assembly.

**Figure 1-368** Remove the top cover



2. Reverse the removal steps to install the assembly. Also use the following special installation instructions.

 **NOTE:** Continue to reverse the removal steps to finish installing the assembly.

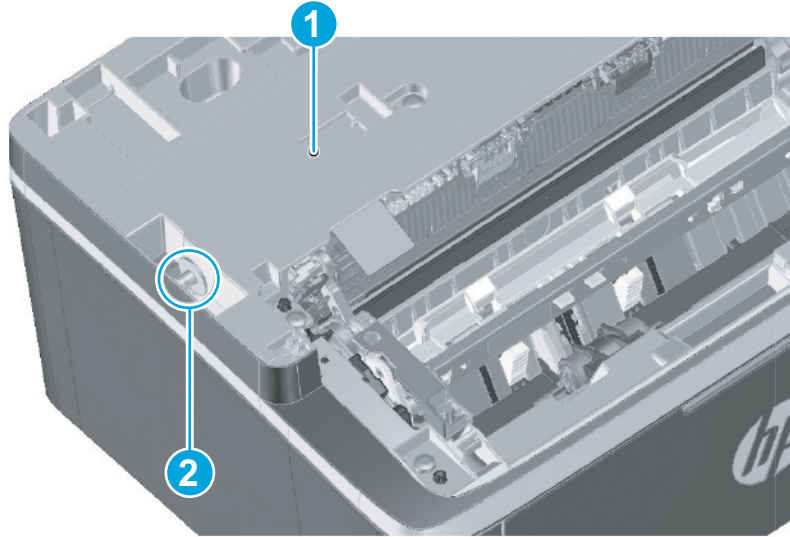
 **TIP:** If the top cover is removed to access other assemblies, skip this step.

### Special installation instructions: Top cover


- ▲ Remove the pad (callout 2) from the top cover (callout 1), and then install it on the replacement top cover.



Figure 1-369 Install the pad

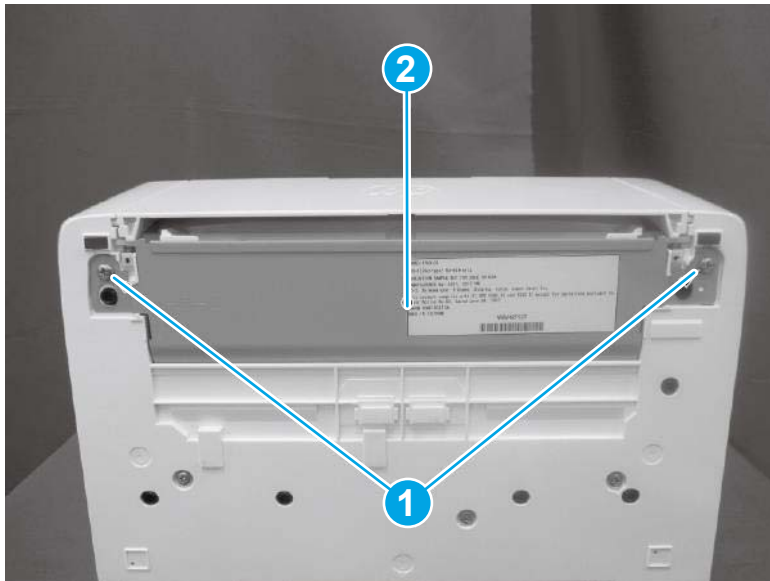


### Step 7: Remove the lower cover (MFP M28-M31)

 **NOTE:** This step is for the MFP M28-M31 printers. For all other printers, skip this step and go to [Step 8: Remove the door switch and FFC on page 292](#).

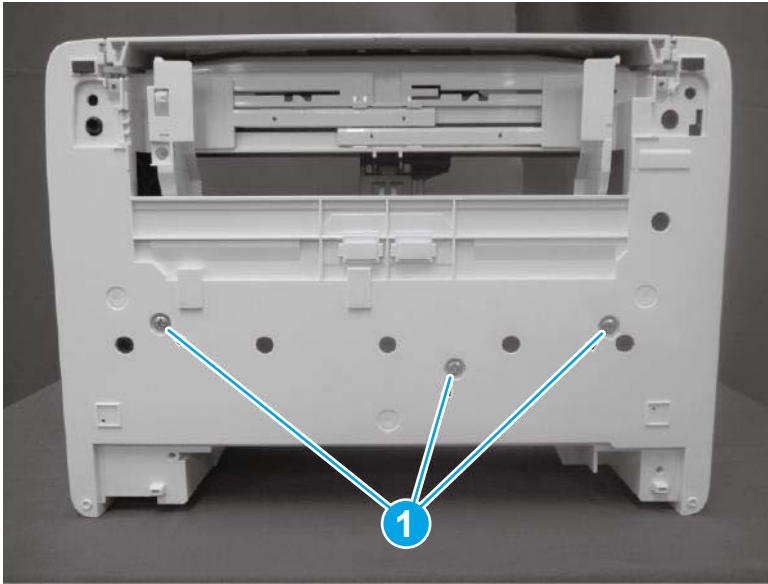
1. Position the printer rear side down, remove two screws (callout 1), and then remove the lower plate (callout 2)

Figure 1-370 Remove the lower plate




2. Remove three screws (callout 1).

Figure 1-371 Remove three screws



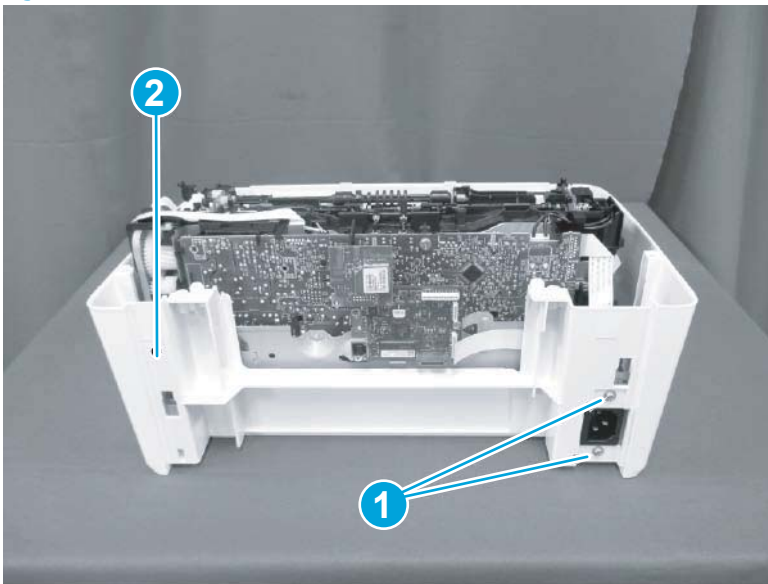
3. Remove two screws (callout 1), and then remove the lower cover (callout 2).

---

 **Reinstallation tip:** Reverse the removal steps to install the assembly.

---

Figure 1-372 Remove the lower cover




#### Step 8: Remove the door switch and FFC


- ▲ Do the following:
  - a. Disconnect two connectors (callout 1) and one FFC (callout 4).
  - b. Remove one screw (callout 2).

- c. Remove the door switch (callout 3).
- d. **Optional step:** Remove the door switch FFC (callout 4) if needed.

---

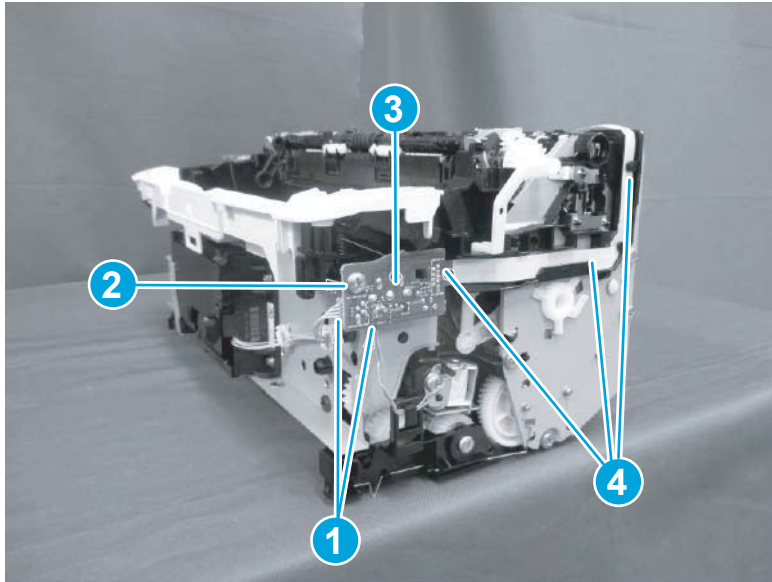
 **NOTE:** Disconnect the FFC from the engine controller assembly to replace it.

---

 **Reinstallation tip:** Reverse the removal steps to install the assembly.

---

**Figure 1-373** Remove the door switch and FFC



### Step 9: Unpack the replacement assembly

- 1. Dispose of the defective part.

---

 **NOTE:** HP recommends responsible disposal of the defective part.

---

[www.hp.com/recycle](http://www.hp.com/recycle)

---



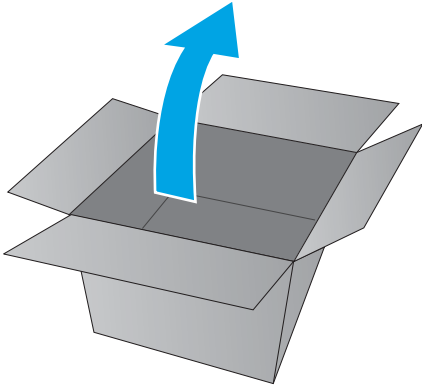
2. Unpack the replacement part from the packaging.

---

**⚠ CAUTION:** If the replacement part is a roller or pad, avoid touching the spongy part of it. Skin oils on the roller or pad can cause paper pickup and/or print-quality problems. HP recommends using disposable gloves when handling rollers or pads or washing your hands or before touching rollers or pads.

**📄 IMPORTANT:** Make sure that all of the shipping materials (for example shipping tape) are removed from the replacement part prior to installation.

---



## Remove and replacement: Pickup solenoid

- [Introduction](#)
- [Step 1: Remove the cartridge door \(M14-M17\)](#)
- [Step 2: Remove the formatter cover \(M14-M17\)](#)
- [Step 3: Remove the lower cover \(M14-M17\)](#)
- [Step 4: Remove the formatter cover \(MFP M28-M31\)](#)
- [Step 5: Remove the image scanner \(MFP M28-M31\)](#)
- [Step 6: Remove the top cover \(MFP M28-M31\)](#)
- [Step 7: Remove the lower cover \(MFP M28-M31\)](#)
- [Step 8: Remove the pickup solenoid](#)
- [Step 9: Unpack the replacement assembly](#)

### Introduction

This document provides the procedures to remove and replace the pickup solenoid.



**IMPORTANT:** When applicable, special installation instructions are provided for an assembly at the end of the removal procedure. Always completely read the removal instructions and follow all special installation instructions.

### Before performing service

- Turn the printer power off.

Use the table below to identify the correct part number for your printer. To order the part, go to [www.hp.com/buy/parts](http://www.hp.com/buy/parts)

| Pickup solenoid part number |                 |
|-----------------------------|-----------------|
| RK2-9869-000CN              | Pickup solenoid |

### Required tools

- #2 Phillips screwdriver with a magnetic tip

### After performing service

- Turn the printer power on.

### Post service test

No post service test is available for this assembly.

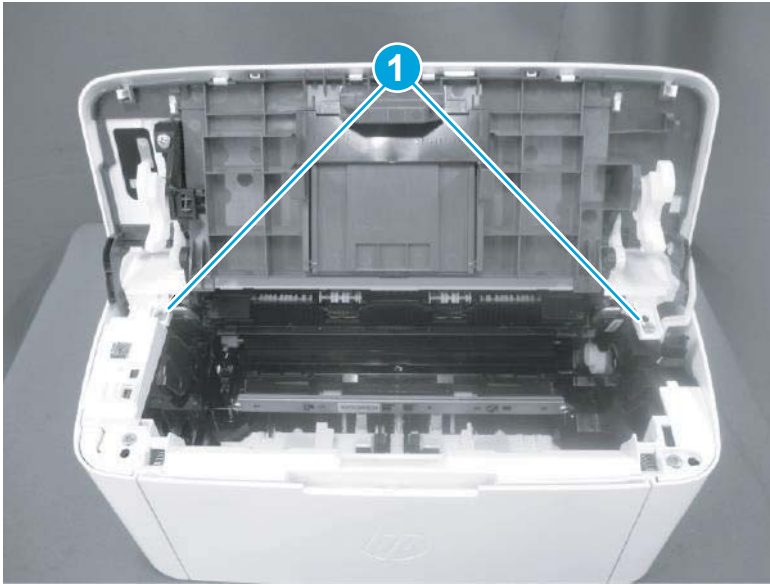
### Step 1: Remove the cartridge door (M14-M17)



**NOTE:** This step is for the M14-M17 printers. For all other printers, skip this step and go to [Step 4: Remove the formatter cover \(MFP M28-M31\) on page 303](#).

1. Open the cartridge door, and then remove two screws (callout 1).

Figure 1-374 Remove two screw

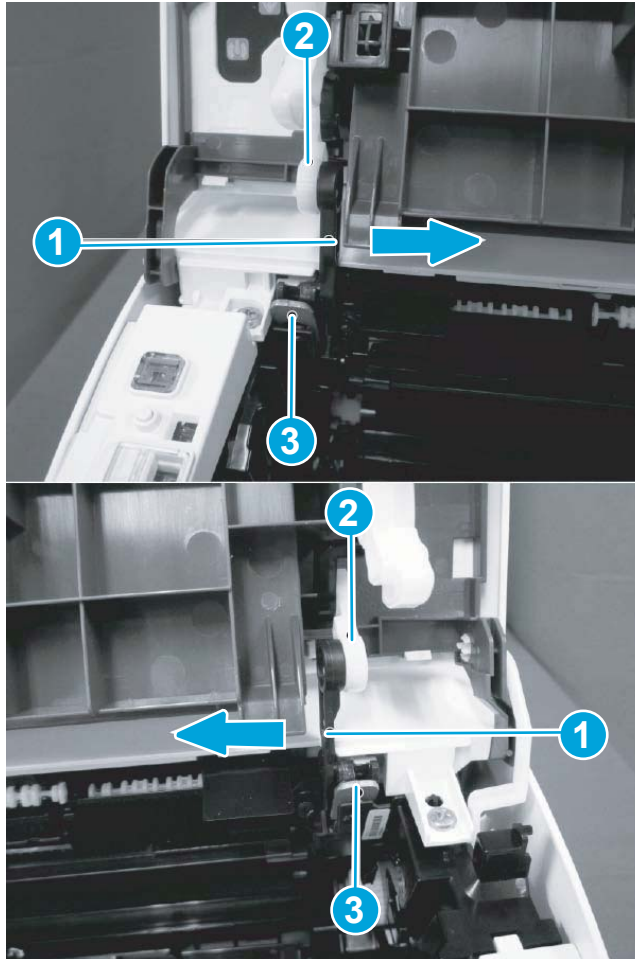


2. Before proceeding, take note of the following disassembly instructions.

When removing the link arm (callout 2) from the pressure release lever (callout 1), the pressure plate (callout 3) might be deformed if the pressure release lever moves in the direction shown below.

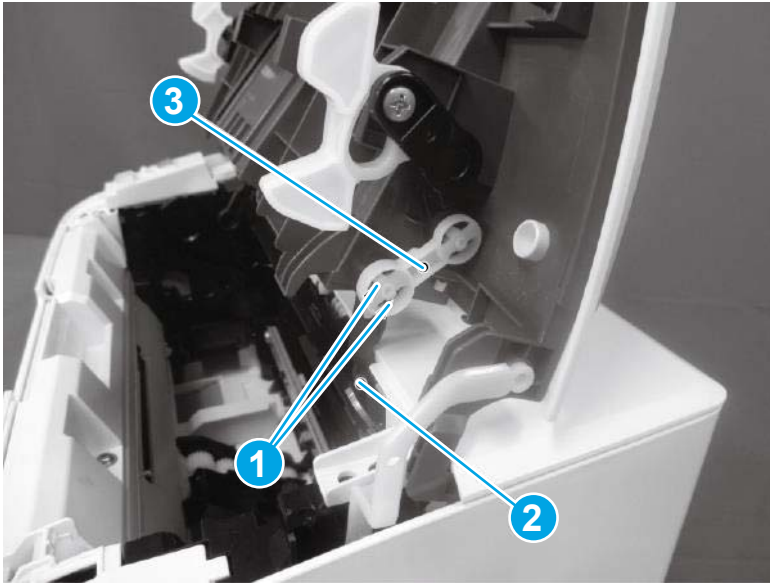
**CAUTION:** Do not deform the pressure plate.

Figure 1-375 Special disassembly instructions



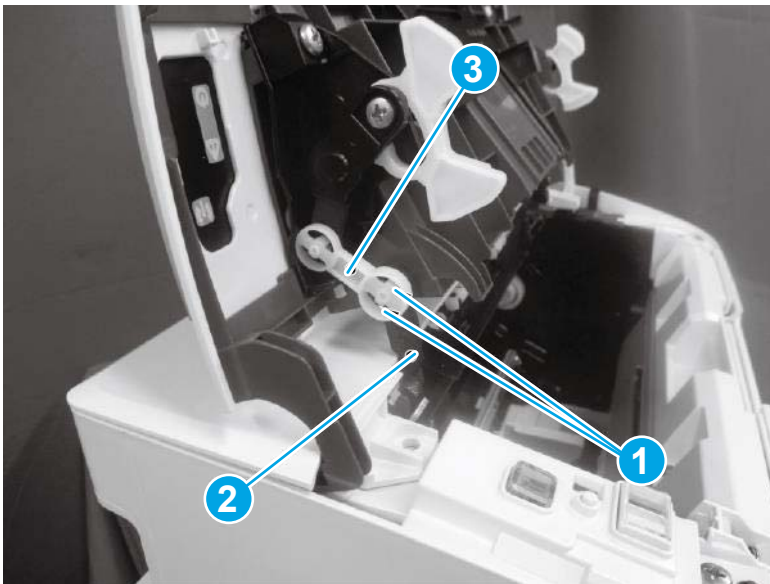
3. Release two tabs (callout 1), and then remove one link arm (callout 3) from the pressure release lever (callout 2).

Figure 1-376 Remove the link arm



4. Release two tabs (callout 1), and then remove one link arm (callout 3) from the pressure release lever (callout 2).

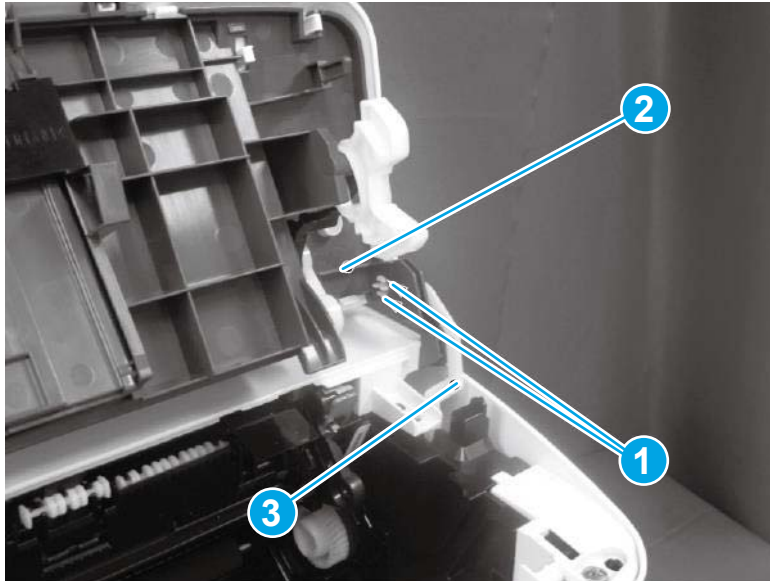
Figure 1-377 Remove the link arm





5. Release two tabs (callout 1), and then remove one link arm (callout 3) from the cartridge door assembly (callout 2).

Figure 1-378 Remove the link arm



6. Release one tab (callout 1), support the cartridge door (callout 2), and then remove it.

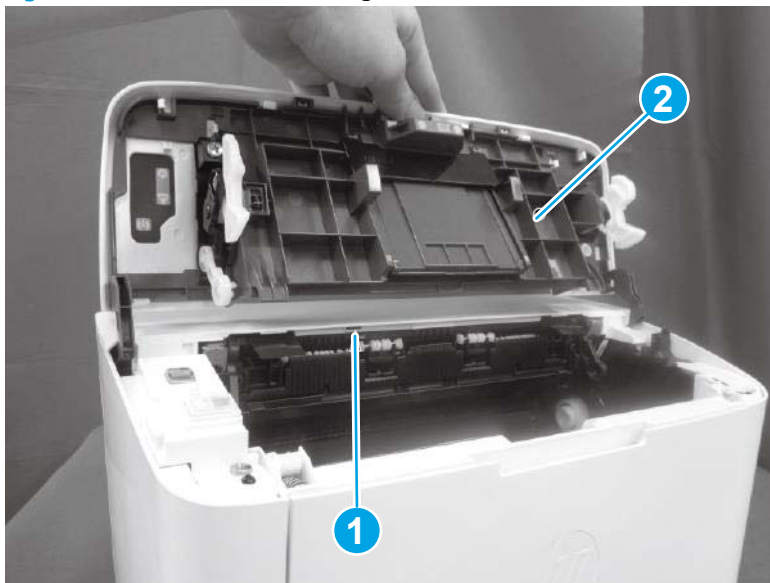
---

 **NOTE:** If the cartridge door is removed to access other assembly, stop at this step.

 **Reinstallation tip:** Reverse the removal steps to install the door.

---

Figure 1-379 Remove the cartridge door



7. **Optional step:** If a replacement cartridge door is being installed, do the following:

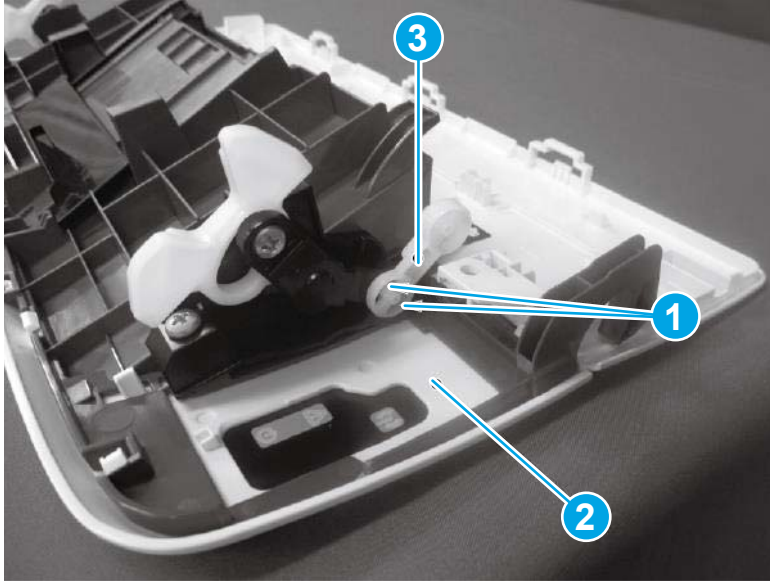
---

 **NOTE:** Install the link arms on the replacement door.

---

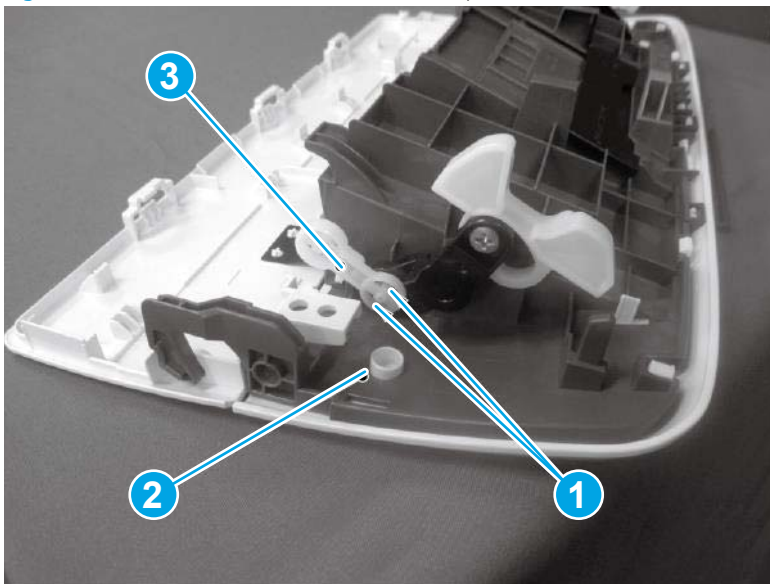
- a. Release two tabs (callout 1), and then remove the one link arm (callout 3) from the door assembly (callout 2).

Figure 1-380 Install the link arms on the replacement door




- b. Release two tabs (callout 1), and then remove the one link arm (callout 3) from the door assembly (callout 2).

Figure 1-381 Install the link arms on the replacement door



## Step 2: Remove the formatter cover (M14-M17)

 **NOTE:** This step is for the M14-M17 printers. For all other printers, skip this step and go to [Step 4: Remove the formatter cover \(MFP M28-M31\) on page 303.](#)

- ▲ Position the printer front side down.

Release one tab (callout 1), and then remove the formatter cover (callout 2).


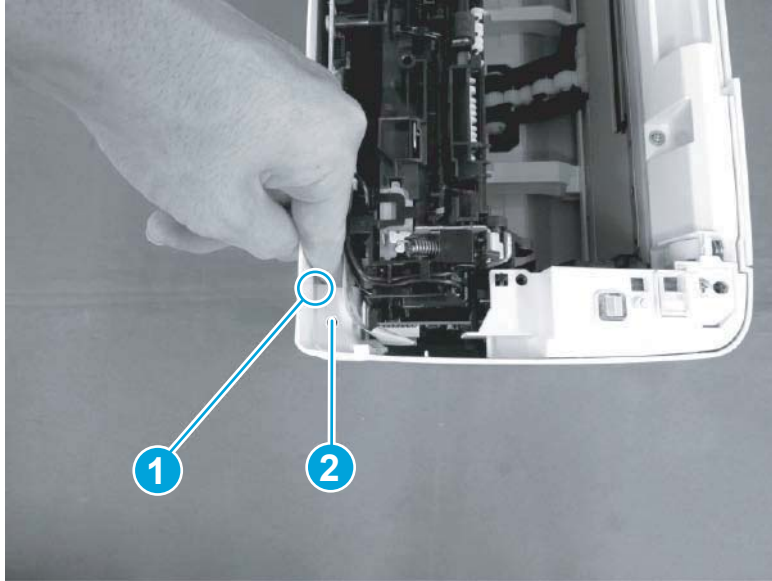

 **Reinstallation tip:** Reverse the removal steps to install the assembly.

Figure 1-382 Remove the formatter cover (M14-M17)

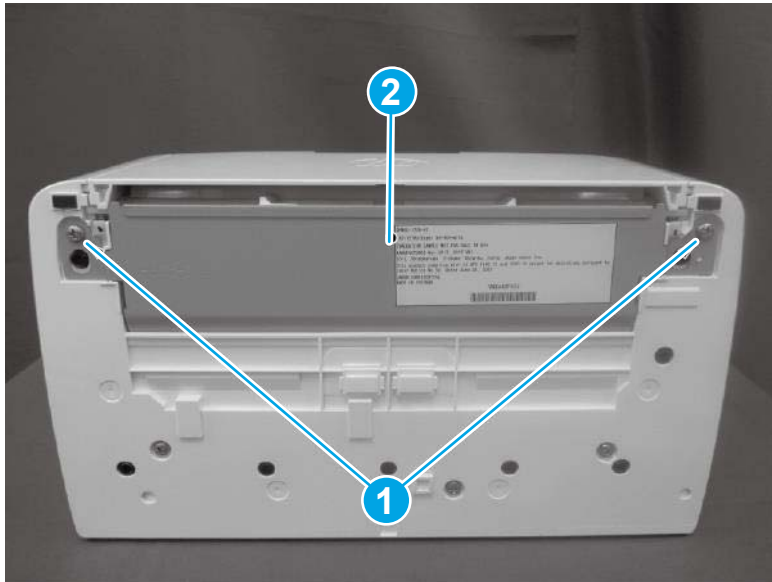


### Step 3: Remove the lower cover (M14-M17)

 **NOTE:** This step is for the M14-M17 printers. For all other printers, skip this step and go to [Step 4: Remove the formatter cover \(MFP M28-M31\) on page 303](#).

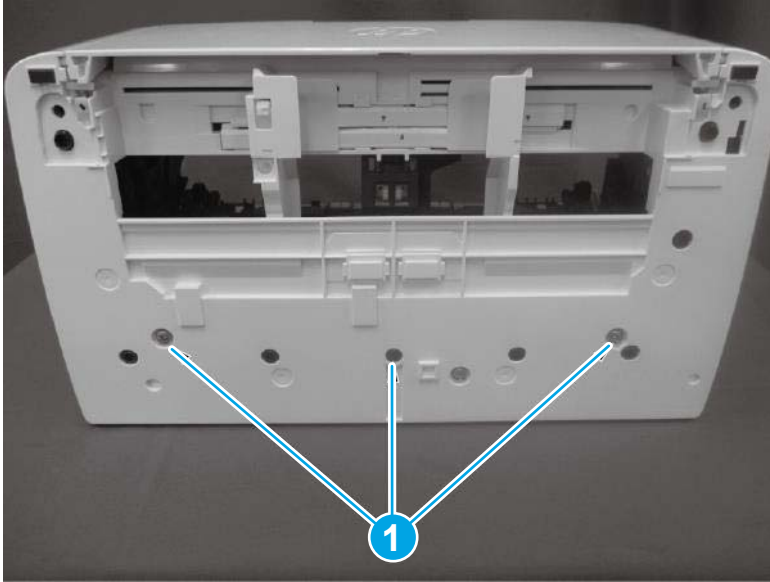
1. Position the printer rear side down, remove three screws (callout 1), and then remove the lower plate (callout 2).

Figure 1-383 Remove the lower plate




2. Remove three screws (callout 1)

**Figure 1-384** Remove the three screws



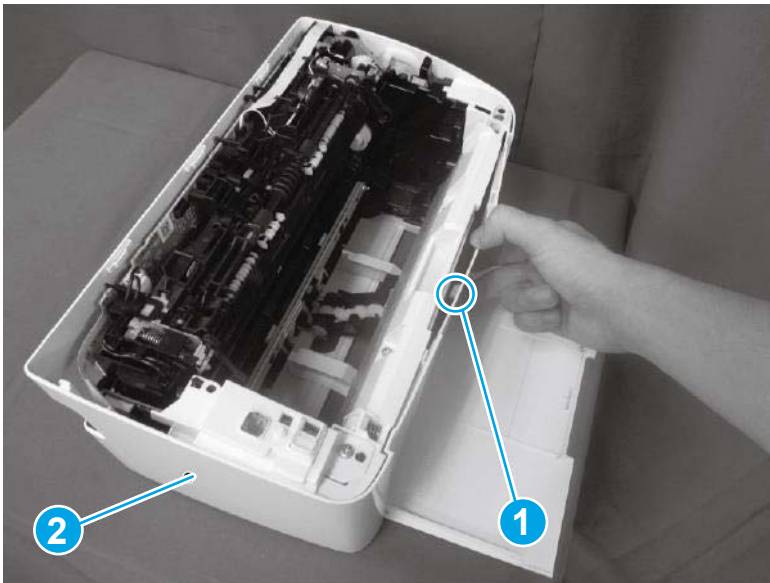
3. With the printer in the upright position, release one tab (callout 1), and then remove the lower cover (callout 2).

---

 **Reinstallation tip:** Reverse the removal steps to install the assembly.

---

**Figure 1-385** Remove the lower cover



4. Reverse the removal steps to install the assembly. Also use the following special installation instructions.

---

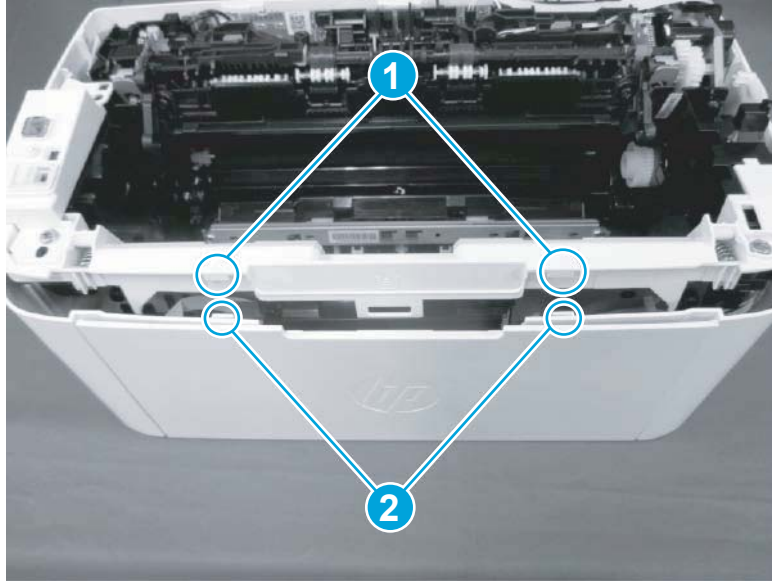
 **NOTE:** Continue to reverse the removal steps to finish installing the assembly.

---


**Special installation instructions: Lower cover**

- ▲ Make sure to fit two ribs (callout 1) on the printer into the grooves (callout 2) in the lower cover.

Figure 1-386 Fit two ribs on the printer into the grooves (lower cover install)



#### Step 4: Remove the formatter cover (MFP M28-M31)

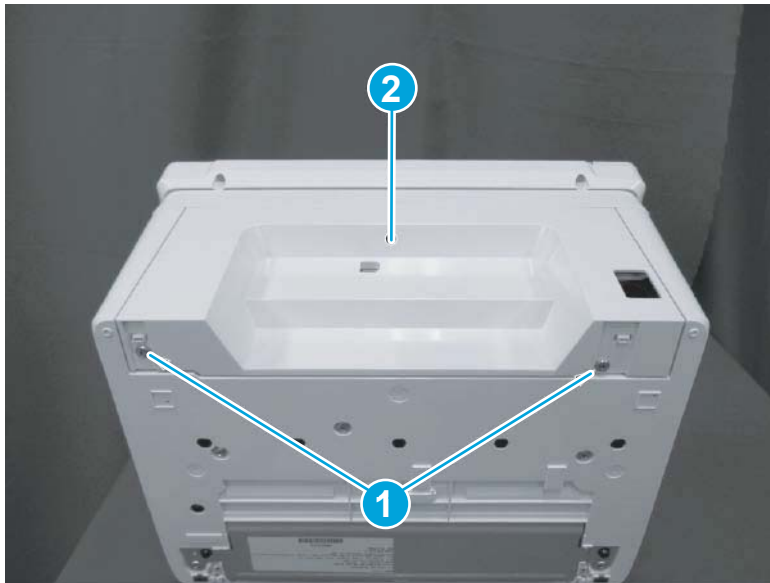
 **NOTE:** This step is for the MFP M28-M31 printers. For all other printers, skip this step and go to [Step 8: Remove the pickup solenoid on page 311](#).

- ▲ Position the printer front side down.


Remove two screws (callout 1), and then remove the formatter cover (callout 2).

 **Reinstallation tip:** Reverse the removal steps to install the assembly.

Figure 1-387 Remove the formatter cover (MFP M28-M31)

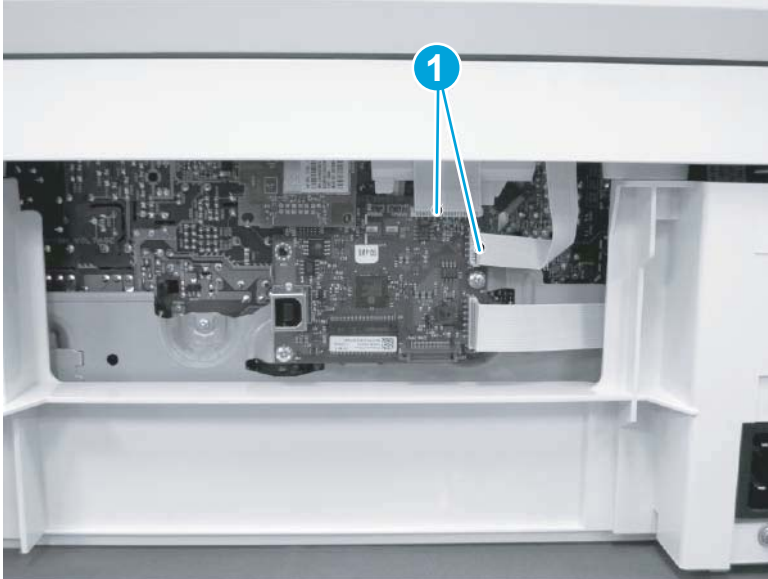


## Step 5: Remove the image scanner (MFP M28-M31)

 **NOTE:** This step is for the MFP M28-M31 printers. For all other printers, skip this step and go to [Step 8: Remove the pickup solenoid on page 311](#).

1. Disconnect two flat flexible cables (FFCs) (callout 1).

**Figure 1-388** Disconnect two FFCs



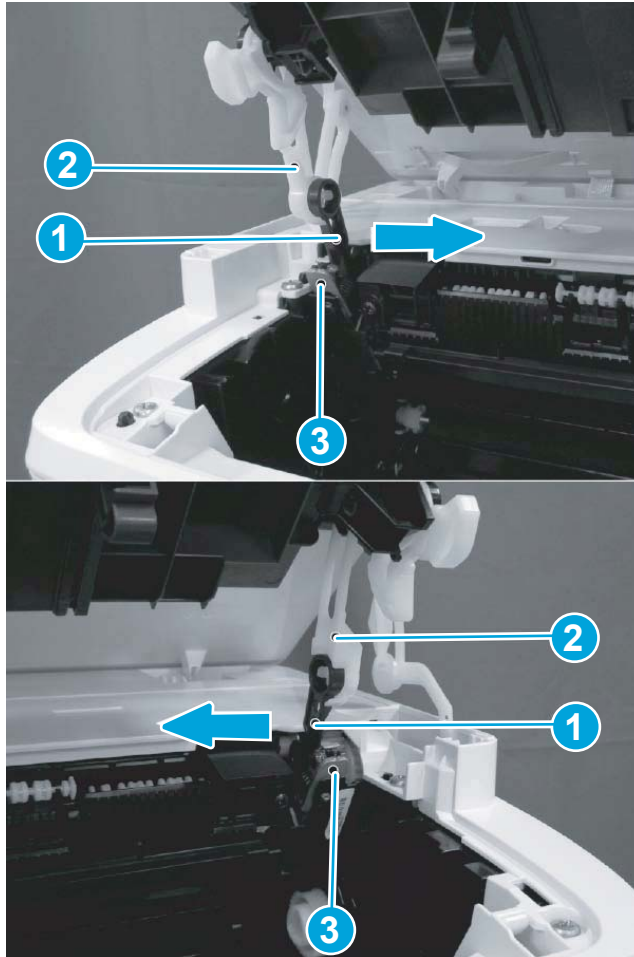


2. Before proceeding, take note of the following disassembly instructions.

When removing the link arm (callout 2) from the pressure release lever (callout 1), the pressure plate (callout 3) might be deformed if the pressure release lever moves in the direction shown below.

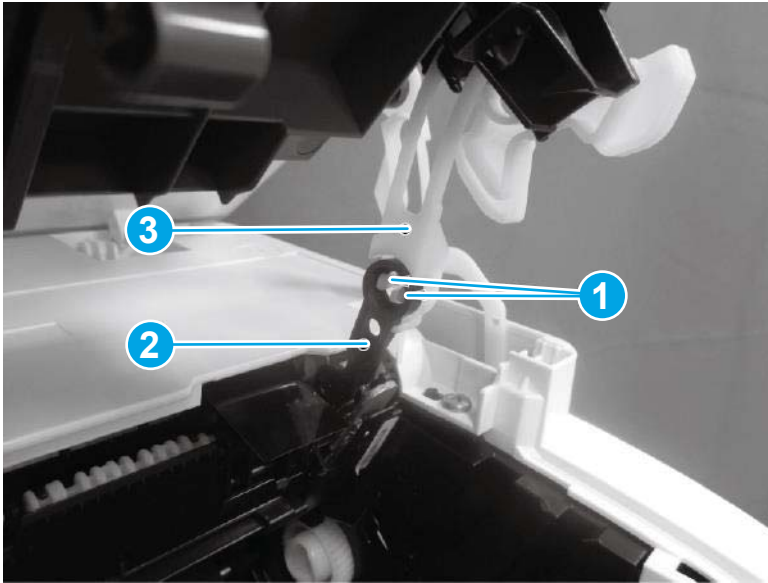
**CAUTION:** Do not deform the pressure plate.

Figure 1-389 Special disassembly instructions



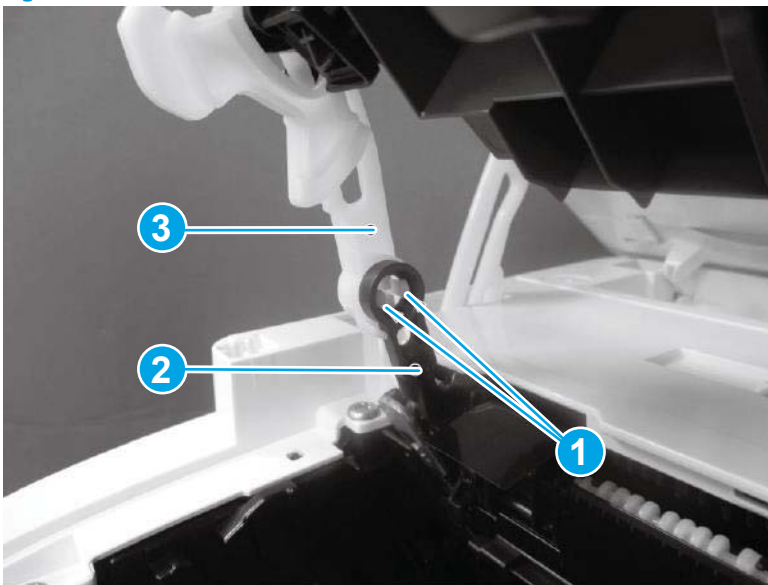
3. Open the image scanner, release two tabs (callout 1), remove one link arm (callout 3) from the pressure release lever (callout 2).

Figure 1-390 Remove the link arm



4. Release two tabs (callout 1), and then remove one link arm (callout 3) from the pressure release lever (callout 2).

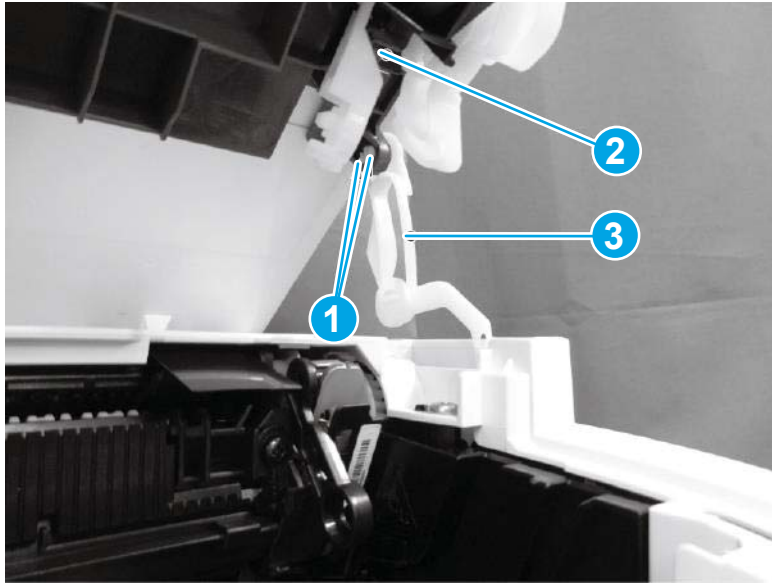
Figure 1-391 Remove the link arm





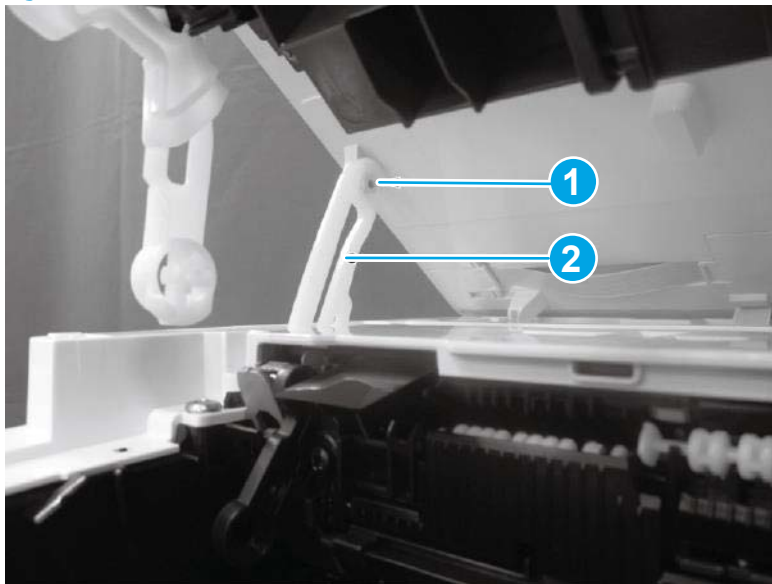
5. Release two tabs (callout 1), and then remove one link arm (callout 3) from the cartridge door (callout 2).

Figure 1-392 Remove the link arm



6. Remove one link arm (callout 2) from the shaft (callout 1).

Figure 1-393 Remove the link arm

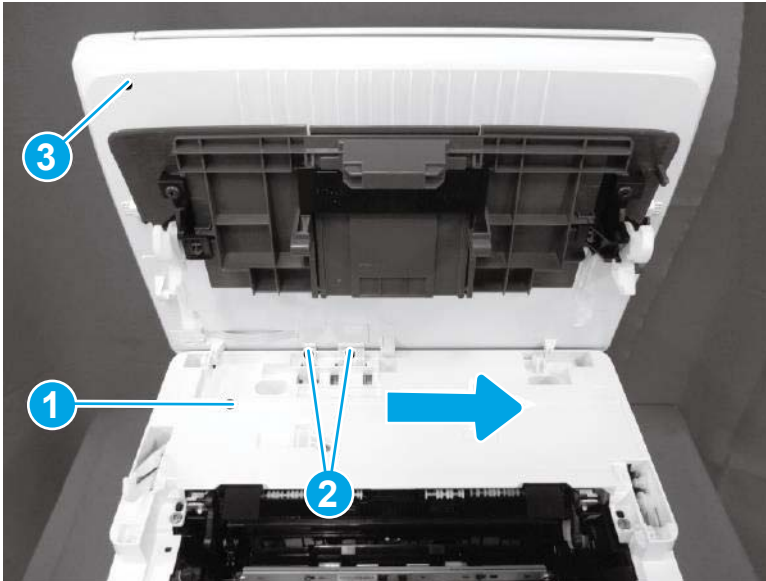


7. Pull two flat-flexible cables (FFCs) (callout 2) out and away from the top cover (callout 1), and then slide the image scanner (callout 3) as shown below to remove it.

**⚠ CAUTION:** Do not damage the FFCs.

**💡 Reinstallation tip:** Reverse the removal steps to install the assembly.

**Figure 1-394** Remove the image scanner

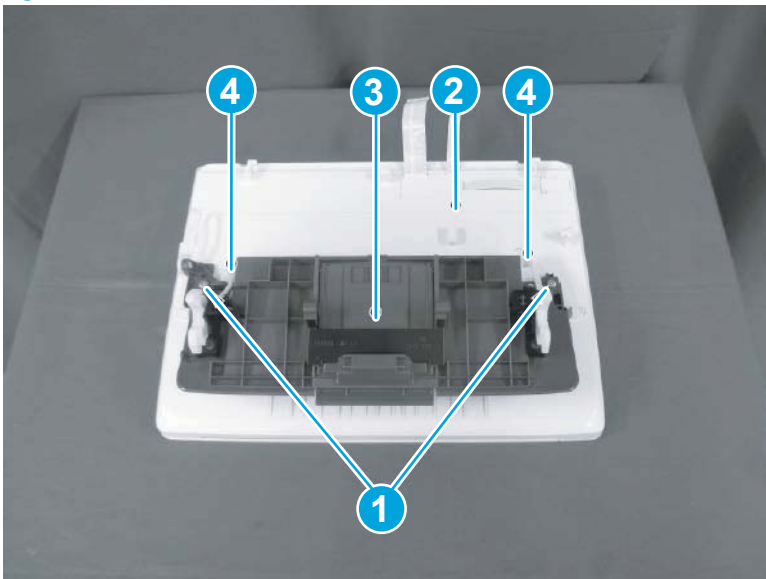


8. For a replacement image scanner, do the following:


**📝 NOTE:** If the image scanner is removed to access other assemblies, skip this step.

- Remove two screws (callout 1).
- Remove the cartridge door (callout 3) (with the link arms; callout 4) from the image scanner (callout 2).

**Figure 1-395** Remove the cartridge door



## Step 6: Remove the top cover (MFP M28-M31)

 **NOTE:** This step is for the MFP M28-M31 printers. For all other printers, skip this step and go to [Step 8: Remove the pickup solenoid on page 311](#).

1. Remove two screws (M3; callout 1), remove seven screws (M4; callout 2), release one tab (callout 3), and then remove the top cover (callout 4).


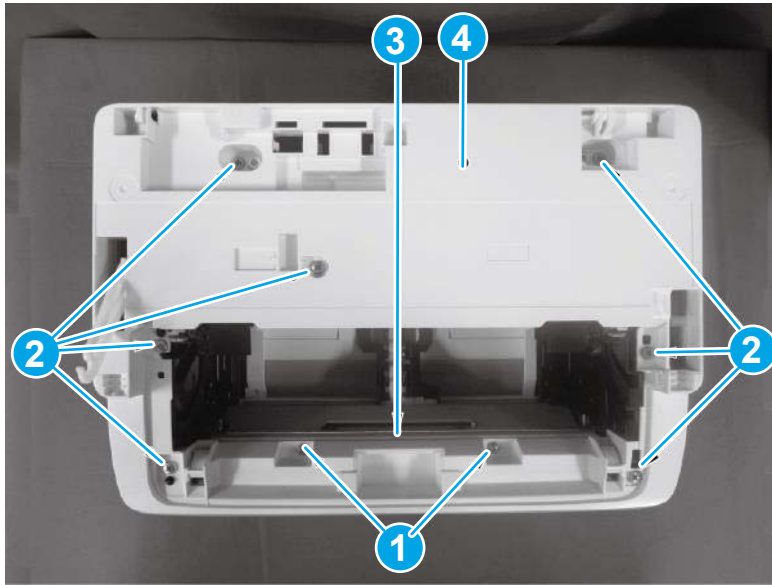

 **Reinstallation tip:** Reverse the removal steps to install the assembly.

Figure 1-396 Remove the top cover



2. Reverse the removal steps to install the assembly. Also use the following special installation instructions.

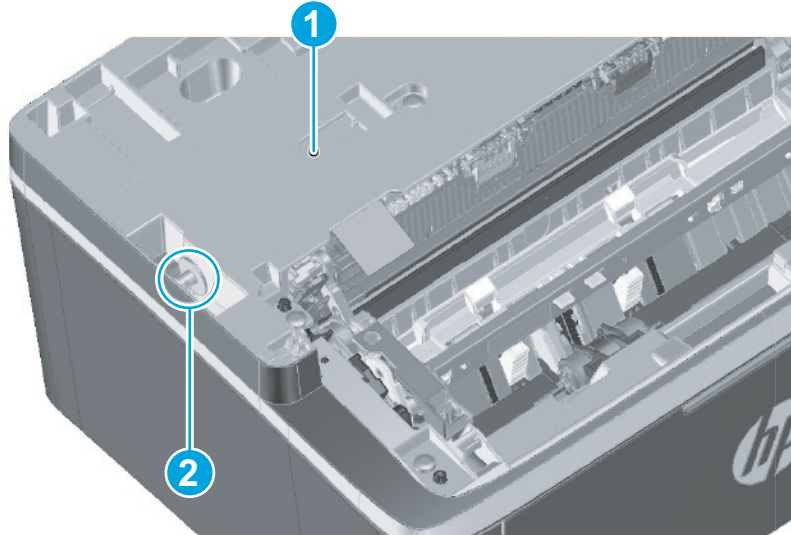
 **NOTE:** Continue to reverse the removal steps to finish installing the assembly.

 **TIP:** If the top cover is removed to access other assemblies, skip this step.


### Special installation instructions: Top cover

- ▲ Remove the pad (callout 2) from the top cover (callout 1), and then install it on the replacement top cover.

Figure 1-397 Install the pad

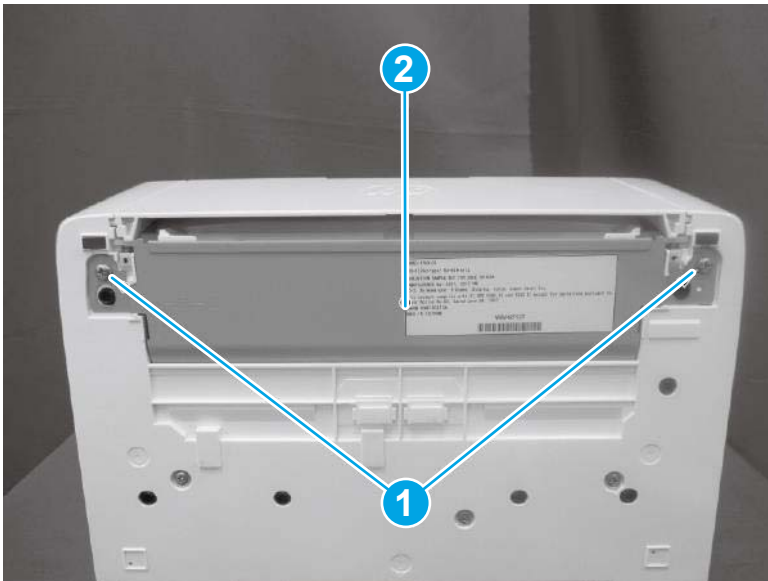


### Step 7: Remove the lower cover (MFP M28-M31)

 **NOTE:** This step is for the MFP M28-M31 printers. For all other printers, skip this step and go to [Step 8: Remove the pickup solenoid on page 311](#).

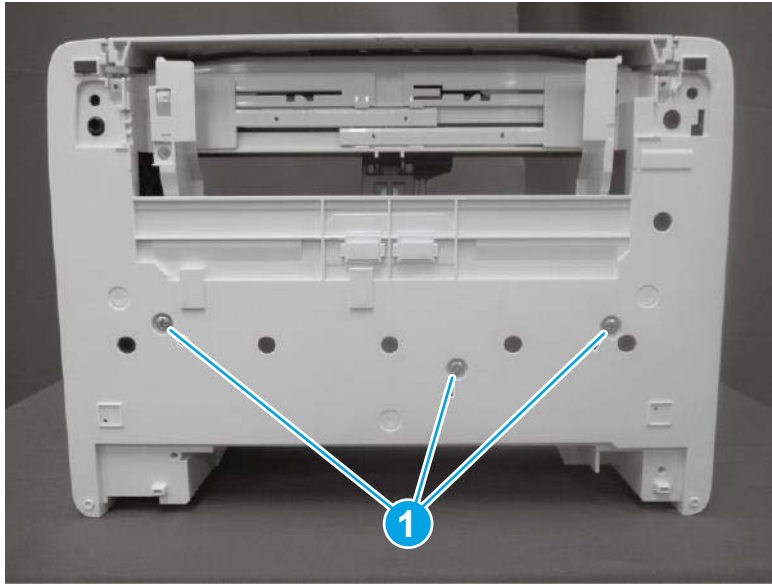
1. Position the printer rear side down, remove two screws (callout 1), and then remove the lower plate (callout 2)

Figure 1-398 Remove the lower plate




2. Remove three screws (callout 1).

Figure 1-399 Remove three screws



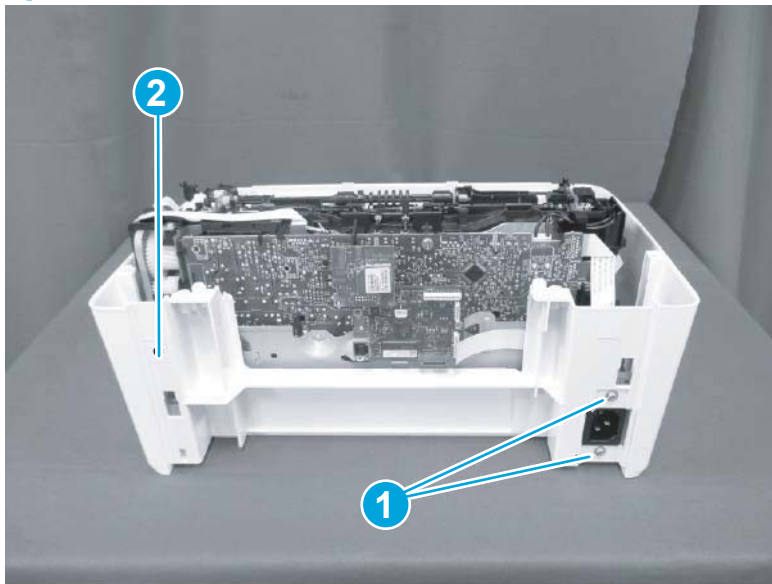
3. Remove two screws (callout 1), and then remove the lower cover (callout 2).

---

 **Reinstallation tip:** Reverse the removal steps to install the assembly.

---

Figure 1-400 Remove the lower cover




### Step 8: Remove the pickup solenoid


- ▲ Do the following:
  - a. Disconnect one connector (callout 1).
  - b. Release the wire harness (callout 3) from the retainer (callout 2).

- c. Remove one screw (callout 4).
- d. Remove the pickup solenoid (callout 5).

---

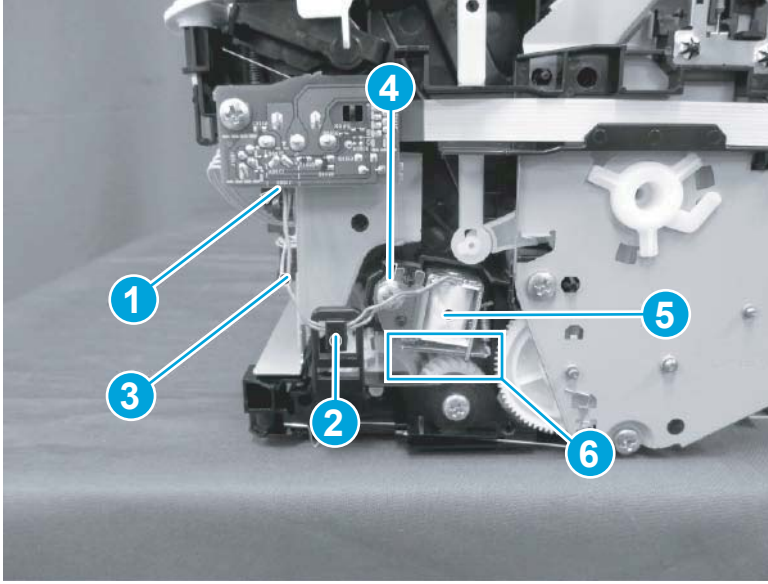
 **Reinstallation tip:** Make sure that the hook on the replacement solenoid (callout 6) is correctly installed on the mounting base.

---

 **Reinstallation tip:** Reverse the removal steps to install the assembly.

---

**Figure 1-401** Remove the pickup solenoid



### Step 9: Unpack the replacement assembly

1. Dispose of the defective part.

---

 **NOTE:** HP recommends responsible disposal of the defective part.

[www.hp.com/recycle](http://www.hp.com/recycle)

---



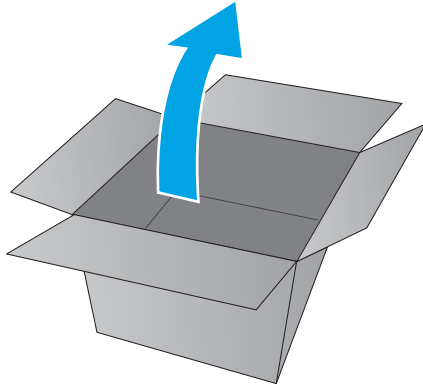
2. Unpack the replacement part from the packaging.

---

**⚠ CAUTION:** If the replacement part is a roller or pad, avoid touching the spongy part of it. Skin oils on the roller or pad can cause paper pickup and/or print-quality problems. HP recommends using disposable gloves when handling rollers or pads or washing your hands or before touching rollers or pads.

**📋 IMPORTANT:** Make sure that all of the shipping materials (for example shipping tape) are removed from the replacement part prior to installation.

---




## Remove and replacement: Wireless PCA (M14-M17)

- [Introduction](#)
- [Step 1: Remove the cartridge door \(M14-M17\)](#)
- [Step 2: Remove the formatter cover \(M14-M17\)](#)
- [Step 3: Remove the lower cover \(M14-M17\)](#)
- [Step 4: Remove the formatter \(M14-M17\)](#)
- [Step 4: Remove the wireless PCA \(M14-M17\)](#)
- [Step 5: Unpack the replacement assembly](#)

### Introduction

This document provides the procedures to remove and replace the wireless PCA (M14-M17).

 **IMPORTANT:** When applicable, special installation instructions are provided for an assembly at the end of the removal procedure. Always completely read the removal instructions and follow all special installation instructions.

### Before performing service

- Turn the printer power off.

Use the table below to identify the correct part number for your printer. To order the part, go to [www.hp.com/buy/parts](http://www.hp.com/buy/parts)

---

**Wireless PCA (M14-M17) part number**

---

1150-7969

Wireless PCA (M14-M17)

---

### Required tools

- #2 Phillips screwdriver with a magnetic tip
- Small flat blade screw driver (optional)

### After performing service

- Turn the printer power on.

### Post service test

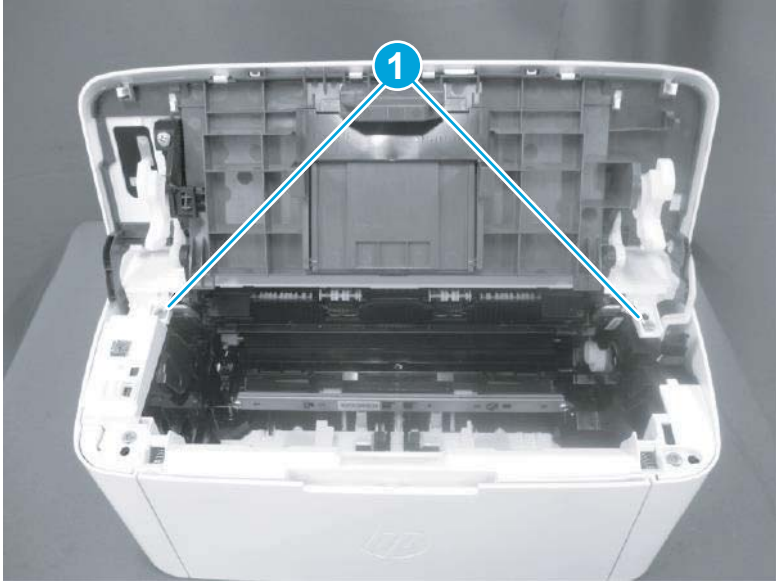
Send a job to the printer using wireless printing, and then verify that the job is processed.

### Step 1: Remove the cartridge door (M14-M17)

1. Open the cartridge door, and then remove two screws (callout 1).



Figure 1-402 Remove two screw

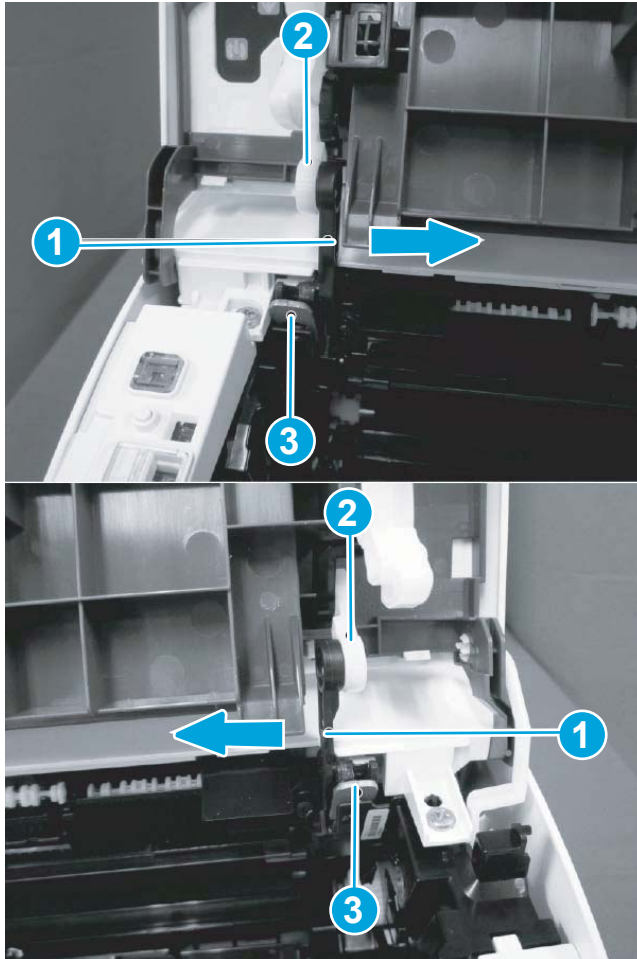


2. Before proceeding, take note of the following disassembly instructions.

When removing the link arm (callout 2) from the pressure release lever (callout 1), the pressure plate (callout 3) might be deformed if the pressure release lever moves in the direction shown below.

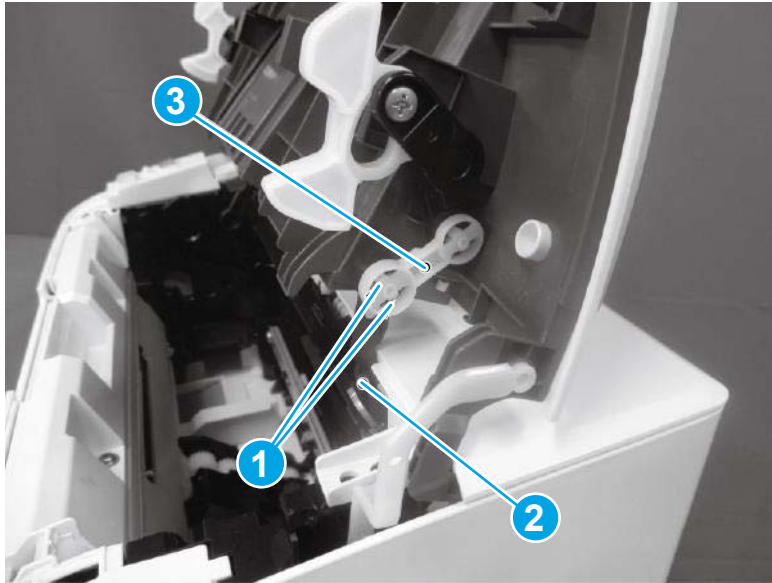
**CAUTION:** Do not deform the pressure plate.

Figure 1-403 Special disassembly instructions



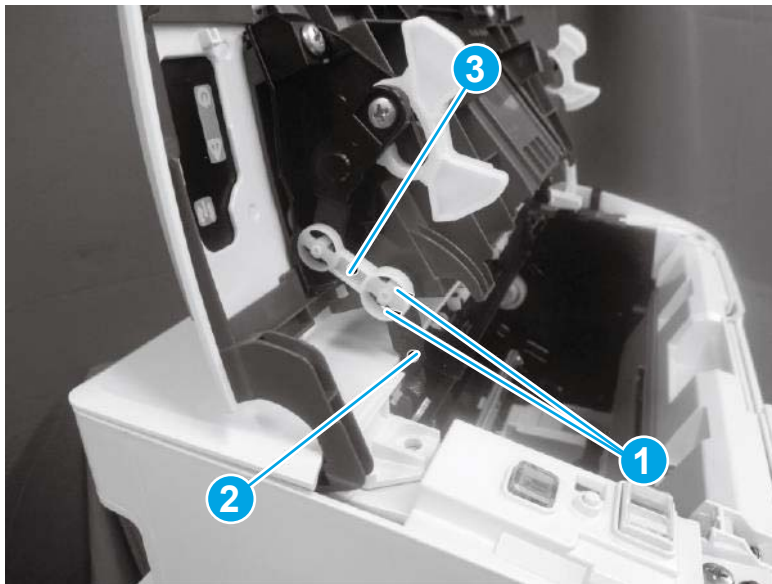
3. Release two tabs (callout 1), and then remove one link arm (callout 3) from the pressure release lever (callout 2).

Figure 1-404 Remove the link arm



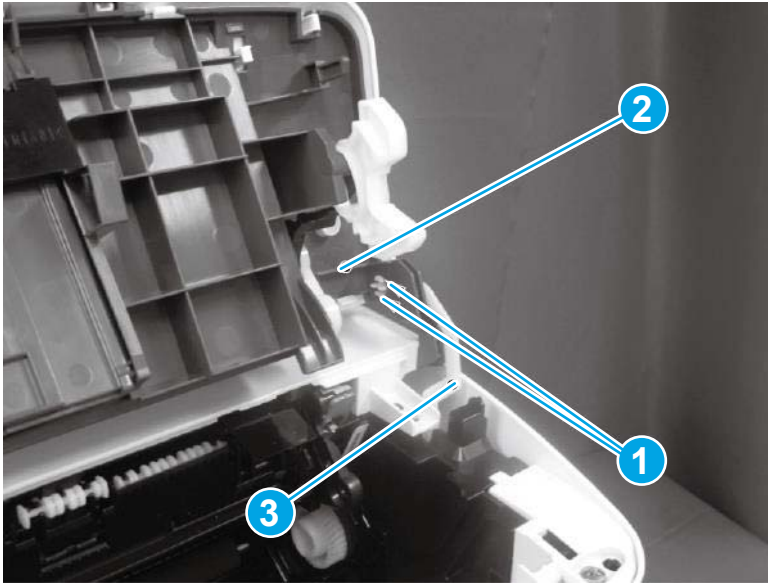
4. Release two tabs (callout 1), and then remove one link arm (callout 3) from the pressure release lever (callout 2).

Figure 1-405 Remove the link arm




5. Release two tabs (callout 1), and then remove one link arm (callout 3) from the cartridge door assembly (callout 2).


Figure 1-406 Remove the link arm



6. Release one tab (callout 1), support the cartridge door (callout 2), and then remove it.

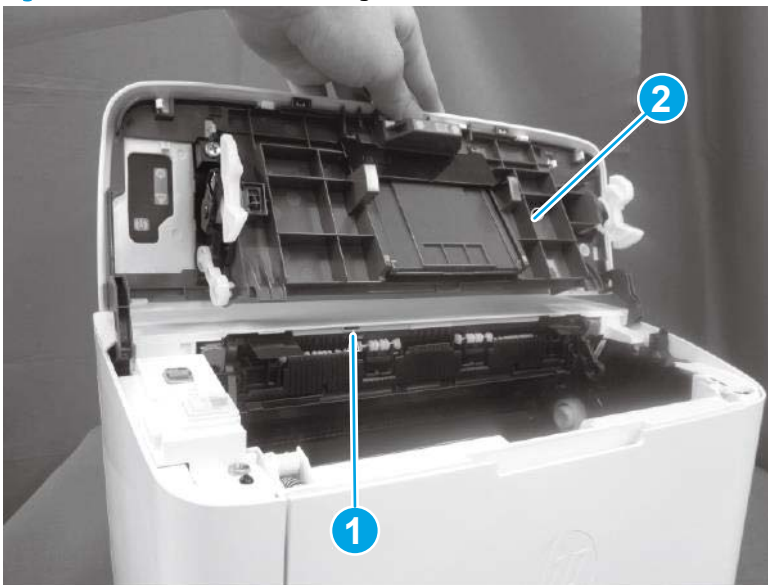
---

 **NOTE:** If the cartridge door is removed to access other assembly, stop at this step.

 **Reinstallation tip:** Reverse the removal steps to install the door.

---

Figure 1-407 Remove the cartridge door



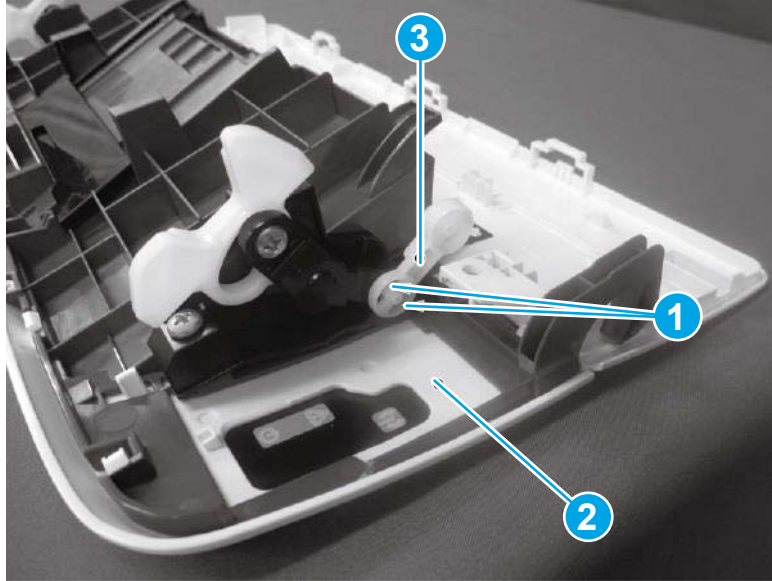
7. **Optional step:** If a replacement cartridge door is being installed, do the following:

---

 **NOTE:** Install the link arms on the replacement door.

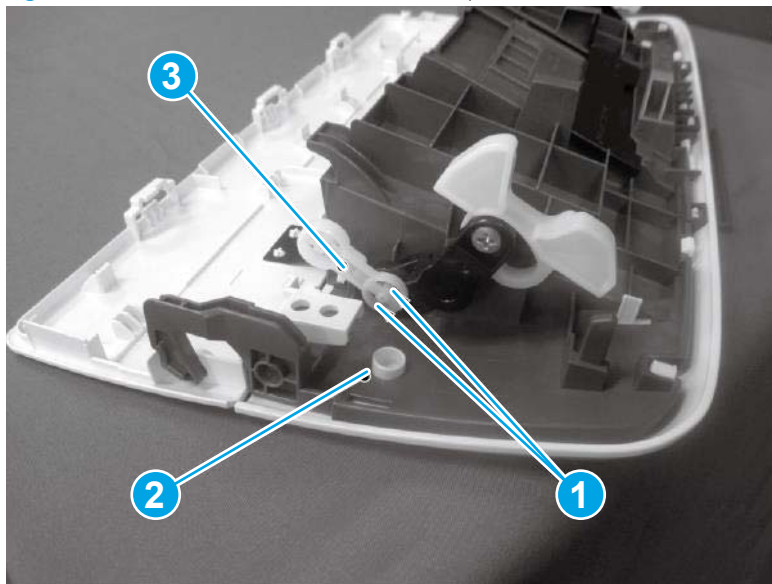
- a. Release two tabs (callout 1), and then remove the one link arm (callout 3) from the door assembly (callout 2).

Figure 1-408 Install the link arms on the replacement door



- b. Release two tabs (callout 1), and then remove the one link arm (callout 3) from the door assembly (callout 2).

Figure 1-409 Install the link arms on the replacement door



### Step 2: Remove the formatter cover (M14-M17)

- ▲ Position the printer front side down.

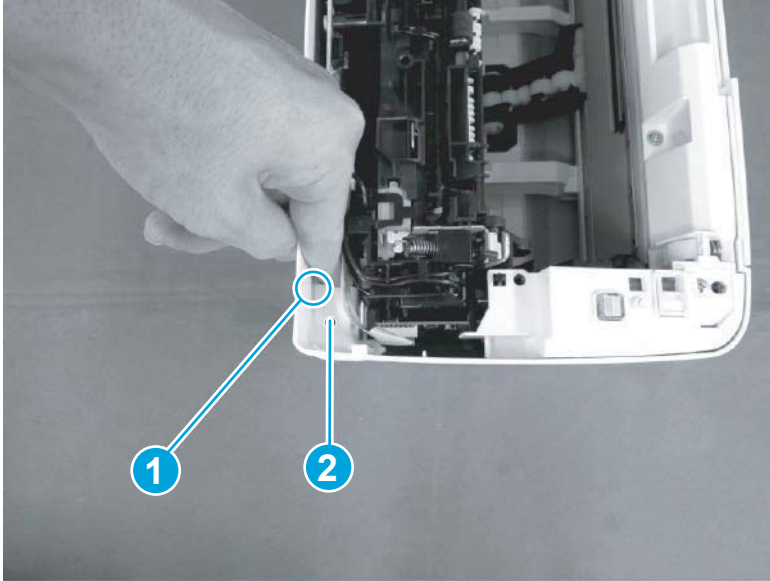
Release one tab (callout 1), and then remove the formatter cover (callout 2).

---

 **Reinstallation tip:** Reverse the removal steps to install the assembly.

---

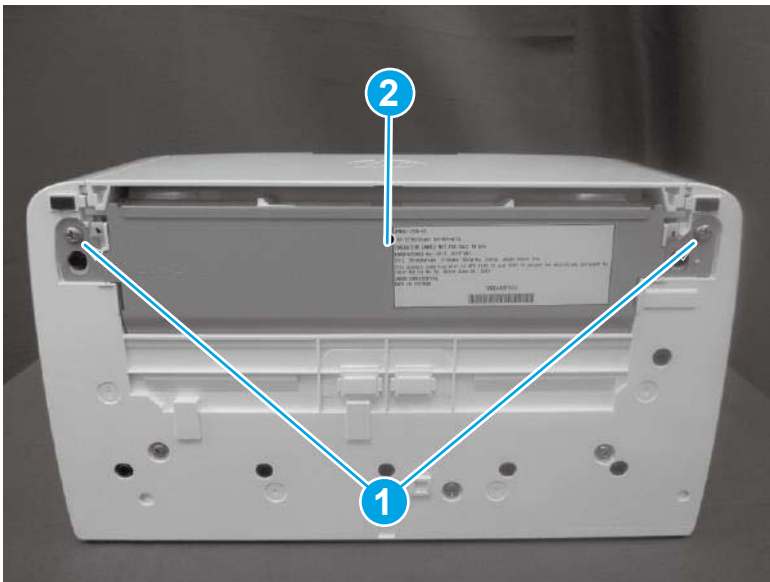
Figure 1-410 Remove the formatter cover (M14-M17)



Step 3: Remove the lower cover (M14-M17)

1. Position the printer rear side down, remove three screws (callout 1), and then remove the lower plate (callout 2).

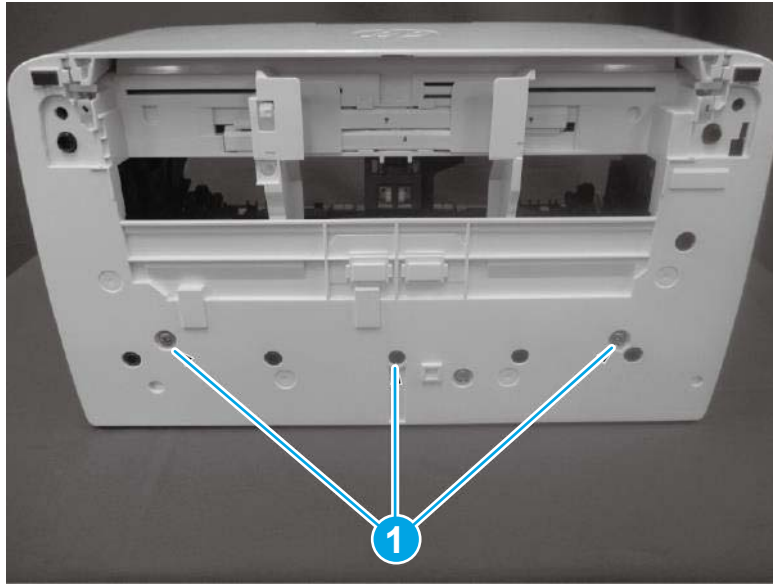
Figure 1-411 Remove the lower plate






2. Remove three screws (callout 1)

Figure 1-412 Remove the three screws



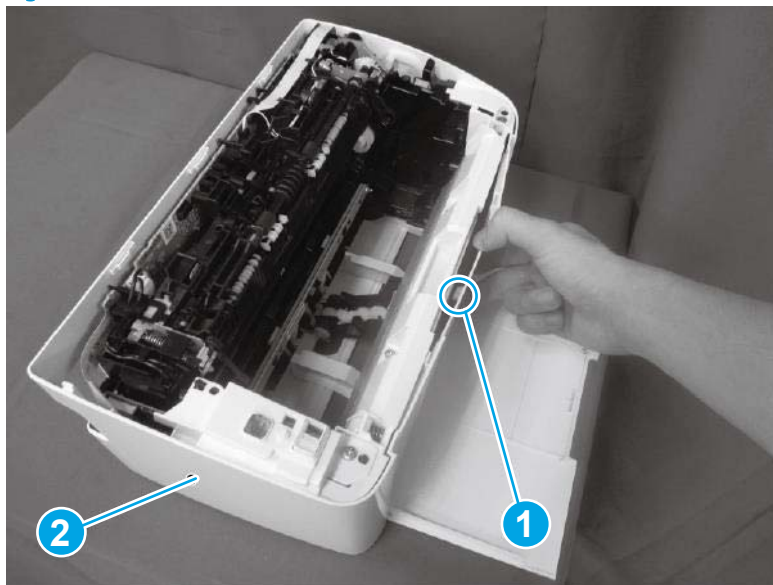
3. With the printer in the upright position, release one tab (callout 1), and then remove the lower cover (callout 2).

---

 **Reinstallation tip:** Reverse the removal steps to install the assembly.

---

Figure 1-413 Remove the lower cover



4. Reverse the removal steps to install the assembly. Also use the following special installation instructions.

---

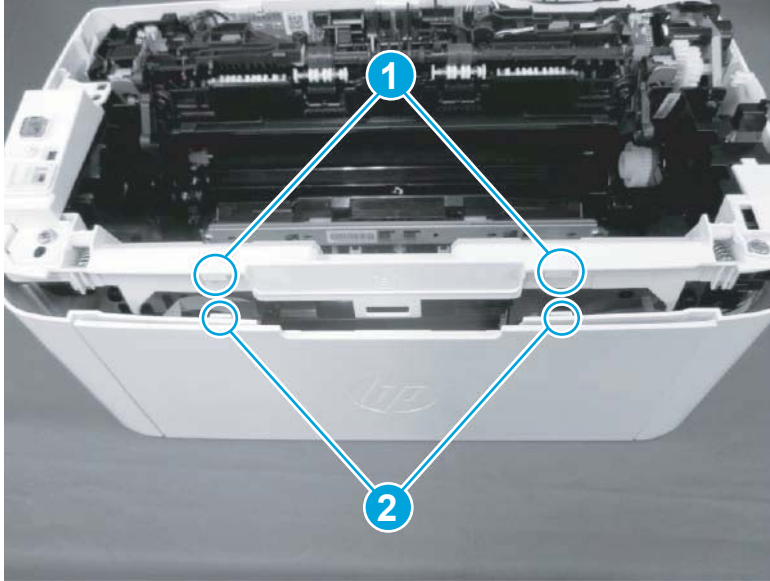
 **NOTE:** Continue to reverse the removal steps to finish installing the assembly.

---

**Special installation instructions: Lower cover**

- ▲ Make sure to fit two ribs (callout 1) on the printer into the grooves (callout 2) in the lower cover.

Figure 1-414 Fit two ribs on the printer into the grooves (lower cover install)



#### Step 4: Remove the formatter (M14-M17)

▲ Do the following:

- a. Remove two flat flexible cables (FFCs) (callout 1).

💡 **TIP:** It might be easier to use a small flat blade screwdriver to release the large FFC.

- b. Remove one screw (callout 2).

📝 **NOTE:** Use a micro tip screwdriver to remove this screw.

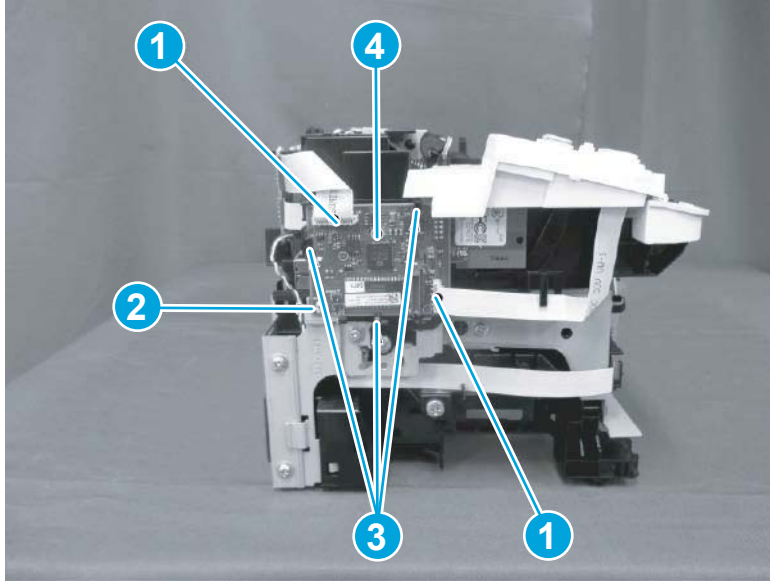
- c. Release three tabs (callout 3).

- d. Remove the formatter (callout 4).

💡 **Reinstallation tip:** Reverse the removal steps to install the assembly.



Figure 1-415 Remove the formatter



#### Step 4: Remove the wireless PCA (M14-M17)

- ▲ Turn the formatter (callout 1) over, and then pull the wireless PCA (callout 2) straight up and off of the formatter to remove it.


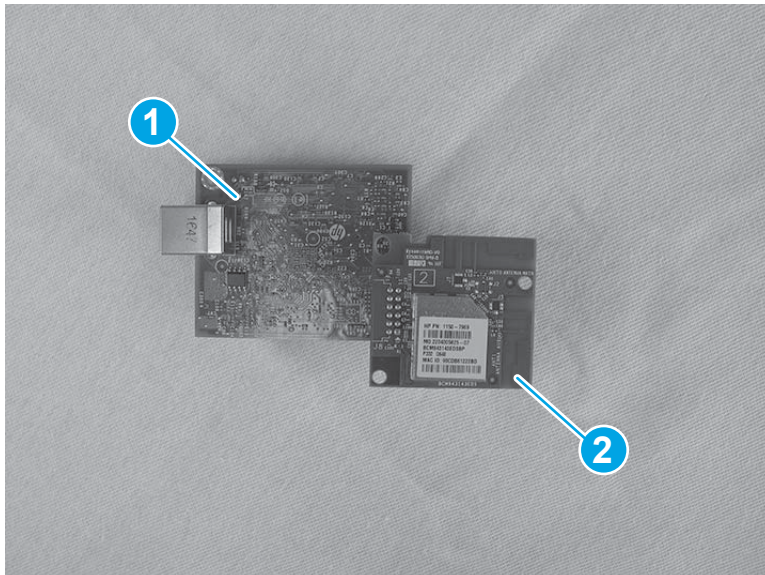
 **Reinstallation tip:** Reverse the removal steps to install the assembly.

Figure 1-416 Remove the wireless PCA (M14-M17)



#### Step 5: Unpack the replacement assembly

1. Dispose of the defective part.

 **NOTE:** HP recommends responsible disposal of the defective part.

[www.hp.com/recycle](http://www.hp.com/recycle)



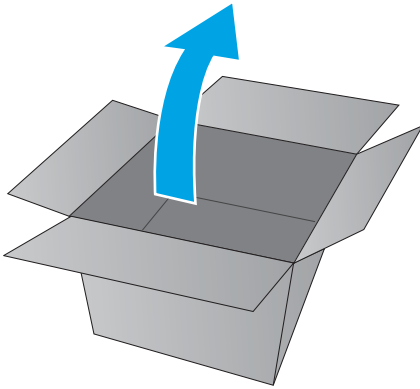
2. Unpack the replacement part from the packaging.

---

**⚠ CAUTION:** If the replacement part is a roller or pad, avoid touching the spongy part of it. Skin oils on the roller or pad can cause paper pickup and/or print-quality problems. HP recommends using disposable gloves when handling rollers or pads or washing your hands or before touching rollers or pads.

**📄 IMPORTANT:** Make sure that all of the shipping materials (for example shipping tape) are removed from the replacement part prior to installation.

---




## Remove and replacement: Wireless PCA (MFP M28-M31)

- [Introduction](#)
- [Step 1: Remove the formatter cover \(MFP M28-M31\)](#)
- [Step 2: Remove the wireless PCA \(MFP M28-M31\)](#)
- [Step 3: Unpack the replacement assembly](#)

### Introduction

This document provides the procedures to remove and replace the wireless PCA (MFP M28-M31).

 **IMPORTANT:** When applicable, special installation instructions are provided for an assembly at the end of the removal procedure. Always completely read the removal instructions and follow all special installation instructions.

### Before performing service

- Turn the printer power off.

Use the table below to identify the correct part number for your printer. To order the part, go to [www.hp.com/buy/parts](http://www.hp.com/buy/parts)

| Wireless PCA (MFP M28-M31) part number |                            |
|--|----------------------------|
| 1150-7969                              | Wireless PCA (MFP M28-M31) |

### Required tools

- #2 Phillips screwdriver with a magnetic tip

### After performing service

- Turn the printer power on.

### Post service test

Send a job to the printer using wireless printing, and then verify that the job is processed.

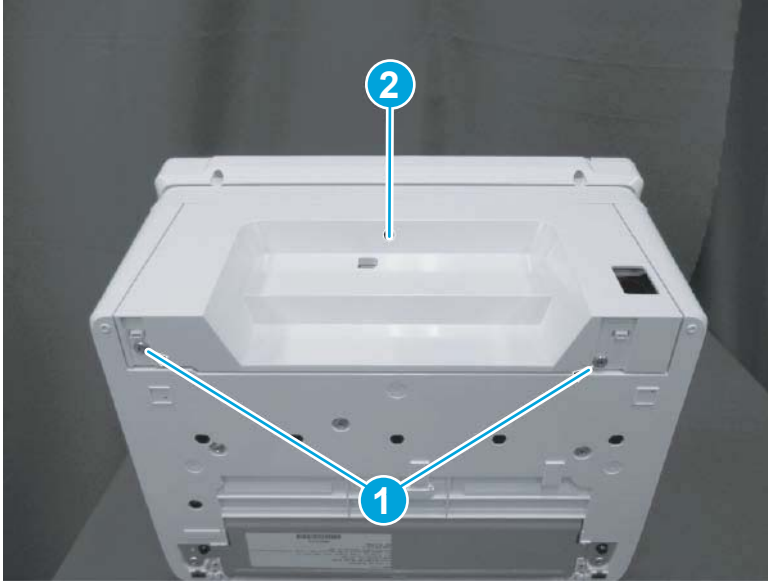
### Step 1: Remove the formatter cover (MFP M28-M31)

- ▲ Position the printer front side down.

Remove two screws (callout 1), and then remove the formatter cover (callout 2).

 **Reinstallation tip:** Reverse the removal steps to install the assembly.

Figure 1-417 Remove the formatter cover (MFP M28-M31)



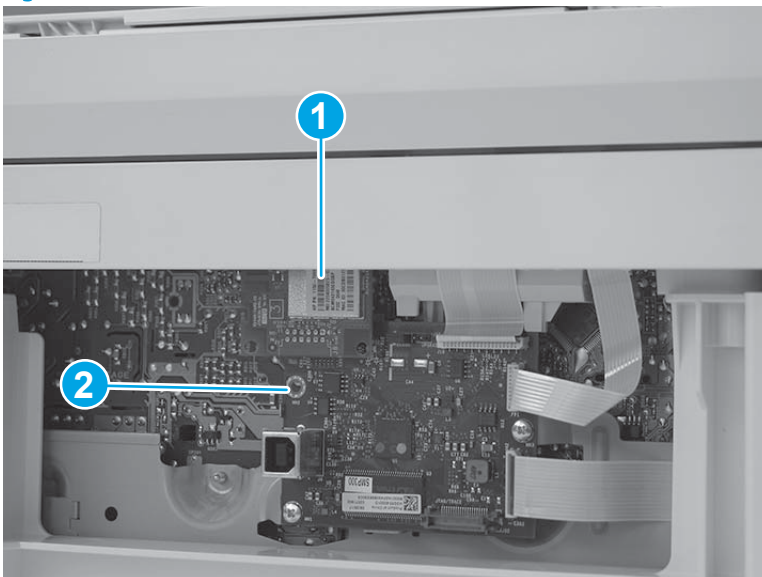
### Step 2: Remove the wireless PCA (MFP M28-M31)

- ▲ Locate the wireless PCA (callout 1), support the corner of the formatter (callout 2), and then pull the PCA straight off of the formatter to remove it.

**CAUTION:** To avoid damage to the formatter by over flexing it, make sure that the corner is supported (callout 2) when removing or installing the wireless PCA.

**Reinstallation tip:** Reverse the removal steps to install the assembly.


Figure 1-418 Remove the wireless PCA (MFP M28-M31)



### Step 3: Unpack the replacement assembly

1. Dispose of the defective part.

---

 **NOTE:** HP recommends responsible disposal of the defective part.


[www.hp.com/recycle](http://www.hp.com/recycle)

---



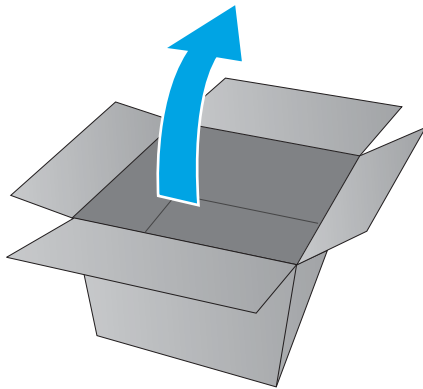
2. Unpack the replacement part from the packaging.

---

 **CAUTION:** If the replacement part is a roller or pad, avoid touching the spongy part of it. Skin oils on the roller or pad can cause paper pickup and/or print-quality problems. HP recommends using disposable gloves when handling rollers or pads or washing your hands or before touching rollers or pads.

 **IMPORTANT:** Make sure that all of the shipping materials (for example shipping tape) are removed from the replacement part prior to installation.

---





---

## 2 Parts and diagrams

- [For additional service and support](#)
- [Assembly locations](#)
- [Order parts, accessories, and supplies](#)
- [How to use the parts lists and diagrams](#)
- [Covers](#)
- [Internal components](#)
- [Alphabetical parts list](#)
- [Numerical parts list](#)

## For additional service and support

HP service personnel, go to one of the following Web-based Interactive Search Engines (WISE) sites:

### AMS

- <https://support.hp.com/wise/home/ams-en>
- <https://support.hp.com/wise/home/ams-es>
- <https://support.hp.com/wise/home/ams-pt>

### APJ

- <https://support.hp.com/wise/home/apj-en>
- <https://support.hp.com/wise/home/apj-ja>
- <https://support.hp.com/wise/home/apj-ko>
- <https://support.hp.com/wise/home/apj-zh-Hans>
- <https://support.hp.com/wise/home/apj-zh-Hant>

### EMEA

- <https://support.hp.com/wise/home/emea-en>

Channel partners, go to HP Channel Services Network (CSN) at [www.hp.com/partners/csn](http://www.hp.com/partners/csn).

At these locations, find information on the following topics:

- Install and configure
- Printer specifications
- Up-to-date control panel message (CPMD) troubleshooting
- Solutions for printer issues and emerging issues
- Remove and replace part instructions and videos
- Service advisories
- Warranty and regulatory information

Channel partners, access training materials in the HP University and Partner Learning Center at <https://content.ext.hp.com/sites/LMS/HPU.page>.

To access HP PartSurfer information from any mobile device, go to <http://partsurfermobile.hp.com/> or scan the Quick Response (QR) code below.



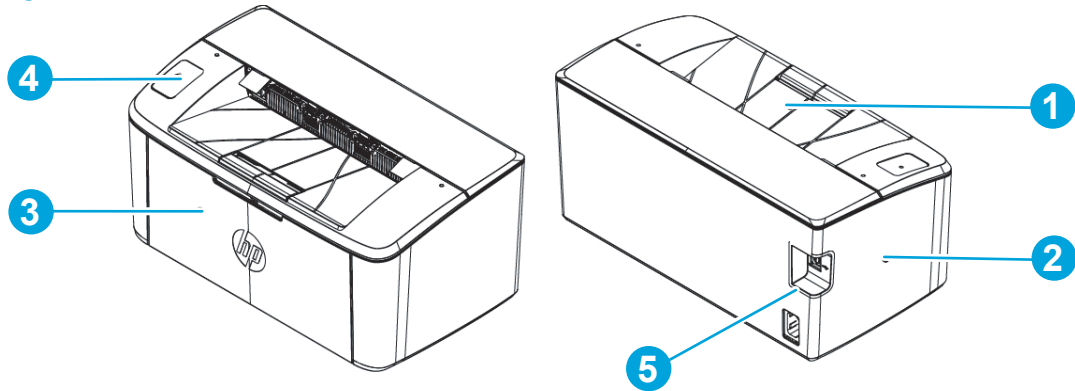


# Assembly locations

## External panels, doors, and covers

### M14-M17

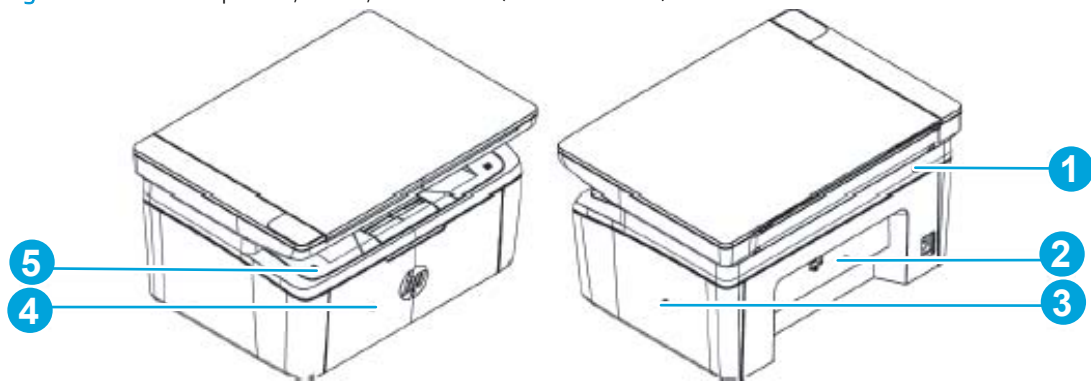
Figure 2-1 External panels, doors, and covers (M14-M17)



|   |                         |   |                 |
|---|-------------------------|---|-----------------|
| 1 | Cartridge door assembly | 4 | Control panel   |
| 2 | Lower cover assembly    | 5 | Formatter cover |
| 3 | Tray 1                  |   |                 |

### MFP M28-M31

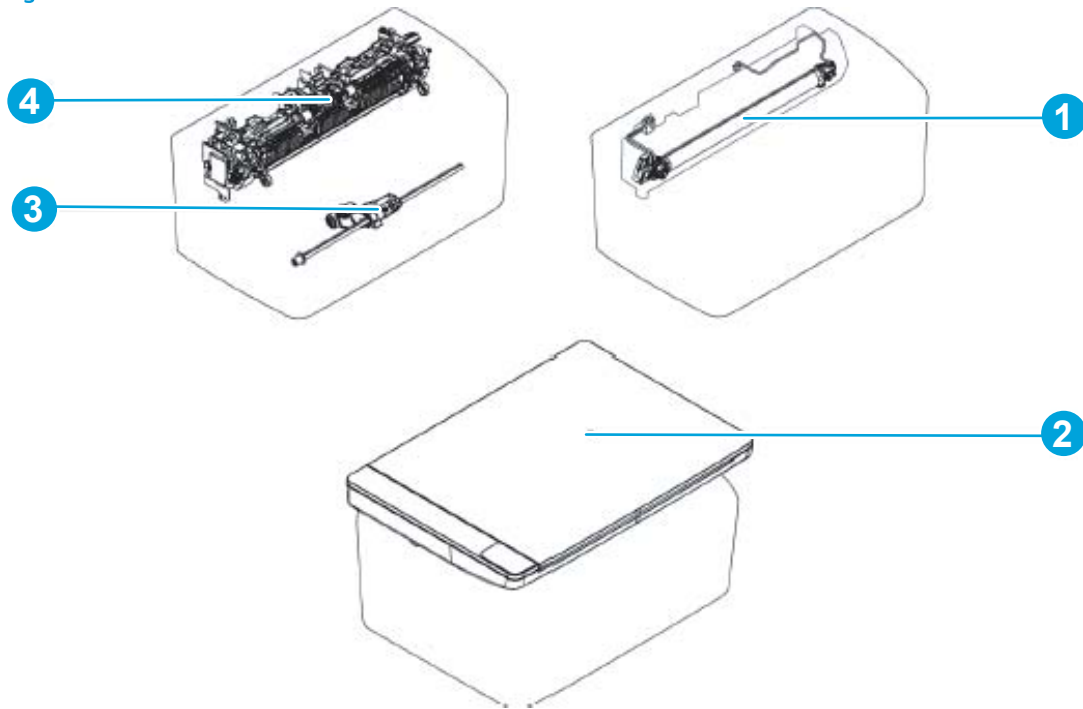
Figure 2-2 External panels, doors, and covers (MFP M28-M31)



|   |                      |   |                         |
|---|----------------------|---|-------------------------|
| 1 | Top cover assembly   | 4 | Tray 1                  |
| 2 | Formatter cover      | 5 | Cartridge door assembly |
| 3 | Lower cover assembly |   |                         |

## Main assemblies

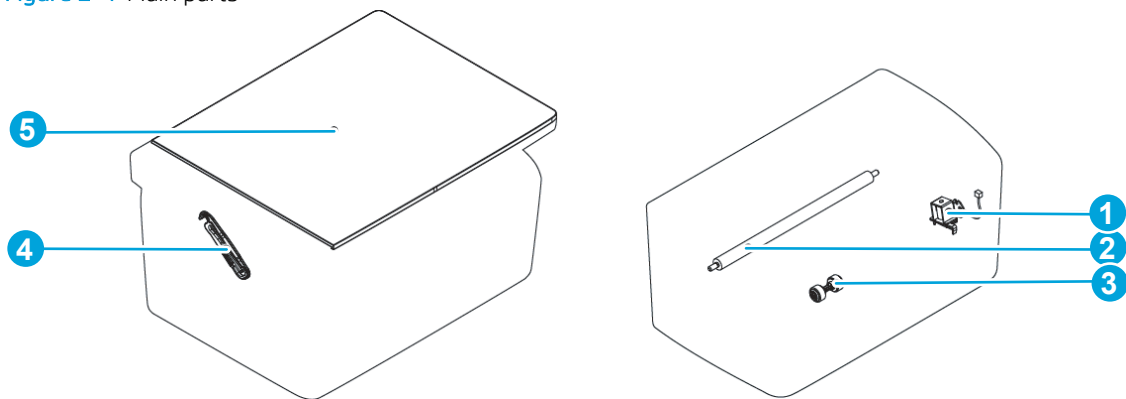
Figure 2-3 Main assemblies



|   |                                  |   |                            |
|---|----------------------------------|---|----------------------------|
| 1 | Fuser film assembly              | 3 | Pickup roller arm assembly |
| 2 | Image scanner (MFP M28-M31 only) | 4 | Fuser                      |

## Main parts

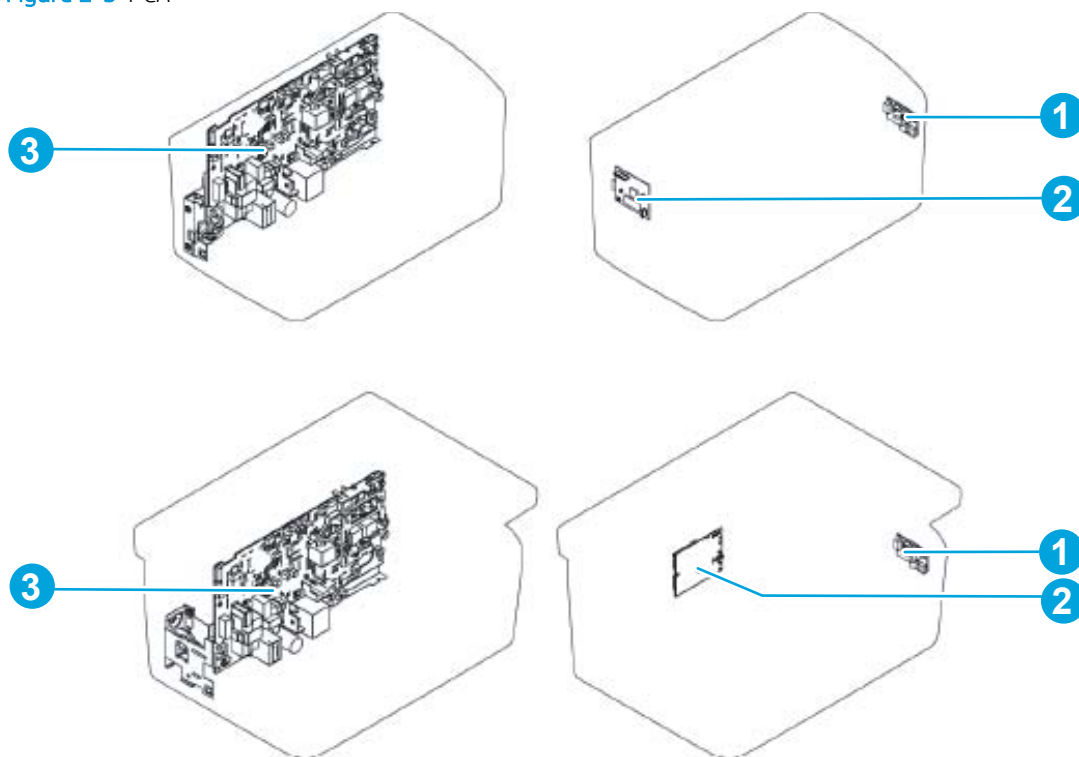
Figure 2-4 Main parts



|   |                 |   |                        |
|---|-----------------|---|------------------------|
| 1 | Pickup solenoid | 4 | Hinge link (M28-M31)   |
| 2 | Transfer roller | 5 | Document lid (M28-M31) |
| 3 | Pickup roller   |   |                        |

# PCA

Figure 2-5 PCA



|   |                 |   |                            |
|---|-----------------|---|----------------------------|
| 1 | Door switch PCA | 3 | Engine controller assembly |
| 2 | Formatter PCA   |   |                            |

# Order parts, accessories, and supplies

## Ordering

|  |  |
|--|--|
| Order supplies and paper                     | <a href="http://www.hp.com/go/suresupply">www.hp.com/go/suresupply</a>   |
| Order genuine HP parts or accessories        | <a href="http://www.hp.com/buy/parts">www.hp.com/buy/parts</a>   |
|  | or   |
|  | <a href="http://partsurfer.hp.com">partsurfer.hp.com</a>   |
| Order through service or support providers   | Contact an HP-authorized service or support provider.  |
| Order using the HP Embedded Web Server (EWS) | To access, in a supported Web browser on your computer, enter the printer IP address or host name in the address/URL field. The EWS contains a link to the HP SureSupply Web site, which provides options for purchasing Original HP supplies. |

## Orderable parts

Not all of the parts shown in the diagrams in this chapter can be ordered. Refer to the table following the diagram or the parts lists at the end of this chapter to determine if a part is orderable.

## Supplies

Following are the part numbers for the supplies available for the printers.

Table 2-6 Supplies

| Item                                       | Cartridge number             | Description   | Part number (new) | Part number (service) |
|--|------------------------------|---|-------------------|-----------------------|
| <b>Supplies (M14-M17 and MFP M28-M31)</b>  |                              |   |                   |                       |
| HP Black Original LaserJet Toner Cartridge | HP 44A Black Toner Cartridge | Europe, Russia, CIS, Middle East, and Africa only   | CF244A            | CF244-67901           |
|  | HP 48A Black Toner Cartridge | North America, Latin America, Asia Pacific Countries/Regions (excluding China and India) only | CF248A            | CF248-67901           |
|  | HP 47A Black Toner Cartridge | China and India only  | CF247A            | CF247-67901           |

## Customer self-repair parts

Customer Self-Repair (CSR) parts are available for many HP LaserJet printers to reduce repair time. More information about the CSR program and benefits can be found at [www.hp.com/go/csr-support](http://www.hp.com/go/csr-support) and [www.hp.com/go/csr-faq](http://www.hp.com/go/csr-faq).

Genuine HP replacement parts can be ordered at [www.hp.com/buy/parts](http://www.hp.com/buy/parts) or by contacting an HP-authorized service or support provider. When ordering, one of the following will be needed: part number, serial number (found on back of printer), printer number, or printer name.

- Parts listed as **Mandatory** self-replacement are to be installed by customers, unless you are willing to pay HP service personnel to perform the repair. For these parts, on-site or return-to-depot support is not provided under the HP printer warranty.
- Parts listed as **Optional** self-replacement can be installed by HP service personnel at your request for no additional charge during the printer warranty period.

| Item                                       | Description  | Self-replacement options | Part number  |
|--|--|--------------------------|--|
| HP Black Original LaserJet Toner Cartridge | Replacement toner cartridge with instruction guide | Mandatory                | See <a href="#">Table 2-6 Supplies on page 334</a> . |

## Related documentation and software

HP service personnel, go to one of the following Web-based Interactive Search Engines (WISE) sites:

### AMS

- <https://support.hp.com/wise/home/ams-en>
- <https://support.hp.com/wise/home/ams-es>
- <https://support.hp.com/wise/home/ams-pt>

### APJ

- <https://support.hp.com/wise/home/apj-en>
- <https://support.hp.com/wise/home/apj-ja>
- <https://support.hp.com/wise/home/apj-ko>
- <https://support.hp.com/wise/home/apj-zh-Hans>
- <https://support.hp.com/wise/home/apj-zh-Hant>

### EMEA

- <https://support.hp.com/wise/home/emea-en>


Channel partners, go to HP Channel Services Network (CSN) at [www.hp.com/partners/csn](http://www.hp.com/partners/csn).


Channel partners, access training materials in the HP University and Partner Learning Center at <https://content.ext.hp.com/sites/LMS/HPU.page>.

## How to use the parts lists and diagrams

The figures in this chapter show the major subassemblies in the printer and their component parts. A parts list table follows each exploded view assembly diagram. Each table lists the item number, the associated part number, and the description of each part. If a part is not listed in the table, then it is not a field replacement unit (FRU).

---

 **CAUTION:** Be sure to order the correct part. When looking for part numbers for electrical components, pay careful attention to the voltage that is listed in the description column. Doing so will ensure that the part number selected is for the correct model.

 **NOTE:** In this manual, the abbreviation “PCA” stands for “printed circuit-board assembly.” Components described as a PCA might consist of a single circuit board or a circuit board plus other parts, such as cables and sensors.

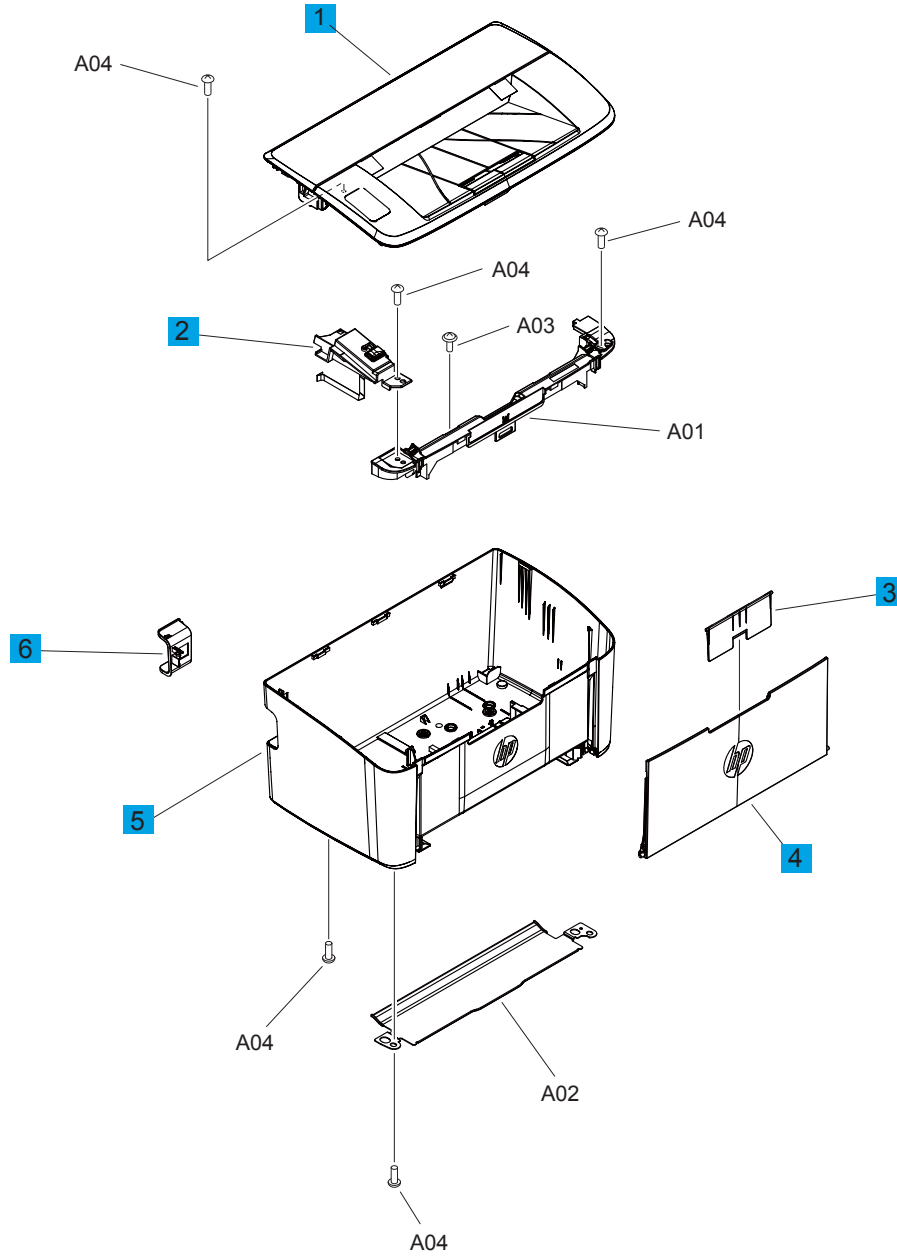
---



# Covers

## Covers (M14-M17)

Figure 2-6 Covers (M14-M17)



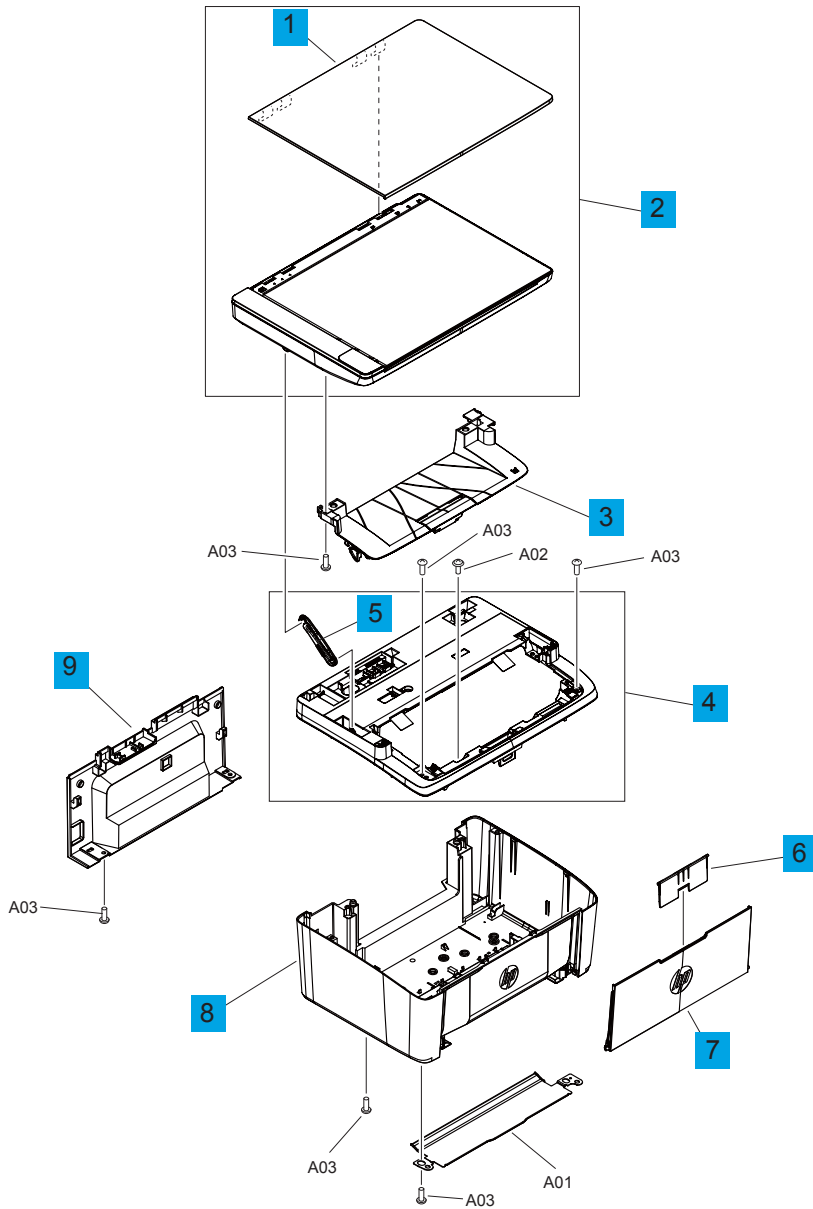


**Table 2-7 Covers (M14-M17)**

| Ref | Description                                       | Part number    | Qty |
|-----|---|----------------|-----|
| 1   | Cartridge door assembly (base model; M14-M17)     | RM2-2118-000CN | 1   |
| 1   | Cartridge door assembly (wireless model; M14-M17) | RM2-2119-000CN | 1   |
| 2   | Control panel (base model; M14-M17)               | RM2-2125-000CN | 1   |
| 2   | Control panel (wireless model; M14-M17)           | RM2-2126-000CN | 1   |
| 3   | Tray, extension (M14-M17)                         | RC5-4247-000CN | 1   |
| 4   | Tray, paper pickup (base model; M14-M17)          | RL2-2589-000CN | 1   |
| 4   | Tray, paper pickup (wireless model; M14-M17)      | RL2-2590-000CN | 1   |
| 4   | Tray, paper pickup (base EM model; M14-M17)       | RL2-2591-000CN | 1   |
| 4   | Tray, paper pickup (wireless EM model; M14-M17)   | RL2-2592-000CN | 1   |
| 4   | Bottom cover assembly (base model; M14-M17)       | RM2-2105-000CN | 1   |
| 4   | Bottom cover assembly (wireless model; M14-M17)   | RM2-2104-000CN | 1   |
| 5   | Cover, formatter (M14-M17)                        | RC5-4239-000CN | 1   |

# Covers (MFP M28-M31)

Figure 2-7 Covers (MFP M28-M31)



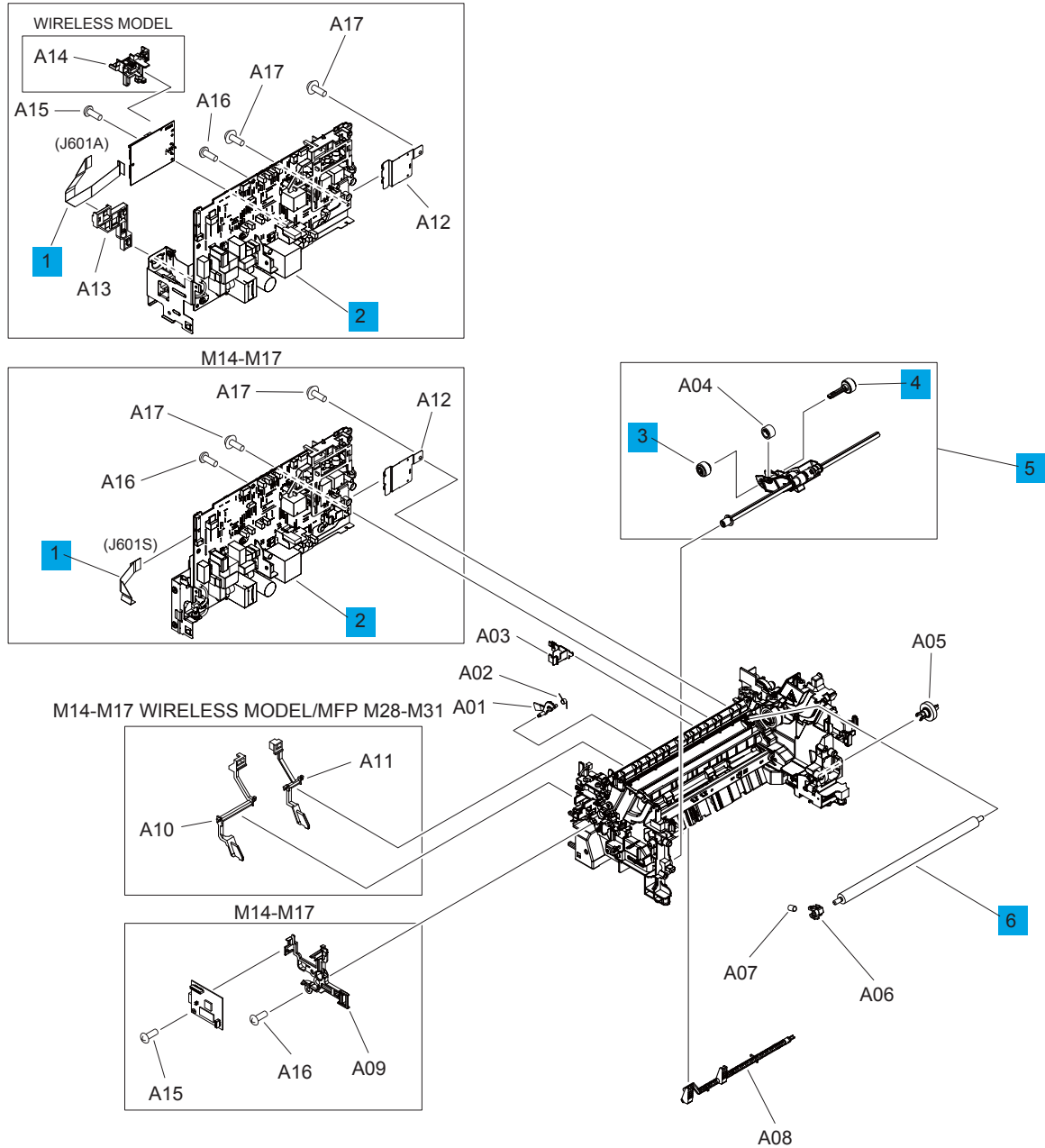
**Table 2-8 Covers (MFP M28-M31)**

| Ref | Description  | Part number     | Qty |
|-----|--|-----------------|-----|
| 1   | Document lid assembly (MFP M28-M31)                  | RM2-2136-000CN  | 1   |
| 2   | Image scanner assembly (base model; MFP M28-M31)     | RM2-2133-000CN  | 1   |
| 2   | Image scanner assembly (wireless model; MFP M28-M31) | RM2-2134-000CN  | 1   |
| 2   | Image scanner assembly (EM model; MFP M28-M31)       | RM2-2135-000CN  | 1   |
| 3   | Cartridge door assembly (MFP M28-M31)                | RM2-2515-000CN  | 1   |
| 4   | Cover, top assembly (MFP M28-M31)                    | RM2-2122-000CN  | 1   |
| 5   | Link, hinge (MFP M28-M31)                            | RC52-4941-000CN | 1   |
| 6   | Tray, extension (MFP M28-M31)                        | RC5-4247-000CN  |     |
| 7   | Tray, paper pickup (base model; MFP M28-M31)         | RL2-2594-000CN  | 1   |
| 7   | Tray, paper pickup (wireless model; MFP M28-M31)     | RL2-2595-000CN  | 1   |
| 7   | Tray, paper pickup (base EM model; MFP M28-M31)      | RL2-2596-000CN  | 1   |
| 7   | Tray, paper pickup (wireless EM model; MFP M28-M31)  | RL2-2597-000CN  | 1   |
| 8   | Bottom cover assembly (MFP M28-M31)                  | RM2-2103-000CN  | 1   |
| 9   | Cover, formatter (MFP M28-M31)                       | RC5-4186-000CN  | 1   |

# Internal components

## Internal components (1 of 2)

Figure 2-8 Internal components (1 of 2)  
MFP M28-M31



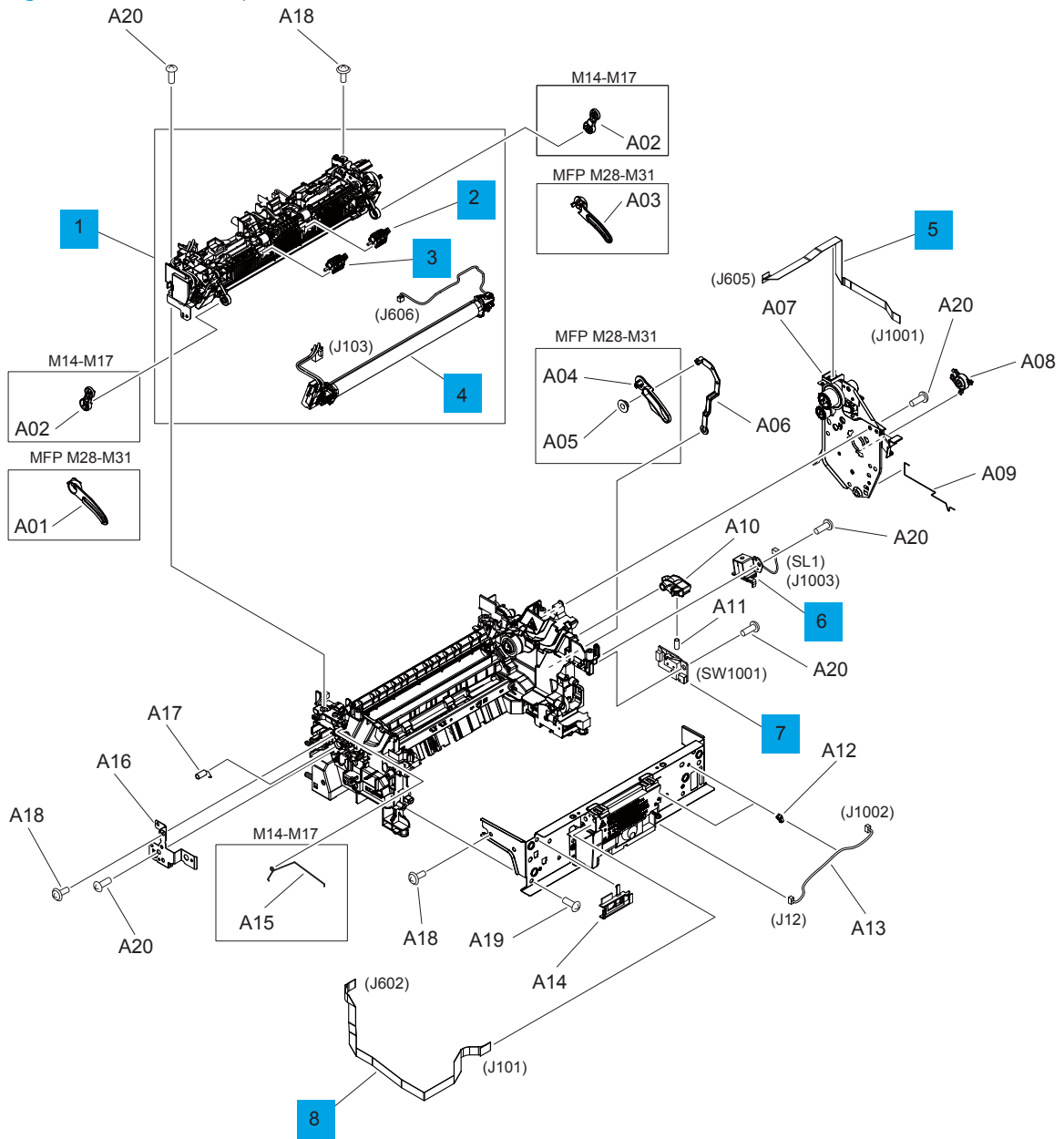
**Table 2-9 Internal components (1 of 2)<sup>1</sup>**

| Ref       | Description   | Part number    | Qty |
|-----------|---|----------------|-----|
| 1         | Cable, flat flexible (M14-M17)                              | RM3-7434-000CN | 1   |
| 1         | Cable, flat flexible (MFP M28-M31)                          | RM3-7435-000CN | 1   |
| 2         | Engine controller PCA (base model; M14-M17) 220-240V        | RM3-7388-000CN | 1   |
| 2         | Engine controller PCA (base EM model; M14-M17) 220-240V     | RM3-7389-000CN | 1   |
| 2         | Engine controller PCA (wireless model; M14-M17) 110-127V    | RM3-7390-000CN | 1   |
| 2         | Engine controller PCA (wireless model; M14-M17) 220-240V    | RM3-7391-000CN | 1   |
| 2         | Engine controller PCA (wireless EM model; M14-M17) 220-240V | RM3-7392-000CN | 1   |
| 2         | Engine controller PCA (MFP M28-M31) 110-127V                | RM3-7396-000CN | 1   |
| 2         | Engine controller PCA (MFP M28-M31) 220-240V                | RM3-7397-000CN | 1   |
| 2         | Engine controller PCA (EM model; MFP M28-M31) 220-240V      | RM3-7398-000CN | 1   |
| 3         | Roller, paper pickup left                                   | RM2-2516-000CN | 1   |
| 4         | Roller, paper pickup right                                  | RM2-2517-000CN | 1   |
| 5         | Roller arm, pickup  | RM2-2106-000CN |     |
| 6         | Roller, transfer  | RM1-4023-000CN | 1   |
| Not shown | Formatter PCA (base model; M14-M17)                         | W2G50-60001    | 1   |
| Not shown | Formatter PCA (wireless model; M14-M17)                     | W2G51-60001    | 1   |
| Not shown | Formatter PCA (base model; MFP M28-M31)                     | W2G54-60001    | 1   |
| Not shown | Formatter PCA (wireless model; MFP M28-M31)                 | W2G54-60001    | 1   |
| Not shown | Wireless PCA  | 1150-7969      | 1   |

<sup>1</sup> Some assemblies are common between the M14-M17 and the MFP M28-M31 printers. Make sure that the correct part number is used to order assemblies.

## Internal components (2 of 2)

Figure 2-9 Internal components (2 of 2)



**Table 2-10 Internal components (2 of 2)**

| Ref | Description                             | Part number    | Qty |
|-----|---|----------------|-----|
| 1   | Fixing (fuser) assembly (110-127V)      | RM2-2131-000CN | 1   |
| 1   | Fixing (fuser) assembly (220-240V)      | RM2-2107-000CN | 1   |
| 2   | Roller, right holder assembly           | RM2-2616-000CN | 1   |
| 3   | Roller, left holder assembly            | RM2-2617-000CN | 1   |
| 4   | Fixing (fuser) film assembly (110-127V) | RM2-2132-000CN | 1   |
| 4   | Fixing (fuser) film assembly (220-240V) | RM2-2130-000CN | 1   |
| 5   | Cable, flat flexible                    | RM3-7431-000CN | 1   |
| 6   | Solenoid                                | RK2-9869-000CN | 1   |
| 7   | Door switch PCA                         | RM3-7169-000CN | 1   |
| 8   | Cable, flat flexible                    | RM3-7430-000CN | 1   |

# Alphabetical parts list

**Table 2-11 Alphabetical parts list**

| Description   | Part number    | Table and page   |
|---|----------------|--|
| Bottom cover assembly (base model; M14-M17)                 | RM2-2105-000CN | <a href="#">Covers (M14-M17) on page 339</a>                         |
| Bottom cover assembly (MFP M28-M31)                         | RM2-2103-000CN | <a href="#">Covers (MFP M28-M31) on page 341</a>                     |
| Bottom cover assembly (wireless model; M14-M17)             | RM2-2104-000CN | <a href="#">Covers (M14-M17) on page 339</a>                         |
| Cable, flat flexible  | RM3-7431-000CN | <a href="#">Internal components (2 of 2) on page 345</a>             |
| Cable, flat flexible  | RM3-7430-000CN | <a href="#">Internal components (2 of 2) on page 345</a>             |
| Cable, flat flexible (M14-M17)                              | RM3-7434-000CN | <a href="#">Internal components (1 of 2)<sup>1</sup> on page 343</a> |
| Cable, flat flexible (MFP M28-M31)                          | RM3-7435-000CN | <a href="#">Internal components (1 of 2)<sup>1</sup> on page 343</a> |
| Cartridge door assembly (base model; M14-M17)               | RM2-2118-000CN | <a href="#">Covers (M14-M17) on page 339</a>                         |
| Cartridge door assembly (MFP M28-M31)                       | RM2-2515-000CN | <a href="#">Covers (MFP M28-M31) on page 341</a>                     |
| Cartridge door assembly (wireless model; M14-M17)           | RM2-2119-000CN | <a href="#">Covers (M14-M17) on page 339</a>                         |
| Control panel (base model; M14-M17)                         | RM2-2125-000CN | <a href="#">Covers (M14-M17) on page 339</a>                         |
| Control panel (wireless model; M14-M17)                     | RM2-2126-000CN | <a href="#">Covers (M14-M17) on page 339</a>                         |
| Cover, formatter (M14-M17)                                  | RC5-4239-000CN | <a href="#">Covers (M14-M17) on page 339</a>                         |
| Cover, formatter (MFP M28-M31)                              | RC5-4186-000CN | <a href="#">Covers (MFP M28-M31) on page 341</a>                     |
| Cover, top assembly (MFP M28-M31)                           | RM2-2122-000CN | <a href="#">Covers (MFP M28-M31) on page 341</a>                     |
| Document lid assembly (MFP M28-M31)                         | RM2-2136-000CN | <a href="#">Covers (MFP M28-M31) on page 341</a>                     |
| Door switch PCA   | RM3-7169-000CN | <a href="#">Internal components (2 of 2) on page 345</a>             |
| Engine controller PCA (base EM model; M14-M17) 220-240V     | RM3-7389-000CN | <a href="#">Internal components (1 of 2)<sup>1</sup> on page 343</a> |
| Engine controller PCA (base model; M14-M17) 220-240V        | RM3-7388-000CN | <a href="#">Internal components (1 of 2)<sup>1</sup> on page 343</a> |
| Engine controller PCA (EM model; MFP M28-M31) 220-240V      | RM3-7398-000CN | <a href="#">Internal components (1 of 2)<sup>1</sup> on page 343</a> |
| Engine controller PCA (MFP M28-M31) 110-127V                | RM3-7396-000CN | <a href="#">Internal components (1 of 2)<sup>1</sup> on page 343</a> |
| Engine controller PCA (MFP M28-M31) 220-240V                | RM3-7397-000CN | <a href="#">Internal components (1 of 2)<sup>1</sup> on page 343</a> |
| Engine controller PCA (wireless EM model; M14-M17) 220-240V | RM3-7392-000CN | <a href="#">Internal components (1 of 2)<sup>1</sup> on page 343</a> |



**Table 2-11 Alphabetical parts list (continued)**

| Description  | Part number     | Table and page   |
|--|-----------------|--|
| Engine controller PCA (wireless model; M14-M17) 110-127V | RM3-7390-000CN  | <a href="#">Internal components (1 of 2)<sup>1</sup> on page 343</a> |
| Engine controller PCA (wireless model; M14-M17) 220-240V | RM3-7391-000CN  | <a href="#">Internal components (1 of 2)<sup>1</sup> on page 343</a> |
| Fixing (fuser) assembly (110-127V)                       | RM2-2131-000CN  | <a href="#">Internal components (2 of 2) on page 345</a>             |
| Fixing (fuser) assembly (220-240V)                       | RM2-2107-000CN  | <a href="#">Internal components (2 of 2) on page 345</a>             |
| Fixing (fuser) film assembly (110-127V)                  | RM2-2132-000CN  | <a href="#">Internal components (2 of 2) on page 345</a>             |
| Fixing (fuser) film assembly (220-240V)                  | RM2-2130-000CN  | <a href="#">Internal components (2 of 2) on page 345</a>             |
| Formatter PCA (base model; M14-M17)                      | W2G50-60001     | <a href="#">Internal components (1 of 2)<sup>1</sup> on page 343</a> |
| Formatter PCA (base model; MFP M28-M31)                  | W2G54-60001     | <a href="#">Internal components (1 of 2)<sup>1</sup> on page 343</a> |
| Formatter PCA (wireless model; M14-M17)                  | W2G51-60001     | <a href="#">Internal components (1 of 2)<sup>1</sup> on page 343</a> |
| Formatter PCA (wireless model; MFP M28-M31)              | W2G54-60001     | <a href="#">Internal components (1 of 2)<sup>1</sup> on page 343</a> |
| Image scanner assembly (base model; MFP M28-M31)         | RM2-2133-000CN  | <a href="#">Covers (MFP M28-M31) on page 341</a>                     |
| Image scanner assembly (EM model; MFP M28-M31)           | RM2-2135-000CN  | <a href="#">Covers (MFP M28-M31) on page 341</a>                     |
| Image scanner assembly (wireless model; MFP M28-M31)     | RM2-2134-000CN  | <a href="#">Covers (MFP M28-M31) on page 341</a>                     |
| Link, hinge (MFP M28-M31)                                | RC52-4941-000CN | <a href="#">Covers (MFP M28-M31) on page 341</a>                     |
| Roller arm, pickup                                       | RM2-2106-000CN  | <a href="#">Internal components (1 of 2)<sup>1</sup> on page 343</a> |
| Roller, left holder assembly                             | RM2-2617-000CN  | <a href="#">Internal components (2 of 2) on page 345</a>             |
| Roller, paper pickup left                                | RM2-2516-000CN  | <a href="#">Internal components (1 of 2)<sup>1</sup> on page 343</a> |
| Roller, paper pickup right                               | RM2-2517-000CN  | <a href="#">Internal components (1 of 2)<sup>1</sup> on page 343</a> |
| Roller, right holder assembly                            | RM2-2616-000CN  | <a href="#">Internal components (2 of 2) on page 345</a>             |
| Roller, transfer   | RM1-4023-000CN  | <a href="#">Internal components (1 of 2)<sup>1</sup> on page 343</a> |
| Solenoid   | RK2-9869-000CN  | <a href="#">Internal components (2 of 2) on page 345</a>             |
| Tray, extension (M14-M17)                                | RC5-4247-000CN  | <a href="#">Covers (M14-M17) on page 339</a>                         |

**Table 2-11** Alphabetical parts list (continued)

| Description   | Part number    | Table and page   |
|---|----------------|--|
| Tray, extension (MFP M28-M31)                       | RC5-4247-000CN | <a href="#">Covers (MFP M28-M31) on page 341</a>                     |
| Tray, paper pickup (base EM model; M14-M17)         | RL2-2591-000CN | <a href="#">Covers (M14-M17) on page 339</a>                         |
| Tray, paper pickup (base EM model; MFP M28-M31)     | RL2-2596-000CN | <a href="#">Covers (MFP M28-M31) on page 341</a>                     |
| Tray, paper pickup (base model; M14-M17)            | RL2-2589-000CN | <a href="#">Covers (M14-M17) on page 339</a>                         |
| Tray, paper pickup (base model; MFP M28-M31)        | RL2-2594-000CN | <a href="#">Covers (MFP M28-M31) on page 341</a>                     |
| Tray, paper pickup (wireless EM model; M14-M17)     | RL2-2592-000CN | <a href="#">Covers (M14-M17) on page 339</a>                         |
| Tray, paper pickup (wireless EM model; MFP M28-M31) | RL2-2597-000CN | <a href="#">Covers (MFP M28-M31) on page 341</a>                     |
| Tray, paper pickup (wireless model; M14-M17)        | RL2-2590-000CN | <a href="#">Covers (M14-M17) on page 339</a>                         |
| Tray, paper pickup (wireless model; MFP M28-M31)    | RL2-2595-000CN | <a href="#">Covers (MFP M28-M31) on page 341</a>                     |
| Wireless PCA  | 1150-7969      | <a href="#">Internal components (1 of 2)<sup>1</sup> on page 343</a> |

# Numerical parts list

**Table 2-12 Numerical parts list**

| Part number     | Description   | Table and page   |
|-----------------|---|--|
| 1150-7969       | Wireless PCA  | <a href="#">Internal components (1 of 2)<sup>1</sup> on page 343</a> |
| RC5-4186-000CN  | Cover, formatter (MFP M28-M31)                      | <a href="#">Covers (MFP M28-M31) on page 341</a>                     |
| RC5-4239-000CN  | Cover, formatter (M14-M17)                          | <a href="#">Covers (M14-M17) on page 339</a>                         |
| RC5-4247-000CN  | Tray, extension (M14-M17)                           | <a href="#">Covers (M14-M17) on page 339</a>                         |
| RC5-4247-000CN  | Tray, extension (MFP M28-M31)                       | <a href="#">Covers (MFP M28-M31) on page 341</a>                     |
| RC52-4941-000CN | Link, hinge (MFP M28-M31)                           | <a href="#">Covers (MFP M28-M31) on page 341</a>                     |
| RK2-9869-000CN  | Solenoid  | <a href="#">Internal components (2 of 2) on page 345</a>             |
| RL2-2589-000CN  | Tray, paper pickup (base model; M14-M17)            | <a href="#">Covers (M14-M17) on page 339</a>                         |
| RL2-2590-000CN  | Tray, paper pickup (wireless model; M14-M17)        | <a href="#">Covers (M14-M17) on page 339</a>                         |
| RL2-2591-000CN  | Tray, paper pickup (base EM model; M14-M17)         | <a href="#">Covers (M14-M17) on page 339</a>                         |
| RL2-2592-000CN  | Tray, paper pickup (wireless EM model; M14-M17)     | <a href="#">Covers (M14-M17) on page 339</a>                         |
| RL2-2594-000CN  | Tray, paper pickup (base model; MFP M28-M31)        | <a href="#">Covers (MFP M28-M31) on page 341</a>                     |
| RL2-2595-000CN  | Tray, paper pickup (wireless model; MFP M28-M31)    | <a href="#">Covers (MFP M28-M31) on page 341</a>                     |
| RL2-2596-000CN  | Tray, paper pickup (base EM model; MFP M28-M31)     | <a href="#">Covers (MFP M28-M31) on page 341</a>                     |
| RL2-2597-000CN  | Tray, paper pickup (wireless EM model; MFP M28-M31) | <a href="#">Covers (MFP M28-M31) on page 341</a>                     |
| RM1-4023-000CN  | Roller, transfer                                    | <a href="#">Internal components (1 of 2)<sup>1</sup> on page 343</a> |
| RM2-2103-000CN  | Bottom cover assembly (MFP M28-M31)                 | <a href="#">Covers (MFP M28-M31) on page 341</a>                     |
| RM2-2104-000CN  | Bottom cover assembly (wireless model; M14-M17)     | <a href="#">Covers (M14-M17) on page 339</a>                         |
| RM2-2105-000CN  | Bottom cover assembly (base model; M14-M17)         | <a href="#">Covers (M14-M17) on page 339</a>                         |
| RM2-2106-000CN  | Roller arm, pickup                                  | <a href="#">Internal components (1 of 2)<sup>1</sup> on page 343</a> |
| RM2-2107-000CN  | Fixing (fuser) assembly (220-240V)                  | <a href="#">Internal components (2 of 2) on page 345</a>             |
| RM2-2118-000CN  | Cartridge door assembly (base model; M14-M17)       | <a href="#">Covers (M14-M17) on page 339</a>                         |
| RM2-2119-000CN  | Cartridge door assembly (wireless model; M14-M17)   | <a href="#">Covers (M14-M17) on page 339</a>                         |
| RM2-2122-000CN  | Cover, top assembly (MFP M28-M31)                   | <a href="#">Covers (MFP M28-M31) on page 341</a>                     |

**Table 2-12 Numerical parts list (continued)**

| Part number    | Description   | Table and page   |
|----------------|---|--|
| RM2-2125-000CN | Control panel (base model; M14-M17)                         | <a href="#">Covers (M14-M17) on page 339</a>                         |
| RM2-2126-000CN | Control panel (wireless model; M14-M17)                     | <a href="#">Covers (M14-M17) on page 339</a>                         |
| RM2-2130-000CN | Fixing (fuser) film assembly (220-240V)                     | <a href="#">Internal components (2 of 2) on page 345</a>             |
| RM2-2131-000CN | Fixing (fuser) assembly (110-127V)                          | <a href="#">Internal components (2 of 2) on page 345</a>             |
| RM2-2132-000CN | Fixing (fuser) film assembly (110-127V)                     | <a href="#">Internal components (2 of 2) on page 345</a>             |
| RM2-2133-000CN | Image scanner assembly (base model; MFP M28-M31)            | <a href="#">Covers (MFP M28-M31) on page 341</a>                     |
| RM2-2134-000CN | Image scanner assembly (wireless model; MFP M28-M31)        | <a href="#">Covers (MFP M28-M31) on page 341</a>                     |
| RM2-2135-000CN | Image scanner assembly (EM model; MFP M28-M31)              | <a href="#">Covers (MFP M28-M31) on page 341</a>                     |
| RM2-2136-000CN | Document lid assembly (MFP M28-M31)                         | <a href="#">Covers (MFP M28-M31) on page 341</a>                     |
| RM2-2515-000CN | Cartridge door assembly (MFP M28-M31)                       | <a href="#">Covers (MFP M28-M31) on page 341</a>                     |
| RM2-2516-000CN | Roller, paper pickup left                                   | <a href="#">Internal components (1 of 2)<sup>1</sup> on page 343</a> |
| RM2-2517-000CN | Roller, paper pickup right                                  | <a href="#">Internal components (1 of 2)<sup>1</sup> on page 343</a> |
| RM2-2616-000CN | Roller, right holder assembly                               | <a href="#">Internal components (2 of 2) on page 345</a>             |
| RM2-2617-000CN | Roller, left holder assembly                                | <a href="#">Internal components (2 of 2) on page 345</a>             |
| RM3-7169-000CN | Door switch PCA   | <a href="#">Internal components (2 of 2) on page 345</a>             |
| RM3-7388-000CN | Engine controller PCA (base model; M14-M17) 220-240V        | <a href="#">Internal components (1 of 2)<sup>1</sup> on page 343</a> |
| RM3-7389-000CN | Engine controller PCA (base EM model; M14-M17) 220-240V     | <a href="#">Internal components (1 of 2)<sup>1</sup> on page 343</a> |
| RM3-7390-000CN | Engine controller PCA (wireless model; M14-M17) 110-127V    | <a href="#">Internal components (1 of 2)<sup>1</sup> on page 343</a> |
| RM3-7391-000CN | Engine controller PCA (wireless model; M14-M17) 220-240V    | <a href="#">Internal components (1 of 2)<sup>1</sup> on page 343</a> |
| RM3-7392-000CN | Engine controller PCA (wireless EM model; M14-M17) 220-240V | <a href="#">Internal components (1 of 2)<sup>1</sup> on page 343</a> |
| RM3-7396-000CN | Engine controller PCA (MFP M28-M31) 110-127V                | <a href="#">Internal components (1 of 2)<sup>1</sup> on page 343</a> |
| RM3-7397-000CN | Engine controller PCA (MFP M28-M31) 220-240V                | <a href="#">Internal components (1 of 2)<sup>1</sup> on page 343</a> |

**Table 2-12 Numerical parts list (continued)**

| Part number    | Description  | Table and page   |
|----------------|--|--|
| RM3-7398-000CN | Engine controller PCA (EM model; MFP M28-M31) 220-240V | <a href="#">Internal components (1 of 2)<sup>1</sup><br/>on page 343</a> |
| RM3-7430-000CN | Cable, flat flexible                                   | <a href="#">Internal components (2 of 2)<br/>on page 345</a>             |
| RM3-7431-000CN | Cable, flat flexible                                   | <a href="#">Internal components (2 of 2)<br/>on page 345</a>             |
| RM3-7434-000CN | Cable, flat flexible (M14-M17)                         | <a href="#">Internal components (1 of 2)<sup>1</sup><br/>on page 343</a> |
| RM3-7435-000CN | Cable, flat flexible (MFP M28-M31)                     | <a href="#">Internal components (1 of 2)<sup>1</sup><br/>on page 343</a> |
| W2G50-60001    | Formatter PCA (base model; M14-M17)                    | <a href="#">Internal components (1 of 2)<sup>1</sup><br/>on page 343</a> |
| W2G51-60001    | Formatter PCA (wireless model; M14-M17)                | <a href="#">Internal components (1 of 2)<sup>1</sup><br/>on page 343</a> |
| W2G54-60001    | Formatter PCA (base model; MFP M28-M31)                | <a href="#">Internal components (1 of 2)<sup>1</sup><br/>on page 343</a> |
| W2G54-60001    | Formatter PCA (wireless model; MFP M28-M31)            | <a href="#">Internal components (1 of 2)<sup>1</sup><br/>on page 343</a> |



# Index

## A

- accessories
  - part numbers 10
- after-service checklist 7

## C

- cartridge (M14-M17)
  - toner, remove and replace 12
- cartridge (M28-M31)
  - toner, remove and replace 16
- cartridge door (M14-M17)
  - removing and replacing 25
- cartridge door (M14-M17), removing and replacing 25
- cartridge door (MFP M28-M31)
  - removing and replacing 46
- cartridge door (MFP M28-M31), removing and replacing 46
- cartridge door assembly
  - locating 331
- cartridge door assembly (M14-M17)
  - locating 331
- cartridges
  - ordering 334
  - part numbers 334
- cautions iii
- Channel partners support
  - HP Channel Services Network (CSN) v, 2, 330
- checklists
  - preservice 6
- control panel (M14-M17)
  - locating 331
  - removing and replacing 90
- control panel (M14-M17), removing and replacing 90
- conventions, document iii
- copy quality
  - test 7

- covers
  - parts lists and diagrams 338

## D

- document conventions iii
- document lid (M28-M31)
  - removing and replacing 32
- document lid (M28-M31), removing and replacing 32
- door switch and flat flexible cable
  - removing and replacing 276
- door switch and flat flexible cable, removing and replacing 276
- door switch assembly
  - locating 333

## E

- electrostatic discharge (ESD) 4
- engine controller assembly
  - locating 333
- engine controller assembly (M14-M17)
  - removing and replacing 249
- engine controller assembly (M14-M17), removing and replacing 249
- engine controller assembly (MFP M28-M31)
  - removing and replacing 262
- engine controller assembly (MFP M28-M31), removing and replacing 262
- ESD electrostatic discharge (ESD) 4
- external panels, doors, and covers
  - locating 331

## F

- FFC (door switch)
  - removing and replacing 276
- FFC (laser scanner), removing and replacing 142

- field-replaceable units (FRUs)
  - replacing 3
- film, fuser (M14-M17)
  - removing and replacing 207
- film, fuser (MFP M28-M31)
  - removing and replacing 229
- formatter (M14-M17)
  - removing and replacing 161
- formatter (M14-M17), removing and replacing 161
- formatter (MFP M28-M31)
  - removing and replacing 172
- formatter (MFP M28-M31), removing and replacing 172
- formatter cover (M14-M17)
  - removing and replacing 35
- formatter cover (M14-M17), removing and replacing 35
- formatter cover (M28-M31)
  - locating 331
- formatter cover (MFP M28-M31)
  - removing and replacing 43
- formatter cover (MFP M28-M31), removing and replacing 43
- formatter PCA
  - locating 333
- FRUs (field-replaceable units)
  - replacing 3
- fuser
  - locating 332
- fuser (M14-M17)
  - removing and replacing 175
- fuser (M14-M17), removing and replacing 175
- fuser (MFP M28-M31)
  - removing and replacing 192
- fuser (MFP M28-M31), removing and replacing 192

fuser film assembly (M14-M17),  
removing and replacing 207  
fuser film assembly (MFP M28-M31),  
removing and replacing 229

## H

hinge link (M28-M31)  
removing and replacing 139  
hinge link (M28-M31), removing and  
replacing 139  
HP Channel Services Network (CSN)  
Channel partners support v, 2,  
330

## I

image scanner (MFP M28-M31)  
removing and replacing 54  
image scanner (MFP M28-M31),  
removing and replacing 54  
image scanner (MFP M28-M31)  
locating 332  
installation  
replacing parts 5  
screws 5  
internal components  
parts lists and diagrams 342

## L

laser scanner  
removing and replacing 142  
warnings for servicing 3  
laser scanner assembly  
locating 332  
laser scanner, removing and  
replacing 142  
locating  
external panels, doors, and  
covers 331  
main assemblies 332  
main parts 332  
PCA 333  
lower cover (M14-M17)  
removing and replacing 61  
lower cover (M14-M17), removing and  
replacing 61  
lower cover (MFP M28-M31)  
removing and replacing 71  
lower cover (MFP M28-M31), removing  
and replacing 71  
lower cover assembly (M14-M17)  
locating 331

lower cover assembly (M28-M31)  
locating 331

## M

main assemblies  
locating 332  
main parts  
locating 332  
maintenance kits  
part numbers 334

## N

notes iii

## O

order  
parts, accessories, and supplies  
334  
ordering  
toner cartridges and accessories  
334  
ordering parts  
authorized service providers 8

## P

part numbers 10  
accessories 10  
replacement parts 334  
staple cartridges 334  
supplies 10, 334  
toner cartridge 334  
toner cartridges 334  
parts  
ordering 8  
parts lists and diagrams 329  
covers 338  
internal components 342  
using 336  
PCA  
locating 333  
pickup roller  
locating 332  
pickup roller arm (M14-M17),  
removing and replacing 106  
pickup roller arm (M28-M31),  
removing and replacing 122  
pickup rollers, removing and  
replacing 101  
Pickup solenoid  
removing and replacing 295

Pickup solenoid, removing and  
replacing 295  
post-service tests 7  
preservice checklist 6  
print quality  
test 7

## R

removal strategy  
removing and replacing 3  
removing and replacing  
cartridge door (M14-M17) 25  
cartridge door (MFP M28-M31)  
46  
control panel (M14-M17) 90  
document lid (M28-M31) 32  
door switch and flat flexible  
cable 276  
engine controller assembly (M14-  
M17) 249  
engine controller assembly (MFP  
M28-M31) 262  
formatter (M14-M17) 161  
formatter (MFP M28-M31) 172  
formatter cover (M14-M17) 35  
formatter cover (MFP M28-M31)  
43  
fuser (M14-M17) 175  
fuser (MFP M28-M31) 192  
fuser film assembly (M14-M17)  
207  
fuser film assembly (MFP M28-  
M31) 229  
hinge link (M28-M31) 139  
image scanner (MFP M28-M31)  
54  
laser scanner 142  
lower cover (M14-M17) 61  
lower cover (MFP M28-M31) 71  
pickup roller arm (M14-M17) 106  
pickup roller arm (M28-M31) 122  
pickup rollers 101  
pickup solenoid 295  
top cover (MFP M28-M31) 81  
transfer roller 136  
Tray 1 22  
wireless PCA (M14-M17) 314  
wireless PCA (MFP M28-M31)  
325



- removing parts
  - after-service checklist 7
  - checklists 6
  - tools, required 5
- replacement parts
  - part numbers 334
- replacing
  - parts 3
- replacing parts
  - about 3
  - after-service checklist 7
  - screws 5
  - tools, required 5
- roller arm, pickup (M14-M17)
  - removing and replacing 106
- roller arm, pickup (M28-M31)
  - removing and replacing 122
- roller, transfer
  - removing and replacing 136
- rollers, pickup
  - removing and replacing 101

## S

- screwdrivers, required 5
- screws
  - installing 5
  - replacing 4
  - types of 5
- service and support information 10, 335
  - WISE and CSN v, 2, 330
- service approach
  - removing and replacing 6
- service providers
  - order parts 8
- staple cartridges
  - part numbers 334
- static, precautions for 4
- supplies
  - part numbers 10, 334

## T

- tests
  - post-service 7
  - print quality, copy quality, other (repair specific) 7
  - print-quality 7
- tips iii
- toner cartridge
  - part numbers 334

- toner cartridge (M14-M17), removing and replacing 12
- toner cartridge (M28-M31), removing and replacing 16
- toner cartridges
  - ordering 334
  - part numbers 10, 334
- tools, required 5
- top cover (MFP M28-M31)
  - removing and replacing 81
- top cover (MFP M28-M31), removing and replacing 81
- top cover assembly (M28-M31)
  - locating 331
- transfer roller
  - locating 332
- transfer roller, removing and replacing 136
- Tray 1
  - removing and replacing 22
- Tray 1 (M14-M17)
  - locating 331
- Tray 1 (M28-M31)
  - locating 331
- Tray 1, removing and replacing 22

## W

- warnings iii
- Web-based Interactive Search Engine
  - WISE v, 2, 330
- wireless PCA (M14-M17)
  - removing and replacing 314
- wireless PCA (M14-M17), removing and replacing 314
- wireless PCA (MFP M28-M31)
  - removing and replacing 325
- wireless PCA (MFP M28-M31), removing and replacing 325
- WISE
  - Web-based Interactive Search Engine v, 2, 330

